



MATERIAL HANDLING PRODUCTS



One Million Square Feet
of Production Facilities



Bendi®

B40AC-HL

B40AC-DR

B50AC-HL

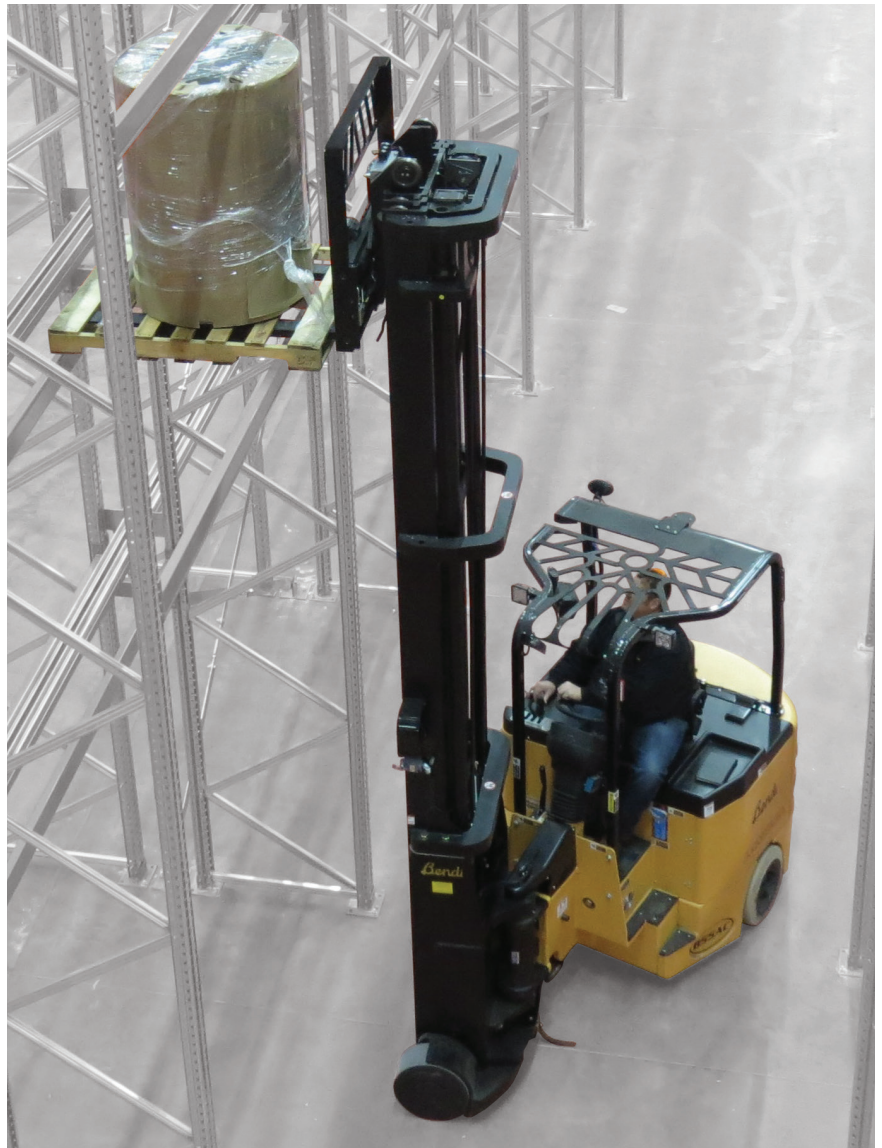
B50AC-DR

ANYTHING ELSE is a **WASTE** of **SPACE!**

Bendi®

STANDARD FEATURES

- 4,400 lb. (1,996kg) and 5,000 lb. (2,268kg) Capacity at 24" (610mm) Load Center
- Lift Heights to 492" (12.5M)
- Four-Wheel Design, Dual Rear Wheel Drive
- High Visibility 3-Stage Mast
- Integral 11.2" (285mm) Stroke Side Shifter and 36" (914mm) High Load Backrest
- Adjustable Seat and Steering Wheel
- AC Traction and Hydraulic Controller with Lift Interrupt
- Electronic Regenerative and Hydraulic Disc Braking
- "Floating" Articulated Front Axle
- 180° Front-End DuraSteer™ Articulation / Steering Assembly with 5-Year Warranty
- Safety Seat Switch, Seat Belt and Rear View Mirror
- Full Diagnostic Interactive Color Display with Battery Discharge Indicator and Hour Meter
- Hand Actuated Parking Brake
- Non Tilting Rigid Mounted Mast
- Carriage Tilt 0° Forward / 3° Backward
- Smooth Rubber Drive Tires
- Soft Polyurethane Load Wheel Tires
- 40" (1,000mm) Tapered Tip Forks - Rear Tow Hitch Pin
- Three Section Hydraulic Control Valve
- 4-Post Heavy-Duty Overhead Guard, Meets ANSI B56.1



RECOMMENDED BATTERY

BATTERY FOR B40AC-HL

Battery Designation: 24-85-21, 48 Volt, 850 AHC (6 Hour Rate)

Nominal size: 32.75" x 38.125" x 22.63" (83 x 97 x 58cm)

Truck compartment size: 33.25" x 38.875" x 23" (84 x 99 x 59cm)

Battery Weight: Min 3,250 lbs. (1,477kg) - Max 3,400 lbs. (1,545kg)

Leads are at Position A, 12" Long, with SB 350 Amp Blue Connector

BATTERY FOR B50AC-HL

Battery Designation: 24-85-23, 48 Volt, 935 AHC (6 Hour Rate)

Nominal Size to 32.25" x 44.75" x 22.63" (82 x 114 x 58cm)

Truck Compartment size to 32.5" x 44.875" x 23" (83 x 114 x 59cm)

Battery Weight: Min. 3,500 lbs. (1,590kg) - Max. 4,000 lbs. (1,818kg)

Leads are at Position A, 12" Long, with SB 350 Amp Blue Connector

Landoll continuously improves products. We reserve the right to make any changes in illustrations, specifications, equipment, and prices without prior notice and without changes on previous models.

B40AC-HL / B50AC-HL

4-Wheel High Lift Electric Multi-Purpose VNA Articulated Forklift Truck

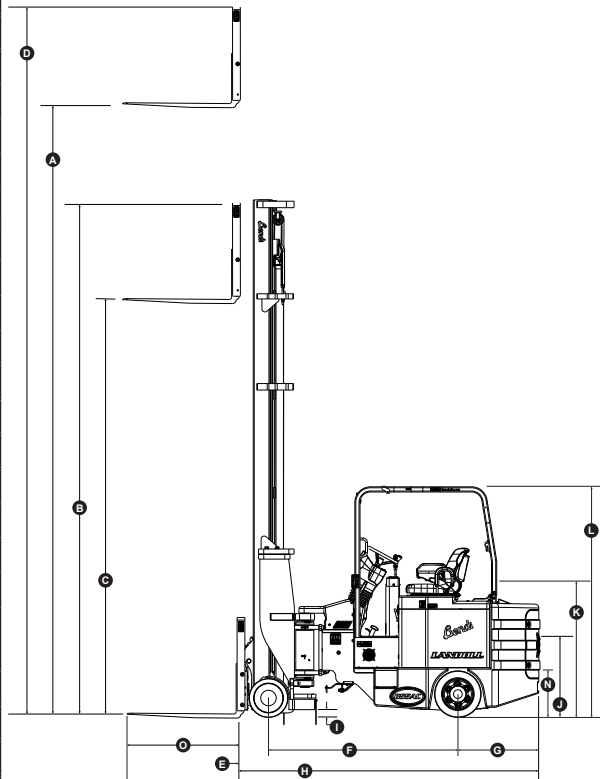
TECHNICAL DATA

MODEL			B40AC-HL	B50AC-HL
Capacity		lbs/kg	4,400 / 1,996	5,000 / 2,268
Load Center		in/mm	24 / 600	24 / 600
Power Source			Battery, Electric	Battery, Electric
Weight with Battery		lbs/kg	16,600 / 7,530	19,340 / 8,772
Travel Speed	Loaded	mph/kph	6.5 / 10.5	6.5 / 10.5
	Unloaded	mph/kph	7 / 11.3	7 / 11.3
Lift Speed	Loaded	fpm/mpm	90 / 27.4	90 / 27.4
	Unloaded	fpm/mpm	110 / 33.4	110 / 33.4
Lowering Speed	Loaded	fpm/mpm	100 / 30.5	100 / 30.5
	Unloaded	fpm/mpm	90 / 27.4	90 / 27.4
Fork Tilt	Fwd / Back	deg	0 / 3	0 / 3
Lost Load Center	E	in/mm	12 / 305	12.5 / 318
Wheelbase	F	in/mm	73.4 / 1,864	73 / 1,854
Rear Overhang	G	in/mm	28.6 / 726	31.5 / 800
Overall Length to Face of Forks	H	in/mm	114 / 2,896	117 / 2,972
Underclearance	I	in/mm	3 / 76	3 / 76
Cab Floor Height	J	in/mm	31.3 / 795	31.3 / 795
Seat Height	K	in/mm	52 / 1,321	52 / 1,321
Overhead Guard Height	L	in/mm	89 / 2,261	89 / 2,261
Chassis Width	M	in/mm	50 / 1,270	54 / 1,372
Battery Compartment Height	N	in/mm	19.24 / 489	19.24 / 489
Fork Length	O	in/mm	40 / 1,016	40 / 1,016
Front Articulation	P	deg	180	180
Front Axle Width		in/mm	42 / 1,067	44 / 1,118
Gradeability	Unloaded	%	15	15
	Loaded	%	15	15
Hydraulic Motor Rating	Continuous Duty	kW	12	12
Drive Motor Rating	Continuous Duty	kW	2 x 5.6 11.2 Total	2 x 7.5 15 Total
Wheel Sizes	Front (1 each)	in/mm	14x5 / 356x127	15x6 / 381x152
	Rear (2 each)	in/mm	18x7 / 457x178	18x9 / 457x229
Traction Control Type	Curtis		AC	AC
Hydraulic Control Type	Curtis		AC	AC

AISLE DIMENSIONS

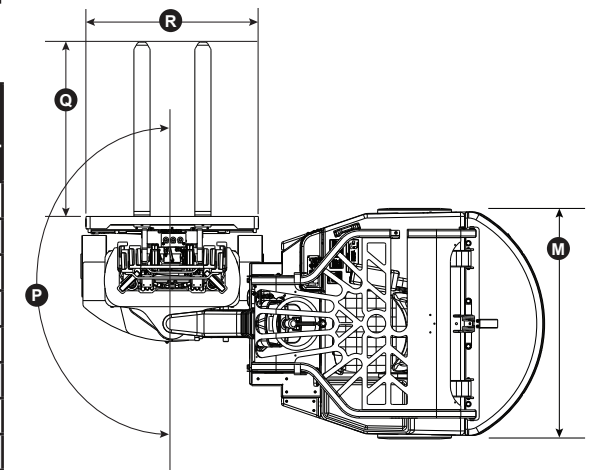
B40AC-HL	
LOAD DEPTH X WIDTH (Q x R)	MINIMUM CLEAR AISLE
40" x 48" (1,000 x 1,200mm)	70" (1,778mm)
48" x 40" (1,200 x 1,000mm)	78" (1,981mm)
Minimum Clear Transfer Aisle	111" (2,820mm)

B50AC-HL	
LOAD DEPTH X WIDTH (Q x R)	MINIMUM CLEAR AISLE
40" x 48" (1,000 x 1,200mm)	76" (1,930mm)
48" x 40" (1,200 x 1,000mm)	84" (2,134mm)
Minimum Clear Transfer Aisle	114" (2,896mm)



MAST DIMENSIONS

LIFT HEIGHT (A)		LOWERED HEIGHT (B)		FREE LIFT (C)		OVERALL HEIGHT (D)	
Inches	Meters	Inches	Meters	Inches	Meters	Inches	Meters
312	7.92	140	3.56	104	2.64	348	8.83
327	8.31	145	3.68	109	2.77	363	9.22
360	9.14	156	3.96	120	3.05	396	10.05
375	9.53	161	4.09	125	3.18	411	10.44
417	10.59	175	4.45	139	3.53	453	11.50
435	11.05	181	4.60	145	3.68	471	11.96
471	11.96	193	4.90	157	3.99	507	12.87
492	12.50	200	5.08	164	4.17	528	13.41



B40AC-HL / B50AC-HL

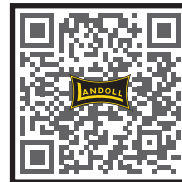
4-Wheel High Lift Electric Multi-Purpose VNA Articulated Forklift Truck



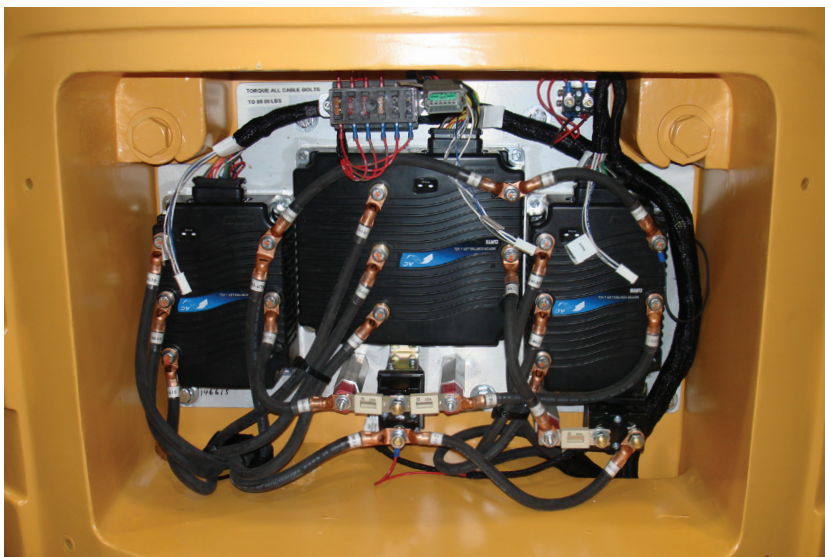
DuraSteer™ Front Wheel Steering
**Patent Rights Pending*

OPTIONAL FEATURES

- Non-Standard Fork Lengths
- Dual Overhead Guard-Mounted LED Headlights
- Dual Rear Safety LED Light Bars
- Safety Flashing LED Light
- Backup Alarm - Beeping Tone ("Smart" dB Adjusting)
- Blue Pedestrian Warning Spotlights
- Fire Extinguisher - OHG Post Mounted
- Roller / Slide-Out Battery Tray
- Lazer Fork Height Indicator
- Hydraulic Integral Fork Positioner
- Camera with Monitor in Operator's Compartment
- Cold Storage Conditioned to -22°F (-30°C)



Scan the QR Code
to Learn More!



Rear Controller Compartment and Counterweight



**Full Diagnostic Interactive Color Display
with Battery Discharge Indicator and
Hour Meter**

B40AC-DR / B50AC-DR

4-Wheel Electric Multi-Purpose Narrow Aisle Articulated Forklift Truck



STANDARD FEATURES

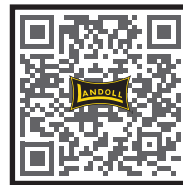
- Four-Wheel Design, Dual Rear Wheel Drive
- 8" (200mm) Stroke Integral Side Shifter
- 41" (1,041mm) Stroke Integral Pantograph Reach
- 52" (1,321mm) Reach From Face of Mast
- 37" (940mm) Wide Tilting and Side Shifting Fork Carriage
- Adjustable Seat and Steering Wheel
- Rotation via DuraSteer™ Actuator, with 5-Year Warranty on Articulation
- AC Traction and Hydraulic Controllers with Lift Interrupt
- Full Diagnostic Interactive Color Display with Battery Discharge Indicator and Hour Meter
- Hydraulic Disk Brakes
- "Floating" Articulated Front Axle
- One Parts and Operator's Manual Included
- Hand Actuated Parking Brake
- 36" (914mm) High Backrest
- High Visibility Mast
- 170° Rear View Mirror
- Safety Seat Switch and Seat Belt
- Fixed Mast with Carriage Tilt of 3° Fwd / 4° Rwd
- 48 Volt Electrical System
- Three Section Hydraulic Control Valve
- Smooth Rubber Drive Tires
- Soft Polyurethane Load Wheel Tires
- 40" Tapered Tip Forks - Rear Tow Hitch Pin
- 4-Post Heavy-Duty Adjustable Overhead Guard, Meets ANSI B56.1

Bendi®



OPTIONAL FEATURES

- Non-Standard Fork Lengths
- LED Headlights, Flashing Light and Rear Safety Lights
- Non-Marking Tires
- Vinyl Seat
- Slide-Out Sideways Battery Tray
- Fire Extinguisher
- Lazer Fork Height Indicator
- Carriage Mounted Camera with Operator Compartment Monitor
- Capable of Freezer Operation to -22°F (-30°C)
- 31" (787mm) Fork Carriage for Euro Pallet
- 44" (1,118mm) Reach From Face of Mast



Scan the QR Code
to Learn More!

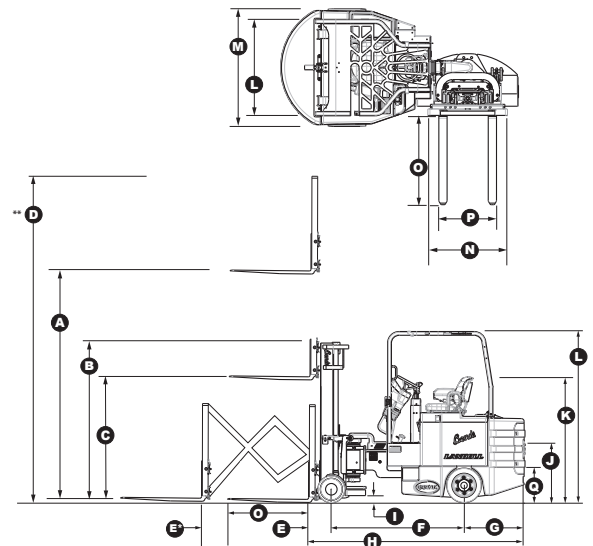


B40AC-DR / B50AC-DR

4-Wheel Electric Multi-Purpose Narrow Aisle Articulated Forklift Truck

TECHNICAL DATA

MODEL				B40AC-DR	B50AC-DR
Capacity			lbs/kg	2,500 / 1,136	3,000 / 1,364
Load Center			in/mm	24 / 600	24 / 600
Power Source				Battery, Electric	Battery, Electric
Weight with Battery			lbs/kg	16,600 / 7,530	19,340 / 8,772
Travel Speed	Loaded		mph/kph	6.5 / 10.5	6.5 / 10.5
	Unloaded		mph/kph	7 / 11.3	7 / 11.3
Lift Speed	Loaded		fpm/mpm	90 / 27.4	90 / 27.4
	Unloaded		fpm/mpm	110 / 33.4	110 / 33.4
Lowering Speed	Loaded		fpm/mpm	100 / 30.5	100 / 30.5
	Unloaded		fpm/mpm	90 / 27.4	90 / 27.4
Carriage Tilt		Fwd / Back	deg	3 / 4	3 / 4
Lost Load Center	E		in/mm	21 / 533	21 / 533
Lost Load Center Extended	E*		in/mm	61 / 1,549	61 / 1,549
Wheelbase	F		in/mm	72.6 / 1,844	72.6 / 1,844
Rear Overhang	G		in/mm	28.6 / 726	31.6 / 803
Overall Length to Face of Forks	H		in/mm	122.2 / 3,104	125.2 / 3,180
Underclearance	I		in/mm	3 / 76	3 / 76
Cab Floor Height	J		in/mm	31.3 / 795	31.3 / 795
Seat Height	K		in/mm	52 / 1,321	52 / 1,321
Overhead Guard Height	L		in/mm	89 / 2,261	89 / 2,261
Chassis Width	M		in/mm	50 / 1,270	56 / 1,422
Battery Compartment Height	N		in/mm	19.24 / 489	19.24 / 489
Fork Length	O		in/mm	40 / 1,016	40 / 1,016
Front Articulation	P		deg	180	180
Front Axle Width			in/mm	48 / 1,219	48 / 1,219
Gradeability	Unloaded		%	15	15
	Loaded		%	15	15
Hydraulic Motor Rating		Continuous Duty	kW	12	12
Drive Motor Rating		Continuous Duty	kW	2 x 5.6 11.2 Total	2 x 7.5 15 Total
Wheel Sizes	Front (1 each)		in/mm	14x5 / 356x127	14x5 / 356x127
	Rear (2 each)		in/mm	18x7 / 457x178	18x9 / 457x229
Traction Control Type		Curtis		AC	AC
Hydraulic Control Type		Curtis		AC	AC



AISLE DIMENSIONS

B40AC-DR	
LOAD DEPTH X WIDTH (Q x R)	MINIMUM CLEAR AISLE
40" x 48" (1,000 x 1,200mm)	96" (2,438mm)
48" x 40" (1,200 x 1,000mm)	96" (2,438mm)
Minimum Clear Transfer Aisle	119" (3,023mm)

B50AC-DR	
LOAD DEPTH X WIDTH (Q x R)	MINIMUM CLEAR AISLE
40" x 48" (1,000 x 1,200mm)	96" (2,438mm)
48" x 40" (1,200 x 1,000mm)	96" (2,438mm)
Minimum Clear Transfer Aisle	122" (3,099mm)

RECOMMENDED BATTERY

BATTERY FOR B40AC-DR	
Battery Designation: 24-85-21, 48 Volt, 850 AHC (6 Hour Rate)	
Nominal size: 32.75" x 38.125" x 22.63" (83 x 97 x 57cm)	
Truck compartment size: 33.25" x 38.875" x 23" (84 x 99 x 59cm)	
Battery Weight: Min 3,250 lbs. (1,477kg) - Max 3,400 lbs. (1,545kg)	
Leads are at Position A, 12" Long, with SB 350 Amp Blue Connector	
BATTERY FOR B50AC-DR	
Battery Designation: 24-85-23, 48 Volt, 935 AHC (6 Hour Rate)	
Nominal Size to 32.25" x 44.75" x 22.63" (82 x 114 x 58cm)	
Truck Compartment size to 32.5" x 44.875" x 23" (83 x 114 x 59cm)	
Battery Weight: Min. 3,500 lbs. (1,590kg) - Max. 4,000 lbs. (1,818kg)	
Leads are at Position A, 12" Long, with SB 350 Amp Blue Connector	

Landoll continuously improves products. We reserve the right to make any changes in illustrations, specifications, equipment, and prices without prior notice and without changes on previous models.

MAST DIMENSIONS

LIFT HEIGHT (A)		LOWERED HEIGHT (B)		*FREE LIFT (C)		OVERALL HEIGHT (D)	
Inches	Meters	Inches	Meters	Inches	Meters	Inches	Meters
198	5.03	89	2.26	53	1.35	235	5.97
210	5.33	95	2.41	59	1.50	247	6.27
240	6.10	107	2.72	71	1.80	277	7.04
258	6.55	113	2.87	77	1.96	295	7.50
270	6.86	119	3.02	83	2.11	307	7.80
300	7.62	131	3.33	95	2.41	337	8.56
330	8.38	149	3.78	113	2.87	367	9.32
366	9.30	161	4.09	125	3.18	413	10.49
390	9.91	169	4.29	133	3.38	427	10.85
425	10.80	191	4.85	155	3.94	462	11.73

QUALITY IS OUR FIRST PRIORITY



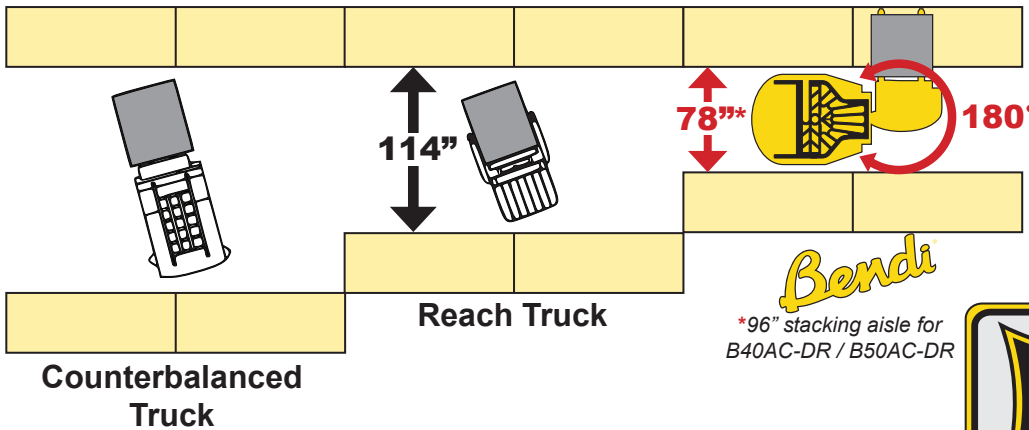
Exceptional Customer Support, Parts and Service

Landoll is committed to total customer satisfaction by providing products and services of the highest quality. Aftermarket parts and service is available world-wide through our factory trained dealer network and Landoll's service support department. Our 75,000 square foot Parts Distribution Center ensures quick and accurate delivery of parts to keep your equipment up and running. Experience for yourself the reason that Landoll Material Handling Products are #1 in customer retention.

Proven Solutions for Storage & Specialty Handling Applications

Family owned and operated since 1963, we make quality our first priority. Our goal is to provide the best solution for your material handling needs. Bendi articulating, Drexel SwingMast® Narrow Aisle and Very Narrow Aisle forklifts provide that solution. Through increased utilization of space, improved productivity, greater flexibility and maximized efficiency. We stay on the edge of modern and innovative technology. We know that for our customers "Quality is Always a Bargain".

FORKLIFT AISLE COMPARISON



Bendi Narrow Aisle Forklifts save on warehouse space by **20%** compared to a reach truck and by **36%** compared to a counterbalanced truck.



MATERIAL HANDLING PRODUCTS

landoll.com/mhp

1900 North Street Marysville, KS 66508 · 800-428-5655 · forkliftsales@landoll.com



Landoll continuously improves products. We reserve the right to make any changes in illustrations, specifications, equipment, and prices without prior notice and without changes on previous models.

B40/50AC-HL-DR--0224