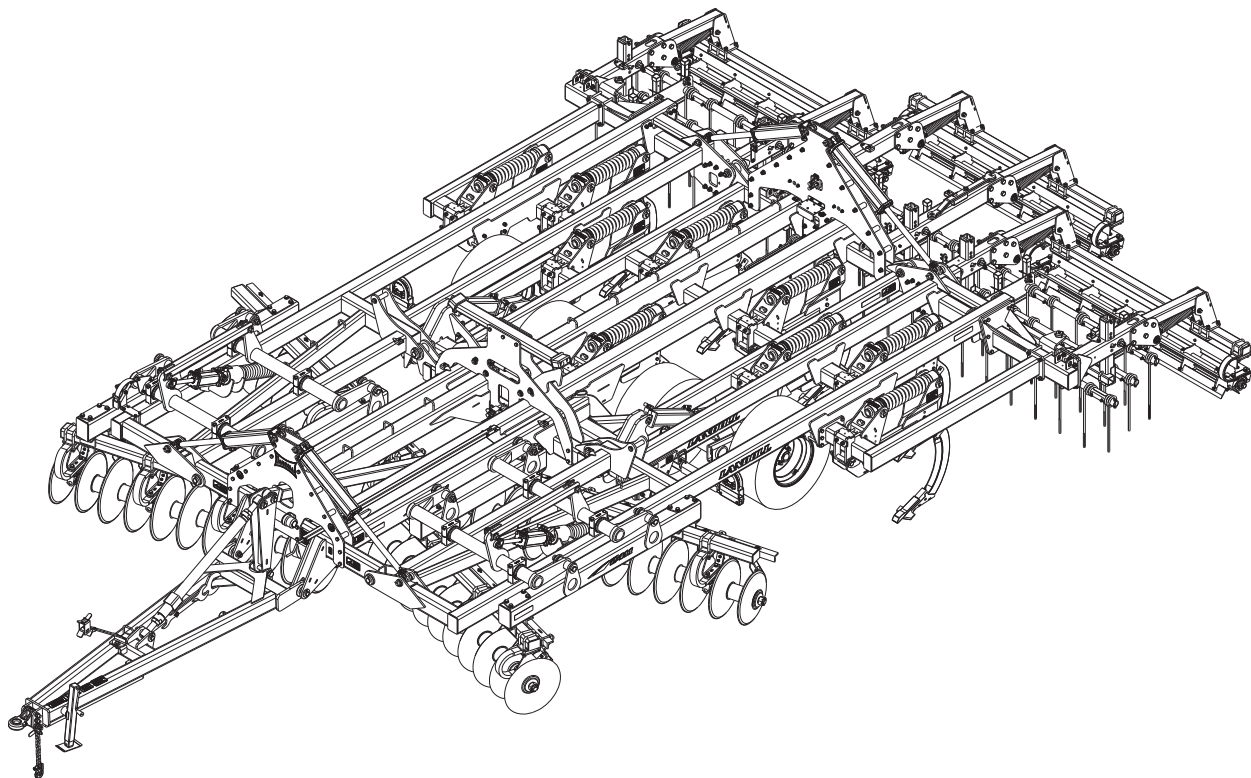




# Model 2411 Weatherproofer Parts Manual



**LANDOLL COMPANY, LLC**

1900 North Street

Marysville, Kansas 66508

(785) 562-5381

800-428-5655 ~ [WWW.LANDOLL.COM](http://WWW.LANDOLL.COM)

# Instructions for Ordering Parts

**\*\* Repair parts must be ordered through an Authorized Dealer \*\***

## DEALER INSTRUCTIONS FOR ORDERING PARTS FROM LANDOLL PARTS DISTRIBUTION CENTER

Phone #: 800-423-4320 or 785-562-5381

Fax #: 888-527-3909

Order online: [dealer.landoll.com](http://dealer.landoll.com)

### IDENTIFICATION PLATE

The identification plate, which lists the model number and serial number, is located on the front of the frame.

### SERIAL NUMBER

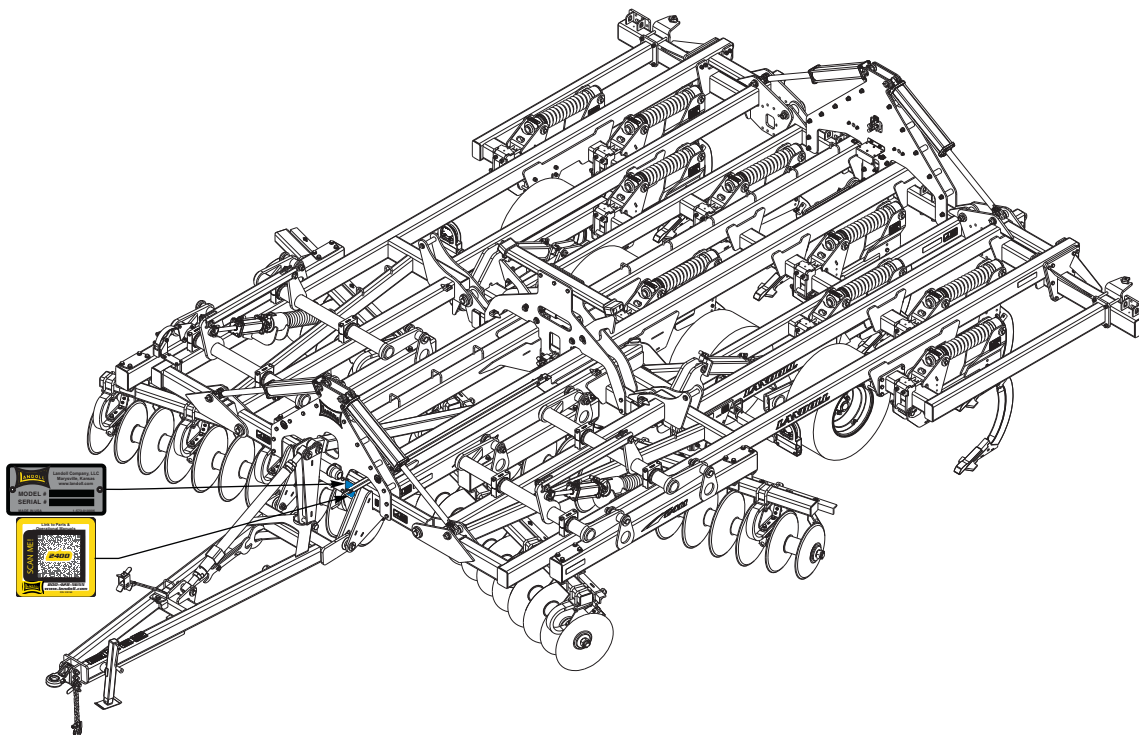
The serial number is located on the identification plate.  
The Following information will help decode the 2411 Weatherproofer serial number

**24H220000 = xxmysssss**

### QR CODE DECAL

The 2000 series QR code decal, may be scanned to link you to the most current manuals, located on the front of the frame [See Figure 1-1](#)

|              |  |
|--------------|--|
| <b>xx</b>    | = model series (i.e. 24 for Weatherproofer)                                  |
| <b>m</b>     | = month of manufacture<br>(ex. "H" means October. The letter I is not used.) |
| <b>yy</b>    | = year manufactured<br>(ex. "22" means 2022)                                 |
| <b>SSSSS</b> | = Sequential number used to track warranty and service information.          |



**Figure 1-1: Identification Plate and QR Code Decal Location**

## Manuals for 2411 Weatherproofer

| Manual Number | Manual Type       |
|---------------|-------------------|
| F-1130        | Operator's Manual |
| F-1131        | Parts Manual      |

# Table of Contents

---

## 1 Frame Assemblies

|   |      |
|---|------|
| Frame Assembly Center 2411-06                                   | 1-1  |
| Lift Assembly 2411-06   | 1-3  |
| Frame Assembly Center 2411AFG-07-09                             | 1-5  |
| Frame Assembly Center Split 2411AFG-07-09 After 08/01/2022      | 1-9  |
| Frame Assembly Center Split Fold 2411AFG-07-09 After 08/01/2022 | 1-11 |
| Lift Assembly 2411AFG-07-09 After 08/01/2022                    | 1-13 |
| Hub and Spindle Assembly 2411-06                                | 1-15 |
| Hub and Spindle Assembly 2411AFG-07-09                          | 1-17 |
| Depth Stop Assembly 2411-06                                     | 1-19 |
| Depth Stop Assembly 2411AFG-07-09                               | 1-21 |
| Wing Frame Assembly 2411AFG-07-09                               | 1-23 |

## 2 Hitch Assemblies

|                                  |     |
|----------------------------------|-----|
| Hitch Assembly 2411-06           | 2-1 |
| Hitch Assembly 2411AFG-07-09     | 2-3 |
| Radius Assembly                  | 2-5 |
| Leveler Assembly                 | 2-6 |
| Hitch & Ball Assemblies          | 2-7 |
| 7,000 lb. Sidewind Jack Assembly | 2-8 |

## 3 Disc Gang Assemblies

|   |      |
|---|------|
| Disc Gang Assemblies (6 Shank)            | 3-1  |
| Disc Gang Placement 26" Blade (6 Shank)   | 3-3  |
| Disc Gang Placement 24" Blade (6 Shank)   | 3-5  |
| Disc Gang Assemblies (7 Shank)            | 3-7  |
| Disc Gang Placement 26" Blade (7 Shank)   | 3-9  |
| Disc Gang Placement 24" Blade (7 Shank)   | 3-11 |
| Disc Gang Assemblies (9 Shank)            | 3-13 |
| Disc Gang Placement 26" Blade (9 Shank)   | 3-15 |
| Disc Gang Placement 24" Blade (9 Shank)   | 3-17 |
| Disc Gang Lift Assemblies 2411-06         | 3-19 |
| Disc Gang Lift Assemblies 2411AFG-07-09   | 3-21 |
| Disc Gang To Frame Assembly 2411-06       | 3-23 |
| Disc Gang To Frame Assembly 2411AFG-07-09 | 3-25 |

## 4 Shanks

|                                  |     |
|----------------------------------|-----|
| Shank Assembly Before 01-01-2023 | 4-1 |
| Shank Assembly After 01-01-2023  | 4-3 |

## 5 Hydraulic Assemblies

|                             |     |
|-----------------------------|-----|
| Lift Assembly 2411-06       | 5-1 |
| Lift Assembly 2411AFG-07-09 | 5-3 |
| Fold Assembly               | 5-5 |
| Gang Lift Assembly 2411-06  | 5-7 |

|           |  |      |
|-----------|--|------|
|           | Gang Lift Assembly 2411AFG-07-09 .....               | 5-9  |
| <b>6</b>  | <b>Cylinders</b>                                     |      |
|           | Cylinder Assembly 4-1/2 x 16 .....                   | 6-1  |
|           | Cylinder Assembly 4 x 24 .....                       | 6-2  |
|           | Cylinder Assembly 4 x 8, Rephase (Prince) .....      | 6-3  |
|           | Cylinder Assembly 4 x 8, Rephase (Midway) .....      | 6-4  |
|           | Cylinder Assembly 3-3/4 x 8, Rephase (Prince) .....  | 6-5  |
|           | Cylinder Assembly 3-3/4 x 8, Rephase (Midway) .....  | 6-6  |
|           | Cylinder Assembly 3-1/2 x 8, Rephase (Prince) .....  | 6-7  |
|           | Cylinder Assembly 3-1/2 x 8, Rephase (Midway) .....  | 6-8  |
|           | Cylinder Assembly 3-1/4 x 8, Rephase (Prince) .....  | 6-9  |
|           | Cylinder Assembly 3-1/4 x 8, Rephase (Midway) .....  | 6-10 |
|           | Cylinder Assembly 1-1/2 x 1-1/2 .....                | 6-11 |
|           | Cylinder Assembly 2-1/2 x 3-1/2 .....                | 6-12 |
| <b>7</b>  | <b>Electrical</b>                                    |      |
|           | Electrical Assembly W/LED Lights Wiring Chart .....  | 7-1  |
|           | Electrical Assembly W/LED Lights 2411-06 .....       | 7-3  |
|           | Electrical Assembly W/LED Lights 2411AFG-07-09 ..... | 7-5  |
| <b>8</b>  | <b>Decals</b>  |      |
|           | Decals .....   | 8-1  |
| <b>9</b>  | <b>Attachments</b>                                   |      |
|           | 3BCT W/Hydraulic Chopper Layout 2411-06 .....        | 9-1  |
|           | 3BCT W/Hydraulic Chopper Layout 2411AFG-07-09 .....  | 9-3  |
|           | Harrow Arm Assembly Combo Hydraulic Long .....       | 9-5  |
|           | Harrow Arm Assembly Combo Hydraulic Short .....      | 9-9  |
|           | Tine Harrow Assembly .....                           | 9-11 |
|           | 3BCT Chopper Reel/Gangbar Assembly .....             | 9-13 |
|           | Reel Blade Assembly .....                            | 9-15 |
|           | 3BCT/Chopper Hydraulic Assembly 2411-06 .....        | 9-17 |
|           | 3BCT/Chopper Hydraulic Assembly 2411AFG-07-09 .....  | 9-19 |
|           | Disc Lev/Hyd Flat RL Layout 2411-06 .....            | 9-21 |
|           | Disc Lev/Hyd Flat RL Layout 2411AFG-07-09 .....      | 9-23 |
|           | Arm Hyd Assembly .....                               | 9-25 |
|           | Arm No Hyd Assembly .....                            | 9-27 |
|           | Disc Leveler Mount Assembly .....                    | 9-29 |
|           | Disc Lev/Hyd Flat Reel/Gangbar Assembly .....        | 9-31 |
|           | Disc Lev/Hyd RL Assembly 2411AFG-07-09 .....         | 9-33 |
| <b>10</b> | <b>Glossary</b>                                      |      |



# Frame Assemblies

## Frame Assembly Center 2411-06

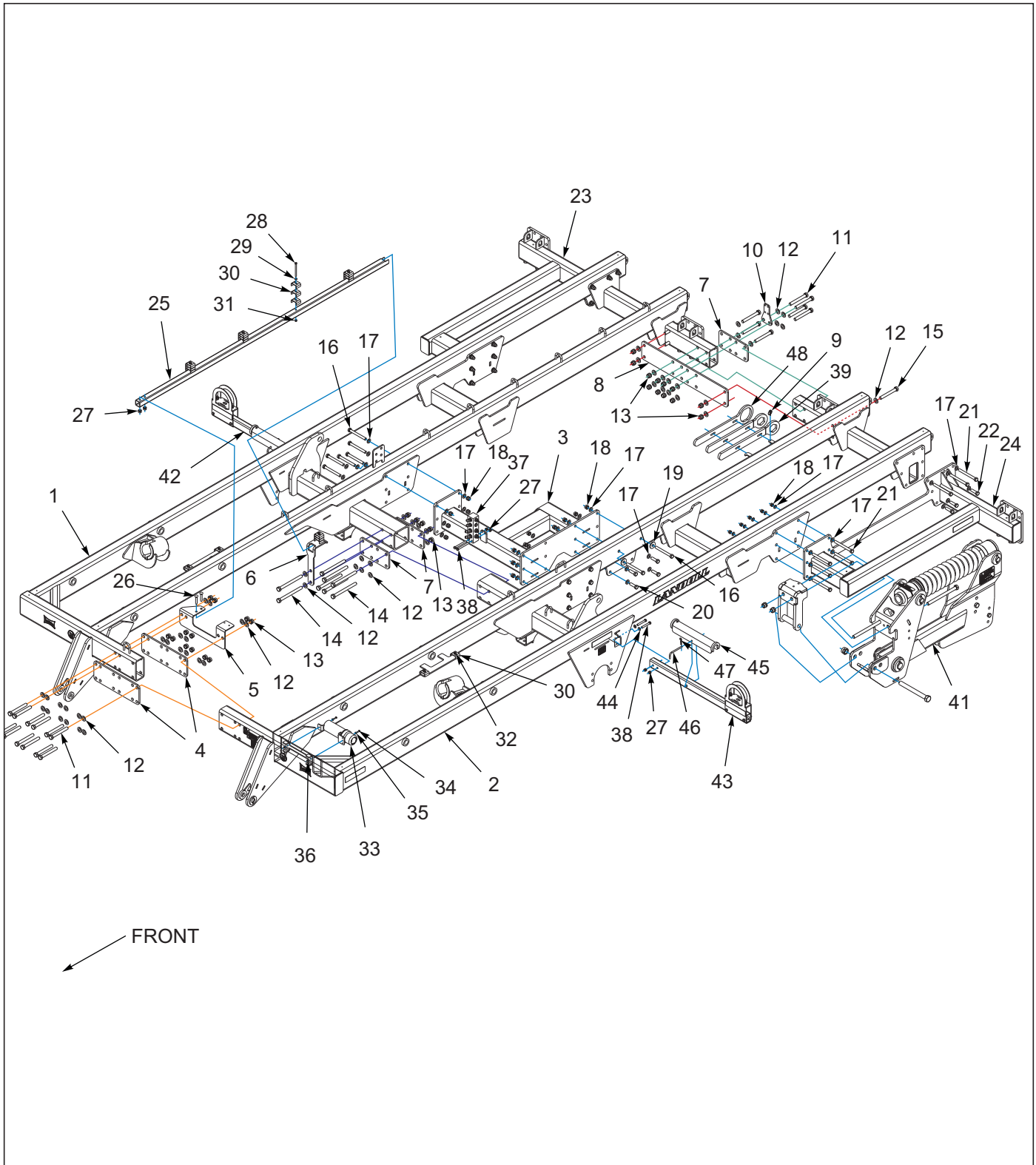


Figure 1-1: Frame Assembly Center 2411-06

## Frame Assembly Center 2411-06

| ITEM | PART NUMBER     | DESCRIPTION                    | QTY. |
|------|-----------------|--------------------------------|------|
| 1    | 241900          | FRAME WLDMT CENTER RT 2411-6   | 1    |
| 2    | 241901          | FRAME WLDMT CENTER LT 2411-6   | 1    |
| 3    | 241909          | MOUNT, SHANK CTR               | 1    |
| 4    | 241902          | PLATE, FRONT BOLT              | 2    |
| 5    | 241975          | PLATE, DCV/HOSE MOUNT          | 1    |
| 6    | 241896          | PLATE, HOSE TUBE SUPPORT       | 1    |
| 7    | 241903          | PLATE, CENTER BOLT ON          | 2    |
| 8    | 241904          | PLATE, REAR BOLT ON            | 1    |
| 9    | 70239854        | PIN QUICK HITCH                | 1    |
| 10   | 241914          | PLATE, MANIFOLD/SMV MOUNT      | 1    |
| 11   | 172818          | SCREW HX CP 7/8-9UNCX7 GR8     | 20   |
| 12   | 1-861-010032-22 | WASHER,FL 7/8 ZP/CD            | 64   |
| 13   | 1-512-010005-17 | NUT,HEX,SELF-LOCKING 7/8-9     | 32   |
| 14   | 241974          | SCREW HEX CAP 7/8-9X10 GR8     | 8    |
| 15   | 184053          | SCREW, HX CAP, 7/8-9UNCX6 GR8  | 4    |
| 16   | 1-654-010061-19 | SCREW,HX CP 3/4-10UNCX7 GR5    | 16   |
| 17   | 1-861-010032-20 | WASHER, FLAT,3/4 N ZP/CD       | 100  |
| 18   | 1-512-010005-15 | NUT,HEX,SLFLKG GRB 3/4-10      | 50   |
| 19   | 200259          | WASHER, 3/4 HEAVY - 2-1/4      | 2    |
| 20   | 1-654-010061-07 | SCREW,HX CP 3/4-10UNCX2-1/2G5  | 4    |
| 21   | 172885          | SCREW HX CP,3/4-10X7-1/2 GR8ZP | 18   |
| 22   | 104483          | SCREW 3/4-10X2-1/2 HXCP ZPGR8  | 8    |
| 23   | 240300          | MOUNT, SHANK EXT RT            | 1    |
| 24   | 240301          | MOUNT, SHANK EXT LT            | 1    |
| 25   | 241895          | TUBE, HOSE SUPPORT             | 1    |
| 26   | 1-654-010070-09 | SCREW RDHD 1/2-13X3 GR5 SQ NK  | 2    |
| 27   | 1-512-010005-09 | NUT,HEX,SLFLKG, 1/2-13 GRB     | 8    |
| 28   | 172882          | SCREW HX CP 3/8-16UNCX5 GR5    | 5    |
| 29   | 1-861-010032-10 | WASHER, FLAT 3/8" N ZP/CD      | 9    |
| 30   | 2-181-010001    | HOSE CLAMP                     | 19   |
| 31   | 1-512-010005-05 | NUT, HEX, SLFLKG GRB 3/8-16    | 9    |
| 32   | 1-654-010051-09 | SCREW,HEX CAP,3/8-16UNCX2 GR5  | 4    |
| 33   | 142753          | MANUAL HOLDER                  | 1    |
| 34   | 1-654-010047-06 | SCREW,HX CP 1/4-20UNCX1 GR5    | 2    |
| 35   | 1-861-010032-06 | WASHER, FLAT 1/4 N ZP/CD       | 2    |
| 36   | 1-512-010005-01 | NUT,HEX,SLFLKG GRB 1/4-20      | 2    |
| 37   | 241892          | ASSY, MANIFOLD LIFT/GANGS      | 1    |
| 38   | 1-654-010055-11 | SCREW,HX CP 1/2-13UNCX3-1/2    | 6    |
| 39   | 140533          | GANG WRENCH                    | 2    |
| 40   | 221412          | GATE-CLAMP WLDMT               | 6    |
| 41   | 233375          | CLAMP-SHANK ASM (SEE PAGE 4-1) | 6    |
| 42   | 240305          | MOUNT, RT LIGHT BKT            | 1    |
| 43   | 240306          | MOUNT, LT LIGHT BKT            | 1    |
| 44   | 1-861-010032-14 | WASHER, FLAT 1/2" N ZP/CD      | 4    |
| 45   | 179151          | LOCKOUT, 2" ROD X 16 LONG      | 2    |
| 46   | 104358          | L PIN,CYL STOP                 | 2    |
| 47   | 1-557-010403    | HAIRPIN 1/8                    | 2    |
| 48   | 147070          | WRENCH, 2100 COULTER GANG      | 1    |

# Lift Assembly 2411-06

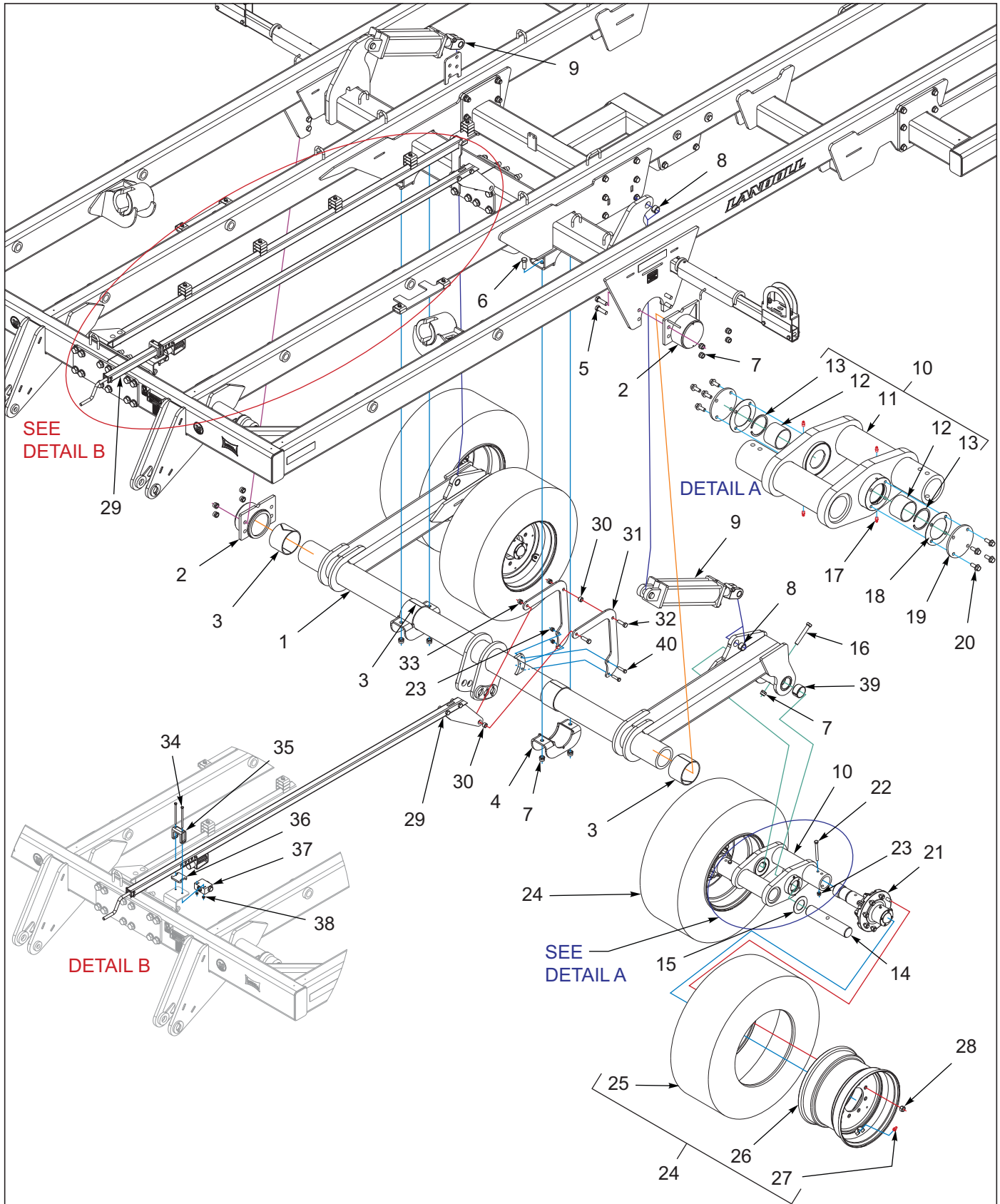


Figure 1-2: Lift Assembly 2411-06



## Lift Assembly 2411-06

| ITEM | PART NUMBER     | DESCRIPTION  | QTY. |
|------|-----------------|--|------|
| 1    | 239526          | LIFT, 2411-6 WLDMT   | 1    |
| 2    | 226570          | BEARING CAP, LIFT, HD WLDMT                                  | 2    |
| 3    | 140519          | BEARING, UHMW 4IN  | 4    |
| 4    | 141234          | WLDMT, BEARING CAP LIFT                                      | 2    |
| 5    | 1-654-010061-07 | SCREW,HX CP 3/4-10UNCX2-1/2G5                                | 8    |
| 6    | 1-654-010061-05 | SCREW,HHC,3/4-10UNCX2,GR5,ZP                                 | 4    |
| 7    | 1-512-010005-15 | NUT,HEX,SLFLKG GRB 3/4-10                                    | 14   |
| 8    | 2-150-010174    | BUSHING,1-5/8X1-1/4X1  | 4    |
| 9    | 177346          | CYLINDER, HYD 4-1/2X16 3000PSI <b>(SEE PAGE 6-1)</b>         | 2    |
| 10   | 223526          | ASSY, WALKER 3SP/2-1/2 PIN <b>(INCLUDES ITEMS 11-13)</b>     | 2    |
| 11   | 223525          | WALKING TANDEM2-1/2,3 SP WLDMT                               | 2    |
| 12   | 217561          | BUSHING, SPRING 2-3/4X2-1/2X2                                | 4    |
| 13   | 217560          | SNAP RING, INTERNAL 2-3/4                                    | 4    |
| 14   | 223528          | SPINDLE, WALKBEAM,2-1/2X12-1/2                               | 2    |
| 15   | 164563          | WASHER, THRUST 2-1/2   | 4    |
| 16   | 1-654-010061-15 | SCREW,HX CP 3/4-10UNCX5 GR5                                  | 2    |
| 17   | 171024          | FITTING, GREASE 5/16-24 STR                                  | 8    |
| 18   | 217646          | GASKET, ENDCAP   | 4    |
| 19   | 217568          | ENDCAP, WALKER 2-1/2"  | 4    |
| 20   | 219795          | SCREW, HEX FLANGE HD, 3/8 X 1                                | 16   |
| 21   | 223440          | ASSY, 8 BOLT HUB & SPINDLE <b>(SEE PAGE 1-15)</b>            | 4    |
| 22   | 1-654-010055-15 | SCR, HX CP, 1/2-13UNCX5 GR5                                  | 4    |
| 23   | 1-512-010005-09 | NUT,HEX,SLFLKG, 1/2-13 GRB                                   | 6    |
| 24   | 228255          | BKT TIRE & WHL ASSY, 340/65R18 <b>(INCLUDES ITEMS 25-27)</b> | 4    |
| 25   | 228256          | BKT TIRE 340/65R 18 IMP                                      | 4    |
| 26   | 228257          | WHEEL, 8 BOLT, POS 1.13 OFFSET                               | 4    |
| 27   | TR575           | VALVE STEM TUBELESS TIRE                                     | 4    |
| 28   | 102600          | NUT,WHEEL BOLT, 5/8  | 32   |
| 29   | 239596          | ASSY, DEPTH STOP <b>(SEE PAGE 1-19)</b>                      | 1    |
| 30   | 168762          | BUSHING, 1 X .640 X 5/8                                      | 2    |
| 31   | 234819          | PLATE, DEPTH CONTROL   | 2    |
| 32   | 1-654-010059-05 | SCREW,HEX CAP,5/8-11UNCX2 GR5                                | 2    |
| 33   | 1-512-010005-13 | NUT,HEX SLFLKG GRB 5/8-11                                    | 2    |
| 34   | 171556          | SCREW,HEX CP,5/16-18UNCX5-1/2                                | 2    |
| 35   | 165265          | GUIDE, DEPTH STOP  | 1    |
| 36   | 165257          | PAD, SLIDE   | 1    |
| 37   | 239435          | VALVE, LIMIT .156 REST                                       | 1    |
| 38   | 1-512-010005-03 | NUT HEX SLFLKG GRB 5/16-18                                   | 2    |
| 39   | 198351          | CONNEX, 2-3/4 X 2-1/2 X 1-1/2L                               | 4    |
| 40   | 1-654-010055-05 | SCREW,HEX CAP,1/2-13UNCX2 GR5                                | 2    |

# Frame Assembly Center 2411AFG-07-09

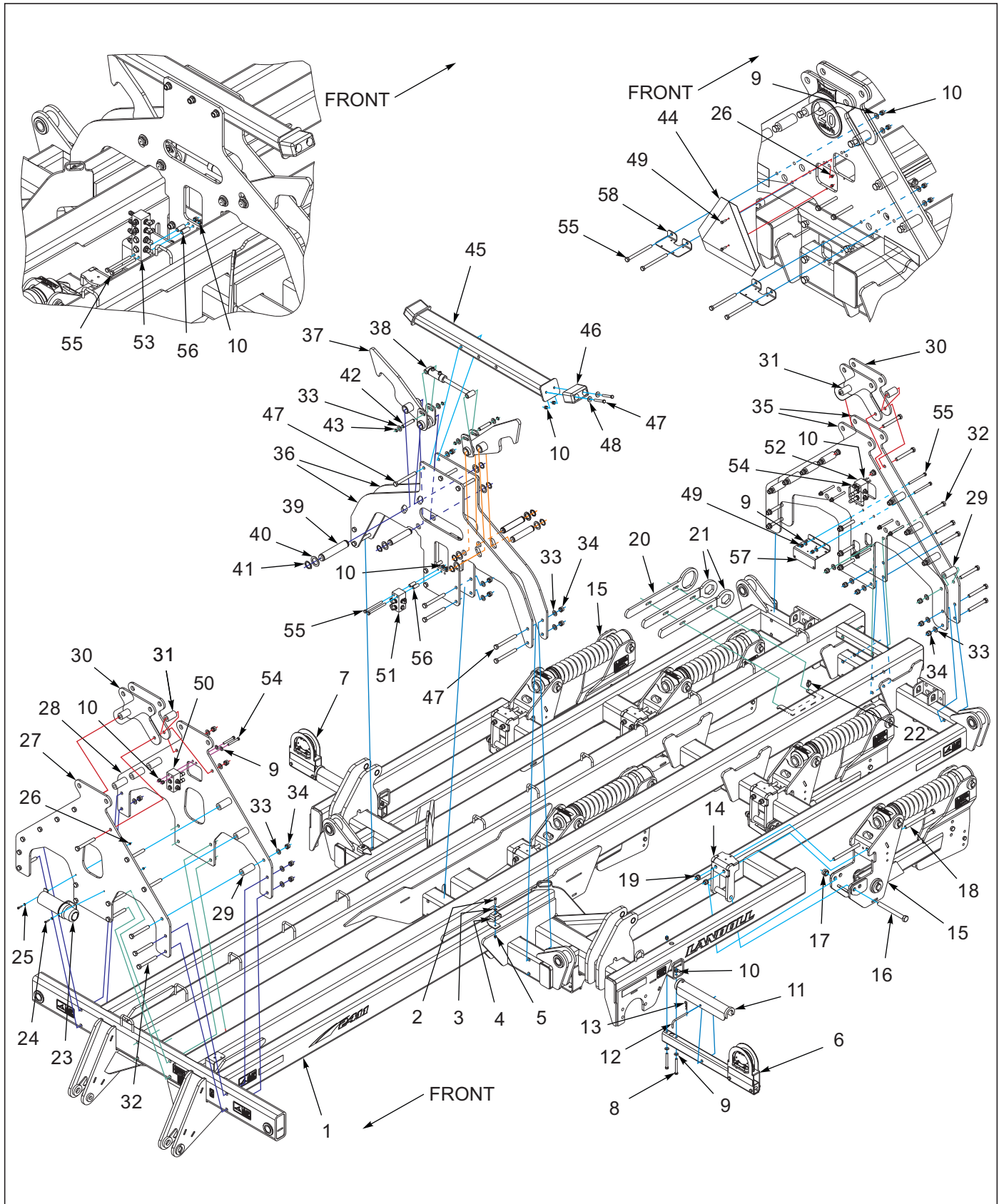


Figure 1-3: Frame Assembly Center

## Frame Assembly Center Before

| ITEM | PART NUMBER     | DESCRIPTION                    | QTY. |
|------|-----------------|--------------------------------|------|
| 1    | 233320          | FRAME WLDMT, CENTER 2411F      | 1    |
| 2    | 1-654-010051-07 | SCREW,HEX CAP,3/8-16UNCX1-1/2  | 2    |
| 3    | 1-861-010032-10 | WASHER, FLAT 3/8" N ZP/CD      | 2    |
| 4    | 2-181-010001    | HOSE CLAMP                     | 2    |
| 5    | 1-512-010005-05 | NUT, HEX, SLFLKG GRB 3/8-16    | 2    |
| 6    | 234866          | MOUNT, LT LIGHT BKT ASSY       | 1    |
| 7    | 234865          | MOUNT, RT LIGHT BKT ASSY       | 1    |
| 8    | 1-654-010055-14 | SCREW,HX CP,1/2-13UNCX4-1/2G5  | 4    |
| 9    | 1-861-010032-14 | WASHER, FLAT 1/2" N ZP/CD      | 10   |
| 10   | 1-512-010005-09 | NUT,HEX,SLFLKG, 1/2-13 GRB     | 20   |
| 11   | 179151          | LOCKOUT, 2" ROD X 16 LONG      | 2    |
| 12   | 104358          | L PIN,CYL STOP                 | 2    |
| 13   | 1-557-010403    | HAIRPIN 1/8                    | 2    |
| 14   | 221412          | GATE-CLAMP WLDMT               | 5    |
| 15   | 233375          | CLAMP-SHANK ASM (SEE PAGE 4-1) | 5    |
| 16   | 172581          | SCREW HEX CAP 1-8UNCX9.5 GR8   | 5    |
| 17   | 1-512-010005-19 | NUT 1-8 HEX SLF-LOCKING GRB    | 5    |
| 18   | 239516          | SCREW, HXCP 3/4-16UNFX10 GR8   | 10   |
| 19   | 1-512-010002-16 | NUT,3/4-16 HEX,SLFLKG, GRC     | 10   |
| 20   | 147070          | WRENCH, 2100 COULTER GANG      | 1    |
| 21   | 140533          | GANG WRENCH                    | 2    |
| 22   | 70239854        | PIN QUICK HITCH                | 1    |
| 23   | 142753          | MANUAL HOLDER                  | 1    |
| 24   | 1-654-010047-07 | SCREW,HX CP 1/4-20UNCX1-1/4G5  | 2    |
| 25   | 1-861-010032-06 | WASHER, FLAT 1/4 N ZP/CD       | 2    |
| 26   | 1-512-010005-01 | NUT,HEX,SLFLKG GRB 1/4-20      | 4    |
| 27   | 234756          | PLATE, FOLD TOWER FRONT        | 1    |
| 28   | 234757          | PLATE, FOLD TOWER FRONT        | 1    |
| 29   | 179146          | TUBE, RD 1-3/4X7/8X4           | 14   |
| 30   | 234759          | PLATE, FOLD TOWER DOUBLE       | 4    |
| 31   | 179147          | TUBE, RD 1-3/4X7/8X3           | 4    |
| 32   | W908409-4       | SCREW 3/4-10X6 HEX HD CAP      | 36   |
| 33   | 1-861-010032-20 | WASHER, FLAT,3/4 N ZP/CD       | 51   |
| 34   | 1-512-010005-15 | NUT,HEX,SLFLKG GRB 3/4-10      | 69   |
| 35   | 234758          | PLATE, FOLD TOWER REAR         | 2    |
| 36   | 234783          | PLATE-WING STOP                | 2    |
| 37   | 234784          | LATCH-WING, WLDMT              | 2    |
| 38   | 230890          | CYLINDER,1-1/2X1-1/2,3000PSI   | 1    |
| 39   | 105272          | PIN 1-1/2X7-3/4 ZP             | 4    |
| 40   | 170258          | BUSHING, MACHINE 1-1/2 X 10 GA | 8    |
| 41   | 1-630-010021-01 | RING, 1.5 RETAINING HD         | 8    |
| 42   | 234791          | PIN, CYLINDER LATCH            | 2    |
| 43   | 119035          | RETAINING RING 3/4             | 4    |
| 44   | 70260977        | SMV EMBLEM                     | 1    |
| 45   | 234790          | STABILIZER, WING WLDMT         | 1    |
| 46   | 128874          | BUMPER RUBBER 6X3X3-1/2        | 2    |
| 47   | 1-654-010055-11 | SCREW,HX CP 1/2-13UNCX3-1/2    | 4    |
| 48   | 1-861-010032-15 | WASHER, FLAT 1/2 W ZP/CD       | 4    |
| 49   | 1-654-010047-06 | SCREW,HX CP 1/4-20UNCX1 GR5    | 2    |

---

**Frame Assembly Center Before**

---

| ITEM | PART NUMBER     | DESCRIPTION                   | QTY. |
|------|-----------------|-------------------------------|------|
| 50   | 236052          | ASSY, MANIFOLD FRONT FOLD     | 1    |
| 51   | 237333          | ASSY, MANIFOLD DISC ADJ       | 1    |
| 52   | 236053          | ASSY, MANIFOLD REAR FOLD      | 1    |
| 53   | 236051          | ASSY, MANIFOLD CENTER         | 1    |
| 54   | 1-654-010055-13 | SCREW,HEX CAP,1/2-13UNCX4 GR5 | 4    |
| 55   | 1-654-010055-17 | SCREW,HEX CAP,1/2-13UNCX6 GR5 | 4    |
| 56   | 172519          | TUBE RD .75 X .532 X 1.875 ZP | 4    |
| 57   | 234869          | MOUNT, AG MODULE              | 1    |
| 58   | 234864          | MOUNT, TAIL LIGHT             | 2    |



# Frame Assembly Center Split 2411AFG-07-09 After 08/01/2022

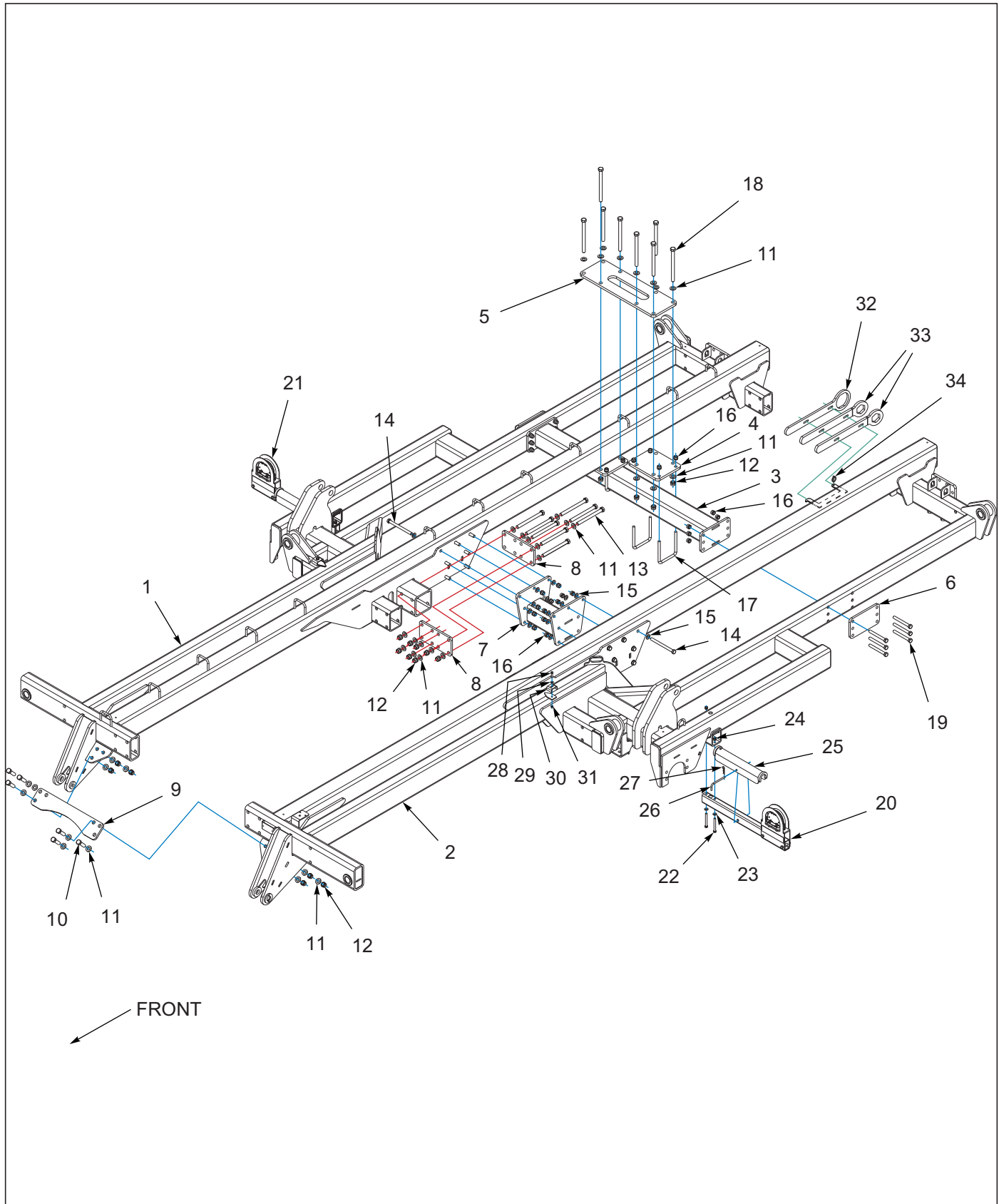


Figure 1-4: Frame Assembly Center Spit 2411AFG-07-09 After 08/01/2022

## Frame Assembly Center Split 2411AFG-07-09 After 08/01/2022

| ITEM | PART NUMBER     | DESCRIPTION                   | QTY. |
|------|-----------------|-------------------------------|------|
| 1    | 241940          | RT FRAME WLDMT, CENTER 2411F  | 1    |
| 2    | 241941          | LT FRAME WLDMT, CENTER 2411F  | 1    |
| 3    | 241959          | MOUNT, SHANK TUBE             | 1    |
| 4    | 241967          | PLATE, SHANK TUBE             | 2    |
| 5    | 241966          | PLATE, FRAME SUPPORT          | 1    |
| 6    | 241956          | PLATE, SHANK MOUNT            | 2    |
| 7    | 241955          | MOUNT, SHANK CTR              | 1    |
| 8    | 241948          | PLATE, FRAME CONNECTOR        | 2    |
| 9    | 241969          | BRACE, PLATE                  | 1    |
| 10   | 172814          | SCREW HX CP 7/8-9UNCX3 GR8    | 6    |
| 11   | 1-861-010032-22 | WASHER,FL 7/8 ZP/CD           | 44   |
| 12   | 1-512-010005-17 | NUT,HEX,SELF-LOCKING 7/8-9    | 22   |
| 13   | 241974          | SCREW HEX CAP 7/8-9X10 GR8    | 8    |
| 14   | 1-654-010061-23 | SCREW,HEX CAP 3/4-10UNCX9 GR5 | 14   |
| 15   | 1-861-010032-20 | WASHER, FLAT,3/4 N ZP/CD      | 26   |
| 16   | 1-512-010005-15 | NUT,HEX,SLFLKG GRB 3/4-10     | 34   |
| 17   | 7K723           | U-BOLT 3/4-10X6-13/16X7-3/4   | 4    |
| 18   | 172820          | SCREW HX CP 7/8-9UNCX11 GR8   | 8    |
| 19   | 120876          | SCREW,HEXCAP,3/4-10X6-1/2 GR8 | 12   |
| 20   | 234866          | MOUNT, LT LIGHT BKT ASSY      | 1    |
| 21   | 234865          | MOUNT, RT LIGHT BKT ASSY      | 1    |
| 22   | 1-654-010055-14 | SCREW,HX CP,1/2-13UNCX4-1/2G5 | 4    |
| 23   | 1-861-010032-14 | WASHER, FLAT 1/2" N ZP/CD     | 4    |
| 24   | 1-512-010005-09 | NUT,HEX,SLFLKG, 1/2-13 GRB    | 4    |
| 25   | 179151          | LOCKOUT, 2" ROD X 16 LONG     | 2    |
| 26   | 104358          | L PIN,CYL STOP                | 2    |
| 27   | 1-557-010403    | HAIRPIN 1/8                   | 2    |
| 28   | 1-654-010051-07 | SCREW,HEX CAP,3/8-16UNCX1-1/2 | 2    |
| 29   | 1-861-010032-10 | WASHER, FLAT 3/8" N ZP/CD     | 2    |
| 30   | 2-181-010001    | HOSE CLAMP                    | 2    |
| 31   | 1-512-010005-05 | NUT, HEX, SLFLKG GRB 3/8-16   | 2    |
| 32   | 147070          | WRENCH, 2100 COULTER GANG     | 1    |
| 33   | 140533          | GANG WRENCH                   | 2    |
| 34   | 70239854        | PIN QUICK HITCH               | 1    |

Frame Assembly Center Split Fold 2411AFG-07-09 After 08/01/2022

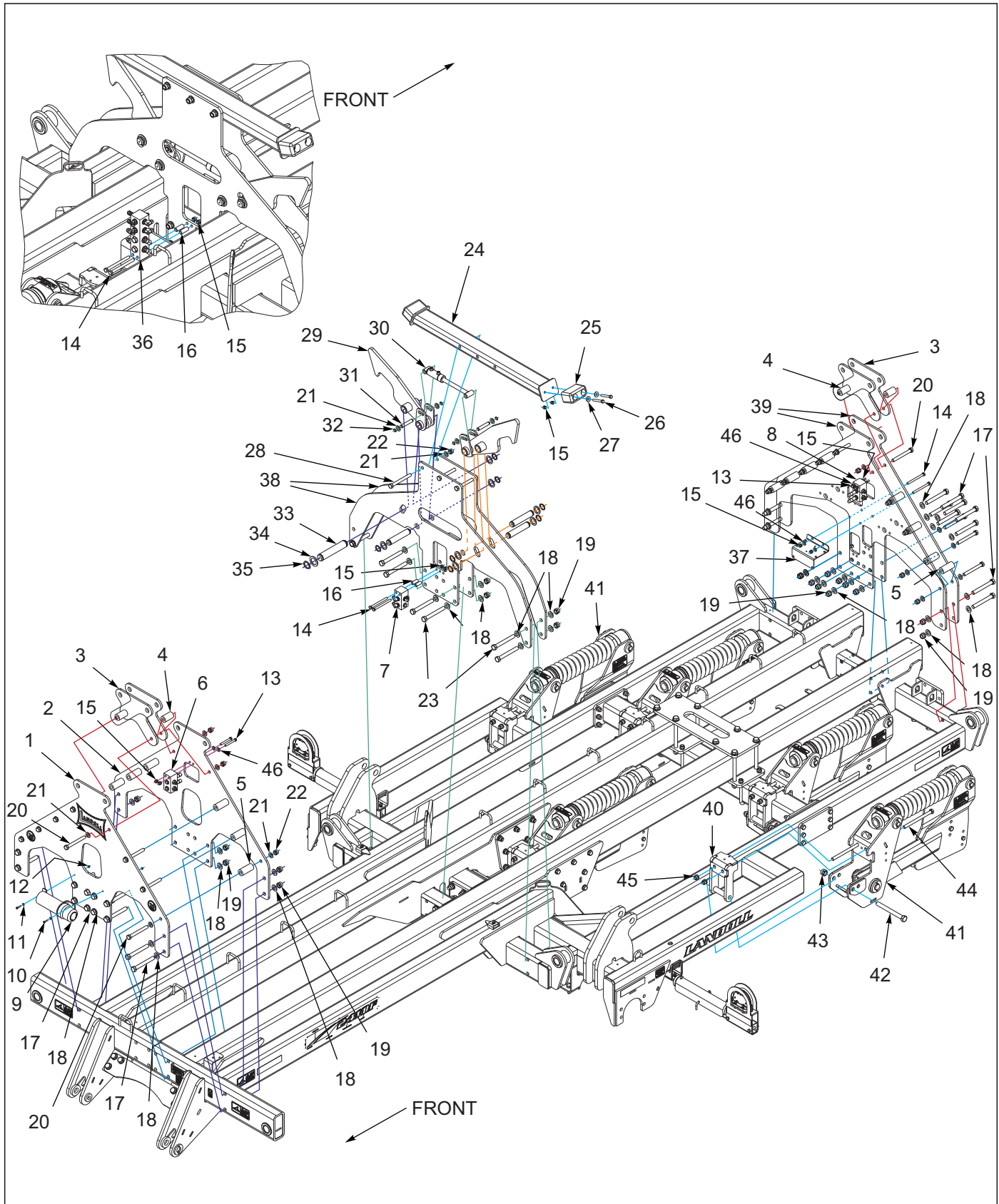


Figure 1-5: Frame Assembly Center Split Fold 2411AFG-07-09 After 08/01/2022



## Frame Assembly Center Split Fold 2411AFG-07-09 After 08/01/2022

| ITEM | PART NUMBER     | DESCRIPTION                    | QTY. |
|------|-----------------|--------------------------------|------|
| 1    | 241961          | PLATE, FOLD FRONT FT           | 1    |
| 2    | 241962          | PLATE, FOLD FRONT RR           | 1    |
| 3    | 234759          | PLATE, FOLD TOWER DOUBLE       | 4    |
| 4    | 179147          | TUBE, RD 1-3/4X7/8X3           | 4    |
| 5    | 179146          | TUBE, RD 1-3/4X7/8X4           | 14   |
| 6    | 236052          | ASSY, MANIFOLD FRONT FOLD      | 1    |
| 7    | 237333          | ASSY, MANIFOLD DISC ADJ        | 1    |
| 8    | 236053          | ASSY, MANIFOLD REAR FOLD       | 1    |
| 9    | 142753          | MANUAL HOLDER                  | 1    |
| 10   | 1-654-010047-07 | SCREW,HX CP 1/4-20UNCX1-1/4G5  | 2    |
| 11   | 1-861-010032-06 | WASHER, FLAT 1/4 N ZP/CD       | 2    |
| 12   | 1-512-010005-01 | NUT,HEX,SLFLKG GRB 1/4-20      | 2    |
| 13   | 1-654-010055-13 | SCREW,HEX CAP,1/2-13UNCX4 GR5  | 4    |
| 14   | 1-654-010055-17 | SCREW,HEX CAP,1/2-13UNCX6 GR5  | 6    |
| 15   | 1-512-010005-09 | NUT,HEX,SLFLKG, 1/2-13 GRB     | 12   |
| 16   | 172519          | TUBE RD .75 X .532 X 1.875 ZP  | 4    |
| 17   | 172818          | SCREW HX CP 7/8-9UNCX7 GR8     | 24   |
| 18   | 1-861-010032-22 | WASHER,FL 7/8 ZP/CD            | 36   |
| 19   | 1-512-010005-17 | NUT,HEX,SELF-LOCKING 7/8-9     | 36   |
| 20   | 100855          | SCREW, HHCS,3/4-10X6-1/2 GR5   | 18   |
| 21   | 1-861-010032-20 | WASHER, FLAT,3/4 N ZP/CD       | 44   |
| 22   | 1-512-010005-15 | NUT,HEX,SLFLKG GRB 3/4-10      | 22   |
| 23   | 172819          | SCREW HX CP 7/8-9UNCX7-1/2 GR8 | 12   |
| 24   | 234790          | STABILIZER, WING WLDMT         | 1    |
| 25   | 128874          | BUMPER RUBBER 6X3X3-1/2        | 2    |
| 26   | 1-654-010055-11 | SCREW,HX CP 1/2-13UNCX3-1/2    | 4    |
| 27   | 1-861-010032-15 | WASHER, FLAT 1/2 W ZP/CD       | 4    |
| 28   | 1-654-010061-19 | SCREW,HX CP 3/4-10UNCX7 GR5    | 3    |
| 29   | 234784          | LATCH-WING, WLDMT              | 2    |
| 30   | 230890          | CYLINDER,1-1/2X1-1/2,3000PSI   | 1    |
| 31   | 234791          | PIN, CYLINDER LATCH            | 2    |
| 32   | 119035          | RETAINING RING 3/4             | 4    |
| 33   | 105272          | PIN 1-1/2X7-3/4 ZP             | 4    |
| 34   | 170258          | BUSHING, MACHINE 1-1/2 X 10 GA | 8    |
| 35   | 1-630-010021-01 | RING, 1.5 RETAINING HD         | 8    |
| 36   | 236051          | ASSY, MANIFOLD CENTER          | 1    |
| 37   | 234869          | MOUNT, AG MODULE               | 1    |
| 38   | 241965          | PLATE-WING STOP                | 1    |
| 39   | 241964          | PLATE, FOLD REAR               | 1    |
| 40   | 221412          | GATE-CLAMP WLDMT               | 5    |
| 41   | 233375          | CLAMP-SHANK ASM (SEE PAGE 4-1) | 5    |
| 42   | 172581          | SCREW HEX CAP 1-8UNCX9.5 GR8   | 5    |
| 43   | 1-512-010005-19 | NUT 1-8 HEX SLF-LOCKING GRB    | 5    |
| 44   | 239516          | SCREW, HXCP 3/4-16UNFX10 GR8   | 10   |
| 45   | 1-512-010002-16 | NUT,3/4-16 HEX,SLFLKG, GRC     | 10   |
| 46   | 1-861-010032-14 | WASHER, FLAT 1/2" N ZP/CD      | 2    |

Lift Assembly 2411AFG-07-09 After 08/01/2022

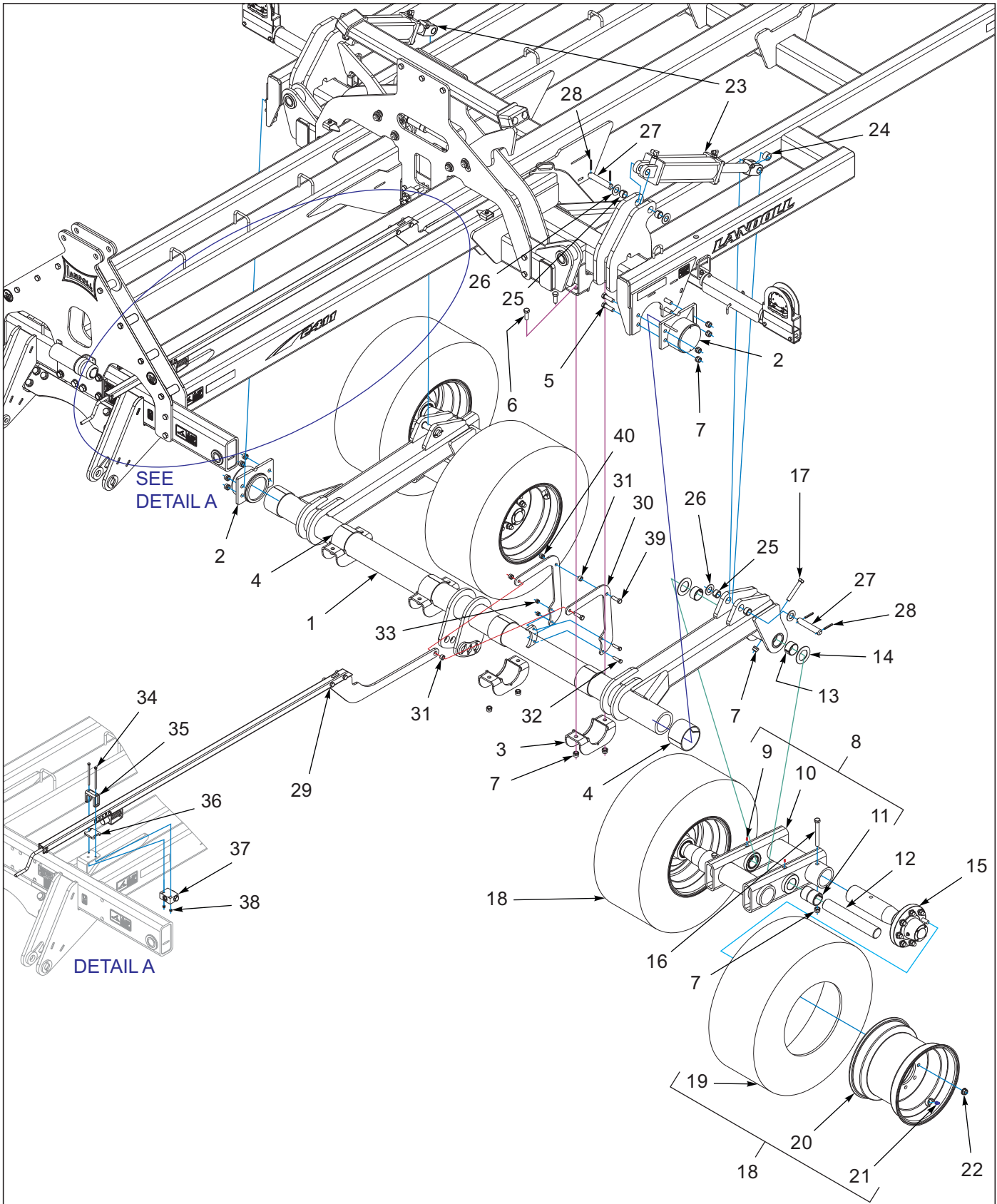


Figure 1-6: Lift Assembly 2411AFG-07-09 After 08/01/2022

## Lift Assembly 2411AFG-07-09 After 08/01/2022

| ITEM | PART NUMBER     | DESCRIPTION  | QTY. |
|------|-----------------|--|------|
| 1    | 233386          | LIFT, 2411 7/9 WLDMT                                       | 1    |
| 2    | 226570          | BEARING CAP, LIFT, HD WLDMT                                | 2    |
| 3    | 141234          | WLDMT, BEARING CAP LIFT                                    | 4    |
| 4    | 140519          | BEARING, UHMW 4IN  | 6    |
| 5    | 1-654-010061-07 | SCREW,HX CP 3/4-10UNCX2-1/2G5                              | 8    |
| 6    | 1-654-010061-05 | SCREW,HHC,3/4-10UNCX2,GR5,ZP                               | 8    |
| 7    | 1-512-010005-15 | NUT,HEX,SLFLKG GRB 3/4-10                                  | 22   |
| 8    | 167553          | WALKING BEAM ASSY - 4" <b>(INCLUDES ITEMS 9-11)</b>        | 2    |
| 9    | 171024          | FITTING, GREASE 5/16-24 STR                                | 4    |
| 10   | 163696          | WALKING TANDEM 4" SP WLDMT                                 | 1    |
| 11   | 165286          | BUSHING SPRING 3X2-1/2X4                                   | 2    |
| 12   | 164501          | SPINDLE, WALKING BEAM                                      | 2    |
| 13   | 198351          | CONNEX, 2-3/4 X 2-1/2 X 1-1/2L                             | 4    |
| 14   | 164563          | WASHER, THRUST 2-1/2                                       | 4    |
| 15   | 170308          | HUB & SPINDLE ASSY, 8 BOLT <b>(SEE PAGE 1-15)</b>          | 4    |
| 16   | 100855          | SCREW, HHCS,3/4-10X6-1/2 GR5                               | 4    |
| 17   | 1-654-010061-15 | SCREW,HX CP 3/4-10UNCX5 GR5                                | 2    |
| 18   | 170260          | TIRE & WHEEL ASSY, 440/55R18 <b>(INCLUDES ITEMS 19-21)</b> | 4    |
| 18   | 228258          | BKT TIRE&WHL ASSY, 400/60R18 <b>(INCLUDES ITEMS 19-21)</b> | 4    |
| 19   | 169752          | TIRE 440/55R18 <b>(USED WITH ITEM 18, 170260)</b>          | 1    |
| 19   | 228259          | BKT TIRE 400/60R18 <b>(USED WITH ITEM 18, 228258)</b>      | 1    |
| 20   | 169749          | WHEEL, 18X14, 8 BOLT                                       | 1    |
| 21   | TR575           | VALVE STEM TUBELESS TIRE                                   | 1    |
| 22   | 171773          | NUT, HEX FLANGE 3/4-16 GR5 ZP                              | 32   |
| 23   | 177346          | CYLINDER, HYD 4-1/2X16 3000PSI                             | 2    |
| 24   | 190987          | SPACER, 1-1/4 X 1 LONG                                     | 4    |
| 25   | 2-150-010174    | BUSHING,1-5/8X1-1/4X1                                      | 8    |
| 26   | 116100          | WASHER 1-1/4 NAR FL ZP/CD                                  | 8    |
| 27   | 170291          | PIN, 1-1/4 X 7   | 4    |
| 28   | 1-647-010004240 | PIN,SPRING,SLOTTED,5/16X2-1/2                              | 8    |
| 29   | 234815          | ASSY, DEPTH STOP <b>(SEE PAGE 1-19)</b>                    | 1    |
| 30   | 234819          | PLATE, DEPTH CONTROL                                       | 2    |
| 31   | 168762          | BUSHING, 1 X .640 X 5/8                                    | 2    |
| 32   | 1-654-010055-05 | SCREW,HEX CAP,1/2-13UNCX2 GR5                              | 2    |
| 33   | 1-512-010005-09 | NUT,HEX,SLFLKG, 1/2-13 GRB                                 | 2    |
| 34   | 171556          | SCREW,HEX CP,5/16-18UNCX5-1/2                              | 2    |
| 35   | 165265          | GUIDE, DEPTH STOP  | 1    |
| 36   | 165257          | PAD, SLIDE   | 1    |
| 37   | 239435          | VALVE, LIMIT .156 REST                                     | 1    |
| 38   | 1-512-010005-03 | NUT HEX SLFLKG GRB 5/16-18                                 | 2    |
| 39   | 1-654-010059-05 | SCREW,HEX CAP,5/8-11UNCX2 GR5                              | 2    |
| 40   | 1-512-010005-13 | NUT,HEX SLFLKG GRB 5/8-11                                  | 2    |

# Hub and Spindle Assembly 2411-06

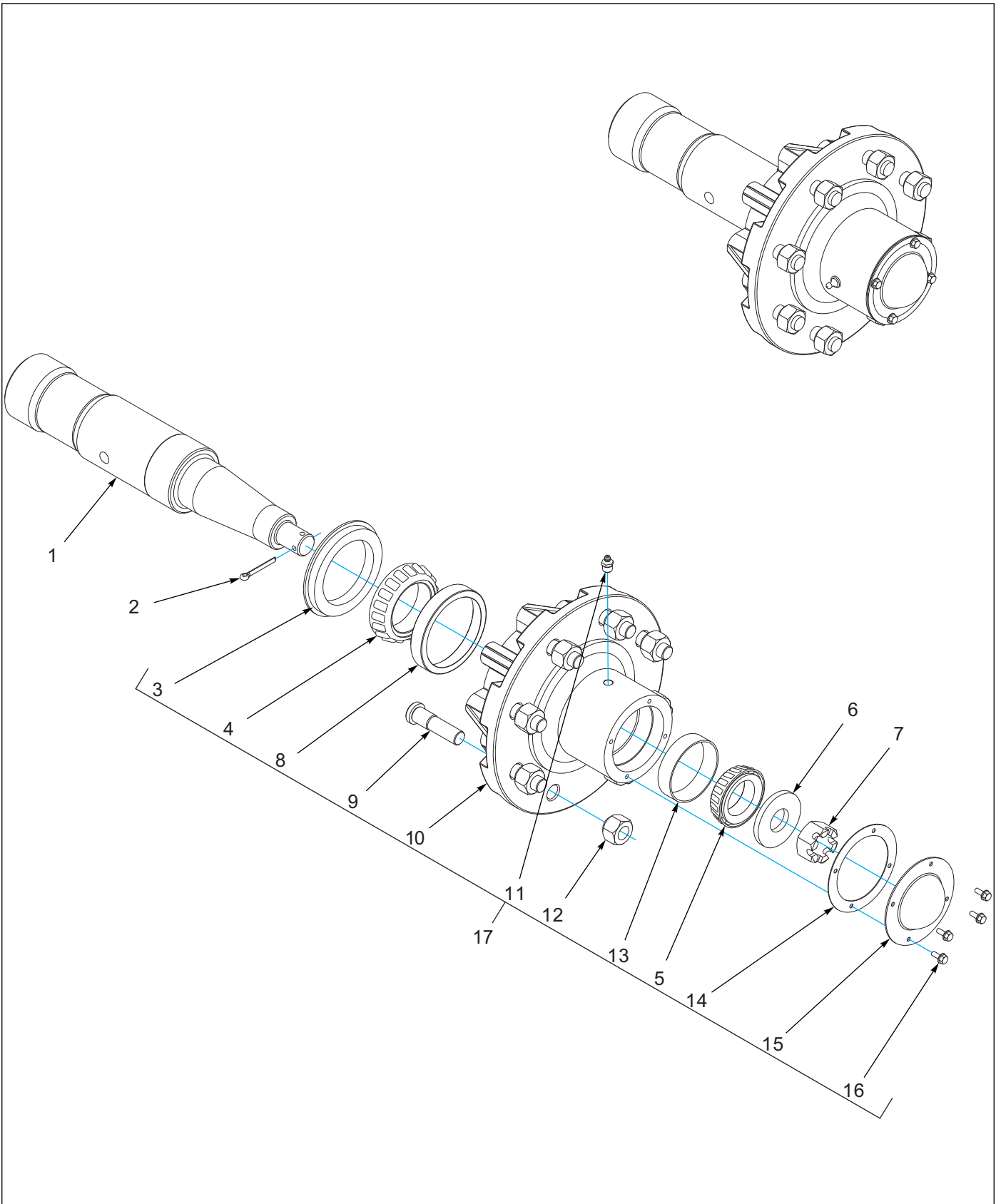


Figure 1-7: Hub and Spindle Assembly 2411-06

## Hub and Spindle Assembly 2411-06

| ITEM | PART NUMBER     | DESCRIPTION   | QTY. |
|------|-----------------|---|------|
| --   | 223440          | ASSY, 8 BOLT HUB & SPINDLE <b>(AFTER 2-1-2020)</b>                |      |
| 1    | 156973          | SPINDLE 3 X 16-1/2  | 1    |
| 2    | 1-557-010362-51 | PIN, COTTER 3/16X1-1/2  | 1    |
| 3    | 193089          | SEAL, PURGABLE 4 OD X 3 ID  | 1    |
| 4    | 156979          | CONE BEARING - 387AS  | 1    |
| 5    | 102498          | BEARING CONE, OUTER, 1.625  | 1    |
| 6    | 1-861-010005    | WASHER, SPINDLE 1   | 1    |
| 7    | 1-516-010001-20 | NUT, HX SLOT 1-14   | 1    |
| 8    | 111962          | OUTER BEARING CUP L20HD#382A                                      | 1    |
| 9    | 4001060         | HUB 75-8 BOLTS 5/8-18 STUD  | 8    |
| 10   | 223435          | HUB ASSY W/ CUPS, GASKET, CAP <b>(INCLUDES ITEMS 8, 9, 11-16)</b> | 1    |
| 11   | 5000            | ZERK FITTING 1/8NPT   | 1    |
| 12   | 102600          | NUT, WHEEL BOLT, 5/8  | 8    |
| 13   | 102604          | BEARING CUP, OUTER  | 1    |
| 14   | 223439          | GASKET, DUST CAP  | 1    |
| 15   | 223437          | DUST CAP, BOLT ON   | 1    |
| 16   | 223438          | SCREW, 10-32X1/2 HEX FLANGE                                       | 4    |
| 17   | 168859          | HUB ASSY, EIGHT BOLT <b>(SERVICE KIT ONLY)</b>                    |      |

# Hub and Spindle Assembly 2411AFG-07-09

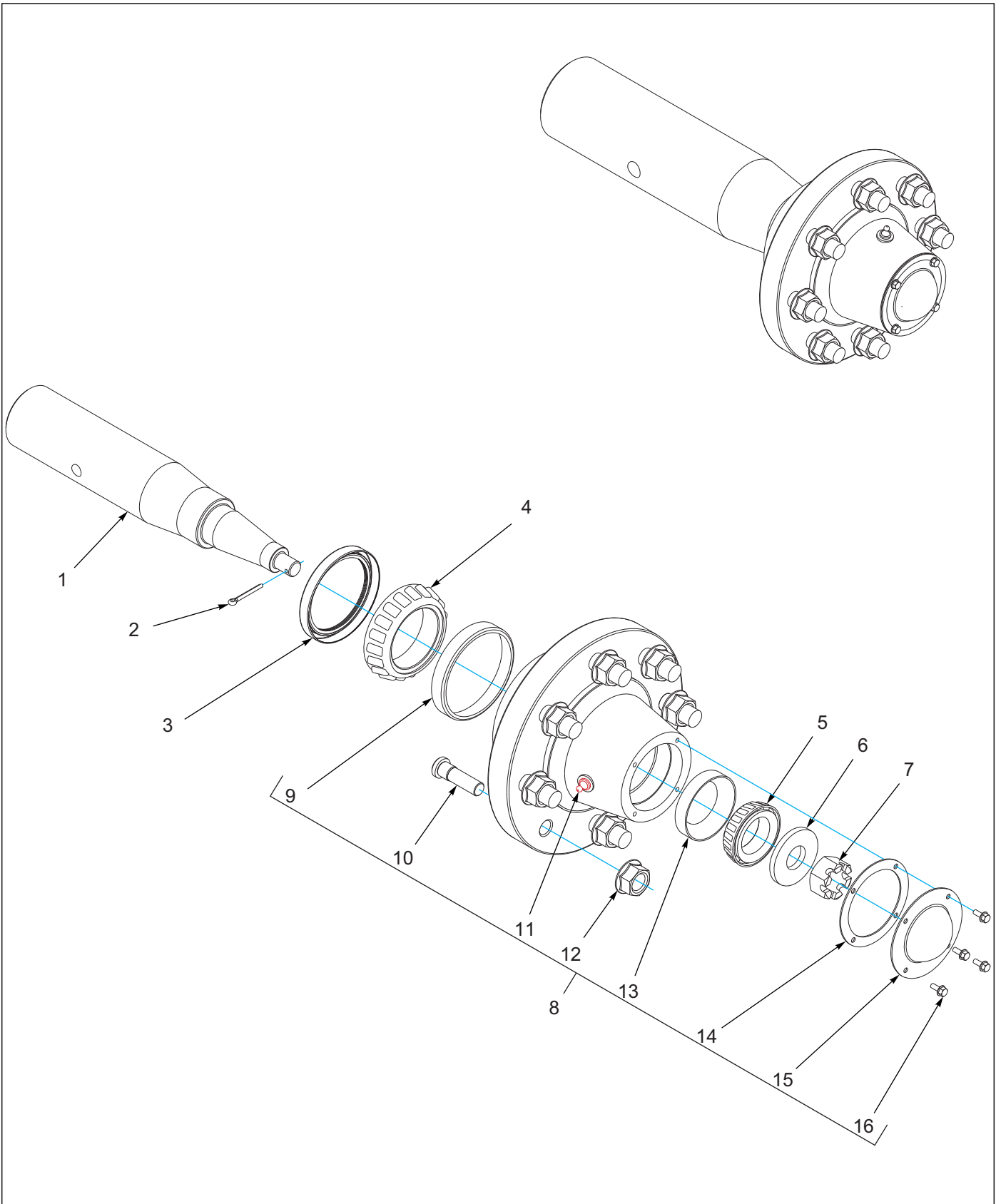


Figure 1-8: Hub and Spindle Assembly 2411AFG-07-09

---

## Hub and Spindle Assembly 2411AFG-07-09

---

| ITEM | PART NUMBER     | DESCRIPTION                    | QTY. |
|------|-----------------|--------------------------------|------|
| --   | 170308          | HUB & SPINDLE ASSY, 8 BOLT     |      |
| 1    | 170309          | SPINDLE, 4 X 22-1/4            | 1    |
| 2    | 1-557-010362-51 | PIN, COTTER 3/16X1-1/2         | 1    |
| 3    | 171107          | SEAL,TRIPLE LIP4.125ODX3.251ID | 1    |
| 4    | 170310          | CONE BEARING-39250-39412       | 1    |
| 5    | 102498          | BEARING CONE,OUTER, 1.625      | 1    |
| 6    | 1-861-010005    | WASHER, SPINDLE 1              | 1    |
| 7    | 1-516-010001-20 | NUT, HX SLOT 1-14              | 1    |
| 8    | 170302          | HUB W/ CUPS, 8 BOLT 10,000 LBS | 1    |
| 9    | 171771          | BEARING CUP                    | 1    |
| 10   | 171772          | BOLT STUD 3/4-16 X 2-3/4 GR8   | 8    |
| 11   | 5000            | ZERK FITTING 1/8NPT            | 1    |
| 12   | 171773          | NUT, HEX FLANGE 3/4-16 GR5 ZP  | 8    |
| 13   | 102604          | BEARING CUP, OUTER             | 1    |
| 14   | 223439          | GASKET, DUST CAP               | 1    |
| 15   | 223437          | DUST CAP, BOLT ON              | 1    |
| 16   | 223438          | SCREW, 10-32X1/2 HEX FLANGE    | 4    |

# Depth Stop Assembly 2411-06

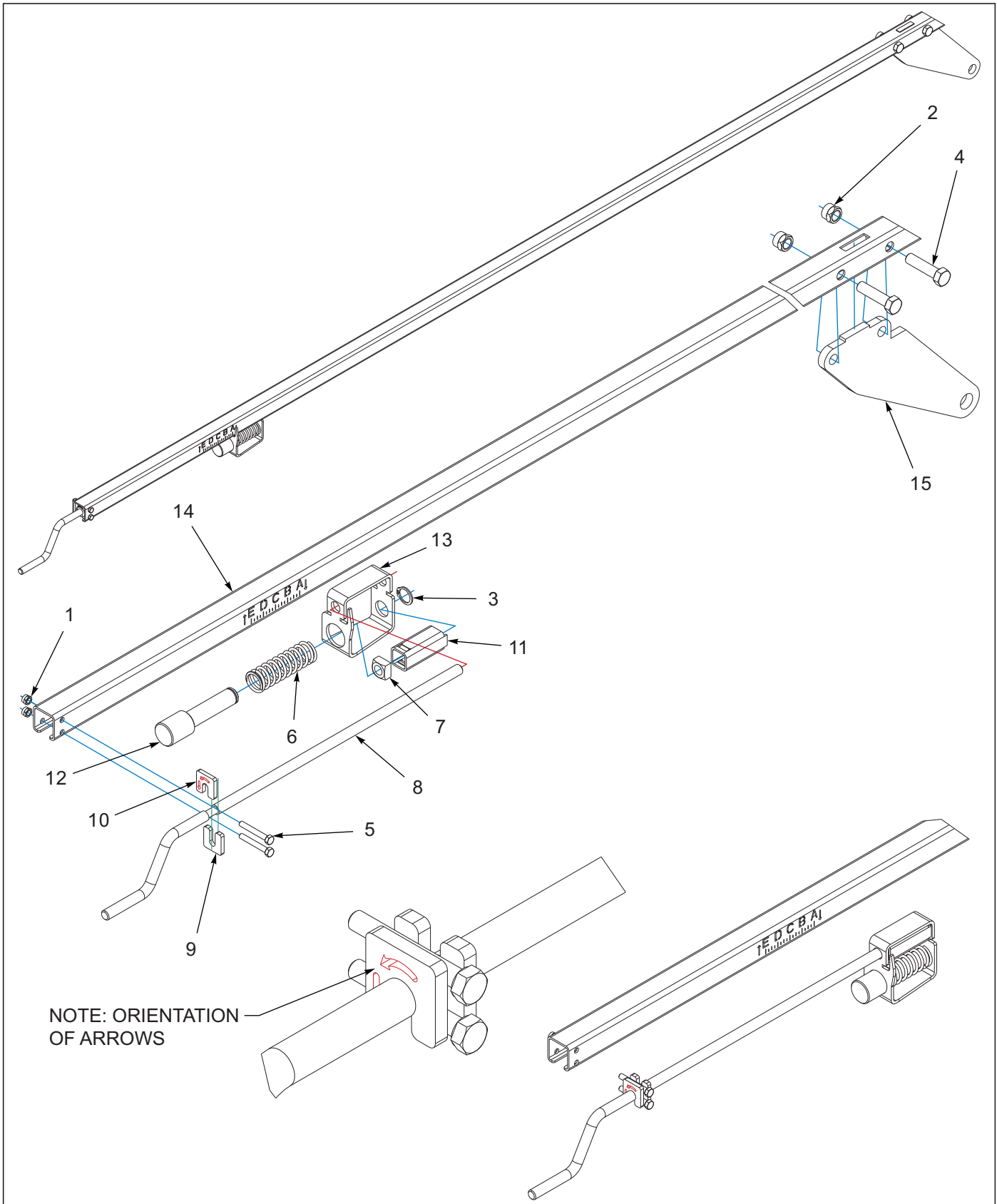


Figure 1-9: Depth Stop Assembly 2411-06



## Depth Stop Assembly 2411-06

| ITEM | PART NUMBER     | DESCRIPTION                   | QTY. |
|------|-----------------|-------------------------------|------|
| --   | 239596          | ASSY, DEPTH STOP              |      |
| 1    | 1-512-010005-03 | NUT HEX SLFLKG GRB 5/16-18    | 2    |
| 2    | 1-512-010005-13 | NUT,HEX SLFLKG GRB 5/8-11     | 2    |
| 3    | 1-630-010021-03 | RING, RETAINING 1.0 HD        | 1    |
| 4    | 1-654-010059-07 | SCREW HX CP 5/8-11UNCX2-1/2G5 | 2    |
| 5    | 108628          | SCREW HX CP 5/16-18UNCX2-1/4  | 2    |
| 6    | 122917          | SPRING COMPRESSION,4-1/2 MONO | 1    |
| 7    | 144048          | NUT, SQ 5/8-11 GR5            | 1    |
| 8    | 165258          | HANDLE, DEPTH STOP            | 1    |
| 9    | 165259          | STOP, HANDLE LONG             | 1    |
| 10   | 165260          | STOP, HANDLE SHORT            | 1    |
| 11   | 166717          | SQ TUBE, FLOATING             | 1    |
| 12   | 174708          | PIN, DEPTH STOP               | 1    |
| 13   | 174709          | SQ TUBE, DEPTH STOP           | 1    |
| 14   | 239597          | SQ TUBE, DEPTH STOP           | 1    |
| 15   | 239598          | PLATE,DEPTH CONTROL           | 1    |

# Depth Stop Assembly 2411AFG-07-09

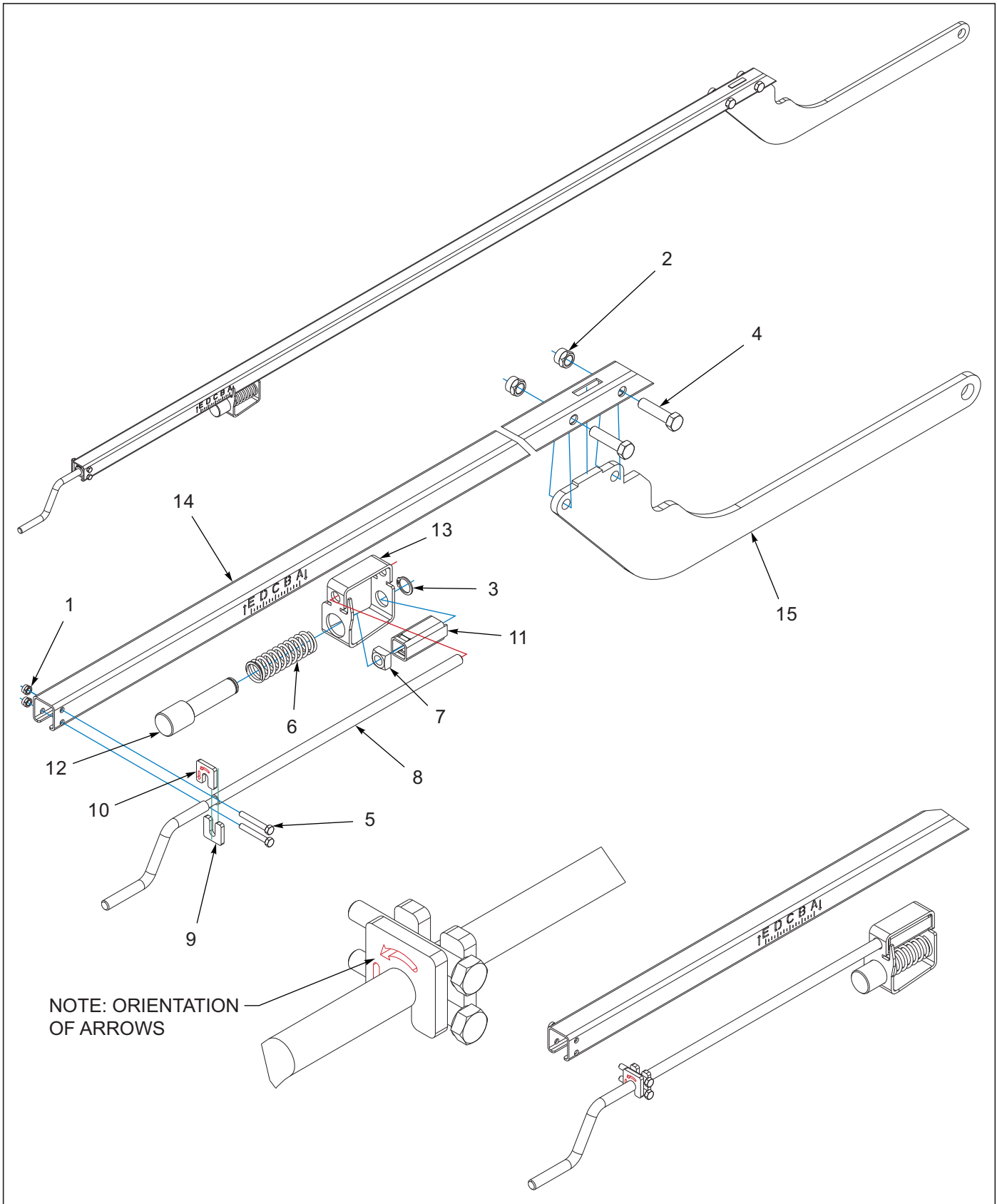


Figure 1-10: Depth Stop Assembly 2411AFG-07-09

---

## Depth Stop Assembly 2411AFG-07-09

---

| ITEM | PART NUMBER     | DESCRIPTION                   | QTY. |
|------|-----------------|-------------------------------|------|
| --   | 234815          | ASSY, DEPTH STOP              |      |
| 1    | 1-512-010005-03 | NUT HEX SLFLKG GRB 5/16-18    | 2    |
| 2    | 1-512-010005-13 | NUT,HEX SLFLKG GRB 5/8-11     | 2    |
| 3    | 1-630-010021-03 | RING, RETAINING 1.0 HD        | 1    |
| 4    | 1-654-010059-07 | SCREW HX CP 5/8-11UNCX2-1/2G5 | 2    |
| 5    | 108628          | SCREW HX CP 5/16-18UNCX2-1/4  | 2    |
| 6    | 122917          | SPRING COMPRESSION,4-1/2 MONO | 1    |
| 7    | 144048          | NUT, SQ 5/8-11 GR5            | 1    |
| 8    | 165258          | HANDLE, DEPTH STOP            | 1    |
| 9    | 165259          | STOP, HANDLE LONG             | 1    |
| 10   | 165260          | STOP, HANDLE SHORT            | 1    |
| 11   | 166717          | SQ TUBE, FLOATING             | 1    |
| 12   | 174708          | PIN, DEPTH STOP               | 1    |
| 13   | 174709          | SQ TUBE, DEPTH STOP           | 1    |
| 14   | 234816          | SQ TUBE, DEPTH STOP           | 1    |
| 15   | 234818          | PLATE, DEPTH CONTROL          | 1    |

# Wing Frame Assembly 2411AFG-07-09

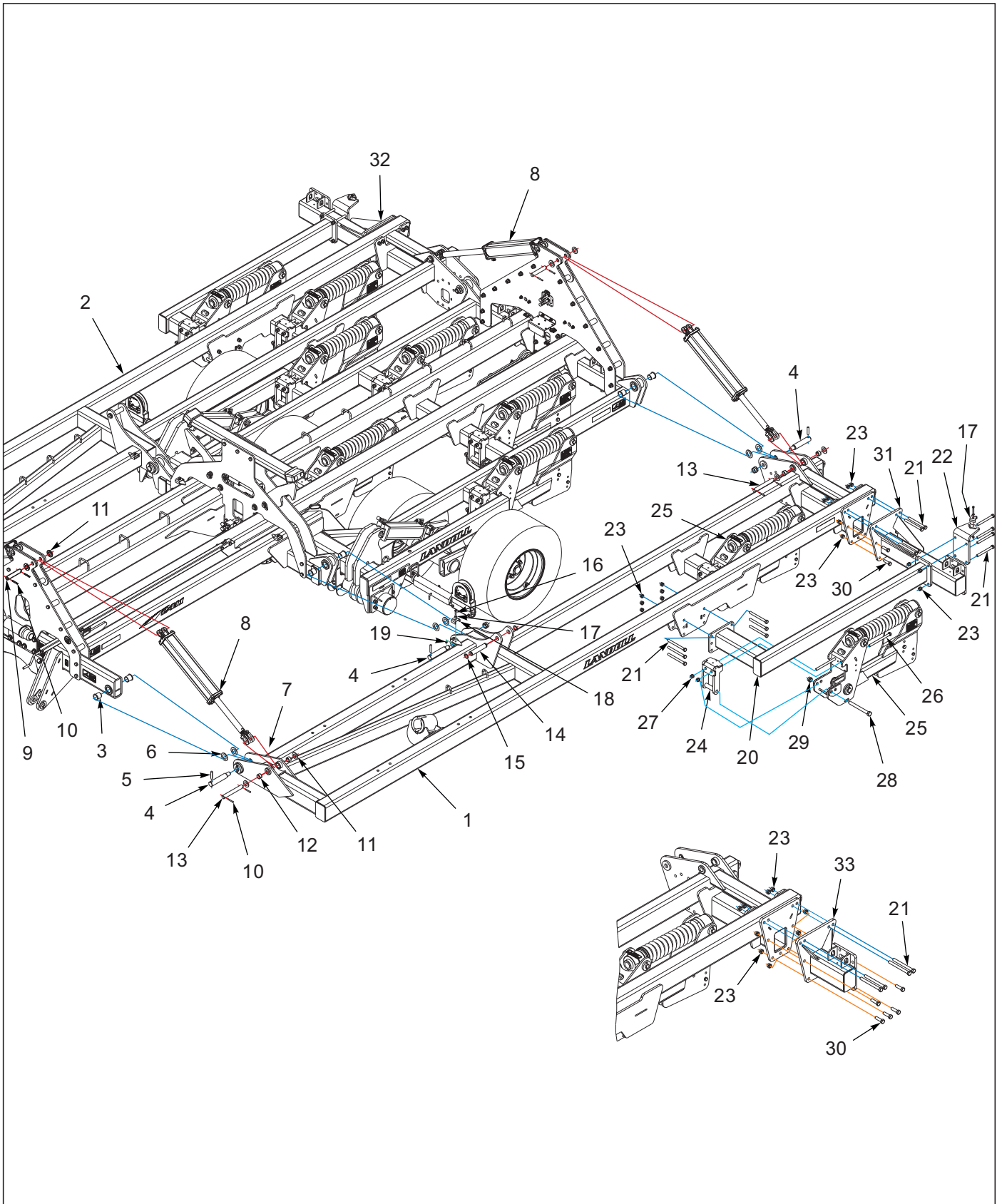


Figure 1-11: Wing Frame Assembly 2411AFG-07-09

## Wing Frame Assembly 2411AFG-07-09

| ITEM | PART NUMBER     | DESCRIPTION                                 | QTY. |    |    |    |
|------|-----------------|---|------|----|----|----|
| --   | 233327          | ASSY, 2411AFG-7 A/R LT WING                 | *    |    |    |    |
| --   | 233326          | ASSY, 2411AFG-7 A/R RT WING                 |      | *  |    |    |
| --   | 233325          | ASSY, 2411AFG-9 A/R LT WING                 |      |    | *  |    |
| --   | 233324          | ASSY, 2411AFG-9 A/R RT WING                 |      |    |    | *  |
| 1    | 233322          | FRAME WLDMT, LT WING 7/9                    | 1    | -- | 1  | -- |
| 2    | 233321          | FRAME WLDMT, RT WING 7/9                    | --   | 1  | -- | 1  |
| 3    | 164533          | BEARING, FLANGE 1-3/4                       | 6    | 6  | 6  | 6  |
| 4    | 228228          | PIN, HINGE                                  | 3    | 3  | 3  | 3  |
| 5    | 148382          | PIN, WALKING BEAM SPINDLE                   | 3    | 3  | 3  | 3  |
| 6    | 164539          | WASHER THRUST 1-3/4                         | 4    | 4  | 4  | 4  |
| 7    | 101385          | NUT,HEX SLFLKG,1-1/4-7 GRB                  | 3    | 3  | 3  | 3  |
| 8    | 234855          | CYL, HYD 4 X 24 3000 PSI                    | 2    | 2  | 2  | 2  |
| 9    | 170291          | PIN, 1-1/4 X 7                              | 2    | 2  | 2  | 2  |
| 10   | 1-647-010004240 | PIN,SPRING,SLOTTED,5/16X2-1/2               | 8    | 8  | 8  | 8  |
| 11   | 116100          | WASHER 1-1/4 NAR FL ZP/CD                   | 8    | 8  | 8  | 8  |
| 12   | 2-150-010174    | BUSHING,1-5/8X1-1/4X1                       | 4    | 4  | 4  | 4  |
| 13   | 164565          | PIN, FOLD                                   | 2    | 2  | 2  | 2  |
| 14   | 105272          | PIN 1-1/2X7-3/4 ZP                          | 1    | 1  | 1  | 1  |
| 15   | 1-630-010021-01 | RING, 1.5 RETAINING HD                      | 2    | 2  | 2  | 2  |
| 16   | 1-654-010051-07 | SCREW,HEX CAP,3/8-16UNCX1-1/2               | 1    | 1  | 1  | 1  |
| 17   | 1-861-010032-10 | WASHER, FLAT 3/8" N ZP/CD                   | 1    | 1  | 1  | 1  |
| 18   | 2-181-010001    | HOSE CLAMP                                  | 1    | 1  | 1  | 1  |
| 19   | 1-512-010005-05 | NUT, HEX, SLFLKG GRB 3/8-16                 | 1    | 1  | 1  | 1  |
| 20   | 240495          | MOUNT, SHANK EXT <b>(BEFORE 01/01/2023)</b> | --   | -- | 1  | 1  |
| 20   | 243152          | MOUNT, SHANK EXT <b>(AFTER 01/01/2023)</b>  | --   | -- | 1  | 1  |
| 21   | 162249          | SCREW, HX CP,3/4-10UNCX8 GR8                | 4    | 4  | 10 | 10 |
| 22   | 240394          | PLATE, EXT BOLT ON                          | --   | -- | 1  | 1  |
| 23   | 1-512-010005-15 | NUT,HEX,SLFLKG GRB 3/4-10                   | 9    | 9  | 19 | 19 |
| 24   | 221412          | GATE-CLAMP WLDMT                            | 1    | 1  | 2  | 2  |
| 25   | 233375          | CLAMP-SHANK ASM                             | 1    | 1  | 2  | 2  |
| 26   | 239516          | SCREW, HXCP 3/4-16UNFX10 GR8                | 2    | 2  | 4  | 4  |
| 27   | 1-512-010002-16 | NUT,3/4-16 HEX,SLFLKG, GRC                  | 2    | 2  | 4  | 4  |
| 28   | 172581          | SCREW HEX CAP 1-8UNCX9.5 GR8                | 1    | 1  | 2  | 2  |
| 29   | 1-512-010005-19 | NUT 1-8 HEX SLF-LOCKING GRB                 | 1    | 1  | 2  | 2  |
| 30   | 1-654-010061-07 | SCREW,HX CP 3/4-10UNCX2-1/2G5               | 5    | 5  | 5  | 5  |
| 31   | 240491          | EXT, REEL LEFT                              | --   | -- | 1  | -- |
| 32   | 240490          | EXT, REEL RIGHT                             | --   | -- | -- | 1  |
| 33   | 240489          | EXT, REEL LEFT <b>(SHOWN)</b>               | 1    | -- | -- | -- |
| 34   | 240488          | EXT, REEL RIGHT <b>(NOT SHOWN)</b>          | --   | 1  | -- | -- |

# Hitch Assemblies

## Hitch Assembly 2411-06

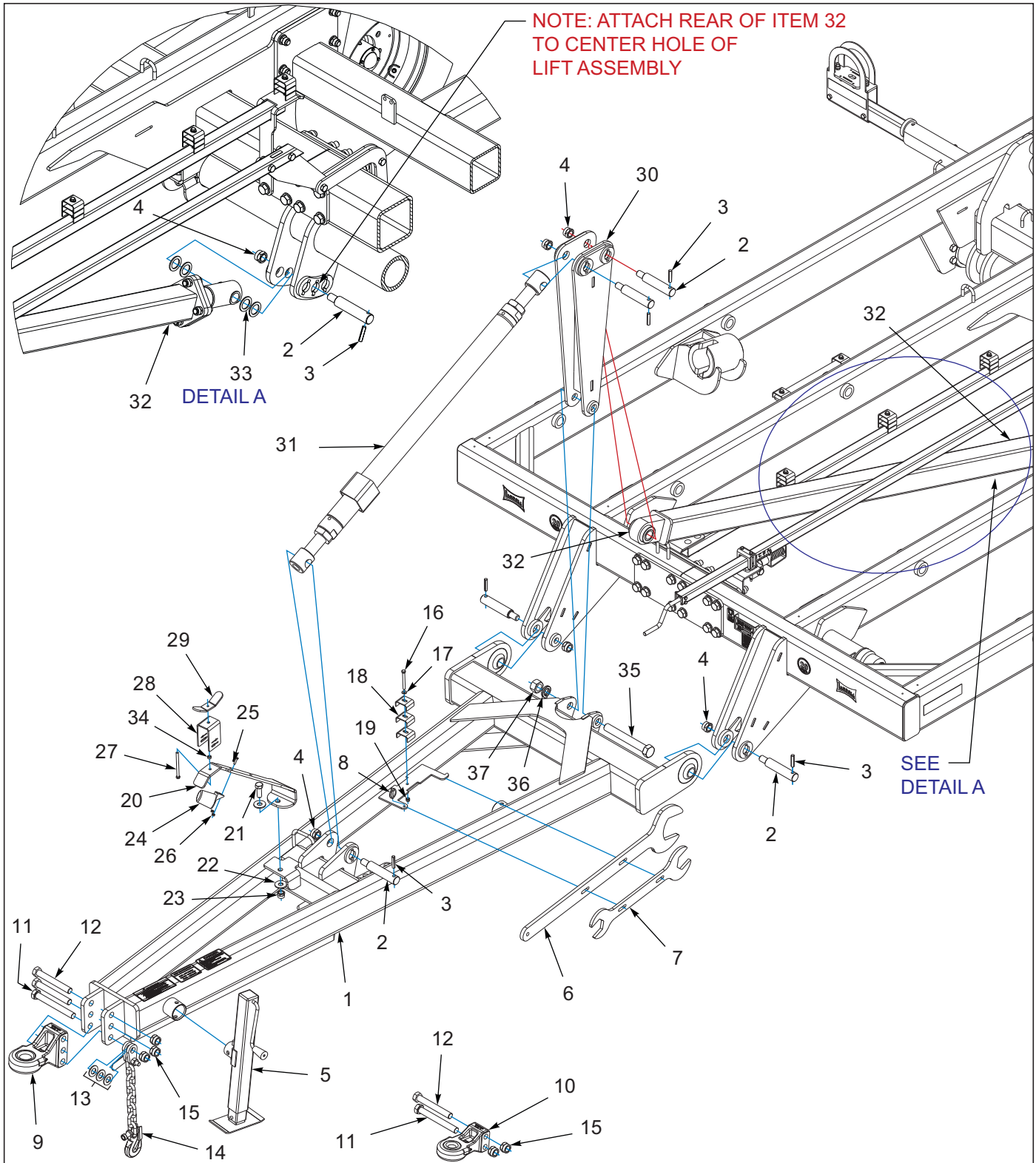


Figure 2-1: Hitch Assembly 2411-06

## Hitch Assembly 2411-06

| ITEM | PART NUMBER     | DESCRIPTION  | QTY. |    |
|------|-----------------|--|------|----|
| --   | 241919          | HITCH ASSY, CAT IV 2411-6                            | *    |    |
| --   | 241920          | HITCH ASSY, CAT III 2411-6                           |      | *  |
| 1    | 241917          | HITCH, 2411-6 WLDMT                                  | 1    | 1  |
| 2    | 144493          | PIN, HITCH   | 6    | 6  |
| 3    | 144115          | PIN, GROOVED ALLOY 1/2X2-1/4                         | 6    | 6  |
| 4    | 1-512-010005-19 | NUT 1-8 HEX SLF-LOCKING GRB                          | 6    | 6  |
| 5    | 140647          | JACK, SIDE WIND 7000/8000 LB <b>(SEE PAGE 2-8)</b>   | 1    | 1  |
| 6    | 179763          | WRENCH, ADJUSTMENT                                   | 1    | 1  |
| 7    | 174404          | WRENCH, ADJUSTMENT                                   | 1    | 1  |
| 8    | 70239854        | PIN QUICK HITCH                                      | 1    | 1  |
| 9    | 189451          | HITCH, BALL CAT IV 3-HOLE <b>(SEE PAGE 2-7)</b>      | 1    | -- |
| 10   | 177030          | HITCH, BALL CAT III <b>(SEE PAGE 2-7)</b>            | --   | 1  |
| 11   | 1-654-010125-22 | SCREW HX CP 1-8UNCX8-1/2G8ZP                         | 1    | 1  |
| 12   | 153696          | BOLT, HITCH CLEVIS                                   | 2    | 1  |
| 13   | 1-861-010032-24 | WASHER FL 1IN NARROW ZP                              | 3    | 3  |
| 14   | 156950          | SAFETY CHAIN, 41,000 LB                              | 1    | 1  |
| 15   | 1-512-010005-19 | NUT 1-8 HEX SLF-LOCKING GRB                          | 3    | 3  |
| 16   | 1-654-010051-15 | SCREW HXCP 3/8-16UNCX3-1/2 G5                        | 1    | 1  |
| 17   | 1-861-010032-10 | WASHER, FLAT 3/8" N ZP/CD                            | 1    | 1  |
| 18   | 2-181-010001    | HOSE CLAMP   | 3    | 3  |
| 19   | 1-512-010005-05 | NUT, HEX, SLFLKG GRB 3/8-16                          | 1    | 1  |
| 20   | 228247          | BRACKET, HOSE HOLDER                                 | 1    | 1  |
| 21   | 1-654-010061-05 | SCREW,HHC,3/4-10UNCX2,GR5,ZP                         | 1    | 1  |
| 22   | 1-861-010032-21 | WASHER, FLAT 3/4 W ZP/CD                             | 2    | 2  |
| 23   | 1-512-010005-15 | NUT,HEX,SLFLKG GRB 3/4-10                            | 1    | 1  |
| 24   | 2-368-010287    | HARNESS, STOR-A-WAY                                  | 1    | 1  |
| 25   | 1-654-010047-06 | SCREW,HX CP 1/4-20UNCX1 GR5                          | 2    | 2  |
| 26   | 1-512-010005-01 | NUT,HEX,SLFLKG GRB 1/4-20                            | 2    | 2  |
| 27   | 196754          | SCREW,HH 3/8-16X5,GR5,FUL THRD                       | 1    | 1  |
| 28   | 177398          | CLAMP, HOSE HOLDER, LONG                             | 1    | 1  |
| 29   | 141249          | WING NUT, HOSE HOLDER                                | 1    | 1  |
| 30   | 184780          | TOWER, LEVELER-30" WLDMT                             | 1    | 1  |
| 31   | 228224          | RADIUS ASSY, 2 THRD, 1-1/2 PIN <b>(SEE PAGE 2-5)</b> | 1    | 1  |
| 32   | 234841          | LEVELER, ASSY 133-1/2 <b>(SEE PAGE 2-6)</b>          | 1    | 1  |
| 33   | 170258          | BUSHING, MACHINE 1-1/2 X 10 GA                       | 4    | 4  |
| 34   | 1-512-010007-07 | NUT, HEX 3/8-16 GR2 ZP                               | 1    | 1  |
| 35   | 100808          | SCREW CP HXHD 1-1/4-7X9-1/2G8                        | 1    | 1  |
| 36   | 100825          | WASHER, LKG, HLCL SPR 1-1/4                          | 1    | 1  |
| 37   | 1-512-010007-16 | NUT,HEX 1-1/4-7 GR2 ZP                               | 1    | 1  |

# Hitch Assembly 2411AFG-07-09

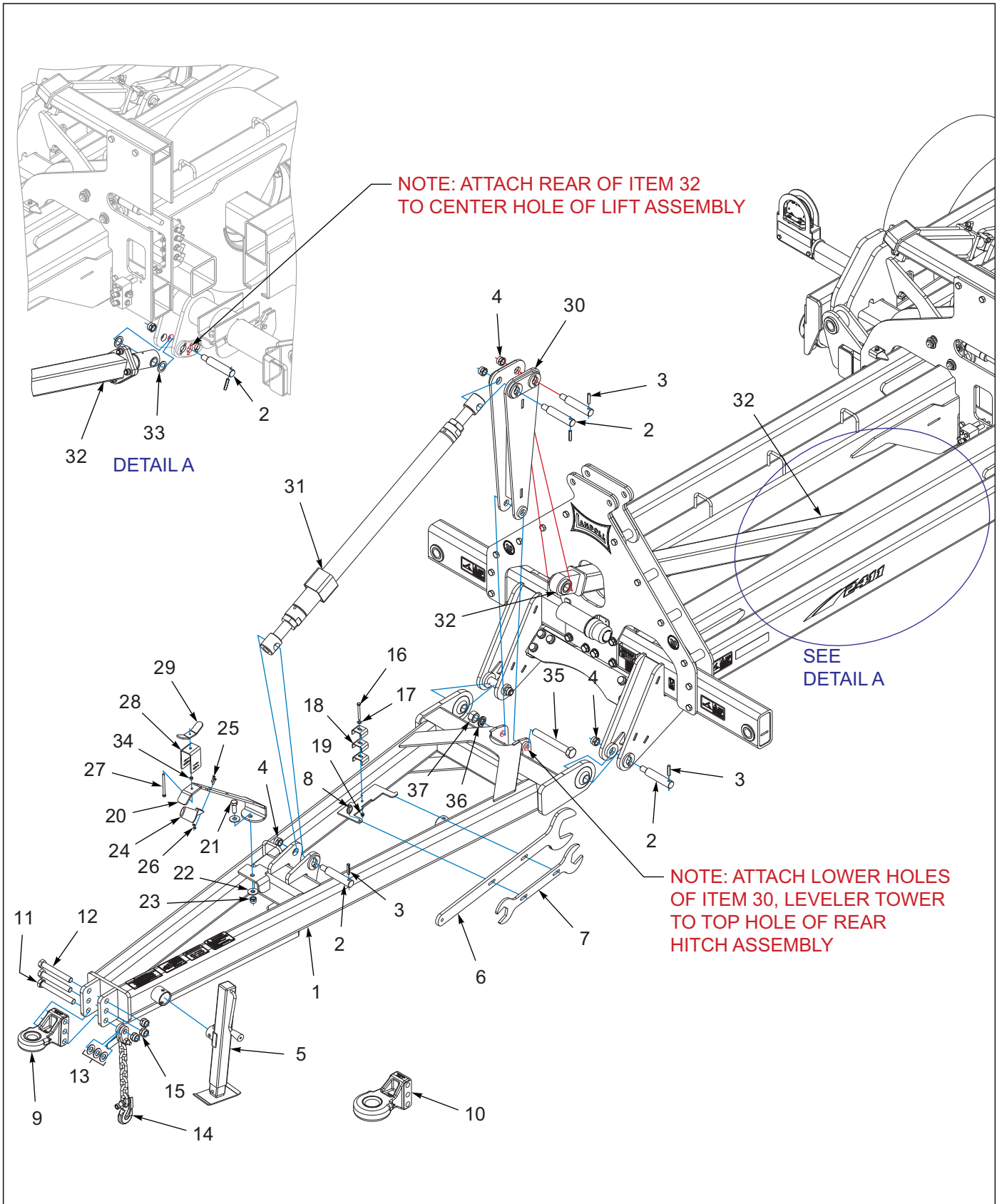


Figure 2-2: Hitch Assembly 2411AFG-07-09



## Hitch Assembly 2411AFG-07-09

| ITEM | PART NUMBER     | DESCRIPTION  | QTY. |    |
|------|-----------------|--|------|----|
| --   | 234861          | HITCH ASSY, CAT IV 2411                              | *    |    |
| --   | 234862          | HITCH ASSY, CAT V 2411                               | *    |    |
| 1    | 234770          | HITCH, 2411 WLDMT                                    | 1    | 1  |
| 2    | 144493          | PIN, HITCH   | 6    | 6  |
| 3    | 144115          | PIN, GROOVED ALLOY 1/2X2-1/4                         | 6    | 6  |
| 4    | 1-512-010005-19 | NUT 1-8 HEX SLF-LOCKING GRB                          | 6    | 6  |
| 5    | 140647          | JACK, SIDE WIND 7000/8000 LB <b>(SEE PAGE 2-8)</b>   | 1    | 1  |
| 6    | 179763          | WRENCH, ADJUSTMENT                                   | 1    | 1  |
| 7    | 174404          | WRENCH, ADJUSTMENT                                   | 1    | 1  |
| 8    | 70239854        | PIN QUICK HITCH                                      | 1    | 1  |
| 9    | 189451          | HITCH, BALL CAT IV 3-HOLE <b>(SEE PAGE 2-7)</b>      | 1    | -- |
| 10   | 177032          | HITCH, BALL CAT V <b>(SEE PAGE 2-7)</b>              | --   | 1  |
| 11   | 1-654-010125-22 | SCREW HX CP 1-8UNCX8-1/2G8ZP                         | 1    | 1  |
| 12   | 153696          | BOLT, HITCH CLEVIS                                   | 2    | 1  |
| 13   | 1-861-010032-24 | WASHER FL 1IN NARROW ZP                              | 3    | 3  |
| 14   | 156950          | SAFETY CHAIN, 41,000 LB                              | 1    | 1  |
| 15   | 1-512-010005-19 | NUT 1-8 HEX SLF-LOCKING GRB                          | 3    | 3  |
| 16   | 1-654-010051-15 | SCREW HXCP 3/8-16UNCX3-1/2 G5                        | 1    | 1  |
| 17   | 1-861-010032-10 | WASHER, FLAT 3/8" N ZP/CD                            | 1    | 1  |
| 18   | 2-181-010001    | HOSE CLAMP   | 3    | 3  |
| 19   | 1-512-010005-05 | NUT, HEX, SLFLKG GRB 3/8-16                          | 1    | 1  |
| 20   | 228247          | BRACKET, HOSE HOLDER                                 | 1    | 1  |
| 21   | 1-654-010061-05 | SCREW,HHC,3/4-10UNCX2,GR5,ZP                         | 1    | 1  |
| 22   | 1-861-010032-21 | WASHER, FLAT 3/4 W ZP/CD                             | 2    | 2  |
| 23   | 1-512-010005-15 | NUT,HEX,SLFLKG GRB 3/4-10                            | 1    | 1  |
| 24   | 2-368-010287    | HARNESS, STOR-A-WAY                                  | 1    | 1  |
| 25   | 1-654-010047-06 | SCREW,HX CP 1/4-20UNCX1 GR5                          | 2    | 2  |
| 26   | 1-512-010005-01 | NUT,HEX,SLFLKG GRB 1/4-20                            | 2    | 2  |
| 27   | 196754          | SCREW,HH 3/8-16X5,GR5,FUL THRD                       | 1    | 1  |
| 28   | 177398          | CLAMP, HOSE HOLDER, LONG                             | 1    | 1  |
| 29   | 141249          | WING NUT, HOSE HOLDER                                | 1    | 1  |
| 30   | 184780          | TOWER, LEVELER-30" WLDMT                             | 1    | 1  |
| 31   | 228224          | RADIUS ASSY, 2 THRD, 1-1/2 PIN <b>(SEE PAGE 2-5)</b> | 1    | 1  |
| 32   | 234841          | LEVELER, ASSY 133-1/2 <b>(SEE PAGE 2-6)</b>          | 1    | 1  |
| 33   | 170258          | BUSHING, MACHINE 1-1/2 X 10 GA                       | 8    | 8  |
| 34   | 1-512-010007-07 | NUT, HEX 3/8-16 GR2 ZP                               | 1    | 1  |
| 35   | 100808          | SCREW CP HXHD 1-1/4-7X9-1/2G8                        | 1    | 1  |
| 36   | 100825          | WASHER, LKG, HLCL SPR 1-1/4                          | 1    | 1  |
| 37   | 1-512-010007-16 | NUT,HEX 1-1/4-7 GR2 ZP                               | 1    | 1  |

## Radius Assembly

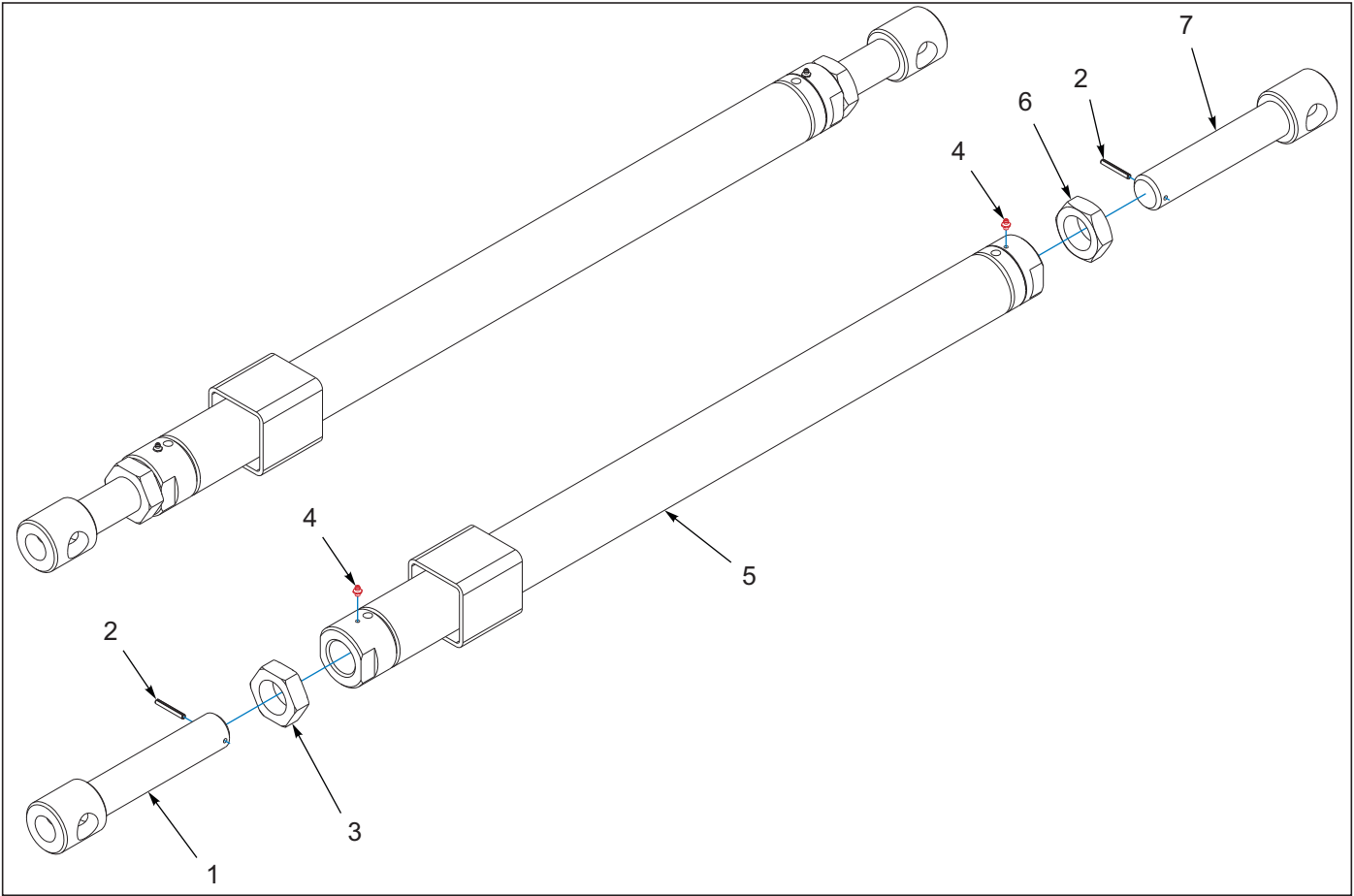


Figure 2-3: Radius Assembly

## Radius Assembly

| ITEM | PART NUMBER     | DESCRIPTION                    | QTY. |
|------|-----------------|--------------------------------|------|
| --   | 228224          | RADIUS ASSY, 2 THRD, 1-1/2 PIN |      |
| 1    | 187181          | RH WLDMT,RADROD-2THRD,1-1/2PIN | 1    |
| 2    | 1-647-010004221 | PIN,SPRING 1/4X2 SLOTTED       | 2    |
| 3    | 137931          | NUT 2-12, HEX JAM, UNF GR 5    | 1    |
| 4    | 1-298-010001-1  | ZERK FITTING 1/4 SAE           | 2    |
| 5    | 228225          | HITCH, RADIUS ROD 2 WLDMT      | 1    |
| 6    | 139139          | NUT 2-12, HEX JAM,LH THRD GR5  | 1    |
| 7    | 187182          | LH WLDMT,RADROD-2THRD,1-1/2PIN | 1    |

# Leveler Assembly

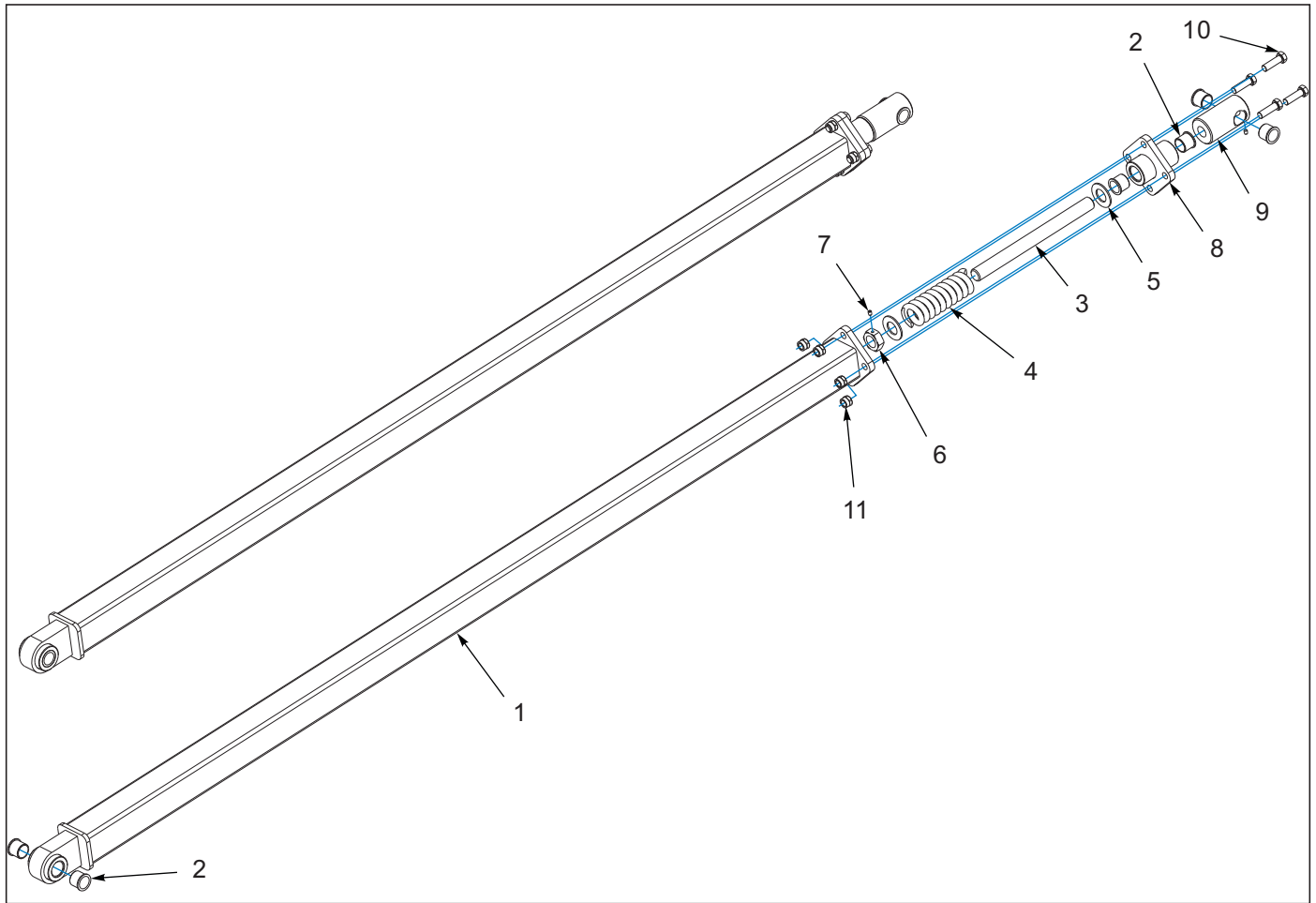


Figure 2-4: Leveler Assembly

## Leveler Assembly

| ITEM | PART NUMBER     | DESCRIPTION                    | QTY. |
|------|-----------------|--------------------------------|------|
| --   | 234841          | LEVELER, ASSY 133-1/2          |      |
| 1    | 179135          | LEVELER WLDMT TUBE 2410F       | 1    |
| 2    | 140599          | BEARING, FLANGE 1-1/2"         | 6    |
| 3    | 234844          | ROD, LEVELER SCREW             | 1    |
| 4    | 140649          | SPRING, LEVELER, BLUE          | 1    |
| 5    | 1-861-010032-32 | WASHER FLAT ZP/CD 1-1/2        | 2    |
| 6    | 140610          | NUT,HEX JAM W/O SET SCREW      | 1    |
| 7    | 122709          | SCREW,SET,HXSKTCPPT 3/8-16X1/2 | 2    |
| 8    | 234842          | SLIDE, LEVELER WLDMT           | 1    |
| 9    | 149582          | PIVOT BLOCK, LEVELER TUBE      | 1    |
| 10   | 1-654-010061-07 | SCREW,HX CP 3/4-10UNCX2-1/2G5  | 4    |
| 11   | 1-512-010005-15 | NUT,HEX,SLFLKG GRB 3/4-10      | 4    |

## Hitch & Ball Assemblies

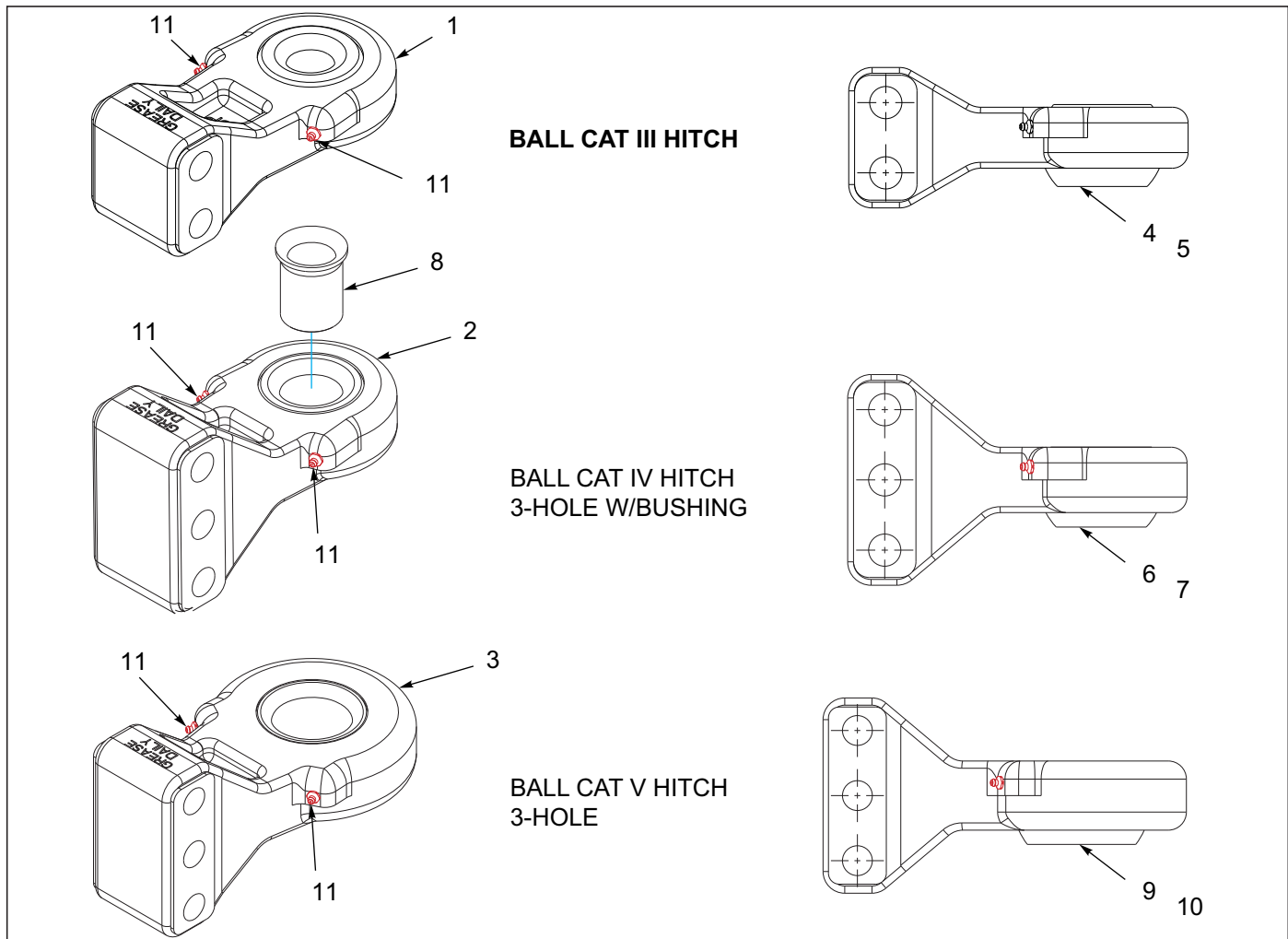


Figure 2-5: Hitch & Ball Assemblies

## Hitch & Ball Assemblies

| ITEM | PART NUMBER    | DESCRIPTION                                      | QTY. |
|------|----------------|--|------|
| 1    | 177030         | HITCH, BALL CAT III                              | 1    |
| 2    | 189451         | HITCH, BALL CAT IV 3-HOLE                        | 1    |
| 3    | 177032         | HITCH, BALL CAT V                                | 1    |
| 4    | 189453         | BUSHING, SPHERICAL 1-1/2 ID (STANDARD CAT III)   | 1    |
| 5    | 189454         | BUSHING, SPHERICAL 2 ID (OPTIONAL CAT III)       | 1    |
| 6    | 189454         | BUSHING, SPHERICAL 2 ID (STANDARD CAT IV)        | 1    |
| 7    | 189453         | BUSHING, SPHERICAL 1-1/2 ID (OPTIONAL CAT IV)    | 1    |
| 8    | 189455         | BUSHING, FLANGED 2OD X 1-1/2ID (OPTIONAL CAT IV) | 1    |
| 9    | 189468         | BUSHING, SPHERICAL 2-3/4 ID (STANDARD CAT V)     | 1    |
| 10   | 189467         | BUSHING, SPHERICAL 2 ID (OPTIONAL CAT V)         | 1    |
| 11   | 1-298-010001-1 | ZERK FITTING 1/4 SAE                             | 1    |

## 7,000 lb. Sidewind Jack Assembly

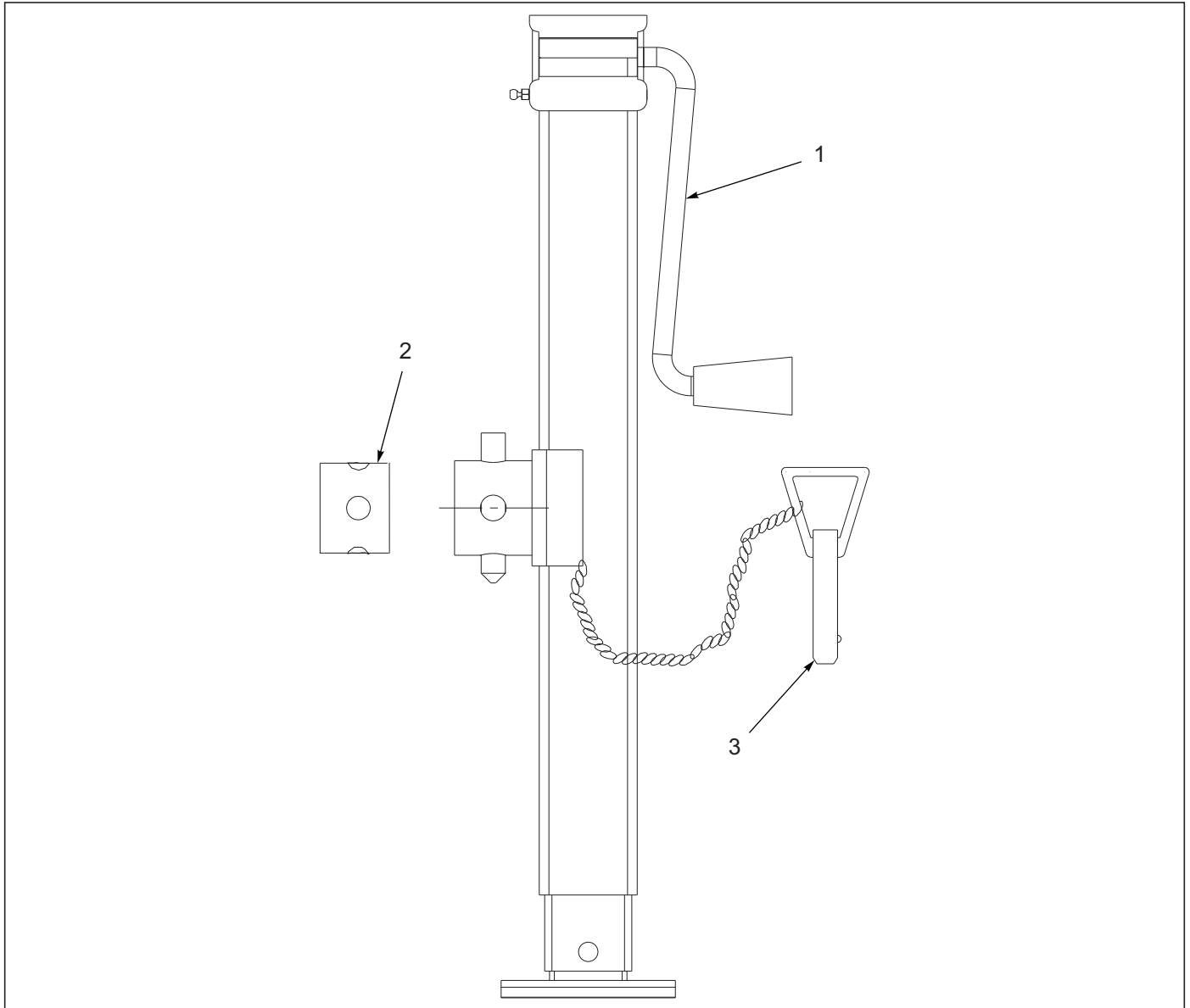


Figure 2-6: 7,000 Lb. Sidewind Jack Assembly

## 7,000 lb. Sidewind Jack Assembly

| ITEM | PART NUMBER | DESCRIPTION                                      | QTY. |
|------|-------------|--|------|
| --   | 140647      | JACK, SIDEWIND 7000LB                            |      |
| 1    | 500171      | HANDLE FOR JACK                                  | 1    |
| 2    | 141250      | TUBE, ROUND JACK MOUNT (WELD TO IMPLEMENT FRAME) | 1    |
| 3    | 142194      | 5/8" PIN   | 1    |

# Disc Gang Assemblies

## Disc Gang Assemblies (6 Shank)

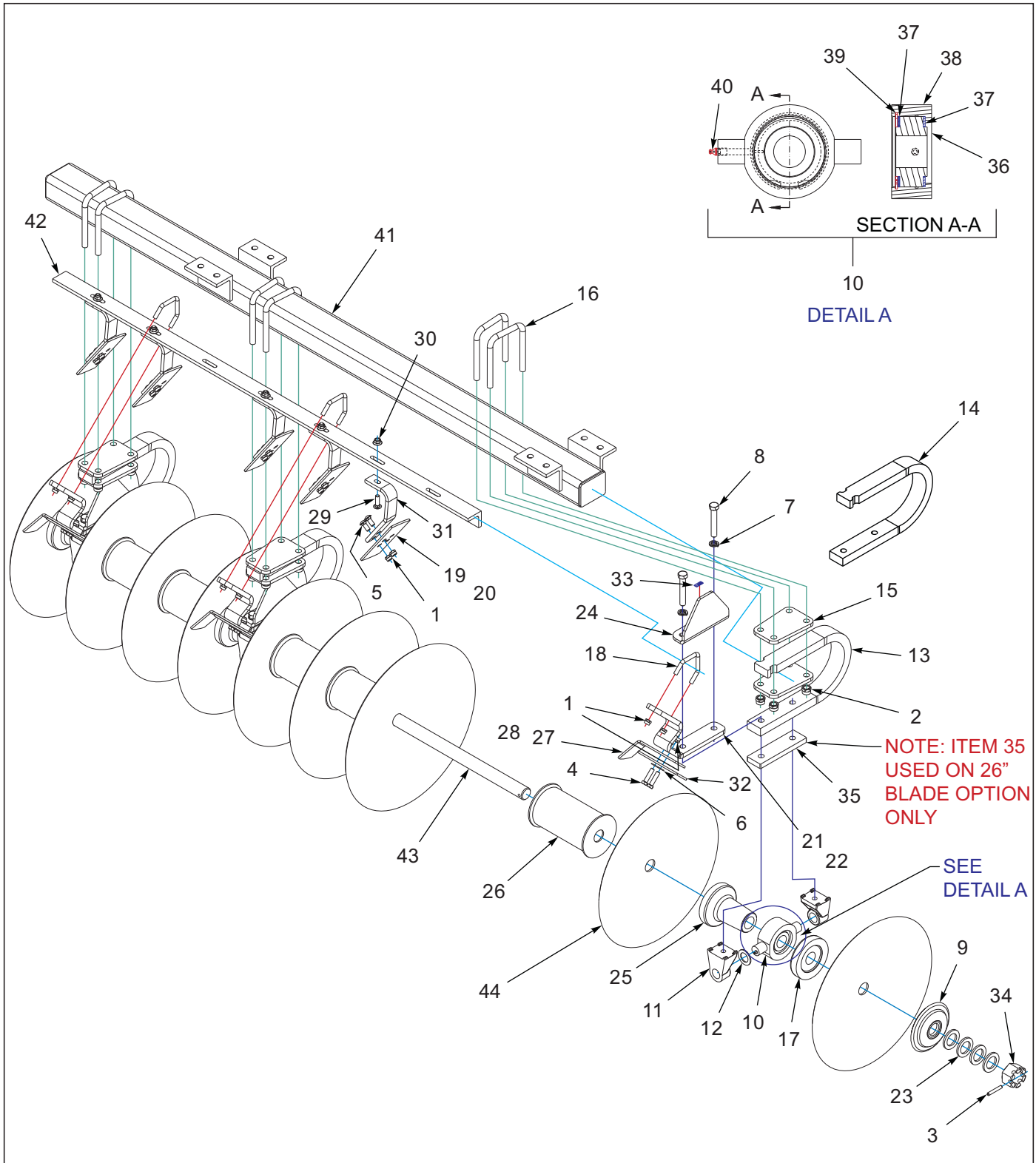


Figure 3-1: Disc Gang Assembly (6 Shank)

## Disc Gang Assembly (6 Shank)

| ITEM | PART NUMBER     | DESCRIPTION   | QTY. |    |    |    |
|------|-----------------|---|------|----|----|----|
| --   | 239572          | ASSY, 26" X 1/4 BLD 2411-6                                | *    |    |    |    |
| --   | 239573          | ASSY, 26" X 5/16 BLD 2411-6                               |      | *  |    |    |
| --   | 239570          | ASSY, 24" STD BLADE 2411-6                                |      |    | *  |    |
| --   | 239571          | ASSY, 24" ROLL BLADE 2411-6                               |      |    |    | *  |
| 1    | 1-512-010005-09 | NUT,HEX,SLFLKG, 1/2-13 GRB                                | 84   | 84 | 84 | 84 |
| 2    | 1-512-010005-15 | NUT,HEX,SLFLKG GRB 3/4-10                                 | 48   | 48 | 48 | 48 |
| 3    | 1-647-010004257 | PIN,SPRING,SLOTTED 3/8X2-1/2                              | 8    | 8  | 8  | 8  |
| 4    | 1-654-010055-05 | SCREW,HEX CAP,1/2-13UNCX2 GR5                             | 24   | 24 | 24 | 24 |
| 5    | 1-654-010070-02 | SCREW 1/2-13X1-1/4 RD HD SQNK                             | 36   | 36 | 36 | 36 |
| 6    | 1-861-010032-14 | WASHER, FLAT 1/2" N ZP/CD                                 | 24   | 24 | 24 | 24 |
| 7    | 1-861-010034-17 | WASHER,LKG,HLCL SPR,3/4                                   | 24   | 24 | 24 | 24 |
| 8    | 126108          | SCREW HX CP 3/4-10X4-1/2 GR8                              | 24   | 24 | -- | -- |
| 8    | 114029          | SCREW HX CAP 3/4-10X4 GR8                                 | --   | -- | 24 | 24 |
| 9    | 140469          | END COLLAR  | 8    | 8  | 8  | 8  |
| 10   | 140477          | BEARING, DISC 1.775 ID ASSY <b>(INCLUDES ITEMS 36-40)</b> | 12   | 12 | 12 | 12 |
| 11   | 140479          | MOUNT, TRUNNION   | 24   | 24 | 24 | 24 |
| 12   | 140480          | WASHER, TRUNNION  | 12   | 12 | 12 | 12 |
| 13   | 140481          | SHANK, DISC BEARING, RIGHT                                | 6    | 6  | 6  | 6  |
| 14   | 140482          | SHANK, DISC BEARING, LEFT                                 | 6    | 6  | 6  | 6  |
| 15   | 140483          | PLATE, DISC SHANK MOUNT                                   | 24   | 24 | 24 | 24 |
| 16   | 140484          | U-BOLT, 3/4 X 5   | 24   | 24 | 24 | 24 |
| 17   | 140485          | HALF SPOOL, CONCAVE                                       | 12   | 12 | 12 | 12 |
| 18   | 140487          | UBOLT, SCRAPER BAR MOUNT                                  | 12   | 12 | 12 | 12 |
| 19   | 191444          | SCRAPER, 4-1/2 IN LC                                      | 18   | -- | 8  | 8  |
| 20   | 140488          | SCRAPER 4-1/2 IN  | --   | 18 | 10 | 10 |
| 21   | 140490          | MOUNT, SCRAPER BAR RIGHT                                  | 6    | 6  | 6  | 6  |
| 22   | 140491          | MOUNT, SCRAPER BAR LEFT                                   | 6    | 6  | 6  | 6  |
| 23   | 141154          | WASHER GANG SHAFT   | 19   | 19 | 19 | 19 |
| 24   | 143988          | STOP, DISC SHANK  | 12   | 12 | 12 | 12 |
| 25   | 148363          | HALF SPOOL CONVEX   | 12   | 12 | 12 | 12 |
| 26   | 148364          | SPOOL WLDMT 10-1/2"                                       | 19   | 19 | 19 | 19 |
| 27   | 150231          | SCRAPER, DUAL RIGHT 10-1/2                                | 6    | 6  | 6  | 6  |
| 28   | 150232          | SCRAPER, DUAL LEFT 10-1/2                                 | 6    | 6  | 6  | 6  |
| 29   | 160161          | SHAKER BOLT1/2-13X1-3/4 GR8ZP                             | 18   | 18 | 18 | 18 |
| 30   | 172509          | NUT,1/2-13 WIDE FLNG TOP LCK F                            | 18   | 18 | 18 | 18 |
| 31   | 172724          | ARM, SCRAPER  | 18   | 18 | 18 | 18 |
| 32   | 198034          | SCRAPER DUAL ADJ BACK                                     | 12   | 12 | 12 | 12 |
| 33   | 2-573-010330-02 | DECAL, LUBRICATION 10 HOURS                               | 12   | 12 | 12 | 12 |
| 34   | 23085           | NUT HEX SLOTTED 1 3/4-5                                   | 8    | 8  | 8  | 8  |
| 35   | 169601          | PLATE-GANG SPACER   | 12   | 12 | -- | -- |
| 36   | 140464          | BEARING, DISC 1.775 ID                                    | 1    | 1  | 1  | 1  |
| 37   | 140473          | WASHER, BEARING   | 2    | 2  | 2  | 2  |
| 38   | 140475          | CASTING, TRUNNION   | 1    | 1  | 1  | 1  |
| 39   | 140476          | INTERNAL RETAINING RING                                   | 1    | 1  | 1  | 1  |
| 40   | 153709          | WASHER, DISC GANG END                                     | 1    | 1  | 1  | 1  |
| 41   | -----           | GANG BAR <b>(SEE PAGE 3-3)</b>                            |      |    |    |    |
| 42   | -----           | SCRAPER BAR <b>(SEE PAGE 3-3)</b>                         |      |    |    |    |
| 43   | -----           | GANG SHAFT <b>(SEE PAGE 3-3)</b>                          |      |    |    |    |
| 44   | -----           | DISC BLADE <b>(SEE PAGE 3-3)</b>                          |      |    |    |    |

# Disc Gang Placement 26" Blade (6 Shank)

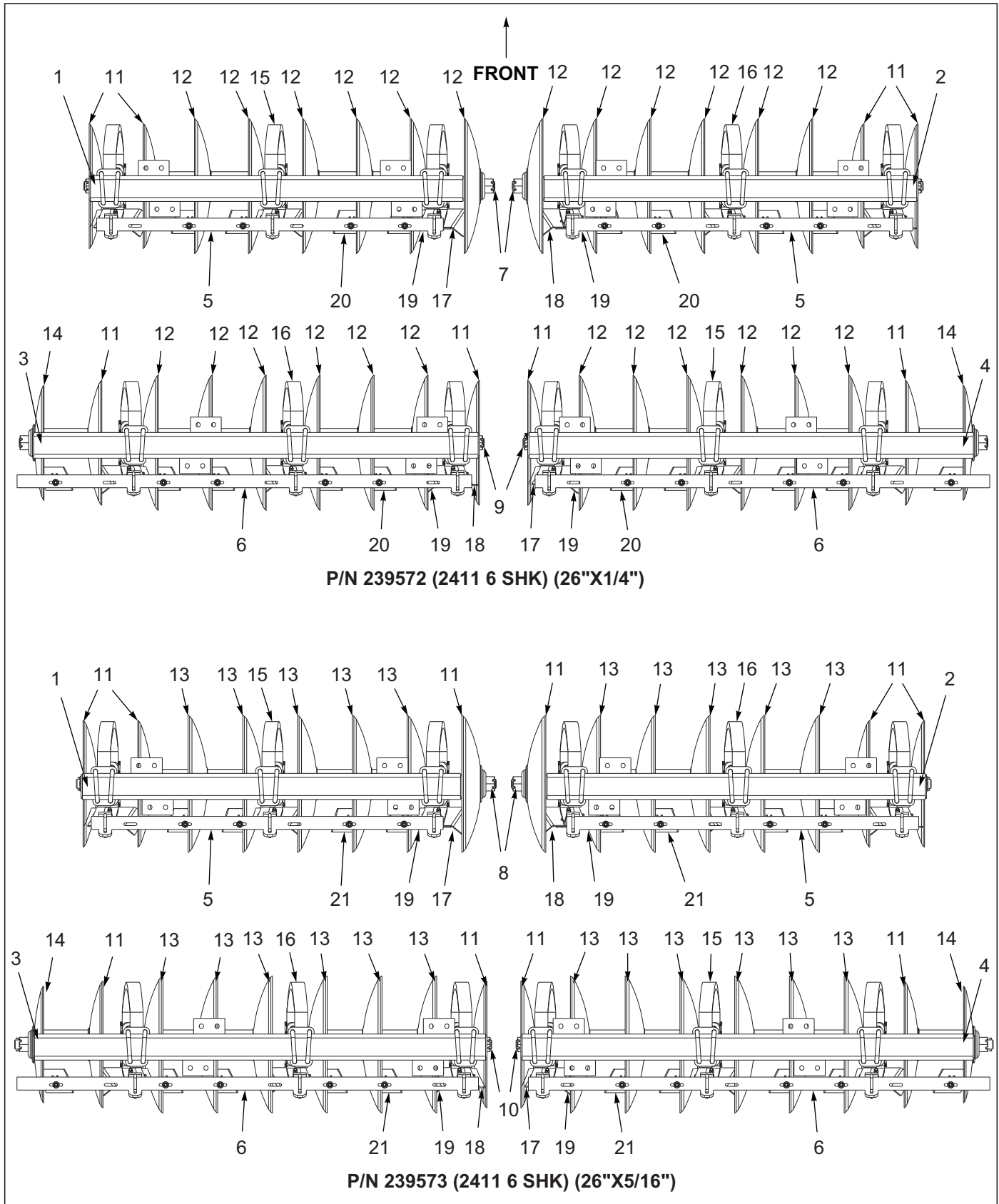


Figure 3-2: Disc Gang Placement 26" Blade (6 Shank)



## Disc Gang Placement 26" Blade (6 Shank)

| ITEM | PART NUMBER | DESCRIPTION                   | QTY. |    |
|------|-------------|-------------------------------|------|----|
| --   | 239572      | ASSY, 26" X 1/4 BLD 2411-6    | *    |    |
| --   | 239573      | ASSY, 26" X 5/16 BLD 2411-6   | *    |    |
| 1    | 239575      | GANGBAR, LF 2411-6            | 1    | 1  |
| 2    | 239574      | GANGBAR, RF 2411-6            | 1    | 1  |
| 3    | 239577      | GANGBAR, LR 2411-6            | 1    | 1  |
| 4    | 239576      | GANGBAR, RR 2411-6            | 1    | 1  |
| 5    | 149603      | SCRAPER BAR, 10 1/2 SP 6 HOLE | 2    | 2  |
| 6    | 149605      | SCRAPER BAR,10-1/2 SP 8 HOLE  | 2    | 2  |
| 7    | 149591      | SHAFT, GANG 80"               | 2    | 2  |
| 8    | 185724      | SHAFT, GANG 80-1/2"           | 2    | 2  |
| 9    | 149592      | SHAFT, GANG 90-1/2 L          | 2    | 2  |
| 10   | 185721      | SHAFT, GANG 91-1/2            | 2    | 2  |
| 11   | 161530A     | ING DISC BLD, 24X1/4 1-3/4 ID | 8    | 8  |
| 12   | 169575      | DISC BLADE 26"X1/4" 1-3/4" ID | 24   | -- |
| 13   | 141871      | DISC BLADE 26X5/16 1-3/4 ID   | --   | 24 |
| 14   | 155617      | DISC BLADE,22"X1/4" 1-3/4 ID  | 2    | 2  |
| 15   | 140481      | SHANK, DISC BEARING, RIGHT    | 6    | 6  |
| 16   | 140482      | SHANK, DISC BEARING, LEFT     | 6    | 6  |
| 17   | 150231      | SCRAPER, DUAL RIGHT 10-1/2    | 6    | 6  |
| 18   | 150232      | SCRAPER, DUAL LEFT 10-1/2     | 6    | 6  |
| 19   | 198034      | SCRAPER DUAL ADJ BACK         | 12   | 12 |
| 20   | 191444      | SCRAPER, 4-1/2 IN LC          | 18   | -- |
| 21   | 140488      | SCRAPER 4-1/2 IN              | --   | 18 |

### Disc Gang Placement 24" Blade (6 Shank)

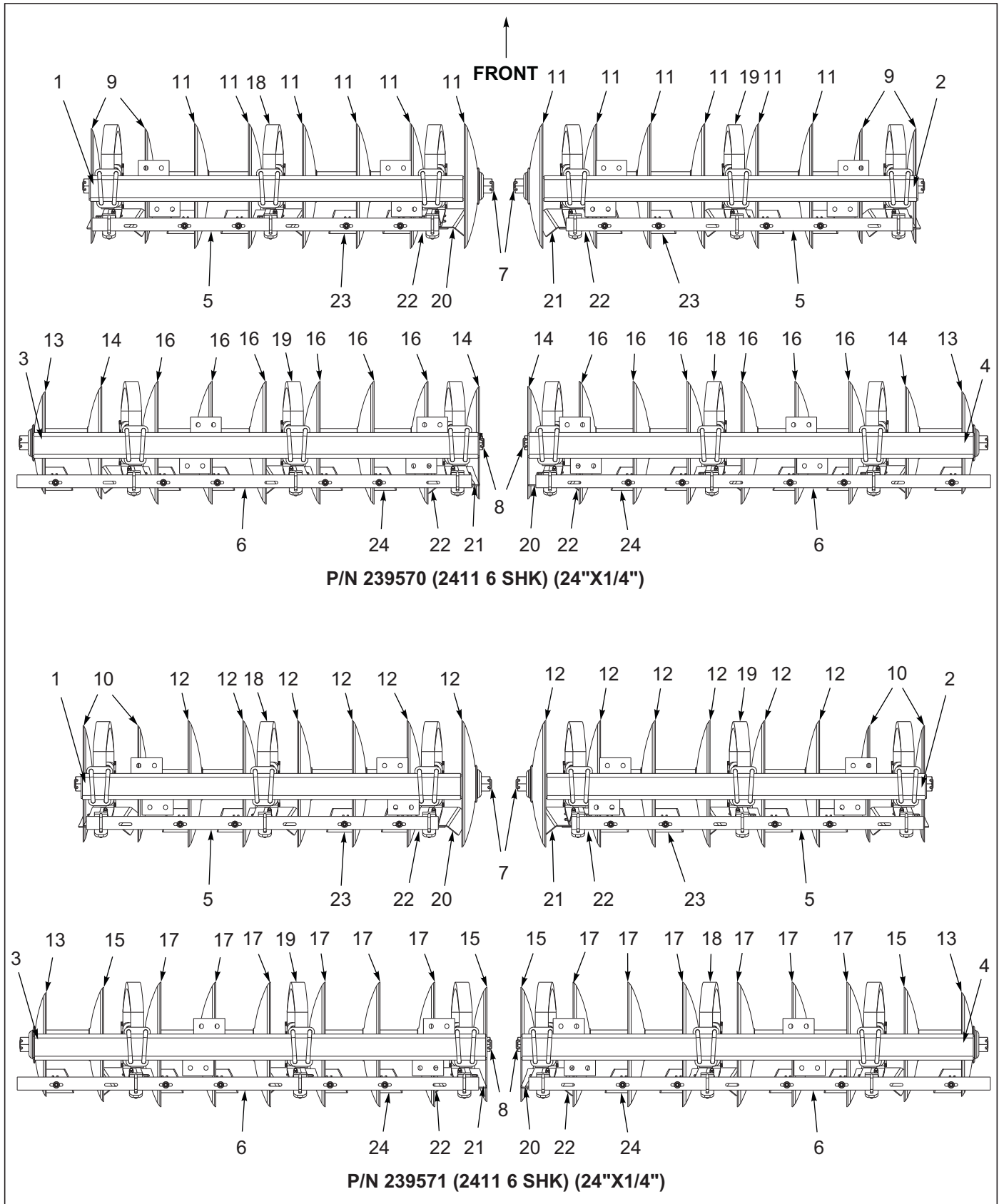


Figure 3-3: Disc Gang Placement 24" Blade (6 Shank)

## Disc Gang Placement 24" Blade (6 Shank)

| ITEM | PART NUMBER | DESCRIPTION                    | QTY. |    |
|------|-------------|--------------------------------|------|----|
| --   | 239570      | ASSY, 24" STD BLADE 2411-6     | *    |    |
| --   | 239571      | ASSY, 24" ROLL BLADE 2411-6    |      | *  |
| 1    | 239575      | GANGBAR, LF 2411-6             | 1    | 1  |
| 2    | 239574      | GANGBAR, RF 2411-6             | 1    | 1  |
| 3    | 239577      | GANGBAR, LR 2411-6             | 1    | 1  |
| 4    | 239576      | GANGBAR, RR 2411-6             | 1    | 1  |
| 5    | 149603      | SCRAPER BAR, 10 1/2 SP 6 HOLE  | 2    | 2  |
| 6    | 149605      | SCRAPER BAR,10-1/2 SP 8 HOLE   | 2    | 2  |
| 7    | 149591      | SHAFT, GANG 80"                | 2    | 2  |
| 8    | 149592      | SHAFT, GANG 90-1/2 L           | 2    | 2  |
| 9    | 155617      | DISC BLADE,22"X1/4" 1-3/4 ID   | 4    | -- |
| 10   | 155618      | DISC BLADE,22"X1/4" 1-3/4 ID   | --   | 4  |
| 11   | 161530A     | ING DISC BLD, 24X1/4 1-3/4 ID  | 12   | -- |
| 12   | 172076      | DISC BLADE, 24"X1/4", 1-3/4"ID | --   | 12 |
| 13   | 140467      | DISC BLADE,20" 1/4" 1-3/4 ID   | 2    | 2  |
| 14   | 140466      | DISC BLADE 22"X 1/4" 1-3/4"ID  | 4    | -- |
| 15   | 142660      | DISC BLADE, 22 X 1/4 1-3/4ID   | --   | 4  |
| 16   | 140465      | DISC BLADE,24" 1/4" 1-3/4" ID  | 12   | -- |
| 17   | 142662      | DISC BLADE, 24 X 1/4 1-3/4ID   | --   | 12 |
| 18   | 140481      | SHANK, DISC BEARING, RIGHT     | 6    | 6  |
| 19   | 140482      | SHANK, DISC BEARING, LEFT      | 6    | 6  |
| 20   | 150231      | SCRAPER, DUAL RIGHT 10-1/2     | 6    | 6  |
| 21   | 150232      | SCRAPER, DUAL LEFT 10-1/2      | 6    | 6  |
| 22   | 198034      | SCRAPER DUAL ADJ BACK          | 12   | 12 |
| 23   | 191444      | SCRAPER, 4-1/2 IN LC           | 8    | 8  |
| 24   | 140488      | SCRAPER 4-1/2 IN               | 10   | 10 |

# Disc Gang Assemblies (7 Shank)

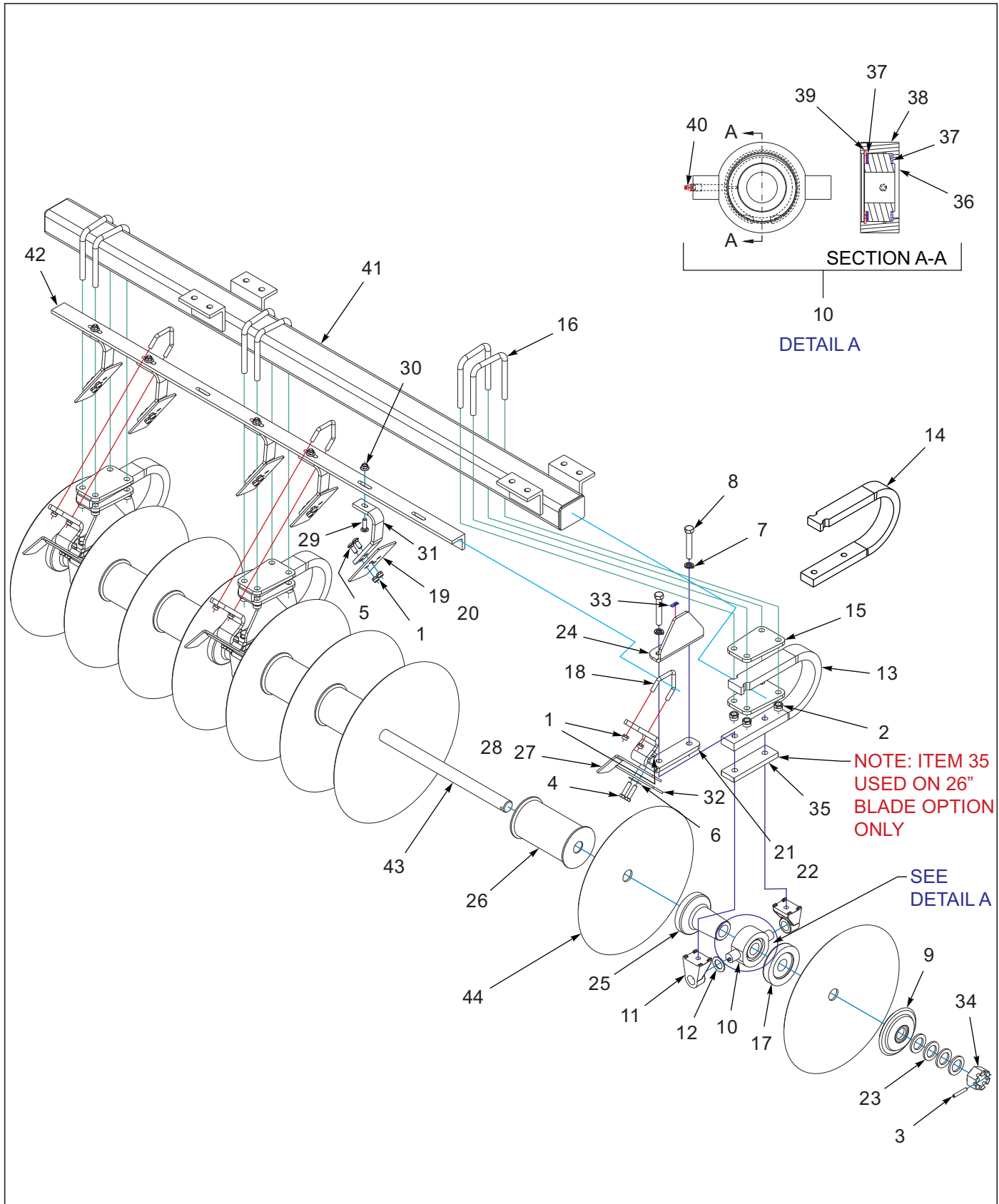


Figure 3-4: Disc Gang Assembly (7 Shank)

## Disc Gang Assembly (7 Shank)

| ITEM | PART NUMBER     | DESCRIPTION   | QTY. |    |    |    |
|------|-----------------|---|------|----|----|----|
| --   | 198045          | ASSY 26"X1/4 2410AFG 7 SHK                                | *    |    |    |    |
| --   | 198046          | ASSY 26"X5/16 2410AFG 7SHK                                |      | *  |    |    |
| --   | 198047          | ASSY 24"X1/4 2410AFG 7 SHK                                |      |    | *  |    |
| --   | 198048          | ASSY 24"X1/4 ROLL 2410AFG 7SHK                            |      |    |    | *  |
| 1    | 1-512-010005-09 | NUT,HEX,SLFLKG, 1/2-13 GRB                                | 92   | 92 | 92 | 92 |
| 2    | 1-512-010005-15 | NUT,HEX,SLFLKG GRB 3/4-10                                 | 48   | 48 | 78 | 48 |
| 3    | 1-647-010004257 | PIN,SPRING,SLOTTED 3/8X2-1/2                              | 8    | 8  | 8  | 8  |
| 4    | 1-654-010055-05 | SCREW,HEX CAP,1/2-13UNCX2 GR5                             | 24   | 24 | 24 | 24 |
| 5    | 1-654-010070-02 | SCREW 1/2-13X1-1/4 RD HD SQNK                             | 44   | 44 | 44 | 44 |
| 6    | 1-861-010032-14 | WASHER, FLAT 1/2" N ZP/CD                                 | 24   | 24 | 24 | 24 |
| 7    | 1-861-010034-17 | WASHER,LKG,HLCL SPR,3/4                                   | 24   | 24 | 24 | 24 |
| 8    | 126108          | SCREW HX CP 3/4-10X4-1/2 GR8                              | 24   | 24 | -- | -- |
| 8    | 114029          | SCREW HX CAP 3/4-10X4 GR8                                 | --   | -- | 24 | 24 |
| 9    | 140469          | END COLLAR  | 8    | 8  | 8  | 8  |
| 10   | 140477          | BEARING, DISC 1.775 ID ASSY <b>(INCLUDES ITEMS 36-40)</b> | 12   | 12 | 12 | 12 |
| 11   | 140479          | MOUNT, TRUNNION   | 24   | 24 | 24 | 24 |
| 12   | 140480          | WASHER, TRUNNION  | 12   | 12 | 12 | 12 |
| 13   | 140481          | SHANK, DISC BEARING, RIGHT                                | 6    | 6  | 6  | 6  |
| 14   | 140482          | SHANK, DISC BEARING, LEFT                                 | 6    | 6  | 6  | 6  |
| 15   | 140483          | PLATE, DISC SHANK MOUNT                                   | 24   | 24 | 24 | 24 |
| 16   | 140484          | U-BOLT, 3/4 X 5   | 24   | 24 | 24 | 24 |
| 17   | 140485          | HALF SPOOL, CONCAVE                                       | 12   | 12 | 12 | 12 |
| 18   | 140487          | UBOLT, SCRAPER BAR MOUNT                                  | 12   | 12 | 12 | 12 |
| 19   | 191444          | SCRAPER, 4-1/2 IN LC                                      | 22   | 22 | 10 | 10 |
| 20   | 140488          | SCRAPER 4-1/2 IN  | 6    | 6  | 12 | 12 |
| 21   | 140490          | MOUNT, SCRAPER BAR RIGHT                                  | 6    | 6  | 6  | 6  |
| 22   | 140491          | MOUNT, SCRAPER BAR LEFT                                   | 6    | 6  | 6  | 6  |
| 23   | 141154          | WASHER GANG SHAFT   | 20   | 20 | 20 | 20 |
| 24   | 143988          | STOP, DISC SHANK  | 12   | 12 | 12 | -- |
| 25   | 148363          | HALF SPOOL CONVEX   | 12   | 12 | 12 | 12 |
| 26   | 148364          | SPOOL WLDMT 10-1/2"                                       | 23   | 23 | 23 | 23 |
| 27   | 150231          | SCRAPER, DUAL RIGHT 10-1/2                                | 6    | 6  | 6  | 6  |
| 28   | 150232          | SCRAPER, DUAL LEFT 10-1/2                                 | 6    | 6  | 6  | 6  |
| 29   | 160161          | SHAKER BOLT1/2-13X1-3/4 GR8ZP                             | 22   | 22 | 22 | 22 |
| 30   | 172509          | NUT,1/2-13 WIDE FLNG TOP LCK F                            | 22   | 22 | 22 | 22 |
| 31   | 172724          | ARM, SCRAPER  | 22   | 22 | 22 | 22 |
| 32   | 198034          | SCRAPER DUAL ADJ BACK                                     | 12   | 12 | 12 | 12 |
| 33   | 2-573-010330-02 | DECAL, LUBRICATION 10 HOURS                               | 12   | 12 | 12 | 12 |
| 34   | 23085           | NUT HEX SLOTTED 1 3/4-5                                   | 8    | 8  | 8  | 8  |
| 35   | 169601          | PLATE-GANG SPACER   | 12   | 12 | -- | -- |
| 36   | 140464          | BEARING, DISC 1.775 ID                                    | 1    | 1  | 1  | 1  |
| 37   | 140473          | WASHER, BEARING   | 2    | 2  | 2  | 2  |
| 38   | 140475          | CASTING, TRUNNION   | 1    | 1  | 1  | 1  |
| 39   | 140476          | INTERNAL RETAINING RING                                   | 1    | 1  | 1  | 1  |
| 40   | 153709          | WASHER, DISC GANG END                                     | 1    | 1  | 1  | 1  |
| 41   | -----           | GANG BAR <b>(SEE PAGE 3-7 OR 3-11)</b>                    |      |    |    |    |
| 42   | -----           | SCRAPER BAR <b>(SEE PAGE 3-7 OR 3-11)</b>                 |      |    |    |    |
| 43   | -----           | GANG SHAFT <b>(SEE PAGE 3-7 OR 3-11)</b>                  |      |    |    |    |
| 44   | -----           | DISC BLADE <b>(SEE PAGE 3-7 OR 3-11)</b>                  |      |    |    |    |

### Disc Gang Placement 26" Blade (7 Shank)

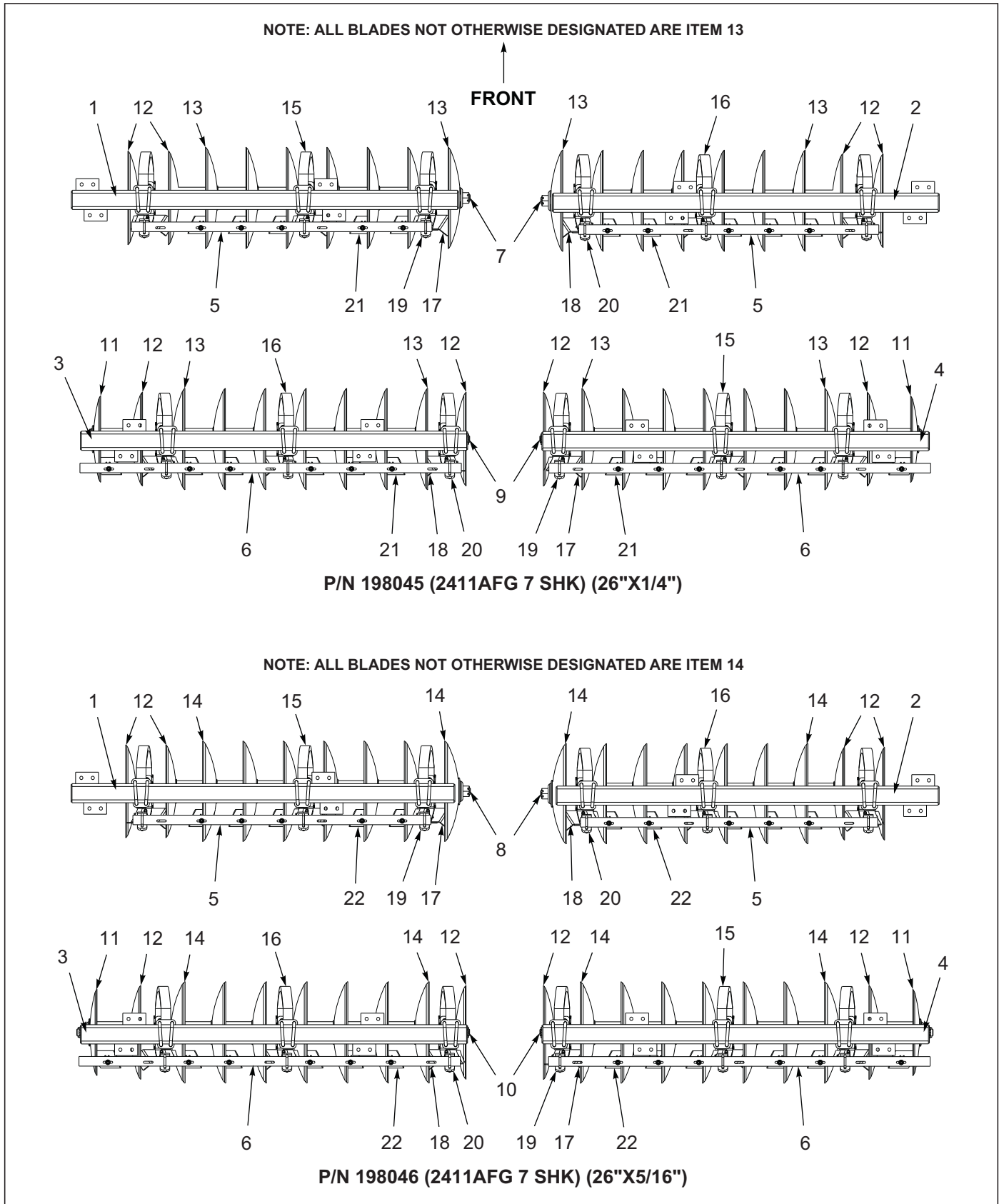


Figure 3-5: Disc Gang Placement 26" Blade (7 Shank)

## Disc Gang Placement 26" Blade (7 Shank)

| ITEM | PART NUMBER | DESCRIPTION                   | QTY. |    |
|------|-------------|-------------------------------|------|----|
| --   | 198045      | ASSY 26"X1/4 2410AFG 7 SHK    | *    |    |
| --   | 198046      | ASSY 26"X5/16 2410AFG 7SHK    |      | *  |
| 1    | 196992      | GANGBAR WLDMT LF 7 SHK        | 1    | 1  |
| 2    | 196993      | GANGBAR WLDMT RF 7 SHK        | 1    | 1  |
| 3    | 196994      | GANGBAR WLDMT LR 7 SHK        | 1    | 1  |
| 4    | 196995      | GANGBAR WLDMT RR 7 SHK        | 1    | 1  |
| 5    | 149604      | SCRAPER BAR,10-1/2 SP 7 HOLE  | 2    | 2  |
| 6    | 149606      | SCRAPER BAR, 10-1/2 SP 9 HOLE | 2    | 2  |
| 7    | 149592      | SHAFT, GANG 90-1/2 L          | 2    | -- |
| 8    | 185721      | SHAFT, GANG 91-1/2            | --   | 2  |
| 9    | 149593      | SHAFT, GANG 101               | 2    | -- |
| 10   | 185722      | SHAFT, GANG 102               | --   | 2  |
| 11   | 155618      | DISC BLADE,22"X1/4" 1-3/4 ID  | 2    | 2  |
| 12   | 161530      | OSM DISC BLD, 24X1/4 1-3/4 ID | 8    | 8  |
| 13   | 169575      | DISC BLADE 26"X1/4" 1-3/4" ID | 28   | -- |
| 14   | 141871      | DISC BLADE 26X5/16 1-3/4 ID   | --   | 28 |
| 15   | 140482      | SHANK, DISC BEARING, LEFT     | 6    | 6  |
| 16   | 140481      | SHANK, DISC BEARING, RIGHT    | 6    | 6  |
| 17   | 150232      | SCRAPER, DUAL LEFT 10-1/2     | 6    | 6  |
| 18   | 150231      | SCRAPER, DUAL RIGHT 10-1/2    | 6    | 6  |
| 19   | 140491      | MOUNT, SCRAPER BAR LEFT       | 6    | 6  |
| 20   | 140490      | MOUNT, SCRAPER BAR RIGHT      | 6    | 6  |
| 21   | 191444      | SCRAPER, 4-1/2 IN LC          | 22   | -- |
| 22   | 140488      | SCRAPER 4-1/2 IN              | --   | 22 |

# Disc Gang Placement 24" Blade (7 Shank)

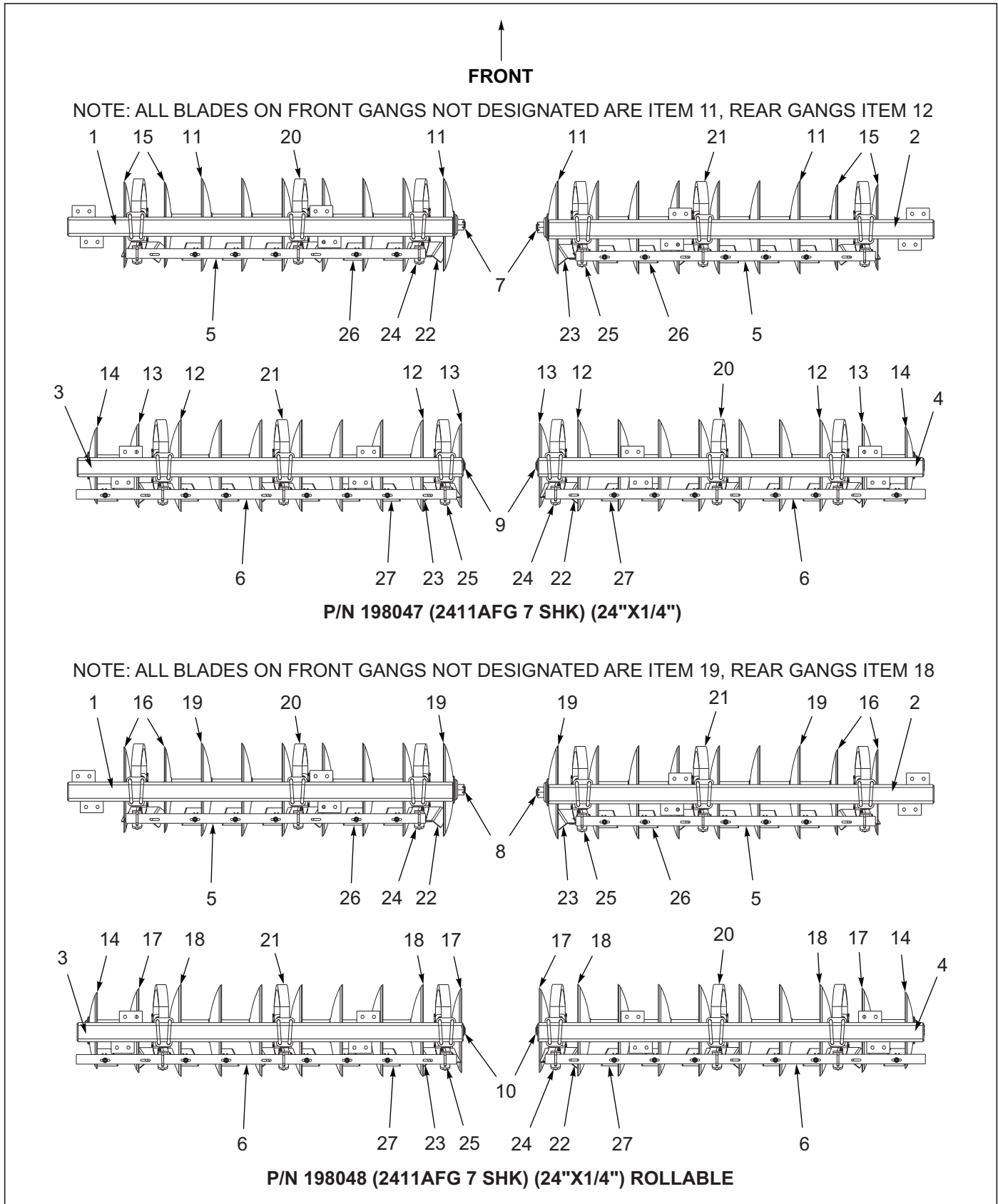


Figure 3-6: Disc Gang Placement 24" Blade (7 Shank)



## Disc Gang Placement 24" Blade (7 Shank)

| ITEM | PART NUMBER | DESCRIPTION                                      | QTY. |    |
|------|-------------|--|------|----|
| --   | 198047      | ASSY 24"X1/4 2410AFG 7 SHK                       | *    |    |
| --   | 198048      | ASSY 24"X1/4 ROLL 2410AFG 7SHK                   |      | *  |
| 1    | 196992      | GANGBAR WLDMT LF 7 SHK                           | 1    | 1  |
| 2    | 196993      | GANGBAR WLDMT RF 7 SHK                           | 1    | 1  |
| 3    | 196994      | GANGBAR WLDMT LR 7 SHK                           | 1    | 1  |
| 4    | 196995      | GANGBAR WLDMT RR 7 SHK                           | 1    | 1  |
| 5    | 149604      | SCRAPER BAR,10-1/2 SP 7 HOLE                     | 2    | 2  |
| 6    | 149606      | SCRAPER BAR, 10-1/2 SP 9 HOLE                    | 2    | 2  |
| 7    | 149592      | SHAFT, GANG 90-1/2 L                             | 2    | -- |
| 8    | 185721      | SHAFT, GANG 91-1/2                               | --   | 2  |
| 9    | 149593      | SHAFT, GANG 101                                  | 2    | -- |
| 10   | 185722      | SHAFT, GANG 102                                  | --   | 2  |
| 11   | 161530      | DISC BLADE 24" X 1/4 X 1-3/4                     | 14   | -- |
| 12   | 140465      | DISC BLADE 24" X 1/4" X 1-3/4" ID                | 14   | -- |
| 13   | 140466      | DISC BLADE 22" X 1/4" X 1-3/4" ID                | 4    | -- |
| 14   | 140467      | DISC BLADE 20" X 1/4" X 1-3/4 ID                 | 2    | 2  |
| 15   | 155617      | DISC BLADE 22"X1/4" 1-3/4 ID                     | 4    | -- |
| 16   | 155618      | DISC BLADE 22"X1/4" 1-3/4 ID <b>(ROLLABLE)</b>   | --   | 4  |
| 17   | 142660      | DISC BLADE 22 X 1/4 1-3/4ID <b>(ROLLABLE)</b>    | --   | 4  |
| 18   | 142662      | DISC BLADE 24 X 1/4 1-3/4ID <b>(ROLLABLE)</b>    | --   | 14 |
| 19   | 172076      | DISC BLADE, 24"X1/4", 1-3/4"ID <b>(ROLLABLE)</b> | --   | 14 |
| 20   | 140482      | SHANK, DISC BEARING, LEFT                        | 6    | 6  |
| 21   | 140481      | SHANK, DISC BEARING, RIGHT                       | 6    | 6  |
| 22   | 150232      | SCRAPER, DUAL LEFT 10-1/2                        | 6    | 6  |
| 23   | 150231      | SCRAPER, DUAL RIGHT 10-1/2                       | 6    | 6  |
| 24   | 140491      | MOUNT, SCRAPER BAR LEFT                          | 6    | 6  |
| 25   | 140490      | MOUNT, SCRAPER BAR RIGHT                         | 6    | 6  |
| 26   | 191444      | SCRAPER, 4-1/2 IN LC                             | 22   | -- |
| 27   | 140488      | SCRAPER 4-1/2 IN                                 | --   | 22 |

# Disc Gang Assemblies (9 Shank)

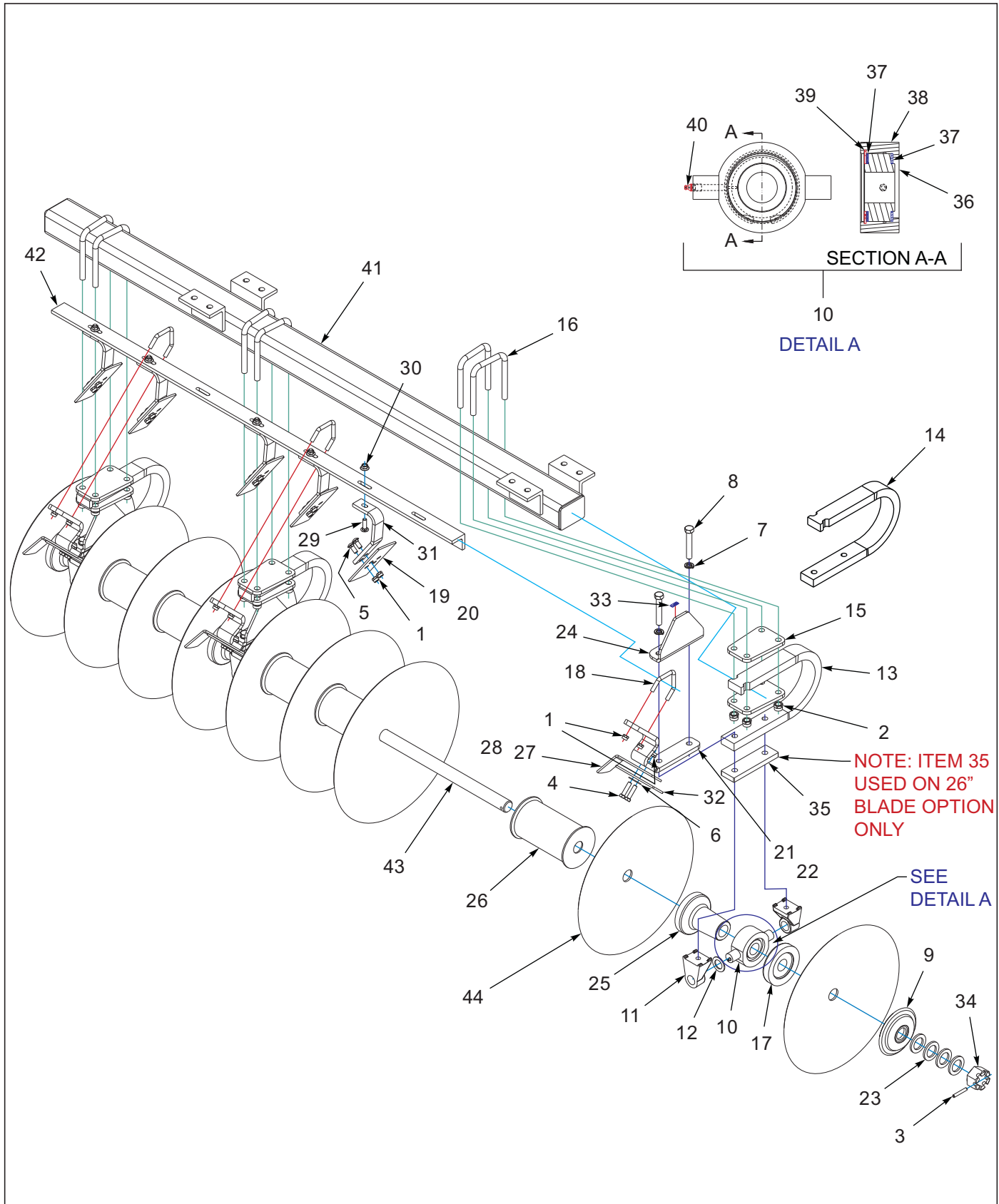


Figure 3-7: Disc Gang Assembly (9 Shank)

## Disc Gang Assembly (9 Shank)

| ITEM | PART NUMBER     | DESCRIPTION   | QTY. |     |     |     |
|------|-----------------|---|------|-----|-----|-----|
| --   | 196951          | ASSY, 26"X1/4, 2410AFG 9 SHK                              | *    |     |     |     |
| --   | 202700          | ASSY,26"-5/16" BLADE 2410AFG-9                            |      | *   |     |     |
| --   | 198043          | ASSY 24"X1/4 2410AFG 9 SHK                                |      |     | *   |     |
| --   | 198044          | ASSY 24" ROLL 2410AFG 9 SHK                               |      |     |     | *   |
| 1    | 1-512-010005-09 | NUT,HEX,SLFLKG, 1/2-13 GRB                                | 112  | 112 | 112 | 112 |
| 2    | 1-512-010005-15 | NUT,HEX,SLFLKG GRB 3/4-10                                 | 56   | 56  | 56  | 56  |
| 3    | 1-647-010004257 | PIN,SPRING,SLOTTED 3/8X2-1/2                              | 8    | 8   | 8   | 8   |
| 4    | 1-654-010055-05 | SCREW,HEX CAP,1/2-13UNCX2 GR5                             | 28   | 28  | 28  | 28  |
| 5    | 1-654-010070-02 | SCREW 1/2-13X1-1/4 RD HD SQNK                             | 56   | 56  | 56  | 56  |
| 6    | 1-861-010032-14 | WASHER, FLAT 1/2" N ZP/CD                                 | 28   | 28  | 28  | 28  |
| 7    | 1-861-010034-17 | WASHER,LKG,HLCL SPR,3/4                                   | 28   | 28  | 28  | 28  |
| 8    | 126108          | SCREW HX CP 3/4-10X4-1/2 GR8                              | 28   | 28  | --  | --  |
| 8    | 114029          | SCREW HX CAP 3/4-10X4 GR8                                 | --   | --  | 28  | 28  |
| 9    | 140469          | END COLLAR  | 8    | 8   | 8   | 8   |
| 10   | 140477          | BEARING, DISC 1.775 ID ASSY <b>(INCLUDES ITEMS 36-40)</b> | 14   | 14  | 14  | 14  |
| 11   | 140479          | MOUNT, TRUNNION   | 28   | 28  | 28  | 28  |
| 12   | 140480          | WASHER, TRUNNION  | 14   | 14  | 14  | 14  |
| 13   | 140481          | SHANK, DISC BEARING, RIGHT                                | 7    | 7   | 7   | 7   |
| 14   | 140482          | SHANK, DISC BEARING, LEFT                                 | 7    | 7   | 7   | 7   |
| 15   | 140483          | PLATE, DISC SHANK MOUNT                                   | 28   | 28  | 28  | 28  |
| 16   | 140484          | U-BOLT, 3/4 X 5   | 28   | 28  | 28  | 28  |
| 17   | 140485          | HALF SPOOL, CONCAVE                                       | 14   | 14  | 14  | 14  |
| 18   | 140487          | UBOLT, SCRAPER BAR MOUNT                                  | 14   | 14  | 14  | 14  |
| 19   | 191444          | SCRAPER, 4-1/2 IN LC                                      | 28   | --  | 12  | 12  |
| 20   | 140488          | SCRAPER 4-1/2 IN  | --   | 28  | 16  | 16  |
| 21   | 140490          | MOUNT, SCRAPER BAR RIGHT                                  | 7    | 7   | 7   | 7   |
| 22   | 140491          | MOUNT, SCRAPER BAR LEFT                                   | 7    | 7   | 7   | 7   |
| 23   | 141154          | WASHER GANG SHAFT   | 20   | 20  | 20  | 20  |
| 24   | 143988          | STOP, DISC SHANK  | 14   | 12  | 12  | --  |
| 25   | 148363          | HALF SPOOL CONVEX   | 14   | 14  | 14  | 14  |
| 26   | 148364          | SPOOL WLDMT 10-1/2"                                       | 28   | 28  | 28  | 28  |
| 27   | 150231          | SCRAPER, DUAL RIGHT 10-1/2                                | 7    | 7   | 7   | 7   |
| 28   | 150232          | SCRAPER, DUAL LEFT 10-1/2                                 | 7    | 7   | 7   | 7   |
| 29   | 160161          | SHAKER BOLT1/2-13X1-3/4 GR8ZP                             | 28   | 28  | 28  | 28  |
| 30   | 172509          | NUT,1/2-13 WIDE FLNG TOP LCK F                            | 28   | 28  | 28  | 28  |
| 31   | 172724          | ARM, SCRAPER  | 28   | 28  | 28  | 28  |
| 32   | 198034          | SCRAPER DUAL ADJ BACK                                     | 14   | 14  | 14  | 14  |
| 33   | 2-573-010330-02 | DECAL, LUBRICATION 10 HOURS                               | 14   | 14  | 14  | 14  |
| 34   | 23085           | NUT HEX SLOTTED 1 3/4-5                                   | 8    | 8   | 8   | 8   |
| 35   | 169601          | PLATE-GANG SPACER   | 14   | 14  | --  | --  |
| 36   | 140464          | BEARING, DISC 1.775 ID                                    | 1    | 1   | 1   | 1   |
| 37   | 140473          | WASHER, BEARING   | 2    | 2   | 2   | 2   |
| 38   | 140475          | CASTING, TRUNNION   | 1    | 1   | 1   | 1   |
| 39   | 140476          | INTERNAL RETAINING RING                                   | 1    | 1   | 1   | 1   |
| 40   | 153709          | WASHER, DISC GANG END                                     | 1    | 1   | 1   | 1   |
| 41   | -----           | GANG BAR <b>(SEE PAGE 3-15 OR 3-17)</b>                   |      |     |     |     |
| 42   | -----           | SCRAPER BAR <b>(SEE PAGE 3-15 OR 3-17))</b>               |      |     |     |     |
| 43   | -----           | GANG SHAFT <b>(SEE PAGE 3-15 OR 3-17)</b>                 |      |     |     |     |
| 44   | -----           | DISC BLADE <b>(SEE PAGE 3-15 OR 3-17)</b>                 |      |     |     |     |

### Disc Gang Placement 26" Blade (9 Shank)

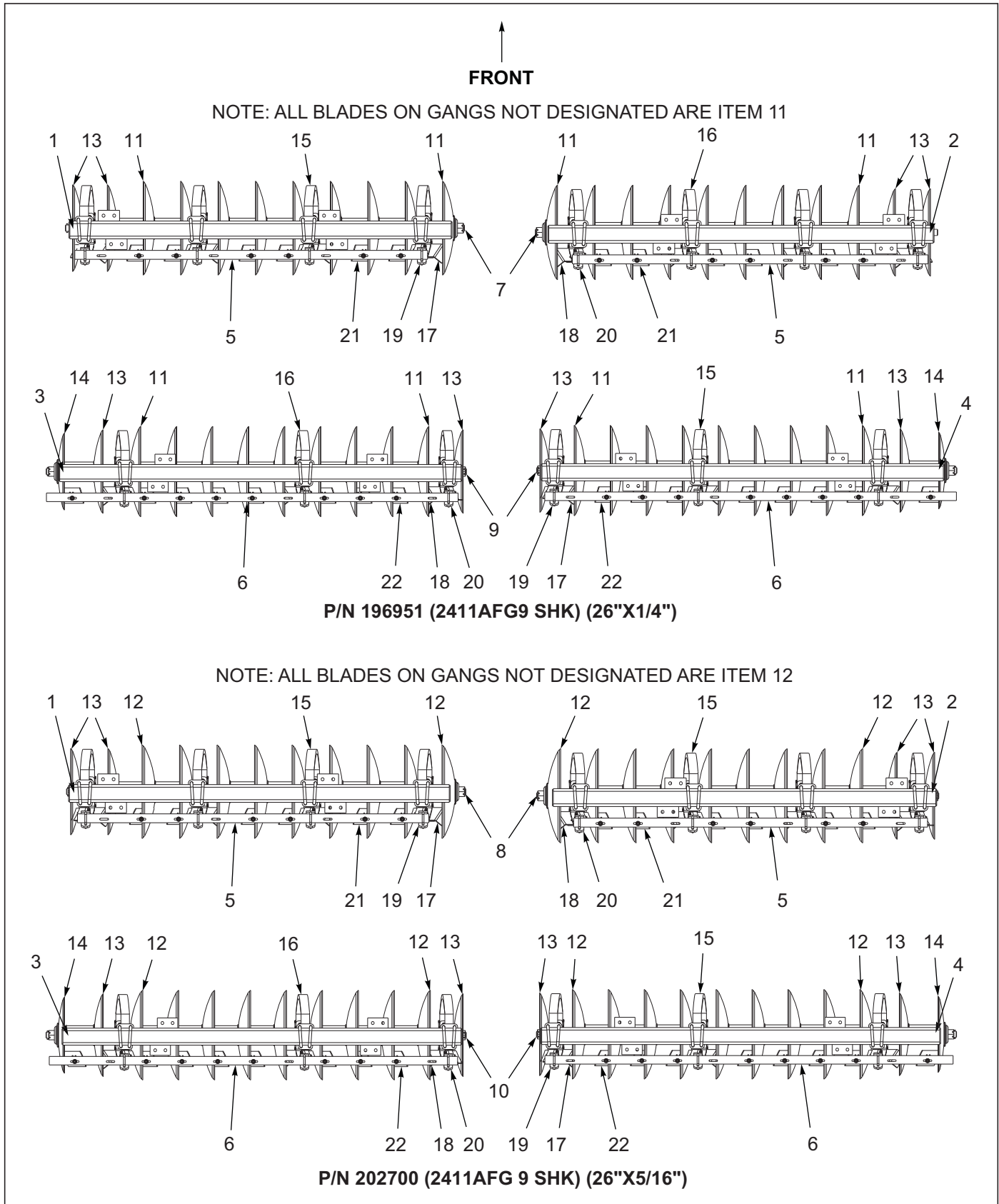


Figure 3-8: Disc Gang Placement 26" Blade (9 Shank)

## Disc Gang Placement 26" Blade (9 Shank)

| ITEM | PART NUMBER | DESCRIPTION                    | QTY. |    |
|------|-------------|--------------------------------|------|----|
| --   | 196951      | ASSY, 26"X1/4, 2410AFG 9 SHK   | *    |    |
| --   | 202700      | ASSY,26"-5/16" BLADE 2410AFG-9 |      | *  |
| 1    | 196956      | GANGBAR WLDMT LF 9 SHK         | 1    | 1  |
| 2    | 196957      | GANGBAR WLDMT RF 9 SHK         | 1    | 1  |
| 3    | 196958      | GANGBAR WLDMT LR 9 SHK         | 1    | 1  |
| 4    | 196959      | GANGBAR WLDMT RR 9 SHK         | 1    | 1  |
| 5    | 149606      | SCRAPER BAR, 10-1/2 SP 9 HOLE  | 2    | 2  |
| 6    | 149608      | SCRAPER BAR,10-1/2 SP 11 HOLE  | 2    | 2  |
| 7    | 149594      | SHAFT, GANG 112                | 2    | -- |
| 8    | 142704      | SHAFT, GANG 112-1/2 L          | --   | 2  |
| 9    | 149595      | SHAFT, GANG 122-1/2            | 2    | -- |
| 10   | 185723      | SHAFT, GANG 123-1/2            | --   | 2  |
| 11   | 169575      | DISC BLADE 26"X1/4" 1-3/4" ID  | 36   | -- |
| 12   | 141871      | DISC BLADE 26X5/16 1-3/4 ID    | --   | 36 |
| 13   | 161530      | OSM DISC BLD, 24X1/4 1-3/4 ID  | 8    | 8  |
| 14   | 155617      | DISC BLADE,22"X1/4" 1-3/4 ID   | 2    | 2  |
| 15   | 140482      | SHANK, DISC BEARING, LEFT      | 6    | 6  |
| 16   | 140481      | SHANK, DISC BEARING, RIGHT     | 6    | 6  |
| 17   | 150232      | SCRAPER, DUAL LEFT 10-1/2      | 6    | 6  |
| 18   | 150231      | SCRAPER, DUAL RIGHT 10-1/2     | 6    | 6  |
| 19   | 140491      | MOUNT, SCRAPER BAR LEFT        | 6    | 6  |
| 20   | 140490      | MOUNT, SCRAPER BAR RIGHT       | 6    | 6  |
| 21   | 191444      | SCRAPER, 4-1/2 IN LC           | 28   | -- |
| 22   | 140488      | SCRAPER 4-1/2 IN               | --   | 28 |

# Disc Gang Placement 24" Blade (9 Shank)

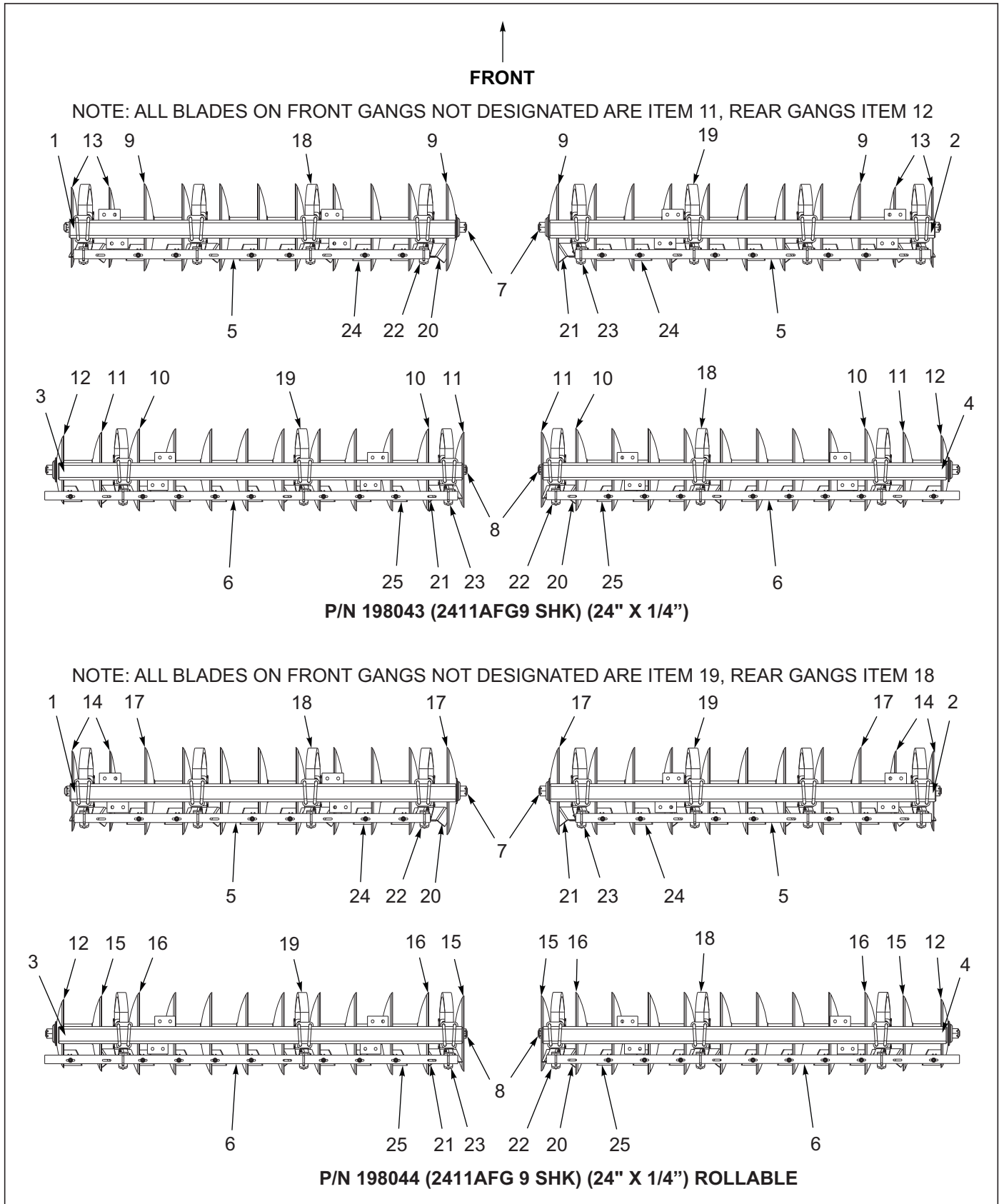


Figure 3-9: Disc Gang Placement 24" Blade (9 Shank)

## Disc Gang Placement 24" Blade (9 Shank)

| ITEM | PART NUMBER | DESCRIPTION                                      | QTY. |    |
|------|-------------|--|------|----|
| --   | 198043      | ASSY 24"X1/4 2410AFG 9 SHK                       | *    |    |
| --   | 198044      | ASSY 24" ROLL 2410AFG 9 SHK                      |      | *  |
| 1    | 196956      | GANGBAR WLDMT LF 9 SHK                           | 1    | 1  |
| 2    | 196957      | GANGBAR WLDMT RF 9 SHK                           | 1    | 1  |
| 3    | 196958      | GANGBAR WLDMT LR 9 SHK                           | 1    | 1  |
| 4    | 196959      | GANGBAR WLDMT RR 9 SHK                           | 1    | 1  |
| 5    | 149606      | SCRAPER BAR, 10-1/2 SP 9 HOLE                    | 2    | 2  |
| 6    | 149608      | SCRAPER BAR,10-1/2 SP 11 HOLE                    | 2    | 2  |
| 7    | 149594      | SHAFT, GANG 112                                  | 2    | 2  |
| 8    | 149595      | SHAFT, GANG 122-1/2                              | 2    | 2  |
| 9    | 161530      | DISC BLADE 24" X 1/4 X 1-3/4                     | 18   | -- |
| 10   | 140465      | DISC BLADE 24" X 1/4" X 1-3/4" ID                | 18   | -- |
| 11   | 140466      | DISC BLADE 22" X 1/4" X 1-3/4" ID                | 4    | -- |
| 12   | 140467      | DISC BLADE 20" X 1/4" X 1-3/4 ID                 | 2    | 2  |
| 13   | 155617      | DISC BLADE 22"X1/4" 1-3/4 ID                     | 4    | -- |
| 14   | 155618      | DISC BLADE 22"X1/4" 1-3/4 ID <b>(ROLLABLE)</b>   | --   | 4  |
| 15   | 142660      | DISC BLADE 22 X 1/4 1-3/4ID <b>(ROLLABLE)</b>    | --   | 4  |
| 16   | 142662      | DISC BLADE 24 X 1/4 1-3/4ID <b>(ROLLABLE)</b>    | --   | 18 |
| 17   | 172076      | DISC BLADE, 24"X1/4", 1-3/4"ID <b>(ROLLABLE)</b> | --   | 18 |
| 18   | 140482      | SHANK, DISC BEARING, LEFT                        | 6    | 6  |
| 19   | 140481      | SHANK, DISC BEARING, RIGHT                       | 6    | 6  |
| 20   | 150232      | SCRAPER, DUAL LEFT 10-1/2                        | 6    | 6  |
| 21   | 150231      | SCRAPER, DUAL RIGHT 10-1/2                       | 6    | 6  |
| 22   | 140491      | MOUNT, SCRAPER BAR LEFT                          | 6    | 6  |
| 23   | 140490      | MOUNT, SCRAPER BAR RIGHT                         | 6    | 6  |
| 24   | 191444      | SCRAPER, 4-1/2 IN LC                             | 12   | 12 |
| 25   | 140488      | SCRAPER 4-1/2 IN                                 | 16   | 16 |

# Disc Gang Lift Assemblies 2411-06

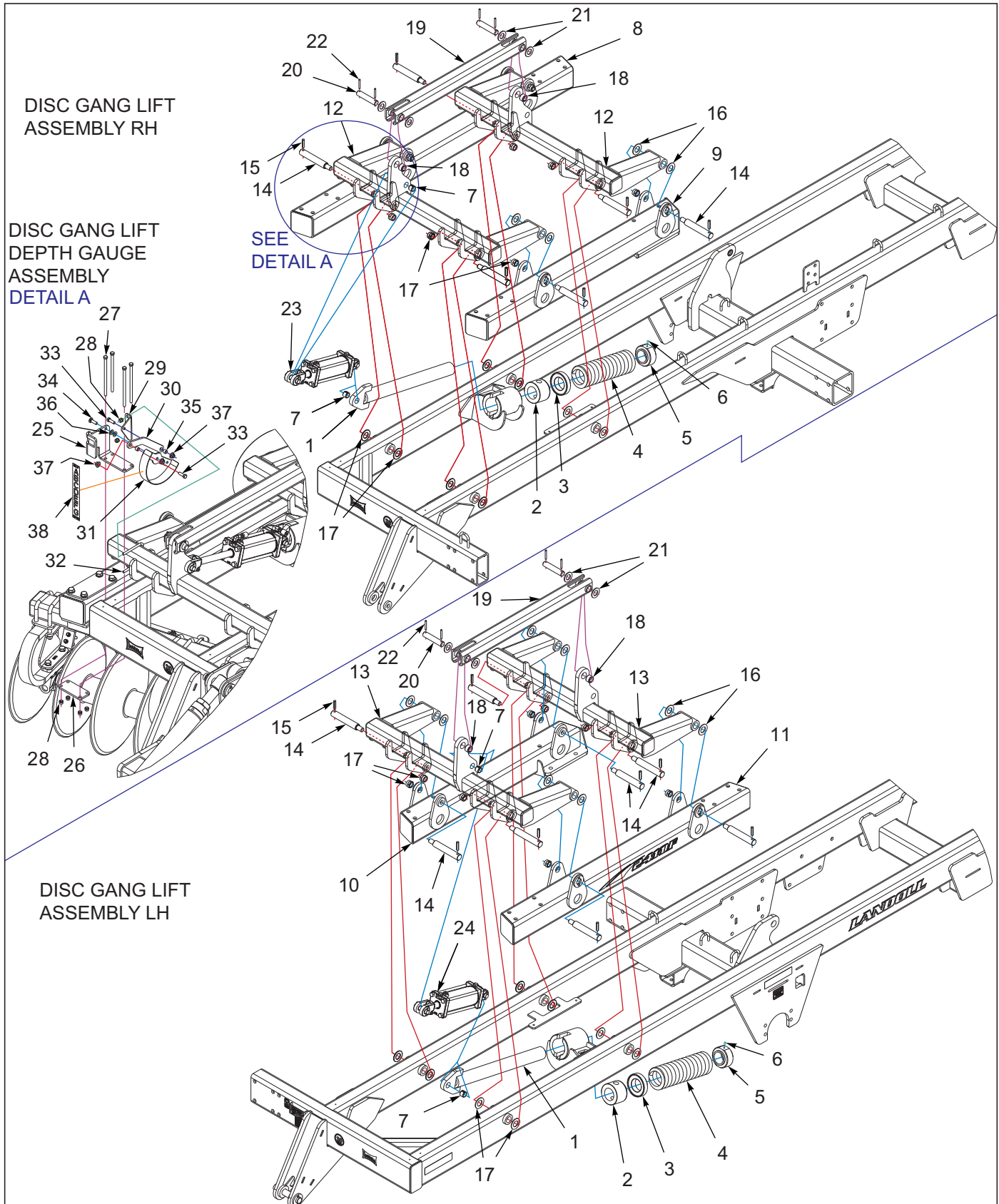


Figure 3-10: Disc Gang Lift Assembly 2411-06



## Disc Gang Lift Assembly 2411-06

| ITEM | PART NUMBER     | DESCRIPTION                                       | QTY. |
|------|-----------------|---|------|
| 1    | 237407          | SPRING ROD, DISC GANG                             | 2    |
| 2    | 144451          | SLIDE, SPRING ROD                                 | 2    |
| 3    | 144449          | WASHER, SPRING ROD                                | 2    |
| 4    | 144461          | SPRING, COIL COMPRESSION                          | 2    |
| 5    | 145196          | THREADED CAP, COULTER SPRING                      | 2    |
| 6    | 122709          | SCREW,SET,HXSKTCPPT 3/8-16X1/2                    | 2    |
| 7    | 192890          | BUSHING 1-3/8ODX1 IDX1 STEEL                      | 4    |
| 8    | 239539          | LIFT, GANG RT OUTER                               | 1    |
| 9    | 239540          | LIFT, GANG RT INNER                               | 1    |
| 10   | 239542          | LIFT, GANG LT INNER                               | 1    |
| 11   | 239541          | LIFT, GANG LT OUTER                               | 1    |
| 12   | 240375          | LIFT, DISC GANG RT                                | 2    |
| 13   | 240376          | LIFT, DISC GANG LT                                | 2    |
| 14   | 240360          | PIN, GANG PIVOT                                   | 16   |
| 15   | 144115          | PIN, GROOVED ALLOY 1/2X2-1/4                      | 24   |
| 16   | 141266          | WASHER, THRUST 1-1/2                              | 32   |
| 17   | 1-512-010005-19 | NUT 1-8 HEX SLF-LOCKING GRB                       | 16   |
| 18   | 2-150-010174    | BUSHING,1-5/8X1-1/4X1                             | 4    |
| 19   | 234780          | LINK, GANGS 40 WLDMT                              | 2    |
| 20   | 141244          | PIN, FOLD   | 4    |
| 21   | 116100          | WASHER 1-1/4 NAR FL ZP/CD                         | 8    |
| 22   | 1-647-010004240 | PIN,SPRING,SLOTTED,5/16X2-1/2                     | 8    |
| 23   | 145202          | CYLINDER 3-3/4 X 8 REPHASE (SEE PAGES 6-3 OR 6-4) | 1    |
| 24   | 145201          | CYLINDER 4 X 8 REPHASE (SEE PAGES 6-5 OR 6-6)     | 1    |
| 25   | 236073          | MOUNT, GAUGE                                      | 1    |
| 26   | 236058          | PLATE, GAUGE MOUNT                                | 1    |
| 27   | 126368          | SCREW,HEX CAP1/2-13UNCX9-1/2                      | 4    |
| 28   | 1-512-010005-09 | NUT,HEX,SLFLKG, 1/2-13 GRB                        | 6    |
| 29   | 241937          | MOUNT, DEPTH GAUGE ARM                            | 1    |
| 30   | 241936          | LINK, GAUGE 2411-6                                | 1    |
| 31   | 237410          | GAUGE, LEVEL IND, 1/2 HOLES                       | 1    |
| 32   | 3J562           | U-BOLT 1/2-13 X 5-1/2 X 4-9/16                    | 1    |
| 33   | 1-654-010055-03 | SCREW,HEX CAP,1/2-13UNCX1-1/2                     | 2    |
| 34   | 1-654-010070-04 | SCREW RDHD SQNK 1/2-13X1-3/4                      | 1    |
| 35   | 155956          | BUSHING ANGLE ADJUSTMENT                          | 2    |
| 36   | 1-861-010032-14 | WASHER, FLAT 1/2" N ZP/CD                         | 2    |
| 37   | 172509          | NUT,1/2-13 WIDE FLNG TOP LCK F                    | 3    |
| 38   | 141263          | DECAL, LEVEL INDICATOR                            | 1    |

# Disc Gang Lift Assemblies 2411AFG-07-09

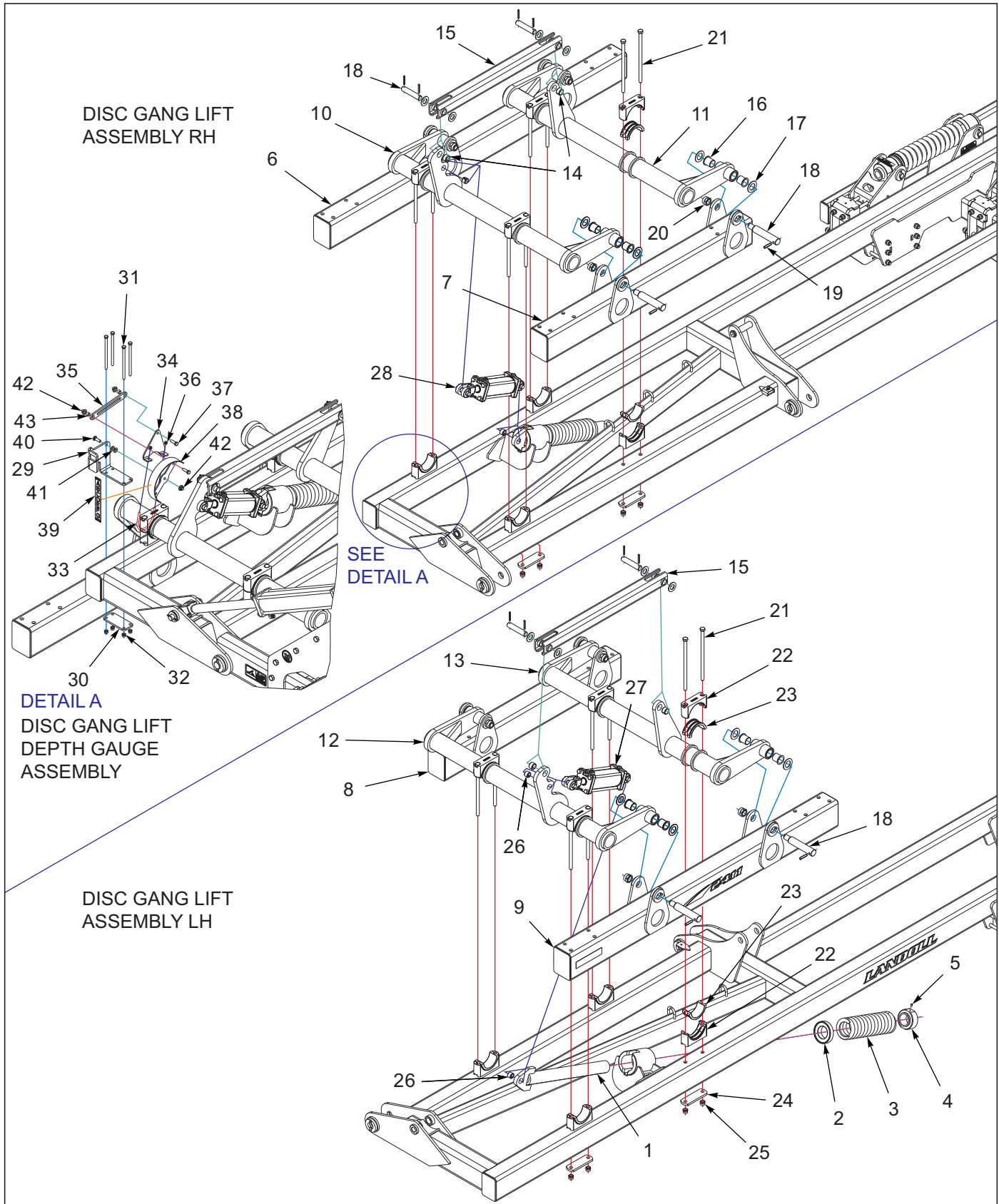


Figure 3-11: Disc Gang Lift Assembly 2411AFG-07-09

## Disc Gang Lift Assembly 2411AFG-07-09

| ITEM | PART NUMBER     | DESCRIPTION                                       | QTY. |
|------|-----------------|---|------|
| 1    | 237407          | SPRING ROD, DISC GANG                             | 2    |
| 2    | 144449          | WASHER, SPRING ROD                                | 2    |
| 3    | 144461          | SPRING, COIL COMPRESSION                          | 2    |
| 4    | 145196          | THREADED CAP, COULTER SPRING                      | 2    |
| 5    | 122709          | SCREW,SET,HXSKTCPPT 3/8-16X1/2                    | 2    |
| 6    | 234726          | LIFT, GANG RT OUTER WLDMT                         | 1    |
| 7    | 234727          | LIFT, GANG RT INNER WLDMT                         | 1    |
| 8    | 234729          | LIFT, GANG LT INNER WLDMT                         | 1    |
| 9    | 234728          | LIFT, GANG LT OUTER WLDMT                         | 1    |
| 10   | 234718          | LIFT, DISC GANG RT FT WLDMT                       | 1    |
| 11   | 234720          | LIFT, DISC GANG RT RR WLDMT                       | 1    |
| 12   | 234719          | LIFT, DISC GANG LT FT WLDMT                       | 1    |
| 13   | 234721          | LIFT, DISC GANG LT RR WLDMT                       | 1    |
| 14   | 2-150-010174    | BUSHING,1-5/8X1-1/4X1                             | 4    |
| 15   | 234780          | LINK, GANGS 40 WLDMT                              | 2    |
| 16   | 164533          | BEARING, FLANGE 1-3/4                             | 16   |
| 17   | 164539          | WASHER THRUST 1-3/4                               | 16   |
| 18   | 179145          | PIN, HINGE 2410F                                  | 8    |
| 19   | 144115          | PIN, GROOVED ALLOY 1/2X2-1/4                      | 8    |
| 20   | 101385          | NUT,HEX SLFLKG,1-1/4-7 GRB                        | 8    |
| 21   | 149193          | SCREW HX CP 3/4-10UNCX15 GR5                      | 16   |
| 22   | 188038          | BRG HALF, 4-1/2 INSERT                            | 16   |
| 23   | 2P793           | BRG INSERT, 4 1/2 INSERT                          | 16   |
| 24   | 196334          | PLATE, CLAMP-6"                                   | 16   |
| 25   | 1-512-010005-15 | NUT,HEX,SLFLKG GRB 3/4-10                         | 16   |
| 26   | 192890          | BUSHING 1-3/8ODX1 IDX1 STEEL                      | 4    |
| 27   | 145201          | CYLINDER 4 X 8 REPHASE (SEE PAGES 6-3 OR 6-4)     | 1    |
| 28   | 145202          | CYLINDER 3-3/4 X 8 REPHASE (SEE PAGES 6-5 OR 6-6) | 1    |
| 29   | 236073          | MOUNT, GAUGE                                      | 1    |
| 30   | 236058          | PLATE, GAUGE MOUNT                                | 1    |
| 31   | 1-654-010055-22 | SCREW HEX CAP 1/2-13X8-1/2                        | 4    |
| 32   | 1-512-010005-09 | NUT,HEX,SLFLKG, 1/2-13 GRB                        | 4    |
| 33   | 2-102-010062    | U-BOLT, 4.937X5                                   | 1    |
| 34   | 236056          | MOUNT, DEPTH GAUGE ARM                            | 1    |
| 35   | 236057          | LINK, GAUGE 2411                                  | 1    |
| 36   | 1-512-010005-05 | NUT, HEX, SLFLKG GRB 3/8-16                       | 2    |
| 37   | 1-654-010055-03 | SCREW,HEX CAP,1/2-13UNCX1-1/2                     | 2    |
| 38   | 237410          | GAUGE, LEVEL IND, 1/2 HOLES                       | 1    |
| 39   | 141263          | DECAL, LEVEL INDICATOR                            | 1    |
| 40   | 1-654-010070-04 | SCREW RDHD SQNK 1/2-13X1-3/4                      | 1    |
| 41   | 1-861-010032-14 | WASHER, FLAT 1/2" N ZP/CD                         | 2    |
| 42   | 172509          | NUT,1/2-13 WIDE FLNG TOP LCK F                    | 3    |
| 43   | 155956          | BUSHING ANGLE ADJUSTMENT                          | 2    |

# Disc Gang To Frame Assembly 2411-06

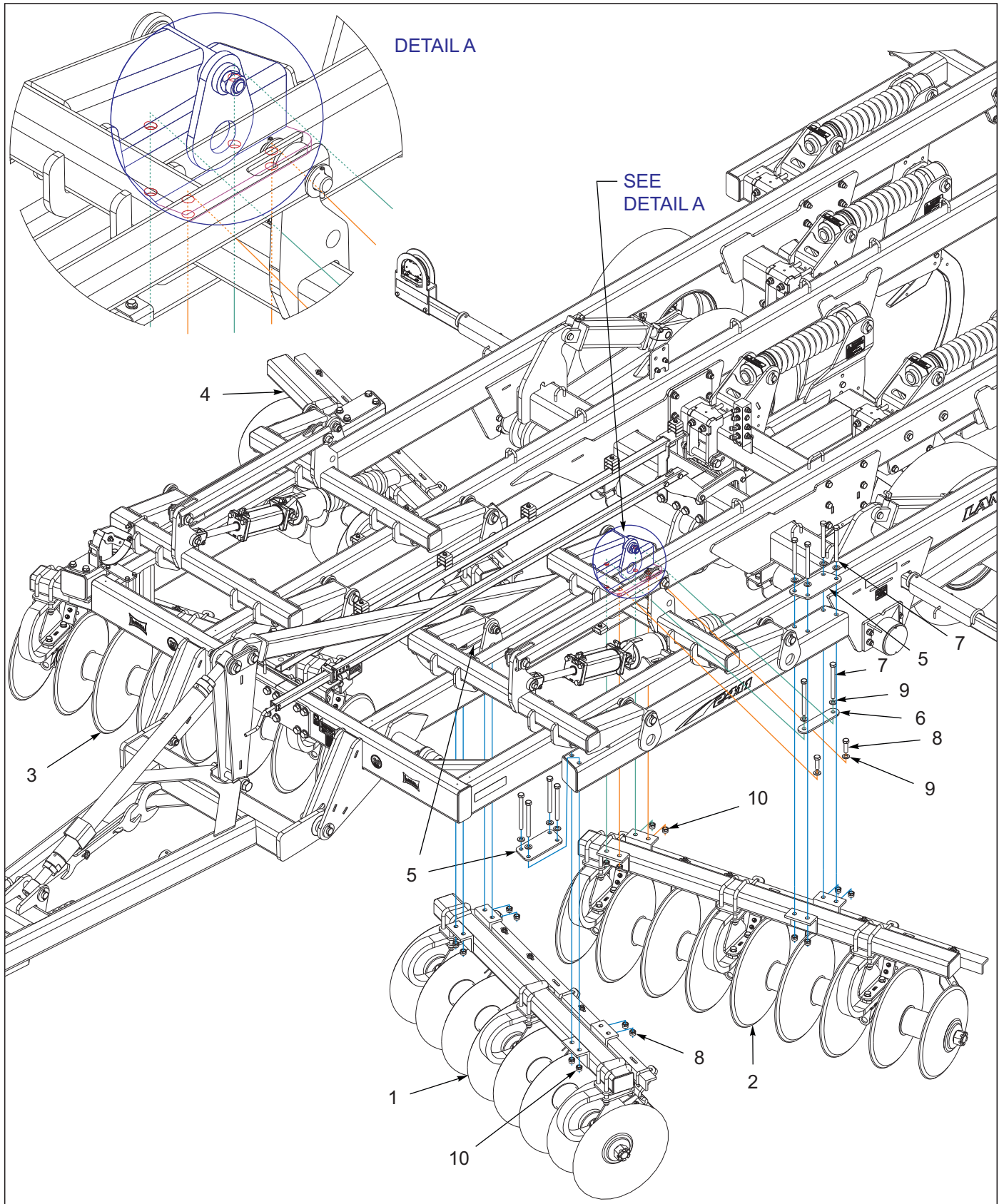


Figure 3-12: Disc Gang To Frame Assembly 2411-06

---

## Disc Gang To Frame Assembly 2411-06

| ITEM | PART NUMBER     | DESCRIPTION                                 | QTY. |
|------|-----------------|---|------|
| 1    | -----           | LF GANGBAR W/BLADES (SEE PAGE 3-1 THRU 3-3) | 1    |
| 2    | -----           | LR GANGBAR W/BLADES (SEE PAGE 3-1 THRU 3-3) | 1    |
| 3    | -----           | RF GANGBAR W/BLADES (SEE PAGE 3-1 THRU 3-3) | 1    |
| 4    | -----           | RR GANGBAR W/BLADES (SEE PAGE 3-1 THRU 3-3) | 1    |
| 5    | 196966          | PLATE, GANG LIFT                            | 6    |
| 6    | 170292          | PLATE, CLAMP                                | 2    |
| 7    | 162249          | SCREW, HX CP,3/4-10UNCX8 GR8                | 20   |
| 8    | 104483          | SCREW 3/4-10X2-1/2 HXCP ZPGR8               | 4    |
| 9    | 1-861-010032-20 | WASHER, FLAT,3/4 N ZP/CD                    | 32   |
| 10   | 1-512-010005-15 | NUT,HEX,SLFLKG GRB 3/4-10                   | 32   |

# Disc Gang To Frame Assembly 2411AFG-07-09

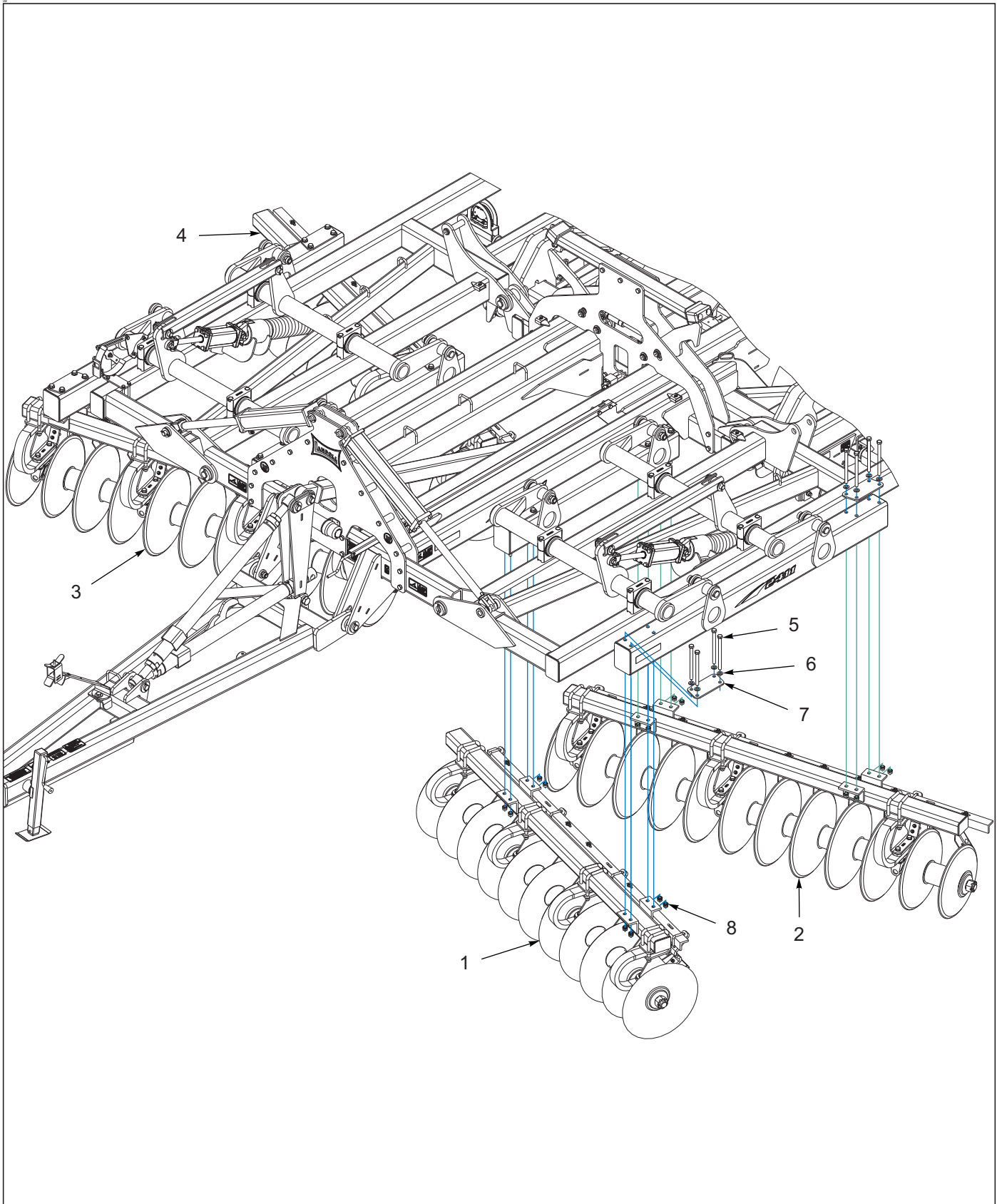


Figure 3-13: Disc Gang To Frame Assembly 2411AFG-07-09

## Disc Gang To Frame Assembly 2411AFG-07-09

| ITEM | PART NUMBER     | DESCRIPTION                                  | QTY. |
|------|-----------------|--|------|
| 1    | -----           | LF GANGBAR W/BLADES (SEE PAGE 3-1 THRU 3-17) | 1    |
| 2    | -----           | LR GANGBAR W/BLADES (SEE PAGE 3-1 THRU 3-17) | 1    |
| 3    | -----           | RF GANGBAR W/BLADES (SEE PAGE 3-1 THRU 3-17) | 1    |
| 4    | -----           | RR GANGBAR W/BLADES (SEE PAGE 3-1 THRU 3-17) | 1    |
| 5    | 1-654-010032-25 | SCREW HX CP 3/4-10X10 GR8                    | 32   |
| 6    | 1-861-010032-20 | WASHER, FLAT,3/4 N ZP/CD                     | 32   |
| 7    | 196966          | PLATE, GANG LIFT                             | 8    |
| 8    | 1-512-010005-15 | NUT,HEX,SLFLKG GRB 3/4-10                    | 32   |

# Shanks

## Shank Assembly Before 01-01-2023

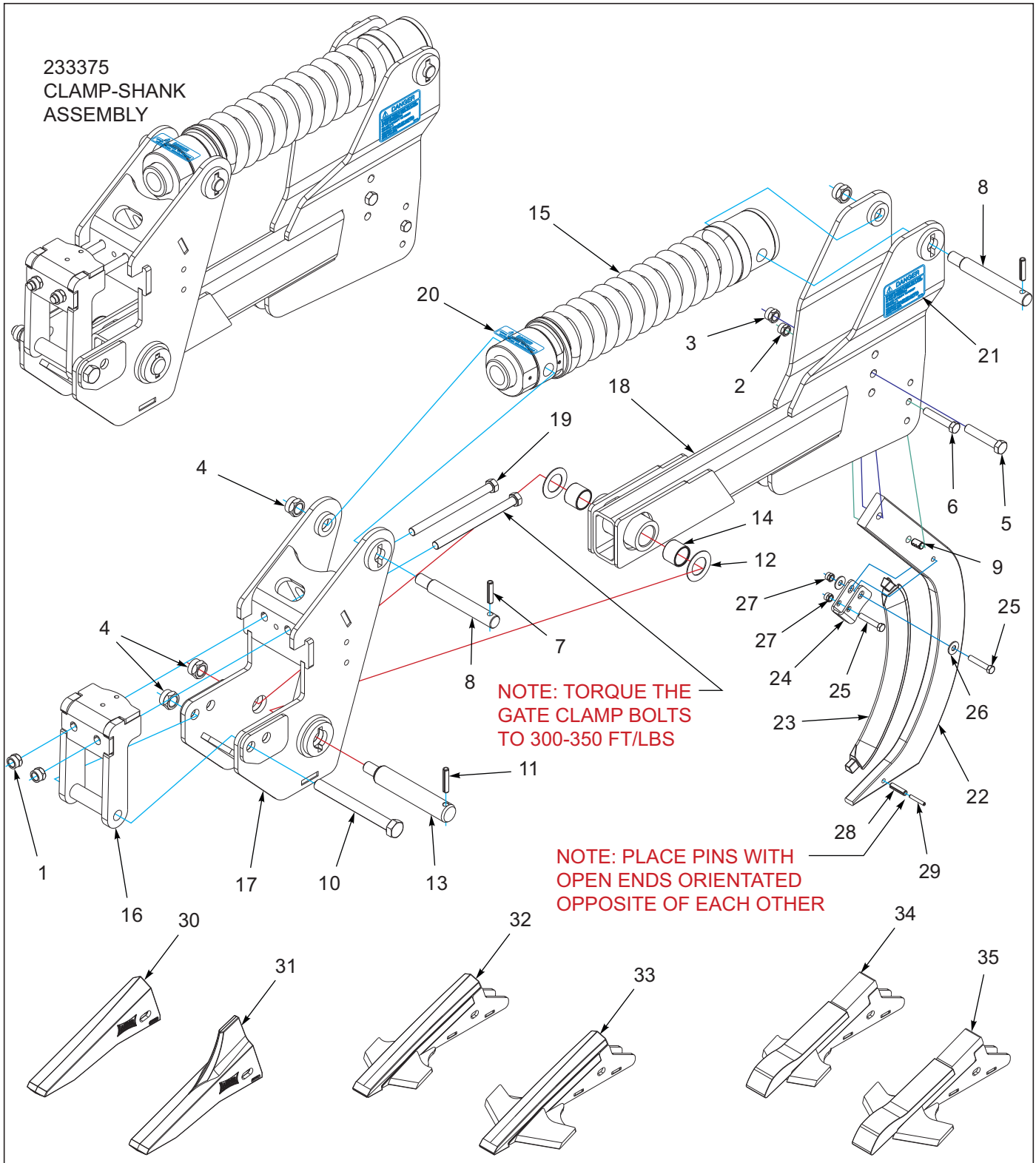


Figure 4-1: Shank Assembly Before 01-01-2023



## Shank Assembly Before 01-01-2023

| ITEM | PART NUMBER     | DESCRIPTION                     | QTY. |
|------|-----------------|---------------------------------|------|
| --   | 233375          | CLAMP-SHANK ASM                 |      |
| 1    | 1-512-010002-16 | NUT,3/4-16 HEX,SLFLKG, GRC      | 2    |
| 2    | 1-512-010005-13 | NUT,HEX SLFLKG GRB 5/8-11       | 1    |
| 3    | 1-512-010005-15 | NUT,HEX,SLFLKG GRB 3/4-10       | 1    |
| 4    | 1-512-010005-19 | NUT 1-8 HEX SLF-LOCKING GRB     | 4    |
| 5    | 1-654-010061-13 | SCREW,HX CP 3/4-10UNCX4 GR5     | 1    |
| 6    | 138567          | SCREW,HX CP 5/8-11UNCX3-1/2G8   | 1    |
| 7    | 141251          | SPRING PIN,SLOTTED 1/2X2-1/4    | 2    |
| 8    | 144457          | PIN, SHANK                      | 2    |
| 9    | 150244          | BUSHING,CNX-5/8 X 3/4 X 1-1/4   | 1    |
| 10   | 172581          | SCREW HEX CAP 1-8UNCX9.5 GR8    | 1    |
| 11   | 172802          | PIN SPRING SLOTTED 1/2X2-1/2    | 1    |
| 12   | 195566          | WASHER THRUST 1-3/4 14 GA       | 2    |
| 13   | 209252          | PIN, 1-3/4 X 8-1/4, STEP        | 1    |
| 14   | 210879          | BEARING-HEF, 2.004X1.76X1-1/2   | 2    |
| 15   | 218785          | SPRING-CLAMP, SHANK, ASSY       | 1    |
| 16   | 221412          | GATE-CLAMP WLDMT                | 1    |
| 17   | 233363          | CLAMP-SHANK, WLDMT              | 1    |
| 18   | 233367          | CLAMP-SHANK, 1-1/4, WLDMT       | 1    |
| 19   | 239516          | SCREW, HXCP 3/4-16UNFX10 GR8    | 2    |
| 20   | 2-573-010469    | DECAL, DANGER SPRING            | 1    |
| 21   | 207142          | DECAL, DANGER STUCK SHANK       | 1    |
| 22   | 169493          | SHANK, 1-1/4 X 4, BOLT-IN,2410  | 1    |
| 23   | 224747          | GUARD-WEAR, PARABOLIC           | 1    |
| 24   | 224748          | KEEPER-WEAR GUARD,PARABOLIC     | 1    |
| 25   | 101510          | SCREW HXCP1/2-13UNCX2-3/4 G5    | 2    |
| 26   | 1-861-010032-15 | WASHER, FLAT 1/2 W ZP/CD        | 2    |
| 27   | 1-512-010005-09 | NUT,HEX,SLFLKG, 1/2-13 GRB      | 2    |
| 28   | 127351          | PIN, SPRING, SLOTTED 1/2X2      | 1    |
| 29   | 147072          | PIN, SPRING SLOTTED 5/16 X 2    | 1    |
| 30   | 227189          | 1-1/4,PLN,CADI,2-1/2            | 1    |
| 31   | 227191          | 1-1/4,CADI,FIN,2-1/2            | 1    |
| 32   | 227207          | 1-1/4,WNGD,7,CHRM CAP,2-1/2WLD  | 1    |
| 33   | 227210          | 1-1/4,WNGD,10,CHRM CAP,2-1/2WLD | 1    |
| 34   | 227265          | 1-1/4, WINGD,7,CST STL CAP      | 1    |
| 35   | 227272          | 1-1/4,WNGD,10,CST STL CAP       | 1    |

# Shank Assembly After 01-01-2023

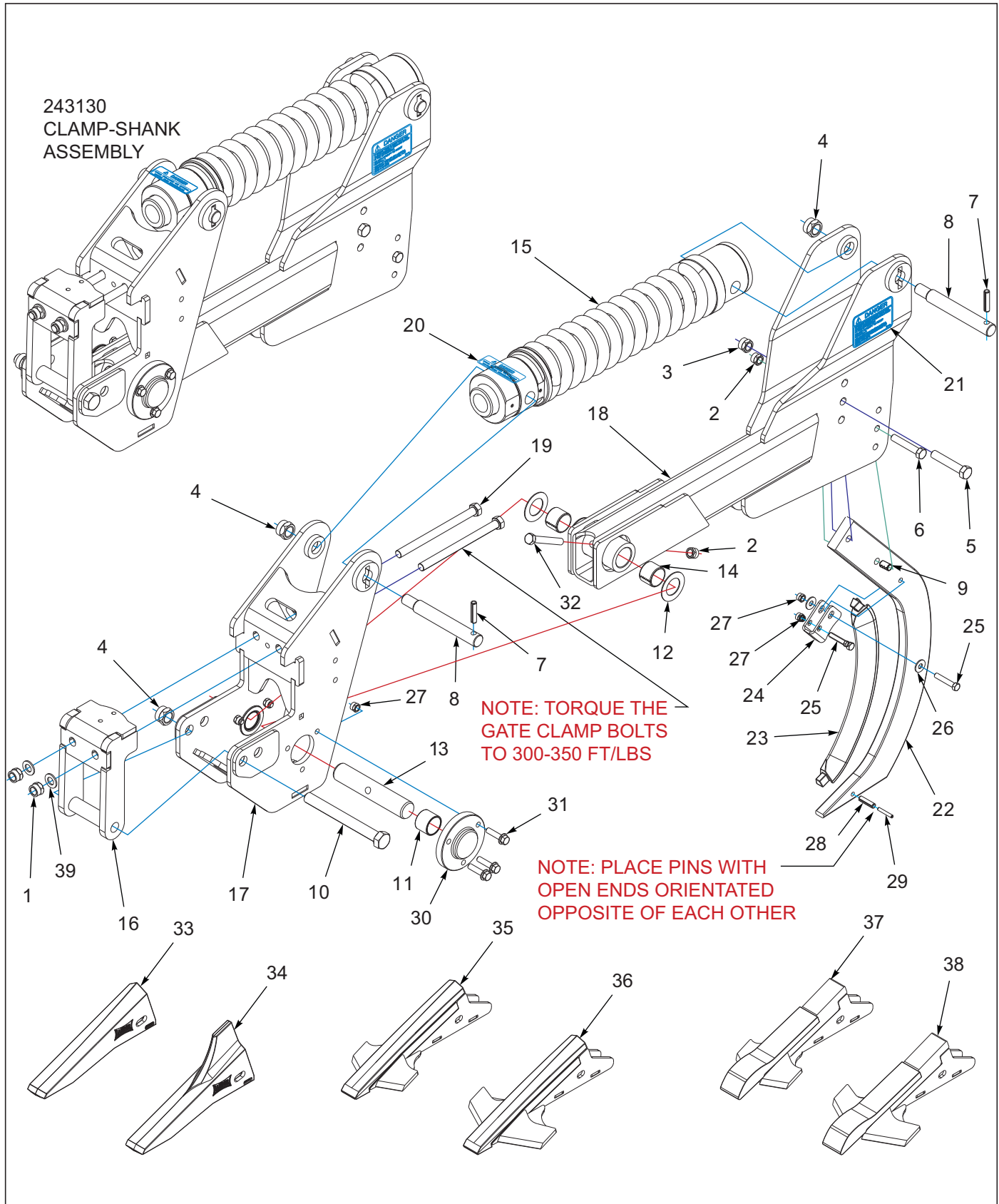


Figure 4-2: Shank Assembly After 01-01-2023

## Shank Assembly After 01-01-2023

| ITEM | PART NUMBER     | DESCRIPTION                     | QTY. |
|------|-----------------|---------------------------------|------|
| --   | 243130          | CLAMP-SHANK, ASM W/CHROME PIN   |      |
| 1    | 1-512-010002-16 | NUT,3/4-16 HEX,SLFLKG, GRC      | 2    |
| 2    | 1-512-010005-13 | NUT,HEX SLFLKG GRB 5/8-11       | 2    |
| 3    | 1-512-010005-15 | NUT,HEX,SLFLKG GRB 3/4-10       | 1    |
| 4    | 1-512-010005-19 | NUT 1-8 HEX SLF-LOCKING GRB     | 3    |
| 5    | 1-654-010061-13 | SCREW,HX CP 3/4-10UNCX4 GR5     | 1    |
| 6    | 138567          | SCREW,HX CP 5/8-11UNCX3-1/2G8   | 1    |
| 7    | 141251          | SPRING PIN,SLOTTED 1/2X2-1/4    | 2    |
| 8    | 144457          | PIN, SHANK                      | 2    |
| 9    | 150244          | BUSHING,CNX-5/8 X 3/4 X 1-1/4   | 1    |
| 10   | 172581          | SCREW HEX CAP 1-8UNCX9.5 GR8    | 1    |
| 11   | 210879          | BEARING-HEF, 2.004X1.76X1-1/2   | 1    |
| 12   | 195566          | WASHER THRUST 1-3/4 14 GA       | 2    |
| 13   | 240317          | PIN, SHANK PIVOT 1-3/4 DIA      | 1    |
| 14   | 240342          | BUSHING,SPRG 2 X 1-3/4 X 1-1/2  | 2    |
| 15   | 218785          | SPRING-CLAMP, SHANK, ASSY       | 1    |
| 16   | 221412          | GATE-CLAMP WLDMT                | 1    |
| 17   | 243128          | CLAMP, SHANK WLDMT              | 1    |
| 18   | 240314          | SHANK MOUNT, 1-1/4, WLDMT       | 1    |
| 19   | 239516          | SCREW, HXCP 3/4-16UNFX10 GR8    | 2    |
| 20   | 2-573-010469    | DECAL, DANGER SPRING            | 1    |
| 21   | 207142          | DECAL, DANGER STUCK SHANK       | 1    |
| 22   | 169493          | SHANK, 1-1/4 X 4, BOLT-IN,2410  | 1    |
| 23   | 224747          | GUARD-WEAR, PARABOLIC           | 1    |
| 24   | 224748          | KEEPER-WEAR GUARD,PARABOLIC     | 1    |
| 25   | 101510          | SCREW HXCP1/2-13UNCX2-3/4 G5    | 2    |
| 26   | 1-861-010032-15 | WASHER, FLAT 1/2 W ZP/CD        | 2    |
| 27   | 1-512-010005-09 | NUT,HEX,SLFLKG, 1/2-13 GRB      | 8    |
| 28   | 127351          | PIN, SPRING, SLOTTED 1/2X2      | 1    |
| 29   | 147072          | PIN, SPRING SLOTTED 5/16 X 2    | 1    |
| 30   | 241980          | CAP, BEARING STEEL 1-3/4 PIN    | 2    |
| 31   | 1-655-010001-05 | SCREW,FLG HD 1/2-13X2 GR8 ZP    | 6    |
| 32   | 1-654-010059-14 | SCREW HX CP,5/8-11UNCX4-1/2G5   | 1    |
| 33   | 227189          | 1-1/4,PLN,CADI,2-1/2            | 1    |
| 34   | 227191          | 1-1/4,CADI,FIN,2-1/2            | 1    |
| 35   | 227207          | 1-1/4,WNGD,7,CHRM CAP,2-1/2WLD  | 1    |
| 36   | 227210          | 1-1/4,WNGD,10,CHRM CAP,2-1/2WLD | 1    |
| 37   | 227265          | 1-1/4, WINGD,7,CST STL CAP      | 1    |
| 38   | 227272          | 1-1/4,WNGD,10,CST STL CAP       | 1    |
| 39   | 622-3511-008    | WASHER, FLAT 3/4 MIL-CARB SAE   | 2    |

# Hydraulic Assemblies

## Lift Assembly 2411-06

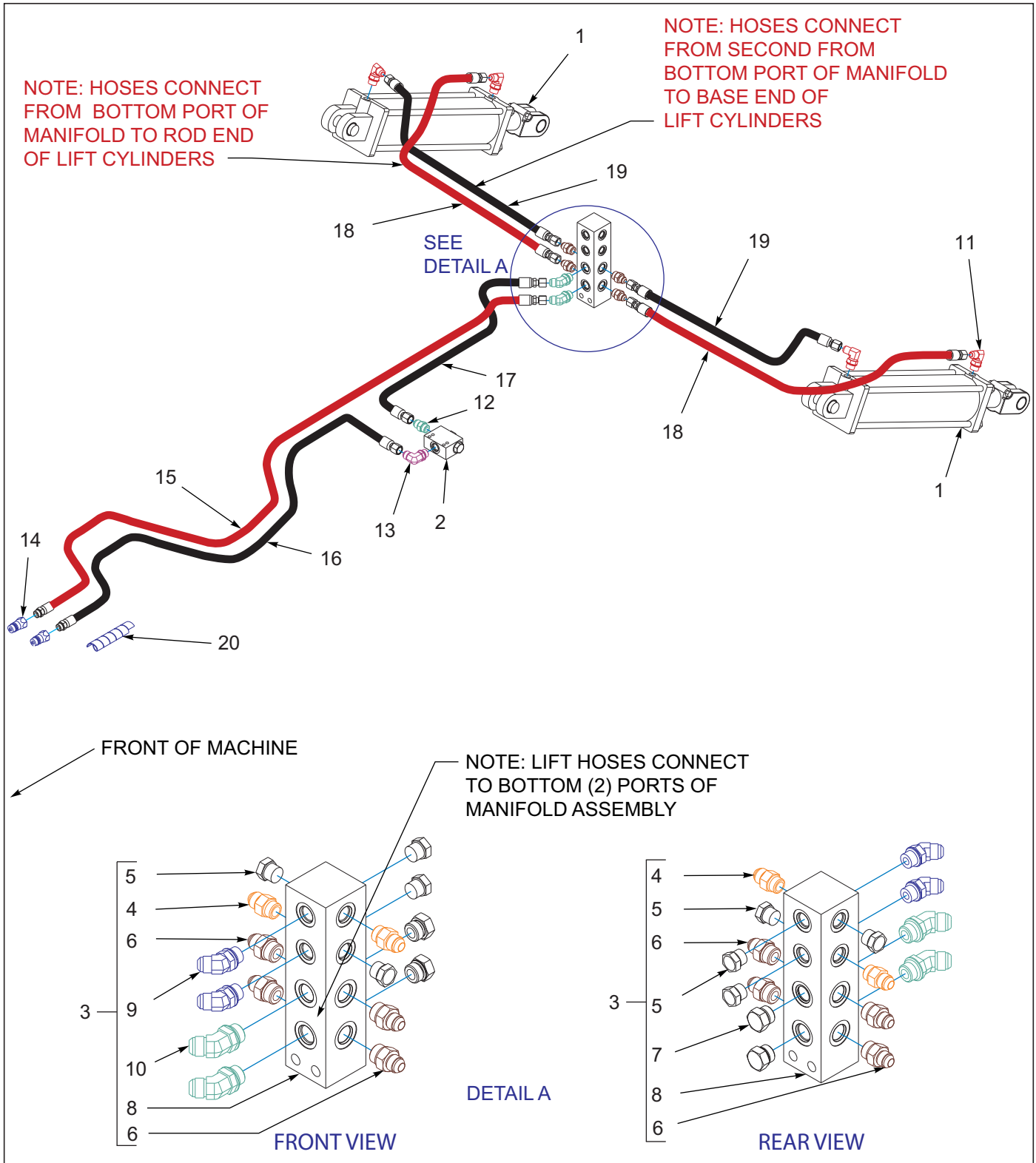


Figure 5-1: Lift Assembly 2411-06

## Lift Assembly 2411-06

| ITEM | PART NUMBER  | DESCRIPTION                                     | QTY. |
|------|--------------|---|------|
| 1    | 177346       | CYLINDER, HYD 4-1/2X16 3000PSI (SEE PAGE 6-1)   | 2    |
| 2    | 239435       | VALVE, LIMIT .156 REST                          | 1    |
| 3    | 241892       | ASSY, MANIFOLD LIFT/GANGS (INCLUDES ITEMS 4-10) | 1    |
| 4    | 202702-8-8S  | ADAPTER #8 O-RING TO #8 TUBE                    | 2    |
| 5    | 1-007-010025 | PLUG, 3/4-16 O-RING BOSS                        | 4    |
| 6    | 202702-10-8S | ADAPTER, #10 O-RING #8 TUBE                     | 4    |
| 7    | 900598-10S   | PLUG, O-RING BOSS #10                           | 2    |
| 8    | 236050       | MANIFOLD HYD,8-3/4,8-7/8 PORT                   | 1    |
| 9    | 2061-8-8S    | ADAPTER, 45, #8 O-RING-TUBE                     | 2    |
| 10   | 18K7         | ELBOW 45 .875-14 "O" TO                         | 2    |
| 11   | 2062-10-8S   | ADAPTER,90, #10 O-RING-TUBE                     | 4    |
| 12   | 137486       | ADAPTER #10 O-RING TO #10 JIC                   | 1    |
| 13   | 124511       | ADAPTER 90 #10 O-RINGX#10JIC                    | 1    |
| 14   | 163513       | COUPLER PIONEER MALE 8010-16P                   | 2    |
| 15   | 243132       | HOSE ASSY 5/8X324, 10JICX10MOR                  | 1    |
| 16   | 243131       | HOSE ASSY 5/8X206, 10JICX10MOR                  | 1    |
| 17   | 243133       | HOSE ASSY 5/8X134 #10STR JIC                    | 1    |
| 18   | 51039-13     | HOSE ASSY 1/2X62.63 SAE37 STR                   | 2    |
| 19   | 124130       | MHE HOSE HYD 1/2X44                             | 2    |
| 20   | 155528       | HOSE WRAP, BLUE 1" ID X 8"                      | 1    |

# Lift Assembly 2411AFG-07-09

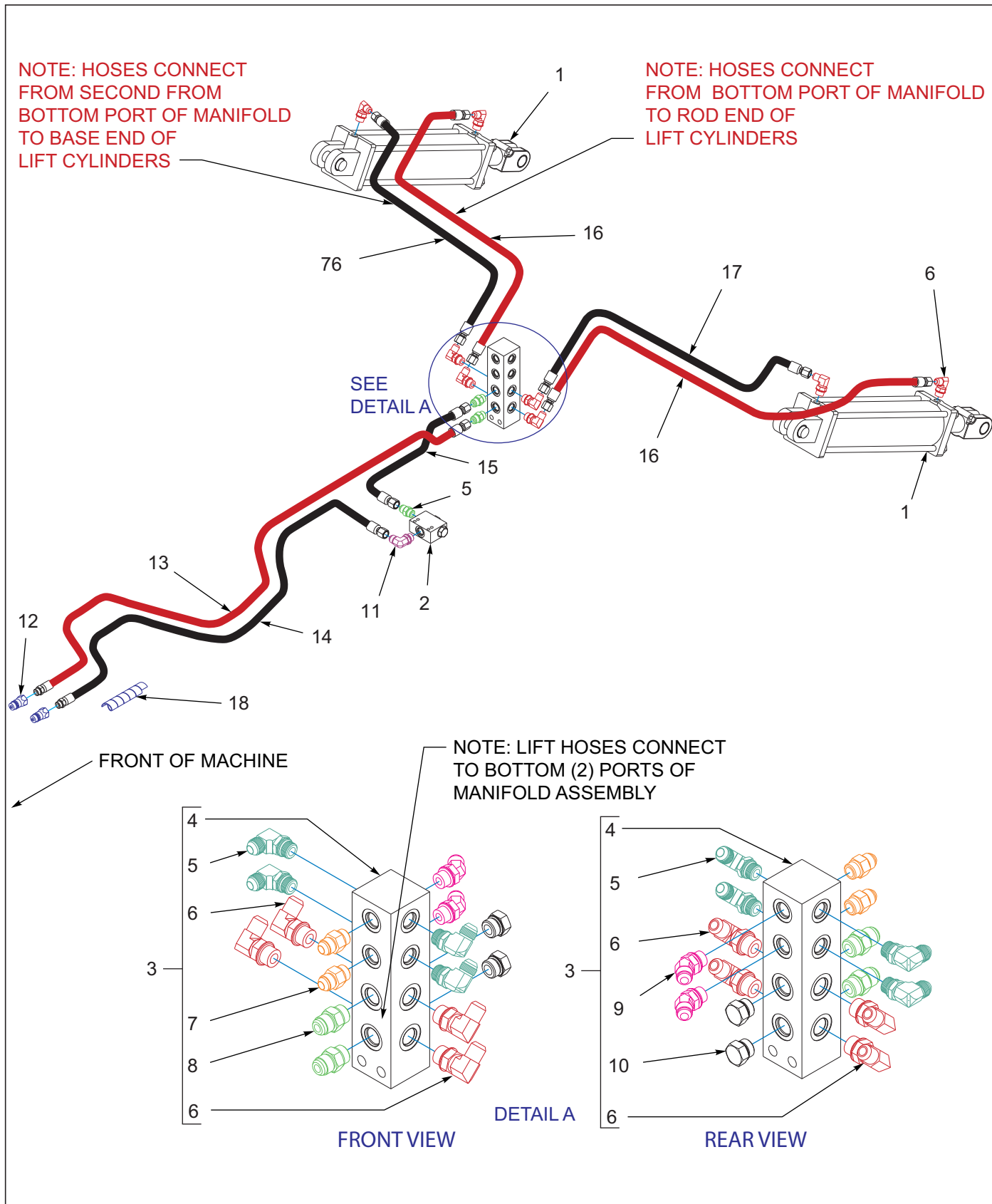


Figure 5-2: Lift Assembly 2411AFG-07-09

## Lift Assembly 2411AFG-07-09

| ITEM | PART NUMBER     | DESCRIPTION                                   | QTY. |
|------|-----------------|---|------|
| 1    | 177346          | CYLINDER, HYD 4-1/2X16 3000PSI (SEE PAGE 6-1) | 2    |
| 2    | 239435          | VALVE, LIMIT .156 REST                        | 1    |
| 3    | 236051          | ASSY, MANIFOLD CENTER (INCLUDES ITEMS 4-10)   | 1    |
| 4    | 236050          | MANIFOLD HYD,8-3/4,8-7/8 PORT                 | 1    |
| 5    | 2062-8-8S       | ADAPTER, 90, #8 O-RING-TUBE                   | 5    |
| 6    | 2062-10-8S      | ADAPTER,90, #10 O-RING-TUBE                   | 8    |
| 7    | 202702-8-8S     | ADAPTER #8 O-RING TO #8 TUBE                  | 2    |
| 8    | 137486          | ADAPTER #10 O-RING TO #10 JIC                 | 1    |
| 9    | 2061-8-8S       | ADAPTER, 45, #8 O-RING-TUBE                   | 2    |
| 10   | 900598-10S      | PLUG, O-RING BOSS #10                         | 2    |
| 11   | 124511          | ADAPTER 90 #10 O-RINGX#10JIC                  | 1    |
| 12   | 163513          | COUPLER PIONEER MALE 8010-16P                 | 2    |
| 13   | 237332          | HOSE ASSY, 5/8X315,10FJSX10MOR                | 1    |
| 14   | 237331          | HOSE ASSY, 5/8X228,10FJSX10MOR                | 1    |
| 15   | 237325          | HOSE ASSY 5/8X132 #10 STR JIC                 | 1    |
| 16   | 1-397-010301090 | HOSE ASSY 1/2X90,SAE 37 STR                   | 2    |
| 17   | 168521          | HOSE ASSY 1/2X67 SAE37 STR-STR                | 2    |
| 18   | 155528          | HOSE WRAP, BLUE 1" ID X 8"                    | 1    |

# Fold Assembly 2411AFG-07-09

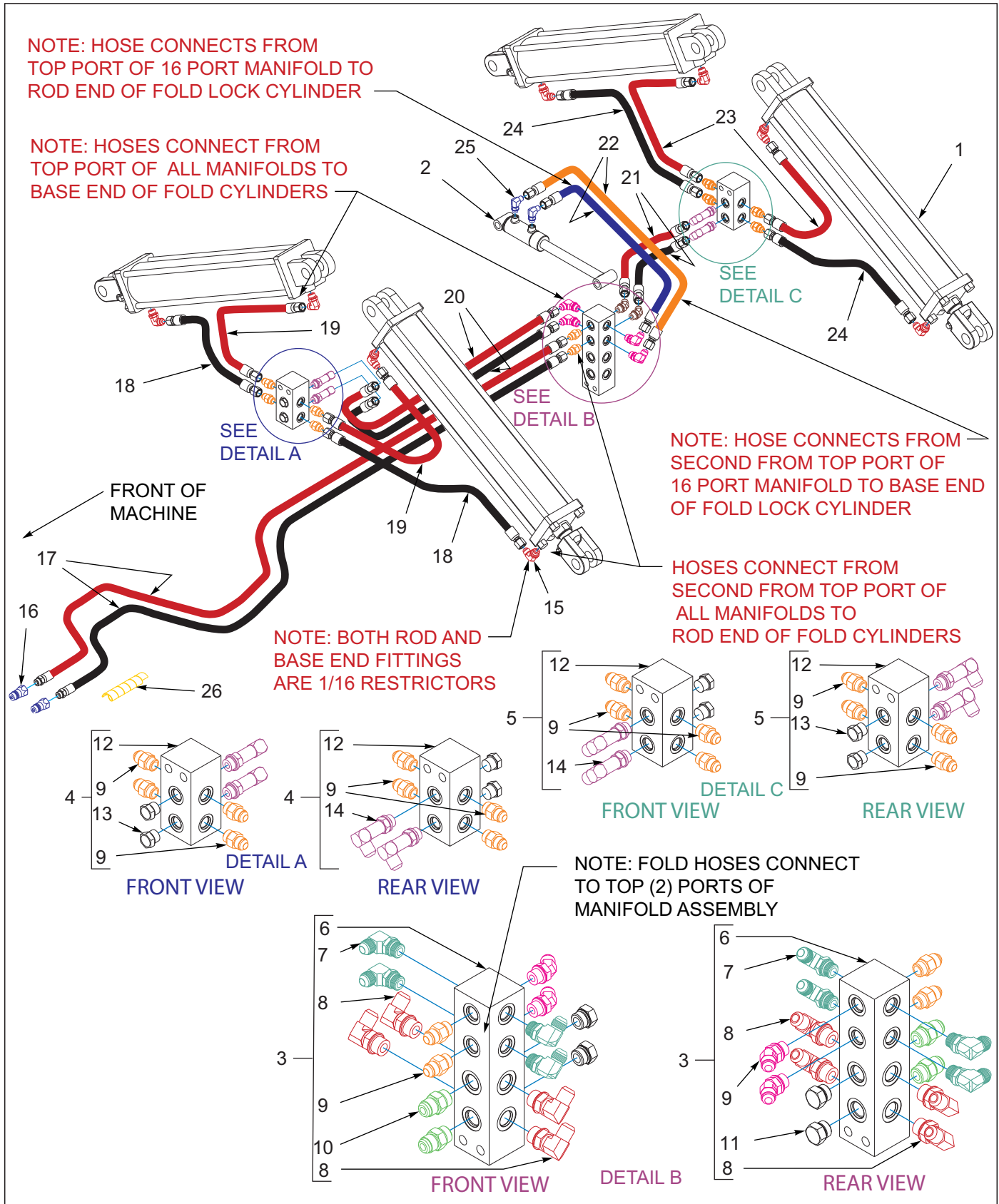


Figure 5-3: Fold Assembly 2411AFG-07-09



## Fold Assembly 2411AFG-07-09

| ITEM | PART NUMBER  | DESCRIPTION  | QTY. |
|------|--------------|--|------|
| 1    | 234855       | CYL, HYD 4 X 24 3000 PSI (SEE PAGE 6-2)                  | 4    |
| 2    | 230890       | CYLINDER,1-1/2X1-1/2,3000PSI (SEE PAGE 6-11)             | 1    |
| 3    | 236051       | ASSY, MANIFOLD CENTER (INCLUDES ITEMS 6-11)              | 1    |
| 4    | 236052       | ASSY, MANIFOLD FRONT FOLD (INCLUDES ITEMS 9, 12, 13, 14) | 1    |
| 5    | 236053       | ASSY, MANIFOLD REAR FOLD (INCLUDES ITEMS 9, 12, 13, 14)  | 1    |
| 6    | 236050       | MANIFOLD HYD,8-3/4,8-7/8 PORT                            | 1    |
| 7    | 2062-8-8S    | ADAPTER, 90, #8 O-RING-TUBE                              | 4    |
| 8    | 2062-10-8S   | ADAPTER,90, #10 O-RING-TUBE                              | 4    |
| 9    | 202702-8-8S  | ADAPTER #8 O-RING TO #8 TUBE                             | 10   |
| 10   | 137486       | ADAPTER #10 O-RING TO #10 JIC                            | 2    |
| 11   | 900598-10S   | PLUG, O-RING BOSS #10                                    | 2    |
| 12   | 2-474-010022 | MANIFOLD HYDRAULIC, 8 HOSE                               | 2    |
| 13   | 1-007-010025 | PLUG, 3/4-16 O-RING BOSS                                 | 4    |
| 14   | 1400548      | ELBOW EX LG  | 4    |
| 15   | 141826       | ELBOW 90 1/16 RES  | 8    |
| 16   | 141828       | COUPLER,MALE 3/4-16 O-RING                               | 2    |
| 17   | 176998       | HOSE 3/8 X 312, #8JIC X #8OR                             | 2    |
| 18   | 71508985     | HOSE ASSY .38 X 30                                       | 2    |
| 19   | 147582       | HOSE ASSY 3/8X24 #8 JIC SWIV                             | 2    |
| 20   | 137600       | HOSE ASSY 3/8X130 #8JIC SWVL                             | 2    |
| 21   | 159569       | HOSE ASSY 3/8X161,#8JIC SWVL                             | 2    |
| 22   | 123550       | HOSE ASSY 3/8X27 #6JICX#8JIC                             | 2    |
| 23   | 147123       | HOSE ASSY, 3/8X31 #8 JIC SWV                             | 2    |
| 24   | 153842       | HOSE ASSY 3/8X33 #8 JIC SWIV                             | 2    |
| 25   | 2062-6-6S    | ADAPTER, 90, #6SAE X #6 JIC                              | 2    |
| 26   | 155529       | HOSE WRAP, YELLOW 1" ID X 8"                             | 1    |

# Gang Lift Assembly 2411-06

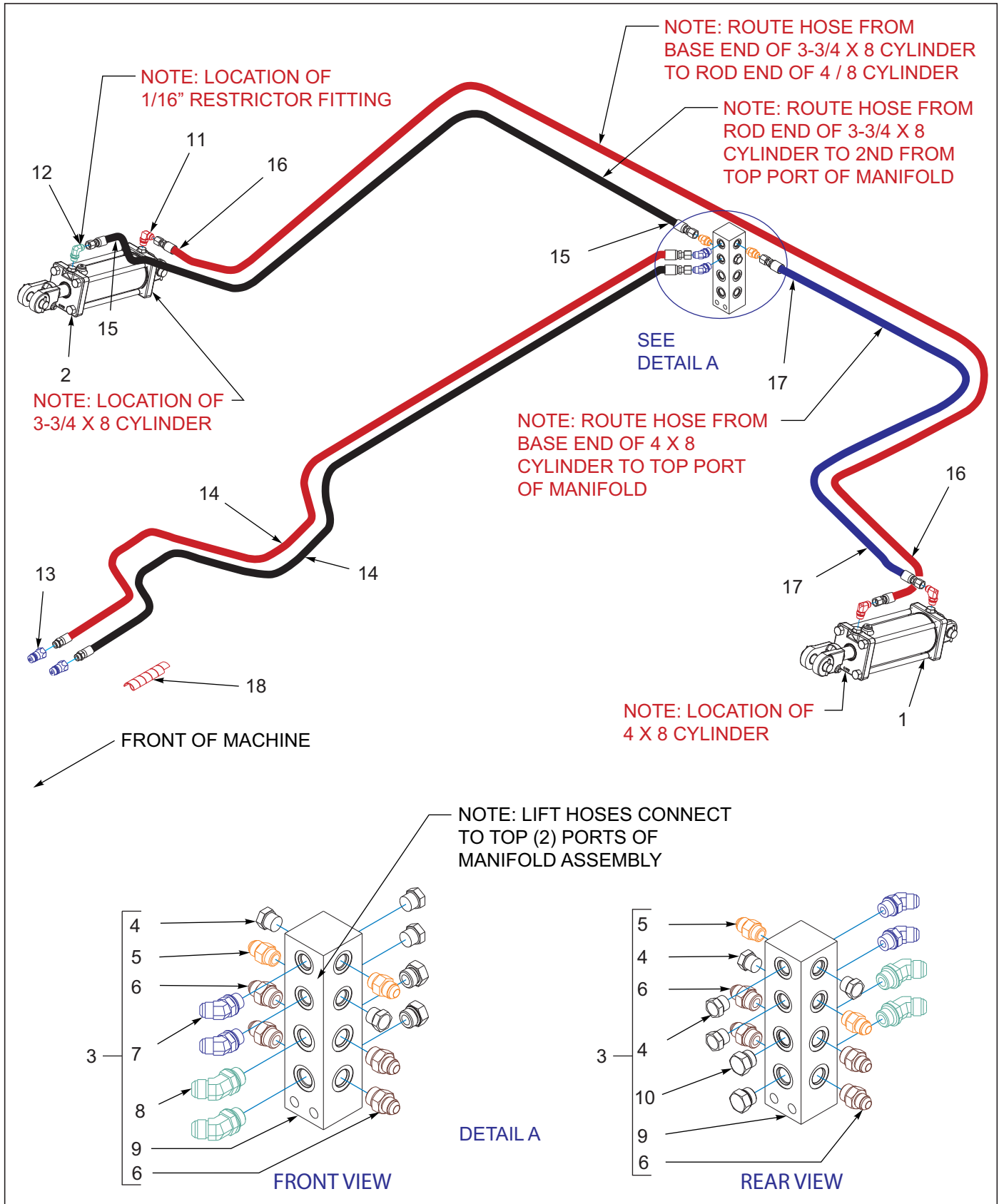


Figure 5-4: Gang Lift Assembly 2411-06

## Gang Lift Assembly 2411-06

| ITEM | PART NUMBER  | DESCRIPTION                                       | QTY. |
|------|--------------|---|------|
| 1    | 145201       | CYLINDER 4 X 8 REPHASE (SEE PAGES 6-3 OR 6-4)     | 1    |
| 2    | 145202       | CYLINDER 3-3/4 X 8 REPHASE (SEE PAGES 6-5 OR 6-6) | 1    |
| 3    | 241892       | ASSY, MANIFOLD LIFT/GANGS (INCLUDES ITEMS 4-10)   | 1    |
| 4    | 1-007-010025 | PLUG, 3/4-16 O-RING BOSS                          | 4    |
| 5    | 202702-8-8S  | ADAPTER #8 O-RING TO #8 TUBE                      | 2    |
| 6    | 202702-10-8S | ADAPTER, #10 O-RING #8 TUBE                       | 4    |
| 7    | 2061-8-8S    | ADAPTER, 45, #8 O-RING-TUBE                       | 2    |
| 8    | 18K7         | ELBOW 45 .875-14 "O" TO                           | 2    |
| 9    | 236050       | MANIFOLD HYD,8-3/4,8-7/8 PORT                     | 1    |
| 10   | 900598-10S   | PLUG, O-RING BOSS #10                             | 2    |
| 11   | 2062-8-8S    | ADAPTER, 90, #8 O-RING-TUBE                       | 3    |
| 12   | 141826       | ELBOW 90 1/16 RES                                 | 1    |
| 13   | 141828       | COUPLER,MALE 3/4-16 O-RING                        | 2    |
| 14   | 141888       | HOSE ASSY 3/8X320 #8JICX#8OR                      | 2    |
| 15   | 116492       | HOSE ASSY 3/8X128 #8 JIC SW                       | 1    |
| 16   | 164307       | HOSE ASSY,3/8X237 #8JIC SWIV                      | 1    |
| 17   | 211328       | HOSE ASSY,3/8X108,8FJS ENDS                       | 1    |
| 18   | 172973       | HOSE WRAP, RED                                    | 1    |

# Gang Lift Assembly 2411AFG-07-09

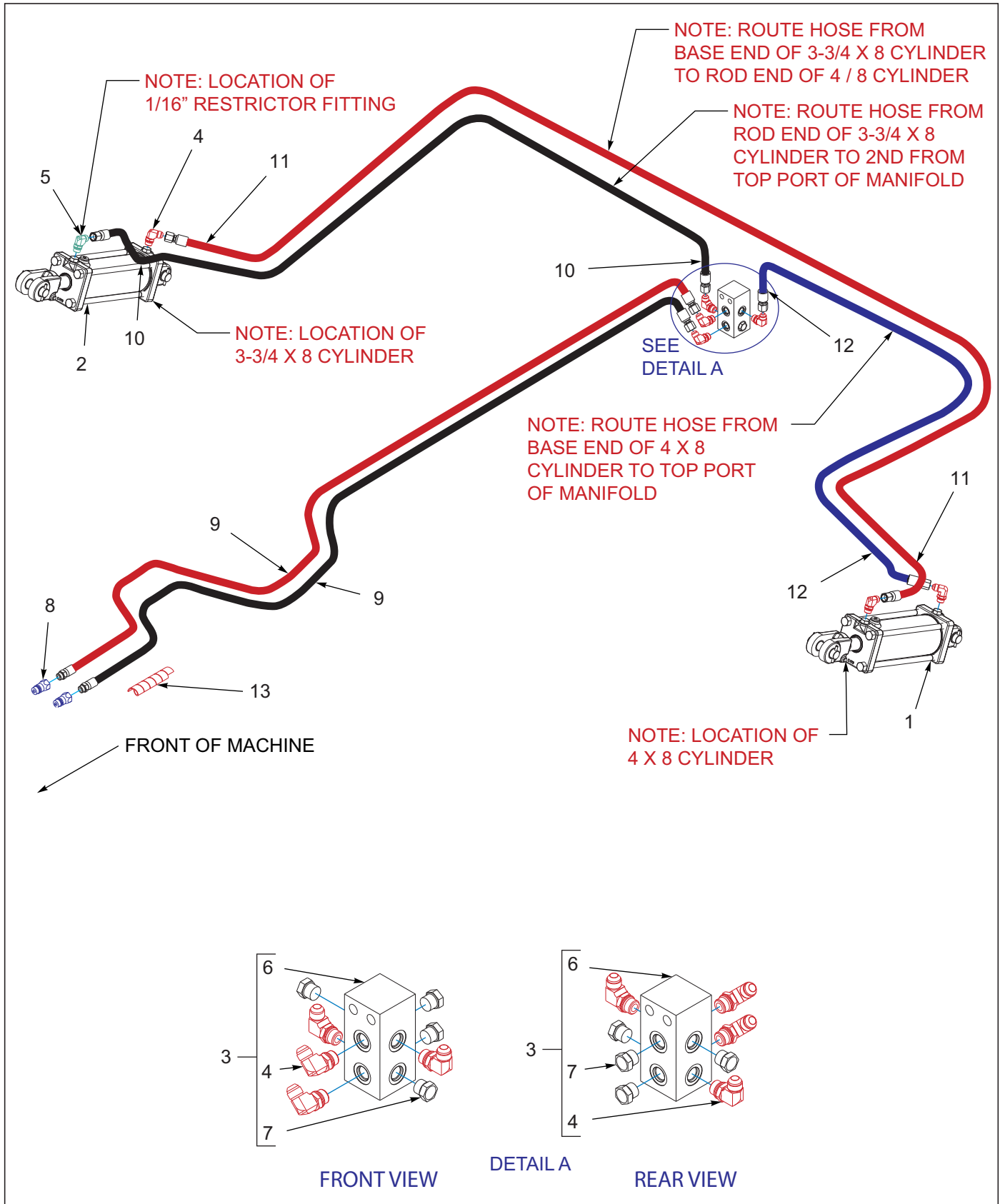


Figure 5-5: Gang Lift Assembly 2411AFG-07-09

---

## Gang Lift Assembly 2411AFG-07-09

---

| ITEM | PART NUMBER  | DESCRIPTION  | QTY. |
|------|--------------|--|------|
| 1    | 145201       | CYLINDER 4 X 8 REPHASE <b>(SEE PAGES 6-3 OR 6-4)</b>     | 1    |
| 2    | 145202       | CYLINDER 3-3/4 X 8 REPHASE <b>(SEE PAGES 6-5 OR 6-6)</b> | 1    |
| 3    | 237333       | ASSY, MANIFOLD DISC ADJ <b>(INCLUDES ITEMS 4-6)</b>      | 1    |
| 4    | 2062-8-8S    | ADAPTER, 90, #8 O-RING-TUBE                              | 7    |
| 5    | 141826       | ELBOW 90 1/16 RES  | 1    |
| 6    | 2-474-010022 | MANIFOLD HYDRAULIC, 8 HOSE                               | 1    |
| 7    | 1-007-010025 | PLUG, 3/4-16 O-RING BOSS                                 | 4    |
| 8    | 141828       | COUPLER,MALE 3/4-16 O-RING                               | 2    |
| 9    | 147586       | HOSE ASSY3/8X306#8JICX#8O-RNG                            | 2    |
| 10   | 116435       | HOSE ASSY, 3/8X146 #8 JIC SW                             | 1    |
| 11   | 116437       | HOSE ASSY, 3/8X267 #8 JIC SW                             | 1    |
| 12   | 137599       | HOSE ASSY 3/8X126.25 #8JIC SWV                           | 1    |
| 13   | 172973       | HOSE WRAP, RED   | 1    |

# Cylinders

## Cylinder Assembly 4-1/2 x 16

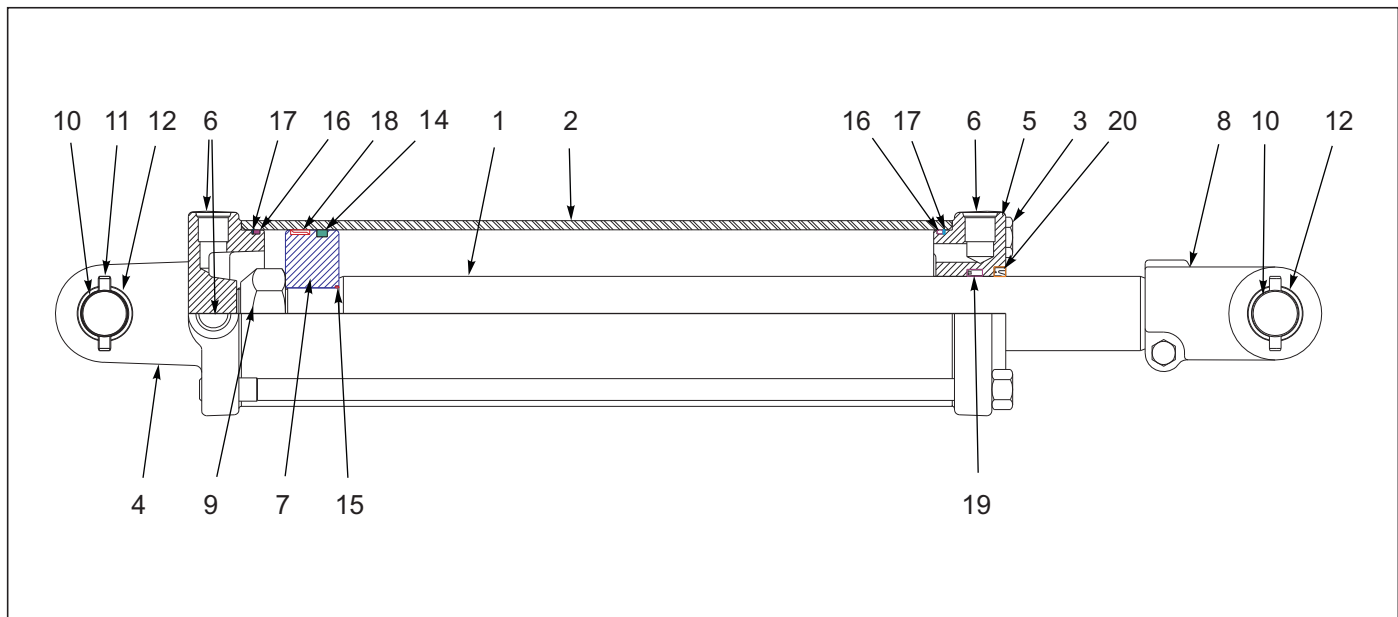


Figure 6-1: Cylinder Assembly 4-1/2 x 16

## Cylinder Assembly 4-1/2 x 16

| ITEM | PART NUMBER | DESCRIPTION  | QTY. |
|------|-------------|--|------|
| --   | 177346      | CYLINDER, HYD 4-1/2X16 3000PSI                                   |      |
| 1    | -----       | PISTON ROD   | 1    |
| 2    | -----       | TUBE   | 1    |
| 3    | -----       | TIEROD ASSEMBLY  | 4    |
| 4    | 240961      | BUTT CLEVIS, Ø4-1/2" BORE ( <b>BUSHINGS INCLUDED</b> )           | 1    |
| 5    | 218647      | GLAND  | 1    |
| 6    | -----       | PORT PLUG  | 3    |
| 7    | -----       | PISTON   | 1    |
| 8    | 240962      | ROD CLEVIS, Ø1-1/4" PINS ( <b>BUSHINGS INCLUDED</b> )            | 1    |
| 9    | -----       | LOCKNUT 1-3/8-12   | 1    |
| 10   | 169550      | CLEVIS PIN   | 2    |
| 11   | 111789      | ROLL PIN   | 4    |
| 12   | 240288      | BUSHING, HARDENED, 1-1/4   | 4    |
| 13   | -----       | CROWN SEAL   | 1    |
| 14   | -----       | O-RING   | 1    |
| 15   | -----       | O-RING   | 2    |
| 16   | -----       | BU-WASHER  | 2    |
| 17   | -----       | BEARING RING   | 1    |
| 18   | -----       | U-CUP  | 1    |
| 19   | -----       | WIPER  | 1    |
| 20   | 180483      | PACKING KIT ( <b>NOT SHOWN</b> ) ( <b>INCLUDES ITEMS 13-20</b> ) |      |

### Cylinder Assembly 4 x 24

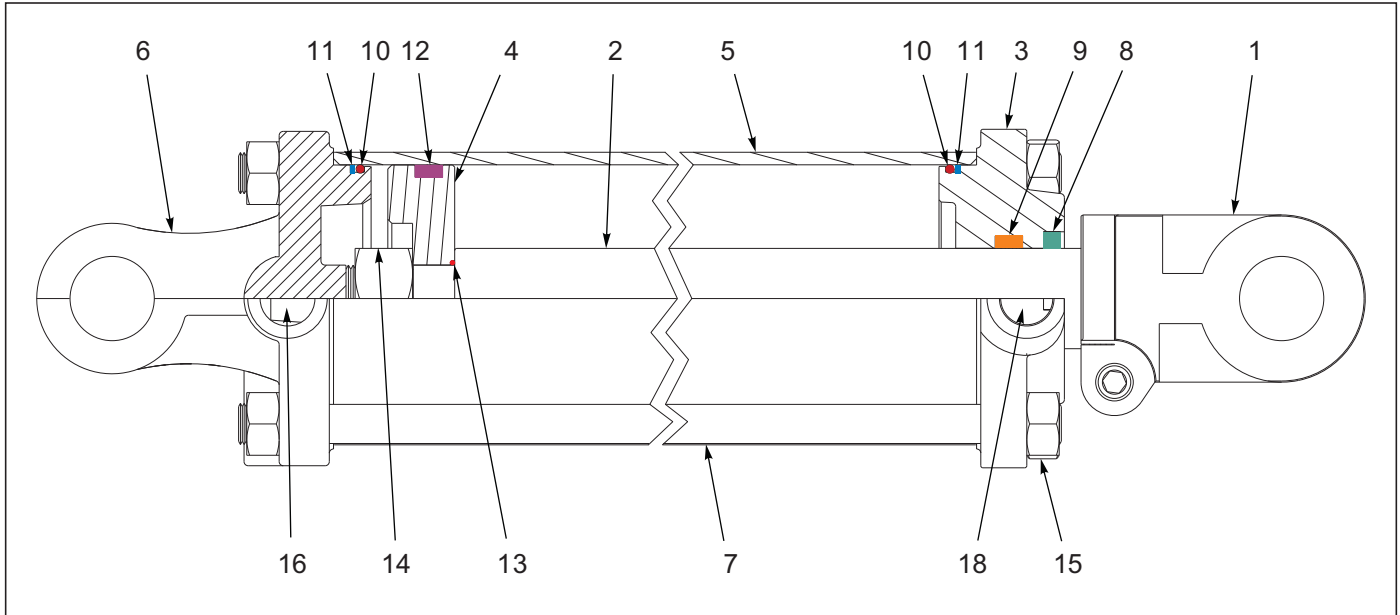


Figure 6-2: Cylinder Assembly 4 x 24

### Cylinder Assembly 4 x 24

| ITEM | PART NUMBER | DESCRIPTION  | QTY. |
|------|-------------|--|------|
| --   | 234855      | CYL, HYD 4 X 24 3000 PSI                                       |      |
| 1    | 237213      | ROD CLEVIS-ADI,1-1/4 PIN,MIDWA                                 | 1    |
| 2    | ----        | ROD  | 1    |
| 3    | 237215      | GLAND, 4" BORE, MIDWAY   | 1    |
| 4    | ----        | PISTON   | 1    |
| 5    | ----        | TUBE   | 1    |
| 6    | 237214      | BUTT CLEVIS-ADI,4" BORE,MIDWAY                                 | 1    |
| 7    | ----        | TIEROD   | 4    |
| 8    | ----        | WIPER  | 1    |
| 9    | ----        | U- CUP   | 1    |
| 10   | ----        | OD O- RING   | 2    |
| 11   | ----        | OD BACKUP  | 2    |
| 12   | ----        | CROWN SEAL   | 1    |
| 13   | ----        | O- RING  | 1    |
| 14   | ----        | PISTON NUT   | 1    |
| 15   | ----        | TIEROD NUT   | 8    |
| 16   | ----        | HEX PLUG   | 2    |
| 17   | 237216      | PACKING KIT, 4" BORE, MIDWAY (NOT SHOWN) (INCLUDES ITEMS 8-13) |      |

### Cylinder Assembly 4 x 8, Rephase (Prince)

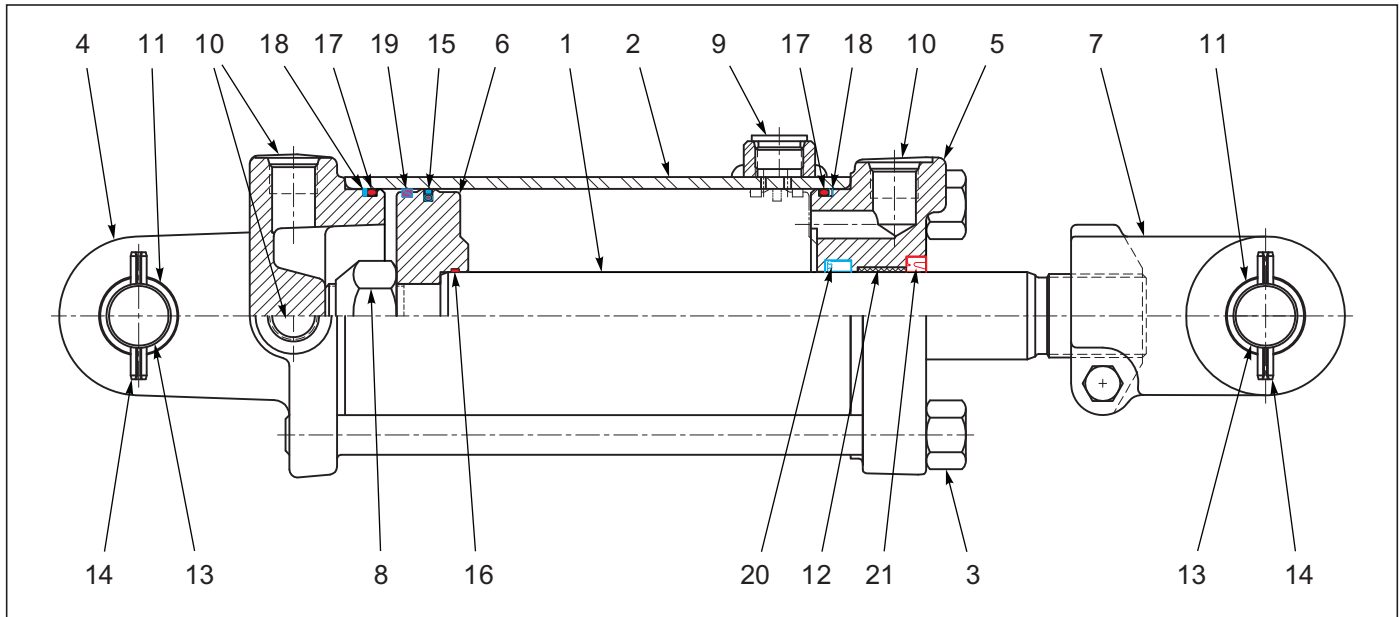


Figure 6-3: Cylinder Assembly 4 x 8, Rephase (Prince)

### Cylinder Assembly 4 x 8, Rephase (Prince)

| ITEM | PART NUMBER | DESCRIPTION                                    | QTY. |
|------|-------------|--|------|
| --   | 145201      | CYLINDER 4 X 8 REPHASE                         |      |
| 1    | ----        | ROD, PISTON                                    | 1    |
| 2    | ----        | TUBE ASSY                                      | 1    |
| 3    | ----        | TIEROD ASSY                                    | 4    |
| 4    | 142114      | BUTT CLEVIS ASSY                               | 1    |
| 5    | 142109      | GLAND ASSEMBLY                                 | 1    |
| 6    | ----        | PISTON   | 1    |
| 7    | 142110      | CLEVIS ASSY                                    | 1    |
| 8    | ----        | LOCKNUT  | 1    |
| 9    | ----        | SHIPPING PLUG                                  | 1    |
| 10   | ----        | SHIPPING PLUG                                  | 3    |
| 11   | 142112      | BUSHING  | 4    |
| 12   | 141301      | BUSHING  | 1    |
| 13   | 143994      | CLEVIS PIN                                     | 2    |
| 14   | 111789      | ROLL PIN                                       | 4    |
| 15   | ----        | TEFLON SEAL                                    | 1    |
| 16   | ----        | O- RING  | 1    |
| 17   | ----        | O- RING  | 2    |
| 18   | ----        | BU- WASHER                                     | 2    |
| 19   | ----        | BEARING RING                                   | 1    |
| 20   | ----        | U- CUP   | 1    |
| 21   | ----        | CANNED WIPER                                   | 1    |
| 22   | 147745      | PACKING KIT (NOT SHOWN) (INCLUDES ITEMS 15-21) |      |



### Cylinder Assembly 4 x 8, Rephase (Midway)

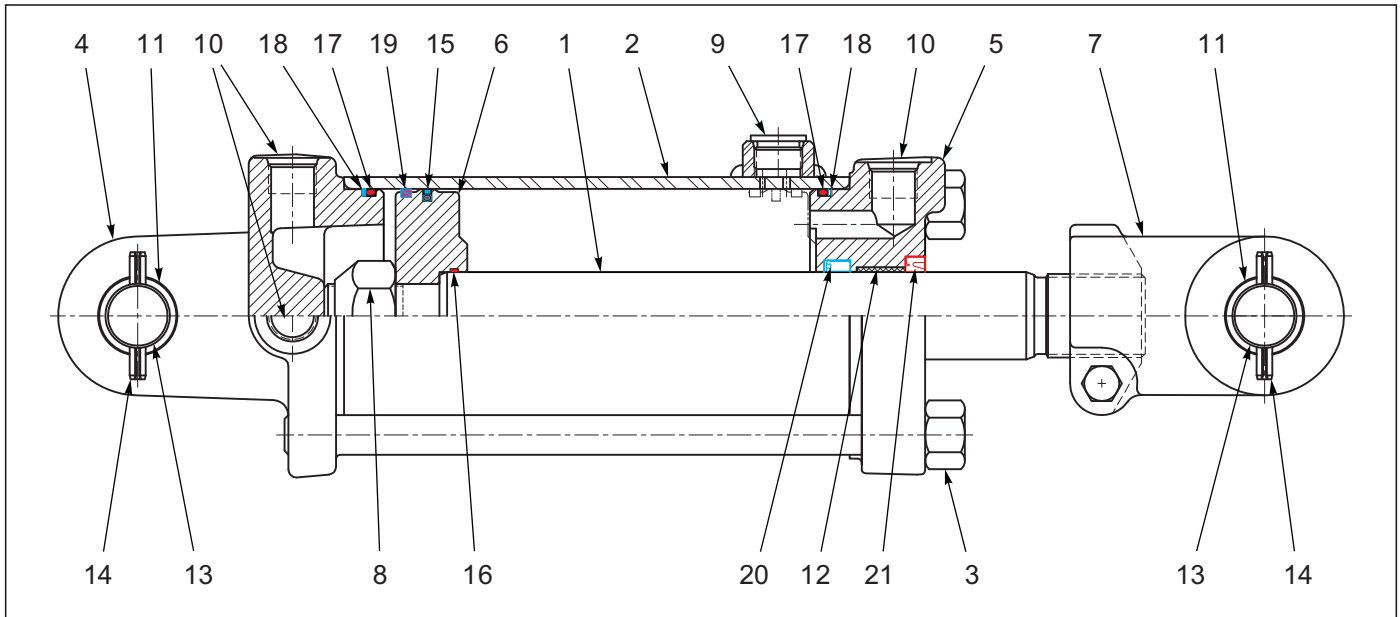


Figure 6-4: Cylinder Assembly 4 x 8, Rephase (Midway)

### Cylinder Assembly 4 x 8, Rephase (Midway)

| ITEM | PART NUMBER     | DESCRIPTION  | QTY. |
|------|-----------------|--|------|
| --   | 145201M         | CYLINDER, 4 X 8, REPHASE                                       |      |
| 1    | 231792          | ROD CLEVIS-ADI, 1" PIN, MIDWAY                                 | 1    |
| 2    | ----            | ROD  | 1    |
| 3    | 229560          | GLAND, 4" BORE, MIDWAY   | 1    |
| 4    | ----            | PISTON   | 1    |
| 5    | ----            | TUBE   | 1    |
| 6    | 231804          | BUTT CLEVIS-ADI,4" BORE,MIDWAY                                 | 1    |
| 7    | ----            | TIEROD   | 4    |
| 8    | ----            | WIPER  | 1    |
| 9    | ----            | U- CUP   | 1    |
| 10   | ----            | OD O- RING   | 2    |
| 11   | ----            | OD BACKUP  | 2    |
| 12   | ----            | GREEN  | 1    |
| 13   | ----            | WEAR RING  | 1    |
| 14   | ----            | LOADER   | 1    |
| 15   | ----            | O- RING  | 1    |
| 16   | ----            | BUSHING  | 1    |
| 17   | ----            | PISTON NUT   | 1    |
| 18   | ----            | TIEROD NUT   | 8    |
| 19   | 1-647-010004221 | PIN,SPRING 1/4X2 SLOTTED                                       | 2    |
| 20   | 229565          | CLEVIS PIN, Ø1" HARDEN, MIDWAY                                 | 2    |
| 21   | ----            | HEX PLUG   | 3    |
| 22   | ----            | REPHASING PORT PLUG  | 1    |
| 23   | 229561          | PACKING KIT, 4" BORE, MIDWAY (NOT SHOWN) (INCLUDES ITEMS 8-15) |      |

### Cylinder Assembly 3-3/4 x 8, Rephase (Prince)

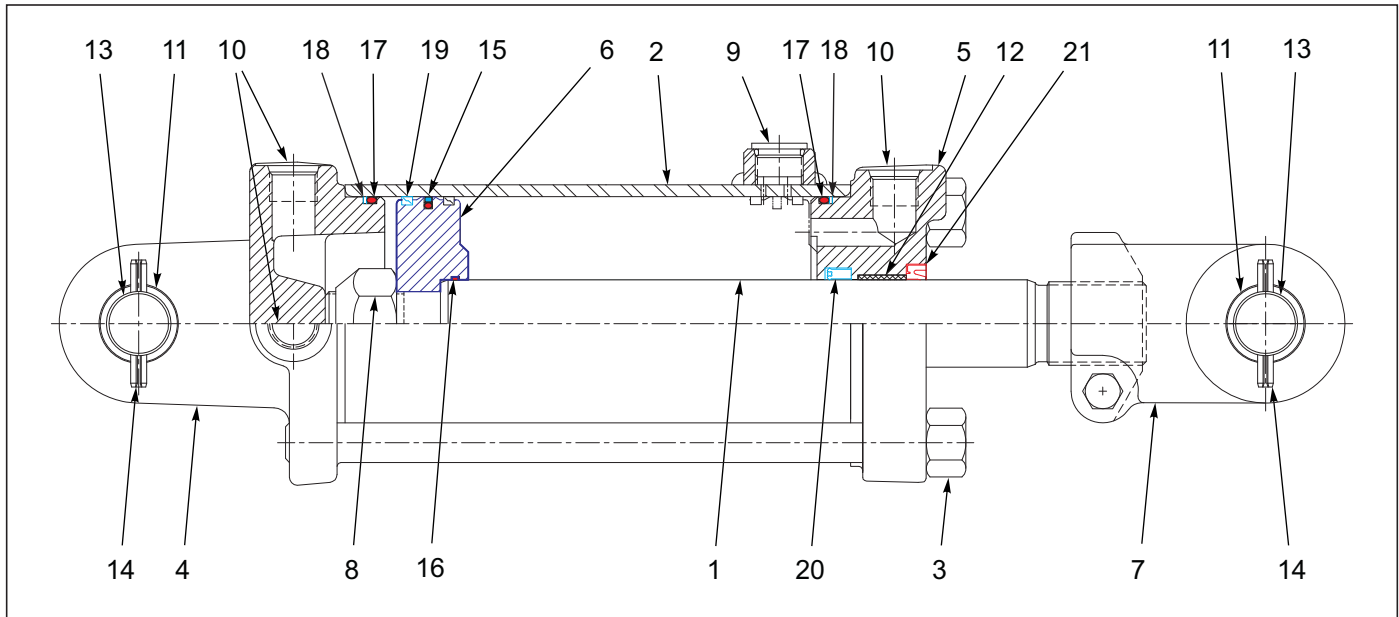


Figure 6-5: Cylinder Assembly 3-3/4 x 8, Rephase (Prince)

### Cylinder Assembly 3-3/4 x 8, Rephase (Prince)

| ITEM | PART NUMBER | DESCRIPTION                                    | QTY. |
|------|-------------|--|------|
| --   | 145202      | CYLINDER 3-1/2 X 8 REPHASE                     |      |
| 1    | ----        | ROD, PISTON                                    | 1    |
| 2    | ----        | TUBE ASSY                                      | 1    |
| 3    | ----        | TIEROD ASSY                                    | 4    |
| 4    | 142116      | BUTT CLEVIS ASSY                               | 1    |
| 5    | 111871      | GLAND ASSEMBLY                                 | 1    |
| 6    | ----        | PISTON   | 1    |
| 7    | 142110      | CLEVIS ASSY                                    | 1    |
| 8    | ----        | LOCKNUT  | 1    |
| 9    | ----        | SHIPPING PLUG                                  | 1    |
| 10   | ----        | SHIPPING PLUG                                  | 3    |
| 11   | 142112      | BUSHING  | 4    |
| 12   | 141301      | BUSHING  | 1    |
| 13   | 143994      | CLEVIS PIN                                     | 2    |
| 14   | 111789      | ROLL PIN                                       | 4    |
| 15   | ----        | TEFLON SEAL                                    | 1    |
| 16   | ----        | O- RING  | 1    |
| 17   | ----        | O- RING  | 2    |
| 18   | ----        | BU- WASHER                                     | 2    |
| 19   | ----        | BEARING RING                                   | 1    |
| 20   | ----        | U- CUP   | 1    |
| 21   | ----        | CANNED WIPER                                   | 1    |
| 22   | 147748      | PACKING KIT (NOT SHOWN) (INCLUDES ITEMS 15-21) |      |

### Cylinder Assembly 3-3/4 x 8, Rephase (Midway)

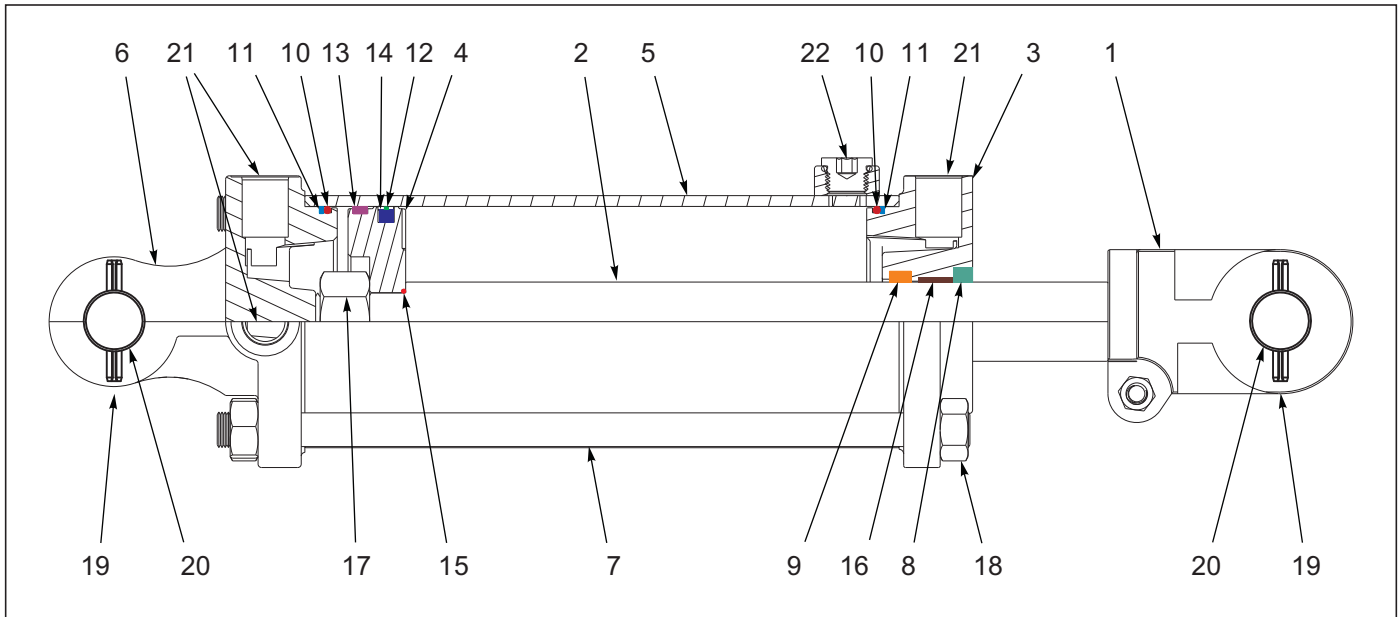


Figure 6-6: Cylinder Assembly 3-3/4 x 8, Rephase (Midway)

### Cylinder Assembly 3-3/4 x 8, Rephase (Midway)

| ITEM | PART NUMBER     | DESCRIPTION  | QTY. |
|------|-----------------|--|------|
| --   | 145202M         | CYLINDER, 3-3/4 X 8, REPHASE                                       |      |
| 1    | 231792          | ROD CLEVIS-ADI, 1" PIN, MIDWAY                                     | 1    |
| 2    | ----            | ROD  | 1    |
| 3    | 231802          | GLAND, 3-3/4" BORE, MIDWAY   | 1    |
| 4    | ----            | PISTON   | 1    |
| 5    | ----            | TUBE   | 1    |
| 6    | 234415          | BUTT CLEVIS-ADI, 4" BORE, MIDWAY                                   | 1    |
| 7    | ----            | TIEROD   | 4    |
| 8    | ----            | WIPER  | 1    |
| 9    | ----            | U- CUP   | 1    |
| 10   | ----            | OD O- RING   | 2    |
| 11   | ----            | OD BACKUP  | 2    |
| 12   | ----            | GREEN  | 1    |
| 13   | ----            | WEAR RING  | 1    |
| 14   | ----            | LOADER   | 1    |
| 15   | ----            | O- RING  | 1    |
| 16   | ----            | BUSHING  | 1    |
| 17   | ----            | PISTON NUT   | 1    |
| 18   | ----            | TIEROD NUT   | 8    |
| 19   | 1-647-010004221 | PIN, SPRING 1/4X2 SLOTTED  | 2    |
| 20   | 229565          | CLEVIS PIN, Ø1" HARDEN, MIDWAY                                     | 2    |
| 21   | ----            | HEX PLUG   | 3    |
| 22   | ----            | REPHASING PORT PLUG  | 1    |
| 23   | 231803          | PACKING KIT, 3-3/4" BORE, MIDWAY (NOT SHOWN) (INCLUDES ITEMS 8-16) |      |

### Cylinder Assembly 3-1/2 x 8, Rephase (Prince)

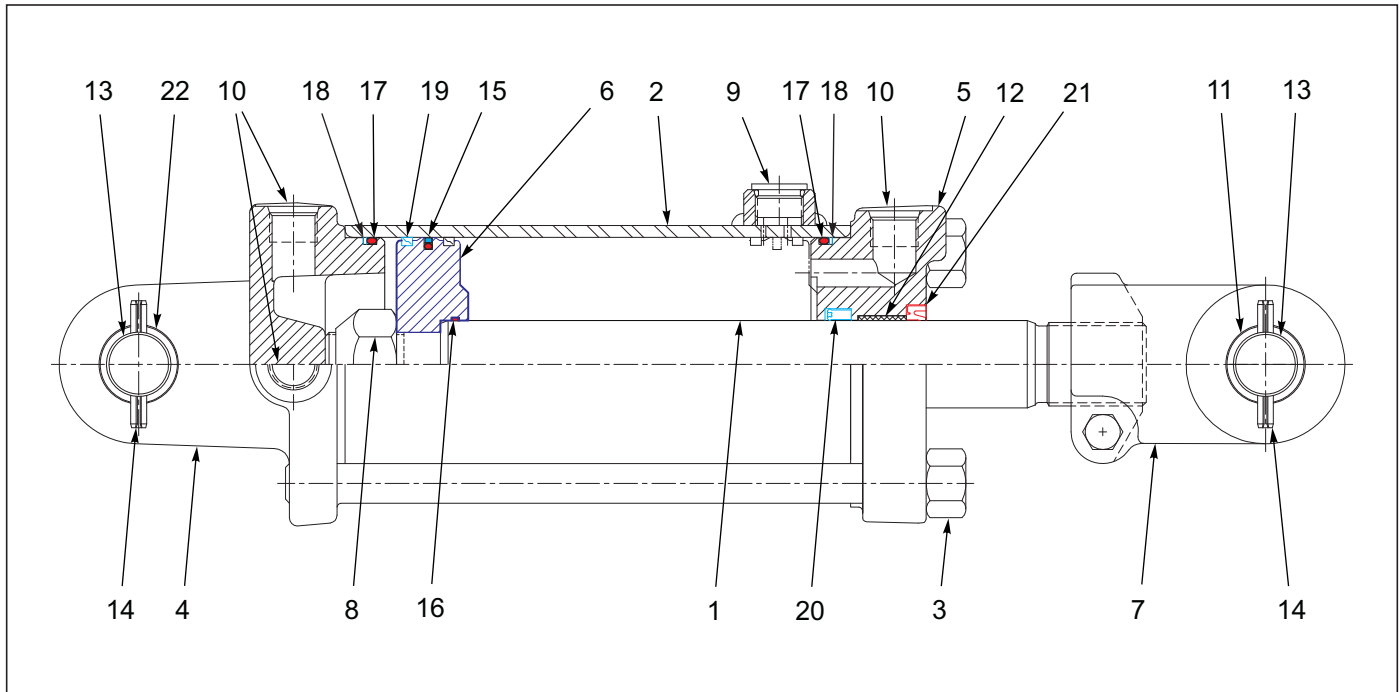


Figure 6-7: Cylinder Assembly 3-1/2 x 8, Rephase (Prince)

### Cylinder Assembly 3-1/2 x 8, Rephase (Prince)

| ITEM | PART NUMBER | DESCRIPTION                                    | QTY. |
|------|-------------|--|------|
| --   | 145203      | CYLINDER 3-1/2 X 8 REPHASE                     |      |
| 1    | ----        | ROD, PISTON                                    |      |
| 2    | ----        | TUBE ASSEMBLY                                  |      |
| 3    | ----        | TIEROD ASSEMBLY                                |      |
| 4    | 218643      | BUTT CLEVIS ASSEMBLY                           |      |
| 5    | 148085      | GLAND ASSEMBLY                                 |      |
| 6    | ----        | PISTON   |      |
| 7    | 148087      | CLEVIS ASSEMBLY                                |      |
| 8    | ----        | LOCKNUT  |      |
| 9    | ----        | SHIPPING PLUG                                  |      |
| 10   | ----        | SHIPPING PLUG                                  |      |
| 11   | 148088      | BUSHING  |      |
| 12   | 125566      | BUSHING  |      |
| 13   | 143994      | CLEVIS PIN                                     |      |
| 14   | 111789      | ROLL PIN                                       |      |
| 15   | ----        | TEFLON SEAL                                    |      |
| 16   | ----        | O- RING  |      |
| 17   | ----        | O- RING  |      |
| 18   | ----        | BU- WASHER                                     |      |
| 19   | ----        | BEARING RING                                   |      |
| 20   | ----        | U- CUP   |      |
| 21   | ----        | CANNED WIPER                                   |      |
| 22   | 142112      | BUSHING  |      |
| 23   | 148089      | PACKING KIT (NOT SHOWN) (INCLUDES ITEMS 15-21) |      |

### Cylinder Assembly 3-1/2 x 8, Rephase (Midway)

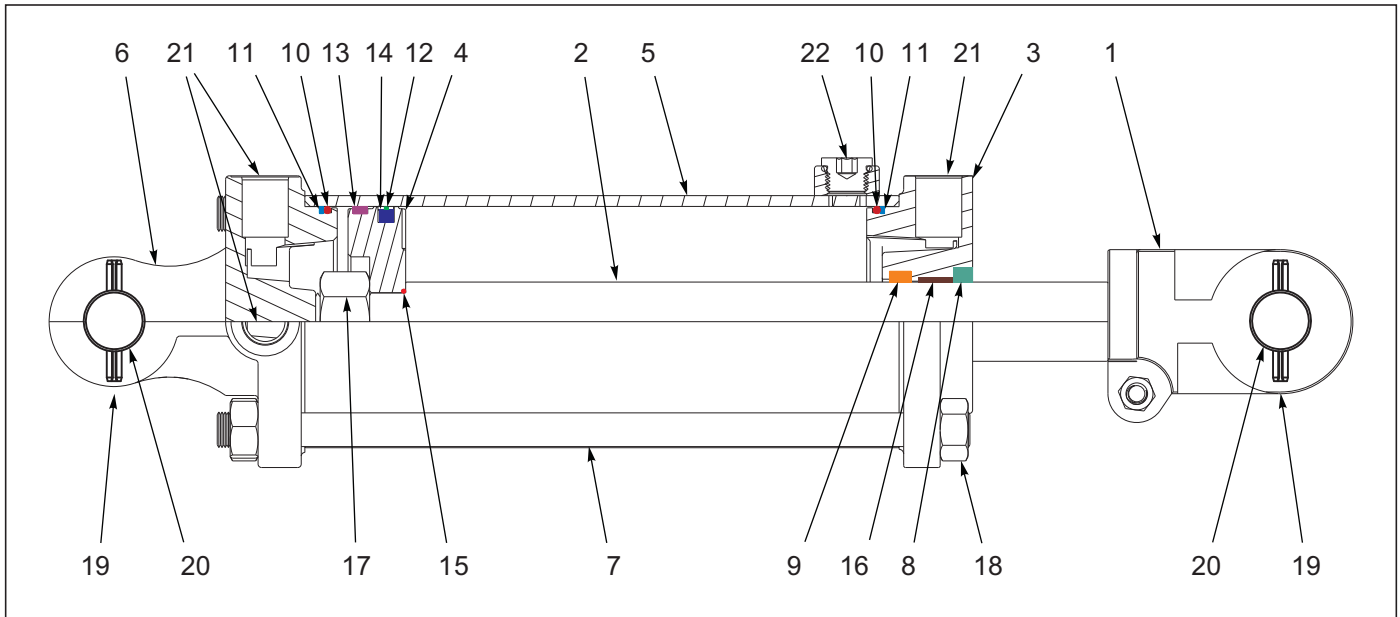


Figure 6-8: Cylinder Assembly 3-1/2 x 8, Rephase (Midway)

### Cylinder Assembly 3-1/2 x 8, Rephase (Midway)

| ITEM | PART NUMBER     | DESCRIPTION  | QTY. |
|------|-----------------|--|------|
| --   | 145203M         | CYLINDER, 3-1/2 X 8, REPHASE                                     |      |
| 1    | 231792          | ROD CLEVIS-ADI, 1" PIN, MIDWAY                                   | 1    |
| 2    | ----            | ROD  | 1    |
| 3    | 234417          | GLAND, 3-1/2" BORE, MIDWAY                                       | 1    |
| 4    | ----            | PISTON   | 1    |
| 5    | ----            | TUBE   | 1    |
| 6    | 234416          | BUTT CLEVIS-ADI, 3-1/2" BORE                                     | 1    |
| 7    | ----            | TIEROD   | 4    |
| 8    | ----            | WIPER  | 1    |
| 9    | ----            | U- CUP   | 1    |
| 10   | ----            | OD O- RING   | 2    |
| 11   | ----            | OD BACKUP  | 2    |
| 12   | ----            | GREEN  | 1    |
| 13   | ----            | WEAR RING  | 1    |
| 14   | ----            | LOADER   | 1    |
| 15   | ----            | O- RING  | 1    |
| 16   | ----            | BUSHING  | 1    |
| 17   | ----            | PISTON NUT   | 1    |
| 18   | ----            | TIEROD NUT   | 8    |
| 19   | 1-647-010004221 | PIN,SPRING 1/4X2 SLOTTED   | 2    |
| 20   | 229565          | CLEVIS PIN, Ø1" HARDEN, MIDWAY                                   | 2    |
| 21   | ----            | HEX PLUG   | 3    |
| 22   | ----            | REPHASING PORT PLUG  | 1    |
| 23   | 234418          | PACKING KIT,3-1/2" BORE,MIDWAY (NOT SHOWN) (INCLUDES ITEMS 8-16) |      |

### Cylinder Assembly 3-1/4 x 8, Rephase (Prince)

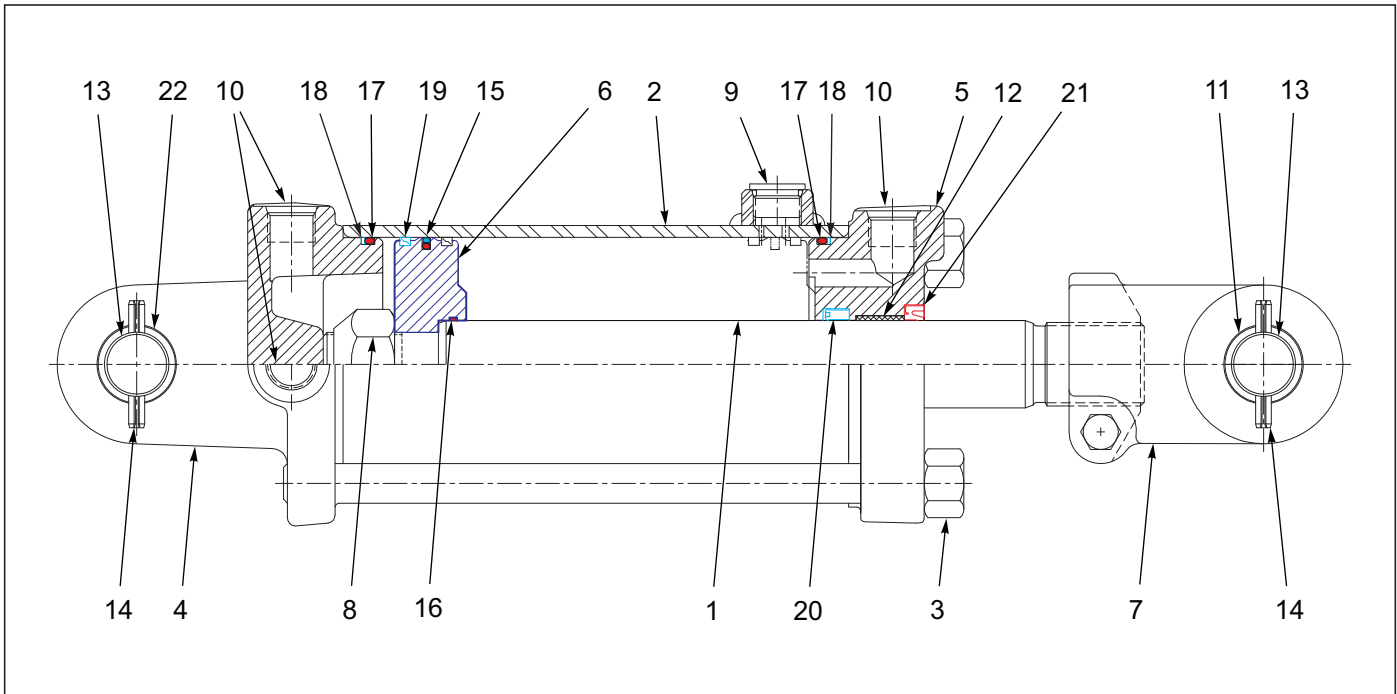


Figure 6-9: Cylinder Assembly 3-1/4 x 8, Rephase (Prince)

### Cylinder Assembly 3-1/4 x 8, Rephase (Prince)

| ITEM | PART NUMBER | DESCRIPTION                                    | QTY. |
|------|-------------|--|------|
| --   | 145204      | CYLINDER 3-1/4 X 8 REPHASE                     |      |
| 1    | ----        | ROD, PISTON                                    | 1    |
| 2    | ----        | TUBE ASSEMBLY                                  | 1    |
| 3    | ----        | TIEROD ASSEMBLY                                | 4    |
| 4    | 218642      | BUTT CLEVIS ASSEMBLY                           | 1    |
| 5    | 148092      | GLAND ASSEMBLY                                 | 1    |
| 6    | ----        | PISTON   | 1    |
| 7    | 148087      | CLEVIS ASSEMBLY                                | 1    |
| 8    | ----        | LOCKNUT  | 1    |
| 9    | ----        | SHIPPING PLUG                                  | 1    |
| 10   | ----        | SHIPPING PLUG                                  | 3    |
| 11   | 148088      | BUSHING  | 2    |
| 12   | 125566      | BUSHING  | 1    |
| 13   | 143994      | CLEVIS PIN                                     | 2    |
| 14   | 111789      | ROLL PIN                                       | 4    |
| 15   | ----        | TEFLON SEAL                                    | 1    |
| 16   | ----        | O- RING  | 1    |
| 17   | ----        | O- RING  | 2    |
| 18   | ----        | BU- WASHER                                     | 2    |
| 19   | ----        | BEARING RING                                   | 1    |
| 20   | ----        | U- CUP   | 1    |
| 21   | ----        | CANNED WIPER                                   | 1    |
| 22   | 142112      | BUSHING  | 2    |
| 23   | 148094      | PACKING KIT (NOT SHOWN) (INCLUDES ITEMS 15-21) |      |

### Cylinder Assembly 3-1/4 x 8, Rephase (Midway)

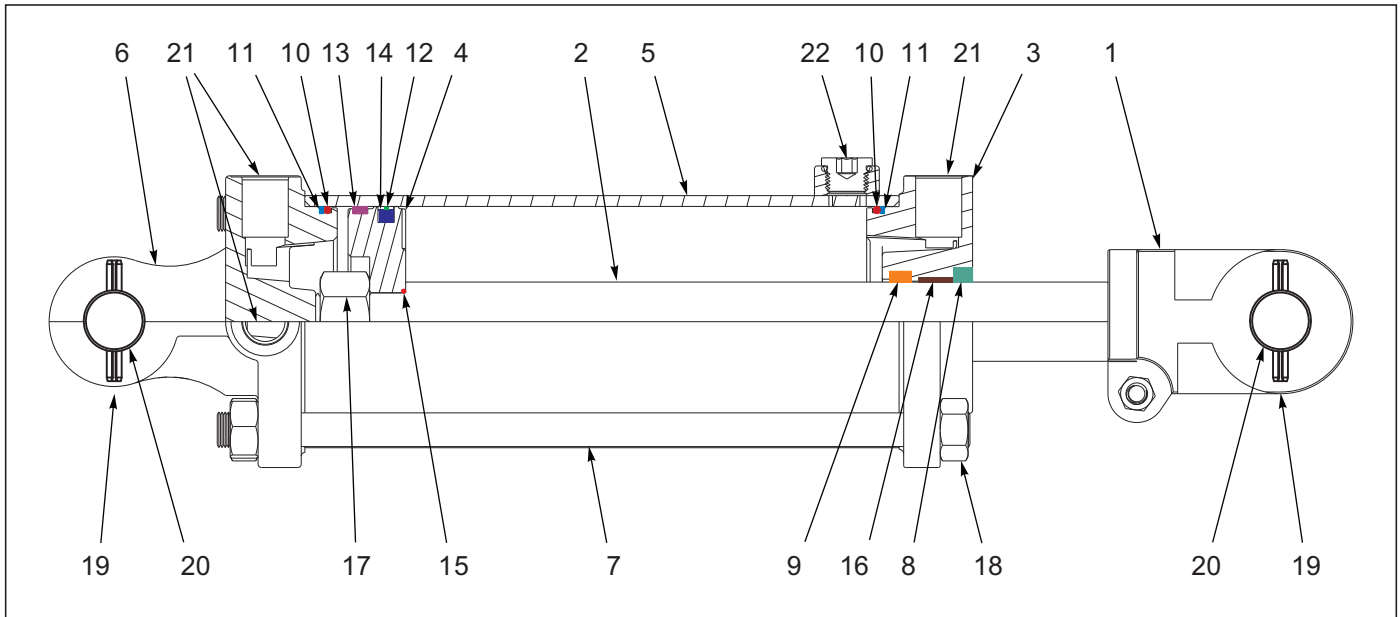


Figure 6-10: Cylinder Assembly 3-1/4 x 8, Rephase (Midway)

### Cylinder Assembly 3-1/4 x 8, Rephase (Midway)

| ITEM | PART NUMBER     | DESCRIPTION  | QTY. |
|------|-----------------|--|------|
| --   | 145204M         | CYLINDER, 3-1/4 X 8, REPHASE                                     |      |
| 1    | 231792          | ROD CLEVIS-ADI, 1" PIN, MIDWAY                                   | 1    |
| 2    | ----            | ROD  | 1    |
| 3    | 234420          | GLAND, 3-1/4" BORE, MIDWAY                                       | 1    |
| 4    | ----            | PISTON   | 1    |
| 5    | ----            | TUBE   | 1    |
| 6    | 234419          | BUTT CLEVIS-ADI, 3-1/4" BORE                                     | 1    |
| 7    | ----            | TIEROD   | 4    |
| 8    | ----            | WIPER  | 1    |
| 9    | ----            | U- CUP   | 1    |
| 10   | ----            | OD O- RING   | 2    |
| 11   | ----            | OD BACKUP  | 2    |
| 12   | ----            | GREEN  | 1    |
| 13   | ----            | WEAR RING  | 1    |
| 14   | ----            | LOADER   | 1    |
| 15   | ----            | O- RING  | 1    |
| 16   | ----            | BUSHING  | 1    |
| 17   | ----            | PISTON NUT   | 1    |
| 18   | ----            | TIEROD NUT   | 8    |
| 19   | 1-647-010004221 | PIN,SPRING 1/4X2 SLOTTED   | 2    |
| 20   | 229565          | CLEVIS PIN, Ø1" HARDEN, MIDWAY                                   | 2    |
| 21   | ----            | HEX PLUG   | 3    |
| 22   | ----            | REPHASING PORT PLUG  | 1    |
| 23   | 234421          | PACKING KIT,3-1/4" BORE,MIDWAY (NOT SHOWN) (INCLUDES ITEMS 8-16) |      |

### Cylinder Assembly 1-1/2 x 1-1/2

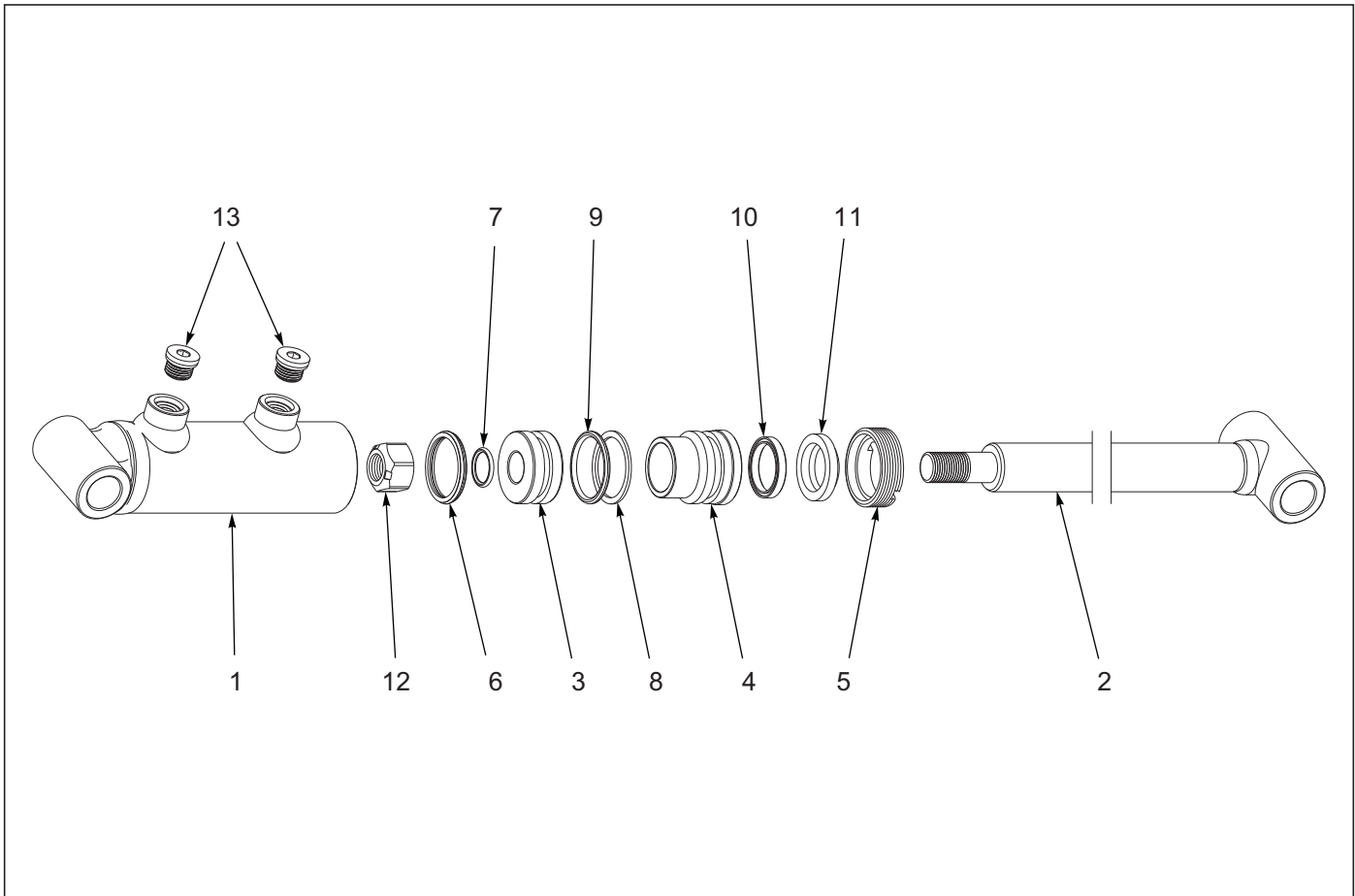


Figure 6-11: Cylinder Assembly 1-1/2 x -1-1/2

### Cylinder Assembly 1-1/2 x 1-1/2

| ITEM | PART NUMBER | DESCRIPTION   | QTY. |
|------|-------------|---|------|
| --   | 230890      | CYLINDER,1-1/2X1-1/2,3000PSI                              |      |
| 1    | --          | 1-1/2" BARREL ASSY  | 1    |
| 2    | --          | 1" ROD ASSY   | 1    |
| 3    | --          | PISTON  | 1    |
| 4    | --          | BEARING   | 1    |
| 5    | --          | RETAINER  | 1    |
| 6    | --          | CROWN SEAL  | 1    |
| 7    | --          | ID O-RING   | 1    |
| 8    | --          | OC BACKUP   | 1    |
| 9    | --          | OD O-RING   | 1    |
| 10   | --          | POLY-U  | 1    |
| 11   | --          | 1" D-STYLE WIPER  | 1    |
| 12   | --          | LOCKNUT 5/8"  | 1    |
| 13   | --          | 9/16 SAE PLUG   | 2    |
| 14   | 240161      | KIT, SEAL, 230890 CYL (NOT SHOWN) (INCL. ITEMS 6-11 - 14) |      |



### Cylinder Assembly 2-1/2 x 3-1/2

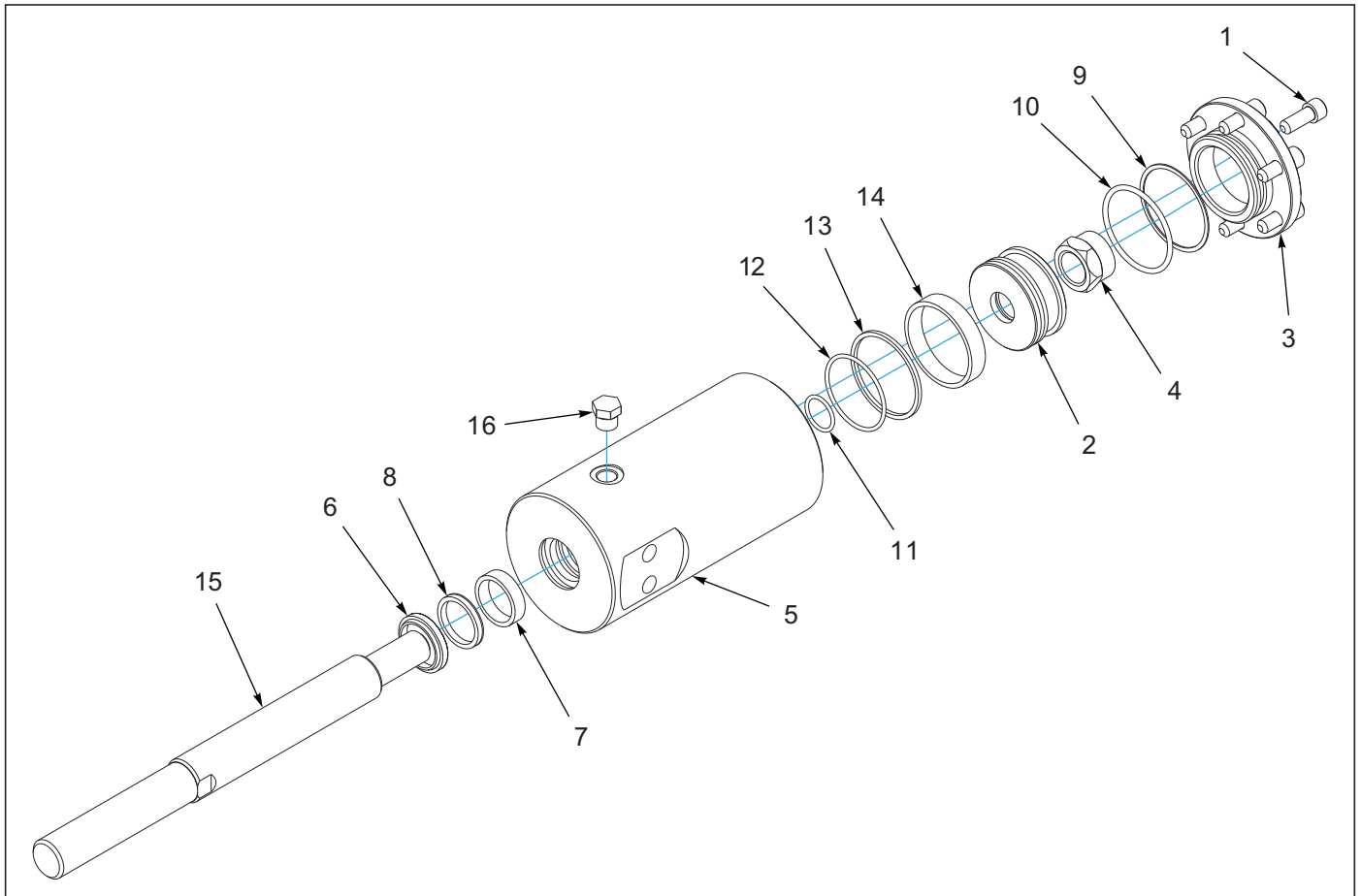


Figure 6-12: Cylinder Assembly 2-1/2 x 3-1/2

### Cylinder Assembly 2-1/2 x 3-1/2







| ITEM | PART NUMBER | DESCRIPTION  | QTY. |
|------|-------------|--|------|
| --   | 206672      | CYL ASM 2-1/2X3-1/2ST1-1/8THDS                             |      |
| 1    | ----        | SCREW, HEX SOCKET 3/8-16 X 1                               | 6    |
| 2    | 171079      | PISTON, 2-1/2 BORE   | 1    |
| 3    | 171080      | 2-1/2" BASE CAP  | 1    |
| 4    | ----        | NUT, HEX SLFLKG 7/8-14 GRC                                 | 1    |
| 5    | 185767      | CYLINDER, BARREL 3-1/2" STROKE                             | 1    |
| 6    | ----        | WIPER, 1-1/4 ROD   | 1    |
| 7    | ----        | WEAR RING, 1-1/4 ROD                                       | 1    |
| 8    | ----        | U-CUP, 1-1/4 ROD   | 1    |
| 9    | ----        | BACK-UP RING, CAP  | 1    |
| 10   | ----        | O-RING, CAP  | 1    |
| 11   | ----        | O-RING, PISTON   | 1    |
| 12   | ----        | O-RING, PISTON   | 1    |
| 13   | ----        | SEAL, 2-1/2 PISTON   | 1    |
| 14   | ----        | WEAR RING, 2-1/2 PISTON                                    | 1    |
| 15   | 206674      | ROD 1-1/4 DIA 3-1/2 STROKE                                 | 1    |
| 16   | ----        | PLUG, O-RING 9/16-18                                       | 2    |
| 17   | 171081      | SEAL KIT, 2-1/2" BORE CYL (NOT SHOWN) (INCL. ITEMS 7 - 14) |      |

# Electrical

## Electrical Assembly W/LED Lights Wiring Chart

| 7-PIN CONN. | 4-PIN TOWER | CIRCUIT               | WIRE COLOR   |
|-------------|-------------|-----------------------|--|
| 1           | D           | GROUND                | WHITE   |
| 2           | -           | WORK LAMPS            | BLACK   |
| 3           | B           | LEFT FLASHING & TURN  | YELLOW  |
| 4           | -           | STOP LAMPS            | RED     |
| 5           | A           | RIGHT FLASHING & TURN | GREEN   |
| 6           | C           | TAIL LAMPS            | BROWN   |
| 7           | -           | SWITCHED POWER (12 V) | BLUE    |

MAIN WARNING LIGHT HARNESS - WIRING CHART

|  | RIGHT AMBER | RIGHT RED   |              | LEFT RED    | LEFT AMBER  |
|--|-------------|-------------|--------------|-------------|-------------|
|  | 2-PIN TOWER | 3-PIN TOWER | 6-PIN SHROUD | 3-PIN TOWER | 2-PIN TOWER |
|  BLACK LEFT TURN  |             |             | A            | C           |             |
|  WHITE GROUND     | A           | A           | B            | A           | A           |
|  BROWN TAIL LIGHT |             | B           | C            | B           |             |
|  YELLOW LEFT TURN |             |             | D            |             | B           |
|  GREEN RIGHT TURN | B           |             | E            |             |             |
|  RED RIGHT TURN   |             | C           | F            |             |             |

REAR WARNING LIGHT HARNESS - WIRING CHART

Figure 7-1: Electrical Assembly W/LED Lights Wiring Chart



# Electrical Assembly W/LED Lights 2411-06

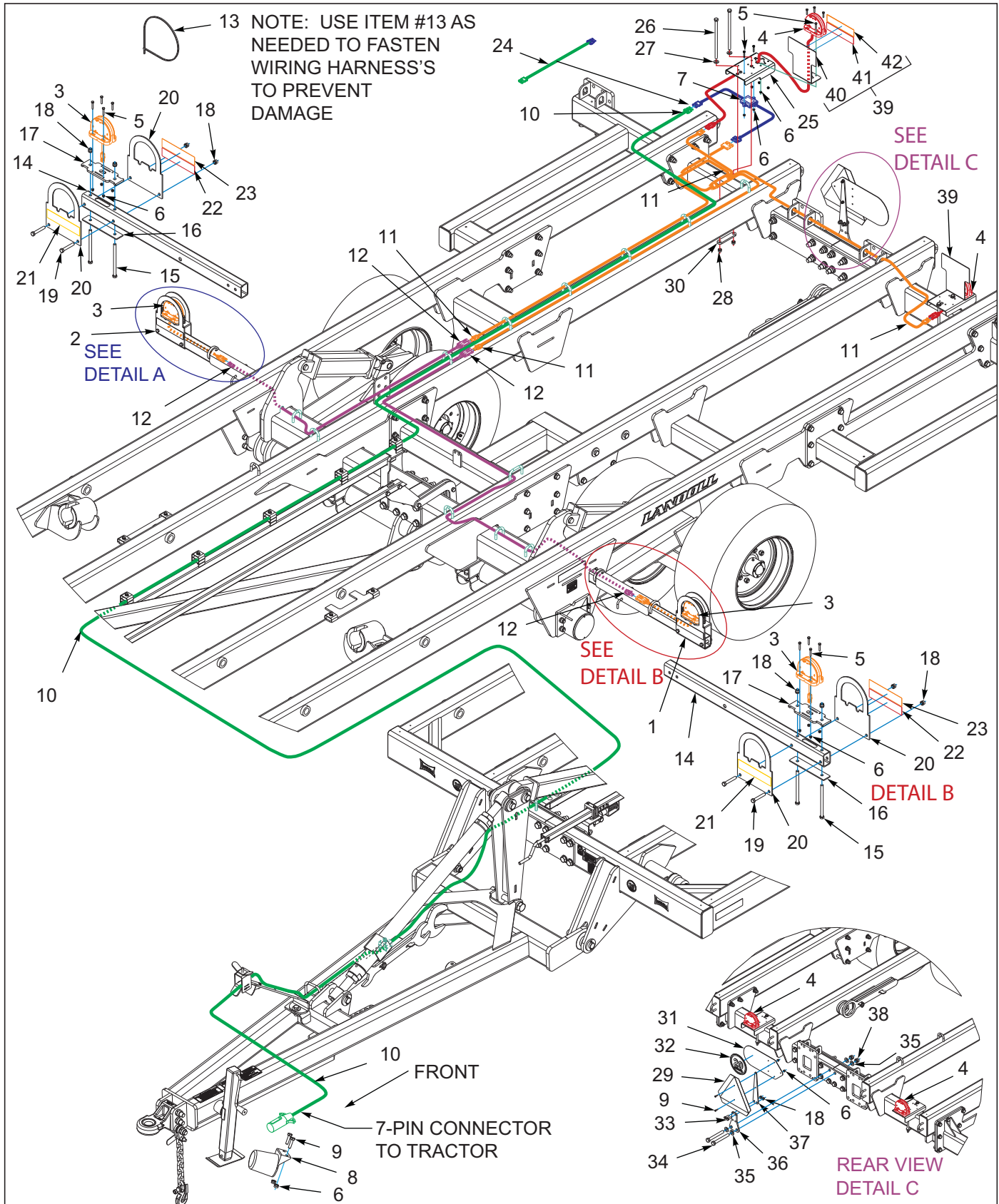


Figure 7-2: Electrical Assembly W/LED Lights 2411-06

## Electrical Assembly W/LED Lights 2411-06

| ITEM | PART NUMBER     | DESCRIPTION  | QTY. |
|------|-----------------|--|------|
| 1    | 240306          | MOUNT, LT LIGHT BKT <b>(INCLUDES ITEMS 14 THRU 23)</b> | 1    |
| 2    | 240305          | MOUNT, RT LIGHT BKT <b>(INCLUDES ITEMS 14 THRU 23)</b> | 1    |
| 3    | 174436          | LAMP, AG AMBER SINGLE LED                              | 2    |
| 4    | 174435          | LAMP, AG RED SINGLE LED                                | 2    |
| 5    | 1-654-010047-08 | SCREW HX CP,1/4-20UNCX1-1/2G5                          | 18   |
| 6    | 1-512-010005-01 | NUT,HEX,SLFLKG GRB 1/4-20                              | 24   |
| 7    | 174437          | MODULE, AG FLASHER CONTROL                             | 1    |
| 8    | 2-368-010287    | HARNESS, STOR-A-WAY <b>(SEE PAGE 2-3)</b>              | 1    |
| 9    | 1-654-010047-06 | SCREW,HX CP 1/4-20UNCX1 GR5                            | 4    |
| 10   | 174438          | HARNESS, MAIN WARNING LIGHTS                           | 1    |
| 11   | 174439          | HARNESS, REAR WARNING LIGHTS                           | 1    |
| 12   | 208765          | HARNESS,WARN LIGHT EXT132" ASM                         | 2    |
| 13   | 105874          | TIE,STRAP PLSTC 21.5-24X.301                           | 25   |
| 14   | 240307          | RECT TUBE, LIGHT MNT                                   | 2    |
| 15   | 1-654-010055-20 | SCREW,HXCP,1/2-13UNCX7-1/2GR5                          | 4    |
| 16   | 229977          | PLATE, LIGHT BRACKET COVER                             | 2    |
| 17   | 229933          | PLATE, LIGHT MOUNT                                     | 2    |
| 18   | 1-512-010005-09 | NUT,HEX,SLFLKG, 1/2-13 GRB                             | 10   |
| 19   | 1-654-010055-09 | SCREW,HX CP,1/2-13UNCX3 GR5                            | 2    |
| 20   | 227303          | PLATE, LIGHT BRACKET                                   | 4    |
| 21   | 528934          | REFLECTOR - YELLOW                                     | 2    |
| 22   | 528933          | REFLECTOR - RED  | 2    |
| 23   | 528938          | STRIPE, ORANGE   | 2    |
| 24   | 2-368-010273    | HARNESS, 34 INCH EXT                                   | 2    |
| 25   | 164138          | MOUNT, LIGHT TAIL                                      | 2    |
| 26   | 172900          | SCREW HX CP 1/2-13X10 GR5                              | 4    |
| 27   | 1-861-010032-14 | WASHER, FLAT 1/2" N ZP/CD                              | 4    |
| 28   | 1-512-010005-09 | NUT,HEX,SLFLKG, 1/2-13 GRB                             | 4    |
| 29   | 70260977        | SMV EMBLEM   | 1    |
| 30   | 222674          | BRACKET, LIGHT MOUNT                                   | 2    |
| 31   | 224590          | MOUNT, SIS DECAL                                       | 1    |
| 32   | 224589          | DECAL, SIS 20 MILE/H                                   | 1    |
| 33   | 1-654-010055-03 | SCREW,HEX CAP,1/2-13UNCX1-1/2                          | 2    |
| 34   | 172818          | SCREW HX CP 7/8-9UNCX7 GR8                             | 2    |
| 35   | 1-861-010032-22 | WASHER,FL 7/8 ZP/CD                                    | 4    |
| 36   | 241914          | PLATE, MANIFOLD/SMV MOUNT                              | 1    |
| 37   | 215433          | MOUNT, SMV   | 2    |
| 38   | 1-512-010005-17 | NUT,HEX,SELF-LOCKING 7/8-9                             | 2    |
| 39   | 164140          | REFLECTOR ASSY <b>(INCLUDES ITEMS 40-42)</b>           | 2    |
| 40   | 164139          | MOUNT, REFLECTOR                                       | 2    |
| 41   | 528933          | REFLECTOR - RED  | 2    |
| 42   | 528938          | STRIPE, ORANGE   | 2    |

# Electrical Assembly W/LED Lights 2411AFG-07-09

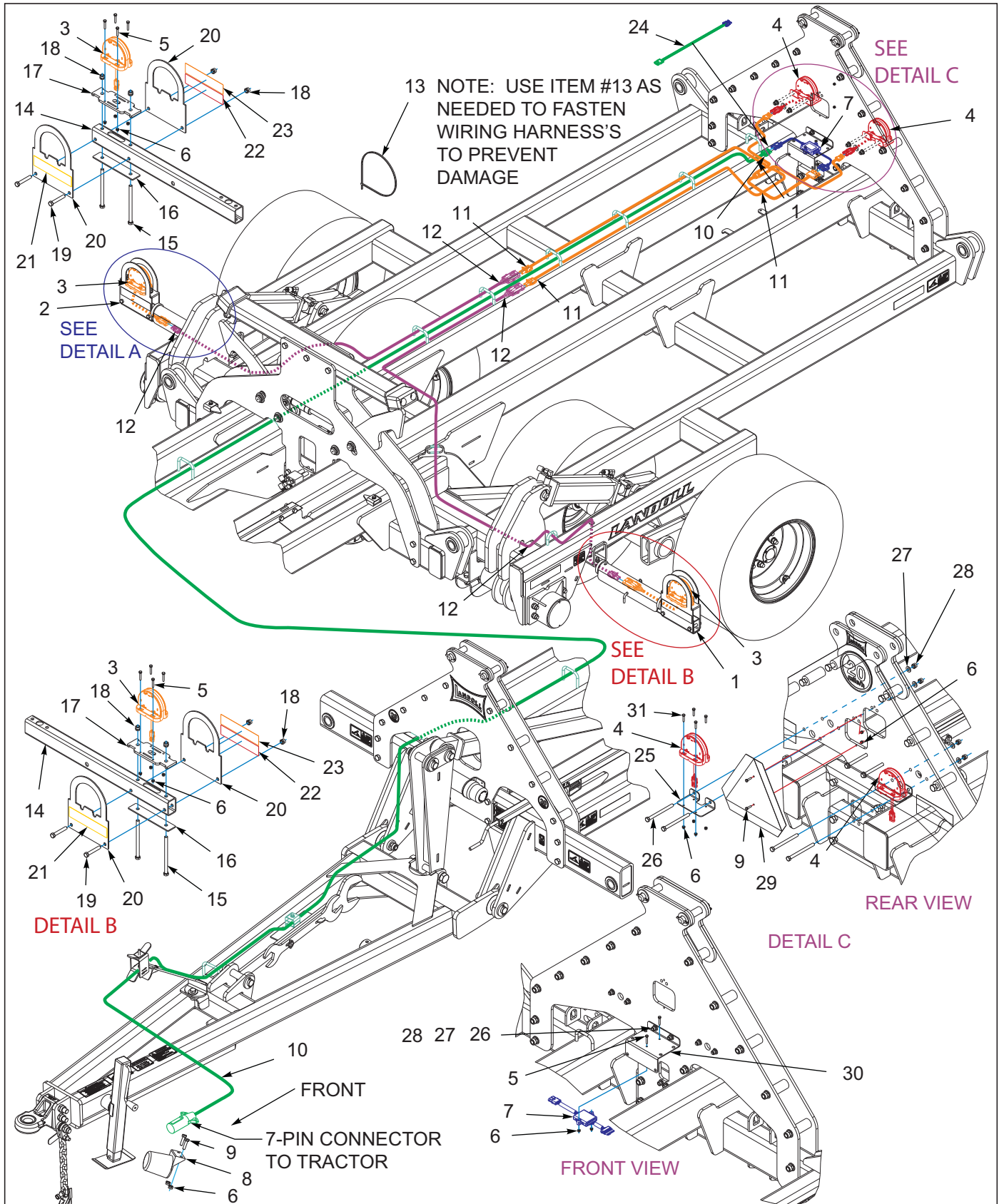


Figure 7-3: Electrical Assembly W/LED Lights 2411AFG-07-09

## Electrical Assembly W/LED Lights 2411AFG-07-09

| ITEM | PART NUMBER     | DESCRIPTION   | QTY. |
|------|-----------------|---|------|
| 1    | 234866          | MOUNT, LT LIGHT BKT ASSY <b>(INCLUDES ITEMS 14 THRU 23)</b> | 1    |
| 2    | 234865          | MOUNT, RT LIGHT BKT ASSY <b>(INCLUDES ITEMS 14 THRU 23)</b> | 1    |
| 3    | 174436          | LAMP, AG AMBER SINGLE LED                                   | 2    |
| 4    | 174435          | LAMP, AG RED SINGLE LED                                     | 2    |
| 5    | 1-654-010047-08 | SCREW HX CP,1/4-20UNCX1-1/2G5                               | 10   |
| 6    | 1-512-010005-01 | NUT,HEX,SLFLKG GRB 1/4-20                                   | 22   |
| 7    | 174437          | MODULE, AG FLASHER CONTROL                                  | 1    |
| 8    | 2-368-010287    | HARNESS, STOR-A-WAY <b>(SEE PAGE 2-3)</b>                   | 1    |
| 9    | 1-654-010047-06 | SCREW,HX CP 1/4-20UNCX1 GR5                                 | 4    |
| 10   | 174438          | HARNESS, MAIN WARNING LIGHTS                                | 1    |
| 11   | 174439          | HARNESS, REAR WARNING LIGHTS                                | 1    |
| 12   | 208765          | HARNESS,WARN LIGHT EXT132" ASM                              | 2    |
| 13   | 105874          | TIE,STRAP PLSTC 21.5-24X.301                                | 25   |
| 14   | 234867          | RECT TUBE, LIGHT MNT  | 2    |
| 15   | 1-654-010055-20 | SCREW,HXCP,1/2-13UNCX7-1/2GR5                               | 4    |
| 16   | 229977          | PLATE, LIGHT BRACKET COVER                                  | 2    |
| 17   | 229933          | PLATE, LIGHT MOUNT  | 2    |
| 18   | 1-512-010005-09 | NUT,HEX,SLFLKG, 1/2-13 GRB                                  | 8    |
| 19   | 1-654-010055-09 | SCREW,HX CP,1/2-13UNCX3 GR5                                 | 2    |
| 20   | 227303          | PLATE, LIGHT BRACKET  | 4    |
| 21   | 528934          | REFLECTOR - YELLOW  | 2    |
| 22   | 528933          | REFLECTOR - RED   | 2    |
| 23   | 528938          | STRIPE, ORANGE  | 2    |
| 24   | 2-368-010273    | HARNESS, 34 INCH EXT  | 2    |
| 25   | 234864          | MOUNT, TAIL LIGHT   | 2    |
| 26   | 1-654-010055-17 | SCREW,HEX CAP,1/2-13UNCX6 GR5                               | 6    |
| 27   | 1-861-010032-14 | WASHER, FLAT 1/2" N ZP/CD                                   | 6    |
| 28   | 1-512-010005-09 | NUT,HEX,SLFLKG, 1/2-13 GRB                                  | 6    |
| 29   | 70260977        | SMV EMBLEM  | 1    |
| 30   | 234869          | MOUNT, AG MODULE  | 1    |
| 31   | 1-654-010047-07 | SCREW,HX CP 1/4-20UNCX1-1/4G5                               | 8    |

# Decals

## Decals



Figure 8-1: Decals



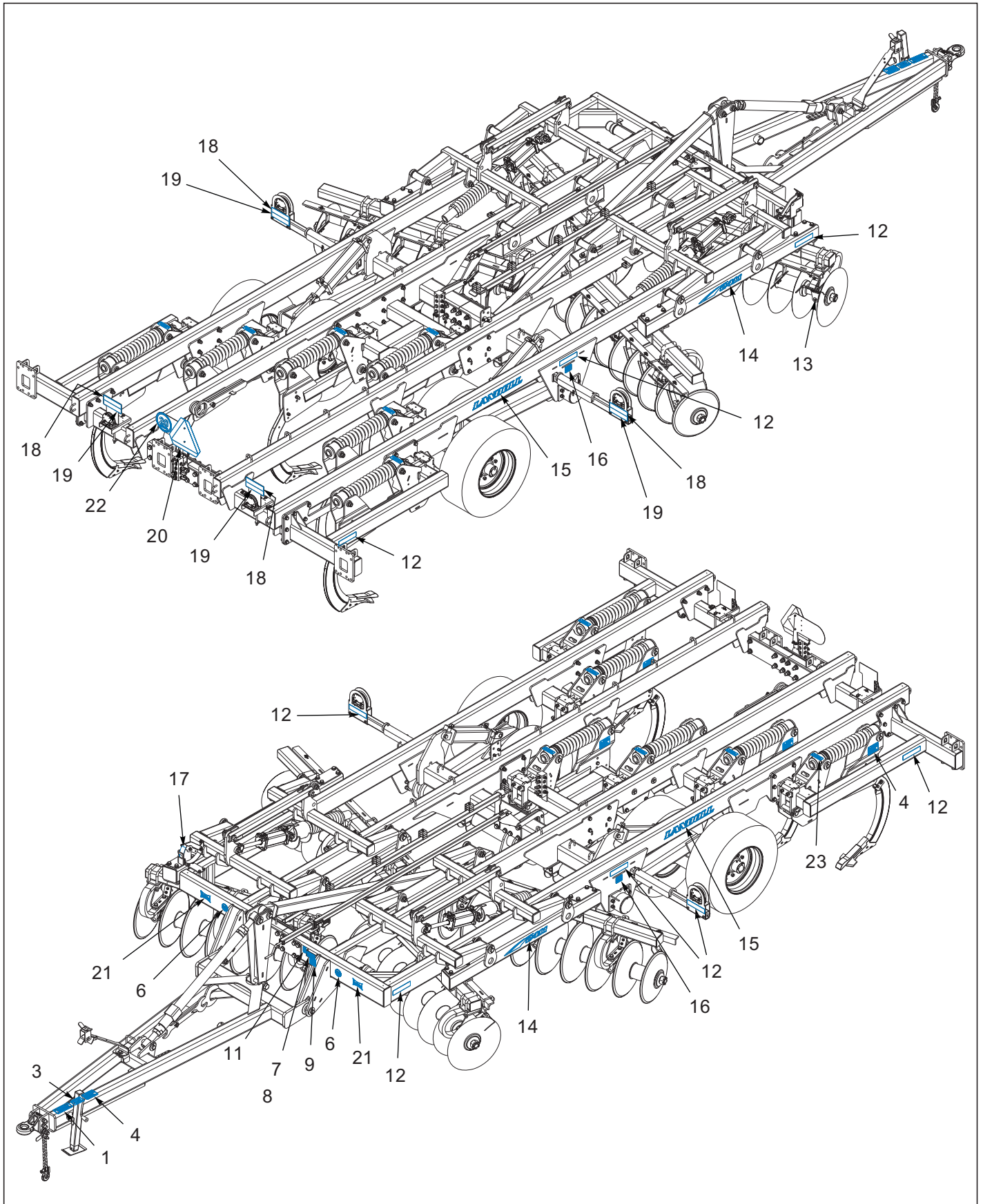


Figure 8-2: Decal Installation 2411-06

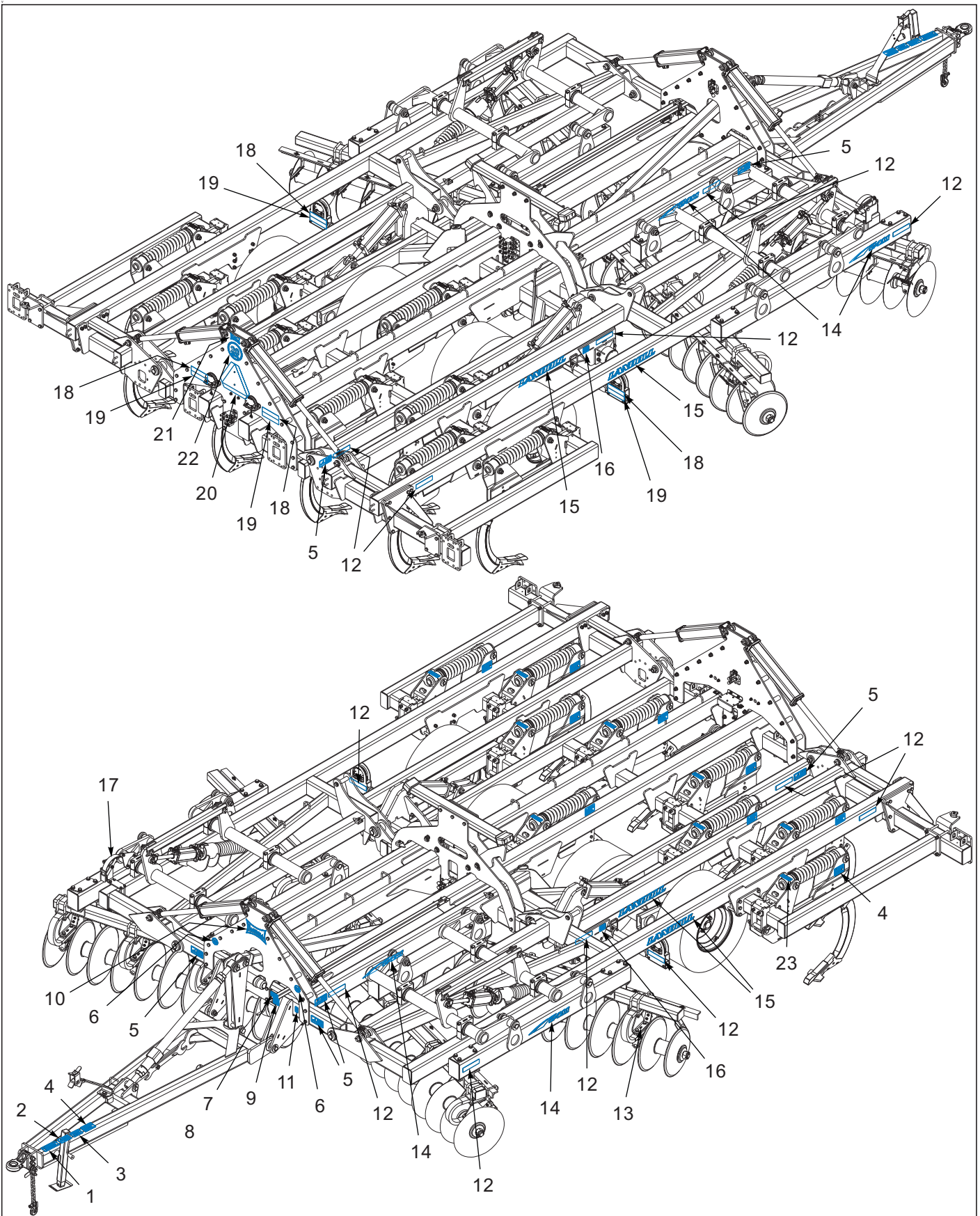


Figure 8-3: Decal Installation 2411AFG-07-09

## Decals

| ITEM | PART NUMBER     | DESCRIPTION   | QTY. |    |
|------|-----------------|---|------|----|
| --   | ----            | Decals 2411-06  | *    |    |
| --   | ----            | Decals 2411AFG-07-09  |      | *  |
| 1    | 8-573-010084    | DECAL WARNING BEFORE OPERATG  | 1    | 1  |
| 2    | 141597          | DECAL, DANGER ELECTROCUTION   | --   | 1  |
| 3    | 155523          | DECAL, HOSE IDENTIFICATION  | 1    | 1  |
| 4    | 207142          | DECAL, DANGER STUCK SHANK (QTY. 1 HITCH, QTY. 1 ON SIDE OF EACH SHANK ASSEMBLY) |      |    |
| 5    | 2-573-010037    | DECAL, DANGER, WING   | --   | 6  |
| 6    | 144193          | DECAL, SIS 20 MPH   | 2    | 2  |
| 7    | 1-573-010006    | PLACARD, NAME   | 1    | 1  |
| 8    | 156010          | RIVET, BLIND .156X1/2 GRIP  | 2    | 2  |
| 9    | 232180          | DECAL, QR CODE 2400 SERIES  | 1    | 1  |
| 10   | 144351          | DECAL, BLACK BOW-TIE  | --   | 1  |
| 11   | 2-573-010198    | DECAL, MEMBER FEMA  | 1    | 1  |
| 12   | 528934          | REFLECTOR - YELLOW  | 8    | 12 |
| 13   | 2-573-010330-02 | DECAL, LUBRICATION 10 HOURS (QTY. 1 ON TOP OF EACH DISC BEARING MOUNT ASSEMBLY) |      |    |
| 14   | 236070          | DECAL, 2411   | 2    | 4  |
| 15   | 141260          | DECAL, LANDOLL  | 2    | 4  |
| 16   | 219776          | DECAL, GREASE WALKER  | 2    | 2  |
| 17   | 141263          | DECAL, LEVEL INDICATOR  | 1    | 1  |
| 18   | 528938          | STRIPE, ORANGE  | 4    | 4  |
| 19   | 528933          | REFLECTOR - RED   | 4    | 4  |
| 20   | 70260977        | SMV EMBLEM  | 1    | 1  |
| 21   | 141259          | DECAL, LANDOLL, YELLOW  | 2    | 1  |
| 22   | 224589          | DECAL, SIS 20 MILE/H  | 1    | 1  |
| 23   | 2-573-010469    | DECAL, DANGER SPRING (QTY. 1 ON TOP OF EACH SPRING-CLAMP SHANK ASSEMBLY)        |      |    |

# Attachments

## 3BCT W/Hydraulic Chopper Layout 2411-06

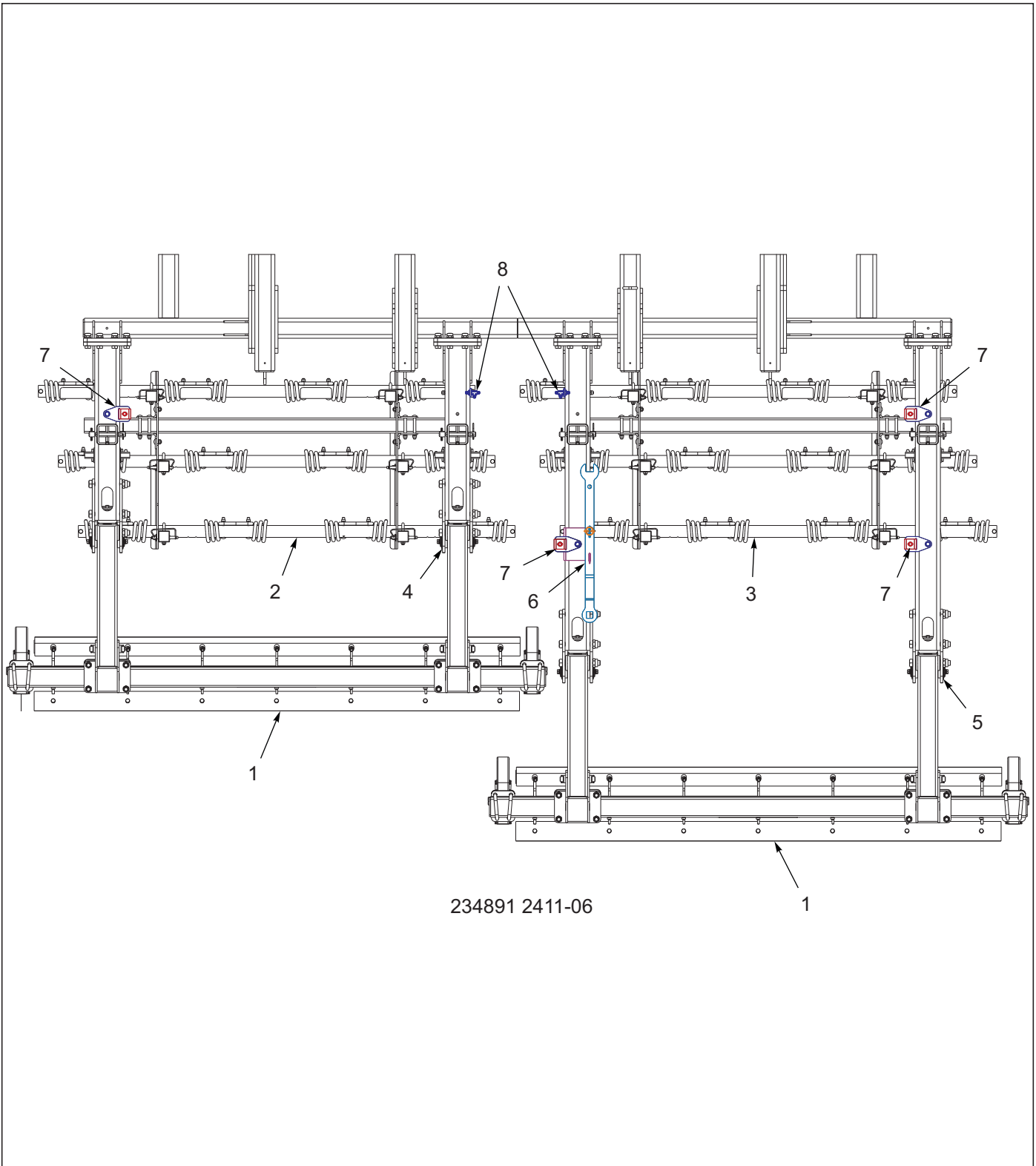


Figure 9-1: 3BCT W/Hydraulic Chopper Layout 2411-06

### 3BCT W/Hydraulic Chopper Layout 2411-06

---

| ITEM | PART NUMBER | DESCRIPTION   | QTY. |
|------|-------------|---|------|
| --   | 234891      | HYD, 3BCT/CHOPPER 2411-6                                  |      |
| 1    | 172529      | REEL/GANGBAR - 97" ASSY ( <b>SEE PAGE 9-13</b> )          | 2    |
| 2    | 240346      | ASSY, 4 TINE HARROW LH ( <b>SEE PAGE 9-11</b> )           | 1    |
| 3    | 240345      | ASSY, 4 TINE HARROW RH ( <b>SEE PAGE 9-11</b> )           | 1    |
| 4    | 223470      | ASSY, HARROW ARM SHORT, COMB O( <b>SEE PAGE 9-9</b> )     | 2    |
| 5    | 223469      | ASSY, HARROW ARM LONG, COMBO ( <b>SEE PAGE 9-5</b> )      | 2    |
| 6    | -----       | HARROW ADJUSTMENT WRENCH ASSEMBLY ( <b>SEE PAGE 9-5</b> ) | 1    |
| 7    | -----       | HOSE CLAMP ASSEMBLY ( <b>SEE PAGE 9-5</b> )               | 4    |
| 8    | 162569      | TEE,#6 JIC BULKHD RUN, W/NUT ( <b>SEE PAGE 9-17</b> )     | 2    |

### 3BCT W/Hydraulic Chopper Layout 2411AFG-07-09

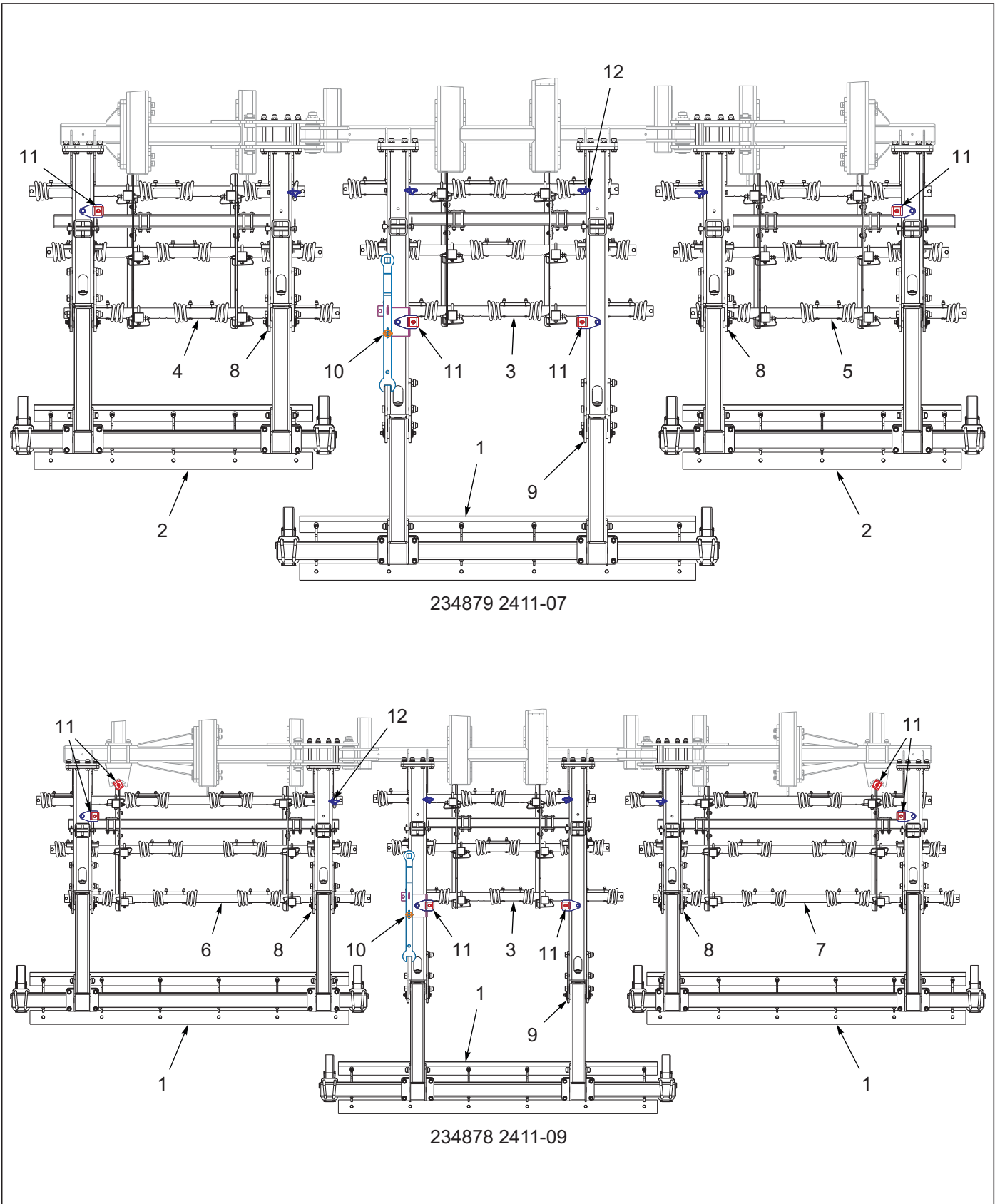


Figure 9-2: 3BCT W/Hydraulic Chopper Layout 2411AFG-07-09

### 3BCT W/Hydraulic Chopper Layout 2411AFG-07-09

| ITEM | PART NUMBER | DESCRIPTION   | QTY. |    |
|------|-------------|---|------|----|
| --   | 234879      | 3BCT W/HYD CHOPPER 2411AFG-7                                  | *    |    |
| --   | 234878      | 3BCT W/HYD CHOPPER 2411AFG-9                                  |      | *  |
| 1    | 154409      | REEL/GANGBAR 91" ASSY (SEE PAGE 9-13)                         | 1    | 3  |
| 2    | 180304      | REEL/GANGBAR ASSY 64" (SEE PAGE 9-13)                         | 2    | -- |
| 3    | 170867      | ASSY, 3 TINE HARROW (SEE PAGE 9-11)                           | 1    | 1  |
| 4    | 179177      | ASSY, 3 TINE HARROW LH (SEE PAGE 9-11)                        | 1    | -- |
| 5    | 179178      | ASSY, 3 TINE HARROW RH (SEE PAGE 9-11)                        | 1    | -- |
| 6    | 240346      | ASSY, 4 TINE HARROW LH (SEE PAGE 9-11)                        | --   | 1  |
| 7    | 240345      | ASSY, 4 TINE HARROW RH (SEE PAGE 9-11)                        | --   | 1  |
| 8    | 223470      | ASSY, HARROW ARM SHORT, COMB O(SEE PAGE 9-9)                  | 4    | 4  |
| 9    | 223469      | ASSY, HARROW ARM LONG, COMBO (SEE PAGE 9-5)                   | 2    | 2  |
| 10   | -----       | HARROW ADJUSTMENT WRENCH ASSEMBLY (SEE PAGE 9-5 and PAGE 9-9) | 1    | 1  |
| 11   | -----       | HOSE CLAMP ASSEMBLY (SEE PAGE 9-5 and PAGE 9-9)               | 4    | 6  |
| 12   | 162569      | TEE,#6 JIC BULKHD RUN, W/NUT (SEE PAGE 9-17)                  | 4    | 4  |

# Harrow Arm Assembly Combo Hydraulic Long

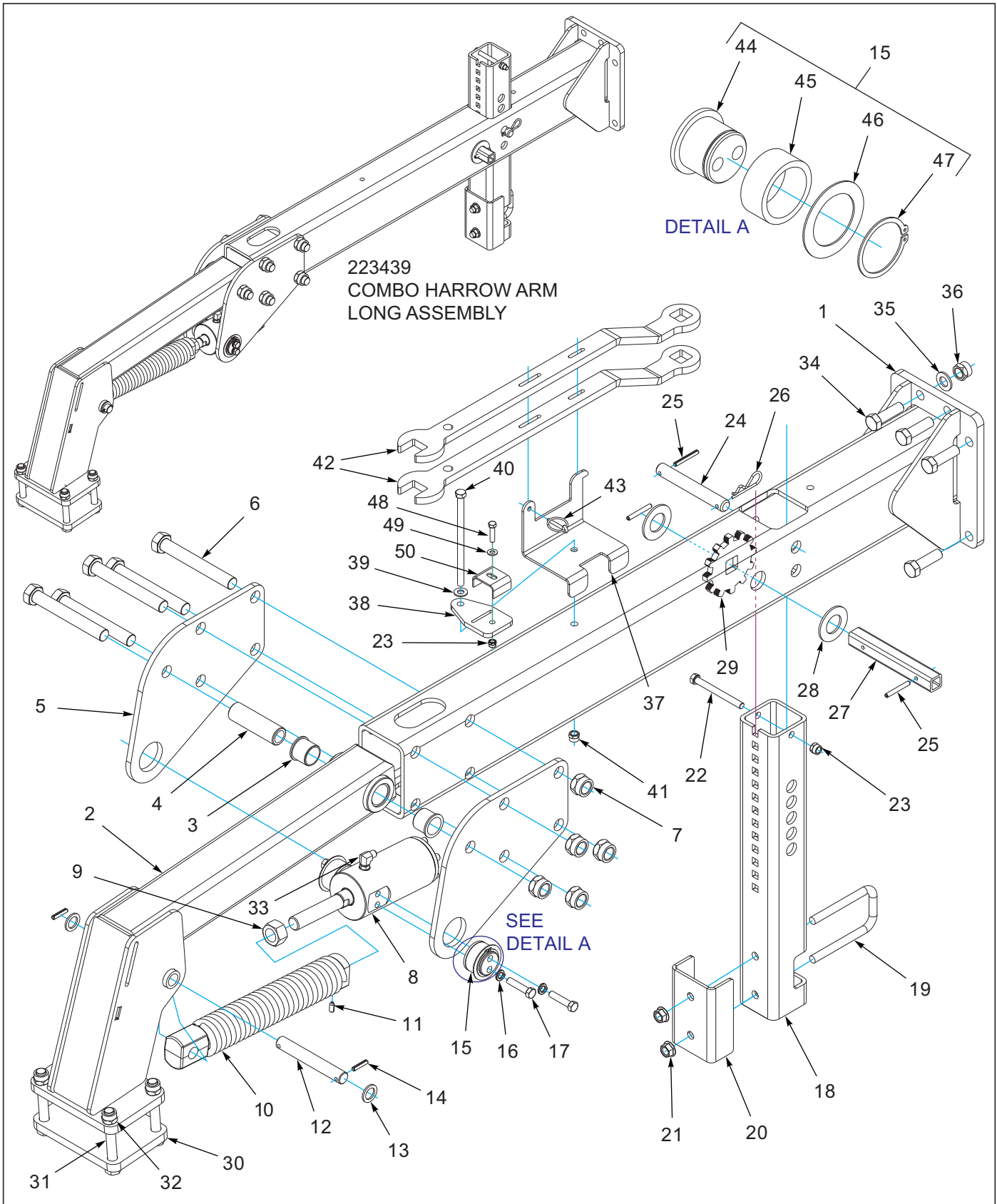


Figure 9-3: Harrow Arm Assembly Combo Hydraulic Long



## Harrow Arm Assembly Combo Hydraulic Long

| ITEM | PART NUMBER     | DESCRIPTION   | QTY. |
|------|-----------------|---|------|
| --   | 223469          | ASSY, HARROW ARM LONG, COMBO <b>(INCLUDES ITEMS 1-33)</b> |      |
| 1    | 223468          | ARM, COMBO HARROW LONG WLDMT                              | 1    |
| 2    | 170851          | ARM WLDMT REEL  | 1    |
| 3    | 140599          | BEARING, FLANGE 1-1/2"                                    | 2    |
| 4    | 170852          | BUSHING, PIVOT - 5  | 1    |
| 5    | 223473          | PLATE, SPRING MOUNT                                       | 2    |
| 6    | 100856          | SCREW,HHCS,1-8X7-1/2 GR5                                  | 5    |
| 7    | 1-512-010005-19 | NUT 1-8 HEX SLF-LOCKING GRB                               | 5    |
| 8    | 206672          | CYL ASM 2-1/2X3-1/2ST1-1/8THDS <b>(SEE PAGE 6-11)</b>     | 1    |
| 9    | 206675          | NUT, 1-1/8 -12 UNF, Z/P GR 2                              | 1    |
| 10   | 206652          | SPRING ASSY 17" 1-1/8 THD                                 | 1    |
| 11   | 1P444           | SET SCREW, 3/8-16 X 3/4 NYLON                             | 1    |
| 12   | 172526          | PIN PIVOT   | 1    |
| 13   | 117957          | MACHINERY BUSHING,ZINC PLATED                             | 2    |
| 14   | 1-647-010004236 | SPRING PIN,SLOTTED 5/16X1-1/2                             | 2    |
| 15   | 198321          | ASSY, TRUNION MOUNT 1-5/8" <b>(INCLUDES ITEMS 44-47)</b>  | 2    |
| 16   | 1-861-010034-13 | WASHER, LKG HLCL SPR, 1/2                                 | 4    |
| 17   | 169690          | SCREW HXCP1/2-13UNCX2-1/4 G5                              | 4    |
| 18   | 170844          | TUBE, HARROW ADJ. COMBO ATTACH                            | 1    |
| 19   | 8-102-010043    | U-BOLT, SPRING CLAMP                                      | 1    |
| 20   | 171427          | PLATE, HARROW STIFFNER                                    | 1    |
| 21   | 29SFFL 5811     | NUT,FLANGE HEAD LOCK5/8-11UNC                             | 1    |
| 22   | 1-654-010055-15 | SCR, HX CP, 1/2-13UNCX5 GR5                               | 1    |
| 23   | 1-512-010005-09 | NUT,HEX,SLFLKG, 1/2-13 GRB                                | 2    |
| 24   | 158299          | PIN 1X7-5/16  | 1    |
| 25   | 1-647-010004240 | PIN,SPRING,SLOTTED,5/16X2-1/2                             | 3    |
| 26   | 1-557-010013    | PIN, HAIR 3/16 DIA  | 1    |
| 27   | 170857          | TUBE, HARROW HEIGHT ADJ HANDLE                            | 1    |
| 28   | 1-861-010032-32 | WASHER FLAT ZP/CD 1-1/2                                   | 2    |
| 29   | 170787          | GEAR, HARROW ADJUSTMENT                                   | 1    |
| 30   | 170862          | PLATE, GANGBAR MOUNT                                      | 1    |
| 31   | 1-654-010087-16 | SCREW,HEX CAP,3/4-16X5.50 GR8                             | 5    |
| 32   | 1-512-010002-16 | NUT,3/4-16 HEX,SLFLKG, GRC                                | 5    |
| 33   | 2062-6-6S       | ADAPTER, 90, #6SAE X #6 JIC                               | 1    |
| 34   | 104483          | SCREW 3/4-10X2-1/2 HXCP ZPGR8                             | 8    |
| 35   | 1-861-010032-20 | WASHER, FLAT,3/4 N ZP/CD                                  | 8    |
| 36   | 1-512-010005-15 | NUT,HEX,SLFLKG GRB 3/4-10                                 | 8    |
| 37   | 229981          | MOUNT, WRENCH   | 1    |
| 38   | 225198          | PLATE, HOSE MOUNT   | 1    |
| 39   | 1-861-010032-14 | WASHER, FLAT 1/2" N ZP/CD                                 | 1    |
| 40   | 1-654-010055-22 | SCREW HEX CAP 1/2-13X8-1/2                                | 1    |
| 41   | 1-512-010005-09 | NUT,HEX,SLFLKG, 1/2-13 GRB                                | 1    |
| 42   | 171394          | PLATE, WRENCH HARROW ADJ                                  | 2    |
| 43   | 70239854        | PIN QUICK HITCH   | 1    |
| 44   | 188528          | TRUNION, CYLINDER   | 1    |
| 45   | 188531          | TRUNION, BEARING  | 1    |

---

## Harrow Arm Assembly Combo Hydraulic Long

---

| ITEM | PART NUMBER     | DESCRIPTION                   | QTY. |
|------|-----------------|-------------------------------|------|
| 46   | 109895          | WASHER,3ODX2-1/16X14GA        | 1    |
| 47   | 188530          | SNAP RING, 2 SHAFT            | 1    |
| 48   | 1-654-010051-07 | SCREW,HEX CAP,3/8-16UNCX1-1/2 | 1    |
| 49   | 1-861-010032-10 | WASHER, FLAT 3/8" N ZP/CD     | 1    |
| 50   | 2-181-010001    | NUT, HEX, SLFLKG GRB 3/8-16   | 1    |



# Harrow Arm Assembly Combo Hydraulic Short

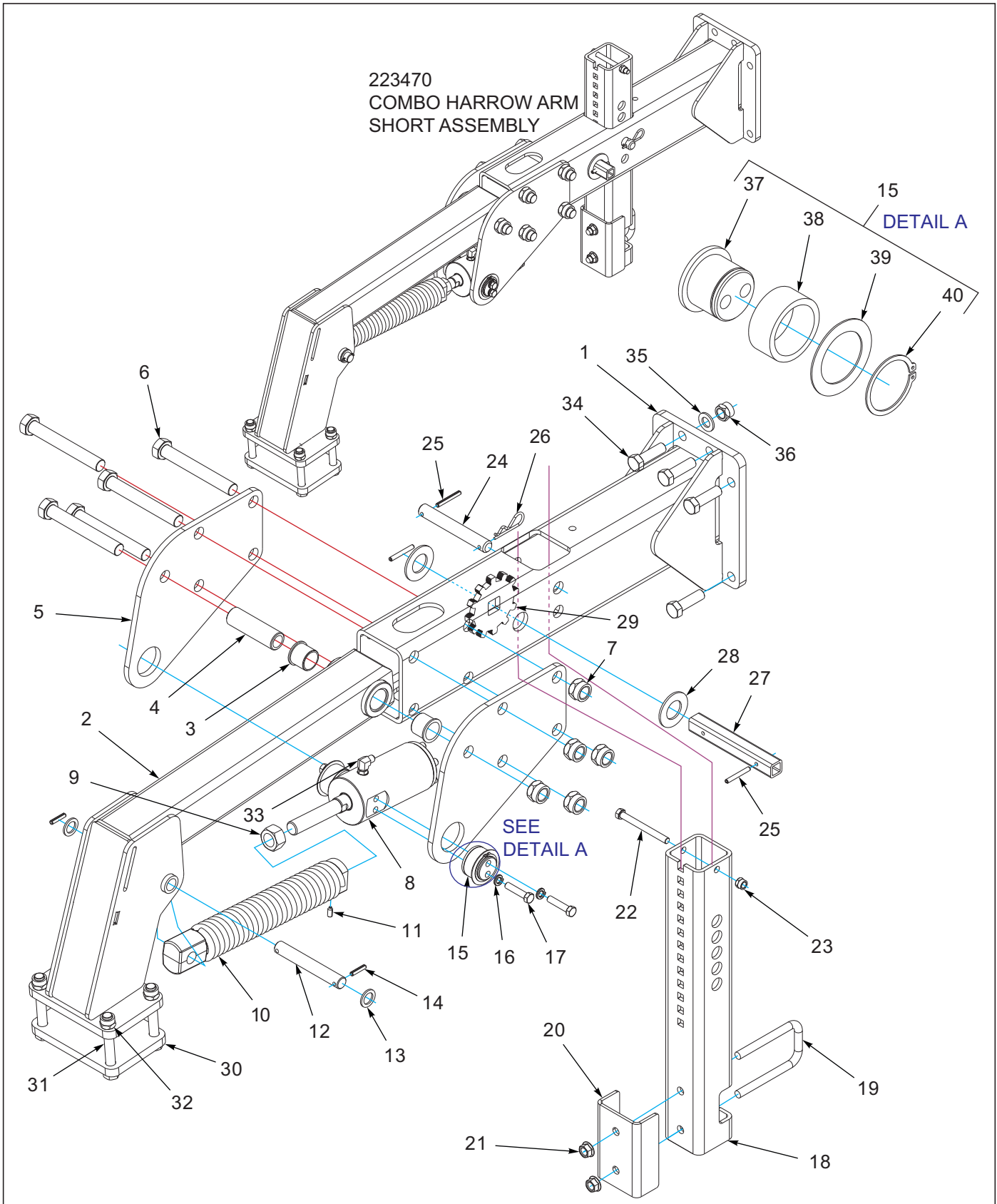


Figure 9-4: Harrow Arm Assembly Combo Hydraulic Short

## Harrow Arm Assembly Combo Hydraulic Short

| ITEM | PART NUMBER     | DESCRIPTION  | QTY. |
|------|-----------------|--|------|
| --   | 223470          | ASSY, HARROW ARM SHORT, COMBO <b>(INCLUDES ITEMS 1-33)</b> |      |
| 1    | 223471          | ARM, COMBO HARROW WLDMT                                    | 1    |
| 2    | 170851          | ARM WLDMT REEL   | 1    |
| 3    | 140599          | BEARING, FLANGE 1-1/2"                                     | 2    |
| 4    | 170852          | BUSHING, PIVOT - 5   | 1    |
| 5    | 223473          | PLATE, SPRING MOUNT  | 2    |
| 6    | 100856          | SCREW,HHCS,1-8X7-1/2 GR5                                   | 5    |
| 7    | 1-512-010005-19 | NUT 1-8 HEX SLF-LOCKING GRB                                | 5    |
| 8    | 206672          | CYL ASM 2-1/2X3-1/2ST1-1/8THDS <b>(SEE PAGE 6-11)</b>      | 1    |
| 9    | 206675          | NUT, 1-1/8 -12 UNF, Z/P GR 2                               | 1    |
| 10   | 206652          | SPRING ASSY 17" 1-1/8 THD                                  | 1    |
| 11   | 1P444           | SET SCREW, 3/8-16 X 3/4 NYLON                              | 1    |
| 12   | 172526          | PIN PIVOT  | 1    |
| 13   | 117957          | MACHINERY BUSHING,ZINC PLATED                              | 2    |
| 14   | 1-647-010004236 | SPRING PIN,SLOTTED 5/16X1-1/2                              | 2    |
| 15   | 198321          | ASSY, TRUNION MOUNT 1-5/8" <b>(INCLUDES ITEMS 37-40)</b>   | 2    |
| 16   | 1-861-010034-13 | WASHER, LKG HLCL SPR, 1/2                                  | 4    |
| 17   | 169690          | SCREW HXCP1/2-13UNCX2-1/4 G5                               | 4    |
| 18   | 170844          | TUBE, HARROW ADJ. COMBO ATTACH                             | 1    |
| 19   | 8-102-010043    | U-BOLT, SPRING CLAMP                                       | 1    |
| 20   | 171427          | PLATE, HARROW STIFFNER                                     | 1    |
| 21   | 29SFFL 5811     | NUT,FLANGE HEAD LOCK5/8-11UNC                              | 1    |
| 22   | 1-654-010055-15 | SCR, HX CP, 1/2-13UNCX5 GR5                                | 1    |
| 23   | 1-512-010005-09 | NUT,HEX,SLFLKG, 1/2-13 GRB                                 | 1    |
| 24   | 158299          | PIN 1X7-5/16   | 1    |
| 25   | 1-647-010004240 | PIN,SPRING,SLOTTED,5/16X2-1/2                              | 3    |
| 26   | 1-557-010013    | PIN, HAIR 3/16 DIA   | 1    |
| 27   | 170857          | TUBE, HARROW HEIGHT ADJ HANDLE                             | 1    |
| 28   | 1-861-010032-32 | WASHER FLAT ZP/CD 1-1/2                                    | 2    |
| 29   | 170787          | GEAR, HARROW ADJUSTMENT                                    | 1    |
| 30   | 170862          | PLATE, GANGBAR MOUNT                                       | 1    |
| 31   | 1-654-010087-16 | SCREW,HEX CAP,3/4-16X5.50 GR8                              | 5    |
| 32   | 1-512-010002-16 | NUT,3/4-16 HEX,SLFLKG, GRC                                 | 5    |
| 33   | 2062-6-6S       | ADAPTER, 90, #6SAE X #6 JIC                                | 1    |
| 34   | 104483          | SCREW 3/4-10X2-1/2 HXCP ZPGR8                              | 8    |
| 35   | 1-861-010032-20 | WASHER, FLAT,3/4 N ZP/CD                                   | 8    |
| 36   | 1-512-010005-15 | NUT,HEX,SLFLKG GRB 3/4-10                                  | 8    |
| 37   | 188528          | TRUNION, CYLINDER  | 1    |
| 38   | 188531          | TRUNION, BEARING   | 1    |
| 39   | 109895          | WASHER,3ODX2-1/16X14GA                                     | 1    |
| 40   | 188530          | SNAP RING, 2 SHAFT   | 1    |

# Tine Harrow Assembly

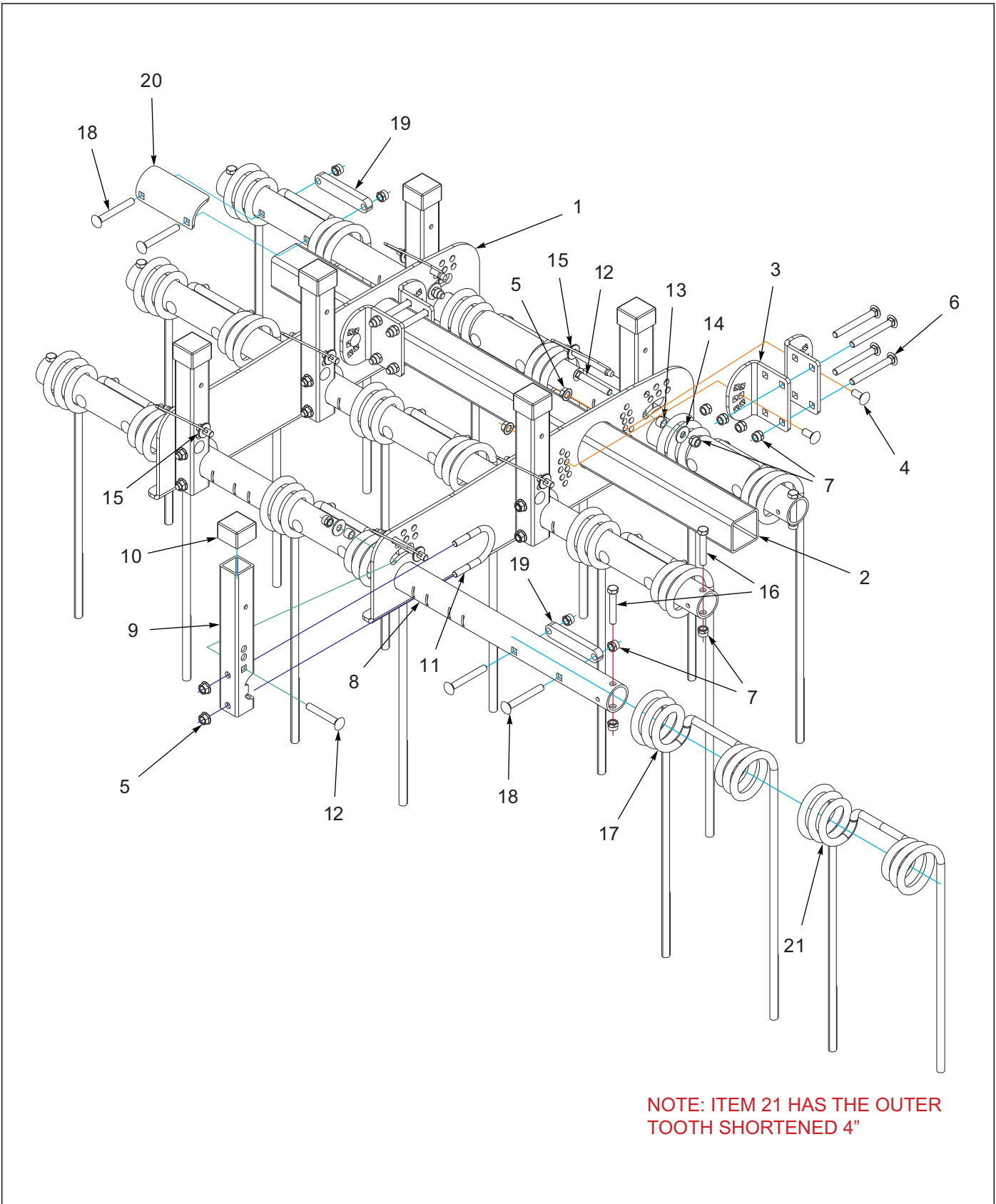


Figure 9-5: Tine Harrow Assembly

## Tine Harrow Assembly

| ITEM | PART NUMBER     | DESCRIPTION                          | QTY. |    |    |    |    |    |
|------|-----------------|--------------------------------------|------|----|----|----|----|----|
| --   | 170867          | ASSY, 3 TINE HARROW                  | *    |    |    |    |    |    |
| --   | 179177          | ASSY, 3 TINE HARROW LH               |      | *  |    |    |    |    |
| --   | 179178          | ASSY, 3 TINE HARROW RH               |      |    | *  |    |    |    |
| --   | 240346          | ASSY, 4 TINE HARROW LH               |      |    |    | *  |    |    |
| --   | 240345          | ASSY, 4 TINE HARROW RH               |      |    |    |    | *  |    |
| 1    | 154993          | PLATE GANG BAR                       | 2    | 2  | 2  | 2  | 2  | 2  |
| 2    | 170735          | TUBE, RIDE BAR 51"                   | 1    | 1  | 1  | -- | -- | -- |
| 2    | 240344          | TUBE, RIDE BAR 77"                   | --   | -- | -- | 1  | 1  | 1  |
| 3    | 154998          | PLATE ANGLE ADJUSTMENT               | 4    | 4  | 4  | 4  | 4  | 4  |
| 4    | 1-654-010070-02 | SCREW 1/2-13X1-1/4 RD HD SQNK        | 4    | 4  | 4  | 4  | 4  | 4  |
| 5    | 1-510-010003-09 | NUT,1/2-13 FLANGE HD,SERRATED        | 16   | 16 | 16 | 16 | 16 | 16 |
| 6    | 1-654-010070-14 | SCREW 1/2-13X4-1/2RDHD SQNCK         | 8    | 8  | 8  | 8  | 8  | 8  |
| 7    | 1-512-010005-09 | NUT,HEX,SLFLKG, 1/2-13 GRB           | 6    | 38 | 38 | 44 | 44 | 44 |
| 8    | 195241          | GANG BAR 3 TINE 63-1/4               | 3    | 3  | 3  | -- | -- | -- |
| 8    | 195243          | GANG BAR 4 TINE 87-1/4               | --   | -- | -- | 3  | 3  | 3  |
| 9    | 154994          | TUBE ANGLE ADJUST                    | 6    | 6  | 6  | 6  | 6  | 6  |
| 10   | 155927          | CAP, TUBE 1.95X1.5 BLACK             | 6    | 6  | 6  | 6  | 6  | 6  |
| 11   | 154995          | U-BOLT, 1/2                          | 6    | 6  | 6  | 6  | 6  | 6  |
| 12   | 1-654-010070-11 | SCREW,RDHD,SQNCK 1/2-13X3-1/2        | 6    | 6  | 6  | 6  | 6  | 6  |
| 13   | 155956          | BUSHING ANGLE ADJUSTMENT             | 6    | 6  | 6  | 6  | 6  | 6  |
| 14   | 1-861-010032-15 | WASHER, FLAT 1/2 W ZP/CD             | 6    | 6  | 6  | 6  | 6  | 6  |
| 15   | 155971          | PIN, HARROW ADJ                      | 6    | 6  | 6  | 6  | 6  | 6  |
| 16   | 1-654-010055-09 | SCREW,HX CP,1/2-13UNCX3 GR5          | 6    | 6  | 6  | 6  | 6  | 6  |
| 17   | 171421          | TINE, HARROW SPRING                  | 9    | 7  | 7  | 10 | 10 | 10 |
| 18   | 1-654-010070-13 | SCREW,RH HD, SQ NCK 1/2-13X4         | 19   | 18 | 18 | 24 | 24 | 24 |
| 19   | 217570          | STOP, COIL TINE 1/2"                 | 9    | 9  | 9  | 12 | 12 | 12 |
| 20   | 231304          | RD TUBE, TINE STOP                   | --   | 3  | 3  | 4  | 4  | 4  |
| 21   | 202331          | TINE, HARROW SPNG RH END 5/8 (SHOWN) | --   | 2  | 2  | 2  | 2  | 2  |
| 21   | 202332          | TINE, HARROW SPNG LH END 5/8         | --   | 2  | 2  | 2  | 2  | 2  |

### 3BCT Chopper Reel/Gangbar Assembly

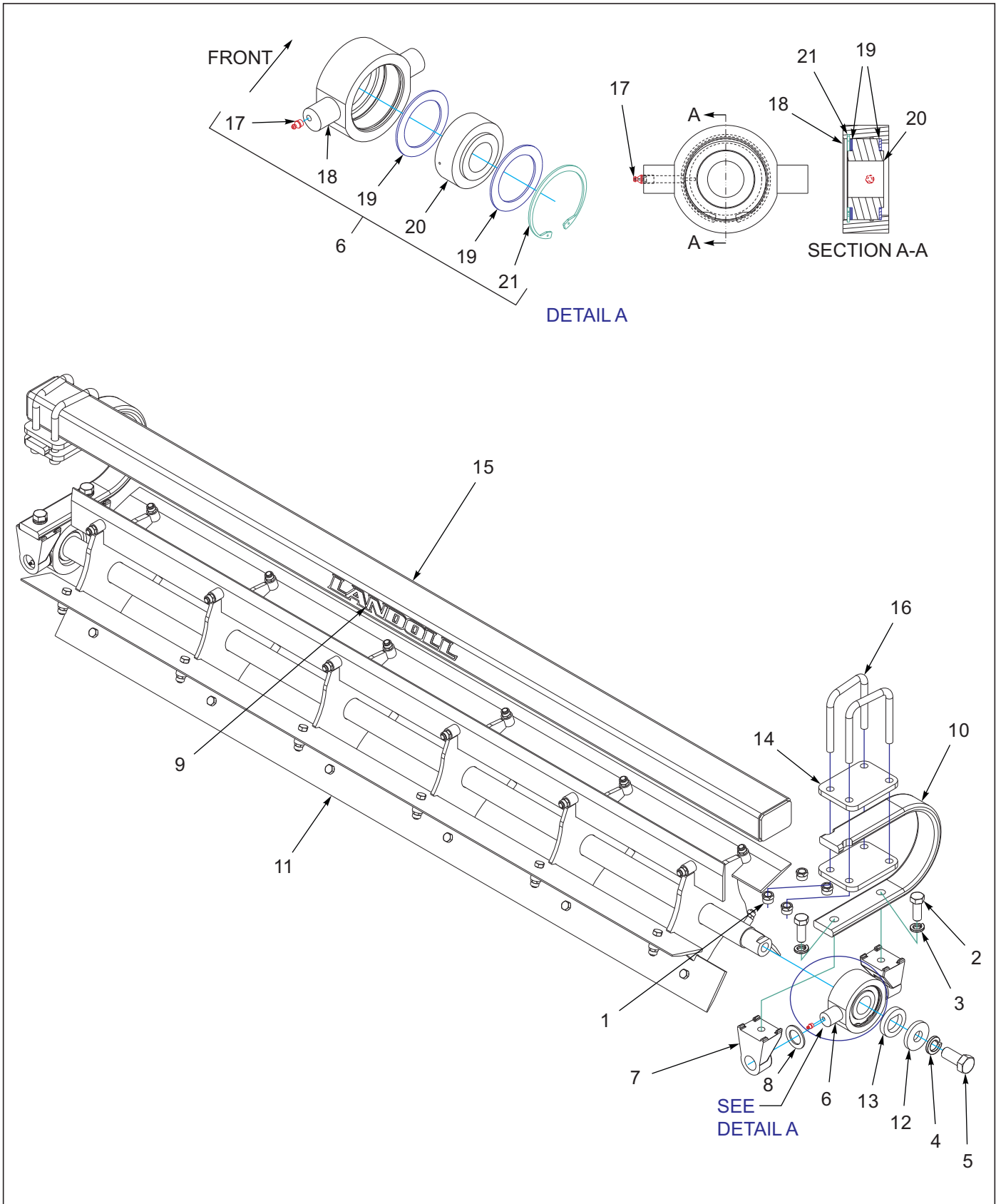


Figure 9-6: 3BCT ChopperReel/ Gangbar Assembly



### 3BCT Chopper Reel/Gangbar Assembly

| ITEM | PART NUMBER     | DESCRIPTION   | QTY. |    |    |
|------|-----------------|---|------|----|----|
| --   | 180304          | REEL/GANGBAR ASSY 64"                                     | *    |    |    |
| --   | 154409          | REEL/GANGBAR 91" ASSY                                     |      | *  |    |
| --   | 172529          | REEL/GANGBAR - 97" ASSY                                   |      |    | *  |
| 1    | 1-512-010005-13 | NUT,HEX SLFLKG GRB 5/8-11                                 | 8    | 8  | 8  |
| 2    | 1-654-010032-05 | SCREW HEX CAP 3/4-10X2 GR8                                | 4    | 4  | 4  |
| 3    | 1-861-010034-17 | WASHER,LKG,HLCL SPR,3/4                                   | 4    | 4  | 4  |
| 4    | 1-861-010034-21 | WASHER, LKG HEL SPRG 1IN                                  | 2    | 2  | 2  |
| 5    | 137943          | SCREW,HEX CAP 1-8UNCX2-1/4GR5                             | 2    | 2  | 2  |
| 6    | 140477          | BEARING, DISC 1.775 ID ASSY <b>(INCLUDES ITEMS 17-21)</b> | 2    | 2  | 2  |
| 7    | 140479          | MOUNT, TRUNNION   | 4    | 4  | 4  |
| 8    | 140480          | WASHER, TRUNNION  | 2    | 2  | 2  |
| 9    | 148337          | ATTACHMENT DECAL, LANDOLL                                 | 1    | 1  | 1  |
| 10   | 153716          | SHANK, STRAIGHT 3/4 X 2-1/2                               | 2    | 2  | 2  |
| 11   | 180305          | REEL ASSY 64" BLADE <b>(SEE PAGE 9-15)</b>                | 1    | -- | -- |
| 11   | 154184          | REEL ASSY 91" BLADE <b>(SEE PAGE 9-15)</b>                | --   | 1  | -- |
| 11   | 172528          | REEL ASSY 97" BLADE <b>(SEE PAGE 9-15)</b>                | --   | -- | 1  |
| 12   | 154185          | WASHER 3/8 THICK 1" ID                                    | 2    | 2  | 2  |
| 13   | 154186          | WASHER FLAT TOP   | 2    | 2  | 2  |
| 14   | 154393          | PLATE SHANK MOUNT   | 4    | 4  | 4  |
| 15   | 180306          | GANG BAR, 62" REEL  | 1    | -- | -- |
| 15   | 154658          | GANGBAR WLDMT 101" - REEL 91"                             | --   | 1  | -- |
| 15   | 155544          | GANGBAR WLDMT 107" - REEL 97"                             | --   | -- | 1  |
| 16   | 6-102-010009    | U-BOLT RIGID GA WHEEL                                     | 4    | 4  | 4  |
| 17   | 5000            | ZERK FITTING 1/8NPT                                       | 1    | 1  | 1  |
| 18   | 140475          | CASTING, TRUNNION   | 1    | 1  | 1  |
| 19   | 140473          | WASHER, BEARING   | 2    | 2  | 2  |
| 20   | 140464          | BEARING, DISC 1.775 ID                                    | 1    | 1  | 1  |
| 21   | 140476          | INTERNAL RETAINING RING                                   | 1    | 1  | 1  |

# Reel Blade Assembly

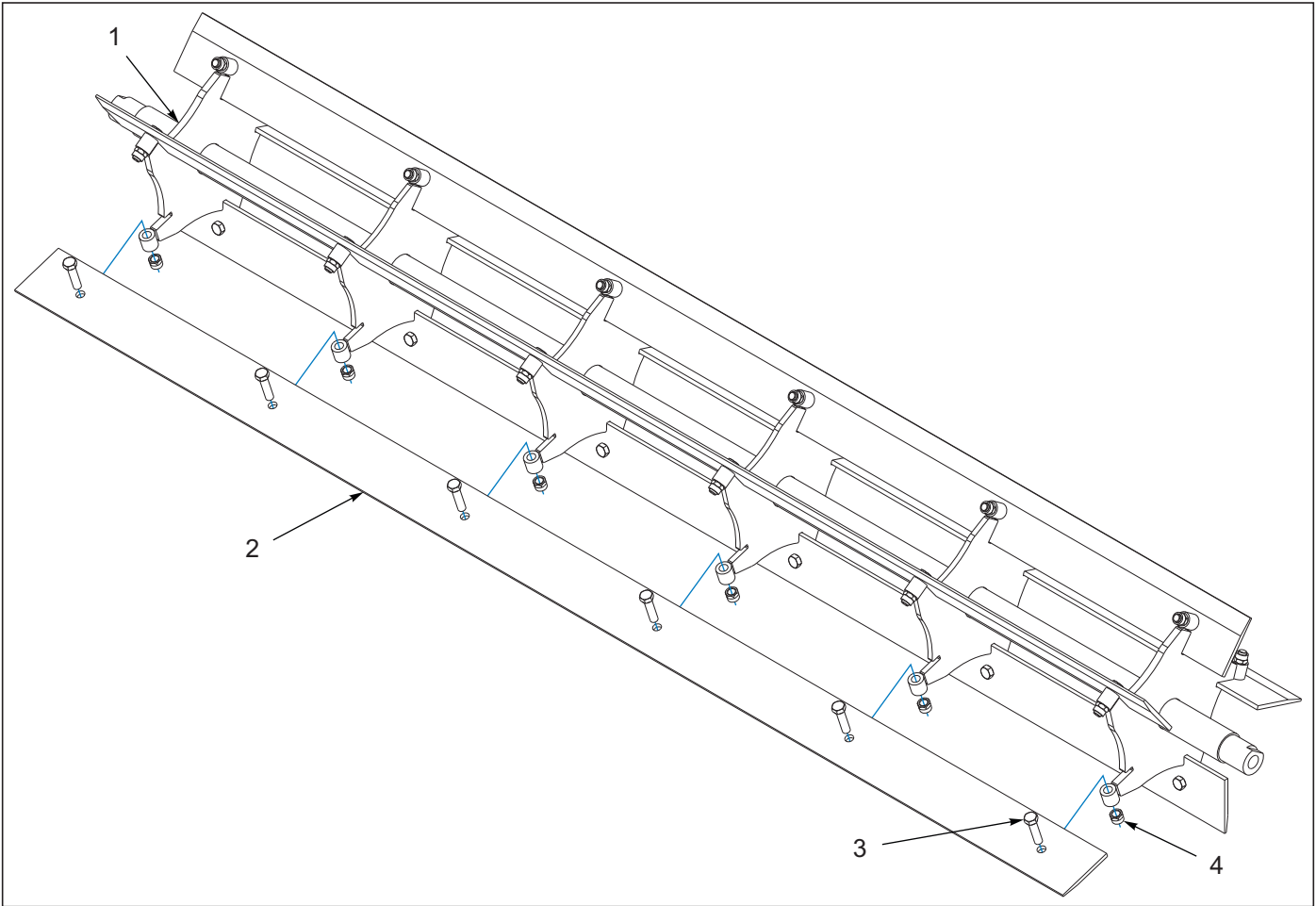


Figure 9-7: Reel Blade Assembly

# Reel Blade Assembly

| ITEM | PART NUMBER     | DESCRIPTION                   | QTY. |    |    |
|------|-----------------|-------------------------------|------|----|----|
| --   | 180305          | REEL ASSY 64" BLADE           | *    |    |    |
| --   | 154184          | REEL ASSY 91" BLADE           | *    |    |    |
| --   | 172528          | REEL ASSY 97" BLADE           | *    |    |    |
| 1    | 180310          | REEL ASSY. 64 IN BLADE        | 1    | -- | -- |
| 1    | 154140          | REEL ASSY, 91" BLADE          | --   | 1  | -- |
| 1    | 172527          | REEL, ASSY 97 IN BLADE        | --   | -- | 1  |
| 2    | 8-622-010016    | BLADE REEL 64 IN              | 5    | -- | -- |
| 2    | 8-622-010012    | REEL BLADE 91 IN              | --   | 5  | -- |
| 2    | 172531          | REEL BLADE 97 IN              | --   | -- | 5  |
| 3    | 1-654-010055-05 | SCREW,HEX CAP,1/2-13UNCX2 GR5 | 25   | 30 | 35 |
| 4    | 1-512-010005-09 | NUT,HEX,SLFLKG, 1/2-13 GRB    | 25   | 30 | 35 |



### 3BCT/Chopper Hydraulic Assembly 2411-06

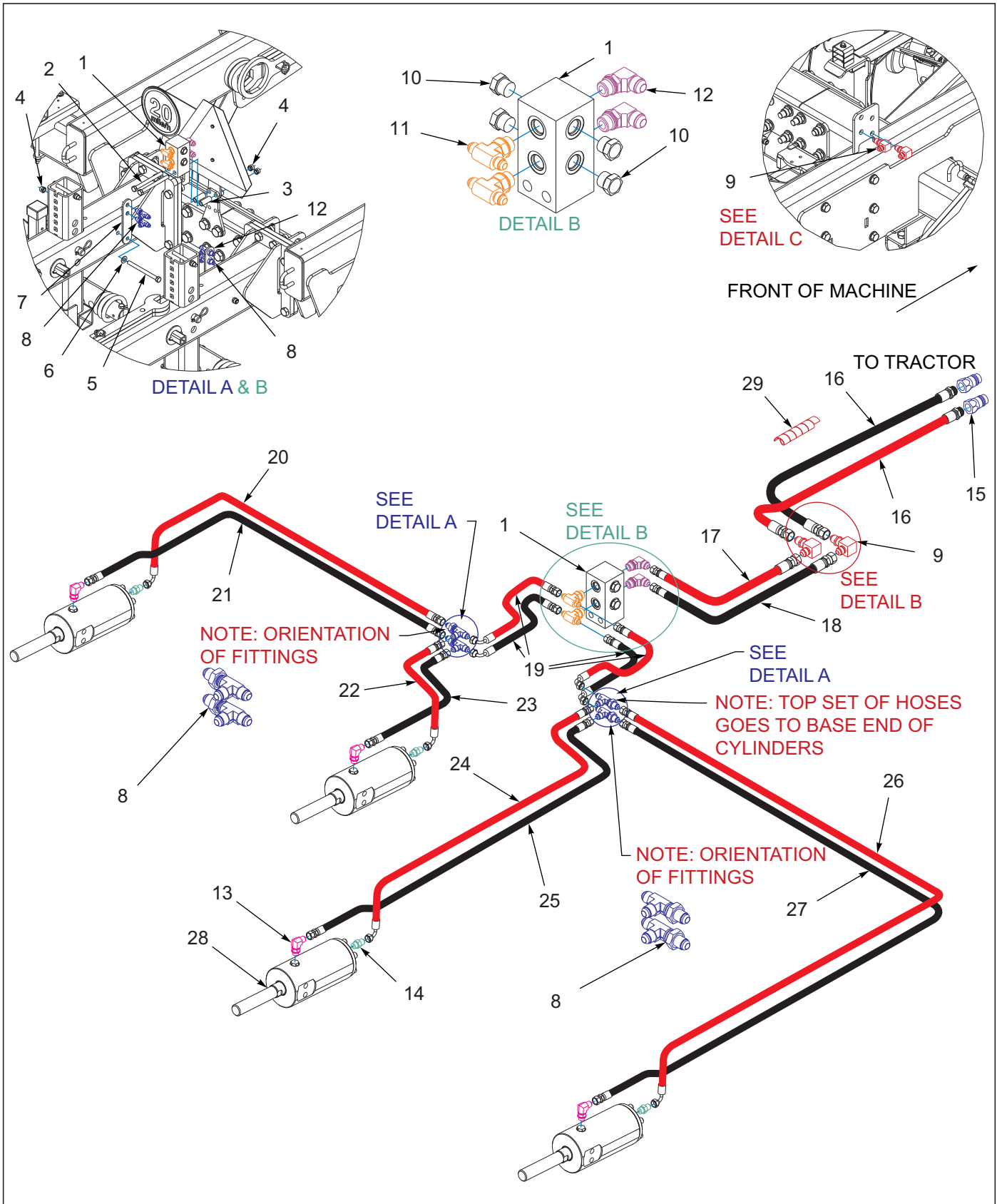


Figure 9-8: 3BCT/Chopper Hydraulic Assembly 2411-06

### 3BCT/Chopper Hydraulic Assembly 2411-06

| ITEM | PART NUMBER     | DESCRIPTION                                    | QTY. |
|------|-----------------|--|------|
| 1    | 2-474-010022    | MANIFOLD HYDRAULIC, 8 HOSE                     | 1    |
| 2    | 1-654-010055-16 | SCREW HEX CAP 1/2-13X5-1/2GR5                  | 2    |
| 3    | 172519          | TUBE RD .75 X .532 X 1.875 ZP                  | 2    |
| 4    | 1-512-010005-09 | NUT,HEX,SLFLKG, 1/2-13 GRB                     | 4    |
| 5    | 1-654-010055-17 | SCREW,HEX CAP,1/2-13UNCX6 GR5                  | 2    |
| 6    | 1-861-010032-14 | WASHER, FLAT 1/2" N ZP/CD                      | 2    |
| 7    | 234845          | PLATE, BULKHEAD MOUNT                          | 2    |
| 8    | 162569          | TEE,#6 JIC BULKHD RUN, W/NUT                   | 4    |
| 9    | 100814          | ADAPTER,90 DEG. BHD,#8JIC                      | 2    |
| 10   | 1-007-010025    | PLUG, 3/4-16 O-RING BOSS                       | 4    |
| 11   | 139347          | ADT TEE #6 JIC X #8 O-RING                     | 2    |
| 12   | 2062-8-8S       | ADAPTER, 90, #8 O-RING-TUBE                    | 2    |
| 13   | 2062-6-6S       | ADAPTER, 90, #6SAE X #6 JIC                    | 4    |
| 14   | 202702-6-6S     | ADAPTER, STR,#6 SAEX#6 JIC                     | 4    |
| 15   | 141828          | COUPLER,MALE 3/4-16 O-RING                     | 2    |
| 16   | 147585          | HOSE ASSY3/8X336#8JICX#8O-RNG                  | 2    |
| 17   | 243134          | HOSE ASSY 3/8X148 #8 STR JIC                   | 1    |
| 18   | 144342          | HOSE ASSY 3/8X150 #8 JIC SWIV                  | 1    |
| 19   | 243135          | HOSE ASSY, 1/4X15, #6JIC STR90                 | 4    |
| 20   | 243136          | HOSE ASSY,1/4X121, #6JIC STR90                 | 1    |
| 21   | 172980          | HOSE ASSY, 1/4X125 #6 JIC STR                  | 1    |
| 22   | 149010          | HOSE ASSY 1/4X36 #6JIC STR-90                  | 1    |
| 23   | 71509008        | HOSE ASM 1/4 X40                               | 1    |
| 24   | 174267          | HOSE ASSY 1/4X64 #6JIC STR-90                  | 1    |
| 25   | 173000          | HOSE ASSY, 1/4 X 68 #6 JIC STR                 | 1    |
| 26   | 243137          | HOSE ASSY,1/4X144, #6JIC STR90                 | 1    |
| 27   | 71509787        | HOSE ASSY .250 X 148"                          | 1    |
| 28   | 206672          | CYL ASM 2-1/2X3-1/2ST1-1/8THDS (SEE PAGE 6-12) | 4    |
| 29   | 172973          | HOSE WRAP, RED                                 | 1    |

### 3BCT/Chopper Hydraulic Assembly 2411AFG-07-09

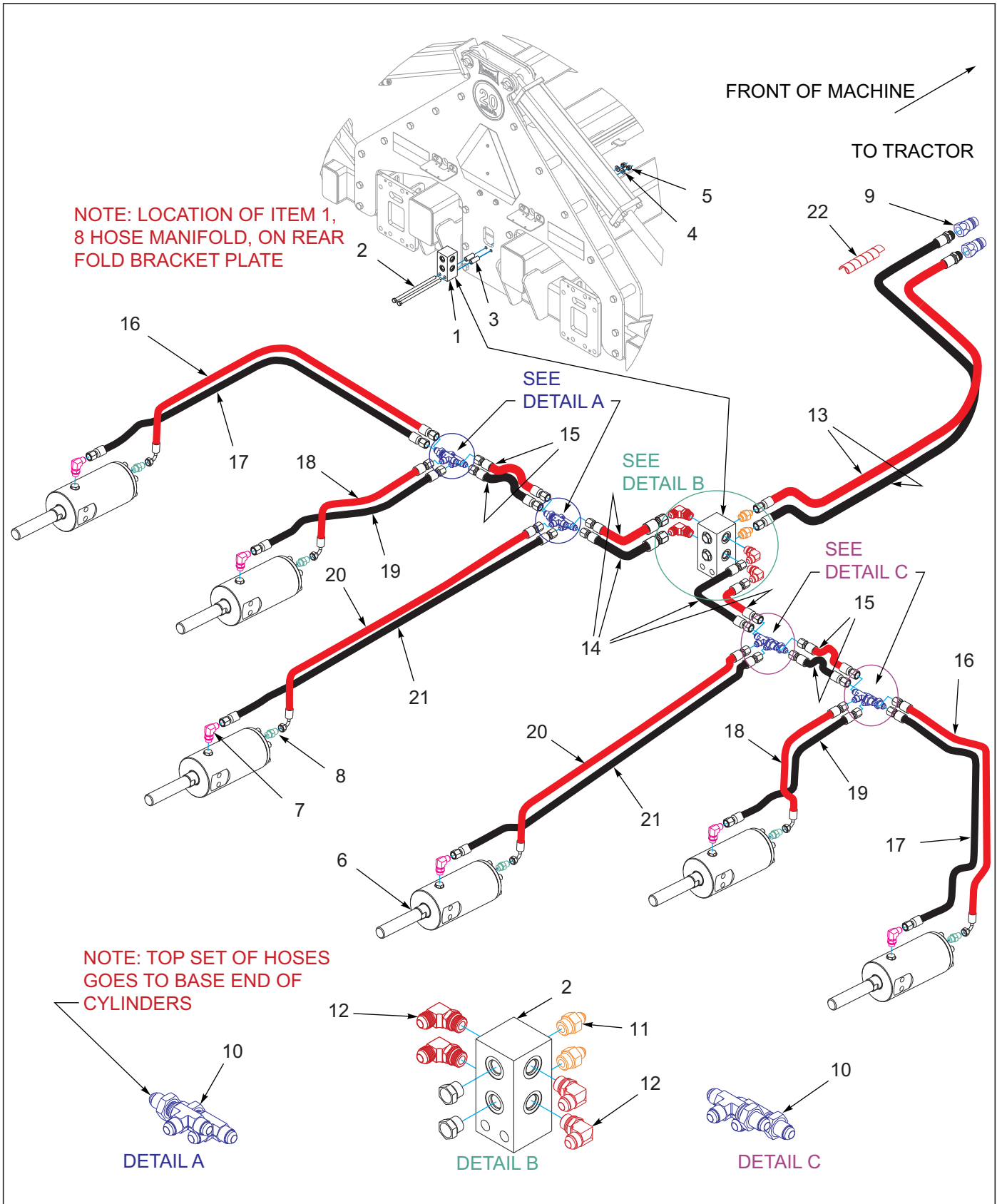


Figure 9-9: 3BCT/Chopper Hydraulic Assembly 2411AFG-07-09

### 3BCT/Chopper Hydraulic Assembly 2411AFG-07-09

| ITEM | PART NUMBER     | DESCRIPTION   | QTY. |
|------|-----------------|---|------|
| 1    | 2-474-010022    | MANIFOLD HYDRAULIC, 8 HOSE  | 1    |
| 2    | 172900          | SCREW HX CP 1/2-13X10 GR5   | 2    |
| 3    | 172519          | TUBE RD .75 X .532 X 1.875 ZP                                       | 2    |
| 4    | 1-861-010032-14 | WASHER, FLAT 1/2" N ZP/CD   | 2    |
| 5    | 1-512-010005-09 | NUT,HEX,SLFLKG, 1/2-13 GRB  | 2    |
| 6    | 206672          | CYL ASM 2-1/2X3-1/2ST1-1/8THDS (SEE PAGE 6-11)                      | 6    |
| 7    | 2062-6-6S       | ADAPTER, 90, #6SAE X #6 JIC   | 12   |
| 8    | 202702-6-6S     | ADAPTER, STR,#6 SAEX#6 JIC  |      |
| 9    | 141828          | COUPLER,MALE 3/4-16 O-RING  | 2    |
| 10   | 162569          | TEE,#6 JIC BULKHD RUN, W/NUT<br>(SEE PAGE 9-1 FOR PROPER PLACEMENT) | 4    |
| 11   | 202702-8-8S     | ADAPTER #8 O-RING TO #8 TUBE  | 2    |
| 12   | 2062-8-6S       | ELBOW,90,#8 SAE X #6 JIC  | 4    |
| 13   | 237326          | HOSE ASSY 3/8X466,8FJSX8MOR   | 2    |
| 14   | 7779-22         | HOSE HYD 1/4 X 22   | 4    |
| 15   | 71509125        | HOSE ASSY, 1/4, #6 JIC 30"  | 4    |
| 16   | 237327          | HOSE ASSY, 1/4X84 #6JIC STR-90 (2411-07)                            | 2    |
| 16   | 237337          | HOSE ASSY, 1/4X112,#6JIC STR90 (2411-09)                            | 2    |
| 17   | 231299          | HOSE ASSY, 1/4X88 #6JIC STR (2411-07)                               | 2    |
| 17   | 71509124        | HOSE ASSY 1/4 #6 JIC (2X) 116" (2411-09)                            | 2    |
| 18   | 149010          | HOSE ASSY 1/4X36 #6JIC STR-90                                       | 2    |
| 19   | 71509008        | HOSE ASM 1/4 X40  | 2    |
| 20   | 174267          | HOSE ASSY 1/4X64 #6JIC STR-90                                       | 2    |
| 21   | 173000          | HOSE ASSY, 1/4 X 68 #6 JIC STR                                      | 2    |
| 22   | 172973          | HOSE WRAP, RED  | 1    |

# Disc Lev/Hyd Flat RL Layout 2411-06

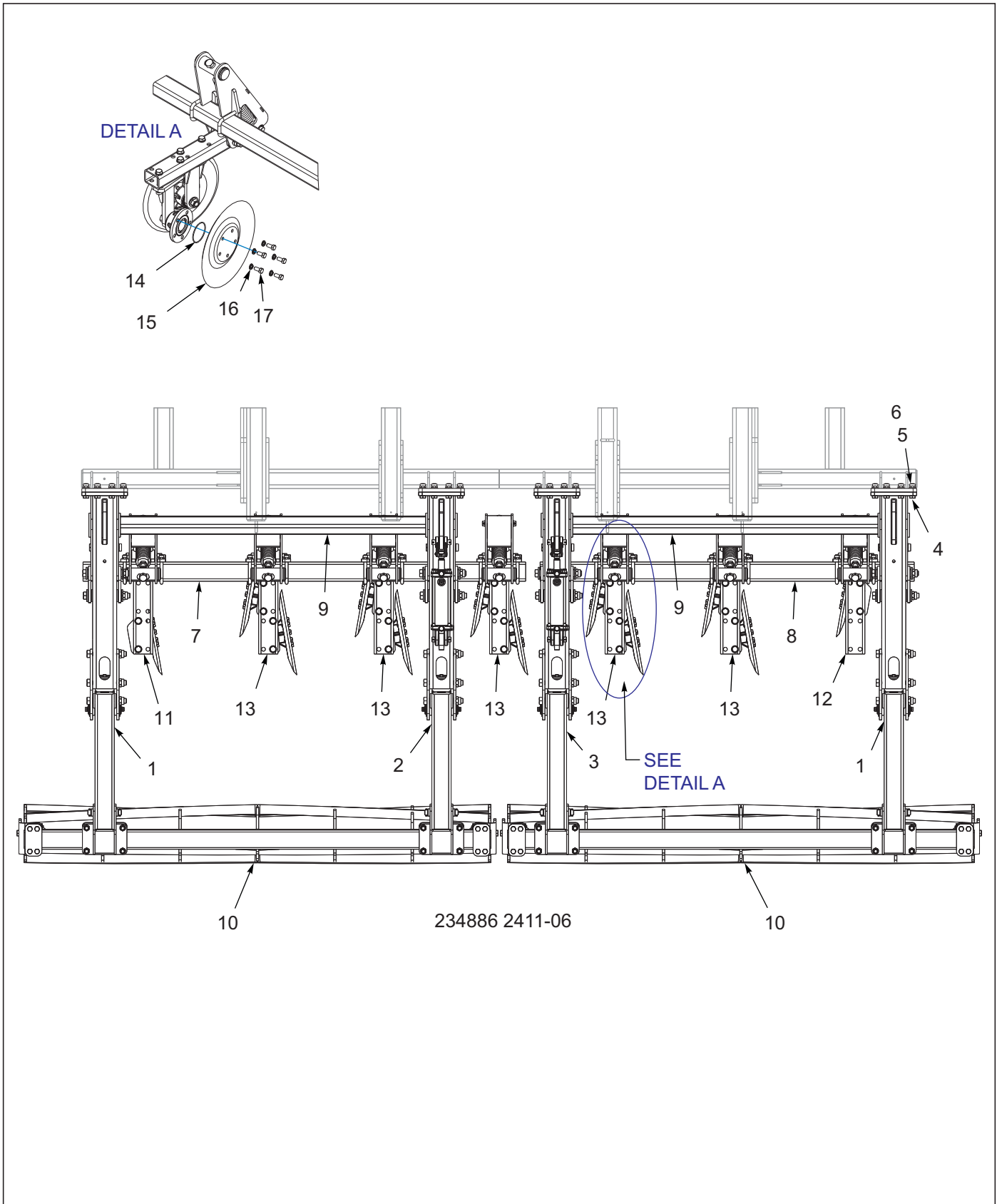


Figure 9-10: Disc Lev/Hyd RL Layout 2411-06



## Disc Lev/Hyd Flat RL Layout 2411-06

| ITEM | PART NUMBER     | DESCRIPTION                   | QTY. |
|------|-----------------|-------------------------------|------|
| --   | 234886          | DISC LEV/HYD FLAT RL 2411-6   |      |
| 1    | 240424          | ASSY, ARM NO HYD              | 2    |
| 2    | 240422          | ASSY, ARM HYD 3-1/2X8         | 1    |
| 3    | 240423          | ASSY, ARM HYD 3-1/4X8         | 1    |
| 4    | 104483          | SCREW 3/4-10X2-1/2 HXCP ZPGR8 | 32   |
| 5    | 1-861-010032-20 | WASHER, FLAT,3/4 N ZP/CD      | 32   |
| 6    | 1-512-010005-15 | NUT,HEX,SLFLKG GRB 3/4-10     | 32   |
| 7    | 241891          | TUBE, 92 L                    | 1    |
| 8    | 241882          | TUBE, WING 77-3/4 L           | 1    |
| 9    | 240418          | DISC LIFT, 75 L WLDMT         | 2    |
| 10   | 241845          | ASSY, 97" REEL/GANGBAR        | 2    |
| 11   | 243151          | ASSY MOUNT, DISC LEVELER-LT   | 1    |
| 12   | 243150          | ASSY MOUNT, DISC LEVELER-RT   | 1    |
| 13   | 243138          | ASSY MOUNT, DISC LEVELER      | 5    |
| 14   | 202843          | O-RING, 4" ID X 1/8" BUNA     | 14   |
| 15   | 239520          | DISC BLD, IND 18" X 1/4       | 14   |
| 16   | 1-861-010034-15 | WASHER,LKG,HLCL SPR,5/8       | 60   |
| 17   | 1-654-010059-02 | SCREW,HEX CAP,5/8-11X1-1/4GR5 | 60   |

# Disc Lev/Hyd Flat RL Layout 2411AFG-07-09

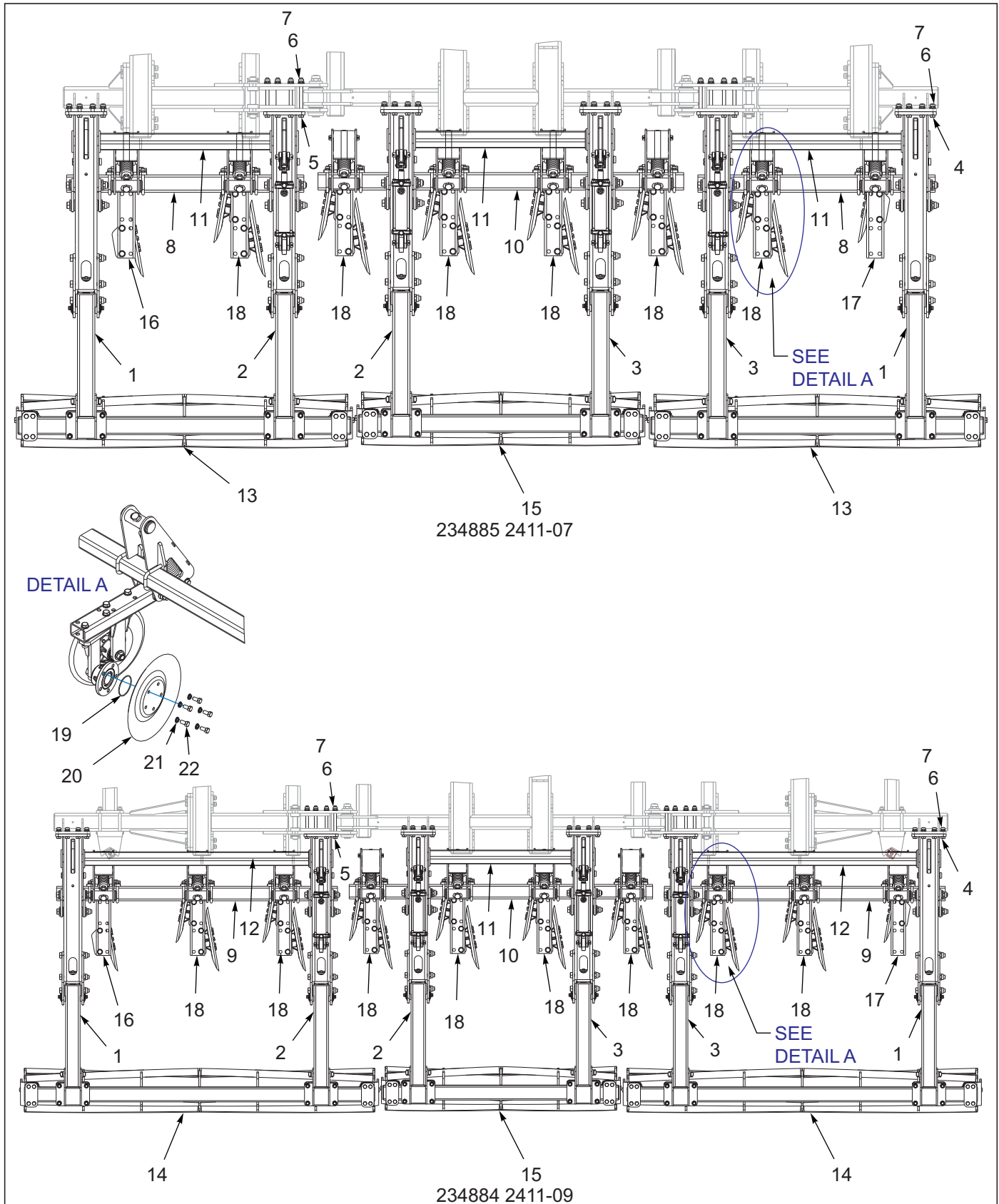


Figure 9-11: Disc Lev/Hyd RL Layout 2411AFG-07-09

## Disc Lev/Hyd Flat RL Layout 2411AFG-07-09

| ITEM | PART NUMBER     | DESCRIPTION                    | QTY. |    |
|------|-----------------|--------------------------------|------|----|
| --   | 234885          | DISC LEV/HYD FLAT RL 2411AFG-7 | *    |    |
| --   | 234884          | DISC LEV/HYD FLAT RL 2411AFG-9 | *    |    |
| 1    | 240424          | ASSY, ARM NO HYD               | 2    | 2  |
| 2    | 240422          | ASSY, ARM HYD 3-1/2X8          | 2    | 2  |
| 3    | 240423          | ASSY, ARM HYD 3-1/4X8          | 2    | 2  |
| 4    | 104483          | SCREW 3/4-10X2-1/2 HXCP ZPGR8  | 32   | 32 |
| 5    | 107491          | SCREW HX CP 3/4-10X8-1/2 GR8   | 16   | 16 |
| 6    | 1-861-010032-20 | WASHER, FLAT,3/4 N ZP/CD       | 48   | 48 |
| 7    | 1-512-010005-15 | NUT,HEX,SLFLKG GRB 3/4-10      | 48   | 48 |
| 8    | 241883          | TUBE, 54-1/2 L                 | 2    | -- |
| 9    | 241882          | TUBE, WING 77-3/4 L            | --   | 2  |
| 10   | 241881          | TUBE, CENTER 84 L              | 1    | 1  |
| 11   | 240472          | DISC LIFT, 50-3/4 L WLDMT      | 3    | 1  |
| 12   | 240474          | DISC LIFT, 73-3/4 L WLDMT      | --   | 2  |
| 13   | 241841          | ASSY, 75" REEL/GANGBAR         | 2    | -- |
| 14   | 241845          | ASSY, 97" REEL/GANGBAR         | --   | 2  |
| 15   | 241840          | ASSY, 64" REEL/GANGBAR         | 1    | 1  |
| 16   | 243151          | ASSY MOUNT, DISC LEVELER-LT    | 1    | 1  |
| 17   | 243150          | ASSY MOUNT, DISC LEVELER-RT    | 1    | 1  |
| 18   | 243138          | ASSY MOUNT, DISC LEVELER       | 6    | 8  |
| 19   | 202843          | O-RING, 4" ID X 1/8" BUNA      | 14   | 18 |
| 20   | 239520          | DISC BLD, IND 18" X 1/4        | 14   | 18 |
| 21   | 1-861-010034-15 | WASHER,LKG,HLCL SPR,5/8        | 70   | 90 |
| 22   | 1-654-010059-02 | SCREW,HEX CAP,5/8-11X1-1/4GR5  | 70   | 90 |

# Arm Hyd Assembly

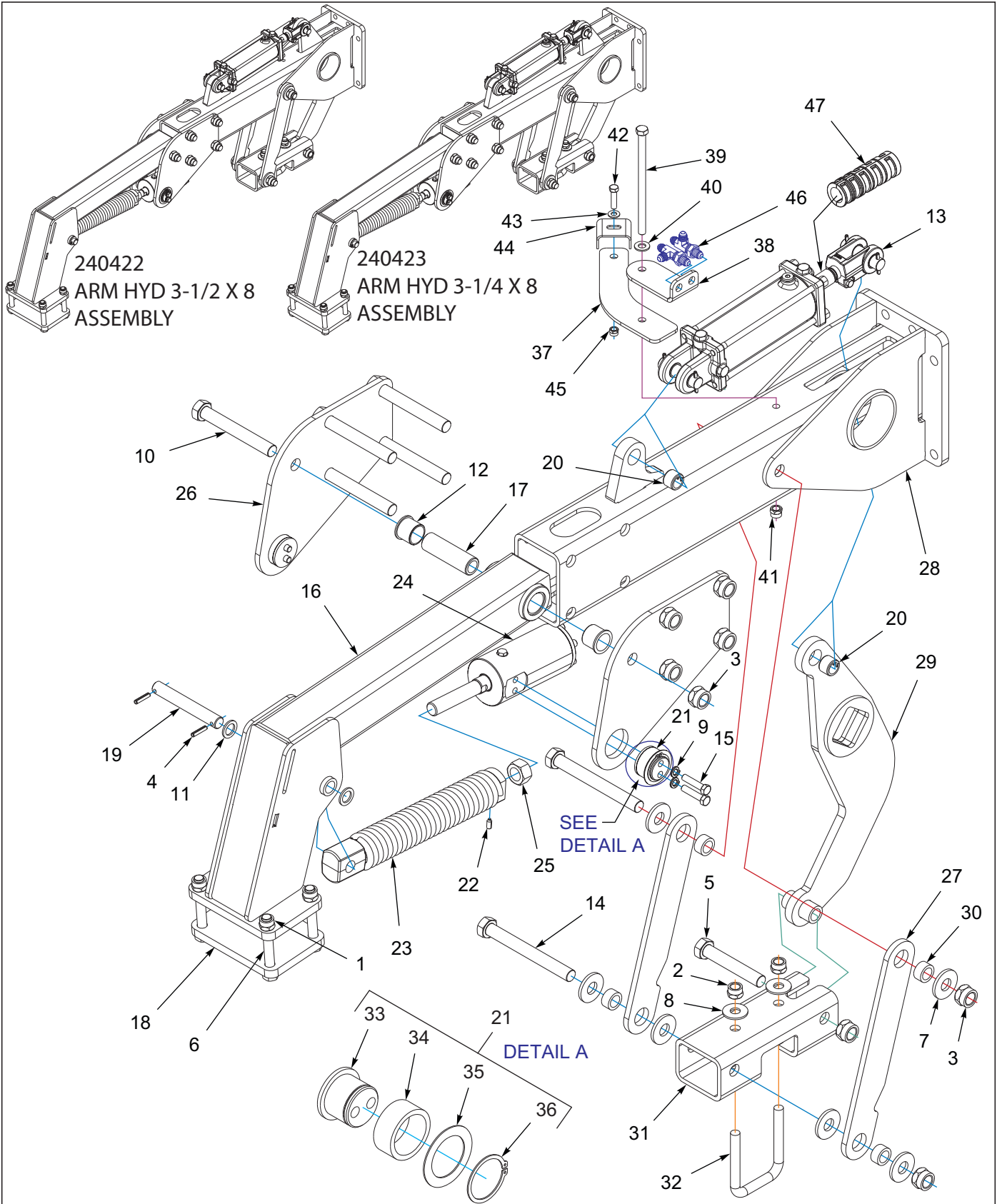


Figure 9-12: Arm Hyd Assembly

## Arm Hyd Assembly

| ITEM | PART NUMBER     | DESCRIPTION                                    | QTY. |    |
|------|-----------------|--|------|----|
| --   | 240422          | ASSY, ARM HYD 3-1/2X8 (INCLUDES ITEMS 1-32)    | *    |    |
| --   | 240423          | ASSY, ARM HYD 3-1/4X8 (INCLUDES ITEMS 1-32)    |      | *  |
| 1    | 1-512-010002-16 | NUT,3/4-16 HEX,SLFLKG, GRC                     | 5    | 5  |
| 2    | 1-512-010005-15 | NUT,HEX,SLFLKG GRB 3/4-10                      | 2    | 2  |
| 3    | 1-512-010005-19 | NUT 1-8 HEX SLF-LOCKING GRB                    | 8    | 8  |
| 4    | 1-647-010004236 | SPRING PIN,SLOTTED 5/16X1-1/2                  | 2    | 2  |
| 5    | 1-654-010065-17 | SCREW, HEX CAP, 1-8UNCX6, GR5                  | 1    | 1  |
| 6    | 1-654-010087-16 | SCREW,HEX CAP,3/4-16X5.50 GR8                  | 5    | 5  |
| 7    | 1-861-010005    | WASHER, SPINDLE 1                              | 6    | 6  |
| 8    | 1-861-010032-21 | WASHER, FLAT 3/4 W ZP/CD                       | 2    | 2  |
| 9    | 1-861-010034-13 | WASHER, LKG HLCL SPR, 1/2                      | 4    | 4  |
| 10   | 100856          | SCREW,HHCS,1-8X7-1/2 GR5                       | 5    | 5  |
| 11   | 117957          | MACHINERY BUSHING,ZINC PLATED                  | 2    | 2  |
| 12   | 140599          | BEARING, FLANGE 1-1/2"                         | 2    | 2  |
| 13   | 145203          | CYLINDER 3-1/2 X 8 REPHASE (SEE PAGE 6-7)      | 1    | -- |
| 13   | 145204          | CYLINDER 3-1/4 X 8 REPHASE (SEE PAGE 6-9)      | --   | 1  |
| 14   | 154888          | SCREW HEX CAP, 1-8UNCX9 GR5                    | 2    | 2  |
| 15   | 169690          | SCREW HXCP1/2-13UNCX2-1/4 G5                   | 4    | 4  |
| 16   | 170851          | ARM WLDMT REEL                                 | 1    | 1  |
| 17   | 170852          | BUSHING, PIVOT - 5                             | 1    | 1  |
| 18   | 170862          | PLATE, GANGBAR MOUNT                           | 1    | 1  |
| 19   | 172526          | PIN PIVOT                                      | 1    | 1  |
| 20   | 192890          | BUSHING 1-3/8ODX1 IDX1 STEEL                   | 2    | 2  |
| 21   | 198321          | ASSY, TRUNION MOUNT 1-5/8"                     | 2    | 2  |
| 22   | 1P444           | SET SCREW, 3/8-16 X 3/4 NYLON                  | 1    | 1  |
| 23   | 206652          | SPRING ASSY 17" 1-1/8 THD                      | 1    | 1  |
| 24   | 206672          | CYL ASM 2-1/2X3-1/2ST1-1/8THDS (SEE PAGE 6-12) | 1    | 1  |
| 25   | 206675          | NUT, 1-1/8 -12 UNF, Z/P GR 2                   | 1    | 1  |
| 26   | 223473          | PLATE, SPRING MOUNT                            | 2    | 2  |
| 27   | 240409          | LINK, PARALLEL ARM                             | 2    | 2  |
| 28   | 240420          | ARM, DISC LEVEL HYD                            | 1    | 1  |
| 29   | 240427          | ARM, DISC LIFT W/ CYL                          | 1    | 1  |
| 30   | 240431          | BUSHING, PIVOT 3/4 L                           | 4    | 4  |
| 31   | 241880          | TUBE MOUNT, GANG BAR                           | 1    | 1  |
| 32   | 3J451           | U-BOLT 3/4-10 X 4 X 4                          | 1    | 1  |
| 33   | 188528          | TRUNION, CYLINDER                              | 1    | 1  |
| 34   | 188531          | TRUNION, BEARING                               | 1    | 1  |
| 35   | 109895          | WASHER,3ODX2-1/16X14GA                         | 1    | 1  |
| 36   | 188530          | SNAP RING, 2 SHAFT                             | 1    | 1  |
| 37   | 241884          | PLATE, HOSE MOUNT                              | 1    | 1  |
| 38   | 240395          | PLATE, HOSE MOUNT                              | 1    | 1  |
| 39   | 1-654-010055-22 | SCREW HEX CAP 1/2-13X8-1/2                     | 1    | 1  |
| 40   | 1-861-010032-14 | WASHER, FLAT 1/2" N ZP/CD                      | 1    | 1  |
| 41   | 1-512-010005-09 | NUT,HEX,SLFLKG, 1/2-13 GRB                     | 1    | 1  |
| 42   | 1-654-010051-07 | SCREW,HEX CAP,3/8-16UNCX1-1/2                  | 1    | 1  |
| 43   | 1-861-010032-10 | WASHER, FLAT 3/8" N ZP/CD                      | 1    | 1  |
| 44   | 2-181-010001    | HOSE CLAMP                                     | 1    | 1  |
| 45   | 1-512-010005-05 | NUT, HEX, SLFLKG GRB 3/8-16                    | 1    | 1  |
| 46   | 162569          | TEE,#6 JIC BULKHD RUN, W/NUT                   | 2    | 2  |
| 47   | 1P332           | STROKE CONTROL SEG SET, 1 1/2"                 | 1    | 1  |

# Arm No Hyd Assembly

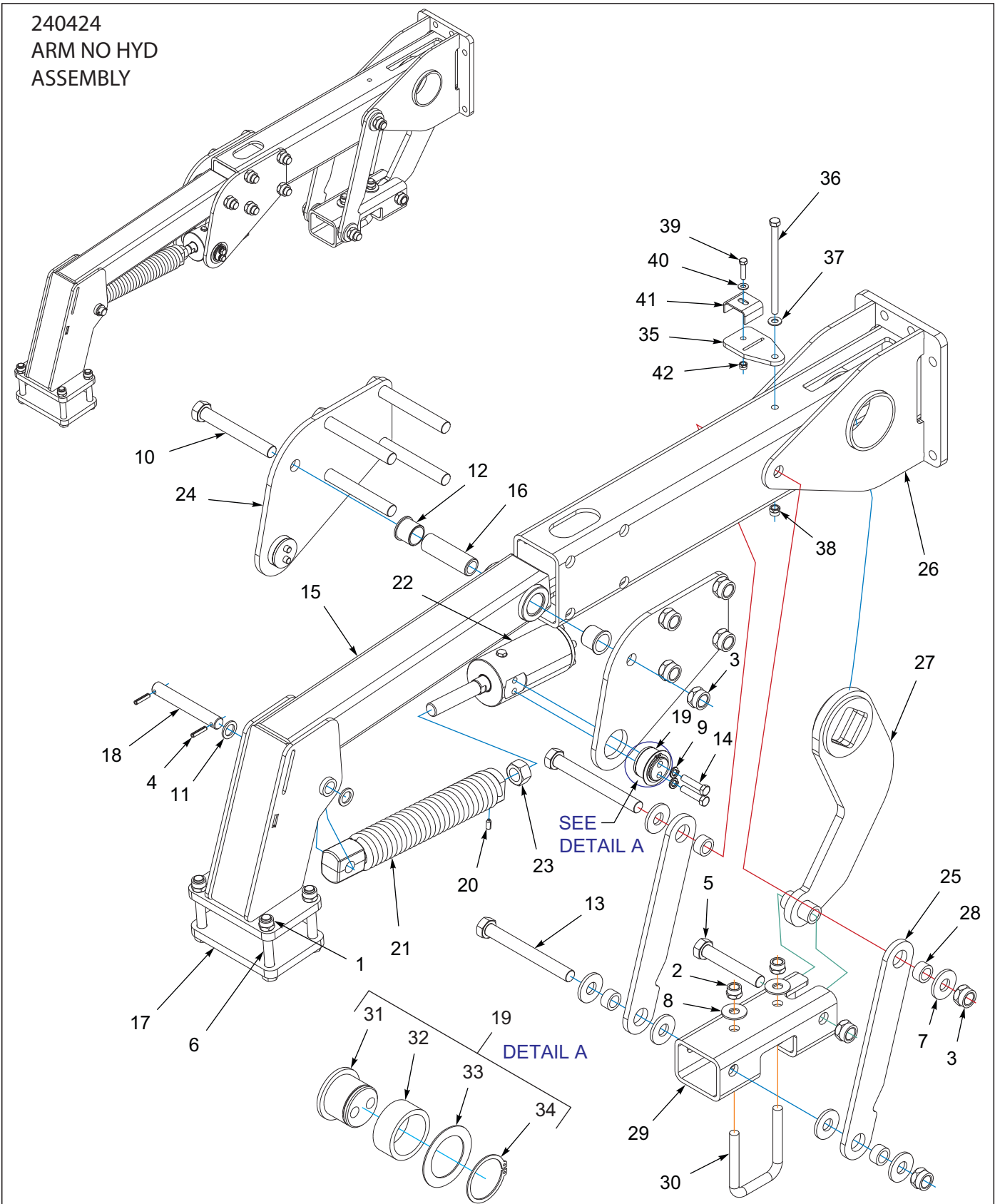


Figure 9-13: Arm No Hyd Assembly

## Arm No Hyd Assembly

| ITEM | PART NUMBER     | DESCRIPTION   | QTY. |
|------|-----------------|---|------|
| --   | 240424          | ASSY, ARM NO HYD <b>(INCLUDES ITEMS 1-30)</b>         |      |
| 1    | 1-512-010002-16 | NUT,3/4-16 HEX,SLFLKG, GRC                            | 5    |
| 2    | 1-512-010005-15 | NUT,HEX,SLFLKG GRB 3/4-10                             | 2    |
| 3    | 1-512-010005-19 | NUT 1-8 HEX SLF-LOCKING GRB                           | 8    |
| 4    | 1-647-010004236 | SPRING PIN,SLOTTED 5/16X1-1/2                         | 2    |
| 5    | 1-654-010065-17 | SCREW, HEX CAP, 1-8UNCX6, GR5                         | 1    |
| 6    | 1-654-010087-16 | SCREW,HEX CAP,3/4-16X5.50 GR8                         | 5    |
| 7    | 1-861-010005    | WASHER, SPINDLE 1                                     | 6    |
| 8    | 1-861-010032-21 | WASHER, FLAT 3/4 W ZP/CD                              | 2    |
| 9    | 1-861-010034-13 | WASHER, LKG HLCL SPR, 1/2                             | 4    |
| 10   | 100856          | SCREW,HHCS,1-8X7-1/2 GR5                              | 5    |
| 11   | 117957          | MACHINERY BUSHING,ZINC PLATED                         | 2    |
| 12   | 140599          | BEARING, FLANGE 1-1/2"                                | 2    |
| 13   | 154888          | SCREW HEX CAP, 1-8UNCX9 GR5                           | 2    |
| 14   | 169690          | SCREW HXCP1/2-13UNCX2-1/4 G5                          | 4    |
| 15   | 170851          | ARM WLDMT REEL  | 1    |
| 16   | 170852          | BUSHING, PIVOT - 5                                    | 1    |
| 17   | 170862          | PLATE, GANGBAR MOUNT                                  | 1    |
| 18   | 172526          | PIN PIVOT   | 1    |
| 19   | 198321          | ASSY, TRUNION MOUNT 1-5/8"                            | 2    |
| 20   | 1P444           | SET SCREW, 3/8-16 X 3/4 NYLON                         | 1    |
| 21   | 206652          | SPRING ASSY 17" 1-1/8 THD                             | 1    |
| 22   | 206672          | CYL ASM 2-1/2X3-1/2ST1-1/8THDS <b>(SEE PAGE 6-12)</b> | 1    |
| 23   | 206675          | NUT, 1-1/8 -12 UNF, Z/P GR 2                          | 1    |
| 24   | 223473          | PLATE, SPRING MOUNT                                   | 2    |
| 25   | 240409          | LINK, PARALLEL ARM                                    | 2    |
| 26   | 240421          | ARM, DISC LEVEL NO CYL                                | 1    |
| 27   | 240428          | ARM, DISC LIFT  | 1    |
| 28   | 240431          | BUSHING, PIVOT 3/4 L                                  | 4    |
| 29   | 241880          | TUBE MOUNT, GANG BAR                                  | 1    |
| 30   | 3J451           | U-BOLT 3/4-10 X 4 X 4                                 | 1    |
| 31   | 188528          | TRUNION, CYLINDER                                     | 1    |
| 32   | 188531          | TRUNION, BEARING                                      | 1    |
| 33   | 109895          | WASHER,3ODX2-1/16X14GA                                | 1    |
| 34   | 188530          | SNAP RING, 2 SHAFT                                    | 1    |
| 35   | 225198          | PLATE, HOSE MOUNT                                     | 1    |
| 36   | 1-654-010055-22 | SCREW HEX CAP 1/2-13X8-1/2                            | 4    |
| 37   | 1-861-010032-14 | WASHER, FLAT 1/2" N ZP/CD                             | 1    |
| 38   | 1-512-010005-09 | NUT,HEX,SLFLKG, 1/2-13 GRB                            | 1    |
| 39   | 1-654-010051-07 | SCREW,HEX CAP,3/8-16UNCX1-1/2                         | 1    |
| 40   | 1-861-010032-10 | WASHER, FLAT 3/8" N ZP/CD                             | 1    |
| 41   | 2-181-010001    | HOSE CLAMP  | 1    |
| 42   | 1-512-010005-05 | NUT, HEX, SLFLKG GRB 3/8-16                           | 1    |

# Disc Leveler Mount Assembly

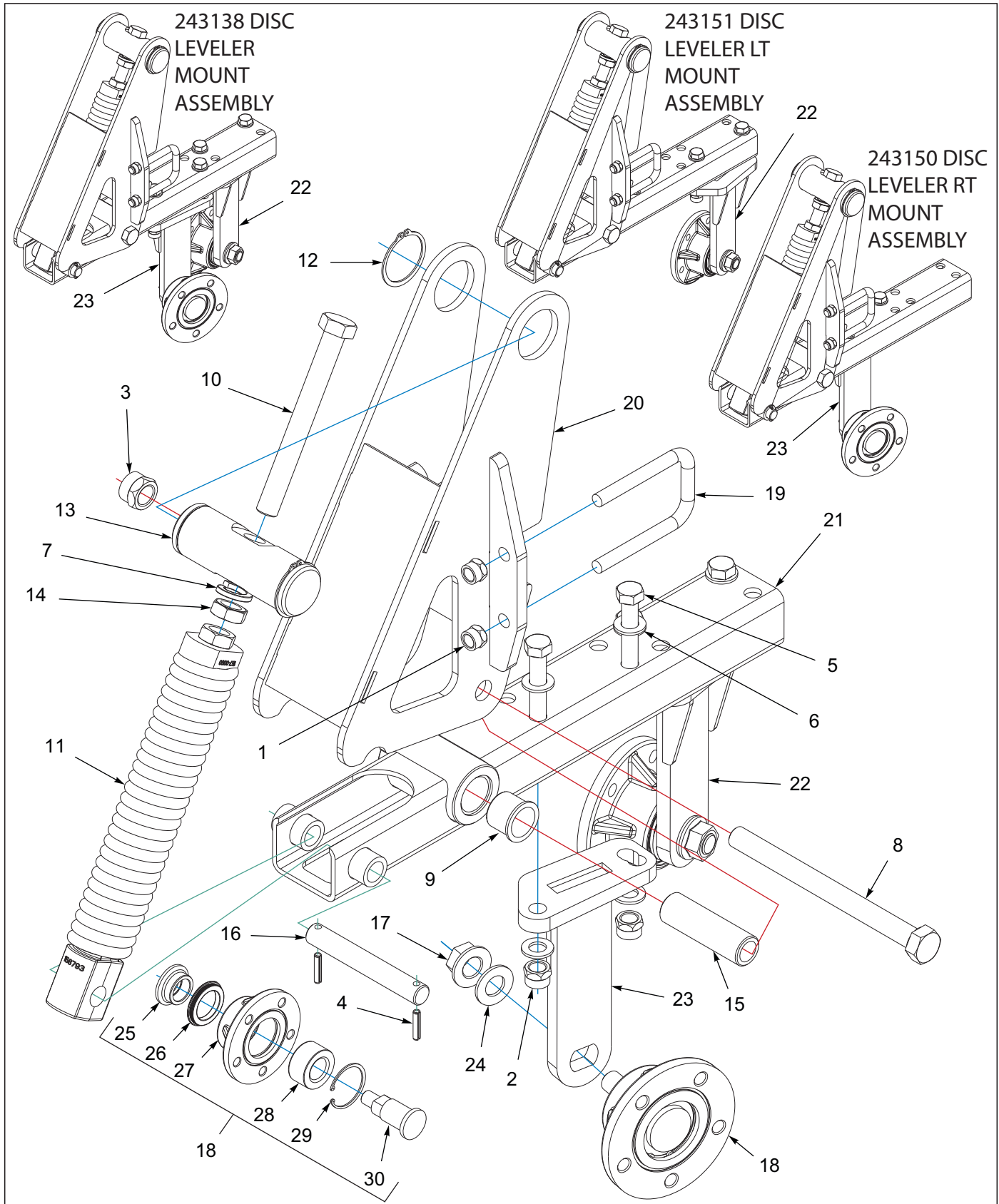


Figure 9-14: Disc Leveler Mount Assembly



## Disc Leveler Mount Assembly

| ITEM | PART NUMBER     | DESCRIPTION                   | QTY. |    |    |
|------|-----------------|-------------------------------|------|----|----|
| --   | 243138          | ASSY MOUNT, DISC LEVELER      | *    |    |    |
| --   | 243151          | ASSY MOUNT, DISC LEVELER-LT   |      | *  |    |
| --   | 243150          | ASSY MOUNT, DISC LEVELER-RT   |      |    | *  |
| 1    | 1-512-010005-13 | NUT,HEX SLFLKG GRB 5/8-11     | 4    | 4  | 4  |
| 2    | 1-512-010005-15 | NUT,HEX,SLFLKG GRB 3/4-10     | 4    | 4  | 4  |
| 3    | 1-512-010005-19 | NUT 1-8 HEX SLF-LOCKING GRB   | 1    | 1  | 1  |
| 4    | 1-647-010004236 | SPRING PIN,SLOTTED 5/16X1-1/2 | 2    | 2  | 2  |
| 5    | 1-654-010061-15 | SCREW,HX CP 3/4-10UNCX5 GR5   | 2    | 2  | 2  |
| 6    | 1-861-010032-20 | WASHER, FLAT,3/4 N ZP/CD      | 8    | 8  | 8  |
| 7    | 1-861-010034-21 | WASHER, LKG HEL SPRG 1IN      | 1    | 1  | 1  |
| 8    | 100856          | SCREW,HHCS,1-8X7-1/2 GR5      | 1    | 1  | 1  |
| 9    | 140599          | BEARING, FLANGE 1-1/2"        | 2    | 2  | 2  |
| 10   | 152210          | BOLT, ADJ, 1 X 9              | 1    | 1  | 1  |
| 11   | 158795          | SPRING ASSY, 17"              | 1    | 1  | 1  |
| 12   | 158896          | SNAP RING, 2-1/2 SHAFT        | 2    | 2  | 2  |
| 13   | 160199          | PIN, ADJ 7-/14 W/SNAP RING    | 1    | 1  | 1  |
| 14   | 163111          | NUT 1-8 HEX JAM               | 2    | 2  | 2  |
| 15   | 170852          | BUSHING, PIVOT - 5            | 1    | 1  | 1  |
| 16   | 172526          | PIN PIVOT                     | 1    | 1  | 1  |
| 17   | 174732          | NUT, FLG HD, TOPLOCK, 1-8 UNC | 1    | 1  | 1  |
| 18   | 185742          | HUB ASSY HSL DISC             | 2    | 2  | 2  |
| 19   | 2-102-010054    | U-BOLT                        | 2    | 2  | 2  |
| 20   | 243139          | MOUNT, SPRING TOWER           | 1    | 1  | 1  |
| 21   | 243142          | ARM WELDMENT, COVER DISC      | 1    | 1  | 1  |
| 22   | 243145          | MOUNT, BRG RT                 | 1    | 1  | -- |
| 23   | 243146          | MOUNT, BRG LT                 | 1    | -- | 1  |
| 24   | 622-3511-010    | WASHER, FLAT 1" MIL-CARB SAE  | 1    | 1  | 1  |
| 25   | 188757          | BUSHING-SPINDLE MOUNT         | 1    | 1  | 1  |
| 26   | 185757          | SEAL, MAINT FREE HUB HSL      | 1    | 1  | 1  |
| 27   | 185740          | HUB-DISC, HSL CAST            | 1    | 1  | 1  |
| 28   | 174526          | BEARING, DOUBLE TAPER RLLR    | 1    | 1  | 1  |
| 29   | 174532          | INTERNAL SNAP RING            | 1    | 1  | 1  |
| 30   | 174523          | BOLT-SPINDLE, DISC, HSL       | 1    | 1  | 1  |

# Disc Lev/Hyd Flat Reel/Gangbar Assembly

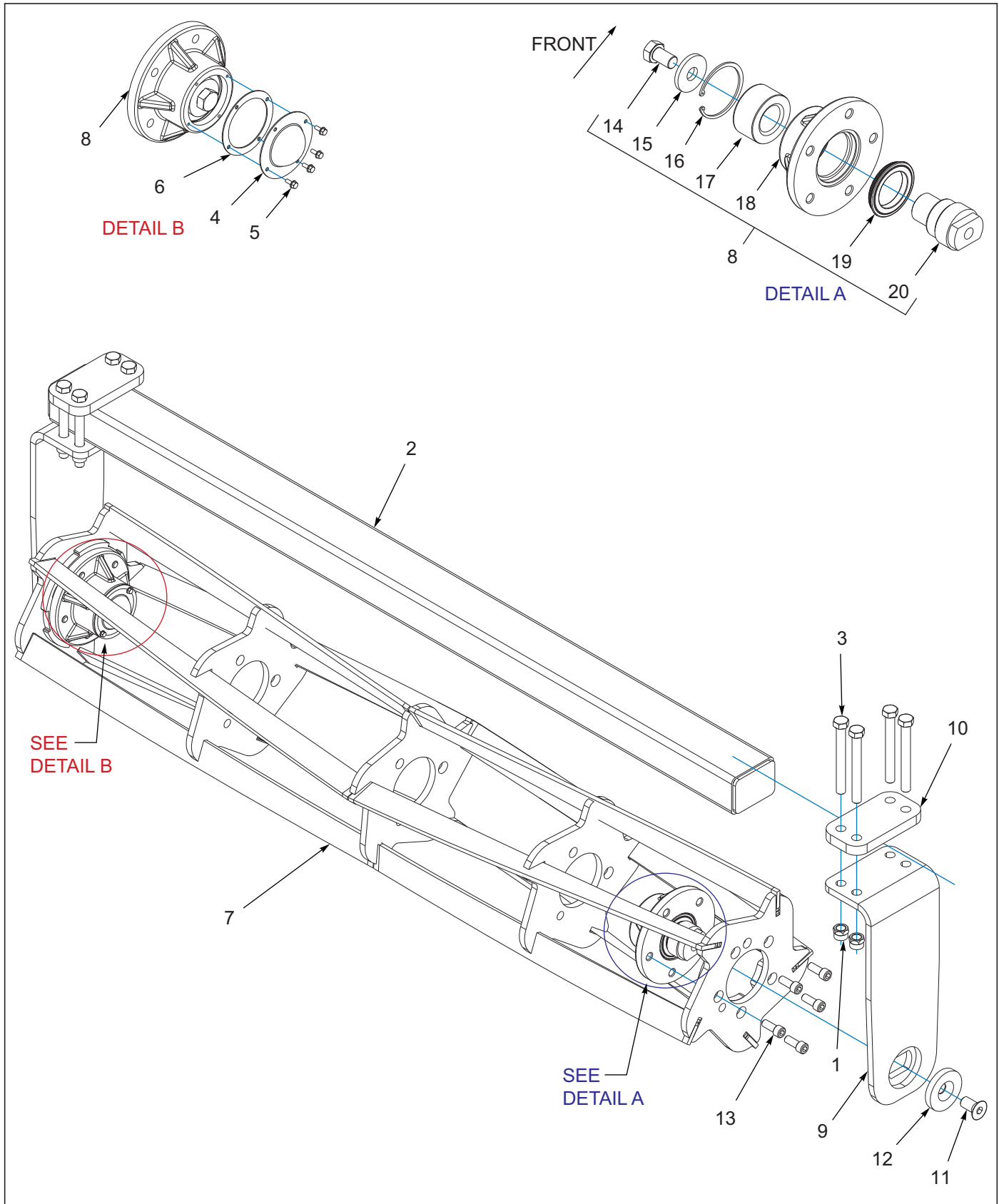


Figure 9-15: Disc Lev/Hyd Flat Reel/Gangbar Assembly

## Disc Lev/Hyd Flat Reel/Gangbar Assembly

| ITEM | PART NUMBER     | DESCRIPTION                    | QTY. |    |    |
|------|-----------------|--------------------------------|------|----|----|
| --   | 241840          | ASSY, 64" REEL/GANGBAR         | *    |    |    |
| --   | 241841          | ASSY, 75" REEL/GANGBAR         |      | *  |    |
| --   | 241845          | ASSY, 97" REEL/GANGBAR         |      |    | *  |
| 1    | 1-512-010005-13 | NUT,HEX SLFLKG GRB 5/8-11      | 8    | 8  | 8  |
| 2    | 154655          | GANGBAR WLDMT 65" - 55" REEL   | 1    | -- | -- |
| 2    | 241851          | GANG BAR, 76"                  | --   | 1  | -- |
| 2    | 154657          | GANGBAR 96-1/2" - REEL 86-1/2" | --   | -- | 1  |
| 3    | 167646          | SCREW,HX CP,5/8-11UNCX5-1/2GR8 | 8    | 8  | 8  |
| 4    | 223437          | DUST CAP, BOLT ON              | 2    | 2  | 2  |
| 5    | 223438          | SCREW, 10-32X1/2 HEX FLANGE    | 8    | 8  | 8  |
| 6    | 223439          | GASKET, DUST CAP               | 2    | 2  | 2  |
| 7    | 240433          | REEL 13" DIA, CHEVRON FLAT 64" | 1    | -- | -- |
| 7    | 240443          | REEL 13" DIA, CHEVRON FLAT,75" | --   | 1  | -- |
| 7    | 240436          | REEL 13" DIA, CHEVRON FLAT 97" | --   | -- | 1  |
| 8    | 240460          | ASSY, REEL HUB                 | 2    | 2  | 2  |
| 9    | 240464          | MOUNT, REEL BRG                | 2    | 2  | 2  |
| 10   | 241870          | PLATE, REEL MOUNT              | 2    | 2  | 2  |
| 11   | 243123          | SCREW, SKT FL CTSK3/4-10X1-1/2 | 2    | 2  | 2  |
| 12   | 243124          | WASHER, REEL                   | 2    | 2  | 2  |
| 13   | 243125          | SCREW, HEX SOCKET,1/2-13X1-1/4 | 10   | 10 | 10 |
| 14   | 129263          | SCREW HEX CAP 3/4-10 X 1-1/4   | 2    | 2  | 2  |
| 15   | 200259          | WASHER, 3/4 HEAVY - 2-1/4      | 2    | 2  | 2  |
| 16   | 174532          | INTERNAL SNAP RING             | 2    | 2  | 2  |
| 17   | 174526          | BEARING, DOUBLE TAPER RLLR     | 2    | 2  | 2  |
| 18   | 240461          | HUB, REEL                      | 2    | 2  | 2  |
| 19   | 185757          | SEAL, MAINT FREE HUB HSL       | 2    | 2  | 2  |
| 20   | 241878          | SPINDLE, REEL                  | 2    | 2  | 2  |

# Disc Lev/Hyd RL Assembly 2411AFG-07-09

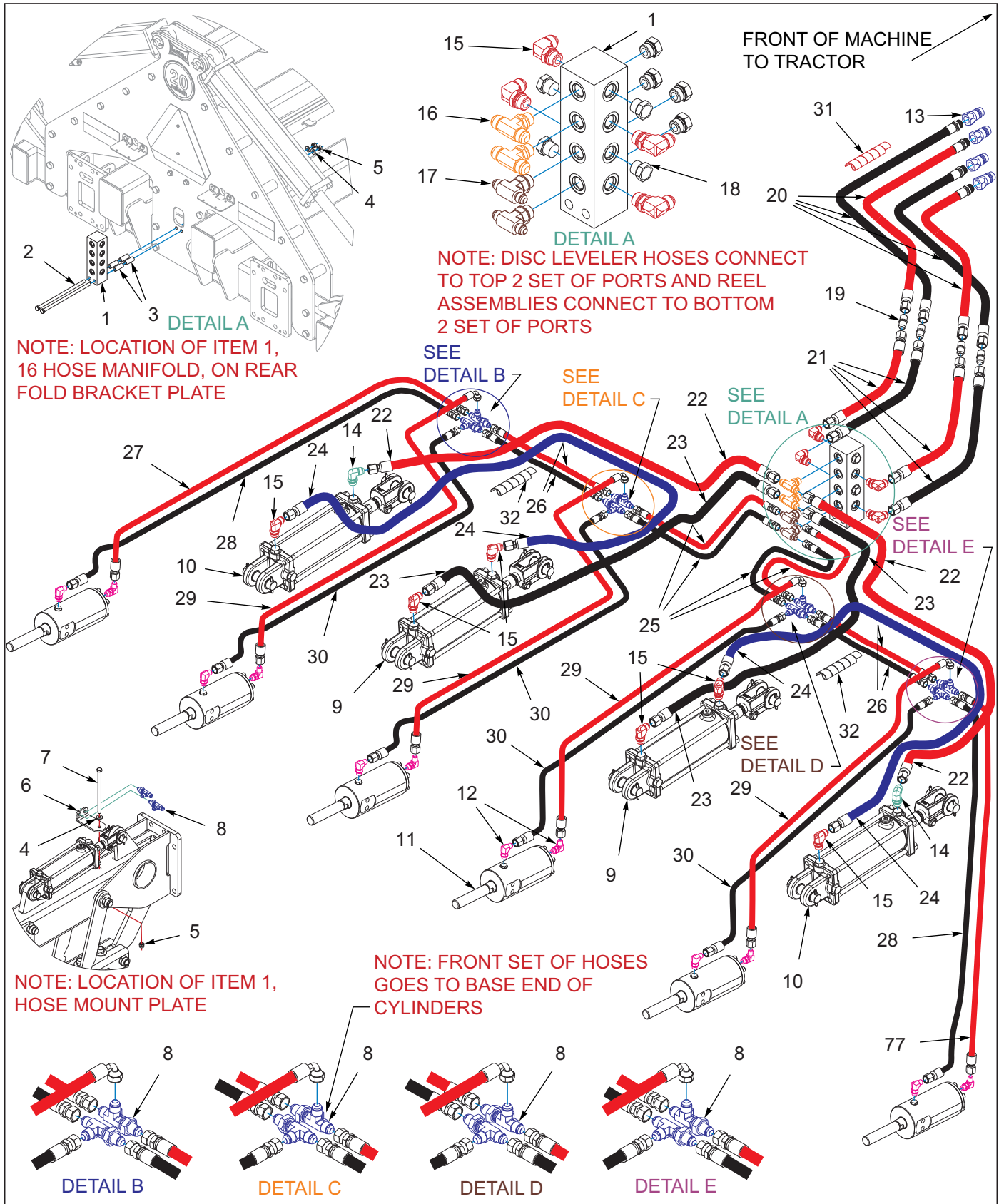


Figure 9-16: Disc Lev/Hyd RL Assembly 2411AFG-07-09

## Disc Lev/Hyd RL Assembly 2411AFG-07-09

| ITEM | PART NUMBER     | DESCRIPTION                                    | QTY. |
|------|-----------------|--|------|
| 1    | 141594          | MANIFOLD, HYDRAULIC 16 PORT                    | 1    |
| 2    | 167638          | SCREW, HX CP, 1/2-13UNCX12GR5                  | 2    |
| 3    | 172519          | TUBE RD .75 X .532 X 1.875 ZP                  | 4    |
| 4    | 1-861-010032-14 | WASHER, FLAT 1/2" N ZP/CD                      | 6    |
| 5    | 1-512-010005-09 | NUT,HEX,SLFLKG, 1/2-13 GRB                     | 6    |
| 6    | 240395          | PLATE, HOSE MOUNT                              | 4    |
| 7    | 1-654-010055-22 | SCREW HEX CAP 1/2-13X8-1/2                     | 4    |
| 8    | 162569          | TEE,#6 JIC BULKHD RUN, W/NUT                   | 8    |
| 9    | 145203          | CYLINDER 3-1/2 X 8 REPHASE (SEE PAGE 6-7)      | 2    |
| 10   | 145204          | CYLINDER 3-1/4 X 8 REPHASE (SEE PAGE 6-9)      | 2    |
| 11   | 206672          | CYL ASM 2-1/2X3-1/2ST1-1/8THDS (SEE PAGE 6-12) | 6    |
| 12   | 2062-6-6S       | ADAPTER, 90, #6SAE X #6 JIC                    | 12   |
| 13   | 141828          | COUPLER,MALE 3/4-16 O-RING                     | 4    |
| 14   | 141826          | ELBOW 90 1/16 RES                              | 2    |
| 15   | 2062-8-8S       | ADAPTER, 90, #8 O-RING-TUBE                    | 10   |
| 16   | 203003-8-8S     | ADAPTER,TEE,#8 O-RING-TUBE                     | 2    |
| 17   | 139347          | ADT TEE #6 JIC X #8 O-RING                     | 2    |
| 18   | 1-007-010025    | PLUG, 3/4-16 O-RING BOSS                       | 8    |
| 19   | 148338          | FITTING, UNION SAE 37 8X8                      | 4    |
| 20   | 202902          | HOSE ASSY,3/8X235,#8FJSX#8MOR                  | 4    |
| 21   | 167556          | HOSE ASSY 3/8X232 #8JIC SWIV                   | 4    |
| 22   | 116490          | HOSE ASSY 3/8X78 #8 JIC SW                     | 2    |
| 23   | 71508982        | HOSE ASSY 3/8 X 36                             | 2    |
| 24   | 153843          | HOSE ASSY 3/8X67 #8 JIC SWIV                   | 2    |
| 25   | 176930          | HOSE ASSY, 1/4 X 28 #6 JIC STR                 | 4    |
| 26   | 176929          | HOSE ASSY, 1/4 X 24 #6 JIC STR                 | 4    |
| 27   | 172978          | HOSE ASSY, 1/4 X 94 #6 JIC STR                 | 2    |
| 27   | 71509124        | HOSE ASSY 1/4 #6 JIC (2X) 116"                 | 2    |
| 28   | 71509004        | HOSE .25 X 98                                  | 2    |
| 28   | 71600529        | HOSE ASSY .25X120"                             | 2    |
| 29   | 243040          | HOSE ASSY 1/4 X 38 #6JICSTR-90                 | 4    |
| 30   | 172999          | HOSE ASSY, 1/4 X 42 #6 JIC STR                 | 4    |
| 31   | 172973          | HOSE WRAP, RED                                 | 1    |
| 32   | 155530          | HOSE WRAP, BLACK 1" ID X 8"                    | 2    |

# Glossary

For clarity this glossary of industry standard abbreviations and their definitions are provided. For additional information, see instruction on the inside front cover or the last page of this manual.

## A

**ASM** ..... Assembly

## B

**BATT** ..... Battery  
**BHSC** ..... Button Head Socket Cap  
**BLK** ..... Black

## C

**CB** ..... Carriage Bolt  
**CONN** ..... Connector  
**CRG** ..... Carriage  
**CTSK** ..... Countersunk  
**CTWT** ..... Counterweight  
**CVR** ..... Cover  
**CYD** ..... Cylinder

## D

**DBL** ..... Double  
**DIA** ..... Diameter

## E

**ENCLSD** ..... Enclosed

## F

**FHCS** ..... Flanged Head Cap Screw  
**FHHCS** ..... Flanged Hex Head Cap Screw  
**FL OR FLG** ..... Flange  
**FLT** ..... Flat

## G

**GA** ..... Gauge

## H

**HHCS** ..... Hex Head Cap Screw  
**HCS** ..... High Carbon Steel  
**HD** ..... Head  
**HLCL** ..... Helical  
**HCSKT** ..... Hex Socket  
**HSFC** ..... Hex Socket Flat Countersunk  
**HYD** ..... Hydraulic

## I

**ID** ..... Inside Diameter

## L

**LH** ..... Lefthand  
**LKG OR LOCK** ..... Locking  
**LWR** ..... Lower

## M

**MANF** ..... Manifold  
**MNT** ..... Mount

## N

**NRW** ..... Narrow  
**NSS** ..... Not Serviced Separately

## O

**OD** ..... Outside Diameter  
**OHG** ..... Overhead Guard  
**ORFS OR ORS** ..... O-Ring Seal  
**ORP OR ORB** ..... O-Ring Boss

## P

**P-STEER** ..... Power Steering  
**PTFE** ..... Polytetrafluoroethylene (Teflon)

---

**R**

---

**RH** ..... Righthand  
**RND** ..... Round

**S**

---

**SER** ..... Series  
**SHCS** ..... Socket Head Cap Screw  
**SHLD** ..... Shield  
**SKT** ..... Socket  
**SLFLKG** ..... Selflocking  
**SOC** ..... Socket  
**SPDT** ..... Single Pole Double Throw  
**SPR** ..... Spring

**SQ** ..... Square  
**SRTD** ..... Serrated  
**SSCR** ..... Setscrew  
**SST** ..... Stainless Steel  
**STD** ..... Standard

**U**

---

**UPR** ..... Upper

**W**

---

**WHL** ..... Wheel  
**WLD OR WLDMT** ..... Weldment





**Numerics**

|                 |  |
|-----------------|--|
| 1-007-010025    | 5-2, 5-6, 5-8, 5-10, 9-18, 9-34                  |
| 100808          | 2-2, 2-4   |
| 100814          | 9-18   |
| 100825          | 2-2, 2-4   |
| 100855          | 1-12, 1-14                                       |
| 100856          | 9-6, 9-10, 9-26, 9-28, 9-30                      |
| 101385          | 1-24, 3-22                                       |
| 101510          | 4-2, 4-4   |
| 102498          | 1-16, 1-18                                       |
| 102600          | 1-4, 1-16  |
| 102604          | 1-16, 1-18                                       |
| 104358          | 1-2, 1-6, 1-10                                   |
| 104483          | 1-2, 3-24, 9-6, 9-10, 9-22, 9-24                 |
| 105272          | 1-6, 1-12, 1-24                                  |
| 105874          | 7-4, 7-6   |
| 107491          | 9-24   |
| 108628          | 1-20, 1-22                                       |
| 109895          | 9-7, 9-10, 9-26, 9-28                            |
| 111789          | 6-1, 6-3, 6-5, 6-7, 6-9                          |
| 111871          | 6-5  |
| 111962          | 1-16   |
| 114029          | 3-2, 3-8, 3-14                                   |
| 116100          | 1-14, 1-24, 3-20                                 |
| 116435          | 5-10   |
| 116437          | 5-10   |
| 116490          | 9-34   |
| 116492          | 5-8  |
| 117957          | 9-6, 9-10, 9-26, 9-28                            |
| 119035          | 1-6, 1-12  |
| 120876          | 1-10   |
| 122709          | 2-6, 3-20, 3-22                                  |
| 122917          | 1-20, 1-22                                       |
| 123550          | 5-6  |
| 124130          | 5-2  |
| 124511          | 5-2, 5-4   |
| 125566          | 6-7, 6-9   |
| 126108          | 3-2, 3-8, 3-14                                   |
| 126368          | 3-20   |
| 127351          | 4-2, 4-4   |
| 128874          | 1-6, 1-12  |
| 129263          | 9-32   |
| 1-298-010001-1  | 2-5, 2-7   |
| 137486          | 5-2, 5-4, 5-6                                    |
| 137599          | 5-10   |
| 137600          | 5-6  |
| 137931          | 2-5  |
| 137943          | 9-14   |
| 138567          | 4-2, 4-4   |
| 139139          | 2-5  |
| 139347          | 9-18, 9-34                                       |
| 1-397-010301090 | 5-4  |
| 1400548         | 5-6  |
| 140464          | 3-2, 3-8, 3-14, 9-14                             |
| 140465          | 3-6, 3-12, 3-18                                  |
| 140466          | 3-6, 3-12, 3-18                                  |
| 140467          | 3-6, 3-12, 3-18                                  |
| 140469          | 3-2, 3-8, 3-14                                   |
| 140473          | 3-2, 3-8, 3-14, 9-14                             |
| 140475          | 3-2, 3-8, 3-14, 9-14                             |
| 140476          | 3-2, 3-8, 3-14, 9-14                             |
| 140477          | 3-2, 3-8, 3-14, 9-14                             |
| 140479          | 3-2, 3-8, 3-14, 9-14                             |
| 140480          | 3-2, 3-8, 3-14, 9-14                             |
| 140481          | 3-2, 3-4, 3-6, 3-8, 3-10, 3-12, 3-14, 3-16, 3-18 |
| 140482          | 3-2, 3-4, 3-6, 3-8, 3-10, 3-12, 3-14, 3-16, 3-18 |
| 140483          | 3-2, 3-8, 3-14                                   |
| 140484          | 3-2, 3-8, 3-14                                   |
| 140485          | 3-2, 3-8, 3-14                                   |

|        |  |         |                            |
|--------|--|---------|----------------------------|
| 140487 | 3-2, 3-8, 3-14                                   | 143994  | 6-3, 6-5, 6-7, 6-9         |
| 140488 | 3-2, 3-4, 3-6, 3-8, 3-10, 3-12, 3-14, 3-16, 3-18 | 144048  | 1-20, 1-22                 |
| 140490 | 3-2, 3-8, 3-10, 3-12, 3-14, 3-16, 3-18           | 144115  | 2-2, 2-4, 3-20, 3-22       |
| 140491 | 3-2, 3-8, 3-10, 3-12, 3-14, 3-16, 3-18           | 144193  | 8-4                        |
| 140519 | 1-4, 1-14  | 144342  | 9-18                       |
| 140533 | 1-2, 1-6, 1-10                                   | 144351  | 8-4                        |
| 140599 | 2-6, 9-6, 9-10, 9-26, 9-28, 9-30                 | 144449  | 3-20, 3-22                 |
| 140610 | 2-6  | 144451  | 3-20                       |
| 140647 | 2-2, 2-4   | 144457  | 4-2, 4-4                   |
| 140649 | 2-6  | 144461  | 3-20, 3-22                 |
| 141154 | 3-2, 3-8, 3-14                                   | 144493  | 2-2, 2-4                   |
| 141234 | 1-4, 1-14  | 145196  | 3-20, 3-22                 |
| 141244 | 3-20   | 145201  | 3-20, 3-22, 5-8, 5-10, 6-3 |
| 141249 | 2-2, 2-4   | 145201M | 6-4                        |
| 141250 | 2-8  | 145202  | 3-20, 3-22, 5-8, 5-10, 6-5 |
| 141251 | 4-2, 4-4   | 145202M | 6-6                        |
| 141259 | 8-4  | 145203  | 6-7, 9-26, 9-34            |
| 141260 | 8-4  | 145203M | 6-8                        |
| 141263 | 3-20, 3-22, 8-4                                  | 145204  | 6-9, 9-26, 9-34            |
| 141266 | 3-20   | 145204M | 6-10                       |
| 141301 | 6-3, 6-5   | 147070  | 1-2, 1-6, 1-10             |
| 141594 | 9-34   | 147072  | 4-2, 4-4                   |
| 141597 | 8-4  | 147123  | 5-6                        |
| 141826 | 5-6, 5-8, 5-10, 9-34                             | 147582  | 5-6                        |
| 141828 | 5-6, 5-8, 5-10, 9-18, 9-20, 9-34                 | 147585  | 9-18                       |
| 141871 | 3-4, 3-10, 3-16                                  | 147586  | 5-10                       |
| 141888 | 5-8  | 147745  | 6-3                        |
| 142109 | 6-3  | 147748  | 6-5                        |
| 142110 | 6-3, 6-5   | 148085  | 6-7                        |
| 142112 | 6-3, 6-5, 6-7, 6-9                               | 148087  | 6-7, 6-9                   |
| 142114 | 6-3  | 148088  | 6-7, 6-9                   |
| 142116 | 6-5  | 148089  | 6-7                        |
| 142194 | 2-8  | 148092  | 6-9                        |
| 142660 | 3-6, 3-12, 3-18                                  | 148094  | 6-9                        |
| 142662 | 3-6, 3-12, 3-18                                  | 148337  | 9-14                       |
| 142704 | 3-16   | 148338  | 9-34                       |
| 142753 | 1-2, 1-6, 1-12                                   | 148363  | 3-2, 3-8, 3-14             |
| 143988 | 3-2, 3-8, 3-14                                   | 148364  | 3-2, 3-8, 3-14             |

---

|                 |   |                 |                            |
|-----------------|---|-----------------|----------------------------|
| 148382          | 1-24  | 153709          | 3-2, 3-8, 3-14             |
| 149010          | 9-18, 9-20  | 153716          | 9-14                       |
| 149193          | 3-22  | 153842          | 5-6                        |
| 149582          | 2-6   | 153843          | 9-34                       |
| 149591          | 3-4, 3-6  | 154140          | 9-15                       |
| 149592          | 3-4, 3-6, 3-10, 3-12  | 154184          | 9-14, 9-15                 |
| 149593          | 3-10, 3-12  | 154185          | 9-14                       |
| 149594          | 3-16, 3-18  | 154186          | 9-14                       |
| 149595          | 3-16, 3-18  | 154393          | 9-14                       |
| 149603          | 3-4, 3-6  | 154409          | 9-4, 9-14                  |
| 149604          | 3-10, 3-12  | 154655          | 9-32                       |
| 149605          | 3-4, 3-6  | 154657          | 9-32                       |
| 149606          | 3-10, 3-12, 3-16, 3-18  | 154658          | 9-14                       |
| 149608          | 3-16, 3-18  | 154888          | 9-26, 9-28                 |
| 150231          | 3-2, 3-4, 3-6, 3-8, 3-10, 3-12, 3-14, 3-16, 3-18  | 154993          | 9-12                       |
| 150232          | 3-2, 3-4, 3-6, 3-8, 3-10, 3-12, 3-14, 3-16, 3-18  | 154994          | 9-12                       |
| 150244          | 4-2, 4-4  | 154995          | 9-12                       |
| 1-510-010003-09 | 9-12  | 154998          | 9-12                       |
| 1-512-010002-16 | 1-6, 1-12, 1-24, 4-2, 4-4, 9-6, 9-10, 9-26, 9-28  | 155523          | 8-4                        |
| 1-512-010005-01 | 1-2, 1-6, 1-12, 2-2, 2-4, 7-4, 7-6  | 155528          | 5-2, 5-4                   |
| 1-512-010005-03 | 1-4, 1-14, 1-20, 1-22   | 155529          | 5-6                        |
| 1-512-010005-05 | 1-2, 1-6, 1-10, 1-24, 2-2, 2-4, 3-22, 9-26, 9-28  | 155530          | 9-34                       |
| 1-512-010005-09 | 1-2, 1-4, 1-6, 1-10, 1-12, 1-14, 3-2, 3-8, 3-14, 3-20, 3-22, 4-2, 4-4, 7-4, 7-6, 9-6, 9-10, 9-12, 9-15, 9-18, 9-20, 9-26, 9-28, 9-34      | 155544          | 9-14                       |
| 1-512-010005-13 | 1-4, 1-14, 1-20, 1-22, 4-2, 4-4, 9-14, 9-30, 9-32   | 155617          | 3-4, 3-6, 3-12, 3-16, 3-18 |
| 1-512-010005-15 | 1-2, 1-4, 1-6, 1-10, 1-12, 1-14, 1-24, 2-2, 2-4, 2-6, 3-2, 3-8, 3-14, 3-22, 3-24, 3-26, 4-2, 4-4, 9-6, 9-10, 9-22, 9-24, 9-26, 9-28, 9-30 | 155618          | 3-6, 3-10, 3-12, 3-18      |
| 1-512-010005-17 | 1-2, 1-10, 1-12, 7-4  | 1-557-010013    | 9-6, 9-10                  |
| 1-512-010005-19 | 1-6, 1-12, 1-24, 2-2, 2-4, 3-20, 4-2, 4-4, 9-6, 9-10, 9-26, 9-28, 9-30  | 1-557-010362-51 | 1-16, 1-18                 |
| 1-512-010007-07 | 2-2, 2-4  | 1-557-010403    | 1-2, 1-6, 1-10             |
| 1-512-010007-16 | 2-2, 2-4  | 155927          | 9-12                       |
| 1-516-010001-20 | 1-16, 1-18  | 155956          | 3-20, 3-22, 9-12           |
| 152210          | 9-30  | 155971          | 9-12                       |
| 153696          | 2-2, 2-4  | 156010          | 8-4                        |
|                 |   | 156950          | 2-2, 2-4                   |
|                 |   | 156973          | 1-16                       |
|                 |   | 156979          | 1-16                       |
|                 |   | 1-573-010006    | 8-4                        |
|                 |   | 158299          | 9-6, 9-10                  |
|                 |   | 158795          | 9-30                       |

---

|                       |                                  |                       |                                 |
|-----------------------|----------------------------------|-----------------------|---------------------------------|
| 158896 .....          | 9-30                             | 1-654-010051-09 ..... | 1-2                             |
| 159569 .....          | 5-6                              | 1-654-010051-15 ..... | 2-2, 2-4                        |
| 160161 .....          | 3-2, 3-8, 3-14                   | 1-654-010055-03 ..... | 3-20, 3-22, 7-4                 |
| 160199 .....          | 9-30                             | 1-654-010055-05 ....  | 1-4, 1-14, 3-2, 3-8, 3-14, 9-15 |
| 161530 .....          | 3-10, 3-12, 3-16, 3-18           | 1-654-010055-09 ..... | 7-4, 7-6, 9-12                  |
| 161530A .....         | 3-4, 3-6                         | 1-654-010055-11 ..... | 1-2, 1-6, 1-12                  |
| 162249 .....          | 1-24, 3-24                       | 1-654-010055-13 ..... | 1-7, 1-12                       |
| 162569 .....          | 9-2, 9-4, 9-18, 9-20, 9-26, 9-34 | 1-654-010055-14 ..... | 1-6, 1-10                       |
| 1-630-010021-01 ..... | 1-6, 1-12, 1-24                  | 1-654-010055-15 ..... | 1-4, 9-6, 9-10                  |
| 1-630-010021-03 ..... | 1-20, 1-22                       | 1-654-010055-16 ..... | 9-18                            |
| 163111 .....          | 9-30                             | 1-654-010055-17 ..... | 1-7, 1-12, 7-6, 9-18            |
| 163513 .....          | 5-2, 5-4                         | 1-654-010055-20 ..... | 7-4, 7-6                        |
| 163696 .....          | 1-14                             | 1-654-010055-22 ..... | 3-22, 9-6, 9-26, 9-28, 9-34     |
| 164138 .....          | 7-4                              | 1-654-010059-02 ..... | 9-22, 9-24                      |
| 164139 .....          | 7-4                              | 1-654-010059-05 ..... | 1-4, 1-14                       |
| 164140 .....          | 7-4                              | 1-654-010059-07 ..... | 1-20, 1-22                      |
| 164307 .....          | 5-8                              | 1-654-010059-14 ..... | 4-4                             |
| 164501 .....          | 1-14                             | 1-654-010061-05 ..... | 1-4, 1-14, 2-2, 2-4             |
| 164533 .....          | 1-24, 3-22                       | 1-654-010061-07 ..... | 1-2, 1-4, 1-14, 1-24, 2-6       |
| 164539 .....          | 1-24, 3-22                       | 1-654-010061-13 ..... | 4-2, 4-4                        |
| 164563 .....          | 1-4, 1-14                        | 1-654-010061-15 ..... | 1-4, 1-14, 9-30                 |
| 164565 .....          | 1-24                             | 1-654-010061-19 ..... | 1-2, 1-12                       |
| 1-647-010004221 ..... | 2-5, 6-4, 6-6, 6-8, 6-10         | 1-654-010061-23 ..... | 1-10                            |
| 1-647-010004236 ..... | 9-6, 9-10, 9-26, 9-28, 9-30      | 1-654-010065-17 ..... | 9-26, 9-28                      |
| 1-647-010004240 ..... | 1-14, 1-24, 3-20, 9-6, 9-10      | 1-654-010070-02 ..... | 3-2, 3-8, 3-14, 9-12            |
| 1-647-010004257 ..... | 3-2, 3-8, 3-14                   | 1-654-010070-04 ..... | 3-20, 3-22                      |
| 165257 .....          | 1-4, 1-14                        | 1-654-010070-09 ..... | 1-2                             |
| 165258 .....          | 1-20, 1-22                       | 1-654-010070-11 ..... | 9-12                            |
| 165259 .....          | 1-20, 1-22                       | 1-654-010070-13 ..... | 9-12                            |
| 165260 .....          | 1-20, 1-22                       | 1-654-010070-14 ..... | 9-12                            |
| 165265 .....          | 1-4, 1-14                        | 1-654-010087-16 ..... | 9-6, 9-10, 9-26, 9-28           |
| 165286 .....          | 1-14                             | 1-654-010125-22 ..... | 2-2, 2-4                        |
| 1-654-010032-05 ..... | 9-14                             | 1-655-010001-05 ..... | 4-4                             |
| 1-654-010032-25 ..... | 3-26                             | 166717 .....          | 1-20, 1-22                      |
| 1-654-010047-06 ..... | 1-2, 1-6, 2-2, 2-4, 7-4, 7-6     | 167553 .....          | 1-14                            |
| 1-654-010047-07 ..... | 1-6, 1-12, 7-6                   | 167556 .....          | 9-34                            |
| 1-654-010047-08 ..... | 7-4, 7-6                         | 167638 .....          | 9-34                            |
| 1-654-010051-07 ...   | 1-6, 1-10, 1-24, 9-7, 9-26, 9-28 | 167646 .....          | 9-32                            |

---

|        |                             |        |                             |
|--------|-----------------------------|--------|-----------------------------|
| 168521 | 5-4                         | 172076 | 3-6, 3-12, 3-18             |
| 168762 | 1-4, 1-14                   | 172509 | 3-2, 3-8, 3-14, 3-20, 3-22  |
| 168859 | 1-16                        | 172519 | 1-7, 1-12, 9-18, 9-20, 9-34 |
| 169493 | 4-2, 4-4                    | 172526 | 9-6, 9-10, 9-26, 9-28, 9-30 |
| 169550 | 6-1                         | 172527 | 9-15                        |
| 169575 | 3-4, 3-10, 3-16             | 172528 | 9-14, 9-15                  |
| 169601 | 3-2, 3-8, 3-14              | 172529 | 9-2, 9-14                   |
| 169690 | 9-6, 9-10, 9-26, 9-28       | 172531 | 9-15                        |
| 169749 | 1-14                        | 172581 | 1-6, 1-12, 1-24, 4-2, 4-4   |
| 169752 | 1-14                        | 172724 | 3-2, 3-8, 3-14              |
| 170258 | 1-6, 1-12, 2-2, 2-4         | 172802 | 4-2                         |
| 170260 | 1-14                        | 172814 | 1-10                        |
| 170291 | 1-14, 1-24                  | 172818 | 1-2, 1-12, 7-4              |
| 170292 | 3-24                        | 172819 | 1-12                        |
| 170302 | 1-18                        | 172820 | 1-10                        |
| 170308 | 1-14, 1-18                  | 172882 | 1-2                         |
| 170309 | 1-18                        | 172885 | 1-2                         |
| 170310 | 1-18                        | 172900 | 7-4, 9-20                   |
| 170735 | 9-12                        | 172973 | 5-8, 5-10, 9-18, 9-20, 9-34 |
| 170787 | 9-6, 9-10                   | 172978 | 9-34                        |
| 170844 | 9-6, 9-10                   | 172980 | 9-18                        |
| 170851 | 9-6, 9-10, 9-26, 9-28       | 172999 | 9-34                        |
| 170852 | 9-6, 9-10, 9-26, 9-28, 9-30 | 173000 | 9-18, 9-20                  |
| 170857 | 9-6, 9-10                   | 174267 | 9-18, 9-20                  |
| 170862 | 9-6, 9-10, 9-26, 9-28       | 174404 | 2-2, 2-4                    |
| 170867 | 9-4, 9-12                   | 174435 | 7-4, 7-6                    |
| 171024 | 1-4, 1-14                   | 174436 | 7-4, 7-6                    |
| 171079 | 6-12                        | 174437 | 7-4, 7-6                    |
| 171080 | 6-12                        | 174438 | 7-4, 7-6                    |
| 171081 | 6-12                        | 174439 | 7-4, 7-6                    |
| 171107 | 1-18                        | 174523 | 9-30                        |
| 171394 | 9-6                         | 174526 | 9-30, 9-32                  |
| 171421 | 9-12                        | 174532 | 9-30, 9-32                  |
| 171427 | 9-6, 9-10                   | 174708 | 1-20, 1-22                  |
| 171556 | 1-4, 1-14                   | 174709 | 1-20, 1-22                  |
| 171771 | 1-18                        | 174732 | 9-30                        |
| 171772 | 1-18                        | 176929 | 9-34                        |
| 171773 | 1-14, 1-18                  | 176930 | 9-34                        |

---

|                 |   |                 |  |
|-----------------|---|-----------------|--|
| 176998          | 5-6   | 1-861-010032-24 | 2-2, 2-4   |
| 177030          | 2-2, 2-7  | 1-861-010032-32 | 2-6, 9-6, 9-10                                   |
| 177032          | 2-4, 2-7  | 1-861-010034-13 | 9-6, 9-10, 9-26, 9-28                            |
| 177346          | 1-4, 1-14, 5-2, 5-4, 6-1  | 1-861-010034-15 | 9-22, 9-24                                       |
| 177398          | 2-2, 2-4  | 1-861-010034-17 | 3-2, 3-8, 3-14, 9-14                             |
| 179135          | 2-6   | 1-861-010034-21 | 9-14, 9-30                                       |
| 179145          | 3-22  | 187181          | 2-5  |
| 179146          | 1-6, 1-12   | 187182          | 2-5  |
| 179147          | 1-6, 1-12   | 188038          | 3-22   |
| 179151          | 1-2, 1-6, 1-10  | 188528          | 9-6, 9-10, 9-26, 9-28                            |
| 179177          | 9-4, 9-12   | 188530          | 9-7, 9-10, 9-26, 9-28                            |
| 179178          | 9-4, 9-12   | 188531          | 9-6, 9-10, 9-26, 9-28                            |
| 179763          | 2-2, 2-4  | 188757          | 9-30   |
| 180304          | 9-4, 9-14   | 189451          | 2-2, 2-4, 2-7                                    |
| 180305          | 9-14, 9-15  | 189453          | 2-7  |
| 180306          | 9-14  | 189454          | 2-7  |
| 180310          | 9-15  | 189455          | 2-7  |
| 180483          | 6-1   | 189467          | 2-7  |
| 184053          | 1-2   | 189468          | 2-7  |
| 184780          | 2-2, 2-4  | 18K7            | 5-2, 5-8   |
| 185721          | 3-4, 3-10, 3-12   | 190987          | 1-14   |
| 185722          | 3-10, 3-12  | 191444          | 3-2, 3-4, 3-6, 3-8, 3-10, 3-12, 3-14, 3-16, 3-18 |
| 185723          | 3-16  | 192890          | 3-20, 3-22, 9-26                                 |
| 185724          | 3-4   | 193089          | 1-16   |
| 185740          | 9-30  | 195241          | 9-12   |
| 185742          | 9-30  | 195243          | 9-12   |
| 185757          | 9-30, 9-32  | 195566          | 4-2, 4-4   |
| 185767          | 6-12  | 196334          | 3-22   |
| 1-861-010005    | 1-16, 1-18, 9-26, 9-28  | 196754          | 2-2, 2-4   |
| 1-861-010032-06 | 1-2, 1-6, 1-12  | 196951          | 3-14, 3-16                                       |
| 1-861-010032-10 | 1-2, 1-6, 1-10, 1-24, 2-2, 2-4, 9-7, 9-26, 9-28   | 196956          | 3-16, 3-18                                       |
| 1-861-010032-14 | 1-2, 1-6, 1-10, 1-12, 3-2, 3-8, 3-14, 3-20, 3-22, 7-4, 7-6, 9-6, 9-18, 9-20, 9-26, 9-28, 9-34 | 196957          | 3-16, 3-18                                       |
| 1-861-010032-15 | 1-6, 1-12, 4-2, 4-4, 9-12   | 196958          | 3-16, 3-18                                       |
| 1-861-010032-20 | 1-2, 1-6, 1-10, 1-12, 3-24, 3-26, 9-6, 9-10, 9-22, 9-24, 9-30                                 | 196959          | 3-16, 3-18                                       |
| 1-861-010032-21 | 2-2, 2-4, 9-26, 9-28  | 196966          | 3-24, 3-26                                       |
| 1-861-010032-22 | 1-2, 1-10, 1-12, 7-4  | 196992          | 3-10, 3-12                                       |
|                 |   | 196993          | 3-10, 3-12                                       |
|                 |   | 196994          | 3-10, 3-12                                       |

---

|              |   |              |   |
|--------------|---|--------------|---|
| 196995       | 3-10, 3-12                                    | 2-150-010174 | 1-4, 1-14, 1-24, 3-20, 3-22                     |
| 198034       | 3-2, 3-4, 3-6, 3-8, 3-14                      | 215433       | 7-4   |
| 198043       | 3-14, 3-18                                    | 217560       | 1-4   |
| 198044       | 3-14, 3-18                                    | 217561       | 1-4   |
| 198045       | 3-8, 3-10                                     | 217568       | 1-4   |
| 198046       | 3-8, 3-10                                     | 217570       | 9-12  |
| 198047       | 3-8, 3-12                                     | 217646       | 1-4   |
| 198048       | 3-8, 3-12                                     | 2-181-010001 | 1-2, 1-6, 1-10, 1-24, 2-2, 2-4, 9-7, 9-26, 9-28 |
| 198321       | 9-6, 9-10, 9-26, 9-28                         | 218642       | 6-9   |
| 198351       | 1-4, 1-14                                     | 218643       | 6-7   |
| 1P332        | 9-26  | 218647       | 6-1   |
| 1P444        | 9-6, 9-10, 9-26, 9-28                         | 218785       | 4-2, 4-4  |
| 200259       | 1-2, 9-32                                     | 219776       | 8-4   |
| 202331       | 9-12  | 219795       | 1-4   |
| 202332       | 9-12  | 221412       | 1-2, 1-6, 1-12, 1-24, 4-2, 4-4                  |
| 202700       | 3-14, 3-16                                    | 222674       | 7-4   |
| 202702-10-8S | 5-2, 5-8                                      | 223435       | 1-16  |
| 202702-6-6S  | 9-18, 9-20                                    | 223437       | 1-16, 1-18, 9-32                                |
| 202702-8-8S  | 5-2, 5-4, 5-6, 5-8, 9-20                      | 223438       | 1-16, 1-18, 9-32                                |
| 202843       | 9-22, 9-24                                    | 223439       | 1-16, 1-18, 9-32                                |
| 202902       | 9-34  | 223440       | 1-4, 1-16                                       |
| 203003-8-8S  | 9-34  | 223468       | 9-6   |
| 2061-8-8S    | 5-2, 5-4, 5-8                                 | 223469       | 9-2, 9-4, 9-6                                   |
| 2062-10-8S   | 5-2, 5-4, 5-6                                 | 223470       | 9-2, 9-4, 9-10                                  |
| 2062-6-6S    | 5-6, 9-6, 9-10, 9-18, 9-20, 9-34              | 223471       | 9-10  |
| 2062-8-6S    | 9-20  | 223473       | 9-6, 9-10, 9-26, 9-28                           |
| 2062-8-8S    | 5-4, 5-6, 5-8, 5-10, 9-18, 9-34               | 223525       | 1-4   |
| 206652       | 9-6, 9-10, 9-26, 9-28                         | 223526       | 1-4   |
| 206672       | 6-12, 9-6, 9-10, 9-18, 9-20, 9-26, 9-28, 9-34 | 223528       | 1-4   |
| 206674       | 6-12  | 224589       | 7-4, 8-4  |
| 206675       | 9-6, 9-10, 9-26, 9-28                         | 224590       | 7-4   |
| 207142       | 4-2, 4-4, 8-4                                 | 224747       | 4-2, 4-4  |
| 208765       | 7-4, 7-6                                      | 224748       | 4-2, 4-4  |
| 209252       | 4-2   | 225198       | 9-6, 9-28                                       |
| 2-102-010054 | 9-30  | 226570       | 1-4, 1-14                                       |
| 2-102-010062 | 3-22  | 227189       | 4-2, 4-4  |
| 210879       | 4-2, 4-4                                      | 227191       | 4-2, 4-4  |
| 211328       | 5-8   |              |   |

---

|        |                      |        |                           |
|--------|----------------------|--------|---------------------------|
| 227207 | 4-2, 4-4             | 233375 | 1-2, 1-6, 1-12, 1-24, 4-2 |
| 227210 | 4-2, 4-4             | 233386 | 1-14                      |
| 227265 | 4-2, 4-4             | 234415 | 6-6                       |
| 227272 | 4-2, 4-4             | 234416 | 6-8                       |
| 227303 | 7-4, 7-6             | 234417 | 6-8                       |
| 228224 | 2-2, 2-4, 2-5        | 234418 | 6-8                       |
| 228225 | 2-5                  | 234419 | 6-10                      |
| 228228 | 1-24                 | 234420 | 6-10                      |
| 228247 | 2-2, 2-4             | 234421 | 6-10                      |
| 228255 | 1-4                  | 234718 | 3-22                      |
| 228256 | 1-4                  | 234719 | 3-22                      |
| 228257 | 1-4                  | 234720 | 3-22                      |
| 228258 | 1-14                 | 234721 | 3-22                      |
| 228259 | 1-14                 | 234726 | 3-22                      |
| 229560 | 6-4                  | 234727 | 3-22                      |
| 229561 | 6-4                  | 234728 | 3-22                      |
| 229565 | 6-4, 6-6, 6-8, 6-10  | 234729 | 3-22                      |
| 229933 | 7-4, 7-6             | 234756 | 1-6                       |
| 229977 | 7-4, 7-6             | 234757 | 1-6                       |
| 229981 | 9-6                  | 234758 | 1-6                       |
| 23085  | 3-2, 3-8, 3-14       | 234759 | 1-6, 1-12                 |
| 230890 | 1-6, 1-12, 5-6, 6-11 | 234770 | 2-4                       |
| 231299 | 9-20                 | 234780 | 3-20, 3-22                |
| 231304 | 9-12                 | 234783 | 1-6                       |
| 231792 | 6-4, 6-6, 6-8, 6-10  | 234784 | 1-6, 1-12                 |
| 231802 | 6-6                  | 234790 | 1-6, 1-12                 |
| 231803 | 6-6                  | 234791 | 1-6, 1-12                 |
| 231804 | 6-4                  | 234815 | 1-14, 1-22                |
| 232180 | 8-4                  | 234816 | 1-22                      |
| 233320 | 1-6                  | 234818 | 1-22                      |
| 233321 | 1-24                 | 234819 | 1-4, 1-14                 |
| 233322 | 1-24                 | 234841 | 2-2, 2-4, 2-6             |
| 233324 | 1-24                 | 234842 | 2-6                       |
| 233325 | 1-24                 | 234844 | 2-6                       |
| 233326 | 1-24                 | 234845 | 9-18                      |
| 233327 | 1-24                 | 234855 | 1-24, 5-6, 6-2            |
| 233363 | 4-2                  | 234861 | 2-4                       |
| 233367 | 4-2                  | 234862 | 2-4                       |



|              |                           |        |                |
|--------------|---------------------------|--------|----------------|
| 234864       | 1-7, 7-6                  | 239526 | 1-4            |
| 234865       | 1-6, 1-10, 7-6            | 239539 | 3-20           |
| 234866       | 1-6, 1-10, 7-6            | 239540 | 3-20           |
| 234867       | 7-6                       | 239541 | 3-20           |
| 234869       | 1-7, 1-12, 7-6            | 239542 | 3-20           |
| 234878       | 9-4                       | 239570 | 3-2, 3-6       |
| 234879       | 9-4                       | 239571 | 3-2, 3-6       |
| 234884       | 9-24                      | 239572 | 3-2, 3-4       |
| 234885       | 9-24                      | 239573 | 3-2, 3-4       |
| 234886       | 9-22                      | 239574 | 3-4, 3-6       |
| 234891       | 9-2                       | 239575 | 3-4, 3-6       |
| 236050       | 5-2, 5-4, 5-6, 5-8        | 239576 | 3-4, 3-6       |
| 236051       | 1-7, 1-12, 5-4, 5-6       | 239577 | 3-4, 3-6       |
| 236052       | 1-7, 1-12, 5-6            | 239596 | 1-4, 1-20      |
| 236053       | 1-7, 1-12, 5-6            | 239597 | 1-20           |
| 236056       | 3-22                      | 239598 | 1-20           |
| 236057       | 3-22                      | 240161 | 6-11           |
| 236058       | 3-20, 3-22                | 240288 | 6-1            |
| 236070       | 8-4                       | 240300 | 1-2            |
| 236073       | 3-20, 3-22                | 240301 | 1-2            |
| 2-368-010273 | 7-4, 7-6                  | 240305 | 1-2, 7-4       |
| 2-368-010287 | 2-2, 2-4, 7-4, 7-6        | 240306 | 1-2, 7-4       |
| 237213       | 6-2                       | 240307 | 7-4            |
| 237214       | 6-2                       | 240314 | 4-4            |
| 237215       | 6-2                       | 240317 | 4-4            |
| 237216       | 6-2                       | 240342 | 4-4            |
| 237325       | 5-4                       | 240344 | 9-12           |
| 237326       | 9-20                      | 240345 | 9-2, 9-4, 9-12 |
| 237327       | 9-20                      | 240346 | 9-2, 9-4, 9-12 |
| 237331       | 5-4                       | 240360 | 3-20           |
| 237332       | 5-4                       | 240375 | 3-20           |
| 237333       | 1-7, 1-12, 5-10           | 240376 | 3-20           |
| 237337       | 9-20                      | 240394 | 1-24           |
| 237407       | 3-20, 3-22                | 240395 | 9-26, 9-34     |
| 237410       | 3-20, 3-22                | 240409 | 9-26, 9-28     |
| 239435       | 1-4, 1-14, 5-2, 5-4       | 240418 | 9-22           |
| 239516       | 1-6, 1-12, 1-24, 4-2, 4-4 | 240420 | 9-26           |
| 239520       | 9-22, 9-24                | 240421 | 9-28           |

---

|        |                  |        |           |
|--------|------------------|--------|-----------|
| 240422 | 9-22, 9-24, 9-26 | 241902 | 1-2       |
| 240423 | 9-22, 9-24, 9-26 | 241903 | 1-2       |
| 240424 | 9-22, 9-24, 9-28 | 241904 | 1-2       |
| 240427 | 9-26             | 241909 | 1-2       |
| 240428 | 9-28             | 241914 | 1-2, 7-4  |
| 240431 | 9-26, 9-28       | 241917 | 2-2       |
| 240433 | 9-32             | 241919 | 2-2       |
| 240436 | 9-32             | 241920 | 2-2       |
| 240443 | 9-32             | 241936 | 3-20      |
| 240460 | 9-32             | 241937 | 3-20      |
| 240461 | 9-32             | 241940 | 1-10      |
| 240464 | 9-32             | 241941 | 1-10      |
| 240472 | 9-24             | 241948 | 1-10      |
| 240474 | 9-24             | 241955 | 1-10      |
| 240488 | 1-24             | 241956 | 1-10      |
| 240489 | 1-24             | 241959 | 1-10      |
| 240490 | 1-24             | 241961 | 1-12      |
| 240491 | 1-24             | 241962 | 1-12      |
| 240495 | 1-24             | 241964 | 1-12      |
| 240961 | 6-1              | 241965 | 1-12      |
| 240962 | 6-1              | 241966 | 1-10      |
| 241840 | 9-24, 9-32       | 241967 | 1-10      |
| 241841 | 9-24, 9-32       | 241969 | 1-10      |
| 241845 | 9-22, 9-24, 9-32 | 241974 | 1-2, 1-10 |
| 241851 | 9-32             | 241975 | 1-2       |
| 241870 | 9-32             | 241980 | 4-4       |
| 241878 | 9-32             | 243040 | 9-34      |
| 241880 | 9-26, 9-28       | 243123 | 9-32      |
| 241881 | 9-24             | 243124 | 9-32      |
| 241882 | 9-22, 9-24       | 243125 | 9-32      |
| 241883 | 9-24             | 243128 | 4-4       |
| 241884 | 9-26             | 243130 | 4-4       |
| 241891 | 9-22             | 243131 | 5-2       |
| 241892 | 1-2, 5-2, 5-8    | 243132 | 5-2       |
| 241895 | 1-2              | 243133 | 5-2       |
| 241896 | 1-2              | 243134 | 9-18      |
| 241900 | 1-2              | 243135 | 9-18      |
| 241901 | 1-2              | 243136 | 9-18      |

---

|                       |                               |                    |                    |
|-----------------------|-------------------------------|--------------------|--------------------|
| 243137 .....          | 9-18                          | 7K723 .....        | 1-10               |
| 243138 .....          | 9-22, 9-24, 9-30              | 8-102-010043 ..... | 9-6, 9-10          |
| 243139 .....          | 9-30                          | 8-573-010084 ..... | 8-4                |
| 243142 .....          | 9-30                          | 8-622-010012 ..... | 9-15               |
| 243145 .....          | 9-30                          | 8-622-010016 ..... | 9-15               |
| 243146 .....          | 9-30                          | 900598-10S .....   | 5-2, 5-4, 5-6, 5-8 |
| 243150 .....          | 9-22, 9-24, 9-30              |                    |                    |
| 243151 .....          | 9-22, 9-24, 9-30              | <b>T</b>           |                    |
| 2-474-010022 .....    | 5-6, 5-10, 9-18, 9-20         |                    |                    |
| 2-573-010037 .....    | 8-4                           | TR575 .....        | 1-4, 1-14          |
| 2-573-010198 .....    | 8-4                           |                    |                    |
| 2-573-010330-02 ..... | 3-2, 3-8, 3-14, 8-4           | <b>W</b>           |                    |
| 2-573-010469 .....    | 4-2, 4-4, 8-4                 |                    |                    |
| 29SFFL 5811 .....     | 9-6, 9-10                     | W908409-4 .....    | 1-6                |
| 2P793 .....           | 3-22                          |                    |                    |
| 3J451 .....           | 9-26, 9-28                    |                    |                    |
| 3J562 .....           | 3-20                          |                    |                    |
| 4001060 .....         | 1-16                          |                    |                    |
| 5000 .....            | 1-16, 1-18, 9-14              |                    |                    |
| 500171 .....          | 2-8                           |                    |                    |
| 51039-13 .....        | 5-2                           |                    |                    |
| 528933 .....          | 7-4, 7-6, 8-4                 |                    |                    |
| 528934 .....          | 7-4, 7-6, 8-4                 |                    |                    |
| 528938 .....          | 7-4, 7-6, 8-4                 |                    |                    |
| 6-102-010009 .....    | 9-14                          |                    |                    |
| 622-3511-008 .....    | 4-4                           |                    |                    |
| 622-3511-010 .....    | 9-30                          |                    |                    |
| 70239854 .....        | 1-2, 1-6, 1-10, 2-2, 2-4, 9-6 |                    |                    |
| 70260977 .....        | 1-6, 7-4, 7-6, 8-4            |                    |                    |
| 71508982 .....        | 9-34                          |                    |                    |
| 71508985 .....        | 5-6                           |                    |                    |
| 71509004 .....        | 9-34                          |                    |                    |
| 71509008 .....        | 9-18, 9-20                    |                    |                    |
| 71509124 .....        | 9-20, 9-34                    |                    |                    |
| 71509125 .....        | 9-20                          |                    |                    |
| 71509787 .....        | 9-18                          |                    |                    |
| 71600529 .....        | 9-34                          |                    |                    |
| 7779-22 .....         | 9-20                          |                    |                    |

---

# Instructions for Ordering Parts

**\*\* Repair parts must be ordered through an Authorized Dealer \*\***

## DEALER INSTRUCTIONS FOR ORDERING PARTS FROM LANDOLL PARTS DISTRIBUTION CENTER

Phone #: 800-423-4320 or 785-562-5381

Fax #: 888-527-3909

Order online: [dealer.landoll.com](http://dealer.landoll.com)

### IDENTIFICATION PLATE

The identification plate, which lists the model number and serial number, is located on the front of the frame.

### SERIAL NUMBER

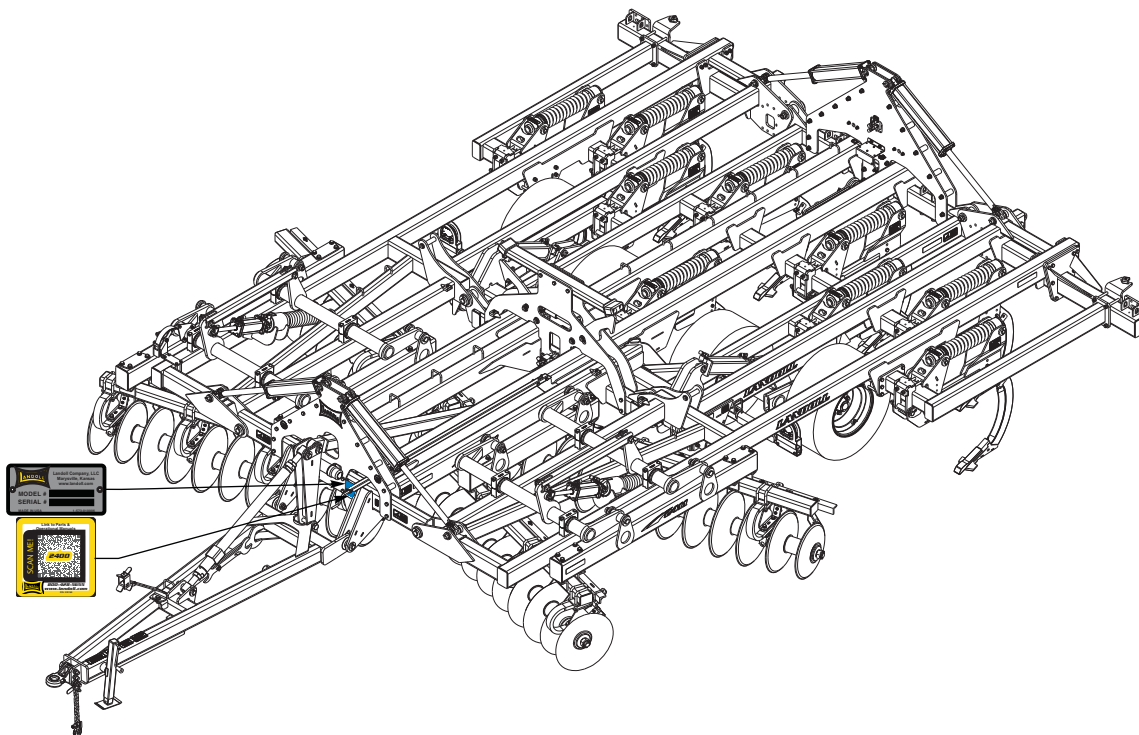
The serial number is located on the identification plate.  
The Following information will help decode the 2411 Weatherproofer serial number

**24H220000 = xxmysssss**

### QR CODE DECAL

The 2000 series QR code decal, may be scanned to link you to the most current manuals, located on the front of the frame [See Figure 12-1](#)

|              |  |
|--------------|--|
| <b>xx</b>    | = model series (i.e. 24 for Weatherproofer)                                  |
| <b>m</b>     | = month of manufacture<br>(ex. "H" means October. The letter I is not used.) |
| <b>yy</b>    | = year manufactured<br>(ex. "22" means 2022)                                 |
| <b>SSSSS</b> | = Sequential number used to track warranty and service information.          |



**Figure 12-1: Identification Plate and QR Code Decal Location**

## Manuals for 2411 Weatherproofer

| Manual Number | Manual Type       |
|---------------|-------------------|
| F-1130        | Operator's Manual |
| F-1131        | Parts Manual      |

# Document Control Revision Log:

| Date       | Form #      | Improvement(s): Description and Comments  |
|------------|-------------|---|
| 03/24/2022 | F-1131      | New manual  |
| 06/15/2022 | F-1131-0622 | Initial release   |
| 04/21/2023 | F-1131-0423 | Added model 2411-06, added disc lev/hyd rl attachment, updated 2411AFG-07-09 center frame, updated shank assembly |
|            |             |   |
|            |             |   |
|            |             |   |



---

# Intertek

Equipment from Landoll Company, LLC is built to exacting standards ensured by ISO 9001 registration at all Landoll manufacturing facilities.

## Model 2411

### Weatherproofer

### Parts Manual

### Re-Order Part Number F-1131

**LANDOLL COMPANY, LLC**

1900 North Street

Marysville, Kansas 66508

(785) 562-5381

800-428-5655 ~ **WWW.LANDOLL.COM**



Copyright 2023. Landoll Company, LLC

“All rights reserved, including the right to reproduce this material or portions thereof in any form.”

