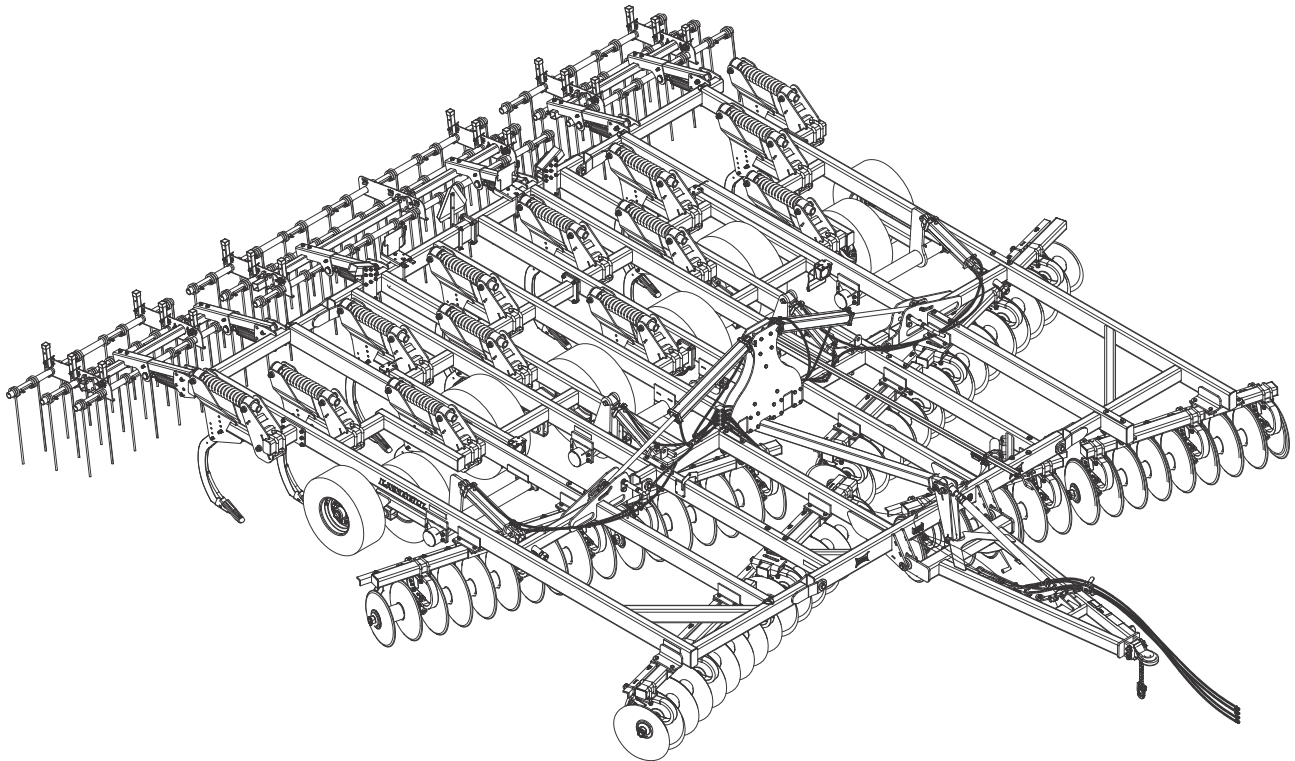




Model 2430 Weatherproofer I Parts Manual



LANDOLL CORPORATION

1900 North Street
Marysville, Kansas 66508
(785) 562-5381

800-428-5655 ~ WWW.LANDOLL.COM

1 Instructions for Ordering Parts

2 Illustrated Parts List

GENERAL ASSEMBLY	2-1
FRAME ASSEMBLY	2-4
WING ASSEMBLY	2-7
DEPTH STOP AND MAIN LIFT ASSEMBLY	2-9
HUB AND SPINDLE ASSEMBLY, 8 BOLT (MAIN FRAME) (4" SPINDLE)	2-11
WING LIFT ASSEMBLY (2430-11)	2-13
HUB AND SPINDLE ASSEMBLY, 8 BOLT (2430-11 WING) (3-1/4" SPINDLE)	2-15
WING LIFT ASSEMBLY (2430-13)	2-17
HUB AND SPINDLE ASSEMBLY, 8 BOLT (2430-13 WING) (2-1/4" SPINDLE)	2-19
HITCH ASSEMBLY	2-21
7,000 Lb. Sidewind Jack Assembly	2-22
HITCH ASSEMBLIES	2-23
LEVELER ASSEMBLY	2-24
DEPTH STOP TUBE ASSEMBLY	2-27
SHANK CLAMP ASSEMBLY	2-29
DISC GANG ASSEMBLY, 26-5/16"	2-32
DISC GANG ASSEMBLY, 26"	2-36
DISC GANG ASSEMBLY, 24"	2-40
DISC GANG ASSEMBLY, 24" ROLLABLE	2-44
FINISHING COMBO W/ CHOPPER REEL ASSEMBLY	2-47
FINISHING COMBO W/ CONDITIONER REEL ASSEMBLY	2-49
FINISHING COMBO W/ REEL HYDRAULIC AND MISCELLANEOUS PARTS ASSEMBLY ...	2-51
COMBO ATTACHMENT HARROW ARM ASSEMBLY	2-55
3 ROW COIL TINE HARROW ASSEMBLY	2-57
FINISHING CHOPPER REEL ASSEMBLY	2-59
FINISHING CONDITIONER REEL ASSEMBLY	2-61
FINISHING REEL HYDRAULIC AND MISCELLANEOUS PARTS ASSEMBLY	2-63
REEL/GANGBAR ASSEMBLY	2-65

CONDITIONER REEL/GANGBAR ASSEMBLY	2-67
REEL ARM ASSEMBLY	2-69
REEL ARM ASSEMBLY	2-71
Hydraulic Cylinder - 2-1/2" X 2-1/2"	2-72
Hydraulic Cylinder - 2-1/2" X 3-1/2" (7/8" Threads)	2-73
Hydraulic Cylinder - 2-1/2" X 3-1/2" (1-1/8" Threads)	2-74
FINISHING HARROW ASSEMBLY	2-77
COIL TINE HARROW ARM ASSEMBLY	2-79
3 ROW COIL TINE HARROW ASSEMBLY	2-81
ELECTRICAL ASSEMBLY (PRIOR TO AUGUST, 2013)	2-83
ELECTRICAL ASSEMBLY W/ LED LIGHTS (AFTER AUGUST, 2013)	2-85
HYDRAULIC LIFT ASSEMBLY	2-87
HYDRAULIC FOLD ASSEMBLY	2-89
Rephase Hydraulic Cylinder - 4" X 16"	2-90
Rephase Hydraulic Cylinder - 4-1/2" X 16"	2-91
Hydraulic Cylinder - 5" X 36"	2-92
DECAL INSTALLATION	2-95

3 Numerical Index

Instructions for Ordering Parts

ORDER PARTS FROM LANDOLL PARTS DISTRIBUTION CENTER

**** Repair parts must be ordered through an Authorized Dealer ****

PHONE NO.: 1-800-423-4320 OR 1-800-428-5655 OR 1-785-562-5381

FAX NO.: 888-527-3909

ORDER ONLINE: companystore.landoll.com

IDENTIFICATION PLATE

The identification plate, which lists the model number and serial number, is located on the left side of the hitch (See Figure 1-1.)

SERIAL NUMBER NOMENCLATURE

The serial number for the 2430 Weatherproofer I is located on the identification plate.

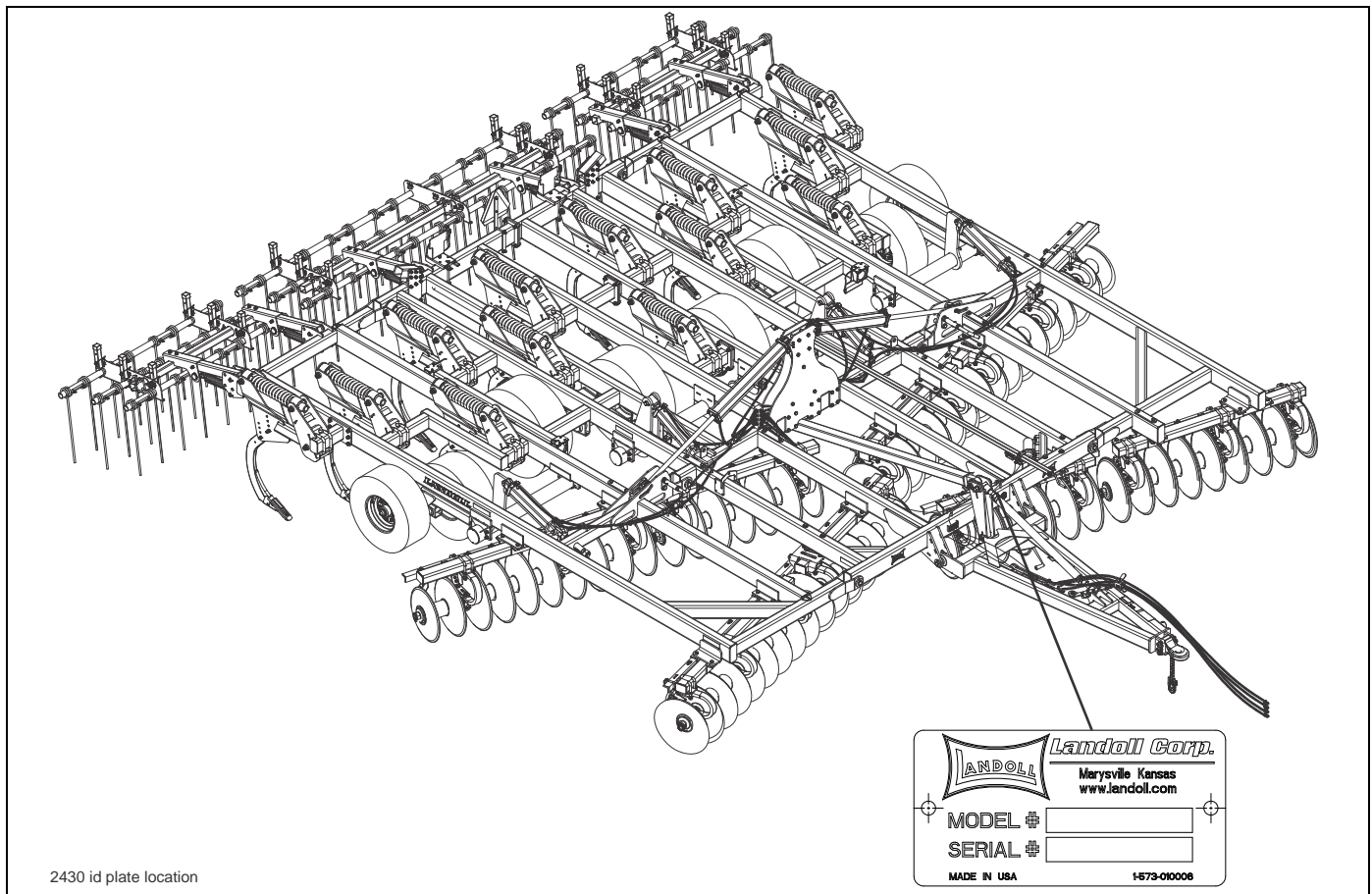


Figure 1-1: Identification Plate and Location

Page Intentionally Blank

Illustrated Parts List

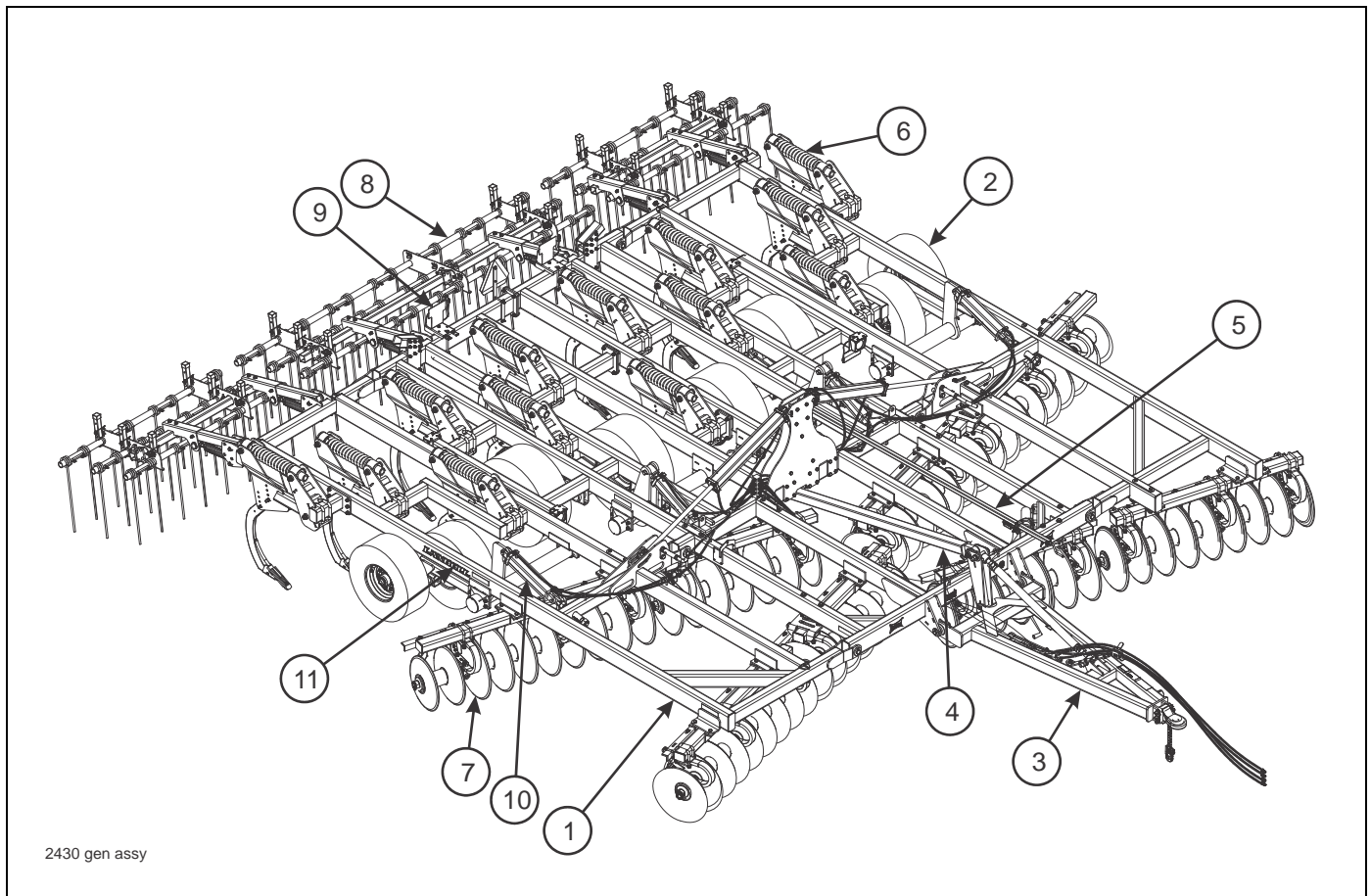


Figure 2-1: General Assembly

GENERAL ASSEMBLY

ITEM	PAGE NO.	DESCRIPTION	QTY.
1	2-2 - 2-7	FRAME AND WING ASSEMBLIES	
2	2-8 - 2-19	LIFT ASSEMBLIES	
3	2-20 - 2-21	HITCH ASSEMBLIES	
4	2-24	LEVELER ASSEMBLY	
5	2-26 - 2-27	DEPTH STOP TUBE ASSEMBLY	
6	2-28 - 2-29	SHANK CLAMP ASSEMBLY	
7	2-34 - 2-44	DISC GANG ASSEMBLIES	
8	2-46 - 2-81	FINISHING ASSEMBLIES	
9	2-82 - 2-85	ELECTRICAL ASSEMBLIES	
10	2-86 - 2-92	HYDRAULIC ASSEMBLIES	
11	2-94 - 2-95	DECAL INSTALLATION	

ILLUSTRATED PARTS LIST

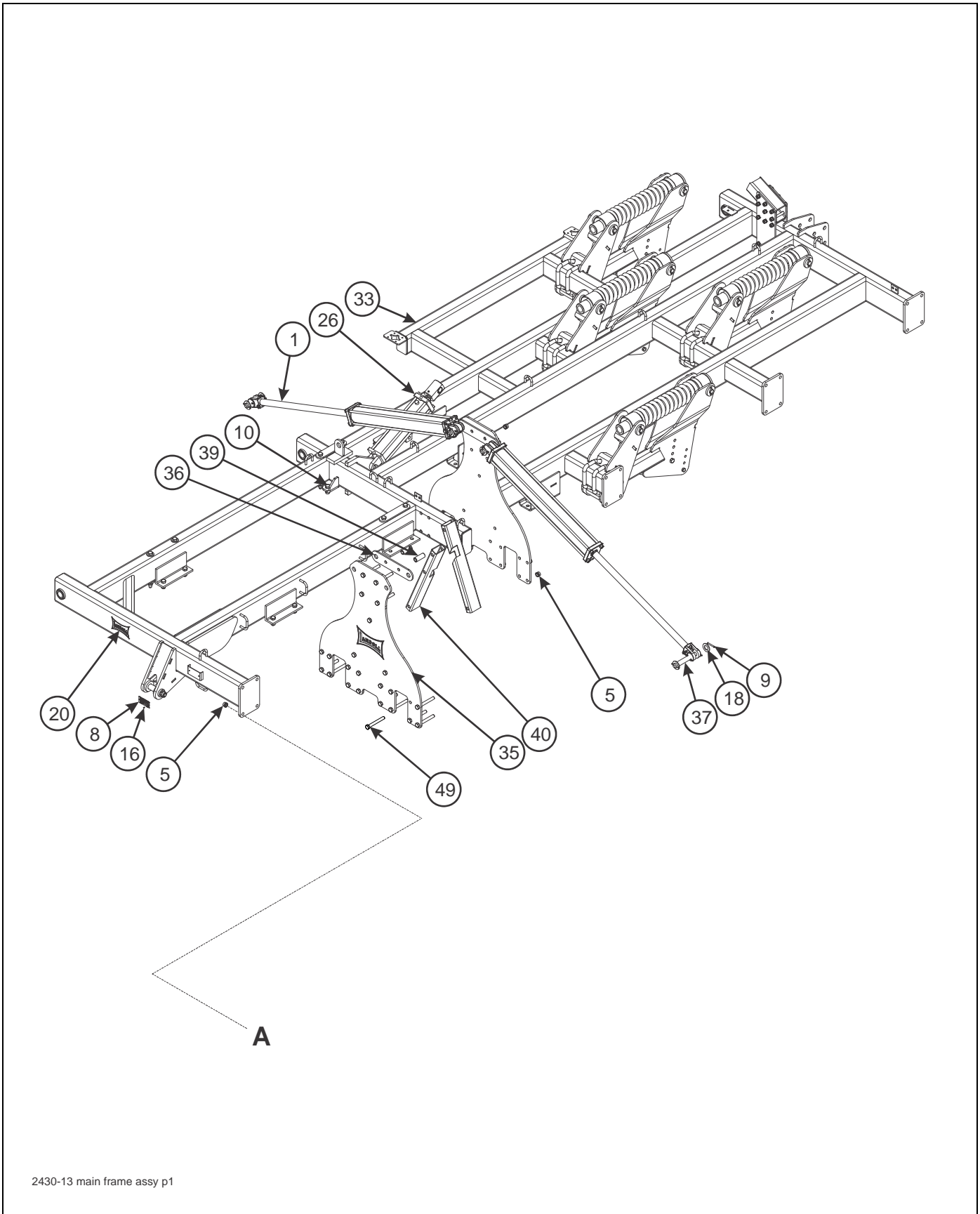


Figure 2-2: Frame Assembly (1 of 2)

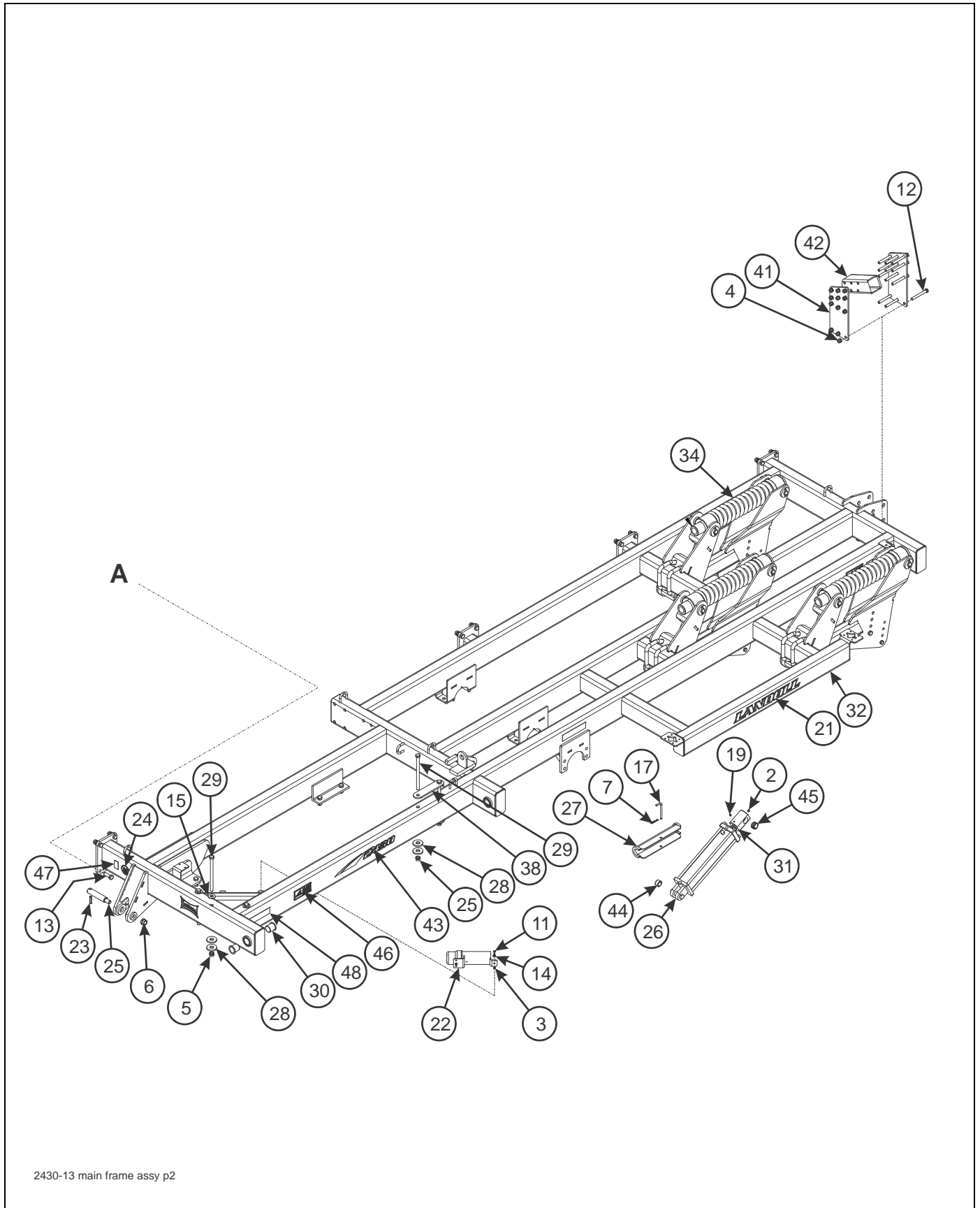


Figure 2-3: Frame Assembly (2 of 2)

FRAME ASSEMBLY

ITEM	PART NO.	DESCRIPTION	QTY.
	171812	LH MAIN FRAME ASSEMBLY	
	171813	RH MAIN FRAME ASSEMBLY	
1	171142	CYLINDER, HYDRAULIC 5 X 36 (SEE PAGE 2-92)	2
2	1-298-010001-1	FITTING, GREASE 1/4-28 STR SHORT	2
3	1-512-010005-01	NUT, HEX LOCK 1/4-20 GRB	2
4	1-512-010005-13	NUT, HEX LOCK 5/8-11 GRB	24
5	1-512-010005-15	NUT, HEX LOCK 3/4-10 GRB	69
6	1-512-010005-19	NUT, HEX LOCK 1-8 GRB	2
7	1-557-010403	HAIRPIN, 1/8	2
8	1-573-010006	PLATE, NAME	1
9	1-647-010004240	PIN, SPRING SLOTTED 5/16 X 2-1/2	8
10	1-654-010032-05	SCREW, HEX HEAD CAP 3/4-10 X 2 GR8	19
11	1-654-010047-06	SCREW, HEX HEAD CAP 1/4-20 X 1 GR5	2
12	1-654-010059-16	SCREW, HEX HEAD CAP 5/8-11 X 5-1/2 GR5	24
13	1-654-010061-06	SCREW, HEX HEAD CAP 3/4-10 X 2-1/4 GR5	16
14	1-861-010032-07	WASHER, FLAT 1/4	2
15	1-861-010032-21	WASHER, FLAT 3/4W	5
16	156010	RIVET, BLIND .156 X 1/2 GRIP	2
17	104358	L PIN, CYL STOP	2
18	116100	WASHER, FLAT 1-1/4 N	8
19	122709	SCREW, SET HEX SOCKET CUP POINT 3/8-16 X 1/2	2
20	141259	DECAL, LANDOLL YELLOW	4
21	141260	DECAL, LANDOLL	2
22	142753	MANUAL HOLDER	1
23	144115	PIN, GROOVED ALLOY 1/2 X 2-1/4	2
24	144193	DECAL, SIS 20MPH	1
25	144493	PIN, HITCH	2
26	146824	CYLINDER, HYDRAULIC REPHASE 4-1/2 X 16 (SEE PAGE 2-91)	2
27	147134	LOCKOUT, 2 X 16	2
28	154185	WASHER, 3/8	22
29	160789	SCREW, HEX HEAD CAP 3/4-10 X 11	11
30	164533	BEARING, FLANGE 1-3/4	12
31	165238	BLOCK, CYLINDER ROD	2
32	169156	MAIN FRAME WELDMENT, LH	1
33	169157	MAIN FRAME WELDMENT, RH	1
34	171811	SHANK AND CLAMP ASSEMBLY (SEE PAGE 2-29)	7
35	169583	PLATE, FOLD ANCHOR	2
36	170289	PLATE, CYLINDER MOUNT	2
37	170291	PIN, 1-1/4 X 7	4
38	170292	PLATE, CLAMP	3
39	170297	BUSHING, PIVOT	2
40	171112	TUBE, WINGFOLD SPACER	2
41	171391	PLATE, WING REST	4
42	171392	TUBE, WING REST	2
43	171393	DECAL, MODEL 2430	2
44	2-150-010174	BUSHING, 1-5/8 X 1-1/4 X 1	2
45	2-150-010218	BUSHING, LEVELING LINKAGE	2
46	2-573-010037	DECAL, WING DANGER	4
47	2-573-010198	DECAL MEMBER FEMA	1

FRAME ASSEMBLY

ITEM	PART NO.	DESCRIPTION	QTY.
48	528934	REFLECTOR, YELLOW 2 X 9	6
49	W908409-4	SCREW, HEX HEAD CAP 3/4-10 X 6	23

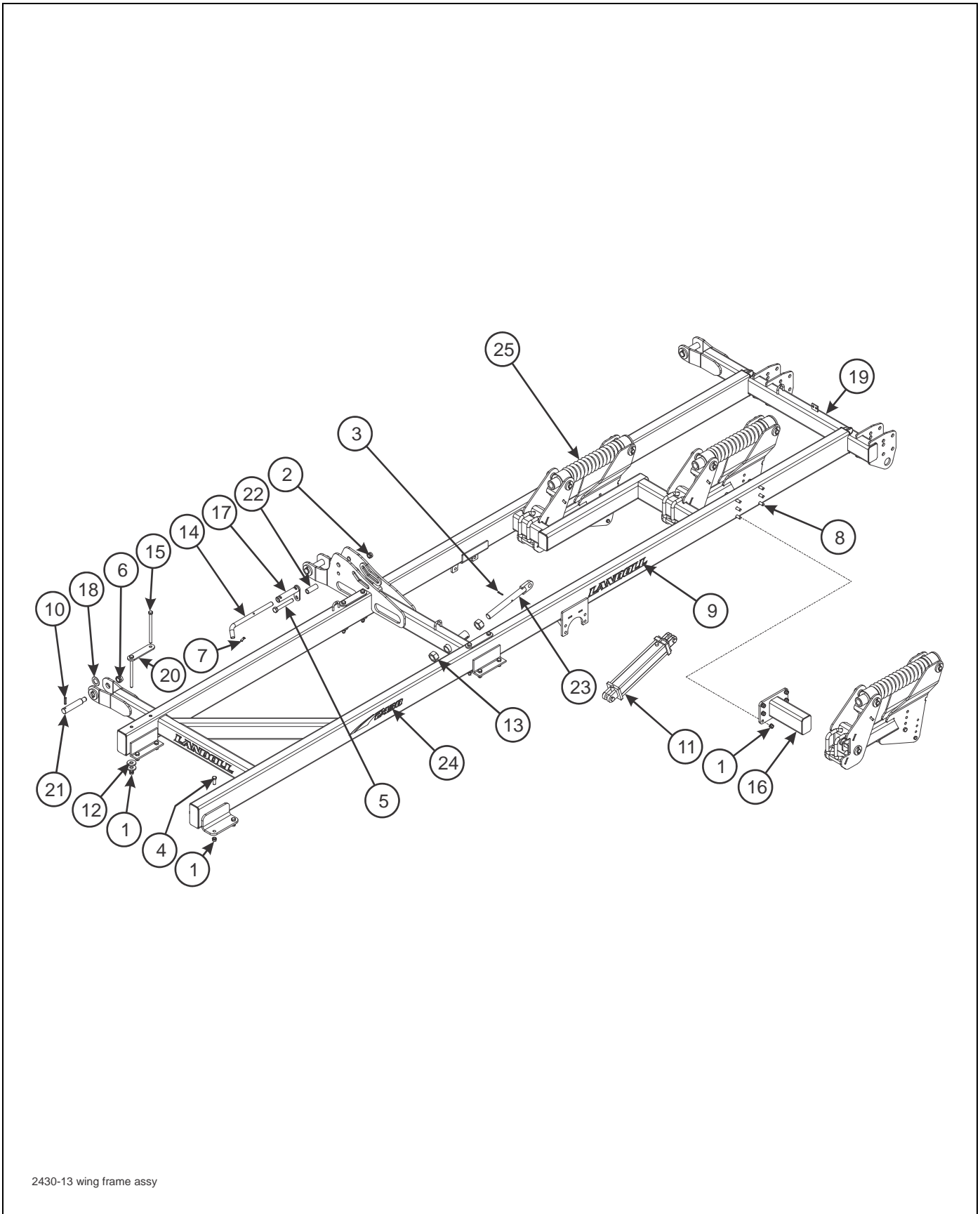
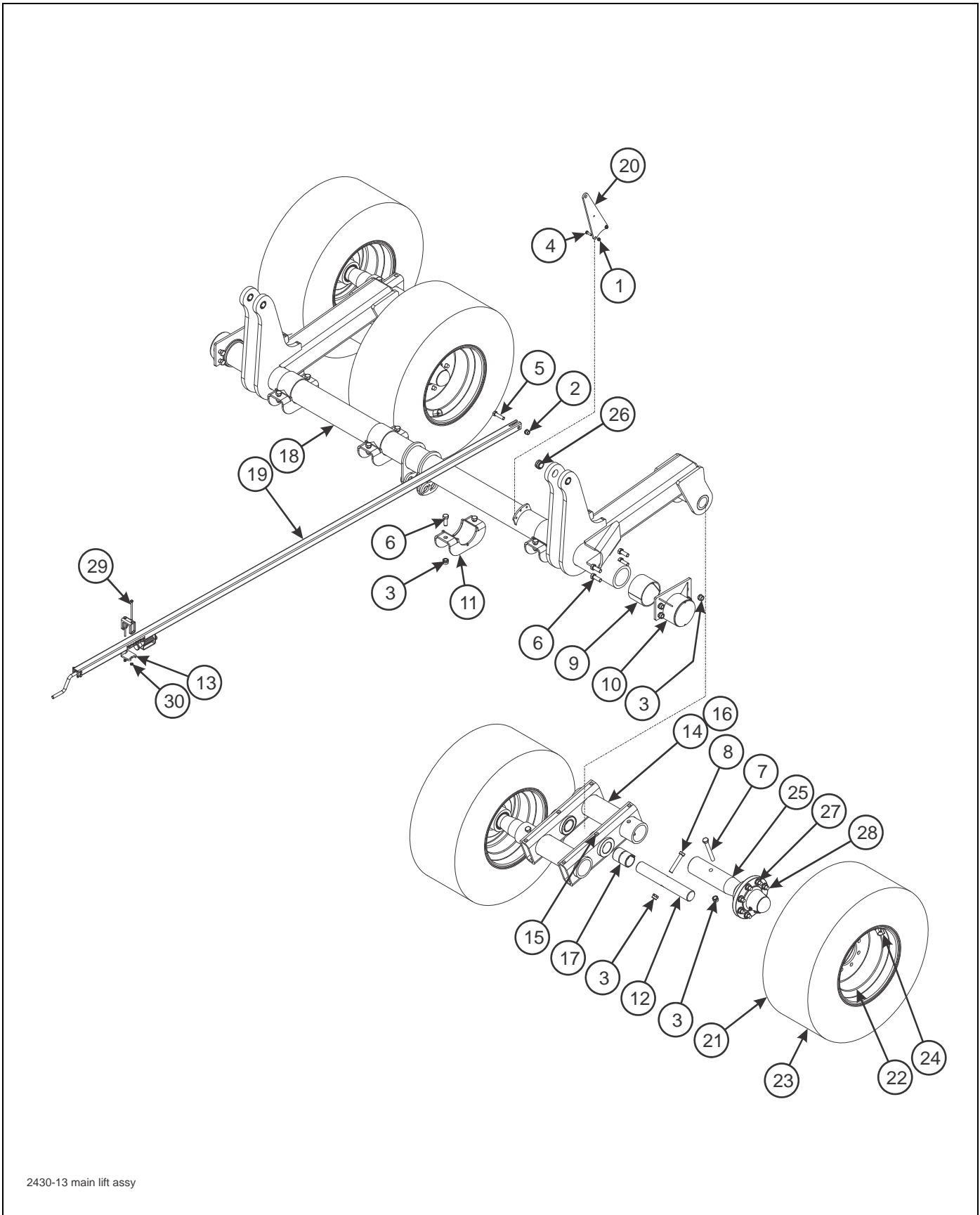


Figure 2-4: Wing Assembly

WING ASSEMBLY

ITEM	PART NO.	DESCRIPTION	QTY.
	171814	LH WING ASSEMBLY	
	171815	RH WING ASSEMBLY	
1	1-512-010005-15	NUT, HEX LOCK 3/4-10 GRB	44
2	1-512-010005-19	NUT, HEX LOCK 1-8 GRB	2
3	1-647-010004257	ROLL PIN, SLOTTED 3/8 X 2-1/2	2
4	1-654-010061-05	SCREW, HEX HEAD CAP 3/4-10 X 2 GR5	20
5	100830	SCREW, HEX HEAD CAP 1-8 X 7 GR5	2
6	101385	NUT, HEX LOCK 1-1/4 - 7 GRB	6
7	127351	PIN, SPRING SLOTTED 1/2 X 2	2
8	139201	SCREW, HEX HEAD CAP 3/4-10 X 5-1/2 GR8	12
9	141260	DECAL, LANDOLL	4
10	144115	PIN, GROOVED ALLOY 1/2 X 2-1/4	6
11	146825	CYLINDER, HYDRAULIC REPHASE 4 X 16 (SEE PAGE 2-90)	2
12	154185	WASHER, 3/8	24
13	159954	NUT, HEX 1-3/4 - 5	2
14	160656	PIN, WING LOCK	1
15	160789	SCREW, HEX HEAD CAP 3/4-10 X 11 GR8	6
16	161110	EXTENSION WELDMENT	1
17	163645	MOUNT, LOCK	1
18	164539	WASHER, THRUST 1-3/4	3
19	169172	WING WELDMENT, LH	1
20	170292	PLATE, CLAMP	3
21	170294	PIN, HINGE	6
22	170795	SPACER, WING LOCK	2
23	171105	ROD, CYLINDER ANCHOR 1-1/4	2
24	171393	DECAL, MODEL 2430	2
25	171811	SHANK AND CLAMP ASSEMBLY (SEE PAGE 2-29)	6
26	169171	WING WELDMENT, RH (NOT SHOWN)	1

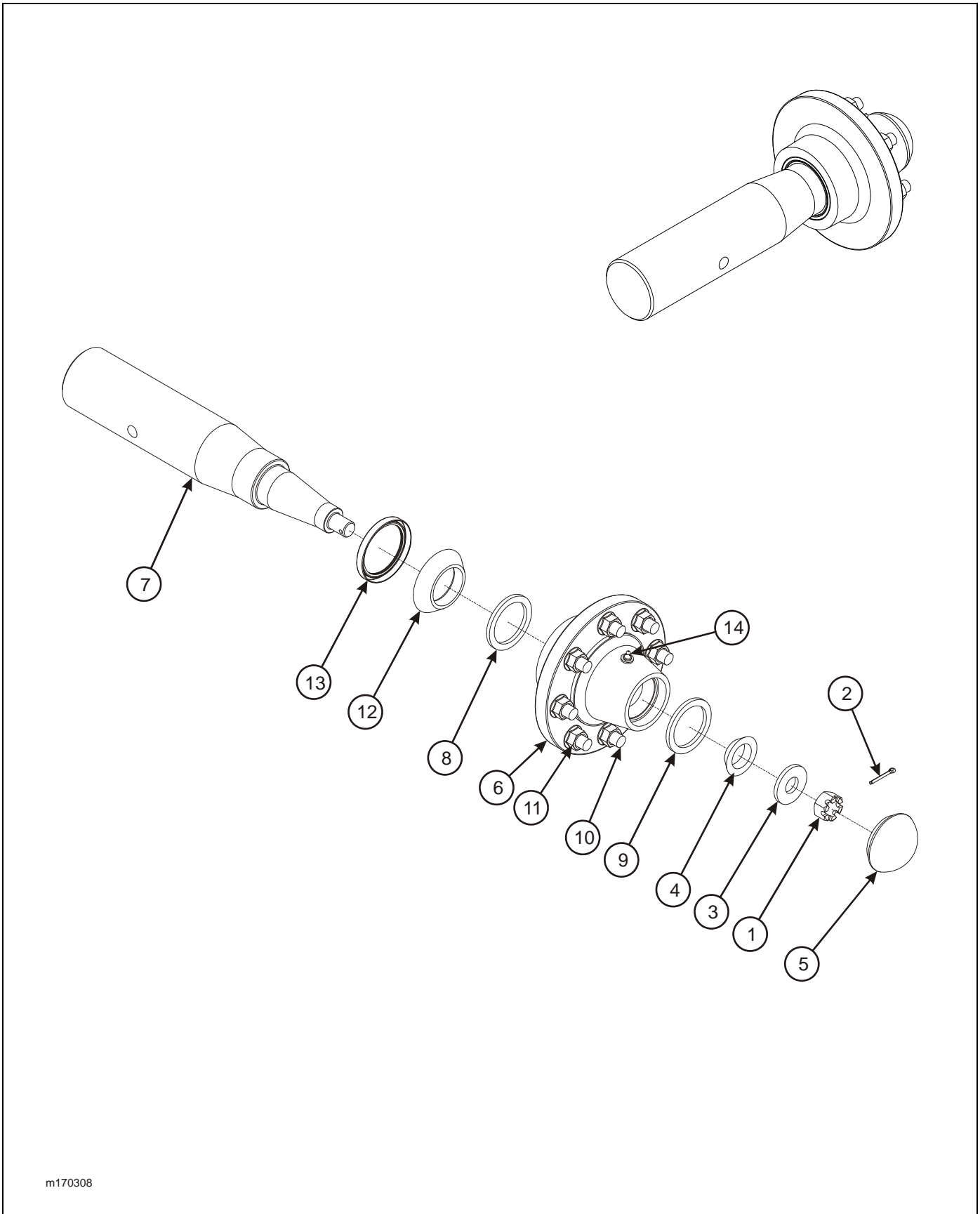


2430-13 main lift assy

Figure 2-5: Depth Stop and Main Lift Assembly

DEPTH STOP AND MAIN LIFT ASSEMBLY

ITEM	PART NO.	DESCRIPTION	QTY.
1	1-512-010005-05	NUT, HEX LOCK 3/8-16 GRB	2
2	1-512-010005-13	NUT, HEX LOCK 5/8-11 GRB	1
3	1-512-010005-15	NUT, HEX LOCK 3/4-10 GRB	18
4	1-654-010051-06	SCREW, HEX HEAD CAP 3/8-16 X 1-1/4 GR5	2
5	1-654-010059-07	SCREW, HEX HEAD CAP 5/8-11 X 2-1/2 GR5	1
6	1-654-010061-05	SCREW, HEX HEAD CAP 3/4-10 X 2 GR5	16
7	100855	SCREW, HEX HEAD CAP 3/4-10 X 6-1/2 GR5	4
8	126108	SCREW, HEX HEAD CAP 3/4-10 X 4-1/2 GR8	2
9	140519	BEARING, UHMW 4"	5
10	141209	BEARING CAP, LIFT	2
11	141234	BEARING CAP, LIFT	4
12	164501	SPINDLE, WALKING BEAM	2
13	165257	PAD, SLIDE	2
14	167553	WALKING BEAM ASSEMBLY, 4" (INCL ITEMS 15-17)	2
15	153804	FITTING, GREASE STR LONG 1/4-28	4
16	163696	WALKING TANDEM SPINDLE 4" SPECIAL	1
17	165286	BUSHING, SPRING 3 X 2-1/2 X 4	2
18	169155	ROCKSHAFT	1
19	169726	DEPTH STOP TUBE ASSEMBLY (SEE PAGE 2-27)	1
20	169727	PLATE, DEPTH STOP TALL	1
21	170260	TIRE AND WHEEL ASSEMBLY (INCL ITEMS 22-24)	4
22	169749	WHEEL, 18 X 14 8 BOLT	1
23	169752	TIRE, 440/55R18	1
24	TR575	VALVE STEM, TUBELESS TIRE	1
25	170308	HUB AND SPINDLE ASSEMBLY 4", 8 BOLT (SEE PAGE 2-11)	4
26	2-150-010218	BUSHING, LEVELING LINKAGE	4
27	171773	LUG NUT (8 BOLT)	8
28	171772	STUD BOLT (8 BOLT)	8
29	1-654-010049-19	SCREW, HEX HEAD CAP 5/16-18 X 5 GR5	2
30	1-512-010005-03	NUT, HEX LOCK 5/16-18 GRB	2

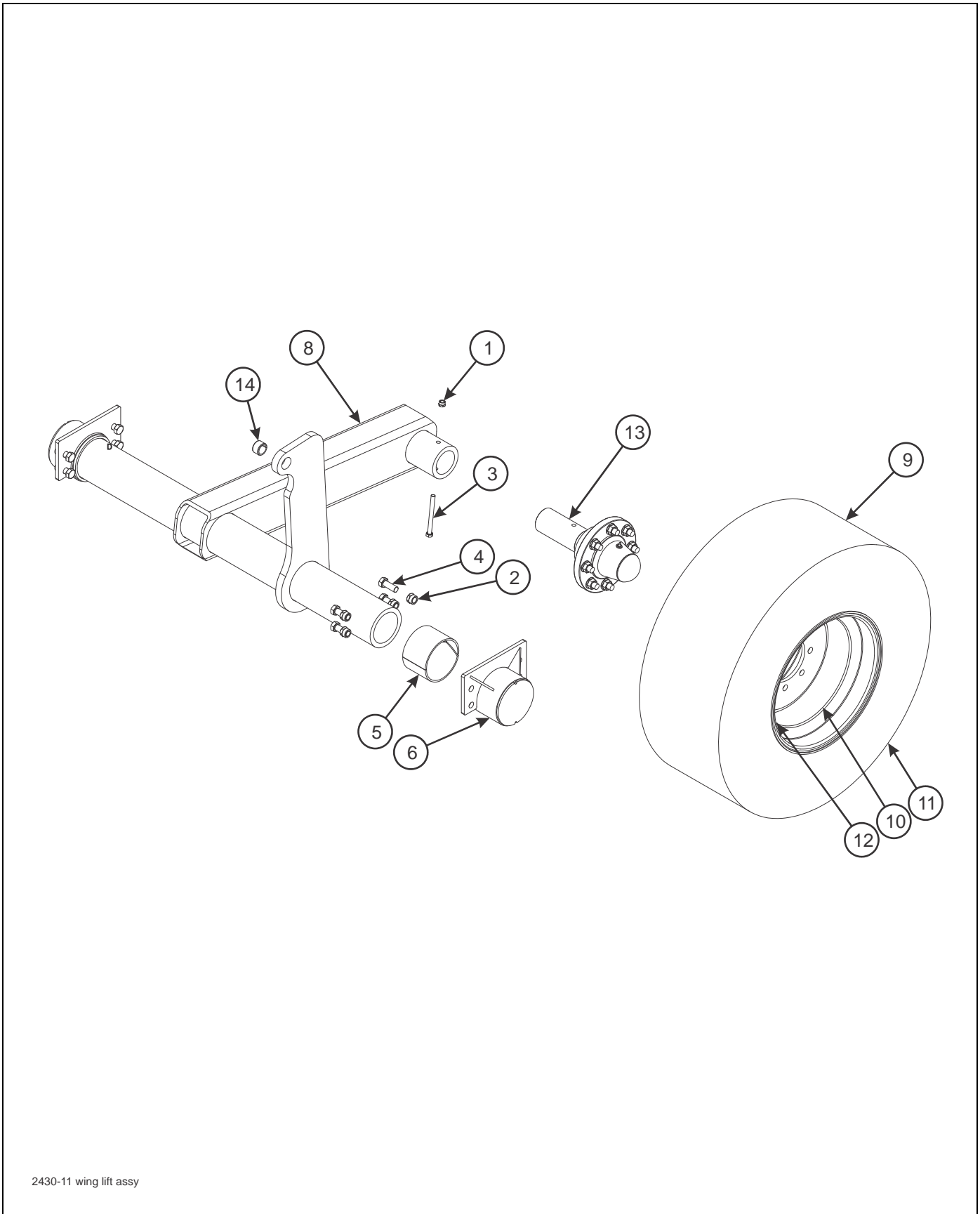


m170308

Figure 2-6: Hub and Spindle Assembly, 8-Bolt (Main Frame)(4" Spindle)

HUB AND SPINDLE ASSEMBLY, 8 BOLT (MAIN FRAME) (4" SPINDLE)

ITEM	PART NO.	DESCRIPTION	QTY.
	170308	HUB AND SPINDLE ASSEMBLY, 8 BOLT	
1	1-516-010001-20	NUT, HEX SLOT 1-14	1
2	1-557-010362-51	PIN, COTTER 3/16 X 1-1/2	1
3	1-861-010005	WASHER, SPINDLE 1	1
4	102498	BEARING CONE, OUTER 1.625	1
5	102601	HUB CAP, 8 BOLT	1
6	170302	HUB W/ CUPS, 8 BOLT 10,000 LBS. (INCL. ITEMS 8 - 11)	1
7	170309	SPINDLE, 4 X 22-1/4	1
8	171771	INNER CUP	1
9	102604	OUTER CUP	1
10	171772	STUD BOLT 3/4-16 X 2-3/4 GR8	1
11	171773	NUT, HEX FLANGE 3/4-16 GR5	1
12	170310	CONE BEARING	1
13	171107	SEAL, TRIPLE LIP 4-1/8 OD X 3-1/4 ID X 3/8	1
14	5000	FITTING, ZERK 1/8	1



2430-11 wing lift assy

Figure 2-7: Wing Lift Assembly (2430-11)

WING LIFT ASSEMBLY (2430-11)

ITEM	PART NO.	DESCRIPTION	QTY.
1	1-512-010005-09	NUT, HEX LOCK 1/2-13 GRB	4
2	1-512-010005-15	NUT, HEX LOCK 3/4-10 GRB	18
3	1-654-010055-16	SCREW, HEX HEAD CAP 1/2-13 X 5-1/2 GR5	2
4	1-654-010061-05	SCREW, HEX HEAD CAP 3/4-10 X 2 GR5	16
5	140519	BEARING, UHMW 4"	5
6	141209	BEARING CAP, LIFT	2
7	169705	LIFT, WING RIGHT (NOT SHOWN)	1
8	169706	LIFT, WING LEFT	1
9	170260	TIRE AND WHEEL ASSEMBLY (INCL ITEMS 10-12)	4
10	169749	WHEEL, 18 X 14 8 BOLT	1
11	169752	TIRE, 440/55R18	1
12	TR575	VALVE STEM, TUBELESS TIRE	1
13	170704	HUB AND SPINDLE ASSEMBLY 3-1/4", 8 BOLT (SEE PAGE 2-15)	2
14	2-150-010174	BUSHING, 1-5/8 X 1-1/4 X 1	2

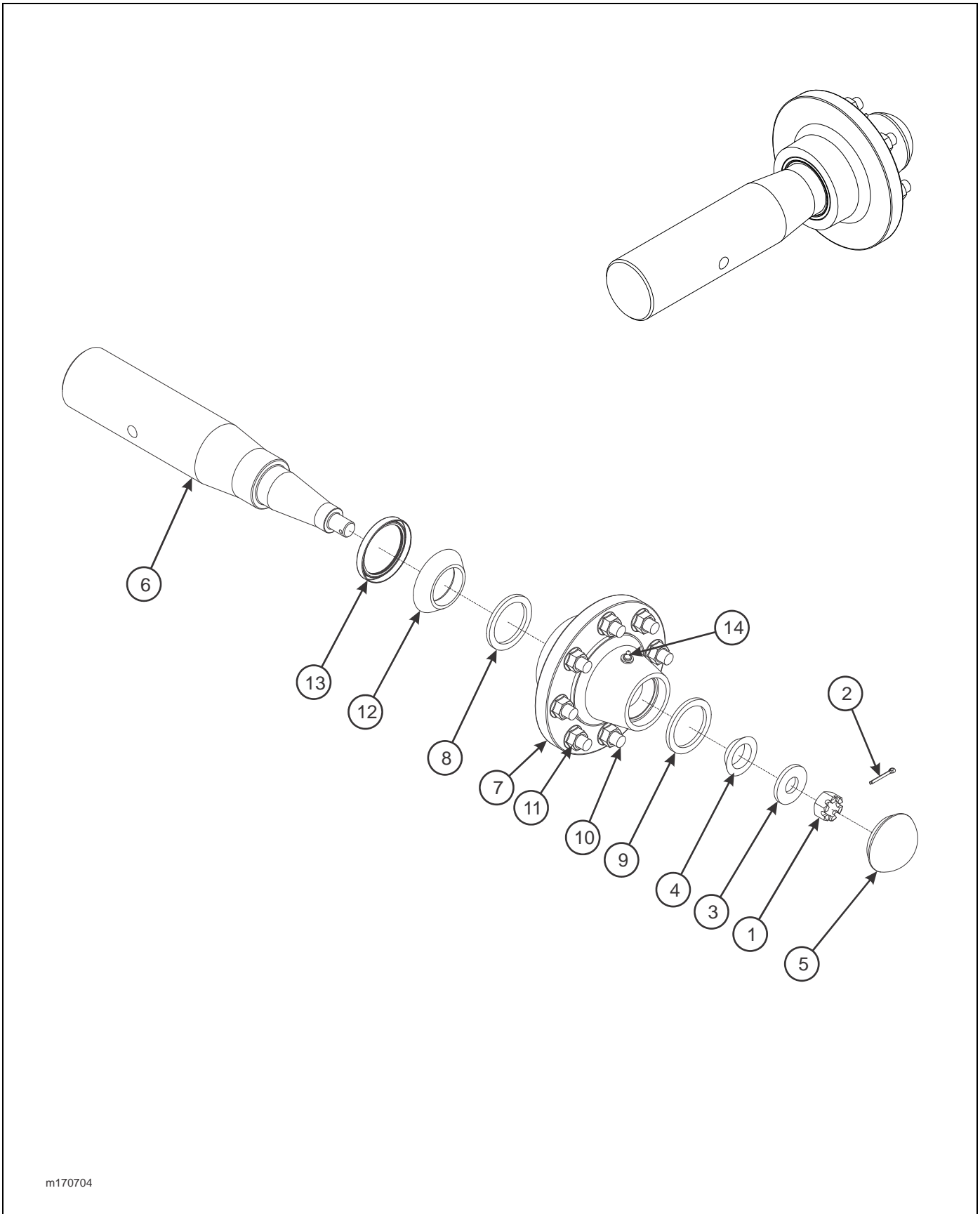
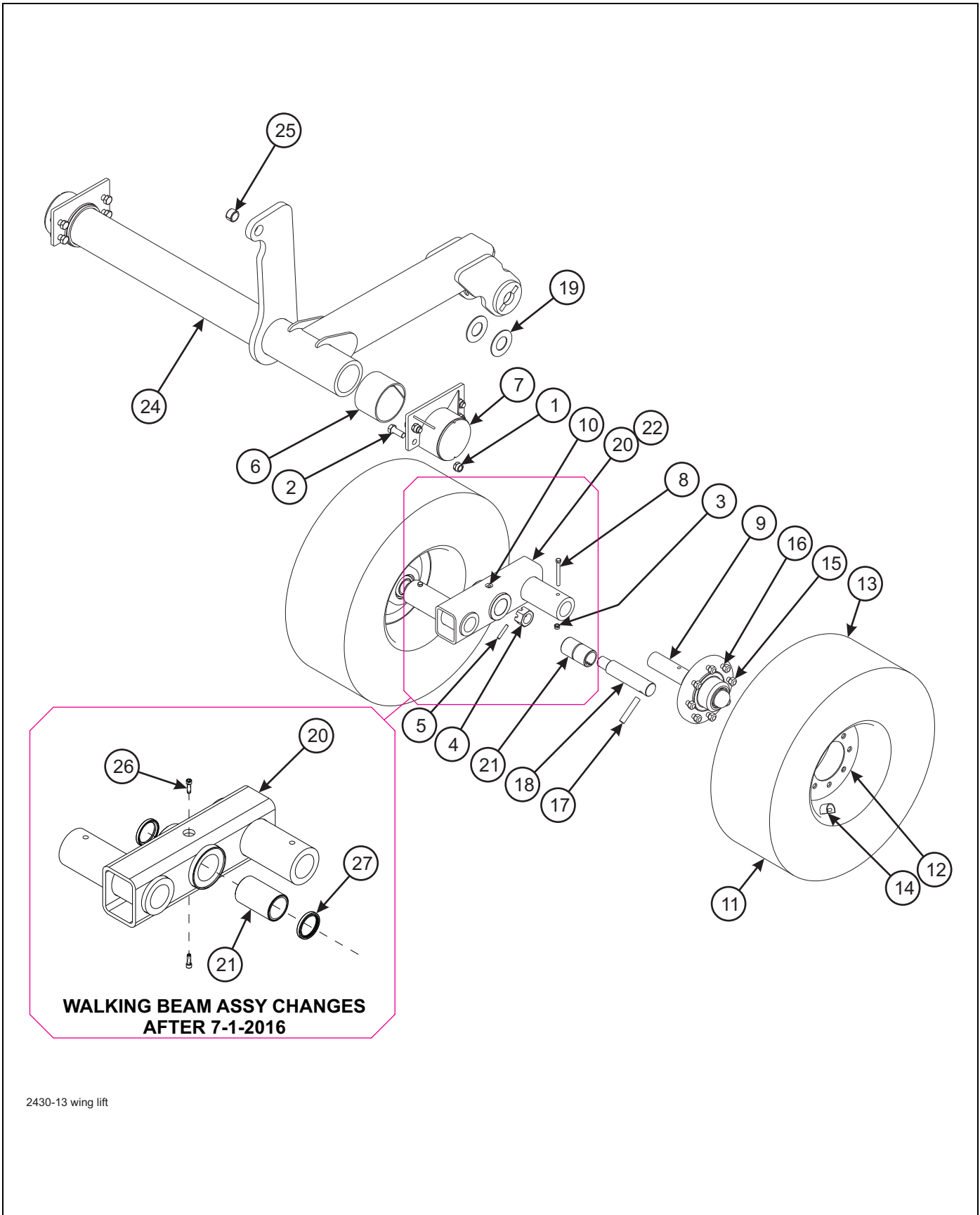


Figure 2-8: Hub and Spindle Assembly, 8-Bolt (2430-11 Wing)(3-1/4" Spindle)

HUB AND SPINDLE ASSEMBLY, 8 BOLT (2430-11 WING) (3-1/4" SPINDLE)

ITEM	PART NO.	DESCRIPTION	QTY.
	170704	HUB AND SPINDLE ASSEMBLY 3-1/4", 8 BOLT	
1	1-516-010001-20	NUT, HEX SLOT 1-14	1
2	1-557-010362-51	PIN, COTTER 3/16 X 1-1/2	1
3	1-861-010005	WASHER, SPINDLE 1	1
4	102498	BEARING CONE, OUTER 1.625	1
5	102601	HUB CAP, 8 BOLT	1
6	170705	SPINDLE, 3-1/4"	1
7	170302	HUB W/ CUPS, 8 BOLT 10,000 LBS. (INCL. ITEMS 8 - 11)	1
8	171771	INNER CUP	1
9	102604	OUTER CUP	1
10	171772	STUD BOLT 3/4-16 X 2-3/4 GR8	1
11	171773	NUT, HEX FLANGE 3/4-16 GR5	1
12	170310	CONE BEARING	1
13	171107	SEAL, TRIPLE LIP 4-1/8OD X 3-1/4ID X 3/8	1
14	5000	FITTING, ZERK 1/8	1

ILLUSTRATED PARTS LIST

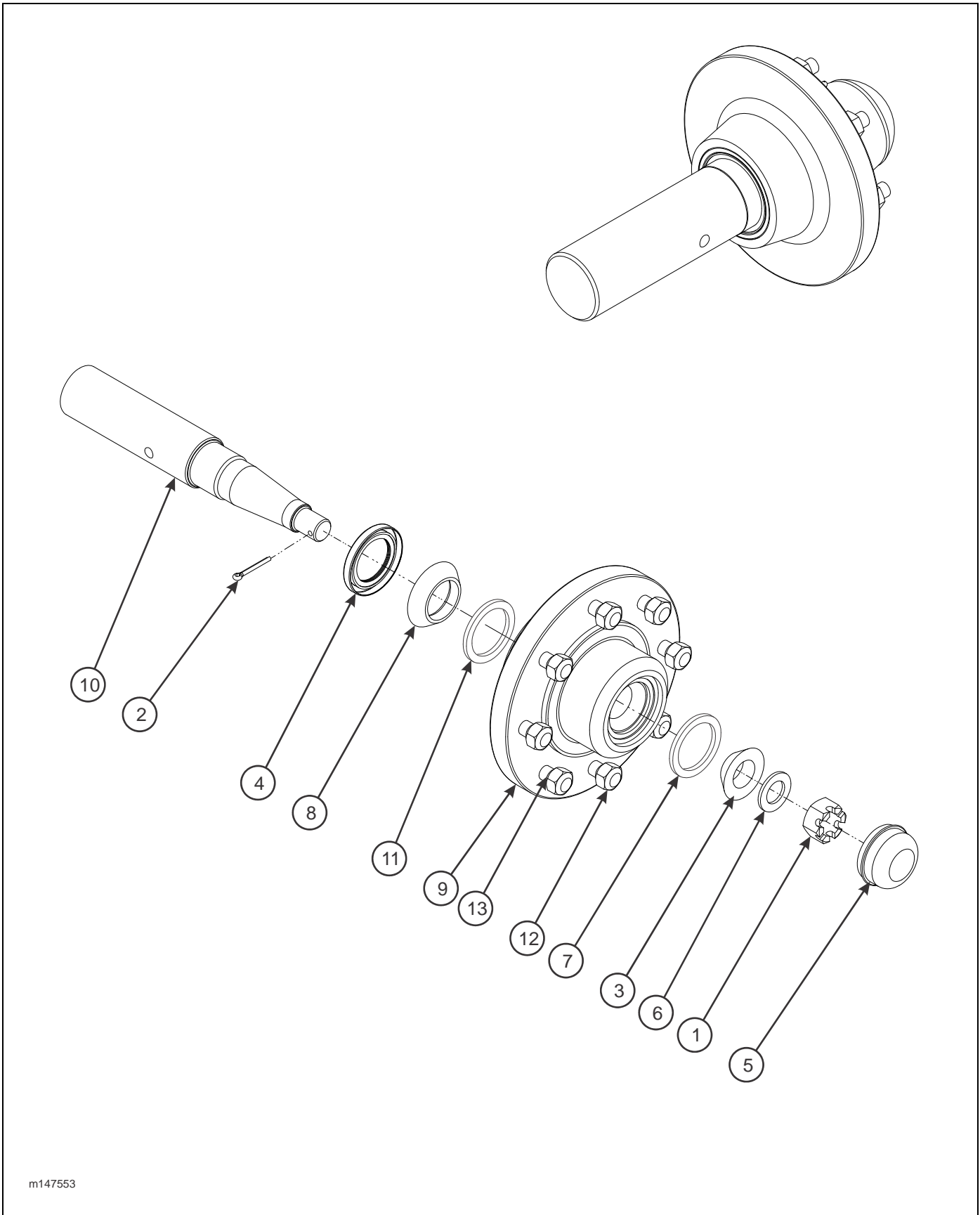


2430-13 wing lift

Figure 2-9: Wing Lift Assembly (2430-13)

WING LIFT ASSEMBLY (2430-13)

ITEM	PART NO.	DESCRIPTION	QTY.
1	1-512-010005-15	NUT, HEX LOCK 3/4-10 GRB	16
2	1-654-010061-05	SCREW, HEX HEAD CAP 3/4-10 X 2 GR5	16
3	101988	NUT, HEX LOCK 7/16-14 GRB	4
4	119118	NUT, HEX SLOTTED 1-1/2-12	2
5	127712	ROLL PIN, SLOTTED 3/8 X 2-1/4	2
6	140519	BEARING, UHMW 4"	4
7	141209	BEARING CAP, LIFT	4
8	141809	SCREW, HEX HEAD CAP 7/16-14 X 4 GR5	4
9	147553	8 BOLT HUB/SPINDLE ASSY, 2-1/4" (SEE PAGE 2-19)	4
10	153804	FITTING, GREASE STR LONG 1/4-28 (PRIOR 7-1-2016)	4
11	156952	TIRE AND WHEEL ASSEMBLY 12.5L X 15 HD (INCL. ITEMS 12-14) (PRIOR 1-1-2017)	4
	181615	TIRE & WHEEL ASSY 340/60R16.5 (INCL. ITEMS 12-14) (AFTER 1-1-2017)	4
12	160152	WHEEL, 15 X 10 8/8 (156952)	1
	181616	WHEEL, 16.5X11 8-BOLT (181615)	1
13	160149	TIRE, 12.5L X 15 LOAD RANGE F (156952)	1
	181617	TIRE 340/60R 16.5 IMP (181615)	1
14	TR416	VALVE STEM, TUBELESS TIRE (156952)	1
	TR575	VALVE STEM TUBELESS TIRE (181615)	
15	102600	LUG NUT (8 BOLT)	8
16	143067	WHEEL STUD (8 BOLT)	8
17	156992	PIN, WALKING BEAM SPINDLE	2
18	157019	SPINDLE, WALKING BEAM	2
19	160597	WASHER, THRUST 2"	4
20	164274	WALKING BEAM ASSEMBLY 2-1/4 (INCL. ITEMS 10, 21 & 22) (PRIOR 7-1-2016)	2
	198342	WALKING BEAM ASSY, 2-1/4" (AFTER 7-1-2016)	2
21	158903	BUSHING, SPRING 2-1/2 X 2 X 4-5/8 (PRIOR 7-1-2016)	1
	200310	TANDEM PIVOT ASSY 2"	1
22	164273	WALKING BEAM, 2-1/4 (198342)	1
23	169580	LIFT, WING RIGHT (NOT SHOWN)	1
24	169581	LIFT, WING LEFT	1
25	2-150-010174	BUSHING, 1-5/8 X 1-1/4 X 1	2
26	200129	SCREW SOCKET HD CAP 5/16-24X1	2
27	198322	SEAL V17, DOUBLE LIP 2"	2

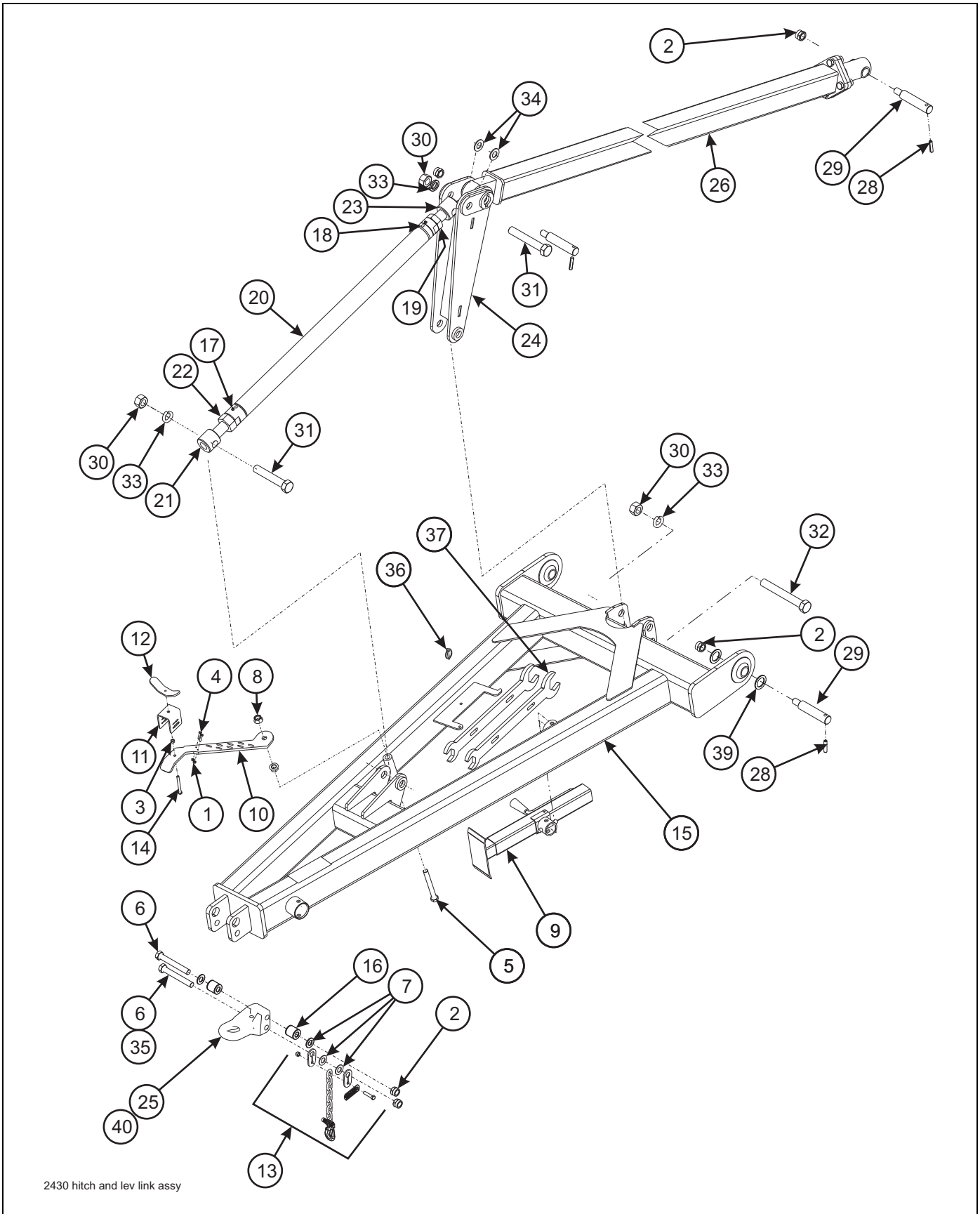


m147553

Figure 2-10: Hub and Spindle Assembly, 8-Bolt (2430-13 Wing)(2-1/4" Spindle)

HUB AND SPINDLE ASSEMBLY, 8 BOLT (2430-13 WING) (2-1/4" SPINDLE)

ITEM	PART NO.	DESCRIPTION	QTY.
	147553	HUB AND SPINDLE ASSEMBLY, 8 BOLT	
1	1-516-010001-20	NUT, HEX SLOT 1-14	1
2	1-557-010362-51	PIN, COTTER 3/16 X 1-1/2	1
3	1-076-010007	CONE, OUTER BEARING	1
4	140554	SEAL, GREASE	1
5	141236	DUST CAP, WHEEL HUB	1
6	141238	WASHER, SPINDLE	1
7	1-076-010010	BEARING CUP	1
8	140595	CONE, BEARING	1
9	140646	HUB W/ CUPS 8 BOLT (INCL ITEMS 7 & 11)	1
10	141198	SPINDLE 2-1/4"	1
11	140594	CUP, BEARING INNER	1
12	102600	LUG NUT (8 BOLT)	1
13	143067	WHEEL STUD (8 BOLT)	1
	141867	HUB ASSEMBLY, 8 BOLT (INCL. ITEMS 3-5, 8-9)	



2430 hitch and lev link assy

Figure 2-11: Hitch Assembly

HITCH ASSEMBLY

ITEM	PART NO.	DESCRIPTION	QTY.
	156946	HITCH ASSEMBLY, CAT V	
	146832	HITCH ASSEMBLY, CAT IV	
1	1-512-010005-01	NUT HEX LOCK 1/4-20 GRB	2
2	1-512-010005-19	NUT HEX LOCK 1-8 GRB	8
3	1-512-010007-07	NUT, HEX 3/8-16	1
4	1-654-010047-06	SCREW, HEX HEAD CAP 1/4-20 X 1 GR5	2
5	1-654-010061-19	SCREW, HEX HEAD CAP 3/4-10 X 7 GR5	1
6	153696	BOLT, HITCH CLEVIS 1-8 X 7-1/2 GR8	2
7	1-861-010032-24	WASHER, FLAT 1N	4
8	103841	NUT, FLANGE PREVAILING TORQUE 3/4-10	2
9	140647	JACK, SIDEWIND 7,000 LB (SEE PAGE 2-22)	1
10	141246	BRACKET, HOSE HOLDER	1
11	141247	CLAMP, HOSE HOLDER	1
12	141249	WING NUT, HOSE HOLDER	1
13	156950	SAFETY CHAIN, 41,000 LB	1
14	141807	SCREW, ALL THREAD 3/8-16 X 3-1/2	1
15	144473	HITCH WELDMENT	1
	156947	HITCH, CAT V (NOT SHOWN)	1
16	2-150-010228	BUSHING, HITCH	2
17	1-298-010001-1	ZERK FITTING 1/4	2
18	103-0805	PIN, ROLL 1/4 X 1-3/4	2
19	155717	NUT, HEX JAM 1-3/4-5 LH GRB	1
20	155538	RADIUS ROD, HITCH	1
21	155534	RH SCREW ASSEMBLY, RADIUS ROD	1
22	155716	NUT, HEX JAM 1-3/4-5 GRB	1
23	155536	LH SCREW ASSEMBLY, RADIUS ROD	1
24	145190	TOWER, LEVELER	1
25	2-375-010602	HITCH RING, CAT IV	1
	156949	HITCH, RING, CAT V (NOT SHOWN)	1
26	169584	LEVELER ASSEMBLY (SEE PAGE 2-24)	1
27	2-181-010001	HOSE CLAMP (NOT SHOWN)	
28	144115	PIN, GROOVED ALLOY 1/2 X 2-1/4	2
29	144493	PIN, HITCH	2
30	1-512-010007-16	NUT, HEX 1-1/4-7	3
31	1-654-010123-01	SCREW, HEX HEAD CAP 1-1/4-7 X 8 GR8	2
32	100808	SCREW, HEX HEAD CAP 1-1/4-7 X 9-1/2 GR8	1
33	100825	WASHER, SLOTTED LOCK 1-1/4	3
34	116100	WASHER, FLAT 1-1/4 N	2
35	1-654-010125-22	SCREW, HEX HEAD CAP 1-8 X 8-1/2 GR8	1
36	70239854	PIN, QUICK HITCH	1
37	155564	WRENCH, ADJUSTMENT	2
38	114616	SCREW, HEX HEAD CAP 1-8 X 8-1/2 GR5 (156946)	1
39	170258	BUSHING, MACHINE 1-1/2 X 10 GA	4
40	189451	HITCH, BALL CAT IV, 3-HOLE	1

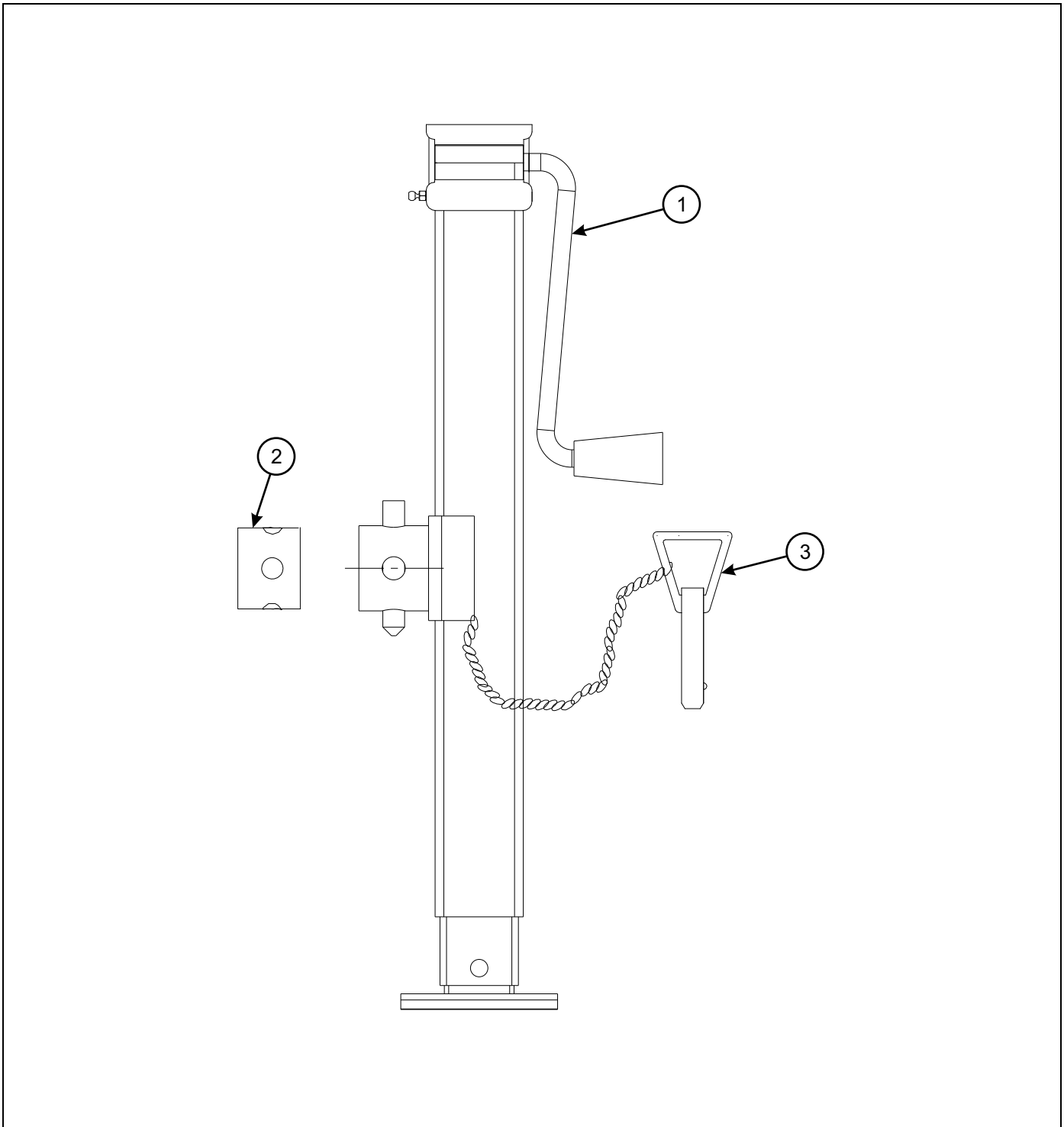


Figure 2-12: 7,000 Lb. Sidewind Jack Assembly

7,000 Lb. Sidewind Jack Assembly

ITEM	PART NO.	DESCRIPTION	QTY.
	140647	JACK, SIDEWIND 7000LB	
1	500171	HANDLE FOR JACK	1
2	142194	5/8" PIN	1
3	141250	TUBE, RD, JACK MOUNT	1

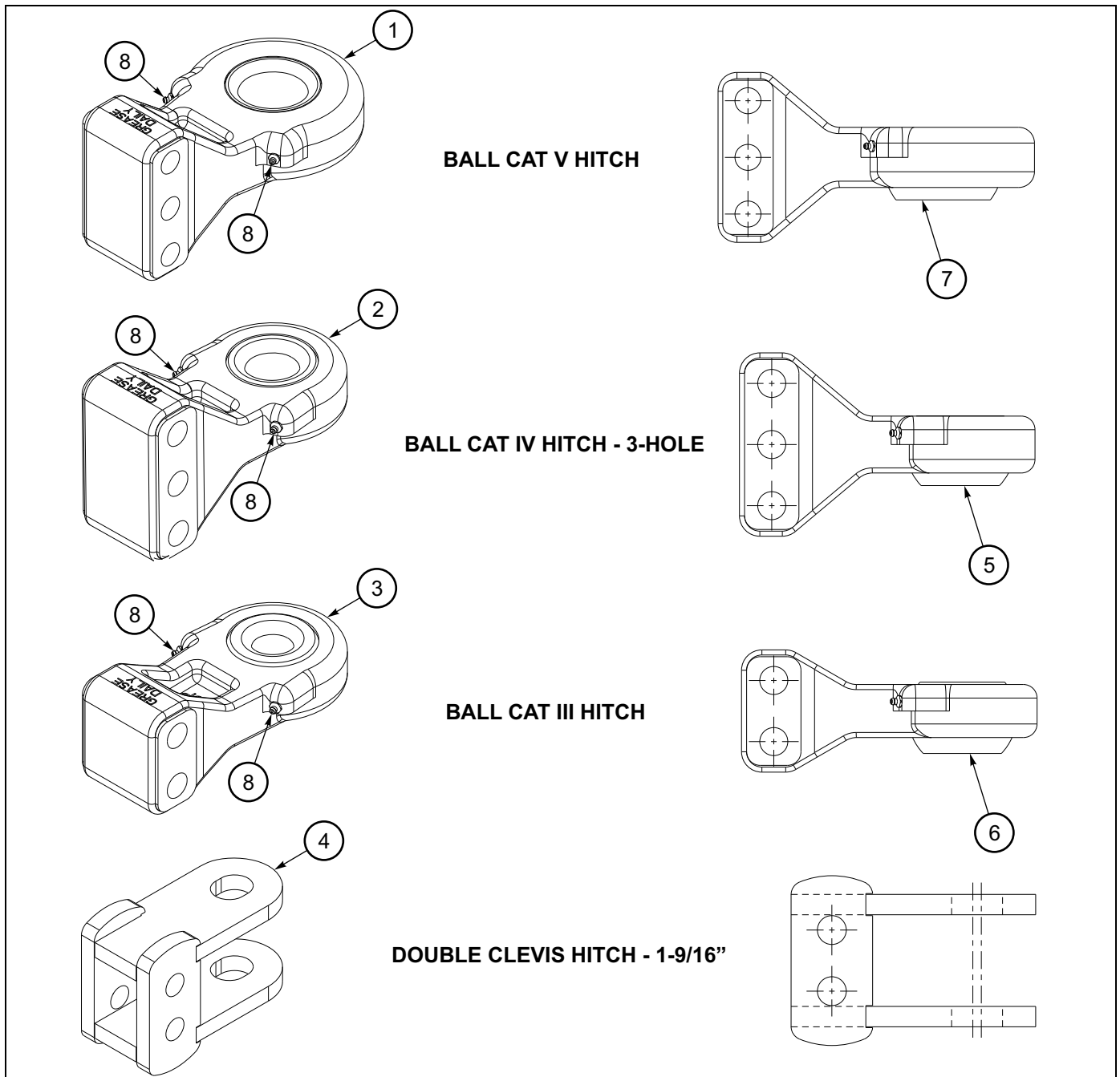


Figure 2-13: Hitch Assemblies

HITCH ASSEMBLIES

ITEM	PART NO.	DESCRIPTION	QTY.
1	177032	HITCH, BALL V	1
2	189451	HITCH, BALL CAT IV, 3-HOLE	1
3	177030	HITCH, BALL CAT III	1
4	161500	HITCH CLEVIS, DOUBLE 1-9/16"	1
5	189454	BUSHING, SPHERICAL, 2" ID	1
6	189453	BUSHING, SPHERICAL, 1-1/2" ID	1
7	189468	BUSHING, SPHERICAL, 2-3/4" ID	1
8	1-298-010001-01	ZERK	1

ILLUSTRATED PARTS LIST

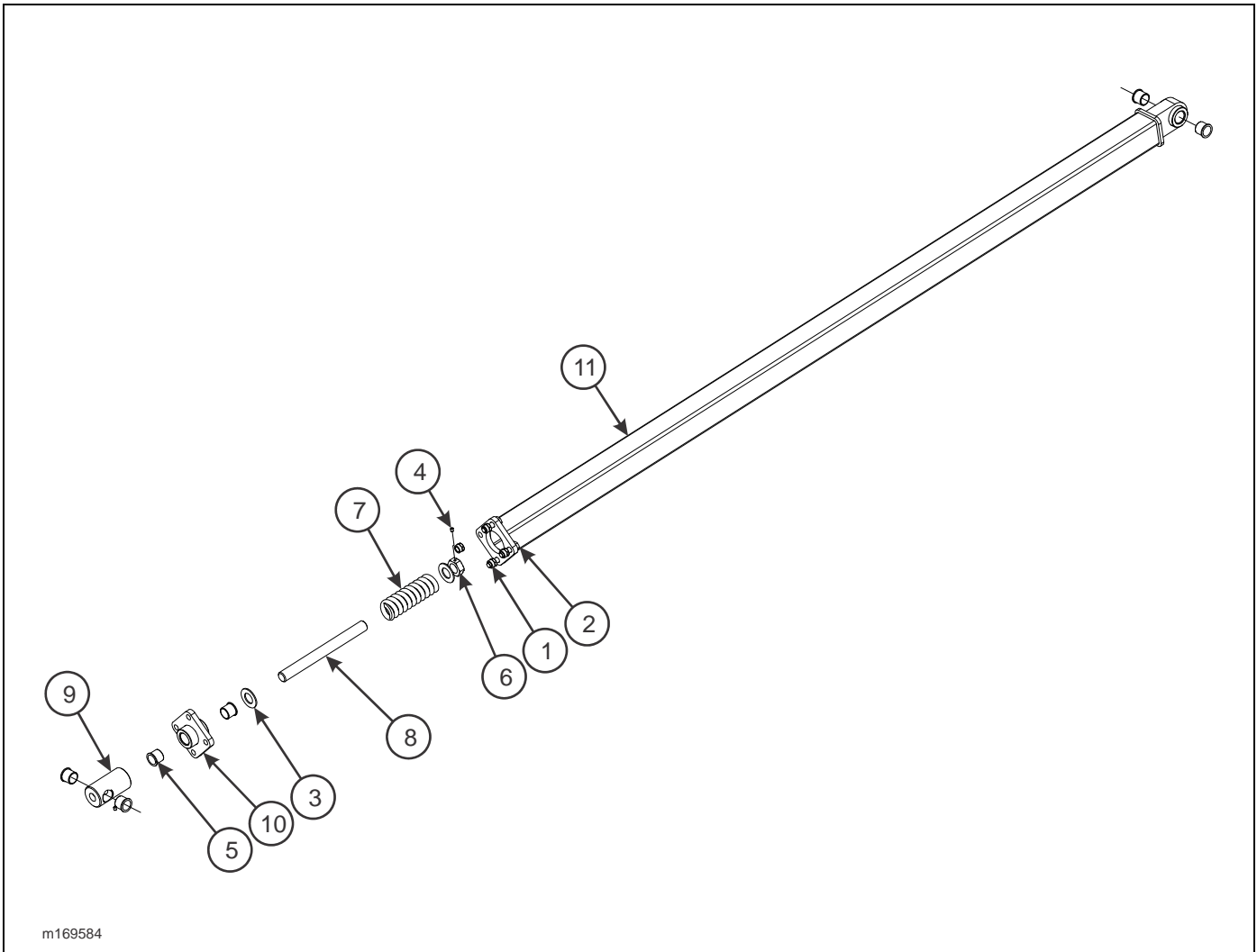
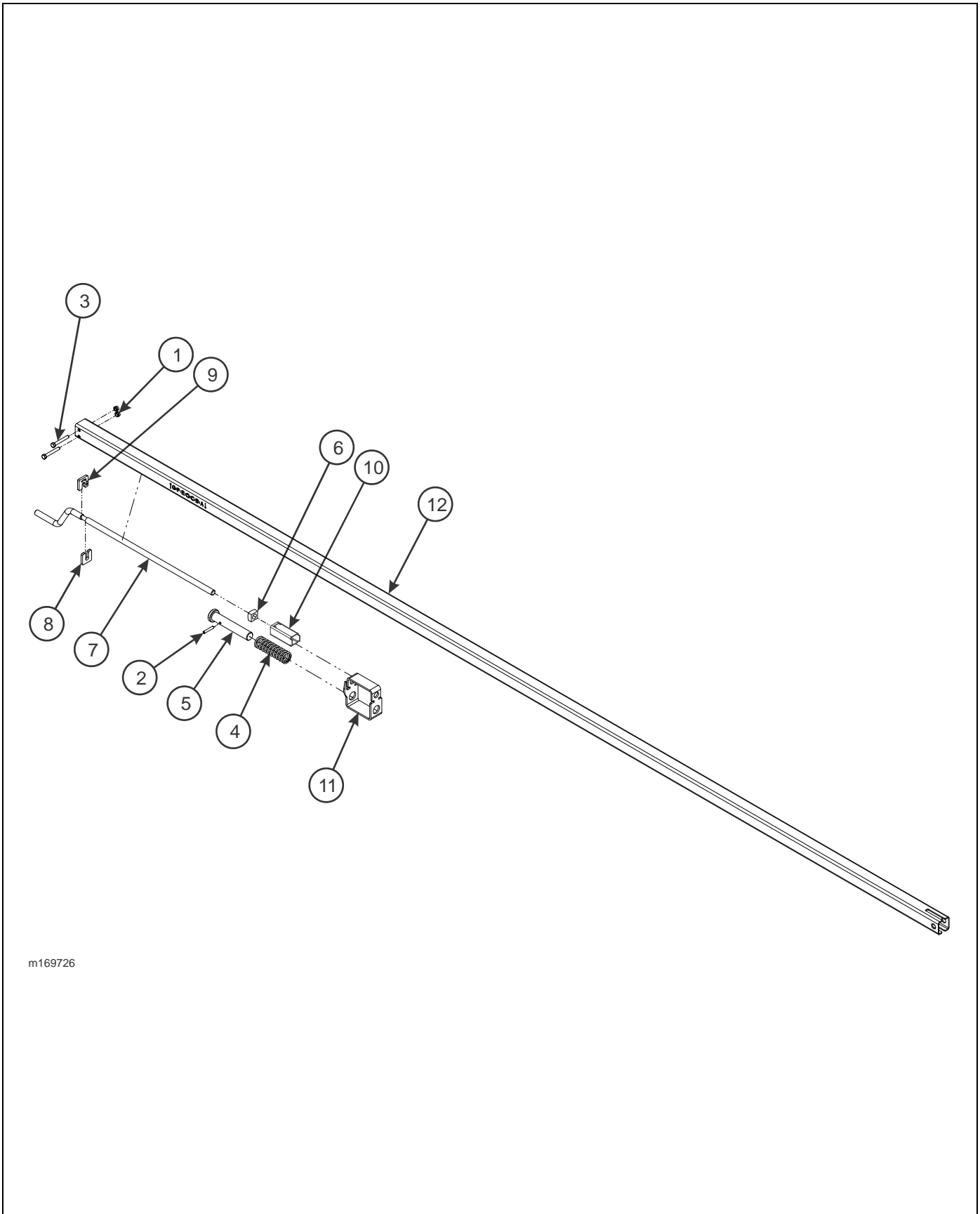


Figure 2-14: Leveler Assembly

LEVELER ASSEMBLY

ITEM	PART NO.	DESCRIPTION	QTY.
	169584	LEVELER ASSEMBLY	
1	1-512-010005-15	NUT, HEX LOCK 3/4-10 GRB	2
2	1-654-010061-07	SCREW, HEX HEAD CAP 3/4-10 X 2-1/2 GR5	2
3	1-861-010032-32	WASHER, FLAT 1-1/2N	2
4	122709	SCREW, SET HEX SOCKET CUP POINT 3/8-16 X 1/2	2
5	140599	BEARING, FLANGE 1-1/2	6
6	140610	NUT, HEX JAM W/O SET SCREW	1
7	140649	SPRING, LEVELER	1
8	149581	ROD, LEVELER SCREW	1
9	149582	PIVOT BLOCK, LEVELER TUBE	1
10	158803	SLIDE, LEVELER	1
11	169585	LEVELER TUBE	1

Page Intentionally Blank



m169726

Figure 2-15: Depth Stop Tube Assembly

DEPTH STOP TUBE ASSEMBLY

ITEM	PART NO.	DESCRIPTION	QTY.
	169726	DEPTH STOP TUBE ASSEMBLY	
1	1-512-010005-03	NUT, HEX LOCK 5/16-18 GRB	2
2	1-647-010004217	SPRING PIN, SLOTTED 1/4 X 1-1/2	1
3	108628	SCREW, HEX HEAD CAP 5/16-18 X 2-1/4 GR5	2
4	122917	SPRING, COMPRESSION 4-1/2	1
5	141213	PIN, DEPTH STOP	1
6	144048	NUT, SQUARE 5/8-11 GR5	1
7	165258	HANDLE, DEPTH STOP	1
8	165259	STOP, HANDLE LONG	1
9	165260	STOP, HANDLE SHORT	1
10	166717	SQUARE TUBE, FLOATING	1
11	165262	SQUARE TUBE, DEPTH STOP	1
12	169725	SQUARE TUBE, DEPTH STOP	1

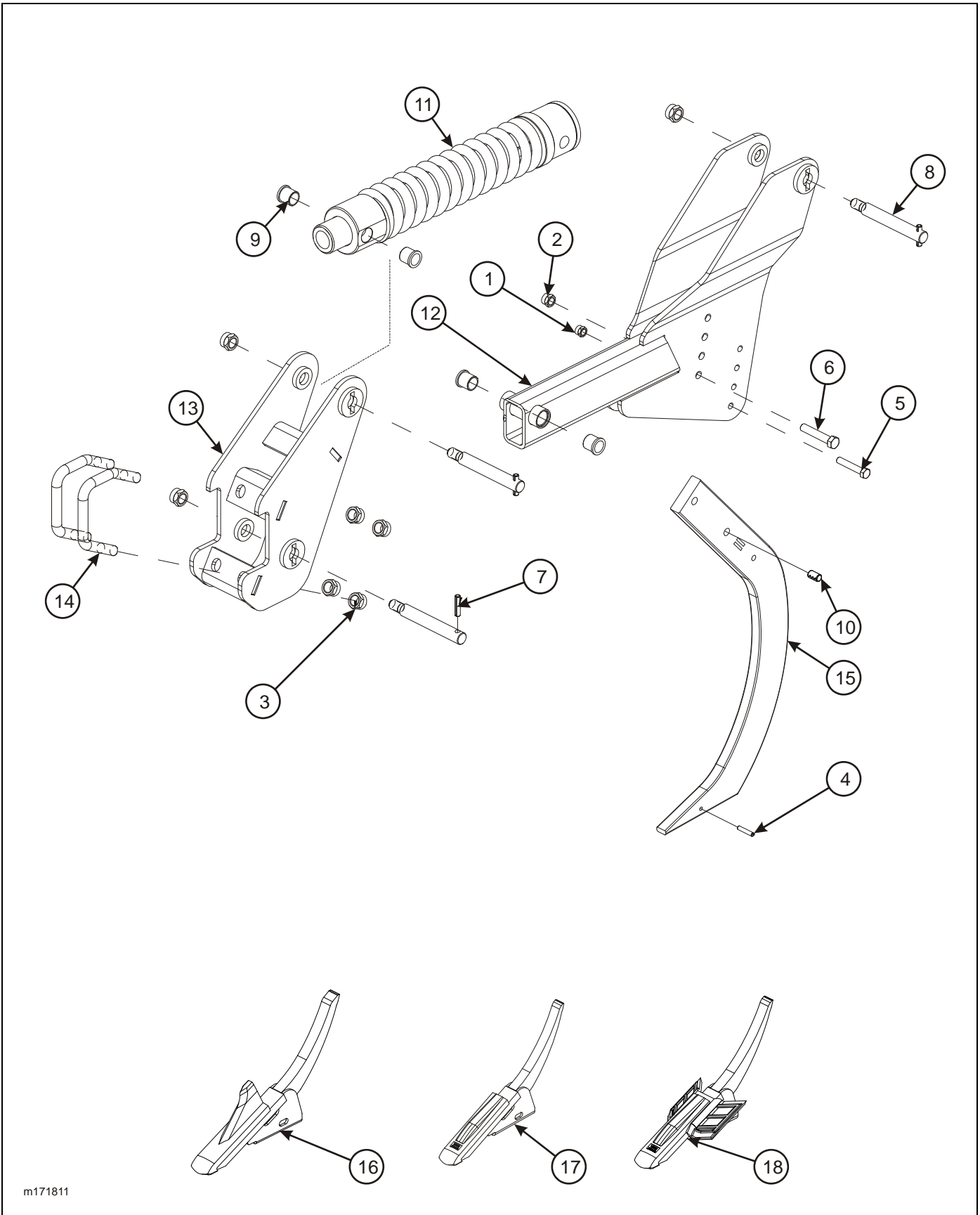


Figure 2-16: Shank Clamp Assembly

SHANK CLAMP ASSEMBLY

ITEM	PART NO.	DESCRIPTION	QTY.
	171811	CLAMP ASSEMBLY	
1	1-512-010005-13	NUT, HEX LOCK 5/8-11 GRB	1
2	1-512-010005-15	NUT, HEX LOCK 3/4-10 GRB	1
3	1-512-010005-19	NUT, HEX LOCK 1-8 GRB	7
4	1-647-010004255	PIN, SPRING SLOTTED 3/8 X 2	1
5	154172	SCREW, HEX HEAD CAP 5/8-11 X 3-3/4 GR5	1
6	1-654-010061-13	SCREW, HEX HEAD CAP 3/4 -10 X 4 GR5	1
7	141251	SPRING PIN, SLOTTED 1/2 X 2-1/4	3
8	144457	PIN, SHANK	3
9	144460	BEARING, FLANGE 1-1/4	4
10	150244	BUSHING, CONNEX 5/8 X 3/4 X 1-1/4	1
11	156388	SPRING ASSEMBLY	1
12	169484	CLAMP WELDMENT, SHANK 1-1/4"	1
13	169486	CLAMP TOOLBAR WELDMENT, SHANK	1
14	169492	BOLT, SHANK CLAMP	2
15	169493	SHANK, BOLT-IN 1-1/4 X 4	1
16	169498	POINT, SHARK FIN 1-1/4"	1
17	169502	POINT, V-CAP 1-1/4"	1
18	169510	POINT, WINGED SUBSOILER 1-1/4"	1

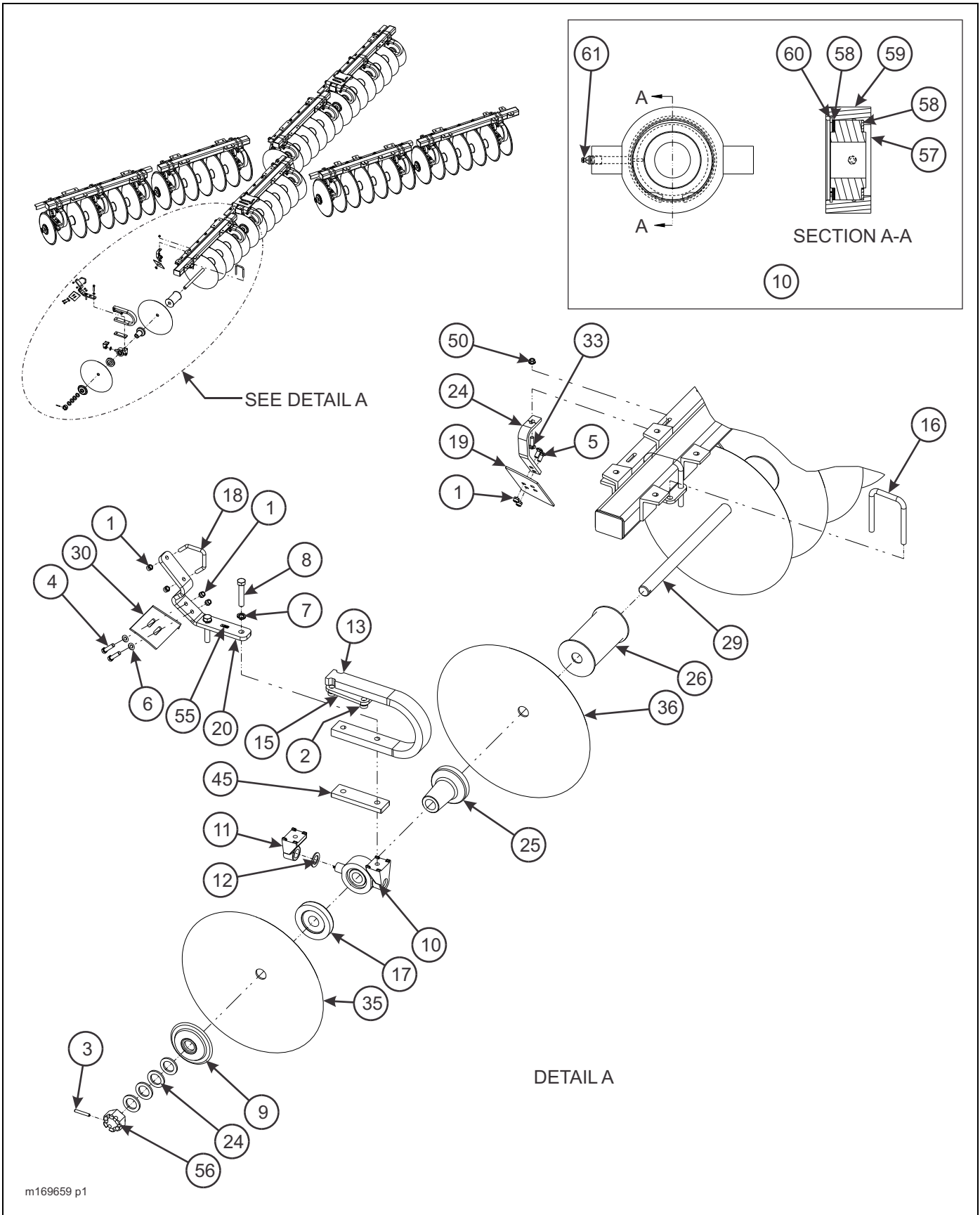


Figure 2-17: Disc Gang Assembly, 26" (1 of 2)

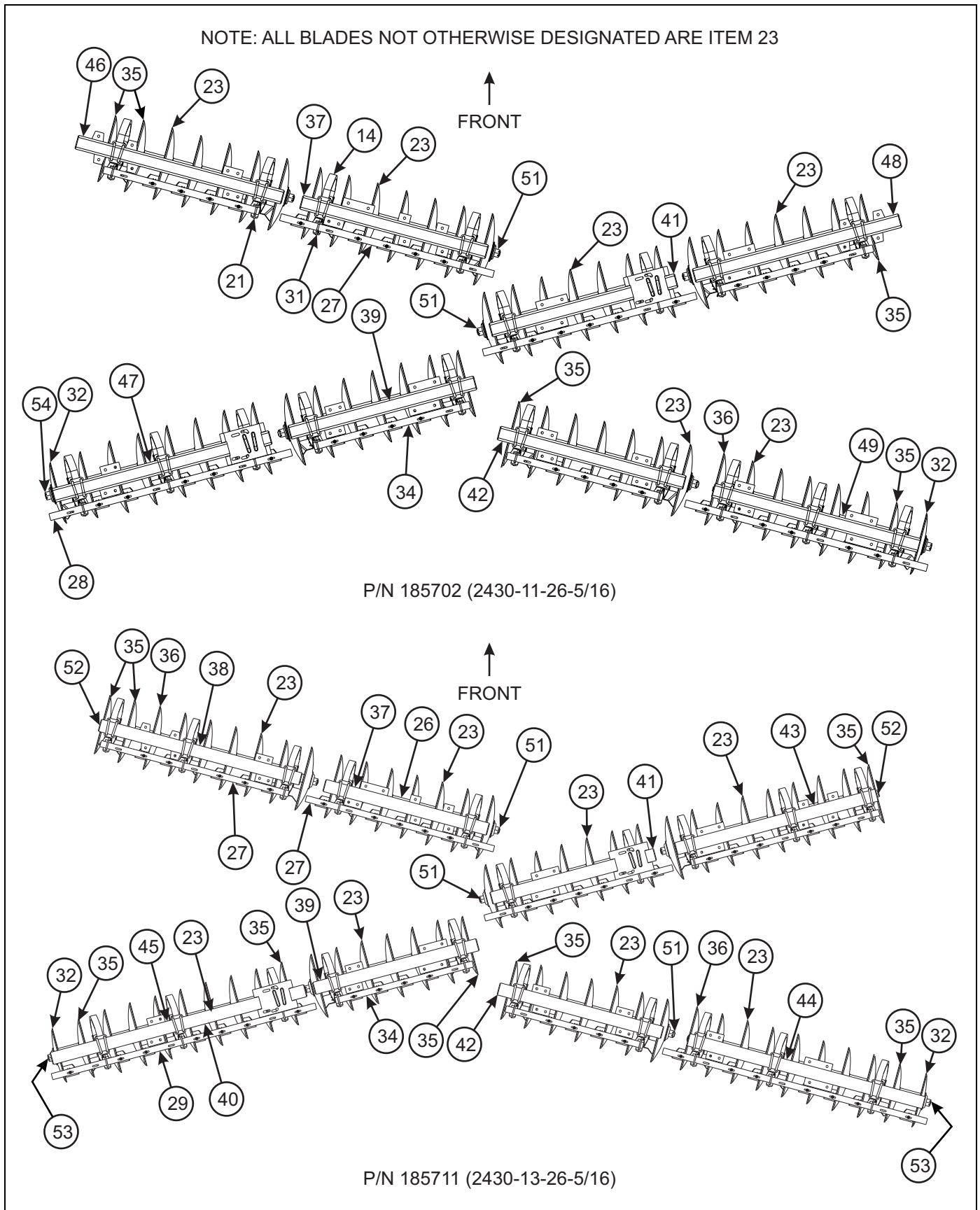


Figure 2-18: Disc Gang Assembly, 26" (2 of 2)

DISC GANG ASSEMBLY, 26-5/16"

ITEM	PART NO.	DESCRIPTION	QTY.	
	185702	DISC GANG ASSEMBLY 26" (2430-11-26-5/16)	*	
	185711	DISC GANG ASSEMBLY 26" (2430-13-26-5/6)	*	
1	1-512-010005-09	NUT, HEX LOCK 1/2-13 GRB	144	164
2	1-512-010005-15	NUT, HEX LOCK 3/4-10 GRB	72	80
3	1-647-010004257	ROLL PIN, SLOTTED 3/8 X 2-1/2	16	16
4	1-654-010055-05	SCREW, HEX HEAD CAP 1/2-13 X 2 GR5	36	40
5	1-654-010070-02	SCREW, RD HEAD SQ NECK 1/2-13 X 1-3/4 GR5	72	84
6	1-861-010032-14	WASHER, FLAT 3/4N	36	40
7	1-861-010034-17	WASHER, SPLIT LOCK 3/4	36	40
8	114029	SCREW, HEX HEAD CAP 3/4-10 X 4 GR8	36	40
9	140469	END COLLAR	16	16
10	140477	BEARING, DISC 1.775 ID ASSEMBLY (INCL ITEMS 56-60)	18	20
11	140479	MOUNT, TRUNNION BEARING	36	40
12	140480	WASHER, TRUNNION	18	20
13	140481	SHANK, DISC BEARING RIGHT	9	10
14	140482	SHANK, DISC BEARING LEFT	9	10
15	140483	PLATE, DISC SHANK MOUNT	36	40
16	140484	U-BOLT 3/4 X 5	36	40
17	140485	HALF SPOOL, CONCAVE SCRAPER, 4-1/2	18	20
18	140487	U-BOLT, SCRAPER BAR MOUNT	18	20
19	140488	SCRAPER, 4-1/2"	36	42
20	140490	MOUNT, SCRAPER BAR RIGHT	9	10
21	140491	MOUNT, SCRAPER BAR LEFT	9	10
22	141154	WASHER, GANG SHAFT	38	38
23	141871	DISC BLADE 26"- 5/16 X 1-3/4	46	54
24	144155	ARM, SCRAPER	36	42
25	148363	HALF SPOOL, CONVEX	18	20
26	148364	SPOOL WELDMENT, 10-1/2	33	39
27	149604	SCRAPER BAR, 10-1/2 SP 7 HOLE	2	4
28	149605	SCRAPER BAR, 10-1/2 SP 8 HOLE	2	--
29	149607	SCRAPER BAR, 10-1/2 SP 10 HOLE	--	2
30	150231	SCRAPER, DUAL RIGHT 10-1/2	9	10
31	150232	SCRAPER, DUAL LEFT 10-1/2	9	10
32	155618	DISC BLADE 22" X 1/4 X 1-3/4	2	2
33	160161	SCREW, RDH, SQ NK, 1/2-13 X 1-3/4 GR8	36	42
34	160183	SCRAPER BAR, 10-1/2 SP 5 HOLE	4	2
35	161530	DISC BLADE 24" X 1/4 X 1-3/4	6	8
36	169575	DISC BLADE 26" X 1/4 X 1-3/4	2	2
37	169589	GANG BAR	1	1
38	169590	GANG BAR	--	1
39	169591	GANG BAR	1	1
40	169592	GANG BAR	--	1
41	169593	GANG BAR	1	1
42	169595	GANG BAR	1	1
43	169597	GANG BAR	--	1
44	169598	GANG BAR	--	1
45	169601	PLATE, GANG SPACER	18	20
46	169606	GANG BAR	1	--
47	169607	GANG BAR	1	--

DISC GANG ASSEMBLY, 26-5/16"

ITEM	PART NO.	DESCRIPTION	QTY.	
48	169608	GANG BAR	1	--
49	169609	GANG BAR	1	--
50	172509	NUT, FLG HD TOP LOCK, F 1/2-13	36	42
51	185720	SHAFT, GANG 71"	6	4
52	185721	SHAFT, GANG 91"	--	2
53	185722	SHAFT, GANG 102"	--	2
54	185724	SHAFT, GANG, 80-1/2"	2	--
55	2-573-010330-02	DECAL, LUBRICATION 10 HOURS	18	20
56	23085	NUT, HEX SLOTTED 1-3/4 - 5	16	16
57	140464	BEARING, DISC 1.775ID	1	1
58	140473	WASHER, BEARING	2	2
59	140475	CASTING, TRUNNION BEARING	1	1
60	140476	INTERNAL RETAINING RING	1	1
61	5000	ZERK, FITTING 1/8	1	1

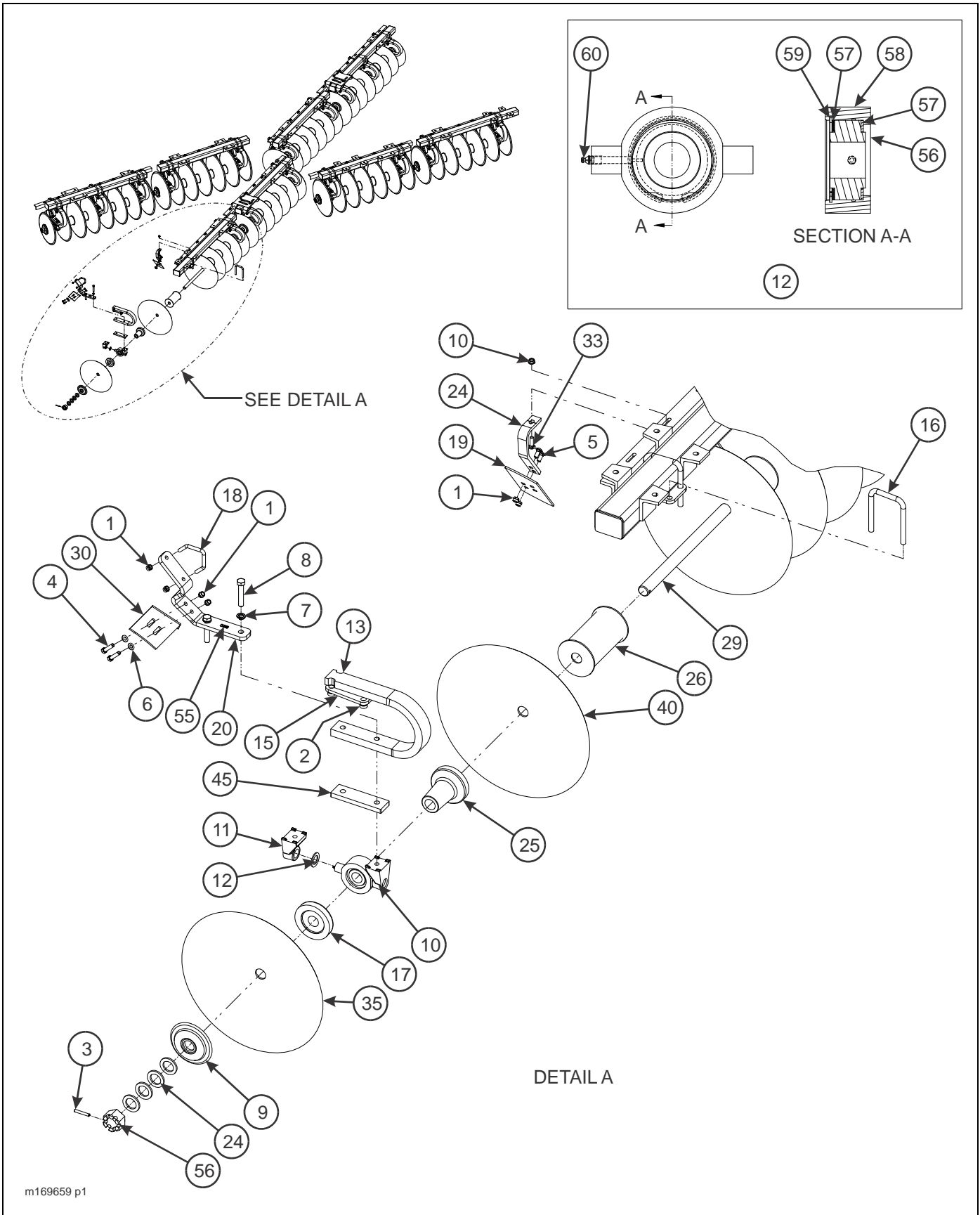
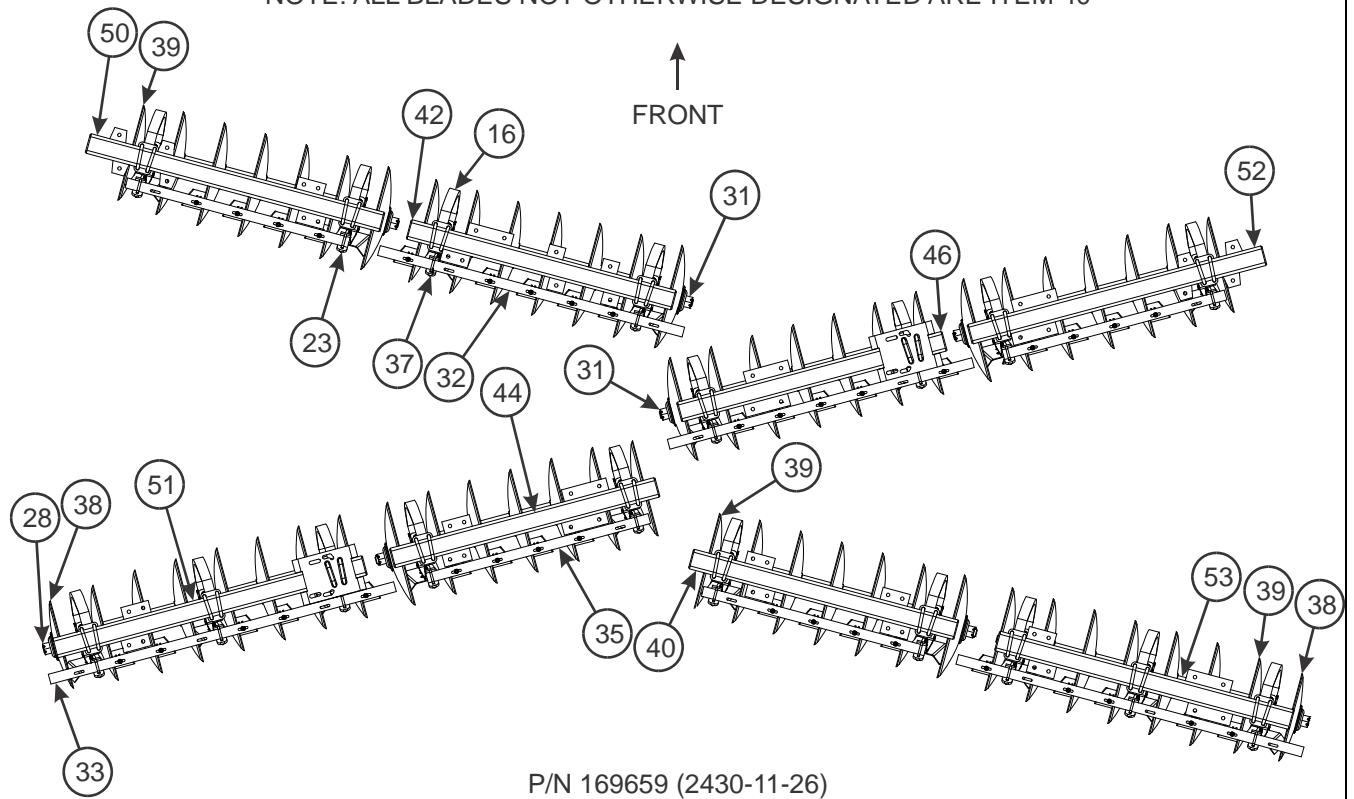
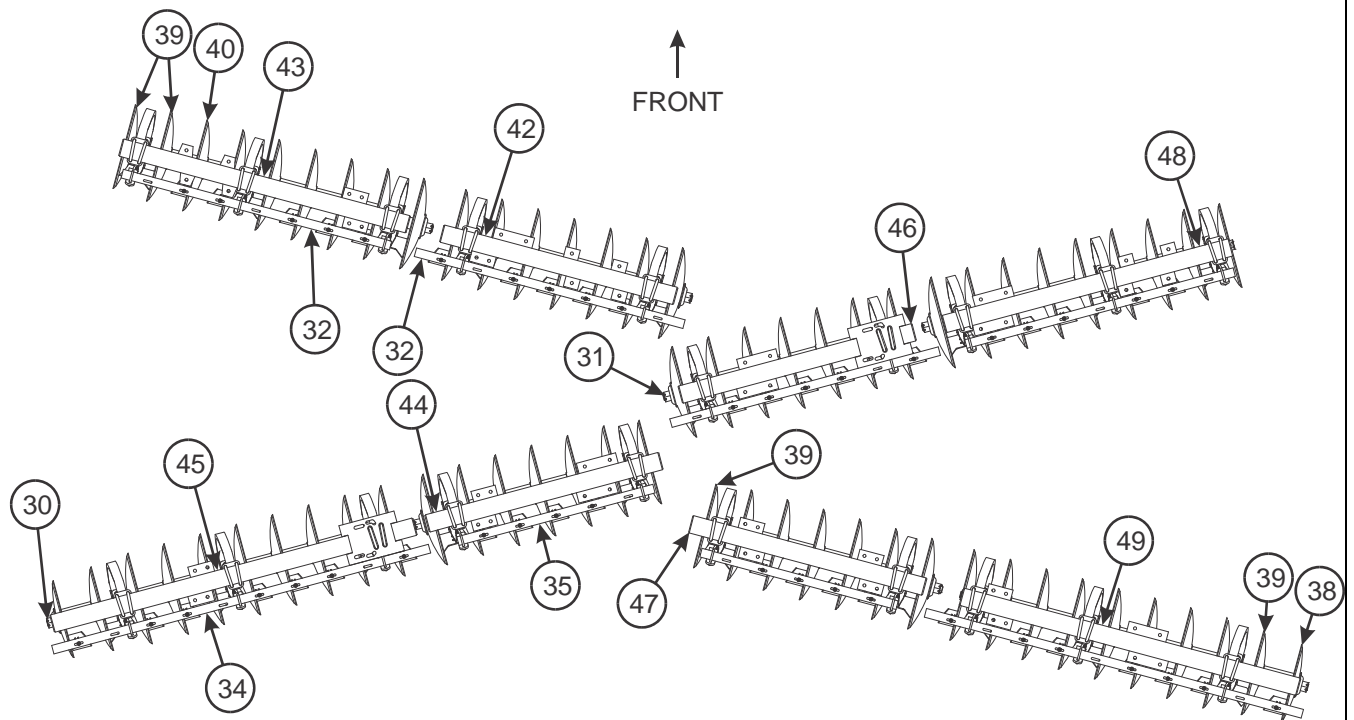


Figure 2-19: Disc Gang Assembly, 26" (1 of 2)

NOTE: ALL BLADES NOT OTHERWISE DESIGNATED ARE ITEM 40



P/N 169659 (2430-11-26)



P/N 169573 (2430-13-26)

m169659 p2

Figure 2-20: Disc Gang Assembly, 26" (2 of 2)

DISC GANG ASSEMBLY, 26"

ITEM	PART NO.	DESCRIPTION	QTY.	
	169659	DISC GANG ASSEMBLY 26" (2430-11-26)	*	
	169573	DISC GANG ASSEMBLY 26" (2430-13-26)	*	
1	1-512-010005-09	NUT, HEX LOCK 1/2-13 GRB	144	164
2	1-512-010005-15	NUT, HEX LOCK 3/4-10 GRB	72	80
3	1-647-010004257	ROLL PIN, SLOTTED 3/8 X 2-1/2	16	16
4	1-654-010055-05	SCREW, HEX HEAD CAP 1/2-13 X 2 GR5	36	40
5	1-654-010070-02	SCREW, RD HEAD SQ NECK 1/2-13 X 1-3/4 GR5	72	84
6	1-654-010070-04	SCREW, RD HEAD SQ NECK 1/2-13 X 1-1/4 GR5	36	42
7	1-861-010032-14	WASHER, FLAT 3/4N	36	40
8	1-861-010034-17	WASHER, SPLIT LOCK 3/4	36	40
9	114029	SCREW, HEX HEAD CAP 3/4-10 X 4 GR8	36	40
10	124971	NUT, FLANGE HEAD SPIRALOCK 1/2-13	36	42
11	140469	END COLLAR	16	16
12	140477	BEARING, DISC 1.775 ID ASSEMBLY (INCL ITEMS 56-60)	18	20
13	140479	MOUNT, TRUNNION BEARING	36	40
14	140480	WASHER, TRUNNION	18	20
15	140481	SHANK, DISC BEARING RIGHT	9	10
16	140482	SHANK, DISC BEARING LEFT	9	10
17	140483	PLATE, DISC SHANK MOUNT	36	40
18	140484	U-BOLT 3/4 X 5	36	40
19	140485	HALF SPOOL, CONCAVE	18	20
20	140487	U-BOLT, SCRAPER BAR MOUNT	18	20
21	140488	SCRAPER, 4-1/2	36	42
22	140490	MOUNT, SCRAPER BAR RIGHT	9	10
23	140491	MOUNT, SCRAPER BAR LEFT	9	10
24	141154	WASHER, GANG SHAFT	40	40
25	144155	ARM, SCRAPER	36	42
26	148363	HALF SPOOL, CONVEX	18	20
27	148364	SPOOL WELDMENT, 10-1/2	33	39
28	149591	SHAFT, GANG 80"	2	--
29	149592	SHAFT, GANG 90-1/2"	--	2
30	149593	SHAFT, GANG 101"	--	2
31	156951	SHAFT, GANG 70"	6	4
32	149604	SCRAPER BAR, 10-1/2 SP 7 HOLE	2	4
33	149605	SCRAPER BAR, 10-1/2 SP 8 HOLE	2	--
34	149607	SCRAPER BAR, 10-1/2 SP 10 HOLE	--	2
35	160183	SCRAPER BAR, 10-1/2 SP 5 HOLE	4	2
36	150231	SCRAPER, DUAL RIGHT 10-1/2	9	10
37	150232	SCRAPER, DUAL LEFT 10-1/2	9	10
38	155618	DISC BLADE 22" X 1/4 X 1-3/4	2	2
39	161530	DISC BLADE 24" X 1/4 X 1-3/4	6	6
40	169575	DISC BLADE 26" X 1/4 X 1-3/4	50	36
41	169601	PLATE, GANG SPACER	18	20
42	169589	GANG BAR	1	1
43	169590	GANG BAR	--	1
44	169591	GANG BAR	1	1
45	169592	GANG BAR	--	1
46	169593	GANG BAR	1	1
47	169595	GANG BAR	1	1

DISC GANG ASSEMBLY, 26"

ITEM	PART NO.	DESCRIPTION	QTY.	
48	169597	GANG BAR	--	1
49	169598	GANG BAR	--	1
50	169606	GANG BAR	1	--
51	169607	GANG BAR	1	--
52	169608	GANG BAR	1	--
53	169609	GANG BAR	1	--
54	2-573-010330-02	DECAL, LUBRICATION 10 HOURS	18	20
55	23085	NUT, HEX SLOTTED 1-3/4 - 5	16	16
56	140464	BEARING, DISC 1.775ID	1	1
57	140473	WASHER, BEARING	2	2
58	140475	CASTING, TRUNNION BEARING	1	1
59	140476	INTERNAL RETAINING RING	1	1
60	5000	ZERK, FITTING 1/8	1	1

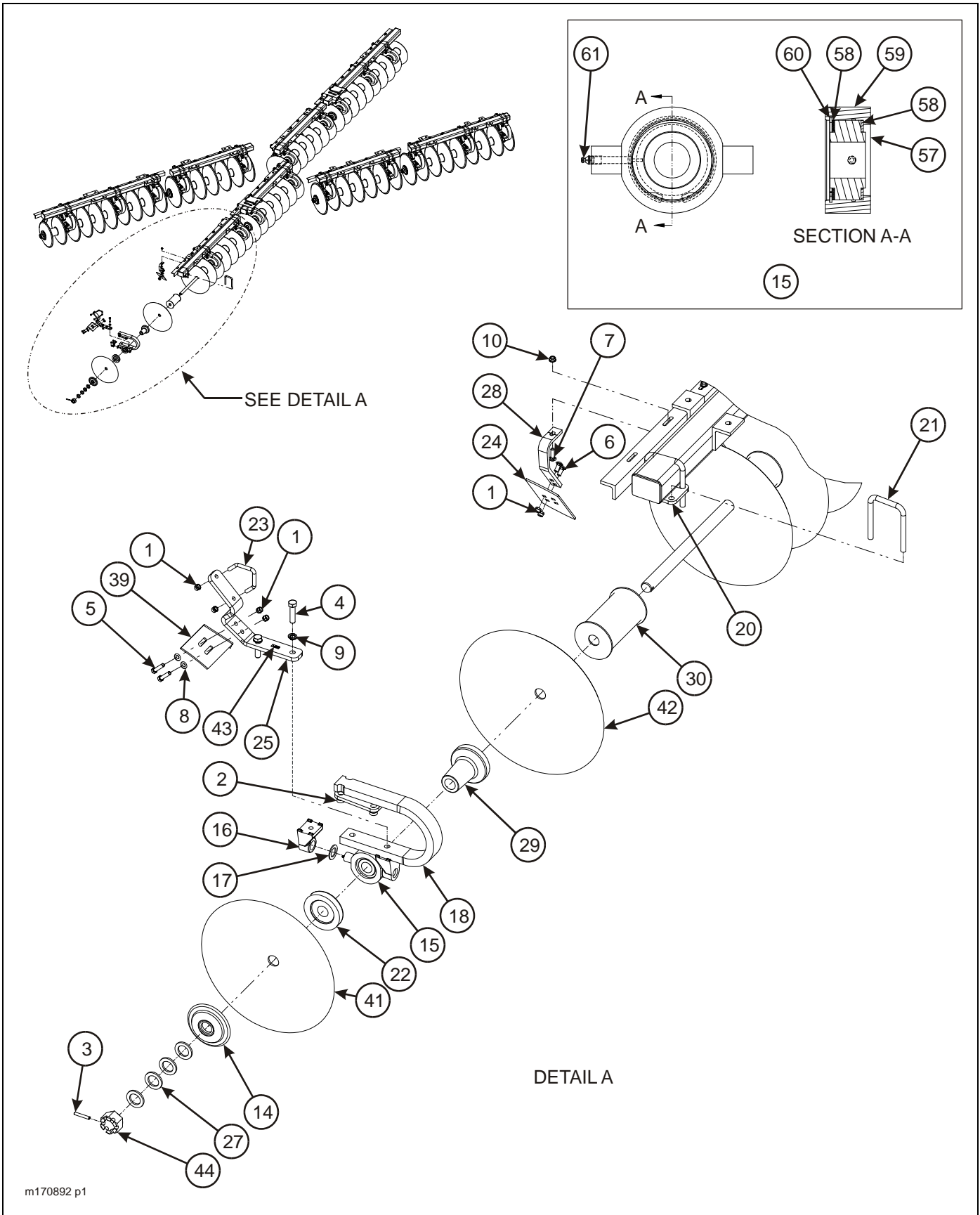
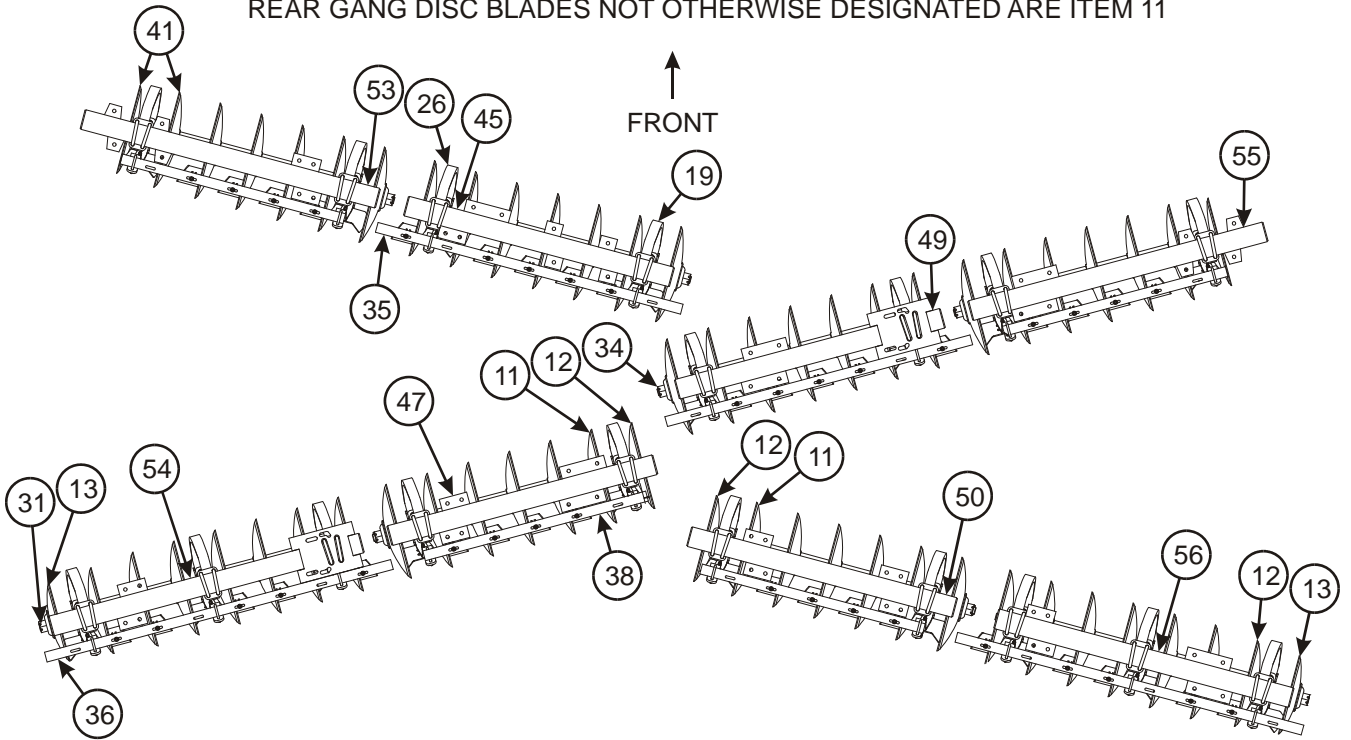
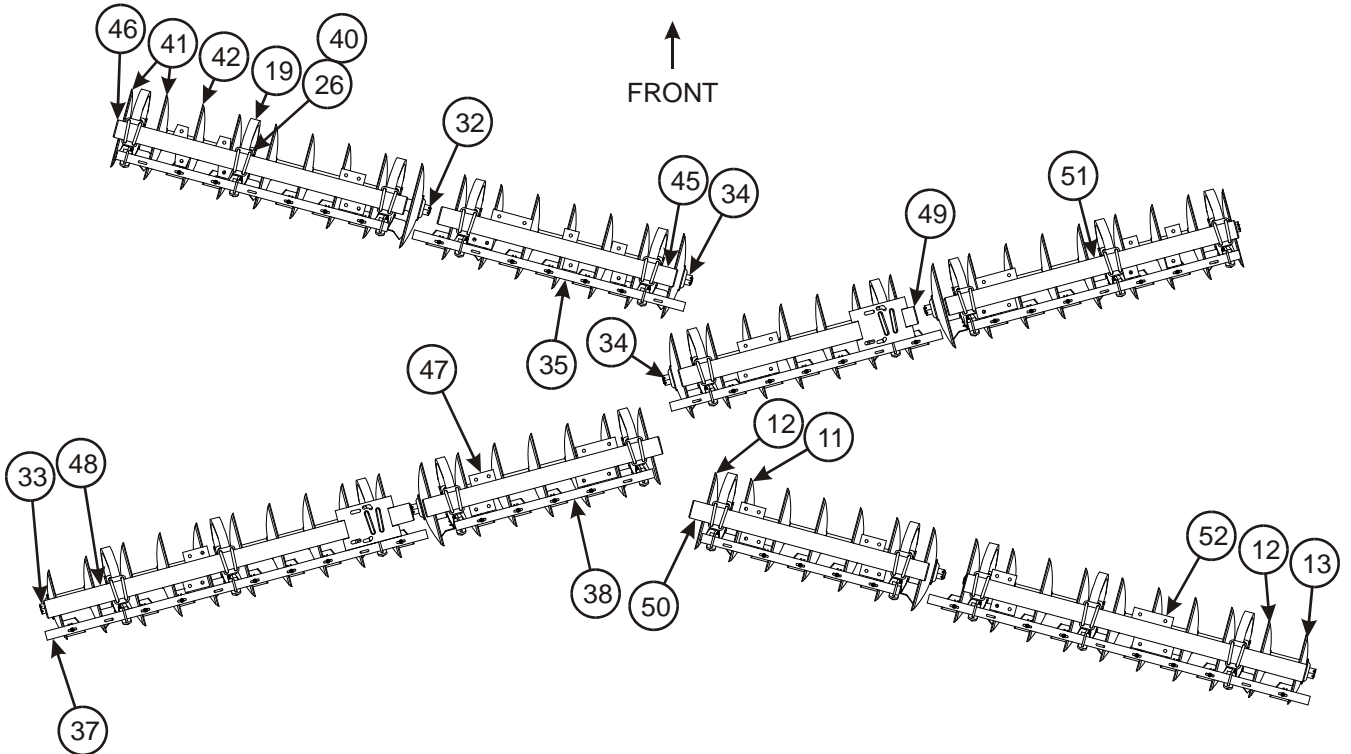


Figure 2-21: Disc Gang Assembly, 24" (1 of 2)

NOTE: FRONT GANG DISC BLADES NOT OTHERWISE DESIGNATED ARE ITEM 42
 REAR GANG DISC BLADES NOT OTHERWISE DESIGNATED ARE ITEM 11



P/N 170883 (2430-11-24)



P/N 170892 (2430-13-24)

m170892 p2

Figure 2-22: Disc Gang Assembly, 24" (2 of 2)

DISC GANG ASSEMBLY, 24"

ITEM	PART NO.	DESCRIPTION	QTY.	
	170883	DISC GANG ASSEMBLY 24" (2430-11-24)	*	
	170892	DISC GANG ASSEMBLY 24" (2430-13-24)		*
1	1-512-010005-09	NUT, HEX LOCK 1/2-13 GRB	144	164
2	1-512-010005-15	NUT, HEX LOCK 3/4-10 GRB	72	80
3	1-647-010004257	ROLL PIN, SLOTTED 3/8 X 2-1/2	16	16
4	1-654-010032-09	SCREW, HEX HEAD CAP 3/4-10 X 3 GR8	36	40
5	1-654-010055-05	SCREW, HEX HEAD CAP 1/2-13 X 2 GR5	36	40
6	1-654-010070-02	SCREW, RD HEAD SQ NECK 1/2-13 X 1-3/4 GR5	72	84
7	1-654-010070-04	SCREW, RD HEAD SQ NECK 1/2-13 X 1-1/4 GR5	36	42
8	1-861-010032-14	WASHER, FLAT 3/4N	36	40
9	1-861-010034-17	WASHER, SPLIT LOCK 3/4	36	40
10	124971	NUT, FLANGE HEAD SPIRALOCK 1/2-13	36	42
11	140465	DISC BLADE 24" X 1/4 X 1-3/4	24	28
12	140466	DISC BLADE 22" X 1/4 X 1-3/4	4	4
13	140467	DISC BLADE 20" X 1/4 X 1-3/4	2	2
14	140469	END COLLAR	16	16
15	140477	BEARING, DISC 1.775 ID ASSEMBLY (INCL ITEMS 57-61)	20	20
16	140479	MOUNT, TRUNNION BEARING	36	40
17	140480	WASHER, TRUNNION	18	20
18	140481	SHANK, DISC BEARING RIGHT	9	10
19	140482	SHANK, DISC BEARING LEFT	9	10
20	140483	PLATE, DISC SHANK MOUNT	36	40
21	140484	U-BOLT 3/4 X 5	36	40
22	140485	HALF SPOOL, CONCAVE	18	20
23	140487	U-BOLT, SCRAPER BAR MOUNT	18	20
24	140488	SCRAPER, 4-1/2	36	42
25	140490	MOUNT, SCRAPER BAR RIGHT	9	10
26	140491	MOUNT, SCRAPER BAR LEFT	9	10
27	141154	WASHER, GANG SHAFT	40	40
28	144155	ARM, SCRAPER	36	42
29	148363	HALF SPOOL, CONVEX	18	20
30	148364	SPOOL WELDMENT, 10-1/2	33	39
31	149591	SHAFT, GANG 80"	2	--
32	149592	SHAFT, GANG 90-1/2"	--	2
33	149593	SHAFT, GANG 101"	--	2
34	156951	SHAFT, GANG 70"	6	4
35	149604	SCRAPER BAR, 10-1/2 SP 7 HOLE	2	4
36	149605	SCRAPER BAR, 10-1/2 SP 8 HOLE	2	--
37	149607	SCRAPER BAR, 10-1/2 SP 10 HOLE	--	2
38	160183	SCRAPER BAR, 10-1/2 SP 5 HOLE	4	2
39	150231	SCRAPER, DUAL RIGHT 10-1/2	9	10
40	150232	SCRAPER, DUAL LEFT 10-1/2	9	10
41	155617	DISC BLADE 22" X 1/4" 1-3/4 ID	2	2
42	161530	DISC BLADE 24" X 1/4" 1-3/4 ID	26	30
43	2-573-010330-02	DECAL, LUBRICATION 10 HOURS	18	20
44	23085	NUT, HEX SLOTTED 1-3/4 - 5	16	16
45	169589	GANG BAR	1	1
46	169590	GANG BAR	--	1
47	169591	GANG BAR	1	1

DISC GANG ASSEMBLY, 24"

ITEM	PART NO.	DESCRIPTION	QTY.	
48	169592	GANG BAR	--	1
49	169593	GANG BAR	1	1
50	169595	GANG BAR	1	1
51	169597	GANG BAR	--	1
52	169598	GANG BAR	--	1
53	169606	GANG BAR	1	--
54	169607	GANG BAR	1	--
55	169608	GANG BAR	1	--
56	169609	GANG BAR	1	--
57	140464	BEARING, DISC 1.775ID	1	1
58	140473	WASHER, BEARING	2	2
59	140475	CASTING, TRUNNION BEARING	1	1
60	140476	INTERNAL RETAINING RING	1	1
61	5000	ZERK, FITTING 1/8	1	1

ILLUSTRATED PARTS LIST

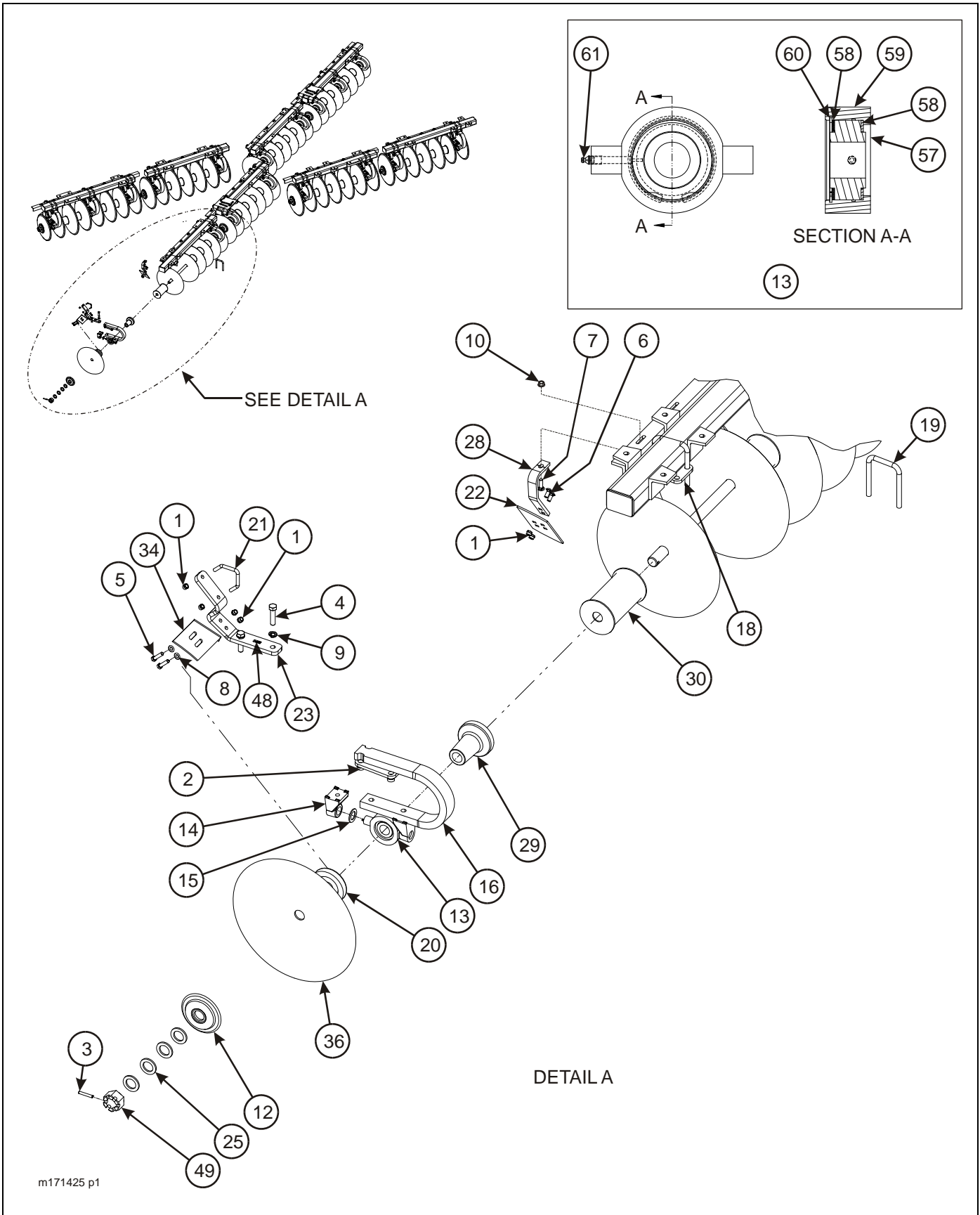
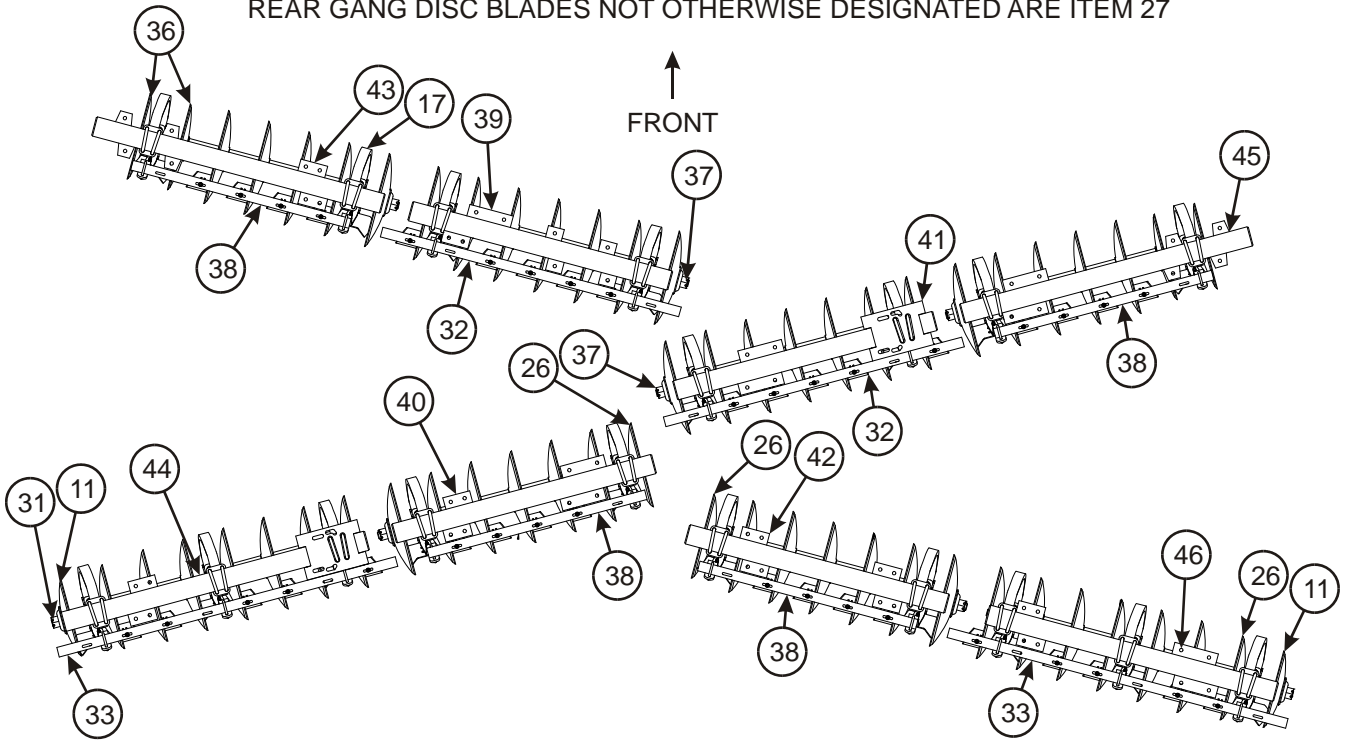
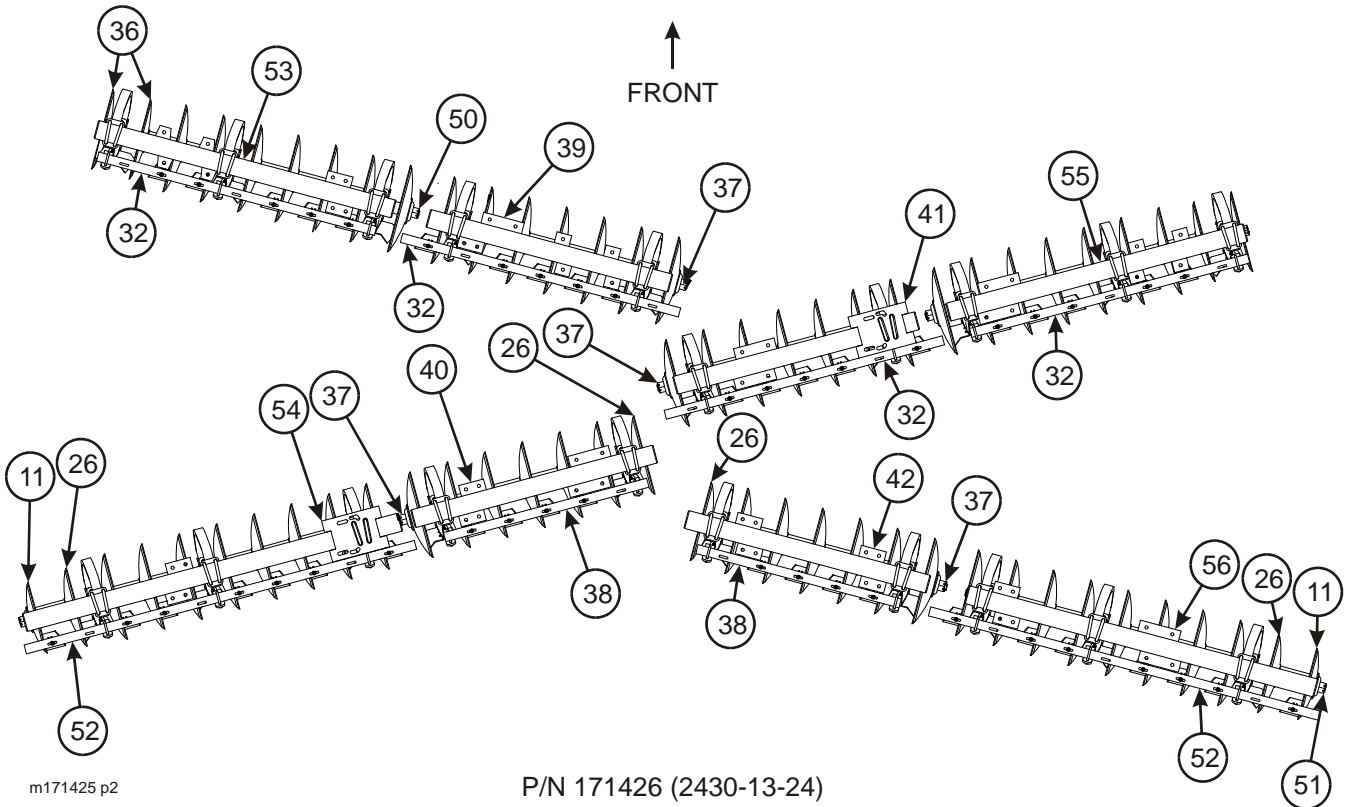


Figure 2-23: Disc Gang Assembly, 24" Rollable (1 of 2)

NOTE: FRONT GANG DISC BLADES NOT OTHERWISE DESIGNATED ARE ITEM 47
 REAR GANG DISC BLADES NOT OTHERWISE DESIGNATED ARE ITEM 27



P/N 171425 (2430-11-24)



m171425 p2

P/N 171426 (2430-13-24)

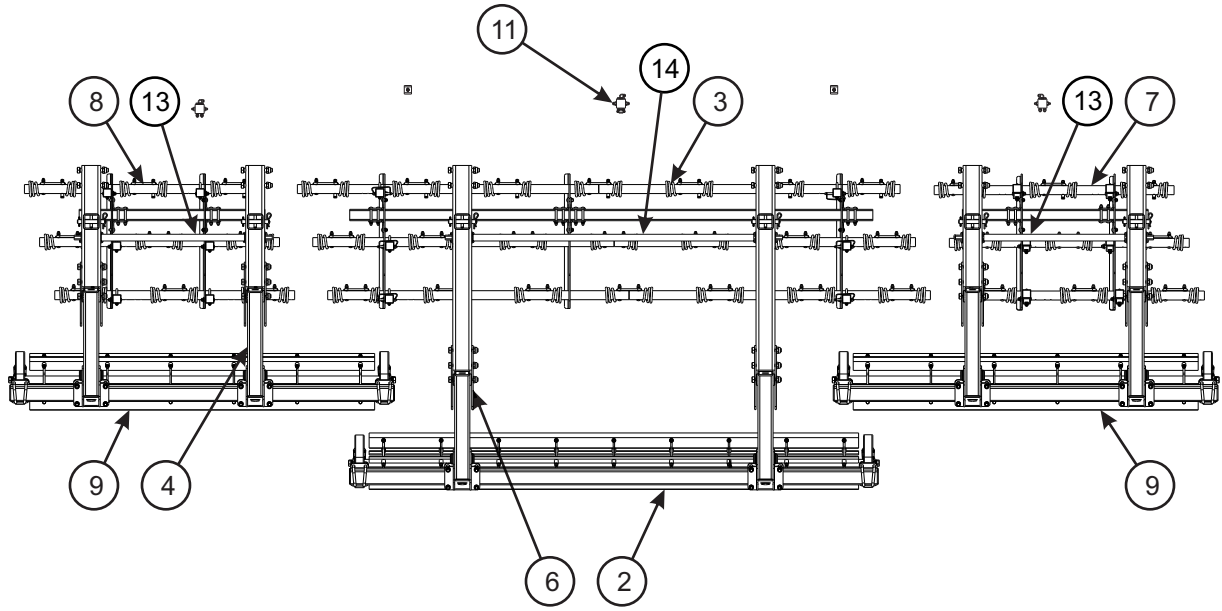
Figure 2-24: Disc Gang Assembly, 24" Rollable (2 of 2)

DISC GANG ASSEMBLY, 24" ROLLABLE

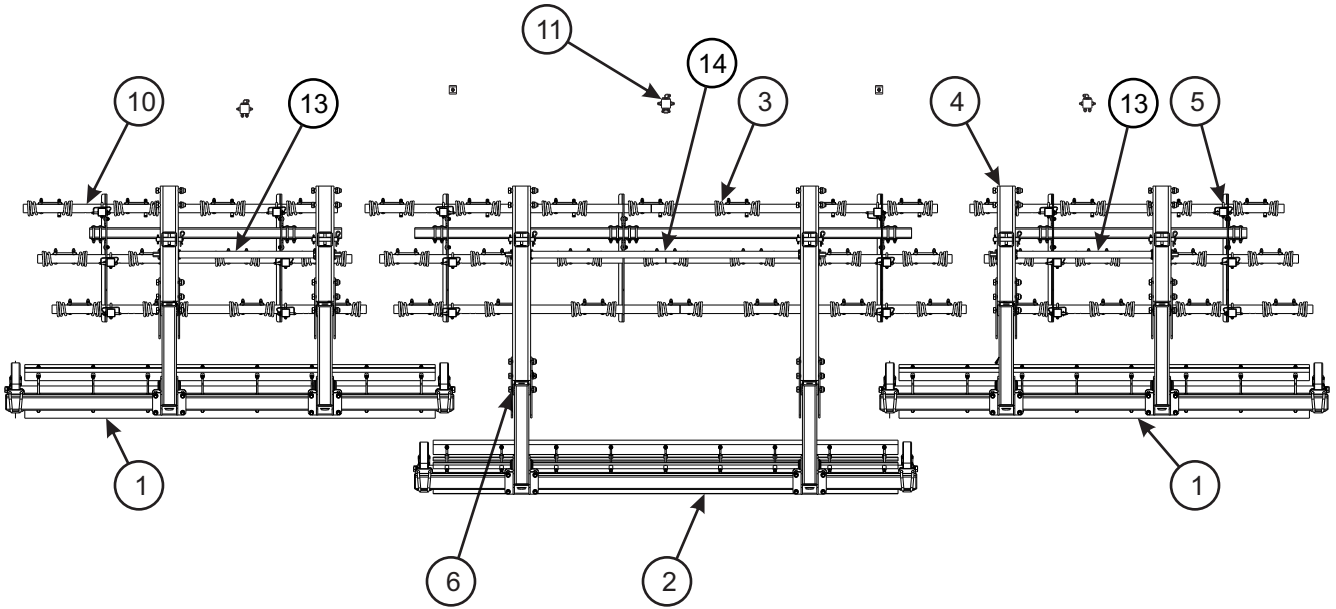
ITEM	PART NO.	DESCRIPTION	QTY.	
	171425	DISC GANG ASSEMBLY 24" ROLLABLE (2410-11-24)	*	
	171426	DISC GANG ASSEMBLY 24" ROLLABLE (2410-13-24)		*
1	1-512-010005-09	NUT, HEX LOCK 1/2-13 GRB	144	164
2	1-512-010005-15	NUT, HEX LOCK 3/4-10 GRB	72	80
3	1-647-010004257	ROLL PIN, SLOTTED 3/8 X 2-1/2	16	16
4	1-654-010032-09	SCREW, HEX HEAD CAP 3/4-10 X 3 GR8	36	40
5	1-654-010055-05	SCREW, HEX HEAD CAP 1/2-13 X 2 GR5	36	40
6	1-654-010070-02	SCREW, RD HEAD SQ NECK 1/2-13 X 1-3/4 GR5	72	84
7	1-654-010070-04	SCREW, RD HEAD SQ NECK 1/2-13 X 1-1/4 GR5	36	42
8	1-861-010032-14	WASHER, FLAT 1/2N	36	40
9	1-861-010034-17	WASHER, SPLIT LOCK 3/4	36	40
10	124971	NUT, FLANGE HEAD SPIRALOCK 1/2-13	36	42
11	140467	DISC BLADE 20" X 1/4 X 1-3/4	2	2
12	140469	END COLLAR	16	16
13	140477	BEARING, DISC 1.775 ID ASSEMBLY (INCL ITEMS 57-61)	18	20
14	140479	MOUNT, TRUNNION BEARING	36	40
15	140480	WASHER, TRUNNION	18	20
16	140481	SHANK, DISC BEARING RIGHT	9	10
17	140482	SHANK, DISC BEARING LEFT	9	10
18	140483	PLATE, DISC SHANK MOUNT	36	40
19	140484	U-BOLT 3/4 X 5	36	40
20	140485	HALF SPOOL, CONCAVE	18	20
21	140487	U-BOLT, SCRAPER BAR MOUNT	18	20
22	140488	SCRAPER, 4-1/2	36	42
23	140490	MOUNT, SCRAPER BAR RIGHT	9	10
24	140491	MOUNT, SCRAPER BAR LEFT	9	10
25	141154	WASHER, GANG SHAFT	38	38
26	142660	DISC BLADE 22" X 1/4 1-3/4" ID	4	4
27	142662	DISC BLADE 24" X 1/4 1-3/4" ID	24	28
28	144155	ARM, SCRAPER	36	42
29	148363	HALF SPOOL, CONVEX	18	20
30	148364	SPOOL WELDMENT, 10-1/2	33	39
31	149591	SHAFT, GANG 80"	2	--
32	149604	SCRAPER BAR, 10-1/2 SP 7 HOLE	2	2
33	149605	SCRAPER BAR, 10-1/2 SP 8 HOLE	2	--
34	150231	SCRAPER, DUAL RIGHT 10-1/2	9	10
35	150232	SCRAPER, DUAL LEFT 10-1/2	9	10
36	155618	DISC BLADE 22" X 1/4 1-3/4" ID	4	4
37	156951	SHAFT, GANG 70"	6	4
38	160183	SCRAPER BAR, 10-1/2 SP 5 HOLE	4	2
39	169589	GANG BAR	1	1
40	169591	GANG BAR	1	1
41	169593	GANG BAR	1	1
42	169595	GANG BAR	1	1
43	169606	GANG BAR	1	--
44	169607	GANG BAR	1	--
45	169608	GANG BAR	1	--
46	169609	GANG BAR	1	--
47	172076	DISC BLADE 24" X 1/4 1-3/4" ID	24	28

DISC GANG ASSEMBLY, 24" ROLLABLE

ITEM	PART NO.	DESCRIPTION	QTY.	
48	2-573-010330-02	DECAL, LUBRICATION 10 HOURS	18	20
49	23085	NUT, HEX SLOTTED 1-3/4 - 5	16	16
50	149592	SHAFT, GANG 90-1/2"	--	2
51	149593	SHAFT, GANG 101"	--	2
52	149607	SCRAPER BAR, 10-1/2 SP 10 HOLE	--	2
53	169590	GANG BAR	--	1
54	169592	GANG BAR	--	1
55	169597	GANG BAR	--	1
56	169598	GANG BAR	--	1
57	140464	BEARING, DISC 1.775ID	1	1
58	140473	WASHER, BEARING	2	2
59	140475	CASTING, TRUNNION BEARING	1	1
60	140476	INTERNAL RETAINING RING	1	1
61	5000	ZERK, FITTING 1/8	1	1



P/N 169728 (2430-11-24)



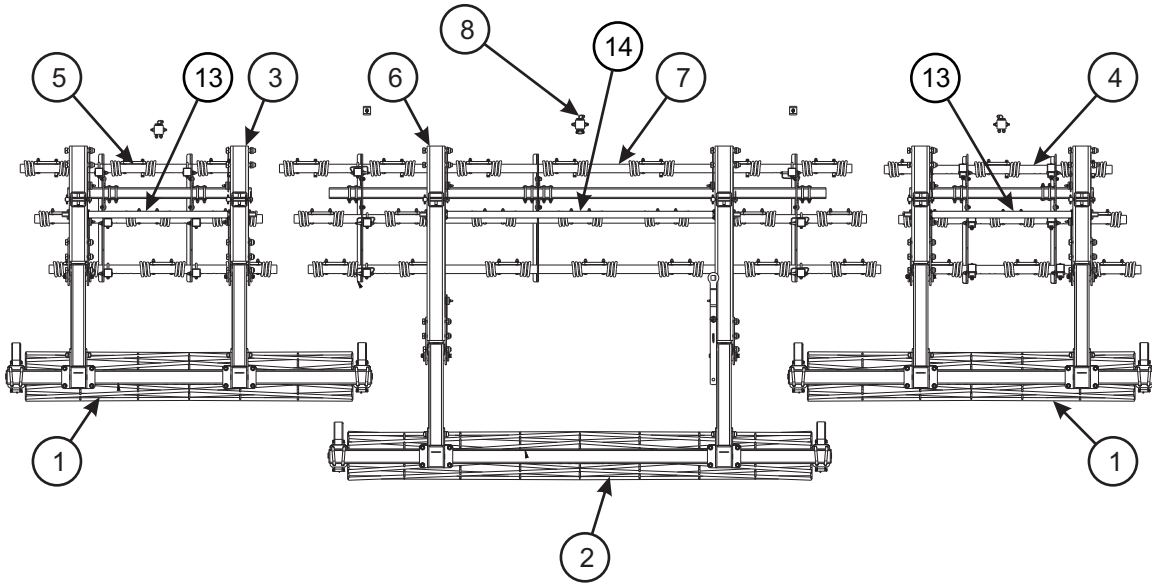
P/N 170040 (2430-13-24)

m169728

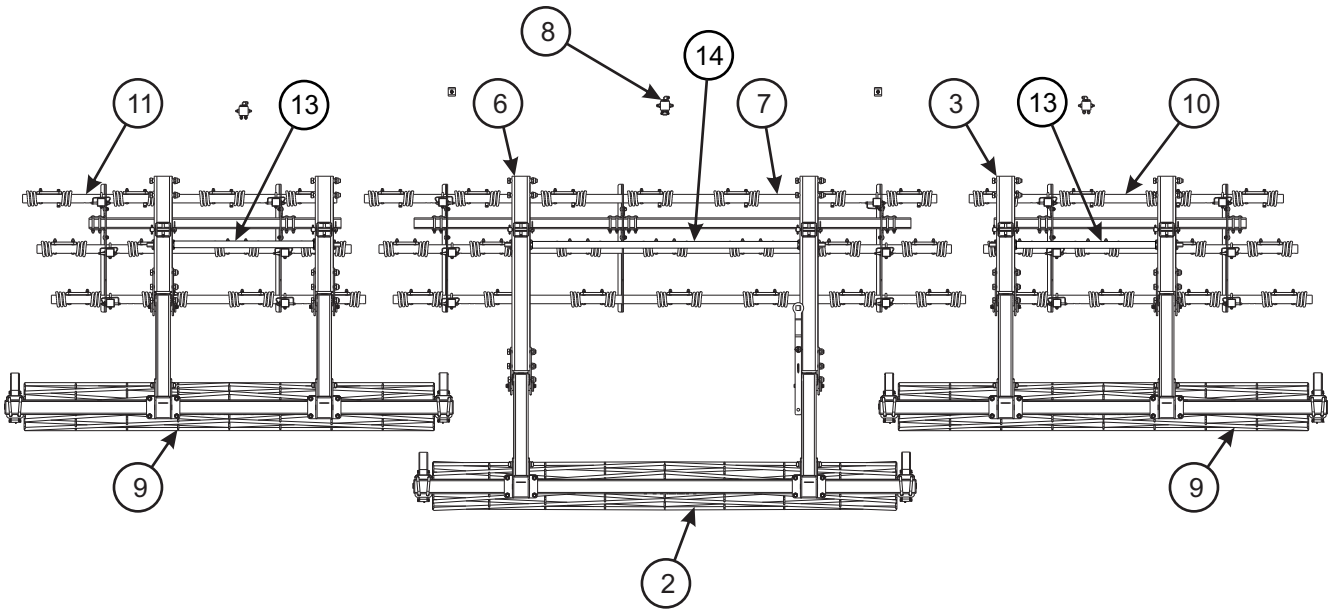
Figure 2-25: Finishing Combo w/ Chopper Reel Assembly

FINISHING COMBO W/ CHOPPER REEL ASSEMBLY

ITEM	PART NO.	DESCRIPTION	QTY.	
	169728	FINISHING COMBO W/ CHOPPER (2430-11-24)	*	
	170040	FINISHING COMBO W/ CHOPPER (2430-13-24)		*
1	154410	REEL/GANG BAR ASSEMBLY 114" (SEE PAGE 2-65)	--	2
2	155595	REEL/GANG BAR ASSEMBLY 129" (SEE PAGE 2-65)	1	1
3	172478	HARROW ASSEMBLY, 7 TINE (SEE PAGE 2-57)	1	1
4	170847	HARROW ARM ASSEMBLY, COMBO ATTACH (SEE PAGE 2-55)	4	4
5	170864	4 TINE HARROW ASSEMBLY, RH (SEE PAGE 2-57)	--	1
6	170868	COMBO ATTACHMENT ARM ASSEMBLY, 30" EXT (SEE PAGE 2-55)	2	2
7	170866	3 TINE HARROW ASSEMBLY, RH (SEE PAGE 2-57)	1	--
8	170867	3 TINE HARROW ASSEMBLY, LH (SEE PAGE 2-57)	1	--
9	154409	REEL/GANG BAR ASSEMBLY 91" (SEE PAGE 2-65)	2	--
10	170865	4 TINE HARROW ASSEMBLY, LH (SEE PAGE 2-57)	--	1
11	172554	FINISHING COMBO CRATE (SEE PAGE 2-51)	1	1
13	180366	TUBE, SQUARE 1-1/2 X 14GA X 38-1/8	2	2
14	180367	TUBE, SQUARE 1-1/2 X 14GA X 73-3/8	1	1



P/N 172495 (2430-11-24)



P/N 172496 (2430-13-24)

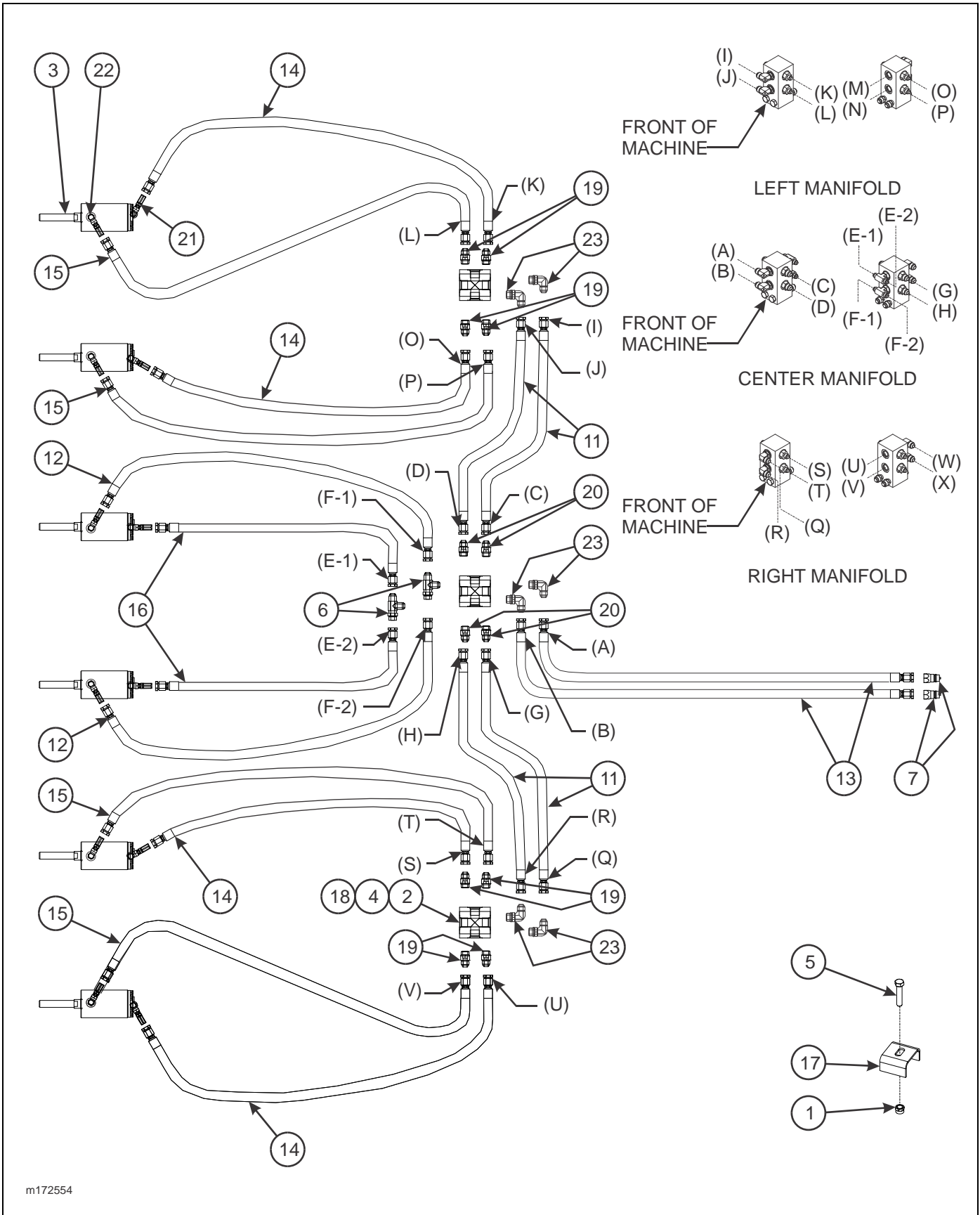
m172495

Figure 2-26: Finishing Combo w/ Conditioner Reel Assembly

FINISHING COMBO W/ CONDITIONER REEL ASSEMBLY

ITEM	PART NO.	DESCRIPTION	QTY.	
	172495	FINISHING COMBO W/ CONDITIONER REEL (2430-11-24)	*	
	172496	FINISHING COMBO W/ CONDITIONER REEL (2430-13-24)		*
1	154686	CONDITIONER REEL/GANGBAR ASSEMBLY 91" (SEE PAGE 2-67)	2	--
2	156125	CONDITIONER REEL/GANGBAR ASSEMBLY 129" (SEE PAGE 2-67)	1	1
3	170847	HARROW ARM ASSEMBLY, COMBO ATTACH (SEE PAGE 2-55)	4	4
4	170866	3 TINE HARROW ASSEMBLY, RH (SEE PAGE 2-57)	1	--
5	170867	3 TINE HARROW ASSEMBLY, LH (SEE PAGE 2-57)	1	--
6	170868	COMBO ATTACHMENT ARM ASSEMBLY, 30" EXT (SEE PAGE 2-55)	2	2
7	172478	HARROW ASSEMBLY, 7 TINE (SEE PAGE 2-57)	1	1
8	172554	FINISHING COMBO CRATE (SEE PAGE 2-51)	1	1
9	154687	CONDITIONER REEL/GANGBAR ASSEMBLY 114" (SEE PAGE 2-67)	--	2
10	170864	4 TINE HARROW ASSEMBLY, RH (SEE PAGE 2-57)	--	1
11	170865	4 TINE HARROW ASSEMBLY, LH (SEE PAGE 2-57)	--	1
13	180366	TUBE, SQUARE 1-1/2 X 14GA X 38-1/8	2	2
14	180367	TUBE, SQUARE 1-1/2 X 14GA X 73-3/8	1	1

ILLUSTRATED PARTS LIST



m172554

Figure 2-27: Finishing Combo w/ Reel Hydraulic and Miscellaneous Parts Assembly (1 of 2)

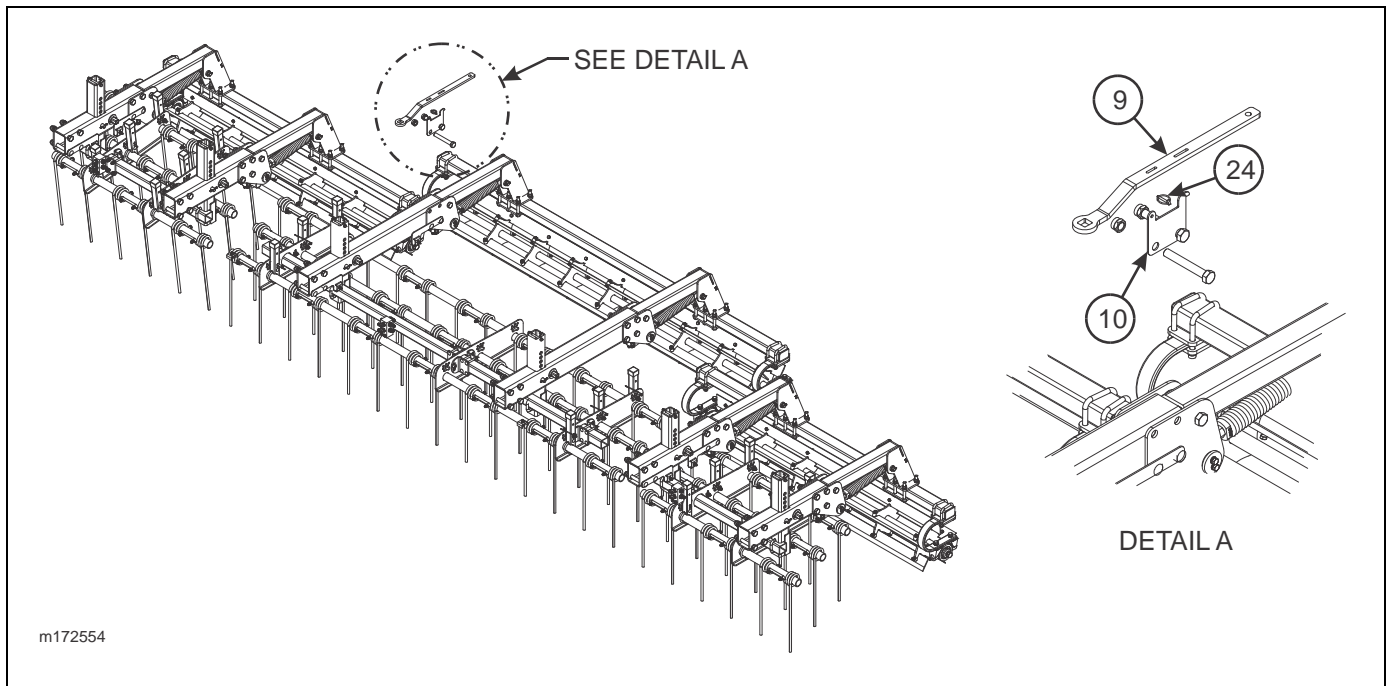


Figure 2-28: Finishing Combo w/ Reel Hydraulic and Miscellaneous Parts Assembly (2 of 2)

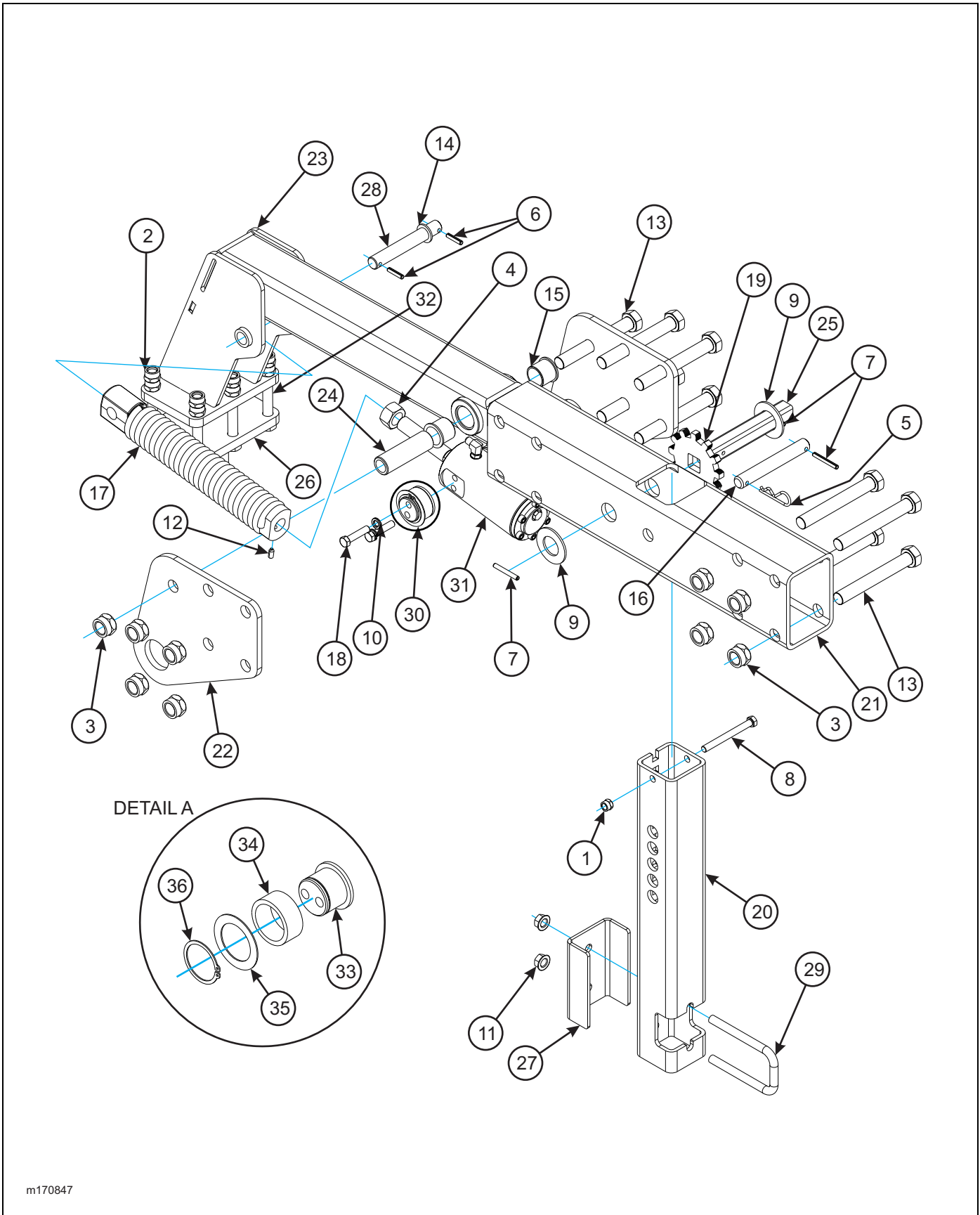
FINISHING COMBO W/ REEL HYDRAULIC AND MISCELLANEOUS PARTS ASSEMBLY

ITEM	PART NO.	DESCRIPTION	QTY.
	172554	FINISHING COMBO CRATE	
1	1-510-010001	NUT, HEX FLANGE LOCK 3/8-16	2
2	1-512-010005-09	NUT, HEX LOCK 1/2-13 GRB	6
3	172537	CYLINDER, 2-1/2 X 2-1/2 STROKE (SEE PAGE 2-72) (BEFORE 9-1-2014)	REF
3	185766	CYLINDER, 2-1/2 X 3-1/2 STROKE 1" THDS (SEE PAGE 2-73) (9-1-2014---6-8-2017)	REF
3	206672	CYLINDER, 2-1/2 X 3-1/2 ST 1-1/8" THDS (SEE PAGE 2-74) (AFTER 6-8-2017)	REF
4	1-654-010055-11	SCREW, HEX HEAD CAP 1/2-13 X 3-1/2 GR5	6
5	103988	SCREW, RD HEAD SQ NECK 3/8-16 X 1-3/4	2
6	139347	ADAPTER TEE	2
7	141828	COUPLER, MALE 3/4-16	2
8	155530	HOSE WRAP, BLACK 1" ID X 8" (NOT SHOWN)	1
9	171394	PLATE, WRENCH HARROW ADJUSTMENT	1
10	172480	MOUNT, WRENCH COMBO	1
11	116492	HOSE ASSEMBLY 3/8 X 128	4
12	125648	HOSE ASSEMBLY 1/4 X 108	2
13	172553	HOSE ASSEMBLY 3/8 X 500	2
14	71500166	HOSE ASSEMBLY 1/4 X 52	4
15	71509010	HOSE ASSEMBLY 1/4 X 64	4
16	7779-90	HOSE ASSEMBLY 1/4 X 90	2
17	2-181-010001	HOSE CLAMP	2
18	2-474-010022	MANIFOLD, HYDRAULIC ASSEMBLY 8 PORT	3
19	202702-8-6S	ADAPTER	8
20	202702-8-8S	ADAPTER	4

FINISHING COMBO W/ REEL HYDRAULIC AND MISCELLANEOUS PARTS ASSEMBLY

ITEM	PART NO.	DESCRIPTION	QTY.
21	2061-6-6S	ADAPTER, 45	6
22	2062-6-6S	ADAPTER, 90	6
23	2062-8-8S	ADAPTER, 90	6
24	70239854	PIN, QUICK HITCH	1

Page Intentionally Blank



m170847

Figure 2-29: Combo Attachment Harrow Arm Assembly

COMBO ATTACHMENT HARROW ARM ASSEMBLY

ITEM	PART NO.	DESCRIPTION	QTY.	
	170847	HARROW ARM ASSEMBLY, COMBO ATTACH	*	
	170868	HARROW ARM ASSEMBLY, COMBO ATTACH 30" EXT		*
1	1-512-010005-09	NUT, HEX LOCK 1/2-13 GRB	1	1
2	1-512-010005-15	NUT, HEX LOCK 3/4-10 GRB	10	10
3	1-512-010005-19	NUT, HEX LOCK 1-8 GRB	9	9
4	1-512-010007-14	NUT, HEX 1-8 GRB (BEFORE 6-8-2017)	1	1
4	206675	NUT, 1-1/8 -12 UNF, Z/P GR 2 (AFTER 6-8-2017)	1	1
5	1-557-010013	PIN, HAIR 3/16	1	1
6	1-647-010004236	ROLL PIN, SLOTTED 5/16 X 1-1/2	2	2
7	1-647-010004240	SPRING PIN, SLOTTED 5/16 X 2-1/2	3	3
8	1-654-010055-15	SCREW, HEX HEAD CAP 1/2-13 X 5 GR5	1	1
9	1-861-010032-32	WASHER, FLAT 1-1/2N	2	2
10	1-861-010034-13	WASHER, SPLIT LOCK 1/2	4	4
11	29SFFL_5811	NUT, FLANGE HEAD LOCK 5/8-11 UNC	2	2
12	1P444	SET SCREW, 3/8-16 X 3/4 NYLON (AFTER 6-8-2017)	1	1
13	100856	SCREW, HEX HEAD CAP 1-8 X 7-1/2 GR5	9	9
14	117957	MACHINERY BUSHING	2	2
15	140599	BEARING, FLANGE 1-1/2	2	2
16	158299	PIN, 1 X 7-5/16	1	1
17	158795	SPRING ASSEMBLY, 17" (BEFORE 6-8-2017)	1	1
17	206652	SPRING ASSY 17" 1-1/8 THD (AFTER 6-8-2017)	1	1
18	169690	SCREW, HEX HEAD CAP 1/2-13 X 2-1/4 GR5	4	4
19	170787	GEAR, HARROW ADJUSTMENT	1	1
20	170844	TUBE, HARROW ADJUST COMBO ATTACHMENT	1	1
21	170846	TUBE, COMBO HARROW ARM (170847)	1	--
21	170869	TUBE, HARROW ARM 20" (170868)	--	1
22	170850	PLATE, SPRING MOUNT	2	2
23	170851	ARM, REEL	1	1
24	170852	BUSHING, PIVOT 5"	1	1
25	170857	TUBE, HARROW HEIGHT ADJ HANDLE	1	1
26	170862	PLATE, GANG BAR MOUNT	1	1
27	171427	PLATE, HARROW STIFFENER	1	1
28	172526	PIN, PIVOT	1	1
29	8-102-010043	U BOLT SPRING CLAMP	1	1
30	172534	TRUNNION, CYLINDER (BEFORE 2-20-2016)	2	2
30	198321	ASSY, TRUNION MOUNT 1-5/8" (AFTER 2-20-2016) (INCLUDES ITEMS 33-36)		
31	172537	CYLINDER, HYDRAULIC 2-1/2 X 2-1/2 STROKE (SEE PAGE 2-72)(PRIOR TO 9/1/14)	1	1
31	185766	CYLINDER, 2-1/2 X 3-1/2 STROKE (SEE PAGE 2-74)(EFFECTIVE FROM 9/1/14)	1	1
31	206672	CYLINDER, 2-1/2 X 3-1/2 STROKE 1-1/8 THDS (SEE PAGE 2-74)(EFFECTIVE FROM 6/8/17)	1	1
32	172884	SCREW HEX CAP, 3/4-10 UNC X 6 GR8 ZP	5	5
33	188528	TRUNION, CYLINDER	1	1
34	188531	TRUNION, BEARING	1	1
35	109895	WASHER, 3ODX2-1/16X14GA	1	1
36	188530	SNAP RING, 2 SHAFT	1	1

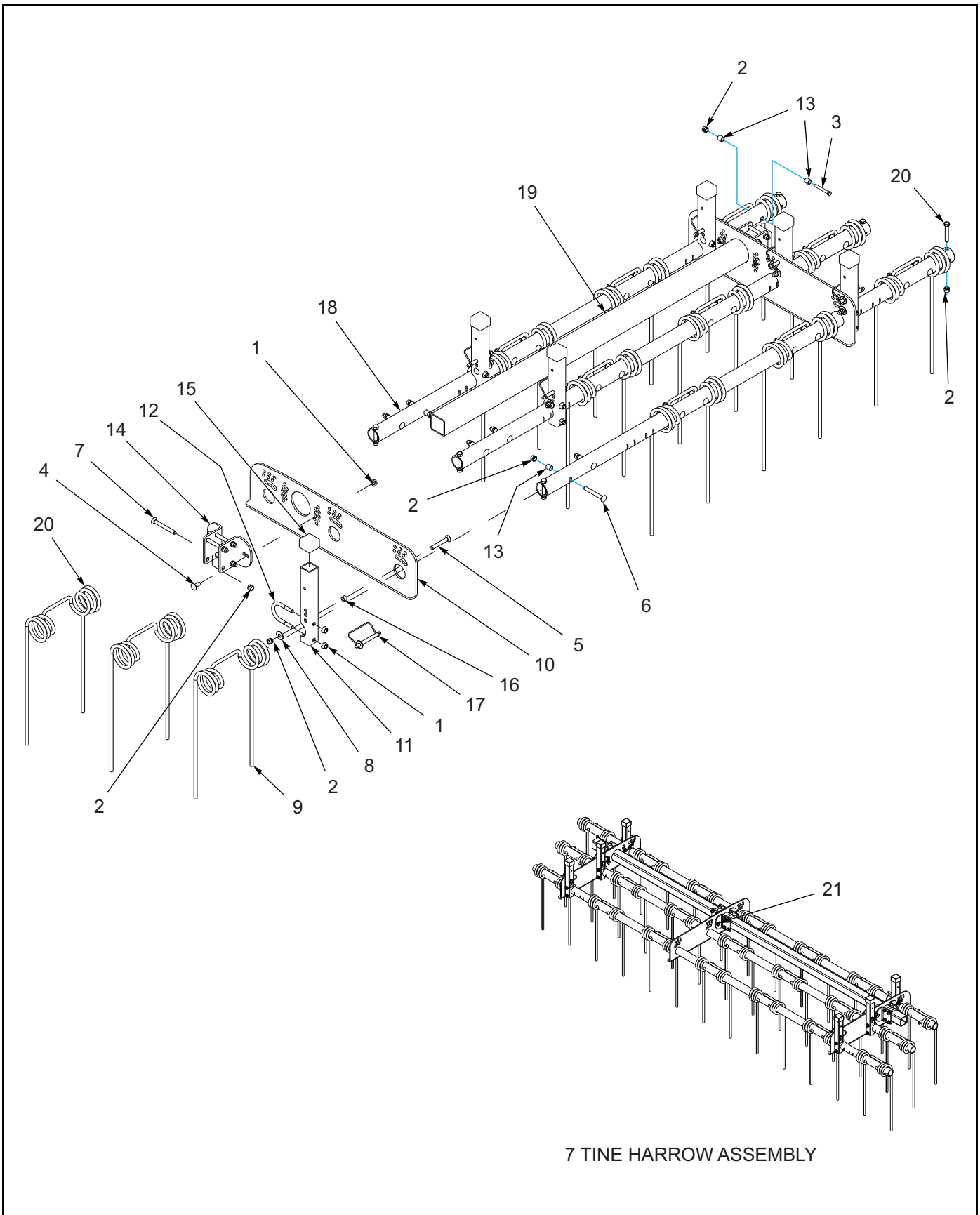
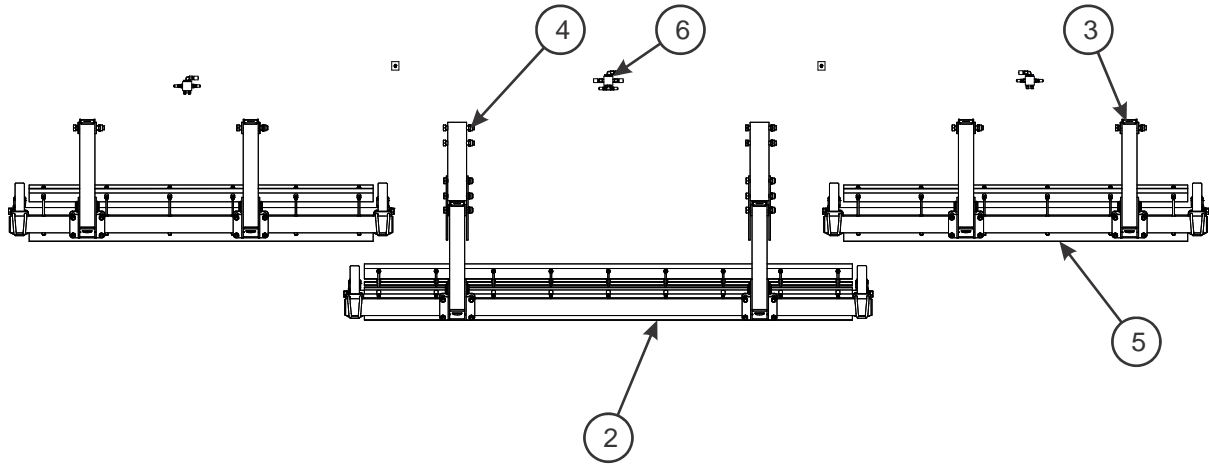


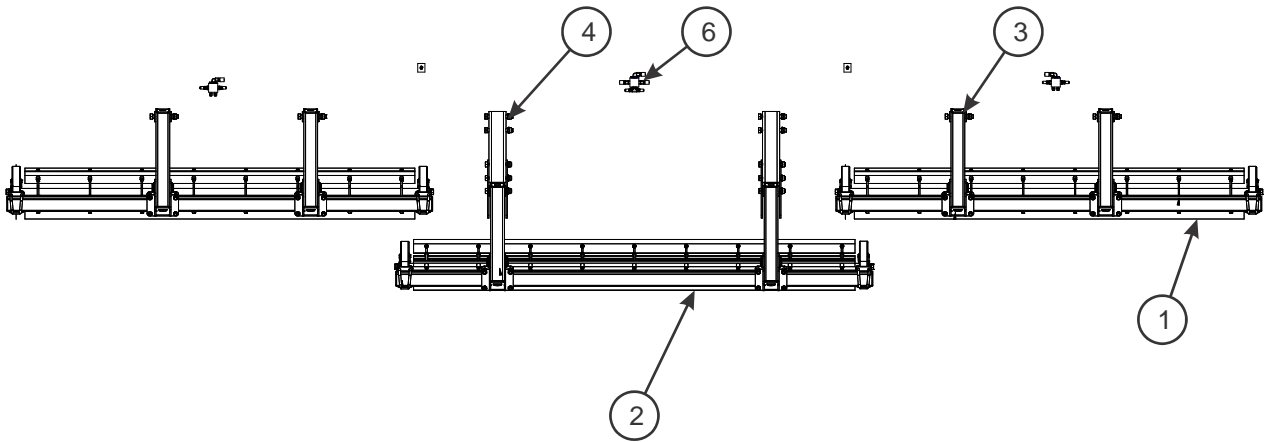
Figure 2-30: 3 Row Coil Tine Harrow Assembly

3 ROW COIL TINE HARROW ASSEMBLY

ITEM	PART NO.	DESCRIPTION	QTY.					
	172478	HARROW ASSEMBLY, 7 TINE	*					
	170864	HARROW ASSEMBLY, 4 TINE RH		*				
	170865	HARROW ASSEMBLY, 4 TINE LH			*			
	170866	HARROW ASSEMBLY, 3 TINE RH				*		
	170867	HARROW ASSEMBLY, 3 TINE LH					*	
1	1-510-010003-09	NUT, FLANGE HEAD SERRATED 1/2-13	34	16	16	16	16	
2	1-512-010005-09	NUT, HEX LOCK 1/2-13 GRB	54	44	44	38	38	
3	1-654-010055-14	SCREW, HEX HEAD CAP 1/2-13 X 4-1/2 G5	7	4	4	3	3	
4	1-654-010070-02	SCREW, RD HEAD SQ NECK 1/2-13 X 1-1/4	4	4	4	4	4	
5	1-654-010070-11	SCREW, RD HEAD SQ NECK 1/2-13 X 3-1/2	2	--	--	--	--	
6	1-654-010070-13	SCREW, RD HEAD SQ NECK 1/2-13 X 4	6	6	6	6	6	
7	1-654-010070-14	SCREW, RD HEAD SQ NECK 1/2-13 X 4-1/2	35	20	20	15	15	
8	1-861-010032-15	WASHER, FLAT 1/2 W	16	8	8	8	8	
9	171421	TINE, HARROW SPRING	6	6	6	6	6	
10	154993	PLATE, GANG BAR	21	12	12	9	9	
11	154994	TUBE, ANGLE ADJUST	3	2	2	2	2	
12	154995	U-BOLT, 1/2	6	6	6	6	6	
13	154997	BUSHING, TINE RETAINER	6	6	6	6	6	
14	154998	PLATE, ANGLE ADJUSTMENT	49	28	28	21	21	
15	155927	CAP, TUBE 1.95 X 1.5 BLACK	8	4	4	4	4	
16	155956	BUSHING, ANGLE ADJUSTMENT	6	6	6	6	6	
17	155971	PIN, HARROW ADJUSTMENT	6	6	6	6	6	
18	195282	GANG BAR, 7 TINE 159"	3	--	--	--	--	
18	195243	GANG BAR, 4 TINE 87-1/4"	--	3	3	--	--	
18	195241	GANG BAR, 3 TINE 63-1/4"	--	--	--	3	3	
19	156779	TUBE, RIDE BAR 138"	1	--	--	--	--	
19	170870	TUBE, SQ. 3 X 3/16 X 70"	--	1	1	--	--	
19	170735	TUBE, RIDE BAR 51"	--	--	--	1	1	
20	1-654-010055-09	SCREW, HX CP, 1/2-13UNCX3 GR5	6	6	6	6	6	
21	1-654-010070-03	SCREW, RD HEAD SQ NECK 1/2-13 X 1-1/2	2	--	--	--	--	



P/N 170734 (2430-11-24)



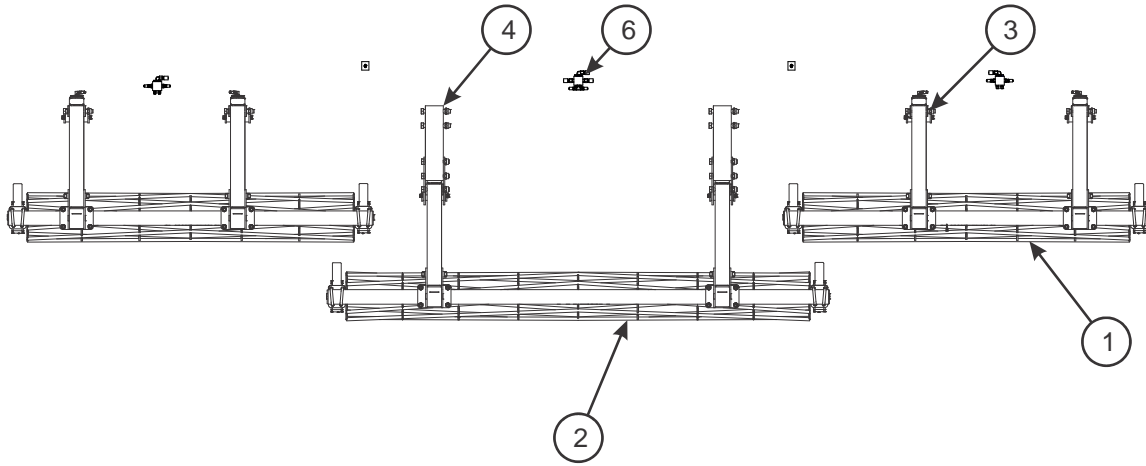
P/N 169688 (2430-13-24)

m170734

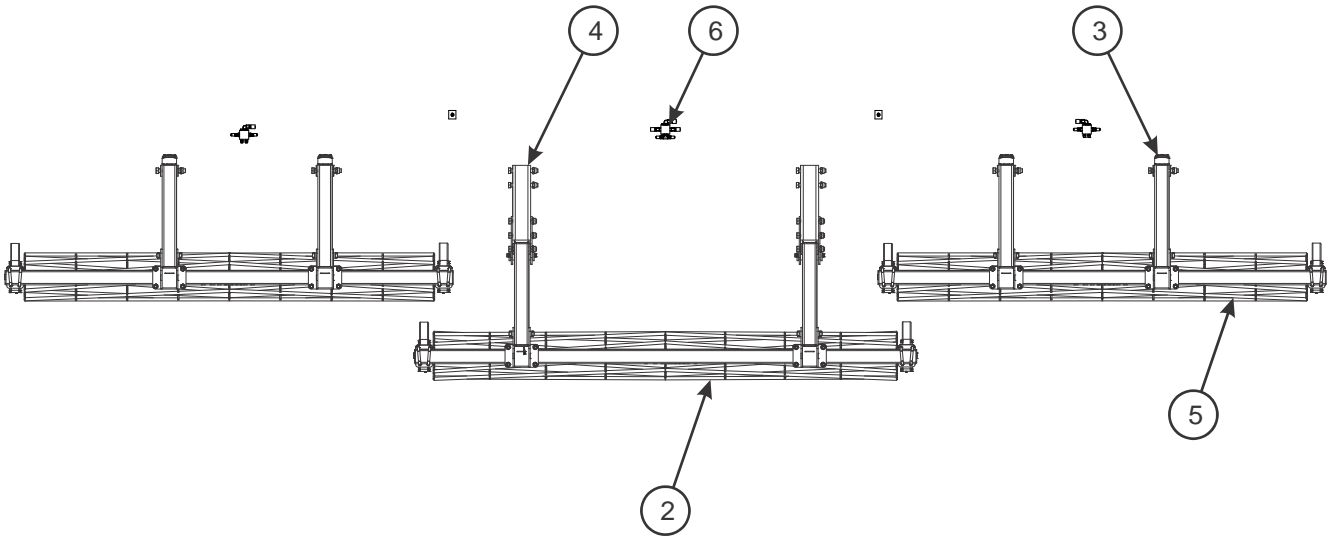
Figure 2-31: Finishing Chopper Reel Assembly

FINISHING CHOPPER REEL ASSEMBLY

ITEM	PART NO.	DESCRIPTION	QTY.	
	170734	FINISHING CHOPPER ASSEMBLY (2430-11-24)	*	
	169688	FINISHING CHOPPER ASSEMBLY (2430-13-24)		*
1	154410	REEL/GANG BAR ASSEMBLY 114" (SEE PAGE 2-65)	--	2
2	155595	REEL/GANG BAR ASSEMBLY 129" (SEE PAGE 2-65)	2	2
3	170727	REEL ARM ASSEMBLY (SEE PAGE 2-69)	2	2
4	170732	REEL ARM ASSEMBLY, 20" EXT (SEE PAGE 2-71)	2	2
5	154409	REEL/GANG BAR ASSEMBLY 91" (SEE PAGE 2-65)	2	--
6	172556	STANDARD CHOPPER REEL CRATE (SEE PAGE 2-63)	1	1



P/N 172500 (2430-11-24)



P/N 172501 (2430-13-24)

m172500

Figure 2-32: Finishing Conditioner Reel Assembly

FINISHING CONDITIONER REEL ASSEMBLY

ITEM	PART NO.	DESCRIPTION	QTY.	
	172500	FINISHING CONDITIONER REEL ASSEMBLY (2430-11-24)	*	
	172501	FINISHING CONDITIONER REEL ASSEMBLY (2430-13-24)		*
1	154686	CONDITIONER REEL/GANGBAR ASSEMBLY 91" (SEE PAGE 2-67)	2	--
2	156125	CONDITIONER REEL/GANGBAR ASSEMBLY 129" (SEE PAGE 2-67)	1	1
3	170727	REEL ARM ASSEMBLY (SEE PAGE 2-69)	2	2
4	170732	REEL ARM ASSEMBLY, 20" EXT (SEE PAGE 2-71)	2	2
5	154687	CONDITIONER REEL/GANGBAR ASSEMBLY 114" (SEE PAGE 2-67)	--	2
6	172556	STANDARD CHOPPER REEL CRATE (SEE PAGE 2-63)	1	1

ILLUSTRATED PARTS LIST

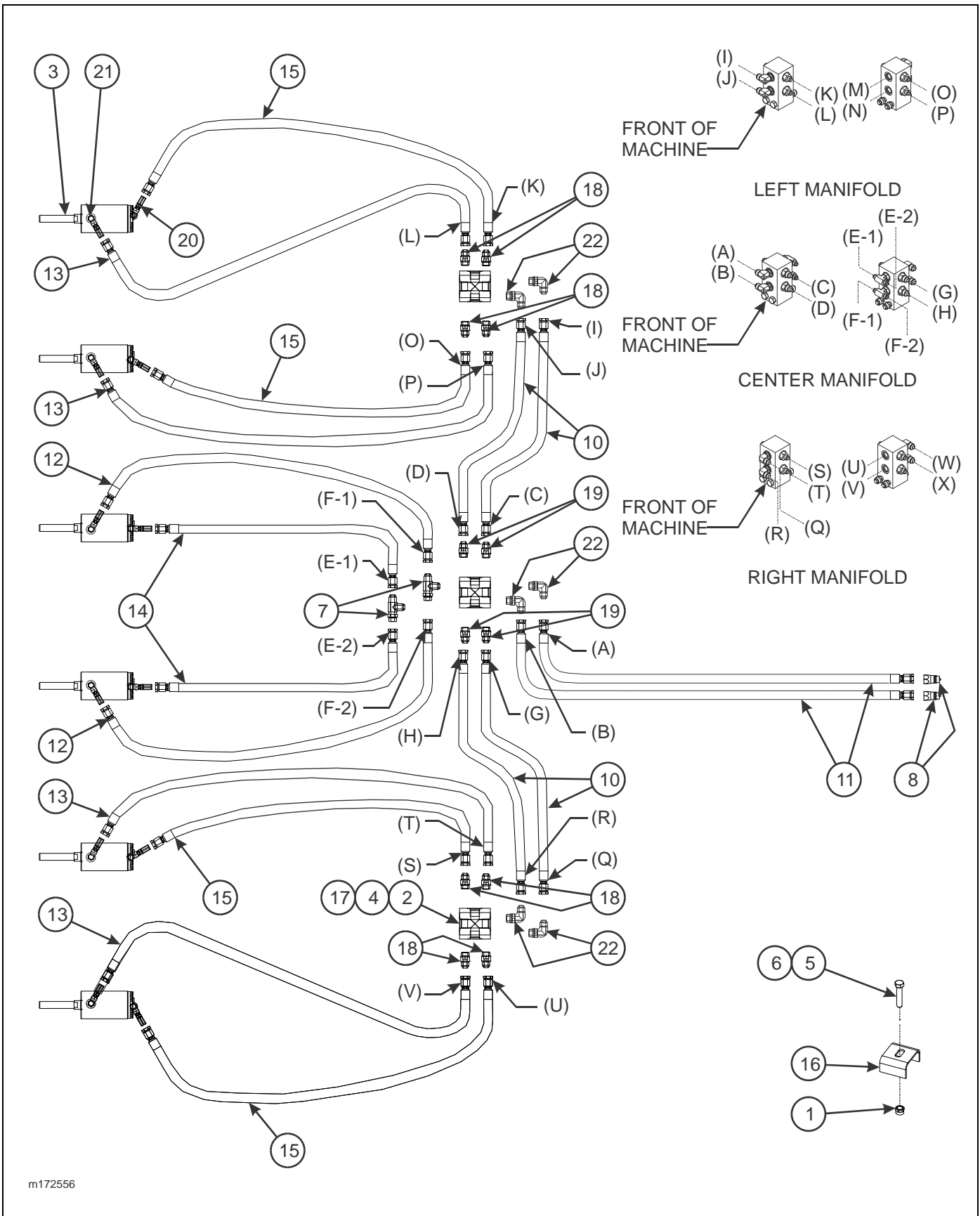
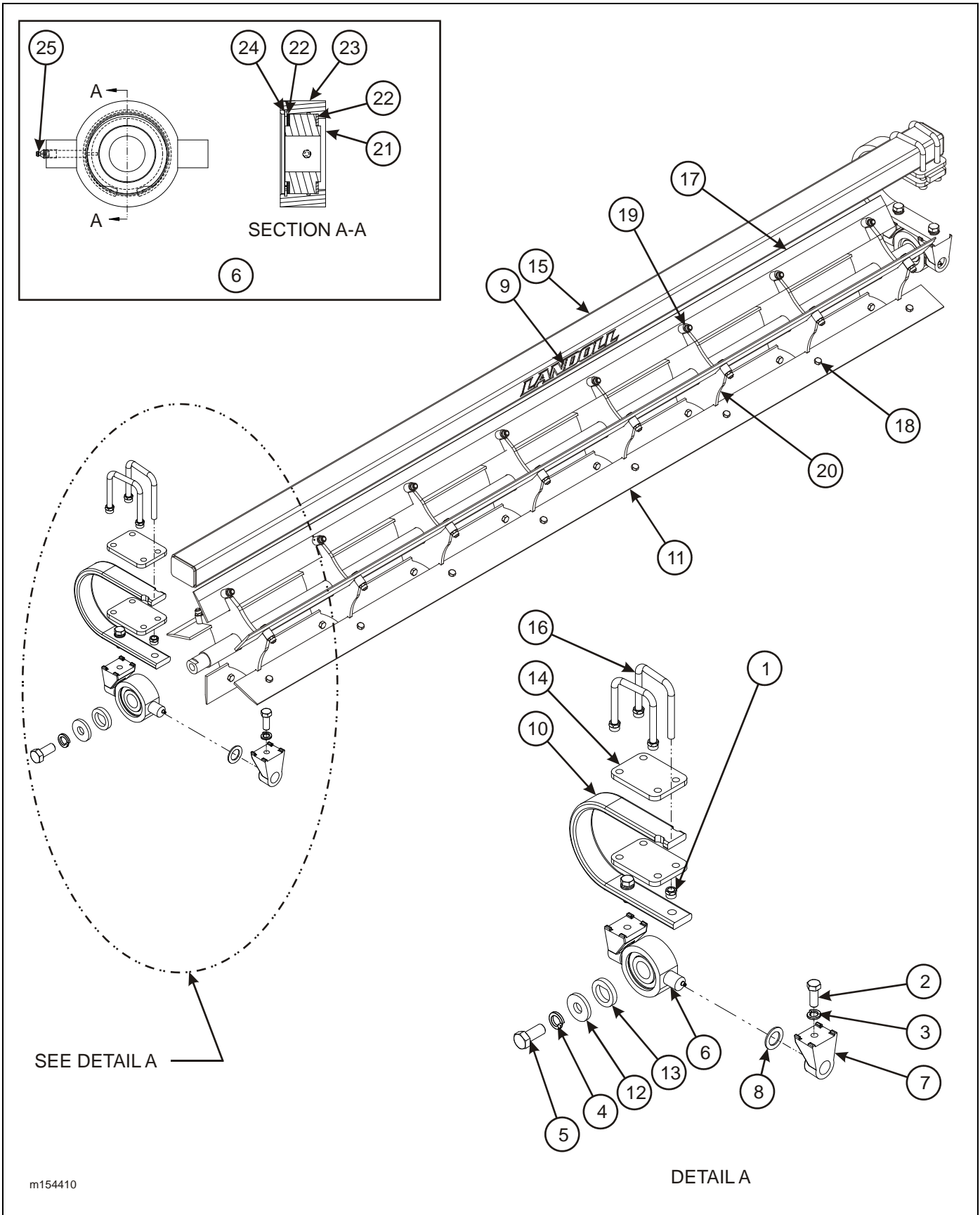


Figure 2-33: Finishing Reel Hydraulic and Miscellaneous Parts Assembly

FINISHING REEL HYDRAULIC AND MISCELLANEOUS PARTS ASSEMBLY

ITEM	PART NO.	DESCRIPTION	QTY.
	172556	FINISHING REEL CRATE	
1	1-510-010001	NUT, HEX FLANGE LOCK 3/8-16	2
2	1-512-010005-09	NUT, HEX LOCK 1/2-13 GRB	6
3	172537	CYLINDER, 2-1/2 X 2-1/2 STROKE (SEE PAGE 2-72) (BEFORE 9-1-2014)	REF
3	185766	CYLINDER, 2-1/2 X 3-1/2 STROKE 1" THDS (SEE PAGE 2-73) (9-1-2014---6-8-2017)	REF
3	206672	CYLINDER, 2-1/2 X 3-1/2 ST 1-1/8" THDS (SEE PAGE 2-74) (AFTER 6-8-2017)	REF
4	1-654-010055-11	SCREW, HEX HEAD CAP 1/2-13 X 3-1/2 GR5	6
5	103988	SCREW, RD HEAD SQ NECK 3/8-16 X 1-3/4	2
6	108295	SCREW, HEX HEAD CAP 3/8-16 X 4 GR5	1
7	139347	ADAPTER TEE	2
8	141828	COUPLER, MALE 3/4-16	2
9	155530	HOSE WRAP, BLACK 1" ID X 8" (NOT SHOWN)	1
10	116492	HOSE ASSEMBLY 3/8 X 128	4
11	172553	HOSE ASSEMBLY 3/8 X 500	2
12	71509006	HOSE ASSEMBLY 1/4 X 80	2
13	71509009	HOSE ASSEMBLY 1/4 X 36	4
14	71509010	HOSE ASSEMBLY 1/4 X 64	2
15	71509125	HOSE ASSEMBLY 1/4 X 30	4
16	2-181-010001	HOSE CLAMP	3
17	2-474-010022	MANIFOLD, HYDRAULIC ASSEMBLY 8 PORT	3
18	202702-8-6S	ADAPTER	8
19	202702-8-8S	ADAPTER	4
20	2061-6-6S	ADAPTER, 45	6
21	2062-6-6S	ADAPTER, 90	6
22	2062-8-8S	ADAPTER, 90	6

ILLUSTRATED PARTS LIST



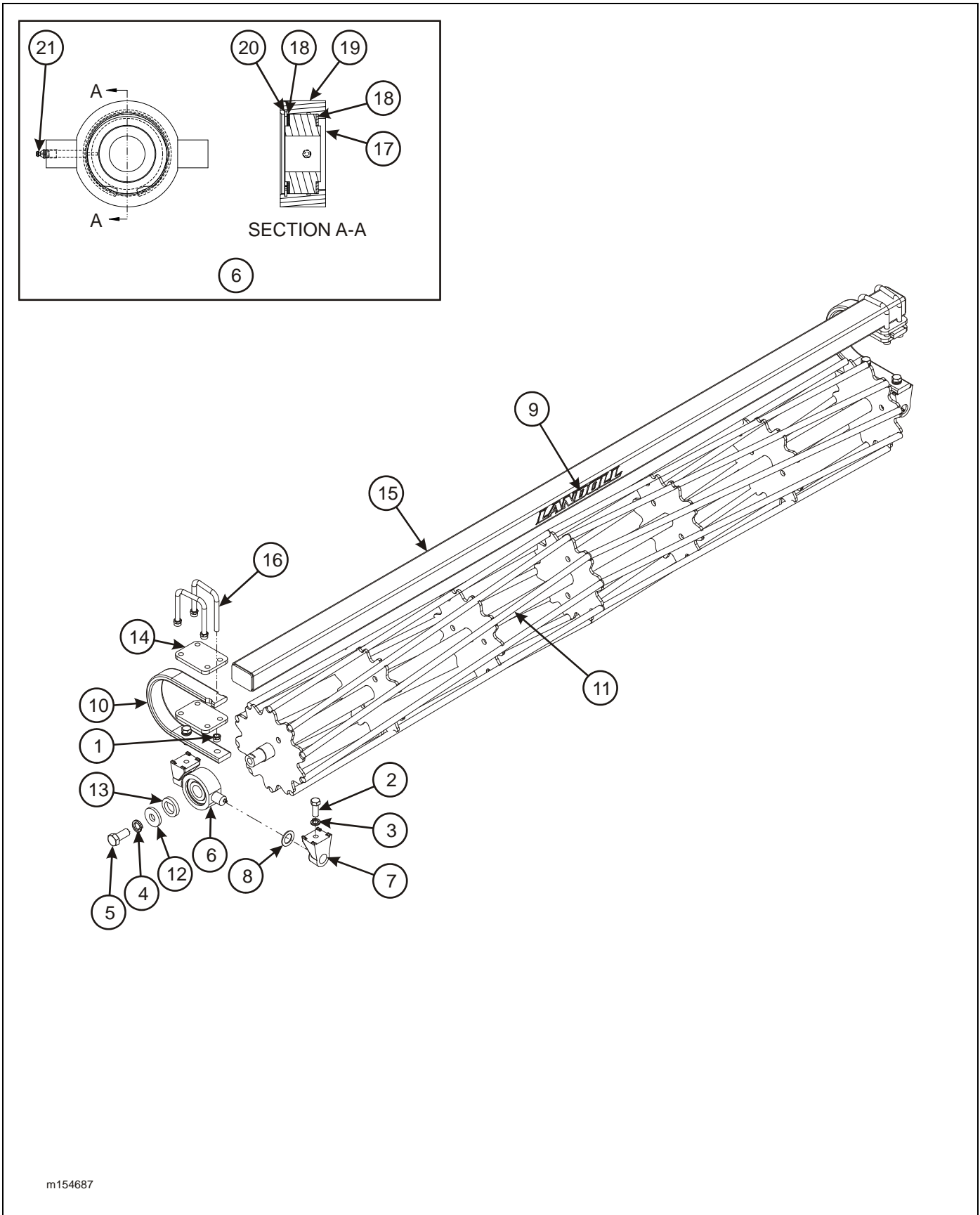
m154410

Figure 2-34: Reel/Gang Bar Assembly

REEL/GANGBAR ASSEMBLY

ITEM	PART NO.	DESCRIPTION	QTY.
	154409	REEL/GANGBAR ASSEMBLY 91"	
	154410	REEL/GANGBAR ASSEMBLY 114"	
	155595	REEL/GANGBAR ASSEMBLY 129"	
1	1-512-010005-13	NUT, HEX LOCK 5/8-11 GRB	8
2	1-654-010032-05	SCREW, HEX HEAD CAP 3/4-10 X 2 GR8	4
3	1-861-010034-17	WASHER, SPLIT LOCK 3/4	4
4	1-861-010034-21	WASHER, SPLIT LOCK 1"	2
5	137943	SCREW, HEX HEAD CAP 1-8 X 2-1/4 GR5	2
6	140477	BEARING, DISC 1.775 ID ASSEMBLY (INCL. ITEMS 21 - 25)/	2
7	140479	MOUNT, TRUNNION BEARING	4
8	140480	WASHER, TRUNNION	2
9	148337	ATTACHMENT DECAL, LANDOLL	1
10	153716	SHANK, STRAIGHT 3/4 X 2-1/2	2
11	154184	REEL ASSEMBLY 91" BLADE (154409) (INCL ITEMS 17-20)	1
	154182	REEL ASSEMBLY 114" BLADE (154410) (INCL ITEMS 17-20)	1
	155592	REEL ASSEMBLY 129" BLADE (155595) (INCL ITEMS 17-20)	1
12	154185	WASHER, 3/8	2
13	154186	WASHER, FLAT TOP	2
14	154393	PLATE, SHANK MOUNT	4
15	154658	GANG BAR, 101" REEL 114" (154409)	1
	154659	GANG BAR, 124" REEL 114" (154410)	1
	155594	GANG BAR, 139" REEL 129" (155595)	1
16	6-102-010009	U-BOLT	4
17	8-622-010012	REEL BLADE 91" (154184)	5
	8-622-010081	REEL BLADE 114" (154182)	5
	155589	REEL BLADE 129" (155592)	5
18	1-654-010055-05	SCREW, HEX HEAD CAP 1/2-13 X 2 GR5	40
19	1-512-010005-09	NUT, HEX LOCK 1/2-13 GRB	40
20	154140	REEL ASSEMBLY 191" BLADE (154184)	1
	154138	REEL ASSEMBLY 114" BLADE (154182)	1
	155591	REEL ASSEMBLY 129" BLADE (155592)	1
21	140464	BEARING, DISC 1.775ID	1
22	140473	WASHER, BEARING	2
23	140475	CASTING, TRUNNION BEARING	1
24	140476	INTERNAL RETAINING RING	1
25	5000	ZERK, FITTING 1/8	1

ILLUSTRATED PARTS LIST



m154687

Figure 2-35: Conditioner Reel/Gang Bar Assembly

CONDITIONER REEL/GANGBAR ASSEMBLY

ITEM	PART NO.	DESCRIPTION	QTY.
	154686	CONDITIONER REEL/GANGBAR ASSY, 91"	
	154687	CONDITIONER REEL/GANGBAR ASSY, 114"	
	156125	CONDITIONER REEL/GANGBAR ASSY, 129"	
1	1-512-010005-13	NUT, HEX LOCK 5/8-11 GRB	8
2	1-654-010032-05	SCREW, HEX HEAD CAP 3/4-10 X 2 GR8	4
3	1-861-010034-17	WASHER, SPLIT LOCK 3/4	4
4	1-861-010034-21	WASHER, SPLIT LOCK 1"	2
5	137943	SCREW, HEX HEAD CAP 1-8 X 2-1/4 GR5	2
6	140477	BEARING, DISC 1.775 ID ASSEMBLY (INCL. ITEMS 17 - 21)	2
7	140479	MOUNT, TRUNNION BEARING	4
8	140480	WASHER, TRUNNION	2
9	148337	ATTACHMENT DECAL, LANDOLL	1
10	153716	SHANK, STRAIGHT 3/4 X 2-1/2	2
11	154691	CONDITIONER REEL, 91" (154686)	1
	156124	CONDITIONER REEL, 129" (156125)	1
	154692	CONDITIONER REEL, 114" (154687)	1
12	154185	WASHER, 3/8 THICK	2
13	154186	WASHER, FLAT TOP	2
14	154393	PLATE, SHANK MOUNT	4
15	155594	GANG BAR, 139" REEL 129" (156125)	1
	154658	GANG BAR, 101" REEL 91" (154686)	1
	154659	GANG BAR, 124" REEL 114" (154687)	1
16	6-102-010009	U-BOLT	4
17	140464	BEARING, DISC 1.775ID	1
18	140473	WASHER, BEARING	2
19	140475	CASTING, TRUNNION BEARING	1
20	140476	INTERNAL RETAINING RING	1
21	5000	ZERK, FITTING 1/8	1

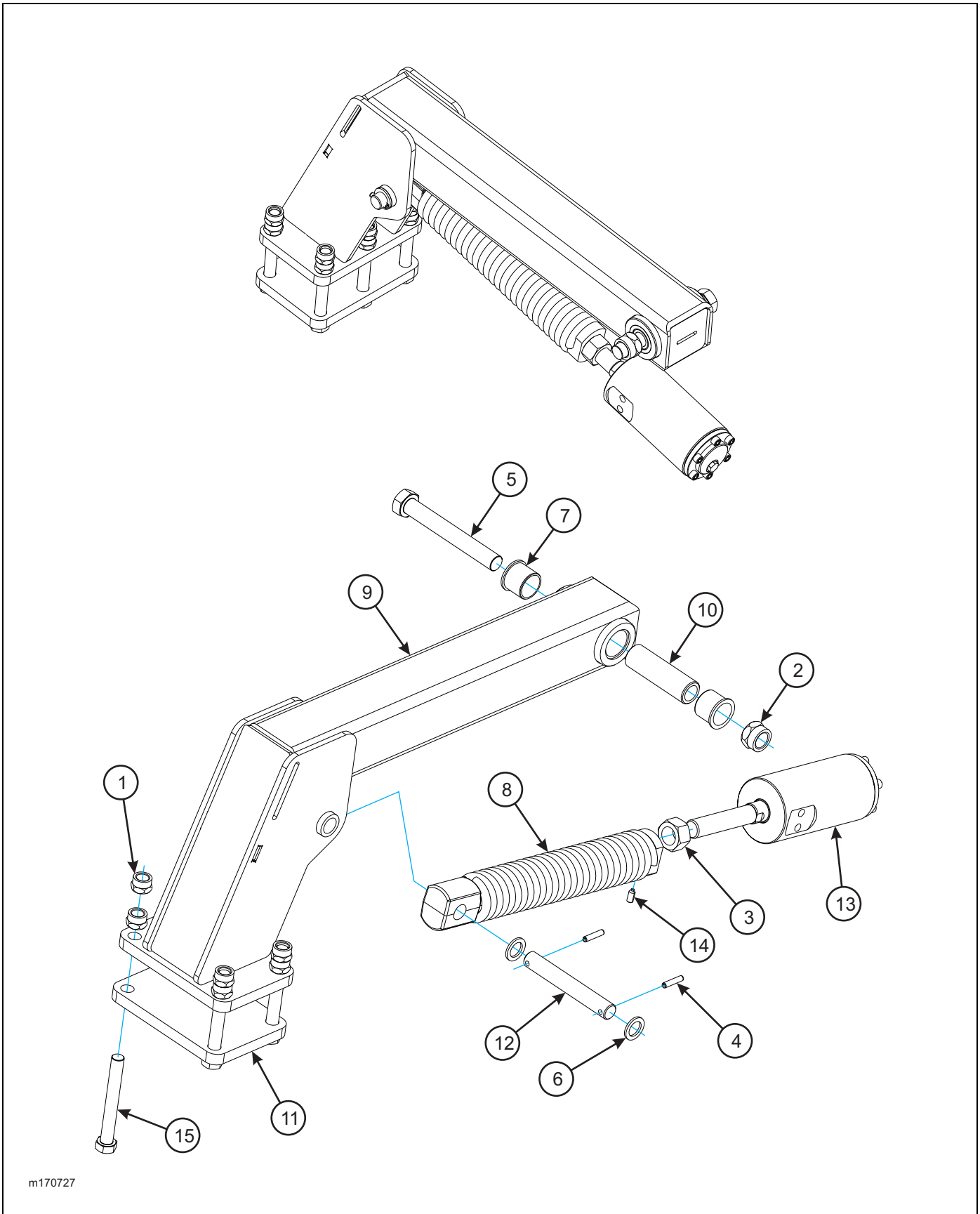


Figure 2-36: Reel Arm Assembly

REEL ARM ASSEMBLY

ITEM	PART NO.	DESCRIPTION	QTY.
	170727	REEL ARM ASSEMBLY	
1	1-512-010005-15	NUT, HEX LOCK 3/4-10 GRB	10
2	1-512-010005-19	NUT, HEX LOCK 1-8 GRB	1
3	1-512-010007-14	NUT, HEX 1-8 GRB (BEFORE 6-8-2017)	1
	206675	NUT, HEX 1-1/8-12 UNF GR5 ZP (AFTER 6-8-2017)	1
4	1-647-010004236	ROLL PIN, SLOTTED 5/16 X 1-1/2	2
5	100856	SCREW, HEX HEAD CAP 1-8 X 7-1/2 GR5	1
6	117957	MACHINERY BUSHING	2
7	140599	BEARING, FLANGE 1-1/2 (BEFORE 6-8-2017)	2
8	158795	SPRING ASSEMBLY, 17" (AFTER 6-8-2017)	1
	206652	SPRING ASSEMBLY, 17" 1-1/8 THD	1
9	170851	ARM, REEL	1
10	170852	BUSHING, PIVOT 5"	1
11	170862	PLATE, GANG BAR MOUNT	1
12	172526	PIN, PIVOT	1
13	172537	CYLINDER, HYDRAULIC 2-1/2 X 2-1/2 STROKE (SEE PAGE 2-72) (BEFORE 9/1/14)	1
13	185766	CYLINDER, HYDRAULIC 2-1/2 X 3-1/2 STROKE (SEE PAGE 2-73) (AFTER 9/1/14)	1
13	206675	CYLINDER, HYDRAULIC 2-1/2 X 3-1/2 ST 1-1/8 THDS (SEE PAGE 2-74) (AFTER 6-8-2017)	1
14	1P444	SET SCREW, 3/8-16 X 3/4 NYLON (AFTER 6-8-2017)	1
15	172884	SCREW, HEX CAP 3/4-10UNCX6 GR8 ZP	5

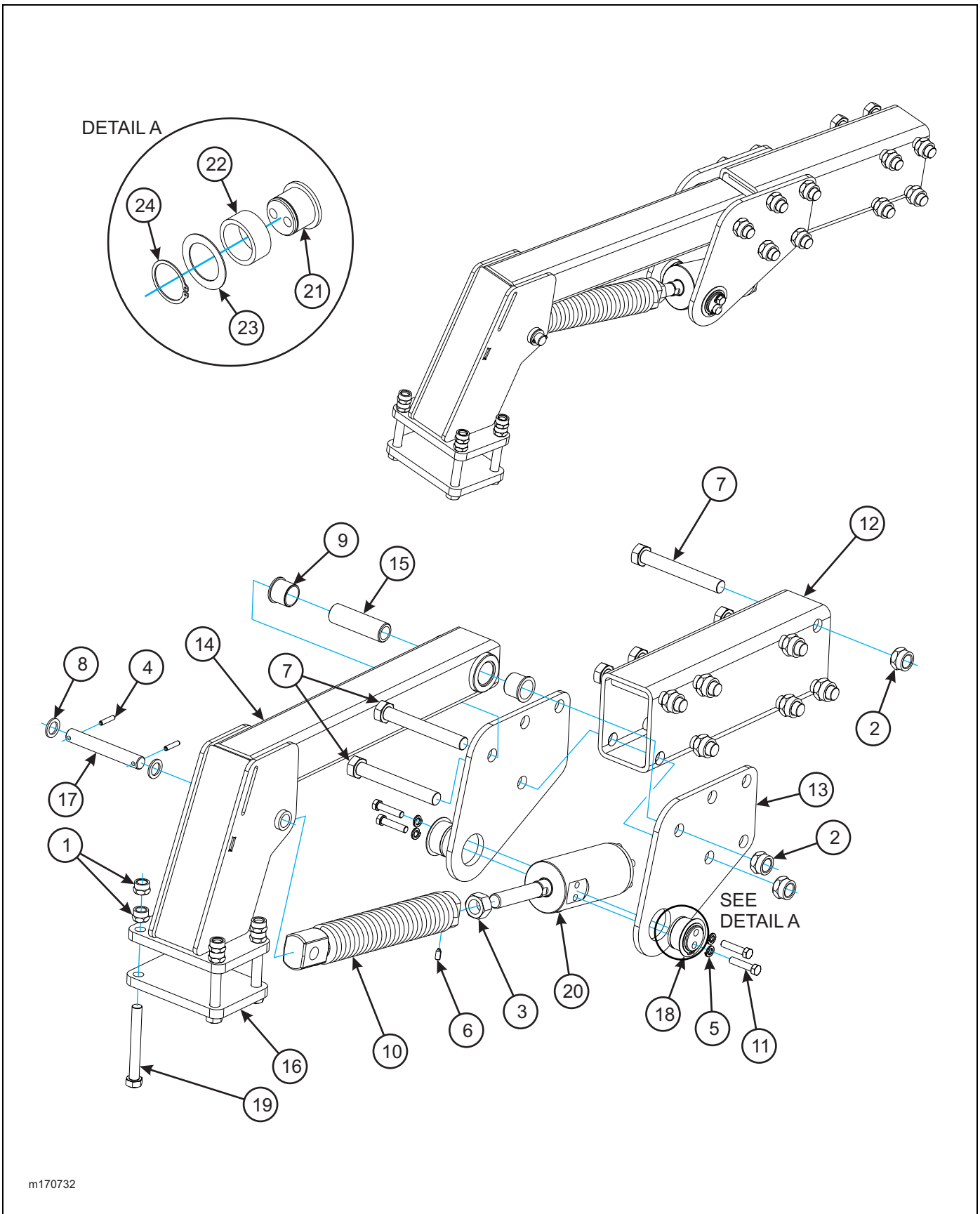


Figure 2-37: Reel Arm Assembly

REEL ARM ASSEMBLY

ITEM	PART NO.	DESCRIPTION	QTY.
	170732	REEL ARM ASSEMBLY	
1	1-512-010005-15	NUT, HEX LOCK 3/4-10 GRB	5
2	1-512-010005-19	NUT, HEX LOCK 1-8 GRB	9
3	1-512-010007-14	NUT, HEX 1-8 GRB (BEFORE 6-8-17)	1
3	206675	NUT, HEX 1-1/8-12 UNF GR5 ZP (AFTER 6-8-17)	1
4	1-647-010004236	ROLL PIN, SLOTTED 5/16 X 1-1/2	2
5	1-861-010034-13	WASHER, LKG, HCL SPR, 1/2	4
6	1P444	SET SCREW, 3/8-16X3/4 NYLON (AFTER 6-8-17)	1
7	100856	SCREW, HEX 1-8UNC X 7-1/2 GR5	9
8	117957	MACHINERY BUSHING	2
9	140599	BEARING, FLANGE 1-1/2	2
10	158795	SPRING ASSEMBLY, 17" (BEFORE 6-8-17)	1
10	206652	SPRING ASSY, 17" 1-7/8 THD (AFTER 6-8-17)	1
11	169690	SCREW, HEX HEAD CAP 1/2-13 X 2-1/4 GR5	4
12	170730	TUBE, HARROW ARM 20"	1
13	170850	PLATE, SPRING MOUNT	2
14	170851	ARM, REEL	1
15	170852	BUSHING, PIVOT 5"	1
16	170862	PLATE, GANG BAR MOUNT	1
17	172526	PIN, PIVOT	1
18	172534	TRUNNION, CYLINDER (BEFORE 2-20-16)	2
18	198321	ASSY, TRUNION MOUNT 1-5/8" (AFTER 2-20-16)	2
19	172884	SCREW HEX CAP, 3/4-10UNCX6 GR8 ZP	5
20	172537	CYLINDER, HYDRAULIC 2-1/2 X 2-1/2 STROKE (SEE PAGE 2-72) (BEFORE 9/1/14)	1
20	185766	CYLINDER, HYDRAULIC 2-1/2 X 3-1/2 STROKE (SEE PAGE 2-73) (AFTER 9/1/14)	1
20	206672	CYLINDER, HYDRAULIC 2-1/2 X 3-1/2 ST 1-1/8 THDS (SEE PAGE 2-74) (AFTER 6/8/17)	1
21	188528	TRUNION, CYLINDER	1
22	188531	TRUNION, BEARING	1
23	109895	WASHER, 30D X 2-1/16 ID X 14GA	1
24	188530	SNAP RING, 2 SHAFT	1

ILLUSTRATED PARTS LIST

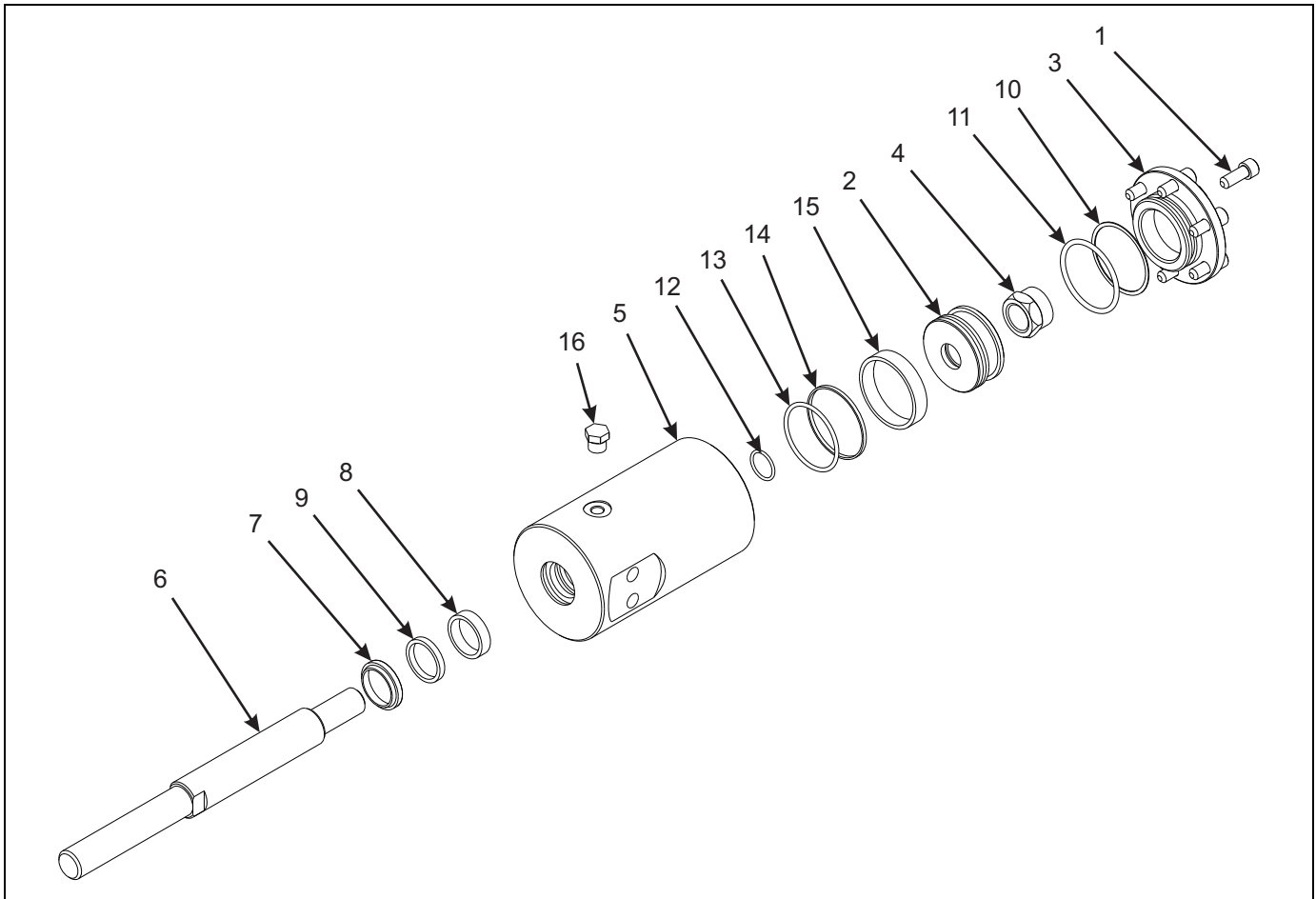


Figure 2-38: Hydraulic Cylinder - 2-1/2 X 2-1/2"

Hydraulic Cylinder - 2-1/2" X 2-1/2"

ITEM	PART NO.	DESCRIPTION	QTY.
	172537	CYLINDER, HYDRAULIC 2-1/2 X 2-1/2 STROKE (BEFORE 9/1/14)	
1	1-654-010104245	SCREW, HEX SOCKET 3/8-16 X 1	6
2	171079	PISTON, 2-1/2 BORE	1
3	171080	BASE CAP 2-1/2	1
4	171093	NUT, HEX LOCK 7/8-14 GRC	1
5	172538	CYLINDER, BARREL 2-1/2 STROKE	1
6	172539	ROD, 1-1/4 DIA, 2-1/2" STROKE	1
7	172948	WIPER, 1-1/4 ROD	1
8	172949	WEAR RING, 1-1/4 ROD	1
9	172950	U-CUP, 1-1/4 ROD	1
10	172951	BACK-UP RING, CAP	1
11	172952	O-RING, CAP	1
12	172953	O-RING, PISTON	1
13	172954	O-RING, PISTON	1
14	172955	SEAL, 2-1/2 PISTON	1
15	172956	WEAR RING, 2-1/2 PISTON	1
16	900598-6S	PLUG, O-RING 9/16-18	2
	171081	SEAL KIT (NOT SHOWN) (INCLUDES ITEMS 7-15)	

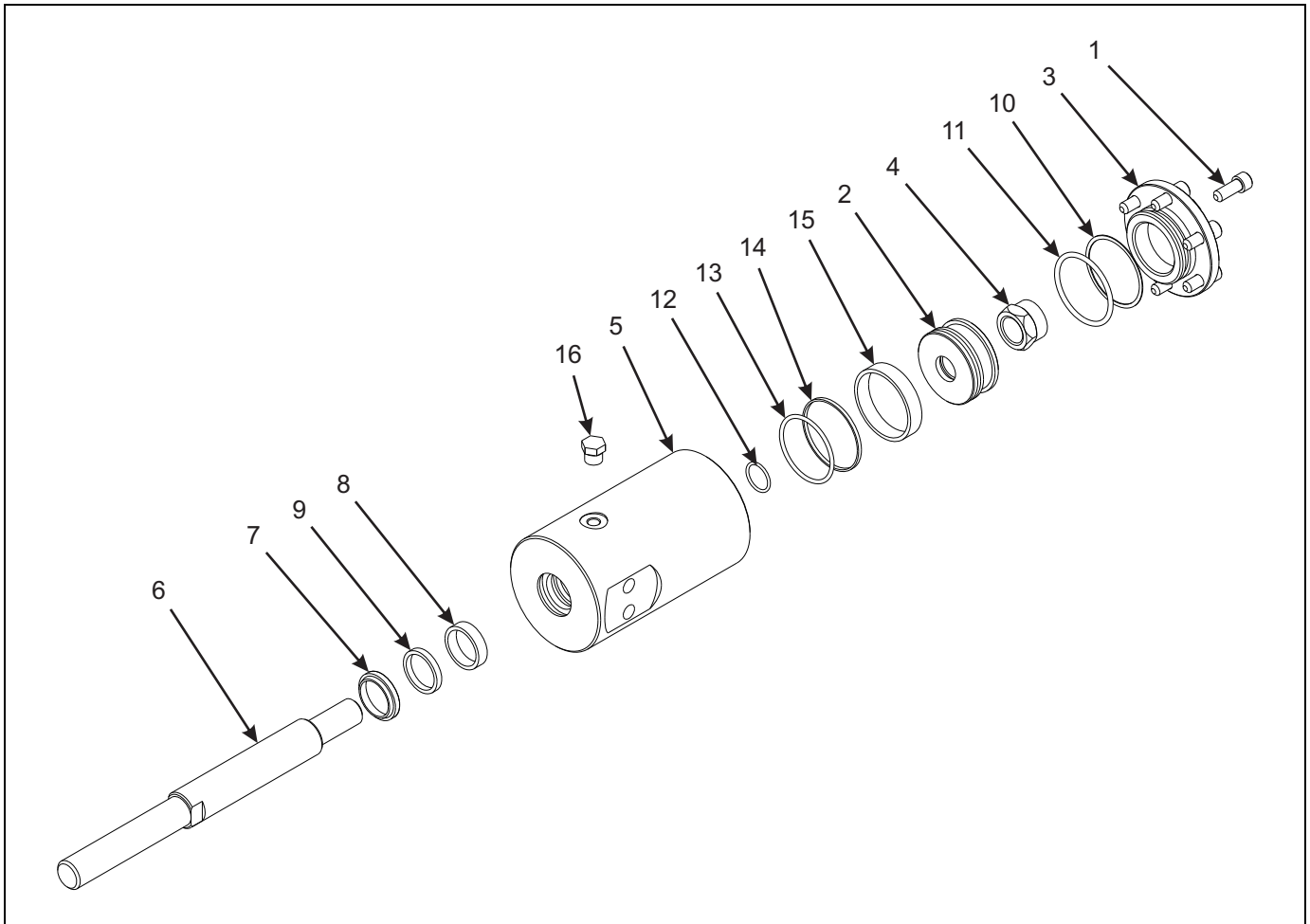


Figure 2-39: Hydraulic Cylinder - 2-1/2 X 3-1/2" (7/8" Threads)

Hydraulic Cylinder - 2-1/2" X 3-1/2" (7/8" Threads)

ITEM	PART NO.	DESCRIPTION	QTY.
	185766	CYLINDER, HYDRAULIC 2-1/2 X 3-1/2 STROKE (BEFORE 6-8-2017)	
1	1-654-010104245	SCREW, HEX SOCKET 3/8-16 X 1	6
2	171079	PISTON, 2-1/2 BORE	1
3	171080	BASE CAP 2-1/2	1
4	171093	NUT, HEX LOCK 7/8-14 GRC	1
5	185767	CYLINDER, BARREL 2-1/2 STROKE	1
6	185768	ROD, 1-1/4 DIA, 3-1/2" STROKE	1
7	172948	WIPER, 1-1/4 ROD	1
8	172949	WEAR RING, 1-1/4 ROD	1
9	172950	U-CUP, 1-1/4 ROD	1
10	172951	BACK-UP RING, CAP	1
11	172952	O-RING, CAP	1
12	172953	O-RING, PISTON	1
13	172954	O-RING, PISTON	1
14	172955	SEAL, 2-1/2 PISTON	1
15	172956	WEAR RING, 2-1/2 PISTON	1
16	900598-6S	PLUG, O-RING 9/16-18	2
	171081	SEAL KIT (NOT SHOWN) (INCLUDES ITEMS 7-15)	

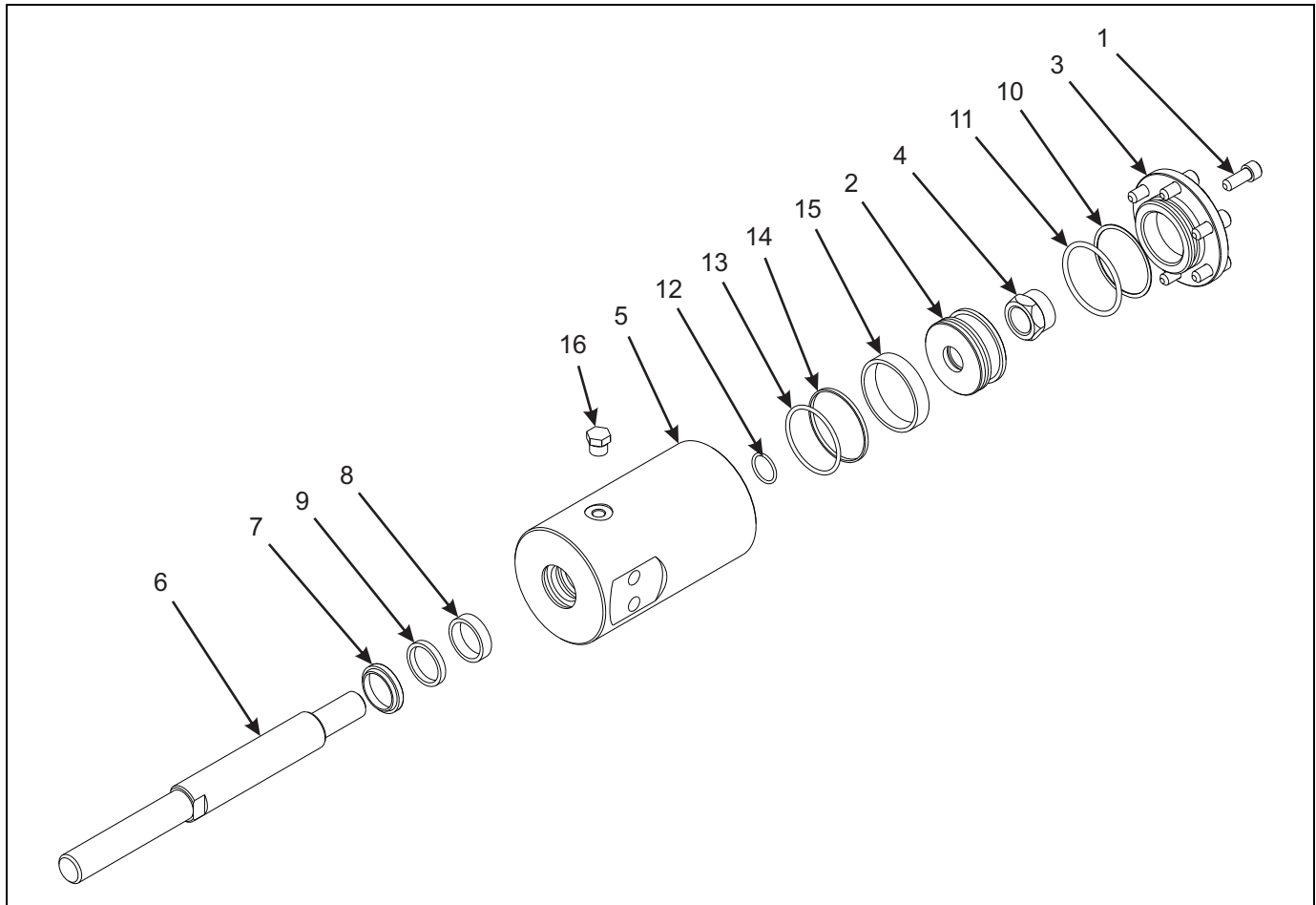


Figure 2-40: Hydraulic Cylinder - 2-1/2 X 3-1/2" (1-1/8" Threads)

Hydraulic Cylinder - 2-1/2" X 3-1/2" (1-1/8" Threads)

ITEM	PART NO.	DESCRIPTION	QTY.
	206672	CYLINDER, HYDRAULIC 2-1/2 X 3-1/2 ST 1-1/8THD (AFTER 6-8-2017)	
1	1-654-010104245	SCREW, HEX SOCKET 3/8-16 X 1	6
2	171079	PISTON, 2-1/2 BORE	1
3	171080	BASE CAP 2-1/2	1
4	171093	NUT, HEX LOCK 7/8-14 GRC	1
5	185767	CYLINDER, BARREL 2-1/2 STROKE	1
6	206674	ROD, 1-1/4 DIA, 3-1/2" STROKE (1-1/8 THREADS) (AFTER 6-8-2017)	1
7	172948	WIPER, 1-1/4 ROD	1
8	172949	WEAR RING, 1-1/4 ROD	1
9	172950	U-CUP, 1-1/4 ROD	1
10	172951	BACK-UP RING, CAP	1
11	172952	O-RING, CAP	1
12	172953	O-RING, PISTON	1
13	172954	O-RING, PISTON	1
14	172955	SEAL, 2-1/2 PISTON	1
15	172956	WEAR RING, 2-1/2 PISTON	1
16	900598-6S	PLUG, O-RING 9/16-18	2
	171081	SEAL KIT (NOT SHOWN) (INCLUDES ITEMS 7-15)	

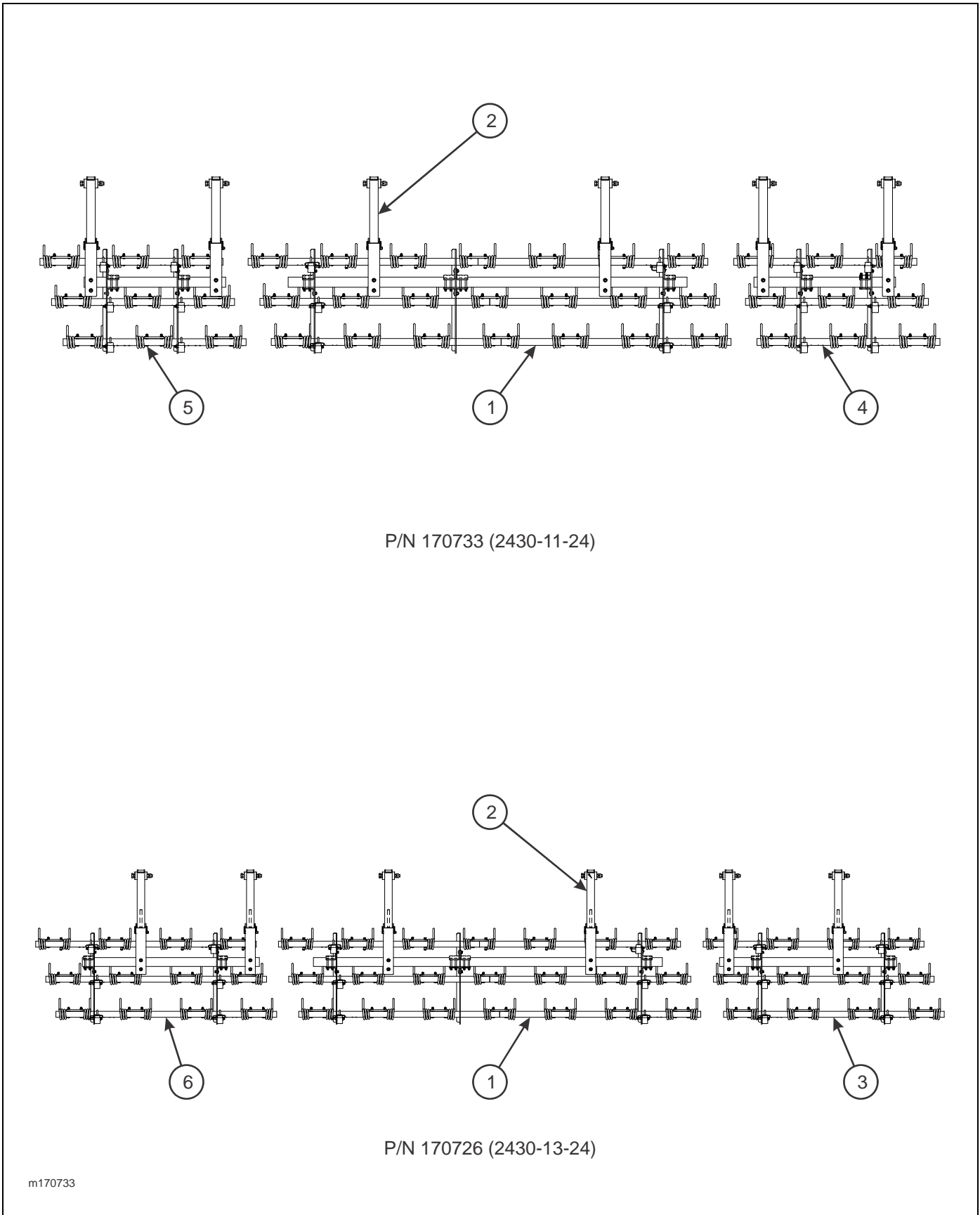
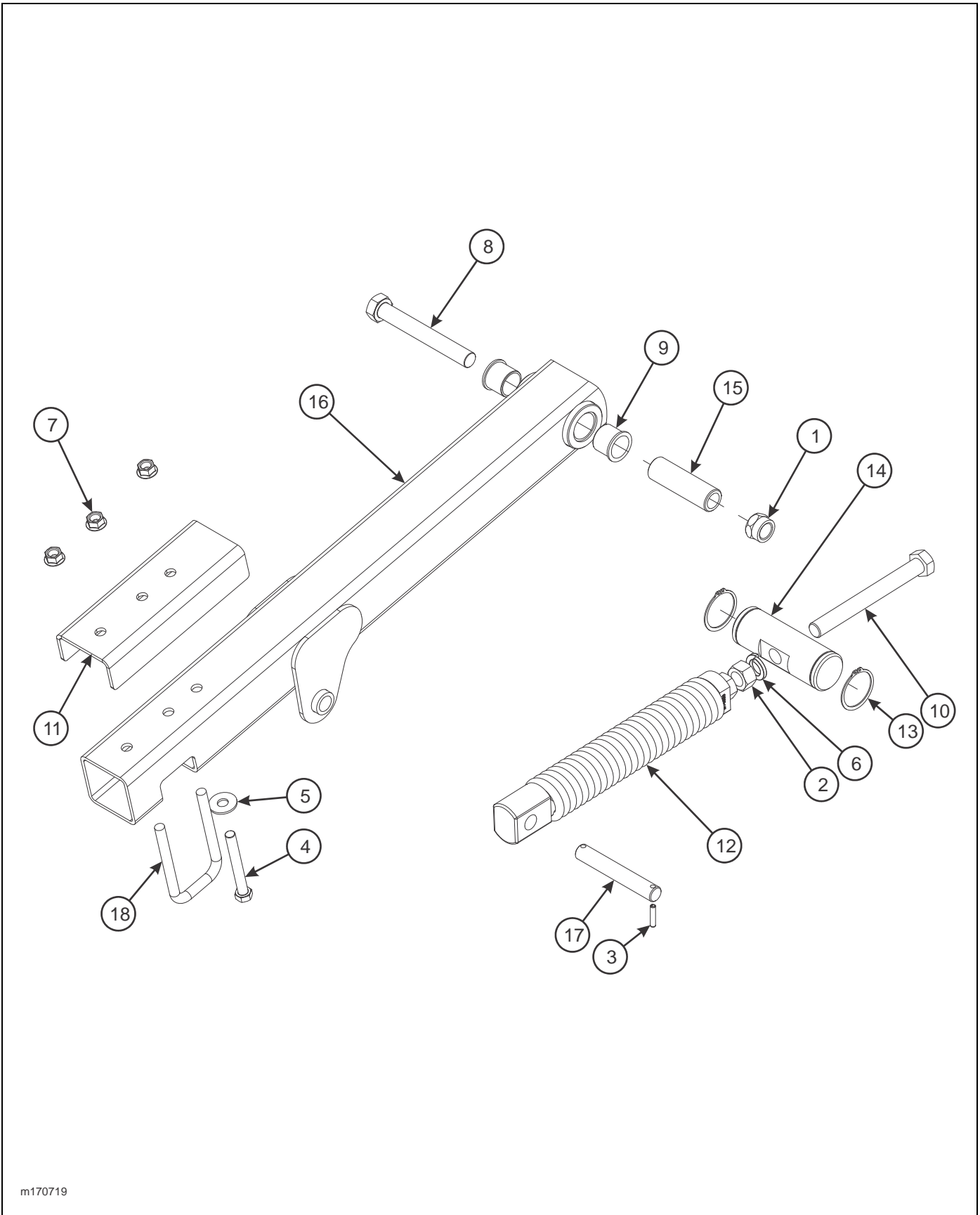


Figure 2-41: Finishing Harrow Assembly

FINISHING HARROW ASSEMBLY

ITEM	PART NO.	DESCRIPTION	QTY.	
	170733	4 ROW COIL TINE HARROW ASSEMBLY (2430-11-24)	*	
	170726	4 ROW COIL TINE HARROW ASSEMBLY (2430-13-24)		*
1	170723	7 TINE HARROW ASSEMBLY (SEE PAGE 2-81)	1	1
2	170719	HARROW ARM ASSEMBLY, COIL TINE (SEE PAGE 2-79)	6	6
3	170871	HARROW ASSEMBLY, 4 TINE RH (SEE PAGE 2-81)	--	1
4	170724	3 TINE HARROW ASSEMBLY, RH (SEE PAGE 2-81)	1	--
5	170725	3 TINE HARROW ASSEMBLY, LH (SEE PAGE 2-81)	1	--
6	170721	4 TINE HARROW ASSEMBLY, CENTER (SEE PAGE 2-81)	--	1



m170719

Figure 2-42: Coil Tine Harrow Arm Assembly

COIL TINE HARROW ARM ASSEMBLY

ITEM	PART NO.	DESCRIPTION	QTY.
	170719	HARROW ARM ASSEMBLY, COIL TINE	
1	1-512-010005-19	NUT, HEX LOCK 1-8 GRB	1
2	1-512-010007-14	NUT, HEX 1-8 GRB	2
3	1-647-010004236	ROLL PIN, SLOTTED 5/16 X 1-1/2	2
4	1-654-010059-15	SCREW, HEX HEAD CAP 5/8-11 X5 GR5	1
5	1-861-010032-19	WASHER, FLAT 5/8W	1
6	1-861-010034-21	WASHER, SPLIT LOCK 1"	1
7	100827	NUT, FLANGE HEAD SERRATED 5/8-11	3
8	100856	SCREW, HEX HEAD CAP 1-8 X 7-1/2 GR5	1
9	140599	BEARING, FLANGE 1-1/2	2
10	152210	BOLT, SPRING ADJ 1 X 9	1
11	158080	PLATE, HARROW STIFFENER	1
12	158795	SPRING ASSEMBLY, 17"	1
13	158896	SNAP RING, 2-1/2 SHAFT	2
14	160199	PIN, ADJUSTMENT 7-1/4 W/ SNAP RING	1
15	170852	BUSHING, PIVOT 4-1/4	1
16	170858	ARM, TINE HARROW	1
17	172526	PIN, PIVOT	1
18	8-102-010043	U-BOLT, SPRING CLAMP	1

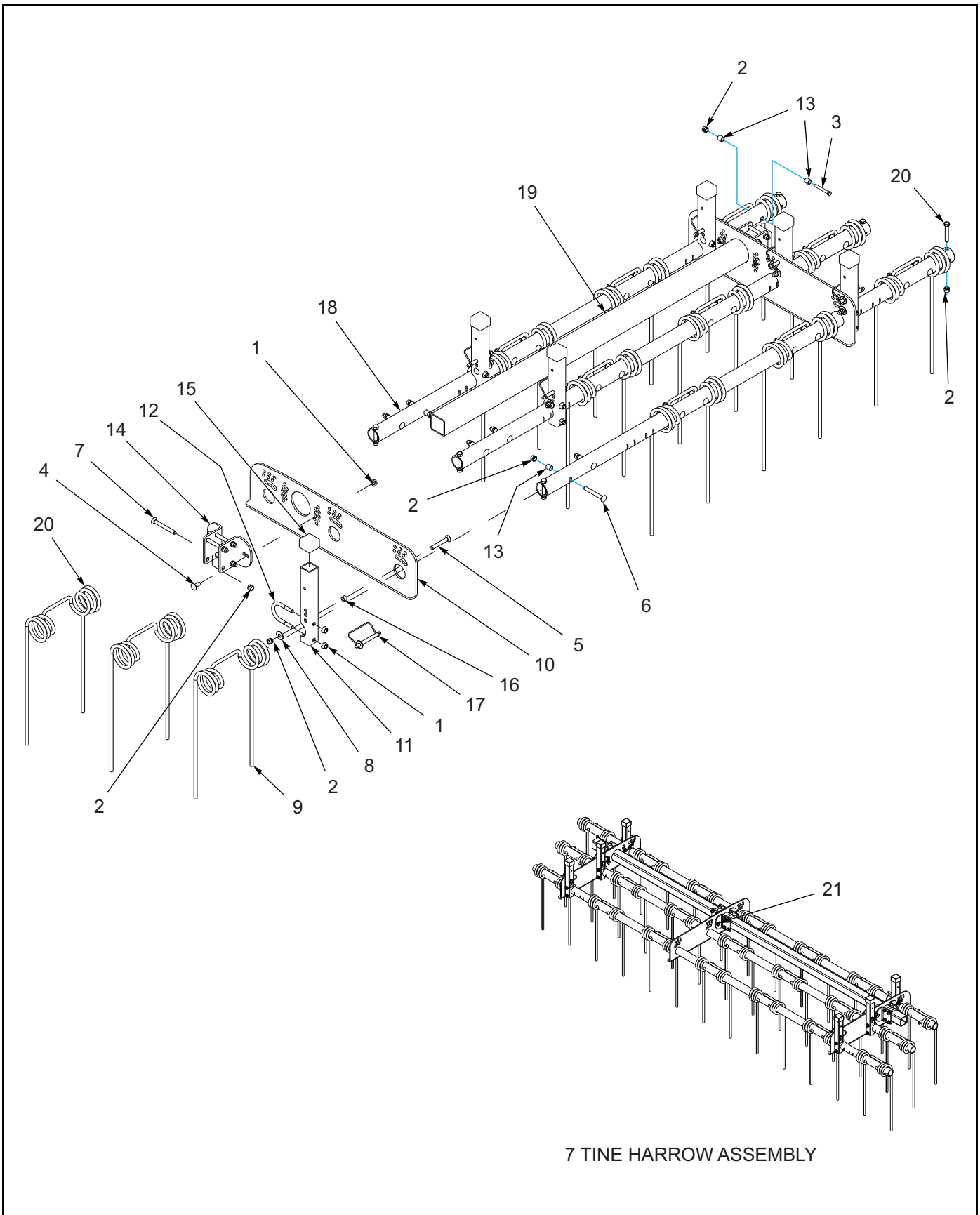


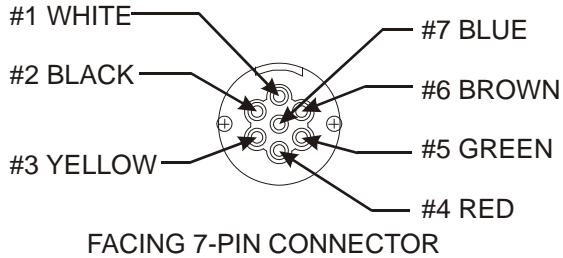
Figure 2-43: 3 Row Coil Tine Harrow Assembly

3 ROW COIL TINE HARROW ASSEMBLY

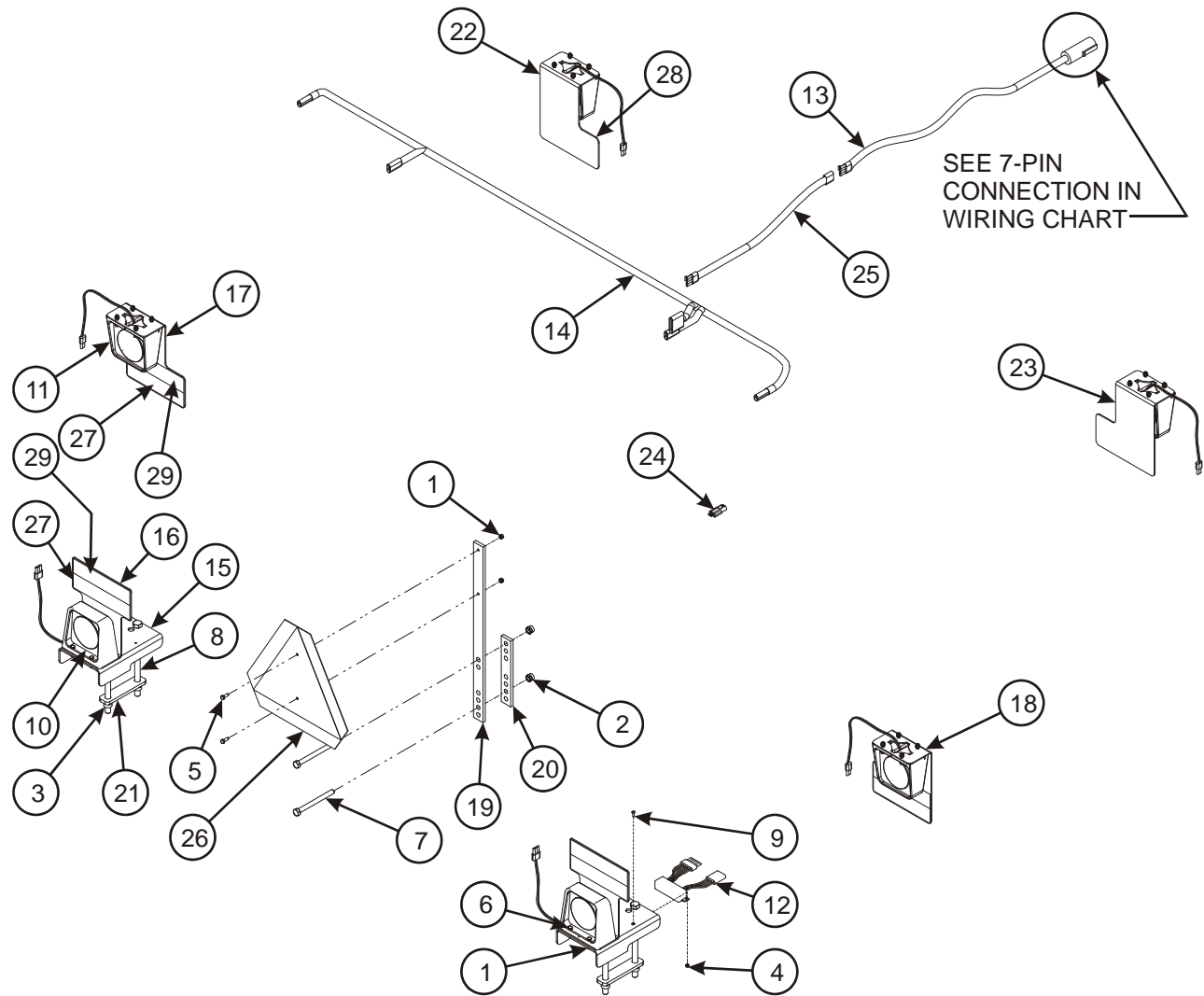
ITEM	PART NO.	DESCRIPTION	QTY.					
	170723	HARROW ASSEMBLY, 7 TINE	*					
	170724	HARROW ASSEMBLY, 3 TINE RH		*				
	170725	HARROW ASSEMBLY, 3 TINE LH			*			
	170871	HARROW ASSEMBLY, 4 TINE RH				*		
	170721	HARROW ASSEMBLY, 4 TINE CENTER					*	
1	1-510-010003-09	NUT, FLANGE HEAD SERRATED 1/2-13	34	16	16	16	16	
2	1-512-010005-09	NUT, HEX LOCK 1/2-13 GRB	54	38	38	44	44	
3	1-654-010055-14	SCREW, HEX HEAD CAP 1/2-13 X 4-1/2 GR5	7	3	3	4	4	
4	1-654-010070-02	SCREW, RD HEAD SQ NECK 1/2-13 X 1-1/4	4	4	4	4	4	
5	1-654-010070-11	SCREW, RD HEAD SQ NECK 1/2-13 X 3-1/2	6	6	6	6	6	
6	1-654-010070-13	SCREW, RD HEAD SQ NECK 1/2-13 X 4	35	15	15	20	20	
7	1-654-010070-14	SCREW, RD HEAD SQ NECK 1/2-13 X 4-1/2	16	8	8	8	8	
8	1-861-010032-15	WASHER, FLAT 1/2 W	6	6	6	6	6	
9	164900	TINE, HARROW SPRING	21	9	9	12	12	
10	154993	PLATE, GANG BAR	3	2	2	2	2	
11	154994	TUBE, ANGLE ADJUST	6	6	6	6	6	
12	154995	U-BOLT, 1/2	6	6	6	6	6	
13	154997	BUSHING, TINE RETAINER	49	21	21	28	28	
14	154998	PLATE, ANGLE ADJUSTMENT	8	4	4	4	4	
15	155927	CAP, TUBE 1.95 X 1.5 BLACK	6	6	6	6	6	
16	155956	BUSHING, ANGLE ADJUSTMENT	6	6	6	6	6	
17	155971	PIN, HARROW ADJUSTMENT	6	--	--	6	6	
18	195282	GANG BAR, 7 TINE 159"	3	--	--	--	--	
18	195241	GANG BAR 3 TINE 63-1/4	--	3	3	--	--	
18	195243	GANG BAR, 4 TINE 87-1/4"	--	--	--	3	3	
19	156779	TUBE, RIDE BAR 138"	1	--	--	--	--	
19	170735	TUBE, RIDE BAR 49"	--	1	1	--	--	
19	170870	TUBE, SQ. 3 X 3/16 X 70	--	--	--	1	1	
20	1-654-010055-09	SCREW,HX CP,1/2-13UNCX3 GR5	6	6	6	6	6	
21	1-654-010070-03	SCREW, RD HEAD SQ NECK 1/2-13 X 1-1/2	2	--	--	--	--	

ILLUSTRATED PARTS LIST

NOTE: IF REPAIRING OR REPLACING THE 7 PIN CONNECTOR, MATCH THE LETTERS AT THE BACK OF THE HARNESS TO THE 7 PIN CONNECTOR AS SHOWN. THE COLOR OF THE WIRE JACKET DOES NOT NECESSARILY MATCH THE COLOR MARKING OF THE 7 PIN CONNECTOR.



WIRING CHART	
7-PIN CONNECTION	4-PIN CONNECTION
GRND. 1	D
YEL. 3	B
GRN. 5	A
BRN. 6	C



m170768

Figure 2-44: Electrical Assembly (Prior to August, 2013)

ELECTRICAL ASSEMBLY (PRIOR TO AUGUST, 2013)

ITEM	PART NO.	DESCRIPTION	QTY.
	170768	LIGHT KIT (2430-11-24 & 2430-13-24)	
1	1-512-010005-01	NUT, HEX LOCK 1/4-20 GRB	26
2	1-512-010005-09	NUT, HEX LOCK 1/2-13 GRB	2
3	1-512-010005-13	NUT, HEX LOCK 5/8-11 GRB	4
4	1-512-010007-02	NUT, HEX 8-32	2
5	1-654-010047-04	SCREW, HEX HEAD CAP 1/4-20 X 3/4 GR5	2
6	1-654-010047-07	SCREW, HEX HEAD CAP 1/4-20 X 1-1/4 GR5	24
7	1-654-010055-16	SCREW, HEX HEAD CAP 1/2-13 X 5-1/2 GR5	2
8	101387	SCREW, HEX HEAD CAP 5/8-11 X 11-1/2 GR5	4
9	107-0762	SCREW, SLOT PAN HEAD #8-32 X 1/2	2
10	141576	LAMP, RED W/ BRAKE	2
11	141577	LAMP, AMBER SINGLE	4
12	141578	LIGHTING MODULE, ENHANCED	1
13	141579	HARNESS, MAIN WARNING LIGHTS	1
14	141580	HARNESS, REAR WARNING LIGHTS	1
15	164138	MOUNT, LIGHT TAIL	2
16	164140	REFLECTOR ASSEMBLY	2
17	170781	REFLECTOR ASSEMBLY (INCL ITEMS 27 & 29)	1
18	170782	REFLECTOR ASSEMBLY (INCL ITEMS 27& 29)	1
19	170811	BRACKET, SMV 8" TUBE	1
20	170812	BRACKET, SMV 8" TUBE	1
21	170813	BRACKET, LIGHT MOUNT	2
22	171406	REFLECTOR ASSEMBLY, YELLOW (INCL ITEMS 28)	1
23	171407	REFLECTOR ASSEMBLY, YELLOW (INCL ITEMS 28)	1
24	171408	WIRING HARNESS, SPLITTER	2
25	2-368-010273	HARNESS, 34" EXTENSION	3
26	70260977	SMV EMBLEM	1
27	528933	REFLECTOR, RED 2 X 9	2
28	528934	REFLECTOR, YELLOW 2 X 9	2
29	528938	STRIPE, ORANGE 2 X 9	2

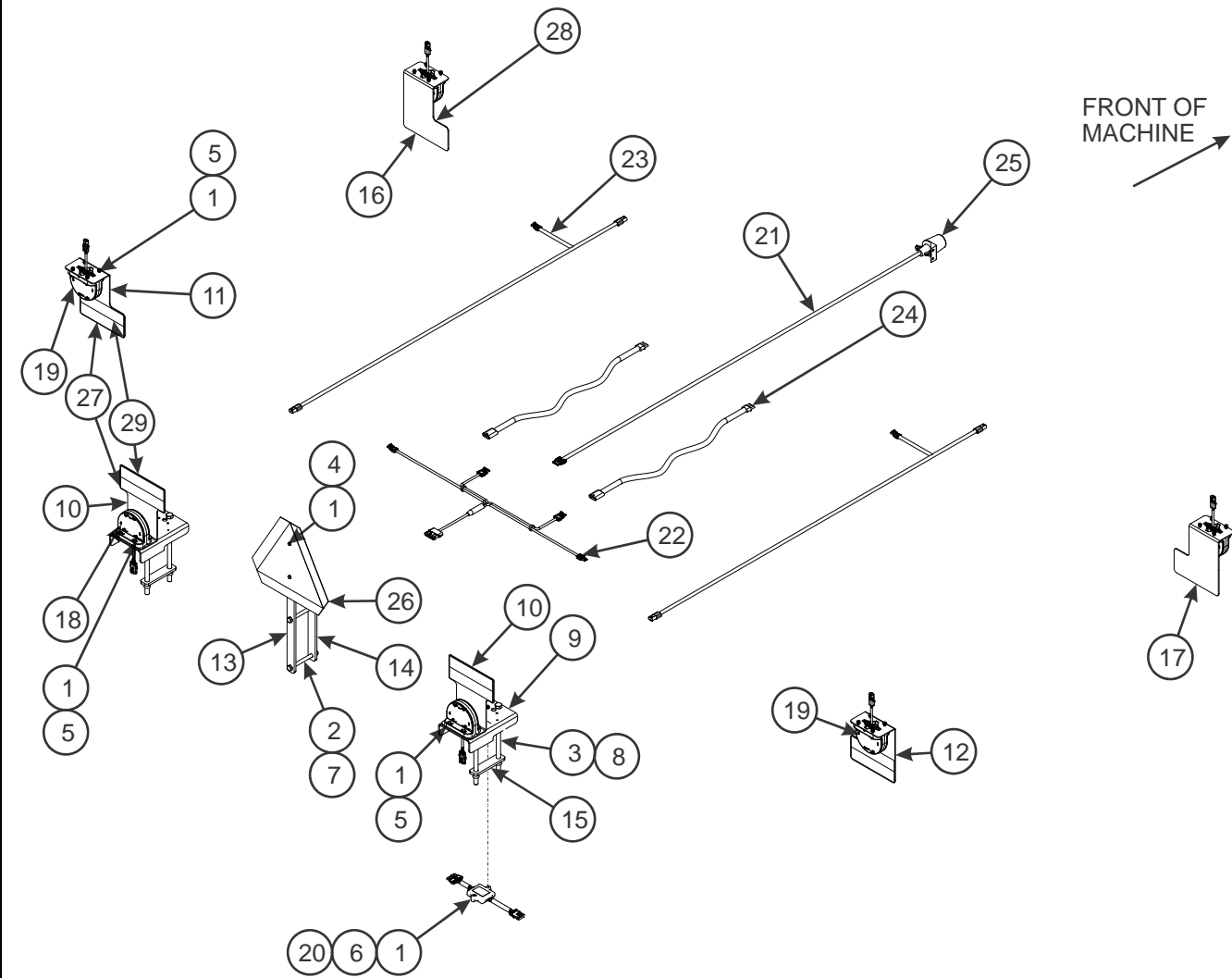
ILLUSTRATED PARTS LIST

WIRE DESIGNATIONS FOR MAIN HARNESS (21)

7-PIN CONN	4-PIN TOWER	CIRCUIT	WIRE COLOR
1	D	GROUND	GROUND
2		WORK LAMPS	BLACK
3	B	LEFT FLASHING & TURN	YELLOW
4		STOP LAMPS	RED
5	A	RIGHT FLASHING & TURN	GREEN
6	C	TAIL LAMPS	BROWN
7		SWITCHED POWER (12V)	BLUE

WIRE DESIGNATIONS FOR REAR HARNESS (22)

	1	2	3	4	5
	2-PIN TOWER	3-PIN TOWER	6-PIN SHROUD	3-PIN TOWER	2-PIN TOWER
BLACK LEFT TURN			A	C	
WHITE GROUND	A	A	B	A	A
BROWN TAIL LIGHT		B	C	B	
YELLOW LEFT TURN			D		B
GREEN RIGHT TURN	B		E		
RED RIGHT TURN		C	F		



m177210

Figure 2-45: Electrical Assembly w/ LED Lights (After August, 2013)

ELECTRICAL ASSEMBLY W/ LED LIGHTS (AFTER AUGUST, 2013)

ITEM	PART NO.	DESCRIPTION	QTY.
	177210	LIGHT KIT (2430-11-24 & 2430-13-24)	
1	1-512-010005-01	NUT, HEX LOCK 1/4-20 GRB	18
2	1-512-010005-09	NUT, HEX LOCK 1/2-13 GRB	6
3	1-512-010005-13	NUT, HEX LOCK 5/8-11 GRB	4
4	1-654-010047-04	SCREW, HEX HEAD CAP 1/4-20 X 3/4 GR5	2
5	1-654-010047-07	SCREW, HEX HEAD CAP 1/4-20 X 1-1/4 GR5	8
6	1-654-010047-08	SCREW, HEX HEAD CAP 1/4-20 X 1-1/2 GR5	10
7	1-654-010055-16	SCREW, HEX HEAD CAP 1/2-13 X 5-1/2 GR5	2
8	101387	SCREW, HEX HEAD CAP 5/8-11 X 11-1/2 GR5	4
9	164138	MOUNT, TAIL LIGHT	2
10	164140	REFLECTOR ASSEMBLY (INCL ITEMS 27 & 29)	2
11	170781	REFLECTOR ASSEMBLY (INCL ITEMS 27 & 29)	2
12	170782	REFLECTOR ASSEMBLY (INCL ITEMS 27 & 29)	2
13	170811	BRACKET, SMV 8" TUBE	1
14	170812	BRACKET, SMV 8" TUBE	1
15	170813	BRACKET, LIGHT MOUNT	2
16	171406	REFLECTOR ASSEMBLY, YELLOW (INCL ITEMS 28)	1
17	171407	REFLECTOR ASSEMBLY, YELLOW (INCL ITEMS 28)	1
18	174435	LAMP, AG RED SINGLE LED	2
19	174436	LAMP, AG AMBER SINGLE LED	2
20	174437	MODULE, AG FLASHER CONTROL	1
21	174438	HARNESS, MAIN WARNING LIGHTS	1
22	174439	HARNESS, REAR WARNING LIGHTS	1
23	177207	WIRING HARNESS, SPLITTER	2
24	2-368-010273	HARNESS, 34" EXTENSION	3
25	2-368-010287	HARNESS, STOR-AWAY	1
26	70260977	SMV EMBLEM	1
27	528933	REFLECTOR, RED 2 X 9	2
28	528934	REFLECTOR, YELLOW 2 X 9	2
29	528938	STRIPE, ORANGE 2 X 9	2

ILLUSTRATED PARTS LIST

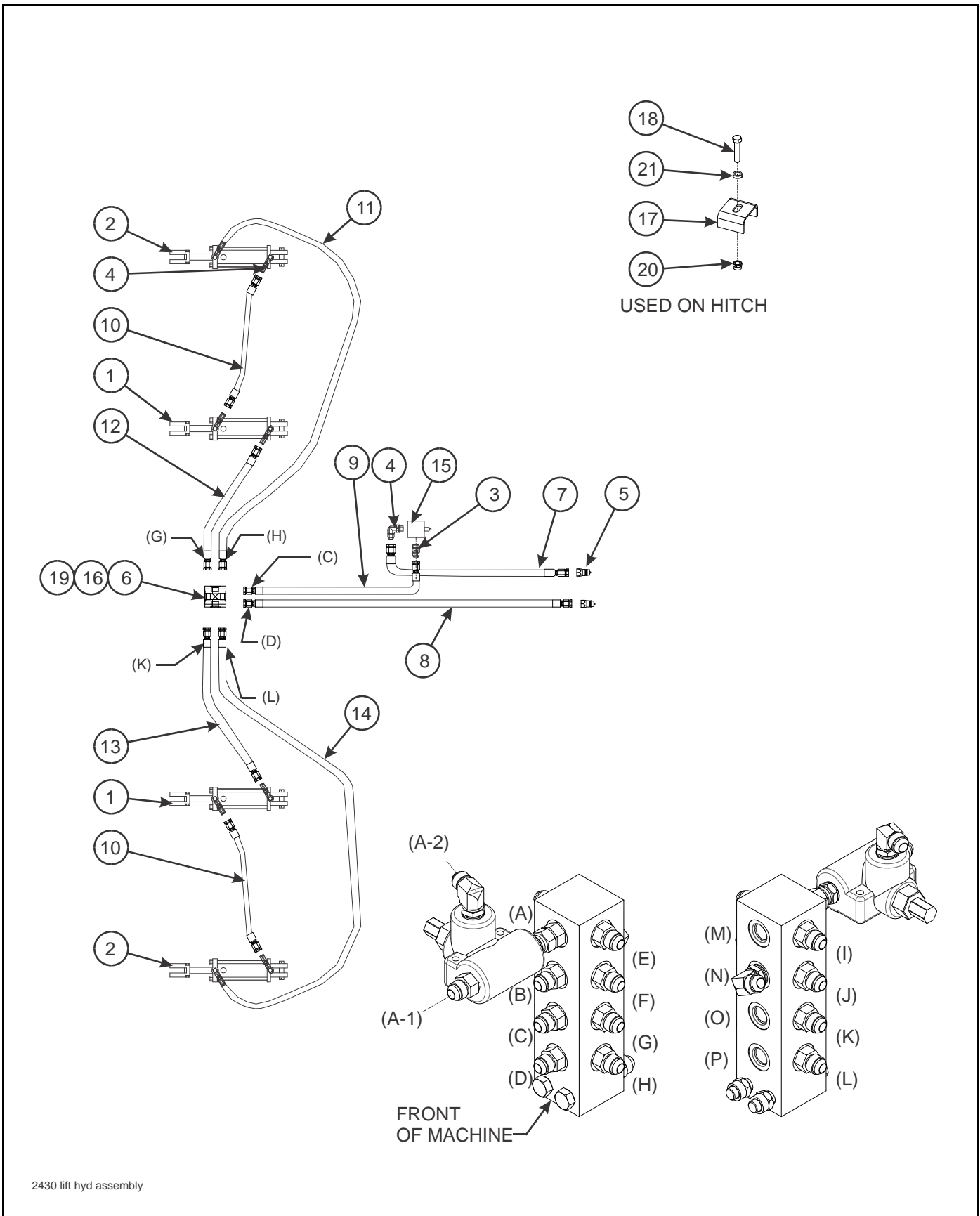


Figure 2-46: Hydraulic Lift Assembly

HYDRAULIC LIFT ASSEMBLY

ITEM	PART NO.	DESCRIPTION	QTY.
	170800	HYDRAULIC KIT	
	171827	HOSE KIT	
1	146824	CYLINDER, HYDRAULIC REPHASE 4-1/2 X 16 (SEE PAGE 2-91)	REF
2	146825	CYLINDER, HYDRAULIC REPHASE 4 X 16 (SEE PAGE 2-90)	REF
3	202702-8-8S	ADAPTER	6
4	2062-8-8S	ADAPTER, 90	4
5	141828	COUPLER, MALE 3/4-16	2
6	141594	MANIFOLD, HYDRAULIC ASSEMBLY 16 PORT	1
7	167555	HOSE ASSEMBLY 1/2 X 210	1
8	162780	HOSE ASSEMBLY 1/2 X 251	1
9	1-397-010301148	HOSE ASSEMBLY 1/2 X 148	1
10	137600	HOSE ASSEMBLY 3/8 X 130	2
11	141883	HOSE ASSEMBLY 3/8 X 190	1
12	116490	HOSE ASSEMBLY 3/8 X 78	1
13	147123	HOSE ASSEMBLY 3/8 X 31	1
14	153620	HOSE ASSEMBLY 3/8 X 140	1
15	140693	VALVE, LIMIT	1
	142656	LIMIT VALVE PARTS KIT	1
16	1-654-010055-11	SCREW, HEX HEAD CAP 1/2-13 X 3-1/2 GR5	2
17	2-181-010001	HOSE CLAMP	2
18	1-654-010051-11	SCREW, HEX HEAD CAP 3/8-16 X 2-1/2 GR5	2
19	1-512-010005-09	NUT, HEX LOCK 1/2-13 GRB	2
20	1-512-010005-05	NUT, HEX LOCK 3/8-16 GRB	2
21	1-861-010032-11	WASHER, FLAT 3/8W	2
22	155528	HOSE WRAP, BLUE 1" ID X 8" (NOT SHOWN)	1

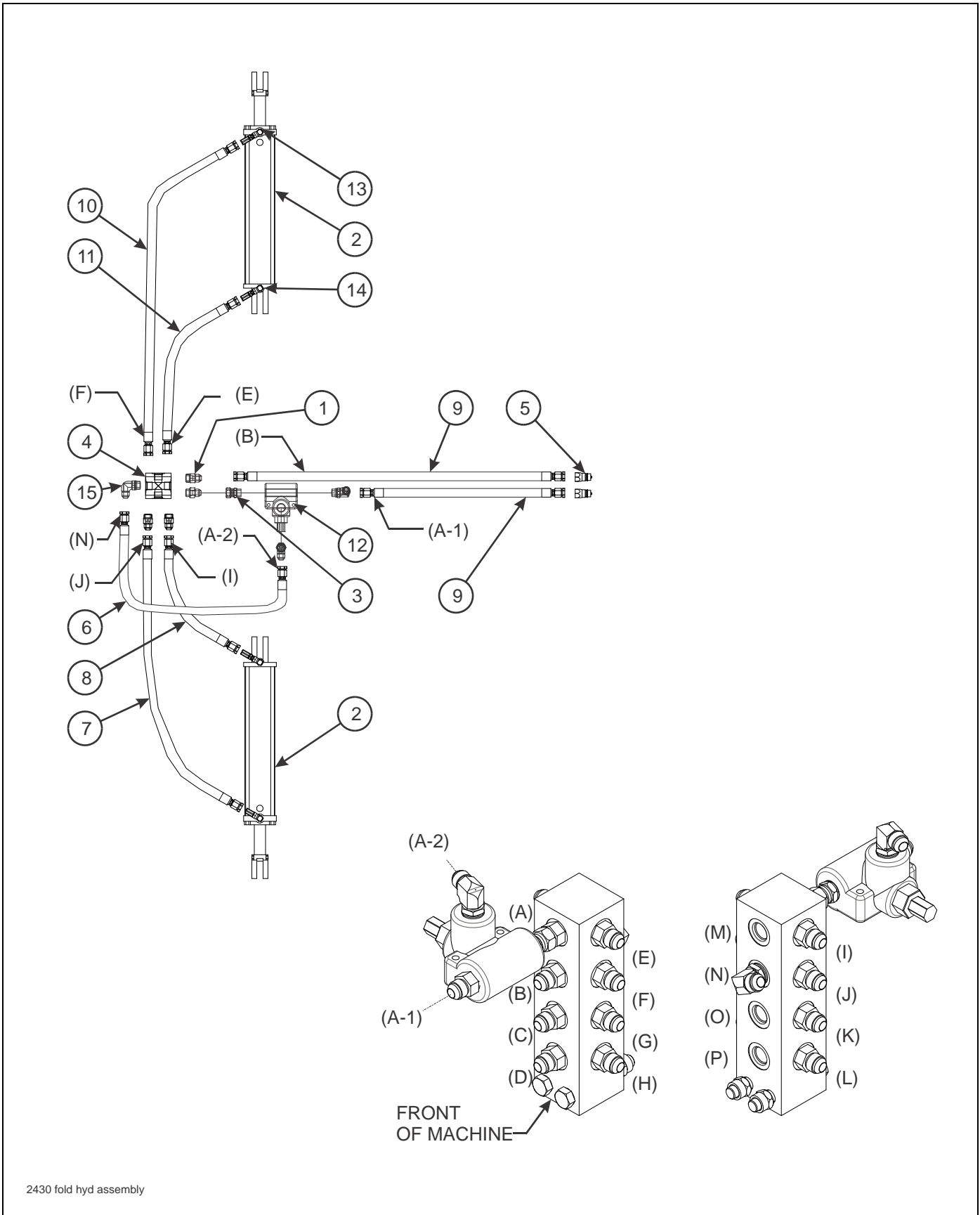


Figure 2-47: Hydraulic Fold Assembly

HYDRAULIC FOLD ASSEMBLY

ITEM	PART NO.	DESCRIPTION	QTY.
	170800	HYDRAULIC KIT	
	171827	HOSE KIT	
1	202702-8-8S	ADAPTER	6
2	171142	CYLINDER, HYDRAULIC 5 X 36 (SEE PAGE 2-92)	REF
3	102-1130	FITTING, STRAIGHT	1
4	141594	MANIFOLD, HYDRAULIC ASSEMBLY 16 PORT	1
5	141828	COUPLER, MALE 3/4-16	2
6	51039-17	HOSE ASSEMBLY 1/2 X 20	1
7	147123	HOSE ASSEMBLY 3/8 X 31	1
8	123547	HOSE ASSEMBLY 3/8 X 56	1
9	162780	HOSE ASSEMBLY 1/2 X 251	2
10	116490	HOSE ASSEMBLY 3/8 X 78	1
11	122909	HOSE ASSEMBLY 3/8 X 82	1
12	165287	VALVE, RELIEF 1000 PSI	1
*13	141826	ELBOW 90 3/4 O-RING 1/16 RESTRICTOR	2
	162778	ELBOW, 90 7/8 O-RING 1/16 RESTRICTOR	2
*14	2062-10-8S	ADAPTER, 90 7/8 O-RING	4
	2062-8-8S	ADAPTER, 90 3/4 O-RING	4
15	2062-8-8S	ADAPTER, 90	4
16	155529	HOSE WRAP, YELLOW 1" ID X 8" (NOT SHOWN)	1

* THESE ITEMS ARE DEPENDENT UPON PORT SIZE ON ITEM 2 (5 X 36 HYDRAULIC CYLINDER). NOTE PORT SIZE ON CYLINDER WHEN ORDERING REPLACEMENT FITTINGS.

ILLUSTRATED PARTS LIST

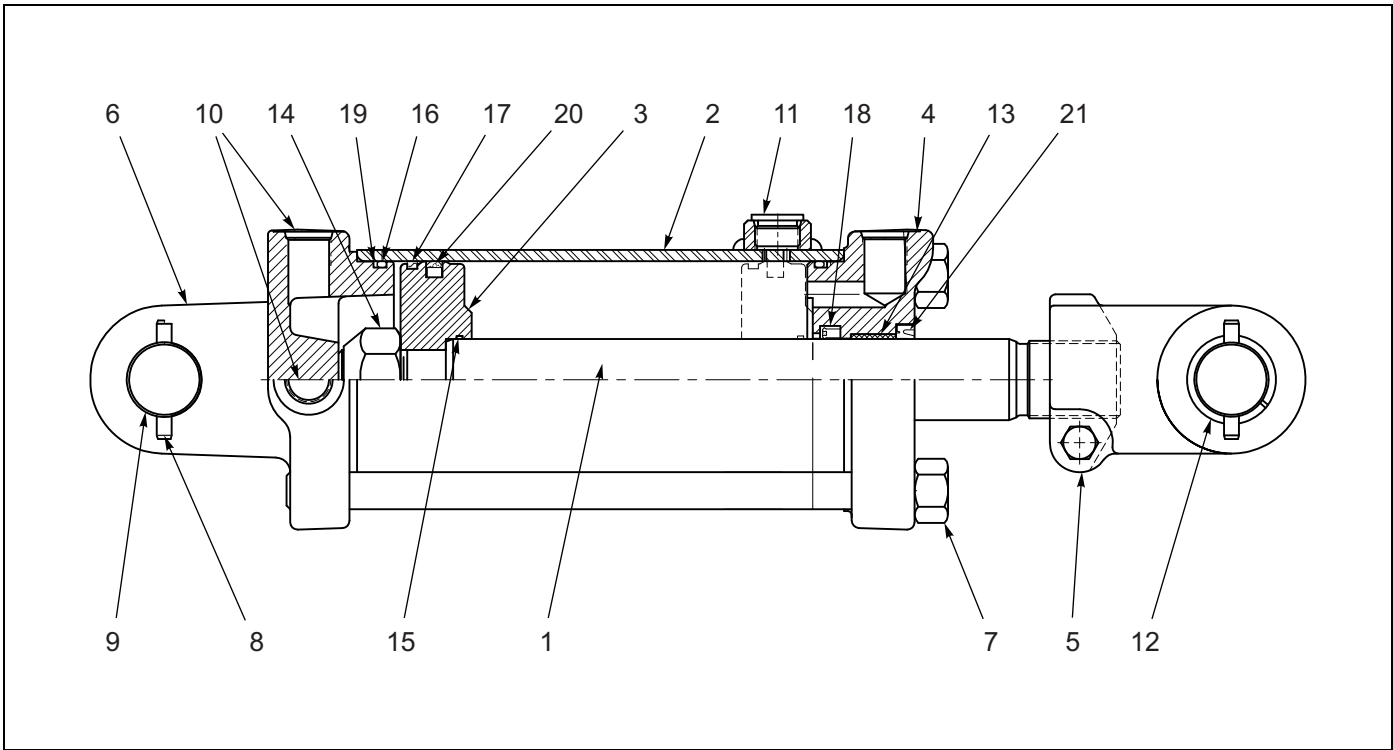


Figure 2-48: Rephase Hydraulic Cylinder - 4" X 16"

Rephase Hydraulic Cylinder - 4" X 16"

ITEM	PART NO.	DESCRIPTION	QTY.
	146825	CYLINDER, 4X16, REPHASE	
1	148095	ROD, PISTON	1
2	----	TUBE	1
3	----	PISTON	4
4	142109	GLAND ASSY	1
5	148097	CLEVIS ASSY	1
6	----	BUTT CLEVIS	1
7	----	TIEROD ASSY	4
8	111789	ROLL PIN	4
9	147755	CLEVIS PIN	2
10	----	PLUG, PORT	3
11	----	PLUG, PORT	1
12	135912	BUSHING	2
13	141301	BUSHING, DU	1
14	----	LOCKNUT	1
15	---	TEFLON SEAL	1
16	---	O-RING	1
17	---	O-RING	1
18	---	BU-WASHER	1
19	---	BEARING RING	2
20	---	U-CUP	1
21	---	CANNED WIPER	1
	148100	SEAL KIT (NOT SHOWN) (INCLUDES ITEMS 15-21)	

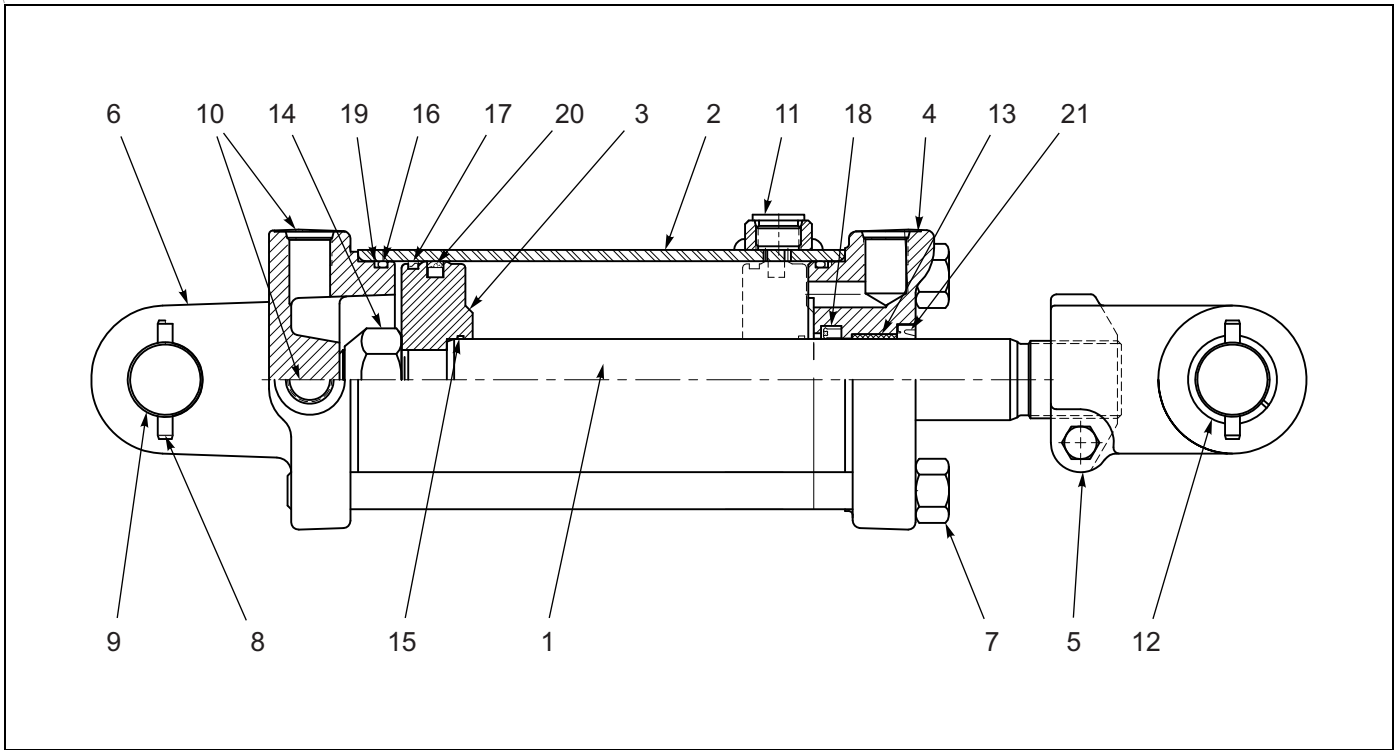


Figure 2-49: Rephase Hydraulic Cylinder - 4-1/2" X 16"

Rephase Hydraulic Cylinder - 4-1/2" X 16"

ITEM	PART NO.	DESCRIPTION	QTY.
	146824	CYLINDER, 4-1/2 X16, REPHASE	
1	148101	ROD, PISTON	1
2	----	TUBE	1
3	----	PISTON	4
4	103153	GLAND ASSY	1
5	137304	CLEVIS ASSY	1
6	----	BUTT CLEVIS	1
7	----	TIEROD ASSY	4
8	111789	ROLL PIN	4
9	147755	CLEVIS PIN	2
10	----	PLUG, PORT	3
11	----	PLUG, PORT	1
12	135912	BUSHING	2
13	137702	BUSHING, DU	1
14	----	LOCKNUT	1
15	---	TEFLON SEAL	1
16	---	O-RING	1
17	---	O-RING	1
18	---	BU-WASHER	1
19	---	BEARING RING	2
20	---	U-CUP	1
21	---	CANNED WIPER	1
	148106	SEAL KIT (NOT SHOWN) (INCLUDES ITEMS 15-21)	

ILLUSTRATED PARTS LIST

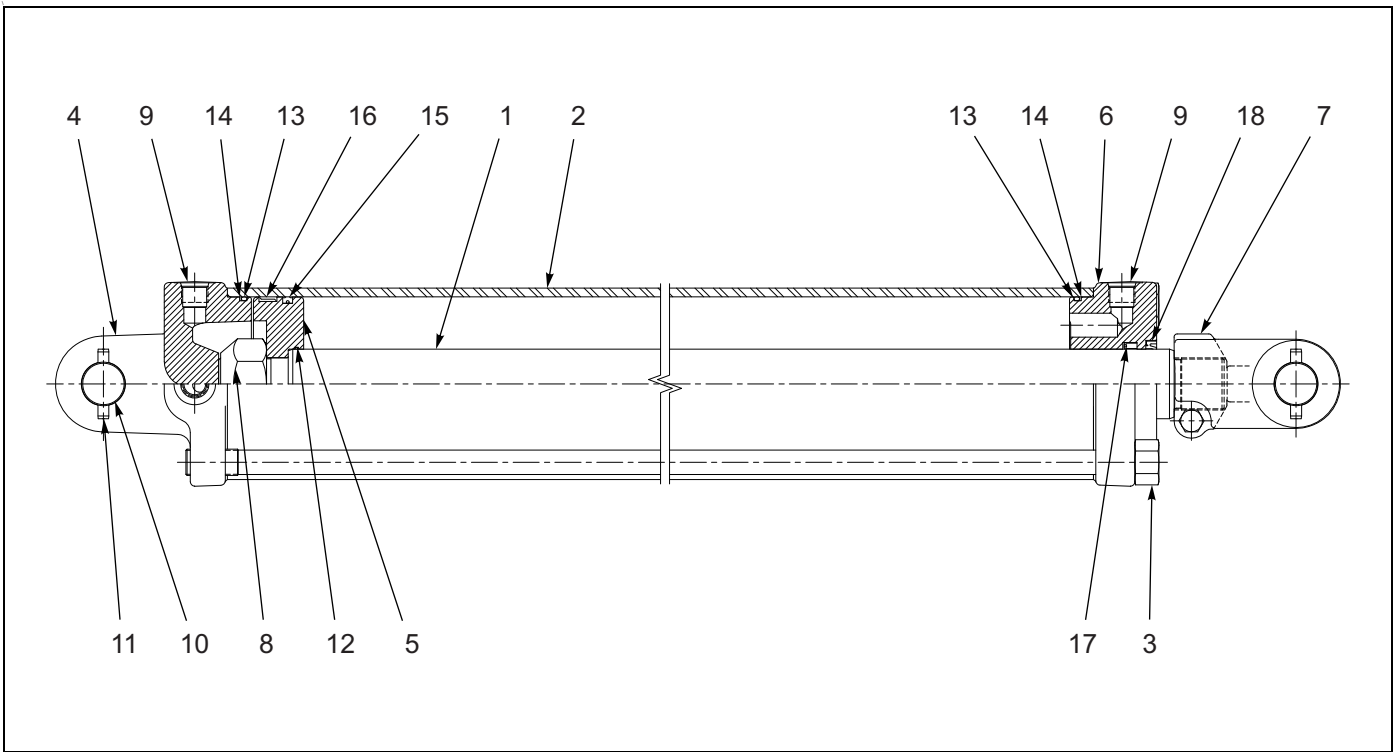


Figure 2-50: Hydraulic Cylinder - 5" X 36"

Hydraulic Cylinder - 5" X 36"

ITEM	PART NO.	DESCRIPTION	QTY.
	171142	CYLINDER, 5 X 36, 2 DIA ROD	
1	173351	PISTON ROD	1
2	----	TUBE	1
3	----	TIEROD ASSEMBLY	1
4	----	BUTT	1
5	----	PISTON	1
6	173352	GLAND	1
7	100000362	CLEVIS ASSEMBLY	4
8	----	LOCKNUT	2
9	----	SHIPPING PLUG	1
10	147755	CLEVIS PIN	3
11	169332	ROLL PIN	4
12	----	O-RING	2
13	----	O-RING	1
14	----	BU-WASHER	2
15	----	CROWN SEAL	1
16	----	BEARING RING	1
17	----	U-CUP	2
18	----	WIPER	1
	173353	SEAL KIT (NOT SHOWN) (INCLUDES ITEMS 12-18)	

ILLUSTRATED PARTS LIST

Marysville
Kansas
66508

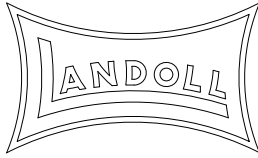
LANDOLL

MODEL NUMBER

SERIAL NUMBER

MADE IN U.S.A. 1573-010008

1



2

LANDOLL

3



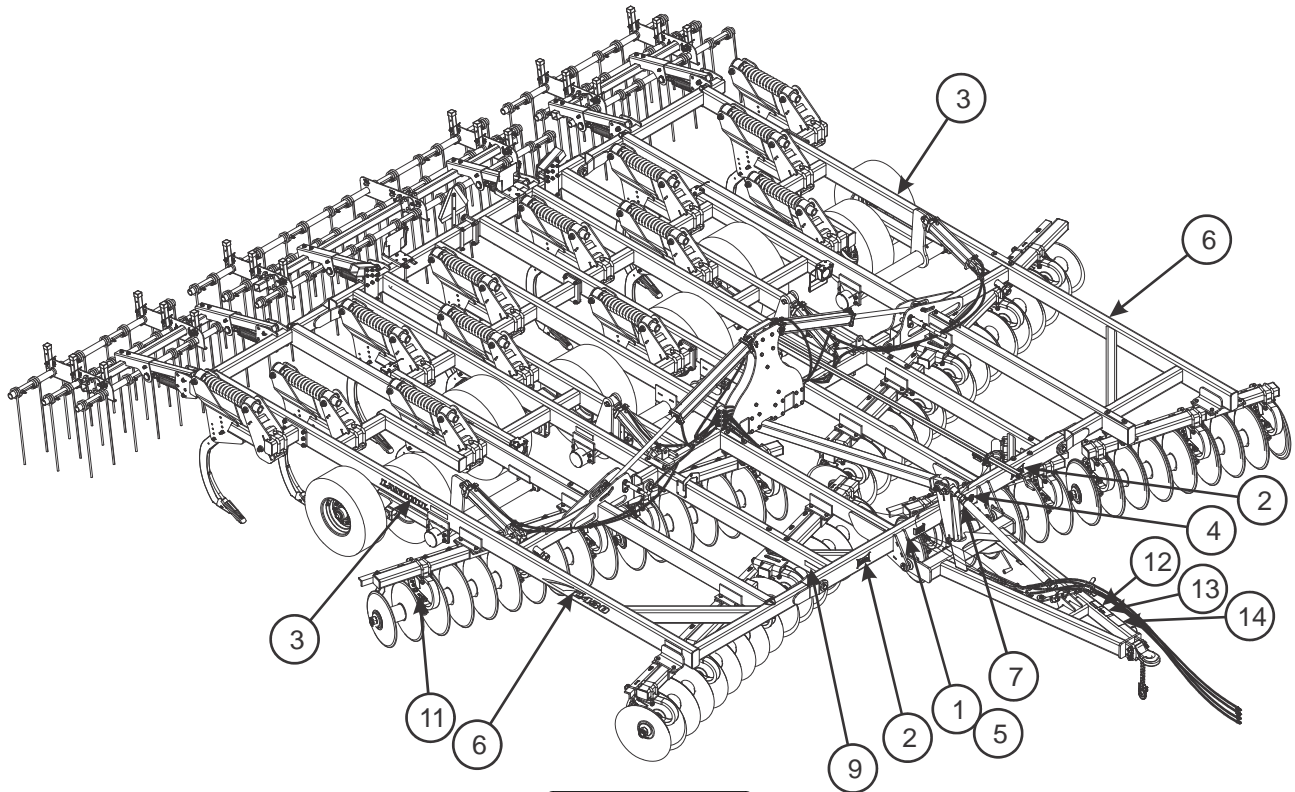
4

2430

6



7



11

HOSE IDENTIFICATION

BLUE - LIFT WHEELS
YELLOW - WING FOLD
BLACK - AUXILIARY

16628

13

WARNING

- BEFORE OPERATING - STUDY OPERATORS MANUAL, SAFETY MESSAGES AND SAFE OPERATING PROCEDURES, READ SAFETY SIGNS ON THIS MACHINE.
- TRANSPORT ON PUBLIC ROADS - OBSERVE FEDERAL, STATE AND LOCAL REGULATIONS; DISPLAY EMY EMBLEM; ATTACH PROPER STRENGTH IMPLEMENT SAFETY CHAIN; AND LIMIT MAXIMUM SPEED TO 30mph (32 km/h).
- LOWER OR BLOCK ALL ELEVATED COMPONENTS BEFORE SERVICING OR LEAVING THIS MACHINE.

13721201

12

⚠ DANGER

ELECTROCUTION HAZARD

To prevent serious injury or death:

- Stay away from power lines when transporting, extending or folding implement.
- Electrocution can occur without contacting power lines.

12

14

2430 decal inst

Figure 2-51: Decal Installation

DECAL INSTALLATION

ITEM	PART NO.	DESCRIPTION	QTY.
1	1-573-010006	PLACARD, NAME	
2	141259	DECAL, LANDOLL YELLOW	
3	141260	DECAL, LANDOLL	
4	144193	DECAL, SIS 20MPH	
5	156010	RIVET, BLIND .156 X 1/2 GRIP	
6	171393	DECAL, MODEL 2430	
7	2-573-010198	DECAL MEMBER FEMA	
8	*528933	REFLECTOR, RED 2 X 9	
9	*528934	REFLECTOR, YELLOW 2 X 9	
10	*528938	STRIPE, ORANGE 2 X 9	
11	2-573-010330-02	DECAL LUBRICATION 10 HOURS	
12	8-573-010084	DECAL WARNING BEFORE OPERATING	
13	155523	DECAL, HOSE IDENTIFICATION	
14	141597	DECAL, DANGER ELECTROCUTION	

* SEE PAGE 2-83 FOR DECAL LOCATIONS

Numerical Index

Symbols

???????	2-23
???????????????????	2-23
????????????????????	2-23

Numerics

100000362	2-92
100808	2-21
100825	2-21
100827	2-55, 2-79
100830	2-7
100855	2-9
100856	2-55, 2-69, 2-71, 2-79
101385	2-7
101387	2-83, 2-85
101988	2-17
102-1130	2-89
102498	2-11, 2-15
102600	2-17, 2-19
102601	2-11, 2-15
102604	2-11, 2-15
103-0805	2-21
103841	2-21
103988	2-51, 2-63
104358	2-4
107-0762	2-83
1-076-010007	2-19
1-076-010010	2-19

108295	2-63
108628	2-27
109895	2-55, 2-71
114029	2-32, 2-36
114616	2-21
116100	2-4, 2-21
116490	2-87, 2-89
116492	2-51, 2-63
117957	2-55, 2-69, 2-71
119118	2-17
122709	2-4, 2-24
122909	2-89
122917	2-27
123547	2-89
124971	2-36, 2-40, 2-44
125648	2-51
126108	2-9
127351	2-7
127712	2-17
1-298-010001-01	2-23
1-298-010001-1	2-4, 2-21
137600	2-87
137943	2-65, 2-67
139201	2-7
139347	2-51, 2-63
1-397-010301148	2-87
140464	2-33, 2-37, 2-41, 2-45, 2-65, 2-67
140465	2-40
140466	2-40

NUMERICAL INDEX

140467	2-40, 2-44	141251	2-29
140469	2-32, 2-36, 2-40, 2-44	141259	2-4, 2-95
140473	2-33, 2-37, 2-41, 2-45, 2-65, 2-67	141260	2-4, 2-7, 2-95
140475	2-33, 2-37, 2-41, 2-45, 2-65, 2-67	141576	2-83
140476	2-33, 2-37, 2-41, 2-45, 2-65, 2-67	141577	2-83
140477	2-32, 2-36, 2-40, 2-44, 2-65, 2-67	141578	2-83
140479	2-32, 2-36, 2-40, 2-44, 2-65, 2-67	141579	2-83
140480	2-32, 2-36, 2-40, 2-44, 2-65, 2-67	141580	2-83
140481	2-32, 2-36, 2-40, 2-44	141594	2-87, 2-89
140482	2-32, 2-36, 2-40, 2-44	141597	2-95
140483	2-32, 2-36, 2-40, 2-44	141807	2-21
140484	2-32, 2-36, 2-40, 2-44	141809	2-17
140485	2-32, 2-36, 2-40, 2-44	141826	2-89
140487	2-32, 2-36, 2-40, 2-44	141828	2-51, 2-63, 2-87, 2-89
140488	2-32, 2-36, 2-40, 2-44	141867	2-19
140490	2-32, 2-36, 2-40, 2-44	141871	2-32
140491	2-32, 2-36, 2-40, 2-44	141883	2-87
140519	2-9, 2-13, 2-17	142194	2-22
140554	2-19	142656	2-87
140594	2-19	142660	2-44
140595	2-19	142662	2-44
140599	2-24, 2-55, 2-69, 2-71, 2-79	142753	2-4
140610	2-24	143067	2-17, 2-19
140646	2-19	144048	2-27
140647	2-21, 2-22	144115	2-4, 2-7, 2-21
140649	2-24	144155	2-32, 2-36, 2-40, 2-44
140693	2-87	144193	2-4, 2-95
141154	2-32, 2-36, 2-40, 2-44	144457	2-29
141198	2-19	144460	2-29
141209	2-9, 2-13, 2-17	144473	2-21
141213	2-27	144493	2-4, 2-21
141234	2-9	145190	2-21
141236	2-19	146824	2-4, 2-87
141238	2-19	146825	2-7, 2-87
141246	2-21	146832	2-21
141247	2-21	147123	2-87, 2-89
141249	2-21	147134	2-4
141250	2-22	147553	2-17, 2-19

147755	2-92	154140	2-65
148337	2-65, 2-67	154172	2-29
148363	2-32, 2-36, 2-40, 2-44	154182	2-65
148364	2-32, 2-36, 2-40, 2-44	154184	2-65
149581	2-24	154185	2-4, 2-7, 2-65, 2-67
149582	2-24	154186	2-65, 2-67
149591	2-36, 2-40, 2-44	154393	2-65, 2-67
149592	2-36, 2-40, 2-45	154409	2-47, 2-59, 2-65
149593	2-36, 2-40, 2-45	154410	2-47, 2-59, 2-65
149604	2-32, 2-36, 2-40, 2-44	154658	2-65, 2-67
149605	2-32, 2-36, 2-40, 2-44	154659	2-65, 2-67
149607	2-32, 2-36, 2-40, 2-45	154686	2-49, 2-61, 2-67
150231	2-32, 2-36, 2-40, 2-44	154687	2-49, 2-61, 2-67
150232	2-32, 2-36, 2-40, 2-44	154691	2-67
150244	2-29	154692	2-67
1-510-010001	2-51, 2-63	154993	2-57, 2-81
1-510-010003-09	2-57, 2-81	154994	2-57, 2-81
1-512-010005-01	2-4, 2-21, 2-83, 2-85	154995	2-57, 2-81
1-512-010005-03	2-9, 2-27	154997	2-57, 2-81
1-512-010005-05	2-9, 2-87	154998	2-57, 2-81
1-512-010005-09	2-13, 2-32, 2-36, 2-40, 2-44, 2-51, 2-55, 2-57, 2-63, 2-65, 2-81, 2-83, 2-85, 2-87	155523	2-95
1-512-010005-13	2-4, 2-9, 2-29, 2-65, 2-67, 2-83, 2-85	155528	2-87
1-512-010005-15	2-4, 2-7, 2-9, 2-13, 2-17, 2-24, 2-29, 2-32, 2-36, 2-40, 2-44, 2-55, 2-69, 2-71	155529	2-89
1-512-010005-19	2-4, 2-7, 2-21, 2-29, 2-55, 2-69, 2-71, 2-79	155530	2-51, 2-63
1-512-010007-02	2-83	155534	2-21
1-512-010007-07	2-21	155536	2-21
1-512-010007-14	2-55, 2-69, 2-71, 2-79	155538	2-21
1-512-010007-16	2-21	155564	2-21
1-516-010001-20	2-11, 2-15, 2-19	155589	2-65
152210	2-79	155591	2-65
153620	2-87	155592	2-65
153696	2-21	155594	2-65, 2-67
153716	2-65, 2-67	155595	2-47, 2-59, 2-65
153804	2-9, 2-17	155617	2-40
154138	2-65	155618	2-32, 2-36, 2-44
		1-557-010013	2-55
		1-557-010362-51	2-11, 2-15, 2-19
		1-557-010403	2-4

NUMERICAL INDEX

155716	2-21	162780	2-87, 2-89
155717	2-21	163645	2-7
155927	2-57, 2-81	163696	2-9
155956	2-57, 2-81	164138	2-83, 2-85
155971	2-57, 2-81	164140	2-83, 2-85
156010	2-4, 2-95	164273	2-17
156124	2-67	164274	2-17
156125	2-49, 2-61, 2-67	164501	2-9
156388	2-29	164533	2-4
156779	2-57, 2-81	164539	2-7
156946	2-21	1-647-010004217	2-27
156947	2-21	1-647-010004236	2-55, 2-69, 2-71, 2-79
156949	2-21	1-647-010004240	2-4, 2-55
156950	2-21	1-647-010004255	2-29
156951	2-36, 2-40, 2-44	1-647-010004257	2-7, 2-32, 2-36, 2-40, 2-44
156952	2-17	164900	2-81
156992	2-17	165238	2-4
157019	2-17	165257	2-9
1-573-010006	2-4, 2-95	165258	2-27
158080	2-79	165259	2-27
158299	2-55	165260	2-27
158795	2-55, 2-69, 2-71, 2-79	165262	2-27
158803	2-24	165286	2-9
158896	2-79	165287	2-89
158903	2-17	1-654-010032-05	2-4, 2-65, 2-67
159954	2-7	1-654-010032-09	2-40, 2-44
160149	2-17	1-654-010047-04	2-83, 2-85
160152	2-17	1-654-010047-06	2-4, 2-21
160161	2-32	1-654-010047-07	2-83, 2-85
160183	2-32, 2-36, 2-40, 2-44	1-654-010047-08	2-85
160199	2-79	1-654-010049-19	2-9
160597	2-17	1-654-010051-06	2-9
160656	2-7	1-654-010051-11	2-87
160789	2-4, 2-7	1-654-010055-05	2-32, 2-36, 2-40, 2-44, 2-65
161110	2-7	1-654-010055-09	2-57, 2-81
161500	2-23	1-654-010055-11	2-51, 2-63, 2-87
161530	2-32, 2-36, 2-40	1-654-010055-14	2-57, 2-81
162778	2-89	1-654-010055-15	2-55

1-654-010055-16	2-13, 2-83, 2-85	169583	2-4
1-654-010059-07	2-9	169584	2-21, 2-24
1-654-010059-15	2-79	169585	2-24
1-654-010059-16	2-4	169589	2-32, 2-36, 2-40, 2-44
1-654-010061-05	2-7, 2-9, 2-13, 2-17	169590	2-32, 2-36, 2-40, 2-45
1-654-010061-06	2-4	169591	2-32, 2-36, 2-40, 2-44
1-654-010061-07	2-24	169592	2-32, 2-36, 2-41, 2-45
1-654-010061-13	2-29	169593	2-32, 2-36, 2-41, 2-44
1-654-010061-19	2-21	169595	2-32, 2-36, 2-41, 2-44
1-654-010070-02	2-32, 2-36, 2-40, 2-44, 2-57, 2-81	169597	2-32, 2-37, 2-41, 2-45
1-654-010070-03	2-57, 2-81	169598	2-32, 2-37, 2-41, 2-45
1-654-010070-04	2-36, 2-40, 2-44	169601	2-32, 2-36
1-654-010070-11	2-57, 2-81	169606	2-32, 2-37, 2-41, 2-44
1-654-010070-13	2-57, 2-81	169607	2-32, 2-37, 2-41, 2-44
1-654-010070-14	2-57, 2-81	169608	2-33, 2-37, 2-41, 2-44
1-654-010104245	2-72, 2-73, 2-74	169609	2-33, 2-37, 2-41, 2-44
1-654-010123-01	2-21	169659	2-36
1-654-010125-22	2-21	169688	2-59
166717	2-27	169690	2-55, 2-71
167553	2-9	169705	2-13
167555	2-87	169706	2-13
169155	2-9	169725	2-27
169156	2-4	169726	2-9, 2-27
169157	2-4	169727	2-9
169171	2-7	169728	2-47
169172	2-7	169749	2-9, 2-13
169332	2-92	169752	2-9, 2-13
169484	2-29	170040	2-47
169486	2-29	170258	2-21
169492	2-29	170260	2-9, 2-13
169493	2-29	170289	2-4
169498	2-29	170291	2-4
169502	2-29	170292	2-4, 2-7
169510	2-29	170294	2-7
169573	2-36	170297	2-4
169575	2-32, 2-36	170302	2-11, 2-15
169580	2-17	170308	2-9, 2-11
169581	2-17	170309	2-11

NUMERICAL INDEX

170310	2-11, 2-15	170869	2-55
170704	2-13, 2-15	170870	2-57, 2-81
170705	2-15	170871	2-77, 2-81
170719	2-77, 2-79	170883	2-40
170721	2-77, 2-81	170892	2-40
170723	2-77, 2-81	171079	2-72, 2-73, 2-74
170724	2-77, 2-81	171080	2-72, 2-73, 2-74
170725	2-77, 2-81	171081	2-72, 2-73, 2-74
170726	2-77	171093	2-72, 2-73, 2-74
170727	2-59, 2-61, 2-69	171105	2-7
170730	2-71	171107	2-11, 2-15
170732	2-59, 2-61, 2-71	171112	2-4
170733	2-77	171142	2-4, 2-89, 2-92
170734	2-59	171391	2-4
170735	2-57, 2-81	171392	2-4
170768	2-83	171393	2-4, 2-7, 2-95
170781	2-83, 2-85	171394	2-51
170782	2-83, 2-85	171406	2-83, 2-85
170787	2-55	171407	2-83, 2-85
170795	2-7	171408	2-83
170800	2-87, 2-89	171421	2-57
170811	2-83, 2-85	171425	2-44
170812	2-83, 2-85	171426	2-44
170813	2-83, 2-85	171427	2-55
170844	2-55	171771	2-11, 2-15
170846	2-55	171772	2-9, 2-11, 2-15
170847	2-47, 2-49, 2-55	171773	2-9, 2-11, 2-15
170850	2-55, 2-71	171811	2-4, 2-7, 2-29
170851	2-55, 2-69, 2-71	171812	2-4
170852	2-55, 2-69, 2-71, 2-79	171813	2-4
170857	2-55	171814	2-7
170858	2-79	171815	2-7
170862	2-55, 2-69, 2-71	171827	2-87, 2-89
170864	2-47, 2-49, 2-57	172076	2-44
170865	2-47, 2-49, 2-57	172478	2-47, 2-49, 2-57
170866	2-47, 2-49, 2-57	172480	2-51
170867	2-47, 2-49, 2-57	172495	2-49
170868	2-47, 2-49, 2-55	172496	2-49

172500	2-61	185711	2-32
172501	2-61	185720	2-33
172509	2-33	185721	2-33
172526	2-55, 2-69, 2-71, 2-79	185722	2-33
172534	2-55, 2-71	185724	2-33
172537	2-51, 2-55, 2-63, 2-69, 2-71, 2-72	185766	2-51, 2-55, 2-63, 2-69, 2-71, 2-73
172538	2-72	185767	2-73, 2-74
172539	2-72	185768	2-73
172553	2-51, 2-63	1-861-010005	2-11, 2-15
172554	2-47, 2-49, 2-51	1-861-010032-07	2-4
172556	2-59, 2-61, 2-63	1-861-010032-11	2-87
172884	2-71	1-861-010032-14	2-32, 2-36, 2-40, 2-44
172948	2-72, 2-73, 2-74	1-861-010032-15	2-57, 2-81
172949	2-72, 2-73, 2-74	1-861-010032-19	2-79
172950	2-72, 2-73, 2-74	1-861-010032-21	2-4
172951	2-72, 2-73, 2-74	1-861-010032-24	2-21
172952	2-72, 2-73, 2-74	1-861-010032-32	2-24, 2-55
172953	2-72, 2-73, 2-74	1-861-010034-13	2-55, 2-71
172954	2-72, 2-73, 2-74	1-861-010034-17	2-32, 2-36, 2-40, 2-44, 2-65, 2-67
172955	2-72, 2-73, 2-74	1-861-010034-21	2-65, 2-67, 2-79
172956	2-72, 2-73, 2-74	188528	2-55, 2-71
173351	2-92	188530	2-55, 2-71
173352	2-92	188531	2-55, 2-71
174435	2-85	189451	2-21, 2-23
174436	2-85	189453	2-23
174437	2-85	189454	2-23
174438	2-85	189468	2-23
174439	2-85	195241	2-57, 2-81
177030	2-23	195243	2-57
177032	2-23	195282	2-57, 2-81
177207	2-85	198321	2-55, 2-71
177210	2-85	198322	2-17
180366	2-47, 2-49	198342	2-17
180367	2-47, 2-49	1P444	2-55, 2-69, 2-71
181615	2-17	200129	2-17
181616	2-17	200310	2-17
181617	2-17	202702-8-6S	2-51, 2-63
185702	2-32	202702-8-8S	2-51, 2-63, 2-87, 2-89

NUMERICAL INDEX

2061-6-6S 2-52, 2-63
2062-10-8S 2-89
2062-6-6S 2-52, 2-63
2062-8-8S 2-52, 2-63, 2-87, 2-89
206652 2-69, 2-71
206672 2-51, 2-55, 2-63, 2-71, 2-74
206674 2-74
206675 2-55, 2-69, 2-71
2-150-010174 2-4, 2-13, 2-17
2-150-010218 2-4, 2-9
2-150-010228 2-21
2-181-010001 2-21, 2-51, 2-63, 2-87
23085 2-33, 2-37, 2-40, 2-45
2-368-010273 2-83, 2-85
2-368-010287 2-85
2-375-010602 2-21
2-474-010022 2-51, 2-63
2-573-010037 2-4
2-573-010198 2-4, 2-95
2-573-010330-02 2-33, 2-37, 2-40, 2-45, 2-95
5000 . 2-11, 2-15, 2-33, 2-37, 2-41, 2-45, 2-65, 2-67
500171 2-22
51039-17 2-89
528933 2-83, 2-85, 2-95
528934 2-5, 2-83, 2-85, 2-95
528938 2-83, 2-85, 2-95
6-102-010009 2-65, 2-67
70239854 2-21, 2-52
70260977 2-83, 2-85
71500166 2-51
71509006 2-63
71509009 2-63
71509010 2-51, 2-63
71509125 2-63
7779-90 2-51
8-102-010043 2-55, 2-79
8-573-010084 2-95
8-622-010012 2-65

8-622-010081 2-65
900598-6S 2-72, 2-73, 2-74

H

HITCH ASSEMBLIES 2-23

T

TR416 2-17
TR575 2-9, 2-13, 2-17

W

W908409-4 2-5, 2-55, 2-69



Intertek

Equipment from Landoll Corporation is built to exacting standards ensured by ISO 9001 registration at all Landoll manufacturing facilities.

Model 2430
Weatherproofer I
Parts Manual

Re-Order Part Number F-653-0912

LANDOLL CORPORATION

1900 North Street

Marysville, Kansas 66508

(785) 562-5381

800-428-5655 ~ WWW.LANDOLL.COM



Copyright 2010. Landoll Corporation

"All rights reserved, including the right to reproduce this material or portions thereof in any form"