

BrillionTM
Farm Equipment
A LANDOLL PRODUCT

SUB SOILER



- Ideal Primary Tillage Tool to Shatter Compaction Layers, Increase Drainage and Promote Root Growth
- One, Two and Three Shank Models
- Standard 29" or High Clearance 35" Shanks
- Heavy-Duty Laser Cut Parabolic Shanks with Wearstrips
- Shear Bolt Protected Shank Assemblies
- Maximum Working Depth of 16"

MADE
IN THE
USA

BrillionTM
Farm Equipment

www.brillionfarmeq.com

SPECIFICATIONS

	SCP-1 / SCP-2	SCP-23 / SCPH-23	SCP-33 / SCPH-33
Approximate Weight	227 lbs. (104 kg) / 459 lbs. (208 kg)	688 lbs. (313 kg) / 708 lbs. (322 kg)	837 lbs. (381 kg) / 868 lbs. (395 kg)
Working Width	NA / 3 ft. 4 in. (1.01 m)	6 ft. 8 in. (2.03 m)	6 ft. 8 in. (2.03 m)
Transport Width	4 ft. 5 in. (1.35 m)	7 ft. 6 in. (2.29 m)	7 ft. 6 in. (2.29 m)
Transport Height	3 ft. 10 in. (1.17 m)	3 ft. 10 in. (1.17 m)	3 ft. 10 in. (1.17 m)
Number of Shanks	1 or 2	2	3
Shank Type	Rigid Parabolic with Shear Bolt	Rigid Parabolic with Shear Bolt	Rigid Parabolic with Shear Bolt
Shear Bolt Size	0.625 in. x 3.75 in. (16 x 94 mm)	0.625 in. x 3.75 in. (16 x 94 mm)	0.625 in. x 3.75 in. (16 x 94 mm)
Shank Spacing	Up to 40 in. (100 mm)	Infinite on Tool Bar	Infinite on Tool Bar
Shank Working Depth	Maximum of 16 in. (400 mm)	Maximum of 16 in. (400 mm)	Maximum of 16 in. (400 mm)
Under Frame Clearance	29 in. (725 mm)	29 in. (725 mm) / 35 in. (875 mm)	29 in. (725 mm) / 35 in. (875 mm)
Points Available	2.5 in. (62.5 mm) Flat Steel Point	2.5 in. (62.5 mm) Flat Steel Point	2.5 in. (62.5 mm) Flat Steel Point
Wearstrips Available	Flat Wearstrip	Flat Wearstrip	Flat Wearstrip
Frame Structure	5 in. x 7 in. x .375 in. (125 x 175 x 9.52 mm)	4 in. x 6 in. x .25 in. (100 x 150 x 6.35 mm)	4 in. x 6 in. x .25 in. (100 x 150 x 6.35 mm)
Three-Point Hitch	Cat. I Free Link / Cat. II Free Link	Cat. II Free Link; Cat. II, IIIN Quick Coupler Hitch	Cat. II Free Link; Cat. II, IIIN Quick Coupler Hitch
Horsepower Requirements	20 to 40 HP (14.9 to 29.8 kW) per Shank [Horsepower not to exceed 40 HP per Shank]	20 to 40 HP (14.9 to 29.8 kW) per Shank [Horsepower not to exceed 40 HP per Shank]	20 to 40 HP (14.9 to 29.8 kW) per Shank [Horsepower not to exceed 40 HP per Shank]
Recommended Operating Speed	4 to 6 MPH (6.43 to 9.65 km/h)	4 to 6 MPH (6.43 to 9.65 km/h)	4 to 6 MPH (6.43 to 9.65 km/h)

Specifications subject to change without notice.

The three-point hitch is Cat. II Free Link and Cat. II and IIIN Quick Coupler compatible on double frame models. Model SCP-1 is Cat. I Free Link and Model SCP-2 is Cat. II Free Link.

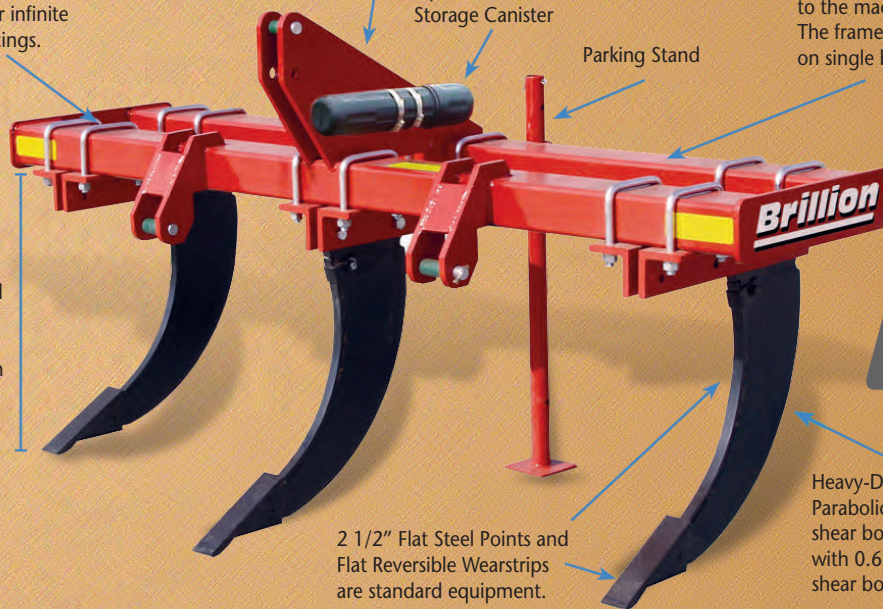
Shank mounts can be easily moved on the tool bar for infinite shank spacings.

Operator's Manual Storage Canister

Parking Stand

The shanks are mounted to a 4" x 6" frame structure adding to the machine's ruggedness. The frame structure is 5" x 7" on single bar models.

The under frame clearance is 29" on units equipped with standard shanks and 35" on units with high clearance shanks.



Model SCP-33 Shown with Standard Equipment

Heavy-Duty Laser Cut Parabolic Shanks are shear bolt protected with 0.625" x 3.75" shear bolts.

2 1/2" Flat Steel Points and Flat Reversible Wearstrips are standard equipment.

Soil conditions such as density, moisture content, and root mass have driven many customers to use Brillion Sub Soilers as an annual fix for an age old problem...compaction. The Brillion Sub Soiler is highly maneuverable because it is close coupled to the tractor and requires only a nominal space in which to turn. These small units equipped with standard shanks offer 29" of under frame clearance, while two and three shank units equipped with high clearance shanks offer 35" of under frame clearance providing extra residue handling capacity. *Please note: Maximum shank working depth for all models should not exceed 16" and maximum horsepower should not exceed 40 HP per shank.*

Brillion
Farm Equipment

220 N. Francis Street
P.O. Box 8
Brillion, WI 54110
Phone: 920.524.2220
Toll Free: 855.320.0373
Fax: 888.761.8568



www.facebook.com/landollag

SCP_0113_Z_1116

