



MATERIAL HANDLING PRODUCTS



One Million Square Feet
of Production Facilities



DREXEL®

FL40AC-EX FL60AC-EX

DREXEL®



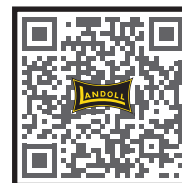
STANDARD FEATURES

- Four-Wheel Configuration Independently Driven Front Wheels, Rear Wheel Steering
- High Visibility Mast, 2, 3 or 4-Stage
- 36 Volt Electrical System
- Adjustable Driver's Seat
- Safety Seat Switch
- Seat Belts
- Automatically Actuated Parking Brake
- Curtis AC Controls
- Hour Meter
- Hydrostatic Power Steering
- UL "EX" Labeling and Listing
- Designed for ANSI-UL 583, TYPE EX (Class 1, Division 1, Group D and Class 2, Division 1, Group G)
- Emergency Power Disconnect Switch
- Type N-150, 3 Contact Charging Receptacle, Type EX
- AC Traction and Hydraulic Motors
- Static Ground Steer Tires
- Cushion Rubber Drive Tires
- Brass Clad Forks and Load Backrest
- Overhead Guard
- Fire Extinguisher
- Electric Horn
- Recessed Rear Tow Pin

OPTIONAL FEATURES

The following optional features are the most frequently ordered options that may be "factory installed" to the Models FL40AC-EX and / or FL60AC-EX Fork Lift Trucks.

- Strobe Warning Light
- Hydraulic Attachments
- EX Rated 36 Volt, 765 ACH Battery
- Electric Backup Alarm
- Battery Compartment Rollers
- Side Shifter, 4" (10cm) Either Side of Center
- Folding Forks
- Headlights
- Reverse Blue Light



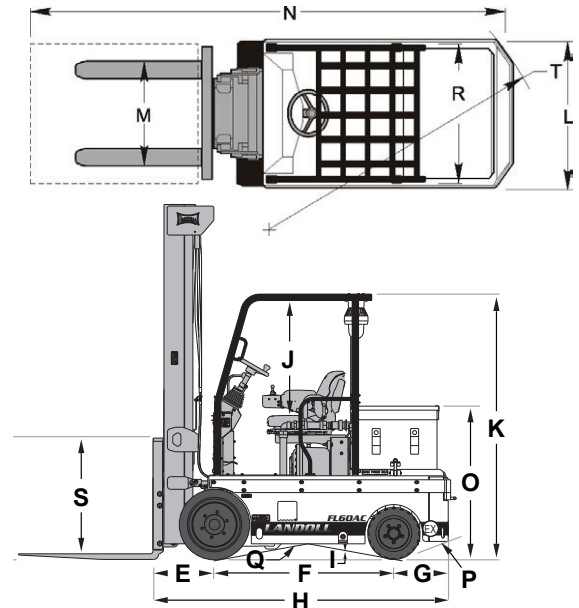
**Scan the QR Code
to Learn More!**

FL40AC-EX / 60AC-EX

UL Explosion-Proof EX Certified
4,000 lb (1,814kg) and 6,000 lb (2,722kg) Capacity

TECHNICAL DATA

MODEL			FL40	FL60
Capacity		lbs/kg	4,000 / 1,814	6,000 / 2,722
Truck Weight		lbs/kg	7,700 / 3,493	8,950 / 4,060
Travel Speed		mph/kph	4 / 6	4 / 6
Lift Speed	- Loaded	fpm/mpm	34 / 10	25 / 8
	- Empty	fpm/mpm	53 / 15	53 / 15
Lower Speed	- Loaded	fpm/mpm	56 / 17	56 / 17
	- Empty	fpm/mpm	52 / 16	52 / 16
Mast Tilt (Fwd / Back)		deg	3 / 4	3 / 4
Lost Load Center	E	in/mm	19 / 483	19 / 483
Wheelbase	F	in/mm	56 / 1,422	56 / 1,422
Rear Overhang	G	in/mm	18 / 457	18 / 457
Overall Length to Fork Face	H	in/mm	93 / 2,362	93 / 2,362
Underclearance	I	in/mm	5 / 127	5 / 127
Seat Clearance	J	in/mm	36 / 914	36 / 914
Overhead Guard Height	K	in/mm	83 / 2,108	84 / 2,134
Overall Width	L	in/mm	46 / 1,168	46 / 1,168
Fork Carriage Width	M	in/mm	41 / 1,041	41 / 1,041
Overall Length Loaded	N	in/mm	141 / 3,581	141 / 3,581
Battery Height	O	in/mm	48 / 1,219	48 / 1,219
Rear Grade Clearance	P	deg	20°	20°
Center Grade Clearance	Q	deg	10°	10°
Overhead Guard Width	R	in/mm	43 / 1,092	43 / 1,092
Load Backrest Height	S	in/mm	48 / 1,219	48 / 1,219
Turning Radius	T	in/mm	85 / 2,159	85 / 2,159
Fork Size (Standard)		in	2x4x42	2x4x42
CLASS II-40, CLASS III-60		mm	51x102x1,067	51x102x1,067
Gradeability Loaded		%	15%	15%
Drive Tires, Cushioned Rubber		in	18x8x12.1	18x8x12.1
		mm	457x203x307	457x203x307
Steer Tires, Static Grounding		in	16.2x6x11.2	16.2x6x11.2
		mm	411x152x284	411x152x284



MAST DIMENSIONS

FL40AC-EX - 4,000 LB. (1,818KG) CAPACITY 168" (4.26M)							
LIFT HEIGHT		LOWERED HEIGHT		FREE LIFT*		CAPACITY	
Inches	Meters	Inches	Meters	Inches	Meters	Lbs.	KG
Two Stage Mast - Full Free Lift							
113	2.87	78	1.98	53	1.35	4,000	1,818
129	3.28	86	2.18	62	1.57	4,000	1,818
Three Stage Mast							
152	3.86	73	1.85	49	1.24	4,000	1,818
170	4.27	79	2.01	55	1.40	3,950	1,795
188	4.78	85	2.16	61	1.55	3,750	1,705
198	5.03	89	2.26	65	1.65	3,350	1,523
216	5.49	97	2.46	73	1.85	3,000	1,364
242	6.15	109	2.77	85	2.16	2,450	1,114
FL40AC-EX - 3,500 LB. (1,590KG) CAPACITY 168" (4.26M)							
Four Stage Mast - Full Free Lift							
240	6.10	85	2.16	59	1.50	2,000	909
250	6.35	89	2.26	63	1.60	1,750	795

RECOMMENDED BATTERY

BATTERY DESIGNATION: 18-85-19 EX WITH ANDERSON TYPE N-150, 3 CONTACT CHARGING RECEPTACLE TYPE EX	
36 Volt	
765 Amp Hours	
Nominal Size 37.125" x 26.5" x 25.25" (94 x 67 x 64cm)	
Battery Compartment Size: 37.625" x 27.375" (96 x 70cm)	
Battery Weight Min. 2,475 lbs. (1,123kg) - Max. 2,575 lbs. (1,168kg)	
Usage hours will vary with load weight, number of lift cycles, lift height, attachment use and travel distance. (Battery must comply with Landoll "EX" Battery Specification - Drawing number: 8911.)	

Landoll continuously improves products. We reserve the right to make any changes in illustrations, specifications, equipment, and prices without prior notice and without changes on previous models.



FL60AC-EX - 6,000 LB. (2,727KG) CAPACITY 168" (4.26M)							
LIFT HEIGHT		LOWERED HEIGHT		FREE LIFT*		CAPACITY	
Inches	Meters	Inches	Meters	Inches	Meters	Lbs.	KG
Two Stage Mast - Full Free Lift							
114	2.90	79	2.01	53	1.35	6,000	2,727
130	3.30	87	2.21	61	1.55	6,000	2,727
Three Stage Mast							
153	3.89	75	1.91	50	1.26	6,000	2,727
171	4.34	81	2.06	56	1.41	5,900	2,682
189	4.80	89	2.26	62	1.56	5,250	2,386
198	5.03	91	2.31	64	1.63	4,850	2,205
217	5.51	99	2.51	74	1.87	4,250	1,932
242	6.15	109	2.77	85	2.16	3,400	1,545
FL60AC-EX - 5,500 LB. (2,500KG) CAPACITY 168" (4.26M)							
Four Stage Mast - Full Free Lift							
240	6.10	89	2.26	65	1.65	3,000	1,364
250	6.35	93	2.36	69	1.75	2,650	1,205

QUALITY IS OUR FIRST PRIORITY



Proven Solutions for Storage & Specialty Handling Applications

Family owned and operated since 1963, we make quality our first priority. Our goal is to provide the best solution for your material handling needs. Bendi articulating, Drexel SwingMast® Narrow Aisle and Very Narrow Aisle forklifts provide that solution. Through increased utilization of space, improved productivity, greater flexibility and maximized efficiency. We stay on the edge of modern and innovative technology. We know that for our customers “Quality is Always a Bargain”.

Exceptional Customer Support, Parts and Service

Landoll is committed to total customer satisfaction by providing products and services of the highest quality. Aftermarket parts and service is available world-wide through our factory trained dealer network and Landoll’s service support department. Our 75,000 sq ft Parts Distribution Center ensures quick and accurate delivery of parts to keep your equipment up and running. Experience for yourself the reason that Landoll Material Handling Products are



MATERIAL HANDLING PRODUCTS
landoll.com/mhp

1900 North Street Marysville, KS 66508 · 800-428-5655 · forkliftsales@landoll.com



Landoll continuously improves products. We reserve the right to make any changes in illustrations, specifications, equipment, and prices without prior notice and without changes on previous models.

FL40/60-0224