

REPAIR PARTS CATALOG

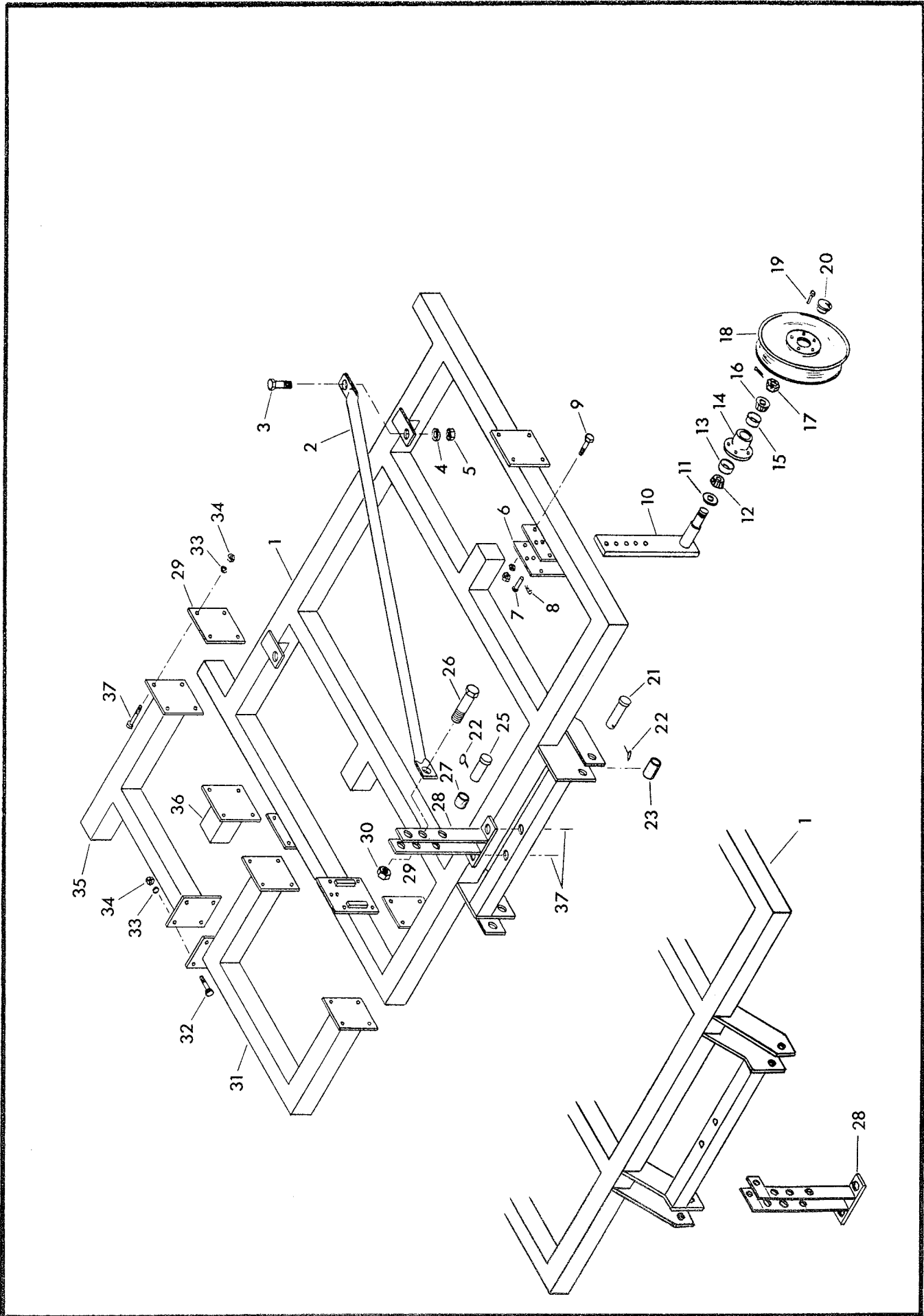
Brillion

CHISEL PLOW

Mounted Models: CPP-7-2 Thru CPP-16-2
CPP-7-3 Thru CPP-16-3
CPPQ-7-2 Thru CPPQ-16-2
CPPH-7-2 Thru CPPH-16-2
CPPH-7-3 Thru CPPH-16-3
CPPHQ-7-2 Thru CPPHQ-16-2

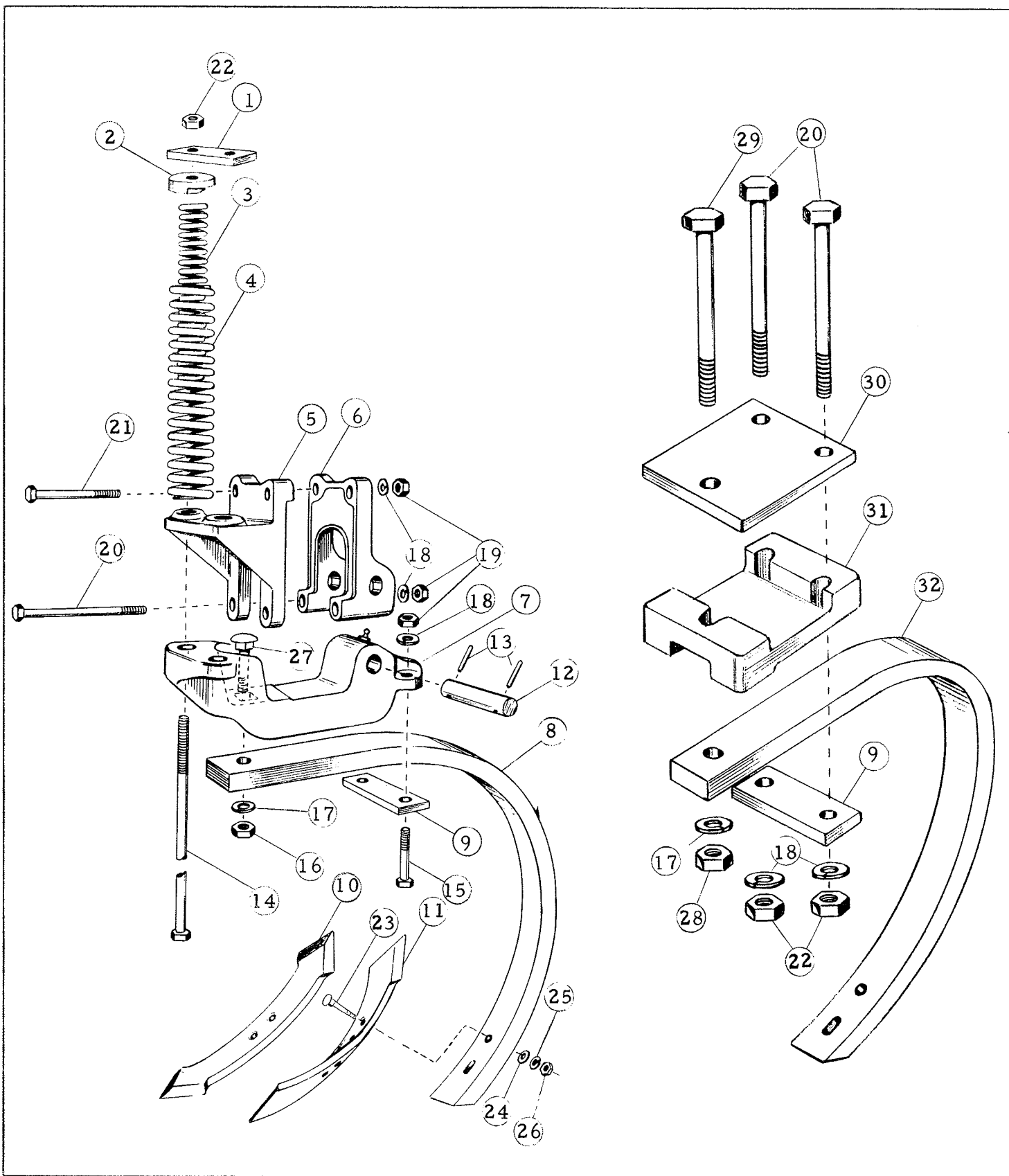
BRILLION IRON WORKS, INC.

Brillion, Wisconsin, U. S. A.



Index No.	Part No.	Description	No. Used	Approx. Weight
1	6D-525	7' Frame (Category II, 26" Shank)	1	
	6D-548	7' Frame (Category III, 26" Shank)	1	
	6D-546	10' Frame (Category II, 26" Shank)	1	
	6D-549	10' Frame (Category III, 26" Shank)	1	
	6D-941	7' Frame (Category II, 32" Shank)	1	
	6D-942	7' Frame (Category III, 32" Shank)	1	
	6D-947	10' Frame (Category II, 32" Shank)	1	
	6D-948	10' Frame (Category III, 32" Shank)	1	
2	6D-577	L. H. Brace (26" Shank Machine)	1	25.4
	6D-576	R. H. Brace (26" Shank Machine)	1	25.4
	6D-954	L. H. Brace (32" Shank Machine)	1	25.4
	6D-950	R. H. Brace (32" Shank Machine)	1	25.4
3	3D-510	Bolt (Grade 5) 3/4-10NC x 2-1/2" Long	2	.4
4	6D-304	Lockwasher, 3/4"	2	
5	1C-210	Nut, 3/4-10NC Hex	2	.1
6	6D-516	Plate	2	9.0
7	4D-198	Clevis Pin, 3/4" Dia. x 2-3/4" Long	2	.4
8	6C-400	Hairpin Cotter	2	
9	8C-65	Bolt (Grade 5) 5/8-11NC x 3" Long	8	.3
10	6D-673	Bar & Spindle (26" Shank Machine)	2	22.5
	7D-91	Bar & Spindle (32" Shank Machine)	2	27.9
11	1D-273	Seal	2	.1
12	5C-480	Bearing Cone #LM48548	2	.3
13	5C-479	Bearing Cup #LM48510	2	.2
14	3D-870	Wheel Hub	2	8.6
15	3C-166	Bearing Cup #09195	2	.2
16	1D-274	Bearing Cone #09081	2	.3
17	3C-173	Slotted Nut	2	.1
18	4C-129	Wheel Rim - 15" (5 Bolt)	2	16.0
19	5C-100	Wheel Bolt	10	.1
20	5C-908	Hub Cap	2	.1
21	5D-156	Clevis Pin, 1-1/8" Dia. x 5" Long	2	1.6
22	5D-110	Klik Pin	3	.1
23	5D-158	Sleeve (Category III & Quick Couplers)	2	.2
25	6D-529	Clevis Pin - 1" Dia. x 4-1/2" Long	1	1.1
26	6D-528	Bolt (Grade 5) 1" - 8 NC x 6" Long	1	1.4
27	5D-157	Sleeve (Category III & Quick Couplers)	1	.1
28	6D-526	Pick-up Bracket (26" Shank Machine)	1	21.2
	6D-934	Pick-up Bracket (32" Shank Machine)	1	27.2
29	6D-299	Plate - For 11' & 14' Machines	2	7.1
		- For 13' & 16' Machines	4	7.1
30	6D-306	Stover Nut (1" - 8 NC Hex)	1	.2
31	6D-273	Two Foot Extension (For 11', 13', 14' & 16' units).	2	78.4
32	5C-460	Bolt (Grade 5) 5/8-11NC x 2" Long		
		9', 11', 12' & 14' Machines	8	.2
		13' & 16' Machines	16	
33	1B-166	Lockwasher - 5/8"		
		7' & 10' Machines	10	
		9' & 12' Machines	18	
		11' & 14' Machines	26	
		13' & 16' Machines	42	

(Continued on page 5)



Index No.	Part No.	Description	No. Used	Approx. Weight
34	1C-392	Nut, 5/8-11 NC Hex 7' & 10' Machines 9' & 12' Machines 11' & 14' Machines 13' & 16' Machines	10 18 26 42	
35	6D-272	Three Foot Extension (For 13' & 16' units)	2	58.2
36	6D-271	One Foot Extension (For 9' & 12' units)	2	14.6
37	6D-305	Bolt (Grade 5) 5/8-11 NC x 5" Long 7', 9', 10' & 12' Machines 11' & 14' Machines 13' & 16' Machines	2 10 18	.5
CHISEL PLOW SHANKS AND POINTS				
1	6D-409	Strap	1	.4
2	6D-410	Spring Cap	2	1.0
3	6D-362	Compression Spring, 17/64 Wire Diameter	2	1.3
4	6D-361	Compression Spring, 7/16 Wire Diameter	2	9.1
5	6D-406	Shank Support - Front	1	6.5
6	6D-407	Shank Support - Rear	1	4.0
7	6D-408	Clamp Pivot	1	9.0
8	6D-283	Shank - 26S, 1" x 26" Clear., Spring Cushion	1	25.6
	6D-354	Shank - 32S, 1" x 32" Clear., Spring Cushion	1	29.8
	6D-913	Shank - 32S, 1-1/4" x 32" Clear., Spring Cushion	1	37.5
9	6D-280	Strap	1	1.2
10	6D-213	Regular Chisel Point, 5/8" Thick x 2" Wide	1	4.8
11	6D-215	Twisted Shovel, R. H., 3/8" Thick x 3" Wide	1	6.2
	6D-216	Twisted Shovel, L. H., 3/8" Thick x 3" Wide	1	6.2
12	6D-411	Pin	1	1.3
13	1C-659	Roll Pin, 1/4" x 1-1/2" Long	2	
14	6D-373	Machine Bolt, 5/8" x 14" Long, Grade 5	2	1.3
15	7D-189	Capscrew, 5/8" x 3-1/4" Long, Grade 5	2	.3
16	1C-210	Nut, 3/4" Regular Hex	1	
17	6D-304	Lockwasher, 3/4" Standard	1	
18	1B-166	Lockwasher, 5/8" Standard	6*	
19	1C-392	Nut, 5/8" Regular Hex	6*	
20	6D-303	Machine Bolt, 5/8" x 7-1/2" Long, Grade 5	2	.7
	7D-40	Machine Bolt, 5/8" x 8" Long (Use with 1-1/4" Thk. Rigid Shank)		
21	6D-355	Capscrew, 5/8" x 6" Long, Grade 5	2	.6
22	5C-461	Locknut, 5/8" Regular Hex	2	
23	5D-743	Plow Bolt, 7/16" x 2-1/2" Long, Grade 5	2	
24	7C-460	Flat Washer, 7/16" Standard	2	
25	1C-314	Lockwasher, 7/16" Standard	2	
26	1C-179	Nut, 7/16" Regular Hex	2	
27	7D-188	Carriage Bolt, 3/4" x 2-1/2" Long, Grade 5	1	.4
28	6C-729	Locknut, 3/4" Regular Hex	1	
29	6D-302	Machine Bolt, 3/4" x 7" Long, Grade 5	1	.8
	8D-42	Machine Bolt, 3/4" x 7-1/2" Long, Grade 5 (Use with 1-1/4" Thk. Rigid Shank)		
30	6D-298	Plate	1	6.0
31	6D-234	Shank Support	1	5.5
32	6D-314	Shank - 26R, 1" x 26" Clearance, Rigid	1	23.6
	6D-913	Shank - 32R, 1-1/4" x 32" Clearance, Rigid	1	37.5
*Only 2 used on Rigid Mount Shank Support				

