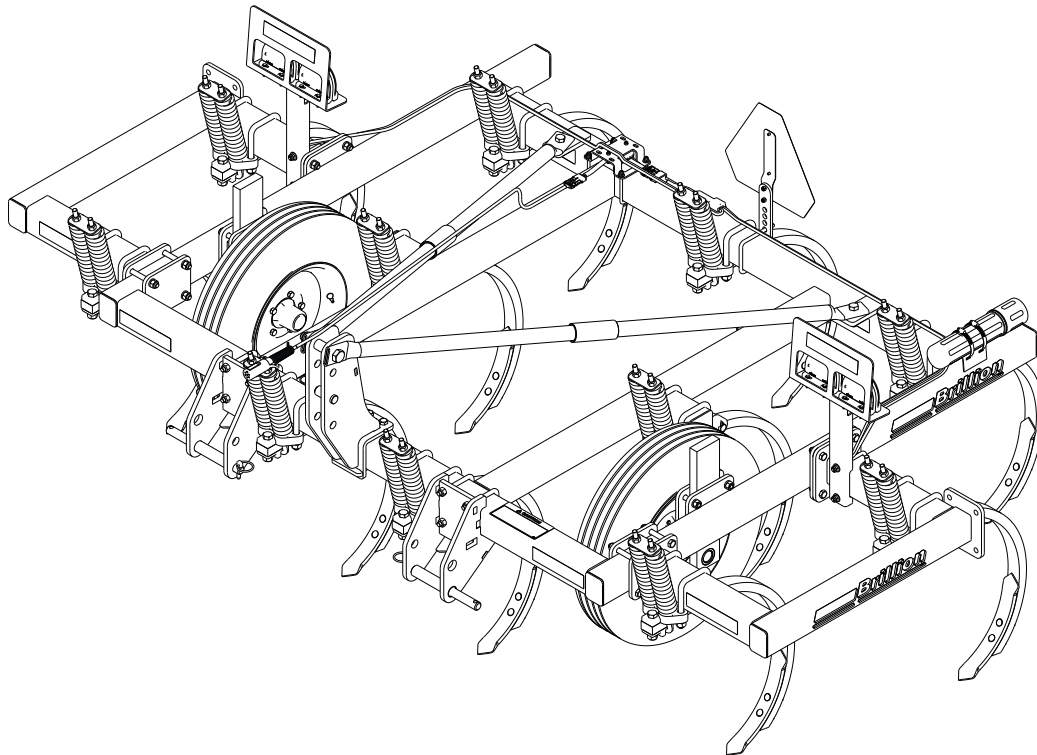




# Chisel Plow, 3 - Bar Mounted Models: CPP7 through CPP12 Operator's Manual



## **LANDOLL COMPANY, LLC**

1900 North Street  
Marysville, Kansas 66508  
(785) 562-5381

800-428-5655 ~ [WWW.LANDOLL.COM](http://WWW.LANDOLL.COM)



# Table of Contents

---

## 1 Introduction and Safety Information

<b>Introduction</b> .....	<b>1-1</b>
Description of Unit .....	1-1
Owner Assistance .....	1-1
Warranty Registration .....	1-1
<b>Safety</b> .....	<b>1-2</b>
Understanding Safety Statements .....	1-2
Transporting Safety .....	1-2
Attaching, Detaching and Storage .....	1-2
Maintenance Safety .....	1-3
Protective Equipment .....	1-3
Tire Safety .....	1-3
Decals .....	1-4

## 2 Assembly

Main Frame Assembly .....	2-1
Frame Assembly Dimensions .....	2-3
1 Ft Frame Extensions .....	2-6
2 Ft Frame Extensions .....	2-7
Shank Installation .....	2-8
Spring Clamp Shank Assembly .....	2-13
Rigid Clamp Shank Assembly .....	2-13
Point Installation .....	2-14
Twisted Shovels .....	2-14
Optional Gauge Wheels Kits .....	2-15
LED Installation .....	2-16
LED Warning Lights .....	2-17

## 3 Operation

General .....	3-1
Operating Tips .....	3-1
Tractor Preparation .....	3-2
Attaching to Three-Point Hitch .....	3-2
Field Operation - Three Point Hitch Type .....	3-2
Spring Shank Tension Adjustment .....	3-2
Transport .....	3-3

---

## 4 Maintenance

General Torque Specifications .....	4-1
Fasteners .....	4-2
Tires .....	4-2
Wheel Hub Lubrication .....	4-2
Lubricating Wheel Hub .....	4-2
Lubrication (Spring Shank Clamp) .....	4-2
Storage .....	4-3

## 5 General Reference and Specifications

General .....	5-1
---------------	-----

## Introduction and Safety Information

### Introduction

The implement described in this manual has been designed with care and built by skilled workers using quality materials and processes. Proper assembly and maintenance will provide you with satisfactory use for seasons to come.



**DANGER**

**Read this entire manual before attempting to assemble, adjust or operate this implement. Failure to comply with this warning can result in personal injury or death, damage to the implement or its components and inferior operation.**

### Description of Unit

The Chisel Plow was the machine that started the age of “conservation tillage” as we know it today. The 3-Bar Chisel Plows offer an effective and economic solution to basic primary tillage. A wide variety of shank configurations and points allow the producer to fine tune the Chisel Plow to fit his requirements. Optional extension kits allow the 3 Bar Chisel Plow to grow with any operation.

### Using this Manual

This manual will familiarize you with safety, assembly, operation, adjustment, and maintenance. Read this manual and follow the recommendations to help ensure safe and efficient operation.

- The information in this manual is current at time of printing. Some parts may have changed to assure top performance.
- Location reference: Right and Left designations in this manual are determined by facing the direction the implement will travel during field operation, unless otherwise stated.

### Owner Assistance

If customer service or repairs are needed, contact your Brillion dealer. They have trained personnel, parts and service equipment specially designed for Brillion products. Your implement’s parts should only be replaced with Brillion parts. If items covered in this manual are not understood, contact your local Brillion Dealer.

### Warranty Registration

Brillion Farm Equipment, by Landoll, shall have no warranty obligation unless each product is registered within 10 days of retail purchase, using the Landoll Company, LLC Ag Products on-line registration process. Please refer to the Ag Products Policy and Procedures Manual, accessible at [www.landoll.com](http://www.landoll.com) for step by step instructions regarding product registration.

Enter your product information below for quick reference.

\_\_\_\_\_

MODEL NUMBER

\_\_\_\_\_

SERIAL NUMBER

\_\_\_\_\_

DATE OF PURCHASE

Refer to the ID plate as shown. See Figure 1-1.

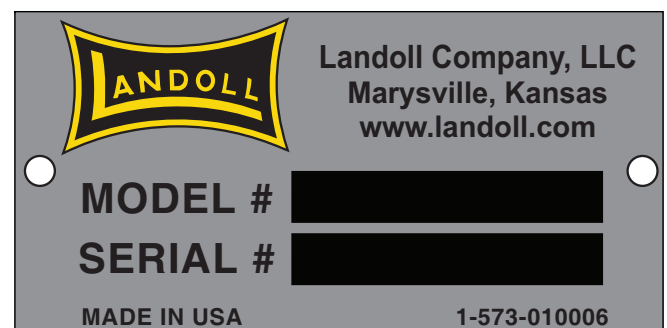


Figure 1-1: ID Plate

## Safety

### NOTE

*Investigation has shown that nearly 1/3 of all farm accidents are caused by careless use of machinery. Insist that all people working with you or for you abide by all safety instructions.*

## Understanding Safety Statements

You will find various types of safety information on the following pages and on the implement decals (signs) attached to the implement. This section explains their meaning.

### NOTICE

Special notice - read and thoroughly understand.



### CAUTION

Proceed with caution. Failure to heed caution may cause injury to person or damage product.



### WARNING

Proceed with caution. Failure to heed warning will cause injury to person or damage product.



### DANGER

Proceed with extreme caution. Failure to heed notice will cause injury or death to person and/or damage product.

### NOTE

*You should read and understand the information contained in this manual and on the implement decals before you attempt to operate or maintain this equipment.*

Examine safety decals and be sure you have the correct safety decals for the implement. **See Figure 1-2.**

Order replacement decals through your Brillion dealer.

Keep these signs clean so they can be observed readily. It is important to keep these decals cleaned more frequently than the implement. Wash with soap and water or a cleaning solution as required.

Replace decals that become damaged or lost. Also, be sure that any new implement components installed during repair include decals which are assigned to them by the manufacturer.

When applying decals to the implement, be sure to clean the surface to remove any dirt or residue. Where possible, sign placement should protect the sign from abrasion, damage, or obstruction from mud, dirt, oil etc.



### DANGER

- Do not allow anyone to ride on the tractor or implement. Riders could be struck by foreign objects or thrown from the implement.
- Never allow children to operate equipment.
- Keep bystanders away from implement during operation.

## Transporting Safety

### IMPORTANT

**It is the responsibility of the owner/operator to comply with all state and local laws.**

When transporting the implement on a road or highway, use adequate warning symbols, reflectors, lights and slow moving vehicle sign as required. Slow moving tractors and towed implements can create a hazard when driven on public roads. They are difficult to see, especially at night.

Do not tow an implement that, when fully loaded, weighs more than 1.5 times the weight of the towing vehicle.

Carry reflectors or flags to mark the tractor and implement in case of breakdown on the road.

Do not transport at speeds over 20 MPH under good conditions. Never travel at a speed which does not allow adequate control of steering and stopping. Reduce speed if towed load is not equipped with brakes.

Avoid sudden stops or turns because the weight of the implement may cause the operator to lose control of the tractor. Use a tractor heavier than the implement.

Use caution when towing behind articulated steering tractors; fast or sharp turns may cause the implement to shift sideways.

Keep clear of overhead power lines and other obstructions when transporting. Know the transport height and width of your implement.

## Attaching, Detaching and Storage

- Do not stand between the tractor and implement when attaching or detaching implement unless both are blocked from moving.
- Block implement so it will not roll when unhitched from the tractor.

### **Maintenance Safety**

- Block the implement so it will not roll when working on or under it to prevent injury.
- Do not make adjustments or lubricate the machine while it is in motion.
- Make sure all moving parts have stopped.
- Understand the procedure before doing the work. Use proper tools and equipment.

### **Protective Equipment**

- Wear protective clothing & equipment appropriate for the job. Avoid loose fitting clothing.
- Because prolonged exposure to loud noise can cause hearing impairment or hearing loss, wear suitable hearing protection, such as earmuffs or earplugs.

### **Tire Safety**

Tire changing can be dangerous and should be performed by trained personnel using correct tools and equipment.

When inflating tires, use a clip-on chuck and extension hose long enough to allow you to stand to one side, not in front of or over the tire assembly. Use a safety cage if available.

When removing and installing wheels use wheel-handling equipment adequate for the weight involved.

Decals

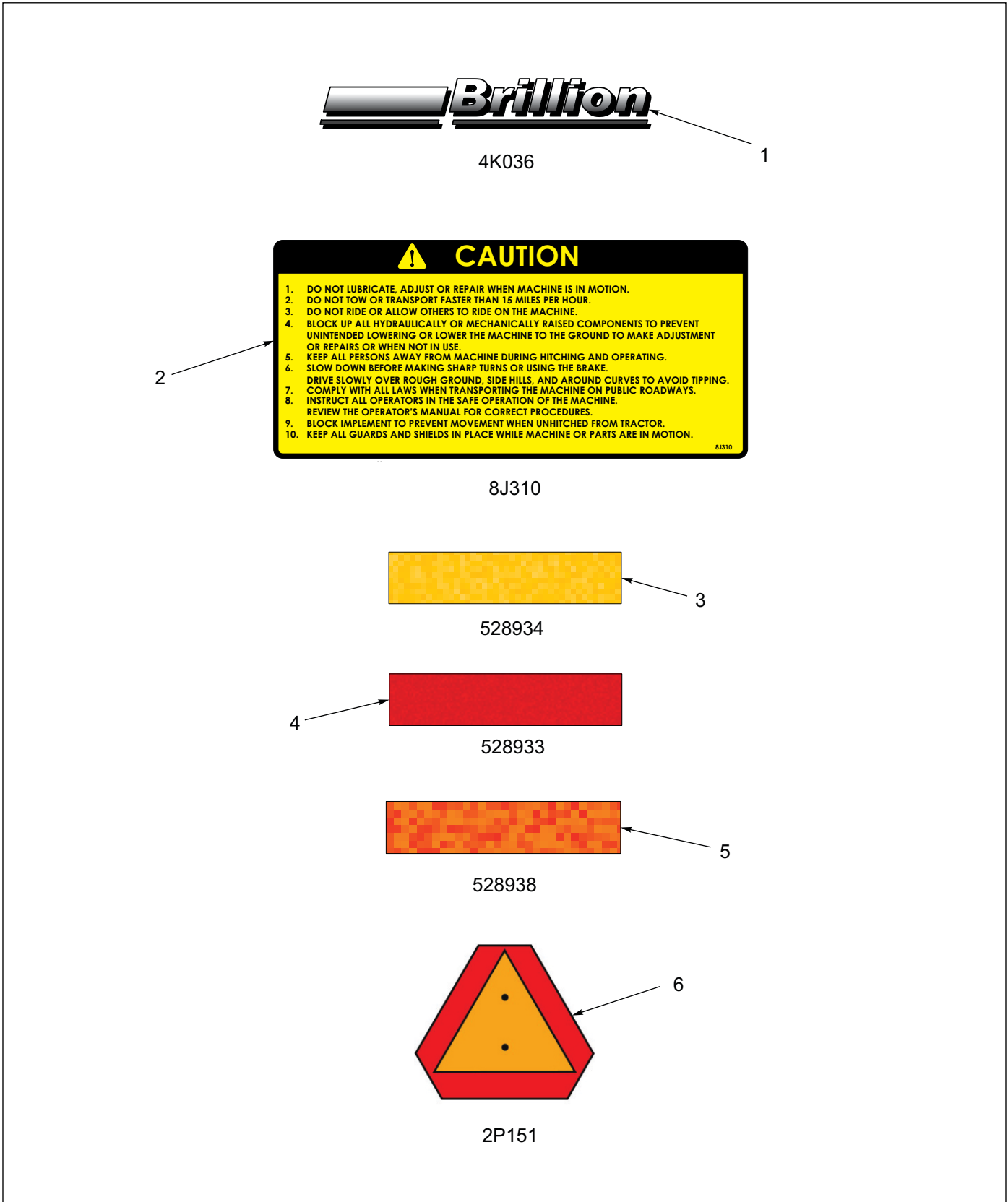


Figure 1-2: Decals and Locations



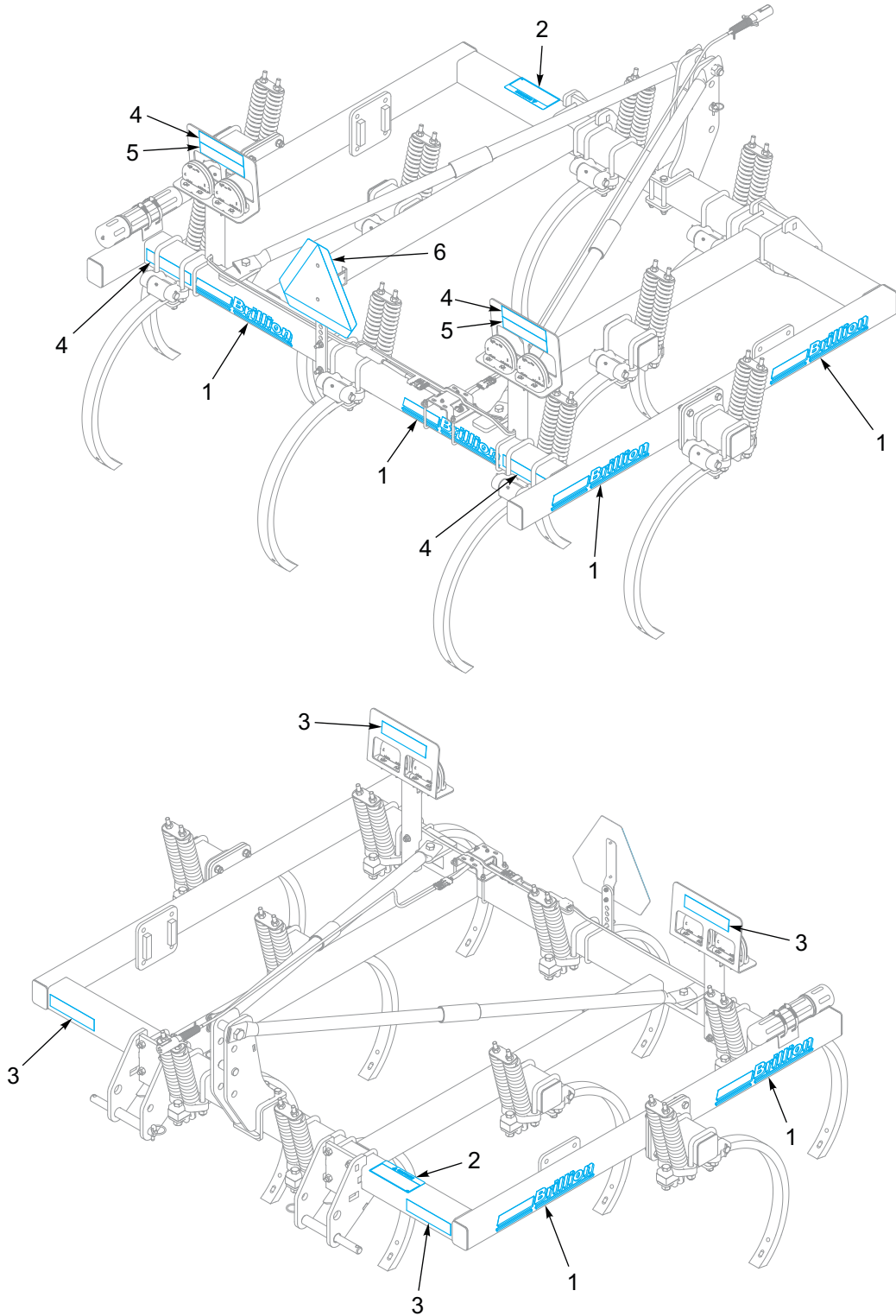


Figure 1-3: 7 and 9 Shank Model Decal Locations

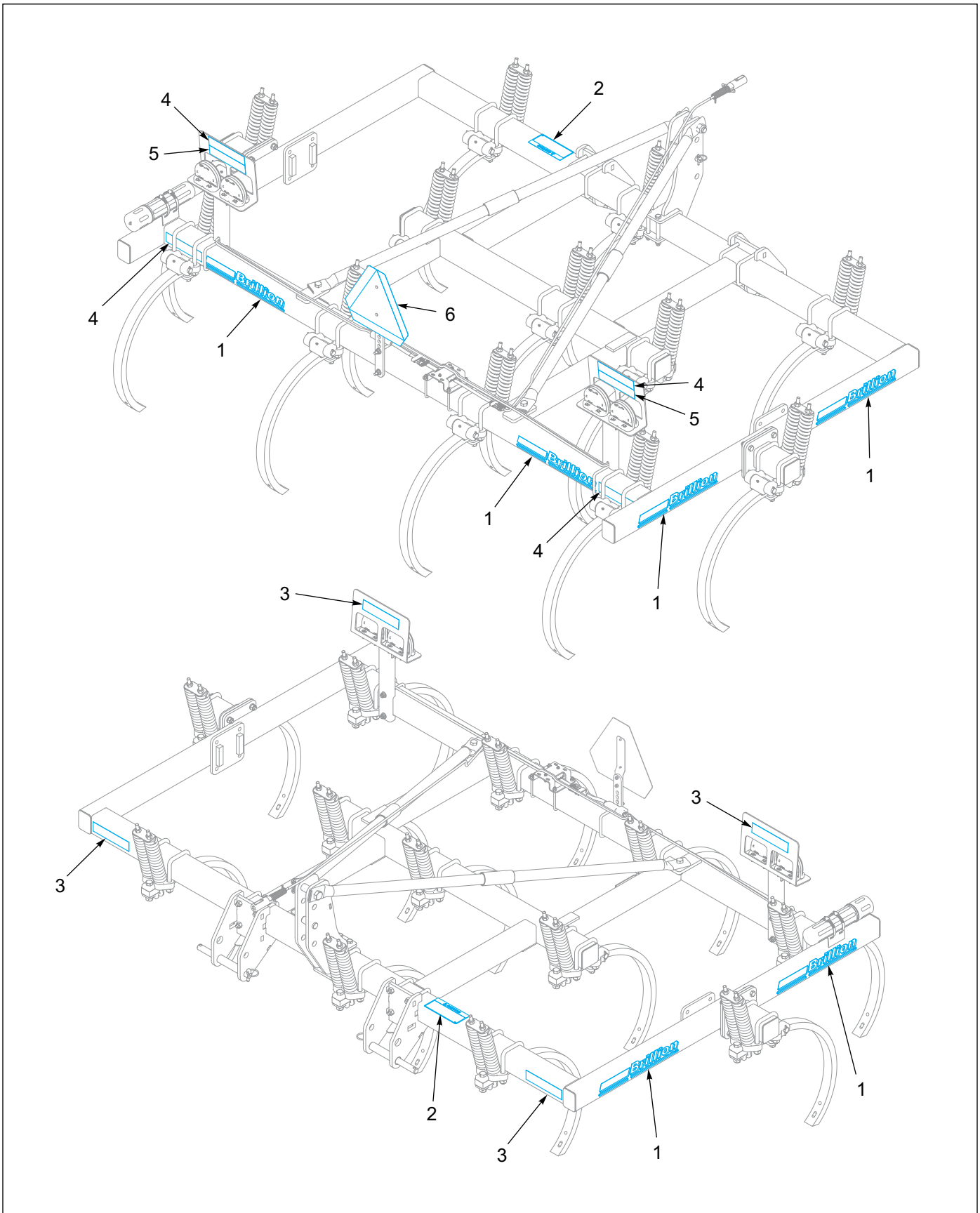


Figure 1-4: 10 and 12 Shank Model Decal Locations

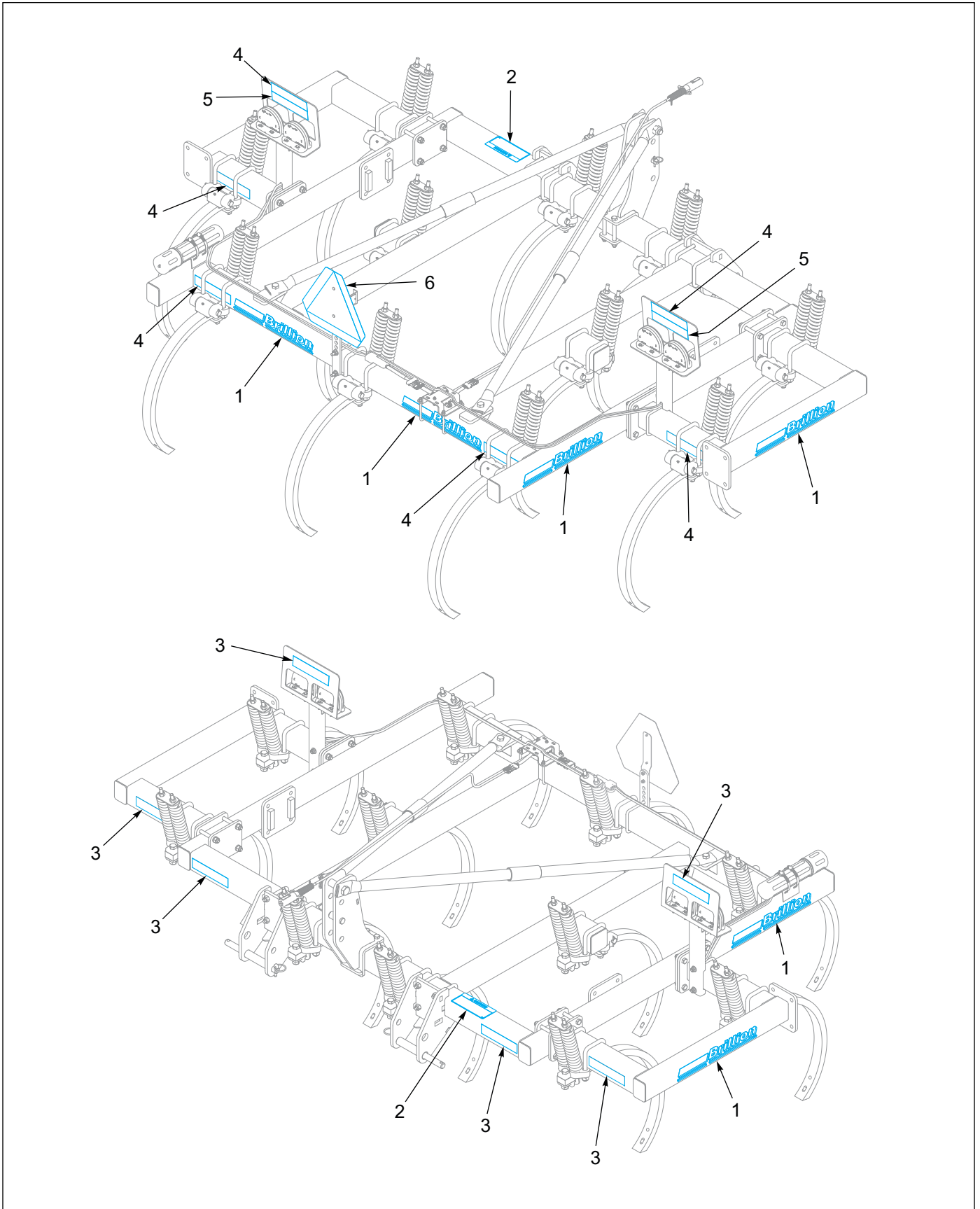


Figure 1-5: 11 Shank Decal Locations



# Chapter 2

## Assembly



### CAUTION

Do not work on or under this machine unless securely blocked and supported by a hoist or tractor or by other sufficient means.



### WARNING

Do not attempt to lift heavy parts (such as the frame, rock shaft, and pull hitch) manually. Use a hoist or a fork lift to move these parts into position.

### NOTE

Refer to the repair parts manual 7D524 for identification of parts and for the approximate relationship of the parts in assembly.

To ensure alignment of assemblies, **leave the nuts loose until completion** of final assembly. Use lock washers or flat washers as specified. Spread all cotter pins.

**After completion of final assembly, tighten all nuts evenly** to prevent misalignment, distortion or binding.

Tighten all screws and nuts to the recommended torques.

Using blocks or other supports, block up the Frame approximately 36". Be sure that it is secure and cannot topple.

### IMPORTANT

- If pre-assembled parts or fasteners are temporarily removed, remember where they go. It is best to keep parts separated.
- Check that all working parts move freely, bolts are tight and cotter pins spread.
- Refer to the Torque Table for proper torque values. Note the different torque requirements for bolts with lock nuts. **See Page 4-1.**

*"Left" and "Right" refer to directions seen as if standing behind the machine and facing in the direction of forward travel.*

## Main Frame Assembly

1. Place the frame on blocks at least 36-42 inches high for the assembly of the machine.
2. **See Figure 2-2** for the dimensional location of the Upper and Lower Hitch Brackets.
3. Assemble Upper Hitch Bracket to the center of the Front Frame Tube. Slide Upper Hitch Bracket Plate in the slot of the Upper Hitch Bracket and under the Front Frame Tube. Secure with 5/8-11 x 6 Bolts and Lock Nuts. **See Figure 2-1.**
4. Place 1-5/16 x 2-1/8 spacer between the top holes of the Upper Hitch Bracket and place the LH and RH Braces on either side of the Bracket. Insert 1-8 x 6 Bolt and secure with Lock Nut. Install braces to the rear of the Frame with 3/4-10 x 2-1/2 Bolt, Lock Washer and Nut.
5. Assemble LH and RH Lower Hitch Brackets to the Front Frame Tube. Secure with 5/8-11 U-Bolts and Lock Nuts.
6. Determine the category of tractor and Length of Shank that will be used and install the Upper and Lower Hitch pins into the Hitch Brackets. **See Figures 2-1, 2-3 and 2-4.**

Tighten all hardware to the recommended torques. **See Page 4-1.**

## Manual Storage Canister

Install the Manual Storage canister to the frame with Hose Clamps. **See Figure 2-1.**

## SMV Sign

Attach the SMV Mount about 4 inches left of center on the rear Frame Tube with 1/2-13 U-Bolt and Flange Lock Nuts. **See Figure 2-1.** Install SMV Sign to Mount with 5/16-18 x 1 Bolts, Flat Washers and Lock Nuts.

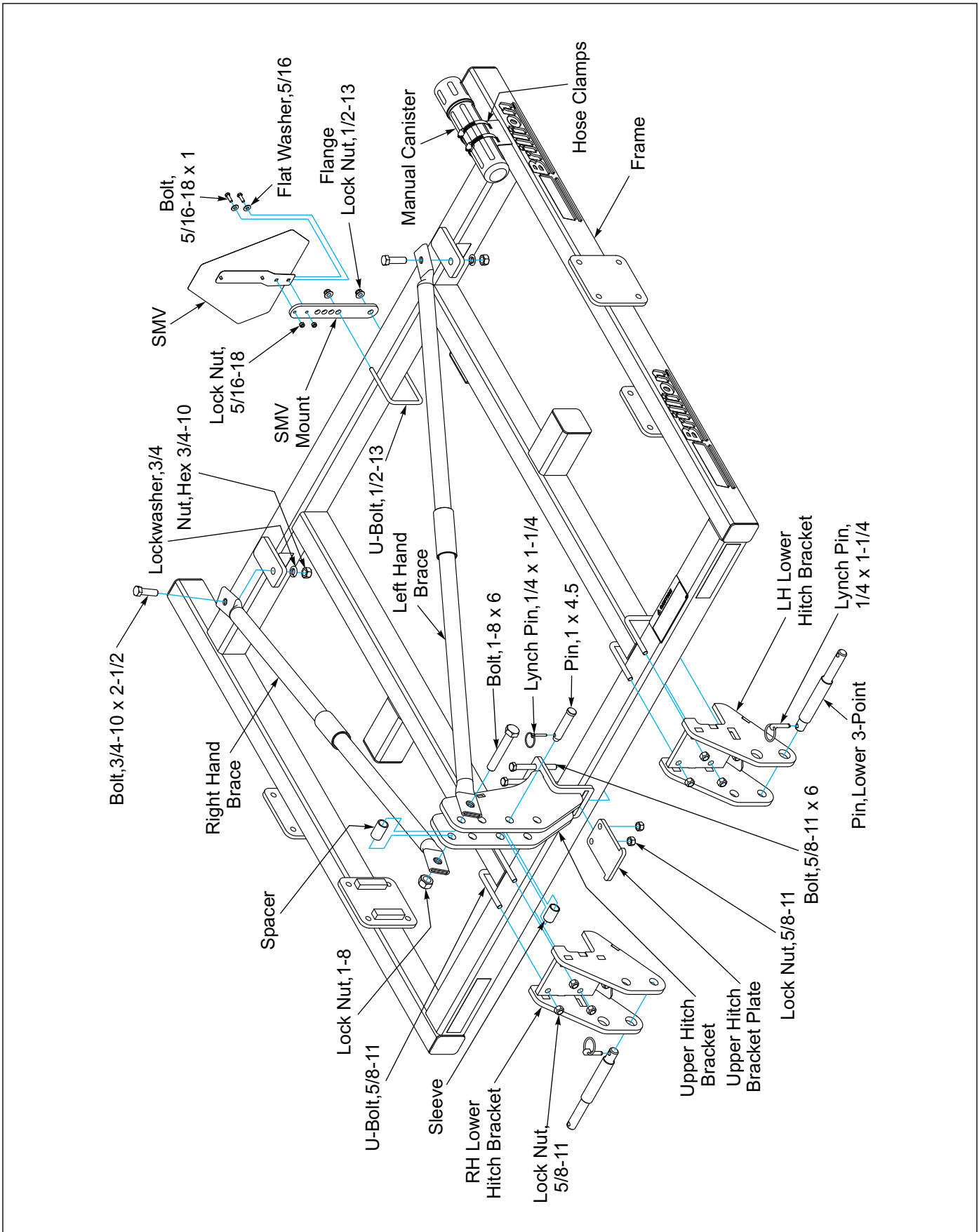


Figure 2-1: Frame

## Frame Assembly Dimensions

"Left" and "Right" refer to directions seen as if standing behind the machine and facing in the direction of forward travel.

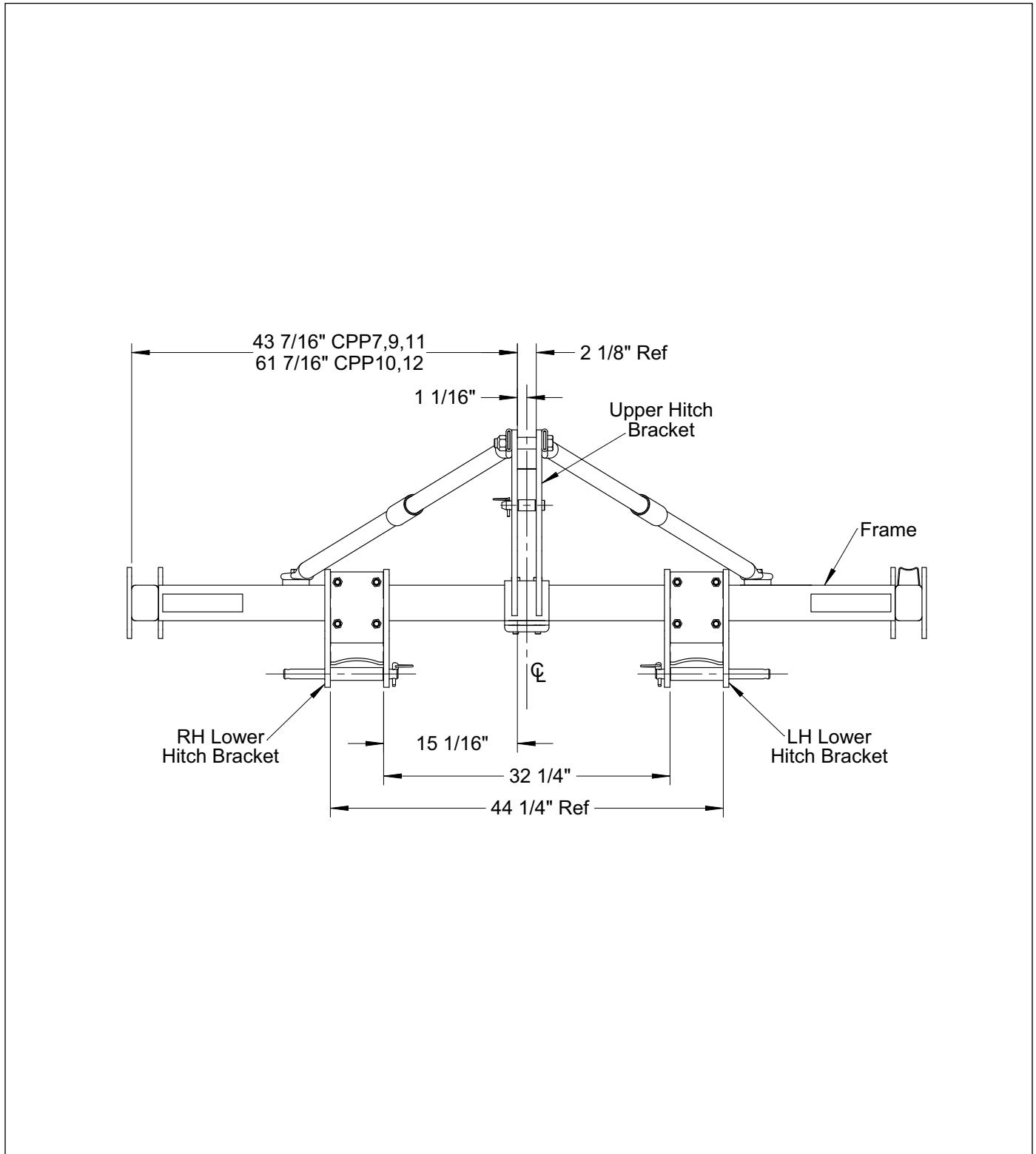
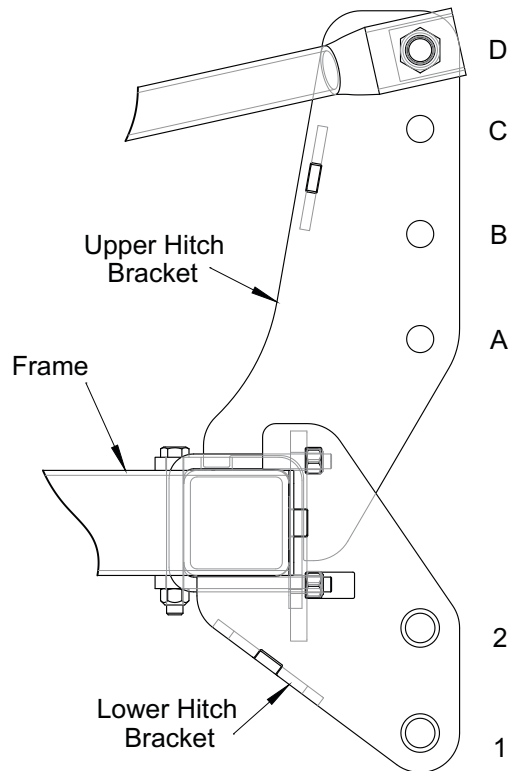


Figure 2-2: Frame Assembly Dimensions

Tractor Category Shank Length	Upper Hitch Pin Position	Lower Hitch Pin Position	Lower Hitch Pin Orient
CAT 2 Free Link 26" Shank	C	1	View AA
CAT 2 Free Link 32" Shank	B	1	View AA
CAT 2 Quick Coupler 26" Shank	B	2	View BB
CAT 2 Quick Coupler 32" Shank	A	1	View CC
CAT 3 Free Link 26" Shank	D	1	View CC
CAT 3 Free Link 32" Shank	C	1	View CC
CAT 3 Quick Coupler CAT 3N Quick Coupler 26" Shank	C	2	View BB
CAT 3 Quick Coupler CAT 3N Quick Coupler 32" Shank	B	1	View CC



**Figure 2-3: Upper and Lower Hitch Pin Positions**



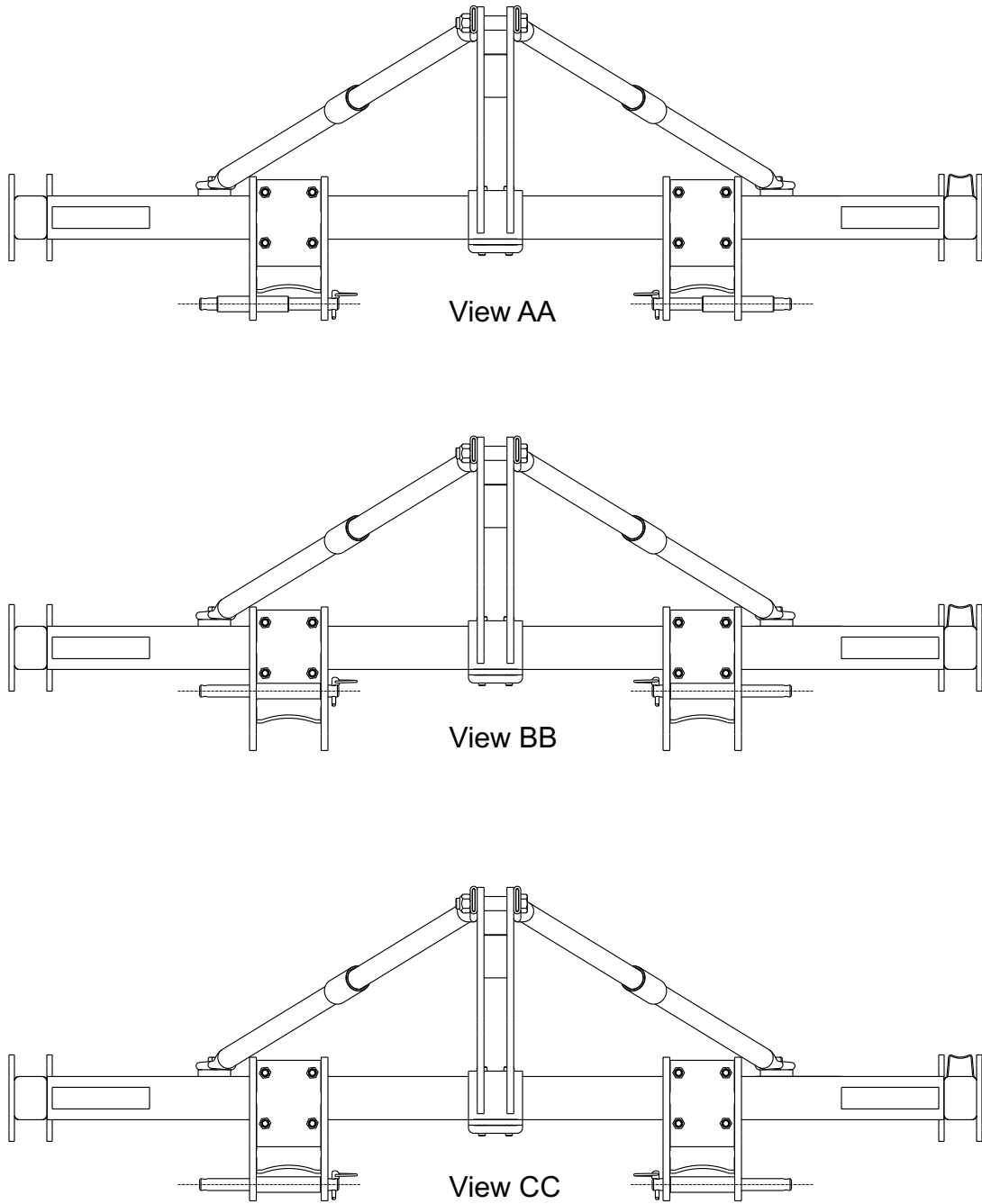


Figure 2-4: Lower Hitch Orientation

## 1 Ft Frame Extensions

Install a 1 Ft Frame Extensions on each 4-Hole Plate on the outer tubes of the Frame with 5/8-11 X 2 Bolts, Lock Washers and Nuts.

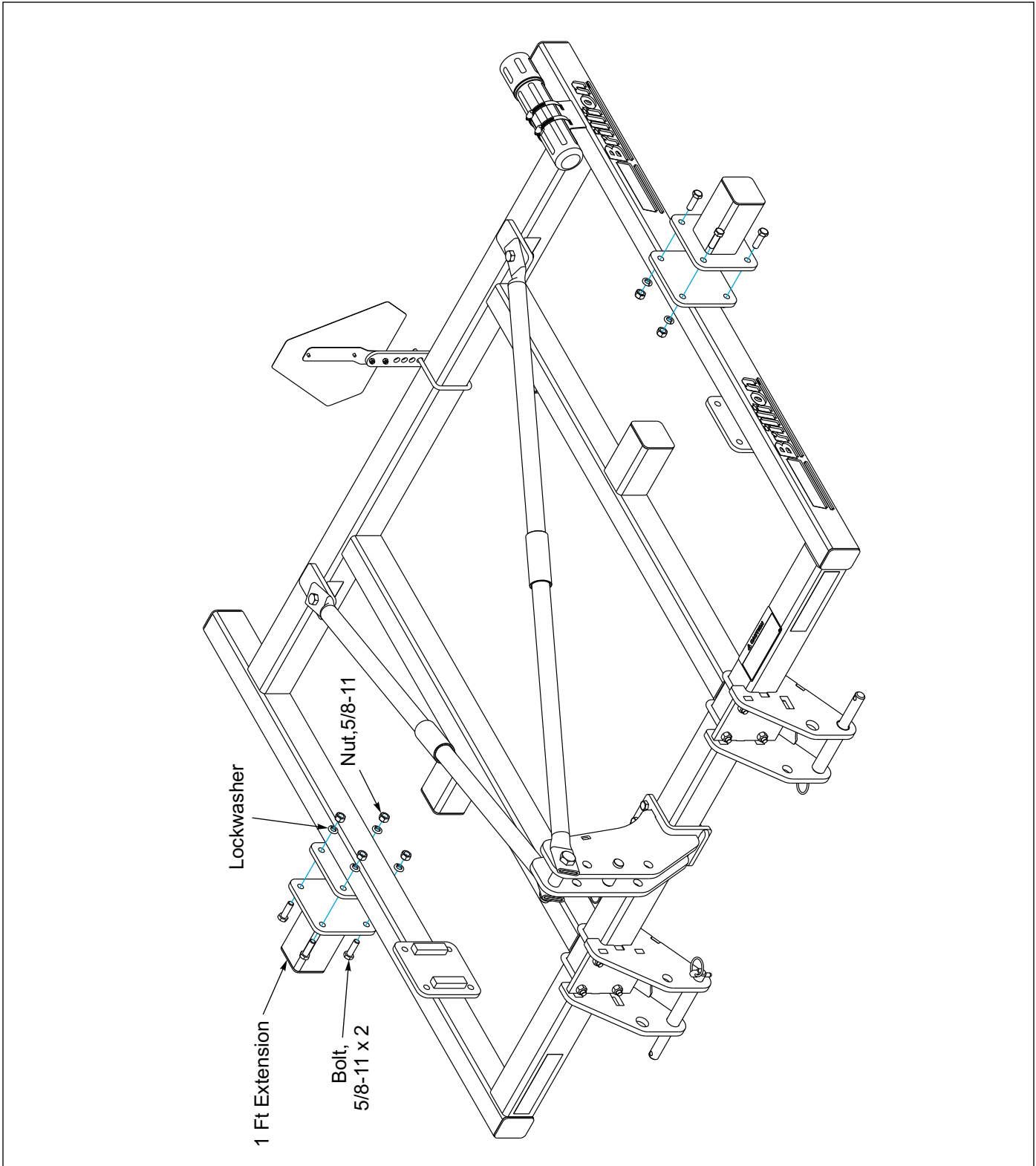


Figure 2-5: 1 Ft Extensions

## 2 Ft Frame Extensions

Install a 2 Ft Frame Extensions on each 4-Hole Plate on the outer tubes of the Frame with 5/8-11 x 2 Bolts, Lock Washers and Nuts. Secure the front of the extension by placing a 4-hole plate on the inside of the frame tube. Secure with 5/8-11 x 5 Bolts, Lock Washers and Nuts.

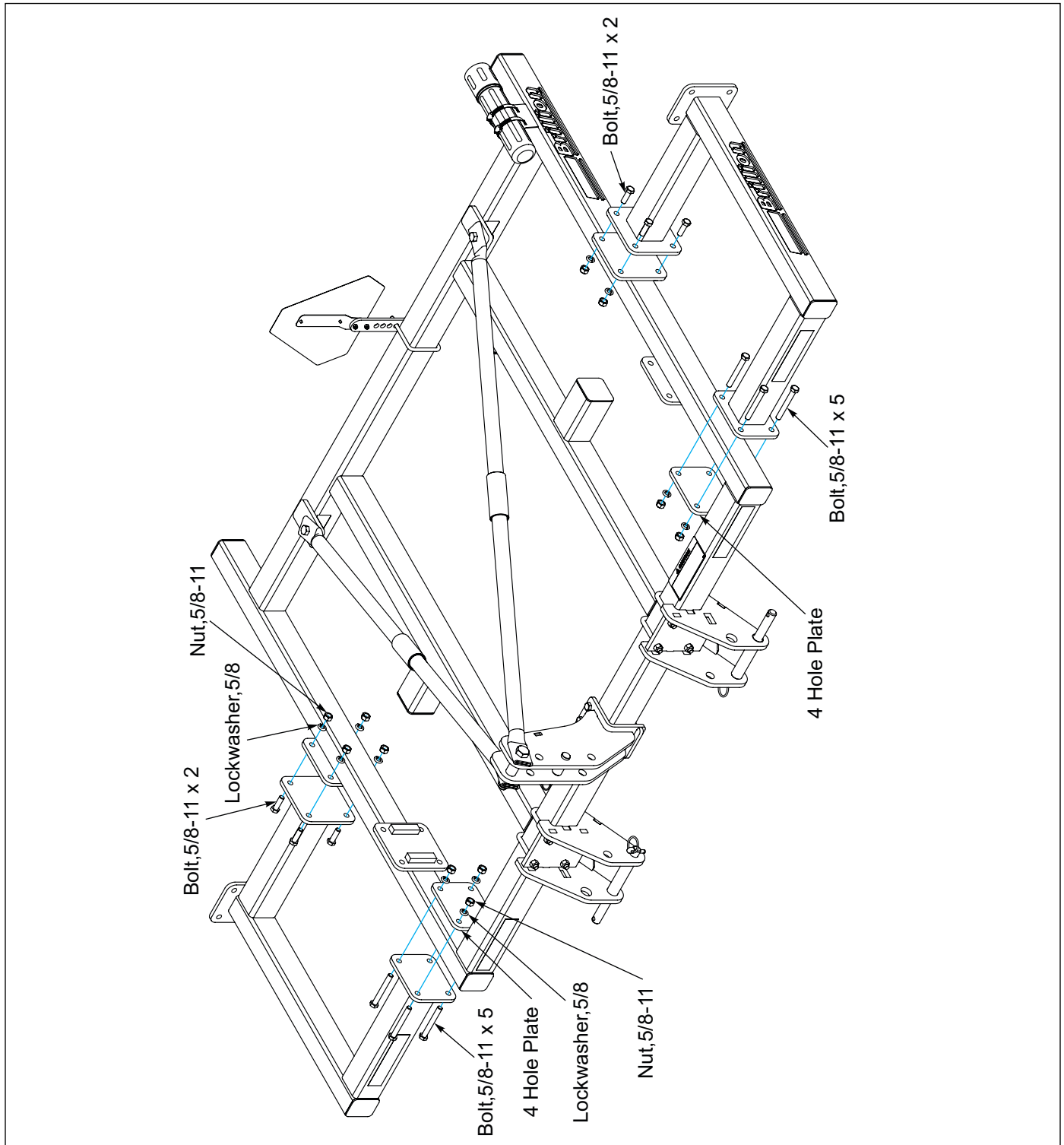


Figure 2-6: 2 Ft Extensions

## Shank Installation

Attach the Shank Assemblies to the frame in the locations indicated in **Figure 2-7 through 2-12**.

Shank Assemblies are shipped with all the necessary hardware to mount the shanks to the frame.

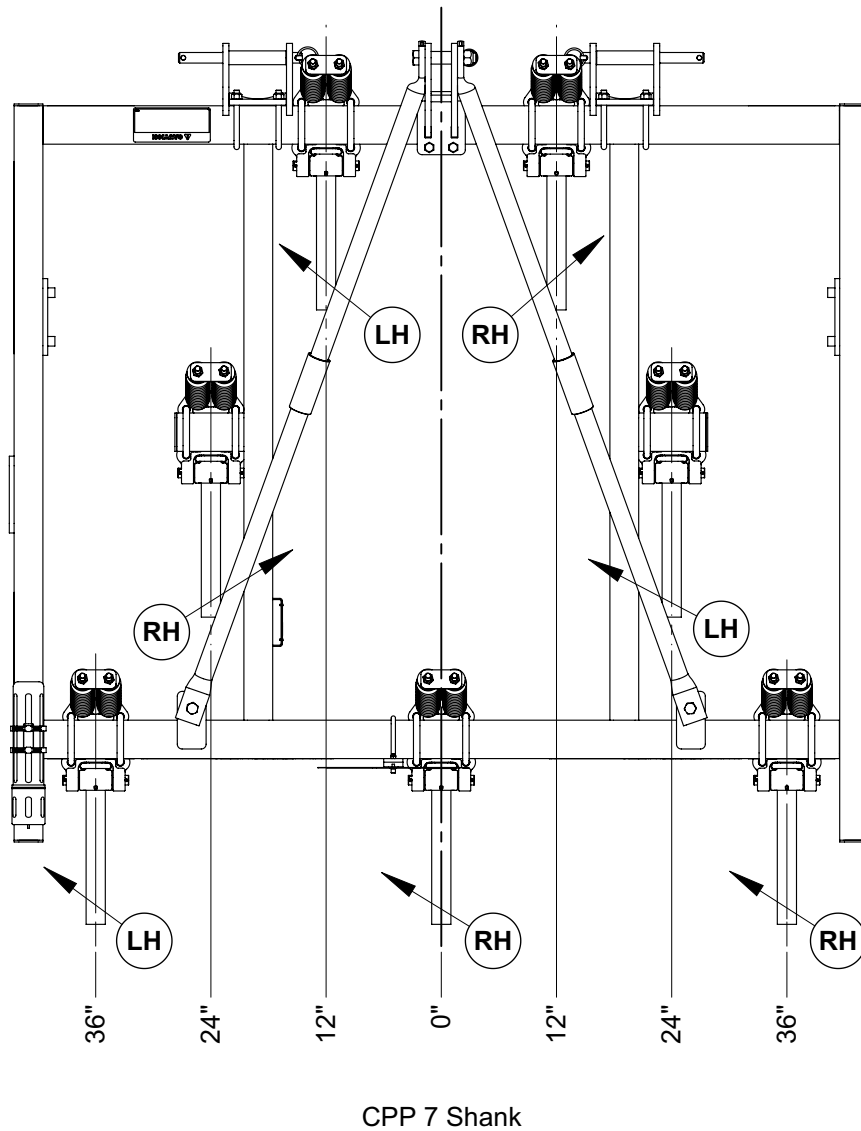


Figure 2-7: CPP 7 Shank and Shovel Locations

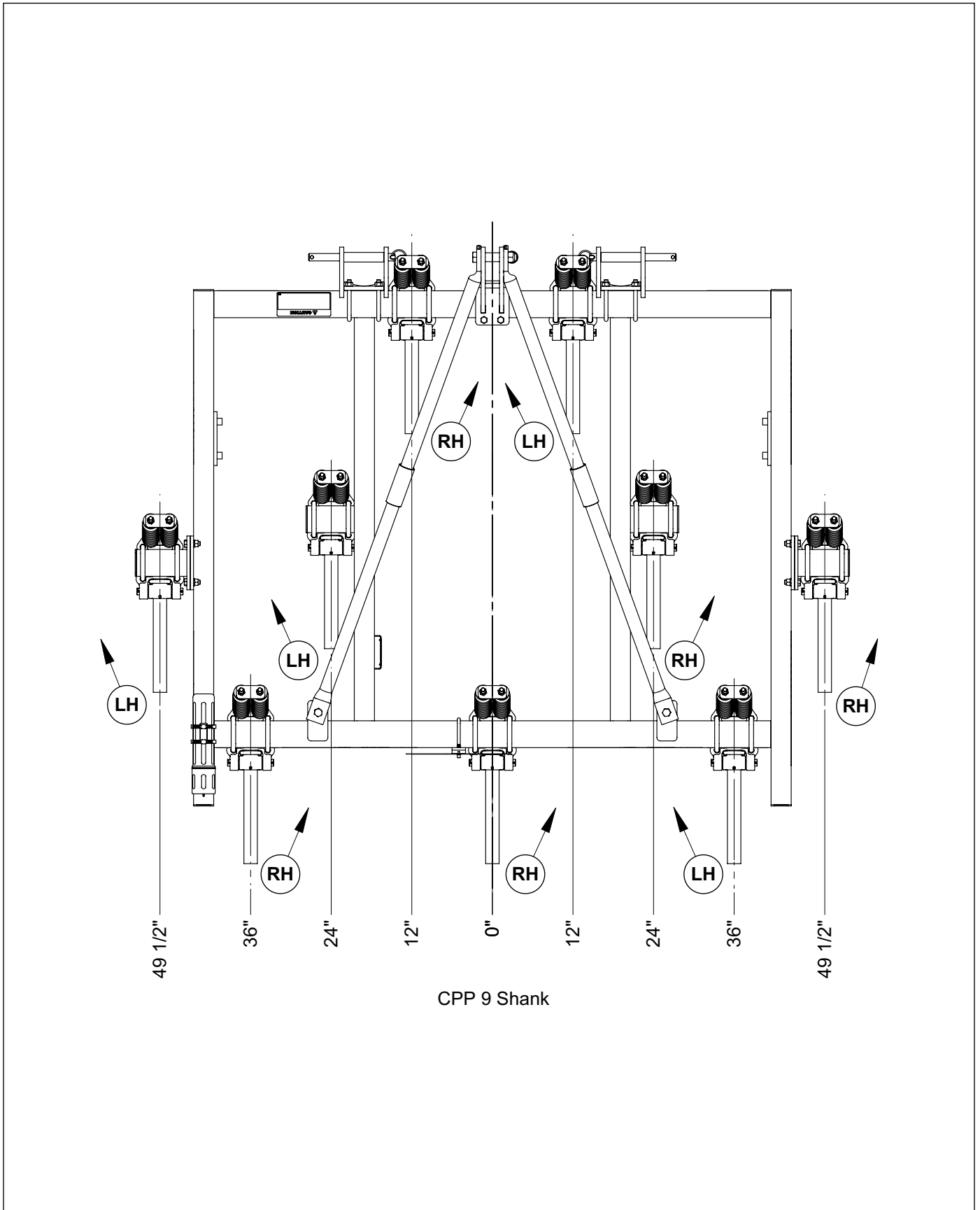


Figure 2-8: CPP9 Shank and Shovel Locations

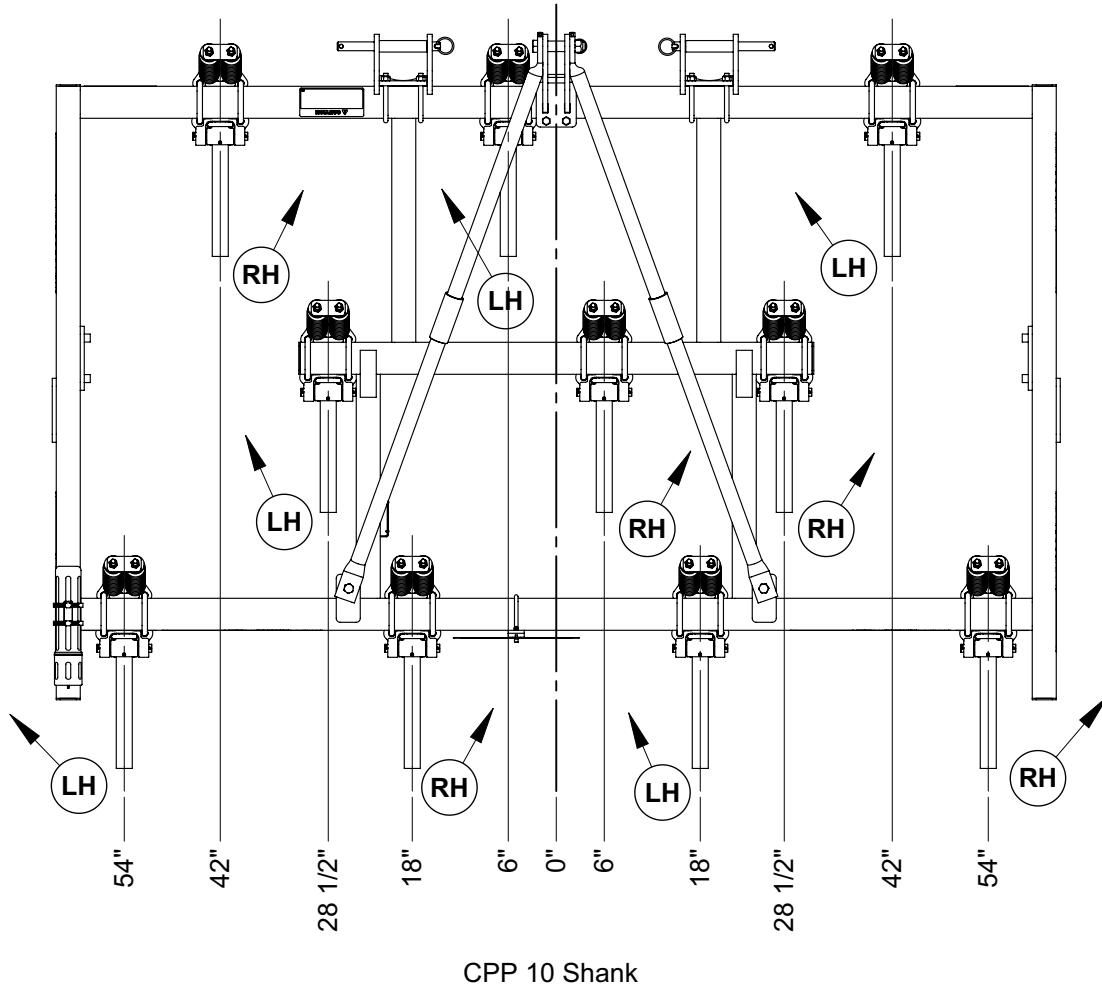


Figure 2-9: CPP10 Shank and Shovel Locations

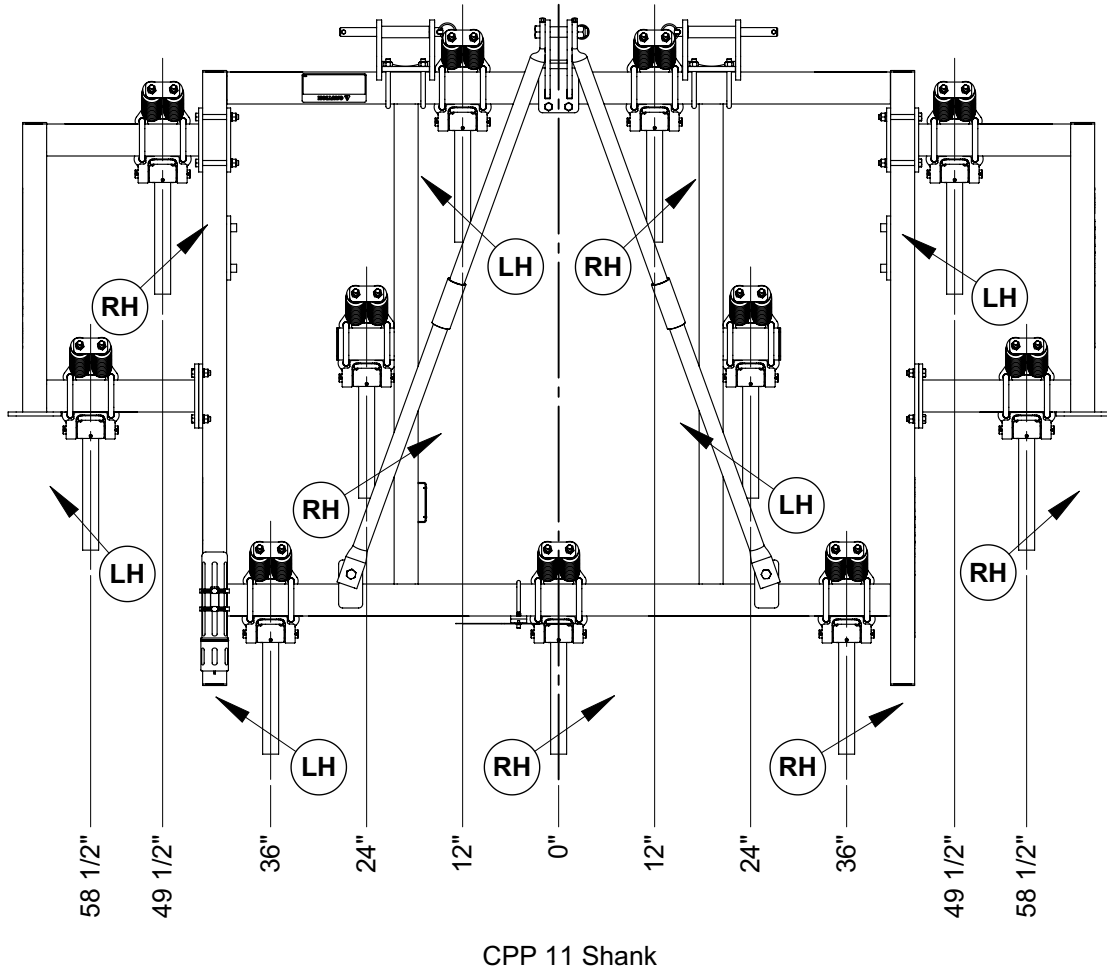


Figure 2-10: CPP11 Shank and Shovel Locations

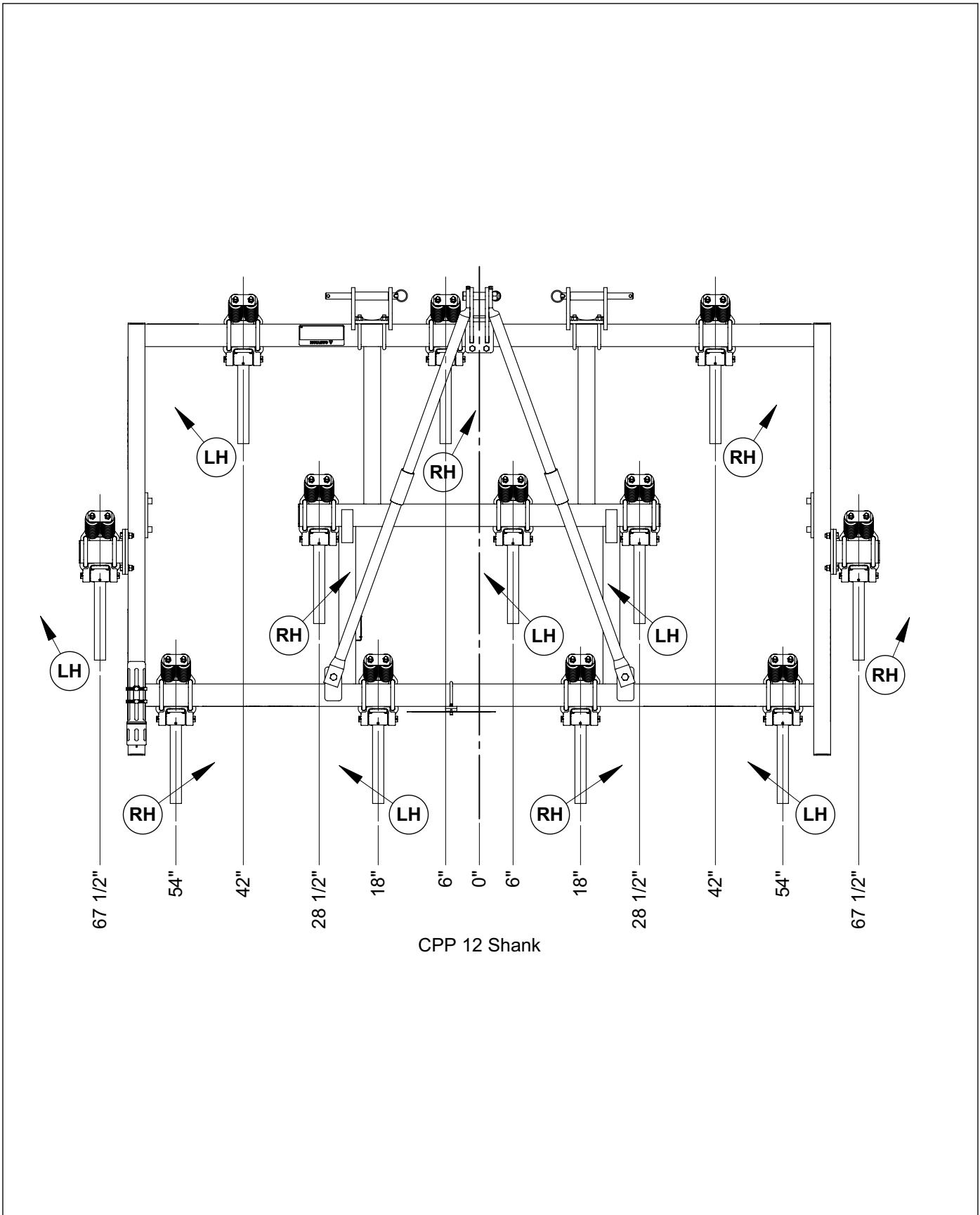


Figure 2-11: CPP12 Shank and Shovel Locations



### Spring Clamp Shank Assembly

Remove the 3/4-10 U-Bolts, Lock Washers and Nuts. Place Shank Assembly Clamp under the frame and re-insert the U-Bolts over the top of the frame and through the Shank Assembly Clamp. Secure with Lock Washer and Nut. See Figure 2-12.

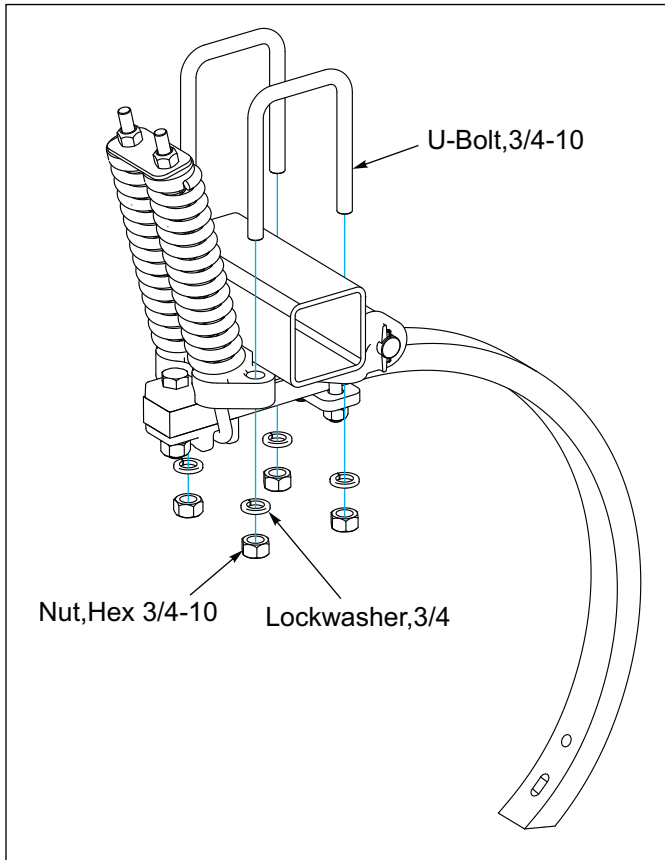


Figure 2-12: Spring Clamp Shank Assembly

Check the tension on the Shank Spring. For normal operation the Lock Nuts on the Spring mounting should be tightened so that one inch of thread is exposed. See Figure 2-13.

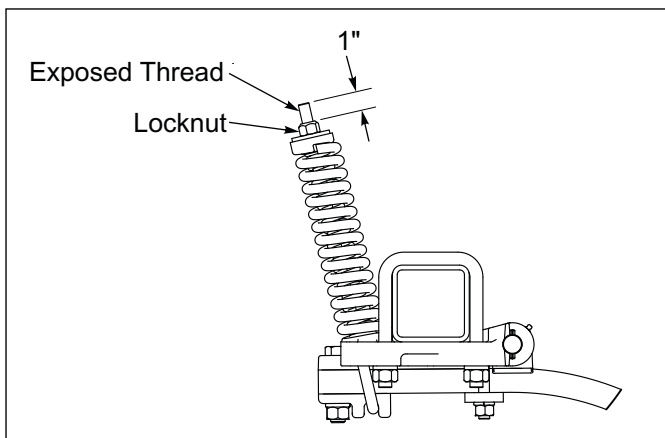


Figure 2-13: Spring Tension

### Rigid Clamp Shank Assembly

Remove the front 3/4-10 x 7-1/2 Bolt, Lock Washer and Nut and loosen the 5/8-11 Nuts so that they are flush with the end of the Bolt. Slide the Shank Assembly onto the Frame Tube until the Shank Support seats on the bottom of the Frame Tube. Re-insert the 3/4-10 x 7-1/2 Bolt, Lock Washer and Nut and tighten the 5/8-11 Nuts. See Figure 2-14.

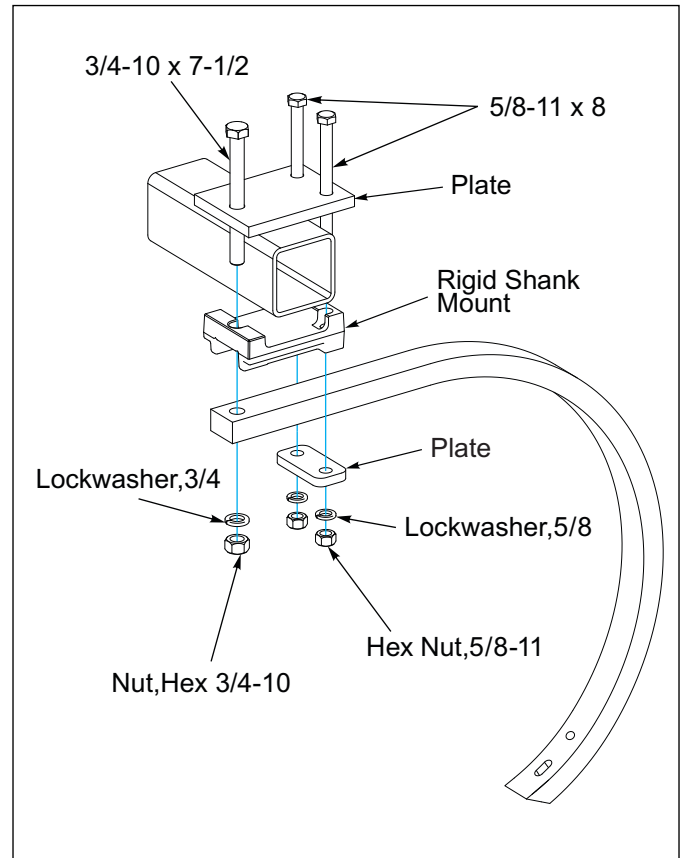


Figure 2-14: Rigid Clamp Shank Assembly

## Point Installation

### NOTE

When replacing or reversing points, change all points at the same time so that they will have the same operating depth. If some shanks have worn points, or points of a different design, the chisel plow will not operate efficiently.

### Chisel Plow Point

Install a Chisel Plow Point to each Shank with 1/2-13 x 3 Plow Bolts and Flanged Lock Nuts. See Figure 2-15.

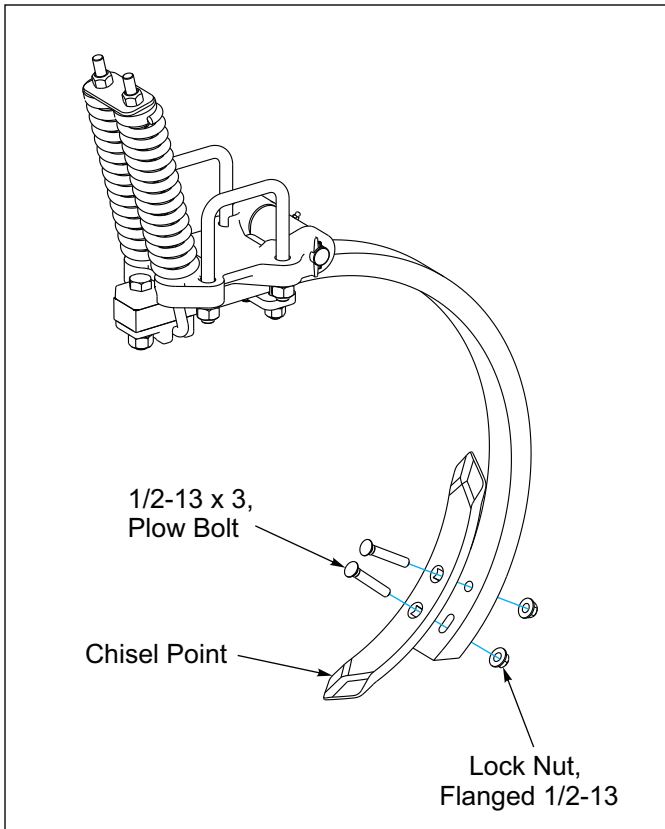


Figure 2-15: Chisel Plow Point

### Twisted Shovels

Install a LH or RH Twisted Shovel per Figure 2-7 to 2-11. to each Shank with 7/16-14 x 2-1/2 Special Plow Bolts and Flanged Lock Nuts. See Figure 2-16. LH means that the soil is thrown left and RH means that the soil is thrown right. If another arrangement is desired, be sure that the shovels have balanced positions from right side to left side. An example of this would be a LH shovel is the same distance from the center of the machine as a RH shovel is on the opposite side.

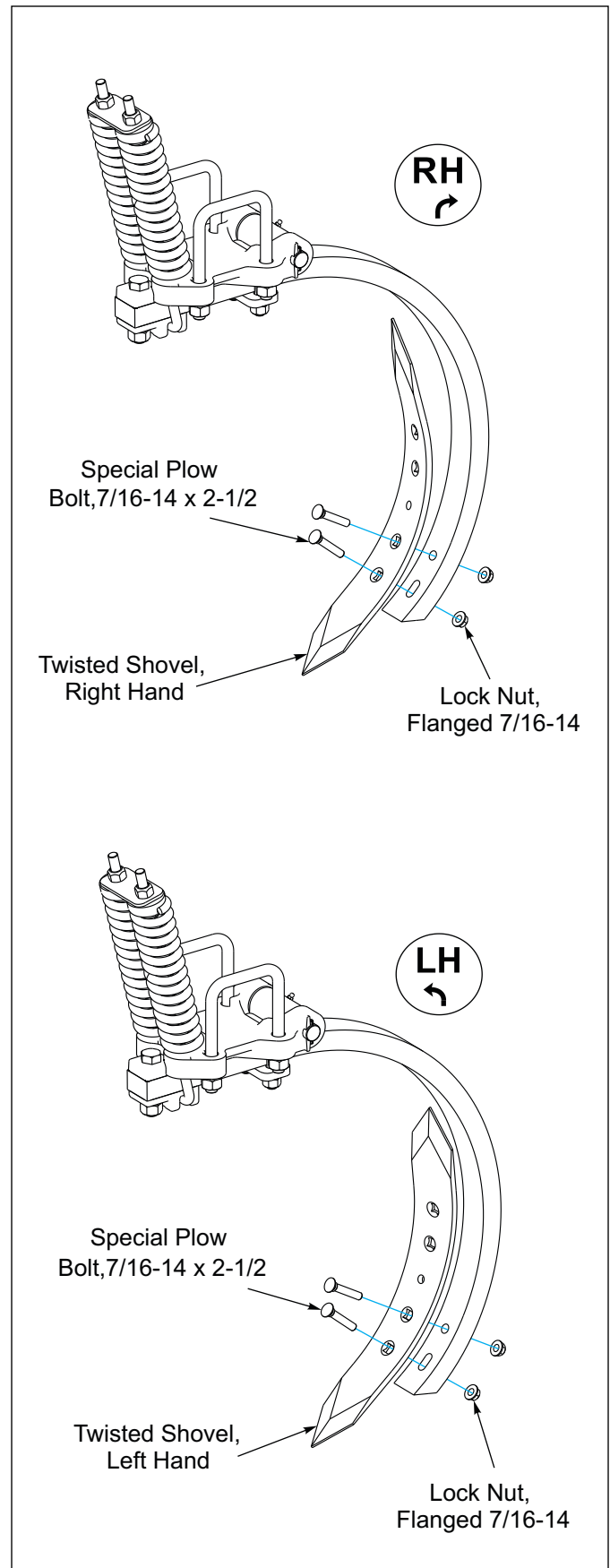


Figure 2-16: Twisted Shovels

## Optional Gauge Wheels Kits

Place Gauge Wheel Arm between the bar stock that is welded to the 4-Hole Plate on the inside of the outer Frame Tube. Attach Gauge wheel to frame with 4-hole plate, 5/8-11 x 3 Bolts, Lock Washers and Nuts. **See Figure 2-17.** Tighten all hardware to the recommended torques and check periodically for looseness. **See Page 4-1.**

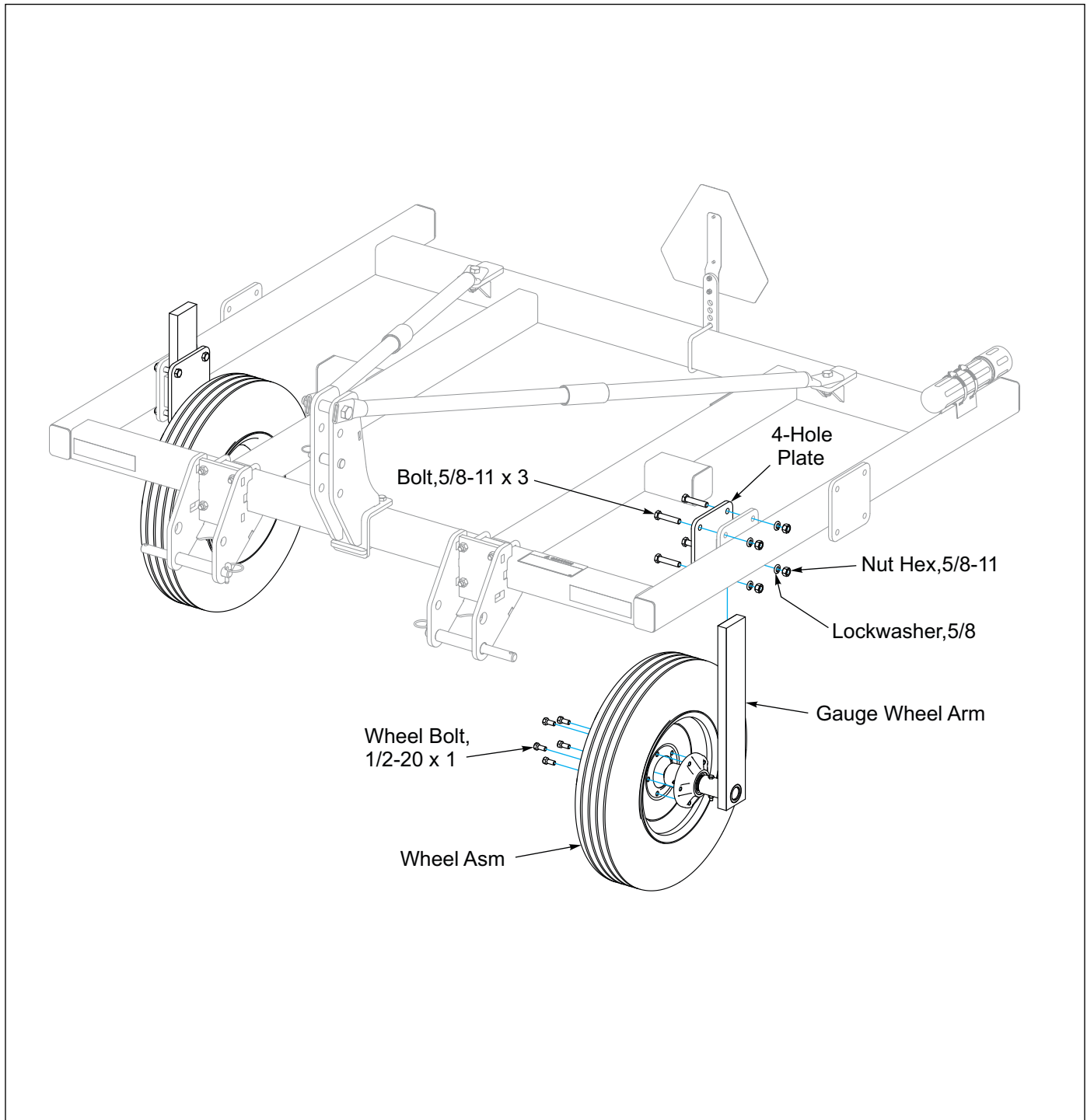


Figure 2-17: Optional Gauge Wheel Kits

### LED Warning Lights Installation

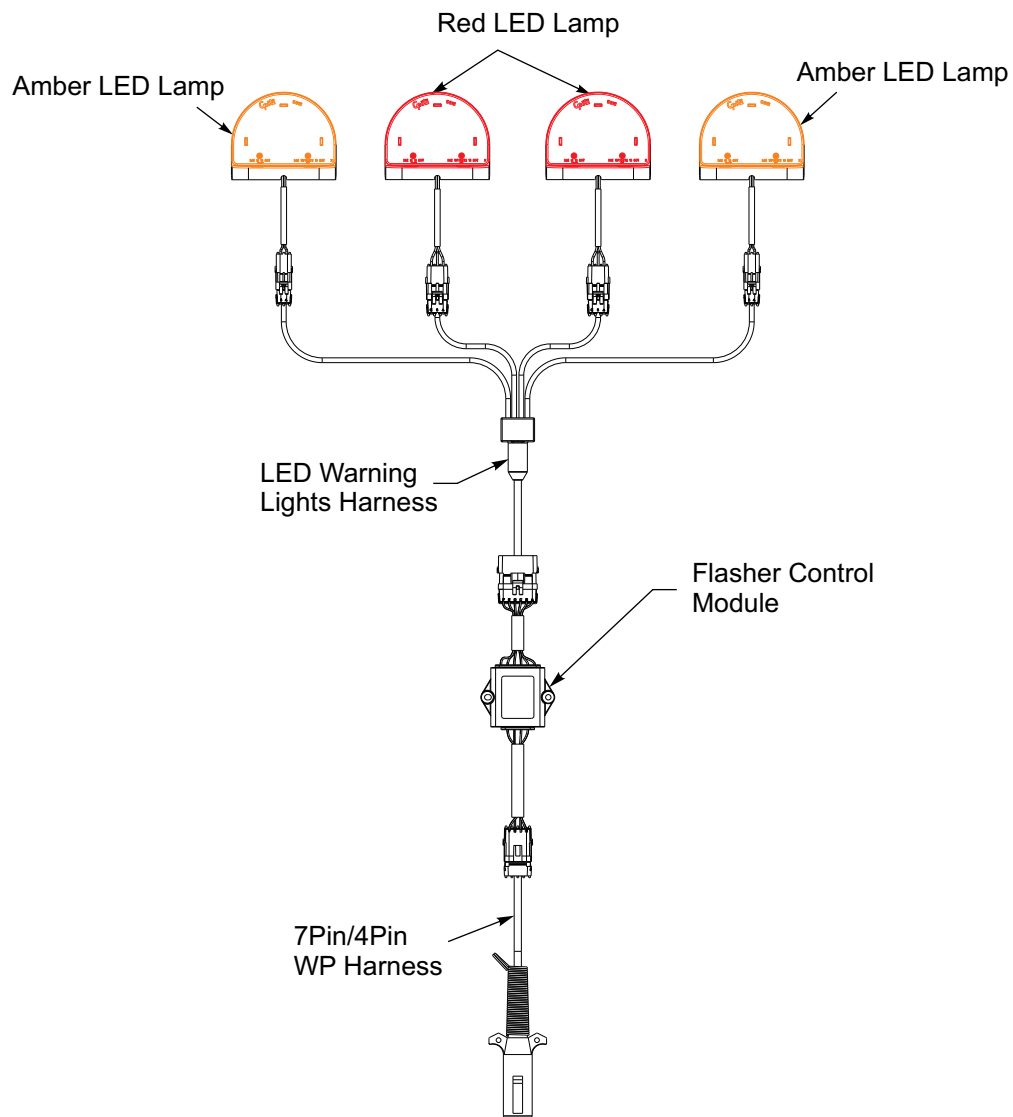
#### NOTE

*All models similar. Refer to Figure 2-19 for bracket and light placement.*

1. Attach the 2 (two) Light Brackets to the rear frame using the 1/2-13 U-Bolts and Nuts. On the 11' Models the Light Brackets are attached the 2 (two) foot extensions. **See Figures 2-20, 2-21, and 2-22.**
2. Attach Amber LED to the outside of the Light Bracket using (4) 1/4-20 x 1 1/4 Screws and Lock Nuts, then attach the Red LED next to the Amber LED using (4) 1/4-20 x 1 1/4 Screws and Lock Nuts
3. Attach the Light Module to the Module Bracket using (2) 1/4-20 x 1 1/2 Screws and Lock Nuts.
4. Attach the Module Bracket to the top of the rear frame using 2 (two) 3/8-16 U-Bolts and Flange Nuts.
5. Layout the Lamp Harness, noting that the connectors marked with Green Tape is Right Side and Yellow Tape is Left Side.
6. Plug the Lamp Harness into the Light Module, route both cord plugs with Green Tape along the top right side of the rear frame. Route the plugs up through the Light Bracket and plug the 3 prong cord into the Red LED. Plug the 2 prong cord into the Amber LED.
7. On the 11' Model, route both cord plugs with Green Tape along the top right side of the rear frame. then up the outer right frame, then over to the 2' extension. Route the plugs up through the Light Bracket and plug the 3 prong cord into the Red LED. Plug the 2 prong cord into the Amber LED.
8. Repeat for the Left Side (Yellow Tape).
9. Plug the 7 Pin Harness into the Light Module, then route the harness along the Right Hand Brace and secure with Tie Straps.
10. Bundle and secure excess cord to the Module Bracket with Tie Straps. Secure cords along frame and brace using Tie Straps.

All wires must be firmly attached to machine frame members so they do not sag or become torn loose by field debris.

## LED Warning Lights Schematic



When plugging in the LED 7-pin connector:

- 1) Make sure the tractor has a good clean receptacle, free of dirt and corrosion.
- 2) Make sure the 7-pin connector is inserted ALL the way in. With tighter fitting pins, operator may think the connector is all the way in, but really isn't.
- 3) Make sure the tractor receptacle cover latches over the keyway on the 7-pin connector to hold the connector in place.

If an operator plugs in the 7-pin connector, but the lights do not seem to work right, check the above items to make sure there is a good connection with the 7-pin connector.

**Figure 2-18: LED Warning Lights Schematic**

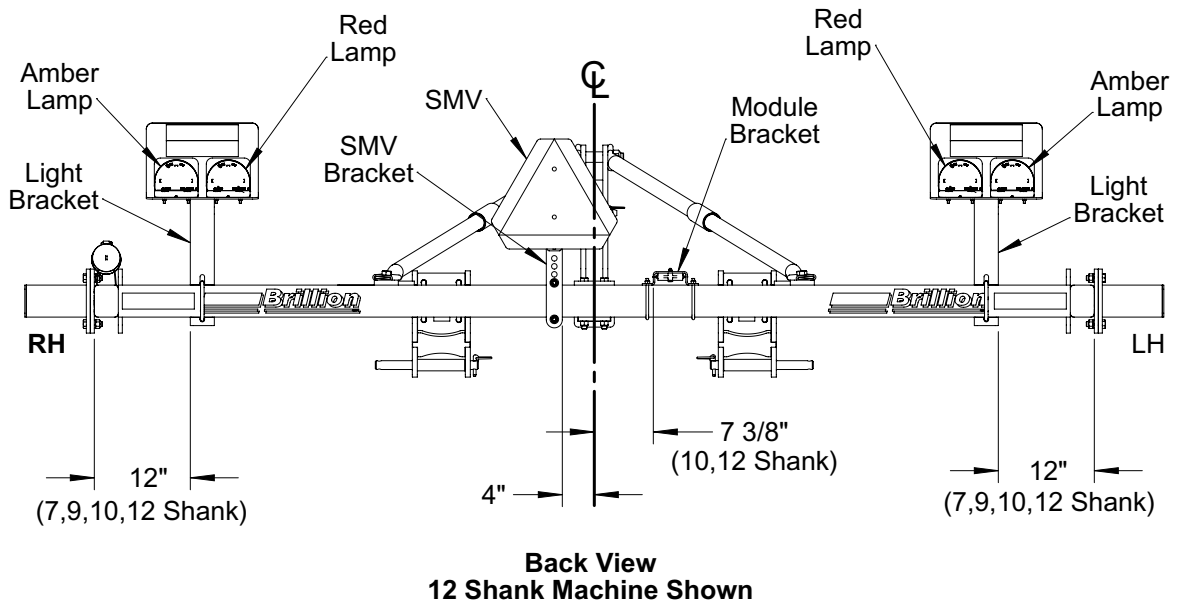
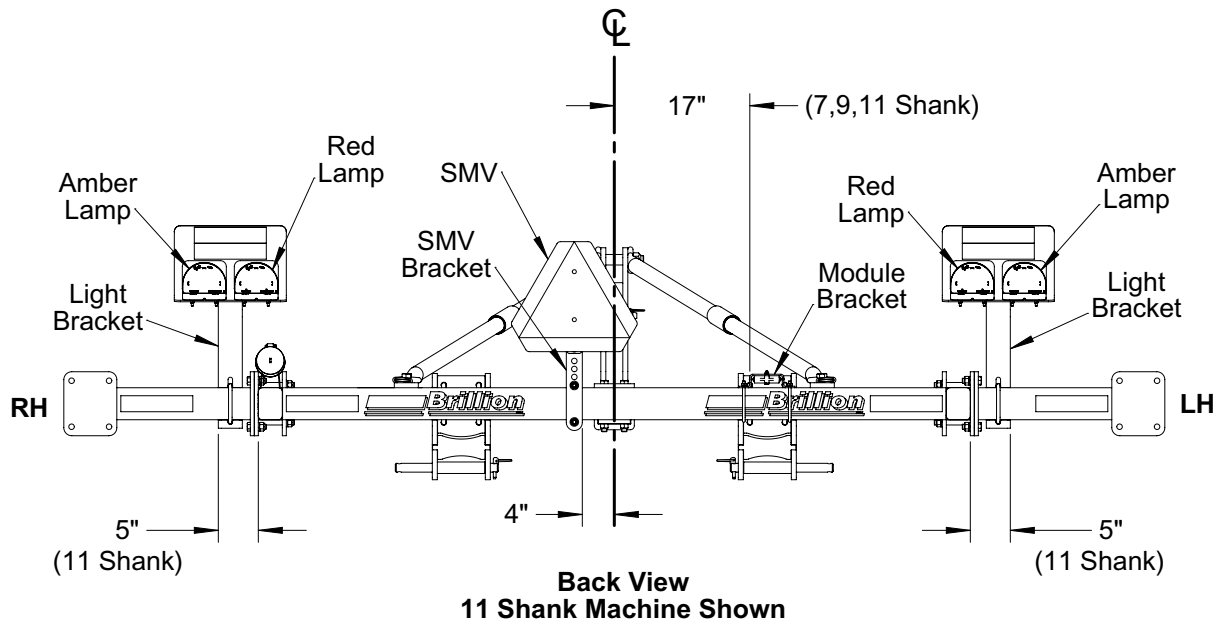


Figure 2-19: Electrical Installation Dimensions

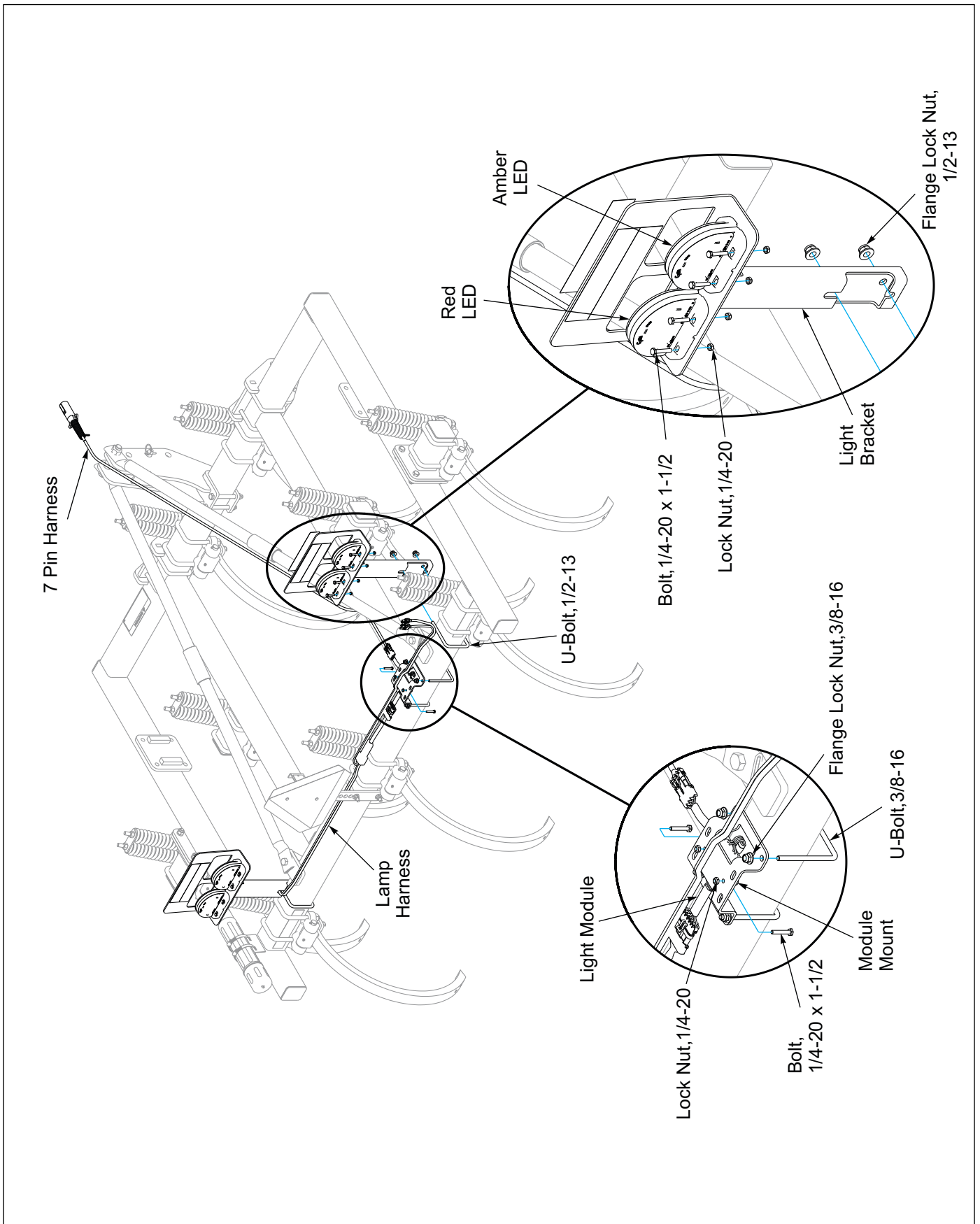


Figure 2-20: 7' and 9' LED Warning Lights Layout

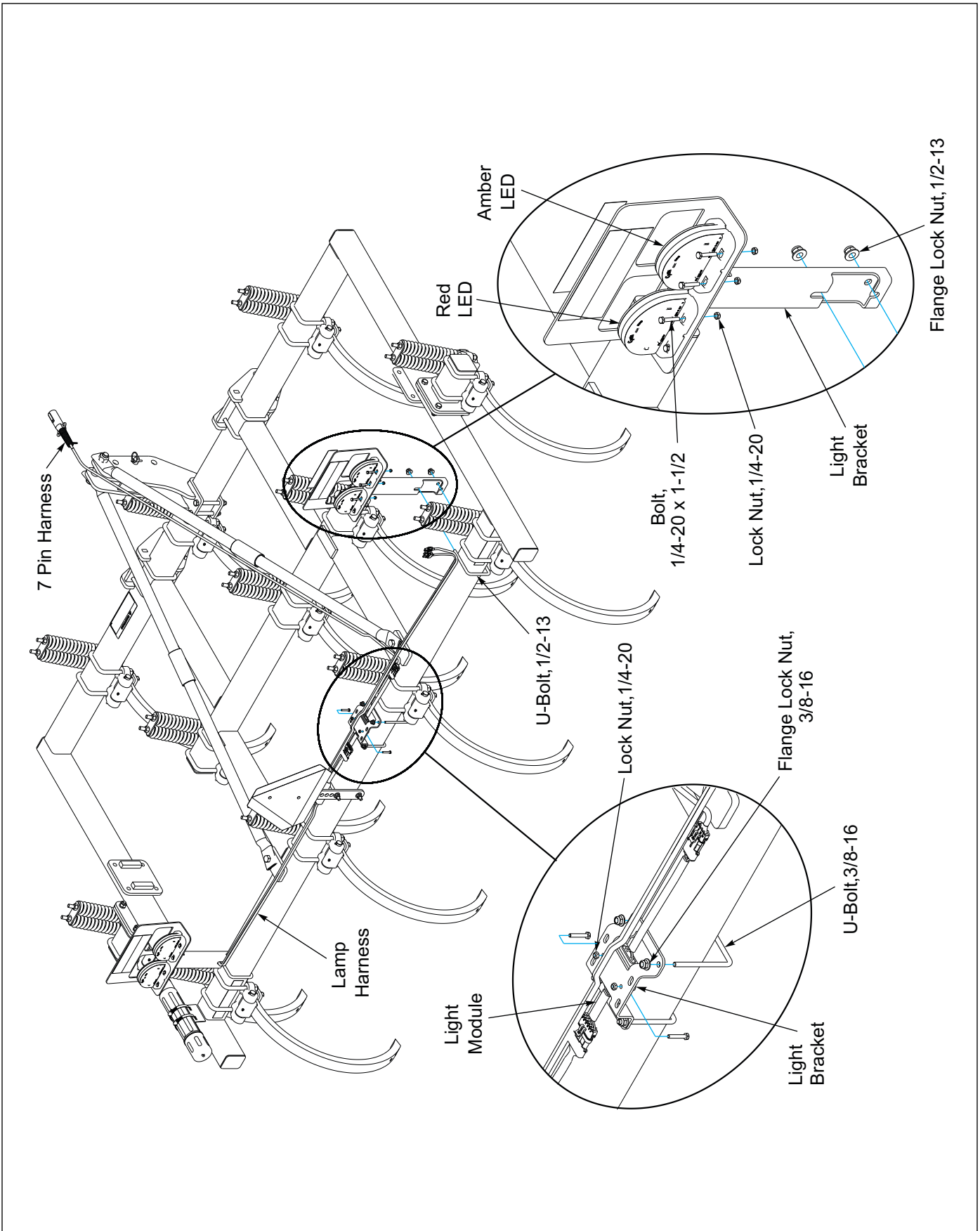


Figure 2-21: 10' and 12' LED Warning Lights Layout



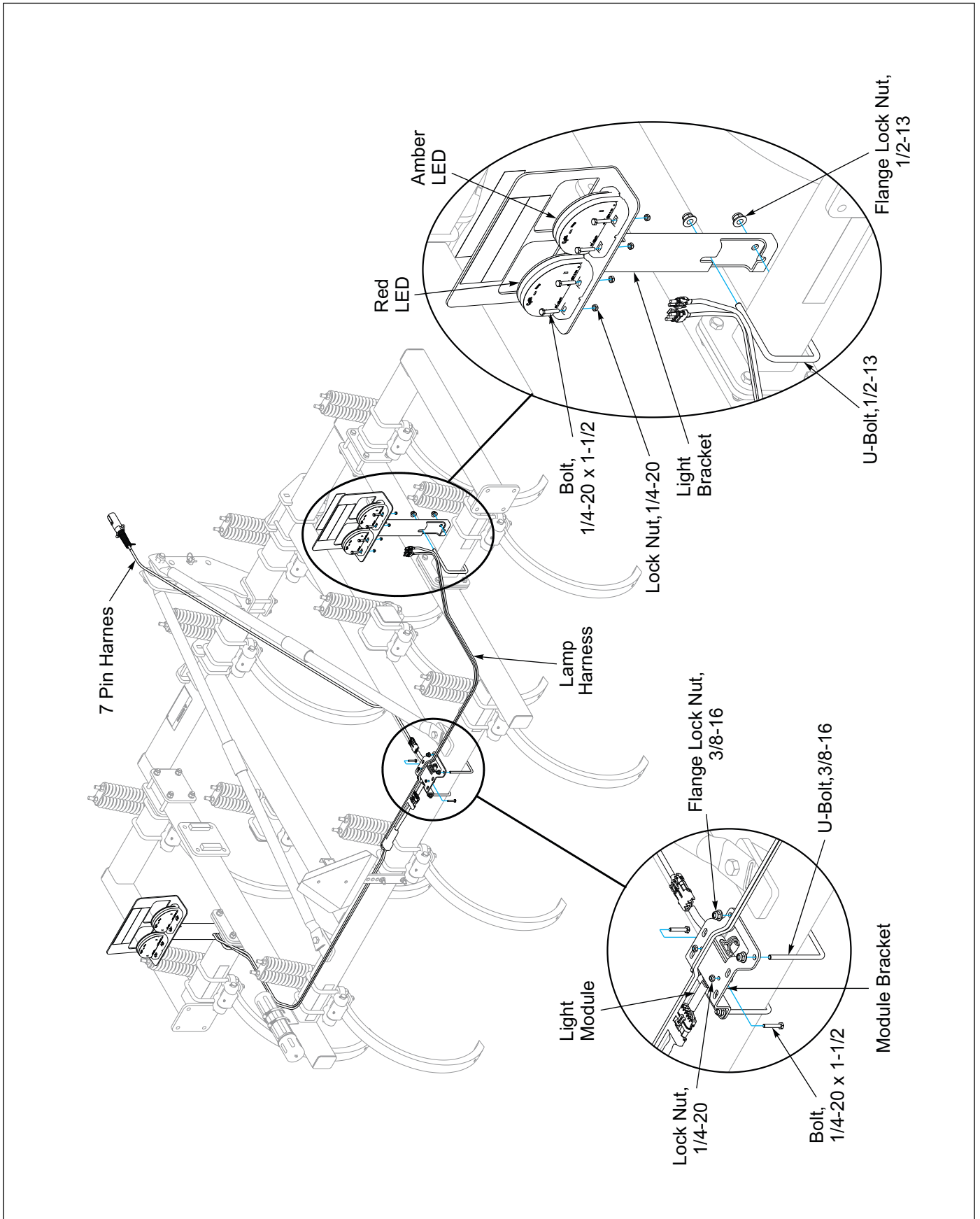


Figure 2-22: 11' LED Warning Lights Layout



# Chapter 3

## Operation



### DANGER

Never allow anyone to ride on the Chisel Plow at any time. Allowing a person to ride on the machine can inflict serious personal injury or death to that person.



### CAUTION

When transporting farm implements on public roads, it is the responsibility of the operator to abide by state and local laws concerning wide loads, speed, safety emblems and safety lighting equipment. Drive at safe speeds, particularly when rounding corners, crossing rough ground or driving on hillsides, to prevent tipping the tractor.

#### NOTE

This chapter will cover the basic operation and procedures for the Landoll Brillion Chisel Plow. Be sure to read and understand the Safety Procedures and Cautions starting on **Page 1-1**.

### General

- The chisel plow loosens the soil to the desired depth, allowing water penetration into the soil. During the winter, the ground will freeze deeper and “weather out” much faster.
- Chisel plowing leaves a mulch and residue cover on the surface, preventing soil surface sealing. Water will be absorbed quickly into the soil, reducing runoff, evaporation and soil erosion. The residue cover also reduces wind erosion.

### Operating Tips

- To retard downhill water movement on slopes, start at the bottom of the slope and work upwards, parallel to the bottom.
- Chisel the field at an angle to the rows to break up the ridges.

### Operating Speed

- The chisel works best when operated at a relatively fast speed; 5 mph or faster. If field conditions are adverse, operate at a slower speed to reduce the possibility of implement damage.
- If field conditions are too rough to operate at high speed at the desired depth, make two passes at an angle to each other. Make the first pass shallower than the second pass.

#### NOTE

Before operating your Brillion machine, check all hardware for tightness. Use the Tightening Torque Table in Chapter 4 as a guide. **See Page 4-1**.

### Tractor Preparation

The Chisel Plow may be used on tractors equipped with category 2 and 3 Free Link or 2,3 and 3N Quick Coupler 3 Point Hitches. Before attaching the Chisel Plow, prepare the tractor as follows:

- a. The rear tractor tires should be inflated equally and ballast added according to the tractor operator’s manual.
- b. For mounted type models, install front end weights as needed on tractor to maintain stability.



### CAUTION

Do not move tractor without making sure top hitch is connected to tractor.

### Attaching to Three-Point Hitch

1. Carefully back the tractor into place.
2. Attach the Chisel Plow to the tractor.

## OPERATION

3. For tractors equipped with Quick Hitches:
    - a. Attach quick hitch to the Chisel Plow
    - b. Raise and make sure lower pin locks are secured.
    - c. Raise the parking stand and pin in fully up position.
    - d. When disconnecting the Chisel Plow, adjust stands to leave the toolbar tilted slightly forward. This will permit easier disconnecting and reattaching.
  4. For tractors not equipped with Quick Hitch:
    - a. Attach lower lift arms of the tractor to the Chisel Plow utilizing appropriate pins. Chisel Plow models come with either Category II & III or III NARROW hitches.
    - b. Attach top link after connecting lower lift arms. Raise parking stands into clamps or remove. When disconnecting, place stand so that the Chisel Plow is stable.
  5. Reinstall the stabilizer bars or sway blocks before transporting.
  6. Plug in the 7 pin connector for the lights.
    - a. Make sure the tractor has a good clean receptacle, free of dirt and corrosion.
    - b. Make sure the 7-pin connector is inserted ALL the way in. With tighter fitting pins, operator may think the connector is all the way in, but really isn't.
    - c. Make sure the tractor receptacle cover latches over the keyway on the 7-pin connector to hold the connector in place.
    - d. If an operator plugs in the 7-pin connector, but the lights do not seem to work right, check the above items to make sure there is a good connection with the 7-pin connector.
3.
    - a. Set shank depth by adjusting the max depth stop on the 3-Point Control in the tractor.
    - b. Set shank depth by adjusting both Optional Gauge Wheels the same direction from the bottom of the tire to the tip of the Shank, which is the approximate working depth of the Shank. Loosen the 5/8-11 x 3 Bolts without removing the Nuts and raise or lower the Gauge Wheels to the desired depth. Tighten all hardware to the recommended torques and check periodically for looseness. **See Page 4-1.**
  4. Always lift the Chisel Plow completely out of the ground before turning or backing to prevent shank or coulter damage or damage to their respective mounting brackets.
  5. Reduce speed at field ends, raise the Chisel Plow out of the ground.
  6. After a few hours of initial operation, check all hardware for tightness. Tighten any loose Hardware.

### Spring Shank Tension Adjustment

For normal operation, the Lock Nuts on the Spring mounting should be tightened so that one inch of thread is exposed. **See Figure 3-1.**

In tougher soil you may want to increase the Spring tension or compress the spring more. Keep in mind that when this is done, the shank and tooth will not pass over as great of obstruction.

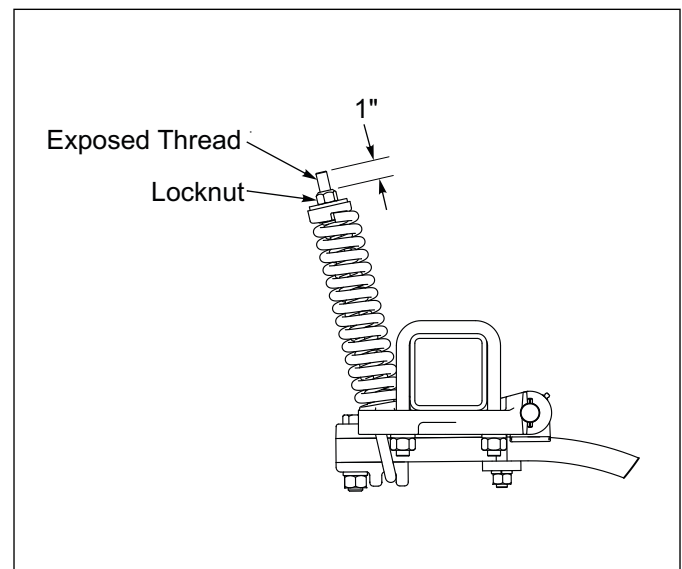


Figure 3-1: Spring Tension

### Field Operation - Three Point Hitch Type

1. Lower the Chisel Plow to the ground and pull it a few feet at the approximate desired depth.
2. Check for front-to-rear levelness. Level the frame by adjusting the three-point hitch top link until the frame is level to the ground.

## Transport

1. Check and follow all federal, state, and local requirements before transporting the Chisel Plow.
2. The Chisel Plow should be transported only by tractor required for field operation. The implement weight should not exceed more than 1.5 times the tractor weight. Maximum transport speed for the Chisel Plow is 20 mph.



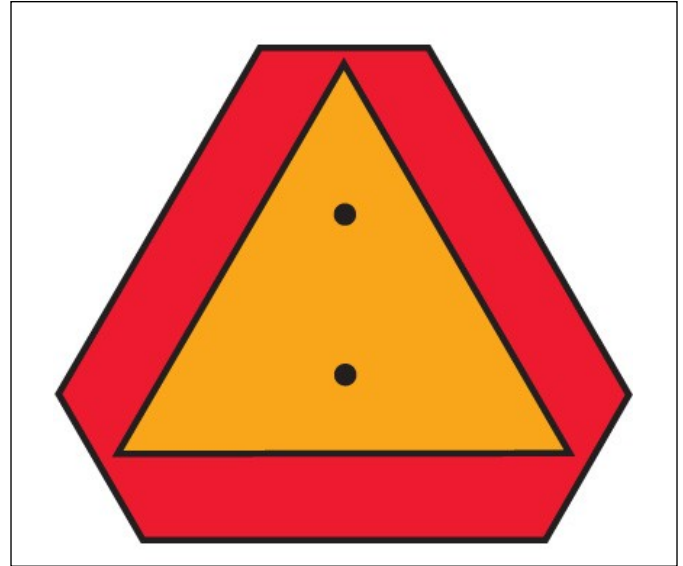
### CAUTION

**Excessive speed may result in loss of control of the tractor and implement, reduced braking ability, or failure of the implement tire or structure. Do not exceed the implement maximum specified ground speed regardless of the capability of the maximum tractor speed.**

3. When towing equipment in combination, the maximum equipment ground speed shall be limited to the lowest specified ground speed of any of the towed implements.
4. Maximum transport speed shall be the lesser of travel speed specified in the operator's manual, speed identification symbol, information sign of towed equipment, or limit of road conditions.
5. Slow down when driving on rough roads. Reduce speed when turning, or on curves and slopes to avoid tipping. Equipment altered other than the place of manufacture may reduce the maximum transport speed. Additional weight, added tanks, harrowing attachments, etc. may reduce implement load carrying capabilities.
6. Check that tires are of proper size, load rating, and inflated to manufacture specifications before transporting. Check wheel lug bolts to ensure tightness.
7. Know the transport heights and widths of the unit before transporting. Use caution when transporting near bridges and power lines.
8. Raise the machine to full transport height.
9. Transport during daylight hours when ever possible. Always use flashing warning lights, except where such use is prohibited by law. Make sure lights, reflectors and SMV emblem are clearly visible and operating. Remove any obstructions such as dirt, mud, stalks or residue that restricts view before transporting.

## Reflectors and SMV Sign

Reflectors and a slow moving vehicle sign (SMV) are required if the Chisel Plow is transported on a public road. **See Figure 3-2.**



**Figure 3-2: SMV Sign**



## Maintenance

### General Torque Specifications

(rev. 4/97)

This chart provides tightening torques for general purpose applications when special torques are not specified on process or drawing. Assembly torques apply to plated nuts and capscrews assembled without supplemental lubrication (as received condition). They do not apply if special graphite moly-disulfide or other extreme pressure lubricants are used. When fasteners are dry (solvent cleaned) add 33% to as received condition torque. Bolt head identification marks indicate grade and may vary from manufacturer to manufacturer. Thick nuts must be used on grade 8 capscrews. Use value in [ ] if using prevailing torque nuts

#### TORQUE SPECIFIED IN FOOT POUNDS

UNC SIZE	SAE Grade 2	SAE Grade 5	SAE Grade 8	UNF SIZE	SAE Grade 2	SAE Grade 5	SAE Grade 8
1/4-20	4 [5]	6 [7]	9 [11]	1/4-28	5 [6]	7 [9]	10 [12]
5/16-18	8 [10]	13 [13]	18 [22]	5/16-24	9 [11]	14 [17]	20 [25]
3/8-16	15 [19]	23 [29]	35 [42]	3/8-24	17 [21]	25 [31]	35 [44]
7/16-14	24 [30]	35 [43]	55 [62]	7/16-20	27 [34]	40 [50]	60 [75]
1/2-13	35 [43]	55 [62]	80 [100]	1/2-20	40 [50]	65 [81]	90 [112]
9/16-12	55 [62]	80 [100]	110 [137]	9/16-18	60 [75]	90 [112]	130 [162]
5/8-11	75 [94]	110 [137]	170 [212]	5/8-18	85 [106]	130 [162]	180 [225]
3/4-10	130 [162]	200 [250]	280 [350]	3/4-16	150 [188]	220 [275]	320 [400]
7/8-9	125 [156]	320 [400]	460 [575]	7/8-14	140 [175]	360 [450]	500 [625]
1-8	190 [237]	408 [506]	680 [850]	1-14	210 [263]	540 [675]	760 [950]
1-1/8-7	270 [337]	600 [750]	960 [1200]	1-1/8-12	300 [375]	660 [825]	1080 [1350]
1-1/4-7	380 [475]	840 [1050]	1426 [1782]	1-1/4-12	420 [525]	920 [1150]	1500 [1875]
1-3/8-6	490 [612]	1010 [1375]	1780 [2225]	1-3/8-12	560 [700]	1260 [1575]	2010 [2512]
1-1/2-6	650 [812]	1460 [1825]	2360 [2950]	1-1/2-12	730 [912]	1640 [2050]	2660 [3325]

#### METRIC:

Coarse thread metric class 10.9 fasteners and class 10.0 nuts and through hardened flat washers, phosphate coated, Rockwell "C" 38-45. Use value in [ ] if using prevailing torque nuts

Nominal thread diameter (mm)	Newton Meters (Standard Torque)	Foot Pounds (Standard Torque)	Nominal Thread Diameter (mm)	Newton Meters (Standard Torque)	Foot Pounds (Standard Torque)
6	10 [14]	7 [10]	20	385 [450]	290 [335]
7	16 [22]	12 [16]	24	670 [775]	500 [625]
8	23 [32]	17 [24]	27	980 [1105]	730 [825]
10	46 [60]	34 [47]	30	1330 [1470]	990 [1090]
12	80 [125]	60 [75]	33	1790 [1950]	1340 [1450]
14	125 [155]	90 [115]	36	2325 [2515]	1730 [1870]
16	200 [240]	150 [180]	39	3010 [3210]	2240 [2380]
18	275 [330]	205 [245]			

## Fasteners

Before operating your Brillion machine, check all hardware for tightness. Use the Tightening Torque Table below as a guide. **See Page 4-1.**

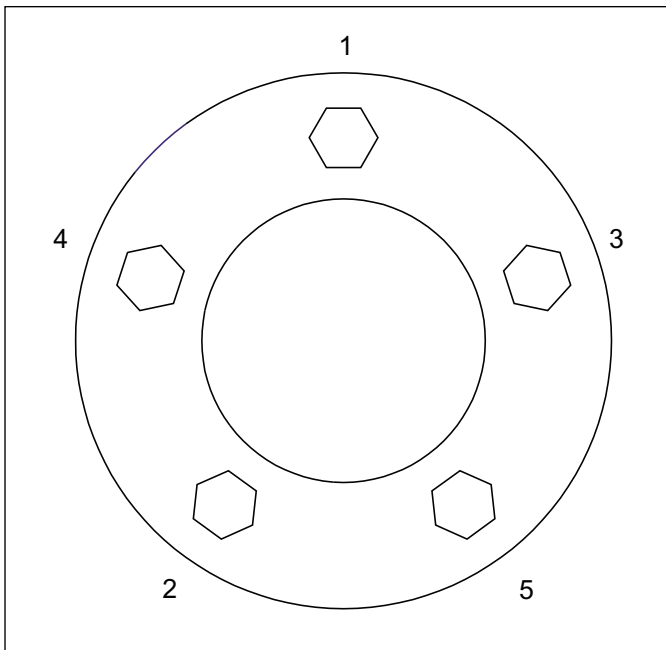
After a few hours of use, check entire machine and tighten any loose nuts or bolts. Daily or periodic checks should be made thereafter.

When replacing bolts, be sure to use fasteners of equal grade.

## Tires

Recommended tire sizes are 7.6 x 15-6 Ply Tire and should be inflated to 40 PSI.

When Re-Installing the Wheel Nuts tighten to 50 foot-pounds using the sequence in **Figure 4-1**. Then tighten to full torque of 85-100 ft-lbs.



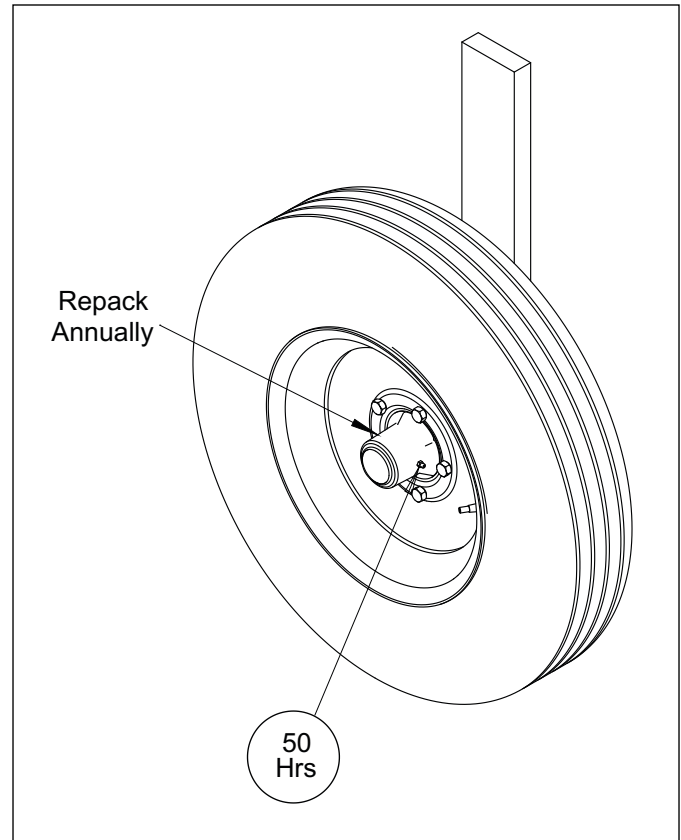
**Figure 4-1: Stud Tightening Sequence**

## Lubrication Maintenance

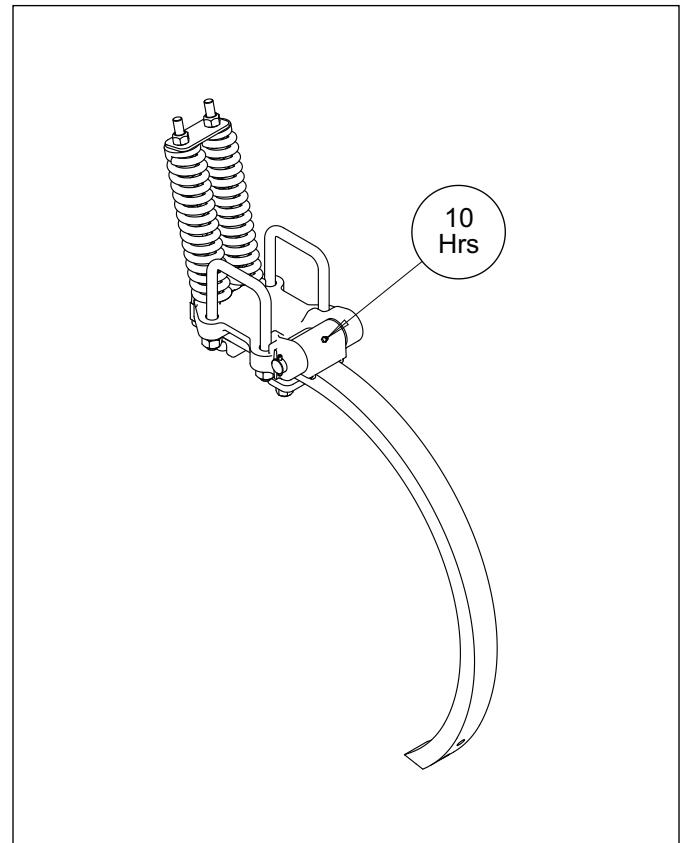
Wheel Hub Lubrication should be performed at the beginning of every season of use. Check the wheel bearings periodically for excessive end play.

Grease Wheel Hubs every 50 hours. **See Figure 4-2.**

Grease Spring Shank Clamp every 10 Hours to prevent seizure. **See Figure 4-3.**



**Figure 4-2 Wheel Hub**



**Figure 4-3 Spring Shank**



**NOTE**

*When replacing or reversing points, change all points at the same time so that they will have the same operating depth. If some shanks have worn points, or points of a different design, the chisel plow will not operate efficiently.*

**Storage**

1. The service life of the Chisel Plow will be extended by proper off-season storage practices. Prior to storing the unit, complete the following procedures:
  - a. Completely clean the unit.
  - b. Inspect the machine for worn or defective parts. Replace as needed.
  - c. Repaint all areas where the original paint is worn off.
  - d. Grease all exposed metal surfaces of shanks and points.
  - e. Apply a light coating of oil or grease to exposed cylinder rods to prevent them from rusting.
  - f. Lubricate each point of the machine as stated in **“Lubrication Points and Intervals” on page 4-4.**
2. Store the unit in a shed or under a tarpaulin to protect it from the weather. The ground tools and tires should rest on boards, or some other object, to keep them out of the soil.
3. If the unit is stored in the folded position, make sure the transport lock pins are installed to prevent settling.
4. Relieve Hydraulic Pressure in hoses after locks are installed.
5. Block wheels before unhitching from tractor.



# General Reference and Specifications

	CPP-7	CPP-9
<b>Rated Weight</b>	604 lbs. (272 kg)	636 lbs. (286 kg)
<b>Width</b>	7 ft. 0 in. (2.1 m)	9 ft. 0 in. (2.7 m)
<b>Track Width</b>	7 ft. 6 in. (2.25 m)	8 ft. 7 in. (2.58 m)
<b>Track Height</b>	4 ft. 8 in. (1.4 m)	4 ft. 8 in. (1.4 m)
<b>Track Length</b>	8 ft. 0 in. (2.4 m)	8 ft. 0 in. (2.4 m)
<b>Number of Shanks</b>	7	9
<b>Mount</b>	Rigid or Dual Nested Spring	Rigid or Dual Nested Spring
<b>Shank Spacing</b>	1 in. x 2 in. x 26 in. (25.4 x 50.8 x 660 mm)	1 in. x 2 in. x 26 in. (25.4 x 50.8 x 660 mm)
<b>Shank Diameter</b>	1.25 in. x 2 in. x 32 in. (31.3 x 50.8 x 813 mm)	1.25 in. x 2 in. x 32 in. (31.3 x 50.8 x 813 mm)
<b>Shank Thickness</b>	1.25 in. x 2 in. x 26 in. (31.3 x 50.8 x 660 mm)	1.25 in. x 2 in. x 26 in. (31.3 x 50.8 x 660 mm)
<b>Shank Tapering</b>	12 in. (300 mm)	12 in. (300 mm)
<b>Working Depth</b>	Maximum 12 in. (300 mm)	Maximum 12 in. (300 mm)
<b>Shank Tensile Resistance / Trip Resistance</b>	550 lbs. to 825 lbs. (248 kg to 371 kg)	550 lbs. to 825 lbs. (248 kg to 371 kg)
<b>Shank Tip Height</b>	5.5 in. (138 mm)	5.5 in. (138 mm)
<b>Shank Points Available</b>	2 in. (50.8 mm) Reversible Point or 3 in. (76.2 mm) Reversible Twisted Point	2 in. (50.8 mm) Reversible Point or 3 in. (76.2 mm) Reversible Twisted Point
<b>Shank Frame Clearance</b>	27.5 in. or 33.5 in. (688 or 838 mm)	27.5 in. or 33.5 in. (688 or 838 mm)
<b>Shank Structure</b>	4 in. x 4 in. x .25 in. (100 x 100 x 6.35 mm)	4 in. x 4 in. x .25 in. (100 x 100 x 6.35 mm)
<b>Shank Joint Hitch</b>	Cat. 2 & 3 Free Link - 2,3 & 3N Quick Coupler	Cat. 2 & 3 Free Link - 2,3 & 3N Quick Coupler
<b>Shank Warning Lights &amp; SMV Emblem</b>	Standard	Standard
<b>Shank Coat Paint, Red</b>	Standard	Standard
<b>Equipment</b>	Manual Adjust Gauge Wheel Kit Shank and Clamp Assemblies Frame Extension Kits	Manual Adjust Gauge Wheel Kit Shank and Clamp Assemblies Frame Extension Kits
<b>Power Requirements</b>	10 to 15 HP (8 to 11 kW) per Shank	10 to 15 HP (8 to 11 kW) per Shank
<b>Rated Operating Speed</b>	4 to 6 MPH (6.43 to 9.65 km/h)	4 to 6 MPH (6.43 to 9.65 km/h)

# GENERAL REFERENCE AND SPECIFICATIONS

CPP-10	CPP-11	CPP-12
723 lbs. (325 kg)	779 lbs. (351 kg)	755 lbs. (340 kg)
10 ft. 0 in. (3.0 m)	11 ft. 0 in. (3.4 m)	12 ft. 0 in. (3.6 m)
10 ft. 6 in. (3.15 m)	11 ft. 6 in. (3.45 m)	11 ft. 11 in. (3.6 m)
4 ft. 8 in. (1.4 m)	4 ft. 8 in. (1.4 m)	4 ft. 8 in. (1.4 m)
8 ft. 0 in. (2.4 m)	8 ft. 0 in. (2.4 m)	8 ft. 0 in. (2.4 m)
10	11	12
Rigid or Dual Nested Spring	Rigid or Dual Nested Spring	Rigid or Dual Nested Spring
1 in. x 2 in. x 26 in. (25.4 x 50.8 x 660 mm)	1 in. x 2 in. x 26 in. (25.4 x 50.8 x 660 mm)	1 in. x 2 in. x 26 in. (25.4 x 50.8 x 660 mm)
25 in. x 2 in. x 32 in. (31.3 x 50.8 x 813 mm)	1.25 in. x 2 in. x 32 in. (31.3 x 50.8 x 813 mm)	1.25 in. x 2 in. x 32 in. (31.3 x 50.8 x 813 mm)
25 in. x 2 in. x 26 in. (31.3 x 50.8 x 660 mm)	1.25 in. x 2 in. x 26 in. (31.3 x 50.8 x 660 mm)	1.25 in. x 2 in. x 26 in. (31.3 x 50.8 x 660 mm)
12 in. (300 mm)	12 in. (300 mm)	12 in. (300 mm)
Maximum 12 in. (300 mm)	Maximum 12 in. (300 mm)	Maximum 12 in. (300 mm)
550 lbs. to 825 lbs. (248 kg to 371 kg)	550 lbs. to 825 lbs. (248 kg to 371 kg)	550 lbs. to 825 lbs. (248 kg to 371 kg)
5.5 in. (138 mm)	5.5 in. (138 mm)	5.5 in. (138 mm)
(50.8 mm) Reversible Point or 3 in. (76.2 mm)	2 in. (50.8 mm) Reversible Point or 3 in. (76.2 mm)	2 in. (50.8 mm) Reversible Point or 3 in. (76.2 mm)
Reversible Twisted Point	Reversible Twisted Point	Reversible Twisted Point
27.5 in. or 33.5 in. (688 or 838 mm)	27.5 in. or 33.5 in. (688 or 838 mm)	27.5 in. or 33.5 in. (688 or 838 mm)
1 in. x 4 in. x .25 in. (100 x 100 x 6.35 mm)	4 in. x 4 in. x .25 in. (100 x 100 x 6.35 mm)	4 in. x 4 in. x .25 in. (100 x 100 x 6.35 mm)
Cat. 2 & 3 Free Link - 2,3 & 3N Quick Coupler	Cat. 2 & 3 Free Link - 2,3 & 3N Quick Coupler	Cat. 2 & 3 Free Link - 2,3 & 3N Quick Coupler
Standard	Standard	Standard
Standard	Standard	Standard
Manual Adjust Gauge Wheel Kit	Manual Adjust Gauge Wheel Kit	Manual Adjust Gauge Wheel Kit
Shank and Clamp Assemblies	Shank and Clamp Assemblies	Shank and Clamp Assemblies
Frame Extension Kits	Frame Extension Kits	Frame Extension Kits
10 to 15 HP (8 to 11 kW) per Shank	10 to 15 HP (8 to 11 kW) per Shank	10 to 15 HP (8 to 11 kW) per Shank
4 to 6 MPH (6.43 to 9.65 km/h)	4 to 6 MPH (6.43 to 9.65 km/h)	4 to 6 MPH (6.43 to 9.65 km/h)

**Document Control Revision Log:**

Date	Revision	Improvement(s) Description and Comments
07/2001		Initial Release
11/2013	1113	Updated to the Landoll format. Added LED Warning Lights



**Intertek**

Equipment from Landoll Company, LLC is built to exacting standards ensured by ISO 9001 registration at all Landoll manufacturing facilities.

# **Chisel Plow, 3 - Bar Mounted Models: CPP7 through CPP12 Operator's Manual**

Re-Order Part Number 7D525

**LANDOLL COMPANY, LLC**

1900 North Street

Marysville, Kansas 66508

(785) 562-5381

**800-428-5655 ~ WWW.LANDOLL.COM**



Copyright 2020. Landoll Company, LLC

"All rights reserved, including the right to reproduce this material or portions thereof in any form."