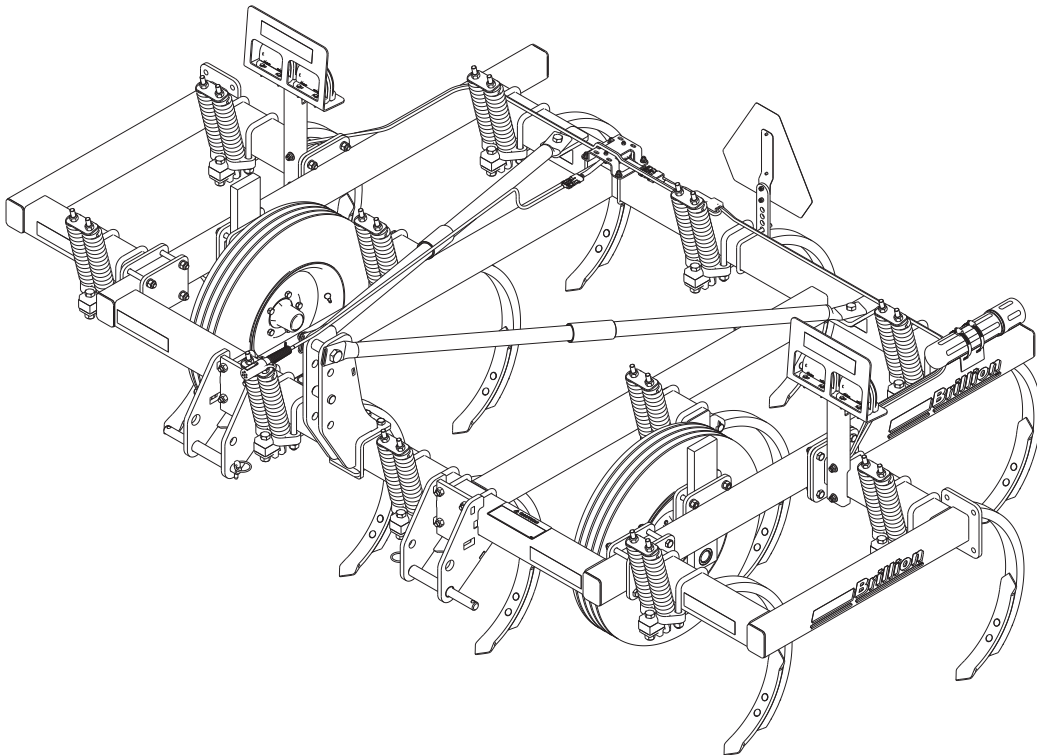




# Chisel Plow, 3-Bar Mounted Models: CPP7 thru CPP12 Parts Manual



**LANDOLL COMPANY, LLC**

1900 North Street

Marysville, Kansas 66508

(785) 562-5381

800-428-5655 ~ [WWW.LANDOLL.COM](http://WWW.LANDOLL.COM)

## Manuals for 3-Bar Mounted, Chisel Plow

Manual Number	Manual Type
7D525	Operator's Manual
7D524	Parts Manual

# Table of Contents

---

## **1 Illustrated Parts List**

Instructions for Ordering Parts .....	1-1
Frame (7 and 9 Shank Models) .....	1-2
Frame (10 and 12 Shank Models) .....	1-4
Frame (11 Shank Model) .....	1-6
Shank and Spring Clamp Assembly .....	1-8
Spring Shank Assembly .....	1-10
Rigid Shank Assembly .....	1-12
Points .....	1-13
LED Warning Lights (7 and 9 Shank Models) .....	1-14
LED Warning Lights (10 and 12 Shank Models) .....	1-16
LED Warning Lights (11 Shank Model) .....	1-18
Extension Kit, 2FT - Optional .....	1-20
Extension Kit, 4FT - Optional .....	1-21
Bracket Assemblies - Optional (Before 04/2016) .....	1-22
Gauge Wheel Kit, 32" - Optional .....	1-23
Gauge Wheel Kit, 26" - Optional .....	1-24
Hub and Bar Assembly, 1J402 .....	1-25
Hub and Bar Assembly, 1J404 .....	1-26
Hub and Spindle Assembly .....	1-27
Wheel and Tire .....	1-28
Decals .....	1-29
Decal Locations .....	1-30

## **2 Glossary**

## **3 Index**



# Illustrated Parts List

## Instructions for Ordering Parts

**\*\* Repair parts must be ordered through an authorized dealer \*\***

### DEALER INSTRUCTIONS FOR ORDERING PARTS FROM LANDOLL PARTS DISTRIBUTION CENTER

PHONE #: 800-423-4320 OR 785-562-5381

FAX #: 888-527-3909

ORDER ONLINE: [Dealer.landoll.com](http://Dealer.landoll.com)

### IDENTIFICATION PLATE

See Figure 1-1 for the Identification Plate, which lists the model and serial number of the equipment. It is located on the rear left hand, inside frame of the Chisel Plow.

### SERIAL NUMBER NOMENCLATURE

The serial number for the Chisel is located on the identification plate. The following information will help decode the Landoll serial number.

**CPD24000100 = xxmyysss**

<b>xx</b>	= model series (i.e. "CP" for all Chisel Plows)
<b>m</b>	= month of manufacture (ex. "D" means April. The letter I is not used.)
<b>yy</b>	= last digits of the year manufactured (ex. "24" means 2024)
<b>sss</b>	= Sequential number used to track warranty and service information.

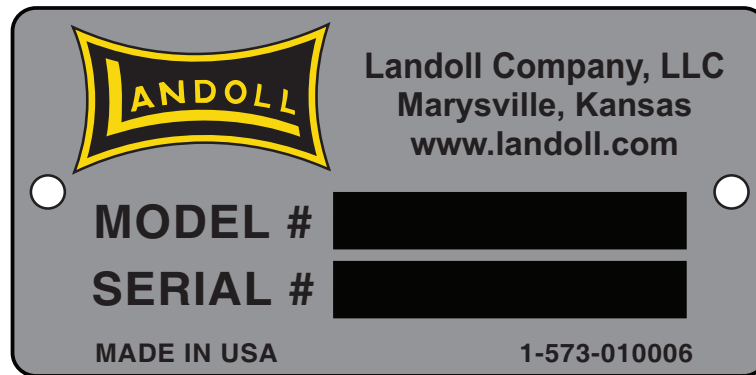


Figure 1-1: Identification Plate

ILLUSTRATED PARTS LIST

Frame (7 and 9 Shank Models)

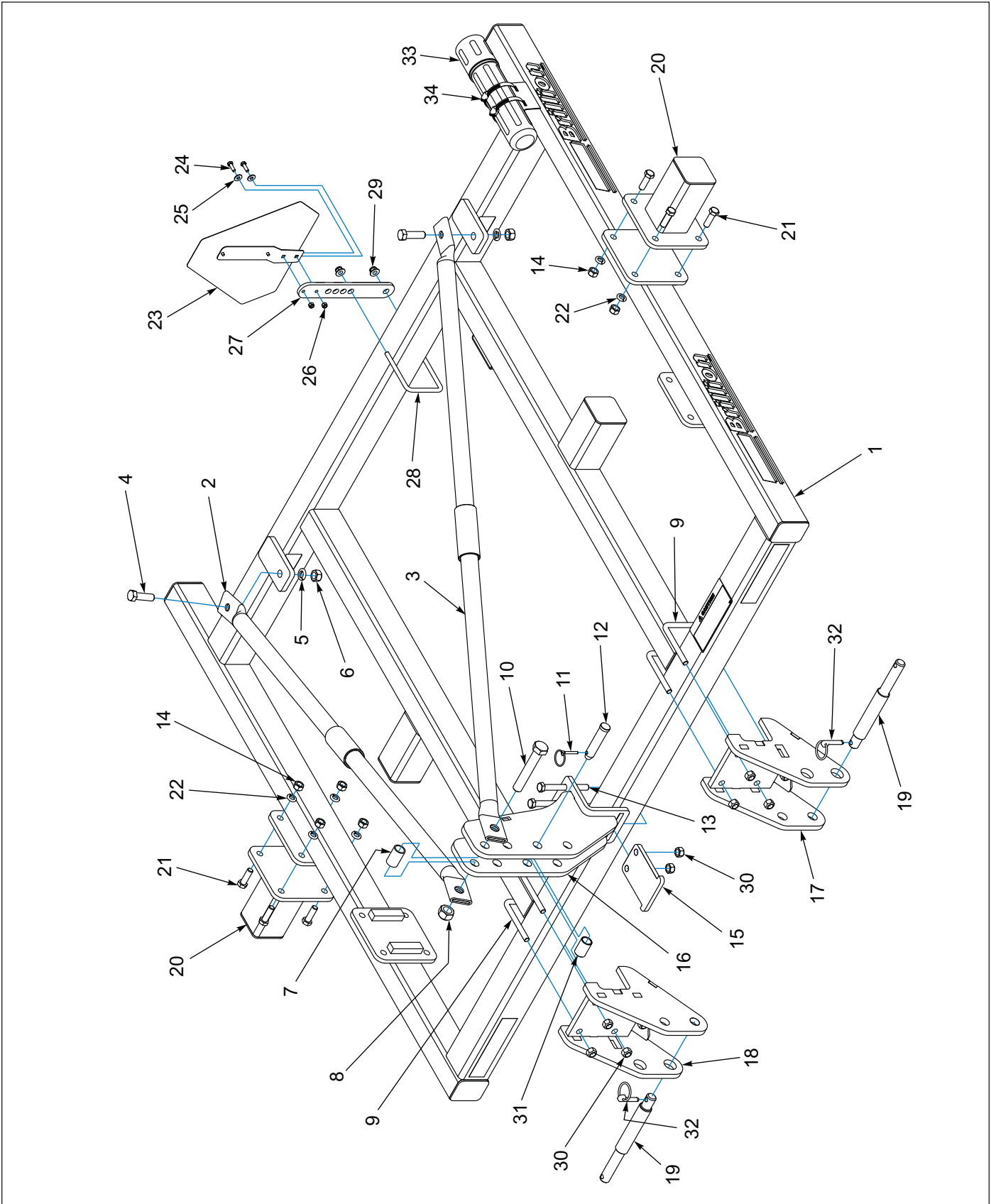


Figure 1-2: Frame (7 and 9 Shank Models)

## Frame (7 and 9 Shank Models)

ITEM	PART NUMBER	DESCRIPTION	QTY
1	7D017	FRAME WELDMENT	1
2	7D472	R. H. BRACE	1
3	7D473	L. H. BRACE	1
4	1-654-010061-07	SCREW, HX CP 3/4-10UNC X 2-1/2, G5	2
5	1-861-010034-17	WASHER, LKG,HLCL SPR, 3/4	2
6	1-512-010007-12	NUT, HEX 3/4-10 GR2, ZP	2
7	6D988	SPACER	1
8	1-512-010005-19	NUT 1-8 HEX SLF-LOCKING GRB	1
9	9D989	U-BOLT, 5/8-11 X 5-5/8 X 4-11/16	4
10	1-654-10065-17	SCREW, HEX CAP, 1-8UNC X 6, GR5	1
11	1-557-010327	PIN LYNCH 1/4 X 1-1/4	1
12	6D529	CLEVIS PIN, 1.0 X 4.5	1
13	1-654-010059-17	SCREW, HX CP 5/8-11UNC X 6, GR5	2
14	1-512-010007-11	NUT, HEX 5/8-11 GR2, ZP <b>(9' MODELS ONLY)</b>	8
15	198951	PLATE UPPER HITCH CLAMP	1
16	198944	BRACKET WLDMT, UPPER HITCH	1
17	198938	BRACKET WLDMT, LH LOWER HITCH	1
18	198939	BRACKET WLDMT, RH LOWER HITCH	1
19	108841	PIN, LOWER 3-POINT	2
20	6D271	1 FT. EXTENSION ASSEMBLY <b>(9' MODELS ONLY)</b>	2
21	1-654-010059-05	SCREW, HEX CAP 5/8-11UNC X 2, GR5 <b>(9' MODELS ONLY)</b>	8
22	1-861-010034-15	WASHER, LKG HLCL SPR, 5/8 <b>(9' MODELS ONLY)</b>	8
23	2P151	SMV W/BRACKET	1
24	1-654-010049-05	SCREW, HX CP 5/16-18UNC X 1, GR5	2
25	1-861-010032-09	WASHER, FLAT 5/16 W ZP/CD	2
26	104032	NUT, HX SLF-LKG W/MYL 5/16-18	2
27	164678	MOUNT, SMV	1
28	3J562	U-BOLT 1/2-13 X 5-1/2 X 4-9/16	1
29	2P253	NUT, FLANGE NY-LOK 1/2-13	2
30	1-512-010005-13	NUT, HEX SLFLKG GRB 5/8-11	10
31	5D157	SLEEVE	1
32	2-557-010417	PIN, LYNCH CAT III	2
33	1-116-010019	MANUAL STORAGE CANISTER	1
34	105-0093	HOSE CLAMP 4-1/2 IDEAL #5264	2

# Frame (10 and 12 Shank Models)

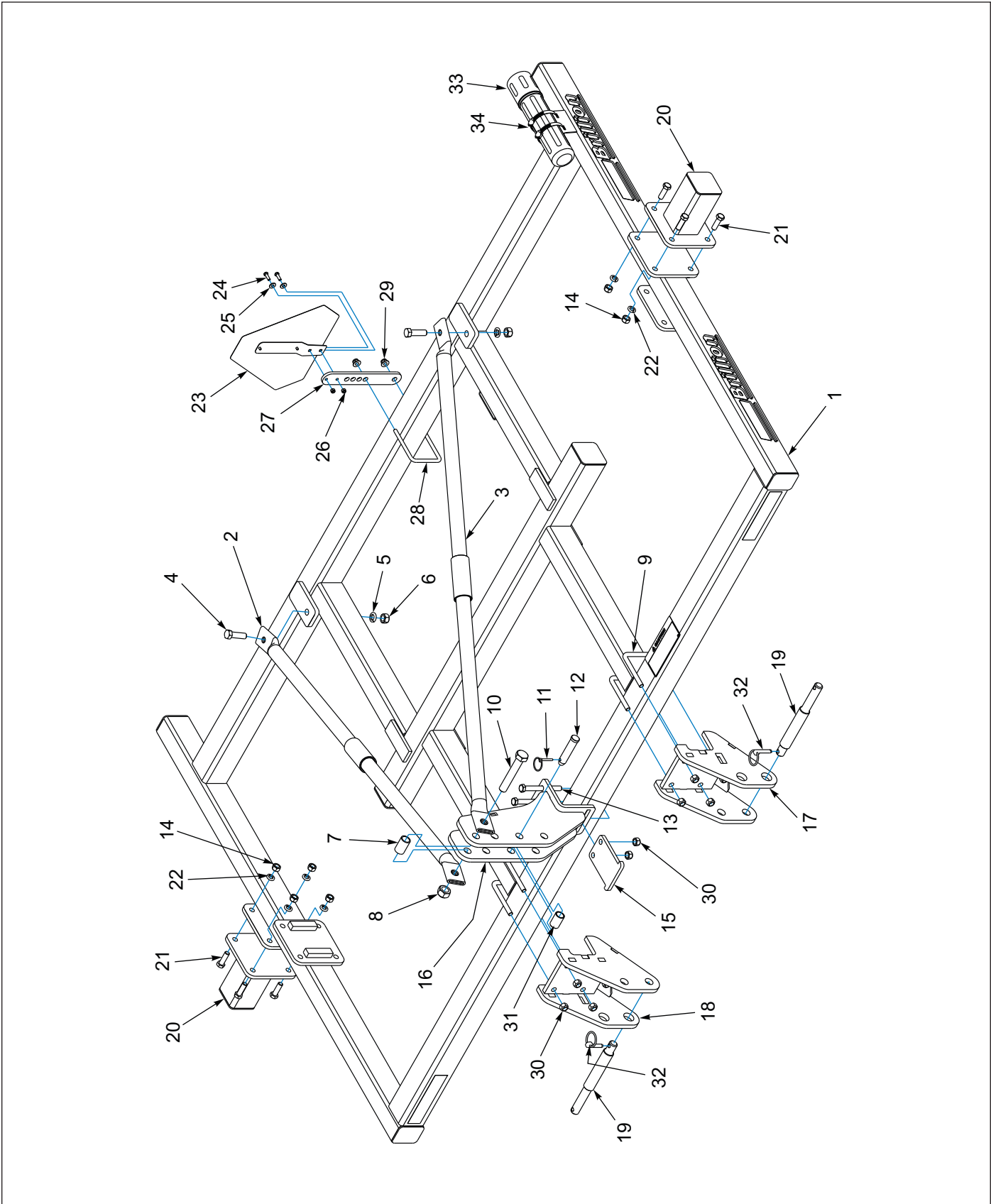


Figure 1-3: Frame (10 and 12 Shank Models)



## Frame (10 and 12 Shank Models)

ITEM	PART NUMBER	DESCRIPTION	QTY
1	7D442	FRAME WELDMENT	1
2	7D472	R. H. BRACE	1
3	7D473	L. H. BRACE	1
4	1-654-010061-07	SCREW, HX CP 3/4-10UNC X 2-1/2, G5	2
5	1-861-010034-17	WASHER, LKG,HLCL SPR, 3/4	2
6	1-512-010007-12	NUT, HEX 3/4-10 GR2, ZP	2
7	6D988	SPACER	1
8	1-512-010005-19	NUT, 1-8 HEX SLF-LOCKING GRB	1
9	9D989	U-BOLT, 5/8-11 X 5-5/8 X 4-11/16	4
10	1-654-10065-17	SCREW, HEX CAP, 1-8UNC X 6, GR5	1
11	1-557-010327	PIN LYNCH 1/4 X 1-1/4	1
12	6D529	CLEVIS PIN, 1.0 X 4.5	1
13	1-654-010059-17	SCREW, HX CP 5/8-11UNC X 6, GR5	2
14	1-512-010007-11	NUT, HEX 5/8-11 GR2, ZP (12' MODELS ONLY)	8
15	198951	PLATE UPPER HITCH CLAMP	1
16	198944	BRACKET WLDMT, UPPER HITCH	1
17	198938	BRACKET WLDMT, LH LOWER HITCH	1
18	198939	BRACKET WLDMT, RH LOWER HITCH	1
19	108841	PIN, LOWER 3-POINT	2
20	6D271	1 FT. EXTENSION ASSEMBLY (12' MODELS ONLY)	2
21	1-654-010059-05	SCREW, HEX CAP 5/8-11UNC X 2, GR5 (12' MODELS ONLY)	8
22	1-861-010034-15	WASHER, LKG HLCL SPR, 5/8 (12' MODELS ONLY)	8
23	2P151	SMV W/BRACKET	1
24	1-654-010049-05	SCREW, HX CP 5/16-18UNC X 1, GR5	2
25	1-861-010032-09	WASHER, FLAT 5/16 W, ZP/CD	2
26	104032	NUT, HX SLF-LKG W/MYL 5/16-18	2
27	164678	MOUNT, SMV	1
28	3J562	U-BOLT 1/2-13 X 5-1/2 X 4-9/16	1
29	2P253	NUT, FLANGE NY-LOK 1/2-13	2
30	1-512-010005-13	NUT, HEX SLFLKG GRB 5/8-11	10
31	5D157	SLEEVE	1
32	2-557-010417	PIN, LYNCH CAT III	2
33	1-116-010019	MANUAL STORAGE CANISTER	1
34	105-0093	HOSE CLAMP 4-1/2 IDEAL #5264	2

Frame (11 Shank Model)

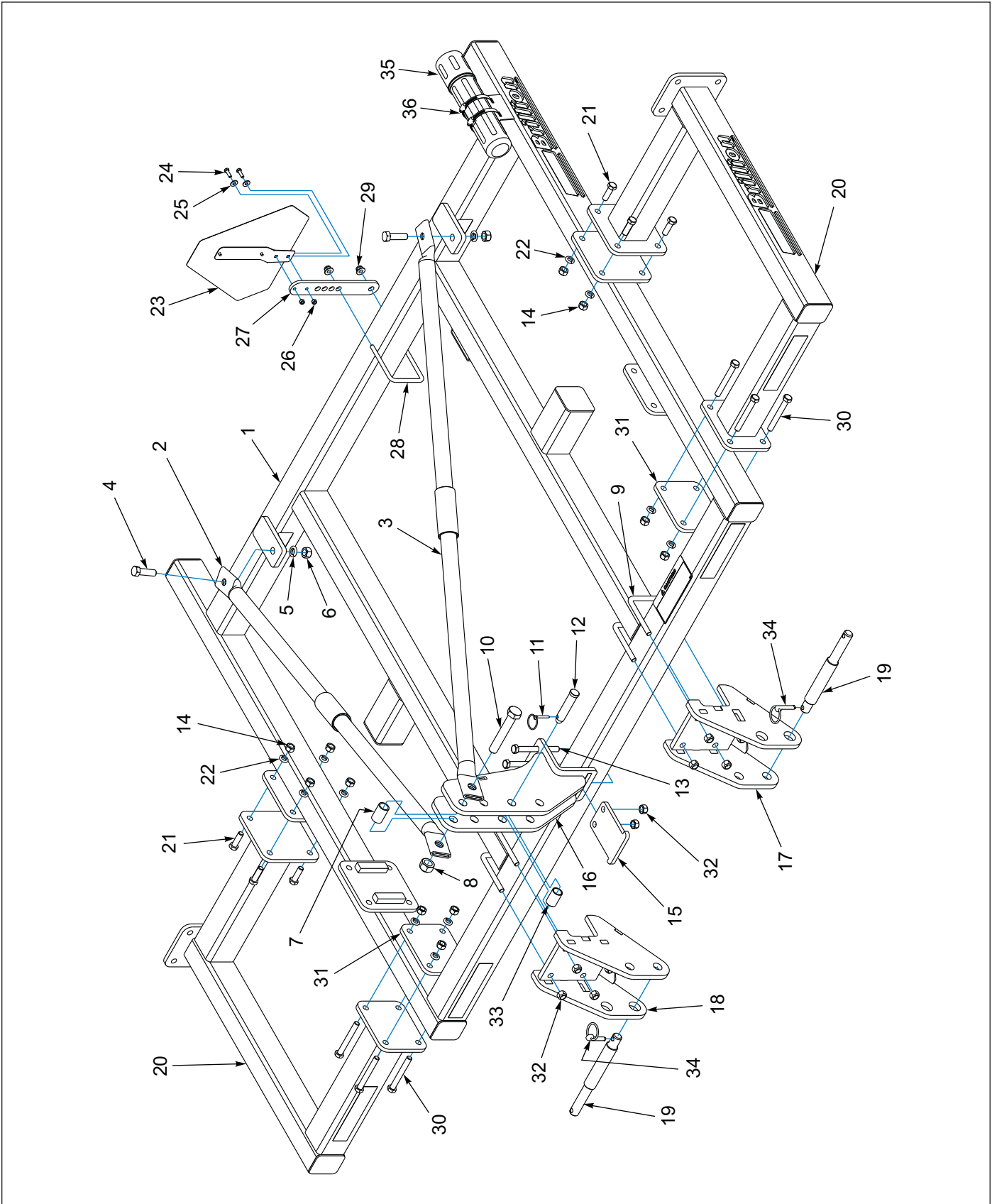


Figure 1-4: Frame (11 Shank Model)

## Frame (11 Shank Model)

ITEM	PART NUMBER	DESCRIPTION	QTY
1	7D017	FRAME WELDMENT	1
2	7D472	R. H. BRACE	1
3	7D473	L. H. BRACE	1
4	1-654-010061-07	SCREW, HX CP 3/4-10UNC X 2-1/2, G5	2
5	1-861-010034-17	WASHER, LKG, HLCL SPR, 3/4	2
6	1-512-010007-12	NUT, HEX 3/4-10 GR2, ZP	2
7	6D988	SPACER	1
8	1-512-010005-19	NUT, 1-8 HEX SLF-LOCKING GRB	1
9	9D989	U-BOLT, 5/8-11 X 5-5/8 X 4-11/16	4
10	1-654-10065-17	SCREW, HEX CAP, 1-8UNC X 6, GR5	1
11	1-557-010327	PIN LYNCH 1/4 X 1-1/4	1
12	6D529	CLEVIS PIN, 1.0 X 4.5	1
13	1-654-010059-17	SCREW, HX CP 5/8-11UNC X 6, GR5	2
14	1-512-010007-11	NUT, HEX 5/8-11 GR2, ZP	16
15	198951	PLATE UPPER HITCH CLAMP	1
16	198944	BRACKET WLDMT, UPPER HITCH	1
17	198938	BRACKET WLDMT, LH LOWER HITCH	1
18	198939	BRACKET WLDMT, RH LOWER HITCH	1
19	108841	PIN, LOWER 3-POINT	2
20	6D273	2 FT. EXTENSION ASSEMBLY	2
21	1-654-010059-05	SCREW, HEX CAP 5/8-11UNC X 2, GR5	8
22	1-861-010034-15	WASHER, LKG HLCL SPR, 5/8	16
23	2P151	SMV W/BRACKET	1
24	1-654-010049-05	SCREW, HX CP 5/16-18UNC X 1, GR5	2
25	1-861-010032-09	WASHER, FLAT 5/16 W, ZP/CD	2
26	104032	NUT, HX SLF-LKG W/MYL 5/16-18	2
27	164678	MOUNT, SMV	1
28	3J562	U-BOLT 1/2-13 X 5-1/2 X 4-9/16	1
29	2P253	NUT, FLANGE NY-LOK 1/2-13	2
30	1-654-010059-15	SCREW, HEX CAP 5/8-11UNC X 5, GR5	8
31	6D299	PLATE	2
32	1-512-010005-13	NUT, HEX SLFLKG GRB 5/8-11	10
33	5D157	SLEEVE	1
34	2-557-010417	PIN, LYNCH CAT III	2
35	1-116-010019	MANUAL STORAGE CANISTER	1
36	105-0093	HOSE CLAMP 4-1/2 IDEAL #5264	2

# Shank and Spring Clamp Assembly

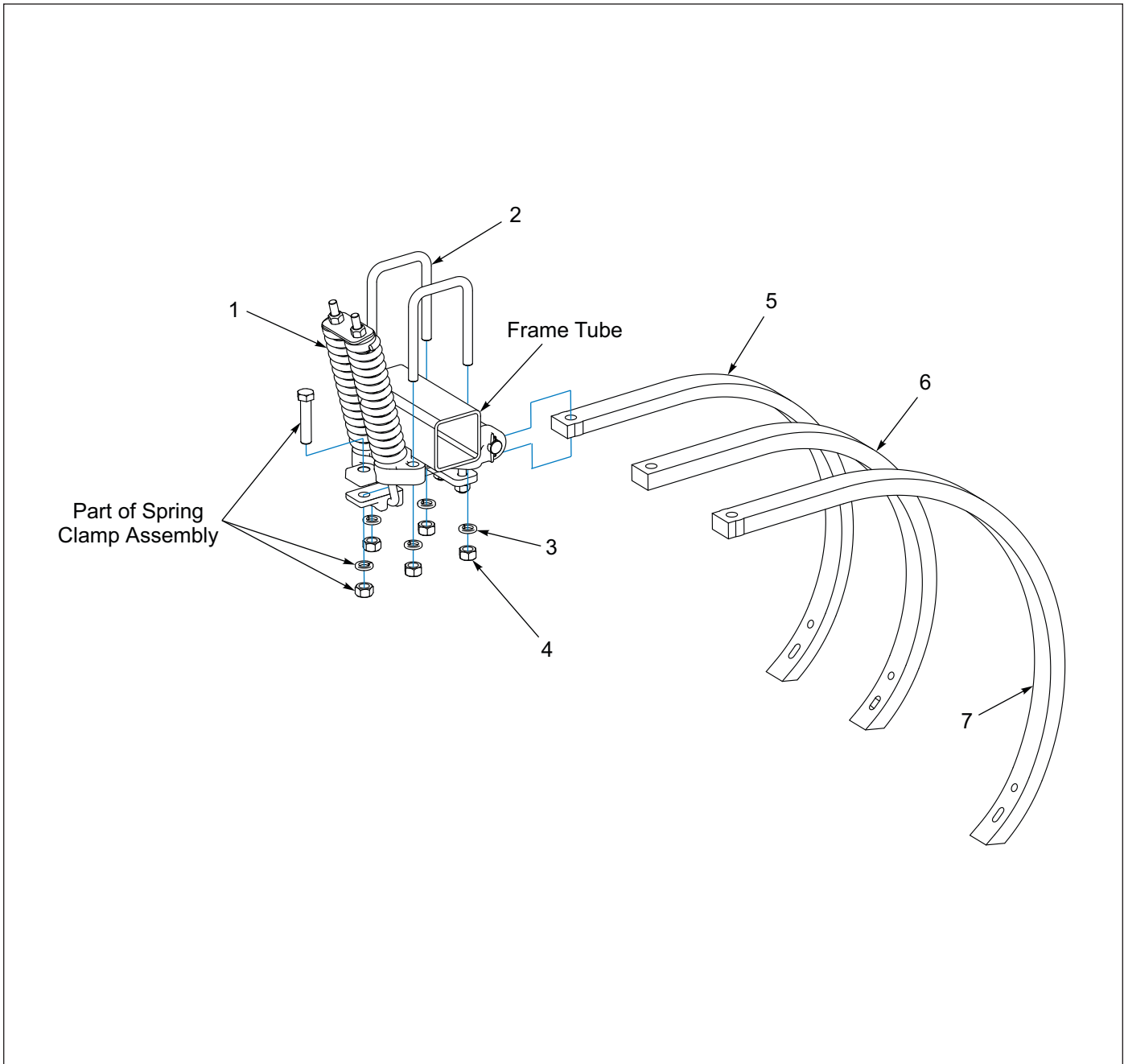


Figure 1-5: Shank and Spring Clamp Assembly

## Shank and Spring Clamp Assembly

ITEM	PART NUMBER	DESCRIPTION	QTY
1	4J681	SPRING CLAMP ASM (SEE FIGURE 1-6)	1
2	4J293	U-BOLT, 3/4-10 X 6-3/8 X 4-3/4	2
3	1-861-010034-17	WASHER, LKG, HLCL, SPR, 3/4	4
4	1-512-010007-12	NUT, HEX 3/4-10 GR2, ZP	4
5	6D283	SHANK - 26S	1
6	2J644	SHANK	1
7	6D913	SHANK 32T	1



# Spring Shank Assembly

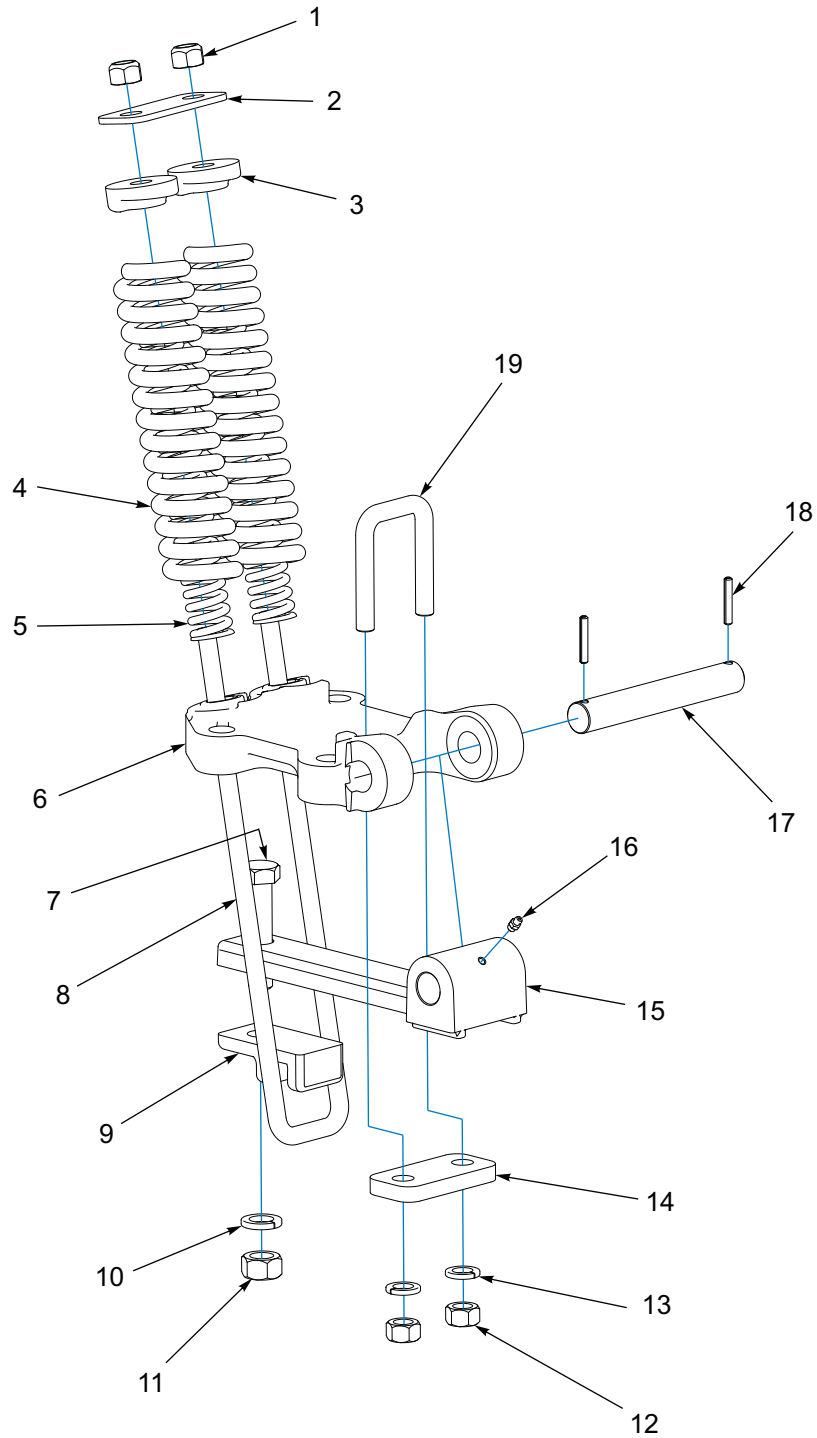


Figure 1-6: Spring Shank Assembly

## Spring Shank Assembly

ITEM	PART NUMBER	DESCRIPTION	QTY
	4J681	SPRING CLAMP ASM	1
1	1-512-010005-13	NUT, HEX, SLFLKG GRB 5/8-11	2
2	6D409	STRAP	1
3	6J459	CAP	2
4	4K076	COMPRESSION SPRING - OUTER	2
5	6D362	COMPRESSION SPRING - INNER	2
6	4J675	SHANK CLAMP	1
7	141776	SCREW, HXCP 3/4-10UNC X 3-1/2, GR5	1
8	2J096	U-BOLT, 5/8-11 X 16 X 2-3/4, ZP	1
9	2J091	U-BOLT, CLIP	1
10	1-861-010034-17	WASHER, LKG, HLCL SPR, 3/4	1
11	1-512-010007-12	NUT, HEX 3/4-10 GR2, ZP	1
12	1-512-010007-11	NUT, HEX 5/8-11 GR2, ZP	2
13	1-861-010034-15	WASHER, LKG HLCL SPR, 5/8	2
14	6D280	STRAP	1
15	2J092	SHANK HOLDER	1
16	1-298-010001-1	ZERK FITTING 1/4 SAE	1
17	8J130	PIN, 1.0 X 6.875 PLATED	1
18	1-647-010004217	ROLL PIN 1/4 X 1-1/2	2
19	2J094	U-BOLT, 5/8-11 X 3-3/8 X 2-5/8	1

ILLUSTRATED PARTS LIST

Rigid Shank Assembly

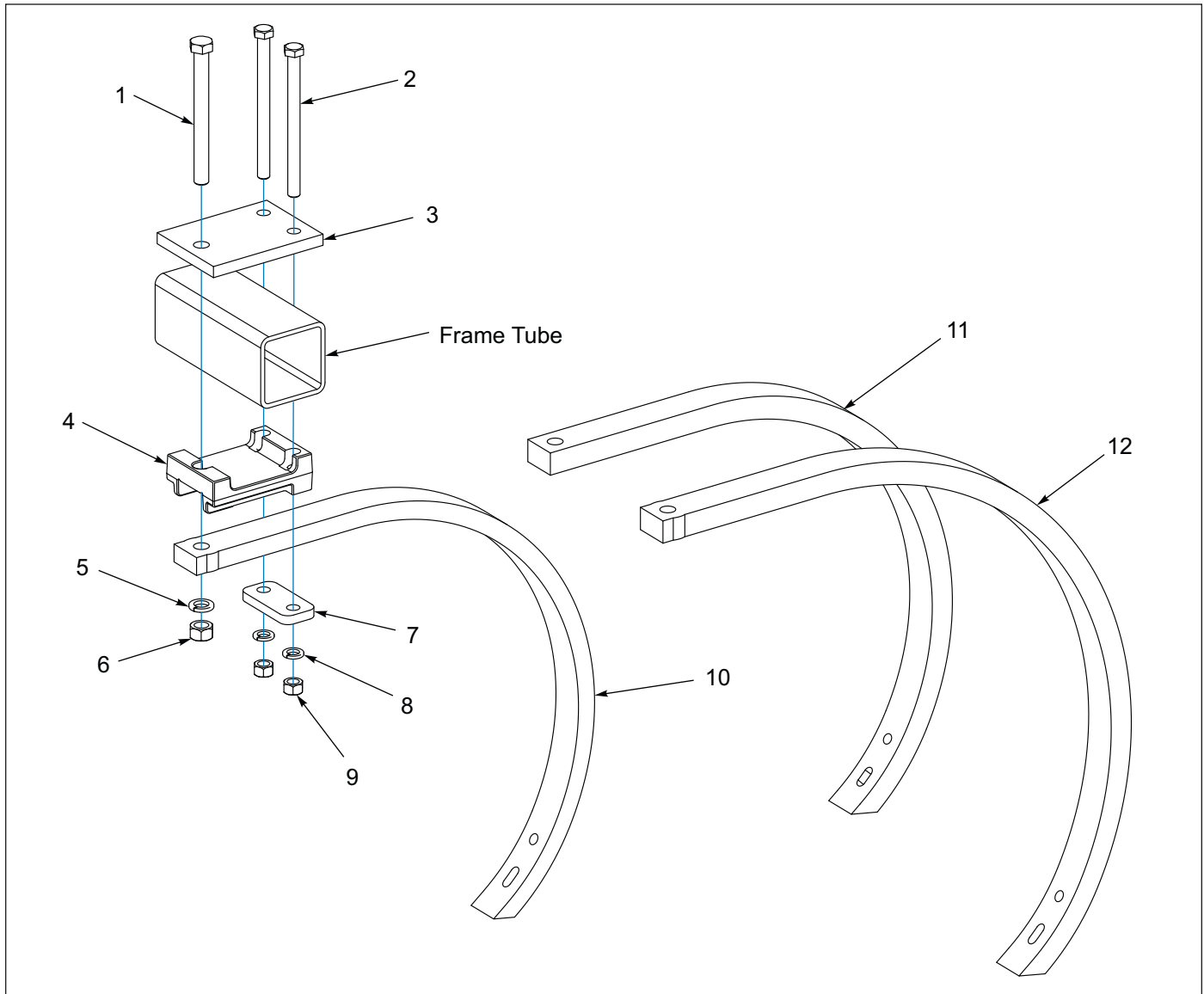


Figure 1-7: Rigid Shank Assembly

Rigid Shank Assembly

ITEM	PART NUMBER	DESCRIPTION	QTY
1	1-654-010061-20	SCREW, HX CP 3/4-10UNC X 7-1/2, G5	1
2	1-654-010059-21	SCREW, HEX CAP 5/8-11UNC X 8, GR5	2
3	6D298	PLATE	1
4	6D234	SHANK SUPPORT	1
5	1-861-010034-17	WASHER, LKG HLCL SPR, 3/4	1
6	1-512-010007-12	NUT, HEX 3/4-10	1
7	6D280	STRAP	1
8	1-861-010034-15	WASHER, LKG,HLCL SPR, 5/8	2
9	1-512-010007-13	NUT, HEX 5/8-11	2
10	6D283	SHANK - 26S	1
11	2J644	SHANK	1
12	6D913	SHANK 32T	1



Points

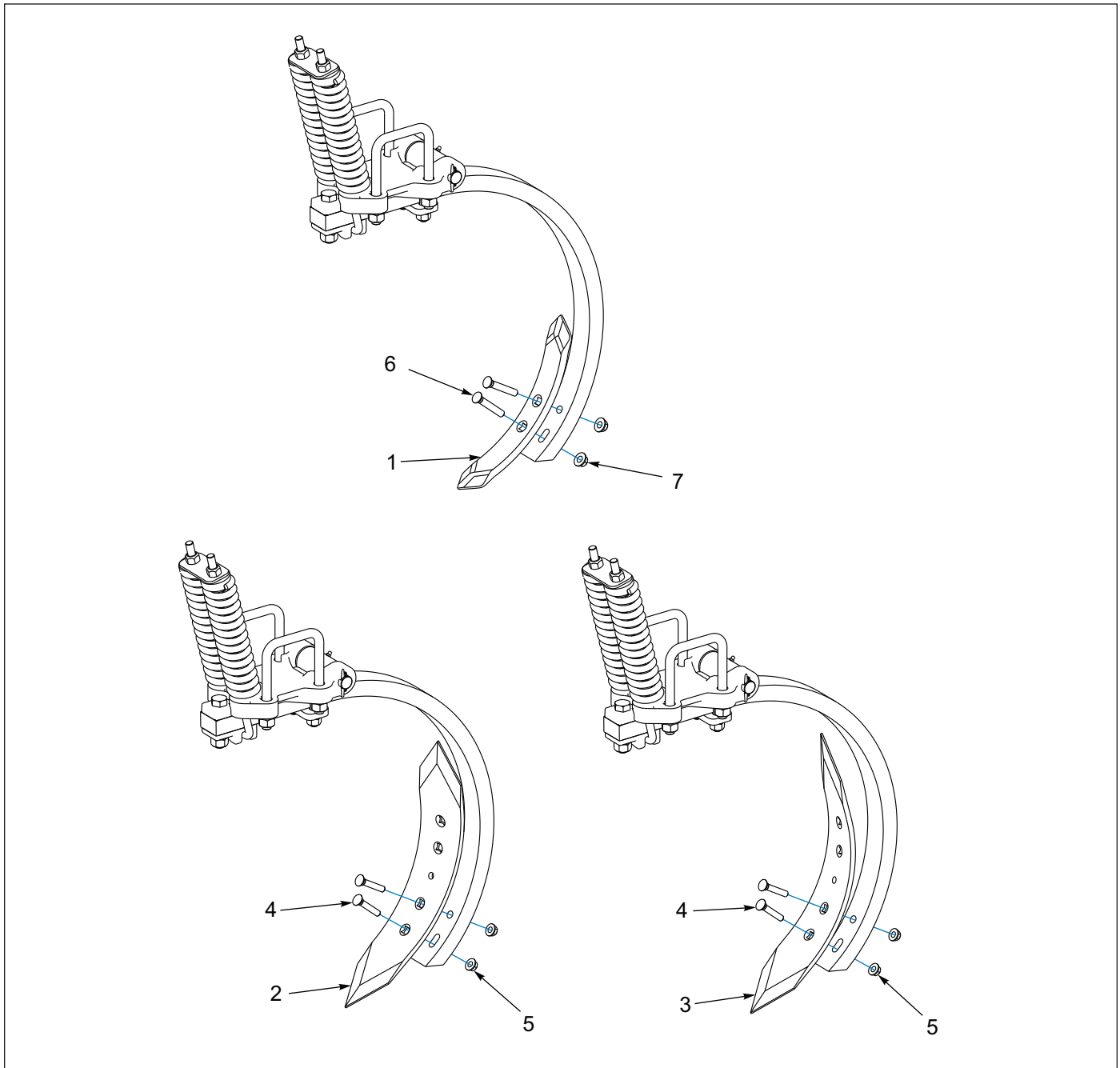


Figure 1-8: Points

Points

ITEM	PART NUMBER	DESCRIPTION	QTY
1	6D213	CHISEL POINT	1
2	6D216	REV. DBL.PT. TW SHOVEL (LEFT)	1
3	6D215	REV. DBL.PT. TW SHOVEL (RIGHT)	1
4	7K964	SPECIAL PLOW BOLT	2
5	4K551	SELF-LOCKING FLANGE NUT (7/16-14)	2
6	1/2-13X3PLOW	PLOW BOLT GR5	2
7	4K552	SELF-LOCKING FLANGENUT (1/2-13)	2

# LED Warning Lights (7 and 9 Shank Models)

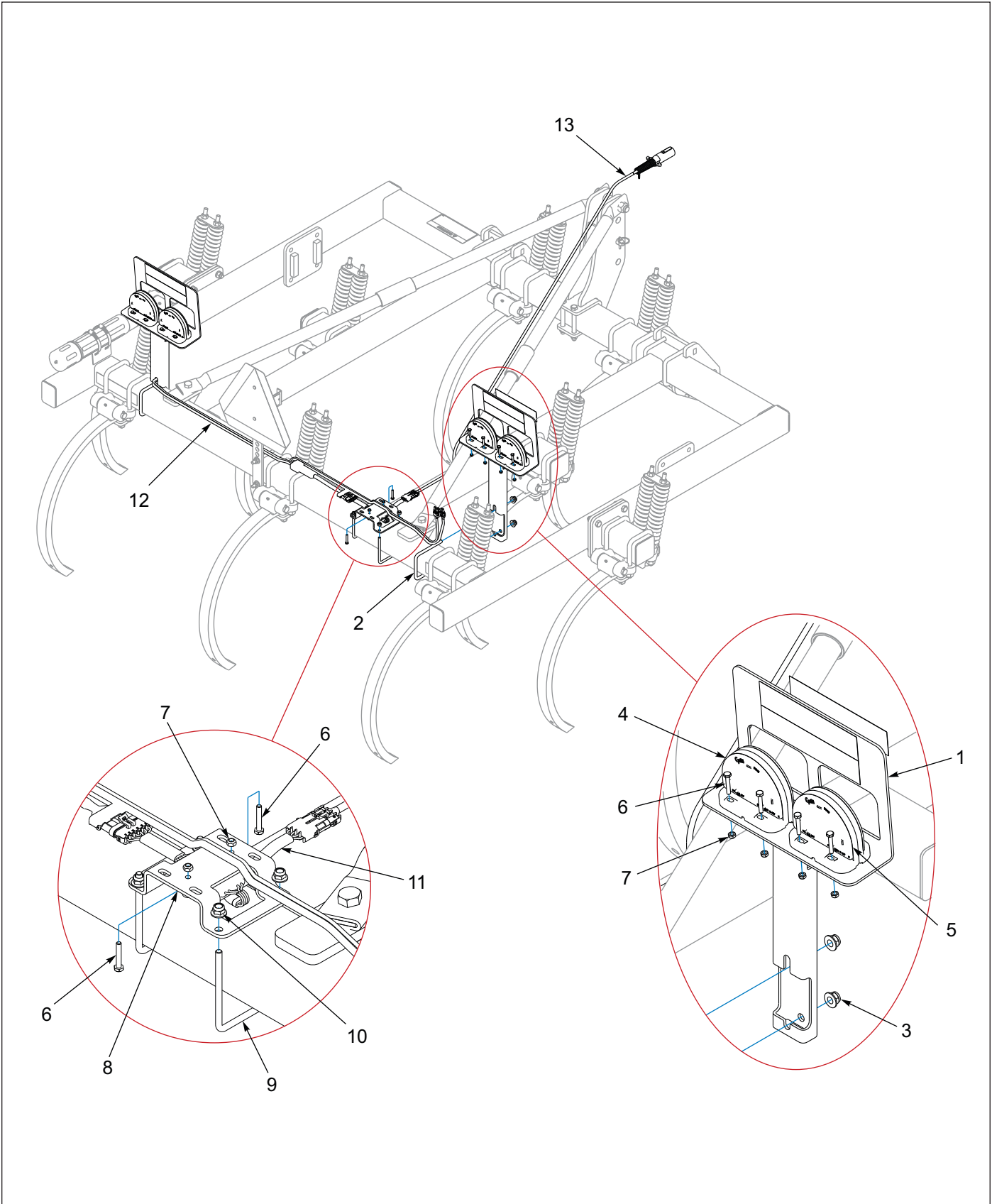


Figure 1-9: LED Warning Lights (7 and 9 Shank Models)

## LED Warning Lights (7 and 9 Shank Models)

ITEM	PART NUMBER	DESCRIPTION	QTY
1	178554	BRACKET WLDMT, LIGHT	2
2	3J562	U-BOLT, 1/2-13 X 5-1/2 X 4	2
3	2P253	NUT, FLANGE NY-LOK 1/2-13	4
4	174436	LAMP, AG AMBER SINGLE LED	2
5	174435	LAMP, AG RED SINGLE LED	2
6	1-654-010047-08	SCREW HX CP, 1/4-20UNC X 1-1/2, G5	18
7	1-512-010005-01	NUT, HEX, SLFLKG GRB 1/4-20	18
8	178506	BRACKET, MODULE MOUNT	1
9	178507	U-BOLT, 3/8-16 X 4-3/8 X 5, ZP	2
10	2P252	NUT, FLANGE NY-LOK 3/8-16	4
11	174437	MODULE, AG FLASHER CONTROL	1
12	178525	HARNESS, LAMP 84 X 84	1
13	178514	HARNESS, 7 PIN/4PIN WP, 10'	1

LED Warning Lights (10 and 12 Shank Models)

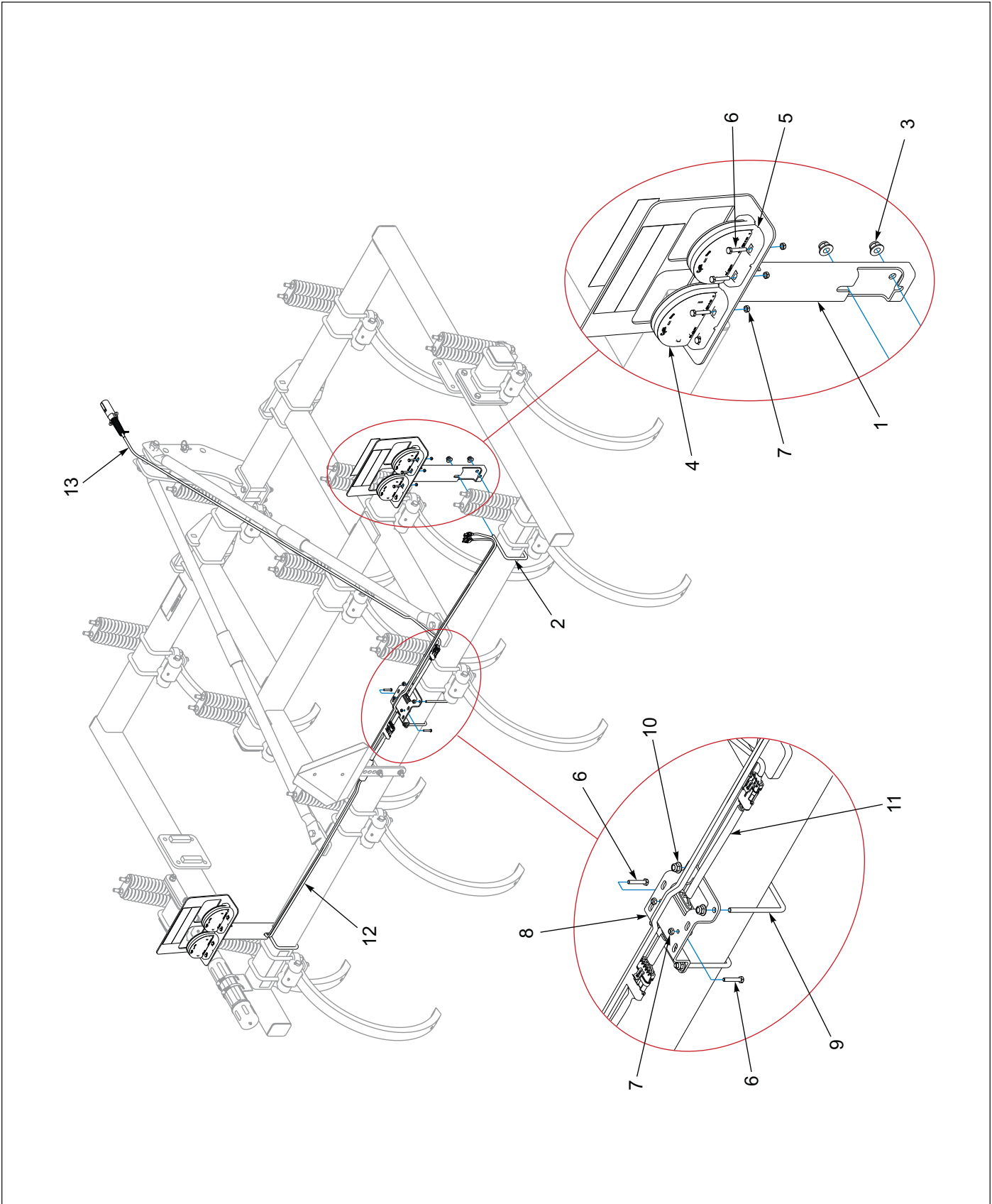


Figure 1-10: LED Warning Lights (10 and 12 Shank Models)

**LED Warning Lights (10 and 12 Shank Models)**

ITEM	PART NUMBER	DESCRIPTION	QTY
1	178554	BRACKET WLDMT, LIGHT	2
2	3J562	U-BOLT, 1/2-13 X 5-1/2 X 4	2
3	2P253	NUT, FLANGE NY-LOK 1/2-13	4
4	174436	LAMP, AG AMBER SINGLE LED	2
5	174435	LAMP, AG RED SINGLE LED	2
6	1-654-010047-08	SCREW, HX CP, 1/4-20UNC X 1-1/2, G5	18
7	1-512-010005-01	NUT, HEX,SLFLKG GRB 1/4-20	18
8	178506	BRACKET, MODULE MOUNT	1
9	178507	U-BOLT, 3/8-16 X 4-3/8 X 5, ZP	2
10	2P252	NUT, FLANGE NY-LOK 3/8-16	4
11	174437	MODULE, AG FLASHER CONTROL	1
12	178525	HARNESS, LAMP 84 X 84	1
13	178514	HARNESS, 7 PIN/4PIN WP, 10'	1

# LED Warning Lights (11 Shank Model)

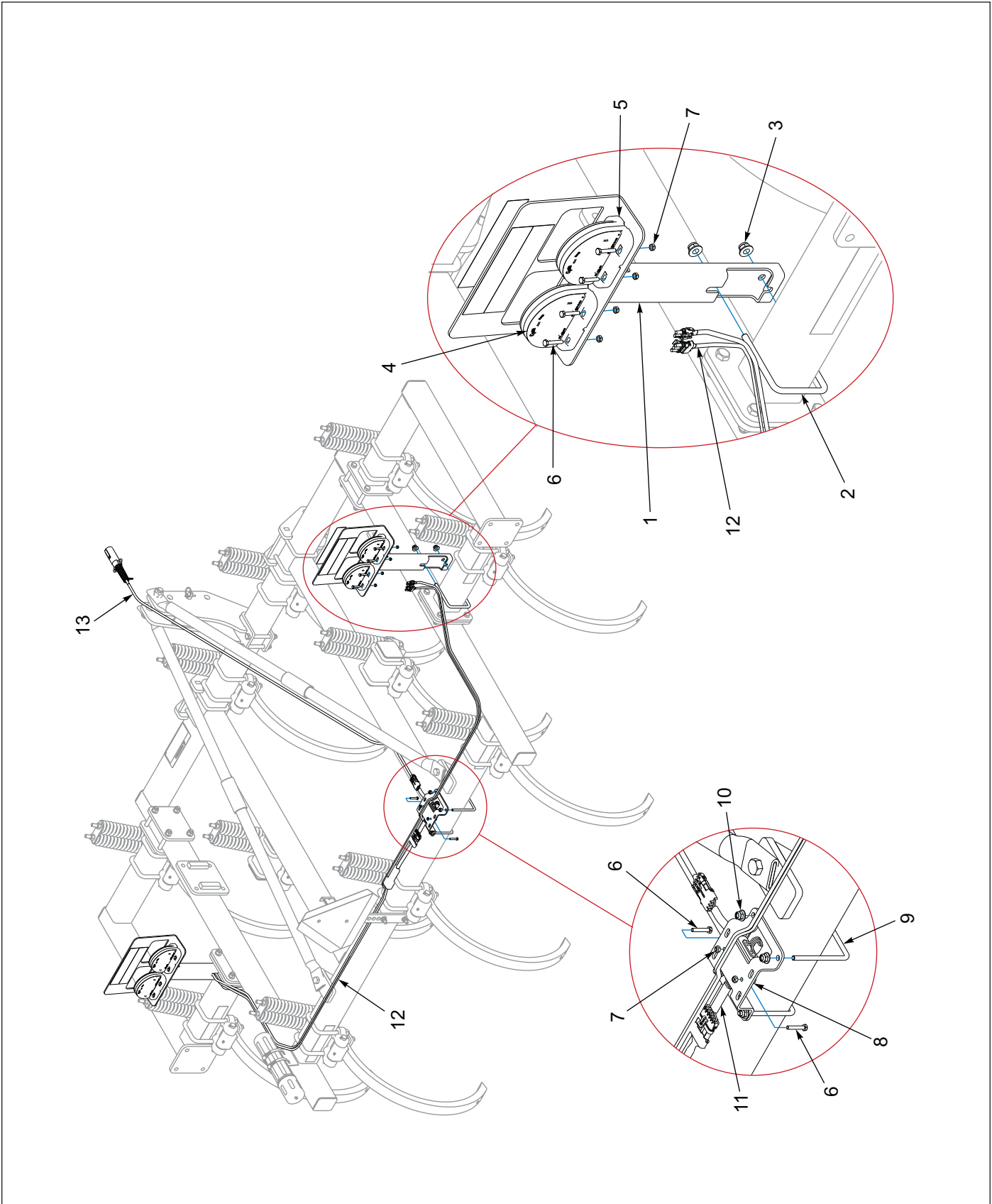


Figure 1-11: LED Warning Lights (11 Shank Model)

## LED Warning Lights (11 Shank Model)

ITEM	PART NUMBER	DESCRIPTION	QTY
1	178554	BRACKET WLDMT, LIGHT	2
2	3J562	U-BOLT, 1/2-13 X 5-1/2 X 4	2
3	2P253	NUT, FLANGE NY-LOK 1/2-13	4
4	174436	LAMP, AG AMBER SINGLE LED	2
5	174435	LAMP, AG RED SINGLE LED	2
6	1-654-010047-08	SCREW HX CP, 1/4-20UNC X 1-1/2, G5	18
7	1-512-010005-01	NUT, HEX, SLFLKG GRB 1/4-20	18
8	178506	BRACKET, MODULE MOUNT	1
9	178507	U-BOLT, 3/8-16 X 4-3/8 X 5, ZP	2
10	2P252	NUT, FLANGE NY-LOK 3/8-16	4
11	174437	MODULE, AG FLASHER CONTROL	1
12	178525	HARNESS, LAMP 84 X 84	1
13	178514	HARNESS, 7 PIN/4PIN WP, 10'	1

### Extension Kit, 2FT - Optional

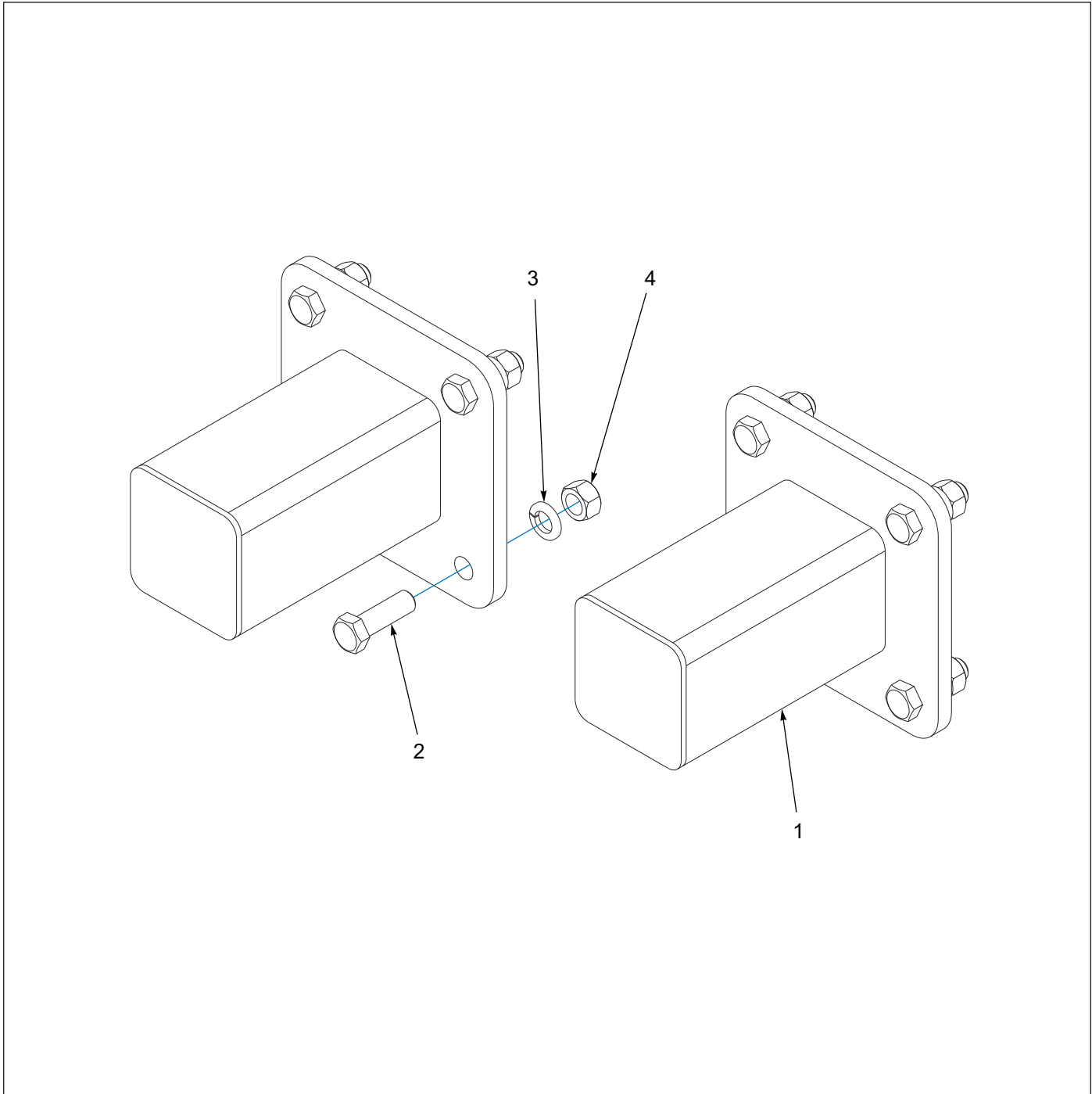


Figure 1-12: Extension Kit, 2FT - Optional

### Extension Kit, 2FT - Optional

ITEM	PART NUMBER	DESCRIPTION	QTY
	6D226	KIT, 2 FT EXTENSION	1
1	6D271	1 FT. EXTENSION ASSEMBLY	2
2	1-654-010059-05	SCREW, HEX CAP, 5/8-11UNC X 2, GR5	8
3	1-861-010034-15	WASHER, LKG,HLCL SPR, 5/8	8
4	1-512-010007-11	NUT, HEX 5/8-11 GR2, ZP	8



### Extension Kit, 4FT - Optional

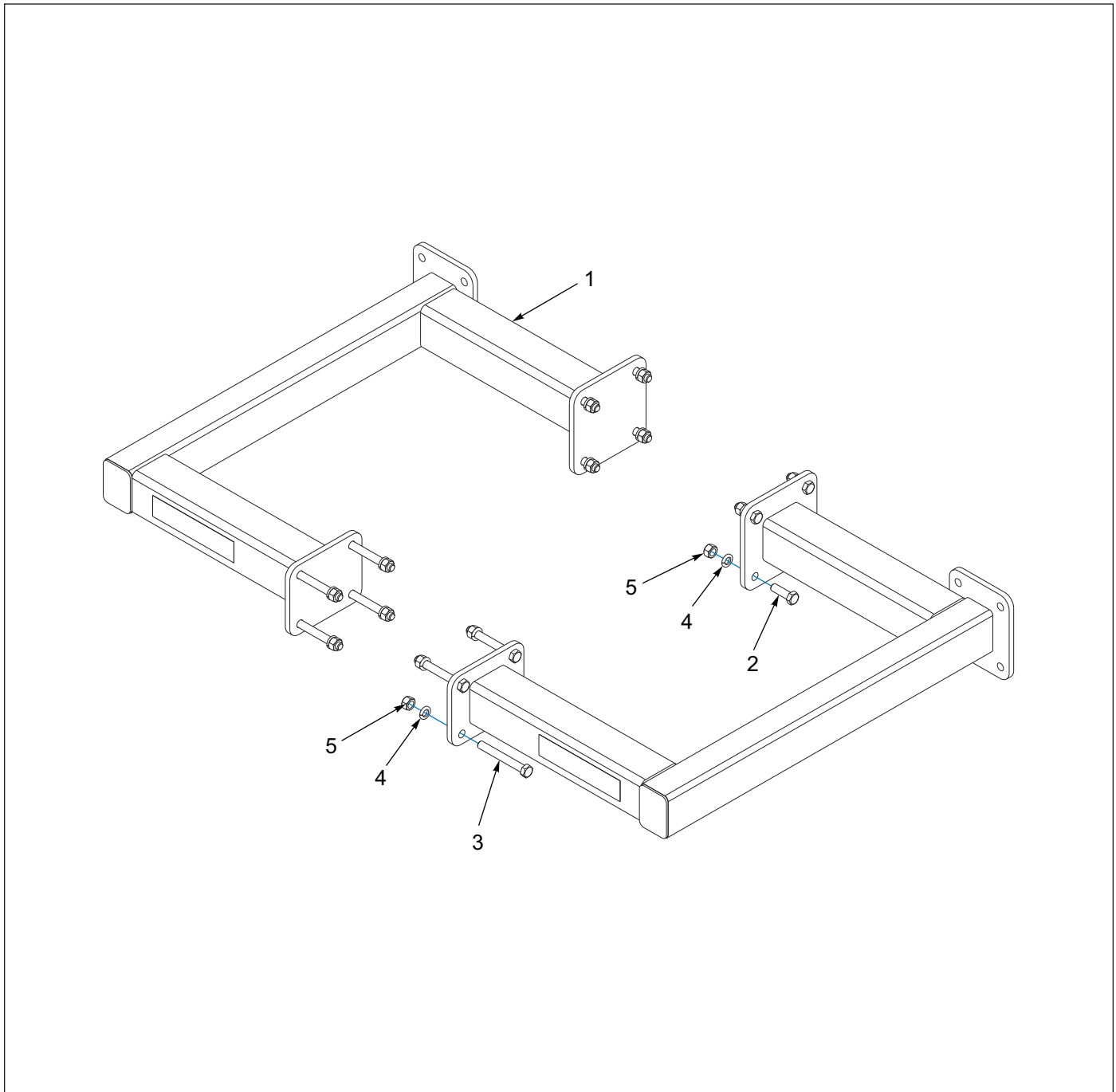


Figure 1-13: Extension Kit, 4FT - Optional

### Extension Kit, 4FT - Optional

ITEM	PART NUMBER	DESCRIPTION	QTY
	6D227	KIT, 4FT EXTENSION	1
1	6D273	2 FT. EXTENSION ASSEMBLY	2
2	1-654-010059-05	SCREW, HEX CAP, 5/8-11UNC X 2, GR5	8
3	1-654-010059-15	SCREW, HEX CAP, 5/8-11UNC X 5, GR5	8
4	1-861-010034-15	WASHER, LKG,HLCL SPR,5/8	16
5	1-512-010007-11	NUT, HEX 5/8-11 GR2, ZP	16

**Bracket Assemblies - Optional (Before 04/2016)**

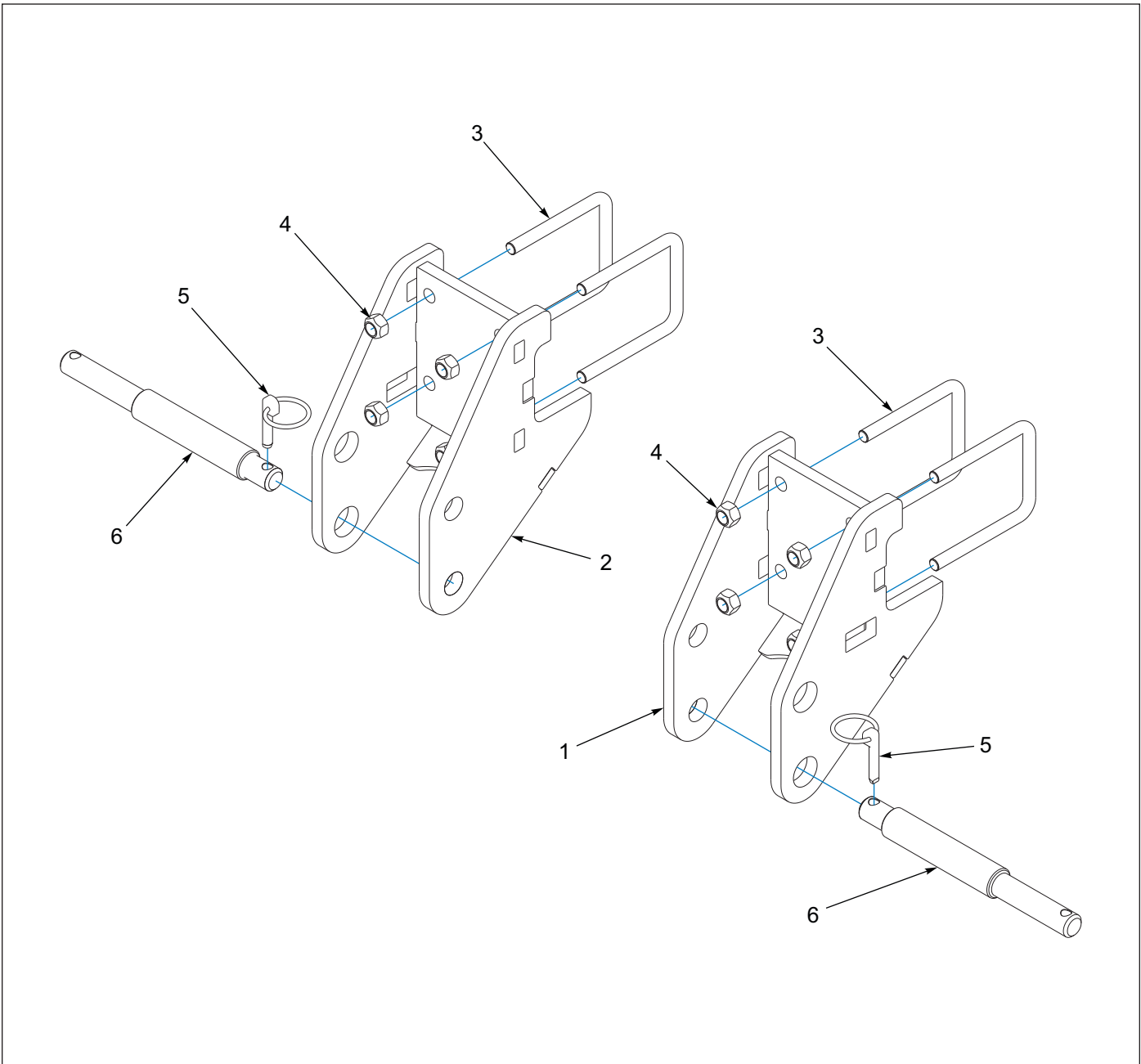


Figure 1-14: Bracket Assemblies - Optional (Before 04/2016)

**Bracket Assemblies - Optional (Before 04/2016)**

ITEM	PART NUMBER	DESCRIPTION	QTY
	198946	BRACKET ASM, LH LOWER HITCH (INCLUDES ITEMS 1, 3-6)	1
	198947	BRACKET ASM, RH LOWER HITCH (INCLUDES ITEMS 2-6)	1
1	198938	BRACKET WLDMT, LH LOWER HITCH	1
2	198939	BRACKET WLDMT, RH LOWER HITCH	1
3	9D989	U-BLT, 5/8-11 X 4-11/16 X 5-5/8, ZP	4
4	1-512-010005-13	NUT, HEX SLFLKG GRB 5/8-11	8
5	2-557-010417	PIN, LYNCH CAT 3	2
6	108841	PIN, LOWER, 3-POINT	2

### Gauge Wheel Kit, 32" - Optional

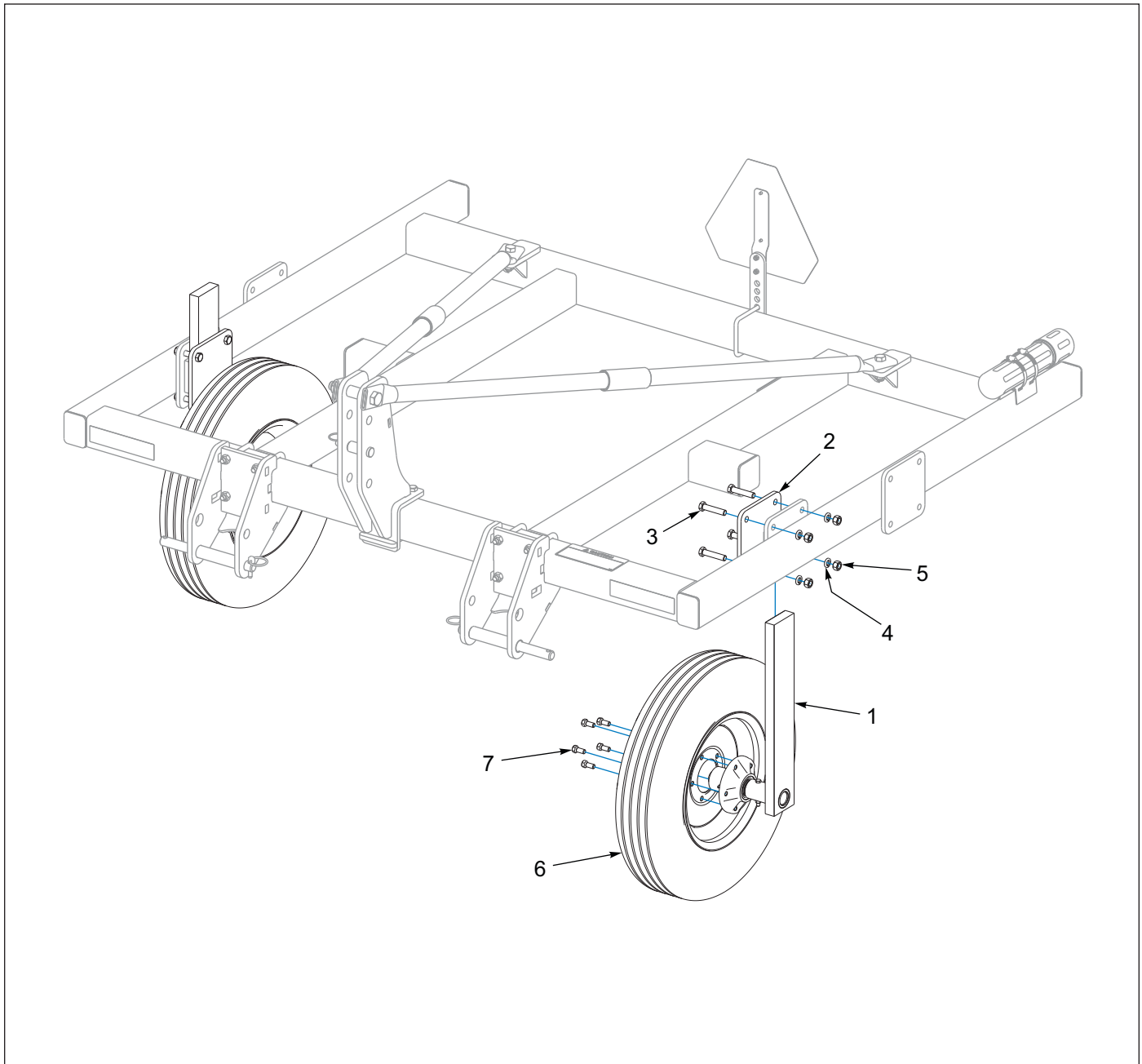


Figure 1-15: Gauge Wheel Kit, 32" - Optional

### Gauge Wheel Kit, 32" - Optional

ITEM	PART NUMBER	DESCRIPTION	QTY
	6D946	32" GAUGE WHEEL KIT	1
1	1J402	HUB & BAR ASSEMBLY (SEE FIGURE 1-17)	2
2	1J469	PLATE	2
3	1-654-010059-09	SCREW, 5/8-11UNC X 3 HX CP, GR5	8
4	1-861-010034-15	WASHER, LKG,HLCL SPR, 5/8	8
5	1-512-010007-11	NUT, HEX 5/8-11 GR2, ZP	8
6	6K911	WHEEL 8J789/NO TUBE/4C129 (SEE FIGURE 1-20)	2
7	5C100	WHEEL BOLT 1/2-20 X 1 GR5, ZP	10

### Gauge Wheel Kit, 26" - Optional

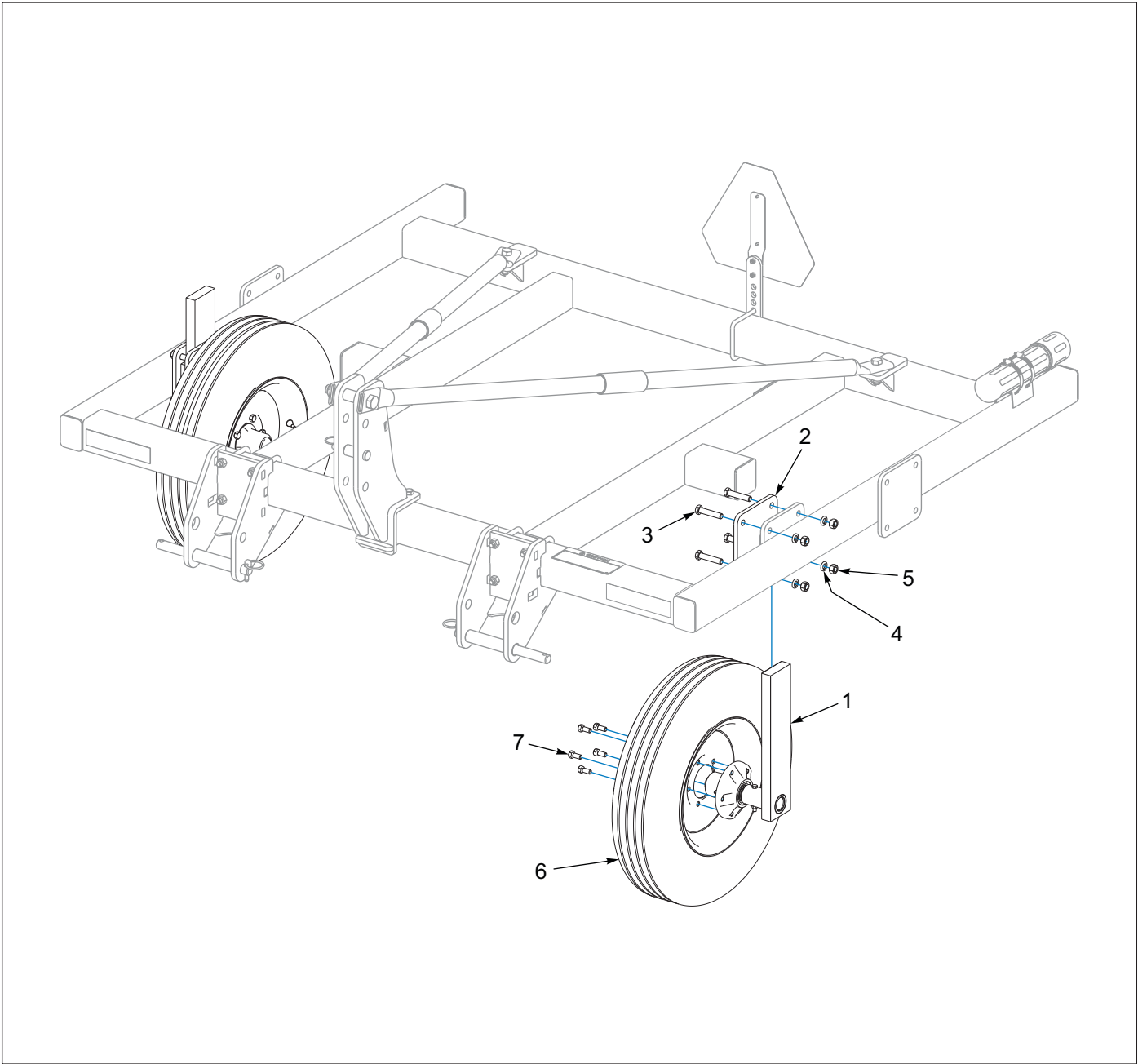


Figure 1-16: Gauge Wheel Kit, 26" - Optional

### Gauge Wheel Kit, 26" - Optional

ITEM	PART NUMBER	DESCRIPTION	QTY
	7D441	26" GAUGE WHEEL KIT	1
1	1J404	HUB & BAR ASSEMBLY (SEE FIGURE 1-18)	2
2	1J469	PLATE	2
3	1-654-010059-09	SCREW, 5/8-11UNC X 3 HX CP, GR5	8
4	1-861-010034-15	WASHER, LKG,HLCL SPR, 5/8	8
5	1-512-010007-11	NUT, HEX 5/8-11 GR2, ZP	8
6	6K911	WHEEL 8J789/NO TUBE/4C129 (SEE FIGURE 1-20)	2
7	5C100	WHEEL BOLT 1/2-20 X 1 GR5, ZP	10

## Hub and Bar Assembly, 1J402

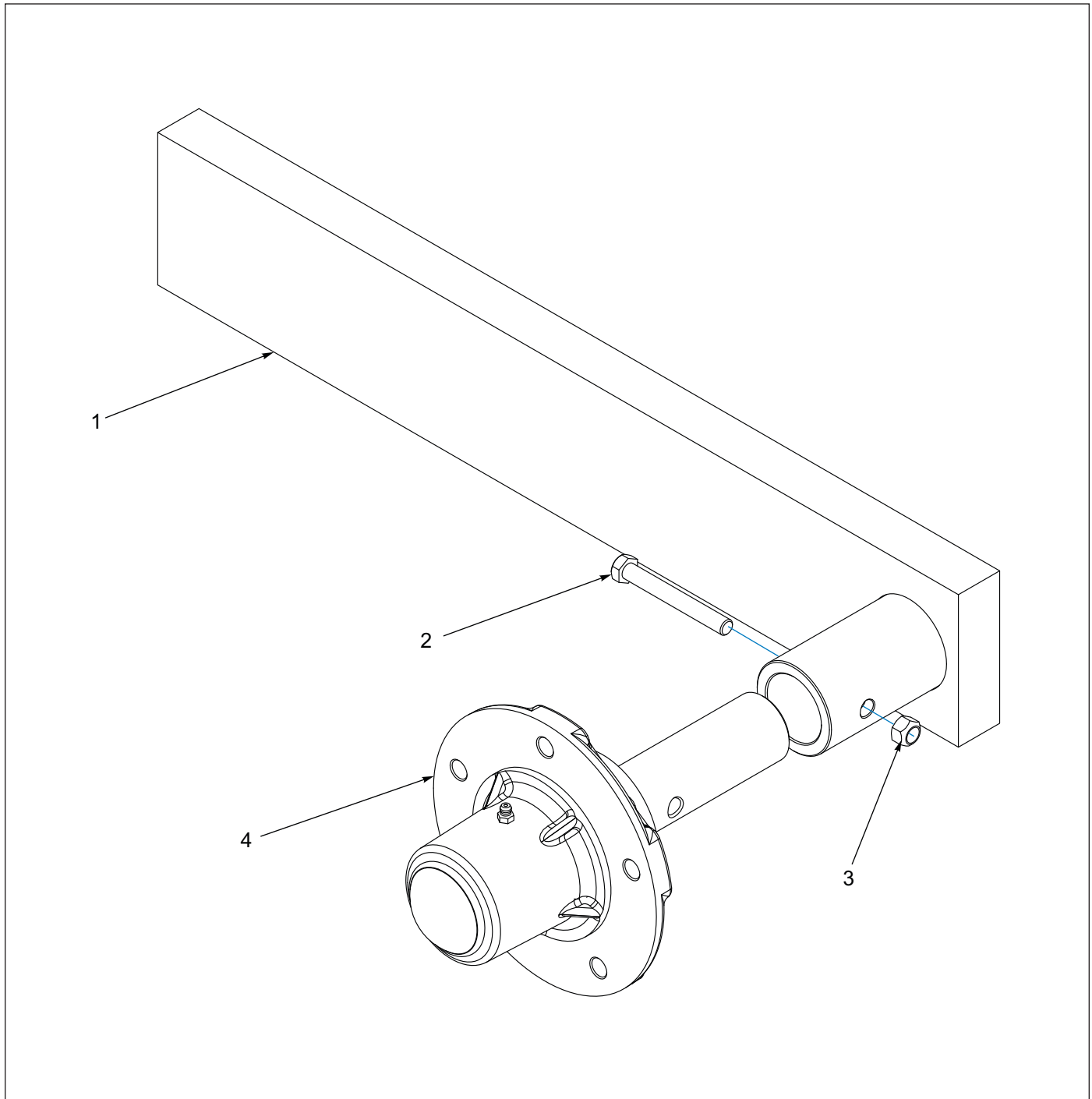


Figure 1-17: Hub and Bar Assembly, 1J402

## Hub and Bar Assembly, 1J402

ITEM	PART NUMBER	DESCRIPTION	QTY
	1J402	HUB & BAR ASSEMBLY	1
1	168344	ARM WELDMENT	1
2	1-654-010051-13	SCREW, HX CP, 3/8-16UNC X 3, GR5	1
3	1-512-010005-05	NUT, HEX, SLFLKG GRB 3/8-16	1
4	1J398	HUB & SPINDLE ASSEMBLY (SEE FIGURE 1-19)	1

# Hub and Bar Assembly, 1J404

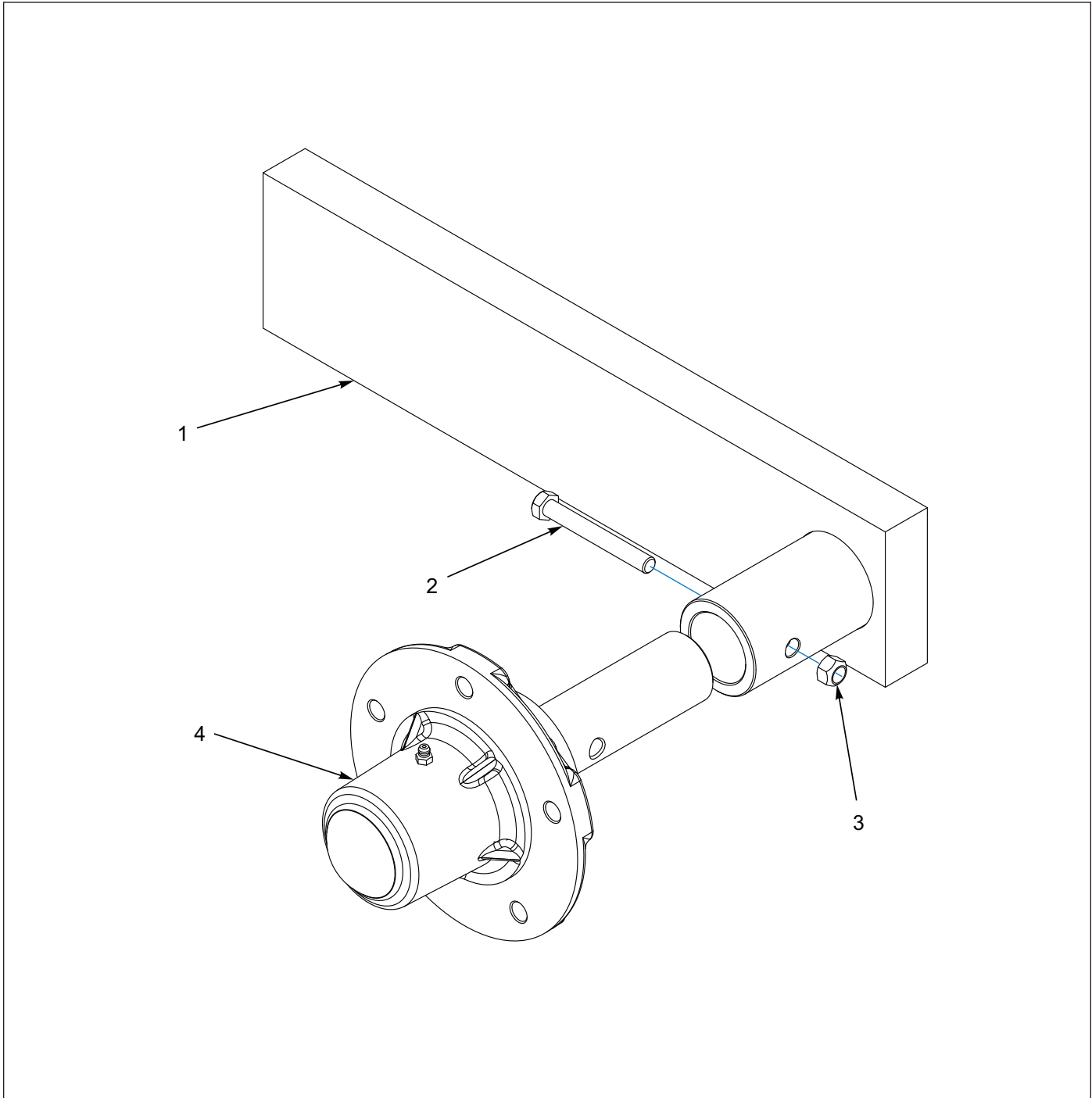


Figure 1-18: Hub and Bar Assembly, 1J404

# Hub and Bar Assembly, 1J404

ITEM	PART NUMBER	DESCRIPTION	QTY
	1J404	HUB & BAR ASSEMBLY	1
1	168345	ARM WELDMENT	1
2	1-654-010051-13	SCREW, HX CP, 3/8-16UNC X 3, GR5	1
3	1-512-010005-05	NUT, HEX, SLFLKG GRB 3/8-16	1
4	1J398	HUB & SPINDLE ASSEMBLY (SEE FIGURE 1-19)	1

# Hub and Spindle Assembly

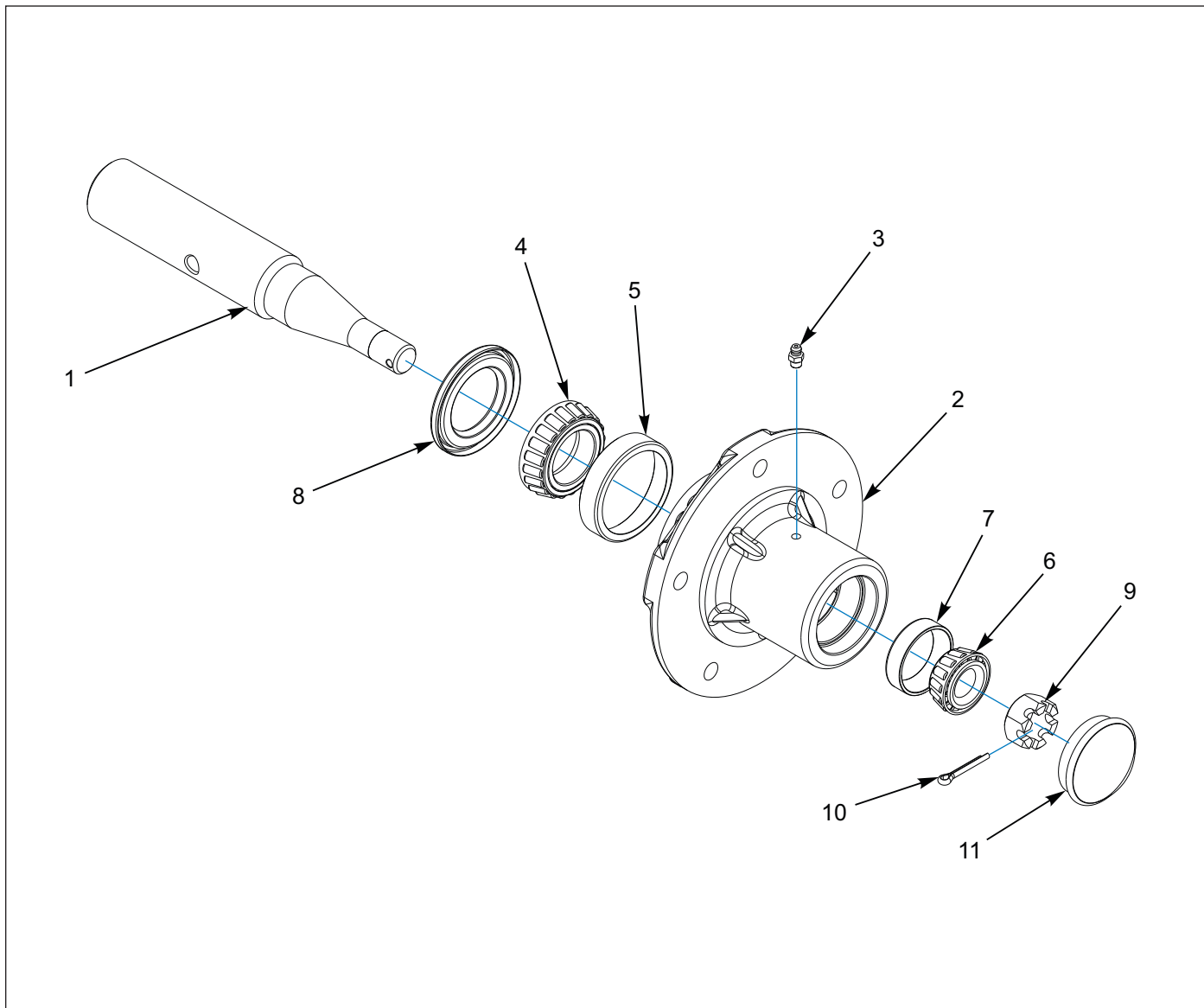


Figure 1-19: Hub and Spindle Assembly

## Hub and Spindle Assembly

ITEM	PART NUMBER	DESCRIPTION	QTY
	1J398	HUB & SPINDLE ASSEMBLY	1
1	1J377	SPINDLE	1
2	1J390	WHEEL HUB - 5 BOLT (INCLUDES ITEM 3)	1
3	1-298-010001-1	ZERK FITTING 1/4 SAE	1
4	712099	BRG CONE, TIMKEN LM48548	1
5	2107649	BRG CUP, TIMKEN LM48510	1
6	1-076-010008	BRG CONE, TIMKEN LM11949	1
7	5C912	BRG CUP, TIMKEN LM11910	1
8	1D273	SEAL, SINGLE LIP	1
9	3/4-16HSN	NUT, HX SLOT 3/4-16 HSN	1
10	110-0344	5/32 X 1 COTTER PIN	1
11	1J463	HUB CAP	1

## Wheel and Tire

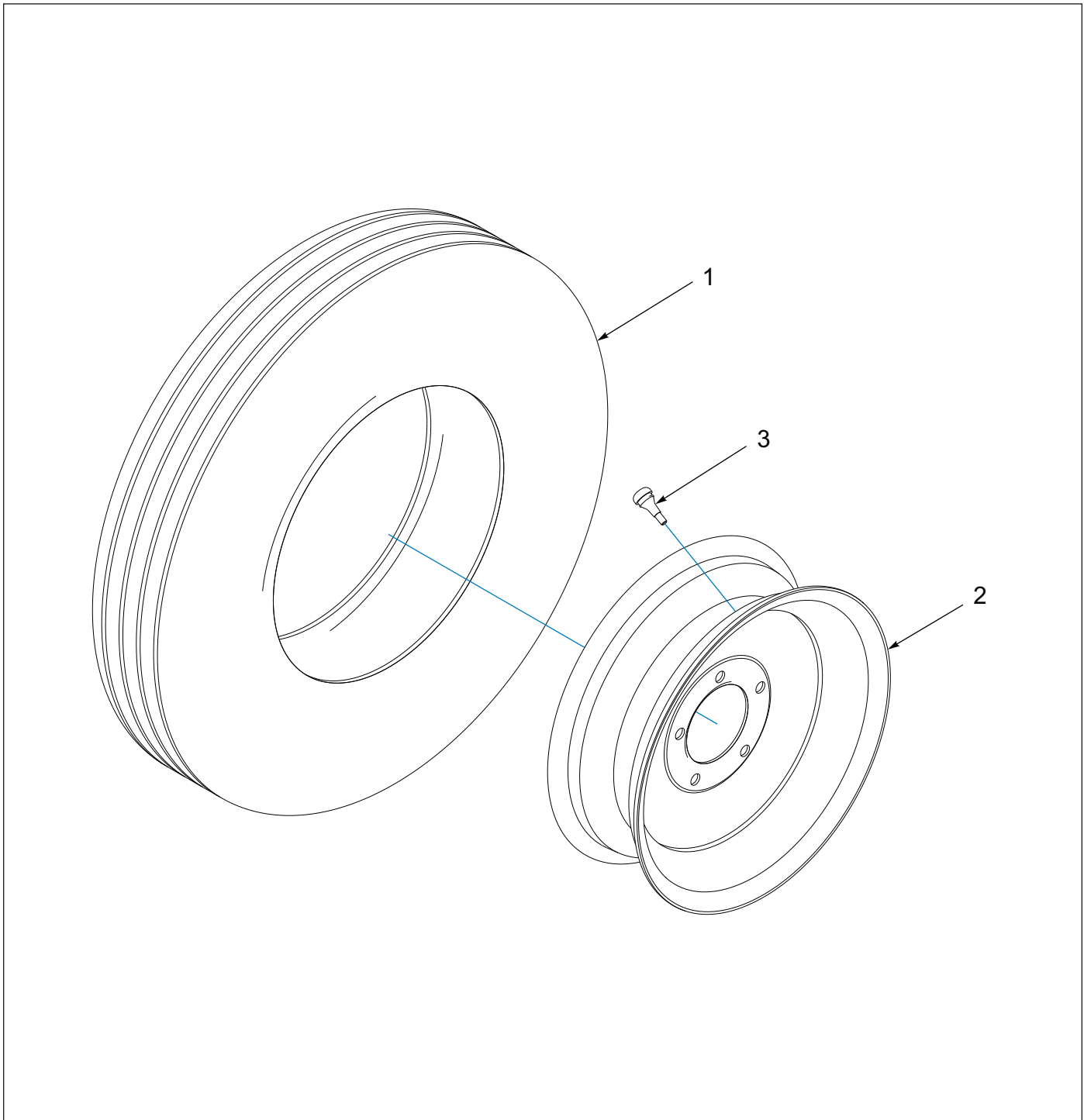


Figure 1-20: Wheel and Tire

## Wheel and Tire

ITEM	PART NUMBER	DESCRIPTION	QTY
	6K911	WHEEL 8J789/NO TUBE/4C129	1
1	8J789	TIRE - 7.60 X 15 - 6 PLY	1
2	4C129	WHEEL - 15 X 5KB - 5 BOLT	1
3	415	VAVLE STEM	1



Decals

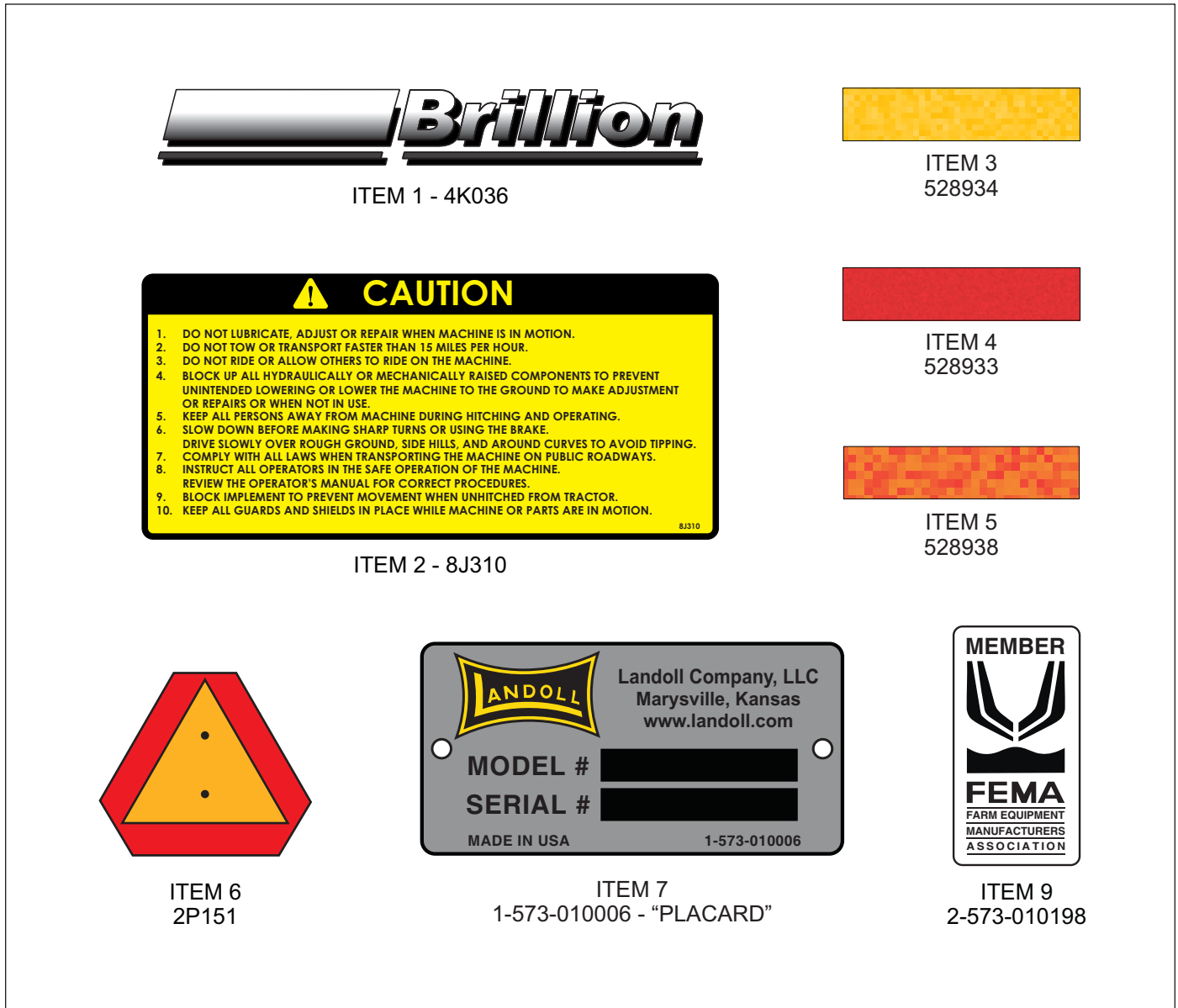


Figure 1-21: Decals

Decals

ITEM	PART NUMBER	DESCRIPTION	QTY
1	4K036	DECAL-BRILLION (2 3/4 X 20)	6
2	8J310	DECAL - CAUTION	1
3	528934	REFLECTOR - YELLOW (7, 9, 10, 12 SHANKS, QTY=4) (11 SHANKS, QTY=6)	REF
4	528933	REFLECTOR - RED (7, 9, 10, 12 SHANKS, QTY=4) (11 SHANKS, QTY=6)	REF
5	528938	STRIPE, ORANGE	2
6	2P151	SMV W/BACKET	1
7	1-573-010006	PLACARD, NAME	1
8	107-0814	RIVET 1/8X1/8 A LUM POP (HARDWARE FOR ITEM 7)	2
9	2-573-010198	DECAL, MEMBER FEMA	1

Decal Locations

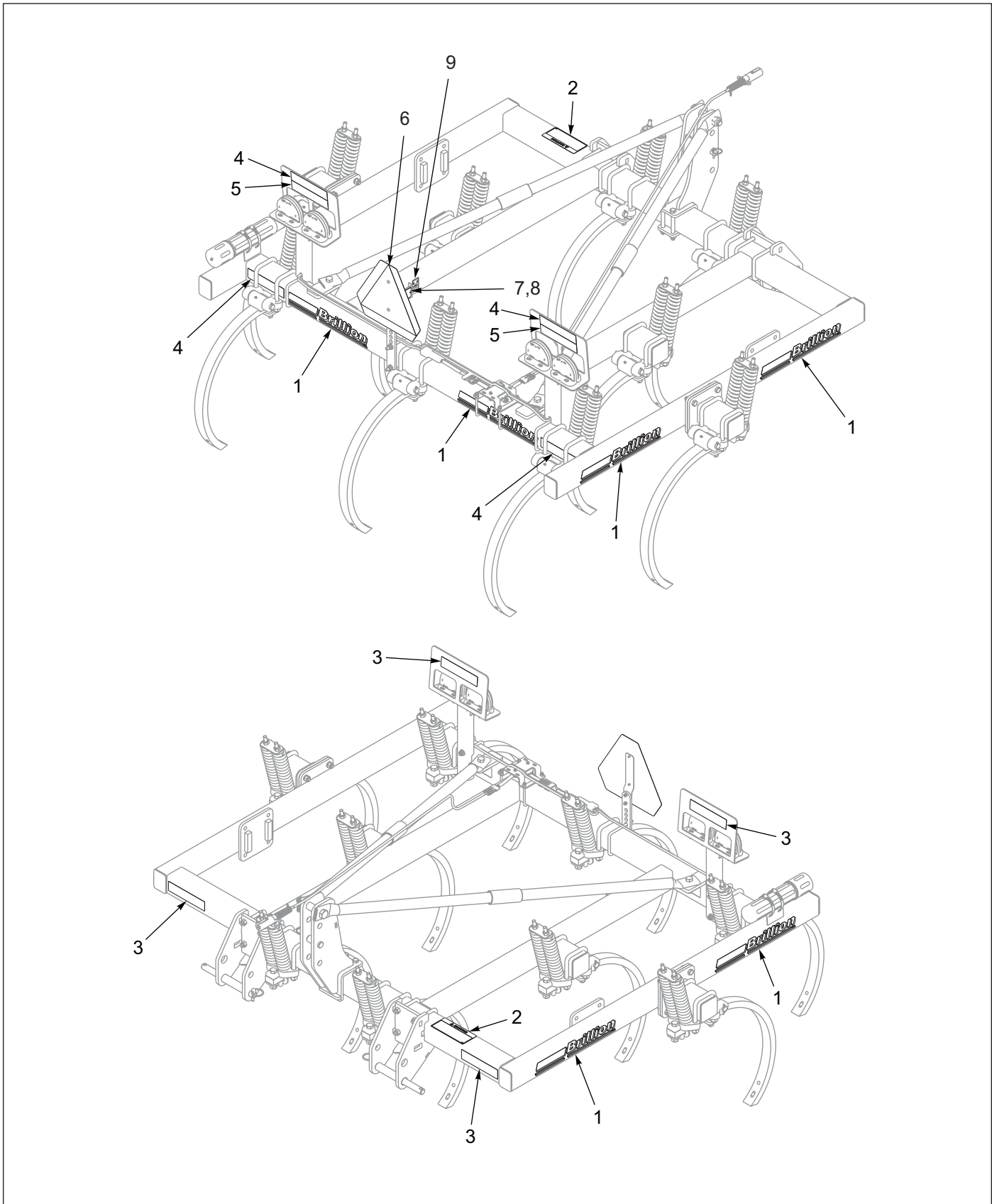


Figure 1-22: Decals (7 and 9 Shank Models)

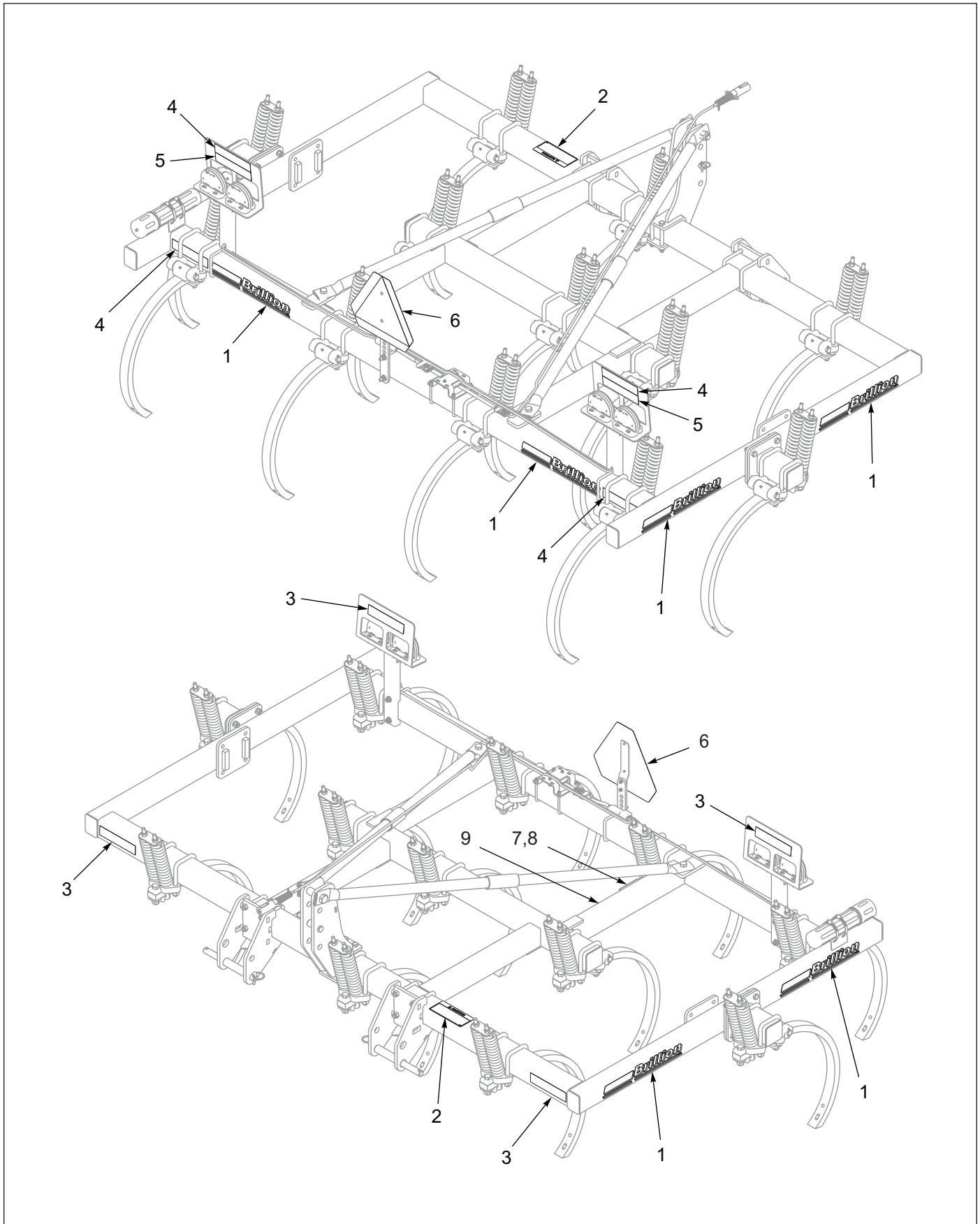


Figure 1-23: Decals (10 and 12 Shank Models)

ILLUSTRATED PARTS LIST

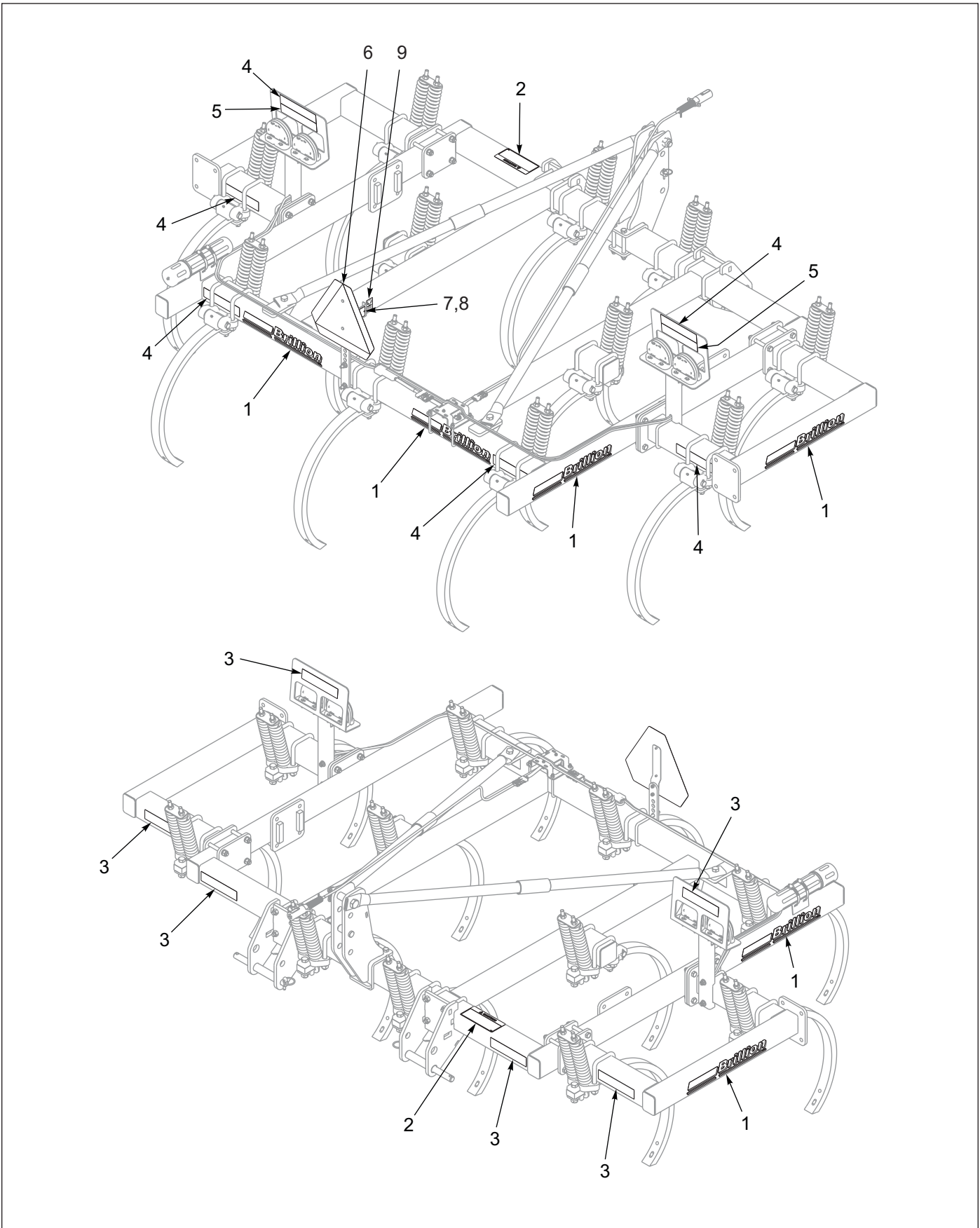


Figure 1-24: Decals (11 Shank Models)

## Glossary

For clarity this glossary of industry standard abbreviations and their definitions are provided. For additional information, see instruction on the first page of the parts chapter or the last page of this manual.

**A**

**ASM** ..... Assembly

**B**

**BATT** ..... Battery  
**BHSC** ..... Button Head Socket Cap  
**BLK** ..... Black

**C**

**CB** ..... Carriage Bolt  
**CONN** ..... Connector  
**CRG** ..... Carriage  
**CTSK** ..... Countersunk  
**CTWT** ..... Counterweight  
**CVR** ..... Cover  
**CYD** ..... Cylinder

**D**

**DBL** ..... Double  
**DIA** ..... Diameter

**E**

**ENCLSD** ..... Enclosed

**F**

**FHCS** ..... Flanged Head Cap Screw  
**FHHCS** ..... Flanged Hex Head Cap Screw  
**FL OR FLG** ..... Flange  
**FLT** ..... Flat

**G**

**GA** ..... Gauge

**H**

**HHCS** ..... Hex Head Cap Screw  
**HCS** ..... High Carbon Steel  
**HD** ..... Head  
**HLCL** ..... Helical  
**HCSKT** ..... Hex Socket  
**HSFC** ..... Hex Socket Flat Countersunk  
**HYD** ..... Hydraulic

**I**

**ID** ..... Inside Diameter

**L**

**LH** ..... Lefthand  
**LKG OR LOCK** ..... Locking  
**LWR** ..... Lower

**M**

**MANF** ..... Manifold  
**MNT** ..... Mount

**N**

**NRW** ..... Narrow  
 ----- ..... Not Serviced Separately

**O**

**OD** ..... Outside Diameter  
**OHG** ..... Overhead Guard  
**ORFS OR ORS** ..... O-Ring Seal  
**ORP OR ORB** ..... O-Ring Boss

**P**

**P-STEER** ..... Power Steering  
**PTFE** ..... Polytetrafluoroethylene (Teflon)

**GLOSSARY**

---

**R**

---

RH ..... Righthand  
RND ..... Round

**S**

---

SER ..... Series  
SHCS ..... Socket Head Cap Screw  
SHLD ..... Shield  
SKT ..... Socket  
SLFLKG ..... Selflocking  
SOC ..... Socket  
SPDT ..... Single Pole Double Throw  
SPR ..... Spring  
SQ ..... Square  
SRTD ..... Serrated  
SSCR ..... Setscrew  
SST ..... Stainless Steel  
STD ..... Standard

**U**

---

UPR ..... Upper

**W**

---

WHL ..... Wheel  
WLD OR WLDMT ..... Weldment

**Numerics**

1/2-13X3PLOW .....	1-13	178506 .....	1-15, 1-17, 1-19
104032 .....	1-3, 1-5, 1-7	178507 .....	1-15, 1-17, 1-19
1-076-010008 .....	1-27	178514 .....	1-15, 1-17, 1-19
108841 .....	1-3, 1-5, 1-7, 1-22	178525 .....	1-15, 1-17, 1-19
110-0344 .....	1-27	178554 .....	1-15, 1-17, 1-19
1-298-010001-1 .....	1-11, 1-27	1-861-010032-09 .....	1-3, 1-5, 1-7
141776 .....	1-11	1-861-010034-15 .....	1-3, 1-5, 1-7, 1-11, 1-12, 1-20, 1-21, 1-23, 1-24
1-512-010005-01 .....	1-15, 1-17, 1-19	1-861-010034-17 .....	1-3, 1-5, 1-7, 1-8, 1-11, 1-12
1-512-010005-05 .....	1-25, 1-26	198938 .....	1-3, 1-5, 1-7, 1-22
1-512-010005-13 .....	1-3, 1-5, 1-7, 1-11, 1-22	198939 .....	1-3, 1-5, 1-7, 1-22
1-512-010005-19 .....	1-3, 1-5, 1-7	198944 .....	1-3, 1-5, 1-7
1-512-010007-11 .....	1-3, 1-5, 1-7, 1-11, 1-20, 1-21, 1-23, 1-24	198946 .....	1-22
1-512-010007-12 .....	1-3, 1-5, 1-7, 1-8, 1-11, 1-12	198947 .....	1-22
1-512-010007-13 .....	1-12	198951 .....	1-3, 1-5, 1-7
1-557-010327 .....	1-3, 1-5, 1-7	1D273 .....	1-27
164678 .....	1-3, 1-5, 1-7	1J377 .....	1-27
1-647-010004217 .....	1-11	1J390 .....	1-27
1-654-010047-08 .....	1-15, 1-17, 1-19	1J398 .....	1-25, 1-26, 1-27
1-654-010049-05 .....	1-3, 1-5, 1-7	1J402 .....	1-23, 1-25
1-654-010051-13 .....	1-25, 1-26	1J404 .....	1-24, 1-26
1-654-010059-05 .....	1-3, 1-5, 1-7, 1-20, 1-21	1J463 .....	1-27
1-654-010059-09 .....	1-23, 1-24	1J469 .....	1-23, 1-24
1-654-010059-15 .....	1-7	2107649 .....	1-27
1-654-010059-17 .....	1-3, 1-5, 1-7	2-557-010417 .....	1-3, 1-5, 1-7, 1-22
1-654-010059-21 .....	1-12	2J091 .....	1-11
1-654-010061-07 .....	1-3, 1-5, 1-7	2J092 .....	1-11
1-654-010061-20 .....	1-12	2J094 .....	1-11
1-654-10065-17 .....	1-3, 1-5, 1-7	2J096 .....	1-11
168344 .....	1-25	2J644 .....	1-8, 1-12
168345 .....	1-26	2P151 .....	1-3, 1-5, 1-7, 1-29
174435 .....	1-15, 1-17, 1-19	2P252 .....	1-15, 1-17, 1-19
174436 .....	1-15, 1-17, 1-19	2P253 .....	1-3, 1-5, 1-7, 1-15, 1-17, 1-19
174437 .....	1-15, 1-17, 1-19	3/4-16HSN .....	1-27
		3J562 .....	1-3, 1-5, 1-7, 1-15, 1-17, 1-19

**INDEX**

---

415 .....	1-28	7D442 .....	1-5
4C129 .....	1-28	7D472 .....	1-3, 1-5, 1-7
4J293 .....	1-8	7D473 .....	1-3, 1-5, 1-7
4J675 .....	1-11	7K964 .....	1-13
4J681 .....	1-8, 1-11	8J130 .....	1-11
4K036 .....	1-29	8J310 .....	1-29
4K076 .....	1-11	8J789 .....	1-28
4K551 .....	1-13	9D989 .....	1-3, 1-5, 1-7, 1-22
4K552 .....	1-13		
528933 .....	1-29		
528934 .....	1-29		
528938 .....	1-29		
5C100 .....	1-23, 1-24		
5C912 .....	1-27		
5D157 .....	1-3, 1-5, 1-7		
6D213 .....	1-13		
6D215 .....	1-13		
6D216 .....	1-13		
6D226 .....	1-20		
6D227 .....	1-21		
6D234 .....	1-12		
6D271 .....	1-3, 1-5, 1-20, 1-21		
6D273 .....	1-7		
6D280 .....	1-11, 1-12		
6D283 .....	1-8, 1-12		
6D298 .....	1-12		
6D299 .....	1-7		
6D362 .....	1-11		
6D409 .....	1-11		
6D529 .....	1-3, 1-5, 1-7		
6D913 .....	1-8, 1-12		
6D946 .....	1-23		
6D988 .....	1-3, 1-5, 1-7		
6J459 .....	1-11		
6K911 .....	1-23, 1-24, 1-28		
712099 .....	1-27		
7D017 .....	1-3, 1-7		
7D441 .....	1-24		





# Instructions for Ordering Parts

**\*\* Repair parts must be ordered through an Authorized Dealer \*\***

## DEALER INSTRUCTIONS FOR ORDERING PARTS FROM LANDOLL PARTS DISTRIBUTION CENTER

Phone #: 800-423-4320 or 785-562-5381

Fax #: 888-527-3909

Order online: [dealer.landoll.com](http://dealer.landoll.com)

### IDENTIFICATION PLATE

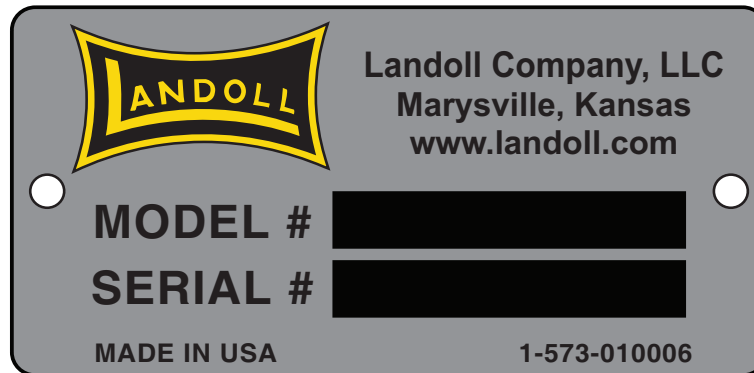
The Identification Plate, which lists the model and serial number of the equipment. It is located on the rear left hand, inside frame of the Chisel Plow.

### SERIAL NUMBER NOMENCLATURE

The serial number for the Chisel is located on the identification plate. The following information will help decode the Landoll serial number.

**CPD24000100 = xxmysssss**

<b>xx</b>	= model series (i.e. "CP" for all Chisel Plows)
<b>m</b>	= month of manufacture (ex. "D" means April. The letter I is not used.)
<b>yy</b>	= last digits of the year manufactured (ex. "24" means 2024)
<b>sssss</b>	= Sequential number used to track warranty and service information.



Identification Plate

## Manuals for 3-Bar Chisel Plow

Manual Number	Manual Type
7D525	Operator's Manual
7D524	Parts Manual

# Document Control Revision Log:

Date	Form #	Improvement(s): Description and Comments
07/2001	7D524-0701	Initial Release
11/2013	7D524-1113	Update to the Landoll format. Added LED Warning Lights (175rev1113)
01/2024	7D524-2401	Revised Landoll Template *Revised Form Format "Year/Date"



---

# Intertek

Equipment from Landoll Company, LLC is built to exacting standards ensured by ISO 9001 registration at all Landoll manufacturing facilities.

## Chisel Plow, 3-Bar Mounted Models: CPP7 thru CPP12 Parts Manual

### Re-Order Part Number 7D524

#### LANDOLL COMPANY, LLC

1900 North Street

Marysville, Kansas 66508

(785) 562-5381

800-428-5655 ~ [WWW.LANDOLL.COM](http://WWW.LANDOLL.COM)



Copyright 2024. Landoll Company, LLC

“All rights reserved, including the right to reproduce this material or portions thereof in any form.”

