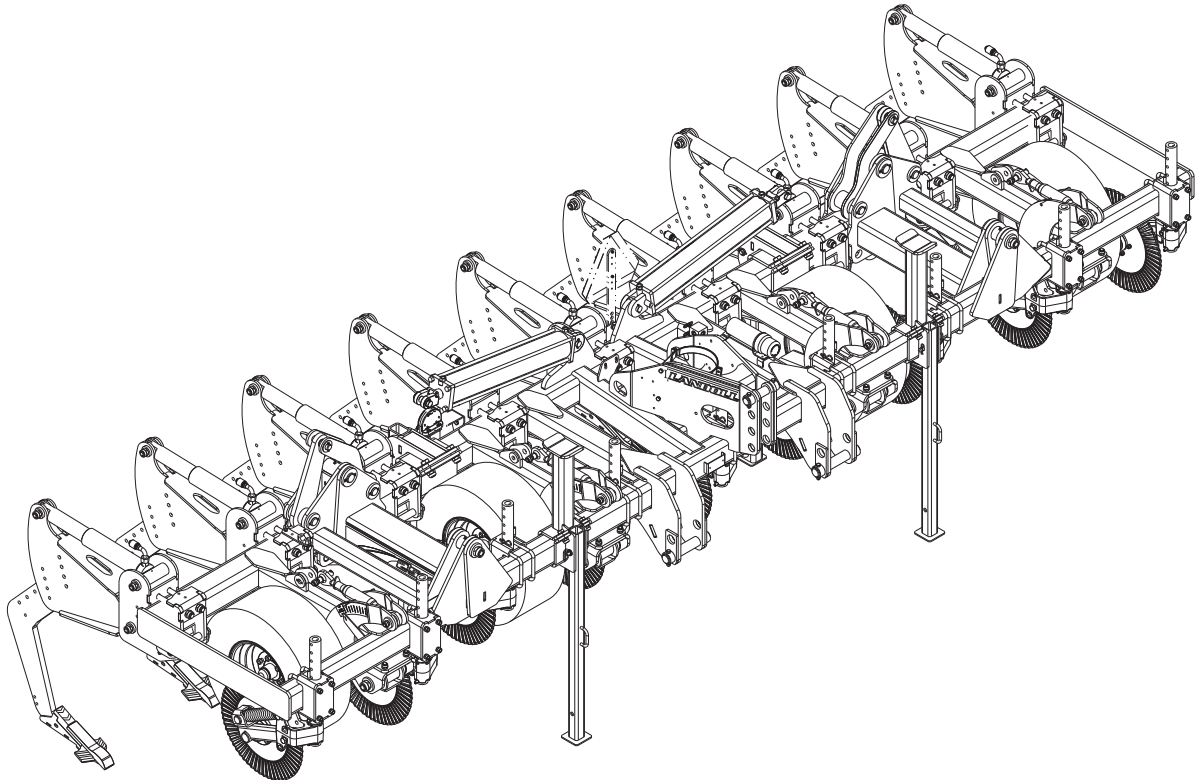




# 2512 Zone Commander

FOR UNITS SHIPPED AFTER DECEMBER 1, 2020  
(SN:25M201237 AND ABOVE)  
PREVIOUS UNITS SHOULD REFERENCE F-1039-0320

## Parts Manual



**LANDOLL COMPANY, LLC**

1900 North Street

Marysville, Kansas 66508

(785) 562-5381

800-428-5655 ~ [WWW.LANDOLL.COM](http://WWW.LANDOLL.COM)

# Instructions for Ordering Parts

**\*\* Repair parts must be ordered through an Authorized Dealer \*\***

## DEALER INSTRUCTIONS FOR ORDERING PARTS FROM LANDOLL PARTS DISTRIBUTION CENTER

Phone #: 800-423-4320 or 785-562-5381

Fax #: 888-527-3909

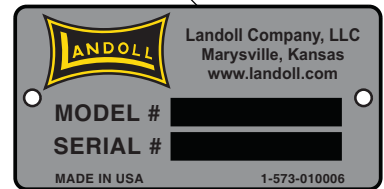
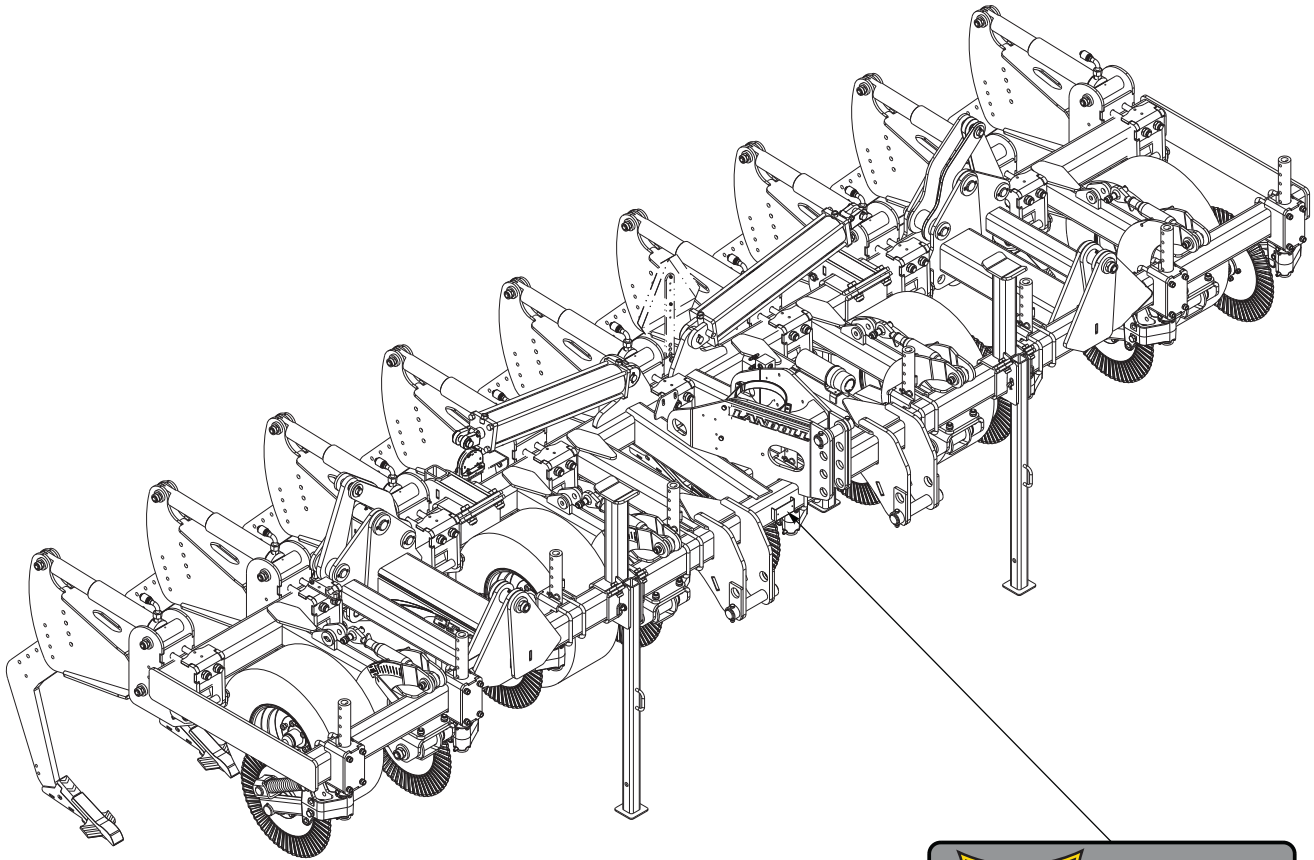
Order online: [dealer.landoll.com](http://dealer.landoll.com)

### IDENTIFICATION PLATE

The identification plate, which lists the model number and serial number, is located on the front of the frame.

### SERIAL NUMBER

The serial number is located on the identification plate.



Identification Plate and Location

## Manuals for 2512 Zone Commander and Caddy

Manual Number	Manual Type
F-1040	Operator's Manual
F-1039	Parts Manual (2512 Zone Commander ONLY)
F-1075	Caddy Parts Manual (ONLY)

# Table of Contents

---

## 1 Frames

Rigid Frame .....	1-1
Folding Frame .....	1-3
Auto Reset Shank Clamp Asm, Spring (AFT. 01/16/2023) .....	1-7
Auto Reset Shank Clamp Asm, Spring - Setback (AFT. 01/16/2023) .....	1-8
Auto Reset Shank Clamp Asm, Spring (BEF. 01/16/2023) .....	1-9
Auto Reset Shank Clamp Asm, Spring - Setback (BEF. 01/16/2023) .....	1-10
Auto Reset Shank Clamp Asm, Hydraulic (AFT. 12/12/2023) .....	1-11
Auto Reset Shank Clamp Asm, Hydraulic - Setback (AFT. 12/12/2023) ....	1-12
Auto Reset Shank Clamp Asm, Hydraulic (BEF. 12/12/2023) .....	1-13
Auto Reset Shank Clamp Asm, Hydraulic - Setback (BEF. 12/12/2023) ....	1-14
RSB Shank Clamp Assembly (Rigid Shear Bolt) .....	1-15
Jack Stand and Wing Rest (AFTER 06/07/2023) .....	1-16
Jack Stand and Wing Rest (11/01/2021 TO 06/07/2023) .....	1-17
Jack Stand and Wing Rest (BEFORE 11/01/2021) .....	1-18
Jack Stand, Rear - Optional .....	1-19
Gauge Wheel Assembly - Horizontal Mount (Left and Right) .....	1-21
Gauge Wheel Assembly - Vertical Mount (Left and Right) .....	1-23
Hub Assembly .....	1-25
Rear Tow Bar Hitch - Optional .....	1-27

## 2 Coultter Assemblies

Blade Coultter - Straight, Rippled & Pyramid Option (Left Hand) .....	2-1
Blade Coultter - Straight, Rippled & Pyramid Option (Right Hand) .....	2-3
Heavy Duty Coultter (AFTER 02/2022) .....	2-5
Heavy Duty Coultter (BEFORE 02/2022) .....	2-7
Coultter Placement .....	2-9

## 3 Electrical

Lighting and Reflectors (Rigid 4 Shank) .....	3-1
Lighting and Reflections (Rigid 5/6/7/8 Shank) .....	3-3
Lighting and Reflectors (Folding) .....	3-5
Wiring Diagram .....	3-7

## 4 Hydraulics

2512 Folding Frame Hydraulic Diagram (AFTER 11/01/2021) .....	4-1
2512 Folding Frame Hydraulic Diagram (BEFORE 11/01/2021) .....	4-3
2512 Accumulator Bladder .....	4-6
2512 Hydraulics, 4 Shank .....	4-7
2512 Hydraulics, 5 Shank .....	4-8
2512 Hydraulics, 6 Shank .....	4-9

2512 Hydraulics, 7 Shank (Rigid and Folding) ..... 4-13  
 2512 Hydraulics, 8 Shank (Rigid and Folding) ..... 4-17  
 2512 Hydraulics, 9 Shank (Folding) ..... 4-21  
 Manifold-Draft Assembly ..... 4-25  
 Manifold-Shank Cylinder Assembly ..... 4-28  
 Folding Cylinder, 4 x 24 (BEFORE 11/01/2021) ..... 4-29  
 Shank Cylinder, 3 x 9-1/2 ..... 4-30

**5 Shanks**

Parabolic Shank, 1-1/4 ..... 5-1  
 Straight Leg Shank, 1-1/4 ..... 5-3  
 Straight Leg Shank, 3/4 ..... 5-5  
 Coverboard Kit ..... 5-7

**6 Points**

Points for 1-1/4 Shank ..... 6-1  
 Points for 3/4 Shank ..... 6-3

**7 Finishing Options**

Closing Platform (AFTER 02/2022) ..... 7-1  
 Closing Platform (BEFORE 02/2022) ..... 7-3  
 Closer Wheel ..... 7-5  
 Flat Bar Basket - 20" ..... 7-6  
 Closer Disc ..... 7-7  
 Crumbler Reel ..... 7-8  
 Packer Reel ..... 7-9  
 Treader ..... 7-10

**8 Decals**

Decals ..... 8-1  
 Decal Placement ..... 8-3

**9 Glossary**

**10 Index**



## Frames

### Rigid Frame

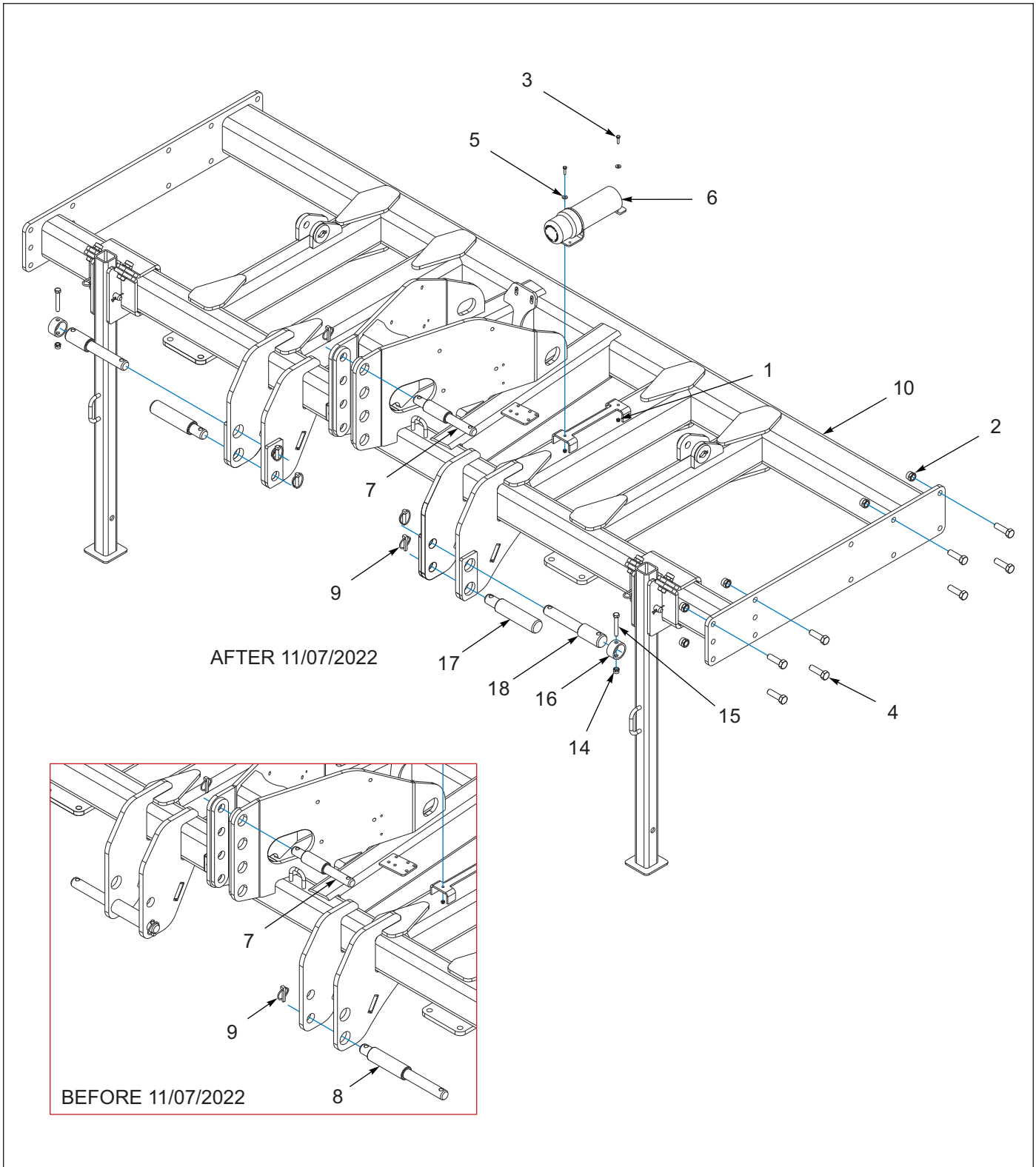


Figure 1-1: Rigid Frame (1 of 2)

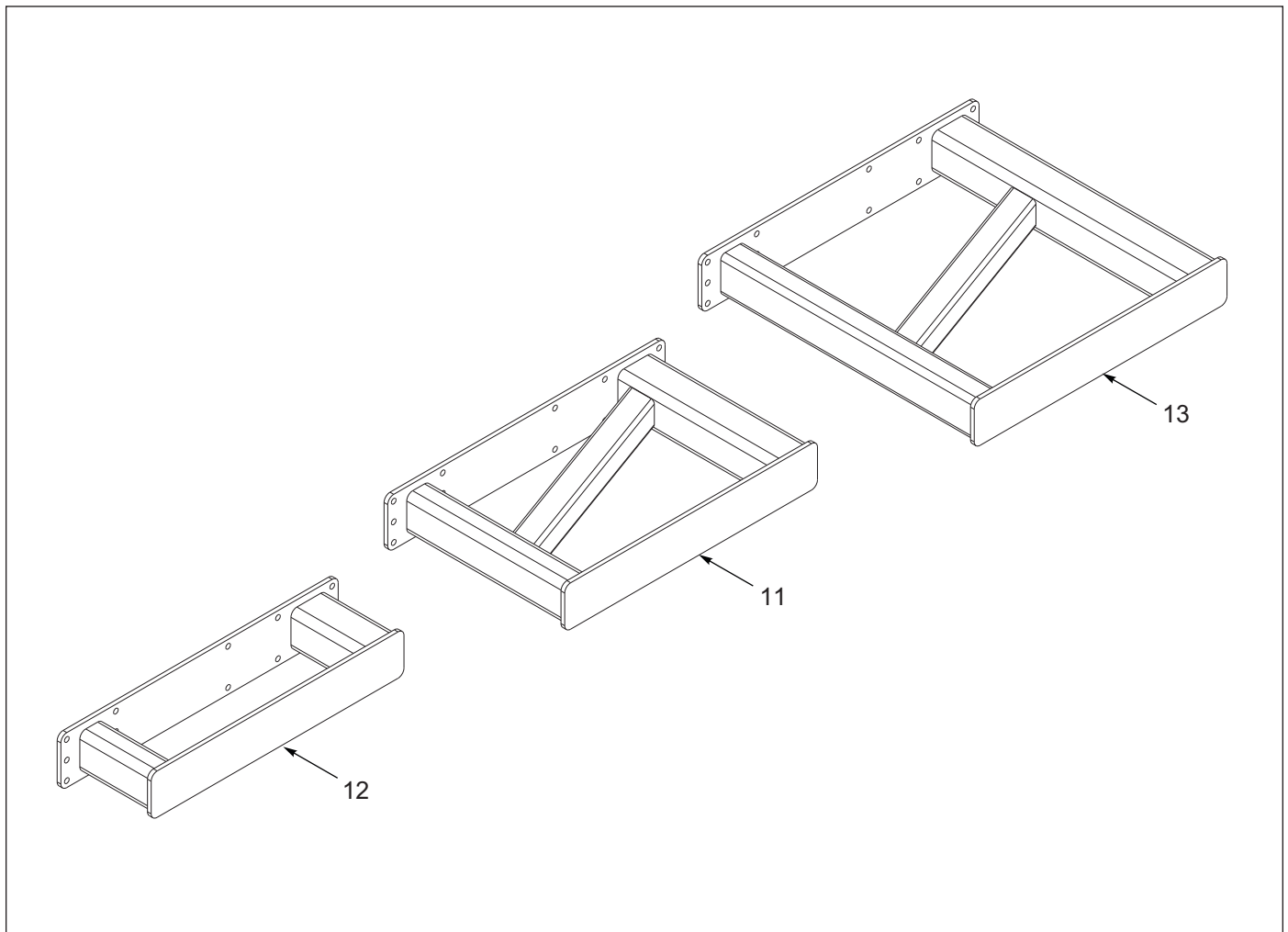


Figure 1-2: Rigid Frame (2 of 2)

## Rigid Frame

ITEM	PART NUMBER	DESCRIPTION	QTY.
1	1-512-010005-01	NUT,HEX,SLFLKG GRB 1/4-20	2
2	1-512-010005-15	NUT,HEX,SLFLKG GRB 3/4-10	16
3	1-654-010047-06	SCREW,HX CP 1/4-20UNCX1 GR5	2
4	1-654-010061-07	SCREW,HX CP 3/4-10UNCX2-1/2G5	8
5	1-861-010032-07	WASHER,FLAT 1/4 ZP	2
6	142753	MANUAL HOLDER	1
7	191655	PIN TOP LINK CAT II/III/IV-N	1
8	191656	PIN HITCH CAT II/III/IV-N (BEFORE 11/07/2022)	2
9	2-557-010417	PIN, LYNCH CAT III	5
10	210891	FRAME-RIGID, 2512 WLDMT	1
11	213207	EXTENSION WLDMT, 27IN (7 SHANKS)	2
12	213212	EXTENSION-12 INCH, WLDMT (6 SHANKS)	2
13	214353	FRAME-EXTENSION, LONG, WLDMT (8 SHANKS)	2
14	1-512-010005-09	NUT,HEX,SLFLKG, 1/2-13 GRB (AFTER 11/07/2022)	2
15	1-654-010055-10	SCREW HEX CAP 1/2-13X3-1/4GR5 (AFTER 11/07/2022)	2
16	221925	BUSHIN-HITCH LOWER (AFTER 11/07/2022)	2
17	240265	PIN-HITCH, CAT IV-N (AFTER 11/07/2022)	2
18	240266	PIN-HITCH, CAT III (AFTER 11/07/2022)	2

# Folding Frame

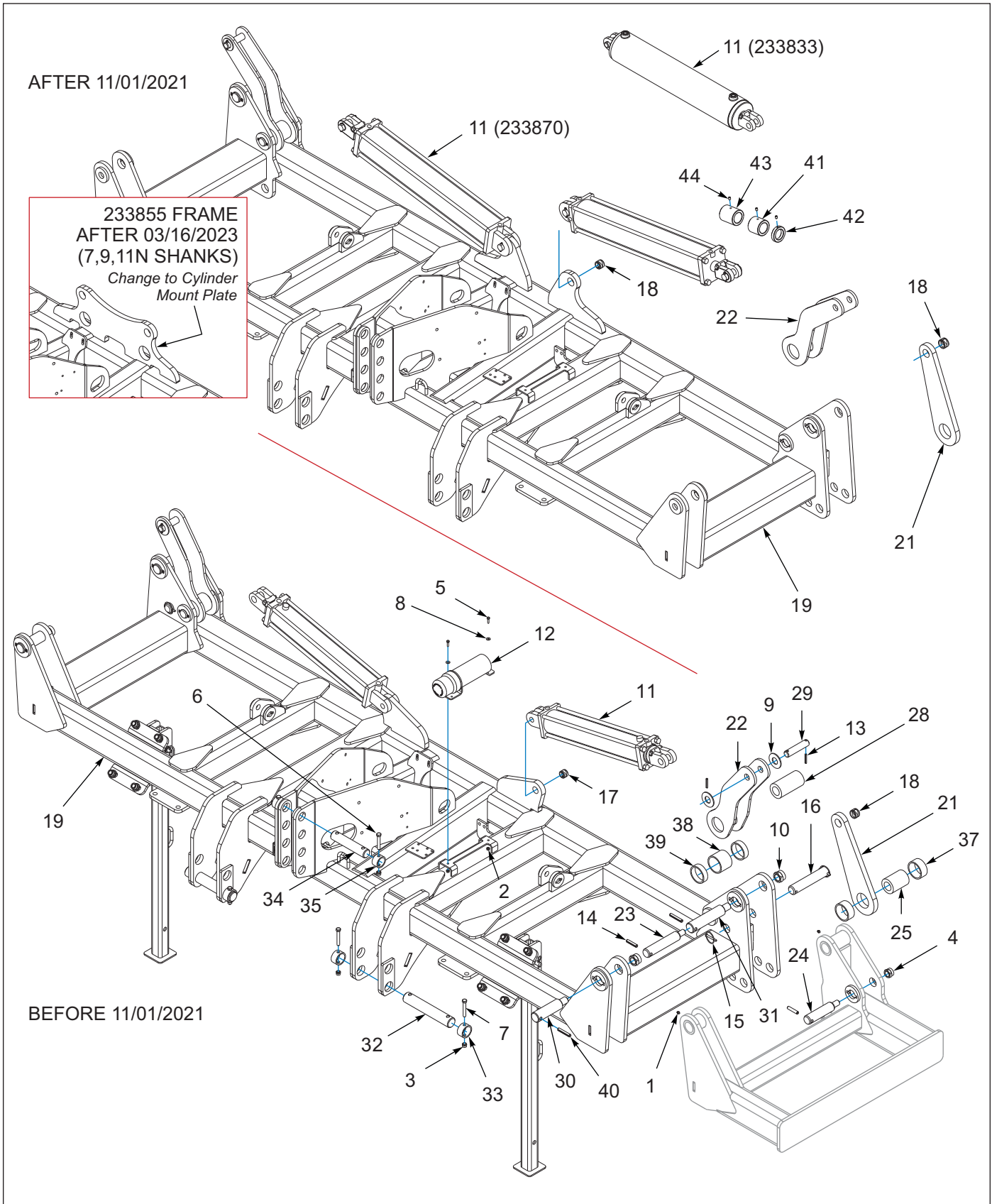


Figure 1-3: 2512 Folding Frame (1 of 2)



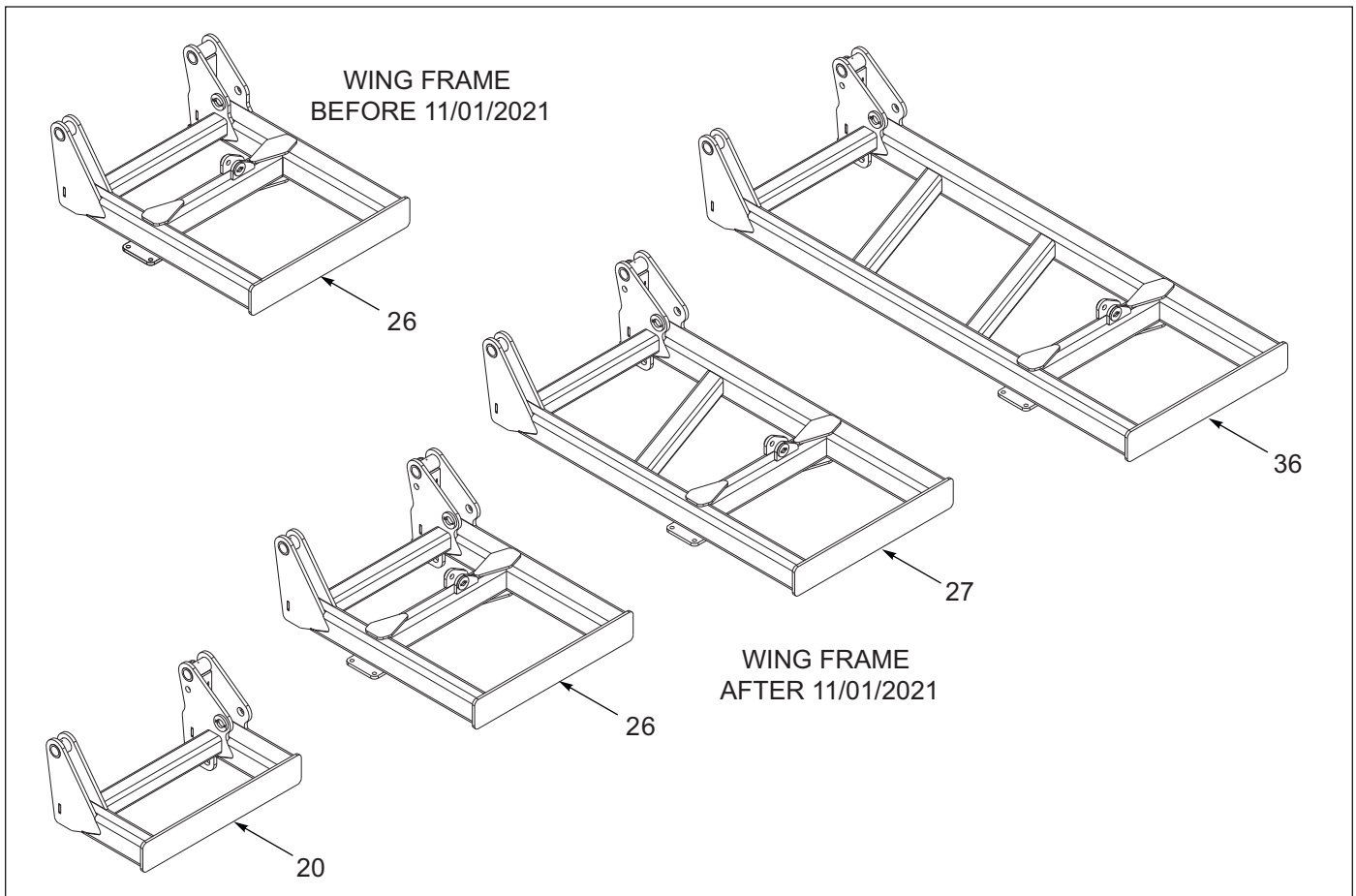


Figure 1-4: 2512 Folding Frame (2 of 2)

### Folding Frame

ITEM	PART NUMBER	DESCRIPTION	QTY.
1	1-298-010001-1	ZERK FITTING 1/4 SAE	4
2	1-512-010005-01	NUT,HEX,SLFLKG GRB 1/4-20	2
3	1-512-010005-09	NUT,HEX,SLFLKG, 1/2-13 GRB	6
4	1-512-010005-19	NUT 1-8 HEX SLF-LOCKING GRB	4
5	1-654-010047-06	SCREW,HX CP 1/4-20UNCX1 GR5	2
6	1-654-010055-09	SCREW,HX CP, 1/2-13UNCX3 GR5	2
7	1-654-010055-10	SCREW HEX CAP 1/2-13X3-1/4GR5	4
8	1-861-010032-07	WASHER,FLAT 1/4 ZP	2
9	116100	WASHER 1-1/4 NAR FL ZP/CD <b>(AFTER 11/01/2021)</b>	4
9	1-861-010032-29	WASHER, FLAT 1-1/4 W ZP/CD <b>(BEFORE 11/01/2021)</b>	4
10	101385	NUT,HEX SLFLKG,1-1/4-7 GRB	4
11	233870	CYLINDER, HYD 5 X 30, 3000 PSI <b>(AFTER 11/01/2021 - 7, 8, 9, 10, 11, 11N, 12, 13, 14 SHANKS)</b>	2
11	233833	CYLINDER-HYD, 6 X 30, 3000 PSI <b>(AFTER 11/01/2021 - 15, 16 SHANKS)</b>	2
11	108331	CYLINDER, HYD 4X24 SP <b>(BEFORE 11/01/2021)</b>	2
12	142753	MANUAL HOLDER	1
13	147072	PIN, SPRING SLOTTED 5/16 X 2	4
14	172802	PIN SPRING SLOTTED 1/2X2-1/2	4
15	172946	PIN LYNCH 5/16 X 2.00	4

## FRAMES

## Folding Frame

ITEM	PART NUMBER	DESCRIPTION	QTY.
16	179470	PIN 1-3/4X7-3/4, 2H	2
17	192890	BUSHING 1-3/8ODX1 IDX1 STEEL (BEFORE 11/01/2021)	2
18	2-150-010174	BUSHING,1-5/8X1-1/4X1 (BEFORE 11/01/2021, QTY=2)	4
19	233855	FRAME-FOLDING (5), 2512F WLDMT (AFTER 11/01/2021 - 7, 9, 11N SHANKS)	1
19	219955	FRAME-FOLDING (5), 2512F WLDMT (BEFORE 11/01/2021 - 7, 9, 11N SHANKS)	1
19	233856	FRAME-FOLDING (6), 2512F WLDMT (AFTER 11/01/2021 - 8, 10, 12 SHANKS)	1
19	221314	FRAME-FOLDING (6), 2512F WLDMT (BEFORE 11/01/2021 - 8, 10, 12 SHANKS)	1
19	233857	FRAME-FOLDING (7), 2512F WLDMT (AFTER 11/01/2021 - 11, 13, 15 SHANKS)	1
19	221939	FRAME-FOLDING (7), 2512F WLDMT (BEFORE 11/01/2021 - 11, 13, 15 SHANKS)	1
19	233858	FRAME-FOLDING (8), 2512F WLDMT (AFTER 11/01/2021 - 14, 16 SHANKS)	1
19	221943	FRAME-FOLDING (8), 2512F WLDMT (BEFORE 11/01/2021 - 14, 16 SHANKS)	1
20	233859	FRAME-WING, LH, (1) WLDMT (LEFT ONLY) (SHOWN) (AFTER 11/01/2021 - 7 & 8 SHANKS)	1
20	219973	FRAME-WING, LH, (1) WLDMT (LEFT ONLY) (SHOWN) (BEFORE 11/01/2021 - 7 & 8 SHANKS)	1
20	233860	FRAME-WING, RH, (1) WLDMT (RIGHT ONLY) (AFTER 11/01/2021 - 7 & 8 SHANKS)	1
20	219974	FRAME-WING, RH, (1) WLDMT (RIGHT ONLY) (BEFORE 11/01/2021 - 7 & 8 SHANKS)	1
21	233830	LINK-WING FOLD (AFTER 11/01/2021)	2
21	219977	LINK-WING FOLD (BEFORE 11/01/2021)	2
22	233852	LINK-WING FOLD (AFTER 11/01/2021 - 11N, 12, 13, 14, 15, 16 SHANKS)	4
22	233828	LINK-WING FOLD (AFTER 11/01/2021 - 7, 8, 9, 10, 11, SHANKS)	4
22	219978	LINK-WING FOLD (BEFORE 11/01/2021)	4
23	219980	PIN, 1-3/4 X 7-1/2, STEP	2
24	219981	PIN, 1-3/4 X 5-3/4, STEP	2
25	219983	BUSHING, 3.0 X 1.78 X 4-3/32	2
26	233861	FRAME-WING, LH, (2), WLDMT (LEFT ONLY) (SHOWN) (AFTER 11/01/2021 - 9, 10, 11 SHANKS)	1
26	219991	FRAME-WING, LH, (2), WLDMT (LEFT ONLY) (SHOWN) (BEFORE 11/01/2021 - 9, 10, 11 SHANKS)	1
26	233862	FRAME-WING, RH, (2), WLDMT (RIGHT ONLY) (AFTER 11/01/2021 - 9, 10, 11 SHANKS)	1
26	219992	FRAME-WING, RH, (2), WLDMT (RIGHT ONLY) (BEFORE 11/01/2021 - 9, 10, 11 SHANKS)	1
27	233865	FRAME-WING, LH, (3), WLDMT (LEFT ONLY) (SHOWN) (AFTER 11/01/2021 - 11N, 11, 12, 13, 14, 15, 16 SHANKS)	1
27	219995	FRAME-WING, LH, (3), WLDMT (LEFT ONLY) (SHOWN) (BEFORE 11/01/2021 - 11N, 11, 12, 13, 14, 15, 16 SHANKS)	1
27	233866	FRAME-WING, RH, (3), WLDMT (RIGHT ONLY) (AFTER 11/01/2021 - 11, 12, 13, 14, 15, 16 SHANKS)	1

## Folding Frame

ITEM	PART NUMBER	DESCRIPTION	QTY.
27	219996	FRAME-WING, RH, (3), WLDMT (RIGHT ONLY) (BEFORE 11/01/2021 - 11, 12, 13, 14, 15, 16 SHANKS)	1
28	221311	BUSHING, 3.0 X 1.78 X 5-7/8	2
29	221312	PIN, 1-1/4 X 5-1/2 (4-7/16)	2
30	221318	PIN-SHOULDER, 2X5-1/2	2
31	221319	PIN-SHOULDER, 2X7-1/2	2
32	221924	PIN-HITCH, LOWER CAT IV	2
33	221925	BUSHIN-HITCH LOWER	4
34	221926	PIN-HITCH, UPPER CAT IV	1
35	221927	BUSHING-HITCH UPPER	2
36	233867	FRAME-WING, LH, (4), WLDMT (LEFT ONLY) (AFTER 11/01/2021 - 15, 16 SHANKS) (SHOWN)	1
36	221947	FRAME-WING, LH, (4), WLDMT (LEFT ONLY) (BEFORE 11/01/2021 - 15, 16 SHANKS) (SHOWN)	1
36	233868	FRAME-WING, RH, (4), WLDMT (RIGHT ONLY) (AFTER 11/01/2021 - 15, 16 SHANKS)	1
36	221948	FRAME-WING, RH, (4), WLDMT (RIGHT ONLY) (BEFORE 11/01/2021 - 15, 16 SHANKS)	1
37	224450	BUSHING, 3.5X3.04X1-1/2, PVC	4
38	224451	BUSHING, 3.5X3.04X2-3/4, PVC	2
39	224452	BUSHING, 3.5X3.04X1, PVC	4
40	5D979	ROLL PIN 1/2 X 3	4
41	235888	STOP-CYL, 2 ROD X 2-5/8 (USED W/233870 HYD CYL) (AFTER 06/07/2023 - 7, 8, 11N, 12, 13, 14 ALL CLAMP TYPES) (11/01/2021 TO 06/07/2023 - 7, 8, 12, 14, 14 ALL - 9, 10, 11 SPRING A/R)	2
42	235889	STOP-CYL, 2 ROD X 5/8 (USED W/233870 HYD CYL) (AFTER 06/07/2023 - 9, 10, 11 ALL CLAMP TYPES) (11/01/2021 TO 06/07/2023 - 9, 10, 11 HYD A/R, RSB)	2
43	235892	STOP-CYL, 2 ROD X 3-7/16 (USED W/233870 HYD CYL) (AFTER 11/01/2021 - 11N ALL CLAMP TYPES)	2
44	122709	SCREW,SET,HXSKTCPPT 3/8-16X1/2 (AFTER 11/01/2021)	2
45	235887	STOP-CYL, 2-1/2 ROD X 3-5/16 (USED W/233833 HYD CYL) (AFTER 11/01/2021 - 15, 16 ALL CLAMP TYPES)	2
46	233795	STOP-CYLINDER,1-3/4 ROD,X2-1/4 (USED W/108331 HYD CYL) (06/02/2021 TO 11/01/2021 - 7, 8 ALL CLAMP TYPES)	2
47	222011	BUSHING-CYL STOP,1-3/4 X 1-3/8L (USED W/108331 HYD CYL) (06/02/2021 TO 11/01/2021 - 9, 10, 11 HYD A/R, RSB)	2
48	233795	STOP-CYLINDER,1-3/4 ROD,X2-1/4 (USED W/108331 HYD CYL) (06/02/2021 TO 11/01/2021 - 9, 10, 11 SPRING A/R)	2

## Auto Reset Shank Clamp Asm, Spring (AFT. 01/16/2023)

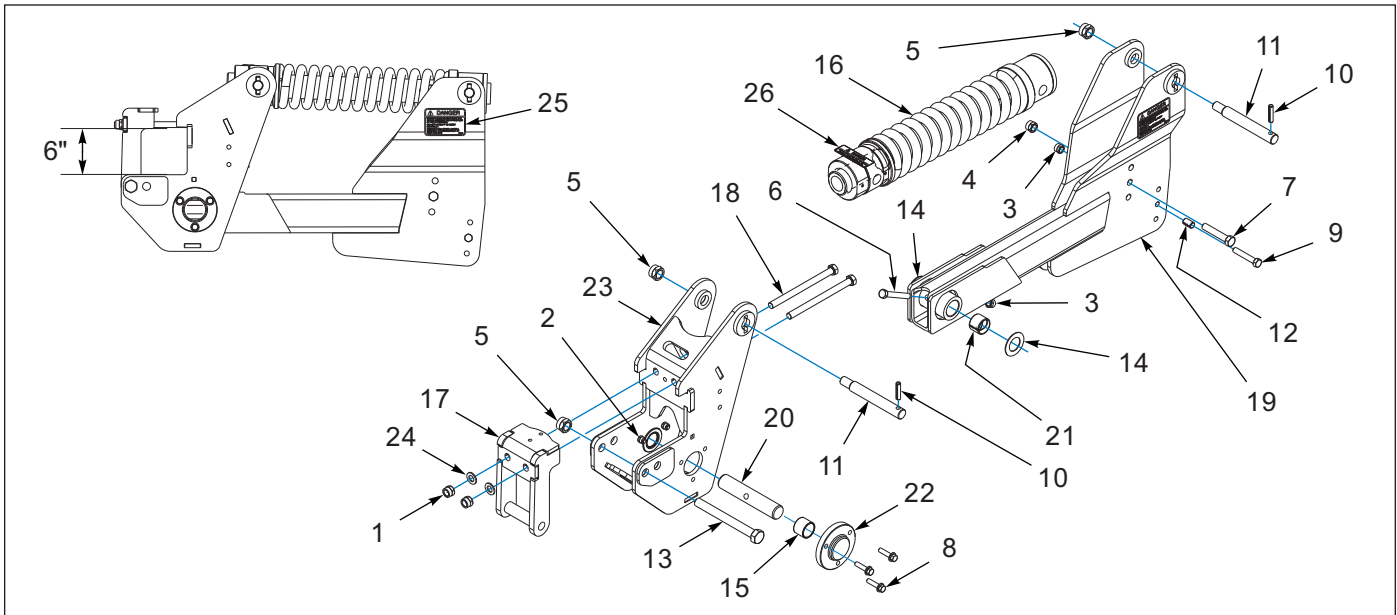


Figure 1-5: Auto Reset Shank Clamp Assembly, Spring (AFTER 01/16/2023)

## Auto Reset Shank Clamp Asm, Spring (AFT. 01/16/2023)

ITEM	PART NUMBER	DESCRIPTION	QTY.
	243130	CLAMP-SHANK, ASM W/CHROME PIN (INCLUDES ITEMS 1-24) (FOR CYL. STOP USED W/CLAMP TYPE, SEE "FOLDING FRAME")	1
1	1-512-010002-16	NUT,3/4-16 HEX,SLFLKG, GRC	2
2	1-512-010005-09	NUT,HEX,SLFLKG, 1/2-13 GRB	6
3	1-512-010005-13	NUT,HEX SLFLKG GRB 5/8-11	2
4	1-512-010005-15	NUT,HEX,SLFLKG GRB 3/4-10	1
5	1-512-010005-19	NUT 1-8 HEX SLF-LOCKING GRB	3
6	1-654-010059-14	SCREW HX CP,5/8-11UNCX4-1/2G5	1
7	1-654-010061-13	SCREW,HX CP 3/4-10UNCX4 GR5	1
8	1-655-010001-05	SCREW,FLG HD 1/2-13X2 GR8 ZP	6
9	138567	SCREW,HX CP 5/8-11UNCX3-1/2G8	1
10	141251	SPRING PIN,SLOTTED 1/2X2-1/4	2
11	144457	PIN, SHANK (1-1/4 X 7-1/4)	2
12	150244	BUSHING,CNX-5/8 X 3/4 X 1-1/4	1
13	172581	SCREW HEX CAP 1-8UNCX9.5 GR8	1
14	195566	WASHER THRUST 1-3/4 14 GA	2
15	210879	BEARING-HEF, 2.004X1.76X1-1/2	2
16	218785	SPRING-CLAMP, SHANK, ASSY	1
17	221412	GATE-CLAMP WLDMT	1
18	239516	SCREW, HXCP 3/4-16UNFX10 GR8	2
19	240314	SHANK MOUNT, 1-1/4, WLDMT	1
20	240317	PIN, SHANK PIVOT 1-3/4 DIA	1
21	240342	BUSHING,SPRG 2 X 1-3/4 X 1-1/2	2
22	241980	CAP, BEARING STEEL 1-3/4 PIN	2
23	243128	CLAMP, SHANK WLDMT	1
24	622-3511-008	WASHER, FLAT 3/4 MIL-CARB SAE	2
25	207142	DECAL, DANGER STUCK SHANK	1
26	2-573-010469	DECAL, DANGER SPRING	1

### Auto Reset Shank Clamp Asm, Spring - Setback (AFT. 01/16/2023)

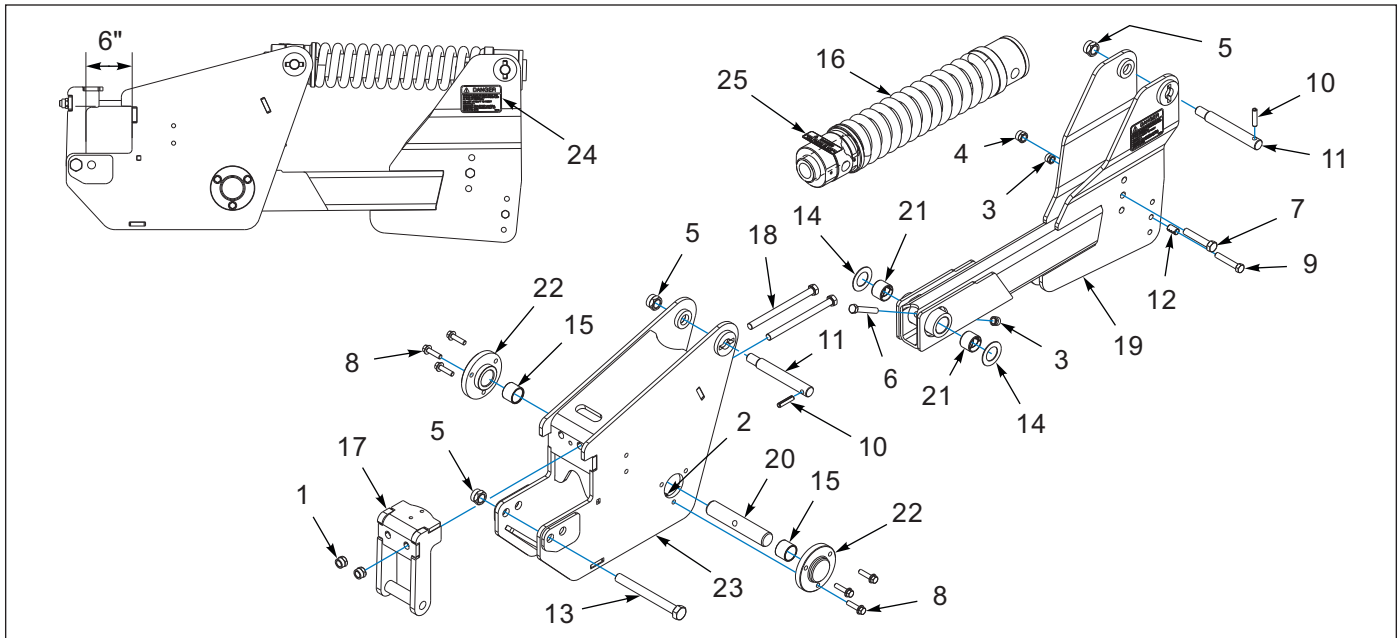


Figure 1-6: 2512 Auto Reset Shank Clamp Asm, Spring - Setback (AFTER 01/16/2023)

### Auto Reset Shank Clamp Asm, Spring - Setback (AFT. 01/16/2023)

ITEM	PART NUMBER	DESCRIPTION	QTY.
	242821	CLAMP-SHANK, SETBACK, ASM (INCLUDES ITEMS 1-23) (FOR CYL. STOP USED W/CLAMP TYPE, SEE "FOLDING FRAME")	1
1	1-512-010002-16	NUT,3/4-16 HEX,SLFLKG, GRC	2
2	1-512-010005-09	NUT,HEX,SLFLKG, 1/2-13 GRB	6
3	1-512-010005-13	NUT,HEX SLFLKG GRB 5/8-11	2
4	1-512-010005-15	NUT,HEX,SLFLKG GRB 3/4-10	1
5	1-512-010005-19	NUT 1-8 HEX SLF-LOCKING GRB	3
6	1-654-010059-13	SCREW HEX CAP 5/8-11X4UNC GR5	1
7	1-654-010061-13	SCREW,HX CP 3/4-10UNCX4 GR5	1
8	1-655-010001-05	SCREW,FLG HD 1/2-13X2 GR8 ZP	6
9	138567	SCREW,HX CP 5/8-11UNCX3-1/2G8	1
10	141251	SPRING PIN,SLOTTED 1/2X2-1/4	2
11	144457	PIN, SHANK (1-1/4 X 7-1/4)	2
12	150244	BUSHING,CNX-5/8 X 3/4 X 1-1/4	1
13	172581	SCREW HEX CAP 1-8UNCX9.5 GR8	1
14	195566	WASHER THRUST 1-3/4 14 GA	2
15	210879	BEARING-HEF, 2.004X1.76X1-1/2	2
16	218785	SPRING-CLAMP, SHANK, ASSY	1
17	221412	GATE-CLAMP WLDMT	1
18	239516	SCREW, HXCP 3/4-16UNFX10 GR8	2
19	240314	SHANK MOUNT, 1-1/4, WLDMT	1
20	240317	PIN, SHANK PIVOT 1-3/4 DIA	1
21	240342	BUSHING,SPRG 2 X 1-3/4 X 1-1/2	2
22	241980	CAP, BEARING STEEL 1-3/4 PIN	2
23	242817	CLAMP-SHANK, SETBACK, WLDMNT	1
24	207142	DECAL, DANGER STUCK SHANK	1
25	2-573-010469	DECAL, DANGER SPRING	1

FRAMES

Auto Reset Shank Clamp Asm, Spring (BEF. 01/16/2023)

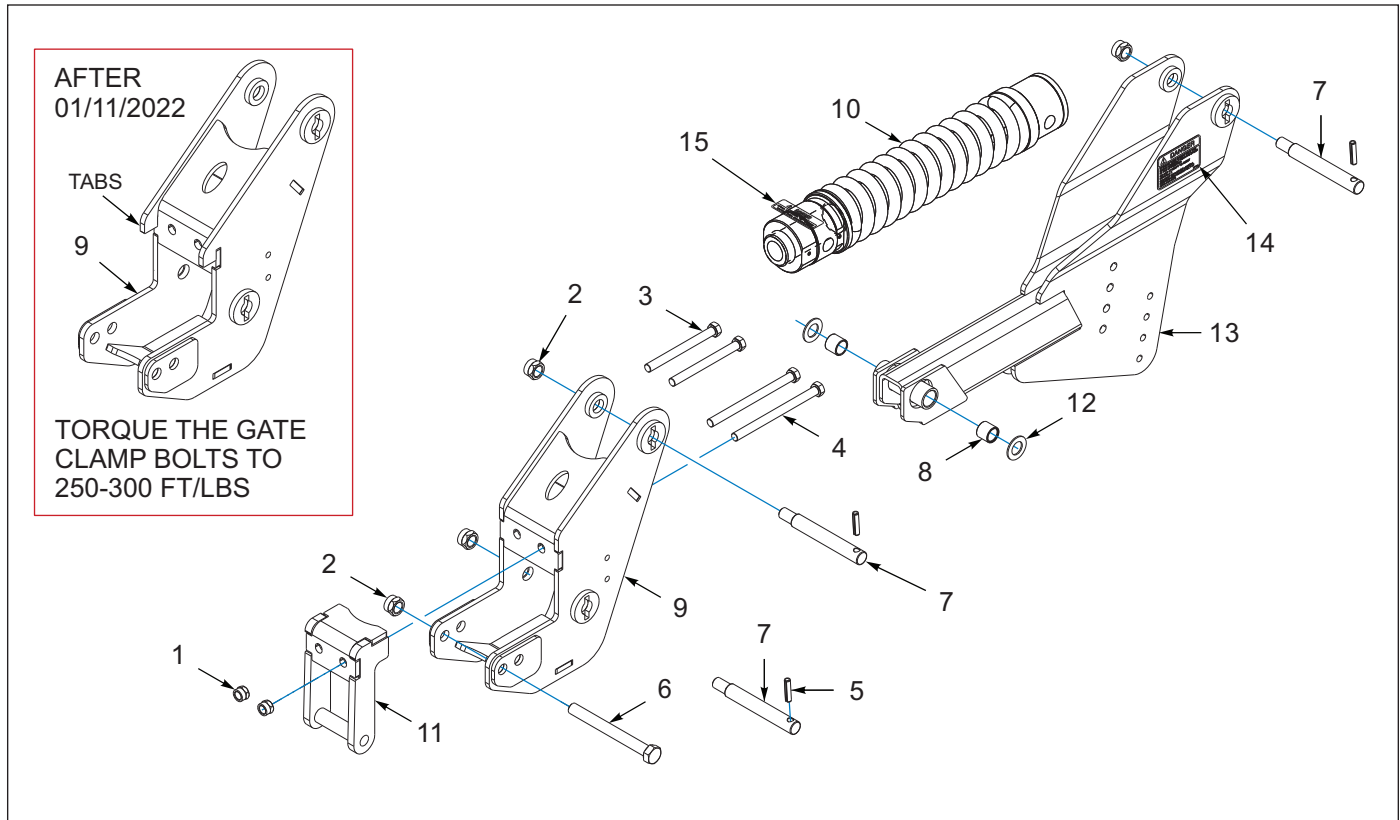


Figure 1-7: Auto Reset Shank Clamp Assembly, Spring (BEFORE 01/16/2023)

Auto Reset Shank Clamp Asm, Spring (BEF. 01/16/2023)

ITEM	PART NUMBER	DESCRIPTION	QTY.	
			6X4 Tool Bar	6X6 Tool Bar
	214397	CLAMP-SHANK, ASSY (INCLUDES ITEMS 1-13) (FOR CYL. STOP USED W/CLAMP TYPE, SEE "FOLDING FRAME")	1	1
1	1-512-010005-15	NUT,HEX,SLFLKG GRB 3/4-10	2	2
2	1-512-010005-19	NUT 1-8 HEX SLF-LOCKING GRB	4	4
3	162249	SCREW, HX CP,3/4-10UNCX8 GR8 (AFT. 01/11/2022)	2	--
3	1-654-010061-21	SCREW,HXCP 3/4-10UNCX10GR5 (BEF. 01/11/2022)	2	--
4	1-654-010032-25	SCREW HX CP 3/4-10X10 GR8 (AFT. 01/11/2022)	--	2
4	1-654-010061-25	SCREW,HXCP 3/4-10UNCX10GR5 (BEF. 01/11/2022)	--	2
5	141251	SPRING PIN,SLOTTED 1/2X2-1/4	3	3
6	172581	SCREW HEX CAP 1-8UNCX9.5 GR8	1	1
7	144457	PIN, SHANK (1-1/4 X 7-1/4) (AFTER 09/01/2021)	3	3
7	210887	PIN, 1-1/4 X 7-1/4, STEP (BEFORE 09/01/2021)	3	3
8	217196	BEARING-HEF,1.5 X 1.25 X 1.3	2	2
9	217969	CLAMP-SHANK, 6X6 TOOLBAR,WLDMT	1	1
10	218785	SPRING-CLAMP, SHANK, ASSY	1	1
11	221412	GATE-CLAMP WLDMT	1	1
12	221428	WASHER-2-1/4OD,1-1/4ID,1/8UHMW	2	2
13	221433	CLAMP-SHANK, 1-1/4, WLDMT	1	1
14	207142	DECAL, DANGER STUCK SHANK	1	1
15	2-573-010469	DECAL, DANGER SPRING	1	1

**Auto Reset Shank Clamp Asm, Spring - Setback (BEF. 01/16/2023)**

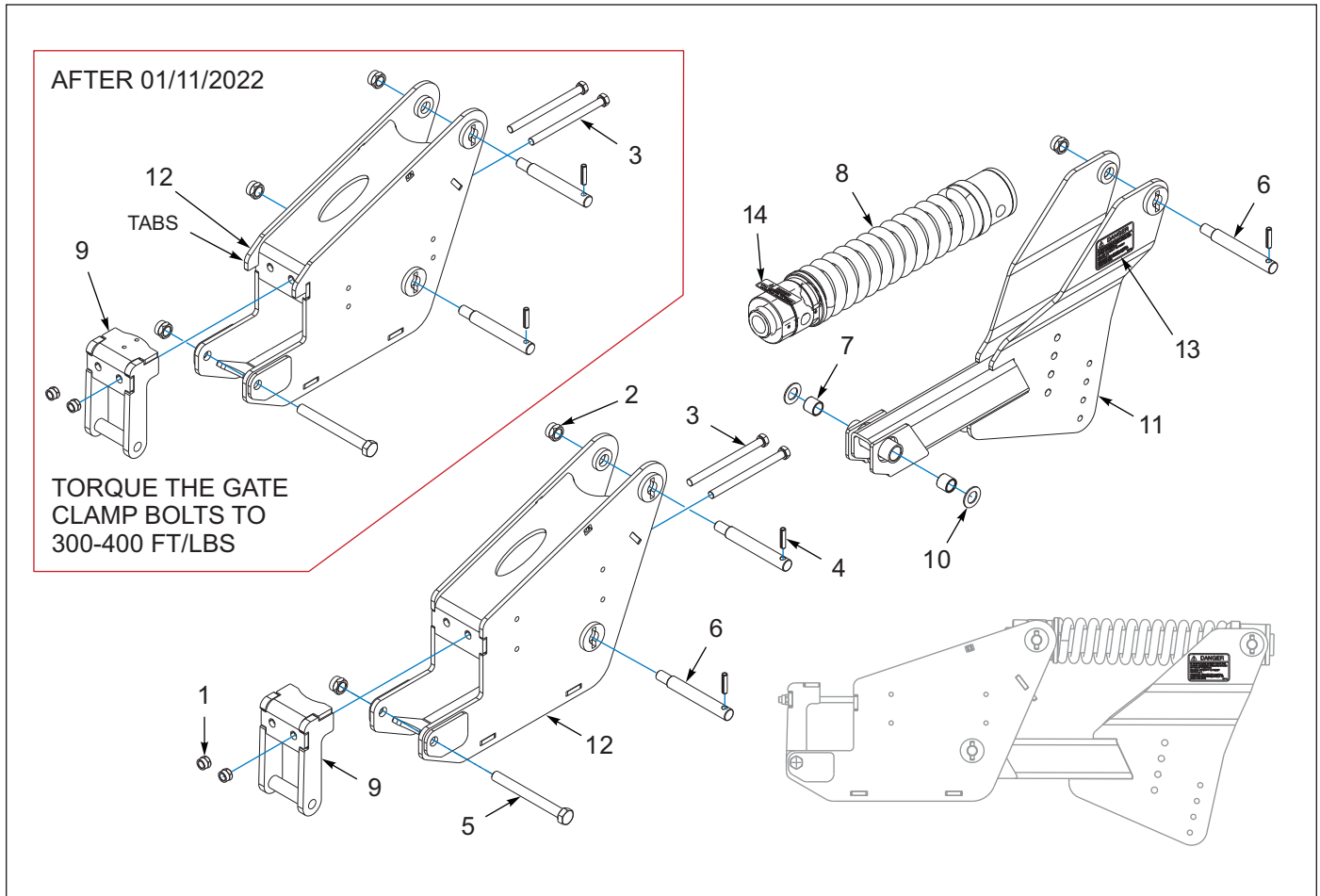


Figure 1-8: 2512 Auto Reset Shank Clamp Assembly, Spring - Setback (BEFORE 01/16/2023)

**Auto Reset Shank Clamp Asm, Spring - Setback (BEF. 01/16/2023)**

ITEM	PART NUMBER	DESCRIPTION	QTY.
	221445	CLAMP-SHANK, SETBACK, ASSY (INCLUDES ITEMS 1-12) (FOR CYL. STOP USED W/CLAMP TYPE, SEE "FOLDING FRAME")	1
1	1-512-010005-15	NUT,HEX,SLFLKG GRB 3/4-10	2
2	1-512-010005-19	NUT 1-8 HEX SLF-LOCKING GRB	4
3	1-654-010032-25	SCREW HX CP 3/4-10X10 GR8 (AFTER 01/11/2022)	2
3	1-654-010061-25	SCREW,HX CP 3/4-10UNCX10 GR5 (BEFORE 01/11/2022)	2
4	141251	SPRING PIN,SLOTTED 1/2X2-1/4	3
5	172581	SCREW HEX CAP 1-8UNCX9.5 GR8	1
6	144457	PIN, SHANK (1-1/4 X 7-1/4) (AFTER 09/01/2021)	3
6	210887	PIN, 1-1/4 X 7-1/4, STEP (BEFORE 09/01/2021)	3
7	217196	BEARING-HEF,1.5 X 1.25 X 1.3	2
8	218785	SPRING-CLAMP, SHANK, ASSY	1
9	221412	GATE-CLAMP WLDMT	1
10	221428	WASHER-2-1/4OD,1-1/4ID,1/8UHMW	2
11	221433	CLAMP-SHANK, 1-1/4, WLDMT	1
12	221441	CLAMP-SHANK, SETBACK, WLDMT	1
13	207142	DECAL, DANGER STUCK SHANK	1
14	2-573-010469	DECAL, DANGER SPRING	1

### Auto Reset Shank Clamp Asm, Hydraulic (AFT. 12/12/2023)

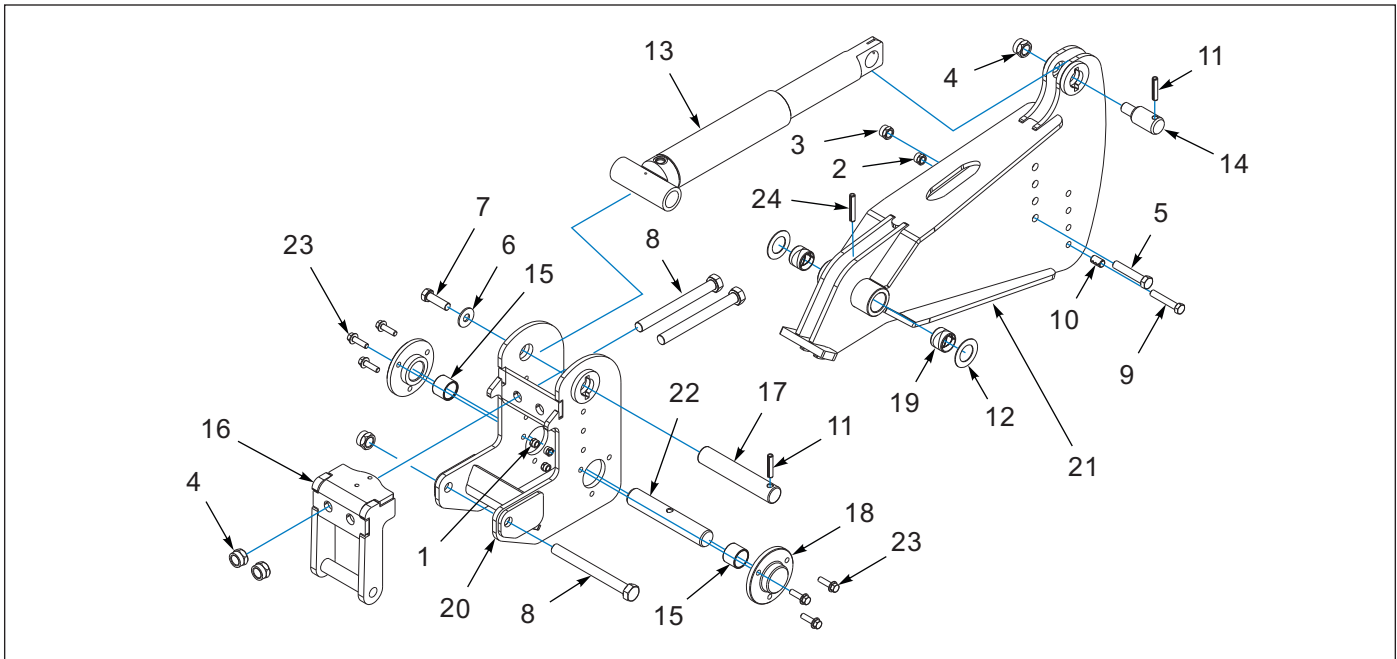


Figure 1-9: Auto Reset Shank Clamp Asm, Hydraulic (AFT. 12/12/2023)

### Auto Reset Shank Clamp Asm, Hydraulic (AFT. 12/12/2023)

ITEM	PART NUMBER	DESCRIPTION	QTY.
	242824	CLAMP-SHANK, ASSY (INCLUDES ITEMS 1-24) (FOR CYL. STOP USED W/CLAMP TYPE, SEE "FOLDING FRAME")	1
1	1-512-010005-19	NUT 1-8 HEX SLF-LOCKING GRB	6
2	1-512-010005-13	NUT,HEX SLFLKG GRB 5/8-11	1
3	1-512-010005-15	NUT,HEX,SLFLKG GRB 3/4-10	1
4	1-512-010005-19	NUT 1-8 HEX SLF-LOCKING GRB	4
5	1-654-010061-13	SCREW,HX CP 3/4-10UNCX4 GR5	1
6	1-861-010032-21	WASHER, FLAT 3/4 W ZP/CD	1
7	104483	SCREW 3/4-10X2-1/2 HXCP ZPGR8	1
8	134964	SCREW,HEX CAP,1-8UNCX10, GR8	3
9	138567	SCREW,HX CP 5/8-11UNCX3-1/2G8	1
10	150244	BUSHING,CNX-5/8 X 3/4 X 1-1/4	1
11	172802	PIN SPRING SLOTTED 1/2X2-1/2	2
12	195566	WASHER THRUST 1-3/4 14 GA	2
13	209372	CYLINDER-SA,3 X 9-1/2 DISP	1
14	210874	PIN, 1-3/4 X 2-5/16, STEP	1
15	210879	BEARING-HEF, 2.004X1.76X1-1/2	2
16	218755	GATE-CLAMP WLDMT	1
17	239243	PIN-PIVOT, SHANK, 1-3/4 X 9	1
18	239522	CAP, CASTING MACHINED	2
19	240342	BUSHING,SPRG 2 X 1-3/4 X 1-1/2	2
20	242823	MOUNT-SHANK CLAMP, WELDMENT	1
21	242825	CLAMP-SHANK, 1-1/4, WELDMENT	1
22	242827	PIN-PIVOT, SHANK, 1-3/4 DIA	1
23	243054	SCREW FLG HD 1/2-13X1-3/4 GR8	6
24	5D979	ROLL PIN 1/2 X 3	1



## Auto Reset Shank Clamp Asm, Hydraulic - Setback (AFT. 12/12/2023)

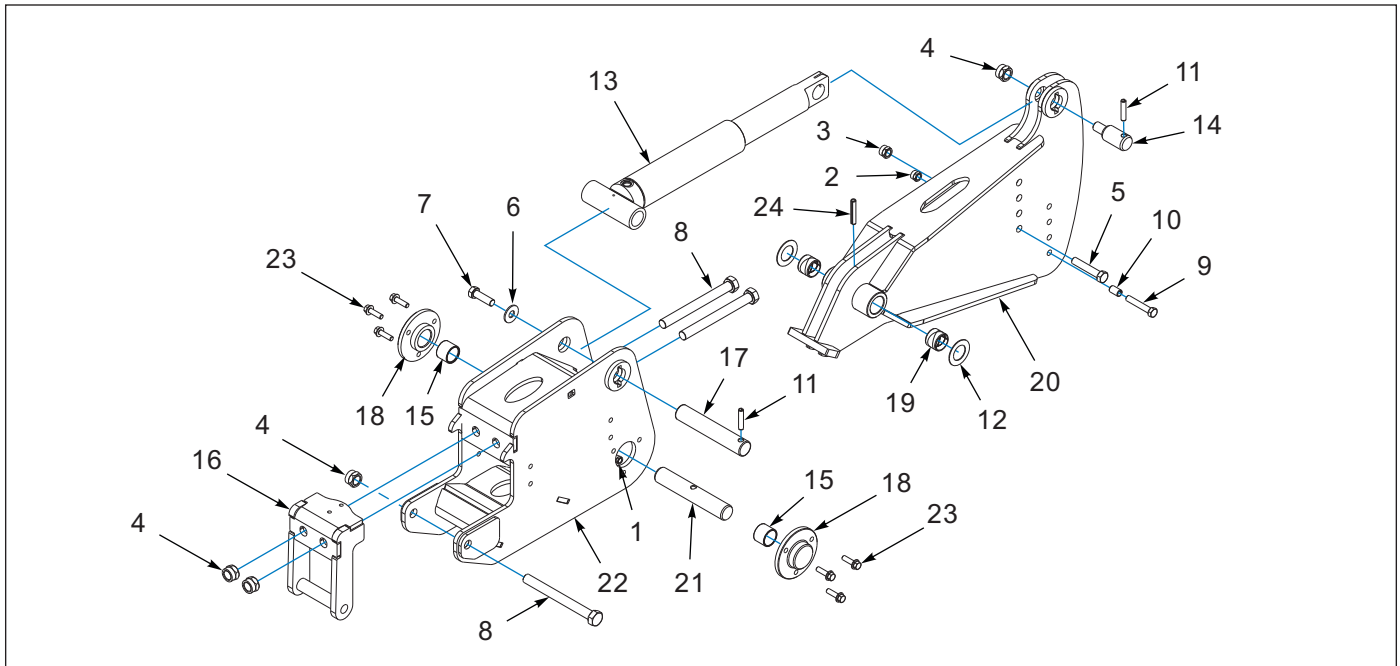


Figure 1-10: Auto Reset Shank Clamp Asm, Hydraulic - Setback (AFT. 12/12/2023)

## Auto Reset Shank Clamp Asm, Hydraulic - Setback (AFT. 12/12/2023)

ITEM	PART NUMBER	DESCRIPTION	QTY.
	242850	CLAMP-SHANK, SEBTACK, ASM (FOR CYL. STOP USED W/CLAMP TYPE, SEE "FOLDING FRAME")	1
1	1-512-010005-09	NUT,HEX,SLFLKG, 1/2-13 GRB	6
2	1-512-010005-13	NUT,HEX SLFLKG GRB 5/8-11	1
3	1-512-010005-15	NUT,HEX,SLFLKG GRB 3/4-10	1
4	1-512-010005-19	NUT 1-8 HEX SLF-LOCKING GRB	4
5	1-654-010061-13	SCREW,HX CP 3/4-10UNCX4 GR5	1
6	1-861-010032-21	WASHER, FLAT 3/4 W ZP/CD	1
7	104483	SCREW 3/4-10X2-1/2 HXCP ZPGR8	1
8	134964	SCREW,HEX CAP,1-8UNCX10, GR8	3
9	138567	SCREW,HX CP 5/8-11UNCX3-1/2G8	1
10	150244	BUSHING,CNX-5/8 X 3/4 X 1-1/4	1
11	172802	PIN SPRING SLOTTED 1/2X2-1/2	2
12	195566	WASHER THRUST 1-3/4 14 GA	2
13	209372	CYLINDER-SA,3 X 9-1/2 DISP	1
14	210874	PIN, 1-3/4 X 2-5/16, STEP	1
15	210879	BEARING-HEF, 2.004X1.76X1-1/2	2
16	218755	GATE-CLAMP WLDMT	1
17	239243	PIN-PIVOT, SHANK, 1-3/4 X 9	1
18	239522	CAP, CASTING MACHINED	2
19	240342	BUSHING,SPRG 2 X 1-3/4 X 1-1/2	2
20	242825	CLAMP-SHANK, 1-1/4, WELDMENT	1
21	242827	PIN-PIVOT, SHANK, 1-3/4 DIA	1
22	242849	MOUNT-SHANK, CLAMP, WELDMENT	1
23	243054	SCREW FLG HD 1/2-13X1-3/4 GR8	6
24	5D979	ROLL PIN 1/2 X 3	1

### Auto Reset Shank Clamp Asm, Hydraulic (BEF. 12/12/2023)

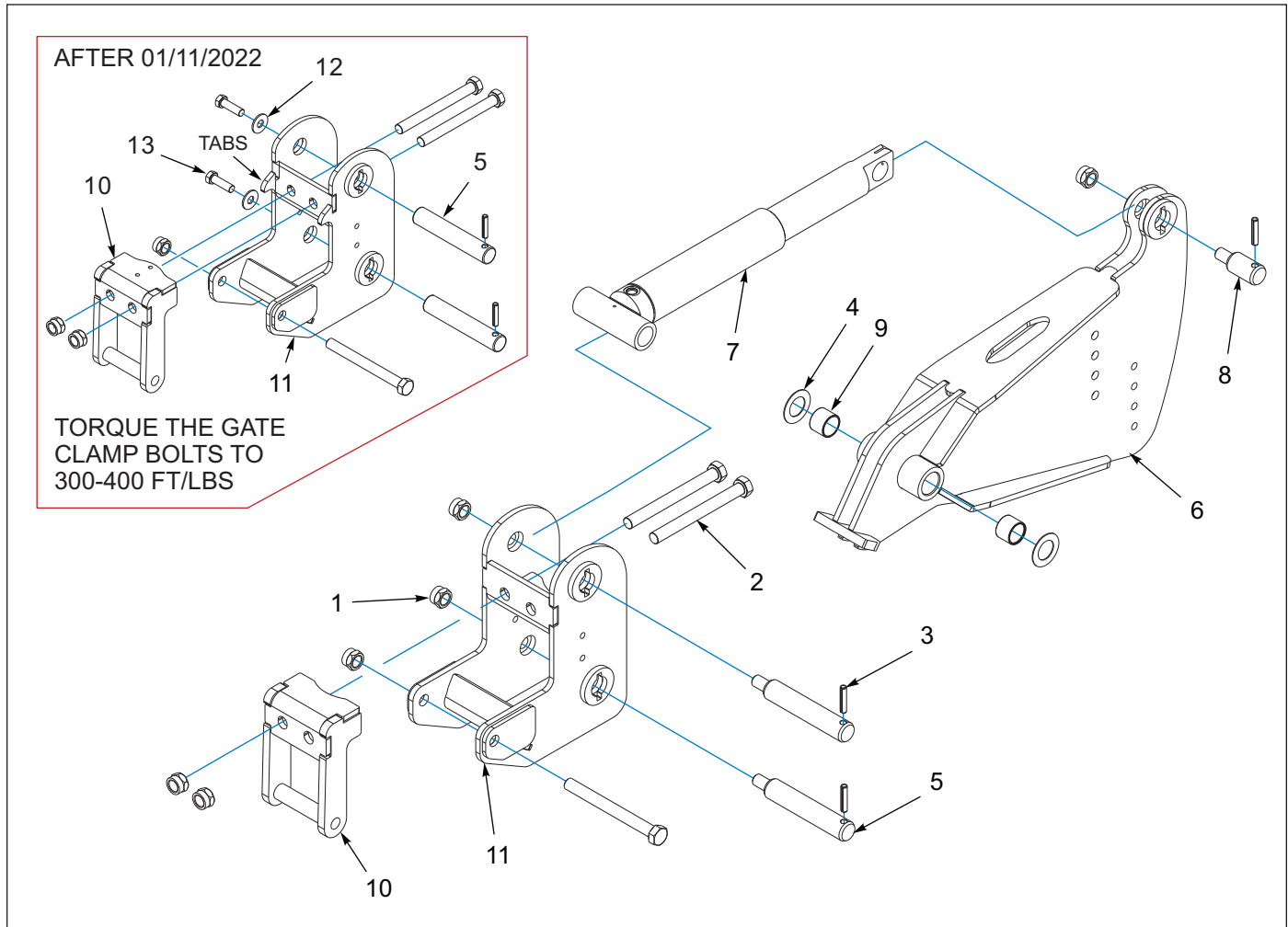


Figure 1-11: Auto Reset Shank Clamp Asm, Hydraulic (BEF. 12/12/2023)

### Auto Reset Shank Clamp Asm, Hydraulic (BEF. 12/12/2023)

ITEM	PART NUMBER	DESCRIPTION	QTY.
	209370	CLAMP-SHANK, ASSY <b>(FOR CYL. STOP USED W/CLAMP TYPE, SEE "FOLDING FRAME")</b>	1
1	1-512-010005-19	NUT 1-8 HEX SLF-LOCKING GRB <b>(BEFORE 01/11/2022, QTY=6)</b>	4
2	134964	SCREW,HEX CAP,1-8UNCX10, GR8	3
3	172802	PIN SPRING SLOTTED 1/2X2-1/2	3
4	195566	WASHER THRUST 1-3/4 14 GA	2
5	239243	PIN-PIVOT, SHANK, 1-3/4 X 9 <b>(AFTER 01/11/2022)</b>	2
5	209252	PIN, 1-3/4 X 8-1/4, STEP <b>(BEFORE 01/11/2022)</b>	2
6	209367	CLAMP-SHANK 1-1/4 WLDMT	1
7	209372	CYLINDER-SA,3 X 9-1/2 DISP	1
8	210874	PIN, 1-3/4 X 2-5/16, STEP	1
9	210879	BEARING-HEF, 2.004X1.76X1-1/2	2
10	218755	GATE-CLAMP WLDMT	1
11	221434	MOUNT-SHANK CLAMP, WELDMENT	1
12	1-861-010032-21	WASHER, FLAT 3/4 W ZP/CD <b>(AFTER 01/11/2022)</b>	2
13	104483	SCREW 3/4-10X2-1/2 HXCP ZPGR8 <b>(AFTER 01/11/2022)</b>	2

# Auto Reset Shank Clamp Asm, Hydraulic - Setback (BEF. 12/12/2023)

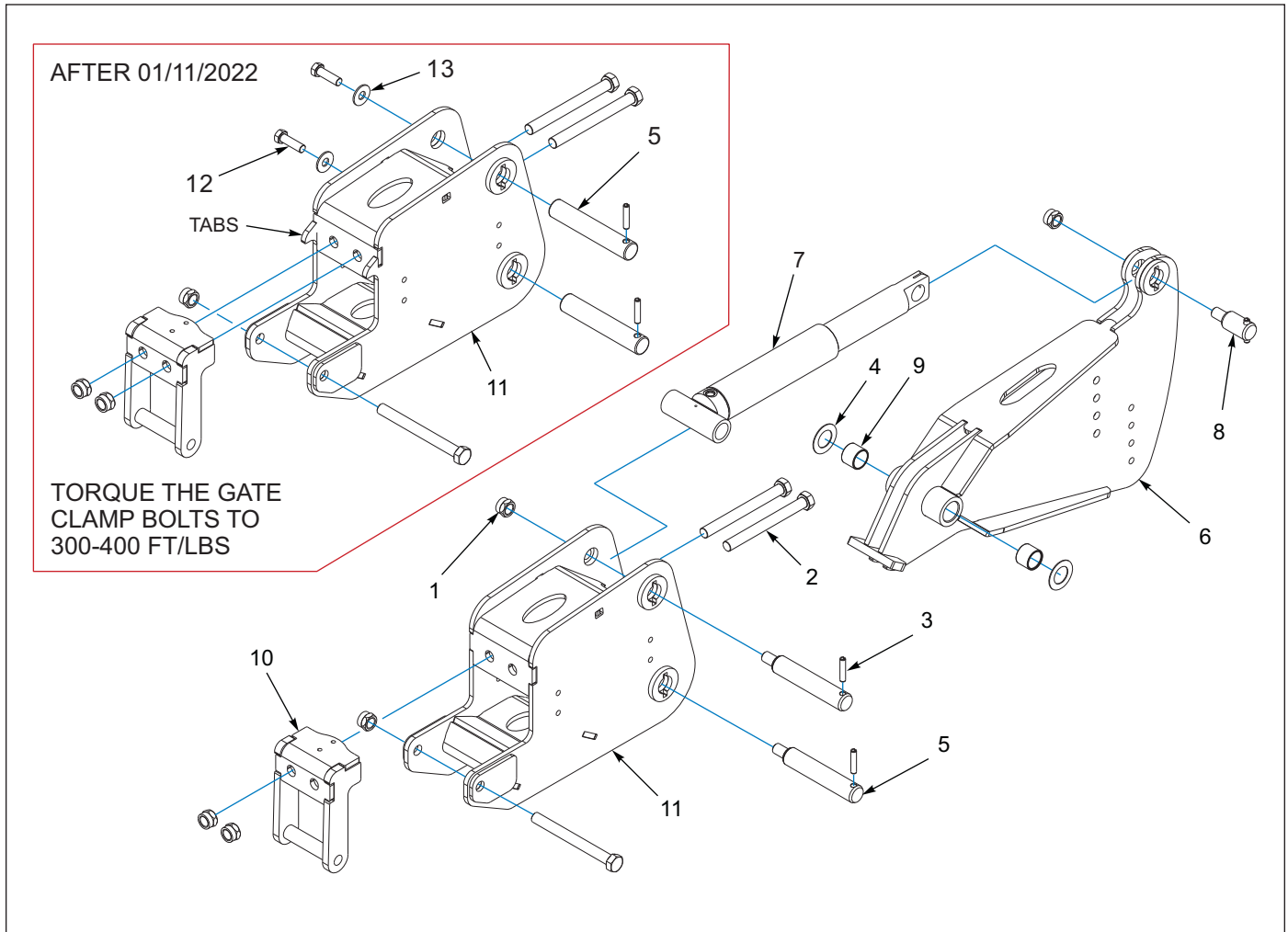


Figure 1-12: Auto Reset Shank Clamp Asm, Hydraulic - Setback (BEF. 12/12/2023)

# Auto Reset Shank Clamp Asm, Hydraulic - Setback (BEF. 12/12/2023)

ITEM	PART NUMBER	DESCRIPTION	QTY.
	214375	CLAMP-SHANK, SETBACK, ASSY (FOR CYL. STOP USED W/CLAMP TYPE, SEE "FOLDING FRAME")	1
1	1-512-010005-19	NUT 1-8 HEX SLF-LOCKING GRB (BEFORE 01/11/2022, QTY=6)	4
2	134964	SCREW,HEX CAP,1-8UNCX10, GR8	3
3	172802	PIN SPRING SLOTTED 1/2X2-1/2	3
4	195566	WASHER THRUST 1-3/4 14 GA	2
5	239243	PIN-PIVOT, SHANK, 1-3/4 X 9 (AFTER 01/11/2022)	2
5	209252	PIN, 1-3/4 X 8-1/4, STEP (BEFORE 01/11/2022)	2
6	209367	CLAMP-SHANK 1-1/4 WLDMT	1
7	209372	CYLINDER-SA,3 X 9-1/2 DISP	1
8	210874	PIN, 1-3/4 X 2-5/16, STEP	1
9	210879	BEARING-HEF, 2.004X1.76X1-1/2	2
10	218755	GATE-CLAMP WLDMT	1
11	221438	MOUNT-SHANK CLAMP, WLDMT (SETBACK)	1
12	104483	SCREW 3/4-10X2-1/2 HXCP ZP8 (AFTER 01/11/2022)	2
13	1-861-010032-21	WASHER, FLAT 3/4 W ZP/CD (AFTER 01/11/2022)	2

# RSB Shank Clamp Assembly (Rigid Shear Bolt)

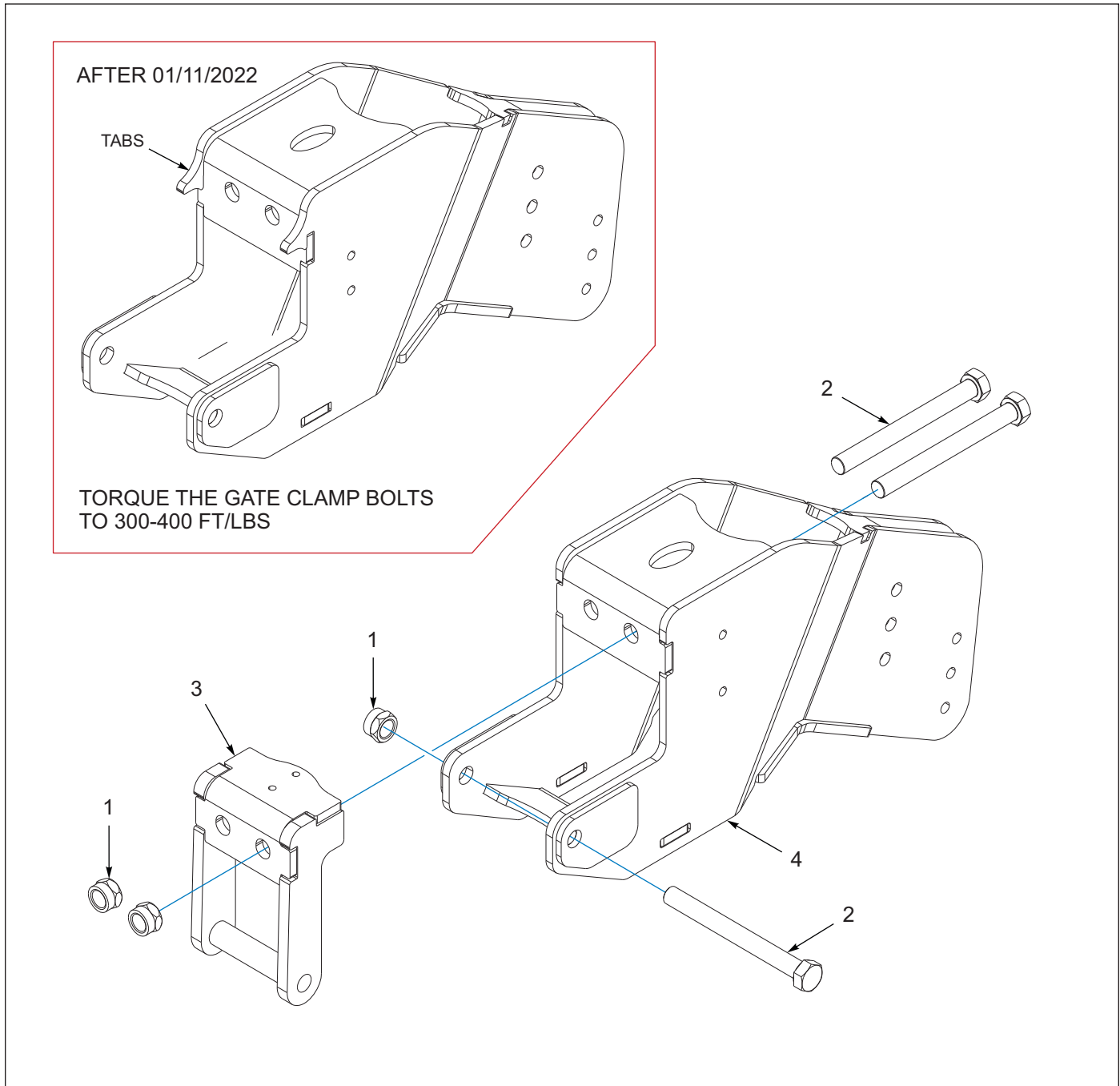


Figure 1-13: RSB Shank Clamp Assembly (Rigid Shear Bolt)

## RSB Shank Clamp Assembly (Rigid Shear Bolt)

ITEM	PART NUMBER	DESCRIPTION	QTY.
	218760	CLAMP-SHANK,RIGID, ASSY (INCLUDES ITEMS 1-4) (FOR CYL. STOP USED W/CLAMP TYPE, SEE "FOLDING FRAME")	1
1	1-512-010005-19	NUT 1-8 HEX SLF-LOCKING GRB	3
2	134964	SCREW,HEX CAP,1-8UNCX10, GR8	3
3	218755	GATE-CLAMP WLDMT	1
4	218757	CLAMP-SHANK,RIGID,WLDMT	1

### Jack Stand and Wing Rest (AFTER 06/07/2023)

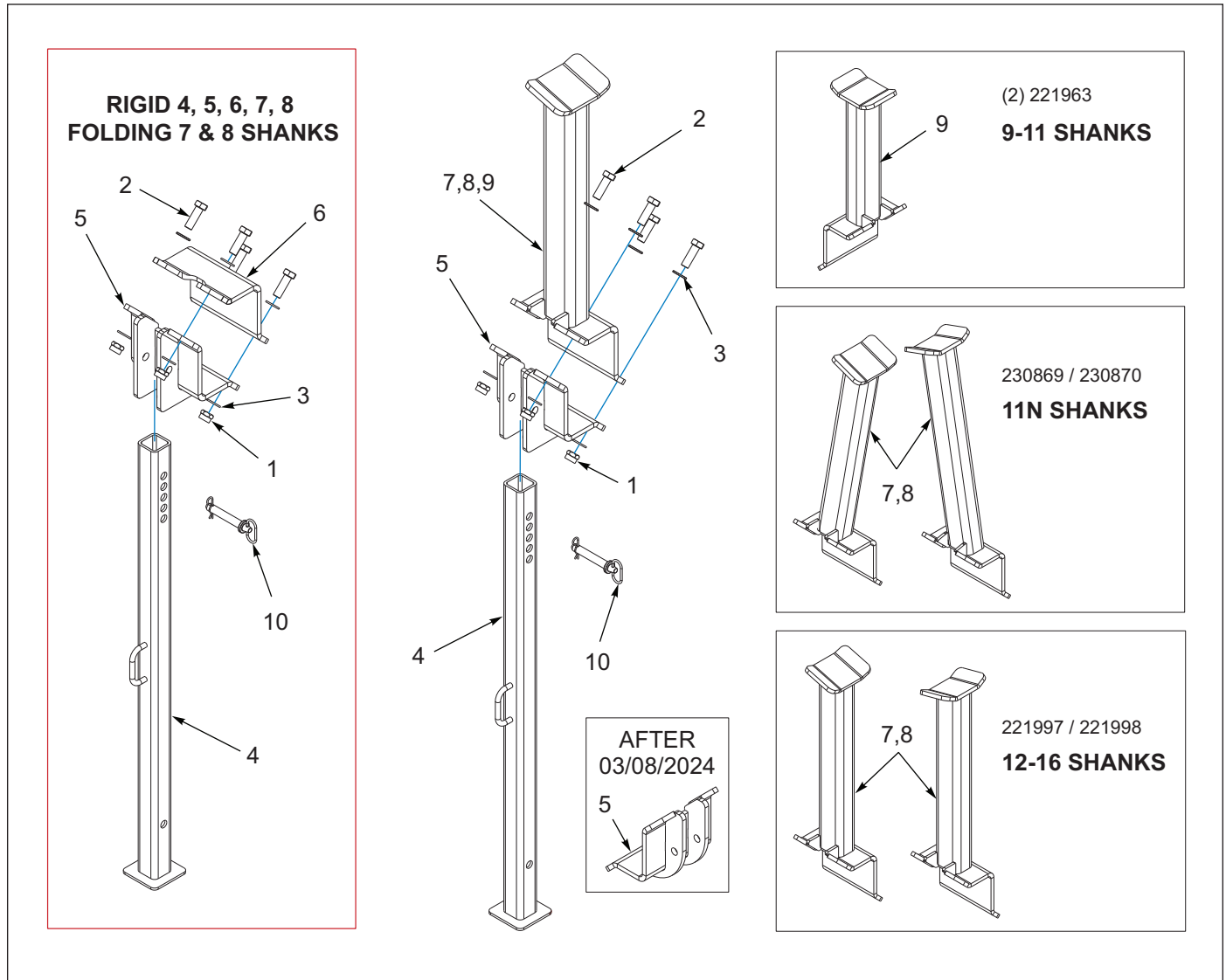


Figure 1-14: 2512 Jack Stand and Wing Rest (AFTER 06/07/2023)

### Jack Stand and Wing Rest (AFTER 06/07/2023)

ITEM	PART NUMBER	DESCRIPTION	QTY.
1	1-512-010005-15	NUT,HEX,SLFLKG GRB 3/4-10	8
2	1-654-010061-06	SCREW,HXCP,3/4-10UNCX2-1/4GR5	8
3	1-861-010032-20	WASHER, FLAT,3/4 N ZP/CD	16
4	221990	JACK STAND WLDMT	2
5	221993	MOUNT-JACK STAND, WLDMT	2
6	222015	CAP-BRACKET,JACK MOUNT (RIGID FRAME - ALL CLAMP TYPES) (FOLDING 7 & 8 SHANKS - ALL CLAMP TYPES)	2
7	221997	REST-WING, LH, WLDMT (12-16 SHANKS - ALL CLAMP TYPES)	1
7	230869	REST-WING, LH, WLDMT (11N SHANKS - ALL CLAMP TYPES)	1
8	221998	REST-WING, RH, WLDMT (12-16 SHANKS - ALL CLAMP TYPES)	1
8	230870	REST-WING, RH, WLDMT (11N SHANKS - ALL CLAMP TYPES)	1
9	221963	REST-WING, 180, WLDMT (9-11 SHANKS - ALL CLAMP TYPES)	2
10	4001311	3/4 x 4 HITCH PIN	2

Jack Stand and Wing Rest (11/01/2021 TO 06/07/2023)

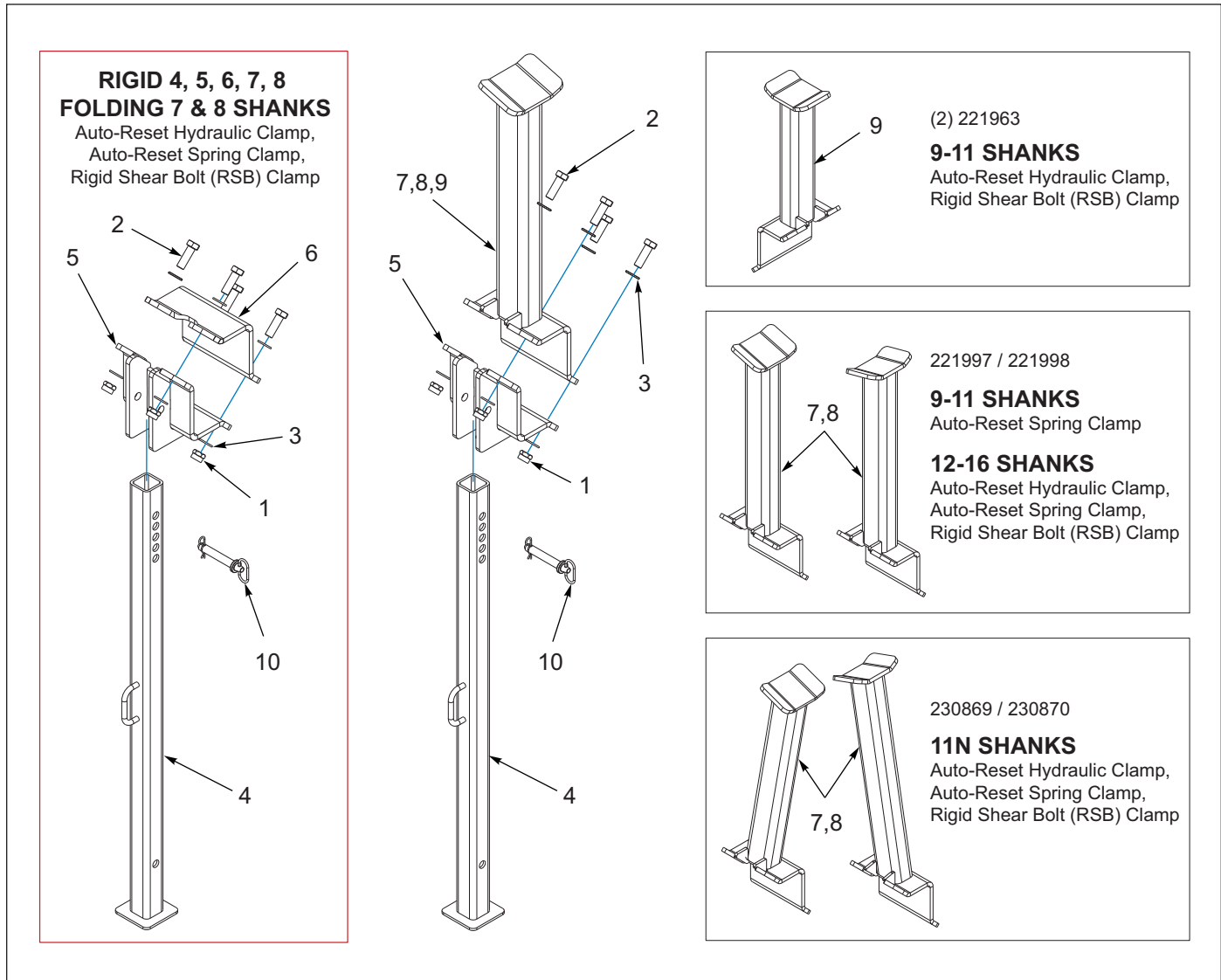


Figure 1-15: 2512 Jack Stand and Wing Rest (11/01/2021 TO 06/07/2023)

Jack Stand and Wing Rest (11/01/2021 TO 06/07/2023)

ITEM	PART NUMBER	DESCRIPTION	QTY.
1	1-512-010005-15	NUT,HEX,SLFLKG GRB 3/4-10	8
2	1-654-010061-06	SCREW,HXCP,3/4-10UNCX2-1/4GR5	8
3	1-861-010032-20	WASHER, FLAT,3/4 N ZP/CD	16
4	221990	JACK STAND WLDMT	2
5	221993	MOUNT-JACK STAND, WLDMT	2
6	222015	CAP-BRACKET,JACK MOUNT (RIGID FRAME - ALL CLAMP TYPES) (FOLDING 7 & 8 SHANKS - ALL CLAMP TYPES)	2
7	221997	REST-WING, LH, WLDMT (9-11 SHANKS - SPRING) (12-16 SHANKS - ALL)	1
7	230869	REST-WING, LH, WLDMT (11N SHANKS - ALL CLAMP TYPES)	1
8	221998	REST-WING, RH, WLDMT (9-11 SHANKS - SPRING) (12-16 SHANKS - ALL)	1
8	230870	REST-WING, RH, WLDMT (11N SHANKS - ALL CLAMP TYPES)	1
9	221963	REST-WING, 180, WLDMT (9-11 SHANKS - HYD & RSB)	2
10	4001311	3/4 x 4 HITCH PIN	2

### Jack Stand and Wing Rest (BEFORE 11/01/2021)

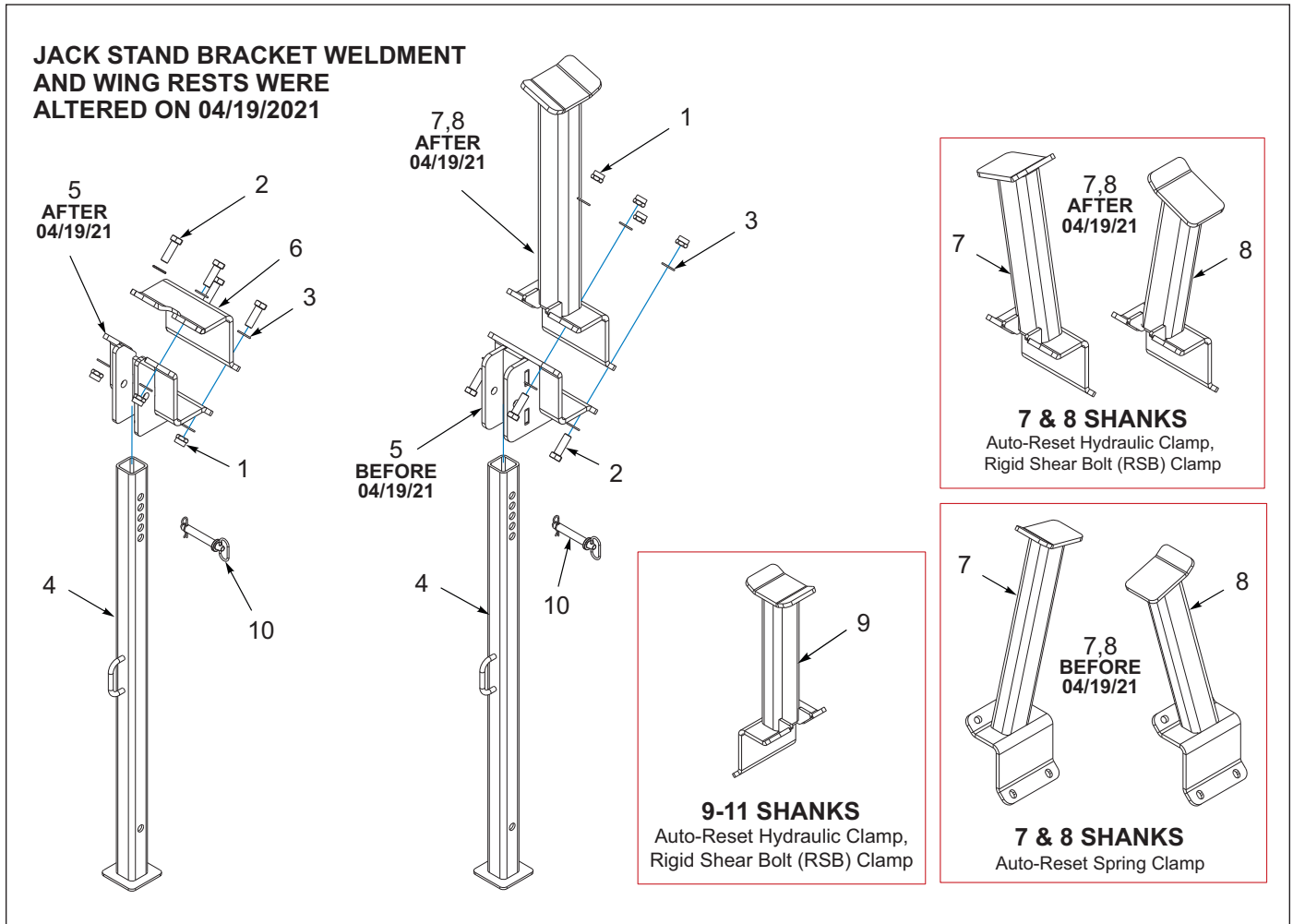


Figure 1-16: 2512 Jack Stand and Wing Rest (BEFORE 11/01/2021)

### Jack Stand and Wing Rest (BEFORE 11/01/2021)

ITEM	PART NUMBER	DESCRIPTION	QTY.
1	1-512-010005-15	NUT,HEX,SLFLKG GRB 3/4-10	8
2	1-654-010061-06	SCREW,HXCP,3/4-10UNCX2-1/4GR5	8
3	1-861-010032-20	WASHER, FLAT,3/4 N ZP/CD	16
4	221990	JACK STAND WLDMT	2
5	221993	BRACKET, JACK STAND, WLDMT	2
6	222015	CAP-BRACKET,JACK MOUNT (RIGID FRAME ONLY)	2
7	230873	REST-WING, LH, WLDMT (FOLDING 7 & 8 SHANKS - HYD & RSB) (SHOWN)	1
7	230875	REST-WING, LH, WLDMT (FOLDING 7 & 8 SHANKS - SPRING) (SHOWN)	1
7	221997	REST-WING, LH, WLDMT (FOLDING 9-16 SHANKS - SPRING)	1
7	230869	REST-WING, LH, WLDMT (FOLDING 11N - ALL CLAMP TYPES)	2
8	230874	REST-WING, RH, WLDMT (FOLDING 7 & 8 SHANKS - HYD & RSB)	1
8	230876	REST-WING, RH, WLDMT (FOLDING 7 & 8 SHANKS - SPRING)	1
8	221998	REST-WING, RH, WLDMT (FOLDING 9-16 SHANKS - SPRING)	1
8	230870	REST-WING, RH, WLDMT (FOLDING 11N - ALL CLAMP TYPES)	1
9	221963	REST-WING, 180, WLDMT (9-16 SHANKS - HYD & RSB) (SHOWN)	2
10	4001311	3/4 x 4 HITCH PIN	2

### Jack Stand, Rear - Optional

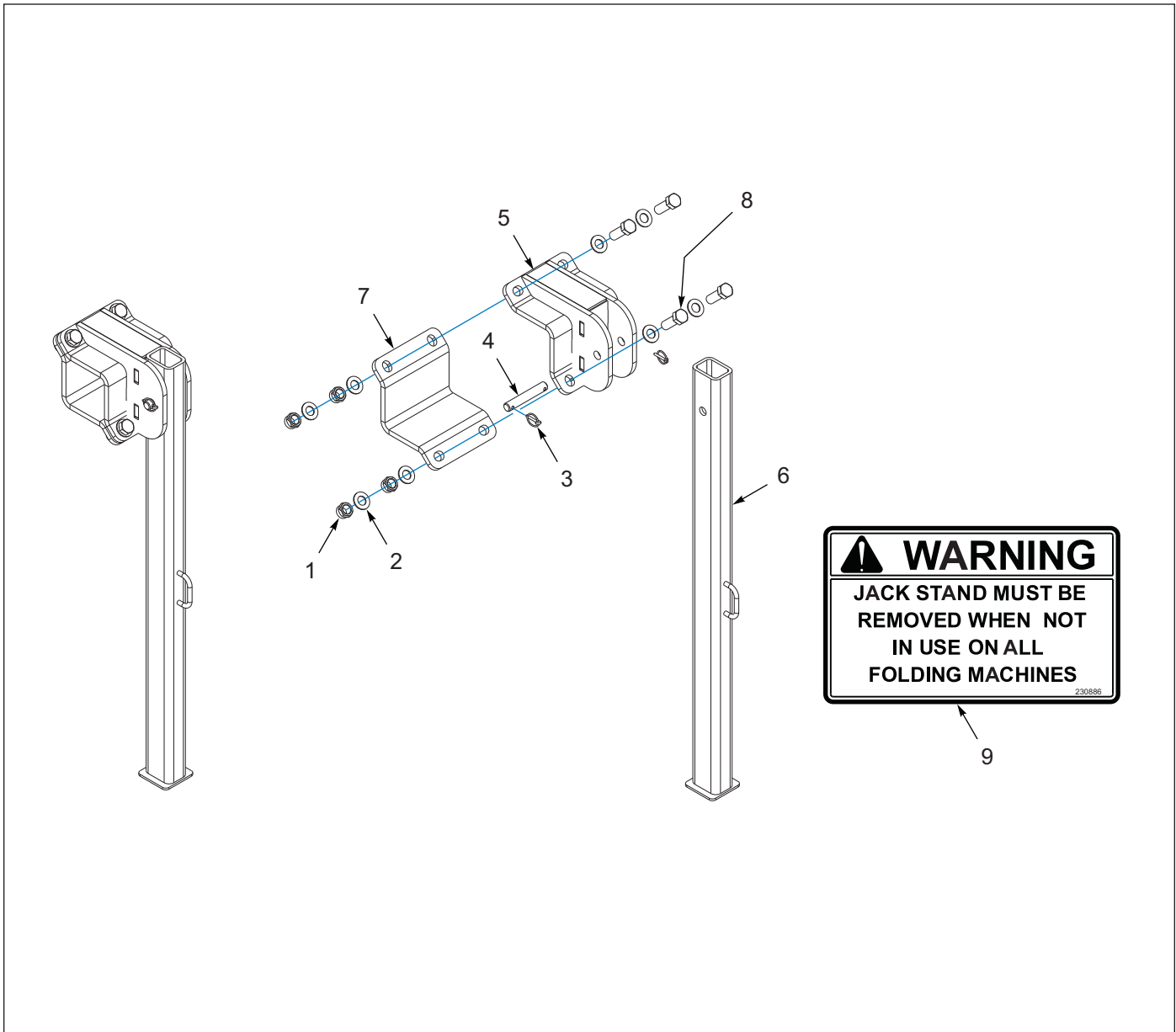


Figure 1-17: Jack Stand, Rear - Optional

### Jack Stand, Rear - Optional

ITEM	PART NUMBER	DESCRIPTION	QTY.
	230884	STAND-JACK, REAR ASSY (INCLUDES ITEMS 1-8)	--
1	1-512-010005-19	NUT 1-8 HEX SLF-LOCKING GRB	4
2	1-861-010032-24	WASHER FL 1IN NARROW ZP	8
3	134912	PIN, LYNCH 1/4 X 1-1/4	2
4	193753	PIN, 1.00 X 6.00 H2	1
5	230880	BRACKET-JACK STAND, WLDMT	1
6	230883	STAND-JACK, WLDMT	1
7	230888	BRACKET-MOUNT, JACK STAND	1
8	3J608	SCREW,HX CP 1-8UNC X 3 GR5	4
9	230886	DECAL, JACK STAND	1





# Gauge Wheel Assembly - Horizontal Mount (Left and Right)

Used On All Units With  
**Odd Number Of Shanks**  
 Up To And Including 9 Shanks  
 And All Units Larger.

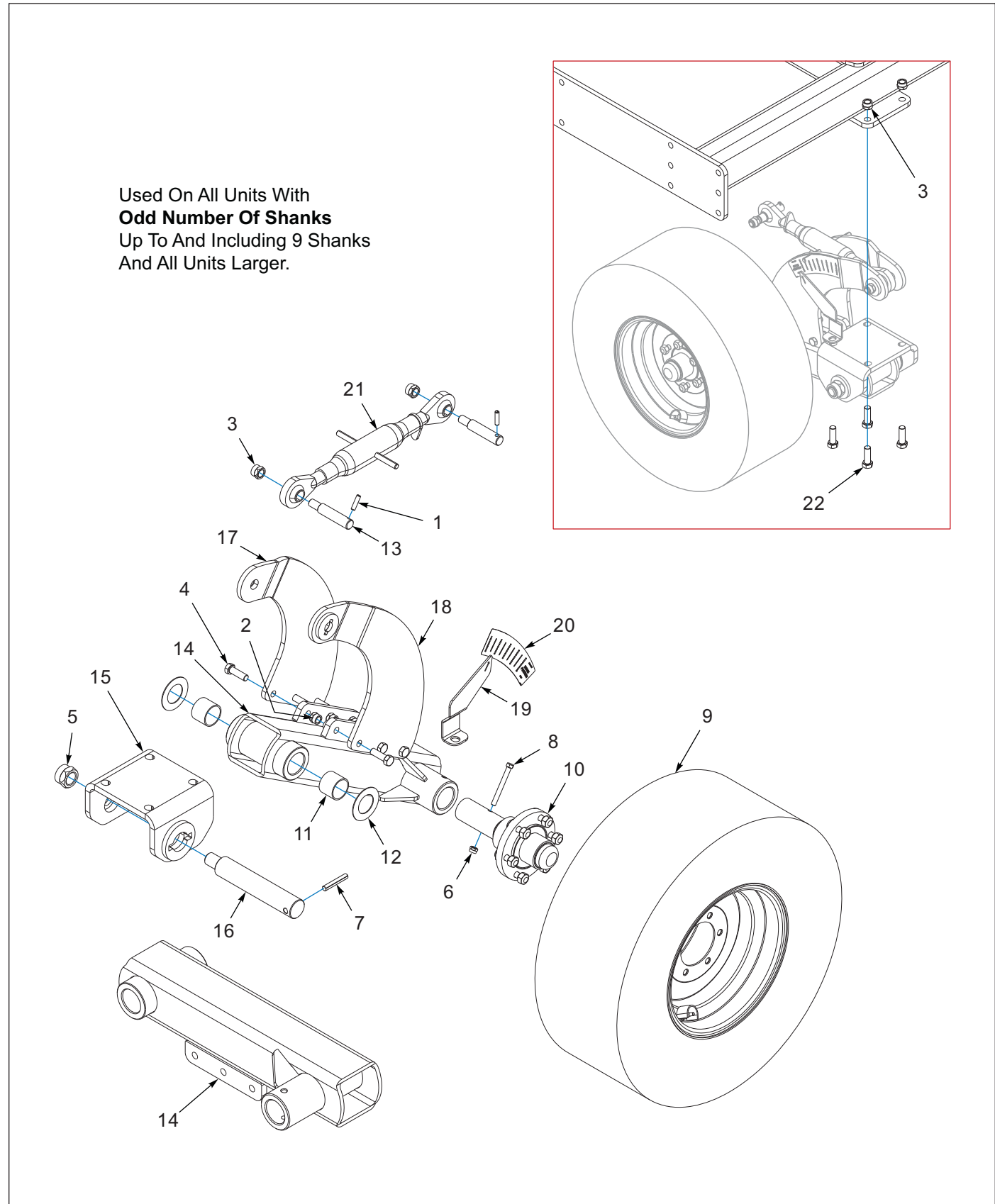


Figure 1-18: Gauge Wheel Assembly - Horizontal Mount (Left and Right)

## Gauge Wheel Assembly - Horizontal Mount (Left & Right)

ITEM	PART NUMBER	DESCRIPTION	QTY.
	217335	WHEEL-GUAGE,LH 2512 ASSY <b>(INCLUDES ITEMS 1-21)</b>	--
	217336	WHEEL-GUAGE,RH 2512 ASSY <b>(INCLUDES ITEMS 1-21)</b>	--
1	0600-375-01500	PIN ROLL 3/8X1-1/2	2
2	1-512-010005-13	NUT,HEX SLFLKG GRB 5/8-11	6
3	1-512-010005-15	NUT,HEX,SLFLKG GRB 3/4-10 <b>(FOR MOUNTING HARDWARE - ADDITIONAL 4 PER WHEEL ASM)</b>	2
4	1-654-010059-05	SCREW,HEX CAP,5/8-11UNCX2 GR5	6
5	101385	NUT,HEX SLFLKG,1-1/4-7 GRB	1
6	101988	NUT,HEXSLF-LKG 7/16-14 GRB	1
7	140191	PIN, GROOVED ALLOY 1/2X3	1
8	141809	SCREW HX CP7/16-14UNC X 4 GR5	1
9	142650	TIRE/WHEEL ASSY 280/70R15	1
10	164352	HUB ASSY, 6BOLT 2-1/4 SPINDLE <b>(SEE PAGE 1-25)</b>	1
11	197140	BUSHING POLYLUBE 2-1.4X2X1-3/4	2
12	202844	WASHER, 2 X 3-1/2 X 14 GA, SS	2
13	203486	PIN SHOULDER 1 X 3-3/8	2
14	214275	ARM-GAUGE MOUNT, LH, WLDMT <b>(LEFT)</b>	1
14	214265	ARM-GAUGE MOUNT, RH, WLDMT <b>(RIGHT)</b>	1
15	214268	MOUNT-GAUGE WHEEL	1
16	214276	PIN-SHOULDER, 2 X 9.375	1
17	214283	PLATE-CONTROL, GAUGE, RH WLDMT	1
18	214284	PLATE-CONTROL, GAUGE, LH WLDMT	1
19	227275	GAUGE-DEPTH, LH <b>(LEFT)</b>	1
19	227276	GAUGE-DEPTH, RH <b>(RIGHT)</b>	1
20	227277	DECAL, DEPTH GAUGE, LH <b>(LEFT)</b>	1
20	227278	DECAL, DEPTH GAUGE, RH <b>(RIGHT)</b>	1
21	7K286	TOP LINK	1
22	1-654-010061-06	SCREW, HXCP,3/4-10UNCX2-1/4GR5 <b>(MOUNTING HARDWARE - 4 PER WHEEL ASM)</b>	REF

# Gauge Wheel Assembly - Vertical Mount (Left and Right)

Used On All Units With  
Even Number Of Shanks 4 Through 8.

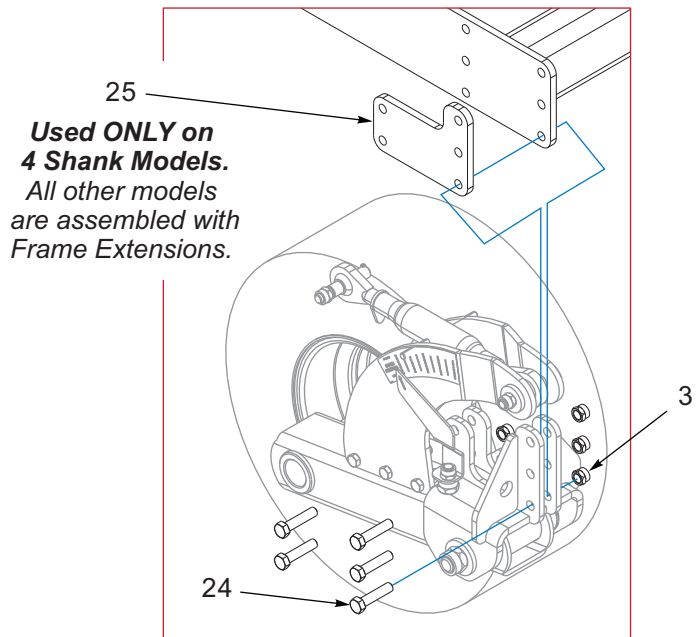
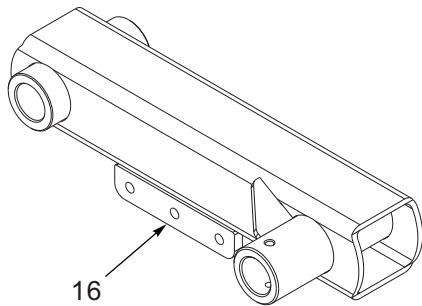
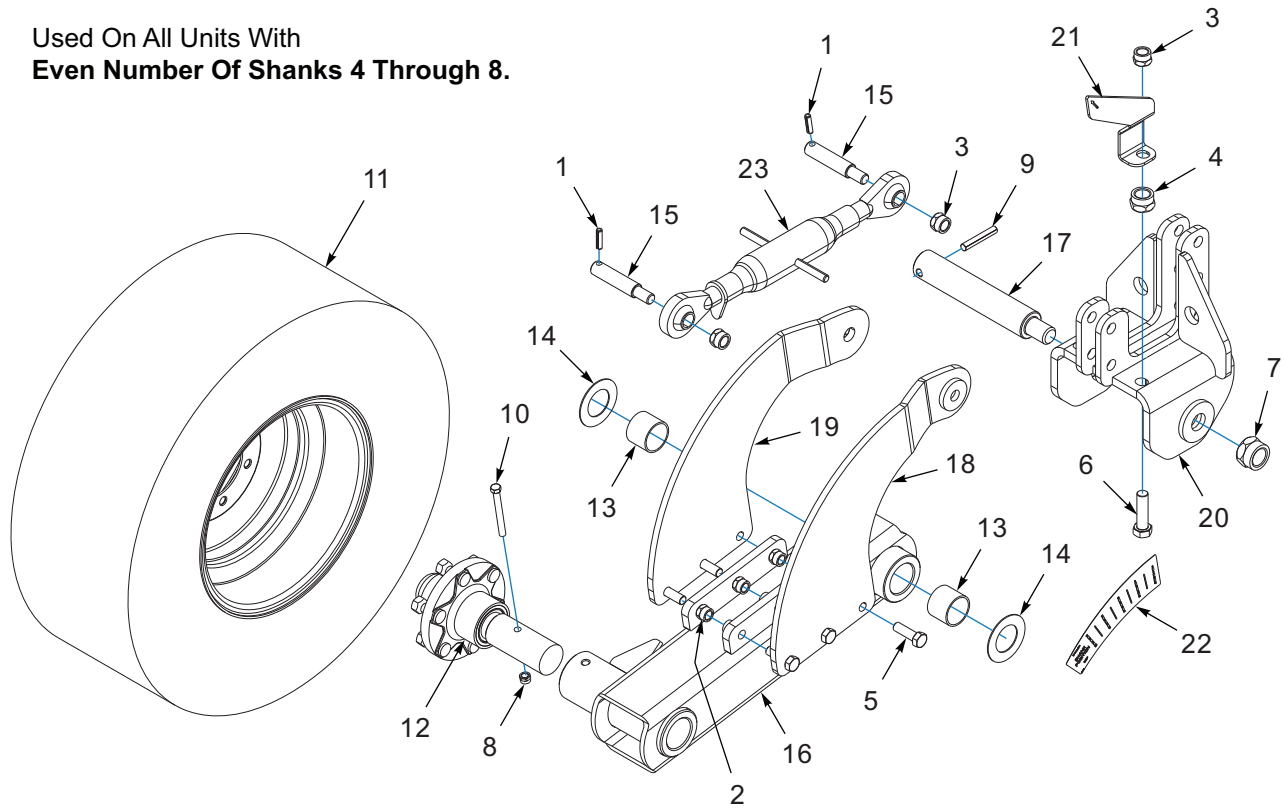


Figure 1-19: Gauge Wheel Assembly - Vertical Mount (Left and Right)

## Gauge Wheel Assembly - Vertical Mount (Left and Right)

ITEM	PART NUMBER	DESCRIPTION	QTY.	
	217337	WHEEL-GAUGE, LH, 2512 ASSY <b>(INCLUDES ITEMS 1-23)</b>	1	--
	217338	WHEEL-GAUGE, RH 2512 ASSY <b>(INCLUDES ITEMS 1-23)</b>	--	1
1	0600-375-01500	PIN ROLL 3/8X1-1/2	2	2
2	1-512-010005-13	NUT,HEX SLFLKG GRB 5/8-11	6	6
3	1-512-010005-15	NUT,HEX,SLFLKG GRB 3/4-10 <b>(FOR MOUNTING HARDWARE - ADDITIONAL 5 PER WHEEL ASM)</b>	3	3
4	1-512-010005-19	NUT 1-8 HEX SLF-LOCKING GRB	1	1
5	1-654-010059-05	SCREW,HEX CAP,5/8-11UNCX2 GR5	6	6
6	231922	SCREW, HEX CAP, 3/4-10x2-3/4	1	1
7	101385	NUT,HEX SLFLKG,1-1/4-7 GRB	1	1
8	101988	NUT,HEXSLF-LKG 7/16-14 GRB	1	1
9	140191	PIN, GROOVED ALLOY 1/2X3	1	1
10	141809	SCREW HX CP7/16-14UNC X 4 GR5	1	1
11	142650	TIRE/WHEEL ASSY 280/70R15	1	1
12	164352	HUB ASSY, 6BOLT 2-1/4 SPINDLE	1	1
13	197140	BUSHING POLYLUBE 2-1.4X2X1-3/4	1	1
14	202844	WASHER, 2 X 3-1/2 X 14 GA, SS	1	1
15	203486	PIN SHOULDER 1 X 3-3/8	1	1
16	214275	ARM-GAUGE MOUNT, LH, WLDMT <b>(LEFT)</b>	1	--
16	214265	ARM-GAUGE MOUNT, RH, WLDMT <b>(RIGHT)</b>	--	1
17	214276	PIN-SHOULDER, 2 X 9.375	1	1
18	214283	PLATE-CONTROL, GAUGE, RH WLDMT	1	1
19	214284	PLATE-CONTROL, GAUGE, LH WLDMT	1	1
20	214347	MOUNT-GAUGE WHEEL, WLDMT	1	1
21	227276	GAUGE-DEPTH, RH <b>(LEFT)</b>	1	--
21	227275	GAUGE-DEPTH, LH <b>(RIGHT)</b>	--	1
22	227278	DECAL, DEPTH GAUGE, RH <b>(LEFT)</b>	1	--
22	227277	DECAL, DEPTH GAUGE, LH <b>(RIGHT)</b>	--	1
23	7K286	TOP LINK	1	1
24	214337	SCREW, HEX CAP, 3/4-10 X 3-1/4 <b>(MOUNTING HARDWARE - 5 PER WHEEL ASM)</b>	5	5
25	214351	WHEEL-GAUGE, LH, 2512 ASSY <b>(MOUNTING HARDWARE - 4 SHANK UNIT ONLY)</b>	REF	REF

# Hub Assembly

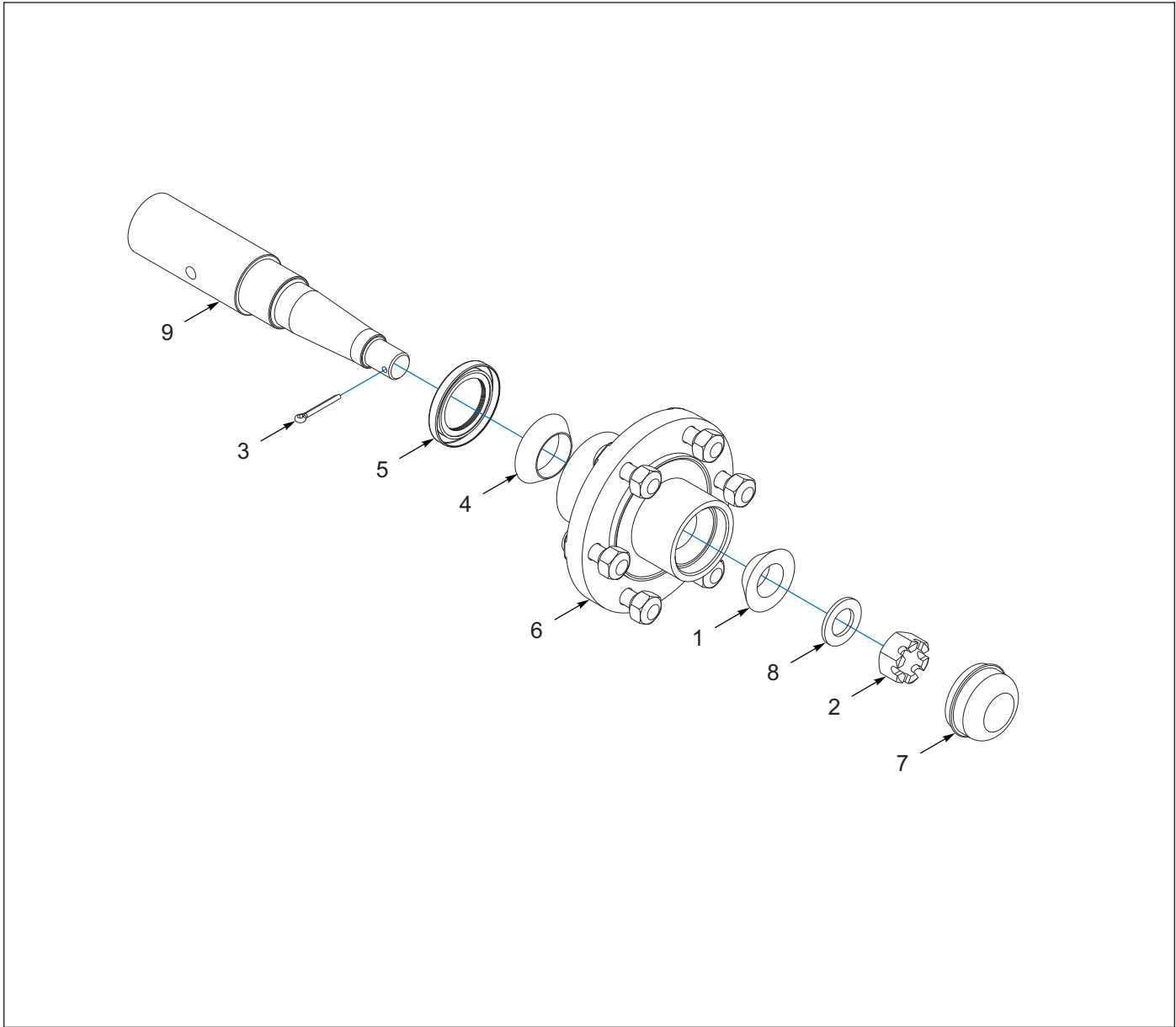


Figure 1-20: Hub Assembly

## Hub Assembly

ITEM	PART NUMBER	DESCRIPTION	QTY.
	164352	HUB ASSY, 6 BOLT 2-1/4	--
1	1-076-010007	CONE INNER	1
2	1-516-010001-20	NUT, HX SLOT	1
3	1-557-010362-51	PIN, COTTER	1
4	102498	BEARING CONE, OUTER, 1.625	1
5	140554	SEAL GREASE	1
6	140645	HUB W/CUPS, SIX BOLT	1
7	141236	DUST CAP, WHEEL HUB	1
8	141238	WASHER, SPINDLE	1
9	164349	SPINDLE 2-1/4	1



# Rear Tow Bar Hitch - Optional

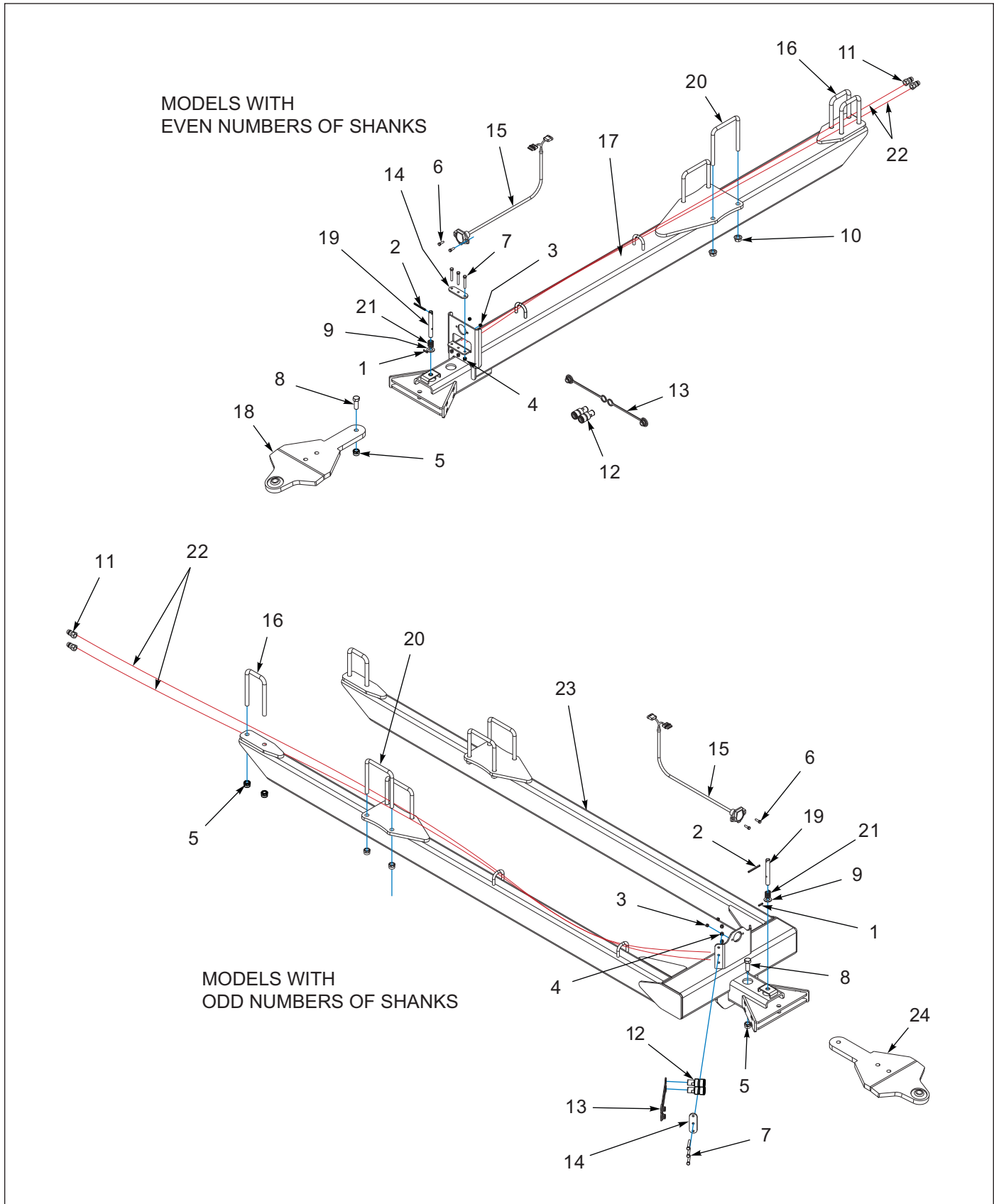


Figure 1-21: Rear Tow Bar Hitch - Optional



## Rear Tow Bar Hitch - Optional

ITEM	PART NUMBER	DESCRIPTION	QTY.	
	235965	HITCH-REAR, EVEN, 2512, ASM	1	--
	235967	HITCH-REAR, ODD, 2512	--	1
1	0600-250-01000	1/4X1 ROLL PIN ZP	1	1
2	0600-250-03000	1/4X3 ROLL PIN ZP	1	1
3	1-512-010005-03	NUT HEX SLFLKG GRB 5/16-18	2	2
4	1-512-010005-05	NUT, HEX, SLFLKG GRB 3/8-16	3	3
5	1-512-010005-15	NUT,HEX,SLFLKG GRB 3/4-10	1	13
6	1-654-010049-05	SCREW HX CP 5/16-18UNCX1 GR5	2	2
7	1-654-010051-11	SCREW HX CP 3/8-16X2-1/2 G5ZP	3	3
8	1-654-010061-05	SCREW,HHC,3/4-10UNCX2,GR5,ZP	1	1
9	1-861-010032-20	WASHER, FLAT,3/4 N ZP/CD	1	1
10	103841	NUT,FLG,LNK,SERRATED 3/4-10UNC	8	--
11	141828	COUPLER,MALE 3/4-16 O-RING	2	2
12	142668	COUPLER FEMALE 3/4-16 O-RING	2	2
13	142669	PLUG, COUPLER DUST	2	2
14	240198	PLATE, COUPLER	1	1
15	143871	HARNESS, TANDEM ADAPTER	1	1
16	1P042	U-BOLT, 3/4-10X4.75X8.375	2	2
17	235961	HITCH-REAR, EVEN, WELDMENT	1	--
18	240193	HITCH-REAR TOW BAR	1	--
19	3-375-010371	HITCH PIN AGRI	1	1
20	7K723	U-BOLT 3/4-10X6-13/16X7-3/4	2	4
21	CO-975-74-2000	SPRING COMPRESSION	1	1
22	182270	HOSE ASSY, 3/8X273,8ORB, 8ORB	2	--
22	224446	HOSE, 3/8X195,-8ORB-8ORB	--	2
23	235966	HITCH-REAR,ODD, 2512, WELDMENT	--	1
24	240193	HITCH-REAR TOW BAR	--	1

## Coulter Assemblies

### Blade Coulter - Straight, Rippled & Pyramid Option (Left Hand)

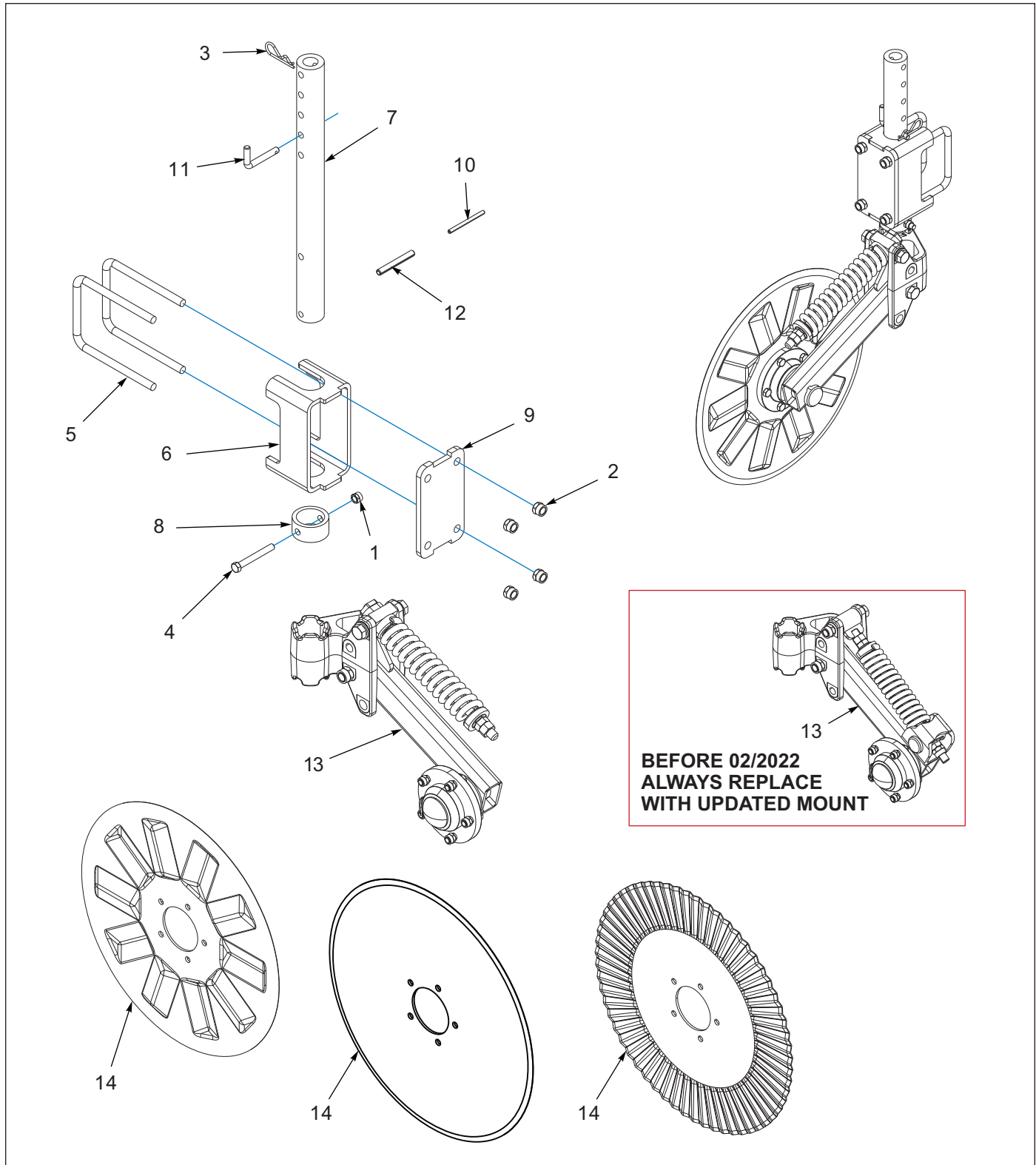


Figure 2-1: Blade Coulter - Straight, Rippled & Pyramid Option (Left Hand)

## Blade Coulter - Straight, Rippled & Pyramid Options (Left Hand)

ITEM	PART NUMBER	DESCRIPTION	QTY.
	233873	COULTER-HD, STRAIGHT BLADE, LH (AFTER 02/2022)	--
	233875	COULTER-HD, RIPPLED BLADE, LH (AFTER 02/2022)	--
	233877	COULTER-HD, PYRAMID BLADE, LH (AFTER 02/2022)	--
	181844	22 COULTER HD SMOOTH BLADE LH (BEFORE 02/2022)	--
	181843	22 COULTER HD RIPPLED BLADE LH (BEFORE 02/2022)	--
	181845	22 COULTER HD PYRAMID BLADE LH (BEFORE 02/2022)	--
1	1-512-010005-09	NUT,HEX,SLFLKG, 1/2-13 GRB	1
2	1-512-010005-13	NUT,HEX SLFLKG GRB 5/8-11	4
3	1-557-010013	PIN, HAIR 3/16 DIA	1
4	1-654-010055-13	SCREW,HEX CAP,1/2-13UNCX4 GR5	1
5	149192	U-BOLT,6-11/16 CENTERS X 8-1/2	2
6	179082	COULTER CLAMP TUBE	1
7	179545	COULTER ADJUST TUBE	1
8	179546	COULTER STOP	1
9	179547	CLAMP PLATE	1
10	5D954	ROLL PIN 5/16 X 4	1
11	8-557-010095	PIN RIGID GA WHEEL 800	1
12	8K756	ROLL PIN 1/2 x 4	1
13	233841	MOUNT-COULTER, LH ASSY (AFTER 02/2022) (SEE PAGE 2-5)	1
13	182241	COULTER ASSY, HD (BEFORE 02/2022) (SEE PAGE 2-7)	1
14	179966	COULTER BLADE 22 PYRAMID	1
14	176846	COULTER 22" SMOOTH	1
14	9K289	22" COULTER	1

Blade Coulter - Straight, Rippled & Pyramid Option (Right Hand)

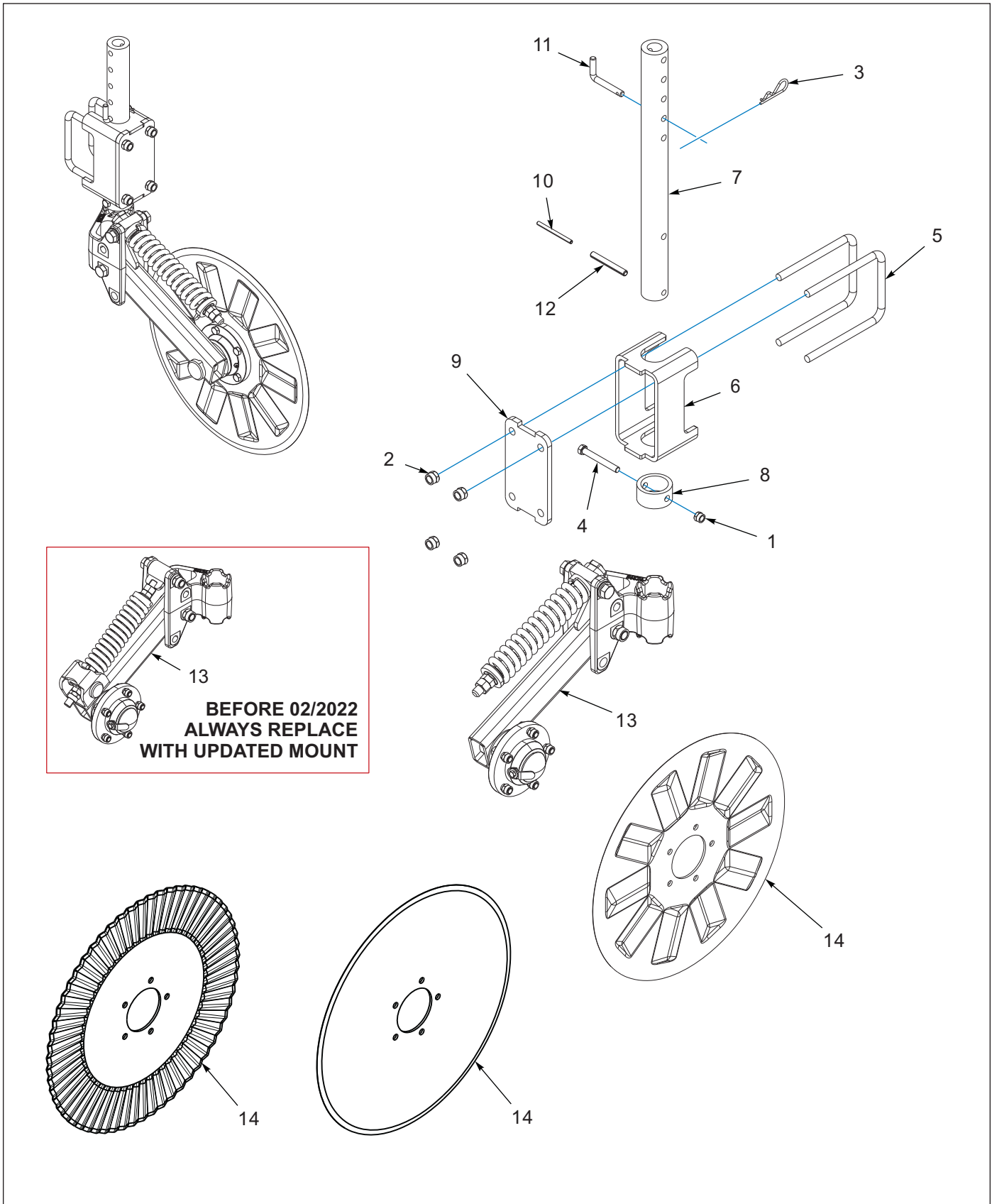


Figure 2-2: Blade Coulter - Straight, Rippled & Pyramid Option (Right Hand)

## Blade Coulter - Straight, Rippled & Pyramid Option (Right Hand)

ITEM	PART NUMBER	DESCRIPTION	QTY.
	233874	COULTER-HD, STRAIGHT BLADE, RH (AFTER 02/2022)	--
	233876	COULTER-HD, RIPPLED BLADE, RH (AFTER 02/2022)	--
	233878	COULTER-HD, PYRAMID BLADE, RH (AFTER 02/2022)	--
	176849	22 COULTER HD SMOOTH BLADE RH (BEFORE 02/2022)	--
	176848	22 COULTER HD RIPPLED BLADE RH (BEFORE 02/2022)	--
	181085	22 COULTER HD PYRAMID BLADE RH (BEFORE 02/2022)	--
1	1-512-010005-09	NUT,HEX,SLFLKG, 1/2-13 GRB	1
2	1-512-010005-13	NUT,HEX SLFLKG GRB 5/8-11	4
3	1-557-010013	PIN, HAIR 3/16 DIA	1
4	1-654-010055-13	SCREW,HEX CAP,1/2-13UNCX4 GR5	1
5	149192	U-BOLT,6-11/16 CENTERS X 8-1/2	2
6	179082	COULTER CLAMP TUBE	1
7	179545	COULTER ADJUST TUBE	1
8	179546	COULTER STOP	1
9	179547	CLAMP PLATE	1
10	5D954	ROLL PIN 5/16 X 4	1
11	8-557-010095	PIN RIGID GA WHEEL 800	1
12	8K756	ROLL PIN 1/2 x 4	1
13	233842	MOUNT-COULTER, RH, ASM (AFTER 02/2022) (SEE PAGE 2-5)	1
13	182242	COULTER ASSY, HD (BEFORE 02/2022) (SEE PAGE 2-7)	1
14	179966	COULTER BLADE 22 PYRAMID	1
14	176846	COULTER 22" SMOOTH	1
14	9K289	22" COULTER	1

COULTER ASSEMBLIES

Heavy Duty Coulters (AFTER 02/2022)

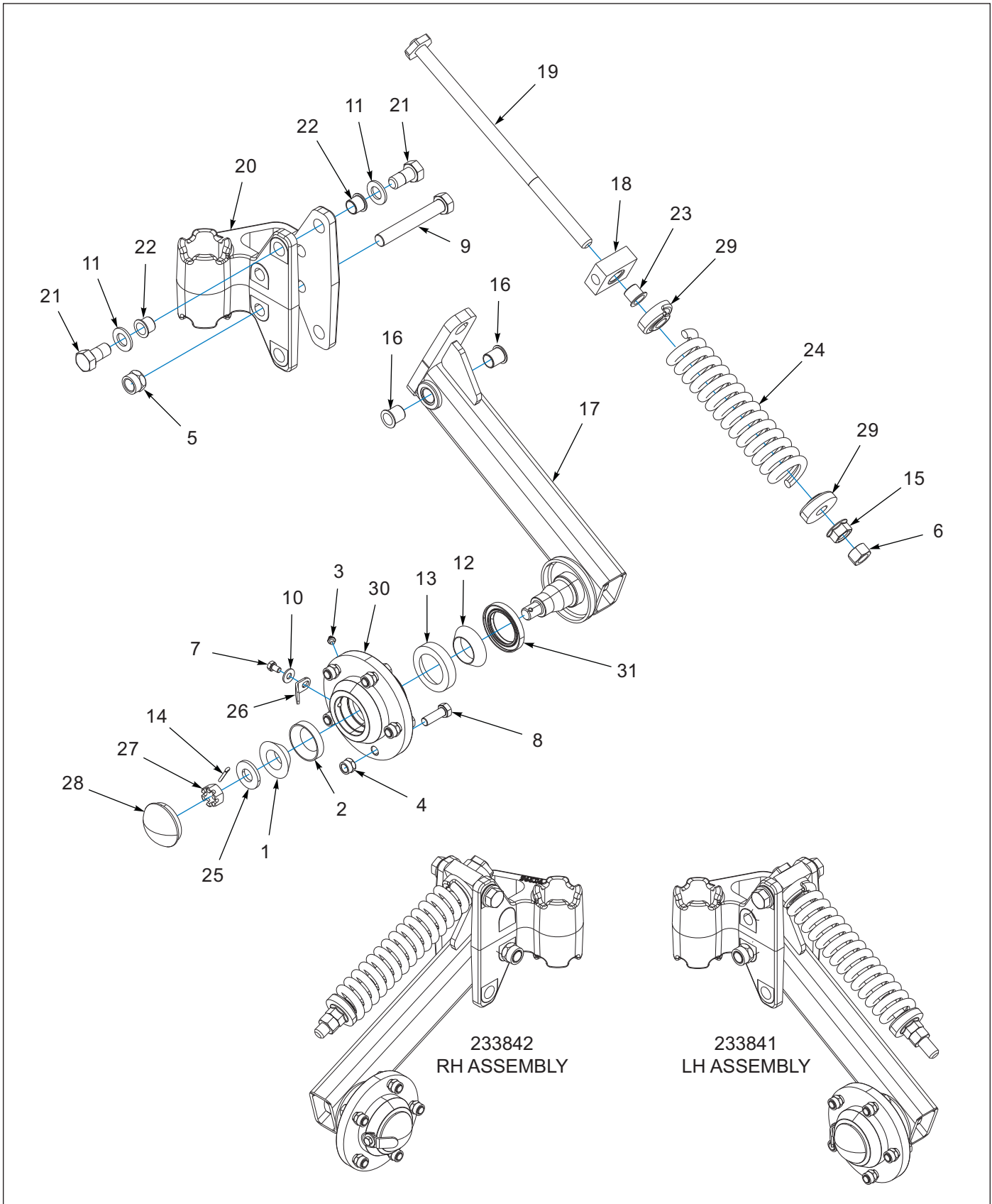


Figure 2-3: Heavy Duty Coulters (AFTER 02/2022)

## Heavy Duty Coultter (AFTER 02/2022)

ITEM	PART NUMBER	DESCRIPTION	QTY.
	233841	MOUNT-COULTER, LH, ASSY	--
	233842	MOUNT-COULTER, RH, ASM	--
1	1-076-010007	CONE INNER	1
2	1-076-010010	CUP INNER	1
3	1-298-010001-1	ZERK FITTING 1/4 SAE	1
4	1-512-010005-09	NUT,HEX,SLFLKG, 1/2-13 GRB	5
5	1-512-010005-15	NUT,HEX,SLFLKG GRB 3/4-10	1
6	1-512-010007-12	NUT, HEX 3/4-10 GR2 ZP	1
7	1-654-010049-01	SCREW,HEX CAP,5/16-18UNCX1/2	1
8	1-654-010055-03	SCREW,HEX CAP,1/2-13UNCX1-1/2	5
9	1-654-010061-15	SCREW,HX CP 3/4-10UNCX5 GR5	1
10	1-861-010032-09	WASHER, FLAT 5/16 W ZP/CD	1
11	102498	BEARING CONE,OUTER, 1.625	1
12	102604	BEARING CUP, OUTER	1
13	110-0344	5/32X1 COTTER PIN	1
14	168226	NUT,HEX FLG 3/4-10, GR8, ZP	4
15	168226	NUT,HEX FLG 3/4-10, GR8, ZP	2
16	182224	BEARING- IGUS,FLNGD,7/8X3/4X1	1
17	233835	ARM-COULTER, LH, WLDMT	1
17	233836	ARM-COULTER, RH, WLDMT	1
18	233838	BLOCK-PIVOT, SPRING	1
19	233845	ROD-SPRING, WLDMT	1
20	233847	MOUNT-SWIVEL, COULTER, 2512	1
21	233849	SCREW-HEX CAP,3/4-10 UNCX1-1/2	2
22	233850	BEARING-IGUS,FLNGD,QFI-1412-12	2
23	233851	BEARING-IGUS,FLNGD,QFM-2023-21	1
24	233887	SPRING,COMP,12-3/16X2-1/2,K898	1
25	3J397	WASHER 1-3/4ODX13/16IDX3/16THK	1
26	3K613	CAP STRAP	1
27	3/4-16HSN	HEX SLOTTED NUT	1
28	6D337	HUB CAP	1
29	7J569	CAP (6D410)	2
30	9K453	HUB (USES 3K612W HUB BLANK)	1
31	9K454	GREASE SEAL	1

COULTER ASSEMBLIES

Heavy Duty Coulter (BEFORE 02/2022)

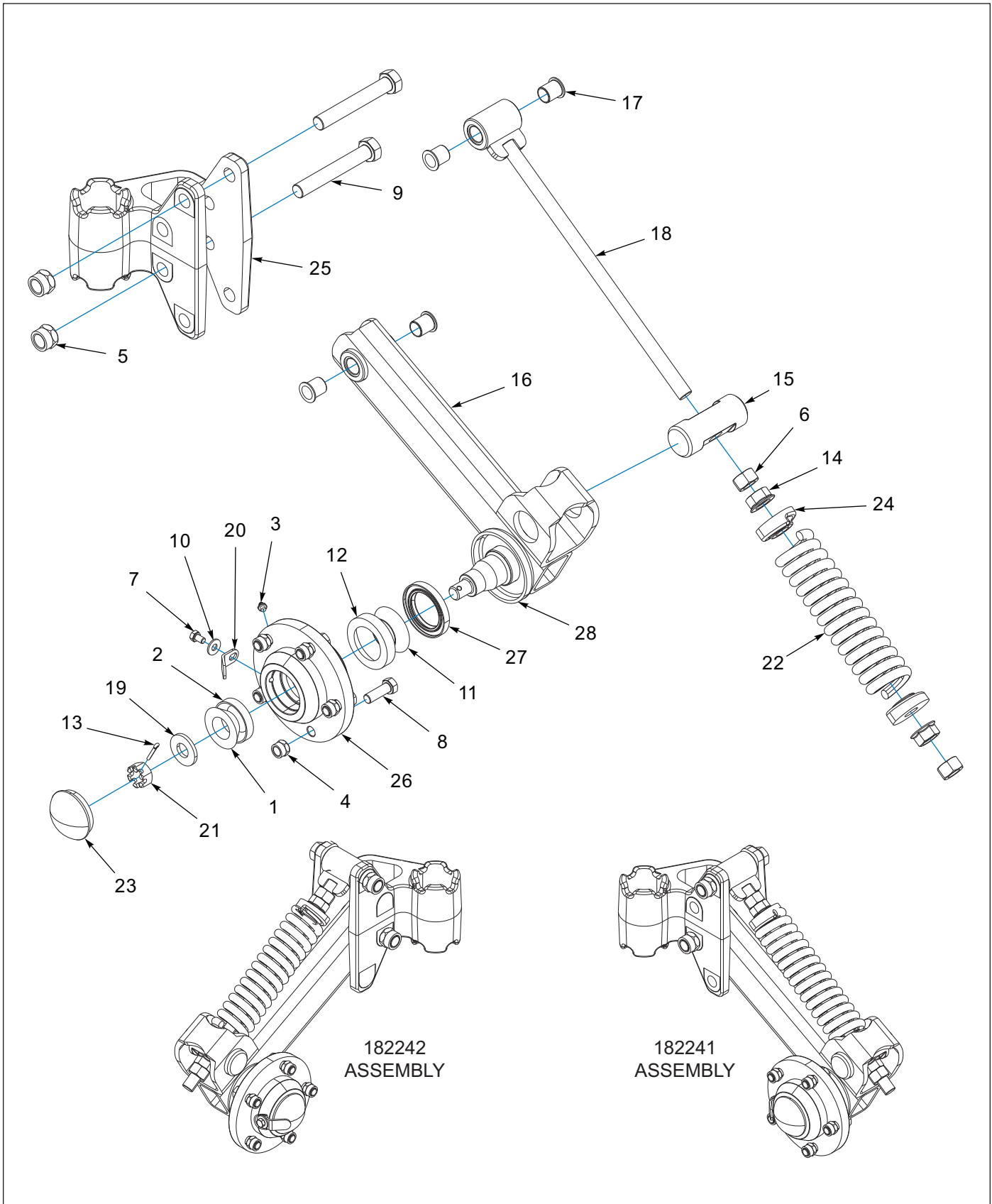


Figure 2-4: Heavy Duty Coulter (BEFORE 02/2022)

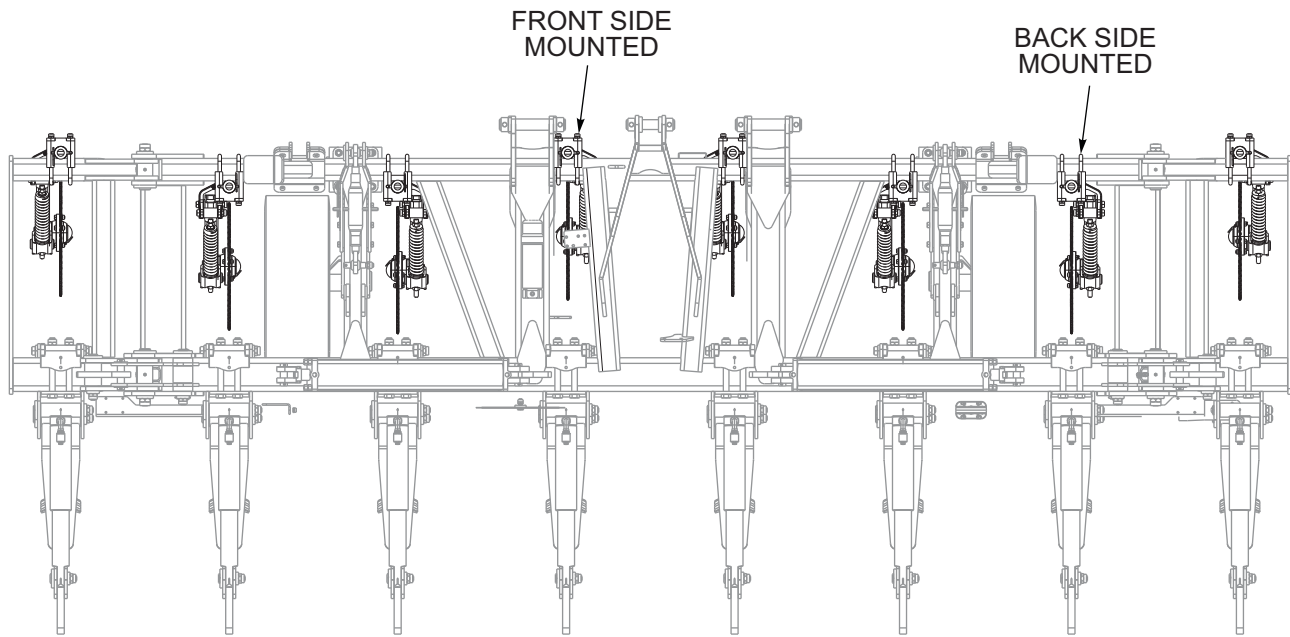


## Heavy Duty Coulter (BEFORE 02/2022)

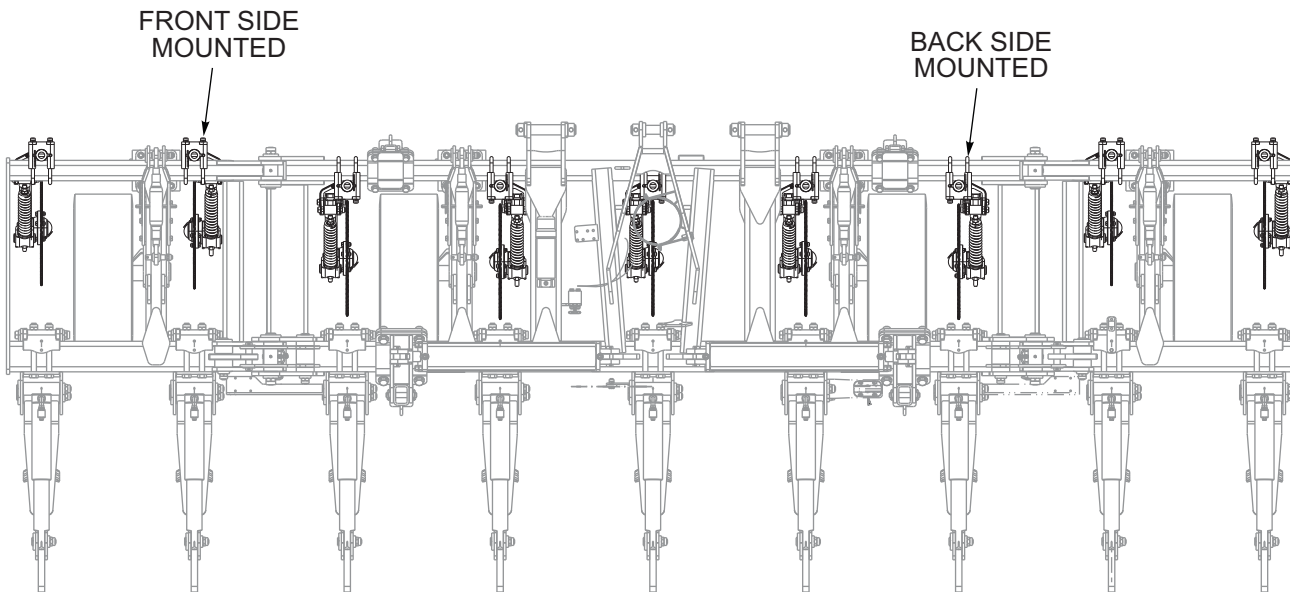
ITEM	PART NUMBER	DESCRIPTION	QTY.
	182241	COULTER ASSY, HD	--
	182242	COULTER ASSY, HD	--
1	1-076-010007	CONE INNER	1
2	1-076-010010	CUP INNER	1
3	1-298-010001-1	ZERK FITTING 1/4 SAE	1
4	1-512-010005-09	NUT,HEX,SLFLKG, 1/2-13 GRB	5
5	1-512-010005-15	NUT,HEX,SLFLKG GRB 3/4-10	2
6	1-512-010007-12	NUT, HEX 3/4-10 GR2 ZP	2
7	1-654-010049-01	SCREW,HEX CAP,5/16-18UNCX1/2	1
8	1-654-010055-03	SCREW,HEX CAP,1/2-13UNCX1-1/2	5
9	1-654-010061-15	SCREW,HX CP 3/4-10UNCX5 GR5	2
10	1-861-010032-09	WASHER, FLAT 5/16 W ZP/CD	1
11	102498	BEARING CONE, OUTER, 1.625	1
12	102604	BEARING CUP, OUTER	1
13	110-0344	5/32X1 COTTER PIN	1
14	168226	NUT,HEX FLG 3/4-10, GR8, ZP	4
15	182220	PIVOT BOLT	1
16	182222	ARM WLDMT, COULTER, RH	1
16	182225	ARM WLDMT, COULTER, LH	1
17	182224	BEARING- IGUS,FLNGD,7/8X3/4X1	4
18	182233	BOLT - EYE WELDMENT	1
19	3J397	WASHER	1
20	3K613	CAP STRAP	1
21	3/4-16HSN	HEX SLOTTED NUT	1
22	4K076	COMPRESSION SPRING - OUTER	1
23	6D337	HUB CAP	1
24	7J569	CAP (6D410)	2
25	9K295	COULTER SWIVEL	1
26	9K453	HUB	1
27	9K454	GREASE SEAL	1
28	3K608	SHIELD	1

COULTER ASSEMBLIES

Coulter Placement



COULTER CENTER POSITIONS FOR RIGID 6, FOLDING 8 (SHOWN), 10, 12, 14, 16



COULTER CENTER POSITIONS FOR FOLDING 9 (SHOWN)  
COULTERS MOUNTED ON BACKSIDE OF TOOLBAR FOR RIGID 4 AND 5

Figure 2-5: Coulter Placement



## Electrical

### Lighting and Reflectors (Rigid 4 Shank)

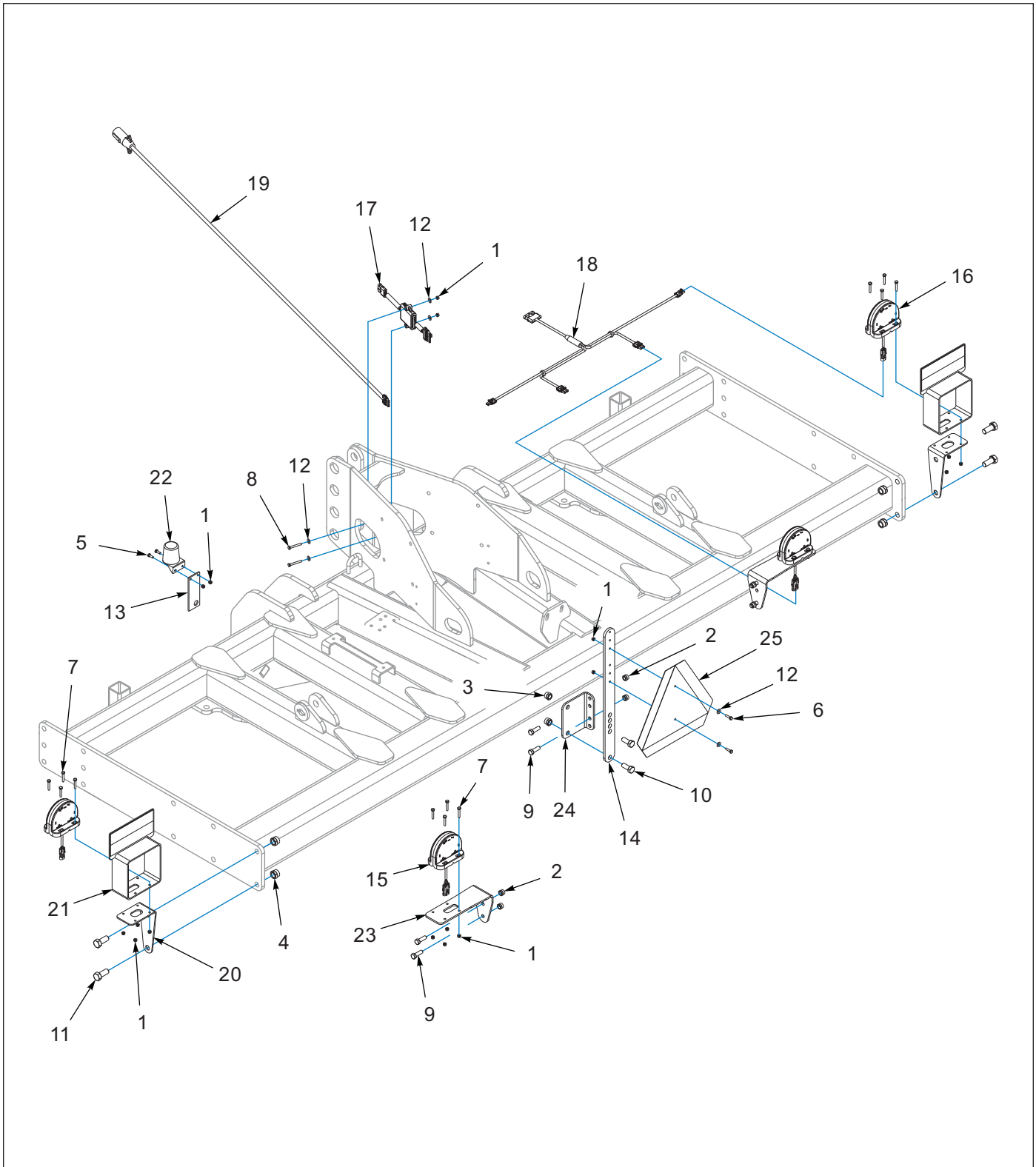


Figure 3-1: Lighting and Reflectors (Rigid 4 Shank)

## Lighting and Reflectors (Rigid 4 Shank)

ITEM	PART NUMBER	DESCRIPTION	QTY.
	214335	KIT, WARNING LIGHT, 2512-4	--
1	1-512-010005-01	NUT,HEX,SLFLKG GRB 1/4-20	22
2	1-512-010005-09	NUT,HEX,SLFLKG, 1/2-13 GRB	6
3	1-512-010005-13	NUT,HEX SLFLKG GRB 5/8-11	2
4	1-512-010005-15	NUT,HEX,SLFLKG GRB 3/4-10	4
5	1-654-010047-04	SCREW,HEX CAP,1/4-20X3/4 GR5	2
6	1-654-010047-06	SCREW,HX CP 1/4-20UNCX1 GR5	2
7	1-654-010047-08	SCREW HX CP,1/4-20UNCX1-1/2G5	16
8	1-654-010047-10	SCREW,HX CP,1/4-20UNC X2 GR5	2
9	1-654-010055-03	SCREW,HEX CAP,1/2-13UNCX1-1/2	6
10	1-654-010059-03	SCREW 5/8-11UNCX1-1/2 HXCP G5	2
11	1-654-010061-04	SCREW,HX CP 3/4-10UNCX1-3/4	4
12	1-861-010032-07	WASHER,FLAT 1/4 ZP	6
13	101404	BRKT,STOR-AWAY HOLDER, 2000	1
14	164142	BRACKET, SMV MOUNTING	1
15	174435	LAMP, AG RED SINGLE LED	2
16	174436	LAMP, AG AMBER SINGLE LED	2
17	174437	MODULE, AG FLASHER CONTROL (SEE PAGE 3-7)	1
18	175151	HARNESS, LED WARNING LIGHTS (SEE PAGE 3-7)	1
19	178514	HARNESS,7 PIN/4PIN WP, 10' (SEE PAGE 3-7)	1
20	182290	BRACKET - LIGHT MOUNT	2
21	182310	BRACKET -LIGHT MOUNT REFLECTOR	4
22	2-368-010287	HARNESS, STOR-A-WAY	1
23	214316	BRACKET-WARNING LAMP	2
24	214317	ANGLE-MOUNT, SMV	1
25	70260977	SMV EMBLEM	1

Lighting and Reflections (Rigid 5/6/7/8 Shank)

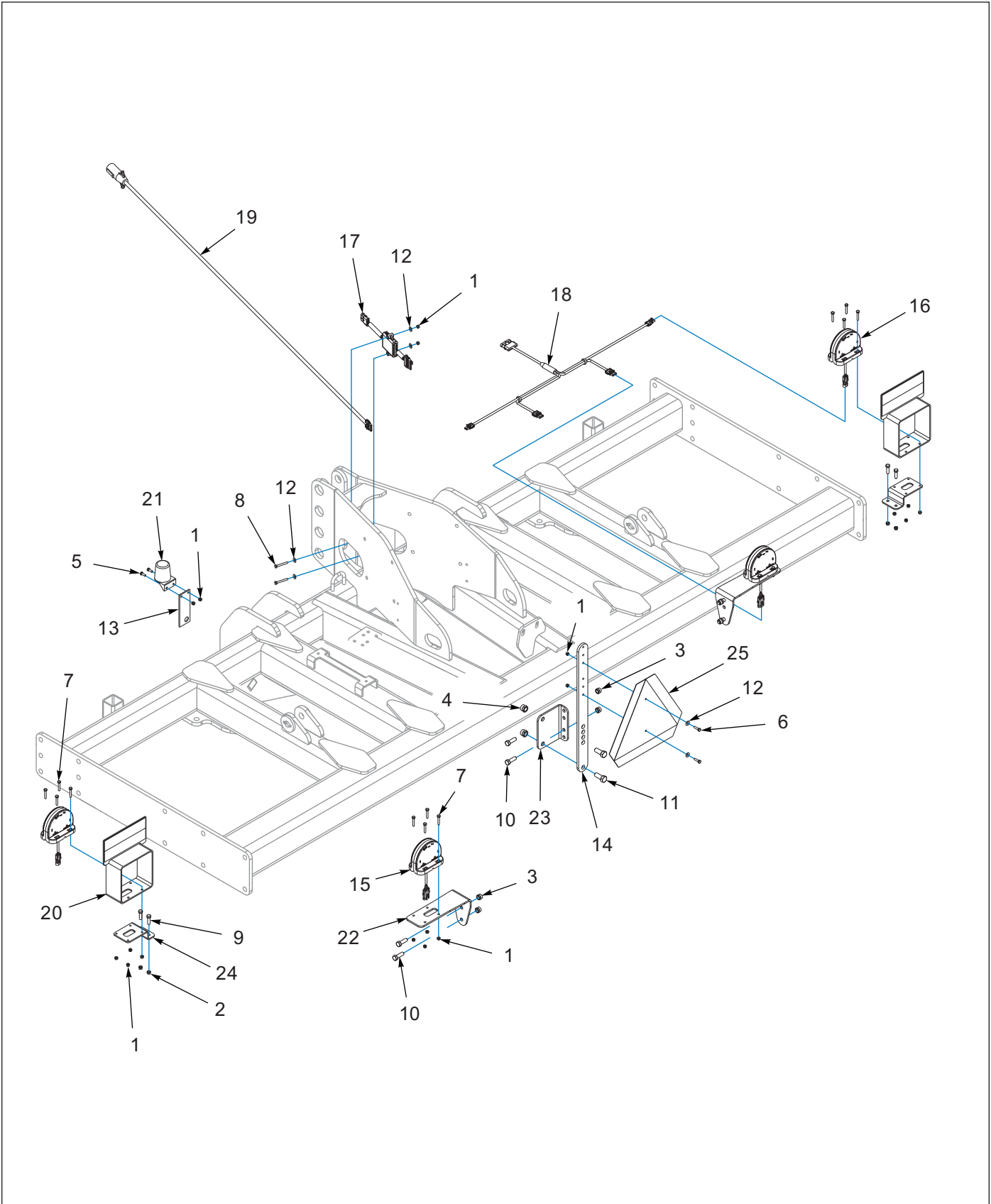


Figure 3-2: Lighting and Reflections (Rigid 5/6/7/8 Shank)

## Lighting and Reflectors (Rigid 5/6/7/8 Shank)

ITEM	PART NUMBER	DESCRIPTION	QTY.
	214336	KIT,WARN LIGHT, 2512-5,6,7,&8	--
1	1-512-010005-01	NUT,HEX,SLFLKG GRB 1/4-20	22
2	1-512-010005-05	NUT,HEX,SLFLKG, GRB 3/8-16	4
3	1-512-010005-09	NUT,HEX,SLFLKG, 1/2-13 GRB	6
4	1-512-010005-13	NUT,HEX SLFLKG GRB 5/8-11	2
5	1-654-010047-04	SCREW,HEX CAP,1/4-20X3/4 GR5	2
6	1-654-010047-06	SCREW,HX CP 1/4-20UNCX1 GR5	2
7	1-654-010047-08	SCREW HX CP,1/4-20UNCX1-1/2G5	16
8	1-654-010047-10	SCREW,HX CP,1/4-20UNC X2 GR5	2
9	1-654-010051-06	SCREW,HEX CAP 3/8-16UNCX1-1/4	4
10	1-654-010055-03	SCREW,HEX CAP,1/2-13UNCX1-1/2	6
11	1-654-010059-03	SCREW 5/8-11UNCX1-1/2 HXCP G5	2
12	1-861-010032-07	WASHER,FLAT 1/4 ZP	6
13	101404	BRKT,STOR-AWAY HOLDER, 2000	1
14	164142	BRACKET, SMV MOUNTING	1
15	174435	LAMP, AG RED SINGLE LED	2
16	174436	LAMP, AG AMBER SINGLE LED	2
17	174437	MODULE, AG FLASHER CONTROL (SEE PAGE 3-7)	1
18	175151	HARNESS, LED WARNING LIGHTS (SEE PAGE 3-7)	1
19	178514	HARNESS,7 PIN/4PIN WP, 10' (SEE PAGE 3-7)	1
20	182310	BRACKET -LIGHT MOUNT REFLECTOR	2
21	2-368-010287	HARNESS, STOR-A-WAY	1
22	214316	BRACKET-WARNING LAMP	2
23	214317	ANGLE-MOUNT, SMV	1
24	227905	BRACKET-WARNING LIGHT MOUNT	2
25	70260977	SMV EMBLEM	1

Lighting and Reflectors (Folding)

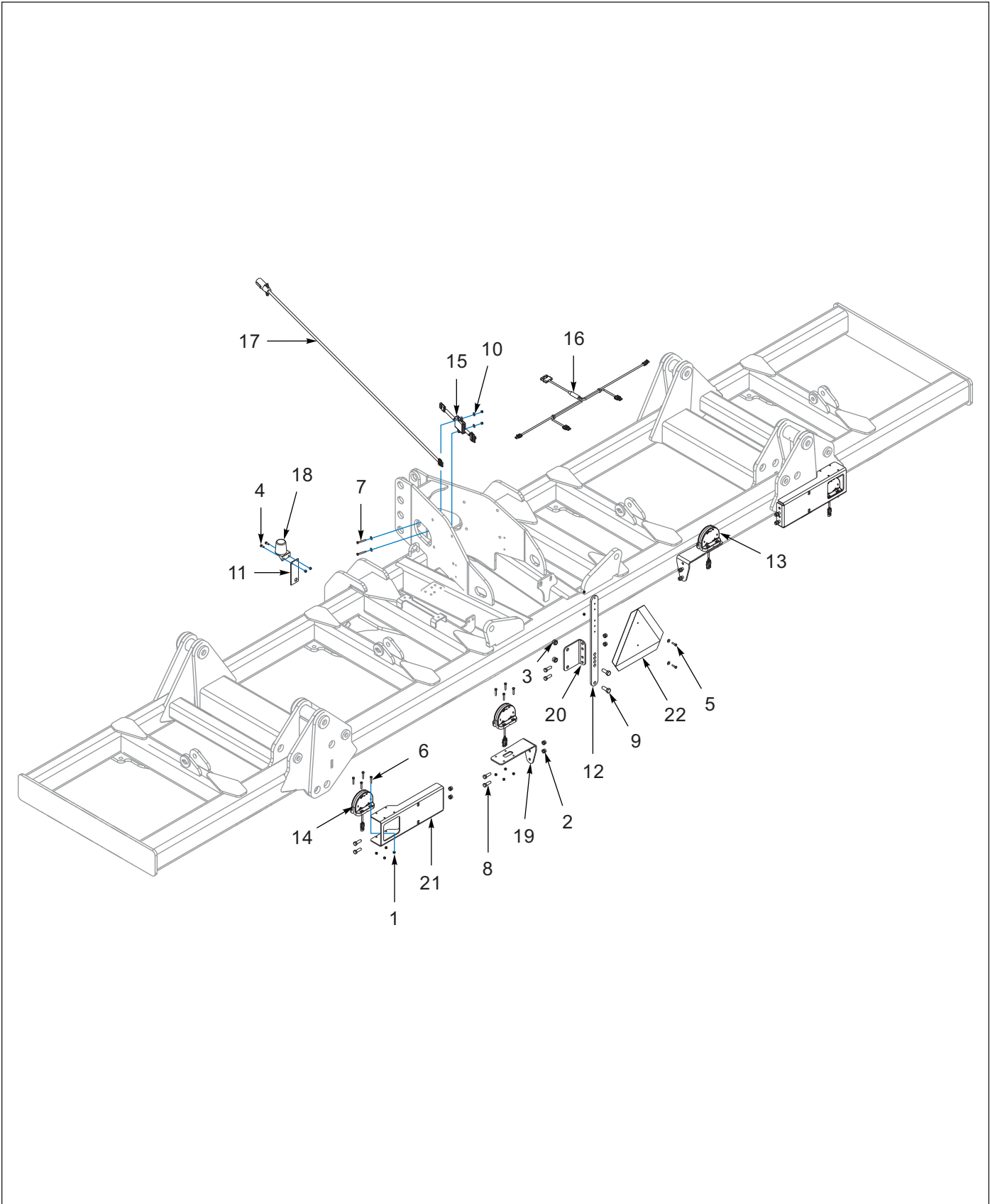


Figure 3-3: Lighting and Reflectors (Folding)



## Lighting and Reflectors (Folding)

ITEM	PART NUMBER	DESCRIPTION	QTY.
	221967	KIT, WARNING LIGHT, 2512F	--
1	1-512-010005-01	NUT,HEX,SLFLKG GRB 1/4-20	22
2	1-512-010005-09	NUT,HEX,SLFLKG, 1/2-13 GRB	10
3	1-512-010005-13	NUT,HEX SLFLKG GRB 5/8-11	2
4	1-654-010047-04	SCREW,HEX CAP,1/4-20X3/4 GR5	2
5	1-654-010047-06	SCREW,HX CP 1/4-20UNCX1 GR5	2
6	1-654-010047-08	SCREW HX CP,1/4-20UNCX1-1/2G5	16
7	1-654-010047-10	SCREW,HX CP,1/4-20UNC X2 GR5	2
8	1-654-010055-03	SCREW,HEX CAP,1/2-13UNCX1-1/2	10
9	1-654-010059-03	SCREW 5/8-11UNCX1-1/2 HXCP G5	2
10	1-861-010032-07	WASHER,FLAT 1/4 ZP	6
11	101404	BRKT,STOR-AWAY HOLDER, 2000	1
12	164142	BRACKET, SMV MOUNTING	1
13	174435	LAMP, AG RED SINGLE LED	2
14	174436	LAMP, AG AMBER SINGLE LED	2
15	174437	MODULE, AG FLASHER CONTROL	1
16	175151	HARNESS, LED WARNING LIGHTS	1
17	178514	HARNESS,7 PIN/4PIN WP, 10'	1
18	2-368-010287	HARNESS, STOR-A-WAY	1
19	214316	BRACKET-WARNING LAMP	2
20	214317	ANGLE-MOUNT, SMV	1
21	221954	BRACKET, LIGHT	2
22	70260977	SMV EMBLEM	1

# Wiring Diagram

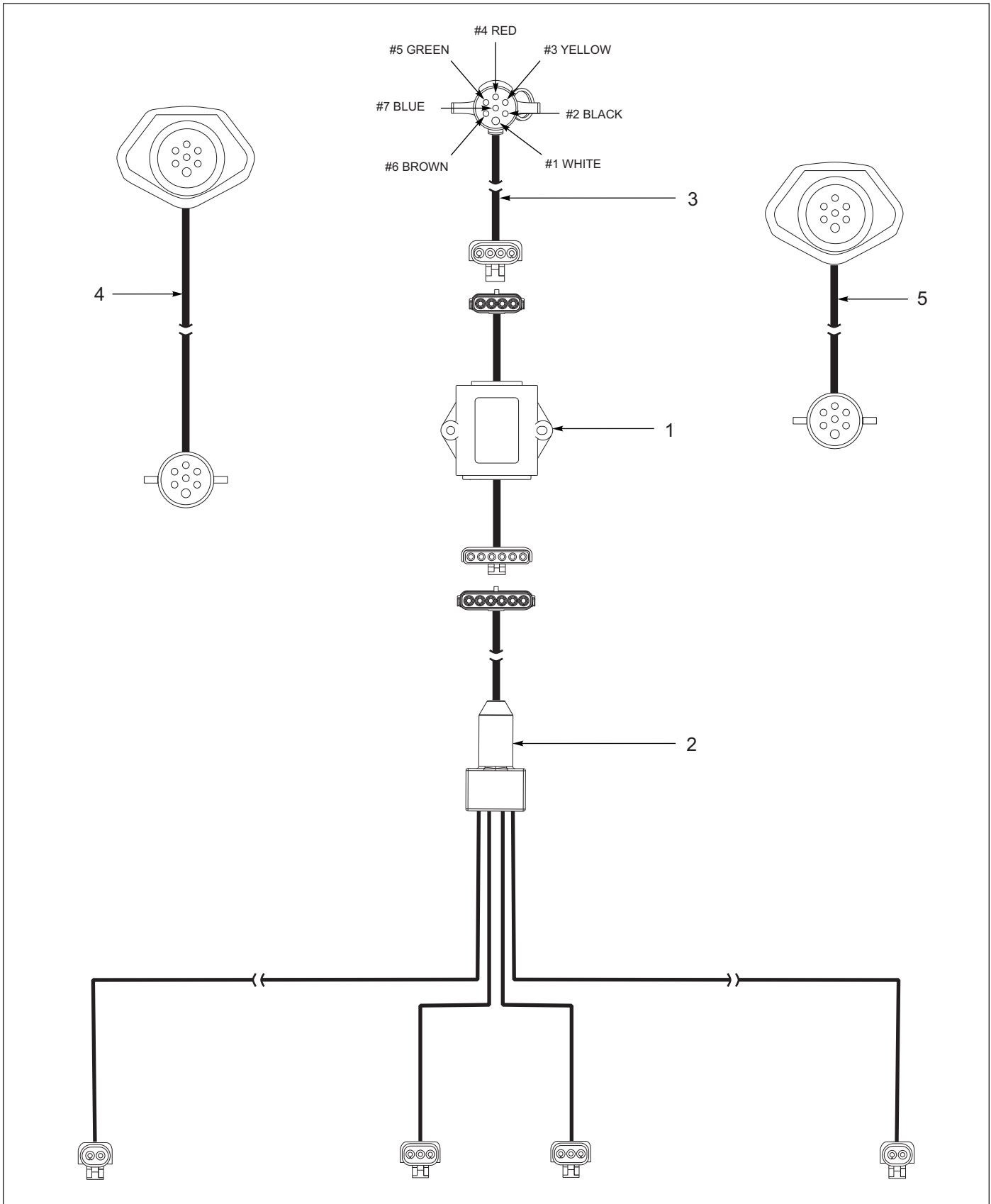


Figure 3-4: Wiring Diagram

## Wiring Diagram

ITEM	PART NUMBER	DESCRIPTION	QTY.
1	174437	MODULE, AG FLASHER CONTROL	1
2	175151	HARNESS, LED WARNING LIGHTS	1
3	178514	HARNESS,7 PIN/4PIN WP, 10'	1
4	221797	HARNESS-EXTENSION, 7 WAY X24'	1
5	223319	HARNESS-EXTENSION, 7WAY X 18'	1

## Hydraulics

### 2512 Folding Frame Hydraulic Diagram (AFTER 11/01/2021)

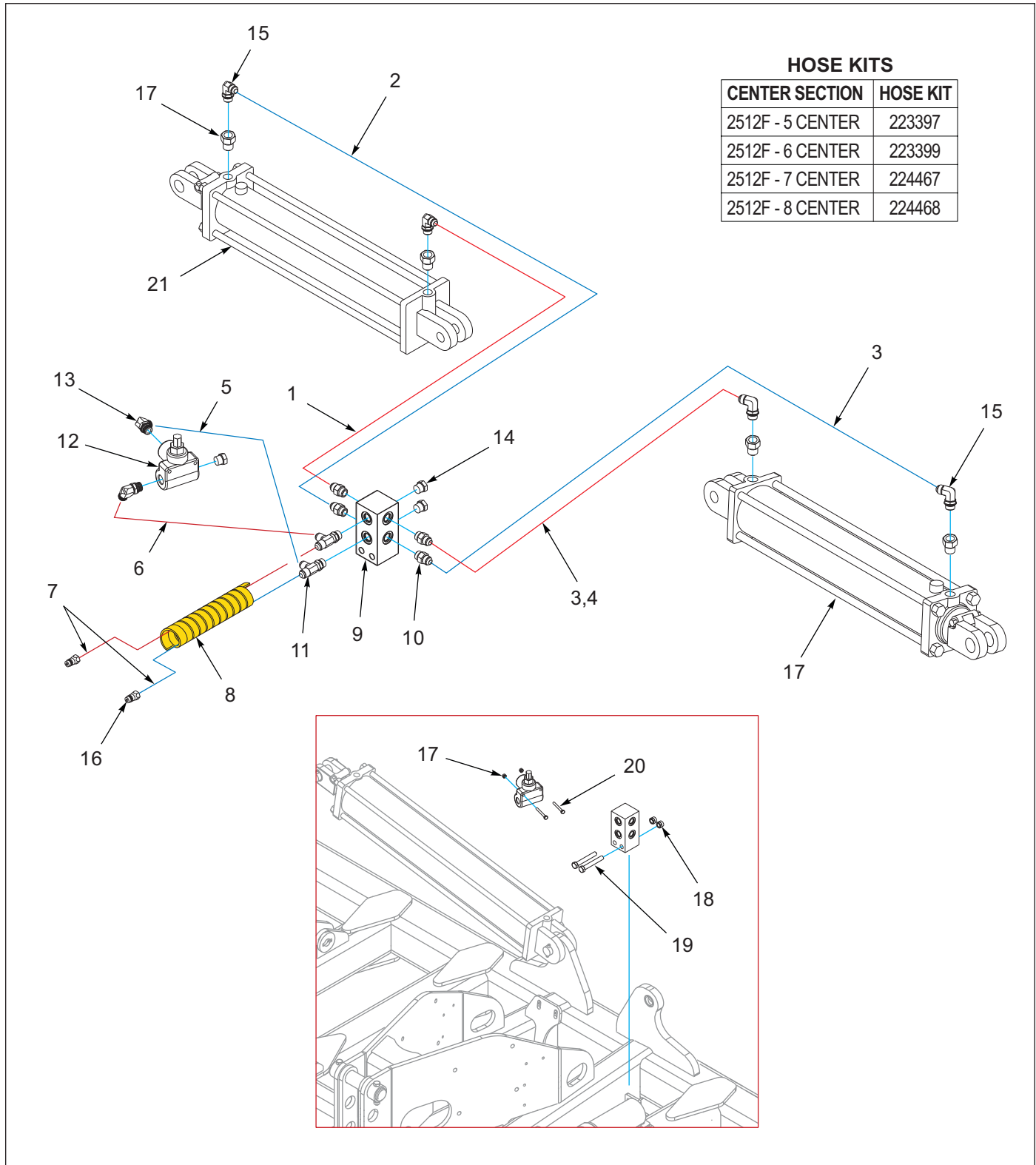


Figure 4-1: Folding Frame Hydraulic Diagram (AFTER 11/01/2021)

## 2512 Folding Frame Hydraulic Diagram (AFTER 11/01/2021)

ITEM	PART NUMBER	DESCRIPTION	QTY.
	223397	KIT-HYD,HOSE,2512F-5CT,RIPPER <b>(5 CENTER, MODELS 7, 9, 11N) (INCLUDES ITEMS 1 - 7)</b>	--
	223399	KIT-HYD,HOSE,2512F-6CT,RIPPER <b>(6 CENTER, MODELS 8, 10, 12) (INCLUDES ITEMS 1 - 7)</b>	--
	224467	KIT-HYD,HOSE,2512F-7CT,RIPPER <b>(7 CENTER, MODELS 11, 13, 15) (INCLUDES ITEMS 1 - 7)</b>	--
	224468	KIT-HYD,HOSE,2512F-8CT,RIPPER <b>(8 CENTER, MODELS 14, 16) (INCLUDES ITEMS 1 - 7)</b>	--
	223398	KIT-HYD ADAPTER, RIPPER <b>(INCLUDES ITEMS 8 - 20)</b>	--
1	1-397-010369036	HOSE ASSY 3/8X36,#8 JIC SWVL <b>(5 CENTER) (RH)</b>	1
1	208812	HOSE ASSY, 3/8X52,-8FJX,-8FJX <b>(6 CENTER) (RH)</b>	1
1	122910	HOSE ASSY 3/8X70,#8 JIC SWVL <b>(7 CENTER) (RH)</b>	1
1	122909	HOSE ASSY 3/8X82,#8 JIC SWVL <b>(8 CENTER) (RH)</b>	1
2	147583	HOSE ASSY 3/8X72 #8 JIC SWIV <b>(5 CENTER) (RH)</b>	1
2	192481	HOSE ASSY 3/8 X 88 <b>(6 CENTER) (RH)</b>	1
2	139213	HOSE ASSY 3/8X105 #8JIC SWIVL <b>(7 CENTER) (RH)</b>	1
2	1422177	HOSE ASM, 3/8 X 118.25 <b>(8 CENTER) (RH)</b>	1
3	186903	HOSE ASM,3/8 X 44,8FJS ENDS <b>(5 CENTER) (LH)</b>	2
3	147584	HOSE ASSY 3/8X40 #8 JIC SWIV <b>(6 CENTER) (LH)</b>	1
3	71508984	HOSE .38 X 42 <b>(7 CENTER) (LH)</b>	1
3	181801	HOSE ASSY, 3/8X58 #8 JIC SWIV <b>(8 CENTER) (LH)</b>	1
4	116432	HOSE ASSY, 3/8X60 #8 JIC SWV <b>(6 CENTER) (LH)</b>	1
4	209436	HOSE ASSY, 3/8X76,-8FJX,-8FJX <b>(7 CENTER) (LH)</b>	1
4	116433	HOSE ASSY 3/8X90 #8 JIC SWV <b>(8 CENTER) (LH)</b>	1
5	153841	HOSE ASSY 3/8X18 #8 JIC SWIV	1
6	71508954	HOSE ASSY .38X22IN	1
7	141876	HOSE ASSY 3/8X72 #8JICX#8OR	2
8	155529	HOSE WRAP, YELLOW 1" ID X 8"	1
9	2-474-010022	MANIFOLD HYDRAULIC, 6 HOSE	1
10	202702-8-8S	ADAPTER #8 O-RING TO #8 TUBE	4
11	203005-8-8S	ADAPTER,TEE,#8 O-RING-TUBE	2
12	165287	VALVE, RELIEF, 1000PSI	1
13	2062-8-8S	ADAPTER, 90, #8 O-RING-TUBE	2
14	1-007-010025	PLUG, 3/4-16 O-RING BOSS	3
15	141826	ELBOW 90 1/16 RES	4
16	141828	COUPLER,MALE 3/4-16 O-RING	2
17	1-512-010005-01	NUT,HEX,SLFLKG GRB 1/4-20	2
18	1-512-010005-09	NUT,HEX,SLFLKG, 1/2-13 GRB	2
19	1-654-010055-11	SCREW,HX CP 1/2-13UNCX3-1/2	2
20	111190	SCREW HX CP 1/4-20UNCX2-1/4G5	2
21	233870	CYLINDER, HYD 5 X 30, 3000 PSI <b>(SEAL KIT P/N 240960)</b>	2

2512 Folding Frame Hydraulic Diagram (BEFORE 11/01/2021)

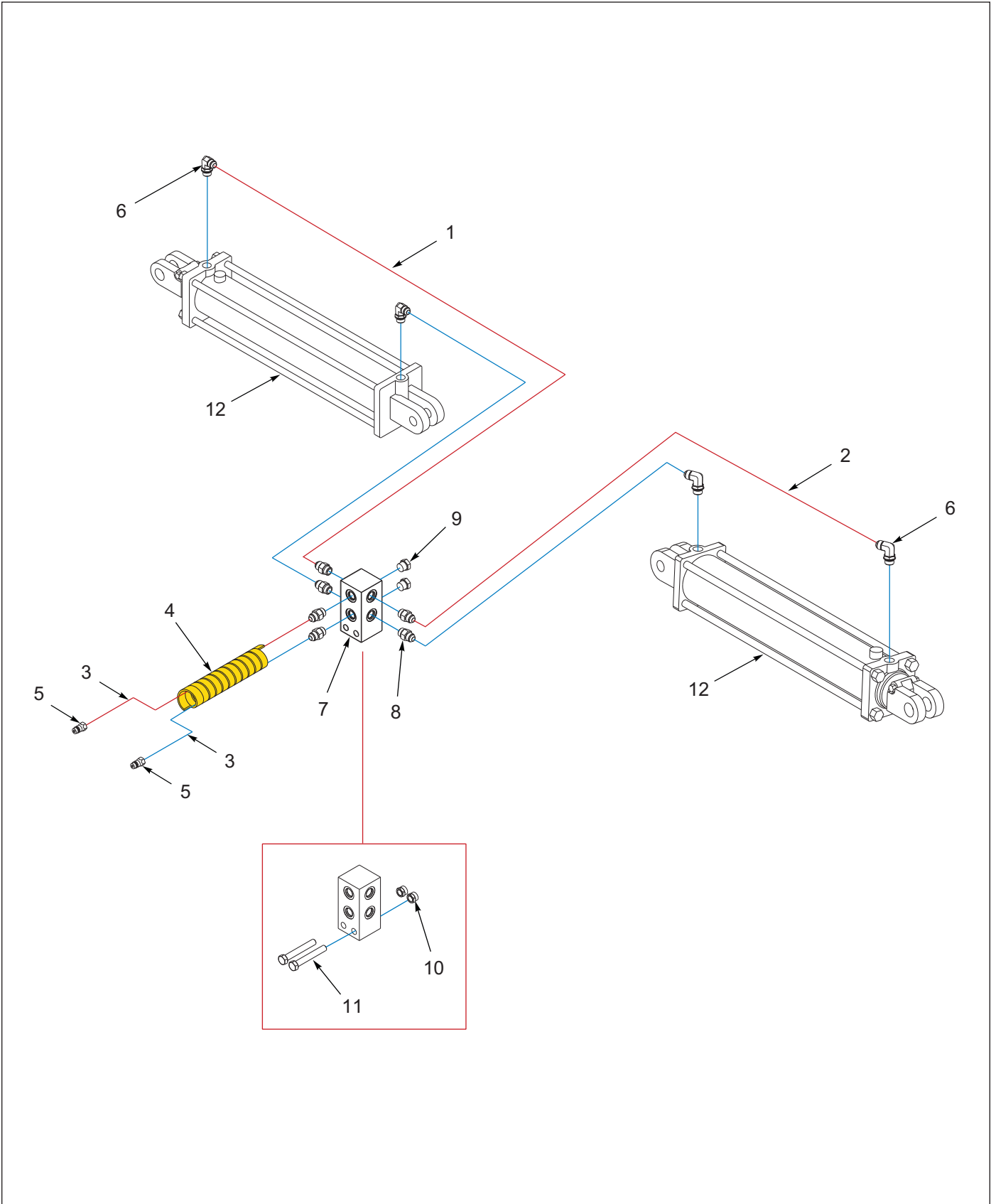


Figure 4-2: Folding Frame Hydraulic Diagram (BEFORE 11/01/2021)

## 2512 Folding Frame Hydraulic Diagram (BEFORE 11/01/2021)

ITEM	PART NUMBER	DESCRIPTION	QTY.
	223397	KIT-HYD,HOSE,2512F-5CT,RIPPER <b>(5 CENTER, MODELS 7, 9, 11N) (INCLUDES ITEMS 1 - 4)</b>	--
	223399	KIT-HYD,HOSE,2512F-6CT,RIPPER <b>(6 CENTER, MODELS 8, 10, 12) (INCLUDES ITEMS 1 - 4)</b>	--
	224467	KIT-HYD,HOSE,2512F-7CT,RIPPER <b>(7 CENTER, MODELS 11, 13, 15) (INCLUDES ITEMS 1 - 4)</b>	--
	224468	KIT-HYD,HOSE,2512F-8CT,RIPPER <b>(8 CENTER, MODELS 14, 16) (INCLUDES ITEMS 1 - 4)</b>	--
	223398	KIT-HYD ADAPTER, RIPPER <b>(INCLUDES ITEMS 5 - 11)</b>	--
1	147584	HOSE ASSY 3/8X40 #8 JIC SWIV <b>(5 CENTER)</b>	2
1	123547	HOSE ASSY 3/8X56 #8 JIC SWIVL <b>(6 CENTER)</b>	2
1	122910	HOSE ASSY 3/8X70,#8 JIC SWVL <b>(7 CENTER)</b>	2
1	71508987	HOSE ASSY 3/8 X 86 <b>(8 CENTER)</b>	2
2	147583	HOSE ASSY 3/8X72 #8 JIC SWIV <b>(5 CENTER)</b>	2
2	192481	HOSE ASSY 3/8 X 88 <b>(6 CENTER)</b>	2
2	139213	HOSE ASSY 3/8X105 #8JIC SWIVEL <b>(7 CENTER)</b>	2
2	166171	HOSE ASSY 3/8X114 #8JIC SWIV <b>(8 CENTER)</b>	2
3	141876	HOSE ASSY 3/8X72 #8JICX#8OR	2
4	155529	HOSE WRAP, YELLOW 1" ID X 8"	1
5	141828	COUPLER,MALE 3/4-16 O-RING	2
6	141826	ELBOW 90 1/16 RES	4
7	2-474-010022	MANIFOLD HYDRAULIC, 6 HOSE	1
8	202702-8-8S	ADAPTER #8 O-RING TO #8 TUBE	6
9	1-007-010025	PLUG, 3/4-16 O-RING BOSS	2
10	1-512-010005-09	NUT,HEX,SLFLKG, 1/2-13 GRB	2
11	1-654-010055-11	SCREW,HX CP 1/2-13UNCX3-1/2	2
12	108331	CYLINDER, HYD 4X24 SP <b>(SEE PAGE 4-29)</b>	2





## 2512 Accumulator Bladder

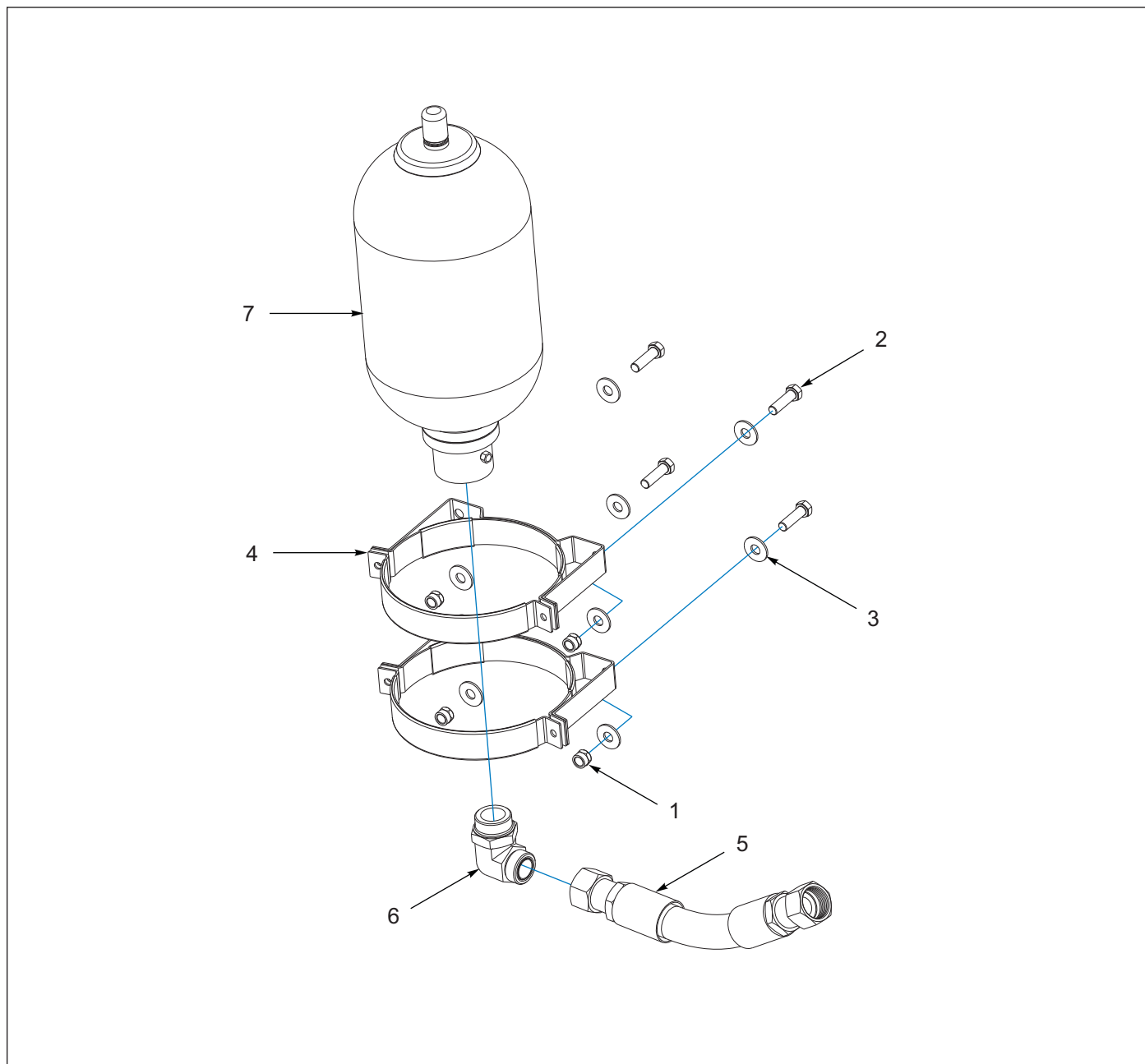


Figure 4-3: 2512 Accumulator Bladder

## 2512 Accumulator Bladder

ITEM	PART NUMBER	DESCRIPTION	QTY.
1	1-512-010005-09	NUT,HEX,SLFLKG, 1/2-13 GRB	18
2	1-654-010055-04	SCREW,HEX CAP,1/2-13UNCX1-3/4	4
3	1-861-010032-14	WASHER,FLAT 1/2" N ZP/CD	8
4	201321	BRACKET-MOUNTING, ACCUMULATOR <b>(COMES WITH NUTS, WASHERS AND BOLTS)</b>	2
5	214307	HOSE,HYD,1-1/4X15-7/32,ASM	1
6	214310	ADAPTER,-20 ORS X -24ORB, 90	1
7	217183	ACCUMULATOR-BLADR, 10 L.3000PSI	1

HYDRAULICS

2512 Hydraulics, 4 Shank

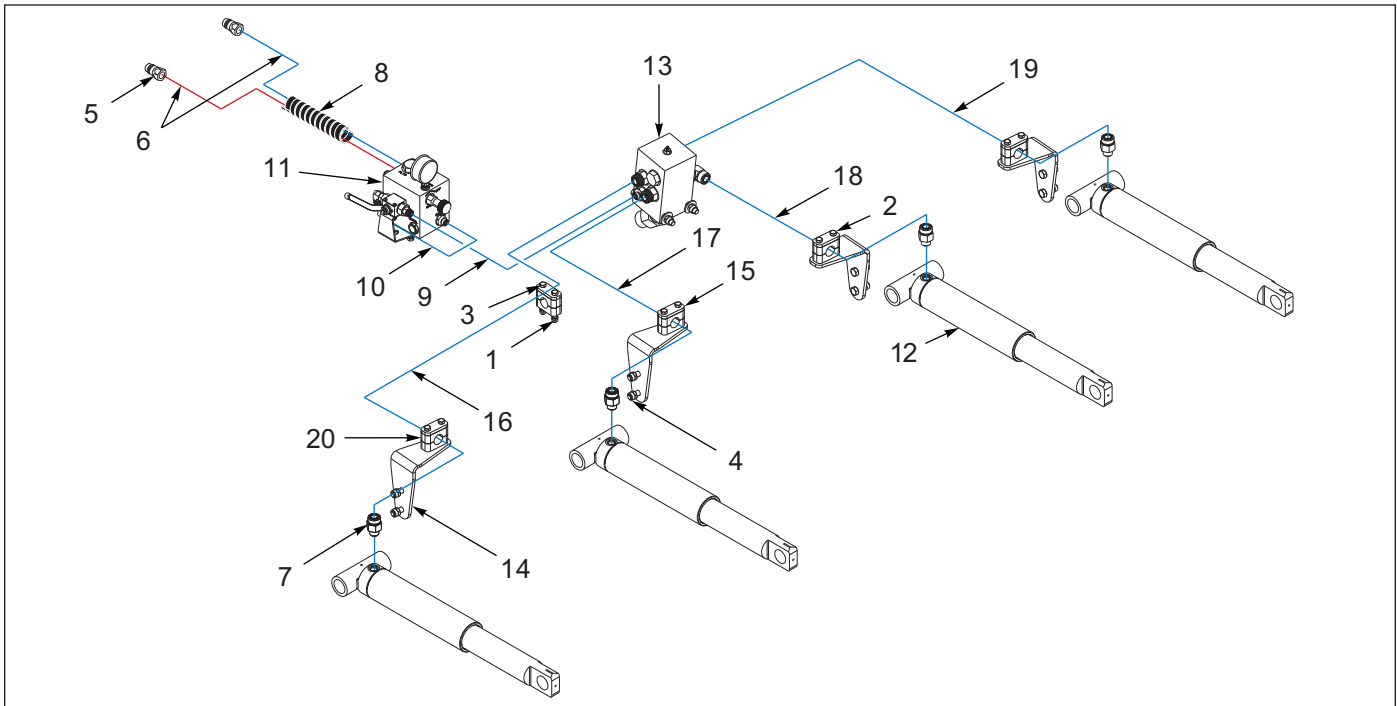


Figure 4-4: 2512 Hydraulics, 4 Shank

2512 Hydraulics, 4 Shank

ITEM	PART NUMBER	DESCRIPTION	QTY.
	214376	KIT-HYDRAULIC, 2512-4	--
	217199	KIT-HYDRAULIC, 2512-4,SETBACK	--
1	1-512-010005-05	NUT, HEX, SLFLKG GRB 3/8-16	10
2	1-654-010051-13	SCREW,HX CP,3/8-16UNCX3,GR5	8
3	1-654-010051-14	SCREW HX CP 3/8-16UNCX3-1/4G5	2
4	1-654-010055-03	SCREW,HEX CAP,1/2-13UNCX1-1/2	8
5	141828	COUPLER,MALE 3/4-16 O-RING	2
6	141877	HOSE ASSY 3/8X75 #8JICX#8OR	2
7	247304	ADAPTER,FLOW CK,-10 ORB,-12ORS (AFTER 06/07/2023)	4
7	142337	ADAPTER,#12 ORS X #10 ORB ST (BEFORE 06/07/2023)	4
8	155530	HOSE WRAP, BLACK 1" ID X 8"	1
9	156318	HOSE,6ORS-STX6ORS-STX6-30	1
10	162572	HOSE,6ORS-STX6ORS-90MX6-26	1
11	203386	MANIFOLD ASSY DRAFT COMP (SEE PAGE 4-26)	1
12	209372	CYLINDER-SA,3 X 9-1/2 DISP (SEE PAGE 4-30)	4
13	214305	MANIFOLD-SHANK CYLINDER, 2512 (SEE PAGE 4-28)	1
14	214315	BRACKET-CLAMP, HOSE	4
15	214346	PLATE-COVER, CLAMP	5
16	217211	HOSE 3/4X97,-12ORS,-12ORS90S	1
17	217212	HOSE 3/4X67,-12ORS,-12ORS90S (WITHOUT SETBACK)	1
17	217216	HOSE 3/4X77,-12ORS,-12ORS90S (WITH SETBACK)	1
18	217213	HOSE 3/4X55,-12ORS,-12ORS90S	1
19	217219	HOSE, 3/4X87,-12ORS,-12ORS90S (WITHOUT SETBACK)	1
19	217211	HOSE 3/4X97,-12ORS,-12ORS90S (WITH SETBACK)	1
20	217988	CLAMP-HOSE, 1-1/8	5

## 2512 Hydraulics, 5 Shank

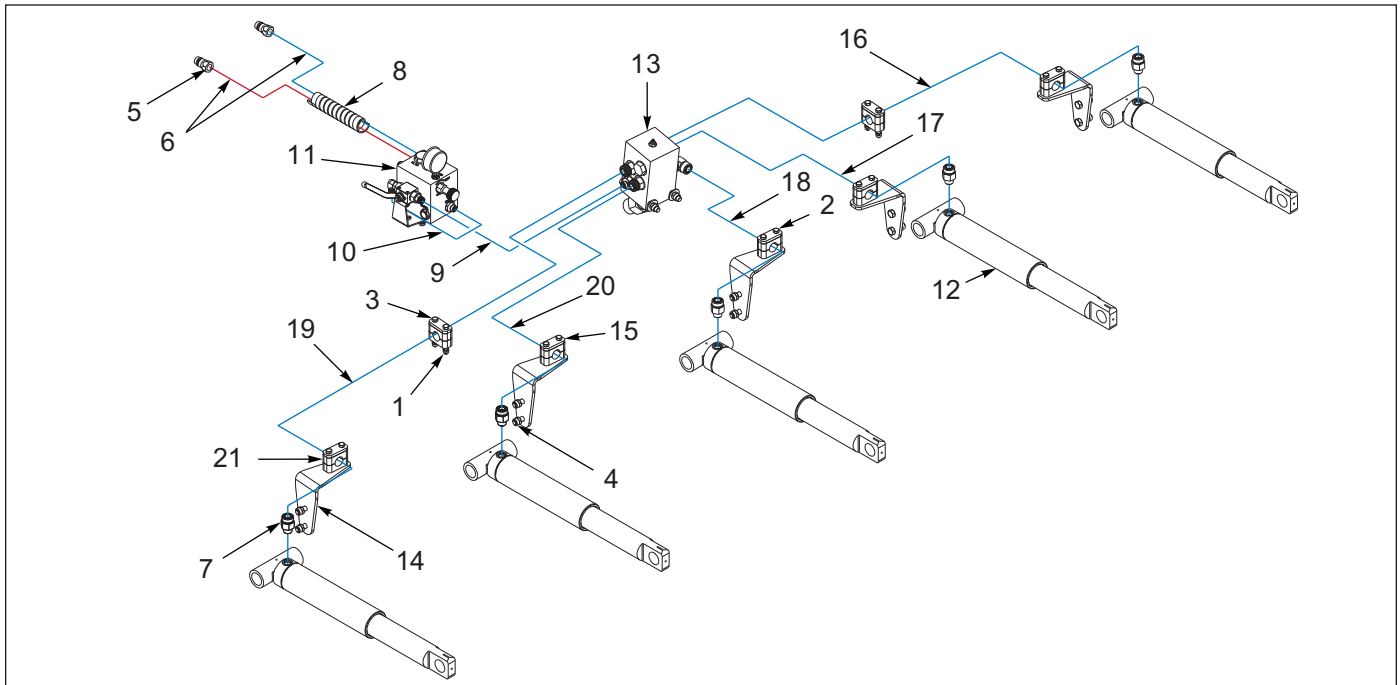


Figure 4-5: 2512 Hydraulics, 5 Shank

## 2512 Hydraulics, 5 Shank

ITEM	PART NUMBER	DESCRIPTION	QTY.
	214377	KIT-HYDRAULIC, 2512-5	--
	217200	KIT-HYDRAULIC, 2512-5,SETBACK	--
1	1-512-010005-05	NUT, HEX, SLFLKG GRB 3/8-16	14
2	1-654-010051-13	SCREW,HX CP,3/8-16UNCX3,GR5	10
3	1-654-010051-14	SCREW HX CP 3/8-16UNCX3-1/4G5	4
4	1-654-010055-03	SCREW,HEX CAP,1/2-13UNCX1-1/2	8
5	141828	COUPLER,MALE 3/4-16 O-RING	2
6	141877	HOSE ASSY 3/8X75 #8JICX#8OR	2
7	247304	ADAPTER,FLOW CK,-10 ORB,-12ORS (AFTER 06/07/2023)	5
7	142337	ADAPTER,#12 ORS X #10 ORB ST (BEFORE 06/07/2023)	5
8	155530	HOSE WRAP, BLACK 1" ID X 8"	1
9	156318	HOSE,6ORS-STX6ORS-STX6-30	1
10	162572	HOSE,6ORS-STX6ORS-90MX6-26	1
11	203386	MANIFOLD ASSY DRAFT COMP (SEE PAGE 4-25)	1
12	209372	CYLINDER-SA,3 X 9-1/2 DISP (SEE PAGE 4-30)	5
13	214305	MANIFOLD-SHANK CYLINDER, 2512 (SEE PAGE 4-28)	1
14	214315	BRACKET-CLAMP, HOSE	5
15	214346	PLATE-COVER, CLAMP	5
16	217211	HOSE 3/4X97,-12ORS,-12ORS90S	1
17	217212	HOSE 3/4X67,-12ORS,-12ORS90S (WITHOUT SETBACK)	1
17	217216	HOSE, 3/4X77,-12ORS,-12ORS90S (WITH SETBACK)	1
18	217213	HOSE 3/4X55,-12ORS,-12ORS90S	1
19	217215	HOSE 3/4X107,-12ORS,-12ORS90S	1
20	217216	HOSE 3/4X77,-12ORS,-12ORS90S (WITHOUT SETBACK)	1
20	217219	HOSE 3/4X87,-12ORS,-12ORS90S (WITH SETBACK)	1
21	217988	CLAMP-HOSE, 1-1/8	7

2512 Hydraulics, 6 Shank

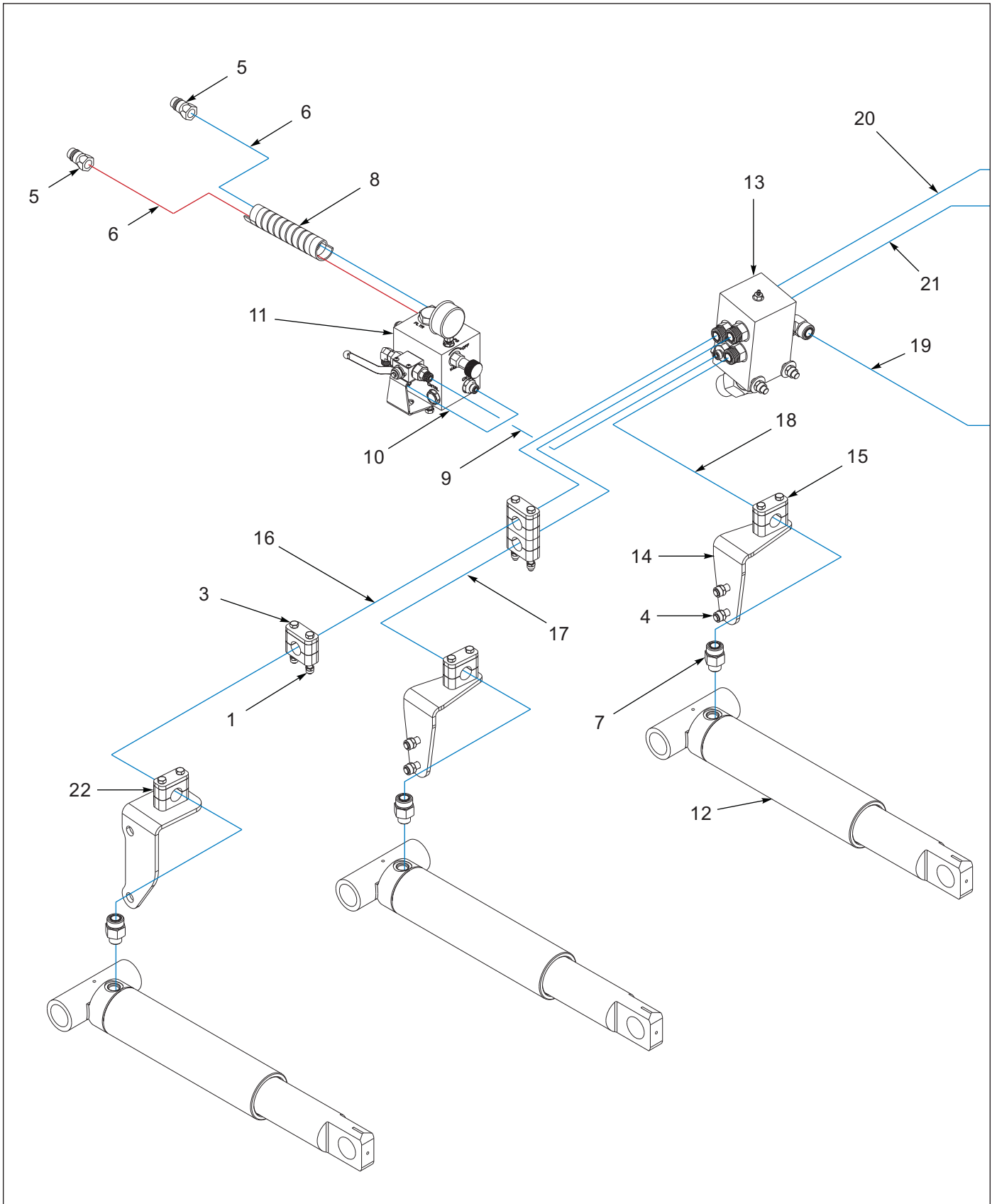


Figure 4-6: 2512 Hydraulics, 6 Shank (1 of 2)

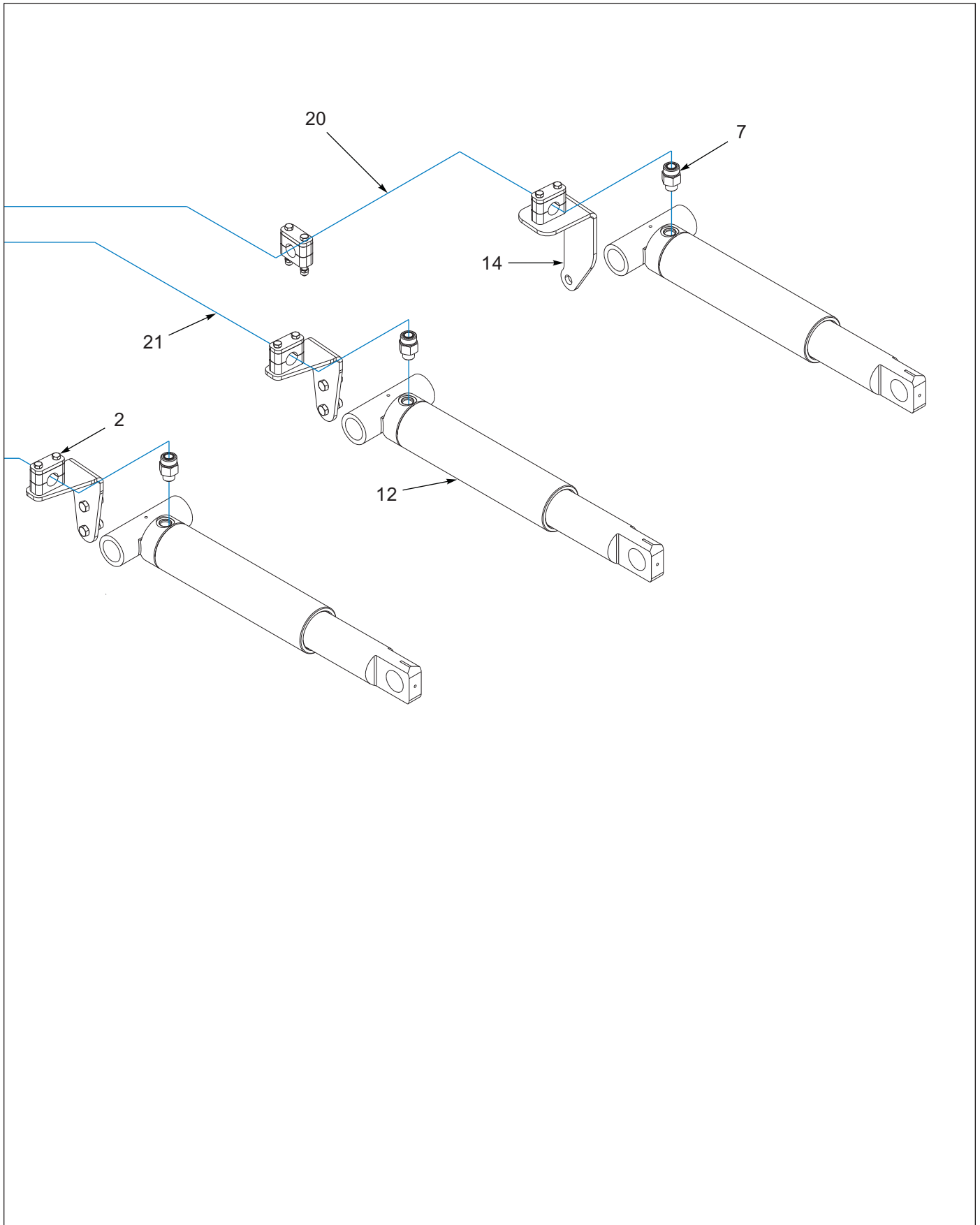


Figure 4-7: 2512 Hydraulics, 6 Shank (2 of 2)

## HYDRAULICS

## 2512 Hydraulics, 6 Shank

ITEM	PART NUMBER	DESCRIPTION	QTY.
	214378	KIT-HYDRAULIC, 2512-6	--
	217201	KIT-HYDRAULIC, 2512-6,SETBACK	--
1	1-512-010005-05	NUT, HEX, SLFLKG GRB 3/8-16	18
2	1-654-010051-13	SCREW,HX CP,3/8-16UNCX3,GR5	12
3	1-654-010051-14	SCREW HX CP 3/8-16UNCX3-1/4G5	4
4	1-654-010055-03	SCREW,HEX CAP,1/2-13UNCX1-1/2	8
5	141828	COUPLER,MALE 3/4-16 O-RING	2
6	141877	HOSE ASSY 3/8X75 #8JICX#8OR	2
7	247304	ADAPTER,FLOW CK,-10 ORB,-12ORS <b>(AFTER 06/07/2023)</b>	6
7	142337	ADAPTER,#12 ORS X #10 ORB ST <b>(BEFORE 06/07/2023)</b>	6
8	155530	HOSE WRAP, BLACK 1" ID X 8"	1
9	156318	HOSE,6ORS-STX6ORS-STX6-30	1
10	162572	HOSE,6ORS-STX6ORS-90MX6-26	1
11	203386	MANIFOLD ASSY DRAFT COMP <b>(SEE PAGE 4-26)</b>	1
12	209372	CYLINDER-SA,3 X 9-1/2 DISP <b>(SEE PAGE 4-30)</b>	5
13	214305	MANIFOLD-SHANK CYLINDER, 2512 <b>(SEE PAGE 4-28)</b>	1
14	214315	BRACKET-CLAMP, HOSE	4
15	214346	PLATE-COVER, CLAMP	9
16	217210	HOSE 3/4X127,-12ORS,-12ORS90S <b>(WITHOUT SETBACK)</b>	1
16	217214	HOSE 3/4X137,-12ORS,-12ORS90S <b>(WITH SETBACK)</b>	1
17	217211	HOSE 3/4X97,-12ORS,-12ORS90S	1
18	217212	HOSE 3/4X67,-12ORS,-12ORS90S <b>(WITHOUT SETBACK)</b>	1
18	217216	HOSE 3/4X77,-12ORS,-12ORS90S <b>(WITH SETBACK)</b>	1
19	217213	HOSE 3/4X55,-12ORS,-12ORS90S	1
20	217217	HOSE 3/4X107,-12ORS,-12ORS90S	1
21	217219	HOSE 3/4X77,-12ORS,-12ORS90S <b>(WITHOUT SETBACK)</b>	1
21	217211	HOSE 3/4X97,-12ORS,-12ORS90S <b>(WITH SETBACK)</b>	1
22	217988	CLAMP-HOSE, 1-1/8	10
23	214260	BRACKET-MOUNT, HOSE CLAMP, LH	1
24	214261	BRACKET-MOUNT, HOSE CLAMP, RH	1
25	185216	SCREW,HXCAP3/8-16UNCX5-1/4GR5	2



2512 Hydraulics, 7 Shank (Rigid and Folding)

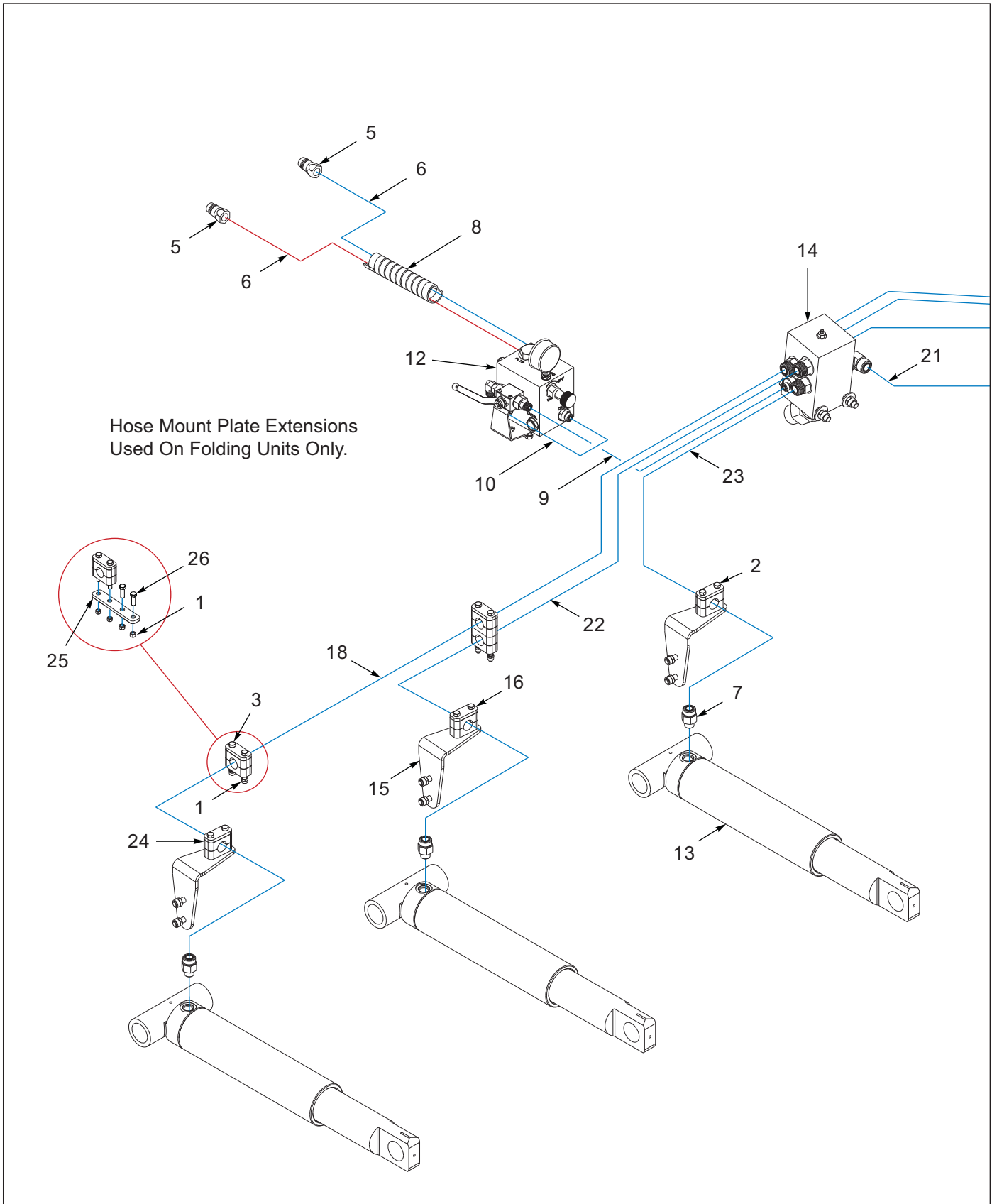


Figure 4-8: 2512 Hydraulics, 7 Shank (Rigid and Folding) (1 of 2)



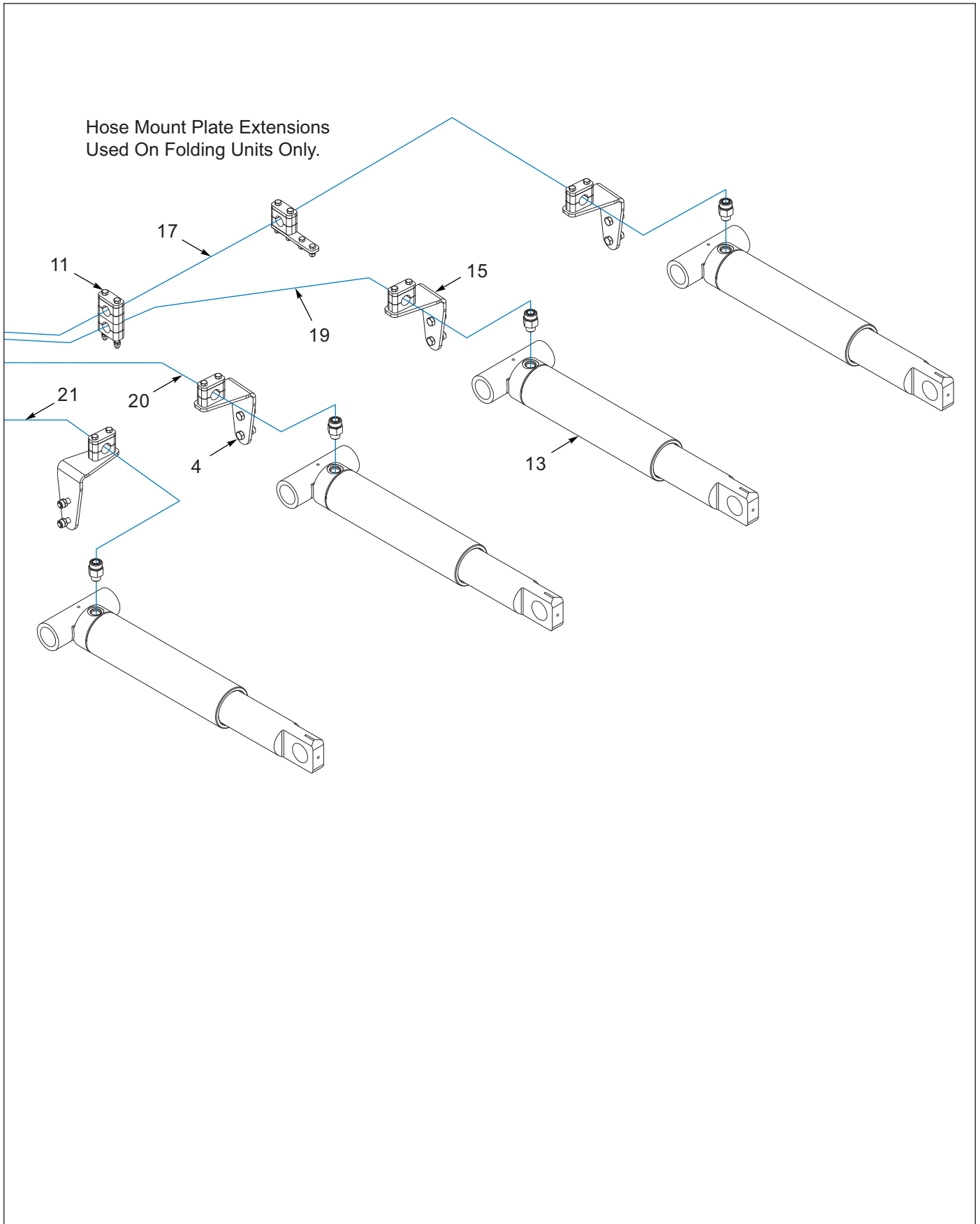


Figure 4-9: 2512 Hydraulics, 7 Shank (Rigid and Folding) (2 of 2)

## HYDRAULICS

## 2512 Hydraulics, 7 Shank (Rigid and Folding)

ITEM	PART NUMBER	DESCRIPTION	QTY.
	214297	KIT-HYDRAULIC, 2512-7 (RIGID)	--
	217202	KIT-HYDRAULIC, 2512-7, SETBACK (RIGID)	--
	221737	KIT-HYD HOSE, 2512F-7 (FOLDING)	--
	221747	KIT-HYD,HOSE,2512F-7,W/SB (FOLDING)	--
1	1-512-010005-05	NUT, HEX, SLFLKG GRB 3/8-16	26
2	1-654-010051-13	SCREW,HX CP,3/8-16UNCX3,GR5	14
3	1-654-010051-14	SCREW HX CP 3/8-16UNCX3-1/4G5	4
4	1-654-010055-03	SCREW,HEX CAP,1/2-13UNCX1-1/2	14
5	141828	COUPLER,MALE 3/4-16 O-RING	2
6	141877	HOSE ASSY 3/8X75 #8JICX#8OR	2
7	247304	ADAPTER,FLOW CK,-10 ORB,-12ORS (AFTER 06/07/2023)	7
7	142337	ADAPTER,#12 ORS X #10 ORB ST (BEFORE 06/07/2023)	7
8	155530	HOSE WRAP, BLACK 1" ID X 8"	1
9	156318	HOSE,6ORS-STX6ORS-STX6-30	1
10	162572	HOSE,6ORS-STX6ORS-90MX6-26	1
11	185216	SCREW, HEX CAP 3/8-16UNCX5-184 GR5	4
12	203386	MANIFOLD ASSY DRAFT COMP (SEE PAGE 4-26)	1
13	209372	CYLINDER-SA,3 X 9-1/2 DISP (SEE PAGE 4-30)	7
14	214305	MANIFOLD-SHANK CYLINDER, 2512 (SEE PAGE 4-28)	1
15	214315	BRACKET-CLAMP, HOSE	7
16	214346	PLATE-COVER, CLAMP	11
17	227280	HOSE,3/4X142,-12ORS,-12ORS90S (FOLDING AFTER 11/01/2021)	1
17	217210	HOSE 3/4X127,-12ORS,-12ORS90S (RIGID)	1
18	227281	HOSE,3/4X152,-12ORS,-12ORS90S (FOLDING AFTER 11/01/2021)	1
18	217214	HOSE 3/4X137,-12ORS,-12ORS90S (RIGID)	1
19	217211	HOSE 3/4X97,-12ORS,-12ORS90S (WITHOUT SETBACK)	1
19	217215	HOSE 3/4X107,-12ORS,-12ORS90S (WITH SETBACK)	1
20	217212	HOSE 3/4X67,-12ORS,-12ORS90S	1
21	217213	HOSE 3/4X55,-12ORS,-12ORS90S (WITHOUT SETBACK)	1
21	217212	HOSE 3/4X67,-12ORS,-12ORS90S (WITH SETBACK)	1
22	217215	HOSE 3/4X107,-12ORS,-12ORS90S (WITHOUT SETBACK)	1
22	217217	HOSE,3/4X117,-12ORS,-12ORS90S (WITH SETBACK)	1
23	217216	HOSE 3/4X77,-12ORS,-12ORS90S	1
24	217988	CLAMP-HOSE, 1-1/8	15
25	227876	PLATE-EXTENSION, HOSE MOUNT (FOLDING UNITS ONLY)	6
26	1-654-010051-07	SCREW, HEX CAP, 3/8-16UNCX1-1/2 (FOLDING UNITS ONLY)	4



2512 Hydraulics, 8 Shank (Rigid and Folding)

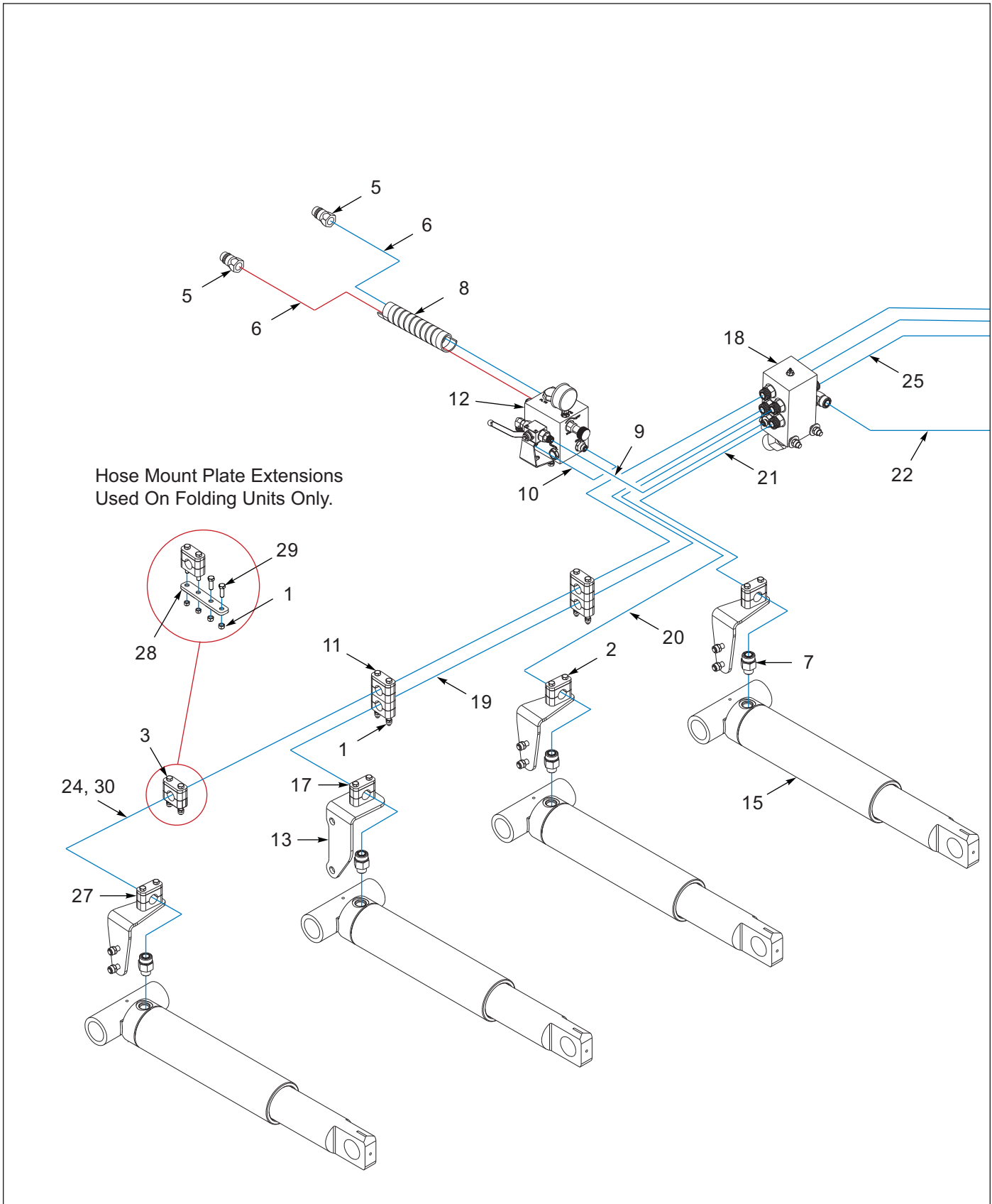


Figure 4-10: 2512 Hydraulics, 8 Shank (Rigid and Folding) (1 of 2)

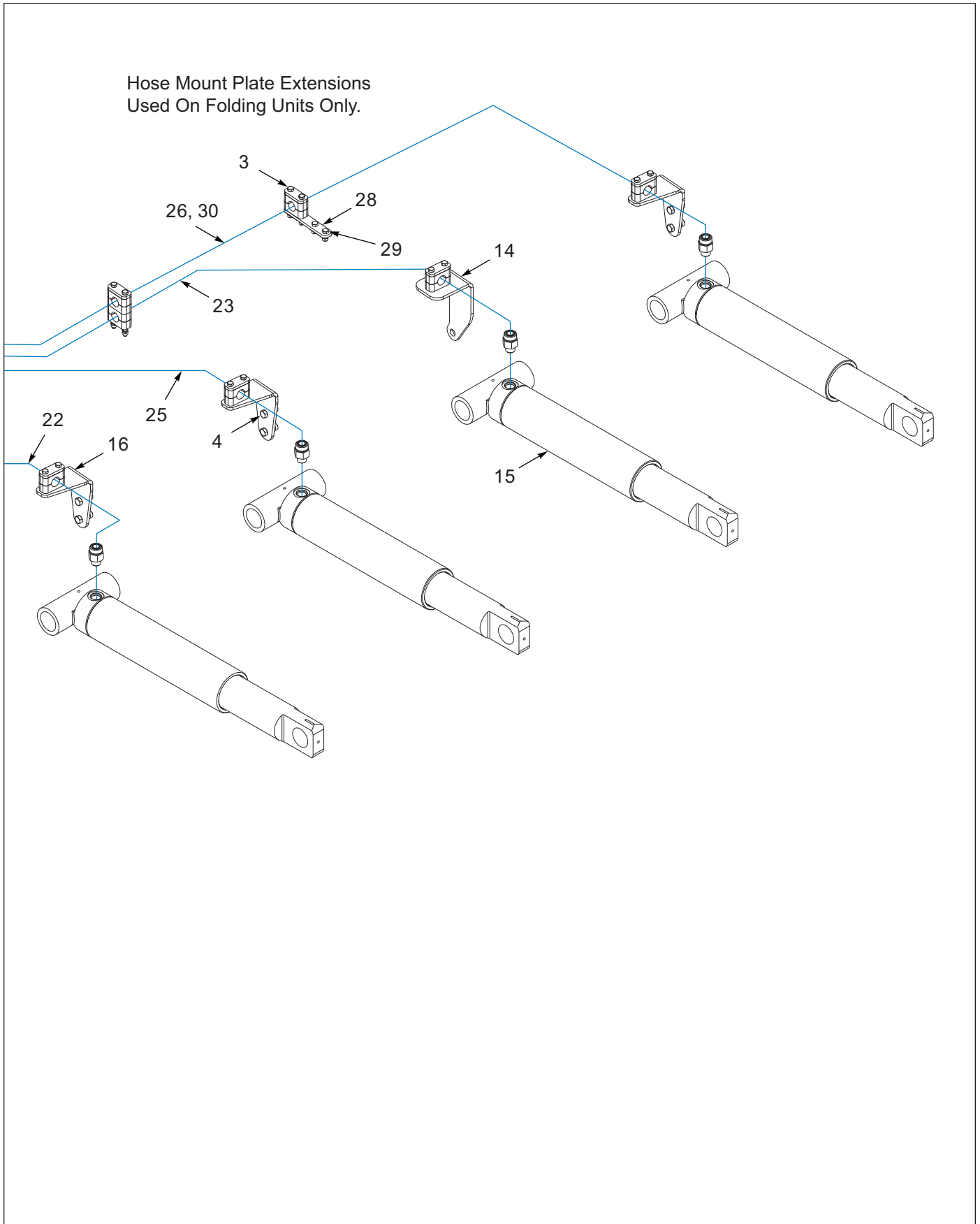


Figure 4-11: 2512 Hydraulics, 8 Shank (Rigid and Folding) (2 of 2)

**HYDRAULICS**

**2512 Hydraulics, 8 Shank (Rigid and Folding)**

ITEM	PART NUMBER	DESCRIPTION	QTY.
	214381	KIT-HYDRAULIC, 2512-8 <b>(RIGID)</b>	--
	217203	KIT-HYRDAULIC, 2512-8,SETBACK <b>(RIGID)</b>	--
	221738	KIT-HYD,HOSE,2512F-8 <b>(FOLDING)</b>	--
	221748	KIT-HYD,HOSE,2512F-8,W/SB <b>(FOLDING)</b>	--
1	1-512-010005-05	NUT, HEX, SLFLKG GRB 3/8-16	30
2	1-654-010051-13	SCREW,HX CP,3/8-16UNCX3,GR5	16
3	1-654-010051-14	SCREW HX CP 3/8-16UNCX3-1/4G5	4
4	1-654-010055-03	SCREW,HEX CAP,1/2-13UNCX1-1/2	12
5	141828	COUPLER,MALE 3/4-16 O-RING	2
6	141877	HOSE ASSY 3/8X75 #8JICX#8OR	2
7	247304	ADAPTER,FLOW CK,-10 ORB,-12ORS <b>(AFTER 06/07/2023)</b>	8
7	142337	ADAPTER,#12 ORS X #10 ORB ST <b>(BEFORE 06/07/2023)</b>	8
8	155530	HOSE WRAP, BLACK 1" ID X 8"	1
9	156318	HOSE,6ORS-STX6ORS-STX6-30	1
10	162572	HOSE,6ORS-STX6ORS-90MX6-26	1
11	185216	SCREW, HEX CAP 3/8-16UNCX5-184 GR5	6
12	203386	MANIFOLD ASSY DRAFT COMP <b>(SEE PAGE 4-26)</b>	1
13	214260	BRACKET-MOUNT, HOSE CLAMP, LH	1
14	214261	BRACKET-MOUNT, HOSE CLAMP, RH	1
15	209372	CYLINDER-SA,3 X 9-1/2 DISP <b>(SEE PAGE 4-30)</b>	8
16	214315	BRACKET-CLAMP, HOSE	6
17	214346	PLATE-COVER, CLAMP	13
18	214355	MANIFOLD-SHANK CYLINDER, 2512 <b>(SEE PAGE 4-28)</b>	1
19	217210	HOSE 3/4X127,-12ORS,-12ORS90S <b>(WITHOUT SETBACK)</b>	1
19	217214	HOSE 3/4X137,-12ORS,-12ORS90S <b>(WITH SETBACK)</b>	1
20	217211	HOSE 3/4X97,-12ORS,-12ORS90S	1
21	217212	HOSE 3/4X67,-12ORS,-12ORS90S <b>(WITHOUT SETBACK)</b>	1
21	217216	HOSE 3/4X77,-12ORS,-12ORS90S <b>(WITH SETBACK)</b>	1
22	217213	HOSE 3/4X55,-12ORS,-12ORS90S	1
23	217217	HOSE 3/4X117,-12ORS,-12ORS90S	1
24	217218	HOSE, 3/4X157,-12ORS,-12ORS90S <b>(BEFORE 11/01/2021)</b> <b>(SEE #30 FOR AFTER 11/01/2021)</b>	1
25	217219	HOSE 3/4X77,-12ORS,-12ORS90S <b>(WITHOUT SETBACK)</b>	1
25	217211	HOSE 3/4X97,-12ORS,-12ORS90S <b>(WITH SETBACK)</b>	1
26	227282	HOSE,3/4X163,-12ORS,-12ORS90S <b>(WITHOUT SETBACK)</b> <b>(AFTER 11/01/2021)</b>	1
26	217220	HOSE, 3/4X147,-12ORS,-12ORS90S <b>(WITHOUT SETBACK)</b> <b>(BEFORE 11/01/2021)</b>	1
26	217218	HOSE 3/4X157,-12ORS,-12ORS90S <b>(WITH SETBACK BEFORE 11/01/2021)</b> <b>(SEE #30 FOR WITH SETBACK AFTER 11/01/2021)</b>	1
27	217988	CLAMP-HOSE, 1-1/8	18
28	227876	PLATE-EXTENSION, HOSE MOUNT <b>(FOLDING UNITS ONLY)</b>	6
29	1-654-010051-07	SCREW, HEX CAP, 3/8-16UNCX1-1/2 <b>(FOLDING UNITS ONLY)</b>	4
30	227283	HOSE,3/4X172,-12ORS,-12ORS90S <b>(AFTER 11/01/2021)</b> <b>(OUTER LH HOSE, QTY=1)</b> <b>(OUTER RH HOSE WITH SETBACK, QTY=1)</b>	REF



2512 Hydraulics, 9 Shank (Folding)

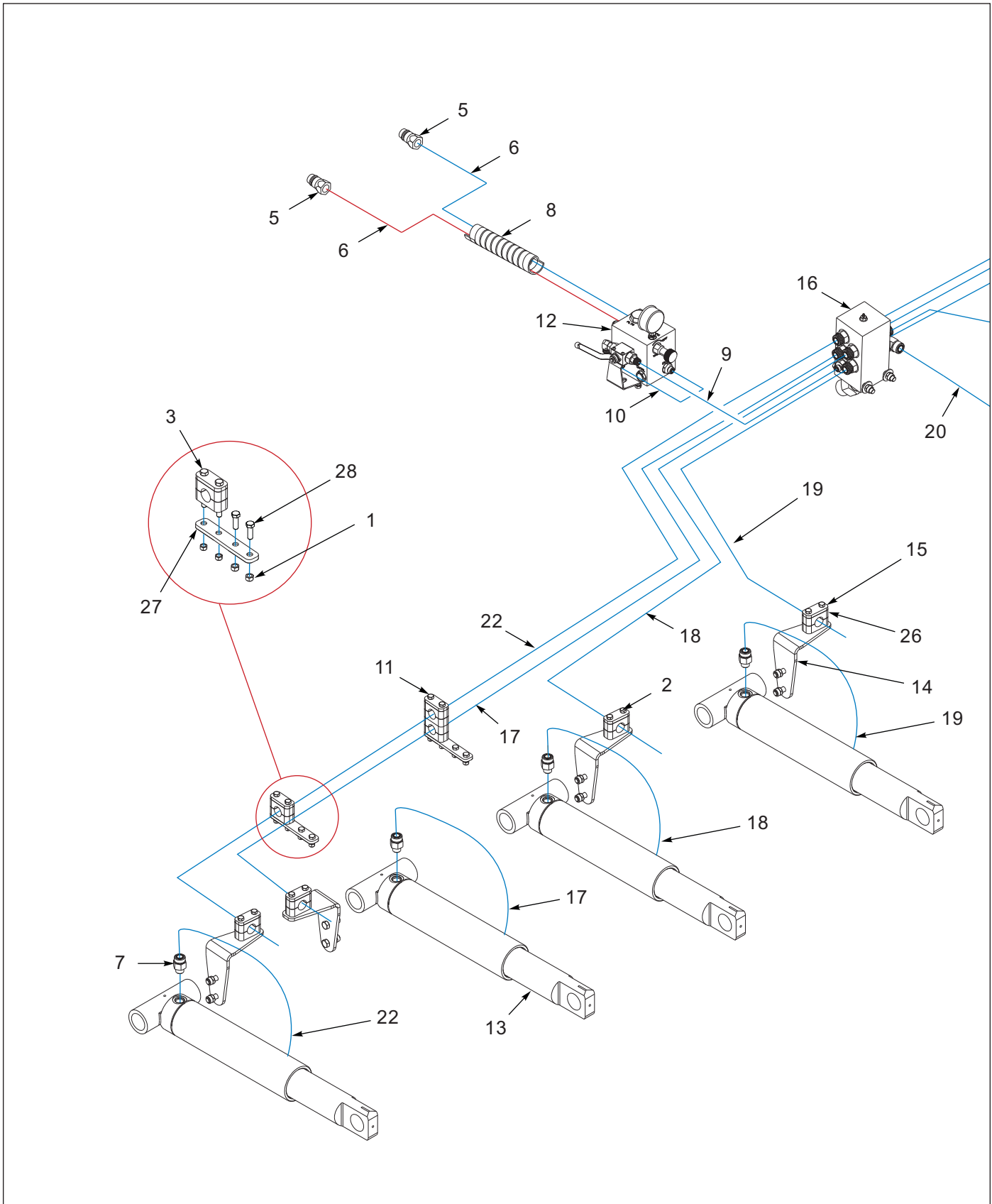


Figure 4-12: 2512 Hydraulics, 9 Shank (Folding) (1 of 2)



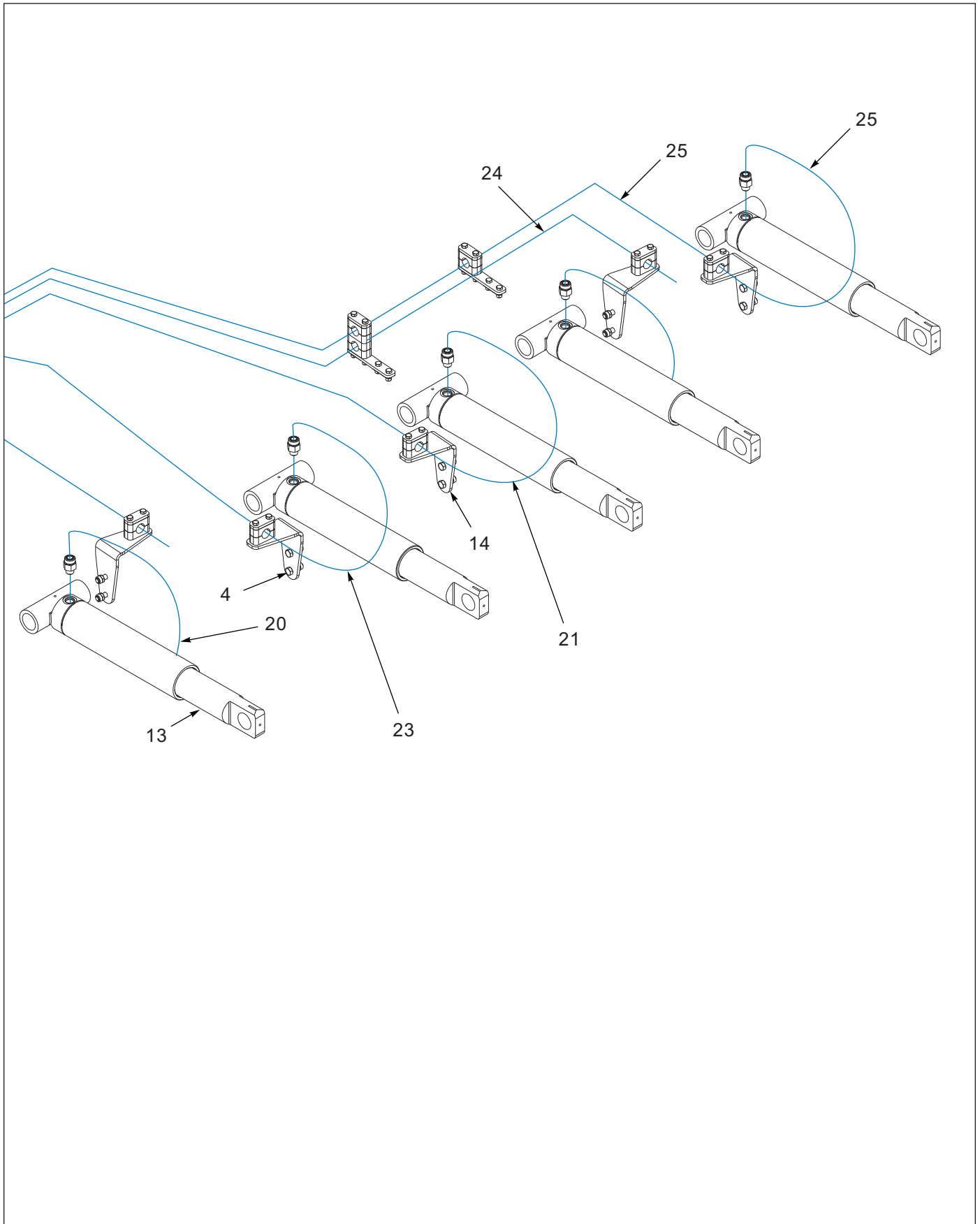


Figure 4-13: 2512 Hydraulics, 9 Shank (Folding) (2 of 2)

## HYDRAULICS

## 2512 Hydraulics, 9 Shank (Folding)

ITEM	PART NUMBER	DESCRIPTION	QTY.
	221739	KIT-HYD,HOSE,2512F-9	--
	221749	KIT-HYD,HOSE,2512F-9,W/SB	--
1	1-512-010005-05	NUT, HEX, SLFLKG GRB 3/8-16	26
2	1-654-010051-13	SCREW,HX CP,3/8-16UNCX3,GR5	14
3	1-654-010051-14	SCREW HX CP 3/8-16UNCX3-1/4G5	4
4	1-654-010055-03	SCREW,HEX CAP,1/2-13UNCX1-1/2	14
5	141828	COUPLER,MALE 3/4-16 O-RING	2
6	141877	HOSE ASSY 3/8X75 #8JICX#8OR	2
7	247304	ADAPTER,FLOW CK,-10 ORB,-12ORS (AFTER 06/07/2023)	9
7	142337	ADAPTER,#12 ORS X #10 ORB ST (BEFORE 06/07/2023)	9
8	155530	HOSE WRAP, BLACK 1" ID X 8"	1
9	156318	HOSE,6ORS-STX6ORS-STX6-30	1
10	162572	HOSE,6ORS-STX6ORS-90MX6-26	1
11	185216	SCREW, HEX CAP 3/8-16UNCX5-184 GR5	4
12	203386	MANIFOLD ASSY DRAFT COMP (SEE PAGE 4-26)	1
13	209372	CYLINDER-SA,3 X 9-1/2 DISP (SEE PAGE 4-30)	9
14	214315	BRACKET-CLAMP, HOSE	9
15	214346	PLATE-COVER, CLAMP	11
16	214355	MANIFOLD-SHANK CYLINDER, 2512 (SEE PAGE 4-28)	1
17	227281	HOSE 3/4X152,-12ORS,-12ORS90S (WITHOUT SETBACK)	1
17	227282	HOSE 3/4X162,-12ORS,-12ORS90S (WITH SETBACK)	1
18	217215	HOSE 3/4X107,-12ORS,-12ORS90S	1
19	217216	HOSE 3/4X77,-12ORS,-12ORS90S (WITHOUT SETBACK)	1
19	217219	HOSE 3/4X87,-12ORS,-12ORS90S (WITH SETBACK)	1
20	217213	HOSE 3/4X55,-12ORS,-12ORS90S	1
21	217211	HOSE 3/4X97,-12ORS,-12ORS90S	1
22	227284	HOSE,3/4X182,-12ORS,-12ORS90S (AFTER 11/01/2021)	1
22	217221	HOSE, 3/4X167,-12ORS,-12ORS90S (BEFORE 11/01/2021)	1
23	217212	HOSE 3/4X67,-12ORS,-12ORS90S (WITHOUT SETBACK)	1
23	217216	HOSE 3/4X77,-12ORS,-12ORS90S (WITH SETBACK)	1
24	227280	HOSE, 3/4X142,-12ORS,-12ORS90S (WITHOUT SETBACK)	1
24	217281	HOSE, 3/4X152,-12ORS,-12ORS90S (WITH SETBACK)	1
25	227283	HOSE,3/4X172,-12ORS,-12ORS90S (AFTER 11/01/2021)	1
25	217218	HOSE,3/4X157,-12ORS,-12ORS90S (BEFORE 11/01/2021)	1
26	217988	CLAMP-HOSE, 1-1/8	15
27	227876	PLATE-EXTENSION, HOSE MOUNT (FOLDING UNITS ONLY)	8
28	1-654-010051-07	SCREW, HEX CAP, 3/8-16UNCX1-1/2 (FOLDING UNITS ONLY)	8



# Manifold-Draft Assembly

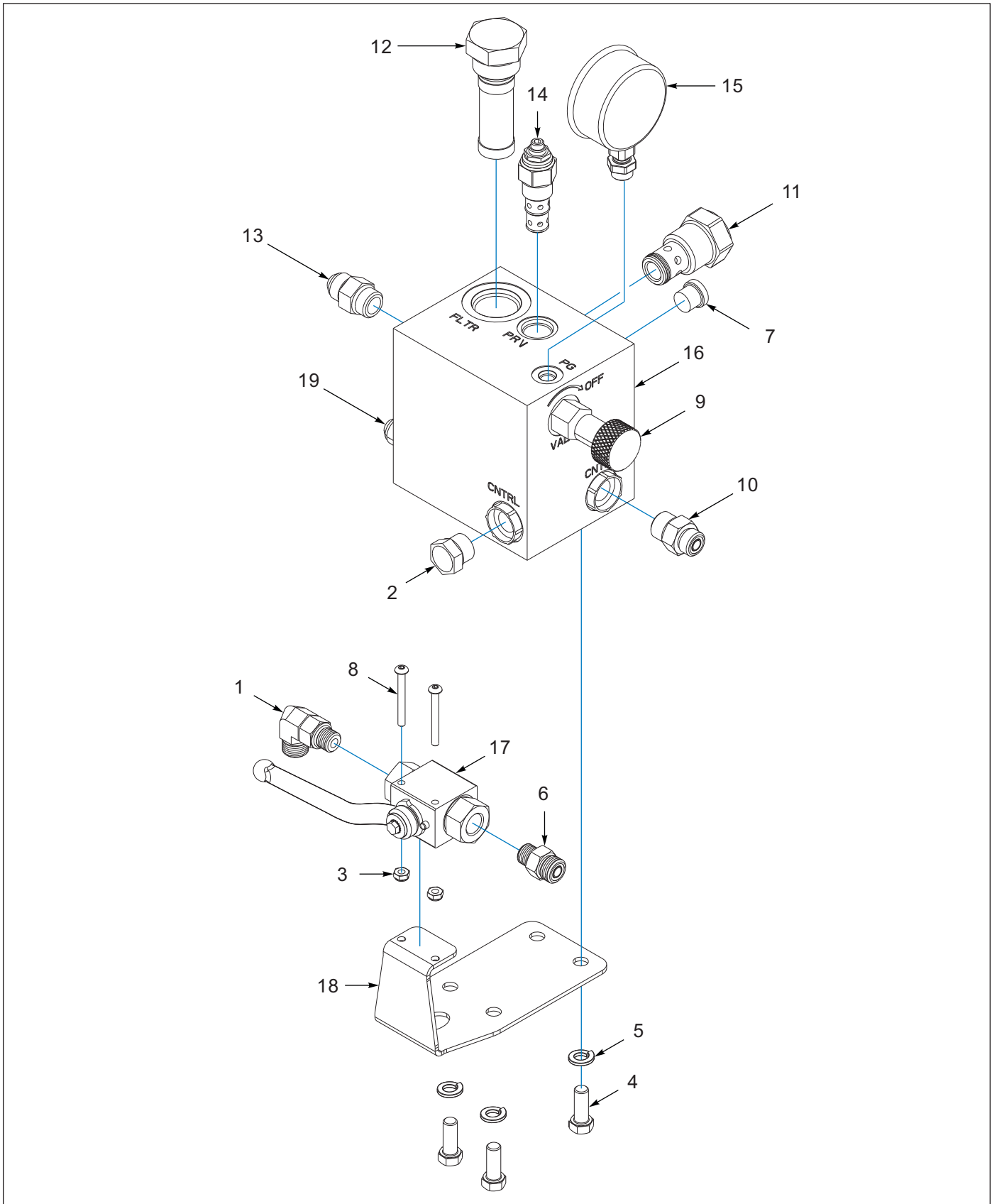


Figure 4-14: Manifold-Draft Assembly

## Manifold-Draft Assembly

ITEM	PART NUMBER	DESCRIPTION	QTY.
1	0018136	ADAPTER,6ORSX6ORB, 90 S	1
2	1-007-010025	PLUG, 3/4-16 O-RING BOSS	1
3	1-512-010003-05	NUT HEX SLFLKG W/NYL 10-32	2
4	1-654-010051-05	SCREW,HEX CAP 3/8-16UNCX1 GR5	3
5	1-861-010034-11	WASHER, LKG HLCL SPR, 3/8	3
6	104582	ADAPTER,#6 ORS X #6 ORB ST	1
7	121028	PLUG #4 SAE M O-R BOSS HX SKT	2
8	146693	SCREW, BHSC, 10-32 X 1.75	2
9	171000	CARTRIDGE, SHUT OFF VALVE	1
10	189872	ADAPTER,#6ORS X #8ORB STR	1
11	195196	VALVE - CHECK, CVH103PV	1
12	195198	FILTER-HIGH PRESS, CF/CE-12-10	1
13	202702-8-8S	ADAPTER #8 O-RING TO #8 TUBE	1
14	201283	VALVE-PRESS RED RELV 600-3000	1
15	201291	GAUGE-HYD PRESSURE,3000,-4 ORB	1
16	203384	MANIFOLD DRAFT COMP	1
17	214319	VALVE-BALL, -6 SAE	1
18	214384	BRACKET-VALVE MOUNT	1
19	4K607	RESTRICTOR 3/4-16	1



# Manifold-Shank Cylinder Assembly

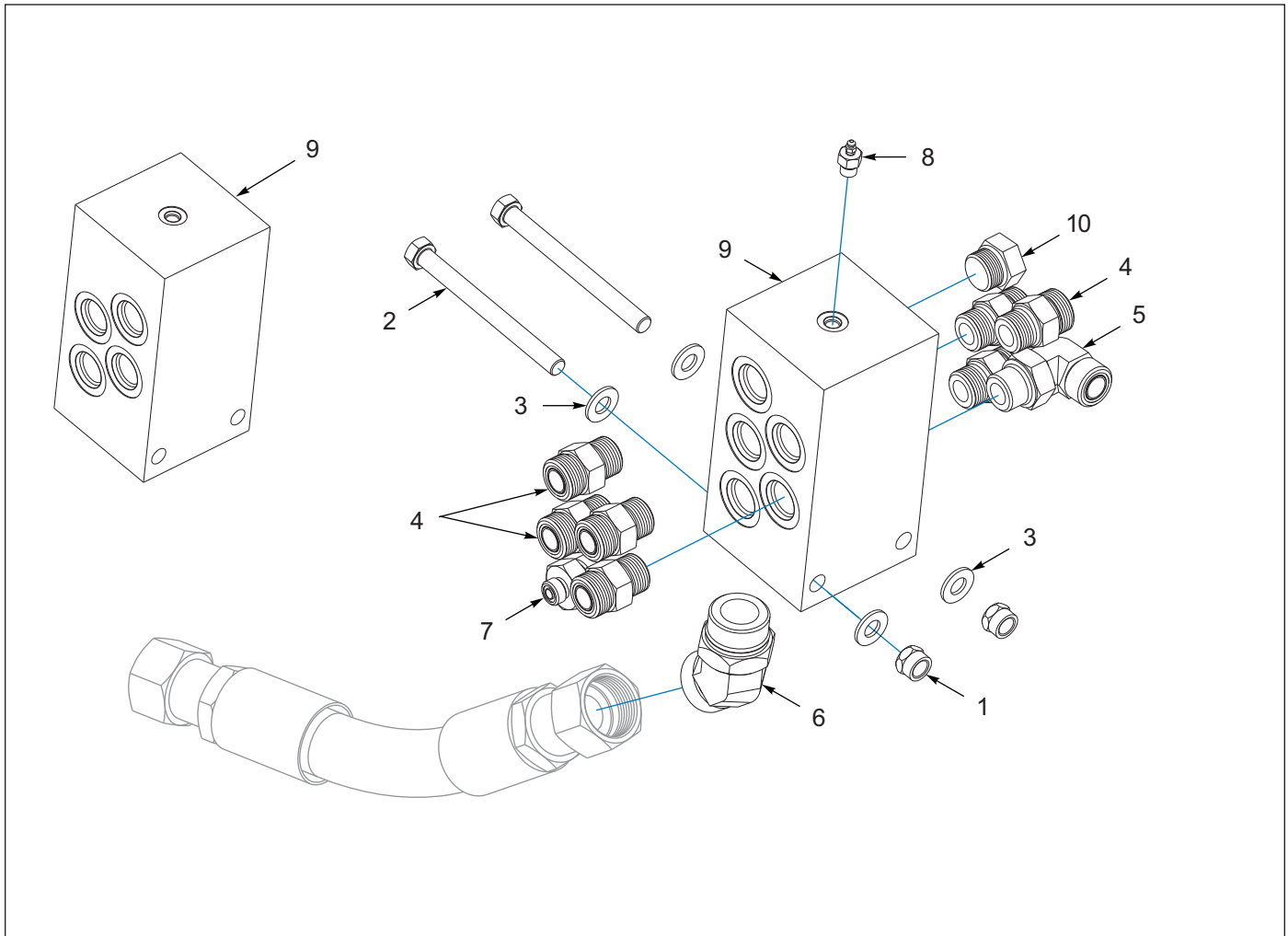


Figure 4-15: Manifold-Shank Cylinder Assembly

# Manifold-Shank Cylinder Assembly

ITEM	PART NUMBER	DESCRIPTION	QTY.
1	1-512-010005-09	NUT,HEX,SLFLKG, 1/2-13 GRB	2
2	1-654-010055-16	SCREW HEX CAP 1/2-13X5-1/2GR5	2
3	1-861-010032-14	WASHER, FLAT 1/2" N ZP/CD	4
4	104382	ADAPTER,#12 ORS X #12 ORB STP (QTY 5 FOR 214305 MANIFOLD)	7
5	110116	ADAPTER,#12ORB X #12ORS 90DEG	1
6	171589	ADAPTER,#20ORS X #20ORB,45 ELB	1
7	171591	ADAPTER,#6ORS X #12ORB, STR	1
8	189739	ASSY,#4ORB BLEEDER PLUG	1
9	214355	MANIFOLD-SHANK CYLINDER, 2512 (8R, 8R W/SB, 8F, 8F W/SB, 9F, 9F W/SB, 10F, 10F W/SB, 12F, 12F W/SB, 14F, 14F W/SB, 16F, 16F W/SB)	1
9	214305	MANIFOLD-SHANK CYLINDER, 2512 (4R, 4R W/SB, 5R, 5R W/SB, 6R, 6R W/SB, 7R, 7R W/SB, 7F, 7F W/SB)	1
10	900598-12S	PLUG, O-RING BOSS #12	1

**Folding Cylinder, 4 x 24 (BEFORE 11/01/2021)**

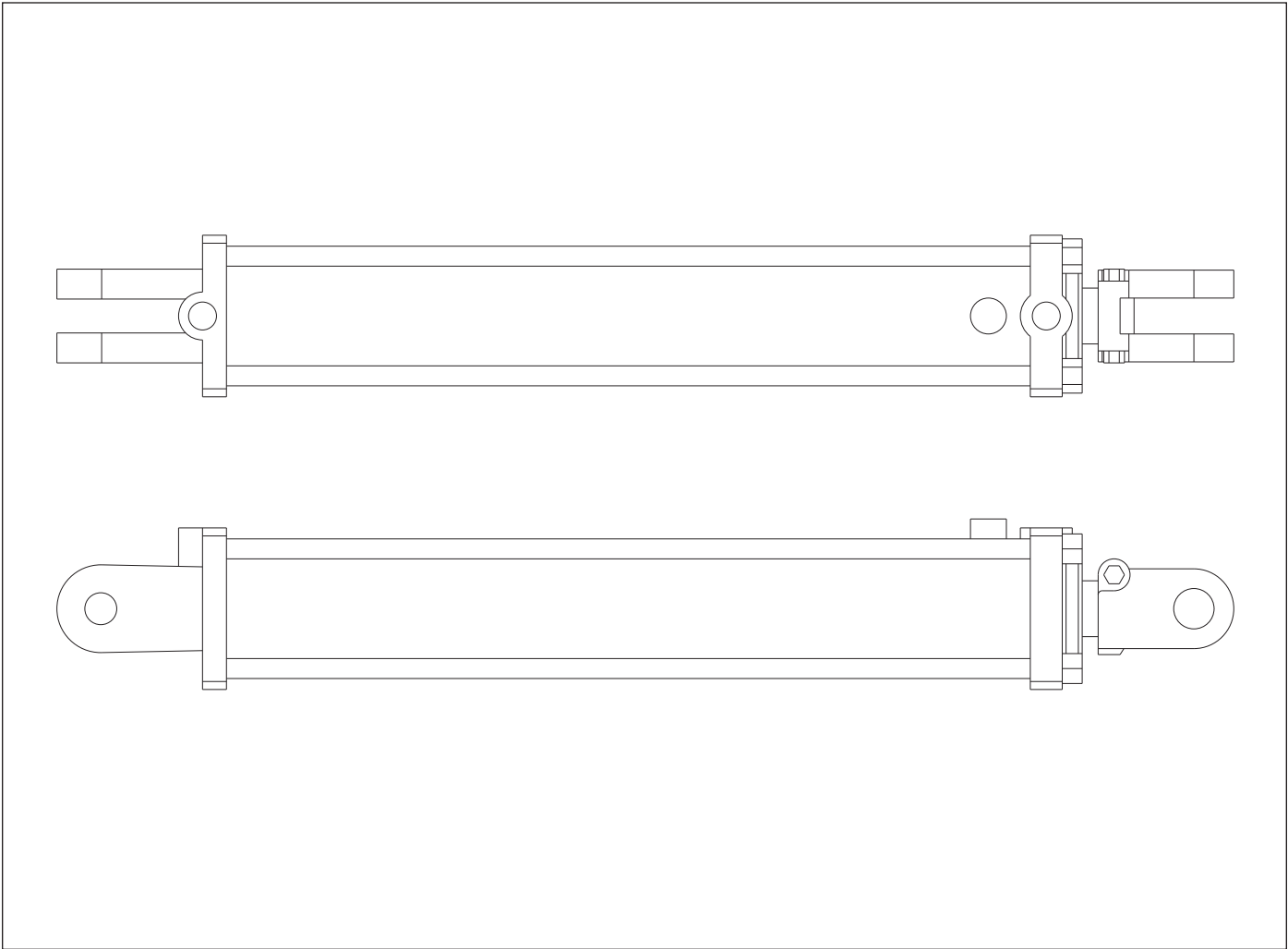


Figure 4-16: Folding Cylinder, 4 x 24 (BEFORE 11/01/2021)

**Folding Cylinder, 4 x 24 (BEFORE 11/01/2021)**

ITEM	PART NUMBER	DESCRIPTION	QTY.
	108331	CYLINDER, HYD 4X24 SP	--
	224787	KIT-PACKING,4X24X1.75	1



## Shank Cylinder, 3 x 9-1/2

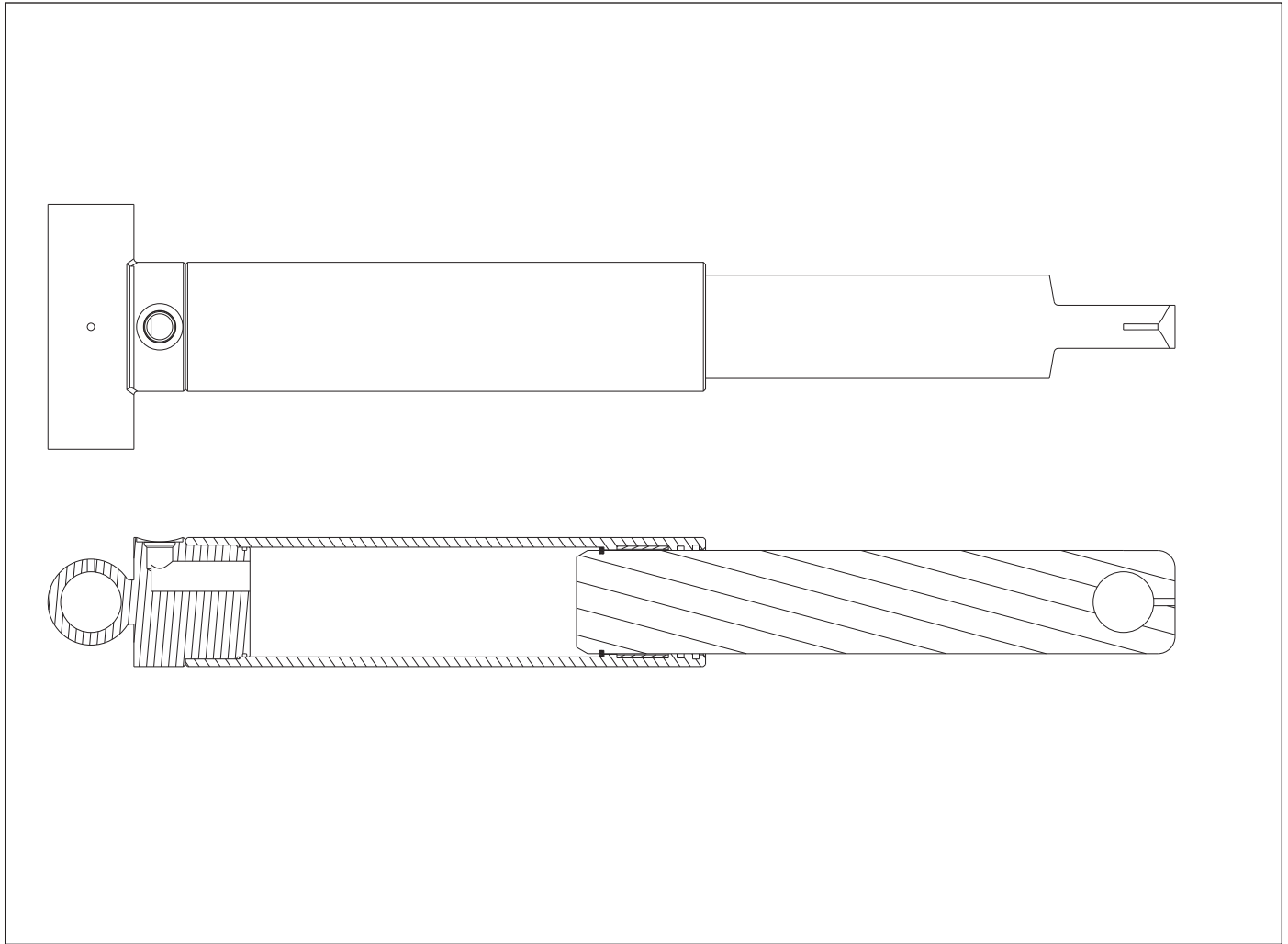


Figure 4-17: Shank Cylinder, 3 x 9-1/2

## Shank Cylinder, 3 x 9-1/2

ITEM	PART NUMBER	DESCRIPTION	QTY.
	209372	CYLINDER-SA,3 X 9-1/2 DISP	--
	224786	KIT-PACKING,3X9.5X3	1

## Shanks

### Parabolic Shank, 1-1/4

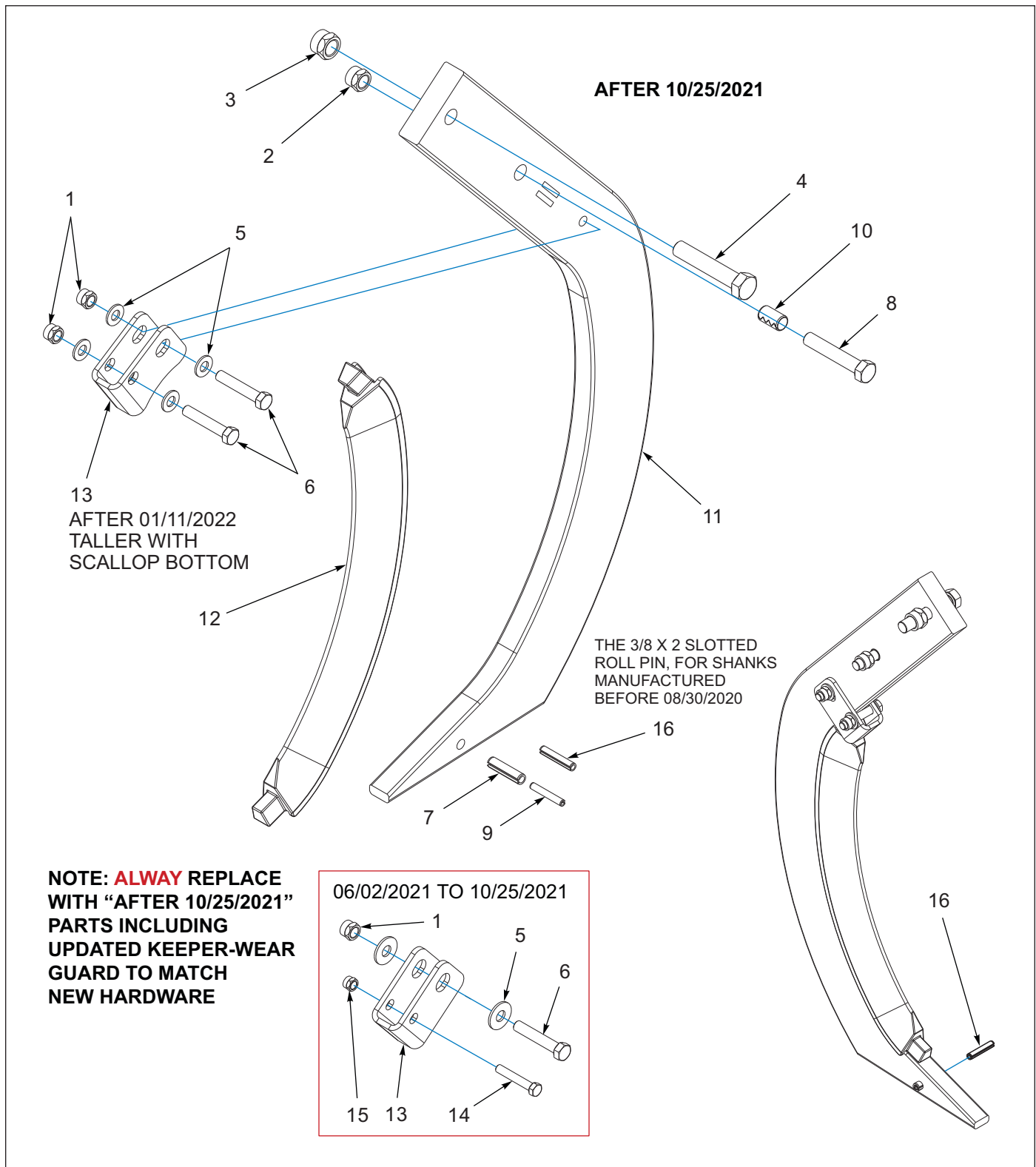


Figure 5-1: Parabolic Shank, 1-1/4

## Parabolic Shank, 1-1/4

ITEM	PART NUMBER	DESCRIPTION	QTY.
	224746	SHANK, 1-1/4, PARABOLIC, ASM	--
1	1-512-010005-09	NUT,HEX,SLFLKG, 1/2-13 GRB	2
2	1-512-010005-13	NUT,HEX SLFLKG GRB 5/8-11	1
3	1-512-010005-15	NUT,HEX,SLFLKG GRB 3/4-10	1
4	1-654-010061-13	SCREW,HX CP 3/4-10UNCX4 GR5	1
5	1-861-010032-14	WASHER, FLAT 1/2" N ZP/CD <b>(AFTER 10/25/2021)</b>	4
5	1-861-010032-15	WASHER, FLAT 1/2 W ZP/CD <b>(BEFORE 10/25/2021)</b>	2
6	101510	SCREW HXCP1/2-13UNCX2-3/4 G5	2
7	127351	PIN, SPRING, SLOTTED 1/2X2	1
8	138567	SCREW,HX CP 5/8-11UNCX3-1/2G8	1
9	147072	PIN, SPRING SLOTTED 5/16 X 2	1
10	150244	BUSHING,CNX-5/8 X 3/4 X 1-1/4	1
11	169493	SHANK, 1-1/4 X 4, BOLT-IN,2410	1
12	224747	GUARD-WEAR, PARABOLIC	1
13	224748	KEEPER-WEAR GUARD,PARABOLIC <b>(ALWAYS REPLACE WITH UPDATED KEEPER WEAR GUARD TO MATCH NEW HARDWARE) (SEE PAGE 5-1) (**AFTER 01/11/2022, TALLER W/SCALLOP BOTTOM)</b>	1
14	1-654-010051-10	SCREW,HX CP3/8-16X2-1/4 GR5 <b>(06/02/2021 TO 10/25/2021)</b>	1
15	1-512-010005-05	NUT, HEX, SLFLKG GRB 3/8-16 <b>(06/02/2021 TO 10/25/2021)</b>	1
16	1-647-010004255	PIN, SPRING, SLOTTED 3/8X2 <b>(ADDED 10/05/2021) (TO BE USED W/SHANKS MANUFACTURED BEFORE 08/30/2020)</b>	1
17	227895	KIT-HARDWARE, SHANK <b>(NOT SHOWN) (INCL. ITEMS 1, 5, 6, 7, 9, 12, 13)</b>	1

Straight Leg Shank, 1-1/4

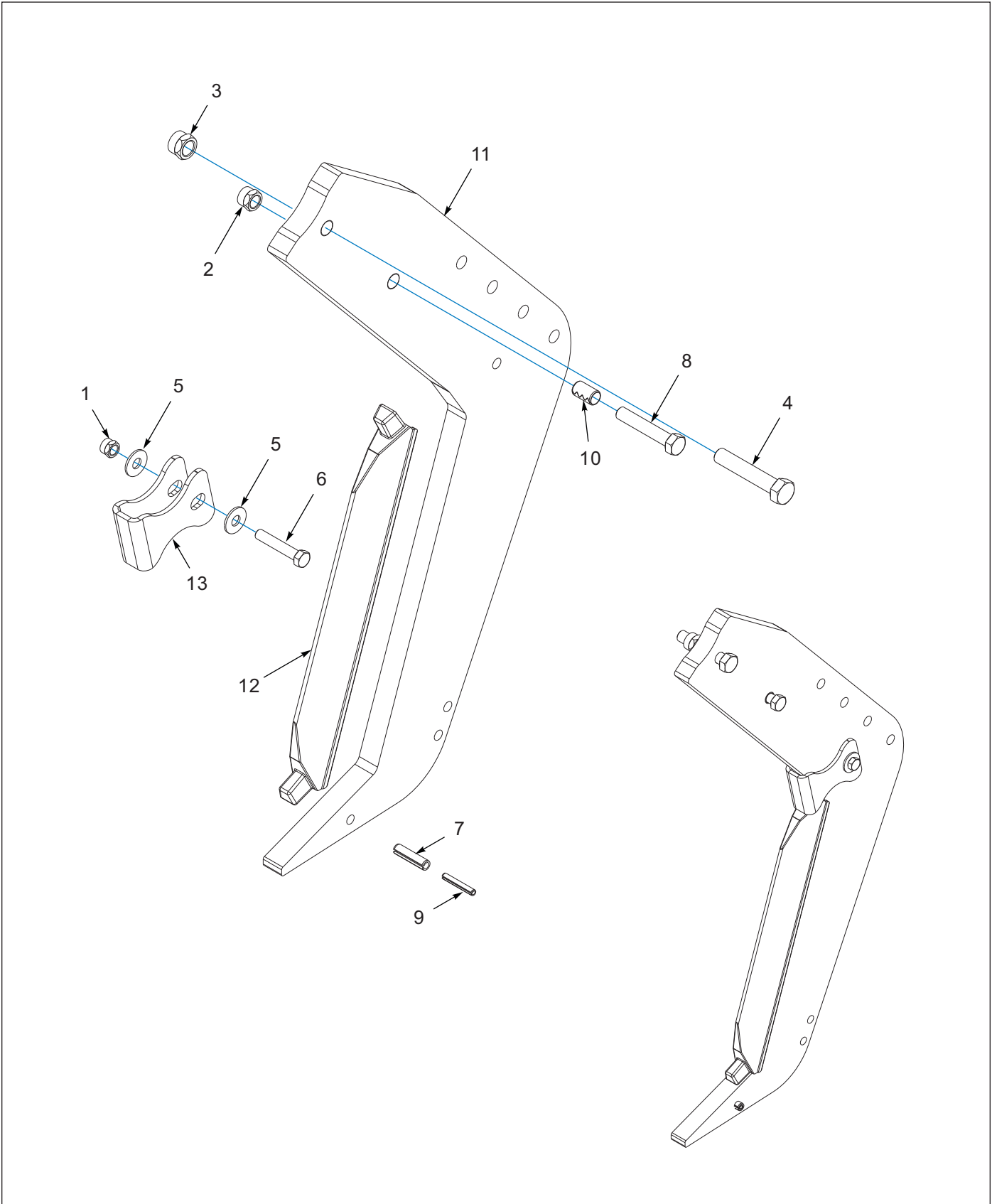


Figure 5-2: Straight Leg Shank, 1-1/4

## Straight Leg Shank, 1-1/4

ITEM	PART NUMBER	DESCRIPTION	QTY.
	224744	SHANK, 1-1/4, STRAIGHT LEG, ASM	- -
1	1-512-010005-09	NUT,HEX,SLFLKG, 1/2-13 GRB	1
2	1-512-010005-13	NUT,HEX SLFLKG GRB 5/8-11	1
3	1-512-010005-15	NUT,HEX,SLFLKG GRB 3/4-10	1
4	1-654-010061-13	SCREW,HX CP 3/4-10UNCX4 GR5	1
5	1-861-010032-15	WASHER, FLAT 1/2 W ZP/CD	2
6	101510	SCREW HXCP1/2-13UNCX2-3/4 G5	1
7	127351	PIN, SPRING, SLOTTED 1/2X2	1
8	138567	SCREW,HX CP 5/8-11UNCX3-1/2G8	1
9	147072	PIN, SPRING SLOTTED 5/16 X 2	1
10	150244	BUSHING,CNX-5/8 X 3/4 X 1-1/4	1
11	224743	SHANK- 1-1/4 STRAIGHT LEG	1
12	224745	GUARD-WEAR, STRAIGHT LEG	1
13	224752	KEEPER-WEAR GUARD,STR LEG	1

Straight Leg Shank, 3/4

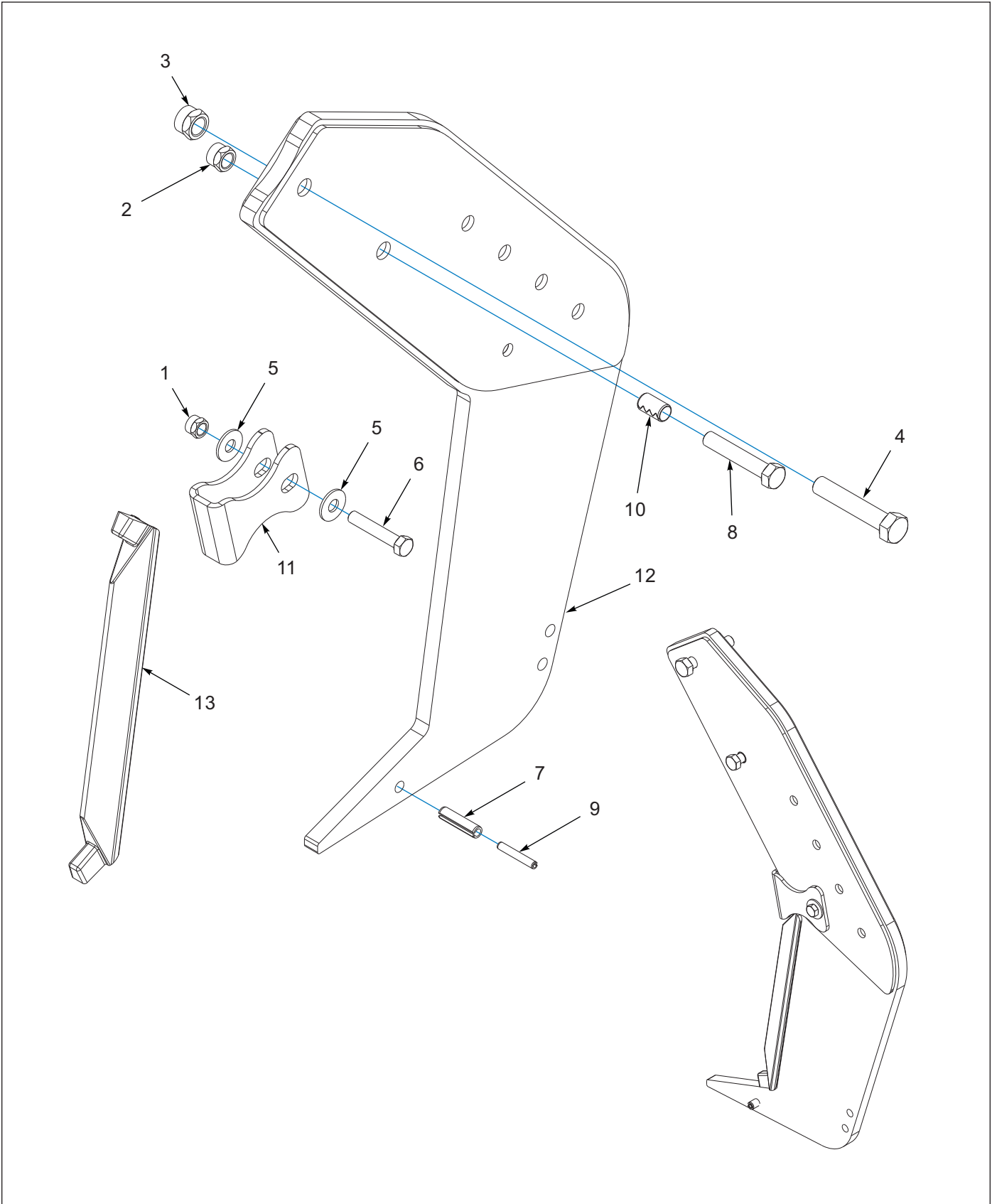


Figure 5-3: Straight Leg Shank, 3/4

## Straight Leg Shank, 3/4

ITEM	PART NUMBER	DESCRIPTION	QTY.
	224768	SHANK, 3/4, STRAIGHT LEG, ASM	--
1	1-512-010005-09	NUT,HEX,SLFLKG, 1/2-13 GRB	1
2	1-512-010005-13	NUT,HEX SLFLKG GRB 5/8-11	1
3	1-512-010005-15	NUT,HEX,SLFLKG GRB 3/4-10	1
4	1-654-010061-13	SCREW,HX CP 3/4-10UNCX4 GR5	1
5	1-861-010032-15	WASHER, FLAT 1/2 W ZP/CD	2
6	101510	SCREW HXCP1/2-13UNCX2-3/4 G5	1
7	127351	PIN, SPRING, SLOTTED 1/2X2	1
8	138567	SCREW,HX CP 5/8-11UNCX3-1/2G8	1
9	147072	PIN, SPRING SLOTTED 5/16 X 2	1
10	150244	BUSHING,CNX-5/8 X 3/4 X 1-1/4	1
11	224752	KEEPER-WEAR GUARD,STR LEG	1
12	224763	SHANK-STRAIGHT LEG, 3/4 WLDMT	1
13	224767	GUARD-WEAR, STRAIGHT LEG, 3/4	1

Coverboard Kit

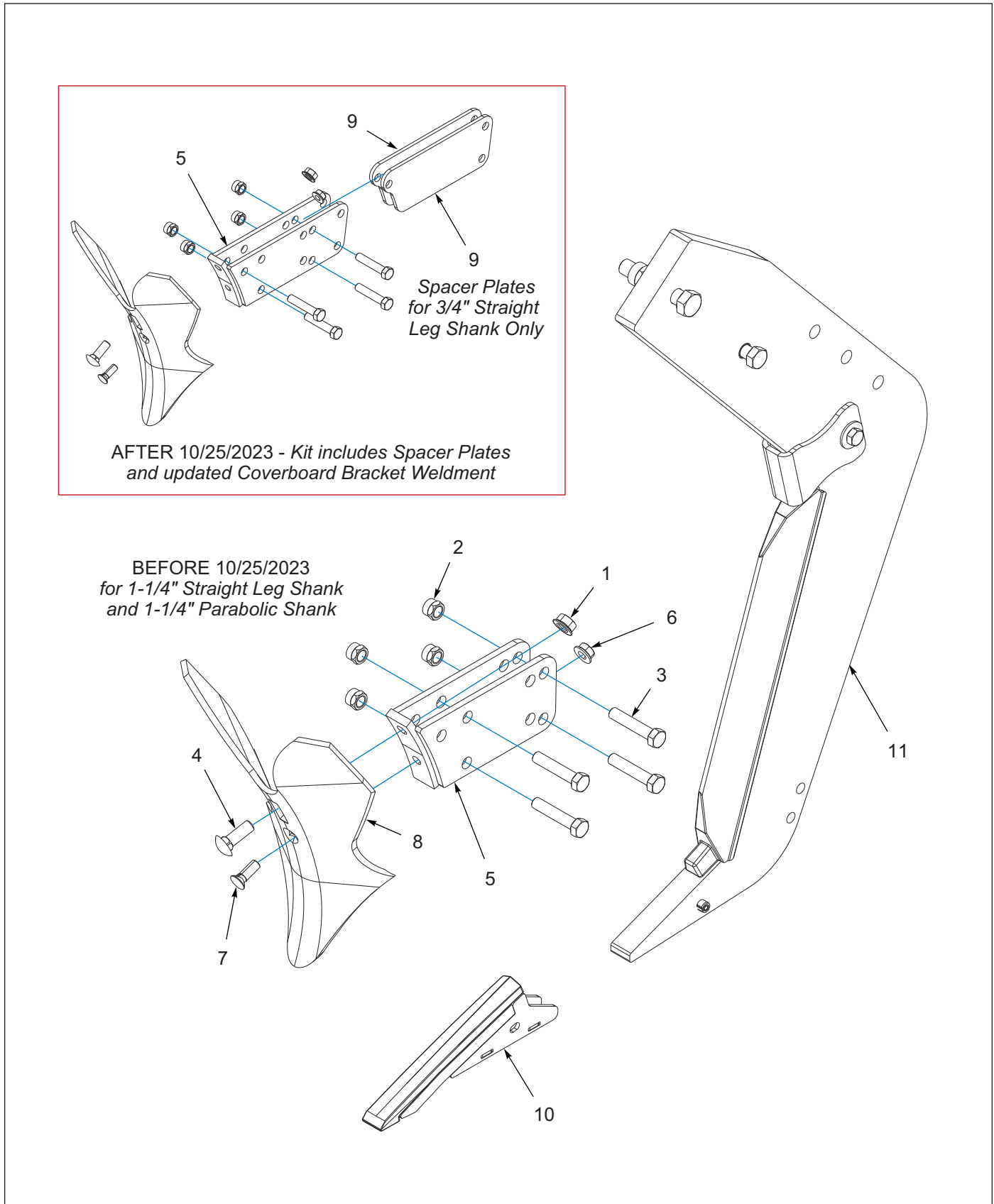


Figure 5-4: Coverboard Kit



## Coverboard Kit

ITEM	PART NUMBER	DESCRIPTION	QTY.
	227299	KIT-COVER BOARD, 2512 <b>(AFTER 10/25/2023 - USED WITH 224744, 224746 AND 224768)</b>	--
1	1-510-010003-09	NUT,1/2-13 FLANGE HD,SERRATED	1
2	1-512-010005-09	NUT,HEX,SLFLKG, 1/2-13 GRB	4
3	1-654-010055-07	SCREW HX CP 1/2-13UNCX2-1/2	4
4	1-654-010070-03	SCREW RDHD SQNK1/2-13X1-1/2	1
5	214396	BRACKET-COVERBOARD WLDMT	1
6	4K551	SELF-LOCKING FLANGE NUT	1
7	5J425	BOLT PLOW 7/16-14 X 1-1/4	1
8	6K478	FURROWER FOR COVERBOARD	1
9	247319	PLATE-SPACER, BRACKET <b>(SPACER PLATES FOR 224768, 3/4" STRAIGHT LEG SHANK ONLY - ADDED TO KIT 10/25/2023)</b>	2
10	227247	1-1/4,PLN,CHRM CAP,2-1/2 <b>(SHOWN)</b> <b>(SEE PAGE 6-1 FOR AVAILABLE POINTS)</b>	--
11	224744	SHANK, 1-1/4,STRAIGHT LEG, ASM <b>(SHOWN)</b> <b>(SEE PAGE 5-3)</b>	--
11	224746	SHANK, 1-1/4, PARABOLIC, ASM <b>(NOT SHOWN)</b> <b>(SEE PAGE 5-1)</b>	--
11	224768	SHANK, 3/4, STRAIGHT LEG, ASM <b>(NOT SHOWN)</b> <b>(SEE PAGE 5-5)</b>	--

## Points

### Points for 1-1/4 Shank

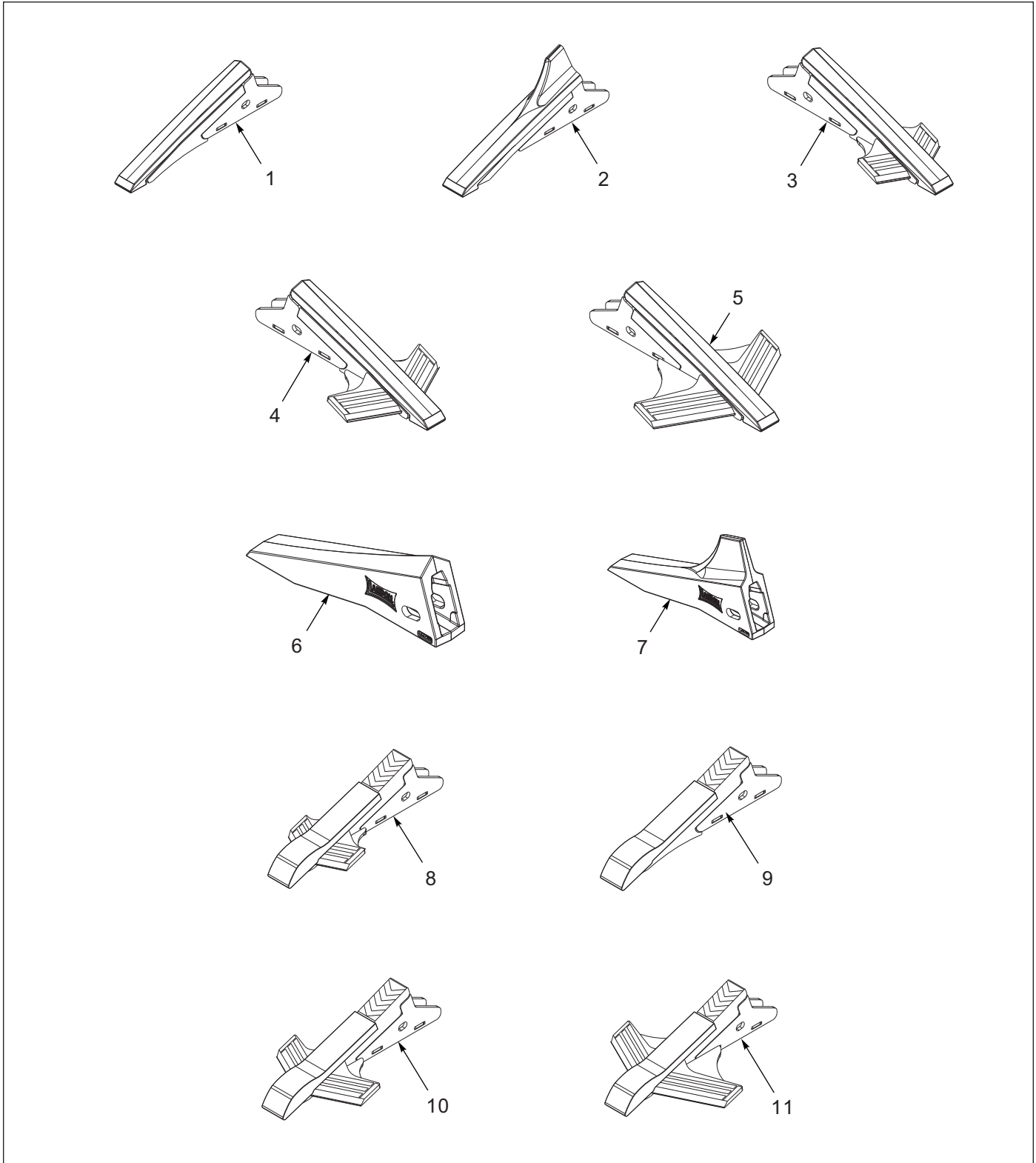


Figure 6-1: Points for 1-1/4 Shank

---

**Points for 1-1/4 Shank**

ITEM	PART NUMBER	DESCRIPTION	QTY.
1	227247	1-1/4,PLN,CHRM CAP,2-1/2	--
2	227271	1-1/4,FIN CHRM CAP,2-1/2,WLDMT	--
3	227207	1-1/4,WNGD,7,CHRM CAP,2-1/2	--
4	227210	1-1/4,WNGD,10,CHRM CAP,2-1/2	--
5	227198	1-1/4,WNGD,WIDE,CHRM CAP,2-1/2	--
6	227189	1-1/4,PLN,CADI,2-1/2	--
7	227191	1-1/4,CADI,FIN,2-1/2	--
8	227265	1-1/4, WINGD,7,CST STL CAP	--
9	227267	1-1/4, PLN,2-1/2 CST STL CAP	--
10	227272	1-1/4,WNGD,10,CST STL CAP	--
11	227273	1-1/4,WINGD,WIDE,CST STL CAP	--

Points for 3/4 Shank

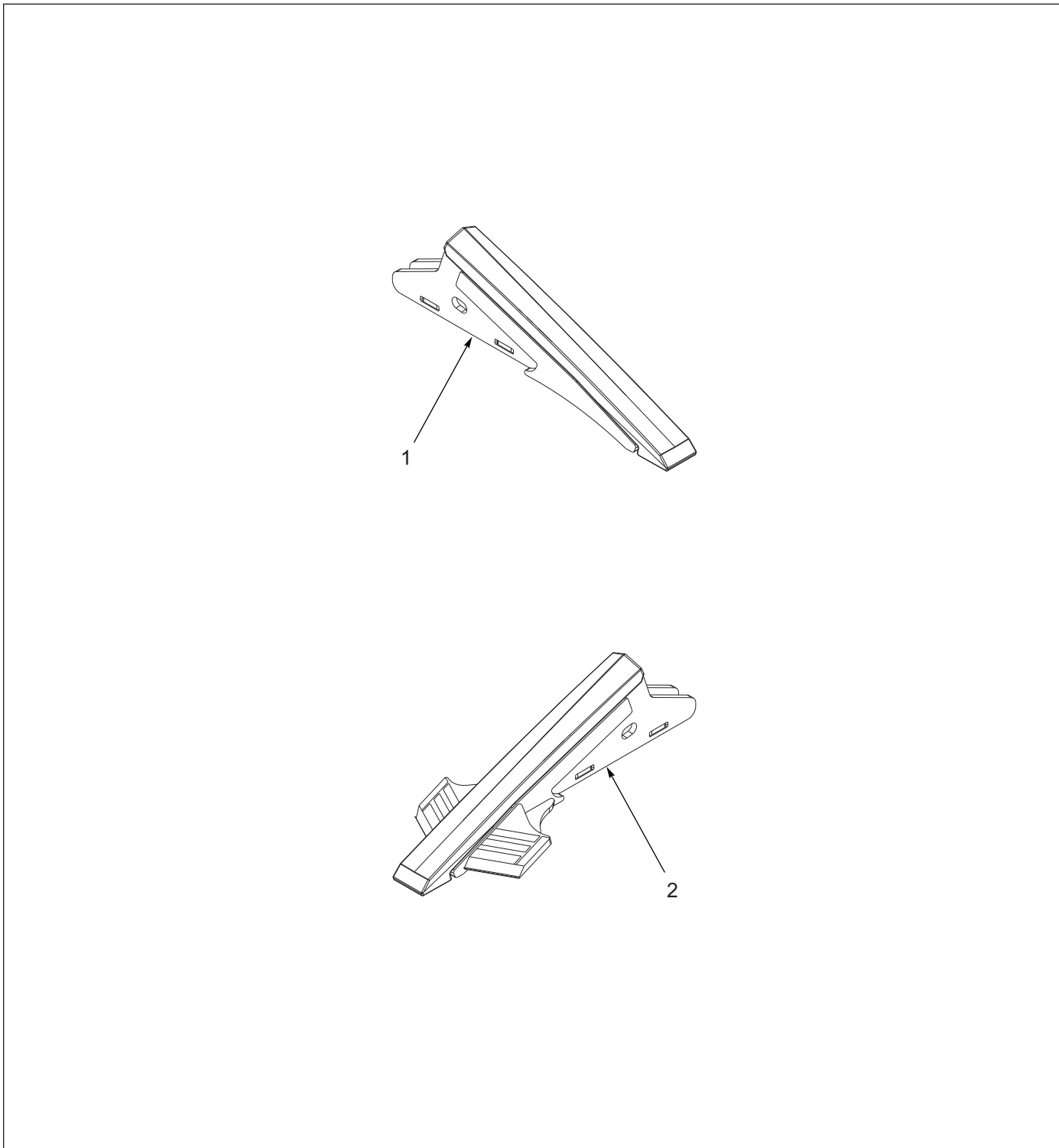


Figure 6-2: Points 3/4 Shank

Points for 3/4 Shank

ITEM	PART NUMBER	DESCRIPTION	QTY.
1	227221	3/4,PLN,CHRM CAP, 2	--
2	227245	3/4,WNGD, 7,CHARM CAP WLDMT	--



## Finishing Options

### Closing Platform (AFTER 02/2022)

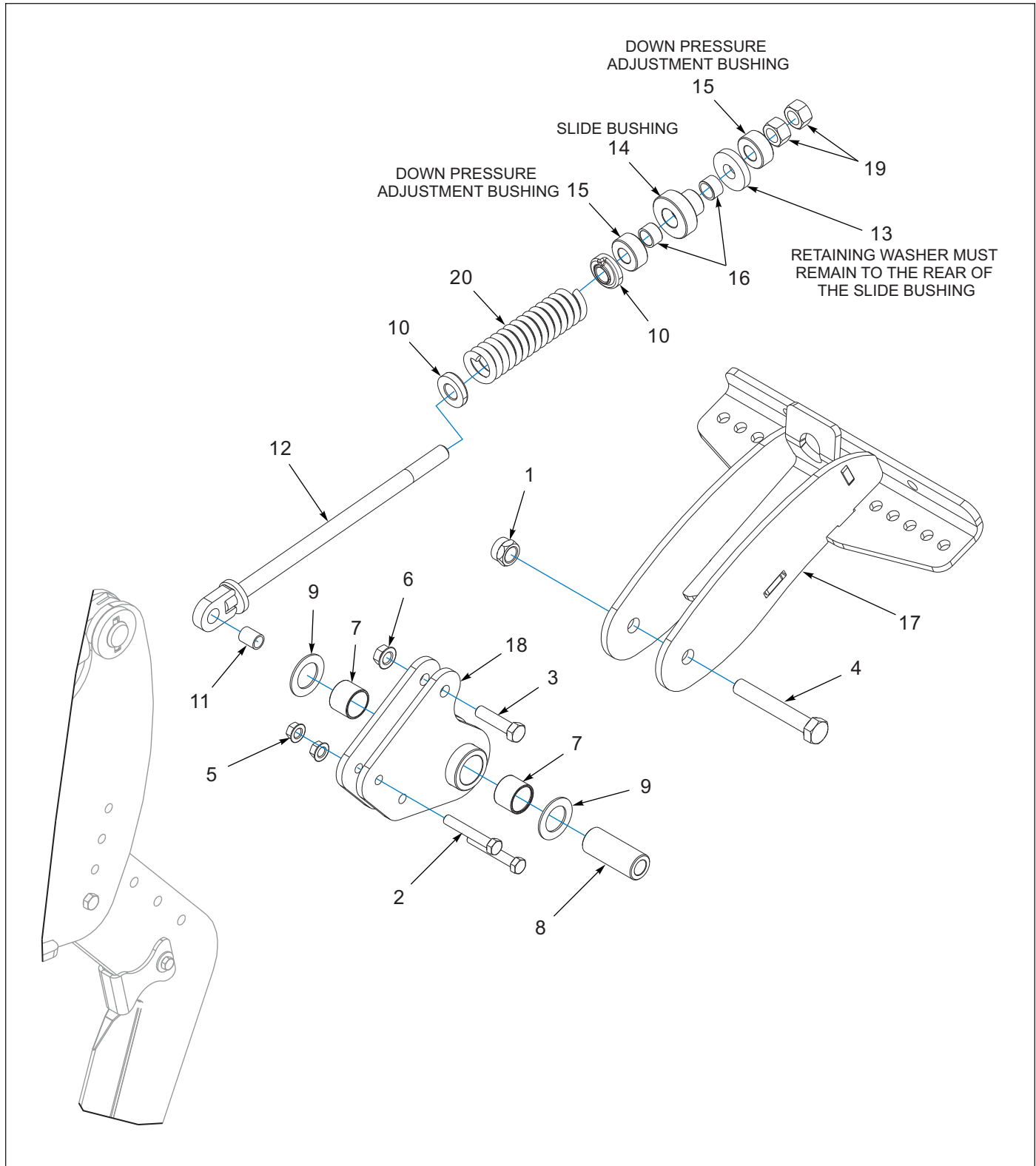


Figure 7-1: Closing Platform (AFTER 02/2022) (1 of 2)

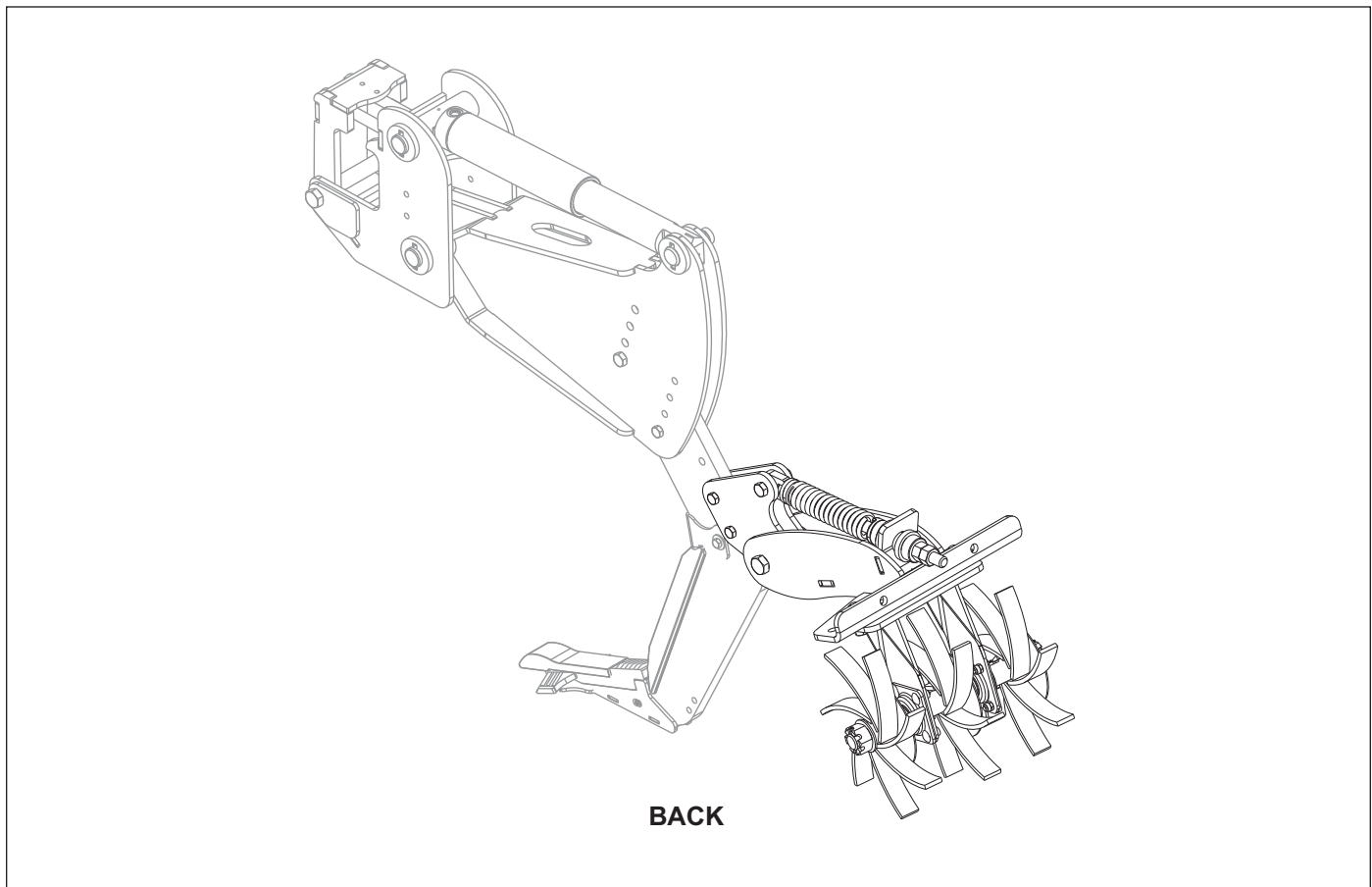


Figure 7-2: Closing Platform (AFTER 02/2022) (2 of 2)

### Closing Platform (AFTER 02/2022)

ITEM	PART NUMBER	DESCRIPTION	QTY.
	227150	PLATFORM-CLOSING, 2512, ASM (SHOWN W/ CLOSER WHEEL)	--
1	1-512-010005-19	NUT 1-8 HEX SLF-LOCKING GRB	1
2	172829	SCREW HX CP 5/8-11X4 GR8	2
3	1-654-010061-09	SCREW HX CP 3/4-10UNCX3 GR5	1
4	1-654-010125-18	SCREW HEX CAP, 1-8UNCX6-1/2GR8	1
5	100827	NUT, FLG HD, SERRATED, 5/8-11	2
6	103841	NUT, FLG, LNK, SERRATED 3/4-10UNC	1
7	210879	BEARING-HEF, 2.004X1.76X1-1/2	2
8	227126	BUSHING, 1.75 X 1.03 X 4.313	1
9	227132	WASHER-2-7/8X1.78 ID, 1/8 UHMW	2
10	227147	PLUG-SPRING, 1-1/16	2
11	227148	TUBE, 1.0 X .782 X 1.250	1
12	227917	BOLT-TENSIONER, WLDMT	1
13	227919	WASHER, 1.03 X 2.75 X 0.5	1
14	227921	BUSHING-SLIDE, BASE	1
15	227922	BUSHING, 2-1/4 X 1-1/32 X 1	2
16	227925	BUSHING, IGUS, MSM-2734-20	2
17	239291	PLATFORM-MOUNT, CLOSER, WELDMENT	1
18	239293	PIVOT-SPRING MOUNT, WELDMENT	1
19	61D16ER	NUT, HEX 1-8UNC GR5 ZP	2
20	6J460	COMPRESSION SPRING	1

Closing Platform (BEFORE 02/2022)

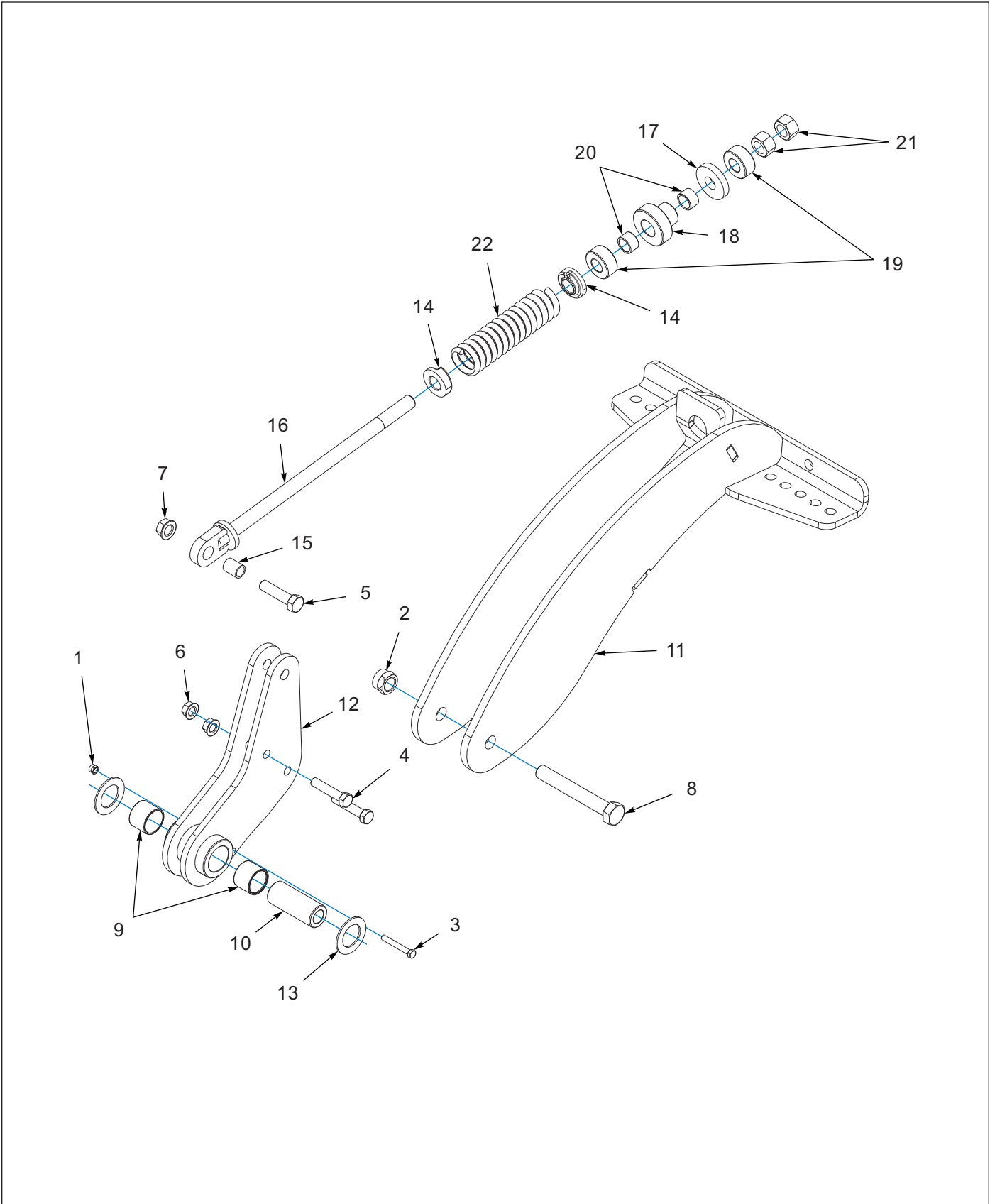


Figure 7-3: Closing Platform (BEFORE 02/2022) (1 of 2)



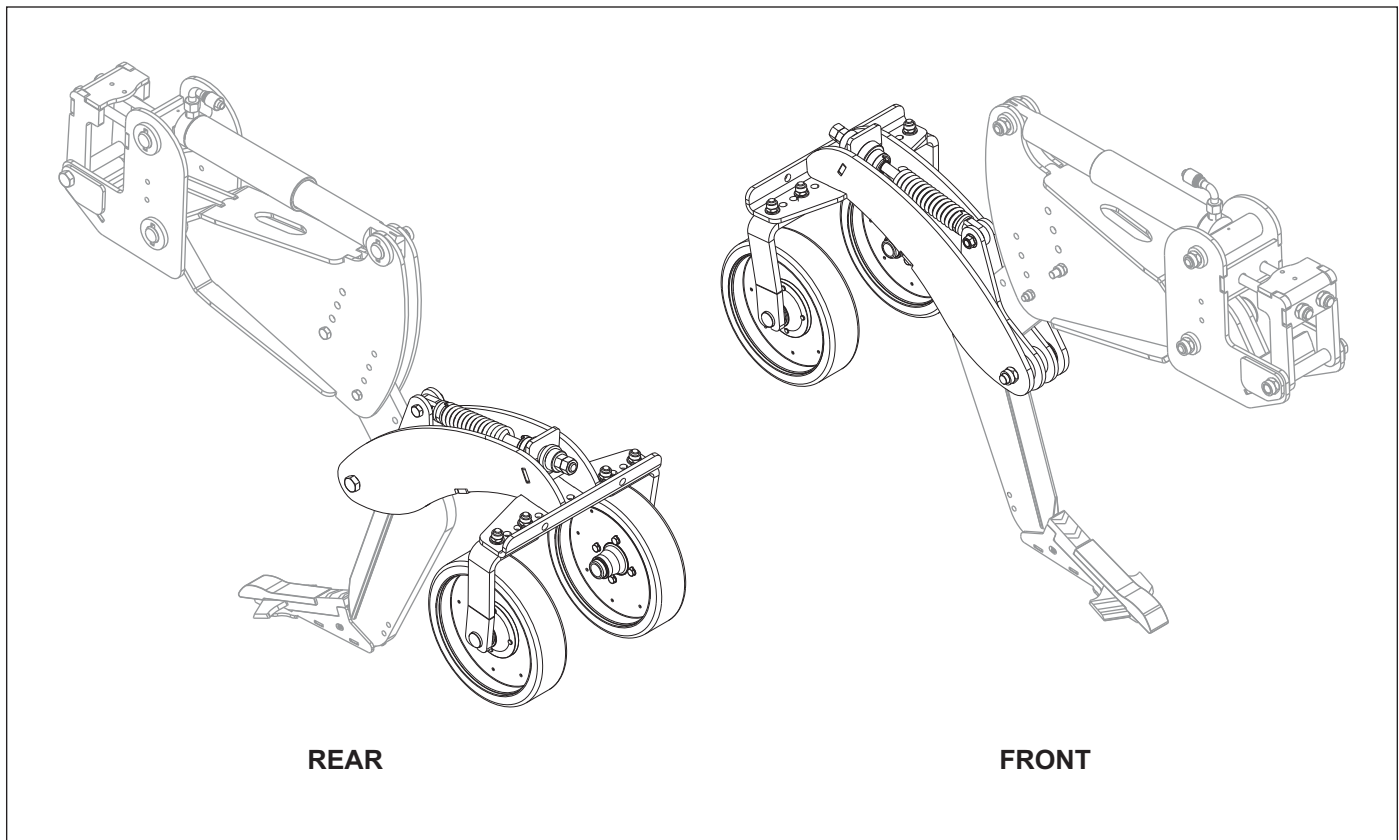


Figure 7-4: Closing Platform (BEFORE 02/2022) (2 of 2)

## Closing Platform (BEFORE 02/2022)

ITEM	PART NUMBER	DESCRIPTION	QTY.
	227150	PLATFORM-CLOSING, 2512, ASM (SHOWN W/ CLOSER WHEEL)	--
1	1-512-010005-05	NUT, HEX, SLFLKG GRB 3/8-16	1
2	1-512-010005-19	NUT 1-8 HEX SLF-LOCKING GRB	1
3	1-654-010051-12	SCREW,HEX CAP,3/8-16UNCX2-3/4	1
4	1-654-010059-09	SCREW 5/8-11UNCX3 HX CP GR5	2
5	1-654-010061-09	SCREW HX CP 3/4-10UNCX3 GR5	1
6	100827	NUT,FLG HD,SERRATED,5/8-11	2
7	103841	NUT,FLG,LNK,SERRATED 3/4-10UNC	1
8	122767	SCREW,HEX CAP 1-8UNCX7 GR8	1
9	210879	BEARING-HEF, 2.004X1.76X1-1/2	2
10	227126	BUSHING,1.75 X 1.03 X 4.313	1
11	227127	FRAME-WHEEL MOUNT, WLDMT	1
12	227129	PIVOT-CLOSER MOUNT, WLDMT	1
13	227132	WASHER-2-7/8X1.78 ID,1/8 UHMW	2
14	227147	PLUG-SPRING, 1-1/16	2
15	227148	TUBE, 1.0 X .782 X 1.250	1
16	227917	BOLT-TENSIONER, WLDMT	1
17	227919	WASHER, 1.03 X 2.75 X 0.5	1
18	227921	BUSHING-SLIDE, BASE	1
19	227922	BUSHING, 2-1/4 X 1-1/32 X 1	2
20	227925	BUSHING, IGUS, MSM-2734-20	2
21	61D16ER	NUT, HEX 1-8UNC GR5 ZP	2
22	6J460	COMPRESSION SPRING	1

FINISHING OPTIONS

Closer Wheel

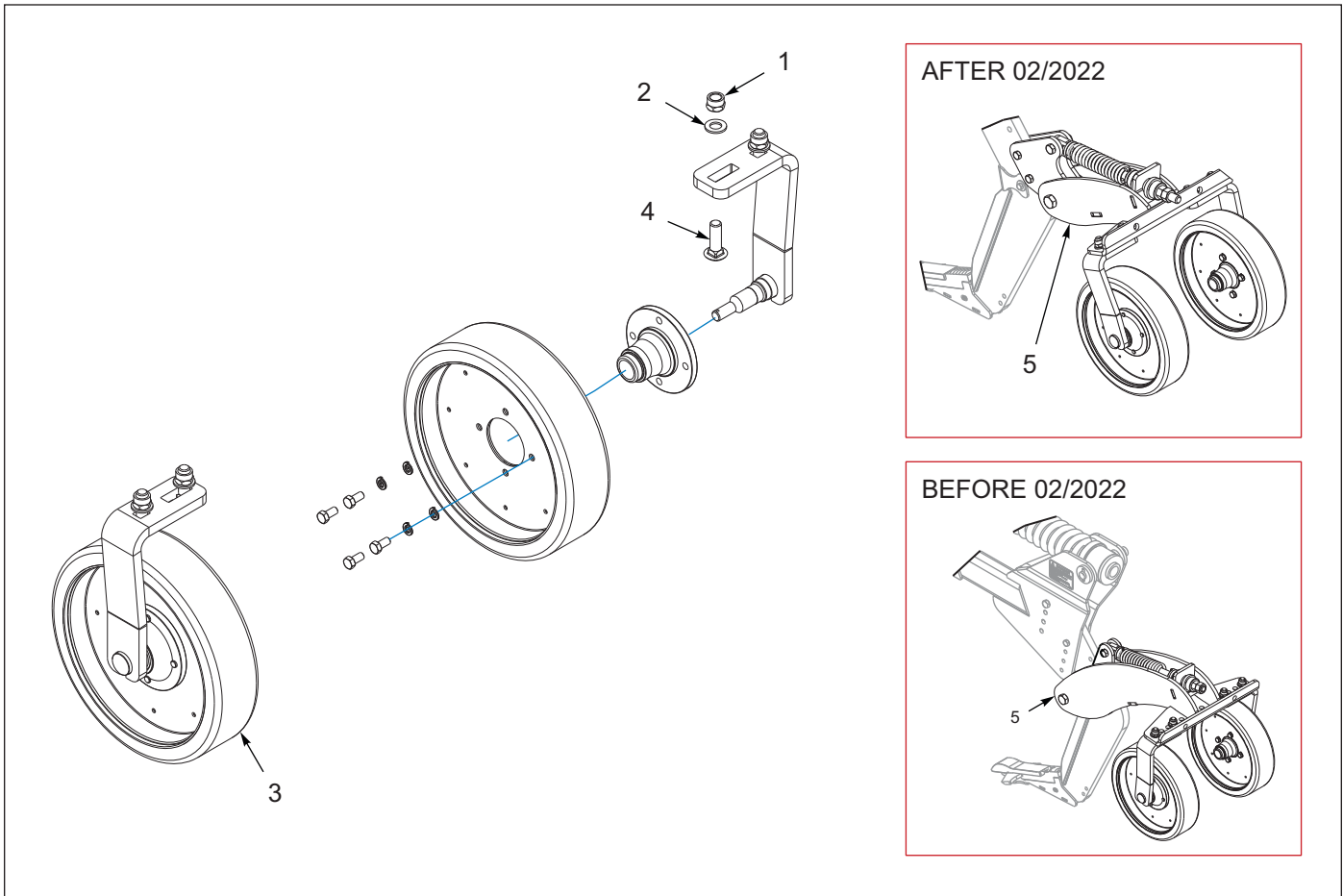


Figure 7-5: Closer Wheel

Closer Wheel

ITEM	PART NUMBER	DESCRIPTION	QTY.
	227228	CLOSER-WHEEL, RIPPER, ASSY	--
1	1-512-010005-15	NUT,HEX,SLFLKG GRB 3/4-10	4
2	1-861-010032-20	WASHER, FLAT,3/4 N ZP/CD	4
3	182257	WHEEL-CLOSING ASSEMBLY	2
4	3/4-10X2-1/2CB	SCREW,RDH SQNK 3/4-10X2-1/2	4
5	227150	PLATFORM-CLOSING, 2512, ASM (SEE PAGE 7-1) (ALWAYS REPLACE W/ "AFTER 02/2022" CLOSING PLATFORM)	1

# Flat Bar Basket - 20"

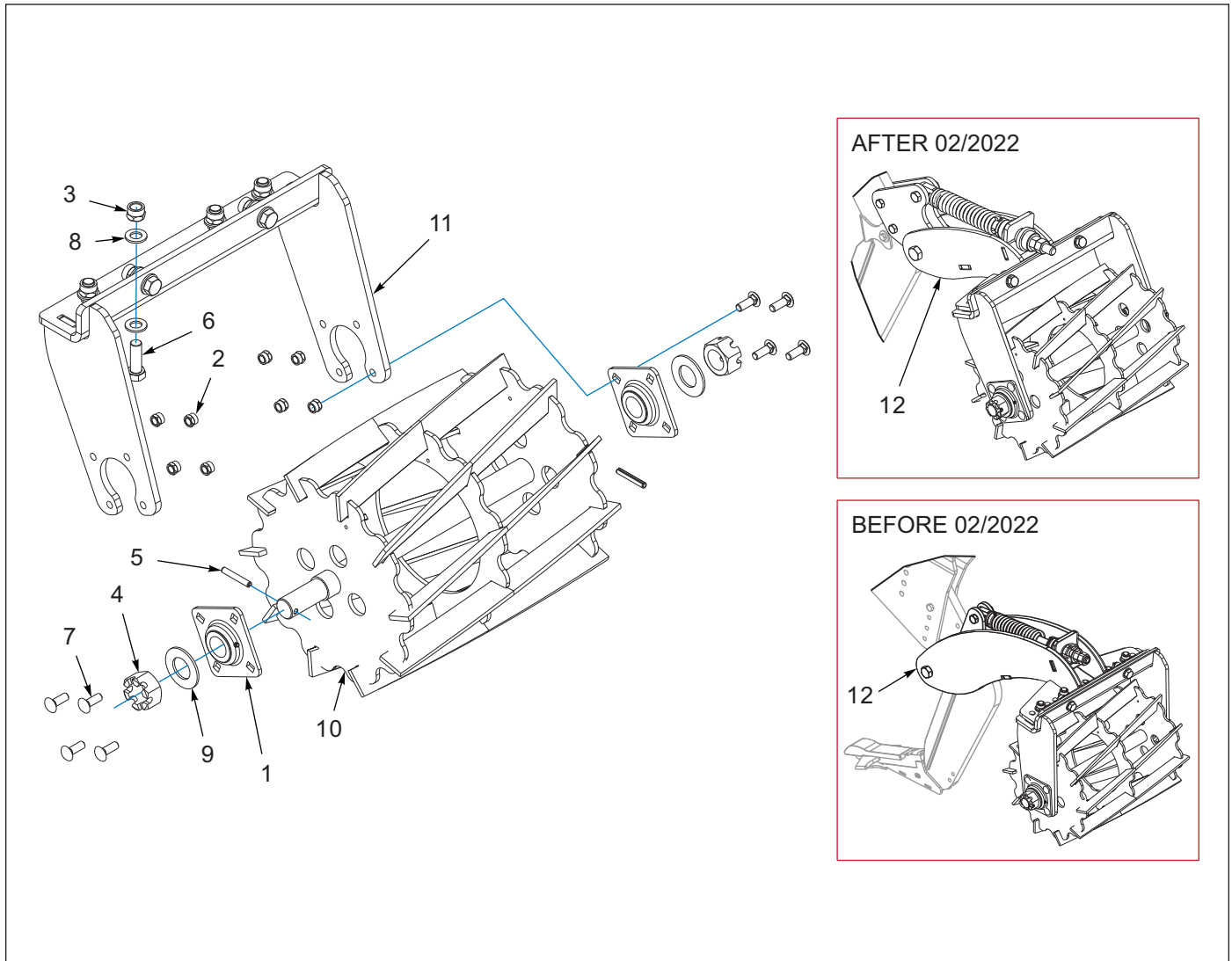


Figure 7-6: Flat Bar Basket - 20"

# Flat Bar Basket - 20"

ITEM	PART NUMBER	DESCRIPTION	QTY.
	227232	BASKET-FLAT BAR, 20 INCH, ASSY	--
1	1-065-010011	BEARING FLANGED 1-1/2ID	2
2	1-512-010005-09	NUT,HEX,SLFLKG, 1/2-13 GRB	8
3	1-512-010005-15	NUT,HEX,SLFLKG GRB 3/4-10	6
4	1-516-010001-27	NUT,HX SLOT 1-1/2-6 ZP	2
5	1-647-010004257	PIN,SPRING,SLOTTED 3/8X2-1/2	2
6	1-654-010061-06	SCREW,HXCP,3/4-10UNCX2-1/4GR5	6
7	1-654-010070-03	SCREW RDHD SQNK1/2-13X1-1/2	8
8	1-861-010032-20	WASHER, FLAT,3/4 N ZP/CD	12
9	1-861-010032-32	WASHER FLAT ZP/CD 1-1/2	2
10	227225	REEL-FLAT BAR, WLDMT	1
11	227231	FRAME-MOUNT,REEL, WLDMT	1
12	227150	PLATFORM-CLOSING, 2512, ASM (SEE PAGE 7-1) (ALWAYS REPLACE W/ "AFTER 02/2022" CLOSING PLATFORM)	1

FINISHING OPTIONS

Closer Disc

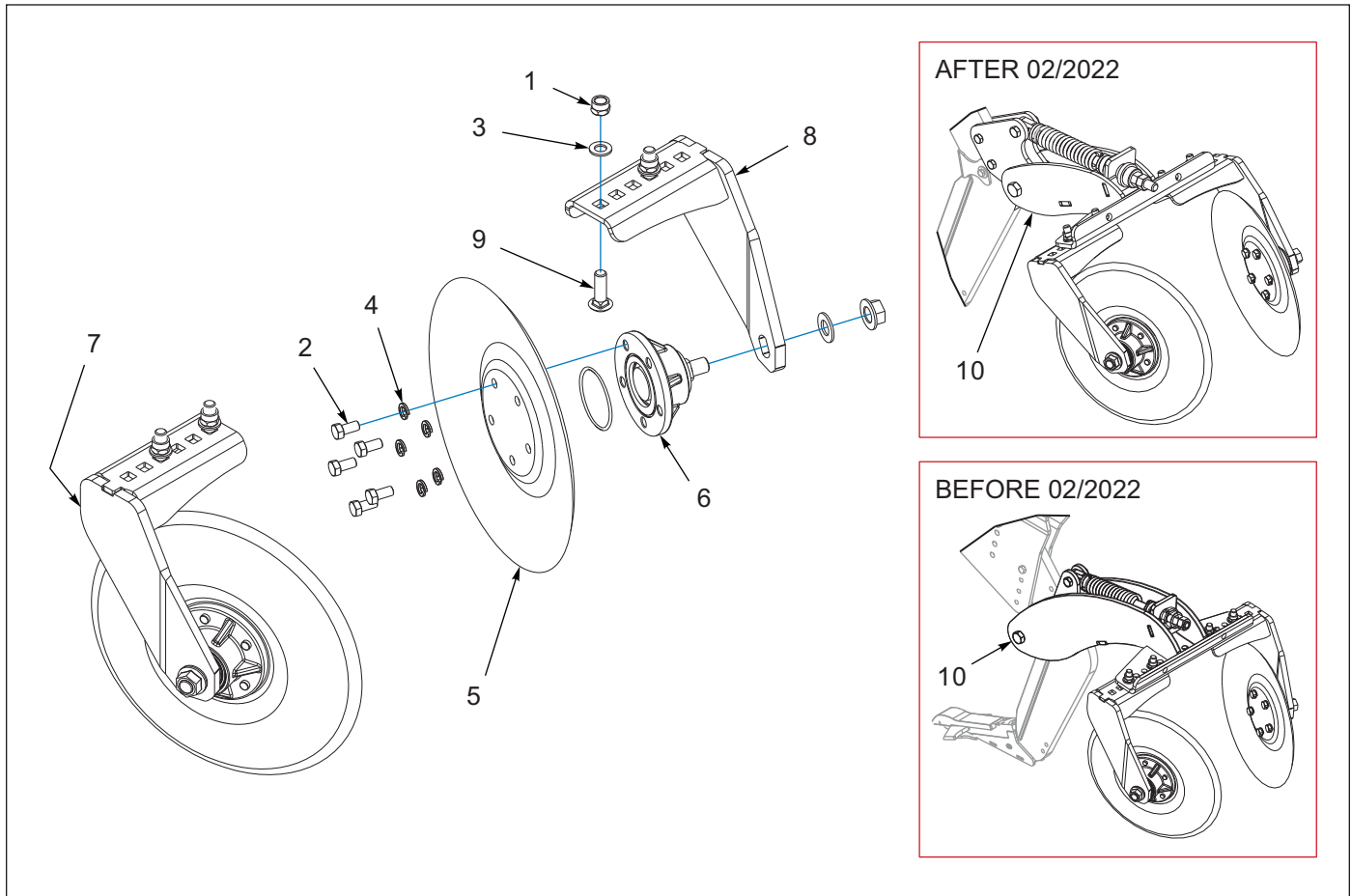


Figure 7-7: Closer Disc

Closer Disc

ITEM	PART NUMBER	DESCRIPTION	QTY.
	227236	CLOSER-DISC, RIPPER, ASSY	--
1	1-512-010005-15	NUT,HEX,SLFLKG GRB 3/4-10	4
2	1-654-010059-02	SCREW,HEX CAP,5/8-11X1-1/4GR5	10
3	1-861-010032-20	WASHER, FLAT,3/4 N ZP/CD	4
4	1-861-010034-15	WASHER,LKG,HLCL SPR,5/8	10
5	201244	DISC-BLADE, 20 INCH, SMOOTH	2
6	210880	KIT-HSL DISC HUB	2
7	227170	SHANK-LH, WLDMT	1
8	227173	SHANK-RH,WLDMT	1
9	3/4-10X2-1/2CB	SCREW,RDH SQNK 3/4-10X2-1/2	4
10	227150	PLATFORM-CLOSING, 2512, ASM (SEE PAGE 7-1) (ALWAYS REPLACE W/ "AFTER 02/2022" CLOSING PLATFORM)	1

# Crumbler Reel

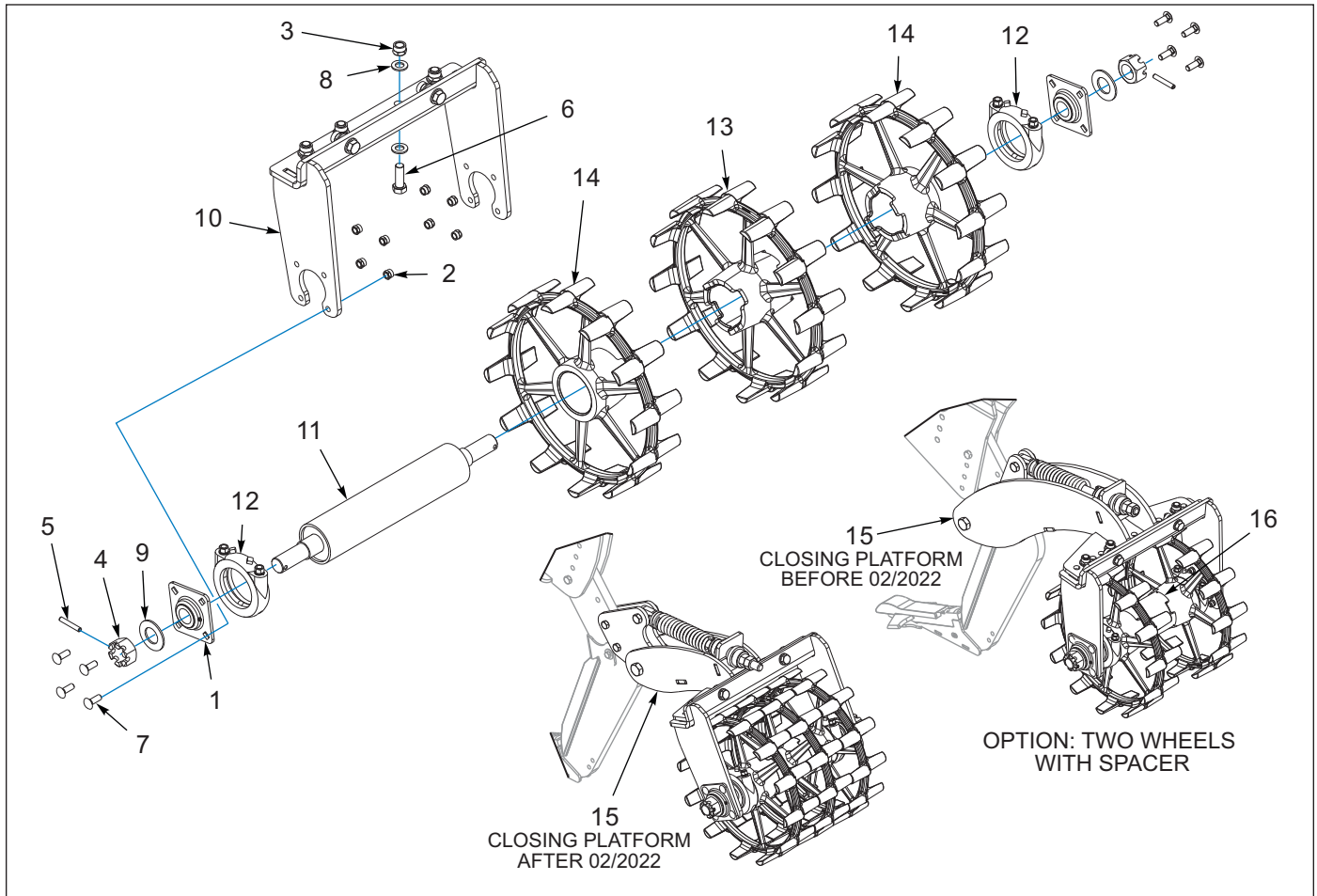


Figure 7-8: Crumbler Reel

# Crumbler Reel

ITEM	PART NUMBER	DESCRIPTION	QTY.
	227237	REEL-CRUMBLER, ASSY	--
1	1-065-010011	BEARING FLANGED 1-1/2ID	2
2	1-512-010005-09	NUT,HEX,SLFLKG, 1/2-13 GRB	8
3	1-512-010005-15	NUT,HEX,SLFLKG GRB 3/4-10	6
4	1-516-010001-27	NUT,HX, SLOT 1-1/2-6 ZP	2
5	1-647-010004257	PIN,SPRING,SLOTTED 3/8X2-1/2	2
6	1-654-010061-06	SCREW,HXCP,3/4-10UNCX2-1/4GR5	6
7	1-654-010070-03	SCREW RDHD SQNK1/2-13X1-1/2	8
8	1-861-010032-20	WASHER, FLAT,3/4 N ZP/CD	12
9	1-861-010032-32	WASHER FLAT ZP/CD 1-1/2	2
10	227231	FRAME-MOUNT, REEL, WLDMT	1
11	227235	AXLE-PACKER, WLDMT	1
12	5J375	AXLE CLAMP ASSY	2
13	6K351	OPTIMIZER WHEEL (7006286) 4"	1
14	6K352	OPTIMIZER END WHEEL (7006287)	2
15	227150	PLATFORM-CLOSING, 2512, ASM (SEE PAGE 7-1) (ALWAYS REPLACE W/ "AFTER 02/2022" CLOSING PLATFORM)	1
16	230839	TUBE-SPACER, CRUMBLER	1

FINISHING OPTIONS

Packer Reel

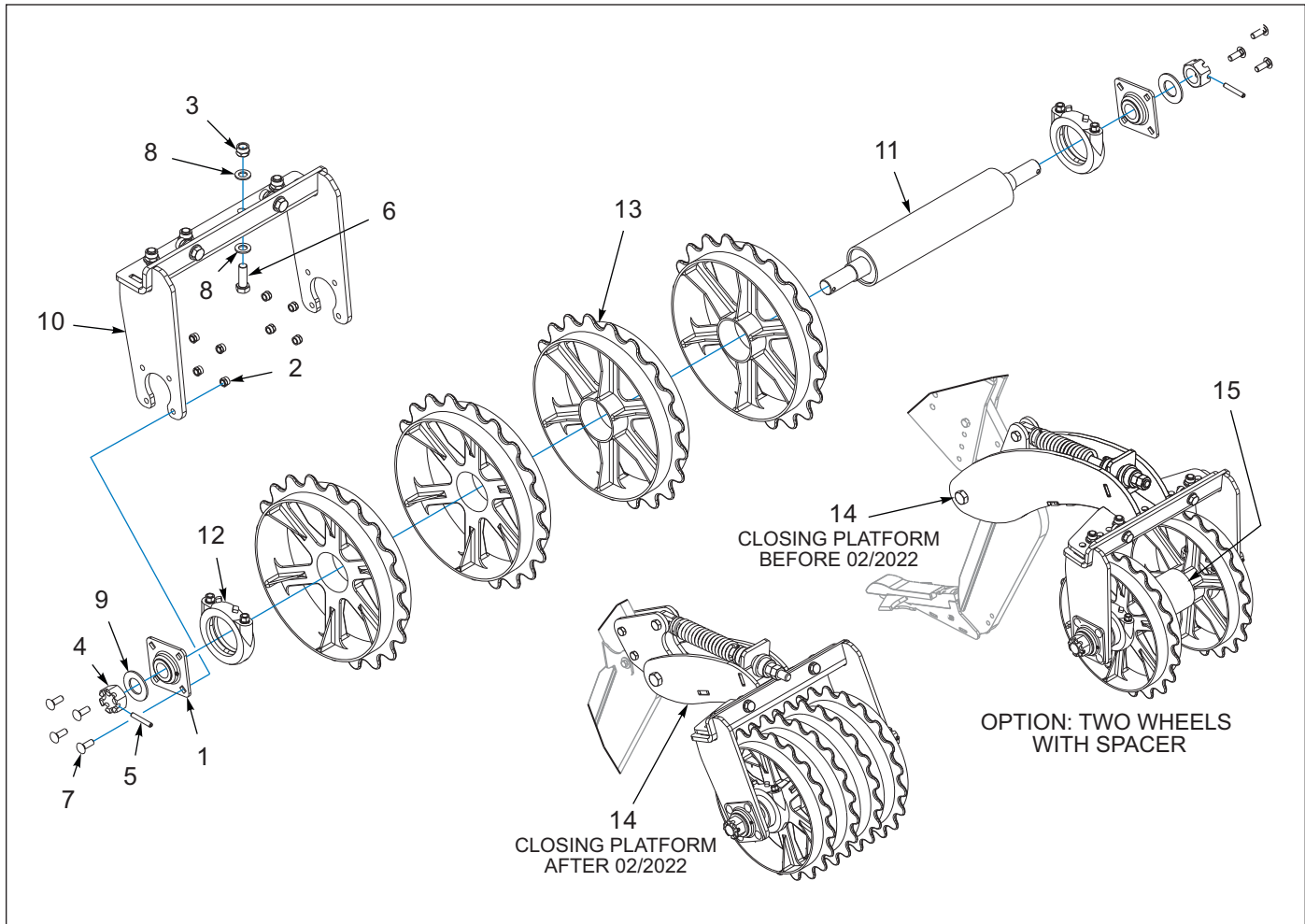


Figure 7-9: Packer Reel

Packer Reel

ITEM	PART NUMBER	DESCRIPTION	QTY.
	227242	REEL-PACKER, ASSY	--
1	1-065-010011	BEARING FLANGED 1-1/2ID	2
2	1-512-010005-09	NUT,HEX,SLFLKG, 1/2-13 GRB	8
3	1-512-010005-15	NUT,HEX,SLFLKG GRB 3/4-10	6
4	1-516-010001-27	NUT, HX SLOT 1-1/2-6 ZP	2
5	1-647-010004257	PIN,SPRING,SLOTTED 3/8X2-1/2	2
6	1-654-010061-06	SCREW,HXCP,3/4-10UNCX2-1/4GR5	6
7	1-654-010070-03	SCREW RDHD SQNK1/2-13X1-1/2	8
8	1-861-010032-20	WASHER, FLAT,3/4 N ZP/CD	12
9	1-861-010032-32	WASHER FLAT ZP/CD 1-1/2	2
10	227231	FRAME-MOUNT, REEL, WLDMT	1
11	227235	AXLE-PACKER, WLDMT	1
12	5J375	AXLE CLAMP ASSY	2
13	9J500	20" DUCTILE END WHEEL 700458	4
14	227150	PLATFORM-CLOSING, 2512, ASM (SEE PAGE 7-1) (ALWAYS REPLACE W/ "AFTER 02/2022" CLOSING PLATFORM)	1
15	230841	TUBE-SPACER, PACKER	1

# Treader

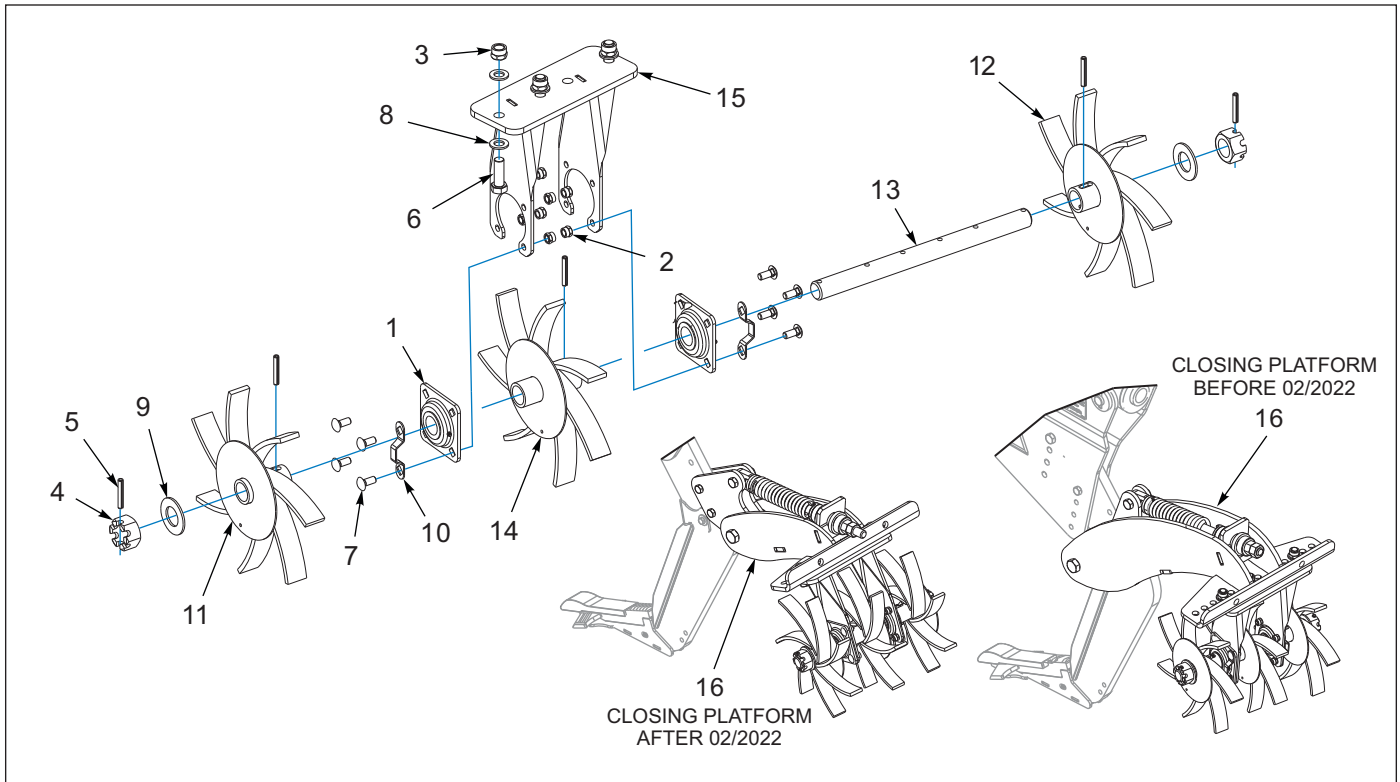


Figure 7-10: Treader

# Treader

ITEM	PART NUMBER	DESCRIPTION	QTY.	
	224789	TREADER-LH, 2512, ASSY (LEFT HAND)	1	--
	224790	TREADER-RH, 2512, ASSY (RIGHT HAND)	--	1
1	1-065-010011	BEARING FLANGED 1-1/2ID	2	2
2	1-512-010005-09	NUT,HEX,SLFLKG, 1/2-13 GRB	8	8
3	1-512-010005-15	NUT,HEX,SLFLKG GRB 3/4-10	3	4
4	1-516-010001-27	NUT,HX SLOT 1-1/2-6 ZP	2	2
5	1-647-010004257	PIN,SPRING,SLOTTED 3/8X2-1/2	5	5
6	1-654-010061-06	SCREW,HXCP,3/4-10UNCX2-1/4GR5	3	4
7	1-654-010070-02	SCREW 1/2-13X1-1/4 RD HD SQNK	8	8
8	1-861-010032-20	WASHER, FLAT,3/4 N ZP/CD	7	8
9	1-861-010032-32	WASHER FLAT ZP/CD 1-1/2	2	2
10	206790	PLATE, BEARING ZERK SHIELD	2	2
11	217077	WLDMT,Ø 16" 7 TOOTH, LH FLAT	1	--
11	217082	WLDMT,Ø 16" 7 TOOTH, RH FLAT	--	1
12	217079	WLDMT,Ø 16" 7 TOOTH, LH FLAT	1	--
12	217084	WLDMT,Ø 16" 7 TOOTH, RH FLAT	--	1
13	227163	SHAFT-TREADER, 3 WHEEL GANG	1	1
14	227175	TREADER-16" 7 TOOTH, LH, WLDMT	1	--
14	227176	TREADER-16" 7 TOOTH, RH, WLDMT	--	1
15	227179	HANGER-BEARING, LH, WLDMT	1	--
15	227180	HANGER-BEARING, RH, WLDMT	--	1
16	227150	PLATFORM-CLOSING, 2512, ASM (SEE PAGE 7-1)	1	1

**(ALWAYS REPLACE W/ "AFTER 02/2022" CLOSING PLATFORM)**

# Decals

## Decals



Figure 8-1: Decals



## Decals

ITEM	PART NUMBER	DESCRIPTION	QTY.
1	1-573-010006	PLACARD, NAME	1
2	1-573-010017	DECAL, LANDOLL (WHITE)	4
3	1-573-010096	DECAL, DANGER NO RIDERS	1
4	1-573-010373	DECAL, PATENT TILLAGE	1
5	141597	DECAL, DANGER ELECTROCUTION	1
6	156010	RIVET, BLIND, .156 X 1/2 GRIP	2
7	170510	DECAL-BRILLION A LANDOLL, 18"	4
8	2-573-010198	DECAL, MEMBER FEMA	1
9	209389	DECAL - DANGER, 16 IN DEPTH <b>(SPRING AUTO RESET ONLY)</b>	1
10	209390	DECAL - DANGER, OPERATING DEPTH <b>(SPRING AUTO RESET ONLY)</b>	1
11	214318	DECAL, 7 MPH MAX <b>(HYDRAULIC RESET ONLY)</b>	1
12	230886	DECAL, JACK STAND	1
13	528933	REFLECTOR - RED	2
14	528934	REFLECTOR - YELLOW	2
15	528938	STRIPE, ORANG E	2
16	6K800	DECAL-ZONE COMMANDER	4
17	8-573-010059	DECAL IMPORTANT NO TURNING	1
18	8-573-010084	DECAL WARNING BEFORE OPERATG	1
19	2-573-010037	DECAL, DANGER, WING	2
20	232182	DECAL-QR CODE, 2500 SERIES	1
21	207142	DECAL, DANGER STUCK SHANK <b>(ONE PER SHANK)</b>	REF
22	2-573-010469	DECAL, DANGER SPRING <b>(ONE PER SHANK)</b>	REF
23	227277	DECAL, DEPTH GAUGE, LH <b>(NOT SHOWN)</b> <b>(SEE PAGE 1-21) (SEE PAGE 1-23)</b>	1
24	227278	DECAL, DEPTH GAUGE, RH <b>(NOT SHOWN)</b> <b>(SEE PAGE 1-21) (SEE PAGE 1-23)</b>	1

# Decal Placement

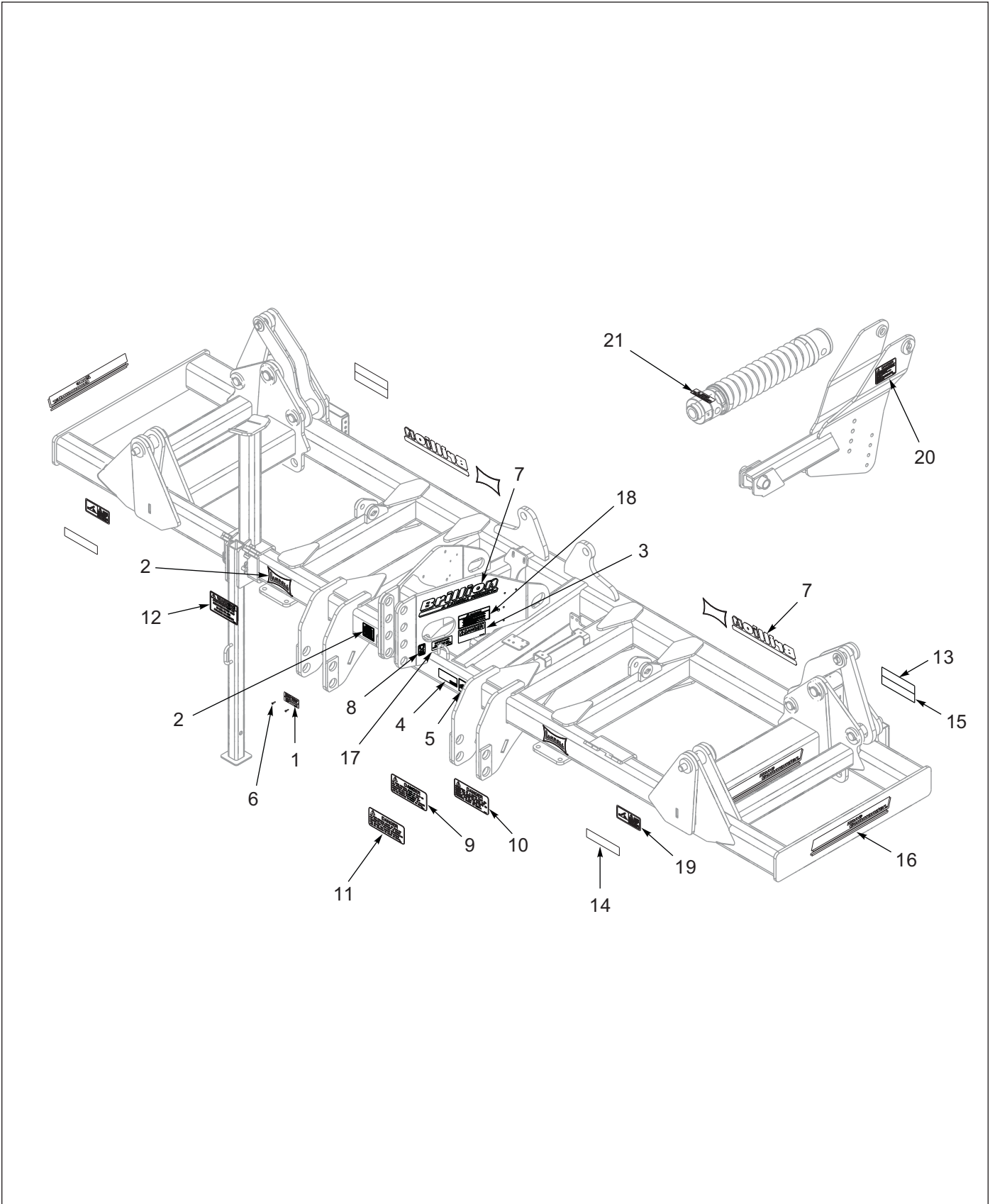


Figure 8-2: Decal Placement

## Glossary

For clarity this glossary of industry standard abbreviations and their definitions are provided. For additional information, see instruction on the inside front cover or the last page of this manual.

**A**

**ASM** ..... Assembly

**B**

**BATT** ..... Battery  
**BHSC** ..... Button Head Socket Cap  
**BLK** ..... Black

**C**

**CB** ..... Carriage Bolt  
**CONN** ..... Connector  
**CRG** ..... Carriage  
**CTSK** ..... Countersunk  
**CTWT** ..... Counterweight  
**CVR** ..... Cover  
**CYD** ..... Cylinder

**D**

**DBL** ..... Double  
**DIA** ..... Diameter

**E**

**ENCLSD** ..... Enclosed

**F**

**FHCS** ..... Flanged Head Cap Screw  
**FHHCS** ..... Flanged Hex Head Cap Screw  
**FL OR FLG** ..... Flange  
**FLT** ..... Flat

**G**

**GA** ..... Gauge

**H**

**HHCS** ..... Hex Head Cap Screw  
**HCS** ..... High Carbon Steel  
**HD** ..... Head  
**HLCL** ..... Helical  
**HCSKT** ..... Hex Socket  
**HSFC** ..... Hex Socket Flat Countersunk  
**HYD** ..... Hydraulic

**I**

**ID** ..... Inside Diameter

**L**

**LH** ..... Lefthand  
**LKG OR LOCK** ..... Locking  
**LWR** ..... Lower

**M**

**MANF** ..... Manifold  
**MNT** ..... Mount

**N**

**NRW** ..... Narrow  
 ----- ..... Not Serviced Separately

**O**

**OD** ..... Outside Diameter  
**OHG** ..... Overhead Guard  
**ORFS OR ORS** ..... O-Ring Seal  
**ORP OR ORB** ..... O-Ring Boss

**P**

**P-STEER** ..... Power Steering  
**PTFE** ..... Polytetrafluoroethylene (Teflon)

**GLOSSARY**

---

**R**

---

RH ..... Righthand  
RND ..... Round

**S**

---

SER ..... Series  
SHCS ..... Socket Head Cap Screw  
SHLD ..... Shield  
SKT ..... Socket  
SLFLKG ..... Selflocking  
SOC ..... Socket  
SPDT ..... Single Pole Double Throw  
SPR ..... Spring  
SQ ..... Square  
SRTD ..... Serrated  
SSCR ..... Setscrew  
SST ..... Stainless Steel  
STD ..... Standard

**U**

---

UPR ..... Upper

**W**

---

WHL ..... Wheel  
WLD OR WLDMT ..... Weldment

**Numerics**

0018136	4-26	1-397-010369036	4-2
0600-250-01000	1-28	140191	1-22, 1-24
0600-250-03000	1-28	140554	1-25
0600-375-01500	1-22, 1-24	140645	1-25
1-007-010025	4-2, 4-4, 4-26	141236	1-25
100827	7-2, 7-4	141238	1-25
101385	1-4, 1-22, 1-24	141251	1-7, 1-8, 1-9, 1-10
101404	3-2, 3-4, 3-6	141597	8-2
101510	5-2, 5-4, 5-6	141809	1-22, 1-24
101988	1-22, 1-24	141826	4-2, 4-4
102498	1-25, 2-6, 2-8	141828	1-28, 4-2, 4-4, 4-7, 4-8, 4-11, 4-15, 4-19, 4-23
102604	2-6, 2-8	141876	4-2, 4-4
103841	1-28, 7-2, 7-4	141877	4-7, 4-8, 4-11, 4-15, 4-19, 4-23
104382	4-28	1422177	4-2
104483	1-11, 1-12, 1-13, 1-14	142337	4-7, 4-8, 4-11, 4-15, 4-19, 4-23
104582	4-26	142650	1-22, 1-24
1-065-010011	7-6, 7-8, 7-9, 7-10	142668	1-28
1-076-010007	1-25, 2-6, 2-8	142669	1-28
1-076-010010	2-6, 2-8	142753	1-2, 1-4
108331	1-4, 4-4, 4-29	143871	1-28
110-0344	2-6, 2-8	144457	1-7, 1-8, 1-9, 1-10
110116	4-28	146693	4-26
111190	4-2	147072	1-4, 5-2, 5-4, 5-6
116100	1-4	147583	4-2, 4-4
116432	4-2	147584	4-2, 4-4
116433	4-2	149192	2-2, 2-4
121028	4-26	150244	1-7, 1-8, 1-11, 1-12, 5-2, 5-4, 5-6
122709	1-6	1-510-010003-09	5-8
122767	7-4	1-512-010002-16	1-7, 1-8
122909	4-2	1-512-010003-05	4-26
122910	4-2, 4-4	1-512-010005-01	1-2, 1-4, 3-2, 3-4, 3-6, 4-2
123547	4-4	1-512-010005-03	1-28
127351	5-2, 5-4, 5-6	1-512-010005-05	1-28, 4-7, 4-8, 4-11, 4-15, 4-19, 4-23, 5-2, 7-4
1-298-010001-1	1-4, 2-6, 2-8	1-512-010005-09	1-2, 1-4, 1-7, 1-8, 1-12, 2-2, 2-4, 2-6, 2-8, 3-2, 3-6, 4-2, 4-4, 4-6, 4-28, 5-2, 5-4, 5-6, 5-8, 7-6, 7-8, 7-9, 7-10
134912	1-19	1-512-010005-13	1-7, 1-8, 1-11, 1-12, 1-22, 1-24, 2-2, 2-4, 3-2, 3-6, 5-2, 5-4, 5-6
134964	1-11, 1-12, 1-13, 1-14, 1-15		
138567	1-7, 1-8, 1-11, 1-12, 5-2, 5-4, 5-6		
139213	4-2, 4-4		

1-512-010005-15	1-2, 1-7, 1-8, 1-9, 1-10, 1-11, 1-12, 1-16, 1-17, 1-18, 1-22, 1-24, 1-28, 2-6, 2-8, 3-2, 5-2, 5-4, 5-6, 7-5, 7-6, 7-7, 7-8, 7-9, 7-10	1-654-010055-04	4-6
1-512-010005-19	1-4, 1-7, 1-8, 1-9, 1-10, 1-11, 1-12, 1-13, 1-14, 1-15, 1-19, 1-24, 7-2, 7-4	1-654-010055-07	5-8
1-512-010007-12	2-6, 2-8	1-654-010055-09	1-4
1-516-010001-20	1-25	1-654-010055-10	1-2, 1-4
1-516-010001-27	7-6, 7-8, 7-9, 7-10	1-654-010055-11	4-2, 4-4
153841	4-2	1-654-010055-13	2-2, 2-4
155529	4-2, 4-4	1-654-010055-16	4-28
155530	4-7, 4-8, 4-11, 4-15, 4-19, 4-23	1-654-010059-02	7-7
1-557-010013	2-2, 2-4	1-654-010059-03	3-2, 3-6
1-557-010362-51	1-25	1-654-010059-05	1-22, 1-24
156010	8-2	1-654-010059-09	7-4
156318	4-7, 4-8, 4-11, 4-15, 4-19, 4-23	1-654-010059-13	1-8
1-573-010006	8-2	1-654-010059-14	1-7
1-573-010017	8-2	1-654-010061-04	3-2
1-573-010096	8-2	1-654-010061-05	1-28
1-573-010373	8-2	1-654-010061-06	1-16, 1-17, 1-18, 1-22, 7-6, 7-8, 7-9, 7-10
162249	1-9	1-654-010061-07	1-2
162572	4-7, 4-8, 4-11, 4-15, 4-19, 4-23	1-654-010061-09	7-2, 7-4
164142	3-2, 3-4, 3-6	1-654-010061-13	1-7, 1-8, 1-11, 1-12, 5-2, 5-4, 5-6
164349	1-25	1-654-010061-15	2-6, 2-8
164352	1-22, 1-24, 1-25	1-654-010061-21	1-9
1-647-010004255	5-2	1-654-010061-25	1-9, 1-10
1-647-010004257	7-6, 7-8, 7-9, 7-10	1-654-010070-02	7-10
165287	4-2	1-654-010070-03	5-8, 7-6, 7-8, 7-9
1-654-010032-25	1-9, 1-10	1-654-010125-18	7-2
1-654-010047-04	3-2, 3-6	1-655-010001-05	1-7, 1-8
1-654-010047-06	1-2, 1-4, 3-2, 3-6	166171	4-4
1-654-010047-08	3-2, 3-4, 3-6	168226	2-6, 2-8
1-654-010047-10	3-2, 3-4, 3-6	169493	5-2
1-654-010049-01	2-6, 2-8	170510	8-2
1-654-010049-05	1-28	171000	4-26
1-654-010051-05	4-26	171589	4-28
1-654-010051-07	4-15, 4-19, 4-23	171591	4-28
1-654-010051-10	5-2	172581	1-7, 1-8, 1-9, 1-10
1-654-010051-11	1-28	172802	1-4, 1-11, 1-12, 1-13, 1-14
1-654-010051-12	7-4	172829	7-2
1-654-010051-13	4-7, 4-8, 4-11, 4-15, 4-19, 4-23	172946	1-4
1-654-010051-14	4-7, 4-8, 4-11, 4-15, 4-19, 4-23	174435	3-2, 3-4, 3-6
1-654-010055-03	2-6, 2-8, 3-2, 3-6, 4-7, 4-8, 4-11, 4-15, 4-19, 4-23	174436	3-2, 3-4, 3-6
		174437	3-2, 3-4, 3-6, 3-8
		175151	3-2, 3-4, 3-6, 3-8
		176846	2-2, 2-4

176848	2-4	192481	4-2, 4-4
176849	2-4	192890	1-5
178514	3-2, 3-4, 3-6, 3-8	193753	1-19
179082	2-2, 2-4	195196	4-26
179470	1-5	195198	4-26
179545	2-2, 2-4	195566	1-7, 1-8, 1-11, 1-12, 1-13, 1-14
179546	2-2, 2-4	197140	1-22, 1-24
179547	2-2, 2-4	1P042	1-28
179966	2-2, 2-4	201244	7-7
181085	2-4	201283	4-26
181801	4-2	201291	4-26
181843	2-2	201321	4-6
181844	2-2	202702-8-8S	4-2, 4-4, 4-26
181845	2-2	202844	1-22, 1-24
182220	2-8	203005-8-8S	4-2
182222	2-8	203384	4-26
182224	2-6, 2-8	203386	4-7, 4-8, 4-11, 4-15, 4-19, 4-23
182225	2-8	203486	1-22, 1-24
182233	2-8	2062-8-8S	4-2
182241	2-4, 2-8	206790	7-10
182242	2-2, 2-8	207142	1-7, 1-8, 1-9, 1-10, 8-2
182257	7-5	208812	4-2
182270	1-28	209252	1-13, 1-14
182290	3-2	209367	1-13, 1-14
182310	3-2, 3-4	209370	1-13
185216	4-11, 4-15, 4-19, 4-23	209372	1-11, 1-12, 1-13, 1-14, 4-7, 4-8, 4-11, 4-15, 4-19, 4-23, 4-30
1-861-010032-07	1-2, 1-4, 3-2, 3-6	209389	8-2
1-861-010032-09	2-6, 2-8	209390	8-2
1-861-010032-14	4-6, 4-28, 5-2	209436	4-2
1-861-010032-15	5-2, 5-4, 5-6	210874	1-11, 1-12, 1-13, 1-14
1-861-010032-20	1-16, 1-17, 1-18, 1-28, 7-5, 7-6, 7-7, 7-8, 7-9, 7-10	210879	1-7, 1-8, 1-11, 1-12, 1-13, 1-14, 7-2, 7-4
1-861-010032-21	1-11, 1-12, 1-13, 1-14	210880	7-7
1-861-010032-24	1-19	210887	1-9, 1-10
1-861-010032-29	1-4	210891	1-2
1-861-010032-32	7-6, 7-8, 7-9, 7-10	213207	1-2
1-861-010034-11	4-26	213212	1-2
1-861-010034-15	7-7	214260	4-11, 4-19
186903	4-2	214261	4-11, 4-19
189739	4-28	214265	1-22, 1-24
189872	4-26	214268	1-22
191655	1-2	214275	1-22, 1-24
191656	1-2	214276	1-22, 1-24

**INDEX**

214283 .....	1-22, 1-24	217214 .....	4-11, 4-15, 4-19
214284 .....	1-22, 1-24	217215 .....	4-8, 4-15, 4-23
214297 .....	4-15	217216 .....	4-7, 4-8, 4-11, 4-15, 4-19, 4-23
214305 .....	4-7, 4-8, 4-11, 4-15, 4-28	217217 .....	4-11, 4-15, 4-19
214307 .....	4-6	217218 .....	4-19, 4-23
214310 .....	4-6	217219 .....	4-7, 4-8, 4-11, 4-19, 4-23
214315 .....	4-7, 4-8, 4-11, 4-15, 4-19, 4-23	217220 .....	4-19
214316 .....	3-2, 3-4, 3-6	217221 .....	4-23
214317 .....	3-2, 3-6	217281 .....	4-23
214318 .....	8-2	217335 .....	1-22
214319 .....	4-26	217336 .....	1-22
214335 .....	3-2	217337 .....	1-24
214336 .....	3-4	217338 .....	1-24
214337 .....	1-24	217969 .....	1-9
214346 .....	4-7, 4-8, 4-11, 4-15, 4-19, 4-23	217988 .....	4-7, 4-8, 4-11, 4-15, 4-19, 4-23
214347 .....	1-24	218755 .....	1-11, 1-12, 1-13, 1-14, 1-15
214351 .....	1-24	218757 .....	1-15
214353 .....	1-2	218760 .....	1-15
214355 .....	4-19, 4-23, 4-28	218785 .....	1-7, 1-8, 1-9, 1-10
214375 .....	1-14	219955 .....	1-5
214376 .....	4-7	219973 .....	1-5
214377 .....	4-8	219974 .....	1-5
214378 .....	4-11	219977 .....	1-5
214381 .....	4-19	219978 .....	1-5
214384 .....	4-26	219980 .....	1-5
214396 .....	5-8	219981 .....	1-5
214397 .....	1-9	219983 .....	1-5
2-150-010174 .....	1-5	219991 .....	1-5
217077 .....	7-10	219992 .....	1-5
217079 .....	7-10	219995 .....	1-5
217082 .....	7-10	219996 .....	1-6
217084 .....	7-10	221311 .....	1-6
217183 .....	4-6	221312 .....	1-6
217196 .....	1-9, 1-10	221314 .....	1-5
217200 .....	4-8	221318 .....	1-6
217201 .....	4-11	221319 .....	1-6
217202 .....	4-15	221412 .....	1-7, 1-8, 1-9, 1-10
217203 .....	4-19	221428 .....	1-9, 1-10
217210 .....	4-11, 4-15, 4-19	221433 .....	1-9, 1-10
217211 .....	4-7, 4-8, 4-11, 4-15, 4-19, 4-23	221434 .....	1-13
217212 .....	4-7, 4-8, 4-11, 4-15, 4-19, 4-23	221438 .....	1-14
217213 .....	4-7, 4-8, 4-11, 4-15, 4-19, 4-23	221441 .....	1-10



221445	1-10	224763	5-6
221737	4-15	224767	5-6
221738	4-19	224768	5-6, 5-8
221739	4-23	224786	4-30
221747	4-15	224787	4-29
221748	4-19	224789	7-10
221749	4-23	224790	7-10
221797	3-8	227126	7-2, 7-4
221924	1-6	227127	7-4
221925	1-2, 1-6	227129	7-4
221926	1-6	227132	7-2, 7-4
221927	1-6	227147	7-2, 7-4
221939	1-5	227148	7-2, 7-4
221943	1-5	227150	7-2, 7-4, 7-5, 7-6, 7-7, 7-8, 7-9, 7-10
221947	1-6	227163	7-10
221948	1-6	227170	7-7
221954	3-6	227173	7-7
221963	1-16, 1-17, 1-18	227175	7-10
221967	3-6	227176	7-10
221990	1-16, 1-17, 1-18	227179	7-10
221993	1-16, 1-17, 1-18	227180	7-10
221997	1-16, 1-17, 1-18	227189	6-2
221998	1-16, 1-17, 1-18	227191	6-2
222011	1-6	227198	6-2
222015	1-16, 1-17, 1-18	227207	6-2
223319	3-8	227210	6-2
223397	4-2, 4-4	227221	6-3
223398	4-2, 4-4	227225	7-6
223399	4-2, 4-4	227228	7-5
224446	1-28	227231	7-6, 7-8, 7-9
224450	1-6	227232	7-6
224451	1-6	227235	7-8, 7-9
224452	1-6	227236	7-7
224467	4-2, 4-4	227237	7-8
224468	4-2, 4-4	227242	7-9
224743	5-4	227245	6-3
224744	5-4, 5-8	227247	5-8, 6-2
224745	5-4	227265	6-2
224746	5-2, 5-8	227267	6-2
224747	5-2	227271	6-2
224748	5-2	227272	6-2
224752	5-4, 5-6	227273	6-2

**INDEX**

227275	1-22, 1-24	233849	2-6
227276	1-22, 1-24	233850	2-6
227277	1-22, 1-24, 8-2	233851	2-6
227278	1-22, 1-24, 8-2	233852	1-5
227280	4-15, 4-23	233855	1-5
227281	4-15, 4-23	233856	1-5
227282	4-19, 4-23	233857	1-5
227283	4-19, 4-23	233858	1-5
227284	4-23	233859	1-5
227299	5-8	233860	1-5
227876	4-15, 4-19, 4-23	233861	1-5
227917	7-2, 7-4	233862	1-5
227919	7-2, 7-4	233865	1-5
227921	7-2, 7-4	233866	1-5
227922	7-2, 7-4	233867	1-6
227925	7-2, 7-4	233868	1-6
230839	7-8	233870	1-4, 4-2
230841	7-9	233873	2-2
230869	1-16, 1-17, 1-18	233874	2-4
230870	1-16, 1-17, 1-18	233875	2-2
230873	1-18	233876	2-4
230874	1-18	233877	2-2
230875	1-18	233878	2-4
230876	1-18	233887	2-6
230880	1-19	235887	1-6
230883	1-19	235888	1-6
230884	1-19	235889	1-6
230886	1-19, 8-2	235892	1-6
230888	1-19	235961	1-28
231922	1-24	235965	1-28
232182	8-2	235966	1-28
233795	1-6	235967	1-28
233828	1-5	2-368-010287	3-2, 3-4, 3-6
233830	1-5	239243	1-11, 1-12, 1-13, 1-14
233833	1-4	239291	7-2
233835	2-6	239293	7-2
233836	2-6	239516	1-7, 1-8
233838	2-6	239522	1-11, 1-12
233841	2-2, 2-6	240193	1-28
233842	2-4, 2-6	240198	1-28
233845	2-6	240265	1-2
233847	2-6	240266	1-2



# Instructions for Ordering Parts

**\*\* Repair parts must be ordered through an Authorized Dealer \*\***

## DEALER INSTRUCTIONS FOR ORDERING PARTS FROM LANDOLL PARTS DISTRIBUTION CENTER

Phone #: 800-423-4320 or 785-562-5381

Fax #: 888-527-3909

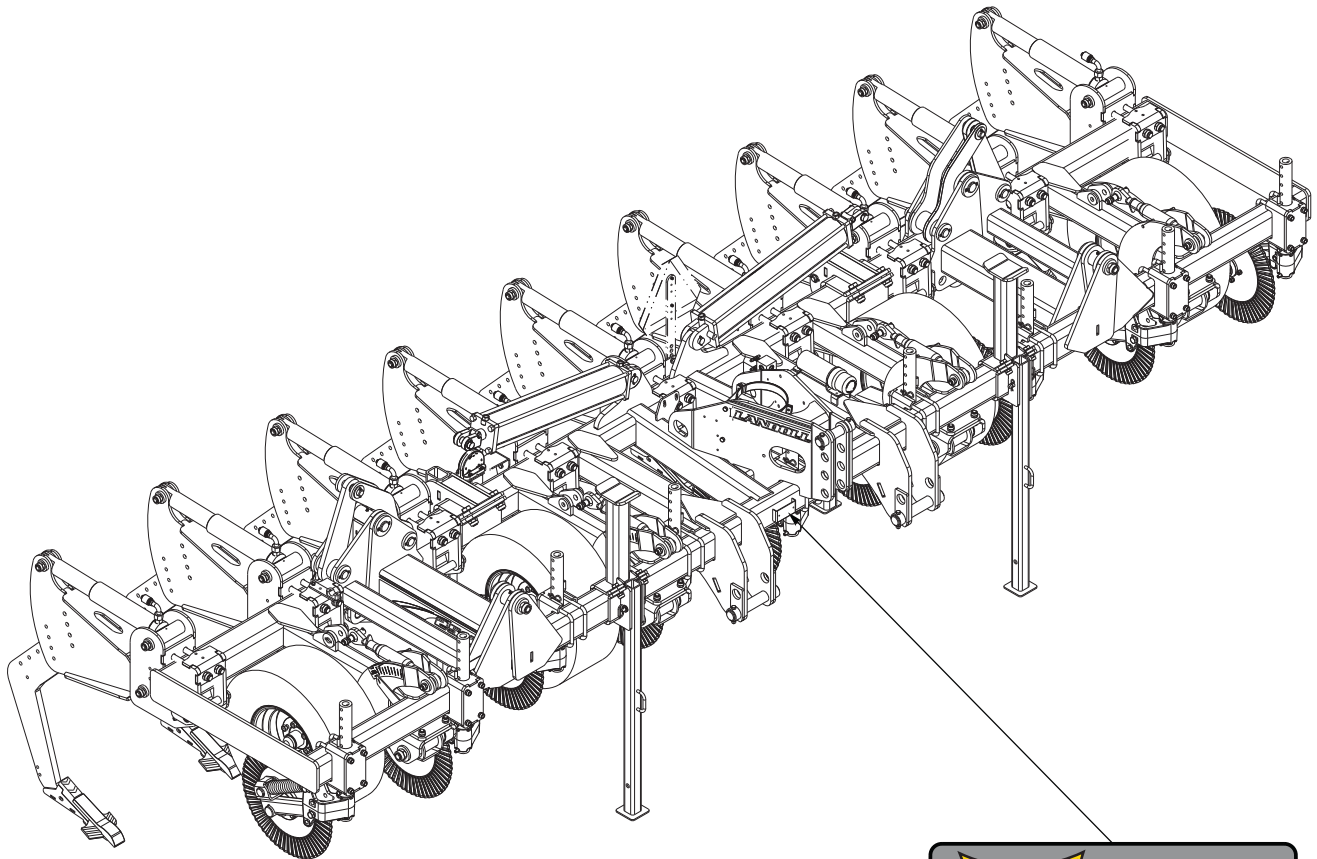
Order online: [dealer.landoll.com](http://dealer.landoll.com)

### IDENTIFICATION PLATE

The identification plate, which lists the model number and serial number, is located on the front of the frame.

### SERIAL NUMBER

The serial number is located on the identification plate.



### Identification Plate and Location

### Manuals for 2512 Zone Commander and Caddy

Manual Number	Manual Type
F-1040	Operator's Manual
F-1039	Parts Manual (2512 Zone Commander ONLY)
F-1075	Caddy Parts Manual (ONLY)

## Document Control Revision Log:

Date	Form #	Improvement(s): Description and Comments
05/2020	F-1048	Initial Release
12/2020	F-1048-1220	ECN 46496 - Added Shanks ECN 46468 - Added Depth Gauge and Decal, Added Hose Mount Plate Extension ECN 46559 - Hydraulic Hose Assembly Change ECN 46500 - Added Tube-Gusset Mast ECN 46650 - Updated Warning Light Bracket, Gusset-Frame Braces Added Closer Platform and Finishing Features, Available Points
01/2021	F-1048-0121	ECN 46795 - Updated Wing Rest Weldments ECN 46837 - Added Rear Jack Option and Decals
10/2021	F-1048-1021	ECN 46857, 47254 - Updated Frame Weldment, Shank, Shank Points, Shank Clamp ECN 47263 - Added Cylinder Stop, Hyd. Adapter Kit, Updated Keeper Wear Guard ECN 47137, 47144, 47307 - Changes to Front Jack Mount, Updated Decals, ECN 47438 - Changes to Folding Frame, Hydraulic Cylinder ECN 47589 - Rev. to Hyd. Shank Hose Asm, Jack and Wing Rest, Stop Cylinders ECN 47623 - Revisions to Parabolic Shank, 1-1/4 Added Finishing Treader Option, Added Coulter Center Positions
12/2021	F-1048-1221	ECN 47679 - Rev. to Parabolic Keeper-Wear Guard and Parabolic Shank Hardware
01/2022	F-1048-0122	ECN 47822 - Add Shank Hardware Kit ECN 47824 - Revised Parabolic Keeper-Wear Guard, Clamp Designs/Torque Values
05/2022	F-1048-0522	ECN 47953, 48076 - Updated Closing Platform Design, Updated Coulter Asm
06/2022	F-1048-0622	ECN 48205 - Added Rear Tow Bar Hitch ECN 48212 (CASR 2283)
01/2023	F-1048-0123	ECN 48550 - Doubler Plates Added to Rigid Frame, Hitch Pin Changes
03/2023	F-1048-2303	ECN 48729 - Changes to Shank Clamp ECN 48900 - Change to 233855 Frame - Cylinder Mount Plates *Revision Format "Year/Month" 07/11/2023 - Correction "Folding Frame" pages 1-3, 1-6 (Item 41, 42)
09/2023	F-1039-2309	ECN 49102 - Revised Wheel Gauges, Auto Reset Spring Clamp (and w/Setback), Wing Rest Weldments, Hose Assemblies, Accumulator Assembly
01/2024	F-1039-2401	ECN 49405, 49409, 49479, 49597 - Coverboard Kit, Warning Light Mount Bracket Depth Gauge Decal, Shanks, Clamps ECN 49817 - New Radius for Jack Stand Weldment (PUB 03/15/2024) Updated ISO logos to ISO 9001:2015 (Revised 04/2024)



**intertek**

Equipment from Landoll Company, LLC is built to  
exacting standards ensured by ISO 9001:2015 registration  
at all Landoll manufacturing facilities.

# **2512 Zone Commander Parts Manual Re-Order Part Number F-1048**

**LANDOLL COMPANY, LLC**

1900 North Street

Marysville, Kansas 66508

(785) 562-5381

**800-428-5655 ~ WWW.LANDOLL.COM**



Copyright 2024. Landoll Company, LLC

“All rights reserved, including the right to reproduce this material or portions thereof in any form.”

