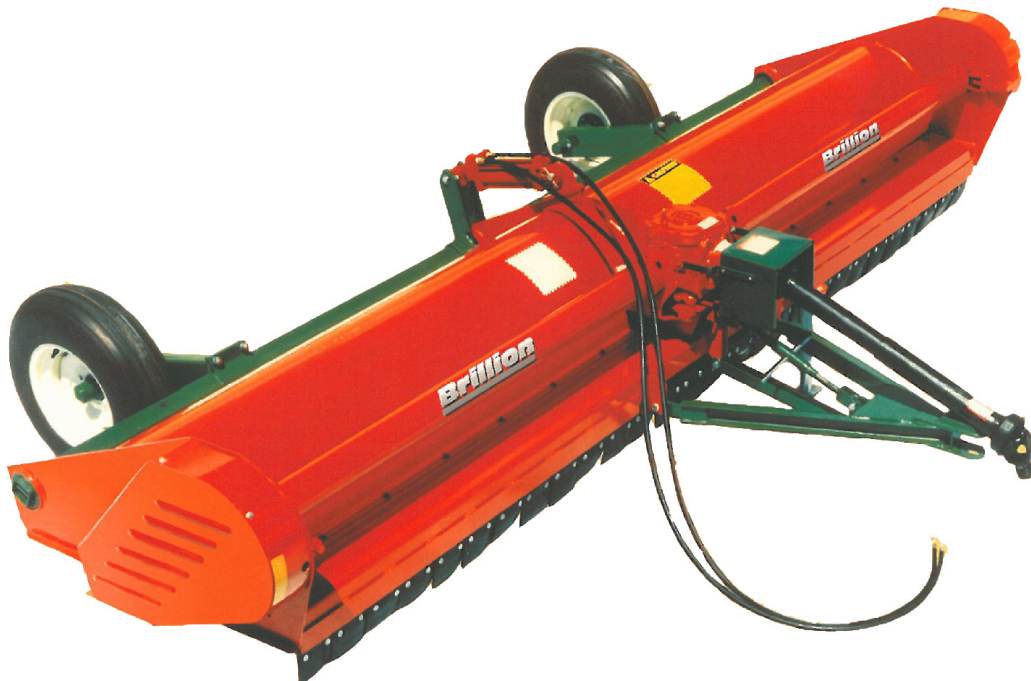




**Flail Shredder 12 and 15 ft
Models - 1446, 1446-1, 1806, and 1806-1
Series - FS, FSC, and FSB
Parts Manual**



LANDOLL CORPORATION

1900 North Street
Marysville, Kansas 66508
(785) 562-5381
800-428-5655 ~ WWW.LANDOLL.COM

Table of Contents

1 Illustrated Parts List

Instructions for Ordering Parts	1-1
Decals	1-2
Driveline to Frame Assembly	1-4
Wear Plate - Prior to 01/25/2008	1-6
Drawbar	1-8
Rotor to Frame Assembly	1-10
Rotor Assemblies, Slice and Cup, Left Hand	1-12
Rotor Assemblies, Slice and Cup, Right Hand	1-13
Rotor Assemblies, Cup, Left Hand	1-14
Rotor Assemblies, Cup, Right Hand	1-15
Rotor Assemblies, Slice	1-16
Knife Assembly, Cup	1-17
Knife Assembly, Slice	1-18
Center Cut Kit - Optional	1-19
PTO Guard	1-20
Gearbox Assembly, 540 RPM	1-22
Gearbox Assembly, 1000 RPM	1-24
PTO Assembly, 1000 RPM - Shredder Serial Number 202950 and Lower	1-26
PTO Assembly, 1000 RPM - Shredder Serial Number 202951 and Higher	1-28
PTO Assembly, 540 RPM	1-30
Hydraulic Components	1-32
Pulley Guards	1-34
Wheel Arm Assembly	1-36
Hub and Spindle Assembly	1-37
Wheel and Tire Assembly	1-38
Wheel Kit, Auxiliary - Optional	1-39
Warning Lights - 07/31/2013 and Prior	1-40
Warning Lights - 08/01/2013 and After	1-42
Hydraulic Cylinder, 3" X 8 - Cross	1-44
Hydraulic Cylinder, 3" X 8 - Prince	1-46

2 Numerical Index

3 Glossary

Illustrated Parts List

Instructions for Ordering Parts

**** Repair parts must be ordered through an authorized dealer ****

DEALER INSTRUCTIONS FOR ORDERING PARTS FROM LANDOLL PARTS DISTRIBUTION CENTER

PHONE #: 800-423-4320 OR 785-562-5381

FAX #: 888-527-3909

ORDER ONLINE: companystore.landoll.com

IDENTIFICATION PLATE

See Figure 1-1 for the Identification Plate, which lists the model and serial number of the equipment. It is located on the right side of the Flail Shredder.

SERIAL NUMBER NOMENCLATURE

The serial number for the Flail Shredder is located on the identification plate. The following information will help decode the Landoll serial number.

FLD1200100 = xxmysssss

xx	= model series (i.e. "FL" for all Flail Shredders)
m	= month of manufacture (ex. "D" means April. The letter "I" is not used.)
yy	= year manufactured (ex. "13" means 2013)
sssss	= Sequential number used to track warranty and service information.

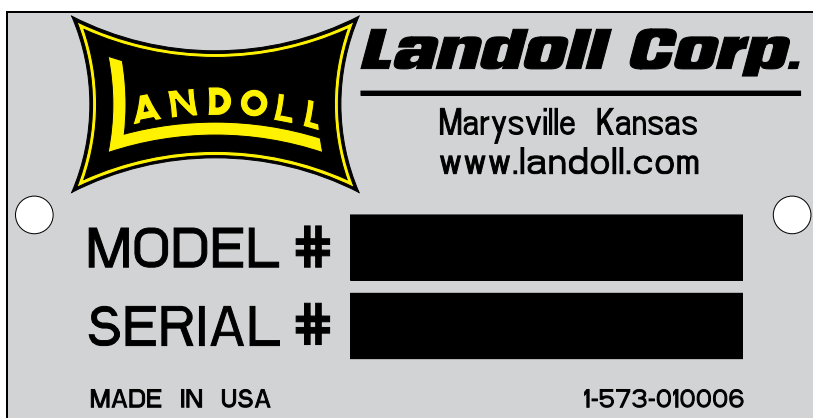


Figure 1-1: Identification Plate

ILLUSTRATED PARTS LIST

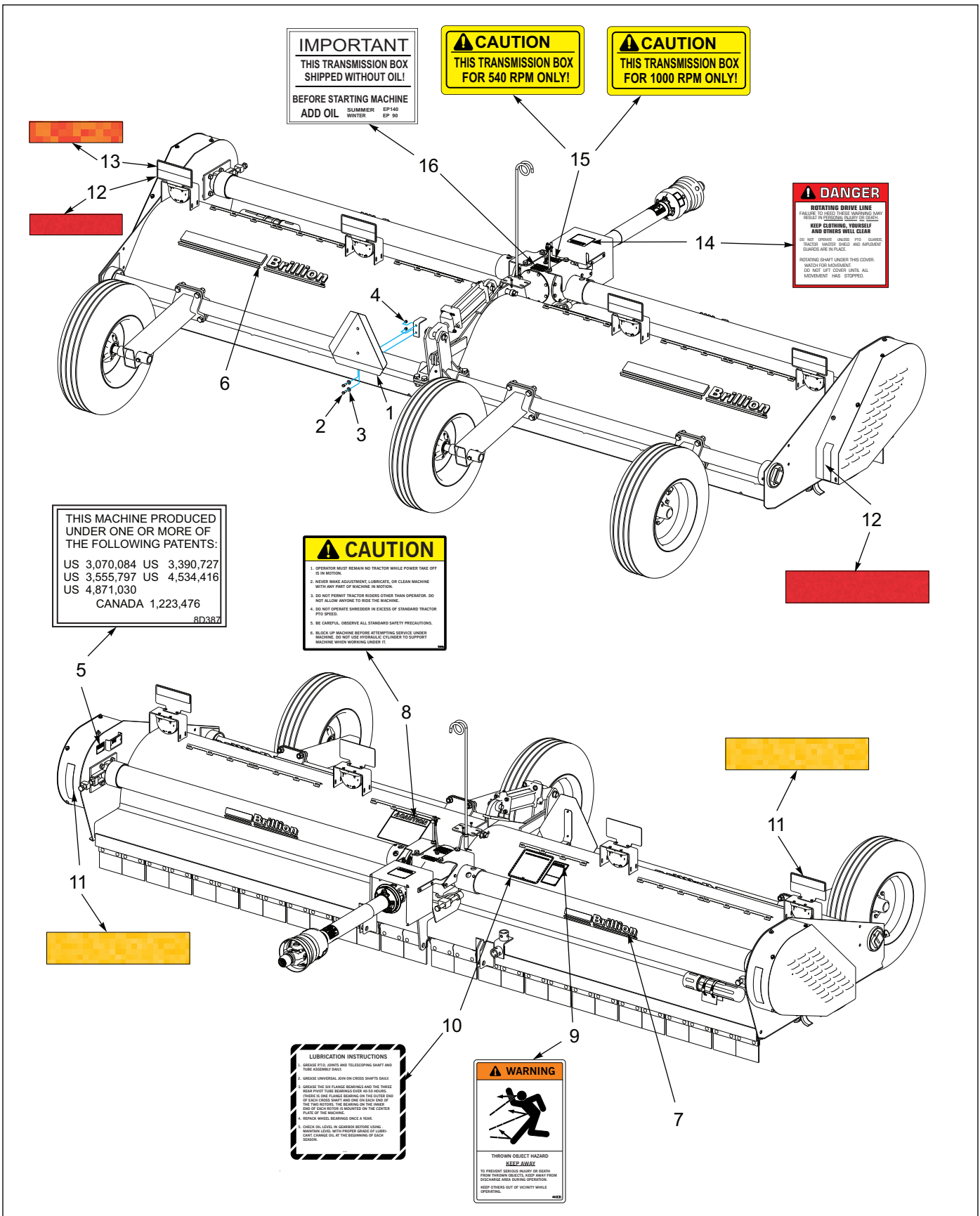


Figure 1-2: Decals

Decals

ITEM	PART NUMBER	DESCRIPTION	QTY.
1	2P151	SMV W/BACKET	1
2	1-654-010049-05	SCREW HX CP 5/16-18UNCX1 GR5	2
3	1-861-010032-09	WASHER, FLAT 5/16 W ZP/CD	2
4	104032	NUT,HX SLF-LKG W/MYL 5/16-18	2
5	8D387	"PATENT" DECAL	1
6	4K039	DECAL-BRILLION (3 1/2 X 40)	2
7	4K036	DECAL-BRILLION (2 3/4 X 20)	2
8	5D006	"CAUTION" DECAL	1
9	4K031	DECAL-THROWN OBJECTS WARNING	1
10	8J273	"LUBE" DECAL	1
11	528934	REFLECTOR - YELLOW	4
12	528933	REFLECTOR - RED (BOTTOM)	6
13	528938	STRIPE, ORANGE (TOP)	4
14	2J099	"DANGER" DECAL	1
15	5D019	DECAL - CAUTION (540 RPM)	1
15	5D020	"CAUTION" DECAL (1000 RPM)	1
16	9C594	LUBE STICKER	1

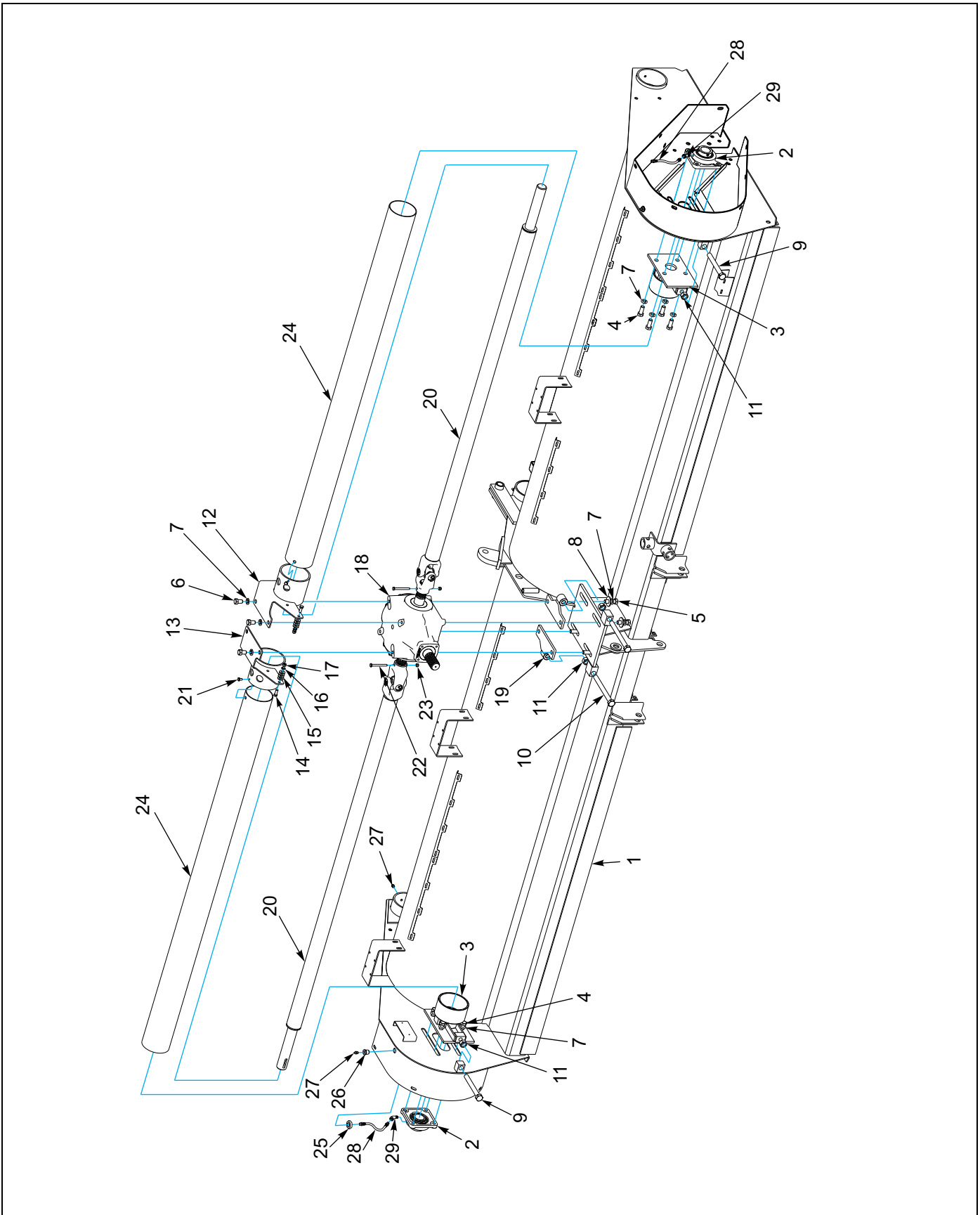


Figure 1-3: Driveline to Frame Assembly

Driveline to Frame Assembly

ITEM	PART NUMBER	DESCRIPTION	QTY.	
			12'	15'
1	3K644	MAIN FRAME - 12' FLAIL	1	
1	3K664	MAIN FRAME - 15' FLAIL		1
2	1K308	BEARING ASSEMBLY (FLANGE BEARING - 1 3/4 TAP)	2	2
3	8J220	BELT ADJ. PLATE WLDMT	2	2
4	1-654-010059-03	SCREW 5/8-11UNCX1-1/2 HXCP G5	8	8
5	1-654-010059-05	SCREW, HEX CAP, 5/8-11UNCX2 GR5	4	4
6	1-654-010059-01	SCREW,HX CP, 5/8-11UNCX1 GR5	4	4
7	1-861-010034-15	WASHER,LKG,HLCL SPR,5/8	16	16
8	1-861-010032-19	WASHER,FLAT 5/8W ZP/CD	4	4
9	5D410	HHCS (3/4-10 X 6-1/2 GR2, ZP)	2	2
10	5D411	HHCS (3/4-10 X 8 GR2, ZP)	2	2
11	1-512-010007-12	NUT, HEX 3/4-10 GR2 ZP	4	4
12	3K079	LH BRACKET	1	1
13	3K080	RH BRACKET	1	1
14	1-654-010051-05	SCREW, HEX CAP 3/8-16UNCX1 GR5	2	2
15	1-861-010032-11	WASHER, FLAT 3/8 W ZP/CD	8	8
16	1-861-010034-11	WASHER, LKG HLCL SPR, 3/8	2	2
17	1-512-010007-07	NUT, HEX 3/8-16 ZP	2	2
18	3K099	1000 RPM BOX ASSEMBLY	1	1
18	3K098	540 RPM GEARBOX ASSEMBLY	1	1
19	3K648	GEARBOX ADJ. WELDMENT	2	2
20	7D216	DRIVE SHAFT ASSEMBLY (INCLUDES ITEM 22)	2	
20	7D213	DRIVE SHAFT (INCLUDES ITEM 22)		2
21	1-654-010049-01	SCREW, HEX CAP, 5/16-18UNCX1/2	2	2
22	103464	SCREW HEX CAP 5/16-18UNCX3 GR5	2	2
23	104032	NUT,HX SLF-LKG W/MYL 5/16-18	2	2
24	8J223	SHIELD TUBE	2	
24	8J266	SHIELD TUBE		2
25	1K306	LOCKNUT MALLEABLE 1/2X1-3/16	2	2
26	1K307	PIPE BUSHING (08MP X 02MP)	2	2
27	5000	ZERK FITTING 1/8NPT	5	5
28	1K305	GREASE HOSE	2	2
29	118-1241	ELBOW,45 STREET-1/8 NPT BLKI.	2	2

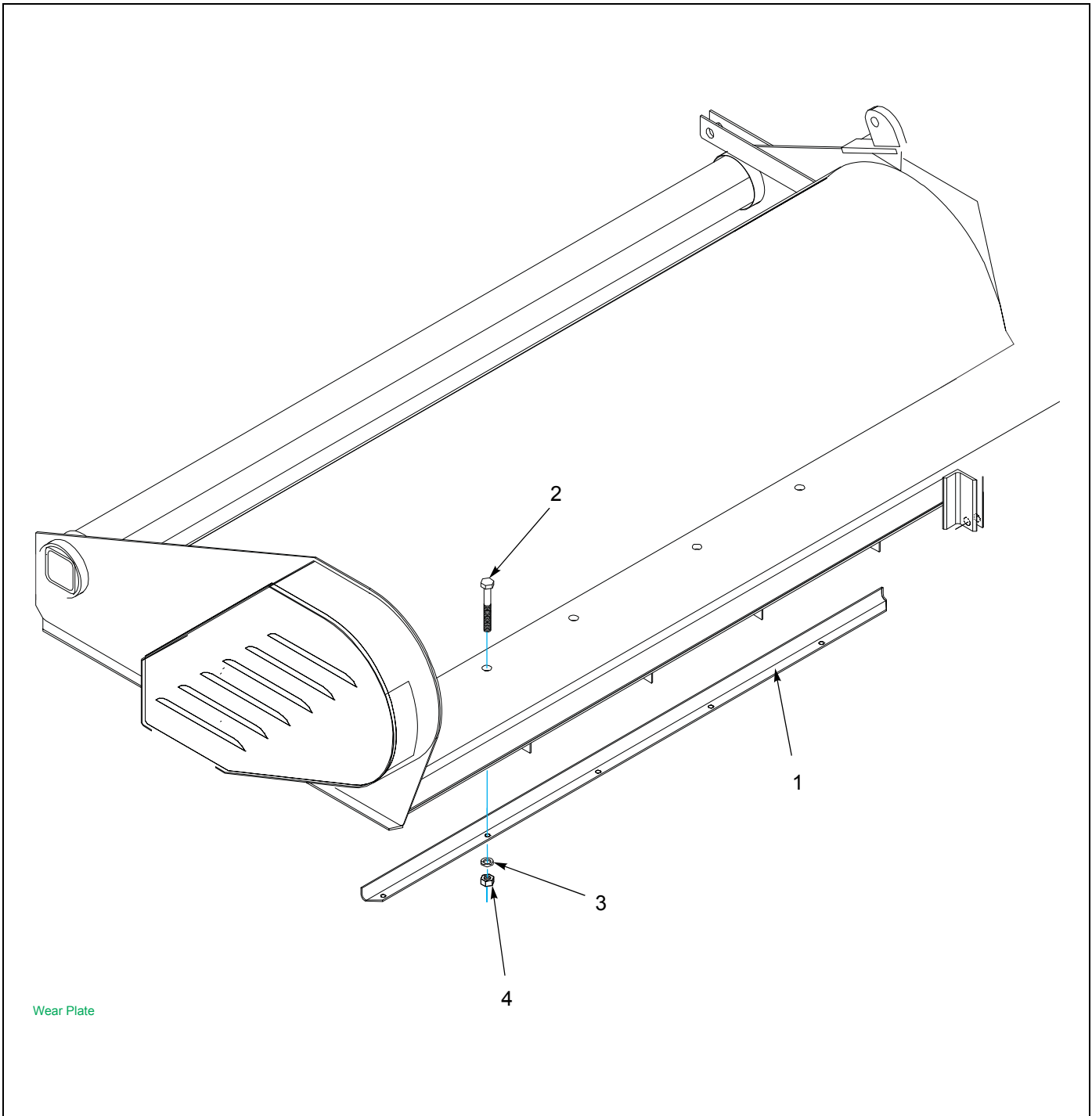


Figure 1-4: Wear Plate - Prior to 01/25/2008

Wear Plate - Prior to 01/25/2008

ITEM	PART NUMBER	DESCRIPTION	QTY.	
			12'	15'
1	4D620	WEAR PLATE		2
1	4D528	WEAR PLATE	2	
2	1-654-010055-01	SCR,HX CP 1/2-13UNCX1 GR5	12	16
3	1-861-010034-13	WASHER, LKG HLCL SPR, 1/2	12	16
4	1-512-010007-09	NUT, HEX 1/2-13 ZP	12	16

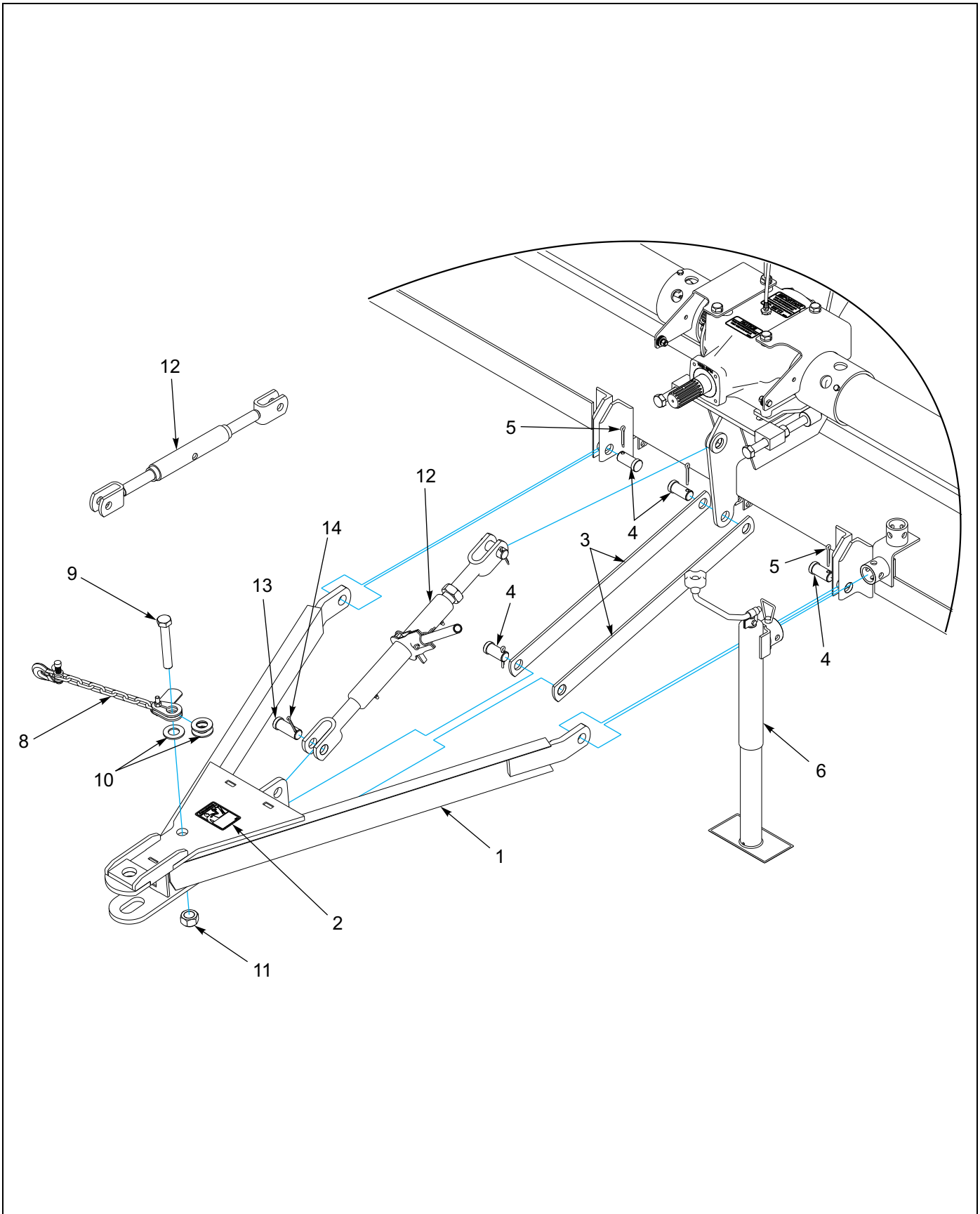


Figure 1-5: Drawbar

Drawbar

ITEM	PART NUMBER	DESCRIPTION	QTY.
1	4D543	FRONT HITCH ASSEM (INCLUDES ITEM 2)	1
2	3K706	DECAL-WARNING HYDRAULIC LEAKS	1
3	4D557	FRONT DRAWBAR LINK	2
4	4D983	CLEVIS PIN (1.0 X 2.0)	4
5	1/4X1-1/2	COTTER PIN	4
6	3J880	DRAWBAR JACK (INCLUDES ITEM 7)	1
7	6K458	9/16 JACK PIN W/CHAIN & SCREW	1
8	141433	SAFETY CHAIN 11,000LB	1
9	100829	SCREW,HEX CAP, 1-8X6-1/2,GR5	1
10	1-861-010032-24	WASHER FL 1IN NARROW ZP	3
11	1-512-010005-19	NUT 1-8 HEX SLF-LOCKING GRB	1
12	8J206	TURNBUCKLE-REPLACED BY 7J237 (01/25/1990 AND PRIOR)	1
12	7J237	RATCHET JACK (WITH HANDLE) (INCLUDES ITEMS 13 AND 14) (01/26/1990 AND AFTER)	1
13	8D099	CLEVIS PIN (1.0 X 2.5)	2
14	110-4224	PIN,COTTER-3/16 X 2IN LG	2

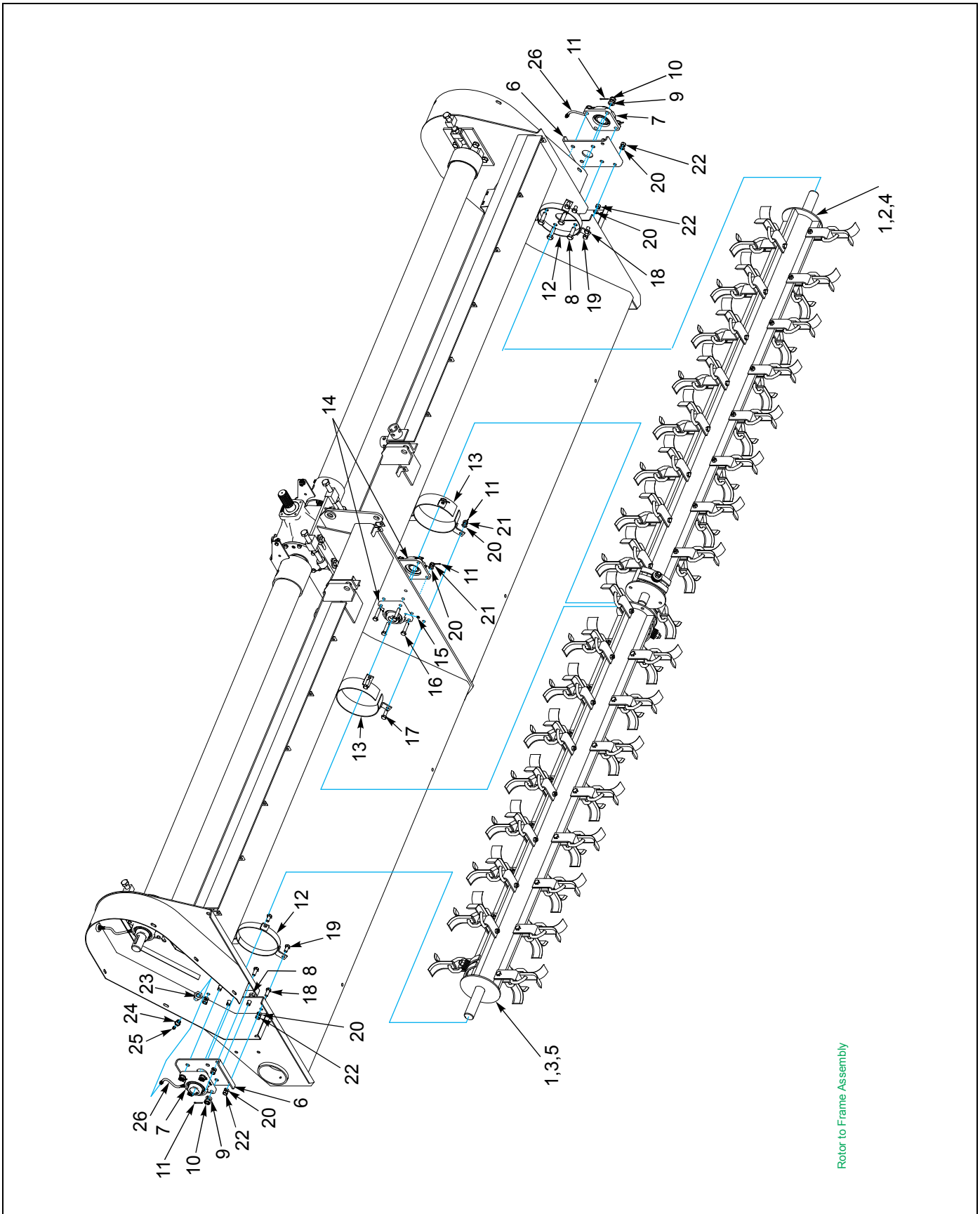


Figure 1-6: Rotor to Frame Assembly

Rotor to Frame Assembly

ITEM	PART NUMBER	DESCRIPTION	QTY.	
			12'	15'
1	9D920	FLAIL ASSEMBLY 72 IN (SLICE) (SEE PAGE 1-16)	2	
1	9D919	FLAIL ASSEMBLY 90 IN (SLICE) (SEE PAGE 1-16)		2
2	8J759	FLAIL ASSY CUP L.H. 72" (SEE PAGE 1-14)	1	
2	8J757	FLAIL ASSY CUP L.H. 90" (SEE PAGE 1-14)		1
3	8J760	FLAIL ASSY CUP R.H. 72" (SEE PAGE 1-14)	1	
3	8J758	FLAIL ASSY CUP R.H. 90" (SEE PAGE 1-14)		1
4	1K171	FLAIL ASM, SLICE & CUP 72" LH (SEE PAGE 1-12)	1	
4	1K169	FLAIL ASM, SLICE & CUP 90" LH (SEE PAGE 1-12)		1
5	1K172	FLAIL ASM, SLICE & CUP 72" RH (SEE PAGE 1-12)	1	
5	1K170	FLAIL ASM, SLICE & CUP 90" RH (SEE PAGE 1-12)		1
6	4D564	END PLATE STIFFENER	2	2
7	1K309	BEARING ASSEMBLY (1 3/4)	2	2
8	4D538	CAPSCREW DRILLED (5/8-11 X 2)	8	8
9	1-861-010034-15	WASHER,LKG,HLCL SPR,5/8	8	8
10	4D529	SLOTTED NUT 5/8-11 ZP A	8	8
11	110-0351	COTTER PIN 1/8X1-1/4 ZP	15	15
12	4D579	END BEARING SHIELD ASSEMBLY	2	2
13	4D581	CENTER BRG, SHIELD ASSEMBLY	2	2
14	4D645	FLANGE BEARING (1-1/2 FLANGE 4 BLT) (INCLUDES ITEM 15)	2	2
15	1-298-010001-1	ZERK FITTING 1/4 SAE (AFTER 11/15/2011)	1	1
15	5000	ZERK FITTING 1/8NPT (PRIOR TO 11/15/2011)	1	1
16	8D350	CAPSCREW - DRILLED (1/2-13 X 2-1/4, GR8)	4	4
17	4C437	CAP SCREW - DRILLED (1/2-13 X 1-1/2, GR2)	3	3
18	1-654-010055-02	SCREW 1/2-13UNCX1-1/4 CP GR5	4	4
19	1-654-010055-01	SCR,HX CP 1/2-13UNCX1 GR5	6	6
20	1-861-010034-14	WASHER, LKG HLCL SPR, 1/2	17	17
21	2C290	NUT HEX SLOT 1/2-13	7	7
22	1-512-010007-09	NUT, HEX 1/2-13 ZP	10	10
23	1K306	LOCKNUT MALLEABLE 1/2X1-3/16	2	2
24	1K307	PIPE BUSHING (REDUCER, 08MPX02MP)	2	2
25	5000	ZERK FITTING 1/8NPT	2	2
26	1K305	GREASE HOSE	2	2

ILLUSTRATED PARTS LIST

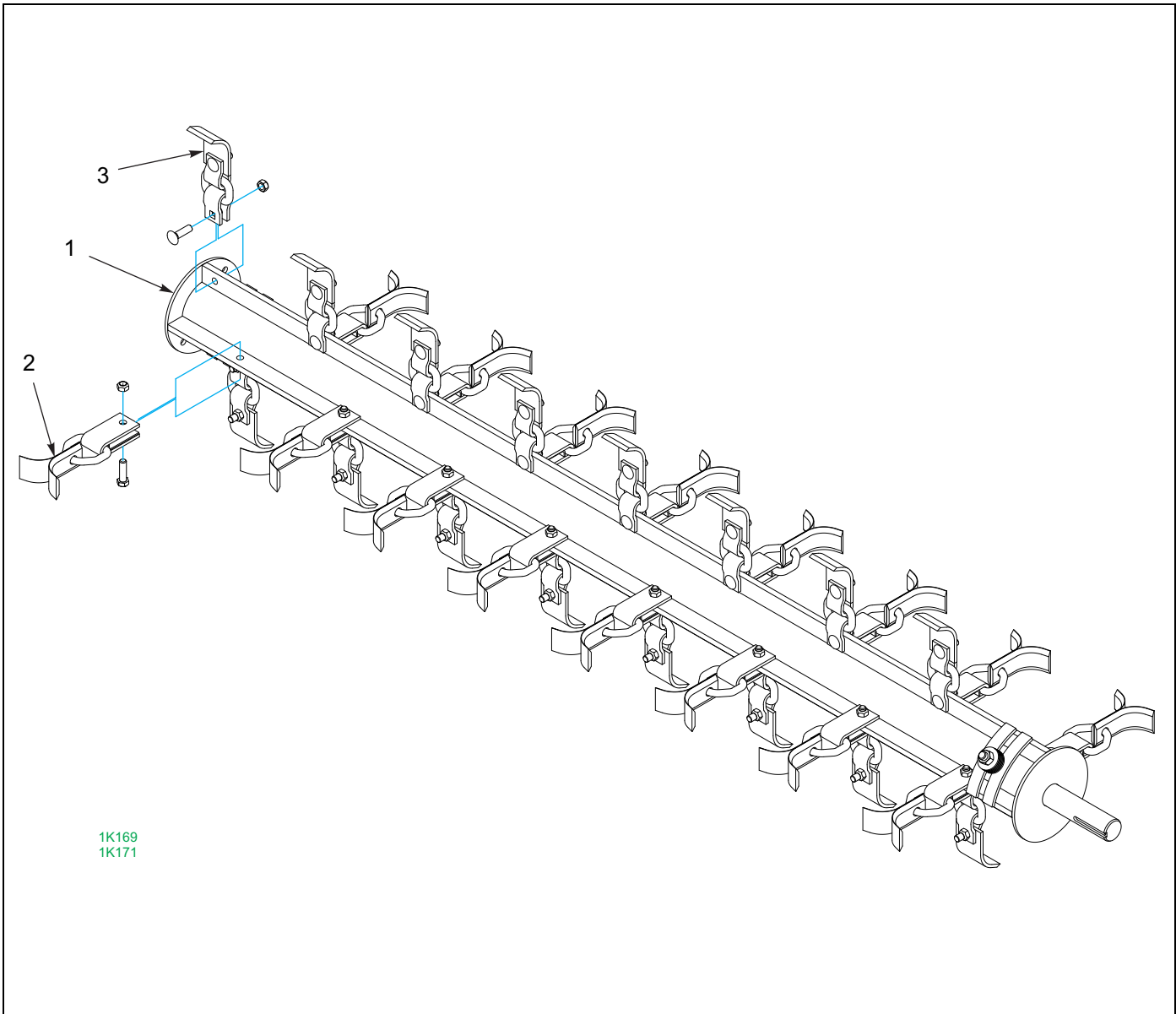


Figure 1-7: Rotor Assemblies, Slice and Cup, Left Hand

Rotor Assembly, Slice and Cup - Left Hand - 12'

ITEM	PART NUMBER	DESCRIPTION	QTY.
	1K171	FLAIL ASM, SLICE & CUP 72" LH	1
1	9D913	FLAIL ROTOR ASSEMBLY (72')	1
2	4D602	KNIFE ASSEMBLY (SEE PAGE 1-18)	12
3	8J807	KNIFE ASSEMBLY (SEE PAGE 1-17)	12

Rotor Assembly, Slice and Cup - Left Hand - 15'

ITEM	PART NUMBER	DESCRIPTION	QTY.
	1K169	FLAIL ASM, SLICE & CUP 90" LH	1
1	9D912	FLAIL ROTOR ASSEMBLY 90 IN	1
2	4D602	KNIFE ASSEMBLY (SEE PAGE 1-18)	16
3	8J807	KNIFE ASSEMBLY (SEE PAGE 1-17)	16

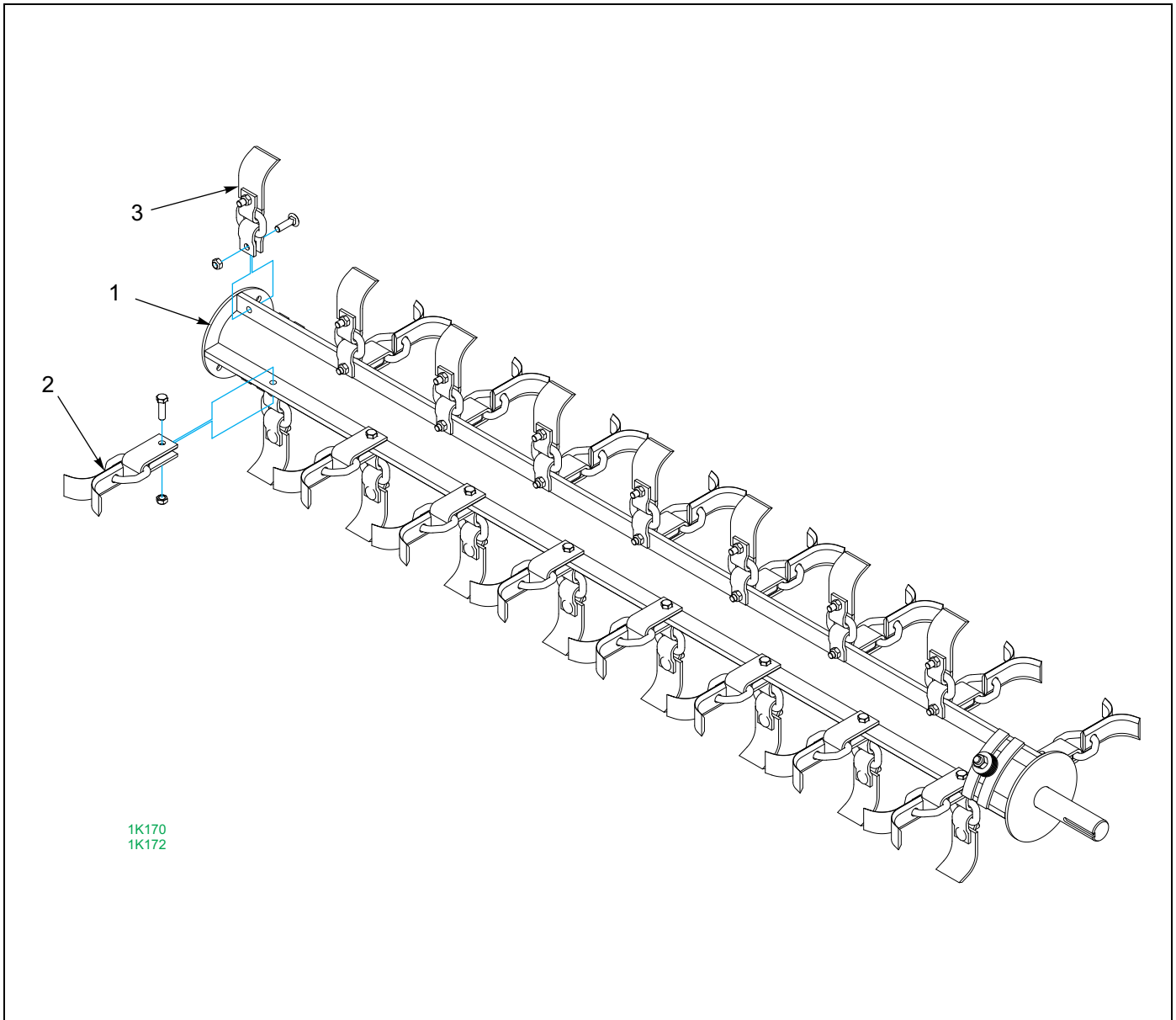


Figure 1-8: Rotor Assemblies, Slice and Cup, Right Hand

Rotor Assembly, Slice and Cup - Right Hand - 12'

ITEM	PART NUMBER	DESCRIPTION	QTY.
	1K172	FLAIL ASM, SLICE & CUP 72" RH	1
1	9D913	FLAIL ROTOR ASSEM (72')	1
2	4D602	KNIFE ASSEMBLY (SEE PAGE 1-18)	12
3	8J807	KNIFE ASSEMBLY (SEE PAGE 1-17)	12

Rotor Assembly, Slice and Cup - Right Hand - 15'

ITEM	PART NUMBER	DESCRIPTION	QTY.
	1K170	FLAIL ASM, SLICE & CUP 90" RH	1
1	9D912	FLAIL ROTOR ASSEM 90 IN	1
2	4D602	KNIFE ASSEMBLY (SEE PAGE 1-18)	16
3	8J807	KNIFE ASSEMBLY (SEE PAGE 1-17)	16

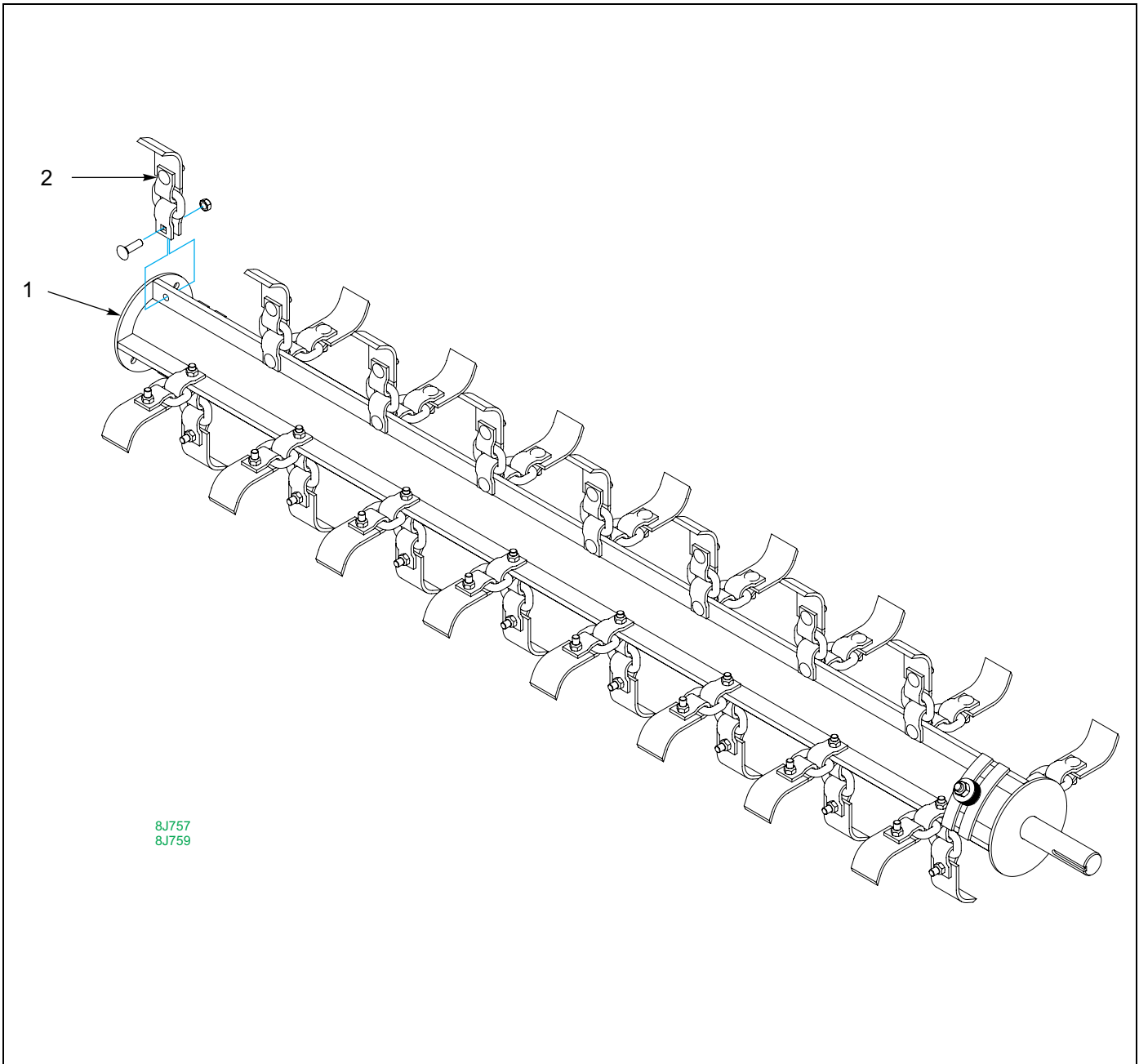


Figure 1-9: Rotor Assemblies, Cup, Left Hand

Rotor Assembly, Cup - Left Hand - 12'

ITEM	PART NUMBER	DESCRIPTION	QTY.
	8J759	FLAIL ASSY CUP L.H. 72"	1
1	9D913	FLAIL ROTOR ASSEMBLY (72")	1
2	8J807	KNIFE ASSEMBLY (SEE PAGE 1-17)	24

Rotor Assembly, Cup - Left Hand - 15'

ITEM	PART NUMBER	DESCRIPTION	QTY.
	8J757	FLAIL ASSY CUP L.H. 90"	1
1	9D912	FLAIL ROTOR ASSEM 90 IN	1
2	8J807	KNIFE ASSEMBLY (SEE PAGE 1-17)	32

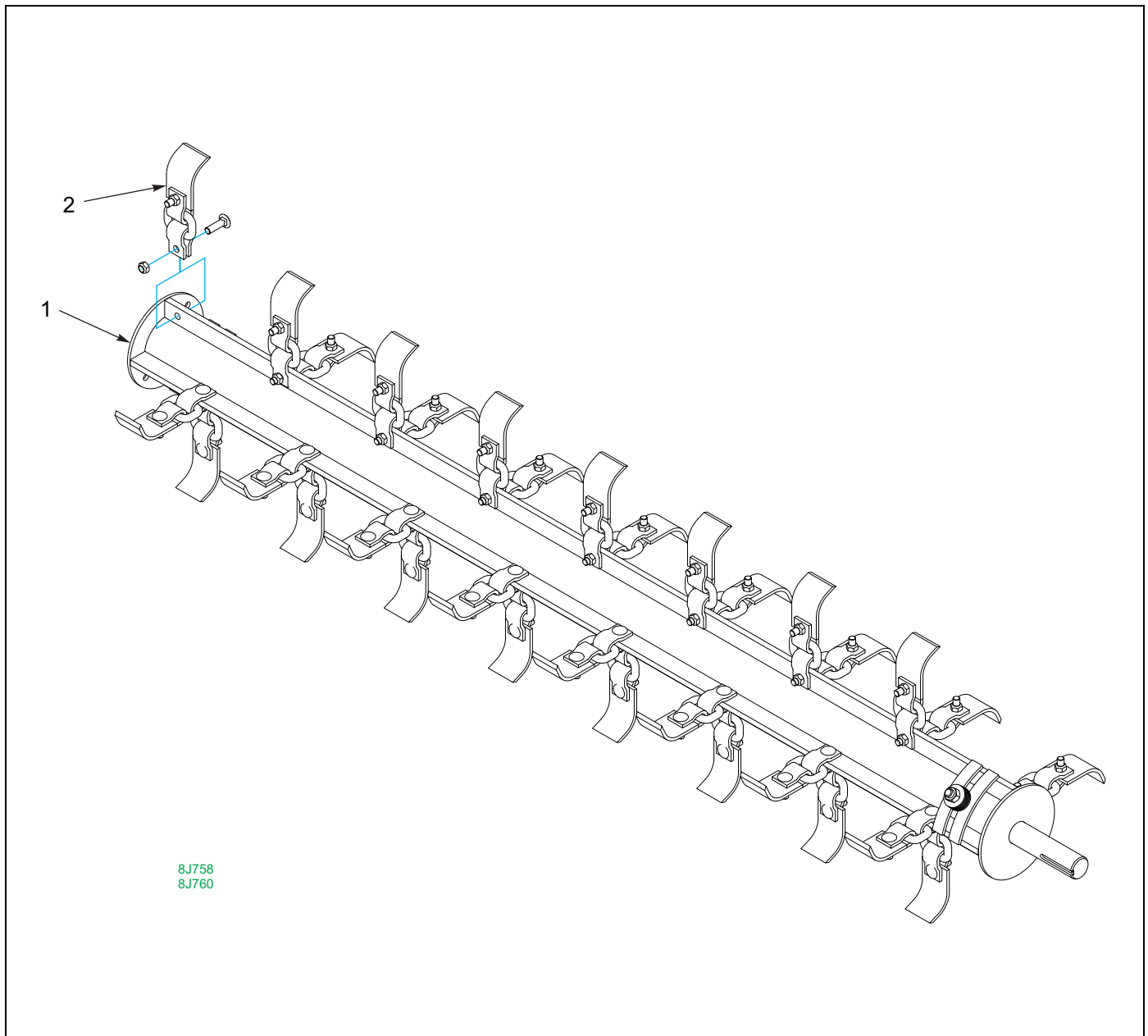


Figure 1-10: Rotor Assemblies, Cup, Right Hand

Rotor Assembly, Cup - Right Hand -12'

ITEM	PART NUMBER	DESCRIPTION	QTY.
	8J760	FLAIL ASSY CUP L.H. 72"	1
1	9D913	FLAIL ROTOR ASSEMBLY (72")	1
2	8J807	KNIFE ASSEMBLY (SEE PAGE 1-17)	24

Rotor Assembly, Cup - Right Hand - 15'

ITEM	PART NUMBER	DESCRIPTION	QTY.
	8J758	FLAIL ASSY CUP R.H. 90"	1
1	9D912	FLAIL ROTOR ASSEM 90 IN	1
2	8J807	KNIFE ASSEMBLY (SEE PAGE 1-17)	32

ILLUSTRATED PARTS LIST

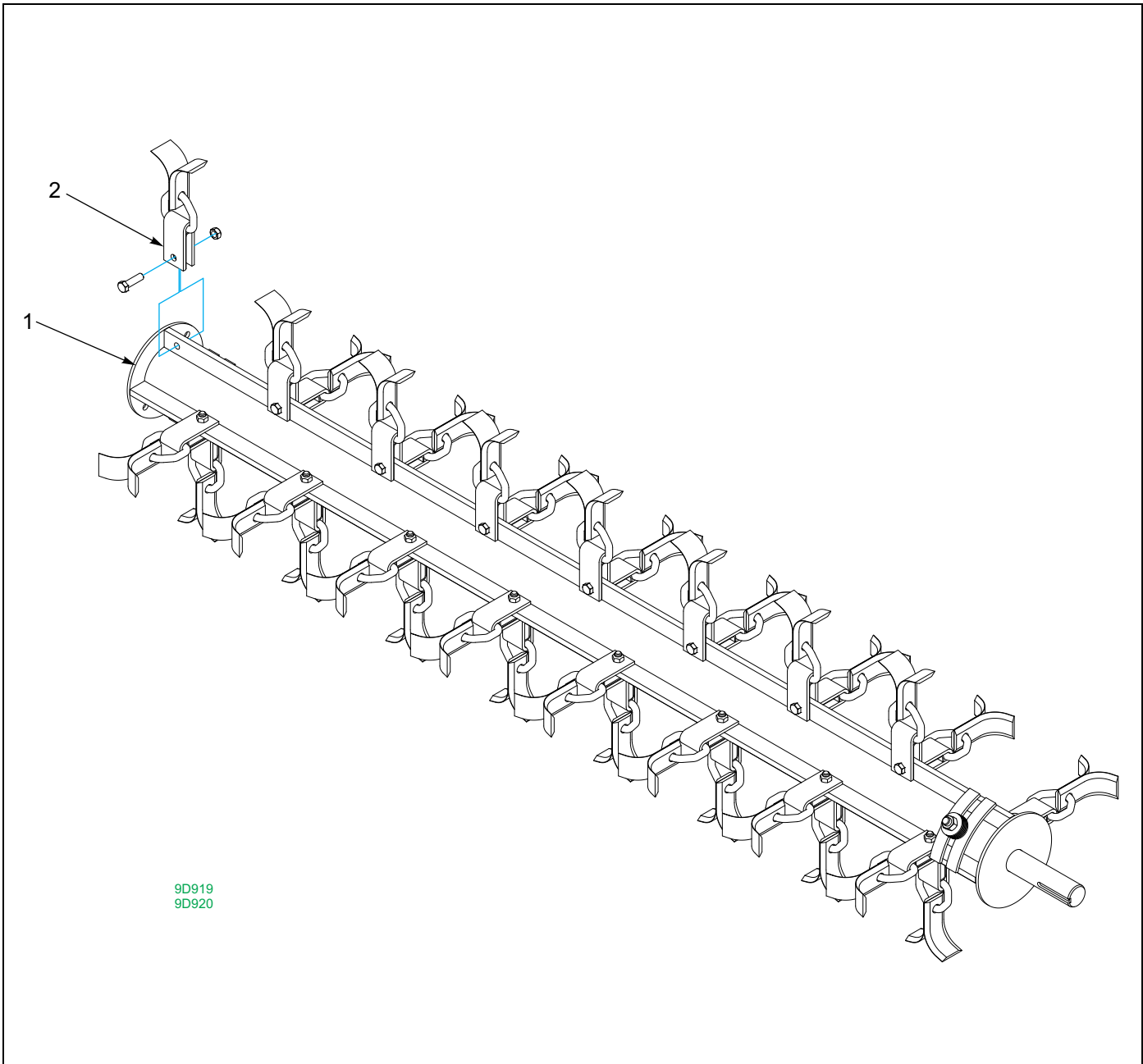


Figure 1-11: Rotor Assemblies, Slice

Rotor Assembly, Slice - 12'

ITEM	PART NUMBER	DESCRIPTION	QTY.
	9D920	FLAIL ASSEMBLY 72 IN	2
1	9D913	FLAIL ROTOR ASSEMBLY (72")	1
2	4D602	KNIFE ASSEMBLY (SEE PAGE 1-18)	24

Rotor Assembly, Slice - 15'

ITEM	PART NUMBER	DESCRIPTION	QTY.
	9D919	FLAIL ASSEMBLY 90 IN	2
1	9D912	FLAIL ROTOR ASSEM 90 IN	1
2	4D602	KNIFE ASSEMBLY (SEE PAGE 1-18)	32

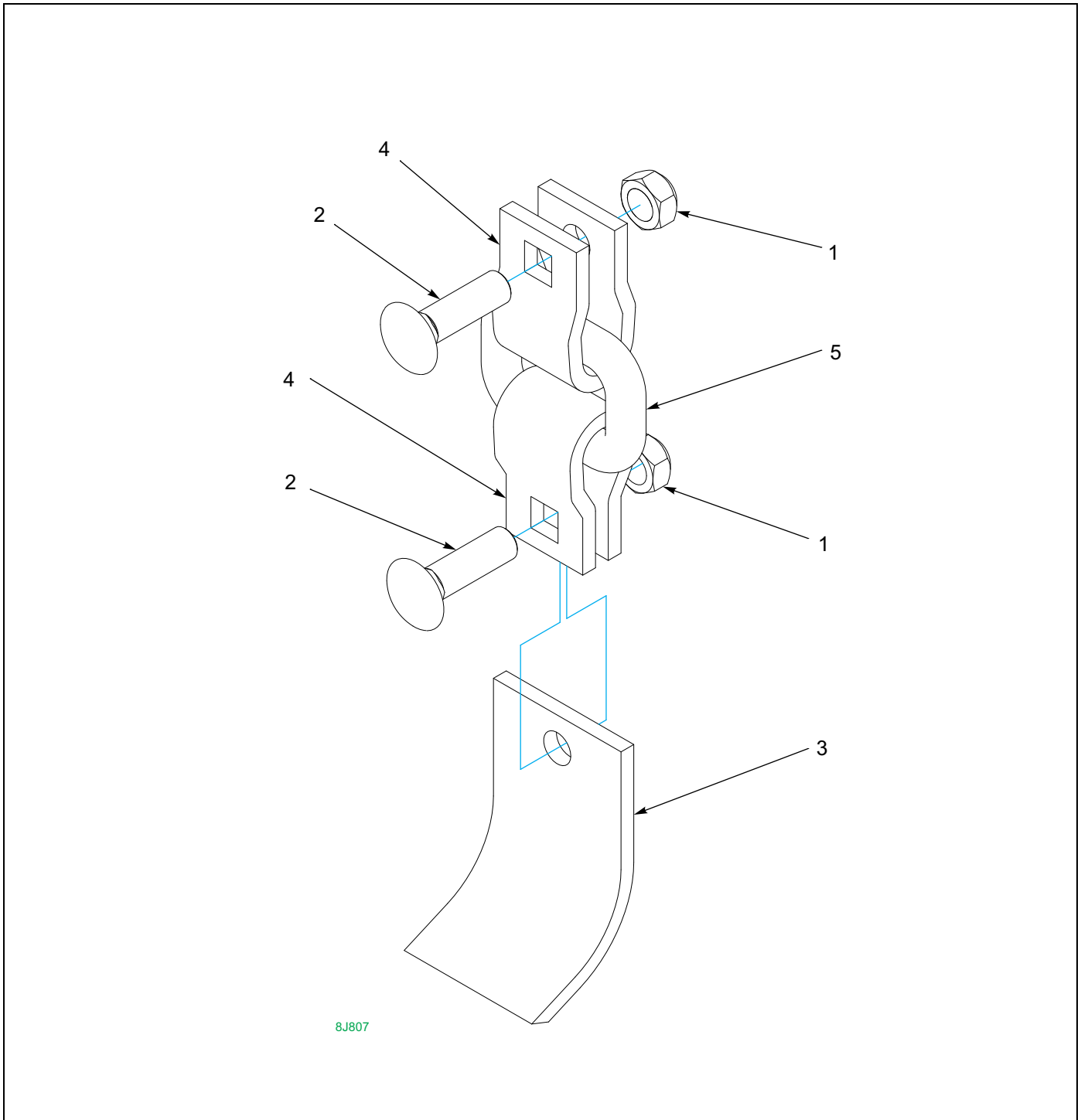


Figure 1-12: Knife Assembly, Cup

Knife Assembly, Cup

ITEM	PART NUMBER	DESCRIPTION	QTY.
	8J807	KNIFE ASSEMBLY	
1	1-512-010005-09	NUT, HEX, SLFLKG, 1/2-13 GRB	2
2	1-654-010070-04	SCREW RDHD SQNK 1/2-13X1-3/4	2
3	8J754	CUP KNIFE	1
4	8J756	U-BAR	2
5	8J755	SQUARE RING	1

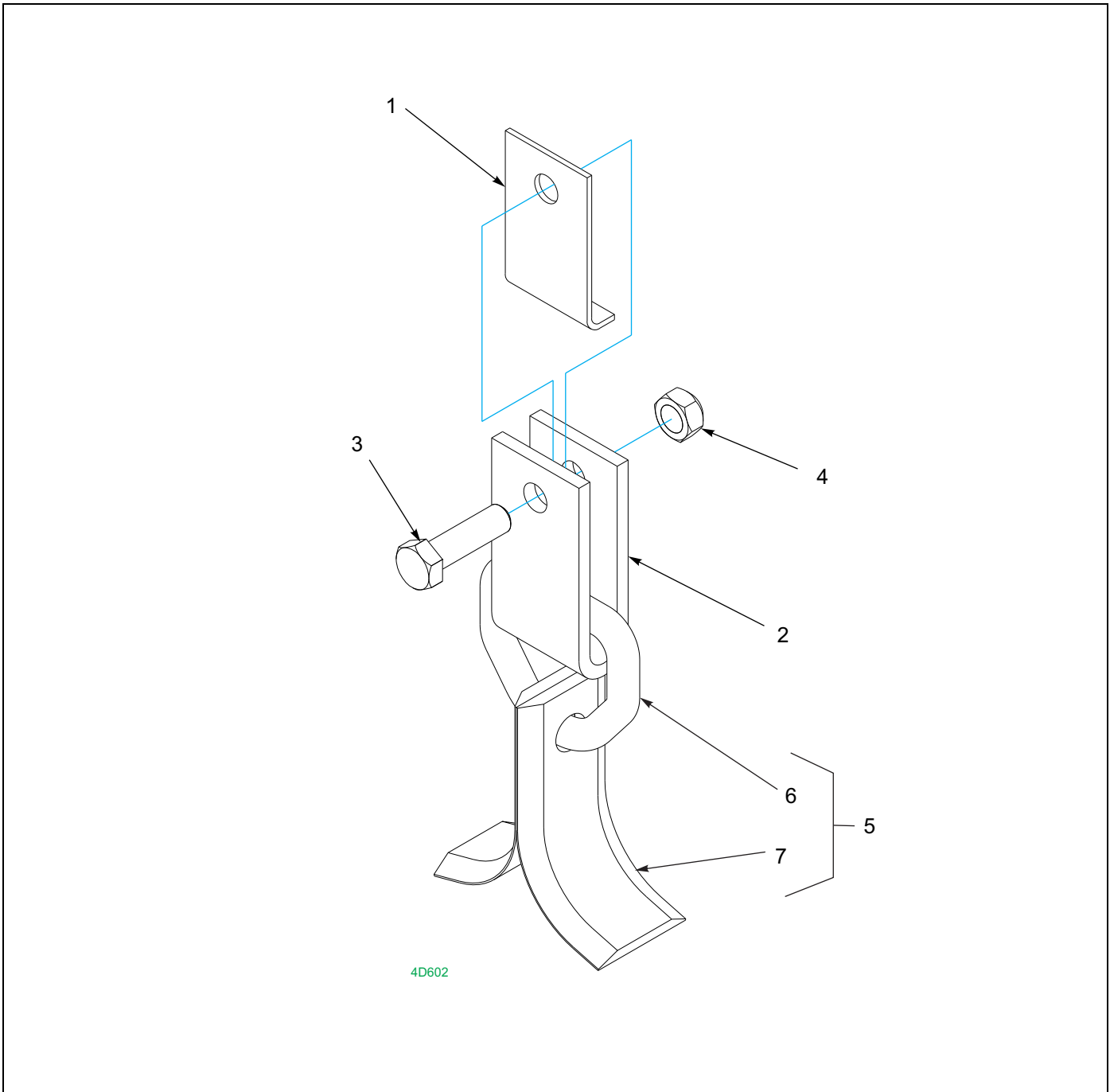


Figure 1-13: Knife Assembly, Slice

Knife Assembly, Slice

ITEM	PART NUMBER	DESCRIPTION	QTY.
	4D602	KNIFE ASSEMBLY	
1	5D333	RETAINER	1
2	5D054	U BRACKET	1
3	1-654-010055-04	SCREW, HEX CAP, 1/2-13UNCX1-3/4	1
4	1-512-010005-09	NUT, HEX SLFLKG, 1/2-13 GRB	1
5	5D183	D RING KNIFE ASSY (INCLUDES ITEMS 6 AND 7)	1
6	5D052	D RING	1
7	5D053	KNIFE, SIDE SLICE	1

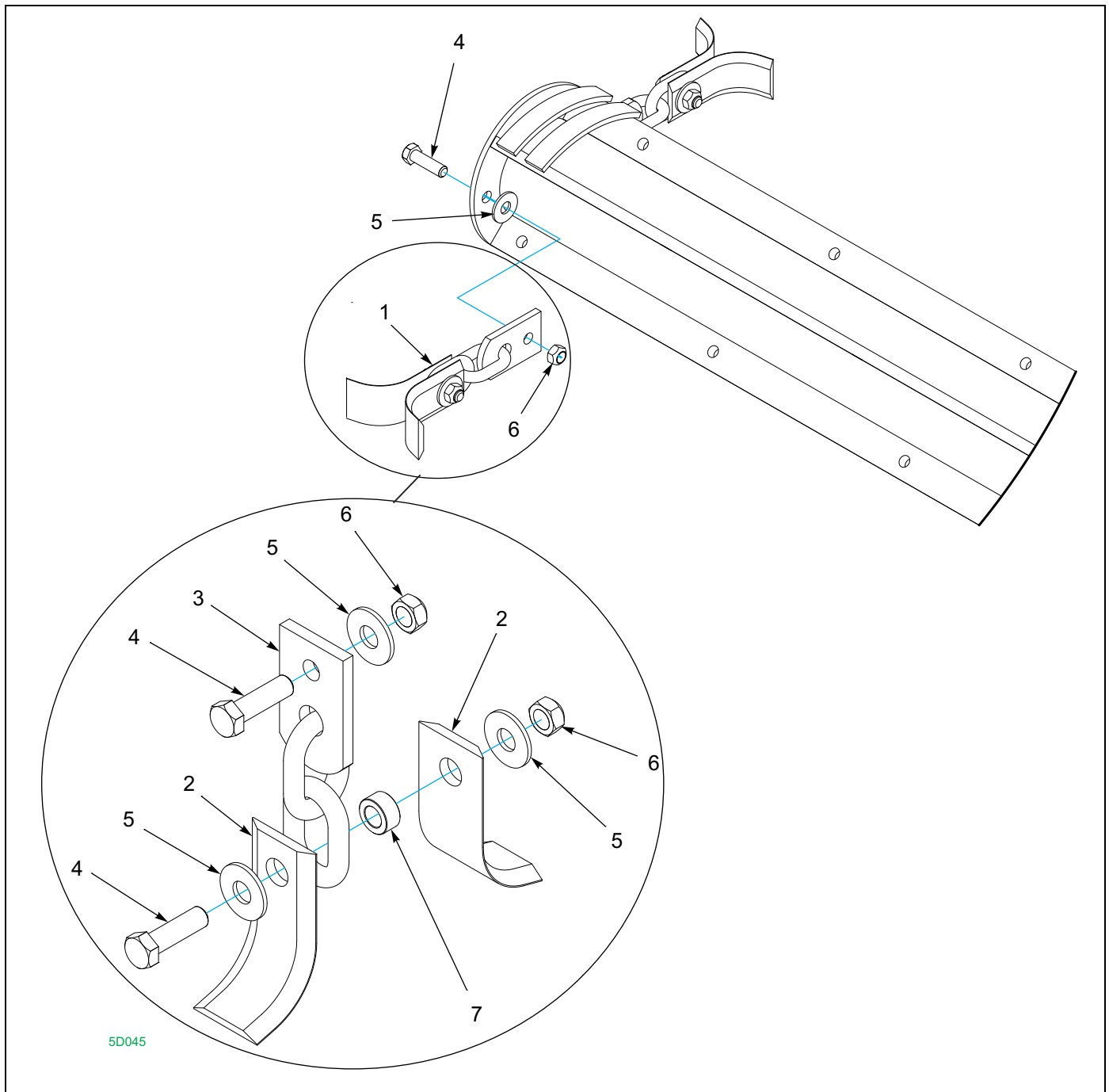


Figure 1-14: Center Cut Kit - Optional

Center Cut Kit - Optional

ITEM	PART NUMBER	DESCRIPTION	QTY.
	5D045	CENTER CUT KIT	
1	5D044	CENTER CUT ASSEMBLY (INCLUDES ITEMS 2-7)	4
2	5D053	KNIFE SIDE SLICE	8
3	5D076	2 LINK CHAIN ASSEMBLY	4
4	1-654-010055-04	SCREW, HEX CAP, 1/2-13UNCX1-3/4	8
5	1-861-010032-15	WASHER, FLAT 1/2 W ZP/CD	12
6	1-512-010005-09	NUT,HEX,SLFLKG, 1/2-13 GRB	8
7	8J930	SPACER	4

ILLUSTRATED PARTS LIST

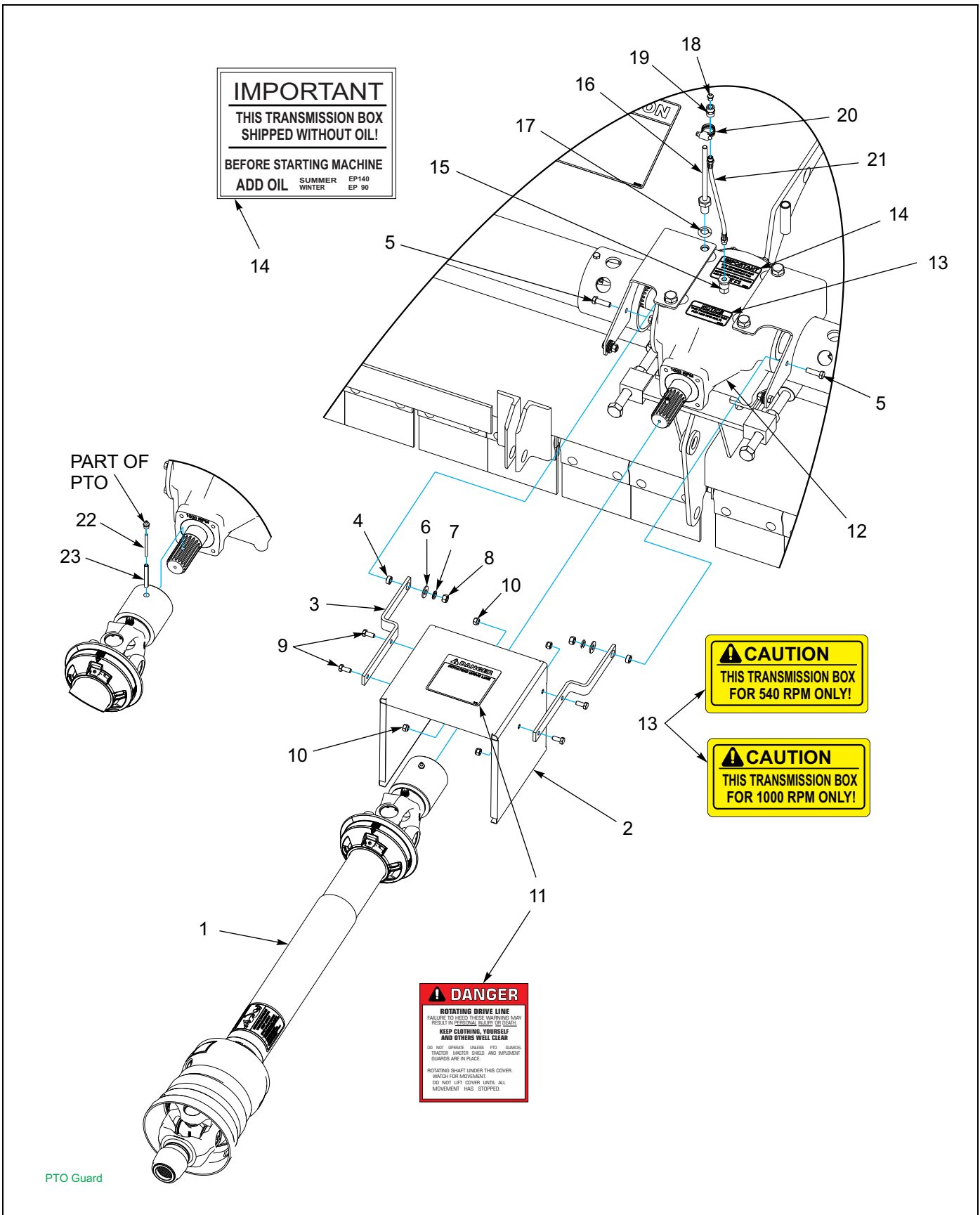


Figure 1-15: PTO Guard

PTO Guard

ITEM	PART NUMBER	DESCRIPTION	QUANTITY	
			540 RPM	1000 RPM
1	9K726	PTO ASSEM 540 RPM (SEE PAGE 1-30)	1	
1	2P775	PTO ASM-1000 RPM REPLD 9K727 (SEE PAGE 1-28)		1
2	7D020	SHIELD	1	1
3	7D019	ARM	2	2
4	1D991	BUSHING	2	2
5	1-654-010051-06	SCREW, HEX CAP 3/8-16UNCX1-1/4	2	2
6	1-861-010032-11	WASHER, FLAT 3/8 W ZP/CD	2	2
7	1-861-010034-11	WASHER, LKG HLCL SPR, 3/8	2	2
8	1-512-010007-07	NUT, HEX 3/8-16 ZP	2	2
9	1-654-010049-03	SCREW HX CP 5/16-18X3/4GR5	4	4
10	104032	NUT,HX SLF-LKG W/MYL 5/16-18	4	4
11	2J099	"DANGER" DECAL	1	1
12	3K098	540 RPM GEARBOX ASSEMBLY (SEE PAGE 1-22)	1	
12	3K099	1000 RPM BOX ASSEMBLY (SEE PAGE 1-22)		1
13	5D019	DECAL - CAUTION (540 RPM)	1	
13	5D020	"CAUTION" DECAL (1000 RPM)		1
14	9C594	LUBE STICKER	1	1
15	3D978	PIPE REDUCER BUSHING (08MP X 02MP)	1	1
16	3K083	ROD WELDMENT	1	1
17	1-861-010034-15	WASHER,LKG,HLCL SPR,5/8	1	1
18	3K371	PRESSURE VENT	1	1
19	3K089	PIPE COUPLING (1/8)	1	1
20	3K090	HOSE CLAMP (4-1/2 IDEAL #5264)	1	1
21	1K305	GREASE HOSE	1	1
22	2C733	ROLL PIN 3/16X2-1/2	1	1
23	9J206	5/16X2-1/2 ROLL PIN	1	1

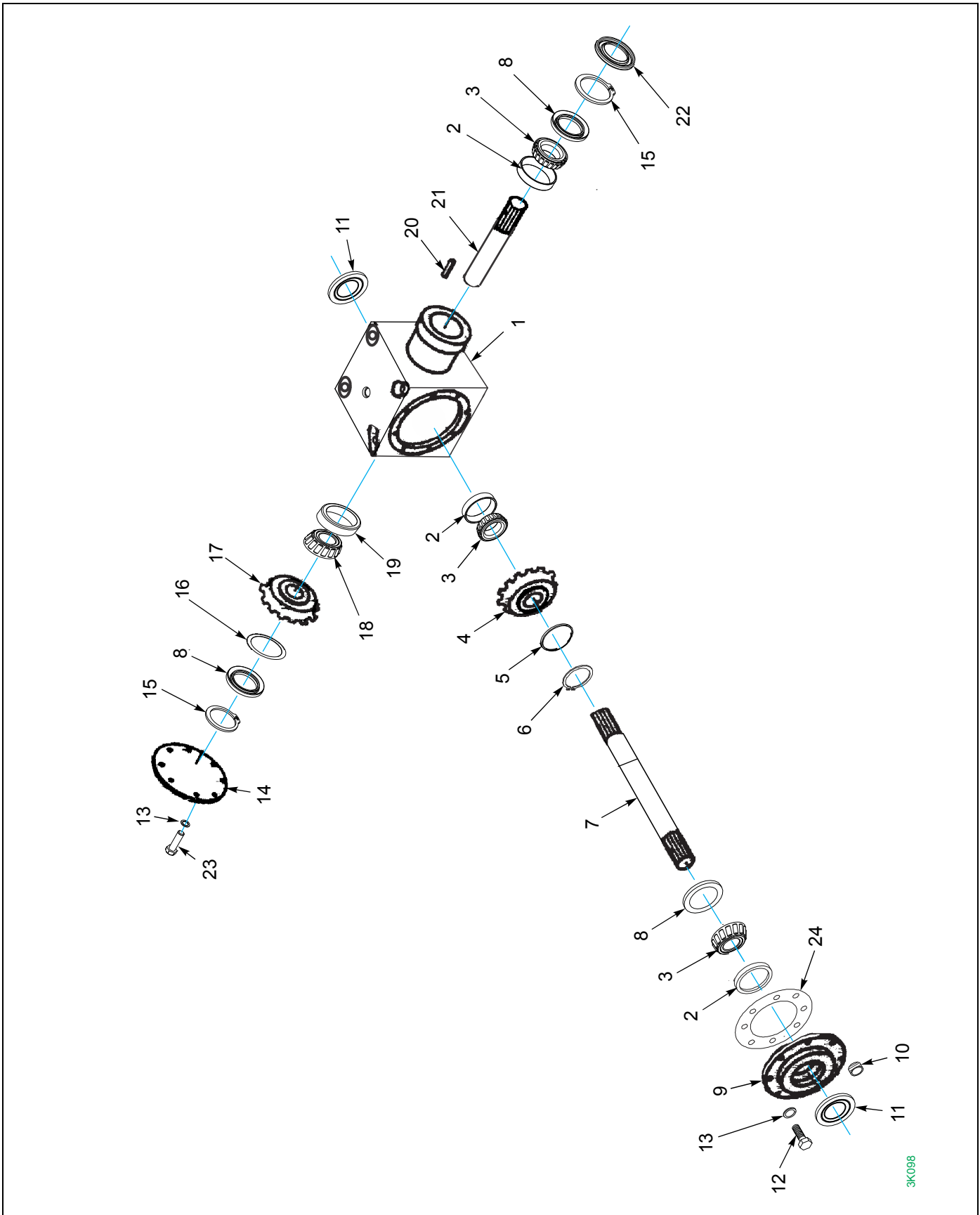


Figure 1-16: Gearbox Assembly, 540 RPM

Gearbox Assembly, 540 RPM

ITEM	PART NUMBER	DESCRIPTION	QTY.
	3K098	540 RPM GEARBOX ASSEMBLY	
1	3K343	GEARBOX HOUSING	1
2	1-076-010002	CUP (3.265 O.D. BEARING CUP)	3
3	1D759	BEARING CONE	3
4	3K345	GEAR - 16 TOOTH	1
5	3K346	SPACER	1
6	3K382	SNAP RING	1
7	3K365	DRIVEN SHAFT (540 RPM)	1
8	3K366	WASHER (1 3/4 I.D. X 3/16)	3
9		COVER	1
10		PIPE PLUG, 1/4 N.P.T.	1
11	3K383	SEAL	2
12	1-654-010051-05	SCREW, HEX CAP 3/8-16UNCX1 GR5	8
13	1-861-010034-11	WASHER, LKG HLCL SPR, 3/8	8
14	3K368	COVER FOR FLAIL GEAR BOX	1
15	3K381	SNAP RING	2
16	3K369	SHIM .007 (1 3/4 I.D.)	REF
17	3K370	GEAR - 29 TOOTH	1
18	3K384	BEARING CONE	1
19	3K385	BEARING CUP	1
20	3K372	KEY, HARDENED 3/8" SQ X 1-7/16	1
21	3K373	DRIVE SHAFT	1
22	3K386	SEAL	1
23		BOLT (3/8 X 3/4)	8
24	3K375	SHIM .007	REF

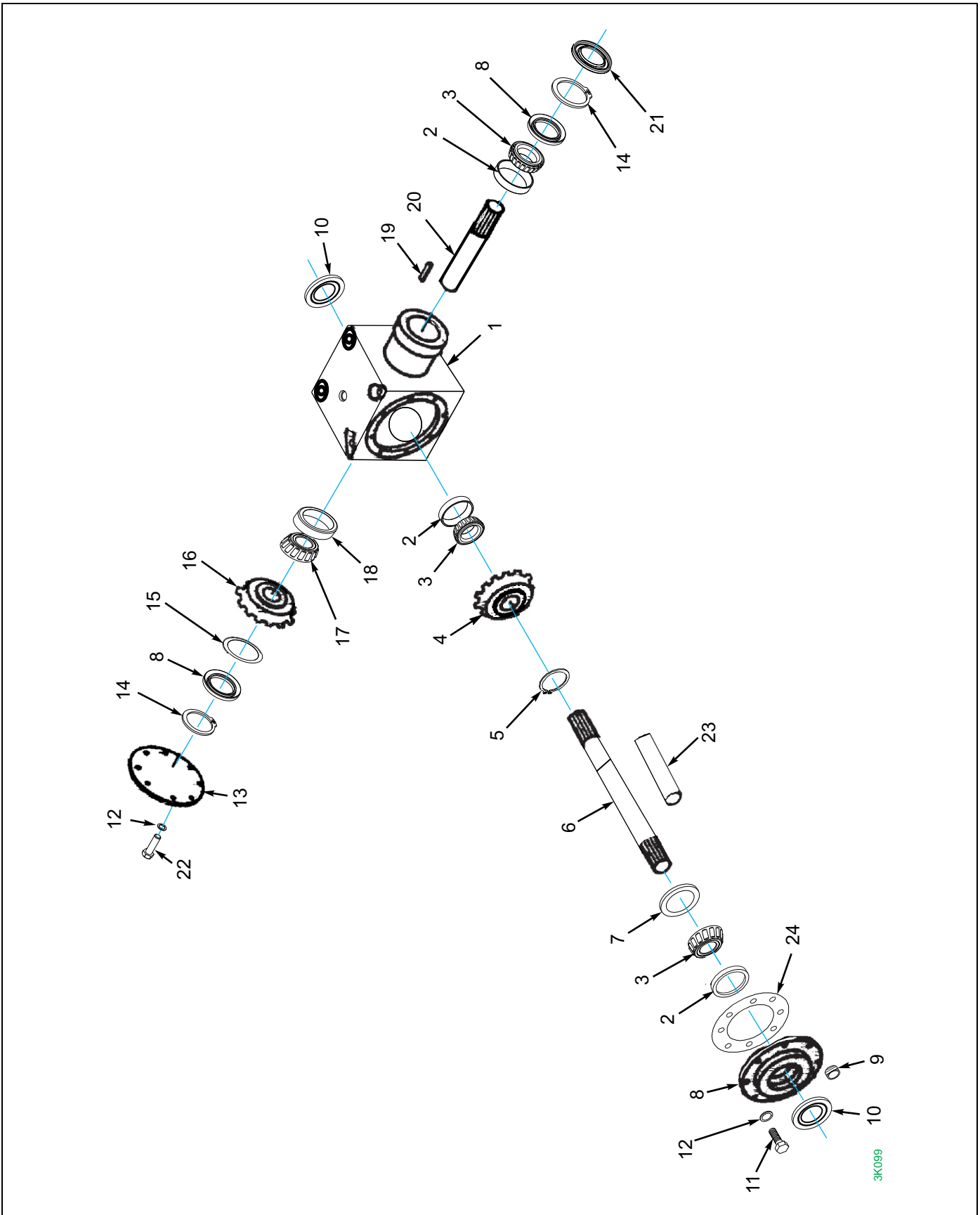


Figure 1-17: Gearbox Assembly, 1000 RPM

Gearbox Assembly, 1000 RPM

ITEM	PART NUMBER	DESCRIPTION	QTY.
	3K099	1000 RPM BOX ASSEMBLY	
1	3K343	GEARBOX HOUSING	1
2	1-076-010002	CUP (3.265 O.D. BEARING CUP)	3
3	1D759	BEARING CONE	3
4	3K344	GEAR - 22 TOOTH	2
5	3K381	SNAP RING	3
6	3K364	DRIVEN SHAFT (1000 RPM)	1
7	3K366	WASHER (1 3/4 I.D. X 3/16)	3
8		COVER	1
9		PIPE PLUG, 1/4 N.P.T.	1
10	3K383	SEAL	2
11	1-654-010051-05	SCREW, HEX CAP 3/8-16UNCX1 GR5	8
12	1-861-010034-11	WASHER, LKG HLCL SPR, 3/8	8
13	3K368	COVER FOR FLAIL GEAR BOX	1
14	3K381	SNAP RING	2
15	3K369	SHIM .007 (1 3/4 I.D.)	REF
16	3K344	GEAR - 22 TOOTH	2
17	3K384	BEARING CONE	1
18	3K385	BEARING CUP	1
19	3K372	KEY, HARDENED 3/8" SQ X 1-7/16	1
20	3K373	DRIVE SHAFT	1
21	3K386	SEAL	1
22	1-654-010051-03	SCREW, HEX CAP, 3/8-16UNCX3/4G5	8
23	3K374	SPACER TUBE (15 FT ONLY)	1
24	3K375	SHIM .007	REF

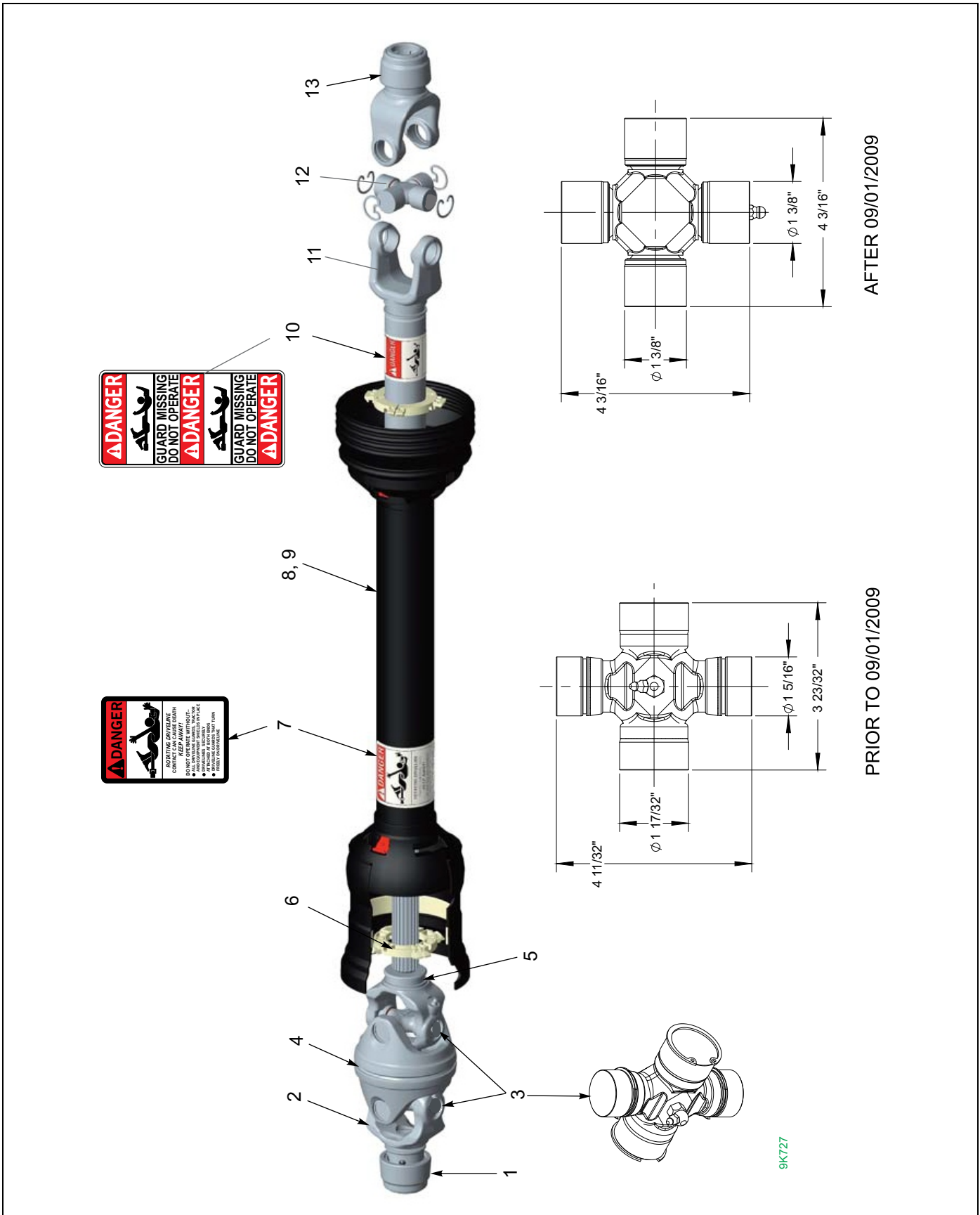


Figure 1-18: PTO Assembly, 1000 RPM - Shredder Serial Number 202950 and Lower

PTO Assembly, 1000 RPM - Shredder Serial Number 202950 and Lower

ITEM	PART NUMBER	DESCRIPTION	QTY.
	9K727	PTO ASM - REPLACED BY 2P775	
1	8J297	SLIDE LOCK YOKE REPAIR KIT	1
2		SAFETY SLIDE LOCK YOKE ASSEMBLY	1
3	6K901	CAT5 CROSS & BEARING KIT	2
4		CENTER HOUSING	1
5		YOKE & SHAFT (1.69-20)	1
6	8K987	BRG KIT FOR ROTATING GUARD (INCLUDES NYLON BEARING AND CLIPS)	2
7		"DANGER" ROTATING DRIVELINE DECAL	1
8		OUTER GUARD	1
9		INNER GUARD	1
10		"DANGER" GUARD MISSING DECAL	1
11	6K908	YOKE, TUBE & SLIP SLEEVE (INCLUDES ITEM 10)	1
12	1D134	CROSS & BEARING KIT 55R	1
13	9J205	OVERRUNNING CLUTCH	1
14	9K729	REPAIR KIT O/R CLUTCH (THE REPAIR KIT FOR MACHINES PRIOR TO 01/01/1997 IS OBSOLETE, ORDER ITEM 13)	REF
15	6K907	INNER AND OUTER GUARD SET (INCLUDES ITEMS 6-9)	REF
16	9K730	JOINT & TUBE HALF (INCLUDES ITEMS 11-14)	REF

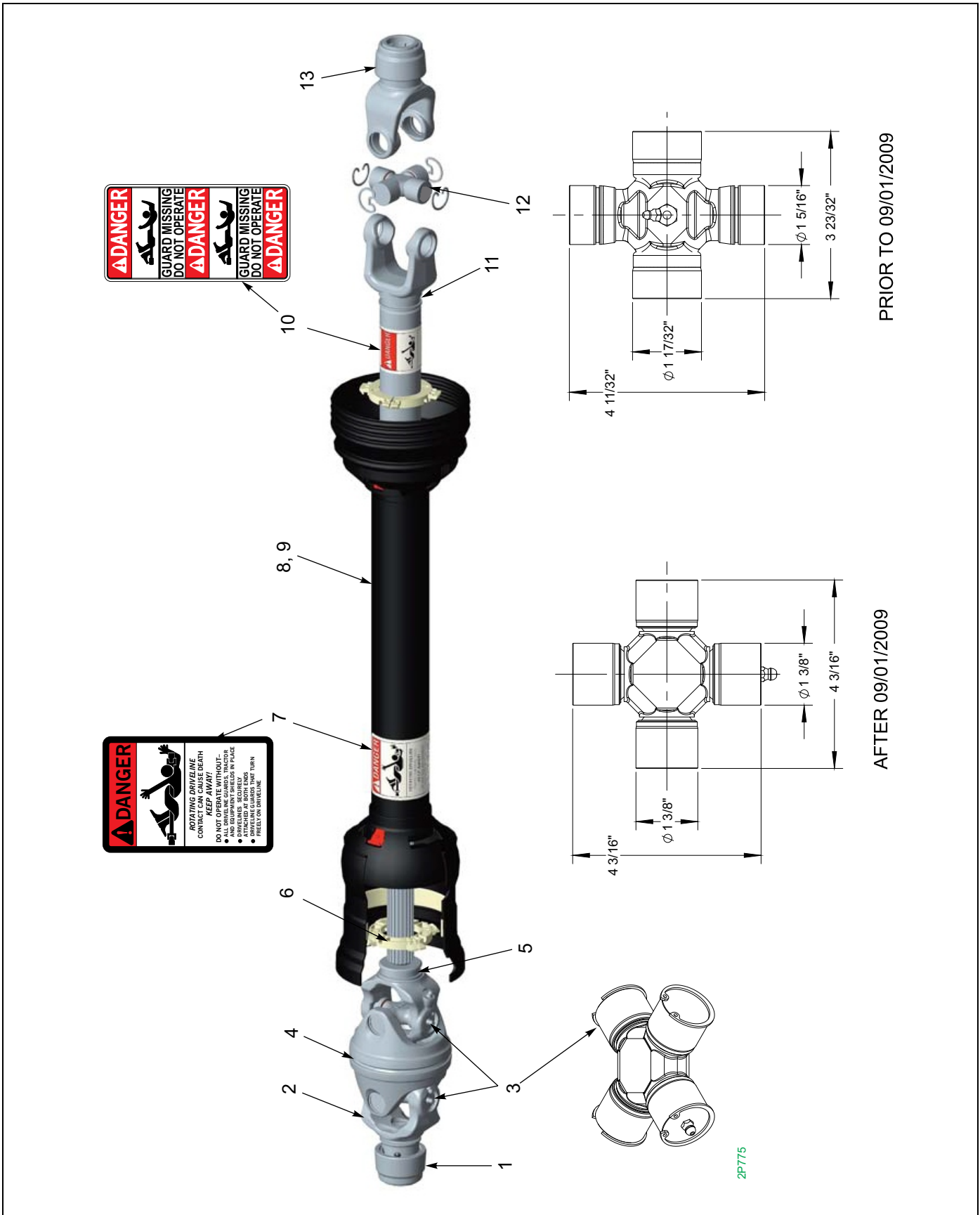


Figure 1-19: PTO Assembly, 1000 RPM - Shredder Serial Number 202951 and Higher

PTO Assembly, 1000 RPM - Shredder Serial Number 202951 and Higher

ITEM	PART NUMBER	DESCRIPTION	QTY.
	2P775	PTO ASM-1000 RPM REPLD 9K727	
1	8J297	SLIDE LOCK YOKE REPAIR KIT	1
2	2P778	WWCV AUTO-LOK YOKE ASM	1
3	2P779	CROSS AND BEARING KIT	2
4	2P780	WWCV CENTER HSG	1
5	2P781	YOKE & SHAFT (1.69-20)	1
6	8K987	BRG KIT FOR ROTATING GUARD (INCLUDES NYLON BEARING AND CLIPS)	2
7		"DANGER" ROTATING DRIVELINE DECAL	1
8		OUTER GUARD	1
9		INNER GUARD	1
10		"DANGER" GUARD MISSING DECAL	1
11	6K908	YOKE, TUBE & SLIP SLEEVE (INCLUDES ITEM 10)	1
12	1D134	CROSS & BEARING KIT 55R	1
13	9J205	OVERRUNNING CLUTCH	1
14	9K729	REPAIR KIT O/R CLUTCH (THE REPAIR KIT FOR MACHINES PRIOR TO 01/01/1997 IS OBSOLETE, ORDER ITEM 13)	REF
15	6K907	INNER AND OUTER GUARD SET (INCLUDES ITEMS 6-9)	REF
16	2P776	JOINT & SHAFT W/GUARD (INCLUDES ITEMS 1-8)	REF
17	2P777	JOINT & SHAFT ASM (INCLUDES ITEMS 1-5)	REF
18	9K730	JOINT & TUBE HALF (INCLUDES ITEMS 10-13)	REF

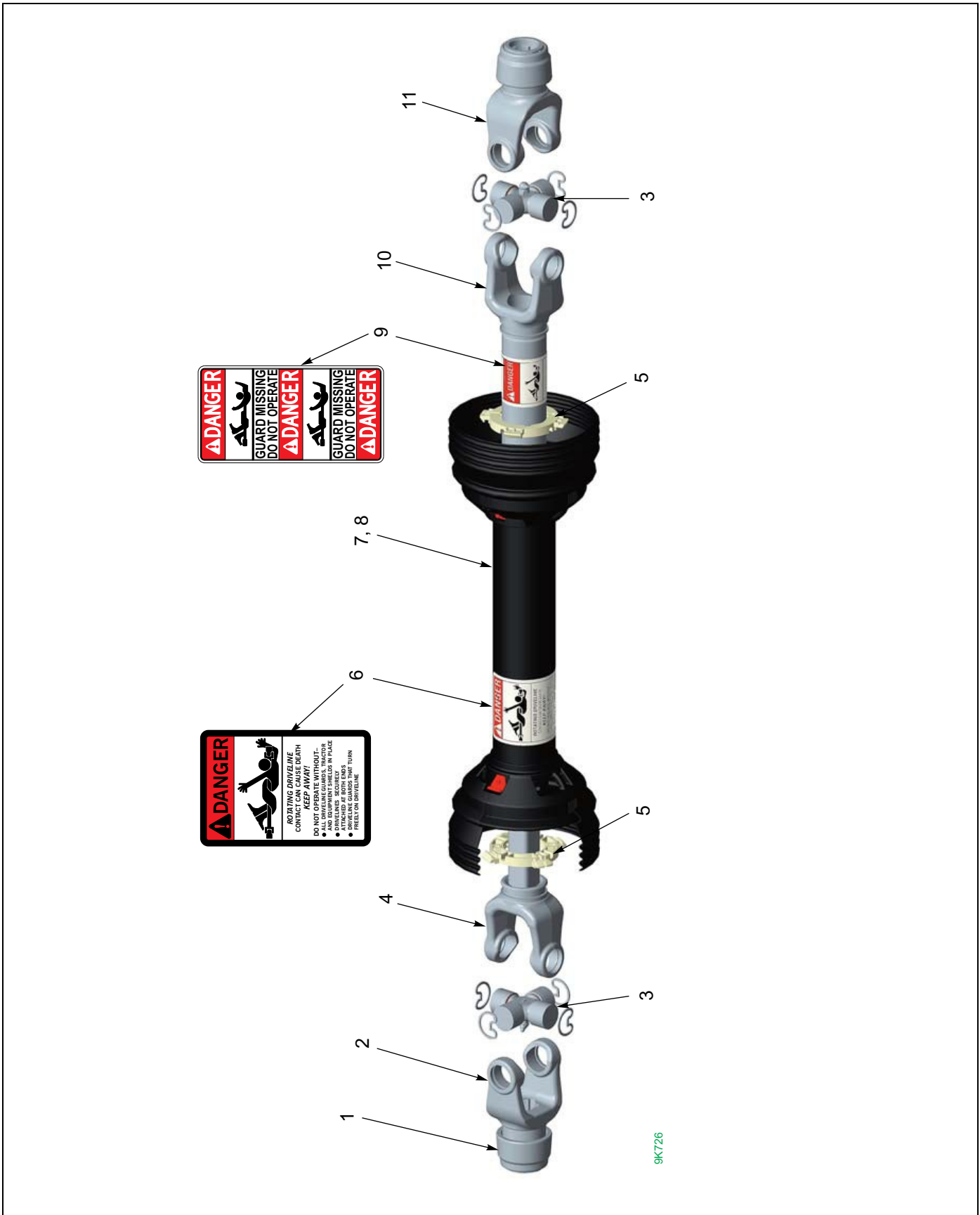
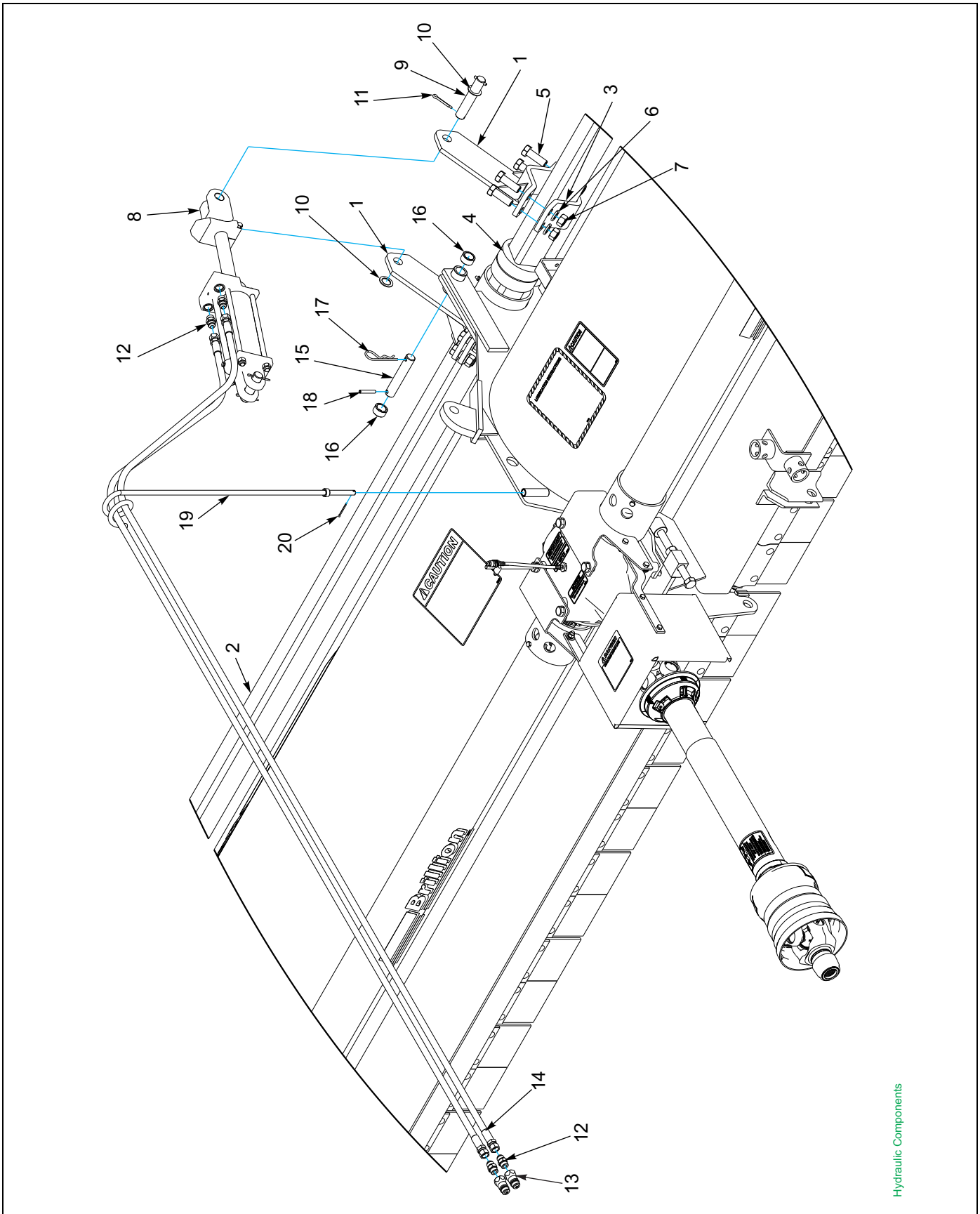


Figure 1-20: PTO Assembly, 540 RPM

PTO Assembly, 540 RPM

ITEM	PART NUMBER	DESCRIPTION	QTY.
	9K726	PTO ASSEM 540 RPM	
1	8J297	SLIDE LOCK YOKE REPAIR KIT	1
2	8J294	SLIDE LOCK YOKE ASSY - 540	1
3	1D134	CROSS & BEARING KIT 55R	2
4		YOKE AND SHAFT	1
5	8J295	NYLON BEARING & RETAINER	2
6		"DANGER" ROTATING DRIVELINE DECAL	1
7	8J291	OUTER GUARD	1
8	8J292	INNER GUARD	1
9		"DANGER" GUARD MISSING DECAL	1
10		YOKE, TUBE AND SLIP SLEEVE	1
11	9J205	OVERRUNNING CLUTCH	1
12	9K729	REPAIR KIT O/R CLUTCH (THE REPAIR KIT FOR MACHINES PRIOR TO 01/01/1997 IS OBSOLETE, ORDER ITEM 11)	REF
13	8J287	SHAFT & JNT, ASSY - 540 RPM (WITH GUARD) (INCLUDES ITEMS 1-7)	REF
14	9K728	JOINT & TUBE HALF W/GUARD (INCLUDES ITEMS 3, 5, AND 8-12)	REF

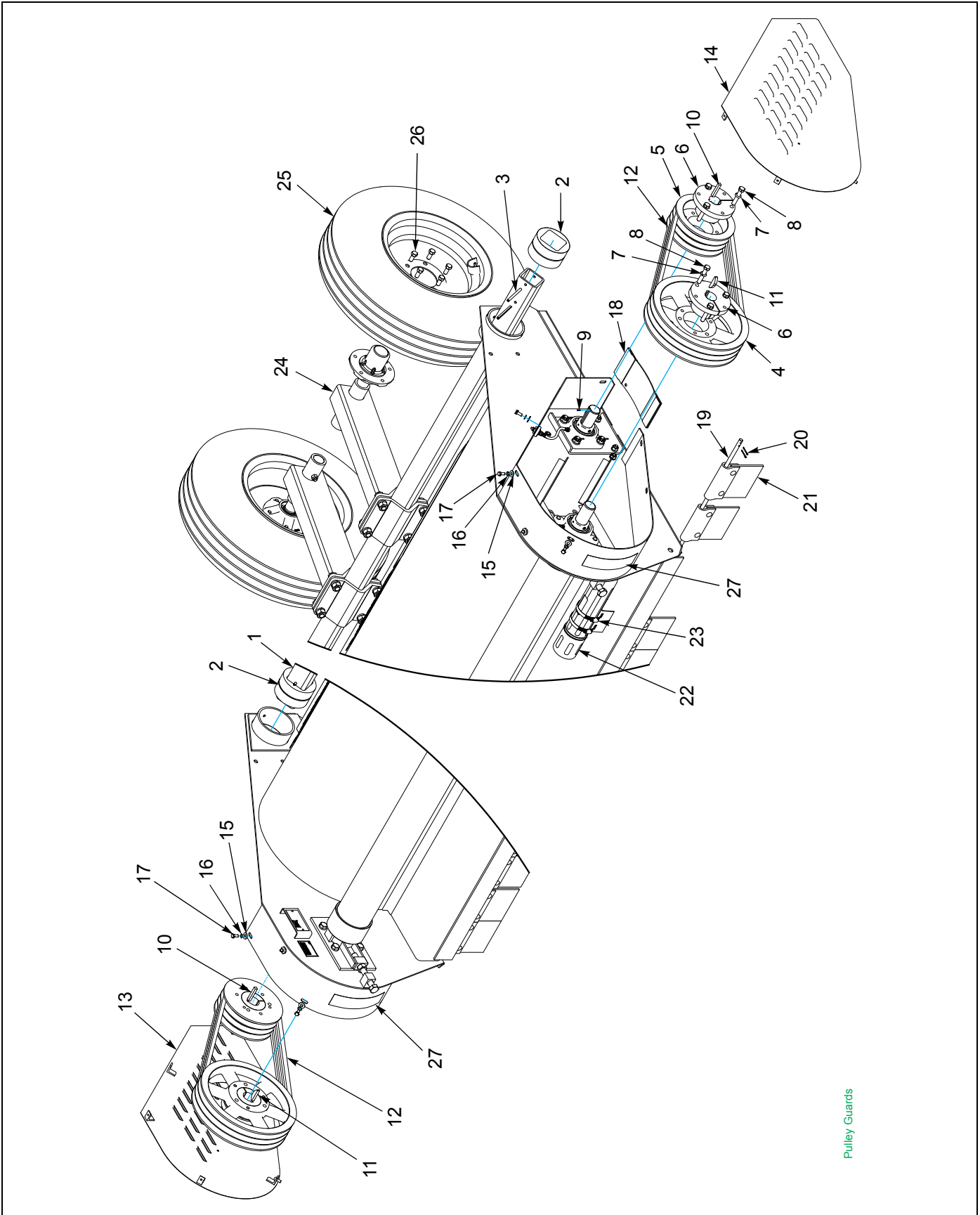


Hydraulic Components

Figure 1-21: Hydraulic Components

Hydraulic Components

ITEM	PART NUMBER	DESCRIPTION	QTY.
1	8J191	CYLINDER ARM	2
2	8J255	PIVOT TUBE	1
3	8J268	CLAMP PLATE	2
4	8J187	BEARING	1
5	4D957	SCREW, HXCP, 3/4-10UNCX2-1/4GR5	8
6	1-861-010034-17	WASHER, LKG, HLCL SPR, 3/4	8
7	1-512-010007-12	NUT, HEX 3/4-10 GR2 ZP	8
8	3J603	HYDRAULIC CYLINDER (SEE PAGE 1-46)	1
9	5J572	PIN ASSEMBLY	1
10	7C076	MACHINERY BUSHING (1.0 X 1.5 X 14GA)	2
11	1/4X1-1/2	COTTER PIN	1
12	4K602	STRAIGHT ADAPTER (08MJ X 08MOR)	4
13	4K912	MALE TRACTOR TIP (08FOR)	2
14	4K619	HYDRAULIC HOSE - 134"	2
15	5J768	PIN (1.0 X 5.50 H2)	1
16	8J212	SPACER (1.031 X 1.375 X 0.688)	2
17	1D594	HAIR PIN COTTER .178X3-9/16	1
18	147072	PIN, SPRING SLOTTED 5/16 X 2	1
19	9J816	HOSE SUPPORT	1
20	1/8X1-1/2	COTTER PIN ZP	1



Pulley Guards

Figure 1-22: Pulley Guards

Pulley Guards

ITEM	PART NUMBER	DESCRIPTION	QTY.	
			12'	15'
1	8J255	PVOT TUBE		1
1	8J192	PIVOT TUBE	1	
2	8J187	BEARING	2	2
3	5D954	ROLL PIN 5/16 X 4	4	4
4	5D328	PULLEY 3C SHEAVE 14.0 P.D.	2	2
5	5D329	PULLEY 3C SHEAVE 8.5 P.D.	2	2
6	6D927	E HUB W0 1 3/4 IN. BORE (INCLUDES ITEMS 7 AND 8)	4	4
7	1-861-010034-13	WASHER, LKG HLCL SPR, 1/2	12	12
8	6D744	CAPSCREW (1/2-13 X 2-3/4 GR5, ZP)	12	12
9	5D511	ROLL PIN (1/8 X 1/2)	2	2
10	5D479	KEY (C) (SQ 0.375 X 2.313)	2	2
11	5D508	WOODRUFF KEY	2	2
12	5D331	C75 BELTS-ORDER 5D875 (SET OF 3 BELTS)	2	2
13	4D575	BELT GUARD COVER RH WLDMT	1	1
14	4D539	BELT GUARD COVER, LH WLDMT	1	1
15	1-861-010032-09	WASHER, FLAT 5/16 W ZP/CD	8	8
16	1-861-010034-10	WASHER, LKG 5/16	6	6
17	1-654-010049-03	SCREW HX CP 5/16-18X3/4GR5	6	6
18	5D216	GUARD	2	2
19	5D302	ROD, SKIRT HANGER 15 FT.		2
19	5D301	ROD, SKIRT HANGER 12 FT.	2	
20	2C864	COTTER PIN 1/8X1	4	4
21	7D681	SKIRT, 6-1/8		28
21	7D680	SKIRT, 6-7/8	20	
22	8K349	MANUAL STORAGE CANISTER	1	1
23	8K350	HOSE CLAMP 4-1/2 IDEAL #5264	2	2
24	8J881	WHEEL ARM ASSY (SEE PAGE 1-36)	2	4
25	6K926	WHEEL 8J790/NO TUBE/6J189 (SEE PAGE 1-38)	2	4
26	5C100	WHEEL BOLT 1/2-20X1 GR5 ZP	10	20
27	528934	REFLECTOR - YELLOW	2	2

ILLUSTRATED PARTS LIST

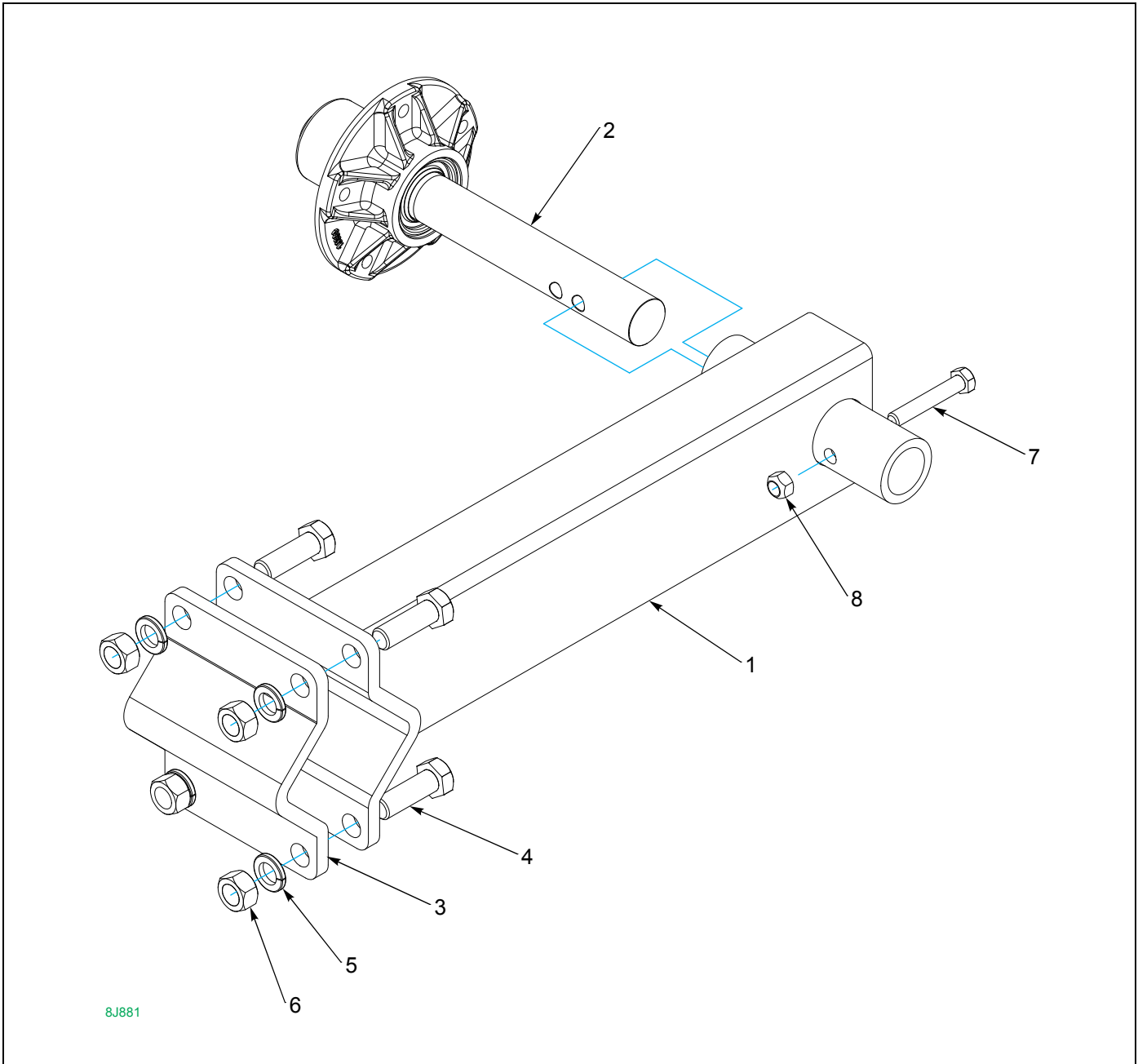


Figure 1-23: Wheel Arm Assembly

Wheel Arm Assembly

ITEM	PART NUMBER	DESCRIPTION	QTY.
	8J881	WHEEL ARM ASSY	
1	8J880	WHEEL ARM	1
2	1K105	HUB & SPINDLE (SEE PAGE 1-37)	1
3	8J300	CLAMP PLATE	1
4	1-654-010061-06	SCREW HXCP ,3/4-10UNCX2-1/4GR5	4
5	1-861-010034-17	WASHER,LKG, HLCL SPR, 3/4	4
6	1-512-010007-12	NUT, HEX 3/4-10 GR2 ZP	4
7	1-654-010055-09	SCREW,HX CP, 1/2-13UNCX3 GR5	1
8	1-512-010005-09	NUT, HEX, SLFLKG, 1/2-13 GRB	1

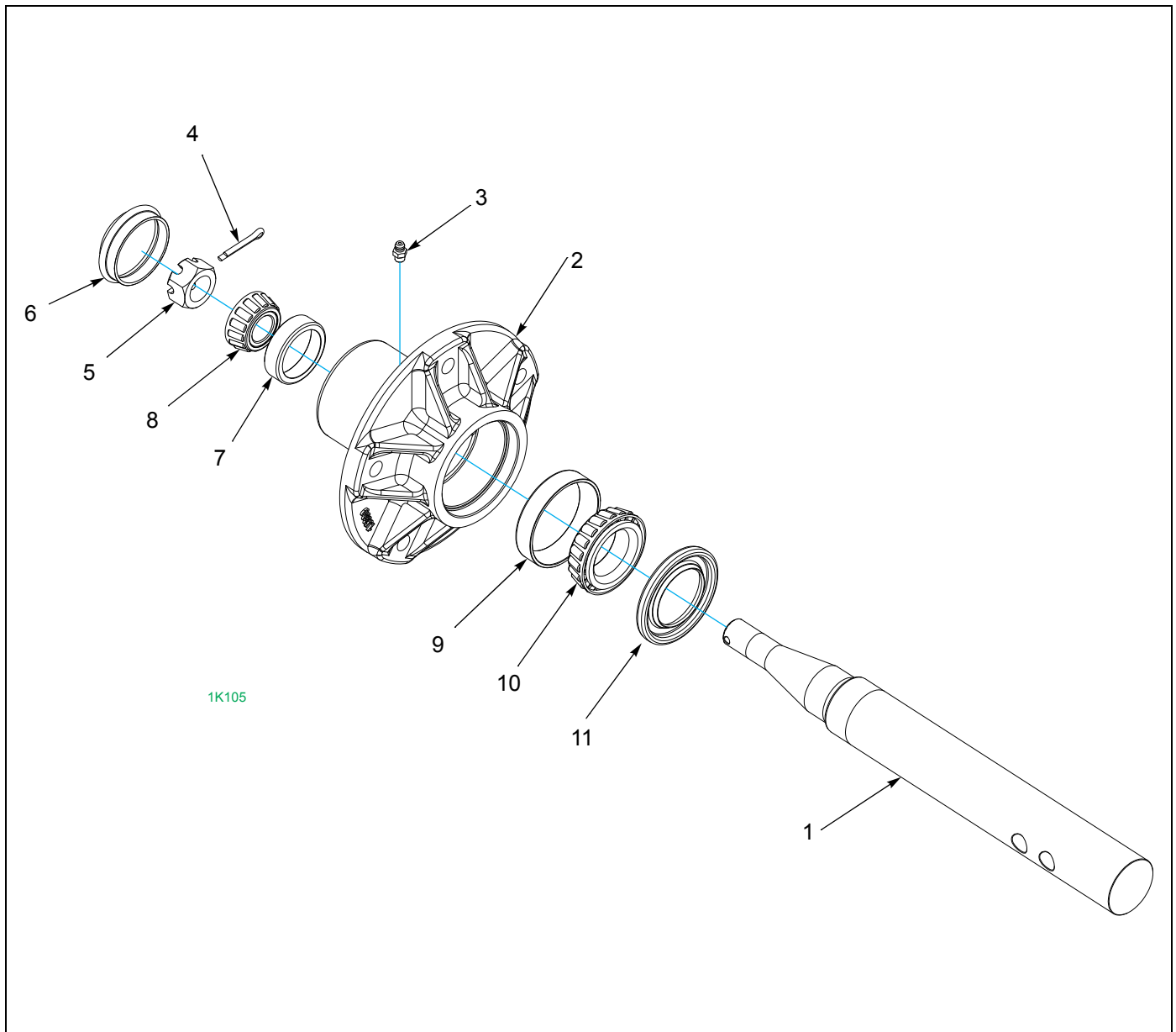


Figure 1-24: Hub and Spindle Assembly

Hub and Spindle Assembly

ITEM	PART NUMBER	DESCRIPTION	QTY.
	1K105	HUB & SPINDLE	
1	5J467	SPINDLE	1
2	1J390	WHEEL HUB - 5 BOLT (INCLUDES ITEM 3)	1
3	1-298-010001-1	ZERK FITTING 1/4 SAE	1
4	110-0344	5/32X1 COTTER PIN	1
5	3/4-16HSN	HEX SLOTTED NUT	1
6	1J463	HUB CAP	1
7	5C912	CUP, BEARING	1
8	5C911	CONE BEARING	1
9	5C479	CUP, BEARING	1
10	5C480	CONE, BEARING	1
11	1D273	SEAL	1

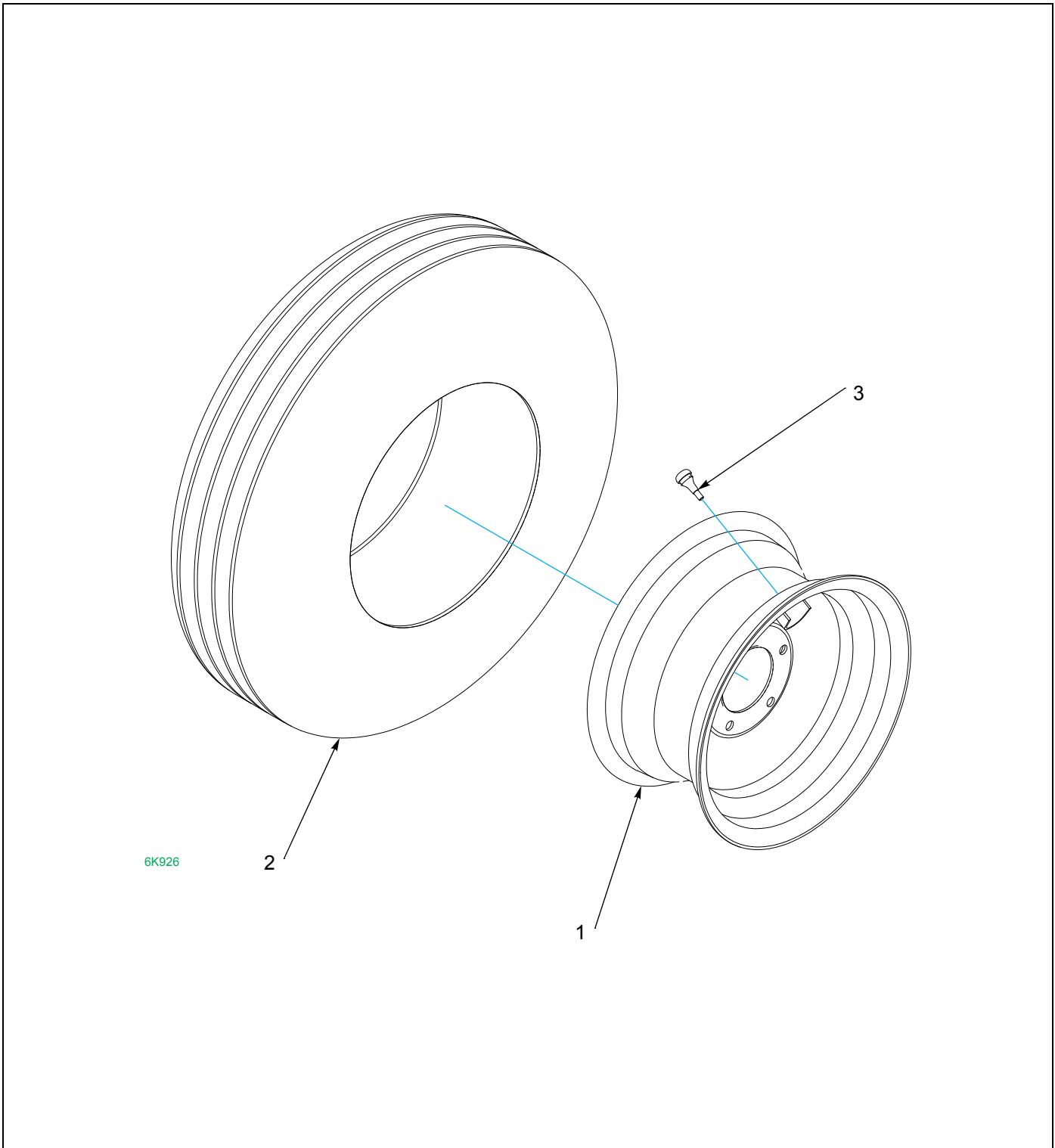


Figure 1-25: Wheel and Tire Assembly

Wheel and Tire Assembly

ITEM	PART NUMBER	DESCRIPTION	QTY.
	6K926	WHEEL 8J790/NO TUBE/6J189	
1	6J189	WHEEL - 15 X 8LB - 5 BOLT	1
2	8J790	TIRE - 9.5 X 15 - 6 PLY	1
3	8J792	VALVE STEM-TUBELESS	1

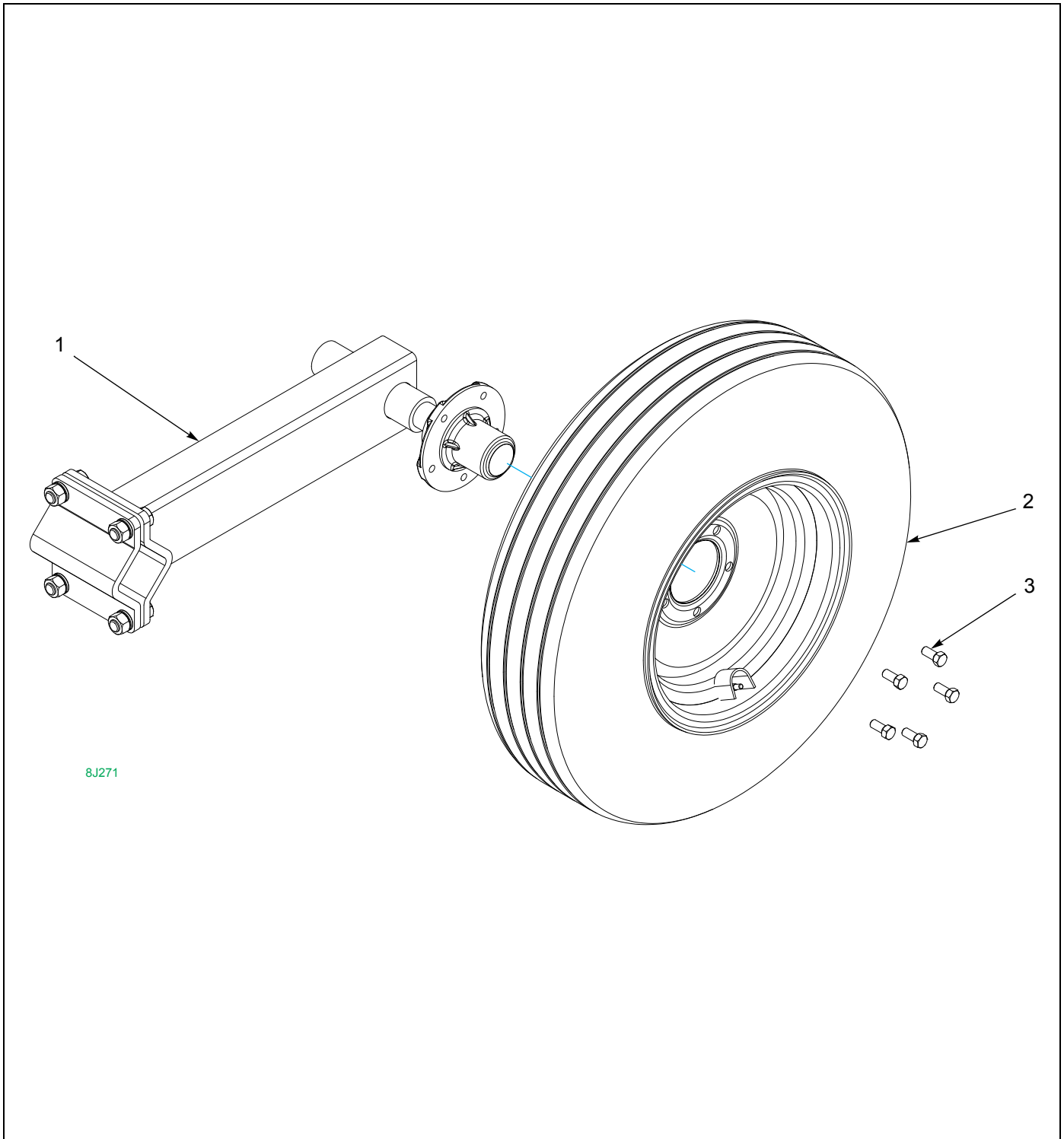


Figure 1-26: Wheel Kit, Auxiliary - Optional

Wheel Kit, Auxiliary - Optional

ITEM	PART NUMBER	DESCRIPTION	QTY.
	8J271	FLAIL AUXILIARY WHEEL KIT	
1	8J881	WHEEL ARM ASSY (SEE PAGE 1-36)	1
2	6K926	WHEEL 8J790/NO TUBE/6J189 (SEE PAGE 1-38)	1
3	5C100	WHEEL BOLT 1/2-20X1 GR5 ZP	5

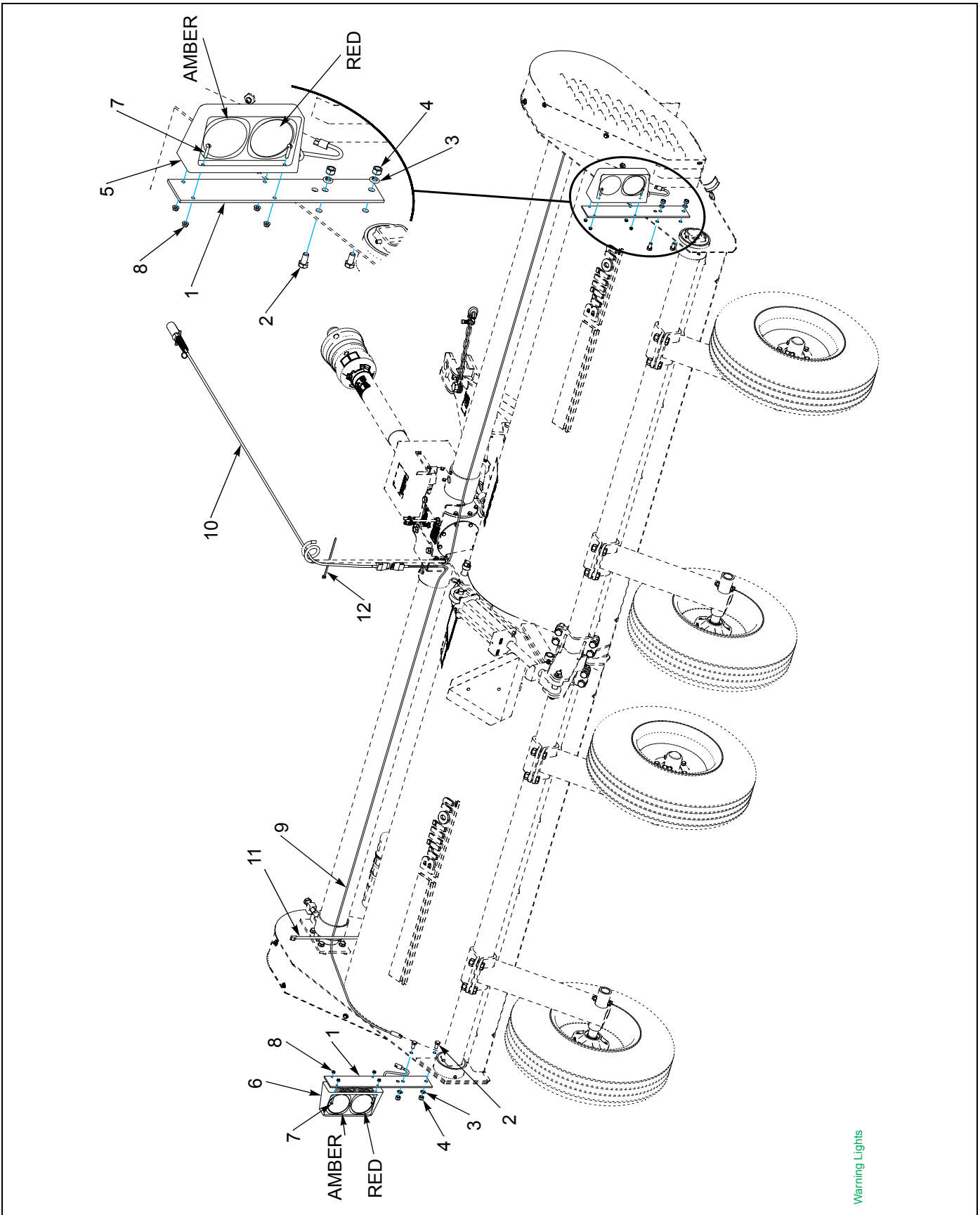


Figure 1-27: Warning Lights - 07/31/2013 and Prior

Warning Lights - 07/31/2013 and Prior

ITEM	PART NUMBER	DESCRIPTION	QTY.
1	4K871	MOUNTING STRAP	2
2	1-654-010055-01	SCR,HX CP 1/2-13UNCX1 GR5	4
3	1-861-010034-13	WASHER, LKG HLCL SPR, 1/2	4
4	1-512-010007-09	NUT, HEX 1/2-13 ZP	4
5	4K772	LH DUAL LAMP (002600) (INSTALLED ON RH SIDE OF MACHINE)	1
6	4K773	RH DUAL LAMP (002601) (INSTALLED ON LH SIDE OF MACHINE)	1
7	4K782	HHCS 1/4-20 X 1-1/4, ZP	8
8	108417	NUT SPIRAL 1/4-20HX FG	8
9	142757	AG HARNESS, WISHBONE 10'	1
10	4K936	10' AG HARNESS	1
11	105874	TIE,STRAP PLSTC 21.5-24X.301	8
12	105-0228	TYWRAP 8IN LG TY-5272MX	4

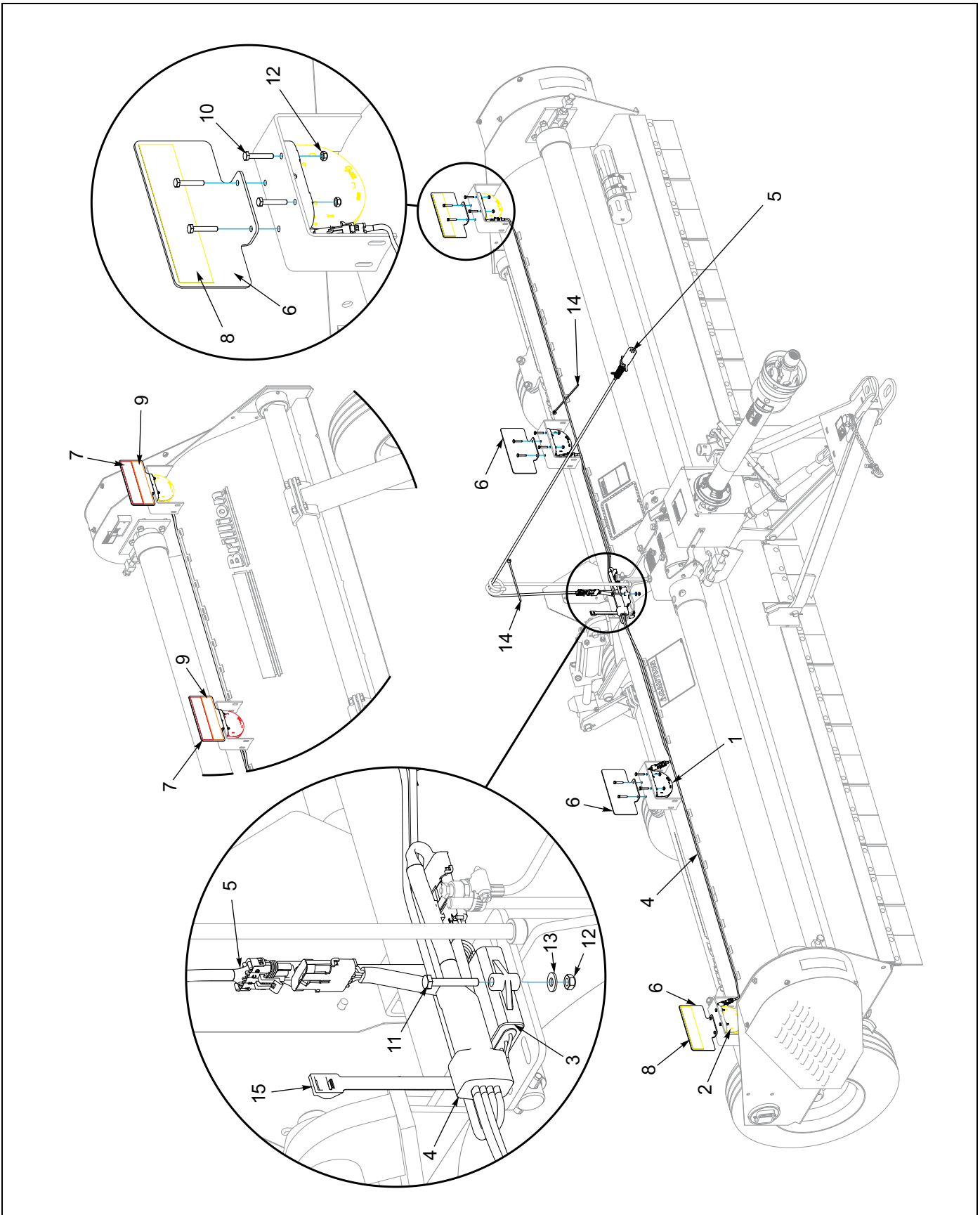


Figure 1-28: Warning Lights - 08/01/2013 and After

Warning Lights - 08/01/2013 and After

ITEM	PART NUMBER	DESCRIPTION	QTY.
1	174435	LAMP, AG RED SINGLE LED	2
2	174436	LAMP, AG AMBER SINGLE LED	2
3	174437	MODULE, AG FLASHER CONTROL	1
4	178513	HARNESS, LAMP 66 X 138	1
5	178515	HARNESS, 7PIN/4PIN WP, 15'	1
6	178521	PLATE, REFLECTIVE DECAL MOUNT	4
7	528933	REFLECTOR - RED	4
8	528934	REFLECTOR - YELLOW	2
9	528938	STRIP, ORANGE	4
10	1-654-010047-08	SCREW HX CP, 1/4-20UNCX1-1/2G5	16
11	1-654-010047-09	SCREW HX CP, 1/4-20UNCX1-3/4G5	2
12	1-512-010005-01	NUT, HEX,SLFLKG GRB 1/4-20	18
13	1-861-010032-06	WASHER, FLAT 1/4 N ZP/CD	2
14	105-0228	TYWRAP 8IN LG TY-5272MX	30
15	105874	TIE,STRAP PLSTC 21.5-24X.301	4

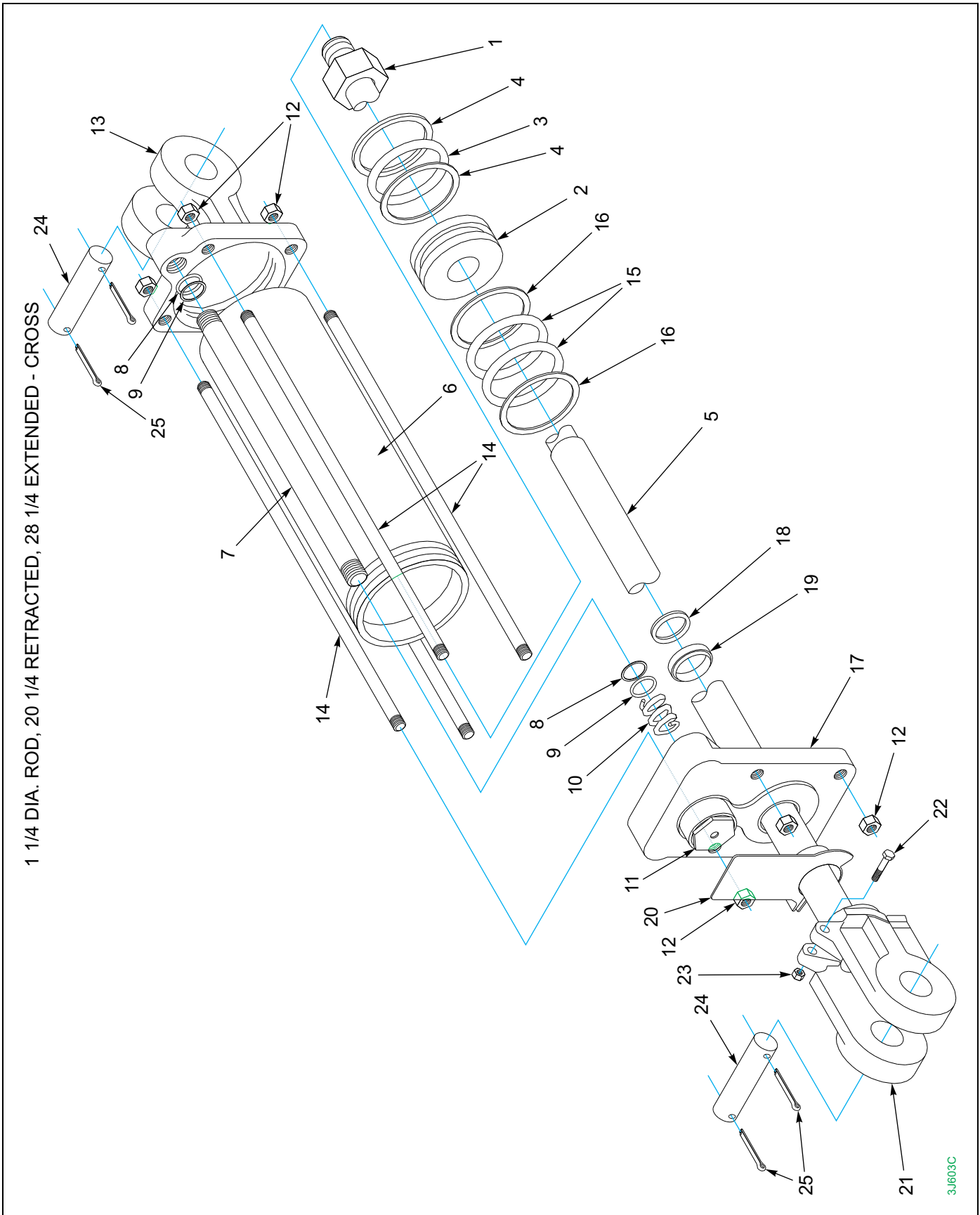


Figure 1-29: Hydraulic Cylinder, 3" X 8 - Cross

Hydraulic Cylinder, 3" X 8 - Cross

ITEM	PART NUMBER	DESCRIPTION	QTY.
	3J603C	HYDRAULIC CYLINDER - 3 X 8 (CHECK CYLINDER FOR VENDOR MARK, C = CROSS)	REF
1	5K684	NUT	1
2	5K685	PISTON FOR 3J603C	1
3		O-RING	1
4		BACK-UP RING	2
5	5K686	ROD FOR 3J603C	1
6	5K687	TUBE	1
7	5K688	FEED TUBE	1
8		BACK-UP RING	2
9		O-RING	2
10	5K689	SPRING	1
11	5K690	CART. ASSEMBLY (OBS)	1
12	5K691	NUT	8
13	5K692	BASE CLEVIS	1
14	5K693	TIE ROD	4
15		O-RING	2
16		BACK-UP RING	2
17	5K694	HEAD	1
18		U-CUP	1
19		WIPER	1
20	5K695	ACT. ASSEMBLY	1
21	5K696	ROD CLEVIS	1
22	5K697	CAPSCREW	1
23	5K698	NUT	1
24	7J067	CLEVIS PIN (1 X 4)	2
25	110-4224	PIN,COTTER-3/16 X 2IN LG	4
26	7J026	ADAPTER *OBS* (WITHOUT O-RING)	2
27	7J024	O-RING-REPL BY 7J026 W/O-RING	2
28	5K699	SEAL KIT (INCLUDES ITEMS 3, 4, 8, 9, 15, 16, 18, AND 19)	REF

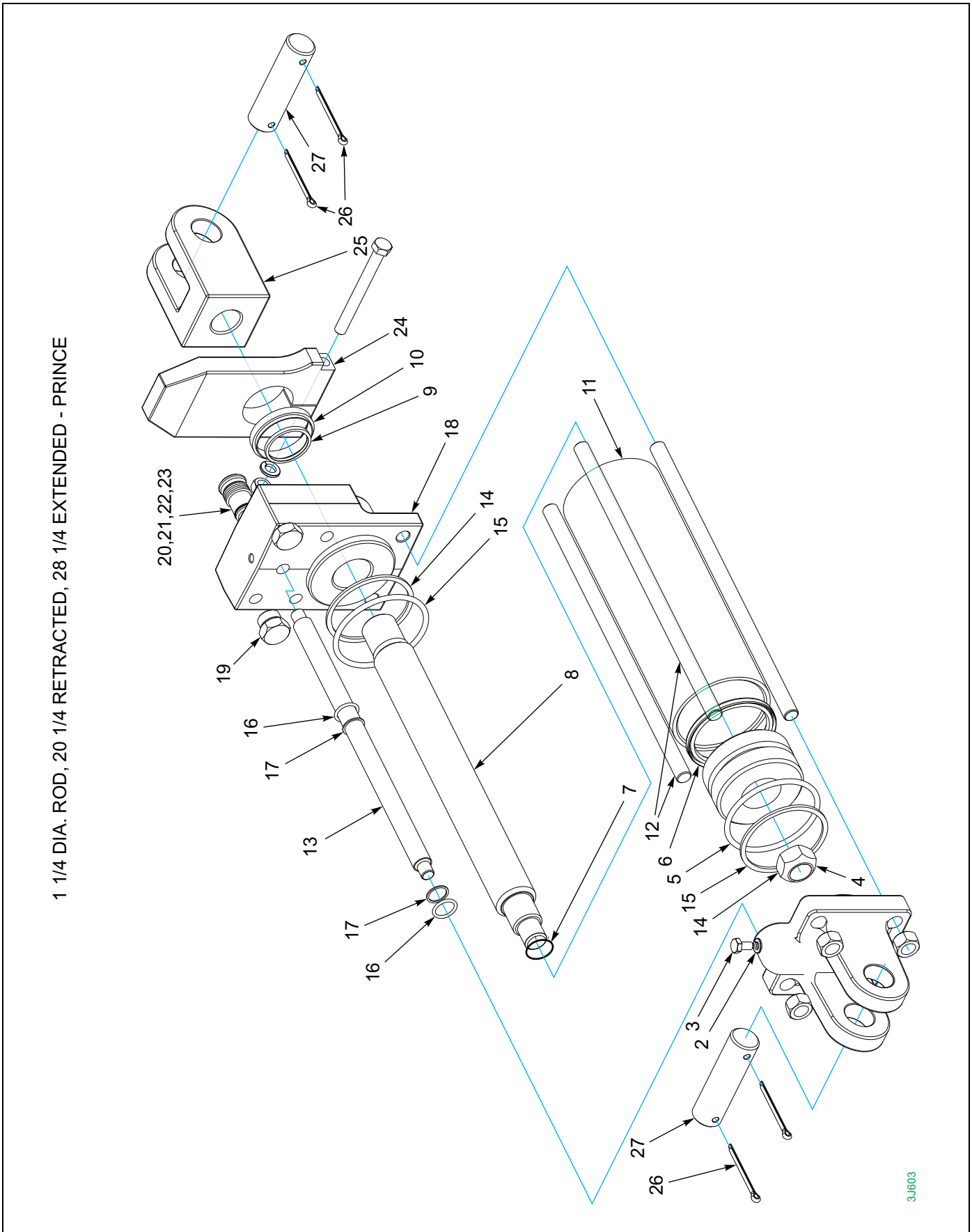


Figure 1-30: Hydraulic Cylinder, 3" X 8 - Prince

Hydraulic Cylinder, 3" X 8 - Prince

ITEM	PART NUMBER	DESCRIPTION	QTY.
	3J603	HYDRAULIC CYLINDER (CHECK CYLINDER FOR VENDOR MARK, P = PRINCE)	
1		BUTT (BASE)	1
2		NYLTITE SEAL	1
3	3J730	CAPSCREW	1
4	6D918	LOCK NUT (3/4-16)	1
5		PISTON	1
6		URETHANE SEAL	1
7		O-RING	1
8		PISTON ROD	1
9		U-CUP	1
10		WIPER	1
11	3J719	TUBE, CYL	1
12	3J721	TIE ROD	4
13	3J720	MANIFOLD TUBE	1
14		BACK-UP WASHER	2
15		O-RING	2
16		O-RING	2
17		BACK-UP WASHER	2
18	7J050	GLAND (WITH PORTS REQUIRING O-RINGS)	1
18	3J726	GLAND (WITH PIPE THREADS)	1
19	7J026	ADAPTOR *OBS*	2
20	7J024	O-RING-REPL BY 7J026 W/O-RING	3
21	7J025	O-RING PLUG	1
22	9J638	VALVE ASSEMBLY	1
23		O-RING	1
24		O-RING	1
25		BACK-UP WASHER	1
26	9J804	STRIKER PLATE ASM-5K695 - DEA	1
27		CLEVIS ASSEMBLY	1
28	110-4224	PIN,COTTER-3/16 X 2IN LG	4
29	5J650	CLEVIS PIN	2
30	3J729	SEAL KIT for 3J603 Cyl (INCLUDES ITEMS 6, 7, 10, AND 14-17)	REF

Numerical Index

Numerics

1/4X1-1/2	1-9, 1-33	1-654-010051-05	1-5, 1-23, 1-25
1/8X1-1/2	1-33	1-654-010051-06	1-21
100829	1-9	1-654-010055-01	1-6, 1-11, 1-41
103464	1-5	1-654-010055-02	1-11
104032	1-3, 1-5	1-654-010055-04	1-18, 1-19
105-0228	1-41, 1-43	1-654-010055-09	1-36
105874	1-41, 1-43	1-654-010059-01	1-5
108417	1-41	1-654-010059-03	1-5
110-0344	1-37	1-654-010059-05	1-5
110-0351	1-11	1-654-010061-06	1-36
110-4224	1-9, 1-45, 1-47	1-654-010070-04	1-17
118-1241	1-5	174435	1-43
1-298-010001-1	1-11, 1-37	174436	1-43
141433	1-9	174437	1-43
142757	1-41	178513	1-43
147072	1-33	178515	1-43
1-512-010005-01	1-43	178521	1-43
1-512-010005-09	1-17, 1-18, 1-19, 1-36	1-861-010032-06	1-43
1-512-010005-19	1-9	1-861-010032-09	1-3, 1-35
1-512-010007-07	1-5, 1-21	1-861-010032-11	1-5, 1-21
1-512-010007-09	1-6, 1-11, 1-41	1-861-010032-15	1-19
1-512-010007-12	1-5, 1-33, 1-36	1-861-010032-19	1-5
1-654-010047-08	1-43	1-861-010032-24	1-9
1-654-010047-09	1-43	1-861-010034-10	1-35
1-654-010049-01	1-5	1-861-010034-11	1-5, 1-21, 1-23, 1-25
1-654-010049-03	1-21, 1-35	1-861-010034-13	1-6, 1-35, 1-41
1-654-010049-05	1-3	1-861-010034-14	1-11
1-654-010051-03	1-25	1-861-010034-15	1-5, 1-11, 1-21
		1-861-010034-17	1-33

NUMERICAL INDEX

1C211	1-36	3J721	1-47
1D134	1-27, 1-29, 1-31	3J726	1-47
1D273	1-37	3J729	1-47
1D594	1-33	3J730	1-47
1D758	1-23, 1-25	3J880	1-9
1D759	1-23, 1-25	3K079	1-5
1D991	1-21	3K080	1-5
1J390	1-37	3K083	1-21
1J463	1-37	3K089	1-21
1K105	1-36, 1-37	3K090	1-21
1K169	1-11, 1-12	3K098	1-5, 1-21, 1-23
1K170	1-11, 1-13	3K099	1-5, 1-21, 1-25
1K171	1-11, 1-12	3K343	1-23, 1-25
1K172	1-11, 1-13	3K344	1-25
1K305	1-5, 1-11, 1-21	3K345	1-23
1K306	1-5, 1-11	3K346	1-23
1K307	1-5, 1-11	3K364	1-25
1K308	1-5	3K365	1-23
1K309	1-11	3K366	1-23, 1-25
2C290	1-11	3K368	1-23, 1-25
2C733	1-21	3K369	1-23, 1-25
2C864	1-35	3K370	1-23
2J099	1-3, 1-21	3K371	1-21
2J431	1-35	3K372	1-23, 1-25
2P151	1-3	3K373	1-23, 1-25
2P775	1-21, 1-29	3K374	1-25
2P776	1-29	3K375	1-23, 1-25
2P777	1-29	3K381	1-23, 1-25
2P778	1-29	3K382	1-23
2P779	1-27, 1-29	3K383	1-23, 1-25
2P780	1-29	3K384	1-23, 1-25
2P781	1-29	3K385	1-23, 1-25
3/4-16HSN	1-37	3K386	1-23, 1-25
3D978	1-21	3K644	1-5
3J603	1-33, 1-47	3K648	1-5
3J603C	1-45	3K664	1-5
3J719	1-47	3K706	1-9
3J720	1-47	4C437	1-11

4D528	1-6	5D044	1-19
4D529	1-11	5D045	1-19
4D538	1-11	5D052	1-18
4D539	1-35	5D053	1-18, 1-19
4D543	1-9	5D054	1-18
4D557	1-9	5D076	1-19
4D564	1-11	5D183	1-18
4D575	1-35	5D216	1-35
4D579	1-11	5D301	1-35
4D581	1-11	5D302	1-35
4D602	1-12, 1-13, 1-16, 1-18	5D328	1-35
4D620	1-6	5D329	1-35
4D645	1-11	5D331	1-35
4D957	1-33	5D333	1-18
4D983	1-9	5D410	1-5
4K031	1-3	5D411	1-5
4K036	1-3	5D479	1-35
4K039	1-3	5D508	1-35
4K602	1-33	5D511	1-35
4K619	1-33	5D954	1-35
4K772	1-41	5J467	1-37
4K773	1-41	5J572	1-33
4K782	1-41	5J650	1-47
4K871	1-41	5J768	1-33
4K912	1-33	5K684	1-45
4K936	1-41	5K685	1-45
5000	1-5, 1-11	5K686	1-45
528933	1-3, 1-43	5K687	1-45
528934	1-3, 1-43	5K688	1-45
528938	1-3, 1-43	5K689	1-45
5C100	1-35, 1-39	5K690	1-45
5C479	1-37	5K691	1-45
5C480	1-37	5K692	1-45
5C911	1-37	5K693	1-45
5C912	1-37	5K694	1-45
5D006	1-3	5K695	1-45
5D019	1-3, 1-21	5K696	1-45
5D020	1-3, 1-21	5K697	1-45

NUMERICAL INDEX

5K698	1-45	8J273	1-3
5K699	1-45	8J287	1-31
6C748	1-21	8J289	1-31
6D744	1-35	8J291	1-31
6D918	1-47	8J292	1-31
6D927	1-35	8J294	1-31
6J189	1-38	8J295	1-31
6K458	1-9	8J297	1-27, 1-29, 1-31
6K907	1-27, 1-29	8J300	1-36
6K908	1-27, 1-29	8J754	1-17
6K926	1-35, 1-38, 1-39	8J755	1-17
7C076	1-33	8J756	1-17
7D019	1-21	8J757	1-11, 1-15
7D020	1-21	8J758	1-11, 1-15
7D213	1-5	8J759	1-11, 1-14
7D216	1-5	8J760	1-11
7D680	1-35	8J790	1-38
7D681	1-35	8J792	1-38
7J024	1-45, 1-47	8J807	1-12, 1-13, 1-14, 1-15, 1-17
7J025	1-47	8J880	1-36
7J026	1-45, 1-47	8J881	1-35, 1-36, 1-39
7J050	1-47	8J930	1-19
7J067	1-45	8K349	1-35
7J237	1-9	8K350	1-35
8D099	1-9	8K987	1-27, 1-29
8D350	1-11	9C594	1-3, 1-21
8D387	1-3	9D912	1-13, 1-15, 1-16
8J187	1-33, 1-35	9D913	1-12, 1-14, 1-16
8J191	1-33	9D919	1-11, 1-16
8J192	1-35	9D920	1-11, 1-16
8J206	1-9	9J205	1-27, 1-29, 1-31
8J212	1-33	9J206	1-21
8J220	1-5	9J638	1-47
8J223	1-5	9J804	1-47
8J255	1-33, 1-35	9J816	1-33
8J266	1-5	9K726	1-21, 1-31
8J268	1-33	9K727	1-27
8J271	1-39	9K728	1-31

9K729 1-27, 1-29, 1-31
9K730 1-27, 1-29

Chapter 3

Glossary

For clarity this glossary of industry standard abbreviations and their definitions are provided.

For additional information, See "Instructions for Ordering Parts" on page 1-1.

A

ASSY Assembly

B

BATT Battery
BHSC Button Head Socket Cap
BLK Black
BLKHD Bulkhead
BLNCE Balance
BRK Brake
BTN Button

C

CB Carriage Bolt
CD Cadmium
COMPSTR Compensator
CONN Connector
CP Cap
CRG Carriage
CTSK Countersunk
CTWT Counterweight
CVR Cover
CYD OR CYL Cylinder

D

DBL Double
DEG Degree
DIA Diameter

E

ENCLSD Enclosed

F

FHCS Flanged Head Cap Screw
FHHCS Flanged Hex Head Cap Screw
FL OR FLG Flange
FLT Flat
FRT Front

G

GA Gauge
GR5 Grade 5
GR8 Grade 8

H

HHCS Hex Head Cap Screw
HCS High Carbon Steel
HD Head
HLCL OR HEL Helical
HCSKT Hex Socket
HSFC Hex Socket Flat Countersunk
HX Hex
HYD Hydraulic

I

I/C Internal Combustion
ID Inside Diameter
IND Indicator
INT Interior

GLOSSARY

J

JIC Joint Industry Council

L

LD Lead

LH Lefthand

LIM Limit

LKG OR LOCK Locking

LWR Lower

M

MACH Machined

MANF Manifold

MNT Mount

MTR Motor

N

NK Neck

NRW Narrow

NSS Not Serviced Separately

NYL Nylon

O

OD Outside Diameter

OHG Overhead Guard

ORFS OR ORS O-Ring Seal

ORP OR ORB O-Ring Boss

P

P-STEER Power Steering

POT Potentiometer

PTFE Polytetrafluoroethylene (Teflon)

R

REFLECTV Reflective

RH Righthand

RND OR RD Round

ROT Rotation

RTNR Retainer

S

SAE Society of Automobile Engineers
(Imperial System)

SER Series

SGL Single

SHCS Socket Head Cap Screw

SHLD Shield

SKT Socket

SLFLKG Selflocking

SOC Socket

SOL Solenoid

SPDT Single Pole Double Throw

SPR Spring

SQ Square

SRTD Serrated

SSCR Setscrew

SST Stainless Steel

STD Standard

STRG Steering

STRN Strain

SWVL Swivel

T

TRAC Traction

U

UNC Unified Coarse Thread

UNF Unified Fine Thread

UPR Upper

W

WHL Wheel

WLD OR WLDMT Weldment

WSHR Washer

Z

ZP Zinc Plate

Document Control Revision Log:

Date	Revision	Improvement(s) Description and Comments
08/2012	F-629-R1	Initial Release



Intertek

Equipment from Landoll Corporation is built to exacting standards ensured by ISO 9001:2008 registration at all Landoll manufactureries.

**Flail Shredder 12 and 15 ft
Models - 1446, 1446-1, 1806, and 1806-1
Series - FS, FSC, and FSB
Parts Manual
Re-Order Part Number F-629-R1**

LANDOLL CORPORATION

1900 North Street
Marysville, Kansas 66508
(785) 562-5381
800-428-5655 ~ WWW.LANDOLL.COM



Copyright 2013. Landoll Corporation -

"All rights reserved, including the right to reproduce this material or portions thereof in any form."

