

REPAIR PARTS CATALOG

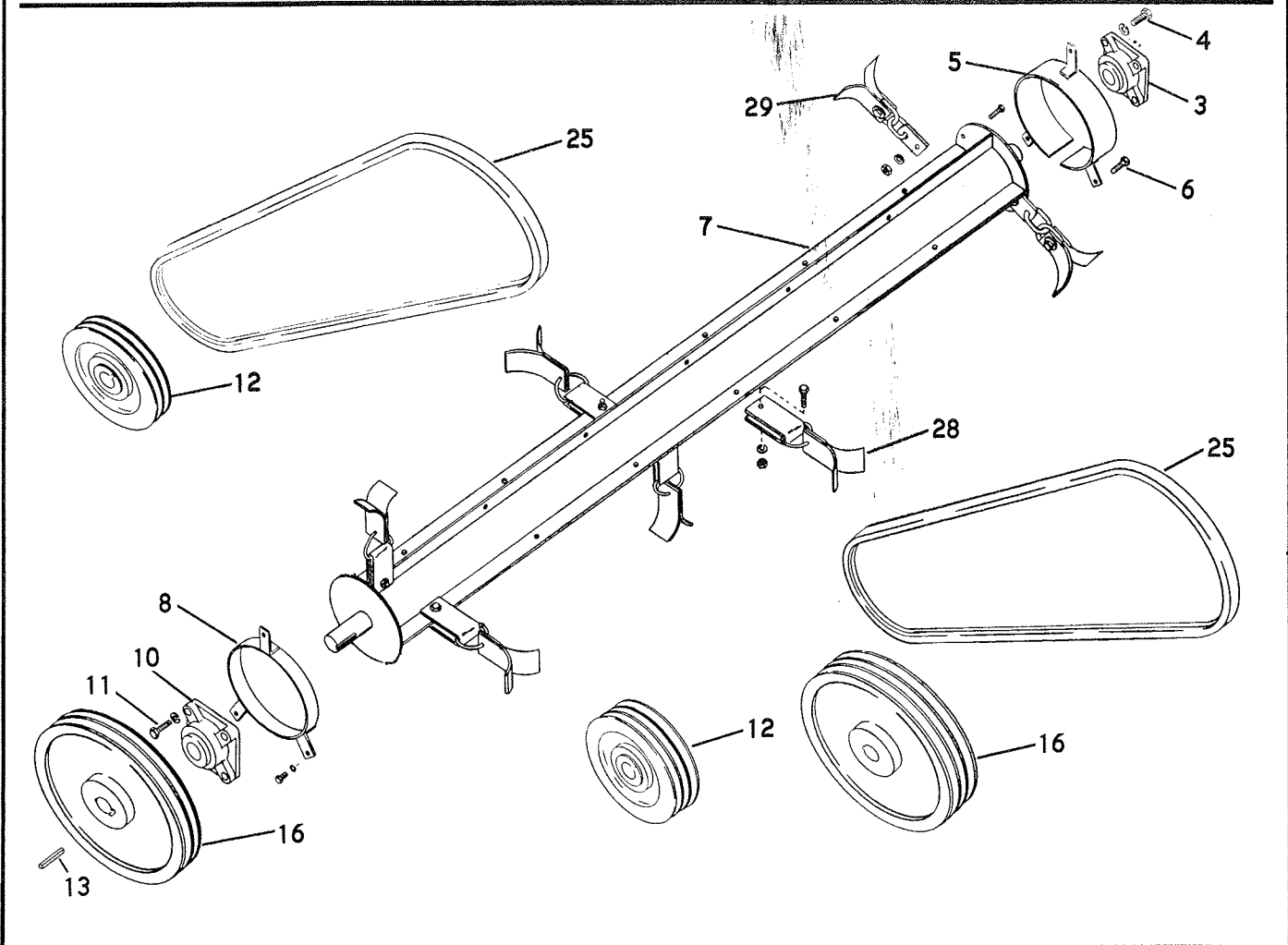
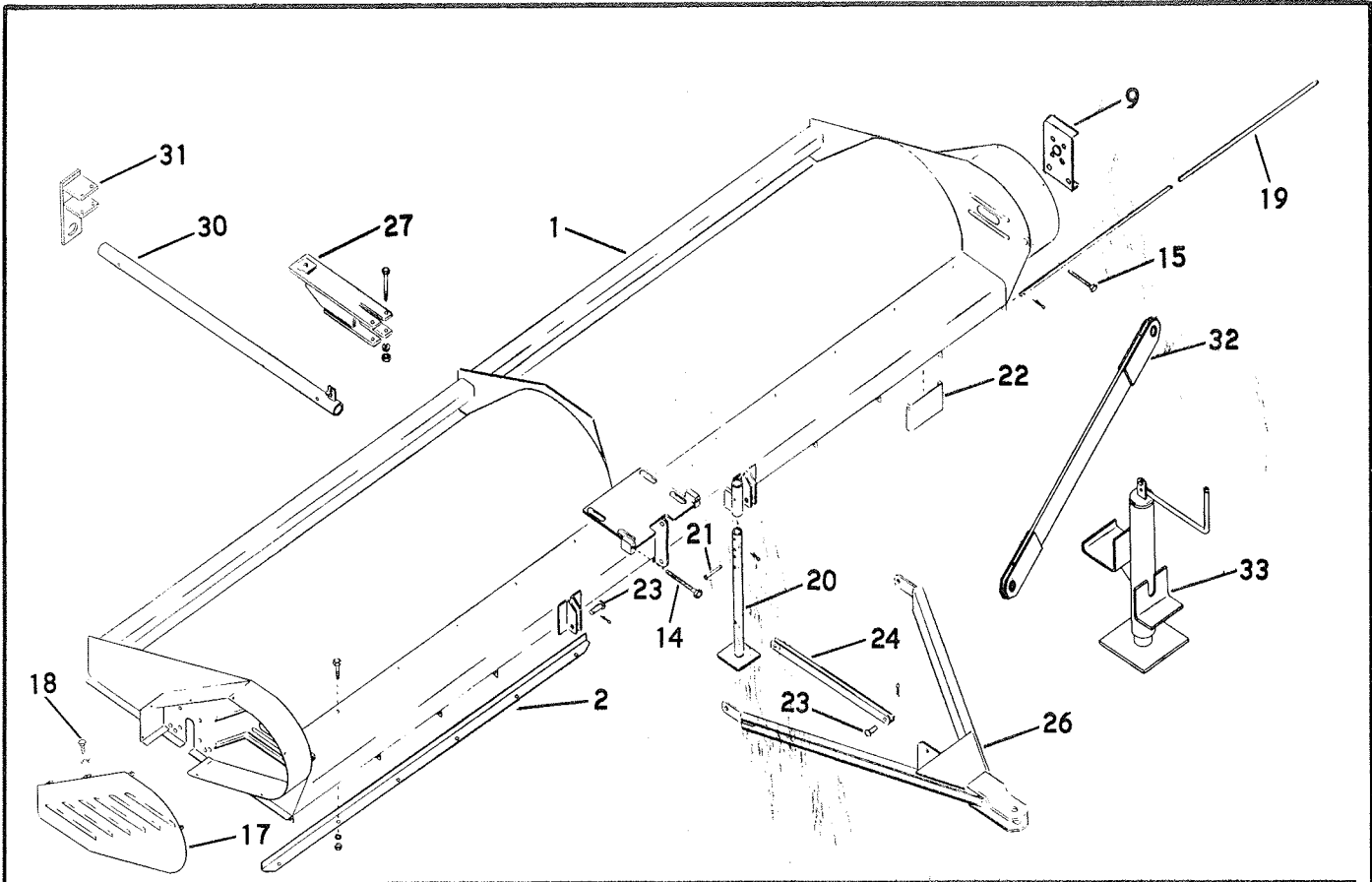
Brillion

164" FLAIL SHREDDER

MODEL F 164-01

ALL PARTS NOT LISTED ARE STANDARD HARDWARE

BRILLION IRON WORKS,
BRILLION, WISCONSIN



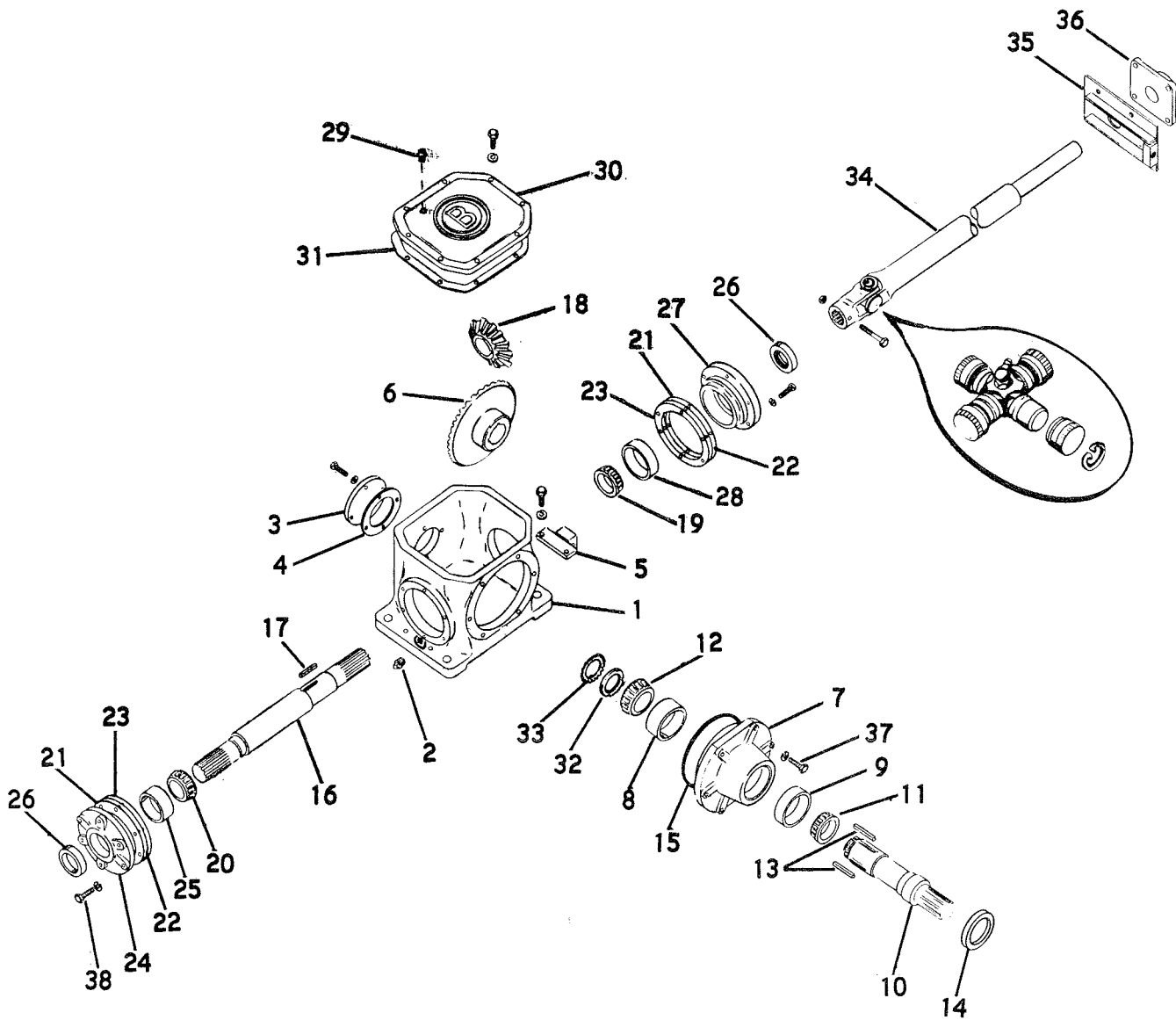
HOOD & DRIVE ASSEMBLY

Index No.	Part No.	Description	No. Req'd.	Weight
1	6D-461	Main Frame Assembly	1	1175.0
2	6D-453	Wear Plate	2	13.4
3	4D-645	Flange Bearing 1-1/2"	2	4.7
4	4D-887	Capscrew, Drilled 1/2-13 NC x 2-1/2 Long, Grade 8	4	.15
		Nut, 1/2-13 NC, Slotted	7	.1
5	4D-581	Flail Bearing Shield, Center	2	1.5
6	1C-674	Capscrew, 1/2-13 NC x 1 Long	18	.1
		Nut, 1/2-13 NC	22	
		Lockwasher, 1/2" Spring Lock	29	
7	6D-464	Flail Assembly	2	250.4
8	4D-579	Flail Bearing Shield, End	2	2.5
	4C-437	Capscrew, Drilled 1/2-13 NC x 1-1/2 Long	3	.1
9	4D-564	End Plate Stiffener	2	4.5
		Capscrew, 1/2-13 NC x 1-1/4 Long	4	.1
10	4D-642	Flange Bearing, 1-5/8"	2	5.4
		Cotter Pin, 1/8 x 1-1/4 Long	15	
11	4D-538	Capscrew, Drilled 5/8-11 NC x 2 Long, Grade 5	8	.2
		Nut, 5/8-11 NC, Slotted	8	
		Lockwasher, 5/8 Med. Spring	8	
12	5D-329	3C Pulley, 8.5 P.D. for E Hub	2	31.0
13	5D-479	Key, 3/8 Sq. x 2-5/16 Long	2	.08
		Roll Pin, 1/8 Dia. x 1/2 Long	2	
14	5D-411	Bolt, 3/4-10 NC x 8 Long, 6-1/2 Long Thread	2	1.0
		Nut, 3/4-10 NC	4	
15	5D-410	Bolt, 3/4-10 NC x 6-1/2 Long, 5-1/2 Long Thread	2	.75
16	5D-328	3C Pulley, 14 P.D. for E Hub	2	50.0
*	5D-207	Hub - E 1-5/8" Bore		7.0
17	4D-575	Belt Guard Cover Assembly R.H.	1	10.25
*	4D-539	Belt Guard Cover Assembly L.H.	1	10.25
		Capscrew, 5/16-18 NC x 3/4 Long	6	.1
		Lockwasher, 5/16 Med. Spring	6	
		Flat Washer, 5/16 Std.	6	
19	6D-449	Skirt Hanger Rod	2	5.1
		Cotter Pin, 1/8 x 1 Long	4	
20	4D-562	Support Stand	1	5.75
21	3C-335	Clevis Pin, 1/2 x 3 Long	1	.2
22	7D-680	Skirt	22	1.0
*	6D-469	Spacer	2	.21
*		Flat Washer, 1/2 S. A. E.	2	
23	4D-983	Clevis Pin, 1 x 2 Long	4	.5
24	4D-557	Drawbar Link	2	3.75
25	5D-875	C75 Belt, Matched Set of 3	2	1.5
26	4D-543	Front Hitch Assembly	1	65.0
27	4D-553	Rear Hitch (Optional)	1	28.5
		Cotter Pin 1/4 x 1-1/2 Long	4	

(Continued on following page)

HOOD & DRIVE ASSEMBLY

Index No.	Part No.	Description	No. Req'd.	Weight
28	4D-602	Knife Assembly	56	3.25
*	5D-183	"D" Ring & Knife Assembly		1.75
*	5D-53	Knife, Side Slice		.5
*	5D-52	"D" Ring		.75
*	5D-54	"U" Bracket		1.25
*	5D-333	Retainer		
*	5D-51	Capscrew, 1/2-13 NC x 1-3/4 Long, Grade 5		.25
*	5D-304	Locknut, 1/2-13 NC		.1
29	5D-44	Center Cut Knife Assembly (Optional)	4	2.75
*	5D-76	2 Link Chain Assembly (Less Knives)		
30	4D-679	Transport Bracket - Front (Optional)	1	32.5
31	4D-681	Transport Bracket - Rear (Optional)	1	21.0
32	4D-978	Link Assembly (Optional)	1	12.0
33	5D-30	Screw Jack Assembly (Optional)	1	16.5
*	5D-193	Guard, 4-1/4" Wide	2	
*	5D-216	Guard, 4-3/4" Wide	2	



GEARBOX ASSEMBLY

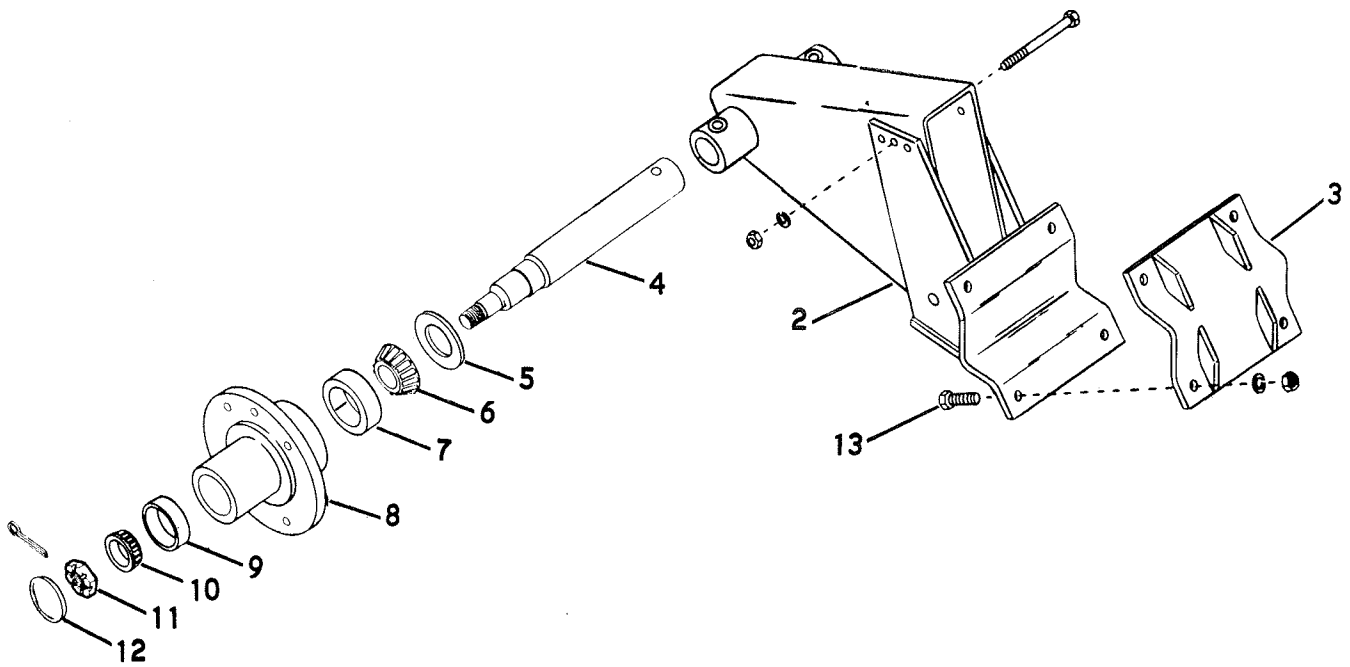
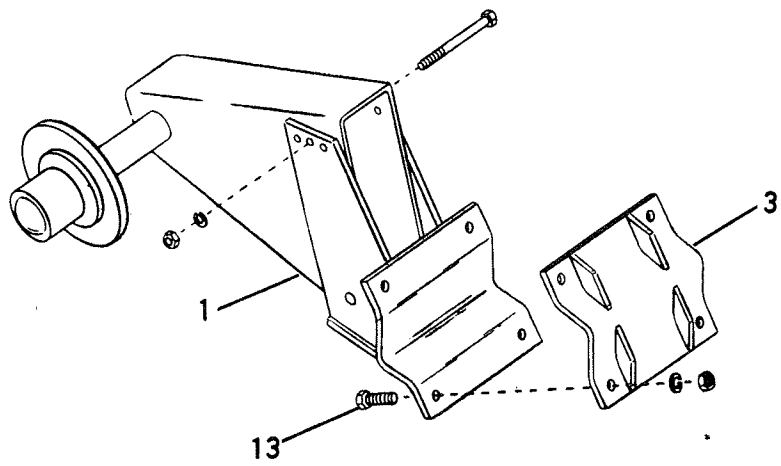
Index No.	Part No.	Description	No. Req'd.	Weight
1	4D-635	Gear Box Assembly (1,000 RPM)		
	4D-636	Gear Box Assembly (540 RPM)		
	4D-705	Drive Gear Housing	1	59.25
		Capscrew, 3/4-10 NC x 2-3/4 Long	4	.1
		Lockwasher, 3/4 Spring Lock	4	
		Flat Washer, 3/4 SAE	4	
2		Nut, 3/4-10 NC	4	
2	7C-403	Pipe Plug	2	.1
3	4D-714	Cover, Back	1	1.25
		Capscrew, 3/8-16 NC x 1 Long	12	.1
		Lockwasher, 3/8 Spring Lock	30	
4	4D-715	Gasket, Back Cover	1	.1
5	5D-426	Adjusting Block	2	1.75
		Capscrew, 1/2-13 NC x 1-1/4 Long	4	.1
		Lockwasher, 1/2 Spring Lock	4	
6	4D-701	Drive Gear (1,000 RPM) 28 Tooth	1	10.25
	4D-703	Drive Gear (540 RPM) 30 Tooth	1	23.0
7	4D-708	Bearing Carrier	1	18.0
8	4D-633	Bearing Cup #39520	1	.75
9	4C-832	Bearing Cup #362A	1	.42
10	5D-481	Drive Shaft	1	8.75
11	4D-630	Bearing Cone #368-S	1	.75
12	4D-632	Bearing Cone #39575	1	2.5
13	4D-716	Key, 3/8 Sq. x 1-29/32 Long	2	.12
14	4C-831	Seal, Oil 3.505 O.D. x 2.375 I.D. x 45/64	1	.5
15	4D-724	"O" Ring, Seal	1	.1
16	4D-707	Driven Shaft	1	15.25
17	4D-717	Key, 3/8 Sq. x 1-13/16 Long	2	.09
18	4D-702	Gear (1,000 RPM) 28 Tooth	1	13.0
	4D-704	Gear (540 RPM) 16 Tooth	1	4.5
19	4D-628	Bearing Cone #3779	1	1.42
20	3D-531	Bearing Cone #LM603049	1	.5
21	4D-874	Shim .005 Thick		.1
22	4D-875	Shim .007 Thick		.1
23	5D-46	Shim .010 Thick		.1
24	4D-709	Bearing Carrier R.H.	1	6.5
25	3D-532	Bearing Cup #LM603011	1	.25
26	4C-830	Seal, Oil 2-3/4 O.D. x 1-3/4 I.D. x 45/64 Thick	2	.24
27	5D-130	Bearing Carrier L.H.	1	5.75
28	4D-629	Bearing Cup #3720	1	.66
29	5C-573	Breather	1	.1
	3D-978	Bushing, 1/8 x 1/2	1	
30	4D-711	Cover, Top	1	7.5
31	4D-712	Gasket, Top Cover	1	.18
32	4D-624	Locknut, Bearing	1	.30
33	4D-625	Lockwasher, Bearing Locknut	1	.12
*34	6D-455	Drive Shaft Assembly (80" Overall Length)	2	37.0
	5D-508	Tx Woodruff Key, 3/8 x 2-3/4 Dia. x 2 Long	2	.1
	1D-239	Capscrew, 5/16-18 NC x 3 Long, Grade 5	2	.1
	5C-724	Elastic Locknut, 5/16 x 18 NC Lite	2	
	5D-63	"D" Universal Joint Repair Kit		
*35	4D-573	Belt Adjusting Plate	2	8.0

*Not Included in Gear Box Assembly

(Continued on following page)

GEARBOX ASSEMBLY

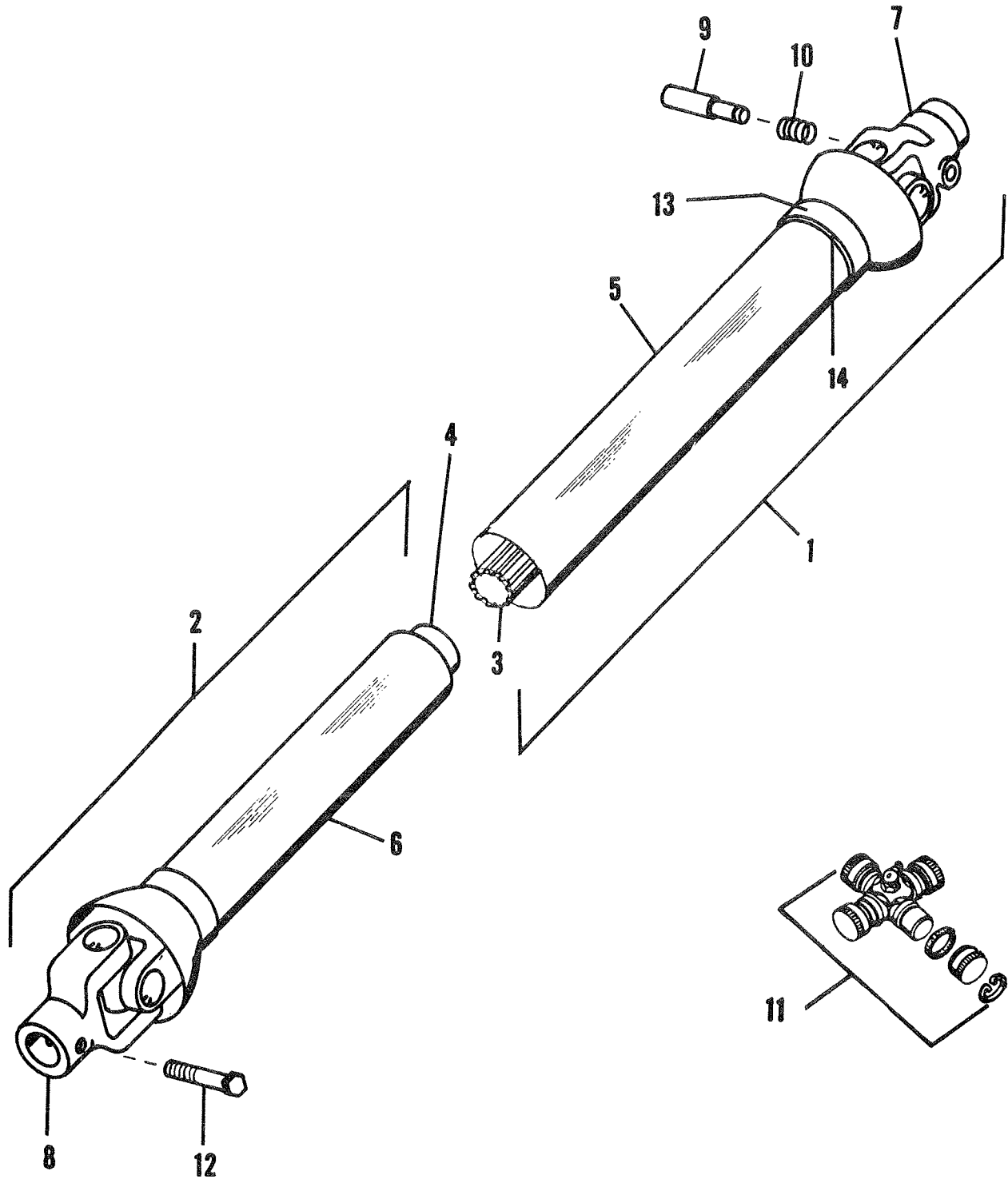
Index No.	Part No.	Description	No. Reqd.	Weight
*36	4D-643	Flange Bearing, 1-5/8 Tapped	2	5.4
*	4D-561	Capscrew, 5/8-11 NC x 1-1/2 Long, Grade 5	8	.1
		Lockwasher, 5/8 Med. Spring	8	
37	8C-36	Capscrew, 3/8-16 NC x 1-3/4 Long, Grade 5	6	.1
38	4D-904	Capscrew, 3/8-16 NC x 1-1/2 Long, Grade 5	12	.1
*Not Included In Gear Box Assembly				



TAILWHEEL ASSEMBLY

Index No.	Part No.	Description	No. Req'd	Weight
1	4D-589	R. H. Wheel Support Assembly, 12 Ft. & 13'8"	1	58.5
*	4D-590	L. H. Wheel Support Assembly, 12 Ft. & 13'8"	1	58.5
2	4D-634	Tailwheel Bracket & Arm Assembly, 15 Ft.	2	45.5
	5D-335	Capscrew, 1/2-13 NC x 4 Long, Grade 5	2	
		Nut, 1/2-13 NC	2	
		Lockwasher, 1/2 Spring Lock	2	
3	4D-504	Upper Clamp Assembly	2	10.0
4	4D-617	Spindle, 15 Ft.	2	6.5
5	1D-273	Seal, 2-3/4 O.D. x 1-5/8 I.D. x 1/4 Thick	2	.12
6	5C-480	Bearing Cone #LM48548	2	.15
7	5C-479	Bearing Cup #LM4851	2	.09
8	3D-870	Wheel Hub	2	6.25
9	3C-166	Bearing Cup #09195	2	.12
10	1D-274	Bearing Cone #09081	2	.24
11	3C-173	Slotted Nut (3/4-16 NF)	2	.12
12	5C-908	Hub Cap	2	.18
		Cotter Pin, 5/32 x 1 Long	2	
13	4D-957	Capscrew, 3/4-10 NC x 2-1/4 Long, Grade 5	8	.36
		Lockwasher, 3/4 Med.	8	
		Nut, 3/4-10 NC	8	
*	1D-734	Wheel, 14 x 5 KB, 5 Bolt	2	17.0
*	5C-100	Wheel Bolt	10	.12

P. T. O. SHAFT WITH INTEGRAL SHIELD



P. T. O. SHAFT ASSEMBLY

Index No.	Part No.	Description	No. Req'd.
1	4D-658	Shaft & Joint Assembly (1,000 RPM)	1
	4D-700	Shaft & Joint Assembly (540 RPM)	1
2	4D-657	Tube & Joint Assembly	1
3	4D-932	Shaft & Yoke, Obsolete - Order parts listed below	
4	4D-934	Tube & Yoke	1
5	4D-933	Guard Assembly, Shaft End	1
6	4D-935	Guard Assembly, Tube End	1
7	1D-857	Tractor Yoke (1,000 RPM)	1
	1D-133	Tractor Yoke (540 RPM)	1
8	4D-936	Yoke, Gearbox	1
9	3D-757	Pin (540 RPM)	1
10	5C-257	Spring (540 RPM)	1
*	8C-528	Capscrew, 1/2-13 NC x 3" Long, Grade 5 (1,000 RPM)	1
*	5D-747	Elastic Stop Nut, 1/2-13 NC Slotted (1,000 RPM)	1
11	1D-134	L55 Joint Repair Kit	2
12	1D-239	Capscrew, 5/16-18 NC x 3" Long, Grade 5	1
*	5C-724	Elastic Locknut, 5/16-18 NC	1
13	1D-131	Bearing Retainer	
14	1D-132	Nylon Bearing	
		<u>To Replace 4D-932, Order One Each of the Following</u>	
3*	2J-144	Shaft & Yoke	1
5*	2J-145	Guard Assembly, Shaft End	1
13*	2J-147	Bearing Retainer, Shaft End	
14*	2J-146	Nylon Bearing, Shaft End	

