

# REPAIR PARTS CATALOG



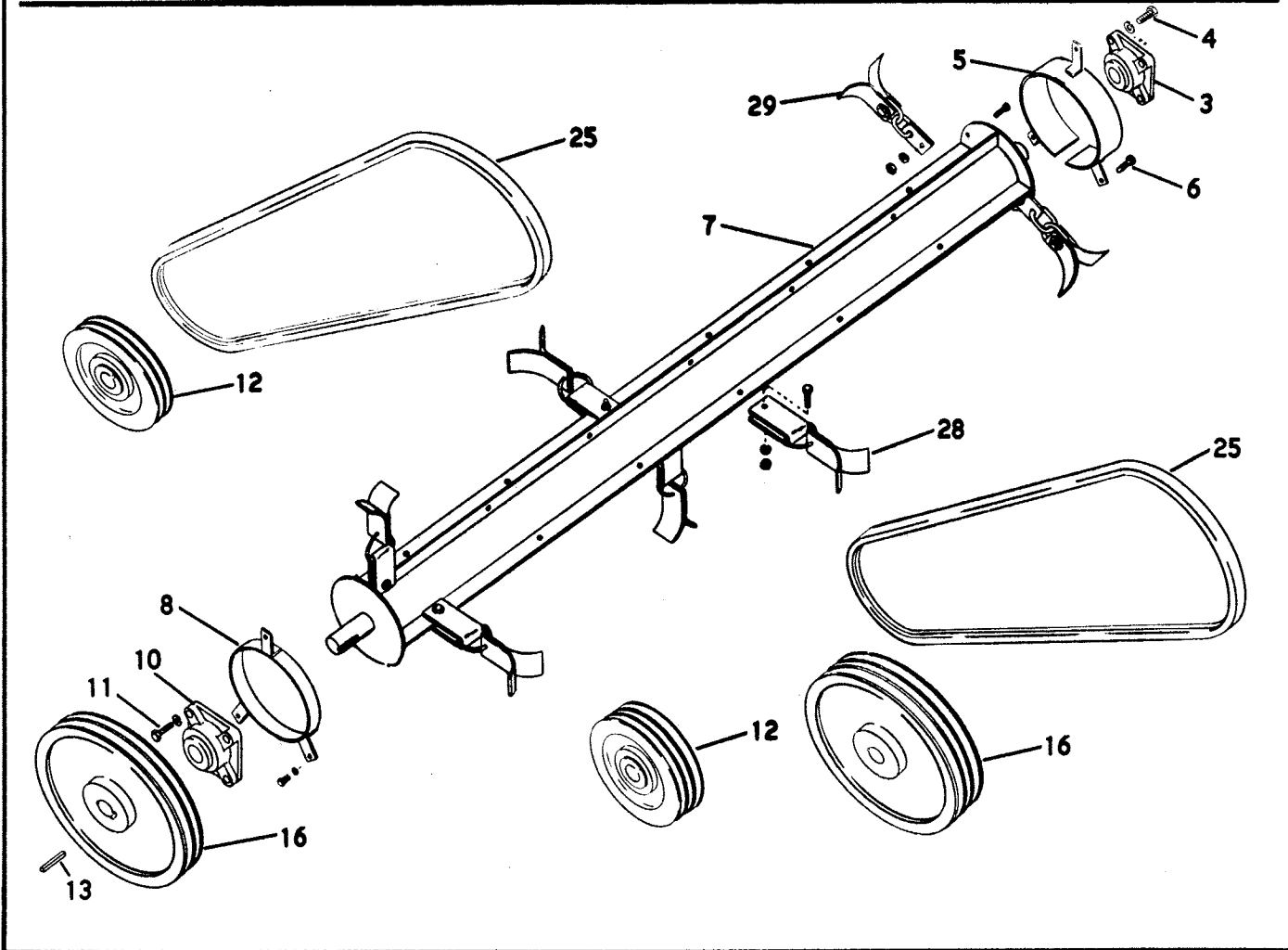
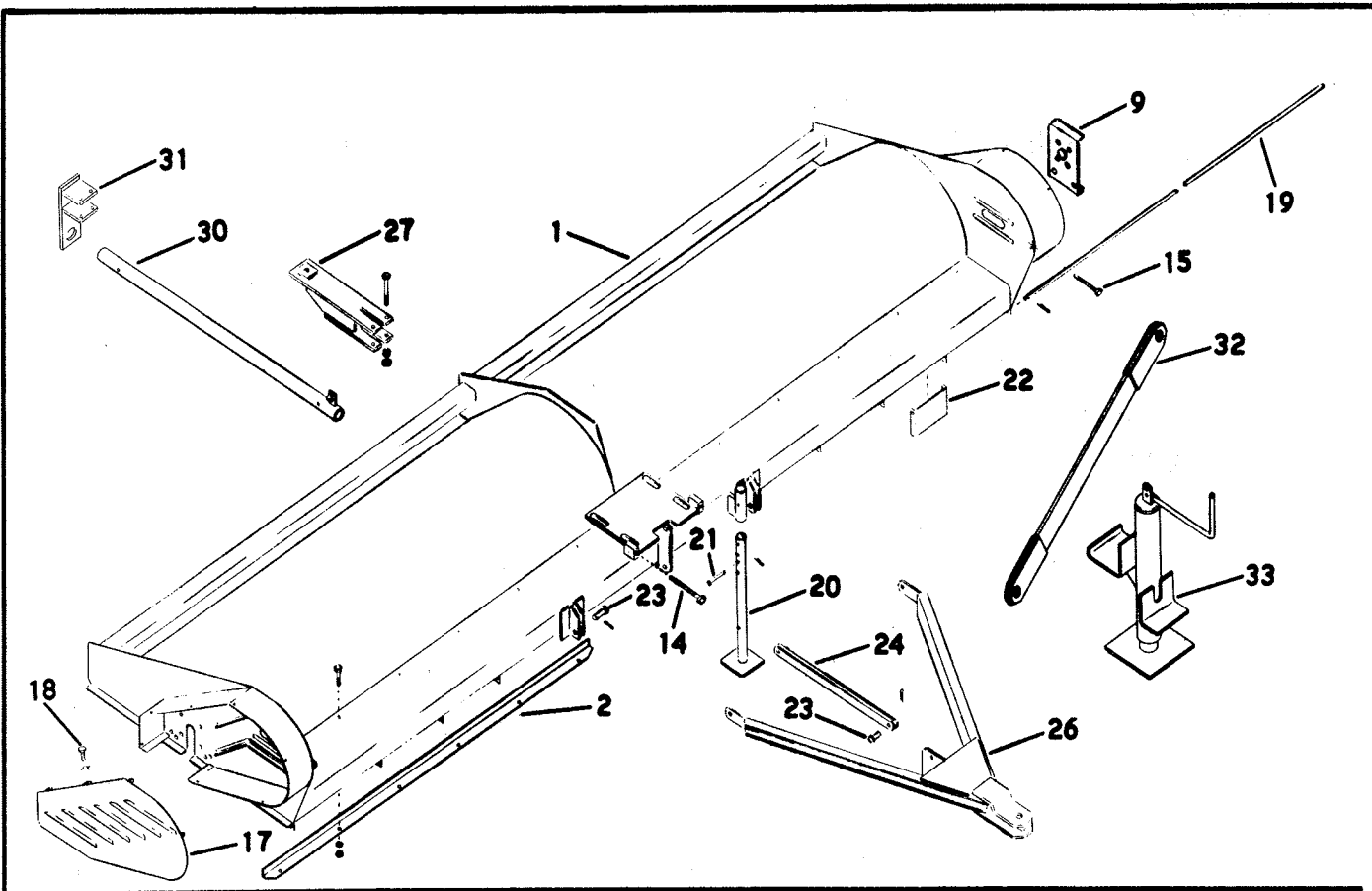
## 144" FLAIL SHREDDER

MODEL F-144-01 THRU F-144-03  
MODEL FS-144-02, FS-144-03

ALL PARTS NOT LISTED ARE STANDARD HARDWARE

**BRILLION IRON WORKS, INC.**

Brillion, Wisconsin, U. S. A.



HOOD AND DRIVE ASSEMBLY

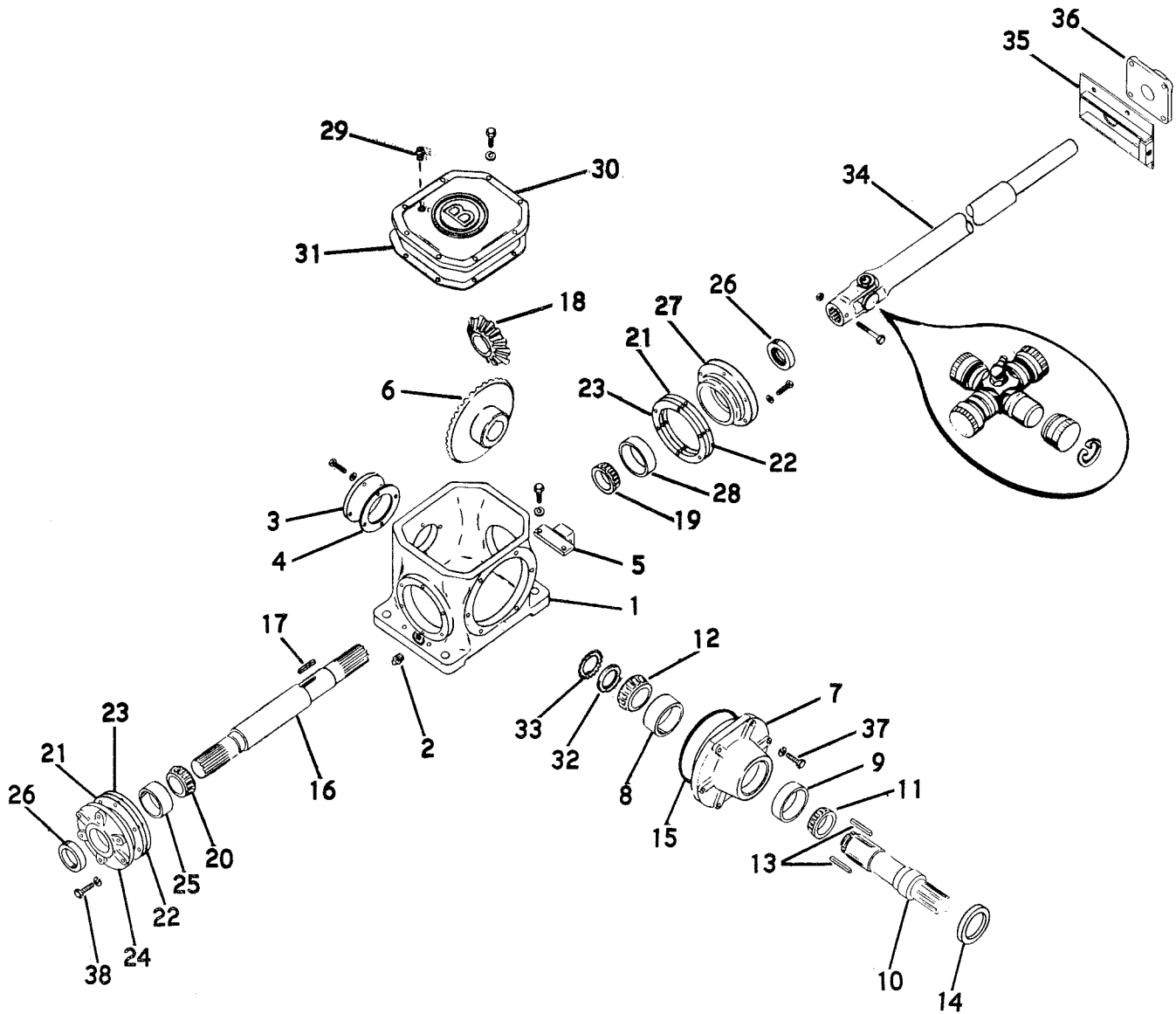
Index No.	Part No.	Description	No. Req'd	Weight
1	4D-526	Main Frame Assembly	1	1060.0
2	4D-528	Wear Plate	2	11.0
3	4D-645	Flange Bearing, 1-1/2	2	4.7
4	4D-887	Capscrew-Drilled, 1/2-13 x 2-1/2, Grade 8	4	.15
	2C-290	Nut, 1/2-13 Slotted	7	.1
5	4D-581	Flail Bearing Shield, Center	2	1.5
6	1C-674	Capscrew, 1/2-13 x 1	18	.1
	1C-390	Nut, 1/2-13	22	
	1C-109	Lockwasher, 1/2	29	
7	4D-567	Flail Assembly, Model 01, 02, 03	2	220.0
	9D-920	Flail Assembly, Model 04	2	220.0
8	4D-579	Flail Bearing Shield, End	2	2.5
	4C-437	Capscrew - Drilled, 1/2-13 x 1-1/2	3	.1
9	4D-564	End Plate Stiffener	2	4.5
	1C-334	Capscrew, 1/2-13 x 1-1/4	4	.1
10	4D-642	Flange Bearing, 1-5/8, Model 01, 02, 03	2	5.4
	9D-921	Flange Bearing, 1-3/4, Model 04	2	5.4
11	4D-538	Capscrew-Drilled, 5/8-11 x 2, Grade 5	8	.2
	4D-529	Nut, 5/8-11 Slotted	8	
	1B-166	Lockwasher, 5/8	8	
	2C-298	Cotter Pin, 1/8 x 1-1/4	15	
12	5D-327	2C Pulley, 8.5 PD for SF Hub, Model 02, 03	2	19.0
	4D-586	Pulley & Bushing, 2 Groove, 9.25 O.D., Model 01	2	17.0
	5D-209	"SK" Hub, 1-5/8, Model 01		2.0
	5D-208	"SF" Hub, 1-5/8		3.5
	5D-214	2 Gr. Pulley, 9.25 O.D. for SF Hub, Model 01		
	5D-215	2 Gr. Pulley, 9.25 O.D. for SK Hub, Model 01		
12	5D-329	3C 8.5 Pulley for E Hub, Model FS 02, 03, 04	2	31.0
	5D-412	"E" Hub, 1-5/8 W/ Bolts, Model 02, 03	2	7.0
	6D-927	"E" Hub, 1-3/4 W/Bolts, Model 04	2	7.0
13	5D-479	Key, 3/8 Sq. x 2-5/16	2	
	5D-511	Roll Pin, 1/8 x 1/2 Long	2	
14	5D-411	Bolt, 3/4-10 x 8 W/6-1/2 Thd.	2	1.0
	1C-210	Nut, 3/4-10	4	
15	5D-410	Bolt, 3/4-10 x 6-1/2 W/5-1/2 Thd.	2	.75
16	5D-326	2C Pulley 14 P.D. for SF Hub, Model 02, 03	2	38.0
	6D-969	"SF" Hub, 1-3/4, Model 03	2	3.5
	4D-587	Pulley & Bushing, 2 Groove, 15", Model 01	2	28.0
	5D-211	2 Gr. Pulley, 15 O.D. for E Hub, Model 01	2	28.0
	5D-212	2 Gr. Pulley, 15 O.D. for SF Hub		
16	5D-328	3C Pulley 14 P.D. for E Hub, Model FS 02, 03, 04	2	50.0
	6D-927	"E" Hub, 1-3/4 W/Bolts, Model 03, 04		
17	4D-575	Belt Guard Cover Assembly R. H.	1	10.25
	4D-539	Belt Guard Cover Assembly L. H.	1	10.25
	1C-237	Capscrew, 5/16-18 x 3/4	6	
	1C-362	Lockwasher, 5/16	6	
	3C-127	Flat Washer, 5/16 Std.	6	
18	4D-588	Drive Screw, 5/16-18 x 1/2, Model 01	16	
19	5D-301	Skirt Hanger Rod	2	4.5
	2C-864	Cotter Pin, 1/8 x 1	4	

(Continued on following page)



HOOD AND DRIVE ASSEMBLY

Index No.	Part No.	Description	No. Req'd	Weight
20	4D-562	Support Stand	1	5.75
21	3C-335	Clevis Pin, 1/2 x 3	1	.2
22	7D-680	Skirt	20	1.0
23	4D-983	Clevis Pin, 1 x 2	4	.5
	4C-446	Cotter Pin, 1/4 x 1-1/2	4	
24	4D-557	Drawbar Link	2	3.75
25	5D-874	C75 Belt, Matched set of 2	2	1.5
	4D-640	5V 800 Belt, 2 Groove, Model 01	2	2.5
	5D-875	C75 Belt, Matched set of 3 (FS model only)	2	1.5
26	4D-543	Front Hitch Assembly	1	65.0
27	4D-553	Rear Hitch (optional)	1	28.5
28	4D-602	Knife Assembly	48	3.25
	5D-183	"D" Ring & Knife Assembly		1.75
	5D-53	Knife - Side Slice		.5
	5D-52	"D" Ring		.75
	5D-54	"U" Bracket		1.25
	5D-333	Retainer		
	5D-51	Capscrew, 1/2-13 x 1-3/4, Grade 5		.25
	5D-304	Locknut, 1/2-13		.1
29	5D-44	Center Cut Knife Assembly (optional)	4	2.75
	5D-76	2 Link Chain Assembly (less knives)		
	5D-193	Guard, 4-1/4 Wide	2	
	5D-216	Guard, 4-3/4 Wide	2	



GEAR BOX ASSEMBLY

Index No.	Part No.	Description	No. Req'd.	Weight
1	4D-635	Gearbox Assembly (1,000 RPM)		
	4D-636	Gearbox Assembly (540 RPM)		
	4D-705	Drive Gear Housing	1	59.25
		Capscrew, 3/4-10 NC x 2-3/4 Long	4	.1
		Lockwasher, 3/4 Spring Lock	4	
		Flat Washer, 3/4 SAE	4	
2		Nut, 3/4-10 NC	4	
2	7C-403	Pipe Plug	2	.1
3	4D-714	Cover Back	1	1.25
4		Capscrew, 3/8-16 NC x 1 Long	12	.1
		Lockwasher, 3/8 Spring Lock	30	
4	4D-715	Gasket, Back Cover	1	.1
5	*4D-521	Adjusting Block - Model 01	2	1.75
	°5D-426	Adjusting Block	2	1.75
6		Capscrew, 1/2-13 NC x 1-1/4 Long	4	.1
		Lockwasher, 1/2 Spring Lock	4	
6	4D-701	Drive Gear (1,000 RPM) 28 Tooth	1	10.25
	4D-703	Drive Gear (540 RPM) 30 Tooth	1	23.0
7	4D-708	Bearing Carrier	1	18.0
8	4D-633	Bearing Cup #39520	1	.75
9	4C-832	Bearing Cup #362A	1	.42
10	*4D-706	Drive Shaft	1	8.75
	°5D-481	Drive Shaft	1	8.75
11	4D-630	Bearing Cone #368-S	1	.75
12	4D-632	Bearing Cone #39575	1	2.5
13	4D-716	Key, 3/8 Sq. x 1-29/32 Long	2	.12
14	*4D-722	Seal, Oil 3-1/2 O.D. x 2-1/4 I.D. x 5/8 Thick	1	.5
	°4C-831	Seal, Oil 3.505 O.D. x 2.375 I.D. x 45/64 Thick	1	.5
15	4D-724	"O" Ring, Seal	1	.1
16	4D-707	Driven Shaft	1	15.25
17	4D-717	Key, 3/8 Sq. x 1-13/16 Long	2	.09
18	4D-702	Gear (1,000 RPM) 28 Tooth	1	13.0
	4D-704	Gear (540 RPM) 16 Tooth	1	4.5
19	4D-628	Bearing Cone #3779	1	1.42
20	3D-531	Bearing Cone #LM603049	1	.5
21	4D-874	Shim .005 Thick		.1
22	4D-875	Shim .007 Thick		.1
23	5D-46	Shim .010 Thick		.1
24	4D-709	Bearing Carrier, R.H.	1	6.5
25	3D-532	Bearing Cup #LM603011	1	.25
26	4C-830	Seal, Oil, 2-3/4 O.D. x 1-3/4 I.D. x 45/64 Thick	2	.24
27	5D-130	Bearing Carrier L.H.	1	5.75
28	4D-629	Bearing Cup #3720	1	.66
29	5C-573	Breather	1	.1
	3D-978	Bushing, 1/8 x 1/2	1	
30	4D-711	Cover, Top	1	7.5
31	4D-712	Gasket, Top Cover	1	.18
32	4D-624	Locknut, Bearing	1	.30

\*Before serial number 25530 of 144" flail or serial number 27340 of 180" flail.

°Serial No. 25530 of 144" flail or serial no. 27340 of 180" flail and all serial numbers following each one.

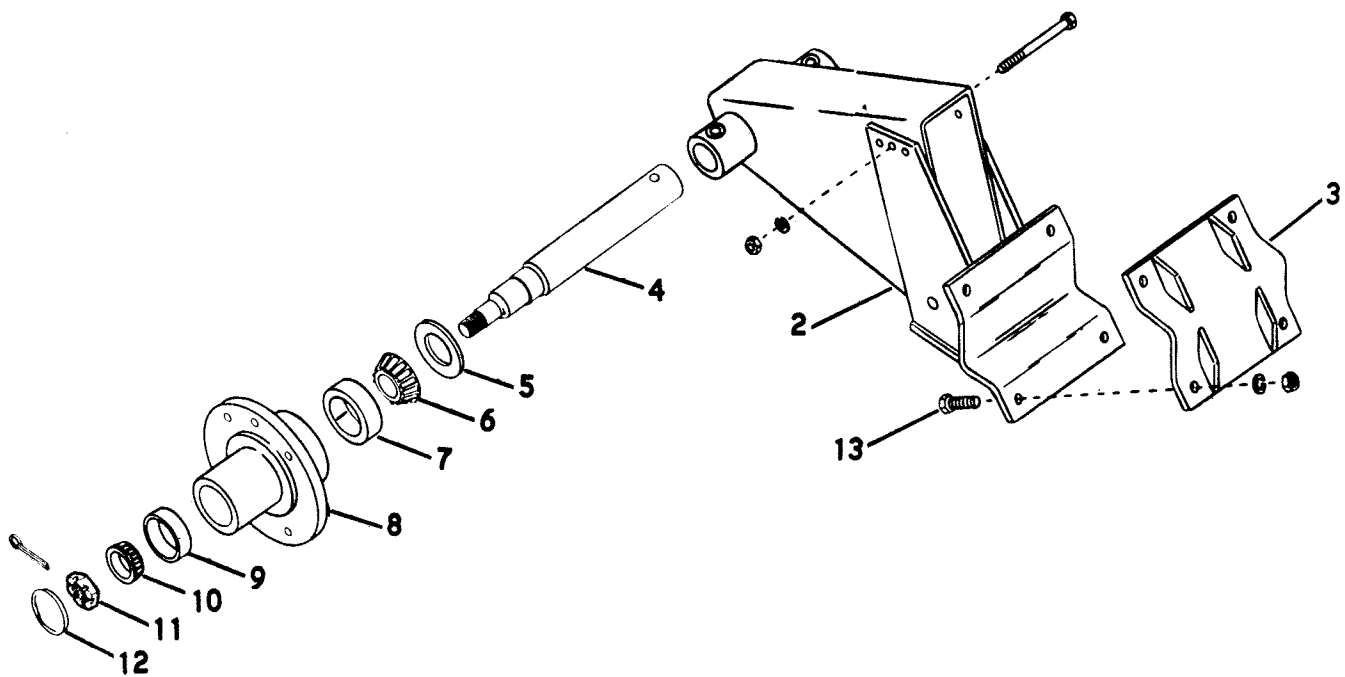
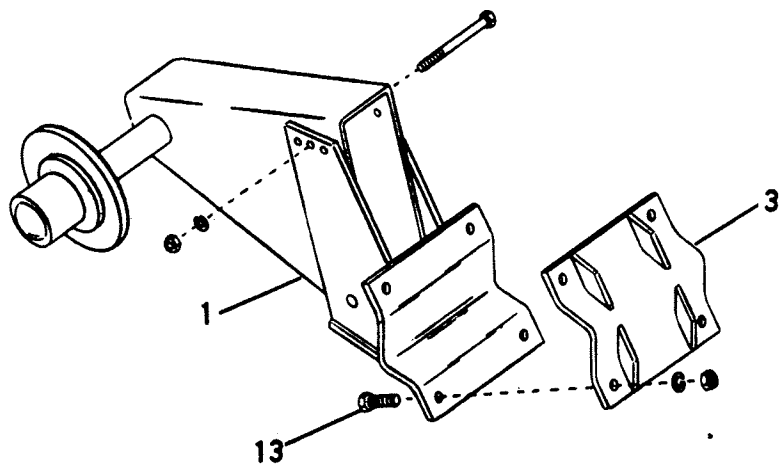
(Continued on following page)





GEARBOX ASSEMBLY

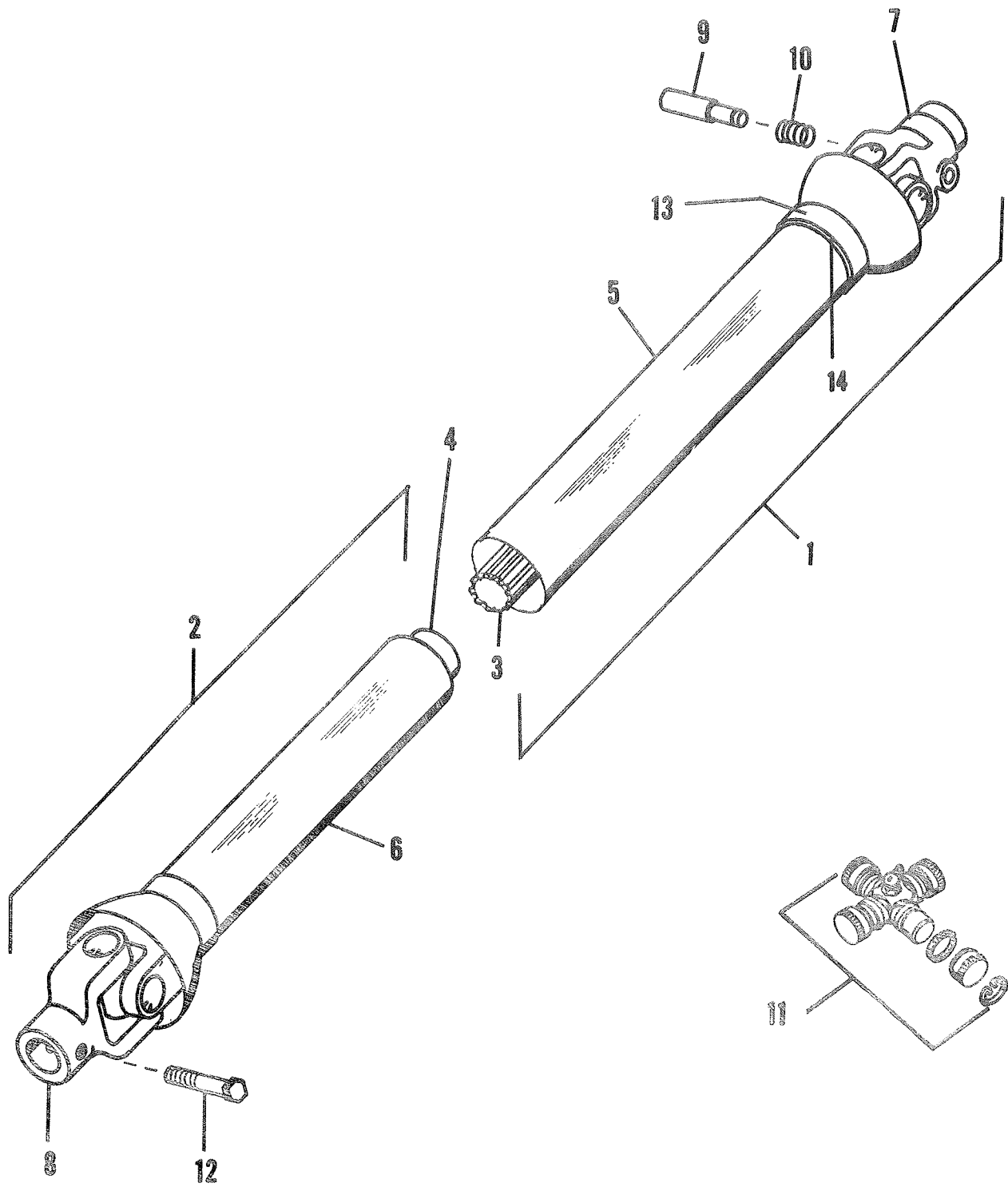
Index No.	Part No.	Description	No. Req'd	Weight
33	4D-625	Lockwasher, Bearing Locknut	1	.12
*34	5D-510	Drive Shaft Assembly (Models 01 & 02)	2	33.0
	7D-216	Drive Shaft Assembly (Models 03 & 04)	2	33.0
	5D-508	Tx Woodruff Key, 3/8 x 2-3/4 Dia. x 2" Long	2	.1
	1D-239	Capscrew, 5/16-18 NC x 3 Long, Grade 5	2	.1
	5C-724	Elastic Locknut, 5/16-18 NC Lite	2	
	5D-63	"D" Universal Joint Repair Kit		
*35	4D-573	Belt Adjusting Plate	2	8.0
*36	4D-643	Flange Bearing, 1-5/8" Tapped (Models 01 & 02)	2	5.4
	6D-928	Flange Bearing, 1-3/4" Tapped (Model 03, 04)	2	5.4
*	4D-561	Capscrew, 5/8-11 NC x 1-1/2 Long, Grade 5	8	.1
		Lockwasher, 5/8 Med. Spring	8	
37	8C-36	Capscrew (3/8-16 NC x 1-3/4 Long, Grade 5)	6	.1
38	4D-904	Capscrew (3/8-16 NC x 1-1/2 Long, Grade 5)	12	.1
*Not included in Gearbox Assembly				



TAILWHEEL ASSEMBLY

Index No.	Part No.	Description	No. Req'd	Weight
1	4D-589	R. H. Wheel Support Assembly, 12 Ft. & 13'8"	1	58.5
*	4D-590	L. H. Wheel Support Assembly, 12 Ft. & 13'8"	1	58.5
2	4D-634	Tailwheel Bracket & Arm Assembly, 15 Ft.	2	45.5
	5D-335	Capscrew, 1/2-13 NC x 4 Long, Grade 5	2	
		Nut, 1/2-13 NC	2	
		Lockwasher, 1/2 Spring Lock	2	
3	4D-504	Upper Clamp Assembly	2	10.0
4	4D-617	Spindle, 15 Ft.	2	6.5
5	1D-273	Seal, 2-3/4 O.D. x 1-5/8 I.D. x 1/4 Thick	2	.12
6	5C-480	Bearing Cone #LM48548	2	.15
7	5C-479	Bearing Cup #LM4851	2	.09
8	3D-870	Wheel Hub	2	6.25
9	3C-166	Bearing Cup #09195	2	.12
10	1D-274	Bearing Cone #09081	2	.24
11	3C-173	Slotted Nut (3/4-16 NF)	2	.12
12	5C-908	Hub Cap	2	.18
		Cotter Pin, 5/32 x 1 Long	2	
13	4D-957	Capscrew, 3/4-10 NC x 2-1/4 Long, Grade 5	8	.36
		Lockwasher, 3/4 Med.	8	
		Nut, 3/4-10 NC	8	
*	1D-734	Wheel, 14 x 5 KB, 5 Bolt	2	17.0
*	5C-100	Wheel Bolt	10	.12

P. T. O. SHAFT WITH INTEGRAL SHIELD



P. T. O. SHAFT ASSEMBLY

Index No.	Part No.	Description	No. Req'd.
1	4D-658	Shaft & Joint Assembly (1,000 RPM)	1
	4D-700	Shaft & Joint Assembly (540 RPM)	1
2	4D-657	Tube & Joint Assembly	1
3	4D-932	Shaft & Yoke, Obsolete - Order parts listed below	
4	4D-934	Tube & Yoke	1
5	4D-933	Guard Assembly, Shaft End	1
6	4D-935	Guard Assembly, Tube End	1
7	1D-857	Tractor Yoke (1,000 RPM)	1
	1D-133	Tractor Yoke (540 RPM)	1
8	4D-936	Yoke, Gearbox	1
9	3D-757	Pin (540 RPM)	1
10	5C-257	Spring (540 RPM)	1
*	8C-528	Capscrew, 1/2-13 NC x 3" Long, Grade 5 (1,000 RPM)	1
*	5D-747	Elastic Stop Nut, 1/2-13 NC Slotted (1,000 RPM)	1
11	1D-134	L55 Joint Repair Kit	2
12	1D-239	Capscrew, 5/16-18 NC x 3" Long, Grade 5	1
*	5C-724	Elastic Locknut, 5/16-18 NC	1
13	1D-131	Bearing Retainer	
14	1D-132	Nylon Bearing	
<u>To Replace 4D-932, Order One Each of the Following</u>			
3*	2J-144	Shaft & Yoke	1
5*	2J-145	Guard Assembly, Shaft End	1
13*	2J-147	Bearing Retainer, Shaft End	
14*	2J-146	Nylon Bearing, Shaft End	

