

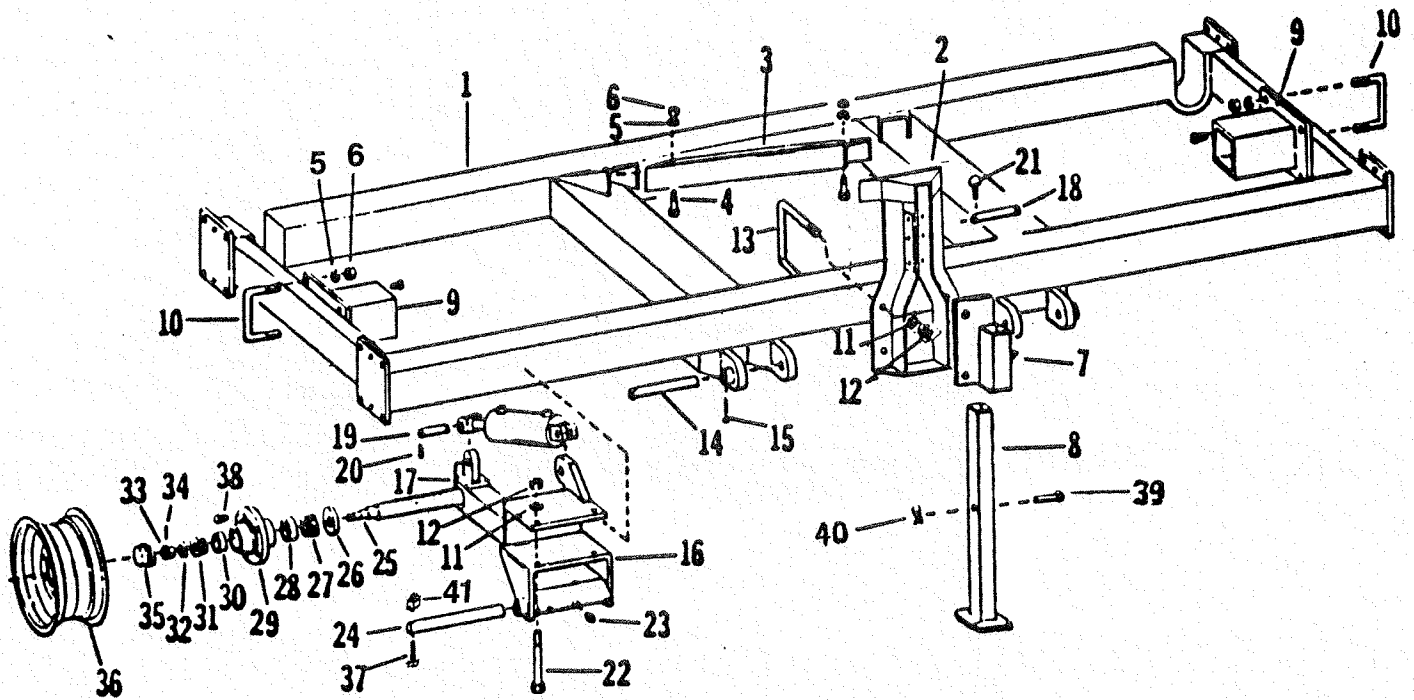
# REPAIR PARTS CATALOG



## AUTOMATIC RESET **DEEP TILL**



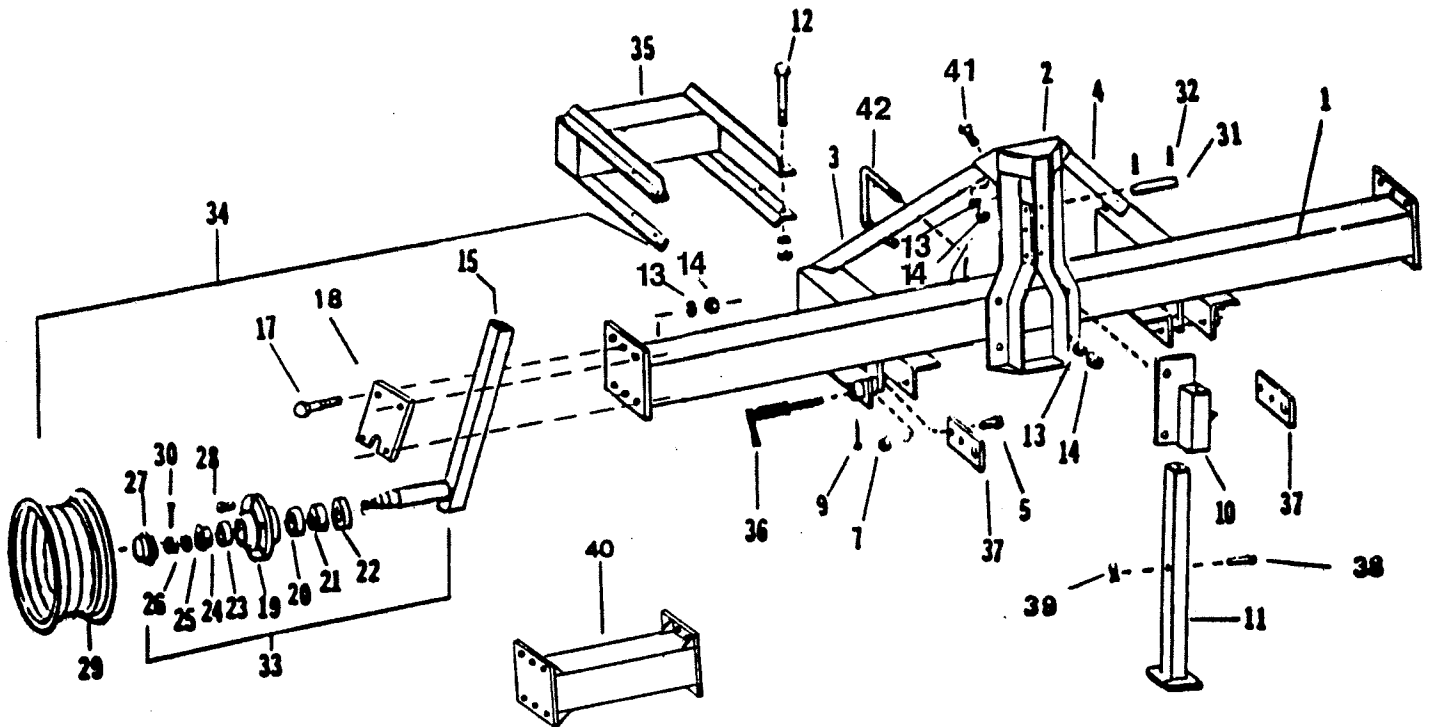
BRILLION IRON WORKS, INC.  
BRILLION, WISCONSIN 54110



**MAIN FRAME ASSEMBLY  
DEEP TILL**

MAIN FRAME ASSEMBLY - DEEP TILL

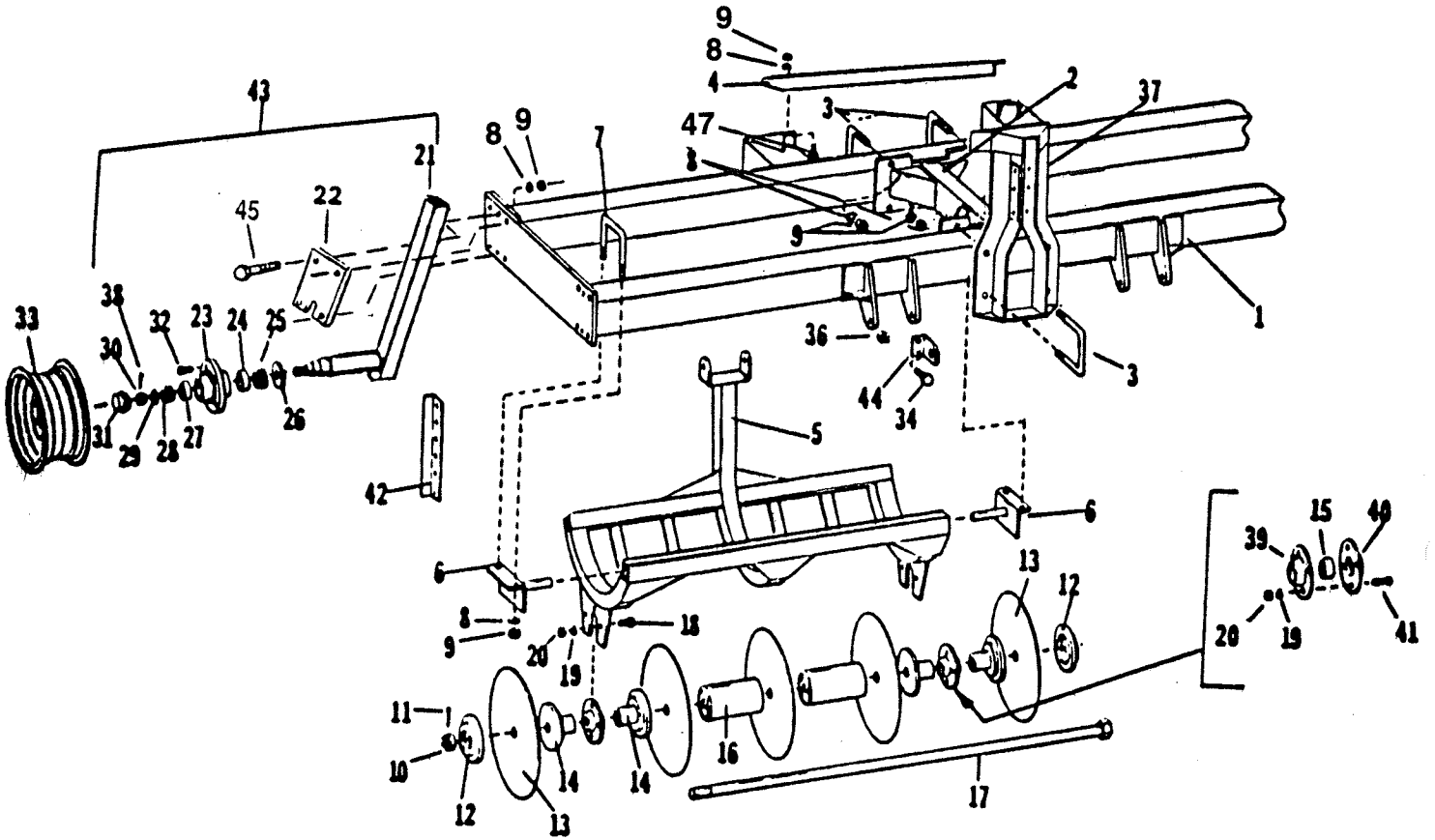
Index No.	Part No.	Description	No. Used	Weight
1	8J335	Main Frame - Less Drop U	1	871.
	8J966	Main Frame - With Drop U		
2	1K389	Center Mast	1	50.
3	8J337	Brace, Mast	2	
4	8J338	Bolt 3/4-10NC x 1 1/2, Gr.5	8	
5	1C211	Lock Washer, 3/4"		
6	1C210	Hex Nut, 3/4-10NC		
7	8J339	Stand Bracket	1	
8	8J340	Parking Stand	1	
9	8J341	Extension Setback, 7"	2	32.
10	8J342	U-Bolt, 3/4-10NC x 5 x 4	4	
13	8J397	U-Bolt, 3/4-10NC x 5 x 8 1/2	2	
14	8J344	Pin, 1 7/16 x 10	2	
15	8J345	Cotter Key, 5/16 x 3 1/4	2	
16	8J346	Bracket, Axle Mounting, R.H.	1	
	8J347	Bracket, Axle Mounting, L.H.	1	
17	8J348	Axle Arm & Hub Assembly, R.H.	1	
	8J349	Axle Arm & Hub Assembly, L.H.	1	
18	8J350	Pin, Upper 3 Point	1	
19	8J351	Pin, Cylinder	2	
20	8J352	Hairpin Cotter	4	
21	8J391	Hairpin	2	
22	6D302	Bolt, 3/4-10NC x 7, Gr.5	2	
23	8J354	Grease Fitting	1	
24	8J355	Pin, 1 7/16 x 12 1/2	2	
26	4J565	Seal	1	
27	7C763	Cone, Inner	1	
28	7C762	Cup, Inner	1	
29	8J360	Hub (with cups) 5 bolt	1	
30	5C914	Cup, Outer	1	
31	5C913	Cone, Outer	1	
32	8J363	Washer	1	
33	8J364	Nut, Slotted	1	
34	8J365	Cotter Pin	1	
35	8J366	Hub Cap	1	
36	8J367	Wheel, 15 x 8lb, 5 Bolt (For 9.5L-15)	1	
37	1C508	Bolt, 3/8-16NC x 2 1/2	2	
38	8J369	Wheel Bolt	5	
39	6J449	Hair Pin	1	
40	8J802	Pin, 1/2 x 3 1/2	1	
41	5C954	Locknut, 3/8-16NC	2	
Parts Used On Machines Built Before Jan. 1991				
2	8J336	Center Mast	1	
13	8J343	Bolt, 3/4-10NC x 9 1/2, Gr.5	4	



**SINGLE FRAME ASSEMBLY  
DEEP TILL**

SINGLE FRAME ASSEMBLY - DEEP TILL

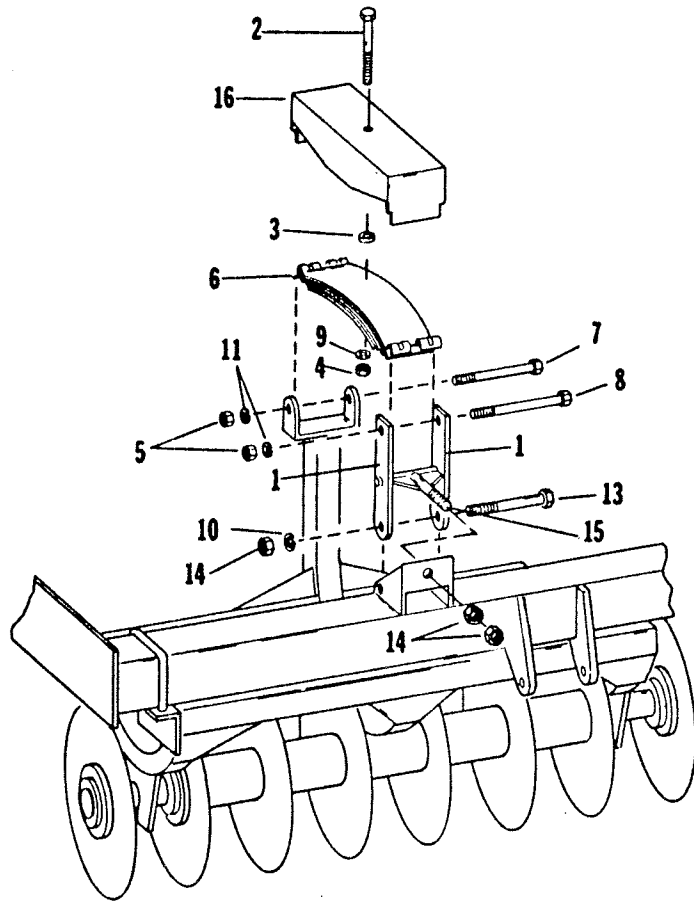
Index No.	Part No.	Description	No. Used	Weight
1	8J370	Frame, 3 Shank	1	255.
	8J371	Frame, 5 Shank	1	352.
	8J372	Frame, 7 Shank	1	449.
2	1K389	Center Mast	1	50.
3	8J374	Brace, Center Mast, Right	1	
4	8J375	Brace, Center Mast, Left	1	
5	4D561	Bolt, 5/8-11NC x 1 1/2	4	
7	5C461	Lock Nut, 5/8-11NC	4	
9	8J345	Cotter Pin, 5/16 x 3 1/4	2	
10	8J339	Parking Stand Bracket	1	
11	8J340	Parking Stand	1	
12	6D302	Bolt, 3/4-10NC x 7	2	1.
13	1C211	Lock Washer, 3/4	20	
14	1C210	Hex Nut, 3/4-10NC	20	
15	8J378	Arm, Gauge Wheel	2	15.
17	6D741	Bolt, 3/4-10NC x 4	8	.6
	2D448*	Bolt, 3/4-10NC x 5" Long Gr.5	8	.7
18	8J799	Mounting Plate	2	
19	8J380	Hub with cups, 5 Bolt	1	7.5
20	5C914	Cup, Inner LM67010	1	
21	5C913	Cone, Inner LM67048	1	
22	8J383	Seal	1	
23	5C912	Cup, Outer LM11910	1	
24	5C911	Cone, Outer LM11910	1	
25	8C381	Washer, Flat	1	
26	3C173	Nut, Slotted	1	
27	8J388	Hub Cap	1	
28	8J369	Wheel Bolt	5	
29	8J389	Wheel, 15 x 4.5K 5 bolt (For 6.70-15)	1	
30	1C986	Cotter Pin	1	
31	8J350	Upper Pin, 3 Point Hitch	1	
32	8J391	Hairpin Cotter	2	
33	8J392	Gauge Wheel Arm with hub	1	
34	8J393	Gauge Wheel Assembly, Complete	2	
35	8J333	Set-Back Extension	2	98.
36	8J394	Catergory II and III Hitch Pin	2	
37	8J395	Plate	2	
38	8J802	Pin, 1/2 x 3 1/2	1	
39	6J448	Hair Pin	1	
40	8J800	Add On Extension 30"	2	
41	8J338	Bolt, 3/4-10NC x 1 1/2, Gr. 5	8	.3
42	8J397	U-Bolt, 3/4-10NC x 5 x 8 1/2	2	
		* Used with Front Frame		
Parts Used On Machines Built Before Jan. 1991				
2	8J373	Center Mast	1	
42	8J343	Bolt, 3/4-10NC x 9 1/2, Gr.5	4	



**TRASH CUTTER FRAME GROUP**

## TRASH CUTTER FRAME GROUP

Index No.	Part No.	Description	No. Used	Weight
1	8J728	Cutter Frame, BT3	1	
	8J396	Cutter Frame, BT5		
	8J733	Cutter Frame, BT7		
2	1K390	Center Frame Mount	1	87.
	8J400	Center Frame Mount (used before Jan'91)		
3	8J397	U-Bolt, 3/4-10NC x 5 x 8 1/2	4	
4	8J398	Brace, Right, Center Mast, DR 81"	1	37.
	8J399	Brace, Left, Center Mast, DR 81"	1	37.
	8J401	Brace, Right, Center Mast, SR	1	18.
	8J402	Brace, Left, Center Mast, SR	1	18.
5	8J403	Disc Frame, 60"	2	
	8J404	Disc Frame, 30"	2	
6	8J406	Bracket Mounting, R.H.	2	6.
	9J303	Bracket Mounting, L.H.	2	
7	8J405	U-Bolt, 3/4-10NC x 6 1/2 x 7	4	
8	1C211	Lock Washer, 3/4	32	
9	1C210	Hex Nut, 3/4-10NC	32	
10	6D822	Nut, Slotted 1 1/2-12UNF	1	1.
11	6D049	Cotter Pin, 1/4 x 2 1/2	1	
12	8J407	End Hub	2	3.
13	2J673	Coulter, 18"		18.
14	8J409	Spool, Half	4	10.
15	2J712	Bearing	2	2.
16	8J411	Spool		12.
17	8J412	Shaft, 1 1/2 x 64 (5 Shank)	1	33.
	8J413	Shaft, 1 1/2 x 29 (3 Shank)	1	18.
18	8C527	Cap Screw, 1/2-13NC x 1 1/2, Gr.5	6	.1
19	1C109	Lock Washer, 1/2"	6	
20	1C390	Hex Nut, 1/2-13NC	6	
21	8J378	Arm, Gauge Wheel	2	15.
22	8J799	Mounting Plate	2	
23	8J380	Hub with Cups, 5 Bolt	2	7.5
24	5C914	Cup, Inner LM67010	2	
25	5C913	Cone, Inner LM67048	2	
26	8J383	Seal	1	
27	5J912	Cup, Outer LM11910	1	
28	5C911	Cone, Outer LM11949	1	
29	8C381	Machinery Bushing	1	
30	3C173	Nut, Slotted	1	
31	8J388	Hub Cap	1	
32	8J369	Wheel Bolt, Press In Stud	5	
33	8J389	Wheel, 15 x 4.5, 5 Bolt	1	
34	4D561	Bolt, 5/8-11NC x 1 1/2, Gr.5	4	.2
36	5C461	Lock Nut, 5/8-11NC	4	
37	1K389	Center Mast	1	
38	1C986	Cotter Pin	1	
40	2J713	Flangette	4	.4
41	8J416	Carriage Bolt, 1/2-13NC x 1 1/2	8	.1
42	8J417	Scraper, Between 30" & 60" discs	2	
43	8J392	Gauge Wheel Arm with Hub	2	
44	8J418	Category II and III plate	2	
45	6D741	Bolt, 3/4-10NC x 4, Gr.5	8	.6
	2D488	Bolt, 3/4-10NC x 5, Gr.5 (used on front frame)		
47	8J338	Bolt, 3/4-10NC x 1 1/2, Gr. 5	8	.3

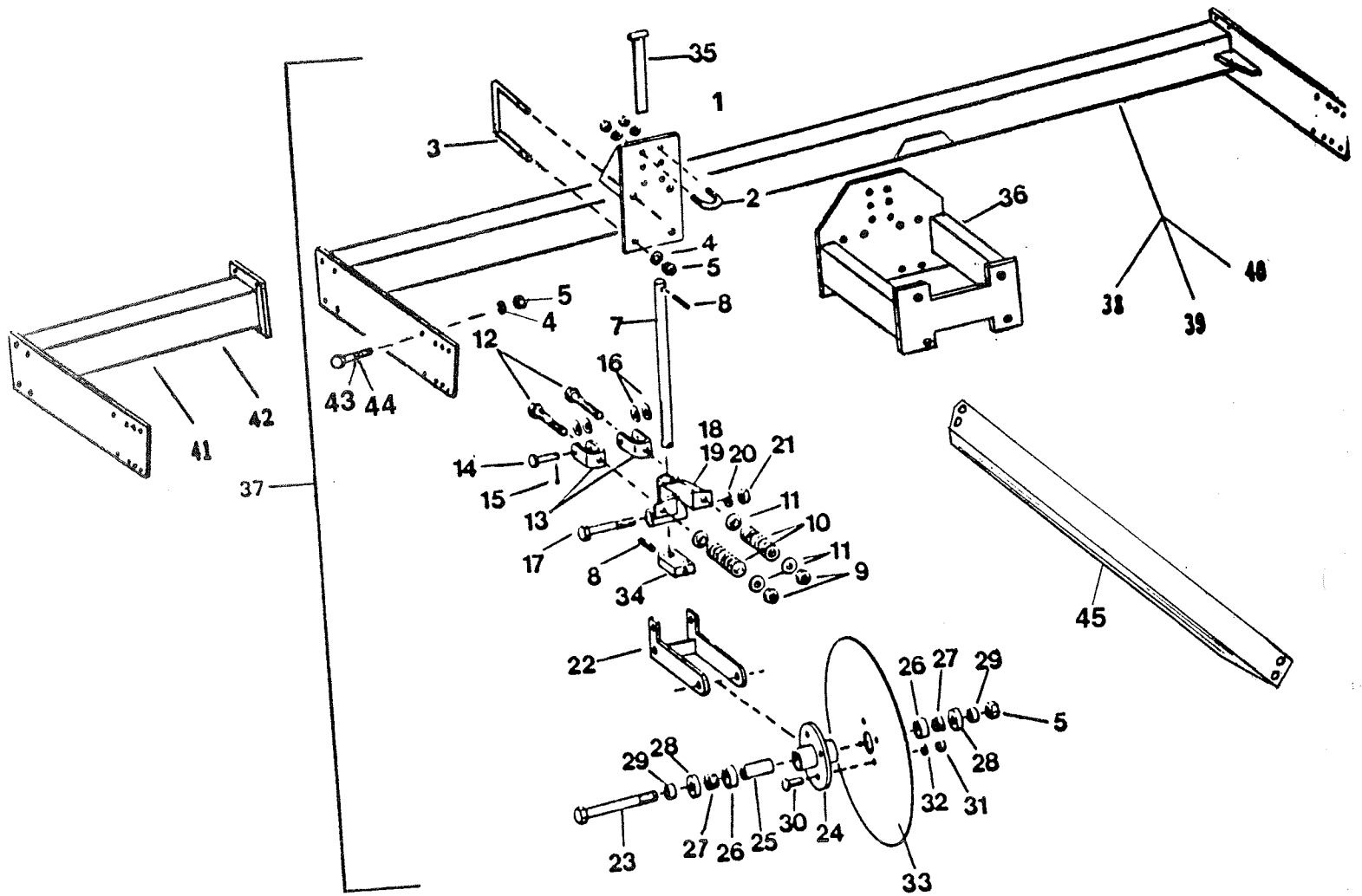


**DISK SPRING ASSEMBLY**



## DISC SPRING ASSEMBLY

Index No.	Part No.	Description	No. Used	Weight
1	8J419	Plate	2	4
2	8J420	Bolt, 7/16-14NC x 6 1/2 long thread	1	.3
3	8J421	Bushing	1	.5
4	1C179	Hex nut, 7/16-14NC	1	.1
5	1C392	Hex nut, 5/8-11NC	2	.1
6	8J422	Spring assembly	1	30#
7	5D366	Bolt, 5/8-11NC x 8 1/2	1	.8
8	5J912	Bolt, 5/8-11NC x 9 1/2	1	.9
9	1C314	Lockwasher 7/16	1	
10	1C211	Lockwasher 3/4	1	
11	1B166	Lockwasher 5/8	2	
13	1J523	Bolt, 3/4-10NC x 8	1	1.1
14	1C210	Hex nut, 3/4-10NC	3	.1
15	8J423	Adjusting Pin Assembly	1	5.
16	8J424	Housing, spring adjusting	1	24.



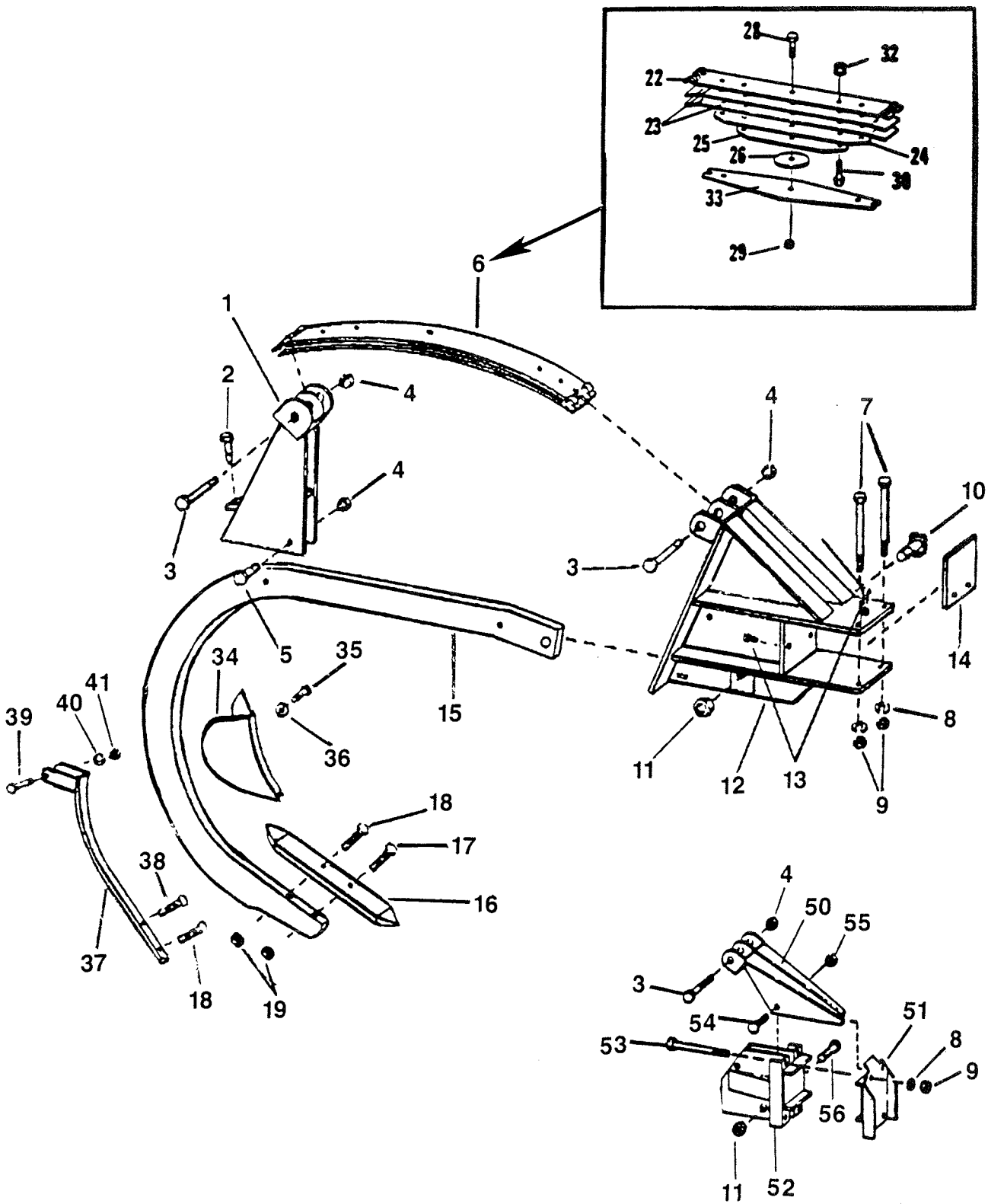
## SPRING COULTER PARTS

SPRING COULTER ASSEMBLY

Index No.	Part No.	Description	No. Used	Weight
1	8J425	Mounting Bracket	1	24.
2	8J426	U-Bolt, 5/8-11NC	2	
3	8J397	U-Bolt, 3/4-10NC x 5 x 8 1/2	2	
**	8J343	Bolt, 3/4-10NC x 9 1/2 Gr.5	4	
**	8J427	Plate	2	3.
4	1C211	Lock Washer, 3/4"	16	
5	1C210	Hex Nut, 3/4-10NC	17	
7	8J428	Shaft, 1 1/2 x 23	1	12.
8	8J368	Roll Pin, 3/8 x 2 1/4	2	
9	5C461	Lock Nut, 5/8-11NC	2	
10	8J429	Spring	2	1.8
11	8J430	Spring Bushing	4	3.
12	8J431	Bolt, 5/8-11NC x 9	2	.8
13	8J432	Clevis	2	
14	8J433	Clevis Pin, 5/8 x 2	2	
15	3C350	Cotter Pin	2	
16	1C122	Flat Washer, 5/8	4	
17	6D303	Bolt, 5/8-11NC x 7 1/2, Gr.5	1	.7
18	8J435	Bushing	1	
19	8J436	Housing	1	
20	1B166	Lock Washer, 5/8	5	
21	1C392	Hex Nut, 5/8-11NC	5	
22	8J437	Fork, coulter	1	3.
23	6D302	Bolt, 3/4-10NC x 7, Gr. 5	1	1.
24	8J438	Hub, Coulter	1	
25	8J439	Bushing, Hub	1	
26	5C912	Cup, Bearing, LM11910	2	
27	5C911	Cone, Bearing, LM11949	2	
28	9D076	Dust Seal	2	.25
29	8J443	Spacer	2	
30	1K851	Stud, 3/8-24NF x 1 1/4	4	.1
31	1J928	Hex Nut, 3/8-24NF	4	
32	1C183	Lock Washer, 3/8	4	
33	8J444	Coulter, 18"	1	8.
34	8J445	Stop	1	
35	8J446	Spacer	1	
36	2K084	Center Spacer, Spring Coulter	1	
	8J447	Center Spacer (used before Jan'91)	1	
37	8J448	Single Coulter Assembly	1	96.
38	8J544	Front Frame, 3 Shank	1	
39	8J546	Front Frame, 5 Shank	1	
40	8J548	Front Frame, 7 Shank	1	
41	8J798	Front Frame Extension, 30", L.H.	1	
*	8J740	Front Frame Extension, 30", R.H.	1	
42	8J797	Front Frame Extension, 60", L.H.	1	
*	8J745	Front Frame Extension, 60", R.H.	1	
43	3D510	Bolt, 3/4-10NC x 2 1/2, Gr.5	8	
44	2D488	Bolt, 3/4-10NC x 5, Gr.5	4	
45	8J398	Brace, Center Mast, R.H., DR 81"	1	
	8J399	Brace, Center Mast, L.H., DR 81"	1	
	8J401	Brace, Center Mast, R.H., SR	1	
	8J402	Brace, Center Mast, L.H., SR	1	

\* - Not Shown

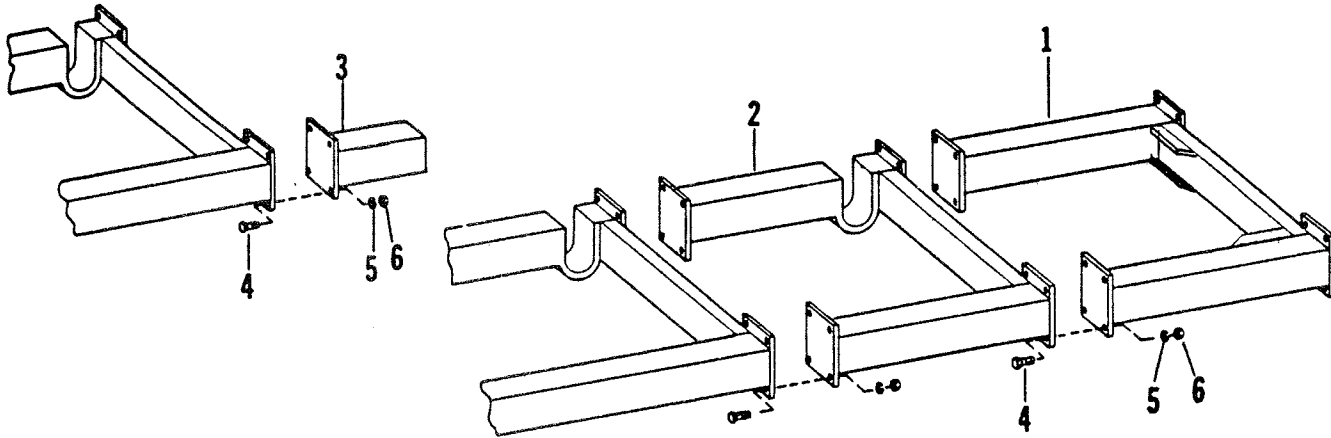
\*\* - May be substituted



**SHANK ASSEMBLY**

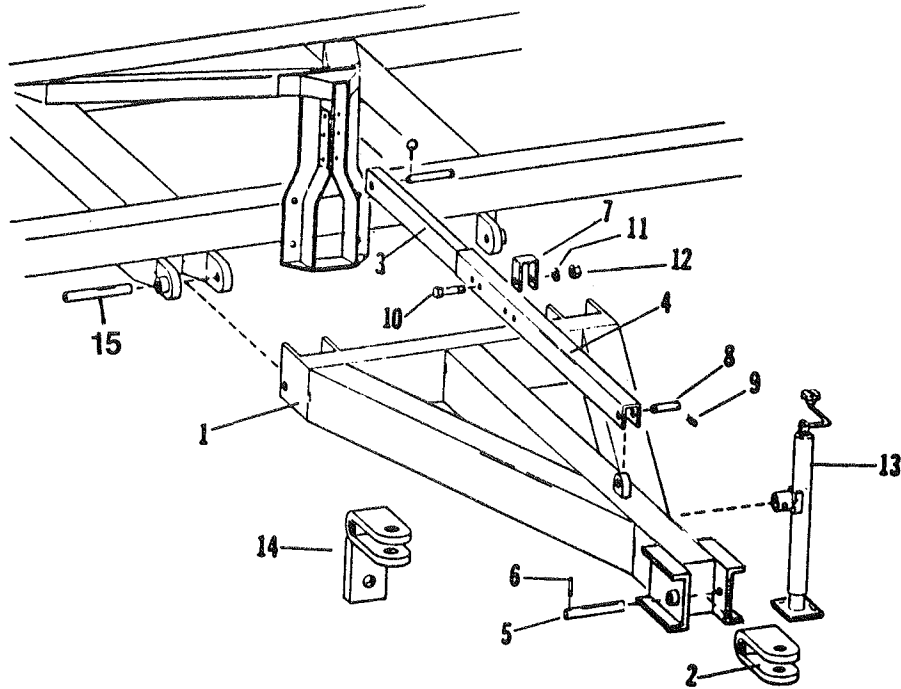
## SHANK ASSEMBLY

Index No.	Part No.	Description	No. Used	Weight
1	8J470	Rear Arm	1	
2	8J471	Adjusting Bolt, metric, 4 1/2	1	
3	8J452	Carriage Bolt, 5/8-11NC x 7, Gr.5	2	.6
4	5C461	Lock Nut, 5/8-11NC	3	
5	8C065	Bolt, 5/8-11NC x 3, Gr.5	1	.5
6	8J422	Spring, Leaf, Complete	1	30.
7	6D302	Bolt, Hex 3/4-10NC x 7, Gr.5	2	
8	1C211	Lock Washer, 3/4"	2	
9	1C210	Hex Nut, 3/4-11NC	2	
10	1K328	King Pin w/ Lube Fitting	1	
11	8J454	King Pin Nut, metric	1	
12	1K329	Bracket, Mount	1	
13	2D910	Set Screw, 5/8 x 1 1/2	3	
14	1K330	Plate, Front	1	
15	8J465	Shank	1	74.
16	8J334	Reversible Point - imported w/hdw	1	9.
	1K966	Reversible Point - domestic w/hdw	1	9.
17	8J467	Clipped Head Plow Bolt, M16 x 65mm	1	
	1K968	Plow Bolt, #3 Head, 5/8 x 2 3/4, Gr.5	1	
18	8J466	Clipped Head Plow Bolt, M16 x 75mm	1	
	1K969	Plow Bolt, #3 Head, 5/8 x 3, Gr.5	1	
19	8J469	Metric Nut, Heavy Hex M16, class 10	2	
	5C461	Stover Nut, 5/8-11NC	2	
22	8J455	Top Spring Leaf	1	
23	8J456	Spring Leaf	2	
24	8J457	Spring Leaf	1	
25	8J458	Spring Leaf	1	
26	8J459	Spring Leaf Washer	2	
28	8J461	Bolt, metric, M12 x 65mm, class 8.8	1	.1
29	8J834	Nut, metric, M12	1	
30	8J462	Bolt, metric, Hex Flange, M10 x 35mm	4	.1
32	8J464	Metric Nut, Flange Lock M10	4	
OPTIONAL ACCESSORIES				
33	8J330	Helper Spring Leaf	1	5
34	8J331	Cover Blade	1	8
35	8J468	Carriage Bolt, 5/8-11NC x 3	1	
36	1C392	Hex Nut, 5/8-11NC	1	
37	9J491	Wear Strip w/hdw	1	
38	9J492	Clipped Head Plow Bolt, M16 x 80mm	1	
	1K970	Plow Bolt, #3 Head, 5/8 x 3 1/4, Gr.5	1	
39	5D667	Capscrew, 3/8-16NC x 2 1/2	1	
40	1C183	Lock Washer, 3/8"	1	
41	1C277	Nut, 3/8-16NC	1	
Shank Bracket Mount used on Machines Built Before Jan. 1991				
50	8J451	Arm, Front	1	18
51	8J450	Plate, Front	1	12
52	8J449	Bracket, Mounting	1	36
53	8J343	Bolt, 3/4-10NC x 9 1/2, Gr.5	4	1.25
54	8J905	Bolt, metric, M20 x 75mm	1	.3
55	8J906	Nut, metric, M20 Reg Hex	1	
56	8J453	King Pin w/ Lube Fitting	1	



### EXTENSIONS

EXTENSIONS				
Index No.	Part No.	Description	No. Used	Weight
1	8J472	Double frame extension, 30"	2 - 4	187
2	8J473	Double drop-thru extension, 30", L.H.	1-2	241
*	8J539	Double drop-thru extension, 30", R.H.	1-2	241
3	8J474	Single extension, 12"	2	36
4	8J475	Bolt, hex head, 3/4-10NC x 2, Grade 5		
5	1C211	Lockwasher, 3/4		
6	1C210	Hex nut, 3/4-10NC		



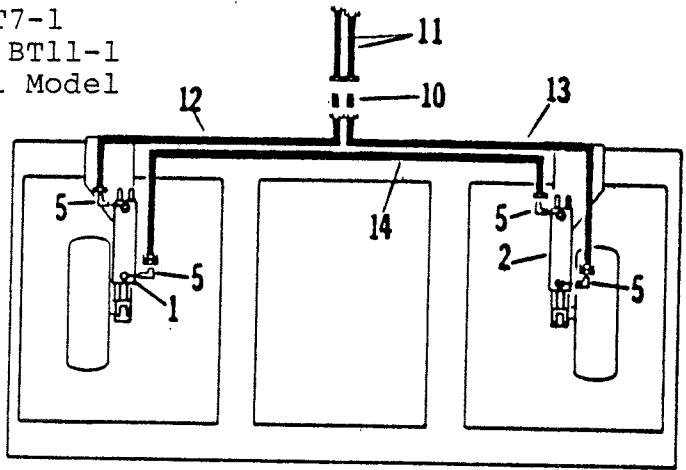
## POLE HITCH

POLE HITCH				
Index No.	Part No.	Description	No. Used	Weight
1	8J476	Pole	1	
2	8J477	Clevis Hitch	1	
3	8J478	Arm, inner	1	16
4	8J479	Arm, outer	1	16
5	8J480	Clevis Pin	1	
6	8J369	Roll pin, 3/8 x 2 1/4	1	
7	8J481	Hose bracket	1	
8	8J351	Pin, cylinder	1	
9	8J352	Hairpin cotter	2	
10	4J82	Bolt, 5/8-11NC x 3 1/2, Grade 5	2	
11	1B166	Lockwasher, 5/8	2	
12	1C392	Hex Nut, 5/8-11NC	2	
13	8J329	Jack	1	15
14	8J482	Cat Hitch	1	
15	8J955	Pin, 1-7/16x 10, For use on Trash Cutter	2	

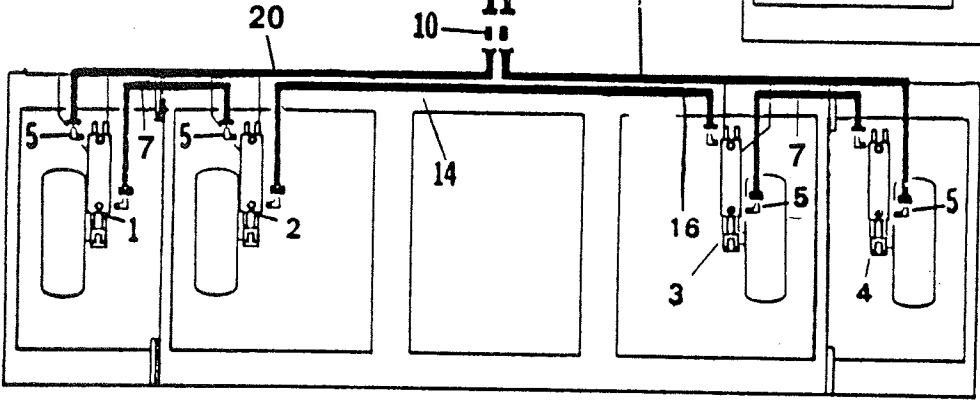
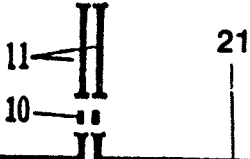
Cylinder #  
Stamped Here



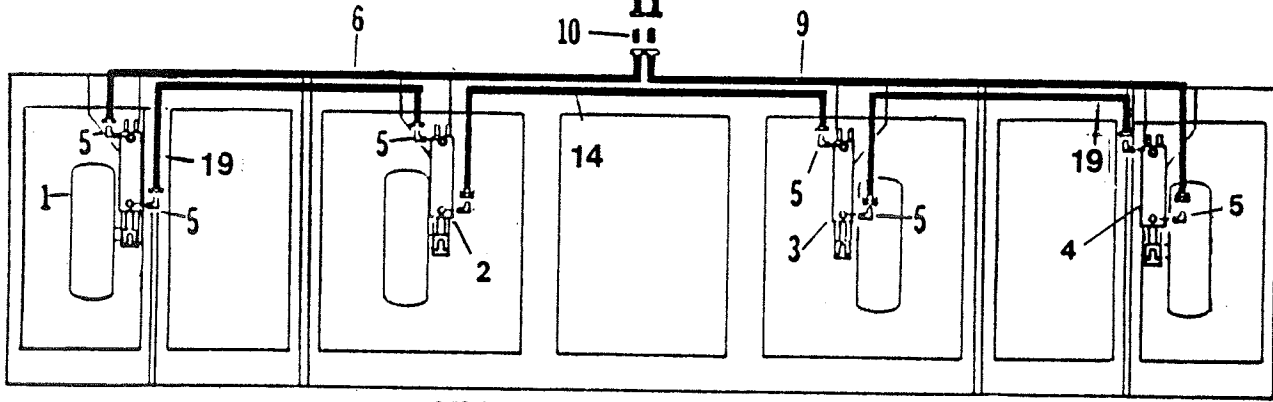
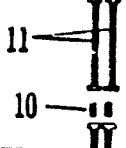
BT5, BT7-1  
BT9-1, BT11-1  
2 Wheel Model



BT7, BT13-1  
BT15-1, 4 Wheel Model



BT9, BT11  
BT17-1, BT19-1 4 Wheel Model



**HYDRAULIC SYSTEM**

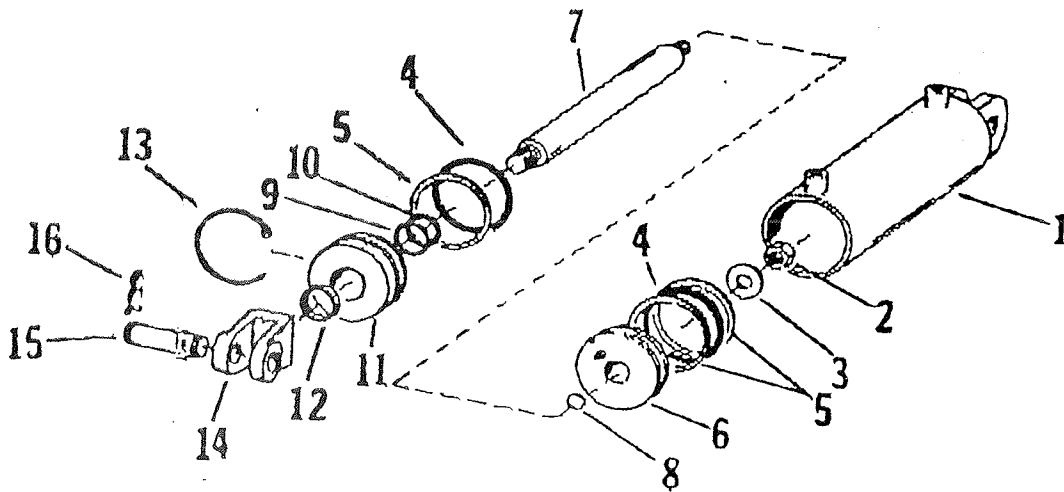


HYDRAULIC SYSTEM				
Index NO	Part No.	Description	No. Used	Weight
1	8J483	Hydraulic Cyliner, 4" x 12" stroke	1	35
2	8J484	Hydraulic Cylinder, 3-3/4" x 12" stroke	1	
3	8J485	Hydraulic Cylinder, 3 1/2" x 12" stroke	1	
4	8J486	Hydraulic Cylinder, 3 1/4" x 12" stroke	1	
5	8J487	3/8" Street "L's"		
6	8J488	Hose, 120", 3/8 to 1/2 male	1	
7	8J489	Hose, 65", 3/8 to 3/8 swivel	2	
8	8J490	Hose, 180", 3/8 to 3/8 swivel	1	
9	8J491	Hose, 134", 3/8 to 1/2 male	1	
10	4J553	Coupling, 1/2"	2	
11	4J829	Hose, 116", 1/2 to 1/2	2	
12	8J492	Hose, 70", 3/8 to 1/2 male	1	
13	8J493	Hose, 84", 3/8 to 1/2 male	2	
14	8J494	Hose, 120", 3/8 to 3/8 swivel	1	
18	8J498	Bag of Depth Stops		9
19	8J876	Hose, 95" 3/8 to 3/8 swivel	2	
20	8J921	Hose, 100", 3/8 swivel to 1/2 fixed		
21	8J922	Hose, 114", 3/8 swivel to 1/2 fixed		
*	8J803	Transport Lock with Pin	2-4	
*	8J923	Plastic Cable Tie, 32"		
		*Not Shown		

8J483 Welded Hydraulic Cylinder 4" x 12"  
 Tebben #TM76-00-60 Painted Green  
 1-3/8" Dia. Rod

<u>Item</u>	<u>Part No.</u>	<u>Description</u>	<u>Qty.</u>
1	8J499	Tube Assembly	1
2	8J503	Lock Nut	1
3	8J504	Washer, Flat	1
*4	NSS	O Ring	2
*5	NSS	Seal, Backup	1
6	8J505	Piston with Poppet, 4"	1
7	8J509	Cylinder Rod	1
*8	NSS	O Ring	1
*9	NSS	Seal, Backup	1
*10	NSS	O Ring	1
11	8J511	Cylinder Head, 4"	1
*12	NSS	Wiper	1
13	8J515	Snap Ring (Included in Seal Kit 8J522)	1
14	8J519	Clevis	1
15	8J520	Cylinder Pin	1
16	8J521	Hairpin Cotter	2
	8J522	Seal Kit	1

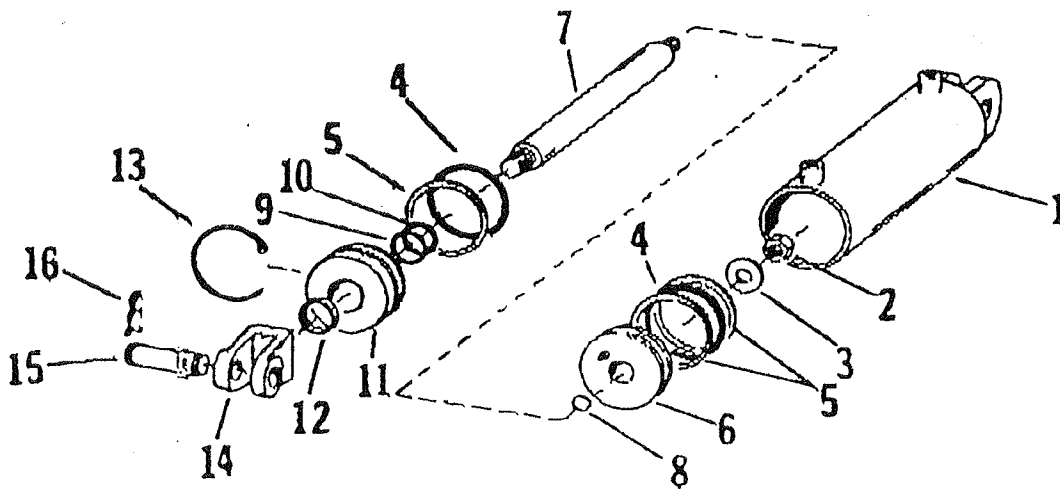
NSS = Not Serviced Separately - Included in Seal Kit 8J522



8J484 Welded Hydraulic Cylinder 3 3/4" x 12"  
 Tebben #TM76-00-61 Painted Green  
 1-3/8" Dia. Rod

<u>Item</u>	<u>Part No.</u>	<u>Description</u>	<u>Qty.</u>
1	8J500	Tube Assembly	1
2	8J526	Lock Nut	1
3	8J504	Washer, Flat	1
*4	NSS	O Ring	2
*5	NSS	Seal, Backup	1
6	8J506	Piston with Poppet, 3 3/4"	1
7	8J509	Cylinder Rod	1
*8	NSS	O Ring	1
*9	NSS	Seal, Backup	1
*10	NSS	O Ring	1
11	8J512	Cylinder Head, 3 3/4"	1
*12	NSS	Wiper	1
13	8J516	Snap Ring (included in Seal Kit 8J523)	1
14	8J519	Clevis	1
15	8J520	Cylinder Pin	1
16	8J521	Hairpin Cotter	2
	8J523	Seal Kit	1

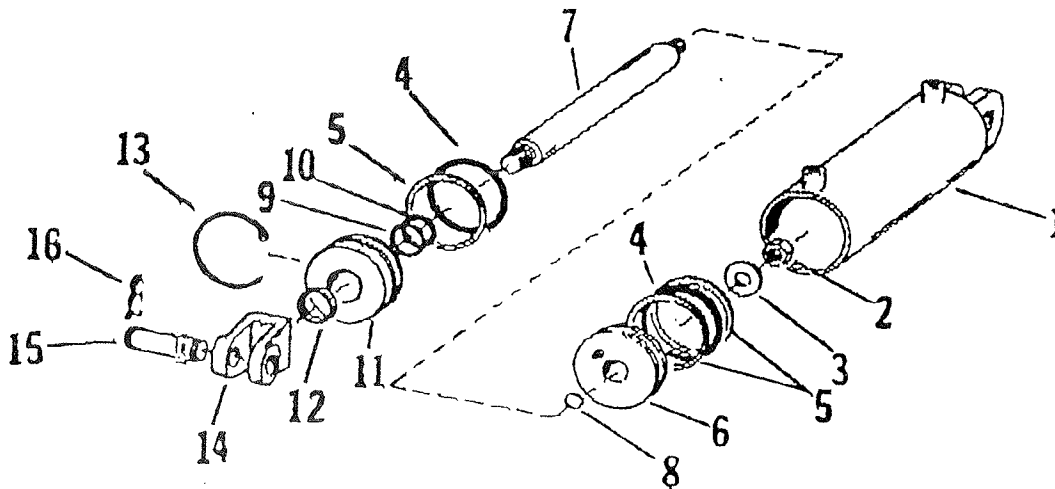
NSS = Not Serviced Separately - Included in Seal Kit 8J523



8J485 Welded Hydraulic Cylinder 3 1/2" x 12"  
 Tebben #TM76-00-62 Painted Green  
 1-1/4" Dia. Rod

Item	Part No.	Description	Qty.
1	8J501	Tube Assembly	1
2	8J527	Lock Nut	1
3	8J504	Washer, Flat	1
*4	NSS	O Ring	2
*5	NSS	Seal, Backup	1
6	8J507	Piston with Poppet, 3 1/2"	1
7	8J510	Cylinder Rod	1
*8	NSS	O Ring	1
*9	NSS	Seal, Backup	1
*10	NSS	O Ring	1
11	8J513	Cylinder Head, 3 1/2"	1
*12	NSS	Wiper	1
13	8J517	Snap Ring (included in Seal Kit 8J524)	1
14	8J529	Clevis	1
15	8J520	Cylinder Pin	1
16	8J521	Hairpin Cotter	2
	8J524	Seal Kit	1

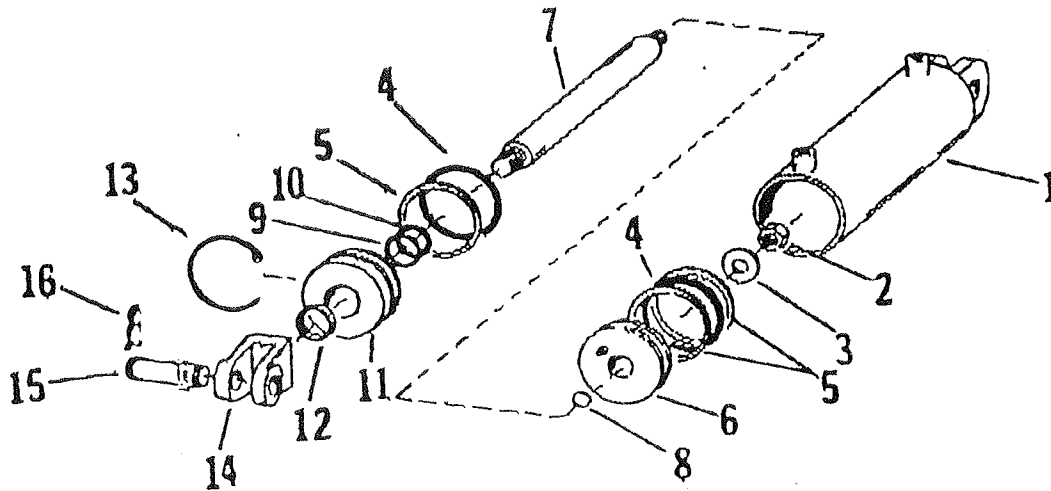
NSS = Not Serviced Separately - Included in Seal Kit 8J524



8J486 Welded Hydraulic Cylinder 3 1/4" x 12"  
 Tebben #TM76-00-63 Painted Green  
 1-1/4" Dia. Rod

<u>Item</u>	<u>Part No.</u>	<u>Description</u>	<u>Qty.</u>
1	8J502	Tube Assembly	1
2	8J528	Lock Nut	1
3	8J504	Washer, Flat	1
*4	NSS	O Ring	2
*5	NSS	Seal, Backup	1
6	8J508	Piston with Poppet, 3 1/4"	1
7	8J510	Cylinder Rod	1
*8	NSS	O Ring	1
*9	NSS	Seal, Backup	1
*10	NSS	O Ring	1
11	8J514	Cylinder Head, 3 1/4"	1
*12	NSS	Wiper	1
13	8J518	Snap Ring (included in Seal Kit 8J525)	1
14	8J529	Clevis	1
15	8J520	Cylinder Pin	1
16	8J521	Hairpin Cotter	2
	8J525	Seal Kit	1

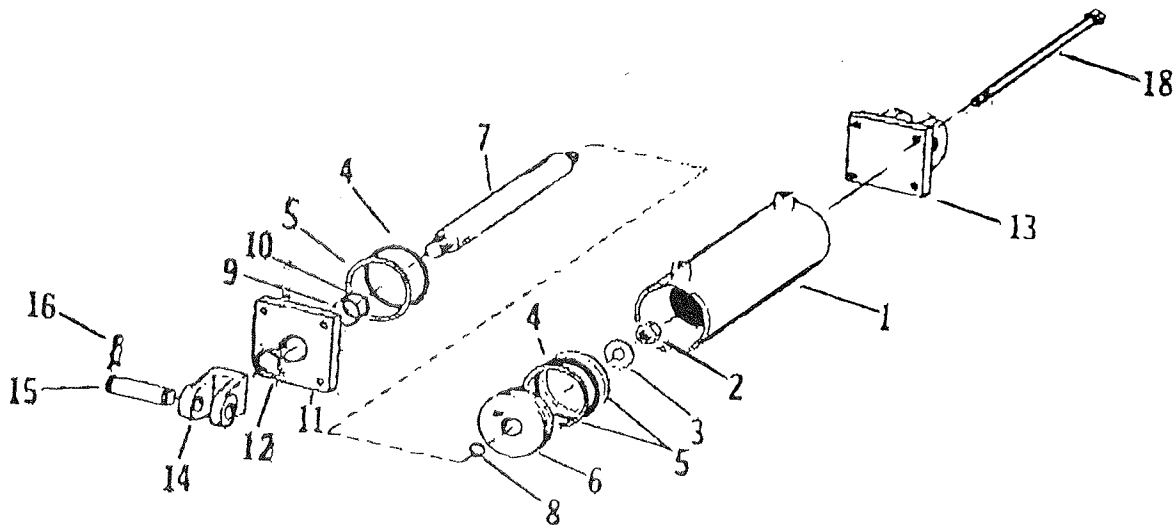
NSS = Not Serviced Separately - Included in Seal Kit 8J525



3K966 Tie Rod Hydraulic Cylinder 4" x 12"  
 Tebben #TM76-460 Painted Green  
 1-3/8" Dia. Rod

Item	Part No.	Description	Qty.
1	3K970	Tube Assembly	1
2	8J503	Lock Nut	1
3	8J504	Washer, Flat	1
*4	NSS	O Ring	2
*5	NSS	Seal, Backup	1
6	3K974	Piston with Poppet, 4"	1
7	3K978	Cylinder Rod	1
*8	NSS	O Ring	1
*9	NSS	Seal, Backup	1
*10	NSS	O Ring	1
11	3K980	Cylinder Head, 4"	1
*12	NSS	Wiper	1
13	3K984	Cylinder End	1
14	3K988	Clevis	1
15	8J520	Cylinder Pin	1
16	8J521	Hairpin Cotter	2
17	-	-	-
18	3K990	Tie Rod	4
	3K962	Seal Kit	1

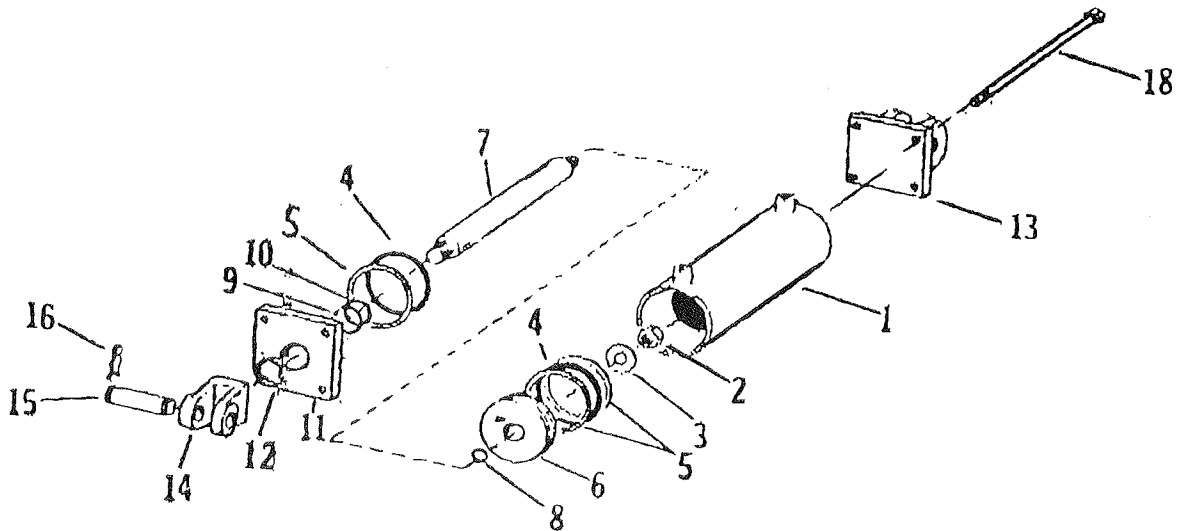
NSS = Not Serviced Separately - Included in Seal Kit 3K962



3K967 Tie Rod Hydraulic Cylinder 3 3/4" x 12"  
 Tebben #TM76-461 Painted Green  
 1-3/8" Dia. Rod

<u>Item</u>	<u>Part No.</u>	<u>Description</u>	<u>Qty.</u>
1	3K971	Tube Assembly	1
2	8J526	Lock Nut	1
3	8J504	Washer, Flat	1
*4	NSS	O Ring	2
*5	NSS	Seal, Backup	1
6	3K975	Piston with Poppet, 3 3/4"	1
7	3K978	Cylinder Rod	1
*8	NSS	O Ring	1
*9	NSS	Seal, Backup	1
*10	NSS	O Ring	1
11	3K981	Cylinder Head, 3 3/4"	1
*12	NSS	Wiper	1
13	3K985	Cylinder End	1
14	3K988	Clevis	1
15	8J520	Cylinder Pin	1
16	8J521	Hairpin Cotter	2
17	-	-	-
18	3K991	Tie Rod	4
	3K963	Seal Kit	1

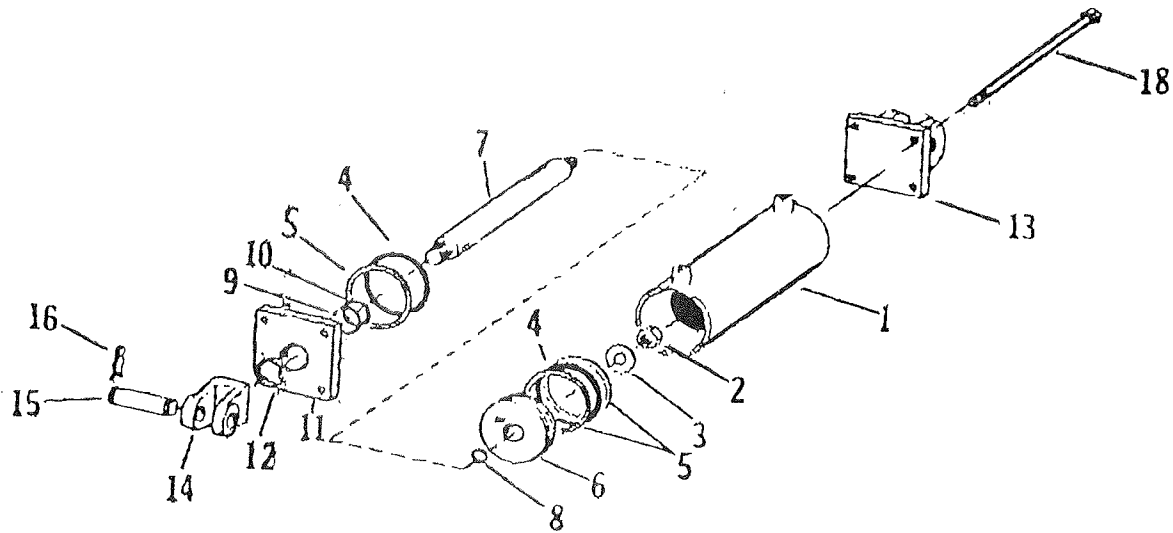
NSS = Not Serviced Separately - Included in Seal Kit 3K963



3K968 Tie Rod Hydraulic Cylinder 3 1/2" x 12"  
 Tebben #TM76-462 Painted Green  
 1-1/4" Dia. Rod

<u>Item</u>	<u>Part No.</u>	<u>Description</u>	<u>Qty.</u>
1	3K972	Tube Assembly	1
2	8J527	Lock Nut	1
3	8J504	Washer, Flat	1
*4	NSS	O Ring	2
*5	NSS	Seal, Backup	1
6	3K976	Piston with Poppet, 3 1/2"	1
7	3K979	Cylinder Rod	1
*8	NSS	O Ring	1
*9	NSS	Seal, Backup	1
*10	NSS	O Ring	1
11	3K982	Cylinder Head, 3 1/2"	1
*12	NSS	Wiper	1
13	3K986	Cylinder End	1
14	3K989	Clevis	1
15	8J520	Cylinder Pin	1
16	8J521	Hairpin Cotter	2
17	-	-	-
18	3K992	Tie Rod	4
	3K964	Seal Kit	1

NSS = Not Serviced Separately - Included in Seal Kit 3K964





3K969 Tie Rod Hydraulic Cylinder 3 1/4" x 12"  
 Tebben #TM76-463 Painted Green  
 1-1/4" Dia. Rod

<u>Item</u>	<u>Part No.</u>	<u>Description</u>	<u>Qty.</u>
1	3K973	Tube Assembly	1
2	8J528	Lock Nut	1
3	8J504	Washer, Flat	1
*4	NSS	O Ring	2
*5	NSS	Seal, Backup	1
6	3K977	Piston with Poppet, 3 1/4"	1
7	3K979	Cylinder Rod	1
*8	NSS	O Ring	1
*9	NSS	Seal, Backup	1
*10	NSS	O Ring	1
11	3K983	Cylinder Head, 3 1/4"	1
*12	NSS	Wiper	1
13	3K987	Cylinder End	1
14	3K989	Clevis	1
15	8J520	Cylinder Pin	1
16	8J521	Hairpin Cotter	2
17	-	-	-
18	3K993	Tie Rod	4
	3K965	Seal Kit	1

NSS = Not Serviced Separately - Included in Seal Kit 3K965

