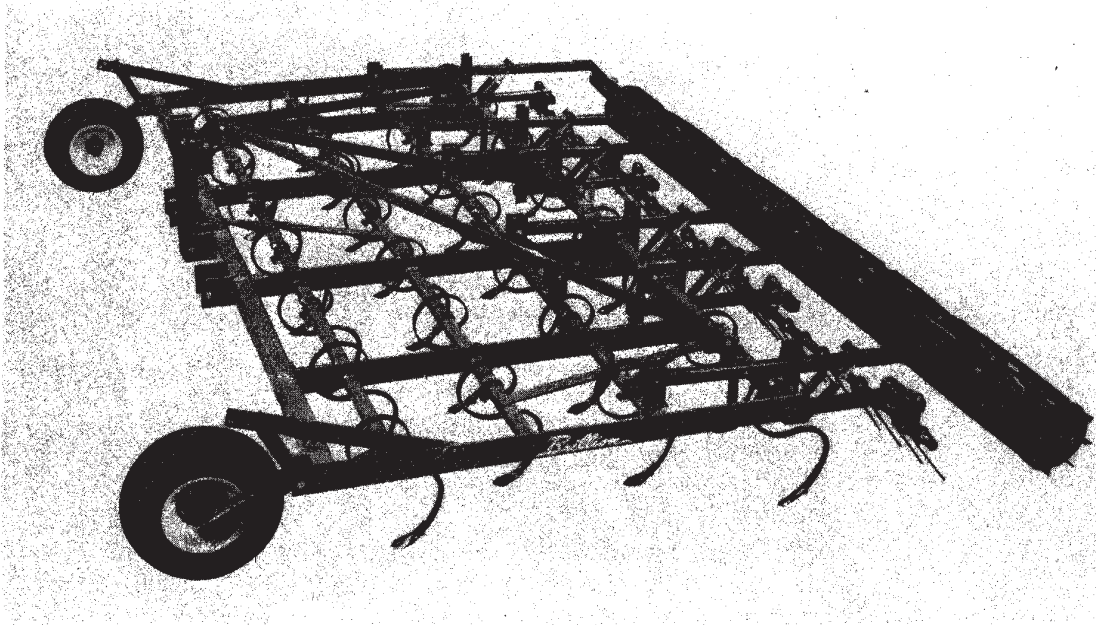


REPAIR PARTS CATALOG



REAR MOUNTED FIELD CULTIVATOR

MODELS: CM-12, CM-15, & CM-18



IMPORTANT!

Repairs cannot be purchased
retail direct from factory.
Order through your Brillion dealer.

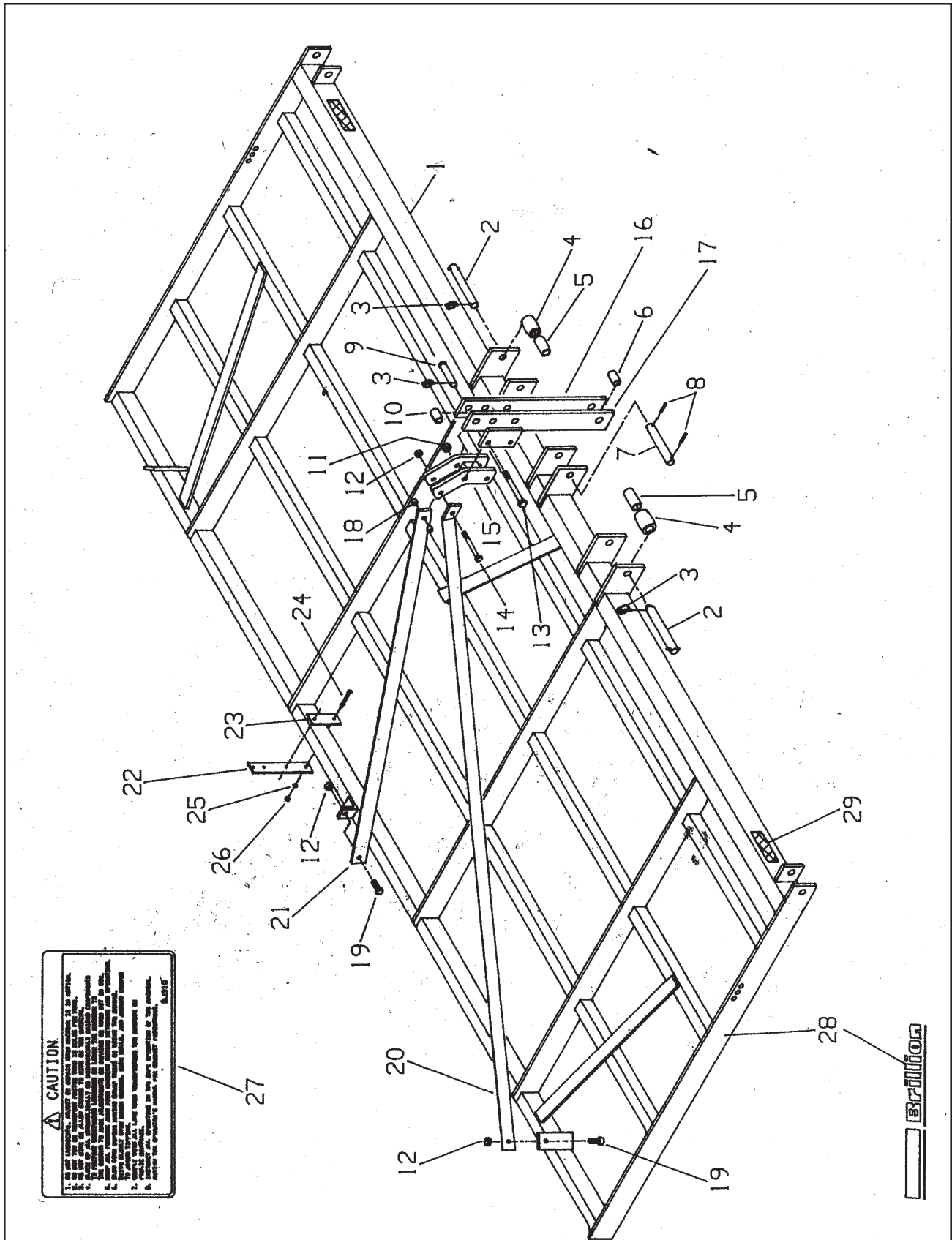


BRILLION IRON WORKS, INC.

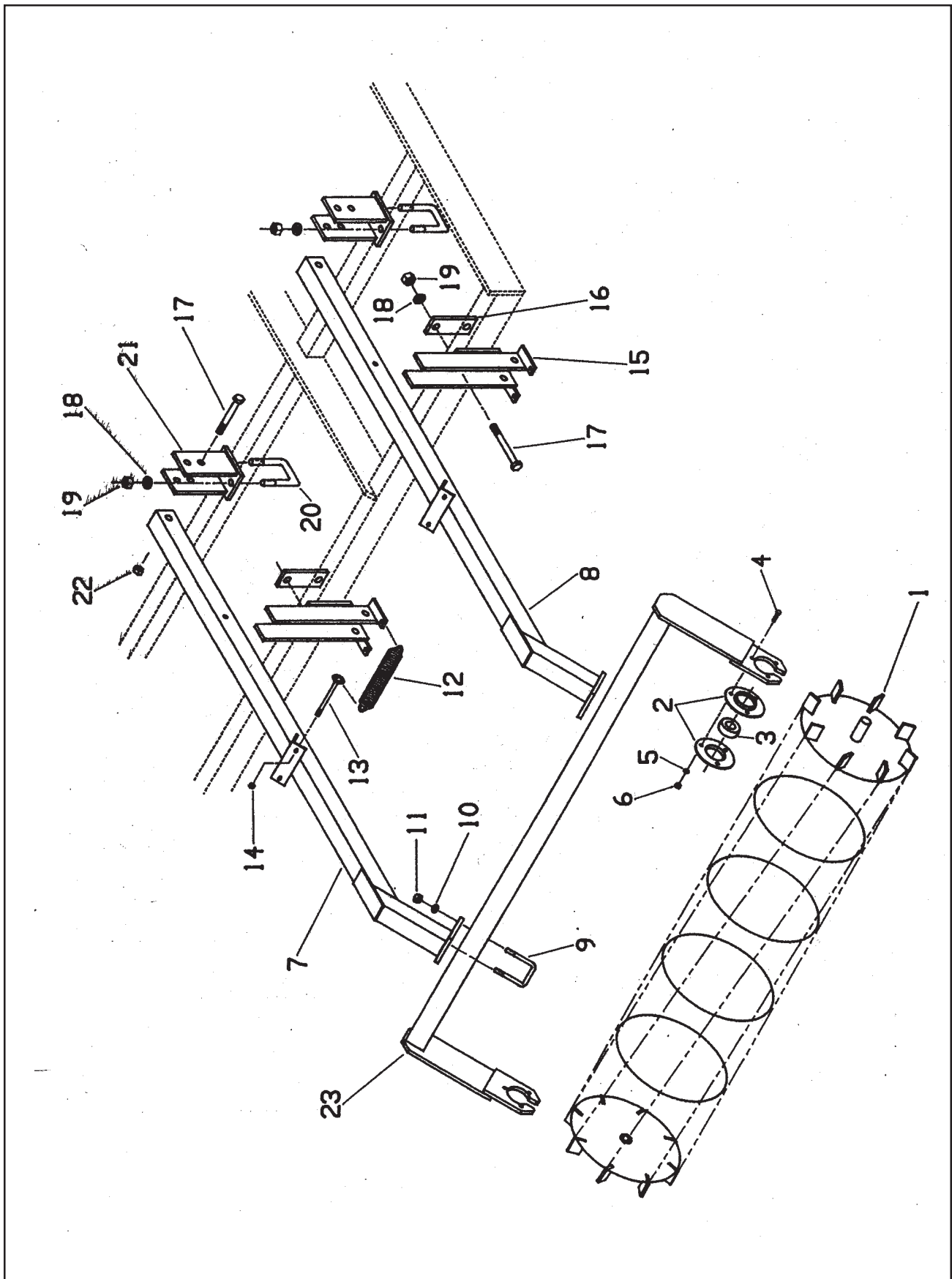
BRILLION, WISCONSIN 54110

1296

2K729

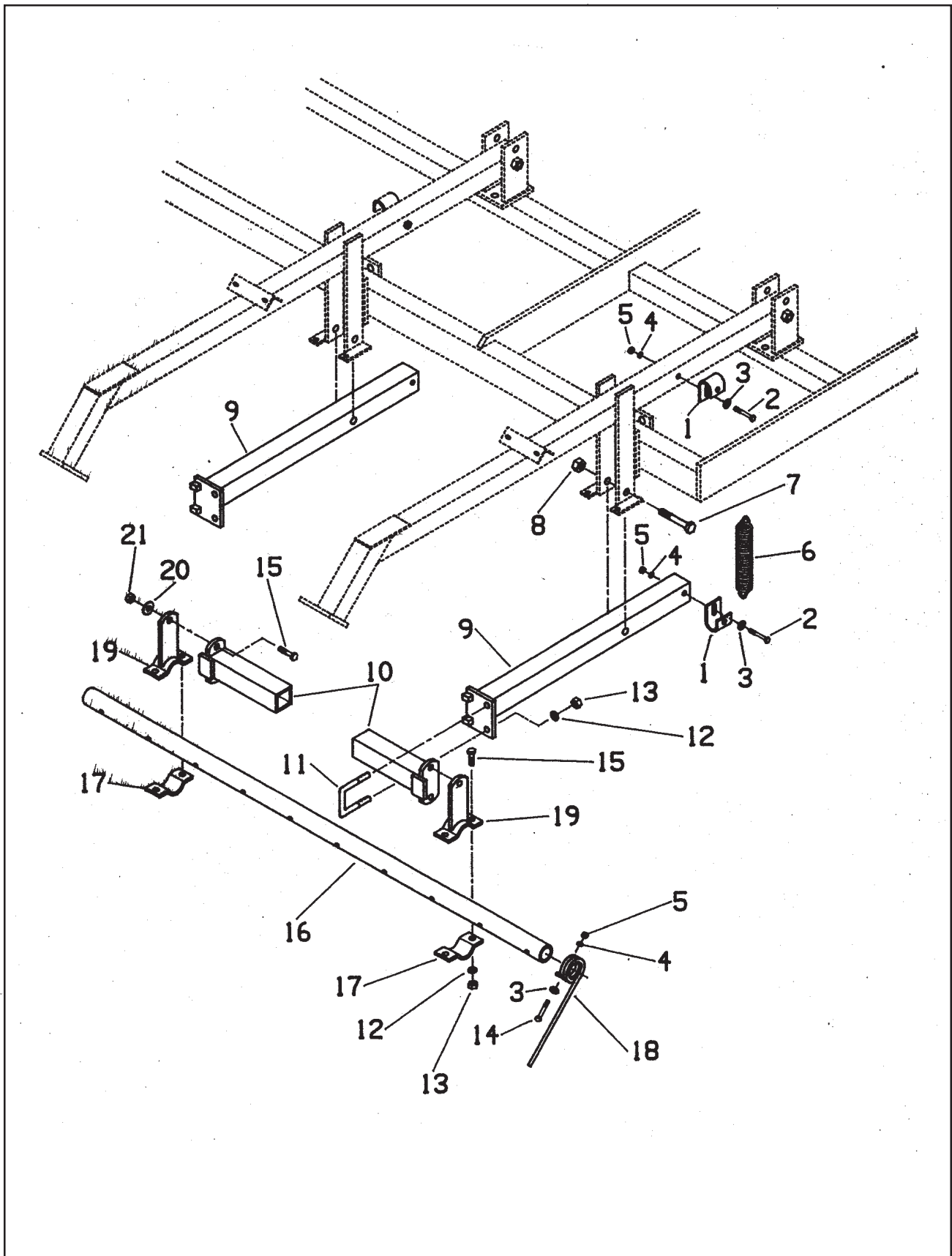


FRAME				
<u>Index No.</u>	<u>Part No.</u>	<u>Description</u>	<u>No. Req'd</u>	<u>Weight</u>
1	2K413	12' Frame (not illustrated)	1	537
	2K403	15' Frame (illustrated)	1	735
	2K392	18' Frame (not illustrated)	1	835
2	8D424	Pin Assembly	2	2.5
3	5D110	Klik-Pin	3	.1
4	8D425	Spacer, Cast Iron	2	1.6
5	5D158	Sleeve, 1 7/16 O.D. x 2 7/8" Long	2	.5
6	2K638	Spacer, 1 1/2 O.D. x 2 1/8" Long	1	.3
7	2K514	Pin, 1 1/8 O.D. x 5 5/8" Long	1	1.6
8	2D894	Roll Pin, 1/4 x 2"	2	-
9	6D529	Clevis Pin, 1 x 4 1/2"	1	1.0
10	5D157	Sleeve, 1 1/4 O.D. x 1 15/16" Long	1	.2
11	6C729	Locknut, 3/4"	1	.05
12	5C461	Locknut, 5/8"	4	.04
13	4D355	Bolt, 3/4 x 5 1/2" grade 5	1	.75
14	4D373	Bolt, 5/8 x 5 1/2" grade 5	1	.5
15	2K389	Pivot Weldment	1	10.4
16	2K414	L.H. Strap Weldment	1	18.4
17	2K415	R. H. Strap Weldment	1	18.4
18	2K639	Spacer, 1" O.D. x 3/4" Long	2	.1
19	2D474	Bolt, 5/8 x 1 3/4" grade 5	3	.2
20	2K422	R.H. Brace (illustrated) 15' and 18' machines	1	27
	2K421	L.H. Brace (not illustrated) 15' and 18' machines	1	27
	2K388	Brace (not illustrated) 12' machine	2	22.8
21	2K420	Center Brace (not required on 12' machine)	1	19.6
22	2K669	Strap	1	1.4
23	2K670	Strap	2	.1
24	9C391	Bolt, 5/16 x 3"	2	.1
25	1C362	Lockwasher, 5/16"	2	-
26	1C385	Nut, 5/16"	2	-
27	8J310	Decal, Caution	2	-
28	4K036	Decal, "Brillion"	2	-
29	2J431	Reflective Decal (amber, front)	2	-
	2J430	Reflective Decal (red, rear)	2	-



HARROW REELS AND SUPPORTING BRACKETS

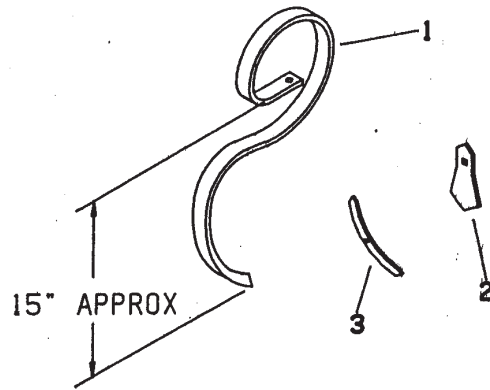
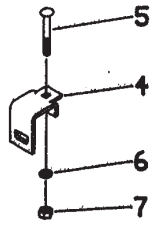
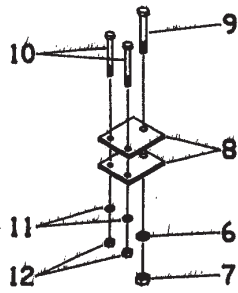
Index No.	Part #	Description	No. Req'd.			Weight
			12'	15'	18'	
1	2K623	5' Harrow Reel	0	3	0	79
	2K624	6' Harrow Reel	2	0	3	94
2	9C601	Flangette	8	12	12	.2
		Bearing, w/Collar	4	6	6	.51
3	5J337	Bearing, w/Collar	12	18	18	-
4	6D037	Bolt, 5/16 x 1"	12	18	18	-
5	1C362	Lockwasher	12	18	18	-
6	1C385	Nut, 5/16"	2	3	3	23.5
7	2K609	L.H. Support Beam	2	3	3	23.5
8	2K610	R.H. Support Beam	4	6	6	.5
9	5D921	U-Bolt, 1/2"	8	12	12	-
10	1C109	Lockwasher, 1/2"	8	12	12	-
11	1C390	Nut, 1/2"	12	18	18	2.2
12	4D242	Spring	8	12	12	.16
13	6J819	Eye Bolt, 5/16"	8	12	12	-
14	6C748	Locknut, 5/16"	4	6	6	7
15	2K645	Stabilizer Bracket	4	6	6	1.0
16	2K648	Plate	16	24	24	.37
17	7D247	Bolt, 5/8 x 3-3/4"	16	24	24	-
18	1B166	Lockwasher, 5/8"	16	24	24	-
19	1C392	Nut, 5/8"	4	6	6	.7
20	2J094	U-Bolt, 5/8"	4	6	6	5
21	2K644	Mounting Bracket	8	12	12	-
22	5C461	Locknut, 5/8"	0	3	0	32.3
23	2K616	5' Frame	2	0	3	36.6
	2K617	6' Frame				



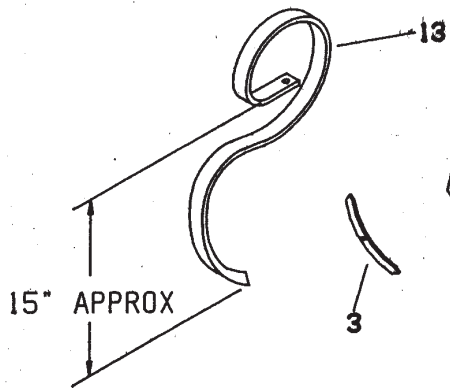
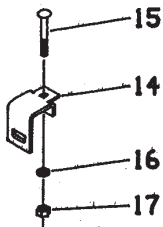
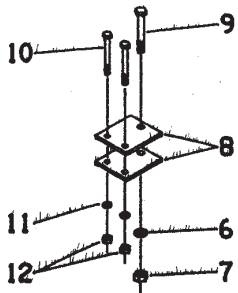
COIL TINE LEVELER

Index No.	Part #	Description	No. Req'd.			Weight
			12'	15'	18'	
1	2K649	Spring Clip	8	12	12	.4
2	1C332	Bolt, 3/8 x 2-3/4"	8	12	12	.1
3	1C182	Flat Washer, 3/8"	32	48	48	-
4	1C183	Lockwasher, 3/8"	32	48	48	-
5	1C277	Nut, 3/8"	32	48	48	-
6	4D242	Spring	12	18	18	2.2
7	7D247	Bolt, 5/8 x 3-3/4"	4	6	6	.37
8	5C461	Locknut, 5/8"	4	6	6	-
9	2K640	Tube Weldment	4	6	6	10.8
10	2K651	Bracket	4	6	6	4.2
11	5D921	U-Bolt, 1/2"	4	6	6	.5
12	1C109	Lockwasher, 1/2"	16	24	24	-
13	1C390	Nut, 1/2"	16	24	24	-
14	1C508	Bolt, 3/8 x 2-1/2"	24	30	36	.1
15	8C527	Bolt, 1/2 x 1-1/2"	12	18	18	.1
16	2K658	Pipe, 5' (illustrated)	0	3	0	10.8
	2K657	Pipe, 6' (not illustrated)	2	0	3	13
17	2K656	Clamp	4	6	6	.5
18	5J603	Coil Tine	24	30	36	.7
19	2K653	Hanger	4	6	6	1.5
20	1C120	Flat Washer, 1/2"	4	6	6	-
21	5C392	Locknut, 1/2"	4	6	6	-

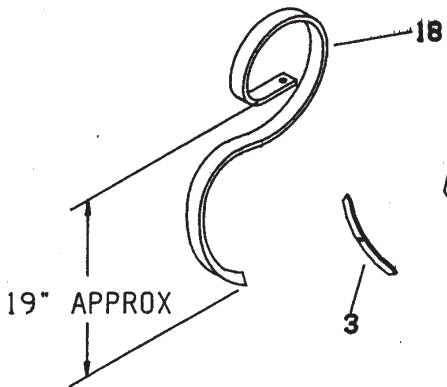
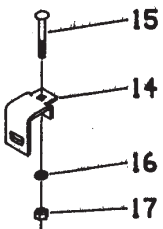
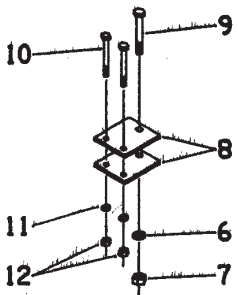
"STANDARD" (1J887) SPRING TINE, CLAMPS, & POINTS



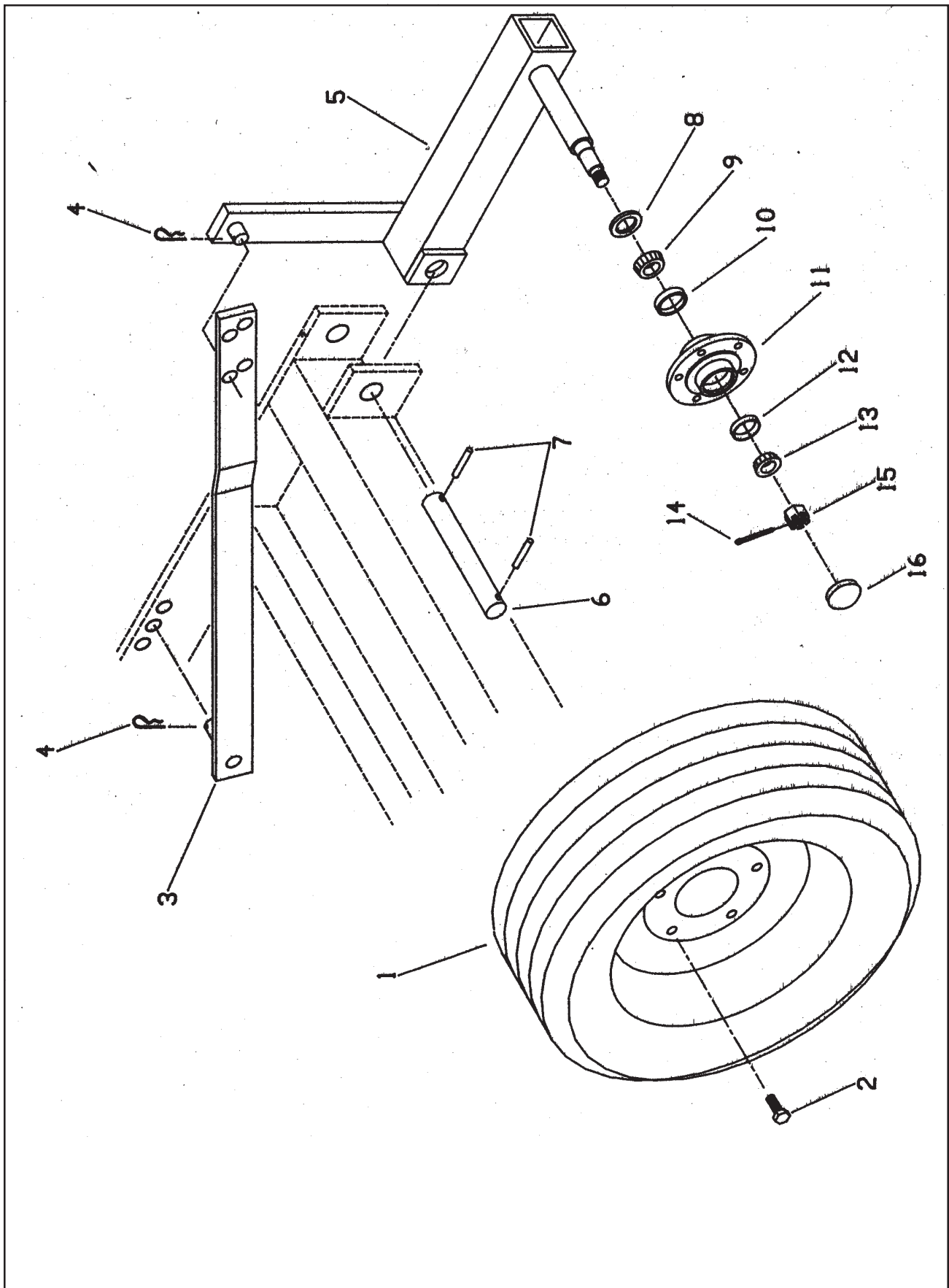
"HEAVY DUTY" (5J609) SPRING TINE, CLAMPS, & POINTS



"HIGH CLEARANCE" (4J700) SPRING TINE, CLAMPS, & POINTS



SPRING TINES, CLAMPS & POINTS				
Index No.	Part #	Description	No. Req'd.	Weight
1	1J887	S-Tine, 10 mm x 32 mm		6
2	7D014	2-3/4" Duckfoot Point		.5
	7D728	Cultivator Bolt, 3/8 x 1-3/4"		.1
	5J616	Flange Locknut, 3/8"		-
3	2J155	1-3/8 Reversible Point		.7
	7D728	Cultivator Bolt, 3/8 x 1-3/4"		.1
	5J616	Flange Locknut, 3/8"		-
4	1J834	Clamp (painted red)		.8
5	2J241	Carriage Bolt, 7/16 x 3-1/2"		.17
6	1C314	Lockwasher, 7/16"		-
7	1D014	Locknut, 7/16"		-
8	2K529	Clamp		.7
9	6J728	Bolt, 7/16 x 4-1/2"		.2
10	6J727	Bolt, 3/8 x 4-1/2"		.16
11	1C183	Lockwasher, 3/8"		-
12	5C954	Locknut, 3/8"		-
13	5J609	S-Tine, 12 mm x 32 mm		7.25
14	5J080	Clamp (painted black)		.9
15	5J082	Carriage Bolt, 1/2 x 3-1/2" (can use Item #5)		.2
16	1C109	Lockwasher, 1/2" (can use Item #6)		-
17	5C392	Locknut, 1/2" (can use Item #7)		-
18	4J700	S-Tine, 12 mm x 32 mm		8.4



GAGE WHEELS (Optional)

Index No.	Part #	Description	No. Req'd.	Weight
	2K635	Gage Wheel Kit - Complete		105
1	2K277	Wheel and Tire Assembly	2	13
	2K744	Wheel Only	2	
	2K745	Tire Only	2	
2	5C100	Wheel Bolt	10	.1
3	2K699	L.H. Adjustment Strap (illustrated)	1	10.7
	2K700	R.H. Adjustment Strap (not illustrated)	1	10.7
4	4C856	Hairpin Cotter	4	-
5	2K512	L.H. Arm and Hub Weldment (illustrated)	1	26
	2K513	R.H. Arm and Hub Weldment (not illustrated)	1	26
	2K746	L.H. Arm and Spindle (less hubs)	1	17
	2K747	R.H. Arm and Spindle (less hubs)	1	17
6	2K514	Pin	2	1.6
7	2D894	Roll Pin, 1/4 x 2"	4	-
8	1D273	Seal	2	.1
9	5C480	Bearing Cone, #LM48548	2	.2
10	5C479	Bearing Cup, #LM48510	2	.1
11	1J390	Wheel Hub	2	8.6
12	5C912	Bearing Cup, #LM11910	2	.1
13	5C911	Bearing Cone, #LM11949	2	.2
14	3C350	Cotter Pin	2	-
15	3C173	Slotted Nut	2	.1
16	1J463	Hub Cap	2	.2

INDEX

<u>Part No.</u>	<u>Page</u>	<u>Index No.</u>	<u>Part No.</u>	<u>Page</u>	<u>Index No.</u>	<u>Part No.</u>	<u>Page</u>	<u>Index No.</u>
1B166	5	18	6D529	3	9	2K644	5	21
1C109	5	10	7D014	9	2	2K645	5	15
	7	12	7D247	5	17	2K648	5	16
	9	16	7D728	9	2	2K649	7	1
1C120	7	20		9	3	2K651	7	10
1C182	7	3	8D424	3	2	2K653	7	19
1C183	7	4	8D425	3	4	2K656	7	17
	9	11				2K657	7	16
1C277	7	5	1J390	11	11	2K658	7	16
1C314	9	6	1J463	11	16	2K669	3	22
1C332	7	2	1J834	9	4	2K670	3	23
1C362	3	25	1J887	9	1	2K699	11	3
	5	5	2J094	5	20	2K700	11	3
1C385	3	26	2J155	9	3	2K744	11	1
	5	6	2J241	9	5	2K745	11	1
1C390	5	11	2J430	3	29	2K746	11	5
	7	13	2J431	3	29	2K747	11	5
1C392	5	19	4J700	9	18			
1C508	7	14	5J080	9	14			
3C173	11	15	5J082	9	15	4K036	3	28
3C350	11	14	5J337	5	3			
4C856	11	4	5J603	7	18			
5C100	11	2	5J609	9	13			
5C392	7	21	5J616	9	2			
	9	17		9	3			
5C461	3	12	6J727	9	10			
	5	22	6J728	9	9			
	7	8	6J819	5	13			
5C479	11	10	8J310	3	27			
5C480	11	9	2K277	11	1			
5C911	11	13	2K389	3	15			
5C912	11	12	2K392	3	1			
5C954	9	12	2K403	3	1			
6C729	3	11	2K413	3	1			
6C748	5	14	2K414	3	16			
8C527	7	15	2K415	3	17			
9C391	3	24	2K420	3	21			
9C601	5	2	2K421	3	20			
1D014	9	7	2K422	3	20			
1D273	11	8	2K512	11	5			
2D474	3	19	2K513	11	5			
2D894	3	8	2K514	3	7			
	11	7		11	6			
4D242	5	12	2K529	9	8			
	7	6	2K609	5	7			
4D355	3	13	2K610	5	8			
4D373	3	14	2K616	5	23			
5D110	3	3	2K617	5	23			
5D157	3	10	2K623	5	1			
5D158	3	5	2K624	5	1			
5D921	5	9	2K638	3	6			
	7	11	2K639	3	18			
6D037	5	4	2K640	7	9			