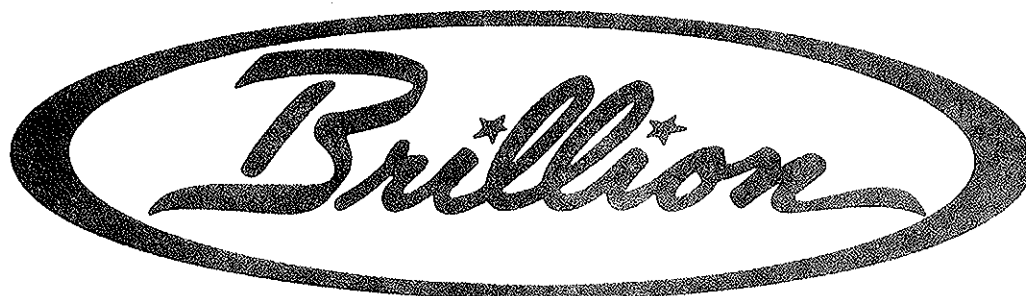


REPAIR PARTS CATALOG



S-TINE CULTIVATOR-INCORPORATOR

MODELS:	C-238	CS-238	CH-238	CSH-238
	C-2381	CS-2381	CH-2381	CSH-2381
	C-264	CS-264	CH-264	CSH-264
	C-2641	CS-2641	CH-2641	CSH-2641
	C-298	CS-298	CH-298	CSH-298
	C-2981	CS-2981	CH-2981	CSH-2981
	C-324	CS-324	CH-324	CSH-324
	C-3241	CS-3241	CH-3241	CSH-3241

MODEL NO.

DATE PURCHASED

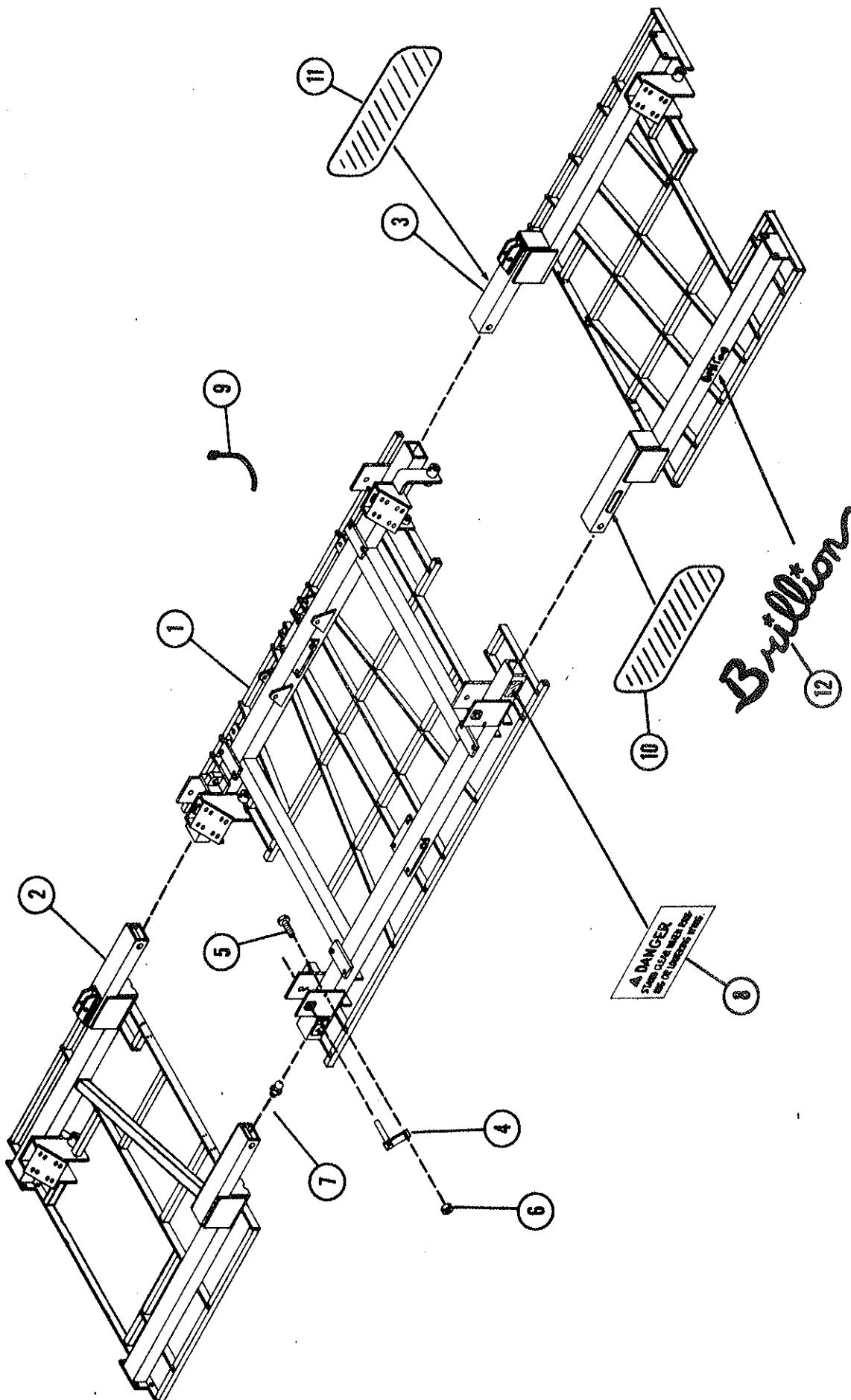
IMPORTANT!

Repairs cannot be purchased retail direct from factory. Order through your Brillion dealer.



BRILLION IRON WORKS, INC.
BRILLION, WISCONSIN 54110

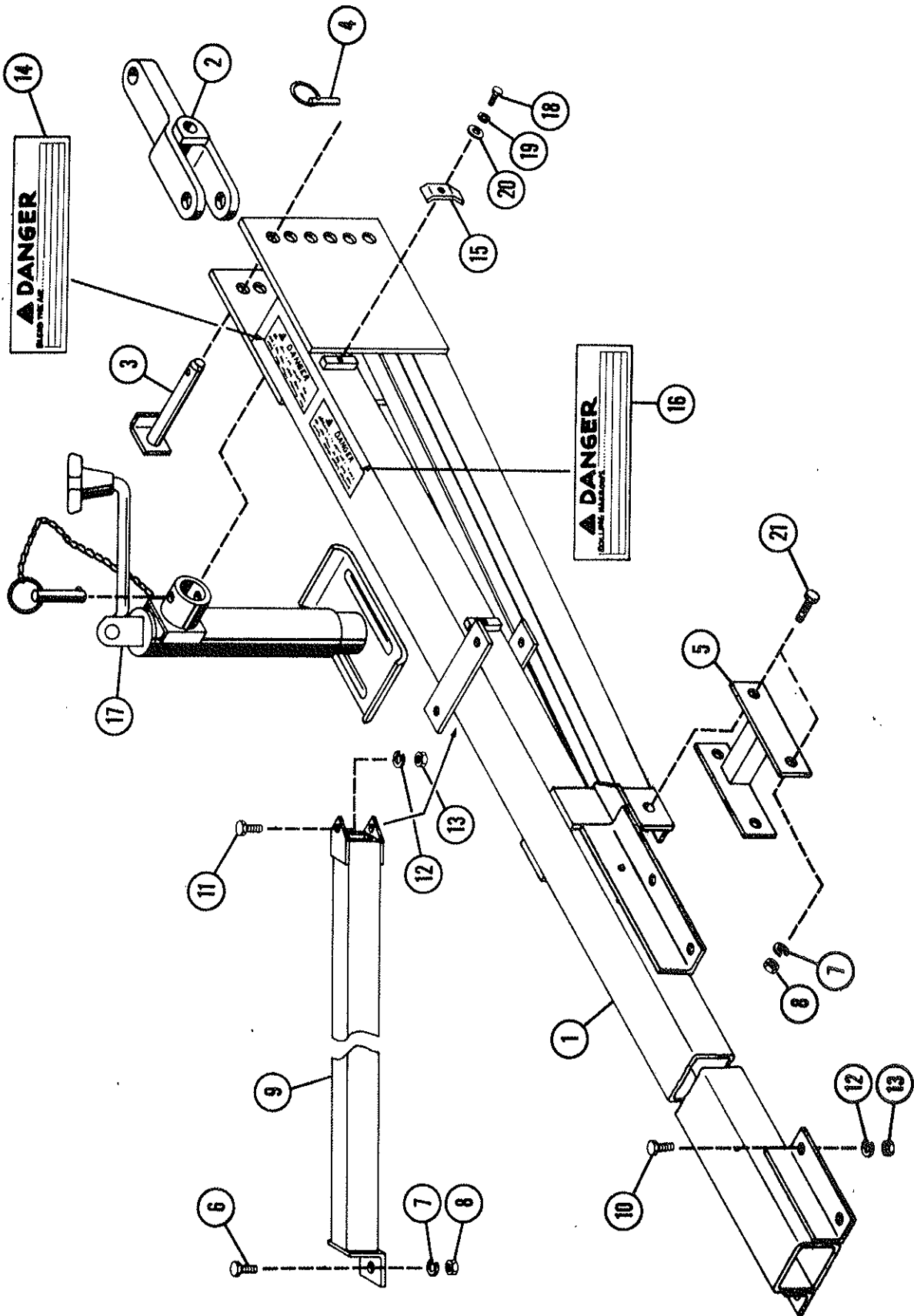
CENTER FRAME AND WINGS



CENTER FRAME AND WINGS

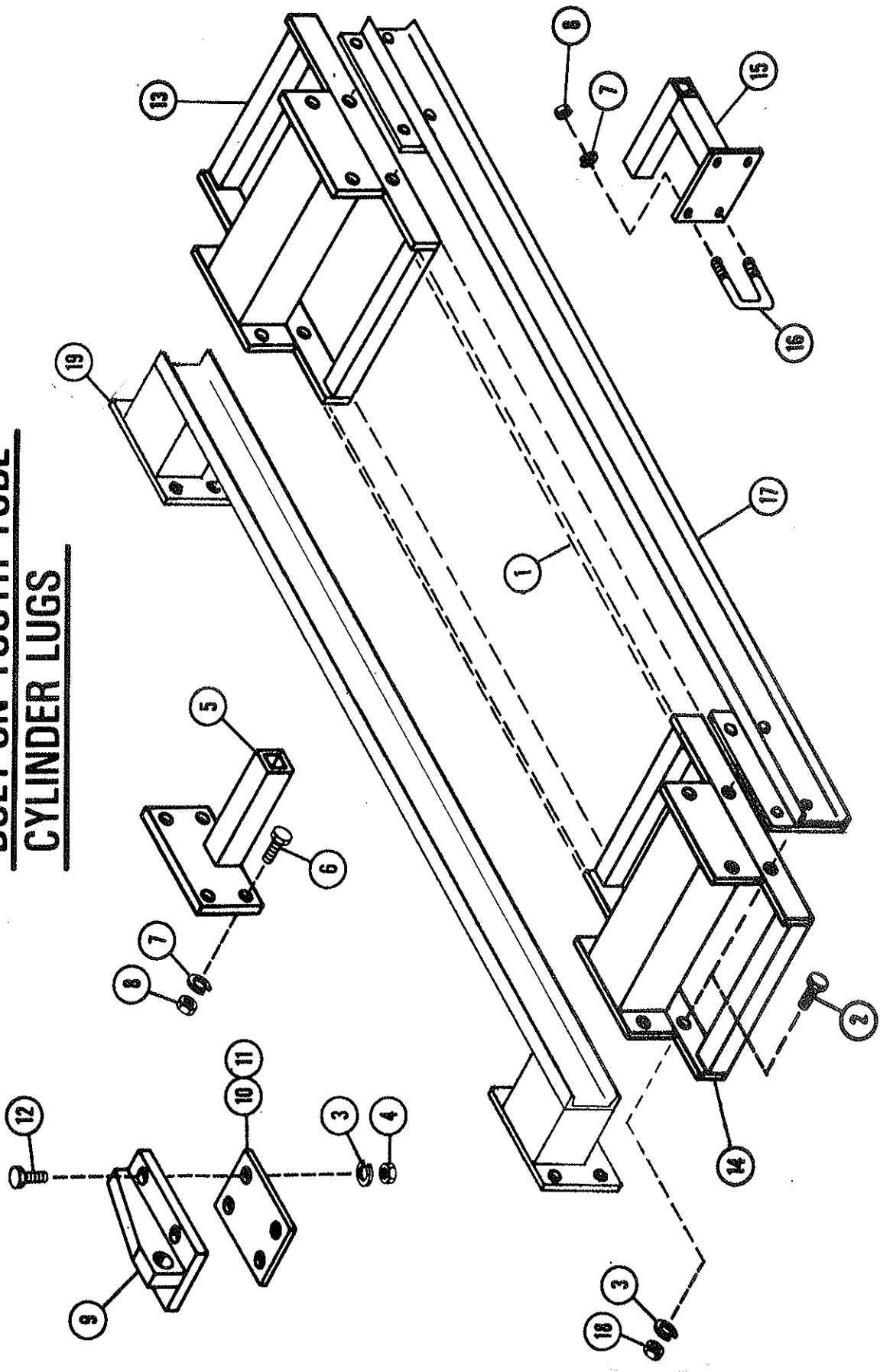
Index No.	Part Number	Description	No. Used	Weight
1	4J-853	Center Frame	1	1360.0
2	4J-854	Left Wing, Narrow (shown)		580.0
	or			
	5J-620*	Left Wing, Wide (not shown)		960.0
3	4J-855	Right Wing, Narrow (not shown)		580.0
	or			
	5J-621*	Right Wing, Wide (shown)		960.0
4	5J-71	Hinge Pin	4	4.0
5	8C-36	Capscrew, 3/8"-16 x 1-3/4", Grade 5	4	.06
6	5C-954	Nut, 3/8"-16 Stover Hex	4	.02
7	7C-414	Grease Fitting, 1/4"-28 NF, Straight	4	
8	3J-675	Decal "Danger, Stand Clear When Raising or Lowering Wings"	4	
9	9D-851	Cable Tie	10	
10	2J-430	Reflective Decal (Red)	2	
11	2J-431	Reflective Decal (Amber)	2	
12	1J-910	Decal "Brillion" Script	2	
*5J-620 and 5J-621 wide wings replace 4J-856 and 4J-857 wide wings respectively. Outboard end of wing must be tied together with either a 4J-866 wing extension (page 7) or a 5J-585 tie channel (page 7).				

DRAWBAR



DRAWBAR				
Index No.	Part No.	Description	No. Used	Weight
1	4J-858	Drawbar	1	348.0
2	2J-858	Hitch	1	29.0
3	4J-485	Pin	1	3.5
4	1J-722	Lynch Pin	1	0.14
5	5J-87	Drawbar Link	1	12.0
6	1D-424	Capscrew, 3/4"-10 NC x 2", Grade 5	2	.35
7	1C-211	Lockwasher, 3/4" Medium Spring	6	.04
8	6C-729	Nut, 3/4"-10 NC Stover Hex	6	.12
9	4J-859	Drawbar Brace	2	37.0
10	5C-460	Capscrew, 5/8"-11 NC x 2", Grade 5	8	.23
11	2D-474	Capscrew, 5/8"-11 NC x 1-3/4", Grade 5	4	.21
12	1B-166	Lockwasher, 5/8" Medium Spring	12	.02
13	1C-392	Nut, 5/8"-11 NC Regular Hex	12	.07
14	3J-678	Decal, "Danger, Bleed The Air From Wing Lift Cylinders ---"	1	
15	9D-283	Clamp	6	.62
16	5J-333	Decal, "Danger, Rolling Harrows - - -"	1	
17	4J-867	Jack	1	17.0
18	6D-37	Capscrew, 5/16"-18 NC x 1"	6	.03
19	1C-362	Lockwasher, 5/16" Medium Spring	6	
20	3C-127	Flat Washer, 5/16" Standard	6	.01
21	4D-957	Capscrew, 3/4"-10 NC x 2-1/4", Grade 5	4	.41

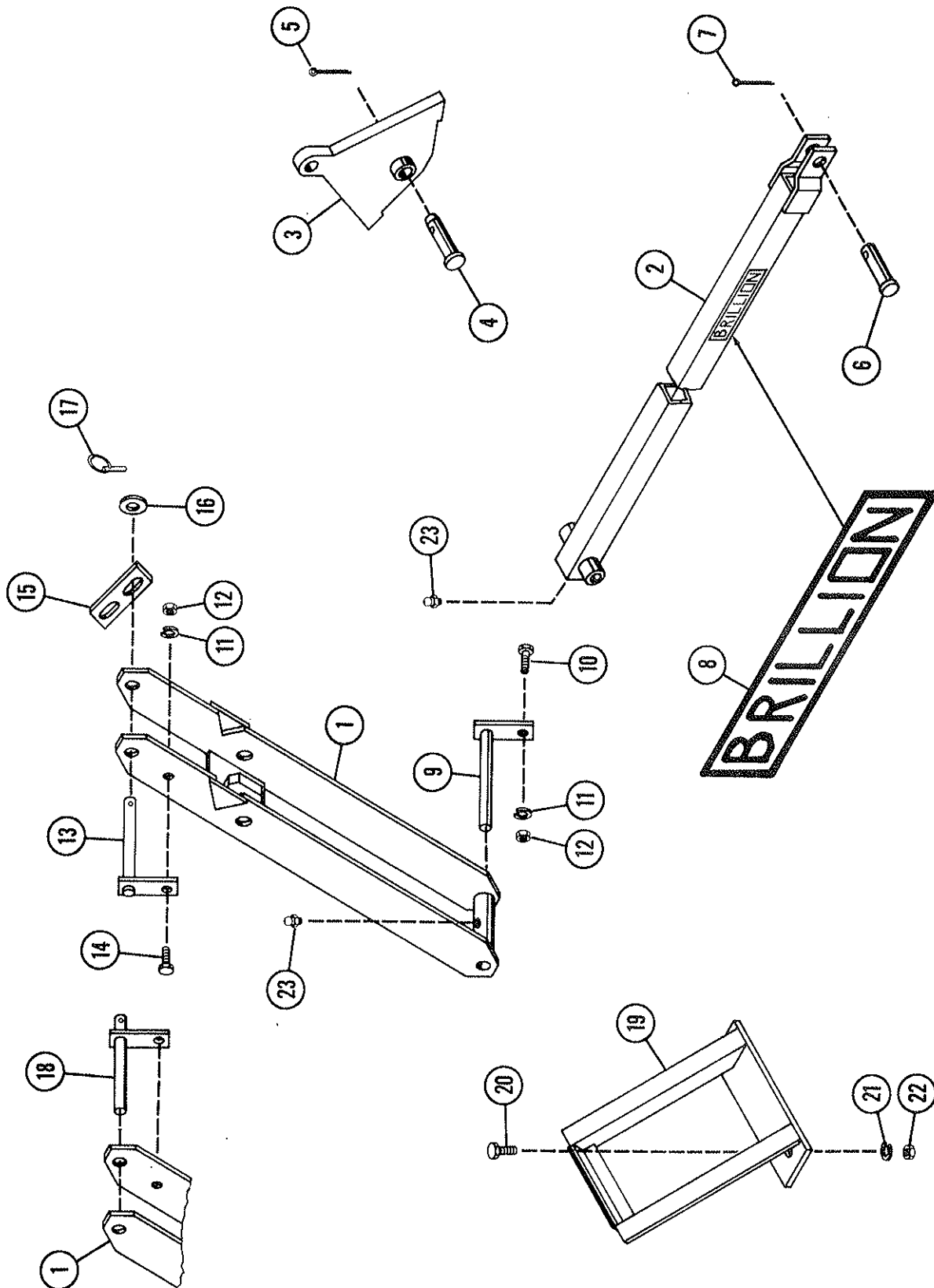
**WING EXTENSIONS
BOLT-ON TOOTH TUBE
CYLINDER LUGS**



WING EXTENSION, BOLT-ON TOOTH TUBE AND CYLINDER LUGS

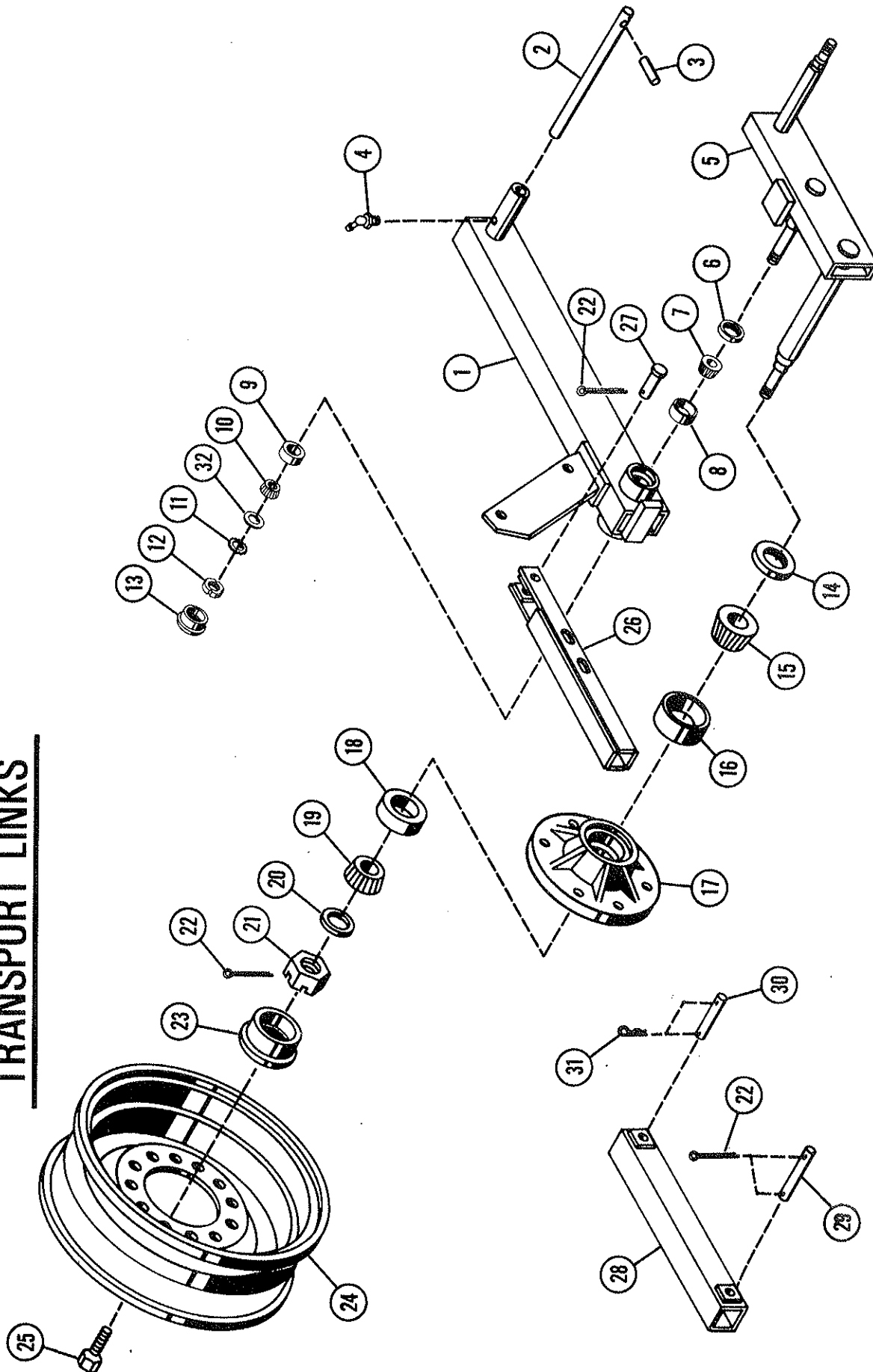
Index No.	Part No.	Description	No. Used	Weight
1	4J-866	Wing Extension (One - Piece)		152.0
2	5C-460	Capscrew, 5/8"-11 NC x 2", Grade 5		.23
3	1B-166	Lockwasher, 5/8" Medium Spring		.02
4	1C-392	Nut, 5/8"-11 NC Regular Hex		.07
5	4J-950	Bolt-On Tooth Tube		4.5
6	5D-51	Capscrew, 1/2"-13 NC x 1-3/4"		.13
7	1C-109	Lockwasher, 1/2" Medium Spring		.01
8	1C-390	Nut, 1/2"-13 NC Regular Hex		.04
9	5J-76	Cylinder Lug	4	13.0
10	5J-95	Shim, 1/4"		2.8
11	5J-96	Shim, 1/8"		1.4
12	6D-476	Capscrew, 5/8"-11 NC x 2-1/4", Grade 5 (used with shims)	8	.25
	or			
	5C-460	Capscrew, 5/8"-11 NC x 2", Grade 5 (used without shims)	8	.23
13	5J-613	Front Wing Extension (18-1/2" Long)		54.0
14	5J-614	Rear Wing Extension (20-1/2" Long)		56.0
15	5J-612	Tube Extension		9.6
16	5D-921	U-Bolt		.44
17	5J-585	Tie Channel		54.0
18	5C-461	Nut, 5/8-11 NC Stover Hex		.12
19	7J-45	Wing Extension		64.0

WING LIFT LINKS AND WING STANDS



WING LIFT LINKS AND WING STANDS				
Index No.	Part No.	Description	No. Used	Weight
1	4J-868	Linkage	2	58.0
2	4J-869	Linkage	2	33.0
3	5J-61	Wing Lift Lug	2	10.5
4	6D-529	Clevis Pin, 1" x 4 -1/2"	2	1.1
5	4C-466	Cotter Pin, 1/4" x 1-1/2"	2	.02
6	2D-799	Clevis Pin, 1" x 3"	2	.76
7	1C-788	Cotter Pin, 3/16" x 1-1/2"	2	.01
8	4D-909	Decal, "Brillion" Block	4	
9	5J-67	Pin, 1" x 8"	2	2.18
10	4D-904	Capscrew, 3/8"-16 NC x 1-1/2", Grade 5	2	.06
11	1C-183	Lockwasher, 3/8" Medium Spring	4	.01
12	1C-277	Nut, 3/8"-16 Regular Hex	4	.02
13	5J-74	Pin, 1" x 8-1/4"	1	1.96
14	9C-78	Capscrew, 3/8"-16 NC x 1-1/4", Grade 5	2	.05
15	5J-75	Transport Link	1	1.27
16	1C-871	Flat Washer, 1-1/16" x 2" x .165"	2	
17	5D-110	Lynch Pin	2	.12
18	5J-64	Pin, 1" x 8-1/4"	1	1.96
19	4J-872	Wing Stand	4	16.0
20	4D-561	Capscrew, 5/8"-11 NC x 1-1/2", Grade 5	8	.19
21	1B-166	Lockwasher, 5/8" Medium Spring	8	.02
22	1C-392	Nut, 5/8"-11 NC Regular Hex	8	.07
23	7C-414	Grease Fitting, 1/4"-28 NF, Straight	4	

**WALKING BEAM ASS'Y. (RIGHT BEAM, 4J-861, IS SHOWN)
TRANSPORT LINKS**



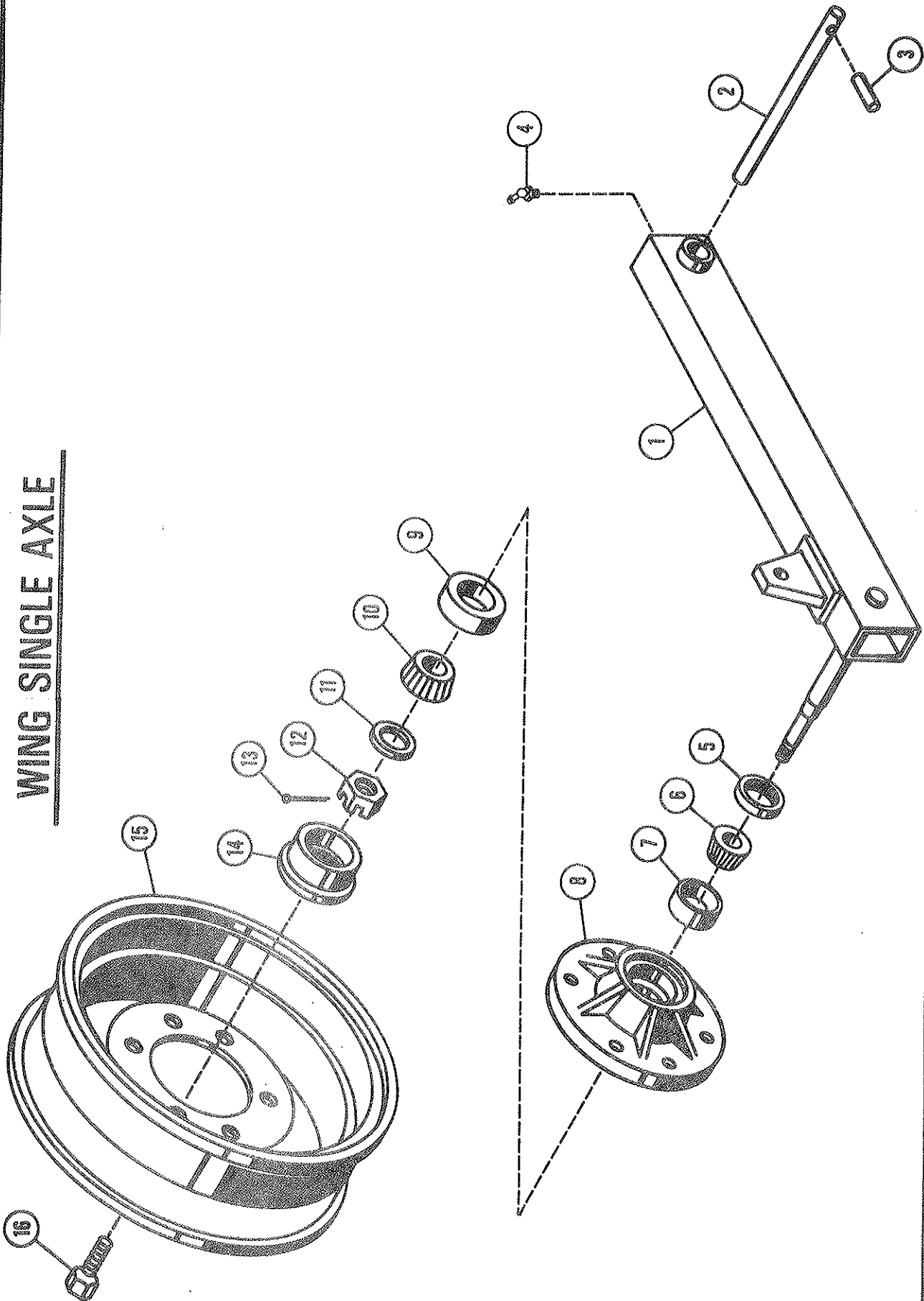
WALKING BEAMS AND TRANSPORT LINKS

Index No.	Part No.	Description	No. Used	Weight
1	4J-944	Left Walking Beam Arm (Not Shown)	1	67.0
	4J-945	Right Walking Beam Arm (Shown)	1	67.0
2	5J-70	Pin, 1-1/2" x 14-5/8"	2	7.3
3	4J-410	Roll Pin, 3/8" x 3"	2	.12
4	7C-547	Grease Fitting, 1/8" P.T., 45°	2	
5	4J-366	Left Axle Beam (Not Shown) (Includes Items 14 through 23)	1	71.0
	4J-564	Right Axle Beam (Shown) (Includes Items 14 through 23)	1	71.0
6	4J-565	Seal	2	.09
7	7C-763	Bearing Cone #LM501349	2	.55
8	7C-762	Bearing Cup #LM501310	2	.40
9	1D-807	Bearing Cup #LM29710	2	.19
10	1D-808	Bearing Cone #LM29749	2	.38
11	9C-435	Lockwasher #TW107	2	.03
12	9C-434	Locknut #TN07	2	.22
13	4J-554	Hub Cap	2	.19
14	6D-338	Seal	4	.09
15	5C-480	Bearing Cone #LM48548	4	.30
16	5C-479	Bearing Cup #LM48510	4	.20
17	6D-336	Wheel Hub	4	10.5
18	5C-914	Bearing Cup #LM67010	4	.12
19	5C-913	Bearing Cone #LM67048	4	.25
20	1C-871	Flat Washer	4	
21	6D-284	Slotted Nut	4	.25
22	1C-788	Cotter Pin, 3/16" x 1-1/2"	10	.01
23	6D-337	Hub Cap	4	.8
24	6D-311	Wheel, 15 x 6 LB, 6 Bolt	4	21.5
25	5C-100	Wheel Bolt, 1/2-20 NF	24	.2
26	4J-870	Transport Lock Link	2	17.0
27	2D-799	Clevis Pin, 1" x 3"	2	.76
28	4J-871	Transport Lock Tube	2	12.0
29	9D-296	Pin, 1" x 6-1/4"	2	1.39
30	5J-69	Pin, 1" x 5"	2	1.11
31	1D-594	Hairpin Cotter, 0.178" x 3-9/16"	4	.06
32	5J-336	Keyed Washer	2	
		Note: Entire walking beam assemblies (excluding items 2, 3, 4 and 24 through 31) may be ordered as follows:		
	4J-860	Left Walking Beam Assembly	1	145.0
	4J-861	Right Walking Beam Assembly	1	145.0

CENTER FRAME SINGLE AXLES AND TRANSPORT LINKS

Index No.	Part No.	Description	No. Used	Weight
1	4J-862	Left Wheel Arm (Not Shown) (Includes Items 5 Through 14)	1	112.0
	4J-863	Right Wheel Arm (Shown) (Includes Items 5 Through 14)	1	112.0
2	5J-70	Pin, 1-1/2" x 14-5/8"	2	7.3
3	4J-410	Roll Pin, 3/8" x 3"	2	.12
4	7C-547	Grease Fitting, 1/8" P. T., 45°	2	
5	3J-396	Seal	2	.1
6	3D-531	Bearing Cone #LM603049	2	.5
7	3D-532	Bearing Cup #LM603011	2	.3
8	3J-394	Hub	2	21.5
9	5C-914	Bearing Cup #LM67010	2	.12
10	5C-913	Bearing Cone #LM67048	2	.25
11	3J-397	Flat Washer	2	
12	3C-173	Slotted Nut 3/4"-16 NF	2	.1
13	6D-337	Hub Cap	2	.8
14	3C-350	Cotter Pin, 5/32" x 1"	2	
15	4J-699	Wheel 15 x 10 LBH	2	40.0
16	3J-609	Wheel Bolt, 9/16"-18 N. F.	16	.1
17	4J-870	Transport Lock Link	2	17.0
18	2D-799	Clevis Pin, 1" x 3"	2	.76
19	1C-788	Cotter Pin, 3/16" x 1-1/2"	6	.01
20	4J-871	Transport Lock Tube	2	12.0
21	9D-296	Pin, 1" x 6-1/4"	2	1.39
22	5J-69	Pin, 1" x 5"	2	1.11
23	1D-594	Hairpin Cotter, 0.178" x 3-9/16"	4	.06

WING SINGLE AXLE

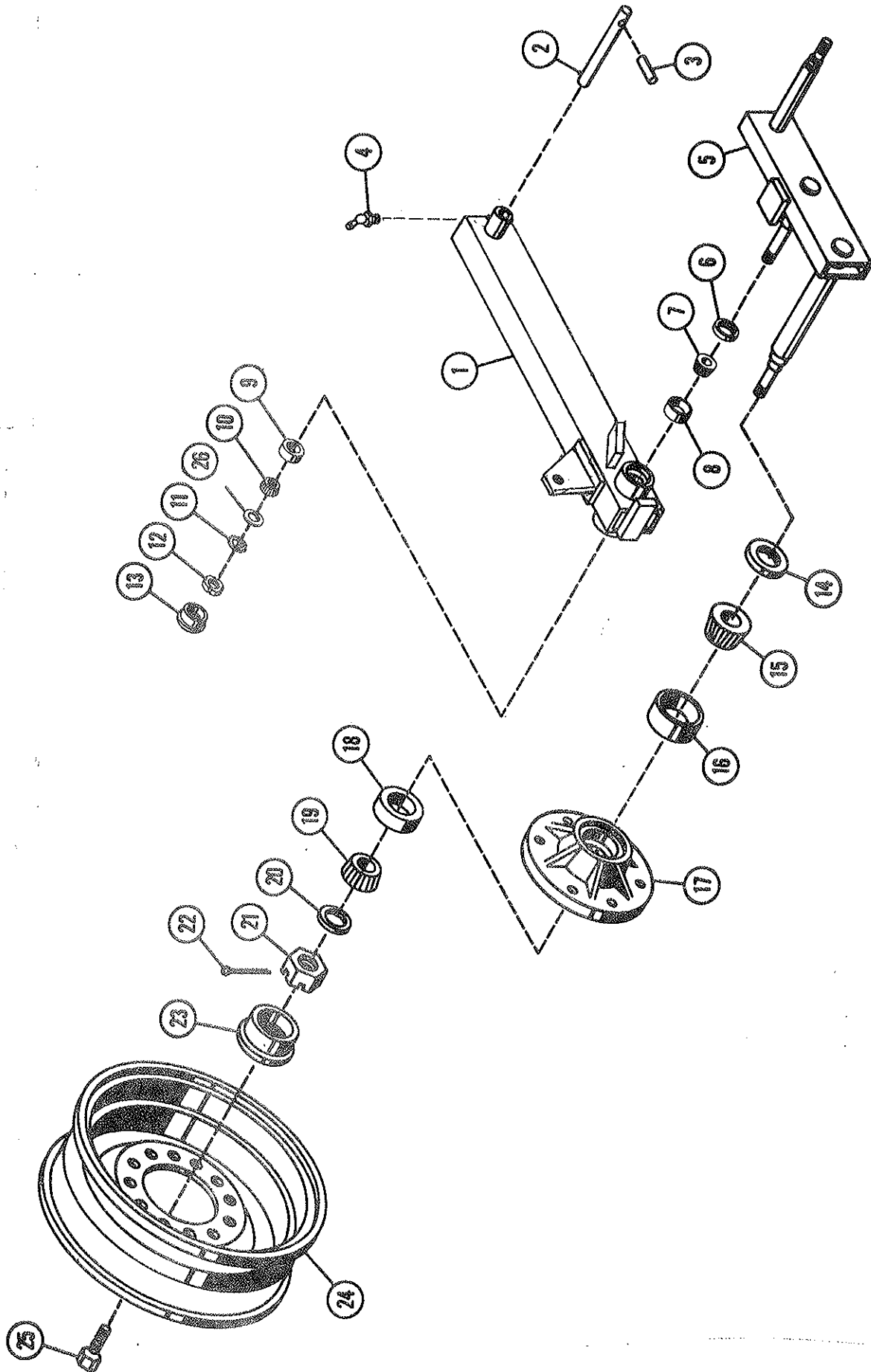


WING SINGLE AXLES

Index No.	Part No.	Description	No. Used	Weight
1	4J-864*	Left Wing Wheel Arm (Not Shown) (Includes Items 5 Through 14)	1	63.0
	4J-865*	Right Wing Wheel Arm (Shown) (Includes Items 5 Through 14)	1	63.0
2	4J-551	Pin, 1-1/2" x 9-7/16"	2	4.7
3	4J-410	Roll Pin, 3/8" x 3"	2	.12
4	7C-547	Grease Fitting, 1/8" P. T., 45°	2	
5	6D-338	Seal	2	.09
6	5C-480	Bearing Cone #LM48548	2	.3
7	5C-479	Bearing Cup #LM48510	2	.2
8	6D-336	Hub	2	10.5
9	5C-914	Bearing Cup #LM67010	2	.12
10	5C-913	Bearing Cone #LM67048	2	.25
11	1C-871	Flat Washer	2	
12	6D-284	Slotted Nut	2	.25
13	1C-788	Cotter Pin, 3/16" x 1-1/2"	2	.01
14	6D-337	Hub Cap	2	.8
15	6D-312	Wheel, 15 x 8 LB	2	24.0
16	5C-100	Wheel Bolt, 1/2"-20 N. F.	12	.2

*Check wing wheel arms carefully for identification. Some models permit exchanging left and right arms for alternate wheel treads.

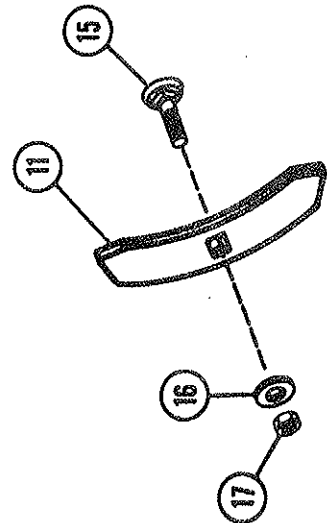
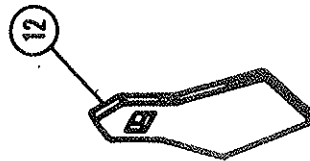
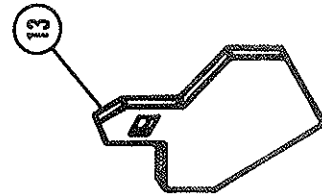
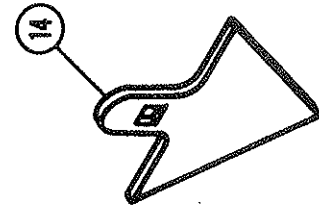
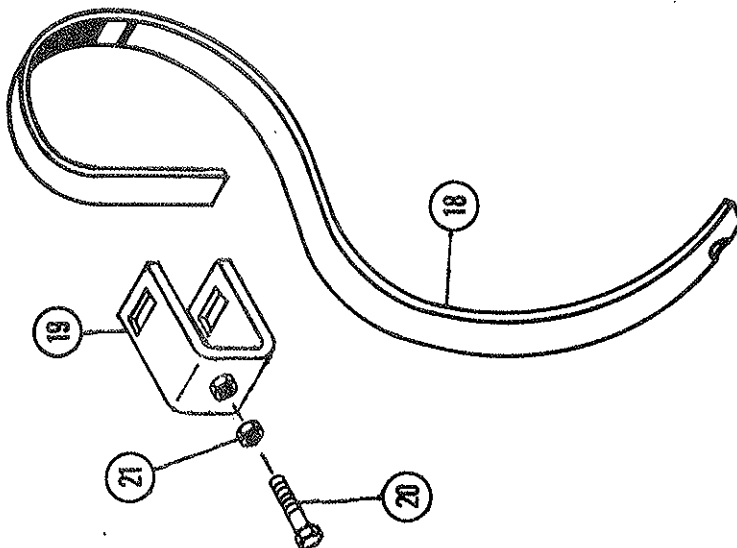
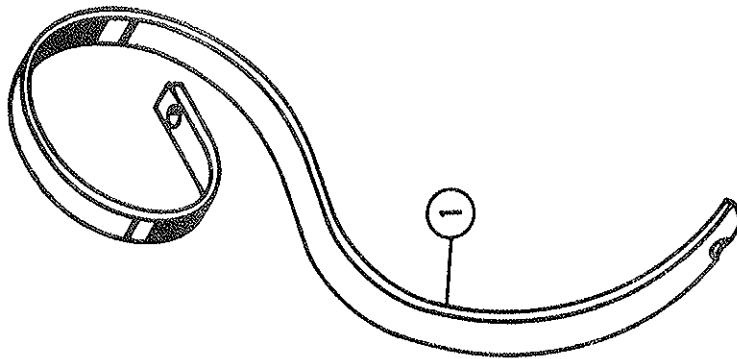
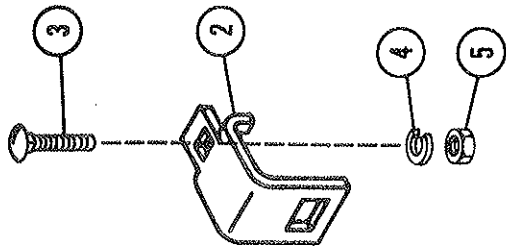
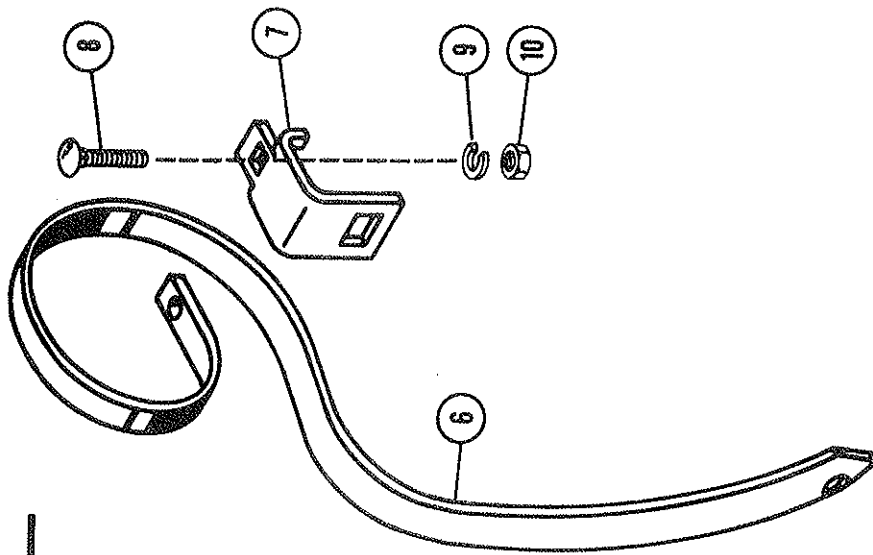
WALKING BEAM ASS'Y. FOR WINGS



WALKING BEAM ASSEMBLIES FOR WINGS

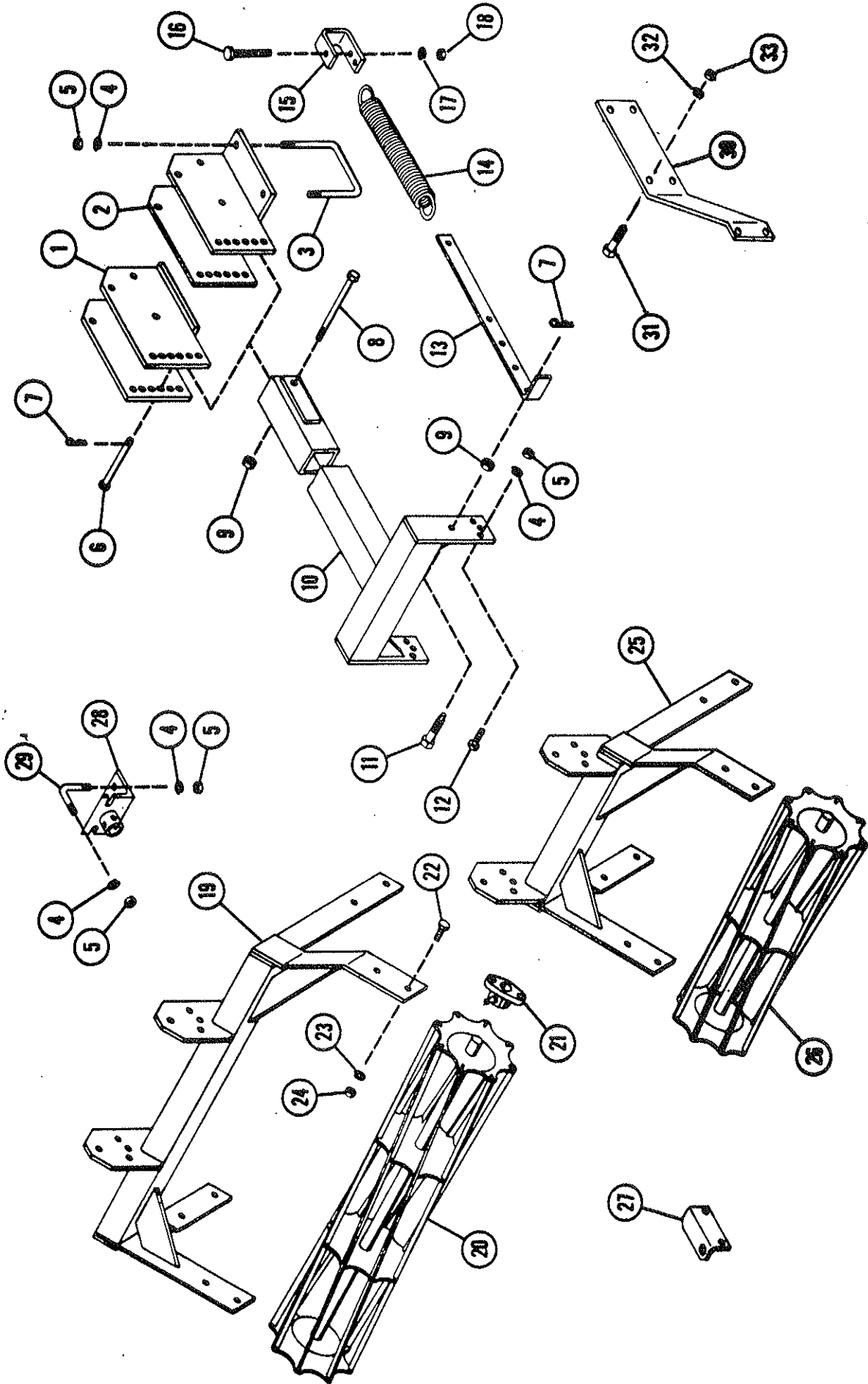
Index No.	Part No.	Description	No. Used	Weight
1	6J-994	Walking Beam Arm (Not Shown)	1	56.0
	6J-995	Walking Beam Arm (Shown)	1	56.0
2	4J-551	Pin, 1-1/2" x 9-7/16"	2	4.7
3	4J-410	Roll Pin, 3/8" x 3"	2	.12
4	7C-547	Grease Fitting, 1/8" P.T., 45°	2	
5	4J-366	Axle Beam (Not Shown) (Includes Items 14 through 23)	1	71.0
	4J-564	Axle Beam (Shown) (Includes Items 14 through 23)	1	71.0
6	4J-565	Seal	2	.09
7	7C-763	Bearing Cone #LM501349	2	.55
8	7C-762	Bearing Cup #LM501310	2	.40
9	1D-807	Bearing Cup #LM29710	2	.19
10	1D-808	Bearing Cone #LM29749	2	.38
11	9C-435	Lockwasher #TW107	2	.03
12	9C-434	Locknut #TN07	2	.22
13	4J-554	Hub Cap	2	.19
14	6D-338	Seal	4	.09
15	5C-480	Bearing Cone #LM48548	4	.30
16	5C-479	Bearing Cup #LM48510	4	.20
17	6D-336	Wheel Hub	4	10.5
18	5C-914	Bearing Cup #LM67010	4	.12
19	5C-913	Bearing Cone #LM67048	4	.25
20	1C-871	Flat Washer	4	
21	6D-284	Slotted Nut	4	.25
22	1C-788	Cotter Pin, 3/16" x 1-1/2"	4	.01
23	6D-337	Hub Cap	4	.8
24	6D-311	Wheel, 15 x 6 LB, 6 Bolt	4	21.5
25	5C-100	Wheel Bolt, 1/2-20 NF	24	.2
26	5J-336	Keyed Washer	2	
		Note: Entire walking beam assemblies (excluding items 2, 3, 4, 24, and 25) may be ordered as follows:		
	6J-996	Left Walking Beam Assembly (Not Shown)	1	134.0
	6J-997	Right Walking Beam Assembly (Shown)	1	134.0

TINES, CLAMPS, SHOVELS



TINES, CLAMPS, AND SHOVELS				
Index No.	Part No.		No. Used	Weight
1	1J-887	S-Tine, 10 mm x 32 mm x 22" (Requires Items 2, 3, 4 & 5 For Clamp and Hardware)		6.0
	5J-609*	S-Tine, 12 mm x 32 mm x 22" Requires Items 7, 8, 9 & 10 For Clamp and Hardware)		7.25
2	1J-834	Clamp (Painted Red) (For 10 mm x 32 mm tines)		.8
3	2J-241	Carriage Bolt, 7/16"-14 NC x 3-1/2", Grade 5		.15
4	1C-314	Lockwasher, 7/16" Medium Spring		.01
5	1D-14	Nut, 7/16-14 Stover Hex		
6	4J-700	S-Tine, 12 mm x 32 mm x 26"		8.4
7	5J-80	Clamp (Painted Black) (For 12 mm x 32 mm tines)		.9
8	5J-82	Carriage Bolt, 1/2"-13 NC x 3-1/2", Grade 5		.2
9	1C-109	Lockwasher, 1/2" Medium Spring		.01
10	5C-392	Nut, 1/2"-13 Stover Hex		
11	2J-155	1-3/8" Reversible Point		.7
12	7D-14	2-1/2" Duckfoot Point		.5
13	1J-914	4" Shovel		1.0
14	2J-154	7" Sweep		1.2
15	7D-728	Cultivator Bolt, 3/8"-16 NC x 1-3/4"		.7
16	7D-729	Flat Washer, 3/8" Heavy	} Replaced By 5J-616	
17	7D-730	Nut, 3/8"-16 Heavy Hex		
	5J-616	Flange Lock Nut, 3/8"-16 NC (Replaces 7D-729 and 7D-730)		.05
18	7J-80	S-Tine		8.41
19	7J-81	Clamp		1.25
20	8C-527	Cap Screw, 1/2"-13 NC x 1-1/2", Grade 5		.12
21	1C-393	Jam Nut, 1/2"-13 NC		.03
<p>Note: Items 18, 19, 20, 21 are available as assembly 6J-670 "Adjustable S-Tine W/Clamp".</p> <p>*Optional</p>				

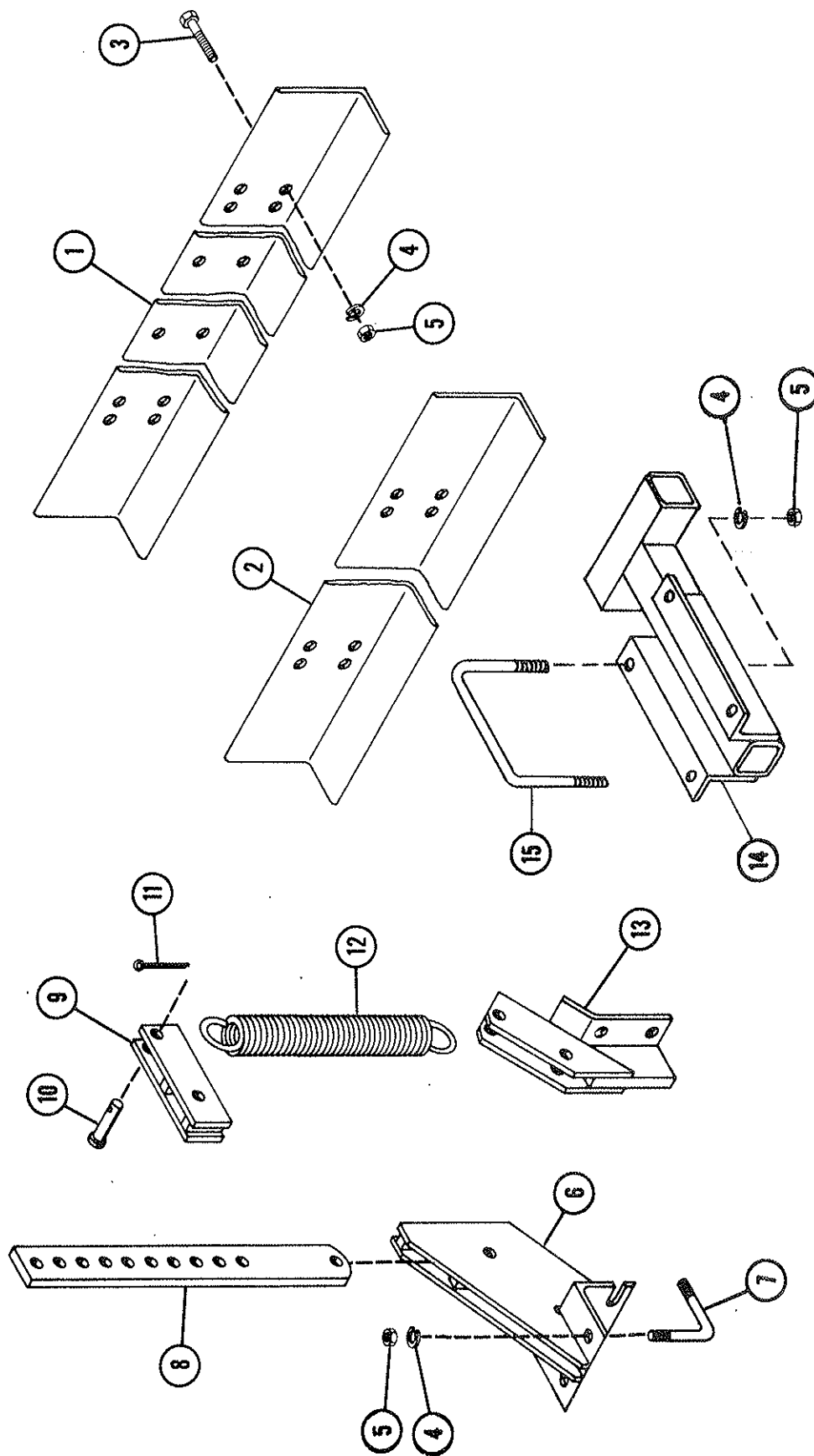
ROLLING HARROWS AND JACK BRACKET



ROLLING HARROWS AND JACK BRACKET

Index No.	Part No.	Description	No. Used	Weight
1	4J-903	Bracket		23.0
2	4J-902	Bracket		23.0
3	4J-918	U-Bolt		.76
4	1C-109	Lockwasher, 1/2" Medium Spring		.01
5	1C-390	Nut, 1/2"-13 NC Regular Hex		.04
6	4J-919	Clevis Pin, 5/8" x 4-3/4"		.42
7	4C-856	Hairpin Cotter		.03
8	4D-373	Capscrew, 5/8"-11 NC x 5-1/2"		.53
9	5C-461	Nut, 5/8"-11 NC Stover Hex		.12
10	4J-904	Extension		37.0
11	4J-917	Capscrew, 5/8"-11 NC x 2-1/4" Special		.24
12	8C-527	Capscrew, 1/2"-13 NC x 1-1/2", Grade 5		.12
13	4J-920	Spring Handle		2.58
14	4D-242	Extension Spring		1.25
15	4J-921	Spring Anchor		.66
16	6D-769	Capscrew, 3/8"-16 NC x 3", Grade 5		.10
17	1C-183	Lockwasher, 3/8" Medium Spring		.01
18	1C-277	Nut, 3/8"-16 NC Regular Hex		.02
19	4J-912	Long Harrow Frame		42.0
20	4J-914	Long Harrow Reel		36.5
21	4J-581	Bearing, 1" Flange (Includes Housing & Collar)		1.73
	5J-337	Bearing and Collar (Less Housing)		.51
22	4J-916	Capscrew, 7/16"-14 NC x 1-1/2" Grade 5		.08
23	1C-314	Lockwasher, 7/16" Medium Spring		.01
24	1C-179	Nut, 7/16"-14 NC Regular Hex		.03
25	4J-913	Short Harrow Frame		34.0
26	4J-915	Short Harrow Reel		23.25
27	4J-985	Rock Shield		.66
28	4J-922	Jack Bracket		4.0
29	1J-837	Clamp Bolt		.3
30	7J-70	Spring Bracket		4.77
31	6C-421	Capscrew, 5/8"-11 NC x 1-3/4"		.21
32	1B-166	Lockwasher, 5/8" Medium Spring		.02
33	1C-392	Nut, 5/8"-11 NC Regular Hex		.07
		Note: Rolling harrows may be ordered assembled in frames as follows:		
	4J-905	Long Harrow Assembly (Includes Items 19 Through 24)		119.0
	4J-906	Short Harrow Assembly (Includes Items 21 Through 26)		85.0

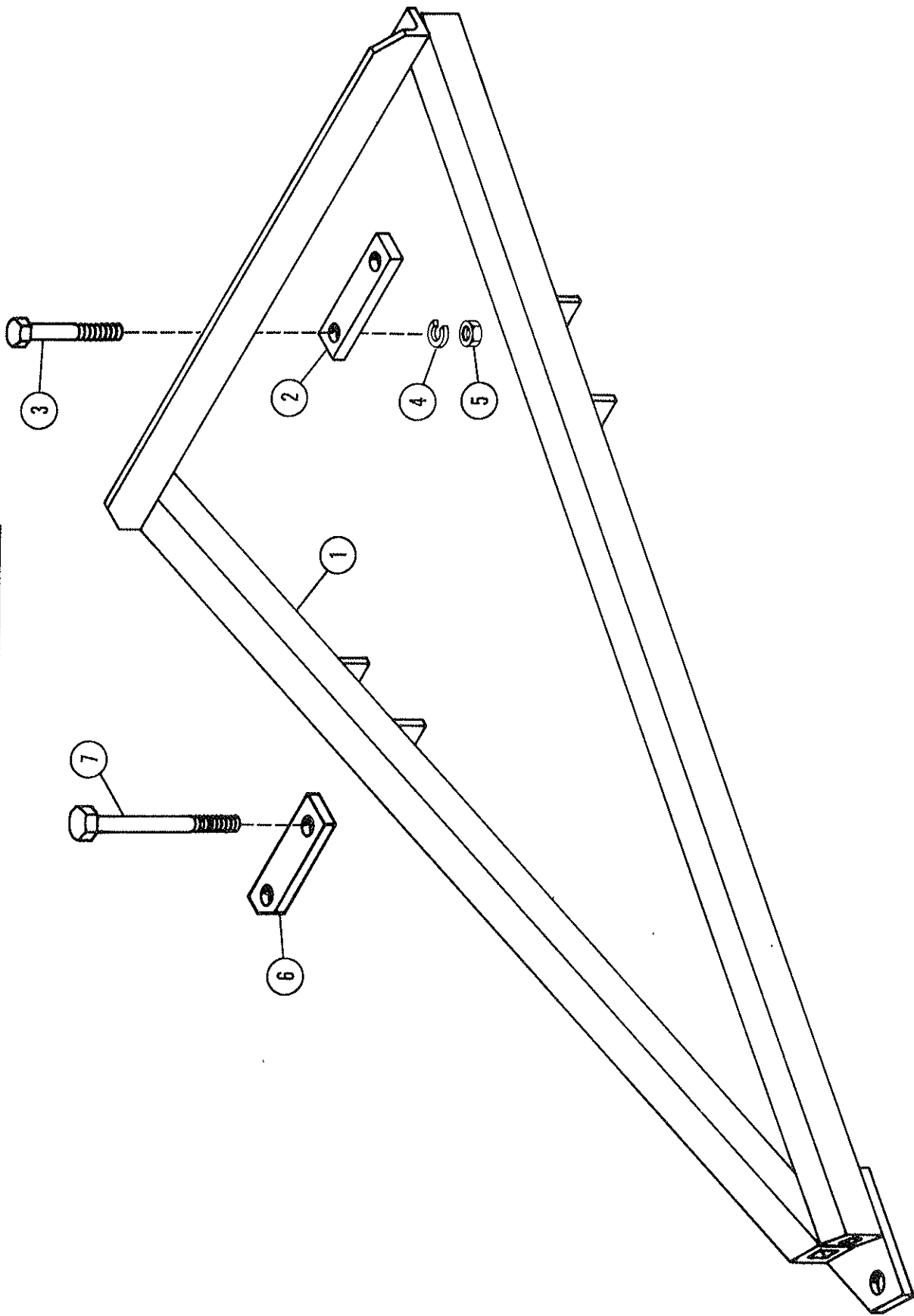
LEVELER BOARDS



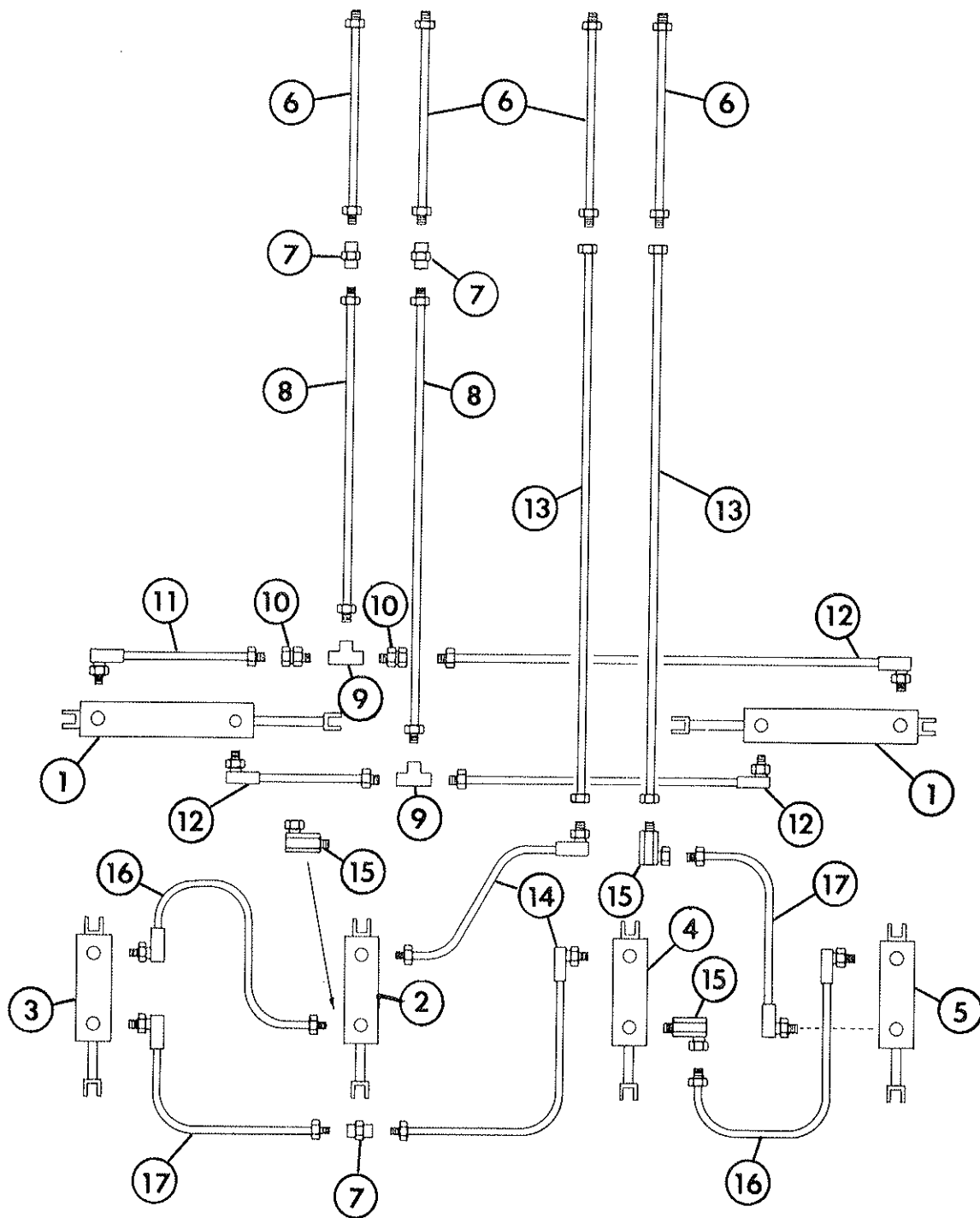
LEVELER BOARDS

Index No.	Part No.	Description	No. Used*	Weight
1	4J-895	Long Leveler Angle	1	30.0
2	4J-896	Short Leveler Angle	1	20.0
3	1C-334	Capscrew, 1/2"-13 NC x 1-1/4", Grade 5	4	.1
4	1C-109	Lockwasher, 1/2" Medium Spring	12	.01
5	1C-390	Nut, 1/2"-13 NC Regular Hex	12	.04
6	4J-897	Bracket	2	11.4
7	1J-837	Clamp Bolt	4	.3
8	4J-899	Post	2	4.69
9	4J-901	Spring Bracket	2	3.19
10	4D-996	Clevis Pin, 1/2" x 1-3/4"	10	.11
11	2C-864	Cotter Pin, 1/8" x 1"	10	
12	4J-900	Extension Spring	2	5.25
13	4J-898	Bracket	2	6.75
14	7J-47	Bracket		12.4
15	4J-918	U-Bolt		.76
*For Each Leveler Angle				

REAR HITCH



REAR HITCH				
Index No.	Part No.	Description	No. Used	Weight
1	5J-239	Rear Hitch	1	164.0
2	7D-32	Strap	1	2.45
3	6D-355	Machine Bolt, 5/8"-11 NC x 6", Grade 5	2	.58
4	1B-166	Lockwasher, 5/8" Medium Spring	6	.02
5	1C-392	Nut, 5/8"-11 NC Regular Hex	6	.07
6	5J-245	Strap	4	2.42
7	8D-400	Machine Bolt, 5/8"-11 NC x 10-1/2", Grade 5	4	.95



HYDRAULICS				
Index No.	Part No.	Description	No. Used	Weight
1	4J-657	Hydraulic Cylinder, 4" x 24"	2	74.0
2	4J-658	Hydraulic Cylinder, 5" x 8" Master	1	70.0
3	4J-659	Hydraulic Cylinder, 4-3/4" x 8" Slave	1	61.0
4	4J-660	Hydraulic Cylinder, 4-1/2" x 8" Slave	1	50.0
5	4J-661	Hydraulic Cylinder, 4" x 8" Slave (Prince) or 4-1/4" x 8" Slave (Lantex)	1	42.0
6	4D-979	Hose, 60"	4	2.7
7	4J-553	Pipe Coupling, 1/2" Pipe Thread	3	.3
8	2J-568	Tube, 99-1/2"	2	3.5
9	4D-982	Tee Fitting, 1/2" Pipe Thread	2	.3
10	6D-716	Flow Restrictor, 1/16" Orifice	2	.3
11	2D-449	Hose, 62"	1	2.8
12	8D-159	Hose, 72"	3	3.1
13	2J-569	Tube, 99-1/2"	2	3.5
14	9D-764	Hose, 96"	2	4.0
15	1J-131	90° Swivel Fitting *(3 used with Lantex cylinders)	2*	.3
16	4J-829	Hose, 116" (Used with narrow wings)	2	4.7
	7D-650	Hose, 156" (Used with wide wings)	2	6.1
17	4J-540	Hose, 180" (Used with narrow wings)	2	6.9
	3J-542	Hose, 210" (Used with wide wings)	2	8.0

CYLINDER IDENTIFICATION

1. Determine style of cylinder. Welded construction or tie rod construction. Tie rod construction has four long bolts running the length of the cylinder to hold the cylinder together. Welded construction has base welded to the tube.
2. Determine size of cylinder - completely retract cylinder measure distance from center of one attaching pin to other attaching pin. Measure outside diameter of tube and subtract $3/8''$ or $1/2''$ to get even dimension. The cylinder diameter is in even sizes - $3''$, $3-1/2''$, $4''$. So a tube that measures $3-7/8''$ O.D. is a $3-1/2''$ cylinder. Series cylinders are an exception, and are usually sized in $1/4''$ increments such as $5''$, $4-3/4''$, $4-1/2''$, etc.
3. Measure rod size.
4. Look in index of this book to find machine used and location of cylinder on machine. Turn to the particular cylinder and find cylinder type. Check cylinder size, retracted length and rod size. When all these items check, the cylinder is identified.

Study cylinder construction, these drawings reflect as accurately as possible the actual construction of the cylinder.

HYDRAULIC CYLINDER USAGE INDEX

		<u>Page No.</u>
6D-138	Wing Raising on STS & STR Harrows	3
6D-724	Wing Raising on HSD-360 Harrow	
	Machine Raising WP-108, WPW-128 Pulverizer	4
9D-137	Folding Toolbar BRSF & BSFF Ro-Crop Cultivator	
	Folding Toolbar BRCF-6402, BRCF-8302, BRCF-8402	
	Wing Raising on Soil Builder (15 & 17 Shank)	
	Folding Toolbar BCFF Ro-Crop Cultivator	
	Machine Raising X-108 Pulverizer	5
9D-282	Hitch Cylinder WM-2601 & 3001, WM-2602 & 3002	
	Machine Raising Kit on SST-961, SST-1201 & SSLFT-120	6
9D-327	Folding Toolbar BRSF-12302 Ro-Crop Cultivator	7
9D-524	Wing Raising WM-2601	
	Machine Raising WM-2601 Beginning 8/1/76, WM-3002	
	Machine Raising on ML Mulcher	
	Wing Raising WP-108, WPW-128 Pulverizer	
	Machine Raising XL-144 Pulverizers	
	Wing Raising (SG-24 to SG-30) Soil Groomer	8-9
9D-731	Wing Raising WM-3001, WM-3002 Mulcher	
	Machine Raising WM-3001, Beginning 8/1/76, WM-3002	
	Machine Raising WM-360	10
9D-762	SST-144 Seeder	11
2J-674	Machine Raising on Soil Builder (5-11 Shank)	12-13
3J-567	Hitch Cylinder WM-360	14
3J-568	Wing Raising WM-360	15
3J-603	Tooth Depth Control WM-360	16
	Machine Raising on Flail Shredder	
3J-815	Machine Raising on FCF Field Cultivator	17-18
3J-816	Machine Raising on FCF Field Cultivator	19-20
3J-817	Machine Raising on FCF Field Cultivator	21-22
3J-818	Wing Raising on FCF Field Cultivator	23
4J-657	Wing Raising on Cultivator-Incorporator	24
4J-658	Machine Raising on Cultivator-Incorporator	
	Machine Raising on (SG-24 to SG-30) Soil Groomer	25
4J-659	Machine Raising on Cultivator-Incorporator	
	Machine Raising on (SG-24 to SG-30) Soil Groomer	26
4J-660	Machine Raising on Cultivator-Incorporator	
	Machine Raising on (SG-24 to SG-30) Soil Groomer	27
4J-661	Machine Raising on Cultivator-Incorporator	
	Machine Raising on (SG-12 to SG-30 & SGH-24) Soil Groomer(Except SG-24)	28
5J-128	Machine Raising on Soil Builder (13, 15 & 17 Shank)	29
5J-280	Machine Raising on TPW Pulverizers	30-31
	Hydraulic Coultler Depth Control Option for Soil Builder (7-11 Shank)	
5J-830	Wing Raising on (XLW-120 & XLW-144) Pulverizer	32
5J-835	Same as 9D-524 BIW with Side Ports	
	Folding Tool Bar BCFF-1230 Ro-Crop Cultivator	
	Wing Raising WM-2602 Mulcher	
	Wing Raising (SG-18 to SG-21) Soil Groomer	8-9
6J-011	Machine Raising on (SG-12 to SG-21) Soil Groomer	33
6J-012	Machine Raising on (SG-12 to SG-30 & SGH-24) Soil Grm.	34
6J-216	Wing Raising on (XLW-84 to XLW-108) Pulverizer	35

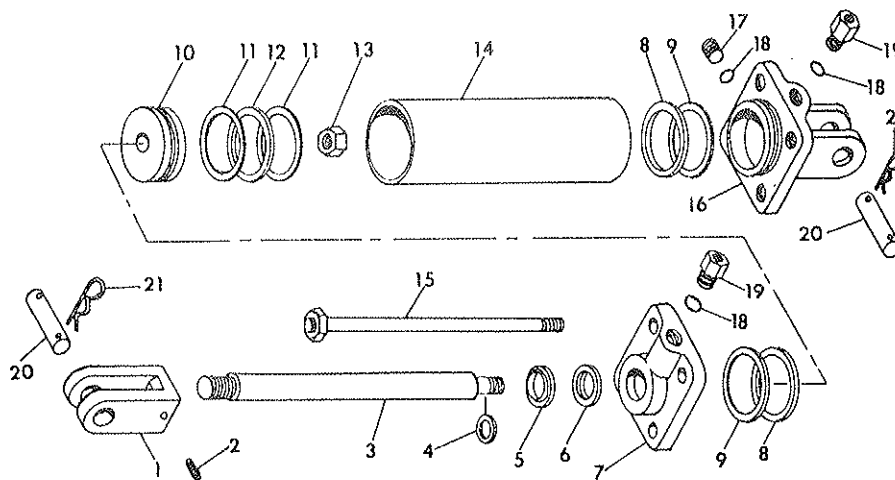
HYDRAULIC CYLINDER USAGE INDEX
(continued)

		<u>Page No.</u>
6J-811	Wing Raising on (XW-84 to XW-108) Pulverizer Wings	36
6J-812	Wing Raising on (XW-60 & XW-72) Pulverizer Wings	37
7J-194	Machine Raising on (SGH-18 & SGH-21) Soil Groomer	38
7J-195	Machine Raising on (SGH-18 & SGH-21) Soil Groomer	39
7J-680	Machine Raising on Extended Frame Soil Builders	40-40A
8J-782	Machine Raising on (SG-121 to SG-211) Soil Groomers, after 1-25-88	41
8J-783	Machine Raising on (SG-121 to SG-301 & SGH-241) Soil Groomers, after 1-25-88	42
8J-784	Machine Raising on (SG-121 to SG-301 & SGH-241, except SG-241) Soil Groomers, after 1-25-88	43
	Machine Raising, Cultivator-Incorporator after 1-25-88.	
8J-808	Machine Raising on (SG-241 to SG-301) Soil Groomers after 05/26/88	44
8J-874	Machine Raising on (SG-241 to SG-301) Soil Groomers, after 05/26/88	45
8J-875	Machine Raising on (SG-241 to SG-301) Soil Groomers, after 05/26/88	46
9J-440	Machine Raising on SS-10 Seeder	47
9J-480	Machine Raising on (SGH-18 & SGH-21) Soil Groomer	48
9J-481	Machine Raising on (SGH-18 & SGH-21) Soil Groomer	49
9J-482	Machine Raising on (SG-121 to SG-211) Soil Groomers, after 11/89	50
9J-483	Machine Raising on (SG-121 to SG-301 & SGH-241) Soil Groomers, after 11/89	51
9J-484	Machine Raising on (SG-121 to SG-301 & SGH-241, except SG-241) Soil Groomers, after 11/89	52
	Machine Raising, Cultivator-Incorporator after 11/89	
9J-485	Machine Raising on (SG-241 to SG-301) Soil Groomers after 11/89	53
9J-486	Machine Raising on (SG-241 to SG-301) Soil Groomers, after 11/89	54
9J-487	Machine Raising on (SG-241 to SG-301) Soil Groomers, after 11/89	55

<u>Code Letter</u>	<u>Manufacturer</u>
BIW	Brillion Iron Works
G	Hydraulic Gear
L	Lantex
P	Prince

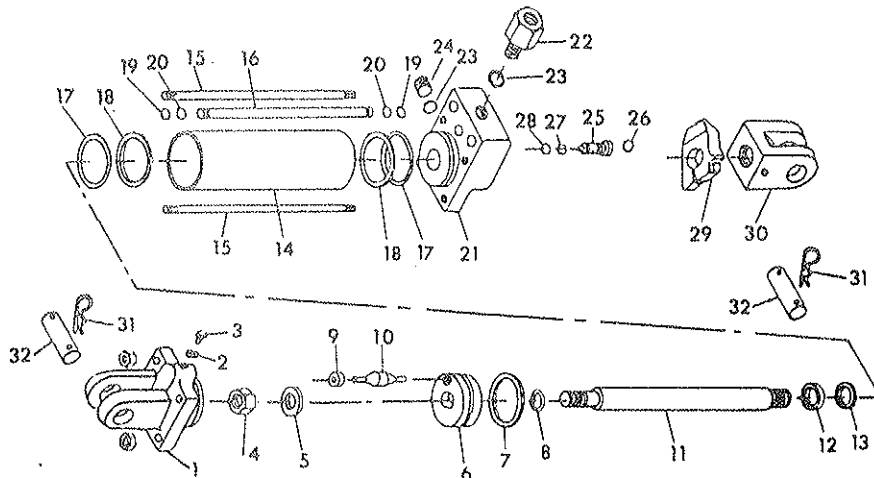
4J-657 P Hydraulic Cylinder 4 x 24
 Prince #AA-186 Painted Red
 1-3/4" Rod Dia., 34-1/4" Retracted, 58-1/4" Extended Length

Item	Part No.	Description	Qty.
1	1J-72	Rod End Clevis	1
2	6J-345	Set Screw, 3/8-24 NF x 1/2	1
3	5J-141	Piston Rod	1
*4	NSS	O-Ring	1
*5	NSS	Rod Wiper	1
*6	NSS	U-Cup	1
7	7J-52	Gland (With Port Requiring O-Ring Fitting)	1
	1J-946	Gland (With Pipe Thread) When this number is ordered you will receive (1) 7J-52, (1) 7J-24 and (1) 7J-26	
*8	NSS	O-Ring	2
*9	NSS	Back Up Washer	2
10	1J-947	Piston	1
*11	NSS	Back Up Washer	2
*12	NSS	O-Ring	1
13	1J-951	Lock Nut, 1-1/4-12 NF	1
14	5J-142	Tube	1
15	5J-143	Tie Rod	4
16	7J-53	Base (With Ports Requiring O-Ring Fittings)	1
	1J-950	Base (With Pipe Thread) When this number is ordered you will receive (1) 7J-53, (2) 7J-24, (1) 7J-25 and (1) 7J-216	
17	7J-25	Pipe Plug, O-Ring Type (Without O-Rings)	1
	9C-853	Pipe Plug, (Used Prior to 8/83)	
18	7J-24	O-Ring (Not a Part of 7J-25 and 7J-26)	3
19	7J-26	Adaptor (Without O-Ring)	2
20	5J-650	Clevis Pin	2
21	1D-594	Hairpin Cotter	4
*	1J-70	PMCK-AB-165 Seal Kit NSS - Not Serviced Separately	



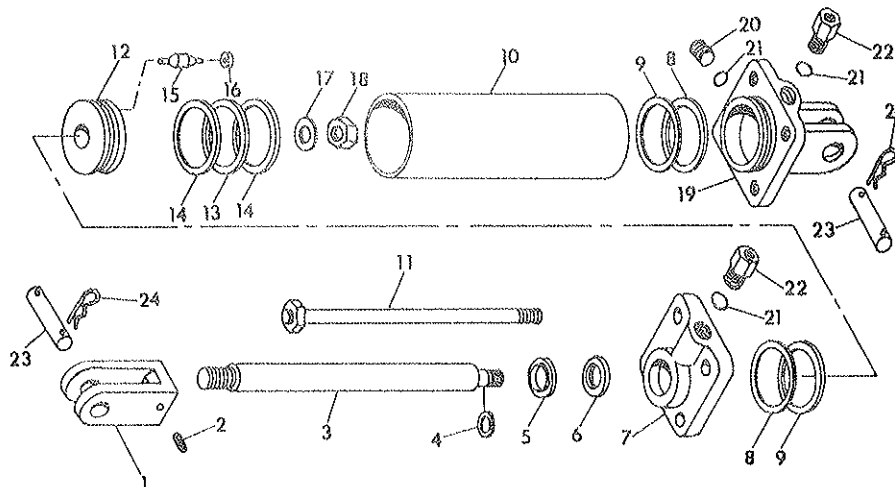
4J-658 P Hydraulic Cylinder 5 x 8
 Prince #W-85 Painted Green
 1-1/2" Rod Dia., 20-1/4" Retracted, 28-1/4" Extended

Item	Part No.	Description	Qty.
1	5J-145	Butt (base)	1
2	3J-728	Nyltite Seal	1
3	3J-730	Capscrew	1
4	9C-223	Locknut 1"-14	1
5	5J-152	Steel Washer	1
6	5J-144	Piston	1
*7	NSS	Urethane Seal	1
*8	NSS	O-Ring	1
9	5J-153	Seat	1
10	5J-154	Popper	1
11	5J-147	Piston Rod	1
*12	NSS	U-Cup	1
*13	NSS	Wiper	1
14	5J-148	Tube	1
15	5J-149	Tie Rod	4
16	3J-720	Manifold Tube	1
*17	NSS	Back Up Washer	2
*18	NSS	O-Ring	2
*19	NSS	O-Ring	2
*20	NSS	Back Up Washer	2
21	7J-060	Gland (With Ports Requiring O-Ring Fittings)	1
	5J-150	Gland (With Pipe Thread)	
		When this number is ordered you will receive (1) 7J-060, (1) 7J-024 and (1) 7J-026	
22	7J-026	Adaptor (Without O-Ring)	2
23	7J-024	O-Ring (Not a Part of 7J-025 & 7J-026)	3
24	7J-025	Steel Plug, O-Ring Type (Without O-Ring)	1
25	9J-638	Valve Assembly	1
*26	NSS	O-Ring	1
*27	NSS	O-Ring	1
*28	NSS	Back Up Washer	1
29	9J-639	Striker Plate (Includes 3/8 x 2-3/4 square head bolt, lock nut & Washer)	1
30	1J-72	Clevis Assembly	1
31	1D-594	Hairpin Cotter	4
32	7J-067	Clevis Pin	2
*	5J-146	PMCK-S-408 Seal Kit	
		NSS - Not Serviced Separately	



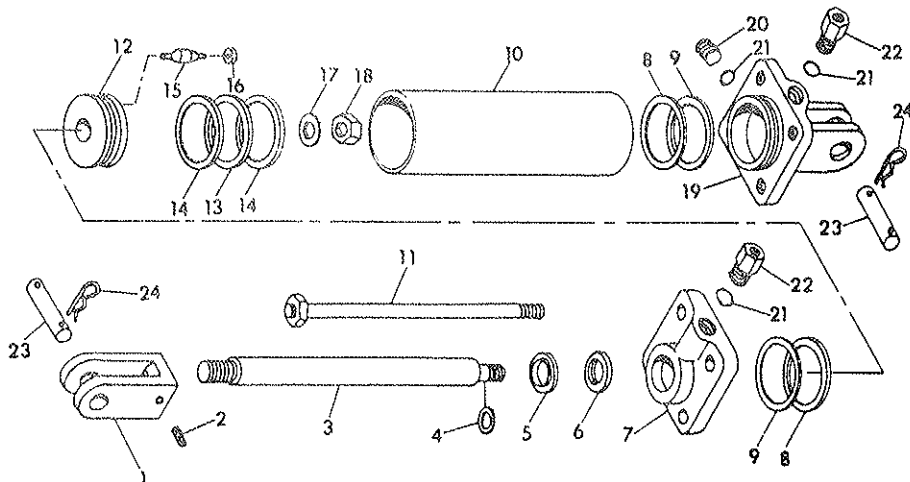
4J-659 P Hydraulic Cylinder 4-3/4 x 8
 Prince #W-88 Painted Green
 1-1/2" Rod Dia., 20-1/4" Retracted, 28-1/4" Extended

Item	Part No.	Description	Qty.
1	1J-72	Rod End Clevis	1
2	6J-345	Set Screw, 3/8-24 NC x 1/2	1
3	5J-156	Piston Rod	1
*4	NSS	O-Ring	1
*5	NSS	Rod Wiper	1
*6	NSS	U-Cup	1
7	7J-56	Gland (With Port Requiring O-Ring Fitting)	1
	5J-159	Gland (With Pipe Thread)	
		When this number is ordered you will receive (1) 7J-56, (1) 7J-24 and (1) 7J-26	
*8	NSS	Back Up Washer	2
*9	NSS	O-Ring	2
10	5J-157	Tube	1
11	5J-161	Tie Rod With Nut	4
12	5J-160	Piston	1
*13	NSS	O-Ring	1
*14	NSS	Back Up Washer	2
15	5J-154	Poppet	1
16	5J-153	Seat	1
17	5J-162	Steel Washer	1
18	9C-223	Locknut 1"-14 NF	1
19	7J-57	Base (With Ports Requiring O-Ring Fittings)	1
	5J-158	Base (With Pipe Thread)	
		When this number is ordered you will receive (1) 7J-57, (2) 7J-24, (1) 7J-25 and (1) 7J-26	
20	7J-25	Steel Plug, O-Ring Type (Without O-Ring)	1
	9C-853	Pipe Plug (Used Prior to 8/83)	
21	7J-24	O-Ring (Not a Part of 7J-25 & 7J-26)	3
22	7J-26	Adaptor (Without O-Ring)	2
23	7J-67	Clevis Pin 1" Dia. x 4" Long	2
24	1D-594	Hairpin Cotter	4
*	5J-155	PMCR-W-88 Seal Kit	
		NSS - Not Serviced Separately	



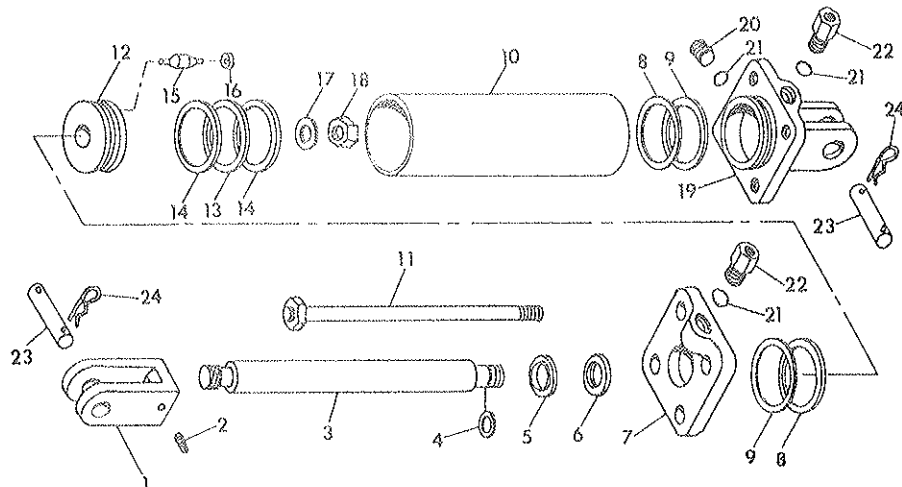
4J-660 P Hydraulic Cylinder 4-1/2 x 8
 Prince #W-87 Painted Green
 2" Rod Dia., 20-1/4" Retracted, 28-1/4" Extended

Item	Part No.	Description	Qty.
1	1J-72	Rod End Clevis	1
2	6J-345	Set Screw, 3/8-24 NF x 1/2	1
3	5J-164	Piston Rod	1
*4	NSS	O-Ring	1
*5	NSS	Rod Wiper	1
*6	NSS	U-Cup	1
7	7J-58	Gland (With Port Requiring O-Ring Fitting)	1
	5J-167	Gland (With Pipe Thread)	
		When this number is ordered you will receive (1) 7J-58, (1) 7J-24 and (1) 7J-26	
*8	NSS	O-Ring	2
*9	NSS	Back Up Washer	2
10	5J-165	Tube	1
11	5J-161	Tie Rod	4
12	5J-168	Piston	1
*13	NSS	O-Ring	1
*14	NSS	Back Up Washer	2
15	5J-154	Poppet	1
16	5J-153	Seat	1
17	5J-169	Steel Washer	1
18	1J-951	Lock Nut 1-1/4 - 12 NF	1
19	7J-59	Base (With Ports Requiring O-Ring Fittings)	1
	5J-166	Base (With Pipe Thread)	
		When this number is ordered you will receive (1) 7J-59, (2) 7J-24, (1) 7J-25 and (1) 7J-26	
20	7J-25	Steel Plug, O-Ring Type (Without O-Ring)	1
	9C-853	Pipe Plug (Used Prior to 8/83)	
21	7J-24	O-Ring (Not a Part of 7J-25 & 7J-26)	3
22	7J-26	Adaptor (Without O-Ring)	2
23	7J-67	Clevis Pin 1" Dia. x 4" Long	2
24	1D-594	Hairpin Cotter	4
*	5J-163	PMCK-P-1135 Seal Kit	
		NSS - Not Serviced Separately	



4J-661 P Hydraulic Cylinder 4 x 8
 Prince # W-86 Painted Green
 1-3/8" Rod Dia., 20-1/4" Retracted, 28-1/4" Extended

Item	Part No.	Description	Qty.
1	3J-723	Rod End Clevis	1
2	6J-345	Set Screw, 3/8-24 NF x 1/2	1
3	5J-172	Piston Rod	1
*4	NSS	O-Ring	1
*5	NSS	Rod Wiper	1
*6	NSS	U-Cup	1
7	7J-61	Gland (With Port Requiring O-Ring Fitting)	1
	5J-176	Gland (With Pipe Thread)	
		When this number is ordered you will receive (1) 7J-61, (1) 7J-24 and (1) 7J-26	
*8	NSS	O-Ring	2
*9	NSS	Back Up Washer	2
10	5J-173	Tube	1
11	5J-177	Tie Rod	4
12	5J-175	Piston	1
*13	NSS	O-Ring	1
*14	NSS	Back Up Washer	2
15	5J-154	Poppet	1
16	5J-153	Seat	1
17	5J-178	Steel Washer	1
18	6C-750	Locknut 7/8-14 NF	1
19	7J-53	Base (With Ports Requiring O-Ring Fittings)	1
	1J-950	Base (With Pipe Thread)	
		When this number is ordered you will receive (1) 7J-53, (2) 7J-24, (1) 7J-25 and (1) 7J-26	
20	7J-25	Steel Plug, O-Ring Type (Without O-Ring)	1
	9C-853	Pipe Plug (Used Prior to 8/83)	
21	7J-24	O-Ring (Not A Part of 7J-25 and 7J-26)	3
22	7J-26	Adaptor (Without O-Ring)	2
23	7J-67	Clevis Pin 1" Dia. x 4" Long	2
24	1D-594	Hairpin Cotter	4
*	5J-171	PMCK-S-1449 Seal Kit	
		NSS- Not Serviced Separately	



I N D E X

Breakdown of hydraulic cylinders is in special insert section from book 2J-124, pages 1, 2, and 24 through 28 and is located after page 25.

<u>Part Number</u>	<u>Page</u>	<u>Index Number</u>	<u>Part Number</u>	<u>Page</u>	<u>Index Number</u>
1B-166	5	12	3C-350	13	14
	7	3	4C-466	9	5
	9	21	4C-856	21	7
	21	32	5C-100	11	25
	25	4		15	16
1C-109	7	7		17	25
	19	9	5C-392	19	10
	21	4	5C-460	5	10
	23	4		7	2
1C-179	21	24		7	12
1C-183	9	11	5C-461	7	18
	21	17		21	9
1C-211	5	7		11	16
1C-277	9	12	5C-479	11	16
	21	18		15	7
1C-314	19	4		17	16
	21	23	5C-480	11	15
1C-334	23	3		15	6
1C-362	5	19		17	15
	7	8	5C-913	11	19
1C-390	21	5		13	10
	23	5		15	10
				17	19
1C-392	5	13	5C-914	11	18
	7	4		13	9
	9	22		15	9
	21	33		17	18
	25	5	5C-954	3	6
1C-393	19	21	6C-421	21	31
1C-788	9	7	6C-729	5	8
	11	22	6C-750	28 (2J-124)	18
	13	19	7C-414	3	7
	15	13		9	23
	17	22			
1C-871	9	16	7C-547	11	4
	11	20		13	4
	15	11		15	4
	17	20		17	4
2C-864	23	11	7C-762	11	8
3C-127	5	20		17	8
3C-173	13	12	7C-763	11	7
				17	7

<u>Part Number</u>	<u>Page</u>	<u>Index Number</u>	<u>Part Number</u>	<u>Page</u>	<u>Index Number</u>
8C-36	3	5	4D-996	23	10
8C-527	19	20	5D-51	7	6
	21	12	5D-110	9	17
9C-78	9	14	5D-921	7	16
9C-223	25 (2J-124)	4	6D-37	5	18
	26 (2J-124)	18	6D-284	11	21
9C-434	11	12		15	12
	17	12		17	21
9C-435	11	11	6D-311	11	24
	17	11		17	24
9C-853	24 (2J-124)	17	6D-312	15	15
	26 (2J-124)	20	6D-336	11	17
	27 (2J-124)	20		15	8
	28 (2J-124)	20		17	17
1D-14	19	5	6D-337	11	23
1D-424	5	6		13	13
1D-594	11	31		15	14
	13	23		17	23
	24	21	6D-338	11	14
	25	31		15	5
	26	24		17	14
	27	24	6D-355	25	3
	28	24	6D-476	7	12
1D-807	11	9	6D-529	9	4
	17	9	6D-716	27	10
1D-808	11	10	6D-769	21	16
	17	10	7D-14	19	12
2D-449	27	11	7D-32	25	2
2D-474	5	11	7D-650	27	16
2D-799	9	6	7D-728	19	15
	11	27	7D-729	19	16
	13	18	7D-730	19	17
3D-531	13	6	8D-159	27	12
3D-532	13	7	8D-400	25	7
4D-242	21	14	9D-283	5	15
4D-373	21	8	9D-296	11	29
4D-561	9	20		13	21
4D-904	9	10	9D-764	27	14
4D-909	9	8	9D-851	3	9
4D-957	5	21	1J-70	24 (2J-124)	-
4D-979	27	6			
4D-982	27	9			

<u>Part Number</u>	<u>Page</u>	<u>Index Number</u>	<u>Part Number</u>	<u>Page</u>	<u>Index Number</u>
1J-72	24 (2J-124)	1	4J-410	11	3
	25 (2J-124)	30		13	3
	26 (2J-124)	1		15	3
	27 (2J-124)	1		17	3
1J-131	27	15	4J-485	5	3
1J-722	5	4	4J-540	27	17
1J-834	19	2	4J-551	15	2
				17	2
1J-837	21	29	4J-553	27	7
	23	7			
1J-887	19	1	4J-554	11	13
				17	13
1J-910	3	12			
1J-914	19	13	4J-564	11	5
				17	5
1J-946	24 (2J-124)	7	4J-565	11	6
1J-947	24 (2J-124)	10		17	6
1J-950	24 (2J-124)	16	4J-581	21	21
1J-951	24 (2J-124)	13	4J-657	27	1
	27 (2J-124)	18		24 (2J-124)	-
2J-154	19	14	4J-658	27	2
2J-155	19	11		25 (2J-124)	-
2J-241	19	3	4J-659	27	3
2J-430	3	10		26 (2J-124)	-
2J-431	3	11	4J-660	27	4
				27 (2J-124)	-
2J-568	27	8	4J-661	27	5
2J-569	27	13		28 (2J-124)	-
2J-858	5	2	4J-699	13	15
3J-394	13	8	4J-700	19	6
3J-396	13	5	4J-829	27	16
3J-397	13	11	4J-853	3	1
3J-542	27	17	4J-854	3	2
3J-609	13	16	4J-855	3	3
3J-675	3	8	4J-858	5	1
3J-678	5	14	4J-859	5	9
3J-720	25 (2J-124)	16	4J-860	11	-
3J-723	28 (2J-124)	1	4J-861	11	-
3J-724	25 (2J-124)	25	4J-862	13	1
3J-728	25 (2J-124)	2	4J-863	13	1
3J-730	25 (2J-124)	3	4J-864	15	1
4J-366	11	5	4J-865	15	1
	17	5	4J-866	7	1

<u>Part Number</u>	<u>Page</u>	<u>Index Number</u>	<u>Part Number</u>	<u>Page</u>	<u>Index Number</u>
4J-867	5	17	5J-67	9	9
4J-868	9	1	5J-69	11	30
4J-869	9	2		13	22
4J-870	11	26	5J-70	11	2
	13	17	5J-71	13	4
4J-871	11	28	5J-74	3	13
	13	20	5J-75	9	15
4J-872	9	19	5J-76	9	15
4J-895	23	1	5J-76	7	9
4J-896	23	2	5J-80	19	7
4J-897	23	6	5J-82	19	8
4J-898	23	13	5J-87	5	5
4J-899	23	8	5J-95	7	10
4J-900	23	12	5J-96	7	11
4J-901	23	9	5J-141	24	(2J-124) 3
4J-902	21	2	5J-142	24	(2J-124) 14
4J-903	21	1	5J-143	24	(2J-124) 15
4J-904	21	10	5J-144	24	(2J-124) 15
4J-905	21	-	5J-145	25	(2J-124) 6
4J-906	21	-	5J-146	25	(2J-124) 1
4J-912	21	19	5J-147	25	(2J-124) -
4J-913	21	25	5J-148	25	(2J-124) 11
4J-914	21	20	5J-149	25	(2J-124) 14
4J-915	21	26	5J-150	25	(2J-124) 15
4J-916	21	22	5J-151	25	(2J-124) 21
4J-917	21	11	5J-152	25	(2J-124) 29
4J-918	21	3	5J-153	25	(2J-124) 5
	23	15		25	(2J-124) 9
4J-919	21	6		26	(2J-124) 16
4J-920	21	13	5J-154	27	(2J-124) 16
4J-921	21	15		28	(2J-124) 16
4J-922	21	28		25	(2J-124) 10
4J-944	11	1	5J-155	26	(2J-124) 15
4J-945	11	1	5J-156	26	(2J-124) 15
4J-950	7	5	5J-157	27	(2J-124) 15
4J-985	21	27	5J-158	28	(2J-124) 15
5J-61	9	3	5J-159	26	(2J-124) -
5J-64	9	18	5J-160	26	(2J-124) 3
				26	(2J-124) 10
				26	(2J-124) 19
				26	(2J-124) 7
				26	(2J-124) 12

<u>Part Number</u>	<u>Page</u>	<u>Index Number</u>	<u>Part Number</u>	<u>Page</u>	<u>Index Number</u>
5J-161	26 (2J-124)	11	6J-994	17	1
	27	11	6J-995	17	1
5J-162	26 (2J-124)	17	6J-996	17	-
5J-163	27 (2J-124)	-	6J-997	17	-
5J-164	27 (2J-124)	3	7J-24	24	18
5J-165	27 (2J-124)	10		25	23
5J-166	27 (2J-124)	19		26	21
5J-167	27 (2J-124)	7		27	21
5J-168	27 (2J-124)	12	7J-25	28	21
5J-169	27 (2J-124)	17		24	17
5J-171	28 (2J-124)	-		25	24
5J-172	28 (2J-124)	3		26	20
5J-173	28 (2J-124)	10	7J-26	27	20
5J-174	28 (2J-124)	19		28	20
5J-175	28 (2J-124)	15		24	19
5J-176	28 (2J-124)	7	7J-45	7	19
5J-177	28 (2J-124)	11	7J-47	23	14
5J-178	28 (2J-124)	17	7J-52	24	7
5J-239	25	1	7J-53	24	16
5J-245	25	6		28	19
5J-333	5	16	7J-56	26	7
5J-336	11	32	7J-57	26	19
	17	26	7J-58	27	7
5J-337	21	21	7J-59	27	19
5J-585	7	17	7J-60	25	21
5J-609	19	1	7J-61	28	7
5J-612	7	15	7J-67	25	32
5J-613	7	13		26	23
5J-614	7	14		27	23
5J-616	19	17		28	23
5J-620	3	2	7J-70	21	30
5J-621	3	3	7J-80	19	18
5J-650	24	20	7J-81	19	19
6J-345	24 (2J-124)	2			
	25 (2J-124)	33			
	26 (2J-124)	2			
	27 (2J-124)	2			
	28 (2J-124)	2			
6J-670	19	-			