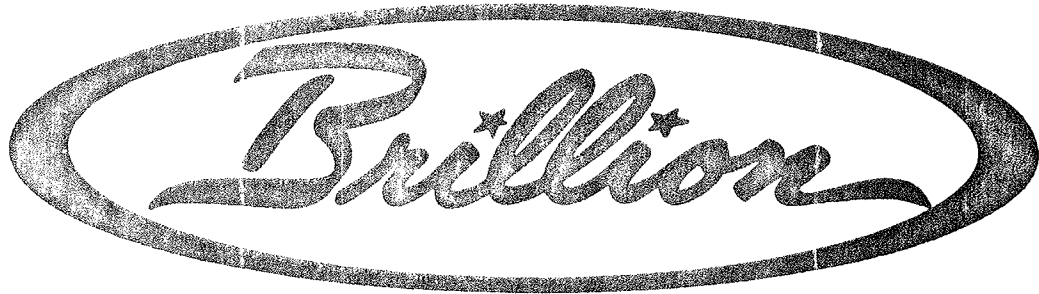


REPAIR PARTS CATALOG

FOR



Hydra - Lift

SPRING TOOTH HARROW

MODELS HST-272-01 & 296-01
2722 & 2962

SPRING TINE HARROW

MODELS HSTS-272-01 & 296-01
2722 & 2962

A product of the

BRILLION IRON WORKS • BRILLION, WISCONSIN

ALL PARTS NOT LISTED ARE STANDARD HARDWARE

CENTER SECTION AND DRAWBAR ASSEMBLY

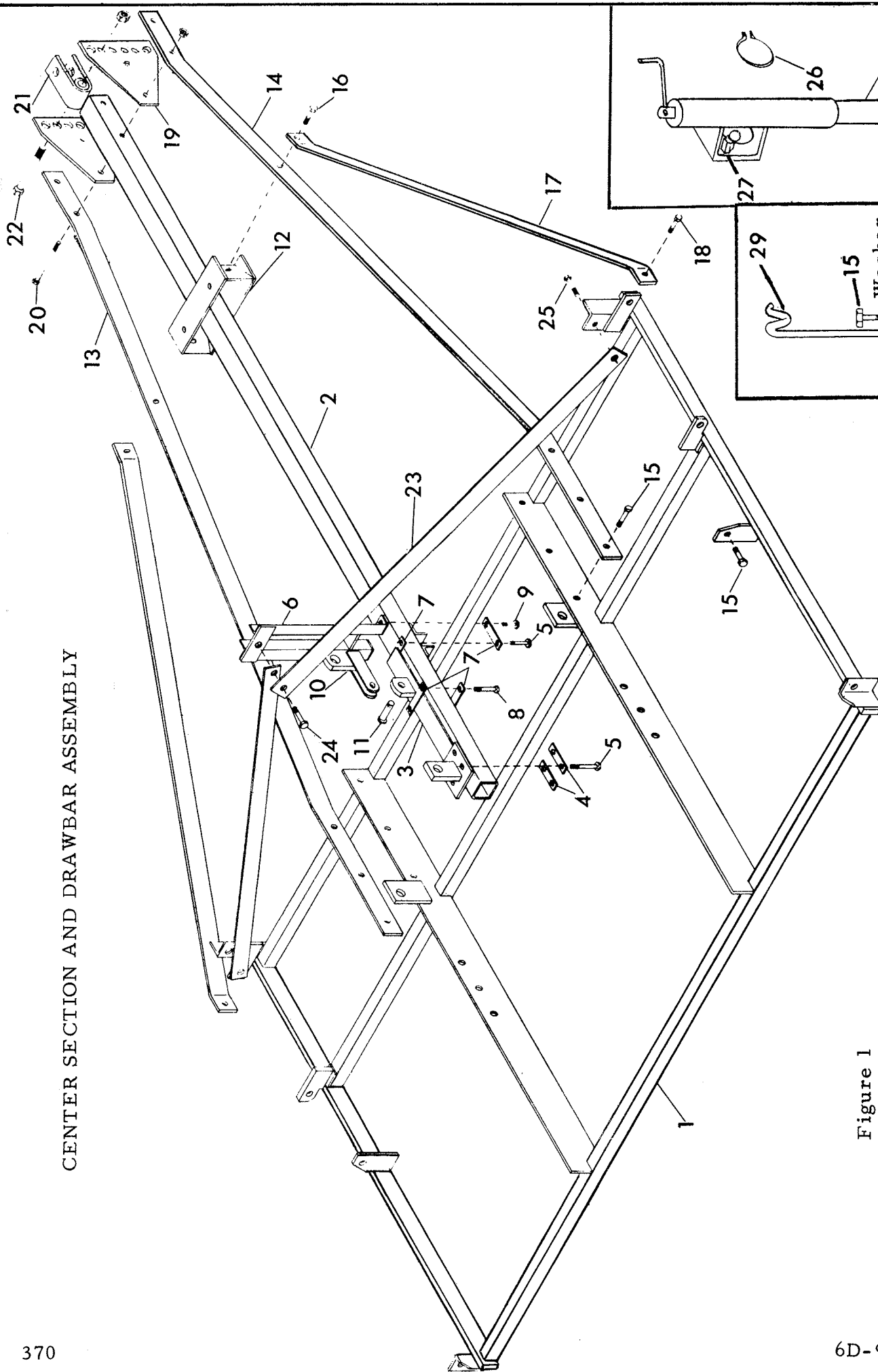


Figure 1

CENTER SECTION AND DRAWBAR ASSEMBLY

Index No.	Part No.	Description	No. Req'd.	Weight
1	6D-582	Center Frame Assembly	1	425.0
2	6D-644	Tongue Assembly	1	132.7
3	6D-686	Transport Axle Lift Mounting	1	14.0
4	5C-78	Clamp Strap	2	.5
5	3C-910	Capscrew (1/2 x 6-1/2" Long, Grade 5)	6	
6	6D-646	Vertical Brace Support	1	17.0
7	6D-702	Clamp	5	.6
8	5D-142	Capscrew (1/2 x 5" Long, Grade 5)	2	
9	6D-744	Capscrew (1/2 x 2-3/4" Long, Grade 5)	2	
10	6D-700	Lug Assembly	1	6.0
11	2D-473	Clevis Pin	1	.1
*	2C-298	Cotter Pin	1	
12	6D-691	Tongue Brace	1	12.0
13	6D-706	Jack Mounting Brace (Model 01)	1	92.3
	8D-398	Jack Mounting Brace (Model 02)	1	92.3
14	6D-705	Inner Tongue Brace	1	91.0
15	5C-460	Capscrew (5/8 x 2 Long, Grade 5)	10	
16	5D-990	Capscrew (5/8 x 2-3/4 Long, Grade 5)	2	
17	6D-669	Outer Tongue Brace	2	47.3
18	6D-742	Capscrew (3/4 x 3 Long, Grade 5)	2	
19	6D-667	Hitch Plate	2	13.5
20	6D-355	Capscrew (5/8 x 6" Long, Grade 5)	2	
21	6D-697	Hitch Clevis	1	9.25
22	6D-740	Bolt (1" x 5-1/2" Long, Grade 5)	1	1.5
23	6D-651	Strap	2	22.8
24	4D-957	Capscrew (3/4 x 2-1/4 Long, Grade 5)	1	
25	2D-474	Capscrew (5/8 x 1-3/4 Long, Grade 5)	2	
26	1D-561	Retaining Ring (Model 01)	1	.2
	8D-390	Retaining Ring (Model 02)	1	.2
27	1D-767	Plunger (Model 01)	1	.4
	8D-399	Plunger (Model 02)	1	.4
28	1D-562	Jack (Model 01)	1	10.5
	8D-391	Jack (Model 02)	1	10.5
29	6D-333	Hose Holder	2	2.7
*	5C-392	Locknut (1/2-13 NC, Grade B)	20	
*	5C-461	Locknut (5/8-11 NC, Grade B)	16	
*	6C-729	Locknut (3/4-10 NC, Grade B)	18	
*	6D-306	Locknut (1-8 NC, Grade B)	1	

WING ASSEMBLY

Index No.	Part No.	Description	No. Req'd.	Weight
1	6D-608	7 Ft. L. H. Wing Frame	1	123.36
*	6D-609	7 Ft. R. H. Wing Frame	1	123.36
*	6D-710	6 Ft. L. H. Wing Frame	1	110.0
*	6D-711	6 Ft. R. H. Wing Frame	1	110.0
2	6D-742	Capscrew (3/4 x 3 Long, Grade 5)	6	
3	3D-510	Capscrew (3/4 x 2-1/2 Long, Grade 5)	6	
4	1D-424	Capscrew (3/4 x 2 Long, Grade 5)	2	
5	6D-648	Wing Lift Support - L. H.	2	13.9
6	6D-649	Wing Lift Support - R. H.	2	13.9
7	6D-758	Capscrew (3/4 x 3-1/2 Long, Grade 5)	2	
8	1D-237	Capscrew (1/2 x 2 Long, Grade 5)	4	
9	6D-703	Stop	2	2.25
10	6D-665	Wing Lift Strap (HST-296)	2	21.20
	6D-713	Wing Lift Strap (HST-272)	2	17.0
11	6D-932	Gauge Wheel Assembly - L. H. (Less Hub)	1	17.20
	6D-931	Gauge Wheel Assembly - R. H. (Less Hub)	1	17.20
12	6D-741	Capscrew (3/4 x 4 Long, Grade 5)	2	
13	2D-474	Capscrew (5/8 x 1-3/4 Long, Grade 5)	2	
14	5C-460	Capscrew (5/8 x 2 Long, Grade 5)	2	
15	8C-527	Capscrew (1/2 x 1-1/2 Long, Grade 5)	4	
16	6D-696	Adjusting Link	2	3.0
17	6D-635	Wing Extension	2	2.75
18	6D-341	Spring Tooth		7.5
*	2D-551	Replaceable Point (Use On Worn Tooth)		1.1
*	2C-628	Flow Bolt (3/8-16 NC x 1-1/2 Long, R. CSK. Sq. Neck)	2/Point	
19	5D-871	Capscrew (1/2 x 3-1/2, Grade 5)		
*	5C-392	Locknut (1/2-13 NC)		
20	5D-836	Spring Tooth Clamp		1.2
21	8C-470	Wheel (14 inch - 4 bolt)	2	16.0
	5C-916	Wheel (15 inch - 4 bolt)	2	16.0
22	5C-908	Hub Cap	2	.25
23	5C-100	Wheel Bolt	8	.2
24	5C-909	Slotted Nut	2	.2
25	5C-907	Washer	2	
26	5C-911	Bearing Cone #LM11949	2	.25
27	5C-912	Bearing Cup #LM11910	2	.2
28	5C-904	Hub	2	6.25
29	5C-914	Bearing Cup #LM67010	2	.7
30	5C-913	Bearing Cone #LM67048	2	.25
31	5C-910	Seal	2	.13
32	8C-65	5/8 x 3 Capscrew	2	

*Not Illustrated

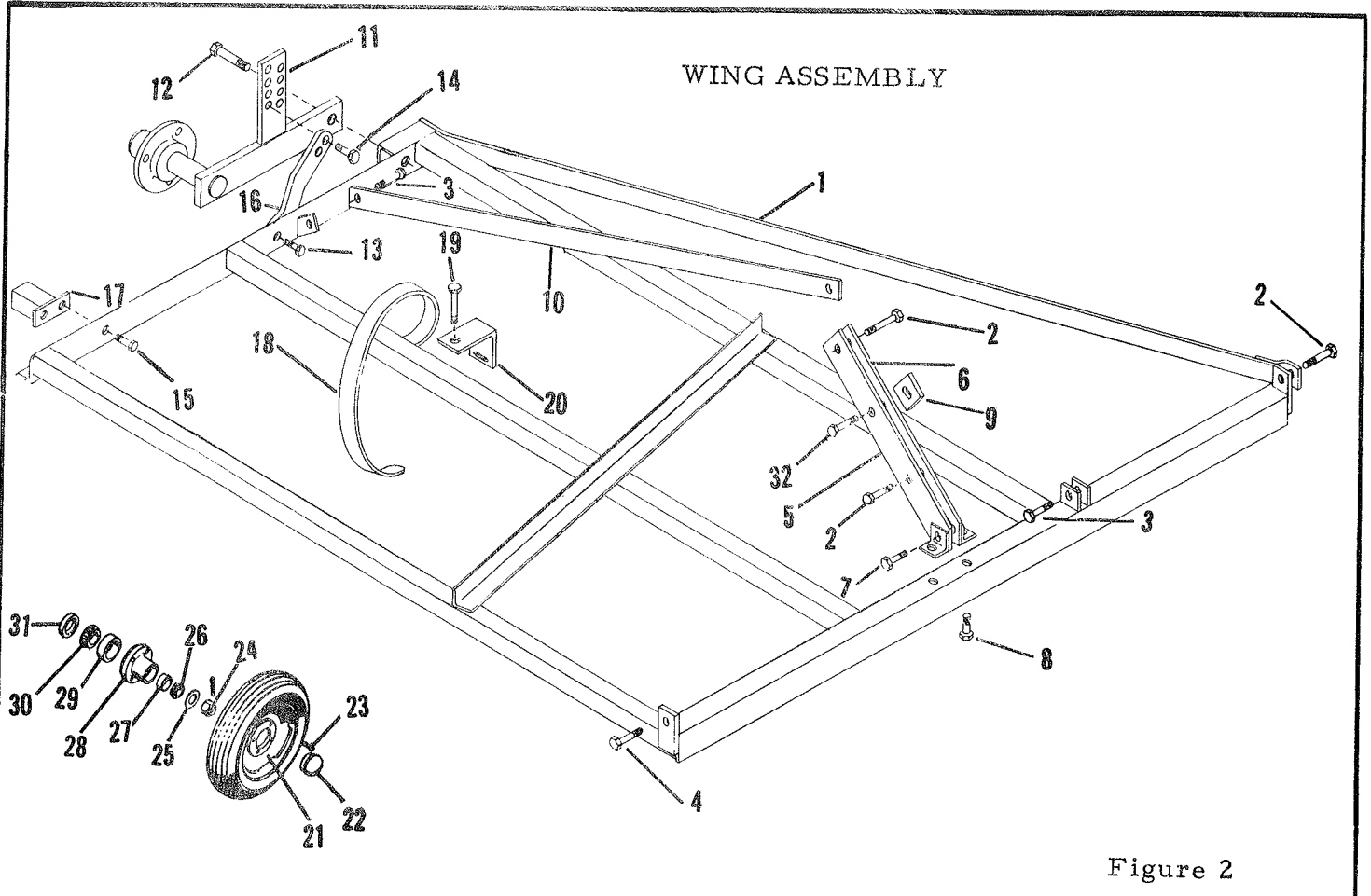


Figure 2

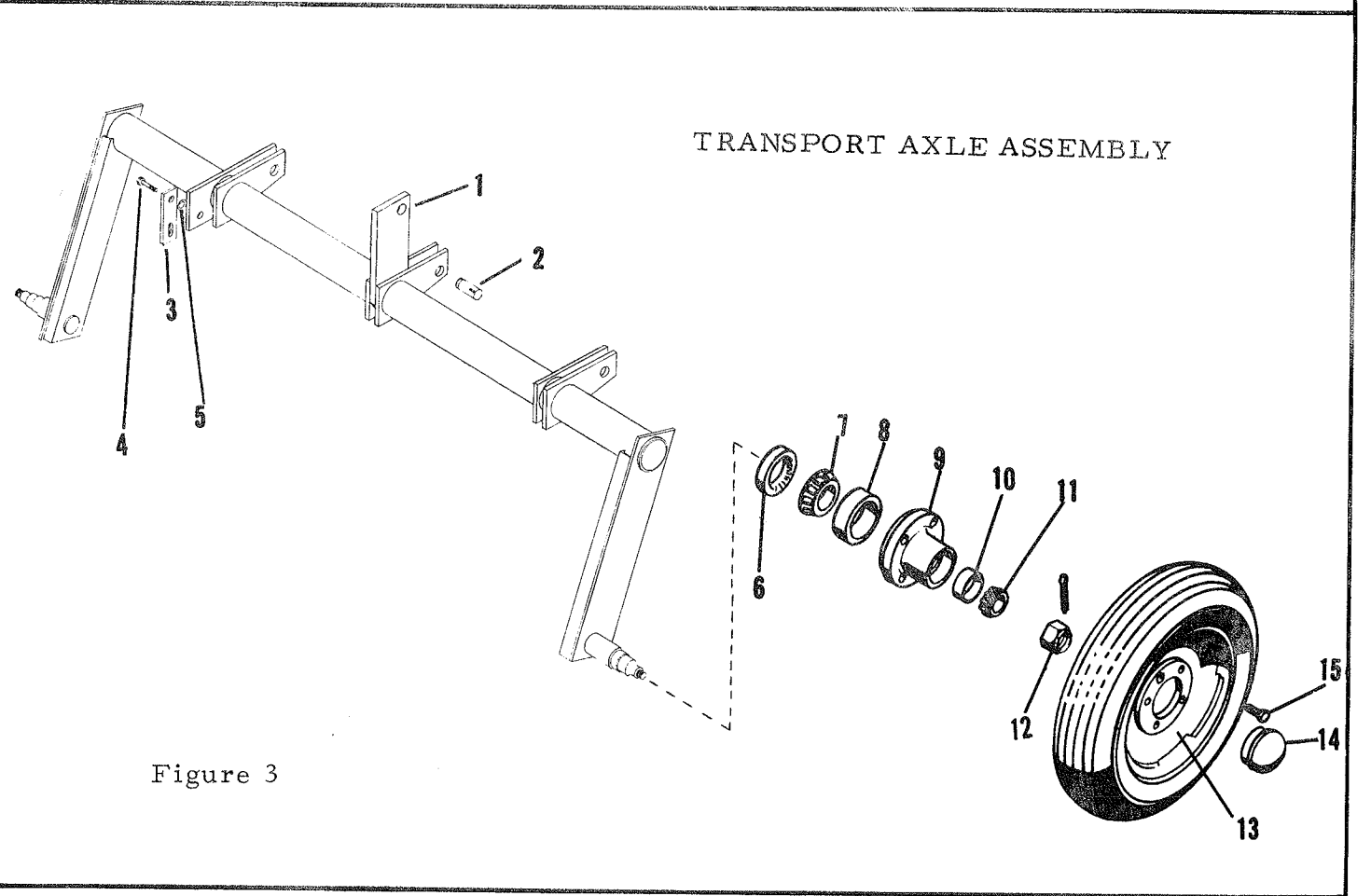


Figure 3

LIFT MECHANISM

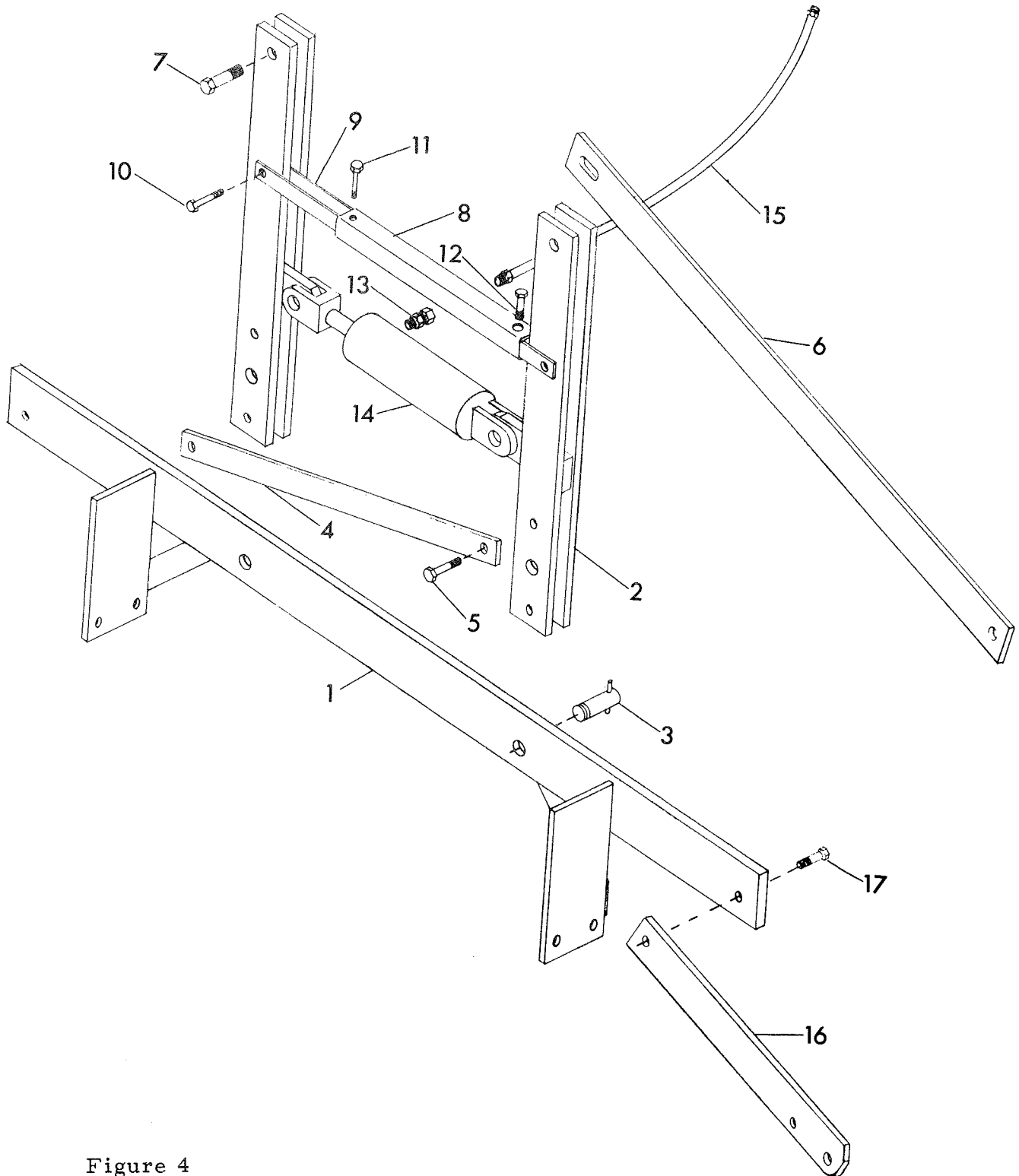


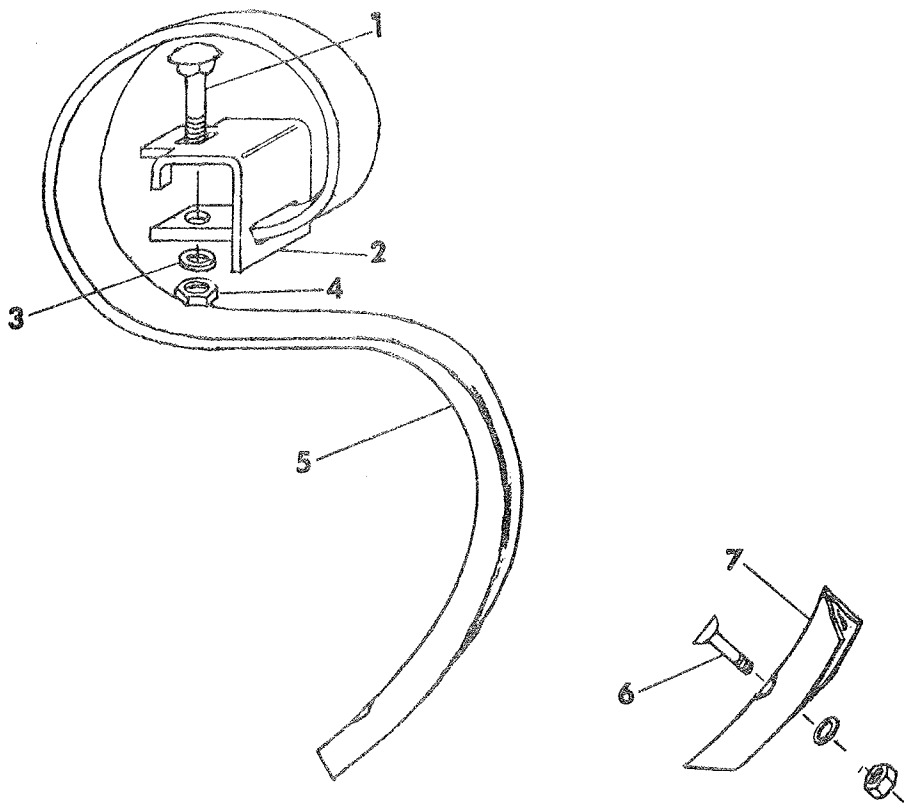
Figure 4

LIFT MECHANISM

Index No.	Part No.	Description	No. Req'd.	Weight
1	6D-641	Hydraulic Lift Cross Frame	1	118.5
2	6D-655	Lift Arm	2	56.3
3	6C-703	Clevis Pin	2	1.0
4	6D-656	Lift Arm Tie Strap	2	7.5
5	6D-758	Capscrew (3/4 x 3-1/2 Long, Grade 5)	4	
6	6D-680	Lift Link	2	34.7
7	6D-742	Capscrew (3/4 x 3 Long, Grade 5)	2	
8	6D-659	Wing Travel Link Tube	1	8.0
9	6D-662	Wing Travel Link Clevis	1	6.0
10	5D-871	Capscrew (1/2 x 3-1/2 Long, Grade 5)	2	
11	8C-528	Capscrew (1/2 x 3 Long, Grade 5)	1	
12	6D-720	Transport Pin	1	.2
*	4C-856	Hairpin Cotter (for transport pin)	1	
13	6D-716	Flow Restrictor	-	.3
14	6D-724	Hydraulic Cylinder	1	42.0
15	6D-725	Hydraulic Hose	2	5.2
16	6D-663	Hinge Brace	2	14.8
17	3D-510	Capscrew (3/4 x 2-1/2 Long, Grade 5)	2	
*	6C-729	Lock Nut (3/4-10 NC, Grade B)	8	
*	5C-392	Lock Nut (1/2-13 NC, Grade B)	3	

TRANSPORT AXLE

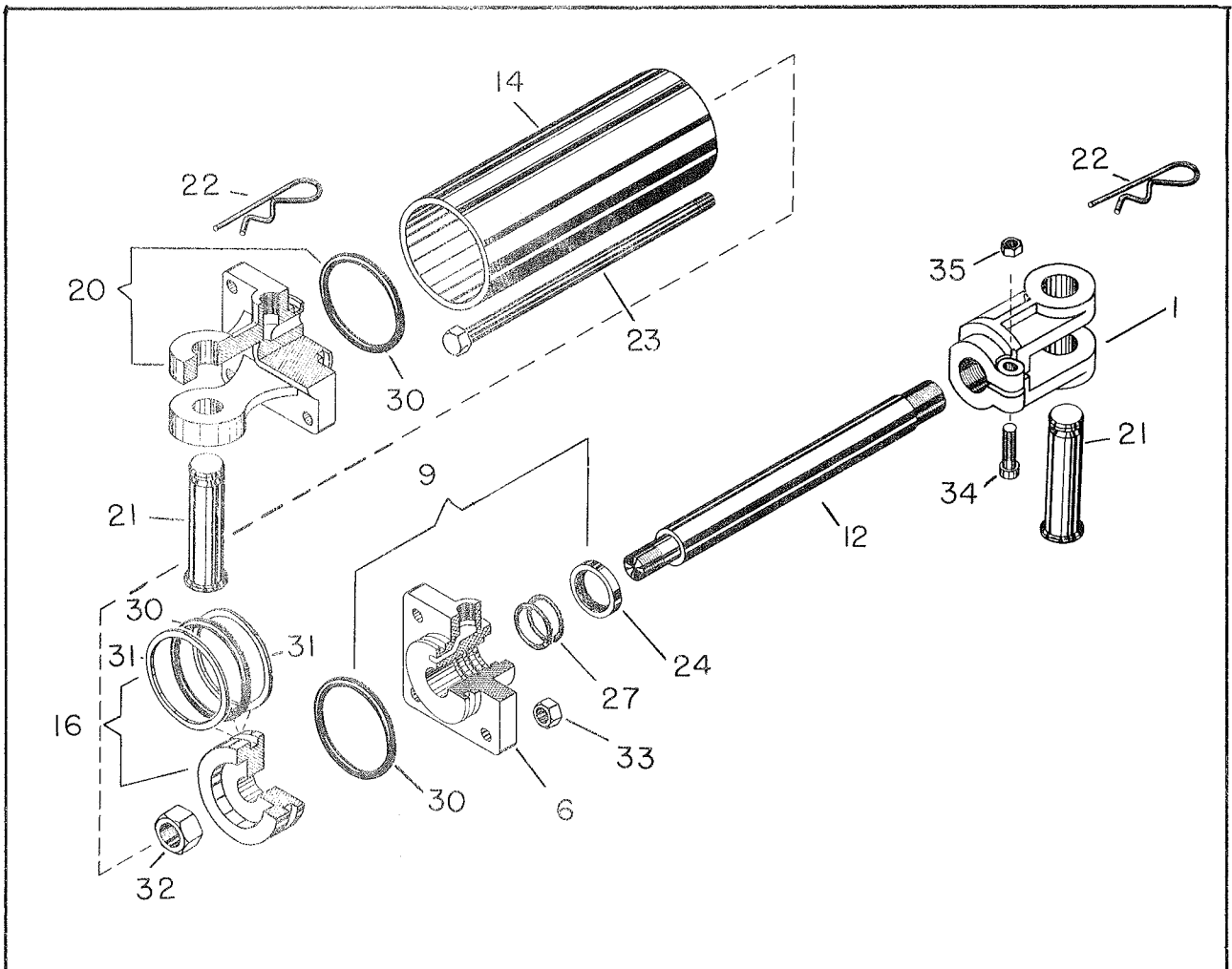
1	6D-930	Axle, 13/16 Brg Obsolete, Order 1J-437	1	205.0
	1J-437	Axle, 3/4 Brg., Complete W/Hubs	1	205.0
2	6C-703	Clevis Pin	3	1.0
3	6D-695	Travel Link Strap	2	1.0
4	6D-476	Capscrew, 5/8 x 2-1/4, Gr. 5	1	
5	5C-907	Washer	2	
	5C-461	Locknut, 5/8 Hex		
6	1D-273	Grease Seal	2	.1
7	5C-480	Bearing Cone	2	.2
8	5C-479	Bearing Cup	2	.2
9	3D-870	Hub, 13/16 Brg.	2	8.6
	1J-390	Hub, 3/4 Brg.	2	8.6
10	3C-166	Bearing Cup, 13/16 Brg.	2	.2
	5C-912	Bearing Cup, 3/4 Brg.	2	.2
11	1D-274	Bearing Cone, 13/16 Brg.	2	.3
	5C-911	Bearing Cone, 3/4 Brg.	2	.3
12	3C-173	Slotted Nut	2	.1
13	1D-734	Wheel, 14 inch - 5 bolt	2	16.0
	4C-129	Wheel, 15 inch - 5 bolt	2	16.0
14	5C-908	Hub Cap, 13/16 Brg.	2	.2
	1J-463	Hub Cap, 3/4 Brg.	2	.2
15	5C-100	Wheel Bolt	10	.1



BRILLION SPRING TINE REPAIR PARTS LIST

Index No.	Part No.	Part Name	Weight
1	2J-241	Carriage Bolt, 7/16-14 NC x 3-1/2 Lg. Grade 5	.84
2	1J-834	Clamp	
3	1C-314	Lockwasher, 7/16 Std.	6.0
4	1D-14	Nut, 7/16-14 NC Reg. Hex Lock	
5	1J-887	Spring Tine (Less points)	
6	7D-728	Cultivator Bolt, 3/8-16 NC x 1-1/2 Lg. #8 Head	
	7D-729	Flat Washer, 3/8 Heavy Std.	
	7D-730	Nut, 3/8-16 NC Heavy Hex.	.6
	9C-57	External Tooth Lockwasher, 3/8 Std.	
7	2J-155	Heavy Duty Reversible Point	

<u>Machine Width</u>	<u>No. of Tines Per Machine</u>
22'8" (With 4" spacing)	67
22'8" (With 6" spacing)	45
24'8" (With 4" spacing)	73
24'8" (With 6" spacing)	49



HYDRAULIC CYLINDER REPAIRS

Index No.	Part No.	Description	No. Req'd.
	8D-45	Complete Seal Kit (Includes 24, (2) 27, (3) 30, (2) 31)	1
1	8D-46	Clevis	1
6	8D-47	Head	1
9	8D-48	Head Assembly	1
12	8D-49	Rod	1
14	8D-50	Tube	1
16	8D-51	Piston Assembly (Piston, ring & seal)	1
20	8D-52	Clevis Assembly - Base	1
21	6D-412	Cylinder Pin	2
22	6D-413	Clip - Pin	2
23	8D-53	Tie Rod	4
24	8D-54	Seal - Wiper	1
27	8D-55	O-Ring	2
30	8D-56	O-Ring	3
31	8D-57	Seal - Backup	2
32	8D-58	Nut - Piston	1
33	1C-390	Nut - Tie Rod	8
34	7C-937	Capscrew	1
35	1C-277	Nut	1

1
2
3

4

5