

REPAIR PARTS CATALOG

FOR

Brillion

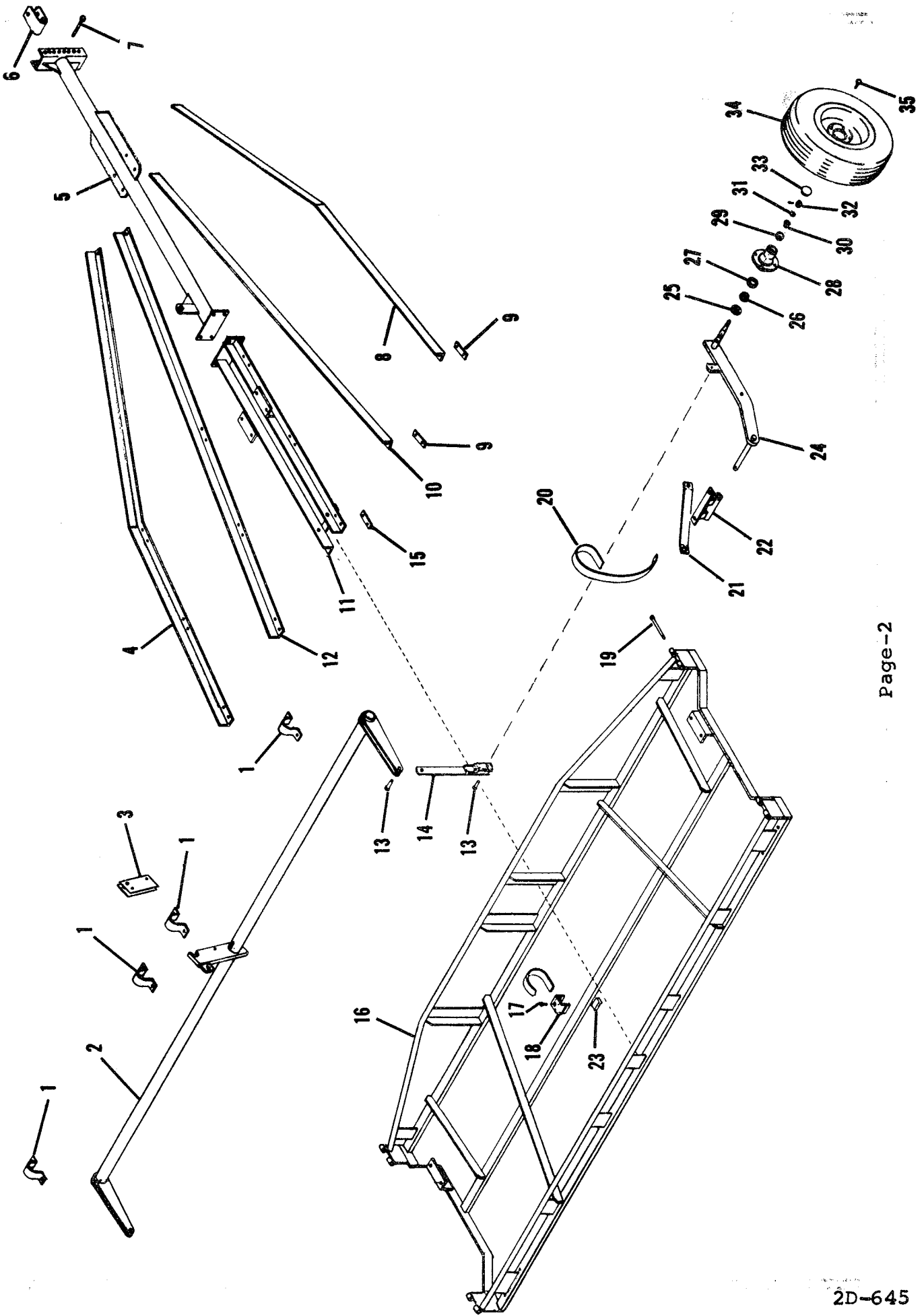
MODELS STH-8 THRU STH-20

SPRING TOOTH HARROW

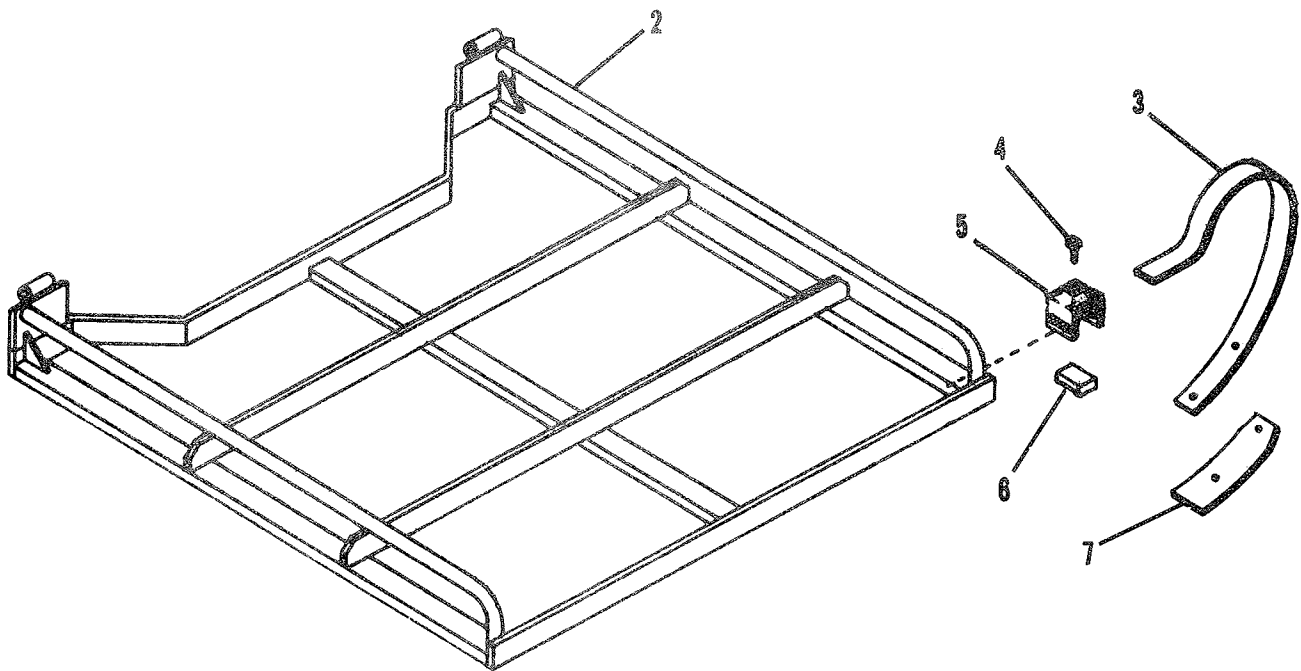
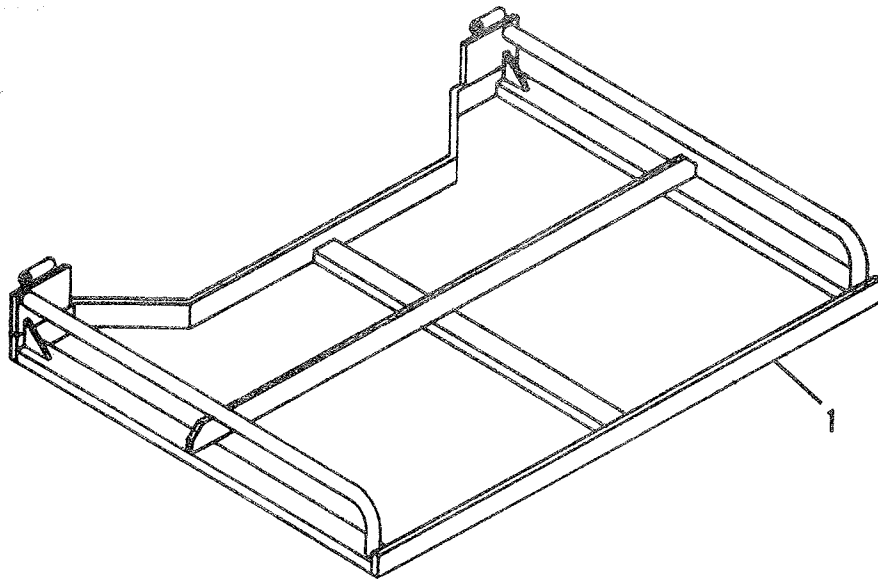
MODEL STH-03

ALL PARTS NOT LISTED ARE STANDARD HARDWARE

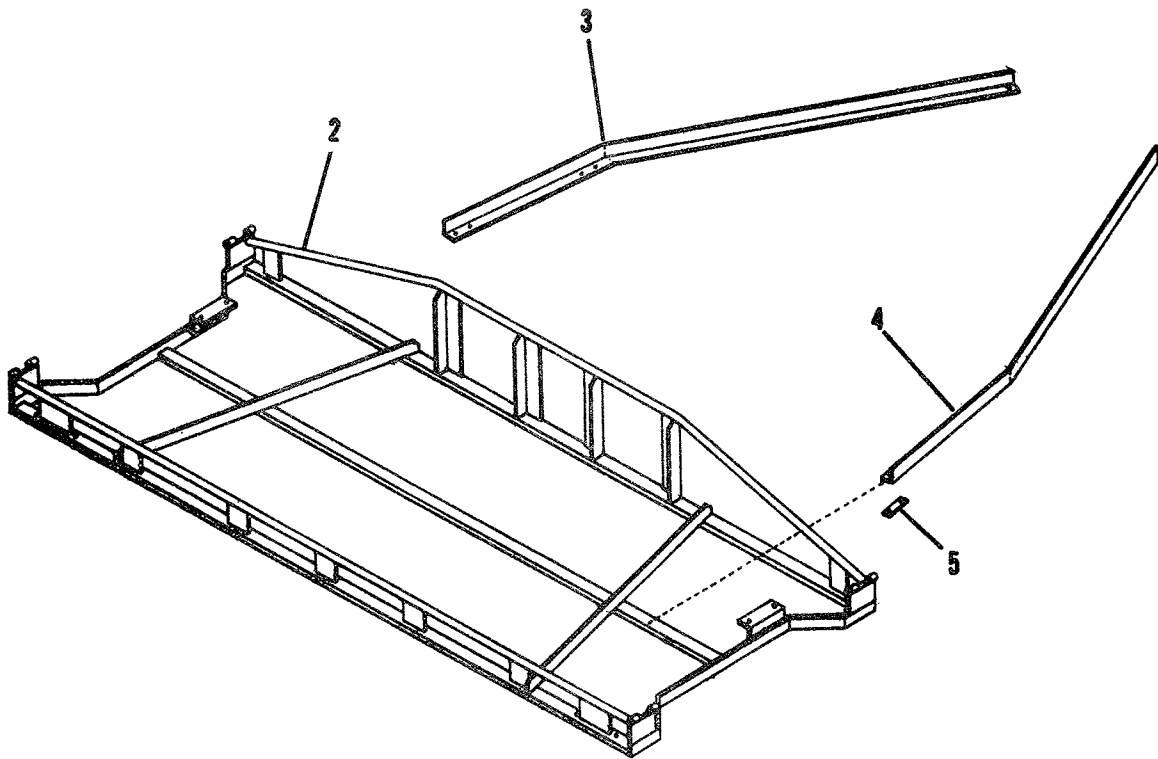
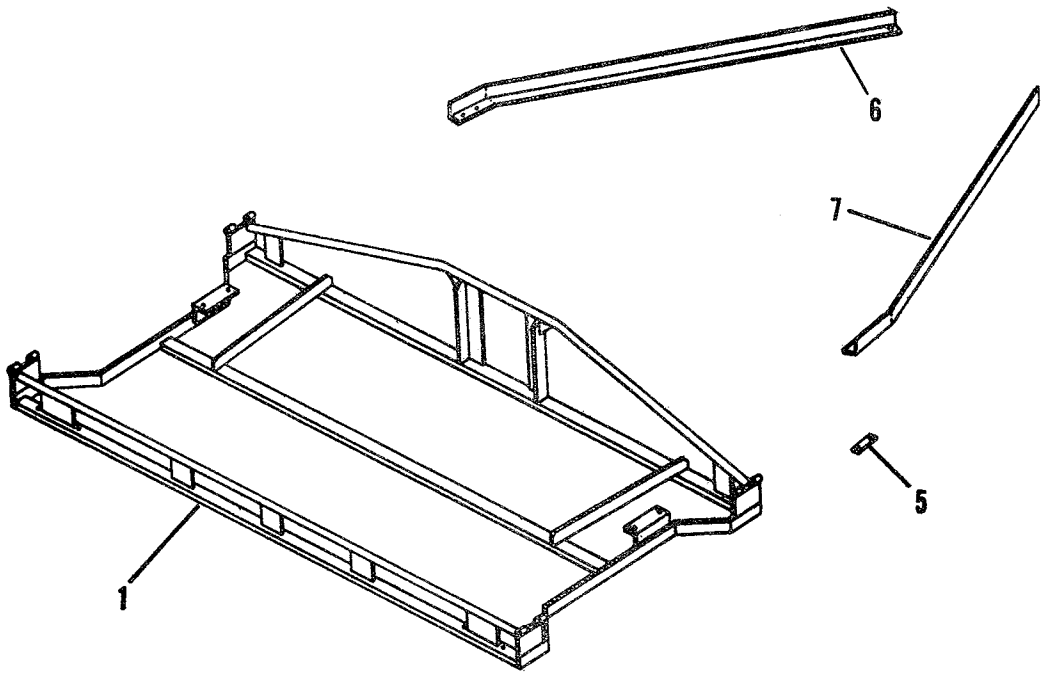
BRILLION IRON WORKS, INC.
BRILLION, WISCONSIN



Index No.	Part No.	Description
1	3D-543	Bearing Clamp
2	3D-801	Rock Shaft Assembly - 8'
	3D-802	Rock Shaft Assembly - 10'
	3D-803	Rock Shaft Assembly - 12'
3	7C-611	Quick Hook-Up Assembly - 7-1/4 Long
	3D-798	Quick Hook-Up Assembly - 8-1/8 Long
4	2D-367	Frame Angle - L. H.
5	2D-371	Drawbar
6	2D-349	Clevis
7	2D-488	Capscrew (3/4 - 10 NC x 5" long, heat treated)
*	6C-729	Locknut (3/4 - 10 NC)
8	2D-366	Frame Angle - R. H.
9	2D-338	Strap (4-1/8" Long)
10	2D-355	Frame Angle - R. H.
11	2D-368	Center Frame Assembly
12	2D-356	Frame Angle - L. H.
13	2D-473	Clevis Pin (3/4" x 1-7/8" Long)
14	3D-593	Lift Link
15	2D-339	Strap (4" Long)
16	2D-553	Frame Assembly - 12'
17	2D-910	Set Screw (5/8 - 11 NC x 1-1/2" Long)
*	1C-383	Square Nut (5/8 - 11 NC)
18	2D-599	Spring Tooth Clamp - 2-1/2" Wide
	2D-848	Spring Tooth Clamp - 3" Wide
19	2D-475	Clevis Pin (3/4" x 5-1/2" Long)
20	3D-672	Spring Tooth - Standard (11/32" Thick)
	3D-673	Spring Tooth - Heavy Duty (3/8" Thick)
21	2D-871	Brace
*	7C-122	Machinery Bushing (18 Ga. x 1-1/4 I. D. x 1-7/8" O. D.)
22	2D-351	Axle Bearing
23	2D-362	Filler Block
24	3D-548	Axle - R. H.
*	3D-547	Axle - L. H.
25	5C-910	Seal
26	5C-913	Bearing Cone (#LM67048)
27	5C-914	Bearing Cup (#LM67010)
28	5C-904	Wheel Hub
29	5C-912	Bearing Cup (#LM11910)
30	5C-911	Bearing Cone (#LM11949)
31	5C-907	Washer
32	5C-909	Slotted Nut
33	5C-908	Cap
34	8C-470	Wheel 14" - 4 Bolt (Less Tire & Tube)
35	5C-100	Wheel Bolt
*	8C-527	Cap Screw (1/2 - 13 NC x 1-1/2" Long - heat treated)
*	5C-392	Locknut (1/2 - 13 NC)



Index No.	Part No.	Description
1	2D-477	Frame Assembly - 3'
2	2D-478	Frame Assembly - 4'
3	2D-359	Spring
4	2D-910	Set Screw (5/8 - 11 NC x 1-1/2" Long)
*	1C-383	Square Nut (5/8 - 11 NC)
5	2D-848	Spring Tooth Clamp - 3" Wide
6	2D-362	Filler Block
7	2D-360	Skid - 3" Wide
	2D-864	Skid - 4" Wide



Index No.	Part No.	Description
1	2D-541	Frame Assembly - 8'
2	2D-463	Frame Assembly - 10'
3	2D-454	Frame Angle - L. H.
4	2D-453	Frame Angle - R. H.
5	2D-338	Strap (4-1/8" Long)
6	3D-497	L. H. Frame Angle
7	3D-496	R. H. Frame Angle

