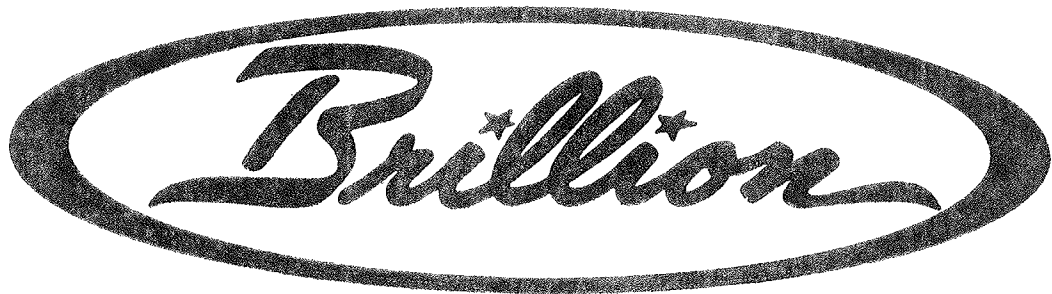


REPAIR PARTS CATALOG



SPRING TINE HARROW

MODELS: STS-8, STS-10,
STS-12, STS-3, STS-4

SPRING TOOTH HARROW

MODELS: STR-8, STR-10,
STR-12, STR-3, STR-4

IMPORTANT!

Repairs cannot be purchased retail direct from factory. Order through your Brillion dealer or any established implement dealer.

MODEL NO.

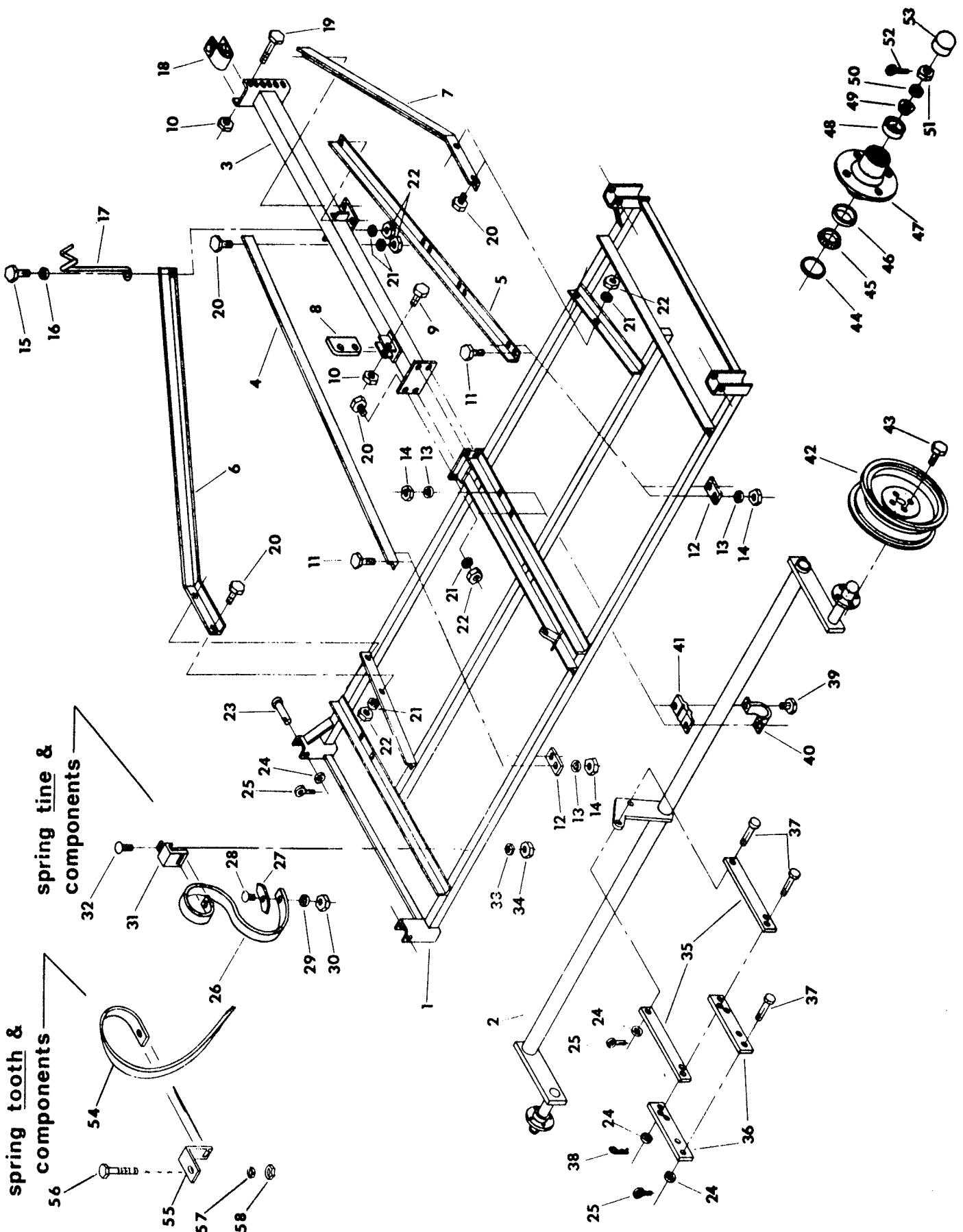
DATE PURCHASED



BRILLION IRON WORKS
BRILLION, WISCONSIN 54110

spring tooth & components

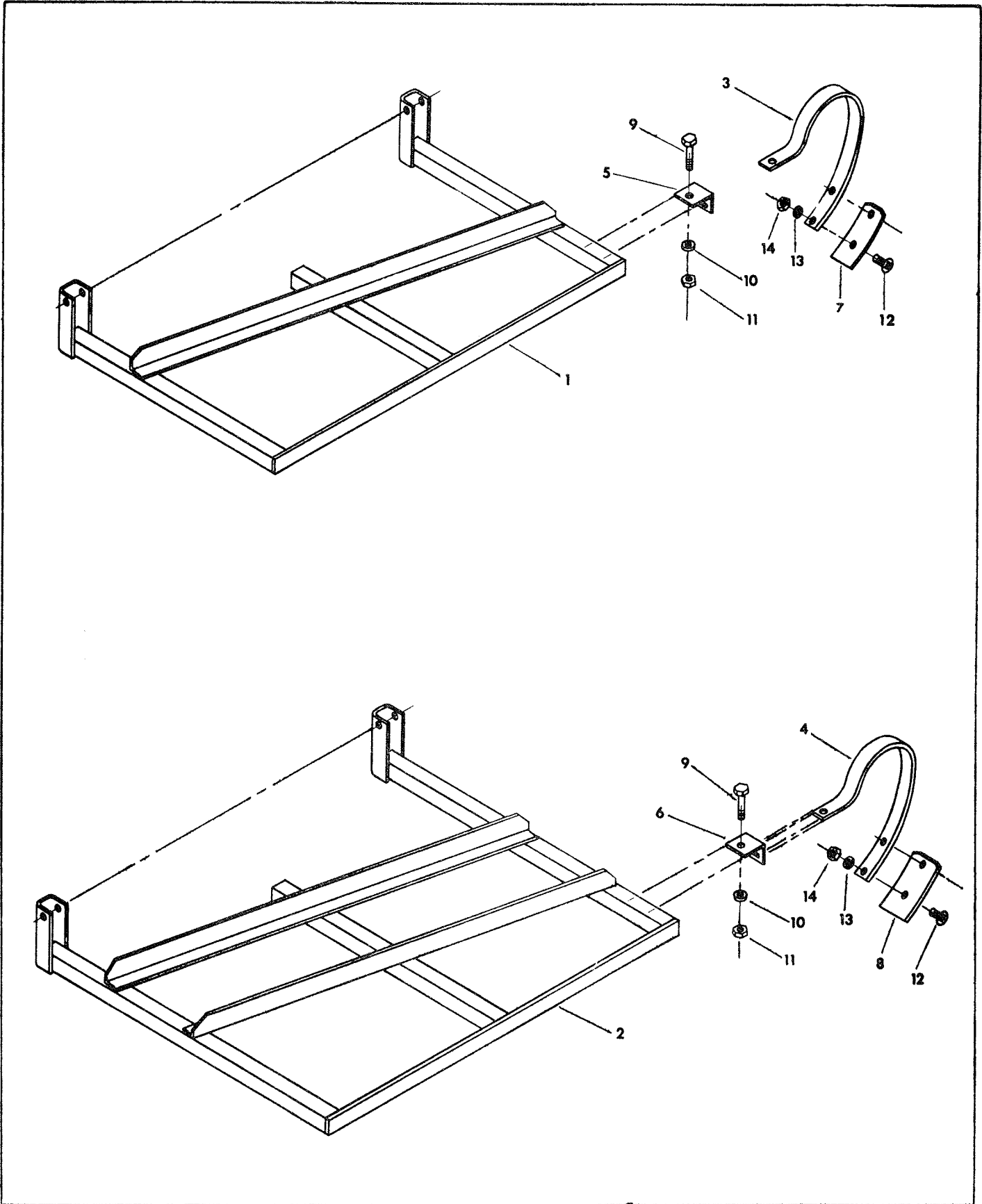
spring tine & components



CENTER FRAME, AXLE & DRAWBAR ASSEMBLY

Index No.	Part No.	Description	No. Req'd.	Weight
1	2J-281	Center Frame - 12 Ft.	1	370.0
2	2J-288	Axle - 12 Ft.	1	168.0
	2J-289	Axle - 10 Ft.	1	153.0
	2J-290	Axle - 8 Ft.	1	138.0
3	2J-291	Drawbar	1	112.0
4	2J-313	L.H. Brace	1	37.5
5	2J-312	R.H. Brace	1	37.5
6	2J-315	L.H. Brace -12 Ft.	1	29.0
7	2J-314	R.H. Brace -12 Ft.	1	29.0
8	2J-320	Float Link	1	5.6
9	3D-510	Capscrew, 3/4-10 NX x 2-1/2 Long, Grade 5	1	
10	6C-729	Locknut, 3/4-10 NC Hex	2	
11	5D-871	Capscrew, 1/2-13 NC x 3-1/2 Long, Grade 5	12	
12	5C-78	Strap	6	.5
13	1C-109	Lockwasher, 1/2 Medium	20	
14	5C-392	Locknut, 1/2-13 NC Hex	20	
15	6D-476	Capscrew, 5/8-11 NC x 2-1/4 Long, Grade 5	1	
16	5C-907	Flat Washer, 5/8 Std.	1	
17	6D-333	Hose Support	1	1.8
18	2D-349	Clevis Assembly	1	4.7
19	2D-488	Capscrew, 3/4-10 NC x 5 Long, Gr. 5	1	.65
20	2D-474	Capscrew, 5/8-11 NC x 1-3/4 Long, Grade 5	11	
21	1B-166	Lockwasher, 5/8 Medium	12	
22	5C-461	Locknut, 5/8-11 NC Hex	12	
23	2J-256	Clevis Pin	4	.60
24	2C-458	Flat Washer, 3/4 SAE Flat	7	
25	1C-986	Cotter Pin, 1/8 Dia. x 1-1/2 Long	6	
26	1J-887	Spring Tine (Less Point)	*	6.0
27	2J-155	Heavy Duty Reversible Point	*	.6
28	7D-728	Cultivator Bolt, 3/8-16 NC x 1-1/2 Lg., #8 Head	*	
29	7D-729	Flat Washer, 3/8 Heavy	*	
30	7D-730	Nut, 3/8-16 NC Heavy Hex	*	
31	1J-834	Clamp	*	.84
32	2J-241	Carriage Bolt, 7/16-14 NC x 3-1/2 Lg., Grade 5	*	
33	1C-314	Lockwasher, 7/16 Std.	*	
34	1D-14	Locknut, 7/16-14 NC Hex	*	
35	2J-260	Long Link, 20" Long	2	4.3
36	2J-261	Short Link, 15" Long	2	3.0
37	2D-473	Clevis Pin	3	.28
38	4C-856	Hair Pin Cotter	1	
39	1C-216	Capscrew, 1/2-13 NC x 1-3/4 Long, Grade 5	8	
40	3D-543	Bearing Clamp Assembly	4	1.8
41	2J-252	Bearing Assembly	4	2.4
42	7D-931	Wheel, 15" - 4 Bolt, Less Tire & Tube	2	16.0

(Continued on Page 5)



CENTER FRAME, AXLE & DRAWBAR ASSEMBLY

Index No.	Part No.	Description	No. Req'd.	Weight
43	5C-100	Wheel Bolt	8	.20
44	5C-910	Seal	2	.13
45	5C-913	Bearing Cone (#LM67048)	2	.25
46	5C-914	Bearing Cup (#LM67010)	2	.70
47	5C-904	Wheel Hub	2	6.3
48	5C-912	Bearing Cup (#LM11910)	2	.20
49	5C-911	Bearing Cone (#LM11949)	2	.25
50	5C-907	Washer	2	
51	5C-909	Slotted Nut	2	.20
52	3C-350	Cotter Pin	2	
53	5C-908	Cap	2	.25
54	6D-341	Spring Tooth	*	7.8
*	2D-551	Replacement Point (Used on worn teeth)	*	1.1
*	2C-628	Plow Bolt 3/8-16 NC x 1-1/2, R. CSK Sq. Neck	2/Point	
55	5D-836	Spring Tooth Clamp	*	1.2
56	5D-871	Capscrew, 1/2-13 NC x 3-1/2 Long, Gr. 5	*	
57	1C-109	Lockwasher, 1/2 Medium	*	
58	5C-392	Locknut, 1/2-13 NC Hex	*	

*Number of Spring Tines/Teeth
& Components Used

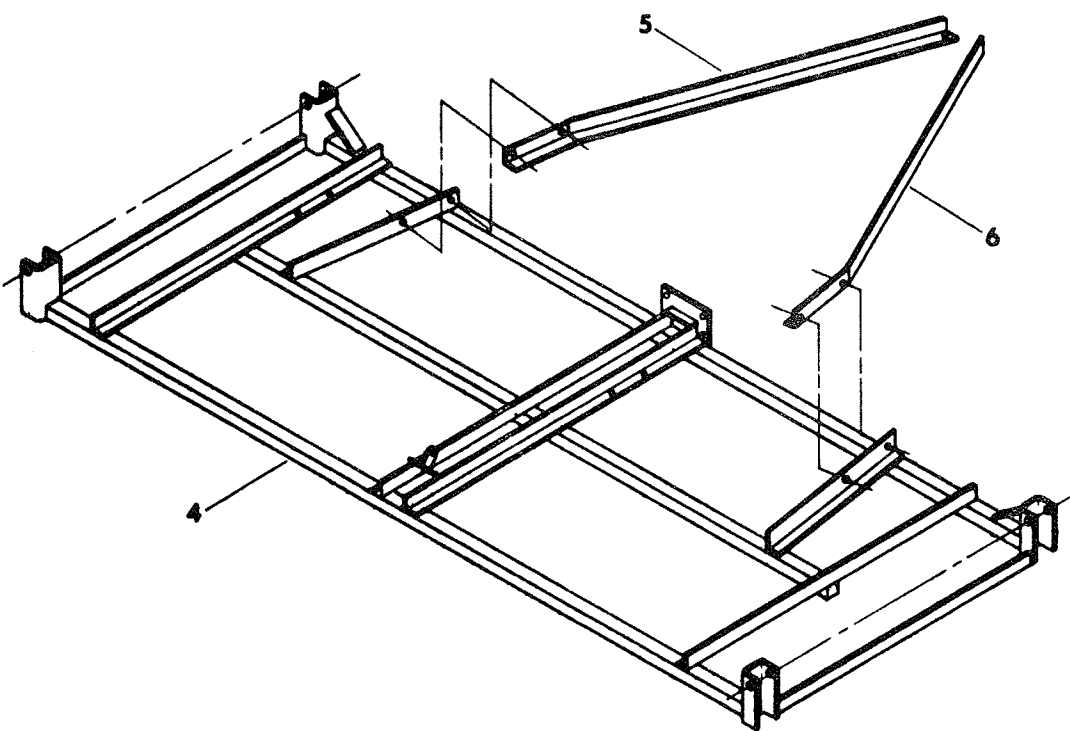
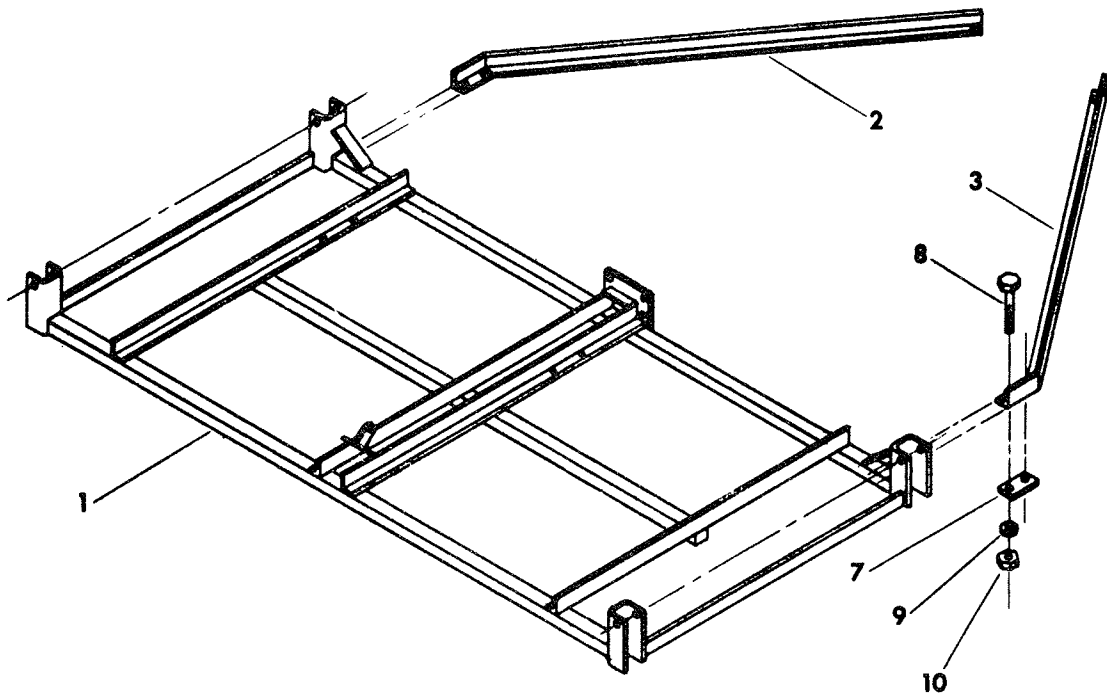
Used on
Model Size

37	STS-12	STR-12
31	STS-10	STR-10
25	STS-8	STR-8
22	STS-4	STR-4
16	STS-3	STR-3

WING ASSEMBLY

Index No.	Part No.	Description	No. Req'd.	Weight
1	2J-285	3 Foot Wing	2	77.0
2	2J-284	4 Foot Wing	2	110.0
3	*6D-342	Spring, 3/8" (Replaced by 6D343)	2	3.3
4	6D-343	Spring, 7/16" Thick	2	4.7
5	5D-836	Spring Tooth Clamp (Black)	2	1.2
6	5D-838	Spring Tooth Clamp (Red)	2	1.2
7	*2D-360	Skid, 3" Wide (Replaced by 2D864)	2	2.5
8	2D-864	Skid, 4" Wide	2	3.4
9	5D-871	Capscrew, 1/2-13 NC x 3-1/2 Long, Grade 5	2	
10	1C-109	Lockwasher, 1/2" Medium	2	
11	5C-392	Locknut, 1/2-13 NC, Hex	2	
12	2C-628	Plow Bolt, 3/8-16 NC x 1-1/2 Long #3	4	
13	1C-183	Lockwasher, 3/8" Medium	4	
14	1C-277	Nut, 3/8-16 NC, Hex	4	

* When using 6D343 in place of 6D342, order clamp 5D838 or enlarge slot 1/16" in 5D836.



8 FT. & 10 FT. CENTER FRAMES

Index No.	Part No.	Description	No. Req'd.	Weight
1	2J-283	Center Frame - 8 Ft.	1	290.0
2	2J-319	L. H. Brace - 8 Ft.	1	26.0
3	2J-318	R. H. Brace - 8 Ft.	1	26.0
4	2J-282	Center Frame - 10 Ft.	1	340.0
5	2J-317	L. H. Brace - 10 Ft.	1	26.0
6	2J-316	R. H. Brace - 10 Ft.	1	26.0
7	5C-78	Strap	2	.5
8	5D-871	Capscrew, 1/2-13 NC x 3-1/2 Long		
		Grade 5	4	
9	1C-109	Lockwasher, 1/2 Medium	4	
10	5C-392	Locknut, 1/2-13 NC Hex	4	

