

REPAIR PARTS CATALOG



SPRING TINE HARROW

MODELS: STS-81, STS-101,
STS-121, STS-3, STS-4

SPRING TOOTH HARROW

MODELS: STR-81, STR-101,
STR-121, STR-3, STR-4

IMPORTANT!

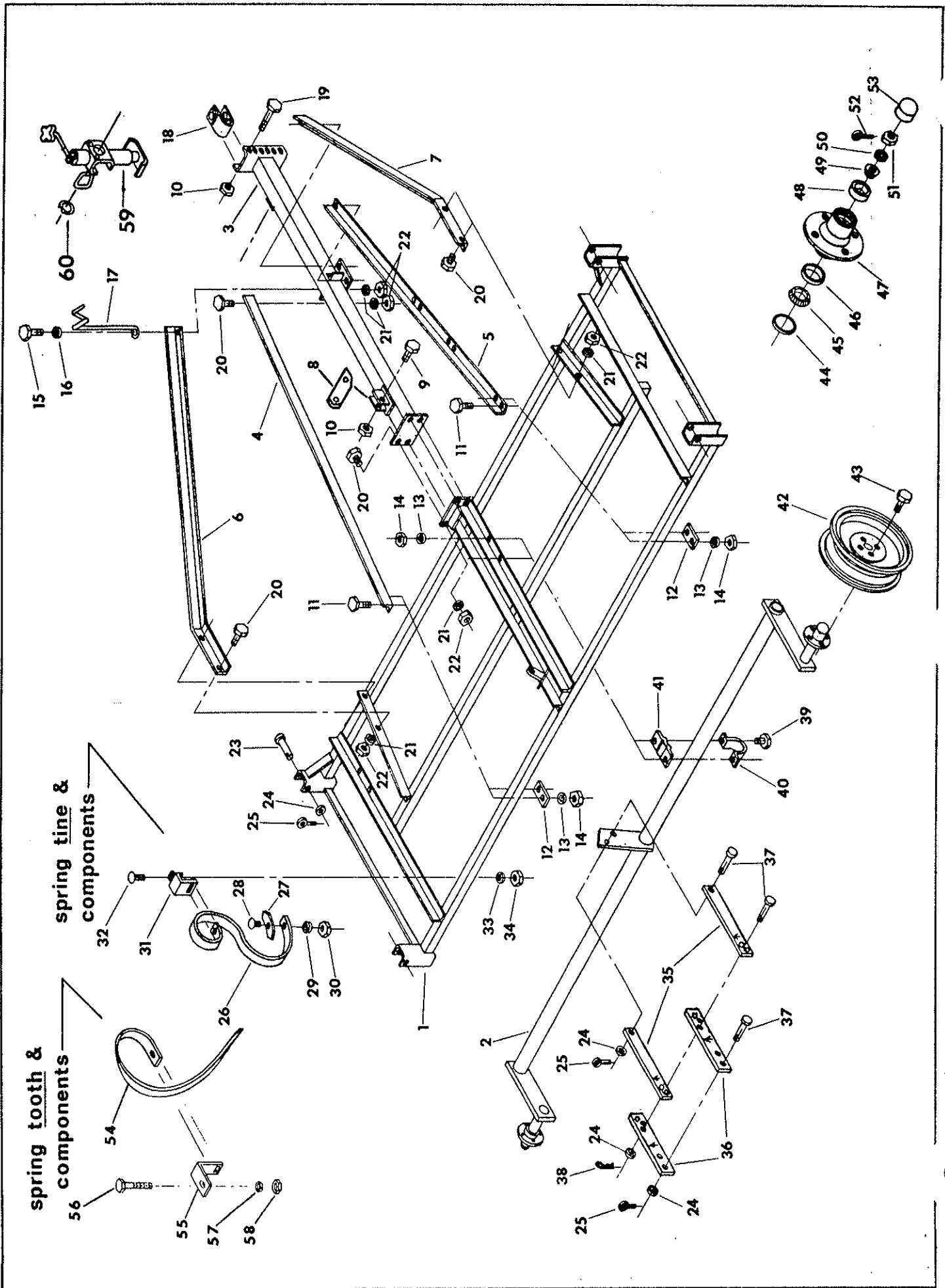
Repairs cannot be purchased retail direct from
factory. Order through your Brillion dealer.

MODEL NO.

DATE PURCHASED



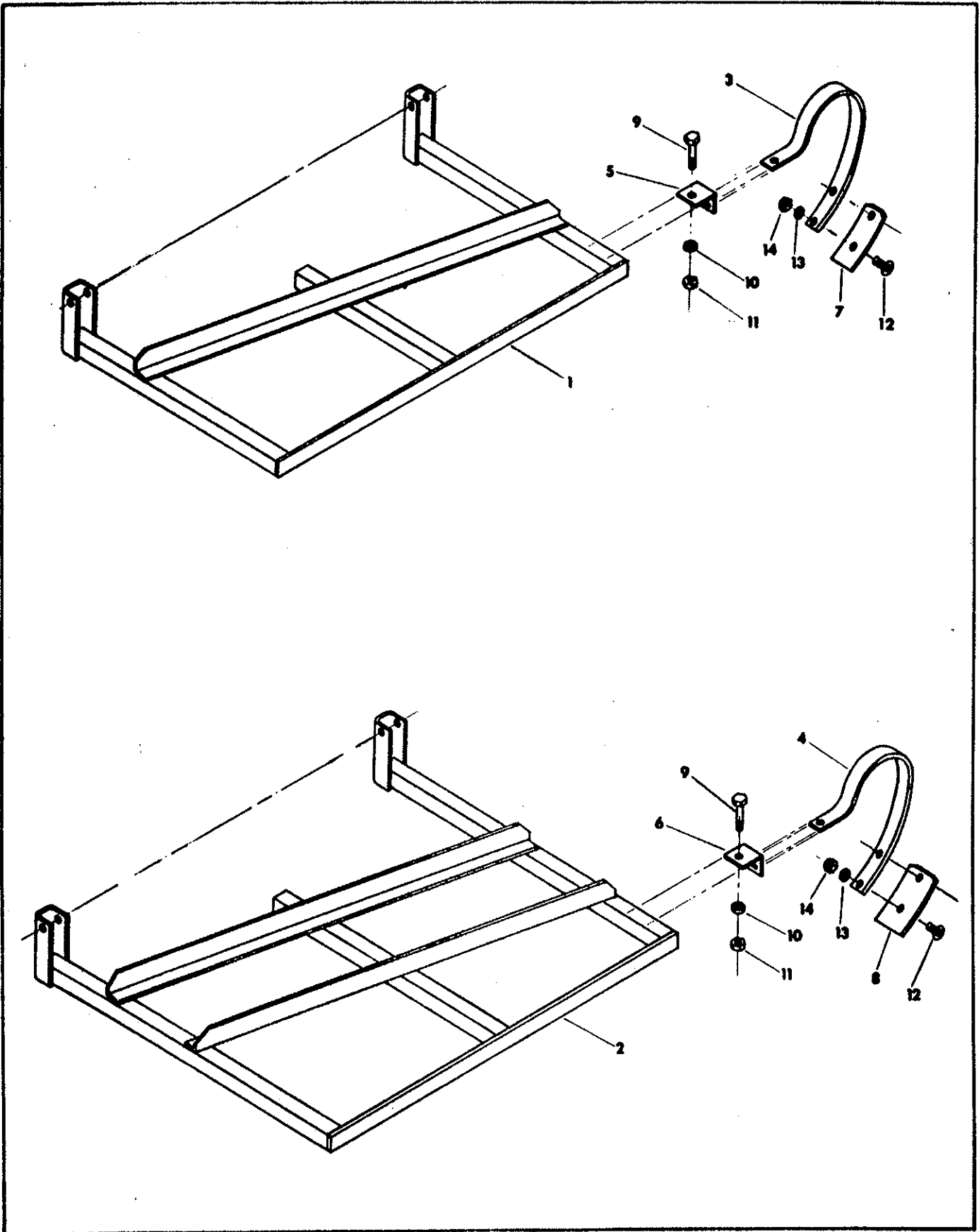
BRILLION IRON WORKS
BRILLION, WISCONSIN 54110



CENTER FRAME, AXLE & DRAWBAR ASSEMBLY

Index No.	Part No.	Description	No. Req'd.	Weight
1	3J-700	Center Frame - 12 Ft.	1	370.0
2	3J-687	Axle - 12 Ft.	1	168.0
	3J-688	Axle - 10 Ft.	1	153.0
	3J-689	Axle - 8 Ft.	1	138.0
3	2J-291	Drawbar	1	112.0
4	2J-313	L. H. Brace	1	37.5
5	2J-312	R. H. Brace	1	37.5
6	2J-315	L. H. Brace - 12 Ft.	1	29.0
7	2J-314	R. H. Brace - 12 Ft.	1	29.0
8	3J-695	Float Link	1	5.6
9	3D-510	Capscrew, 3/4-10 NC x 2-1/2 Long, Grade 5	1	
10	6C-729	Locknut, 3/4-10 NC Hex	2	
11	5D-871	Capscrew, 1/2-13 NC x 3-1/2 Long, Grade 5	12	
12	5C-78	Strap	6	.5
13	1C-109	Lockwasher, 1/2 Medium	20	
14	5C-392	Locknut, 1/2-13 NC Hex	20	
15	6D-476	Capscrew, 5/8-11 NC x 2-1/4 Long, Grade 5	1	
16	5C-907	Flat Washer, 5/8 Std.	1	
17	6D-333	Hose Support	1	1.8
18	2D-349	Clevis Assembly	1	4.7
19	2D-488	Capscrew, 3/4-10 NC x 5 Long, Grade 5	1	.65
20	2D-474	Capscrew, 5/8-11 NC x 1-3/4 Long, Grade 5	11	
21	1B-166	Lockwasher, 5/8 Medium	12	
22	5C-461	Locknut, 5/8-11 NC Hex	12	
23	2J-256	Clevis Pin	4	.60
24	2C-458	Flat Washer, 3/4 SAE Flat	7	
25	1C-986	Cotter Pin, 1/8 Dia. x 1-1/2 Long	6	
26	1J-887	Spring Tine (Less Point)	*	6.0
27	2J-155	Heavy Duty Reversible Point	*	.6
28	7D-728	Cultivator Bolt, 3/8-16 NC x 1-1/2 Lg., #8 Head	*	
29	7D-729	Flat Washer, 3/8 Heavy	*	
30	7D-730	Nut, 3/8-16 NC Heavy Hex	*	
31	1J-834	Clamp	*	.84
32	2J-241	Carriage Bolt, 7/16-14 NC x 3-1/2 Lg., Gr. 5	*	
33	1C-314	Lockwasher, 7/16 Std.	*	
34	1D-14	Locknut, 7/16-14 NC Hex	*	
35	3J-694	Link, 3 Holes	2	3.0
36	3J-693	Link, 5 Holes	2	3.0
37	2D-473	Clevis Pin	3	.28
38	4C-856	Hair Pin Cotter	1	
39	5D-51	Capscrew, 1/2-13 NC x 1-3/4 Long, Grade 5	8	
40	3D-543	Bearing Clamp Assembly	4	1.8
41	2J-252	Bearing Assembly	4	2.4
42	7D-931	Wheel, 15"- 4 Bolt, Less Tire & Tube	2	16.0
43	5C-100	Wheel Bolt	8	.20
44	5C-910	Seal	2	.13
45	5C-913	Bearing Cone (#LM67048)	2	.25
46	5C-914	Bearing Cup (#LM67010)	2	.70
47	5C-904	Wheel Hub	2	6.3

(Continued on Page 5)



CENTER FRAME, AXLE & DRAWBAR ASSEMBLY

Index No.	Part No.	Description	No. Req'd.	Weight
48	5C-912	Bearing Cup (#LM11910)	2	.20
49	5C-911	Bearing Cone (#LM11949)	2	.25
50	5C-907	Washer	2	
51	5C-909	Slotted Nut	2	.20
52	3C-350	Cotter Pin	2	
53	5C-908	Cap	2	.25
54	6D-341	Spring Tooth ← 2D362 FILLER BLOCK FOR OLDER MACHINES (2003 HARDER TOOTH)	*	7.8
*	2D-551	Replacement Point (Used on worn teeth)	*	1.1
*	2C-628	Plow Bolt 3/8-16 NC x 1-1/2, R. CSK Sq. Neck	2/Point	
55	5D-836	Spring Tooth Clamp	*	1.2
56	5D-871	Capscrew, 1/2-13 NC x 3-1/2 Lg. Grade 5	*	
57	1C-109	Lockwasher, 1/2 Medium	*	
58	5C-392	Locknut, 1/2-13 NC Hex	*	
59	8D-391	Jack	1	10.5
	8D-399	Plunger Assembly	1	.4
60	8D-390	Retaining Ring	1	.2

*Number of Spring Tines/Teeth & Components Used

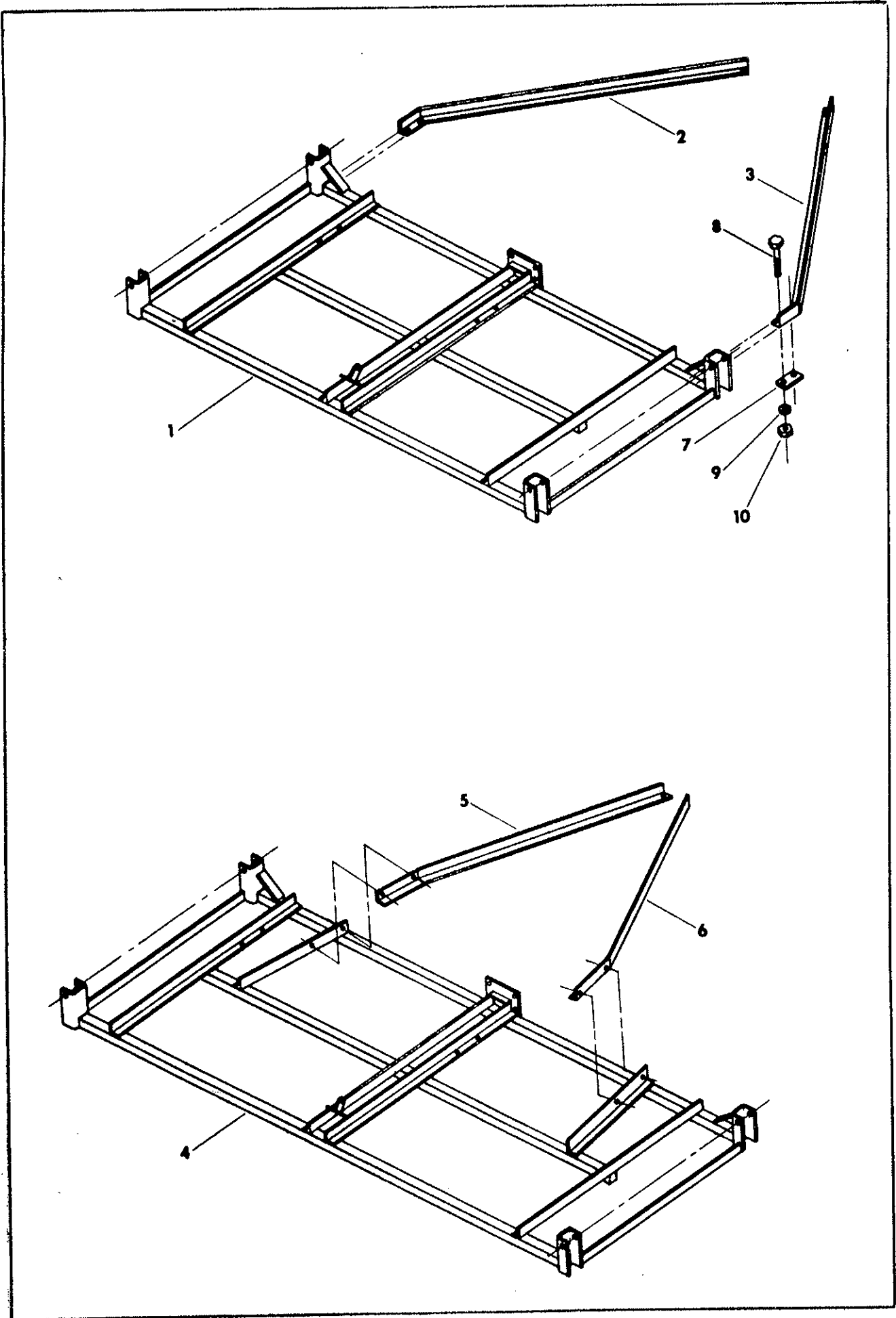
Used on Model Size

37	STS-121	STR-121
31	STS-101	STR-101
25	STS-81	STR-81
22	STS-4	STR-4
16	STS-3	STR-3

WING ASSEMBLY

Index No.	Part No.	Description	No. Req'd.	Weight
1	2J-285	3 Foot Wing	2	77.0
2	2J-284	4 Foot Wing	2	110.0
3 *	6D-342	Spring, 3/8" (Replaced by 6D343)	2	3.3
4	6D-343	Spring, 7/16" Thick	2	4.7
5 *	5D-836	Spring Tooth Clamp (Black)	2	1.2
6	5D-838	Spring Tooth Clamp (Red)	2	1.2
7	2D-360	Skid, 3" Wide (Replaced by 2D864)	2	2.5
8	2D-864	Skid, 4" Wide	2	3.4
9	5D-871	Capscrew, 1/2-13 NC x 3-1/2 Long, Grade 5	2	
10	1C-109	Lockwasher, 1/2" Medium	2	
11	5C-392	Locknut, 1/2-13 NC, Hex	2	
12	2C-628	Plow Bolt, 3/8-16 NC x 1-1/2 Long #3	4	
13	1C-183	Lockwasher, 3/8" Medium	4	
14	1C-277	Nut, 3/8-16 NC, Hex	4	

* When using 6D343 in place of 6D342, order clamp 5D838 or enlarge slot 1/16" in 5D836.

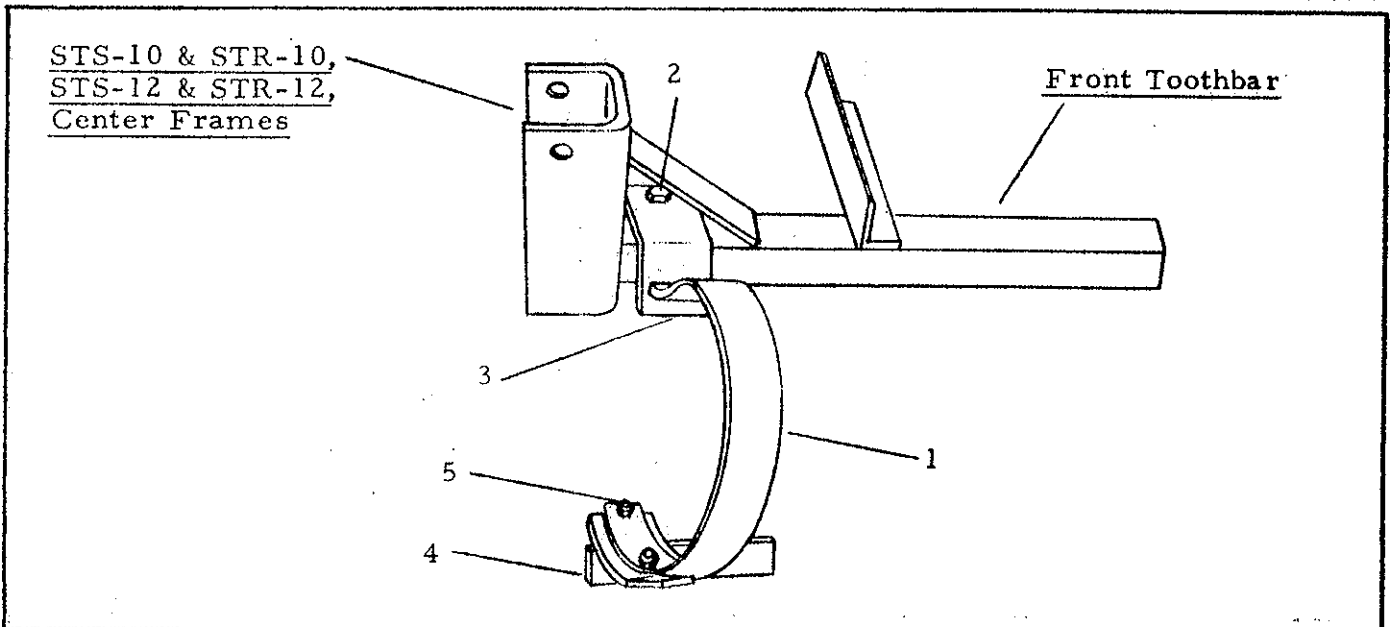


8 FT. & 10 FT. CENTER FRAMES

Index No.	Part No.	Description	No. Req'd.	Weight
1	3J-702	Center Frame - 8 Ft.	1	290.0
2	2J-319	L. H. Brace - 8 Ft.	1	26.0
3	2J-318	R. H. Brace - 8 Ft.	1	26.0
4	3J-701	Center Frame - 10 Ft.	1	340.0
5	2J-317	L. H. Brace - 10 Ft.	1	26.0
6	2J-316	R. H. Brace - 10 Ft.	1	26.0
7	5C-78	Strap	2	.5
8	5D-871	Capscrew, 1/2-13 NC x 3-1/2 Long		
		Grade 5	4	
9	1C-109	Lockwasher, 1/2 Medium	4	
10	5C-392	Locknut, 1/2-13 NC Hex	4	

INSTRUCTIONS SHEET FOR 5D-916 LEVELER KIT
USED ON BRILLION SPRING TOOTH HARROWS,
FOR STS & STR MODELS WITH 10 & 12 FOOT CENTER FRAMES AND
AND ALL STT MODELS.

1. On the STS & STR models, mount the spring to the bottom side of the center frame front toothbar as shown below.
2. On the STT models, mount the spring to the bottom side of the center frame front toothbar next to the hinge plate.
3. On the STS & STR models, attach the leveler assemblies to the spring with the offset bar pointed inward (in line with tire).
4. On the STT models, attach the leveler assemblies to the spring with the offset bar pointed outward (in line with tire).
5. The levelers help provide a level path for the wheels and reduces bouncing in extremely rough plowing.



REPAIR PART LISTING

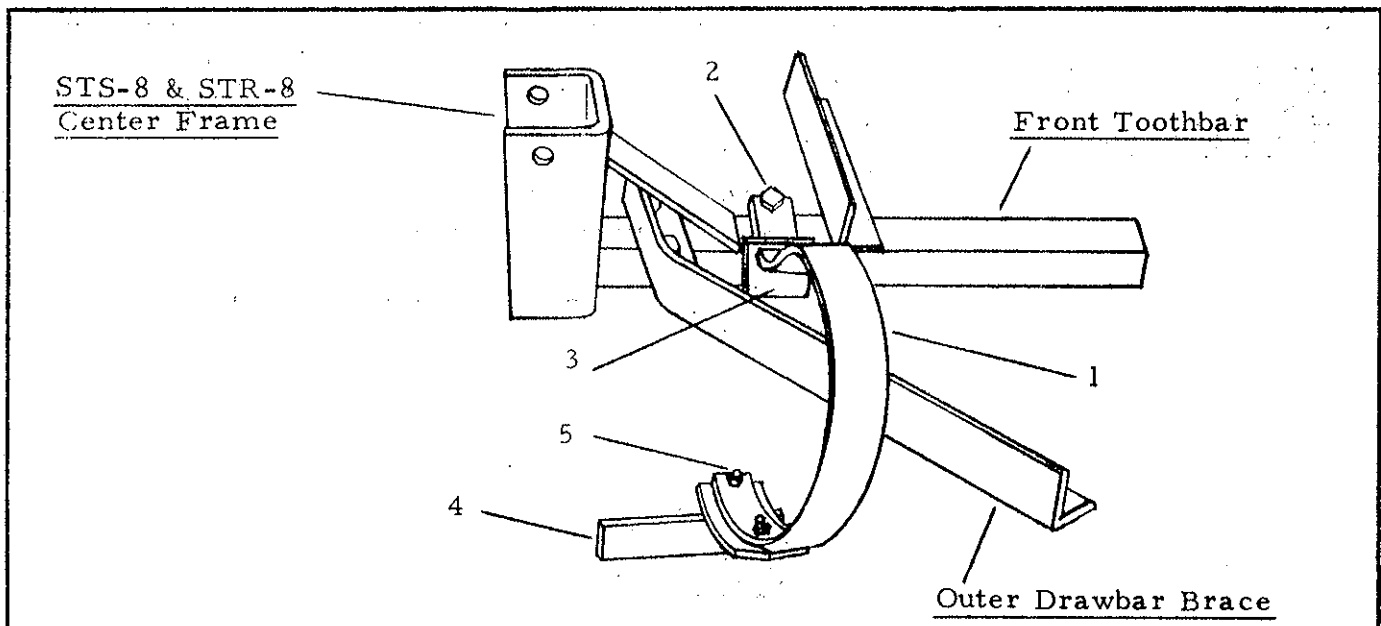
Index No.	Part No.	Part Name	No. Req'd.	Weight
1	6D-342	Spring	2	3.3
2	5D-871	Capscrew, 1/2-13 NC x 3-1/2 Long	2	.4
	1C-109	Lockwasher, 1/2 Medium	2	.07
	5C-392	Locknut	2	.07
3	5D836	Clamp	2	1.2
4	3D-499	L. H. Leveler Assembly (Shown)	1	3.5
	3D-500	R. H. Leveler Assembly (Opposite)	1	3.5
5	2C-628	Plow Bolt, 3/8-16 NC x 1-1/2 Long #3	4	.2
	1C-183	Lockwasher, 3/8 Medium	4	.04
	1C-277	Nut, 3/8-16 NC	4	.03

INSTRUCTION SHEET FOR 3J-256 LEVELER KIT

USED ON BRILLION SPRING TOOTH HARROWS.

FOR STS & STR MODELS WITH 8 FOOT CENTER FRAMES ONLY.

1. To install kit, remove the tooth in front of each transport tire.
2. Position the spring on the top side of toothbar with clamp on bottom side as shown below. Slide spring and clamp toward hinge as far as possible.
3. Bolt clamp and spring to toothbar with hardware provided.
4. Attach the leveler assemblies to the bottom end of the spring with the offset bar pointed outward (in line with tire).
5. The levelers help provide a level path for the wheels and reduces bouncing in extremely rough plowing.



REPAIR PART LISTING

Index No.	Part No.	Part Name	No. Req'd.	Weight
1	6D-342	Spring	2	3.3
2	5D-871	Capscrew, 1/2-13 NC x 3-1/2 Long	2	.4
	1C-109	Lockwasher, 1/2 Medium	2	.07
	5C-392	Locknut, 1/2-13 NC	2	.07
3	5D-836	Clamp	2	1.2
4	3J-258	R. H. Leveler Assembly (Shown)	1	3.5
	3J-257	L. H. Leveler Assembly (Opposite)	1	3.5
5	2C-628	Plow Bolt, 3/8-16 NC x 1-1/2 Long #3	4	.2
	1C-183	Lockwasher, 3/8 Medium	4	.04
	1C-277	Nut, 3/8-16 NC	4	.03