

# REPAIR PARTS CATALOG

FOR

*Brillion*

MODELS

CB-30

RMH-60 RMHV-60

RCH-60 RCHV-60

## COBRA-HEAD BLOWER

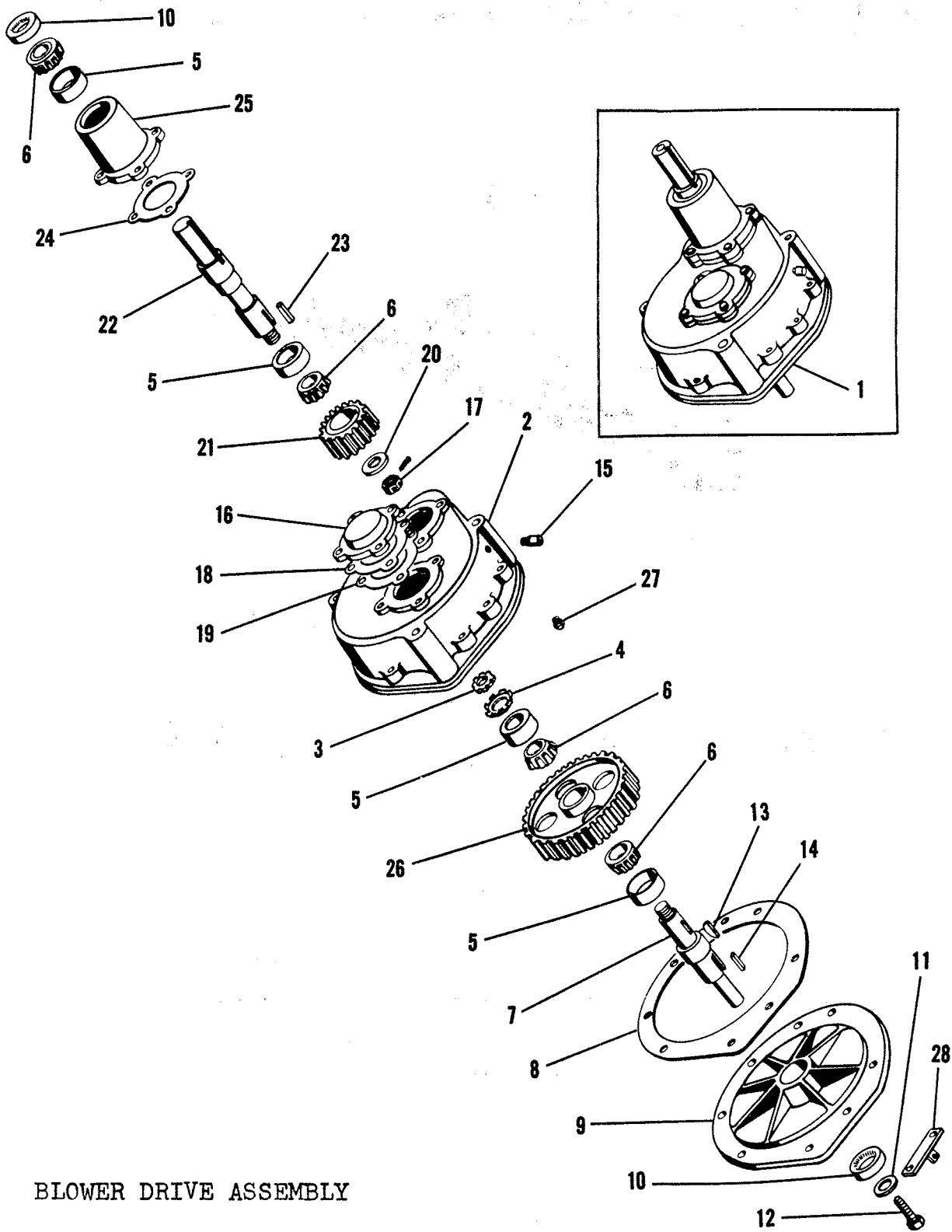
\* \* \* \* \*

ALL PARTS NOT LISTED ARE STANDARD HARDWARE

**BRILLION IRON WORKS, INC.**  
BRILLION, WISCONSIN

5C-560

5C-560

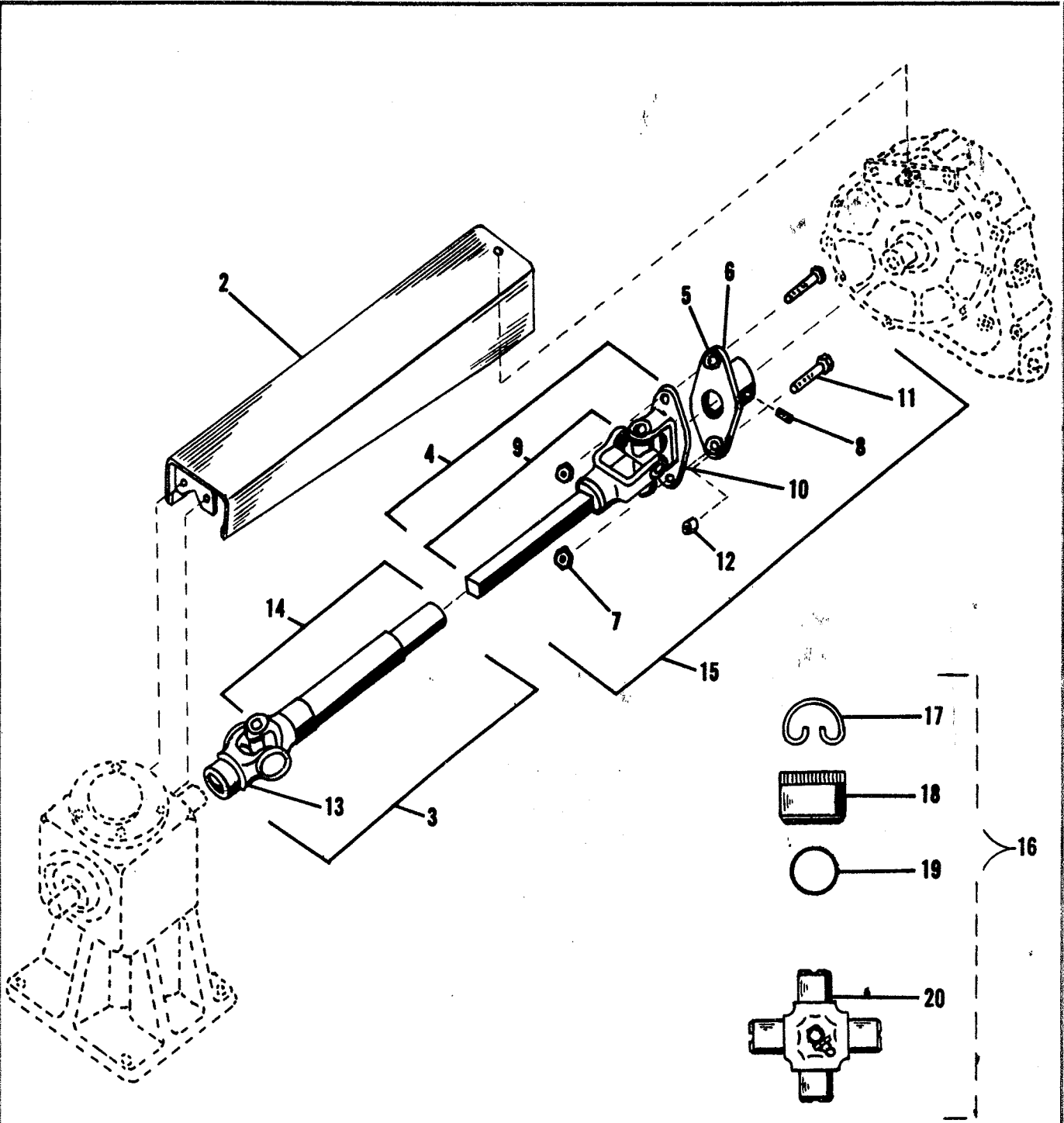


BLOWER DRIVE ASSEMBLY

BLOWER DRIVE ASSEMBLY

5C-560

INDEX NO.	PART NO.	PART NAME	WEIGHT
1	5C-490	Blower Drive Assembly	
2	5C-474	Step-Up Gear Housing	
3	5C-481	Bearing Locknut	
4	5C-482	Bearing Lockwasher	
5	5C-479	Bearing Cup (Timken #LM48510)	
6	5C-480	Bearing Cone (Timken #LM48548)	
7	5C-484	Input Shaft	
8	5C-492	Gasket	
9	5C-493	Input Bearing Flange	
10	5C-478	Oil Seal	
11	1C-120	Washer	
12	5C-516	1/2" x 1" Lg. L.H. Cap Screw	
13	5C-758	Woodruff Key	
14	4C-905	Universal Joint Key	
15	5C-573	Breather Valve	
16	5C-483	Bearing Flange	
17	5C-779	3/4-20 N.E.F. Hex Slotted Nut	
18	5C-487	Shim (.005)	
19	5C-488	Shim (.007)	
20	1C-133	Washer	
21	5C-477	26-T Gear	
22	5C-489	Fan Drive Shaft	
23	5C-491	Key	
24	5C-494	Gasket	
25	5C-485	Fan Bearing Carrier	
26	5C-476	65-T Gear	
27	5C-806	Gear Case Oil Gauge	
28	5C-835	Rear Shield Bracket	

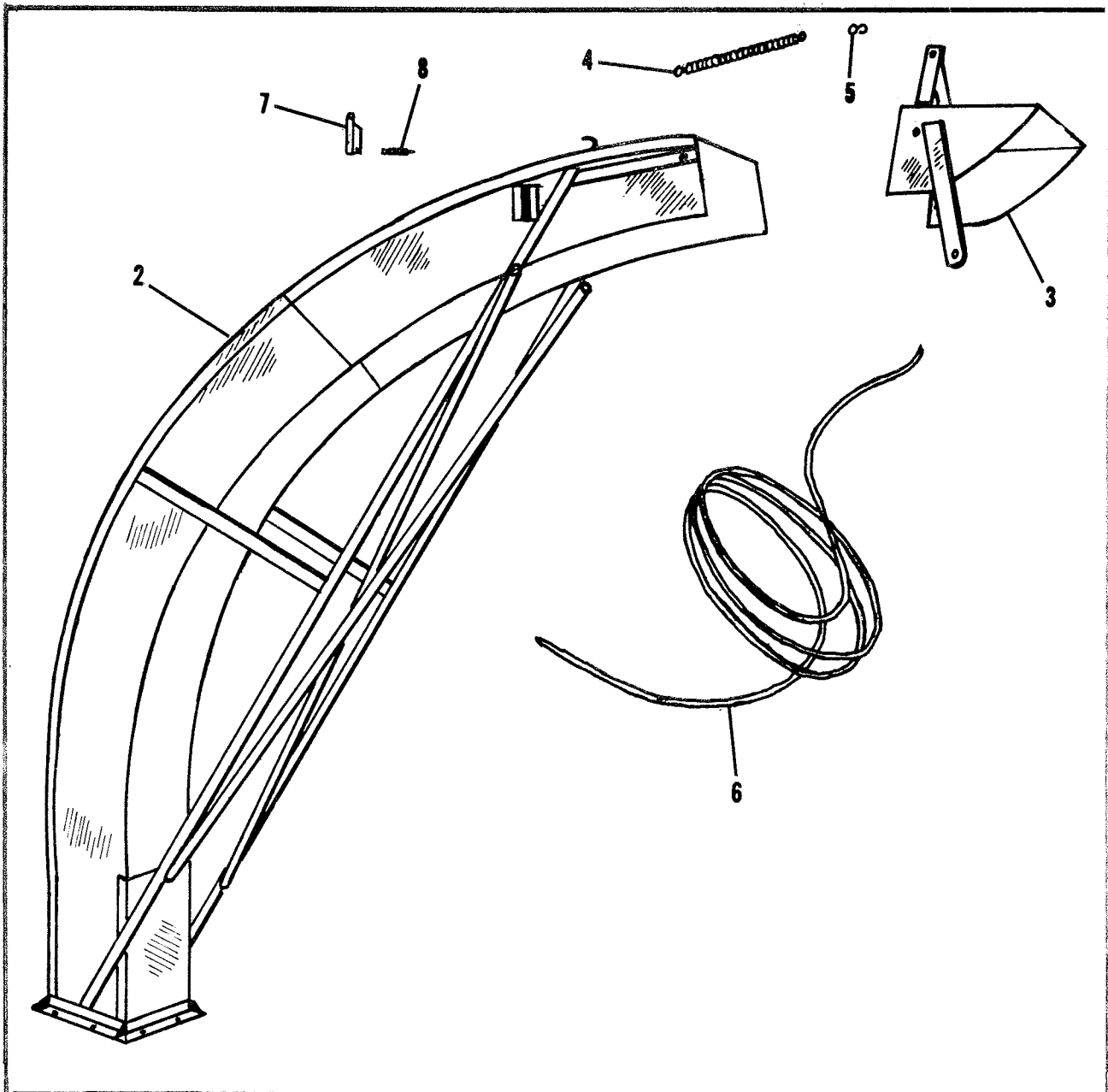


BLOWER  
UNIVERSAL DRIVE SHAFT AND  
SHEAR JOINT ASSEMBLY

BLOWER UNIVERSAL DRIVE SHAFT AND SHEAR JOINT ASSEMBLY

5C-560

INDEX NO.	PART NO.	PART NAME	WEIGHT
1	5C-498	P.T.O. Shaft Assembly Complete	26.7
2	5C-599	Universal Shield	7.5
3	5C-509	Yoke & Tube Assembly	10.1
4	5C-511	Shear Yoke & Shaft Assembly	11.8
5	5C-512	Shear Flange Assembly W/Bushing	4.5
6	5C-551	Shear Flange-Less Bushing	4.4
7	5C-724	Elastic Nut	
8	5C-514	Set Screw	
9	5C-503	Sq. Shaft & Yoke Assembly	6.1
10	5C-572	Shear Pin Yoke	4.0
11	5C-513	Shear Bolt	0.1
12	5C-500	Bushing	0.1
13	6C-142	Gear Drive Yoke	2.7
14	5C-507	Tube Assembly	5.8
15	5C-510	Sq. Shaft & Safety Shear Assembly	16.7
16	5C-515	Joint Repair Kit (Contains)	2.0
		1 (6C-137) Center Cross	
		4 (6C-138) Bushing Assemblies with cork washers	
		4 (6C-141) Snap Rings	
		1 Lubricator	
17	6C-141	Snap Ring	
18	6C-138	Bushing Assembly W/Cork Washer	
19	6C-139	Cork Washer only	
20	6C-137	Center Cross	1.5

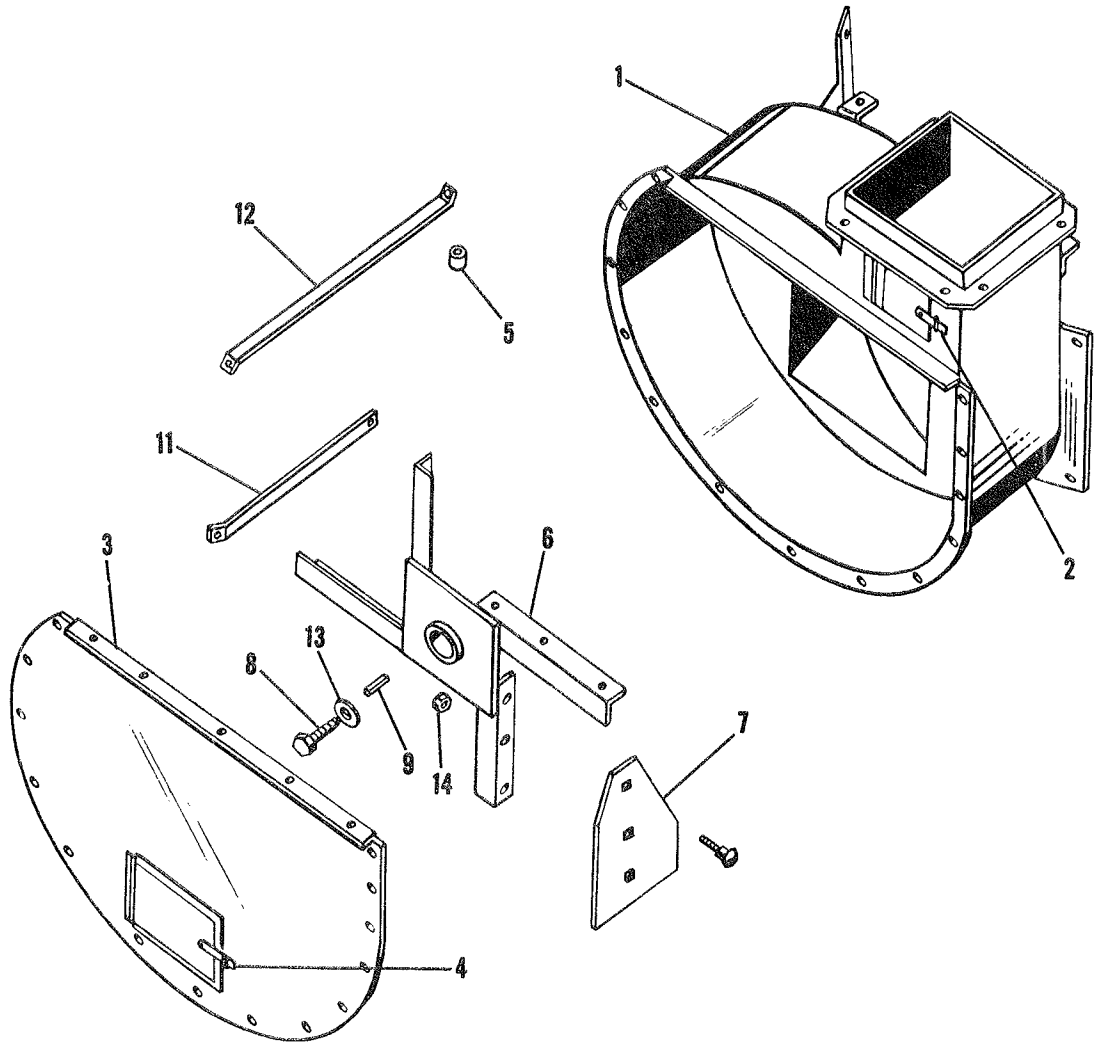


5C-560

STACK ASSEMBLY

INDEX NO.	PART NO.	PART NAME	WEIGHT
1	5C-866	Stack Assembly Complete	
2	5C-533	Stack	
3	5C-534	Stack Head	
4	5C-535	Spring	
5	5C-583	Wire "Eight" Hook	
6	5C-584	Rope	
7	5C-580	Rope Lock Pawl	
8	1C-106	Spring	

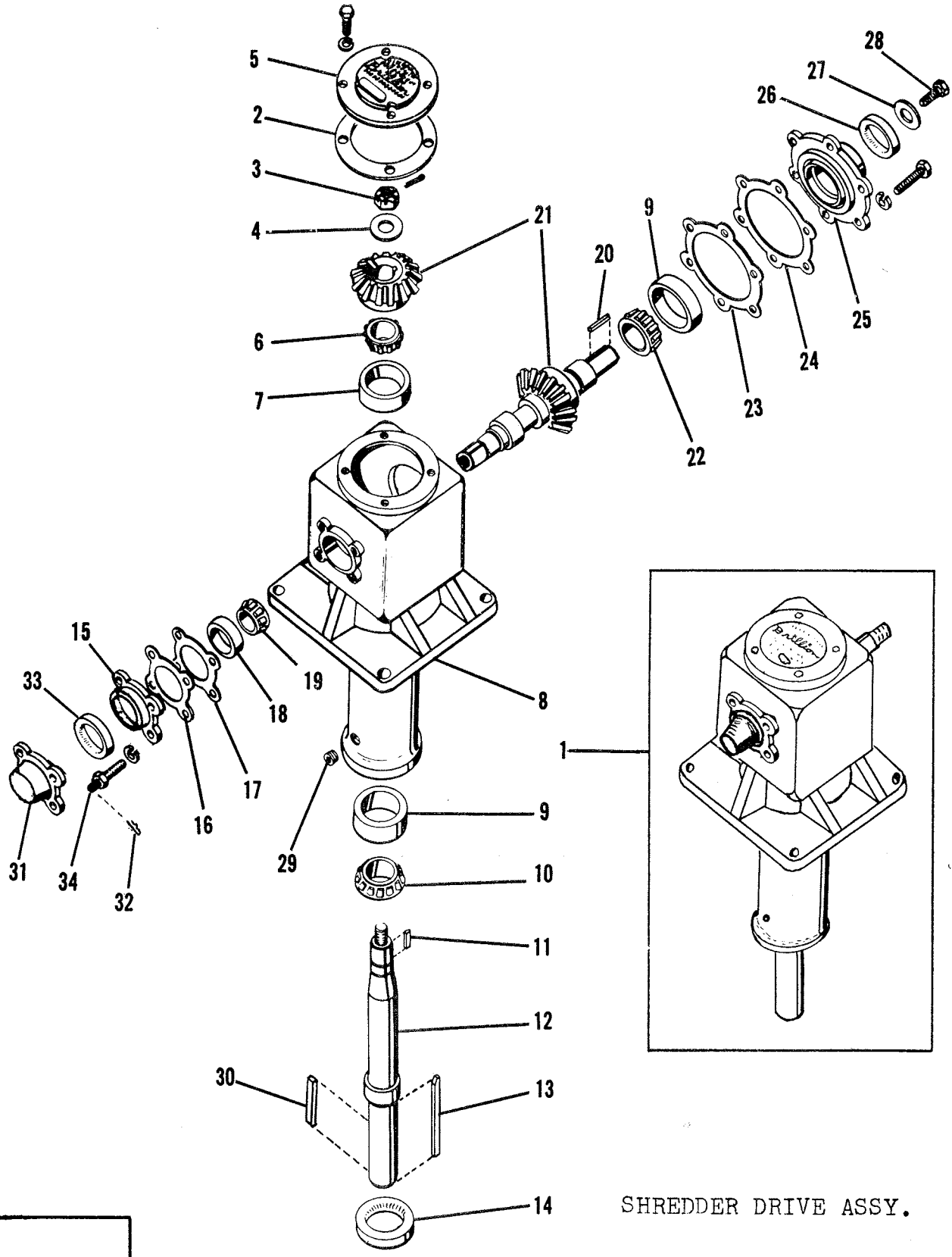
5C-560



FAN HOUSING ASSEMBLY

INDEX NO.	PART NO.	PART NAME	WEIGHT
1	5C-531	Blower Housing Assembly	142.0
2	5C-791	Upper Latch	.2
3	5C-522	Rear Plate Assembly	43.0
4	5C-859	Lower Latch	.1
5	5C-853	Spacer	.5
6	5C-552	Spider Assembly	39.0
7	5C-926	Blade	5.2
8	5C-516	½" x 1" Lg. L.H. Cap Screw	.1
9	4C-374	Fan Key	.2
10	5C-532	Fan Assembly Complete(Spider & 4 Blades)	66.0
11	5C-550	Lower (l.H.) Brace	3.6
12	5C-549	Upper Brace	6.0
13	5C-732	Washer	.2
14	1C-670	Elastic Nut	

50-560



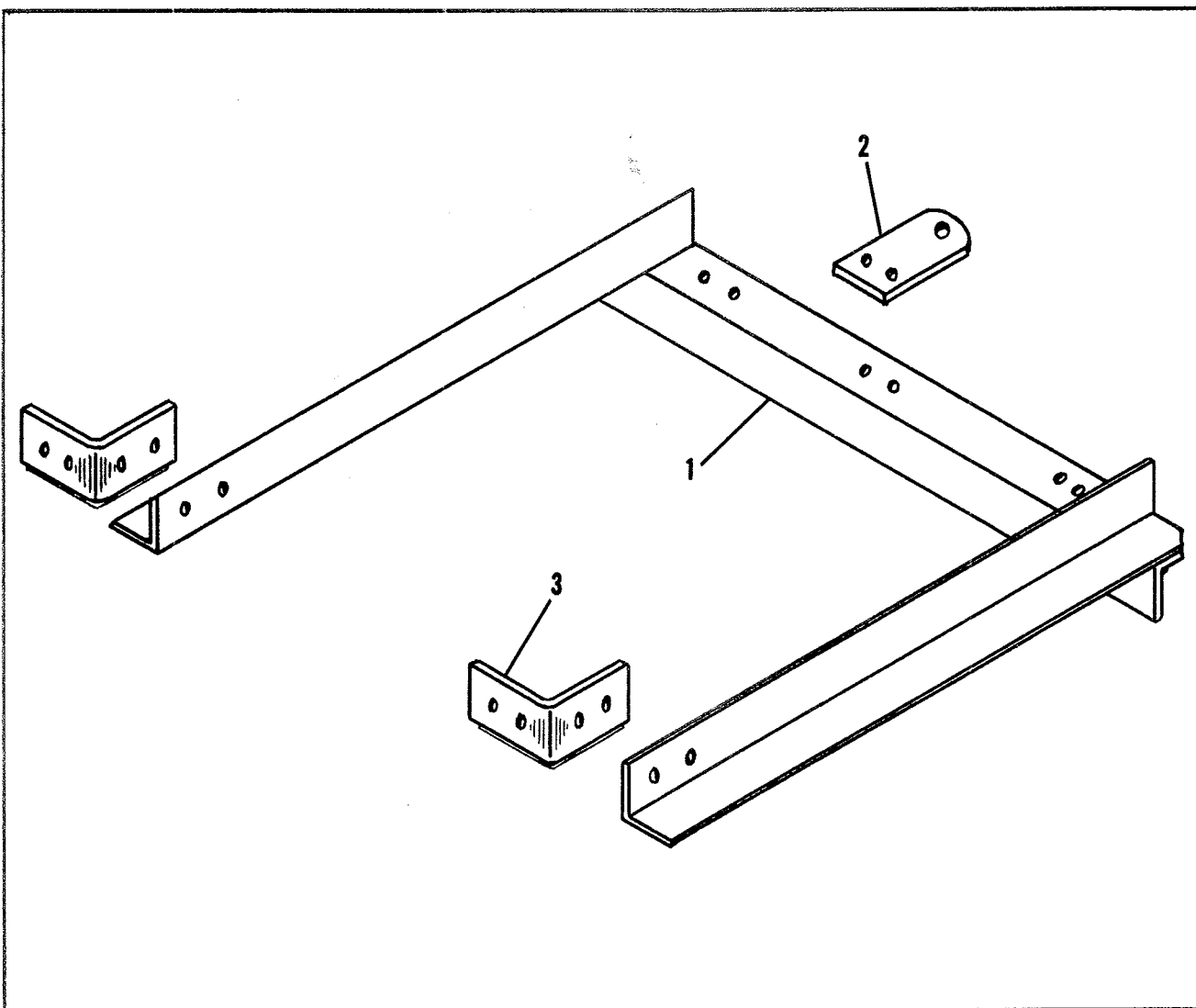
SHREDDER DRIVE ASSY.



SHREDDER DRIVE ASSEMBLY

5C-560

INDEX NO.	PART NO.	PART NAME	WEIGHT
1	5C-730	Drive Assembly Complete	
2	4C-825	Gasket-Drive Cover	
3	4C-839	Nut	
4	5C-95	B.G. Retaining Washer	
5	4C-947	Drive Cover	
6	4C-835	Bearing Cone (Timken No. 31597)	
7	4C-833	Bearing Cup (Timken No. 31520)	
8	4C-821	Drive Housing	
9	4C-832	Bearing Cup (Timken No. 362-A)	
10	4C-850	Bearing Cone (Timken No. 368)	
11	4C-836	Key-Output Gear	
12	4C-995	Output Shaft	
13	5C-177	Clutch Key (7-3/8" Lg.-Round End)	
14	4C-831	Oil Seal-Output	
15	5C-505	Rear P.T.O. Bearing Flange	
16	4C-826	Shim (.005 thick)	
17	4C-827	Shim (.007 thick)	
18	3C-657	Bearing Cup (Timken No. 13621)	
19	5C-556	Bearing Cone (Timken No. 13687)	
20	4C-905	Universal Joint Key	
21	5C-860	Matched Gear & Gear Shaft Set	
22	4C-847	Bearing Cone (Timken No. 367)	
23	4C-828	Shim (.007 thick)	
24	4C-829	Shim (.005 thick)	
25	4C-842	Bearing Flange	
26	4C-830	Oil Seal-Input	
27	4C-931	Washer-Joint Retaining	
28	1C-674	Cap Screw (Joint Retaining)	
29	4C-841	Drain Plug	
30	5C-129	Clutch Key (3-3/4" Lg.-Round End)	
31	5C-774	Rear P.T.O. Shaft Cap	
32	5C-829	Internal Hairpin Cotter	
33	5C-506	Seal-Rear P.T.O.	
34	5C-828	Guard Attaching Pin	



5C-560

REAR HITCH FRAME ASSEMBLY

INDEX NO.	PART NO.	PART NAME	WEIGHT
1	5C-538	Rear Hitch Frame	50.0
2	5C-734	Rear Hitch	2.9
3	5C-540	Drawbar Bracket	2.2