

# **REPAIR PARTS CATALOG**

**FOR**

*Brillion*

**MODEL HC-2A**

**HAY CONDITIONER**

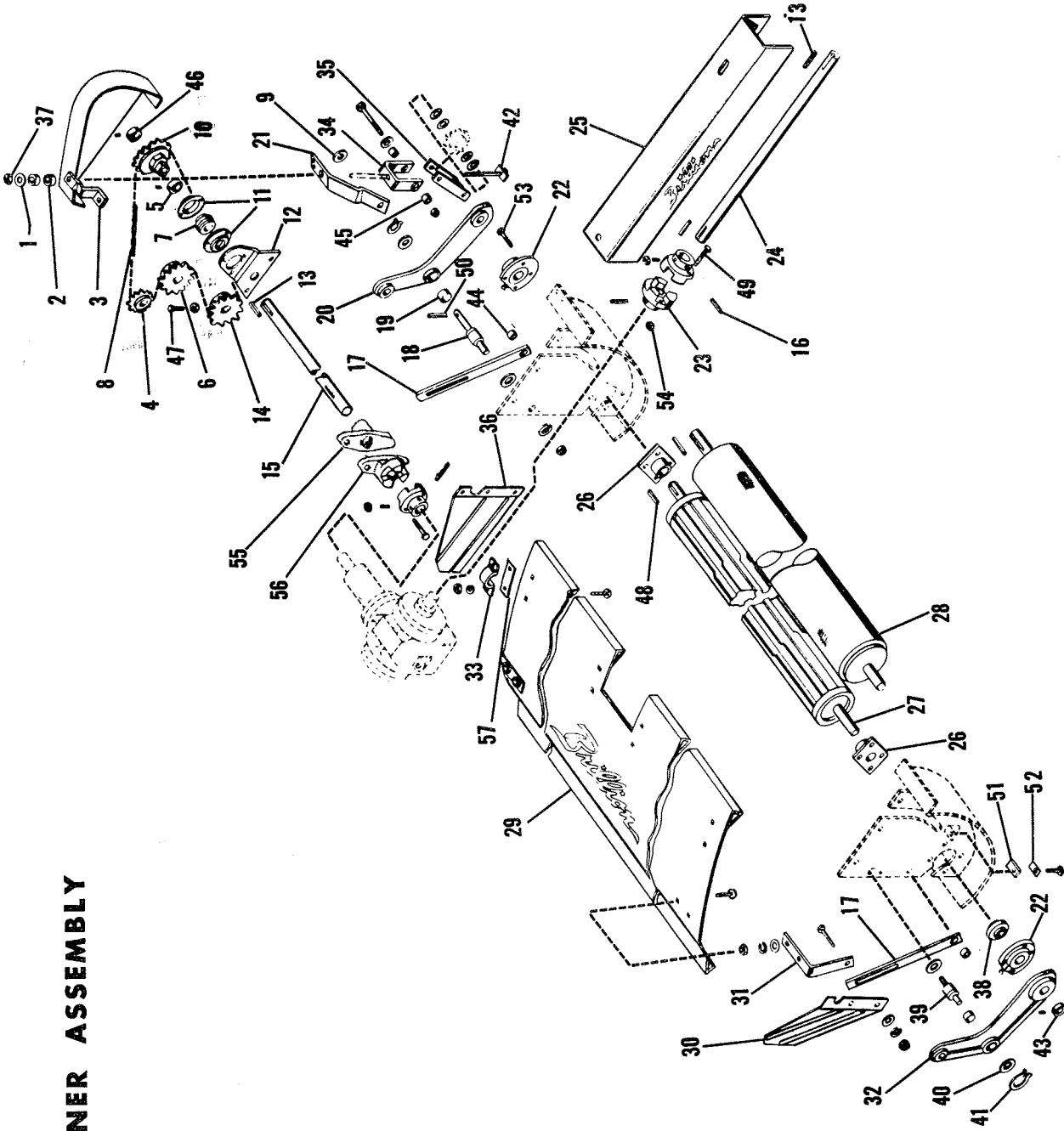
**EFFECTIVE WITH SERIAL NO: HC2-1375**

**ALL PARTS NOT LISTED ARE STANDARD HARDWARE**

**BRILLION IRON WORKS, INC.**  
BRILLION, WISCONSIN

**9C-940**

# CONDITIONER ASSEMBLY

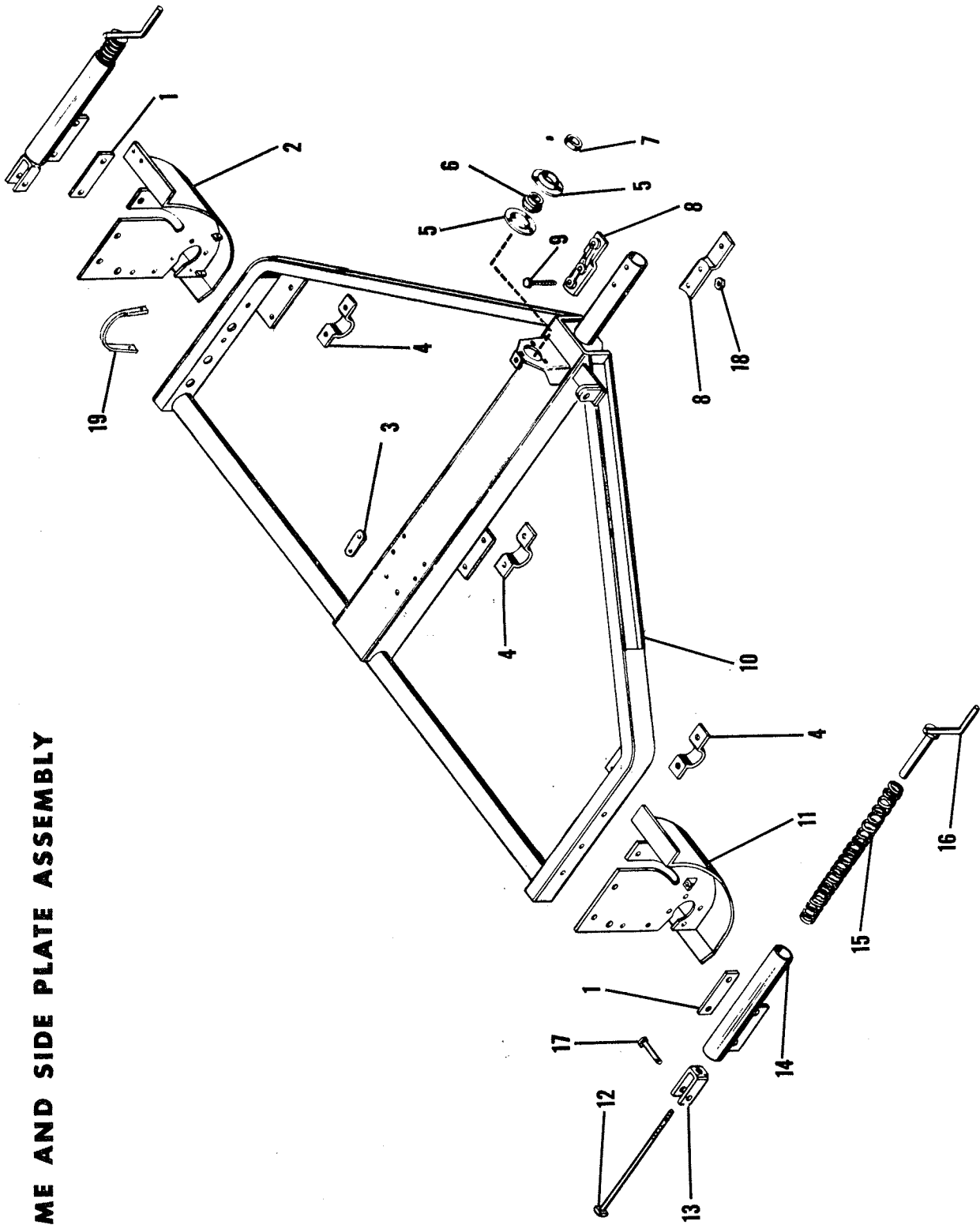


9C-940

CONDITIONER ASSEMBLY

Index No.	Part No.	Part Name	Weight
1	7C-370	Washer - Special	.2
2	7C-369	Rubber Pad (2 Used)	.1
3	8C-777	Guard Assembly	3.8
4	8C-762	Idler Sprocket Assembly - 15T	.8
5	6C-96	Collar - 1-1/4" Bore	.1
6	8C-755	Sprocket Assembly - 24T - 1-7/16 Bore	3.6
7	6C-93	Bearing - 1-1/4" Bore	.5
8	8C-776	Roller Chain	5.0
9	8C-892	Machinery Bushing - 5/8"	
10	9C-666	Sprocket Assembly - 24T - 1-1/4 Bore	3.4
11	6C-94	Flangette	.3
12	8C-775	Bearing Mounting Plate	2.3
13	7C-728	Key (6 Used)	
14	8C-756	Sprocket Assembly 20T - 1-1/4 Bore	3.1
15	9C-713	Drive Shaft	10.4
16	7C-305	Roll Pin (4 Used)	
17	8C-824	Brace	2.1
18	8C-773	Pivot Pin - L. H.	.4
19	8C-765	Bearing - Nylon Sleeve	
20	8C-767	Roll Support Arm - L. H.	8.0
21	8C-907	Support Bracket Assembly	1.2
22	8C-779	Bearing Cartridge Assembly	4.1
23	7C-109	Coupler half, driver	2.5
24	9C-651	Drive Shaft	8.5
25	9C-649	Drive Shaft Shield	8.0
26	8C-837	Bearing Shield	1.3
27	8C-753	Lower Roll Assembly	168.0
28	8C-754	Upper Roll	230.0
29	8C-745	Fluffer	13.8
30	8C-821	Deflector - R. H.	4.1
31	8C-823	Fluffer Bracket	1.4
32	8C-766	Roll Support Arm - R. H.	8.0
33	8C-820	Clamp (4 Used)	.3
34	8C-903	Idler Clevis	1.0
35	8C-759	Idler Bracket	.7
36	8C-822	Deflector - L. H.	4.1
37	5C-954	Nut - Idler Adjusting	
38	8C-764	Bearing - 1-7/16" Bore	.8
39	8C-774	Pivot Pin - R. H.	.4
40	7C-120	Machinery Bushing - 1"	
41	8C-772	Snap Ring - 1"	
42	8C-908	Idler Adjusting Bolt	.2
43	6C-793	Collar - 1-7/16" Bore	.1
44	2C-712	Bushing - 3/8"	
45	8C-904	Bushing - 5/8"	
46	8C-894	Set Collar - 1-1/4"	.3
47	7C-642	Set Screw (Continued on Page 5)	

**FRAME AND SIDE PLATE ASSEMBLY**



9C-940

## CONDITIONER ASSEMBLY

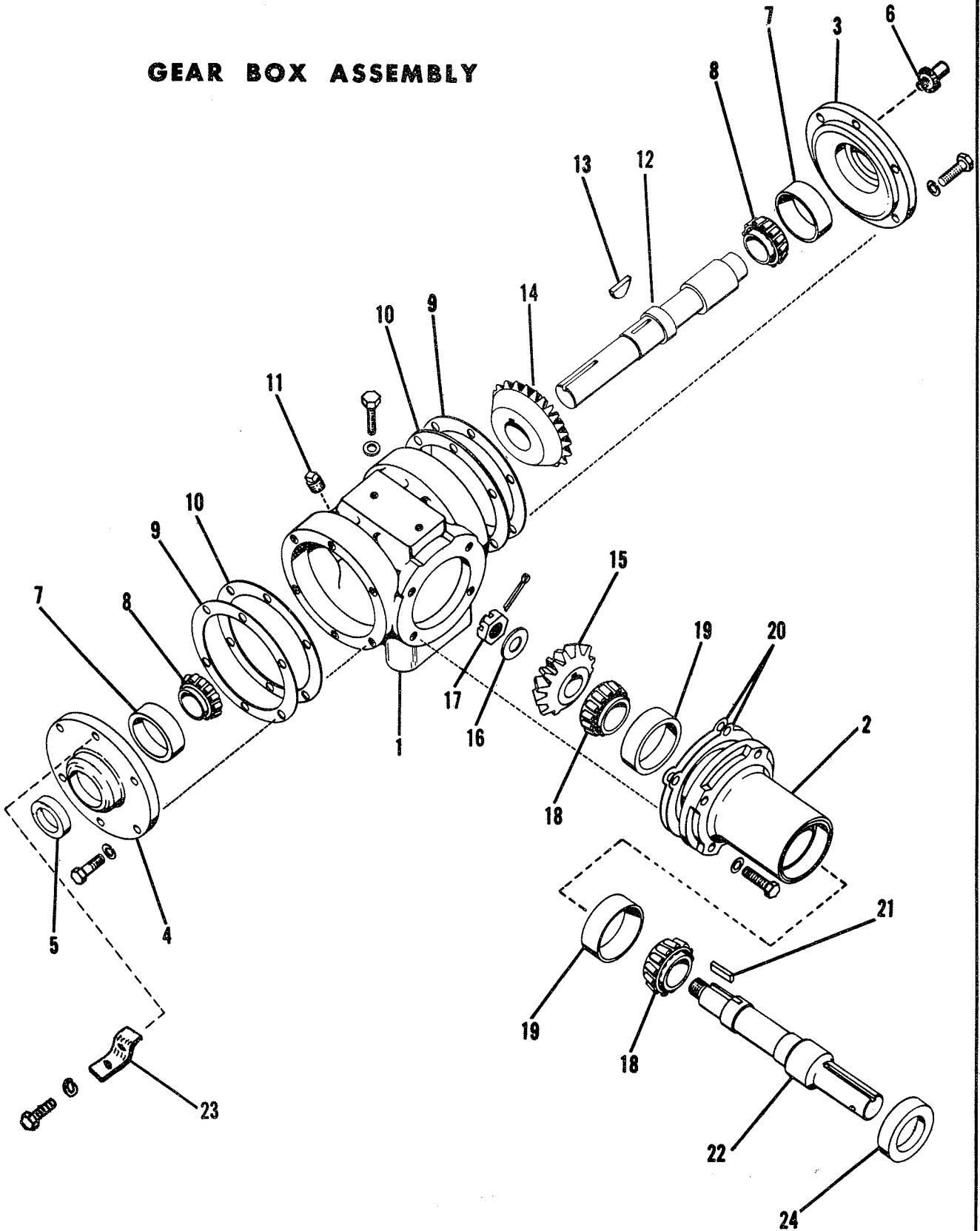
(Continued From Page 3)

Index No.	Part No.	Part Name	Weight
48	6C-754	Key (2 Used)	
49	7C-381	Cap Screw	.1
50	1C-99	Roll Pin	
51	8C-958	Arm Stop - L. H. (9C-971 - R.H.)	.1
52	8C-896	Shim - .030 Thick	
	8C-897	Shim - .015 Thick	
53	8C-942	Cap Screw - Drilled	
54	5C724	Nut - Elastic Locking	
55	9C-709	Shear Arm Assembly	3.0
56	9C-710	Shear Coupler Assembly	5.9
57	9C-668	Rubber Spacer (4 Used)	

## FRAME &amp; SIDE PLATE ASSEMBLY

Index No.	Part No.	Description	Weight
1	8C-778	Filler Plate (2 Used)	.6
2	8C-748	Side Plate Assembly, L.H.	35.0
3	8C-893	Shim	.3
4	6C-285	Axle Bearing (3 Used)	1.7
5	6C-94	Flangette (2 Used)	.3
6	6C-93	Bearing - 1 $\frac{1}{4}$ Bore	.5
7	6C-96	Collar - 1 $\frac{1}{4}$ Bore	.1
8	8C-881	Hitch Strap (2 Used)	2.6
9	8C-882	Cap Screw (2 Used)	
10	9C-656	Frame Assembly	145.0
11	8C-749	Side Plate Assembly, R.H.	33.0
12	8C-760	Spring Tension Rod	1.8
13	8C-771	Clevis (2 Used)	.8
14	8C-757	Spring Cage Assembly	6.3
15	8C-768	Compression Spring	7.2
16	8C-758	Pilot Tube Assembly	1.5
17	8C-838	Clevis Pin	
18	5C-461	Nut - Stover	

# GEAR BOX ASSEMBLY

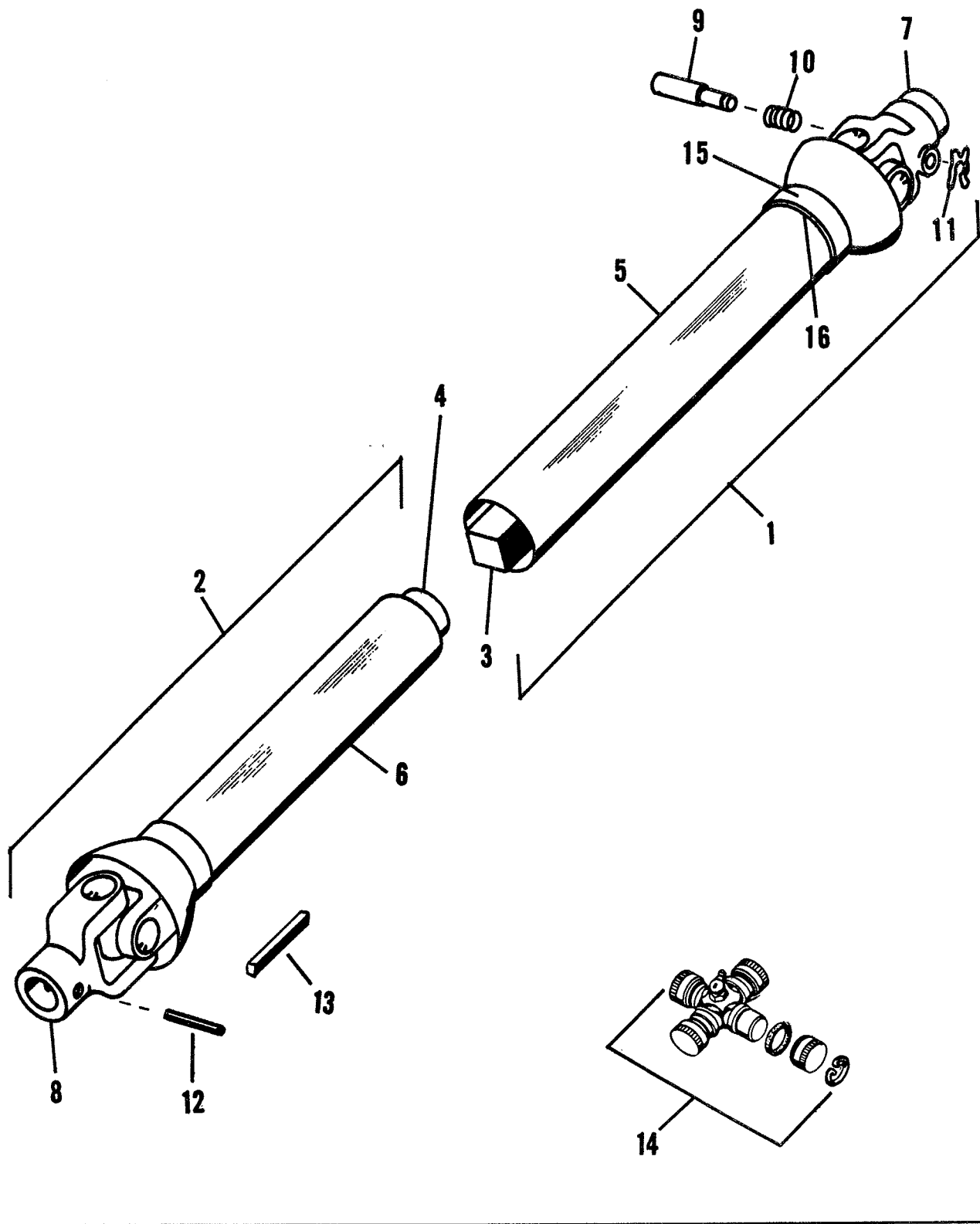


3C-940

GEAR BOX ASSEMBLY

Index No.	Part No.	Part Name	Weight
1	6C-125	Gear Housing	13.2
2	5C-485	Bearing Carrier	5.8
3	6C-129	Bearing Flange	3.0
4	6C-130	Bearing Flange	2.9
5	6C-124	Seal	.1
6	5C-573	Breather Valve	
7	5C-914	Bearing Cup (Timken #LM67010)	.2
8	5C-913	Bearing Cone (Timken #LM67048)	.3
9	6C-127	Shim (.005)	
10	6C-128	Shim (.007)	
11	4C-837	Pipe Plug	.1
12	8C-816	Input Shaft	3.2
13	5C-758	Woodruff Key	
14	8C-815	Bevel Gear - 27 Teeth	3.6
15	8C-814	Bevel Pinion - 20 Teeth	1.6
16	2C-458	Washer	
17	6C-215	3/4 - 20 N. E. F. Hex. Slotted Nut	
18	5C-480	Bearing Cone (Timken #LM48548)	.2
19	5C-479	Bearing Cup (Timken #LM48510)	.1
20	5C-494	Shim (.015)	
	5C-487	Shim (.005)	
	5C-488	Shim (.007)	
21	8C-891	Key	
22	8C-817	Output Shaft	3.7
23	8C-955	Bracket Assembly	.2
24	6C-126	Seal	

# P. T. O. SHAFT WITH INTEGRAL SHIELD



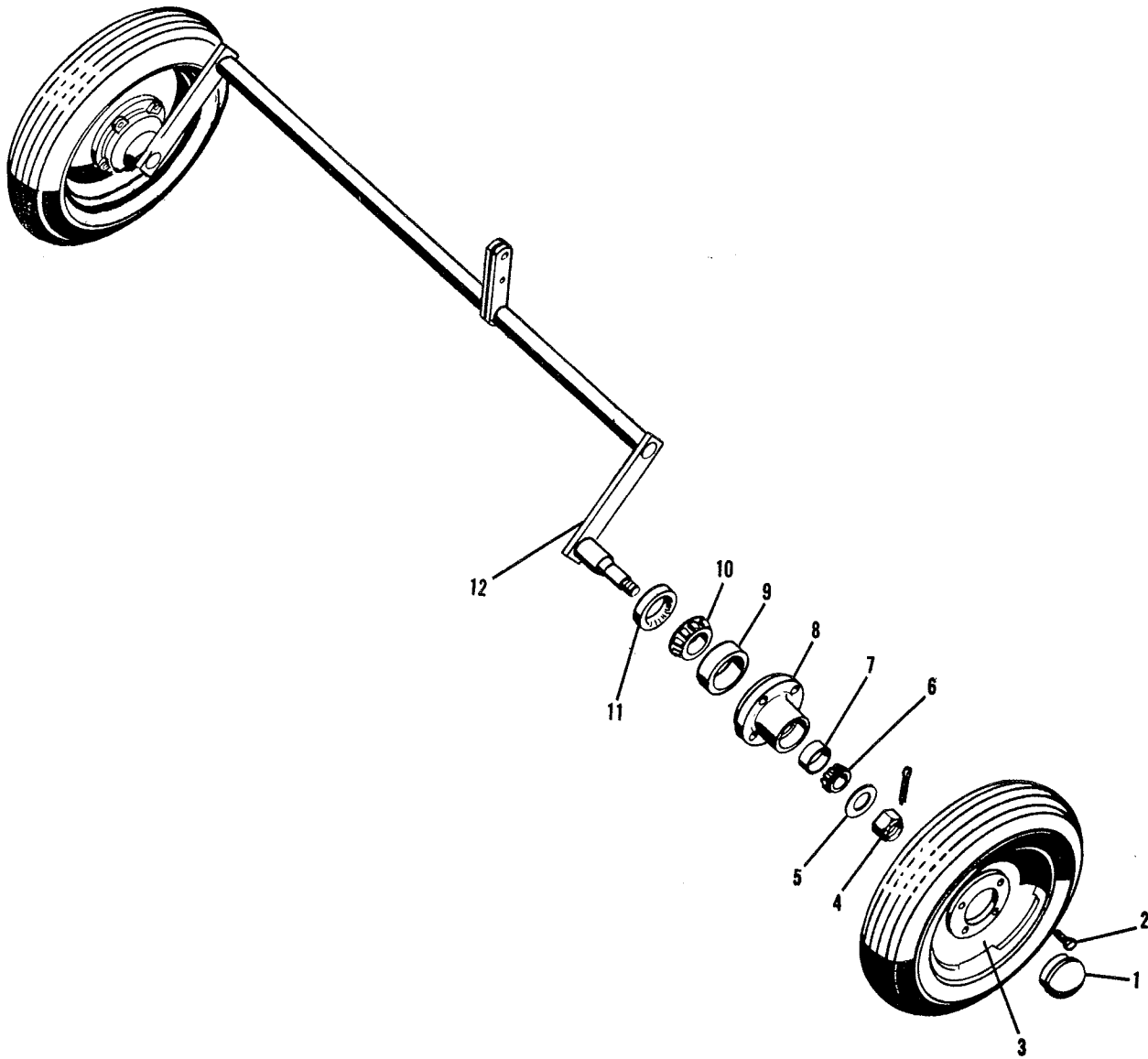
8C-940



P. T. O. SHAFT WITH INTEGRAL SHIELD

Index No.	Part No.	Part Name	Weight
1	9C-663	Shaft & Joint Assembly - 1-3/8 Spline	15.7
2	9C-662	Tube & Joint Assembly	13.6
3	9C-949	Shaft & Yoke Assembly	13.2
4	9C-947	Tube & Yoke Assembly	11.0
5	9C-950	Front Shield	2.5
6	9C-948	Rear Shield	2.7
7	7C-265	Q. D. Yoke Only - 1-3/8 - 6B Spline	2.2
8	8C-947	Gearbox Yoke	2.0
9	5C-987	Lock Pin	
10	5C-257	Spring	
11	5C-939	X Washer	
12	7C-305	Roll Pin	
13	7C-728	Drive Key	
14	7C-270	Universal Joint Repair Kit	.8
15	8C-301	Set Of 8 Balls	.2
16	8C-302	Retaining Ring	.1

# WHEEL & AXLE ASSEMBLY



C-940

WHEEL & AXLE ASSEMBLY

Index No.	Part No.	Part Name	Weight
1	5C-908	Cap	.2
2	5C-100	Wheel Bolt	.1
3	5C-916	Wheel (Less Tire & Tube)	15.9
4	5C-909	Slotted Nut	.1
5	5C-907	Washer	
6	5C-911	Bearing Cone (Timken #LM11949)	.2
7	5C-912	Bearing Cup (Timken #LM11910)	.1
8	5C-904	Wheel Hub	6.3
9	5C-914	Bearing Cup (Timken #LM67010)	.2
10	5C-913	Bearing Cone (Timken #LM67048)	.3
11	5C-910	Grease Seal	.1
12	8C-946	Axle Assembly (Less Hubs)	148.0
	8C-743	Axle Assembly (Complete)	164.0

