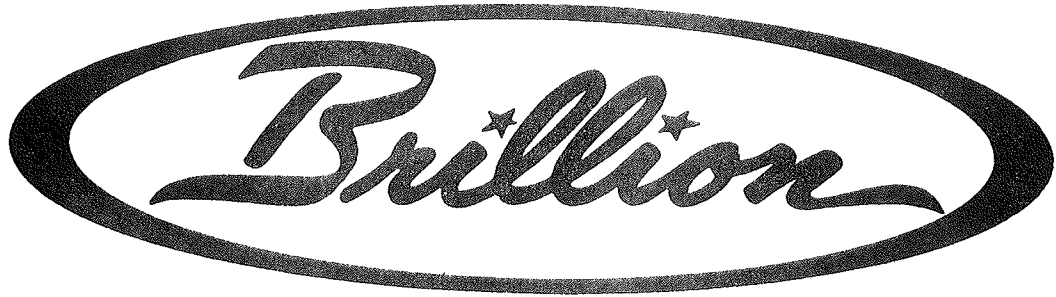


REPAIR PARTS CATALOG
and
OPERATOR'S MANUAL



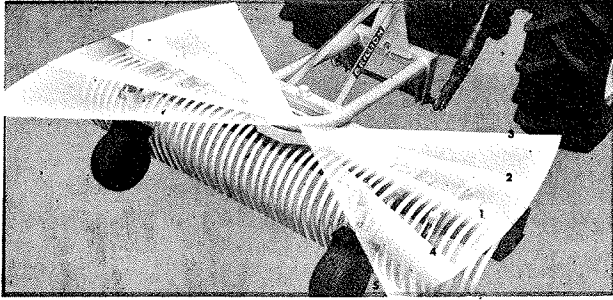
Terra-Scaper

LANDSCAPE RAKES

Model LR-6 and LR-8

A product of the

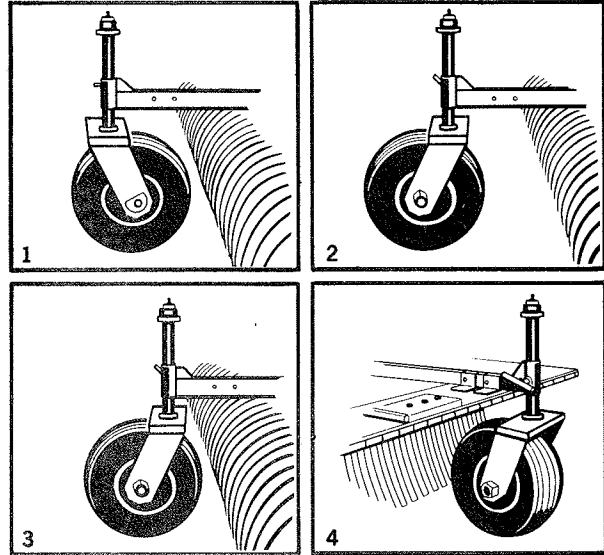
BRILLION IRON WORKS • BRILLION, WISCONSIN



FIVE RAKE ANGLE POSITIONS

TERRA-SCAPER can be operated in 5 positions: (1) straight (for moving and spreading materials), (2) at 19° left, (3) at 38° left, (4) at 19° right and (5) at 38° right for windrowing and releasing material to either side. Position is easily changed by removing hand pin, rotating rake body and reinserting pin.

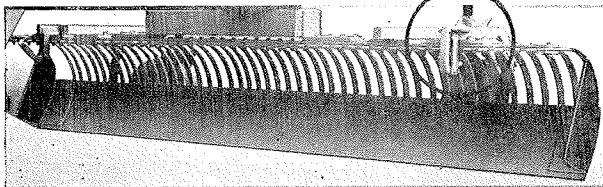
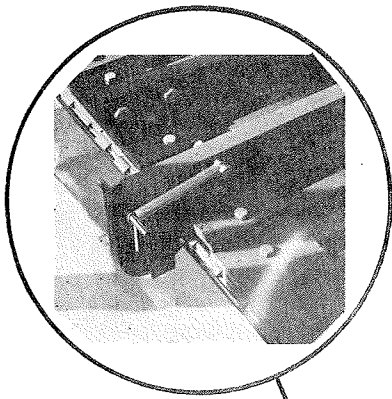
Figure 1



GAUGE WHEELS CAN BE MOUNTED IN 3 POSITIONS, INCLUDING 360° CASTER

Brillion features three position mounting for the gauge wheels for regulating working depth: (1) and (2) rear wheel mounting away from rake allows 360° caster; (3) rear mounting closer to rake, and (4) forward mounting to eliminate tire marks. Vertical adjustment is made with easy-to-operate handle screws (no tools required) — gauge marks in 1/2" increments. Large flotation tires are 6.50 x 13.

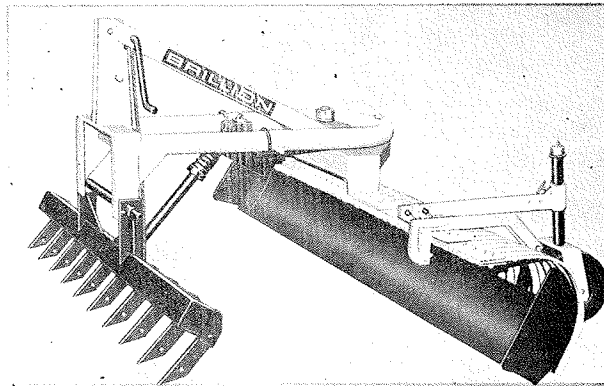
Figure 3



OPTIONAL SCRAPER-GRADER BLADE

Optional Scraper-Grader Blade (in 6 and 8 foot sizes) attaches permanently to TERRA-SCAPER and is easily raised or lowered without tools. Heavy duty blade is beveled on both edges for double life. End boots (another option) increase usefulness and capacity of blade.

Figure 2



OPTIONAL SCARIFIER KIT

The six-foot scarifier can be quickly attached to either the LR-6 or LR-8; it is raised and lowered by the crank-cable mechanism. The wear-resistant teeth are reversible and replaceable.

Figure 4

BRILLION TERRA-SCAPER LANDSCAPE RAKE

ASSEMBLY

Your Brillion Landscape Rake is shipped in two assemblies, the rake assembly and the frame assembly. They are easily coupled by means of the pivot bolt attached to the frame assembly. The nut should be drawn as tightly as possible and yet allow the rake assembly to pivot on the frame. When this is done, the rake is ready for use.

OPTIONAL ATTACHMENTS

THE SACRIFIER KIT

The scarifier is shipped in three assemblies. They are the scarifier head and two box assemblies. The box assemblies contain the scarifier teeth and other attaching parts and hardware.

Before assembling the scarifier kit to your landscape rake, study page 8 in the repair parts section of this manual. Also see Figure 4.

The scarifier head attaches to the front of the rake frame assembly. To install, the drawbar sleeve and drawbar shaft must be removed from the rake frame assembly. Align scarifier arm holes with those in the rake frame. Then replace the drawbar sleeve and drawbar shaft, locking in place with the two 1/4" cotter pins.

Next, assemble the crank to the rake frame; lock in place with the 3/16" x 2" long roll pin provided. Then insert the end of cable assembly through the hole nearest the roll pin and then into the hole adjacent to the frame brace. Secure by tightening set screw against cable. Attach the other end of the cable assembly to the hole provided in one of the scarifier tooth lugs.

Next, install shock bar components. First, mount the bracket assembly using the U-bolts and nuts provided. The edge of the angle should butt against the front of the "stop pads" which are welded beneath the main frame tube. Now assemble the spring and spring collar to the shock bar and insert one end into the tube of the bracket assembly. Lock in place with the 1/2" x 2" long roll pin provided. Attach the other end to the center lugs of the scarifier head using the 3/4 x 2-3/4" long bolt and lock nut.

Next, assemble the ten scarifier blades to the scarifier head with the 5/8 x 2-3/4" long bolts and lock nuts provided.

Finally, insert the stop rod through the holes in the mast and position in place with the remaining two 3/16 x 2" long roll pins.

SCRAPER BLADE KIT

Before assembling the scraper blade kit, study page 12 of the repair parts section of this manual which shows the relative position of the parts.

Assemble the scraper blade supports to the scraper blade using the plow bolts and lock nuts provided. Position the blade ahead of the rake teeth, centered, with the blade supports projecting upward between the rake teeth. Next, attach the blade brackets, with the 3/8 x 2" long bolts provided, to the rake assembly. See Fig. 2. Then attach the blade supports to the blade brackets with the 1/2 x 3" long bolts and lock nuts.

Finish by assembling the spring latch mechanisms as shown in Figure 2.

END BOOT KIT

Assemble the end boots to the scraper blade as illustrated on page 12 of the repair parts section of this manual. To mount to the 6' blade use the same bolts as are used to attach the blade support. Mounting to the 8' blade requires the use of the 1/2 x 1-1/2" long plow bolts provided with the kit.

WHEEL SUPPORT KIT

The wheel support kit is shipped in two complete wheel support assemblies. Mount them to the top of the rake plates using the 3/8 x 2" long capscrews provided. Mount directly adjacent to where the frame mounts to the rake assembly. See Figure 3 for details.

MAINTENANCE

The Brillion Terra-Scaper requires very little up-keep. The rake teeth are made of heat treated alloy steel for good wearing characteristics. It should be noted, however, that the rake should be raised when backing. This will avoid unnecessary tooth breakage.

The scarifier has three grease fittings which should be lubricated periodically. Note that the scarifier teeth can be reversed when worn.

The support wheels require lubrication, occasionally, at the grease fittings on top of the spindles. Wheel bearings should be grease packed annually. Recommended tire pressure is 16 P.S.I.

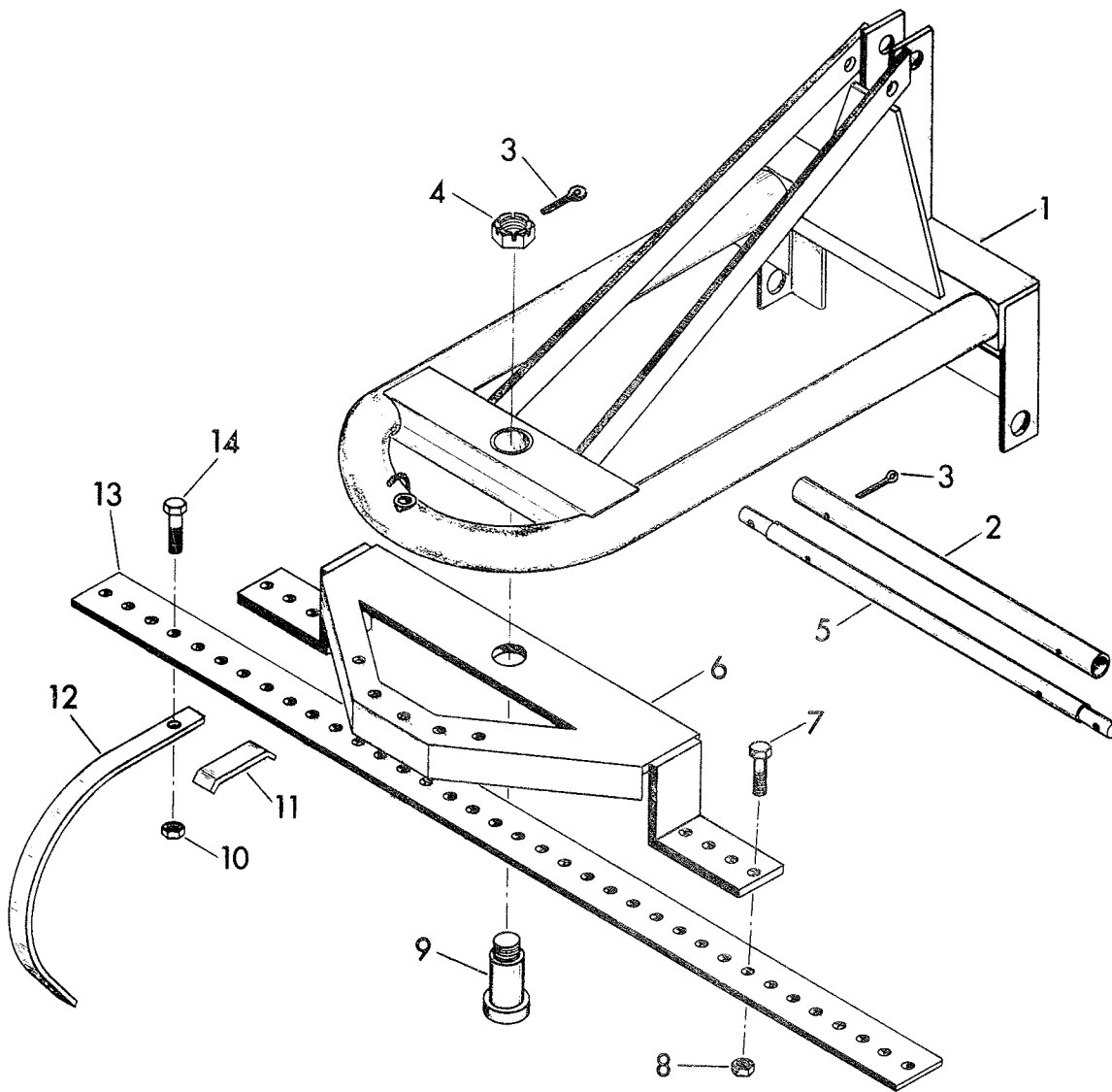
The scraper blade requires no special attention.

OPERATION

The uses of the Brillion Terra-Scaper are numerous. It can be used for grading, terracing, leveling, ditching, spreading top soil, removing or raking stones and debris, to mention a few.

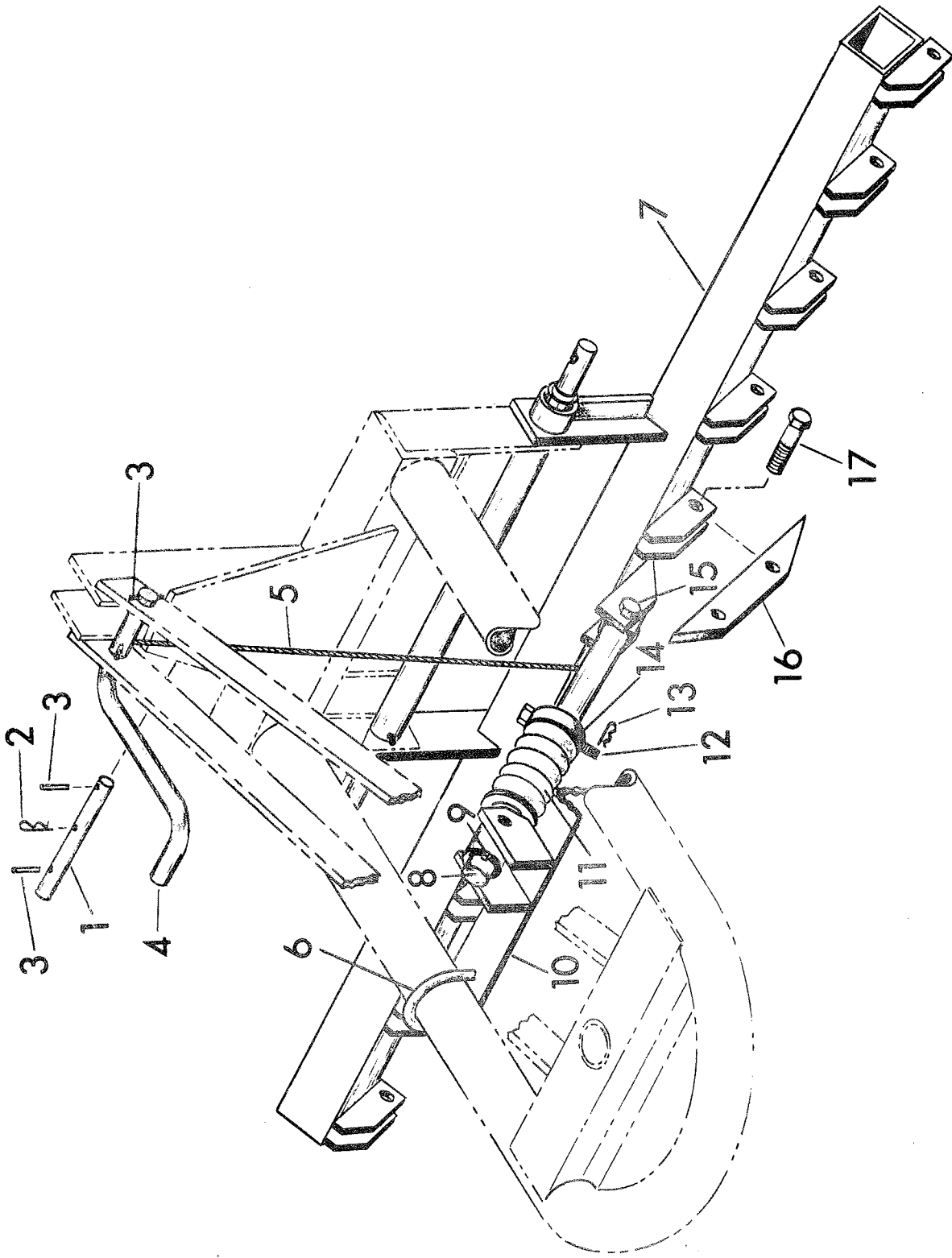
There are five different positions in which the rake can be operated. Straight, for moving or spreading materials or any of four positions at an angle for windrowing and releasing material to either side. Positions are easily changed by removing hand pin, rotating rake body, and reinserting pin. See Figure 1.

Repair Parts Section

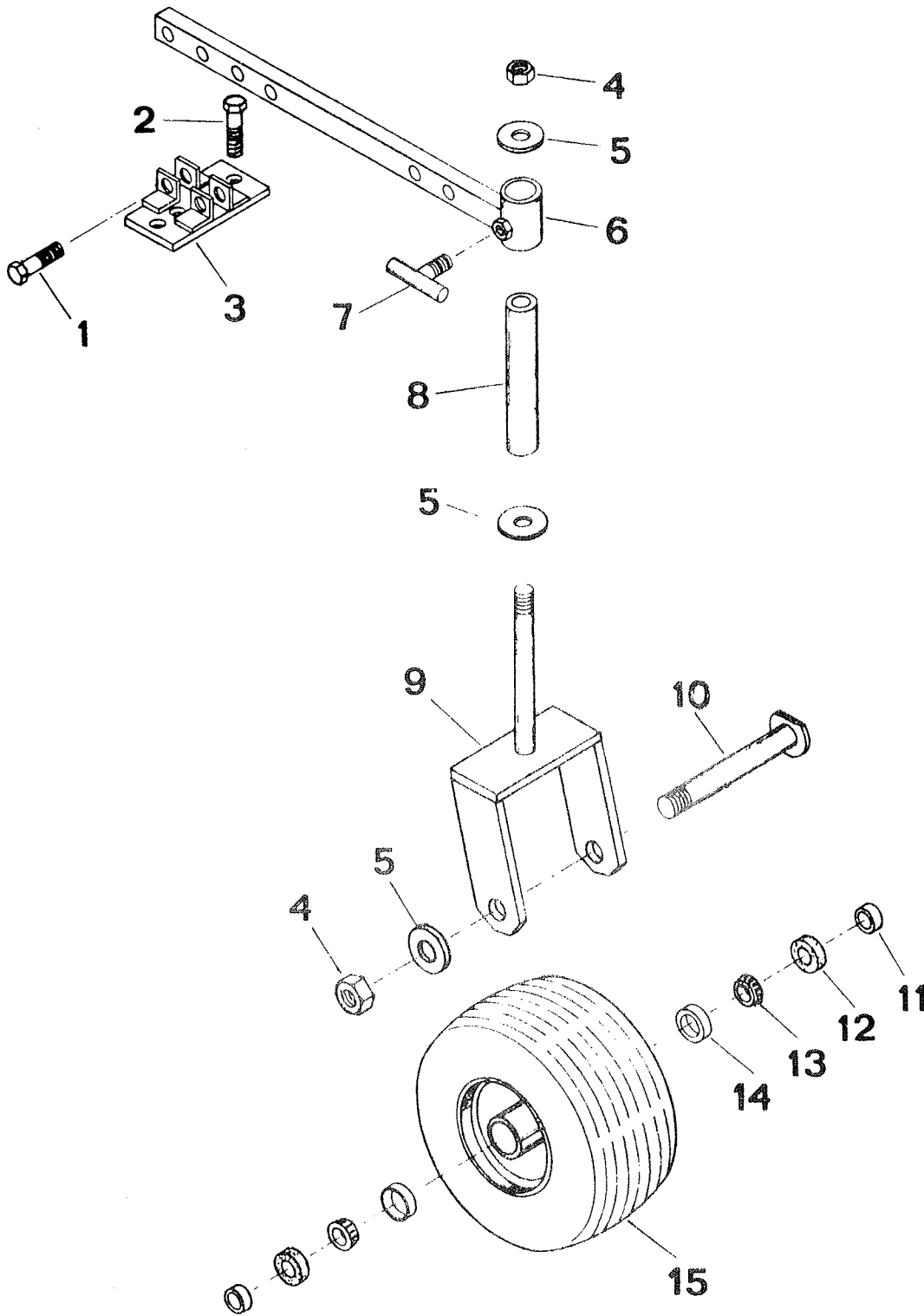


| Sym. | Part No. | Description | No. Req'd. | Weight |
|------|----------|---|------------|--------|
| 1 | 6D-10 | Frame Weldment | 1 | 163.0 |
| 2 | 5D-994 | Drawbar Sleeve | 1 | 3.6 |
| 3 | 6D-49 | Cotter Pin | 3 | .1 |
| 4 | 6D-822 | Slotted Nut | 1 | .2 |
| 5 | 5D-995 | Drawbar Shaft | 1 | 7.0 |
| 6 | 5D-970 | Rake Support Assembly | 1 | 72.0 |
| 7 | 5D-988 | Capscrew (3/8 - 24 N. F. x 2" Lg., Grade 5) | 8 | .1 |
| 8 | 6D-817 | Stover Nut (3/8 - 24 N. F.) | 8 | .1 |
| 9 | 6D-820 | Pivot Bolt | 1 | 5.0 |
| 10 | 5C-954 | Stover Nut (3/8 - 16 N. C.) | 28-40* | .1 |
| 11 | 5D-982 | Spacer | 35-47* | .4 |
| 12 | 5D-981 | Rake Tine | 36-48* | 2.5 |
| 13 | 5D-986 | Rake Plate - 6' | 2 | 25.0 |
| | 5D-980 | Rake Plate - 8' | 2 | 33.6 |
| 14 | 4D-904 | Capscrew (3/8 - 16 N. C. x 1-1/2" Lg., Grade 5) | 28-40* | .1 |

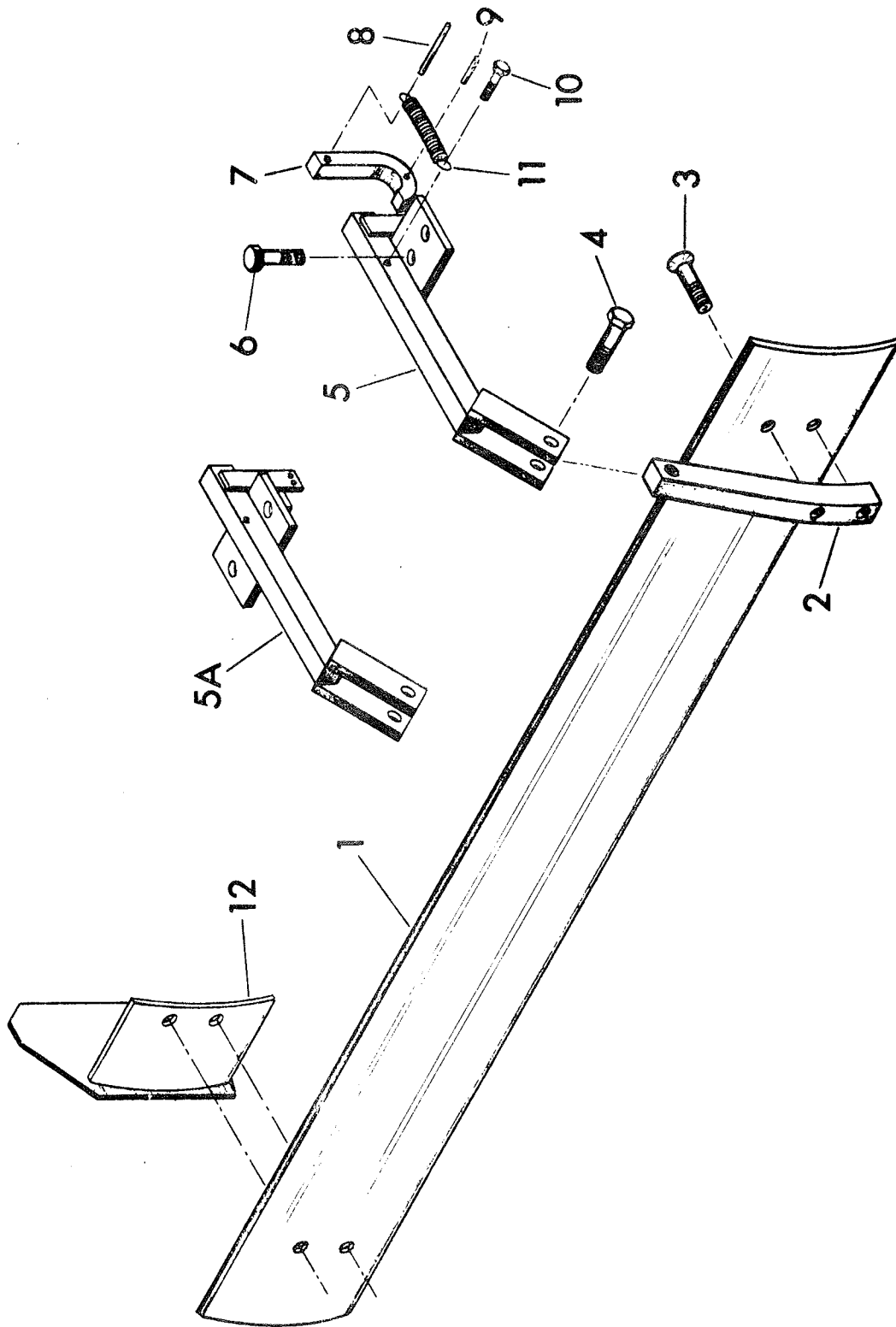
*The first number indicates the number required for the LR-6; second number is number required for the LR-8.



| Sym. | Part No. | Description | No. Req'd. | Weight |
|------|----------|--|------------|--------|
| 1 | 6D-839 | Stop Rod | 1 | .7 |
| 2 | 4C-856 | Hairpin Cotter | 1 | |
| 3 | 1C-174 | Roll Pin (3/16 Dia. x 2" Long) | 3 | |
| 4 | 6D-838 | Crank Rod | 1 | 4.5 |
| | 6C-113 | Set Screw (1/4 - 20 N. C. x 3/8" Long) | 1 | |
| 5 | 6D-830 | Cable Assembly | 1 | .4 |
| 6 | 6D-850 | U-Bolt | 2 | .6 |
| | 1C-109 | Lock Washer (1/2") | 4 | |
| | 5C-392 | Stover Nut (1/2-13 N. C.) | 4 | |
| 7 | 6D-851 | Scarifier Head | 1 | 100.0 |
| 8 | 6D-842 | Shock Bar Assembly | 1 | 10.8 |
| 9 | 6D-854 | Roll Pin (1/2" Dia. x 2" Long) | 1 | .1 |
| 10 | 6D-849 | Bracket Assembly | 1 | 17.0 |
| 11 | 6D-42 | Spring | 1 | 3.7 |
| 12 | 6D-878 | Drilled Bolt - Heat Treated | 1 | .2 |
| 13 | 6C-400 | Hairpin Cotter | 1 | |
| 14 | 6D-41 | Spring Collar | 1 | 1.6 |
| 15 | 6D-758 | Capscrew (3/4-10 N. C. x 3-1/2" Lg.) | 1 | .4 |
| | 6C-729 | Stover Nut (3/4-10 N. C.) | 1 | .1 |
| 16 | 5D-985 | Scarifier Blade | 10 | 3.4 |
| 17 | 5D-990 | Capscrew - Heat Treated (5/8-11 N. C. x 2-3/4" Lg.) | 10 | .3 |
| | 5C-461 | Stover Nut (5/8-11 NC) | 10 | .1 |



| Sym. | Part No. | Description | No. Req'd. | Weight |
|------|----------|--|------------|--------|
| 1 | 6D-75 | Wheel Support Kit - Complete | | |
| | 1D-237 | Capscrew (1/2 x 2" Long, Grade 5) | 4 | .1 |
| 2 | 5C-392 | Stover Lock Nut (1/2" Hex) | 4 | |
| | 5D-988 | Capscrew (3/8 - 24 N.F. x 2" Lg., Grade 5) | 8 | .1 |
| 3 | 6D-817 | Stover Lock Nut (3/8 - 24 N.F. Hex) | 8 | |
| | 6D-857 | Bracket Assembly | 2 | 5.4 |
| 4 | 9C-223 | Stover Lock Nut (1" - 14 N.F.) | 4 | .1 |
| 5 | 1C-787 | Washer | 6 | |
| 6 | 6D-859 | Wheel Support Assembly | 2 | 11.3 |
| 7 | 5D-938 | Spindle Lock Assembly | 2 | .4 |
| 8 | 5D-939 | Spindle Sleeve | 2 | 2.5 |
| 9 | 5D-929 | Fork Assembly | 2 | 12.4 |
| 10 | 9C-222 | Axle Assembly | 2 | 2.3 |
| 11 | 5D-943 | Axle Sleeve | 4 | .1 |
| 12 | 9C-228 | Seal | 4 | .1 |
| 13 | 9C-227 | Bearing Cone | 4 | .2 |
| 14 | 9C-226 | Bearing Cup | 4 | .1 |
| 15 | 6D-68 | Rim & Hub Assembly | 2 | 14.0 |
| | 5D-945 | Tire (13 x 6.50-6 Tubeless) | 2 | 4.5 |
| | 6D-70 | Valve Stem | 2 | |



| Sym. | Part No. | Description | No. Req'd. | Weight |
|------|----------|---|------------|--------|
| 1 | 6D-494 | Scraper Blade Kit - 6' | 1 | 80.0 |
| | 6D-495 | Scraper Blade Kit - 8' | | |
| 2 | 5D-964 | 6' Scraper Blade | 1 | 105.0 |
| | 5D-957 | 8' Scraper Blade | | |
| 3 | 5D-958 | Scraper Blade Support | 2 | 5.9 |
| 4 | 5D-959 | Plow Bolt (1/2 - 13 N. C. x 2-1/2" Lg., Grade 5) | 4 | .1 |
| | 5C-392 | Stover Nut (1/2 - 13 N. C.) | | |
| 5 | 8C-528 | Capscrew (1/2 - 13 N. C. x 3" Lg., Grade 5) | 2 | .1 |
| 5A | 6D-863 | Blade Bracket - R. H. | 1 | 13.0 |
| 6 | 6D-862 | Blade Bracket - L. H. | 1 | 13.0 |
| 7 | 5D-988 | Capscrew (3/8 - 24 N. F. x 2" Lg., Grade 5) | 6 | .1 |
| 8 | 5D-953 | Blade Latch | 2 | 1.7 |
| 9 | 5D-954 | Roll Pin (5/16 Dia. x 4" Long) | 2 | .1 |
| 10 | 5D-955 | Roll Pin (5/16 Dia. x 1-3/4" Long) | 2 | |
| 11 | 2C-641 | Capscrew (3/8 - 16 N. C. x 1-1/2 Long) | 2 | |
| | 5C-954 | Stover Nut (3/8 - 16 N. C.) | | |
| 12 | 5D-956 | Latch Spring | 2 | .1 |
| 12 | 6D-497 | End Boot Kit - Complete | | 25.0 |
| | 5D-961 | End Boot - L. H. | 1 | 12.2 |
| | 5D-960 | End Boot - R. H. | 1 | 12.2 |
| | 5D-965 | Plow Bolt (1/2 - 13 N. C. x 1-1/2" Lg., Grade 5) (Used to attach to 8' Blade) | 4 | |

1

2

3

4