

REPAIR PARTS CATALOG

FOR



MOW SAFE MOWER

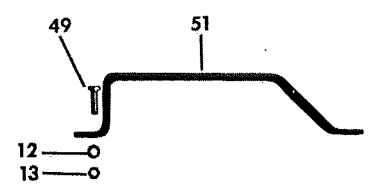
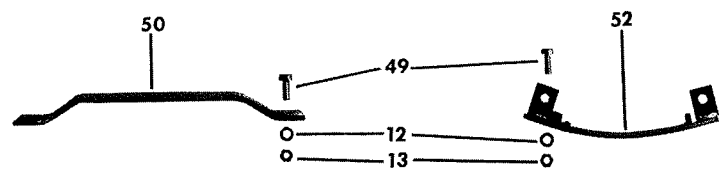
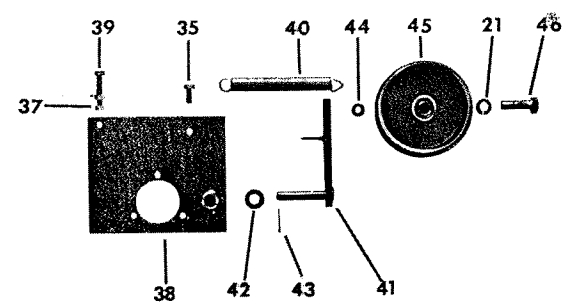
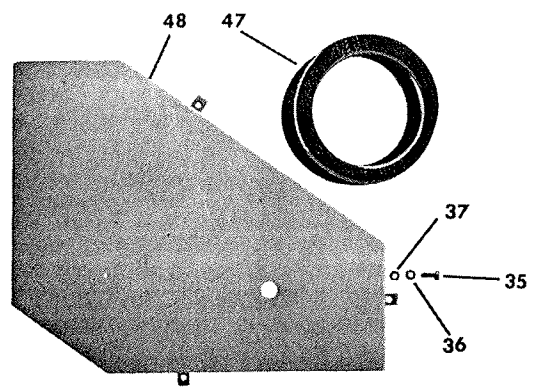
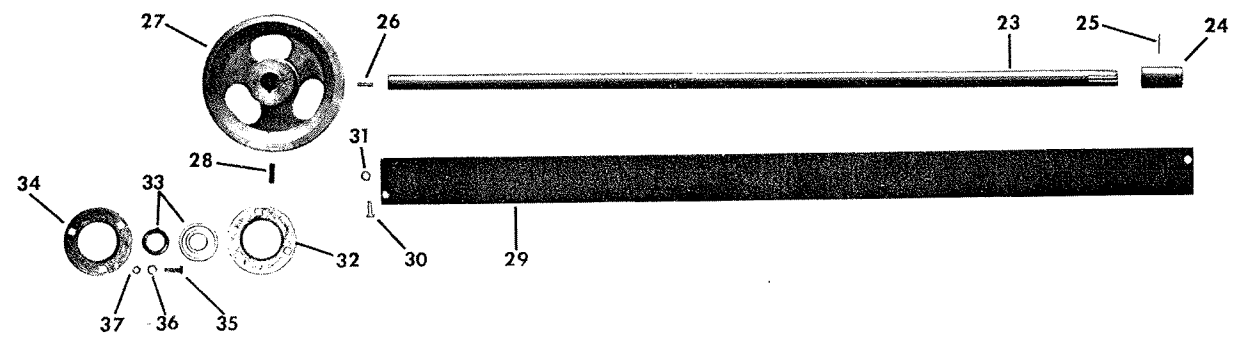
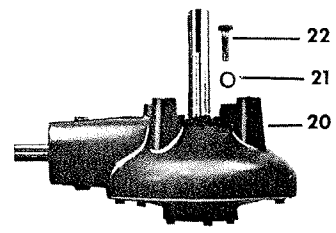
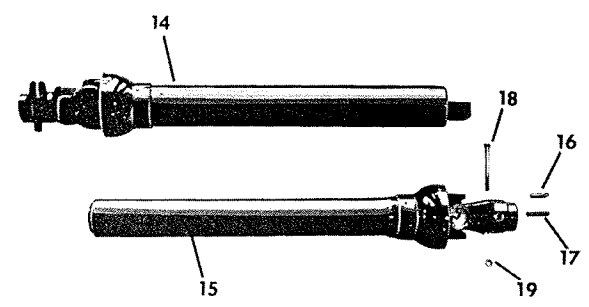
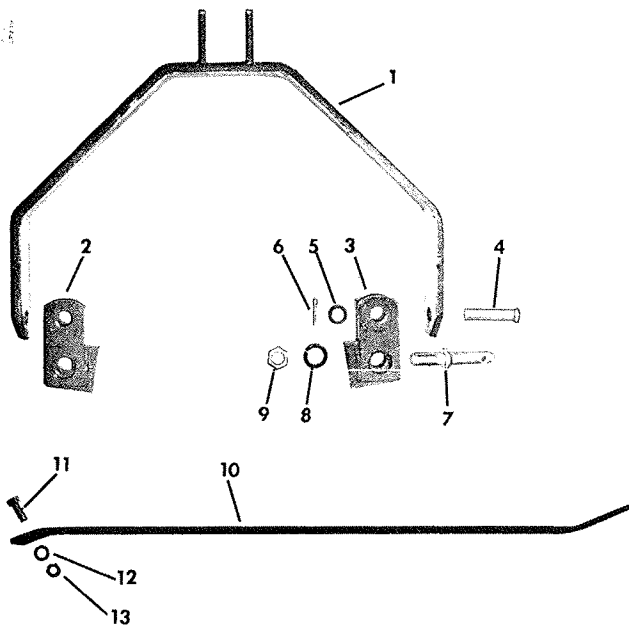
MODEL MS 880-01

MS-880-02

A product of the

BRILLION IRON WORKS • BRILLION, WISCONSIN

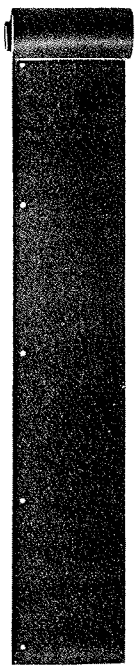
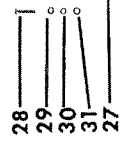
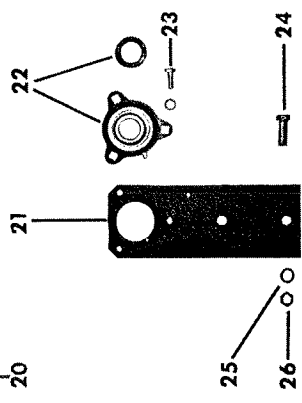
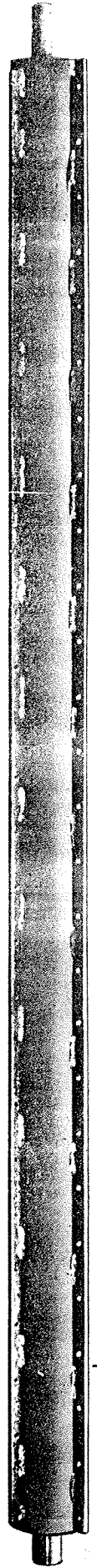
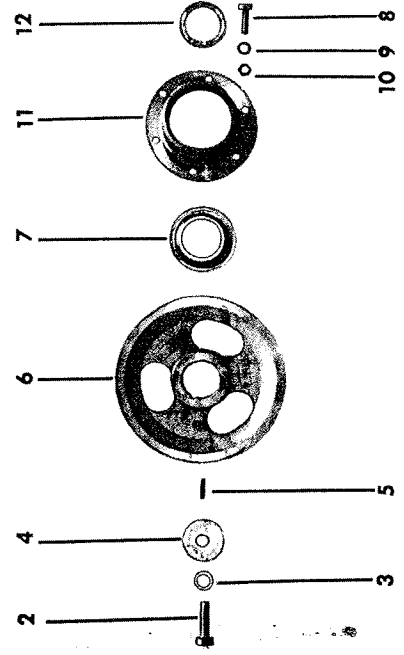
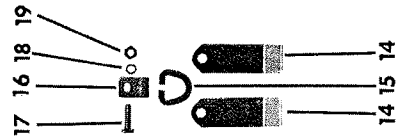
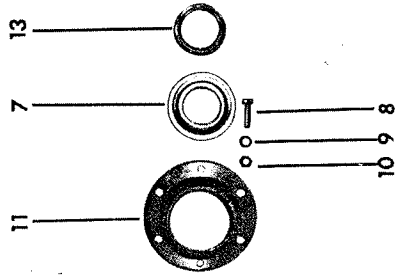
ALL PARTS NOT LISTED ARE STANDARD HARDWARE



MOW-SAFE MOWER - MODEL MS-880

Index No.	Part No.	Description	Used On Model No.	No. Req'd.	Weight
*	7D-125	Hood	All Models	1	290.0
*	7D-319	Hood (With caster wheel plates)	All Models	1	315.0
1	7D-112	Mast	All Models	1	22.0
2	7D-110	Right Hand Float Link	All Models	1	4.0
3	7D-109	Left Hand Float Link	All Models	1	4.0
4	7D-48	Clevis Pin, 7/8 Dia. x 3 Long	All Models	2	.6
5		Washer, 7/8 S.A.E. Flat	All Models	2	.08
6		Cotter Pin, 3/16 Dia. x 1-1/2 Long	All Models	2	
7	5D-186	Hitch Pin (Category I)	All Models	2	1.0
8		Lock Washer, 7/8 Spring Lock	All Models	2	.12
9	1D-218	Nut, 7/8-14 N.F., Reg. Hex	All Models	2	.25
10	7D-114	Brace	All Models	2	8.10
11	8C-527	Capscrew, 1/2-13 NC x 1-1/2 Long, Gr. 5	All Models	2	.12
12		Lock Washer, 1/2 Medium	All Models	2	
13		Nut, 1/2-13 NC, Reg. Hex	All Models	2	
14	7D-80	Shaft & Joint Assembly (28-3/4" Long)	01	1	18.5
	7D-810	Shaft & Joint Assembly (24-3/4" Long)	02	1	16.5
*	7D-157	End Yoke W/Spring & Locking Pin	All Models	1	3.0
*	7C-265	End Yoke	All Models	1	2.73
*	5C-257	Lock Pin Spring	All Models	1	.03
*	3D-757	Lock Pin	All Models	1	.25
*	7C-270	Universal Joint Repair Kit	All Models	2	1.0
*	7D-158	Yoke & Shaft	01	1	10.75
	7D-813	Yoke & Shaft	02	1	9.50
*	1D-131	Bearing Retainer	All Models	2	.01
*	2D-140	Nylon Bearing	All Models	2	.02
*	7D-159	Guard Tube	01	1	4.3
	7D-814	Guard Tube	02	1	3.1
15	7D-53	Joint & Tube Assembly (26-5/8" Long)	01	1	14.25
	7D-809	Joint & Tube Assembly (22-5/8" Long)	02	1	13.0
*	7D-54	Yoke	All Models	1	2.0
*	7D-155	Yoke & Tube	01	1	7.0
	7D-811	Yoke & Tube	02	1	6.3
*	7D-156	Guard Tube	01	1	4.5
	7D-812	Guard Tube	02	1	4.0
*	1D-854	Nylon Centralizer	All Models	1	.03
16	7C-614	Set Screw, 5/16-18 NC x 3/4 Long	All Models	1	
*	6C-223	Jam Nut, 5/16-18 NC	All Models	1	
17	7D-176	Key, 5/16 Sq. x 2" Long	All Models	1	
18	1D-239	Capscrew, 5/16-18 NC x 3 Long, Grade 5	All Models	1	
19	6C-748	Lock Nut, 5/16-18 NC Hex	All Models	1	
20	7D-149	Drive Assembly - Complete	All Models	1	74.2
21		Lock Washer, 5/8 Medium	All Models	5	
22	4D-561	Capscrew, 5/8-11 NC x 1-1/2 Long, Gr. 5	All Models	4	
23	7D-126	Cross Shaft	All Models	1	10.0
24	7D-49	Splined Sleeve	All Models	1	.75
25	7D-248	Roll Pin, 1/8 Dia. x 1-1/2 Long	All Models	1	
26	8C-218	Key (Cross Shaft) 1/4" Sq. x 1-1/2 Long	All Models	1	.03
27	7D-82	Pulley (1-1/8 I.D.)	All Models	1	9.0
28	2C-975	Set Screw, 3/8-16 NC x 1" Long, Cup Point	All Models	2	.04
29	7D-52	Top Shield	01	1	6.65
*	7D-990	Top Shield	02	1	6.65
30		Capscrew, 5/16-18 NC x 1-1/2 Long	01	4	.02
		Capscrew, 5/16-18 NC x 1-1/2 Long	02	2	.02
31		Lockwasher, 5/16 Med.	01	4	
		Lockwasher, 5/16 Med.	02	2	
32	7D-162	Flangette Stamping	All Models	1	.40
33	7D-163	Bearing & Collar (1-1/8")	All Models	1	.75
34	7D-161	Flangette Stamping W/Lube Fitting	All Models	1	.42
35	7D-792	Capscrew, 3/8-16 NC x 7/8 Long, Gr. 5	01	7	.02
		Capscrew, 3/8-16 NC x 7/8 Long, Gr. 5	02	9	.02
36		Lock Washer, 3/8 Med.	01	6	
		Lock Washer, 3/8 Med.	02	8	
37		Nut, 3/8-16 NC, Reg. Hex	01	6	.01
		Nut, 3/8-16 NC, Reg. Hex	02	8	.01
38	7D-131	Bracket Assembly	01	1	3.7
*	7D-991	Bracket Assembly	02	1	3.7
39	9C-271	Capscrew, 3/8-16 NC x 2-1/4 Long, Gr. 5	All Models	1	.08
40	7D-62	Spring	All Models	1	.50
41	7D-135	Idler Arm	All Models	1	1.5
42		Washer, 5/8 S.A.E. Flat	All Models	1	
43		Cotter Pin, 1/8 x 1 Long	All Models	1	
44	7D-133	Spacer	All Models	1	.20
45	7D-58	Idler	All Models	1	1.50
46	5C-460	Capscrew, 5/8-11 NC x 2 Long, Grade 5	All Models	1	.04
47	7D-61	V-Belt, C-Section	All Models	1	1.10
48	7D-60	End Shield	All Models	1	17.6
49		Capscrew, 1/2-13 NC x 1-1/4 Long	All Models	8	.06
50	7D-182	R.H. Guard	All Models	1	5.0
51	7D-181	L.H. Guard	All Models	1	6.0
52	7D-100	Skid	All Models	2	4.20

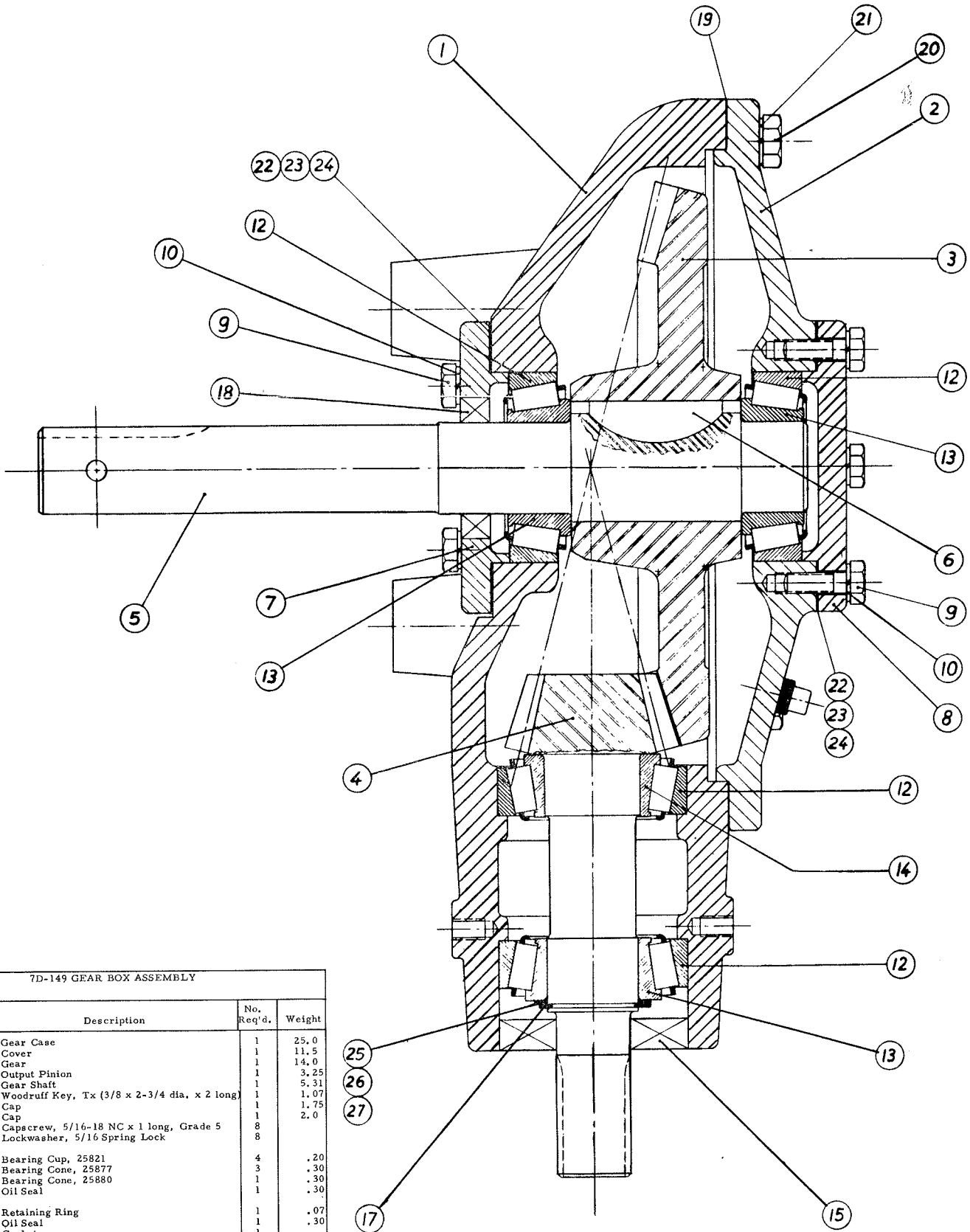
*Parts not shown



MOW-SAFE MOWER

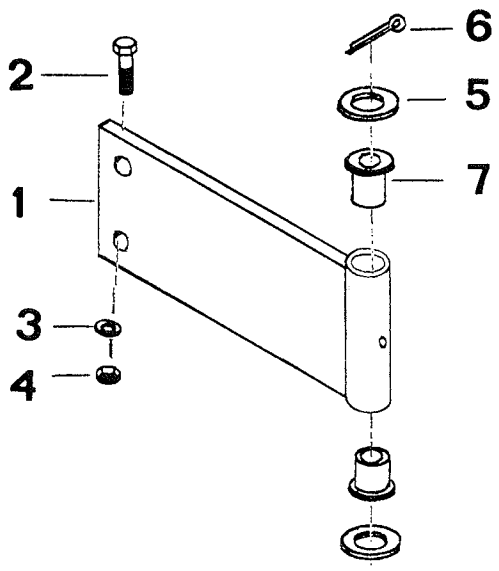
MODEL MS-880

Index No.	Part No.	Description	No. Req'd.	Weight
1	7D-141	Roller Assembly	1	94.0
2		Capscrew, 5/8-NF x 2 Long	1	.2
3		Lockwasher, 5/8 Medium	1	
4	7D-127	Shim	1	.4
5	8C-218	Key (Rotor Shaft) 1/4 Square x 1-1/2 Long	1	.03
6	7D-83	Pulley (1-15/16 I.D.)	1	9.0
7	7D-55	Bearing, 1-15/16	2	1.75
8	9C-78	Capscrew, 3/8-16 NC x 1-1/4 Long, Grade 5	12	.05
9		Lockwasher, 3/8 Med.	6	
10		Nut, 3/8-16 NC, Regular Hex	12	.02
11	7D-222	Bearing Carrier	2	4.5
12	7D-124	Spacer	1	.31
13	7D-56	Locking Collar (1-15/16 Bearing)	1	.50
14	7D-46	Knife	212	.10
15	7D-44	"D" Ring	106	.08
16	7D-45	"U" Bracket	106	.07
17	6D-37	Capscrew, 5/16-18 NC x 1 Long, Grade 5	106	.03
18		Lockwasher, 5/16 Reg.	106	.01
19	6C-748	Locknut, 5/16-18 NC	106	
20	7D-97	Rotor Assembly	1	124.0
21	7D-105	Roller Gauge Arm	2	3.90
22	7D-57	Bearing & Collar - 1-1/8"	2	1.50
23	7D-792	Capscrew, 3/8-16 NC x 7/8 Long, Grade 5	6	.04
		Lockwasher, 3/8 Internal Lock	6	
24	6C-347	Carriage Bolt, 1/2-13 NC x 1-1/4	2	.06
25		Lockwasher	2	.01
26		Nut, 1/2-13 NC, Regular Hex	2	.02
27	7D-240	Shield Strip	1	2.0
28		Machine Screw, 1/4-20 NC x 5/8 Long	12	.02
29		Flat Washer, 1/4 Std.	12	
30		Lockwasher, 1/4 Med.	12	
31		Nut, 1/4-20 NC, Regular Hex	12	.01



7D-149 GEAR BOX ASSEMBLY

Index No.	Part No.	Description	No. Req'd.	Weight
1	7D-88	Gear Case	1	25.0
2	7D-87	Cover	1	11.5
3	7D-68	Gear	1	14.0
4	7D-67	Output Pinion	1	3.25
5	7D-79	Gear Shaft	1	5.31
6	5D-508	Woodruff Key, Tx (3/8 x 2-3/4 dia, x 2 long)	1	1.07
7	7D-85	Cap	1	1.75
8	7D-86	Cap	1	2.0
9	6D-37	Capscrew, 5/16-18 NC x 1 long, Grade 5	8	
10	1C-362	Lockwasher, 5/16 Spring Lock	8	
12	7D-70	Bearing Cup, 25821	4	.20
13	7D-71	Bearing Cone, 25877	3	.30
14	7D-69	Bearing Cone, 25880	1	.30
15	7D-76	Oil Seal	1	.30
17	7D-72	Retaining Ring	1	.07
18	7C-158	Oil Seal	1	.30
19	7D-66	Gasket	1	
20	9C-78	Capscrew, 3/8-16 NC x 1-1/4 long, Grade 5	6	
21	1C-183	Lockwasher, 3/8 Spring Lock	6	
22	7D-63	Shim, .005 Thick	4	
23	7D-64	Shim, .007 Thick	4	
24	7D-65	Shim, .010	2	
25	7D-73	Shim, .010	4	
26	7D-74	Shim, .012	2	
27	7D-75	Shim, .015	2	
3D-978	Pipe Reducer Bushing	1	.20	
5C-573	Breather Valve	1		



WHEEL & FORK ASSEMBLY				
Index No.	Part No.	Description	No. Req'd.	Weight
1	7D-305	Tube Weldment	1	8.9
2	1D-237	Cap screw, 1/2-13 NC x 2" Long, Grade 5	2	.1
3	1C-109	Lockwasher, 1/2" Regular	2	
4	1C-390	Nut, 1/2-13 NC Regular Hex	2	
5	1C-871	Washer, 1" S.A.E. Flat	3	
6	1C-869	Cotter Pin, 1/4 Dia. x 2" Long	1	
7	7D-306	Flange Bushing	2	.1
8	9C-223	Nut, 1"-14 N.F. Hex Stover	1	.2
9	7D-303	Fork Assembly	1	11.0
10	9C-222	Axle Assembly	1	2.3
<u>Wheel Components (Pneumatic)</u>				
11	5D-943	Axle Sleeve	2	.1
12	9C-228	Seal	2	.1
13	9C-227	Bearing Cone	2	.2
14	9C-226	Bearing Cup	2	.2
15	6D-68	Rim & Hub Assembly	1	14.0
	5D-945	Tire (13 x 6.50-6 tubeless)	1	4.5
	6D-70	Valve Stem	1	
<u>Wheel Components (Semi-Pneumatic)</u>				
16	1J-122	Wheel (complete assembly)	1	8.5
17	1J-123	Spacer	2	.1
18	7C-120	Machinery Bushing (18 Ga.)	4	

