

847-148

REPAIR PARTS CATALOG

FOR

Brillion

MODELS

H-2	H-3	H-4	H-6	H-8
HS-2	HS-3	HS-4	HS-6	HS-8

DRAWBAR TYPE ROTARY HOE

* * * * *

ALL PARTS NOT LISTED ARE STANDARD HARDWARE

BRILLION IRON WORKS, INC.
BRILLION, WISCONSIN

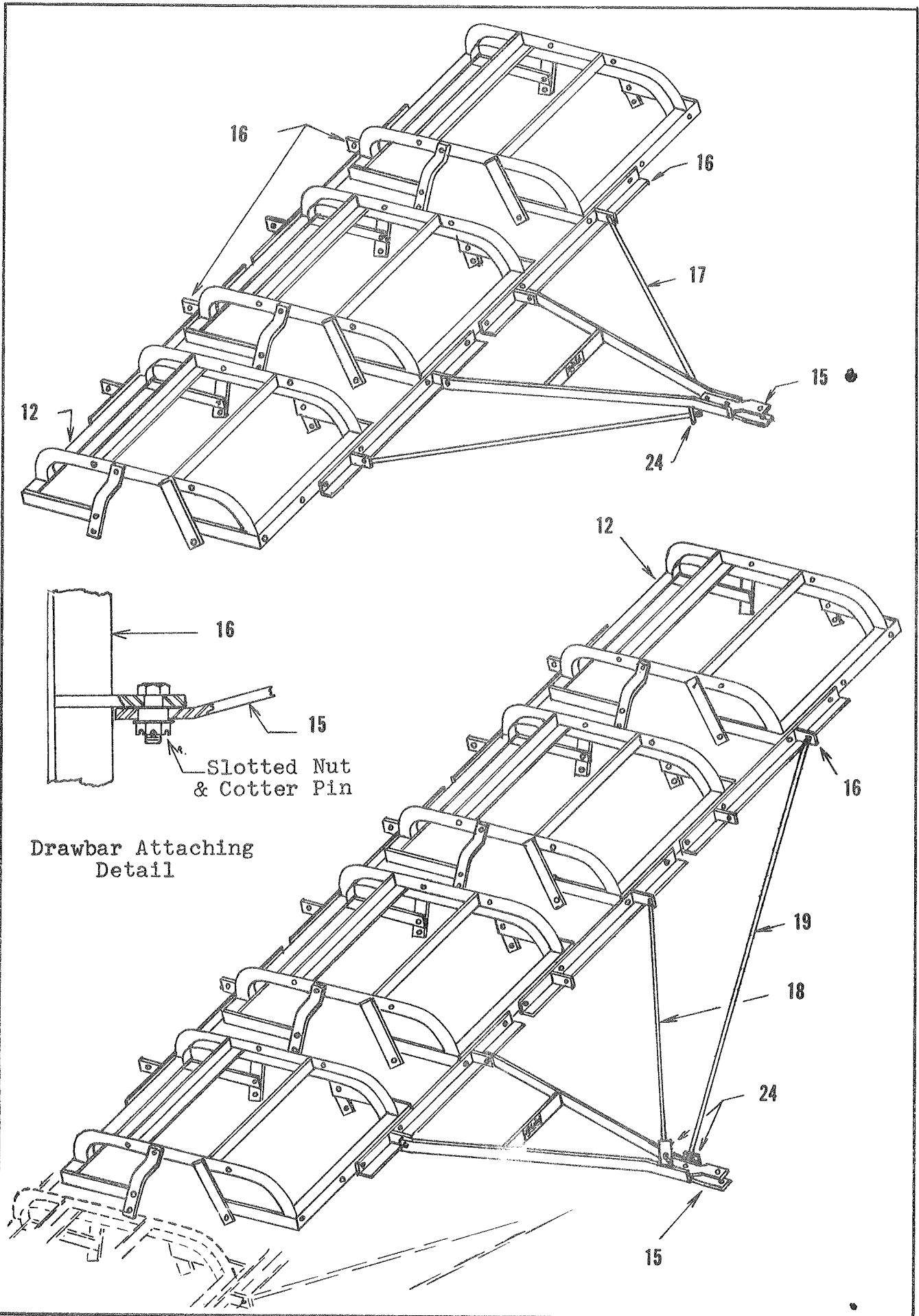
2-3-4-6-&-8 ROW DRAWBAR TYPE ROTARY HOE

INDEX NO.	PART NO.	PART NAME	WEIGHT
1	5C-392	Stover Nut	.1
2	2C-290	Slotted Nut	.1
3	2C-675	Bolt (Bearing)	.1
4	4C-395	Hoe Shaft Assy. W/Wheels & Bearings	105.0
5	5C-107	Spoonbill Shaft Assembly W/Wheels & Brgs.	115.0
6	4C-398	Spacer	.3
7	4C-399	Outer Hoe Wheel	12.5
8	4C-400	Standard Hoe Wheel	13.5
9	5C-101	Spoonbill Hoe Wheel	13.5
10	5C-102	Outer Spoonbill Hoe Wheel	13.5
11	4C-402	Wheel Shaft	9.0
12	4C-403	Frame Assembly	63.8
13	4C-407	Adj. Bearing Arm - Offset	3.0
14	4C-408	Adj. Bearing Arm - Straight	2.5
15	4C-413	Drawbar Assembly	25.5
16	4C-418	Drawbar Angle Assy.	12.3
17	4C-421	3 Row Extension Rod	2.8
18	4C-423	4 Row Extension Rod	3.5
19	4C-425	6 Row Extension Rod	6.0
*	4C-431	3 Row Extension Rod Bdl. (To convert 2 row to 3 row)	9.5
*	4C-432	4 Row Extension Rod Bdl. (To convert 2 row to 4 row)	11.0
*	4C-433	6 Row Extension Rod Bdl. (To convert 2 row to 6 row)	15.5
*	5C-173	8 Row Extension Rod Bdl. (Used with 4C-433 to convert 2 row to 8 row)	20.0
20	4C-435	Frame Pivot Bushing	.1
21	4C-436	Frame Pivot Bolt	.1
22	4C-438	Hoe Tooth	.4
23	5C-81	Spoonbill Hoe Tooth	.4
24	4C-439	Rod Take Up Bracket	1.8
25	4C-733	Thrust Bearing Sleeve	.8
26	4C-734	Sliding Bearing Sleeve	.8
27	4C-735	Bearing Thrust Washer	.2
28	5C-99	Bearing Carrier	2.0
29	5C-174	8 Row Extension Rod	8.0

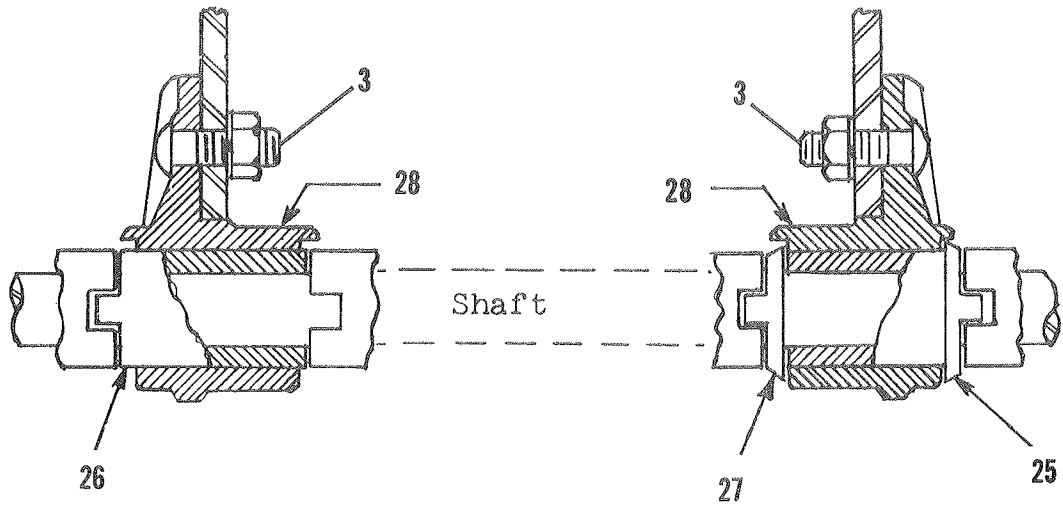
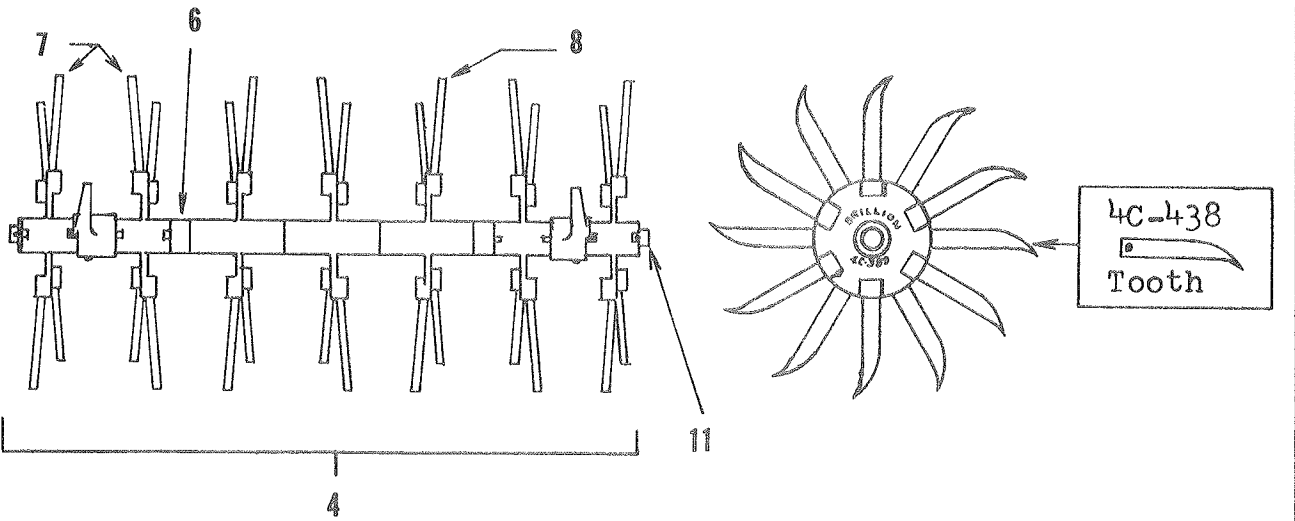
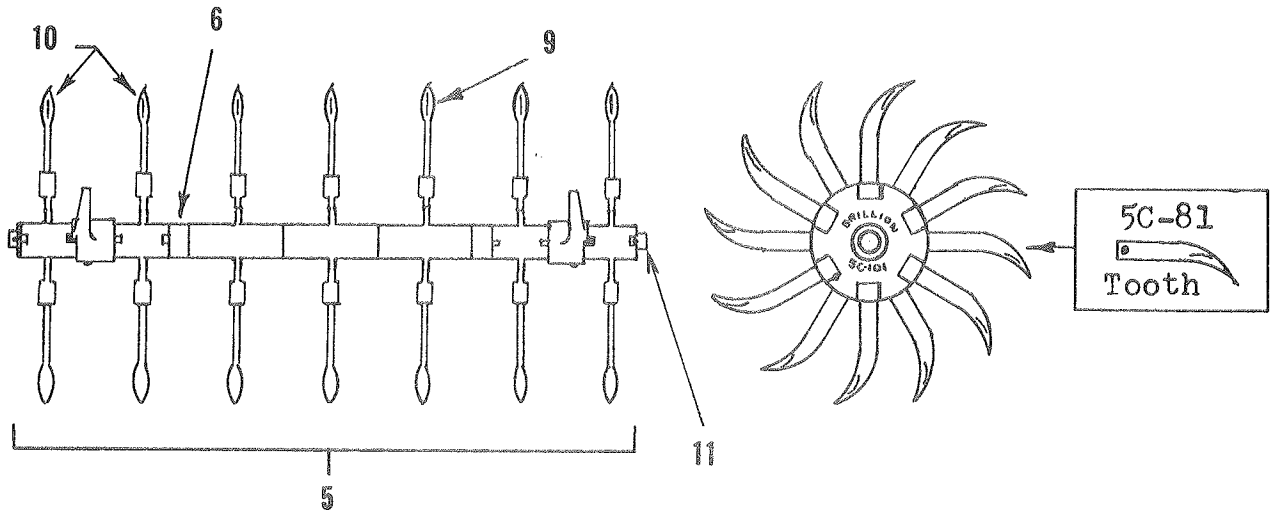
* Indicates parts not shown

844-24

4C-448



Drawbar Attaching Detail



1

(

(