

ID-856

# REPAIR PARTS CATALOG

*Brillion*

**MODELS**

**TP-84-4 TT-84-4**

**TP-84-5 TT-84-5**

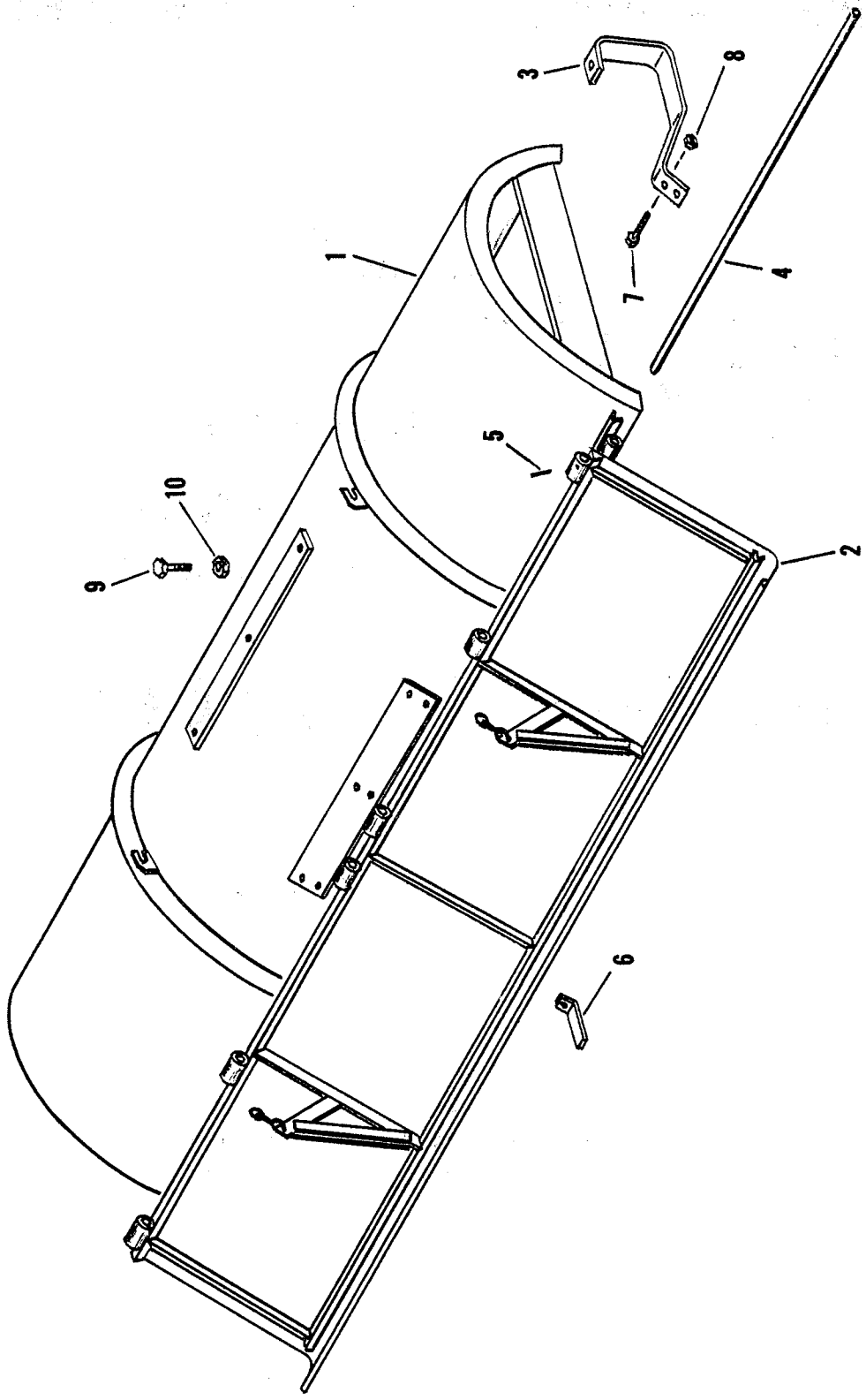
## ROTARY TILLER

**1000 RPM &  
540 RPM-PTO**

ALL PARTS NOT LISTED ARE STANDARD HARDWARE

**BRILLION IRON WORKS, INC.**

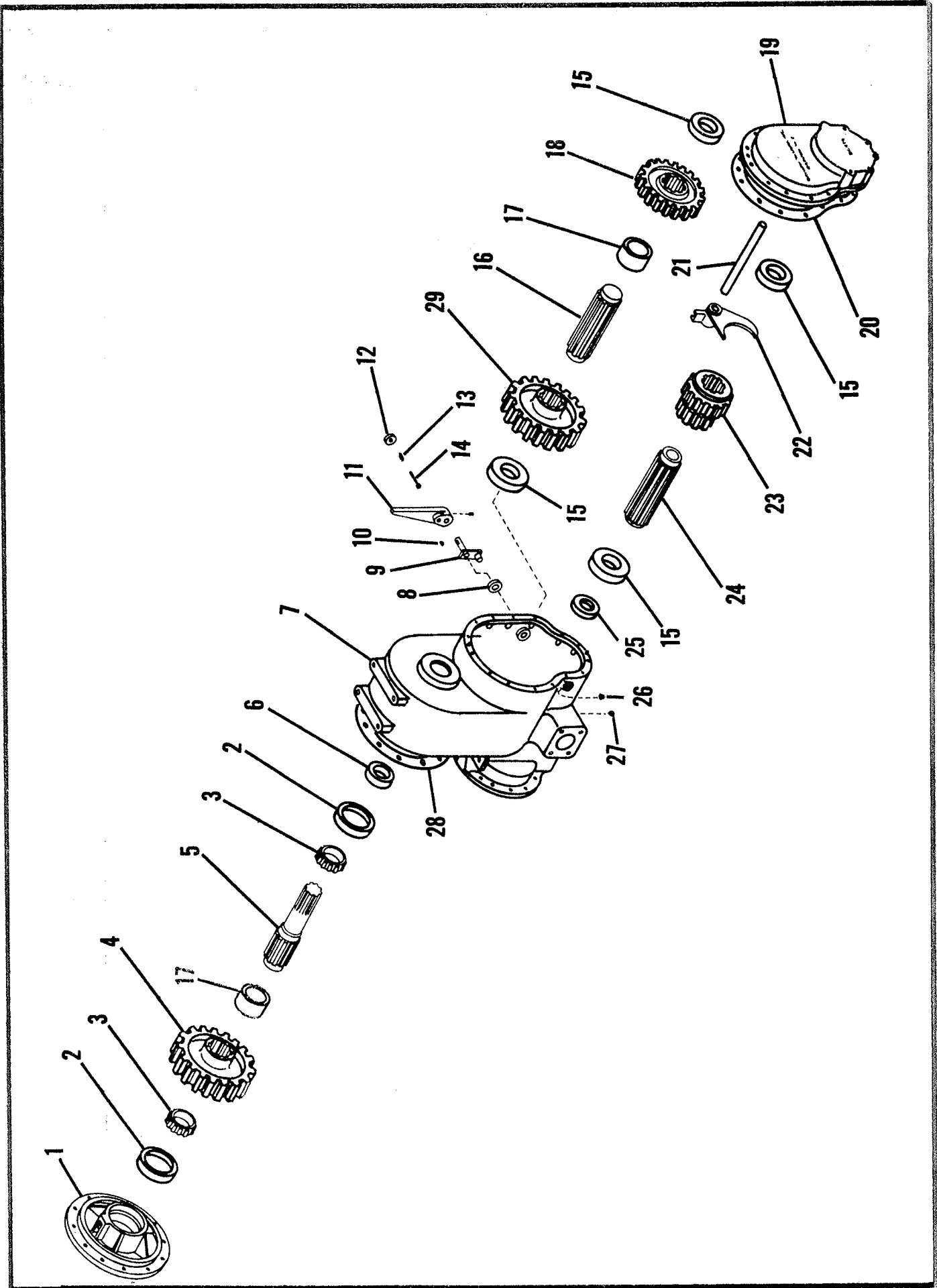
BRILLION, WISCONSIN



LD-852  
LD-856

**HOOD ASSEMBLY**

Index No.	Part No.	Part Name	Weight
1	1D-440	Front Hood Assembly	
2	1D-441	Rear Hood Assembly	
3	9C-763	Hood Support	
4	1D-439	Rod	
5	7C-940	Roll Pin	
6	1D-449	Lever Nut	
7	1D-425	Capscrew (5/8 - 18 NF, Grade 5)	
8	1D-426	Nut (5/8 - 18 NF, Stover Grade B)	
9	6C-264	Bolt(Drilled)	
10	3C-173	Nut (Slotted)	

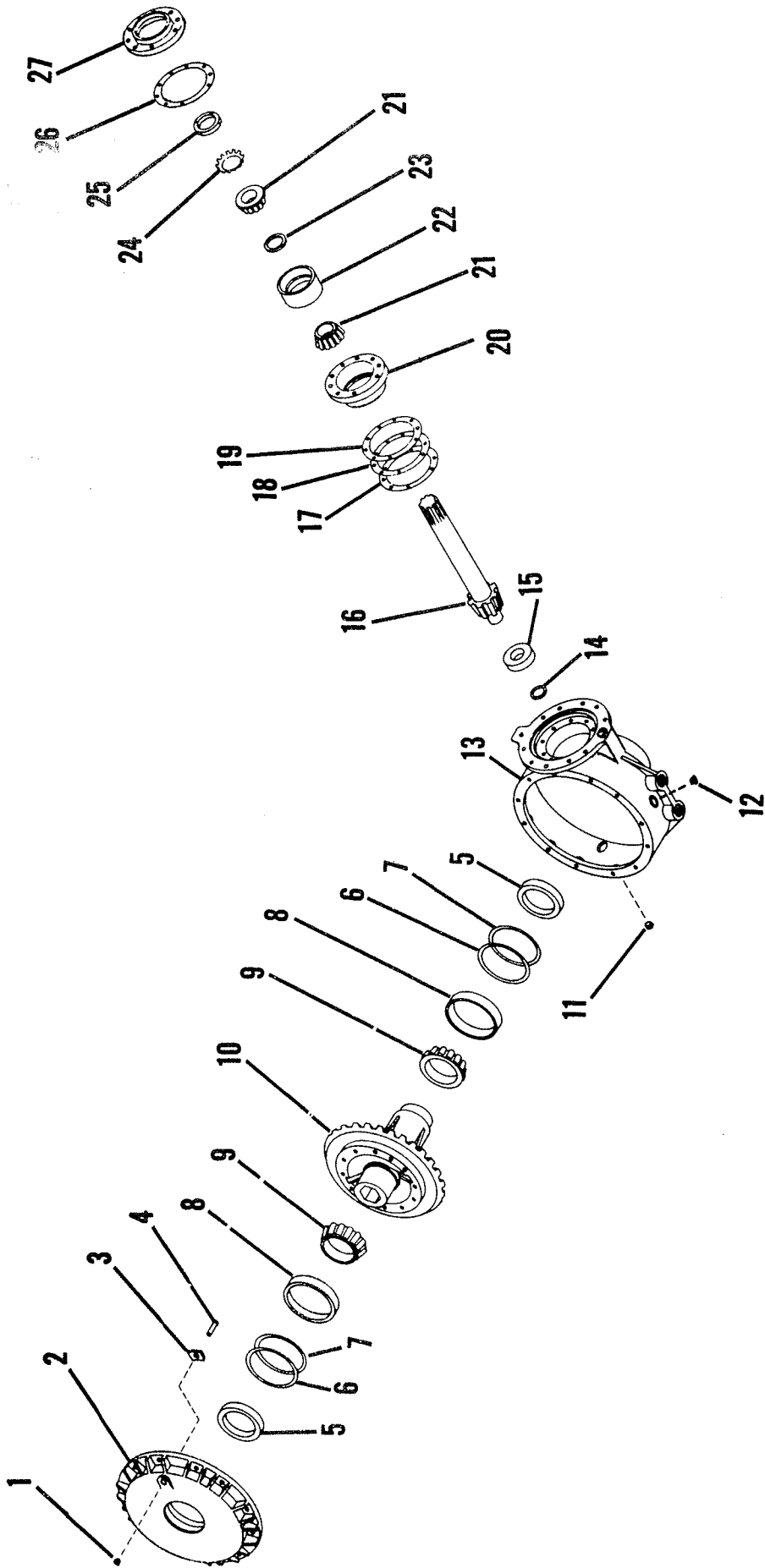


1D-856

**TRANSMISSION ASSEMBLY**

Index No.	Part No.	Part Name
	1D-775	Transmission Assembly - Complete (1,000 RPM-PTO)
	1D-825	Transmission Assembly - Complete (540 RPM-PTO)
1	9C-875	Input Shaft Cover (540 RPM-PTO)
	1D-771	Input Shaft Cover (1,000 RPM-PTO)
2	9C-871	Bearing Cup
3	9C-872	Bearing Cone
4	9C-867	Gear (540 RPM-PTO)
	1D-773	Gear (1,000 RPM-PTO)
5	1D-772	Input Shaft
6	4C-830	Seal
7	1D-858	Trans. Housing W/Dowel Pins (540 RPM-PTO)
	1D-859	Trans. Housing W/Dowel Pins (1,000 RPM-PTO)
8	9C-862	Seal
9	9C-860	Shift Control Assembly
10	9C-885	Woodruff Key
11	9C-891	Shift Lever
12	1C-824	Knob
13	1C-826	Spring
14	1C-823	Stop
15	9C-873	Bearing Assembly
16	9C-865	Counter Shaft
17	9C-870	Spacer
18	9C-868	Gear
19	1D-815	Transmission Housing Cover
20	1D-821	Gasket
21	9C-884	Shifter Fork Shaft
22	9C-883	Shifter Fork
23	9C-869	Gear
24	9C-866	Output Shaft
25	9C-863	Seal
26	9C-853	Plug
27	9C-854	Plug
28	9C-880	Shim - .005 Thick)
	9C-881	Shim - .007 Thick)
	1D-819	Shim - .005 Thick)
	1D-820	Shim - .007 Thick)
29	9C-867	Gear

540 RPM-PTO  
1,000 RPM-PTO

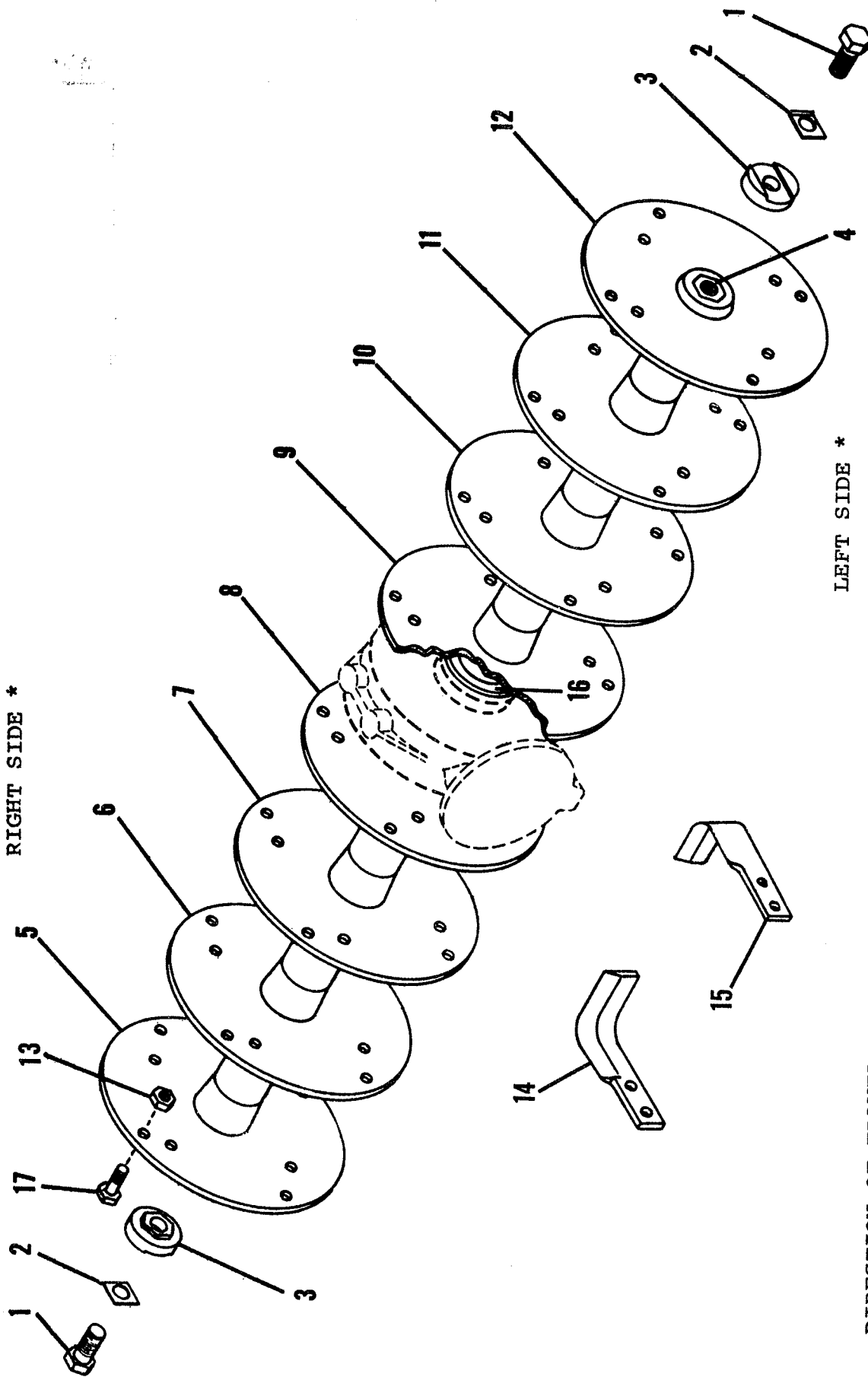


ID-156  
 ID-852  
 ID-856

BEVEL GEAR DRIVE ASSEMBLY

Index No.	Part No.	Part Name	Weight
	9C-828	Bevel Gear Drive Assembly - Complete	
1	9C-855	Pipe Plug	
2	9C-831	Bevel Gear Housing Cover	
3	9C-847	Backing Plate	
4	9C-920	Backing Plate Pin	
5	9C-850	Seal	
6	9C-851	Shim - .005" Thick	
7	9C-852	Shim - .007" Thick	
8	9C-848	Bearing Cup	
9	9C-849	Bearing Cone	
10	9C-829	Bevel Gear Hub Assembly	
11	9C-853	Pipe Plug	
12	9C-854	Pipe Plug	
13	9C-830	Bevel Gear Housing	
14	9C-834	Snap Ring	
15	9C-833	Bearing	
16	9C-832	Bevel Pinion	
17	9C-841	Shim - .005" Thick	
18	9C-842	Shim - .007" Thick	
19	9C-843	Shim - .010" Thick	
20	9C-840	Pinion Bearing Carrier	
21	9C-836	Bearing Cone	
22	9C-835	Bearing Cup	
23	9C-837	Bearing Spacer	
24	9C-838	Lock	
25	9C-839	Nut	
26	9C-845	Gasket	
27	9C-844	Pinion Bearing Cover	

RIGHT SIDE \*



LEFT SIDE \*

DIRECTION OF TRAVEL



\* "Left Side" & "Right Side" refer to the respective directions as the operator faces the direction in which the machine will travel forward.

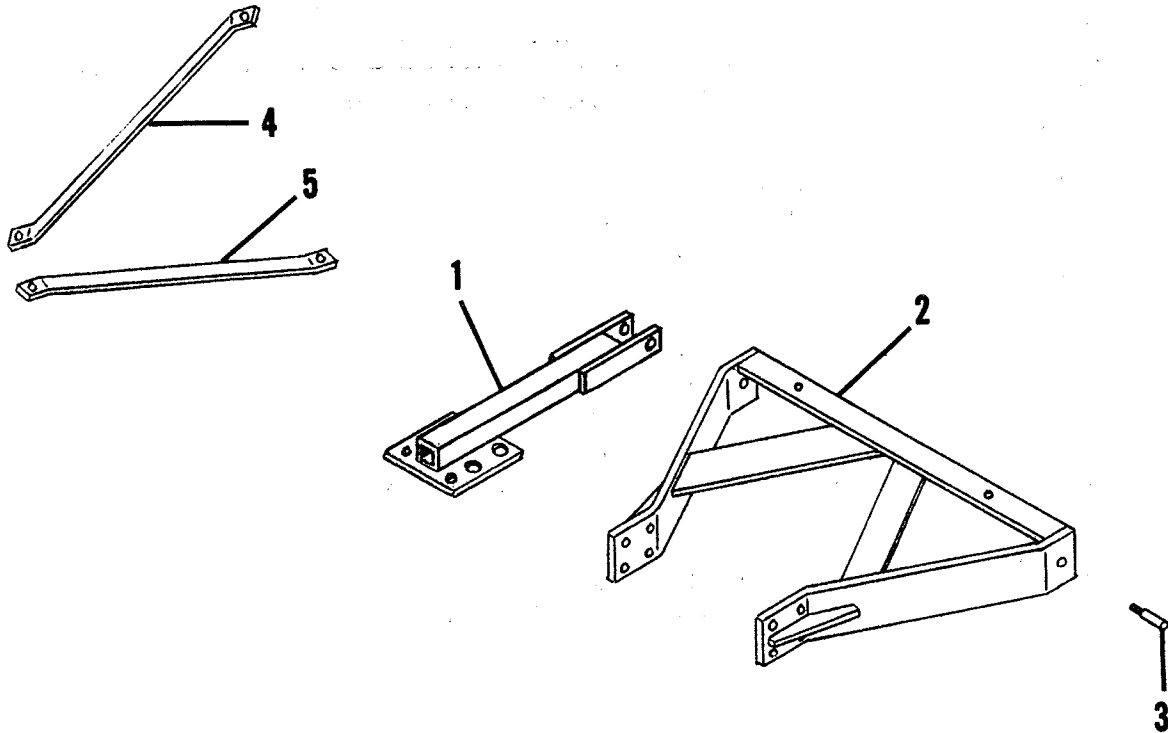
1D-852  
1D-856



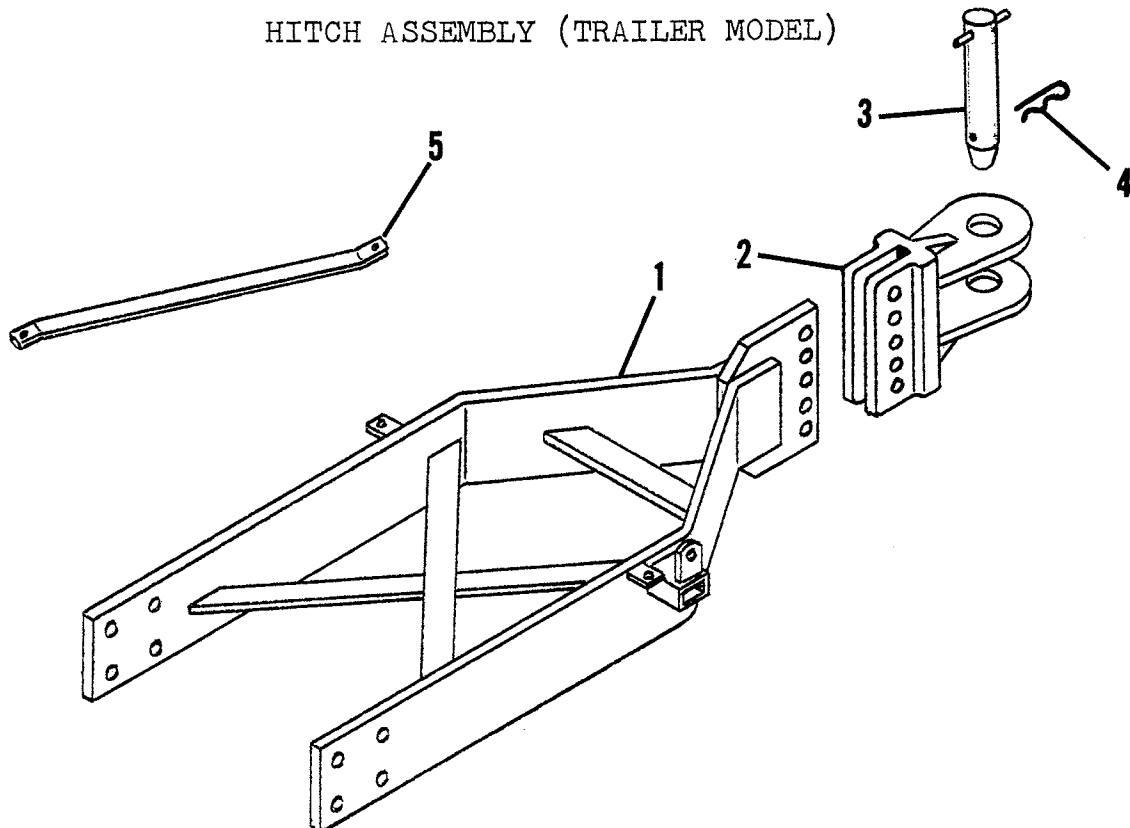
ROTOR ASSEMBLY

Index No.	Part No.	Description
1	4C-917	Capscrew (1" - 14 N. F., Grade 8)
2	9C-762	Lock
3	9C-761	Retainer
4	1D-392	Tine Plate Shaft
5	3D-288	Tine Plate Assembly
6	3D-287	Tine Plate Assembly
7	3D-286	Tine Plate Assembly
8	3D-285	Tine Plate Assembly
9	3D-284	Tine Plate Assembly
10	3D-283	Tine Plate Assembly
11	3D-282	Tine Plate Assembly
12	3D-281	Tine Plate Assembly
13	1D-426	Nut (5/8 - 18 N. F., Stover Grade B)
14	1D-874	L. H. Tine
15	1D-875	R. H. Tine
16	9C-756	Dust Shield (2 Required)
17	1D-425	Capscrew (5/8 - 18 N. F., Grade 5)

HITCH ASSEMBLY (PICKUP MODEL)



HITCH ASSEMBLY (TRAILER MODEL)



1D-852  
1D-856

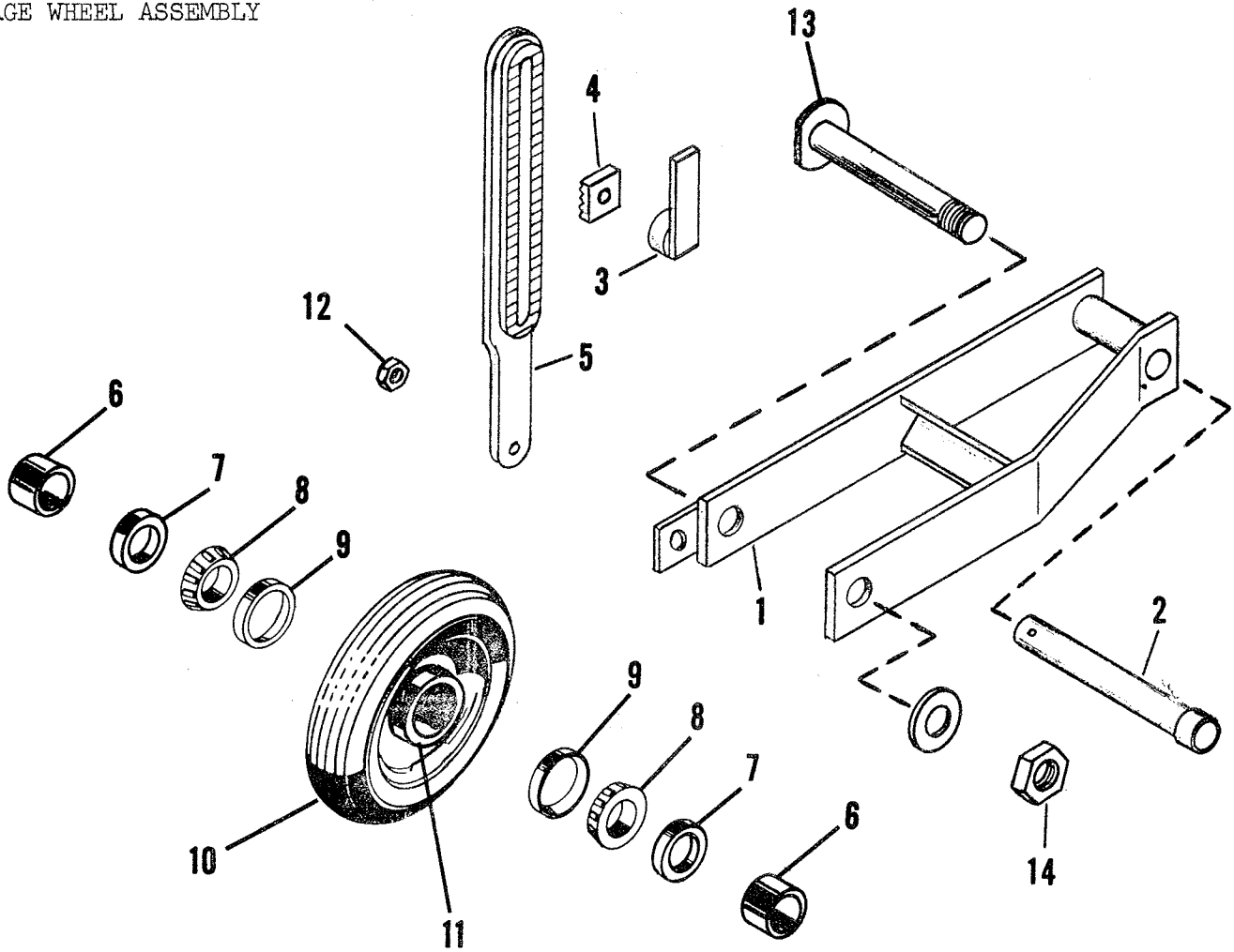
HITCH ASSEMBLY (PICKUP MODEL)

Index No.	Part No.	Part Name
1	1D-297	Top Post Assembly
2	9C-770	Lift Arm Assembly
3	1D-217	Lower Hitch Pin
4	9C-764	Brace
5	1D-503	Brace

HITCH ASSEMBLY (TRAILER MODEL)

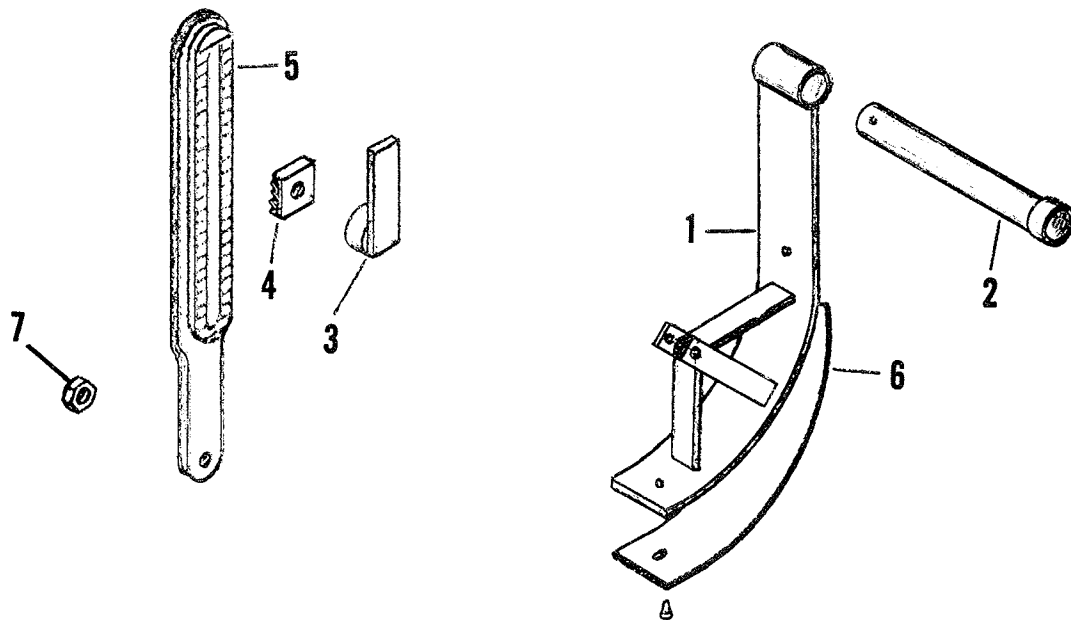
1	1D-387	Drawbar Assembly
2	1D-293	Heavy Duty Hitch
3	1D-558	Clevis Pin Assembly
4	1D-594	Hairpin Cotter
5	1D-503	Brace

GAGE WHEEL ASSEMBLY



1D-852  
1D-856

SKID ASSEMBLY



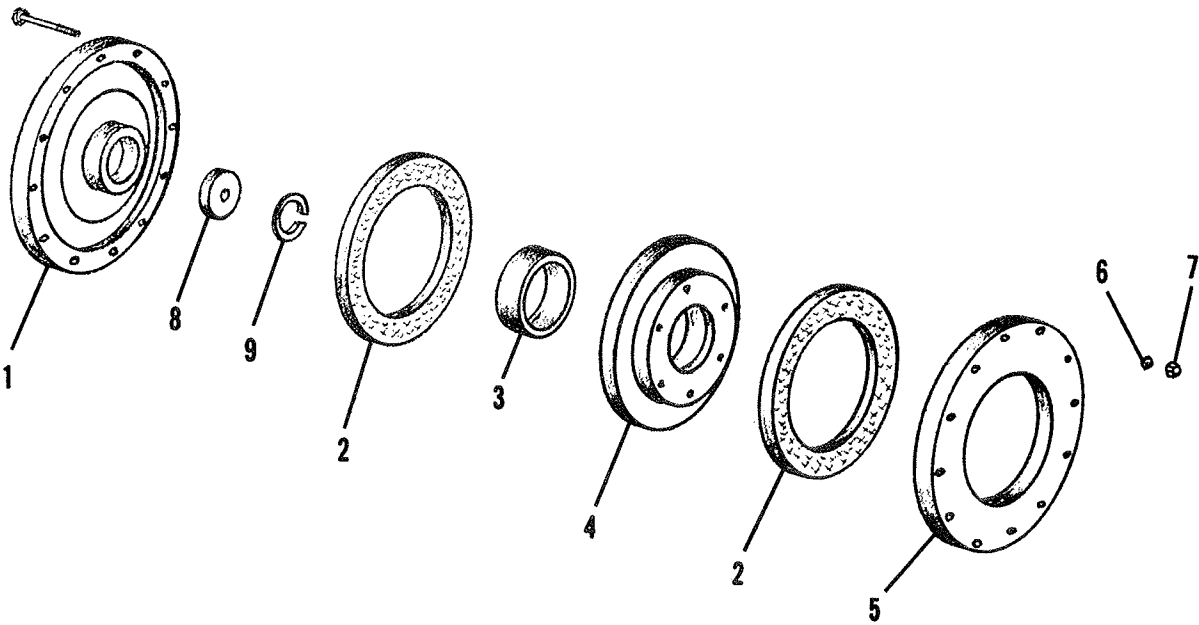
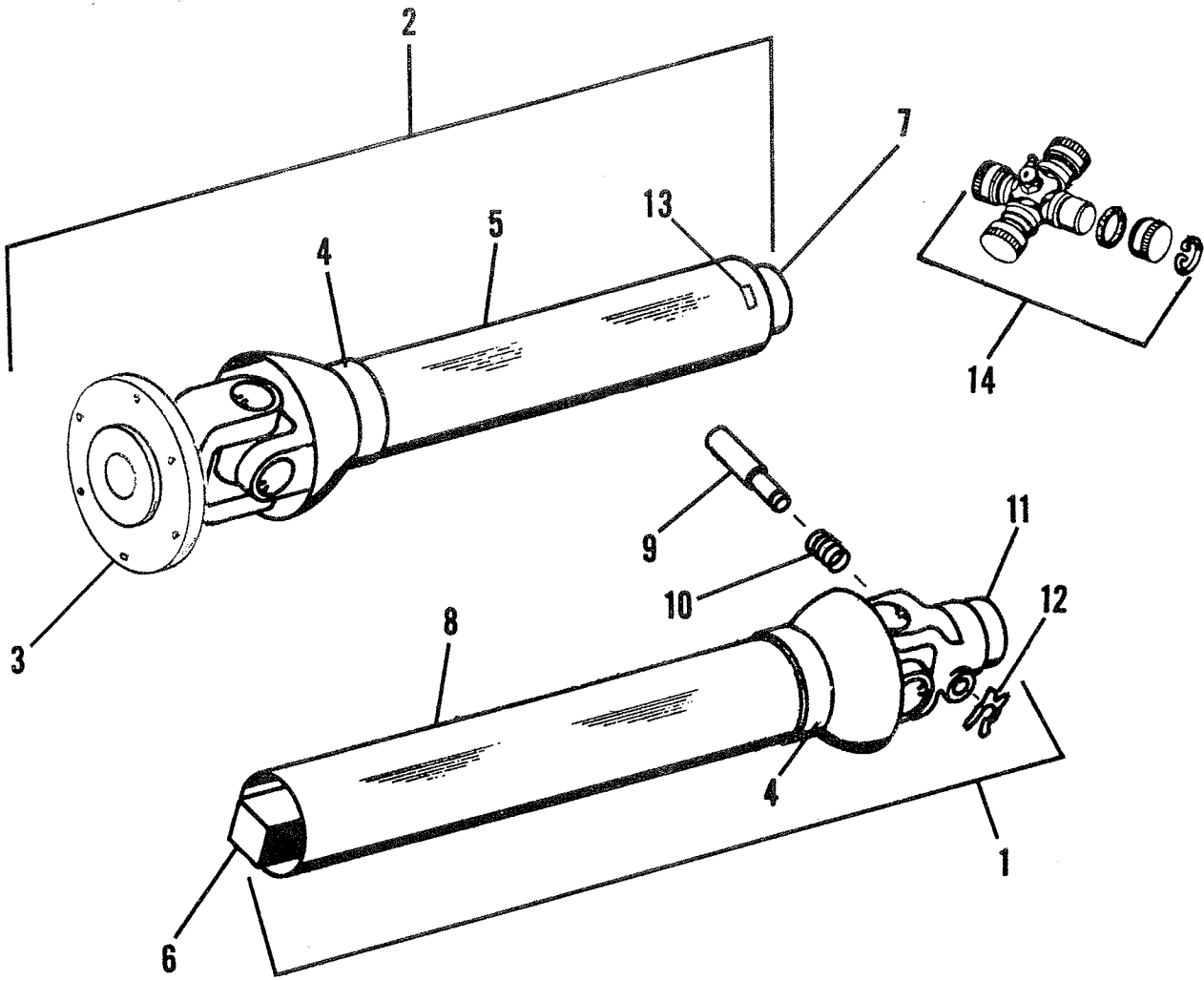
**GAGE WHEEL ASSEMBLY**

Index No.	Part No.	Part Name
1	1D-327	Support Assembly
2	1D-420	Shaft Assembly
3	1D-409	Lever Nut Assembly
4	1D-316	Notched Washer
5	1D-313	Adjusting Bracket
6	9C-219	Spacer
7	9C-228	Seal
8	9C-227	Bearing Cone (Timken L44643)
9	9C-226	Bearing Cup (Timken L44610)
10	5C-899	Tire
	5C-900	Tube
11	9C-225	Rim & Hub Assembly
12	5C-461	Nut (5/8 - 11 NC, Stover Grade B)
13	9C-809	Axle Assembly
14	9C-223	Nut (1" - 14 NF, Stover)

**SKID ASSEMBLY**

1	1D-320	Skid Assembly
2	1D-420	Shaft Assembly
3	1D-409	Lever Nut Assembly
4	1D-316	Notched Washer
5	1D-313	Adjusting Bracket
6	9C-803	Skid Shoe
7	5C-461	Nut (5/8 - 11 NC, Stover Grade B)

ID-852  
ID-856



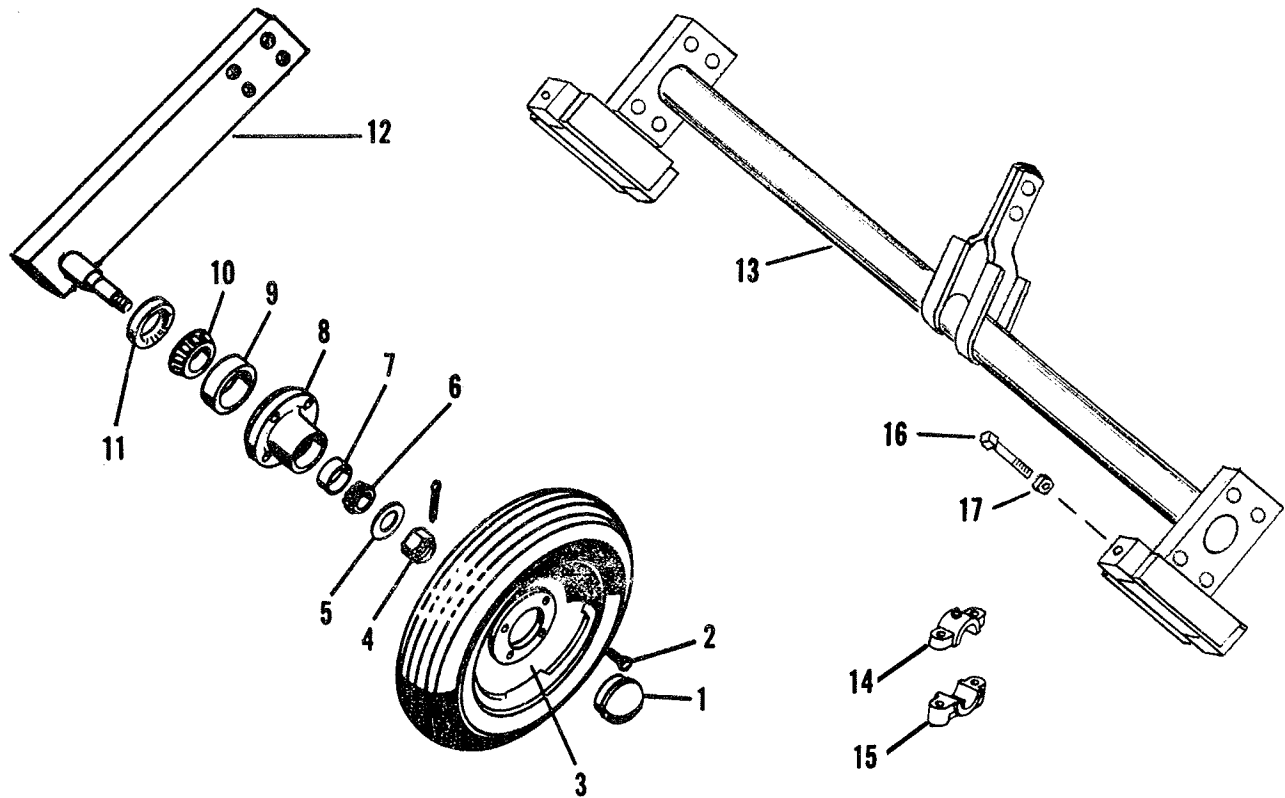
P. T. O. DRIVE ASSEMBLY

Index No.	Part No.	Part Name
1	3D-639	Shaft & Joint Assembly (540 RPM-PTO)
	3D-638	Shaft & Joint Assembly (1000 RPM-PTO)
2	1D-535	Tube & Joint Assembly (Pickup Model)
	3D-693	Tube & Joint Assembly (Trailer Model)
3	1D-375	Flange & Yoke Assembly
4	1D-131	Bearing Retainer
	1D-132	Nylon Bearing
5	9C-996	Male Guard Tube (Pickup Model)
	4D-665	Male Guard Tube (Trailer Model)
6	4D-662	Shaft & Yoke Assembly
7	9C-997	Tube & Yoke Assembly (Pickup Model)
	4D-664	Tube & Yoke Assembly (Trailer Model)
8	4D-663	Female Guard Tube
9	5C-987	Lock Pin (Obsolete - Order 3D-757)
10	5C-257	Lock Pin Spring
11	1D-133	Q. D. Yoke 1-3/8 - 6B Spline (540 RPM-PTO)
	1D-857	Q. D. Yoke 1-3/8 - 21 Spline (1000 RPM-PTO)
*	1D-725	Bolt
*	1D-724	Castellated Nut ) Used With 1D-857 Yoke
12	5C-939	"X" Washer (Not Used With 3D-757)
13	1D-854	Nylon Centralizer (Trailer Model Only)
14	1D-134	Universal Joint Repair Kit

SLIP CLUTCH ASSEMBLY

	1D-399	Clutch Assembly (Complete)
1	1D-371	Hub
2	1D-395	Friction Disc
3	1D-544	Bushing ) 1D-545 Friction Plate Assembly Plate
4	1D-374	Friction Plate ) W/Bushing Pressed In
5	1D-372	Pressure Plate
6	1D-398	Belleville Washer
7	1C-670	Nut (Self-Locking)
8	1D-396	Thrust Plate
9	1D-542	Snap Ring

# WHEEL & AXLE ASSEMBLY



Index No.	Part No.	Part Name
1	5C-908	Cap
2	5C-100	Wheel Bolt
3	5C-916	Wheel Rim
4	5C-909	Nut (Slotted)
5	5C-907	Washer
6	5C-911	Cone (Timken #LM11949)
7	5C-912	Cup (Timken #LM11910)
8	5C-904	Wheel Hub
9	5C-914	Cup (Timken #LM67010)
10	5C-913	Cone (Timken #LM67048)
11	5C-910	Seal
12	1D-532	Arm & Shaft Assembly
13	1D-381	Axle Assembly
14	4C-758	Top Axle Bearing Assembly
15	4C-778	Bottom Axle Bearing
16	1D-555	Setscrew
17	7C-810	Jam Nut

1D-852  
1D-856