

REPAIR PARTS CATALOG

Brillion

FORAGE MASTER

SILO UNLOADER

MODELS SU-1231

THRU SU-2071

BEGINNING WITH SERIAL NO. 1451

ALL PARTS NOT LISTED ARE STANDARD HARDWARE

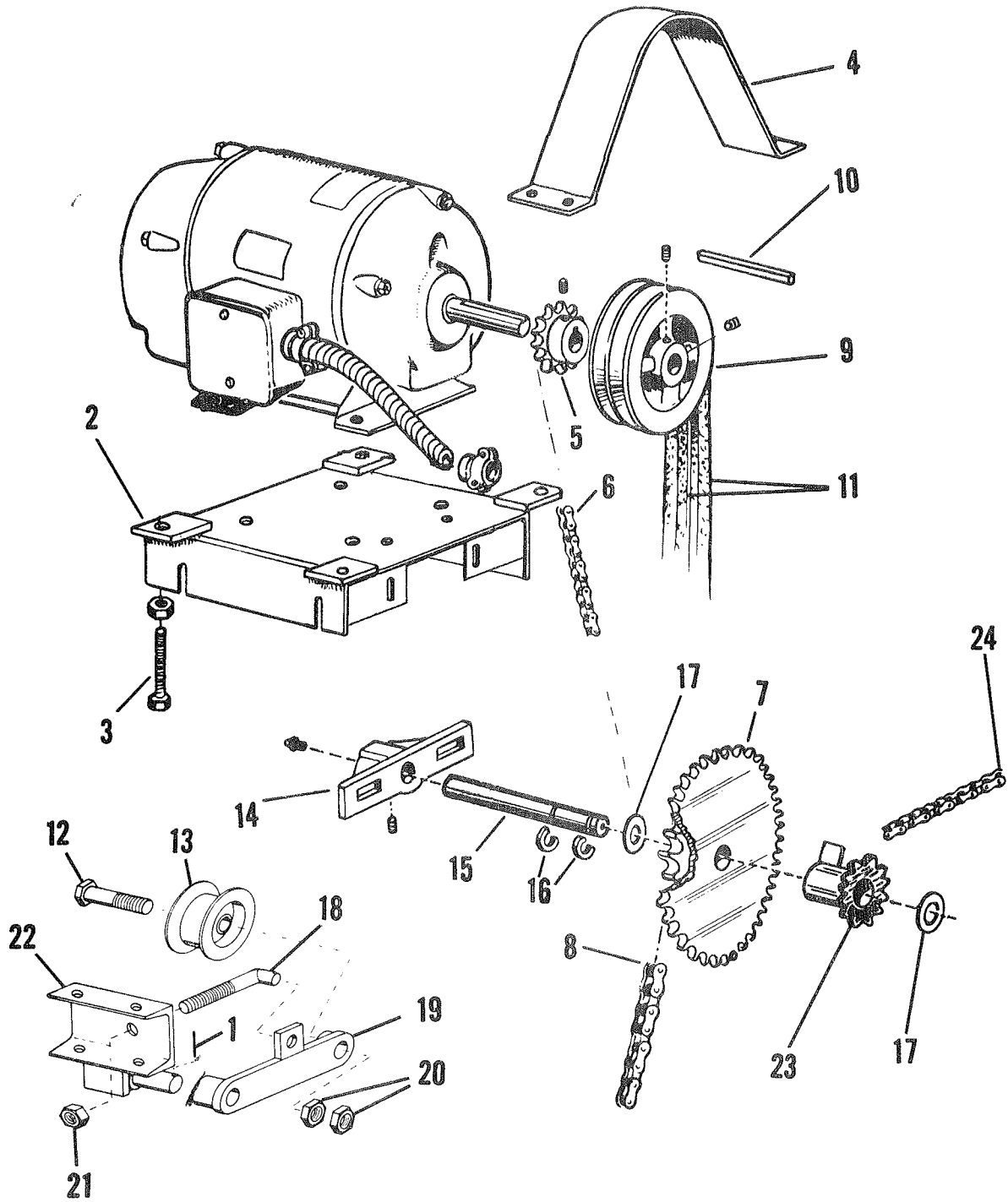
BRILLION IRON WORKS, INC.

Brillion, Wisconsin, U. S. A.

8C-957

MOTOR AND DRIVE ASSEMBLY

Index No.	Part No.	Part Name	Weight
1	1C-99	Roll Pin	
2	8C-98	Motor Mount Assembly	13.5
3	6C-934	Bolt	.2
4	8C-31	Belt Guard	3.0
5	6C-931	Drive Sprocket	.3
6	7C-79	Roller Chain	1.0
7	7C-77	Double Sprocket Assembly	5.3
*	7C-147	Bushing - Bronze (Used in 7C-77)	.1
8	8C-48	Roller Chain	2.0
9	6C-921	Sheave - 2 Groove	6.4
10	2C-455	Key	
11	6C-920	V-Belt - Matched Set	1.0
12	8C-65	Cap Screw	
13	8C-60	Idler Pulley	1.0
14	7C-73	Idler Bracket	2.0
15	7C-313	Idler Shaft - Long	1.9
16	7C-75	Snap Ring 1"	
17	7C-76	Machinery Bushing	
18	8C-66	Tightener Rod	.3
19	8C-54	Belt Idler Bracket	1.6
20	1C-70	Jam Nut	
21	5C-392	Stover Nut	
22	8C-61	Mounting Bracket	3.2
23	7C-316	Sprocket W/Bushing & Grease Fittings	1.5
24	7C-476	Roller Chain	.5
*	7C-508	Bushing - Bronze (2 Used in 7C-316)	
*	7C-414	Grease Fittings (Used in 7C-316)	
*	1D-376	Spacers (4 Used W/3 & 5 H.P. Motors)	.3

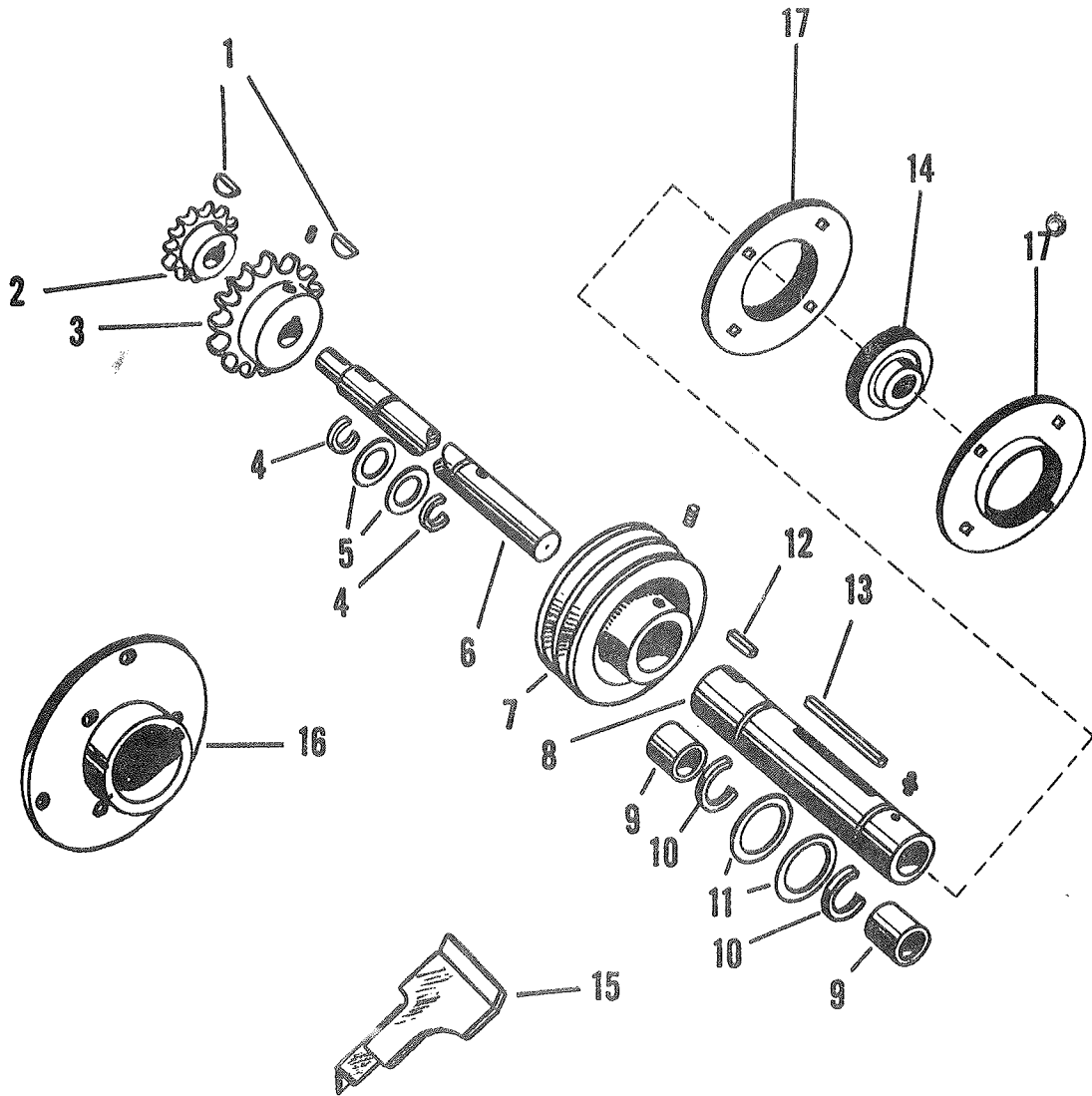


MOTOR AND DRIVE ASSEMBLY

FAN AND AUGER DRIVE ASSEMBLY

Index No.	Part No.	Part Name	Weight
1	7C-83	Woodruff Key	
2	7C-461	Sprocket - 14T. 1/2 P.	0.5
3	7C-84	Sprocket - 21T. 3/4 P.	2.5
4	7C-85	Snap Ring 1-3/8"	
5	8C-519	Machinery Bushing	.1
6	8C-170	Shaft - Conveyor Drive	8.4
7	6C-743	Sheave - 2 Groove	7.8
8	8C-570	Rotor Tube	5.7
*	8C-952	Rotor Tube Assembly - Made up of:	
		1 - 8C-570 Rotor Tube	
		2 - 7C-90 Bronze Bushings	6.3
9	7C-90	Bronze Bushing	.3
10	7C-91	Snap Ring 2-1/4"	
11	7C-92	Machinery Bushing	.1
12	7C-89	Key	
13	2C-455	Key	.5
14	8C-531	Bearing - 2-3/4" Bore	2.0
15	7C-457	Fan Blade	2.0
16	8C-569	Rotor Assembly	9.5
17	8C-532	Flangette	1.0

8C-957

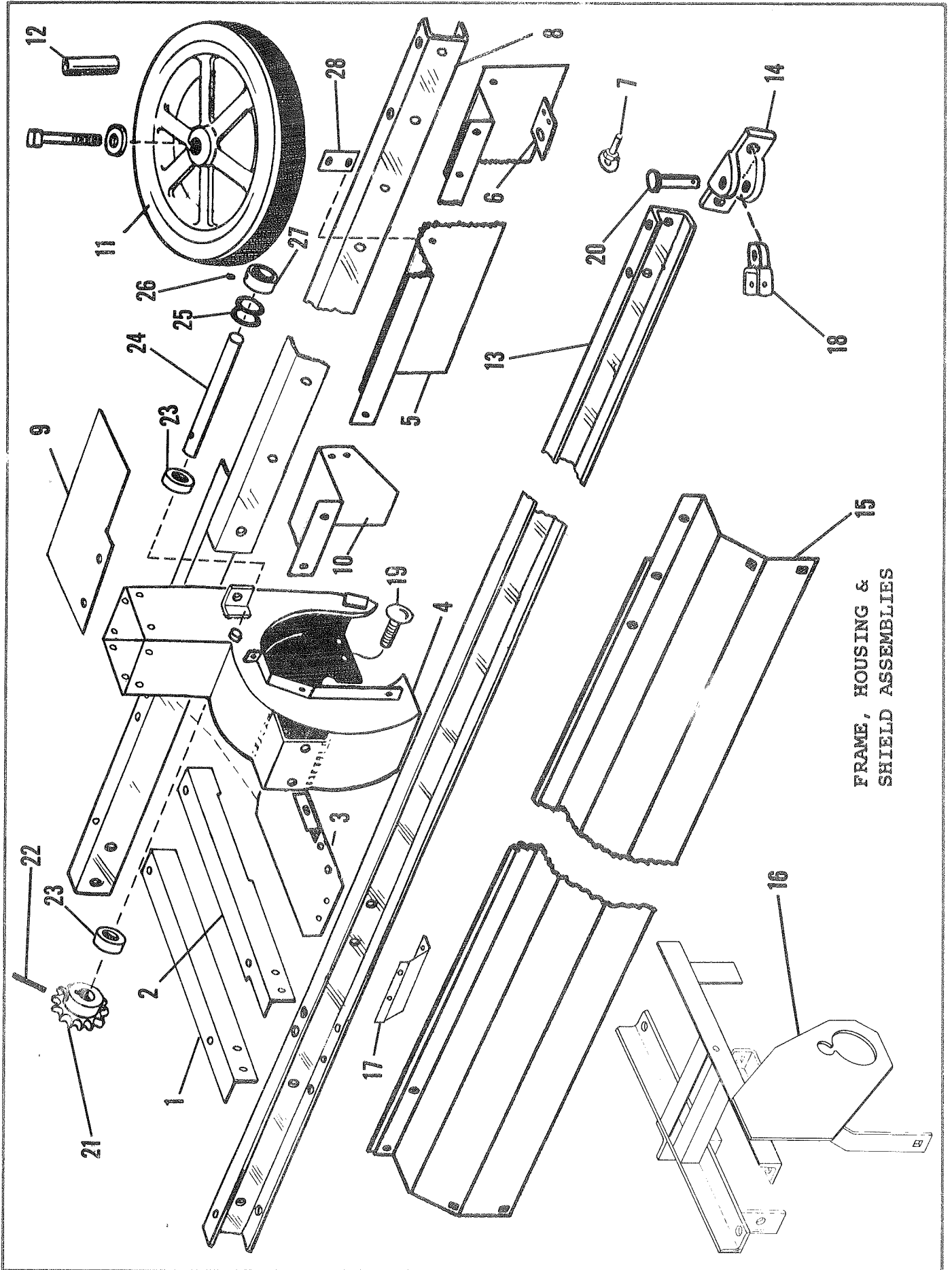


FAN AND AUGER DRIVE ASSEMBLY

FRAME, HOUSING & SHIELD ASSEMBLIES

Index No.	Part No.	Part Name	Weight
1	8C-13	Mounting Angle - Inner	3.0
2	8C-12	Mounting Angle - Outer	3.0
3	8C-564	Pulley Shield Assembly	4.7
4	7C-949	Rotor Housing	25.0
5	8C-155	Conveyor Shield Front - 12'	9.7
	8C-156	Conveyor Shield Front - 14'	12.7
	8C-157	Conveyor Shield Front - 16'	15.7
	8C-158	Conveyor Shield Front - 18'	18.7
	8C-159	Conveyor Shield Front - 20'	21.7
6	6C-892	Slide	0.8
7	7C-967	Adjustment Screw	.3
8	8C-134	Front Channel - 12'	38.2
	8C-135	Front Channel - 14'	42.3
	8C-136	Front Channel - 16'	46.4
	8C-137	Front Channel - 18'	50.5
	8C-138	Front Channel - 20'	54.6
9	7C-417	Deflector	2.4
10	8C-730	Blower Shield	2.6
11	7C-98	Wall Wheel Assembly	18.0
12	7C-99	Bushing	0.2
13	8C-129	Rear Channel - 12'	32.9
	8C-130	Rear Channel - 14'	37.0
	8C-131	Rear Channel - 16'	41.1
	8C-132	Rear Channel - 18'	45.2
	8C-133	Rear Channel - 20'	49.3
14	6C-741	Tie Rod End	2.4
15	8C-160	Conveyor Shield - 12'	26.0
	8C-161	Conveyor Shield - 14'	29.5
	8C-162	Conveyor Shield - 16'	33.0
	8C-163	Conveyor Shield - 18'	36.5
	8C-164	Conveyor Shield - 20'	40.0
16	8C-485	Outboard Bearing Bracket Assembly	13.0
17	8C-52	Brace	2.3
18	8C-618	Tie Rod Connector	1.5
19	8C-543	Bolt	0.1
20	8C-520	Clevis Pin	0.5
21	7C-318	Sprocket - 13T	0.5
22	1C-659	Roll Pin (1/4 x 1-1/2 Long)	
23	7C-508	Bronze Bushing	0.1
24	7C-312	Shaft - Rotary Post	2.0
25	7C-76	Machinery Bushing	
26	5C-862	Set Screw	
27	7C-145	Set Collar	0.3
28	8C-723	Shield Support Strap	0.1

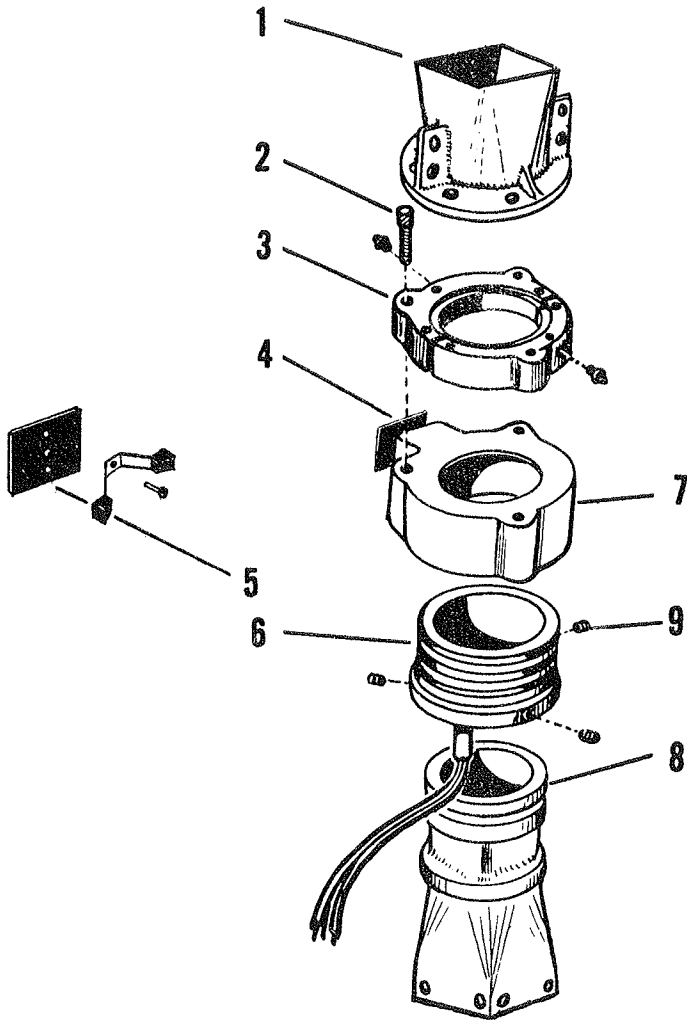
8C-957



FRAME, HOUSING &
SHIELD ASSEMBLIES

TRANSITION ASSEMBLY

Index No.	Part No.	Part Name	Weight
1	7C-101	Upper Transition	12.0
2	7C-107	Cap Screw	
3	6C-755	Support Ring	10.3
4	7C-106	Cover Plate	.2
5	7C-105	Double Brush Assembly	.3
*	7C-589	Terminal Board	.2
6	7C-104	Collector Ring Unit	6.9
7	7C-103	Collector Housing	5.0
8	8C-486	Lower Transition	15.5
9	7C-108	Cap Screw	
*	7C-673	Terminal Board Assembly Includes: 1 - 7C-589 Terminal Board 3 - 7C-105 Double Brush Assembly	.7



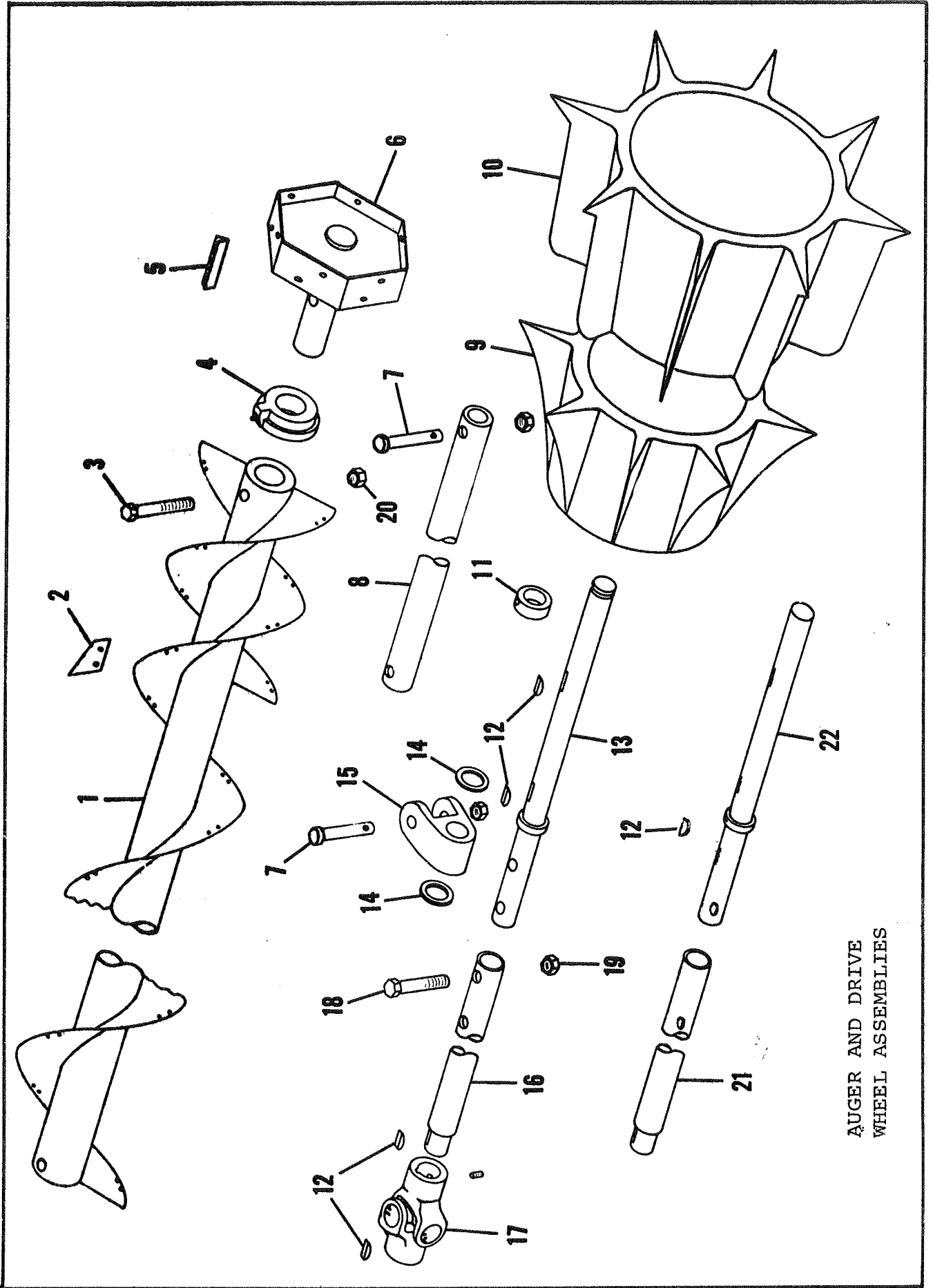
TRANSITION ASSEMBLY

AUGER AND DRIVE WHEEL ASSEMBLIES

Index No.	Part No.	Part Name	Weight
1	8C-103	Conveyor Assembly - 12'	40.5
	8C-104	Conveyor Assembly - 14'	47.5
	8C-105	Conveyor Assembly - 16'	54.5
	8C-106	Conveyor Assembly - 18'	61.5
	8C-107	Conveyor Assembly - 20'	68.5
2	6C-746	Knife	.1
*	7C-803	Cap Screw (Used to attach knives)	
3	7C-783	Cap Screw (both ends)	
4	7C-211	Conveyor Bearing Assembly	1.4
5	7C-467	Frost Wheel Knife (6 Used)	.3
6	8C-108	Frost Chipper Hub	8.5
7	8C-520	Clevis Pin - 2-1/2" Long	.5
8	7C-992	Tie Rod - 12'	9.9
	7C-993	Tie Rod - 14'	11.7
	7C-994	Tie Rod - 16'	13.5
	7C-995	Tie Rod - 18'	15.5
	7C-996	Tie Rod - 20'	17.3
9	6C-738	Drive Hub	56.0
10	8C-34	Drive Hub	84.0
11	7C-145	Set Collar	.1
12	7C-83	Key - Woodruff	
13	7C-966	Drive Wheel Shaft Assembly (Used on machines prior to 9-7-61)	5.2
14	7C-76	Machinery Bushing	
15	8C-110	Bearing - Drive Shaft	1.8
16	7C-959	Drive Shaft Assembly - 12')	4.6
	7C-960	Drive Shaft Assembly - 14')	6.3
	7C-961	Drive Shaft Assembly - 16') Used on machines prior to 9-7-61	8.0
	7C-962	Drive Shaft Assembly - 18')	9.7
	7C-963	Drive Shaft Assembly - 20')	11.4
17	7C-112	Universal Joint Assembly	1.8
18	9C-271	Cap Screw - Heat Treated	
19	5C-954	Lock Nut	
20	7C-470	Jam Nut	
21	9C-396	Drive Shaft Assembly - 12')	4.6
	9C-397	Drive Shaft Assembly - 14')	6.3
	9C-398	Drive Shaft Assembly - 16') Used on machines after 9-7-61	8.0
	9C-399	Drive Shaft Assembly - 18')	9.7
	9C-400	Drive Shaft Assembly - 20')	11.4
22	9C-407	Drive Wheel Shaft Assembly	5.2

8C-957

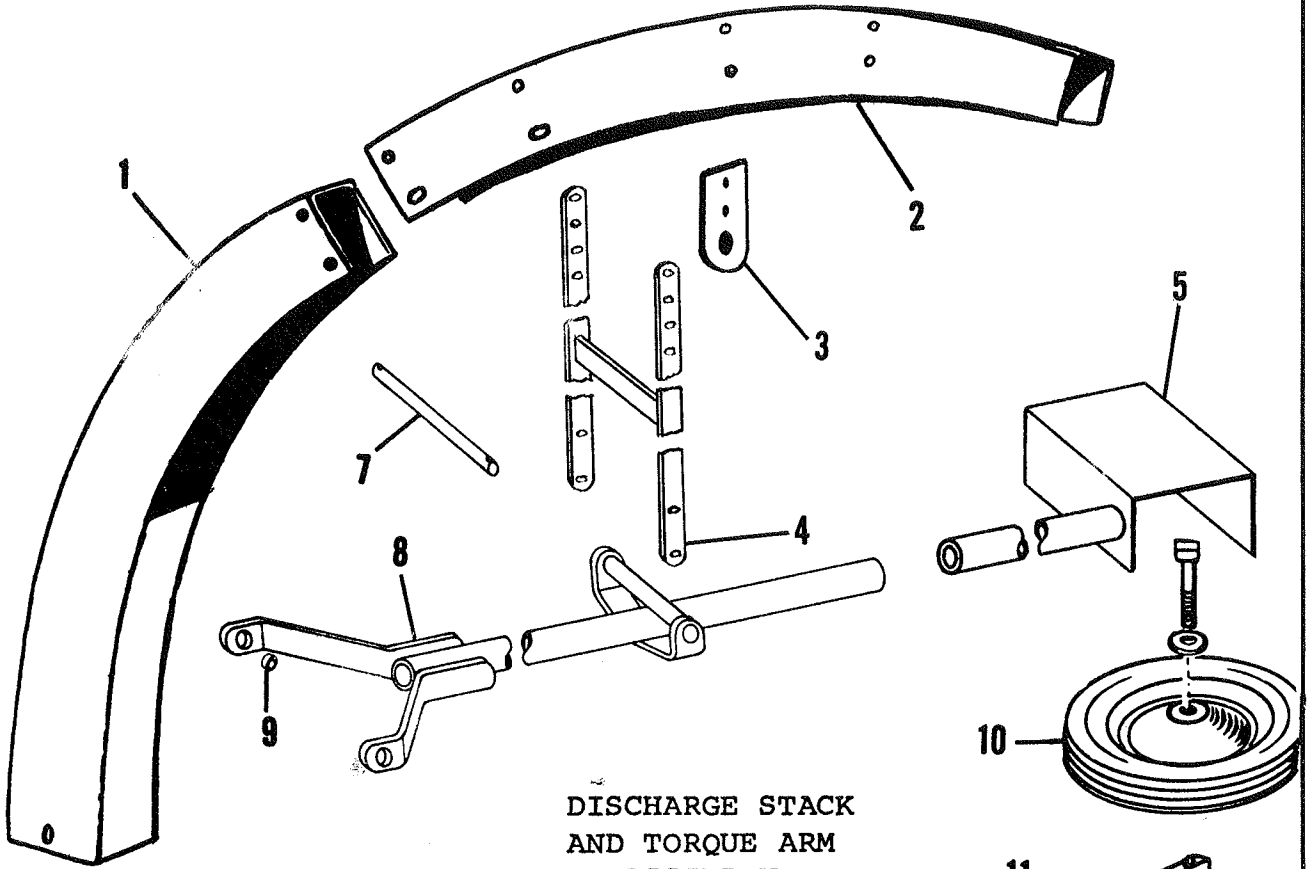
4-23-62



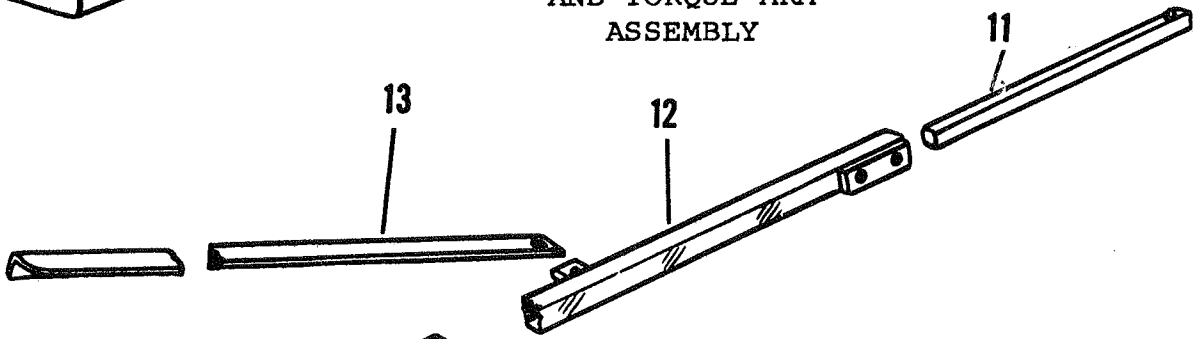
AUGER AND DRIVE
WHEEL ASSEMBLIES

DISCHARGE STACK, TORQUE ARM & SPREADER ARM

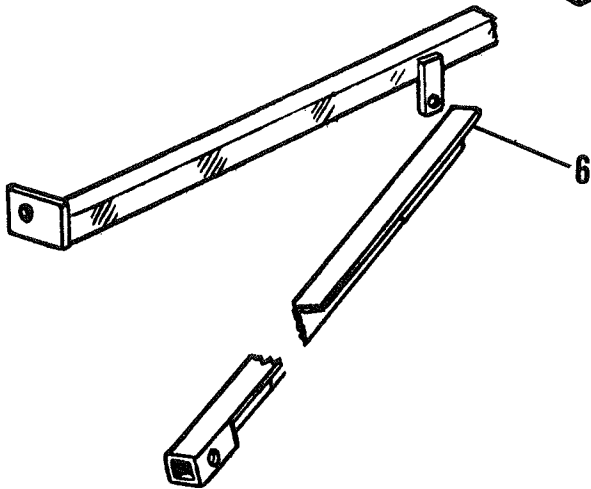
Index No.	Part No.	Part Name	Weight
1	6C-929	Discharge Tube	17.5
2	7C-517	Discharge Spout - 12'	13.0
*	7C-118	Discharge Spout - 14' - 16' - 18' - 20'	21.3
3	8C-28	Strap (2 Used)	.7
4	8C-513	Support Frame	14.3
5	8C-516	Door Bracket	9.6
6	7C-54	Support Brace Assembly	3.6
7	8C-22	Pin	.5
8	7C-981	Torque Arm - 12'	15.7
	7C-982	Torque Arm - 14'	18.0
	7C-983	Torque Arm - 16'	20.3
	7C-984	Torque Arm - 18'	22.5
	7C-985	Torque Arm - 20'	24.8
9	4C-434	Bushing	
10	7C-67	Wheel Assembly	4.8
11	7C-55	Spreader Arm Extension	4.5
12	7C-57	Spreader Arm Assembly - 12'	10.3
	7C-58	Spreader Arm Assembly - 14'	12.5
	7C-59	Spreader Arm Assembly - 16'	14.7
	7C-60	Spreader Arm Assembly - 18'	16.9
	7C-61	Spreader Arm Assembly - 20'	19.1
13	7C-56	Brace Angle	6.5



DISCHARGE STACK
AND TORQUE ARM
ASSEMBLY



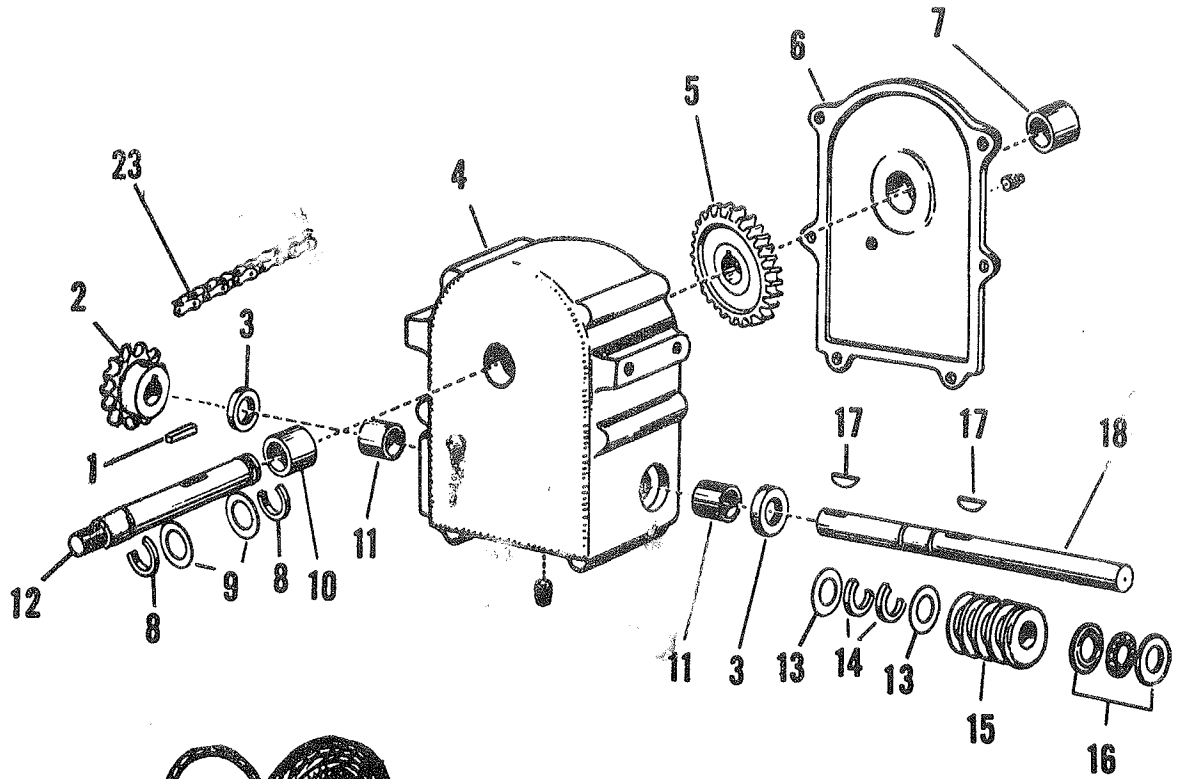
SPREADER ARM
ASSEMBLY



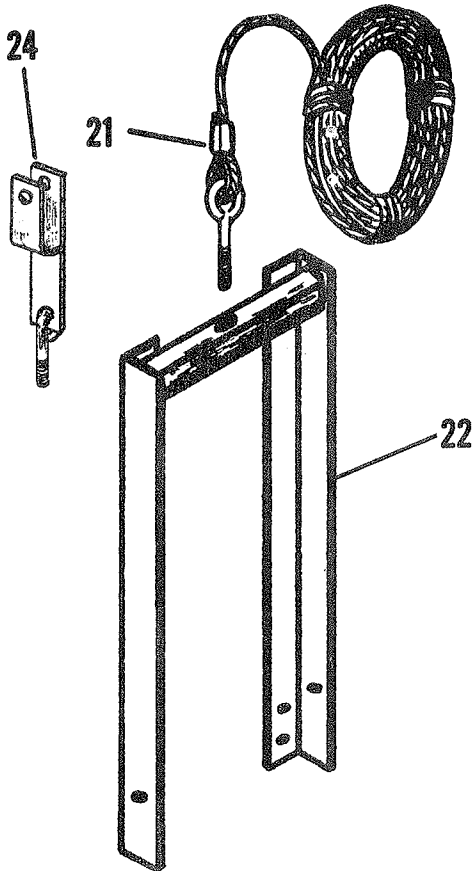
GEARBOX, HANGER, AND BALANCE ASSEMBLIES

Index No.	Part No.	Part Name	Weight
1	6C-754	Key	
2	7C-461	Sprocket - 14T - 1/2 P.	.5
3	7C-124	Oil Seal	.1
4	6C-942	Gear Housing Assembly (Includes Bushings)	20.5
5	6C-744	Worm Gear	4.5
6	8C-102	Cover Plate Assembly (Includes Bushing)	4.5
7	7C-126	Bronze Bushing - Cover	
8	7C-121	Snap Ring 1-1/4"	
9	7C-122	Machinery Bushing	
10	7C-149	Bronze Bushing - Gearbox	
11	7C-125	Bronze Bushing	
12	7C-951	Worm Gear Shaft	2.8
13	7C-120	Machinery Bushing	
14	7C-75	Snap Ring 1"	
*	8C-174	Split Collar Assembly (Snap Ring Retainer)	
15	6C-745	Worm	1.5
16	7C-123	Thrust Bearing	.3
17	7C-83	Key - Woodruff	
18	7C-952	Worm Shaft	1.4
19	6C-930	Counterweight	49.0
20	6C-899	Balance Arm - 12'	8.0
	8C-187	Balance Arm - 14'	10.2
	7C-681	Balance Arm - 16' - 18'	25.0
	8C-188	Balance Arm - 20'	32.5
21	9C-317	Wire Rope - 175'	18.3
	7C-491	Wire Rope - 125'	13.8
	7C-138	Wire Rope - 100'	11.0
	7C-139	Wire Rope Clip	.3
	7C-140	Eyebolt	.4
	7C-141	Thimble	
22	8C-489	Hanger - Long	21.3
	8C-495	Hanger - Short	2.1
23	8C-49	Roller Chain	1.0
24	6C-902	Pulley Clevis)	1.7
	9C-309	Eye Bolt)	.3
*	8C-523	Clevis Pin) Used on 18' - 20' Only	.1
*	6C-739	Cable Pulley)	1.1
*	1D-197	Brace Assembly)	5.0

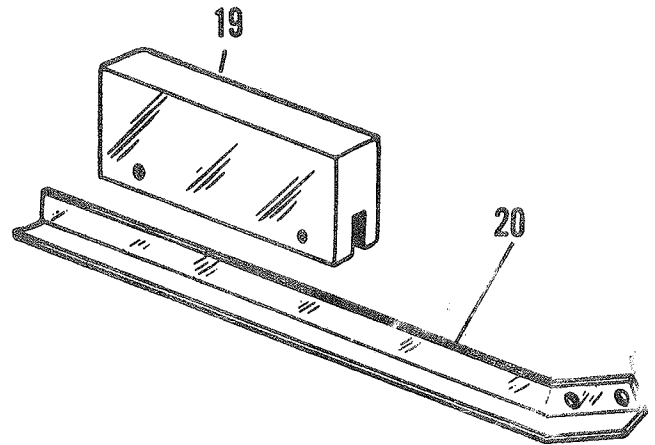
8C-957
4-23-62



WORM GEAR BOX
ASSEMBLY



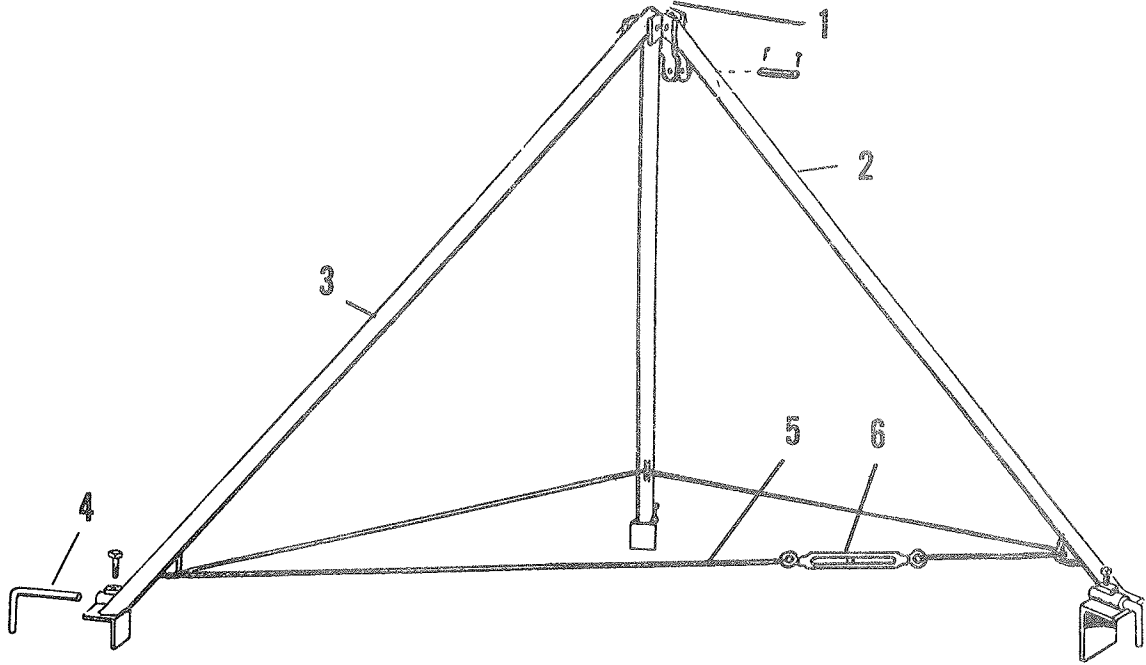
HANGER ASSEMBLY



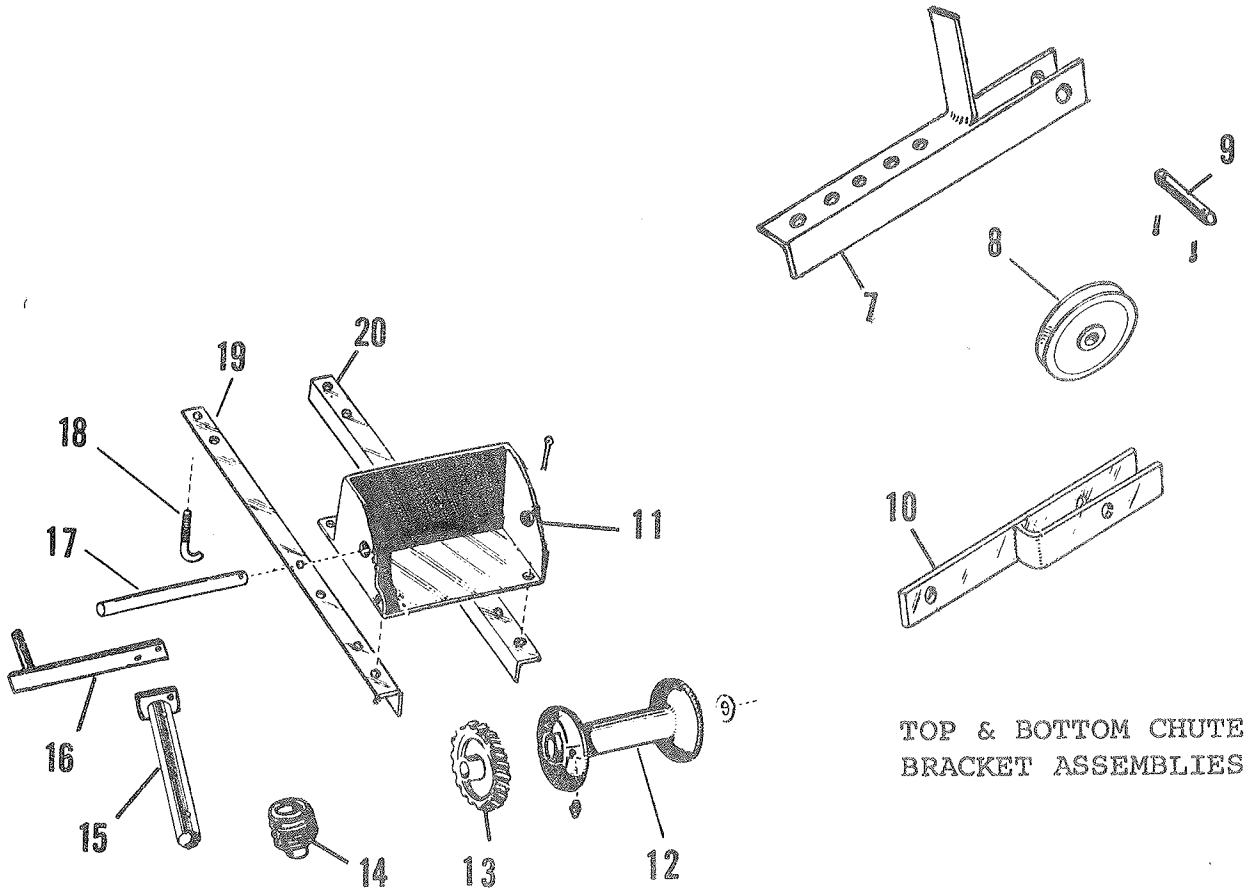
BALANCE WEIGHT
AND ARM

TRIPOD, WINCH, AND PULLEY BRACKET ASSEMBLIES

Index No.	Part No.	Part Name	Weight
1	8C-113	Tripod Bracket Assembly - 12' - 14' - 16'	5.0
	9C-319	Tripod Bracket Assembly - 18' - 20'	5.0
*	8C-521	Clevis Pin - 3-3/4" Long	.5
*	8C-522	Clevis Pin - 3" Long	.5
2	6C-788	Tripod Leg Assembly - (Pulley Leg) 12'	23.0
	6C-789	Tripod Leg Assembly - (Pulley Leg) 14'	26.5
	6C-790	Tripod Leg Assembly - (Pulley Leg) 16'	28.5
	6C-791	Tripod Leg Assembly - (Pulley Leg) 18'	34.5
	6C-792	Tripod Leg Assembly - (Pulley Leg) 20'	37.5
3	6C-783	Tripod Leg 12'	22.8
	6C-784	Tripod Leg 14'	24.3
	6C-785	Tripod Leg 16'	27.5
	6C-786	Tripod Leg 18'	33.5
	6C-787	Tripod Leg 20'	36.5
4	6C-761	Safety Hook	.5
5	7C-135	Wire Rope 12'	1.7
	7C-136	Wire Rope 14' - 16'	2.0
	7C-137	Wire Rope 18' - 20'	2.5
6	6C-766	Turnbuckle	.8
	6C-762	Wire Rope Clip	.1
7	6C-763	Pulley Bracket Assembly	2.0
8	6C-739	Cable Pulley	1.1
9	8C-523	Clevis Pin - 1-3/4" Long	.3
10	6C-902	Pulley Clevis	1.5
11	7C-695	Winch Housing	20.6
12	6C-737	Winch Reel	9.8
13	6C-944	Worm Gear	5.0
14	6C-943	Worm	2.3
15	7C-129	Crank Shaft	2.0
16	7C-130	Winch Handle Assembly	2.0
*	7C-143	Electric Drill Attachment	.4
17	7C-131	Reel Shaft	2.3
18	7C-134	J-Bolt	.2
19	7C-132	Mounting Angle R. H.	4.6
20	7C-133	Mounting Angle L. H.	4.6



TRIPOD ASSEMBLY



TOP & BOTTOM CHUTE BRACKET ASSEMBLIES

WINCH ASSEMBLY

