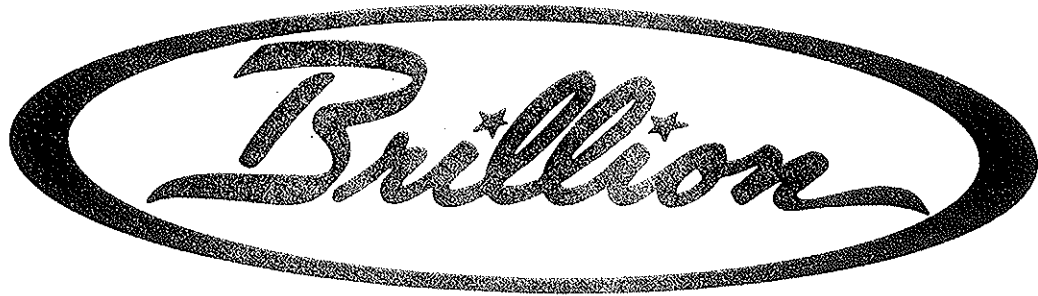
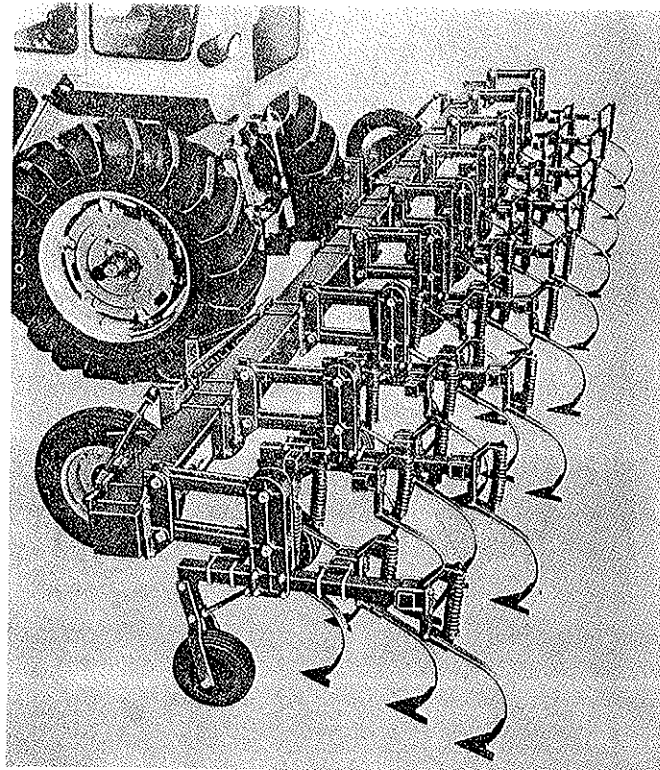


REPAIR PARTS CATALOG



RO-CROP CULTIVATORS

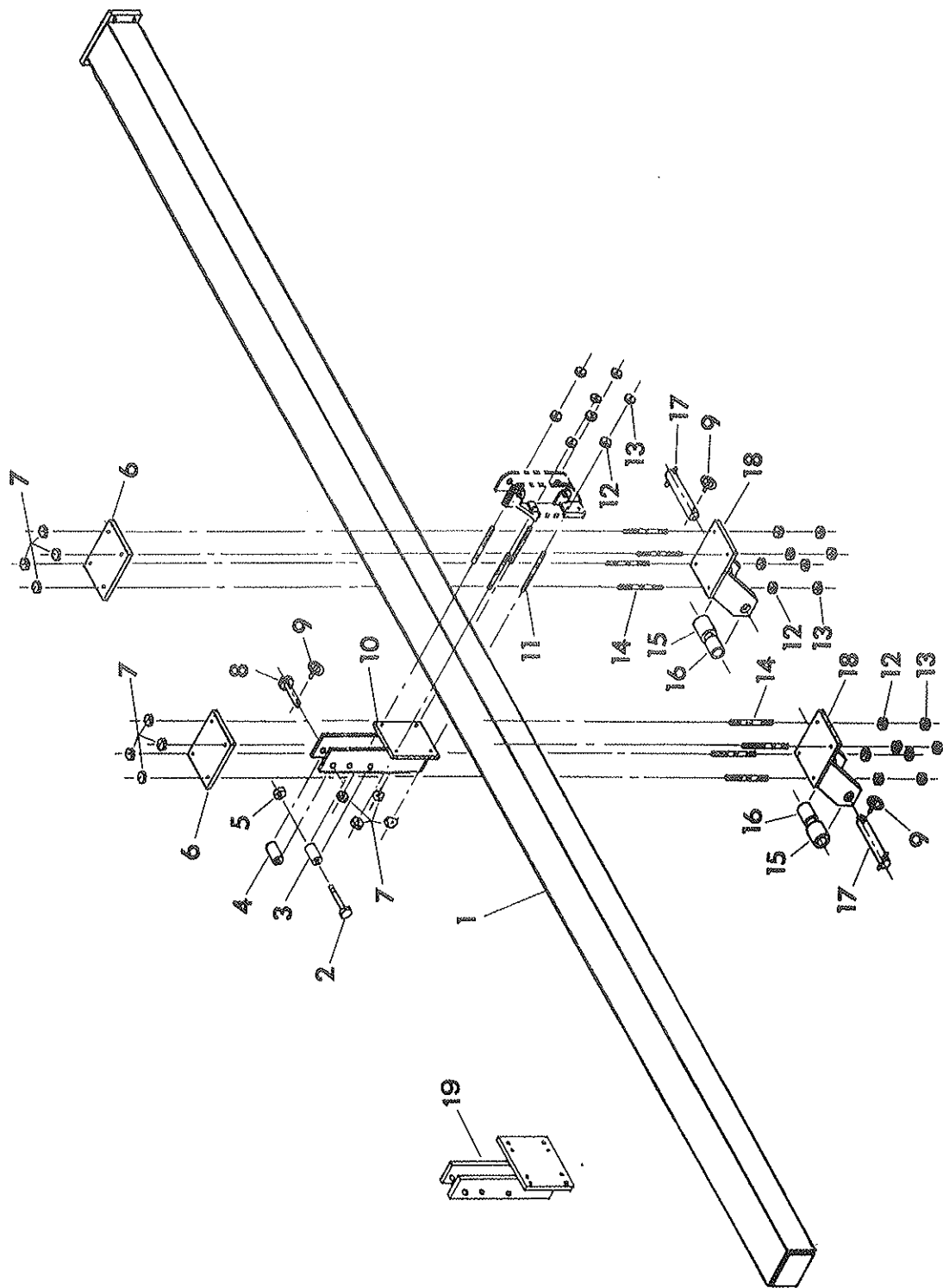
BRC-4301, BRC-4401, BRC-6301
BRC-6401, BRC-8301, BRC-8401
BRC-12301
BRC-430, BRC-440, BRC-630,
BRC-640, BRC-830, BRC-840.
BRC-1230



IMPORTANT!

BRILLION IRON WORKS
BRILLION, WISCONSIN

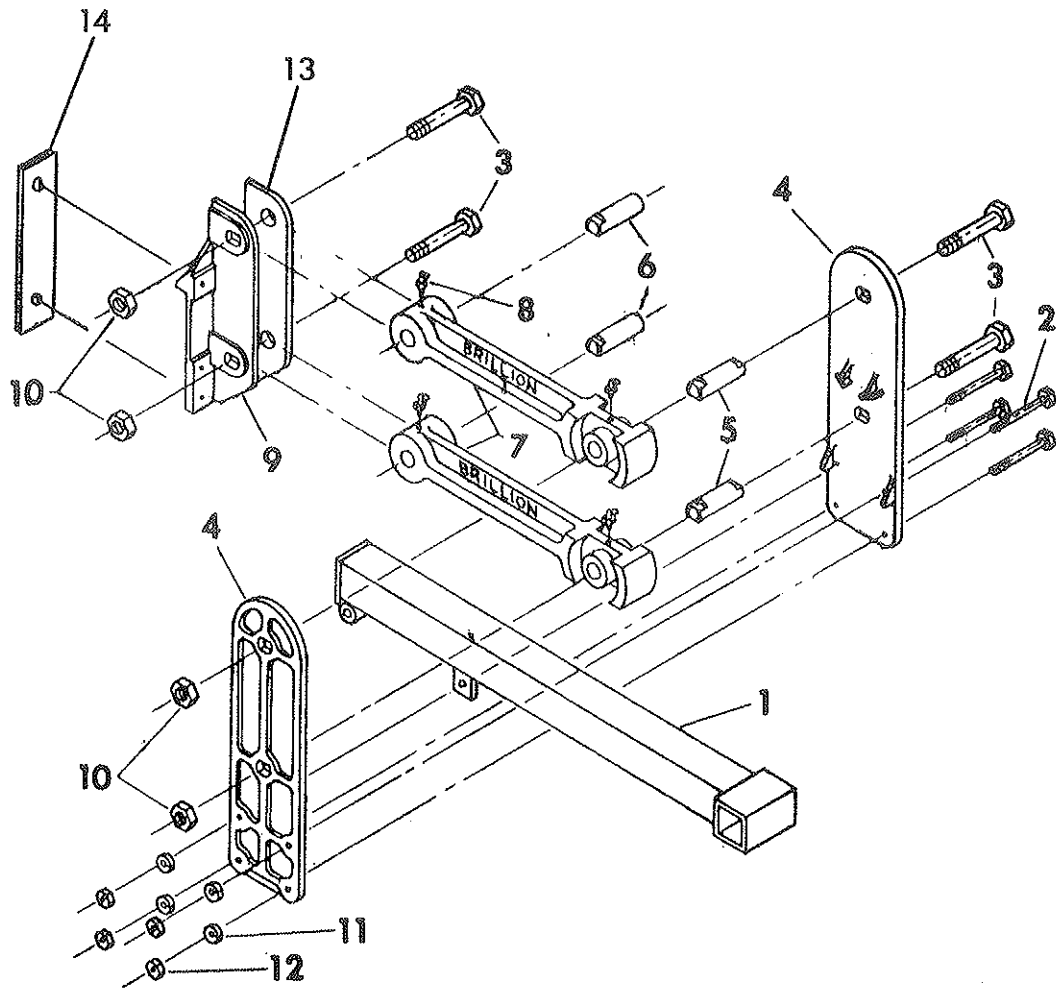
Repairs cannot be purchased retail direct from factory. Order through your Brillion dealer.



FRAME TUBE AND HITCH COMPONENTS

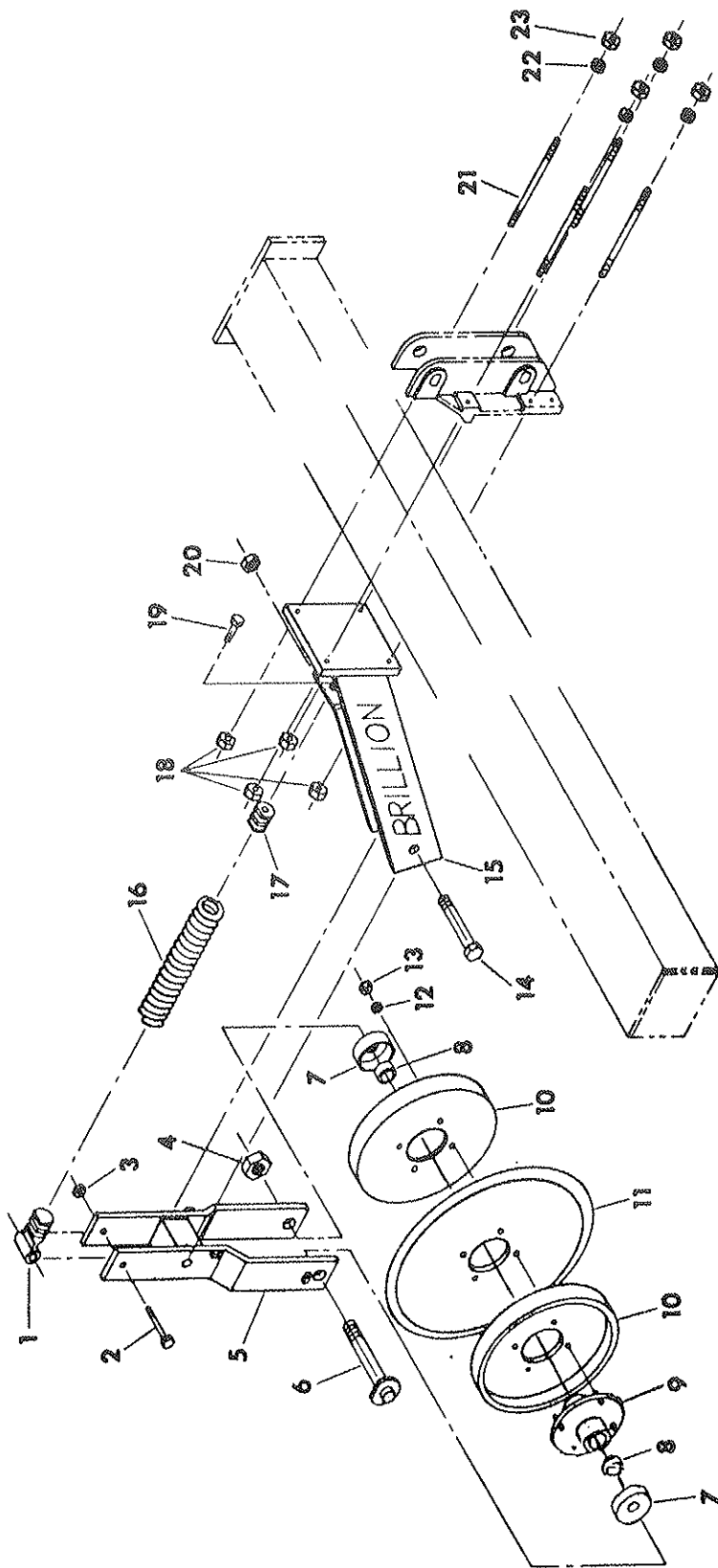
Index No.	Part No.	Description	Weight
1	8D-974	Frame Tube (BRC-430)	168.0
	1J-802	Frame Tube (BRC-440)	204.0
	8D-988	Frame Tube (BRC-630)	282.0
	8D-892	Frame Tube (BRC-640 & BRC-830)	400.0
	8D-978	Frame Tube (BRC-840)	613.0
	1J-83	Frame Tube (BRC-1230)	700.0
2	8D-922	Capscrew (1" - 8 NC x 4-1/2" Lg., Grade 5)	1.3
3	6D-988	Spacer	.2
4	5D-157	Sleeve	.2
5	6D-306	Stover Nut (1" - 8 NC Hex)	.1
6	8D-899	Strap (BRC-430)	3.8
	8D-919	Plate (BRC-630, BRC-640, BRC-830, BRC-840, BRC-440 & BRC-1230)	11.7
7	5C-461	Stover Nut (5/8" - 11 NC Hex)	.1
8	6D-529	Clevis Pin (1" Dia.)	1.1
9	5D-110	Klik Pin	.1
10	8D-915	Mast (BRC-430, BRC-440, BRC-630)	28.5
11	8D-921	Stud - 7-3/4" Long (BRC-430)	.7
	8D-900	Stud - 9-3/4" Long (BRC-630, BRC-640, BRC-830, BRC-440, BRC-840 & BRC-1230)	.9
12	1B-166	Lockwasher (5/8" Std.)	
13	1C-392	Nut (5/8" - 11 NC Hex)	
14	8D-921	Stud - 7-3/4" Long (BRC-430, BRC-440, BRC-630, BRC-640 & BRC-830)	.7
	8D-900	Stud - 9-3/4" Long (BRC-840 & BRC-1230)	.9
15	8D-425	Spacer	1.6
16	5D-158	Sleeve	.5
17	8D-424	Pin Assembly	2.5
18	8D-991	Hitch Bracket (BRC-430)	22.0
	8D-918	Hitch Bracket (BRC-630, BRC-640, BRC-440 & BRC-830)	28.6
19	9D-8	Hitch Bracket (BRC-840 & BRC-1230)	24.9
	9D-3	Mast (BRC-840, BRC-830, BRC-640 & BRC-1230)	31.0
*	9D-112	U-Bolt for 9D-3 Mast	

*Not Shown



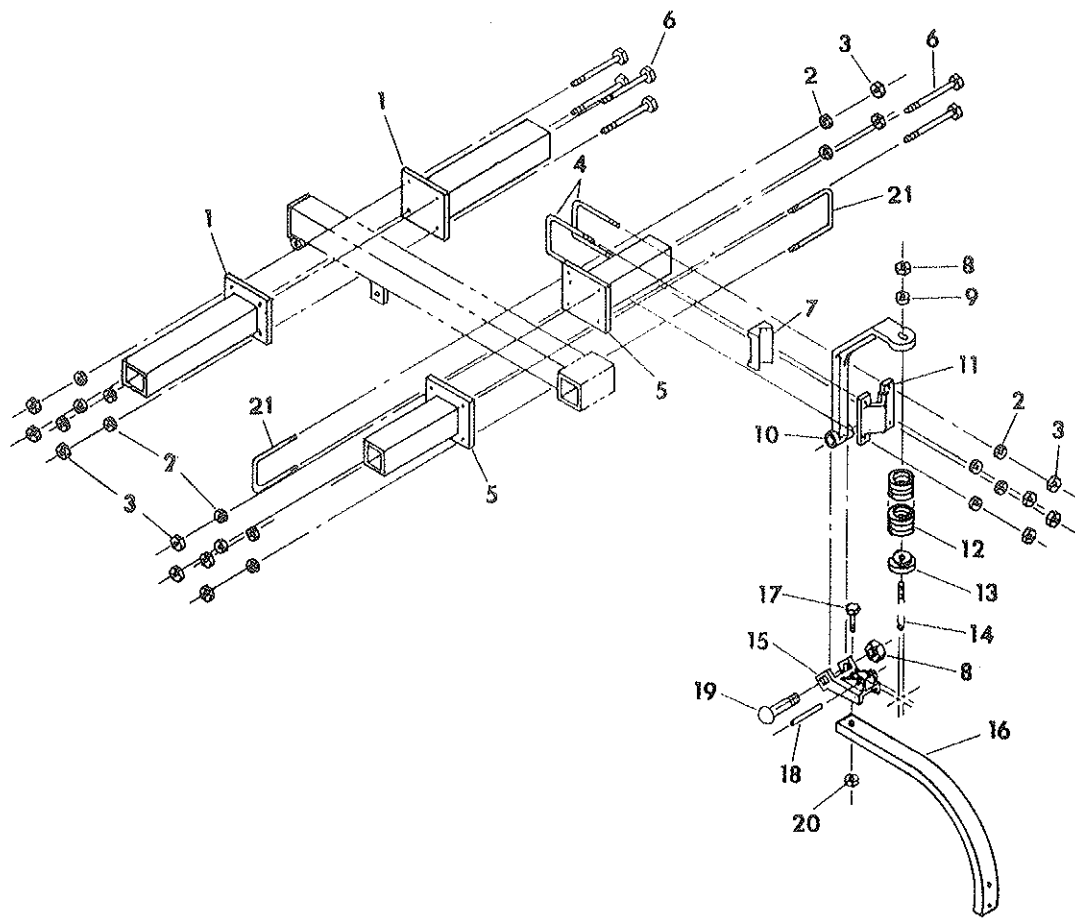
EXTENSION & SHANK ASSEMBLY COMPONENTS

Index No.	Part No.	Description	Weight
1	8D-873	Long Extension (Not used on models BRC-430, BRC-630, BRC-830, BRC-1230)	9.6
2	1C-109	Lockwasher (1/2" Std.)	
3	1C-390	Nut (1/2-13 NC Hex)	
4	8D-951	U-Bolt (1/2-13 NC Thread)	.6
5	8D-870	Short Extension	7.3
6	3D-751	Capscrew (1/2-13 NC x 4-1/2" Lg., Grade 5)	.3
7	8D-954	V-Block	.8
8	5C-461	Stover Nut (5/8-11 NC Hex)	
9	1C-122	Flat Washer - 5/8"	
10	8D-880	Shank Bracket	6.5
11	8D-953	Clamp	1.5
12	6D-361	Spring	4.0
13	6D-410	Spring Cap	1.0
14	8D-881	Shaft	1.1
15	8D-883	Shank Holder	2.1
16	8D-882	Cultivator Tooth	5.2
17	8D-885	Capscrew (1/2-20 NF x 1-1/2" Lg., Grade 5)	.2
18	1J-915	Roll Pin (3/8 Dia. x 2" Long)	.2
19	8D-884	Carriage Bolt (5/8-11 NC x 3-1/2" Lg., Grade 5)	.3
20	1D-428	Stover Nut (1/2-20 NF Hex)	
21	1J-530	U-Bolt	

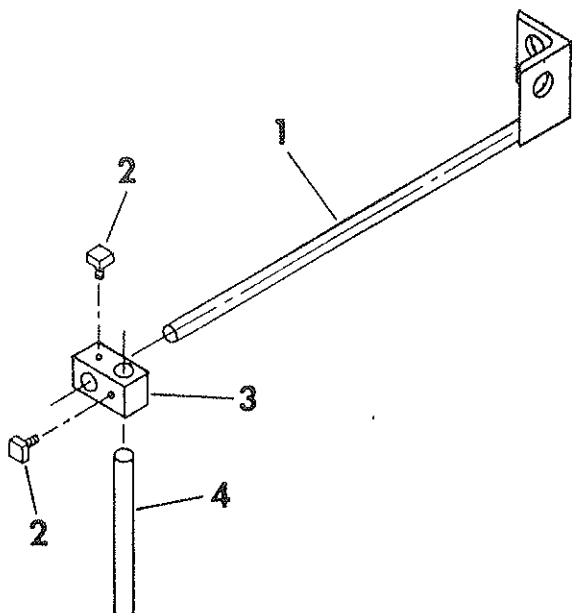
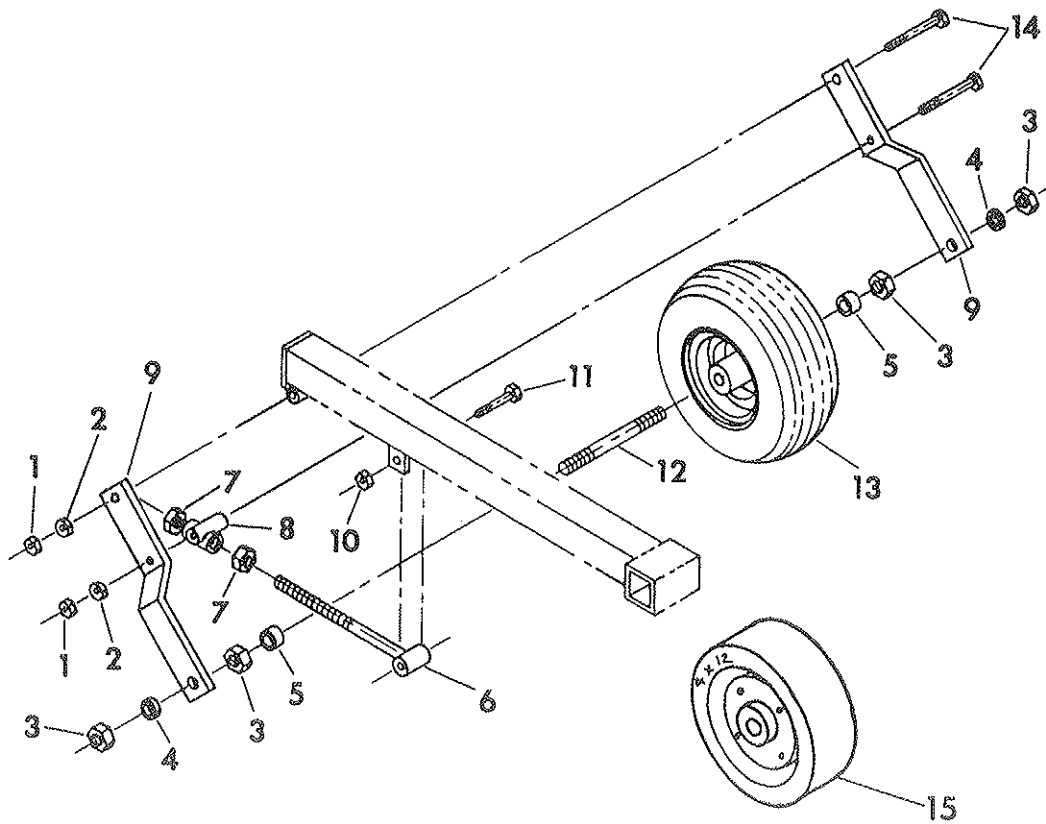


GANG ASSEMBLY

Index No.	Part No.	Description	Weight
1	8D-866	Gang Tube - 34" Long	18.0
	5J-108	Gang Tube - 41" Long	22.3
2	3D-751	Capscrew (1/2-13 NC x 4-1/2, Grade 5)	.3
3	8D-865	Capscrew (7/8-9 NC x 4-1/2) use with 8D-867, 8D-868	.9
	1J-558	Capscrew (3/4-10 NC x 5) use with 1J-556, 1J-557	
4	8D-864	Riser	8.6
5	8D-867	Rear Pivot Tube - Obsolete - Use 1J-556	
	1J-556	Rear Pivot Tube - Replaces 8D-867	.2
6	8D-868	Front Pivot Tube - Obsolete - Use 1J-557	
	1J-557	Front Pivot Tube - Replaces 8D-868	.2
7	9D-718	Parallel Link	23.5
8	9D-693	Grease Fitting	
9	3J-270	Gang Hanger L.H.	7.6
*	6J-427	Gang Hanger L.H. (Used At Hinge Location on BCFF Models)	7.6
10	7D-989	Stover Nut (7/8-9 NC) Use With 8D-865	
	6C-729	Stover Nut (3/4-10 NC) Use With 1J-558	.1
	2C-458	Washer (3/4" SAE) Use With 1J-558	
11	1C-109	Lockwasher (1/2" Std.)	
12	1C-390	Hex Nut (1/2-13 NC)	
13	3J-271	Gang Hanger R.H.	7.3
*	6J-428	Gang Hanger R.H. (Used At Hinge Location on BCFF Models)	7.6
14	8D-985	Strap (5/8 x 3 x 9-1/2) Use on 7" Toolbars	5.0
	8D-899	Strap (5/8 x 3 x 7-1/2) Use on 5" Toolbars	4.0



COULTER ASSEMBLY			
Index No.	Part No.	Description	Weight
1	8D-220	Spring Plug	1.1
2	4D-345	Capscrew, 1/2-13 NC x 3-3/4" Lg., Grade 5	.3
3	5C-392	Stover Nut, 1/2-13 NC Hex	
4	9C-223	Stover Nut, 1"-14 NF Hex	.1
5	8D-887	Pivot Frame	18.6
6	2D-118	Axle Assembly	1.7
7	8D-890	Dust Collar	.3
8	8D-891	Spacer, 3/4" Long	.1
	5D-943	Spacer, 1/2" Long	.1
9	8D-932	Hub Assembly (Incl. Seals & Bearings)	4.5
	9C-226	Bearing Cup #L44610	.1
	9C-227	Bearing Cone #L44643	.3
	9C-228	Seal	.1
10	8D-933	Depth Disc	8.4
11	8D-934	Coulter Blade	12.3
12	9C-22	Lockwasher, 1/2" Shakeproof	
13	5C-234	Nut, 1/2-20 NF Hex Jam	
14	2D-488	Capscrew, 3/4-10 NC x 5" Lg., Grade 5	.7
15	8D-997	Support Frame	30.2
16	8D-219	Spring	4.6
17	8D-221	Spring Plug	.5
18	5C-461	Stover Nut, 5/8-11 NC Hex	
19	5D-51	Capscrew, 1/2-13 NC x 1-3/4" Lg., Grade 5	.2
20	6C-729	Stover Nut, 3/4-10 NC Hex	.1
21	8D-921	Stud 7-3/4" Long (BRC-430)	.7
	8D-900	Stud 9-3/4" Long (BRC-630, BRC-640, BRC-830, BRC-440, BRC-840 & BRC-1230)	.9
22	1B-166	Lockwasher, 5/8" Std.	
23	1C-392	Nut, 5/8-11 NC Hex	

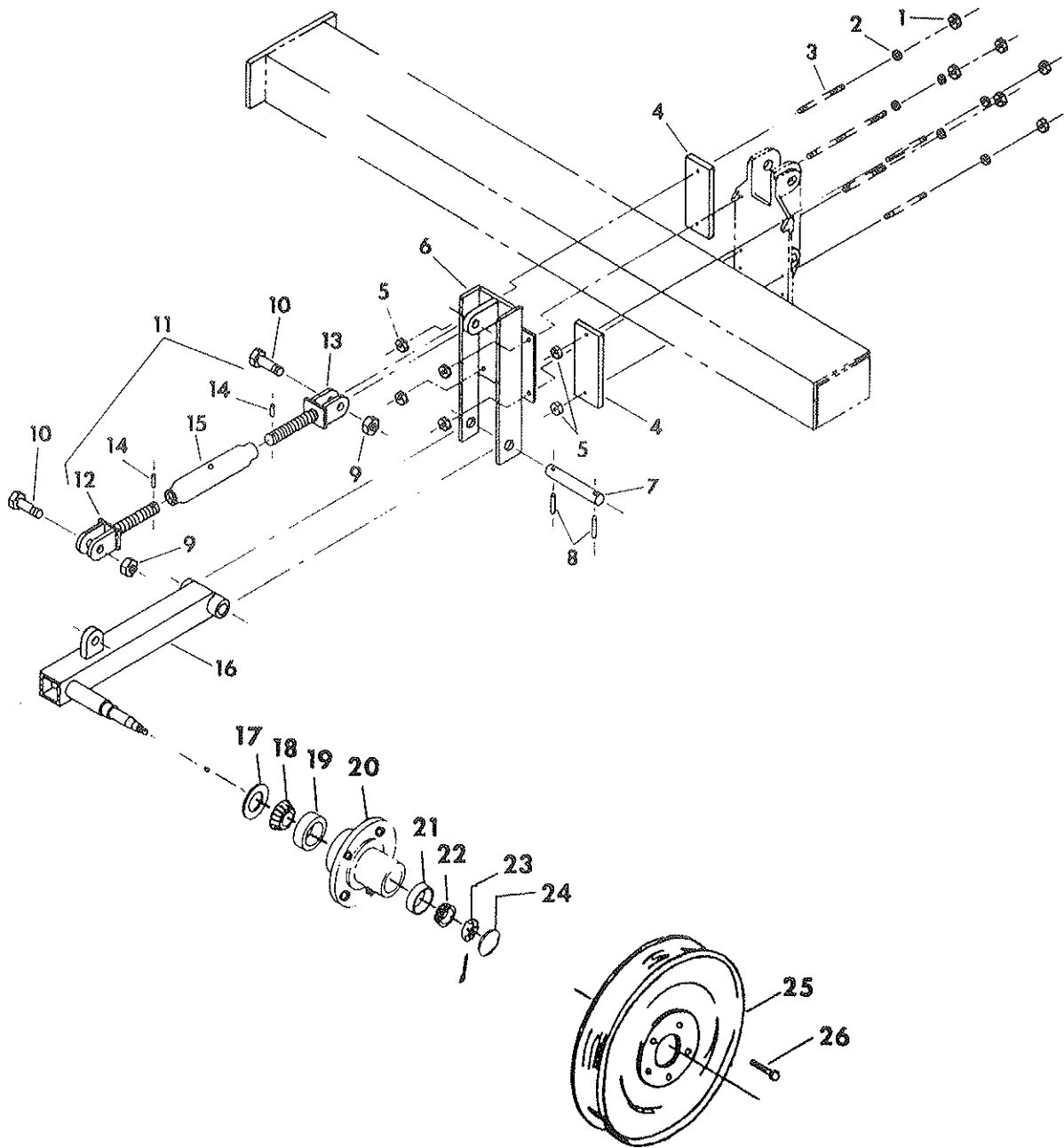


GAGE WHEEL ASSEMBLY

Index No.	Part No.	Description	Weight
1	1C-392	Nut (5/8-11 NC Hex)	
2	1B-166	Lockwasher (5/8" Std.)	
3	1C-210	Nut (3/4-10 NC Hex)	.1
4	1C-211	Lockwasher (3/4" Std.)	
5	8D-914	Spacer	.1
6	8D-911	Adjustment Rod	1.6
7	6C-114	Jam Nut (3/4-10 NC Hex)	
8	8D-912	Swivel	.9
9	8D-910	Gage Wheel Arm	5.9
10	5C-461	Stover Nut (5/8-11 NC)	
11	2C-72	Capscrew (5/8-11 NC x 3" Long)	.3
12	8D-913	Axle	1.1
13	8D-909	Wheel Assembly - Complete	8.0
	5C-912	Bearing Cup	.1
	5C-911	Bearing Cone	.3
	9D-76	Seal	.1
	9D-77	Steel Valve Stem	
	9D-78	Tire	4.5
14	9C-933	Capscrew (5/8-11 NC x 4-1/2" Long)	.4
15	1J-998	Zero Pressure Wheel Assembly - Complete	13.0
	1J-993	Hub	
	1J-995	Wheel Half	
	1J-996	Zero Pressure Tire	

ROW MARKER

1	8D-941	Marker Bracket	1.5
2	1C-235	Set Screw (1/4-20 NC x 1/2" Long)	
3	8D-942	Pivot Block	.4
4	8D-943	Rod	.8



GAGE WHEEL ASSEMBLY (Standard on BRC-640, 830, 840, 1230)

Index No.	Part No.	Description	Weight
1	1C-392	Nut, 5/8-11 Hex	
2	1B-166	Lockwasher	
3	8D-900	Stud, 9-3/4 Long	.9
4	8D-899	Strap (BRC-640 & BRC-830)	3.7
	8D-985	Strap (BRC-840 & BRC-1230)	5.0
5	5C-461	Stover Nut, 5/8-11	
6	9D-2	L. H. Bracket (Shown)	23.3
*	9D-1	R. H. Bracket (Opposite)	23.3
7	8D-631	Pin	1.8
8	2D-894	Roll Pin	.1
9	6C-729	Stover Nut, 3/4-10	.1
10	2C-632	Capscrew, 3/4-10 x 2-1/2	.3
11	8D-589	Turnbuckle Assembly - Complete	8.4
12	8D-601	R. H. Screw Assembly	2.7
13	8D-602	L. H. Screw Assembly	2.7
14	7C-870	Roll Pin, 3/16 x 1-1/8	
15	8D-597	Turnbuckle Body	3.1
*	8D-590	Rod (5/8 Dia. x 12 Lg.)	1.1
*	7C-940	Roll Pin (3/16 Dia. x 7/8 Lg.) > Handle for Turnbuckle	.02
16	8D-628	L. H. Arm & Spindle Assembly - Cpt.)	17.2
*	8D-661	R. H. Arm & Spindle Assembly - Cpt.) } 13/16	17.2
	8D-668	L. H. Arm & Spindle Assembly - Less hubs) } Brg.	10.2
*	8D-669	R. H. Arm & Spindle Assembly - Less hubs) } Brg.	10.2
	1J-414	L. H. Arm & Spindle Assembly - Cpt.)	17.2
*	1J-415	R. H. Arm & Spindle Assembly - Cpt.) } 3/4	17.2
	1J-443	L. H. Arm & Spindle Assembly - Less hubs) } Brg.	10.2
*	1J-444	R. H. Arm & Spindle Assembly - Less hubs) } Brg.	10.2
17	8D-511	Seal	.1
18	5C-480	Bearing Cone #LM48548	.2
19	5C-479	Bearing Cup #LM48510	.1
20	3D-870	Wheel Hub, 13/16 Brg.	6.3
	1J-390	Wheel Hub, 3/4 Brg.	6.3
21	3C-166	Bearing Cup #09195, 13/16 Brg.	.1
	5C-912	Bearing Cup #LM11910, 3/4 Brg.	.1
22	1D-274	Bearing Cone #09081, 13/16 Brg.	.3
	5C-911	Bearing Cone #LM11949, 3/4 Brg.	.3
23	3C-173	Slotted Nut	.1
24	5C-908	Hub Cap, 13/16 Brg.	.2
	1J-463	Hub Cap, 3/4 Brg.	.2
25	4C-129	Wheel 15 x 5 (5 Bolt)	16.0
26	5C-100	Wheel Bolt	.1

*Parts Not Shown