

REPAIR PARTS CATALOG

Brillion

RO-CROP Cultivator

MODELS: BRH-440 BHFF-830
BRH-630 BHFF-840
BRH-640 BHFF-1230
BRH-830



IMPORTANT!

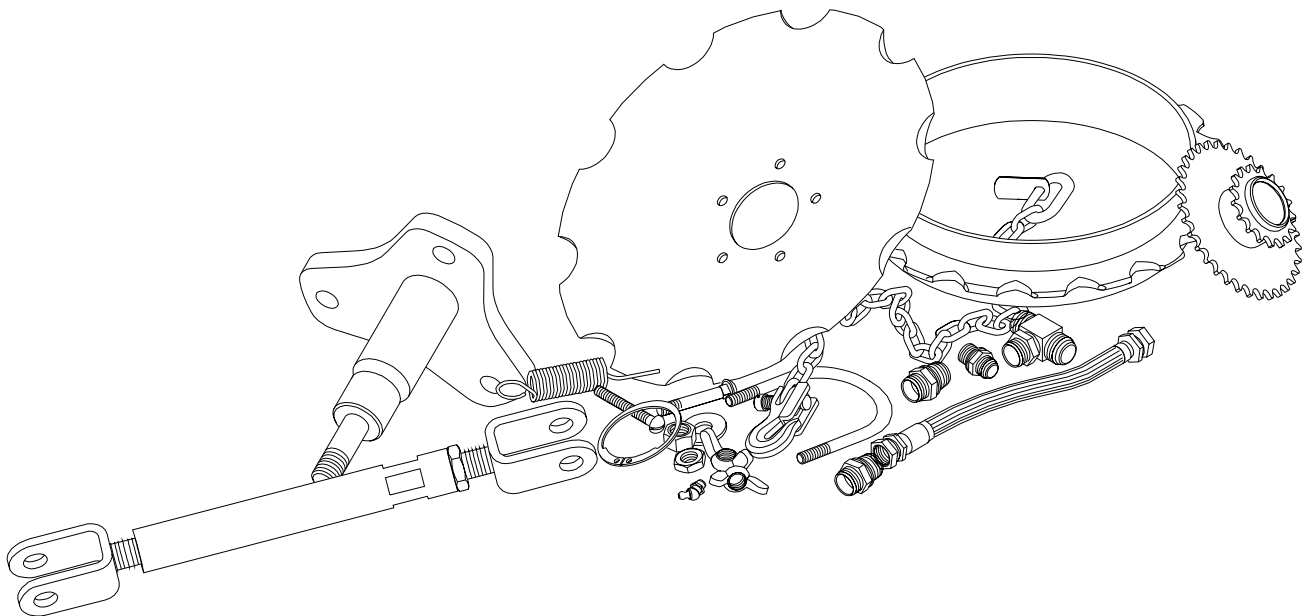
Repairs cannot be purchased
retail direct from factory.
Order through your Brillion d ealer.

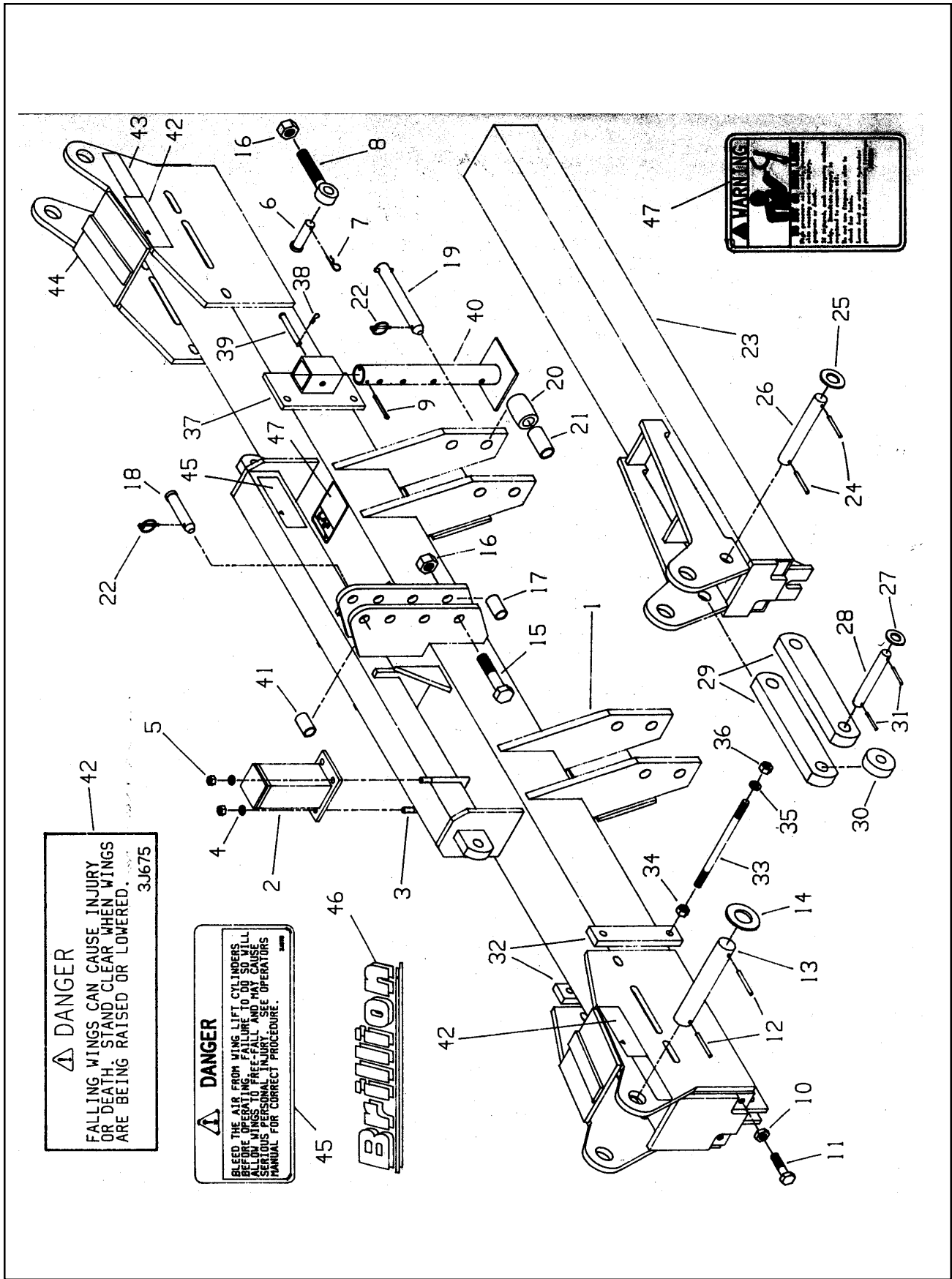
**BRILLION IRON WORKS, INC.,
BRILLION, WISCONSIN 54110**

REPAIR PARTS

CONTENTS

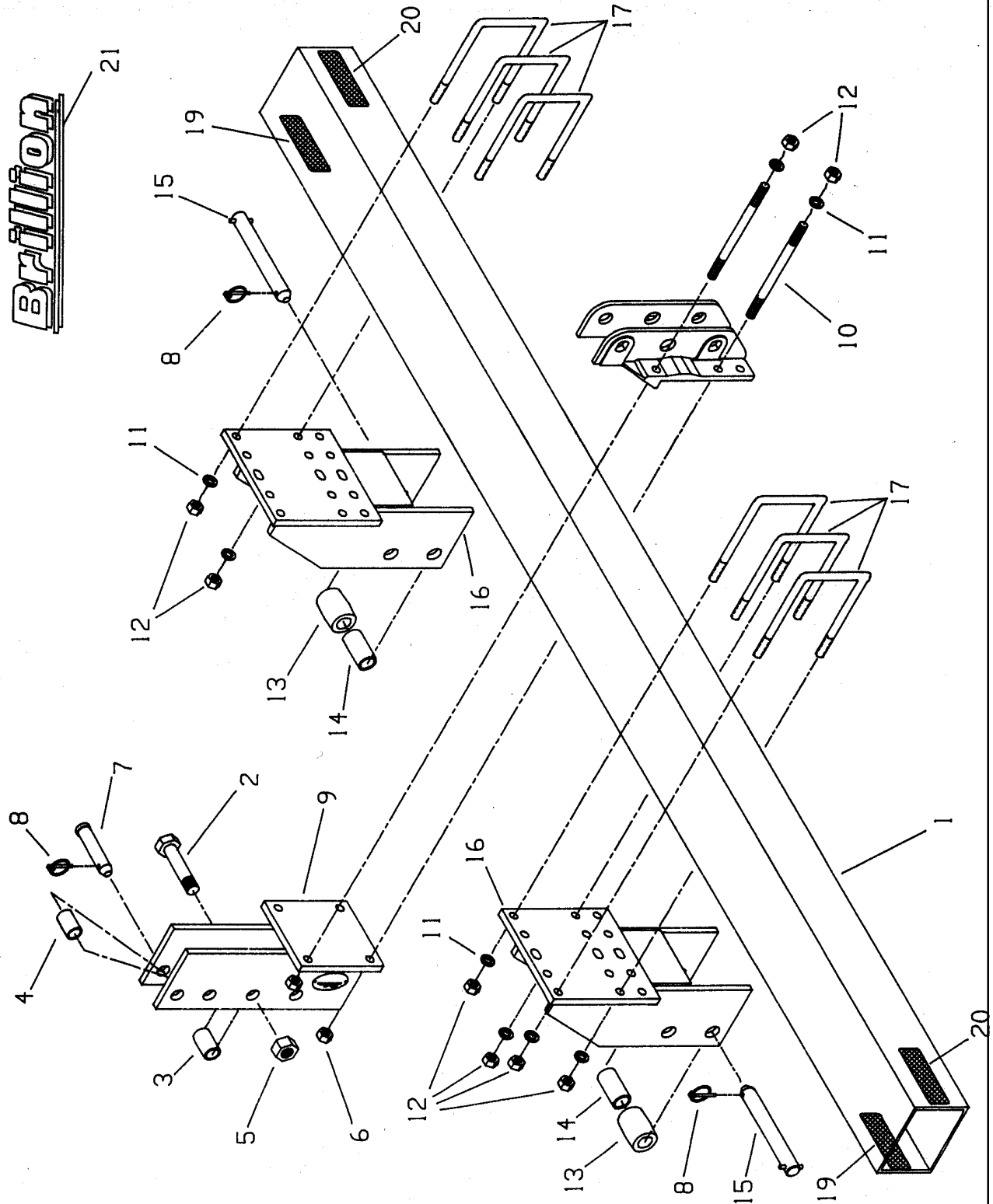
BHFF Folding Toolbar Components	2, 3
Frame Tube and Hitch Components	4, 5
Gang and Gage Wheel Assemblies	6, 7
Row Marker, Extensions & Shank Assemblies	8, 9
Colter Assembly	10, 11
Gage WEheel Assemblies & Hydraulics	12, 13
Disk Hiller Kit	14, 15
Rolling Shield Kit	16, 17
Open Top Shield Kit	18, 19
Cylinder Components	20
Index	21



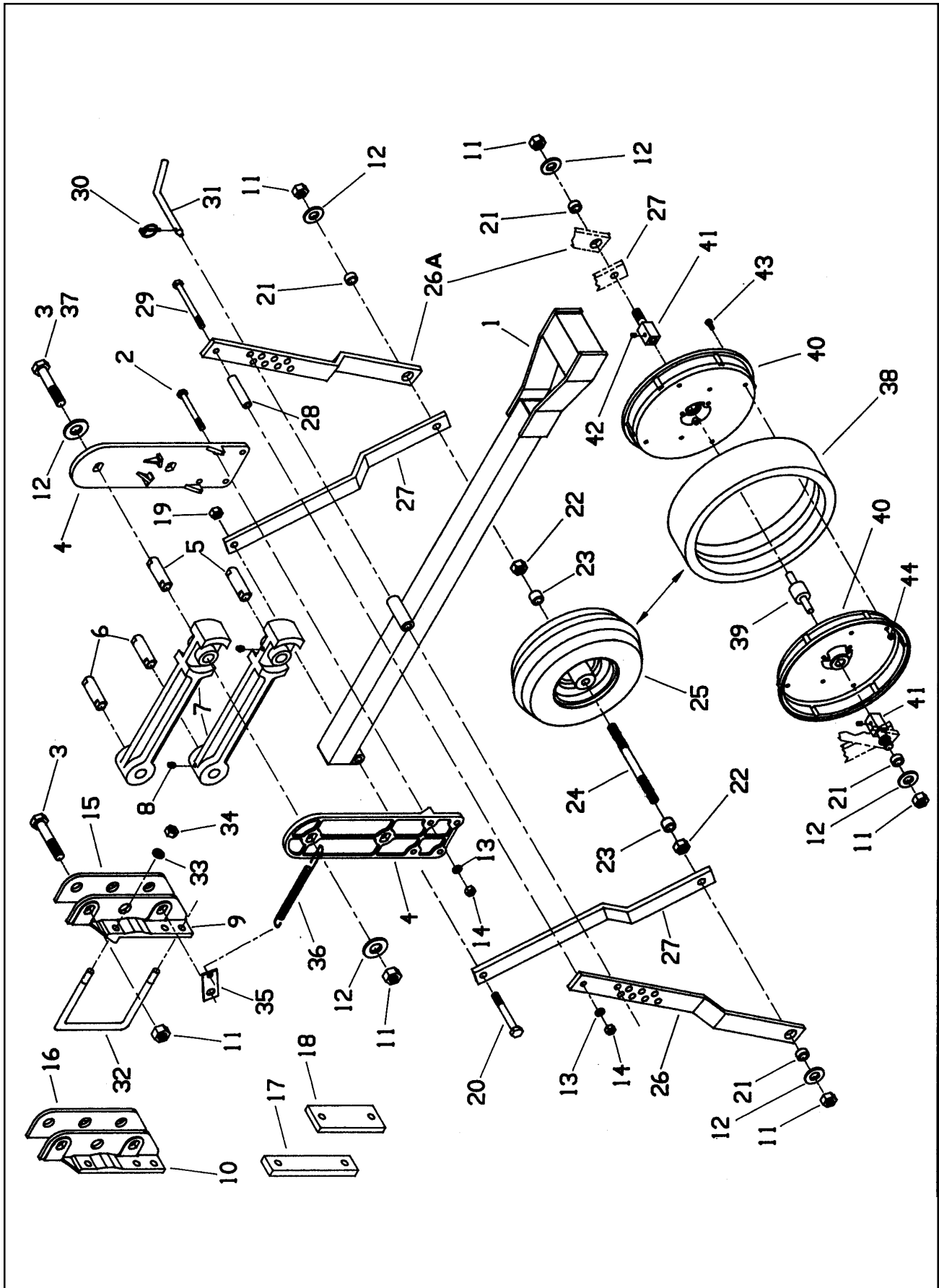


BHFF FOLDING TOOLBAR COMPONENTS				
<u>Index No.</u>	<u>Part No.</u>	<u>Description</u>	<u>No. Req'd</u>	<u>Weight</u>
1	6J417	Center Toolbar 152" (BHFF-830)	1	734.0
	6J418	Center Toolbar 176" (BHFF-840)	1	800.0
	6J419	Center Toolbar 200" (BHFF-1230)	1	866.0
2	6J273	Stop	2	8.0
3	6J276	U-bolt, 1/2"	4	.6
4	1C109	Lockwasher, 1/2" Reg.	8	-
5	1C390	Nut, 1/2-13NC Hex	8	.04
6	2D799	Clevis Pin, 1" x 3"	2	.7
7	4C856	Hairpin Clip	2	-
8	4J440	Eye Bolt	2	1.8
9	6D049	Cotter Pin, 1/4" Dia. x 2 1/2"	2	-
10	6C114	Jam Nut, 3/4-10NC Hex	4	.05
11	6J280	Capscrew, 3/4-10 NC x 2 3/4"	4	.44
12	5D979	Roll Pin, 1/2" x 3"	4	.1
13	6J421	Hinge Pin, 1 3/4" x 10 5/16"	2	7.5
14	6J278	Mach. Bushing, 1 3/4" dia. x 14 GA	4	.1
15	8D922	Bolt, 1-8NC x 4 1/2"	1	1.24
16	6D306	Stover Nut, 1-8NC Hex	1	.28
17	6D988	Spacer	1	.3
18	6D529	Clevis Pin, 1" dia. x 4 1/2"	1	1.1
19	8D424	Pin Assembly	2	2.5
20	8D425	Spacer	2	1.6
21	5D158	Sleeve	2	.5
22	5D110	Klik Pin	3	.1
23	6J365	Wing 70"	2	179.0
	6J366	Wing 81"	2	200.0
	6J367	Wing 88"	2	212.0
24	4C858	Roll Pin, 5/16" dia. x 2"	4	.1
25	4J548	Mach. Bushing, 1 1/4" dia. x 14 GA	4	-
26	3J496	Pin, 1 1/4" dia. x 8 3/4"	2	6.0
27	1C871	Flat Washer, 1" SAE	4	.1
28	2J097	Pin, 1" x 6 7/8"	2	3.0
29	6J422	Link	4	14.8
30	5J535	Roller	2	1.8
31	2D894	Roll Pin, 1/4" x 2"	4	-
32	6J439	Strap (Used on 8 Row, 28" Spacing)	4	4.0
33	6J425	Stud (5/8" dia. x 11 1/4" Long)	8	.79
34	5C461	Stover Nut, 5/8-11NC Hex	8	.07
35	1B166	Lockwasher, 5/8" Reg.	8	-
36	1C392	Nut, 5/8-11NC Hex	8	.07
37	7J375	Stand Bracket	2	8.2
38	6C400	Hair Pin cotter	2	-
39	3C335	Clevis Pin	2	.2
40	9D047	Stand Weldment	2	9.4
41	5D157	Sleeve	1	.3
42	3J675	Decal, Danger-Falling Wings	4	-
43	2J431	Decal, Reflective Amber	2	-
44	2J430	Decal, Reflective Red	2	-
45	3J678	Decal, Danger-Bleed Air From Cylinders	1	-
46	4K103	Decal, "Brillion"	6	-
--	1K448	Decal Package for BHFF	1	-

Brillion

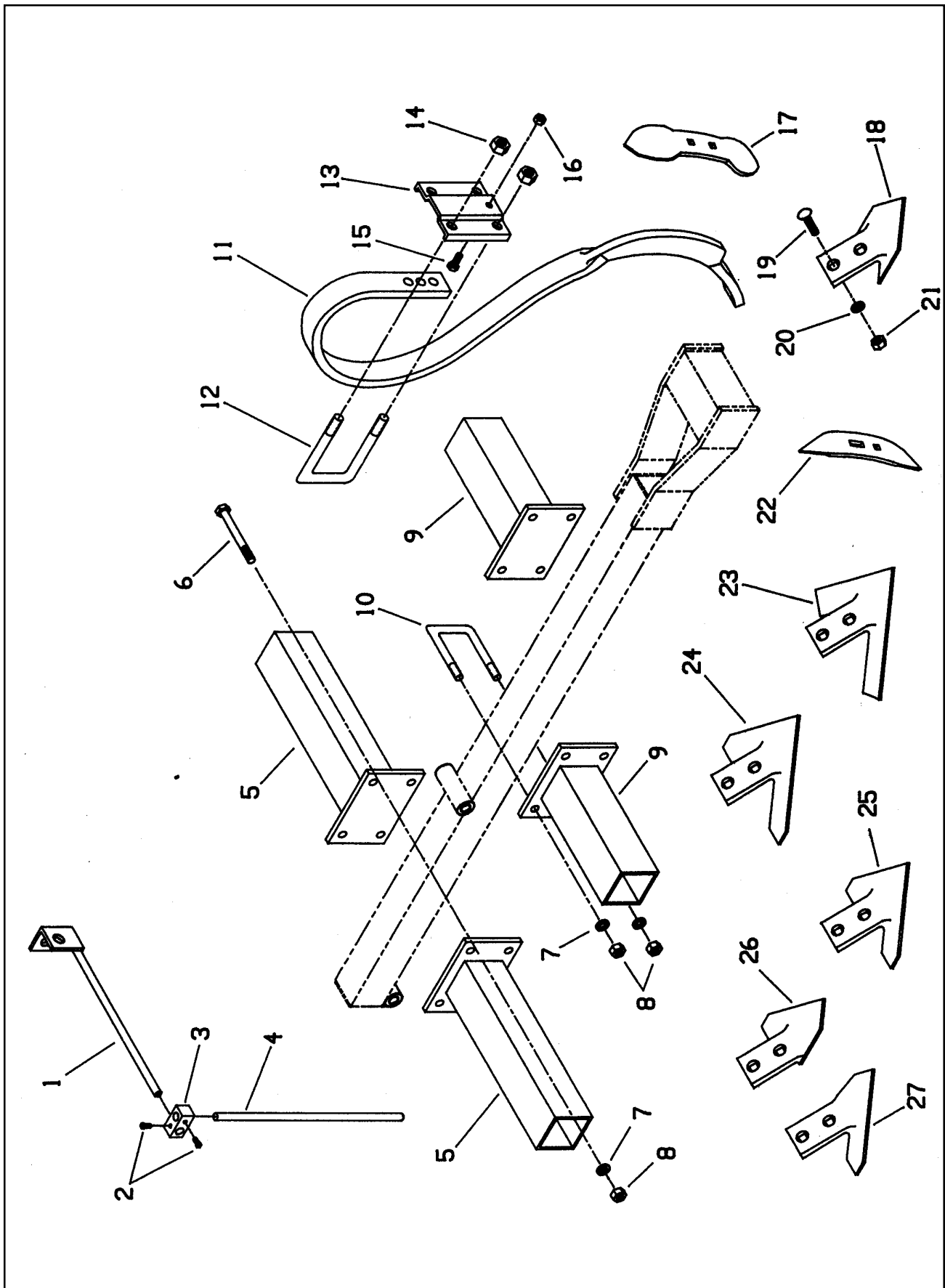


FRAME TUBE AND HITCH COMPONENTS				
<u>Index No.</u>	<u>Part No.</u>	<u>Description</u>	<u>No. Req'd</u>	<u>Weight</u>
1	1J802	Frame Tube (BRH-440)	1	204.0
	8D988	Frame Tube (BRH-630)	1	282.0
2	8D922	Capscrew, 1-8NC x 4 1/2" GR 5	1	1.24
3	6D988	Spacer	1	.2
4	5D157	Sleeve	1	.2
5	6D306	Stover Nut 1-8NC Hex	1	.28
6	5C461	Stover Nut, 5/8-11NC Hex	4	.07
7	6D529	Clevis Pin, 1" x 4 1/2"	1	1.1
8	5D110	Klik Pin	3	.1
9	1K282	Mast	1	57.5
10	8D900	Stud, 9 3/4" Long	4	.69
11	1B166	Lockwasher, 5/8" Reg.	16	-
12	1C392	Nut, 5/8-11NC Hex	16	.07
13	8D425	Spacer	2	1.6
14	5D158	Sleeve	2	.5
15	8D424	Pin Assembly	2	2.5
16	1K247	Hitch Bracket	2	25.0
17	1J801	U-bolt, 5/8-11NC	6	1.5
--	1K449	Decal Package for BRH	1	-
19	2J431	Decal, Reflective Amber	2	-
20	2J430	Decal, Reflective Red	2	-
21	4K103	Decal, "Brillion"	4	-



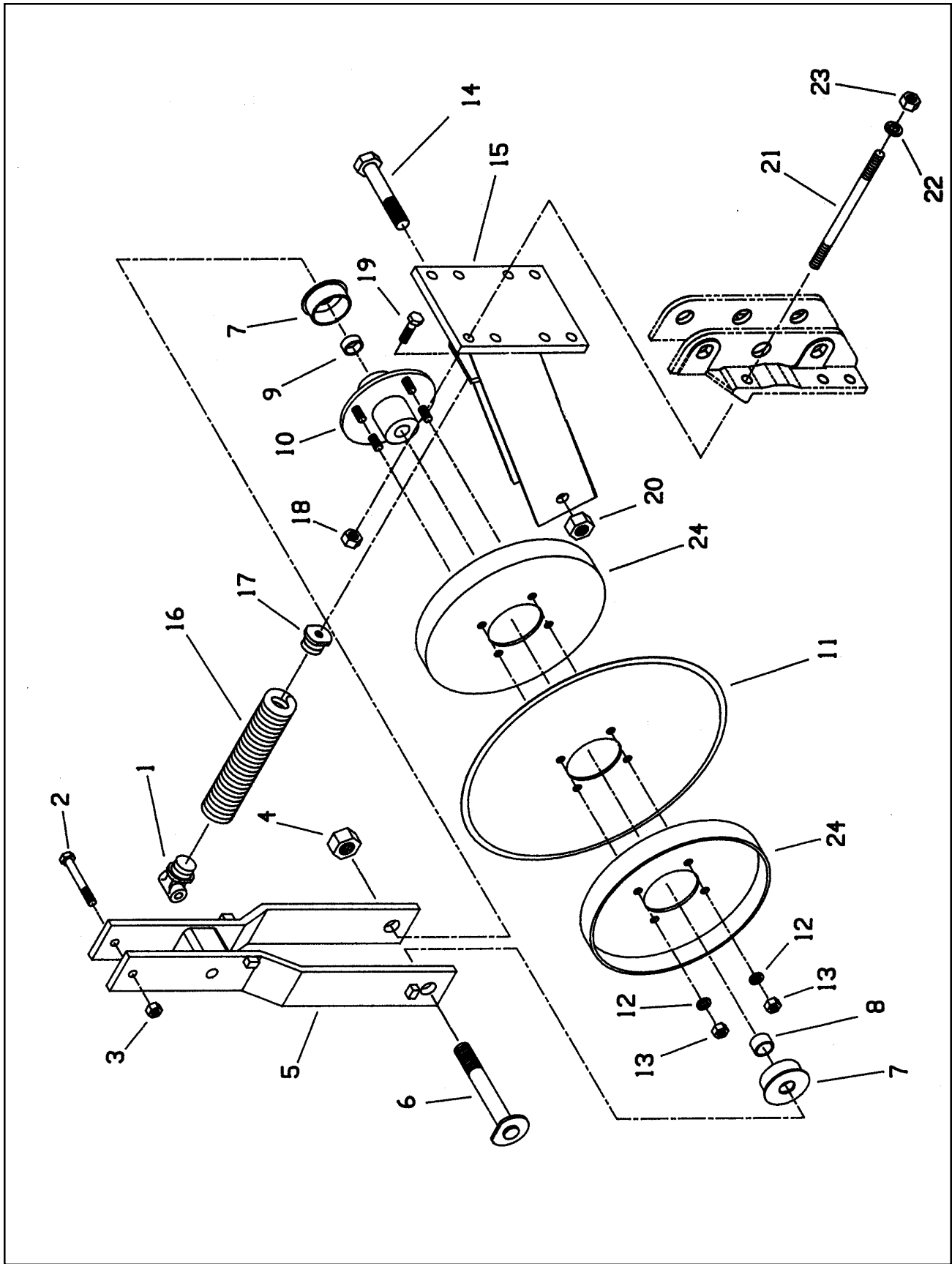
GANG & GAGE WHEEL ASSEMBLIES

Index No.	Part No.	Description	Weight
1	1K258	Gang Tube	38.0
2	3D751	Capscrew, 1/2-13 NC x 4 1/2, Gr. 5	.28
3	1J558	Capscrew, 3/4-10 NC x 5	.72
4	8D864	Riser	8.6
5	1J556	Rear Pivot Tube	.2
6	1J557	Front Pivot Tube	.2
7	9D718	Parallel Link	23.5
8	9D693	Grease Fitting	-
9	3J270	Gang Hanger, L.H.	7.6
10	6J427	Gang Hanger, L.H. (Used at hinge location)	7.6
11	6C729	Stover Nut, 3/4-10 NC Hex	.12
12	2C458	Washer, 3/4 SAE	.05
13	1C109	Lockwasher, 1/2 Reg.	.01
14	1C390	Nut, 1/2-13 NC Hex	.04
15	3J271	Gang Hanger, R.H.	7.6
16	6J428	Gang Hanger, R.H. (Used at hinge location)	7.6
17	8D985	Strap, 5/8 x 3 x 9 1/2 (7" Toolbars)	5.0
18	8D899	Strap, 5/8 x 3 x 7 1/2 (5" Toolbars)	4.0
19	5C461	Stover Nut, 5/8-11 NC Hex	.07
20	9C933	Capscrew, 5/8-11 NC x 4 1/2	.44
21	3J291	Bushing	.1
22	1C210	Nut, 3/4-10 NC Hex	.12
23	8D914	Spacer	.1
24	3J287	Axle	1.25
25	8D909	Wheel Assembly-Complete	8.0
	5C912	Bearing Cup	.1
	5C911	Bearing Cone	.3
	9D076	Seal	.1
	9D077	Steel Valve Stem	-
	9D078	Tire	4.5
26	2K920	L. H. Gage Wheel Arm	8.0
26A	2K921	R. H. Gage Wheel Arm	8.0
27	1K272	Gage Wheel Arm	6.78
28	1K284	Tube	.26
29	3D121	Capscrew, 1/2-13 NC x 5 1/2	.34
30	5D110	Klik Pin	.1
31	1K278	Pin	.9
32	9D112	U-Bolt, 5/8-11 NC	1.76
33	1B166	Lockwasher, 5/8 Reg.	.02
34	1C392	Nut, 5/8-11 NC Hex	.07
35	1K388	Spring Tab	.28
36	7J521	Spring	1.23
37	4D355	Capscrew, 3/4-10 x 5 1/2	.79
	2K054	Zero Pressure Wheel Assembly-Complete	20.72
38	2K079	Tire (Zero Pressure)	6.8
39	2K081	Bearing Shaft	.8
40	2K080	Wheel Half	6.5
41	2K056	Adapter Shaft	.77
42	2K055	Set Screw, Knurled Cup Point, 5/16-18 x 5/16	-
43	7C858	Capscrew, 5/16-18 NC x 3/4	.02
44	6C748	Stover Nut, 5/16-18 NC Hex	.01



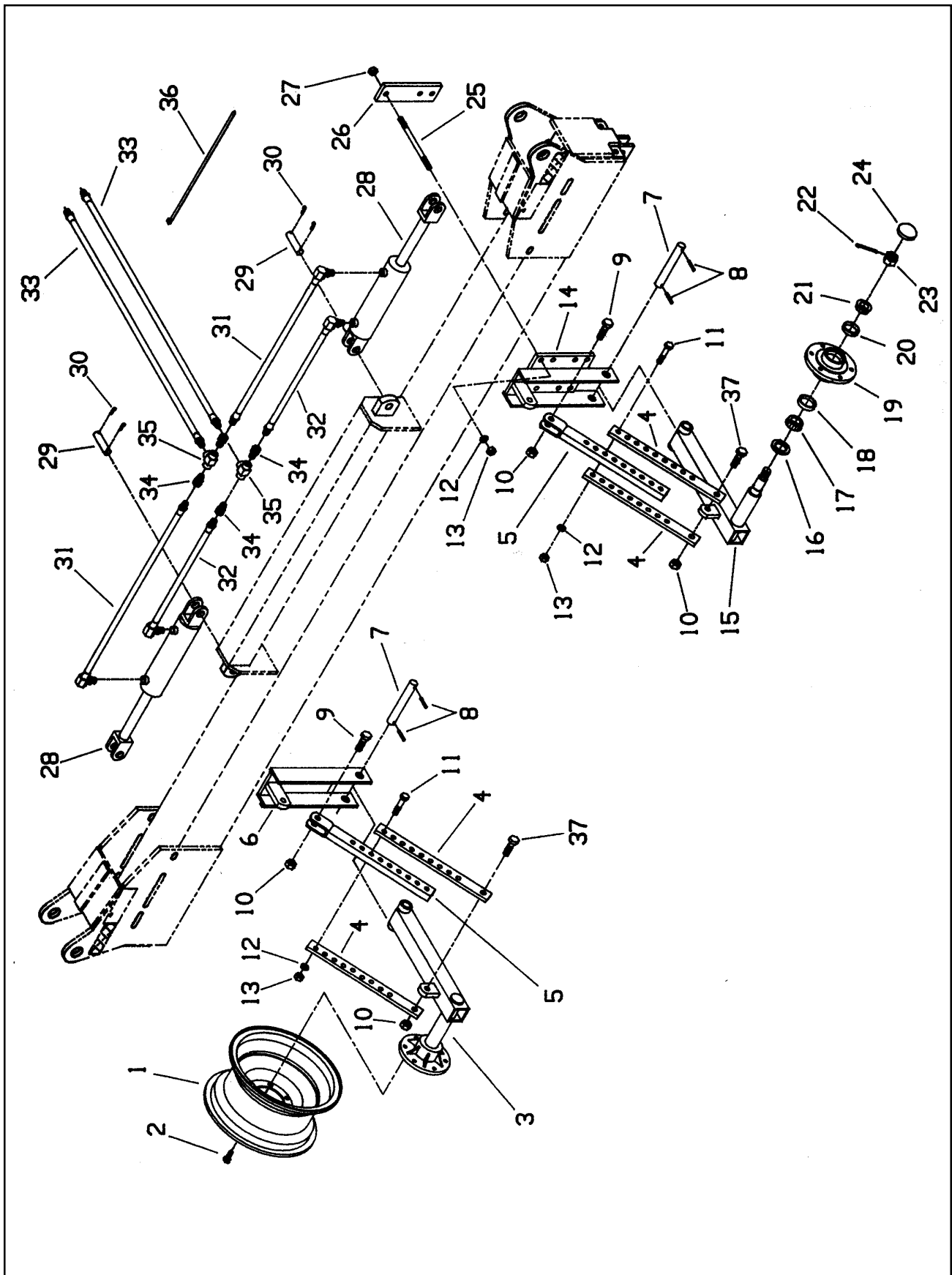
ROW MARKER, EXTENSION, & SHANK ASSEMBLY

Index No.	Part No.	Description	Weight
1	8D941	Marker Bracket	1.5
2	1C235	Set Screw, 1/4-20 NC x 1/2	-
3	8D942	Pivot Block	.4
4	8D943	Rod	.8
5	1K295	Extension, 14 3/4"	10.7
6	5D335	Capscrew, 1/2-13 NC x 4	.25
7	1C109	Lockwasher, 1/2 Reg.	-
8	1C390	Nut, 1/2 NC Hex	.04
9	1K255	Extension, 10"	8.0
10	1J530	U-Bolt, 1/2-13 NC	.46
11	1K249	Shank, 25"	14.0
12	4J411	U-Bolt, 5/8-11 NC	.97
13	1K091	Clamp	1.83
14	5C461	Stover Nut, 5/8-11 NC Hex	.07
15	5C865	Capscrew, 3/8-16 NC x 3/4	.04
16	5C954	Stover Nut, 3/8-16 NC Hex	-
17	2J605	Heavy Duty Cultivator Point	2.1
18	4J807	Full Sweep, 4"	.9
19	8D301	Plow Bolt, 7/16-14 NC x 1 1/2, #3 Head	.07
20	1C314	Lockwasher, 7/16 Reg.	-
21	1C179	Nut, 7/16-14 NC Hex	.03
22	8D337	Reversible Tooth Point	.94
23	6J369	Full Sweep, 10"	2.18
24	4J809	Full Sweep, 9"	2.0
25	4J808	Full Sweep, 7"	1.63
26	4J811	Clipped Sweep, L.H., 7"	1.2
27	4J810	Clipped Sweep, R.H., 7"	1.2



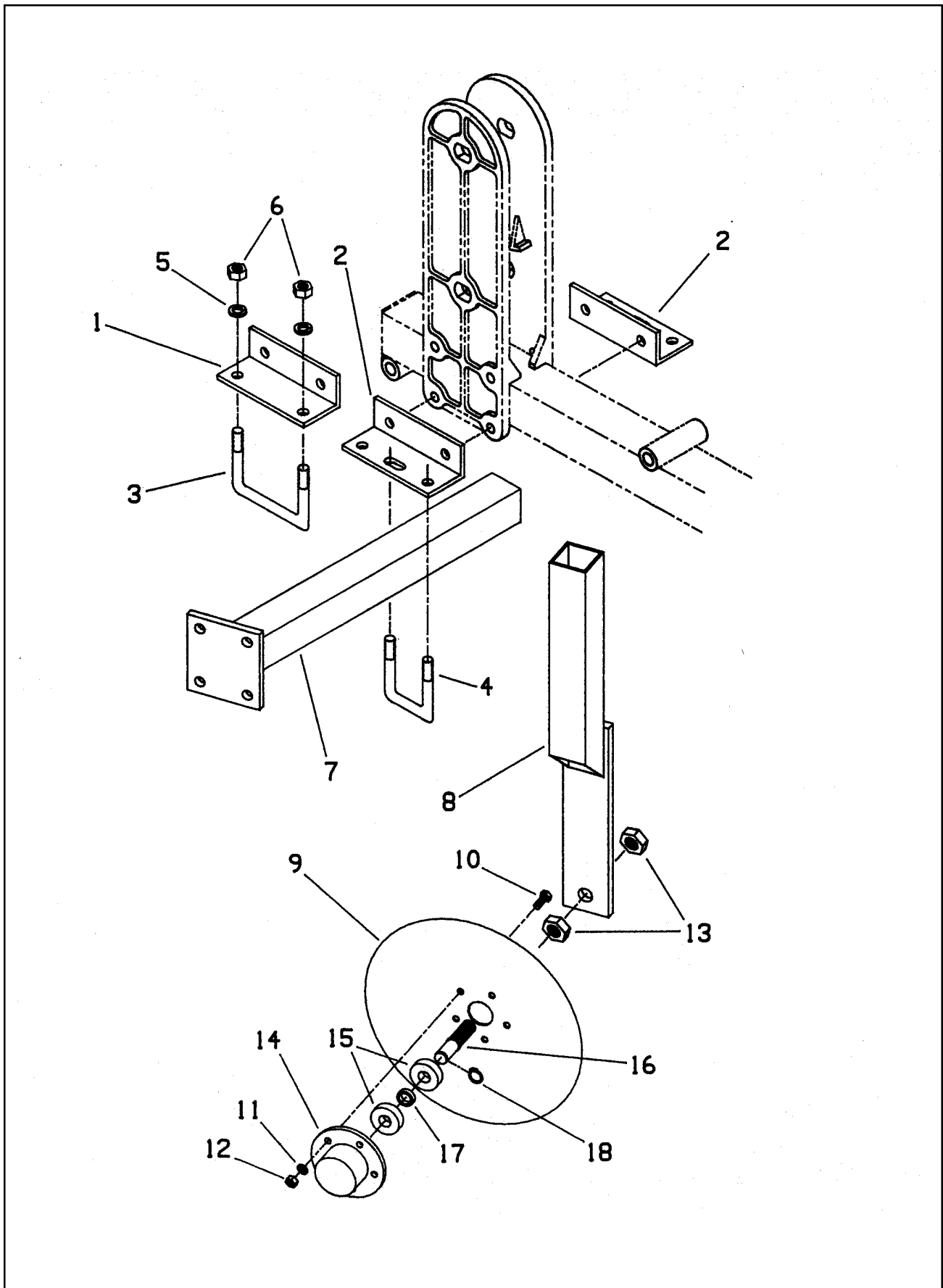
COLTER ASSEMBLY

<u>Index No.</u>	<u>Part No.</u>	<u>Description</u>	<u>No. Req'd.</u>	<u>Weight</u>
1	8D220	Spring Plug	2	1.10
2	4D345	Capscrew, 1/2-13 x 3 3/4, Gr. 5	2	.24
3	5C392	Stover Nut, 1/2-13 NC Hex	2	.04
4	9C223	Stover Nut, 1-14 NF Hex	2	.28
5	1K267	Pivot Frame	2	19.70
6	2D118	Axle Assembly	2	1.70
7	1K112	Dust Collar	4	.30
8	8D891	Spacer, 3/4" Long	2	.10
9	5D943	Spacer, 1/2" Long	2	.10
10	8D932	Hub Assembly (Inc. Seals & Brgs.)	2	4.50
	9C226	Bearing Cup	4	.20
	9C227	Bearing Cone	4	.30
	9C228	Seal	4	.10
11	8D934	Colter Blade	2	12.30
12	9C022	Lockwasher, 1/2 Shakeproof	8	-
13	5C234	Nut, 1/2-20 NF Hex Jam	8	.03
14	2D488	Capscrew, 3/4-10 NC x 5, Gr. 5	2	.72
15	8D997	Support Frame	2	30.20
16	8D219	Spring	2	4.60
17	8D221	Spring Plug	2	.50
18	5C461	Stover Nut, 5/8-11 NC Hex	8	.07
19	5D051	Capscrew, 1/2-13 x 1 3/4, Gr. 5	2	.13
20	6C729	Stover Nut, 3/4-10 NC Hex	2	.12
21	8D900	Stud, 9 3/4" Long	8	.69
22	1B166	Lockwasher, 5/8 Reg.	8	.02
23	1C392	Nut, 5/8-11 NC Hex	8	.07
24	8D933	Depth Disc (Optional)	4	8.40



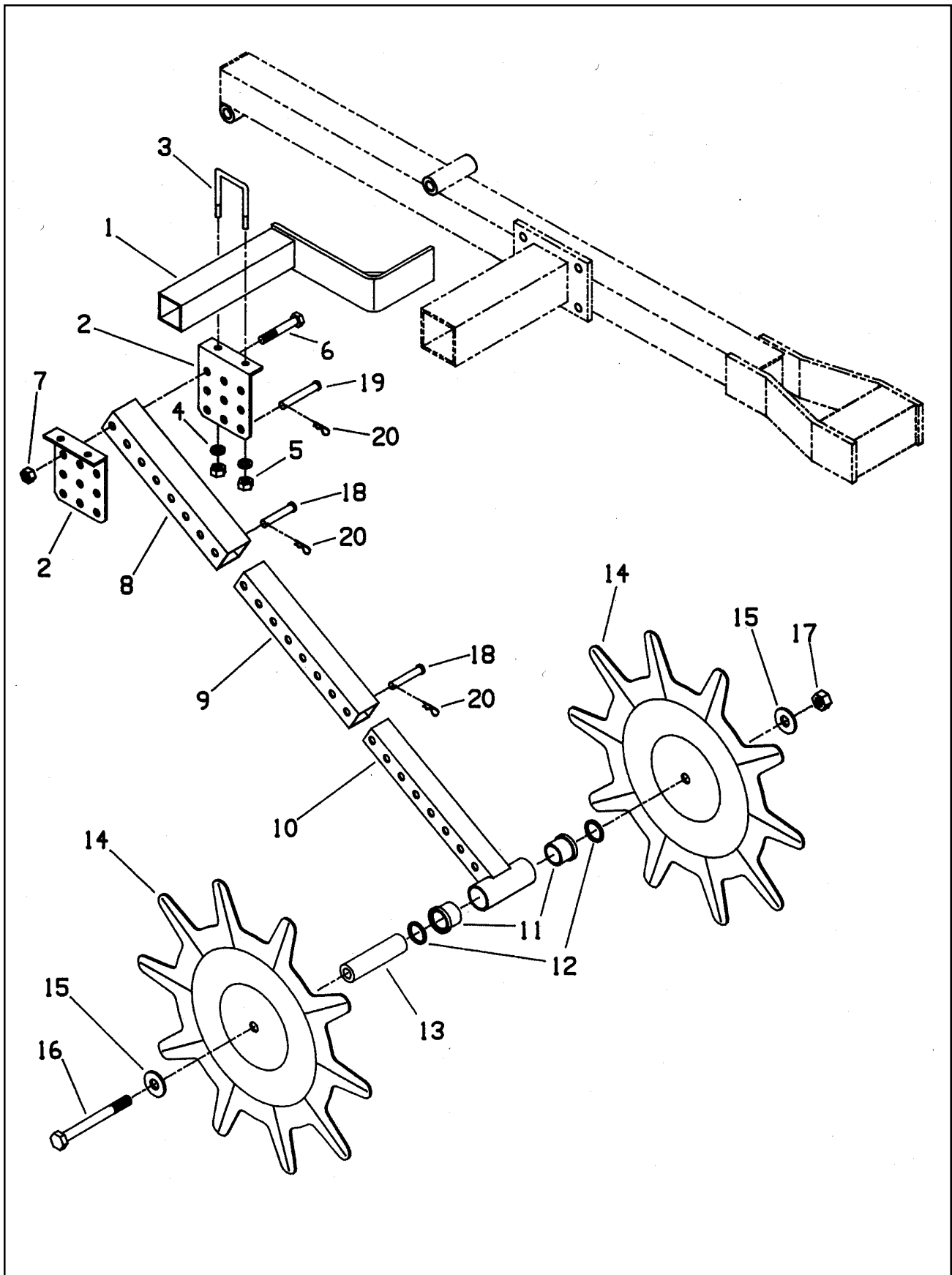
GAGE WHEEL ASSEMBLIES & HYDRAULICS

Index No.	Part No.	Description	No. Req'd.	Weight
1	4C129	Wheel, 15", 5 Bolt	2	16.0
2	5C100	Wheel Bolt	10	.1
3	1J414	L.H. Arm & Spindle Assembly	1	17.2
	1J443	L.H. Arm & Spin. Asy.-Less Hubs	1	10.2
4	1K264	Strap	4	4.6
5	1K265	Clevis	2	9.5
6	9D002	L.H. Bracket	1	23.3
7	8D631	Pin, 1 1/8 x 6 3/8	2	1.77
8	2D894	Roll Pin, 1/4 x 2	4	-
9	2C632	Capscrew, 3/4-10 NC x 2 1/2	2	.41
10	6C729	Stover Nut, 3/4-10 NC Hex	4	.12
11	8C065	Capscrew, 5/8-11 NC x 3, Grade 5	4	.63
12	1B166	Lockwasher, 5/8 Reg.	8	-
13	1C392	Nut, 5/8-11 NC Hex	8	.07
14	9D001	R.H. Bracket	1	23.3
15	1J415	R.H. Arm & Spindle Assembly	1	17.2
	1J444	R.H. Arm & Spin. Asy.-Less Hubs	1	10.2
16	1D273	Seal	2	.1
17	5C480	Bearing Cone #LM48548	2	.2
18	5C479	Bearing Cup #LM48510	2	.1
19	1J390	Wheel Hub	2	6.3
20	5C912	Bearing Cup #LM11910	2	.1
21	5C911	Bearing Cone #LM11949	2	.3
22	3C350	Cotter Pin	2	-
23	3C173	Slotted Nut	2	.1
24	1J463	Hub Cap	2	.1
25	8D900	Stud, 5/8-11 NC x 9 3/4	4	.85
26	8D985	Strap, 5/8 x 3 x 9 1/2	2	5.05
27	5C461	Stover Nut, 5/8-11 NC Hex	4	.07
28	9D137	Hydraulic Cylinder, 3 x 16	2	29.0
29	5J650	Cylinder Pin	2	.8
30	4C856	Pin Clip	4	-
31	8D159	Hydraulic Hose-72" (BHFF-840)	2	3.4
	2D449	Hydraulic Hose-62" (BHFF-830)	2	3.2
	4J539	Hydraulic Hose-84" (BHFF-1230)	2	3.7
32	2J527	Hydraulic Hose-54" (BHFF-840)	2	3.0
	3J543	Hydraulic Hose-42" (BHFF-830)	2	2.8
	8D159	Hydraulic Hose-72" (BHFF-1230)	2	3.4
33	9D765	Hydraulic Hose-72"	2	3.4
34	6D716	Flow Restrictor-1/16"	4	.2
35	4D982	Tee Fitting	2	.3
36	9D851	Plastic Hose Tie-1/2 x 20"	6	-
37	9C299	Capscrew, 3/4-10 NC x 2 3/4	2	.44



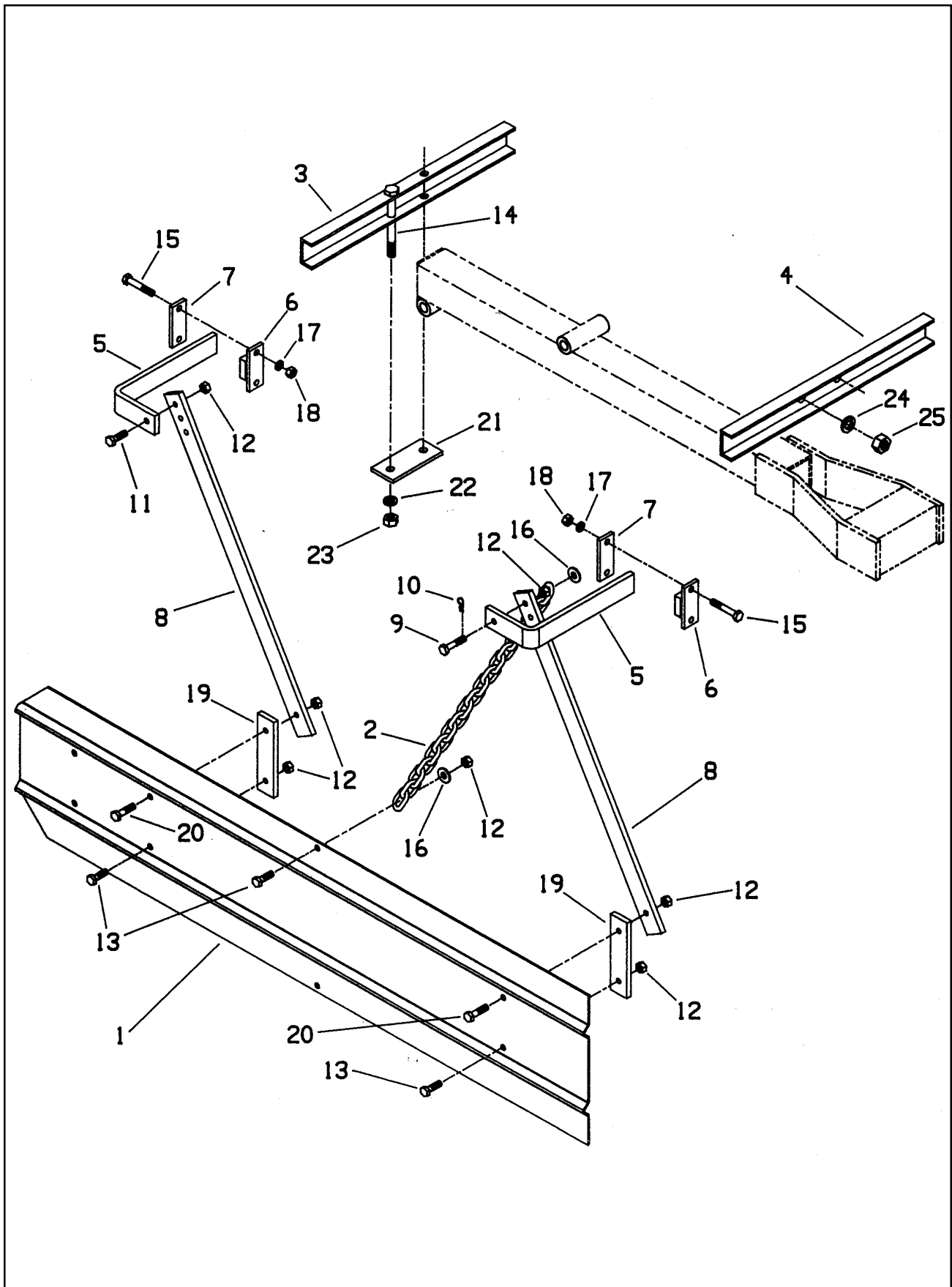
DISK HILLER KIT

Index No.	Part No.	Description	Weight
1	1K345	Angle	1.74
2	1K361	Angle, Ends	1.69
3	5J915	U-Bolt 1/2-13 x 4 9/16 Centers	.6
4	5D921	U-Bolt 1/2-13 x 2 5/8 Centers	.44
5	1C109	Lockwasher, 1/2 Reg.	-
6	1C390	Nut, 1/2-13 NC Hex	.04
7	1K346	Horizontal Support	6.0
8	1K349	Post	7.3
9	3J341	Disc	2.96
10	1C237	Capscrew, 5/16-18 NC x 3/4	.03
11	1C362	Lockwasher, 5/16 Reg.	-
12	1C385	Nut, 5/16 NC Hex	.01
13	6C114	Jamnut, 3/4-10 NC Hex	.08
14	3J342	Hub	1.70
15	3J343	Bearing	.14
16	3J344	Stud	.27
17	3J345	Spacer	.02
18	3J346	Snap Ring	-



ROLLING SHIELD KIT

Index No.	Part No.	Description	Weight
1	1K297	Bracket	5.90
2	1K288	Plate	1.33
3	8J015	U-Bolt, 3/8	.21
4	1C183	Lockwasher, 3/8 Reg.	-
5	1C277	Nut, 3/8-16 NC Hex	.02
6	8C528	Capscrew, 1/2-13 NC x 3, Grade 5	.20
7	5C392	Stover Nut, 1/2-13 NC Hex	.04
8	9J001	Pivot Arm	3.26
9	9J002	Pivot Arm Extension	3.0
10	9J003	Pull Arm	3.70
11	8J820	Nylon Bushing	.03
12	8J819	Nylon Seal	-
13	8J821	Shaft	1.18
14	8J818	Blade	5.92
15	1C122	Flat Washer, 5/8"	.08
16	6D355	Bolt, 5/8-11 NC x 6	.57
17	5C461	Stover Nut, 5/8-11 NC Hex	.07
18	8C520	Clevis Pin, 3/8 x 2 1/2	.14
19	3C335	Clevis Pin, 3/8 x 3	.18
20	6J448	Hairpin Cotter	.03



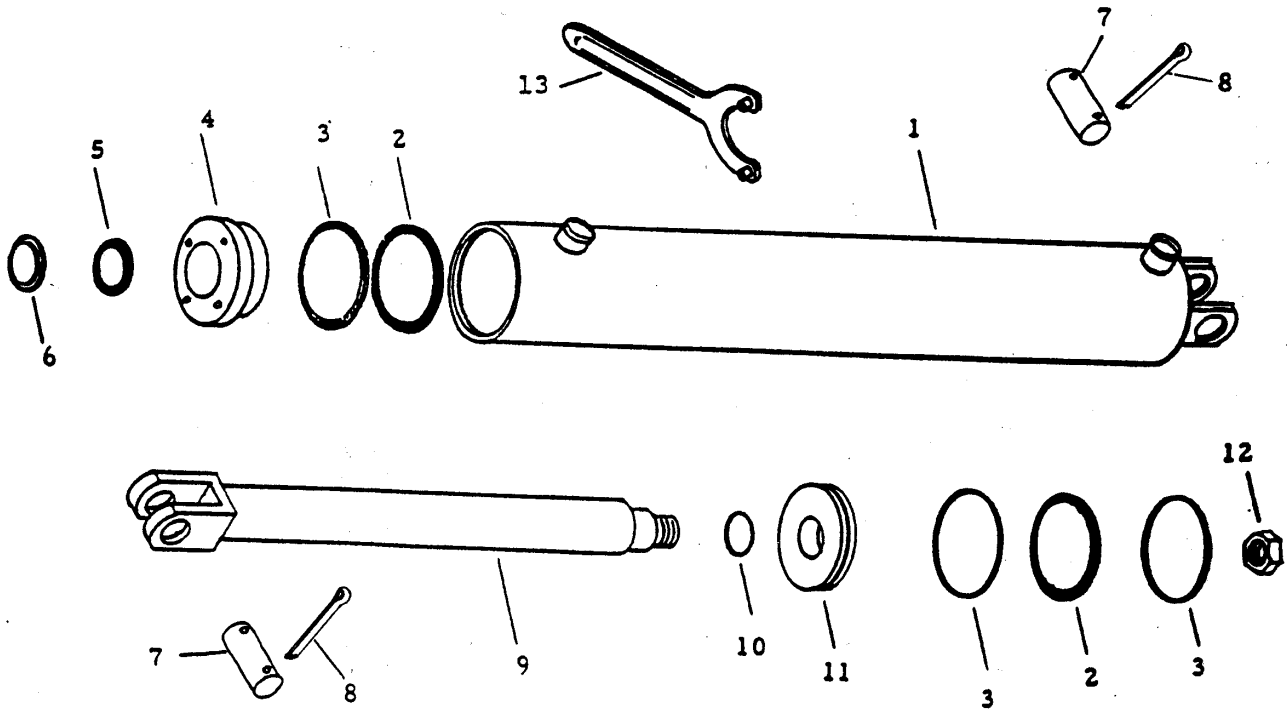
OPEN TOP SHIELD KIT

Index No.	Part No.	Description	Weight
1	1K291	Shield, 12 x 48	9.78
2	3J951	Chain, 3/16, 20 Links	.6
3	1K499	Channel, (4 Holes) (Replaces 1K339)	3.87
4	1K498	Channel, (2 Holes) (Replaces 1K343)	3.88
5	1K289	Arm	1.98
6	1K336	Clamp	.62
7	1K332	Strap	.26
8	1K337	Linkage	3.54
9	1K338	Drilled Bolt, 3/8-16 NC x 1 3/4	.07
10	6C400	Hairpin Cotter	.01
11	9C078	Capscrew, 3/8-16 NC x 1 1/4, Grade 5	.05
12	5C954	Stover Nut, 3/8-16 NC Hex	.02
13	4C803	Capscrew, 3/8-16 NC x 1	.05
14	3D121	Capscrew, 1/2-13 NC x 5 1/2	.34
15	9C271	Capscrew, 3/8-16 NC x 2 1/4, Grade 5	.08
16	1C182	Flat Washer, 3/8	.01
17	1C183	Lockwasher, 3/8 Reg.	-
18	1C277	Nut, 3/8-16 NC Hex	.02
19	1K335	Strap	.95
20	4D904	Capscrew, 3/8-16 NC x 1 1/2, Grade 5	.06
21	1J835	Strap	.61
22	1C109	Lockwasher, 1/2 Reg.	-
23	1C390	Nut, 1/2-13 NC Hex	.04
24	1B166	Lockwasher, 5/8 Reg.	-
25	1C392	Nut, 5/8-11 NC Hex	.07

9D137 G Hydraulic Cylinder 3 x 16
 Hydraulic Gear #3016-01 Painted Red
 1-3/8" Dia. Rod, 26-1/4 Retracted, 42-1/4 Extended Length

Item	Part No.	Description	Qty.
1	1J962	Tube Assembly	1
*2	NSS	O Ring	2
*3	NSS	Back-Up Ring	3
4	1J963	Gland	1
*5	NSS	Rod Seal & Back Up Rings	1
*6	NSS	Wiper	1
7	5J650	Cylinder Pin	2
8	6C468	Cotter Pin, 3/16" x 2"	4
9	1J964	Rod Assembly	1
*10	NSS	O Ring	1
11	1J965	Piston	1
12	6C750	Hex Nut 7/8-14 NF Lock	1
*	1J966	Seal Kit (Items marked "**")	
13	5J132	Spanner Wrench (Optional - Disassembly Tool)	

NSS = Not Serviced Separately



INDEX

Breakdown of hyd. cyl. is a special insert from book #2J124, page 5, located after page 19. Pages marked "*" are from book #2J124.

Part No.	Page	Index No.	Part No.	Page	Index No.	Part No.	Page	Index No.
1B166	3	3		*5	8	1D273	13	16
	5	11		13	30	2D118	11	6
	7	33	4C858	3	24	2D449	13	31
	11	22	5C100	13	2	2D488	11	14
	13	12	5C234	11	13	2D799	3	6
	19	24	5C392	11	3	2D894	3	31
1C109	3	4		17	7		13	8
	7	13	5C461	3	34	3D121	7	29
	9	7		5	6		19	14
	15	5		7	19	3D751	7	2
	19	22		9	14	4D345	11	2
1C122	17	15		11	18	4D355	7	37
1C179	9	21		13	27	4D904	19	20
1C182	19	16		17	17	4D982	13	35
1C183	17	4	5C479	13	18	5D051	11	19
	19	17	5C480	13	17	5D110	3	22
1C210	7	22	5C865	9	15		5	8
1C235	9	2	5C911	7	25		7	30
1C237	15	10		13	21	5D157	3	41
1C277	17	5	5C912	7	25		5	4
	19	18		13	20	5D158	3	21
1C314	9	20	5C954	9	16		5	14
1C362	15	11		9	16	5D335	9	6
1C385	15	12	6C114	3	10	5D921	15	4
1C390	3	5		15	13	5D943	11	9
	7	14	6C400	3	38	5D979	3	12
	9	8		19	10	6D049	7	25
	15	6	6C729	7	11	6D306	3	16
	19	23		11	20		5	5
1C392	3	36		13	10	6D355	17	16
	5	12	6C748	7	44	6D529	3	18
	7	34	6C750	*5	12		5	7
	11	23	8C065	13	11	6D716	13	34
	13	13	8C520	17	18	6D988	3	17
	19	25	8C528	17	6		5	3
1C871	3	27	7C858	7	43	8D159	13	31
2C458	7	12	9C022	11	12		13	32
2C632	13	9	9C078	19	11	8D219	11	16
3C173	13	23	9C223	11	4	8D220	11	1
3C335	3	39	9C226	11	10	8D221	11	17
	17	19	9C227	11	10	8D301	9	19
3C350	13	22	9C228	11	10	8D337	9	22
4C129	13	1	9C271	19	15	8D424	3	19
4C803	19	13	9C299	13	37		5	15
4C856	3	7	9C933	7	20	8D425	3	20

Part No.	Page	Index No.	Part No.	Page	Index No.	Part No.	Page	Index No.
	5	13	1J965	*5	11	6J428	7	16
8D631	13	7	1J966	*5	*	6J439	3	32
8D864	7	4	2J097	3	28	6J448	17	20
8D891	11	8	2J430	3	44	7J375	3	37
8D899	7	18		5	20	7J521	7	36
8D900	5	10	2J431	3	43	8J015	17	3
	11	21		5	19	8J818	17	14
	13	25	2J527	13	32	8J819	17	12
8D909	7	25	2J605	9	17	8J820	17	11
8D914	7	23	3J270	7	9	8J821	17	13
8D922	3	15	3J271	7	15	9J001	17	8
	5	2	3J287	7	24	9J002	17	9
8D932	11	10	3J291	7	21	9J003	17	10
8D933	11	24	3J341	15	9	1K091	9	13
8D934	11	11	3J342	15	14	1K112	11	7
8D941	9	1	3J343	15	15	1K247	5	16
8D942	9	3	3J344	15	16	1K249	9	11
8D943	9	4	3J345	15	17	1K255	9	9
			3J346	15	18	1K258	7	1
8D985	7	17	3J496	3	26	1K264	13	4
	13	26	3J543	13	32	1K265	13	5
8D988	5	1	3J675	3	42	1K267	11	5
8D997	11	15	3J951	19	2	1K272	7	27
9D001	13	14	4J411	9	12	1K278	7	31
9D002	13	6	4J440	3	8	1K281	7	26
9D047	3	40	4J539	11	31	1K282	5	9
9D076	7	25	4J548	3	25	1K284	7	28
9D077	7	25	4J807	9	18	1K288	17	2
9D078	7	25	4J808	9	25	1K291	19	1
9D112	7	32	4J809	9	24	1K295	9	5
9D137	13	28	4J810	9	27	1K297	17	1
9D693	7	8	4J811	9	26	1K332	19	7
9D765	13	33	5J132	*5	13	1K335	19	19
9D851	13	36	5J650	13	29	1K336	19	6
1J390	13	19		*5	7	1K337	19	8
1J414	13	3	5J915	15	3	1K338	19	9
1J415	13	15	6J273	3	2	1K345	15	1
1J443	13	3	6J276	3	3	1K346	15	7
1J444	13	15	6J278	3	14	1K349	15	8
1J463	13	24	6J280	3	11	1K361	15	2
1J530	9	10	6J365	3	23	1K388	7	35
1J556	7	5	6J366	3	23	1K448	3	-
1J557	7	6	6J367	3	23	1K449	5	-
1J558	7	3	6J369	3	23	1K498	19	4
1J801	5	17	6J417	3	1	1K499	19	3
1J802	5	1	6J418	3	1	2K054	7	-
1J835	19	21	6J419	3	1	2K055	7	42
1J910	5	18	6J421	3	13	2K056	7	41
1J962	*5	1	6J422	3	29	2K079	7	38
1J963	*5	4	6J425	3	33	2K080	7	40
1J964	*5	9	6J427	7	10	2K081	7	39
			3J678	3	45	4K103	3	46
				5	21			

