

REPAIR PARTS CATALOG



PRECISION RO-CROP CULTIVATOR

MODELS:	BRP 622	6221
	BRP 822	8221
	BRP 1222	12221
	BRP 628	6281
	BRP 828	8281
	BRP 1228	12281

IMPORTANT!

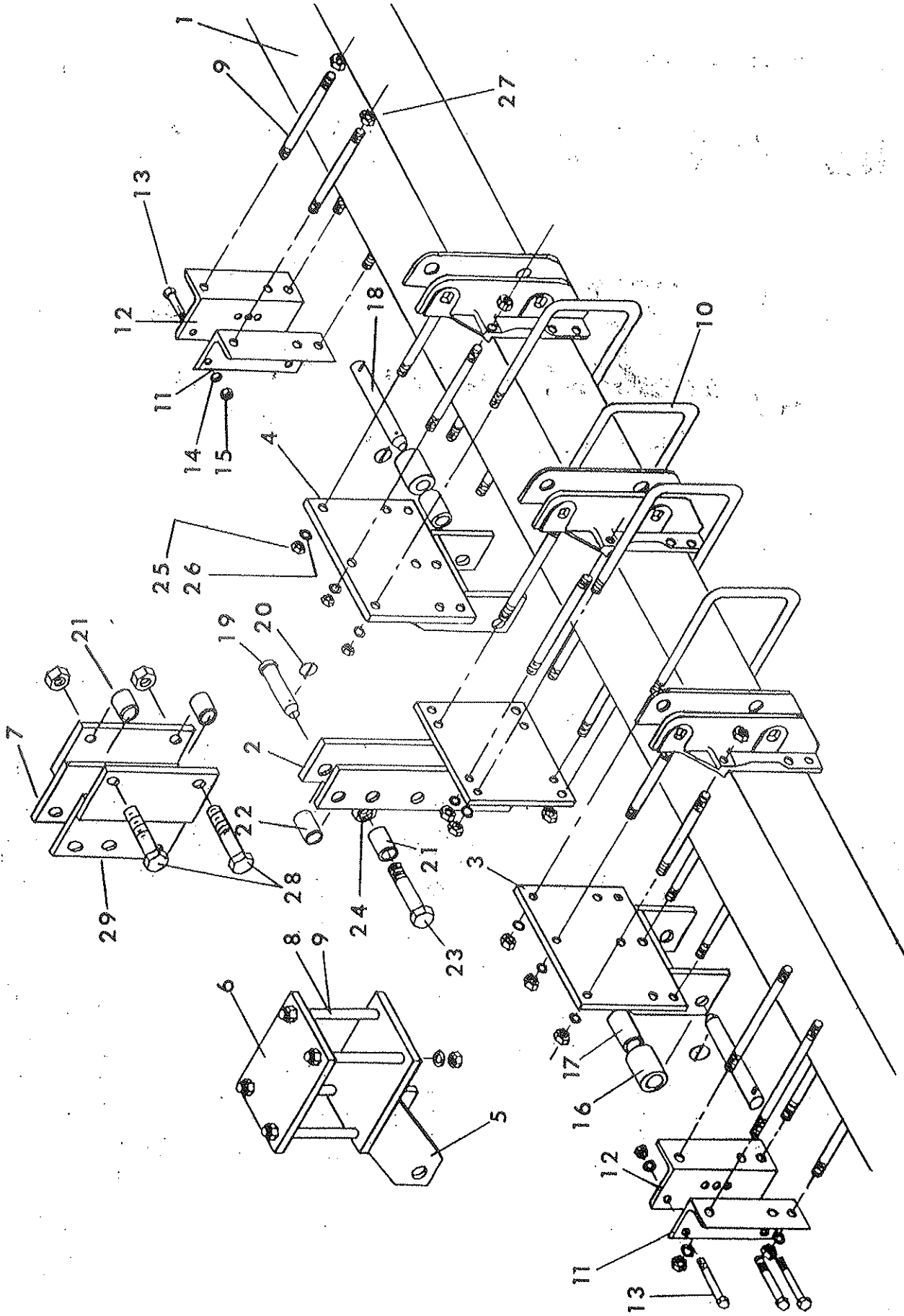
Repairs cannot be purchased retail direct from factory. Order through your Brillion dealer

MODEL NO.

DATE PURCHASED

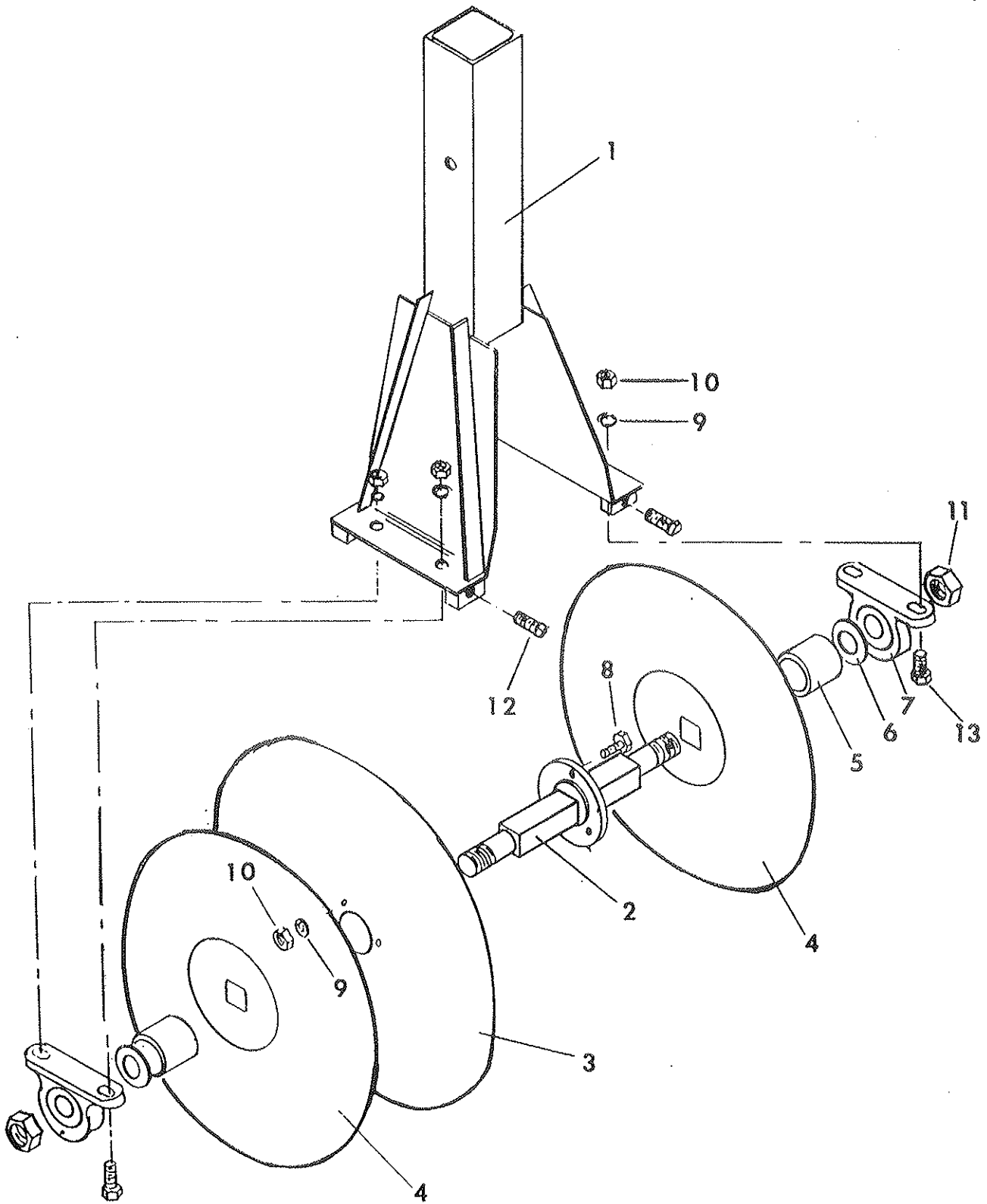


BRILLION IRON WORKS
BRILLION, WISCONSIN 54110



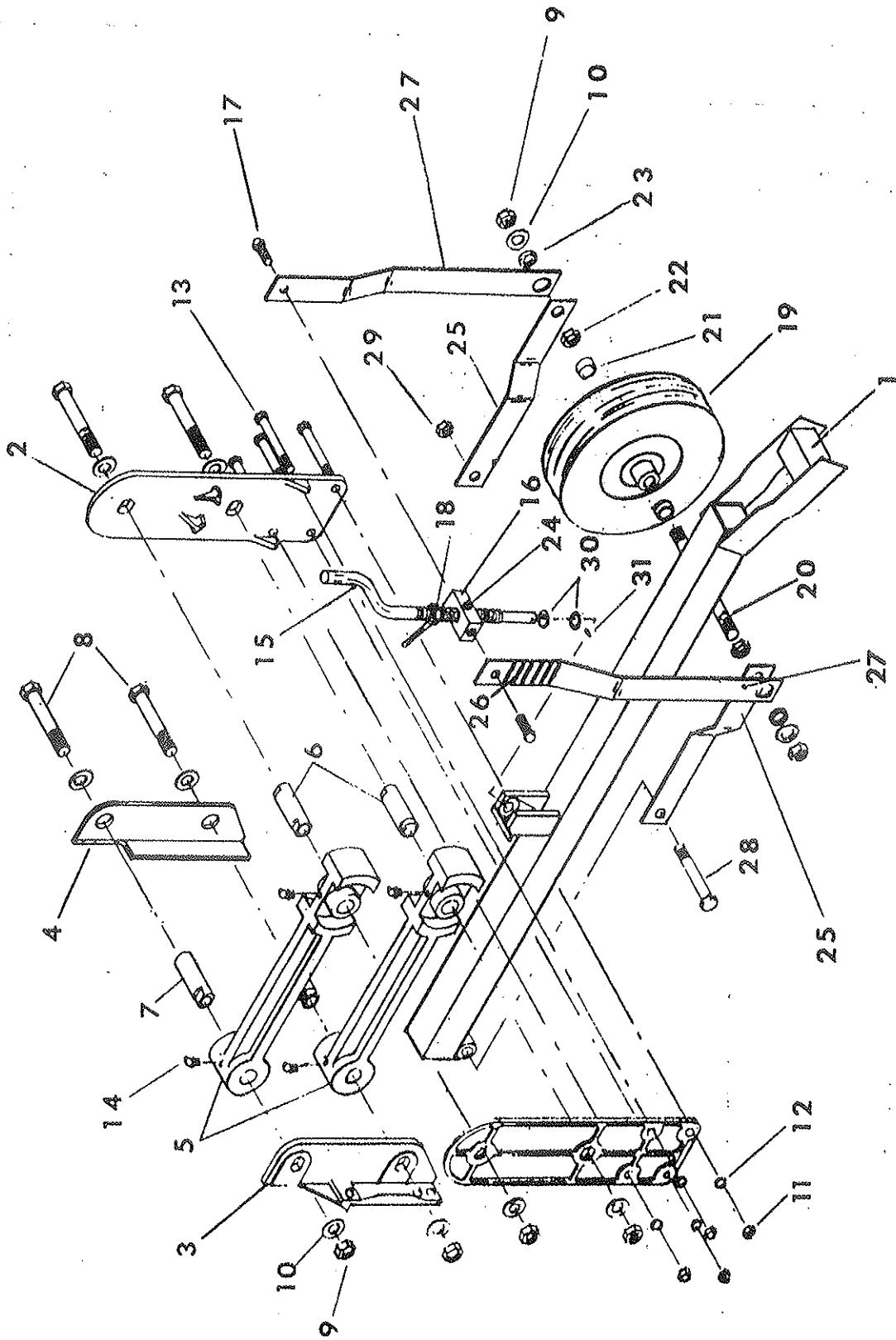
FRAME TUBE & HITCH COMPONENTS

Index No.	Part No.	Description	No. Req'd.	Weight
1	8D-988	Frame Tube BRP-628, 822	1	320.0
	3J-376	Frame Tube BRP-1222	1	514.0
	8D-892	Frame Tube BRP-828	1	400.0
	1J-83	Frame Tube BRP-1228	1	725.0
	3J-812	Frame Tube BRP-622	1	170.0
2	3J-799	Mast Assembly BRP-622, 822	1	38.0
	3J-800	Mast Assembly BRP-1222	1	46.0
	3J-374	Mast Assembly BRP-1228	1	36.0
	3J-632	Mast Assembly BRP-628, 828	1	28.5
3	3J-312	Hitch Bracket L.H. BRP-1222	1	41.0
	3J-801	Hitch Bracket L.H. BRP-622, 822	1	60.0
4	3J-316	Hitch Bracket R.H. BRP-1222	1	41.0
	3J-802	Hitch Bracket R.H. BRP-622, 822	1	60.0
5	8D-918	Hitch Bracket BRP-628, 828	2	28.5
	9D-8	Hitch Bracket BRP-1228	2	24.0
6	8D-919	Mounting Plate BRP-628, 828, 1228	2	11.7
7	3J-809	Mast Extension R.H. BRP-622, 822	1	12.0
8	8D-921	Stud - (5/8-11 NC x 7-3/4" Long) BRP-628, 828	8	.5
9	8D-900	Stud - (5/8-11 NC x 9-3/4" Long) BRP-628, 828	12	.7
		BRP-622, 822, 1222, 1228	20	
10	1J-801	U-Bolt 5 x 7 BRP-622	6	1.5
		BRP-628	8	
		BRP-822	10	
		BRP-828	12	
	9D-112	U-Bolt 7 x 7 BRP-1222	20	1.7
		BRP-1228	22	
11	3J-360	Angle L.H. BRP-622, 822, 1222	2	6.6
12	3J-361	Angle R.H. BRP-622, 822, 122	2	6.6
13	1C-396	Capscrew BRP-622, 822, 1222	6	
14	1C-109	Lockwasher BRP-622, 822, 1222	6	
15	1C-390	Nut BRP-622, 822, 1222	6	
16	8D-425	Spacer All Models	2	1.6
17	5D-158	Sleeve All Models	2	.5
18	8D-424	Pin Assembly All Models	2	2.5
19	6D-529	Clevis Pin All Models	1	1.1
20	5D-110	Klik Pin All Models	3	
21	6D-988	Spacer BRP-622, 822	3	.3
		BRP-1222, 628, 828, 1228	1	
22	5D-157	Sleeve All Models	1	.2
23	8D-922	Capscrew (1"-8 NC x 4-1/2" Long) All Models	1	1.2
24	6D-306	Stover Nut BRP-622, 822	3	.3
		BRP-1222, 628, 828, 1228	1	
25	1C-392	Nut (5/8-11 NC)		
26	1B-166	Lockwasher (5/8" Med.)		
27	5C-461	Stover Nut (5/8-11 NC)		
28	6D-740	Capscrew (1-8 NC x 5-1/2" Long)		
		BRP-622, 822	2	1.4
29	3J-806	Mast Extension, L.H. BRP-622, 822	1	12.0

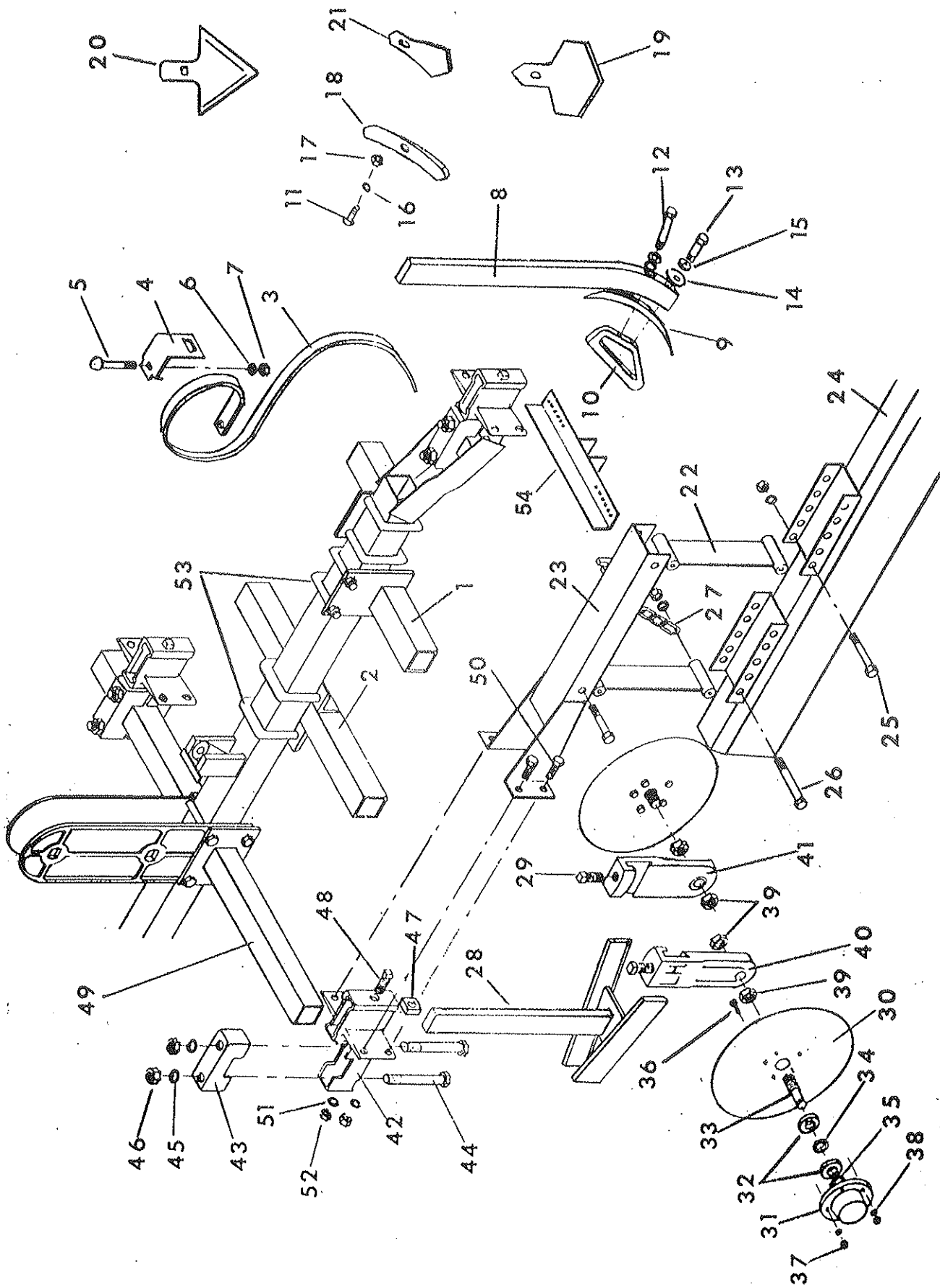


GUIDE WHEEL ASSEMBLY

Index No.	Part No.	Description	No. Req'd.	Weight
1	3J-297	Guide Wheel Bracket	1	23.1
2	3J-304	Hub & Spindle	1	7.7
3	3J-307	Center Coulter	1	16.0
4	3J-308	Concave Disc	2	15.0
5	3J-309	Spacer	2	.2
6	1C-871	Washer 1" I. D.	2	
7	3J-310	Pillow Block Bearing	2	2.0
8	1C-232	Capscrew (3/8-16 NC x 1-1/4)	3	
9	1C-183	Lockwasher 3/8 Med.	7	
10	1C-277	Nut (3/8-16 Hex)	7	
11	4D-414	Nut (1"-8 NC Hex)	2	
12	7C-427	Set Screw 3/8-16 NC x 1-3/4"	4	
13	2C-641	Capscrew (3/8-16 NC x 1-1/2)	4	

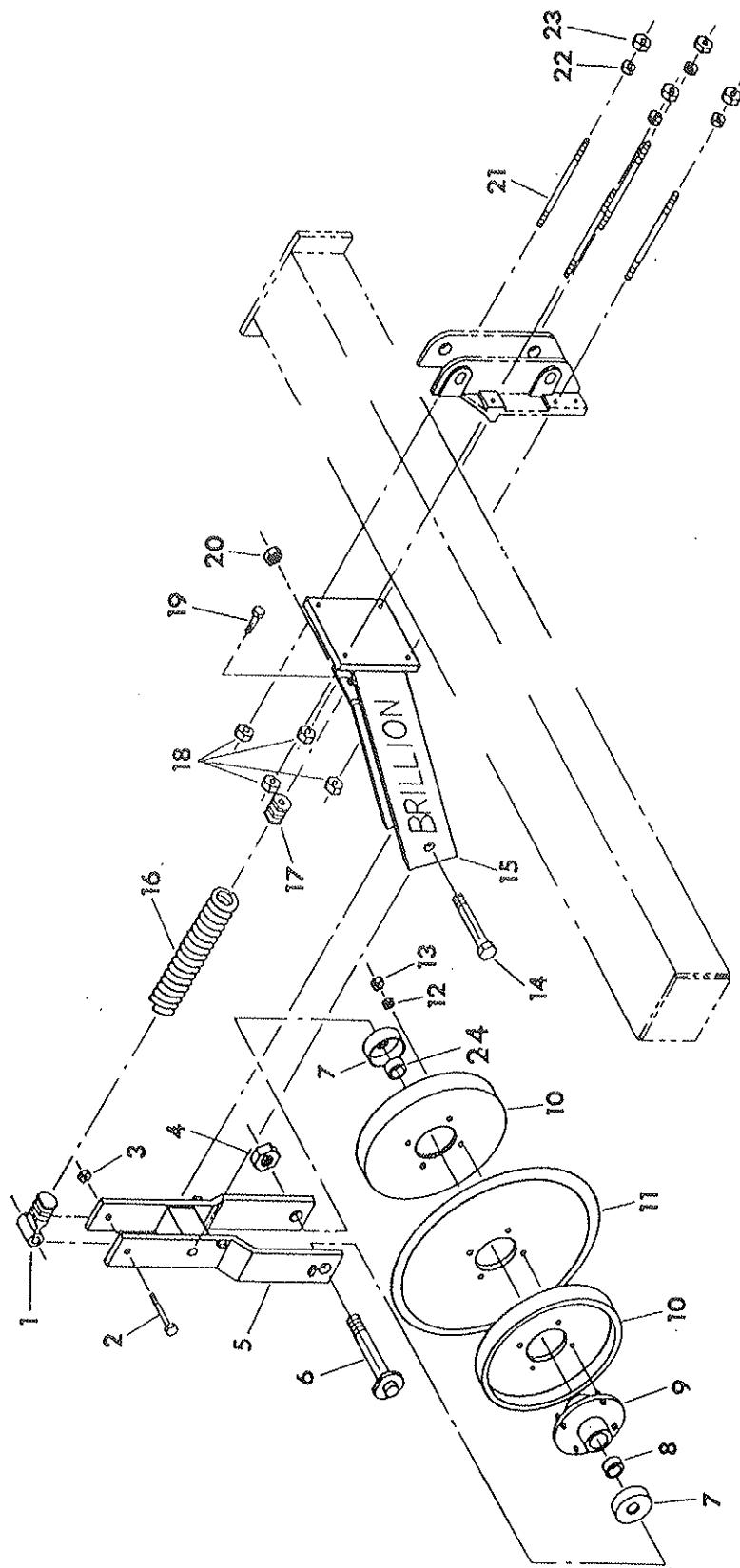


GANG ASSEMBLY WITH GAGE WHEEL & CRANK				
Index No.	Part No.	Description	No. Req'd.	Weight
1	3J-273	Gang Weldment	1	31.4
2	8D-864	Riser	2	9.4
3	3J-270	Gang Hanger - L.H.	1	7.3
*	6J-427	Gang Hanger - L.H. (used at hinge location on BPF models)		7.3
4	3J-271	Gang Hanger - R.H.	1	7.3
*	6J-428	Gang Hanger - R.H. (used at hinge location on BPF models)		7.3
5	9D-718	Parallel Link	2	23.5
6	1J-556	Rear Pivot Tube	2	.2
7	1J-557	Front Pivot Tube	2	.2
8	1J-558	Capscrew (3/4-10 NC x 5")	4	
9	6C-729	Stover Nut (3/4-10 NC Hex)	6	
10	2C-458	Washer 3/4" I.D.	10	
11	1C-390	Nut (1/2-13 NC Hex)	4	
12	1C-109	Lockwasher	4	
13	3J-631	Capscrew (1/2-13 NC x 5)	4	
14	9D-693	Grease Fitting	4	
15	3J-279	Crank (6-5/8" Thread Length)	1	2.75
	3J-953	Crank (8-5/8" Thread Length)	1	3.0
16	3J-280	Block	1	1.0
17	3J-281	Locking Bolt	2	
18	3J-282	Locking Handle	1	.2
19	8D-909	Wheel	1	7.3
		<u>Wheel Components</u>		
	9D-928	Wheel, w/Bearing Cups		3.4
	9D-78	Tire, 13 x 5.00-6 4 Ply		3.9
	5C-912	Bearing Cup, LM11910		.3
	5C-911	Bearing Cone, LM11949		.4
	9D-76	Seal		.1
	6D-70	Valve, w/Valve Cap TR412		.1
20	3J-287	Axle	1	1.2
21	8D-914	Spacer 13/16" Long	2	.1
22	1C-210	Nut (3/4-10 NC Hex)	2	
23	3J-291	Bushing (17/32" Long)	2	.1
24	5D-595	Grease Fitting	1	
25	3J-288	Gage Wheel Arm	2	4.8
26	3J-630	Decal	1	
27	3J-290	Arm (23-1/4" Long)	2	6.6
	3J-952	Arm (25-1/4" Long)	2	7.1
28	9C-933	Capscrew (5/8"-11 NC x 4-1/2 Long)	1	
29	5C-461	Stover Nut (5/8-11 NC Hex)	1	
30	8C-892	Machinery Bushing	2	
31	2C-171	Roll Pin (1/4 Dia. x 1")	1	



GANG COMPONENTS

Index No.	Part No.	Description	Weight
1	3J-293	Short Gang Tube	4.4
2	3J-373	Long Gang Tube	6.1
3	1J-887	Spring Fine	6.0
4	1J-834	Clamp	.8
5	2J-241	Carriage Bolt (7/16-14 NC x 2-1/2" Long)	
6	1C-314	Lockwasher (7/16" Med.)	
7	1D-14	Nut (7/16-14 NC)	
8	3J-318	Standard	10.4
9	3J-319	Alfalfa Spike	3.25
10	3J-320	Sweep Support	1.8
11	7D-728	Flow Bolt (3/8-16 NC x 1-1/2" (88 Head)	
12	1C-322	Capscrew (7/16-14 NC x 3)	
13	7C-770	Capscrew (7/16-14 NC x 2-3/4)	
14	7C-460	Washer (7/16 Std.)	
15	1C-314	Lockwasher (7/16 Med.)	
16	1C-183	Lockwasher 3/8" Med.)	
17	1C-277	Nut (3/8-16 NC Hex)	
18	2J-155	Reversible Point 1-3/8"	.7
19	1J-914	4" Shovel	1.0
20	2J-154	7" Sweep	1.2
21	7D-14	Duck Foot Point 2-1/2"	.5
22	3J-323	Link (10" Long)	1.6
	3J-948	Link (12" Long)	1.8
	8J-233	Link (8-1/4" Long)	1.4
23	3J-326	Shield Support - 24" Long	10.7
	7J912	Shield Support - 31-1/2" Long	13.3
24	3J-330	Tunnel Assembly - Used with 3J-326 5" x 5-1/4"	19.6
	7J-911	Tunnel Assembly - Used with 7J-912 5" x 5-1/4"	19.6
	7J-964	Tunnel Assembly - 8" Wide x 9" High	32.5
	7J-988	Tunnel Assembly - 5" Wide x 9" High	31.9
25	3C-940	Capscrew (3/8-16 NC x 4)	
26	3D-249	Capscrew (3/8-16 NC x 4-1/2)	
27	3J-366	Chain (18 Links)	
	3J-951	Chain (20 Links)	
28	3J-334	Disc Support	13.8
29	1C-119	Set Screw (1/2-13 NC x 1")	
30	3J-341	Disc	3.12
31	3J-342	Hub	1.8
32	3J-343	Bearing	.3
33	3J-344	Stud	.3
34	3J-345	Spacer	.1
35	3J-346	Snap Ring	
36	1C-237	Capscrew (5/16-18 NC x 3/4)	
37	1C-385	Nut (5/16-18 NC Hex)	
38	1C-362	Lockwasher (5/16 Med.)	
39	6C-114	Jam Nut (3/4-10 NC Hex)	
40	3J-338	Disc Mount - L.H.	3.4
41	3J-339	Disc Mount - R.H.	3.4
42	3J-356	Clamp Bracket Bottom	7.8
43	3J-357	Clamp Bracket Top	1.7
44	4D-373	Bolt (5/8-11 NC x 5-1/2, Grade 5)	.5
45	1B-166	Lockwasher (5/8" Med.)	
46	1C-392	Nut (5/8-11 NC Hex)	
47	3J-499	Square Nut (5/8-11 NC Square)	
48	3J-358	Set Screw (5/8-11 NC x 2)	
49	3J-284	Shield Tube	8.6
50	1C-334	Cap Screw (1/2-13 NC x 1-1/4)	
51	1C-109	Lockwasher (1/2 Med.)	
52	1C-390	Nut (1/2-13 NC Hex)	
53	1J-530	U-Bolt (2-1/2" x 2-1/2)	.5
54	7J-929	Shield Stabilizer - 32" Long	6.1
	7J-943	Shield Stabilizer - 42" Long	7.9



COULTER ASSEMBLY

Index No.	Part No.	Description	No. Req'd.	Weight
1	8D-220	Spring Plug	1	1.1
2	4D-345	Capscrew 1/2-13 NC x 3-3/4 Long	1	.3
3	5C-392	Locknut (1/2-13 NC Hex)	1	
4	9C-223	Locknut (1"-14 NF Hex)	1	.1
5	8D-887	Pivot Frame	1	18.6
6	2D-118	Axle Assembly	1	1.7
7	8D-890	Dust Collar	2	.3
8	5D-943	Spacer	1	.1
9	8D-932	Hub Assembly (Includes Seals & Bearings)	1	4.5
	9C-226	Bearing Cup #L44610		.1
	9C-227	Bearing Cone #L44643		.3
	9C-228	Seal		.1
10	8D-933	Depth Disk	2	8.4
11	8D-934	Coulter Blade	1	12.3
12	9C-22	Lockwasher (1/2" Ext. Tooth)	4	
13	5C-234	Jam Nut (1/2-20 NF Hex)	4	
14	2D-488	Capscrew (3/4-10 NC x 5)	1	.7
15	8D-997	Support Frame	1	30.2
16	8D-219	Spring	1	4.6
17	8D-221	Spring Plug	1	.5
18	5C-461	Lock Nut (5/8-11 NC Hex)	4	
19	5D-51	Capscrew (1/2-13 NC x 1-3/4)	1	.2
20	6C-729	Locknut (3/4-10 NC Hex)	1	.1
21	8D-900	Stud 9-3/4" Long	4	.9
22	1B-166	Lockwasher (5/8" Std.)	4	
23	1C-392	Nut (5/8-11 NC Hex)	4	
24	8D-891	Spacer, 3/4" Long	1	.1

SIDE SHIELD				
Index No.	Part No.	Description	No. Req'd.	Weight
1	3J-348	Shield Support	2	
2	3J-349	Shield	1	2.3
3	3J-350	Shield Hanger	1	7.8
4	2C-641	Capscrew (3/8-16 NC x 1-1/2)	2	2.1
5	4C-803	Capscrew (3/8-16 NC x 1)	2	
6	5C-954	Stover Nut (3/8-16 NC Hex)	2	
7	1J-530	U-Bolt (2-1/2 x 2-1/2)	4	
8	1C-109	Lockwasher (1/2" Med.)	2	
9	1C-390	Nut (1/2-13 NC Hex)	4	

