

REPAIR PARTS CATALOG

Brillion

RO-CROP Cultivator

MODELS: BRS-440 THROUGH BRS-12222
BRSH-4402 AND BRSH-6302
BSFF-640 THROUGH BSFF-1230

IMPORTANT!

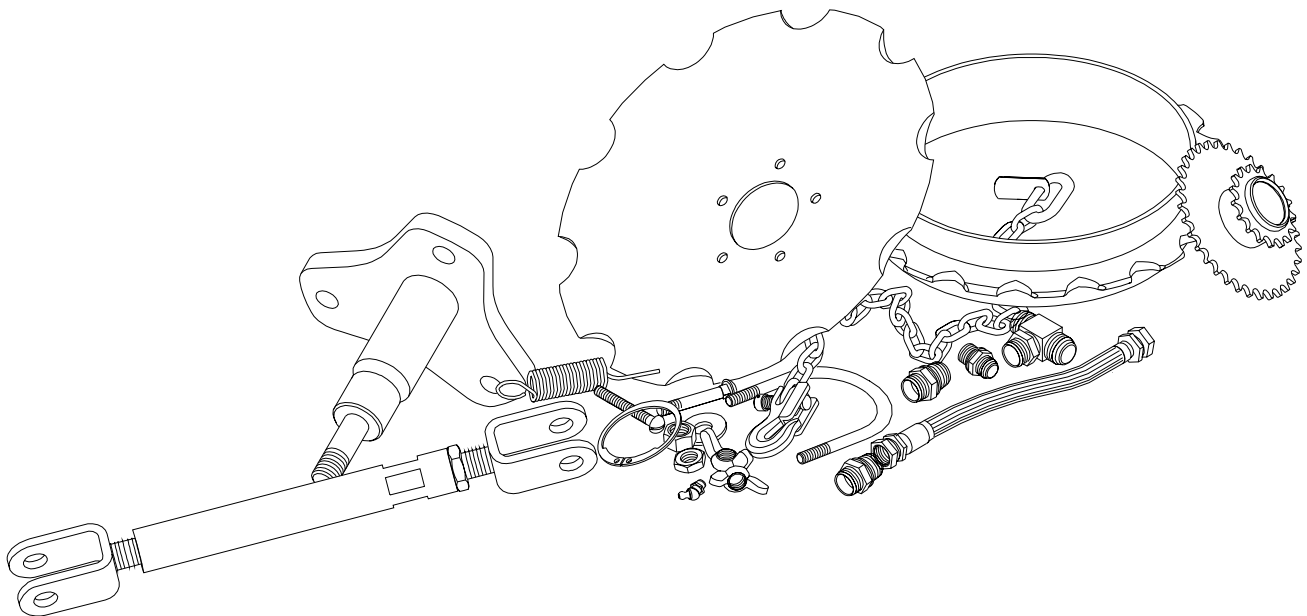
Repairs cannot be purchased
retail direct from factory.
Order through your Brillion dealer.

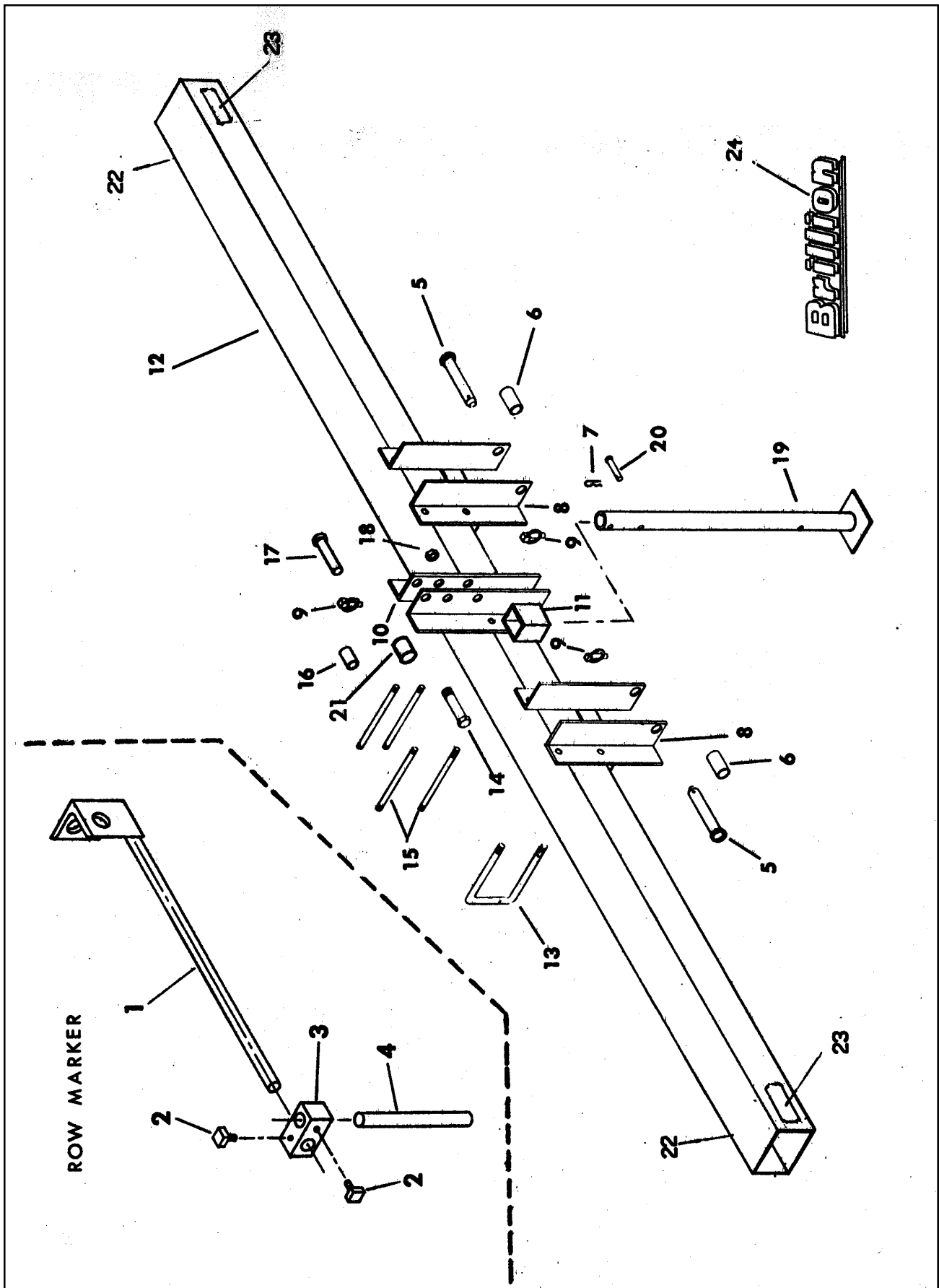
BRILLION IRON WORKS, INC.,
BRILLION, WISCONSIN 54110

REPAIR PARTS

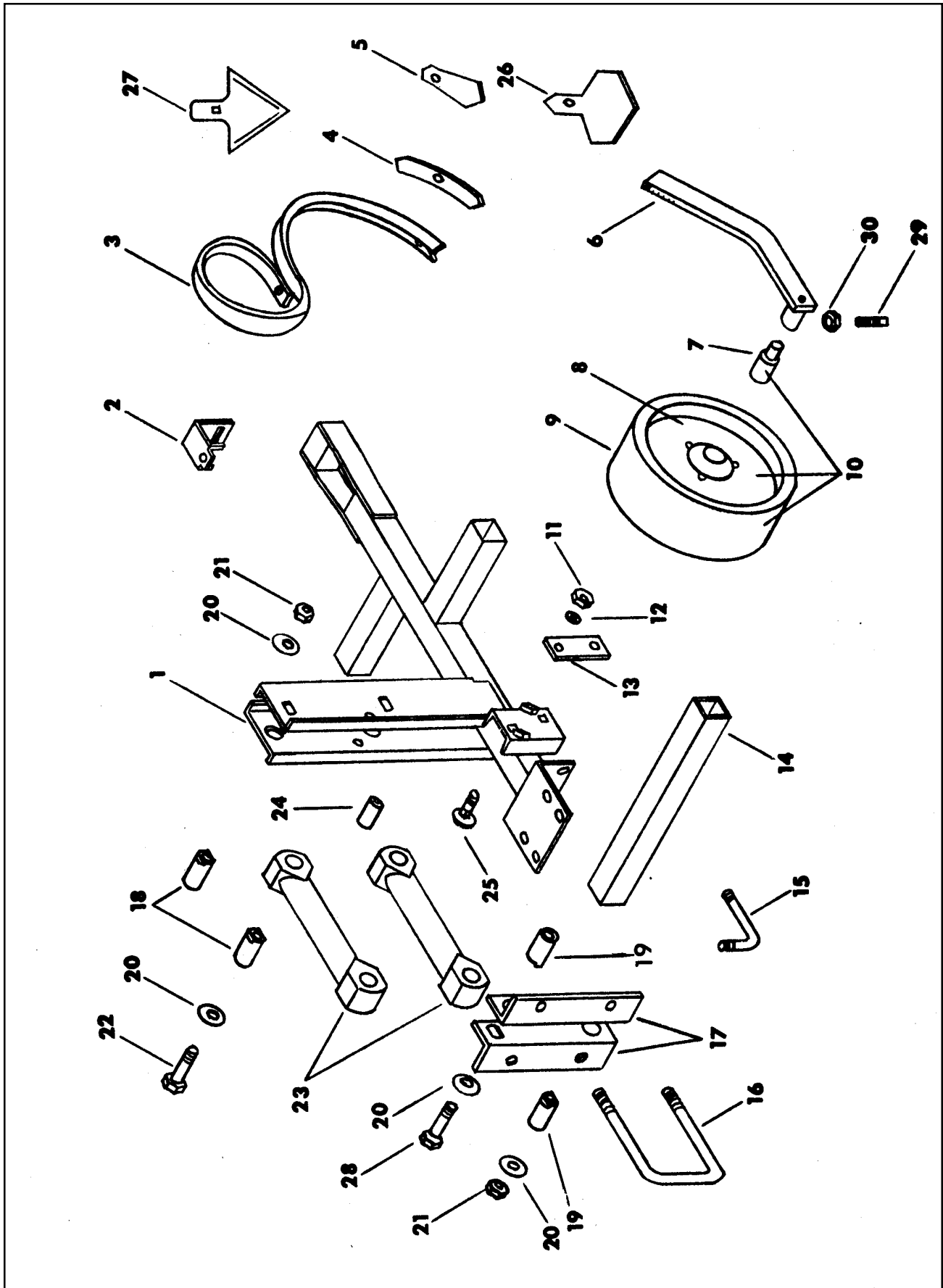
CONTENTS

Row Marker	2, 3
BRS Model Toolbars & Hitch	2, 3
Gang Assembly	4, 5
BSFF Folding Toolbar Models	6, 7
Coulter Assembly (Optional)	8, 9
1J799 Gage Wheel Kit (Optional)	10, 11
3J261 Vertical Adjusting Bracket (Optional)	12
3J782 Gauge Wheel Crank Kit (Optional)	13
Cylinder Components	20



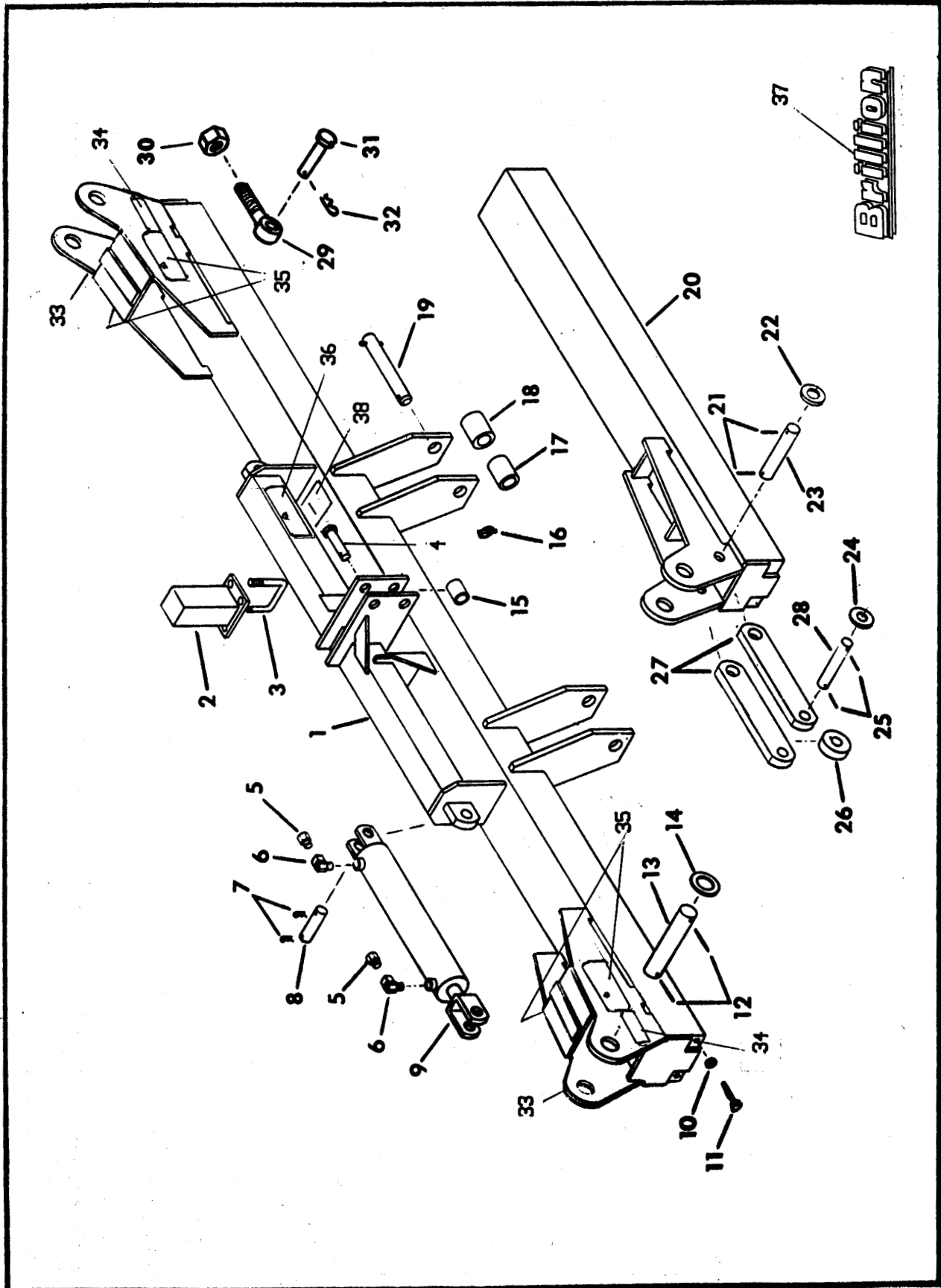


ROW MARKER				
Index No.	Part No.	Description	Qty.	Weight
1	8D-941	Marker Bracket	1	1.5
2	1C-235	Set Screw (1/4-20 x 1/2" Long)	2	
3	8D-942	Pivot Block	1	.4
4	8D-943	Rod	1	.8
BRS MODEL TOOL BARS & HITCH				
5	5D-156	Clevis Pin (1-1/8 x 5" Long) Cat. II/III	2	1.5
	3J-910	Clevis Pin (7/8" x 5" Long) Cat. I	2	1.3
6	5D-158	Sleeve	2	.5
7	6C-400	Hairpin Cotter	1	
8	2J-190	Hitch Weldment Cat. II/III	2	29.4
	3J-905	Hitch Weldment Cat. I	2	29.4
9	5D-110	Klik Pin	3	.1
10	1J-980	Mast Angle - L.H. Cat. II/III	1	12.3
	3J-903	Mast Angle - L.H. Cat. I	1	12.3
11	1J-831	Mast Angle Weldment Cat. II/III	1	14.5
	3J-901	Mast Angle Weldment Cat. I	1	14.5
12	1J-802	Tool Bar (BRS-440 & BRSH-4402)	1	204.0
	1J-841	Tool Bar (BRS-630 & BRSH-6302)	1	226.0
	1J-842	Tool Bar (BRS-640 & BRS-830)	1	298.0
	2J-174	Tool Bar (BRS-840)	1	518.0
	1J-845	Tool Bar (BRS-1222)	1	427.0
13	1J-801	U-Bolt 5 x 7 x 5/8	4	1.6
14	8D-922	Capscrew (1"-8 NC x 4-1/2") Cat. II/III	1	1.3
	6D-741	Capscrew (3/4"-10 NC x 4") Cat. I	1	1.0
15	8D-900	Stud (5/8"-11 NC x 9-3/4" Long)	4	.7
16	6D-988	Spacer, 2-1/8" Long Cat. II/III	1	.3
	4J-664	Spacer, 2-1/8" Long Cat. I	1	.3
17	6D-529	Clevis Pin (1 x 4-1/2" Long) Cat. II/III	1	1.3
	3J-913	Clevis Pin (3/4 Dia. x 4-1/2" Lg.) Cat. I	1	1.1
18	6D-306	Hex Lock Nut, 1-8 NC Cat. II/III	1	.1
	6C-729	Hex Lock Nut, 3/4-10 NC Cat. I	1	.1
19	9D-47	Stand	1	9.4
20	3C-335	Clevis Pin, 1/2 x 3	1	.1
21	5D-157	Sleeve, 1-15/16" Long (Cat. II/III)	1	.2
	3J-912	Sleeve, 1-15/16" Long (Cat. I.)	1	.2
22	2J-430	Decal, Red Reflective	2	
23	2J-431	Decal, Amber Reflective	2	
24	4K-103	Decal, "Brillion"	4	



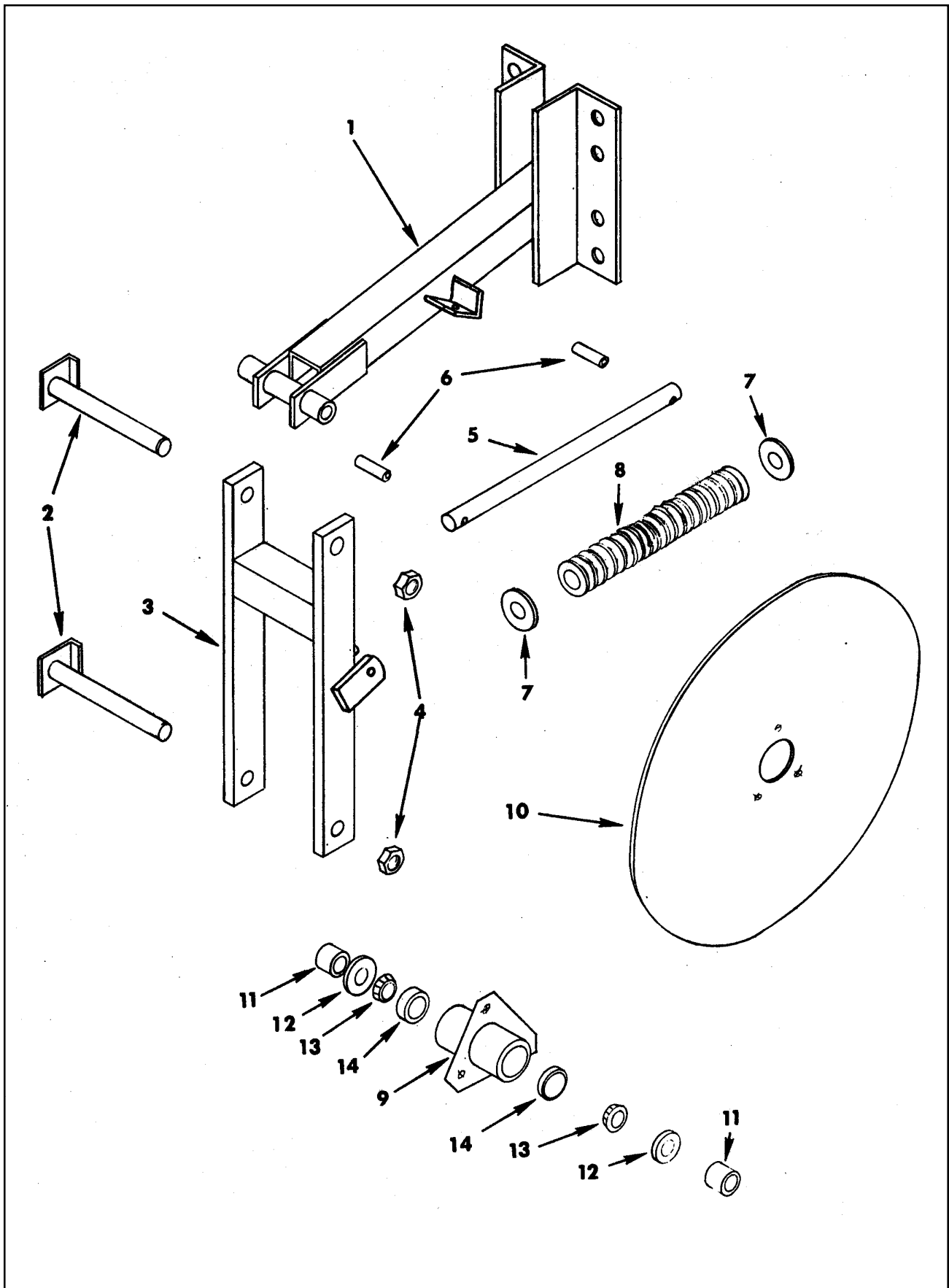
GANG ASSEMBLY				
Index No.	Part No.	Description	Qty. Per Gang	Weight
1	2J-946	Gang Tube Weldment	1	34.0
	2J-947	Gang Assembly		69.0
2	1J-834	Clamp	5	.8
	2J-241	Carriage Bolt, 7/16-14 NC x 3-1/2" Lg.	5	
	1C-314	Lockwasher, 7/16" Std.	5	
	1D-14	Hex Lock Nut, 7/16-14 NC	5	
3	1J-887	Spring Tine - Less Point	5	6.0
	7D-728	Cultivator Bolt, 3/8-16 NC x 1-1/2" Lg.	5	
	7D-729	Flat Washer, Heavy 3/8"	5	
	5J-616	Nut, 3/8-16 NC Heavy Hex	5	
4	2J-155	Reversible, 1-3/8" Point	5	.7
5	7D-14	Duck Foot Point 2-1/2"	5	.5
6	3J-784	Gauge Wheel Arm	1	5.0
7	1J-808	Bearing	1	1.0
8	1J-810	Wheel Half	2	3.0
9	1J-996	Tire	1	3.0
	1C-237	Capscrew, 5/16-18 NC x 3/4" Lg.	3	
	3C-127	Lockwasher, 5/16" Std.	3	
	1C-385	Hex Nut, 5/16-18 NC	3	
10	1J-804	Gage Wheel Assembly (#7, #8 & #9)	1	10.0
11	1C-390	Hex Nut, 1/2-13 NC	2	
12	1C-109	Lockwasher, 1/2" Std.	2	
13	1J-835	Strap	1	.6
14	1J-803	Extension Tube	2	4.6
15	1J-836	Clamp Bolt - Long	2	.4
	1J-837	Clamp Bolt - Short (Used on end gangs with one extension tube.)		.3
16	1J-801	U-Bolt, 5 x 7 x 5/8"	2	1.6
	1B-166	Lockwasher, 5/8" Std.	4	
	1C-392	Hex Nut, 5/8-11 NC	4	
17	1J-811	Gang Angle	2	4.4
18	1J-814	Pivot Tube (Used on rear of link.)	2	.1
19	5J-184	Pivot Tube (Used on front of link.)	2	.1
20	1C-122	Flat Washer, 5/8"	8	
21	5C-461	Locknut, 5/8-11 NC	5	
22	2C-302	Capscrew, 5/8-11 NC x 3-1/2 Long	3	.1
23	1J-812	Parallel Link	2	12.0
24	1J-813	Stop Tube	1	.3
25	8C-679	Carriage Bolt, 1/2-13 NC x 2-1/2	2	.1
26	1J-914	4" Shovel	5	1.0
27	2J-154	7" Sweep	5	1.2
28	7D-247	Capscrew, 5/8-11 NC x 3-3/4" Long	2	.2
29	6C-222	Set Screw, 5/16-18 NC x 3/4 Lg., Sq. Head	1	
30	6C-223	Jam Nut, 5/16-18 NC Hex	1	

27 015



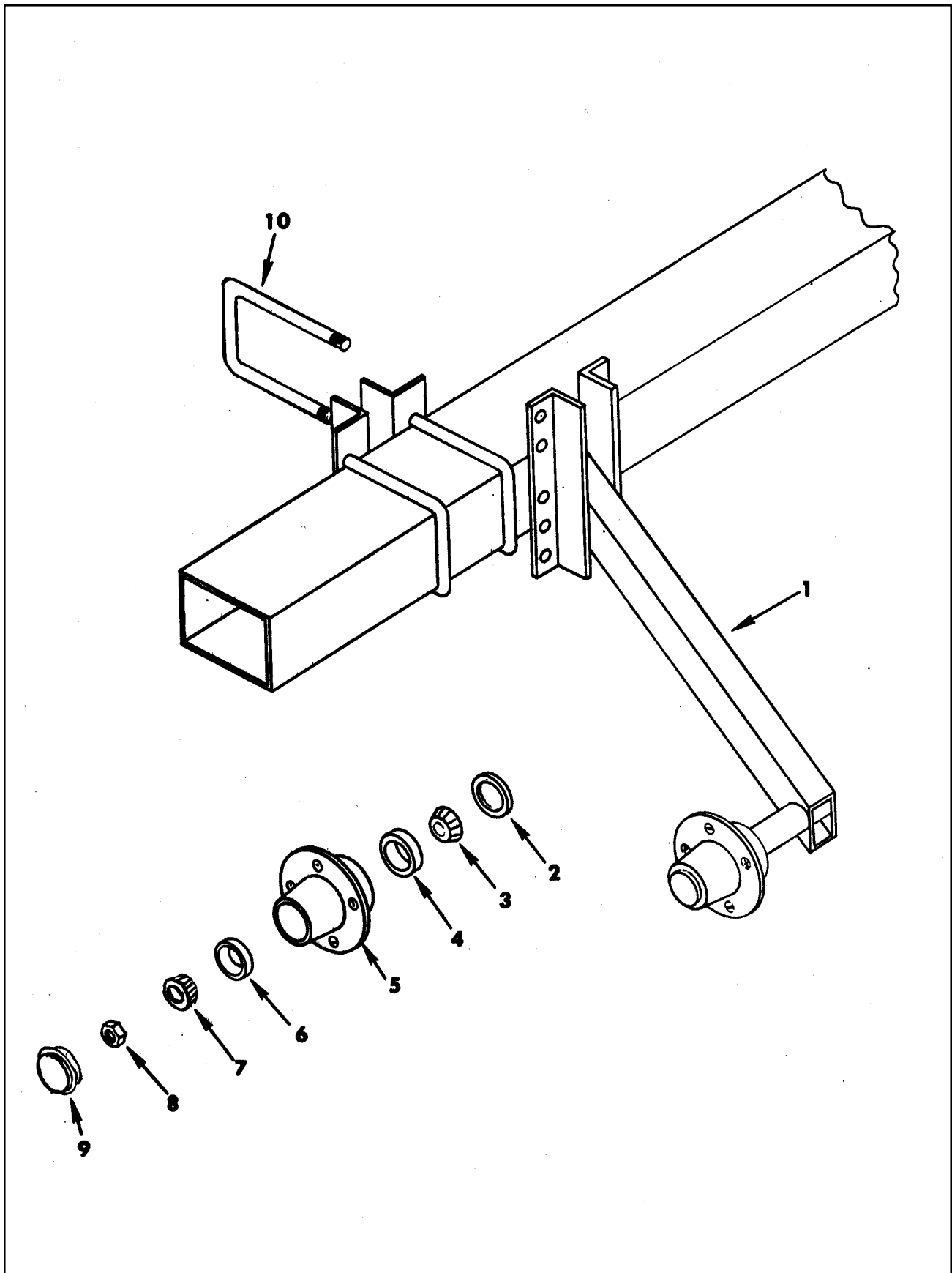
BSFF FOLDING TOOL BAR MODELS

Index No.	Part No	Description	Qty.	Weight
1	6J-264	Center Toolbar 128" (BSFF-640)	1	490.0
	6J-265	Center Toolbar 152" (BSFF-830)	1	549.0
	6J-266	Center Toolbar 176" (BSFF-840)	1	731.0
	6J-267	Center Toolbar 196" (BSFF-1230)	1	795.0
2	6J-273	Stop	2	8.0
3	6J-276	U-Bolt, 1/2"	4	.6
	1C-109	Lockwasher, 1/2"	8	
	1C-390	Nut, 1/2"	8	
4	6D-529	Clevis Pin, 1 x 4-1/2"	1	1.1
5	6D-716	Flow Restrictor	4	.1
6	2J-170	Elbow	4	.3
7	6D-413	Hairpin Clip	4	
8	6D-412	Cylinder Pin	2	.6
9	9D-137	Hydraulic Cylinder	2	29.0
10	6C-114	Jam Nut	4	
11	6J-280	Capscrew, 3/4 x 2-3/4"	4	.4
12	5D-979	Roll Pin, 1/2"	4	.1
13	6J-274	Hinge Pin	2	6.0
14	6J-278	Machinery Bushing - 1-3/4"	4	.1
15	5D-157	Sleeve	1	.3
16	5D-110	Klik Pin	3	.1
17	5D-158	Sleeve	2	.5
18	8D-425	Spacer	2	1.6
19	8D-424	Pin Assembly	2	2.5
20	6J-230	Wing 60" (BSFF-640)	2	135.0
	6J-237	Wing 70" (BSFF-830)	2	150.0
	6J-239	Wing 81" (BSFF-840)	2	168.0
	6J-241	Wing 94" (BSFF-1230)	2	179.0
21	5D-955	Roll Pin, 5/16"	4	.1
22	4J-548	Machinery Bushing - 1-1/4"	4	
23	4J-550	Pin	2	2.4
24	1C-871	Flat Washer	4	.1
25	2D-894	Roll Pin, 1/4"	4	
26	5J-535	Roller	2	1.8
27	6J-277	Link	4	10.4
28	6J-275	Pin	2	1.3
29	4J-440	Eye Bolt	2	1.8
30	6D-306	Stover Nut, 1"	2	.2
31	2D-799	Clevis Pin, 1" x 3" Long	2	.7
32	4C-856	Hairpin Clip	2	
33	2J-430	Decal, Red Reflective	2	
34	2J-431	Decal, Amber Reflective	2	
35	3J-675	Decal, Danger-Falling Wings	4	
36	3J-678	Decal, Danger- Bleed Air From Cyl.	1	
37	4K-103	Decal, "Brillion"	6	
38	3K-706	Decal, Warning- Hydraulic Leaks	1	
	7J-329	Decal Pkg. (BSFF)	1	



1J-776 COULTER ASSEMBLY - OPTIONAL

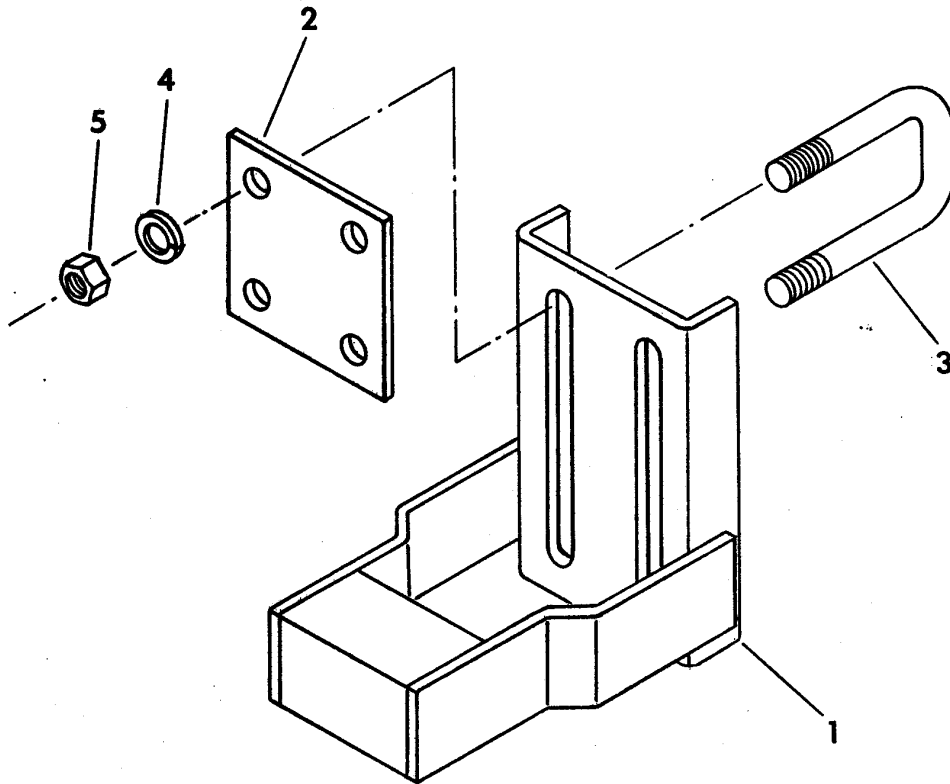
Index No.	Part No.	Description	Qty.	Weight
	1J-776	Coulter Assembly - Complete	1	56.0
1	2J-185	Support Frame	1	20.5
2	1J-787	Pivot Shaft	2	.5
3	2J-186	Pivot Frame	1	16.0
4	6C-729	Hex Locknut, 3/4-10 NC	2	
5	2J-184	Spring rod	1	1.8
6	4C-864	Roll Pin, 3/8 x 1-3/4"	2	
7	2C-458	Flat Washer, 3/4" S.A.E	2	
8	6D-362	Spring	1	1.3
9	1J-786	Hub (Includes (2) 5C-911 Bearing Cone, (2) 5C912 Bearing Cup and (3) 6J575 Wheel Stud)	1	2.8
	1C-183	Lockwasher, 3/8" Std.	3	
	1J-928	Nut, 3/8-24 NF Hex	3	
10	1J-785	Coulter Blade	1	10.4
11	2J627	Spacer	2	.1
12	9D-76	Seal (CR#11164)	2	
13	5C-911	Bearing Cone (#LM11949)	2	.2
14	5C-912	Bearing Cup (#LM11910)	2	.1



1J-799 GAGE WHEEL KIT - OPTIONAL

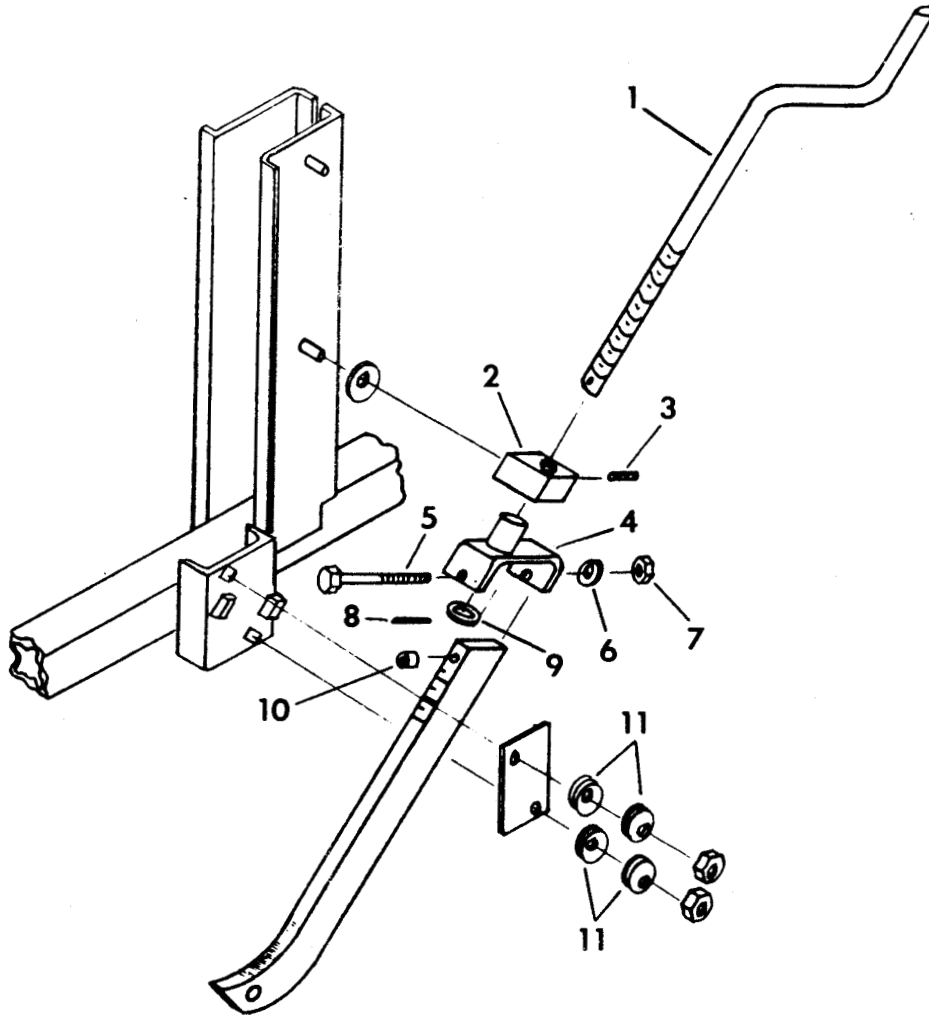
Index No.	Part No.	Description	Qty.	Weight
1	1J-794	L.H. Wheel Arm Assembly - Opposite	1	38.6
	1J-798	R.H. Wheel Arm Assembly - Shown	1	38.6
2	8D-511	Seal	1	.1
3	5C-480	Bearing Cone (#LM48548)	1	.2
4	5C-479	Bearing Cup (#LM48510)	1	.2
5	1J-390	Wheel Hub	1	8.6
6	5C-912	Bearing Cup (#LM11910)	1	.2
7	5C-911	Bearing Cone (#LM11949)	1	.3
8	3C-173	Slotted Nut, 3/4-16 N. F.	1	
	3C-350	Cotter Pin, 5/32 x 1"	1	
9	1J-463	Hub Cap	1	
10	1J-801	U-Bolt	4	1.6
	1B-166	Lockwasher, 5/8"	8	
	1C-392	Nut, 5/8-11 NC Hex		
*	4C-129	Wheel, 15 x 5 (5 Bolt)	2	16.0
*	5C-100	Wheel Bolt	10	.1
		*Not Shown		

3J-261 VERTICAL ADJUSTING BRACKET (OPTIONAL)



Index No.	Part No.	Description	No. Used	Weight
1	3J-351	Shank Mount	1	6.0
2	3J-354	Plate	1	.8
3	5D-921	U-Bolt	2	.5
4	1C-109	Lock Washer	4	
5	1C-390	Nut, 1/2-13 NC Hex	4	

3J-782
GAUGE WHEEL CRANK KIT (OPTIONAL)



Index No.	Part No.	Description	Qty.	Weight
1	3J-775	Crank	1	3.4
2	3J-779	Block	1	.6
3	5C-886	Set Screw - 5/16"	1	
4	3J-776	Yoke	1	.5
5	3C-236	Capscrew, 3/8-16 NC x 3" Lg.	1	.1
6	1C-183	Lockwasher - 3/8"	1	
7	1C-277	Nut, 3/8-16 NC Hex	1	
8	3D-478	Roll Pin, 5/16 Dia. x 1-1/8" Lg.	1	
9	8C-381	Machinery Bushing	1	
10	3J-781	Spacer	1	.1
11	3J-780	Belleville Washer	8	

9D137 G Hydraulic Cylinder 3 x 16
 Hydraulic Gear #3016-01 Painted Red
 1-3/8" Dia. Rod, 26-1/4 Retracted, 42-1/4 Extended Length

Item	Part No.	Description	Qty.
1	1J962	Tube Assembly	1
*2	NSS	O Ring	2
*3	NSS	Back-Up Ring	3
4	1J963	Gland	1
*5	NSS	Rod Seal & Back Up Rings	1
*6	NSS	Wiper	1
7	5J650	Cylinder Pin	2
8	6C468	Cotter Pin, 3/16" x 2"	4
9	1J964	Rod Assembly	1
*10	NSS	O Ring	1
11	1J965	Piston	1
12	6C750	Hex Nut 7/8-14 NF Lock	1
*	1J966	Seal Kit (Items marked "**")	
13	5J132	Spanner Wrench (Optional - Disassembly Tool)	

NSS = Not Serviced Separately

