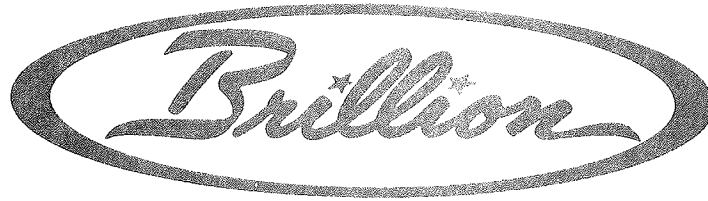
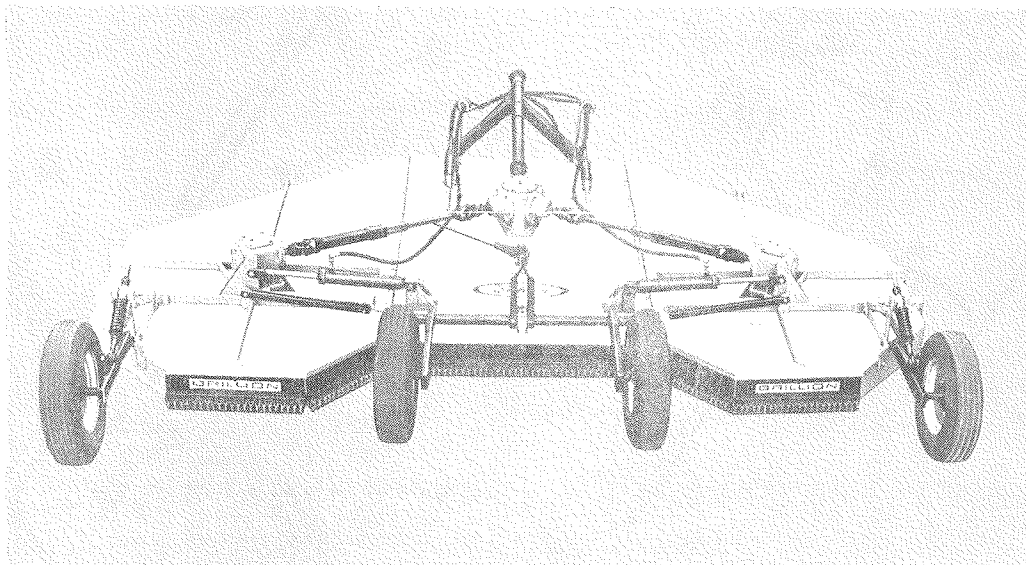


REPAIR PARTS CATALOG



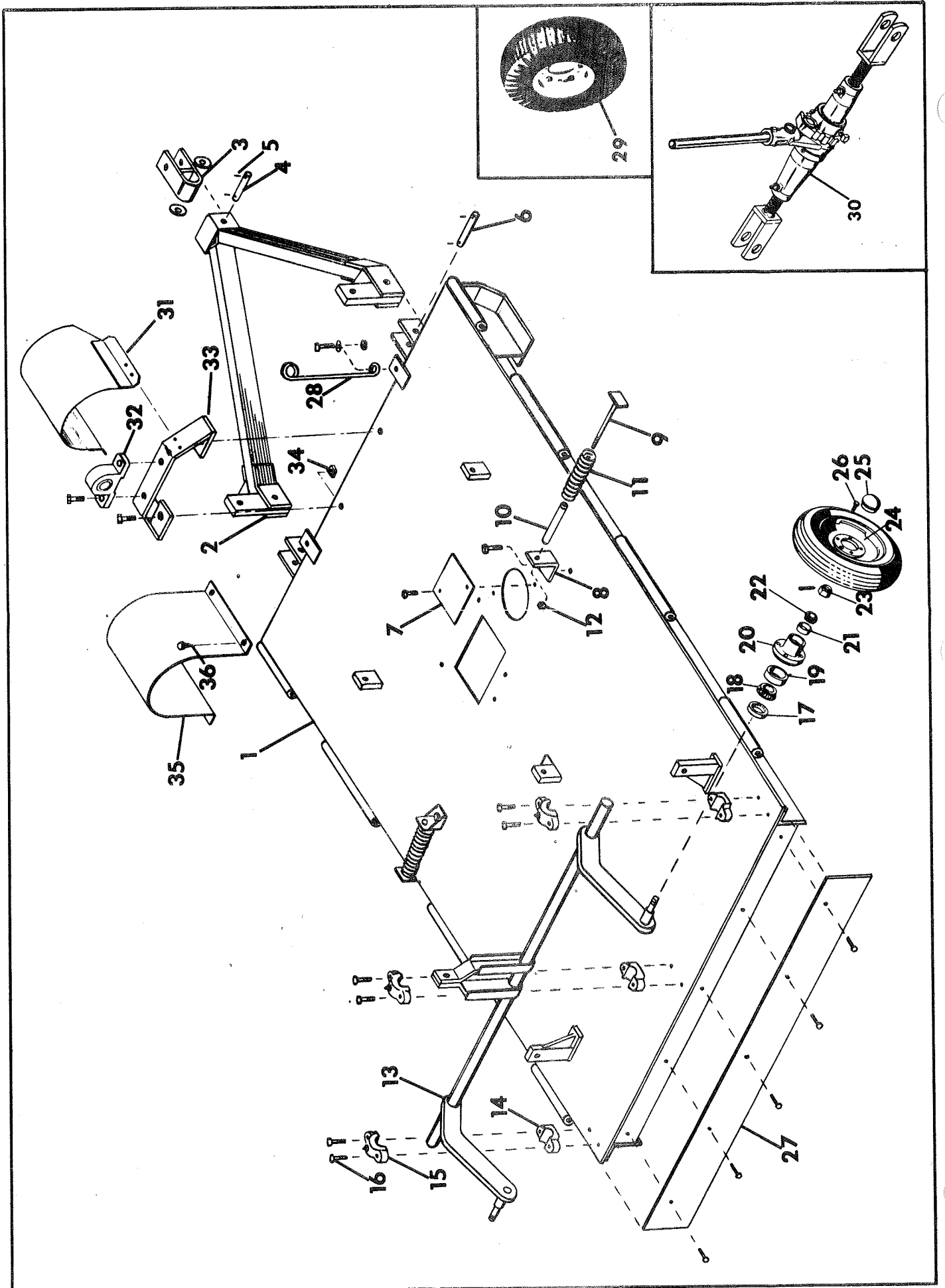
180" VERSA-MOWER



MODELS: IR-180-02
IRC-180-02
IRCC-180-02
IR-180-01
IRC-180-01
IRCC-180-01

MODEL NO.
DATE PURCHASED

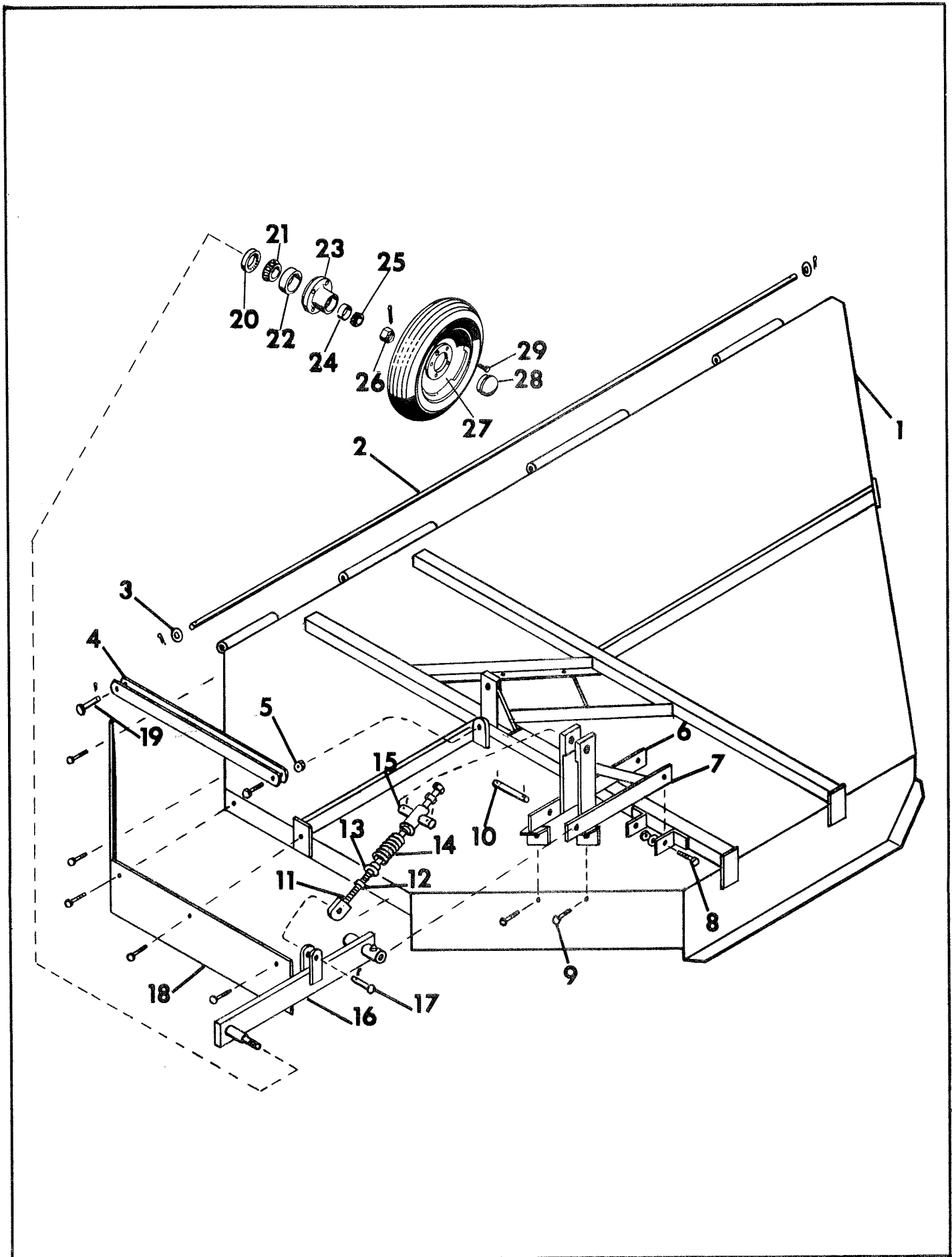
ALL PARTS NOT INDEXED ARE STANDARD HARDWARE



HOOD, DRAWBAR AND AXLE ASSEMBLY (IR-180 & R-180)

Index No.	Part No.	Part Name	No. Req'd.	Weight
1	7D-270	Center Hood	1	
2	7D-387	Drawbar Assembly	1	490.0
3	7D-754	Clevis	1	68.0
*	1C-787	Washer (1" Std. Flat)	1	7.9
4	7D-435	Clevis Pin	2	
5	1C-659	Roll Pin	1	
6	7D-432	Clevis Pin	6	
*	6D-49	Cotter Pin (1/4" x 2-1/2" Long)	2	2.0
7	4D-893	Blade Access Cover	2	
	4D-894	Nut Retainer (Not Shown)	1	1.0
*	8C-175	Capscrew (5/16-18 NC x 1/2 Long)	2	
8	7D-272	Wing Stop	2	
9	7D-418	Bolt Assembly	2	4.0
10	7D-431	Spring Guide	2	1.2
11	3D-994	Spring	2	.7
12	5C-461	Locknut (5/8-11 NC)	2	2.4
13	7D-379	Axle Assembly (Includes hub assembly)	2	
	7D-773	Axle Assembly (Less hub assembly)	1	190.0
	7D-742	Dual Wheel Axle Assembly (Includes hub assy's.)	1	179.5
14	4C-778	Bottom Axle Bearing	1	272.5
15	7D-275	Top Axle Bearing	3	2.5
16	3D-751	Capscrew (1/2-13 NC x 4-1/2" Long, Grade 5)	3	1.5
17	1D-273	Grease Seal	6	.1
18	5C-480	Bearing Cone	2	.1
19	5C-479	Bearing Cup	2	.2
20	3D-870	Hub	2	.2
21	3C-166	Bearing Cup	2	8.6
22	1D-274	Bearing Cone	2	.2
23	3C-173	Slotted Nut	2	.3
24	4C-129	Wheel Rim - 15" (Tire not included)	2	.1
	1D-734	Wheel Rim - 14" (Tire not included)	4	16.0
25	5C-908	Hub Cap	4	16.0
26	5C-100	Wheel Bolt	2	.8
27	7D-278	Center Rear Panel	10	.1
*	1C-334	Capscrew (1/2-13 NC x 1-1/4" Long)	1	21.0
28	7D-766	Hose Support	5	
*	6C-421	Capscrew (5/8-11 NC x 1-3/4" Long)	2	2.7
*	5C-907	Washer (5/8 Std. Flat)	2	
29	7D-455	Laminated Tire & Rim	2	
30	7C-841	Ratchet Jack	4	77.5
31	9D-947	Shield	1	27.0
32	9C-76	Bearing Assembly	1	4.2
33	9D-951	Support	1	4.0
34	7C-22	Bevel Washer	1	5.4
35	9D-457	Shield	2	.1
36	9D-463	Self Drilling Screw	1	5.3
			4	

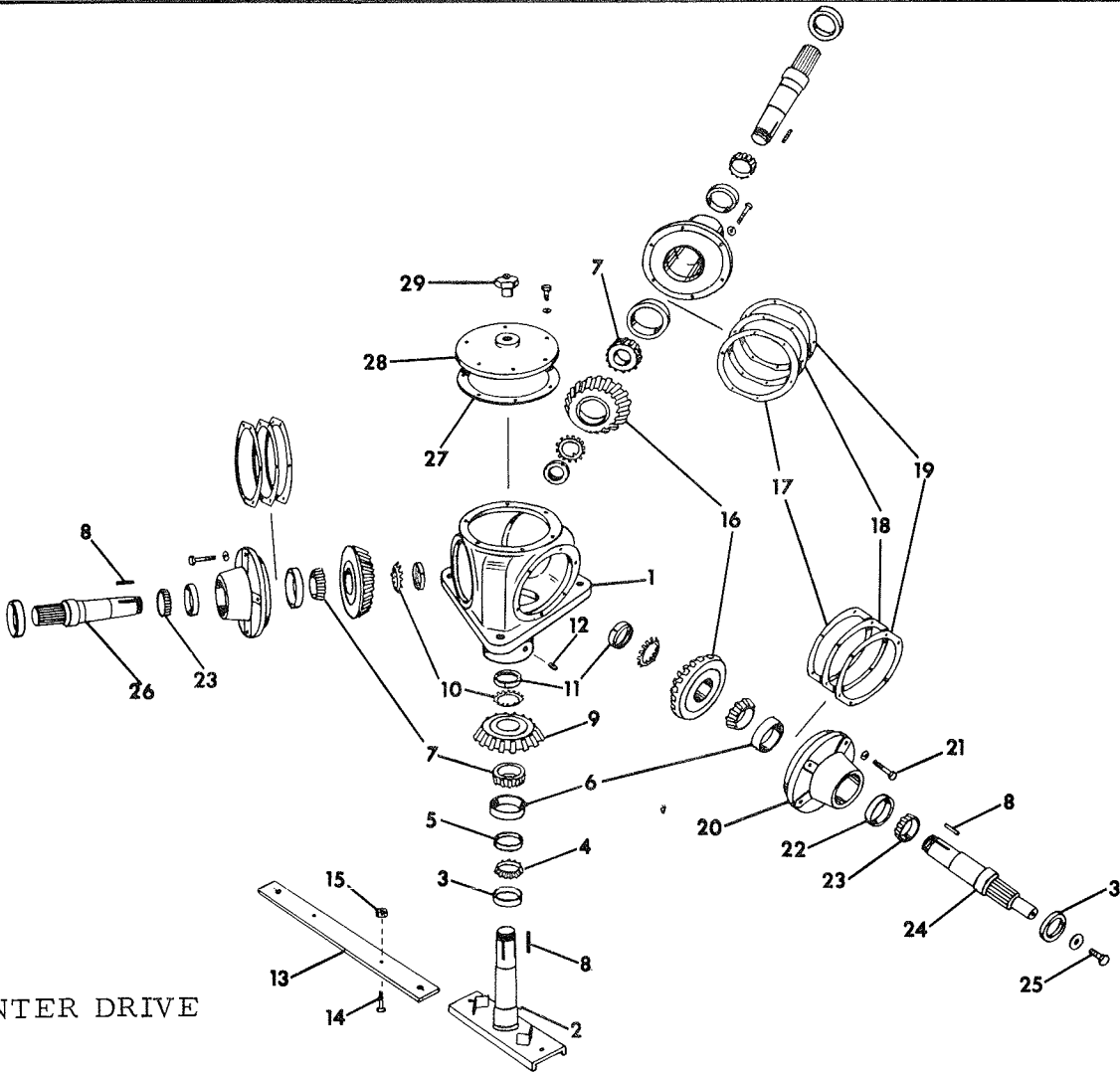
*Denotes standard fasteners



WING SECTION ASSEMBLY

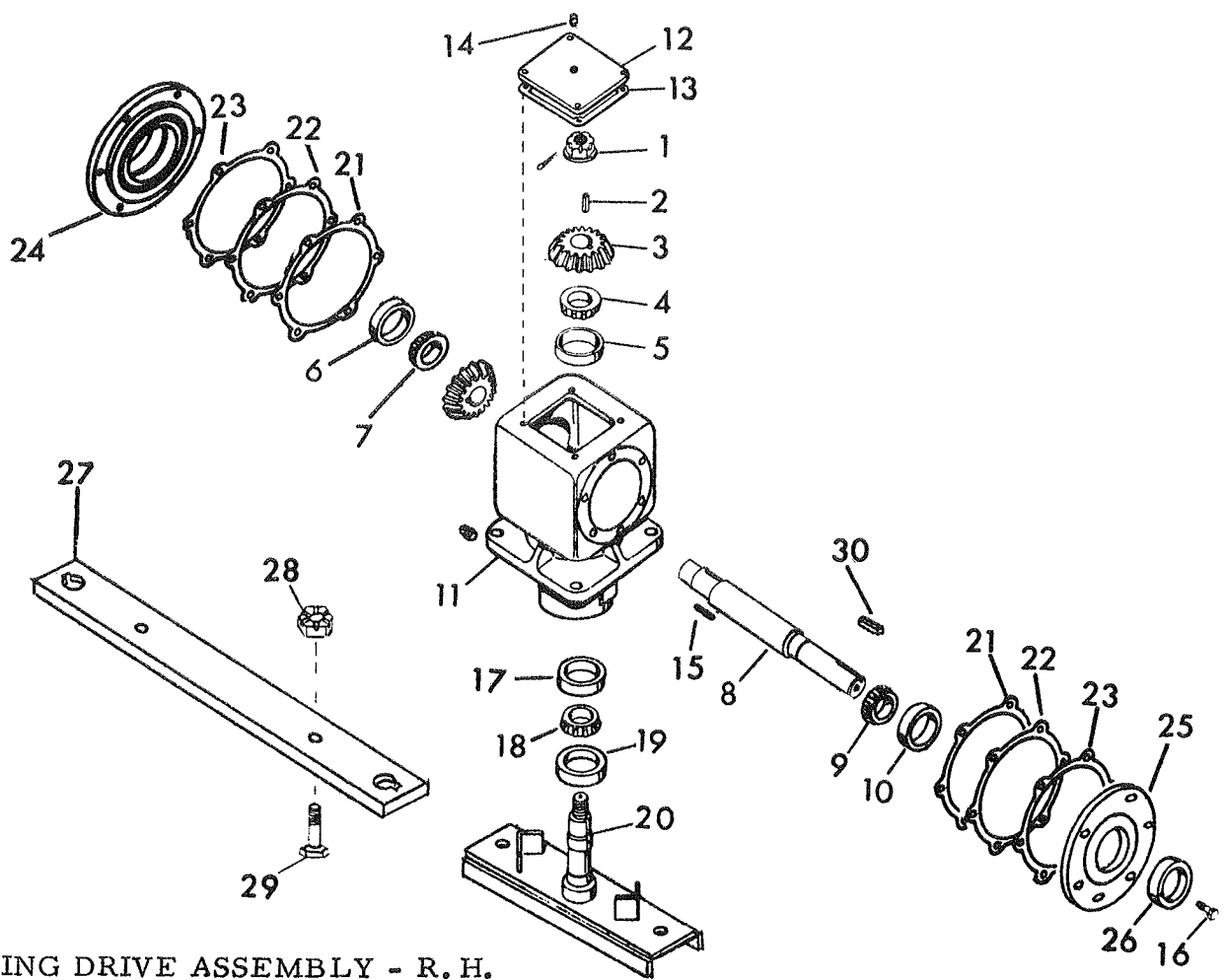
Index No.	Part No.	Part Name	No. Req'd.	Weight
1	7D-344	R. H. Wing Assembly (shown)	1	440.0
	7D-345	L. H. Wing Assembly	1	440.0
2	7D-276	Hinge Rod	2	12.4
3	7D-759	Machinery Bushing	4	
*	1C-788	Cotter Pin (3/16" x 1-1/2" Long)	4	
4	7D-433	Locking Strap	4	
5	5C-392	Locknut (1/2-13 NC, Grade B)	2	
6	7D-403	Inner Bracket - R. H. (shown)	1	15.5
	7D-404	Inner Bracket - L. H.	1	15.5
7	7D-405	Outer Bracket - R. H. (shown)	1	14.0
	7D-406	Outer Bracket - L. H.	1	14.0
8	2D-474	Capscrew (5/8-11 NC x 1-3/4" Long, Grade 5)	4	
*	1B-166	Lockwasher (5/8" Med.)	4	
*	1C-392	Nut (5/8-11 NC, Reg. Hex)	4	
9	1D-237	Capscrew (1/2-13 NC x 2" Long, Grade 5)	4	
*	1C-109	Lockwasher (1/2" Med.)	4	
*	1C-390	Nut (1/2-13 NC, Reg. Hex)	4	
10	7D-429	Pin	2	1.0
*	1D-604	Roll Pin (3/16 x 1-1/2" Long)	6	
11	7D-426	Screw Assembly	2	5.0
12	7D-430	Jam Nut (1" - 8 NC, Reg. Hex)	4	.1
13	7D-421	Welded Washer Nut	2	.2
14	6D-828	Spring	2	5.0
15	7D-422	Trunnion	2	1.5
16	7D-397	Arm & Spindle Assembly - R. H. (Complete)	1	36.0
	7D-396	Arm & Spindle Assembly - L. H. (Complete)	1	36.0
	7D-782	Arm & Spindle Assembly - R. H. (less hub and components)	1	26.3
	7D-781	Arm & Spindle Assembly - L. H. (Less hub and components)	1	26.3
17	4D-198	Clevis Pin	2	.4
*	1C-986	Cotter Pin (1/8" x 1-1/2" Long)	2	
18	7D-377	Rear Panel - R. H. (shown)	1	18.5
	7D-376	Rear Panel - L. H.	1	18.5
19	7D-434	Clevis Pin	1	.1
*	4C-856	Hairpin Cotter	1	
20	1D-273	Grease Seal	2	.1
21	5C-480	Bearing Cone (#48548)	2	.2
22	5C-479	Bearing Cup (#48510)	2	.2
23	3D-870	Hub	2	8.6
24	3C-166	Bearing Cup (#09195)	2	.2
25	1D-274	Bearing Cone (#09081)	2	.3
26	3C-173	Slotted Nut	2	.1
27	4C-129	Wheel Rim - 15" (Tire not included)	4	
	1D-734	Wheel Rim - 14" (Tire not included)	4	16.0
28	5C-908	Hub Cap	2	.8
29	5C-100	Wheel Bolt	10	.1

*Denotes standard fasteners



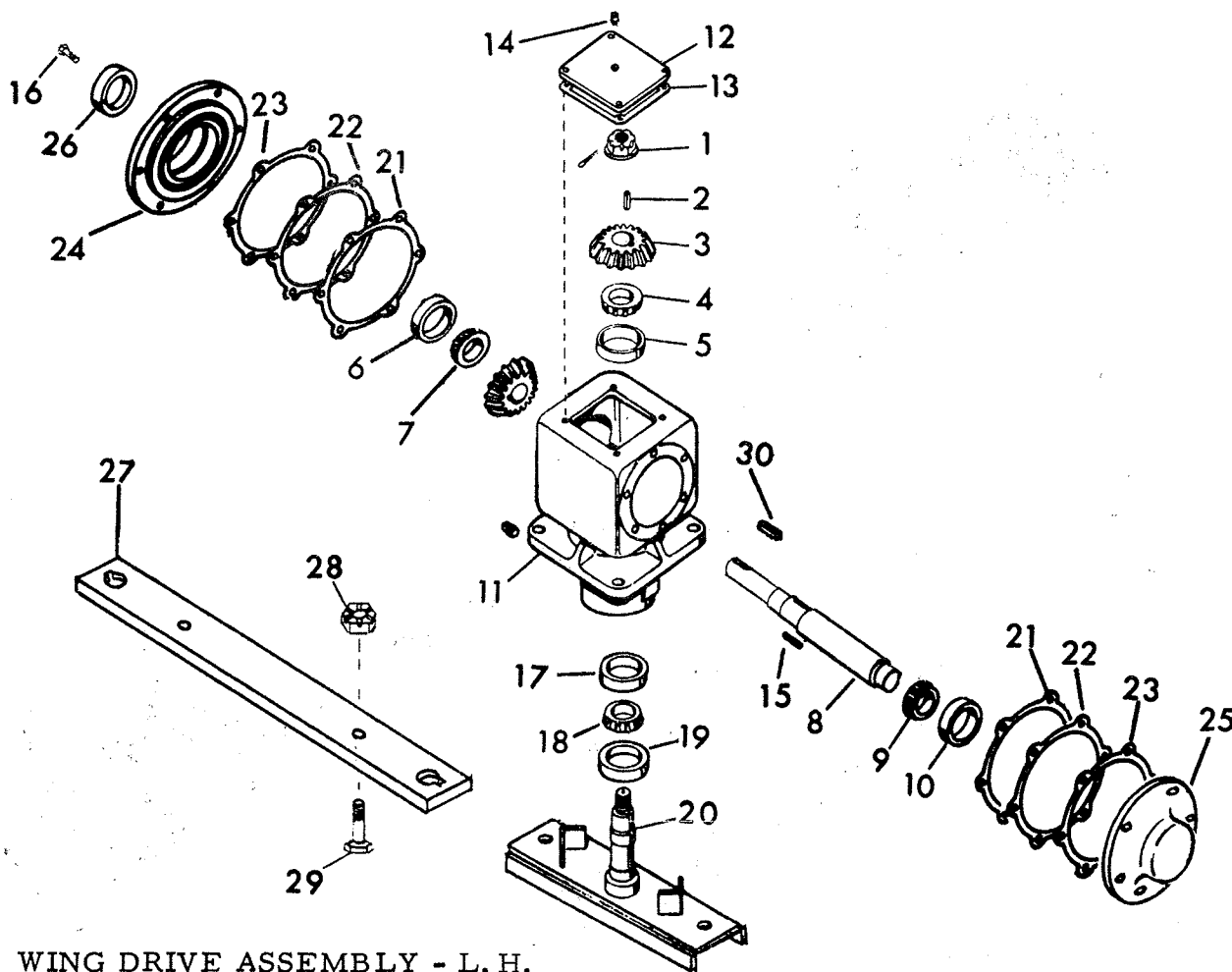
CENTER DRIVE

Index No.	Part No.	Part Name	No. Req'd.	Weight
	7D-271	Gear Box Assembly - Complete	1	228.5
1	7D-321	Center Gear Box	1	65.0
2	7D-325	Output Spindle Assembly	1	21.0
3	4C-831	Seal	4	.5
4	4C-850	Bearing Cone #368	1	.8
5	4C-832	Bearing Cup #362A	1	.5
6	7D-334	Bearing Cup #453X	4	.8
7	7D-335	Bearing Cone #467	4	.9
8	7D-339	Key	8	.1
9	7D-331	Gear	1	8.75
10	9C-838	Bearing Lockwasher	4	
11	9C-839	Bearing Locknut	4	.2
12	9C-855	Pipe Plug	1	.1
13	7D-280	Blade Mounting Bar	1	19.0
14	5D-575	Capscrew, 3/4-10 NC x 2-1/2" Long, Grade 5	2	.2
15	1C-379	Slotted Nut (3/4-10 NC)	2	.1
16	7D-331	Gear	3	8.75
17	7D-336	Shim .005		
18	7D-337	Shim .007		
19	7D-338	Shim .010		
20	7D-322	Bearing Carrier	3	
21	8C-36	Capscrew, 3/8-16 NC x 1-3/4" Long, Grade 5	18	.1
22	7D-332	Bearing Cup JLM104910	3	.4
23	7D-333	Bearing Cone JLM104948	3	.7
24	7D-323	Drive Shaft	1	8.30
*	1C-120	Washer, 1/2 Std. Flat	1	
25	5D-480	Clutch Retaining Screw	1	.1
26	7D-324	Driven Shaft	2	8.0
27	7D-341	Gasket	1	
28	7D-340	Cover	1	5.80
29	3D-978	Pipe Reducer Bushing	1	.1
	5C-573	Breather Valve	1	.1
*	1C-183	Lockwasher, 3/8" Med.	23	
*	4C-803	Capscrew, 3/8-16 NC x 1" Long	6	.1



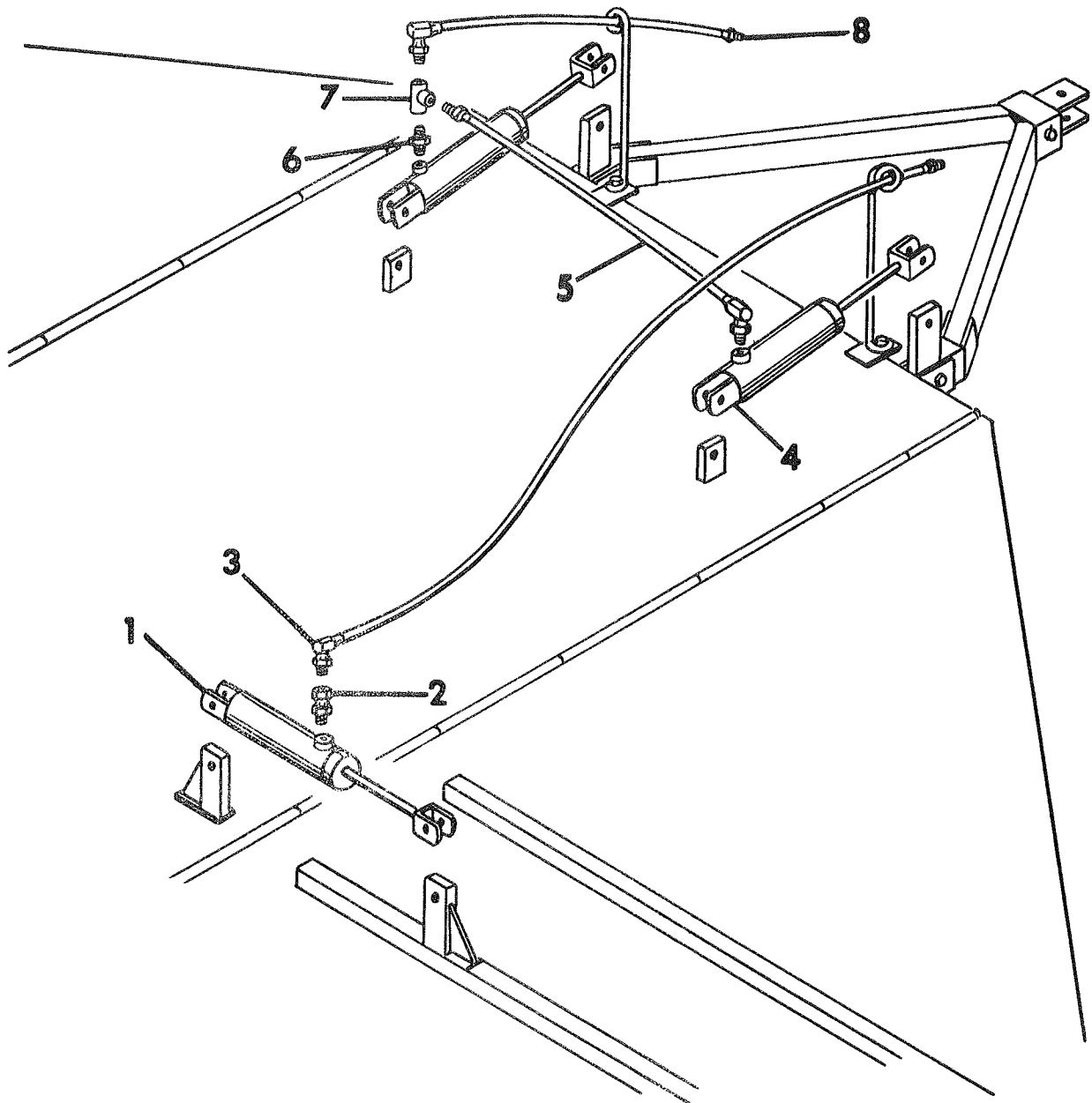
WING DRIVE ASSEMBLY - R. H.

Index No.	Part No.	Part Name	No. Req'd.	Weight
	7D-375	Gearbox Assembly - R. H. (Complete)	1	142.0
1	1D-373	Flange Nut	1	.25
2	7C-728	Key	2	.1
3	4D-776	Gear	2	5.0
4	4D-922	Bearing Cone #3877	1	1.25
5	4D-921	Bearing Cup #3820	1	.75
6	4D-918	Bearing Cup #2720	1	.45
7	4D-919	Bearing Cone #2789	1	.75
8	7D-417	Drive Shaft	1	11.5
9	7C-763	Bearing Cone #LM501349	1	.55
10	7C-762	Bearing Cup #LM501310	1	.40
*	4C-840	Pipe Plug (1/2-14 NPT Sq. Hd.)	1	.1
11	4D-774	Gearbox Housing	1	55.5
*	9C-855	Pipe Plug (1/4-18 NPTF Hex Recessed)	1	.1
12	2D-914	Cover	1	3.0
13	2D-916	Gasket	1	
14	5C-573	Breather Valve	1	.1
15	7C-728	Key	2	.1
16	5D-480	Capscrew (1/2-13 NC L. H. Thd. x 1" Long) Model 01	1	
	7C-876	Capscrew (1/2-13 NC x 1" Long) Grade 5, Model 02	1	
17	4C-832	Bearing Cup #362A	1	.5
18	4C-850	Bearing Cone #368	1	.8
19	4C-831	Seal	1	.5
20	4D-773	Output Spindle	1	20.1
21	5C-929	Shim .020		
22	4C-828	Shim .007		
23	4C-829	Shim .005		
24	4D-779	Bearing Flange	1	7.3
25	4D-917	Bearing Carrier	1	7.5
26	5C-506	Seal	1	.4
27	7D-280	Blade Mounting Bar	1	19.0
28	1C-379	Slotted Nut (3/4-10 NC)	2	.1
29	5D-575	Capscrew, Grade 5, 3/4-10 NC x 2-1/2 Long	2	.2
30	6C-257	Key (Input)	1	.1



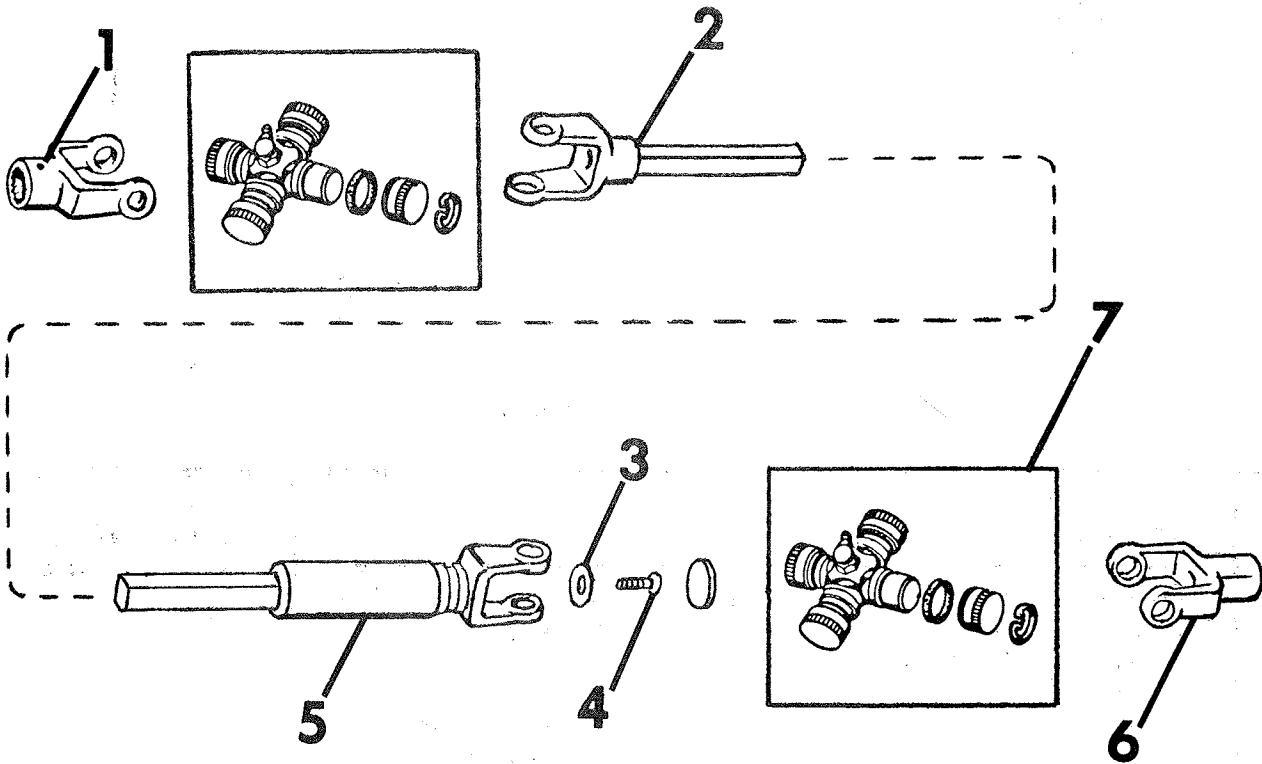
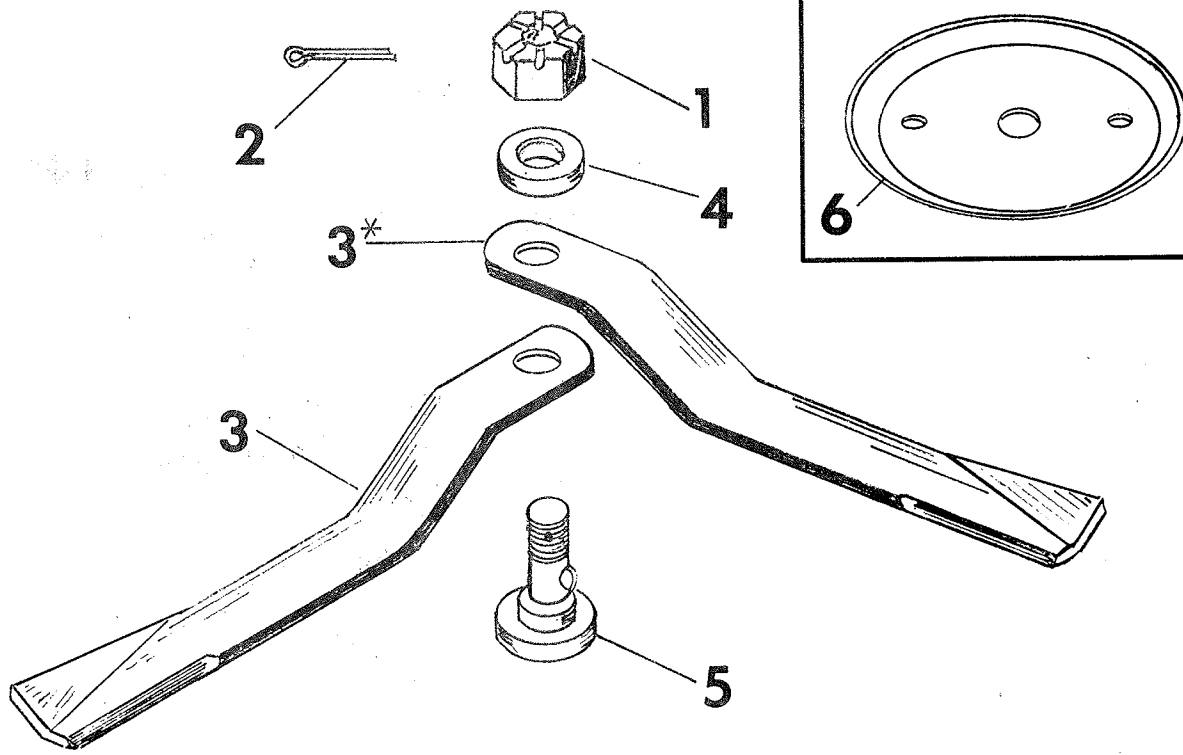
WING DRIVE ASSEMBLY - L. H.

Index No.	Part No.	Part Name	No. Req'd.	Weight
	7D-374	Gearbox Assembly - L. H. (Complete)	1	142.0
1	1D-373	Flange Nut	1	.25
2	7C-728	Key	2	.1
3	4D-776	Gear	2	5.0
4	4D-922	Bearing Cone #3877	1	1.25
5	4D-921	Bearing Cup #3820	1	.75
6	4D-918	Bearing Cup #2720	1	.45
7	4D-919	Bearing Cone #2789	1	.75
8	7D-416	Drive Shaft	1	11.5
9	7C-763	Bearing Cone #LM501349	1	.55
10	7C-762	Bearing Cup #LM501310	1	.40
*	4C-840	Pipe Plug (1/2-14 NPT Sq. Hd.)	1	.1
11	4D-774	Gearbox Housing	1	55.5
*	9C-855	Pipe Plug (1/4-18 NPTF Hex Recessed)	1	.1
12	2D-914	Cover	1	3.0
13	2D-916	Gasket	1	
14	5C-573	Breather Valve	1	.1
15	7C-728	Key	2	.1
16	5D-480	Capscrew (1/2-13 NC L. H. Thd. x 1" Long Model 01)	1	
	7C-876	Capscrew (1/2-13 NC x 1" Long) Grade 5 Model 02	1	
17	4C-832	Bearing Cup #362A	1	.5
18	4C-850	Bearing Cone #368	1	.8
19	4C-831	Seal	1	.5
20	4D-773	Output Spindle	1	20.1
21	5C-929	Shim .020		
22	4C-828	Shim .007		
23	4C-829	Shim .005		
24	4D-775	Bearing Carrier	1	7.5
25	7D-440	Bearing Carrier	1	7.3
26	5C-506	Seal	1	.4
27	7D-280	Blade Mounting Bar	1	19.0
28	1C-379	Slotted Nut (3/4-10 NC)	2	.1
29	5D-575	Capscrew, Grade 5, 3/4-10 NC x 2-1/2 long	2	.2
30	6C-257	Key (Input)	1	.1



Hydraulic Components

Index No.	Part No.	Part Name	No. Req'd.	Weight
1	7D-438	Hydraulic Cylinder (includes Pins & Clips)	2	
	5D-2	A.S.A.E. Hydraulic Cylinder Pin	8	.6
	6D-413	Cylinder Pin Clip	8	
2	6D-716	Flow Restrictor	2	.3
3	7D-650	Hydraulic Hose Assembly - 156" Long	2	5.5
4	7D-437	Hydraulic Cylinder (includes Pins & Clips)	2	
5	6D-144	Hydraulic Hose Assembly - 43-1/4" Long	1	1.75
6	6D-148	Straight Adaptor	1	.2
7	4D-982	Tee Fitting	1	.75
8	6D-145	Hydraulic Hose Assembly - 90" Long	1	3.0
*	9D-502	Hyd. Cyl. (7D-438) Seal Kit		
*	9D-512	Hyd. Cyl. (7D-437) Seal Kit		



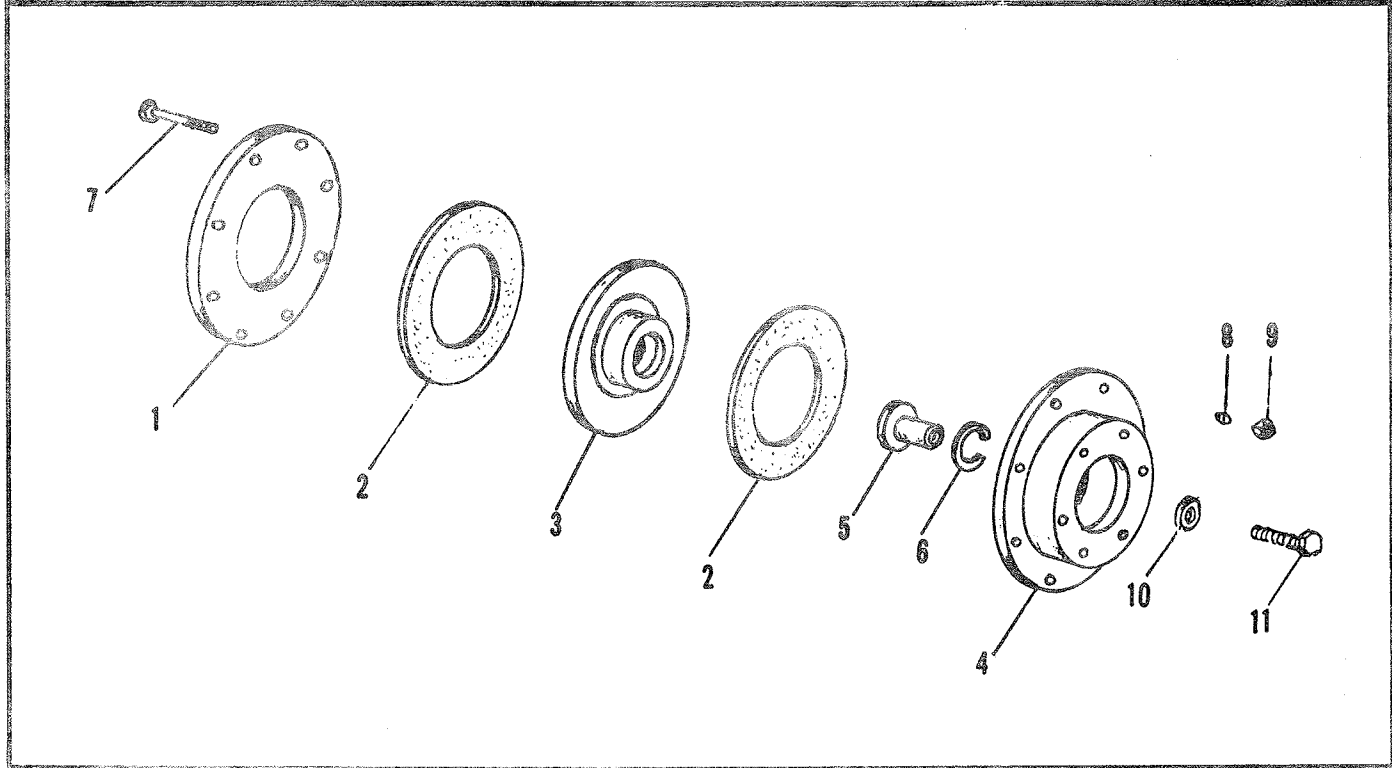
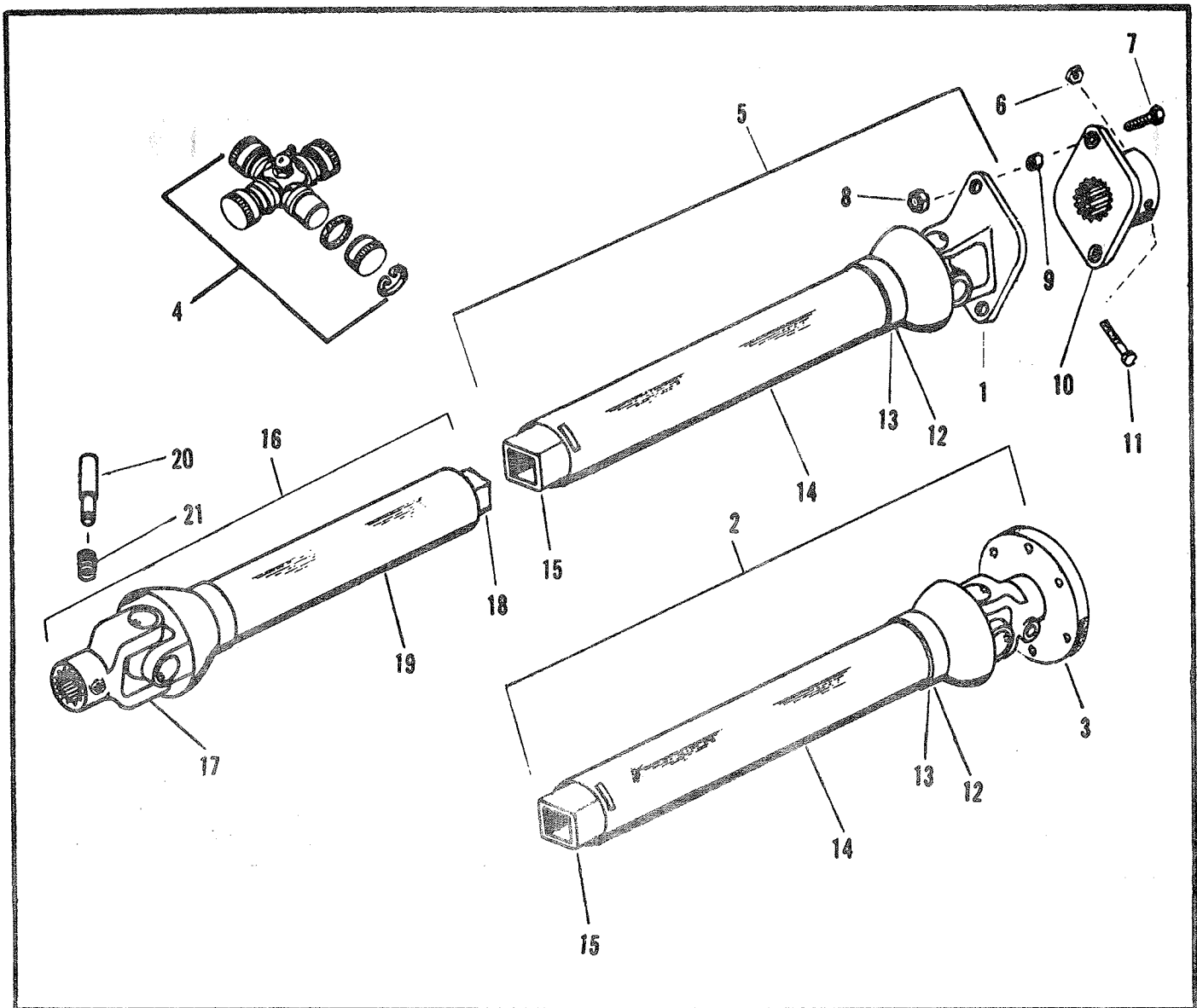
DOUBLE-TELESCOPING UNIVERSAL JOINT ASSEMBLY

BLADE ASSEMBLY

Index No.	Part No.	Part Name	No. Req'd.	Weight
1	8C-609	Nut (1-1/8-12 NF Hvy. Hex Slotted)	6	.56
	5D-1	Nut (Used with blade holder)	6	.50
2	6C-468	Cotter Pin (3/16 x 2" Long)	6	
3	7D-282	Swinging Blade - R. H.	2	7.0
*	7D-281	Swinging Blade - L. H.	4	7.0
4	9D-970	Spacer	6	
5	9C-421	Pivot Bolt	6	1.5
6	7D-674	Blade Holder	3	37.0

DOUBLE TELESCOPING WING DRIVE ASSEMBLY - IR-180, IRC-180, IRCC-180

	8D-270	Double Telescoping Universal Joint Assembly - Complete - IR-180 & IRC-180	2	31.5
	8D-272	Double Telescoping Universal Joint Assembly - Complete - IRCC-180	2	33.1
1	5D-62	Yoke (Splined)	1	3.0
2	8D-454	Shaft & Yoke Assembly	1	9.8
3	5D-200	Washer	1	
4	5D-201	Capscrew (1/2-13 NC x 1" Long, socket hd.)	1	
5	8D-453	Tube & Yoke Assembly	1	11.6
6	7D-785	Yoke (Keyway) Shown	1	3.6
	1D-904	Yoke (Clutch Flange) Not Shown	1	5.2
7	4D-945	Universal Joint Repair Kit	2	1.5

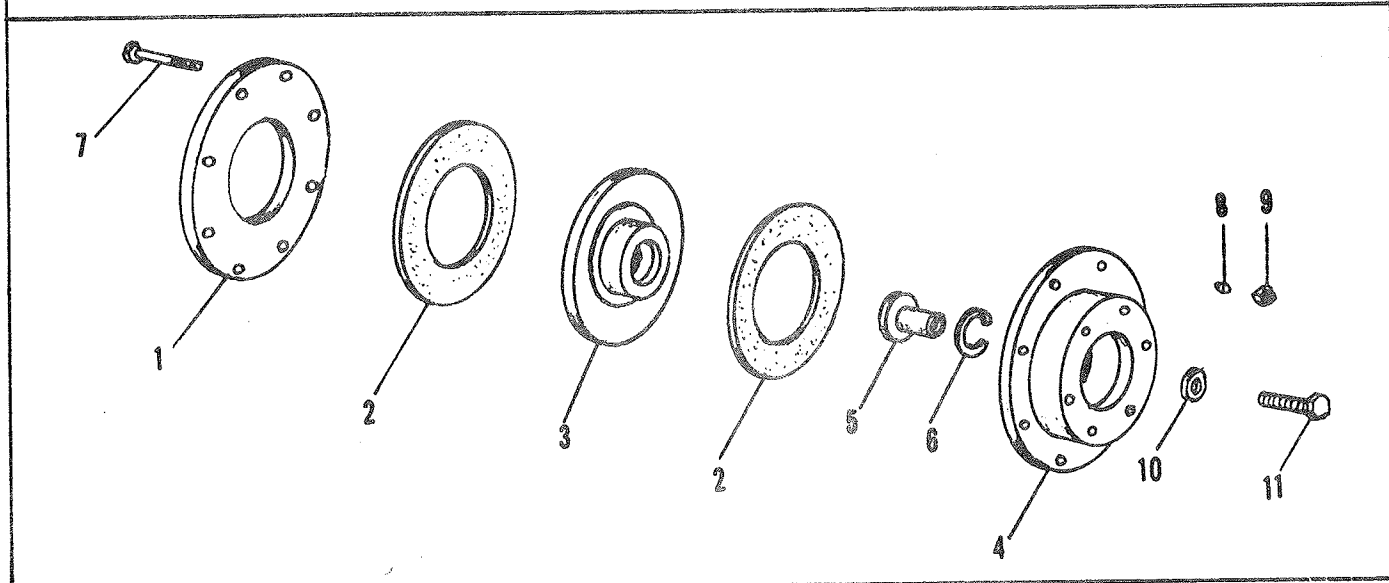
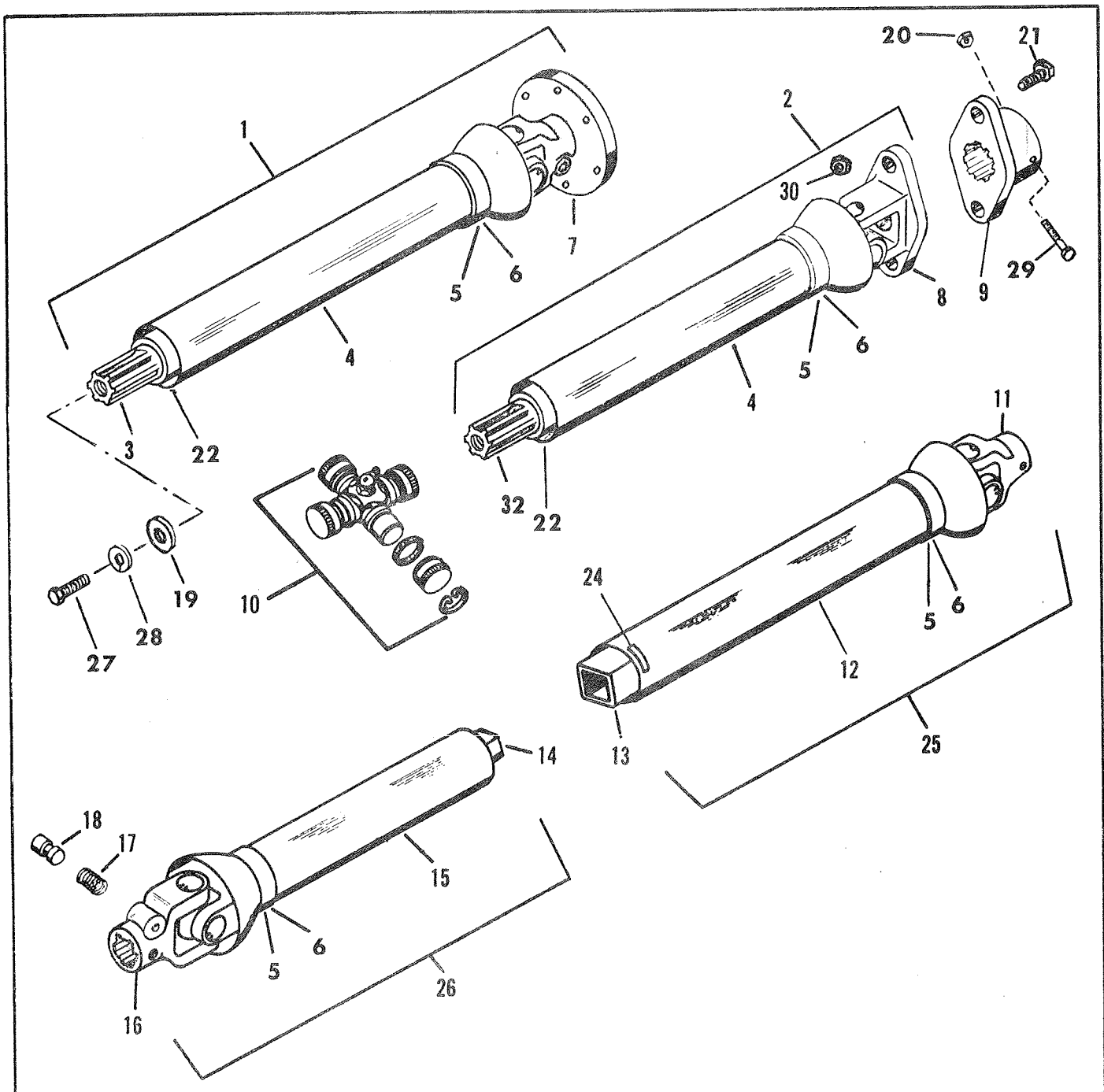


P. T. O. DRIVE ASSEMBLY - IR-180, IRC-180 & IRCC-180 (-01 MODELS)

Index No.	Part No.	Part Name	No. Req'd.	Weight
1	1D-766	Shear Yoke	1	4.0
2	1D-905	Tube & Flange Yoke	1	30.0
3	1D-904	Yoke & Flange	1	5.2
4	5C-515	Universal Joint Repair Kit	2	1.5
5	9C-395	Tube & Safety Shear Yoke Assembly	1	32.25
6	6C-748	Stover Nut (5/16"-18 NC)	1	.06
7	1C-508	Shear Bolt (3/8-16 NC x 2-1/2" Long)	2	.2
8	5C-954	Stover Nut (3/8-16 NC)	2	.1
9	9C-419	Bushing (3/8")	2	.1
10	9C-390	Shear Flange Assembly (W-3/8" Bushings)	1	4.0
11	1D-239	Capscrew (5/16-18 NC x 3 Long) Grade 5	1	.
12	8C-301	Set of 8 Balls	2	.1
13	8C-302	Retaining Ring	2	.05
14	9C-338	Rear (Female) Shield	1	7.5
15	9C-337	Tube & Yoke Assembly	1	14.25
16	9C-325	Shaft & Joint Assembly	1	23.0
17	6C-589	1-3/8 - 6B Spline Tractor Yoke	1	4.0
18	9C-335	Shaft & Yoke Assembly	1	13.9
19	9C-394	Front (Male) Shield	1	3.6
20	3D-757	Lock Pin	1	.2
21	5C-257	Lock Pin Spring	1	.

7-1/2" SLIP CLUTCH ASSEMBLY

	7D-732	Clutch Assembly (Complete - Wing Input)	2	28.3
	3D-808	Clutch Assembly (Complete - PTO Input)	1	28.3
1	3D-811	Pressure Plate	1	6.85
2	3D-457	Friction Disc 7-1/2" Outside Dia.	2	.35
3	3D-810	Clutch Hub (Splined)	1	8.35
	7D-733	Clutch Hub (Keyed - for Wing Drive Input)	1	8.35
4	3D-809	Friction Plate Assembly	1	12.2
5	1D-888	Adapter Sleeve	1	.5
6	1D-542	Snap Ring	1	.1
7	1C-508	Capscrew, Grade 2, 3/8-16 NC x 2-1/2 Long	7	.1
8	1D-398	Belleville Washer	7	.
9	1C-670	Nut (Self Locking) 3/8-16 NC	7	.
10	1D-889	Retaining Washer	1	.
11	5D-480	Capscrew, L.H. Thread, 1/2-13 NC x 1 Lg., Gr. 5	1	.

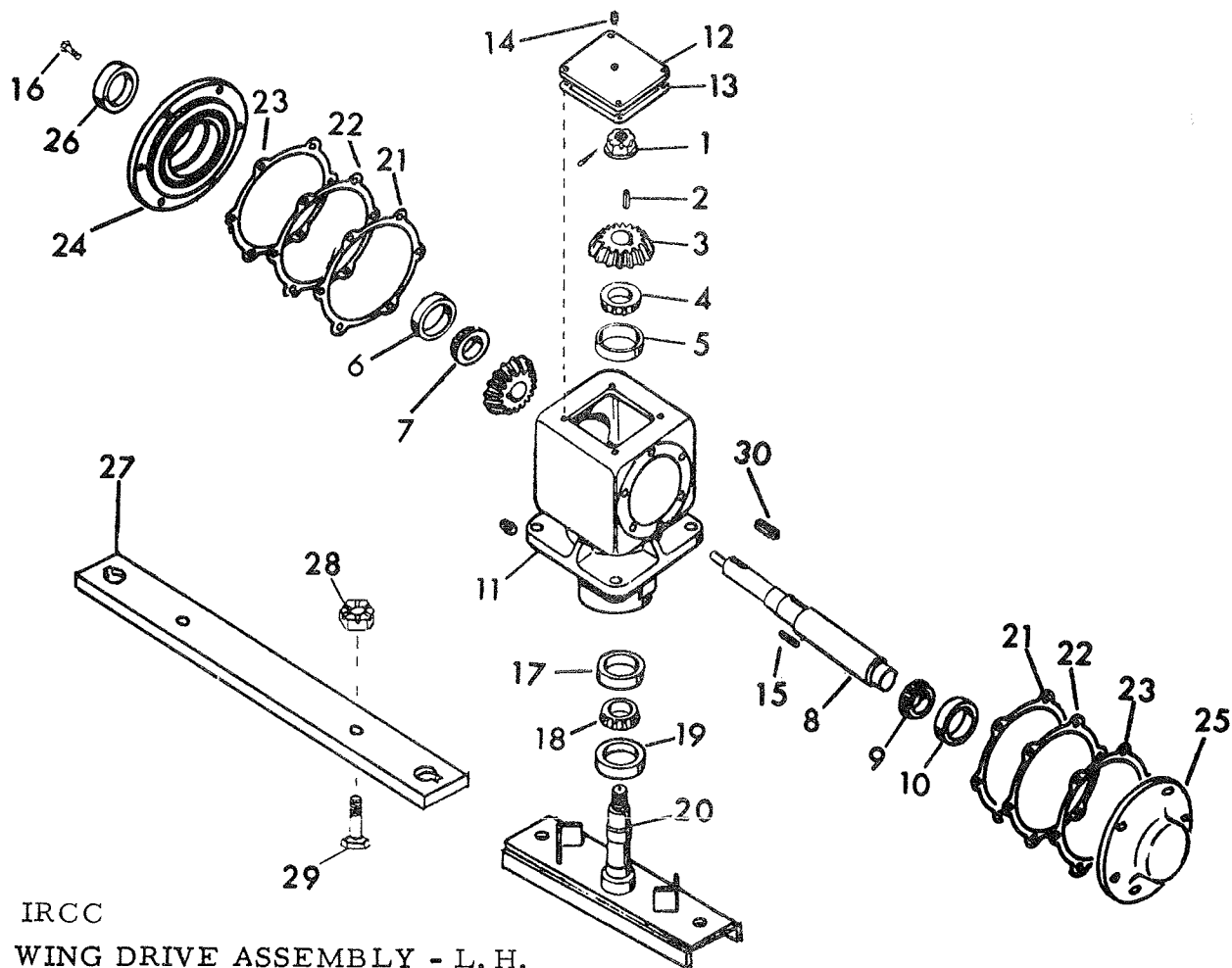


3 JOINT P. T. O. DRIVE ASSEMBLY (MODEL -02 MACHINES)

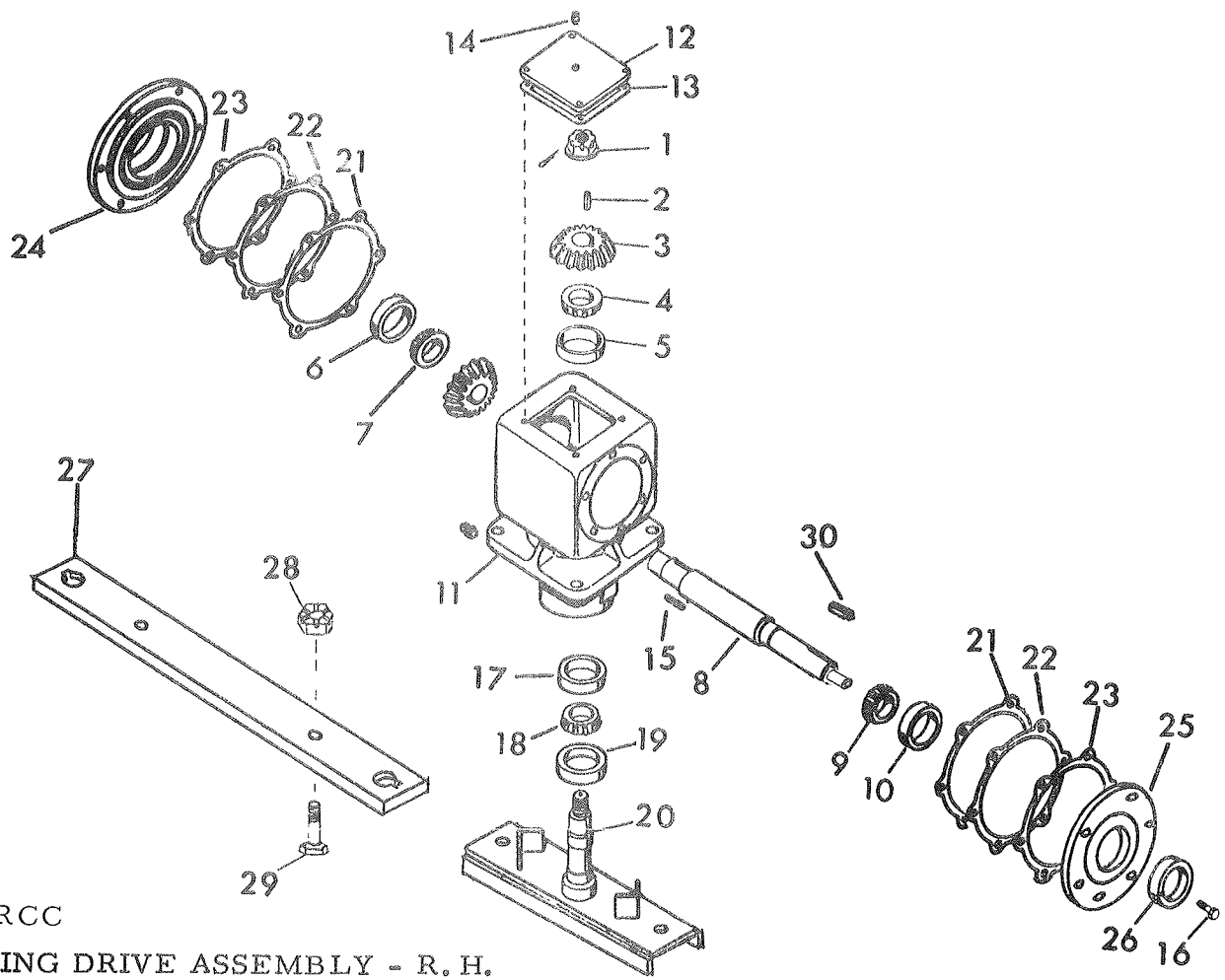
Index No.	Part No.	Part Name	No. Req'd.	Weight
1	1J-79	Universal Drive Assy. (slip clutch)	1	23.0
2	1J-78	Universal Drive Assy. (3/8" shear pins)	1	22.0
3	1J-87	Drive Shaft & Yoke Assembly	1	11.0
4	1J-88	Shield Complete	1	5.0
5	2D-140	Nylon Bearing	1	
6	2D-141	Bearing Retainer	1	
7	1D-904	Yoke & Flange Assembly	1	12.0
8	1D-766	Shear Yoke (W/3/8" bushings)	1	4.6
9	9C-390	Shear Flange Assy. (3/8" bushings)	1	4.0
10	5C-515	Universal Joint Repair Kit		1.5
11	1J-89	1-3/8 - 6B Spline Yoke	1	3.5
12	1J-90	Rear Shield Complete	1	3.4
13	1J-91	Tube & Yoke Assembly	1	7.8
14	3D-213	Shaft & Yoke Assembly	1	15.0
15	3D-214	Front Shield Complete	1	3.3
16	6C-589	1-3/8 - 6B Spline Tractor Yoke	1	4.0
17	5C-257	Lock Pin Spring	1	
18	3D-757	Lock Pin	1	.2
19	1J-61	Washer	1	.1
20	6C-748	Stover Nut (5/16-18 N. C.)	1	
21	1C-508	Shear Bolt, 3/8-16 N. C. x 2-1/2" Lg.	2	.2
22	1D-854	Nylon Centralizer	1	
24	1D-854	Nylon Centralizer	1	
25	1J-74	Tube & Joint Assembly	1	16.0
26	3D-190	Shaft & Joint Assembly	1	18.5
27	1J-65	Capscrew, 1/2-20 N. F. x 1-1/4" Lg.	1	.2
28	1C-109	Lock Washer - 1/2" Medium	1	
29	1D-239	Capscrew, 5/16-18 N. C. x 3" Lg. Grade 5	1	.2
30	5C-954	Stover Nut (3/8-16 N. C.)	1	
32	1J-95	Drive Shaft & Yoke Assembly	1	11.0

7-1/2" SLIP CLUTCH ASSEMBLY

	7D-732	Clutch Assembly (Complete - Wing Input)	2	28.3
	3D-808	Clutch Assembly (Complete - PTO Input)	1	28.3
1	3D-811	Pressure Plate	1	6.85
2	3D-457	Friction Disc 7-1/2" Outside Dia.	2	.35
3	3D-810	Clutch Hub (Splined)	1	8.35
	7D-733	Clutch Hub (Keyed - for Wing Drive Input)	1	8.35
4	3D-809	Friction Plate Assembly	1	12.2
5	1D-888	Adapter Sleeve	1	.5
6	1D-542	Snap Ring	1	.1
7	1C-508	Capscrew, Grade 2, 3/8-16 NC x 2-1/2 Long	7	.1
8	1D-398	Belleville Washer	7	
9	1C-670	Nut (Self Locking) 3/8-16 NC	7	
10	1D-889	Retaining Washer	1	
11	5D-480	Capscrew, L. H. Thread, 1/2-13 NC x 1 Long, Gr. 5	1	



Index No.	Part No.	Part Name	No. Req'd.	Weight
	7D-956	Gearbox Assembly - R. H. (Complete)	1	142.0
1	1D-373	Flange Nut	1	.25
2	7C-728	Key	2	.1
3	4D-776	Gear	2	5.0
4	4D-922	Bearing Cone #3877	1	1.25
5	4D-921	Bearing Cup #3820	1	.75
6	4D-918	Bearing Cup #2720	1	.45
7	4D-919	Bearing Cone #2789	1	.75
8	7D-602	Drive Shaft	1	11.8
9	7C-763	Bearing Cone #LM501349	1	.55
10	7C-762	BearingCup #LM501310	1	.40
*	4C-840	Pipe Plug (1/2-14 NPT Sq. Hd.)	1	.1
11	4D-774	Gearbox Housing	1	55.5
*	9C-855	Pipe Plug (1/4-18 NPTF Hex Recessed)	1	.1
12	2D-914	Cover	1	3.0
13	2D-916	Gasket	1	
14	5C-573	Breather Valve	1	.1
15	7C-728	Key	2	.1
16	5D-480	Capscrew (1/2-13 NC L.H. Thd. x 1" Long) Model 01	1	
	7C-876	Capscrew (1/2-13 NC x 1" Long) Grade 5 Model 02	1	
17	4C-832	Bearing Cup #362A	1	.5
18	4C-850	Bearing Cone #368	1	.8
19	4C-831	Seal	1	.5
20	4D-773	Output Spindle	1	20.1
21	5C-929	Shim .020		
22	4C-828	Shim .007		
23	4C-829	Shim .005		
24	4D-779	Bearing Flange	1	7.3
25	4D-917	Bearing Carrier	1	7.5
26	5C-506	Seal	1	.4
27	7D-280	Blade Mounting Bar	1	19.0
28	1C-379	Slotted Nut (3/4-10 NC)	2	.1
29	5D-575	Capscrew, Grade 5, 3/4-10 NC x 2-1/2 Long	2	.2
30	6C-257	Key (Input)	1	.1



IRCC
WING DRIVE ASSEMBLY - R. H.

Index No.	Part No.	Part Name	No. Req'd.	Weight
	7D-955	Gearbox Assembly - L. H. (Complete)	1	142.0
1	1D-373	Flange Nut	1	.25
2	7C-728	Key	2	.1
3	4D-776	Gear	2	5.0
4	4D-922	Bearing Cone #3877	1	1.25
5	4D-921	Bearing Cup #3820	1	.75
6	4D-918	Bearing Cup #2720	1	.45
7	4D-919	Bearing Cone #2789	1	.75
8	7D-601	Drive Shaft	1	11.8
9	7C-763	Bearing Cone #LM501349	1	.55
10	7C-762	Bearing Cup #LM501310	1	.40
*	4C-840	Pipe Plug (1/2-14 NPT Sq. Hd.)	1	.1
11	4D-774	Gearbox Housing	1	55.5
*	9C-855	Pipe Plug (1/4-18 NPTF Hex Recessed)	1	.1
12	2D-914	Cover	1	3.0
13	2D-916	Gasket	1	
14	5C-573	Breather Valve	1	.1
15	7C-728	Key	2	.1
16	5D-480	Capscrew (1/2-13 NC L. H. Thd. x 1" Long) Model 01	1	
	7C-876	Capscrew (1/2-13 NC x 1" Long) Grade 5 Model 02	1	
17	4C-832	Bearing Cup #362A	1	.5
18	4C-850	Bearing Cone #368	1	.8
19	4C-831	Seal	1	.5
20	4D-773	Output Spindle	1	20.1
21	5C-929	Shim .020		
22	4C-828	Shim .007		
23	4C-829	Shim .005		
24	4D-775	Bearing Carrier	1	7.5
25	7D-440	Bearing Carrier	1	7.3
26	5C-506	Seal	1	.4
27	7D-280	Blade Mounting Bar	1	19.0
28	1C-379	Slotted Nut (3/4-10 NC)	2	.1
29	5D-575	Capscrew, Grade 5, 3/4-10 NC x 2-1/2 Long	2	.2
30	6C-257	Key (Input)	1	.1

