

REPAIR PARTS CATALOG

FOR

Brillion

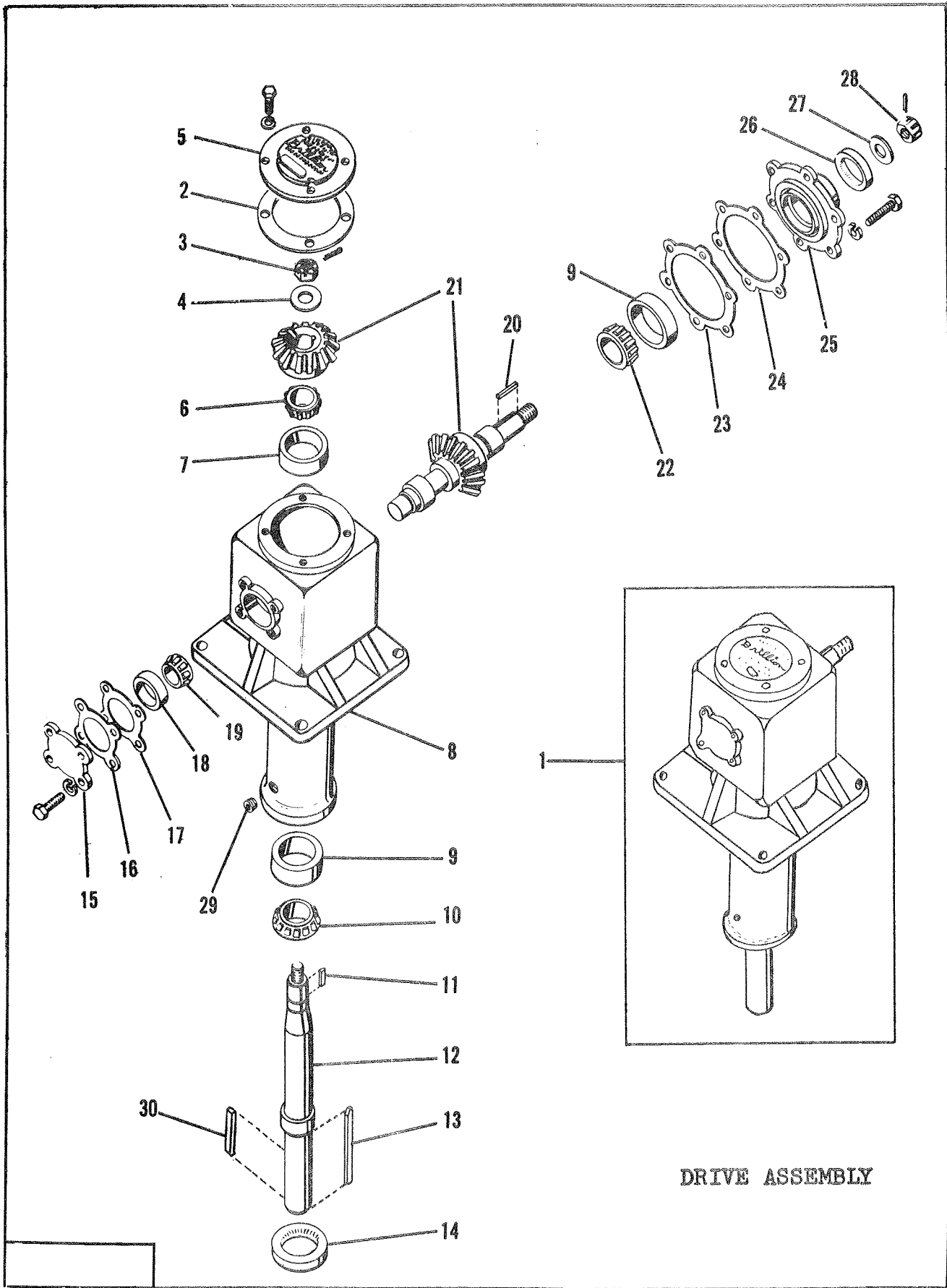
MODELS RPA-60 & RPB-60

PICK-UP SHREDDER

* * * * *

ALL PARTS NOT LISTED ARE STANDARD HARDWARE

BRILLION IRON WORKS,
BRILLION, WISCONSIN



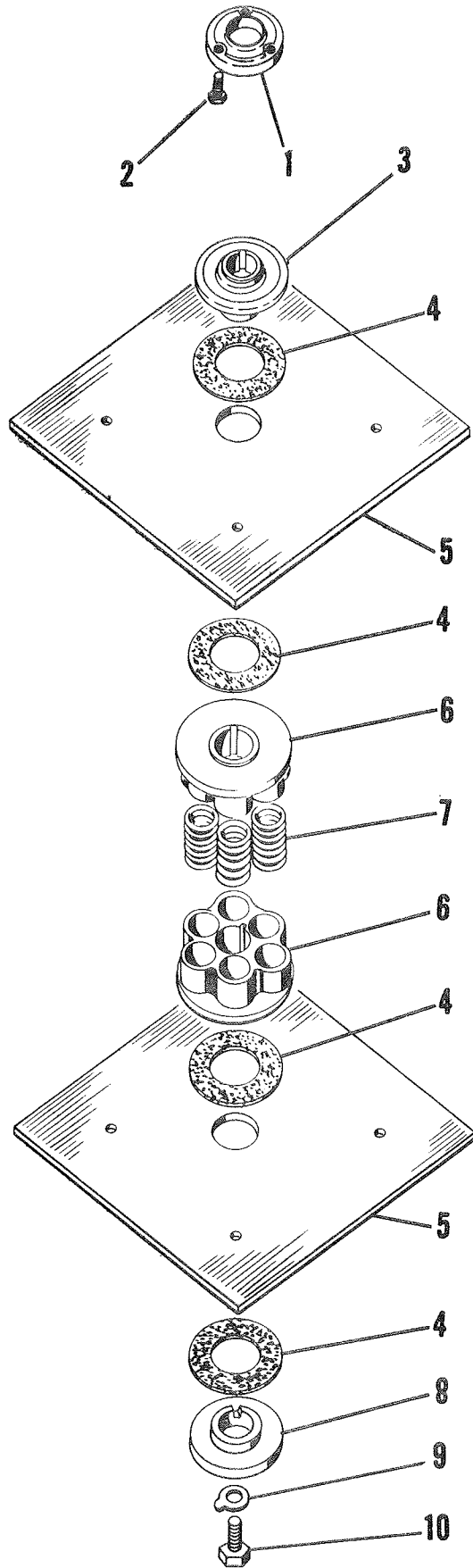
5C-472

DRIVE ASSEMBLY

5C-472

DRIVE ASSEMBLY			
INDEX NO.	PART NO.	PART NAME	WEIGHT
1	4C-765	Drive Assembly Complete	112.0
2	4C-825	Gasket-Drive Cover	
3	4C-839	Nut	.13
4	5C-95	B.G. Retaining Washer	
5	4C-947	Drive Cover	2.07
6	4C-835	Bearing Cone (Timken No. 31597)	
7	4C-833	Bearing Cup (Timken No. 31520)	.5
8	4C-821	Drive Housing	64.0
9	4C-832	Bearing Cup (Timken No. 362-A)	.5
10	4C-850	Bearing Cone (Timken No. 368)	.9
11	4C-836	Key-Output Gear	
12	4C-995	Output Shaft-(1" L.H. Female Thread)	17.5
13	5C-177	Clutch Key-(7 3/8" Long-Round End)	.25
14	4C-831	Oil Seal-Output	
15	4C-822	Bearing Cap	1.4
16	4C-826	Shim-Bearing Cap (.005 Thick)	
17	4C-827	Shim-Bearing Cap (.007 Thick)	
18	3C-164	Bearing Cup (Timken No. 14276)	
19	4C-848	Bearing Cone (Timken No. 14138-A)	
20	4C-905	Universal Joint Key	
21	5C-108	Matched Gear & Gear Shaft Set	11.5
22	4C-847	Bearing Cone (Timken No. 367)	
23	4C-828	Shim-Bearing Flange (.007 Thick)	
24	4C-829	Shim-Bearing Flange (.005 Thick)	
25	4C-842	Bearing Flange	4.1
26	4C-830	Oil Seal-Input	
27	4C-931	Washer	
28	1C-379	Hex. Slotted Nut	
29	4C-841	Drain Plug	.04
30	5C-129	Clutch Key-(3 3/4" Long-Round End)	.13

50-472



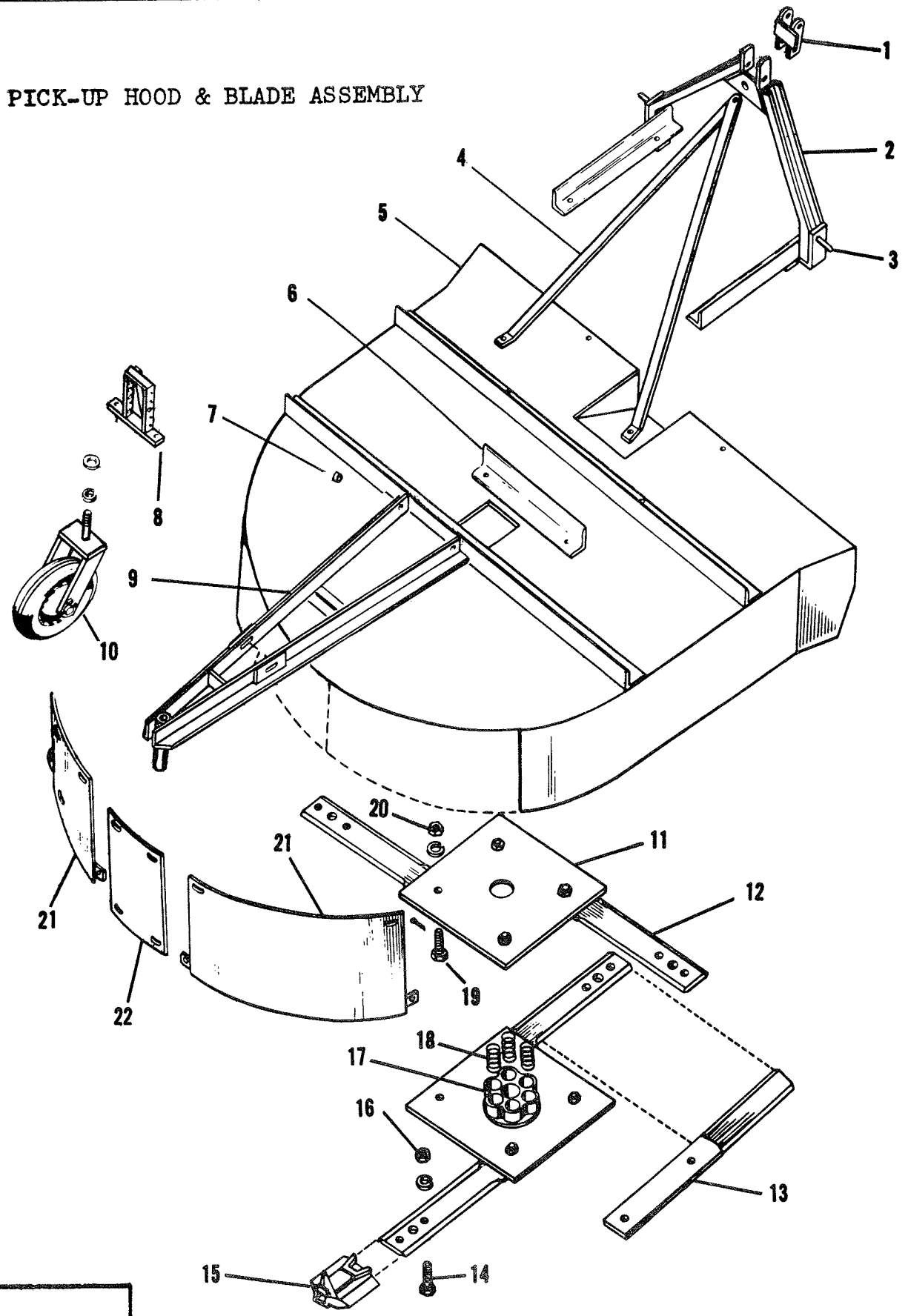
SLIP CLUTCH
ASSEMBLY

SLIP CLUTCH ASSEMBLY

5C-472

INDEX NO.	PART NO.	PART NAME	WEIGHT
1	4C-802	Clutch Adjustment Plate	3.0
2	4C-824	Clutch Adjustment Screw	
3	4C-791	Clutch Pressure Plate	4.0
4	5C-893	Friction Plate	.2
5	4C-867	Mounting Plate Assembly	36.3
6	4C-992	Spring Cage- (All Machines Prior To Ser. No. 554300 Order (2) 4C-992 When Replacing Original Spring Cages!)	5.5
7	4C-904	Clutch Spring	.5
8	4C-916	Clutch Bottom Plate	4.5
9	4C-918	Clutch Lockwasher	
10	4C-917	Retaining Screw-R.H. Thread Used On Machines Ser. No. 554001 to 554300	.7
10	4C-996	Retaining Screw-L.H. Thread Used After Mach. Ser. No. 5550001	.7

PICK-UP HOOD & BLADE ASSEMBLY

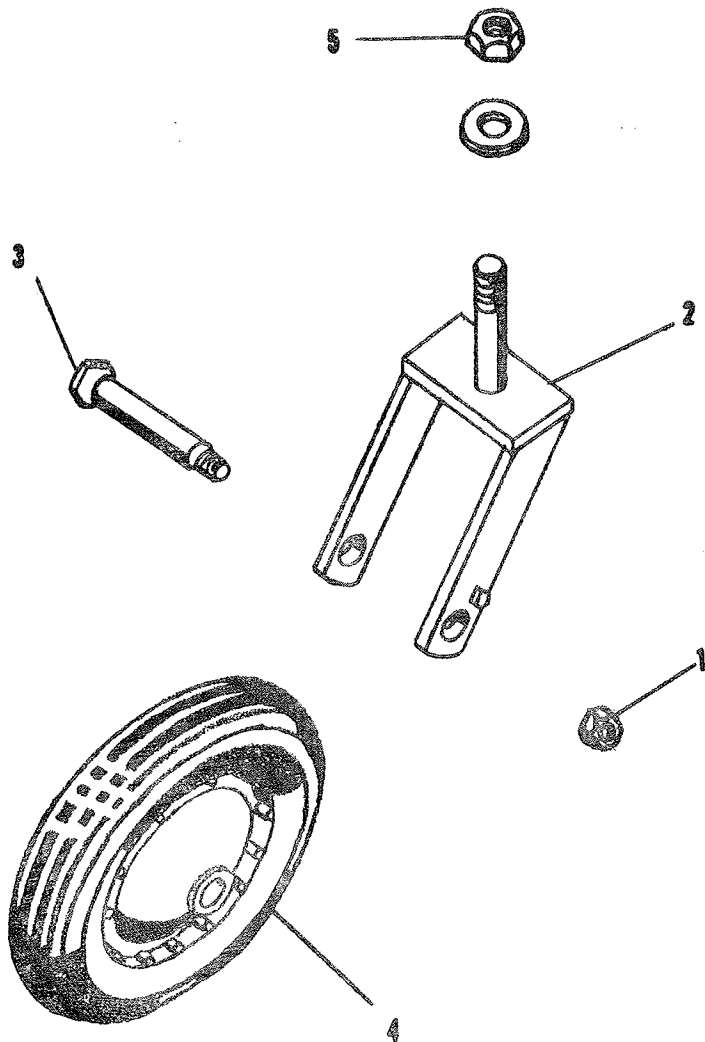


5C-472

PICK-UP HOOD & BLADE ASSEMBLY

Index No.	Part No.	Part Name	Weight
1	5C-442	Float Link	
2	5C-441	3 Point Pick-Up Frame	
3	5C-443	Hitch Pin	
4	5C-397	Frame Brace	
5	5C-399	Cover Plate Assembly	
6	5C-398	Case Support Angle	
7	6C-548	Spacer	
8	6C-454	Adjustment Bracket	
9	8C-451	Tailwheel Arm Assembly	
10	8C-455	Wheel	
11	4C-867	Mounting Plate Assembly	36.3
12	4C-852	Cutting Blade (Flat)	17.5
13	4C-973	Cutting Blade (Bent)	17.5
14	5C-460	Bolt	
15	4C-926	Brush Breaker Blade	8.0
16	5C-461	Nut	
17	4C-992	Spring Cage	5.5
18	4C-904	Clutch Spring	.5
19	4C-853	Mounting Bolt	
20	1C-379	Slotted Nut	
21	4C-871	Rear Side Plate	19.0
22	4C-777	Side Plate - Rear Center	9.0

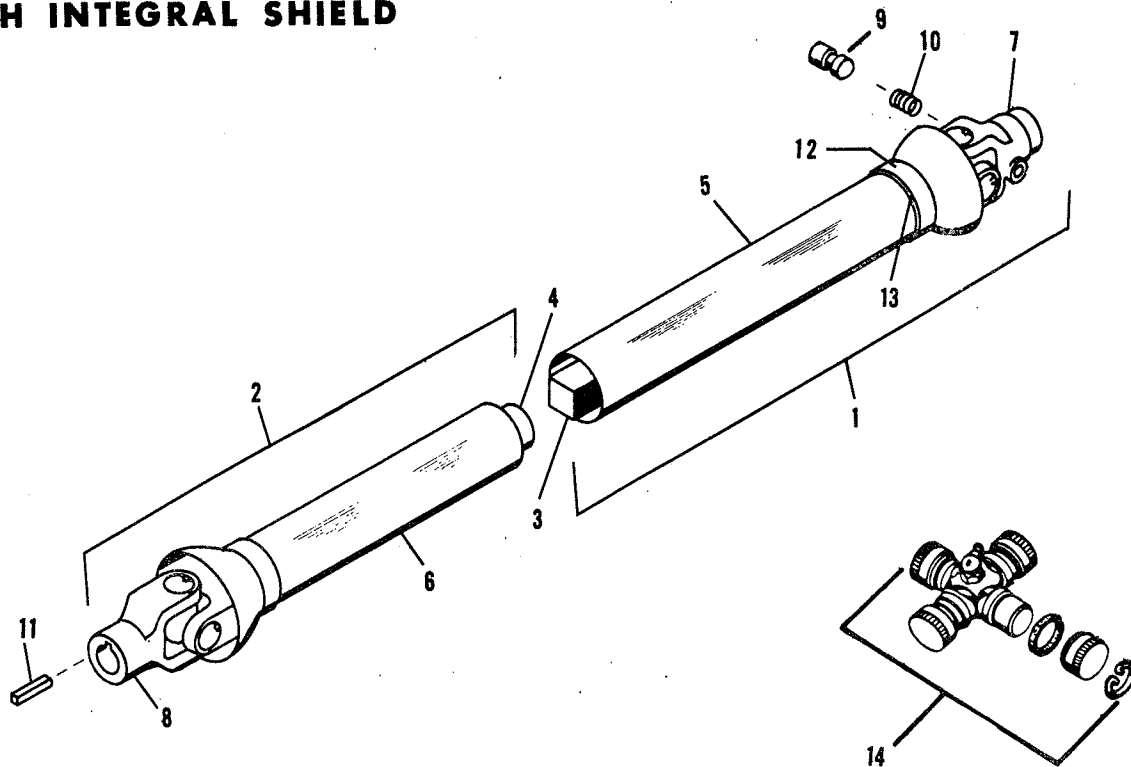
CASTER WHEEL ASSEMBLY



CASTER WHEEL ASSEMBLY

Index No.	Part No.	Part Name	Weight
1	6C-750	Locknut (7/8-14 NC)	
2	8C-456	Fork Assembly	16.0
3	8C-464	Shaft Assembly	3.0
4	8C-455	Wheel	26.0
*	9D-574	Roller Bearing	
*	9D-575	Bearing Retainer	
*	9D-576	Wheel Hub	
5	6C-729	Locknut (3/4-10 NC)	
*	1C-133	Flat Washer (3/4 Std.)	
*	7C-122	Bushing (Machinery) 1-1/4" Shaft x 1-7/8" O.D., 1 Req'd.	
		*Not Shown	

**P. T. O. SHAFT
WITH INTEGRAL SHIELD**



P. T. O. SHAFT FOR RPA-60 & RPB-60 SHREDDERS

Index No.	Part No.	Part Name	Weight
1	9C-325	Joint & Shaft with Shield (1-3/8-6B Spline)	23.5
	9C-380	Joint & Shaft with Shield (1-1/8-6B Spline)	22.0
2	8C-181	Joint & Tube with Shield	16.5
3	9C-335	Shaft & Yoke Assembly	14.0
4	8C-310	Tube & Yoke Assembly	8.5
5	9C-394	Front Shield Complete	4.0
6	8C-312	Rear Shield Complete	3.8
7	6C-589	1-3/8-6B Spline Q. D. Tractor Yoke Only	4.2
	6C-735	1-1/8-6B Spline Tractor Yoke Only	3.8
8	8C-311	1-1/2" Dia. End Yoke Only	2.7
9	3D-757	Lock Pin	.2
10	5C-257	Lock Pin Spring	
11	4C-905	Sq. Key	.1
12	8C-301	Set of 8 Steel Balls (Not Shown)	.2
13	8C-302	Retaining Ring	
14	5C-515	Joint Repair Kit	2.0