

REPAIR PARTS CATALOG

Brillion

OFFSET
112" ROTARY SHREDDER

MODEL RSS-112

MODEL RSS-112-01 THRU 07

IMPORTANT!

Repairs cannot be purchased retail direct from factory. Order through your Brillion dealer or any established implement dealer.

ALL PARTS NOT LISTED ARE STANDARD HARDWARE

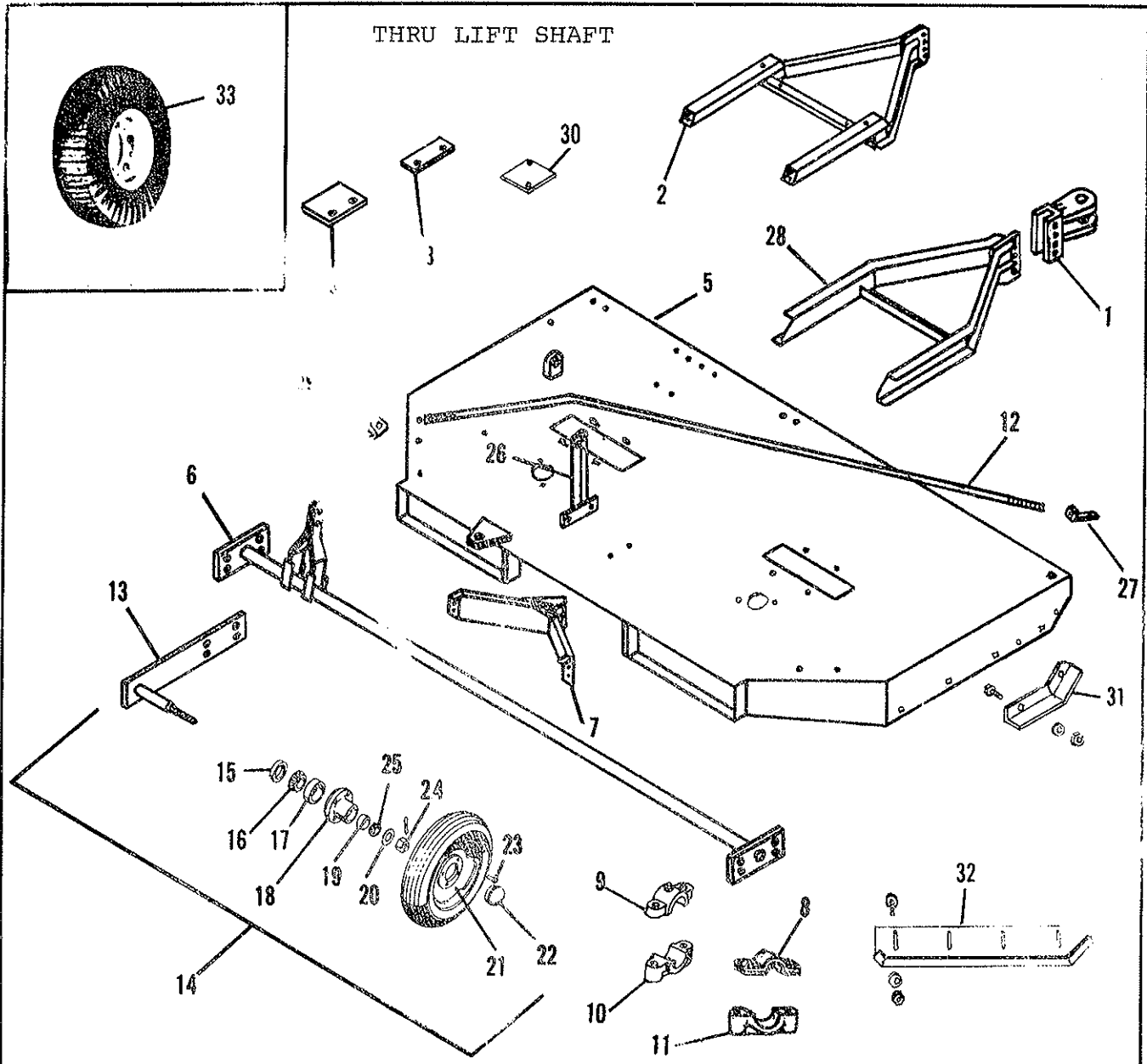
BRILLION IRON WORKS

Brillion, Wisconsin, U. S. A.

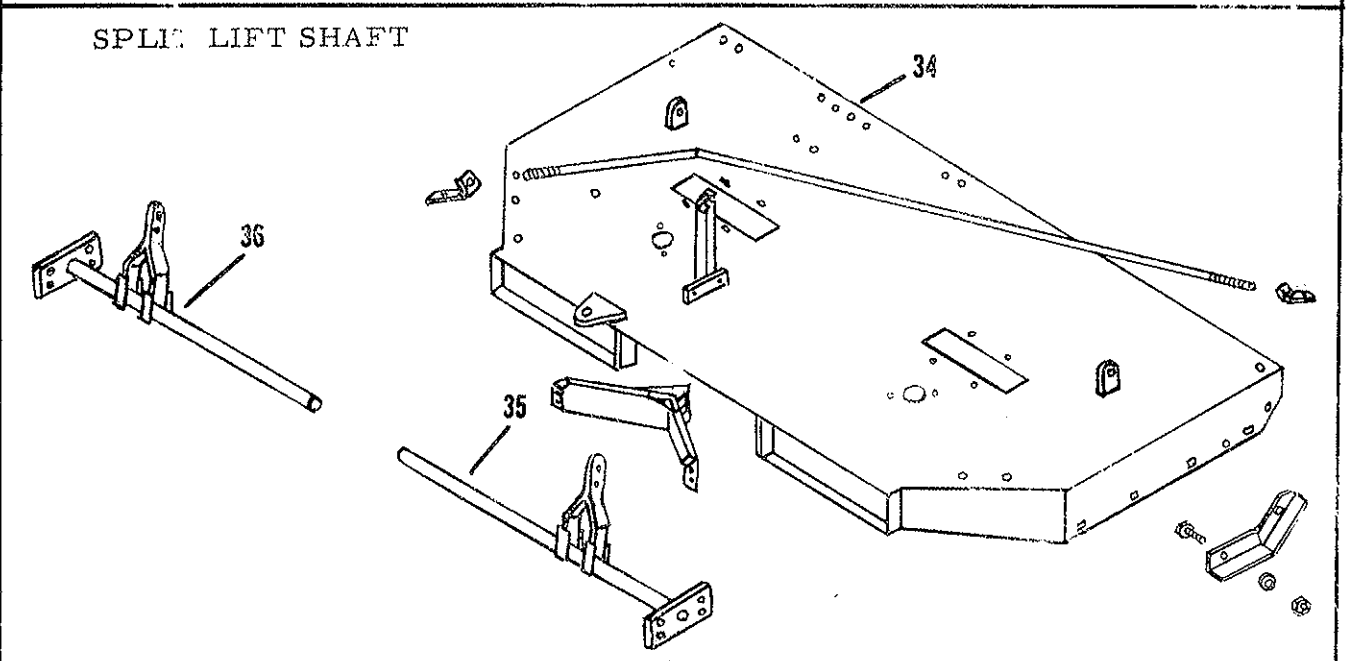
1076

1D-533

THRU LIFT SHAFT



SPLIT LIFT SHAFT



MODEL 01 THRU 07
HOOD, DRAWBAR AND AXLE ASSEMBLY W/THRU SHAFT

Index No.	Part No.	Description	No. Used
1	1D-293	Heavy Duty Hitch	1
2	2D-138	Drawbar Assembly	1
	1C-270	Capscrew, 1/2-13 NC x 4 Long	1
		Capscrew, 1/2-13 NC x 3-1/2 Long	3
		Capscrew, 1/2-13 NC x 1-1/2 Long	8
		Nut, 1/2-13 NC	23
		Lockwasher, 1/2 Med. Spring	23
		Capscrew, 5/8-11 NC x 2-1/2" Long	2
		Nut, 5/8-11 NC	2
		Lockwasher, 5/8 Med. Spring	14
3	1D-481	Cover Plate	1
4	1D-480	Cover Plate	3
		Capscrew, 5/8-11 NC x 1-1/2 Long	12
		Nut, 5/8-11 NC - Stover	12
		Capscrew, 5/8-11 NC x 1-1/4 Long	1
5	1D-520	Hood Assembly	1
6	1D-486	Axle Assembly	1
7	1D-504	Deflector Assembly	1
		Washer, 1/2 Std. Flat	1
8	9C-367	R.H. Axle Bearing Assembly	1
	9C-366	L.H. Axle Bearing Assembly	1
9	4C-758	Top Axle Bearing Assembly	1
10	4C-778	Bottom Axle Bearing	1
11	9C-362	R.H. Bottom Axle Bearing	1
	9C-363	L.H. Bottom Axle Bearing	1
		Capscrew, 1/2-13 NC x 4-3/4 Long	4
		Capscrew, 1/2-13 NC x 4 Long	5
12	1D-500	Tie Rod	1
	6D-918	Nut, 3/4-16 NF Stover	2
	6D-917	Nut, 3/4-16 NF	2
13	1D-532	Arm & Shaft Assembly	2
14	1D-479	Arm & Spindle Assembly (Less Wheels)	2
		Capscrew, 3/4-10 NC x 3 Long	8
		Nut, 3/4-10 NC	8
		Lockwasher, 3/4 Med. Spring	8
15	5C-910	Seal	2
16	5C-913	Bearing Cone #LM67043	2
17	5C-914	Bearing Cup #LM67010	2
18	5C-904	Wheel Hub	2
19	5C-912	Bearing Cup #LM11910	2
20	5C-907	Washer, 5/8 SAE Flat	2
21	5C-916	Wheel Rim - 15"	
	8C-470	Wheel Rim - 14"	
22	5C-908	Cap	2
23	5C-100	Wheel	8
24	5C-909	Slotted Nut	2
		Cotter Pin, 5/32 Dia. x 1 Long	2
25	5C-911	Bearing Cone #LM11949	2
26	1D-527	Tie Rod Support	1
		Capscrew, 1/2-13 NC x 1-1/4 Long	6
	5C-392	Nut, 1/2-13 NC Stover	4

(Continued on following page)

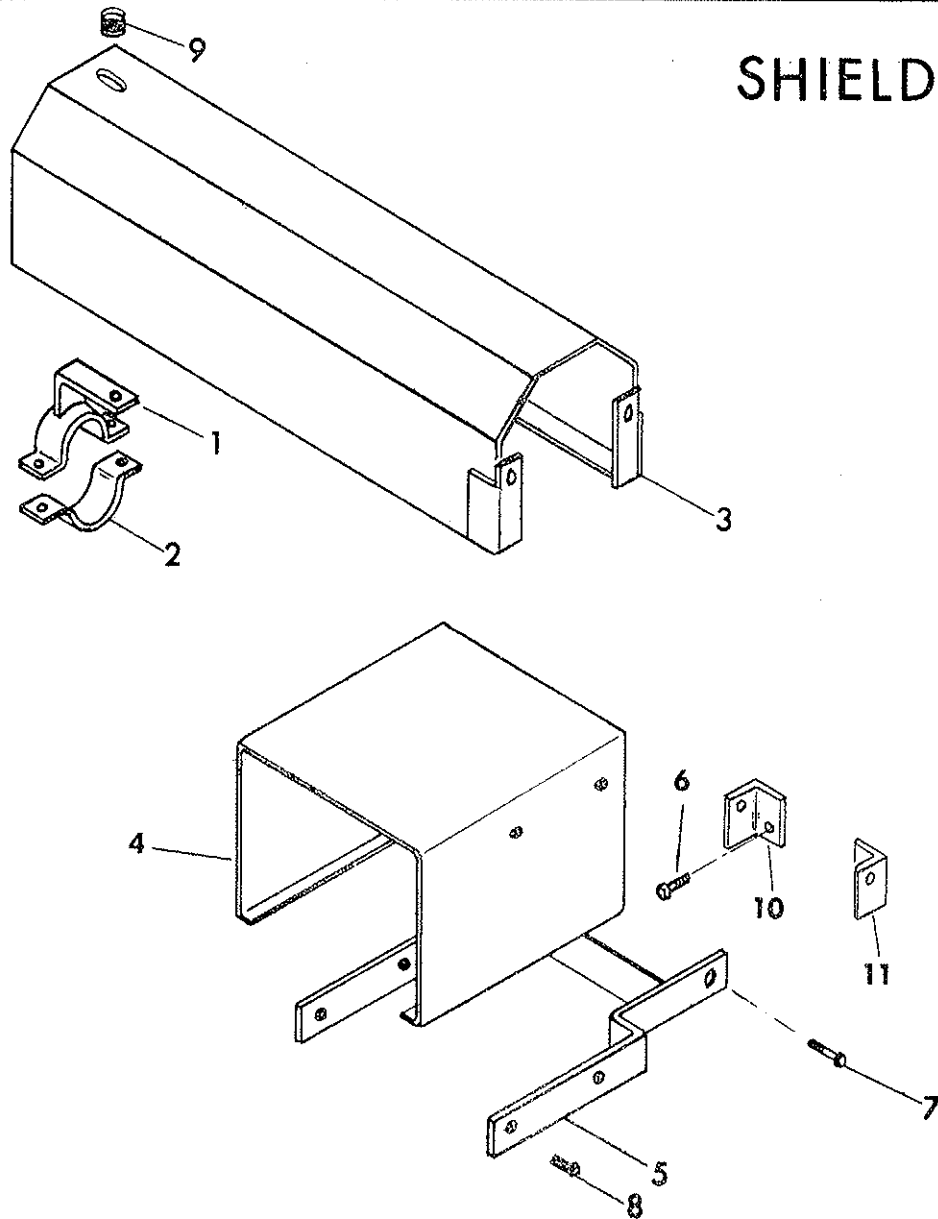
MODEL 01 THRU 07
HOOD, DRAWBAR AND AXLE ASSEMBLY W /THRU SHAFT

Index No.	Part No.	Description	No. Used
27	1D-534	R. H. Tie Rod Bracket	1
28	1D-508	Drawbar Assembly (Obsolete - Order 2D-134)	
29	2D-211	L. H. Tie Rod Bracket	1
30	4D-893	Cover	2
		Capscrew, 5/16-18 NC x 1/2 Long	4
	4D-894	Nut Retainer, Tinnerman #C7957-5618-4	4
31	6D-924	R. H. Skid Angle	1
	6D-923	L. H. Skid Angle	1
32	6D-881	Side Skid Assembly (Optional)	2
		Carriage Bolt, 1/2-13 NC x 1-1/4 Long	8
		Nut, 1/2-13 NC	8
		Lockwasher, 1/2 Med. Spring	8
33	1D-900	Laminated Tire W/Rim (6.00 x 9)	
	1D-933	6.00 x 9 Laminated Tire Kit (2 Wheels with bolts)	

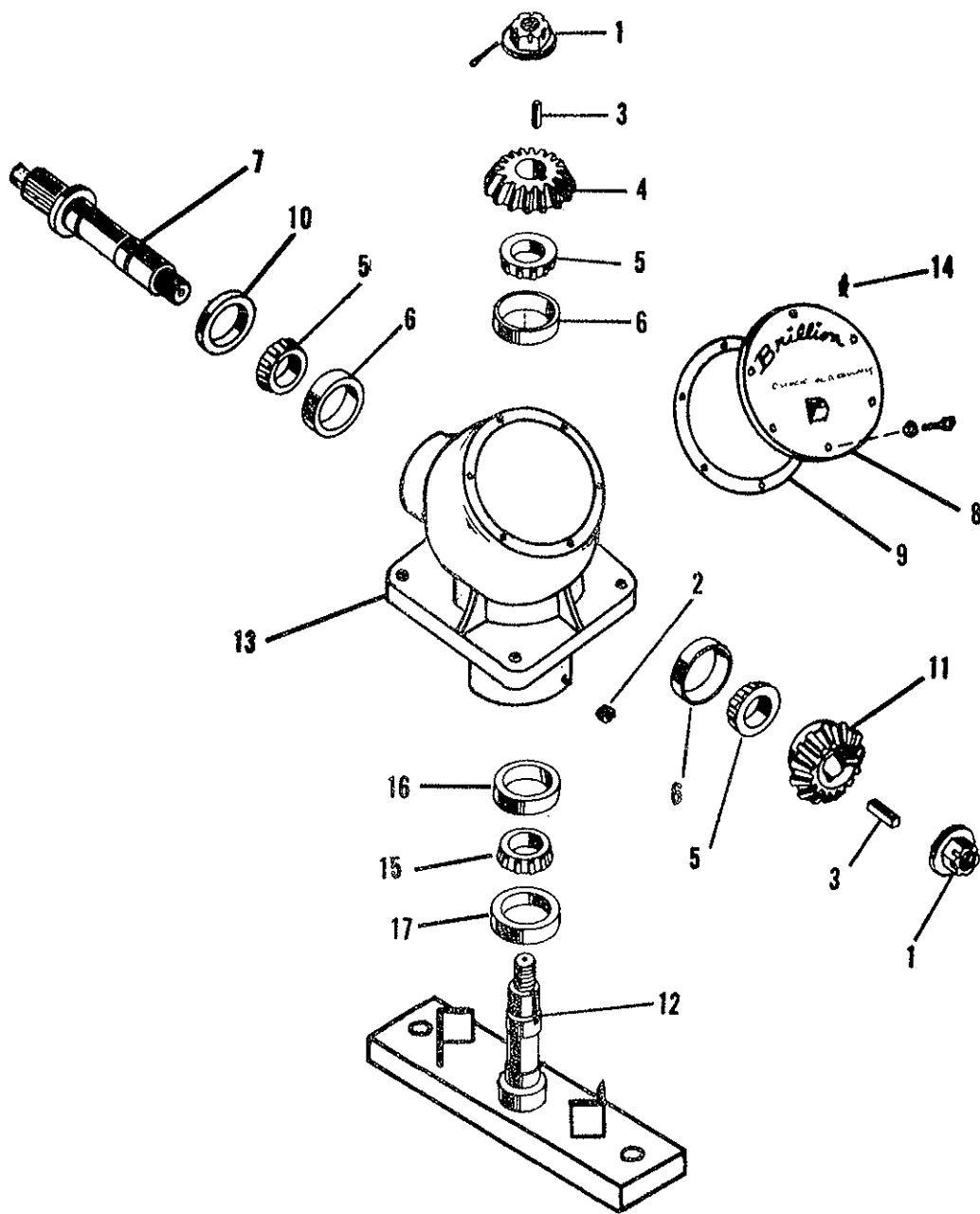
SPLIT LIFT SHAFT

34	3D-761	Hood Assembly	1
35	3D-762	R. H. Axle Assembly	1
36	3D-763	L. H. Axle Assembly	1

SHIELDS

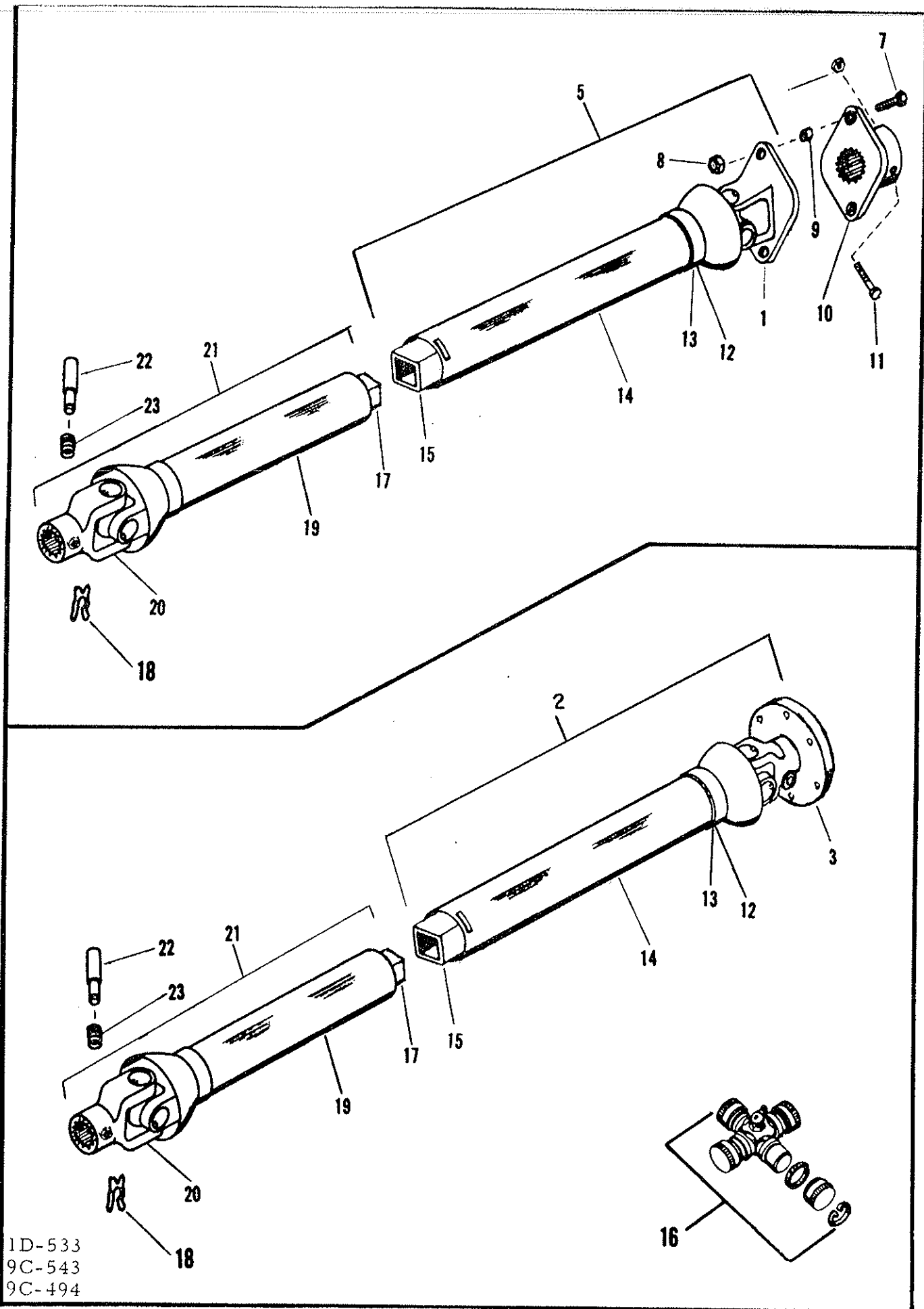


Index No.	Part No.	Description	No. Req'd.	Weight
1	1D-995	Support Clamp	1	1.2
2	1D-994	Clamp	1	.7
3	2J-115	Shield Assembly	1	13.8
4	7D-20	P. T. O. Shield	1	2.8
5	2J-120	Arm Assembly	1	2.3
6	1C-232	Capscrew, 3/8 x 1-1/4" Long	4	
	1C-183	Lockwasher, 3/8" Std.	2	
7	4C-803	Capscrew, 3/8 x 1" Long	2	
8	1C-237	Capscrew, 5/16 x 3/4" Long	4	
	1C-362	Lockwasher, 5/16" Std.	4	
	1C-385	Nut, 5/16" Hex	4	
9	3D-886	Compression Spring	1	
	1C-182	Flat Washer - 3/8"	2	
	7C-308	Capscrew, 3/8 x 2-1/4" Long	1	.1
10	2J-119	L.H. Angle	1	.4
11	2J-118	R.H. Angle	1	.4



BLADE DRIVE ASSEMBLY

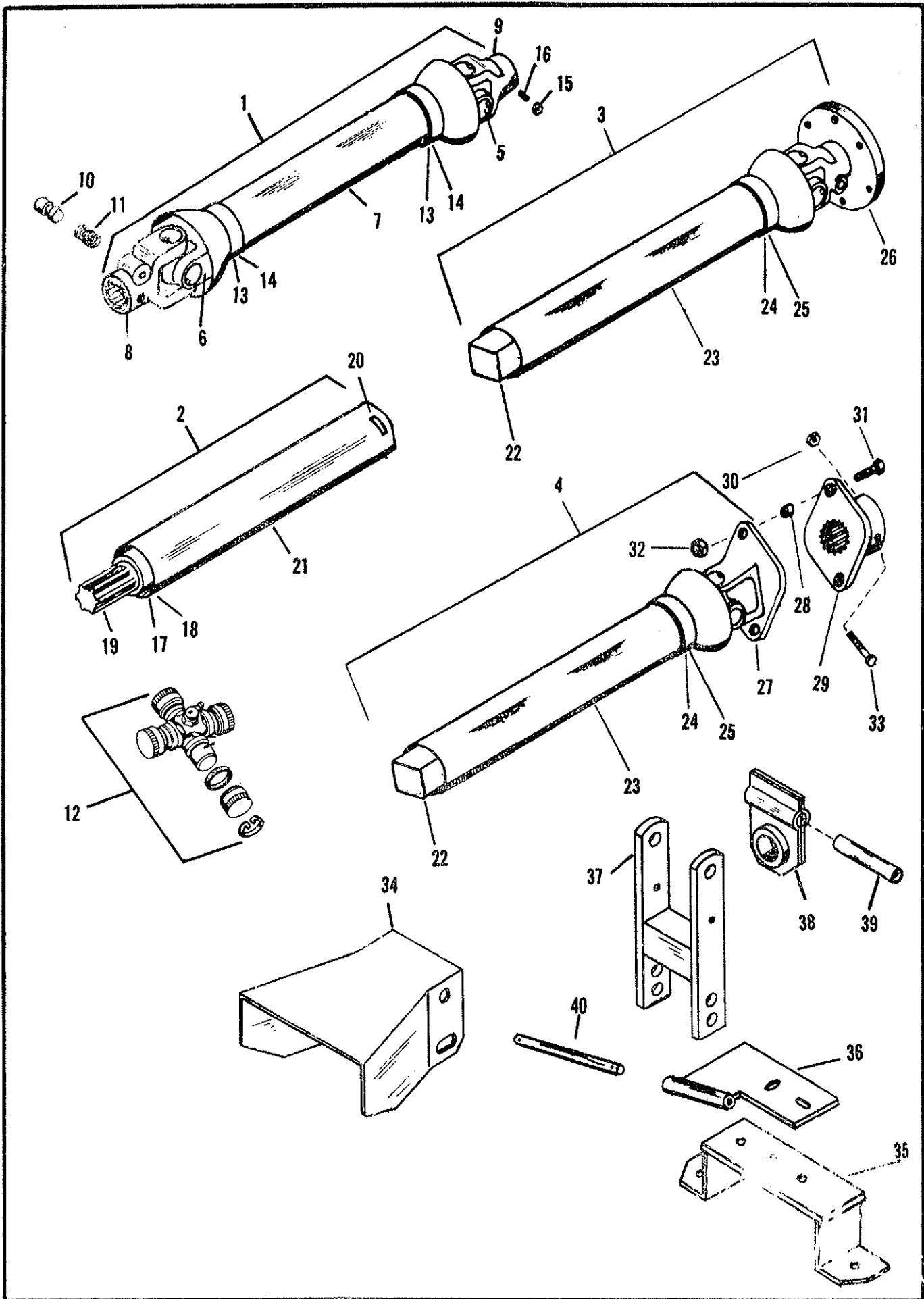
Index No.	Part No.	Description	Used On Model No.
	9C-393	Gearbox Assembly 540 RPM	01
	1D-101	Gearbox Assembly 540 RPM	02 thru 03
	3D-982	Gearbox Assembly 540 RPM	04
1	1D-373	Flange Nut	All Models
2	9C-855	Pipe Plug (Drain)	All Models
3	4C-905	Key (2 Req'd.)	01
	7C-728	Key (4 Req'd.)	02 thru 04
4	8C-598	Gear (17T) Forged, 1 Key	01
	1D-105	Gear (17T) Forged, 2 Key	02 thru 04
5	7C-763	Bearing Cone #LM501349	All Models
6	7C-762	Bearing Cup #LM501310	All Models
7	9C-392	Input Shaft (1 Keyway)	01
	1D-102	Input Shaft (2 Keyways)	02 thru 04
8	8C-607	Gearbox Cover	All Models
9	8C-606	Gasket	All Models
10	7C-764	Seal	All Models
11	8C-597	Gear (23T) Forged, 1 Key	01
	1D-104	Gear (23T) Forged, 2 Key	02 thru 04
12	9C-315	Output Spindle Assembly (1 Keyway)	01
	1D-107	Output Spindle Assembly (2 Keyways)	02 thru 03
	3D-529	Output Spindle Assembly (2 Keyways)	04
13	8C-572	Gearbox	01 thru 03
	3D-527	Gearbox	04
14	7C-732	Breather Plug (Order 3D-978 & 5C-573)	04
	3D-978	Reducer Bushing	All Models
	5C-573	Breather Valve	
15	7C-763	Bearing Cone #LM501349	01 thru 03
	4C-850	Bearing Cone #368	04
16	7C-762	Bearing Cup #LM501310	01 thru 03
	4C-832	Bearing Cup #362A	04
17	7C-764	Seal	01 thru 03
	4C-831	Seal	04



1D-533
 9C-543
 9C-494

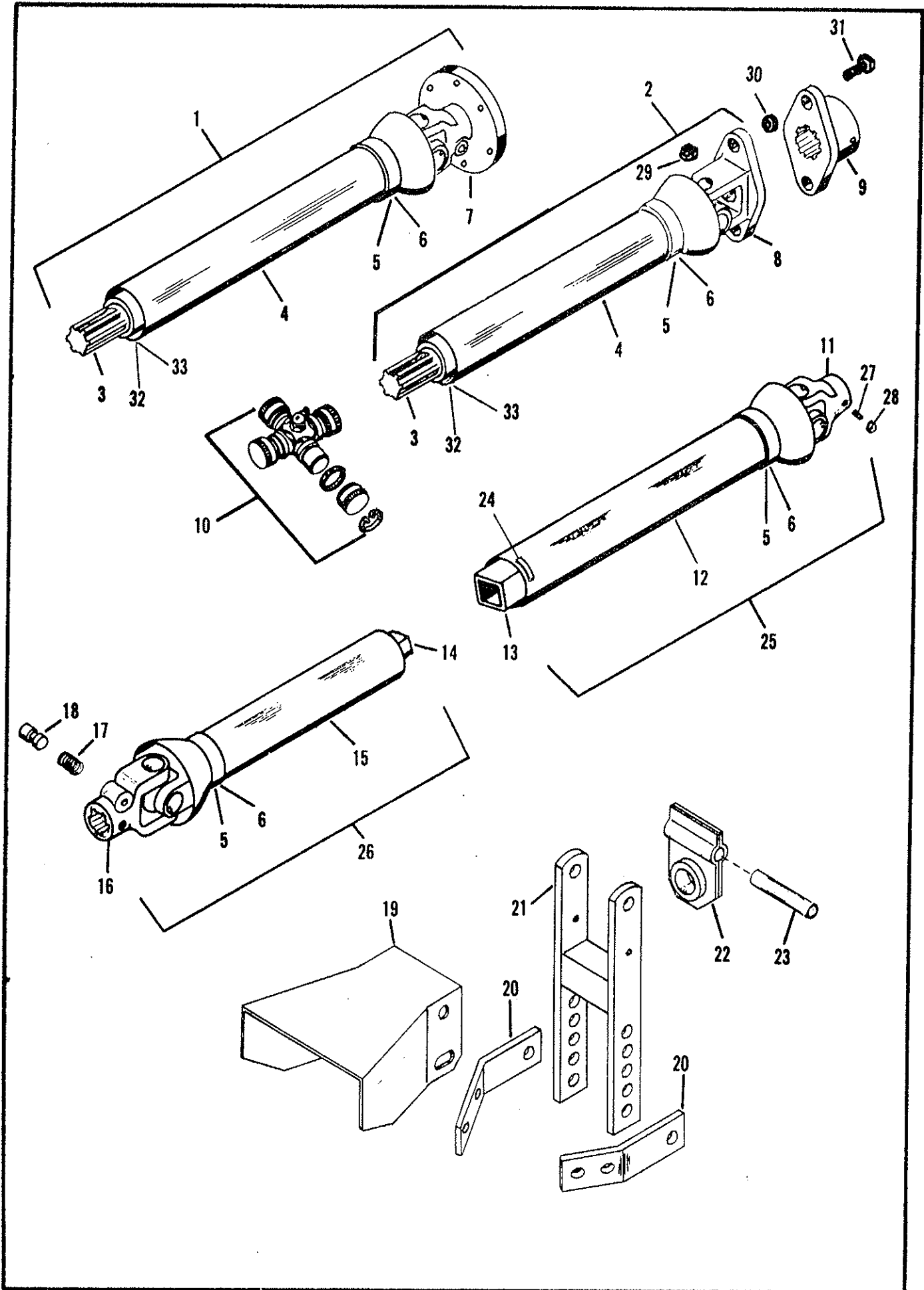
USED ON MODELS 01 THRU 06
UNIVERSAL DRIVE SHAFT - RSS-112

Index No.	Part No.	Description
1	1D-766	Shear Yoke (W-3/8" Bushing)
2	1D-905	Tube & Flange Yoke Assembly (540 RPM P. T. O.)
	1D-953	Tube & Flange Yoke Assembly (1,000 RPM P. T. O.)
3	1D-904	Yoke & Flange Assembly
5	9C-395	Tube & Safety Shear Assembly (540 RPM P. T. O.)
	1D-952	Tube & Safety Shear Assembly (1,000 RPM P. T. O.)
6	6C-748	Stover Nut
7	1C-508	Shear Bolt (3/8 - 16 NC x 2-1/2" Long)
8	5C-954	Stover Nut
9	9C-419	Bushing - 3/8"
10	9C-390	Shear Flange Assembly (W-3/8" Bushing)
11	9C-391	Bolt
12	8C-301	Set of 8 Balls
	2D-140	Nylon Bearing
13	8C-302	Retaining Ring (Used With 8 Balls)
	2D-141	Retaining Ring (Used With Nylon Bearing)
	1D-854	Nylon Centralizer
14	9C-338	Rear Shield Complete (540 RPM P. T. O.)
	3D-677	Rear Shield Complete (1,000 RPM P. T. O.)
15	9C-337	Tube & Yoke Assembly (540 RPM P. T. O.)
	3D-676	Tube & Yoke Assembly (1,000 RPM P. T. O.)
16	5C-515	Universal Joint Repair Kit
17	9C-335	Shaft & Yoke Assembly (540 RPM P. T. O.)
	3D-674	Shaft & Yoke Assembly (1,000 RPM P. T. O.)
18	5C-939	"X" Washer (Not Required With 3D-757)
19	9C-394	Front Shield Complete (540 RPM P. T. O.)
	3D-675	Front Shield Complete (1,000 RPM P. T. O.)
20	6C-589	1-3/8 - 6B Spline Tractor Yoke (540 RPM P. T. O.)
	1D-791	1-3/8 - 21 Spline Tractor Yoke (1,000 RPM P. T. O.)
	8C-528	Cap Screw)
	5D-747	Elastic Stop Nut) Used With 1D-791 Yoke
21	9C-325	Shaft & Joint Assembly (540 RPM P. T. O.)
	1D-947	Shaft & Joint Assembly (1,000 RPM P. T. O.)
22	5C-987	Lock Pin (Obsolete - Order 3D-757)
23	5C-257	Lock Pin Spring



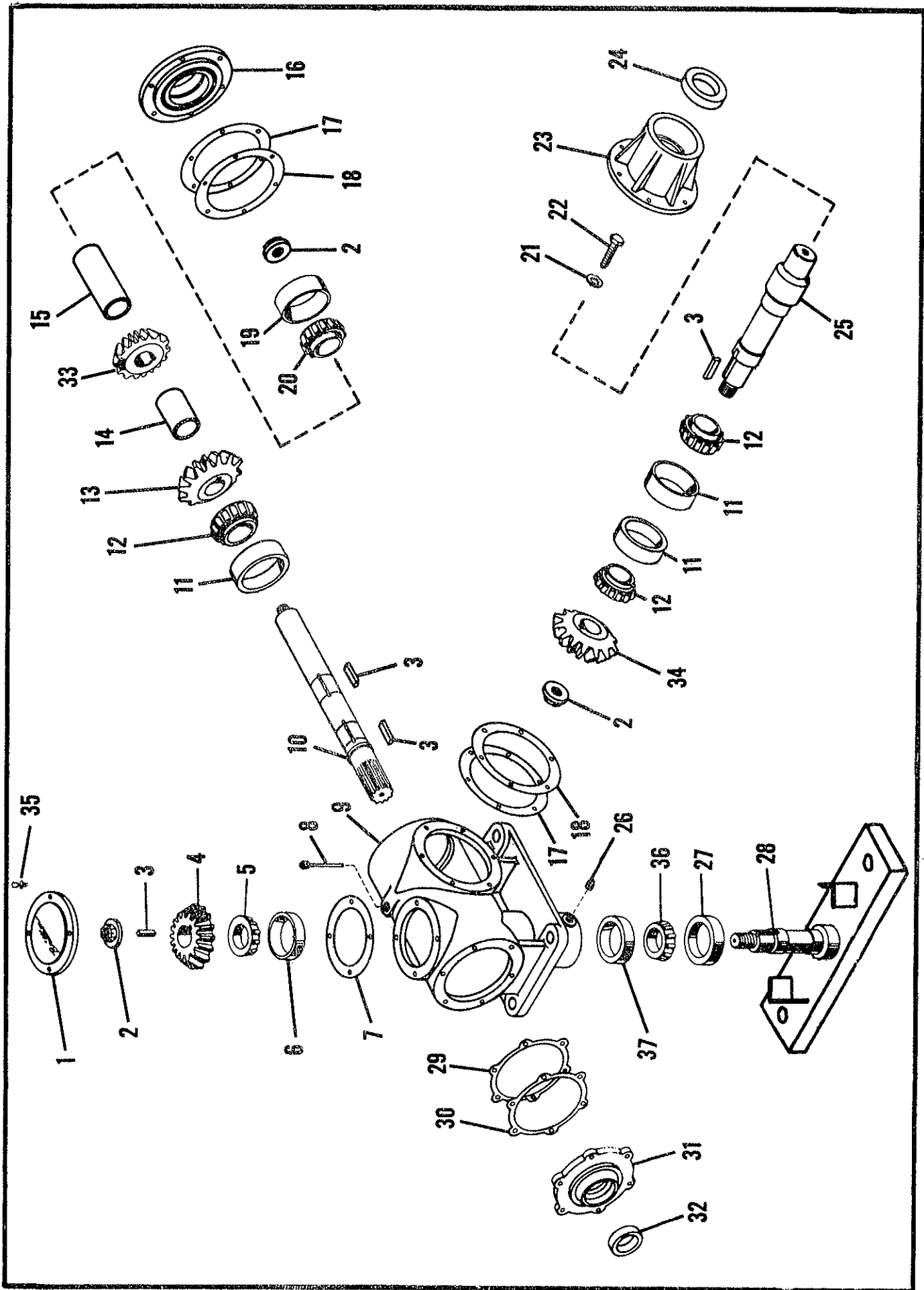
USED ON MODELS 01 THRU 06
3 JOINT P. T. O. ASSEMBLY
RSS-112 ROTARY SHREDDER

Index No.	Part No.	Description
1	8C-176	Tractor P. T. O. Hitch (540 RPM)
	3D-390	Tractor P. T. O. Hitch (1,000 RPM)
2	2D-834	Tubular Drive Shaft (With Guard)
3	3D-462	Sq. Shaft & Flange Yoke
4	2D-843	Sq. Shaft & Shear Assembly
5	8C-314	Yoke (With Roll Pin Hole) (540 RPM)
	3D-849	Yoke (With Roll Pin Hole) (1,000 RPM)
6	8C-313	Sq. Shaft & Yoke (540 RPM)
	3D-684	Sq. Shaft & Yoke (1,000 RPM)
7	8C-316	Shield Complete (540 RPM)
	3D-685	Shield Complete (1,000 RPM)
8	6C-589	1-3/8 - 6 Spline Tractor Yoke (540 RPM)
	1D-791	1-3/8 - 21 Spline Tractor Yoke (1,000 RPM)
*	8C-528	Cap Screw)
*	5D-747	Elastic Stop Nut) Used With 1D-791 Yoke
9	8C-315	1-3/8 - 6 Spline Screw Lock Yoke Only
10	3D-757	Lock Pin
11	5C-257	Lock Pin Spring
12	5C-515	Universal Joint Repair Kit
13	8C-301	Set of 8 Balls
14	8C-302	Retaining Ring
15	5C-234	Jam Nut
16	5C-233	Joint Set Screw
17	3D-680	Nylon Bearing
18	3D-681	Retaining Ring
19	3D-682	Tubular Drive Shaft (Without Guard)
20	1D-854	Nylon Centralizer
21	3D-683	Guard Assembly
22	3D-691	Drive Shaft & Yoke
23	3D-692	Shield Complete
24	2D-141	Retaining Ring
25	2D-140	Nylon Bearing
26	1D-904	Yoke & Flange Assembly
27	1D-766	Shear Yoke (W-3/8" Bushing)
28	9C-419	Shear Bushing - 3/8"
29	9C-390	Shear Flange Assembly (3/8" Bushing)
30	6C-748	Stover Nut
31	1C-508	Shear Bolt (3/8-16 NC x 2-1/2 Long)
32	5C-954	Stover Nut
33	9C-391	Bolt
34	3D-105	Center Shield
35	3D-466	Support Assembly
36	3D-465	Support Bracket
37	3D-464	Bearing Support Assembly
38	7C-323	Bearing
39	7C-322	Bearing Sleeve
40	3D-467	Anchor Pin



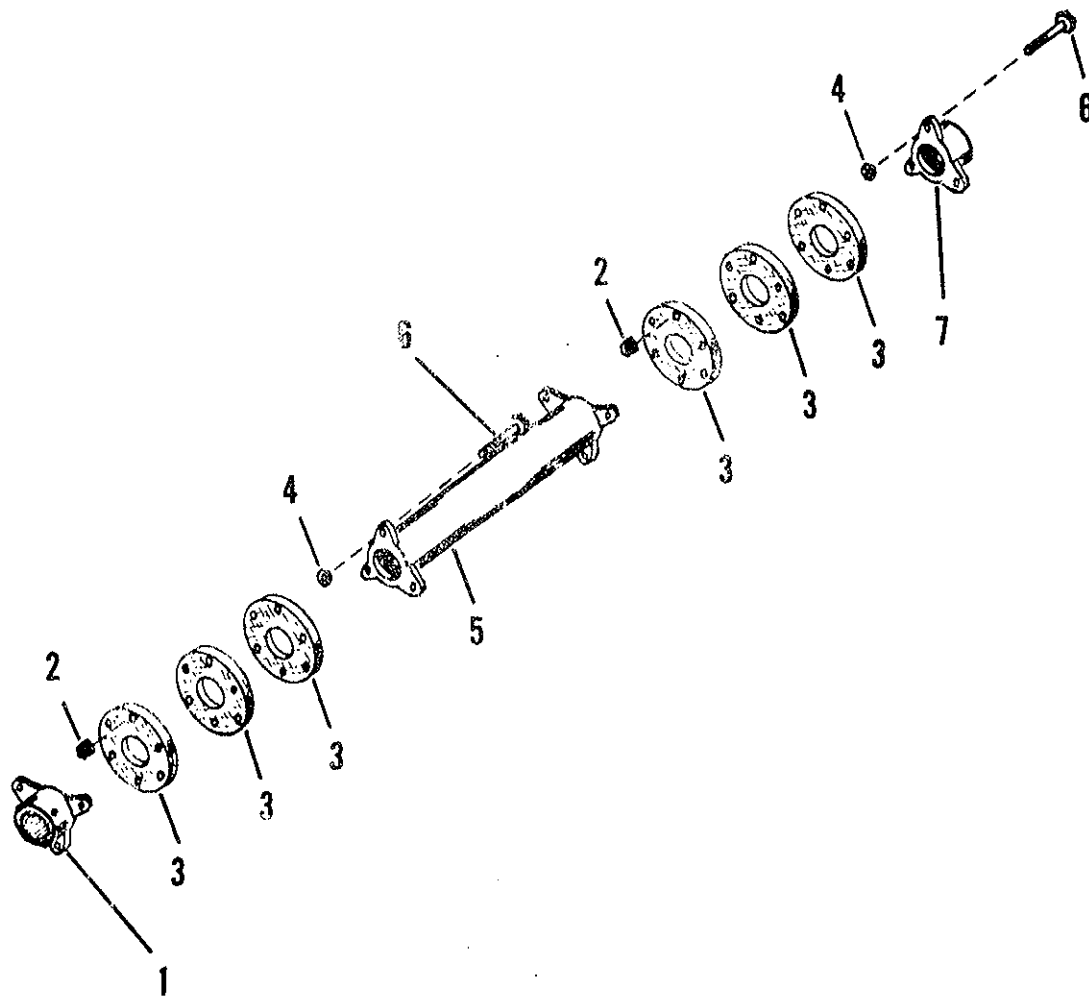
USED ON MODEL 07
3 JOINT P. T. O. ASSEMBLY
RSS-112 ROTARY SHREDDER

Index No.	Part No.	Description
1	5D-714	Drive Shaft Assembly (Slip Clutch)
2	5D-715	Drive Shaft Assembly (3/8 Shear Pins)
3	5D-716	Drive Shaft & Yoke Assembly
4	5D-717	Shield Complete
5	2D-140	Nylon Bearing
6	2D-141	Retaining Ring
7	1D-904	Yoke & Flange Assembly
8	1D-766	Shear Yoke (W-3/8" Bushings)
9	9C-390	Shear Flange Assembly (3/8" Bushings)
10	5C-515	Universal Joint Repair Kit
11	8C-315	Yoke
12	3D-231	Rear Shield Complete
13	3D-232	Tube & Yoke Assembly
14	3D-233	Shaft & Yoke Assembly
15	3D-234	Front Shield Complete
16	6C-589	1-3/8 - 6 Spline Tractor Yoke (540 RPM)
	1D-791	1-3/8 - 21 Spline Tractor Yoke (1,000 RPM)
*	8C-528	Cap Screw)
*	5D-747	Elastic Stop Nut) Used with 1D-791 Yoke
17	5C-257	Lock Pin Spring
18	3D-757	Lock Pin
19	3D-105	Center Shield
20	3D-132	P. T. O. Bearing Bracket
21	3D-130	Support Assembly
22	7C-323	Bearing
23	7C-322	Bearing Sleeve
24	1D-854	Nylon Centralizer
25	3D-107	Tube & Joint Assembly
26	3D-108	Tractor Joint & Shaft Assembly (540 RPM)
	3D-147	Tractor Joint & Shaft Assembly (1,000 RPM)
27	5C-233	Set Screw
28	5C-234	Jam Nut
29	5C-954	Stover Nut, 3/8-16 NC Thd.
30	9C-419	Bushing - 3/8"
31	1C-508	Shear Bolt (3/8-16 NC x 2-1/2" Long)
32	3D-680	Nylon Bearing
33	3D-681	Retaining Ring



DRIVE & SPINDLE ASSEMBLY

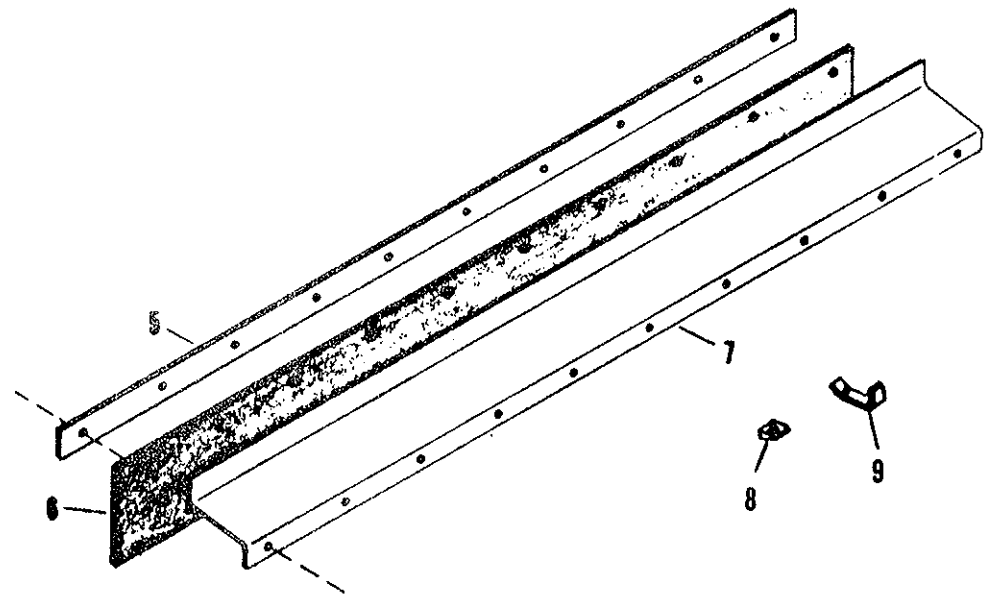
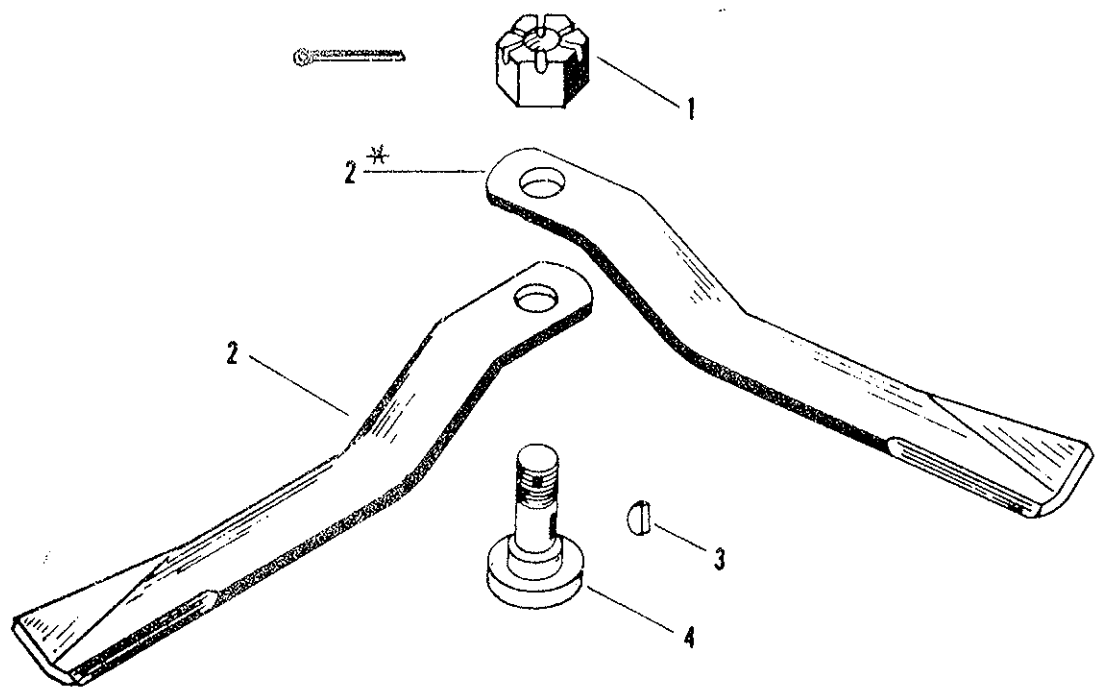
Index No.	Part No.	Description	Used On Model No.
	1D-514	Drive & Spindle Assembly 540 RPM	01 thru 03
	1D-948	Drive & Spindle Assembly 1,000 RPM	01 thru 03
	3D-979	Drive & Spindle Assembly 540 RPM	04 thru 05
	3D-980	Drive & Spindle Assembly 1,000 RPM	04 thru 05
	5D-525	Drive & Spindle Assembly 540 RPM	06 & 07
	5D-526	Drive & Spindle Assembly 1,000 RPM	06 & 07
1	1D-768	Cover	All Models
2	1D-373	Flange Nut	All Models
3	7C-728	Key (8 Required)	All Models
4	1D-105	Gear - 17 T	01 thru 05
	3D-351	Gear - 18 T	06 & 07
5	7C-763	Bearing Cone #LM501349	All Models
6	7C-762	Bearing Cup #LM501310	All Models
7	4C-825	Gasket	All Models
8	1D-34	Dipstick Plug Assembly	All Models
9	1D-219	Gear Housing	01 thru 03
	3D-977	Gear Housing	04 thru 07
10	1D-523	Output Shaft	All Models
11	4C-832	Bearing Cup #362A	All Models
12	4C-847	Bearing Cone #367	All Models
13	1D-104	Gear - 23T	01 thru 05
	3D-350	Gear - 24T	06 & 07
14	1D-524	Spacer - Short	All Models
15	1D-525	Spacer - Long	All Models
16	1D-220	Bearing Flange	All Models
17	1D-470	Shim - .005" Thick	All Models
18	1D-471	Shim - .007" Thick	All Models
19	1D-515	Bearing Cup #354A	All Models
20	1D-516	Bearing Cone #357	All Models
21	1C-120	Washer	All Models
22	5C-516	Capscrew	All Models
23	1D-221	Bearing Carrier	All Models
24	9C-430	Seal	All Models
25	1D-526	Input Shaft	All Models
26	9C-855	Drain Plug	All Models
27	7C-764	Seal	01 thru 03
	4C-831	Seal	04 thru 07
28	1D-107	Output Spindle Assembly	01 thru 03
	3D-529	Output Spindle Assembly	04 thru 07
29	4C-829	Shim - .005" Thick	All Models
30	4C-828	Shim - .007" Thick	All Models
31	4C-842	Bearing Flange	All Models
32	4C-830	Seal	All Models
33	1D-105	Gear - 17T (540 RPM)	01 thru 05
	3D-351	Gear - 18T (540 RPM)	06 & 07
	1D-104	Gear - 23T (1,000 RPM)	01 thru 05
	3D-350	Gear - 24T (1,000 RPM)	06 & 07
34	1D-104	Gear - 23T (540 RPM)	01 thru 05
	3D-350	Gear - 24T (540 RPM)	06 & 07
	1D-105	Gear - 17T (1,000 RPM)	01 thru 05
	3D-351	Gear - 18T (1,000 RPM)	06 & 07
35	5C-573	Breather Valve	All Models
36	7C-763	Bearing Cone #LM501349	01 thru 03
	4C-850	Bearing Cone #368	04 thru 07
37	7C-762	Bearing Cup #LM501310	01 thru 03
	4C-832	Bearing Cup #362A	04 thru 07



Flexible Drive Coupling Assembly

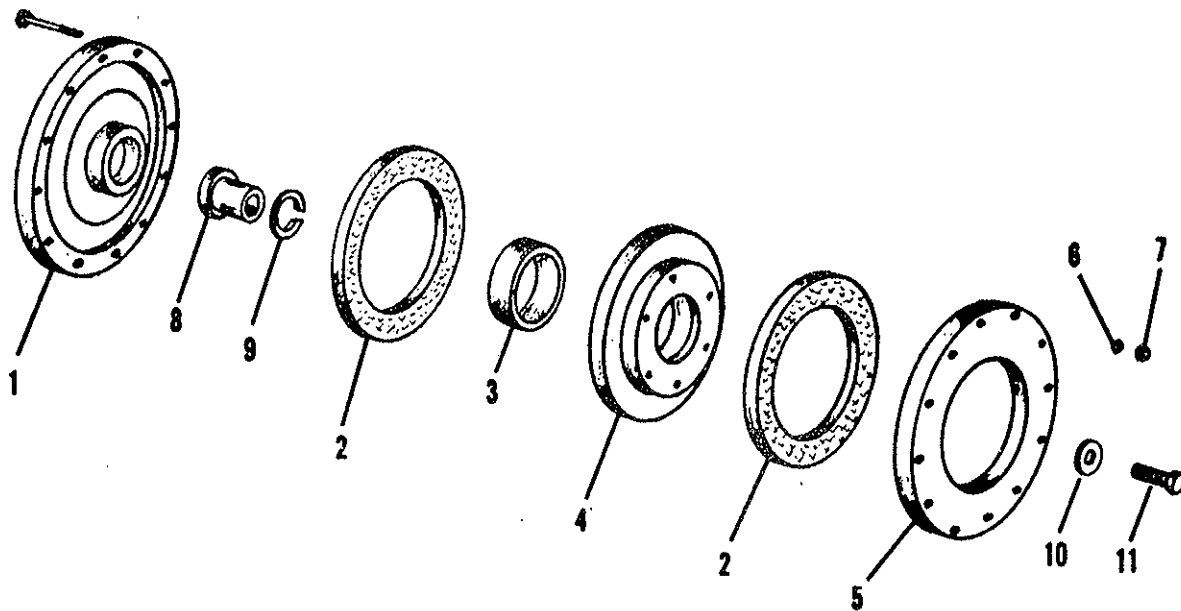
Index No.	Part No.	Part Name
	1D-511	Flexible Drive Coupling Assembly Complete
1	1D-529	Spider Coupling With Pin Hole
2	1D-724	Castellated Nut
3	1D-206	6" Coupling Disc
4	1D-205	Drive Washer
5	1D-530	Drive Tube
6	3D-858	Coupling Bolt
7	1D-531	Spider Coupling Without Pin Hole

1D-533
7-15-63



BLADE & SHIELD ASSEMBLIES

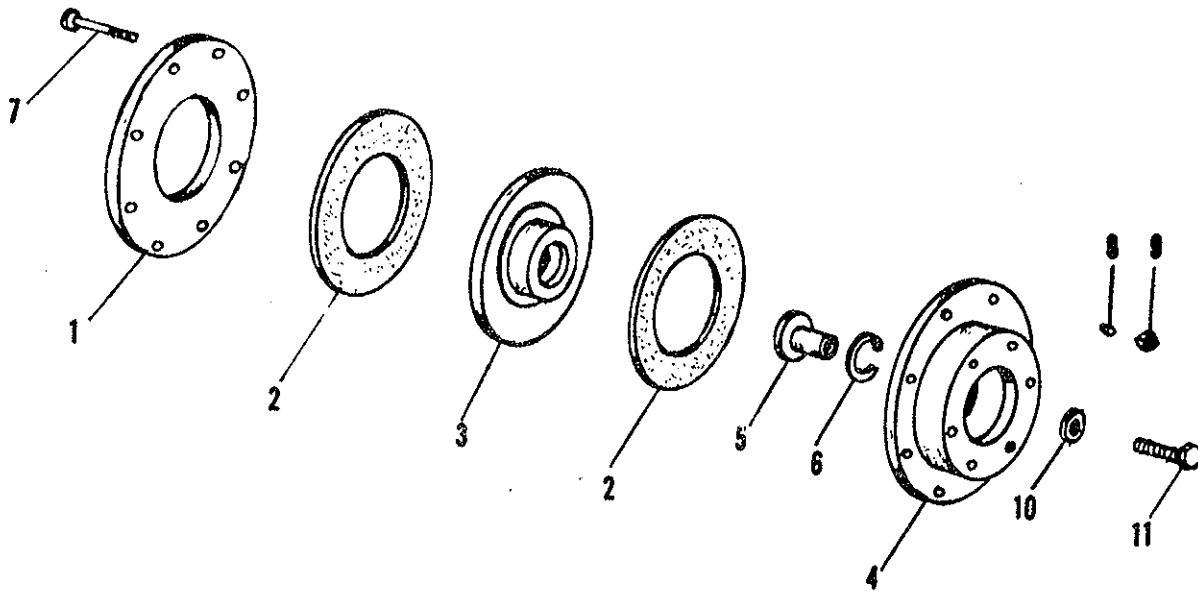
Sym.	Part No.	Description
1.	8C-609	Slotted Nut
2.	1D-512	Swinging Blade - R. H.
2.*	1D-513	Swinging Blade - L. H.
3.	9C-424	Woodruff Key
4.	9C-421	Pivot Bolt
5.	2D-125	Clamp Strap
6.	2D-123	Shield Strip
7.	2D-127	36" Shield Bracket
8.	7C-22	Bevel Washer
9.	2D-181	Clip



SLIP CLUTCH ASSEMBLY

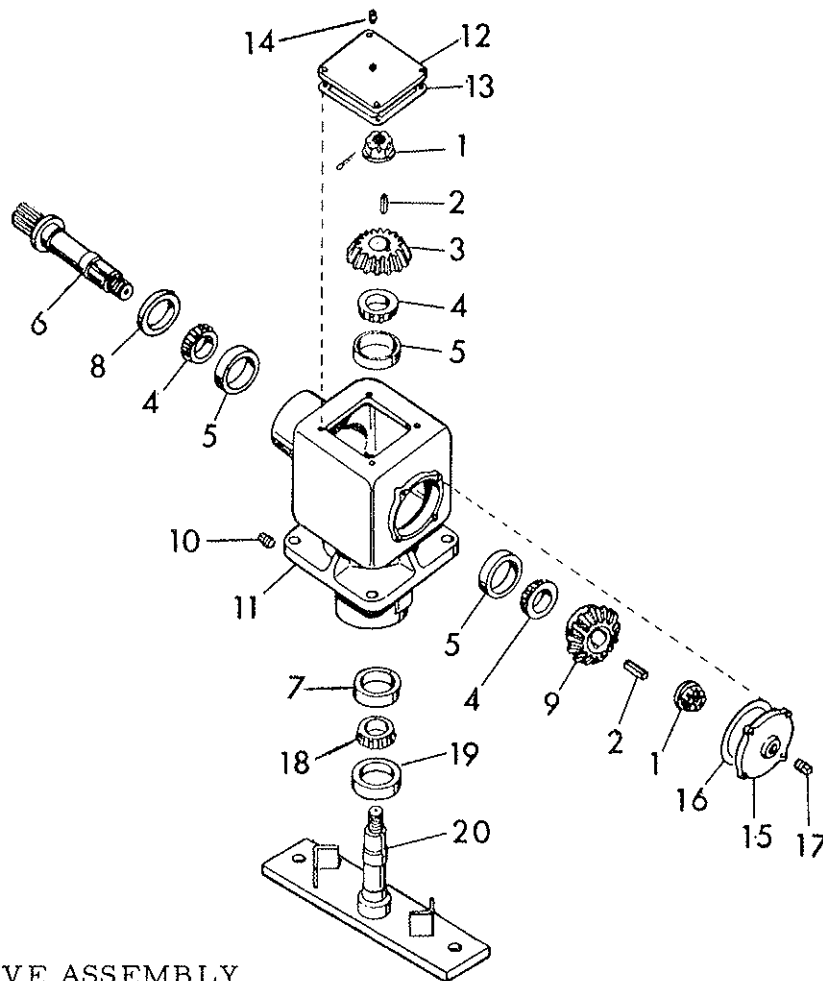
9" CLUTCH

Sym.	Part No.	Part Name
	1D-909	Clutch Assembly (Complete)
1	1D-371	Hub
2	1D-395	Friction Disc 9" Outside Dia.
3	1D-544	Bushing
4	1D-374	Friction Plate
5	1D-372	Pressure Plate
6	1D-398	Belleville Washer
7	1C-670	Nut (Self Locking)
8	1D-888	Adapter Sleeve
9	1D-542	Snap Ring
10	1D-889	Retaining Washer
11	5C-516	Capscrew, L. H. Thread



7-1/2" SLIP CLUTCH ASSEMBLY

Sym.	Part No.	Part Name
	3D-808	Clutch Assembly (Complete)
1	3D-811	Pressure Plate
2	3D-457	Friction Disc-7-1/2" Outside Diameter
3	3D-810	Clutch Hub
4	3D-809	Friction Plate Assembly
5	1D-888	Adapter Sleeve
6	1D-542	Snap Ring
7	1C-508	Capscrew
8	1D-398	Belleville Washer
9	1C-670	Nut (Self locking)
10	1D-889	Retaining Washer
11	5C-516	Capscrew, L.H. Thread



BLADE DRIVE ASSEMBLY

(Used on Model 05, 06
& 07 Shredders)

Sym.	Part No.	Description	No. Used
	4D-890	Blade Drive Assembly	
1	1D-373	Flange Nut	2
2	7C-728	Key	4
3	3D-351	Gear - 18T	1
4	7C-763	Bearing Cone (#LM501349)	3
5	7C-762	Bearing Cup (#LM501310)	3
6	1D-795	Input Shaft	1
7	4C-832	Bearing Cup #362A	1
8	7C-764	Seal - 2.125 I. D. x 3.066 O. D. x 11/16	1
9	3D-350	Gear - 24T	1
10	4C-841	Pipe Plug Allen Head	1
11	4D-186	Gearbox Housing	1
12	2D-914	Cover	1
13	2D-916	Gasket - Cover	1
14	5C-573	Breather Valve	1
15	2D-915	Rear Cap	1
16	2D-917	Gasket - Rear Cap	1
17	4C-840	Pipe Plug Square Head	1
18	4C-850	Bearing Cone #368	1
19	4C-831	Seal - 2.375 I. D. x 3.505 O. D. x 45/64	1
20	3D-529	Output Spindle Assembly	