

REPAIR PARTS CATALOG

Brillion

72" ROTARY SHREDDER

MODELS RSS-72 & RSSP-72

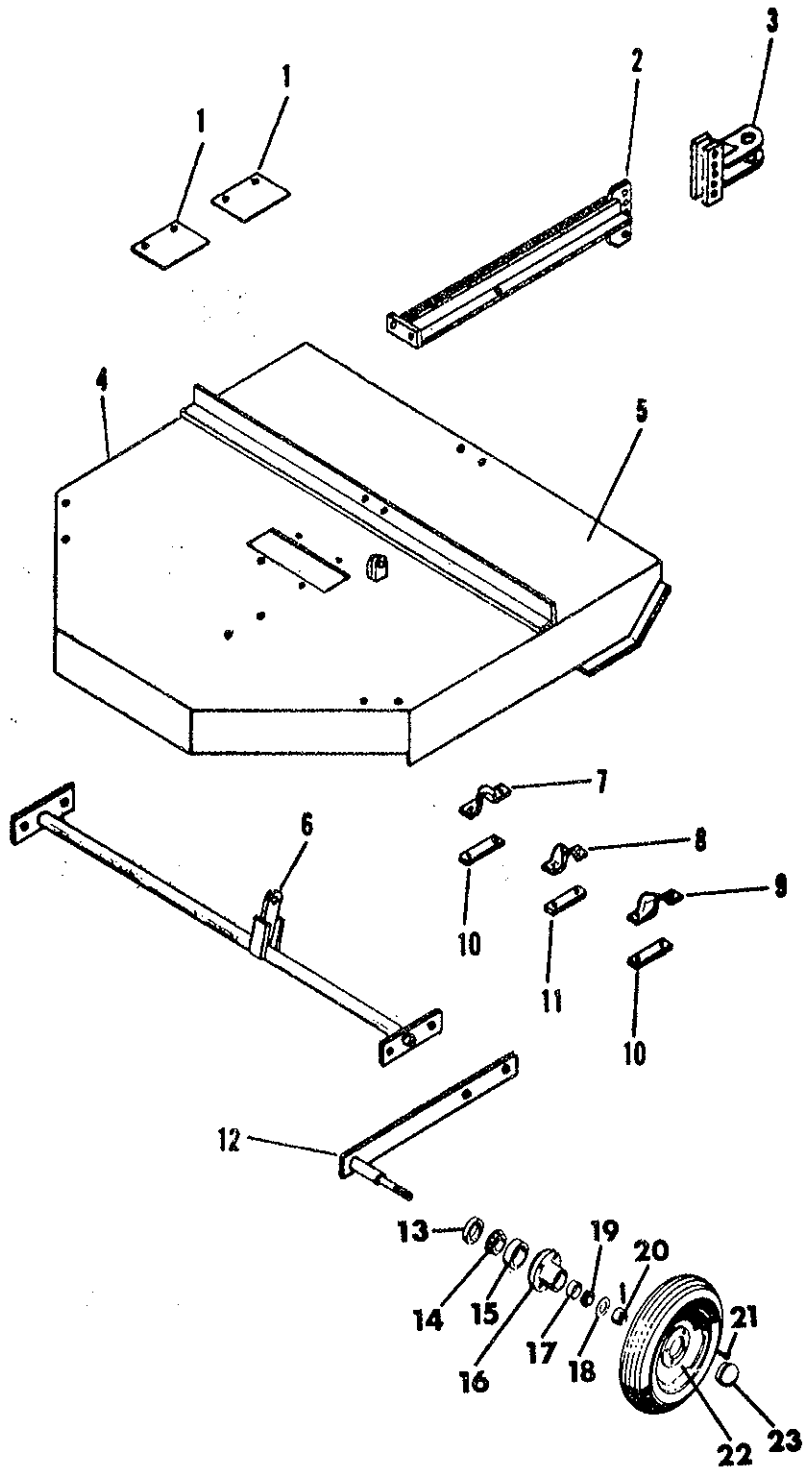
IMPORTANT!

Repairs cannot be purchased retail direct from factory. Order through your Brillion dealer or any established implement dealer.

BRILLION IRON WORKS
Brillion, Wisconsin, U. S. A.

9C-543

9C-543

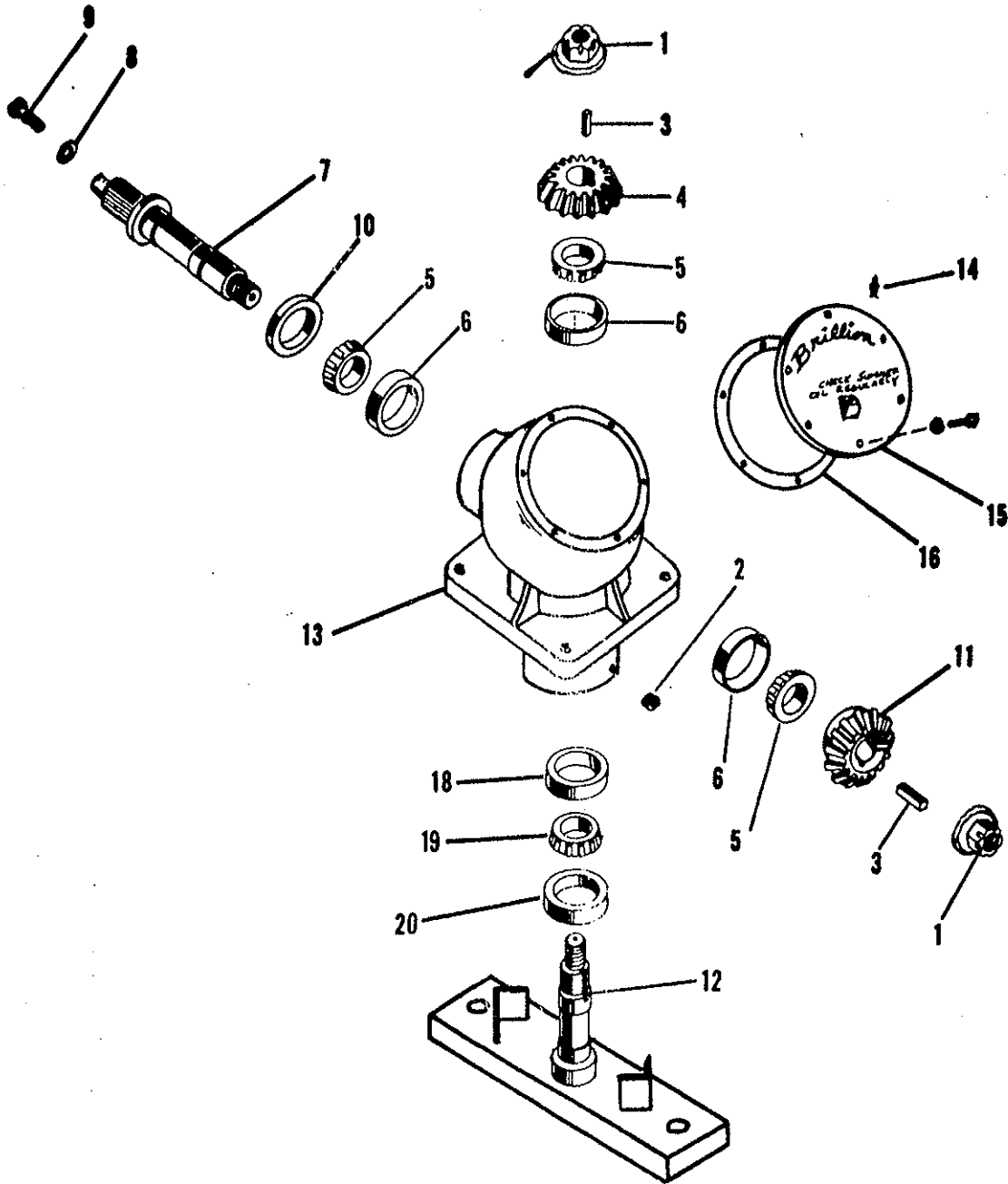


HOOD, DRAWBAR AND AXLE ASSEMBLY

Index No.	Part No.	Description
1	9C-384	Cover Plate
2	9C-302	Drawbar
3	1D-293	Adjustable Hitch Plate Assembly
4	9C-471	L. H. Side Panel Assembly (Models 01-03)
5	9C-281	Hood Assembly (Models 01-03)
	4D-861	Hood Assembly (Model 04)
6	9C-280	Axle Assembly
7	8C-622	L. H. Axle Assembly
8	6C-285	Axle Bearing
9	8C-623	R. H. Axle Clamp
10	8C-624	Axle Clamp Bottom
11	6C-593	Axle Bearing Bottom
12	9C-455	Arm & Shaft Assembly
13	5C-910	Seal
14	5C-913	Bearing Cone
15	5C-914	Bearing Cup
16	5C-904	Wheel Hub
17	5C-912	Bearing Cup
18	5C-907	Washer
19	5C-911	Bearing Cone
20	5C-909	Slotted Nut
21	5C-100	Wheel Bolt
22	5C-916	Wheel Rim - 15"
	8C-470	Wheel Rim - 14"
	1D-900	Laminated Tire & Rim
23	5C-908	Cap

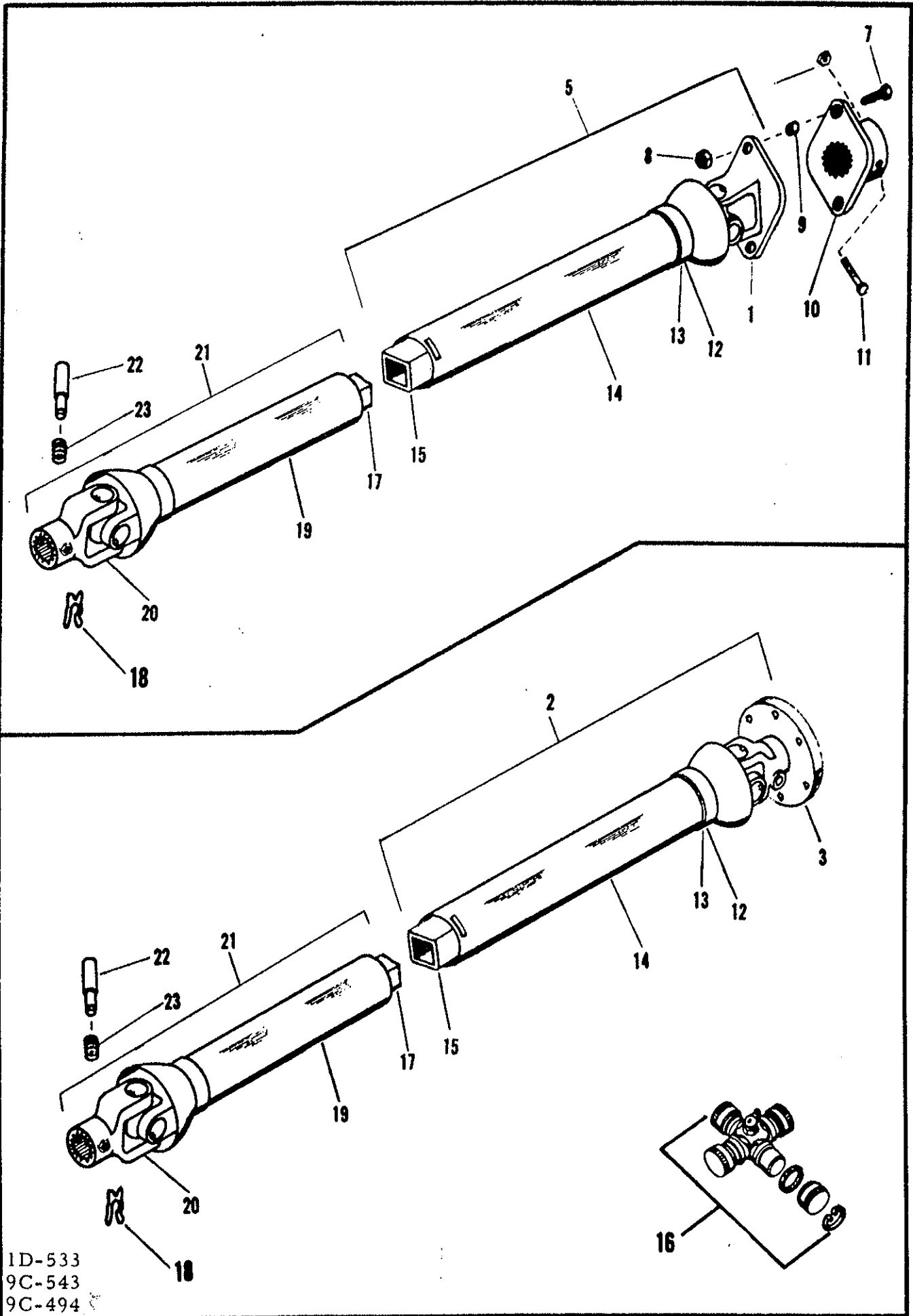
9C-543

866



BLADE DRIVE ASSEMBLY

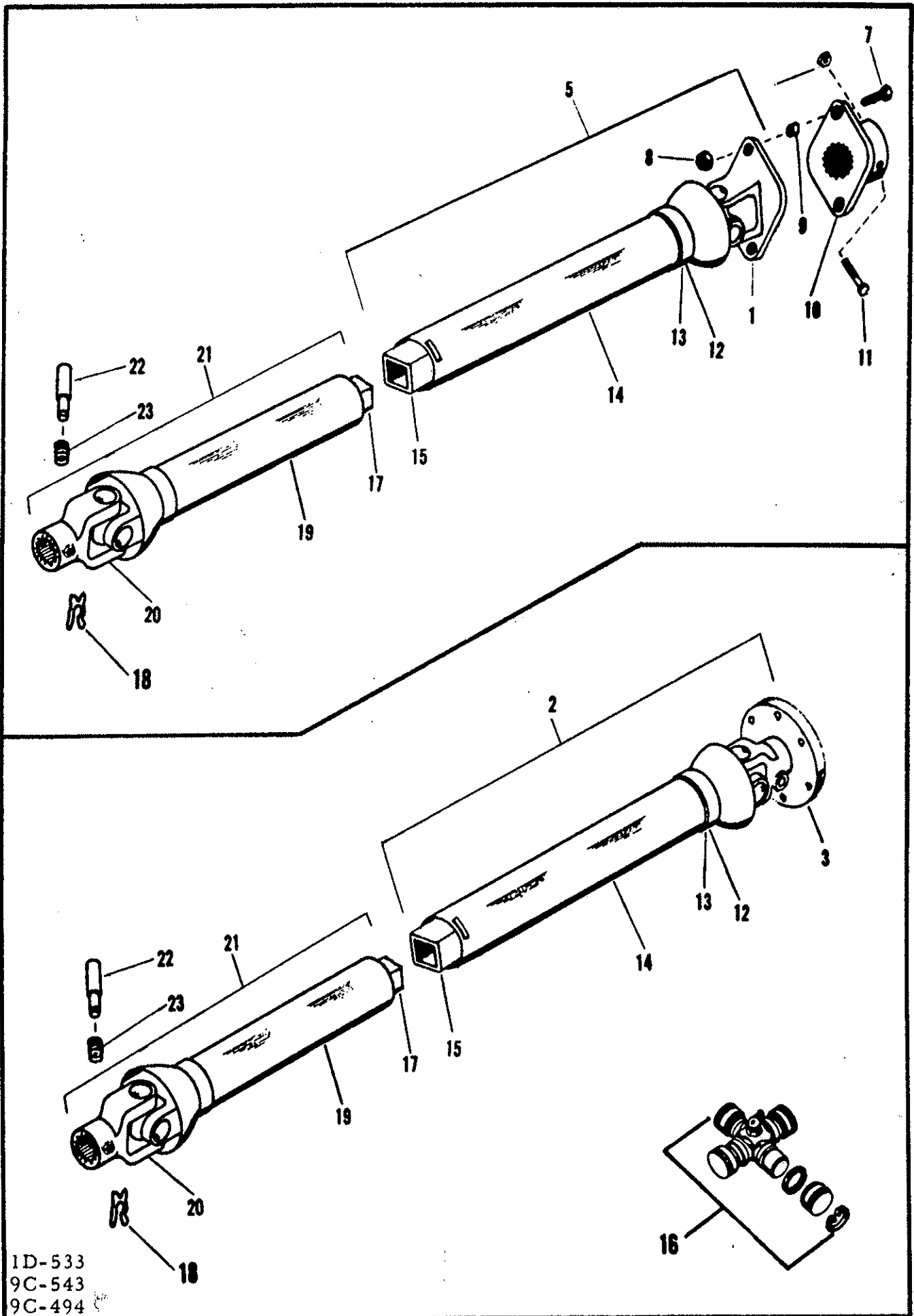
Index No.	Part No.	Description	Used on Model No.
	9C-393	Gearbox Assembly 540 RPM	01
	1D-101	Gearbox Assembly 540 RPM	02
	1D-951	Gearbox Assembly 1,000 RPM	02
	3D-982	Gear box Assembly 540 RPM	03
	3D-983	Gearbox Assembly 1,000 RPM	03
	5D-527	Gearbox Assembly 540 RPM	04 thru 05
	5D-528	Gearbox Assembly 1,000 RPM	04 thru 05
1	1D-373	Flange Nut	All Models
2	9C-855	Pipe Plug (Drain)	All Models
3	4C-905	Key (2 Required)	01
	7C-728	Key (4 Required)	01 thru 05
4	8C-598	Gear (17T) Forged, 1 Key	01
	1D-105	Gear (17T) Forged, 2 Key, 540 RPM	02 thru 03
	3D-351	Gear (18T), Cut, 2 Key, 540 RPM	04 thru 05
	1D-104	Gear (23T), Forged, 2 Key, 1,000 RPM	02 thru 03
	3D-350	Gear (24T), Cut, 2 Key, 1,000 RPM	04 thru 05
5	7C-763	Bearing Cone #LM501349	All Models
6	7C-762	Bearing Cup #LM501310	All Models
7	9C-392	Input Shaft (1 Keyway)	01
	1D-102	Input Shaft (2 Keyways)	02 thru 05
8	1C-120	Washer (Shear Joint)	All Models
9	5C-516	Shear Joint Retaining Screw	All Models
10	7C-764	Seal	All Models
11	8C-597	Gear (23T), Forged, 1 Key	01
	1D-104	Gear (23T), Forged, 2 Key, 540 RPM	02 thru 03
	3D-350	Gear (24T), Cut, 2 Key, 540 RPM	04 thru 05
	1D-105	Gear (27T), Forged, 2 Key, 1,000 RPM	02 thru 03
	3D-351	Gear (18T), Cut, 2 Key, 1,000 RPM	04 thru 05
12	9C-315	Output Spindle Assembly (1 Keyway)	01
	1D-107	Output Spindle Assembly (2 Keyways)	02
	3D-529	Output Spindle Assembly (2 Keyways)	03 thru 05
13	8C-572	Gearbox	01 thru 02
	3D-527	Gearbox	03 thru 05
14	7C-732	Breather Plug (Order 3D-978 & 5C-573)	04
	3D-978	Reducer Bushing	All Models
	5C-573	Breather Valve	All Models
15	8C-607	Gearbox Cover	All Models
16	8C-606	Gasket	All Models
18	7C-762	Bearing Cup #LM501310	01 thru 02
	4C-832	Bearing Cup #362A	03 thru 05
19	7C-763	Bearing Cone #LM501349	01 thru 02
	4C-850	Bearing Cone #368	03 thru 05
20	7C-764	Seal #DW304-208-11	01 thru 02
	4C-831	Seal #DW332-224-11.25	03 thru 05



1D-533
9C-543
9C-494

UNIVERSAL DRIVE SHAFT
RSS-72 DRAWBAR MODEL

Index No.	Part No.	Description
1	1D-766	Shear Yoke (W-3/8" Bushing)
2	1D-905	Tube & Flange Yoke Assembly (540 rpm PTO)
	1D-953	Tube & Flange Yoke Assembly (1,000 rpm PTO)
3	1D-904	Yoke & Flange Assembly
5	9C-395	Tube & Safety Shear Assembly (540 rpm PTO)
	1D-952	Tube & Safety Shear Assembly (1,000 rpm PTO)
6	6C-748	Stover Nut
7	1C-508	Shear Bolt (3/8-16 NC x 2-1/2" Long)
8	5C-954	Stover Nut
9	9C-419	Bushing - 3/8"
10	9C-390	Shear Flange Assembly (W-3/8" Bushing)
11	9C-391	Bolt
12	8C-301	Set of 8 Balls
	2D-140	Nylon Bearing
13	8C-302	Retaining Ring (Used With 8 Balls)
	2D-141	Retaining Ring (Used With Nylon Bearing)
*	1D-854	Nylon Centralizer
14	9C-338	Rear Shield Complete (540 rpm PTO)
	3D-677	Rear Shield Complete (1,000 rpm PTO)
15	9C-337	Tube & Yoke Assembly (540 rpm PTO)
	3D-676	Tube & Yoke Assembly (1,000 rpm PTO)
16	5C-515	Universal Joint Repair Kit
17	9C-335	Shaft & Yoke Assembly (540 rpm PTO)
	3D-674	Shaft & Yoke Assembly (1,000 rpm PTO)
18	5C-939	"X" Washer (Not Required With 3D-757)
19	9C-394	Front Shield Complete (540 rpm PTO)
	3D-675	Front Shield Complete (1,000 rpm PTO)
20	6C-589	1-3/8 - 6B Spline Tractor Yoke (540 rpm PTO)
	1D-791	1-3/8 - 21 Spline Tractor Yoke (1,000 rpm PTO)
*	8C-528	Cap Screw)
*	5D-747	Elastic Stop Nut) Used With 1D-791 Yoke
21	9C-325	Shaft & Joint Assembly (540 rpm PTO)
	1D-947	Shaft & Joint Assembly (1,000 rpm PTO)
22	5C-987	Lock Pin (Obsolete - Order 3D-757)
23	5C-257	Lock Pin Spring

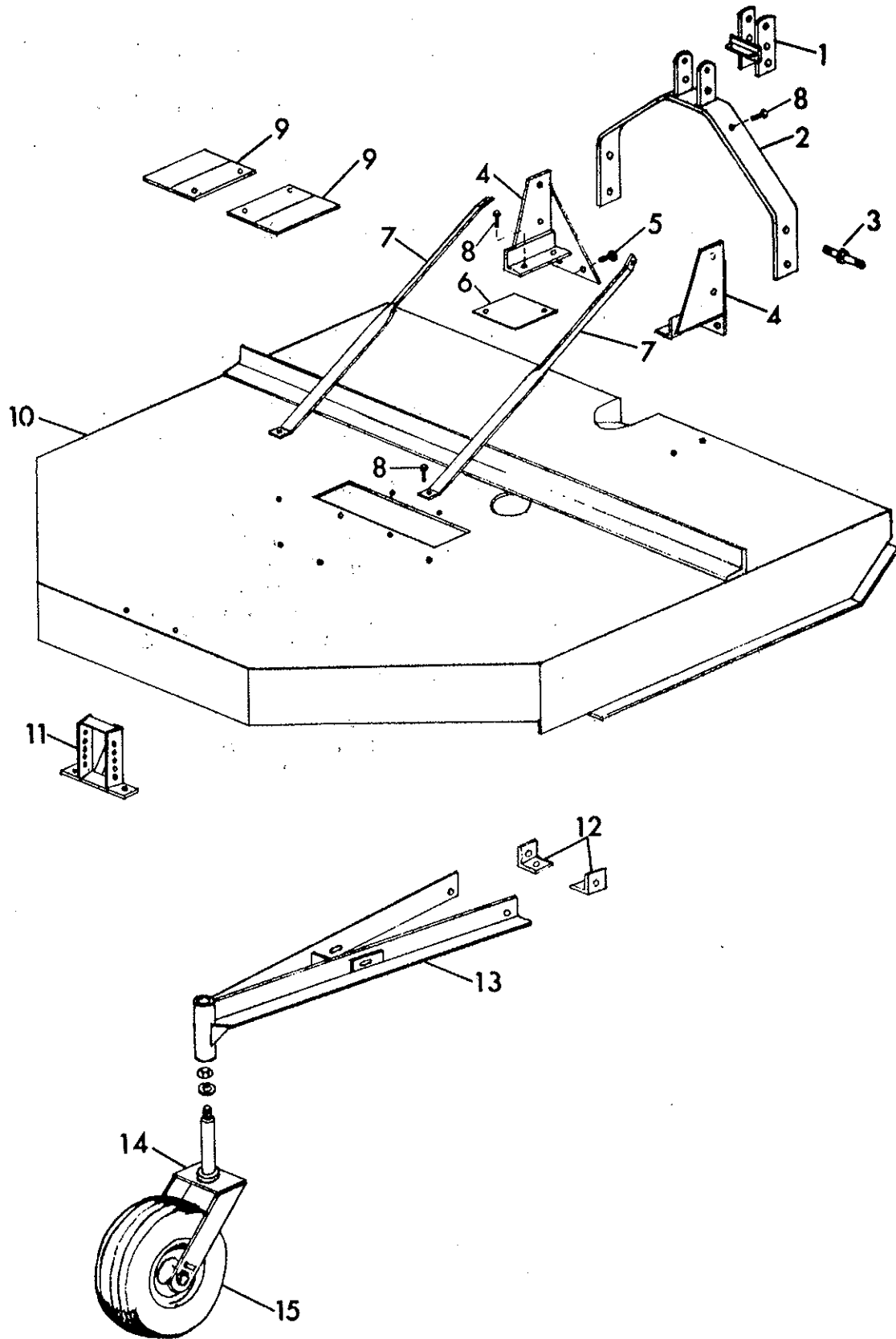


1D-533
 9C-543
 9C-494

UNIVERSAL DRIVE SHAFT
RSSP-72 PICK-UP MODEL

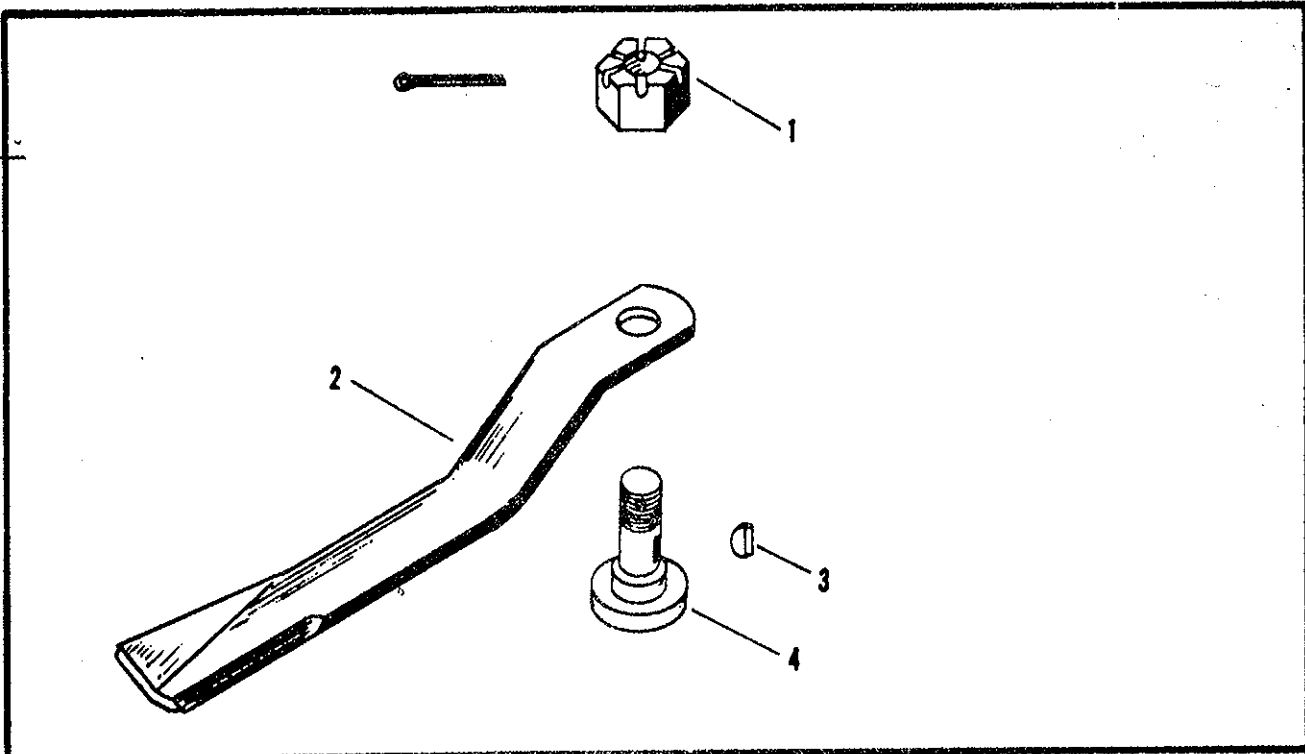
Index No.	Part No.	Description
1	1D-766	Shear Yoke (W-3/8" Bushing)
2	1D-911	Tube & Flange Yoke Assembly (540 rpm & 1,000 rpm PTO)
3	1D-904	Yoke & Flange Assembly
5	9C-919	Tube & Safety Shear Assembly (540 rpm & 1,000 rpm PTO)
6	6C-748	Stover Nut
7	1C-508	Shear Bolt (3/8-16 NC x 2-1/2" Long)
8	5C-954	Stover Nut
9	9C-419	Bushing - 3/8"
10	9C-390	Shear Flange Assembly (W-3/8" Bushing)
11	9C-391	Bolt
12	8C-301	Set of 8 Balls
	2D-140	Nylon Bearing
13	8C-302	Retaining Ring (Used with 8 Balls)
	2D-141	Retaining Ring (Used with Nylon Bearing)
*	1D-854	Nylon Centralizer
14	3D-679	Rear Shield Complete (540 rpm & 1,000 rpm PTO)
15	3D-678	Tube & Yoke Assembly (540 rpm & 1,000 rpm PTO)
16	5C-515	Universal Joint Repair Kit
17	3D-213	Shaft & Yoke Assembly (540 rpm PTO)
	3D-847	Shaft & Yoke Assembly (1,000 rpm PTO)
18	5C-939	"X" Washer (Not Required With 3D-757)
19	3D-214	Front Shield Complete (540 rpm PTO)
	3D-848	Front Shield Complete (1,000 rpm PTO)
20	6C-589	1-3/8 - 6B Spline Tractor Yoke (540 rpm PTO)
	1D-791	1-3/8 - 21 Spline Tractor Yoke (1,000 rpm PTO)
*	8C-528	Cap Screw) Used with 1D-791 Yoke
*	5D-747	Elastic Stop Nut)
21	3D-190	Shaft & Joint Assembly (540 rpm PTO)
	3D-194	Shaft & Joint Assembly (1,000 rpm PTO)
22	5C-987	Lock Pin (Obsolete - Order 3D-757)
23	5C-257	Lock Pin Spring

PICKUP HOOD & TAILWHEEL ASSEMBLY



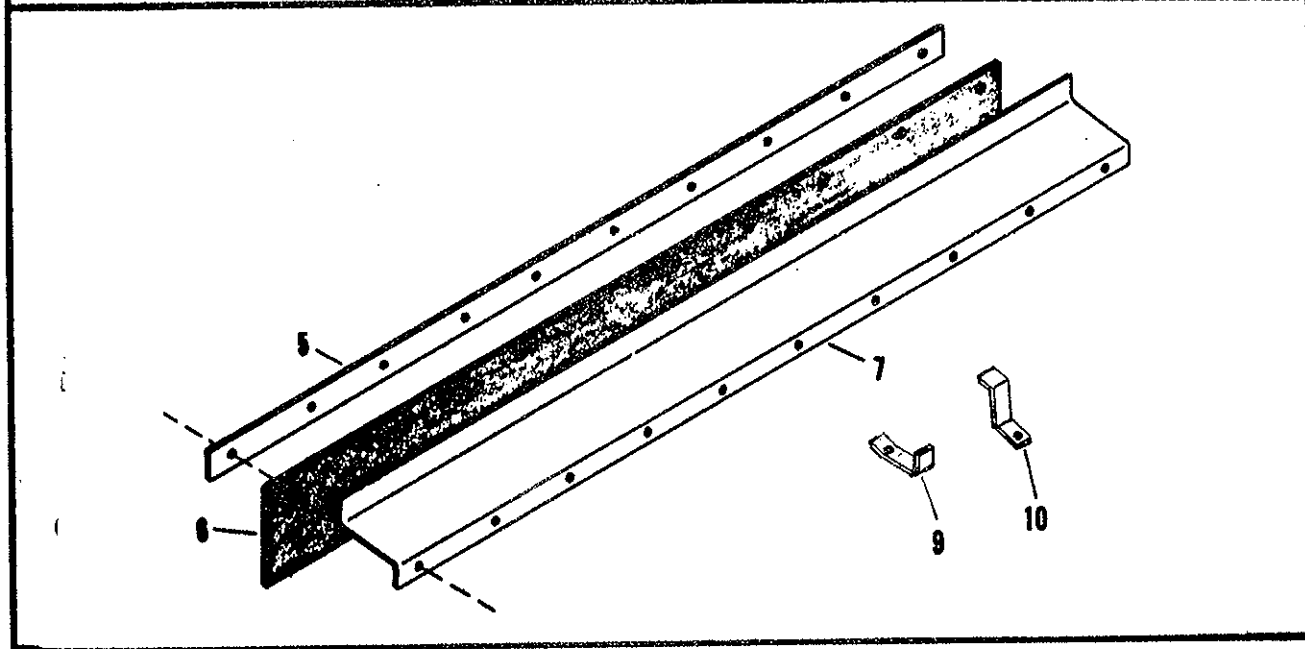
PICK-UP HOOD & TAILWHEEL ASSEMBLY

Index No.	Part No.	Description	Weight
1	5D-666	Float Link (Category I Tractors)	
	6D-159	Float Link (Category II Tractors)	
2	5D-275	Mast Weldment	
3	5D-186	Hitch Pin (Category I Tractors)	
	1D-217	Hitch Pin (Category II Tractors)	
4	5D-267	Hitch Sub-Assembly L. H.	
	5D-268	Hitch Sub-Assembly R. H.	
5	1D-237	Capscrew, 1/2-13 NC x 2" Long, Grade 5, 4 Req'd.	
6	4D-893	Cover Plate	
7	9C-907	Brace - R.H.) Models 01-04	5.75
	1D-325	Brace - L.H.)	5.75
	6D-335	Brace - R.H.) Model 05	7.4
	6D-334	Brace - L.H.)	7.4
8	8C-527	Capscrew, 1/2-13 NC x 1-1/2 Long, Grade 5, 6 Req'd.	
9	9C-384	Cover Plate	
10	9C-893	Hood Assembly (Models 01-03)	500.0
	5D-43	Hood Assembly (Model -04)	500.0
11	6C-454	Adjustment Bracket	5.75
12	9C-915	Lug	1.0
13	8C-447	Tailwheel Arm Sub-Assembly	41.50
14	9C-913	Wheel Fork	15.50
*15	4D-355	Capscrew, 3/4-10 NC x 5-1/2 Long, Grade 5, 1 Req'd.	
*16	6C-729	Nut (Stover) 3/4 NC 1 Req'd.	
*17	7C-120	Bushing (Machinery) 1" Shaft x 1-1/2 O.D., 1 Req'd.	
		<u>Tailwheel Components (Pneumatic)</u>	
	9C-224	Wheel Assembly Complete	14.0
	9C-225	Rim & Hub Assembly	7.0
	5C-899	Tire 4.80/4.00 x 8 - 4 Ply	5.50
	5C-900	Tube 4.80/4.00 x 8	1.25
	2D-256	Spacer (1-1/4 O.D. x 3/4" Long)	.1
		<u>Tailwheel Components (Laminated)</u>	
	1D-903	Hub, Rim & Tire Assembly Complete	30.50
	1D-899	4.00 x 8 Laminated Tire & Rim	23.75
	8D-932	Hub (With Bearings & Seals)	6.25
	1D-924	Spacer (1-1/4 O.D. x 1-5/32" Long)	.1
	1D-925	Spacer (1-1/4 O.D. x 1-11/32" Long)	.2
	2J-977	Nut, 1/2-20 N.F. Reg. Hex	
		<u>Pneumatic & Laminated Components</u>	
	9C-914	Axle Assembly	2.0
	9C-226	Bearing Cup #L44610	.1
	9C-227	Bearing Cone #L44643	.2
	9C-228	Seal	.1
	9C-223	Axle Nut (Stover Lock)	.3
		*Not Shown	



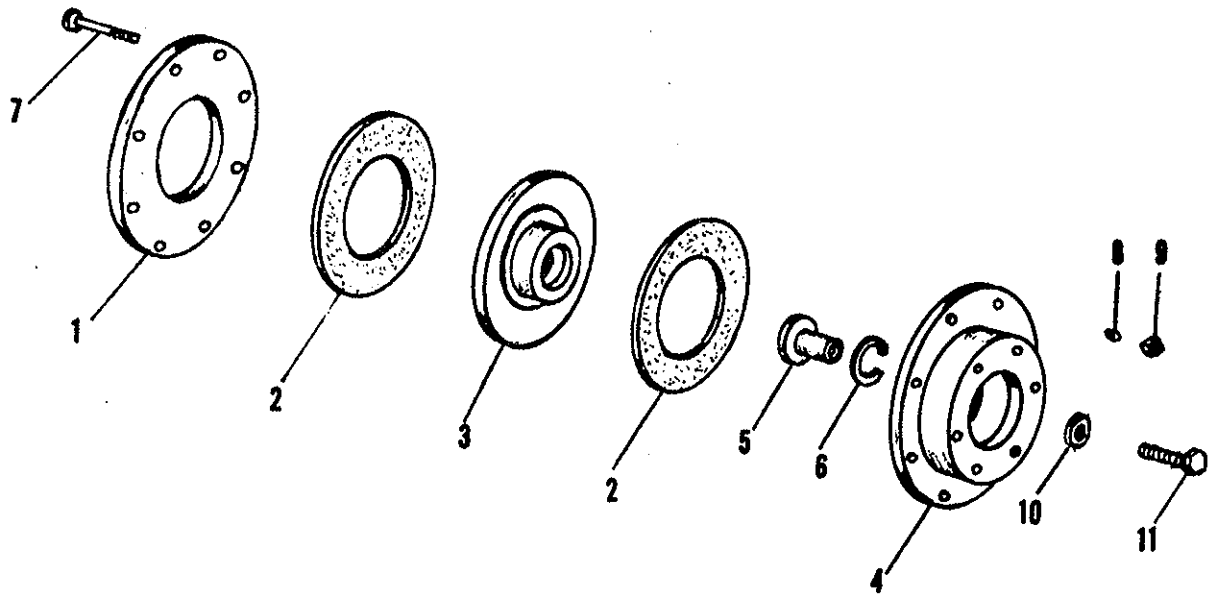
9C-543

7-15-63



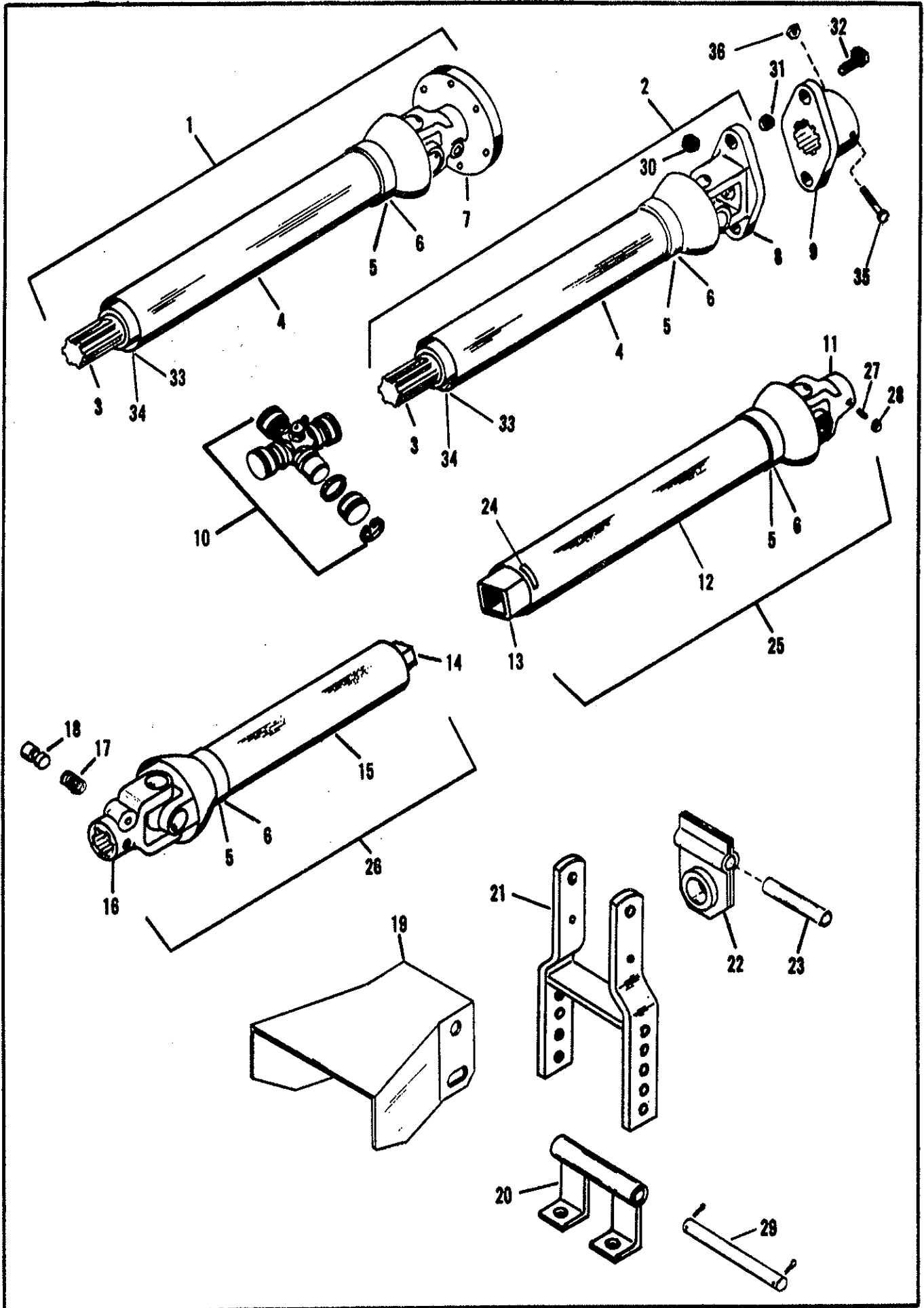
BLADE & SHIELD ASSEMBLIES

Sym.	Part No.	Description
1	8C-609	Slotted Nut
2	8C-599	Swinging Blade - R. H.
3	9C-424	Woodruff Key
4	9C-421	Pivot Bolt
5	2D-125	Clamp Strap
6	2D-123	Shield Strip
7	2D-127	Shield Bracket (Drawbar Model)
	2D-191	Shield Bracket (Pick-up Model)
9	2D-187	Bottom Clip
10	2D-188	Top Clip



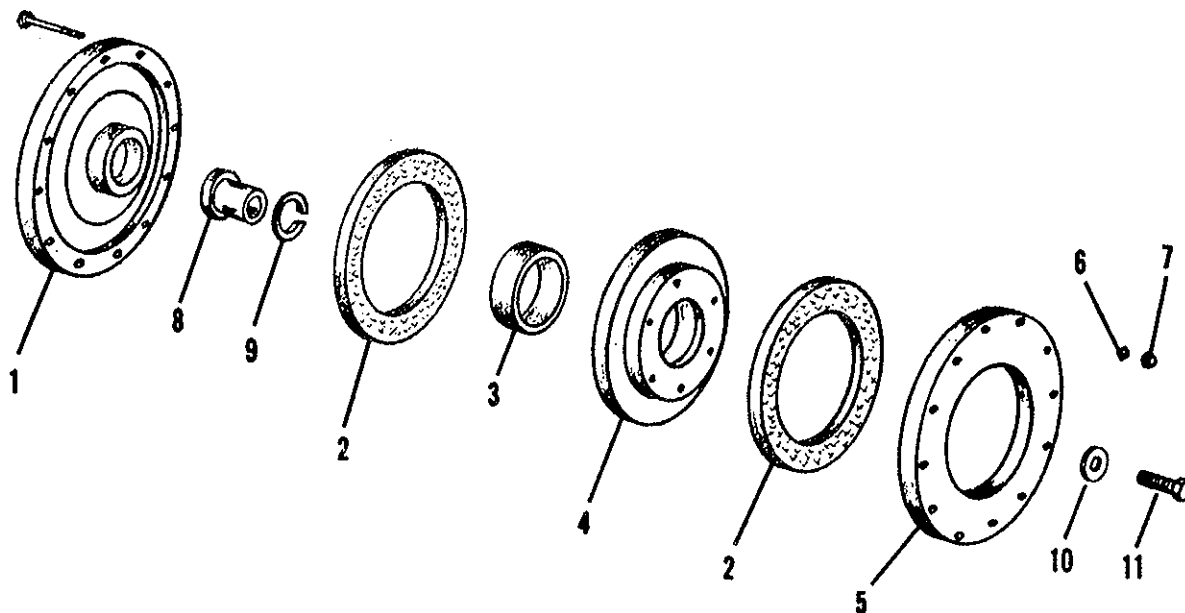
7-1/2" SLIP CLUTCH ASSEMBLY

Sym.	Part No.	Part Name
	3D-808	Clutch Assembly (Complete)
1	3D-811	Pressure Plate
2	3D-457	Friction Disc-7-1/2" Outside Diameter
3	3D-810	Clutch Hub
4	3D-809	Friction Plate Assembly
5	1D-888	Adapter Sleeve
6	1D-542	Snap Ring
7	1C-508	Capscrew
8	1D-398	Belleville Washer
9	1C-670	Nut (Self locking)
10	1D-889	Retaining Washer
11	5C-516	Capscrew, L. H. Thread



3 JOINT P. T. O. ASSEMBLY
RSS-72 ROTARY SHREDDER

Sym.	Part No.	Description
1	3D-145	Drive Shaft Assembly (Slip Clutch)
2	3D-106	Drive Shaft Assembly (3/8" Shear Pins)
3	3D-229	Drive Shaft & Yoke Assembly
4	3D-230	Shield Complete
5	2D-140	Nylon Bearing
6	2D-141	Retaining Ring
7	1D-904	Yoke & Flange Assembly
8	1D-766	Shear Yoke (W-3/8" Bushings)
9	9C-390	Shear Flange Assembly (3/8" Bushings)
10	5C-515	Universal Joint Repair Kit
11	8C-315	Yoke
12	3D-231	Rear Shield Complete
13	3D-232	Tube & Yoke Assembly
14	3D-233	Shaft & Yoke Assembly
15	3D-234	Front Shield Complete
16	6C-589	1-3/8 - 6 Spline Tractor Yoke (540 RPM)
	1D-791	1-3/8 - 21 Spline Tractor Yoke (1,000 RPM)
*	8C-528	Capscrew)
*	5D-747	Elastic Stop Nut) Used With 1D-791 Yoke
17	5C-257	Lock Pin Spring
18	5C-987	Lock Pin
19	3D-105	Center Shield
20	3D-136	Bearing Anchor Assembly
21	3D-135	Support Assembly
22	7C-323	Bearing
23	7C-322	Bearing Sleeve
24	1D-854	Nylon Centralizer
25	3D-107	Tube & Joint Assembly
26	3D-108	Shaft & Joint Assembly (540 RPM)
	3D-147	Shaft & Joint Assembly (1,000 RPM)
27	5C-233	Set Screw
28	5C-234	Jam Nut
29	3D-140	Anchor Pin
30	5C-954	Stover Nut
31	9C-419	Bushing - 3/8"
32	1C-508	Shear Bolt (3/8-16 NC x 2-1/2" Long)
33	3D-680	Nylon Bearing
34	3D-681	Retaining Ring
35	1D-239	Capscrew, 5/16-18 NC x 3 Long, Grade 5
36	6C-748	Stover Nut, 5/16-18 NC



SLIP CLUTCH ASSEMBLY

9" CLUTCH

Sym.	Part No.	Part Name
	1D-909	Clutch Assembly (Complete)
1	1D-371	Hub
2	1D-395	Friction Disc 9" Outside Dia.
3	1D-544	Bushing
4	1D-374	Friction Plate
5	1D-372	Pressure Plate
6	1D-398	Belleville Washer
7	1C-670	Nut (Self Locking)
8	1D-888	Adapter Sleeve
9	1D-542	Snap Ring
10	1D-889	Retaining Washer
11	5C-516	Capscrew, L. H. Thread