

REPAIR PARTS CATALOG

Brillion

ROTARY SHREDDER

MODELS R-60 & RO-60



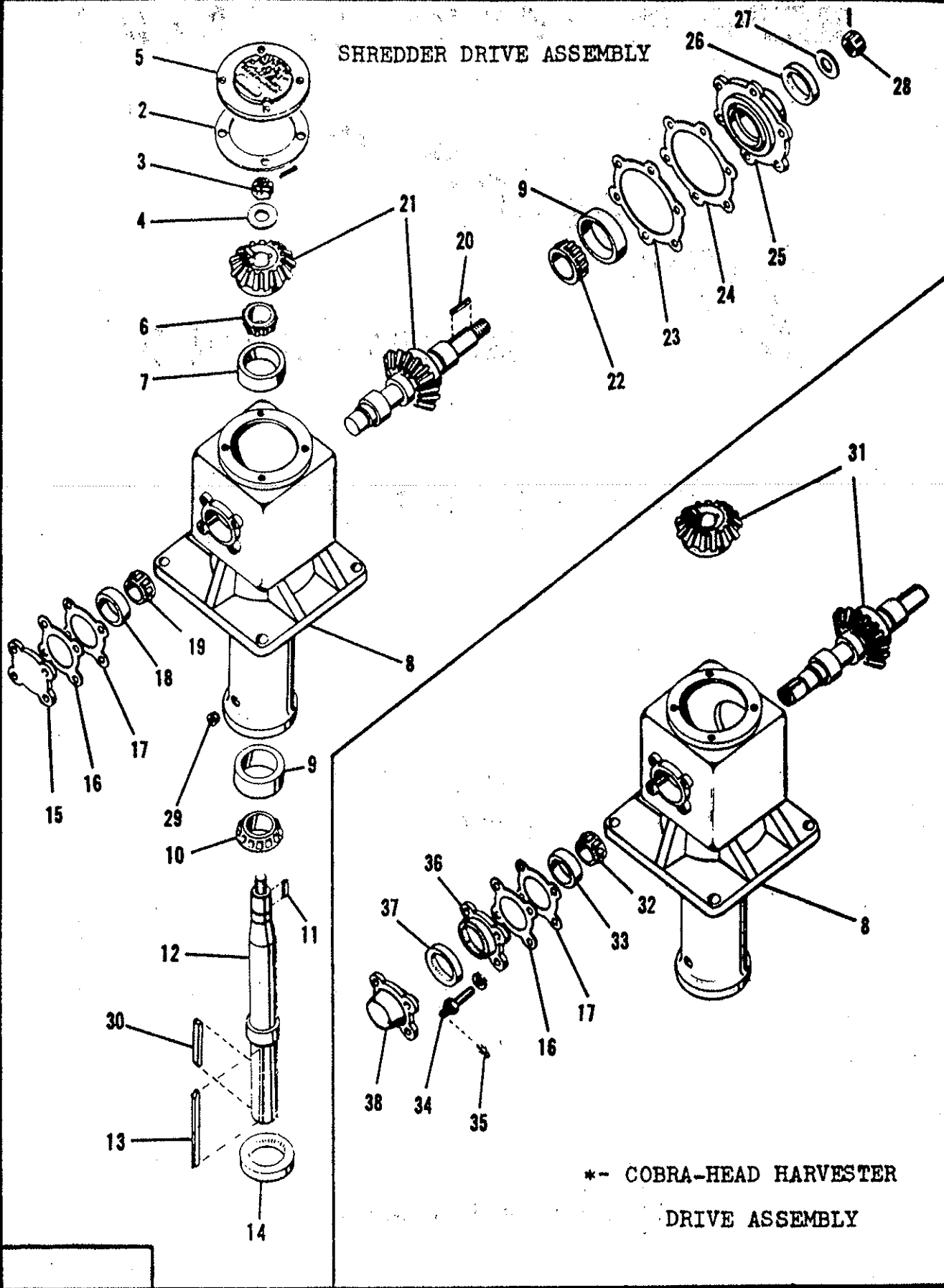
IMPORTANT:

Repairs cannot be purchased retail direct from factory. Order through your Brillion dealer or any established implement dealer.

BRILLION IRON WORKS

Brillion, Wisconsin, U. S. A.

SHREDDER DRIVE ASSEMBLY



5C-103

*-- COBRA-HEAD HARVESTER
DRIVE ASSEMBLY

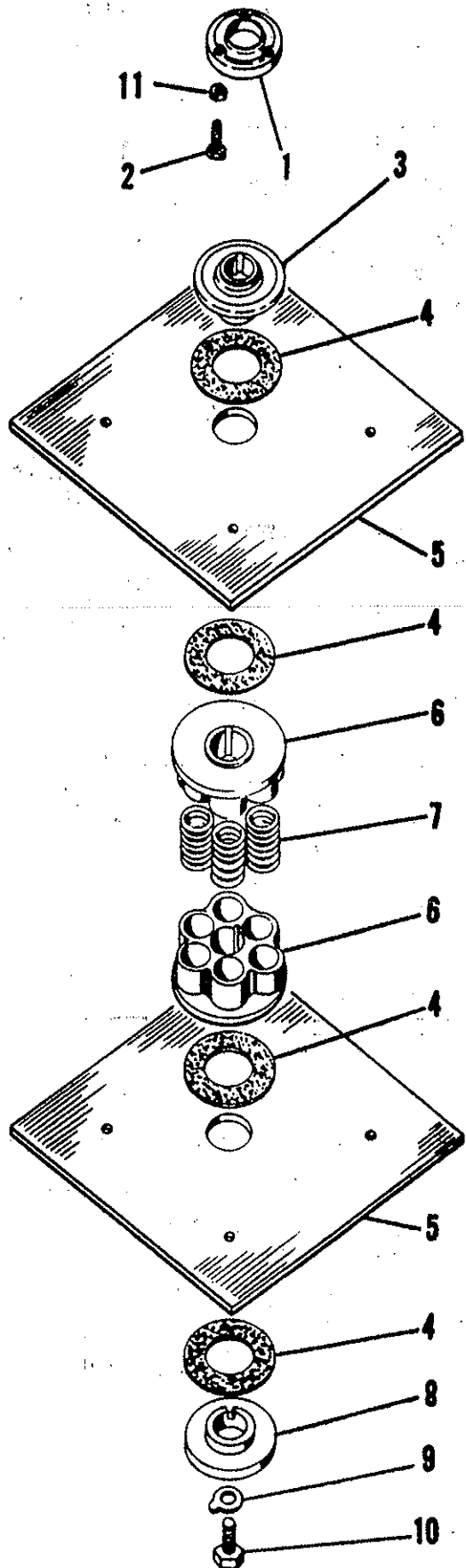
5C-103

SHREDDER DRIVE ASSEMBLY			
INDEX NO.	PART NO.	PART NAME	WEIGHT
1	4C-765	Drive Assembly Complete(Single End Shaft)	112.0
2	4C-825	Gasket-Drive Cover	
3	4C-839	Nut	.13
4	5C-95	B.G. Retaining Washer	
5	4C-947	Drive Cover	2.07
6	4C-835	Bearing Cone (Timken No. 31597)	
7	4C-833	Bearing Cup (Timken No. 31520)	.5
8	4C-821	Drive Housing	64.0
9	4C-832	Bearing Cup (Timken No. 362-A)	.5
10	4C-850	Bearing Cone (Timken No. 368)	.9
11	4C-836	Key-Output Gear	
12	4C-995	Output Shaft-(1" L.H. Female Thread)	17.5
13	5C-177	Clutch Key-(7 3/8" Long-Round End)	.25
14	4C-831	Oil Seal-Output	
15	4C-822	Bearing Cap	1.4
16	4C-826	Shim-Bearing Cap (.005 Thick)	
17	4C-827	Shim-Bearing Cap (.007 Thick)	
18	3C-164	Bearing Cup (Timken No. 14276)	
19	4C-848	Bearing Cone (Timken No. 14138-A)	
20	4C-905	Universal Joint Key	
21	5C-108	Matched Gear & Gear Shaft Set	11.5
22	4C-847	Bearing Cone (Timken No. 367)	
23	4C-828	Shim-Bearing Flange (.007 Thick)	
24	4C-829	Shim-Bearing Flange (.005 Thick)	
25	4C-842	Bearing Flange	4.4
26	4C-830	Oil Seal-Input	
27	4C-931	Washer	
28	1C-379	Hex. Slotted Nut	
29	4C-841	Drain Plug	.04
30	5C-129	Clutch Key-(3 3/4" Long-Round End)	.13

COBRA-HEAD HARVESTER DRIVE ASSEMBLY

*(Parts listed below used with Cobra Blower Drive)

31	5C-860	Matched Gear & Gear Shaft Set	
32	5C-556	Bearing Cone (Timken No. 13687)	
33	3C-657	Bearing Cup (Timken No. 13621)	
34	5C-828	Guard Attaching Pin	
35	5C-829	Internal Hairpin Cotter	
36	5C-505	Rear P.T.O. Bearing Flange	
37	5C-506	Seal - Rear P.T.O.	
38	5C-774	Rear P.T.O. Shaft Cap	
39	5C-730	Drive Assembly Complete(Thru Drive Shaft)	

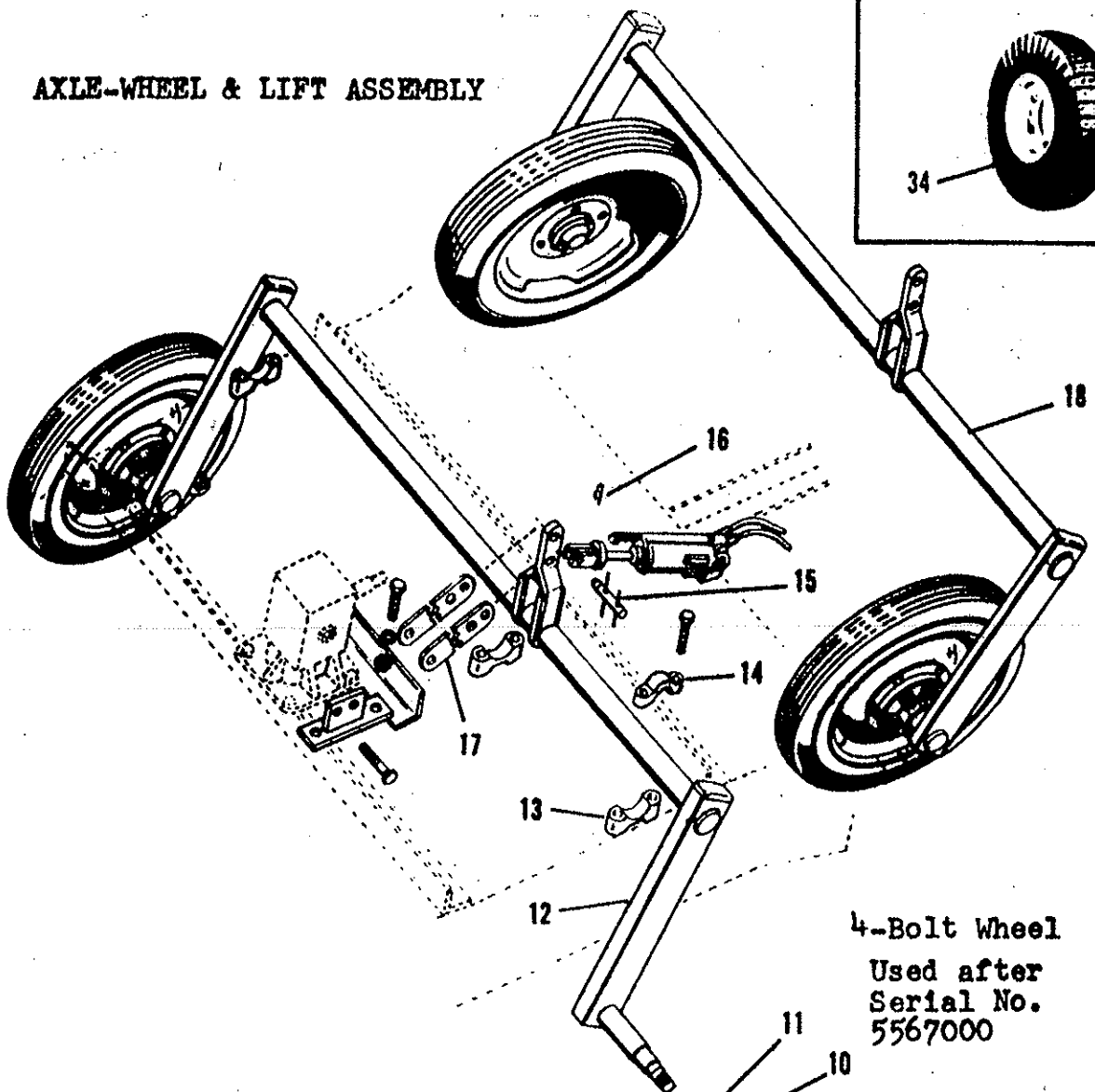
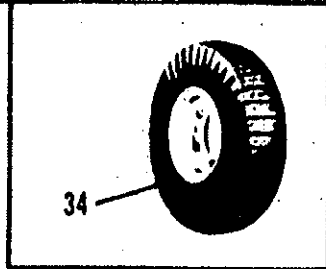


SLIP CLUTCH
ASSEMBLY

5C-103

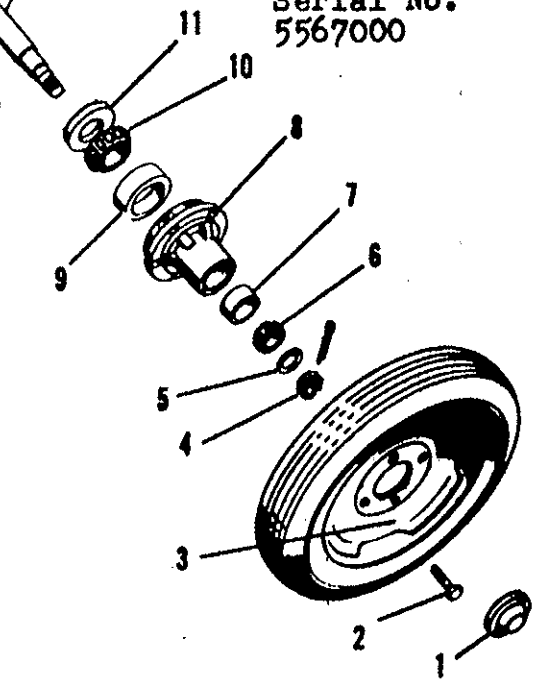
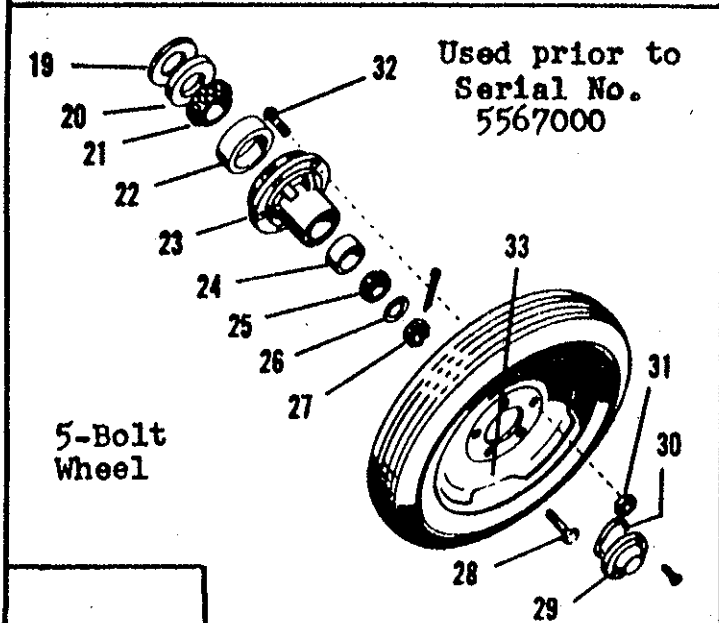
SLIP CLUTCH ASSEMBLY			
INDEX NO.	PART NO.	PART NAME	WEIGHT
1	4C-802	Clutch Adjustment Plate	3.0
2	4C-824	Clutch Adjustment Screw	
3	4C-791	Clutch Pressure Plate	4.0
4	5C-893	Friction Plate	.2
5	4C-867	Mounting Plate Assembly	36.3
6	4C-992	Spring Cage- (All Machines Prior To Ser. No. 554300 Order (2) 4C-992 When Replacing Original Spring Cages!)	5.5
7	4C-904	Clutch Spring	.5
8	4C-916	Clutch Bottom Plate	4.5
9	4C-918	Clutch Lockwasher	
10	4C-917	Retaining Screw-R.H. Thread Used On Machines Ser. No. 554001 to 554300	.7
10	4C-996	Retaining Screw-L.H. Thread Used After Mach. Ser. No. 5550001	.7
11	7C-346	Clutch Lock Nut	

AXLE-WHEEL & LIFT ASSEMBLY



5C-103

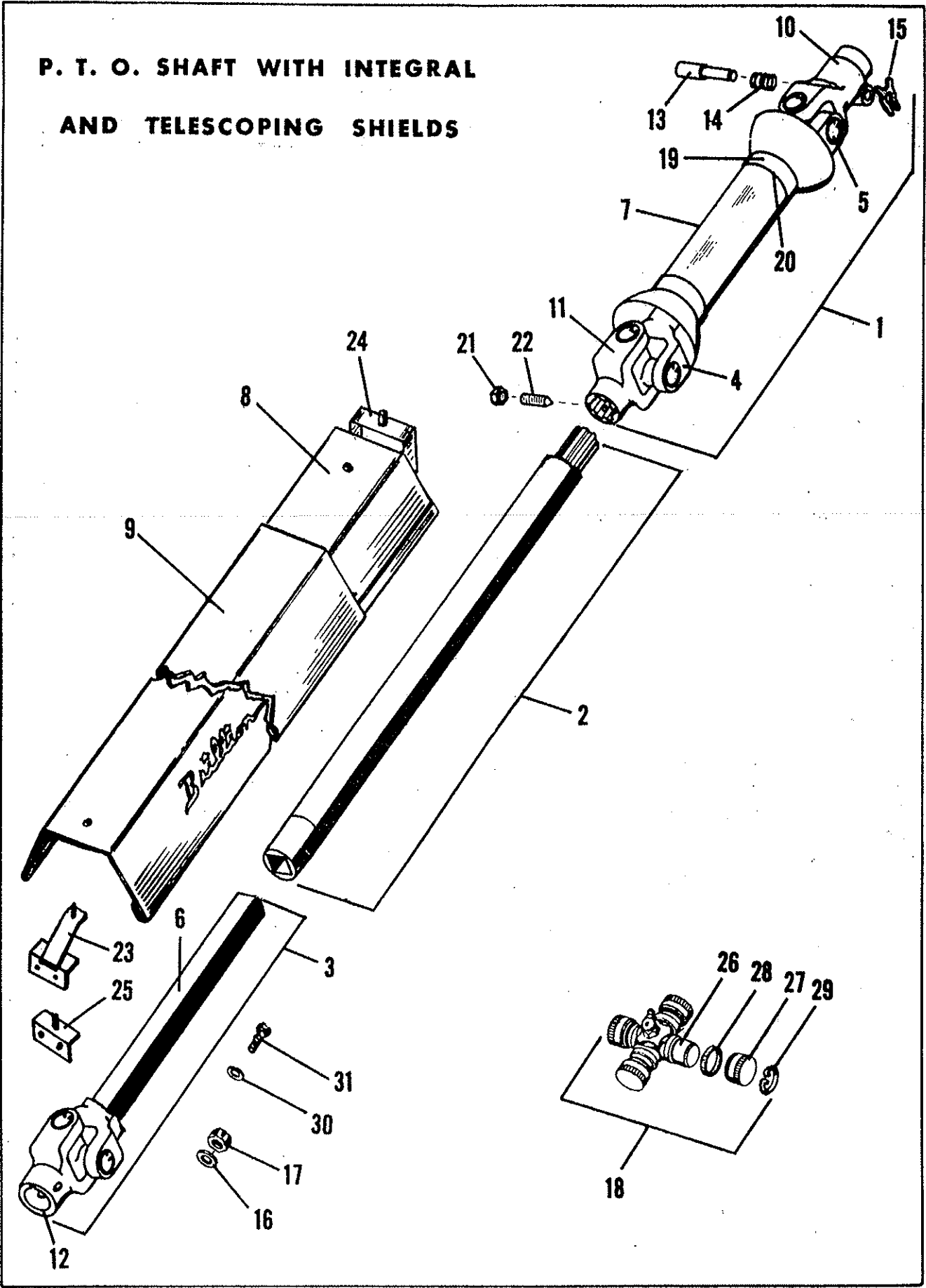
4-Bolt Wheel
Used after
Serial No.
5567000



AXLE WHEEL & LIFT ASSEMBLY

Index No.	Part No.	Part Name	Weight
1	5C-908	Cap	
2	5C-100	Wheel Bolt	
3	5C-916	Rim Only	
4	5C-909	Nut	
5	5C-907	Washer	
6	5C-911	Cone (Timken #LM11949)	
7	5C-912	Cup (Timken #LM11910)	
8	5C-904	Wheel Hub	
9	5C-914	Cup (Timken #LM67010)	
10	5C-913	Cone (Timken #LM67048)	
11	5C-910	Grease Seal	
12	5C-918	Axle Assembly (4-Bolt wheel) Used after Ser. No. 5567000	157.0
	4C-752	Axle Assembly (5-Bolt wheel) Used prior to Ser. No. 5567000	157.0
13	4C-778	Axle Bearing - Bottom	1.5
14	4C-758	Axle Bearing - Top Assembly	1.5
15	4C-772	Transport Pin Assembly	.5
16	4C-856	Hair Pin Cotter	
17	4C-859	Transport Link	2.4
18	5C-917	Narrow Thread Axle Assembly (4-Bolt wheel) Used after Ser. No. 5567000	177.0
	5C-469	Narrow Thread Axle Assembly (5-Bolt wheel) Used prior to Ser. No. 5567000	177.0
19	4C-134	Slinger	
20	3C-168	Grease Seal	
21	3C-165	Bearing Cone (Timken #14136-A)	
22	3C-164	Bearing Cup (Timken #14276)	
23	4C-124	Wheel Hub	8.6
24	3C-166	Bearing Cup (Timken #09195)	
25	3C-167	Bearing Cone (Timken #09067)	
26	3C-172	Washer	
27	3C-173	Nut	
28	5C-100	Wheel Bolt	
29	4C-131	Cap	.8
30	4C-132	Gasket	
31	3C-163	Hex. Wheel Nut	
32	3C-162	Wheel Stud	
33	4C-129	Rim Only - For Pneumatic Tire	
34	1D-900	6.00 x 9 Laminated Tire and Rim	
34	1D-933	6.00 x 9 Laminated Tire Kit (2 wheels with bolts)	

**P. T. O. SHAFT WITH INTEGRAL
AND TELESCOPING SHIELDS**

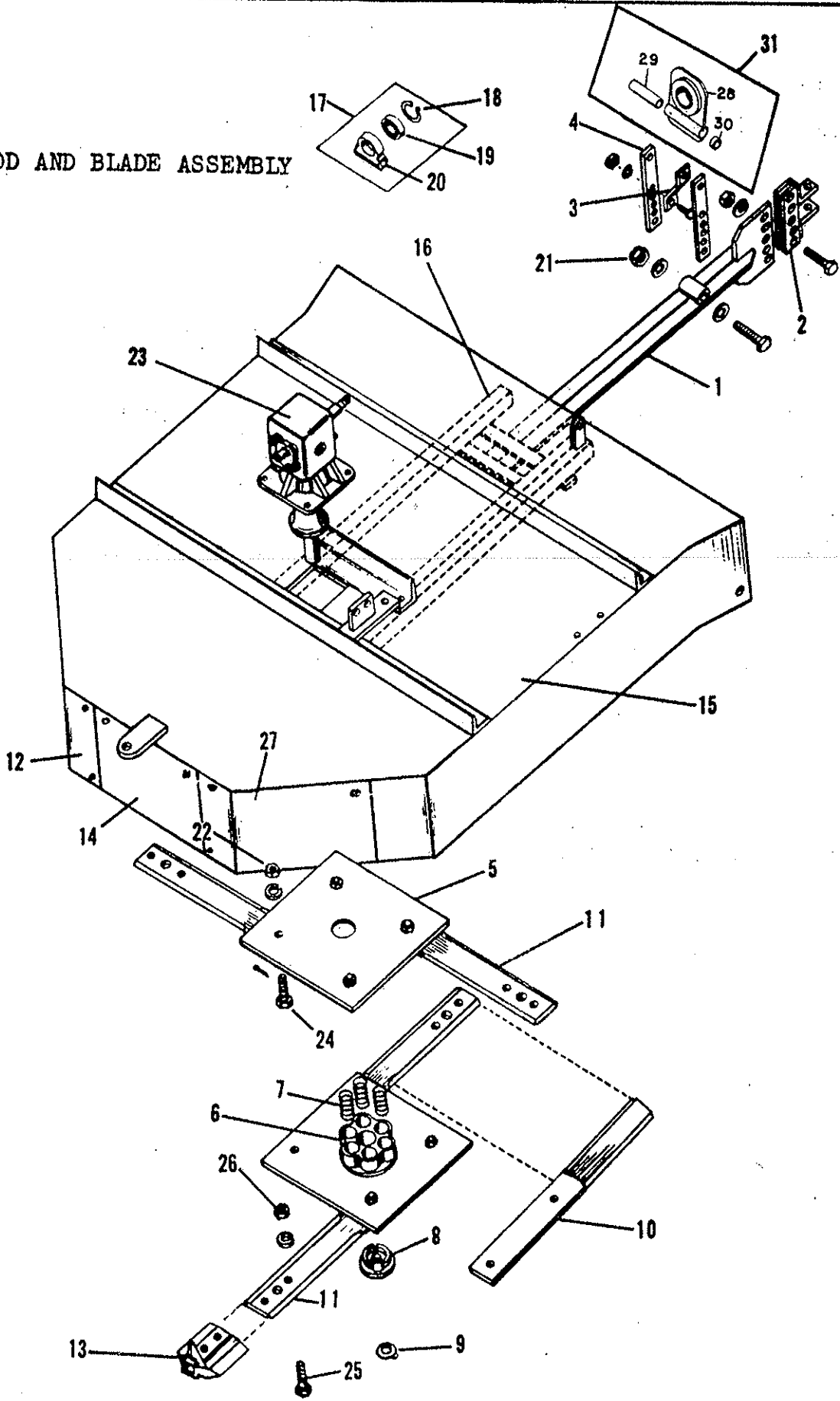


5C-103

P. T. O. SHAFT FOR R-60, RO-60 SHREDDERS

Index No.	Part No.	Part Name	Weight
1	8C-176	Tractor P. T. O. Hitch (1-3/8 Spline) With Guard	26.5
	8C-191	Tractor P. T. O. Hitch (1-1/8 Spline) With Guard	26.0
2	8C-183	Tubular Drive Shaft	12.0
3	8C-178	Joint & Shaft	15.6
4	8C-314	Yoke (With Roll Pin Hole)	2.7
5	8C-313	Sq. Shaft & Yoke	8.5
6	8C-322	Yoke & Shaft	8.5
7	8C-316	Shield Only (For Tractor P. T. O. Hitch)	5.0
8	8C-325	Inner Shield	4.5
9	8C-326	Outer Shield	4.5
10	6C-589	1-3/8 - 6 Spline O. D. Tractor Yoke Only	3.5
	6C-735	1-1/8 - 6 Spline Tractor Yoke Only	3.1
11	8C-315	1-3/8 - 6 Spline Screw Lock Yoke Only	2.7
12	8C-311	1-1/2" Dia. Yoke With Keyway	2.8
13	5C-987	Lock Pin (Obsolete - Order 3D-757)	.2
14	5C-257	Lock Pin Spring	
15	5C-939	"X" Washer (Not Required With 3D-757)	
16	1C-133	Washer	
17	1C-379	Hex Slotted Nut	.2
18	5C-515	Joint Repair Kit	2.0
19	8C-301	Steel Balls (Set of 8) not shown	
20	8C-302	Retaining Ring (2-3/4 Dia.)	
21	5C-234	Jam Nut	
22	5C-233	Joint Set Screw	
23	5C-375	Shield Support	1.5
24	8C-328	Guard Bracket	1.7
25	4C-970	Shield Bracket	.5
26	6C-137	Cross	1.5
27	6C-138	Needle Bearing	.3
28	6C-139	Cork Washer	
29	6C-141	Snap Ring	
30	5C-732	Joint Retaining Washer	
31	1C-674	Capscrew	

HOOD AND BLADE ASSEMBLY

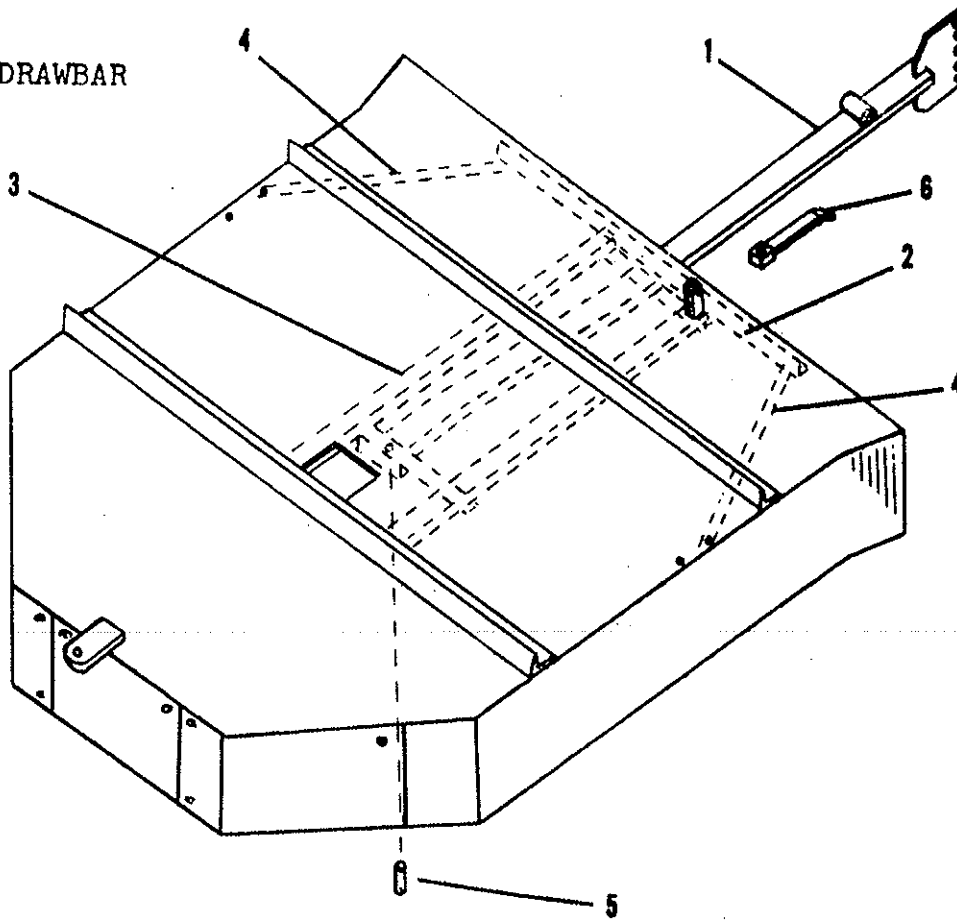


5C-103

HOOD & BLADE ASSEMBLY

Index No.	Part No.	Part Name	Weight
1	4C-756	Hitch Angle & Bracket Assembly	36.0
2	1D-293	Adjustable Hitch Plate Assembly	8.0
3	4C-997	Brace	1.1
4	4C-921	Bearing Carrier Support	2.1
5	4C-867	Mounting Plate Assembly	36.3
6	4C-992	Spring Cage	5.5
7	4C-904	Clutch Spring	.5
8	4C-916	Clutch Bottom Plate	4.5
9	4C-918	Clutch Lockwasher	
10	4C-973	Suction Blade (Bent Blade)	17.5
11	4C-852	Cutting Blade (Flat Blade)	17.5
12	2D-656	L. H. Rear Side Plate Assembly	
13	4C-926	Brush Breaker Blade	8.0
14	2D-658	Rear Center Plate	
15	2D-654	Cover Plate Assembly	
16	4C-764	Bottom Frame Assembly (Rigid Drawbar)	57.0
17	4C-936	Bearing Carrier Assembly	3.5
18	4C-929	Snap Ring	
19	4C-928	Bearing	.8
20	4C-919	Bearing Carrier	2.5
21	5C-392	Nut	
22	1C-379	Slotted Nut	
23	5C-730	Drive Assembly	
24	4C-853	Mounting Bolt	
25	5C-460	Bolt	
26	5C-461	Nut	
27	2D-655	R. H. Rear Side Plate Assembly	
28	7C-323	P. T. O. Bearing	
29	7C-322	Bearing Sleeve	
30	5C-967	Bushing	
31	7C-598	Bearing Kit (Interchangeable with 4C-936)	

OFFSET DRAWBAR

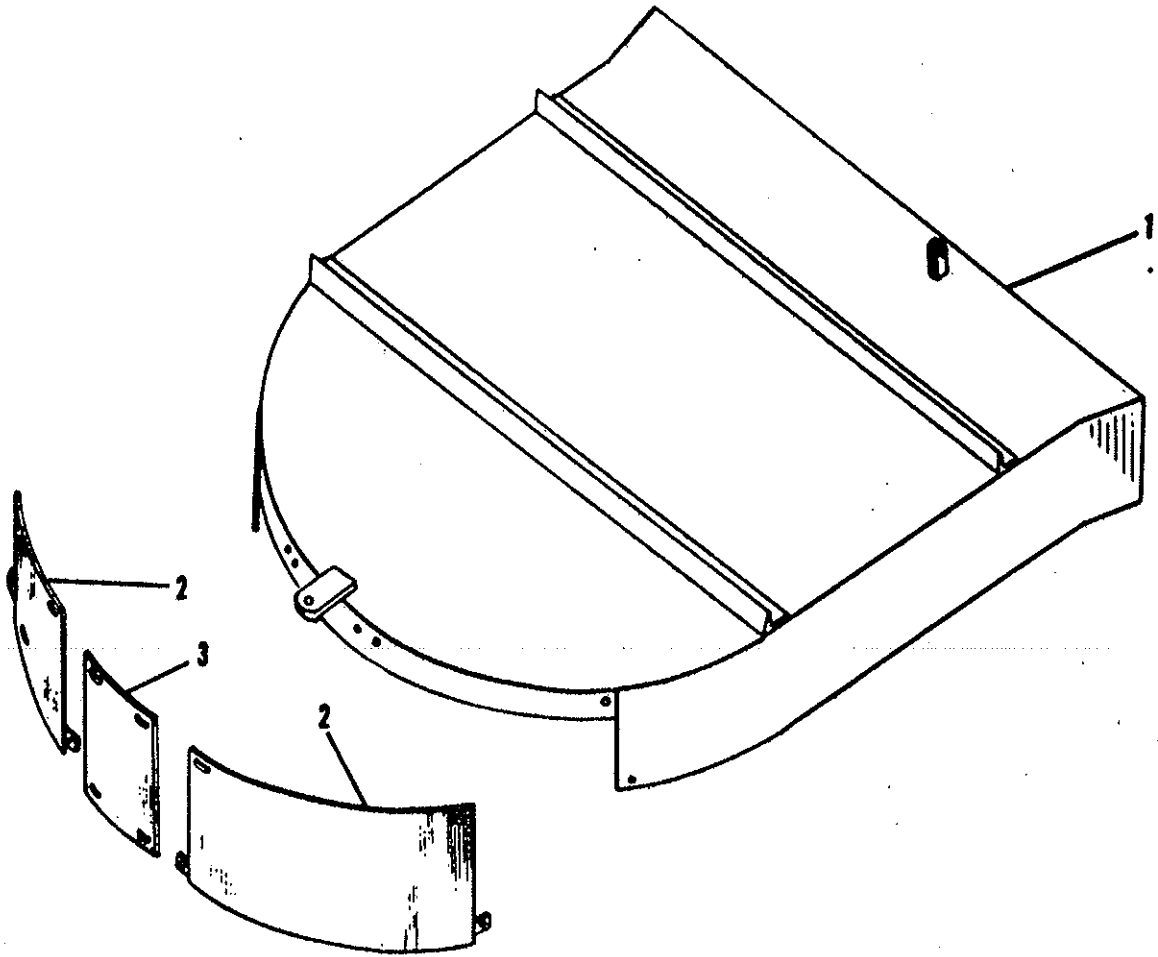


5C-103

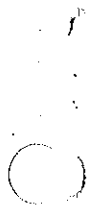
OFFSET DRAWBAR

INDEX NO.	PART NO.	PART NAME	WEIGHT
1	5C-365	Drawbar	13.5 4.2 .5 .4
2	5C-373	Drawbar Segment	
3	5C-380	Offset Drawbar Frame	
4	5C-374	Drawbar Brace	
5	5C-370	Drawbar Pivot Pin	
6	5C-754	Drawbar Locknut Assembly	

5C-103



INDEX NO.	PART NO.	PART NAME	WEIGHT
1	4C-761	Cover Plate Assembly	372
2	4C-871	Rear Side Plate	19
3	4C-777	Rear Center Plate	9



Faint, illegible text or markings in the bottom left corner.