

REPAIR PARTS CATALOG

Brillion

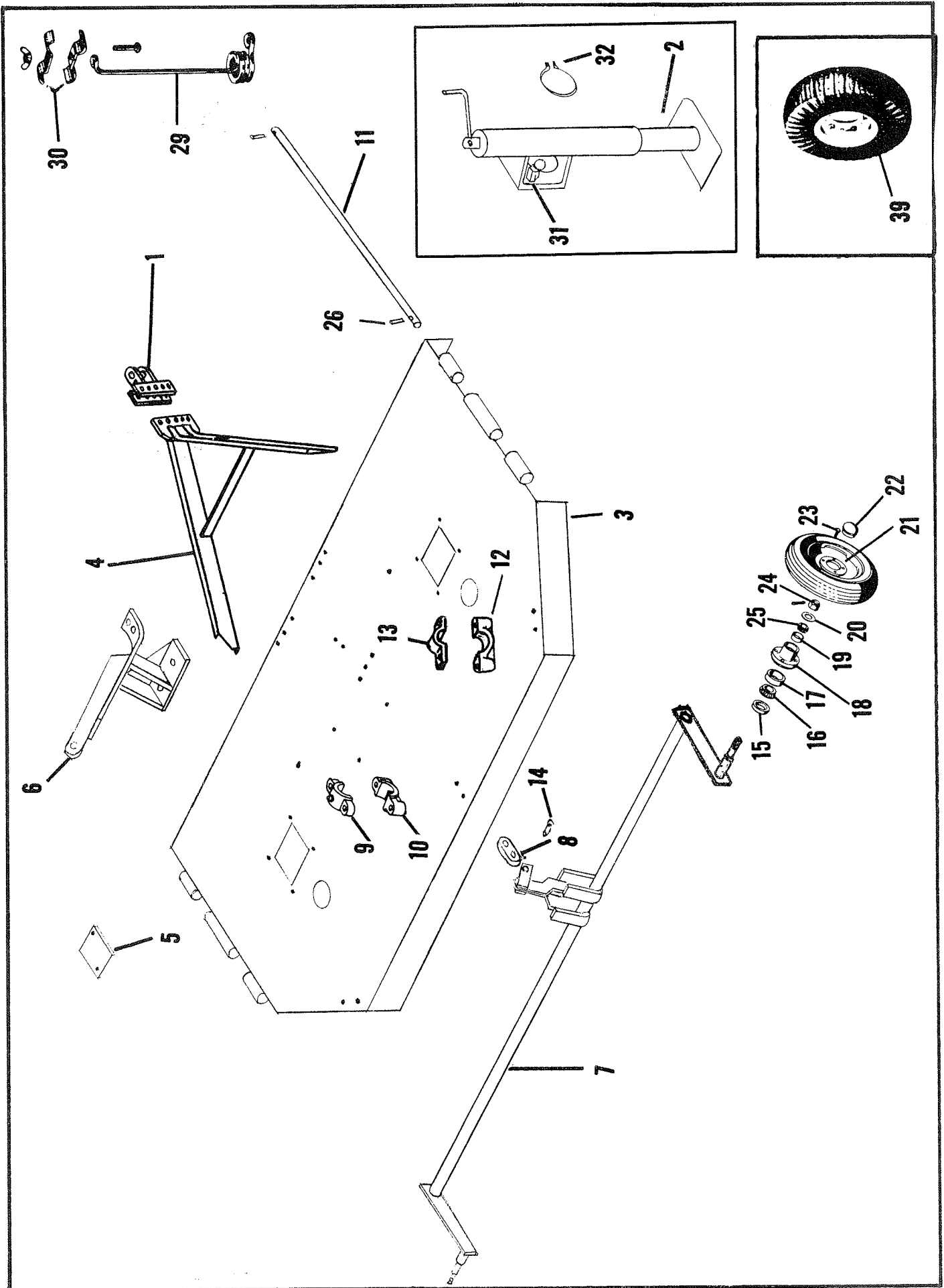
200" ROTARY SHREDDER

MODELS: R-200-02
R-200-03
R-200-04
IR-200-04

ALL PARTS NOT LISTED ARE STANDARD HARDWARE

BRILLION IRON WORKS, INC.

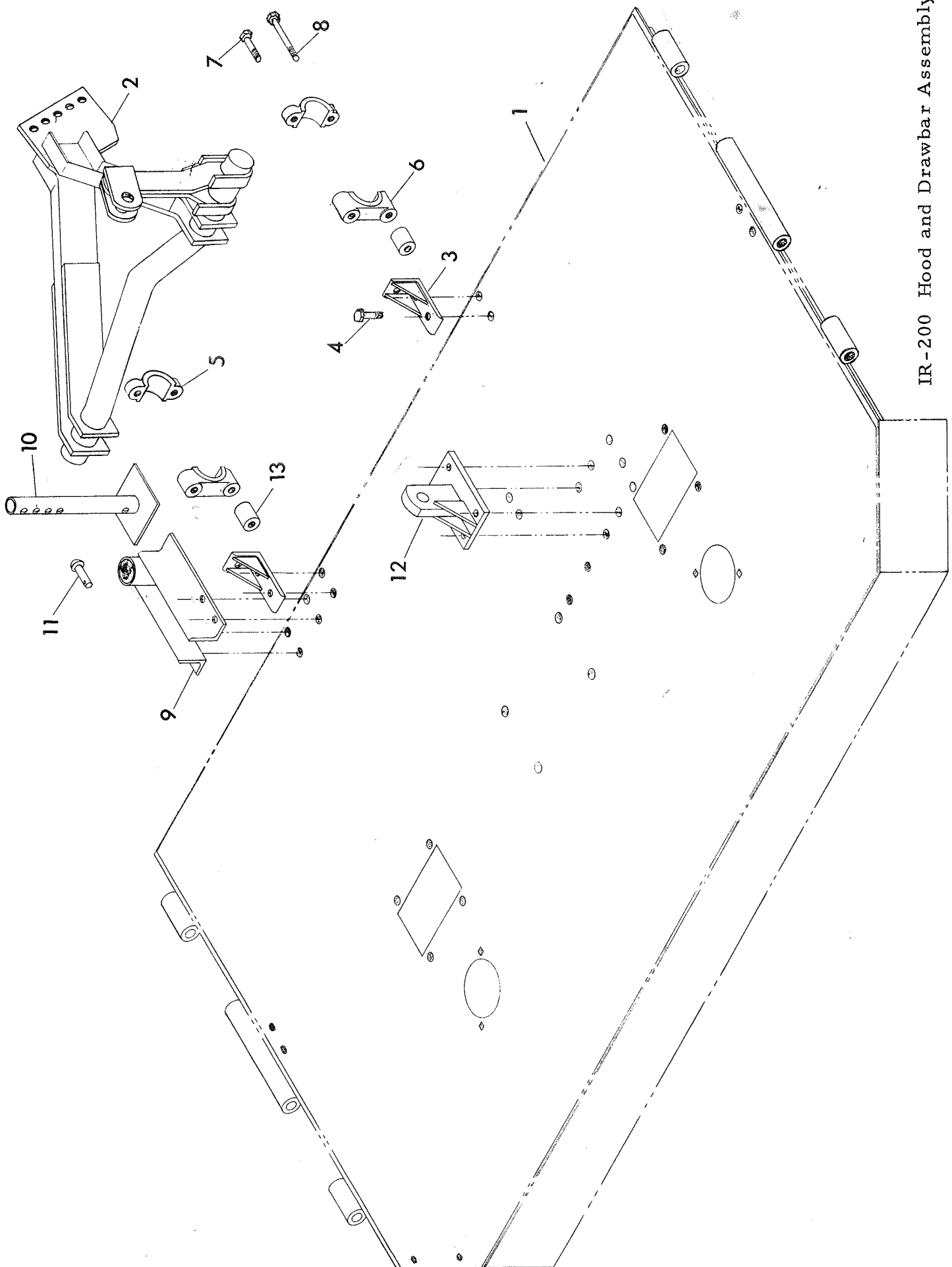
Brillion, Wisconsin, U. S. A.



HOOD, DRAWBAR AND AXLE ASSEMBLY - R-200

Index No.	Part No.	Part Name	No. Req'd.	Weight
1	1D-293	Heavy Duty Hitch	1	12.5
2	1D-562	Drawbar Jack (Only on R-200)	1	10.5
3	4D-741	Hood Assembly (Only on R-200)	1	550.0
4	9C-373	Drawbar Assembly (Only on R-200)	1	63.0
5	4D-893	Blade Access Cover	1	1.0
6	4D-832	Hydraulic Cylinder Bracket	1	7.25
7	4D-737	Axle Assembly	1	220.0
8	5D-11	Link	1	3.0
9	4C-758	Top Axle Bearing	1	1.5
10	4C-778	Bottom Axle Bearing	1	2.5
11	4D-740	Hinge Pin	2	7.0
12	9C-362	R. H. Bottom Axle Bearing	1	4.25
*	9C-363	L. H. Bottom Axle Bearing	1	4.25
13	9C-367	R. H. Top Axle Bearing	1	4.25
*	9C-366	L. H. Top Axle Bearing	1	4.25
14	5D-12	Clevis Pin 1" x 2-1/4 Long	2	.5
15	5C-910	Seal	1	.13
16	5C-913	Bearing Cone #LM67048	2	.25
17	5C-914	Bearing Cup #LM67010	2	.27
18	5C-904	Wheel Hub	2	6.25
19	5C-912	Bearing Cup #LM11910	2	.2
20	5C-907	Washer	2	
21	5C-916	Wheel Rim - 15"	2	16.0
*	8C-470	Wheel Rim - 14"	2	16.0
22	5C-908	Cap	2	.25
23	5C-100	Wheel Bolt	8	.2
24	5C-909	Slotted Nut	2	.2
25	5C-911	Bearing Cone #LM11949	2	.25
26	1C-99	Roll Pin	4	
29	1D-980	Hose Support	2	2.0
30	1D-981	Hose Clamp	2	2.0
31	1D-767	Jack Plunger Assembly	1	.4
32	1D-561	Retaining Ring	1	.2
39	1D-900	6.00 x 9 Laminated Tire & Rim	4	77.5
	1D-933	6.00 x 9 Laminated Tire Kit (2 wheels with bolts)	2	155.0

IR-200 Hood and Drawbar Assembly



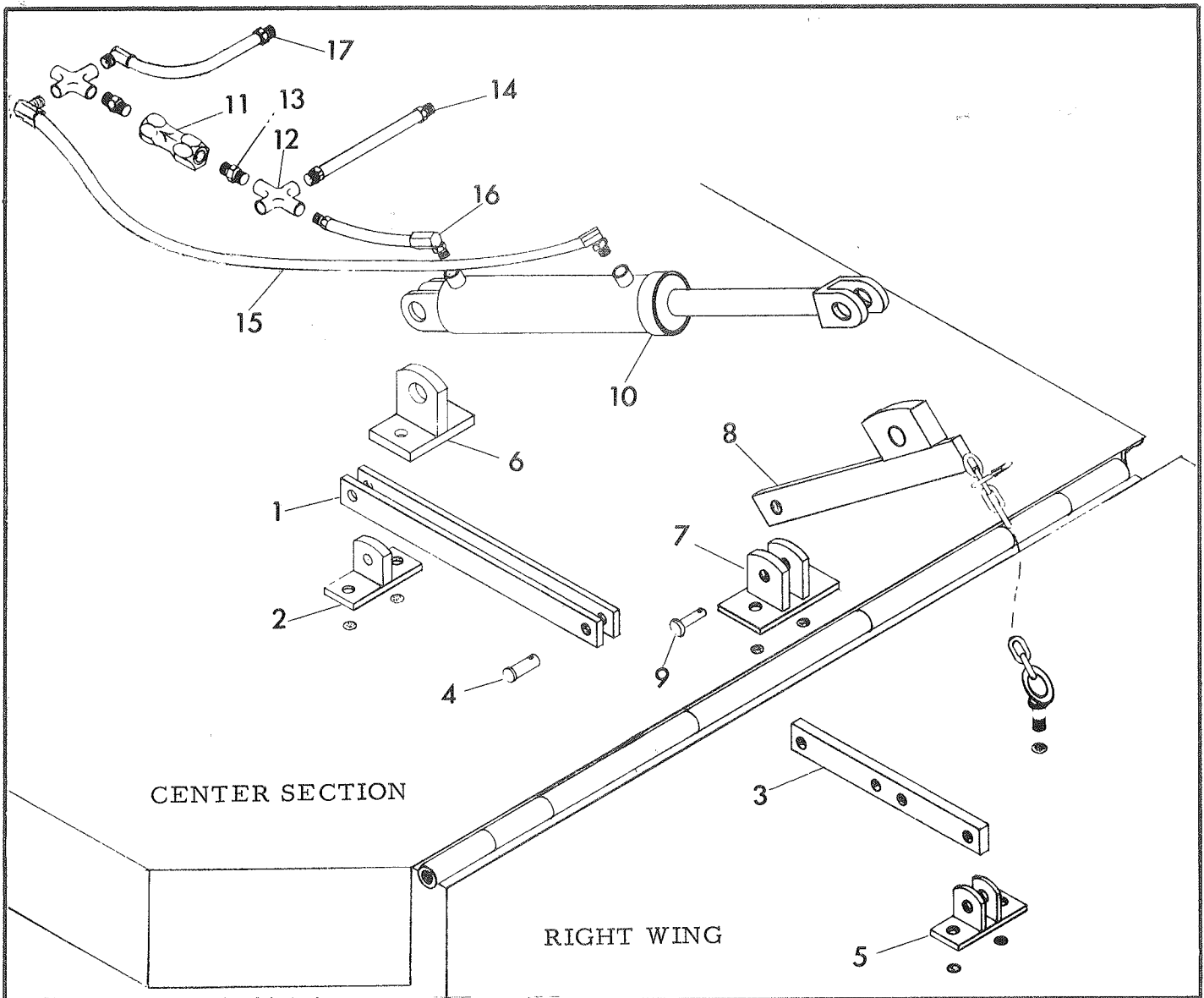
HOOD AND DRAWBAR ASSEMBLY - IR-200

Index No.	Part No.	Part Name	No. Req'd.	Weight
1	5D-765	Hood Assembly	1	550.0
2	5D-761	Drawbar Assembly	1	103.0
	1D-293	Heavy Duty Hitch	1	12.5
	5D-11	Link	1	3.0
	5D-12	Clevis Pin 1" x 2-1/4" Long	1	.5
3	5D-757	Bearing Support	2	2.0
4	5D-51	Capscrew - Grade 5, 1/2-13 NC x 1-3/4 Long	4	
		Locknut, 1/2-13 NC, Hex	4	
5	4C-758	Top Axle Bearing	2	1.5
6	4C-778	Bottom Axle Bearing	2	2.5
7	4D-345	Capscrew - Grade 5, 1/2-13 NC x 3-3/4 Long	2	
8	3C-910	Bolt - Grade 5, 1/2-13 NC x 6-1/2 Long	2	
9	5D-773	Stand Bracket	1	10.0
10	4D-562	Stand Support	1	5.75
11	3C-335	Clevis Pin 1/2 x 3" Long	1	
12	5D-758	Cylinder Lug	1	9.5
13	5D-759	Spacer	1	.5

Shown on
Page 2

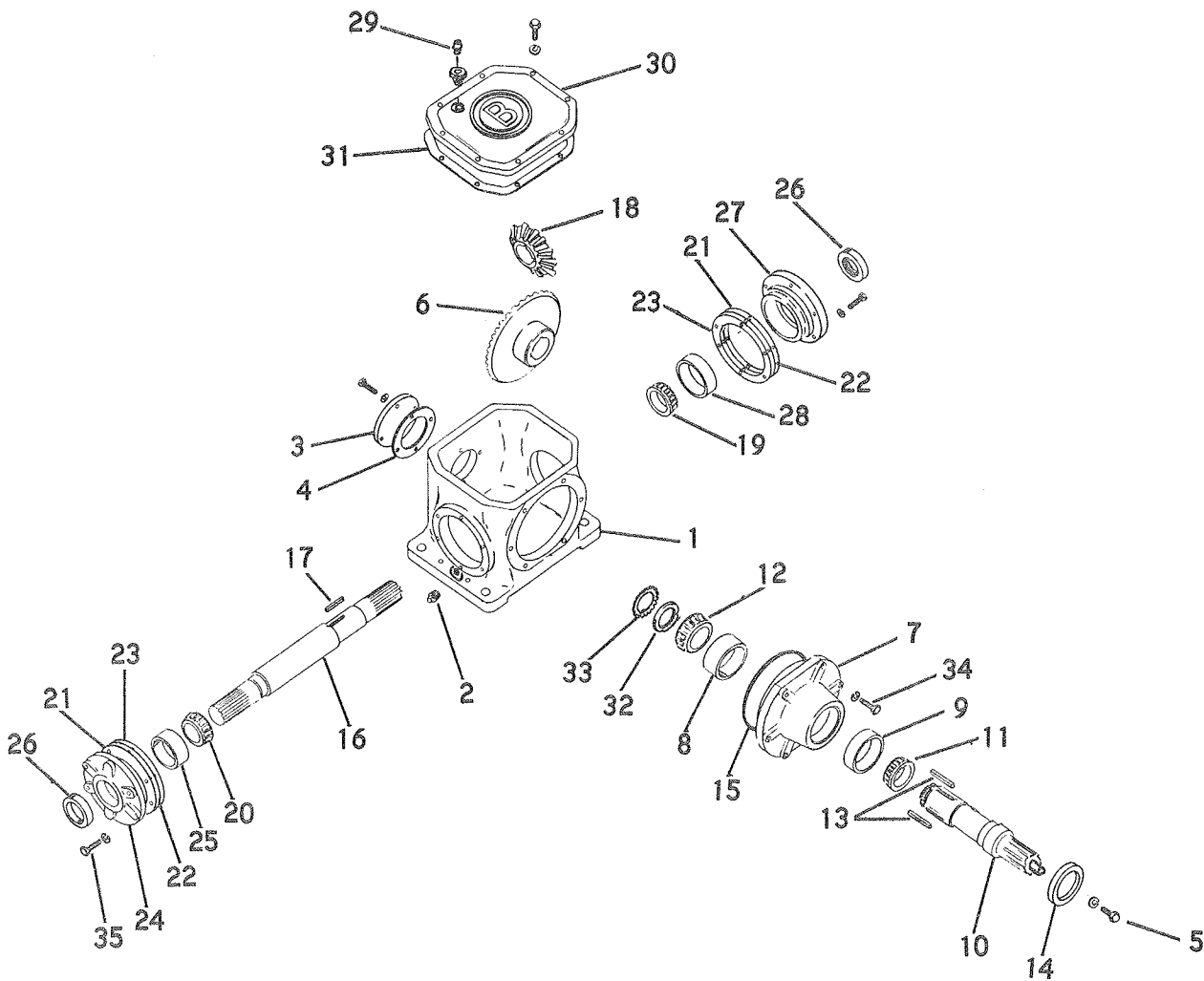
Standard Parts Not Shown

1C-788	Cotter Pin, 3/16 Dia. 1-1/2 long		1	
2C-404	Capscrew, 5/8-11 NC x 2-1/2 long	} Heavy Duty Hitch	2	
1B-166	Lockwasher, 5/8 Standard		2	
1C-392	Nut, 5/8-11 NC, Reg. Hex			
1C-267	Capscrew, 1/2-13 NC x 1-1/2 long	} Stand Bracket	2	
1C-216	Capscrew, 1/2-13 NC x 1-3/4 long		2	
7C-22	Bevel Washer 1/2"		2	
5C-392	Locknut, 1/2-13 NC, Hex		1	
4C-856	Hairpin Cotter .149 dia., 2-1/2 long		1	
1C-216	Capscrew, 1/2-13 NC x 1-3/4 long		4	
1C-109	Lockwasher 1/2 Standard		4	
5C-392	Locknut, 1/2-13 NC, Hex		4	
1C-390	Nut, 1/2-13 NC Reg. Hex		4	



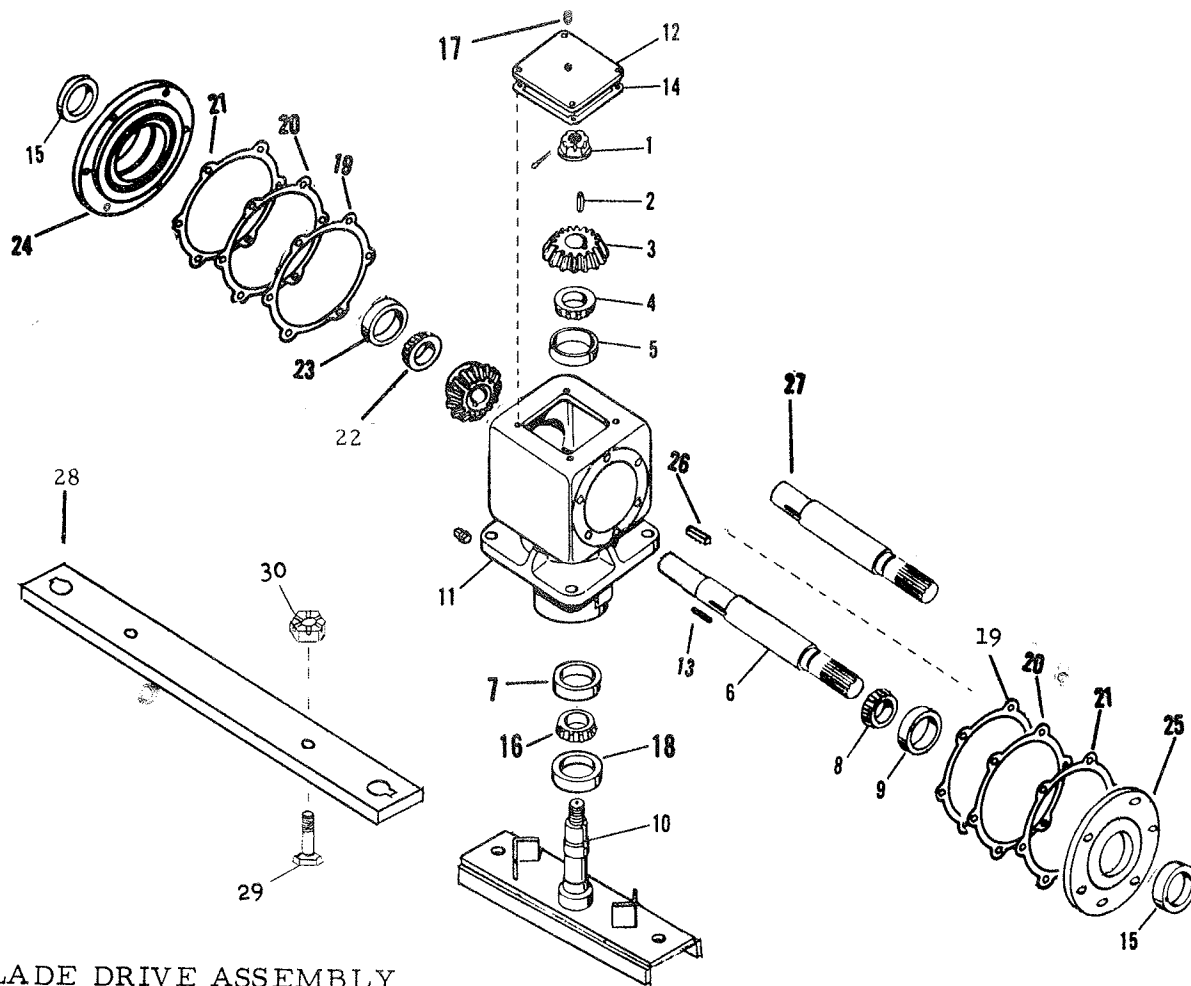
WING LIFT MECHANISM - MODEL 04

Index No.	Part No.	Part Name	No. Req'd.	Weight
1	6D-353	Link Assembly	2	6.0
2	4D-995	Stabilizer Lug	2	1.7
3	4D-992	Wing Stabilizer Strap	2	3.2
4	4D-996	Clevis Pin, 1/2 x 1-3/4 long	2	.1
5	4D-994	Wing Stabilizer Lug	2	1.5
6	6D-130	Cylinder Lug	2	3.5
7	6D-128	Lift Arm Lug	2	3.4
8	6D-137	Wing Lift Assembly	2	9.9
9	5C-91	Lift Link Pin	2	.1
10	6D-138	Hydraulic Cylinder	2	15.0
11	6D-146	Check-Relief Valve	1	.5
12	6D-147	Cross	2	1.0
13	6D-148	Straight Adaptor	2	.2
14	6D-140	Hydraulic Hose Assembly - Tractor 86" long	1	2.5
15	6D-141	Hydraulic Hose Assmblly - Right Side, shown 33-1/2" long	1	1.5
	6D-144	Hydraulic Hose Assembly - Left Side 43-1/4" long	1	1.75
16	6D-142	Hydraulic Hose Assembly - Right Side, shown 11-1/2" long	1	.75
	6D-143	Hydraulic Hose Assembly - Left Side 39" long	1	1.75
17	6D-145	Hydraulic Hose Assembly - Tractor 90" long	1	3.0
		<u>Standard Parts Not Shown</u>		
	1D-237	Capscrew - Grade 5, 1/2 - 13 NC x 2" long (transport link fastener)	4	
	5C-392	Nut, 1/2 - 13 NC Locknut	4	
	6C-400	Hairpin Cotter	2	
	2C-298	Cotter Pin, 1/8 x 1-1/4 long	2	
	5D-2	ASAE Hydraulic Cylinder Pins	4	.6
	6D-413	Cylinder Pin Clip	8	



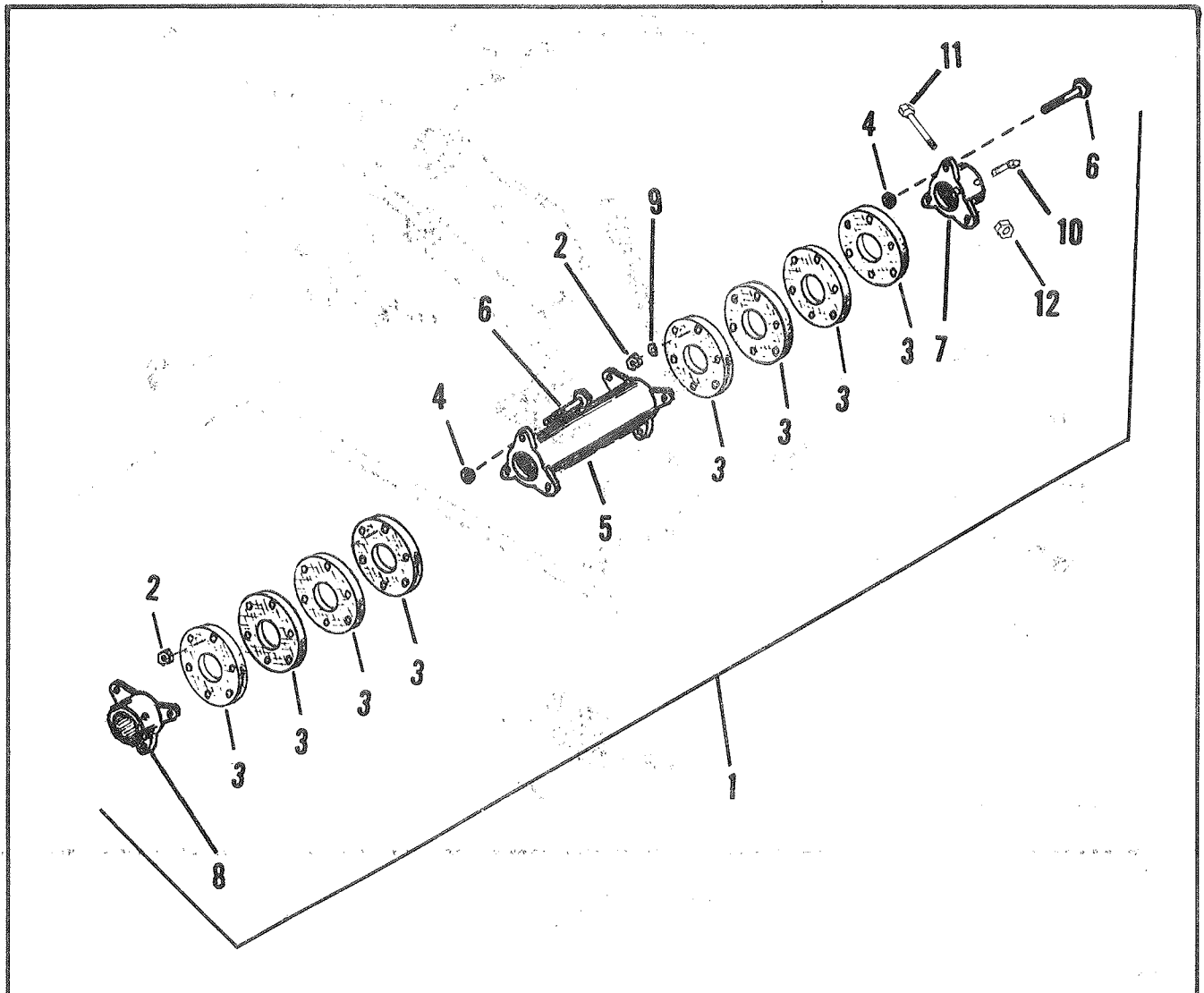
GEAR BOX ASSEMBLY

Index No.	Part No.	Part Name	No. Req'd.	Weight
	4D-789	Drive Assembly - Complete (1,000 RPM)	1	
	5D-134	Drive Assembly - Complete (540 RPM)	1	
1	4D-705	Drive Housing	1	59.25
2	7C-403	Pipe Plug	2	.1
3	4D-714	Cover - Back	1	1.25
4	4D-715	Gasket - Back Cover	1	.1
5	5D-480	Retaining Screw, 1/2-13 NC (L. H.) x 1" Long, Grade 5	1	.2
6	4D-701	Drive Gear (1,000 RPM) 28 Tooth	1	10.25
	4D-703	Drive Gear (540 RPM) 30 Tooth	1	23.0
7	4D-708	Bearing Carrier	1	18.0
8	4D-633	Bearing Cup #39520	1	.75
9	4C-832	Bearing Cup #362A	1	.42
10	4D-788	Input Shaft (Obsolete - Order 5D-482)	1	7.25
	5D-482	Input Shaft	1	7.25
11	4D-630	Bearing Cone #368-S	1	.75
12	4D-632	Bearing Cone #39575	1	2.5
13	4D-716	Key	2	.12
14	4D-722	Oil Seal (National #35093 Used With 4D-788) (Obsolete)	1	.5
	4C-831	Oil Seal C/R #23772 Trostel #DW 332-224-11.25 Use W/5D-482	1	.5
15	4D-724	"O" Ring Seal	1	.1
16	4D-707	Output Shaft	1	15.25
17	4D-717	Key	2	.09
18	4D-702	Gear (1,000 RPM) 28 Tooth	1	13.0
	4D-704	Gear (540 RPM) 16 Tooth	1	4.5
19	4D-628	Bearing Cone #3779	1	1.4
20	3D-531	Bearing Cone #LM603049	1	.5
21	4D-874	Shim .005		.1
22	4D-875	Shim .007		.1
23	5D-46	Shim .010		.1
24	4D-709	Bearing Carrier - R. H.	1	6.5
25	3D-532	Bearing Cup #LM603011	1	.25
26	4C-830	Oil Seal	2	.24
27	5D-130	Bearing Carrier - L. H.	1	5.75
28	4D-629	Bearing Cup #3720	1	.66
29	5C-573	Breather Valve	1	.1
*	3D-978	Pipe Reducer Bushing	1	
30	4D-711	Cover - Top	1	
31	4D-712	Gasket - Top Cover	1	7.5
32	4D-624	Locknut, Bearing	1	.18
33	4D-625	Lockwasher, Bearing Locknut	1	.30
34	8C-36	Capscrew, 3/8-16 NC x 1-3/4 Long (Grade 5)	6	.1
35	4D-904	Capscrew, 3/8-16 NC x 1-1/2 Long (Grade 5)	12	.1



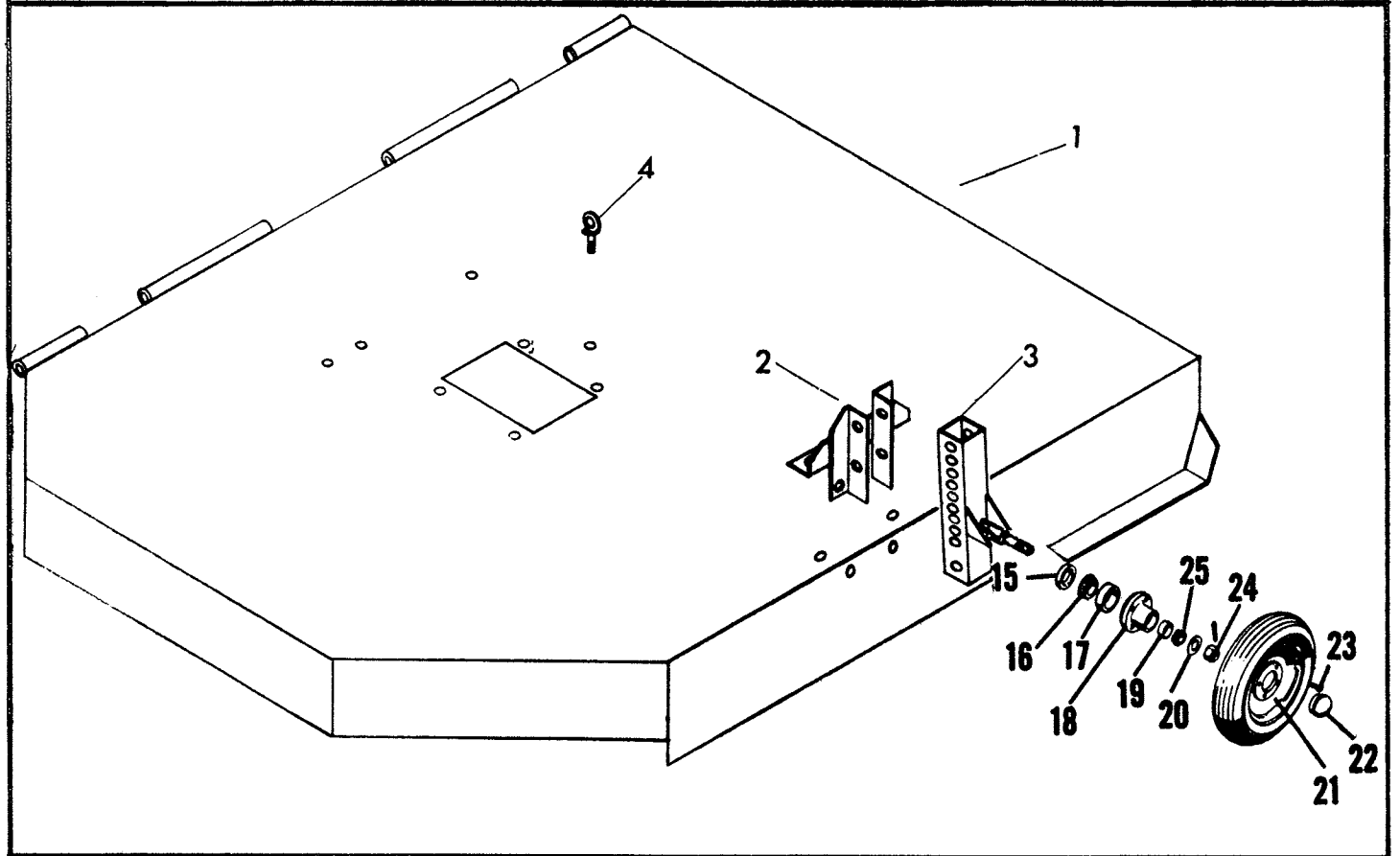
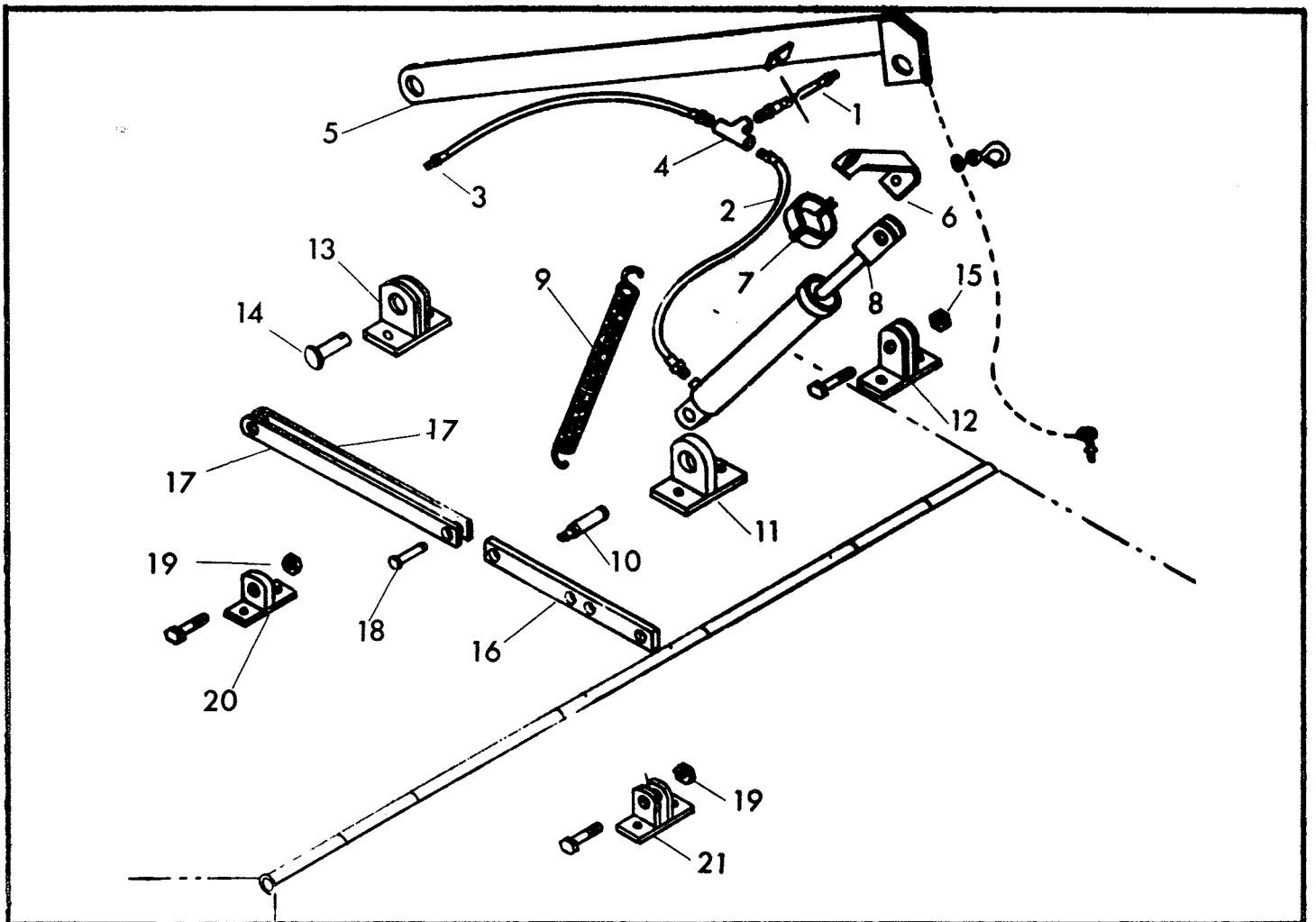
BLADE DRIVE ASSEMBLY

Index No.	Part No.	Part Name	No. Req'd.	Weight
		Wing Drive Units	2	141.25
		Intermediate Drive Units	2	140.0
1	1D-373	Flange Nut	1	.25
2	7C-728	Key	2	.1
3	4D-776	Gear	2	5.0
4	4D-922	Bearing Cone #3877	1	1.25
5	4D-921	Bearing Cup #3820	1	.75
6	4D-777	Input Shaft	1	10.0
7	4C-832	Bearing Cup #362A	1	.5
8	7C-763	Bearing Cone #LM501349	1	.55
9	7C-762	Bearing Cup #LM501310	1	.4
10	4D-773	Output Spindle	1	20.1
11	4D-774	Gearbox Housing	1	55.5
12	2D-914	Cover	1	3.0
13	4D-787	Key	2	.1
14	2D-916	Gasket	1	
15	5C-506	Seal	1 or 2	.4
16	4C-850	Bearing Cone #368	1	.8
17	5C-573	Breather Valve	1	.1
18	4C-831	Seal	1	.5
19	5C-929	Shim .020		
20	4C-828	Shim .007		
21	4C-829	Shim .005		
22	4D-919	Bearing Cone #2789	1	.75
23	4D-918	Bearing Cup #2720	1	.4
24	4D-775	Bearing Carrier	1	7.35
	4D-779	Bearing Carrier (Wing Drive Units)	1	7.3
25	4D-917	Bearing Carrier	1	7.5
26	4D-716	Key (Flex Coupler)	1	.1
27	4D-814	Input Shaft (Wing Drive Units)	1	8.25
28	4D-729	Blade Bar	2	.2
29	5D-575	Capscrew - Grade 5, 3/4 x 10 NC x 2-1/2 long	2	.2
30	1C-379	Slotted Nut, 3/4 - 10 NC	2	.1

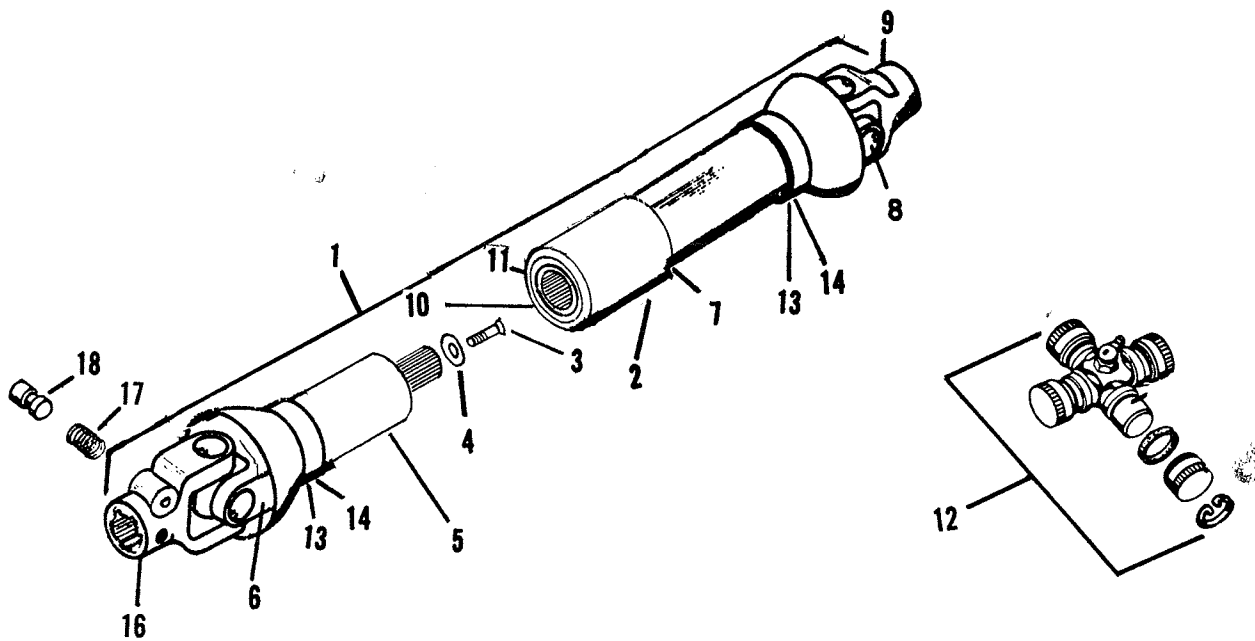
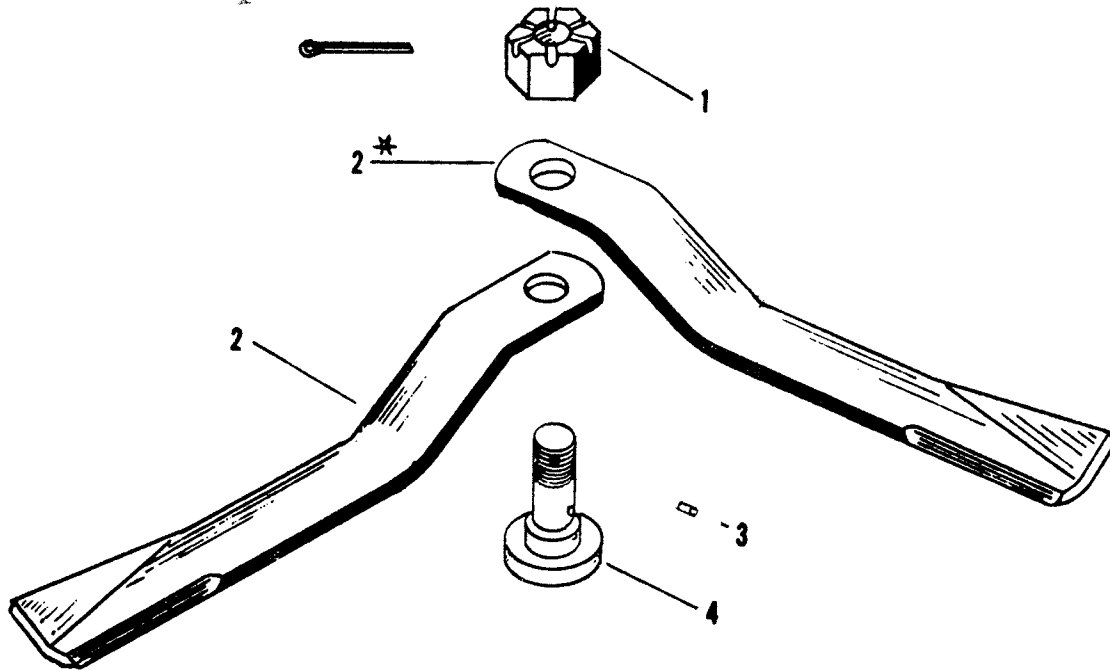


HEAVY DUTY COUPLER ASSEMBLY

Index No.	Part No.	Part Name	No. Req'd.	Weight
1	4D-746	Heavy Duty Coupler - Complete	2	20.0
2	6D-375	Slotted Nut	12	
3	5D-166	6" Coupling Disc	8	.5
4	5D-167	Drive Washer	12	
5	4D-949	Drive Tube	1	5.25
6	5D-169	Coupling Bolt Special Grade 8 (5/8 - 18 NC x 3-1/4 long)	12	.5
7	4D-948	Sliding Spider	1	3.0
8	4D-950	Spider With Pin Hole	1	2.25
9	5D-168	Flat Washer	12	
10	2C-407	Set Screw 3/8 - 16 NC x 1" long	1	
11	9C-391	Capscrew 5/16 - 18 NC x 3" long	1	
12	6C-748	Locknut 5/16 - 18 NC Hex	1	



WING LIFT MECHANISM AND WING STABILIZER - MODELS 02 & 03				
Index No.	Part No.	Part Name	No. Req'd	Weight
1	4D-979	Hydraulic Hose - Tractor 60" Long	1	2.25
2	4D-980	Hydraulic Hose - Right Side 66" Long	1	2.50
3	4D-981	Hydraulic Hose - Left Side 56" Long	1	2.2
4	4D-982	Tee Fitting		.75
5	4D-976	Wing Lift Assembly	2	14.0
6	4D-970	Hydraulic Cylinder Support	2	5.0
7	4D-974	Hydraulic Cylinder Clamp (2 Pieces Req.)	4	1.0
8	4D-753	Hydraulic Cylinder	2	14.75
9	4D-752	Extension Spring	2	2.5
10	5D-4	Hydraulic Cylinder Pin - Spring Attach.	2	.5
11	4D-967	Hydraulic Cylinder Mounting Lug	2	3.5
12	4D-962	Hydraulic Cylinder Support Lug	2	2.2
13	4D-965	Wing Lift Mounting Lug	2	3.2
14	4D-983	Clevis Pin 1" x 2" Long	2	.5
15	5C-461	Lock Nut - 5/8 x 11 NC	2	.1
16	4D-992	Wing Stabilizer Strap	2	3.2
17	4D-991	Center Section Stabilizer Strap	2	2.7
18	4D-996	Clevis Pin 1/2 x 1-3/4 Long	2	.1
19	5C-392	Lock Nut - 1/2 - 13 NC	4	
20	4D-995	Stabilizer Lug	2	1.7
21	4D-994	Wing Stabilizer Lug	2	1.5
	6D-412	Cylinder Pin (Not Shown)	2	.75
	6D-413	Cylinder Pin Clip (Not Shown)	8	
WING SECTION HOOD ASSEMBLY				
1	4D-750	R. H. Hood Assembly (Models 02 & 03)	1	275.0
	4D-749	L. H. Hood Assembly (Models 02 & 03)	1	275.0
	5D-911	R. H. Hood Assembly (Model 04)	1	275.0
	5D-910	L. H. Hood Assembly (Model 04)	1	275.0
2	4D-754	Wing Wheel Bracket	2	6.6
3	5D-203	Axle Weldment	2	11.55
4	4D-817	Shouldered Eye Bolt (Used on Model 01 to 03)	2	.2
15	5C-910	Seal	2	.13
16	5C-913	Bearing Cone #LM67048	2	.25
17	5C-914	Bearing Cup #LM67010	2	.27
18	5C-904	Wheel Hub	2	6.25
19	5C-912	Bearing Cup #LM11910	2	.20
20	5C-907	Washer	2	
21	5C-916	Wheel Rim - 15"	2	16.0
*	8C-470	Wheel Rim - 14"	2	16.0
22	5C-908	Cap	2	.25
23	5C-100	Wheel Bolt	8	.2
24	5C-909	Slotted Nut	2	.25
25	5C-911	Bearing Cone #LM11949	2	.25



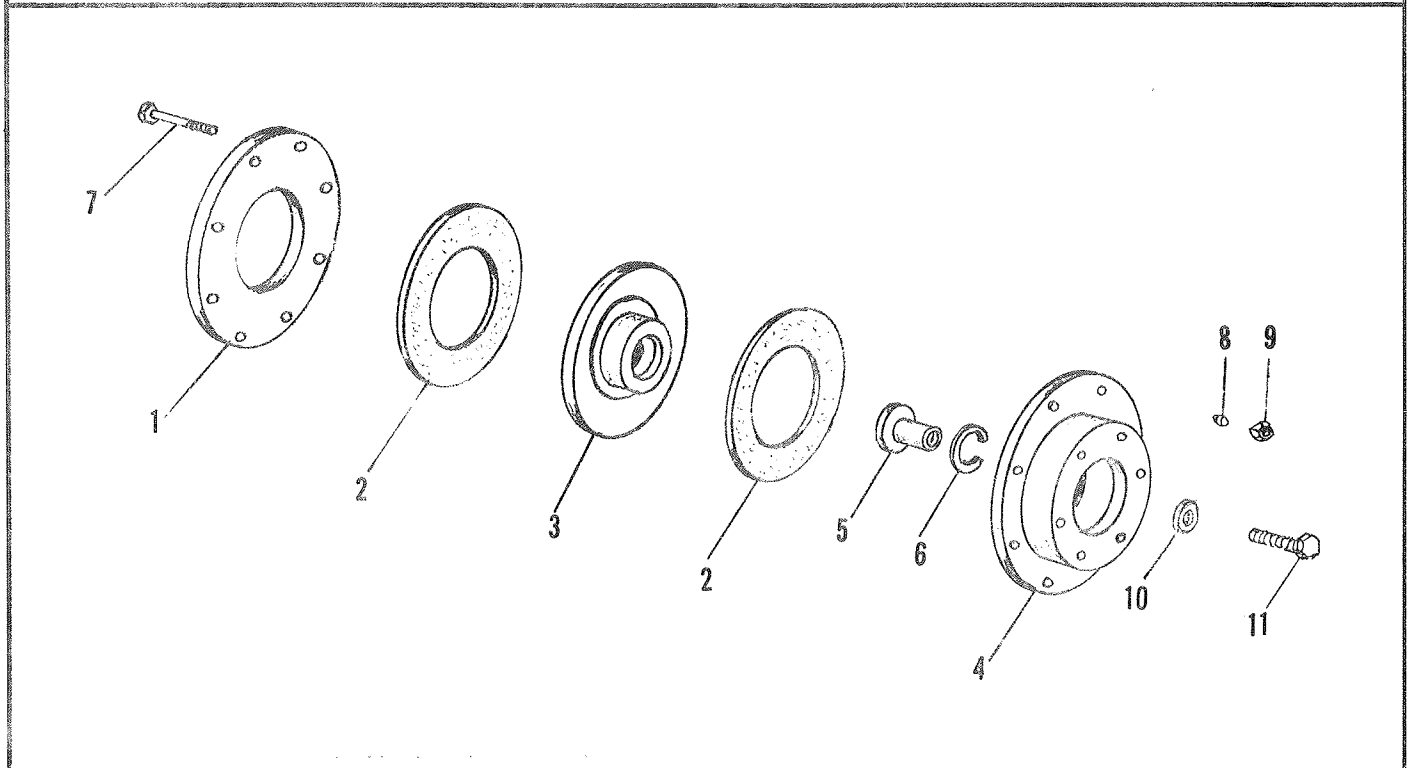
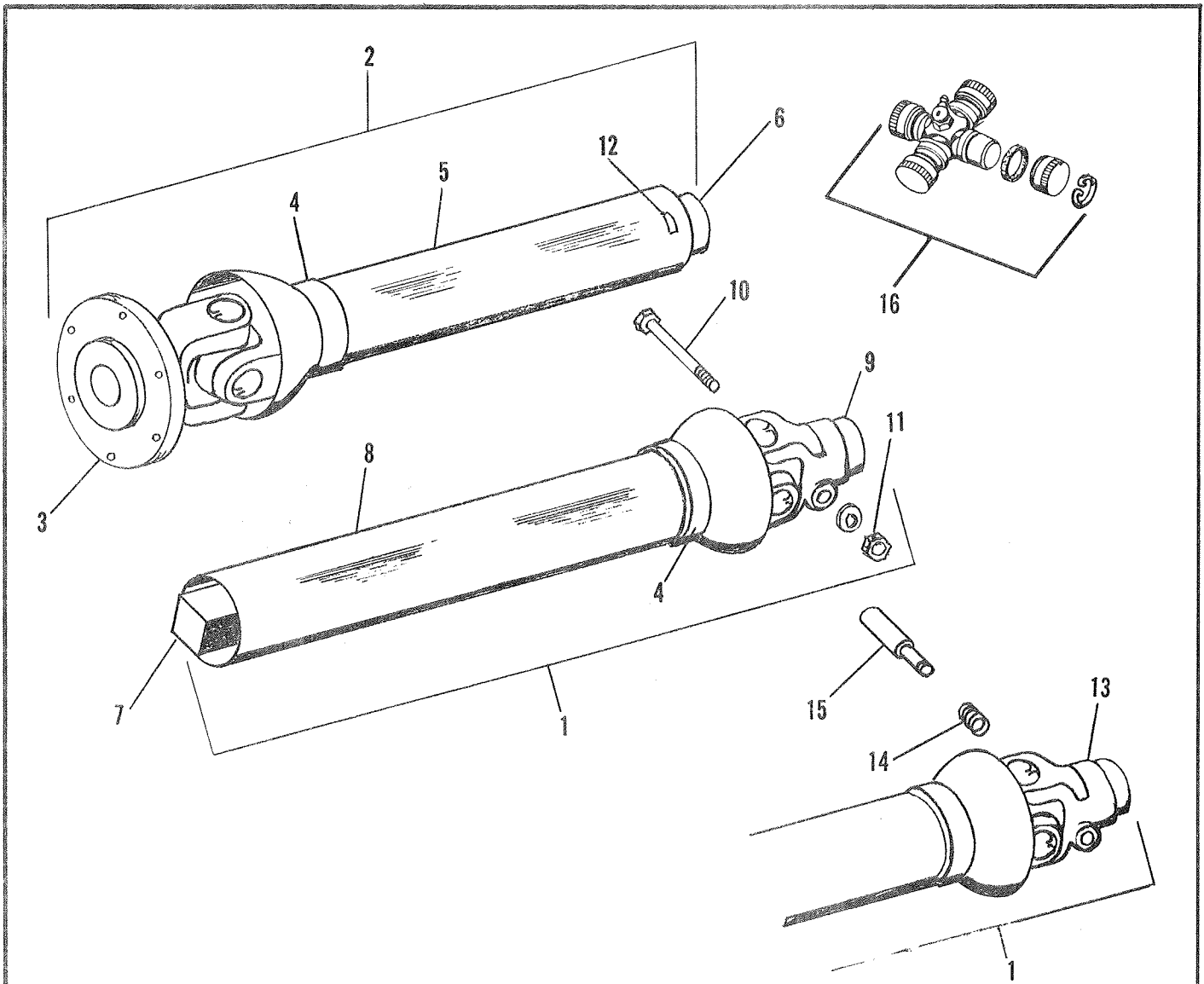
DOUBLE-TELESCOPING UNIVERSAL JOINT ASSEMBLY

BLADE ASSEMBLY

Index No.	Part No.	Part Name	No. Req'd.	Weight
1	8C-609	Slotted Nut	8	.56
2	1D-512	Swinging Blade - R.H.	4	7.0
*	1D-513	Swinging Blade - L.H.	4	7.0
3	4D-748	Dowel Pin	8	
4	4D-747	Pivot Bolt	8	1.5

DOUBLE-TELESCOPING UNIVERSAL JOINT ASSEMBLY

1	4D-828	Complete Universal Joint Assembly	2	36.5
2	5D-70	Intermediate Section Shield	1	1.5
3	5D-201	Socket Head Capscrew, 1/2-13 NC x 1 Long (Flat Head)	1	
4	5D-200	Washer	1	
5	5D-69	Primary Shield	1	3.75
6	5D-68	Shaft and Yoke Assembly	1	7.5
7	5D-73	Inner Shield	1	3.25
8	5D-72	Shaft and Yoke Assembly	1	9.25
9	1D-791	1-3/8 - 21 Involute Spline Yoke	1	3.5
10	5D-74	Bearing Retainer	1	
11	3D-680	Nylon Bearing	1	
12	4D-945	Universal Joint Repair Kit	2	1.75
13	2D-140	Nylon Bearing	1	
14	2D-141	Bearing Retainer	1	
16	4D-944	Quick Detachable Yoke	1	3.75
17	5C-257	Lock Pin Spring	1	
18	5D-71	Lock Pin	1	.19



P. T. O. DRIVE ASSEMBLY

Index No.	Part No.	Part Name	No. Req'd.	Weight
1	4D-827	Shaft & Joint Assembly (1,000 RPM)	1	37.0
	- 5D-534	Shaft & Joint Assembly (540 RPM)	1	37.0
2	3D-693	Tube & Joint Assembly	1	31.0
3	1D-375	Flange & Yoke Assembly	1	7.0
4	1D-131	Bearing Retainer	2	
	1D-132	Nylon Bearing	2	
5	4D-665	Male Guard Tube	1	5.5
6	4D-664	Tube & Yoke Assembly	1	15.25
7	4D-946	Shaft & Yoke Assembly	1	19.5
8	4D-947	Female Guard Tube	1	7.0
9	1D-857	Yoke 1-3/8 - 21 Spline (1,000 RPM)	1	5.25
10	1D-725	Bolt 1/2 - 20 NF x 3-1/8 Long, Grade 8	1	.25
11	1D-724	Castellated Nut	1	.1
12	1D-854	Nylon Centralizer	1	
13	1D-133	Q. D. Yoke 1-3/8 - 6B Spline (540 RPM)	1	5.25
14	5C-257	Lock Pin Spring	1	
15	3D-757	Lock Pin	1	.18
16	1D-134	Universal Joint Repair Kit		3.5

7-1/2" SLIP CLUTCH ASSEMBLY

1	3D-808	Clutch Assembly (Complete)	1	28.3
2	3D-811	Pressure Plate	1	6.85
3	3D-457	Friction Disc 7-1/2" Outside Dia.	2	.35
4	3D-810	Clutch Hub	1	8.35
5	3D-809	Friction Plate Assembly	1	12.2
6	1D-888	Adapter Sleeve	1	.5
7	1D-542	Snap Ring	1	.1
8	1C-508	Capscrew, Grade 2 3/8 - 16 NC x 2-1/2 Long	7	.1
9	1D-398	Belleville Washer	7	
10	1C-670	Nut (Self Locking) 3/8 - 16 NC	7	
11	1D-889	Retaining Washer	1	
	5C-516	Capscrew, L. H. Thread	1	

