

REPAIR PARTS CATALOG

6C-349

Brillion

MODELS

RM-90

RC-90

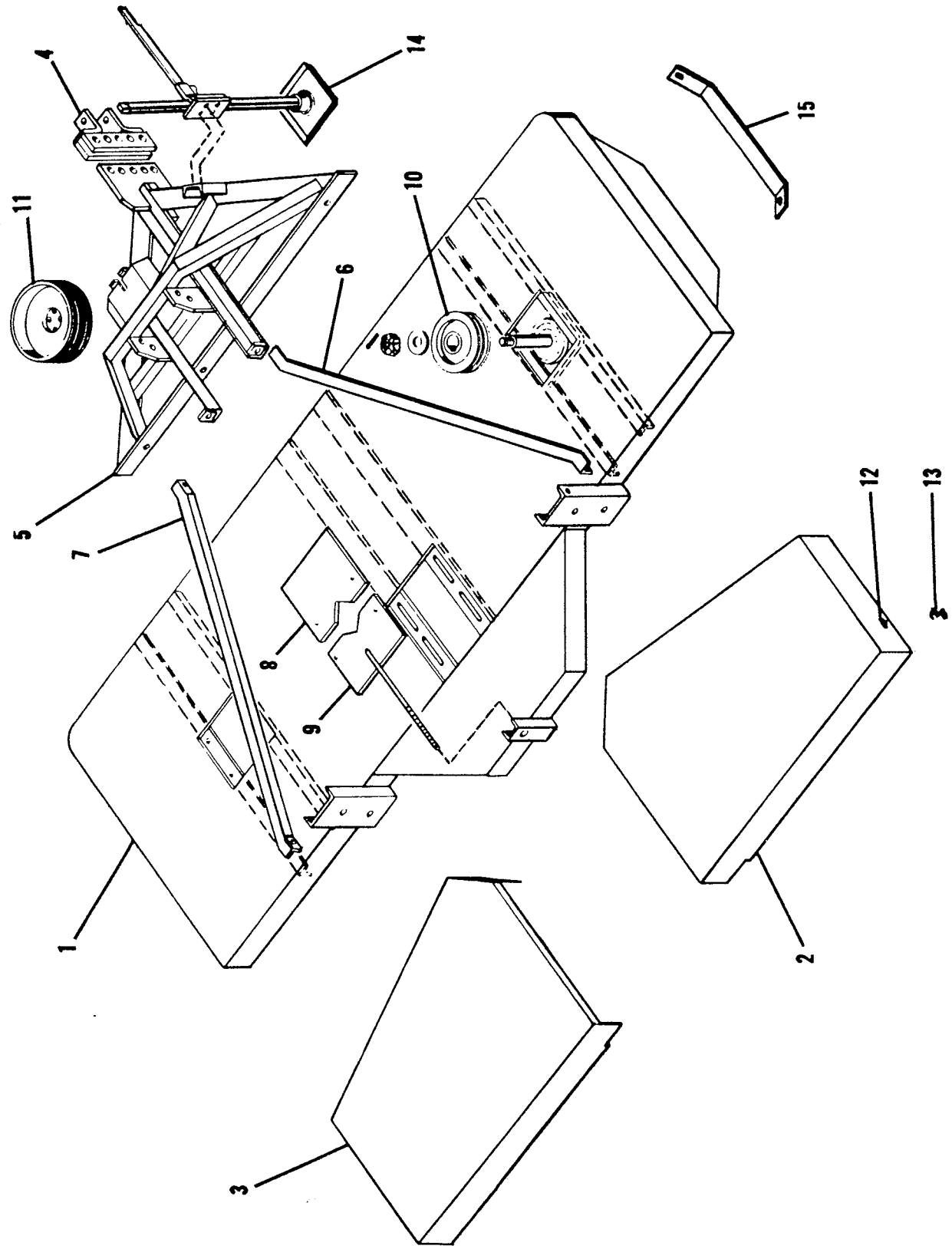
90" ROTARY SHREDDER

IMPORTANT! Repairs cannot be purchased retail direct from factory. Order through your Brillion dealer.

ALL PARTS NOT LISTED ARE STANDARD HARDWARE

BRILLION IRON WORKS, INC.
BRILLION, WISCONSIN

HOOD ASSEMBLY



6C-349

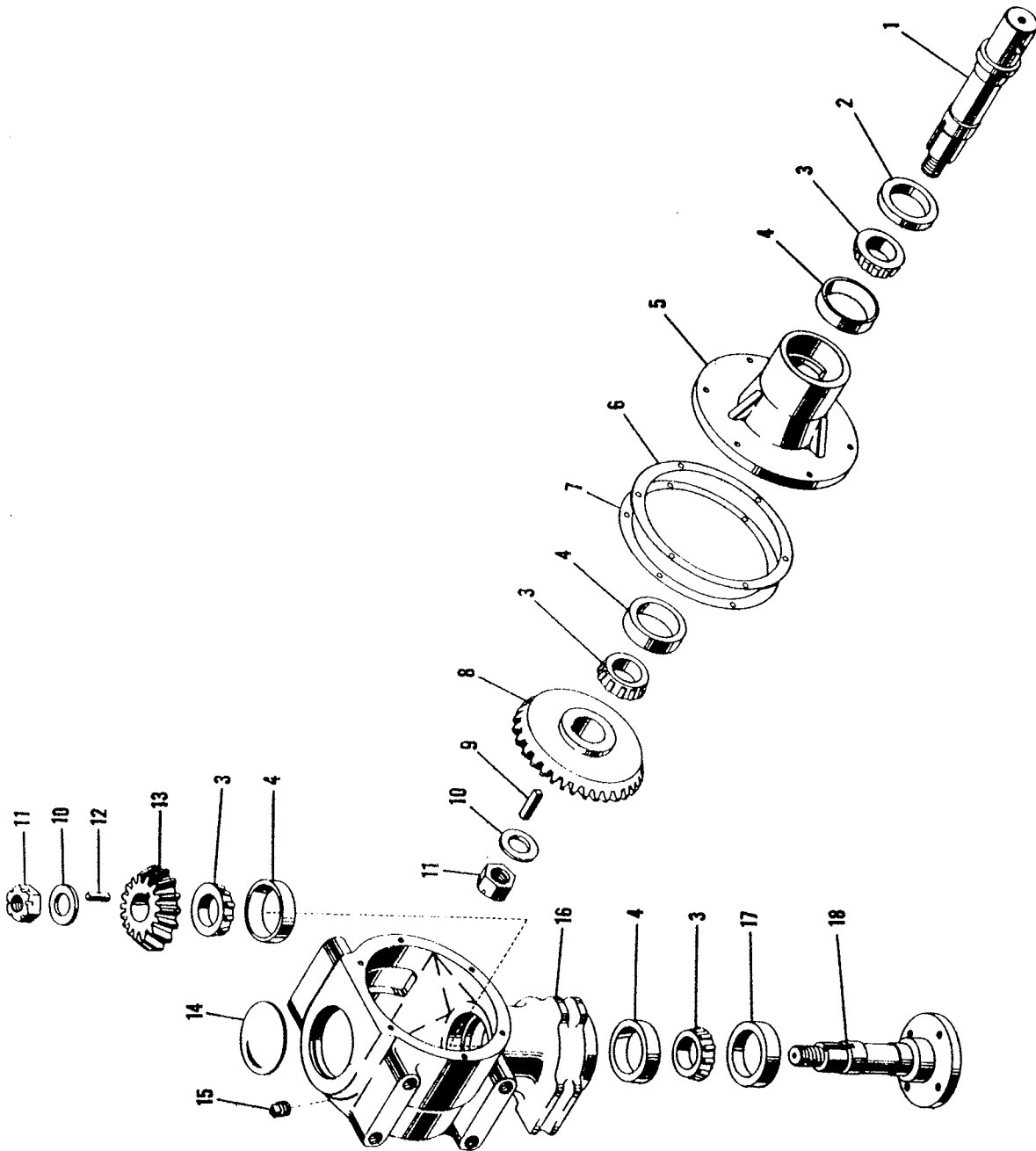
HOOD ASSEMBLY

INDEX NO.	PART NO.	PART NAME	WEIGHT
1	6C-331	Hood Assembly	
2	6C-324	R. H. Guard	28.0
3	6C-325	L. H. Guard	28.0
4	4C-757	Adjustable Hitch Plate Assembly	8.0
5	6C-327	Front Frame Assembly	
6	6C-263	R. H. Brace	7.6
7	6C-274	L. H. Brace	7.6
8	6C-418	Dirt Shield	2.0
9	6C-352	Tightener Assembly	5.5
10	6C-318	7" Sheave	
11	6C-321	12" Sheave	
12	6C-338	Bracket	
13	6C-333	Direct Pull Fastener	
14	6C-292	Drawbar Jack	
	6C-221	Belt	
	6C-224	4-Matched Belts	
15	6C-296	Skid Shoe	2.4

6C-349

GEAR BOX ASSEMBLY 7C-720

Used on machines serial #1650 and up

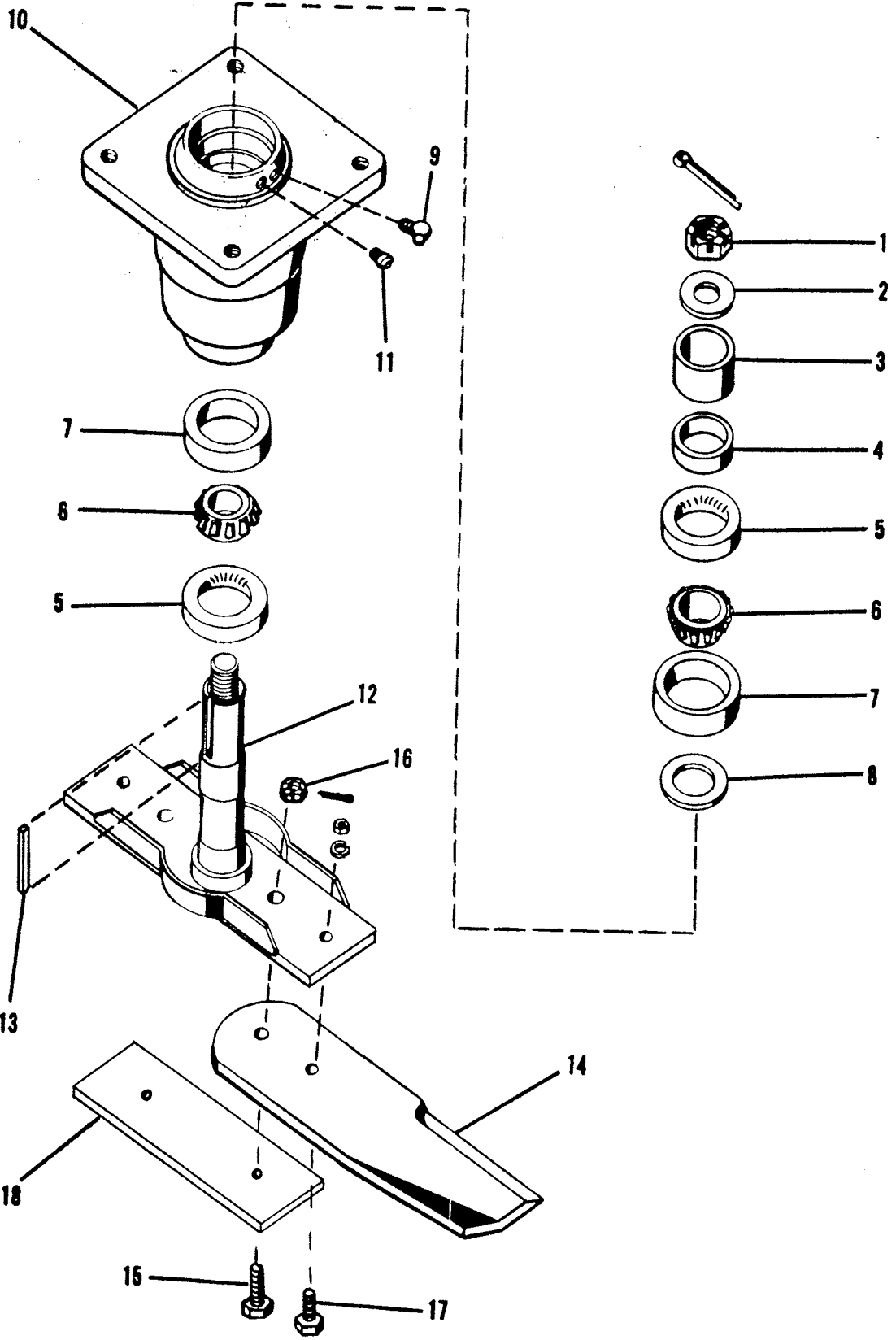


6C-349

6C-349

GEAR BOX ASSEMBLY			
Sym.	Part No.	Part Name	Weight
	7C-720	Gear Box Assembly Complete	
1	7C-721	Input Shaft	62.0
2	7C-727	Seal	3.7
3	5C-480	Bearing Cone Timken # LM48548	
4	5C-479	Bearing Cup Timken # LM48510	.2
5	7C-724	Bearing Carrier	.1
6	7C-725	Shim (.005")	9.0
7	7C-726	Shim (.007")	
8	7C-712	Input Bevel Gear	
9	7C-728	Key	5.7
10	5C-95	Bearing Retaining Washer	
11	4C-839	Nut	
12	6C-133	Key	
13	7C-711	Output Bevel Gear	
14	7C-722	Expansion Plug	1.9
15	7C-732	Breather Assy.	
16	7C-713	Drive Housing	
17	7C-723	Seal	35.0
18	7C-729	Output Shaft	4.0

SPINDLE ASSEMBLY



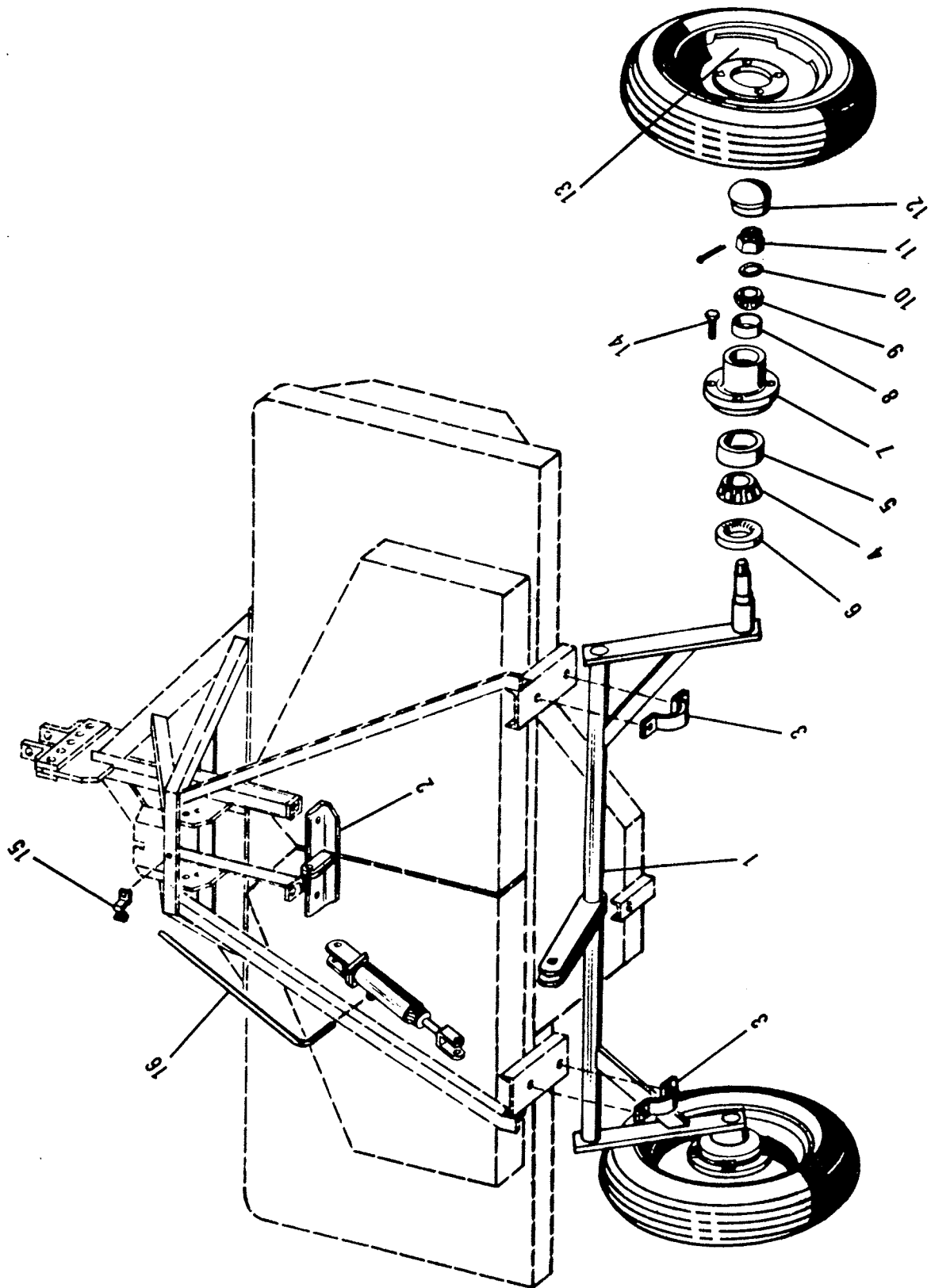
6C-349

SPINDLE ASSEMBLY

6C-349

INDEX NO.	PART NO.	PART NAME	WEIGHT
	6C-315	Short Spindle Assembly Complete	
	6C-317	Long Spindle Assembly Complete	
1	4C-839	Slotted Nut (7/8-14 NF)	.1
2	5C-95	Washer	
3	6C-238	Spacer (Used on Long Spindle w/One Pulley)	.6
4	6C-246	Collar	.3
5	6C-334	Seal (Trostel #R256-152-8)	
6	5C-480	Cone (Timken #LM48548)	.2
7	5C-479	Cup (Timken #LM48510)	.1
8	6C-247	Grease Retainer	.1
9	3C-491	Alemite Fitting (67 $\frac{1}{2}$ ^o #1722)	
10	6C-330	Spindle Carrier	
11	1C-23	Grease Fitting	
12	6C-284	Short Spindle Assembly	
	6C-302	Long Spindle Assembly	
13	6C-256	Long Key (3-7/16")	.1
	6C-257	Short Key (1-11/16")	.1
14	6C-412	Blade	
15	6C-264	Bolt	
16	6C-346	Nut	
17	6C-348	Shear Bolt	
18	6C-249	Blade Coupler	1.9

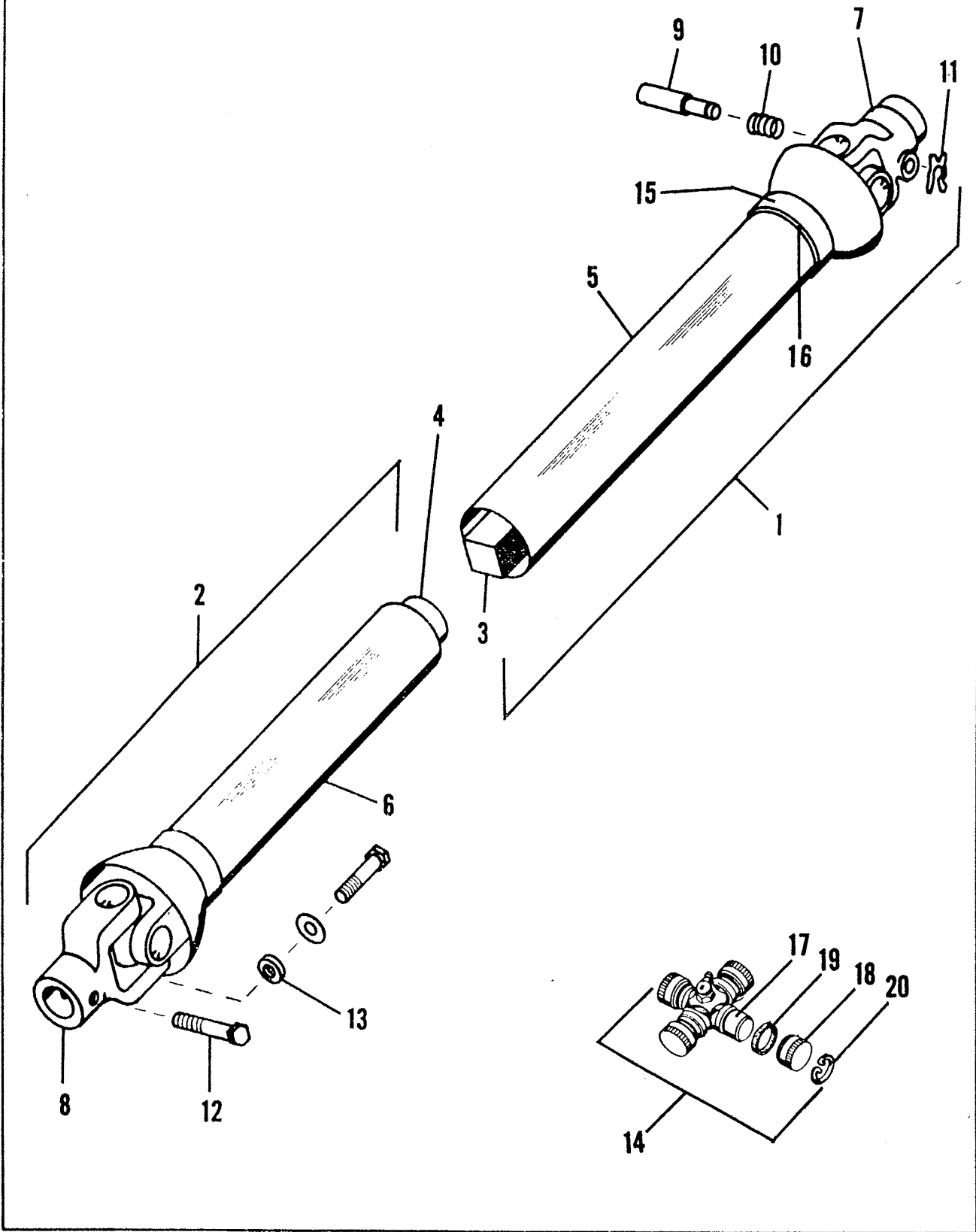
AXLE-WHEEL AND LIFT ASSEMBLY



6C-349

AXLE-WHEEL & LIFT ASSEMBLY			
INDEX NO.	PART NO.	PART NAME	WEIGHT
1	6C-328	Axle Assembly Complete With Hubs	104.0
	6C-535	Axle Assembly Less Hubs	
2	6C-312	Ram Bracket Assembly	6.4
3	6C-285	Axle Bearing	1.7
4	5C-913	Cone (Timken #LM67048)	.2
5	5C-914	Cup (Timken #LM67010)	.2
6	5C-910	Grease Seal	.1
7	5C-904	Wheel Hub	6.3
8	5C-912	Cup (Timken #LM11910)	.2
9	5C-911	Cone (Timken #LM11949)	.2
10	5C-907	Washer	.1
11	5C-909	Nut	
12	5C-908	Cap	.1
13	5C-916	Rim Only	16.0
14	5C-100	Wheel Bolt	
15	6C-410	Handle Clip	
16	6C-243	Handle	2.1

P. T. O. SHAFT WITH INTEGRAL SHIELD

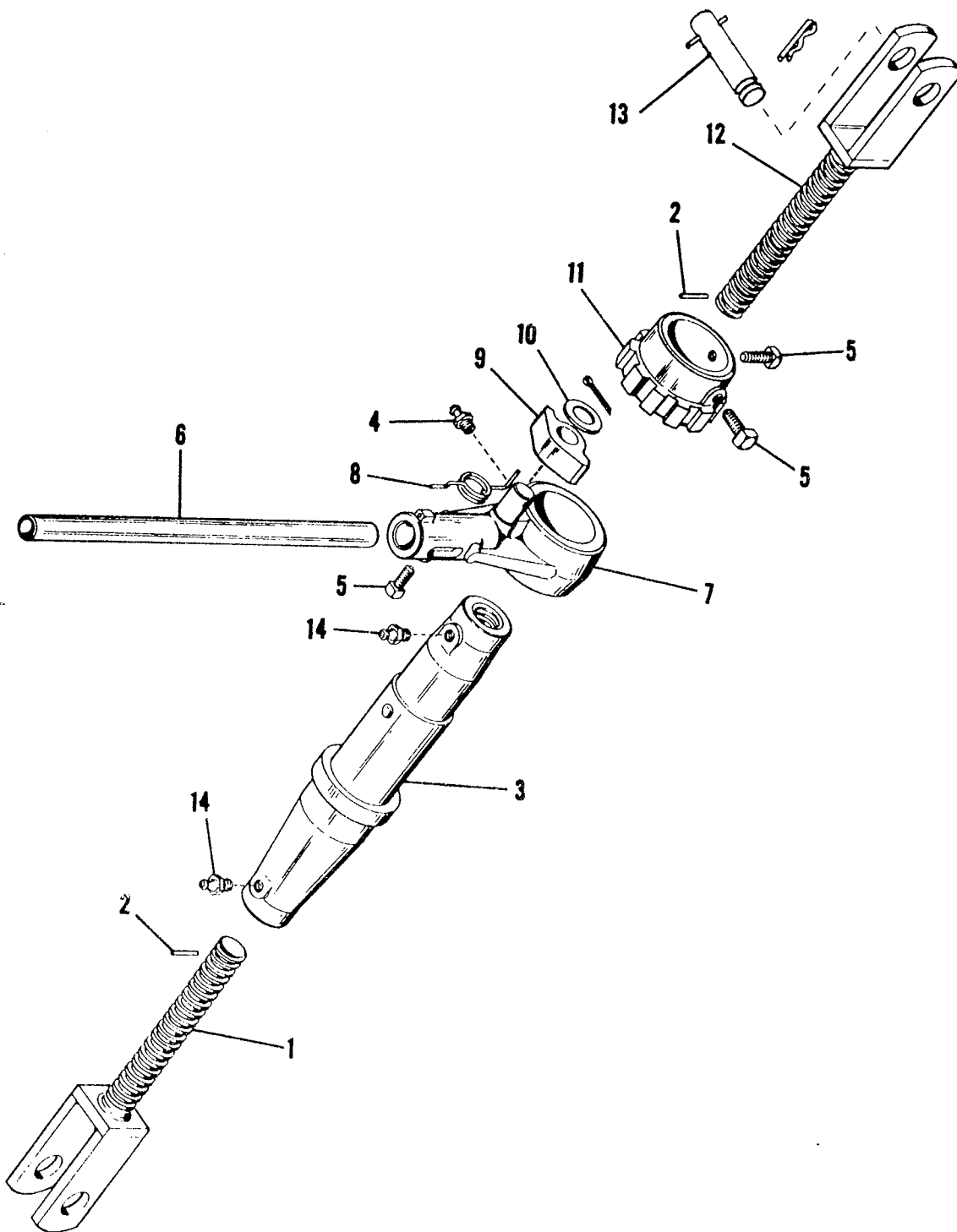


6C-349

P.T.O. SHAFT for R-90 SHREDDER

Index No.	Part No.	Part Name	Weight
1	6C-553	Joint & Shaft With Shield (1 3/8 Spline)	23.5
2	6C-610	Joint & Shaft With Shield (1 1/8 Spline)	22.0
3	8C-182	Joint & Tube With Shield	15.5
4	8C-299	Sq. Shaft & Yoke Only	14.0
5	8C-304	Tube & Yoke Only	8.0
6	8C-300	Shield Only (For Sq. Shaft End)	4.0
7	8C-305	Shield Only (For Tubular End)	3.5
8	6C-589	1 3/8-6 Spline Q.D. Tractor Yoke Only	4.2
9	6C-735	1 1/8-6 Spline Tractor Yoke	3.8
10	6C-620	1 3/8 Dia. Bore Shear Pin Yoke Only	3.0
11	5C-987	Lock Pin	.2
12	5C-257	Lock Pin Spring	-
13	5C-939	"X" Washer	-
14	8C-324	Shear Bolt	.2
15	6C-380	P.T.O. Spacer	.1
16	5C-515	Joint Repair Kit	2.0
17	8C-301	Steel Balls (Set Of 8) Not Shown	.2
18	8C-302	Retaining Ring (2 3/4" Dia.)	-
19	6C-137	Cross	1.5
20	6C-138	Needle Bearing	.3
	6C-139	Cork Washer	-
	6C-141	Snap Ring	-

6C-349

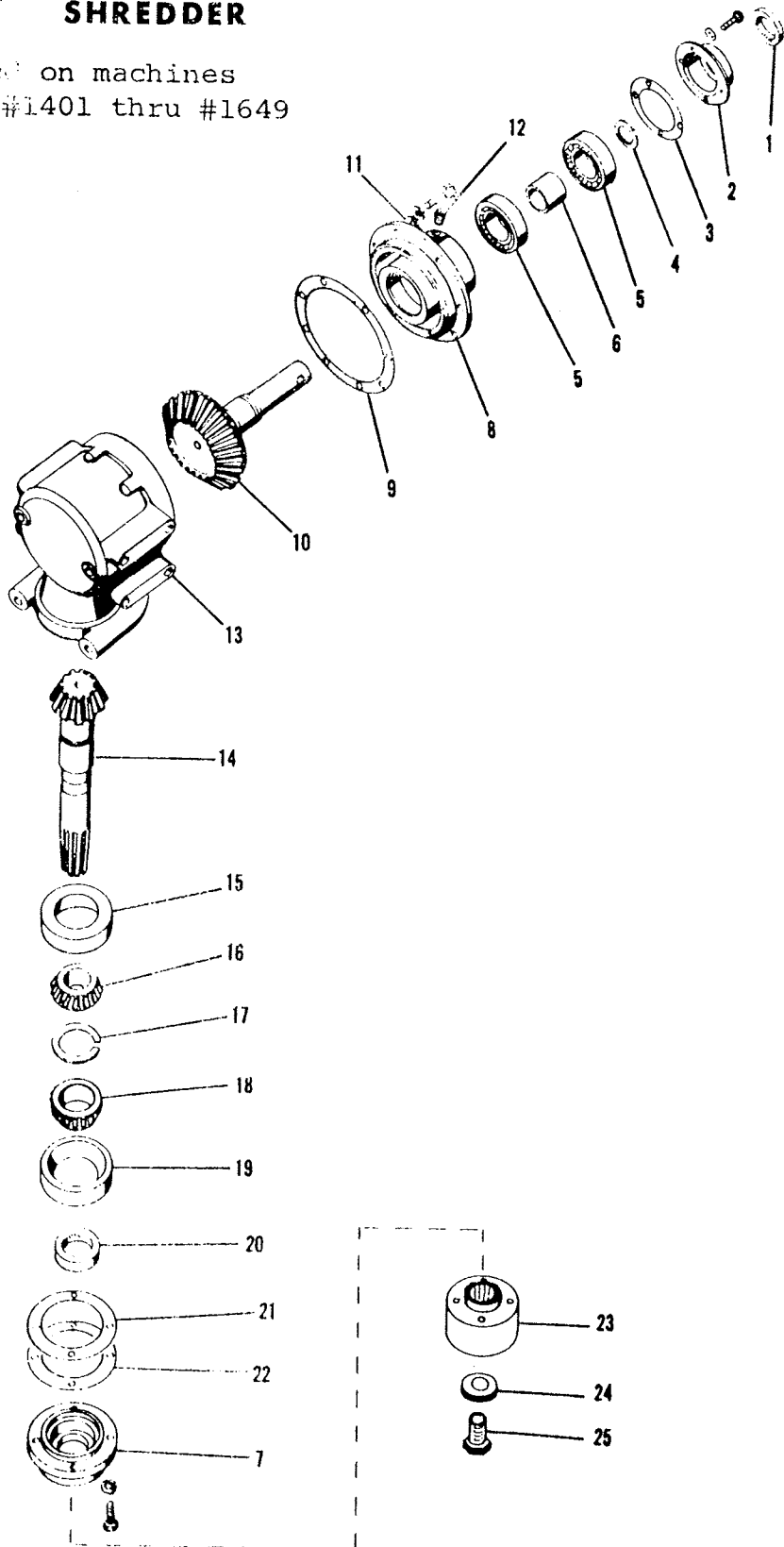


RATCHET JACK

RATCHET JACK			
Index No.	Part No.	Part Name	Weight
	7C-838	Ratchet Jack (less handle & attaching pins)	22.8
1	7C-836	R.H. Screw Assembly	3.5
2	7C-870	Roll Pin	
3	7C-827	Turnbuckle without grease fittings	9.0
4	1C-23	Grease Fittings	
5	7C-847	Set Screw	
6	7C-835	Handle	1.0
7	7C-900	Lever with grease fitting	3.7
8	7C-831	Spring	
9	7C-830	Pawl	.2
10	7C-850	Washer	
11	7C-829	Ratchet Wheel	2.0
12	7C-837	L.H. Screw Assembly	3.5
13	6C-703	Attaching Pin Assembly	.8
14	7C-414	Grease Fitting	

7C-579
GEAR BOX ASSEMBLY
90° SHREDDER

Use on machines
serial #1401 thru #1649



6C-349

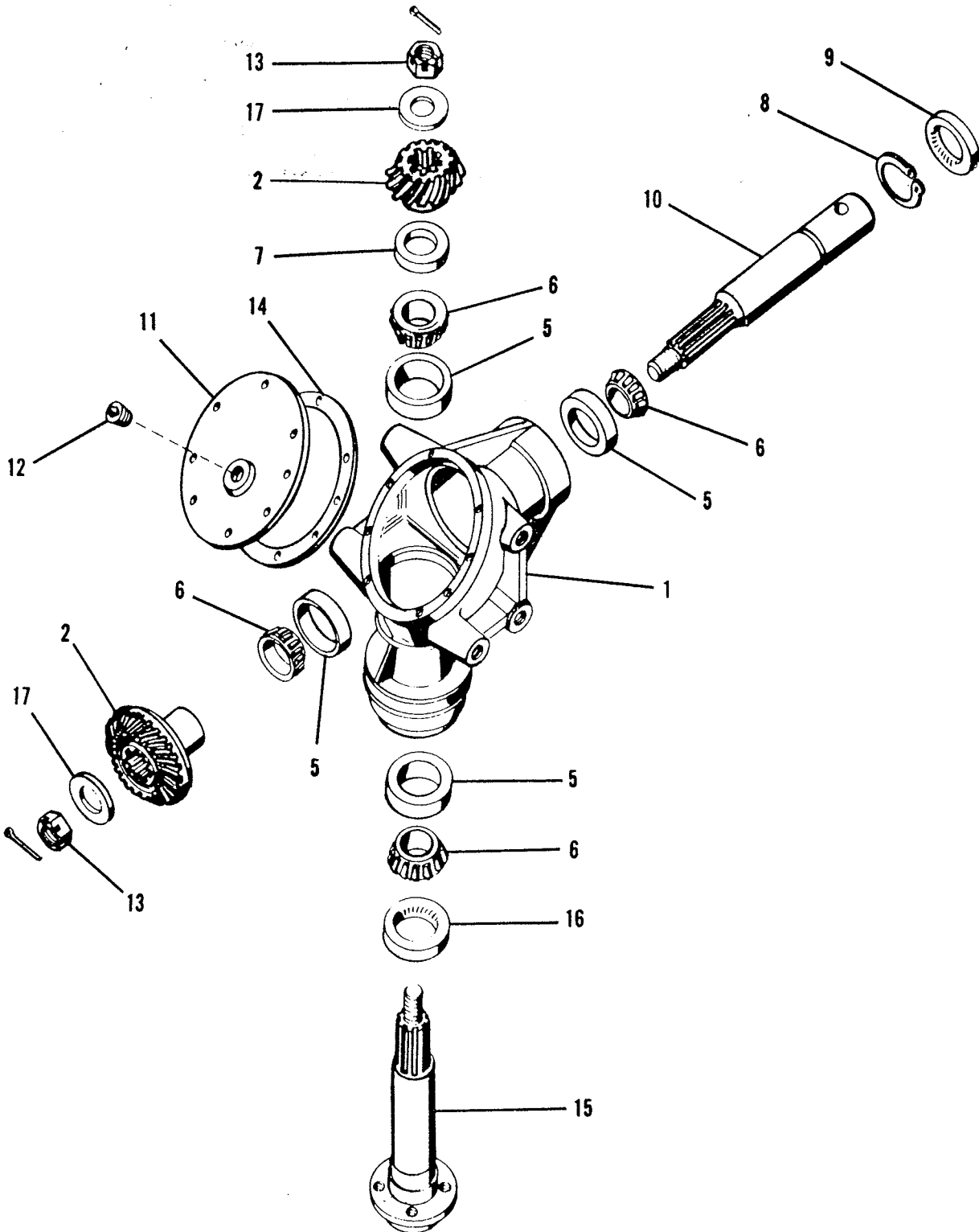
6C-349

GEAR BOX ASSEMBLY			
INDEX NO.	PART NO.	PART NAME	WEIGHT
	7C-579	Gear Box Complete	
1	7C-158	Seal, Oil	.1
2	7C-159	Cap, Brg. Retainer	1.3
3	7C-160	Gasket, Brg. Retainer	
4	7C-161	Ring, Retainer	
5	7C-162	Bearing	.8
6	7C-163	Spacer, Bearing	.4
7	7C-164	Cap, Brg. Retainer	2.3
8	7C-165	Housing, Side	9.3
9	7C-166	Shim .007	
	7C-167	Shim .012	
10	7C-168	Gear, Driving	9.1
11	5C-573	Breather Assembly	
12	4C-840	Plug, Pipe	
13	7C-169	Housing, Gear	26.5
14	7C-585	Splined Pinion Shaft	
15	7C-171	Bearing Cup Timken #363	.5
16	4C-850	Bearing Cone Timken #368	.8
17	7C-172	Ring, Retainer	
18	7C-173	Bearing Cone Timken #355	.8
19	7C-174	Bearing Cup Timken #352	.8
20	7C-175	Seal, Oil	.1
21	7C-176	Shim .007	
22	7C-177	Shim .012	
23	7C-582	Warner Adapter Assembly	
24	7C-596	Washer	
25	7C-597	Retaining Screw	

6C-342

SHREDDER DRIVE ASSEMBLY

Used on machines serial #1001 thru #1400

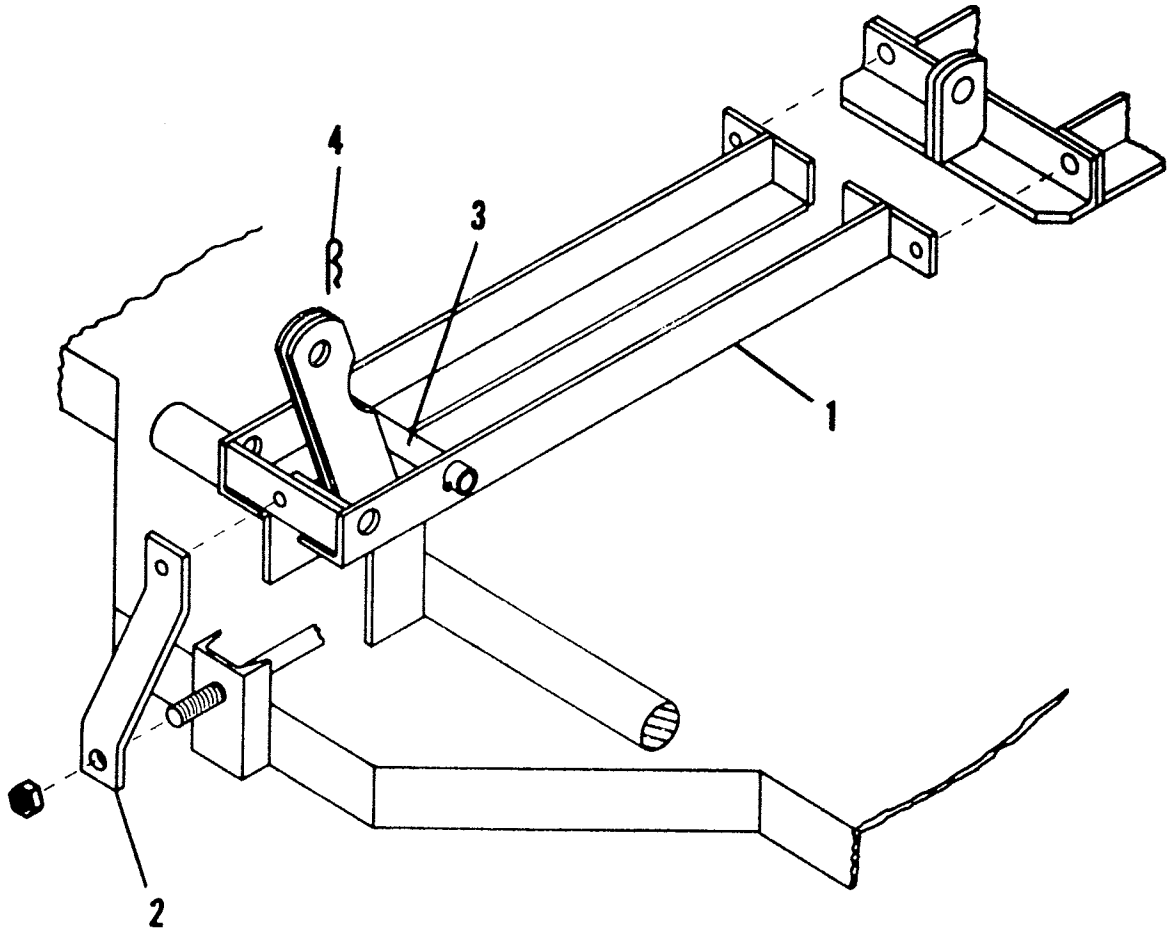


6C-349

SHREDDER DRIVE ASSEMBLY

INDEX NO.	PART NO.	PART NAME	WEIGHT
1	6C-516	Housing	
2	6C-517	Matched Gear Set	
3			
4			
5	3C-164	Cup (Timken #14276)	
6	6C-530	Cone (Timken #14137A)	
7	6C-520	Spacer	
8	6C-521	Snap Ring	
9	6C-522	Oil Seal (National #50452)	
10	6C-523	Input Shaft	
11	6C-524	Cover	
12	6C-525	Breather Plug	
13	6C-346	Slotted Nut	
14	6C-526	Gasket	
15	6C-527	Output Shaft	
16	6C-528	Oil Seal	
17	6C-529	Washer	
	6C-342	Right Angle Drive Assembly Complete	

6C-349



TRANSPORT BRACKET ASSEMBLY

Sym.	Part No.	Part Name	Weight
1	6C-675	Transport Bracket	32.3
2	6C-682	Brace	2.1
3	6C-681	Pin	2.0
4	4C-856	Hair Pin Cotter	

FOR ASSEMBLY INSTRUCTIONS SEE REVERSE SIDE OF SHEET