

REPAIR PARTS CATALOG



144" ROTARY SHREDDER

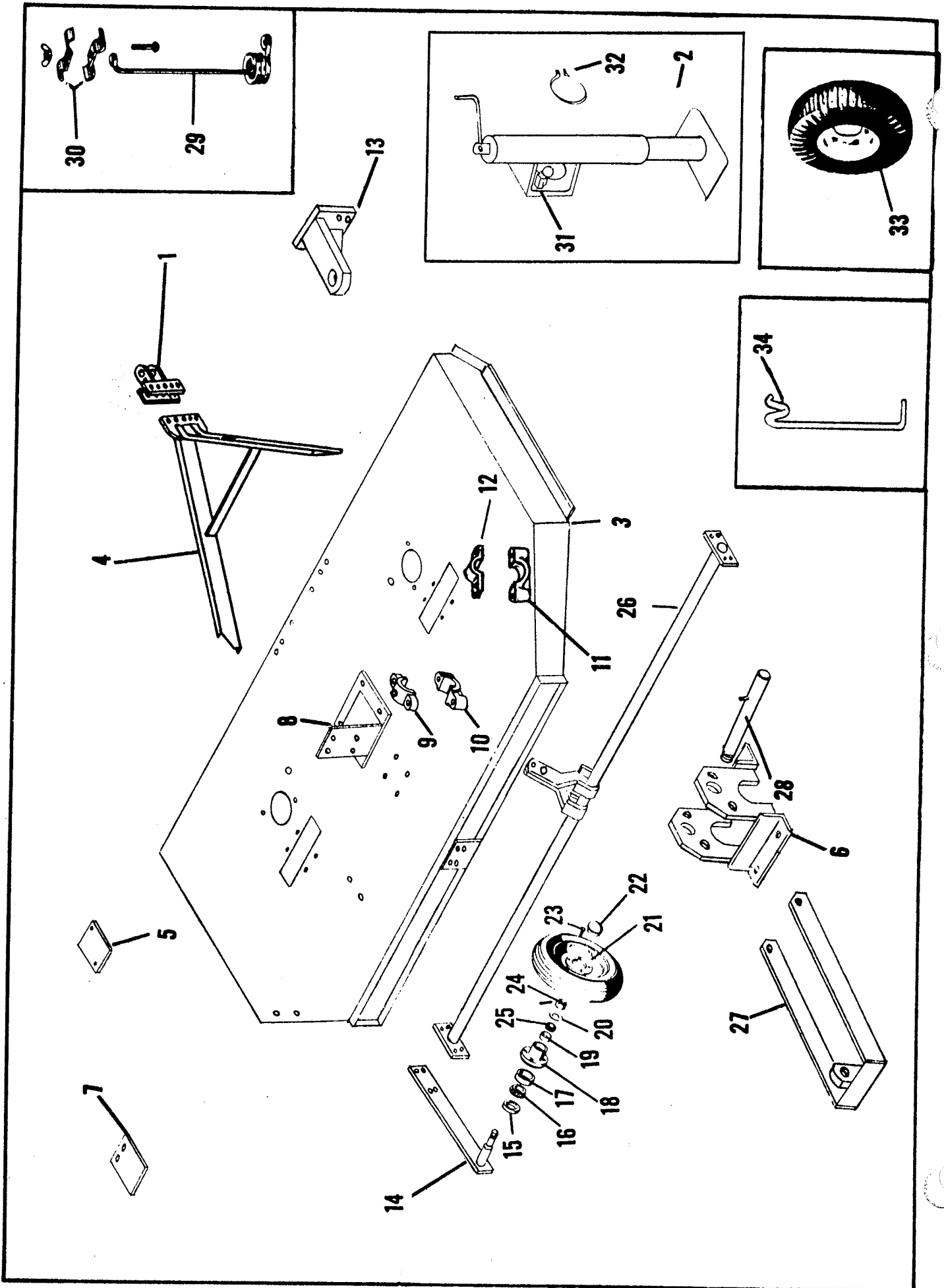
MODELS R-144-01
R-144-02
RC-144-01
RC-144-02

IMPORTANT! Repairs cannot be purchased retail direct from factory. Order through your Brillion dealer or any established implement dealer.



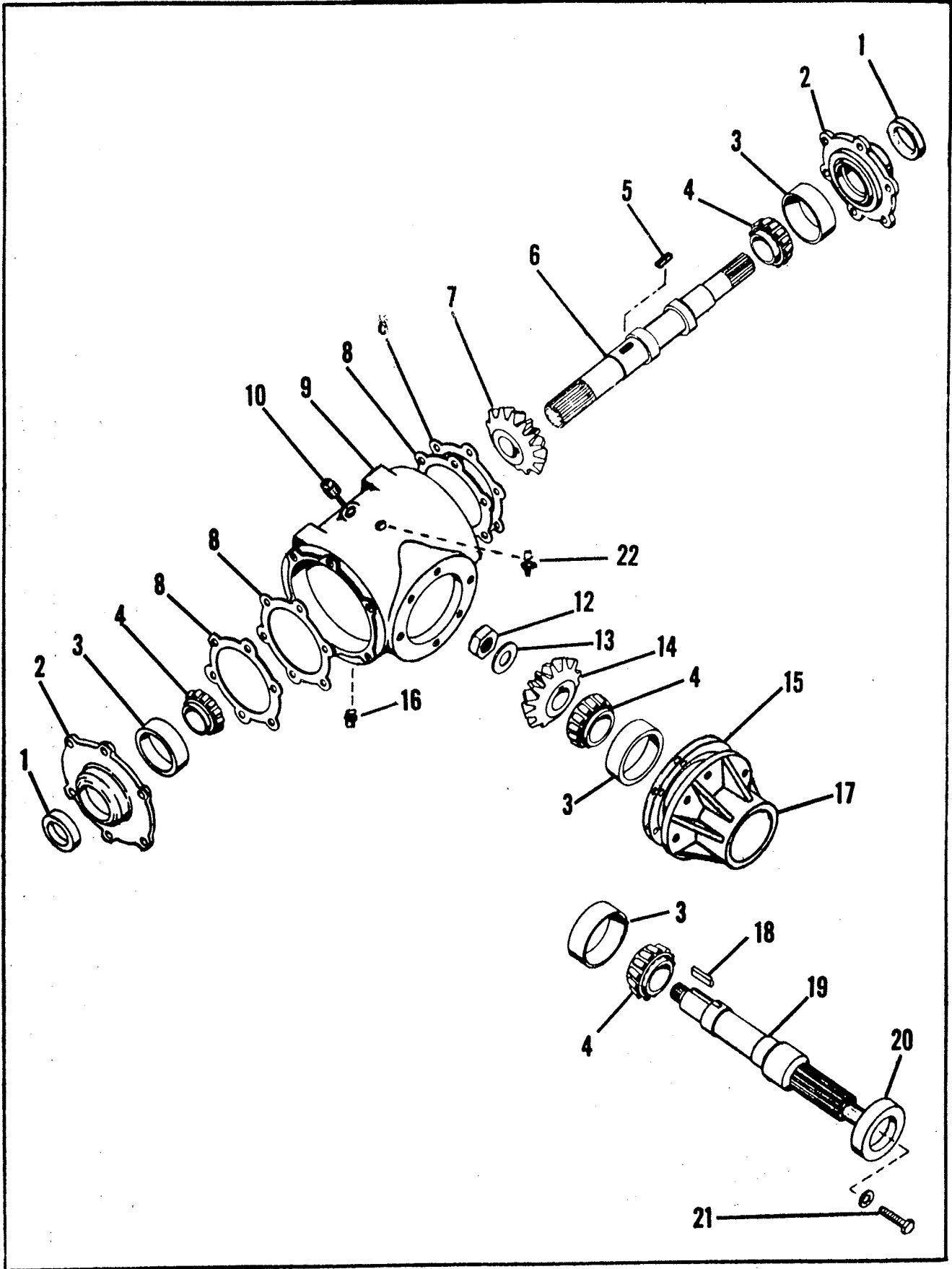
MODEL NO.
DATE PURCHASED

BRILLION IRON WORKS
Brillion, Wisconsin, U. S. A.



HOOD, DRAWBAR AND AXLE ASSEMBLY

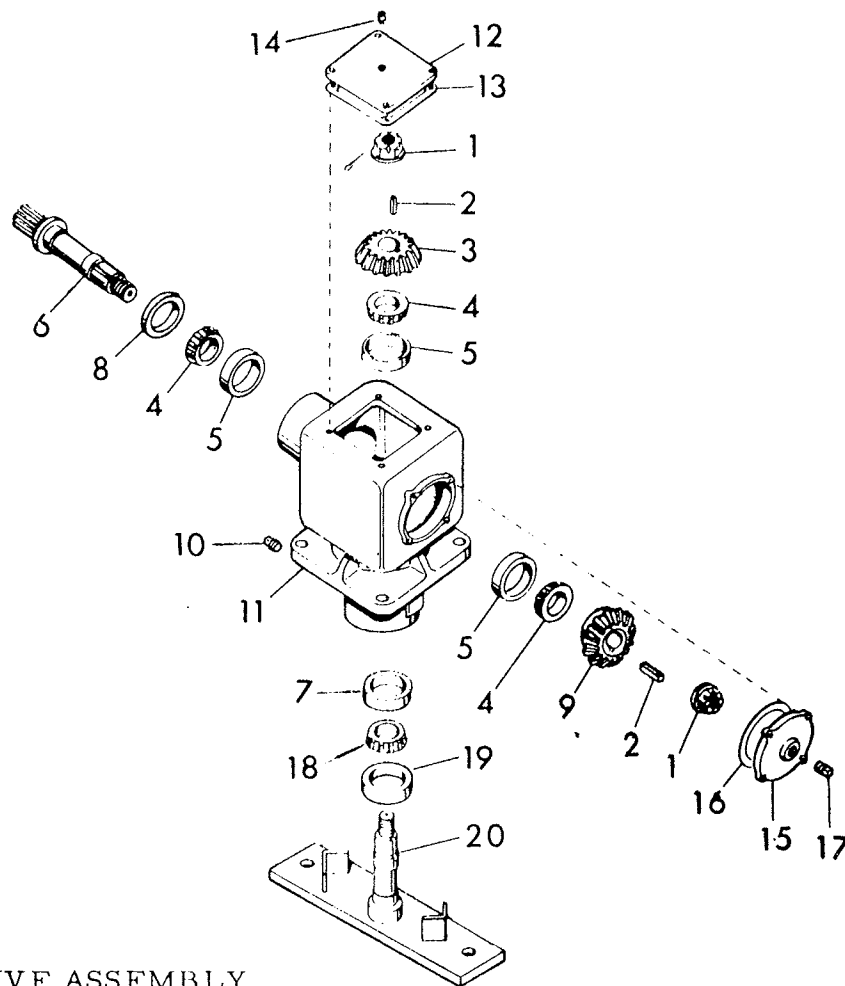
Index No.	Part No.	Description	No. Used	Weight
1	1D-293	Heavy Duty Hitch	1	12.5
		Capscrew, 5/8-11 NC x 2-1/2 Long	2	
		Nut, 5/8-11 NC	2	
2	1D-562	Drawbar Jack (Model 01)	1	10.5
	8D-394	Drawbar Jack (Model 02)	1	10.5
3	4D-888	Hood Assembly		
4	9C-373	Drawbar Sub Assembly (Model 01)	1	63.0
	8D-396	Drawbar Sub-Assembly (Model 02)	1	63.0
		Capscrew, 1/2-13 NC x 1-3/4 Long	6	
	7C-22	Bevel Washer	2	
5	4D-893	Blade Access Cover	2	1.0
		Capscrew, 5/16-18 NC x 1/2 Long	4	
	4D-894	Nut Retainer	4	
6	2D-615	Transport Bracket	1	21.8
	6C-421	Capscrew, 5/8-11 NC x 1-3/4 Long	4	
	5C-461	Locknut, 5/8-11 NC	8	
7	9C-384	Cover Plate	4	1.0
8	4D-892	Gearbox Bracket	1	31.6
		Capscrew, 5/8-11 NC x 2 Long	4	
9	4C-758	Top Axle Bearing Assembly	2	1.5
10	4C-778	Bottom Axle Bearing	2	2.5
		Capscrew, 1/2-13 NC x 4 Long		
11	9C-362	R. H. Bottom Axle Bearing	1	4.25
*	9C-363	L. H. Bottom Axle Bearing	1	4.25
12	9C-367	R. H. Axle Bearing Assembly	1	4.25
*	9C-366	L. H. Axle Bearing Assembly	1	4.25
		Capscrew, 1/2-13 NC x 4-1/2 Long		
13	7D-7	Rear Hitch Assembly	1	16.7
	6D-305	Capscrew, 5/8-11 NC x 5 Long, Grade 5	4	
14	9C-720	Arm & Shaft Assembly	2	40.5
		Capscrew, 3/4-10 NC x 3 Long	8	
		Lockwasher, 3/4 Std.	8	
		Nut, 3/4-10 NC Reg. Hex	8	
15	5C-910	Seal	2	.13
16	5C-913	Bearing Cone	2	.25
17	5C-914	Bearing Cup	2	.27
18	5C-904	Wheel Hub	2	6.25
19	5C-912	Bearing Cup	2	.20
20	5C-907	Washer	2	
21	5C-916	Wheel Rim - 15"	2	16.0
	8C-470	Wheel Rim - 14"	2	16.0
22	5C-908	Cap	2	.75
23	5C-100	Wheel Bolt	8	.20
24	5C-909	Slotted Nut	2	.20
25	5C-911	Bearing Cone	2	.20
26	1D-966	Thru Axle Assembly	2	.25
27	4D-292	Cylinder Mount Bracket	1	25.1
	4D-957	Capscrew, 3/4-10 NC x 2-1/4 Long, Grade 5	2	
	6C-729	Locknut, 3/4-10 NC		
28	2D-618	Transport Pin Assembly	1	3.6
29	1D-980	Hose Support	1	2.0
30	1D-981	Hose Clamp	1	2.0
31	1D-767	Plunger Assembly (Model 01)	1	.4
	8D-399	Plunger Assembly (Model 02)	1	.4
32	1D-561	Retaining Ring (Model 01)	1	.2
	8D-390	Retaining Ring (Model 02)	1	.2
33	1D-900	6.00 x 9 Laminated Tire & Rim	2	77.5
	1D-933	6.00 x 9 Laminated Tire Kit (2 wheels with bolts)		155.0
34	6D-333	Hose Holder	1	2.7



CENTER DRIVE ASSEMBLY

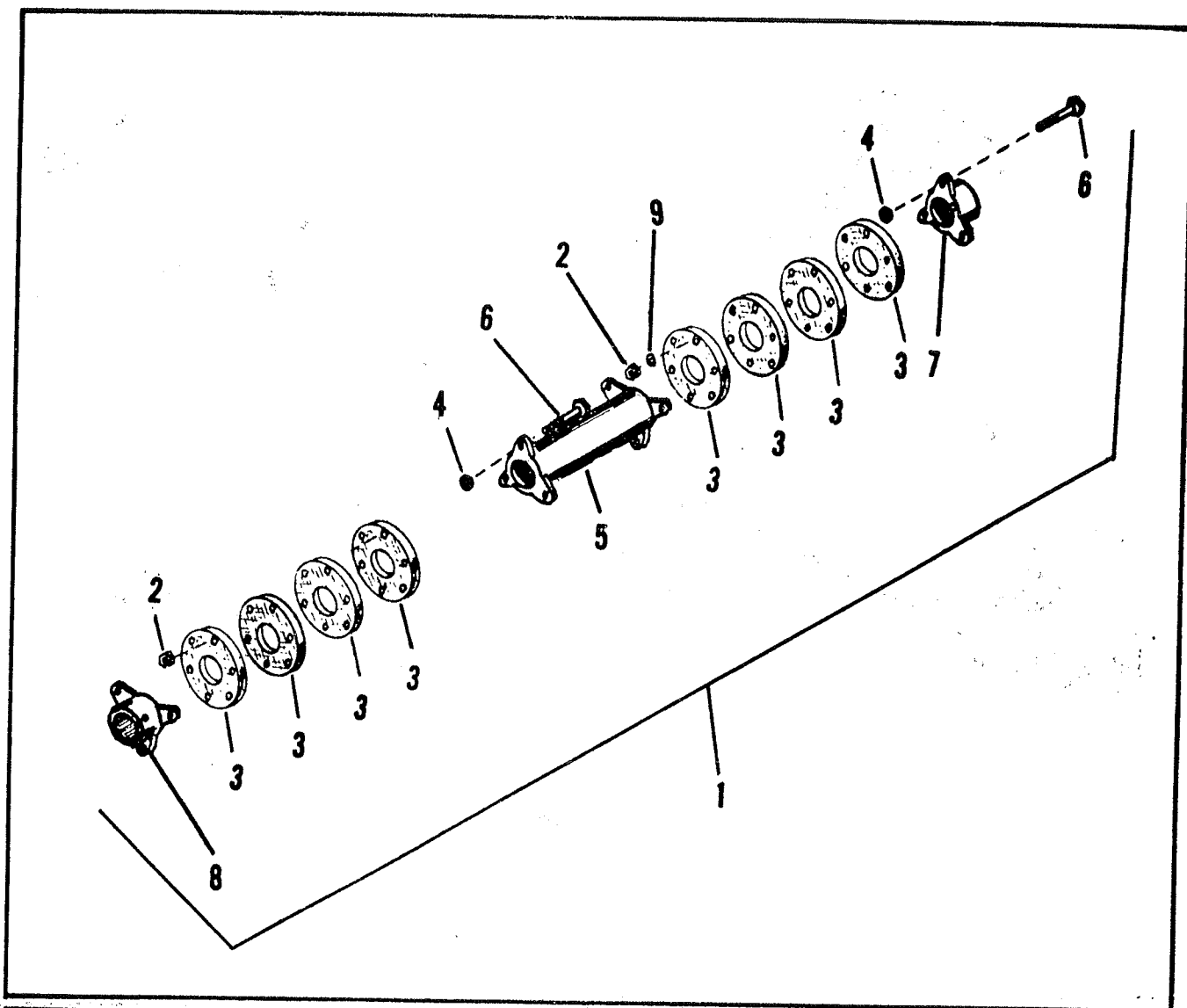
Index No.	Part No.	Description	Weight
	4D-898	Gearbox Assembly (complete)	79.0
1	4C-830	Seal	.5
2	4C-842	Bearing Flange	4.8
3	4C-832	Bearing Cup #362-A	.5
4	4C-847	Bearing Cone #367	.13
5	1D-93	Key	.1
6	4D-901	Output Shaft	15.0
7	3D-349	Gear - Output	2.5
8	4C-829	Shim (.005")	
	4D-828	Shim (.007")	
	3D-578	Shim (.010")	
9	9C-333	Gear Housing	18.0
10	1D-34	Dipstick Plug Assembly	.2
12	1D-95	Bearing Locknut	.25
13	1D-96	Bearing Lockwasher	
14	3D-348	Gear - Input	2.5
15	9C-422	Shim (.005")	
	9C-423	Shim (.007")	
	3D-577	Shim (.010")	
16	4C-837	Pipe Plug (3/8-18 N. P. T.)	.1
17	9C-332	Bearing Carrier	11.0
18	1D-94	Key	.1
19	1D-159	Input Shaft	7.0
20	9C-430	Seal	.4
21	5C-516	Shear Joint Ret. Screw	.1
22	5C-573	Breather Valve	.05

When ordering gears as repairs, for all Center Drives, order one each of 3D-348 and 3D-349. (New gears should always be ordered in sets. Never attempt to run new and worn gears together.)



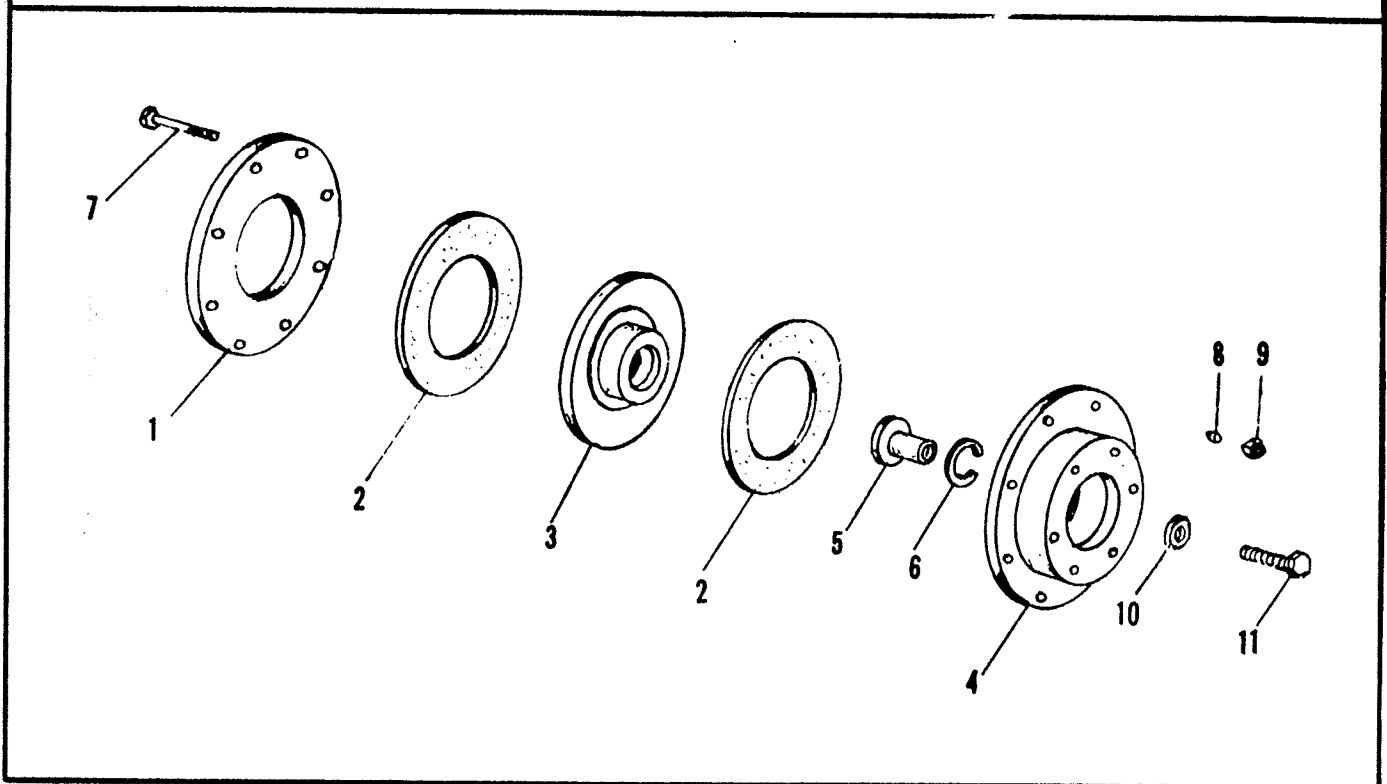
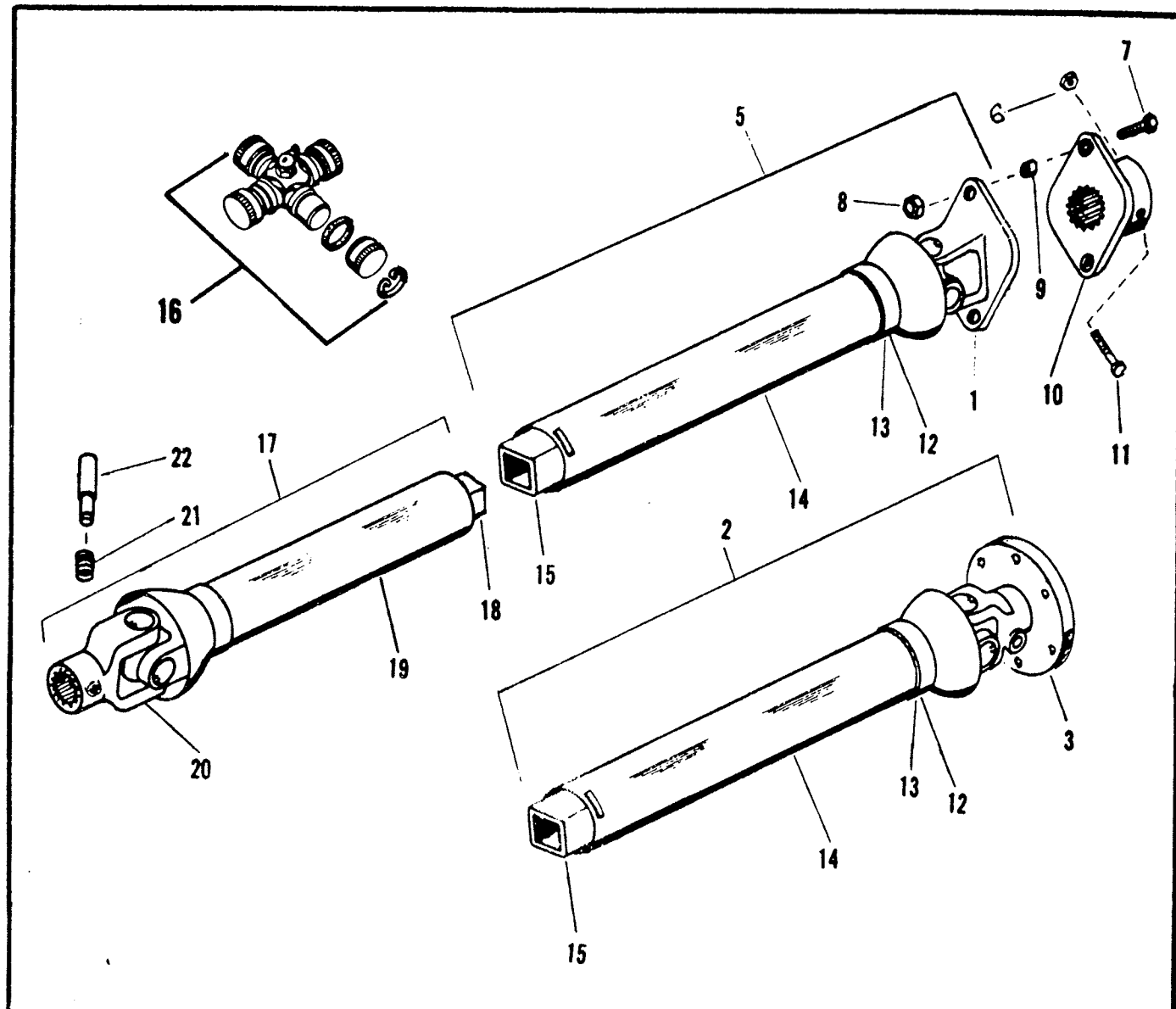
BLADE DRIVE ASSEMBLY

Sym.	Part No.	Description	No. Used
	4D-891	Blade Drive Assembly (1000 R. P. M.)	
	4D-890	Blade Drive Assembly (540 R. P. M.)	
1	1D-373	Flange Nut	2
2	7C-728	Key	4
3	3D-351	Gear - 18T (540 R. P. M.)	1
*	3D-350	Gear - 24T (1000 R. P. M.)	1
4	7C-763	Bearing Cone (#LM501349)	3
5	7C-762	Bearing Cup (#LM501310)	3
6	1D-795	Input Shaft	1
7	4C-832	Bearing Cup #362A	1
8	7C-764	Seal - 2.125 I. D. x 3.066 O. D. x 11/16	1
9	3D-350	Gear - 24T (540 R. P. M.)	1
*	3D-351	Gear - 18T (1000 R. P. M.)	1
10	4C-841	Pipe Plug Allen Head	1
11	4D-186	Gearbox Housing	1
12	2D-914	Cover	1
13	2D-916	Gasket - Cover	1
14	5C-573	Breather Valve	1
15	2D-915	Rear Cap	1
16	2D-917	Gasket - Rear Cap	1
17	4C-840	Pipe Plug Square Head	1
18	4C-850	Bearing Cone #368	1
19	4C-831	Seal - 2.375 I. D. x 3.505 O. D. x 45/64	1
20	3D-529	Output Spindle Assembly	



HEAVY DUTY COUPLER ASSEMBLY

Index No.	Part No.	Part Name	No. Req'd.	Weight
1	4D-899	Heavy Duty Coupler - Complete	2	23.75
2	6D-375	Slotted Nut	12	
3	5D-166	6" Coupling Disc	8	.5
4	5D-167	Drive Washer	48	
5	6D-994	Drive Tube	1	9.0
6	5D-169	Coupling Bolt Special Grade 8 (5/8 - 18 NC x 3-1/4 long)	12	.5
7	4D-948	Sliding Spider	1	3.0
8	6D-995	Spider With Pin Hole	1	2.25
9	5D-168	Flat Washer	12	



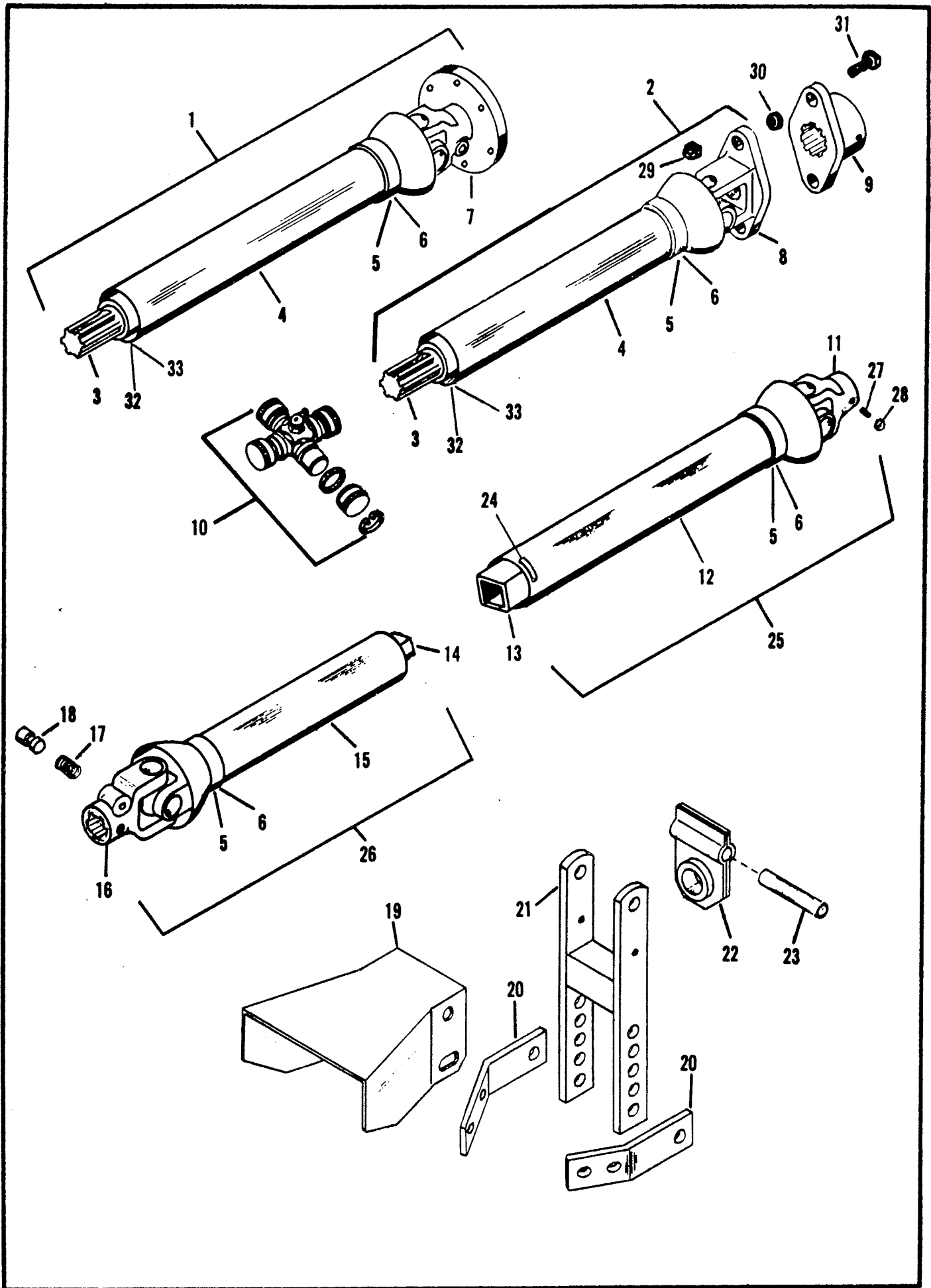
P. T. O. DRIVE ASSEMBLY
R-144 ROTARY SHREDDER

Index No.	Part No.	Description	Weight
1	5C-572	Shear Yoke (W-5/16" Bushing)	4.5
2	1D-905	Tube & Flange Yoke Assembly (540 rpm PTO)	30.0
	1D-953	Tube & Flange Yoke Assembly (1,000 rpm PTO)	31.0
3	1D-904	Yoke & Flange Assembly	5.2
5	3D-166	Tube & Safety Shear Assembly (540 rpm PTO)	32.25
	3D-167	Tube & Safety Shear Assembly (1,000 rpm PTO)	32.25
6	6C-748	Stover Nut	.06
7	3D-160	Shear Bolt (5/16-18 NC x 2-1/2 Long)	.12
8	6C-748	Stover Nut (5/16-18 NC Thd.)	.10
9	5C-500	Bushing - 5/16"	.10
10	3D-162	Shear Flange Assembly (W-5/16 Bushing)	4.0
11	9C-391	Bolt	.10
12	8C-301	Set of 8 Balls	.04
	2D-140	Nylon Bearing	
13	8C-302	Retaining Ring (Used With 8 Balls)	
	2D-141	Retaining Ring (Used With Nylon Bearing)	.05
*	1D-854	Nylon Centralizer	
14	9C-338	Rear Shield Complete (540 rpm PTO)	7.5
	3D-677	Rear Shield Complete (1,000 rpm PTO)	
15	9C-337	Tube & Yoke Assembly (540 rpm PTO)	14.25
	3D-676	Tube & Yoke Assembly (1,000 rpm PTO)	
16	5C-515	Universal Joint Repair Kit	1.5
17	9C-325	Shaft & Joint Assembly (540 rpm PTO)	23.0
	1D-947	Shaft & Joint Assembly (1,000 rpm PTO)	16.0
18	9C-335	Shaft & Yoke Assembly (540 rpm PTO)	13.9
	3D-674	Shaft & Yoke Assembly (1,000 rpm PTO)	13.9
19	9C-394	Front Shield Complete (540 rpm PTO)	3.6
	3D-675	Front Shield Complete (1,000 rpm PTO)	3.6
20	6C-589	1-3/8 - 6B Spline Tractor Yoke (540 rpm PTO)	4.0
	1D-791	1-3/8 - 21 Spline Tractor Yoke (1,000 rpm PTO)	3.75
*	8C-528	Cap Screw)	.25
*	5D-747	Elastic Stop Nut) Used With 1D-791 Yoke	.10
21	5C-257	Lock Pin Spring	
22	3D-757	Lock Pin	.2

7-1/2" SLIP CLUTCH ASSEMBLY

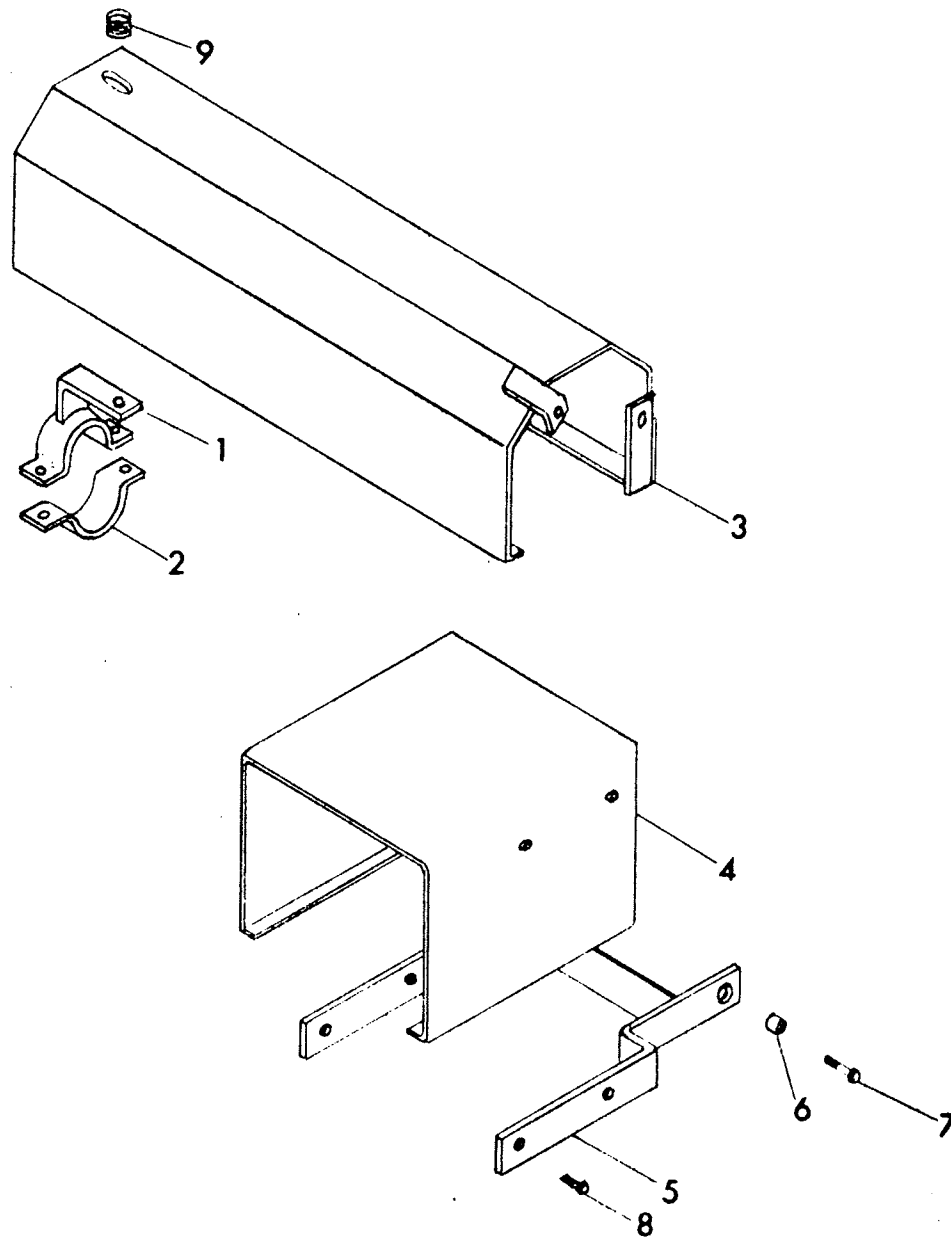
No.
Req'd.

1	3D-808	Clutch Assembly (Complete)	1	28.3
	3D-811	Pressure Plate	1	6.85
2	3D-457	Friction Disc 7-1/2" Outside Dia.	2	.35
3	3D-810	Clutch Hub	1	8.35
4	3D-809	Friction Plate Assembly	1	12.2
5	1D-888	Adapter Sleeve	1	.5
6	1D-542	Snap Ring	1	.10
7	1C-508	Capscrew, Grade 2, 3/8-16 NC x 2-1/2 Long	7	.10
8	1D-398	Belleville Washer	7	
9	1C-670	Nut (Self Locking) 3/8-16 NC	7	
10	1D-889	Retaining Washer	1	
11	5C-516	Capscrew, L. H. Thread	1	



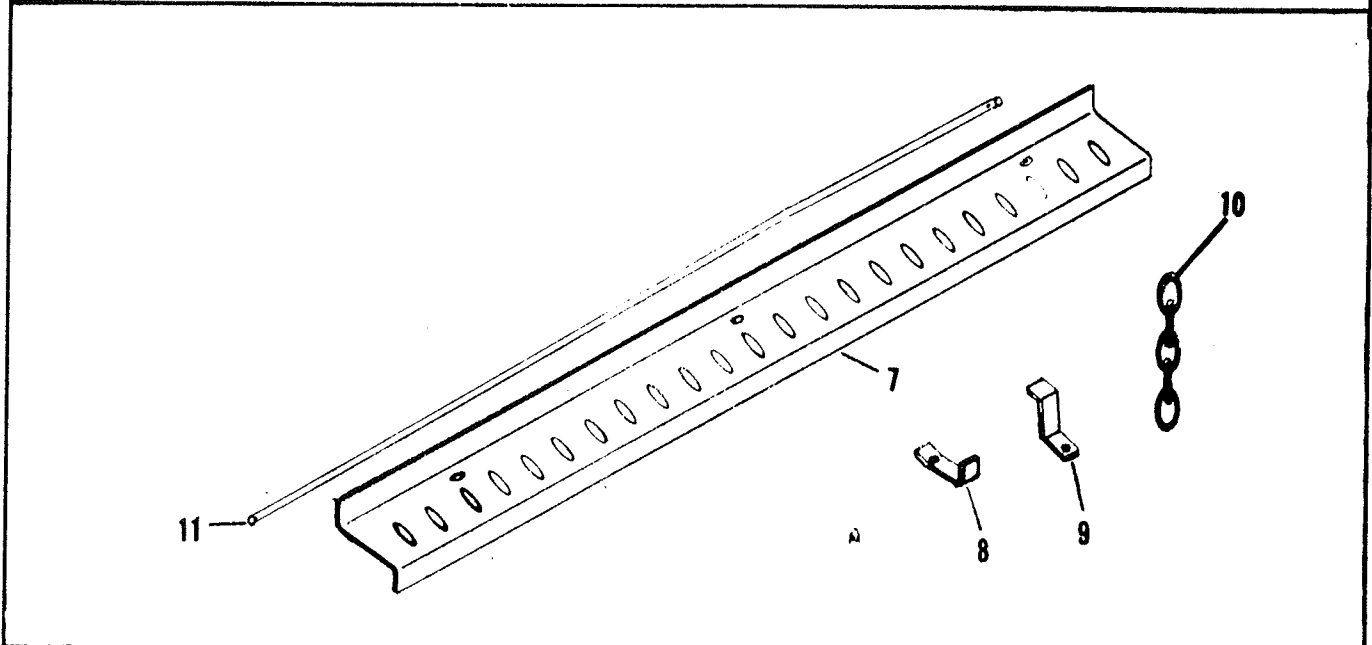
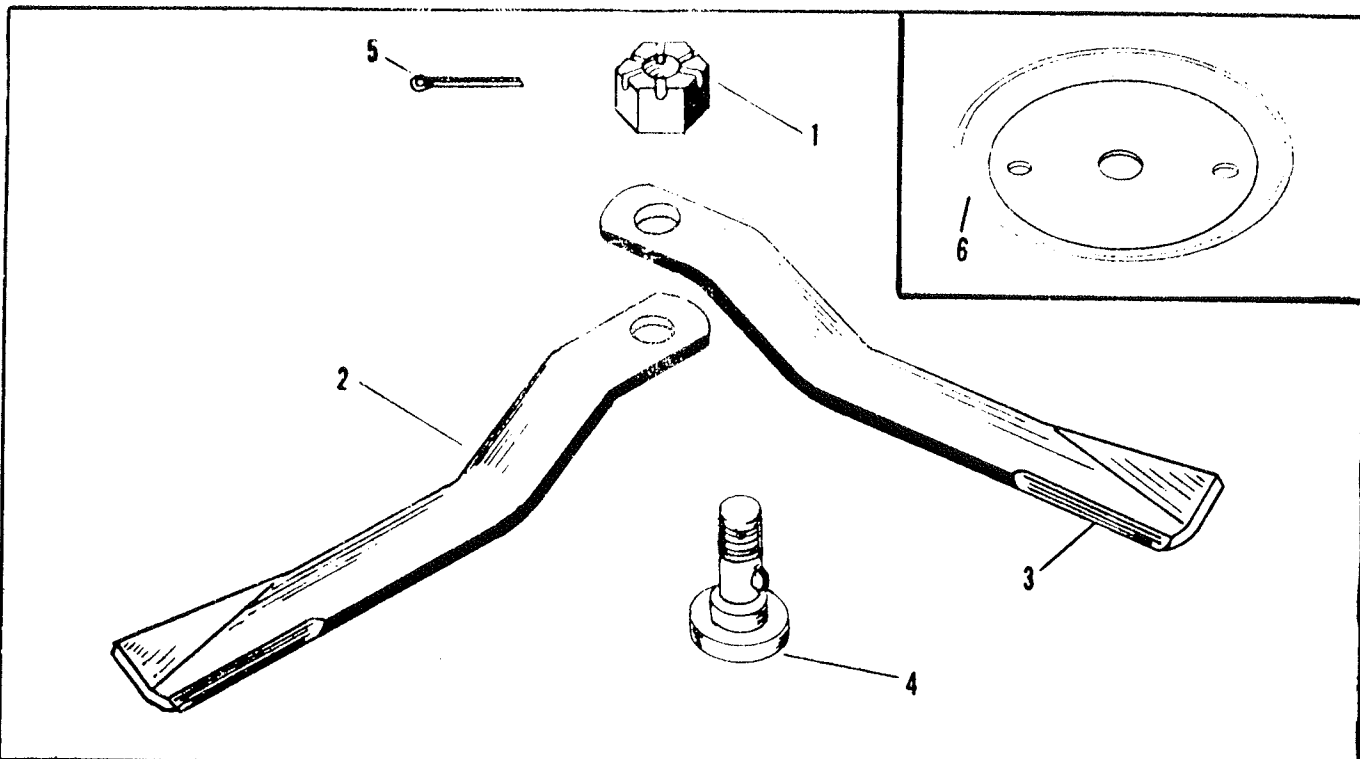
3 JOINT P. T. O. ASSEMBLY
R-144 ROTARY SHREDDER

Index No.	Part No.	Description	Weight
1	3D-145	Drive Shaft Assembly (Slip Clutch)	23.25
2	3D-172	Drive Shaft Assembly (5/16" Shear Pins)	22.60
3	3D-229	Drive Shaft & Yoke Assembly	11.0
4	3D-230	Shield Complete	5.0
5	2D-140	Nylon Bearing	
6	2D-141	Retaining Ring	
7	1D-904	Yoke & Flange Assembly	12.0
8	5C-572	Shear Yoke (W-5/16" Bushings)	4.6
9	3D-162	Shear Flange Assembly (5/16" Bushings)	4.0
10	5C-515	Universal Joint Repair Kit	1.5
11	8C-315	Yoke	3.5
12	3D-231	Rear Shield Complete	3.4
13	3D-232	Tube & Yoke Assembly	7.8
14	3D-233	Shaft & Yoke Assembly	15.0
15	3D-234	Front Shield Complete	3.3
16	6C-589	1-3/8 - 6 Spline Tractor Yoke (540 RPM)	4.0
	1D-791	1-3/8 - 21 Spline Tractor Yoke (1,000 RPM)	3.75
*	8C-528	Cap Screw) Used With 1D-791 Yoke	
*	5D-747	Elastic Stop Nut)	
17	5C-257	Lock Pin Spring	
18	3D-757	Lock Pin	.2
19	3D-105	Center Shield	3.0
20	3D-132	P. T. O. Bearing Bracket	4.0
21	3D-130	Support Assembly	9.4
22	7C-323	Bearing	1.5
23	7C-322	Bearing Sleeve	.3
24	1D-854	Nylon Centralizer	
25	3D-107	Tube & Joint Assembly	16.0
26	3D-108	Tractor Joint & Shaft Assembly (540 RPM)	18.5
	3D-147	Tractor Joint & Shaft Assembly (1,000 RPM)	18.5
27	5C-233	Set Screw	
28	5C-234	Jam Nut	
29	6C-748	Stover Nut, 5/16-18 NC Thd.	
30	5C-500	Bushing - 5/16"	.1
31	3D-160	Shear Bolt (5/16-18 NC x 2-1/2" Long)	.12
32	3D-680	Nylon Bearing	.04
33	3D-681	Retaining Ring	.05



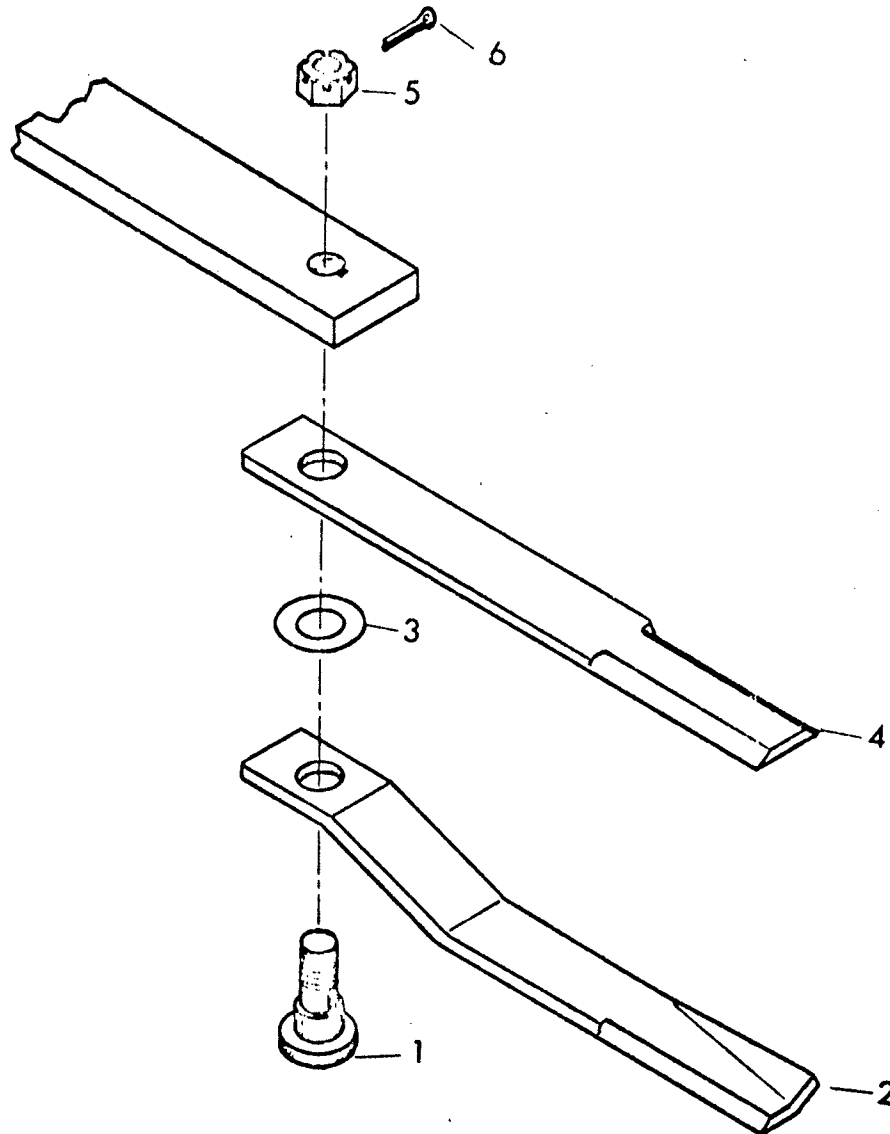
FLEX COUPLER AND CLUTCH SHIELDS

Index No.	Part No.	Part Name	No. Req'd.	Weight
1	1D-995	Support Assembly	2	1.2
2	1D-994	Clamp	2	.7
3	4D-937	Shield Assembly - L. H.	1	8.0
*	4D-938	Shield Assembly - R. H.	1	8.0
4	7D-20	P. T. O. Shield	1	2.8
5	7D-26	Shield Support Arm	1	2.31
6	1D-991	Bushing	1	.1
7	1C-232	Capscrew, 3/8-16 NC x 1-1/4 Long	2	
8	1C-237	Capscrew, 5/16-18 NC x 3/4 Long	4	
9	3D-886	Compression Spring	2	



BLADE & SHIELD ASSEMBLIES

Syn.	Part No.	Description	No. Req'd.
1	8C-609	Slotted Nut	4
	5D-1	Slotted Nut (Used with 4D-988 Blade Holder)	4
2	8C-599	Swinging Blade - R. H.	2
3	9C-331	Swinging Blade - L. H.	2
4	9C-421	Pivot Bolt	4
5	6C-648	Cotter Pin, 3/16 x 2" Long	4
6	4D-988	Blade Holder	4
7	5D-434	36" Shield Bracket	4
8	7C-22	Bevel Washer	12
9	2D-181	Clip	12
10	3D-830	Chain - 5 Links	84
11	5D-433	Chain Rod	4



UPPER BLADE KIT COMPONENTS

Index No.	Part No.	Part Name	No. Req'd.	Weight
1	7D-208	Pivot Bolt	4	
2	8C-599	Swinging Blade - R. H.	2	
	9C-331	Swinging Blade - L. H. (Shown)	2	
3	7D-210	Shim Washer	4	
4	7D-209	Blade	4	
5	8C-609	Slotted Nut	4	
6	6C-468	Cotter Pin	4	