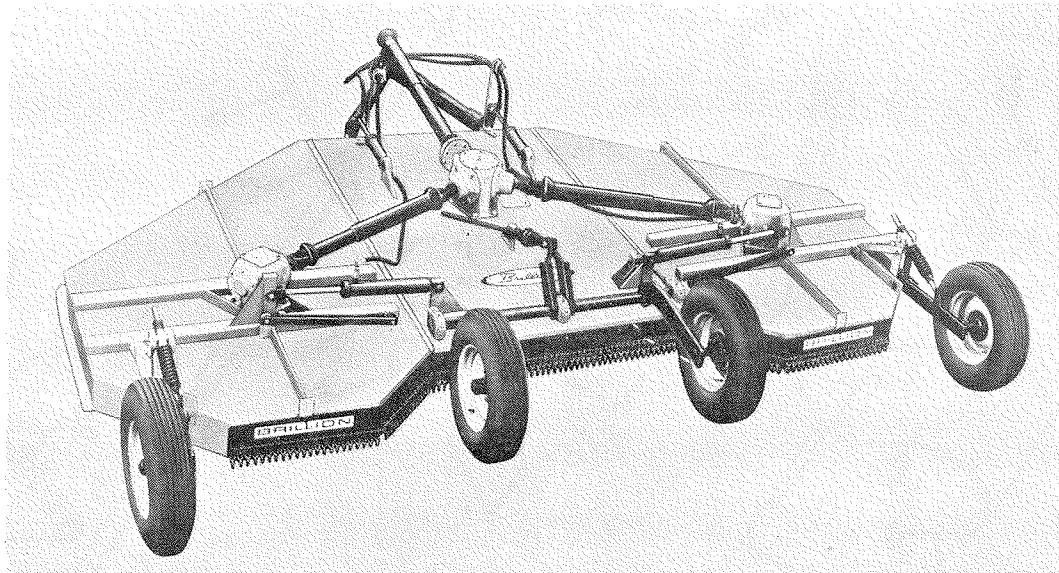


REPAIR PARTS CATALOG FOR BRILLION



180" VERSA-CUTTER

MODELS: R-180-01
RC-180-01
R-180-02
RC-180-02

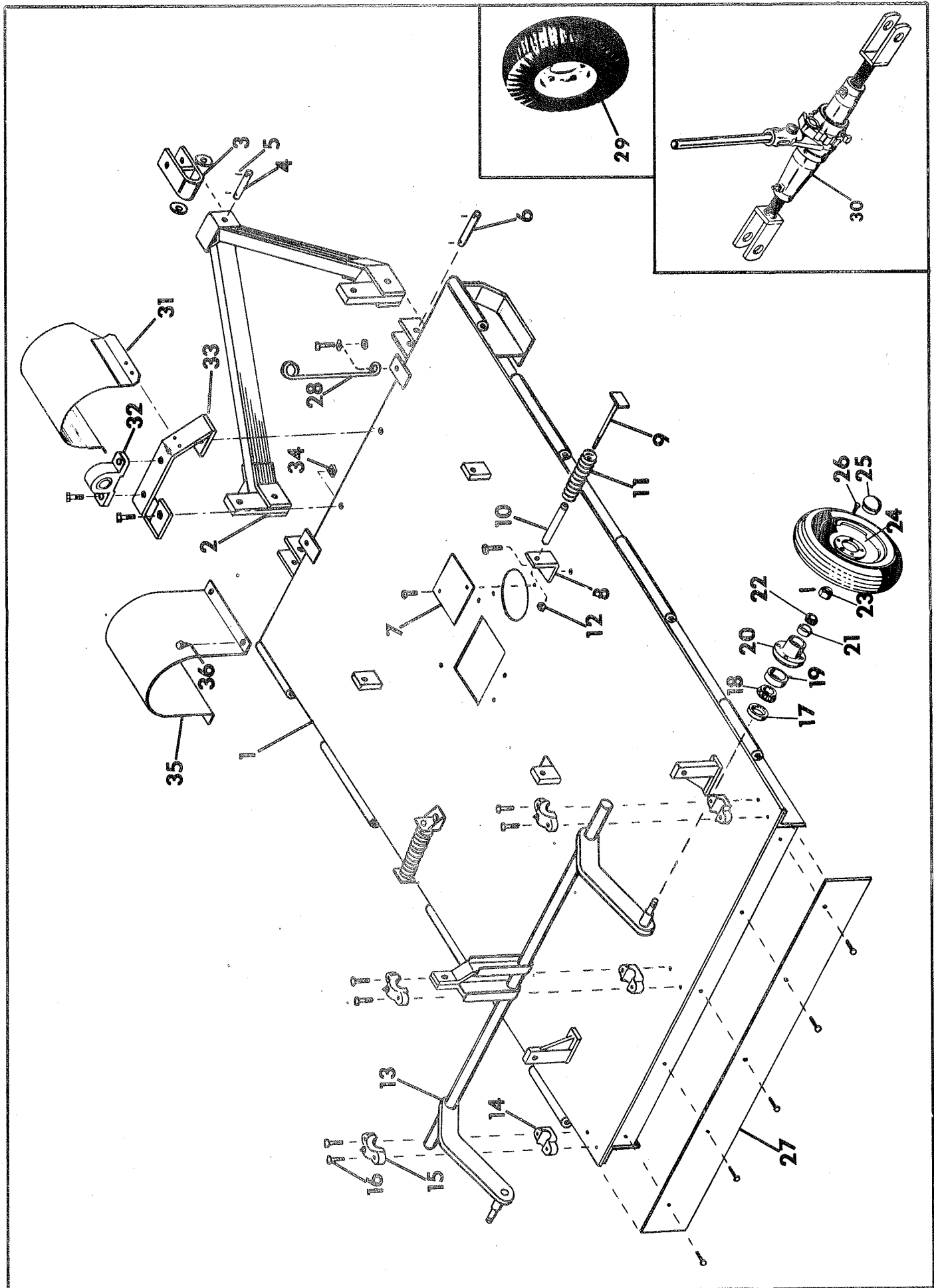
ALL PARTS NOT INDEXED ARE STANDARD HARDWARE

MODEL NO.
DATE PURCHASED

774

A product of the

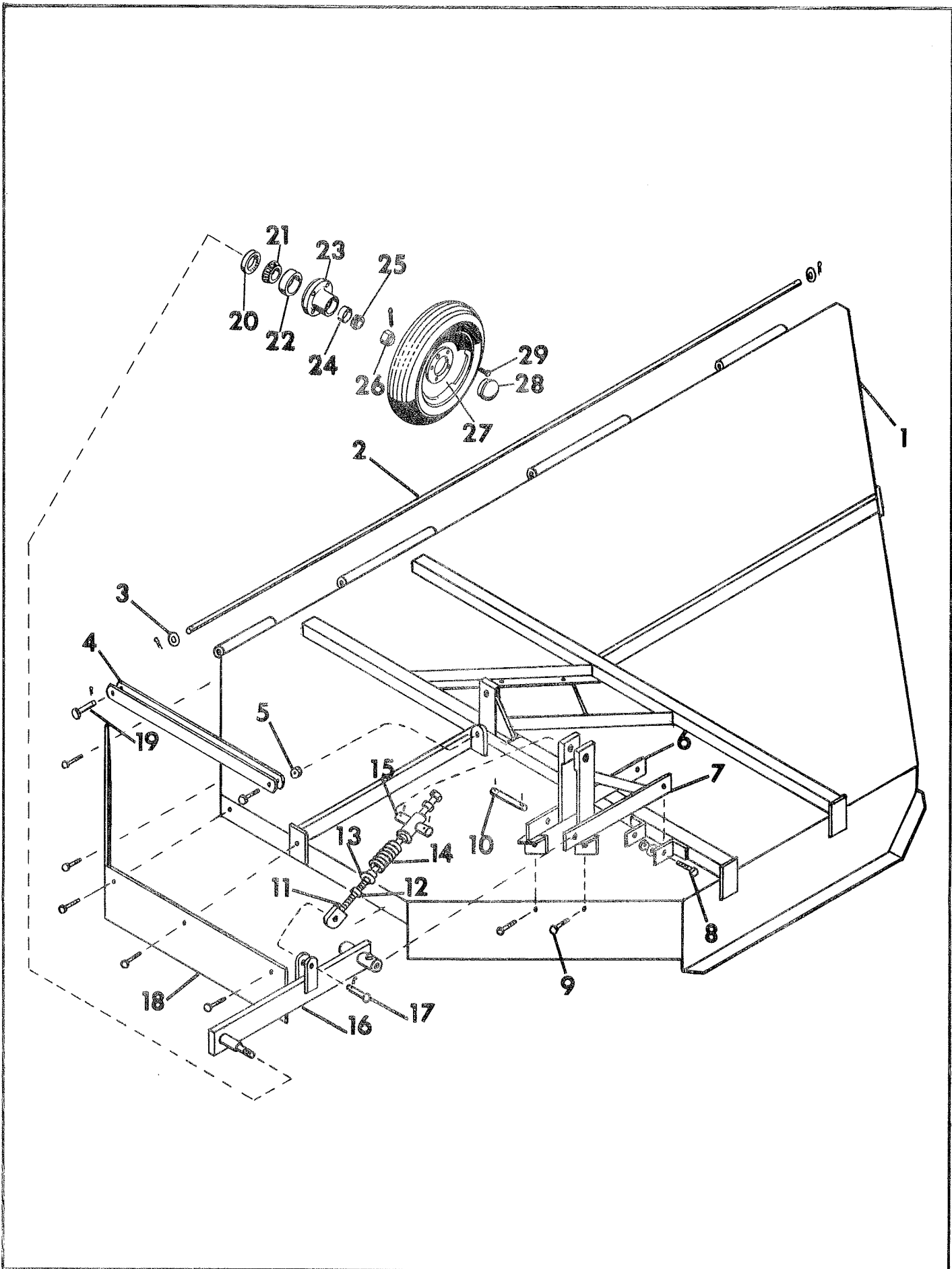
BRILLION IRON WORKS • BRILLION, WISCONSIN



HOOD, DRAWBAR AND AXLE ASSEMBLY (IR-180 & R-180)

Index No.	Part No.	Part Name	No. Req'd.	Weight
1	7D-270	Center Hood	1	490.0
2	7D-387	Drawbar Assembly	1	68.0
3	7D-754	Clevis	1	7.9
*	1C-787	Washer (1" Std. Flat)	2	
4	7D-435	Clevis Pin	1	
5	1C-659	Roll Pin	6	
6	7D-432	Clevis Pin	2	2.0
*	6D-49	Cotter Pin (1/4" x 2-1/2" Long)	2	
7	4D-893	Blade Access Cover	1	1.0
	4D-894	Nut Retainer (Not Shown)	2	
*	8C-175	Capscrew (5/16-18 NC x 1/2 Long)	2	
8	7D-272	Wing Stop	2	4.0
9	7D-418	Bolt Assembly	2	1.2
10	7D-431	Spring Guide	2	.7
11	3D-994	Spring	2	2.4
12	5C-461	Locknut (5/8-11 NC)	2	
13	7D-379	Axle Assembly (Includes hub assembly)	1	190.0
	7D-773	Axle Assembly (Less hub assembly)	1	179.5
	7D-742	Dual Wheel Axle Assembly (Includes hub assy's.)	1	272.5
14	4C-778	Bottom Axle Bearing	3	2.5
15	7D-275	Top Axle Bearing	3	1.5
16	3D-751	Capscrew (1/2-13 NC x 4-1/2" Long, Grade 5)	6	.1
17	1D-273	Grease Seal	2	.1
18	5C-480	Bearing Cone	2	.2
19	5C-479	Bearing Cup	2	.2
20	3D-870	Hub	2	8.6
21	3C-166	Bearing Cup	2	.2
22	1D-274	Bearing Cone	2	.3
23	3C-173	Slotted Nut	2	.1
24	4C-129	Wheel Rim - 15" (Tire not included)	4	16.0
	1D-734	Wheel Rim - 14" (Tire not included)	4	16.0
25	5C-908	Hub Cap	2	.8
26	5C-100	Wheel Bolt	10	.1
27	7D-278	Center Rear Panel	1	21.0
*	1C-334	Capscrew (1/2-13 NC x 1-1/4" Long)	5	
28	7D-766	Hose Support	2	2.7
*	6C-421	Capscrew (5/8-11 NC x 1-3/4" Long)	2	
*	5C-907	Washer (5/8 Std. Flat)	2	
29	7D-455	Laminated Tire & Rim	4	77.5
30	7C-841	Ratchet Jack	1	27.0
31	9D-947	Shield	1	4.2
32	9C-76	Bearing Assembly	1	4.0
33	9D-951	Support	1	5.4
34	7C-22	Bevel Washer	2	.1
35	9D-457	Shield	1	5.3
36	9D-463	Self Drilling Screw	4	

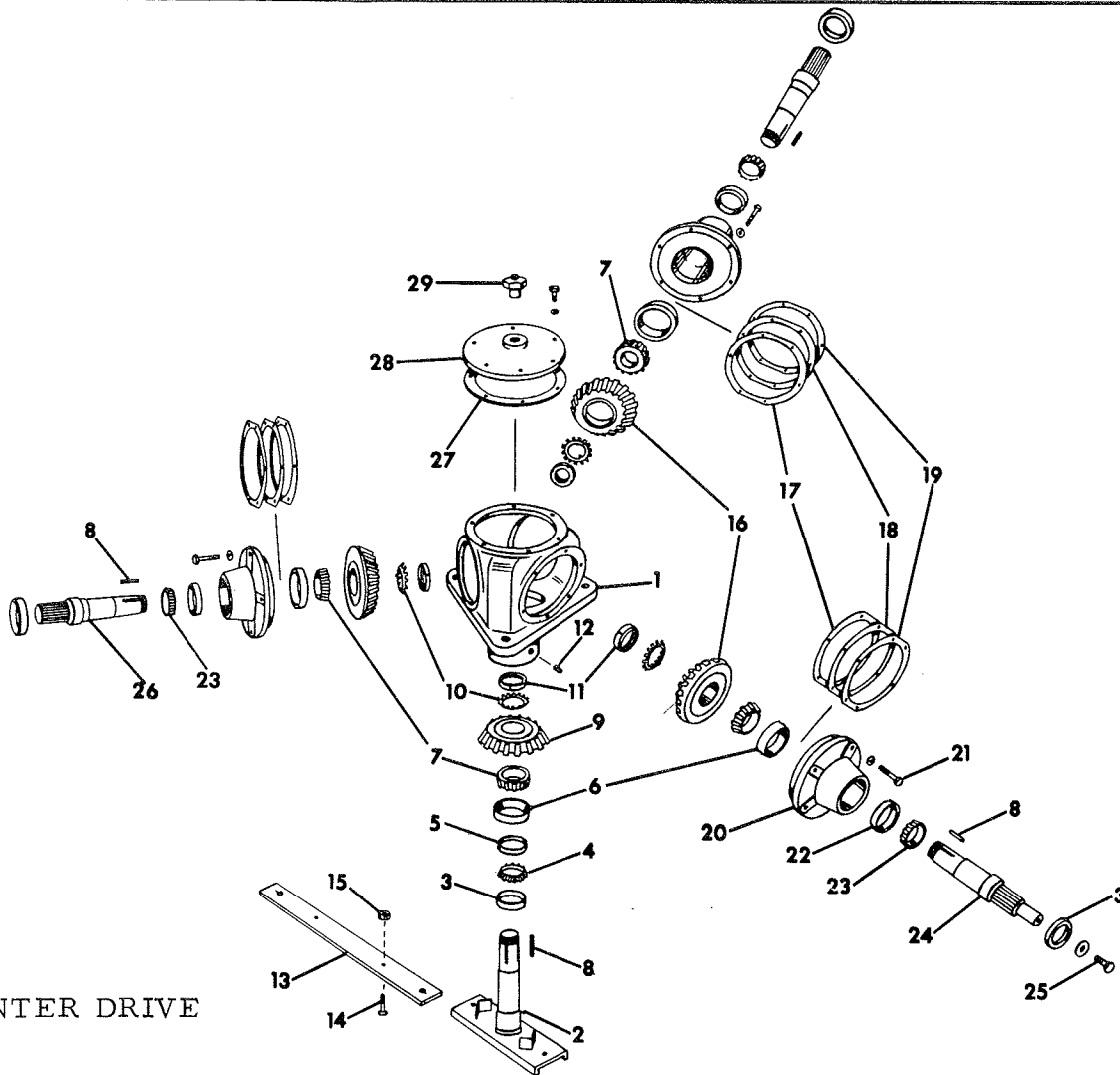
*Denotes standard fasteners



WING SECTION ASSEMBLY

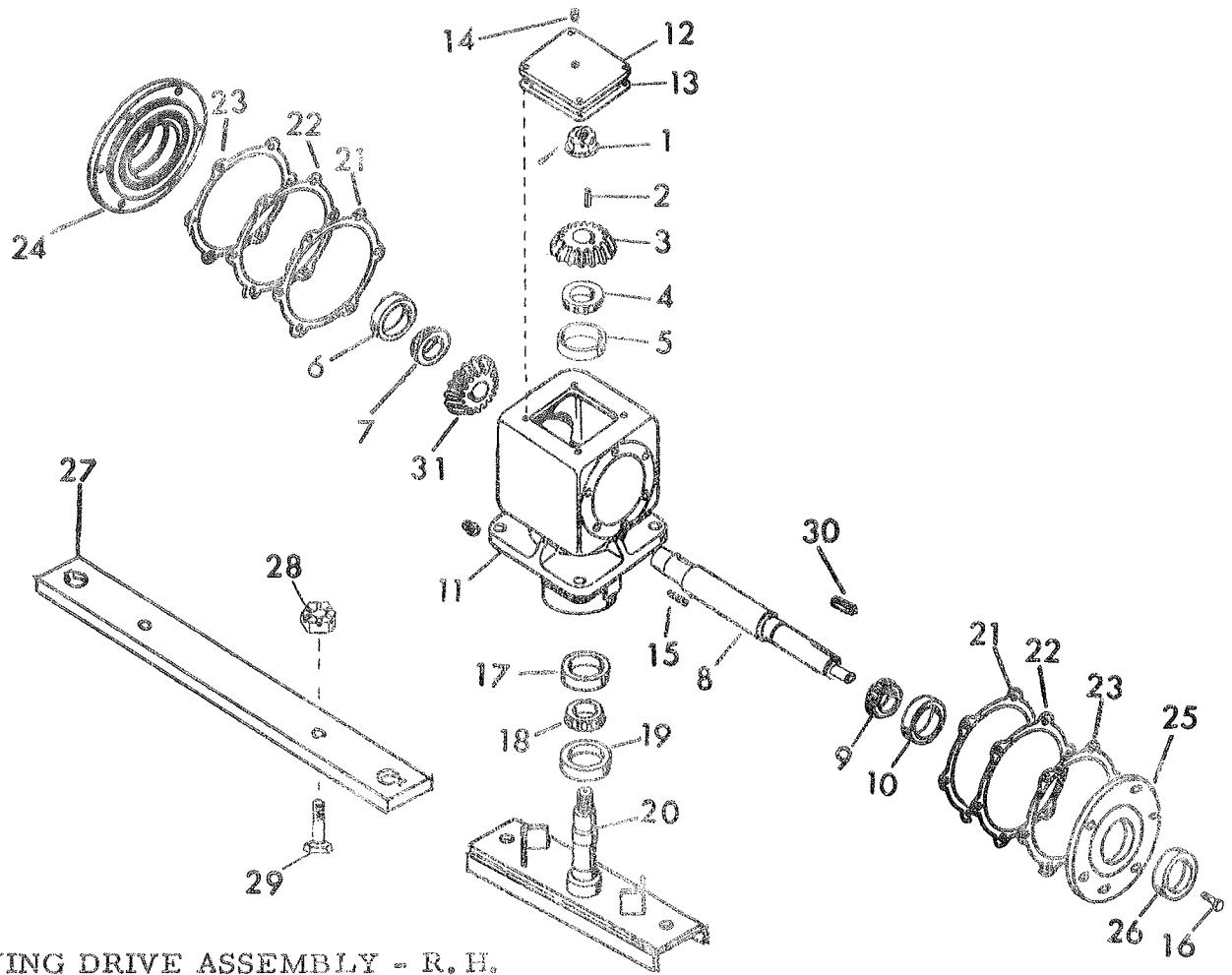
Index No.	Part No.	Part Name	No. Req'd.	Weight
1	7D-344	R. H. Wing Assembly (shown)	1	440.0
	7D-345	L. H. Wing Assembly	1	440.0
2	7D-276	Hinge Rod	2	12.4
3	7D-759	Machinery Bushing	4	
*	1C-788	Cotter Pin (3/16" x 1-1/2" Long)	4	
4	7D-433	Locking Strap	4	
5	5C-392	Locknut (1/2-13 NC, Grade B)	2	
6	7D-403	Inner Bracket - R. H. (shown)	1	15.5
	7D-404	Inner Bracket - L. H.	1	15.5
7	7D-405	Outer Bracket - R. H. (shown)	1	14.0
	7D-406	Outer Bracket - L. H.	1	14.0
8	2D-474	Capscrew (5/8-11 NC x 1-3/4" Long, Grade 5)	4	
*	1B-166	Lockwasher (5/8" Med.)	4	
*	1C-392	Nut (5/8-11 NC, Reg. Hex)	4	
9	1D-237	Capscrew (1/2-13 NC x 2" Long, Grade 5)	4	
*	1C-109	Lockwasher (1/2" Med.)	4	
*	1C-390	Nut (1/2-13 NC, Reg. Hex)	4	
10	7D-429	Pin	2	1.0
*	1D-604	Roll Pin (3/16 x 1-1/2" Long)	6	
11	7D-426	Screw Assembly	2	5.0
12	7D-430	Jam Nut (1" - 8 NC, Reg. Hex)	4	.1
13	7D-421	Welded Washer Nut	2	.2
14	6D-828	Spring	2	5.0
15	7D-422	Trunnion	2	1.5
16	7D-397	Arm & Spindle Assembly - R. H. (Complete)	1	36.0
	7D-396	Arm & Spindle Assembly - L. H. (Complete)	1	36.0
	7D-782	Arm & Spindle Assembly - R. H. (less hub and components)	1	26.3
	7D-781	Arm & Spindle Assembly - L. H. (Less hub and components)	1	26.3
17	4D-198	Clevis Pin	2	.4
*	1C-986	Cotter Pin (1/8" x 1-1/2" Long)	2	
18	7D-377	Rear Panel - R. H. (shown)	1	18.5
	7D-376	Rear Panel - L. H.	1	18.5
19	7D-434	Clevis Pin	1	.1
*	4C-856	Hairpin Cotter	1	
20	1D-273	Grease Seal	2	.1
21	5C-480	Bearing Cone (#48548)	2	.2
22	5C-479	Bearing Cup (#48510)	2	.2
23	3D-870	Hub	2	8.6
24	3C-166	Bearing Cup (#09195)	2	.2
25	1D-274	Bearing Cone (#09081)	2	.3
26	3C-173	Slotted Nut	2	.1
27	4C-129	Wheel Rim - 15" (Tire not included)	4	
	1D-734	Wheel Rim - 14" (Tire not included)	4	16.0
28	5C-908	Hub Cap	2	.8
29	5C-100	Wheel Bolt	10	.1

*Denotes standard fasteners



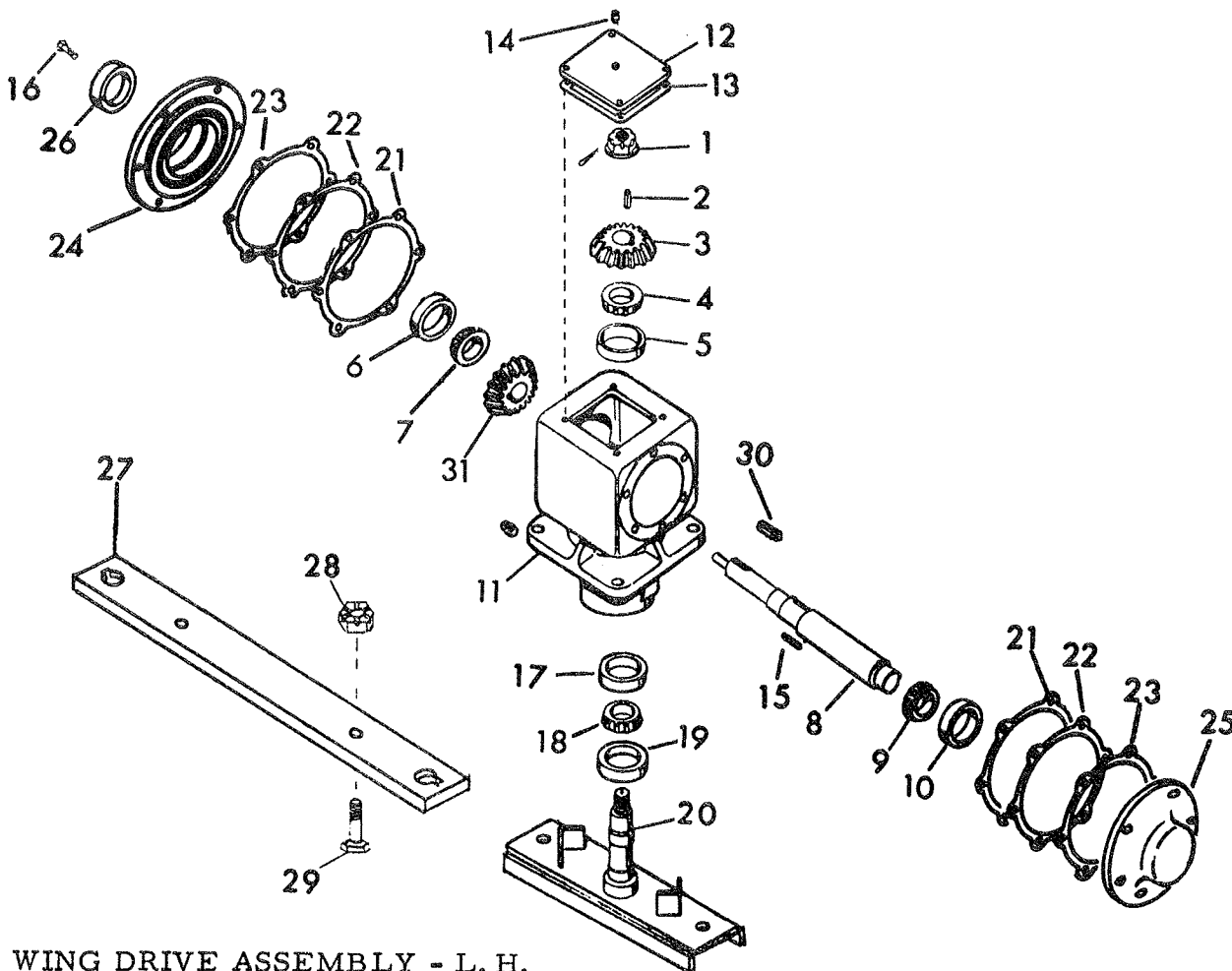
CENTER DRIVE

Index No.	Part No.	Part Name	No. Req'd.	Weight
	7D-679	Gear Box Assembly - 1000 RPM (Complete)	1	218.8
	7D-714	Gear Box Assembly - 540 RPM (Complete)	1	212.8
1	7D-321	Center Gear Box	1	65.0
2	7D-325	Output Spindle Assembly	1	21.0
3	4C-831	Seal	4	.5
4	4C-850	Bearing Cone #368	1	.8
5	4C-832	Bearing Cup #362A	1	.5
6	7D-334	Bearing Cup #453X	4	.8
7	7D-335	Bearing Cone #467	4	.9
8	7D-339	Key	8	.1
9	7D-603	Pinion (540 RPM)	1	
	7D-604	Gear (1000 RPM)	1	
10	9C-838	Bearing Lockwasher	4	
11	9C-839	Bearing Locknut	4	.2
12	9C-855	Pipe Plug	1	.1
13	7D-280	Blade Mounting Bar	1	19.0
14	5D-575	Capscrew, 3/4-10 NC x 2-1/2" Long, Grade 5	2	.2
15	1C-379	Slotted Nut (3/4-10 NC)	2	.1
16	7D-604	Gear (540 RPM)	3	7.3
	7D-603	Pinion (1000 RPM)	3	4.0
17	7D-336	Shim .005		
18	7D-337	Shim .007		
19	7D-338	Shim .010		
20	7D-322	Bearing Carrier	3	
21	8C-36	Capscrew, 3/8-16 NC x 1-3/4" Long, Grade 5	18	.1
22	7D-332	Bearing Cup JLM104910	3	.4
23	7D-333	Bearing Cone JLM104948	3	.7
24	7D-323	Drive Shaft	1	8.30
*	1C-120	Washer, 1/2 Std. Flat	1	
25	5D-480	Clutch Retaining Screw	1	.1
26	7D-324	Driven Shaft	2	8.0
27	7D-341	Gasket	1	
28	7D-340	Cover	1	5.8
29	3D-978	Pipe Reducer Bushing	1	.1
	5C-573	Breather Valve	1	.1
*	1C-183	Lockwasher, 3/8" Med.	23	
*	4C-803	Capscrew, 3/8-16 NC x 1" Long	6	.1



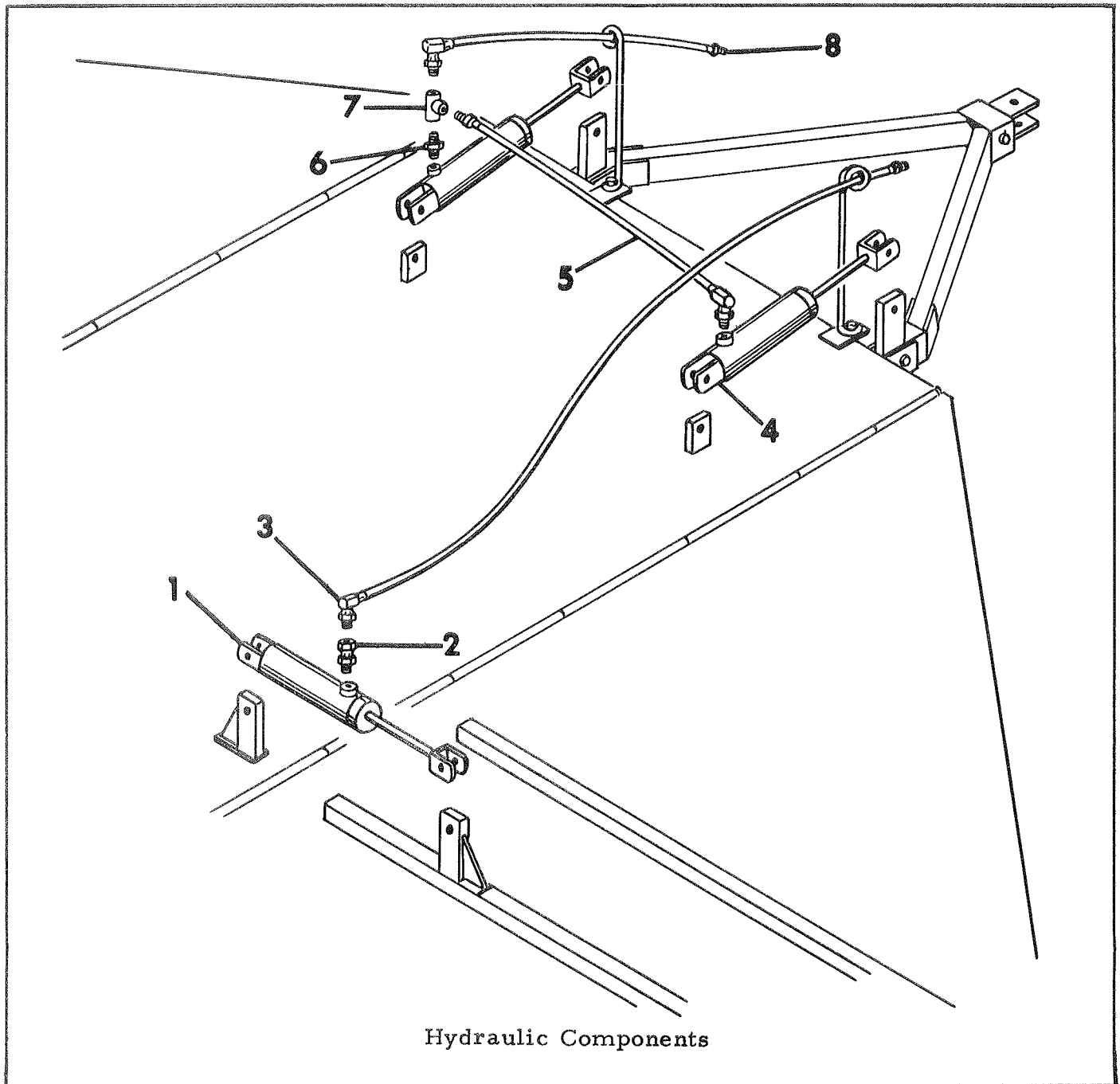
WING DRIVE ASSEMBLY - R. H.

Index No.	Part No.	Part Name	No. Req'd.	Weight
	7D-717	Gearbox Assembly - R. H. (Complete) 540 RPM	1	140.0
	7D-685	Gearbox Assembly - R. H. (Complete) 1000 RPM	1	140.0
1	1D-373	Flange Nut	1	.25
2	7C-728	Key	2	.1
3	3D-351	Pinion (540 RPM)	1	2.5
*	3D-350	Gear (1000 RPM)	1	
4	4D-922	Bearing Cone #3877	1	1.25
5	4D-921	Bearing Cup #3820	1	.75
6	4D-918	Bearing Cup #2720	1	.45
7	4D-919	Bearing Cone #2789	1	.75
8	7D-602	Drive Shaft	1	11.8
9	7C-763	Bearing Cone #LM501349	1	.55
10	7C-762	Bearing Cup #LM501310	1	.40
*	4C-840	Pipe Plug (1/2-14 NPT Sq. Hd.)	1	.1
11	4D-774	Gearbox Housing	1	55.5
*	9C-855	Pipe Plug (1/4-18 NPT Hex Recessed)	1	.1
12	2D-914	Cover	1	3.0
13	2D-916	Gasket	1	
14	5C-573	Breather Valve	1	.1
15	7C-728	Key	2	.1
16	7C-876	Capscrew (1/2-13 NC x 1" Long, Grade 5)	1	
*	1C-120	Washer, 1/2" Std. Flat	1	
17	4C-832	Bearing Cup #362A	1	.5
18	4C-850	Bearing Cone #368	1	.8
19	4C-831	Seal	1	.5
20	4D-773	Output Spindle	1	20.1
21	5C-929	Shim .020		
22	4C-828	Shim .007		
23	4C-829	Shim .005		
24	4D-779	Bearing Flange	1	7.3
25	4D-917	Bearing Carrier	1	7.5
26	5C-506	Seal	1	.4
27	7D-280	Blade Mounting Bar	1	19.0
28	1C-379	Slotted Nut (3/4-10 NC)	2	.1
29	5D-575	Capscrew, Grade 5, 3/4-10 NC x 2-1/2 Long	2	.2
30	5D-479	Key (Input)	1	.1
31	3D-350	Gear (540 RPM Drive)	1	5.0
**	3D-351	Pinion (1000 RPM Drive)	1	2.5

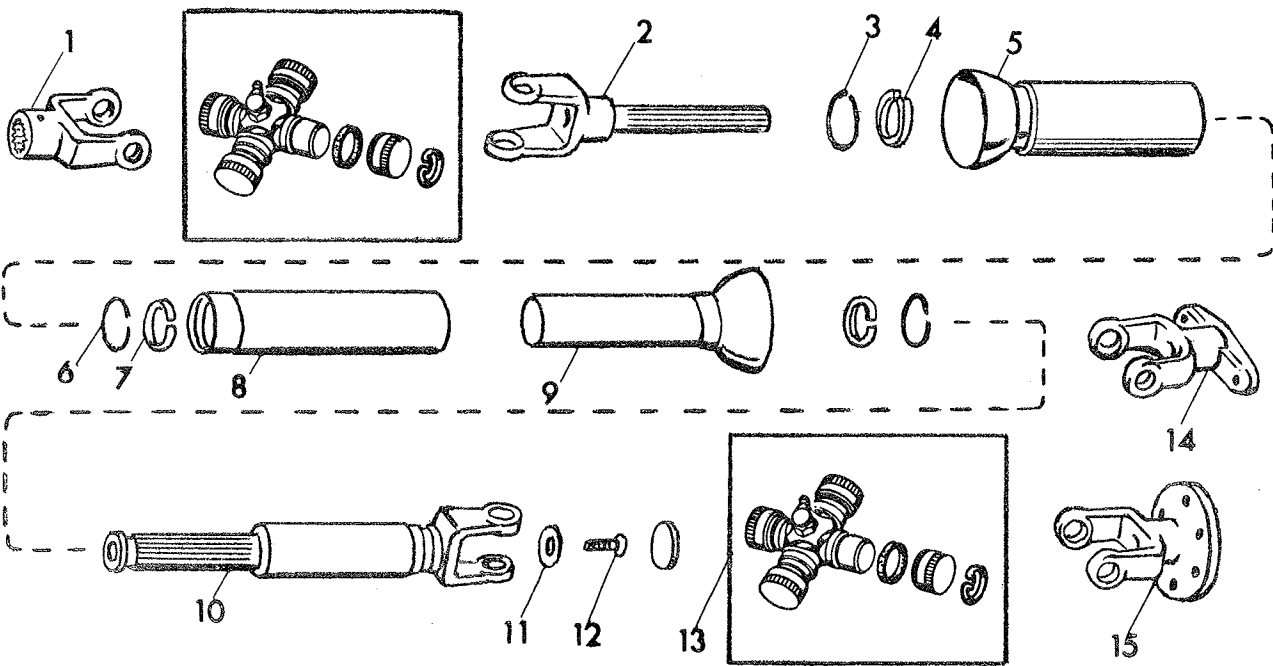
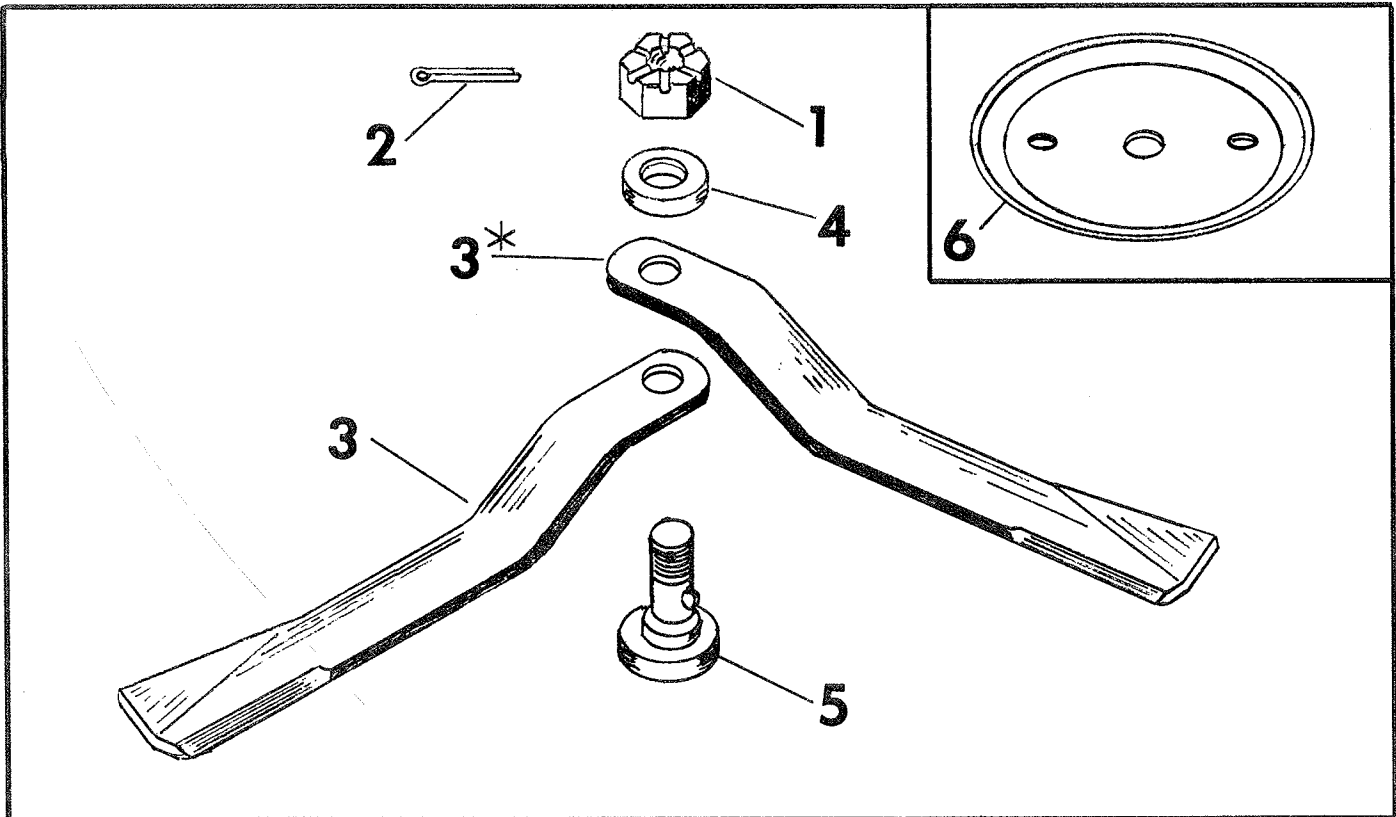


WING DRIVE ASSEMBLY - L. H.

Index No.	Part No.	Part Name	No. Req'd.	Weight
	7D-716	Gearbox Assembly - L. H. (Complete) 540 RPM	1	140.0
	7D-684	Gearbox Assembly - L. H. (Complete) 1000 RPM	1	140.0
1	1D-373	Flange Nut	1	.25
2	7C-728	Key	2	.1
3	3D-351	Pinion (540 RPM)	1	2.5
*	3D-350	Gear (1000 RPM)	1	
4	4D-922	Bearing Cone #3877	1	1.25
5	4D-921	Bearing Cup #3820	1	.75
6	4D-918	Bearing Cup #2720	1	.45
7	4D-919	Bearing Cone #2789	1	.75
8	7D-601	Drive Shaft	1	11.8
9	7C-763	Bearing Cone #LM501349	1	.55
10	7C-762	Bearing Cup #LM501310	1	.40
*	4C-840	Pipe Plug (1/2-14 NPT Sq. Hd.)	1	.1
11	4D-774	Gearbox Housing	1	55.5
*	9C-855	Pipe Plug (1/4-18 NPTF Hex Recessed)	1	.1
12	2D-914	Cover	1	3.0
13	2D-916	Gasket	1	
14	5C-573	Breather Valve	1	.1
15	7C-728	Key	2	.1
16	7C-876	Capscrew (1/2-13 NC x 1" Long, Grade 5)	1	
*	1C-120	Washer, 1/2" Std. Flat	1	
17	4C-832	Bearing Cup #362A	1	.5
18	4C-850	Bearing Cone #368	1	.8
19	4C-831	Seal	1	.5
20	4D-773	Output Spindle	1	20.1
21	5C-929	Shim .020		
22	4C-828	Shim .007		
23	4C-829	Shim .005		
24	4D-775	Bearing Flange	1	7.3
25	7D-440	Bearing Carrier	1	7.5
26	5C-506	Seal	1	.4
27	7D-280	Blade Mounting Bar	1	19.0
28	1C-379	Slotted Nut (3/4-10 NC)	2	.1
29	5D-575	Capscrew, Grade 5, 3/4-10 NC x 2-1/2 Long	2	.2
30	5D-479	Key (Input)	1	.1
31	3D-350	Gear (540 RPM Drive)	1	5.0
**	3D-351	Pinion (1000 RPM Drive)	1	2.5



Index No.	Part No.	Part Name	No. Req'd.	Weight
1	7D-438	Hydraulic Cylinder (includes Pins & Clips)	2	
	5D-2	A.S.A.E. Hydraulic Cylinder Pin	8	.6
	6D-413	Cylinder Pin Clip	8	
2	6D-716	Flow Restrictor	2	.3
3	7D-650	Hydraulic Hose Assembly - 156" Long	2	5.5
4	7D-437	Hydraulic Cylinder (includes Pins & Clips)	2	
5	6D-144	Hydraulic Hose Assembly - 43-1/4" Long	1	1.75
6	6D-148	Straight Adaptor	1	.2
7	4D-982	Tee Fitting	1	.75
8	6D-145	Hydraulic Hose Assembly - 90" Long	1	3.0
*	9D-502	Hyd. Cyl. (7D-438) Seal Kit		
*	9D-512	Hyd. Cyl. (7D-437) Seal Kit		



DOUBLE-TELESCOPING UNIVERSAL JOINT ASSEMBLY

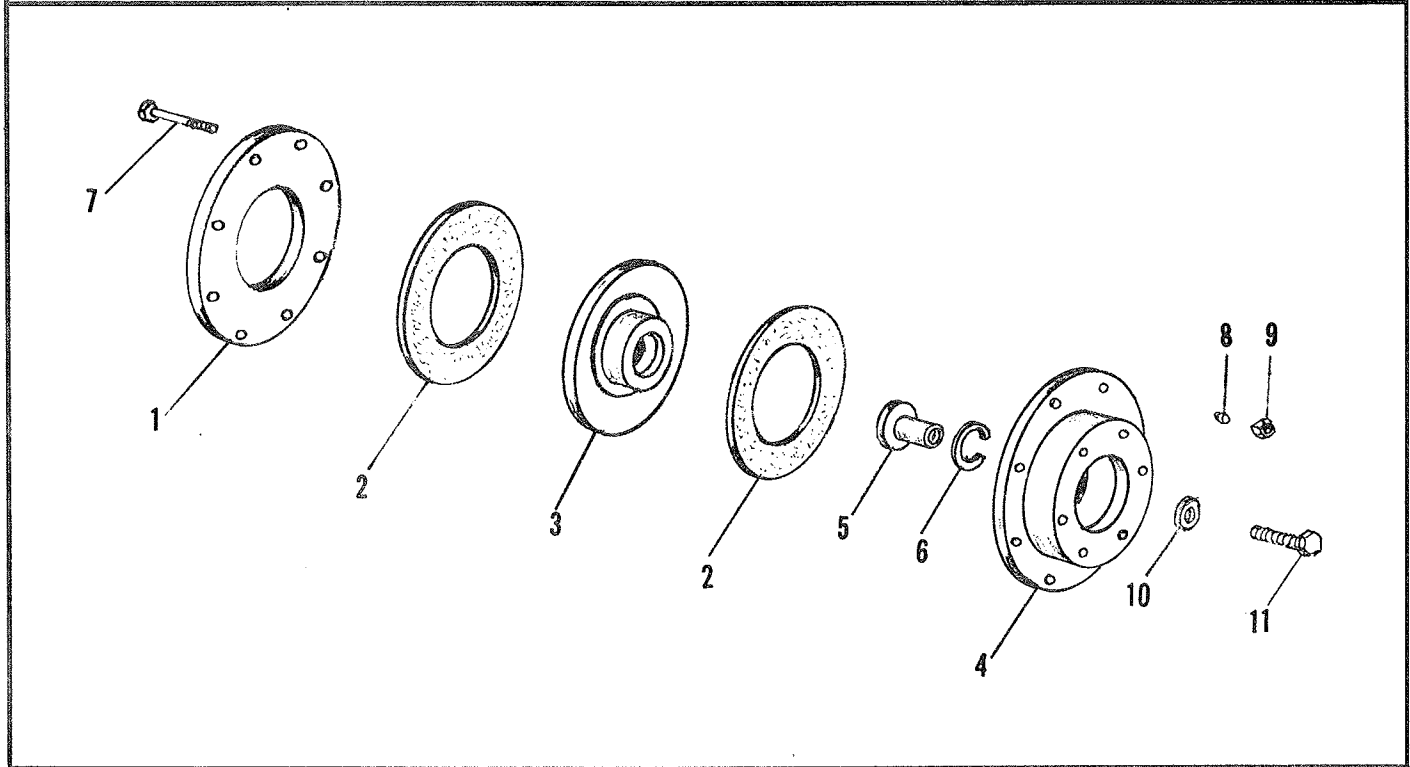
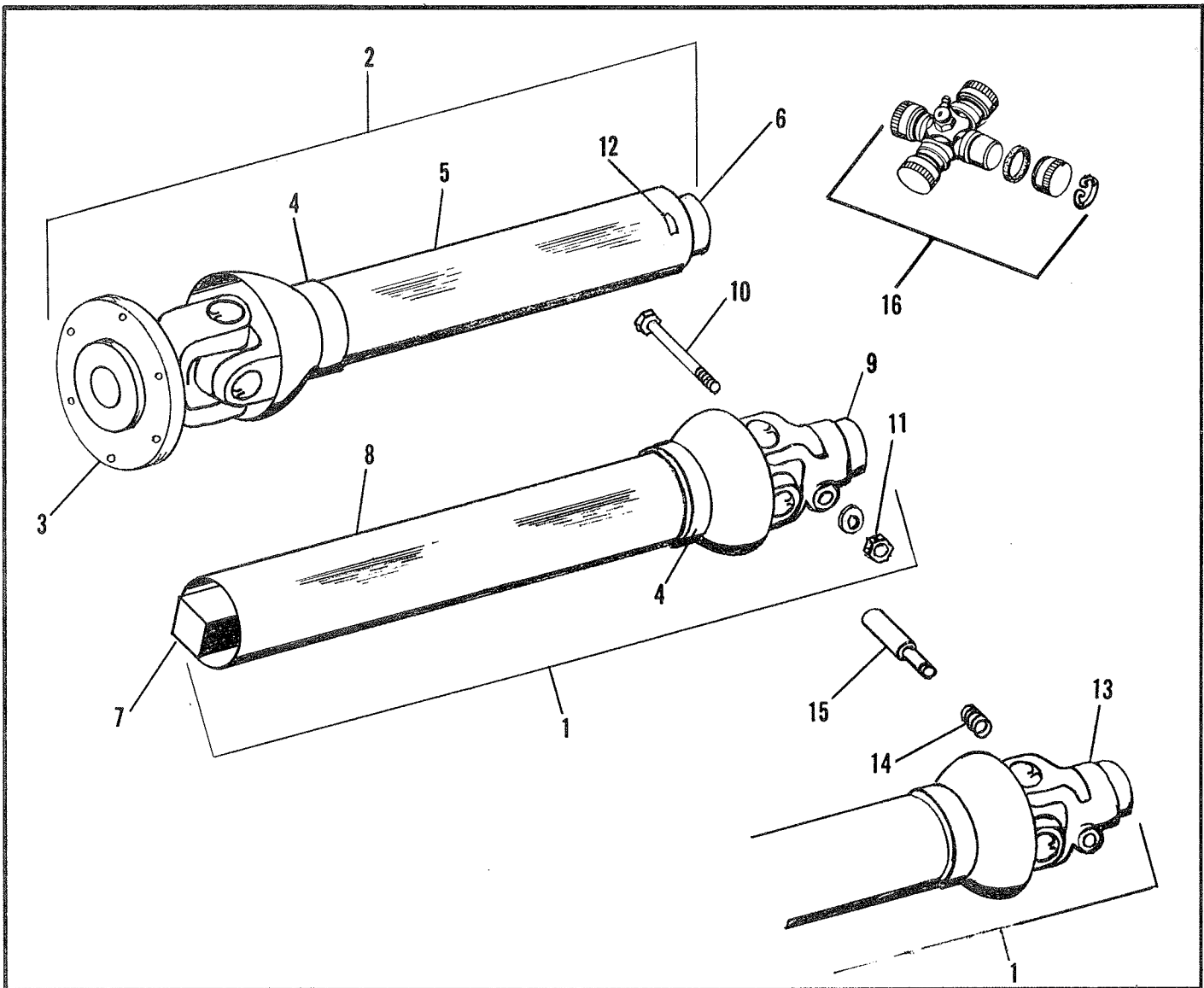
BLADE ASSEMBLY

Index No.	Part No.	Part Name	No. Req'd.	Weight
1	8C-609	Nut (1-1/8-12 NF Hvy. Hex Slotted)	6	.56
	5D-1	Nut (Used with blade holder)	6	.50
2	6C-468	Cotter Pin (3/16 x 2" Long)	6	
3	7D-282	Swinging Blade - R.H.	2	7.0
*	7D-281	Swinging Blade - L.H.	4	7.0
4	9D-970	Spacer	6	
5	9C-421	Pivot Bolt	6	1.5
6	7D-674	Blade Holder	3	37.0

DOUBLE TELESCOPING POWER SHAFT ASSEMBLIES - R-180 & RC-180

	7D-607	Double Telescoping Assembly W/Clutch Flange	2	43.3
	7D-638	Double Telescoping Assembly W/Shear Yoke	2	44.0
1	5D-62	Yoke (Splined)	1	3.0
2	7D-787	Shaft & Yoke Assembly	1	10.4
3	2D-141	Bearing Retainer	2	
4	2D-140	Nylon Bearing	2	
5	7D-788	Primary Shield	1	5.3
6	5D-74	Bearing Retainer	1	
7	3D-680	Nylon Bearing	1	
8	7D-789	Intermediate Shield	1	1.7
9	7D-791	Inner Shield	1	6.0
10	7D-790	Tube & Joint Assembly	1	
11	5D-200	Washer	1	
12	5D-201	Capscrew (1/2-13 NC x 1" Long) Socket Hd.	1	
13	4D-945	Universal Joint Repair Kit	2	1.75
14	1D-766	Shear Yoke	1	4.0
*	9C-419	Bushing (3/8)	4	.1
*	1C-508	Shear Bolt (3/8-16 NC x 2-1/2 Long)	2	.1
*	5C-954	Stover Nut (3/8-16 NC)	2	
*	7D-736	Shear Flange		
15	1D-904	Yoke & Flange Assembly	1	5.2
*	1C-508	Shear Bolt (3/8-16 NC x 2-1/2 Long)	1	
*	5C-954	Stover Nut (3/8-16 NC)	1	

*Denotes parts not shown

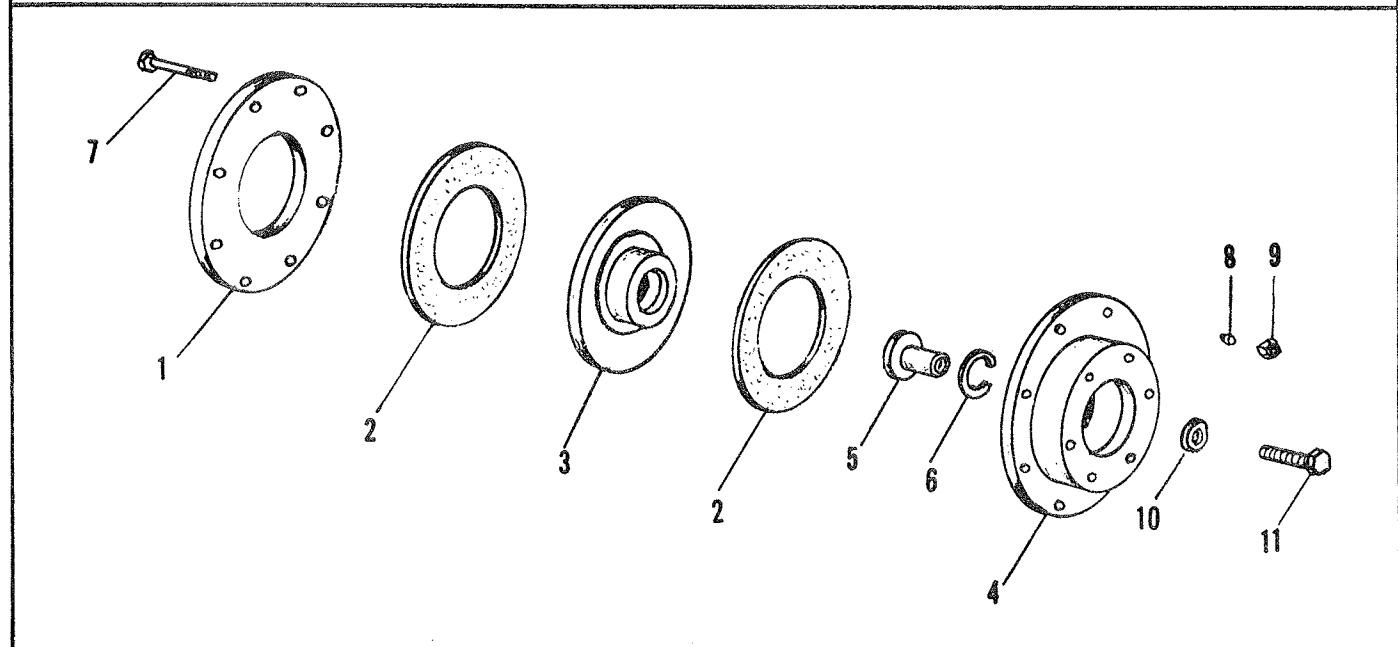
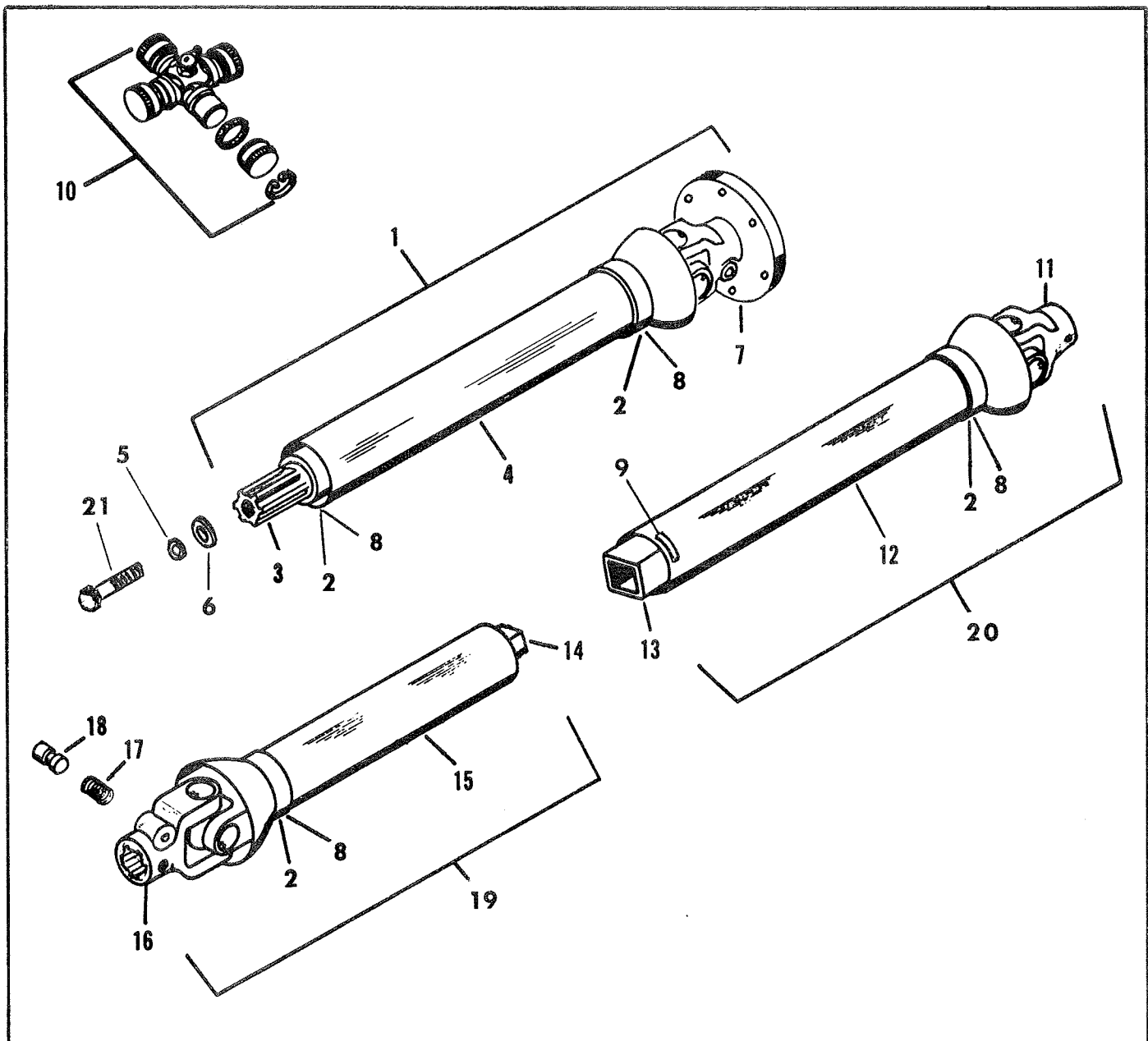


P. T. O. DRIVE ASSEMBLY (-01 MODELS)

Index No.	Part No.	Part Name	No. Req'd.	Weight
1	4D-827	Shaft & Joint Assembly (1,000 RPM)	1	37.0
	5D-534	Shaft & Joint Assembly (540 RPM)	1	37.0
2	8D-1	Tube & Joint Assembly	1	31.0
3	1D-375	Flange & Yoke Assembly	1	7.0
4	1D-131	Bearing Retainer	2	
	1D-132	Nylon Bearing	2	
5	8D-508	Male Guard Tube	1	5.5
6	8D-509	Tube & Yoke Assembly	1	15.25
7	4D-946	Shaft & Yoke Assembly	1	19.5
8	4D-947	Female Guard Tube	1	7.0
9	1D-857	Yoke, 1-3/8 - 21 Spline (1,000 RPM)	1	5.25
10	1D-725	Bolt, 1/2-20 NF x 3-1/8 Long, Grade 8	1	.25
11	1D-724	Castellated Nut	1	.1
12	1D-854	Nylon Centralizer	1	
13	1D-133	Q. D. Yoke 1-3/8 - 6B Spline (540 RPM)	1	5.25
14	5C-257	Lock Pin Spring	1	
15	3D-757	Lock Pin	1	.18
16	1D-134	Universal Joint Repair Kit		3.5

7-1/2" SLIP CLUTCH ASSEMBLY

	7D-732	Clutch Assembly (Complete - Wing Input)	2	28.3
	3D-808	Clutch Assembly (Complete - PTO Input)	1	28.3
1	3D-811	Pressure Plate	1	6.85
2	3D-457	Friction Disc 7-1/2" Outside Dia.	2	.35
3	3D-810	Clutch Hub (Splined)	1	8.35
	7D-733	Clutch Hub (Keyed - for Wing Drive Input)	1	8.35
4	3D-809	Friction Plate Assembly	1	12.2
5	1D-888	Adapter Sleeve	1	.5
6	1D-542	Snap Ring	1	.1
7	1C-508	Capscrew, Grade 2, 3/8-16 NC x 2-1/2 Long	7	.1
8	1D-398	Belleville Washer	7	
9	1C-670	Nut (Self Locking) 3/8-16 NC	7	
10	1D-889	Retaining Washer	1	
11	5D-480	Capscrew, L. H. Thread, 1/2-13 NC x 1 Long, Gr. 5	1	



3 JOINT P. T. O. DRIVE ASSEMBLY (MODEL-02 MACHINES)

Index No.	Part No.	Part Name	No. Req'd.	Weight
1	9D-944	"L55" Drive Assembly	1	
2	1D-132	Nylon Bearing	5	
3	1J-59	Drive Shaft & Yoke Assembly	1	
4	1J-60	Shield Complete	1	6.0
5	1C-109	Lockwasher - 1/2" Std.	1	
6	1J-61	Washer	1	
7	1D-375	Yoke & Flange Assembly	1	7.0
8	1D-131	Bearing Retainer	10	
9	1D-854	Nylon Centralizer	1	
10	1D-134	L55 Joint Repair Kit		3.5
11	1J-62	Yoke	1	5.2
12	1J-63	Rear Shield Complete	1	6.5
13	1J-64	Tube & Yoke Assembly	1	
14	4D-662	Shaft & Yoke Assembly	1	
15	4D-663	Front Shield Complete	1	
16	1D-133	Yoke - 1-3/8-6B Spline (540 rpm PTO)	1	5.2
	1D-857	Yoke - 1-3/8-21 Spline (1,000 rpm PTO)	1	5.2
*	1D-725	Bolt) Used with 1D-857 Yoke	1	.3
*	1D-724	Nut)	1	.1
17	5C-257	Lock Pin Spring	1	
18	3D-757	Lock Pin	1	.2
19	3D-639	Shaft & Joint Assembly (540 RPM)	1	
	3D-638	Shaft & Joint Assembly (1,000 RPM)	1	
20	9D-943	Tube & Joint Assembly	1	
21	1J-65	Capscrew (1/2-20 x 1-1/4" Lg.)	1	.1

7-1/2" SLIP CLUTCH ASSEMBLY

	7D-732	Clutch Assembly (Complete - Wing Input)	2	28.3
	3D-808	Clutch Assembly (Complete - PTO Input)	1	28.3
1	3D-811	Pressure Plate	1	6.85
2	3D-457	Friction Disc 7-1/2" Outside Dia.	2	.35
3	3D-810	Clutch Hub (Splined)	1	8.35
	7D-733	Clutch Hub (Keyed - for Wing Drive Input)	1	8.35
4	3D-809	Friction Plate Assembly	1	12.2
5	1D-888	Adapter Sleeve	1	.5
6	1D-542	Snap Ring	1	.1
7	1C-508	Capscrew, Grade 2, 3/8-16 NC x 2-1/2 Long	7	.1
8	1D-398	Belleville Washer	7	
9	1C-670	Nut (Self Locking) 3/8-16 NC	7	
10	1D-889	Retaining Washer	1	
11	5D-480	Capscrew, L. H. Thread, 1/2-13 NC x 1 Lg., Gr. 5	1	

1
2
3
4

(

(