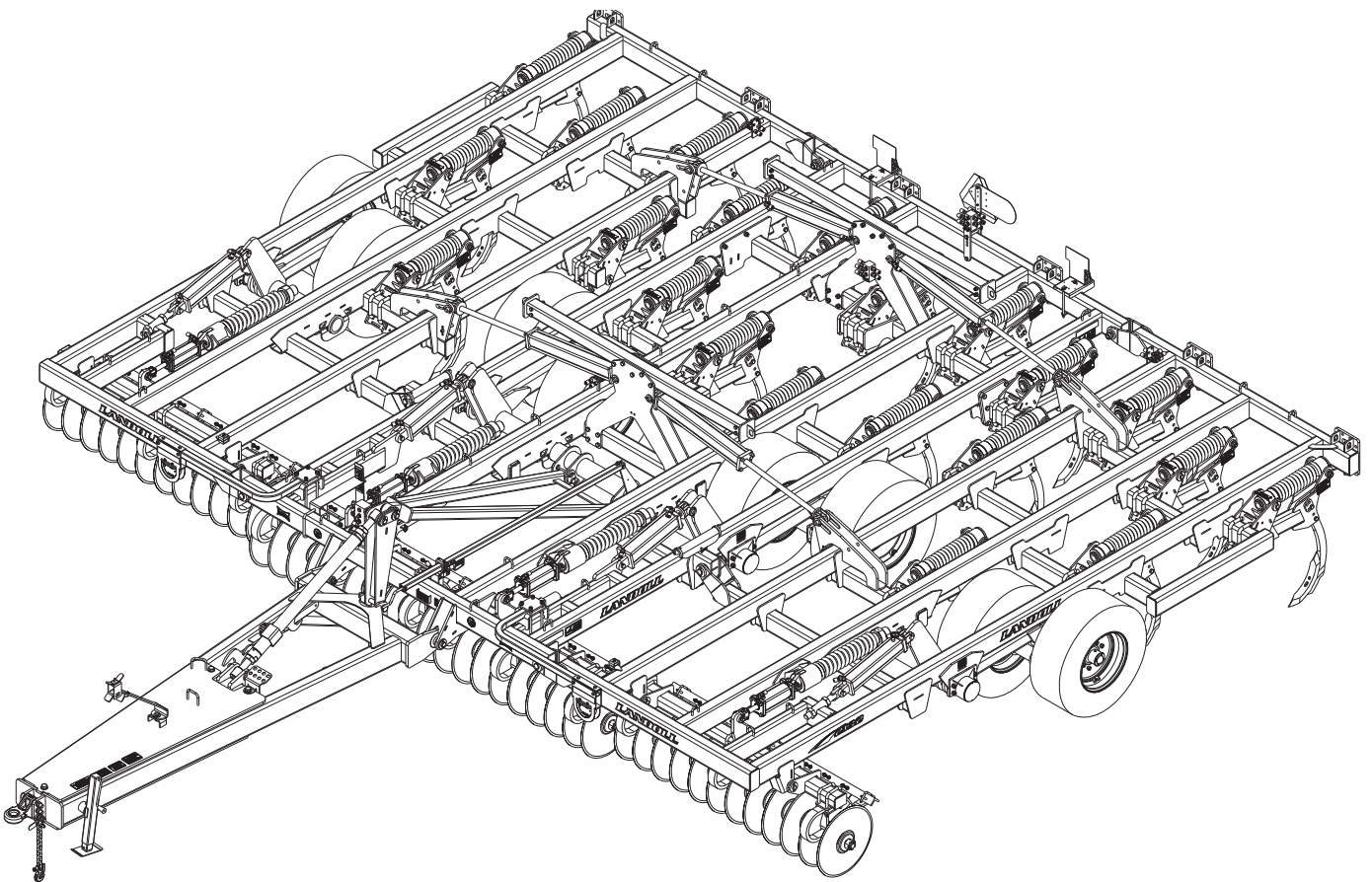




# Model 2132 Coulter Chisel Parts Manual



**LANDOLL COMPANY, LLC**

1900 North Street

Marysville, Kansas 66508

(785) 562-5381

800-428-5655 ~ [WWW.LANDOLL.COM](http://WWW.LANDOLL.COM)

---

## Manuals for the 2132 CC

MANUAL NUMBER	MANUAL NAME
F-1099	2132 CC Operator's Manual
F-1100	2132 CC Parts Manual

---

# Table of Contents

## 1 Illustrated Parts List

<b>Instructions For Ordering Parts</b> .....	<b>1-1</b>
<b>Center Frame Assemblies</b> .....	<b>1-2</b>
Center Frame Assembly .....	1-3
Center Frame Lift Assembly .....	1-5
Depth Stop Assembly .....	1-6
<b>Hitch Assemblies</b> .....	<b>1-8</b>
Hitch Assembly .....	1-9
Hitch Leveling Assembly .....	1-11
Ball & Clevis Hitches .....	1-12
7,000 Lb. Sidewind Jack Assembly .....	1-13
Radius Rod Assembly .....	1-14
<b>Wing Frame Assemblies</b> .....	<b>1-16</b>
Wing Frame Assembly .....	1-17
<b>Hub &amp; Spindles</b> .....	<b>1-20</b>
Hub and Spindle Assembly - 170704 .....	1-21
Hub and Spindle Assembly - 223440 .....	1-23
<b>Shank Assemblies</b> .....	<b>1-24</b>
Auto Reset Clamp Assembly .....	1-25
Rigid Shear Bolt Clamp Assembly .....	1-27
<b>Coulter Gang Assemblies</b> .....	<b>1-28</b>
Coulter Gang Assembly .....	1-29
Coulter Gang To Frame Assembly .....	1-33
Coulter Gang Placement .....	1-35
<b>Lift Hydraulic Assemblies</b> .....	<b>1-36</b>
Lift Hydraulic Assembly .....	1-37
<b>Fold Assemblies</b> .....	<b>1-38</b>
Fold Assembly 2132-17-19 .....	1-39
Fold Hydraulic Assembly 2132-21-23-25 .....	1-41
<b>Hydraulic Coulter Gang Assemblies</b> .....	<b>1-42</b>
Hydraulic Coulter Gang Assembly .....	1-43
<b>Cylinder Assemblies</b> .....	<b>1-44</b>
Cylinder - Rephase Assembly - 4-1/2 X 16 .....	1-44
Cylinder - Rephase Assembly - 4 X 16 .....	1-45
Hydraulic Cylinder 4 X 30 (Prince) .....	1-46
Hydraulic Cylinder 4 X 30 (Midway) .....	1-47
Cylinder - Rephase Assembly 4 X 8 (Prince) .....	1-48
Cylinder - Rephase Assembly 4 X 8 (Midway) .....	1-49
Cylinder - Rephase Assembly 3-3/4 X 8 (Prince) .....	1-50
Cylinder - Rephase Assembly 3-3/4 X 8 (Midway) .....	1-51
Cylinder - Rephase Assembly 3-1/2 X 8 (Prince) .....	1-52
Cylinder - Rephase Assembly 3-1/2 X 8 (Midway) .....	1-53
Cylinder - Rephase Assembly 3-1/4 X 8 (Prince) .....	1-54
Cylinder - Rephase Assembly 3-1/4 X 8 (Midway) .....	1-55

Cylinder - 2-1/2" X 3-1/2" .....	1-56
<b>Electrical .....</b>	<b>1-57</b>
Electrical Assembly W/ LED Lights .....	1-59
<b>Decals .....</b>	<b>1-61</b>
Decal Locations & Arrangements .....	1-63
<b>Standard 3BCT/Chopper Assemblies .....</b>	<b>1-64</b>
Std 3BCT/Chopper Layout .....	1-66
Std Combo Harrow Arm Long Assembly .....	1-69
Std Combo Harrow Arm Short Assembly .....	1-71
<b>Hydraulic 3BCT/Chopper Assemblies .....</b>	<b>1-72</b>
Hyd 3BCT/Chopper Layout .....	1-74
Hyd Combo Harrow Arm Long Assembly .....	1-77
Hyd Combo Harrow Arm Short Assembly .....	1-81
Tine Harrow Assembly .....	1-83
3BCT/Chopper Hydraulic Assembly .....	1-85
<b>Standard Chopper Reel Assemblies .....</b>	<b>1-86</b>
Std Chopper Reel Layout .....	1-88
Std Chopper Arm Long Assembly .....	1-91
Std Chopper Arm Short Assembly .....	1-93
<b>Hydraulic Chopper Reel Assemblies .....</b>	<b>1-94</b>
Hyd Chopper Reel Layout .....	1-96
Hyd Chopper Arm Long Assembly .....	1-99
Hyd Chopper Arm Short Assembly .....	1-101
Reel/Gangbar Assembly .....	1-103
Chopper Reel Hydraulic Assembly .....	1-105
<b>Rear Tow Hitch .....</b>	<b>1-106</b>
Rear Tow Hitch Assembly (1 of 2) .....	1-107
Rear Tow Hitch Assembly (2 of 2) .....	1-109

## 2 Index



# Illustrated Parts List

## Instructions For Ordering Parts

ORDER PARTS FROM LANDOLL PARTS DISTRIBUTION CENTER

**\*\* Repair parts must be ordered through an Authorized Dealer \*\***

PHONE NO: 1-800-423-4320 OR 1-785-562-5381  
ORDER ONLINE: [Dealer.landoll.com](http://Dealer.landoll.com)

FAX NO: 888-527-3909

### IDENTIFICATION PLATE

The identification plate, which lists the model number and serial number, is located on the front of the frame.  
*See Figure 1-1.*

### SERIAL NUMBER NOMENCLATURE

The serial number for the 2132 CC is located on the identification plate.

### QR CODE DECAL

The 2100 series QR code decal, may be scanned to link you to the most current manuals, is located on the front of the frame *See Figure 1-1.*

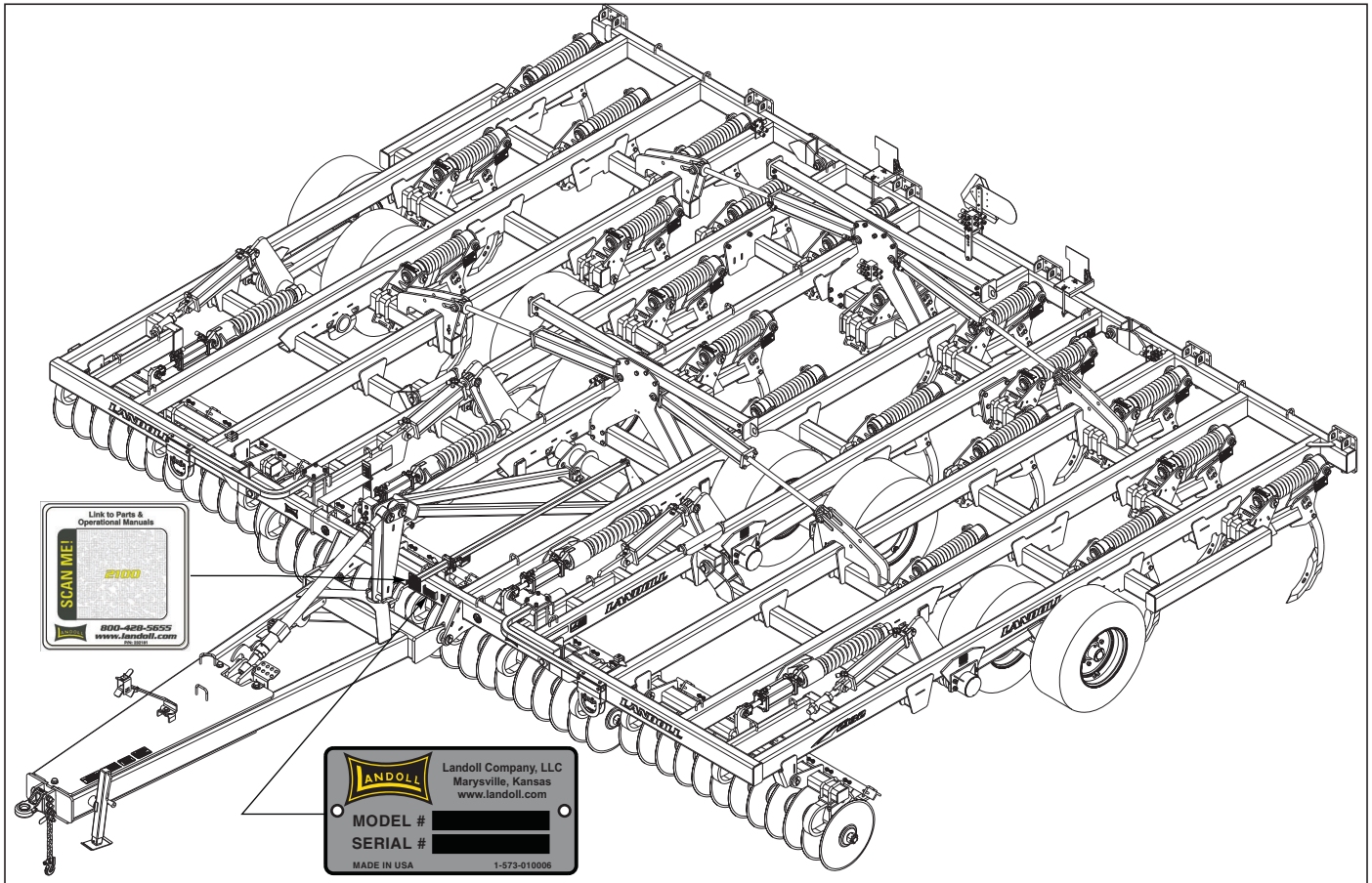


Figure 1-1: Identification Plate and QR Decal

# Center Frame Assemblies

NOTE: FRONT FOLD BRACKET ASSEMBLY  
USED ON MODELS 2123-21'-23'-25' ONLY,  
REAR FOLD BRACKET ASSEMBLY SAME  
EXCEPT 8 PORT MANIFOLD MOUNTS  
ON FRONT FOLD CYLINDER MOUNT PLATE

NOTE: REAR 8 PORT MANIFOLD  
USED ON OPTIONAL HYDRAULIC  
REEL ATTACHMENT ONLY

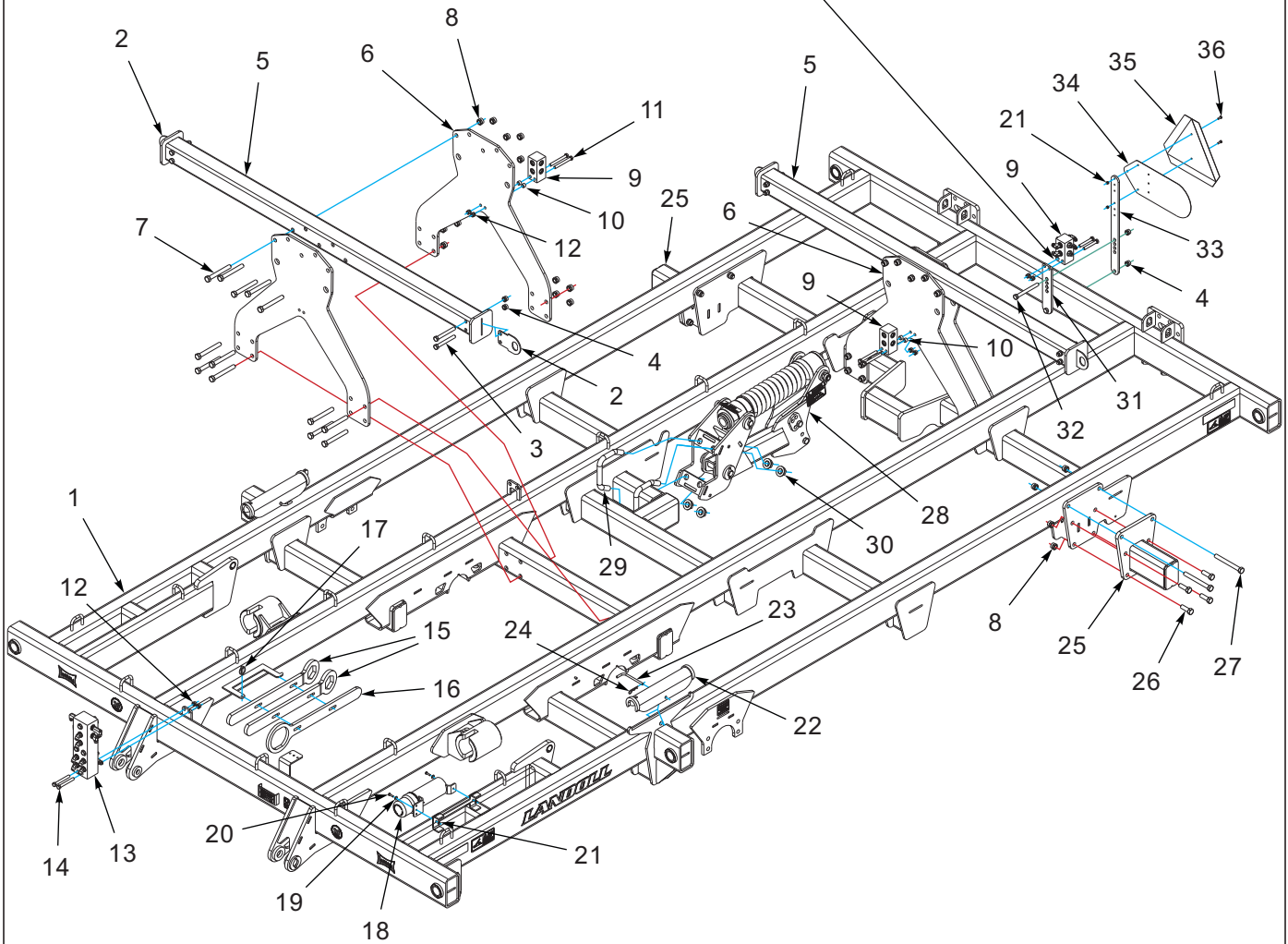


Figure 1-2: Center Frame Assembly

## Center Frame Assembly

ITEM	PART NO.	DESCRIPTION	QTY.	
--	----	CENTER FRAME 2132-17-19	*	
--	----	CENTER FRAME 2132-21-23-25		*
1	227464	FRAME, CENTER-2132 WLDMT	1	1
2	206639	PLATE, FOLD PIN	2	4
3	1-654-010059-15	SCREW,HEX CAP,5/8-11UNCX5 GR5	4	8
4	1-512-010005-13	NUT,HEX SLFLKG GRB 5/8-11	6	10
5	227498	WING STABILIZER WLDMT	1	2
6	227500	PLATE, FOLD CYL MOUNT	2	4
7	W908409-4	SCREW 3/4-10X6 HEX HD CAP	13	26
8	1-512-010005-15	NUT,HEX,SLFLKG GRB 3/4-10	25	38
9	2-474-010022	MANIFOLD HYDRAULIC, 8 HOSE	2	3
10	155956	BUSHING ANGLE ADJUSTMENT (1/2" LONG)	4	6
11	1-654-010055-14	SCREW,HX CP,1/2-13UNCX4-1/2G5	4	6
12	1-512-010005-09	NUT,HEX,SLFLKG, 1/2-13 GRB	6	8
13	229877	MANIFOLD, FRONT 2132 ASSY	1	1
14	1-654-010055-13	SCREW,HEX CAP,1/2-13UNCX4 GR5	2	2
15	140533	GANG WRENCH	2	2
16	147070	WRENCH, 2100 COULTER GANG	1	1
17	70239854	PIN QUICK HITCH	1	1
18	142753	MANUAL HOLDER	1	1
19	1-861-010032-07	WASHER,FLAT 1/4 ZP	2	2
20	1-654-010047-06	SCREW,HX CP 1/4-20UNCX1 GR5	2	2
21	1-512-010005-01	NUT,HEX,SLFLKG GRB 1/4-20	4	4
22	147134	LOCKOUT, 2" ROD X 16	2	2
23	104358	L PIN,CYL STOP	2	2
24	1-557-010403	HAIRPIN 1/8	2	2
25	222574	EXTENSION,1SHANK W/PLATE WLDMT	2	2
26	100941	SCREW,HEXCAP,3/4-10X2-1/4G8ZP	8	8
27	102209	SCREW HXCP 3/4-10X7 GR8	4	4
28	174786	ASSY, CLAMP W/ MOUNT LT (SEE PAGE 1-25)		
29	174749	U-BOLT, 1" SHANK CLAMP	2	2
30	174732	NUT, FLG HD, TOPLOCK, 1-8 UNC	4	4
31	222503	BRACKET, MANIFOLD MOUNT	1	1
32	1-654-010059-17	SCREW,HX CP,5/8-11UNCX6 GR5	2	2
33	164142	BRACKET, SMV MOUNTING	1	1
34	224590	MOUNT, SIS DECAL	1	1
35	70260977	SMV EMBLEM	1	1
36	1-654-010047-06	SCREW,HX CP 1/4-20UNCX1 GR5	2	2

ILLUSTRATED PARTS LIST

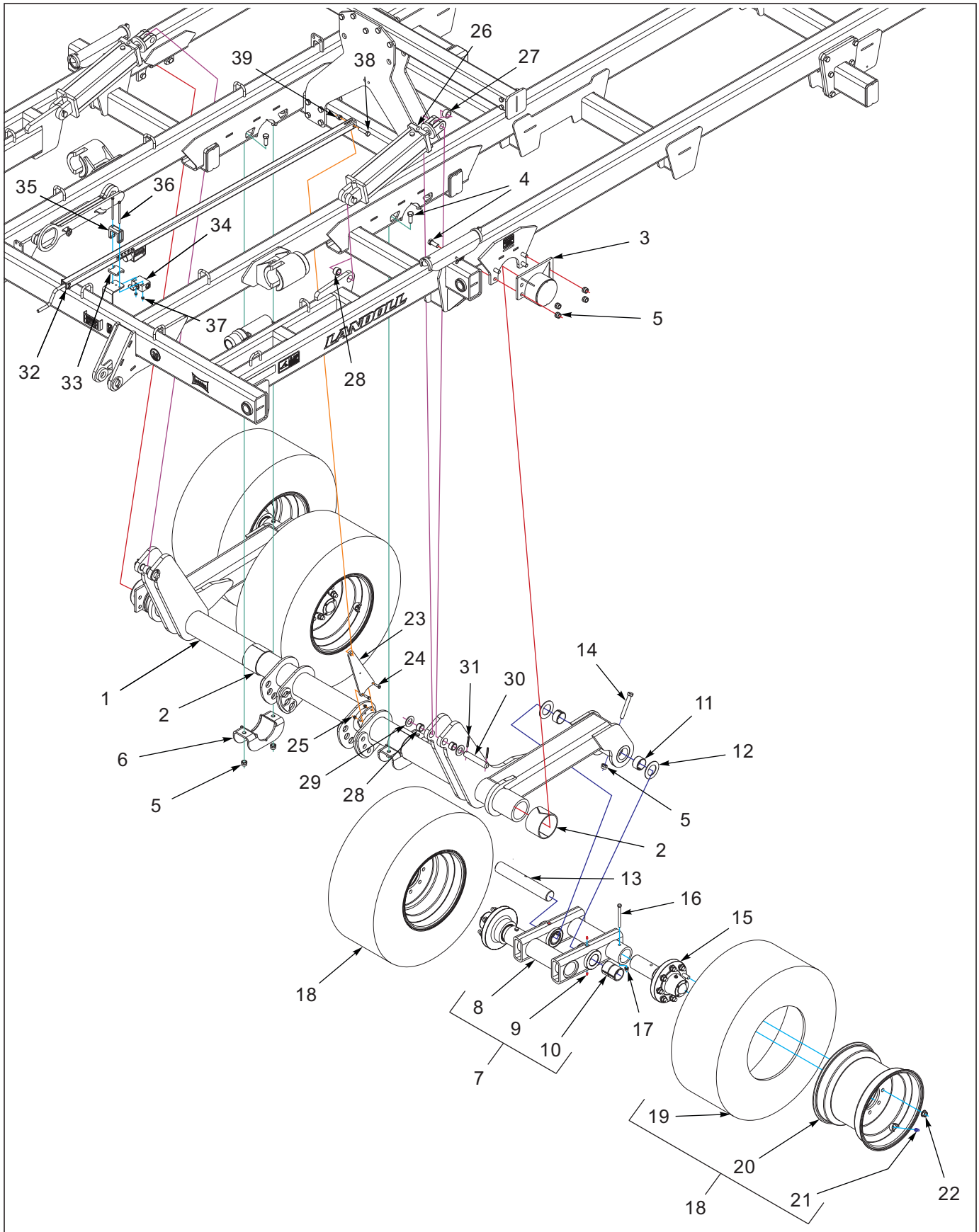


Figure 1-3: Center Frame Lift Assembly

## Center Frame Lift Assembly

ITEM	PART NO.	DESCRIPTION	QTY.
1	227450	LIFT, 2132-17-25 WLDMT	1
2	140519	BEARING, UHMW 4IN	4
3	141209	BEARING CAP, LIFT WLDMT	2
4	1-654-010061-05	SCREW,HHC,3/4-10UNCX2,GR5,ZP	12
5	1-512-010005-15	NUT,HEX,SLFLKG GRB 3/4-10	14
6	141234	WLDMT, BEARING CAP LIFT	2
7	228280	WALKING BEAM ASSY-3-1/4"	2
8	228281	WALKING TANDEM3-1/4SPINDLE WLD	2
9	171024	FITTING, GREASE 5/16-24 STR	8
10	165286	BUSHING SPRING 3X2-1/2X4	4
11	198351	CONNEX, 2-3/4 X 2-1/2 X 1-1/2L	4
12	164563	WASHER, THRUST 2-1/2	4
13	164501	SPINDLE, WALKING BEAM	2
14	1-654-010061-16	SCREW 3/4-10UNCX5-1/2 HXCP G5	2
15	170704	HUB & SPDL ASSY 3.25", 8 BOLT <b>(SEE PAGE 1-21)</b>	4
16	1-654-010055-16	SCREW HEX CAP 1/2-13X5-1/2GR5	4
17	1-512-010005-09	NUT,HEX,SLFLKG, 1/2-13 GRB	4
18	228258	BKT TIRE&WHL ASSY, 400/60R18 <b>(INCLUDES ITEMS 19, 20, 21)</b>	4
19	228259	BKT TIRE 400/60R18	4
20	169749	WHEEL, 18X14, 8 BOLT	4
21	TR575	VALVE STEM TUBELESS TIRE	4
22	171773	NUT, HEX FLANGE 3/4-16 GR5 ZP	32
23	169727	PLATE, DEPTH STOP TALL	1
24	1-654-010051-06	SCREW,HEX CAP 3/8-16UNCX1-1/4	2
25	1-512-010005-05	NUT, HEX, SLFLKG GRB 3/8-16	2
26	146824	CYLINDER, 4-1/2 X16, REPHASE <b>(SEE PAGE 1-44)</b>	2
27	190987	SPACER, 1-1/4 X 1 LONG	2
28	2-150-010174	BUSHING,1-5/8X1-1/4X1	6
29	116100	WASHER 1-1/4 NAR FL ZP/CD	4
30	170291	PIN, 1-1/4 X 7	2
31	1-647-010004240	PIN,SPRING,SLOTTED,5/16X2-1/2	4
32	229851	ASSY, DEPTH STOP 90 L <b>(SEE PAGE 1-6)</b>	1
33	165257	PAD, SLIDE	1
34	203467	VALVE-LIMIT, STROKE	1
35	165265	GUIDE, DEPTH STOP	1
36	171556	SCREW,HEX CP,5/16-18UNCX5-1/2	2
37	1-512-010005-03	NUT HEX SLFLKG GRB 5/16-18	2
38	1-654-010059-07	SCREW HX CP 5/8-11UNCX2-1/2G5	1
39	1-512-010005-13	NUT,HEX SLFLKG GRB 5/8-11	1

ILLUSTRATED PARTS LIST

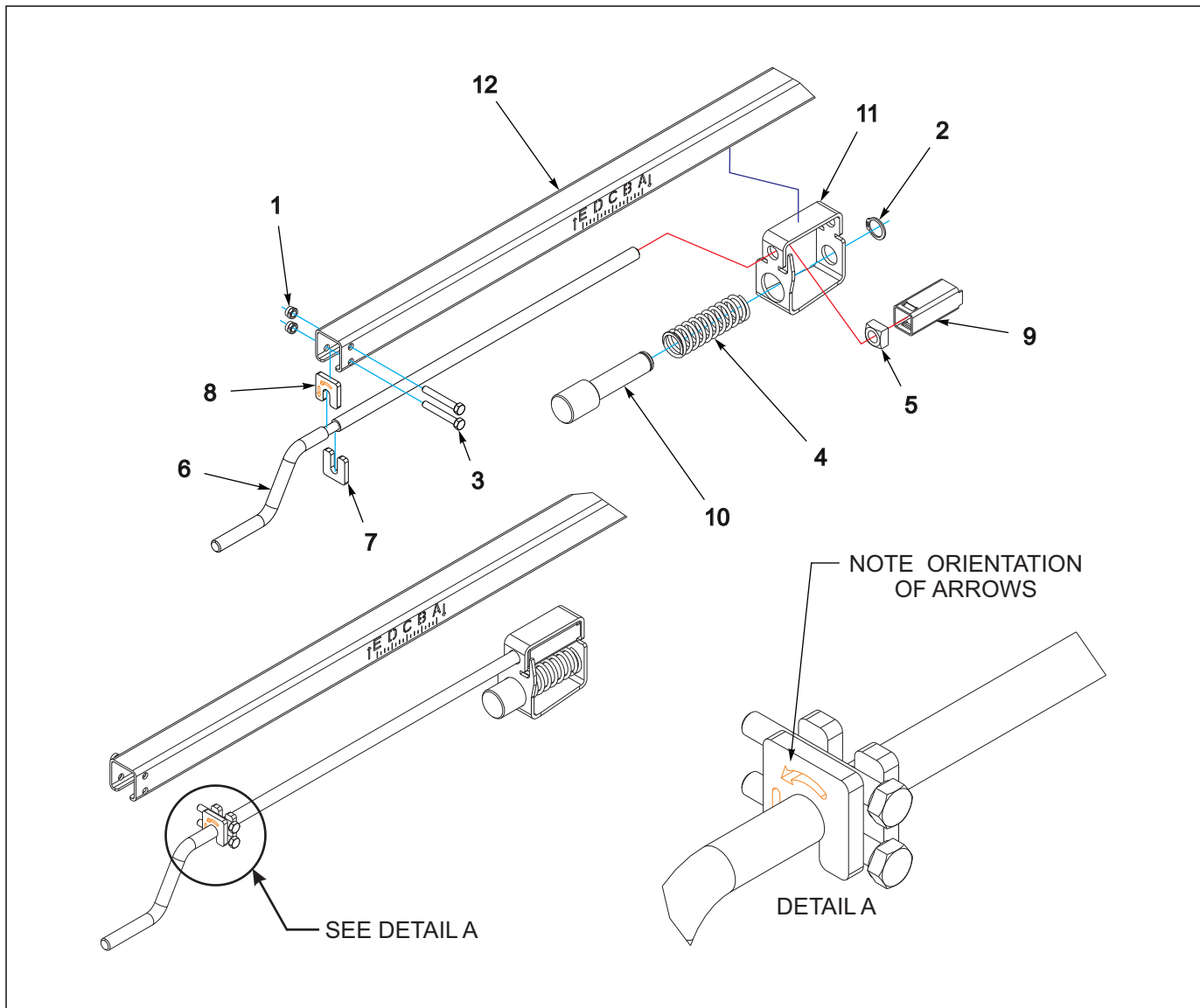


Figure 1-4: Depth Stop Assembly

Depth Stop Assembly

ITEM	PART NO.	DESCRIPTION	QTY.
--	229851	ASSY, DEPTH STOP 90 L	
1	1-630-010021-03	RING, RETAINING 1.0 HD	2
2	108628	SCREW HX CP 5/16-18UNCX2-1/4	1
3	108628	SCREW HX CP 5/16-18UNCX2-1/4	2
4	122917	SPRING COMPRESSION,4-1/2 MONO	1
5	144048	NUT, SQ 5/8-11 GR5	1
6	165258	HANDLE, DEPTH STOP	1
7	165259	STOP, HANDLE LONG	1
8	165260	STOP, HANDLE SHORT	1
9	166717	SQ TUBE, FLOATING	1
10	174708	PIN, DEPTH STOP	1
11	174709	SQ TUBE, DEPTH STOP	1
12	229852	SQ TUBE, DEPTH STOP-90"	1





# Hitch Assemblies

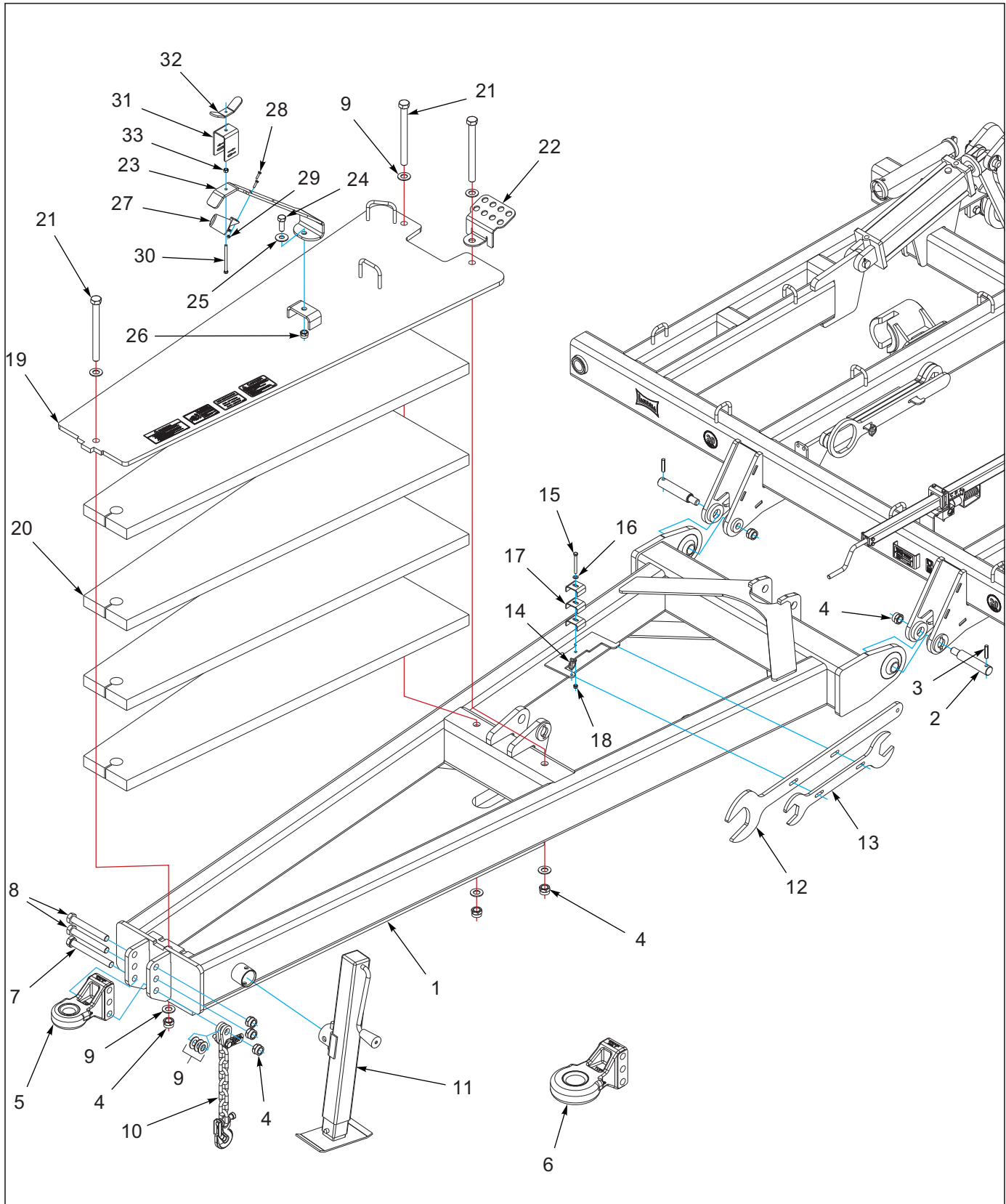


Figure 1-5: Hitch Assembly



## Hitch Assembly

ITEM	PART NO.	DESCRIPTION	QTY.
1	228236	HITCH, 2132 WLDMT	1
2	144493	PIN, HITCH	2
3	144115	PIN, GROOVED ALLOY 1/2X2-1/4	2
4	1-512-010005-19	NUT 1-8 HEX SLF-LOCKING GRB	8
5	189451	HITCH, BALL CAT IV 3-HOLE (SEE PAGE 1-12)	1
6	177032	HITCH, BALL CAT V (SEE PAGE 1-12)	1
7	1-654-010125-22	SCREW HX CP 1-8UNCX8-1/2G8ZP	1
8	153696	BOLT, HITCH CLEVIS	2
9	1-861-010032-24	WASHER FL 1IN NARROW ZP	9
10	156950	SAFETY CHAIN, 41,000 LB	1
11	140647	JACK, SIDE WIND 7000/8000 LB (SEE PAGE 1-13)	1
12	179763	WRENCH, ADJUSTMENT	1
13	174404	WRENCH, ADJUSTMENT	1
14	70239854	PIN QUICK HITCH	1
15	1-654-010051-15	SCREW HXCP 3/8-16UNCX3-1/2 G5	1
16	1-861-010032-10	WASHER, FLAT 3/8" N ZP/CD	1
17	2-181-010001	HOSE CLAMP	3
18	1-512-010005-05	NUT, HEX, SLFLKG GRB 3/8-16	1
19	228245	COVER, HITCH WLDMT	1
20	228235	WEIGHT, HITCH	4
21	172894	SCREW HX CP 1-8UNCX11 GR8 ZP	3
22	228254	PLATE, HOSE STORAGE	1
23	228247	BRACKET, HOSE HOLDER	1
24	1-654-010061-05	SCREW,HHC,3/4-10UNCX2,GR5,ZP	1
25	1-861-010032-21	WASHER, FLAT 3/4 W ZP/CD	1
26	1-512-010005-15	NUT,HEX,SLFLKG GRB 3/4-10	1
27	2-368-010287	HARNESS, STOR-A-WAY	1
28	1-654-010047-06	SCREW,HX CP 1/4-20UNCX1 GR5	2
29	1-512-010005-01	NUT,HEX,SLFLKG GRB 1/4-20	2
30	196754	SCREW,HH 3/8-16X5,GR5,FUL THRD	1
31	177398	CLAMP, HOSE HOLDER, LONG	1
32	141249	WING NUT, HOSE HOLDER	1
33	1-512-010007-07	NUT, HEX 3/8-16 GR2 ZP	1

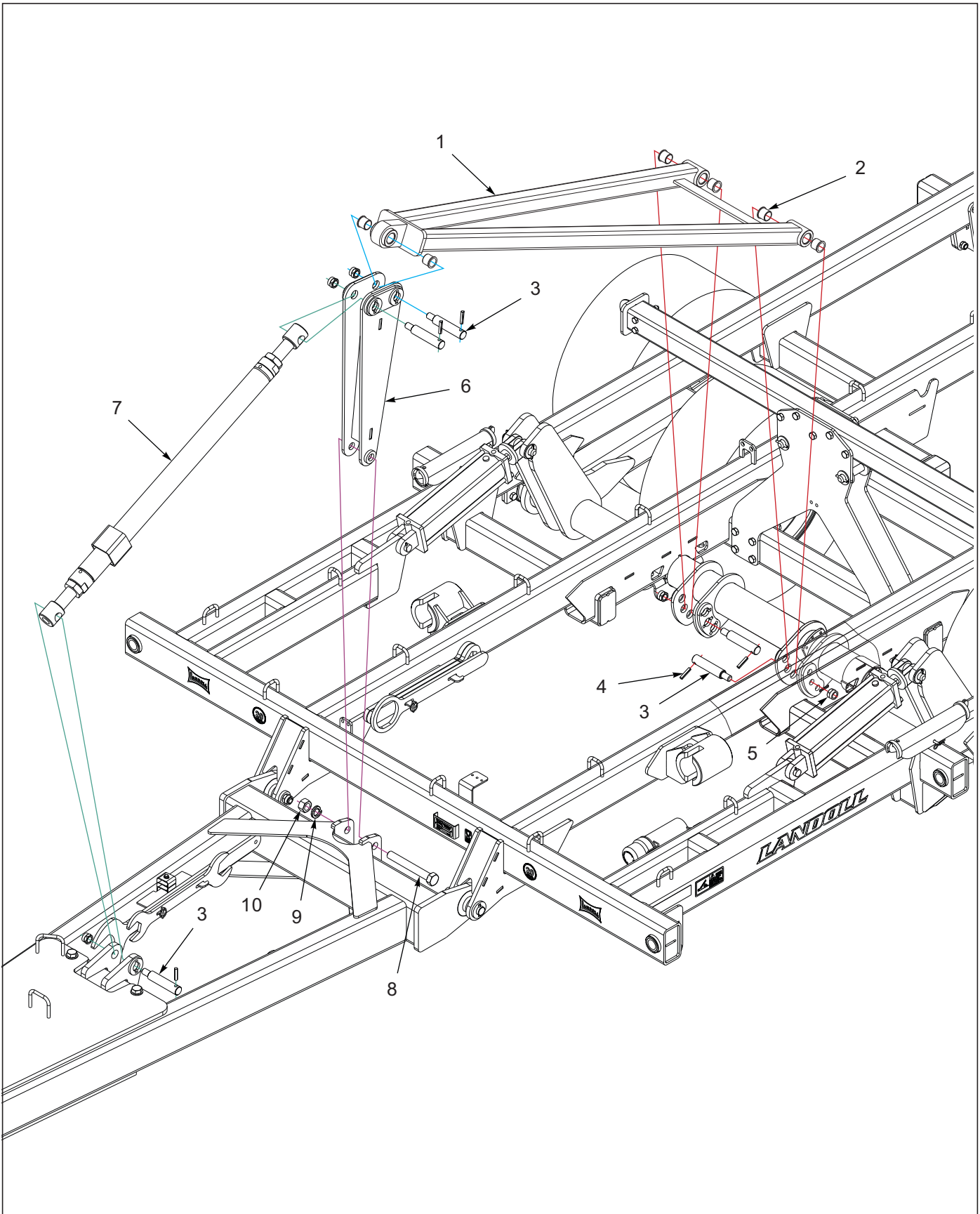


Figure 1-6: Hitch Leveling Assembly

---

## Hitch Leveling Assembly

---

ITEM	PART NO.	DESCRIPTION	QTY.
1	229854	WLDMT, LEVELER TUBE	1
2	140599	BEARING, FLANGE 1-1/2"	6
3	144493	PIN, HITCH	5
4	144115	PIN, GROOVED ALLOY 1/2X2-1/4	5
5	1-512-010005-19	NUT 1-8 HEX SLF-LOCKING GRB	5
6	184780	TOWER, LEVELER-30" WLDMT	1
7	228224	RADIUS ASSY, 2 THRD, 1-1/2 PIN <b>(SEE PAGE 1-14)</b>	1
8	100808	SCREW CP HXHD 1-1/4-7X9-1/2G8	1
9	100825	WASHER, LKG, HLCL SPR 1-1/4	1
10	1-512-010007-16	NUT,HEX 1-1/4-7 GR2 ZP	1

ILLUSTRATED PARTS LIST

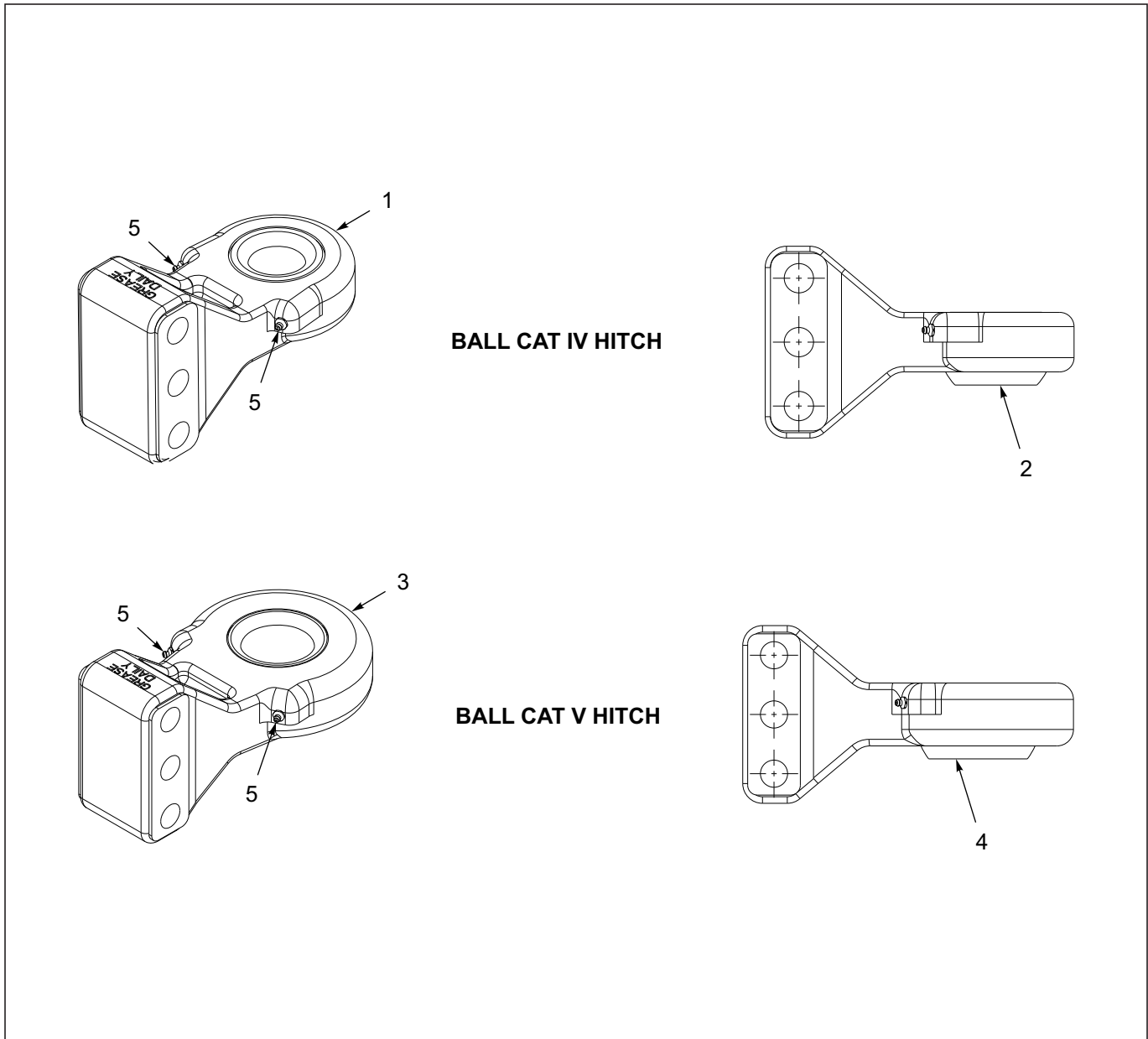


Figure 1-7: Ball & Clevis Hitches

**Ball & Clevis Hitches**

ITEM	PART NO.	DESCRIPTION	QTY.
1	189451	HITCH, BALL CAT IV 3-HOLE	1
2	189453	BUSHING, SPHERICAL 1-1/2 ID	1
2	189454	BUSHING, SPHERICAL 2 ID	1
3	177032	HITCH, BALL CAT V	1
4	189468	BUSHING, SPHERICAL 2-3/4 ID	1
4	189467	BUSHING, SPHERICAL 2 ID	1
5	1-298-010001-1	ZERK FITTING 1/4 SAE	1

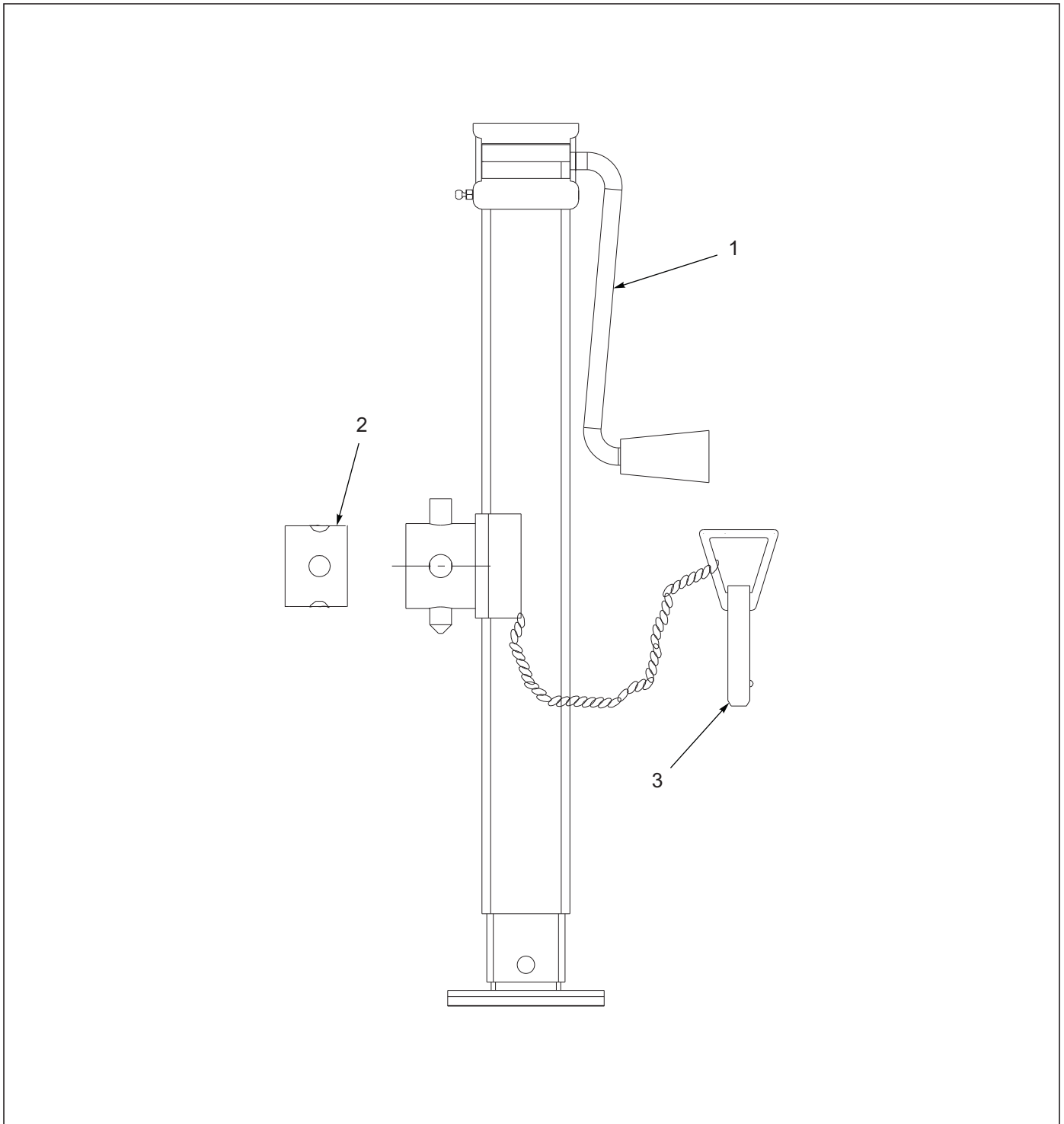


Figure 1-8: 7,000 Lb. Sidewind Jack Assembly

### 7,000 Lb. Sidewind Jack Assembly

ITEM	PART NO.	DESCRIPTION	QTY.
--	140647	JACK, SIDEWIND 7000LB	
1	500171	HANDLE FOR JACK	1
2	141250	TUBE, RD, JACK MOUNT (WELD TO IMPLEMENT FRAME)	1
3	142194	5/8" PIN	1

ILLUSTRATED PARTS LIST

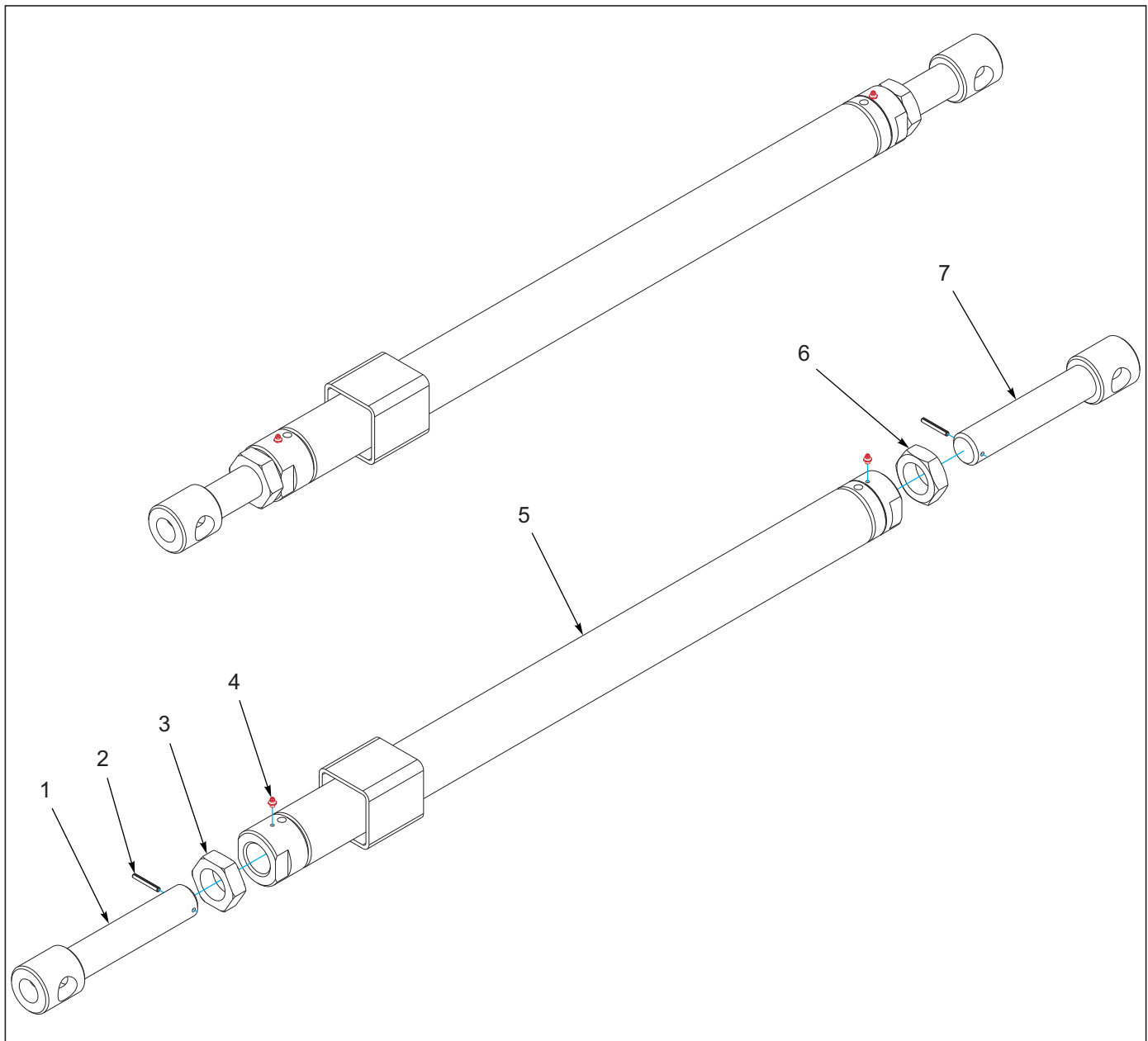


Figure 1-9: Radius Rod Assembly

**Radius Rod Assembly**

ITEM	PART NO.	DESCRIPTION	QTY.
--	228224	RADIUS ASSY, 2 THRD, 1-1/2 PIN	
1	187181	RH WLDMT,RADROD-2THRD,1-1/2PIN	1
2	1-647-010004221	PIN,SPRING 1/4X2 SLOTTED	2
3	137931	NUT 2-12, HEX JAM, UNF GR 5	1
4	1-298-010001-1	ZERK FITTING 1/4 SAE	2
5	228225	HITCH, RADIUS ROD 2 WLDMT	1
6	139139	NUT 2-12, HEX JAM,LH THRD GR5	1
7	187182	LH WLDMT,RADROD-2THRD,1-1/2PIN	1



# Wing Frame Assemblies

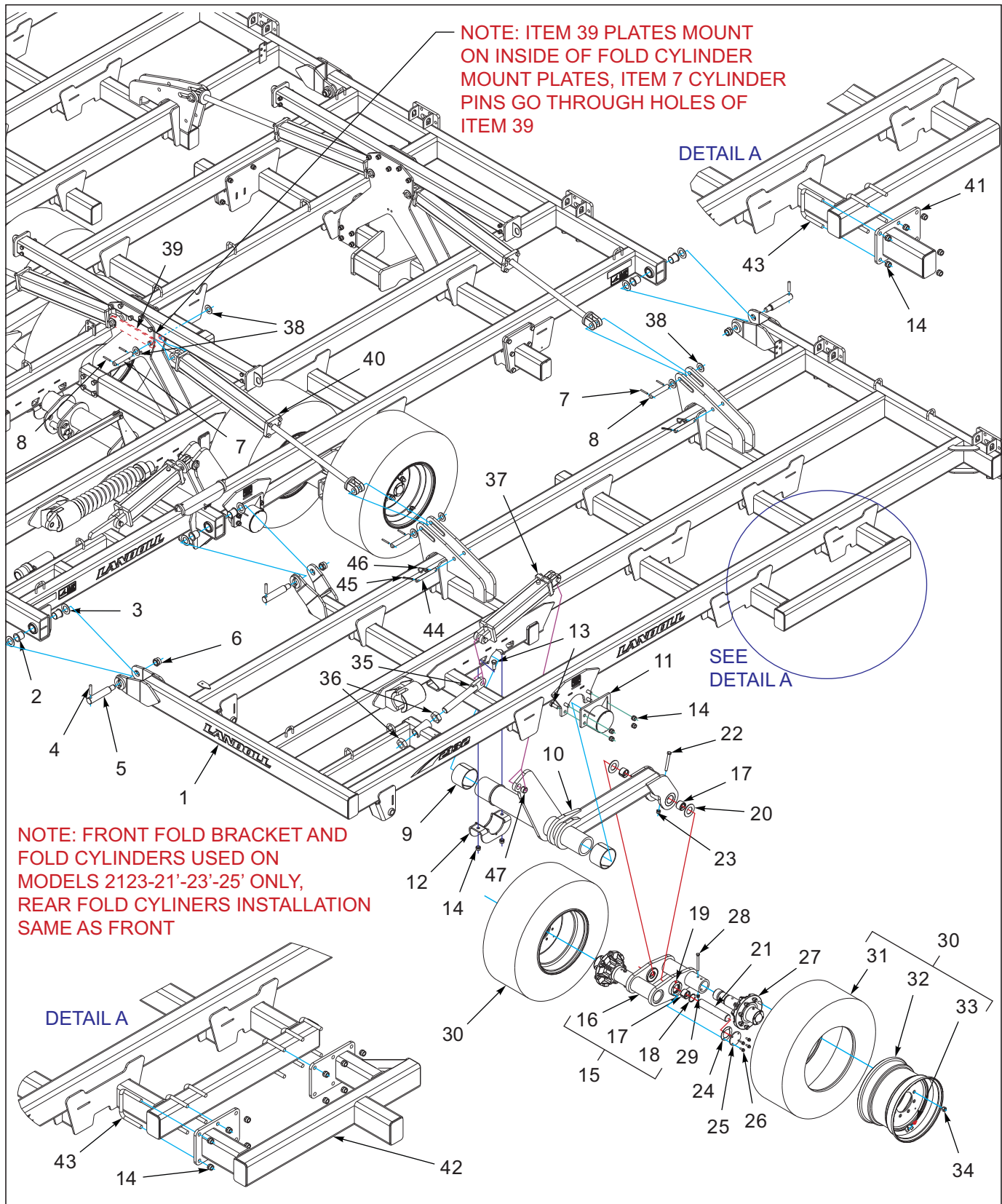


Figure 1-10: Wing Frame Assembly



## Wing Frame Assembly

ITEM	PART NO.	DESCRIPTION	QTY.
1	227465	FRAME, WING RIGHT 17-19 WLDMT	1
1	227466	FRAME, WING LEFT 17-19 WLDMT	1
1	227467	FRAME,WING RIGHT,21/23/25WLDMT	1
1	227468	FRAME, WING LEFT,21/23/25WLDMT	1
2	164533	BEARING, FLANGE 1-3/4	12
3	164539	WASHER THRUST 1-3/4	12
4	148382	PIN, WALKING BEAM SPINDLE	6
5	228228	PIN, HINGE	6
6	101385	NUT,HEX SLFLKG,1-1/4-7 GRB	6
7	1-647-010004240	PIN,SPRING,SLOTTED,5/16X2-1/2	8
8	170291	PIN, 1-1/4 X 7	4
9	140519	BEARING, UHMW 4IN	4
10	227469	LIFT, WING RIGHT WLDMT	1
10	227470	LIFT, WING LEFT WLDMT	1
11	141209	BEARING CAP, LIFT WLDMT	2
12	141234	WLDMT, BEARING CAP LIFT	2
13	1-654-010061-05	SCREW,HHC,3/4-10UNCX2,GR5,ZP	12
14	1-512-010005-15	NUT,HEX,SLFLKG GRB 3/4-10	12
15	217591	ASSY, WALKER 3" <b>(INCLUDES ITEMS 16-18)</b>	2
16	217547	WALKING TANDEM-3" SP WLDMT	2
17	130052	BUSHING,SPRING 2-1/4X2X1-1/2	8
18	217559	SNAP RING, INTERNAL-2-1/4	4
19	171024	FITTING, GREASE 5/16-24 STR	8
20	171070	WASHER, THRUST 2	4
21	217593	SPINDLE, WALK BEAM 2"	2
22	1-654-010059-15	SCREW,HEX CAP,5/8-11UNCX5 GR5	2
23	1-512-010005-13	NUT,HEX SLFLKG GRB 5/8-11	2
24	217627	GASKET, ENDCAP	4
25	217626	ENDCAP, WALKER	4
26	219795	SCREW, HEX FLANGE HD, 3/8 X 1	16
27	223440	ASSY, 8 BOLT HUB & SPINDLE <b>(SEE PAGE 1-23)</b>	4
28	1-654-010055-15	SCR, HX CP, 1/2-13UNCX5 GR5	4
29	1-512-010005-09	NUT,HEX,SLFLKG, 1/2-13 GRB	4
30	228255	BKT340TIRE ASSY POS1.13 OFFSET <b>(INCLUDES ITEMS 31-33)</b>	4
30	221272	BKT 380 TIRE&WHL ASSY POS 1.5" <b>(INCLUDES ITEMS 31-33)</b>	4
31	228256	BKT TIRE 340/65R 18 IMP <b>(USED WITH 228255)</b>	4
31	221270	BKT TIRE 380/55R 16.5 IMP <b>(USED WITH 221272)</b>	4
32	228257	WHEEL, 8 BOLT, POS 1.13 OFFSET <b>(USED WITH 228255)</b>	4
32	171011	WHL 16.5X12 POS 1.5 OFFST 8BLT <b>(USED WITH 221272)</b>	4
33	TR575	VALVE STEM TUBELESS TIRE	4
34	102600	NUT,WHEEL BOLT, 5/8	32
35	167617	ROD, CYLINDER ANCHOR WLDMT	2
36	155716	NUT HX JAM 1-3/4-5UNC GR2	4
37	146825	CYLINDER, 4X16, REPHASE <b>(SEE PAGE 1-45)</b>	2
38	116100	WASHER 1-1/4 NAR FL ZP/CD	8
39	228223	PLATE, CYL MOUNT	2
40	140472	CYLINDER, 4 X 30, 1-1/2 ROD <b>(SEE PAGE 1-46)</b>	2
41	146733	EXTENSION, 1 SHANK WLDMT <b>(USED ON MODELS 2132-19-23 ONLY)</b>	2
42	231336	EXTENSION, 2 SHANK <b>(USED ON MODEL 2132-25 ONLY)</b>	2

**ILLUSTRATED PARTS LIST**

---

**Wing Frame Assembly**

---

<b>ITEM</b>	<b>PART NO.</b>	<b>DESCRIPTION</b>	<b>QTY.</b>
43	111392	U-BOLT, GAUGE WHEEL 1550	
44	2-557-010409	PIN, WING LOCK	
45	0600-250-03000	1/4X3 ROLL PIN ZP	
46	1-557-010013	PIN, HAIR 3/16 DIA	
47	2-150-010174	BUSHING,1-5/8X1-1/4X1	2



# Hub & Spindles

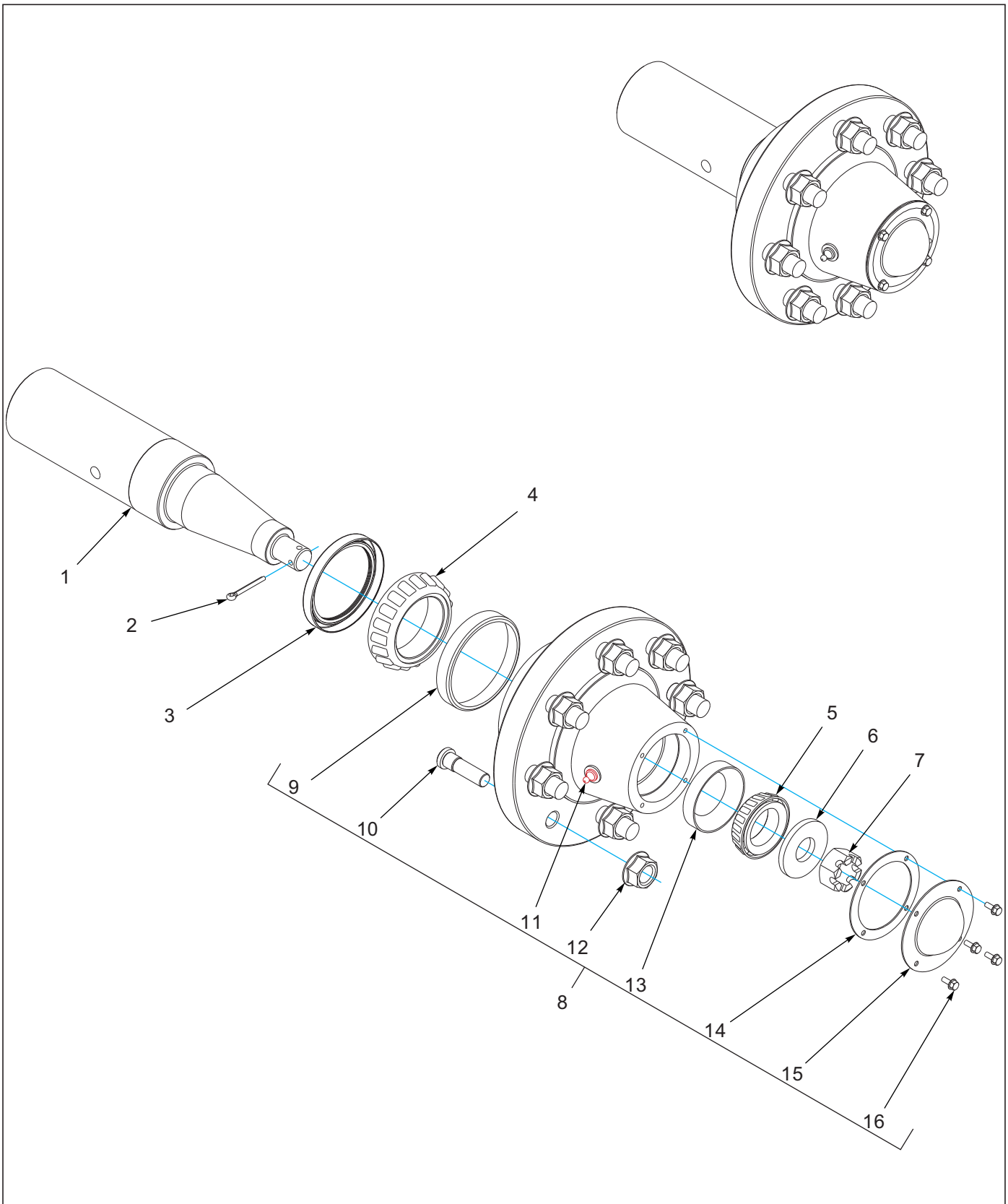


Figure 1-11: Hub and Spindle Assembly - 170704

## Hub and Spindle Assembly - 170704

ITEM	PART NO.	DESCRIPTION	QTY.
--	170704	HUB & SPDL ASSY 3.25", 8 BOLT	
1	170705	SPINDLE, 3-1/4 IN	1
2	1-557-010362-51	PIN, COTTER 3/16X1-1/2	1
3	171107	SEAL, TRIPLE LIP 4.125ODX3.251ID	1
4	170310	CONE BEARING-39250-39412	1
5	170302	HUB W/ CUPS, 8 BOLT 10,000 LBS	1
6	1-861-010005	WASHER, SPINDLE 1	1
7	1-516-010001-20	NUT, HX SLOT 1-14	1
8	170302	HUB W/ CUPS, 8 BOLT 10,000 LBS (INCLUDES ITEMS 9-16)	1
9	171771	BEARING CUP	1
10	171772	BOLT STUD 3/4-16 X 2-3/4 GR8	8
11	5000	ZERK FITTING 1/8NPT	1
12	171773	NUT, HEX FLANGE 3/4-16 GR5 ZP	8
13	102604	BEARING CUP, OUTER	8
14	223439	GASKET, DUST CAP	1
15	223437	DUST CAP, BOLT ON	1
16	223438	SCREW, 10-32X1/2 HEX FLANGE	4

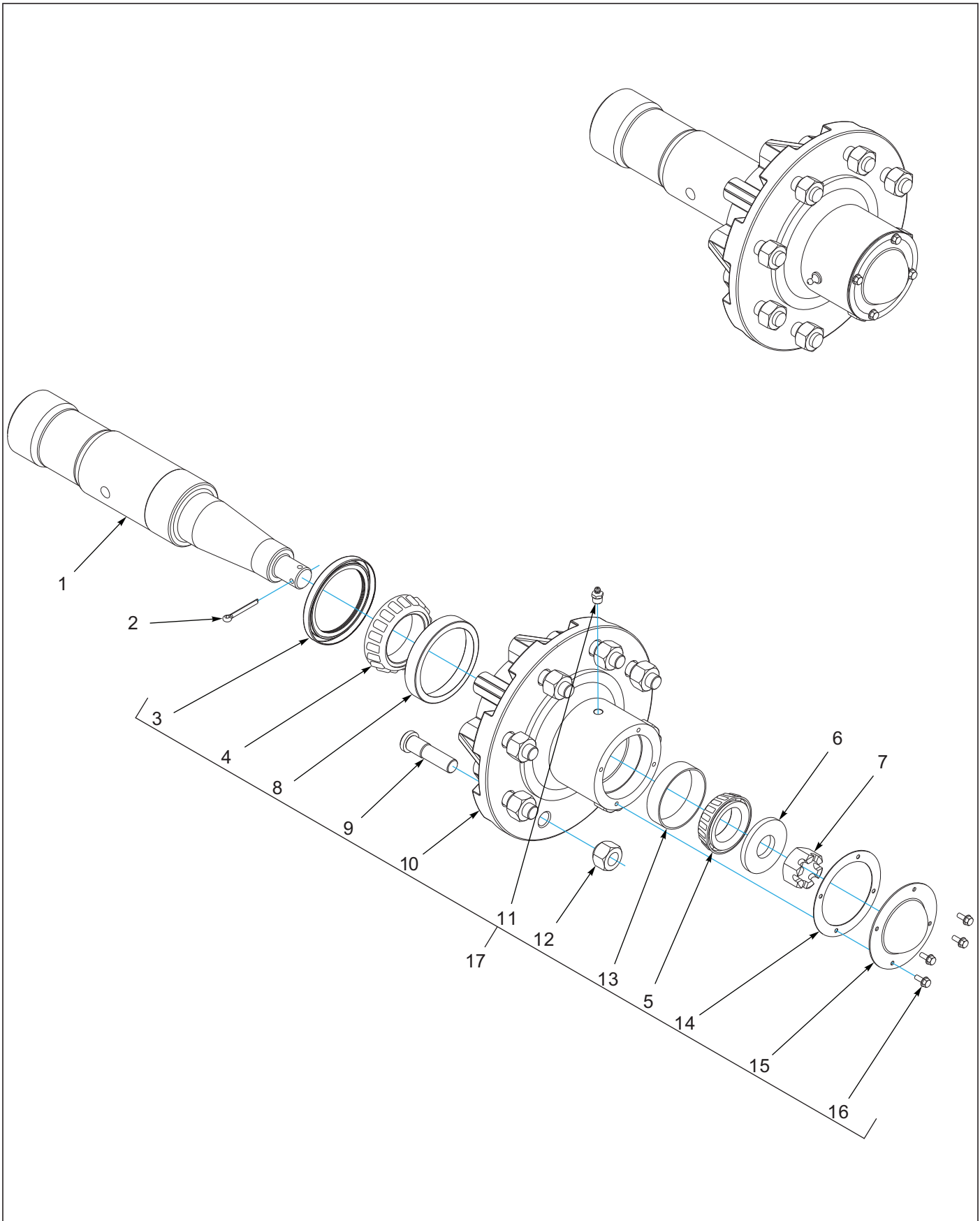


Figure 1-12: Hub and Spindle Assembly - 223440

## Hub and Spindle Assembly - 223440

ITEM	PART NO.	DESCRIPTION	QTY.
--	223440	ASSY, 8 BOLT HUB & SPINDLE	
1	156973	SPINDLE 3 X 16-1/2	1
2	1-557-010362-51	PIN, COTTER 3/16X1-1/2	1
3	193089	SEAL, PURGABLE 4 OD X 3 ID	1
4	156979	CONE BEARING - 387AS	1
5	102498	BEARING CONE, OUTER, 1.625	1
6	1-861-010005	WASHER, SPINDLE 1	1
7	1-516-010001-20	NUT, HX SLOT 1-14	1
8	111962	OUTER BEARING CUP L20HD#382A	1
9	4001060	HUB 75-8 BOLTS 5/8-18 STUD	8
10	223435	HUB ASSY W/ CUPS,GASKET,CAP (INCLUDES ITEMS 8, 9, 11-16)	1
11	5000	ZERK FITTING 1/8NPT	1
12	102600	NUT,WHEEL BOLT, 5/8	8
13	102604	BEARING CUP, OUTER	1
14	223439	GASKET, DUST CAP	1
15	223437	DUST CAP, BOLT ON	1
16	223438	SCREW, 10-32X1/2 HEX FLANGE	4
17	168859	HUB ASSY, EIGHT BOLT (SERVICE KIT ONLY)	

# Shank Assemblies

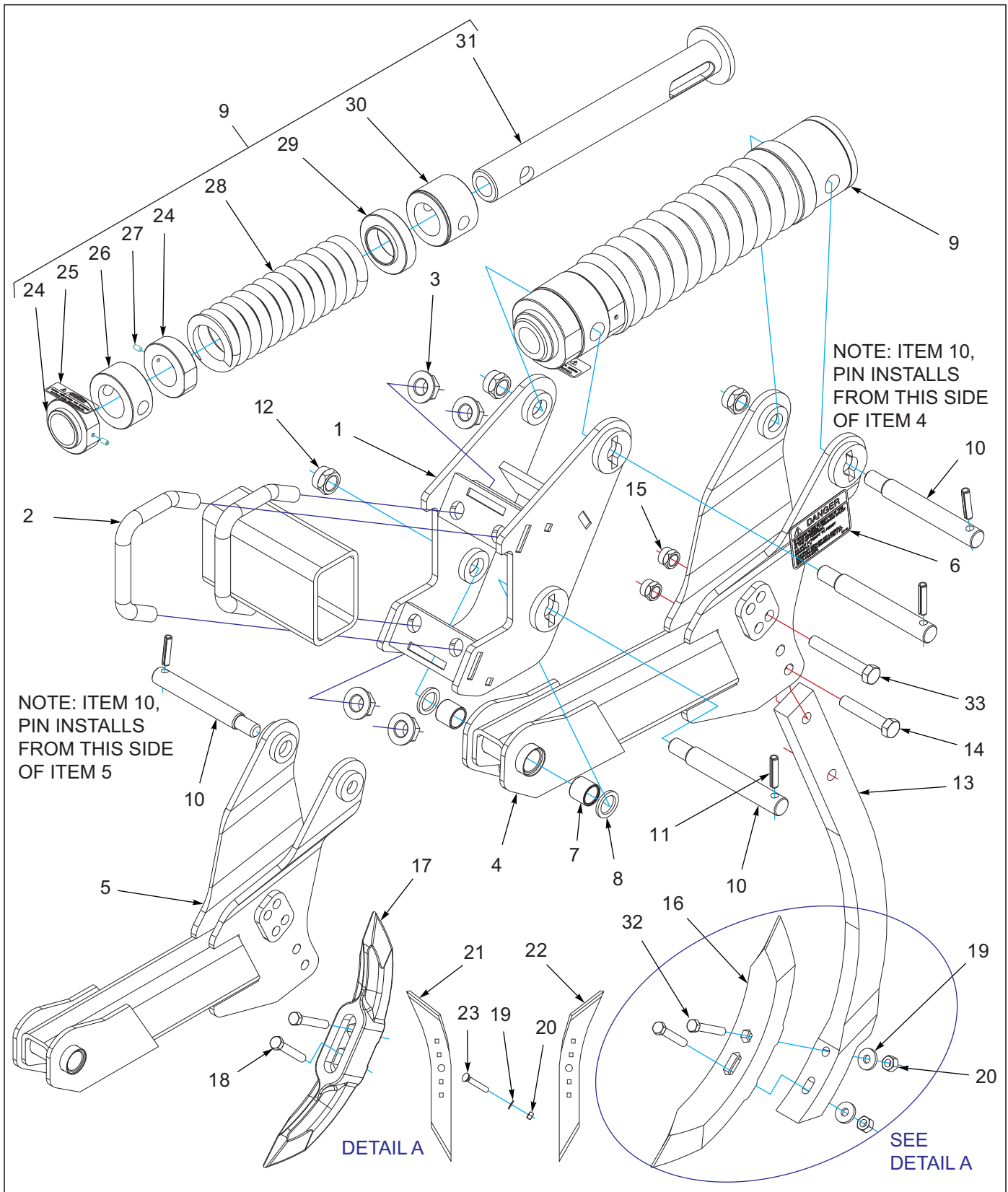


Figure 1-13: Auto Reset Clamp Assembly



## Auto Reset Clamp Assembly

ITEM	PART NO.	DESCRIPTION	QTY.
--	174740	ASSY, CLAMP W/MOUNT RT <b>(INCLUDES ITEMS 1, 4, 7-12)</b>	
--	174786	ASSY, CLAMP W/ MOUNT LT <b>(INCUEDS ITEMS 1, 5, 7-12)</b>	
1	174741	CLAMP, WELDMENT SPRING	1
2	174749	U-BOLT, 1" SHANK CLAMP	2
3	174732	NUT, FLG HD, TOPLOCK, 1-8 UNC	4
4	222541	MOUNT,SHANK-RT HEF BRG WLDMT <b>(USED WITH 174740) (INCLUDES ITEM 6)</b>	1
5	222542	MOUNT,SHANK-LT HEF BRG WLDMT <b>(USED WITH 174786) (INCLUDES ITEM 6)</b>	1
6	207142	DECAL, DANGER STUCK SHANK	1
7	217196	BEARING-HEF,1.5 X 1.25 X 1.3	2
8	221229	WASHER, THRUST 1-1/4	2
9	219735	ASSY, SPRING SHANK <b>(INCLUDES ITEMS 24-31)</b>	1
10	144457	PIN, SHANK	3
11	141251	SPRING PIN,SLOTTED 1/2X2-1/4	3
12	1-512-010005-19	NUT 1-8 HEX SLF-LOCKING GRB	3
13	144458	SHANK 1-1/4X2-1/2X32,50DEG	1
14	1-654-010061-13	SCREW,HX CP 3/4-10UNCX4 GR5	2
15	1-512-010005-15	NUT,HEX,SLFLKG GRB 3/4-10	2
16	231300	POINT, 2" CAST FLAT	1
17	172982	POINT, 2" CAST	1
18	201496	SCREW,HX CAP, 1/2-13X3.25 GR8	2
19	153631	WASHER, FLAT 1/2HD	2
20	114911	NUT,HVY HEX,1/2-13UNC GR5	2
21	66826	TW SHVL RH 1/2 X 4W X 26	1
22	66827	TW SHVL LH 1/2 X 4W X 26	1
23	177027	BOLT, PLOW 1/2-13 X 3 GR8	2
24	219737	NUT, SPRING ROD	2
25	2-573-010469	DECAL, DANGER SPRING	1
26	219736	BEARING, SPRING ROD	1
27	114987	SCREW,SET,HX SKT,3/8-16X3/4	2
28	144461	SPRING, COIL COMPRESSION	1
29	144449	WASHER, SPRING ROD	1
30	144451	SLIDE, SPRING ROD	1
31	145173	ROD, SPRING WLDMT	1
32	122726	SCREW HX CP 1/2-13UNCX3-3/4G8	2
33	1-654-010061-15	SCREW,HX CP 3/4-10UNCX5 GR5	1

ILLUSTRATED PARTS LIST

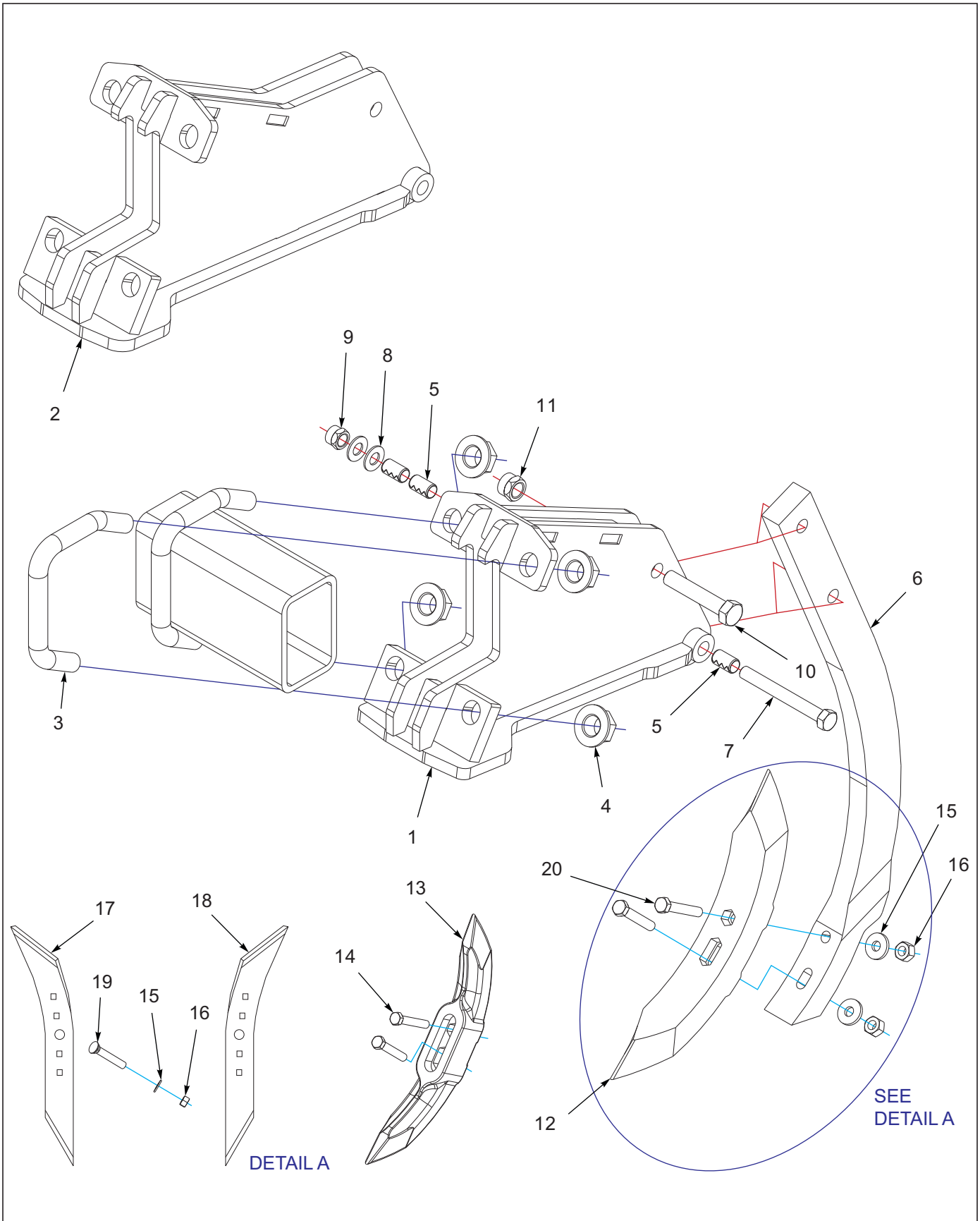


Figure 1-14: Rigid Shear Bolt Clamp Assembly

## Rigid Shear Bolt Clamp Assembly

ITEM	PART NO.	DESCRIPTION	QTY.
1	229982	CLAMP,SHEAR BOLT,8" OFFSET WLD	1
2	174772	CLAMP SHEAR BOLT 12"OFFSET WLD	1
3	174749	U-BOLT, 1" SHANK CLAMP	2
4	174732	NUT, FLG HD, TOPLOCK, 1-8 UNC	4
5	150244	BUSHING,CNX-5/8 X 3/4 X 1-1/4	3
6	144458	SHANK 1-1/4X2-1/2X32,50DEG	1
7	167646	SCREW,HX CP,5/8-11UNCX5-1/2GR8	1
8	1-861-010032-18	WASHER, FLAT 5/8 N ZP/CD	2
9	1-512-010005-13	NUT,HEX SLFLKG GRB 5/8-11	1
10	1-654-010061-13	SCREW,HX CP 3/4-10UNCX4 GR5	1
11	1-512-010005-15	NUT,HEX,SLFLKG GRB 3/4-10	1
12	231300	POINT, 2" CAST FLAT	1
13	172982	POINT, 2" CAST	1
14	201496	SCREW,HX CAP, 1/2-13X3.25 GR8	2
15	153631	WASHER, FLAT 1/2HD	2
16	114911	NUT,HVY HEX,1/2-13UNC GR5	2
17	66826	TW SHVL RH 1/2 X 4W X 26	1
18	66827	TW SHVL LH 1/2 X 4W X 26	1
19	177027	BOLT, PLOW 1/2-13 X 3 GR8	2
20	122726	SCREW HX CP 1/2-13UNCX3-3/4G8	2

# Coulter Gang Assemblies

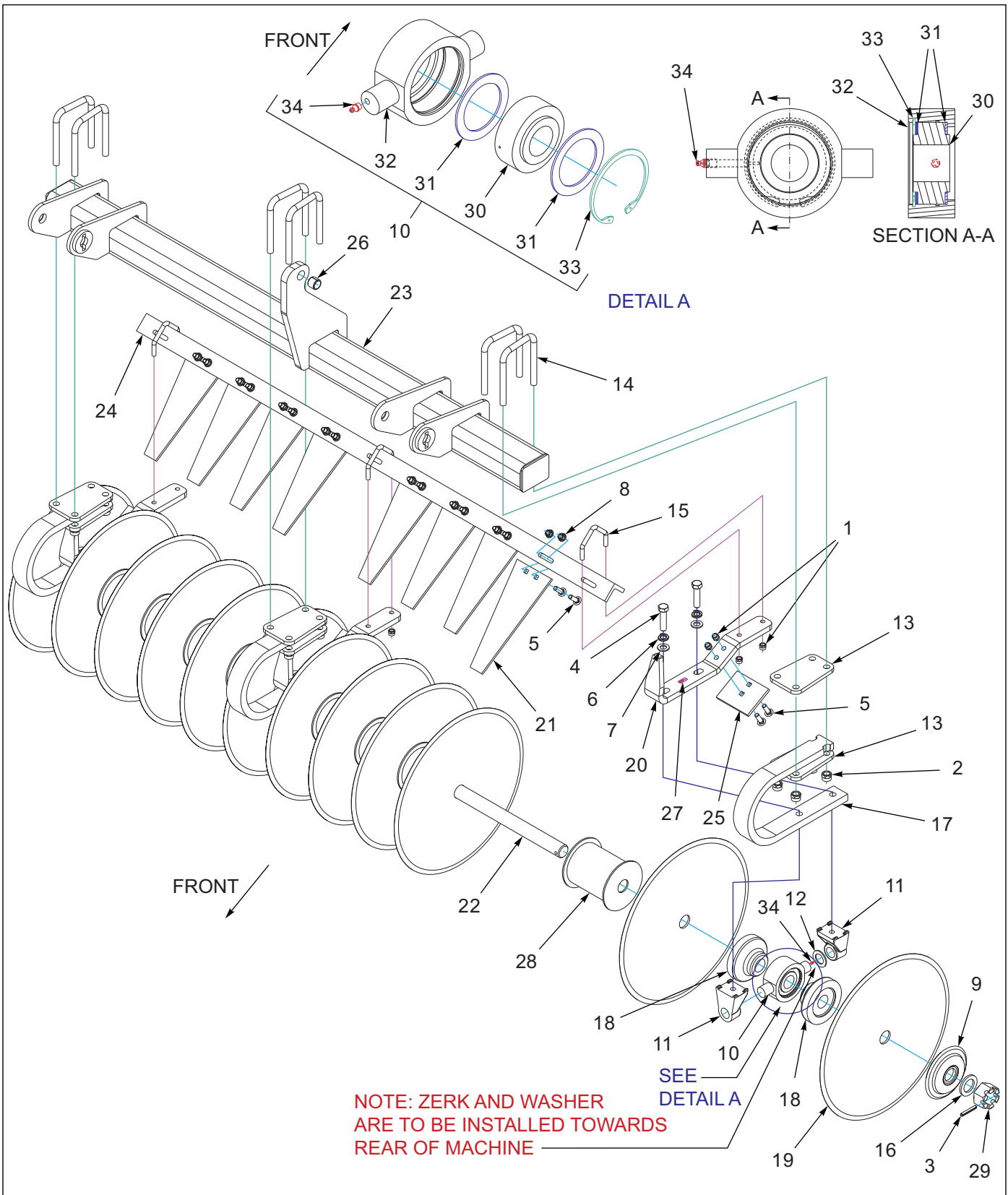


Figure 1-15: Coulter Gang Assembly

## Coulter Gang Assembly

ITEM	PART NO.	DESCRIPTION	QTY.					
--	229872	GANG ASSY, 2132-17	*					
--	229873	GANG ASSY, 2132-19		*				
--	229874	GANG ASSY, 2132-21			*			
--	229875	GANG ASSY, 2132-23				*		
--	229876	GANG ASSY, 2132-25					*	
1	1-512-010005-09	NUT,HEX,SLFLKG, 1/2-13 GRB	40	48	48	56	56	
2	1-512-010005-15	NUT,HEX,SLFLKG GRB 3/4-10	40	48	48	56	56	
3	1-647-010004257	PIN,SPRING,SLOTTED 3/8X2-1/2	8	8	8	12	12	
4	1-654-010032-09	SCREW HEX CAP 3/4-10X3 GR8	20	24	24	28	28	
5	1-654-010070-04	SCREW RDHD SQNK 1/2-13X1-3/4	64	72	80	88	96	
6	1-861-010034-17	WASHER,LKG,HLCL SPR,3/4	20	24	24	28	28	
7	1-861-010032-20	WASHER, FLAT,3/4 N ZP/CD	20	24	24	28	28	
8	124971	NUT HX FLG 1/2-13 SPIRALOCK	44	48	56	60	68	
9	140469	END COLLAR	8	8	8	12	12	
10	140477	BEARING, DISC 1.775 ID ASSY <b>(INCLUDES ITEMS 30-34)</b>	10	12	12	14	14	
11	140479	MOUNT, TRUNNION	20	24	24	28	28	
12	140480	WASHER, TRUNNION	10	12	12	14	14	
13	140483	PLATE, DISC SHANK MOUNT	20	24	24	28	28	
14	140484	U-BOLT, 3/4 X 5	20	24	24	28	28	
15	140487	UBOLT, SCRAPER BAR MOUNT	10	12	12	14	14	
16	141154	WASHER GANG SHAFT	20	20	20	30	30	
17	144522	SHANK 1X2-1/2 STRAIGHT	10	12	12	14	14	
18	144533	HALF SPOOL, FLAT	20	24	24	28	28	
19	144536	DISC BLADE 22" X 1/4", 1-3/4"	35	39	43	47	51	
20	145179	MOUNT, SCRAPER BAR	10	12	12	14	14	
21	145199	SCRAPER 5/16 X 6	22	24	28	30	34	
22	145209	GANG, SHAFT 51-1/2 L	--	--	--	4	--	
22	145210	GANG, SHAFT 59 L	2	--	--	--	4	
22	145211	GANG, SHAFT 66-1/2 L	1	1	1	1	1	
22	145212	GANG, SHAFT 74 L	1	3	1	1	1	
22	145214	GANG, SHAFT 89 L	--	--	2	--	--	
23	145217	GANGBAR, 60" LEFT WLDMT	1	1	1	1	1	
23	145218	GANGBAR, 67-1/2" RIGHT WLDMT	1	1	1	1	1	
23	147536	GANGBAR, 97-1/2" RIGHT WLDMT	--	--	--	1	--	
23	147537	GANGBAR, 97-1/2" LEFT WLDMT	--	--	--	1	--	
23	147538	GANGBAR, 83" RIGHT WLDMT	--	--	1	--	--	
23	147539	GANGBAR, 83" LEFT WLDMT	--	--	1	--	--	
23	147540	GANGBAR, 67-1/2" RIGHT WLDMT	--	1	--	--	--	
23	147541	GANGBAR, 67-1/2" LEFT WLDMT	--	1	--	--	--	
23	147542	GANGBAR, 52-1/2" RIGHT WLDMT	1	--	--	--	--	
23	147543	GANGBAR, 52-1/2" LEFT WLDMT	1	--	--	--	--	
23	148298	GANGBAR, 112 1/2", LEFT	--	--	--	--	1	
23	148299	GANGBAR, 112 1/2", RIGHT	--	--	--	--	1	
24	145231	SCRAPER BAR, 7-1/2 SP 6 HOLE	--	--	--	2	--	
24	145232	SCRAPER BAR, 7-1/2 SP 7 HOLE	2	--	--	2	2	
24	145233	SCRAPER BAR, 7-1/2 SP 8 HOLE	--	--	--	--	2	
24	145234	SCRAPER BAR, 7-1/2 SP 9 HOLE	2	4	2	2	2	
24	145236	SCRAPER BAR, 7-1/2 SP 11 HOLE	--	--	2	--	--	

## **Coulter Gang Assembly**

<b>ITEM</b>	<b>PART NO.</b>	<b>DESCRIPTION</b>	<b>QTY.</b>				
25	152251	SCRAPER, DUAL	10	12	12	14	14
26	2-150-010008	BUSHING 1-1/4ODX1IDX1 STEEL	4	4	4	4	4
27	2-573-010330-02	DECAL, LUBRICATION 10 HOURS	10	12	12	14	14
28	229846	SPOOL WLDMT, 7-1/2 SP STR	21	23	27	27	31
29	23085	NUT HEX SLOTTED 1 3/4-5	8	8	8	12	12
30	140464	BEARING, DISC 1.775 ID	1	1	1	1	1
31	140473	WASHER, BEARING	2	2	2	2	2
32	140475	CASTING, TRUNNION	1	1	1	1	1
33	140476	INTERNAL RETAINING RING	1	1	1	1	1
34	5000	ZERK FITTING 1/8NPT	1	1	1	1	1



ILLUSTRATED PARTS LIST

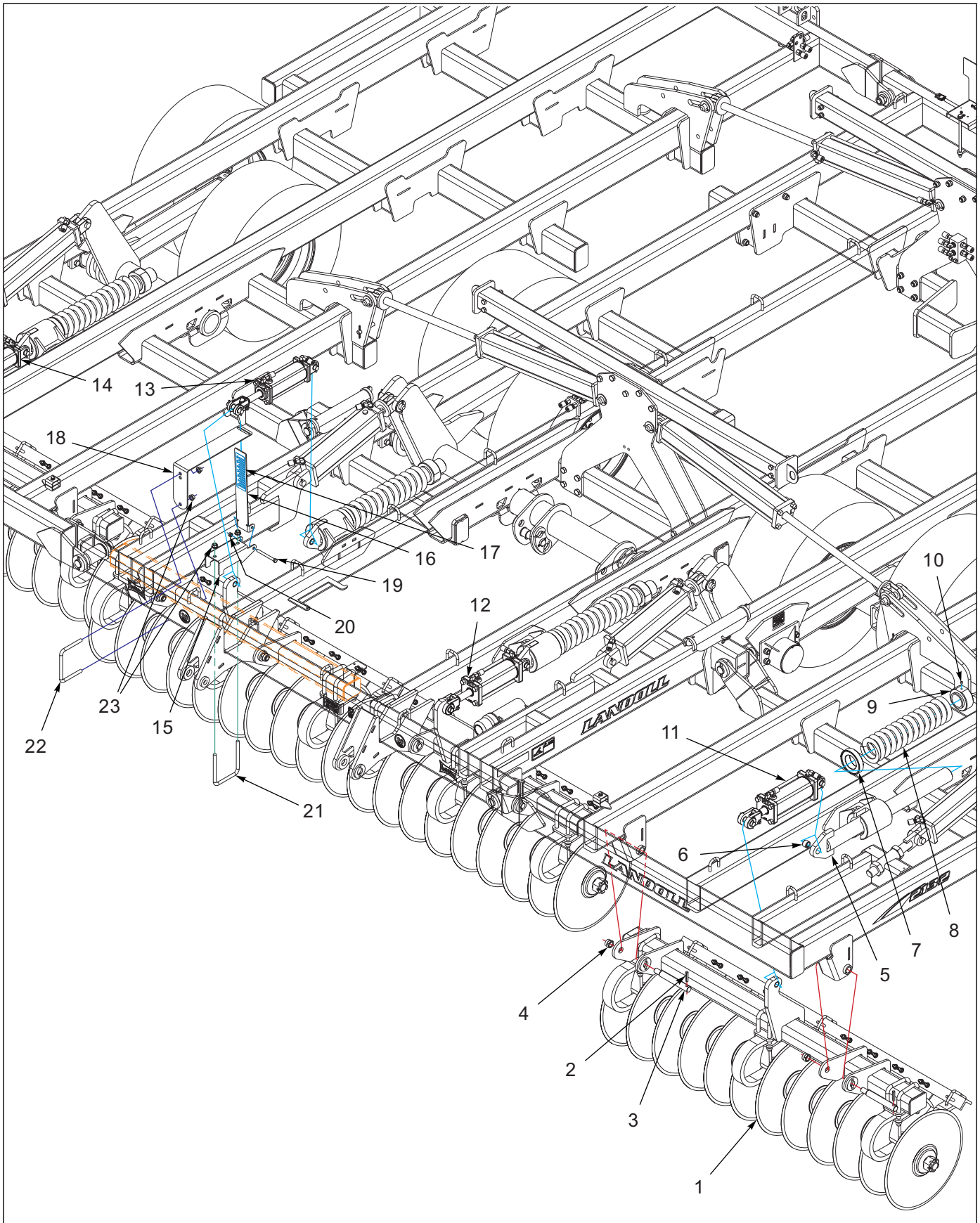


Figure 1-16: Coulters Gang To Frame Assembly



## Coulter Gang To Frame Assembly

ITEM	PART NO.	DESCRIPTION	QTY.
1	--	COULTER GANG ASSEMBLY (SEE PAGE 1-35)	
2	144115	PIN, GROOVED ALLOY 1/2X2-1/4	8
3	144457	PIN, SHANK	6
4	1-512-010005-19	NUT 1-8 HEX SLF-LOCKING GRB	6
5	225180	SPRING ROD, COULTER WLDMT	4
6	192890	BUSHING 1-3/8ODX1 IDX1 STEEL	4
7	144449	WASHER, SPRING ROD	4
8	156383	SPRING, COMPRESSION	4
9	145196	THREADED CAP, COULTER SPRING	4
10	122709	SCREW,SET,HXSKTCPPT 3/8-16X1/2	4
11	145201	CYLINDER 4 X 8 REPHASE (SEE PAGE 1-48)	1
12	145202	CYLINDER 3-3/4 X 8 REPHASE (SEE PAGE 1-50)	1
13	145203	CYLINDER 3-1/2 X 8 REPHASE (SEE PAGE 1-52)	1
14	145204	CYLINDER 3-1/4 X 8 REPHASE (SEE PAGE 1-54)	1
15	157011	MOUNT, DEPTH GAUGE	1
16	150266	GAUGE, DEPTH INDICATOR	1
17	2-573-010336	DECAL, DEPTH GAUGE	1
18	157012	GUIDE, DEPTH GAUGE	1
19	1-654-010055-15	SCR, HX CP, 1/2-13UNCX5 GR5	1
20	1-512-010005-09	NUT,HEX,SLFLKG, 1/2-13 GRB	1
21	141269	U-BOLT, WING STABILIZER	1
22	158279	U-BOLT, 5/8X7-11/16X5-1/2	1
23	100827	NUT,FLG HD,SERRATED,5/8-11	4

ILLUSTRATED PARTS LIST

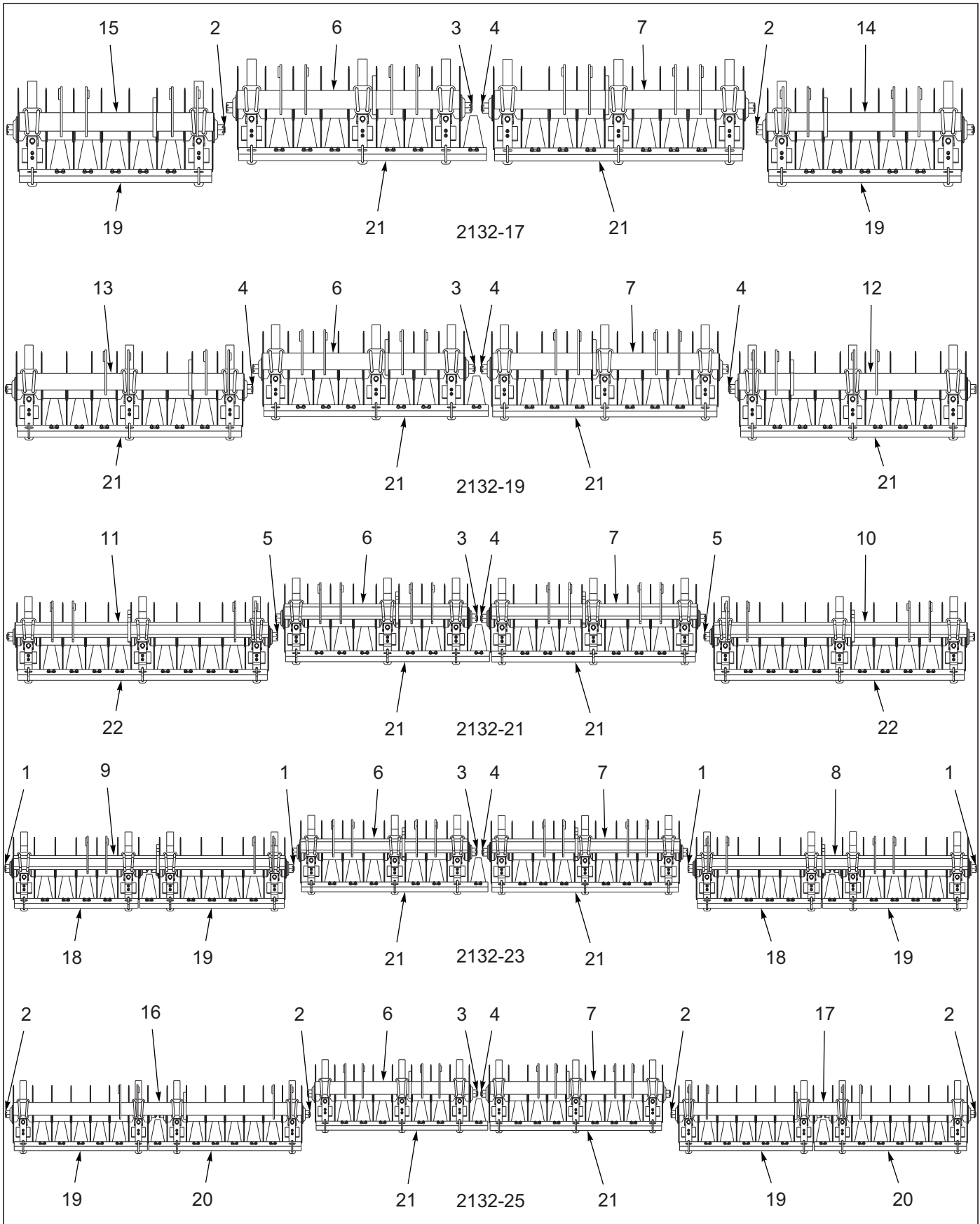


Figure 1-17: Coulters Gang Placement

## Coulter Gang Placement

ITEM	PART NO.	DESCRIPTION	QTY.					
--	229872	GANG ASSY, 2132-17	*					
--	229873	GANG ASSY, 2132-19		*				
--	229874	GANG ASSY, 2132-21			*			
--	229875	GANG ASSY, 2132-23				*		
--	229876	GANG ASSY, 2132-25					*	
1	145209	GANG, SHAFT 51-1/2 L	--	--	--	4	--	
2	145210	GANG, SHAFT 59 L	2	--	--	--	4	
3	145211	GANG, SHAFT 66-1/2 L	1	1	1	1	1	
4	145212	GANG, SHAFT 74 L	1	3	1	1	1	
5	145214	GANG, SHAFT 89 L	--	--	2	--	--	
6	145217	GANGBAR, 60" LEFT WLDMT	1	1	1	1	1	
7	145218	GANGBAR, 67-1/2" RIGHT WLDMT	1	1	1	1	1	
8	147536	GANGBAR, 97-1/2" RIGHT WLDMT	--	--	--	1	--	
9	147537	GANGBAR, 97-1/2" LEFT WLDMT	--	--	--	1	--	
10	147538	GANGBAR, 83" RIGHT WLDMT	--	--	1	--	--	
11	147539	GANGBAR, 83" LEFT WLDMT	--	--	1	--	--	
12	147540	GANGBAR, 67-1/2" RIGHT WLDMT	--	1	--	--	--	
13	147541	GANGBAR, 67-1/2" LEFT WLDMT	--	1	--	--	--	
14	147542	GANGBAR, 52-1/2" RIGHT WLDMT	1	--	--	--	--	
15	147543	GANGBAR, 52-1/2" LEFT WLDMT	1	--	--	--	--	
16	148298	GANGBAR, 112 1/2", LEFT	--	--	--	--	1	
17	148299	GANGBAR, 112 1/2", RIGHT	--	--	--	--	1	
18	145231	SCRAPER BAR, 7-1/2 SP 6 HOLE	--	--	--	2	--	
19	145232	SCRAPER BAR, 7-1/2 SP 7 HOLE	2	--	--	2	2	
20	145233	SCRAPER BAR, 7-1/2 SP 8 HOLE	--	--	--	--	2	
21	145234	SCRAPER BAR, 7-1/2 SP 9 HOLE	2	4	2	2	2	
22	145236	SCRAPER BAR, 7-1/2 SP 11 HOLE	--	--	2	--	--	

# Lift Hydraulic Assemblies

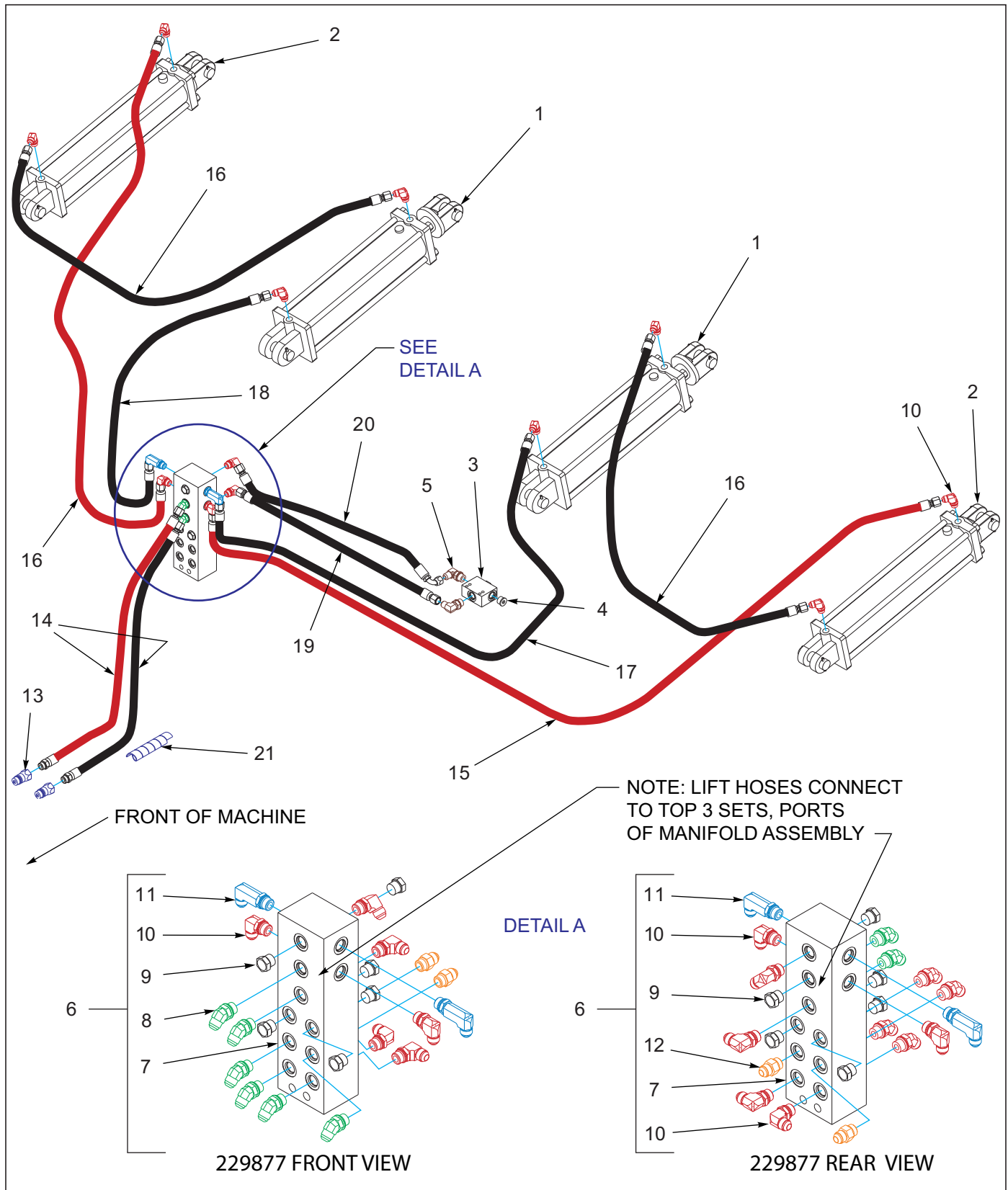


Figure 1-18: Lift Hydraulic Assembly

## Lift Hydraulic Assembly

ITEM	PART NO.	DESCRIPTION	QTY.
1	146824	CYLINDER, 4-1/2 X16, REPHASE	2
2	146825	CYLINDER, 4X16, REPHASE	2
3	203467	VALVE-LIMIT, STROKE	4
4	143853	PLUG #10 M ORB HEX SOCKET	1
5	2062-10-8S	ADAPTER,90, #10 O-RING-TUBE	2
6	229877	MANIFOLD, FRONT 2132 ASSY	1
7	229878	MANIFOLD ASSY	1
8	2061-8-8S	ADAPTER, 45, #8 O-RING-TUBE	6
9	1-007-010025	PLUG, 3/4-16 O-RING BOSS	6
10	2062-8-8S	ADAPTER, 90, #8 O-RING-TUBE	14
11	206209-8-8S	ADAPTER,90LONG,#8 O-RING-TUBE	2
12	202702-8-8S	ADAPTER #8 O-RING TO #8 TUBE	2
13	141828	COUPLER,MALE 3/4-16 O-RING	2
14	5001188	HOSE 1/2X207 37JICX3/4-16ORNG	2
15	117163	HOSE ASSY 3/8X196 #8JIC <b>(2132-17-19)</b>	1
15	160693	HOSE ASSY 3/8X222 #8 JIC SWIV <b>(2132-21-23-25)</b>	1
16	141889	HOSE ASSY 3/8X159 #8JIC SWIV <b>(2132-17-19)</b>	1
16	150273	HOSE ASSY 3/8X185 #8JIC SWIVL <b>(2132-21-23-25)</b>	3
17	211328	HOSE ASSY,3/8X108,8FJS ENDS	3
18	209436	HOSE ASSY, 3/8X76,-8FJX,-8FJX	1
19	1-397-010301030	HOSE ASSY 1/2X30 SAE37,STR	1
20	125872	HOSE ASSY 1/2X31 SAE37 STR-90	1
21	155528	HOSE WRAP, BLUE 1" ID X 8"	1

# Fold Assemblies

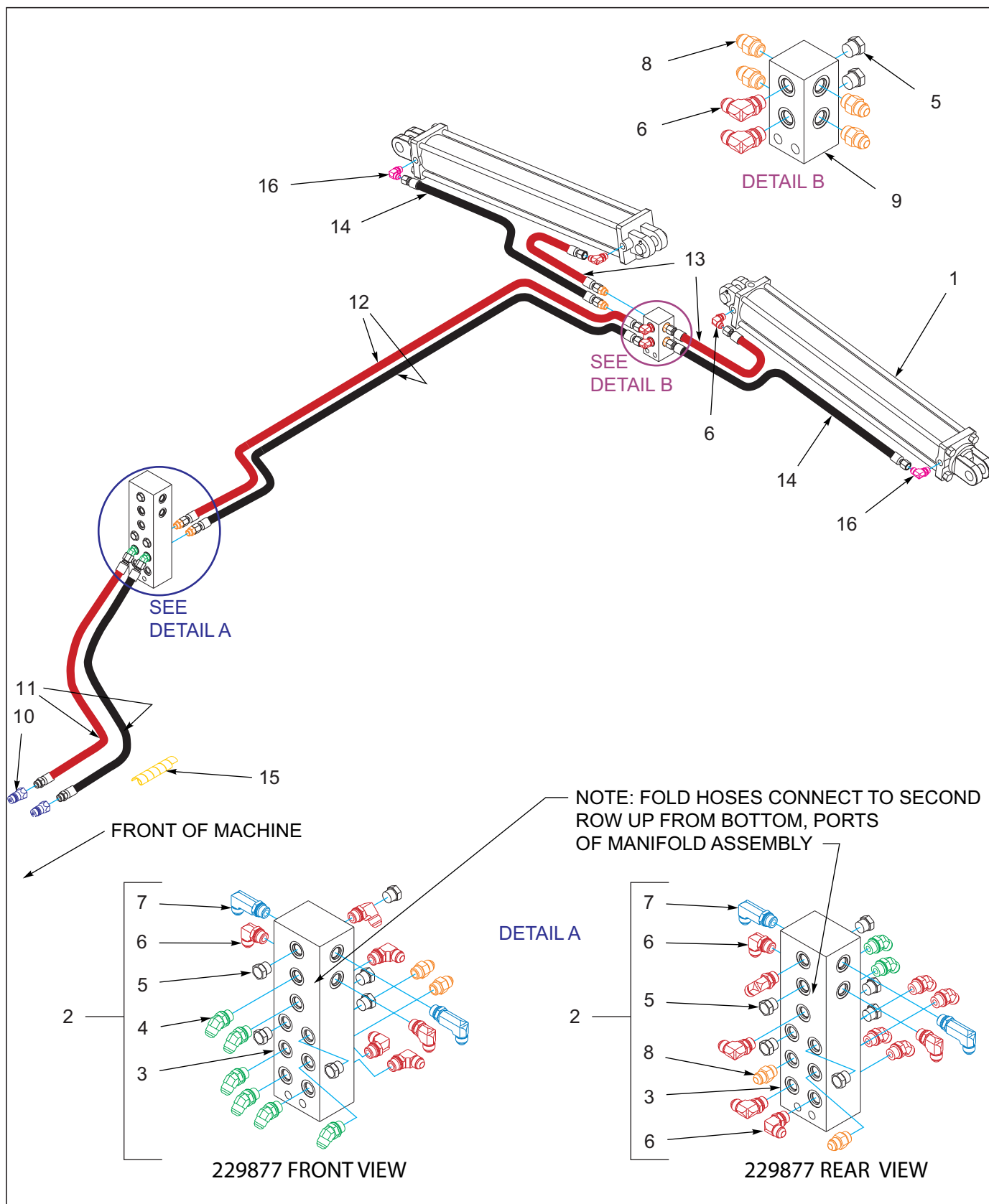


Figure 1-19: Fold Assembly 2132-17-19

## Fold Assembly 2132-17-19

ITEM	PART NO.	DESCRIPTION	QTY.
1	140472	CYLINDER, 4 X 30, 1-1/2 ROD ( <b>PRINCE CYLINDER, SEE PAGE 1-46</b> )	2
1	140472M	CYLINDER, 4 X 30, 1-1/2 ROD ( <b>MIDWAY CYLINDER, SEE PAGE 1-47</b> )	2
2	229877	MANIFOLD, FRONT 2132 ASSY	1
3	229878	MANIFOLD ASSY	1
4	2061-8-8S	ADAPTER, 45, #8 O-RING-TUBE	6
5	1-007-010025	PLUG, 3/4-16 O-RING BOSS	6
6	2062-8-8S	ADAPTER, 90, #8 O-RING-TUBE	10
7	206209-8-8S	ADAPTER,90LONG,#8 O-RING-TUBE	2
8	202702-8-8S	ADAPTER #8 O-RING TO #8 TUBE	6
9	2-474-010022	MANIFOLD HYDRAULIC, 6 HOSE	1
10	141828	COUPLER,MALE 3/4-16 O-RING	2
11	141865	HOSE ASSY 3/8X204 #8JICX#8 O/R	2
12	211327	HOSE ASSY,3/8X218,8FJS ENDS	2
13	147123	HOSE ASSY, 3/8X31 #8 JIC SWV	2
14	186903	HOSE ASM,3/8 X 44,8FJS ENDS	2
15	155529	HOSE WRAP, YELLOW 1" ID X 8"	1
16	141826	ELBOW 90 1/16 RES ( <b>ROD END ONLY</b> )	2

ILLUSTRATED PARTS LIST

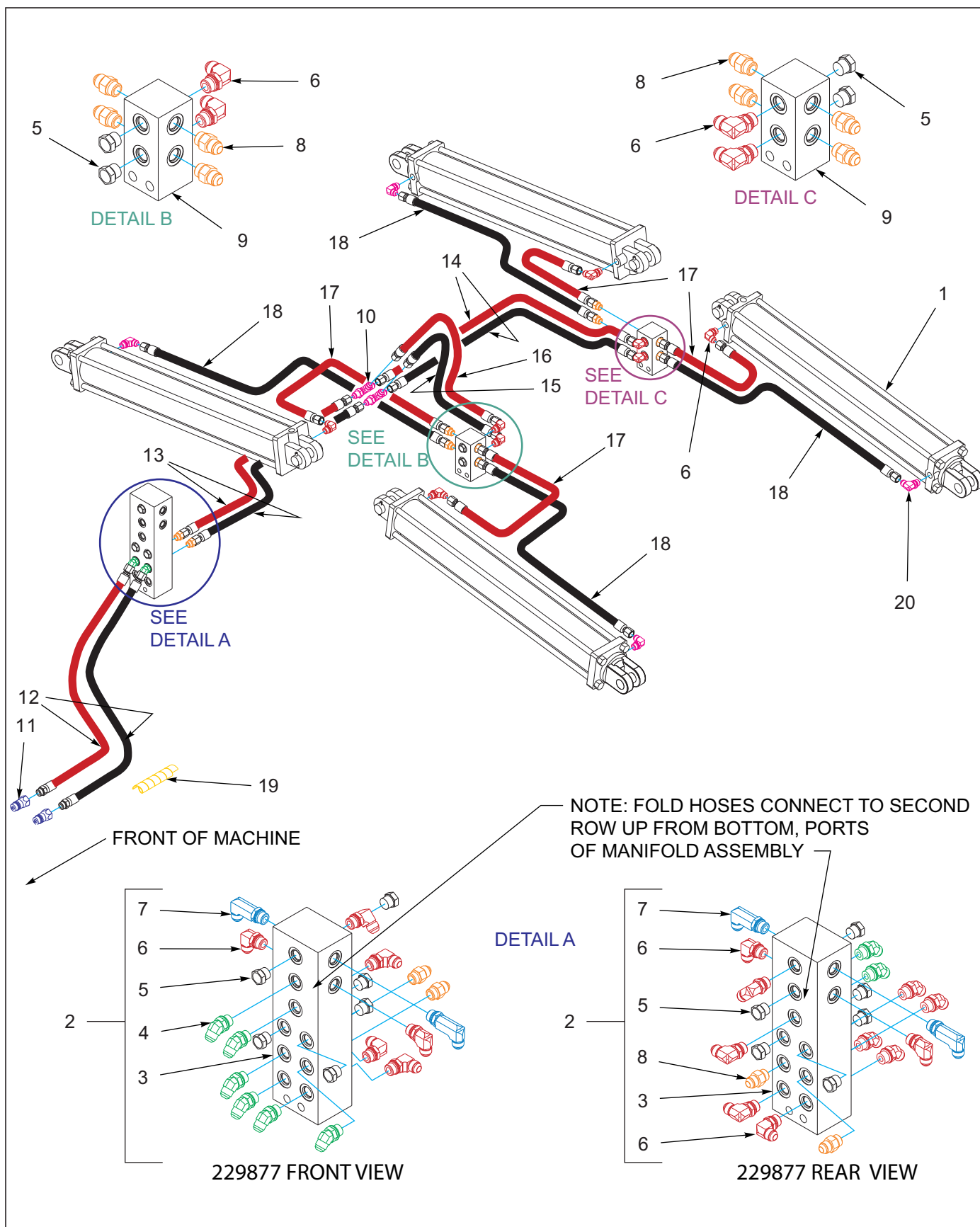


Figure 1-20: Fold Hydraulic Assembly 2132-21-23-25



## Fold Hydraulic Assembly 2132-21-23-25

ITEM	PART NO.	DESCRIPTION	QTY.
1	140472	CYLINDER, 4 X 30, 1-1/2 ROD ( <b>PRINCE CYLINDER, SEE PAGE 1-46</b> )	4
1	140472M	CYLINDER, 4 X 30, 1-1/2 ROD ( <b>MIDWAY CYLINDER, SEE PAGE 1-47</b> )	4
2	229877	MANIFOLD, FRONT 2132 ASSY	1
3	229878	MANIFOLD ASSY	1
4	2061-8-8S	ADAPTER, 45, #8 O-RING-TUBE	6
5	1-007-010025	PLUG, 3/4-16 O-RING BOSS	6
6	2062-8-8S	ADAPTER, 90, #8 O-RING-TUBE	12
7	206209-8-8S	ADAPTER,90LONG,#8 O-RING-TUBE	2
8	202702-8-8S	ADAPTER #8 O-RING TO #8 TUBE	10
9	2-474-010022	MANIFOLD HYDRAULIC, 6 HOSE	2
10	1P292	08MJ MALE BULKHEAD RUN TEE	2
11	141828	COUPLER,MALE 3/4-16 O-RING	2
12	141865	HOSE ASSY 3/8X204 #8JICX#8 O/R	2
13	1413183	HOSE ASSY #6 .38X103.25HIPRES	2
14	71509382	HOSE ASSY .38 X 112	2
15	71508954	HOSE ASSY .38X22IN	1
16	147582	HOSE ASSY 3/8X24 #8 JIC SWIV	1
17	147123	HOSE ASSY, 3/8X31 #8 JIC SWV	4
18	186903	HOSE ASM,3/8 X 44,8FJS ENDS	4
19	155529	HOSE WRAP, YELLOW 1" ID X 8"	1
20	141826	ELBOW 90 1/16 RES ( <b>ROD END ONLY</b> )	4

# Hydraulic Coultter Gang Assemblies

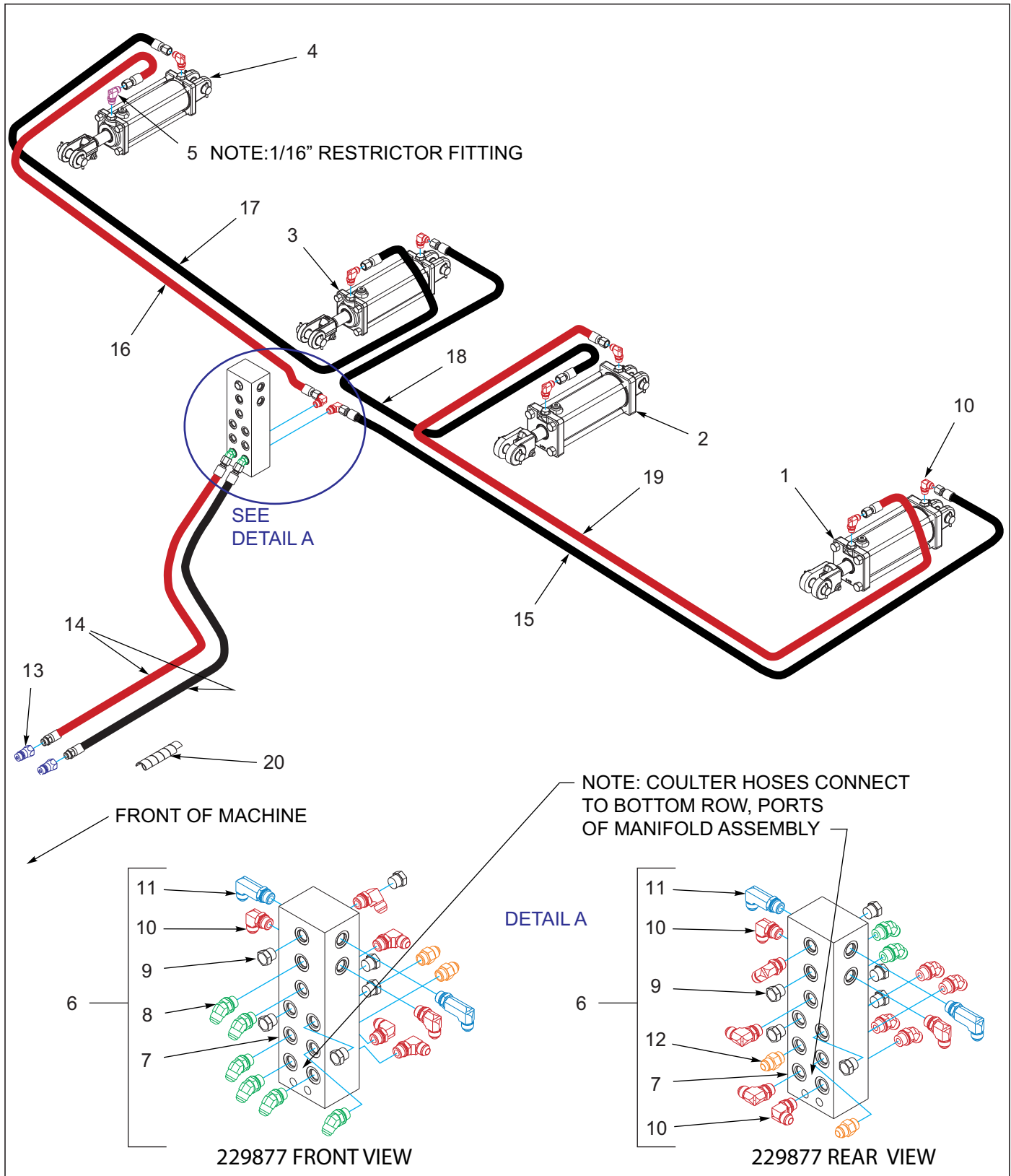


Figure 1-21: Coultter Gang Assembly

## Hydraulic Coupler Gang Assembly

ITEM	PART NO.	DESCRIPTION	QTY.
1	145201	CYLINDER 4 X 8 REPHASE (PRINCE CYLINDER, SEE PAGE 1-48)	1
1	145201M	CYLINDER, 4 X 8, REPHASE (MIDWAY CYLINDER, SEE PAGE 1-49)	1
2	145202	CYLINDER 3-3/4 X 8 REPHASE (PRINCE CYLINDER, SEE PAGE 1-50)	1
2	145202M	CYLINDER, 3-3/4 X 8, REPHASE (MIDWAY CYLINDER, SEE PAGE 1-51)	1
3	145203	CYLINDER 3-1/2 X 8 REPHASE (PRINCE CYLINDER, SEE PAGE 1-52)	1
3	145203M	CYLINDER, 3-1/2 X 8, REPHASE (MIDWAY CYLINDER, SEE PAGE 1-53)	1
4	145204	CYLINDER 3-1/4 X 8 REPHASE (PRINCE CYLINDER, SEE PAGE 1-54)	1
4	145204M	CYLINDER, 3-1/4 X 8, REPHASE (MIDWAY CYLINDER, SEE PAGE 1-55)	1
5	141826	ELBOW 90 1/16 RES	1
6	229877	MANIFOLD, FRONT 2132 ASSY	1
7	229878	MANIFOLD ASSY	1
8	2061-8-8S	ADAPTER, 45, #8 O-RING-TUBE	6
9	1-007-010025	PLUG, 3/4-16 O-RING BOSS	6
10	2062-8-8S	ADAPTER, 90, #8 O-RING-TUBE	13
11	206209-8-8S	ADAPTER,90LONG,#8 O-RING-TUBE	2
12	202702-8-8S	ADAPTER #8 O-RING TO #8 TUBE	2
13	141828	COUPLER,MALE 3/4-16 O-RING	2
14	141865	HOSE ASSY 3/8X204 #8JICX#8 O/R	2
15	159569	HOSE ASSY 3/8X161,#8JIC SWVL (2132-17/19)	2
15	141883	HOSE ASSY 3/8X190 #8 JIC SWIV (2132-21/23/25)	1
16	153620	HOSE ASSY 3/8X140 #8 JIC SWIV (2132-17/19)	1
16	122911	HOSE ASSY 3/8X168,#8JIC SWVL (2132-21/23/25)	1
17	122911	HOSE ASSY 3/8X168,#8JIC SWVL (2132-17/19)	1
17	117163	HOSE ASSY 3/8X196 #8JIC(2132-21/23/25)	1
18	137598	HOSE ASSY #6 .38X123.25HIPRES	1
19	194116	HOSE ASM,3/8 X 172,#8FJS (2132-17/19)	1
19	231295	HOSE ASSY, 3/8X200,-8FJX,-8FJX (2132-21/23/25)	1
20	155530	HOSE WRAP, BLACK 1" ID X 8"	1

# Cylinder Assemblies

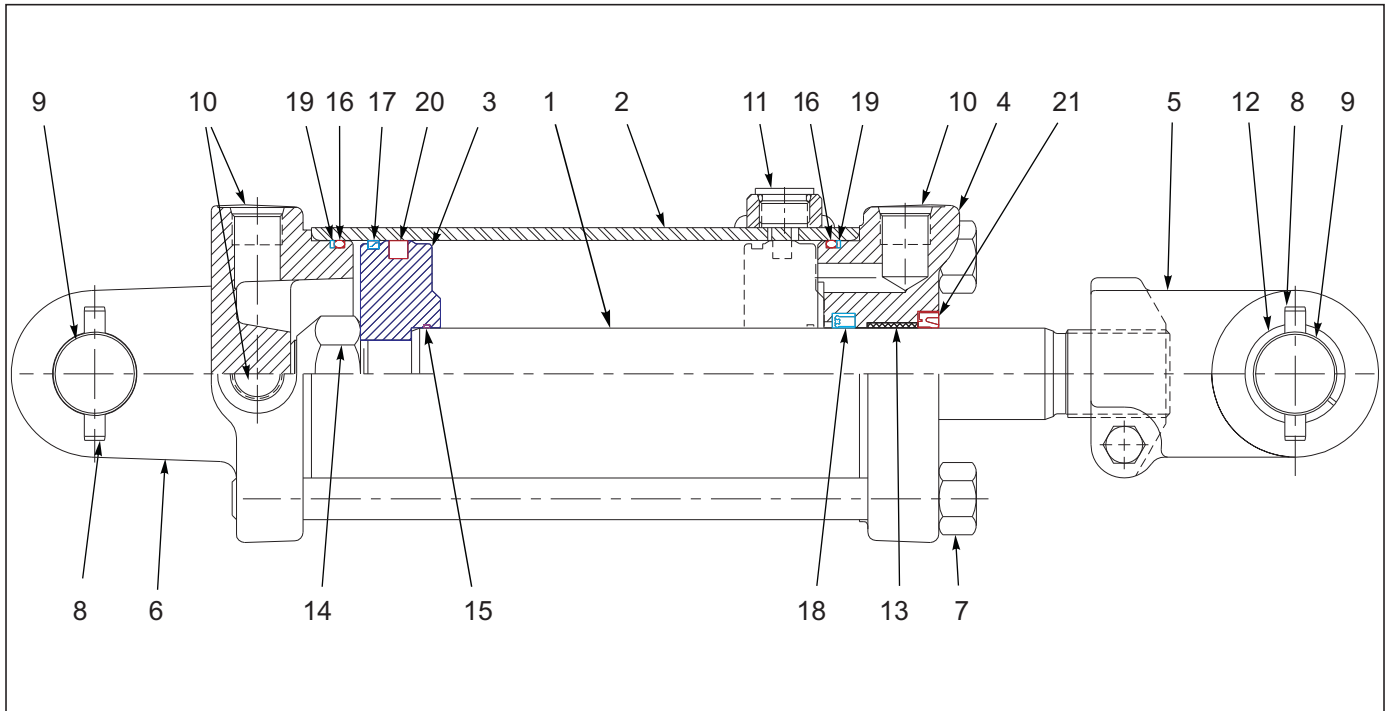


Figure 1-22: Cylinder - Rephase Assembly - 4 X 16

## Cylinder - Rephase Assembly - 4-1/2 X 16

ITEM	PART NO.	DESCRIPTION	QTY.
--	146824	CYLINDER, 4-1/2 X16, REPHASE	
1	----	PISTON ROD	1
2	----	TUBE ASSY	1
3	----	PISTON	4
4	103153	GLAND ASSY	1
5	137304	CLEVIS ASSY	1
6	148104	BUTT CLEVIS	1
7	----	TIEROD ASSY	4
8	111789	ROLL PIN	4
9	147755	CLEVIS PIN	2
10	----	PORT PLUG	3
11	----	PORT PLUG	1
12	135912	BUSHING	2
13	137702	DU BUSHING	1
14	----	LOCKNUT	1
15	----	O-RING	1
16	----	O-RING	2
17	----	BEARING RING	1
18	----	U-CUP	1
19	----	BU-WASHER	2
20	----	TEFLON SEAL	1
21	----	WIPER	1
22	148106	SEAL KIT (NOT SHOWN) (INCLUDES ITEMS 15 - 21)	

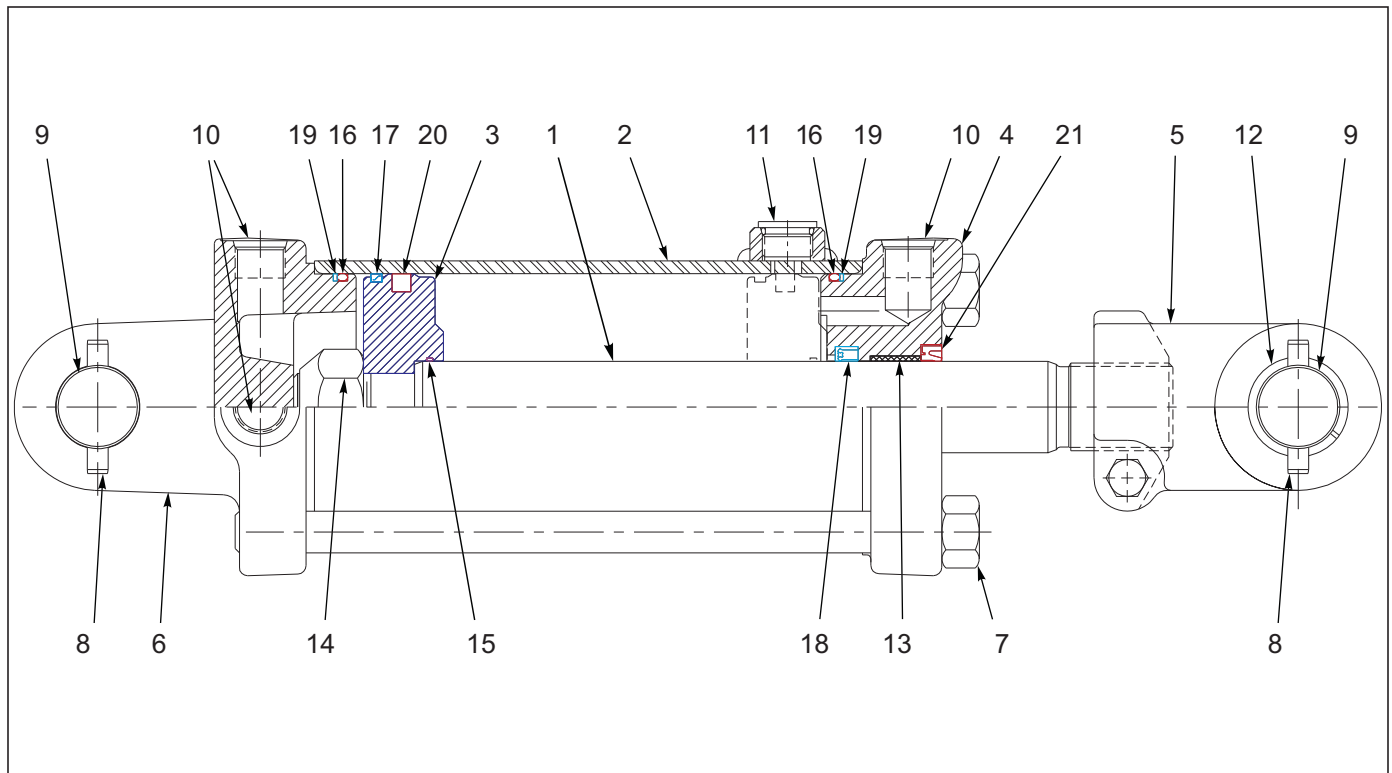


Figure 1-23: Cylinder - Rephase Assembly - 4 X 16

### Cylinder - Rephase Assembly - 4 X 16

ITEM	PART NO.	DESCRIPTION	QTY.
--	146825	CYLINDER, 4X16, REPHASE	
1	----	PISTON ROD	1
2	----	TUBE ASSY	1
3	----	PISTON	1
4	142109	GLAND ASSY	1
5	148097	CLEVIS ASSY	1
6	142119	BUTT CLEVIS	1
7	----	TIEROD ASSY	4
8	111789	ROLL PIN	4
9	147755	CLEVIS PIN	2
10	----	PORT PLUG	3
11	----	PORT PLUG	1
12	135912	BUSHING	2
13	141301	DU BUSHING	1
14	----	LOCKNUT	1
15	----	O-RING	1
16	----	O-RING	2
17	----	BEARING RING	1
18	----	U-CUP	1
19	----	BU-WASHER	2
20	----	TEFLON SEAL	1
21	----	WIPER	1
22	148100	SEAL KIT (NOT SHOWN) (INCLUDES ITEMS 15 - 21)	

ILLUSTRATED PARTS LIST

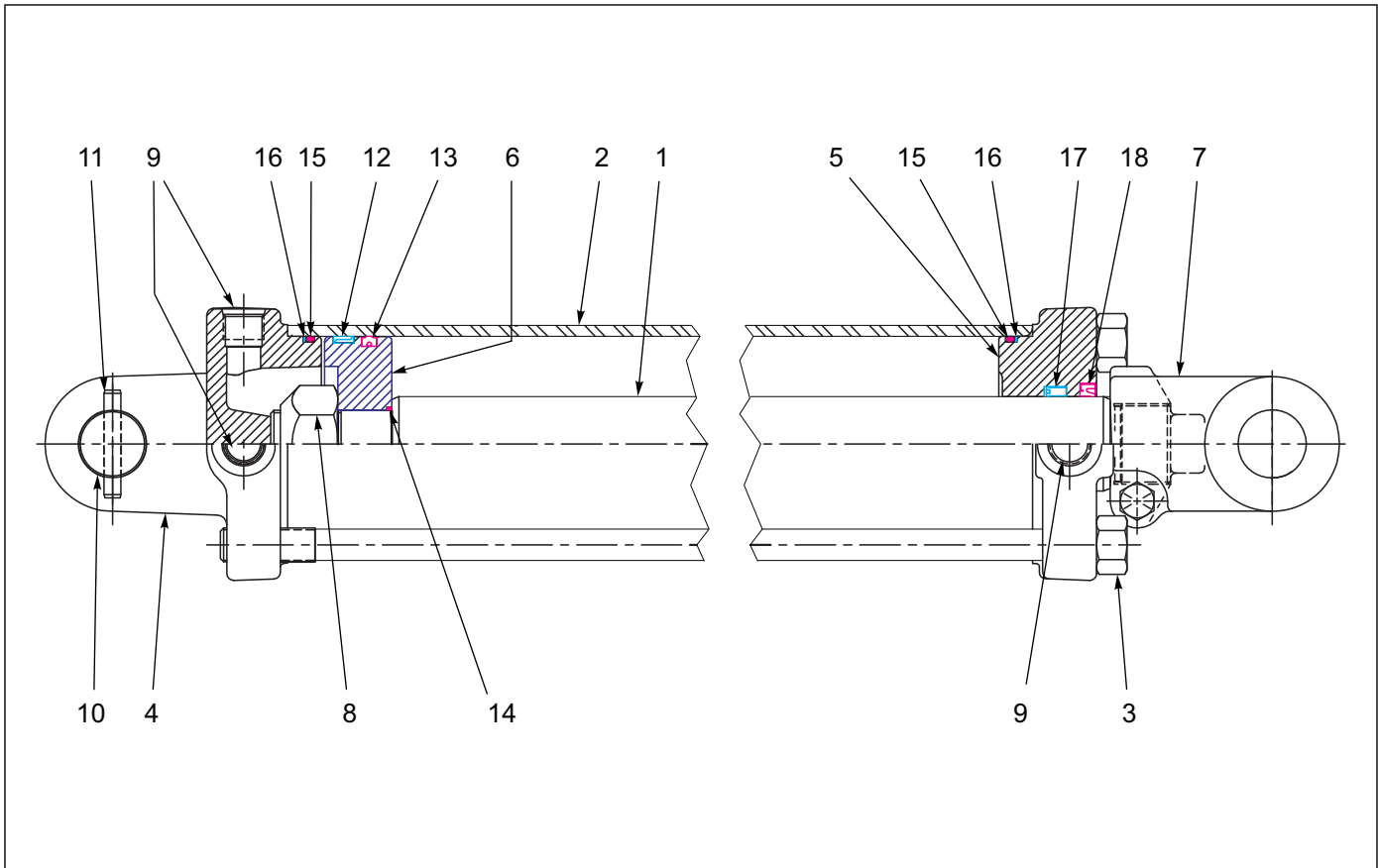


Figure 1-24: Hydraulic Cylinder 4 X 30 (Prince)

Hydraulic Cylinder 4 X 30 (Prince)

ITEM	PART NO.	DESCRIPTION	QTY.
--	140472	CYLINDER 4X30 1-1/2 ROD	
1	----	PISTON ROD	1
2	----	TUBE	1
3	----	TIEROD ASSY	4
4	142119	BUTT CLEVIS ASSY	1
5	142120	GLAND	1
6	----	PISTON	1
7	100000328	CLEVIS ASSY	1
8	----	LOCKNUT	1
9	----	SHIPPING PLUG	3
10	111880	CLEVIS PIN	1
11	111789	ROLL PIN	2
12	----	BEARING RING	1
13	----	CROWN SEAL	1
14	----	O- RING	1
15	----	O- RING	2
16	----	BU- WASHER	2
17	----	U- CUP	1
18	----	CANNED WIPER	1
19	142113	PACKING KIT (NOT SHOWN) (INCLUDES ITEMS 12-18)	

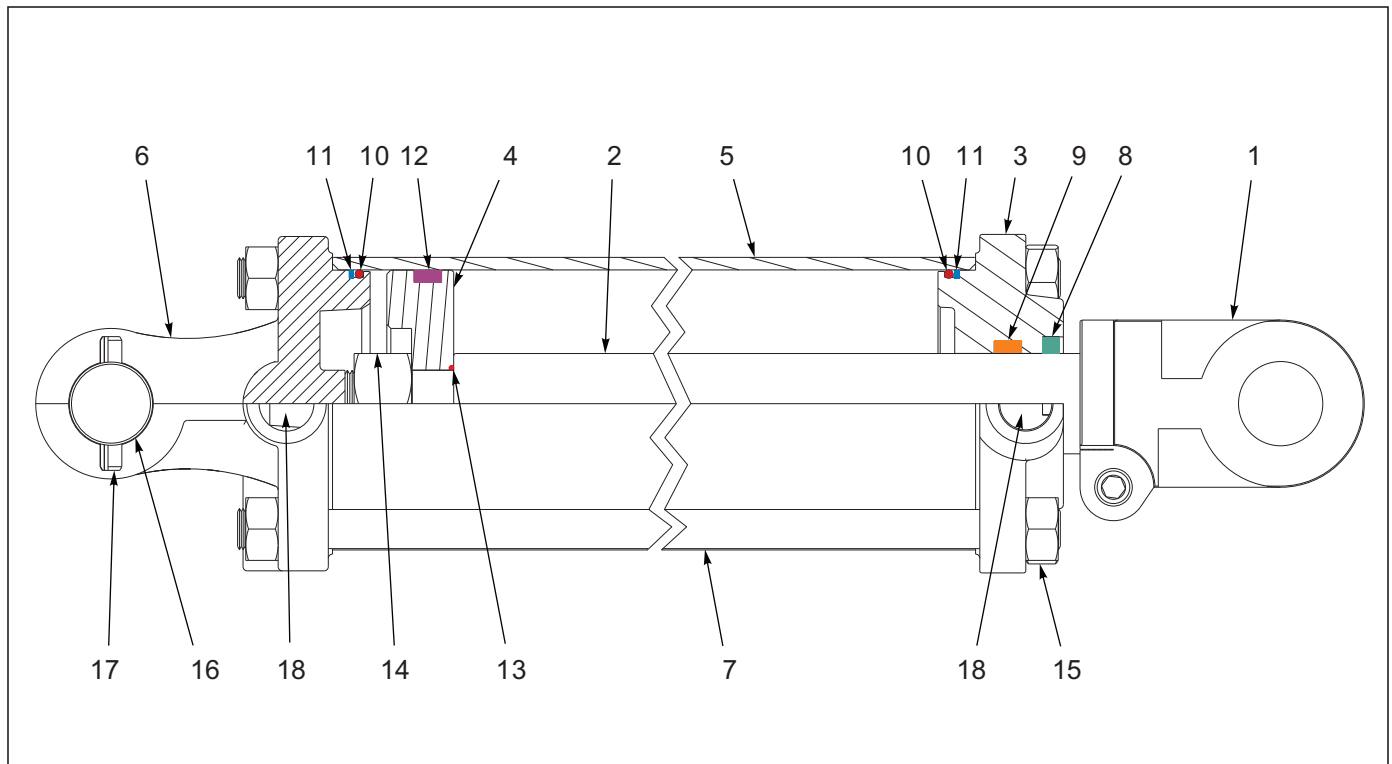


Figure 1-25: Hydraulic Cylinder 4 X 30 (Midway)

### Hydraulic Cylinder 4 X 30 (Midway)

ITEM	PART NO.	DESCRIPTION	QTY.
--	140472M	CYLINDER, 4 X 30, 1-1/2 ROD	
1	226605	ROD CLEVIS, $\phi$ 1-1/4 PIN, MIDWAY	1
2	----	ROD	1
3	234423	GLAND, 4" BORE, MIDWAY	1
4	----	PISTON	1
5	----	TUBE	1
6	234422	BUTT CLEVIS, 4" BORE, MIDWAY	1
7	----	TIEROD	4
8	----	WIPER	1
9	----	U- CUP	1
10	----	OD O- RING	2
11	----	OD BACKUP	2
12	----	CROWN SEAL	1
13	----	O- RING	1
14	----	PISTON NUT	1
15	----	TIEROD NUT	8
16	226589	CLEVIS PIN, 1-1/4 HARDEN, MIDWAY	1
17	147072	PIN, SPRING SLOTTED 5/16 X 2	1
18	----	HEX PLUG	2
19	234424	PACKING KIT, 4" BORE, MIDWAY (NOT SHOWN) (INCLUDES ITEMS 8-13)	

ILLUSTRATED PARTS LIST

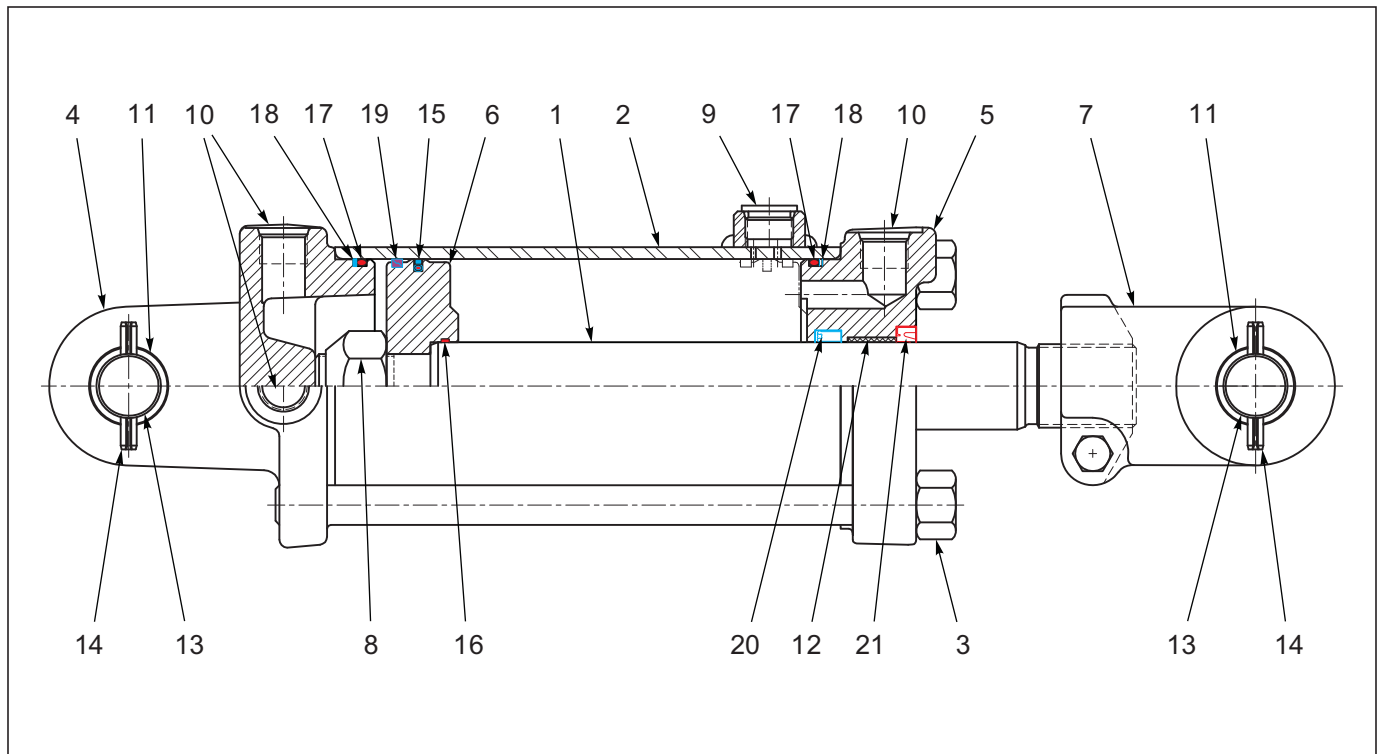


Figure 1-26: Cylinder - Rephase Assembly 4 X 8

Cylinder - Rephase Assembly 4 X 8 (Prince)

ITEM	PART NO.	DESCRIPTION	QTY.
--	145201	CYLINDER 4 X 8 REPHASE	
1	----	ROD, PISTON	1
2	----	TUBE ASSY	1
3	----	TIEROD ASSY	4
4	142114	BUTT CLEVIS ASSY	1
5	142109	GLAND ASSEMBLY	1
6	----	PISTON	1
7	142110	CLEVIS ASSY	1
8	----	LOCKNUT	1
9	----	SHIPPING PLUG	1
10	----	SHIPPING PLUG	3
11	142112	BUSHING	4
12	141301	BUSHING	1
13	143994	CLEVIS PIN	2
14	111789	ROLL PIN	4
15	----	TEFLON SEAL	1
16	----	O- RING	1
17	----	O- RING	2
18	----	BU- WASHER	2
19	----	BEARING RING	1
20	----	U- CUP	1
21	----	CANNED WIPER	1
22	147745	PACKING KIT (NOT SHOWN) (INCLUDES ITEMS 15-21)	



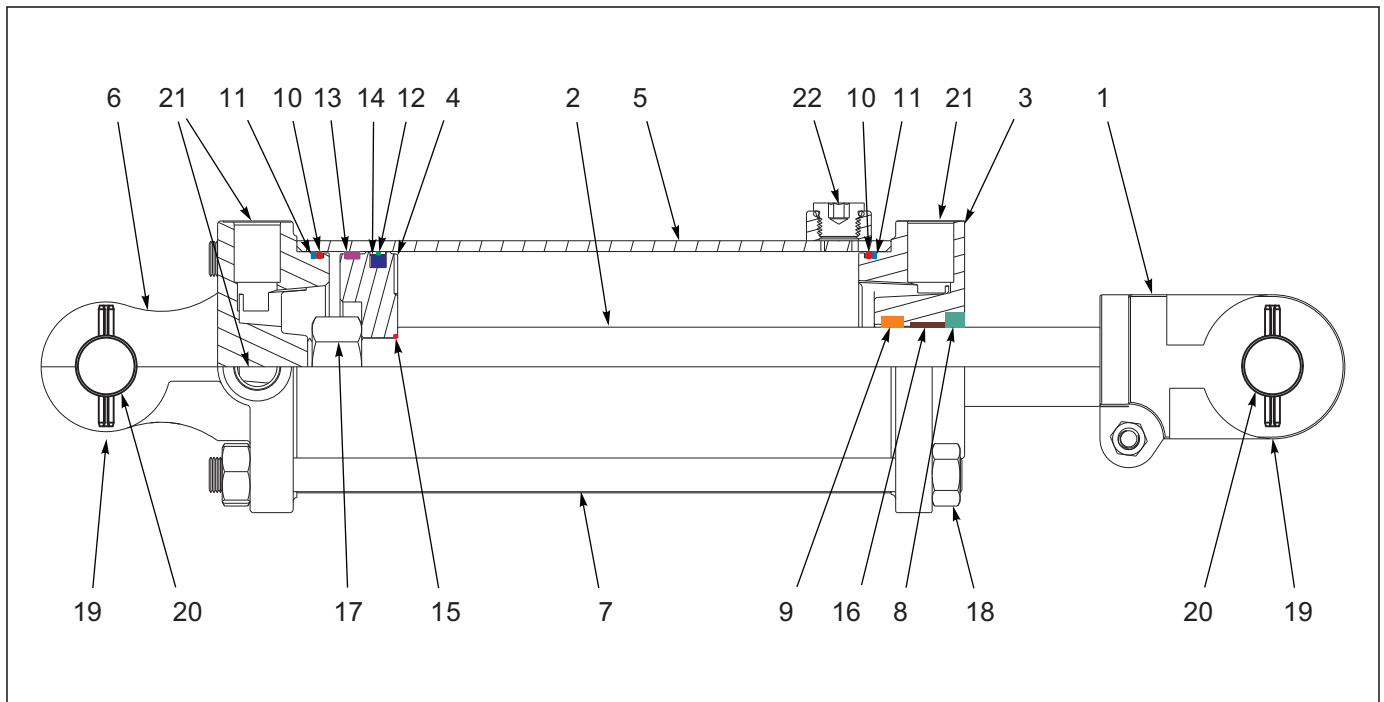


Figure 1-27: Cylinder - Rephase Assembly 4 X 8

### Cylinder - Rephase Assembly 4 X 8 (Midway)

ITEM	PART NO.	DESCRIPTION	QTY.
--	145201M	CYLINDER, 4 X 8, REPHASE	
1	231792	ROD CLEVIS-ADI, 1" PIN, MIDWAY	1
2	----	ROD	1
3	229560	GLAND, 4" BORE, MIDWAY	1
4	----	PISTON	1
5	----	TUBE	1
6	231804	BUTT CLEVIS-ADI,4" BORE,MIDWAY	1
7	----	TIEROD	4
8	----	WIPER	1
9	----	U- CUP	1
10	----	OD O- RING	2
11	----	OD BACKUP	2
12	----	GREEN	1
13	----	WEAR RING	1
14	----	LOADER	1
15	----	O- RING	1
16	----	BUSHING	1
17	----	PISTON NUT	1
18	----	TIEROD NUT	8
19	1-647-010004221	PIN,SPRING 1/4X2 SLOTTED	2
20	229565	CLEVIS PIN, Ø1" HARDEN, MIDWAY	2
21	----	HEX PLUG	3
22	----	REPHASING PORT PLUG	1
23	229561	PACKING KIT, 4" BORE, MIDWAY (NOT SHOWN) (INCLUDES ITEMS 8-15)	

ILLUSTRATED PARTS LIST

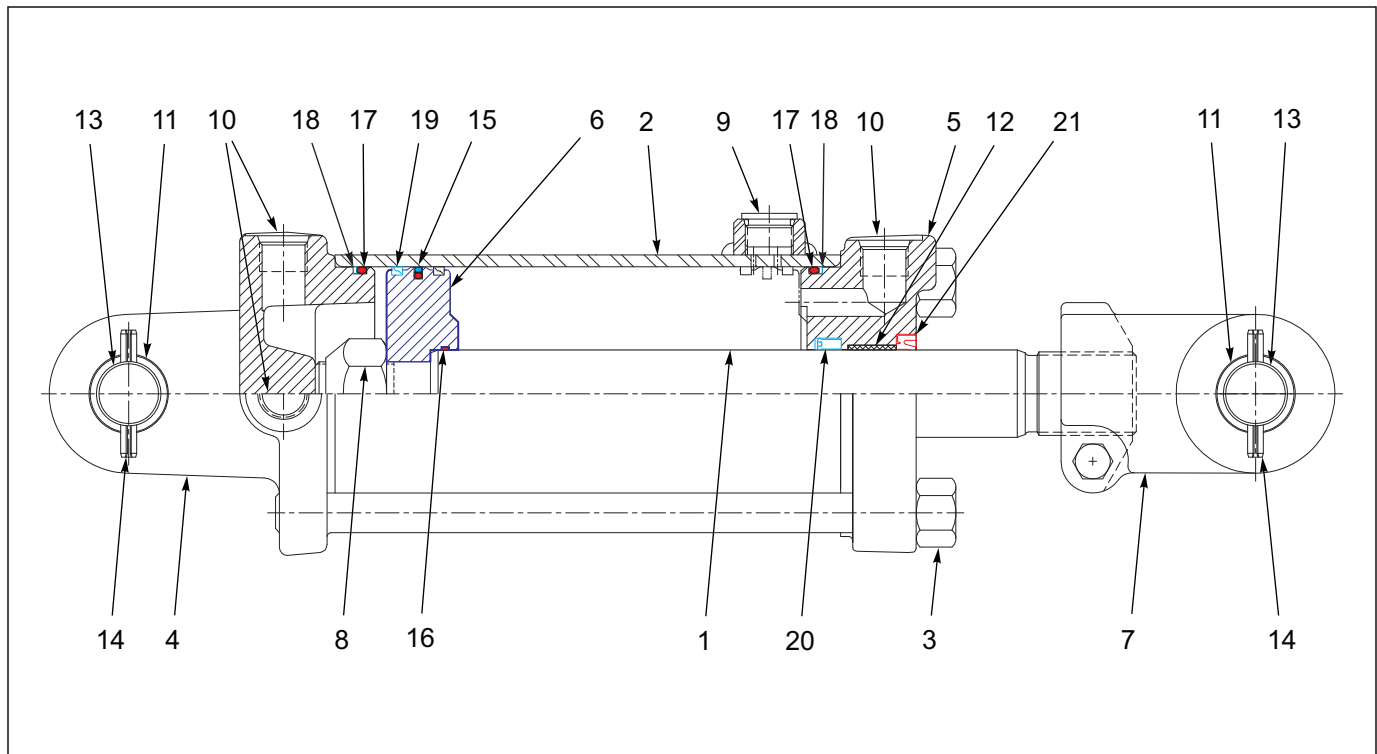


Figure 1-28: Cylinder - Rephase Assembly 3-3/4 X 8

Cylinder - Rephase Assembly 3-3/4 X 8 (Prince)

ITEM	PART NO.	DESCRIPTION	QTY.
--	145202	CYLINDER 3-1/2 X 8 REPHASE	
1	----	ROD, PISTON	1
2	----	TUBE ASSY	1
3	----	TIEROD ASSY	4
4	142116	BUTT CLEVIS ASSY	1
5	111871	GLAND ASSEMBLY	1
6	----	PISTON	1
7	142110	CLEVIS ASSY	1
8	----	LOCKNUT	1
9	----	SHIPPING PLUG	1
10	----	SHIPPING PLUG	3
11	142112	BUSHING	4
12	141301	BUSHING	1
13	143994	CLEVIS PIN	2
14	111789	ROLL PIN	4
15	----	TEFLON SEAL	1
16	----	O- RING	1
17	----	O- RING	2
18	----	BU- WASHER	2
19	----	BEARING RING	1
20	----	U- CUP	1
21	----	CANNED WIPER	1
22	147748	PACKING KIT (NOT SHOWN) (INCLUDES ITEMS 15-21)	

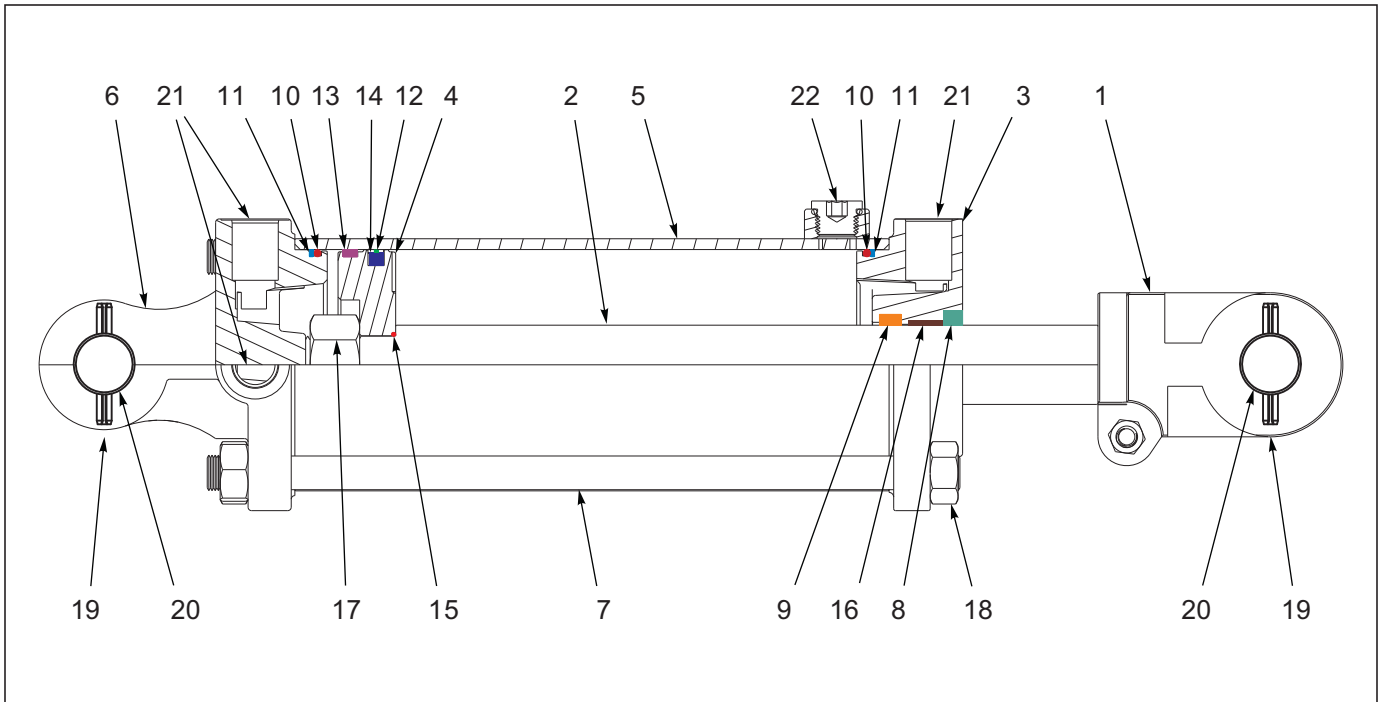


Figure 1-29: Cylinder - Rephase Assembly 3-3/4 X 8

### Cylinder - Rephase Assembly 3-3/4 X 8 (Midway)

ITEM	PART NO.	DESCRIPTION	QTY.
--	145202M	CYLINDER, 3-3/4 X 8, REPHASE	
1	231792	ROD CLEVIS-ADI, 1" PIN, MIDWAY	1
2	----	ROD	1
3	231802	GLAND, 3-3/4" BORE, MIDWAY	1
4	----	PISTON	1
5	----	TUBE	1
6	234415	BUTT CLEVIS-ADI,4" BORE,MIDWAY	1
7	----	TIEROD	4
8	----	WIPER	1
9	----	U- CUP	1
10	----	OD O- RING	2
11	----	OD BACKUP	2
12	----	GREEN	1
13	----	WEAR RING	1
14	----	LOADER	1
15	----	O- RING	1
16	----	BUSHING	1
17	----	PISTON NUT	1
18	----	TIEROD NUT	8
19	1-647-010004221	PIN,SPRING 1/4X2 SLOTTED	2
20	229565	CLEVIS PIN, Ø1" HARDEN, MIDWAY	2
21	----	HEX PLUG	3
22	----	REPHASING PORT PLUG	1
23	231803	PACKING KIT,3-3/4" BORE,MIDWAY (NOT SHOWN) (INCLUDES ITEMS 8-14)	

ILLUSTRATED PARTS LIST

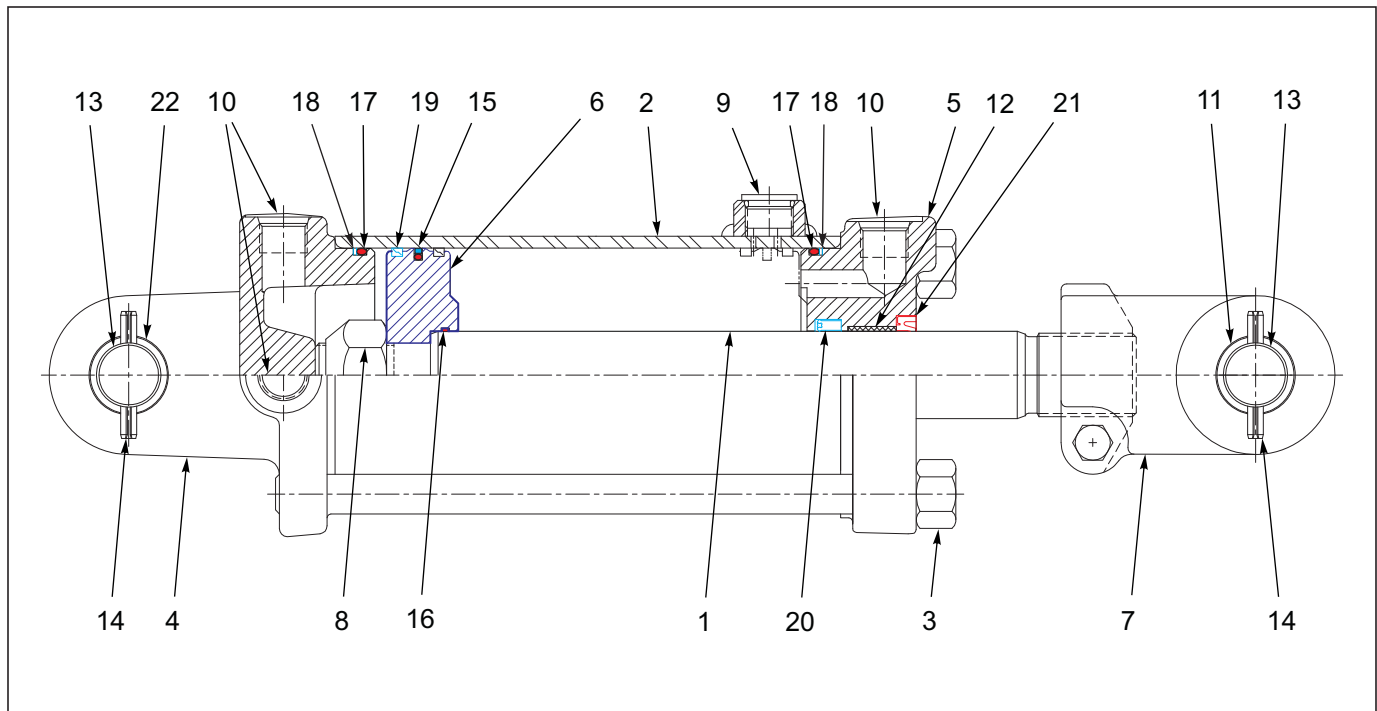


Figure 1-30: Cylinder - Rephase Assembly - 3-1/2 X 8

Cylinder - Rephase Assembly 3-1/2 X 8 (Prince)

ITEM	PART NO.	DESCRIPTION	QTY.
--	145203	CYLINDER 3-1/2 X 8 REPHASE	
1	----	ROD, PISTON	1
2	----	TUBE ASSEMBLY	1
3	----	TIEROD ASSEMBLY	4
4	218643	BUTT CLEVIS ASSEMBLY	1
5	148085	GLAND ASSEMBLY	1
6	----	PISTON	1
7	148087	CLEVIS ASSEMBLY	1
8	----	LOCKNUT	1
9	----	SHIPPING PLUG	1
10	----	SHIPPING PLUG	3
11	148088	BUSHING	2
12	125566	BUSHING	1
13	143994	CLEVIS PIN	2
14	111789	ROLL PIN	4
15	----	TEFLON SEAL	1
16	----	O- RING	1
17	----	O- RING	2
18	----	BU- WASHER	2
19	----	BEARING RING	1
20	----	U- CUP	1
21	----	CANNED WIPER	1
22	148089	PACKING KIT (NOT SHOWN) (INCLUDES ITEMS 15-21)	

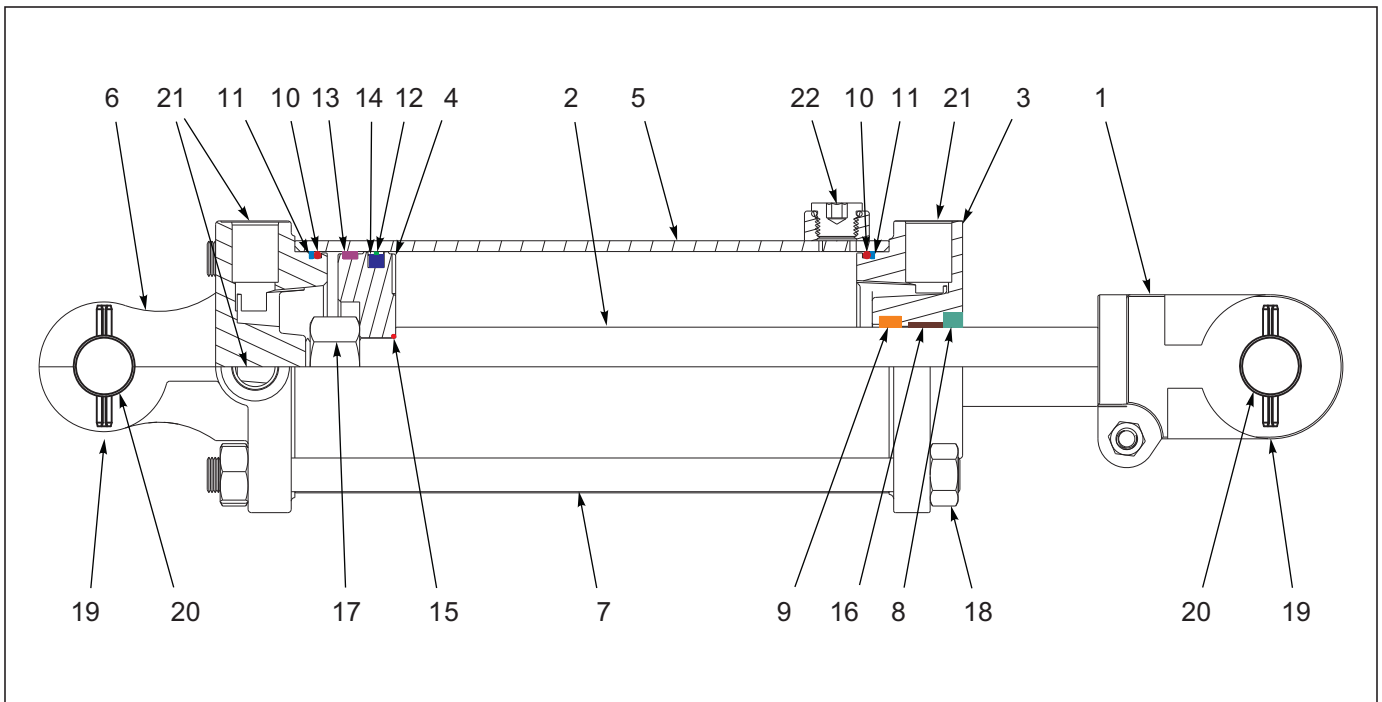


Figure 1-31: Cylinder - Rephase Assembly 3-1/2 X 8

### Cylinder - Rephase Assembly 3-1/2 X 8 (Midway)

ITEM	PART NO.	DESCRIPTION	QTY.
--	145203M	CYLINDER, 3-1/2 X 8, REPHASE	
1	231792	ROD CLEVIS-ADI, 1" PIN, MIDWAY	1
2	----	ROD	1
3	234417	GLAND, 3-1/2" BORE, MIDWAY	1
4	----	PISTON	1
5	----	TUBE	1
6	234416	BUTT CLEVIS-ADI, 3-1/2" BORE	1
7	----	TIEROD	4
8	----	WIPER	1
9	----	U- CUP	1
10	----	OD O- RING	2
11	----	OD BACKUP	2
12	----	GREEN	1
13	----	WEAR RING	1
14	----	LOADER	1
15	----	O- RING	1
16	----	BUSHING	1
17	----	PISTON NUT	1
18	----	TIEROD NUT	8
19	1-647-010004221	PIN,SPRING 1/4X2 SLOTTED	2
20	229565	CLEVIS PIN, Ø1" HARDEN, MIDWAY	2
21	----	HEX PLUG	3
22	----	REPHASING PORT PLUG	1
23	234418	PACKING KIT,3-1/2" BORE,MIDWAY (NOT SHOWN) (INCLUDES ITEMS 8-14)	

ILLUSTRATED PARTS LIST

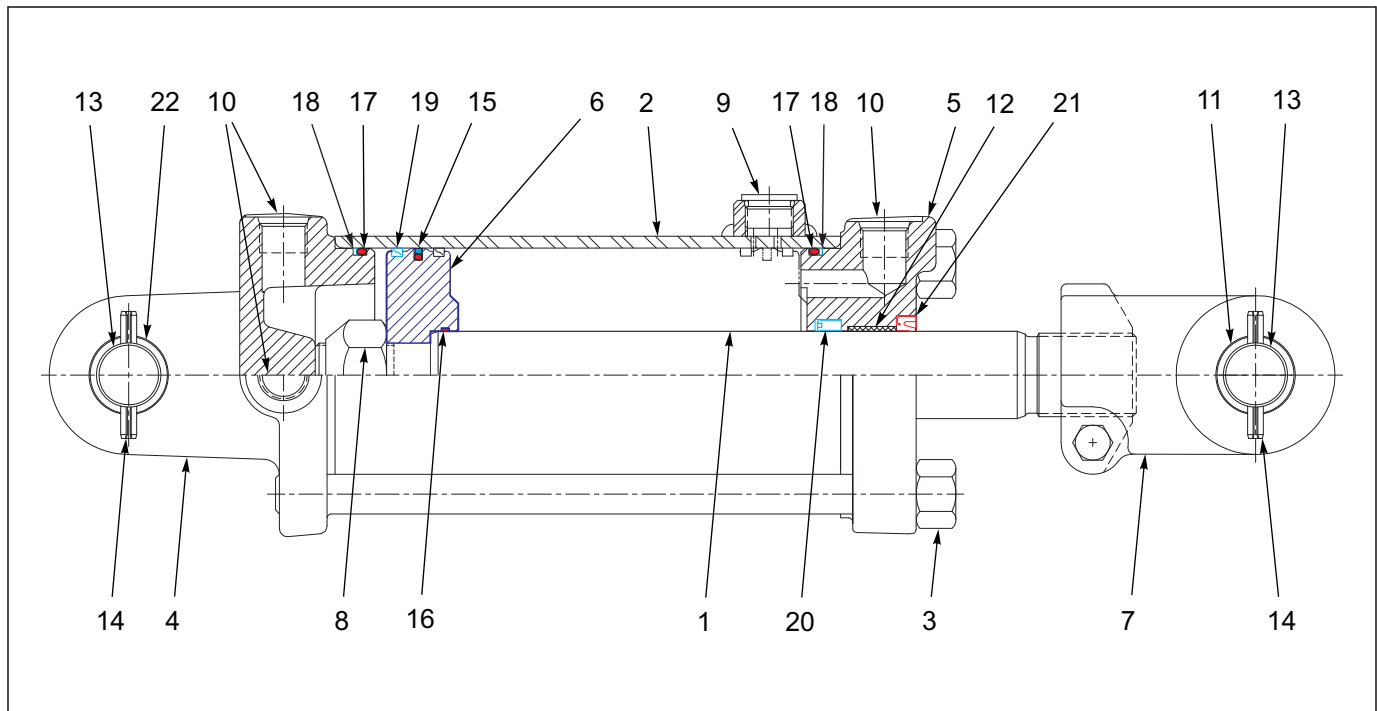


Figure 1-32: Cylinder - Rephase Assembly - 3-1/4 X 8

Cylinder - Rephase Assembly 3-1/4 X 8 (Prince)

ITEM	PART NO.	DESCRIPTION	QTY.
--	145204	CYLINDER 3-1/4 X 8 REPHASE	
1	----	ROD, PISTON	1
2	----	TUBE ASSEMBLY	1
3	----	TIEROD ASSEMBLY	4
4	218642	BUTT CLEVIS ASSEMBLY	1
5	148092	GLAND ASSEMBLY	1
6	----	PISTON	1
7	148087	CLEVIS ASSEMBLY	1
8	----	LOCKNUT	1
9	----	SHIPPING PLUG	1
10	----	SHIPPING PLUG	3
11	148088	BUSHING	2
12	125566	BUSHING	1
13	143994	CLEVIS PIN	2
14	111789	ROLL PIN	4
15	----	TEFLON SEAL	1
16	----	O- RING	1
17	----	O- RING	2
18	----	BU- WASHER	2
19	----	BEARING RING	1
20	----	U- CUP	1
21	----	CANNED WIPER	1
22	148094	PACKING KIT (NOT SHOWN) (INCLUDES ITEMS 15-21)	

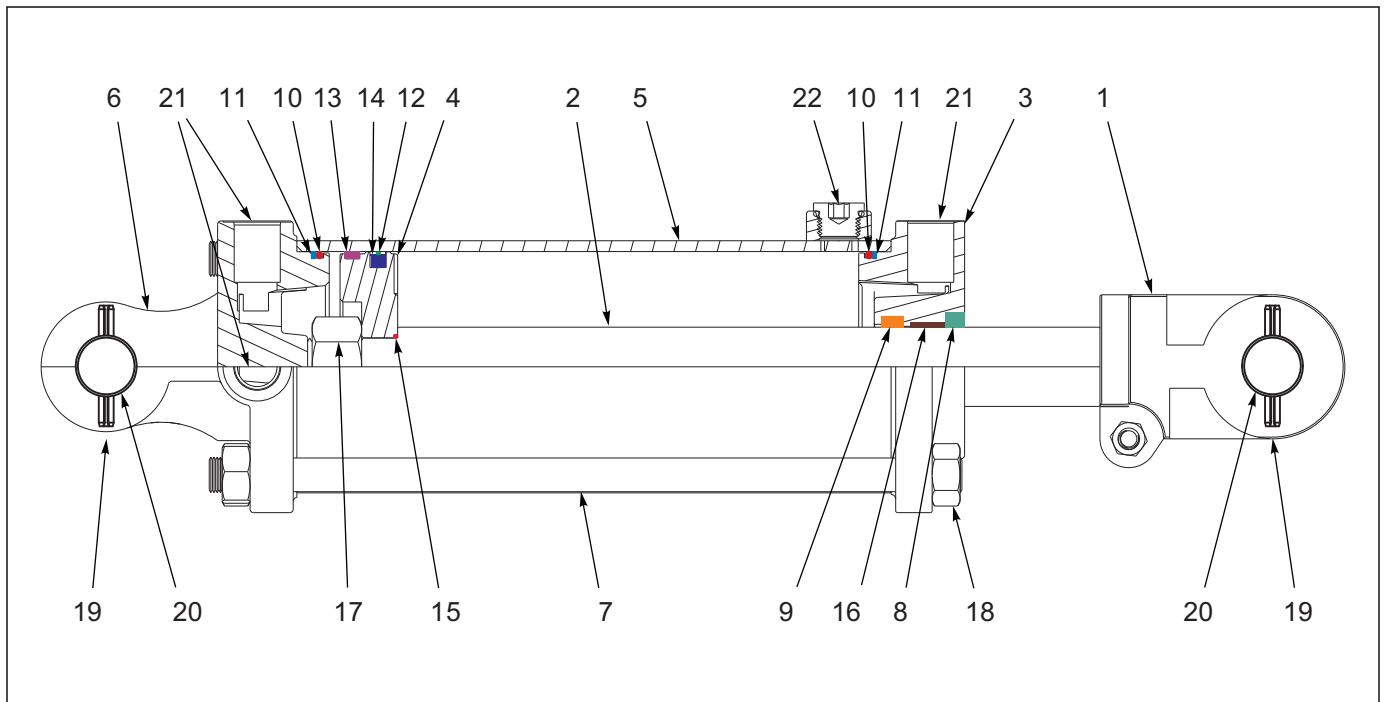


Figure 1-33: Cylinder - Rephase Assembly 3-1/4 X 8

### Cylinder - Rephase Assembly 3-1/4 X 8 (Midway)

ITEM	PART NO.	DESCRIPTION	QTY.
--	145204M	CYLINDER, 3-1/4 X 8, REPHASE	
1	231792	ROD CLEVIS-ADI, 1" PIN, MIDWAY	1
2	----	ROD	1
3	234420	GLAND, 3-1/4" BORE, MIDWAY	1
4	----	PISTON	1
5	----	TUBE	1
6	234419	BUTT CLEVIS-ADI, 3-1/4" BORE	1
7	----	TIEROD	4
8	----	WIPER	1
9	----	U- CUP	1
10	----	OD O- RING	2
11	----	OD BACKUP	2
12	----	GREEN	1
13	----	WEAR RING	1
14	----	LOADER	1
15	----	O- RING	1
16	----	BUSHING	1
17	----	PISTON NUT	1
18	----	TIEROD NUT	8
19	1-647-010004221	PIN,SPRING 1/4X2 SLOTTED	2
20	229565	CLEVIS PIN, Ø1" HARDEN, MIDWAY	2
21	----	HEX PLUG	3
22	----	REPHASING PORT PLUG	1
23	234421	PACKING KIT,3-1/4" BORE,MIDWAY (NOT SHOWN) (INCLUDES ITEMS 8-14)	

ILLUSTRATED PARTS LIST

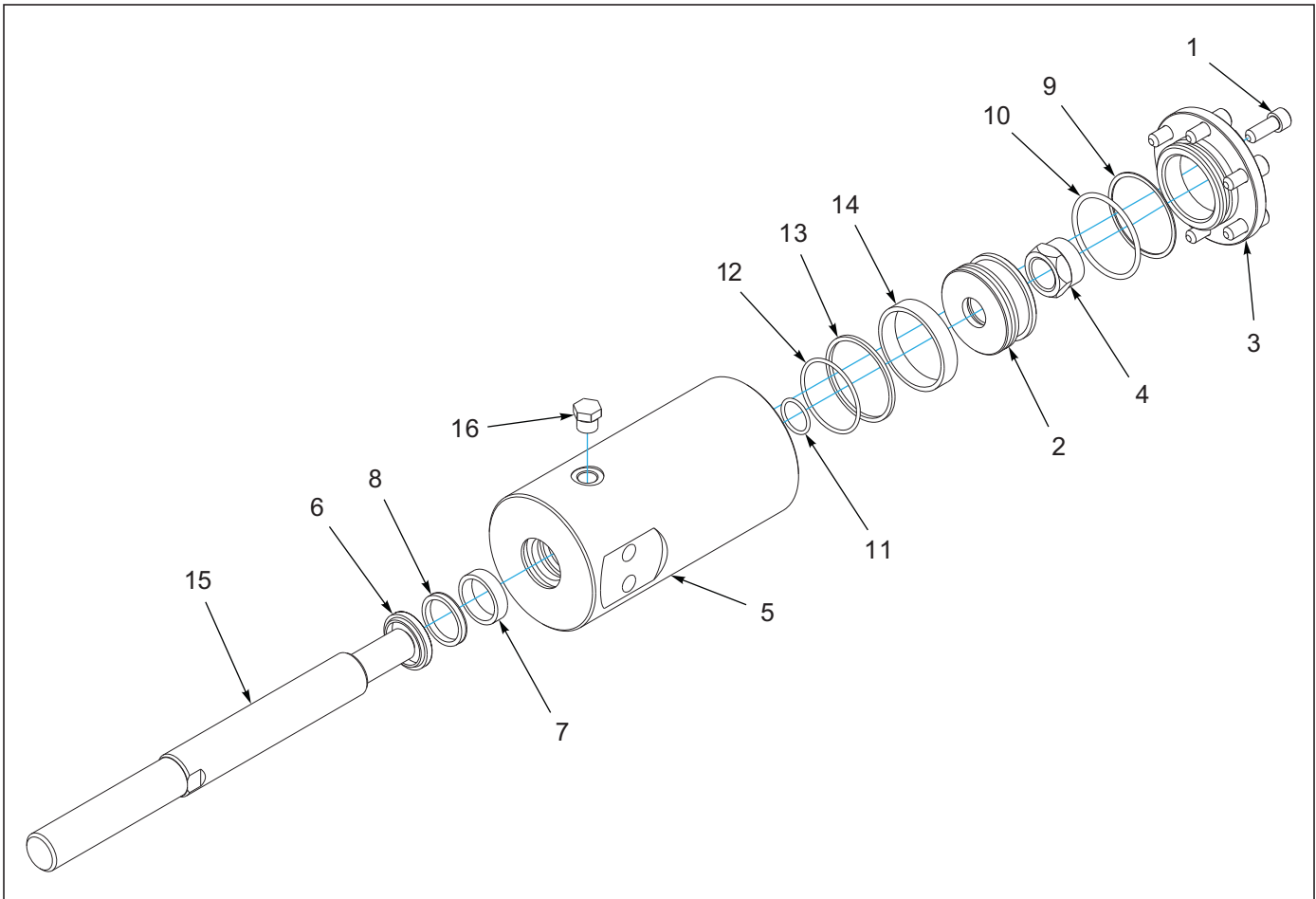


Figure 1-34: Cylinder - 2-1/2" X 3-1/2"

**Cylinder - 2-1/2" X 3-1/2"**

ITEM	PART NO.	DESCRIPTION	QTY.
--	206672	CYL ASM 2-1/2X3-1/2ST1-1/8THDS	
1	----	SCREW, HEX SOCKET 3/8-16 X 1	6
2	171079	PISTON, 2-1/2 BORE	1
3	171080	2-1/2" BASE CAP	1
4	----	NUT, HEX SLFLKG 7/8-14 GRC	1
5	185767	CYLINDER, BARREL 3-1/2" STROKE	1
6	----	WIPER, 1-1/4 ROD	1
7	----	WEAR RING, 1-1/4 ROD	1
8	----	U-CUP, 1-1/4 ROD	1
9	----	BACK-UP RING, CAP	1
10	----	O-RING, CAP	1
11	----	O-RING, PISTON	1
12	----	O-RING, PISTON	1
13	----	SEAL, 2-1/2 PISTON	1
14	----	WEAR RING, 2-1/2 PISTON	1
15	206674	ROD 1-1/4 DIA 3-1/2 STROKE	1
16	----	PLUG, O-RING 9/16-18	2
17	171081	SEAL KIT, 2-1/2" BORE CYL (NOT SHOWN) (INCL. ITEMS 7 - 14)	



# Electrical

7-PIN CONN.	4-PIN TOWER	CIRCUIT	WIRE COLOR
1	D	GROUND	WHITE ●
2	-	WORK LAMPS	BLACK ●
3	B	LEFT FLASHING & TURN	YELLOW ●
4	-	STOP LAMPS	RED ●
5	A	RIGHT FLASHING & TURN	GREEN ●
6	C	TAIL LAMPS	BROWN ●
7	-	SWITCHED POWER (12 V)	BLUE ●

MAIN WARNING LIGHT HARNESS - WIRING CHART

	1	2	3	4	5
	2-PIN TOWER	3-PIN TOWER	6-PIN SHROUD	3-PIN TOWER	2-PIN TOWER
● BLACK LEFT TURN			A	C	
● WHITE GROUND	A	A	B	A	A
● BROWN TAIL LIGHT		B	C	B	
● YELLOW LEFT TURN			D		B
● GREEN RIGHT TURN	B		E		
● RED RIGHT TURN		C	F		

REAR WARNING LIGHT HARNESS - WIRING CHART

Figure 1-35: Electrical Assembly W/ LED Lights (1 of 2)



## Electrical Assembly W/ LED Lights

ITEM	PART NO.	DESCRIPTION	QTY.
1	9K078	U-BOLT 5/8-11 X 13 X 3.688	4
2	229976	PLATE, FORMED LIGHT MOUNT	2
3	229978	MOUNT, RT LIGHT BKT ASSY <b>(INCLUDES ITEMS 15, 18, 18, 29-35)</b>	1
4	229979	MOUNT, LT LIGHT BKT ASSY <b>(INCLUDES ITEMS 15, 18, 18, 29-35)</b>	1
5	229932	PLATE, LIGHT MOUNT	2
6	1-512-010005-13	NUT,HEX SLFLKG GRB 5/8-11	8
7	174436	LAMP, AG AMBER SINGLE LED	2
8	1-654-010047-08	SCREW HX CP,1/4-20UNCX1-1/2G5	18
9	1-512-010005-01	NUT,HEX,SLFLKG GRB 1/4-20	20
10	172900	SCREW HX CP 1/2-13X10 GR5	4
11	1-861-010032-14	WASHER, FLAT 1/2" N ZP/CD	4
12	164138	MOUNT, LIGHT TAIL	2
13	174437	MODULE, AG FLASHER CONTROL	1
14	222674	BRACKET, LIGHT MOUNT	2
15	1-512-010005-09	NUT,HEX,SLFLKG, 1/2-13 GRB	12
16	164140	REFLECTOR ASSY <b>(INCLUDES ITEMS 17-19)</b>	2
17	164139	MOUNT, REFLECTOR	2
18	528933	REFLECTOR - RED	4
19	528938	STRIPE, ORANGE	4
20	174435	LAMP, AG RED SINGLE LED	2
21	2-368-010287	HARNESS, STOR-A-WAY <b>(SEE PAGE 1-9 FOR LOCATION ON FRONT OF HITCH)</b>	1
22	1-654-010047-06	SCREW,HX CP 1/4-20UNCX1 GR5	1
23	174438	HARNESS, MAIN WARNING LIGHTS	1
24	2-368-010273	HARNESS, 34 INCH EXT	2
25	174439	HARNESS, REAR WARNING LIGHTS	1
26	231333	HARNESS, WARN LIGHT EXT 204" <b>(LEFT SIDE)</b>	1
27	208765	HARNESS,WARN LIGHT EXT132" ASM <b>(RIGHT SIDE)</b>	2
28	105874	TIE,STRAP PLSTC 21.5-24X.301	25
29	1-654-010055-09	SCREW,HX CP,1/2-13UNCX3 GR5	4
30	1-654-010055-20	SCREW,HXCP,1/2-13UNCX7-1/2GR5	4
31	227303	PLATE, LIGHT BRACKET	4
32	229931	SQ TUBE, LIGHT MNT	2
33	229933	PLATE, LIGHT MOUNT	2
34	229977	PLATE, LIGHT BRACKET COVER	2
35	528934	REFLECTOR - YELLOW	2



# Decals

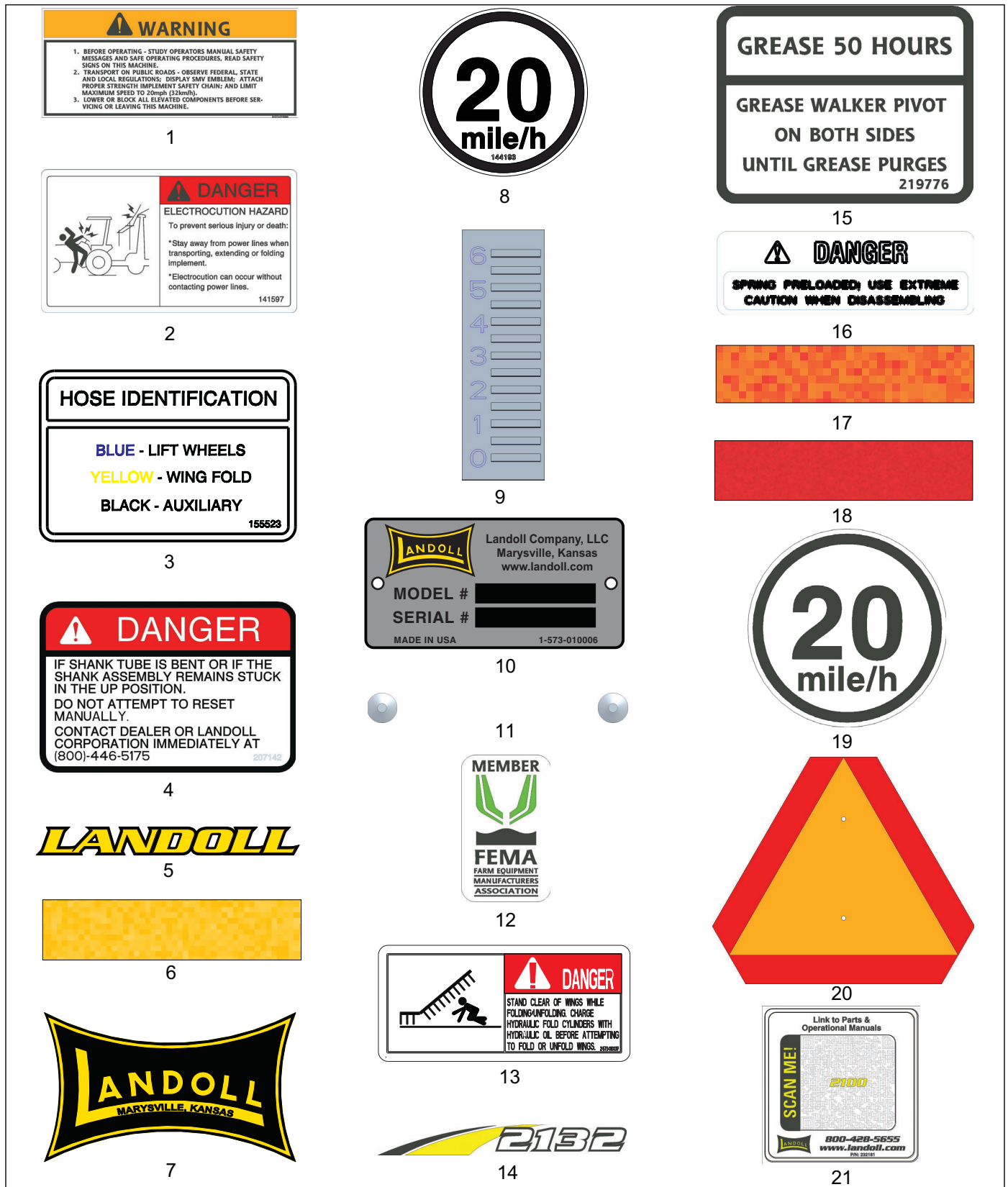


Figure 1-37: Decal Arrangement (1 of 2)



ILLUSTRATED PARTS LIST

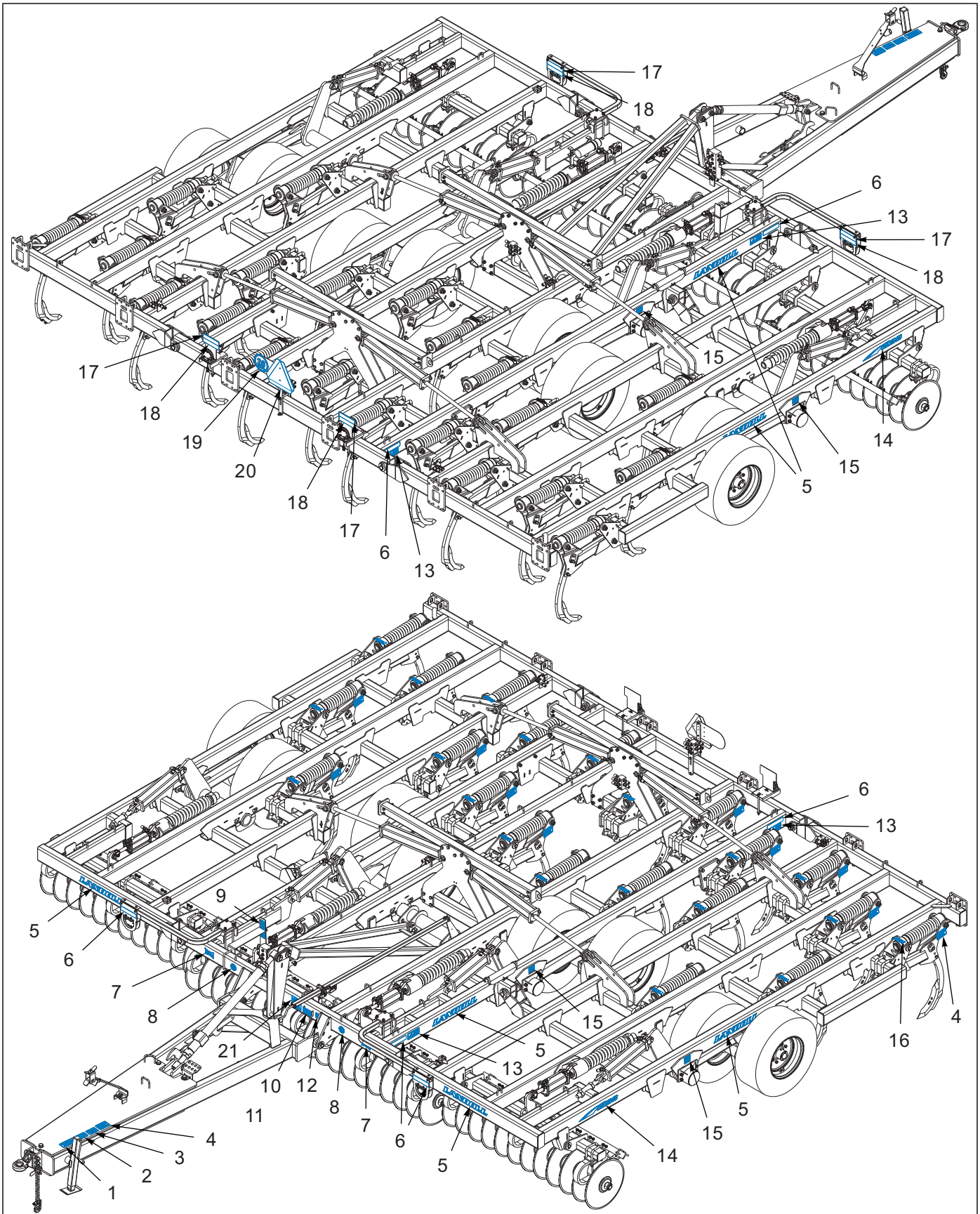


Figure 1-38: Decal Locations( 2 of 2)

## Decal Locations & Arrangements

ITEM	PART NO.	DESCRIPTION	QTY.
1	8-573-010084	DECAL WARNING BEFORE OPERATG	1
2	141597	DECAL, DANGER ELECTROCUTION	1
3	155523	DECAL, HOSE IDENTIFICATION	1
4	207142	DECAL, DANGER STUCK SHANK	
5	141260	DECAL, LANDOLL	5
6	528934	REFLECTOR - YELLOW	6
7	141259	DECAL, LANDOLL, YELLOW	2
8	144193	DECAL, SIS 20 MPH	2
9	2-573-010336	DECAL, DEPTH GAUGE	1
10	1-573-010006	PLACARD, NAME	1
11	156010	RIVET, BLIND .156X1/2 GRIP	2
12	2-573-010198	DECAL, MEMBER FEMA	1
13	2-573-010037	DECAL, DANGER, WING	4
14	229975	DECAL, MODEL 2132	2
15	219776	DECAL, GREASE WALKER	4
16	2-573-010469	DECAL, DANGER SPRING	
17	528938	STRIPE, ORANGE	4
18	528933	REFLECTOR - RED	4
19	224589	DECAL, SIS 20 MILE/H	1
20	70260977	SMV EMBLEM	1
21	232181	DECAL, QR CODE 2100 SERIES	1

# Standard 3BCT/Chopper Assemblies

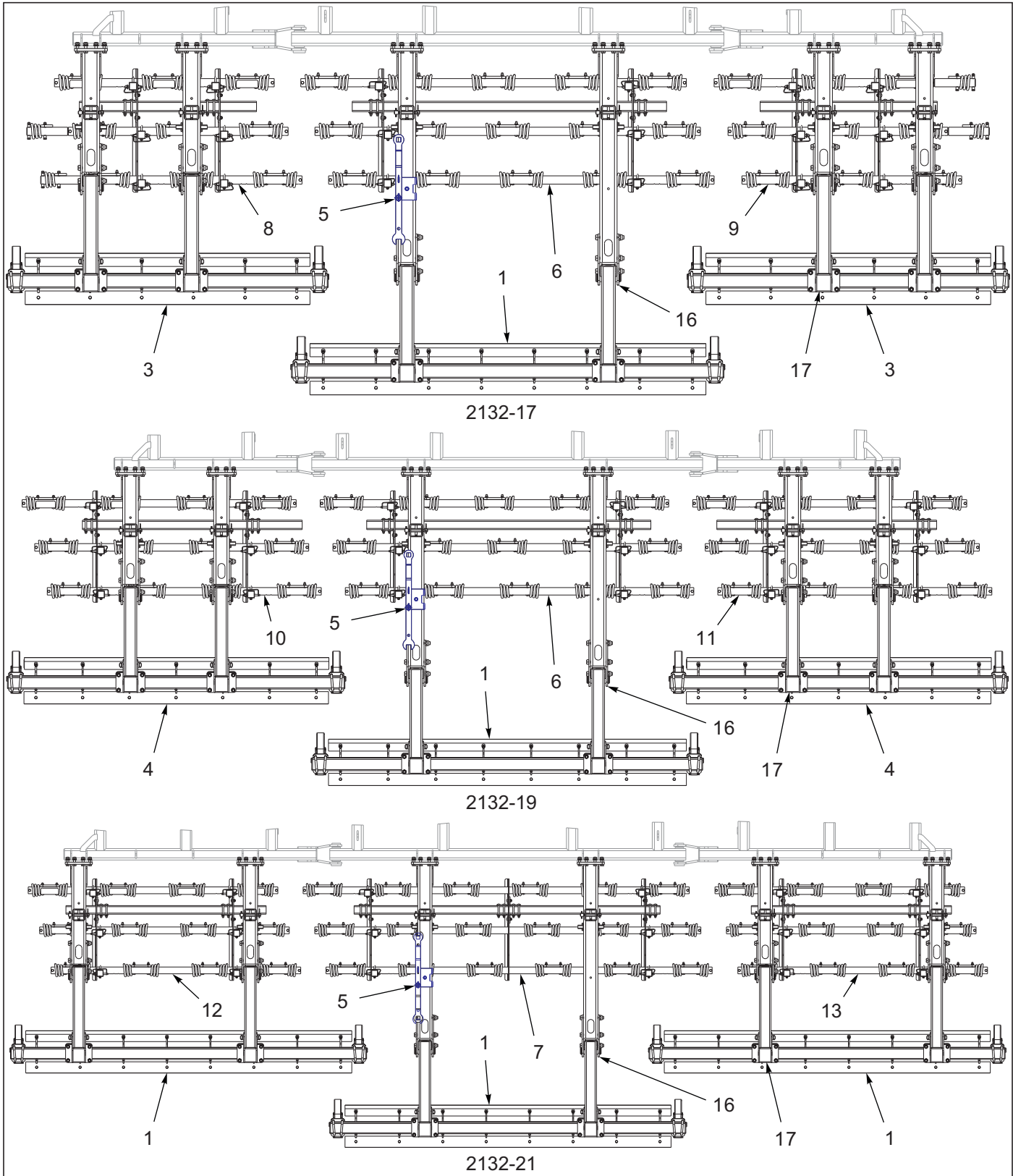


Figure 1-39: Std 3BCT/Chopper Layout (1 of 2)



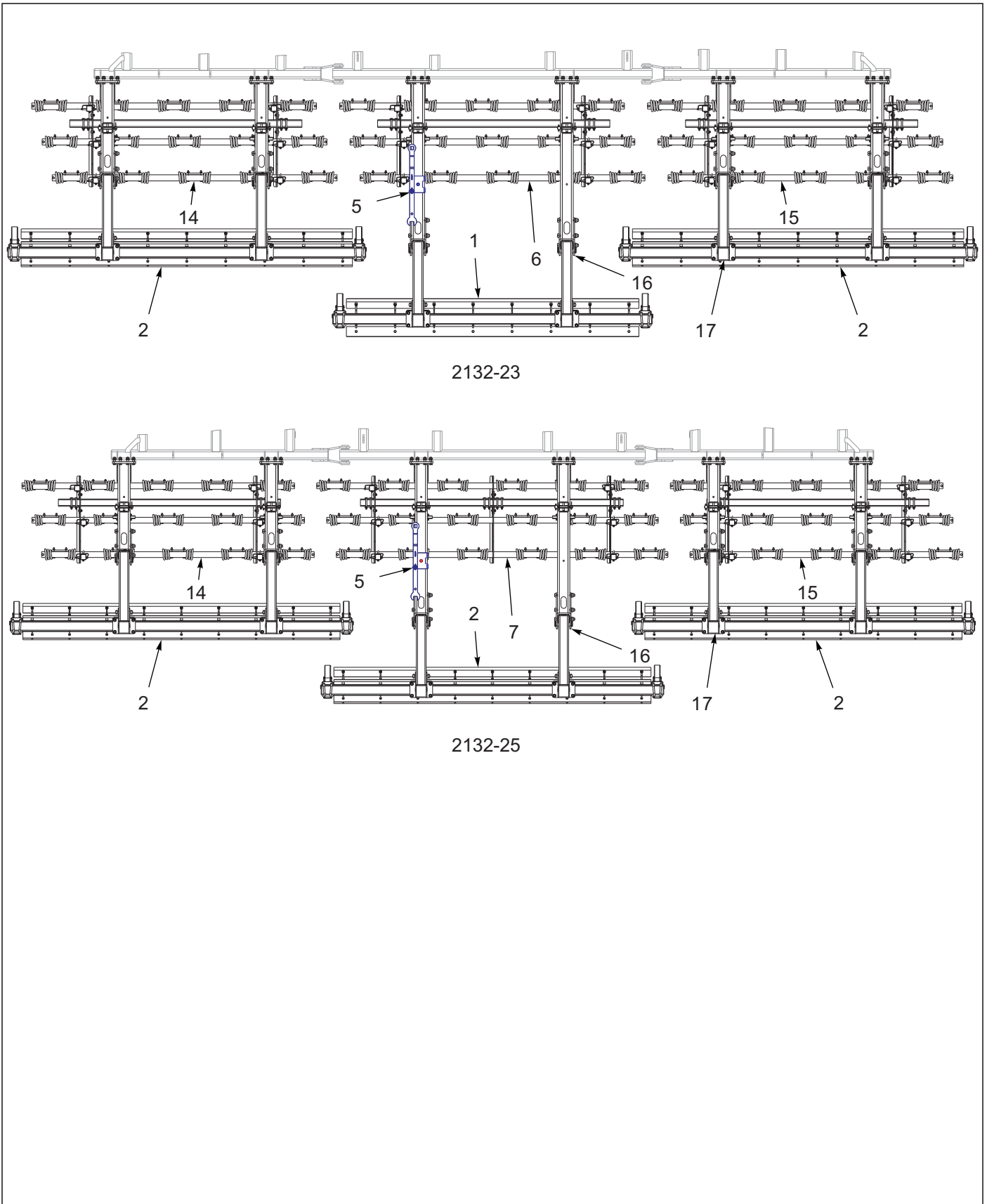


Figure 1-40: Std 3BCT/Chopper Layout (2 of 2)

**ILLUSTRATED PARTS LIST**

**Std 3BCT/Chopper Layout**

ITEM	PART NO.	DESCRIPTION	QTY.					
--	231396	STD, 3BCT/CHOP 2132-17	*					
--	231397	STD, 3BCT/CHOP 2132-19		*				
--	231398	STD, 3BCT/CHOP 2132-21			*			
--	231399	STD, 3BCT/CHOP 2132-23				*		
--	231400	STD, 3BCT/CHOP 2132-25					*	
1	154410	REEL/GANGBAR ASSY 114" <b>(SEE PAGE 1-103)</b>	1	1	3	1	--	
2	155595	CHOPPER-REEL/GANGBAR ASSY 129" <b>(SEE PAGE 1-103)</b>	--	--	--	2	3	
3	154407	REEL/GANGBAR ASSY 82" <b>(SEE PAGE 1-103)</b>	2	--	--	--	--	
4	172529	REEL/GANGBAR - 97" ASSY <b>(SEE PAGE 1-103)</b>	--	2	--	--	--	
5	-----	WRENCH HARROW ADJUST ASSEMBLY <b>(SEE PAGE 1-69)</b>	1	1	1	1	1	
6	229889	ASSY, 5 TINE HARROW CTR <b>(SEE PAGE 1-83)</b>	1	1	--	--	--	
7	229896	ASSY, 6 TINE HARROW CTR <b>(SEE PAGE 1-83)</b>	--	--	1	--	1	
8	229923	ASSY, 3 TINE LH W/EXT <b>(SEE PAGE 1-83)</b>	1	--	--	--	--	
9	229922	ASSY, 3 TINE RH W/EXT <b>(SEE PAGE 1-83)</b>	1	--	--	--	--	
10	170865	ASSY, 4 TINE HARROW LH <b>(SEE PAGE 1-83)</b>	--	1	--	--	--	
11	170864	ASSY, 4 TINE HARROW RH <b>(SEE PAGE 1-83)</b>	--	1	--	--	--	
12	231379	ASSY, 4 TINE HARROW LH <b>(SEE PAGE 1-83)</b>	--	--	1	--	--	
13	231378	ASSY, 4 TINE HARROW RH <b>(SEE PAGE 1-83)</b>	--	--	1	--	--	
14	172477	ASSY, 5 TINE HARROW LH <b>(SEE PAGE 1-83)</b>	--	--	--	--	1	
15	202567	ASSY, 5 TINE HARROW RH <b>(SEE PAGE 1-83)</b>	--	--	--	--	1	
16	231390	STD,ARM LONG,COMBO HARROW ASSY <b>(SEE PAGE 1-77)</b>	2	2	2	2	2	
17	231391	STD,ARM SHORT,COMBO HARROW ASSY <b>(SEE PAGE 1-81)</b>	4	4	4	4	4	



ILLUSTRATED PARTS LIST

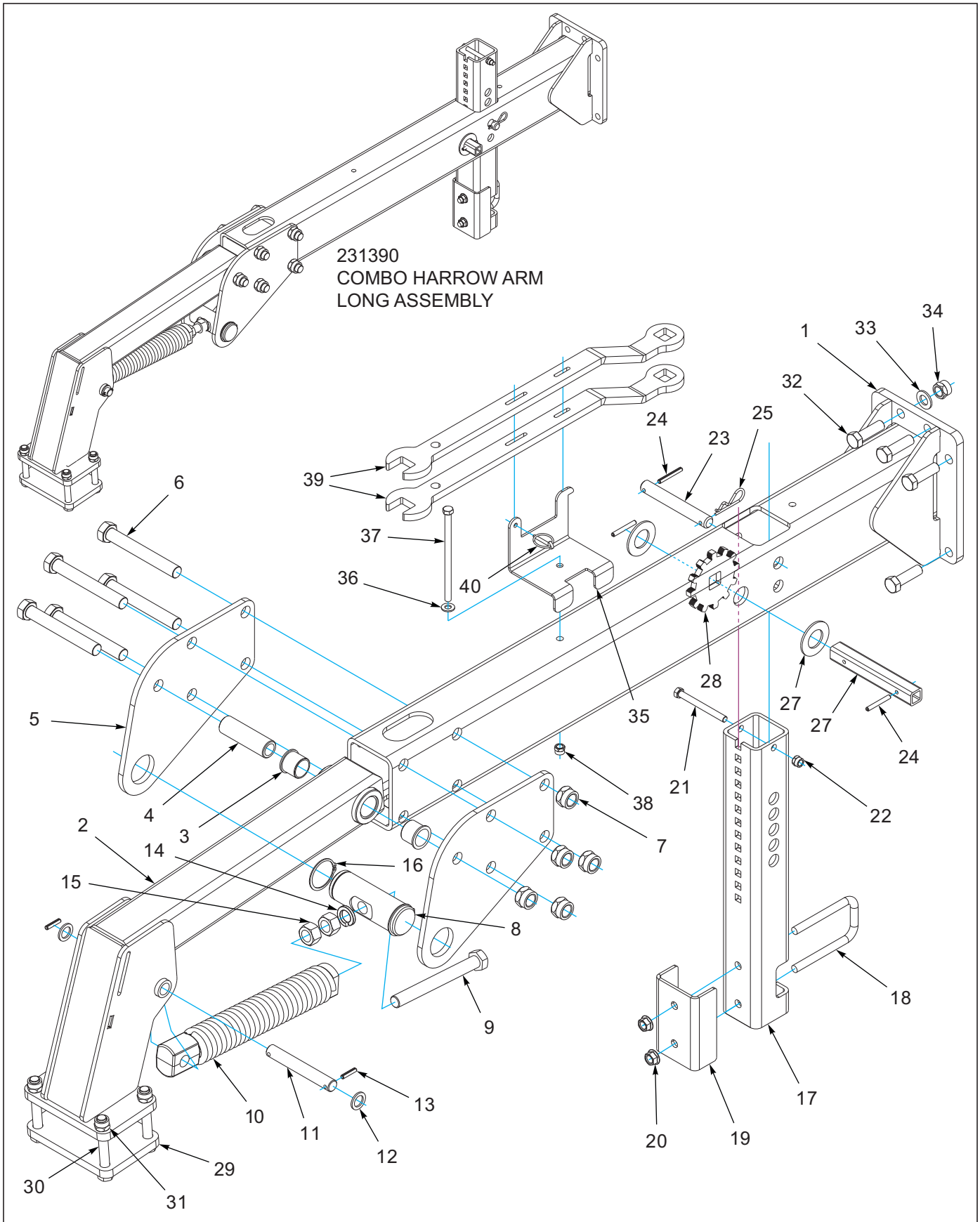


Figure 1-41: Std Combo Harrow Arm Long Assembly

## Std Combo Harrow Arm Long Assembly

ITEM	PART NO.	DESCRIPTION	QTY.
--	231390	STD,ARM LONG,COMBO HARROW ASSY (INCLUDES ITEMS 1-31)	
1	223468	ARM, COMBO HARROW LONG WLDMT	1
2	170851	ARM WLDMT REEL	1
3	140599	BEARING, FLANGE 1-1/2"	2
4	170852	BUSHING, PIVOT - 5	1
5	223473	PLATE, SPRING MOUNT	2
6	100856	SCREW,HHCS,1-8X7-1/2 GR5	5
7	1-512-010005-19	NUT 1-8 HEX SLF-LOCKING GRB	5
8	160199	PIN, ADJ 7-/14 W/SNAP RING	1
9	152210	BOLT, ADJ, 1 X 9	1
10	158795	SPRING ASSY, 17"	1
11	172526	PIN PIVOT	1
12	117957	MACHINERY BUSHING,ZINC PLATED	2
13	1-647-010004236	SPRING PIN,SLOTTED 5/16X1-1/2	2
14	1-861-010034-21	WASHER, LKG HEL SPRG 1IN	1
15	1-512-010007-14	NUT, HEX 1-8 GR2 ZP	2
16	158896	SNAP RING, 2-1/2 SHAFT	1
17	170844	TUBE, HARROW ADJ. COMBO ATTACH	1
18	8-102-010043	U-BOLT, SPRING CLAMP	1
19	171427	PLATE, HARROW STIFFNER	1
20	29SFFL 5811	NUT,FLANGE HEAD LOCK5/8-11UNC	1
21	1-654-010055-15	SCR, HX CP, 1/2-13UNCX5 GR5	1
22	1-512-010005-09	NUT,HEX,SLFLKG, 1/2-13 GRB	1
23	158299	PIN 1X7-5/16	1
24	1-647-010004240	PIN,SPRING,SLOTTED,5/16X2-1/2	3
25	1-557-010013	PIN, HAIR 3/16 DIA	1
26	170857	TUBE, HARROW HEIGHT ADJ HANDLE	1
27	1-861-010032-32	WASHER FLAT ZP/CD 1-1/2	2
28	170787	GEAR, HARROW ADJUSTMENT	1
29	170862	PLATE, GANGBAR MOUNT	1
30	1-654-010087-16	SCREW,HEX CAP,3/4-16X5.50 GR8	5
31	1-512-010002-16	NUT,3/4-16 HEX,SLFLKG, GRC	5
32	104483	SCREW 3/4-10X2-1/2 HXCP ZPGR8	8
33	1-861-010032-20	WASHER, FLAT,3/4 N ZP/CD	8
34	1-512-010005-15	NUT,HEX,SLFLKG GRB 3/4-10	8
35	229981	MOUNT, WRENCH	1
36	1-861-010032-14	WASHER, FLAT 1/2" N ZP/CD	1
37	1-654-010055-22	SCREW HEX CAP 1/2-13X8-1/2	1
38	1-512-010005-09	NUT,HEX,SLFLKG, 1/2-13 GRB	1
39	171394	PLATE, WRENCH HARROW ADJ	2
40	70239854	PIN QUICK HITCH	1

ILLUSTRATED PARTS LIST

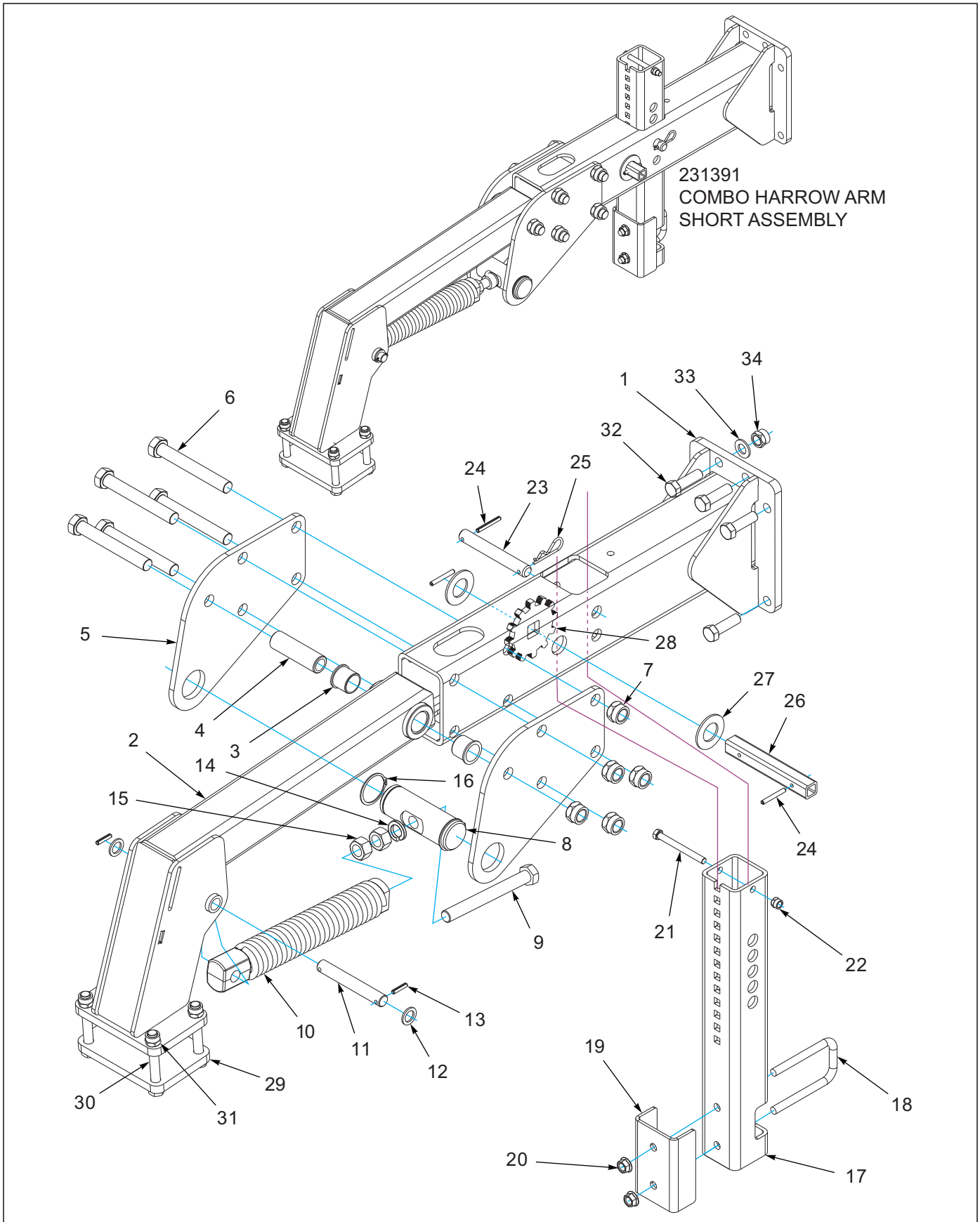


Figure 1-42: Std Combo Harrow Arm Short Assembly

## Std Combo Harrow Arm Short Assembly

ITEM	PART NO.	DESCRIPTION	QTY.
--	231391	STD,ARM SHORT,COMBO HARROWASSY (INCLUDES ITEMS 1-31)	
1	223471	ARM, COMBO HARROW WLDMT	1
2	170851	ARM WLDMT REEL	1
3	140599	BEARING, FLANGE 1-1/2"	2
4	170852	BUSHING, PIVOT - 5	1
5	223473	PLATE, SPRING MOUNT	2
6	100856	SCREW,HHCS,1-8X7-1/2 GR5	5
7	1-512-010005-19	NUT 1-8 HEX SLF-LOCKING GRB	5
8	160199	PIN, ADJ 7-/14 W/SNAP RING	1
9	152210	BOLT, ADJ, 1 X 9	1
10	158795	SPRING ASSY, 17"	1
11	172526	PIN PIVOT	1
12	117957	MACHINERY BUSHING,ZINC PLATED	2
13	1-647-010004236	SPRING PIN,SLOTTED 5/16X1-1/2	2
14	1-861-010034-21	WASHER, LKG HEL SPRG 1IN	1
15	1-512-010007-14	NUT, HEX 1-8 GR2 ZP	2
16	158896	SNAP RING, 2-1/2 SHAFT	1
17	170844	TUBE, HARROW ADJ. COMBO ATTACH	1
18	8-102-010043	U-BOLT, SPRING CLAMP	1
19	171427	PLATE, HARROW STIFFNER	1
20	29SFFL 5811	NUT,FLANGE HEAD LOCK5/8-11UNC	1
21	1-654-010055-15	SCR, HX CP, 1/2-13UNCX5 GR5	1
22	1-512-010005-09	NUT,HEX,SLFLKG, 1/2-13 GRB	1
23	158299	PIN 1X7-5/16	1
24	1-647-010004240	PIN,SPRING,SLOTTED,5/16X2-1/2	3
25	1-557-010013	PIN, HAIR 3/16 DIA	1
26	170857	TUBE, HARROW HEIGHT ADJ HANDLE	1
27	1-861-010032-32	WASHER FLAT ZP/CD 1-1/2	2
28	170787	GEAR, HARROW ADJUSTMENT	1
29	170862	PLATE, GANGBAR MOUNT	1
30	1-654-010087-16	SCREW,HEX CAP,3/4-16X5.50 GR8	5
31	1-512-010002-16	NUT,3/4-16 HEX,SLFLKG, GRC	5
32	104483	SCREW 3/4-10X2-1/2 HXCP ZPGR8	8
33	1-861-010032-20	WASHER, FLAT,3/4 N ZP/CD	8
34	1-512-010005-15	NUT,HEX,SLFLKG GRB 3/4-10	8
35	188528	TRUNION, CYLINDER	1
36	188531	TRUNION, BEARING	1
37	109895	WASHER,3ODX2-1/16X14GA	1
38	188530	SNAP RING, 2 SHAFT	1

# Hydraulic 3BCT/Chopper Assemblies

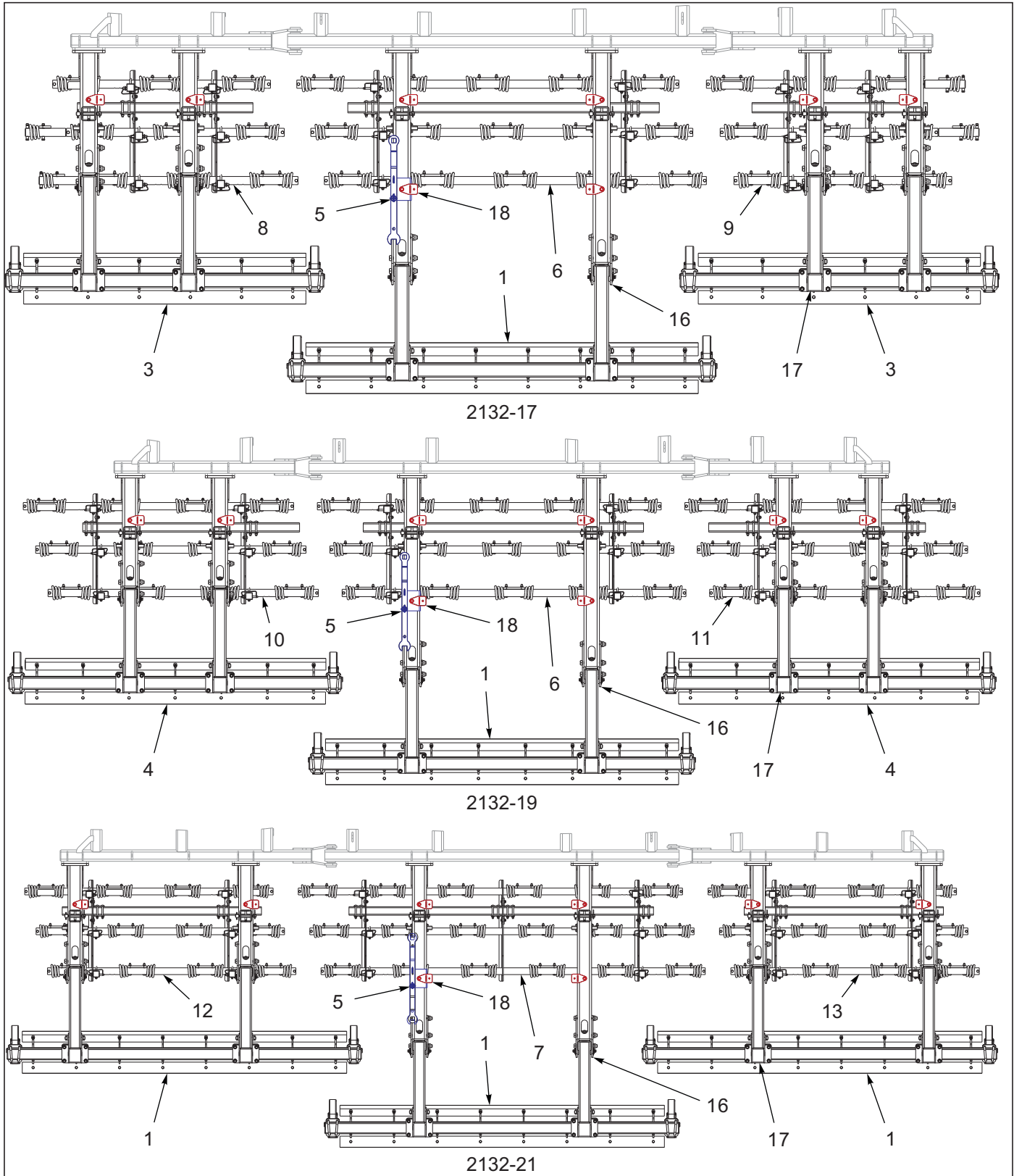


Figure 1-43: Hyd 3BCT/Chopper Layout (1 of 2)



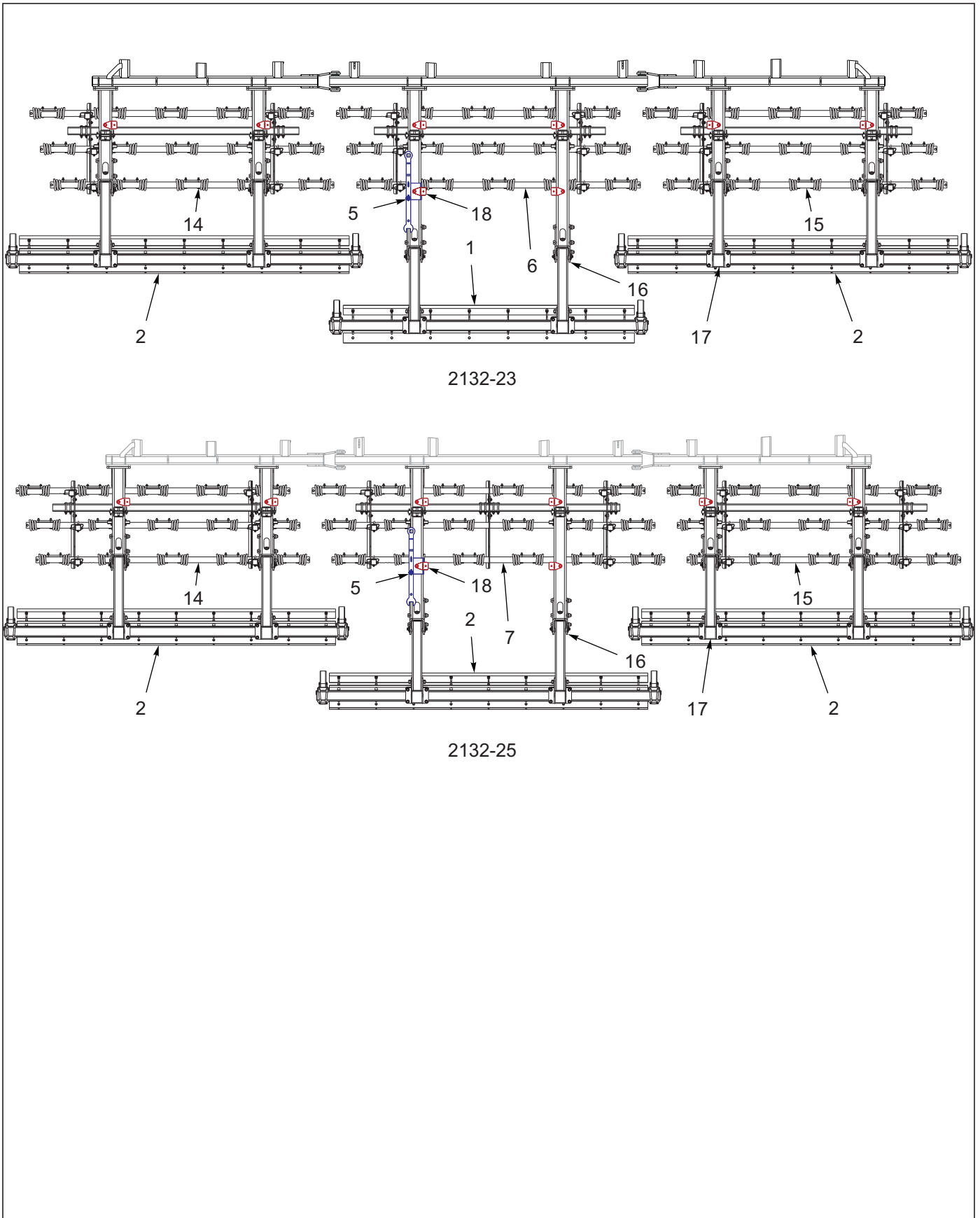


Figure 1-44: Hyd 3BCT/Chopper Layout (2 of 2)

**ILLUSTRATED PARTS LIST**

## Hyd 3BCT/Chopper Layout

ITEM	PART NO.	DESCRIPTION	QTY.					
--	229897	HYD, 3BCT/CHOPPER 2132-17	*					
--	229898	HYD, 3BCT/CHOPPER 2132-19		*				
--	229899	HYD, 3BCT/CHOPPER 2132-21			*			
--	229900	HYD, 3BCT/CHOPPER 2132-23				*		
--	229901	HYD, 3BCT/CHOPPER 2132-25					*	
1	154410	REEL/GANGBAR ASSY 114" (SEE PAGE 1-103)	1	1	3	1	--	
2	155595	CHOPPER-REEL/GANGBAR ASSY 129" (SEE PAGE 1-103)	--	--	--	2	3	
3	154407	REEL/GANGBAR ASSY 82" (SEE PAGE 1-103)	2	--	--	--	--	
4	172529	REEL/GANGBAR - 97" ASSY (SEE PAGE 1-103)	--	2	--	--	--	
5	-----	WRENCH HARROW ADJUST ASSEMBLY (SEE PAGE 1-69)	1	1	1	1	1	
6	229889	ASSY, 5 TINE HARROW CTR (SEE PAGE 1-83)	1	1	--	--	--	
7	229896	ASSY, 6 TINE HARROW CTR (SEE PAGE 1-83)	--	--	1	--	1	
8	229923	ASSY, 3 TINE LH W/EXT (SEE PAGE 1-83)	1	--	--	--	--	
9	229922	ASSY, 3 TINE RH W/EXT (SEE PAGE 1-83)	1	--	--	--	--	
10	170865	ASSY, 4 TINE HARROW LH (SEE PAGE 1-83)	--	1	--	--	--	
11	170864	ASSY, 4 TINE HARROW RH (SEE PAGE 1-83)	--	1	--	--	--	
12	231379	ASSY, 4 TINE HARROW LH (SEE PAGE 1-83)	--	--	1	--	--	
13	231378	ASSY, 4 TINE HARROW RH (SEE PAGE 1-83)	--	--	1	--	--	
14	172477	ASSY, 5 TINE HARROW LH (SEE PAGE 1-83)	--	--	--	--	1	
15	202567	ASSY, 5 TINE HARROW RH (SEE PAGE 1-83)	--	--	--	--	1	
16	223469	ASSY, HARROW ARM LONG, COMBO (SEE PAGE 1-77)	2	2	2	2	2	
17	223470	ASSY, HARROW ARM SHORT, COMBO (SEE PAGE 1-81)	4	4	4	4	4	
18	225198	PLATE, HOSE MOUNT	8	8	8	8	8	



ILLUSTRATED PARTS LIST

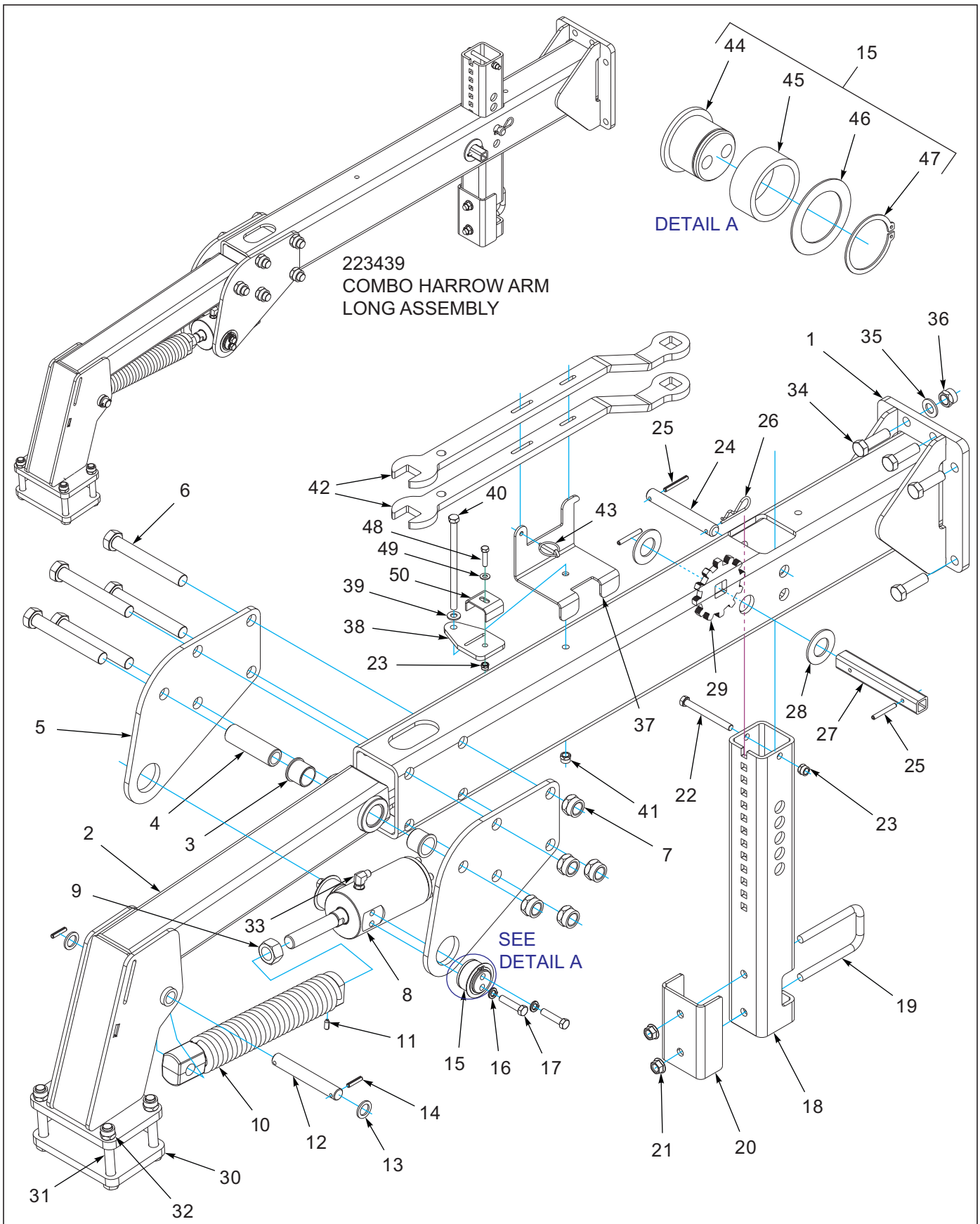


Figure 1-45: Hyd Combo Harrow Arm Long Assembly

## Hyd Combo Harrow Arm Long Assembly

ITEM	PART NO.	DESCRIPTION	QTY.
--	223469	ASSY, HARROW ARM LONG, COMBO <b>(INCLUDES ITEMS 1-33)</b>	
1	223468	ARM, COMBO HARROW LONG WLDMT	1
2	170851	ARM WLDMT REEL	1
3	140599	BEARING, FLANGE 1-1/2"	2
4	170852	BUSHING, PIVOT - 5	1
5	223473	PLATE, SPRING MOUNT	2
6	100856	SCREW,HHCS,1-8X7-1/2 GR5	5
7	1-512-010005-19	NUT 1-8 HEX SLF-LOCKING GRB	5
8	206672	CYL ASM 2-1/2X3-1/2ST1-1/8THDS <b>(SEE PAGE 1-56)</b>	1
9	206675	NUT, 1-1/8 -12 UNF, Z/P GR 2	1
10	206652	SPRING ASSY 17" 1-1/8 THD	1
11	1P444	SET SCREW, 3/8-16 X 3/4 NYLON	1
12	172526	PIN PIVOT	1
13	117957	MACHINERY BUSHING,ZINC PLATED	2
14	1-647-010004236	SPRING PIN,SLOTTED 5/16X1-1/2	2
15	198321	ASSY, TRUNION MOUNT 1-5/8" <b>(INCLUDES ITEMS 44-47)</b>	2
16	1-861-010034-13	WASHER, LKG HLCL SPR, 1/2	4
17	169690	SCREW HXCP1/2-13UNCX2-1/4 G5	4
18	170844	TUBE, HARROW ADJ. COMBO ATTACH	1
19	8-102-010043	U-BOLT, SPRING CLAMP	1
20	171427	PLATE, HARROW STIFFNER	1
21	29SFFL 5811	NUT,FLANGE HEAD LOCK5/8-11UNC	1
22	1-654-010055-15	SCR, HX CP, 1/2-13UNCX5 GR5	1
23	1-512-010005-09	NUT,HEX,SLFLKG, 1/2-13 GRB	2
24	158299	PIN 1X7-5/16	1
25	1-647-010004240	PIN,SPRING,SLOTTED,5/16X2-1/2	3
26	1-557-010013	PIN, HAIR 3/16 DIA	1
27	170857	TUBE, HARROW HEIGHT ADJ HANDLE	1
28	1-861-010032-32	WASHER FLAT ZP/CD 1-1/2	2
29	170787	GEAR, HARROW ADJUSTMENT	1
30	170862	PLATE, GANGBAR MOUNT	1
31	1-654-010087-16	SCREW,HEX CAP,3/4-16X5.50 GR8	5
32	1-512-010002-16	NUT,3/4-16 HEX,SLFLKG, GRC	5
33	2062-6-6S	ADAPTER, 90, #6SAE X #6 JIC	1
34	104483	SCREW 3/4-10X2-1/2 HXCP ZPGR8	8
35	1-861-010032-20	WASHER, FLAT,3/4 N ZP/CD	8
36	1-512-010005-15	NUT,HEX,SLFLKG GRB 3/4-10	8
37	229981	MOUNT, WRENCH	1
38	225198	PLATE, HOSE MOUNT	1
39	1-861-010032-14	WASHER, FLAT 1/2" N ZP/CD	1
40	1-654-010055-22	SCREW HEX CAP 1/2-13X8-1/2	1
41	1-512-010005-09	NUT,HEX,SLFLKG, 1/2-13 GRB	1
42	171394	PLATE, WRENCH HARROW ADJ	2
43	70239854	PIN QUICK HITCH	1
44	188528	TRUNION, CYLINDER	1
45	188531	TRUNION, BEARING	1
46	109895	WASHER,3ODX2-1/16X14GA	1
47	188530	SNAP RING, 2 SHAFT	1
48	1-654-010051-07	SCREW,HEX CAP,3/8-16UNCX1-1/2	1

## Hyd Combo Harrow Arm Long Assembly

---

ITEM	PART NO.	DESCRIPTION	QTY.
49	1-861-010032-10	WASHER, FLAT 3/8" N ZP/CD	1
50	2-181-010001	NUT, HEX, SLFLKG GRB 3/8-16	1



ILLUSTRATED PARTS LIST

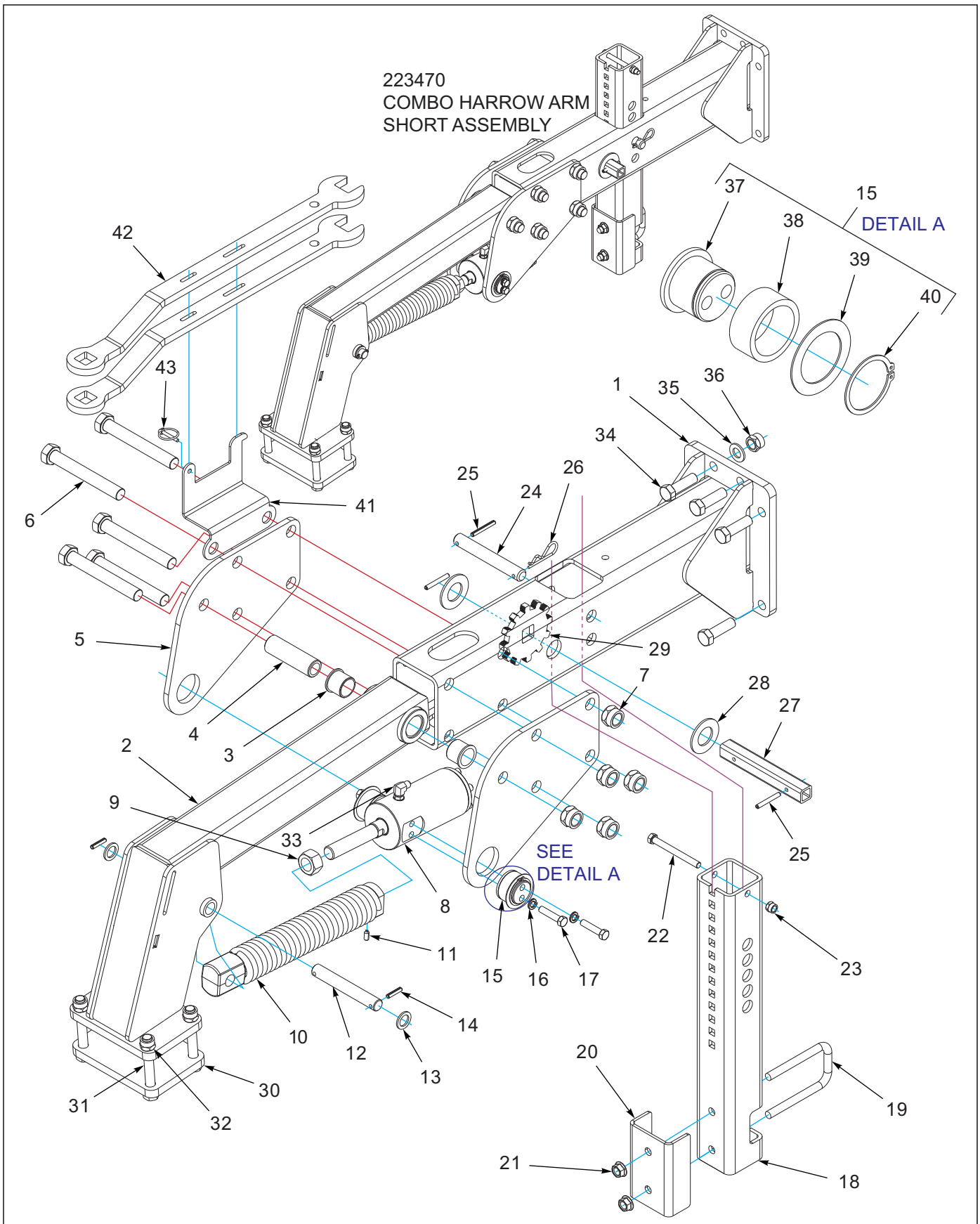


Figure 1-46: Hyd Combo Harrow Arm Short Assembly



## Hyd Combo Harrow Arm Short Assembly

ITEM	PART NO.	DESCRIPTION	QTY.
--	223470	ASSY, HARROW ARM SHORT, COMBO <b>(INCLUDES ITEMS 1-33)</b>	
1	223471	ARM, COMBO HARROW WLDMT	1
2	170851	ARM WLDMT REEL	1
3	140599	BEARING, FLANGE 1-1/2"	2
4	170852	BUSHING, PIVOT - 5	1
5	223473	PLATE, SPRING MOUNT	2
6	100856	SCREW,HHCS,1-8X7-1/2 GR5	5
7	1-512-010005-19	NUT 1-8 HEX SLF-LOCKING GRB	5
8	206672	CYL ASM 2-1/2X3-1/2ST1-1/8THDS <b>(SEE PAGE 1-56)</b>	1
9	206675	NUT, 1-1/8 -12 UNF, Z/P GR 2	1
10	206652	SPRING ASSY 17" 1-1/8 THD	1
11	1P444	SET SCREW, 3/8-16 X 3/4 NYLON	1
12	172526	PIN PIVOT	1
13	117957	MACHINERY BUSHING,ZINC PLATED	2
14	1-647-010004236	SPRING PIN,SLOTTED 5/16X1-1/2	2
15	198321	ASSY, TRUNION MOUNT 1-5/8" <b>(INCLUDES ITEMS 37-40)</b>	2
16	1-861-010034-13	WASHER, LKG HLCL SPR, 1/2	4
17	169690	SCREW HXCP1/2-13UNCX2-1/4 G5	4
18	170844	TUBE, HARROW ADJ. COMBO ATTACH	1
19	8-102-010043	U-BOLT, SPRING CLAMP	1
20	171427	PLATE, HARROW STIFFNER	1
21	29SFFL 5811	NUT,FLANGE HEAD LOCK5/8-11UNC	1
22	1-654-010055-15	SCR, HX CP, 1/2-13UNCX5 GR5	1
23	1-512-010005-09	NUT,HEX,SLFLKG, 1/2-13 GRB	1
24	158299	PIN 1X7-5/16	1
25	1-647-010004240	PIN,SPRING,SLOTTED,5/16X2-1/2	3
26	1-557-010013	PIN, HAIR 3/16 DIA	1
27	170857	TUBE, HARROW HEIGHT ADJ HANDLE	1
28	1-861-010032-32	WASHER FLAT ZP/CD 1-1/2	2
29	170787	GEAR, HARROW ADJUSTMENT	1
30	170862	PLATE, GANGBAR MOUNT	1
31	1-654-010087-16	SCREW,HEX CAP,3/4-16X5.50 GR8	5
32	1-512-010002-16	NUT,3/4-16 HEX,SLFLKG, GRC	5
33	2062-6-6S	ADAPTER, 90, #6SAE X #6 JIC	1
34	104483	SCREW 3/4-10X2-1/2 HXCP ZPGR8	8
35	1-861-010032-20	WASHER, FLAT,3/4 N ZP/CD	8
36	1-512-010005-15	NUT,HEX,SLFLKG GRB 3/4-10	8
37	188528	TRUNION, CYLINDER	1
38	188531	TRUNION, BEARING	1
39	109895	WASHER,3ODX2-1/16X14GA	1
40	188530	SNAP RING, 2 SHAFT	1
41	231306	MOUNT, WRENCH	1
42	171394	PLATE, WRENCH HARROW ADJ	2
43	70239854	PIN QUICK HITCH	1

ILLUSTRATED PARTS LIST

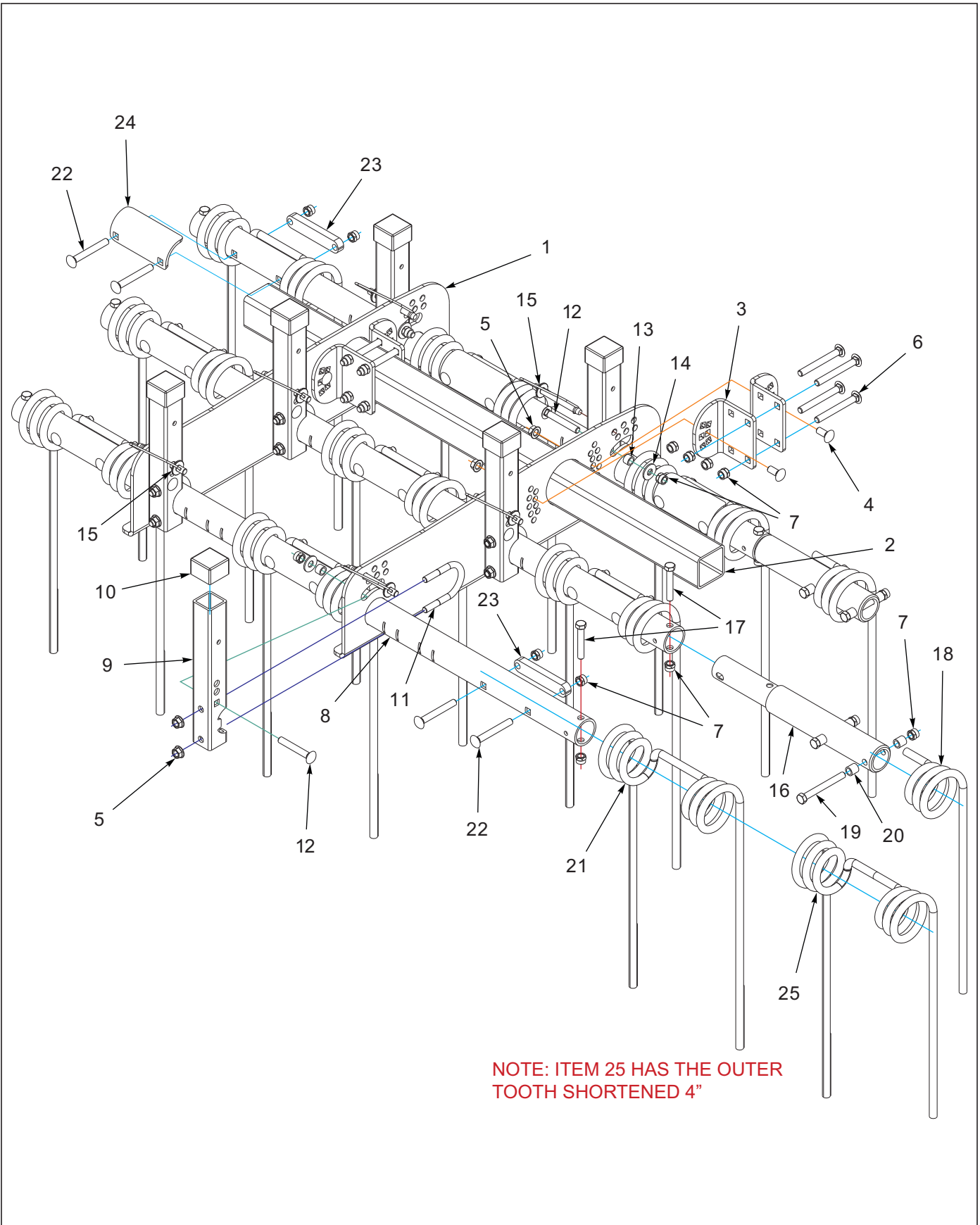


Figure 1-47: Tine Harrow Assembly

## Tine Harrow Assembly

ITEM	PART NO.	DESCRIPTION	QTY.						
--	229889	ASSY, 5 TINE HARROW CTR	*						
--	229896	ASSY, 6 TINE HARROW CTR		*					
--	229923	ASSY, 3 TINE LH W/EXT			*				
--	229922	ASSY, 3 TINE RH W/EXT			*				
--	170865	ASSY, 4 TINE HARROW LH				*			
--	170864	ASSY, 4 TINE HARROW RH				*			
--	231379	ASSY, 4 TINE HARROW LH					*		
--	231378	ASSY, 4 TINE HARROW RH					*		
--	172477	ASSY, 5 TINE HARROW LH						*	
--	202567	ASSY, 5 TINE HARROW RH							*
1	154993	PLATE GANG BAR	2	2	2	2	2	2	2
2	156778	TUBE RIDE BAR 90.5"	1	--	--	--	--	--	1
2	155005	TUBE SQ 3 X 3/16X107	--	1	--	--	--	--	--
2	170735	TUBE, RIDE BAR 51"	--	--	1	--	--	--	--
2	170870	TUBE, SQ 3 X 3/16 X 70	--	--	--	1	1	--	--
3	154998	PLATE ANGLE ADJUSTMENT	4	4	4	4	4	4	4
4	1-654-010070-02	SCREW 1/2-13X1-1/4 RD HD SQNK	4	4	4	4	4	4	4
5	1-510-010003-09	NUT,1/2-13 FLANGE HD,SERRATED	24	24	24	24	24	24	24
6	1-654-010070-14	SCREW 1/2-13X4-1/2RDHD SQNCK	8	8	8	8	8	8	8
7	1-512-010005-09	NUT,HEX,SLFLKG, 1/2-13 GRB	42	42	42	42	42	42	42
8	195244	GANG BAR 5 TINE 111	3	--	--	--	--	--	3
8	195274	GANG BAR 6 TINE 135	--	3	--	--	--	--	--
8	195241	GANG BAR 3 TINE 63-1/4	--	--	3	--	--	--	--
8	195243	GANG BAR 4 TINE 87-1/4	--	--	--	3	3	--	--
9	154994	TUBE ANGLE ADJUST	6	6	6	6	6	6	6
10	155927	CAP, TUBE 1.95X1.5 BLACK	6	6	6	6	6	6	6
11	154995	U-BOLT, 1/2	6	6	6	6	6	6	6
12	1-654-010070-11	SCREW,RDHD,SQNCK 1/2-13X3-1/2	6	6	6	6	6	6	6
13	155956	BUSHING ANGLE ADJUSTMENT	6	6	6	6	6	6	6
14	1-861-010032-15	WASHER, FLAT 1/2 W ZP/CD	6	6	6	6	6	6	6
15	155971	PIN, HARROW ADJ	6	6	6	6	6	6	6
16	229919	RD TUBE, TINE EXT-12"	--	--	2	--	--	--	--
17	1-654-010055-09	SCREW,HX CP,1/2-13UNCX3 GR5	6	6	6	6	6	6	6
18	229920	TINE, HARROW SPNG RH SINGLE (SHOWN)	--	--	2	--	--	--	--
18	229921	TINE, HARROW SPNG LH SINGLE	--	--	2	--	--	--	--
19	1-654-010055-14	SCREW,HX CP,1/2-13UNCX4-1/2G5	--	--	4	--	--	--	--
20	154997	TUBE 0.75ODX0.532IDX0.75 ZP	--	--	8	--	--	--	--
21	171421	TINE, HARROW SPRING	15	18	9	10	10	13	
22	1-654-010070-13	SCREW,RH HD, SQ NCK 1/2-13X4	20	36	18	24	24	30	
23	217570	STOP, COIL TINE 1/2"	15	18	9	12	12	15	
24	231304	RD TUBE, TINE STOP	--	--	3	4	4	5	
25	202331	TINE, HARROW SPNG RH END 5/8 (SHOWN)	--	--	--	2	2	2	
25	202332	TINE, HARROW SPNG LH END 5/8	--	--	--	2	2	2	

ILLUSTRATED PARTS LIST

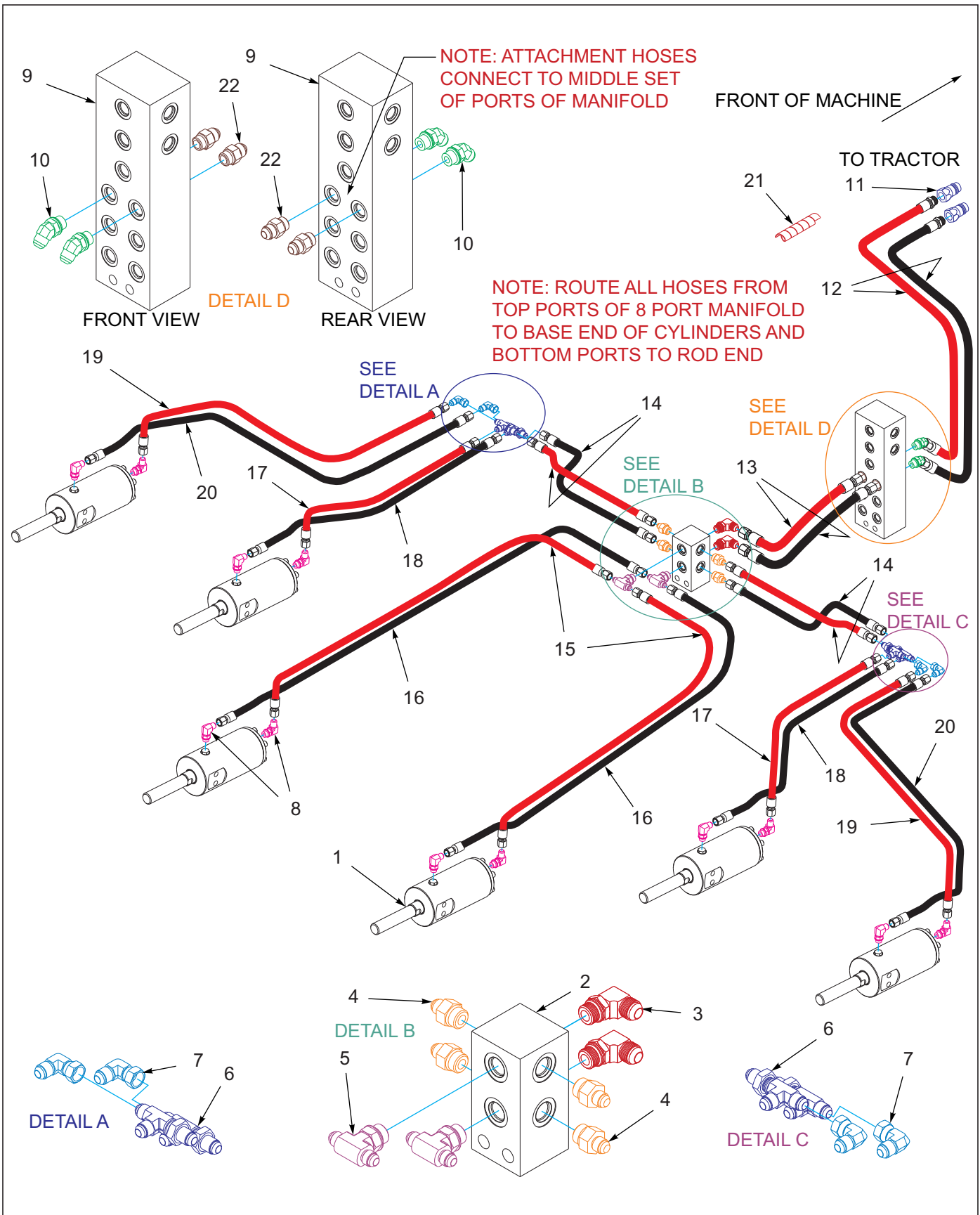


Figure 1-48: 3BCT/Chopper Hydraulic Assembly

### 3BCT/Chopper Hydraulic Assembly

ITEM	PART NO.	DESCRIPTION	QTY.
1	206672	CYL ASM 2-1/2X3-1/2ST1-1/8THDS	6
2	2-474-010022	MANIFOLD HYDRAULIC, 8 HOSE	1
3	2062-8-8S	ADAPTER, 90, #8 O-RING-TUBE	2
4	202702-8-6S	ADAPTER #8 O-RING TO #6 TUBE	6
5	139347	ADT TEE #6 JIC X #8 O-RING	2
6	162569	TEE,#6 JIC BULKHD RUN, W/NUT	4
7	102-0031	ADAPTER,90 JIC SWIVEL #6	4
8	2062-6-6S	ADAPTER, 90, #6SAE X #6 JIC	12
9	229878	MANIFOLD ASSY	1
10	2061-8-8S	ADAPTER, 45, #8 O-RING-TUBE	
11	141828	COUPLER,MALE 3/4-16 O-RING	2
12	141865	HOSE ASSY 3/8X204 #8JICX#8 O/R	2
13	116436	HOSE ASSY, 3/8X255 #8 JIC SW	2
14	7779-84	HOSE HYD 1/4 X 84	4
15	71509004	HOSE .25 X 98	2
16	71509123	HOSE, .25 X 104 IN.	2
17	172979	HOSE ASSY, 1/4 X 60 #6 JIC STR	2
18	231296	HOSE ASSY, 1/4X66 #6JIC STR	2
19	231299	HOSE ASSY, 1/4X88 #6JIC STR <b>(MODELS 2132-17-19)</b>	2
19	71509124	HOSE ASSY 1/4 #6 JIC (2X) 116" <b>(MODELS 2132-21-23-25)</b>	2
20	172978	HOSE ASSY, 1/4 X 94 #6 JIC STR <b>(MODELS 2132-17-19)</b>	2
20	225094	HOSE ASSY, 1/4X122#6 JIC STR <b>(MODELS 2132-21-23-25)</b>	2
21	172973	HOSE WRAP, RED	2
22	202702-8-8S	ADAPTER #8 O-RING TO #8 TUBE	2

# Standard Chopper Reel Assemblies

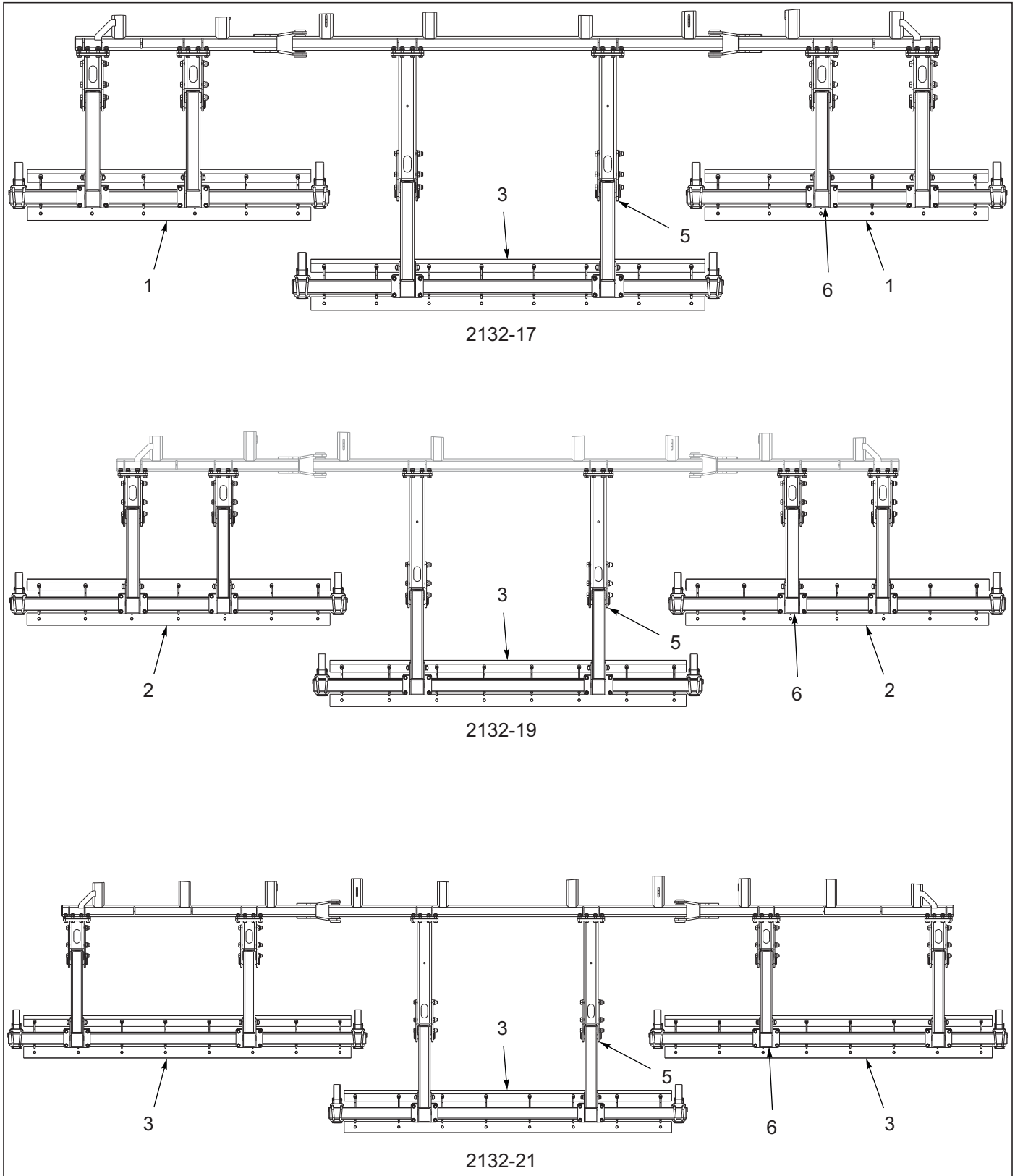


Figure 1-49: Std Chopper Reel Layout (1 of 2)

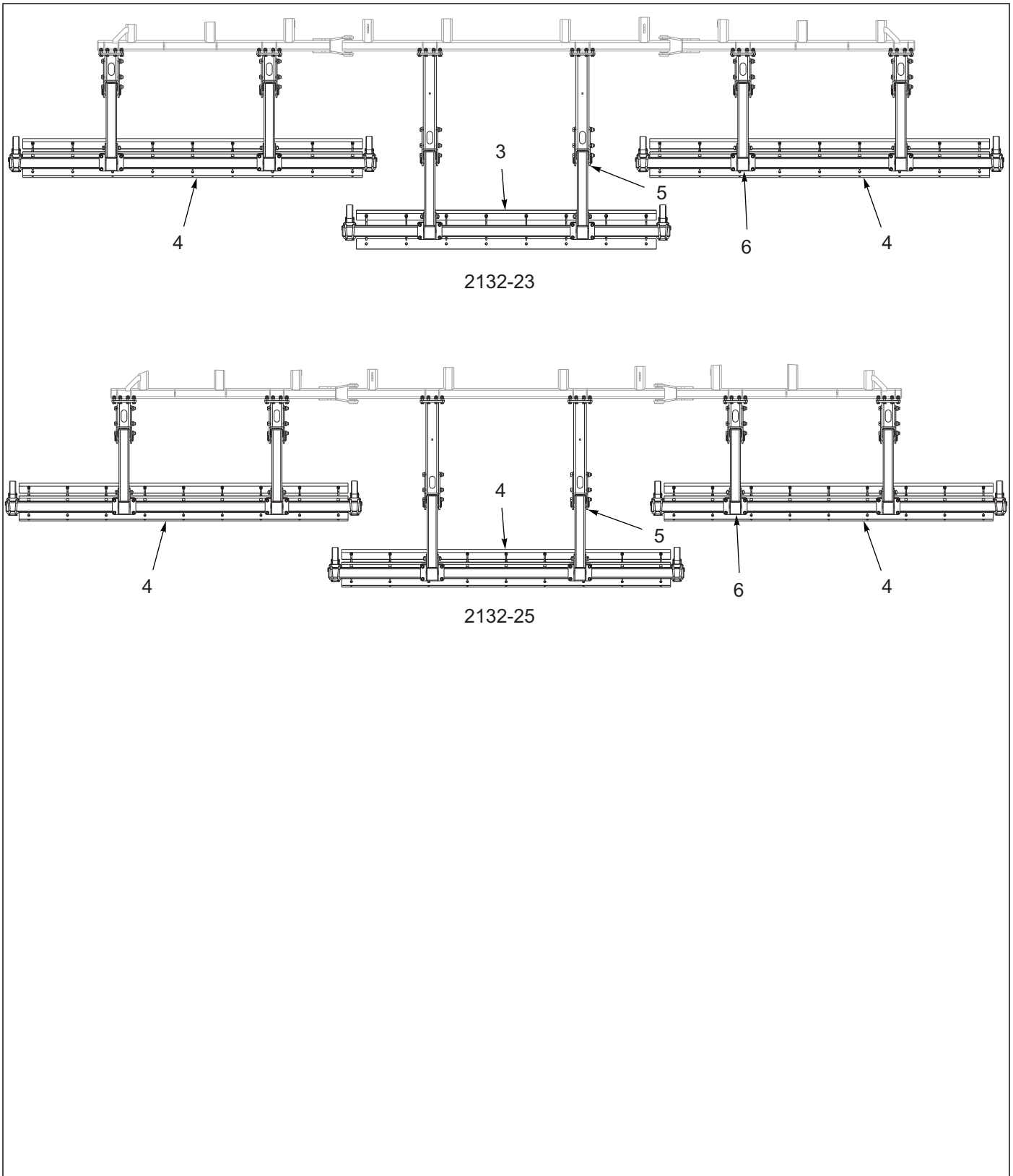


Figure 1-50: Std Chopper Reel Layout (2 of 2)

**ILLUSTRATED PARTS LIST**

**Std Chopper Reel Layout**

ITEM	PART NO.	DESCRIPTION	QTY.					
--	231211	STD, CHOPPER REEL 2132-17	*					
--	231212	STD, CHOPPER REEL 2132-19		*				
--	231213	STD, CHOPPER REEL 2132-21			*			
--	231214	STD, CHOPPER REEL 2132-23				*		
--	231215	STD, CHOPPER REEL 2132-25					*	
1	154407	REEL/GANGBAR ASSY 82" <b>(SEE PAGE 1-103)</b>	2	--	--	--	--	
2	172529	REEL/GANGBAR - 97" ASSY <b>(SEE PAGE 1-103)</b>	--	2	--	--	--	
3	154410	REEL/GANGBAR ASSY 114" <b>(SEE PAGE 1-103)</b>	1	1	3	1	--	
4	155595	CHOPPER-REEL/GANGBAR ASSY 129" <b>(SEE PAGE 1-103)</b>	--	--	--	2	3	
5	229998	ASSY, CHOPPER ARM LONG <b>(SEE PAGE 1-91)</b>	2	2	2	2	2	
6	229999	ASSY, CHOPPER ARM SHORT <b>(SEE PAGE 1-93)</b>	4	4	4	4	4	





ILLUSTRATED PARTS LIST

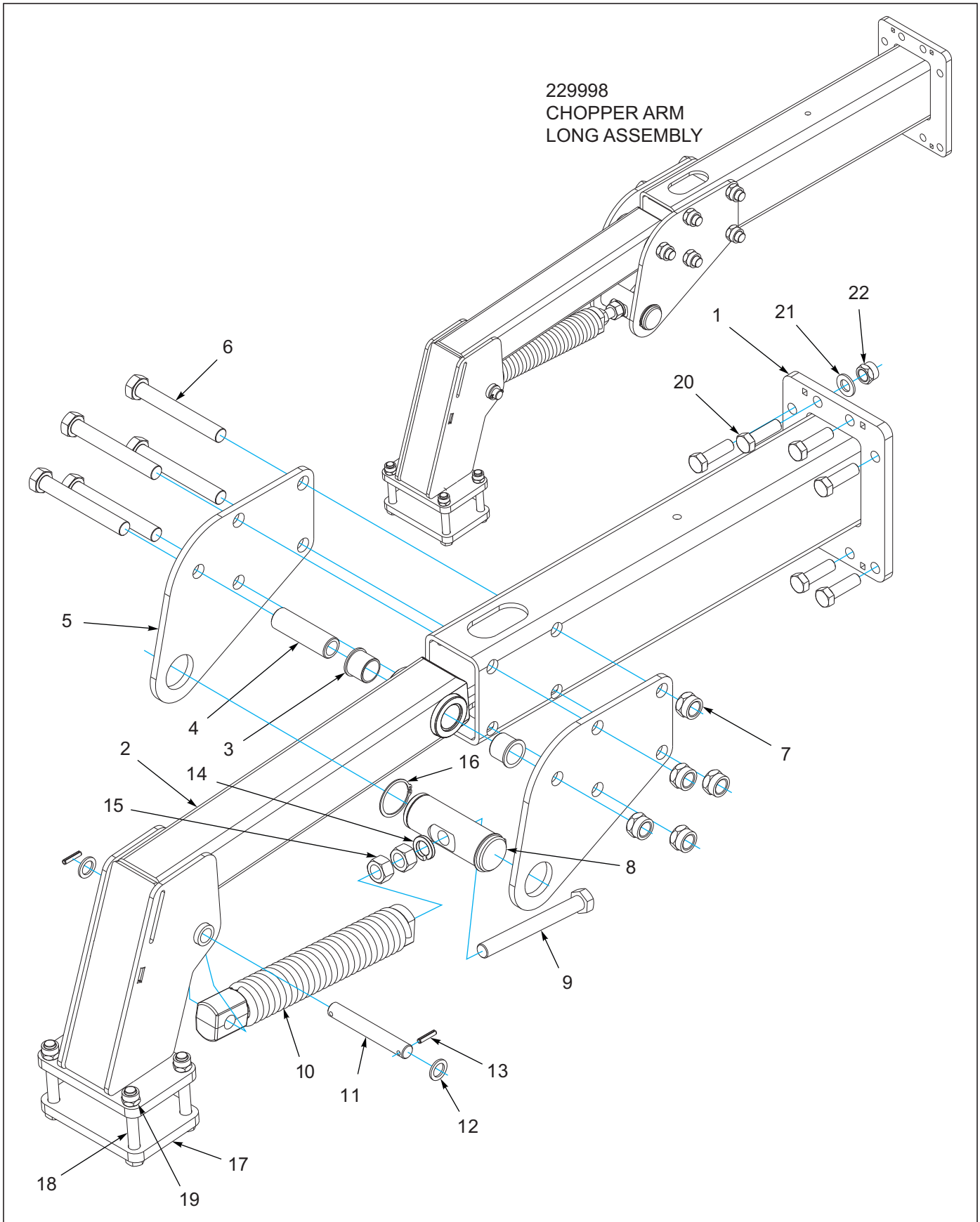


Figure 1-51: Std Chopper Arm Long Assembly

## Std Chopper Arm Long Assembly

ITEM	PART NO.	DESCRIPTION	QTY.
--	229998	ASSY, CHOPPER ARM LONG <b>(INCLUDES ITEMS 1-19)</b>	
1	229993	ARM, CHOPPER LONG WLDMT	1
2	170851	ARM WLDMT REEL	1
3	140599	BEARING, FLANGE 1-1/2"	2
4	170852	BUSHING, PIVOT - 5	1
5	223473	PLATE, SPRING MOUNT	2
6	100856	SCREW,HHCS,1-8X7-1/2 GR5	5
7	1-512-010005-19	NUT 1-8 HEX SLF-LOCKING GRB	5
8	160199	PIN, ADJ 7-/14 W/SNAP RING	1
9	152210	BOLT, ADJ, 1 X 9	1
10	158795	SPRING ASSY, 17"	1
11	172526	PIN PIVOT	1
12	117957	MACHINERY BUSHING,ZINC PLATED	2
13	1-647-010004236	SPRING PIN,SLOTTED 5/16X1-1/2	2
14	1-861-010034-21	WASHER, LKG HEL SPRG 1IN	1
15	1-512-010007-14	NUT, HEX 1-8 GR2 ZP	2
16	158896	SNAP RING, 2-1/2 SHAFT	1
17	170862	PLATE, GANGBAR MOUNT	1
18	1-654-010087-16	SCREW,HEX CAP,3/4-16X5.50 GR8	5
19	1-512-010002-16	NUT,3/4-16 HEX,SLFLKG, GRC	5
20	104483	SCREW 3/4-10X2-1/2 HXCP ZPGR8	8
21	1-861-010032-20	WASHER, FLAT,3/4 N ZP/CD	8
22	1-512-010005-15	NUT,HEX,SLFLKG GRB 3/4-10	8

ILLUSTRATED PARTS LIST

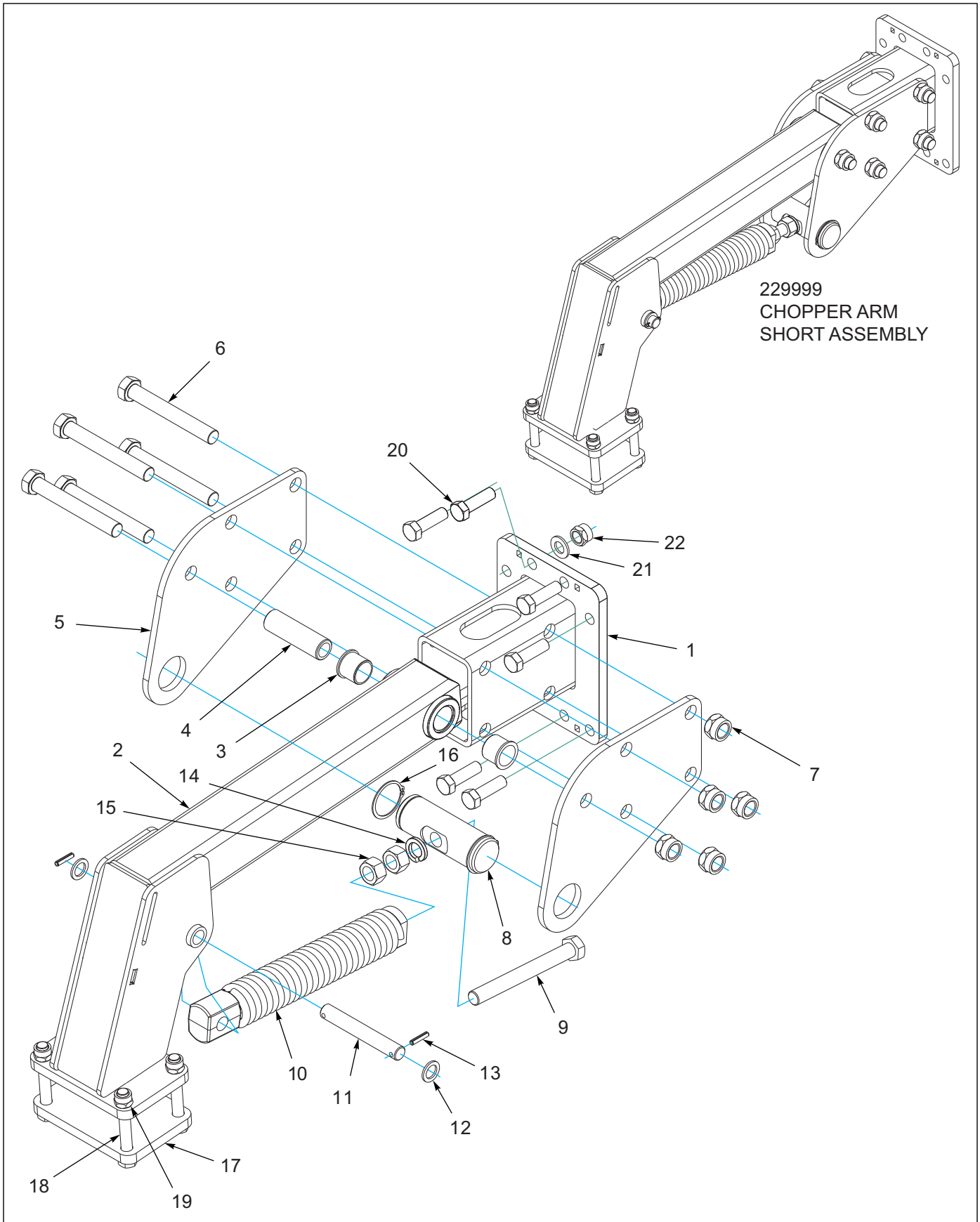


Figure 1-52: Std Chopper Arm Short Assembly

## Std Chopper Arm Short Assembly

ITEM	PART NO.	DESCRIPTION	QTY.
--	229999	ASSY, CHOPPER ARM SHORT <b>(INCLUDES ITEMS 1-19)</b>	
1	229994	ARM, CHOPPER SHORT WLDMT	1
2	170851	ARM WLDMT REEL	1
3	140599	BEARING, FLANGE 1-1/2"	2
4	170852	BUSHING, PIVOT - 5	1
5	223473	PLATE, SPRING MOUNT	2
6	100856	SCREW,HHCS,1-8X7-1/2 GR5	5
7	1-512-010005-19	NUT 1-8 HEX SLF-LOCKING GRB	5
8	160199	PIN, ADJ 7-/14 W/SNAP RING	1
9	152210	BOLT, ADJ, 1 X 9	1
10	158795	SPRING ASSY, 17"	1
11	172526	PIN PIVOT	1
12	117957	MACHINERY BUSHING,ZINC PLATED	2
13	1-647-010004236	SPRING PIN,SLOTTED 5/16X1-1/2	2
14	1-861-010034-21	WASHER, LKG HEL SPRG 1IN	1
15	1-512-010007-14	NUT, HEX 1-8 GR2 ZP	2
16	158896	SNAP RING, 2-1/2 SHAFT	1
17	170862	PLATE, GANGBAR MOUNT	1
18	1-654-010087-16	SCREW,HEX CAP,3/4-16X5.50 GR8	5
19	1-512-010002-16	NUT,3/4-16 HEX,SLFLKG, GRC	5
20	104483	SCREW 3/4-10X2-1/2 HXCP ZPGR8	8
21	1-861-010032-20	WASHER, FLAT,3/4 N ZP/CD	8
22	1-512-010005-15	NUT,HEX,SLFLKG GRB 3/4-10	8

# Hydraulic Chopper Reel Assemblies

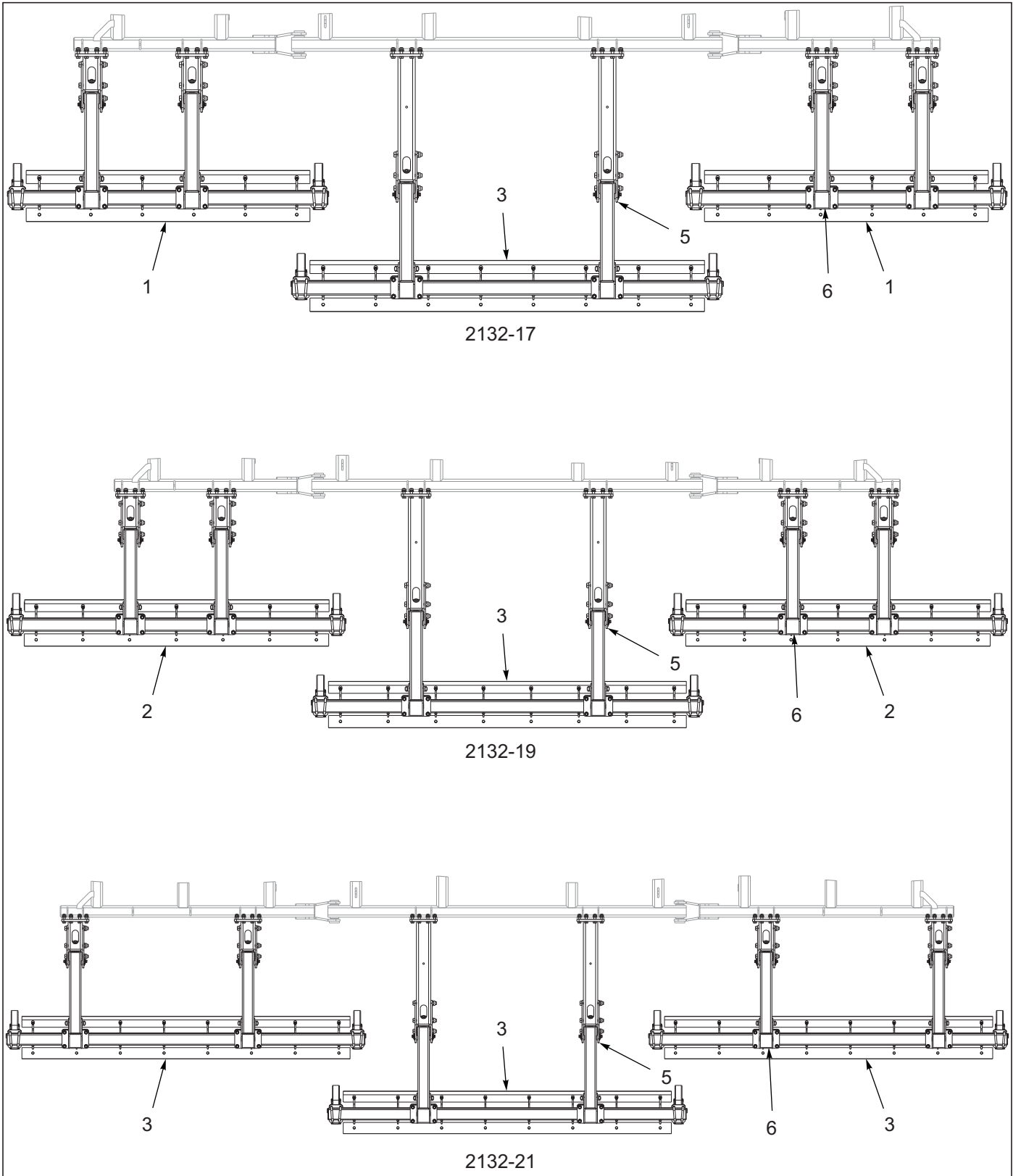


Figure 1-53: Hyd Chopper Reel Layout (1 of 2)

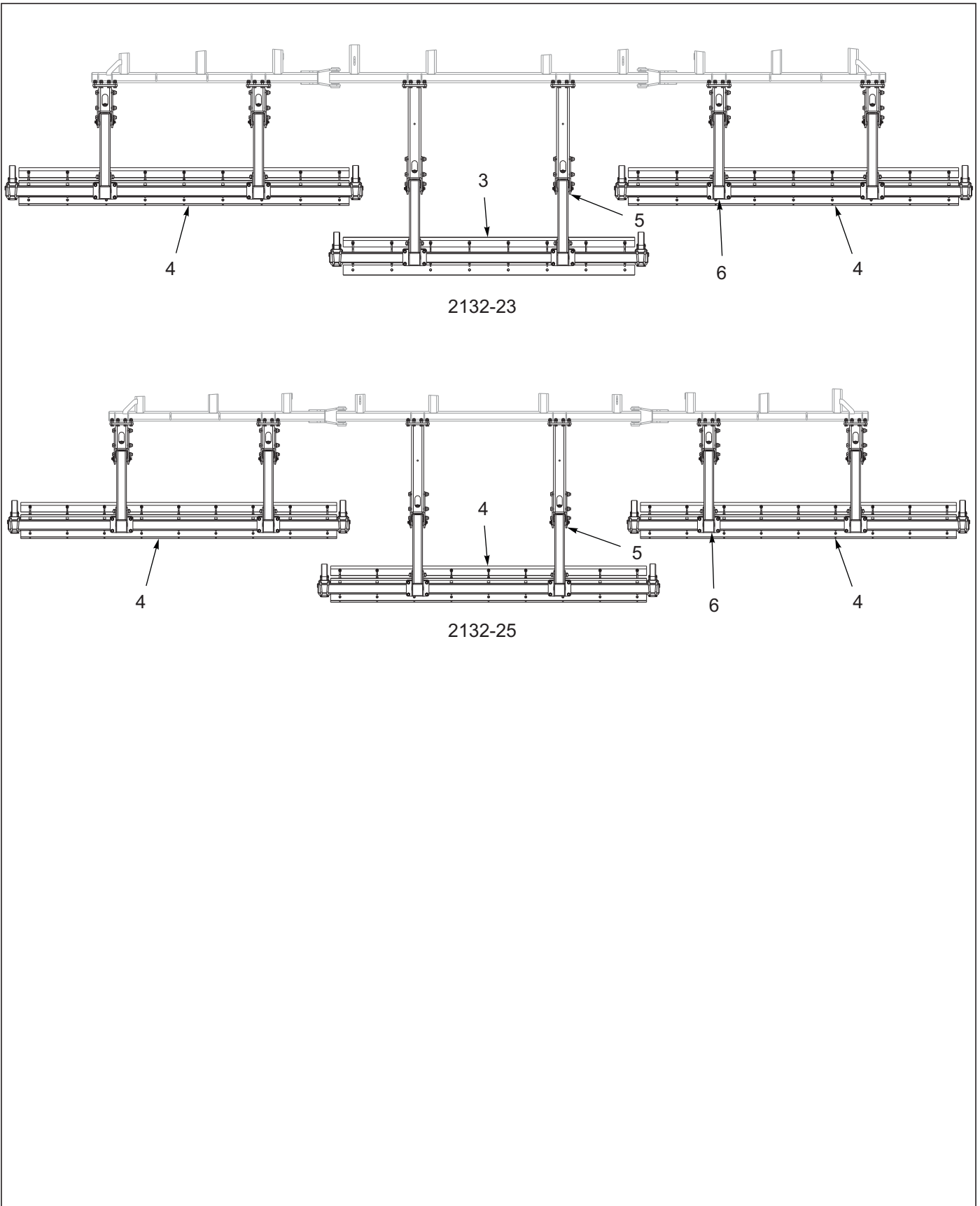


Figure 1-54: Hyd Chopper Reel Layout (2 of 2)

**ILLUSTRATED PARTS LIST**

**Hyd Chopper Reel Layout**

ITEM	PART NO.	DESCRIPTION	QTY.					
--	231373	HYD, CHOPPER REEL 2132-17	*					
--	231374	HYD, CHOPPER REEL 2132-19		*				
--	231375	HYD, CHOPPER REEL 2132-21			*			
--	231376	HYD, CHOPPER REEL 2132-23				*		
--	231377	HYD, CHOPPER REEL 2132-25					*	
1	154407	REEL/GANGBAR ASSY 82" <b>(SEE PAGE 1-103)</b>	2	--	--	--	--	--
2	172529	REEL/GANGBAR - 97" ASSY <b>(SEE PAGE 1-103)</b>	--	2	--	--	--	--
3	154410	REEL/GANGBAR ASSY 114" <b>(SEE PAGE 1-103)</b>	1	1	3	1	--	
4	155595	CHOPPER-REEL/GANGBAR ASSY 129" <b>(SEE PAGE 1-103)</b>	--	--	--	2	3	
5	231367	HYD ASSY, CHOPPER ARM LONG <b>(SEE PAGE 1-99)</b>	2	2	2	2	2	
6	231368	HYD ASSY, CHOPPER ARM SHORT <b>(SEE PAGE 1-101)</b>	4	4	4	4	4	





ILLUSTRATED PARTS LIST

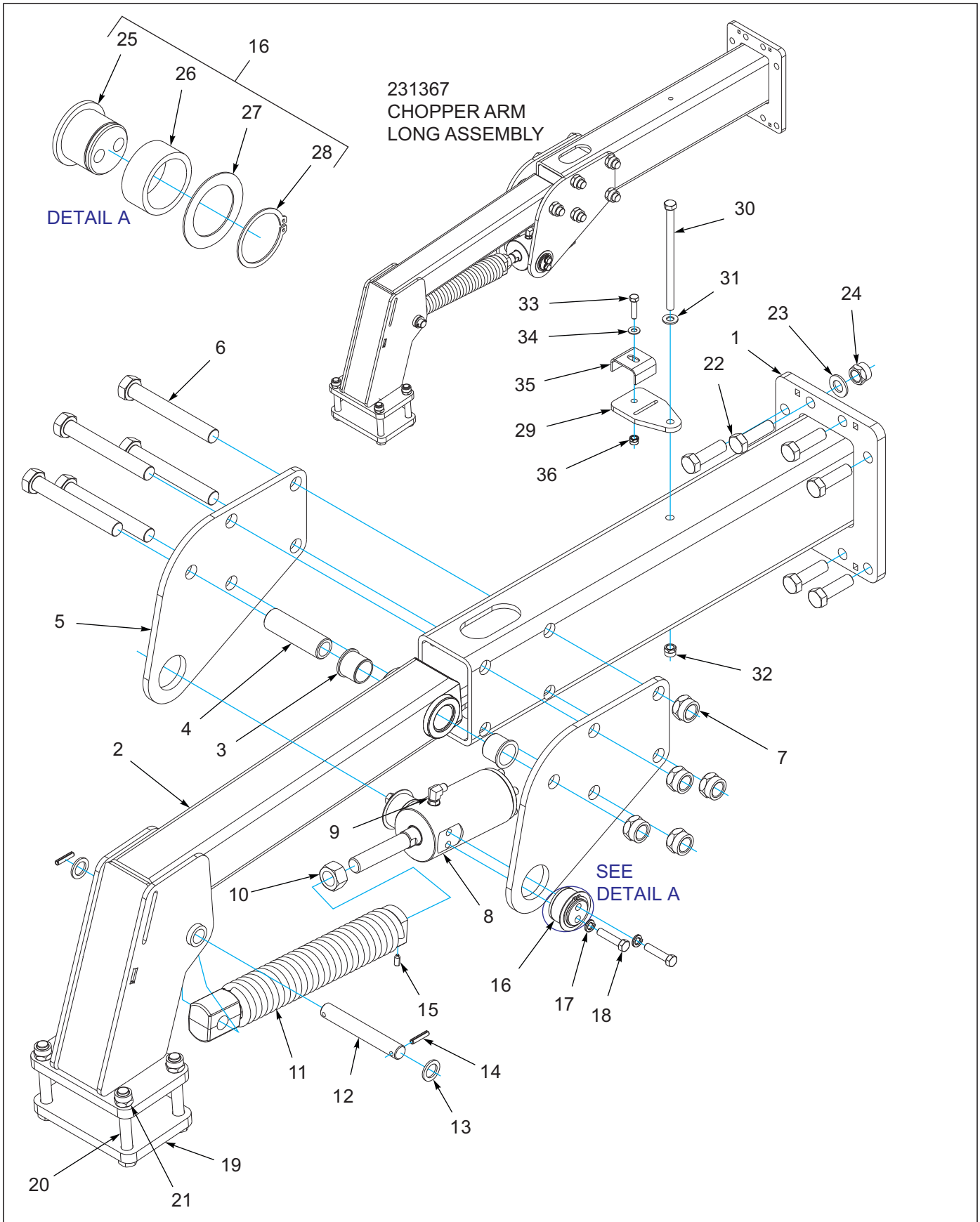


Figure 1-55: Hyd Chopper Arm Long Assembly

## Hyd Chopper Arm Long Assembly

ITEM	PART NO.	DESCRIPTION	QTY.
--	231367	HYD ASSY, CHOPPER ARM LONG <b>(INCLUDES ITEMS 1-21)</b>	
1	229993	ARM, CHOPPER LONG WLDMT	1
2	170851	ARM WLDMT REEL	1
3	140599	BEARING, FLANGE 1-1/2"	2
4	170852	BUSHING, PIVOT - 5	1
5	223473	PLATE, SPRING MOUNT	2
6	100856	SCREW,HHCS,1-8X7-1/2 GR5	5
7	1-512-010005-19	NUT 1-8 HEX SLF-LOCKING GRB	5
8	206672	CYL ASM 2-1/2X3-1/2ST1-1/8THDS <b>(SEE PAGE 1-56)</b>	1
9	2062-6-6S	ADAPTER, 90, #6SAE X #6 JIC	1
10	206675	NUT, 1-1/8 -12 UNF, Z/P GR 2	1
11	206652	SPRING ASSY 17" 1-1/8 THD	1
12	172526	PIN PIVOT	1
13	117957	MACHINERY BUSHING,ZINC PLATED	2
14	1-647-010004236	SPRING PIN,SLOTTED 5/16X1-1/2	2
15	1P444	SET SCREW, 3/8-16 X 3/4 NYLON	1
16	198321	ASSY, TRUNION MOUNT 1-5/8" <b>(INCLUDES ITEMS 25-28)</b>	2
17	1-861-010034-13	WASHER, LKG HLCL SPR, 1/2	4
18	169690	SCREW HXCP1/2-13UNCX2-1/4 G5	4
19	170862	PLATE, GANGBAR MOUNT	1
20	1-654-010087-16	SCREW,HEX CAP,3/4-16X5.50 GR8	5
21	1-512-010002-16	NUT,3/4-16 HEX,SLFLKG, GRC	5
22	104483	SCREW 3/4-10X2-1/2 HXCP ZPGR8	8
23	1-861-010032-20	WASHER, FLAT,3/4 N ZP/CD	8
24	1-512-010005-15	NUT,HEX,SLFLKG GRB 3/4-10	8
25	188528	TRUNION, CYLINDER	1
26	188531	TRUNION, BEARING	1
27	109895	WASHER,3ODX2-1/16X14GA	1
28	188530	SNAP RING, 2 SHAFT	1
29	225198	PLATE, HOSE MOUNT	1
30	1-654-010055-22	SCREW HEX CAP 1/2-13X8-1/2	1
31	1-861-010032-14	WASHER, FLAT 1/2" N ZP/CD	1
32	1-512-010005-09	NUT,HEX,SLFLKG, 1/2-13 GRB	1
33	1-654-010051-07	SCREW,HEX CAP,3/8-16UNCX1-1/2	1
34	1-861-010032-10	WASHER, FLAT 3/8" N ZP/CD	1
35	2-181-010001	HOSE CLAMP	1
36	1-512-010005-05	NUT, HEX, SLFLKG GRB 3/8-16	1

ILLUSTRATED PARTS LIST

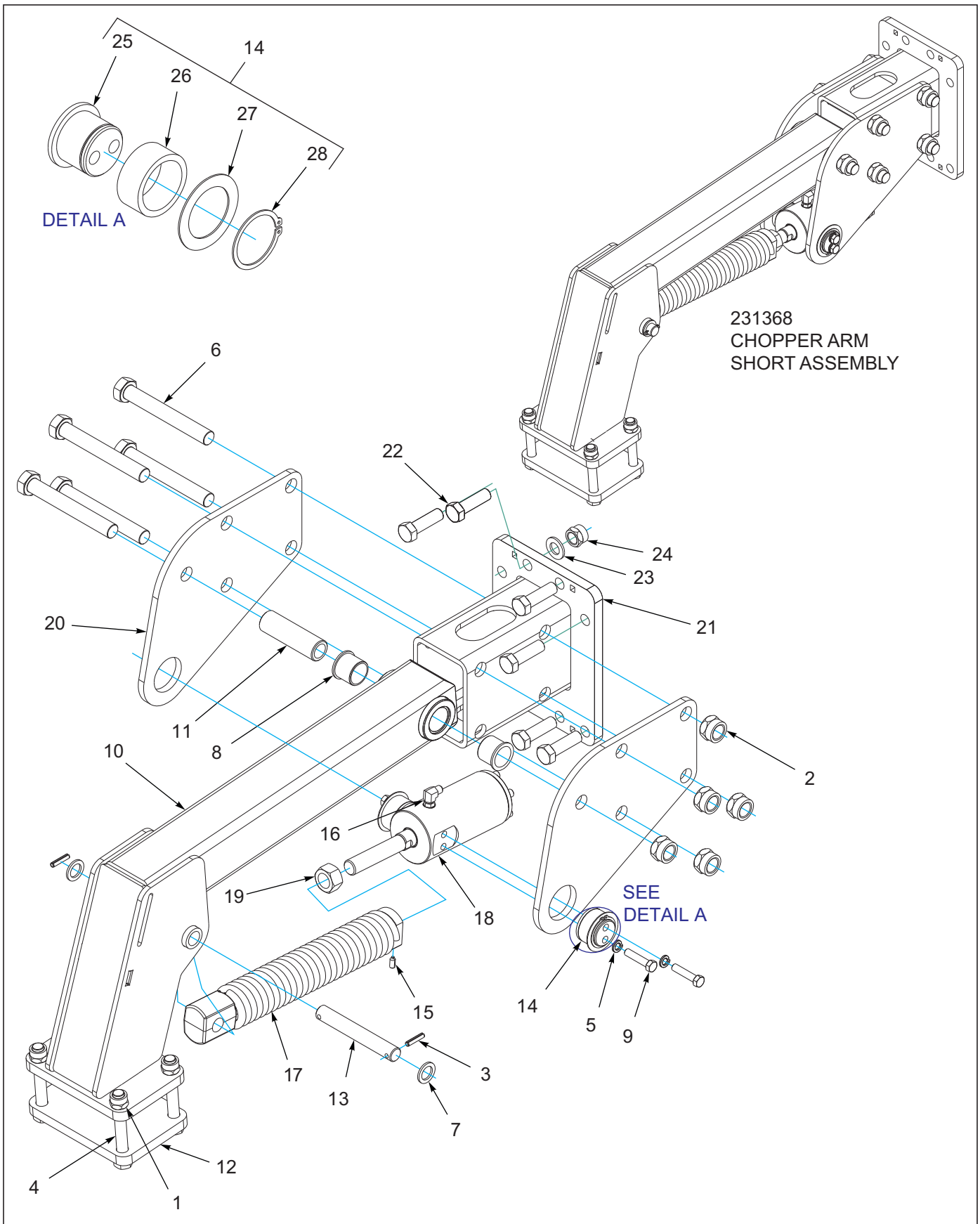


Figure 1-56: Hyd Chopper Arm Short Assembly

## Hyd Chopper Arm Short Assembly

ITEM	PART NO.	DESCRIPTION	QTY.
--	231368	HYD ASSY, CHOPPER ARM SHORT <b>(INCLUDES ITEMS 1-21)</b>	
1	1-512-010002-16	NUT,3/4-16 HEX,SLFLKG, GRC	5
2	1-512-010005-19	NUT 1-8 HEX SLF-LOCKING GRB	5
3	1-647-010004236	SPRING PIN,SLOTTED 5/16X1-1/2	2
4	1-654-010087-16	SCREW,HEX CAP,3/4-16X5.50 GR8	5
5	1-861-010034-13	WASHER, LKG HLCL SPR, 1/2	4
6	100856	SCREW,HHCS,1-8X7-1/2 GR5	5
7	117957	MACHINERY BUSHING,ZINC PLATED	2
8	140599	BEARING, FLANGE 1-1/2"	2
9	169690	SCREW HXCP1/2-13UNCX2-1/4 G5	4
10	170851	ARM WLDMT REEL	1
11	170852	BUSHING, PIVOT - 5	1
12	170862	PLATE, GANGBAR MOUNT	1
13	172526	PIN PIVOT	1
14	198321	ASSY, TRUNION MOUNT 1-5/8" <b>(INCLUDES ITEMS 25-28)</b>	2
15	1P444	SET SCREW, 3/8-16 X 3/4 NYLON	1
16	2062-6-6S	ADAPTER, 90, #6SAE X #6 JIC	1
17	206652	SPRING ASSY 17" 1-1/8 THD	1
18	206672	CYL ASM 2-1/2X3-1/2ST1-1/8THDS <b>(SEE PAGE 1-56)</b>	1
19	206675	NUT, 1-1/8 -12 UNF, Z/P GR 2	1
20	223473	PLATE, SPRING MOUNT	2
21	229994	ARM, CHOPPER SHORT WLDMT	1
22	104483	SCREW 3/4-10X2-1/2 HXCP ZPGR8	8
23	1-861-010032-20	WASHER, FLAT,3/4 N ZP/CD	8
24	1-512-010005-15	NUT,HEX,SLFLKG GRB 3/4-10	8
25	188528	TRUNION, CYLINDER	1
26	188531	TRUNION, BEARING	1
27	109895	WASHER,3ODX2-1/16X14GA	1
28	188530	SNAP RING, 2 SHAFT	1

ILLUSTRATED PARTS LIST

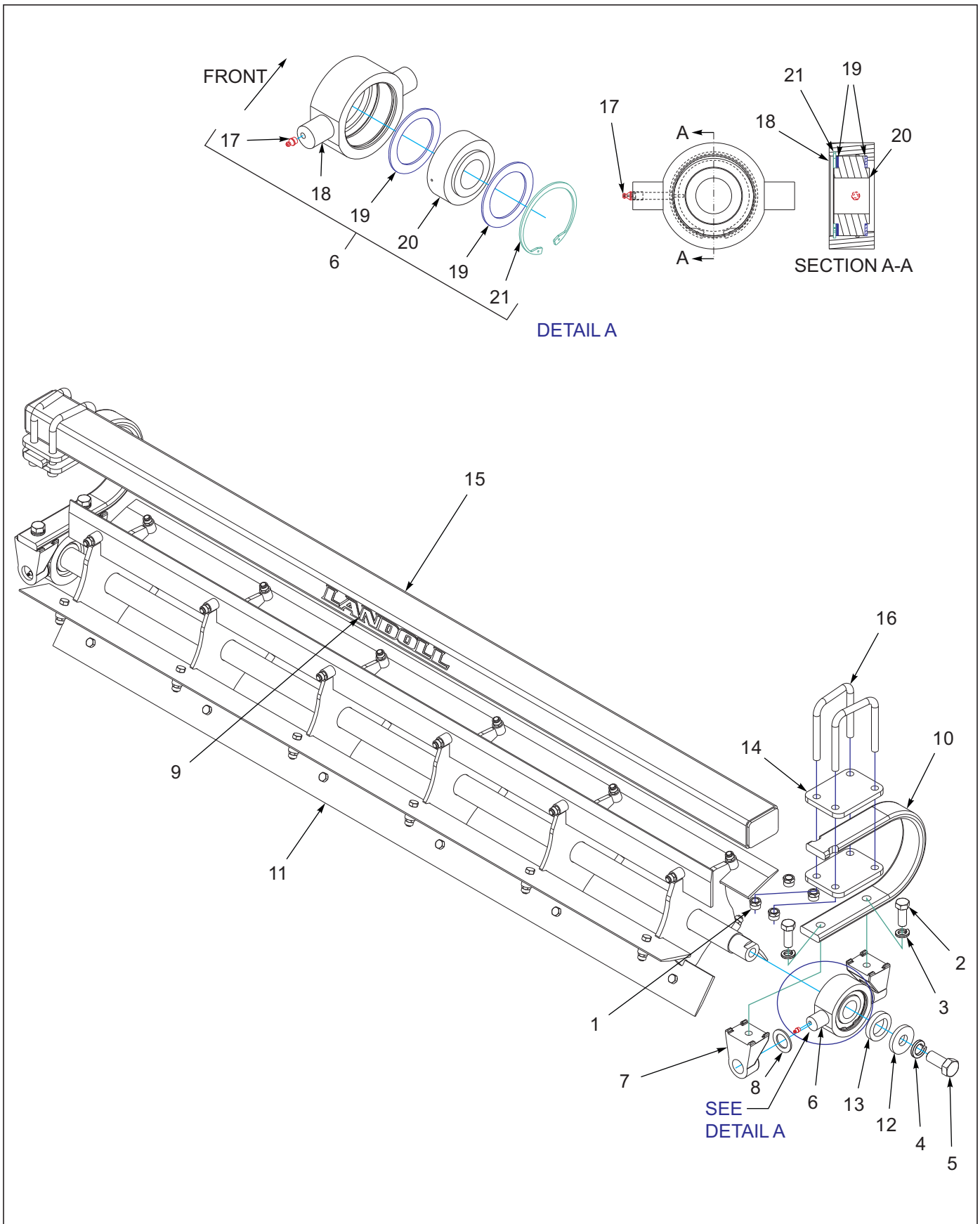


Figure 1-57: Reel/Gangbar Assembly

## Reel/Gangbar Assembly

ITEM	PART NO.	DESCRIPTION	QTY.			
--	154407	REEL/GANGBAR ASSY 82"	*			
--	172529	REEL/GANGBAR - 97" ASSY		*		
--	154410	REEL/GANGBAR ASSY 114"			*	
--	155595	CHOPPER-REEL/GANGBAR ASSY 129"				*
1	1-512-010005-13	NUT,HEX SLFLKG GRB 5/8-11	8	8	8	8
2	1-654-010032-05	SCREW HEX CAP 3/4-10X2 GR8	4	4	4	4
3	1-861-010034-17	WASHER,LKG,HLCL SPR,3/4	4	4	4	4
4	1-861-010034-21	WASHER, LKG HEL SPRG 1IN	2	2	2	2
5	137943	SCREW,HEX CAP 1-8UNCX2-1/4GR5	2	2	2	2
6	140477	BEARING, DISC 1.775 ID ASSY <b>(INCLUDES ITEMS 17-21)</b>	2	2	2	2
7	140479	MOUNT, TRUNNION	4	4	4	4
8	140480	WASHER, TRUNNION	2	2	2	2
9	148337	ATTACHMENT DECAL, LANDOLL	1	1	1	1
10	153716	SHANK, STRAIGHT 3/4 X 2-1/2	2	2	2	2
11	154181	REEL ASSY, 82" BLADE	1	--	--	--
11	172528	REEL ASSY 97" BLADE	--	1	--	--
11	154182	REEL ASSY, 114" BLADE	--	--	1	--
11	155592	REEL ASSY 129" BLADE	--	--	--	1
12	154185	WASHER 3/8 THICK 1" ID	2	2	2	2
13	154186	WASHER FLAT TOP	2	2	2	2
14	154393	PLATE SHANK MOUNT	4	4	4	4
15	154656	GANGBAR,92" REEL 82" WLDMT	1	--	--	--
15	155544	GANGBAR WLDMT 107" REEL 97"	--	1	--	--
15	154659	GANGBAR, 124" REEL 114" WLDMT	--	--	1	--
15	155594	GANGBAR, 139" REEL 129" WLDMT	--	--	--	1
16	6-102-010009	U-BOLT RIGID GA WHEEL	4	4	4	4
17	5000	ZERK FITTING 1/8NPT	1	1	1	1
18	140475	CASTING, TRUNNION	1	1	1	1
19	140473	WASHER, BEARING	2	2	2	2
20	140464	BEARING, DISC 1.775 ID	1	1	1	1
21	140476	INTERNAL RETAINING RING	1	1	1	1

ILLUSTRATED PARTS LIST

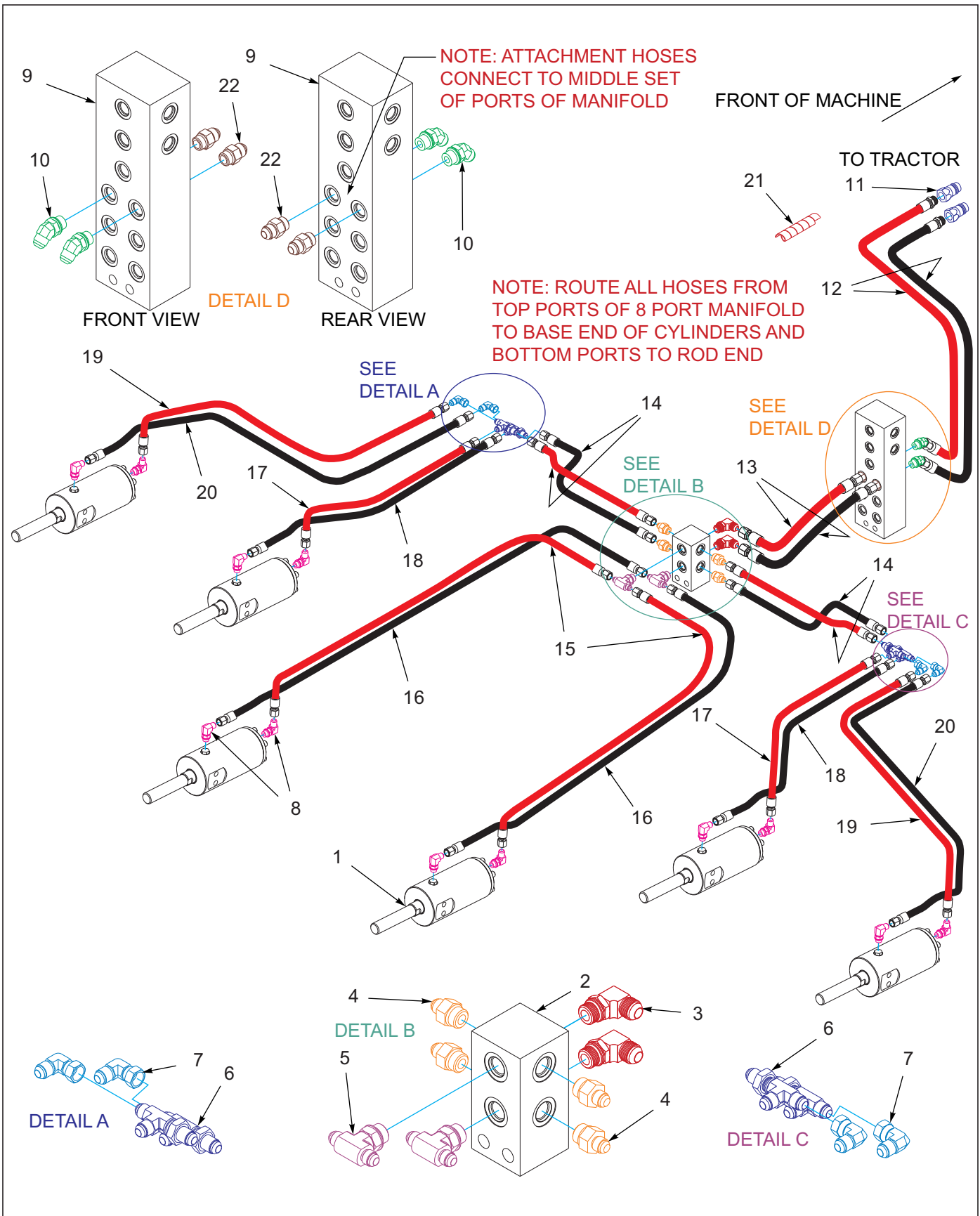


Figure 1-58: Chopper Reel Hydraulic Assembly



## Chopper Reel Hydraulic Assembly

ITEM	PART NO.	DESCRIPTION	QTY.
1	206672	CYL ASM 2-1/2X3-1/2ST1-1/8THDS	6
2	2-474-010022	MANIFOLD HYDRAULIC, 8 HOSE	1
3	2062-8-8S	ADAPTER, 90, #8 O-RING-TUBE	2
4	202702-8-6S	ADAPTER #8 O-RING TO #6 TUBE	6
5	139347	ADT TEE #6 JIC X #8 O-RING	2
6	162569	TEE,#6 JIC BULKHD RUN, W/NUT	4
7	102-0031	ADAPTER,90 JIC SWIVEL #6	4
8	2062-6-6S	ADAPTER, 90, #6SAE X #6 JIC	12
9	229878	MANIFOLD ASSY	1
10	2061-8-8S	ADAPTER, 45, #8 O-RING-TUBE	2
11	141828	COUPLER,MALE 3/4-16 O-RING	2
12	141865	HOSE ASSY 3/8X204 #8JICX#8 O/R	2
13	116436	HOSE ASSY, 3/8X255 #8 JIC SW	2
14	7779-84	HOSE HYD 1/4 X 84	4
15	7779-72	HOSE HYD 1/4 X 72	2
16	7779-78	HOSE HYD 1/4 X 78	2
17	71509008	HOSE ASM 1/4 X40	2
18	71500165	HOSE, .25 X 46 IN.	2
19	173000	HOSE ASSY, 1/4 X 68 #6 JIC STR ( <b>MODELS 2132-17-19</b> )	2
19	172978	HOSE ASSY, 1/4 X 94 #6 JIC STR ( <b>MODELS 2132-21-23-25</b> )	2
20	228264	HOSE ASSY, 1/4X73#6JIC STR ( <b>MODELS 2132-17-19</b> )	2
20	225093	HOSE ASSY, 1/4X100#6 JIC STR ( <b>MODELS 2132-21-23-25</b> )	2
21	172973	HOSE WRAP, RED	2
22	202702-8-8S	ADAPTER #8 O-RING TO #8 TUBE	2

# Rear Tow Hitch

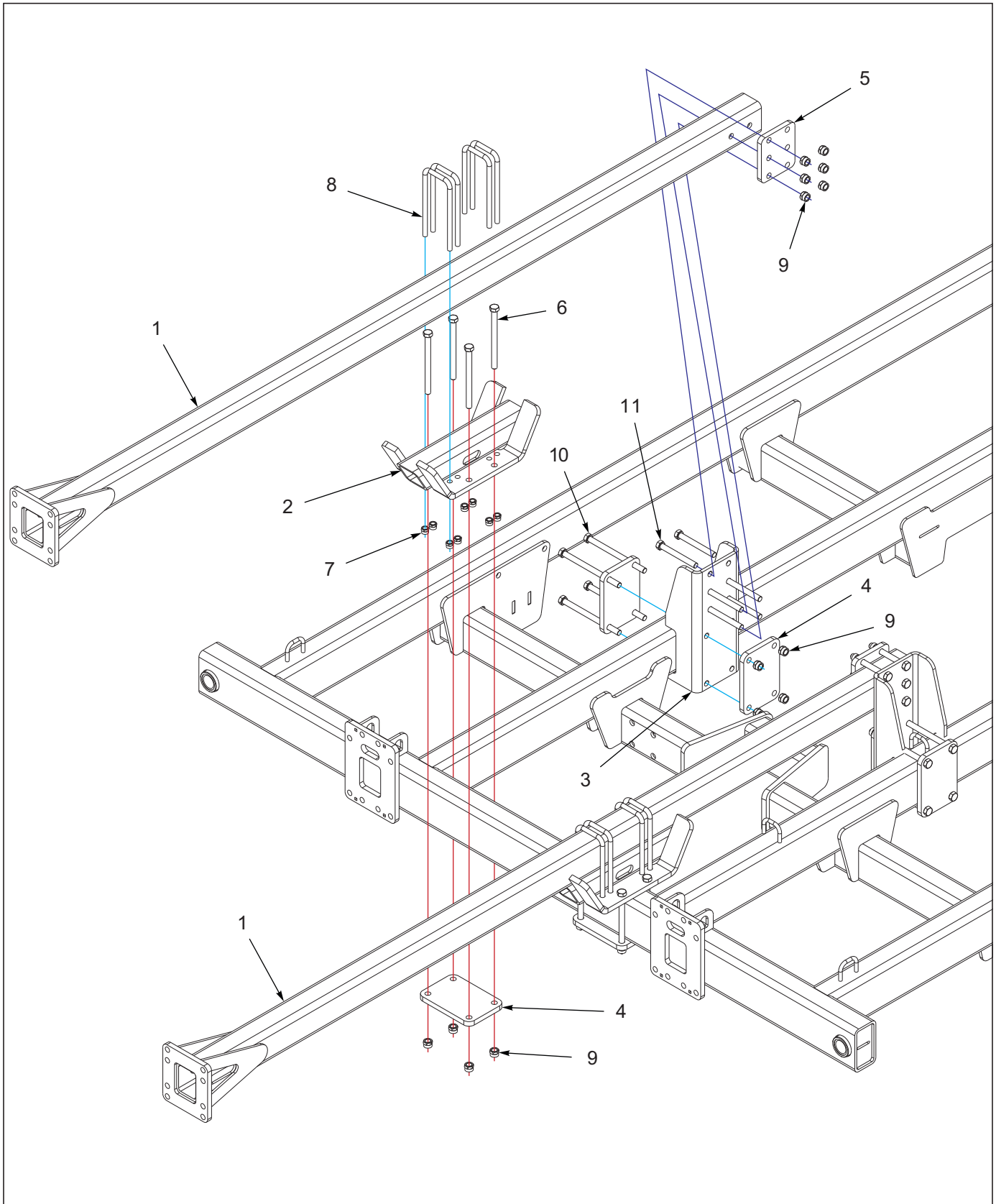


Figure 1-59: Rear Tow Hitch Assembly (1 of 2)

## Rear Tow Hitch Assembly (1 of 2)

ITEM	PART NO.	DESCRIPTION	QTY.	
--	231360	ASSY, SHORT REAR TOW, HYD 2100	*	
--	231362	ASSY, LONG REAR TOW, HYD 2100		*
1	231358	HITCH TUBE, SHORT WLDMT <b>(SHOWN)</b>	2	--
1	231348	HITCH TUBE, LONG WLDMT	--	2
2	231357	MOUNT, HITCH WLDMT	2	2
3	231349	PLATE, CLAMP TOW HITCH	2	2
4	231355	PLATE, HITCH	6	6
5	231356	PLATE, CLAMP	2	2
6	3/4-10X9-1/2CS8	SCREW,CAP HEX HEAD GR8	8	8
7	1-512-010005-13	NUT,HEX SLFLKG GRB 5/8-11	16	16
8	158841	U-BOLT,5/8X4-11/16X10-3/4	8	8
9	1-512-010005-15	NUT,HEX,SLFLKG GRB 3/4-10	28	28
10	126235	SCREW HEX 3/4-10UNCX10-1/2GR5	8	8
11	120876	SCREW,HEXCAP,3/4-10X6-1/2 GR8	8	8

ILLUSTRATED PARTS LIST

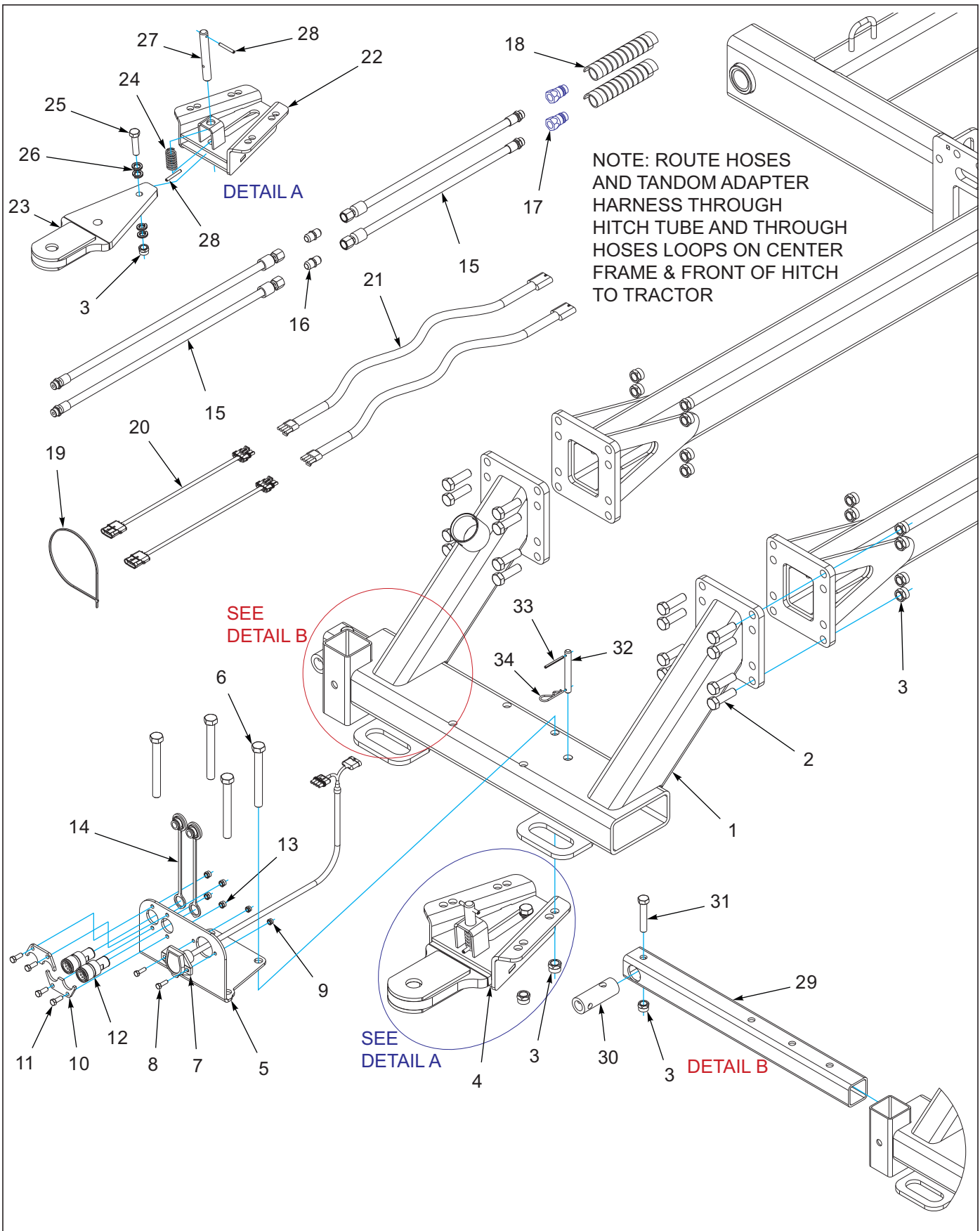


Figure 1-60: Rear Tow Hitch Assembly (2 of 2)

## Rear Tow Hitch Assembly (2 of 2)

ITEM	PART NO.	DESCRIPTION	QTY.
1	231337	HITCH, REAR WLDMT	1
2	104483	SCREW 3/4-10X2-1/2 HXCP ZPGR8	16
3	1-512-010005-15	NUT,HEX,SLFLKG GRB 3/4-10	15
4	197742	HITCH ASSY, REAR TOW <b>(INCLUDES ITEMS 3, 22-28)</b>	1
5	231353	MOUNT, HITCH HYD	1
6	120876	SCREW,HEXCAP,3/4-10X6-1/2 GR8	4
7	143871	HARNESS, TANDEM ADAPTER	1
8	1-654-010049-05	SCREW HX CP 5/16-18UNCX1 GR5	2
9	1-512-010005-03	NUT HEX SLFLKG GRB 5/16-18	2
10	212826	MOUNT, COUPLERS	2
11	1-654-010051-05	SCREW,HEX CAP 3/8-16UNCX1 GR5	4
12	142668	COUPLER FEMALE 3/4-16 O-RING	2
13	1-512-010005-05	NUT, HEX, SLFLKG GRB 3/8-16	4
14	142669	PLUG, COUPLER DUST	2
15	165335	HOSE ASY3/8X290 #8JICX#8 O/R <b>(USED WITH 231360 SHORT REAR TOW HITCH ASSEMBLY)</b>	4
15	211320	HOSE ASSY,3/8 X 300,8FJSX8MOR <b>(USED WITH 231362 LONG REAR TOW HITCH ASSEMBLY)</b>	4
16	148338	FITTING, UNION SAE 37 8X8	2
17	141828	COUPLER,MALE 3/4-16 O-RING	2
18	155530	HOSE WRAP, BLACK 1" ID X 8"	2
19	105874	TIE,STRAP PLSTC 21.5-24X.301	10
20	166299	HARNESS, 96 INCH EXT	2
21	2-368-010273	HARNESS, 34 INCH EXT	2
22	197743	MOUNT WLDMT REAR TOW HITCH	1
23	197746	HITCH WLDMT, REAR TOW RIGID	1
24	162191	SPRING, COMP 1.218 X 2.5	1
25	1-654-010061-09	SCREW HX CP 3/4-10UNCX3 GR5	1
26	1-861-010034-17	WASHER,LKG,HLCL SPR,3/4	4
27	168773	PIN REAR TOW HITCH	1
28	1-647-010004240	PIN,SPRING,SLOTTED,5/16X2-1/2	2
29	212827	TUBE, REAR JACK	1
30	156957	TUBE JACK MOUNT	1
31	1-654-010061-13	SCREW,HX CP 3/4-10UNCX4 GR5	1
32	2-557-010409	PIN, WING LOCK	1
33	0600-250-03000	1/4X3 ROLL PIN ZP	1
34	1-557-010013	PIN, HAIR 3/16 DIA	1



**Numerics**

0600-250-03000 .....	1-18, 1-109	120876 .....	1-107, 1-109
100000328 .....	1-46	122709 .....	1-33
1-007-010025 .....	1-37, 1-39, 1-41, 1-43	122726 .....	1-25, 1-27
100808 .....	1-11	122911 .....	1-43
100825 .....	1-11	122917 .....	1-6
100827 .....	1-33	124971 .....	1-29
100856 .... 1-69, 1-71, 1-77, 1-81, 1-91, 1-93, 1-99, 1-101		125566 .....	1-52, 1-54
100941 .....	1-3	125872 .....	1-37
101385 .....	1-17	126235 .....	1-107
102-0031 .....	1-85, 1-105	1-298-010001-1 .....	1-12, 1-14
102209 .....	1-3	130052 .....	1-17
102498 .....	1-23	135912 .....	1-44, 1-45
102600 .....	1-17, 1-23	137304 .....	1-44
102604 .....	1-21, 1-23	137598 .....	1-43
103153 .....	1-44	137702 .....	1-44
104358 .....	1-3	137931 .....	1-14
104483 .... 1-69, 1-71, 1-77, 1-81, 1-91, 1-93, 1-99, 1-101, 1-109		137943 .....	1-103
105874 .....	1-59, 1-109	139139 .....	1-14
108628 .....	1-6	139347 .....	1-85, 1-105
109895 .....	1-71, 1-77, 1-81, 1-99, 1-101	1-397-010301030 .....	1-37
111392 .....	1-18	140464 .....	1-30, 1-103
111789 .... 1-44, 1-45, 1-46, 1-48, 1-50, 1-52, 1-54		140469 .....	1-29
111871 .....	1-50	140472 .....	1-17, 1-39, 1-41, 1-46
111880 .....	1-46	140472M .....	1-39, 1-41, 1-47
111962 .....	1-23	140473 .....	1-30, 1-103
114911 .....	1-25, 1-27	140475 .....	1-30, 1-103
114987 .....	1-25	140476 .....	1-30, 1-103
116100 .....	1-5, 1-17	140477 .....	1-29, 1-103
116436 .....	1-85, 1-105	140479 .....	1-29, 1-103
117163 .....	1-37, 1-43	140480 .....	1-29, 1-103
117957 .... 1-69, 1-71, 1-77, 1-81, 1-91, 1-93, 1-99, 1-101		140483 .....	1-29
		140484 .....	1-29
		140487 .....	1-29
		140519 .....	1-5, 1-17
		140533 .....	1-3

## TABLE OF CONTENTS

### INDEX

---

140599	1-11, 1-69, 1-71, 1-77, 1-81, 1-91, 1-93, 1-99, 1-101	144449	1-25, 1-33
140647	1-9, 1-13	144451	1-25
141154	1-29	144457	1-25, 1-33
141209	1-5, 1-17	144458	1-25, 1-27
141234	1-5, 1-17	144461	1-25
141249	1-9	144493	1-9, 1-11
141250	1-13	144522	1-29
141251	1-25	144533	1-29
141259	1-63	144536	1-29
141260	1-63	145173	1-25
141269	1-33	145179	1-29
141301	1-45, 1-48, 1-50	145196	1-33
1413183	1-41	145199	1-29
141597	1-63	145201	1-33, 1-43, 1-48
141826	1-39, 1-41, 1-43	145201M	1-43, 1-49
141828	1-37, 1-39, 1-41, 1-43, 1-85, 1-105, 1-109	145202	1-33, 1-43, 1-50
141865	1-39, 1-41, 1-43, 1-85, 1-105	145202M	1-43, 1-51
141883	1-43	145203	1-33, 1-43, 1-52
141889	1-37	145203M	1-43, 1-53
142109	1-45, 1-48	145204	1-33, 1-43, 1-54
142110	1-48, 1-50	145204M	1-43, 1-55
142112	1-48, 1-50	145209	1-29, 1-35
142113	1-46	145210	1-29, 1-35
142114	1-48	145211	1-29, 1-35
142116	1-50	145212	1-29, 1-35
142119	1-45, 1-46	145214	1-29, 1-35
142120	1-46	145217	1-29, 1-35
142194	1-13	145218	1-29, 1-35
142668	1-109	145231	1-29, 1-35
142669	1-109	145232	1-29, 1-35
142753	1-3	145233	1-29, 1-35
143853	1-37	145234	1-29, 1-35
143871	1-109	145236	1-29, 1-35
143994	1-48, 1-50, 1-52, 1-54	146733	1-17
144048	1-6	146824	1-5, 1-37, 1-44
144115	1-9, 1-11, 1-33	146825	1-17, 1-37, 1-45
144193	1-63	147070	1-3
		147072	1-47



147123 .....	1-39, 1-41	1-512-010005-09 . . .	1-3, 1-5, 1-17, 1-29, 1-33, 1-59, 1-69, 1-71, 1-77, 1-81, 1-83, 1-99
147134 .....	1-3	1-512-010005-13 . .	1-3, 1-5, 1-17, 1-27, 1-59, 1-103, 1-107
147536 .....	1-29, 1-35	1-512-010005-15	1-3, 1-5, 1-9, 1-17, 1-25, 1-27, 1-29, 1-69, 1-71, 1-77, 1-81, 1-91, 1-93, 1-99, 1-101, 1-107, 1-109
147537 .....	1-29, 1-35	1-512-010005-19 . .	1-9, 1-11, 1-25, 1-33, 1-69, 1-71, 1-77, 1-81, 1-91, 1-93, 1-99, 1-101
147538 .....	1-29, 1-35	1-512-010007-07 .....	1-9
147539 .....	1-29, 1-35	1-512-010007-14 .....	1-69, 1-71, 1-91, 1-93
147540 .....	1-29, 1-35	1-512-010007-16 .....	1-11
147541 .....	1-29, 1-35	1-516-010001-20 .....	1-21, 1-23
147542 .....	1-29, 1-35	152210 .....	1-69, 1-71, 1-91, 1-93
147543 .....	1-29, 1-35	152251 .....	1-30
147582 .....	1-41	153620 .....	1-43
147745 .....	1-48	153631 .....	1-25, 1-27
147748 .....	1-50	153696 .....	1-9
147755 .....	1-44, 1-45	153716 .....	1-103
148085 .....	1-52	154181 .....	1-103
148087 .....	1-52, 1-54	154182 .....	1-103
148088 .....	1-52, 1-54	154185 .....	1-103
148089 .....	1-52	154186 .....	1-103
148092 .....	1-54	154393 .....	1-103
148094 .....	1-54	154407 .....	1-66, 1-74, 1-88, 1-96, 1-103
148097 .....	1-45	154410 .....	1-66, 1-74, 1-88, 1-96, 1-103
148100 .....	1-45	154656 .....	1-103
148104 .....	1-44	154659 .....	1-103
148106 .....	1-44	154993 .....	1-83
148298 .....	1-29, 1-35	154994 .....	1-83
148299 .....	1-29, 1-35	154995 .....	1-83
148337 .....	1-103	154997 .....	1-83
148338 .....	1-109	154998 .....	1-83
148382 .....	1-17	155005 .....	1-83
150244 .....	1-27	155523 .....	1-63
150266 .....	1-33	155528 .....	1-37
150273 .....	1-37	155529 .....	1-39, 1-41
1-510-010003-09 .....	1-83	155530 .....	1-43, 1-109
1-512-010002-16	1-69, 1-71, 1-77, 1-81, 1-91, 1-93, 1-99, 1-101	155544 .....	1-103
1-512-010005-01 .....	1-3, 1-9, 1-59		
1-512-010005-03 .....	1-5, 1-109		
1-512-010005-05 .....	1-5, 1-9, 1-99, 1-109		

## TABLE OF CONTENTS

### INDEX

---

155592	1-103	164563	1-5
155594	1-103	1-647-010004221	1-14, 1-49, 1-51, 1-53, 1-55
155595	1-66, 1-74, 1-88, 1-96, 1-103	1-647-010004236	1-69, 1-71, 1-77, 1-81, 1-91, 1-93, 1-99, 1-101
1-557-010013	1-18, 1-69, 1-71, 1-77, 1-81, 1-109	1-647-010004240	1-5, 1-17, 1-69, 1-71, 1-77, 1-81, 1-109
1-557-010362-51	1-21, 1-23	1-647-010004257	1-29
1-557-010403	1-3	165257	1-5
155716	1-17	165258	1-6
155927	1-83	165259	1-6
155956	1-3, 1-83	165260	1-6
155971	1-83	165265	1-5
156010	1-63	165286	1-5
156383	1-33	165335	1-109
156778	1-83	1-654-010032-05	1-103
156950	1-9	1-654-010032-09	1-29
156957	1-109	1-654-010047-06	1-3, 1-9, 1-59
156973	1-23	1-654-010047-08	1-59
156979	1-23	1-654-010049-05	1-109
157011	1-33	1-654-010051-05	1-109
157012	1-33	1-654-010051-06	1-5
1-573-010006	1-63	1-654-010051-07	1-77, 1-99
158279	1-33	1-654-010051-15	1-9
158299	1-69, 1-71, 1-77, 1-81	1-654-010055-09	1-59, 1-83
158795	1-69, 1-71, 1-91, 1-93	1-654-010055-13	1-3
158841	1-107	1-654-010055-14	1-3, 1-83
158896	1-69, 1-71, 1-91, 1-93	1-654-010055-15	1-17, 1-33, 1-69, 1-71, 1-77, 1-81
159569	1-43	1-654-010055-16	1-5
160199	1-69, 1-71, 1-91, 1-93	1-654-010055-20	1-59
160693	1-37	1-654-010055-22	1-69, 1-77, 1-99
162191	1-109	1-654-010059-07	1-5
162569	1-85, 1-105	1-654-010059-15	1-3, 1-17
1-630-010021-03	1-6	1-654-010059-17	1-3
164138	1-59	1-654-010061-05	1-5, 1-9, 1-17
164139	1-59	1-654-010061-09	1-109
164140	1-59	1-654-010061-13	1-25, 1-27, 1-109
164142	1-3	1-654-010061-15	1-25
164501	1-5	1-654-010061-16	1-5
164533	1-17		
164539	1-17		

1-654-010070-02	1-83	171081	1-56
1-654-010070-04	1-29	171107	1-21
1-654-010070-11	1-83	171394	1-69, 1-77, 1-81
1-654-010070-13	1-83	171421	1-83
1-654-010070-14	1-83	171427	1-69, 1-71, 1-77, 1-81
1-654-010087-16	1-69, 1-71, 1-77, 1-81, 1-91, 1-93, 1-99, 1-101	171556	1-5
1-654-010125-22	1-9	171771	1-21
166299	1-109	171772	1-21
166717	1-6	171773	1-5, 1-21
167617	1-17	172477	1-66, 1-74, 1-83
167646	1-27	172526	1-69, 1-71, 1-77, 1-81, 1-91, 1-93, 1-99, 1-101
168773	1-109	172528	1-103
168859	1-23	172529	1-66, 1-74, 1-88, 1-96, 1-103
169690	1-77, 1-81, 1-99, 1-101	172894	1-9
169727	1-5	172900	1-59
169749	1-5	172973	1-85, 1-105
170291	1-5, 1-17	172978	1-85, 1-105
170302	1-21	172979	1-85
170310	1-21	172982	1-25, 1-27
170704	1-5, 1-21	173000	1-105
170705	1-21	174404	1-9
170735	1-83	174435	1-59
170787	1-69, 1-71, 1-77, 1-81	174436	1-59
170844	1-69, 1-71, 1-77, 1-81	174437	1-59
170851	1-69, 1-71, 1-77, 1-81, 1-91, 1-93, 1-99, 1-101	174438	1-59
170852	1-69, 1-71, 1-77, 1-81, 1-91, 1-93, 1-99, 1-101	174439	1-59
170857	1-69, 1-71, 1-77, 1-81	174708	1-6
170862	1-69, 1-71, 1-77, 1-81, 1-91, 1-93, 1-99	174709	1-6
170864	1-66, 1-74, 1-83	174732	1-3, 1-25, 1-27
170865	1-66, 1-74, 1-83	174740	1-25
170870	1-83	174741	1-25
171011	1-17	174749	1-3, 1-25, 1-27
171024	1-5, 1-17	174772	1-27
171070	1-17	174786	1-3, 1-25
171079	1-56	177027	1-25, 1-27
171080	1-56	177032	1-9, 1-12
		177398	1-9

## TABLE OF CONTENTS

### INDEX

---

179763	1-9	197743	1-109
184780	1-11	197746	1-109
185767	1-56	198321	1-77, 1-81, 1-99, 1-101
1-861-010005	1-21, 1-23	198351	1-5
1-861-010032-07	1-3	1P292	1-41
1-861-010032-10	1-9, 1-78, 1-99	1P444	1-77, 1-81, 1-99, 1-101
1-861-010032-14	1-59, 1-69, 1-77, 1-99	201496	1-25, 1-27
1-861-010032-15	1-83	202331	1-83
1-861-010032-18	1-27	202332	1-83
1-861-010032-20	1-29, 1-69, 1-71, 1-77, 1-81, 1-91, 1-93, 1-99, 1-101	202567	1-66, 1-74, 1-83
1-861-010032-21	1-9	202702-8-6S	1-85, 1-105
1-861-010032-24	1-9	202702-8-8S	1-37, 1-39, 1-41, 1-43, 1-85, 1-105
1-861-010032-32	1-69, 1-71, 1-77, 1-81	203467	1-5, 1-37
1-861-010034-13	1-77, 1-81, 1-99, 1-101	2061-8-8S	1-37, 1-39, 1-41, 1-43, 1-85, 1-105
1-861-010034-17	1-29, 1-103, 1-109	206209-8-8S	1-37, 1-39, 1-41, 1-43
1-861-010034-21	1-69, 1-71, 1-91, 1-93, 1-103	2062-10-8S	1-37
186903	1-39, 1-41	2062-6-6S	1-77, 1-81, 1-85, 1-99, 1-101, 1-105
187181	1-14	2062-8-8S	1-37, 1-39, 1-41, 1-43, 1-85, 1-105
187182	1-14	206639	1-3
188528	1-71, 1-77, 1-81, 1-99, 1-101	206652	1-77, 1-81, 1-99, 1-101
188530	1-71, 1-77, 1-81, 1-99, 1-101	206672	1-56, 1-77, 1-81, 1-85, 1-99, 1-101, 1-105
188531	1-71, 1-77, 1-81, 1-99, 1-101	206674	1-56
189451	1-9, 1-12	206675	1-77, 1-81, 1-99, 1-101
189453	1-12	207142	1-25, 1-63
189454	1-12	208765	1-59
189467	1-12	209436	1-37
189468	1-12	211320	1-109
190987	1-5	211327	1-39
192890	1-33	211328	1-37
193089	1-23	212826	1-109
194116	1-43	212827	1-109
195241	1-83	2-150-010008	1-30
195243	1-83	2-150-010174	1-5, 1-18
195244	1-83	217196	1-25
195274	1-83	217547	1-17
196754	1-9	217559	1-17
197742	1-109	217570	1-83
		217591	1-17

<p>217593 ..... 1-17</p> <p>217626 ..... 1-17</p> <p>217627 ..... 1-17</p> <p>2-181-010001 ..... 1-9, 1-78, 1-99</p> <p>218642 ..... 1-54</p> <p>218643 ..... 1-52</p> <p>219735 ..... 1-25</p> <p>219736 ..... 1-25</p> <p>219737 ..... 1-25</p> <p>219776 ..... 1-63</p> <p>219795 ..... 1-17</p> <p>221229 ..... 1-25</p> <p>221270 ..... 1-17</p> <p>221272 ..... 1-17</p> <p>222503 ..... 1-3</p> <p>222541 ..... 1-25</p> <p>222542 ..... 1-25</p> <p>222574 ..... 1-3</p> <p>222674 ..... 1-59</p> <p>223435 ..... 1-23</p> <p>223437 ..... 1-21, 1-23</p> <p>223438 ..... 1-21, 1-23</p> <p>223439 ..... 1-21, 1-23</p> <p>223440 ..... 1-17, 1-23</p> <p>223468 ..... 1-69, 1-77</p> <p>223469 ..... 1-74, 1-77</p> <p>223470 ..... 1-74, 1-81</p> <p>223471 ..... 1-71, 1-81</p> <p>223473 ..... 1-69, 1-71, 1-77, 1-81, 1-91, 1-93, 1-99, 1-101</p> <p>224589 ..... 1-63</p> <p>224590 ..... 1-3</p> <p>225093 ..... 1-105</p> <p>225094 ..... 1-85</p> <p>225180 ..... 1-33</p> <p>225198 ..... 1-74, 1-77, 1-99</p> <p>226589 ..... 1-47</p> <p>226605 ..... 1-47</p>	<p>227303 ..... 1-59</p> <p>227450 ..... 1-5</p> <p>227464 ..... 1-3</p> <p>227465 ..... 1-17</p> <p>227466 ..... 1-17</p> <p>227467 ..... 1-17</p> <p>227468 ..... 1-17</p> <p>227469 ..... 1-17</p> <p>227470 ..... 1-17</p> <p>227498 ..... 1-3</p> <p>227500 ..... 1-3</p> <p>228223 ..... 1-17</p> <p>228224 ..... 1-11, 1-14</p> <p>228225 ..... 1-14</p> <p>228228 ..... 1-17</p> <p>228235 ..... 1-9</p> <p>228236 ..... 1-9</p> <p>228245 ..... 1-9</p> <p>228247 ..... 1-9</p> <p>228254 ..... 1-9</p> <p>228255 ..... 1-17</p> <p>228256 ..... 1-17</p> <p>228257 ..... 1-17</p> <p>228258 ..... 1-5</p> <p>228259 ..... 1-5</p> <p>228264 ..... 1-105</p> <p>228280 ..... 1-5</p> <p>228281 ..... 1-5</p> <p>229560 ..... 1-49</p> <p>229561 ..... 1-49</p> <p>229565 ..... 1-49, 1-51, 1-53, 1-55</p> <p>229846 ..... 1-30</p> <p>229851 ..... 1-5, 1-6</p> <p>229852 ..... 1-6</p> <p>229854 ..... 1-11</p> <p>229872 ..... 1-29, 1-35</p> <p>229873 ..... 1-29, 1-35</p> <p>229874 ..... 1-29, 1-35</p>
--	--

## TABLE OF CONTENTS

### INDEX

---

229875	1-29, 1-35	231299	1-85
229876	1-29, 1-35	231300	1-25, 1-27
229877	1-3, 1-37, 1-39, 1-41, 1-43	231304	1-83
229878	1-37, 1-39, 1-41, 1-43, 1-85, 1-105	231306	1-81
229889	1-66, 1-74, 1-83	231333	1-59
229896	1-66, 1-74, 1-83	231336	1-17
229897	1-74	231337	1-109
229898	1-74	231348	1-107
229899	1-74	231349	1-107
229900	1-74	231353	1-109
229901	1-74	231355	1-107
229919	1-83	231356	1-107
229920	1-83	231357	1-107
229921	1-83	231358	1-107
229922	1-66, 1-74, 1-83	231360	1-107
229923	1-66, 1-74, 1-83	231362	1-107
229931	1-59	231367	1-96, 1-99
229932	1-59	231368	1-96, 1-101
229933	1-59	231373	1-96
229975	1-63	231374	1-96
229976	1-59	231375	1-96
229977	1-59	231376	1-96
229978	1-59	231377	1-96
229979	1-59	231378	1-66, 1-74, 1-83
229981	1-69, 1-77	231379	1-66, 1-74, 1-83
229982	1-27	231390	1-66, 1-69
229993	1-91, 1-99	231391	1-66, 1-71
229994	1-93, 1-101	231396	1-66
229998	1-88, 1-91	231397	1-66
229999	1-88, 1-93	231398	1-66
23085	1-30	231399	1-66
231211	1-88	231400	1-66
231212	1-88	231792	1-49, 1-51, 1-53, 1-55
231213	1-88	231802	1-51
231214	1-88	231803	1-51
231215	1-88	231804	1-49
231295	1-43	232181	1-63
231296	1-85	234415	1-51

---

234416 .....	1-53	71509382 .....	1-41
234417 .....	1-53	7779-72 .....	1-105
234418 .....	1-53	7779-78 .....	1-105
234419 .....	1-55	7779-84 .....	1-85, 1-105
234420 .....	1-55	8-102-010043 .....	1-69, 1-71, 1-77, 1-81
234421 .....	1-55	8-573-010084 .....	1-63
234422 .....	1-47	9K078 .....	1-59
234423 .....	1-47		
234424 .....	1-47	<b>T</b>	
2-368-010273 .....	1-59, 1-109		
2-368-010287 .....	1-9, 1-59	TR575 .....	1-5, 1-17
2-474-010022 .....	1-3, 1-39, 1-41, 1-85, 1-105		
2-557-010409 .....	1-18, 1-109	<b>W</b>	
2-573-010037 .....	1-63		
2-573-010198 .....	1-63	W908409-4 .....	1-3
2-573-010330-02 .....	1-30		
2-573-010336 .....	1-33, 1-63		
2-573-010469 .....	1-25, 1-63		
29SFFL 5811 .....	1-69, 1-71, 1-77, 1-81		
3/4-10X9-1/2CS8 .....	1-107		
4001060 .....	1-23		
5000 .....	1-21, 1-23, 1-30, 1-103		
5001188 .....	1-37		
500171 .....	1-13		
528933 .....	1-59, 1-63		
528934 .....	1-59, 1-63		
528938 .....	1-59, 1-63		
6-102-010009 .....	1-103		
66826 .....	1-25, 1-27		
66827 .....	1-25, 1-27		
70239854 .....	1-3, 1-9, 1-69, 1-77, 1-81		
70260977 .....	1-3, 1-63		
71500165 .....	1-105		
71508954 .....	1-41		
71509004 .....	1-85		
71509008 .....	1-105		
71509123 .....	1-85		
71509124 .....	1-85		

---





**Document Control Revision Log:**

<b>Date</b>	<b>Form #</b>	<b>Improvement(s): Description and Comments</b>
03/19/2021	F-1100	New Manual
05/25/2021	F-1100-0521	Initial Release
07/28/2021	F-1100-0721	Updated tire/wheel assmbly



---

# Intertek

Equipment from Landoll Company, LLC is built to exacting standards ensured by ISO 9001 registration at all Landoll manufacturing facilities.

## Model 2132 Coulter Chisel Parts Manual

Re-Order Part Number F-1100-0721

### LANDOLL COMPANY, LLC

1900 North Street

Marysville, Kansas 66508

(785) 562-5381

800-428-5655 ~ [WWW.LANDOLL.COM](http://WWW.LANDOLL.COM)



Copyright 2021. Landoll Company, LLC

“All rights reserved, including the right to reproduce this material or portions thereof in any form.”

Scan to go to [www.landoll.com](http://www.landoll.com)

