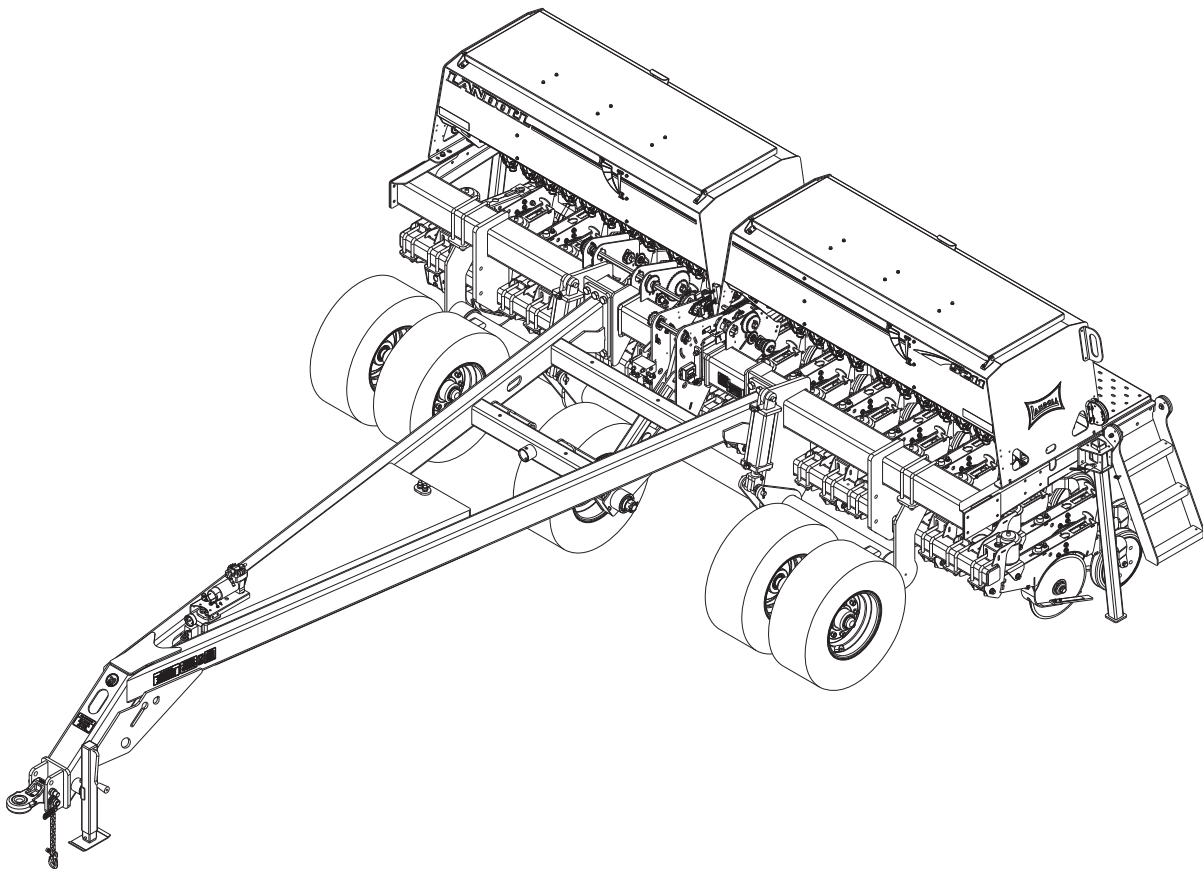




Model 5211 Grain Drill Parts Manual



LANDOLL COMPANY, LLC

1900 North Street

Marysville, Kansas 66508

(785) 562-5381

800-428-5655 ~ WWW.LANDOLL.COM

Instructions for Ordering Parts

**** Repair parts must be ordered through an Authorized Dealer ****

DEALER INSTRUCTIONS FOR ORDERING PARTS FROM LANDOLL PARTS DISTRIBUTION CENTER

Phone #: 800-423-4320 or 785-562-5381

Fax #: 888-527-3909

Order online: dealer.landoll.com

IDENTIFICATION PLATE

The identification plate, which lists the model number and serial number, is located on the front of the frame.

SERIAL NUMBER

The serial number is located on the identification plate.
The Following information will help decode the 5211 Grain Drill serial number

52H2022100 = xxmysssss

QR CODE DECAL

The 5000 series QR code decal, may be scanned to link you to the most current manuals, located on the front of the frame *See Figure 1-1*

xx	= model series (i.e. 52 for Grain Drill, Rigid)
m	= month of manufacture (ex. "H" means October. The letter I is not used.)
yy	= year manufactured (ex. "22" means 2022)
SSSSS	= Sequential number used to track warranty and service information.

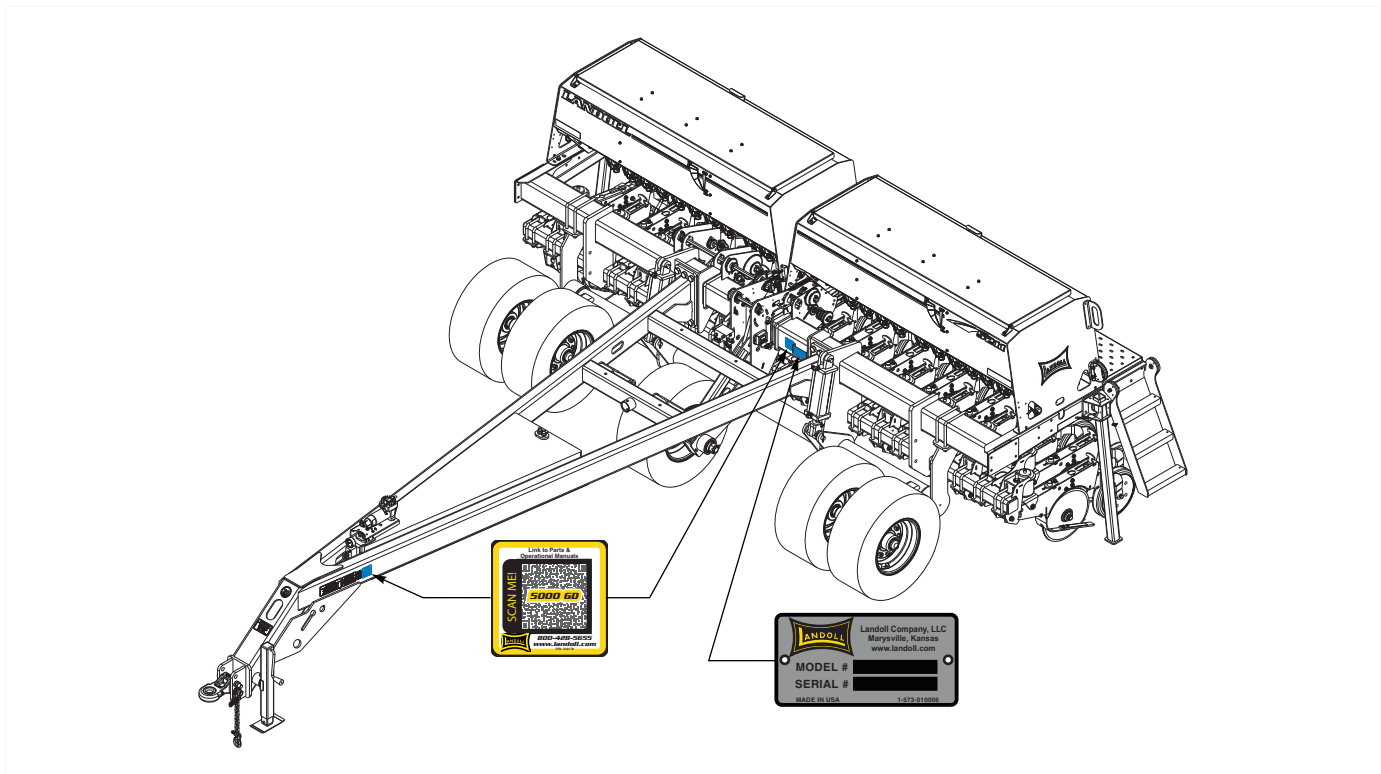


Figure 1-1: Identification Plate and Location

Manuals for 5211 Grain Drill

Manual Number	Manual Type
F-725	Operator's Manual
F-726	Parts Manual

Table of Contents

1 Frame Assemblies

Frame and Walkboard Assembly 5211-10'	1-1
Frame and Walkboard Assembly 5211-12-1/2'	1-3
Frame and Walkboard Assembly 5211-15'	1-5
Frame and Walkboard Assembly 5211-20'	1-7
Right Seed Drive Assembly	1-9
Left Seed Drive Assembly	1-11
Ladder Assembly	1-13

2 Hitch Assemblies

Hitch Assembly Long, Lift 5211-10'	2-1
Lift & Drive Wheel Long/Coulter Hitch Assembly 5211-12-1/2'	2-3
Hitch Assembly Long, 5211-10'-12-1/2'	2-5
Lift & Drive Wheel Long/Coulter Hitch Assembly 5211-15'-20'	2-7
Hitch Assembly Long, 5211-15'-20'	2-9
Hitch Assembly Lift Hydraulic	2-11
Hitch Assembly Coulter 5211-12-1/2'-15'	2-15
Coulter Frame Assembly	2-19
Hitch Assembly Coulter Hydraulic 5211-12-1/2'-15'	2-21
Drive Wheel Assembly, Spring Right	2-23
Hub and Spindle Assembly - 8 Bolt	2-27
Hitch Assemblies	2-29
Jack Assembly	2-30
3 Point Hitch Assembly 5211-12-1/2'	2-31
3 Point Hitch Assembly 5211-15'	2-33
3 Point Hitch Assembly 5211-20'	2-35
Drive Wheel Assembly, Rigid	2-37
Gauge Wheel Assembly, Rigid	2-41
4 x 10" Hydraulic Cylinder	2-43

3 Box Assemblies

Seed Box Assembly, W/O Fertilizer 5211-10'	3-1
Box Assembly W/O Fertilizer 5211-10'	3-3
Seed Box Assembly, W/O Fertilizer 5211-12-1/2'	3-5
Box Assembly W/O Fertilizer 5211-12-1/2'	3-7
Seed Box Assembly, W/O Fertilizer 5211-15'	3-9
Box Assembly W/O Fertilizer 5211-15'	3-11
Seed Box Assembly, W/O Fertilizer 5211-20'	3-13
Box Assembly W/O Fertilizer 5211-20'	3-15
Seed Box Assembly, W/Fertilizer 5211-10'	3-17
Box Assembly W/Fertilizer 5211-10'	3-19
Seed Box Assembly, W/Fertilizer 5211-12-1/2'	3-23
Box Assembly W/Fertilizer 5211-12-1/2'	3-25
Seed Box Assembly, W/Fertilizer 5211-15'	3-29

Box Assembly W/Fertilizer 5211-15'	3-31
Seed Box Assembly, W/Fertilizer 5211-20'	3-35
Box Assembly W/Fertilizer 5211-20'	3-37
Fertilizer Drive Assembly, Right	3-41
Fertilizer Drive Assembly, Left	3-43
Fertilizer Assembly	3-45
Fill Shield Assembly	3-47
Seed Level Indicator	3-49
Seed Tube Assembly (Air Spring Opener)	3-51
Seed Tube Assembly (Spring Opener)	3-52
Seed Meter Assembly 5211-10'	3-53
Seed Meter Assembly 5211-12-1/2'	3-55
Seed Meter Assembly 5211-15'	3-57
Seed Meter Assembly 5211-20'	3-59
Seed Meter Housing Assembly	3-61
Seed Shaft Bearing Assembly (Before 12-18-2018)	3-63
Seed Shaft Bearing Assembly (After 12-18-2018)	3-65
Seed Rate Adjust Assembly, Right	3-67
Seed Rate Adjust Assembly, Left	3-68
Agitator Assembly 5211-10'-12-1/2'	3-69
Agitator Assembly 5211-15'-20'	3-71

4 Opener Assemblies

Air Opener Assembly	4-1
12V Air Compressor Assembly	4-3
Air Manifold Assembly	4-5
Opener Assembly Air	4-7
Press Wheel Assembly Air Opener	4-9
Opener Assembly Spring	4-11
Press Wheel Assembly Spring Opener	4-13
Rebounder Assembly	4-15

5 Small Seed Box Assemblies

Small Seed Box Assemblies	5-1
Small Seed Box Assembly, Left	5-7
Small Seed Box Assembly, Right	5-9
Small Seed Box Assembly 12-1/2'	5-11
Seed Box Assembly, Small	5-13
Seed Shaft Bearing Assembly, Right	5-15
Seed Shaft Bearing Assembly, Left	5-17
Seed Tube Assembly, Small	5-19

6 Electrical

Electrical Assembly W/LED Lights Wiring Chart	6-1
Electrical Assembly W/LED Lights 5211-10'-12-1/2' W/Long Hitch	6-3
Electrical Assembly W/LED Lights 5211-15'-20' W/Long Hitch	6-5
Electrical Assembly W/LED Lights 5211-12-1/2'-15'-20' W/3Point Hitch	6-7

7 Decals

Decals 7-1
Decal Installation 7-3

8 Monitors

Drill Monitor Loup Mini Assembly 8-1
Electronic Acre Meter Assembly 8-3

9 Options

Scale Mount Assembly 9-1
Rear Tow Hitch Assembly 9-3
Marker Assembly 9-5
Marker Hydraulic Assembly 5211-10' 9-9
Marker Hydraulic Assembly 5211-12-1/2' 9-11
Marker Hydraulic Assembly 5211-15' 9-13
Marker Hydraulic Assembly 5211-20' 9-15
2-1/2 x 8" Hydraulic Cylinder 9-17

10 Glossary

11 Index

Frame Assemblies

Frame and Walkboard Assembly 5211-10'

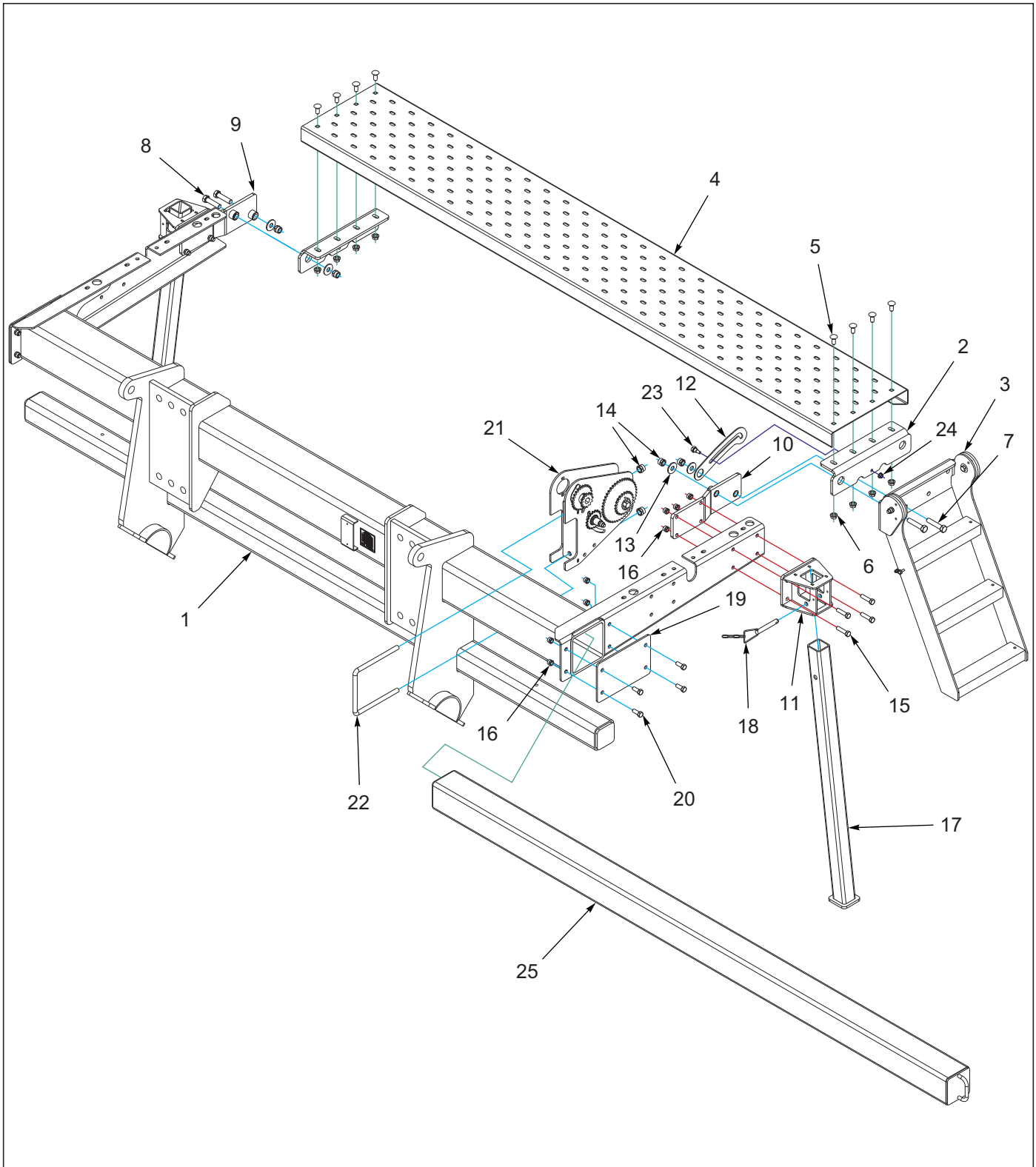


Figure 1-1: Frame and Walkboard Assembly 5211-10'

Frame and Walkboard Assembly 5211-10'

ITEM	PART NUMBER	DESCRIPTION	QTY.
1	155876	FRAME, 5210-10' WLDMT	1
2	151512	BRACKET, WALKBOARD	2
3	154849	LADDER ASSY 5530 (SEE PAGE 1-13)	1
4	144258	WALKBOARD, 110"	1
5	1-654-010070-02	SCREW 1/2-13X1-1/4 RD HD SQNK	8
6	1-510-010003-09	NUT,1/2-13 FLANGE HD,SERRATED	8
7	1-654-010059-09	SCREW 5/8-11UNCX3 HX CP GR5	2
8	1-654-010059-07	SCREW HX CP 5/8-11UNCX2-1/2G5	2
9	144259	MOUNT, WALKBOARD RIGHT WLDMT	1
10	144260	MOUNT, WALKBOARD LEFT WLDMT	1
11	161496	MOUNT, PARKING STAND WLDMT	2
12	151513	LATCH, WALKBOARD	1
13	1-861-010032-19	WASHER, FLAT 5/8 W ZP/CD	4
14	1-512-010005-13	NUT,HEX SLFLKG GRB 5/8-11	5
15	1-654-010055-05	SCREW,HEX CAP,1/2-13UNCX2 GR5	8
16	1-512-010005-09	NUT,HEX,SLFLKG, 1/2-13 GRB	8
17	161500	STAND, PARKING WLDMT	2
18	2-557-010426	PIN,DETENT 5/8 DIA W/CHAIN	2
19	153811	CAP, FRAME	2
20	1-654-010055-02	SCREW 1/2-13UNCX1-1/4 CP GR5	8
21	144077	DRIVE ASSY, SEED RIGHT (SEE PAGE 1-9)	1
22	70593063	U-BOLT	2
23	2-095-010017	BOLT, SHOULDER HEX HEAD	1
24	107470	NUT,SPIRALOCK 3/8-16HX	1
25	159046	WEIGHT FILLED TUBE, 110"	1

Frame and Walkboard Assembly 5211-12-1/2'

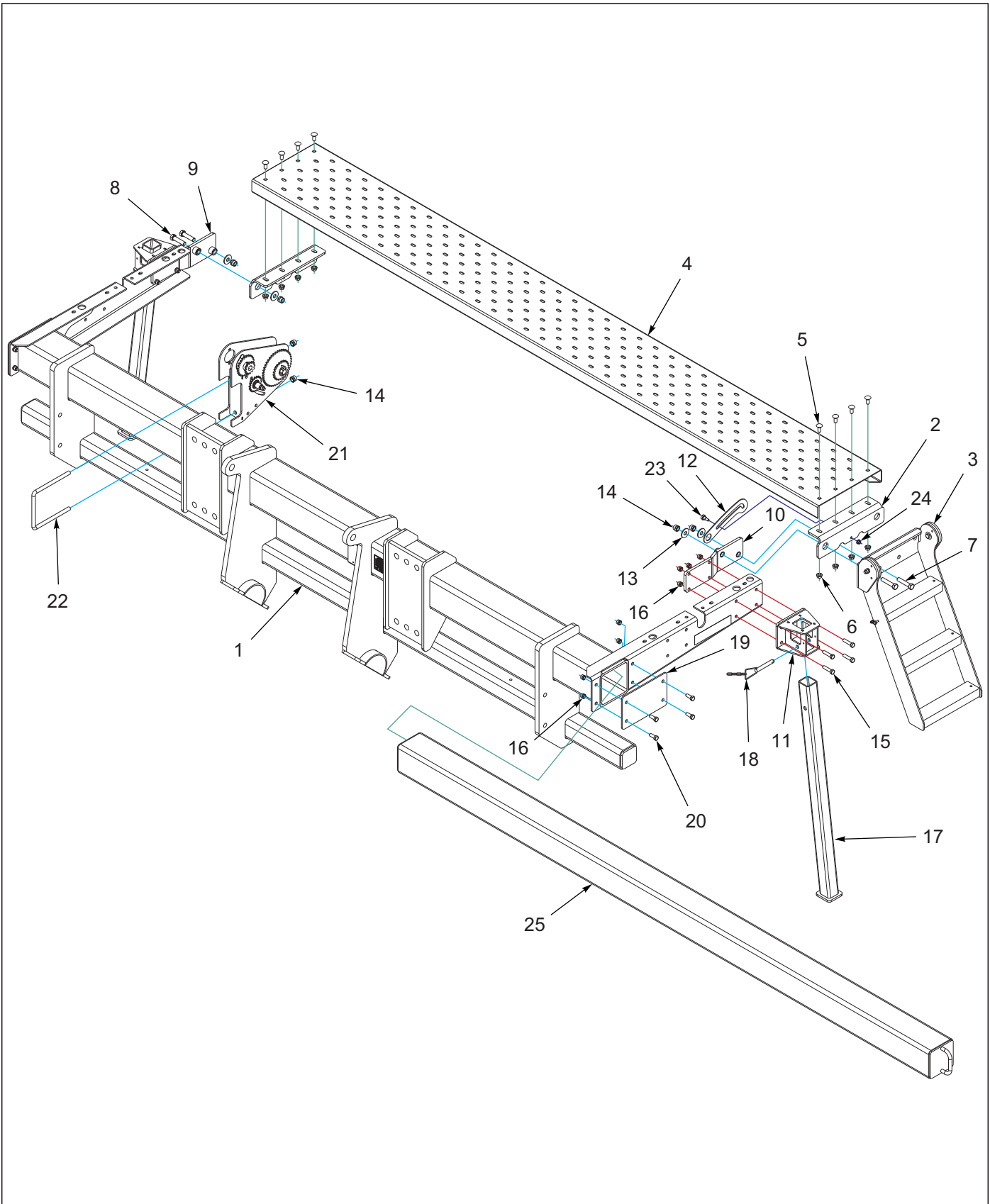


Figure 1-2: Frame and Walkboard Assembly 5211-12-1/2'

Frame and Walkboard Assembly 5211-12-1/2'

ITEM	PART NUMBER	DESCRIPTION	QTY.
1	155877	FRAME 5210-12-1/2' WLDMT	1
2	151512	BRACKET, WALKBOARD	2
3	154849	LADDER ASSY 5530 (SEE PAGE 1-13)	1
4	159917	WALKBOARD, 140"	1
5	1-654-010070-02	SCREW 1/2-13X1-1/4 RD HD SQNK	8
6	1-510-010003-09	NUT,1/2-13 FLANGE HD,SERRATED	8
7	1-654-010059-09	SCREW 5/8-11UNCX3 HX CP GR5	2
8	1-654-010059-07	SCREW HX CP 5/8-11UNCX2-1/2G5	2
9	144259	MOUNT, WALKBOARD RIGHT WLDMT	1
10	144260	MOUNT, WALKBOARD LEFT WLDMT	1
11	161496	MOUNT, PARKING STAND WLDMT	2
12	151513	LATCH, WALKBOARD	1
13	1-861-010032-19	WASHER, FLAT 5/8 W ZP/CD	4
14	1-512-010005-13	NUT,HEX SLFLKG GRB 5/8-11	5
15	1-654-010055-05	SCREW,HEX CAP,1/2-13UNCX2 GR5	8
16	1-512-010005-09	NUT,HEX,SLFLKG, 1/2-13 GRB	8
17	161500	STAND, PARKING WLDMT	2
18	2-557-010426	PIN,DETENT 5/8 DIA W/CHAIN	2
19	153811	CAP, FRAME	2
20	1-654-010055-02	SCREW 1/2-13UNCX1-1/4 CP GR5	8
21	144077	DRIVE ASSY, SEED RIGHT (7-1/2" SPACING) (SEE PAGE 1-9)	1
21	144078	DRIVE ASSY, SEED LEFT (10" SPACING) (SEE PAGE 1-11)	1
22	70593063	U-BOLT	2
23	2-095-010017	BOLT, SHOULDER HEX HEAD	1
24	107470	NUT, SPIRALOCK 3/8-16HX	1
25	159941	WEIGHT FILLED TUBE, 140"	1

Frame and Walkboard Assembly 5211-15'

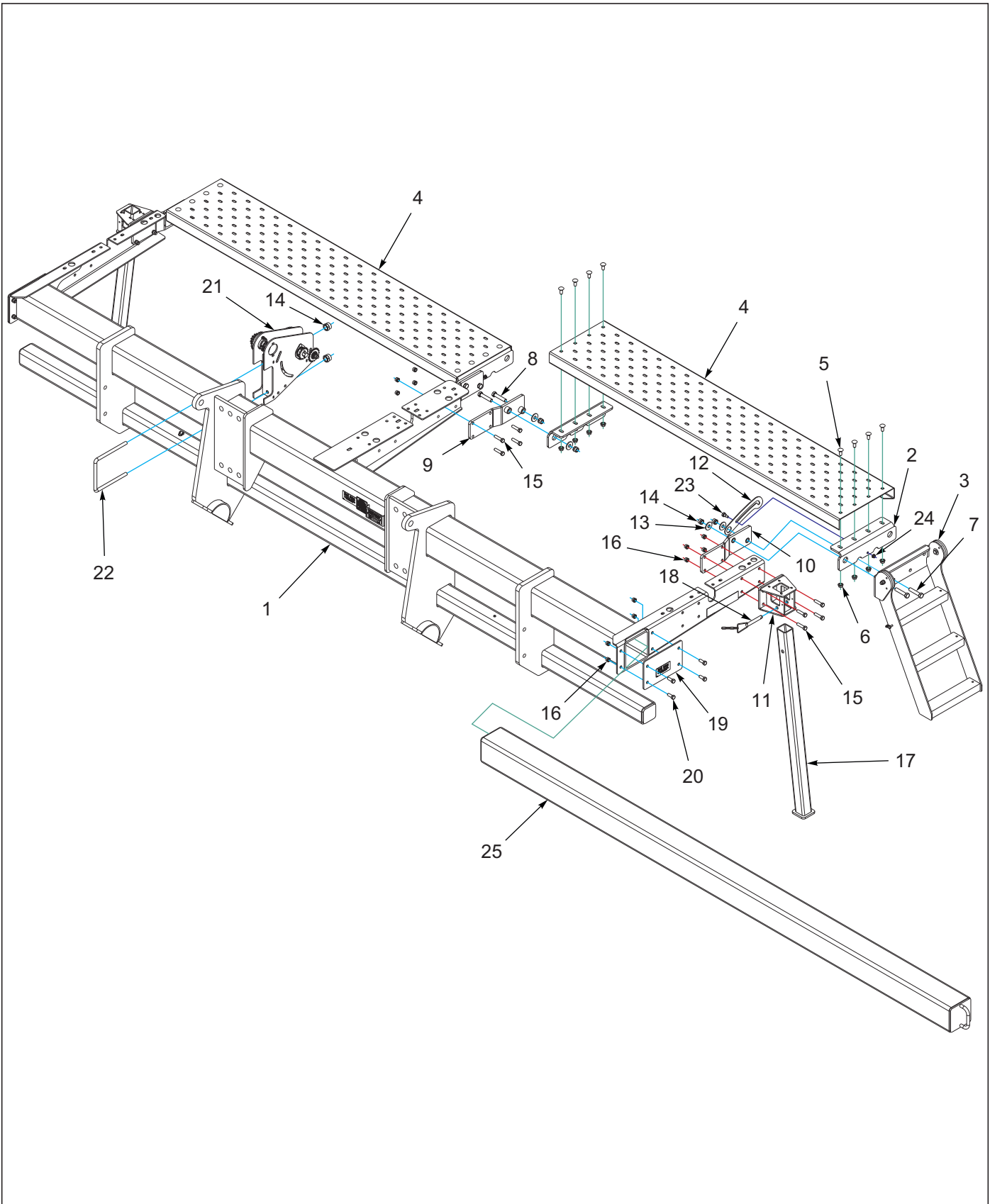


Figure 1-3: Frame and Walkboard Assembly 5211-15'

Frame and Walkboard Assembly 5211-15'

ITEM	PART NUMBER	DESCRIPTION	QTY.
1	155878	FRAME 5210 - 15' WLDMT	1
2	151512	BRACKET, WALKBOARD	4
3	154849	LADDER ASSY 5530 (SEE PAGE 1-13)	1
4	153900	WALKBOARD, 83"	2
5	1-654-010070-02	SCREW 1/2-13X1-1/4 RD HD SQNK	16
6	1-510-010003-09	NUT,1/2-13 FLANGE HD,SERRATED	16
7	1-654-010059-09	SCREW 5/8-11UNCX3 HX CP GR5	2
8	1-654-010059-07	SCREW HX CP 5/8-11UNCX2-1/2G5	6
9	144259	MOUNT, WALKBOARD RIGHT WLDMT	2
10	144260	MOUNT, WALKBOARD LEFT WLDMT	2
11	161496	MOUNT, PARKING STAND WLDMT	2
12	151513	LATCH, WALKBOARD	2
13	1-861-010032-19	WASHER, FLAT 5/8 W ZP/CD	8
14	1-512-010005-13	NUT,HEX SLFLKG GRB 5/8-11	10
15	1-654-010055-05	SCREW,HEX CAP,1/2-13UNCX2 GR5	12
16	1-512-010005-09	NUT,HEX,SLFLKG, 1/2-13 GRB	12
17	161500	STAND, PARKING WLDMT	2
18	2-557-010426	PIN,DETENT 5/8 DIA W/CHAIN	2
19	153811	CAP, FRAME	2
20	1-654-010055-02	SCREW 1/2-13UNCX1-1/4 CP GR5	8
21	144078	DRIVE ASSY, SEED LEFT (7-1/2" SPACING) (SEE PAGE 1-11)	1
21	144077	DRIVE ASSY, SEED RIGHT (10" SPACING) (SEE PAGE 1-11)	1
22	70593063	U-BOLT	2
23	2-095-010017	BOLT, SHOULDER HEX HEAD	2
24	107470	NUT,SPIRALOCK 3/8-16HX	2
25	159047	WEIGHT FILLED TUBE, 171"	1

Frame and Walkboard Assembly 5211-20'

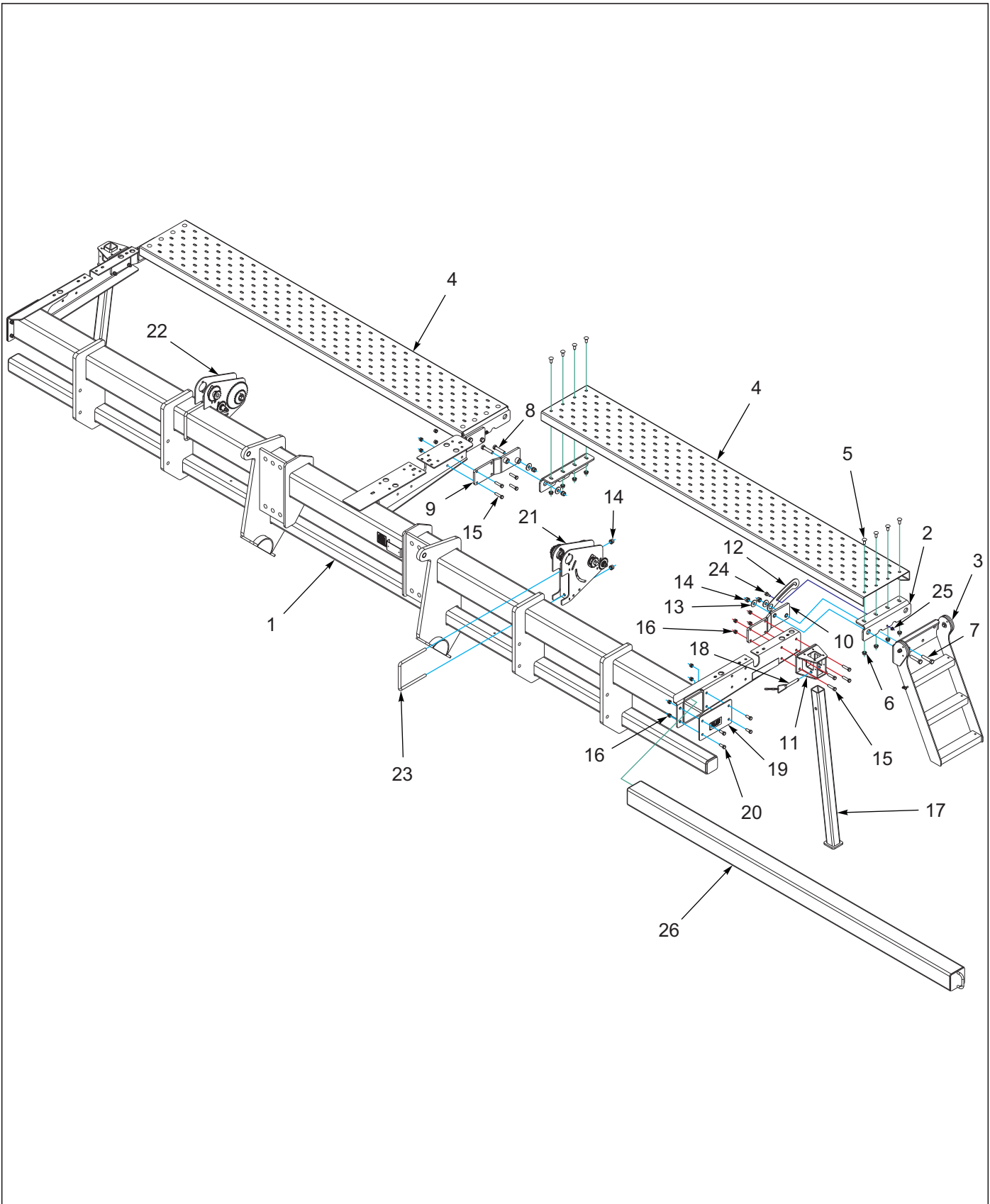


Figure 1-4: Frame and Walkboard Assembly 5211-20'

Frame and Walkboard Assembly 5211-20'

ITEM	PART NUMBER	DESCRIPTION	QTY.
1	155879	FRAME 5210 - 20' WLDMT	1
2	151512	BRACKET, WALKBOARD	4
3	154849	LADDER ASSY 5530 (SEE PAGE 1-13)	1
4	144258	WALKBOARD, 110"	2
5	1-654-010070-02	SCREW 1/2-13X1-1/4 RD HD SQNK	16
6	1-510-010003-09	NUT,1/2-13 FLANGE HD,SERRATED	16
7	1-654-010059-09	SCREW 5/8-11UNCX3 HX CP GR5	2
8	1-654-010059-07	SCREW HX CP 5/8-11UNCX2-1/2G5	6
9	144259	MOUNT, WALKBOARD RIGHT WLDMT	2
10	144260	MOUNT, WALKBOARD LEFT WLDMT	2
11	161496	MOUNT, PARKING STAND WLDMT	2
12	151513	LATCH, WALKBOARD	2
13	1-861-010032-19	WASHER, FLAT 5/8 W ZP/CD	8
14	1-512-010005-13	NUT,HEX SLFLKG GRB 5/8-11	10
15	1-654-010055-05	SCREW,HEX CAP,1/2-13UNCX2 GR5	12
16	1-512-010005-09	NUT,HEX,SLFLKG, 1/2-13 GRB	12
17	161500	STAND, PARKING WLDMT	2
18	2-557-010426	PIN,DETENT 5/8 DIA W/CHAIN	2
19	153811	CAP, FRAME	2
20	1-654-010055-02	SCREW 1/2-13UNCX1-1/4 CP GR5	8
21	144078	DRIVE ASSY, SEED LEFT (SEE PAGE 1-11)	1
22	144077	DRIVE ASSY, SEED RIGHT (SEE PAGE 1-9)	1
23	70593063	U-BOLT	2
24	2-095-010017	BOLT, SHOULDER HEX HEAD	2
25	107470	NUT,SPIRALOCK 3/8-16HX	2
26	159046	WEIGHT FILLED TUBE, 110"	2
27	213932	SEED DEPTH TOOL INDICATOR	1

Right Seed Drive Assembly

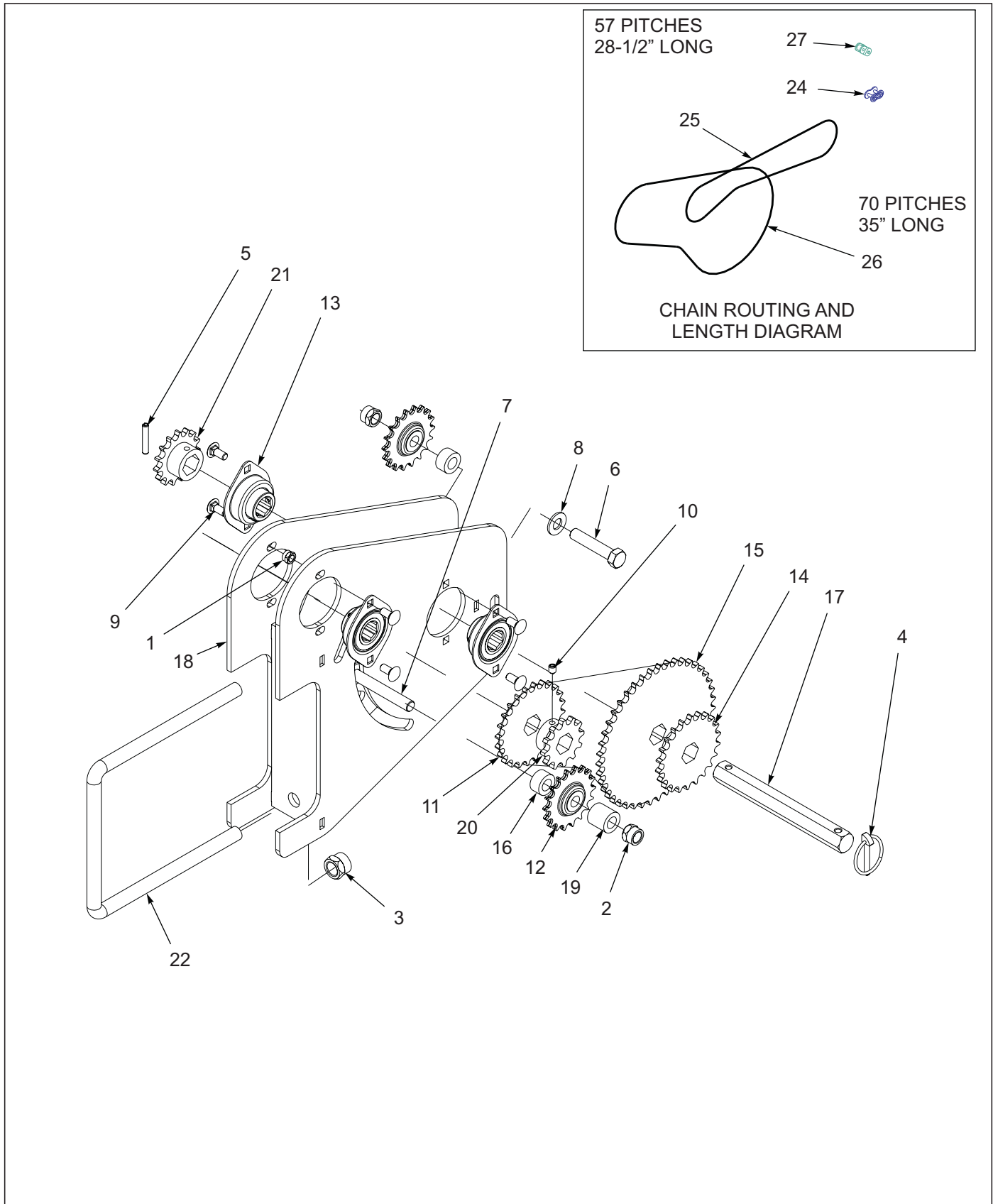


Figure 1-5: Right Seed Drive Assembly

Right Seed Drive Assembly

ITEM	PART NUMBER	DESCRIPTION	QTY.
--	144077	RIGHT SEED DRIVE ASSEMBLY	
1	1-512-010005-03	NUT, HEX LOCK 5/16-18 GRB	6
2	1-512-010005-09	NUT, HEX LOCK 1/2-13 GRB	2
3	1-512-010005-13	NUT, HEX LOCK 5/8-11 GRB	2
4	1-557-010327	PIN, LYNCH 1/4 X 1-1/4	1
5	1-647-010004217	SPRING PIN, SLOTTED 1/4 X 1-1/2	1
6	1-654-010055-07	SCREW, HEX HEAD CAP 1/2-13 X 2-1/2 GR5	1
7	1-654-010055-11	SCREW, HEX HEAD CAP 1/2-13 X 3-1/2 GR5	1
8	1-861-010032-14	WASHER, FLAT 1/2N	2
9	105909	SCREW, RD HEAD SQ NECK 5/16-18 X 3/4	6
10	107-0975	SCREW, SET LOCK 5/16-18 X 3/8	1
11	122825	SPROCKET, TRANSMISSION 24T	1
12	122871	SPROCKET, TRANSMISSION IDLER	2
13	144060	BEARING, HEX BORE 7/8	3
14	144082	SPROCKET, TRANSMISSION 40 X 22T	1
15	144083	SPROCKET, TRANSMISSION 40 X 43T	1
16	144086	SPACER, 1 X 9/16 X 17/32	2
17	144087	SHAFT, HEX 7/8 X 7-3/4	1
18	144099	MOUNT, SEED DRIVE	1
19	144183	SPACER 1 X 9/16 X 1	1
20	151587	SPROCKET, 7/8 HEX #40 X 12	1
21	151588	SPROCKET, 7/8 HEX #40 X 15	1
22	70593063	U-BOLT	1
23	119716	CONNECTING LINK, #40 CHAIN	1
24	176627	ROLLER CHAIN, #40 X 57P 28-1/2L (INCLUDES ITEMS 24, 27)	1
25	172644	ROLLER CHAIN, #40 X 70P 35L (INCLUDES ITEMS 24)	1
26	163981	OFFSET LINK #40	1

Left Seed Drive Assembly

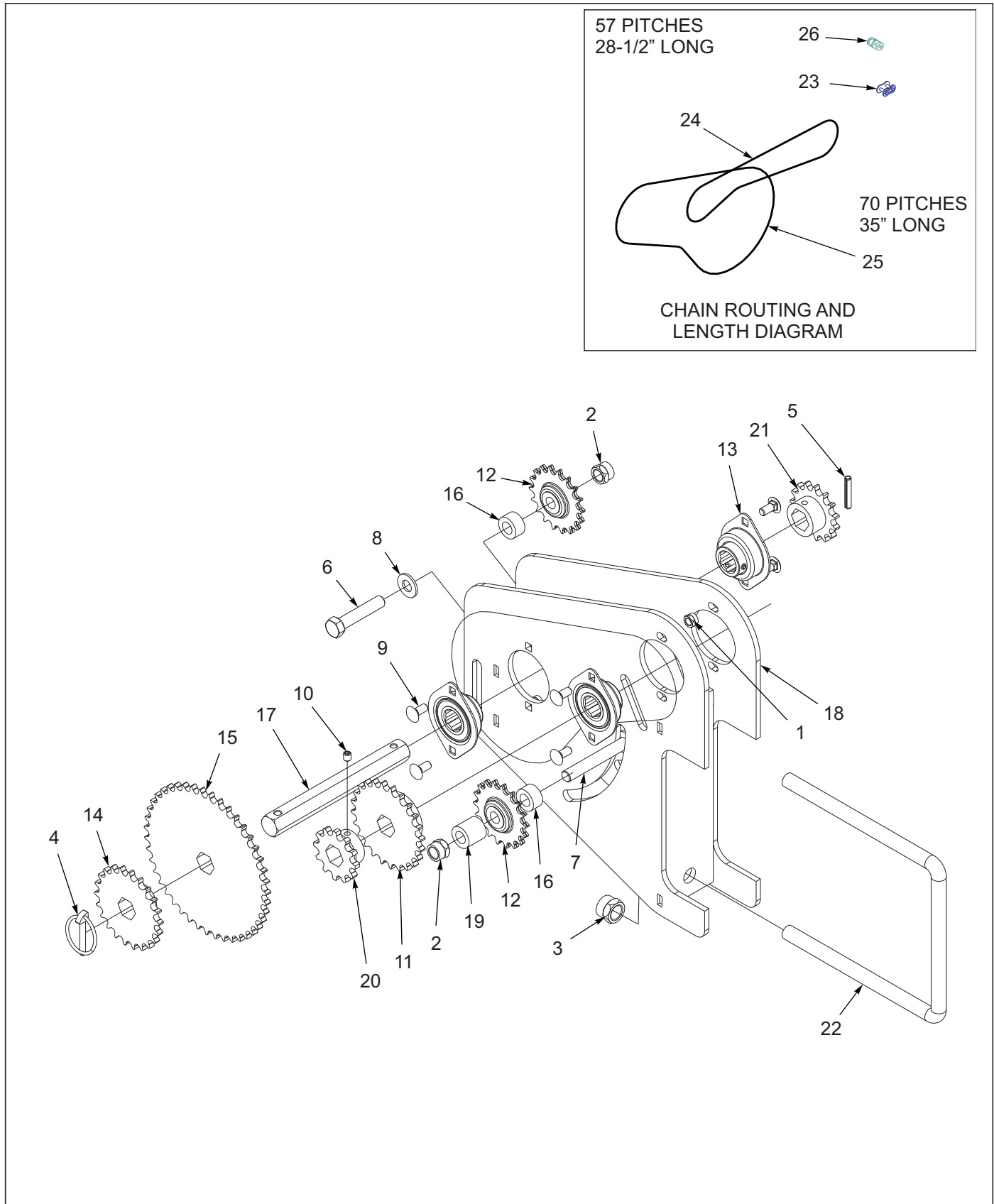


Figure 1-6: Left Seed Drive Assembly

Left Seed Drive Assembly

ITEM	PART NUMBER	DESCRIPTION	QTY.
--	144078	LEFT SEED DRIVE ASSEMBLY	
1	1-512-010005-03	NUT, HEX LOCK 5/16-18 GRB	6
2	1-512-010005-09	NUT, HEX LOCK 1/2-13 GRB	2
3	1-512-010005-13	NUT, HEX LOCK 5/8-11 GRB	2
4	1-557-010327	PIN, LYNCH 1/4 X 1-1/4	1
5	1-647-010004217	SPRING PIN, SLOTTED 1/4 X 1-1/2	1
6	1-654-010055-07	SCREW, HEX HEAD CAP 1/2-13 X 2-1/2 GR5	1
7	1-654-010055-11	SCREW, HEX HEAD CAP 1/2-13 X 3-1/2 GR5	1
8	1-861-010032-14	WASHER, FLAT 1/2N	2
9	105909	SCREW, RD HEAD SQ NECK 5/16-18 X 3/4	6
10	107-0975	SCREW, SET LOCK 5/16-18 X 3/8	1
11	122825	SPROCKET, TRANSMISSION 24T	1
12	122871	SPROCKET, TRANSMISSION IDLER	2
13	144060	BEARING, HEX BORE 7/8	3
14	144082	SPROCKET, TRANSMISSION 40 X 22T	1
15	144083	SPROCKET, TRANSMISSION 40 X 43T	1
16	144086	SPACER, 1 X 9/16 X 17/32	2
17	144087	SHAFT, HEX 7/8 X 7-3/4	1
18	144099	MOUNT, SEED DRIVE	1
19	144183	SPACER 1 X 9/16 X 1	1
20	151587	SPROCKET, 7/8 HEX #40 X 12	1
21	151588	SPROCKET, 7/8 HEX #40 X 15	1
22	70593063	U-BOLT	1
23	119716	CONNECTING LINK, #40 CHAIN	1
24	176627	ROLLER CHAIN, #40 X 57P 28-1/2L (INCLUDES ITEMS 24, 27)	1
25	172644	ROLLER CHAIN, #40 X 70P 35L (INCLUDES ITEMS 24)	1
26	163981	OFFSET LINK #40	1

Ladder Assembly

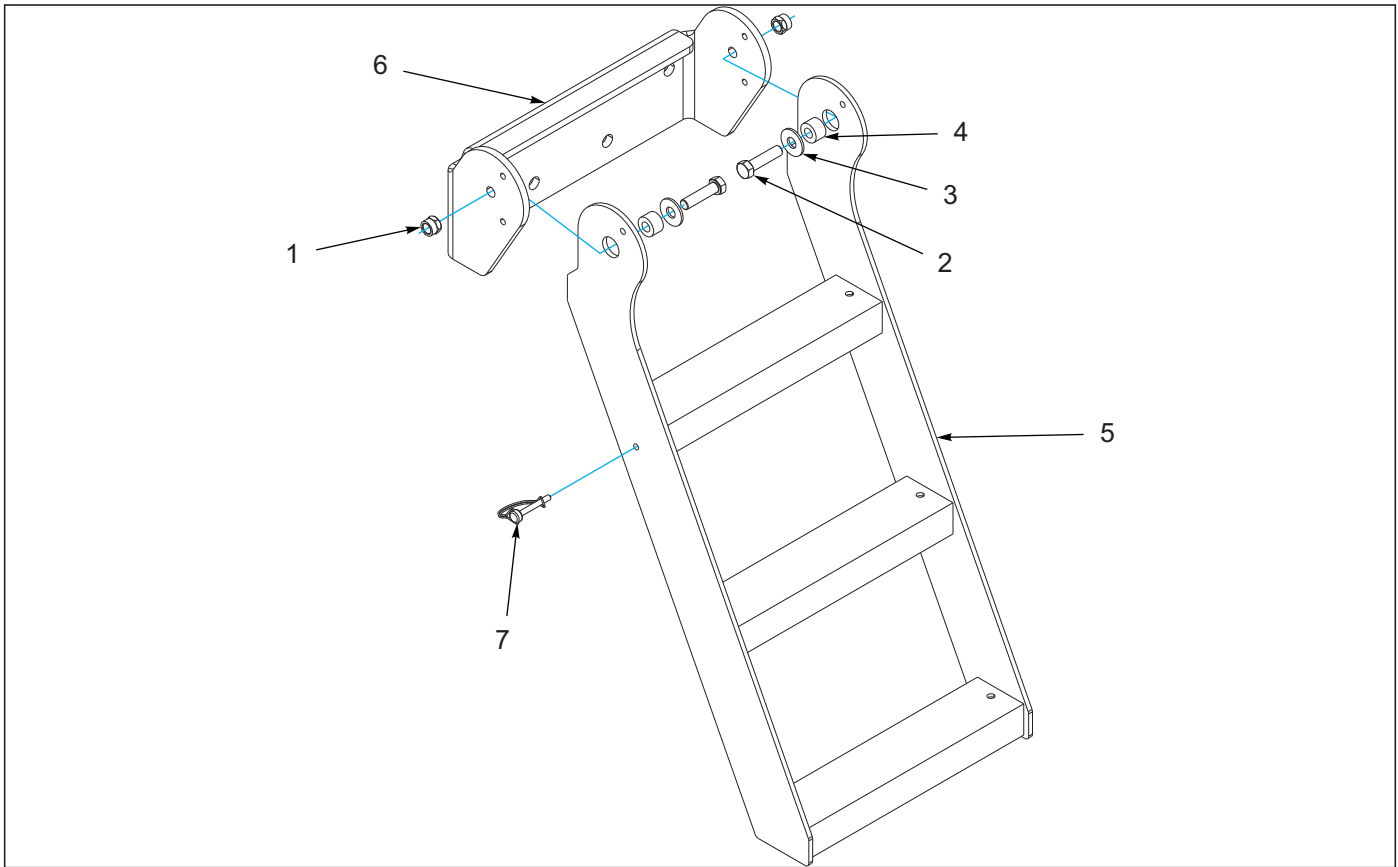


Figure 1-7: Ladder Assembly

Ladder Assembly

ITEM	PART NUMBER	DESCRIPTION	QTY.
--	154849	LADDER ASSEMBLY	
1	1-512-010005-09	NUT, HEX LOCK 1/2-13 GRB	2
2	1-654-010055-05	SCREW, HEX HEAD CAP 1/2-13 X 2 GR5	2
3	1-861-010032-15	WASHER, FLAT 1/2W	2
4	125799	SPACER	2
5	154845	LADDER	1
6	154846	MOUNT, LADDER	1
7	70592442	PIN, SNAPPER	1

Hitch Assemblies

Hitch Assembly Long, Lift 5211-10'

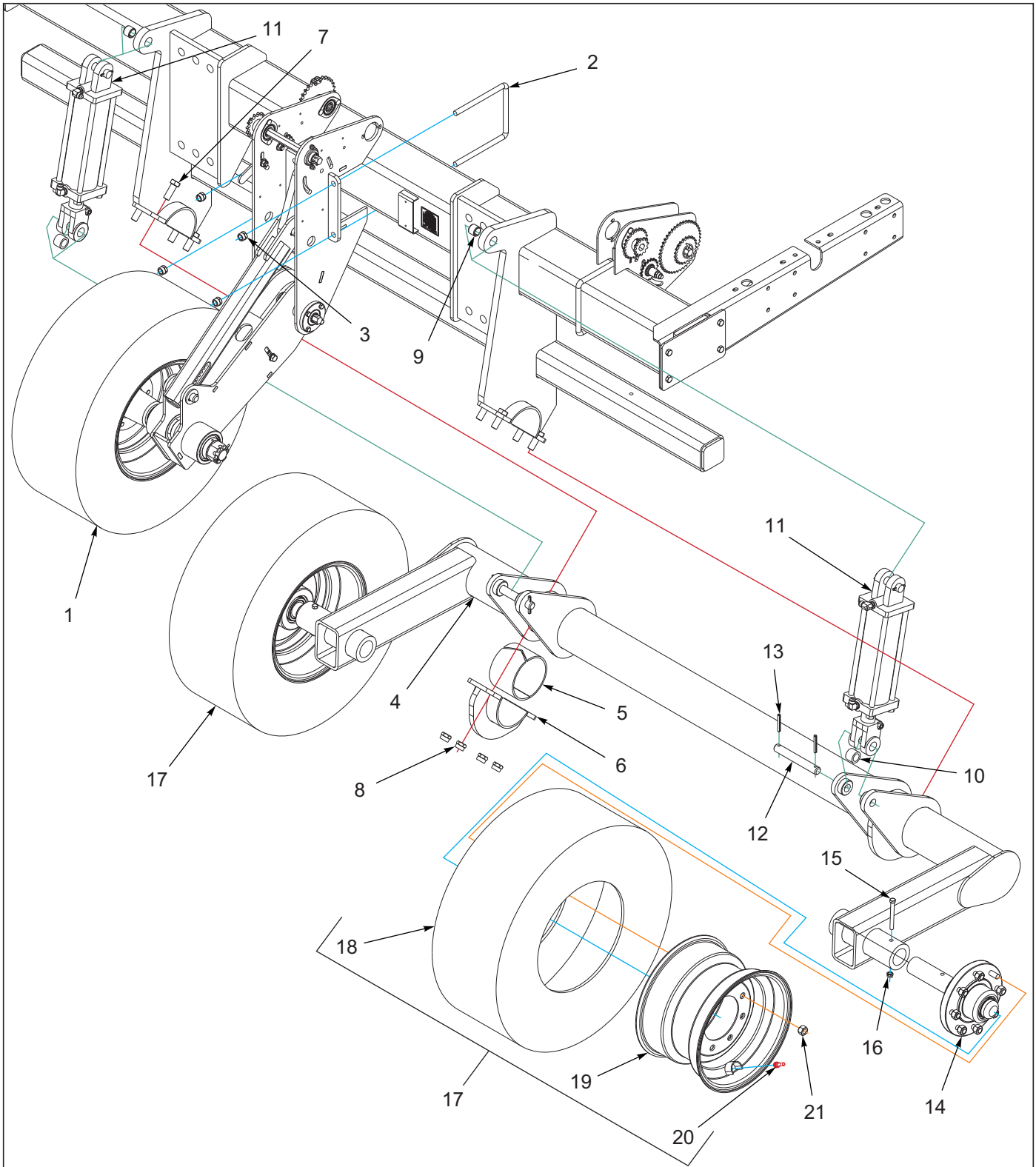


Figure 2-1: Lift & Drive Wheel Assembly 5211-10'

Lift & Drive Wheel Assembly 5211-10'

ITEM	PART NUMBER	DESCRIPTION	QTY.
--	189458	HITCH ASSY, CAT III LONG 10'	
--	189459	HITCH ASSY, DBL LONG 10'	
1	158175	DRIVE WHEEL ASSY,SPRING RIGHT (SEE PAGE 2-23)	1
2	70593063	U-BOLT	2
3	1-512-010005-13	NUT,HEX SLFLKG GRB 5/8-11	4
4	155883	LIFT, 5210-10' WLDMT	1
5	140519	BEARING, UHMW 4IN	2
6	155881	MOUNT, LIFT BEARING WLDMT	2
7	1-654-010061-05	SCREW,HHC,3/4-10UNCX2,GR5,ZP	8
8	1-512-010005-15	NUT,HEX,SLFLKG GRB 3/4-10	8
9	2-150-010008	BUSHING 1-1/4ODX1IDX1 STEEL	2
10	2-150-010227	BUSHING, HITCH, 2327	2
11	144321	CYLINDER, 4 X 10 (SEE PAGE 2-43)	2
12	158299	PIN 1X7-5/16	2
13	1-647-010004240	PIN,SPRING,SLOTTED,5/16X2-1/2	4
14	147553	8 BOLT HUB ASSY, 2-1/4" SPDL (SEE PAGE 2-25)	2
15	141809	SCREW HX CP7/16-14UNC X 4 GR5	2
16	101988	NUT,HEXSLF-LKG 7/16-14 GRB	2
17	158300	TIRE & WHEEL ASSY, 280/70R15 (INCLUDES ITEMS 18-21)	2
18	204384	FIRESTONE RADIAL 280/70R15	2
19	140548	WHEEL, 15 X 10 LB 8 BOLT	2
20	TR416	VALVE STEM TUBELESS TIRE	2
21	102600	NUT,WHEEL BOLT, 5/8	16

Lift & Drive Wheel Long/Coulter Hitch Assembly 5211-12-1/2'

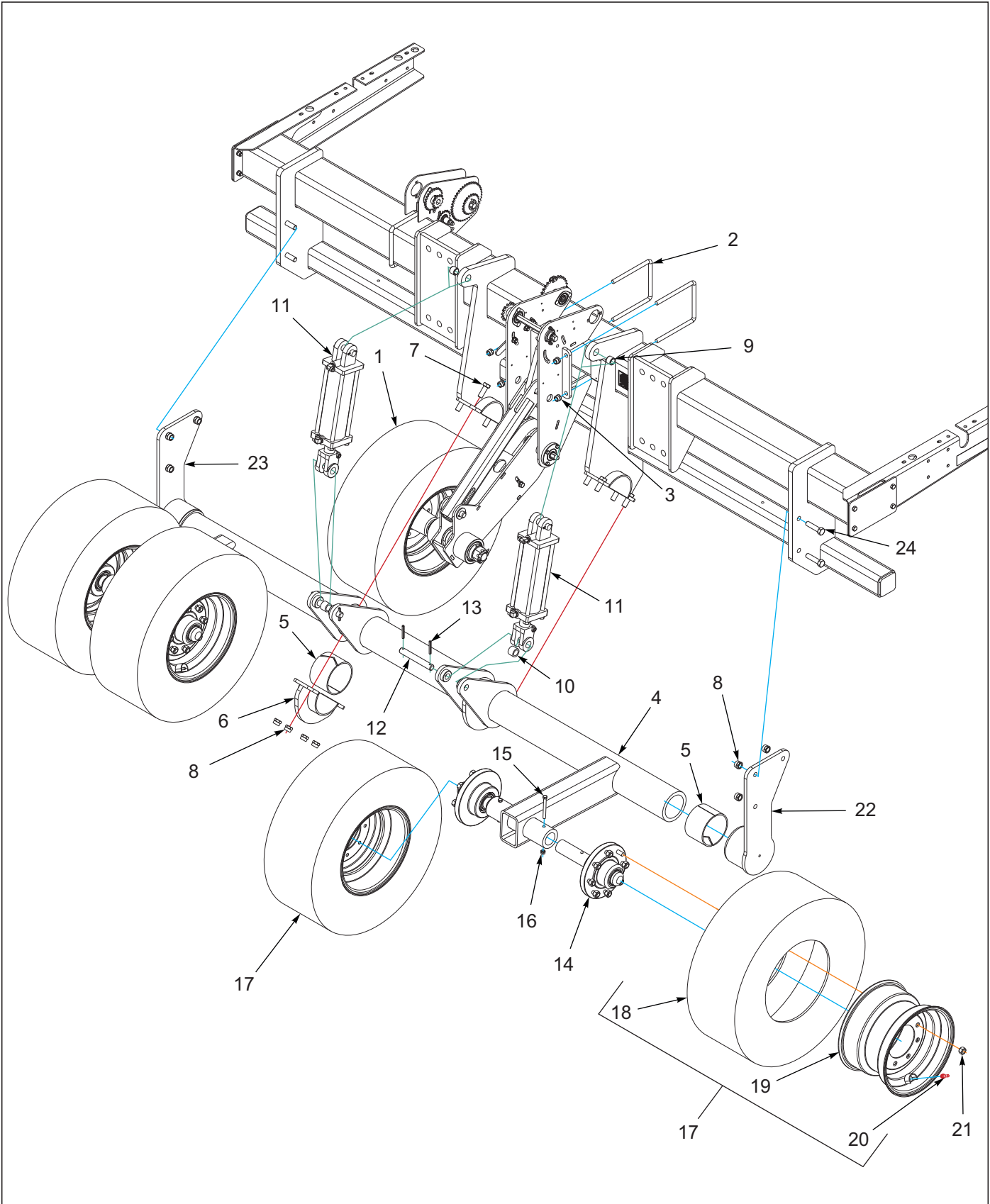


Figure 2-2: Lift & Drive Wheel Assembly 5211-12-1/2'

Lift & Drive Wheel Assembly 5211-12-1/2'

ITEM	PART NUMBER	DESCRIPTION	QTY.
--	189460	HITCH ASSY, CAT III LONG 12.5'	
--	189461	HITCH ASSY, DBL LONG 12.5'	
1	158175	DRIVE WHEEL ASSY,SPRING RIGHT (SEE PAGE 2-23)	1
2	70593063	U-BOLT	2
3	1-512-010005-13	NUT,HEX SLFLKG GRB 5/8-11	4
4	155884	LIFT, 5210 - 12-1/2' WLDMT	1
5	140519	BEARING, UHMW 4IN	4
6	155881	MOUNT, LIFT BEARING WLDMT	2
7	1-654-010061-05	SCREW,HHC,3/4-10UNCX2,GR5,ZP	8
8	1-512-010005-15	NUT,HEX,SLFLKG GRB 3/4-10	14
9	2-150-010008	BUSHING 1-1/4ODX1IDX1 STEEL	2
10	2-150-010227	BUSHING, HITCH, 2327	2
11	144321	CYLINDER, 4 X 10 (SEE PAGE 2-43)	2
12	158299	PIN 1X7-5/16	2
13	1-647-010004240	PIN,SPRING,SLOTTED,5/16X2-1/2	4
14	147553	8 BOLT HUB ASSY, 2-1/4" SPDL (SEE PAGE 2-25)	4
15	141809	SCREW HX CP7/16-14UNC X 4 GR5	4
16	101988	NUT,HEXSLF-LKG 7/16-14 GRB	4
17	158300	TIRE & WHEEL ASSY, 280/70R15 (INCLUDES ITEMS 18-20)	4
18	204384	FIRESTONE RADIAL 280/70R15	4
19	140548	WHEEL, 15 X 10 LB 8 BOLT	4
20	TR416	VALVE STEM TUBELESS TIRE	4
21	102600	NUT,WHEEL BOLT, 5/8	32
22	158139	MOUNT, BEARING LEFT WLDMT	1
23	158138	MOUNT, BEARING RIGHT WLDMT	1
24	1-654-010061-09	SCREW HX CP 3/4-10UNCX3 GR5	6

Hitch Assembly Long, 5211-10'-12-1/2'

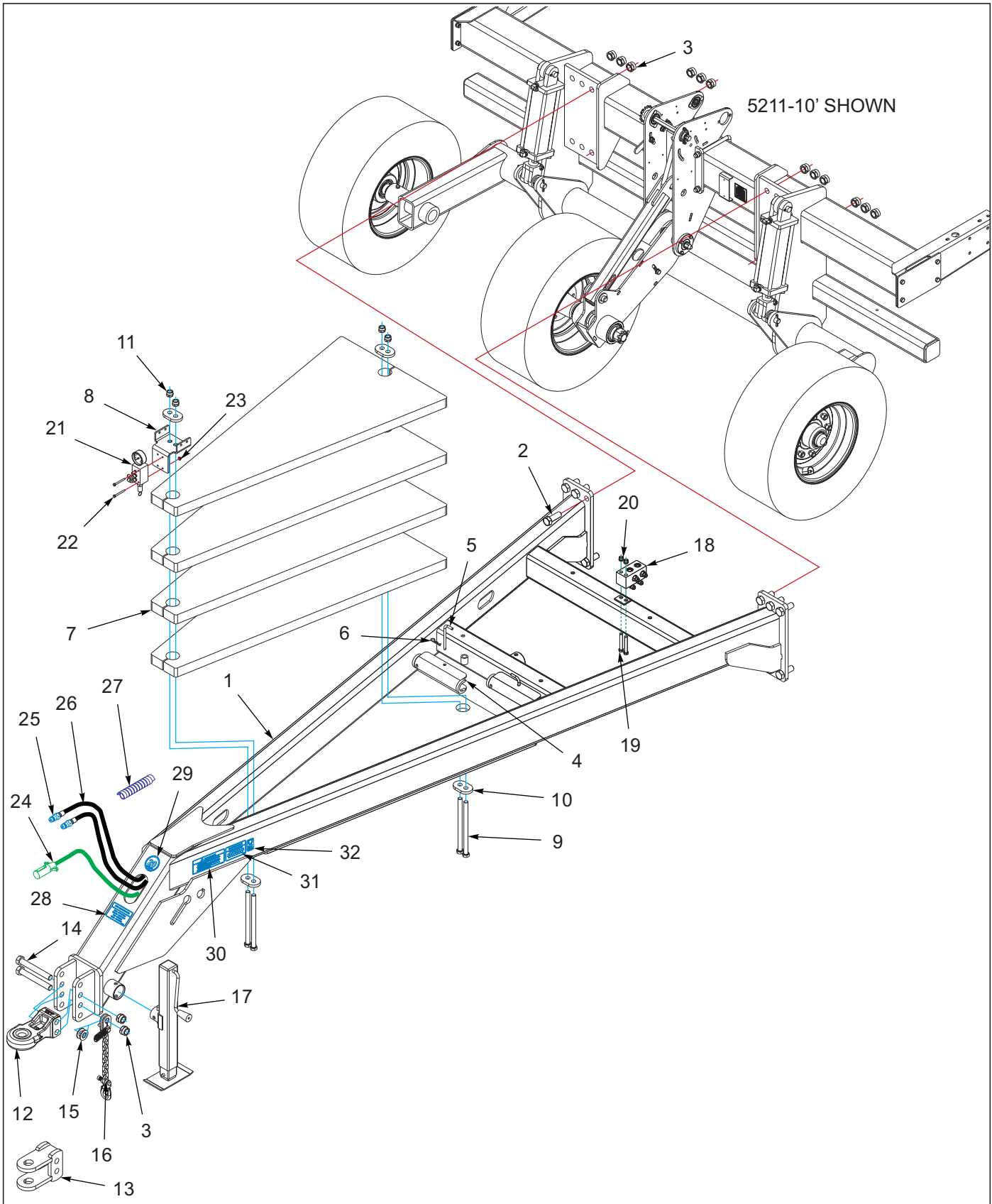


Figure 2-3: Hitch Assembly Long, 5211-10'-12-1/2'

Hitch Assembly Long, 5211-10'-12-1/2'

ITEM	PART NUMBER	DESCRIPTION	QTY.	
--	189440	HITCH ASSY, CAT III LONG	*	
--	189457	HITCH ASSY, DBL LONG		*
1	189441	HITCH, LONG 10'-12-1/2' WLDMT	1	1
2	1-654-010065-08	SCREW,HX CP 1-8UNC X 2-3/4GR5	12	12
3	1-512-010005-19	NUT 1-8 HEX SLF-LOCKING GRB	14	14
4	159885	LOCKOUT, 1-3/4" ROD X 10 WLDMT	2	2
5	104358	L PIN,CYL STOP	2	2
6	1-557-010403	HAIRPIN 1/8	2	2
7	189449	PLATE, WEIGHT HITCH	4	4
8	179786	BRACKET, COMPRESSOR	1	1
9	100809	SCREW,HEX CAP,3/4-10X11-1/2G5	4	4
10	176766	PLATE, WEIGHT LOCK	4	4
11	1-512-010005-15	NUT,HEX,SLFLKG GRB 3/4-10	4	4
12	177030	HITCH, BALL CAT III (SEE PAGE 2-29)	1	--
13	161550	HITCH CLEVIS DOUBLE 1-9/16 WLD (SEE PAGE 2-29)	--	1
14	153696	BOLT, HITCH CLEVIS	2	2
15	1-861-010032-24	WASHER FL 1IN NARROW ZP	2	2
16	141434	SAFETY CHAIN 21,000LB	1	1
17	140647	JACK, SIDE WIND 7000/8000 LB (SEE PAGE 2-30)	1	1
18	2-474-010022	MANIFOLD HYDRAULIC, 8 HOSE	1	1
19	1-654-010055-11	SCREW,HX CP 1/2-13UNCX3-1/2	2	2
20	1-512-010005-09	NUT,HEX,SLFLKG, 1/2-13 GRB	2	2
21	158285	AIR MANIFOLD ASSY (SEE PAGE 4-1)	1	1
22	1-654-010047-12	SCREW,HEX 1/4-20UNCX2-1/2	2	2
23	108417	NUT SPIRAL 1/4-20HX FG	2	2
24	174441	HARNESS, MAIN WARNING LIGHTS (SEE PAGE 6-3 AND 6-5)	1	1
25	141828	COUPLER,MALE 3/4-16 O-RING	2	2
26	145130	HOSE ASSY 3/8X214 #8 JICX#80R (SEE PAGE 2-11)	2	2
27	155528	HOSE WRAP, BLUE 1" ID X 8"	1	1
28	224513	DECAL, HOSE ID GRAIN DRILL	1	1
29	144193	DECAL, SIS 20 MPH	1	1
30	8-573-010084	DECAL WARNING BEFORE OPERATG	1	1
31	211045	DECAL, AIR SYSTEM	1	1
32	2-573-010198	DECAL, MEMBER FEMA	1	1

Lift & Drive Wheel Long/Coulter Hitch Assembly 5211-15'-20'

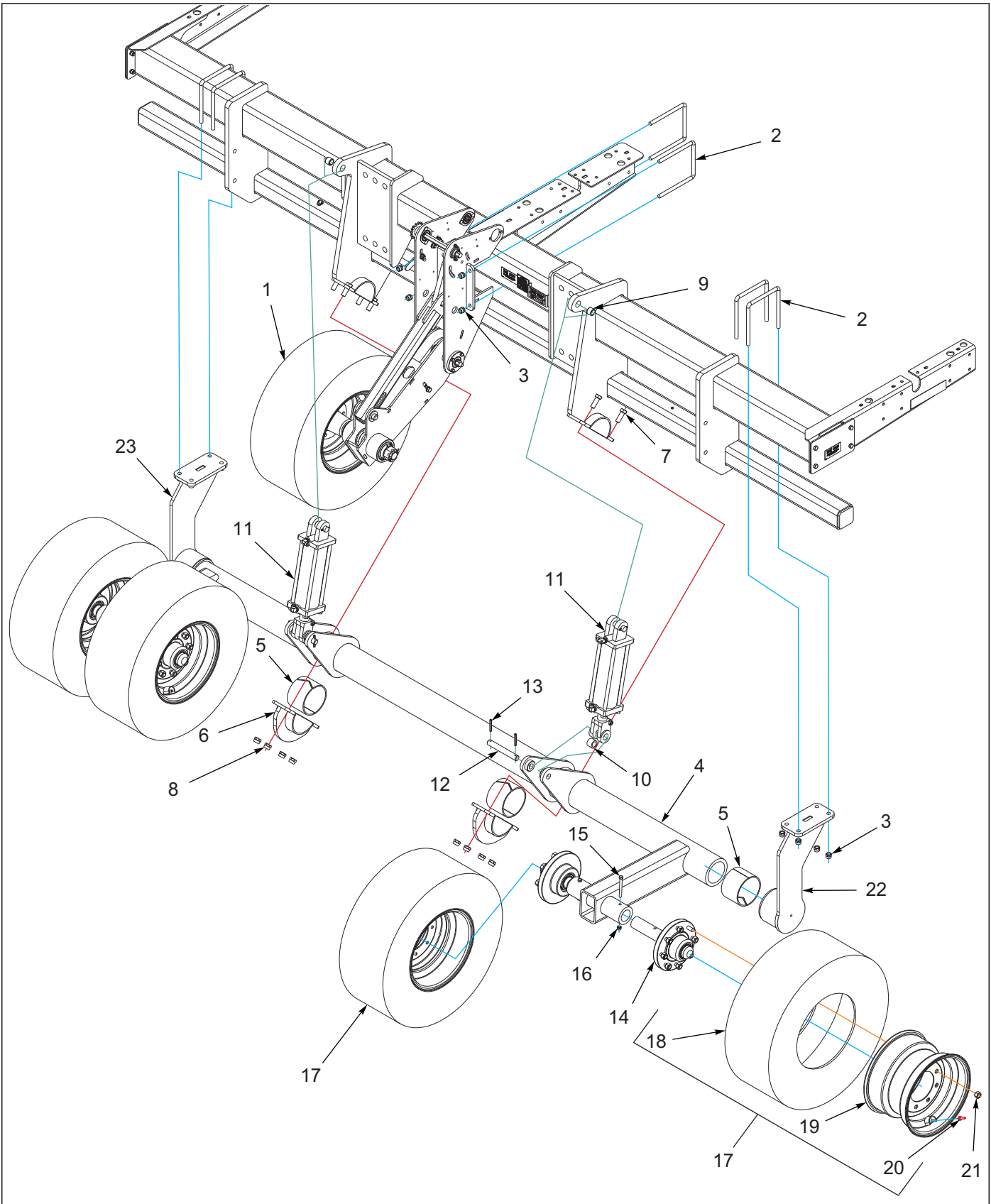


Figure 2-4: Lift & Drive Wheel Assembly 5211-15'-20'

Lift & Drive Wheel Assembly 5211-15'-20'

ITEM	PART NUMBER	DESCRIPTION	QTY.
--	179777	HITCH ASSY, CAT III LONG	
--	183963	HITCH ASSY, DBL LONG	
1	158175	DRIVE WHEEL ASSY,SPRING RIGHT (SEE PAGE 2-23)	1
2	70593063	U-BOLT	6
3	1-512-010005-13	NUT,HEX SLFLKG GRB 5/8-11	12
4	155885	LIFT, 5210 - 15' WLDMT	1
5	140519	BEARING, UHMW 4IN	4
6	155881	MOUNT, LIFT BEARING WLDMT	2
7	1-654-010061-05	SCREW,HHC,3/4-10UNCX2,GR5,ZP	8
8	1-512-010005-15	NUT,HEX,SLFLKG GRB 3/4-10	14
9	2-150-010008	BUSHING 1-1/4ODX1IDX1 STEEL	2
10	2-150-010227	BUSHING, HITCH, 2327	2
11	144321	CYLINDER, 4 X 10 (SEE PAGE 2-43)	2
12	158299	PIN 1X7-5/16	2
13	1-647-010004240	PIN,SPRING,SLOTTED,5/16X2-1/2	4
14	147553	8 BOLT HUB ASSY, 2-1/4" SPDL (SEE PAGE 2-25)	4
15	141809	SCREW HX CP7/16-14UNC X 4 GR5	4
16	101988	NUT,HEXSLF-LKG 7/16-14 GRB	4
17	158300	TIRE & WHEEL ASSY, 280/70R15 (INCLUDES ITEMS 18-20)	4
18	204384	FIRESTONE RADIAL 280/70R15	4
19	140548	WHEEL, 15 X 10 LB 8 BOLT	4
20	TR416	VALVE STEM TUBELESS TIRE	4
21	102600	NUT,WHEEL BOLT, 5/8	32
22	159891	MOUNT, BEARING LEFT WLDMT	1
23	159890	MOUNT, BEARING RIGHT WLDMT	1

Hitch Assembly Long, 5211-15'-20'

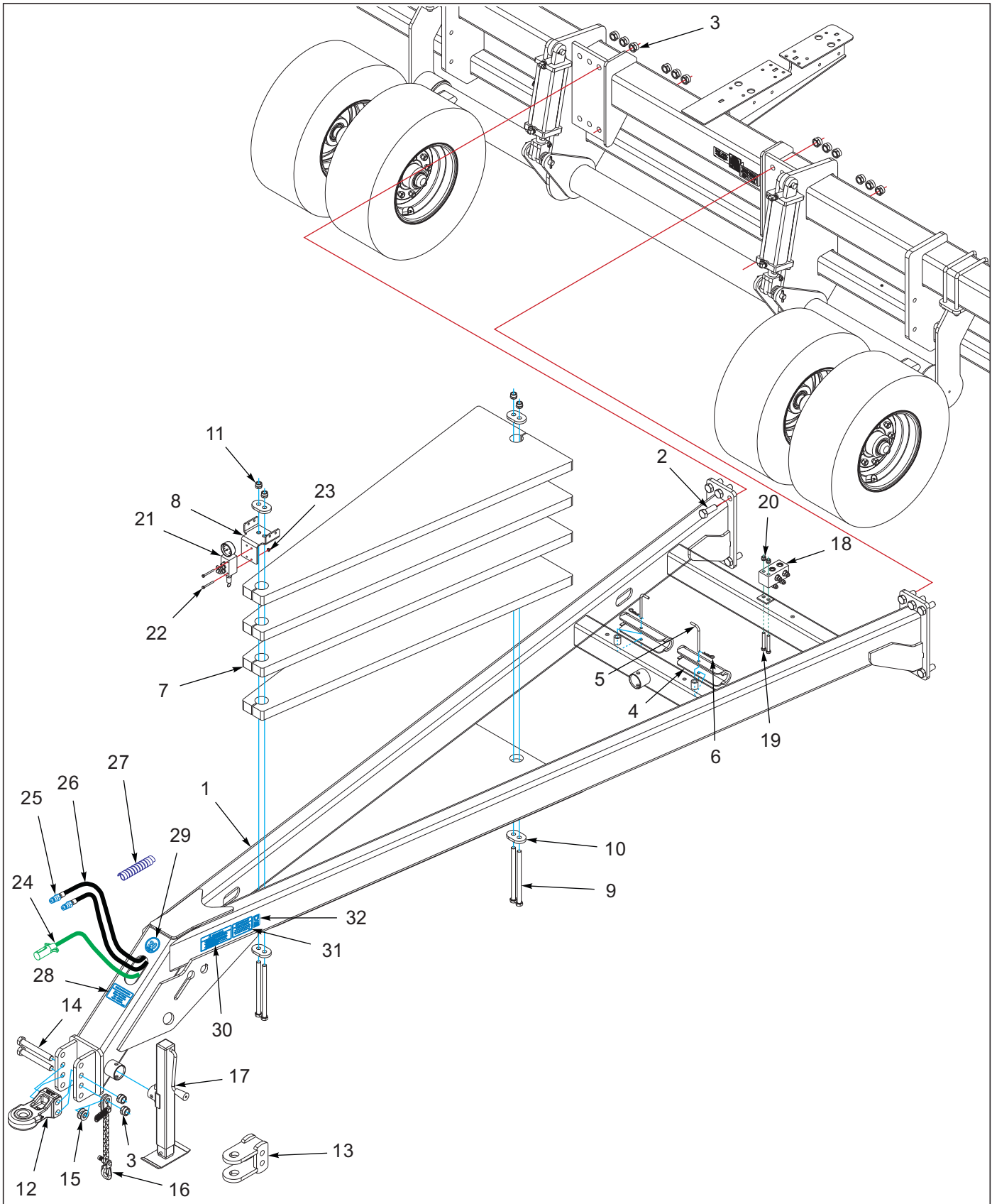


Figure 2-5: Hitch Assembly Long, 5211-15'-20'

Hitch Assembly Long, 5211-15'-20'

ITEM	PART NUMBER	DESCRIPTION	QTY.	
--	179787	HITCH ASSY, CAT III LONG	*	
--	183962	HITCH ASSY, DBL LONG	*	
1	179778	HITCH LONG	1	1
2	1-654-010065-08	SCREW,HX CP 1-8UNC X 2-3/4GR5	12	12
3	1-512-010005-19	NUT 1-8 HEX SLF-LOCKING GRB	14	14
4	159885	LOCKOUT, 1-3/4" ROD X 10 WLDMT	2	2
5	104358	L PIN,CYL STOP	2	2
6	1-557-010403	HAIRPIN 1/8	2	2
7	179780	PLATE, WEIGHT HITCH	4	4
8	179786	BRACKET, COMPRESSOR	1	1
9	100809	SCREW,HEX CAP,3/4-10X11-1/2G5	4	4
10	176766	PLATE, WEIGHT LOCK	4	4
11	1-512-010005-15	NUT,HEX,SLFLKG GRB 3/4-10	4	4
12	177030	HITCH, BALL CAT III (SEE PAGE 2-29)	1	--
13	161550	HITCH CLEVIS DOUBLE 1-9/16 WLD (SEE PAGE 2-29)	--	1
14	153696	BOLT, HITCH CLEVIS	2	2
15	1-861-010032-24	WASHER FL 1IN NARROW ZP	2	2
16	141434	SAFETY CHAIN 21,000LB	1	1
17	140647	JACK, SIDE WIND 7000/8000 LB (SEE PAGE 2-30)	1	1
18	2-474-010022	MANIFOLD HYDRAULIC, 8 HOSE	1	1
19	1-654-010055-11	SCREW,HX CP 1/2-13UNCX3-1/2	2	2
20	1-512-010005-09	NUT,HEX,SLFLKG, 1/2-13 GRB	2	2
21	158285	AIR MANIFOLD ASSY (SEE PAGE 4-1)	1	1
22	1-654-010047-12	SCREW,HEX 1/4-20UNCX2-1/2	2	2
23	108417	NUT SPIRAL 1/4-20HX FG	2	2
24	174441	HARNES, MAIN WARNING LIGHTS (SEE PAGE 6-3 AND 6-5)	1	1
25	141828	COUPLER,MALE 3/4-16 O-RING	2	2
26	158295	HOSE ASSY 3/8X255 #8JICX#8OR (SEE PAGE 2-11)	2	2
27	155528	HOSE WRAP, BLUE 1" ID X 8"	1	1
28	224513	DECAL, HOSE ID GRAIN DRILL	1	1
29	144193	DECAL, SIS 20 MPH	1	1
30	8-573-010084	DECAL WARNING BEFORE OPERATG	1	1
31	211045	DECAL, AIR SYSTEM	1	1
32	2-573-010198	DECAL, MEMBER FEMA	1	1

Hitch Assembly Lift Hydraulic

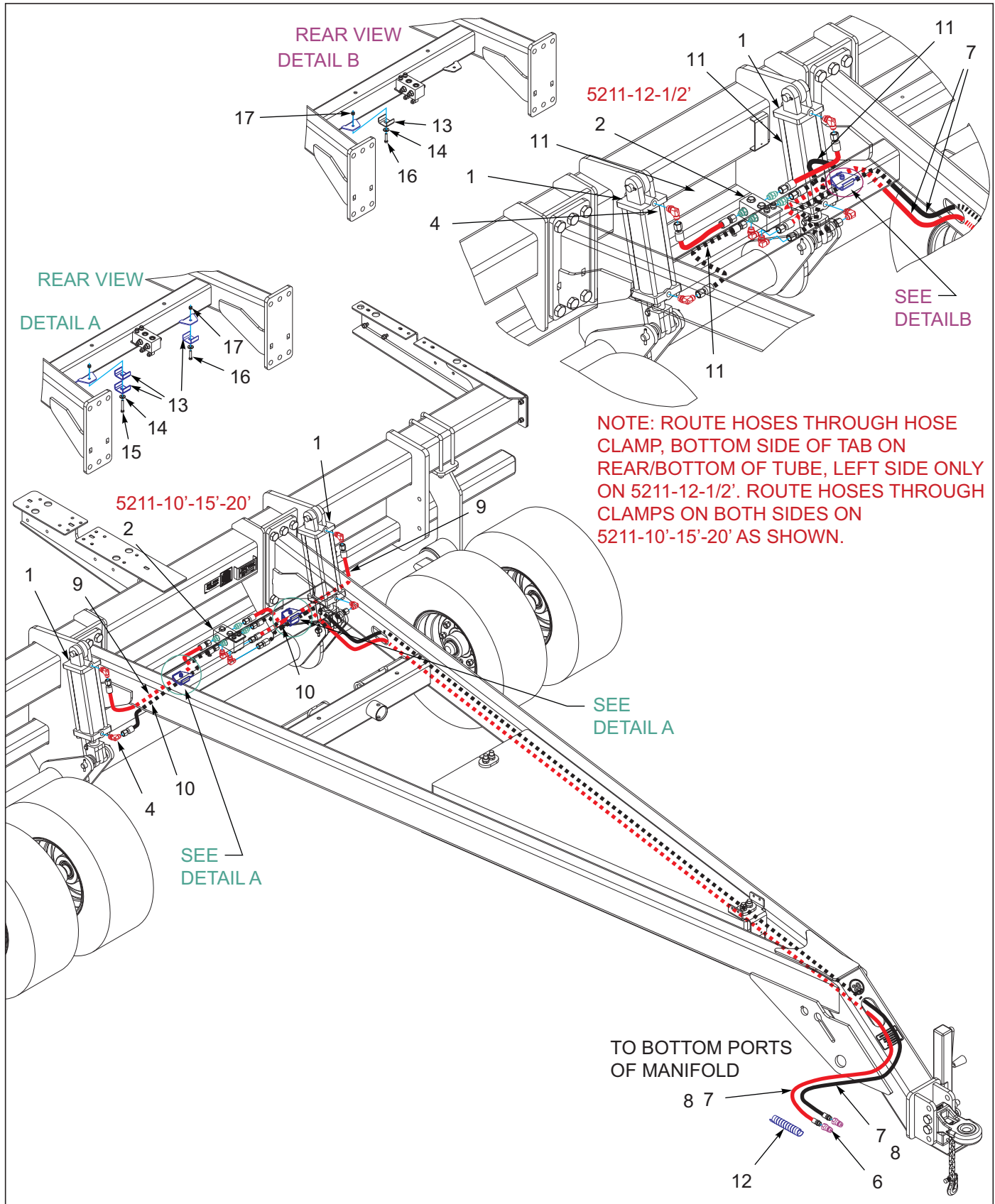


Figure 2-6: Hitch Assembly Lift Hydraulic (1 of 2)

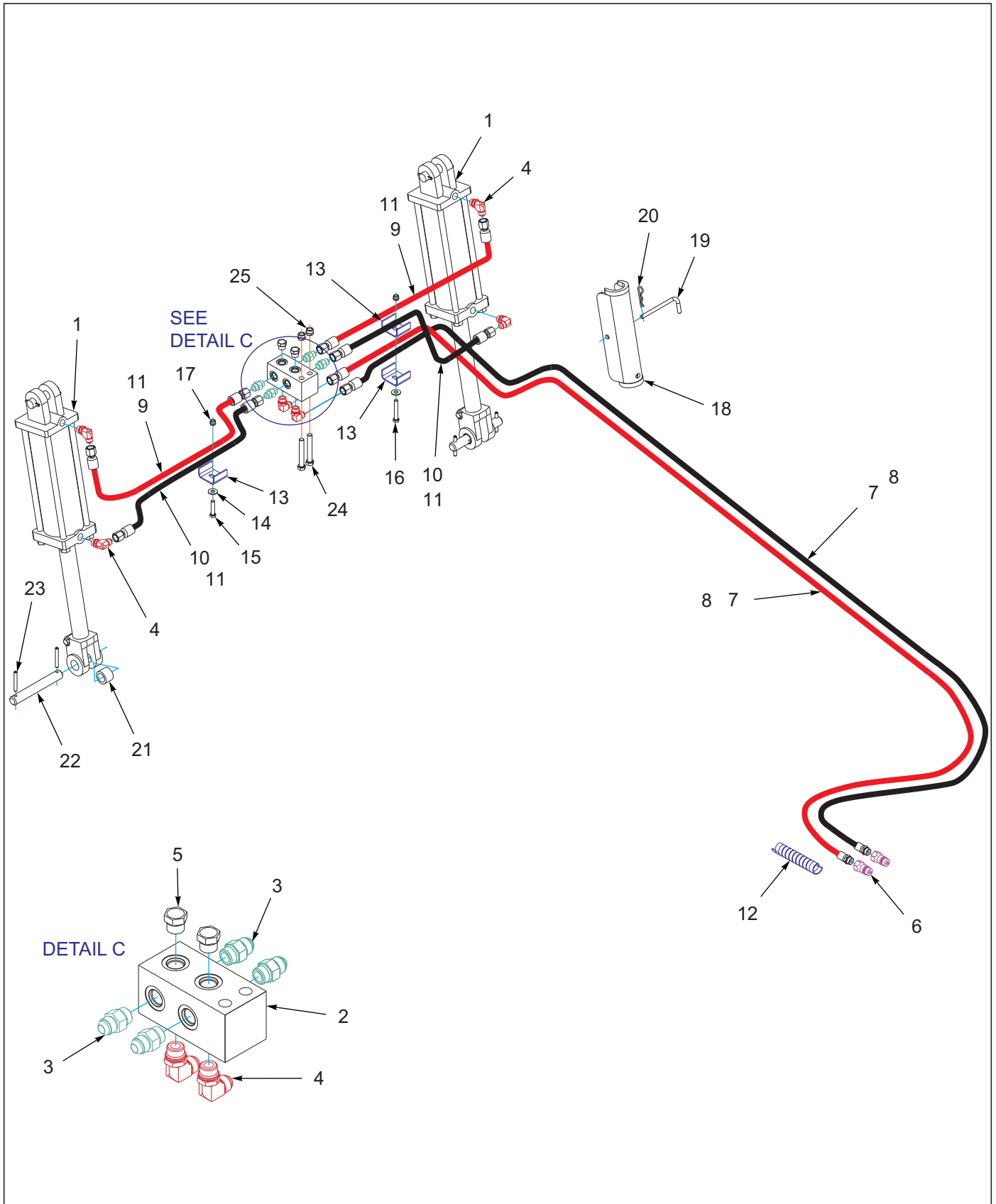


Figure 2-7: Hitch Assembly Lift Hydraulic (2 of 2)

Hitch Assembly Lift Hydraulic

ITEM	PART NUMBER	DESCRIPTION	QTY.		
--	----	HYDRAULIC LIFT ASSEMBLY 5211-10'	*		
--	----	HYDRAULIC LIFT ASSEMBLY 5211-12-1/2'	*		
--	----	HYDRAULIC LIFT ASSEMBLY 5211-15-20'	*		
1	144321	CYLINDER, 4 X 10 (SEE PAGE 2-43)	2	2	2
2	2-474-010022	MANIFOLD HYDRAULIC, 8 HOSE	1	1	1
3	202702-8-8S	ADAPTER #8 O-RING TO #8 TUBE	4	4	4
4	2062-8-8S	ADAPTER, 90, #8 O-RING-TUBE	6	6	6
5	1-007-010025	PLUG, 3/4-16 O-RING BOSS	2	2	2
6	141828	COUPLER,MALE 3/4-16 O-RING	2	2	2
7	145130	HOSE ASSY 3/8X214 #8 JICX#80R	2	2	--
8	158295	HOSE ASSY 3/8X255 #8JICX#80R	--	--	2
9	71508984	HOSE .38X42	2	--	2
10	147123	HOSE ASSY, 3/8X31 #8 JIC SWV	2	--	2
11	153841	HOSE ASSY 3/8X18 #8 JIC SWIV	--	4	--
12	155528	HOSE WRAP, BLUE 1" ID X 8"	1	1	1
13	2-181-010001	HOSE CLAMP	3	1	3
14	1-861-010032-11	WASHER, FLAT 3/8 W ZP/CD	2	1	2
15	1-654-010051-11	SCREW HX CP 3/8-16X2-1/2 G5ZP	1	1	1
16	1-654-010051-08	SCREW,HEX CAP,3/8-16X1-3/4 G5	1	--	1
17	1-512-010005-05	NUT, HEX, SLFLKG GRB 3/8-16	2	1	2
18	159885	LOCKOUT, 1-3/4" ROD X 10 WLDMT	2	2	2
19	104358	L PIN,CYL STOP	2	2	2
20	1-557-010403	HAIRPIN 1/8	2	2	2
21	2-150-010227	BUSHING, HITCH, 2327	2	2	2
22	158299	PIN 1X7-5/16	2	2	2
23	1-647-010004240	PIN,SPRING,SLOTTED,5/16X2-1/2	4	4	4
24	1-654-010055-11	SCREW,HX CP 1/2-13UNCX3-1/2	2	2	2
25	1-512-010005-09	NUT,HEX,SLFLKG, 1/2-13 GRB	2	2	2

Hitch Assembly Coultter 5211-12-1/2'-15'

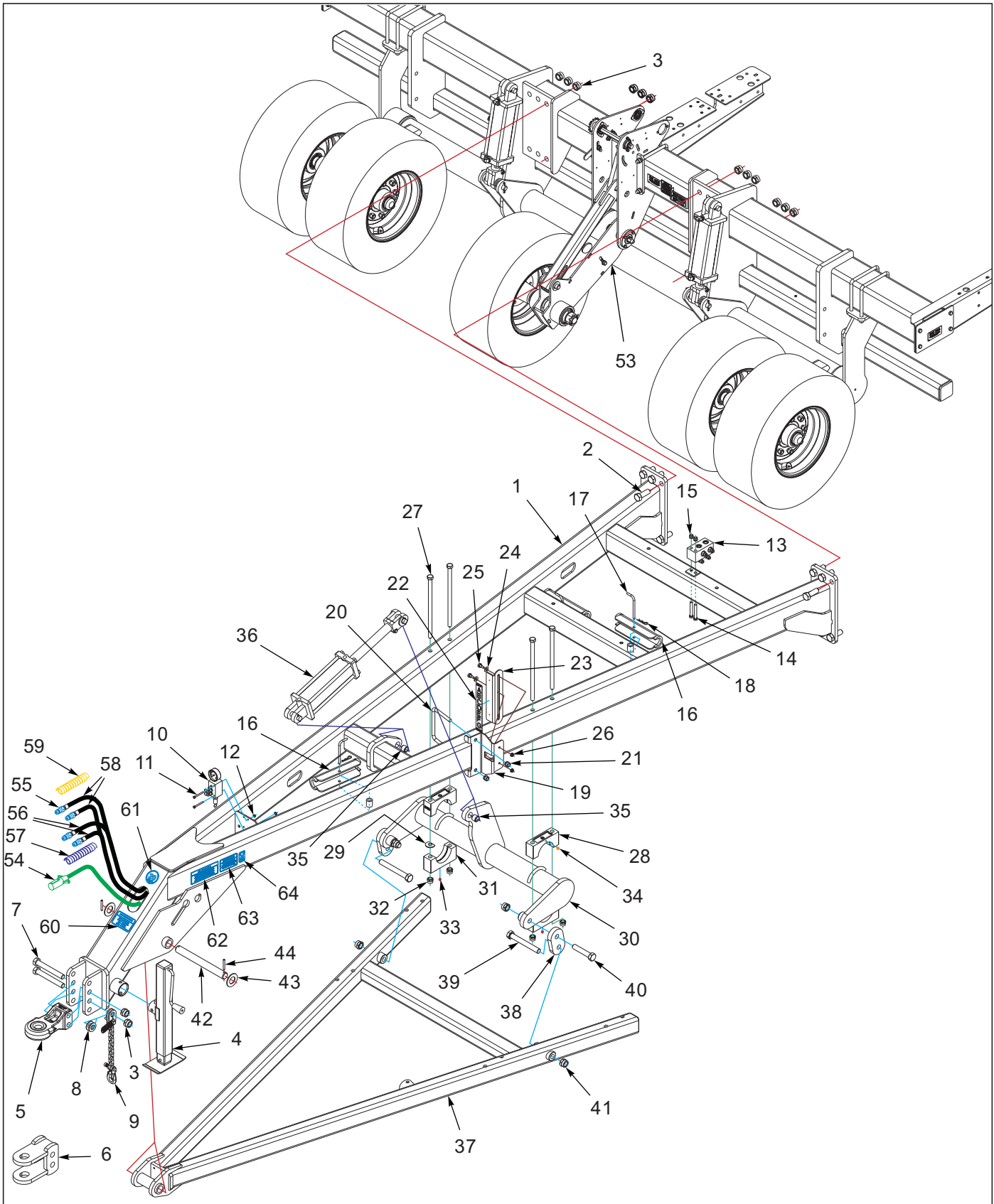


Figure 2-8: Hitch Assembly Coultter 5211-12-1/2'-15' (1 of 2)

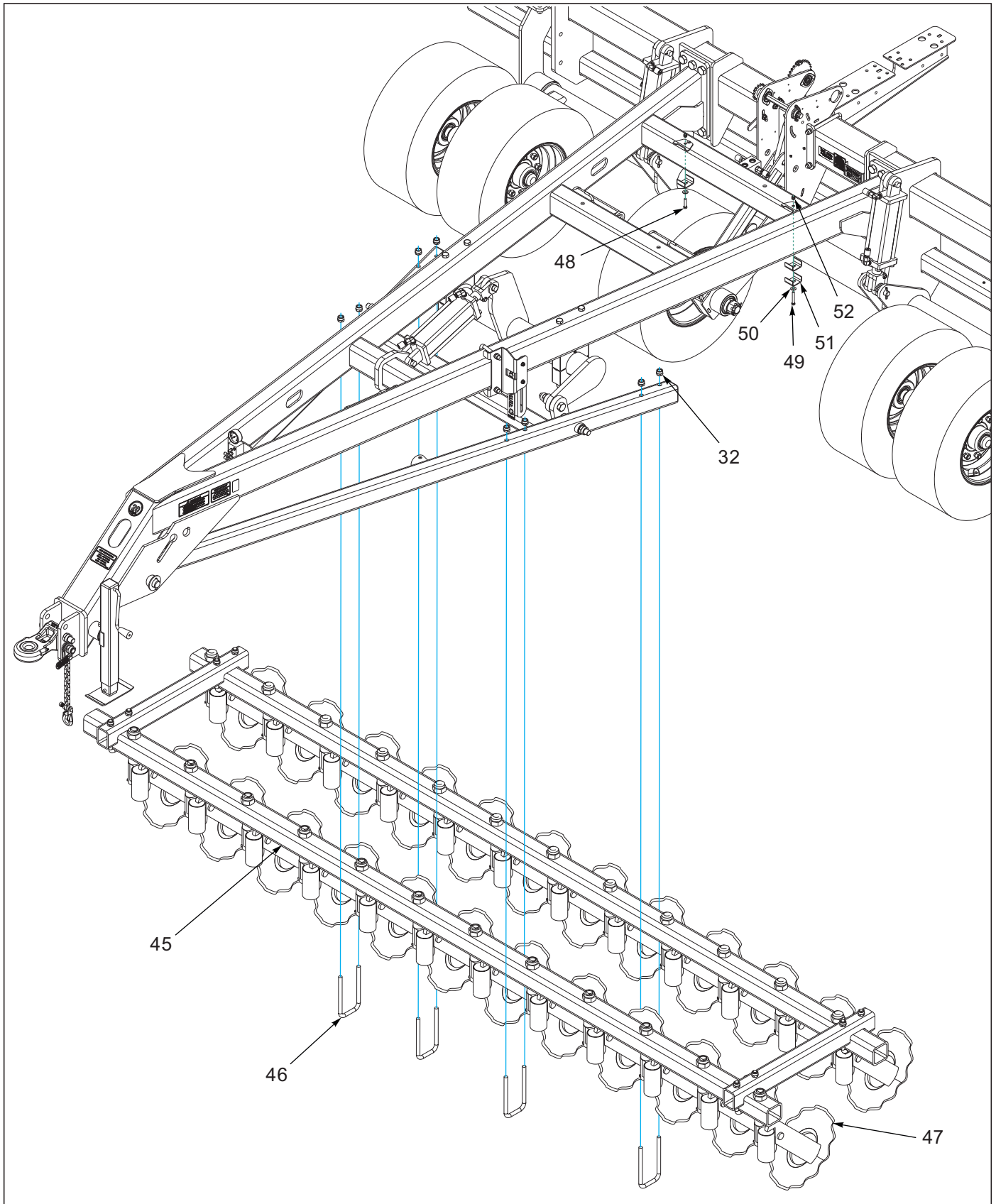


Figure 2-9: Hitch Assembly Coulters 5211-12-1/2'-15' (2 of 2)

Hitch Assembly Coultter 5211-12-1/2'-15'

ITEM	PART NUMBER	DESCRIPTION	QTY.			
--	176524	CLTR HITCH CATIII ASSY12.5X7.5	*			
--	176525	CLTR HITCH DBL ASSY 12.5X7.5	*			
--	176528	CLTR HITCH CAT III ASSY 15X7.5		*		
--	176529	CLTR HITCH DBL ASSY 15X7.5		*		
--	176484	HITCH ASSY, COULTER CAT III			*	
--	176485	HITCH ASSY, COULTER DBL				*
1	158132	HITCH WLDMT, 5210	--	--	1	1
2	1-654-010065-08	SCREW,HX CP 1-8UNC X 2-3/4GR5	--	--	12	12
3	1-512-010005-19	NUT 1-8 HEX SLF-LOCKING GRB	--	--	14	14
4	140647	JACK, SIDE WIND 7000/8000 LB	--	--	1	1
5	177030	HITCH, BALL CAT III (SEE PAGE 2-29)	--	--	1	--
6	161550	HITCH CLEVIS DOUBLE 1-9/16 WLD (SEE PAGE 2-29)	--	--	--	1
7	153696	BOLT, HITCH CLEVIS	--	--	2	2
8	1-861-010032-24	WASHER FL 1IN NARROW ZP	--	--	2	2
9	141434	SAFETY CHAIN 21,000LB	--	--	1	1
10	158285	AIR MANIFOLD ASSY (SEE PAGE 4-5)	--	--	1	1
11	1-654-010047-12	SCREW,HEX 1/4-20UNCX2-1/2	--	--	2	2
12	108417	NUT SPIRAL 1/4-20HX FG	--	--	2	2
13	2-474-010022	MANIFOLD HYDRAULIC, 8 HOSE	--	--	1	1
14	1-654-010055-11	SCREW,HX CP 1/2-13UNCX3-1/2	--	--	2	2
15	1-512-010005-09	NUT,HEX,SLFLKG, 1/2-13 GRB	--	--	3	3
16	159885	LOCKOUT, 1-3/4" ROD X 10 WLDMT	--	--	3	3
17	104358	L PIN,CYL STOP	--	--	3	3
18	1-557-010403	HAIRPIN 1/8	--	--	3	3
19	158283	MOUNT, DEPTH SCALE	--	--	1	1
20	158279	U-BOLT, 5/8X7-11/16X5-1/2	--	--	1	1
21	1-512-010005-13	NUT,HEX SLFLKG GRB 5/8-11	--	--	2	2
22	141263	DECAL, LEVEL INDICATOR	--	--	1	1
23	158284	INDICATOR, DEPTH SCALE	--	--	1	1
24	1-861-010032-14	WASHER, FLAT 1/2" N ZP/CD	--	--	2	2
25	2-095-010017	BOLT, SHOULDER HEX HEAD	--	--	2	2
26	1-510-010003-05	NUT,3/8-16 FLANGE HD,SERRATED	--	--	2	2
27	149193	SCREW HX CP 3/4-10UNCX15 GR5	--	--	4	4
28	159893	BEARING CAP,RCKSHFT TOP 3/4HL	--	--	2	2
29	2-684-010045	SHIM,ROCKSHAFT BEARING 3/4"	--	--	4	4
30	158127	LIFT, COULTER WLDMT	--	--	1	1
31	159894	BEARING CAP,RCKSHFT BTM 3/4HL	--	--	2	2
32	1-512-010005-15	NUT,HEX,SLFLKG GRB 3/4-10	--	--	12	12
33	1-298-010001-1	ZERK FITTING 1/4 SAE	--	--	2	2
34	5410	FITTING GREASE 1/4-28 90 1911	--	--	2	2
35	2-150-010008	BUSHING 1-1/4ODX1IDX1 STEEL	--	--	2	2
36	144321	CYLINDER, 4 X 10 (SEE PAGE 2-43)	--	--	1	1
37	158290	FRAME, COULTER WLDMT	--	--	1	1
38	158293	LINK, COULTER FRAME	--	--	2	2
39	100824	SCREW,HEX CAP 1-8X8 GR5	--	--	2	2
40	1-654-010065-15	SCREW HX CP 1-8UNCX5 GR5	--	--	2	2
41	114462	NUT,HEX SLFLKG 1-8 UNC GRC	--	--	4	4
42	158286	PIN, 1-1/2 X 14	--	--	1	1
43	1-861-010032-32	WASHER FLAT ZP/CD 1-1/2	--	--	2	2

Hitch Assembly Coultter 5211-12-1/2'-15'

ITEM	PART NUMBER	DESCRIPTION	QTY.			
44	1-647-010004240	PIN,SPRING,SLOTTED,5/16X2-1/2	--	--	2	2
45	158120	FRAME ASSY,COULTER 12-1/2X7.5 (SEE PAGE 2-19)	1	--	--	--
45	158122	FRAME ASSY,COULTER 15'X7-1/2" (SEE PAGE 2-19)	--	1	--	--
46	2-102-010063	U-BOLT, CLAMP DISC SHANK	--	--	4	4
47	158301	COULTER BLADE 17", WAVY	20	24	--	--
48	1-654-010051-08	SCREW,HEX CAP,3/8-16X1-3/4 G5	1	1	--	--
49	1-654-010051-11	SCREW HX CP 3/8-16X2-1/2 G5ZP	--	1	--	--
50	1-861-010032-11	WASHER, FLAT 3/8 W ZP/CD	1	2	--	--
51	2-181-010001	HOSE CLAMP	1	3	--	--
52	1-512-010005-05	NUT, HEX, SLFLKG GRB 3/8-16	1	2	--	--
53	158175	DRIVE WHEEL ASSY,SPRING RIGHT (SEE 2-3 FOR 5211-12-1/2' OR 2-7 FOR 5211-15')	1	1	--	--
54	174441	HARNESS, MAIN WARNING LIGHTS	--	--	1	1
55	141828	COUPLER,MALE 3/4-16 O-RING	--	--	4	4
56	158295	HOSE ASSY 3/8X255 #8JICX#8OR	--	--	2	2
57	155528	HOSE WRAP, BLUE 1" ID X 8"	--	--	1	1
58	158294	HOSE ASSY 3/8X165 #8JICX#8OR	--	--	2	2
59	155529	HOSE WRAP, YELLOW 1" ID X 8"	--	--	1	1
60	224513	DECAL, HOSE ID GRAIN DRILL	--	--	1	1
61	144193	DECAL, SIS 20 MPH	--	--	1	1
62	8-573-010084	DECAL WARNING BEFORE OPERATG	--	--	1	1
63	211045	DECAL, AIR SYSTEM	--	--	1	1
64	2-573-010198	DECAL, MEMBER FEMA	--	--	1	1

Coulter Frame Assembly

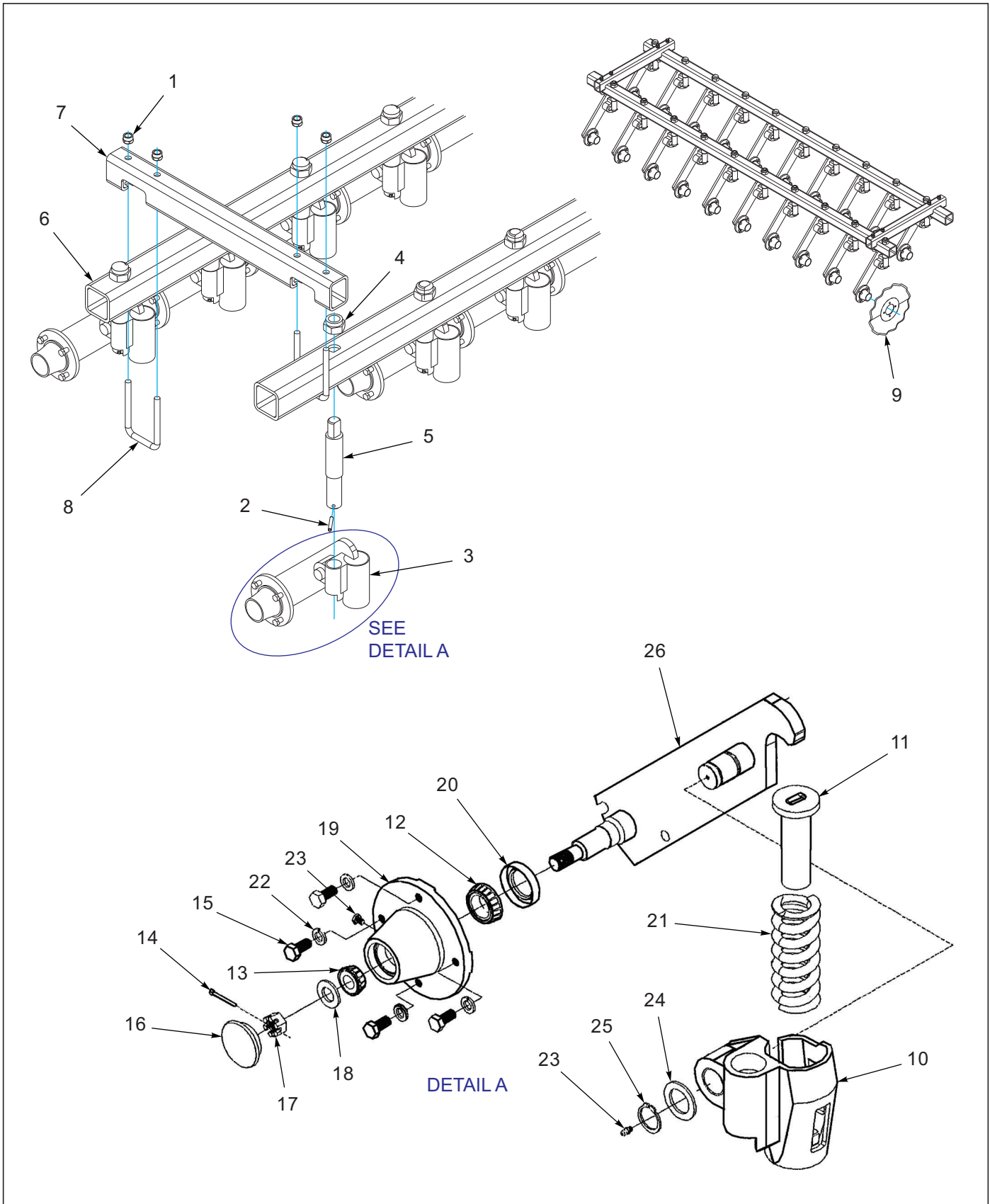


Figure 2-10: Coulter Frame Assembly

Coulter Frame Assembly

ITEM	PART NUMBER	DESCRIPTION	QTY.	
--	158120	FRAME ASSY,COULTER 12-1/2X7.5	*	
--	158122	FRAME ASSY,COULTER 15'X7-1/2"	*	
1	1-512-010005-15	NUT,HEX,SLFLKG GRB 3/4-10	8	8
2	1-647-010004257	PIN,SPRING,SLOTTED 3/8X2-1/2	20	24
3	117823	COULTER ASSY, THURSTON	20	24
4	157020	NUT,HEX TOPLOCK 1-1/2-12 GRC	20	24
5	158109	SHAFT, COULTER	20	24
6	158112	BAR, COULTER 12-1/2X7-1/2	2	--
6	158114	BAR, COULTER 15'X7-1/2"	--	-2
7	158296	BAR, COULTER FRAME	2	2
8	2-102-010056	U-BOLT, CLAMP DISC SHANK	4	4
9	158301	COULTER BLADE 17", WAVY	20	24
10	119097	CASTING, COULTER KNEE HD	1	1
11	119098	SPRING CAP & GUIDE	1	1
12	1-076-010007	CONE INNER	1	1
13	1-076-010008	OUTER CONE 4-BOLT HUB	1	1
14	1-557-010362-40	PIN, COTTER 5/32X1-1/4	1	1
15	1/2-20X1HHCS	HHCS 1/2-20X1 GR5	4	4
16	119099	HUB CAP 1610	1	1
17	3/4-16HSN	HEX SLOTTED NUT	1	1
18	1-861-010003	WASHER SPINDLE 3/4	1	1
19	119180	HUB W/CUPS 4 BOLT	1	1
20	119181	GREASE SEAL 15235TB	1	1
21	119182	SPRING	1	1
22	1-861-010034-13	WASHER, LKG HLCL SPR, 1/2	4	4
23	1-298-010001-1	ZERK FITTING 1/4 SAE	2	2
24	119183	BUSHING,MACH 2-1/8X1-3/8X10GA	1	1
25	119184	SNAP RING 1-3/8 EXTERNAL	1	1
26	119185	COULTER ARM WLDMT, HD	1	1

Hitch Assembly Coulter Hydraulic 5211-12-1/2'-15'

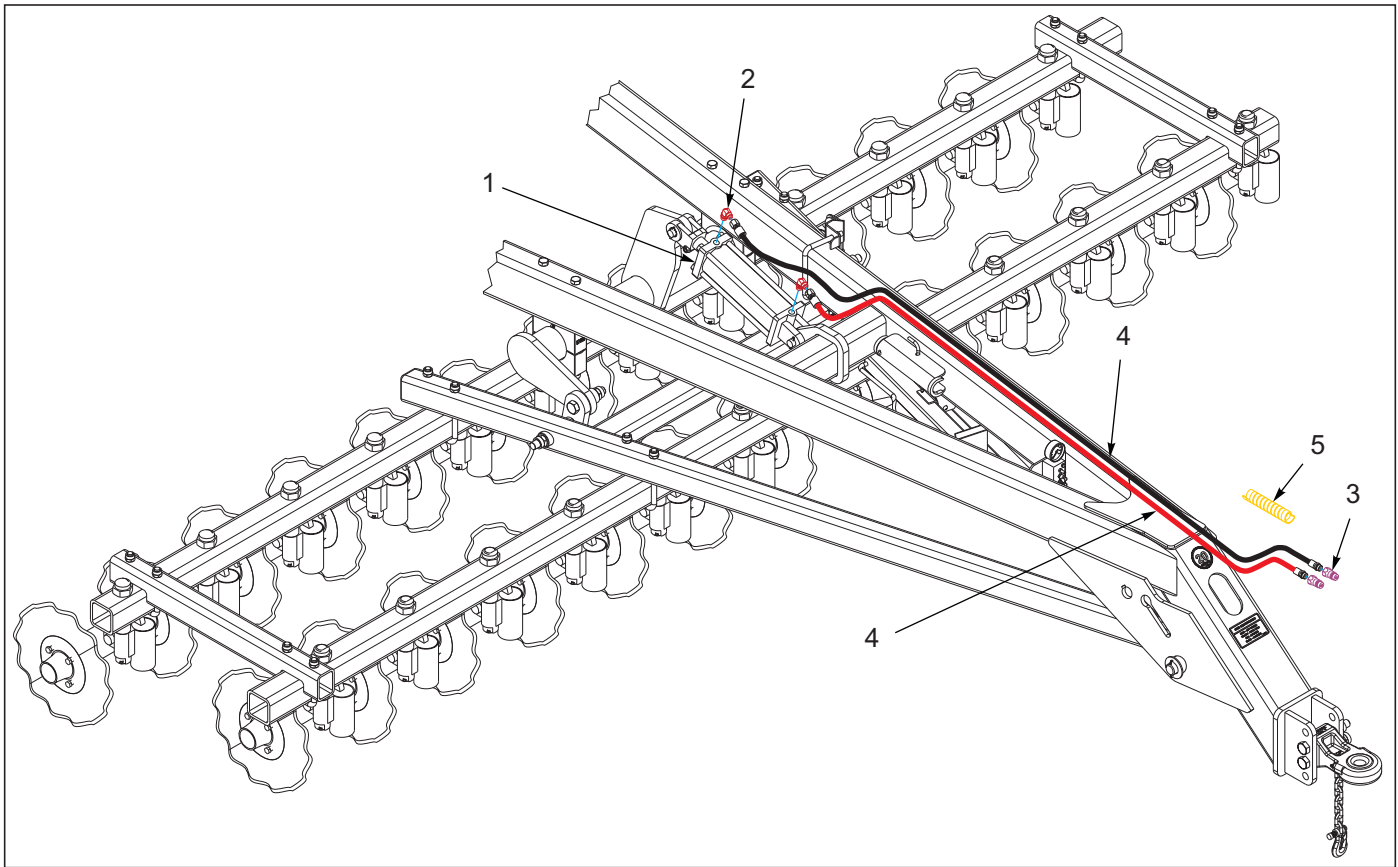


Figure 2-11: Hitch Assembly Coulter Hydraulic 5211-12-1/2'-15'

Hitch Assembly Coulter Hydraulic 5211-12-1/2'-15'

ITEM	PART NUMBER	DESCRIPTION	QTY.
1	144321	CYLINDER, 4 X 10	1
2	2062-8-8S	ADAPTER, 90, #8 O-RING-TUBE	2
3	141828	COUPLER,MALE 3/4-16 O-RING	2
4	158294	HOSE ASSY 3/8X165 #8JICX#8OR	2
5	155529	HOSE WRAP, YELLOW 1" ID X 8"	1

Drive Wheel Assembly, Spring Right

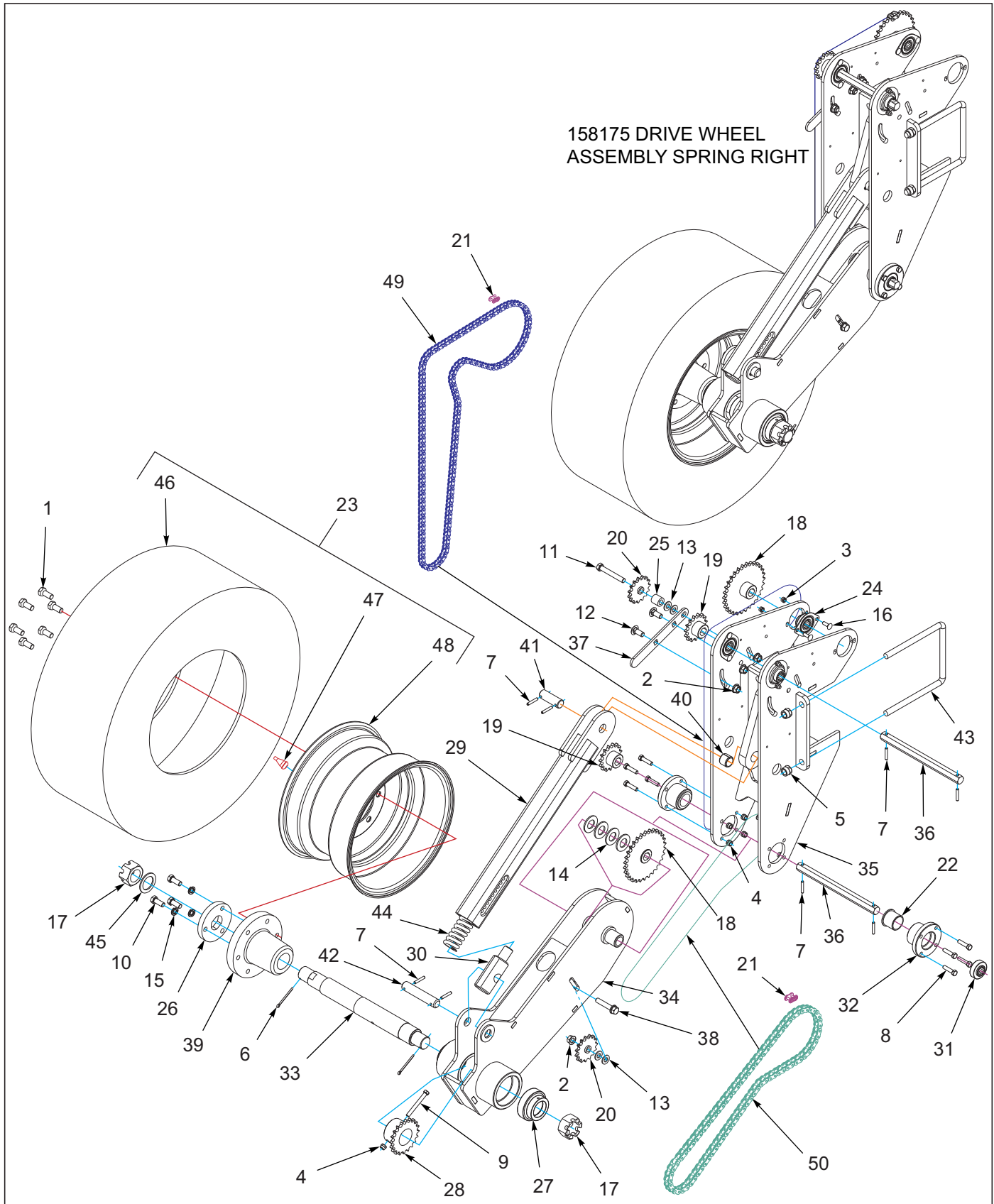


Figure 2-12: Drive Wheel Assembly, Spring Right

Drive Wheel Assembly, Spring Right

ITEM	PART NUMBER	DESCRIPTION	QTY.
--	158175	DRIVE WHEEL ASSEMBLY, SPRING RIGHT	
1	1-104-010001	WHEEL BOLT	6
2	1-510-010003-09	NUT, FLANGE HEAD SERRATED 1/2-13	4
3	1-512-010005-03	NUT, HEX LOCK 5/16-18 GRB	6
4	1-512-010005-05	NUT, HEX LOCK 3/8-16 GRB	9
5	1-512-010005-13	NUT, HEX LOCK 5/8-11 GRB	4
6	1-557-010362-54	PIN, COTTER 3/16 X 2-1/4	2
7	1-647-010004217	SPRING PIN, SLOTTED 1/4 X 1-1/2	8
8	1-654-010051-07	SCREW, HEX HEAD CAP 3/8-16 X 1-1/2 GR5	8
9	1-654-010051-14	SCREW, HEX HEAD CAP 3/8-16 X 3-1/4 GR5	1
10	1-654-010055-02	SCREW, HEX HEAD CAP 1/2-13 X 1-1/4 GR5	3
11	1-654-010055-11	SCREW, HEX HEAD CAP 1/2-13 X 3-1/2 GR5	1
12	1-654-010070-02	SCREW, RD HEAD SQ NECK 1/2-13 X 3-1/2 GR5	1
13	1-861-010032-14	WASHER, FLAT 1/2N	2
14	1-861-010032-24	WASHER, FLAT 1N	4
15	1-861-010034-13	WASHER, SPLIT LOCK 1/2	3
16	104031	SCREW, RD HEAD SQ NECK 5/16-18 X 1 GR5	6
17	119118	NUT, HEX SLOTTED 1-1/2-12	2
18	125720	SPROCKET, TRANS MONO 30 TEETH	2
19	125784	SPROCKET, TRANS MONO 15 TEETH	2
20	125796	SPROCKET W/ BEARING 15 TEETH	2
21	129683	LINK, CLIP CONN #50 CHAIN	s
22	140599	BEARING, FLANGE 1-1/2	2
23	142650	TIRE & WHEEL ASSY, 280/70R15 (INCL ITEMS 46-48)	1
24	144060	BEARING	3
25	144183	SPACER 1X9/16X1	1
26	144251	PLATE, HUB LOCK	1
27	144252	BALL BEARING, 1.937ID W/COLLAR	2
28	153817	SPROCKET, #50X20 2 BORE	1
29	158147	TUBE, SPRING WLDMT	1
30	158150	SPRING END, DRIVE WHEEL	1
31	158151	BEARING, 2.047 X 7/8 HX BORE	2
32	158152	HUB, BEARING	2
33	158153	SPINDLE, DRIVE WHEEL	1
34	158154	AXLE, DRIVE WHEEL WLDMT	1
35	158162	MOUNT, DRIVE WHEEL WLDMT	1
36	158168	SHAFT, 7/8 HEX X 12	2
37	158169	HANDLE, IDLER ADJUSTMENT	1
38	158278	SCREW, FLG HD SER 1/2-13X2-1/2	1
39	168841	HUB, 6 BOLT	1
40	2-150-010008	BUSHING 1-1/4ODX1IDX1 STEEL	1
41	2-557-010125	PIN RADIUS ROD	1
42	6-557-010163	PIN HITCH LEVELING LINK	1
43	70593063	U-BOLT	2
44	8-720-010013	SPRING COMPRESSION REEL	1
45	8-861-010021	FW 2-3/8ODX1-5/8IDX1/8 ZP	1

Drive Wheel Assembly, Spring Right

ITEM	PART NUMBER	DESCRIPTION	QTY.
46	204384	FIRESTONE RADIAL 280/70R15	1
47	415	VALVE STEM	1
48	140547	WHEEL, 15 X 10 LB 6 BOLT	1
49	172653	ROLLER CHAIN, #50X132P 82-1/2L	1
50	172652	ROLLER CHAIN, #50X94P 58-3/4L	1

Hub and Spindle Assembly - 8 Bolt

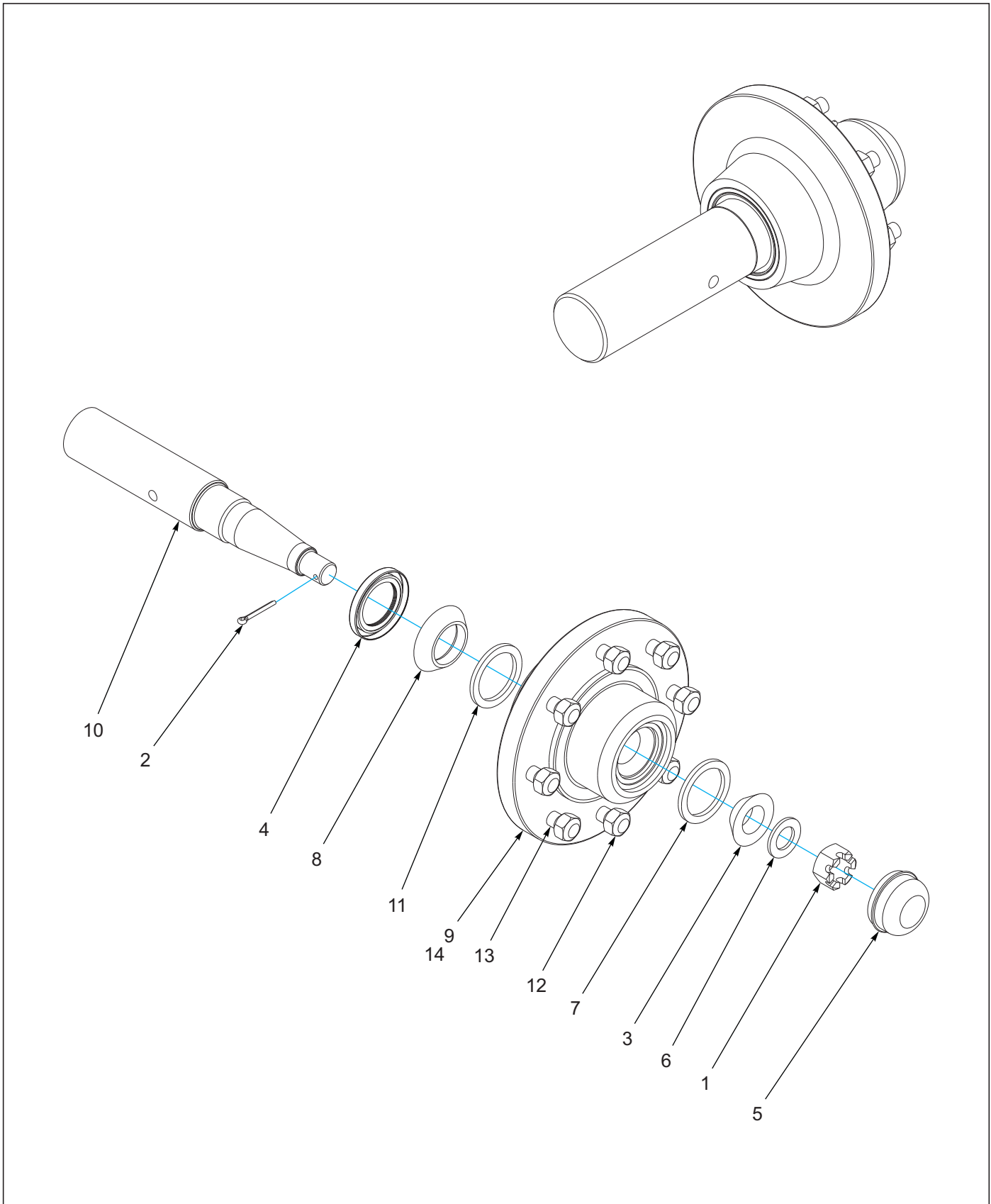


Figure 2-13: Hub and Spindle Assembly - 8 Bolt

Hub and Spindle Assembly - 8 Bolt

ITEM	PART NUMBER	DESCRIPTION	QTY.
- -	147553	8 BOLT HUB ASSY, 2-1/4" SPDL	
1	1-516-010001-20	NUT, HX SLOT 1-14	1
2	1-557-010362-51	PIN, COTTER 3/16X1-1/2	1
3	1-076-010007	CONE INNER	1
4	140554	SEAL GREASE	1
5	141236	DUST CAP, WHEEL HUB	1
6	141238	WASHER, SPINDLE	1
7	1-076-010010	CUP INNER	1
8	140595	CONE BEARING	1
9	140646	HUB W/CUPS, EIGHT BOLT (INCL ITEMS 7 & 11)	1
10	141198	SPINDLE 2-1/4 IN	1
11	140594	CUP BEARING	1
12	102600	NUT,WHEEL BOLT, 5/8 (8 BOLT)	8
13	143067	STUD BOLT 5/8-18 (8 BOLT)	8
14	141867	HUB ASSY EIGHT BOLT (INCL. ITEMS 3-5, 8-9)	

Hitch Assemblies

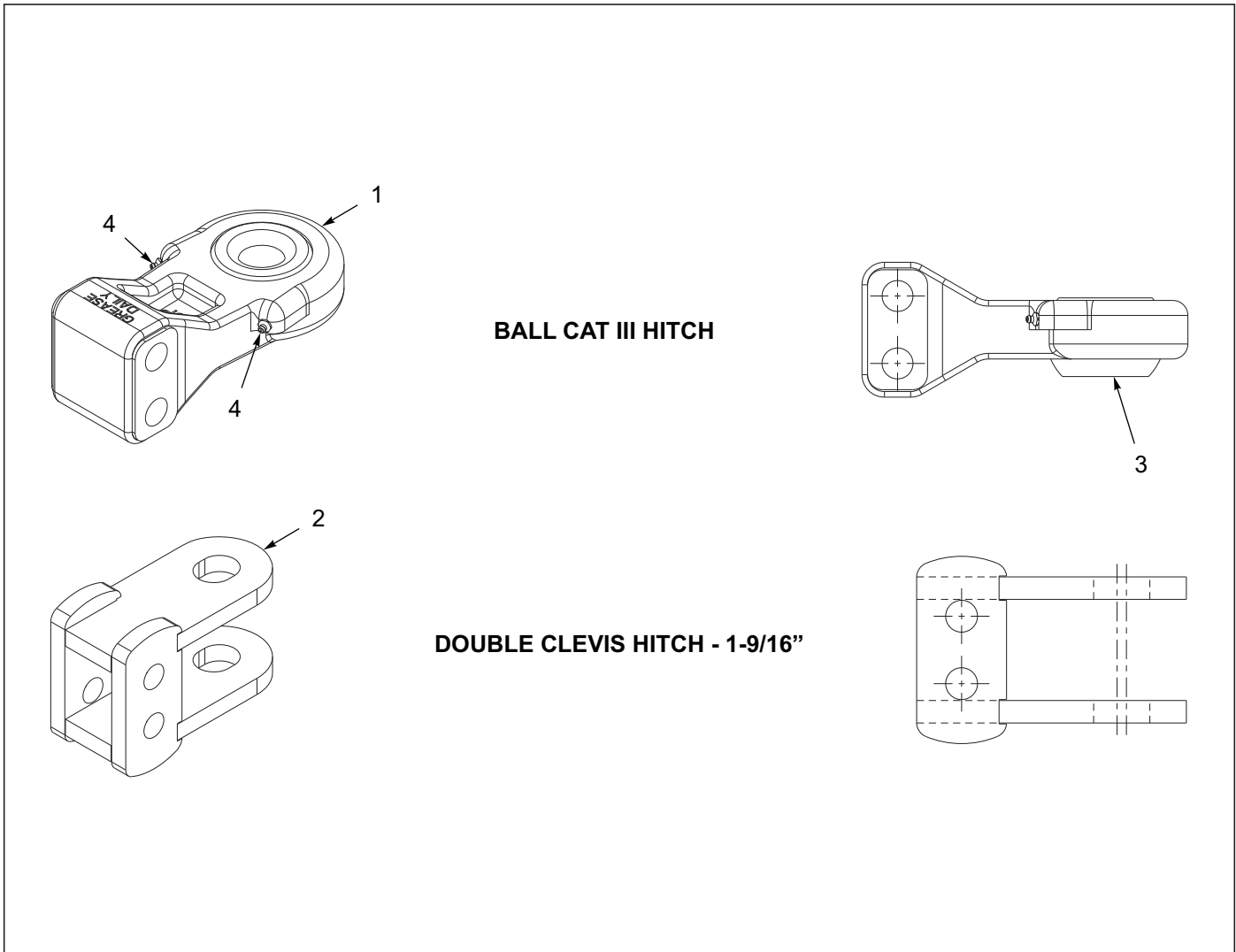


Figure 2-14: Hitch Assemblies

Hitch Assemblies

ITEM	PART NUMBER	DESCRIPTION	QTY.
1	177030	HITCH, BALL CAT III	1
2	161550	HITCH CLEVIS, DOUBLE 1-9/16"	1
3	189453	BUSHING, SPHERICAL, 1-1/2" ID (Standard)	1
3	189454	BUSHING, SPHERICAL 2 ID	1
4	1-298-010001-01	ZERK	1

Jack Assembly

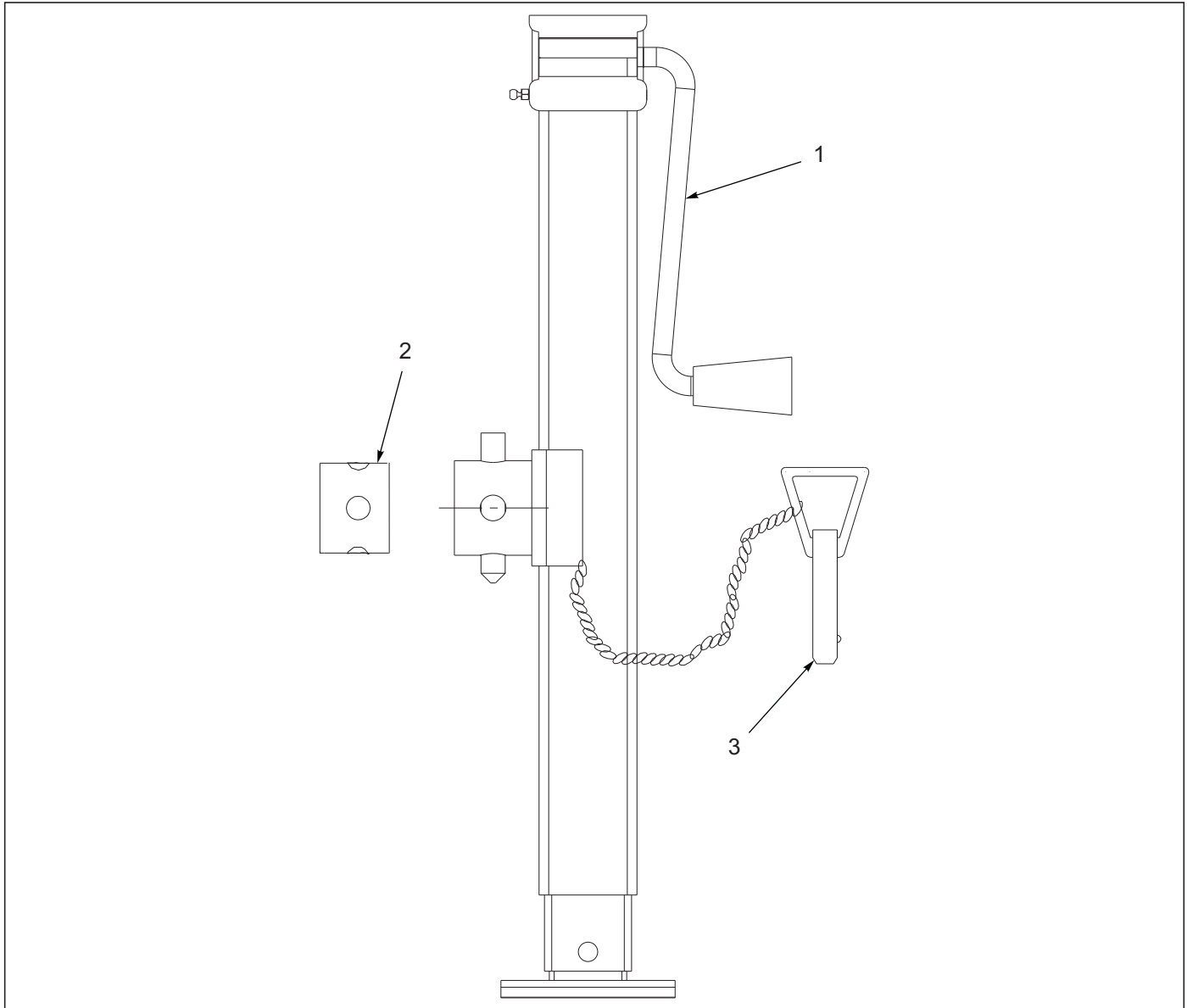


Figure 2-15: 7,000 Lb. Sidewind Jack Assembly

7,000 Lb. Sidewind Jack Assembly

ITEM	PART NUMBER	DESCRIPTION	QTY.
--	140647	JACK, SIDE WIND 7000/8000 LB	
1	500171	HANDLE FOR JACK (BULLDOG/CEQUENT)	1
1	142189	9" HANDLE KIT (NORTHFIELD)	1
2	141250	TUBE, RD, JACK MOUNT (WELD TO IMPLEMENT FRAME)	1
3	142194	5/8" PIN	1

3 Point Hitch Assembly 5211-12-1/2'

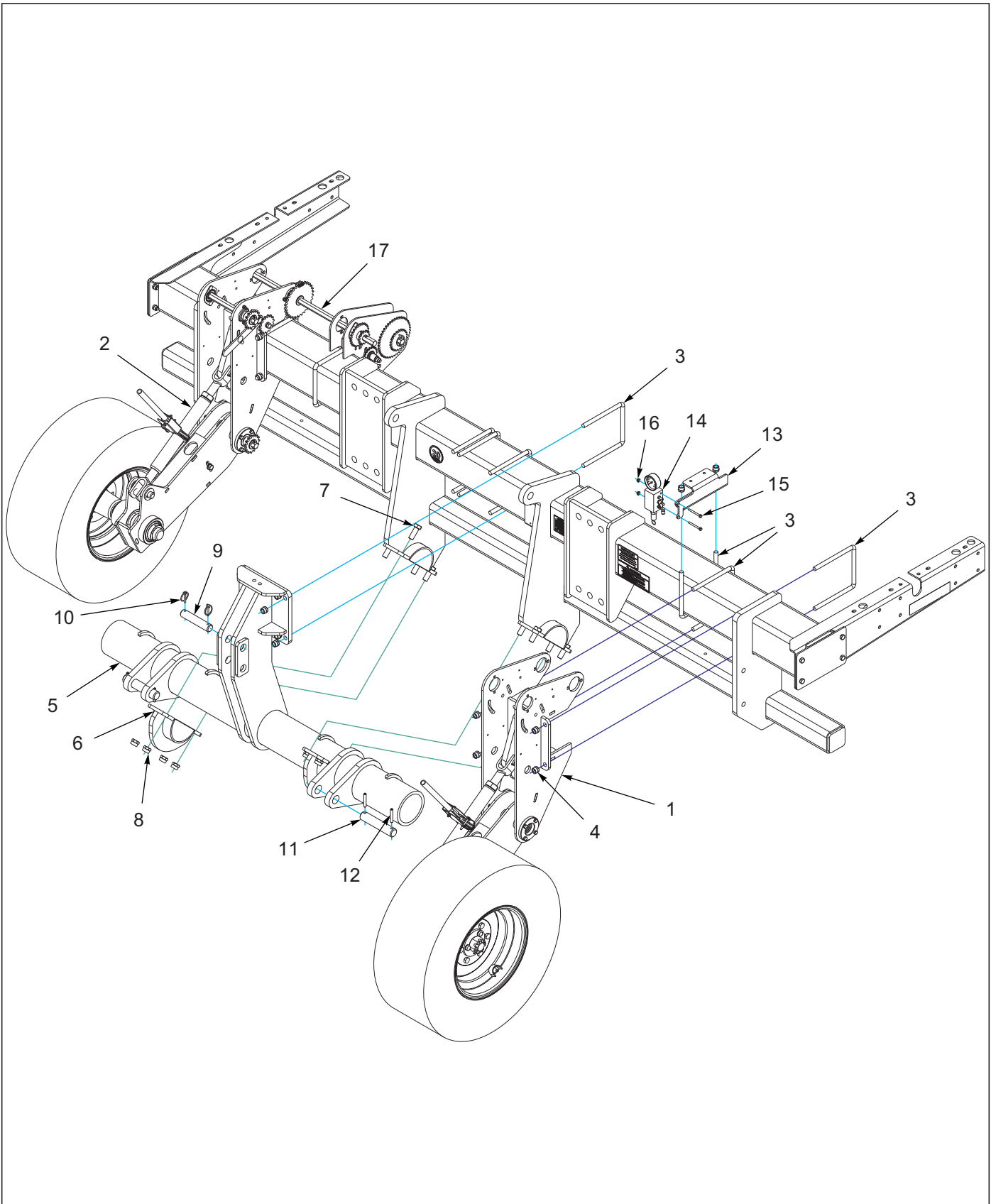


Figure 2-16: 3 Point Hitch Assembly 5211-12-1/2'

3 Point Hitch Assembly 5211-12-1/2'

ITEM	PART NUMBER	DESCRIPTION	QTY.
--	176509	3PT HITCH ASSY, 5211-12.5	
1	161473	GAUGE WHEEL ASSY, RIGID (SEE PAGE 2-41)	1
2	161472	DRIVE WHEEL ASSY, RIGID (SEE PAGE 2-37)	1
3	70593063	U-BOLT	9
4	1-512-010005-13	NUT,HEX SLFLKG GRB 5/8-11	18
5	159990	HITCH, 3PT	1
6	155881	MOUNT, LIFT BEARING WLDMT	2
7	1-654-010061-05	SCREW,HHC,3/4-10UNCX2,GR5,ZP	8
8	1-512-010005-15	NUT,HEX,SLFLKG GRB 3/4-10	8
9	141244	PIN, FOLD	1
10	70239854	PIN QUICK HITCH	2
11	8-557-010114	HITCH PIN	2
12	1-647-010004257	PIN,SPRING,SLOTTED 3/8X2-1/2	4
13	161483	MOUNT, COMPRESSOR	1
14	154864	AIR MANIFOLD ASSY (SEE PAGE 4-5)	1
15	1-654-010047-12	SCREW,HEX 1/4-20UNCX2-1/2	2
16	108417	NUT SPIRAL 1/4-20HX FG	2
17	144179	SHAFT,7/8 HEX, 28 L	1

3 Point Hitch Assembly 5211-15'

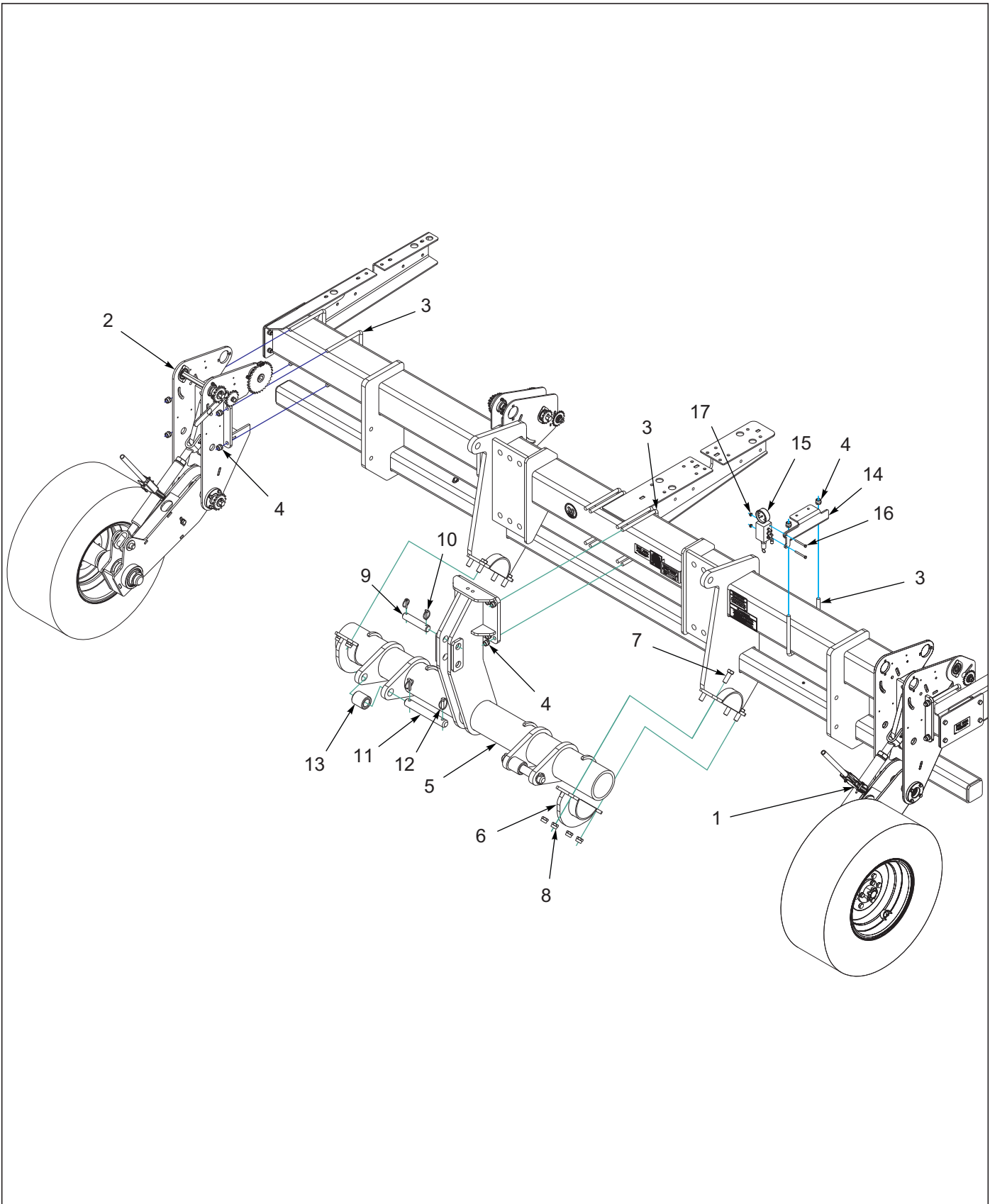


Figure 2-17: 3 Point Hitch Assembly 5211-15'

3 Point Hitch Assembly 5211-15'

ITEM	PART NUMBER	DESCRIPTION	QTY.
--	176510	3PT HITCH ASSY, 5211-15	
1	161473	GAUGE WHEEL ASSY, RIGID (SEE PAGE 2-41)	1
2	161472	DRIVE WHEEL ASSY, RIGID (SEE PAGE 2-37)	1
3	70593063	U-BOLT	9
4	1-512-010005-13	NUT,HEX SLFLKG GRB 5/8-11	18
5	164312	HITCH 3PT CAT 3 & 3N	1
6	155881	MOUNT, LIFT BEARING WLDMT	2
7	1-654-010061-05	SCREW,HHC,3/4-10UNCX2,GR5,ZP	8
8	1-512-010005-15	NUT,HEX,SLFLKG GRB 3/4-10	8
9	141244	PIN, FOLD	1
10	70239854	PIN QUICK HITCH	2
11	164310	PIN HITCH LOWER	2
12	2-557-010417	PIN, LYNCH CAT III	4
13	164311	SPACER HITCH LOWER	2
14	161483	MOUNT, COMPRESSOR	1
15	154864	AIR MANIFOLD ASSY (SEE PAGE 4-5)	1
16	1-654-010047-12	SCREW,HEX 1/4-20UNCX2-1/2	2
17	108417	NUT SPIRAL 1/4-20HX FG	2

3 Point Hitch Assembly 5211-20'

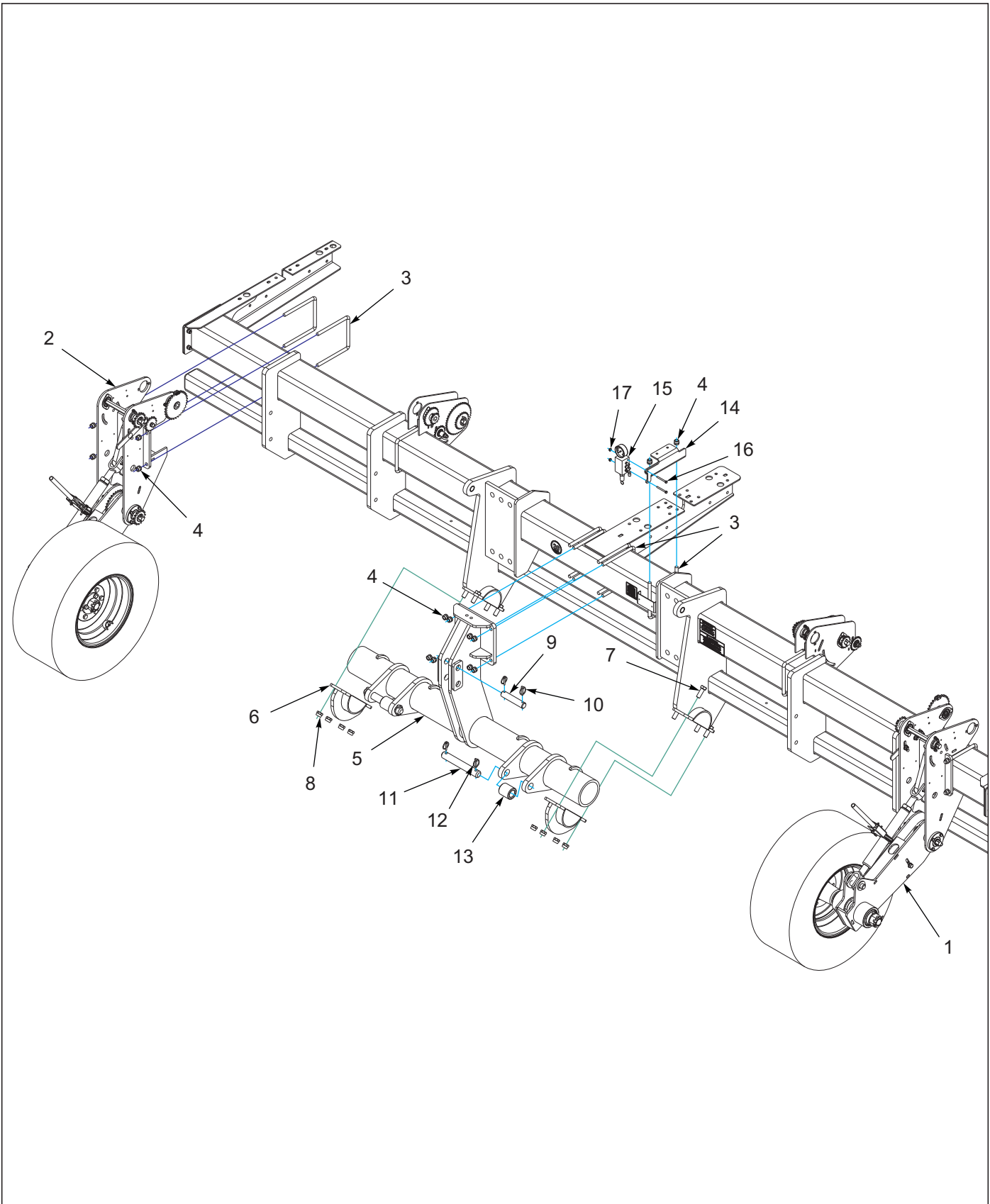


Figure 2-18: 3 Point Hitch Assembly 5211-20'

3 Point Hitch Assembly 5211-20'

ITEM	PART NUMBER	DESCRIPTION	QTY.
--	176511	3PT HITCH ASSY, SINGLE 5211-20	
1	159984	DRIVE WHEEL ASSY, RIGID LEFT (SEE PAGE 2-37)	1
2	159983	DRIVE WHEEL ASSY, RIGID RIGHT (SEE PAGE 2-37)	1
3	70593063	U-BOLT	9
4	1-512-010005-13	NUT,HEX SLFLKG GRB 5/8-11	18
5	164312	HITCH 3PT CAT 3 & 3N	1
6	155881	MOUNT, LIFT BEARING WLDMT	2
7	1-654-010061-05	SCREW,HHC,3/4-10UNCX2,GR5,ZP	8
8	1-512-010005-15	NUT,HEX,SLFLKG GRB 3/4-10	8
9	141244	PIN, FOLD	1
10	70239854	PIN QUICK HITCH	2
11	164310	PIN HITCH LOWER	2
12	2-557-010417	PIN, LYNCH CAT III	4
13	164311	SPACER HITCH LOWER	2
14	161483	MOUNT, COMPRESSOR	1
15	154864	AIR MANIFOLD ASSY (SEE PAGE 4-5)	1
16	1-654-010047-12	SCREW,HEX 1/4-20UNCX2-1/2	2
17	108417	NUT SPIRAL 1/4-20HX FG	2

Drive Wheel Assembly, Rigid

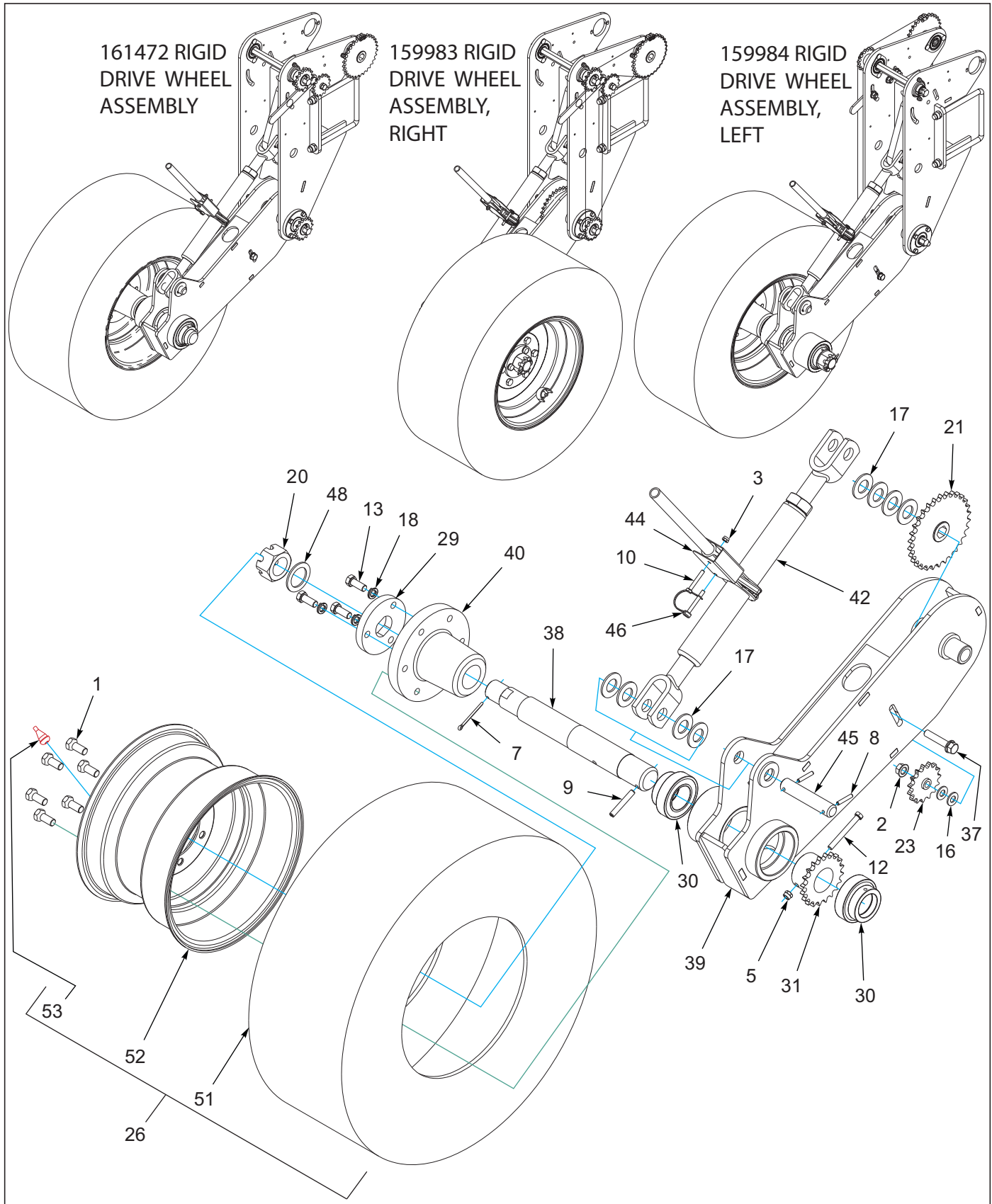


Figure 2-19: Drive Wheel Assembly, Rigid (1 of 2)

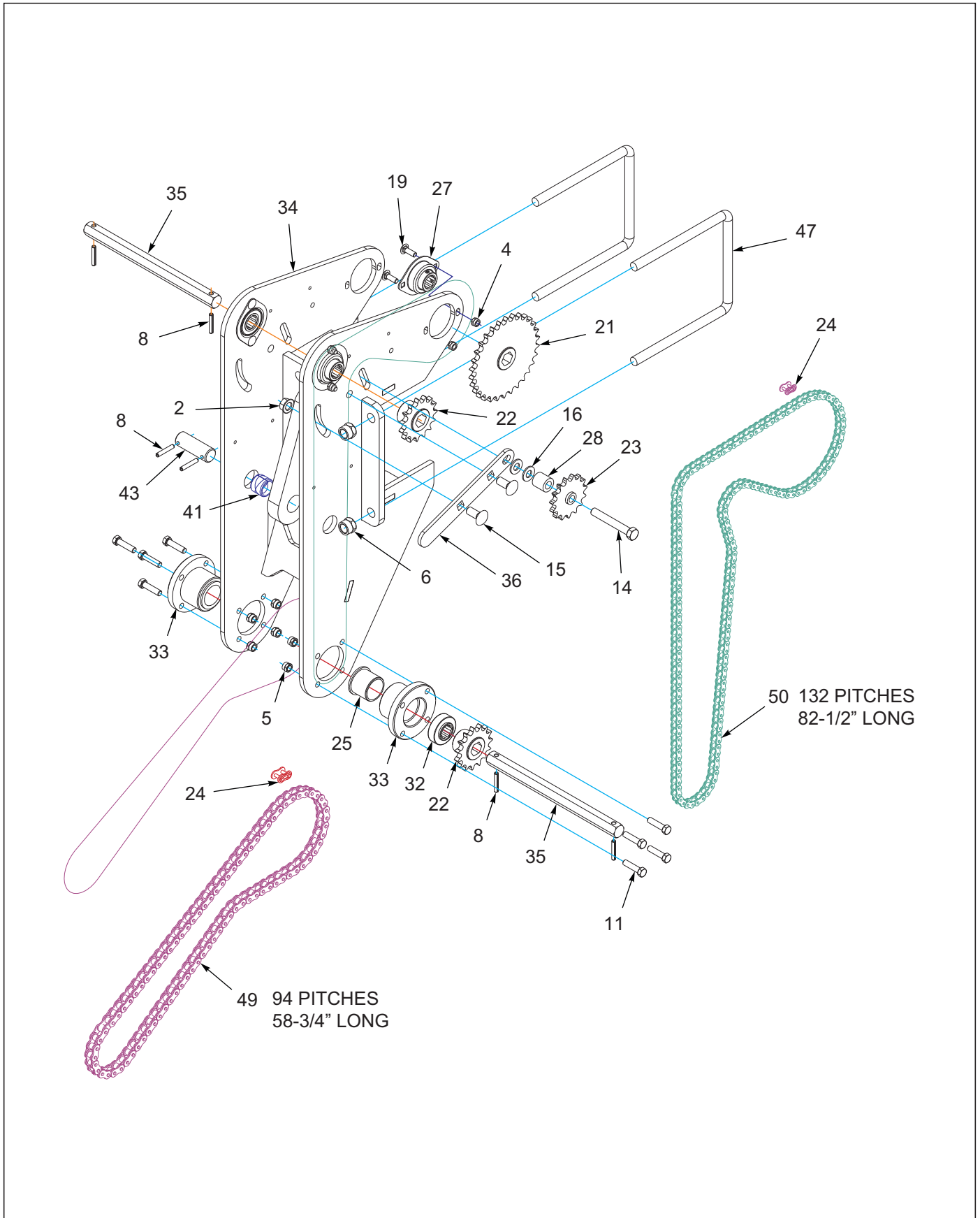


Figure 2-20: Drive Wheel Assembly, Rigid (2 of 2)

Drive Wheel Assembly, Rigid

ITEM	PART NUMBER	DESCRIPTION	QTY.		
--	161472	DRIVE WHEEL ASSY, RIGID (3 POINT 5211-12-1/2'-15')	*		
--	159983	DRIVE WHEEL ASSY, RIGID RIGHT (3 POINT 5211-20')		*	
--	159984	DRIVE WHEEL ASSY, RIGID LEFT (3 POINT 5211-20')			*
1	1-104-010001	WHEEL BOLT	6	6	6
2	1-510-010003-09	NUT,1/2-13 FLANGE HD,SERRATED	4	4	4
3	1-512-010005-01	NUT,HEX,SLFLKG GRB 1/4-20	1	1	1
4	1-512-010005-03	NUT HEX SLFLKG GRB 5/16-18	6	6	6
5	1-512-010005-05	NUT, HEX, SLFLKG GRB 3/8-16	9	9	9
6	1-512-010005-13	NUT,HEX SLFLKG GRB 5/8-11	4	4	4
7	1-557-010362-54	PIN, COTTER 3/16X2-1/4	1	1	1
8	1-647-010004217	SPRING PIN, SLOTTED 1/4X1-1/2	8	8	8
9	1-647-010004257	PIN,SPRING,SLOTTED 3/8X2-1/2	1	1	1
10	1-654-010047-09	SCREW,HX CP,1/4-20UNCX1-3/4G5	1	1	1
11	1-654-010051-07	SCREW,HEX CAP,3/8-16UNCX1-1/2	8	8	8
12	1-654-010051-14	SCREW HX CP 3/8-16UNCX3-1/4G5	1	1	1
13	1-654-010055-02	SCREW 1/2-13UNCX1-1/4 CP GR5	3	3	3
14	1-654-010055-11	SCREW,HX CP 1/2-13UNCX3-1/2	1	1	1
15	1-654-010070-02	SCREW 1/2-13X1-1/4 RD HD SQNK	2	2	2
16	1-861-010032-14	WASHER, FLAT 1/2" N ZP/CD	4	4	4
17	1-861-010032-24	WASHER FL 1IN NARROW ZP	8	8	8
18	1-861-010034-13	WASHER, LKG HLCL SPR, 1/2	3	3	3
19	104031	SCREW,RDHD,SQNK 5/16-18X1 GR5	6	6	6
20	119118	NUT 1-1/2-12UNF HEX SLOTTEDZP	1	1	1
21	125720	SPROCKET,TRANS MONOS, 30TEETH	2	2	2
22	125784	SPROCKET,TRANS MONOS,15 TEETH	2	2	2
23	125796	SPROCKET W/BEARING 15 TEETH	2	2	2
24	129683	LINK, CLIP CONN #50 CHAIN	2	2	2
25	140599	BEARING, FLANGE 1-1/2"	2	2	2
26	142650	TIRE/WHEEL ASSY 280/70R15 (INCLUDES ITEMS 51, 52, 53)	1	1	1
27	144060	BEARING .875 HEX BORE, 2-BOLT	3	3	3
28	144183	SPACER 1X9/16X1	1	1	1
29	144251	PLATE, HUB LOCK	1	1	1
30	144252	BALL BEARING,1.937ID W/COLLAR	2	2	2
31	153817	SPROCKET, #50X20 2 BORE	1	1	1
32	158151	BEARING, 2.047 X 7/8 HX BORE	2	2	2
33	158152	HUB, BEARING	2	2	2
34	158162	MOUNT, DRIVE WHEEL WLDMT	1	1	1
35	158168	SHAFT, 7/8 HEX X 12	2	2	2
36	158169	HANDLE, IDLER ADJUSTMENT	1	1	1
37	158278	SCREW,FLG HD SER 1/2-13X2-1/2	1	1	1
38	164194	SPINDLE, DRIVE WHEEL	1	--	--
38	158153	SPINDLE, DRIVE WHEEL	--	1	1
39	164195	AXLE, DRIVE WHEEL RIGHT WLDMT	1	--	--
39	158154	AXLE, DRIVE WHEEL WLDMT	--	1	1
40	168841	HUB, 6 BOLT	1	1	1
41	2-150-010008	BUSHING 1-1/4ODX1IDX1 STEEL	1	1	1
42	2-423-010040	JACK,RATCHET 8IN STROKE	1	1	1
43	2-557-010125	PIN RADIUS ROD	1	1	1
44	231494	BRACKET, RATCHET JACK LOCK	1	1	1

Drive Wheel Assembly, Rigid

ITEM	PART NUMBER	DESCRIPTION	QTY.		
45	6-557-010163	PIN HITCH LEVELING LINK	1	1	1
46	70592442	PIN,SNAPPER	1	1	1
47	70593063	U-BOLT	2	2	2
48	8-861-010021	FW 2-3/8ODX1-5/8IDX1/8 ZP	1	1	1
49	172652	ROLLER CHAIN, #50X94P 58-3/4L	1	1	1
50	172653	ROLLER CHAIN, #50X132P 82-1/2L	1	1	1
51	160813	TIRE 11LX15 12 PLY (PRIOR 1-1-2017)	1	1	1
51	204384	FIRESTONE RADIAL 280/70R15 (AFTER 1-1-2017)	1	1	1
52	140547	WHEEL, 15 X 10 LB 6 BOLT	1	1	1
53	415	VALVE STEM	1	1	1

Gauge Wheel Assembly, Rigid

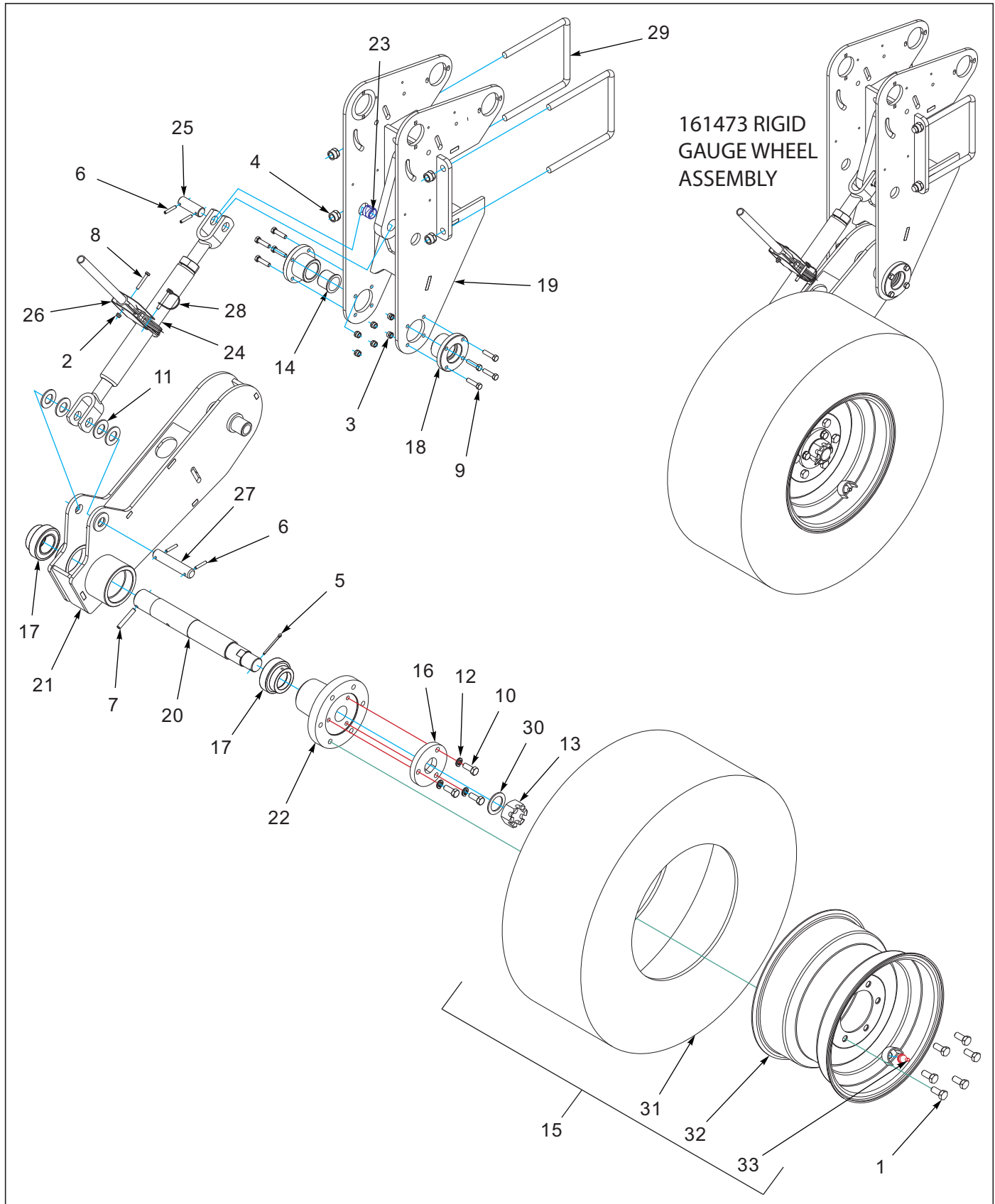


Figure 2-21: Gauge Wheel Assembly, Rigid

Gauge Wheel Assembly, Rigid

ITEM	PART NUMBER	DESCRIPTION	QTY.
--	161473	GAUGE WHEEL ASSY, RIGID (3 POINT 5211-12-1/2'-15')	
1	1-104-010001	WHEEL BOLT	6
2	1-512-010005-01	NUT,HEX,SLFLKG GRB 1/4-20	1
3	1-512-010005-05	NUT, HEX, SLFLKG GRB 3/8-16	8
4	1-512-010005-13	NUT,HEX SLFLKG GRB 5/8-11	4
5	1-557-010362-54	PIN, COTTER 3/16X2-1/4	1
6	1-647-010004217	SPRING PIN, SLOTTED 1/4X1-1/2	4
7	1-647-010004257	PIN,SPRING,SLOTTED 3/8X2-1/2	1
8	1-654-010047-09	SCREW,HX CP,1/4-20UNCX1-3/4G5	1
9	1-654-010051-07	SCREW,HEX CAP,3/8-16UNCX1-1/2	8
10	1-654-010055-02	SCREW 1/2-13UNCX1-1/4 CP GR5	3
11	1-861-010032-24	WASHER FL 1IN NARROW ZP	4
12	1-861-010034-13	WASHER, LKG HLCL SPR, 1/2	3
13	119118	NUT 1-1/2-12UNF HEX SLOTTEDZP	1
14	140599	BEARING, FLANGE 1-1/2"	2
15	142650	TIRE/WHEEL ASSY 280/70R15 (INCL ITEMS 31, 32, 33)	1
16	144251	PLATE, HUB LOCK	1
17	144252	BALL BEARING,1.937ID W/COLLAR	2
18	158152	HUB, BEARING	2
19	158162	MOUNT, DRIVE WHEEL WLDMT	1
20	164194	SPINDLE, DRIVE WHEEL	1
21	164196	AXLE, DRIVE WHEEL LEFT WLDMT	1
22	168841	HUB, 6 BOLT	1
23	2-150-010008	BUSHING 1-1/4ODX1IDX1 STEEL	1
24	2-423-010040	JACK,RATCHET 8IN STROKE	1
25	2-557-010125	PIN RADIUS ROD	1
26	231494	BRACKET, RATCHET JACK LOCK	1
27	6-557-010163	PIN HITCH LEVELING LINK	1
28	70592442	PIN,SNAPPER	1
29	70593063	U-BOLT	2
30	8-861-010021	FW 2-3/8ODX1-5/8IDX1/8 ZP	1
31	160813	TIRE 11LX15 12 PLY (PRIOR 1-1-2017)	1
31	204384	FIRESTONE RADIAL 280/70R15 (AFTER 1-1-2017)	1
32	140547	WHEEL, 15 X 10 LB 6 BOLT	1
33	415	VALVE STEM	1

4 x 10" Hydraulic Cylinder

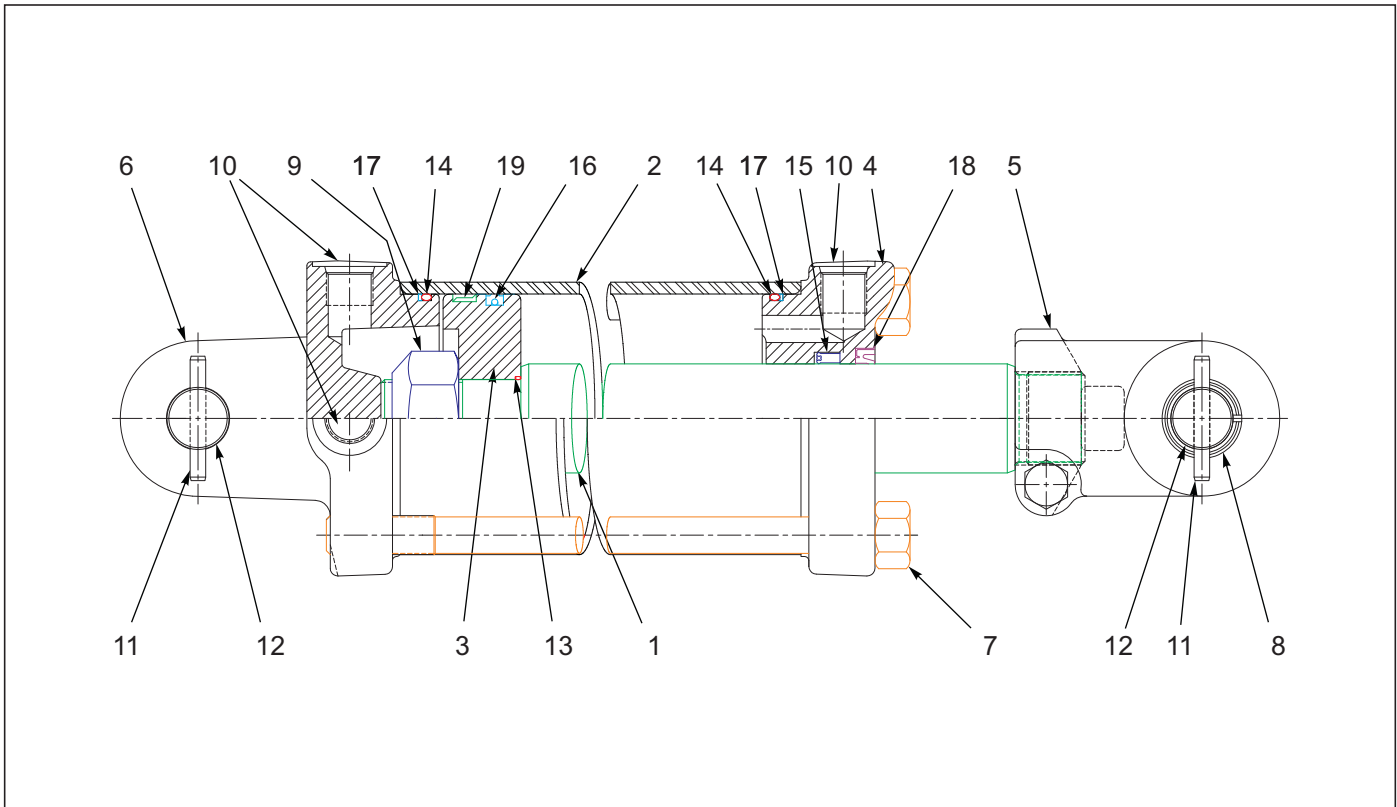


Figure 2-22: 4 x 10" Hydraulic Cylinder

4 x 10" Hydraulic Cylinder

ITEM	PART NUMBER	DESCRIPTION	QTY.
--	144321	CYLINDER 4 X 10	
1	----	PISTON ROD	1
2	----	TUBE	1
3	----	PISTON	1
4	147376	GLAND	1
5	154102	CLEVIS ASSY	1
6	147375	BUTT	2
7	----	TIEROD ASSY	4
8	113805	BUSHING	2
9	----	LOCKNUT	1
10	----	SHIPPING PLUG	3
11	111789	ROLL PIN	4
12	143994	CLEVIS PIN	2
13	----	O-RING	1
14	----	O-RING	2
15	----	U-CUP	1
16	----	CROWN	1
17	----	BU-WASHER	2
18	----	WIPER	1
19	----	BEARING RING	1
20	154104	PACKING KIT (NOT SHOWN) (INCL ITEMS 13 - 19)	

Box Assemblies

Seed Box Assembly, W/O Fertilizer 5211-10'

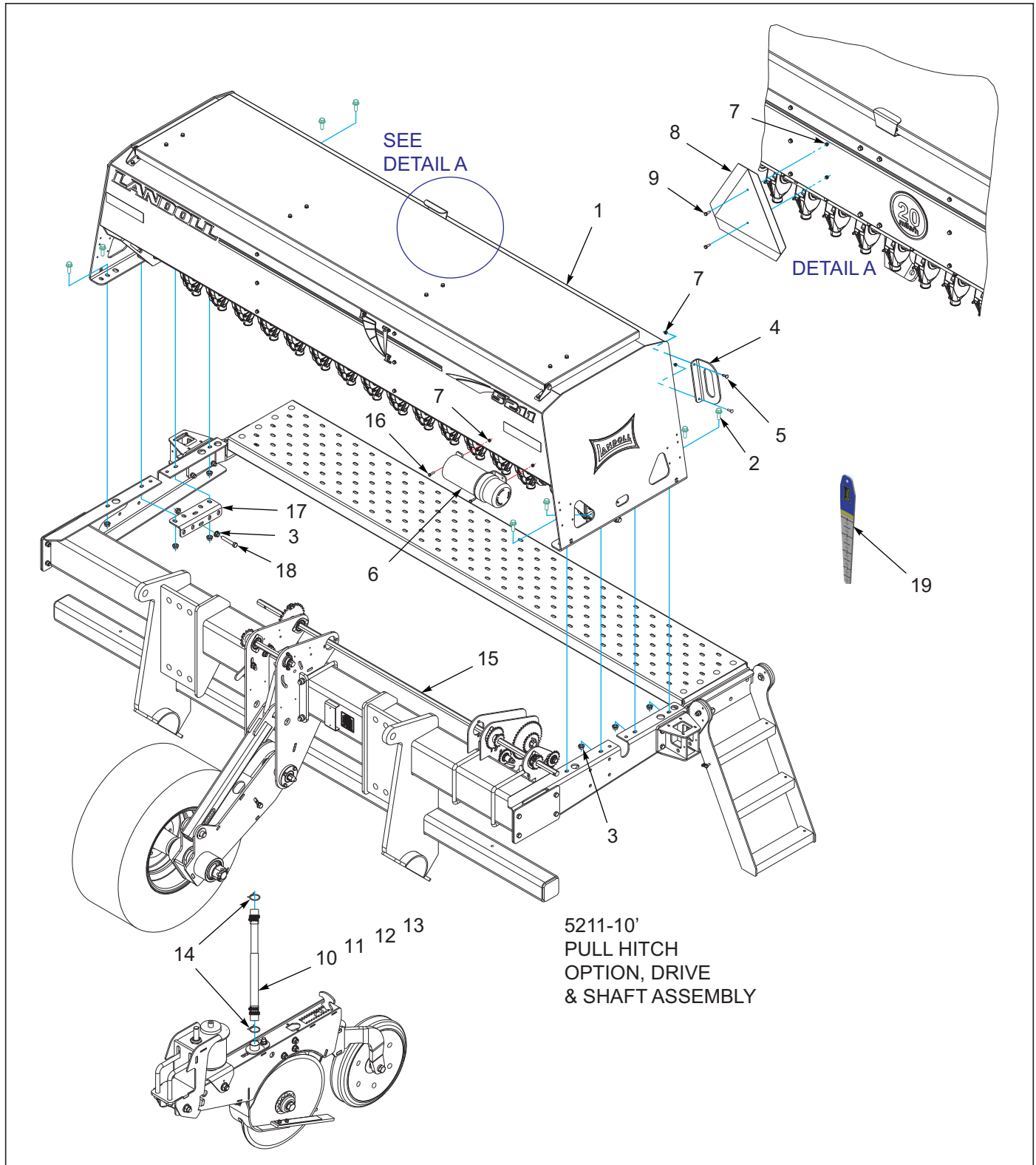


Figure 3-1: Seed Box Assembly, W/O Fertilizer 5211-10'

Seed Box Assembly, W/O Fertilizer 5211-10'

ITEM	PART NUMBER	DESCRIPTION	QTY.		
--	176532	BOX ASSY 10' X 7.5" GRAIN	*		
--	176535	BOX ASSY 10' X 10" GRAIN		*	
--	232402	BOX ASSY 10'X6" GRAIN			*
1	172737	BOX ASSY 10' X 7.5" LEFT (SEE PAGE 3-3)	1	--	--
1	174362	BOX ASSY 10' X 10" LEFT (SEE PAGE 3-3)	--	1	--
1	215948	BOX ASSY, 10'X6" LEFT (SEE PAGE 3-3)	--	--	1
2	1-655-010001-3	SCREW, FLG HD 1/2-13X1-1/2	8	8	8
3	1-510-010003-09	NUT, 1/2-13 FLANGE HD, SERRATED	10	10	10
4	151540	HANDLE, SEED BOX	2	2	2
5	1-654-010158-02	SCREW, RHD, SQ NCK 1/4-20UNCX1	4	4	4
6	150076	MANUAL TUBE (4-1/4" ID)	1	1	1
7	1-512-010005-01	NUT, HEX, SLFLKG GRB 1/4-20	4	4	4
8	70260977	SMV EMBLEM	1	1	1
9	1-654-010047-04	SCREW, HEX CAP, 1/4-20X3/4 GR5	2	2	2
10	183921	SEED TUBE ASSY, 10" 5211 (SEE PAGE 3-51)	8	6	--
11	199340	SEED TUBE ASSY, 11" 5211 (SEE PAGE 3-51) (LONGEST GOES TO OUTER ENDS OF BOX)	8	6	--
12	216429	SEED TUBE ASSY, 9" SPRING (SEE PAGE 3-52)	--	--	12
13	216430	SEED TUBE ASSY, 10" SPRING (SEE PAGE 3-51) (LONGEST GOES TO OUTER ENDS OF BOX)	--	--	8
14	144129	CLAMP, HOSE #24	32	24	40
15	144181	SHAFT, 7/8 HEX, 72-1/4 L	1	1	1
16	1-654-010047-06	SCREW, HX CP 1/4-20UNCX1 GR5	2	2	2
17	176676	BRACKET, STOP	1	1	1
18	8-105-010006	CAPSCREW 1/2X13X3 F THD GR5	1	1	1
19	213932	SEED DEPTH TOOL INDICATOR	1	1	1

Box Assembly W/O Fertilizer 5211-10'

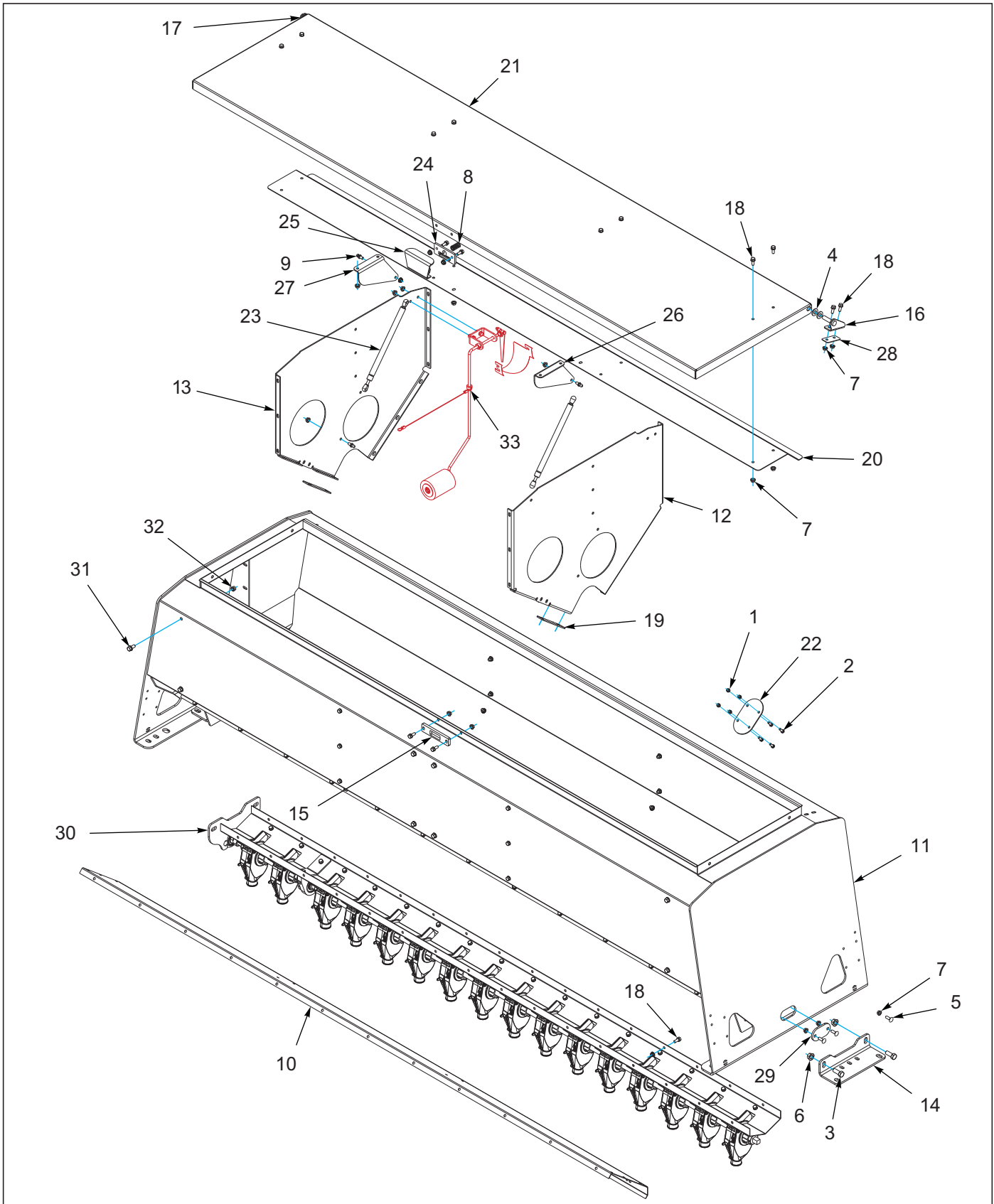


Figure 3-2: Box Assembly W/O Fertilizer 5211-10'

Box Assembly W/O Fertilizer 5211-10'

ITEM	PART NUMBER	DESCRIPTION	QTY.		
--	172737	BOX ASSY 10' X 7.5" LEFT (SHOWN)	*		
--	174362	BOX ASSY 10' X 10" LEFT		*	
--	215948	BOX ASSY, 10'X6" LEFT			*
1	1-512-010005-01	NUT, HEX LOCK 1/4-20 GRB (BEFORE 12-18-2018)	4	4	4
2	1-654-010047-04	SCREW HEX CAP 1/4-20 X 3/4 GR5 (BEFORE 12-18-2018)	4	4	4
3	1-654-010055-02	SCREW, HEX HEAD CAP 1/2-13 X 1-1/4 GR5	4	4	4
4	1-861-010032-14	WASHER, FLAT 1/2N	4	4	4
5	104031	SCREW, RD HEAD SQ NECK 5/16-18 X 1 GR5	8	8	8
6	124971	NUT, FLANGE HEAD SPIRALOCK 1/2-13	4	4	4
7	126561	NUT, FLANGE HEAD SERRATED 5/16-18	106	98	106
8	139692	SPRING, COMPRESSION	1	1	1
9	1401756	BALL STUD	4	4	4
10	143931	PANEL, SEED BOX 10'	1	1	1
11	143932	BOX, SEED WLDMT	1	1	1
12	144125	PANEL, SEED BOX RIGHT	1	1	1
13	144126	PANEL, SEED BOX LEFT	1	1	1
14	144127	BRACKET, SEED BOX	2	2	2
15	144141	STOP, LATCH	1	1	1
16	144158	HINGE, SEED BOX LID RIGHT	1	1	1
17	144159	HINGE, SEED BOX LID LEFT	1	1	1
18	144268	SCREW, FLANGE HEAD 5/16-18 X 3/4	94	86	94
19	151547	SPACER, SEED BOX	2	2	2
20	151578	SHIELD,SPLASH GUARD	1	1	1
21	151580	LID, SEED BOX 10' WLDMT	1	1	1
22	154841	GLASS, SIGHT (BEFORE 12-18-2018)	1	1	1
23	155840	GAS SPRING	2	2	2
24	161474	MOUNT, LATCH	1	1	1
25	161475	HANDLE, LATCH	1	1	1
26	161476	BRACKET, SPRING MOUNT RIGHT	1	1	1
27	161477	BRACKET, SPRING MOUNT LEFT	1	1	1
28	168903	GASKET, HINGE SEAL	2	2	2
29	172703	PLATE, COVER	2	2	2
30	172734	METER ASSY, 10'X7.5" LEFT (SEE PAGE 3-53)	1	--	--
30	172741	METER ASSY, 10'X10" LEFT (SEE PAGE 3-53)	--	1	--
30	214837	METER ASSY, 10'X6" LEFT (SEE PAGE 3-53)	--	--	1
31	179776	SCREW, FLANGE HEAD 3/8-16 X 3/4	8	8	8
32	1-512-010005-05	NUT, HEX LOCK 3/8-16 GRB	8	8	8
33	----	SEED LEVEL INDICATOR (AFTER 12-18-2018) (SEE PAGE 3-49)	1	1	1

Seed Box Assembly, W/O Fertilizer 5211-12-1/2'

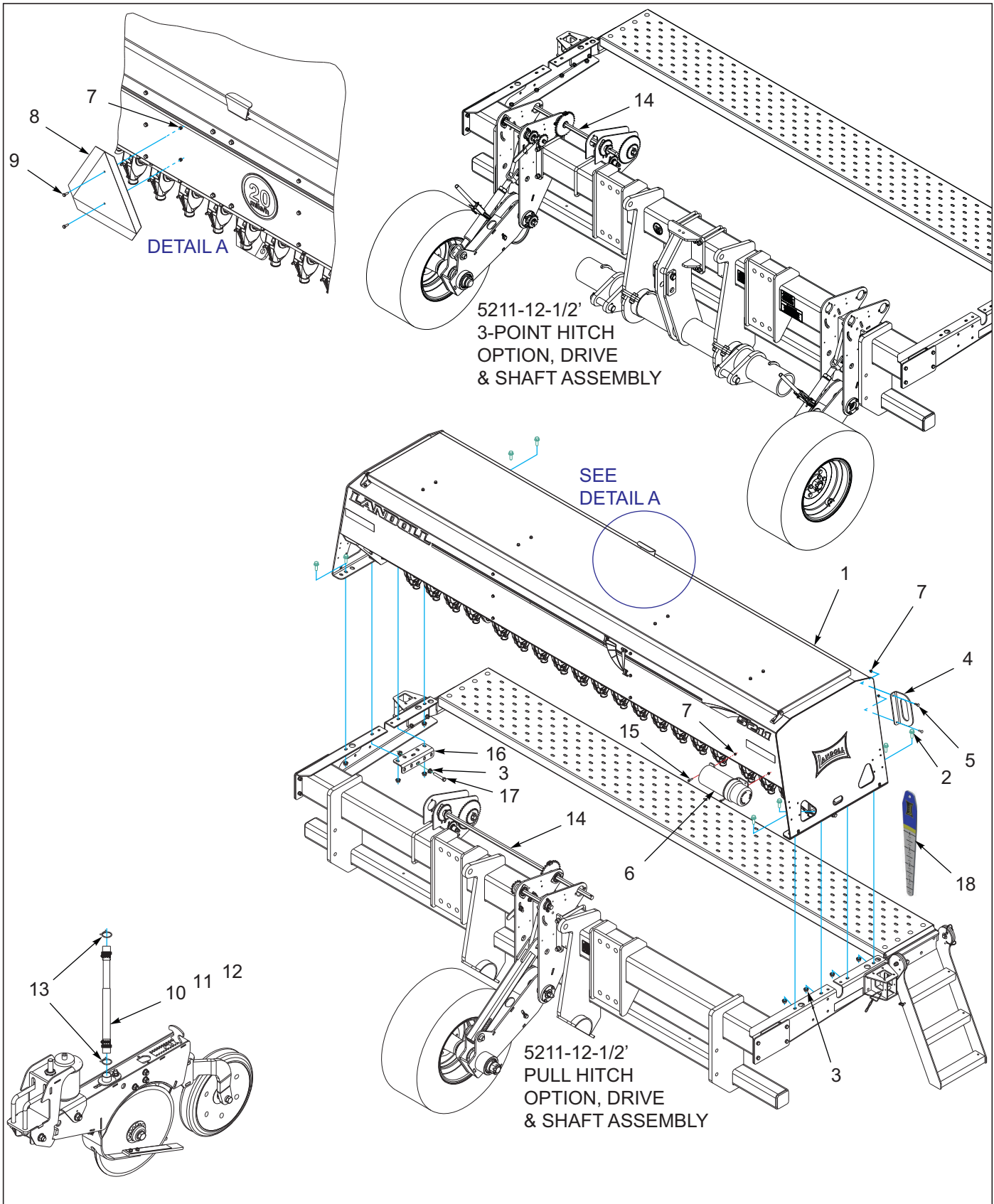


Figure 3-3: Seed Box Assembly, W/O Fertilizer 5211-12-1/2'

Seed Box Assembly, W/O Fertilizer 5211-12-1/2'

ITEM	PART NUMBER	DESCRIPTION	QTY.	
--	176537	BOX ASSY 12.5' X 7.5" GRAIN	*	
--	176540	BOX ASSY 12.5' X 10" GRAIN		*
1	208276	BOX ASSY, 12-1/2'X7.5" (SEE PAGE 3-7)	1	--
1	208282	BOX ASSY, 12-1/2'X10" (SEE PAGE 3-7)	--	1
2	1-655-010001-3	SCREW, FLG HD 1/2-13X1-1/2	8	8
3	1-510-010003-09	NUT,1/2-13 FLANGE HD,SERRATED	10	10
4	151540	HANDLE, SEED BOX	2	2
5	1-654-010158-02	SCREW,RHD,SQ NCK 1/4-20UNCX1	4	4
6	150076	MANUAL TUBE (4-1/4"ID)	1	1
7	1-512-010005-01	NUT,HEX,SLFLKG GRB 1/4-20	6	6
8	70260977	SMV EMBLEM	1	1
9	1-654-010047-04	SCREW,HEX CAP,1/4-20X3/4 GR5	2	2
10	183921	SEED TUBE ASSY, 10" 5211 (SEE PAGE 3-51)	8	9
11	199340	SEED TUBE ASSY, 11" 5211 (SEE PAGE 3-51) (LONGEST GOES TO OUTER ENDS OF BOX)	8	6
12	199341	SEED TUBE ASSY, 12" 5211 (SEE PAGE 3-51) (LONGEST GOES TO OUTER ENDS OF BOX)	4	--
13	144129	CLAMP, HOSE #24	40	30
14	161462	SHAFT 7/8 HEX, 48 (USED WITH PLAIN SEED PULL HITCH, FERTILIZER/SMALL SEED/AGITATOR 3-POINT OPTION)	1	1
14	159055	SHAFT, 7/8 HEX 85L (USED WITH SMALL SEED/AGITATOR/FERTILIZER, PULL)	1	1
14	144179	SHAFT,7/8 HEX, 28 L (USED WITH PLAIN SEED 3-POINT HITCH OPTION)	1	1
15	1-654-010047-06	SCREW,HX CP 1/4-20UNCX1 GR5	2	2
16	176676	BRACKET, STOP	1	1
17	8-105-010006	CAPSCREW 1/2X13X3 F THD GR5	1	1
18	213932	SEED DEPTH TOOL INDICATOR	1	1

Box Assembly W/O Fertilizer 5211-12-1/2'

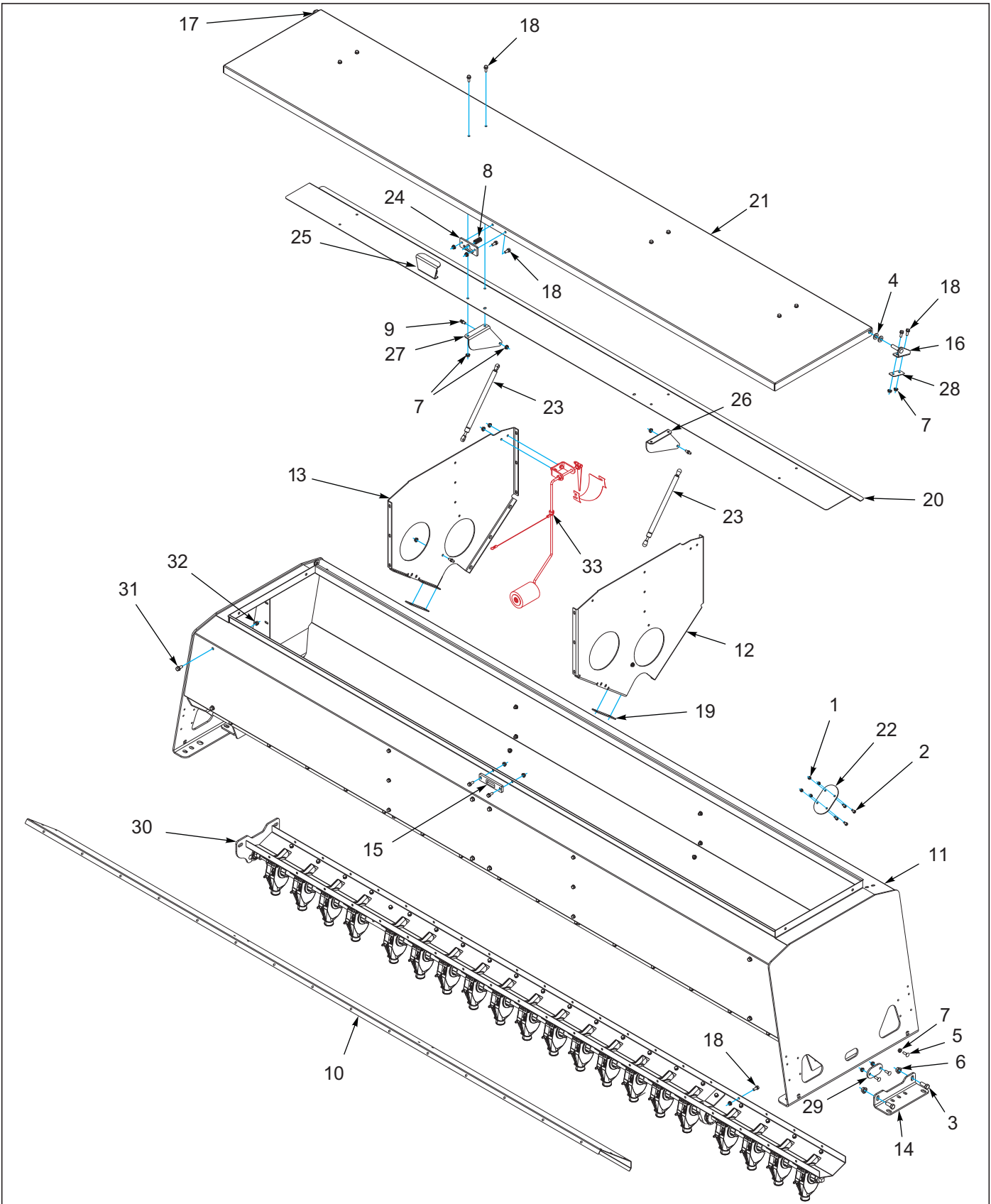


Figure 3-4: Box Assembly W/O Fertilizer 5211-12-1/2'

Box Assembly W/O Fertilizer 5211-12-1/2'

ITEM	PART NUMBER	DESCRIPTION	QTY.	
--	208276	BOX ASSY, 12-1/2'X7.5" (SHOWN)	*	
--	208282	BOX ASSY, 12-1/2'X10"	*	
1	1-512-010005-01	NUT, HEX LOCK 1/4-20 GRB (BEFORE 12-18-2018)	4	4
2	1-654-010047-04	SCREW HEX CAP 1/4-20 X 3/4 GR5 (BEFORE 12-18-2018)	4	4
3	1-654-010055-02	SCREW, HEX HEAD CAP 1/2-13 X 1-1/4 GR5	4	4
4	1-861-010032-14	WASHER, FLAT 1/2N	4	4
5	104031	SCREW, RD HEAD SQ NECK 5/16-18 X 1 GR5	8	8
6	124971	NUT, FLANGE HEAD SPIRALOCK 1/2-13	4	4
7	126561	NUT, FLANGE HEAD SERRATED 5/16-18	117	107
8	139692	SPRING, COMPRESSION	1	1
9	1401756	BALL STUD	4	4
10	159101	PANEL,SEED BOX 12-1/2'	1	1
11	159102	BOX,SEED 12-1/2' WLDMT	1	1
12	144125	PANEL, SEED BOX RIGHT	1	1
13	144126	PANEL, SEED BOX LEFT	1	1
14	144127	BRACKET, SEED BOX	2	2
15	144141	STOP, LATCH	1	1
16	144158	HINGE, SEED BOX LID RIGHT	1	1
17	144159	HINGE, SEED BOX LID LEFT	1	1
18	144268	SCREW, FLANGE HEAD 5/16-18 X 3/4	105	95
19	151547	SPACER, SEED BOX	2	2
20	159095	SHIELD,SPLASH GUARD 12-1/2'	1	1
21	159094	LID,SEED BOX 12-1/2' WLDMT	1	1
22	154841	GLASS, SIGHT (BEFORE 12-18-2018)	1	1
23	155840	GAS SPRING	2	2
24	161474	MOUNT, LATCH	1	1
25	161475	HANDLE, LATCH	1	1
26	161476	BRACKET, SPRING MOUNT RIGHT	1	1
27	161477	BRACKET, SPRING MOUNT LEFT	1	1
28	168903	GASKET, HINGE SEAL	2	2
29	172703	PLATE, COVER	2	2
30	208216	METER ASSY, 12-1/2'X7.5" (SEE PAGE 3-55)	1	--
30	208284	METER ASSY, 12-1/2'X10" (SEE PAGE 3-55)	--	1
31	179776	SCREW, FLANGE HEAD 3/8-16 X 3/4	8	8
32	1-512-010005-05	NUT, HEX LOCK 3/8-16 GRB	8	8
33	-----	SEED LEVEL INDICATOR (AFTER 12-18-2018) (SEE PAGE 3-49)	1	1

Seed Box Assembly, W/O Fertilizer 5211-15'

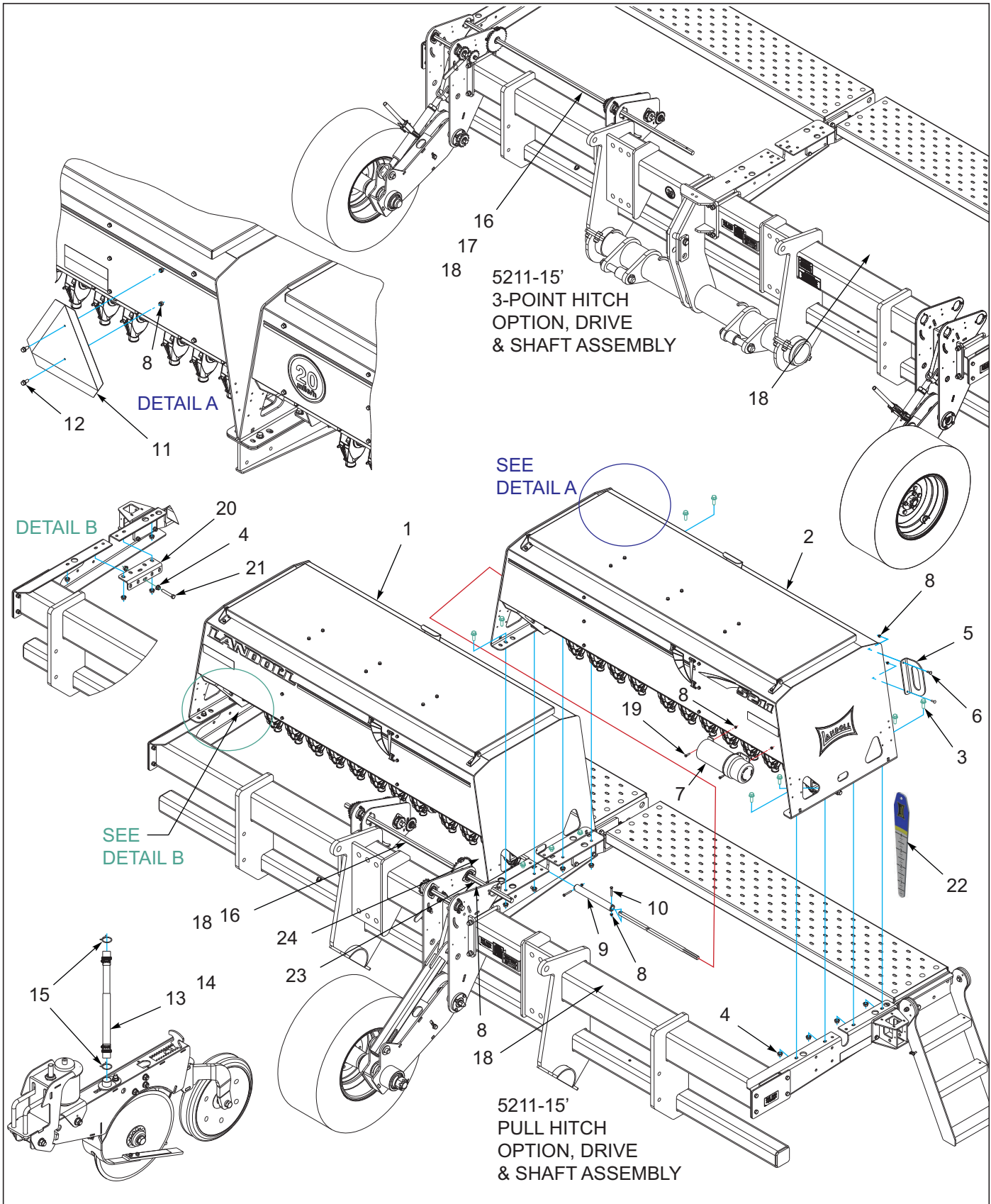


Figure 3-5: Seed Box Assembly, W/O Fertilizer 5211-15'

Seed Box Assembly, W/O Fertilizer 5211-15'

ITEM	PART NUMBER	DESCRIPTION	QTY.	
--	176542	BOX ASSY 15' X 7.5" GRAIN	*	
--	176545	BOX ASSY 15' X 10" GRAIN		*
1	174498	BOX ASSY 7-1/2' X 7.5" RIGHT (SEE PAGE 3-11)	1	--
1	174313	BOX ASSY 7-1/2' X 10" RIGHT (SEE PAGE 3-11)	--	1
2	174499	BOX ASSY 7-1/2' X 7.5" LEFT (SEE PAGE 3-11)	1	--
2	199328	BOX ASSY 7-1/2' X 10" RIGHT (SEE PAGE 3-11)	--	1
3	1-655-010001-3	SCREW, FLG HD 1/2-13X1-1/2	16	16
4	1-510-010003-09	NUT, 1/2-13 FLANGE HD, SERRATED	18	18
5	151540	HANDLE, SEED BOX	2	2
6	1-654-010158-02	SCREW, RHD, SQ NCK 1/4-20UNCX1	4	4
7	150076	MANUAL TUBE (4-1/4" ID)	1	1
8	1-512-010005-01	NUT, HEX, SLFLKG GRB 1/4-20	8	8
9	154827	COUPLER SHAFT 10-1/2"	1	1
10	1-654-010047-10	SCREW, HX CP, 1/4-20UNC X2 GR5	2	2
11	70260977	SMV EMBLEM	1	1
12	1-654-010047-04	SCREW, HEX CAP, 1/4-20X3/4 GR5	2	2
13	183921	SEED TUBE ASSY, 10" 5211 (SEE PAGE 3-51)	18	12
14	199340	SEED TUBE ASSY, 11" 5211 (SEE PAGE 3-51) (LONGEST GOES TO OUTER ENDS OF BOX)	6	6
15	144129	CLAMP, HOSE #24	48	36
16	161462	SHAFT 7/8 HEX, 48L (USED WITH PLAIN 7-1/2" SP, SMALL SEED/FERTILIZER 7-1/2" SP SEED PULL HITCH OPTIONS ONLY) (3-POINT 7-1/2" SP, HITCH OPTION)	1	1
17	144181	SHAFT, 7/8 HEX, 72-1/4 L (USED WITH PLAIN 10" SP, 3-POINT HITCH OPTION ONLY)	--	1
18	159055	SHAFT, 7/8 HEX 85L (SMALL SEED, 3-POINT HITCH OPTION ONLY) (AGITATOR, 3-POINT & PULL HITCH OPTION ONLY, QTY.2 SEE PAGE 3-71)	--	1
19	1-654-010047-06	SCREW, HX CP 1/4-20UNCX1 GR5	2	2
20	176676	BRACKET, STOP	1	1
21	8-105-010006	CAPSCREW 1/2X13X3 F THD GR5	1	1
22	213932	SEED DEPTH TOOL INDICATOR	1	1
23	122853	COUPLER, DRIVE SHAFT	1	1
24	1-654-010047-10	SCREW, HX CP, 1/4-20UNC X2 GR5	2	2

Box Assembly W/O Fertilizer 5211-15'

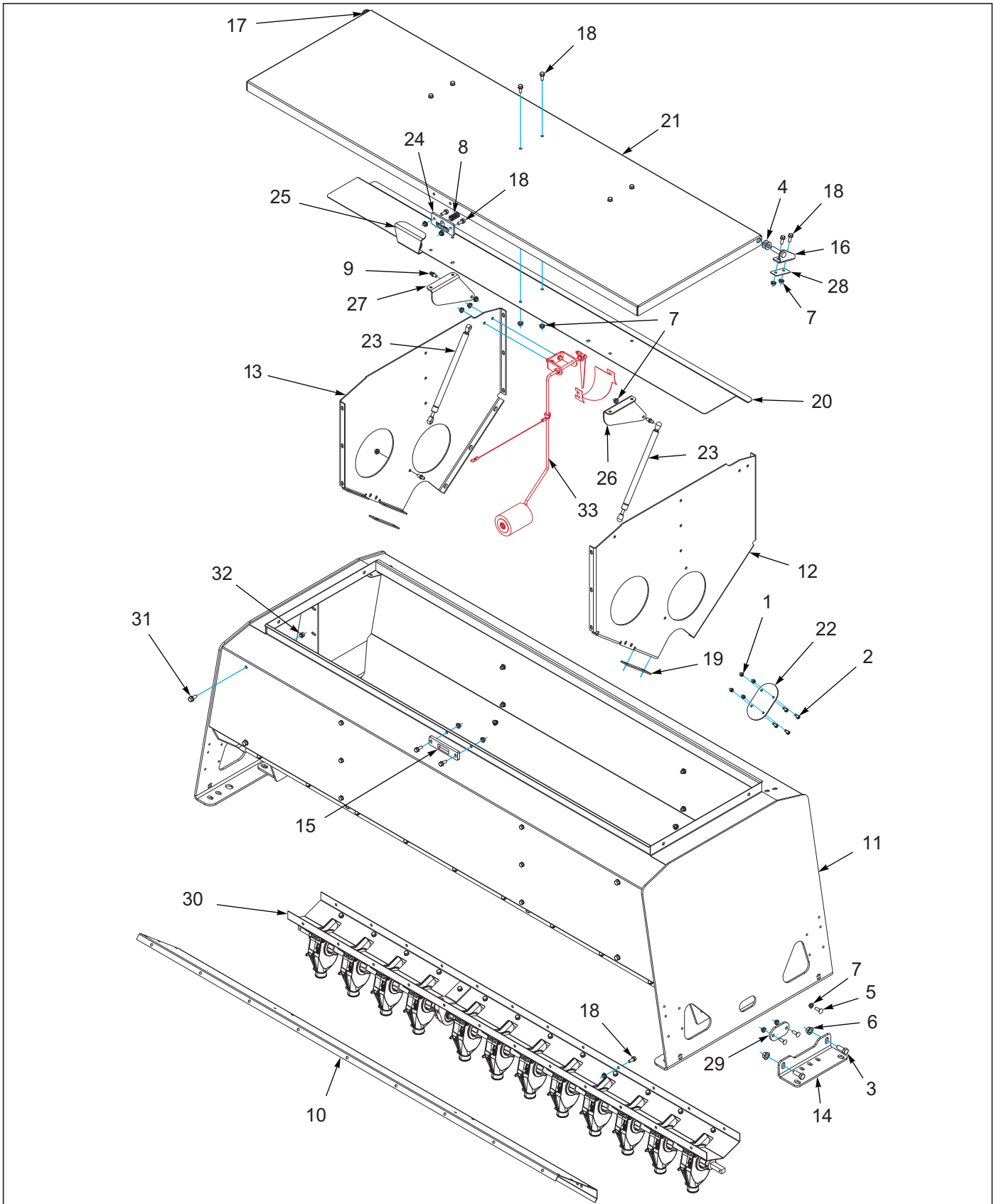


Figure 3-6: Box Assembly W/O Fertilizer 5211-15'

Box Assembly W/O Fertilizer 5211-15'

ITEM	PART NUMBER	DESCRIPTION	QTY.			
--	174498	BOX ASSY 7-1/2' X 7.5" RIGHT (SHOWN)	*			
--	174499	BOX ASSY 7-1/2' X 7.5" LEFT		*		
--	174313	BOX ASSY 7-1/2' X 10" RIGHT			*	
--	199328	BOX ASSY 7-1/2' X 10" RIGHT				*
1	1-512-010005-01	NUT, HEX LOCK 1/4-20 GRB (BEFORE 12-18-2018)	4	4	4	4
2	1-654-010047-04	SCREW HEX CAP 1/4-20 X 3/4 GR5 (BEFORE 12-18-2018)	4	4	4	4
3	1-654-010055-02	SCREW, HEX HEAD CAP 1/2-13 X 1-1/4 GR5	4	4	4	4
4	1-861-010032-14	WASHER, FLAT 1/2N	4	4	4	4
5	104031	SCREW, RD HEAD SQ NECK 5/16-18 X 1 GR5	8	8	8	8
6	124971	NUT, FLANGE HEAD SPIRALOCK 1/2-13	4	4	4	4
7	126561	NUT, FLANGE HEAD SERRATED 5/16-18	93	93	87	87
8	139692	SPRING, COMPRESSION	1	1	1	1
9	1401756	BALL STUD	4	4	4	4
10	153868	PANEL, SEED BOX 7-1/2'	1	1	1	1
11	154842	BOX, SEED 7-1/2" WLDMT	1	1	1	1
12	144125	PANEL, SEED BOX RIGHT	1	1	1	1
13	144126	PANEL, SEED BOX LEFT	1	1	1	1
14	144127	BRACKET, SEED BOX	2	2	2	2
15	144141	STOP, LATCH	1	1	1	1
16	144158	HINGE, SEED BOX LID RIGHT	1	1	1	1
17	144159	HINGE, SEED BOX LID LEFT	1	1	1	1
18	144268	SCREW, FLANGE HEAD 5/16-18 X 3/4	105	95	105	95
19	151547	SPACER, SEED BOX	2	2	2	2
20	153869	SHIELD, SPLASH GUARD 7-1/2'	1	1	1	1
21	153871	LID, SEED BOX 7-1/2' WLDMT	1	1	1	1
22	154841	GLASS, SIGHT (BEFORE 12-18-2018)	1	1	1	1
23	155840	GAS SPRING	2	2	2	2
24	161474	MOUNT, LATCH	1	1	1	1
25	161475	HANDLE, LATCH	1	1	1	1
26	161476	BRACKET, SPRING MOUNT RIGHT	1	1	1	1
27	161477	BRACKET, SPRING MOUNT LEFT	1	1	1	1
28	168903	GASKET, HINGE SEAL	2	2	2	2
29	172703	PLATE, COVER	2	2	2	2
30	218426	METER ASSY, 7-1/2'X7.5" RT (SEE PAGE 3-57)	1	--	--	--
30	218427	METER ASSY, 7-1/2'X7.5" LT (SEE PAGE 3-57)	--	1	--	--
30	174316	METER ASSY, 7-1/2' X 10" RIGHT (SEE PAGE 3-57)	--	--	1	--
30	199330	METER ASSY, 7-1/2'X10" RIGHT (SEE PAGE 3-57)	--	--	--	1
31	179776	SCREW, FLANGE HEAD 3/8-16 X 3/4	4	4	4	4
32	1-512-010005-05	NUT, HEX LOCK 3/8-16 GRB	4	4	4	4
33	-----	SEED LEVEL INDICATOR (AFTER 12-18-2018) (SEE PAGE 3-49)	1	1	1	1

Seed Box Assembly, W/O Fertilizer 5211-20'

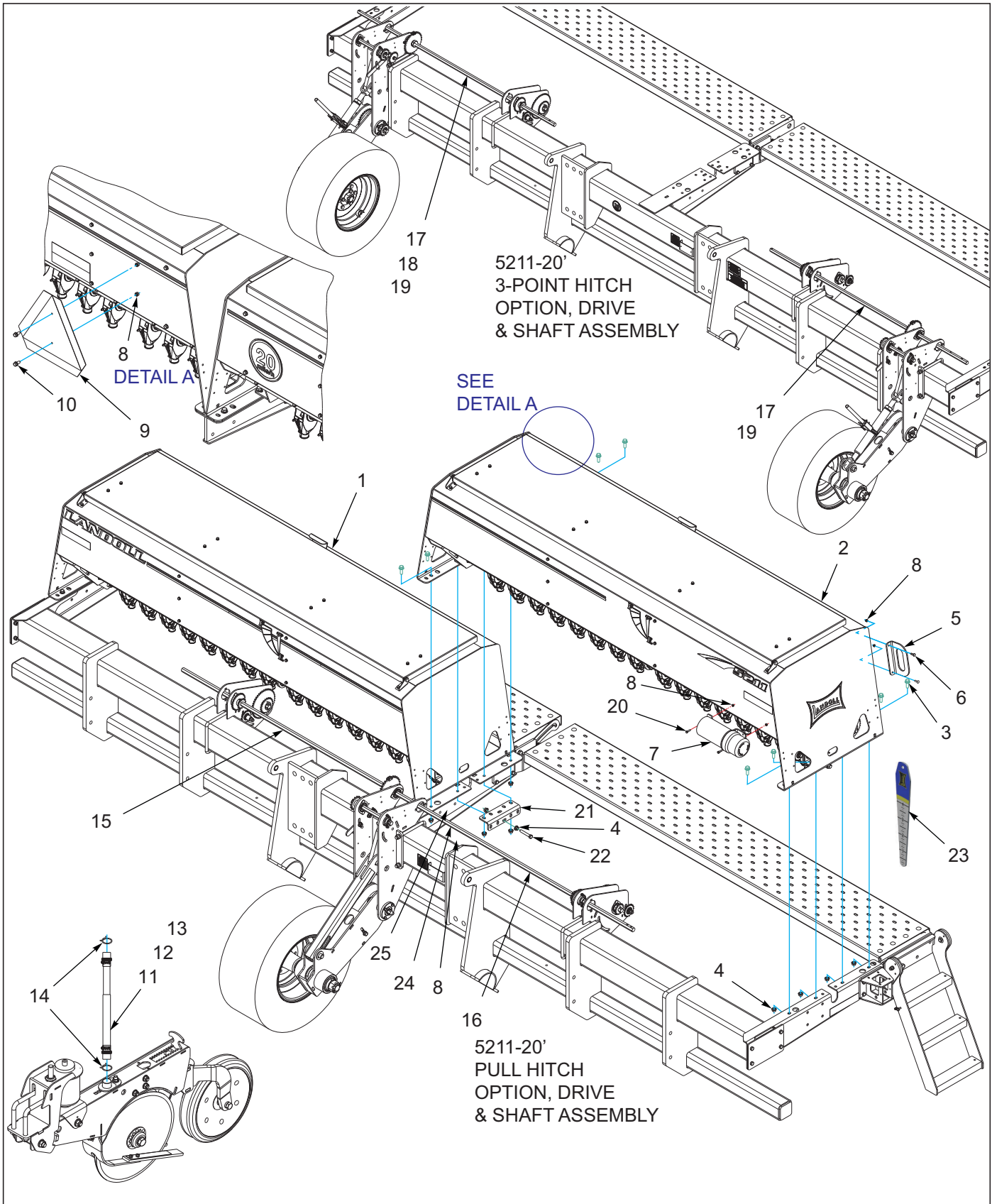


Figure 3-7: Seed Box Assembly, W/O Fertilizer 5211-20'

Seed Box Assembly, W/O Fertilizer 5211-20'

ITEM	PART NUMBER	DESCRIPTION	QTY.	
--	176547	BOX ASSY 20' X 7.5" GRAIN	*	
--	176550	BOX ASSY 20' X 10" GRAIN		*
1	174502	BOX ASSY 10' X 7.5" RIGHT (SEE PAGE 3-15)	1	--
1	176480	BOX ASSY 10' X 10" RIGHT (SEE PAGE 3-15)	--	1
2	174503	BOX ASSY 10' X 7.5" LEFT (SEE PAGE 3-15)	1	--
2	176481	BOX ASSY 10' X 10" LEFT (SEE PAGE 3-15)	--	1
3	1-655-010001-3	SCREW, FLG HD 1/2-13X1-1/2	18	18
4	1-510-010003-09	NUT, 1/2-13 FLANGE HD, SERRATED	18	18
5	151540	HANDLE, SEED BOX	2	2
6	1-654-010158-02	SCREW, RHD, SQ NCK 1/4-20UNCX1	4	4
7	150076	MANUAL TUBE (4-1/4" ID)	4	4
8	1-512-010005-01	NUT, HEX, SLFLKG GRB 1/4-20	2	2
9	70260977	SMV EMBLEM	1	1
10	1-654-010047-04	SCREW, HEX CAP, 1/4-20X3/4 GR5	2	2
11	183921	SEED TUBE ASSY, 10" 5211 (SEE PAGE 3-51)	20	16
12	199340	SEED TUBE ASSY, 11" 5211 (SEE PAGE 3-51) (LONGEST GOES TO OUTER ENDS OF BOX)	8	6
13	199341	SEED TUBE ASSY, 12" 5211 (SEE PAGE 3-51) (LONGEST GOES TO OUTER ENDS OF BOX)	4	2
14	144129	CLAMP, HOSE #24	64	48
15	154869	SHAFT, 7/8 HEX, 140 L (USED WITH PLAIN/ SMALL SEED, AGITATOR PULL HITCH OPTIONS ONLY)	1	1
16	159055	SHAFT, 7/8 HEX 85L (USED WITH FERTILIZER, LEFT SIDE, PULL HITCH OPTION ONLY)	1	1
17	144181	SHAFT, 7/8 HEX, 72-1/4 L (USED WITH PLAIN SEED/ AGITATOR/FERTILIZER, 3-POINT HITCH OPTION ONLY)	2	2
18	144180	SHAFT, 7/8 HEX, 108-1/2 L (USED WITH SMALL SEED RIGHT SIDE, 3-POINT HITCH OPTION ONLY)	1	1
19	154869	SHAFT, 7/8 HEX, 140 L (USED WITH AGITATOR RIGHT SIDE, 3-POINT HITCH OPTION ONLY)	1	1
20	1-654-010047-06	SCREW, HX CP 1/4-20UNCX1 GR5	2	2
21	176676	BRACKET, STOP	2	2
22	8-105-010006	CAPSCREW 1/2X13X3 F THD GR5	2	2
23	213932	SEED DEPTH TOOL INDICATOR	1	1
24	122853	COUPLER, DRIVE SHAFT	1	1
25	1-654-010047-10	SCREW, HX CP, 1/4-20UNC X2 GR5	2	2

Box Assembly W/O Fertilizer 5211-20'

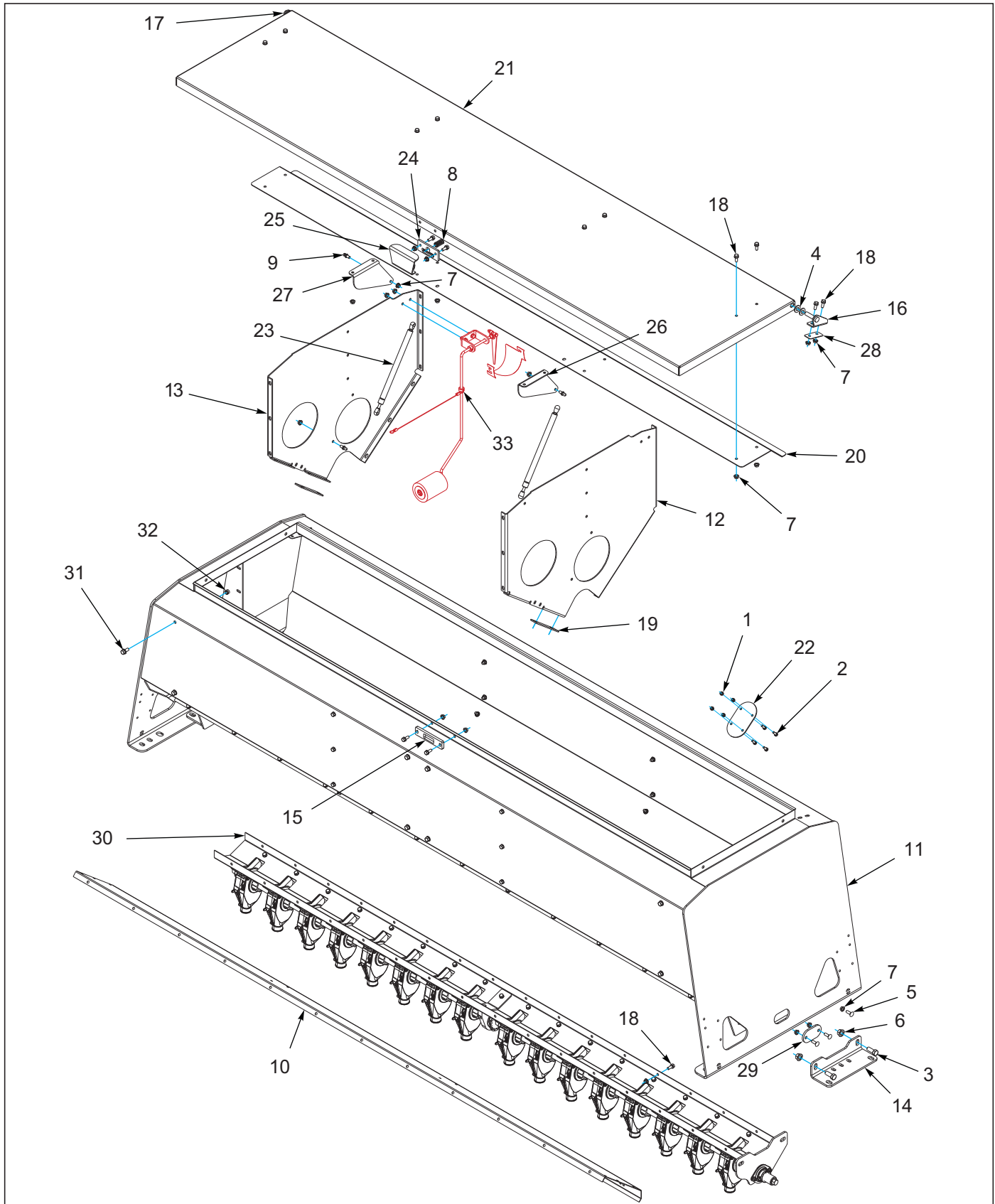


Figure 3-8: Box Assembly W/O Fertilizer 5211-20'

Box Assembly W/O Fertilizer 5211-20'

ITEM	PART NUMBER	DESCRIPTION	QTY.			
--	174502	BOX ASSY 10' X 7.5" RIGHT (SHOWN)	*			
--	174503	BOX ASSY 10' X 7.5" LEFT		*		
--	176480	BOX ASSY 10' X 10" RIGHT			*	
--	176481	BOX ASSY 10' X 10" LEFT				*
1	1-512-010005-01	NUT, HEX LOCK 1/4-20 GRB (BEFORE 12-18-2018)	4	4	4	4
2	1-654-010047-04	SCREW HEX CAP 1/4-20 X 3/4 GR5 (BEFORE 12-18-2018)	4	4	4	4
3	1-654-010055-02	SCREW, HEX HEAD CAP 1/2-13 X 1-1/4 GR5	4	4	4	4
4	1-861-010032-14	WASHER, FLAT 1/2N	4	4	4	4
5	104031	SCREW, RD HEAD SQ NECK 5/16-18 X 1 GR5	8	8	8	8
6	124971	NUT, FLANGE HEAD SPIRALOCK 1/2-13	4	4	4	4
7	126561	NUT, FLANGE HEAD SERRATED 5/16-18	106	106	98	98
8	139692	SPRING, COMPRESSION	1	1	1	1
9	1401756	BALL STUD	4	4	4	4
10	143931	PANEL, SEED BOX 10'	1	1	1	1
11	143932	BOX, SEED WLDMT	1	1	1	1
12	144125	PANEL, SEED BOX RIGHT	1	1	1	1
13	144126	PANEL, SEED BOX LEFT	1	1	1	1
14	144127	BRACKET, SEED BOX	2	2	2	2
15	144141	STOP, LATCH	1	1	1	1
16	144158	HINGE, SEED BOX LID RIGHT	1	1	1	1
17	144159	HINGE, SEED BOX LID LEFT	1	1	1	1
18	144268	SCREW, FLANGE HEAD 5/16-18 X 3/4	105	95	105	95
19	151547	SPACER, SEED BOX	2	2	2	2
20	151578	SHIELD, SPLASH GUARD	1	1	1	1
21	151580	LID, SEED BOX 10' WLDMT	1	1	1	1
22	154841	GLASS, SIGHT (BEFORE 12-18-2018)	1	1	1	1
23	155840	GAS SPRING	2	2	2	2
24	161474	MOUNT, LATCH	1	1	1	1
25	161475	HANDLE, LATCH	1	1	1	1
26	161476	BRACKET, SPRING MOUNT RIGHT	1	1	1	1
27	161477	BRACKET, SPRING MOUNT LEFT	1	1	1	1
28	168903	GASKET, HINGE SEAL	2	2	2	2
29	172703	PLATE, COVER	2	2	2	2
30	174492	METER ASSY 10'X7.5" RIGHT (SEE PAGE 3-59)	1	--	--	--
30	174493	METER ASSY 10'X7.5" LEFT (SEE PAGE 3-59)	--	1	--	--
30	174482	METER ASSY, 10'X10" RIGHT (SEE PAGE 3-59)	--	--	1	--
30	174483	METER ASSY, 10'X10" LEFT (SEE PAGE 3-59)	--	--	--	1
31	179776	SCREW, FLANGE HEAD 3/8-16 X 3/4	8	8	8	8
32	1-512-010005-05	NUT, HEX LOCK 3/8-16 GRB	8	8	8	8
33	-----	SEED LEVEL INDICATOR (AFTER 12-18-2018) (SEE PAGE 3-49)	1	1	1	1

Seed Box Assembly, W/Fertilizer 5211-10'

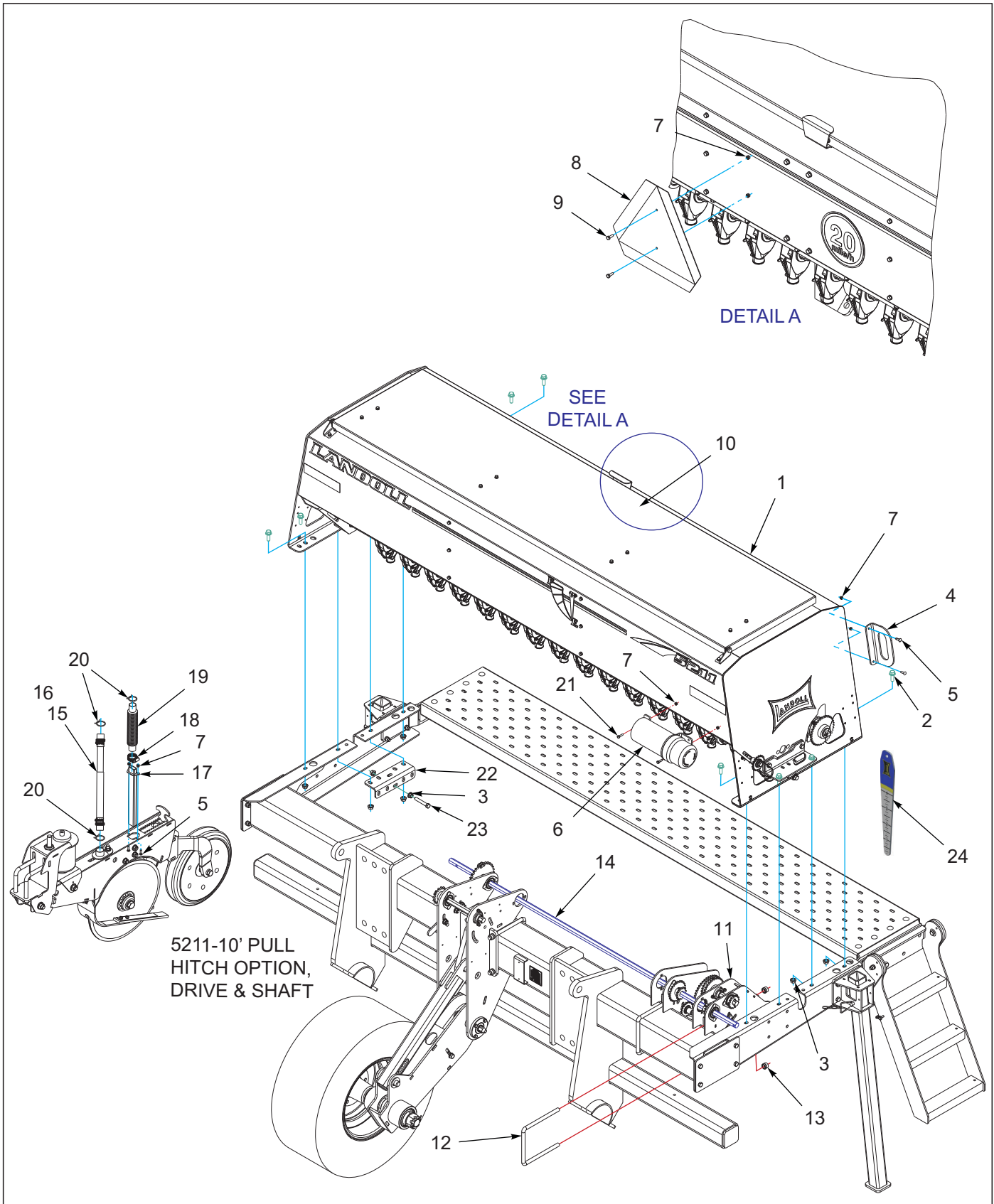


Figure 3-9: Seed Box Assembly, W/Fertilizer 5211-10'

Seed Box Assembly, W/Fertilizer 5211-10'

ITEM	PART NUMBER	DESCRIPTION	QTY.	
--	176533	BOX ASSY 10' X 7.5" W/FERT	*	
--	176536	BOX ASSY 10' X 10" W/FERT		*
1	174425	BOX ASSY 10' X 7.5" WF LEFT (SEE PAGE 3-19)	1	--
1	174427	BOX ASSY 10' X 10" WF LEFT (SEE PAGE 3-19)	--	1
2	1-655-010001-3	SCREW, FLG HD 1/2-13X1-1/2	8	8
3	1-510-010003-09	NUT, 1/2-13 FLANGE HD, SERRATED	10	10
4	151540	HANDLE, SEED BOX	2	2
5	1-654-010158-02	SCREW, RHD, SQ NCK 1/4-20UNCX1	34	26
6	150076	MANUAL TUBE (4-1/4" ID)	1	1
7	1-512-010005-01	NUT, HEX, SLFLKG GRB 1/4-20	36	28
8	70260977	SMV EMBLEM	1	1
9	1-654-010047-04	SCREW, HEX CAP, 1/4-20X3/4 GR5	2	2
10	174397	DECAL, FERTILIZER RATE (LOW) (SEE PAGE 7-1)	1	1
11	174408	DRIVE ASSY, FERTILIZER LEFT (SEE PAGE 3-43)	1	1
12	70593063	U-BOLT	1	1
13	1-512-010005-13	NUT, HEX SLFLKG GRB 5/8-11	2	2
14	144181	SHAFT, 7/8 HEX, 72-1/4 L	1	1
15	183921	SEED TUBE ASSY, 10" 5211 (SEE PAGE 3-51)	8	6
16	199340	SEED TUBE ASSY, 11" 5211 (SEE PAGE 3-51) (LONGEST GOES TO OUTER ENDS OF BOX)	8	6
17	176560	TUBE, FERTILIZER	16	12
18	42H16	CLAMP, HOSE 1 IN	16	12
19	144338	HOSE, SEED	16	12
20	144129	CLAMP, HOSE #24	48	36
21	1-654-010047-06	SCREW, HX CP 1/4-20UNCX1 GR5	2	2
22	176676	BRACKET, STOP	1	1
23	8-105-010006	CAPSCREW 1/2X13X3 F THD GR5	1	1
24	213932	SEED DEPTH TOOL INDICATOR	1	1

Box Assembly W/Fertilizer 5211-10'

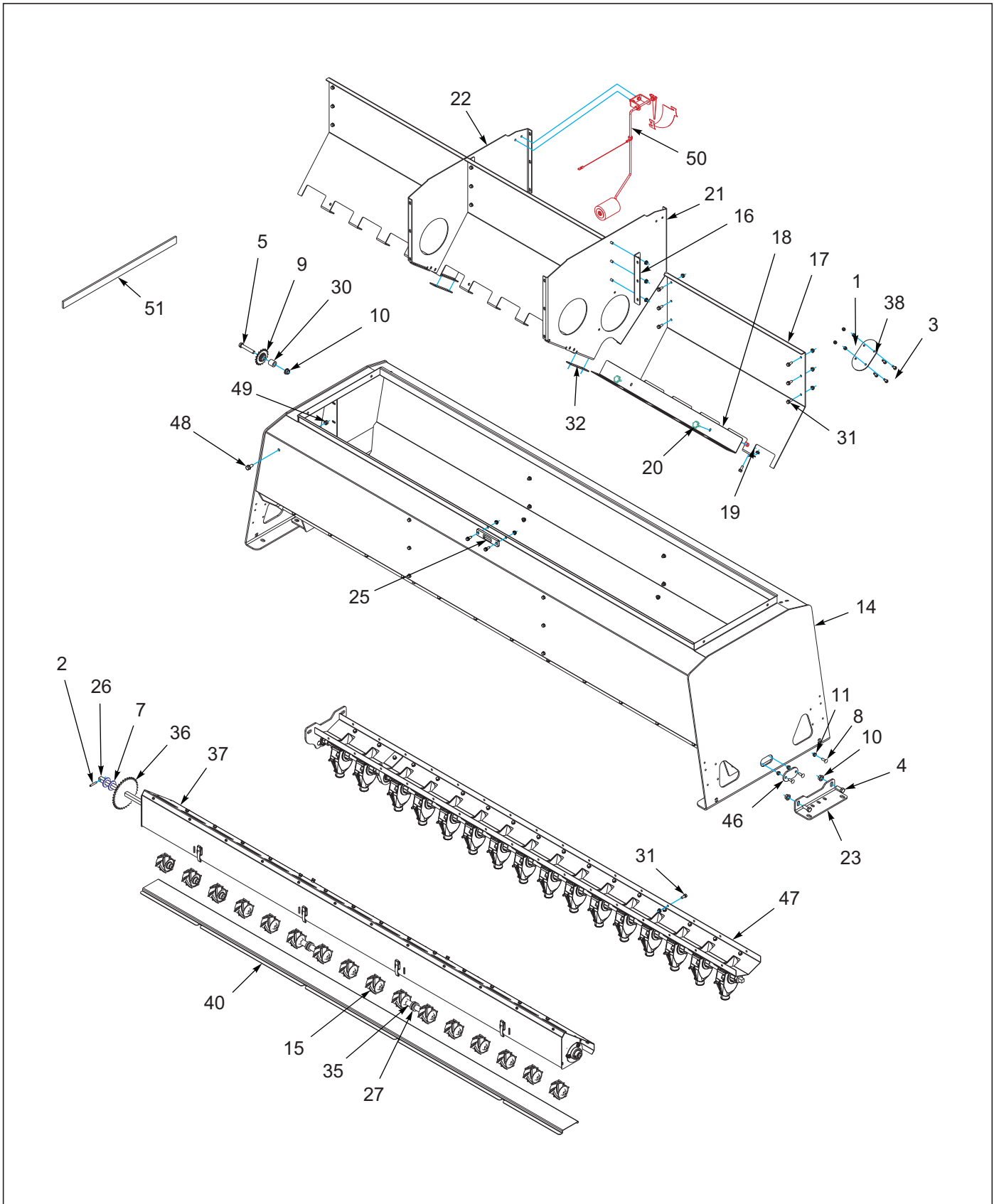


Figure 3-10: Box Assembly W/Fertilizer 5211-10' (1 of 2)

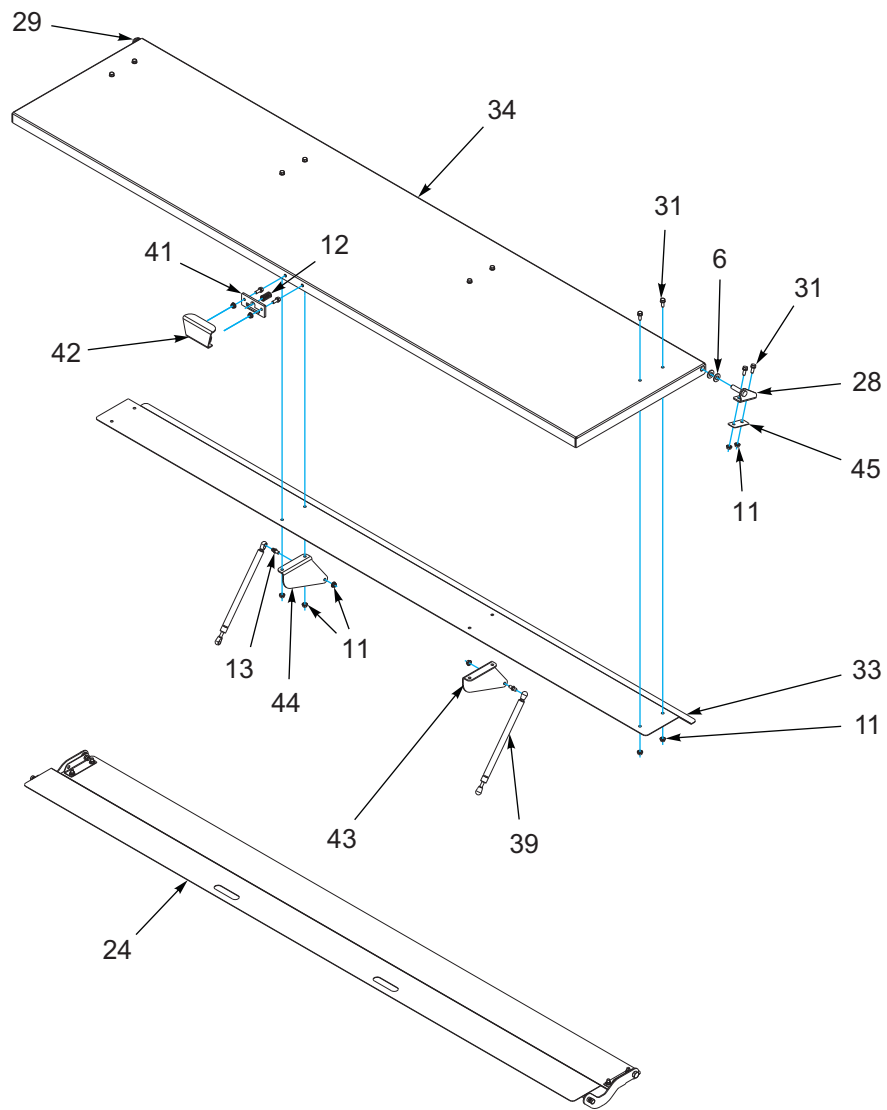


Figure 3-11: Box Assembly W/Fertilizer 5211-10' (2 of 2)

Box Assembly W/Fertilizer 5211-10'

ITEM	PART NUMBER	DESCRIPTION	QTY.	
	174425	BOX ASSEMBLY, W/ FERT LEFT 10' X 7.5"	*	
	174427	BOX ASSEMBLY, W/ FERT LEFT 10' X 10"		*
1	1-512-010005-01	NUT, HEX LOCK 1/4-20 GRB (BEFORE 12-18-2018)	4	4
2	1-647-010004217	SPRING PIN, SLOTTED 1/4 X 1-1/2	2	2
3	1-654-010047-04	SCREW, HEX HEAD CAP 1/4-20 X 3/4 GR5 (BEFORE 12-18-2018)	4	4
4	1-654-010055-02	SCREW, HEX HEAD CAP 1/2-13 X 1-1/4 GR5	4	4
5	1-654-010055-09	SCREW, HEX HEAD CAP 1/2-13 X 3 GR5	1	1
6	1-861-010032-14	WASHER, FLAT 1/2N	4	4
7	1-861-010032-22	WASHER, FLAT 7/8	2	2
8	104031	SCREW, RD HEAD SQ NECK 5/16-18 X 1	8	8
9	122871	SPROCKET, TRANSMISSION IDLER	1	1
10	124971	NUT, HEX FLANGE SPIRALOCK 1/2-13	5	5
11	126561	NUT, FLANGE HEAD SERRATED 5/16-18	138	132
12	139692	SPRING	1	1
13	1401756	BALL STUD	4	4
14	143932	BOX, SEED	1	1
15	144105	METER, FERTILIZER WHEEL	16	12
16	144118	BRACKET, FERTILIZER PANEL	4	4
17	144119	PANEL, FERTILIZER DIVIDER	3	3
18	144122	COVER, FERTILIZER BOX	3	3
19	144123	NUT, SPRING 1/4-20	6	6
20	144124	KNOB, PLASTIC 1/4-20 STUD	6	6
21	144125	PANEL, SEED BOX RIGHT	1	1
22	144126	PANEL, SEED BOX LEFT	1	1
23	144127	BRACKET, SEED BOX	2	2
24	144133	SHIELD ASSEMBLY, FILL 10' (SEE PAGE 3-47)	1	1
25	144141	STOP, LATCH	1	1
26	144143	SHAFT 5/8 SQ X 110	1	1
27	144146	BEARING, FERTILIZER SHAFT	2	2
28	144158	HINGE, SEED BOX LID RIGHT	1	1
29	144159	HINGE, SEED BOX LID LEFT	1	1
30	144183	SPACER	1	1
31	144268	SCREW, FLANGE HEAD 5/16-18 X 3/4	128	120
32	151547	SPACER, SEED BOX	2	2
33	151578	SHIELD, SPLASH GUARD	1	1
34	151580	LID, SEED BOX 10'	1	1
35	151582	SLEEVE	2	2
36	151586	SPROCKET, #40 X 35, 5/8 SQ	1	1
37	153852	FERTILIZER ASSEMBLY, 7.5" X 10' (SEE PAGE 3-45)	1	--
37	153853	FERTILIZER ASSEMBLY, 10" X 10' (SEE PAGE 3-45)	--	1
38	154841	SIGHT GLASS (BEFORE 12-18-2018)	1	1
39	155840	GAS SPRING	2	2
40	159953	DOOR, FERTILIZER 10'	1	1
41	161474	MOUNT, LATCH	1	1
42	161475	HANDLE, LATCH	1	1
43	161476	BRACKET, SPRING MOUNT	1	1
44	161477	BRACKET, SPRING MOUNT LEFT	1	1
45	168903	GASKET, HINGE SEAL	2	2
46	172703	PLATE, COVER	2	2

Box Assembly W/Fertilizer 5211-10'

ITEM	PART NUMBER	DESCRIPTION	QTY.	
47	172734	METER ASSEMBLY, 10' X 7.5" LEFT (SEE PAGE 3-53)	1	--
47	172740	METER ASSY, 10'X10" RIGHT (SEE PAGE 3-53)	--	1
48	179776	SCREW, FLANGE HEAD 3/8-16 X 3/4	8	8
49	1-512-010005-05	NUT, HEX LOCK 3/8-16 GRB	8	8
50	-----	SEED LEVEL INDICATOR (AFTER 12-18-2018) (SEE PAGE 3-49)	1	1
51	25618	STRIP, RUBBER, 1/8	AR	AR

Seed Box Assembly, W/Fertilizer 5211-12-1/2'

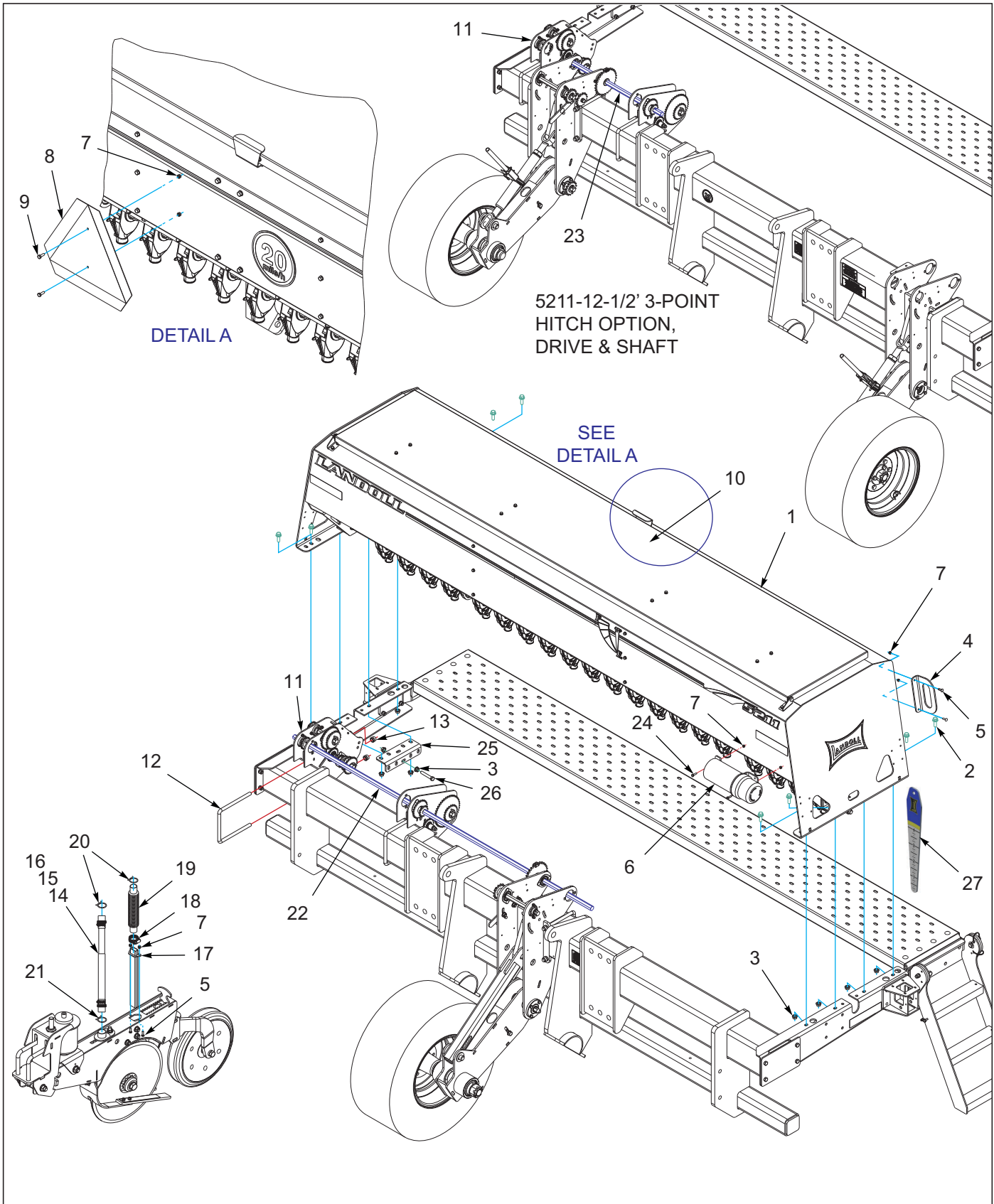


Figure 3-12: Seed Box Assembly, W/Fertilizer 5211-12-1/2'

Seed Box Assembly, W/Fertilizer 5211-12-1/2'

ITEM	PART NUMBER	DESCRIPTION	QTY.	
--	176538	BOX ASSY 12.5' X 7.5" W/FERT	*	
--	176541	BOX ASSY 12.5' X 10" W/FERT		*
1	214889	BOX ASSY, 12-1/2'X7.5" W/FERT (SEE PAGE 3-25)	1	--
1	214892	BOX ASSY, 12-1/2"X10" W/FERT (SEE PAGE 3-25)	--	1
2	1-655-010001-3	SCREW, FLG HD 1/2-13X1-1/2	8	8
3	1-510-010003-09	NUT,1/2-13 FLANGE HD,SERRATED	8	8
4	151540	HANDLE, SEED BOX	2	2
5	1-654-010158-02	SCREW,RHD,SQ NCK 1/4-20UNCX1	42	32
6	150076	MANUAL TUBE (4-1/4"ID)	1	1
7	1-512-010005-01	NUT,HEX,SLFLKG GRB 1/4-20	44	34
8	70260977	SMV EMBLEM	1	1
9	1-654-010047-04	SCREW,HEX CAP,1/4-20X3/4 GR5	2	2
10	174397	DECAL, FERILIZER RATE (LOW) (SEE PAGE 7-1)	1	1
11	151586	SPROCKET #40 X 35, 5/8 SQ	1	1
12	174407	DRIVE ASSY, FERTILIZER RIGHT (SEE PAGE 3-41)	1	1
13	70593063	U-BOLT	1	1
14	1-512-010005-13	NUT,HEX SLFLKG GRB 5/8-11	2	2
15	183921	SEED TUBE ASSY, 10" 5211 (SEE PAGE 3-51)	8	9
16	199340	SEED TUBE ASSY, 11" 5211 (SEE PAGE 3-51) (LONGEST GOES TO OUTER ENDS OF BOX)	8	9
17	199341	SEED TUBE ASSY, 12" 5211 (SEE PAGE 3-51) (LONGEST GOES TO OUTER ENDS OF BOX)	4	--
18	176560	TUBE, FERTILIZER	20	15
19	42H16	CLAMP, HOSE 1 IN	20	15
20	144338	HOSE, SEED	20	15
21	144129	CLAMP, HOSE #24	60	45
22	159055	SHAFT, 7/8 HEX 85L	1	1
23	161462	SHAFT 7/8 HEX, 48L	1	1
24	1-654-010047-06	SCREW,HX CP 1/4-20UNCX1 GR5	2	2
25	176676	BRACKET, STOP	1	1
26	8-105-010006	CAPSCREW 1/2X13X3 F THD GR5	1	1
27	213932	SEED DEPTH TOOL INDICATOR	1	1

Box Assembly W/Fertilizer 5211-12-1/2'

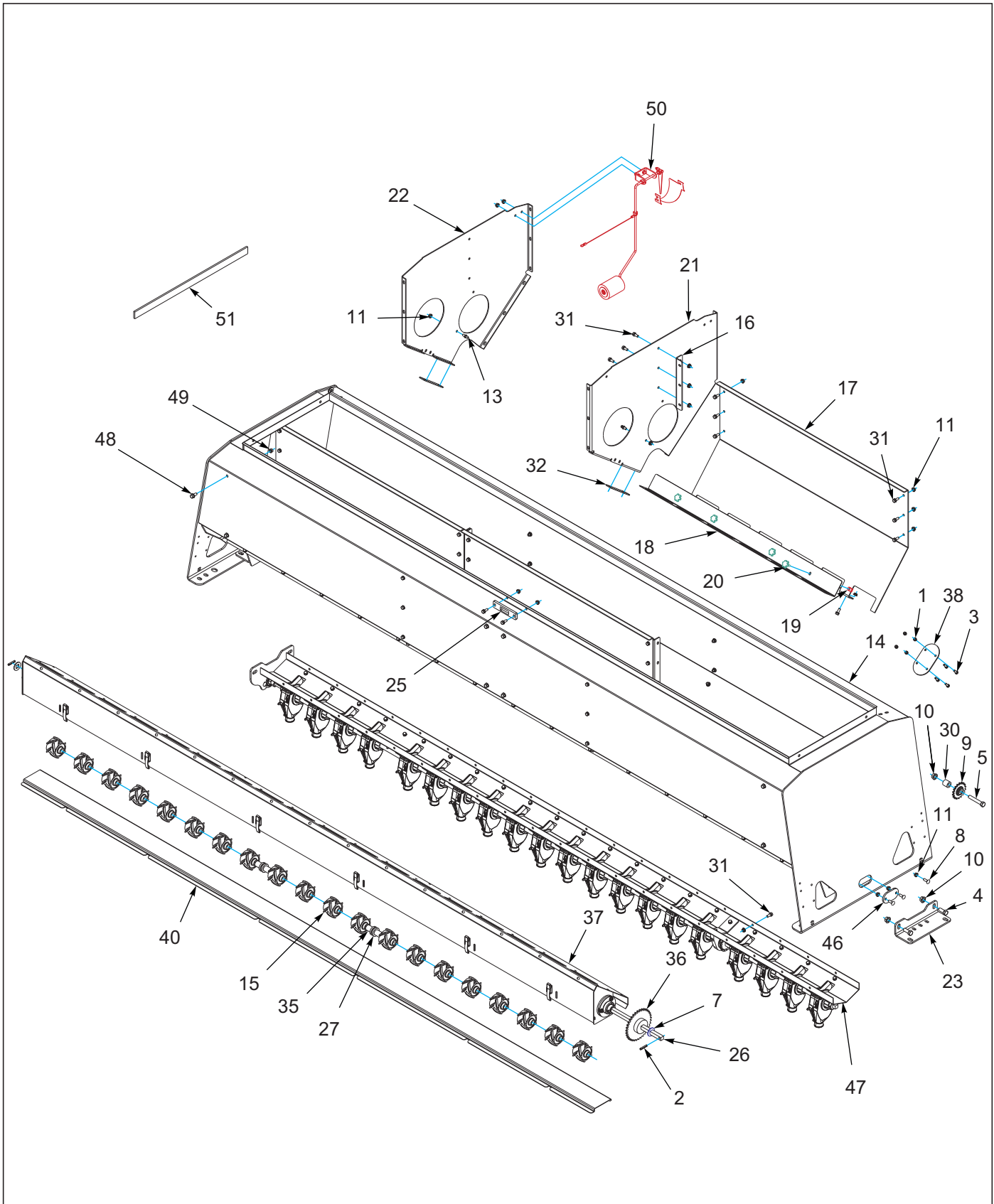


Figure 3-13: Box Assembly W/Fertilizer 5211-12-1/2' (1 of 2)

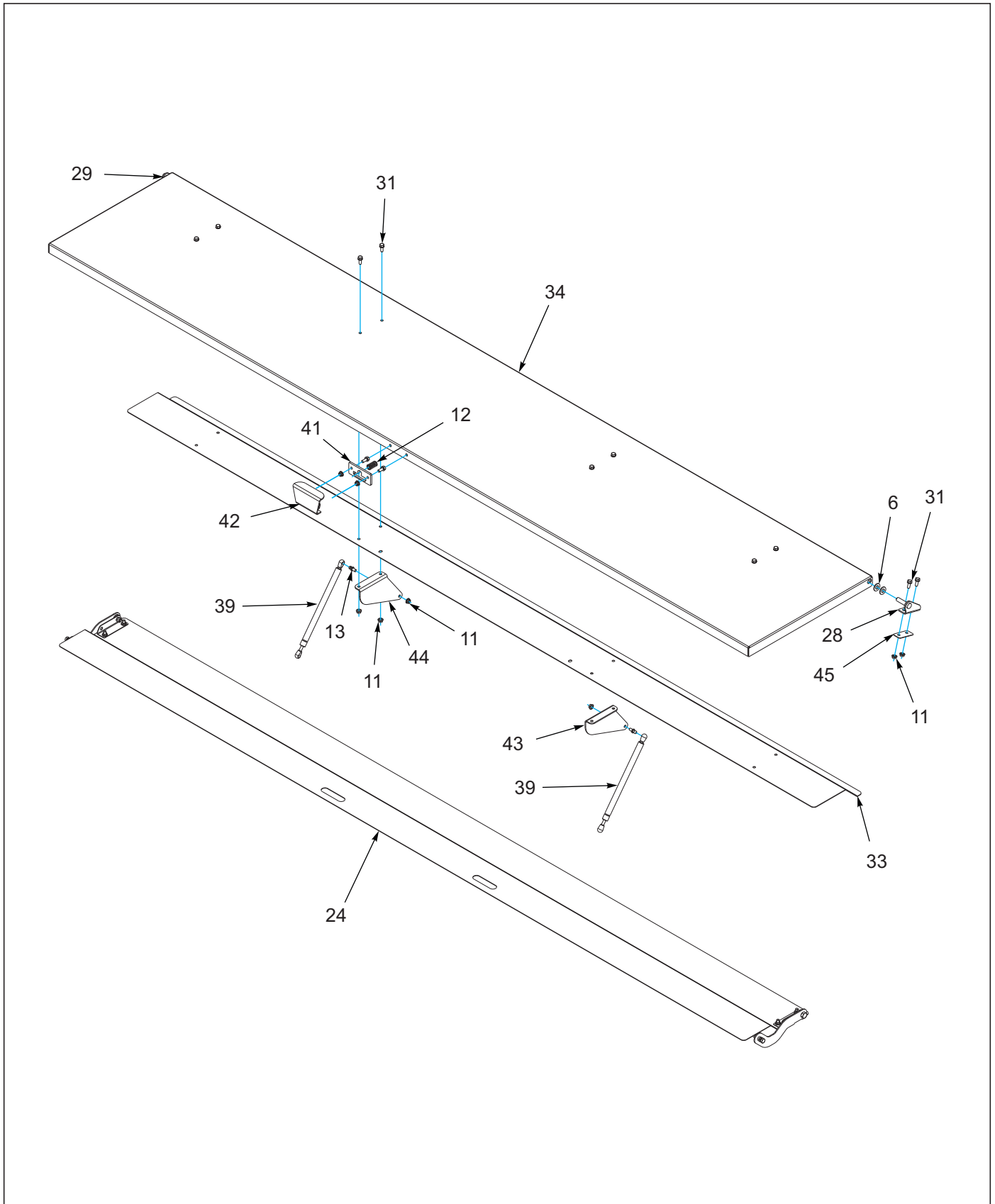


Figure 3-14: Box Assembly W/Fertilizer 5211-12-1/2' (2 of 2)

Box Assembly W/Fertilizer 5211-12-1/2'

ITEM	PART NUMBER	DESCRIPTION	QTY.	
--	214889	BOX ASSY, 12-1/2'X7.5" W/FERT (SHOWN)	*	
--	214892	BOX ASSY, 12-1/2"X10" W/FERT		*
1	1-512-010005-01	NUT, HEX LOCK 1/4-20 GRB (BEFORE 12-18-2018)	4	4
2	1-647-010004217	SPRING PIN, SLOTTED 1/4 X 1-1/2	2	2
3	1-654-010047-04	SCREW, HEX HEAD CAP 1/4-20 X 3/4 GR5 (BEFORE 12-18-2018)	4	4
4	1-654-010055-02	SCREW, HEX HEAD CAP 1/2-13 X 1-1/4 GR5	4	4
5	1-654-010055-09	SCREW, HEX HEAD CAP 1/2-13 X 3 GR5	1	1
6	1-861-010032-14	WASHER, FLAT 1/2N	4	4
7	172700	WASHER, 1.50 OD X .640 SQ	2	2
8	104031	SCREW, RD HEAD SQ NECK 5/16-18 X 1	8	8
9	122871	SPROCKET, TRANSMISSION IDLER	1	1
10	124971	NUT, HEX FLANGE SPIRALOCK 1/2-13	5	5
11	126561	NUT, FLANGE HEAD SERRATED 5/16-18	156	146
12	139692	SPRING	1	1
13	1401756	BALL STUD	4	4
14	159102	BOX,SEED 12-1/2' WLDMT	1	1
15	144105	METER, FERTILIZER WHEEL	20	15
16	144118	BRACKET, FERTILIZER PANEL	4	4
17	159898	PANEL,FERT DIVIDER 44-1/8	3	3
18	159899	COVER,FERTILIZER BOX 43-3/4	3	3
19	144123	NUT, SPRING 1/4-20	12	12
20	144124	KNOB, PLASTIC 1/4-20 STUD	12	12
21	144125	PANEL, SEED BOX RIGHT	1	1
22	144126	PANEL, SEED BOX LEFT	1	1
23	144127	BRACKET, SEED BOX	2	2
24	159915	SHIELD ASSY, FILL 12-1/2' (SEE PAGE 3-47)	1	1
25	144141	STOP, LATCH	1	1
26	159897	SHAFT, 5/8 SQ X 140	1	1
27	144146	BEARING, FERTILIZER SHAFT	2	2
28	144158	HINGE, SEED BOX LID RIGHT	1	1
29	144159	HINGE, SEED BOX LID LEFT	1	1
30	144183	SPACER	1	1
31	144268	SCREW, FLANGE HEAD 5/16-18 X 3/4	144	134
32	151547	SPACER, SEED BOX	2	2
33	159095	SHIELD,SPLASH GUARD 12-1/2'	1	1
34	159094	LID,SEED BOX 12-1/2' WLDMT29	1	1
35	151582	SLEEVE	2	2
36	151586	SPROCKET, #40 X 35, 5/8 SQ	1	1
37	159883	FERTILIZER ASSY,12-1/2X7.5 (SEE PAGE 3-45)	1	--
37	159884	FERTILIZER ASSY,12-1/2X10 (SEE PAGE 3-45)	--	1
38	154841	SIGHT GLASS (BEFORE 12-18-2018)	1	1
39	155840	GAS SPRING	2	2
40	159882	DOOR, FERTILIZER 12-12'	1	1
41	161474	MOUNT, LATCH	1	1
42	161475	HANDLE, LATCH	1	1
43	161476	BRACKET, SPRING MOUNT RIGHT	1	1
44	161477	BRACKET, SPRING MOUNT LEFT	1	1
45	168903	GASKET, HINGE SEAL	2	2
46	172703	PLATE, COVER	2	2

Box Assembly W/Fertilizer 5211-12-1/2'

ITEM	PART NUMBER	DESCRIPTION	QTY.	
47	208216	METER ASSY, 12-1/2'X7.5" (SEE PAGE 3-55)	1	--
47	208284	METER ASSY, 12-1/2'X10" (SEE PAGE 3-55)	--	1
48	179776	SCREW, FLANGE HEAD 3/8-16 X 3/4	8	8
49	1-512-010005-05	NUT, HEX LOCK 3/8-16 GRB	8	8
50	-----	SEED LEVEL INDICATOR (AFTER 12-18-2018) (SEE PAGE 3-49)	1	1
51	25618	STRIP, RUBBER, 1/8	AR	AR

Seed Box Assembly, W/Fertilizer 5211-15'

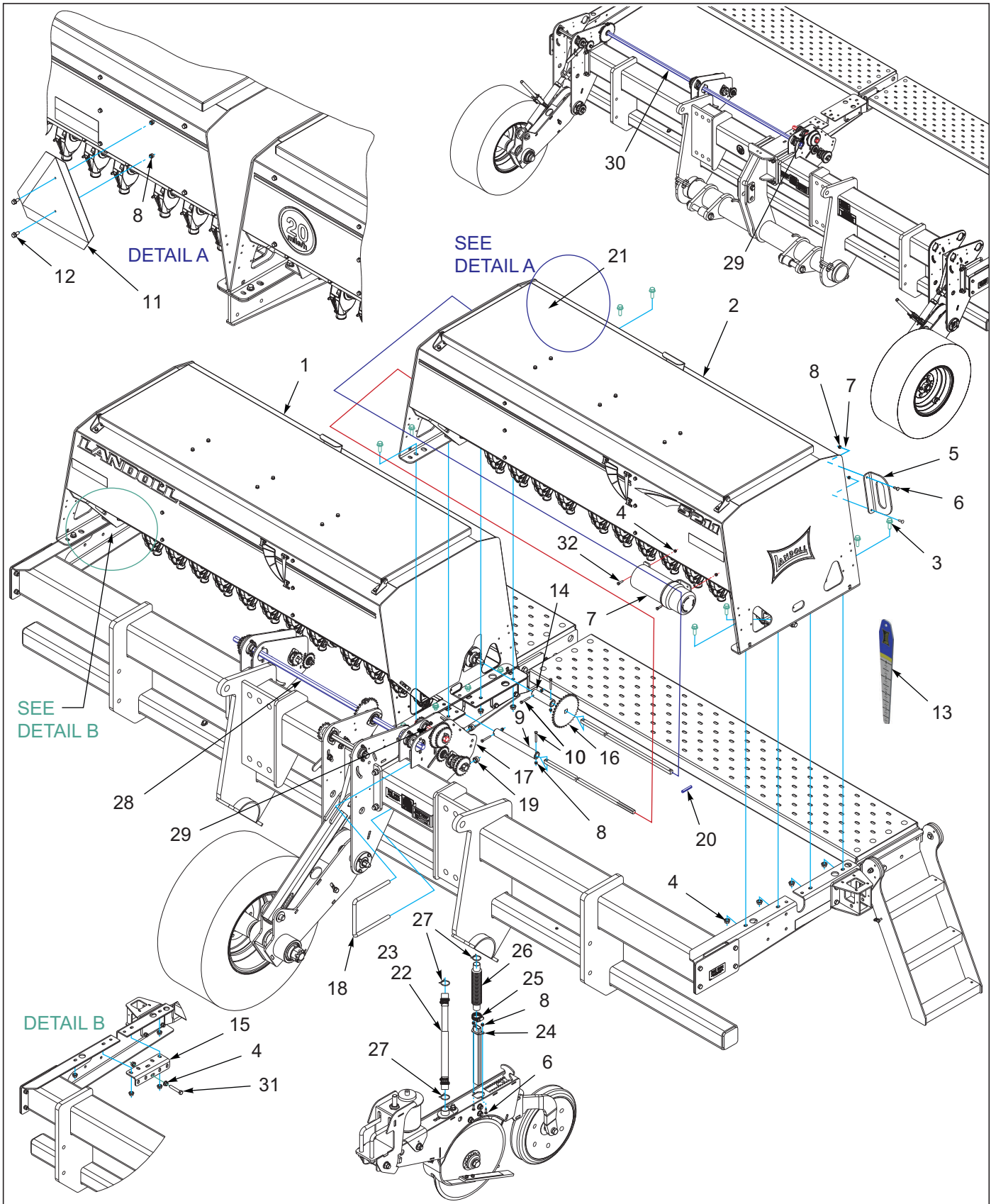


Figure 3-15: Seed Box Assembly, W/Fertilizer 5211-15'

Seed Box Assembly, W/Fertilizer 5211-15'

ITEM	PART NUMBER	DESCRIPTION	QTY.	
--	176543	BOX ASSY 15" X 7.5" W/FERT	*	
--	176546	BOX ASSY 15' X10" W/FERT		*
1	174500	BOX ASSY 7-1/2'X7.5" WF RIGHT (SEE PAGE 3-31)	1	--
1	174432	BOX ASSY 7-1/2' X 10" WF RIGHT (SEE PAGE 3-31)	--	1
2	174501	BOX ASSY 7-1/2' X 7.5" WF LEFT (SEE PAGE 3-31)	1	--
2	199329	BOX ASSY 7-1/2'X10" WF RIGHT (SEE PAGE 3-31)	--	1
3	1-655-010001-3	SCREW, FLG HD 1/2-13X1-1/2	16	16
4	1-510-010003-09	NUT,1/2-13 FLANGE HD,SERRATED	18	18
5	151540	HANDLE, SEED BOX	2	2
6	1-654-010158-02	SCREW,RHD,SQ NCK 1/4-20UNCX1	50	38
7	150076	MANUAL TUBE (4-1/4"ID)	1	1
8	1-512-010005-01	NUT,HEX,SLFLKG GRB 1/4-20	56	44
9	154827	COUPLER SHAFT 10-1/2"	1	1
10	1-654-010047-10	SCREW,HX CP,1/4-20UNC X2 GR5	2	2
11	70260977	SMV EMBLEM	1	1
12	1-654-010047-04	SCREW,HEX CAP,1/4-20X3/4 GR5	2	2
13	213932	SEED DEPTH TOOL INDICATOR	1	1
14	154837	COUPLER, SHAFT 4-3/4"	1	1
15	176676	BRACKET, STOP	1	1
16	151586	SPROCKET #40 X 35, 5/8 SQ	1	1
17	174407	DRIVE ASSY, FERTILIZER RIGHT (SEE PAGE 3-41)	1	1
18	70593063	U-BOLT	1	1
19	1-512-010005-13	NUT,HEX SLFLKG GRB 5/8-11	2	2
20	1-647-010004217	SPRING PIN, SLOTTED 1/4X1-1/2	2	2
21	174397	DECAL, FERILIZER RATE (LOW) (SEE PAGE 7-1)	1	1
22	183921	SEED TUBE ASSY, 10" 5211 (SEE PAGE 3-51)	18	12
23	199340	SEED TUBE ASSY, 11" 5211 (SEE PAGE 3-51) (LONGEST GOES TO OUTER ENDS OF BOX)	6	6
24	176560	TUBE, FERTILIZER	24	18
25	42H16	CLAMP, HOSE 1 IN	24	18
26	144338	HOSE, SEED	24	18
27	144129	CLAMP, HOSE #24	72	54
28	161462	SHAFT 7/8 HEX, 48L	1	1
29	144222	SHAFT, 7/8 HEX, 10L	1	1
30	159055	SHAFT, 7/8 HEX 85L	1	1
31	8-105-010006	CAPSCREW 1/2X13X3 F THD GR5	1	1
32	1-654-010047-06	SCREW,HX CP 1/4-20UNCX1 GR5	2	2

Box Assembly W/Fertilizer 5211-15'

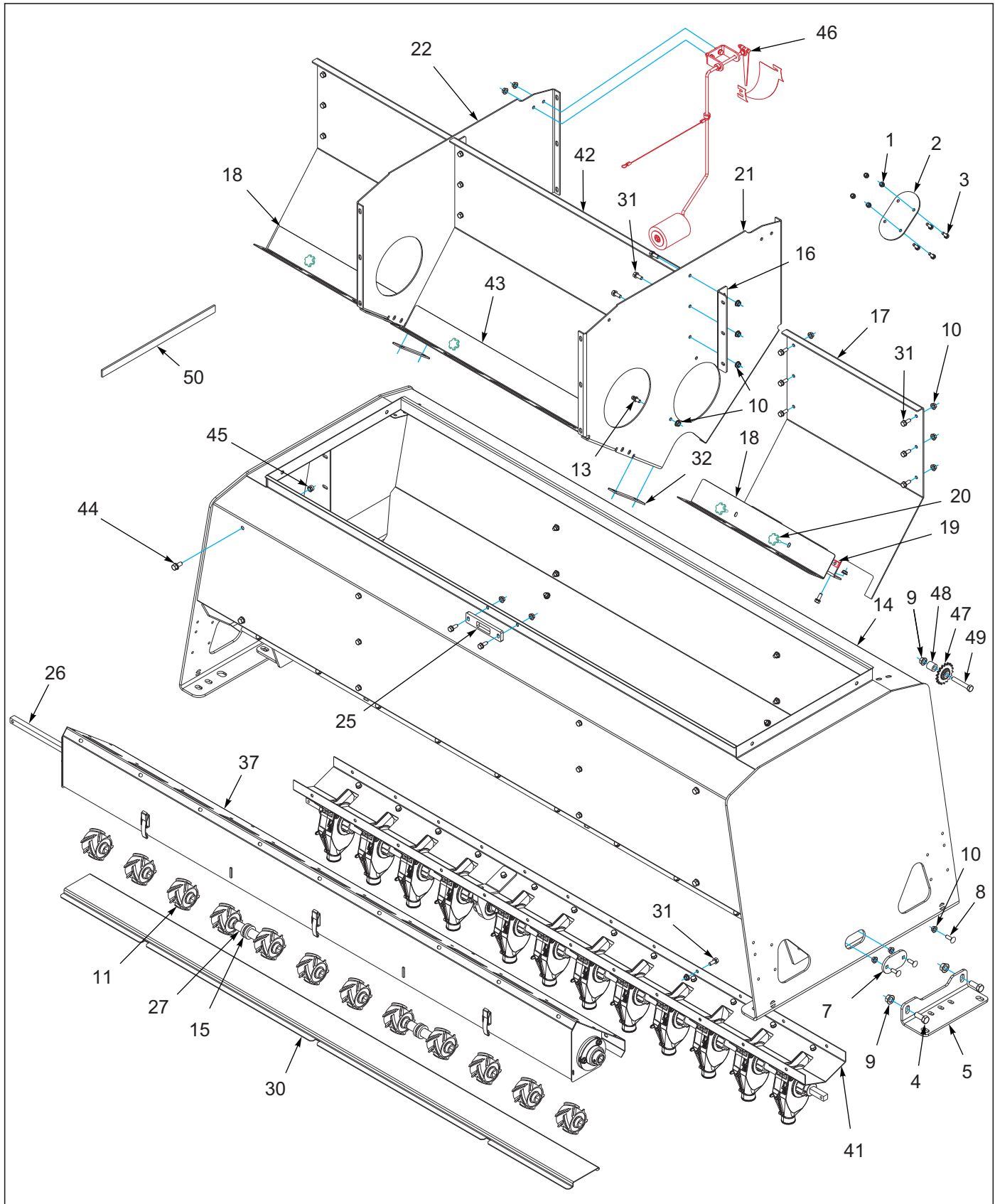


Figure 3-16: Box Assembly W/Fertilizer 5211-15' (1 of 2)

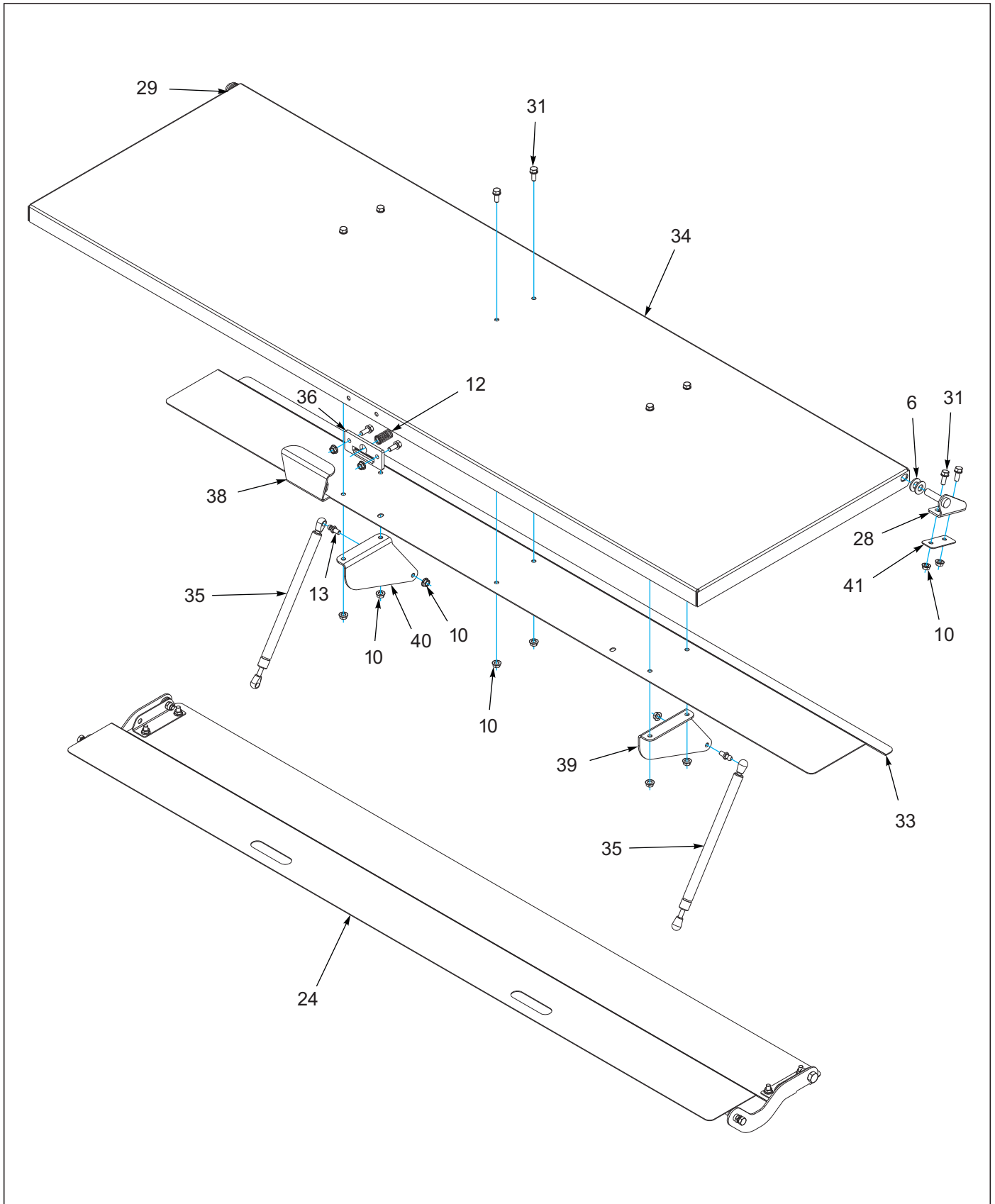


Figure 3-17: Box Assembly W/Fertilizer 5211-15' (2 of 2)

Box Assembly W/Fertilizer 5211-15'

ITEM	PART NUMBER	DESCRIPTION	QTY.			
--	174500	BOX ASSY 7-1/2'X7.5" WF RIGHT(SHOWN)	*			
--	174501	BOX ASSY 7-1/2' X 7.5" WF LEFT		*		
--	174432	BOX ASSY 7-1/2' X 10" WF RIGHT			*	
--	199329	BOX ASSY 7-1/2'X10" WF RIGHT				*
1	1-512-010005-01	NUT, HEX LOCK 1/4-20 GRB (BEFORE 12-18-2018)	4	4	4	4
2	154841	SIGHT GLASS (BEFORE 12-18-2018)	1	1	1	1
3	1-654-010047-04	SCREW, HEX HEAD CAP 1/4-20 X 3/4 GR5 (BEFORE 12-18-2018)	4	4	4	4
4	1-654-010055-02	SCREW, HEX HEAD CAP 1/2-13 X 1-1/4 GR5	4	4	4	4
5	144127	BRACKET, SEED BOX	2	2	2	2
6	1-861-010032-14	WASHER, FLAT 1/2N	4	4	4	4
7	172703	PLATE, COVER	2	2	2	2
8	104031	SCREW, RD HEAD SQ NECK 5/16-18 X 1	8	8	8	8
9	124971	NUT, HEX FLANGE SPIRALOCK 1/2-13	5	6	5	6
10	126561	NUT, FLANGE HEAD SERRATED 5/16-18	125	125	119	119
11	144105	METER, FERTILIZER WHEEL	12	12	9	9
12	139692	SPRING	1	1	1	1
13	1401756	BALL STUD	4	4	4	4
14	154842	BOX, SEED 7-1/2" WLDMT	1	1	1	1
15	144146	BEARING, FERTILIZER SHAFT	2	2	2	2
16	144118	BRACKET, FERTILIZER PANEL	4	4	4	4
17	154838	PANEL, FERT DIVIDER 20-1/2"	2	2	2	2
18	154839	COVER, FERTILIZER BOX 20"	2	2	2	2
19	144123	NUT, SPRING 1/4-20	6	6	6	6
20	144124	KNOB, PLASTIC 1/4-20 STUD	6	6	6	6
21	144125	PANEL, SEED BOX RIGHT	1	1	1	1
22	144126	PANEL, SEED BOX LEFT	1	1	1	1
23	168903	GASKET, HINGE SEAL	2	2	2	2
24	154872	SHIELD ASSY FILL 7-1/2' (SEE PAGE 3-47)	1	1	1	1
25	144141	STOP, LATCH	1	1	1	1
26	154836	SHAFT, 5/8 SQ X 83	1	1	1	1
27	151582	SLEEVE	2	2	2	2
28	144158	HINGE, SEED BOX LID RIGHT	1	1	1	1
29	144159	HINGE, SEED BOX LID LEFT	1	1	1	1
30	159952	DOOR, FERTILIZER 7-1/2'	1	1	1	1
31	144268	SCREW, FLANGE HEAD 5/16-18 X 3/4	113	113	107	107
32	151547	SPACER, SEED BOX	2	2	2	2
33	153869	SHIELD, SPLASH GUARD 7-1/2'	1	1	1	1
34	153871	LID, SEED BOX 7-1/2' WLDMT	1	1	1	1
35	155840	GAS SPRING	2	2	2	2
36	161474	MOUNT, LATCH	1	1	1	1
37	154828	FERTILIZER ASSY 7.5" X 7-1/2' (SEE PAGE 3-45)	1	1	--	--
37	154829	FERTILIZER ASSY 10" X 7-1/2' (SEE PAGE 3-45)	--	--	1	1
38	161475	HANDLE, LATCH	1	1	1	1
39	161476	BRACKET, SPRING MOUNT RIGHT	1	1	1	1
40	161477	BRACKET, SPRING MOUNT LEFT	1	1	1	1
41	218426	METER ASSY, 7-1/2'X7.5" RT (SEE PAGE 3-57)	1	--	--	--
41	218427	METER ASSY, 7-1/2'X7.5" LT (SEE PAGE 3-57)	--	1	--	--
41	174316	METER ASSY, 7-1/2' X 10" RIGHT (SEE PAGE 3-57)	--	--	1	--

Box Assembly W/Fertilizer 5211-15'

ITEM	PART NUMBER	DESCRIPTION	QTY.			
41	199330	METER ASSY, 7-1/2'X10" RIGHT (SEE PAGE 3-57)	--	--	--	1
42	144119	PANEL, FERTILIZER DIVIDER	1	1	1	1
43	144122	COVER, FERTILIZER BOX	1	1	1	1
44	179776	SCREW, FLANGE HEAD 3/8-16 X 3/4	8	8	8	8
45	1-512-010005-05	NUT, HEX LOCK 3/8-16 GRB	8	8	8	8
46	-----	SEED LEVEL INDICATOR (AFTER 12-18-2018) (SEE PAGE 3-49)	1	1	1	1
47	122871	SPROCKET, TRANSMISSION IDLER	--	1	--	1
48	144183	SPACER	--	1	--	1
49	1-654-010055-09	SCREW, HEX HEAD CAP 1/2-13 X 3 GR5	--	1	--	1
50	25618	STRIP, RUBBER, 1/8	AR	AR	AR	AR

Seed Box Assembly, W/Fertilizer 5211-20'

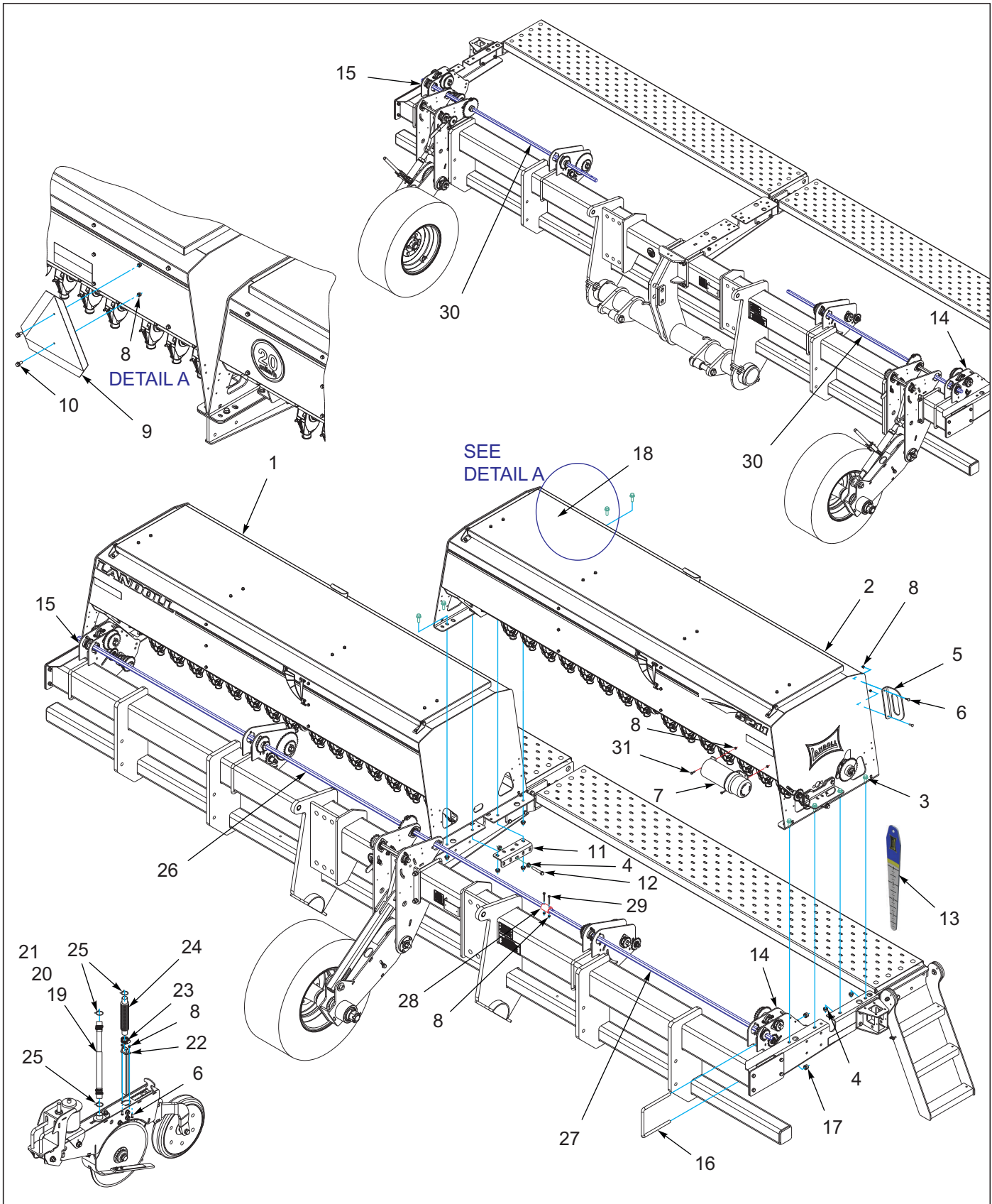


Figure 3-18: Seed Box Assembly, W/Fertilizer 5211-20'

Seed Box Assembly, W/Fertilizer 5211-20'

ITEM	PART NUMBER	DESCRIPTION	QTY.
--	176548	BOX ASSY 20' X 7.5" W/FERT	
1	179782	BOX ASSY 10' X 7.5" WF RIGHT (SEE PAGE 3-37)	1
2	179783	BOX ASSY 10' X 7.5" WF LEFT (SEE PAGE 3-37)	1
3	1-655-010001-3	SCREW, FLG HD 1/2-13X1-1/2	16
4	1-510-010003-09	NUT, 1/2-13 FLANGE HD, SERRATED	16
5	151540	HANDLE, SEED BOX	1
6	1-654-010158-02	SCREW, RHD, SQ NCK 1/4-20UNCX1	66
7	150076	MANUAL TUBE (4-1/4" ID)	1
8	1-512-010005-01	NUT, HEX, SLFLKG GRB 1/4-20	50
9	70260977	SMV EMBLEM	1
10	1-654-010047-04	SCREW, HEX CAP, 1/4-20X3/4 GR5	2
11	176676	BRACKET, STOP	1
12	8-105-010006	CAPSCREW 1/2X13X3 F THD GR5	1
13	213932	SEED DEPTH TOOL INDICATOR	1
14	174408	DRIVE ASSY, FERTILIZER LEFT (SEE PAGE 3-43)	1
15	174407	DRIVE ASSY, FERTILIZER RIGHT (SEE PAGE 3-41)	1
16	70593063	U-BOLT	2
17	1-512-010005-13	NUT, HEX SLFLKG GRB 5/8-11	4
18	174397	DECAL, FERILIZER RATE (LOW) (SEE PAGE 7-1)	1
19	183921	SEED TUBE ASSY, 10" 5211 (SEE PAGE 3-51)	20
20	199340	SEED TUBE ASSY, 11" 5211 (SEE PAGE 3-51) (LONGEST GOES TO OUTER ENDS OF BOX)	8
21	199341	SEED TUBE ASSY, 12" 5211 (SEE PAGE 3-51) (LONGEST GOES TO OUTER ENDS OF BOX)	4
22	176560	TUBE, FERTILIZER	32
23	42H16	CLAMP, HOSE 1 IN	32
24	144338	HOSE, SEED	32
25	144129	CLAMP, HOSE #24	96
26	154869	SHAFT, 7/8 HEX, 140 L	1
27	159055	SHAFT, 7/8 HEX 85L	1
28	122853	COUPLER, DRIVE SHAFT	1
29	1-654-010047-10	SCREW, HX CP, 1/4-20UNC X2 GR5	2
30	144181	SHAFT, 7/8 HEX, 72-1/4 L	2
31	1-654-010047-06	SCREW, HX CP 1/4-20UNCX1 GR5	2

Box Assembly W/Fertilizer 5211-20'

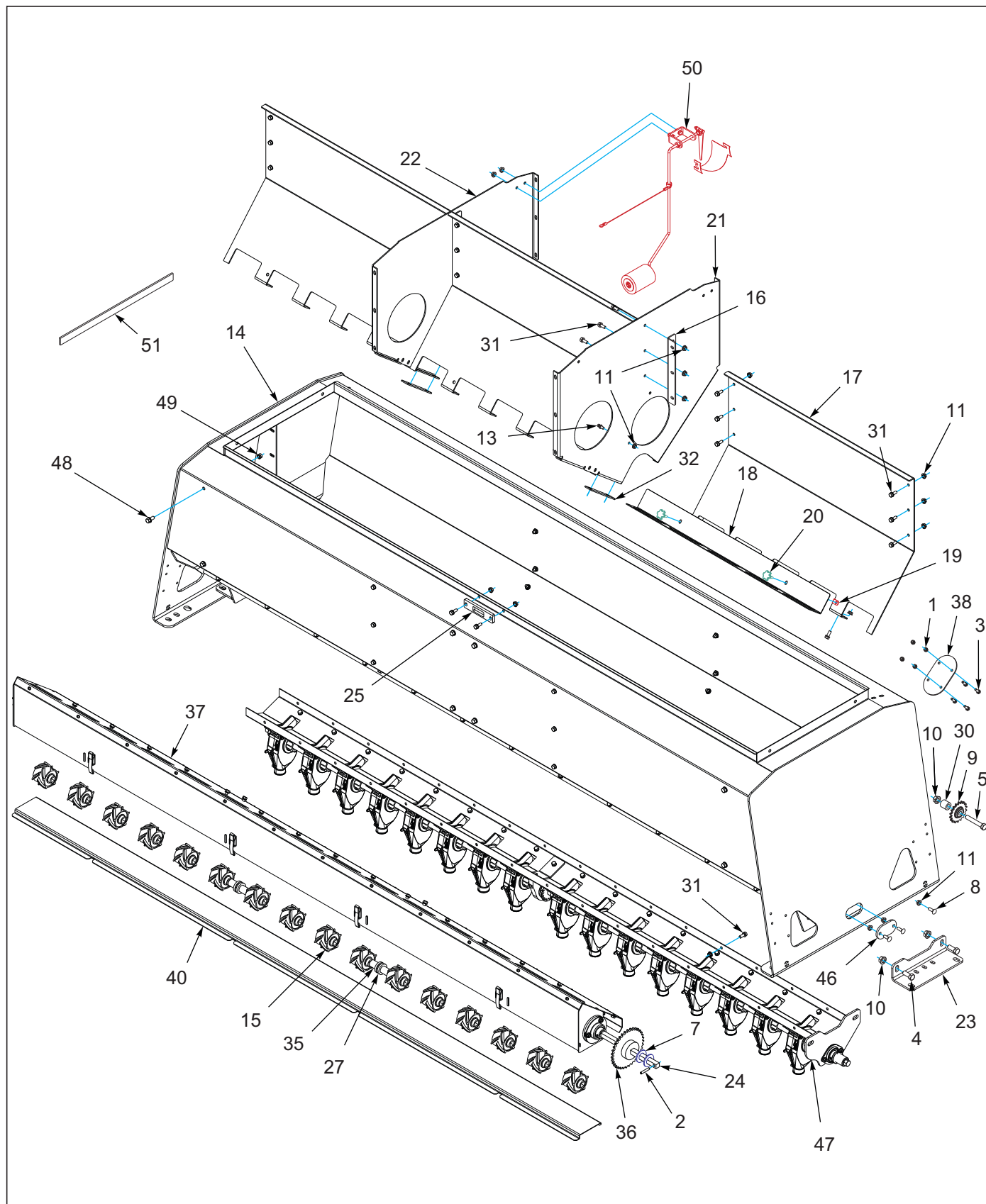


Figure 3-19: Box Assembly W/Fertilizer 5211-20' (1 of 2)

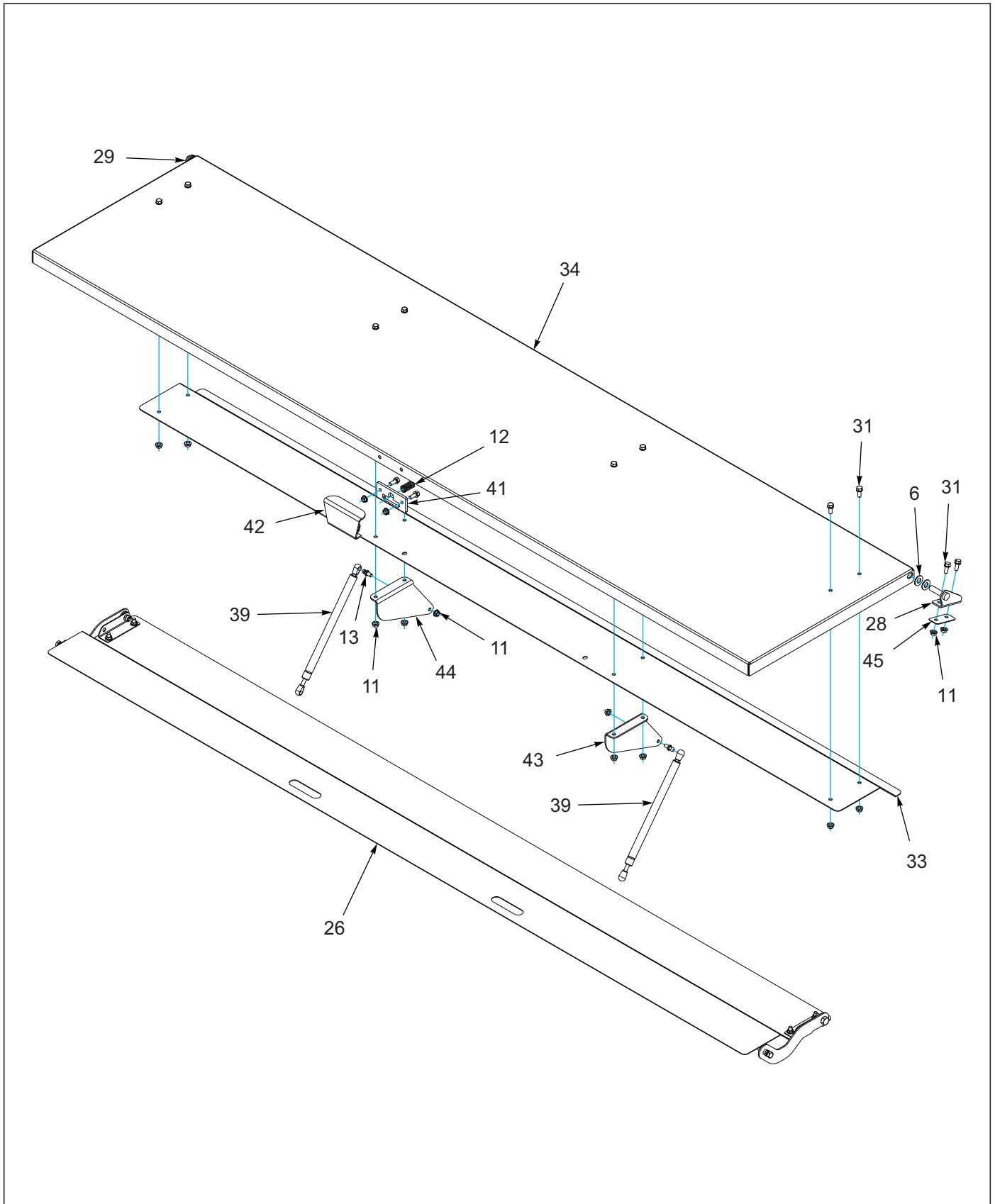


Figure 3-20: Box Assembly W/Fertilizer 5211-20' (2 of 2)

Box Assembly W/Fertilizer 5211-20'

ITEM	PART NUMBER	DESCRIPTION	QTY.	
--	179782	BOX ASSY 10' X 7.5" WF RIGHT (SHOWN)	*	
--	179783	BOX ASSY 10' X 7.5" WF LEFT	*	
1	1-512-010005-01	NUT, HEX LOCK 1/4-20 GRB (BEFORE 12-18-2018)	4	4
2	1-647-010004217	SPRING PIN, SLOTTED 1/4 X 1-1/2	2	2
3	1-654-010047-04	SCREW, HEX HEAD CAP 1/4-20 X 3/4 GR5 (BEFORE 12-18-2018)	4	4
4	1-654-010055-02	SCREW, HEX HEAD CAP 1/2-13 X 1-1/4 GR5	4	4
5	1-654-010055-09	SCREW, HEX HEAD CAP 1/2-13 X 3 GR5	1	1
6	1-861-010032-14	WASHER, FLAT 1/2N	4	4
7	1-861-010032-22	WASHER, FLAT 7/8	2	2
8	104031	SCREW, RD HEAD SQ NECK 5/16-18 X 1	8	8
9	122871	SPROCKET, TRANSMISSION IDLER	1	1
10	124971	NUT, HEX FLANGE SPIRALOCK 1/2-13	5	5
11	126561	NUT, FLANGE HEAD SERRATED 5/16-18	140	140
12	139692	SPRING	1	1
13	1401756	BALL STUD	4	4
14	143932	BOX, SEED WLDMT	1	1
15	144105	METER, FERTILIZER WHEEL	16	16
16	144118	BRACKET, FERTILIZER PANEL	4	4
17	144119	PANEL, FERTILIZER DIVIDER	3	3
18	144122	COVER, FERTILIZER BOX	3	3
19	144123	NUT, SPRING 1/4-20	6	6
20	144124	KNOB, PLASTIC 1/4-20 STUD	6	6
21	144125	PANEL, SEED BOX RIGHT	1	1
22	144126	PANEL, SEED BOX LEFT	1	1
23	144127	BRACKET, SEED BOX	2	2
24	144143	SHAFT, 5/8 SQ X 110	1	1
25	144141	STOP, LATCH	1	1
26	144133	SHIELD ASSY FILL 10' (SEE PAGE 3-47)	1	1
27	144146	BEARING, FERTILIZER SHAFT	2	2
28	144158	HINGE, SEED BOX LID RIGHT	1	1
29	144159	HINGE, SEED BOX LID LEFT	1	1
30	144183	SPACER	1	1
31	144268	SCREW, FLANGE HEAD 5/16-18 X 3/4	130	130
32	151547	SPACER, SEED BOX	2	2
33	151578	SHIELD,SPLASH GUARD	1	1
34	151580	LID, SEED BOX 10' WLDMT	1	1
35	151582	SLEEVE	2	2
36	151586	SPROCKET, #40 X 35, 5/8 SQ	1	1
37	153852	FERTILIZER ASSY, 7.5" X 10' (SEE PAGE 3-45)	1	1
38	154841	SIGHT GLASS (BEFORE 12-18-2018)	1	1
39	155840	GAS SPRING	2	2
40	159953	DOOR, FERTILIZER 10'	1	1
41	161474	MOUNT, LATCH	1	1
42	161475	HANDLE, LATCH	1	1
43	161476	BRACKET, SPRING MOUNT RIGHT	1	1
44	161477	BRACKET, SPRING MOUNT LEFT	1	1
45	168903	GASKET, HINGE SEAL	2	2
46	172703	PLATE, COVER	2	2

Box Assembly W/Fertilizer 5211-20'

ITEM	PART NUMBER	DESCRIPTION	QTY.	
47	174492	METER ASSY 10'X7.5" RIGHT (SEE PAGE 3-59)	1	--
47	174493	METER ASSY 10'X7.5" LEFT (SEE PAGE 3-59)	--	1
48	179776	SCREW, FLANGE HEAD 3/8-16 X 3/4	8	8
49	1-512-010005-05	NUT, HEX LOCK 3/8-16 GRB	8	8
50	-----	SEED LEVEL INDICATOR (AFTER 12-18-2018) (SEE PAGE 3-49)	1	1

Fertilizer Drive Assembly, Right

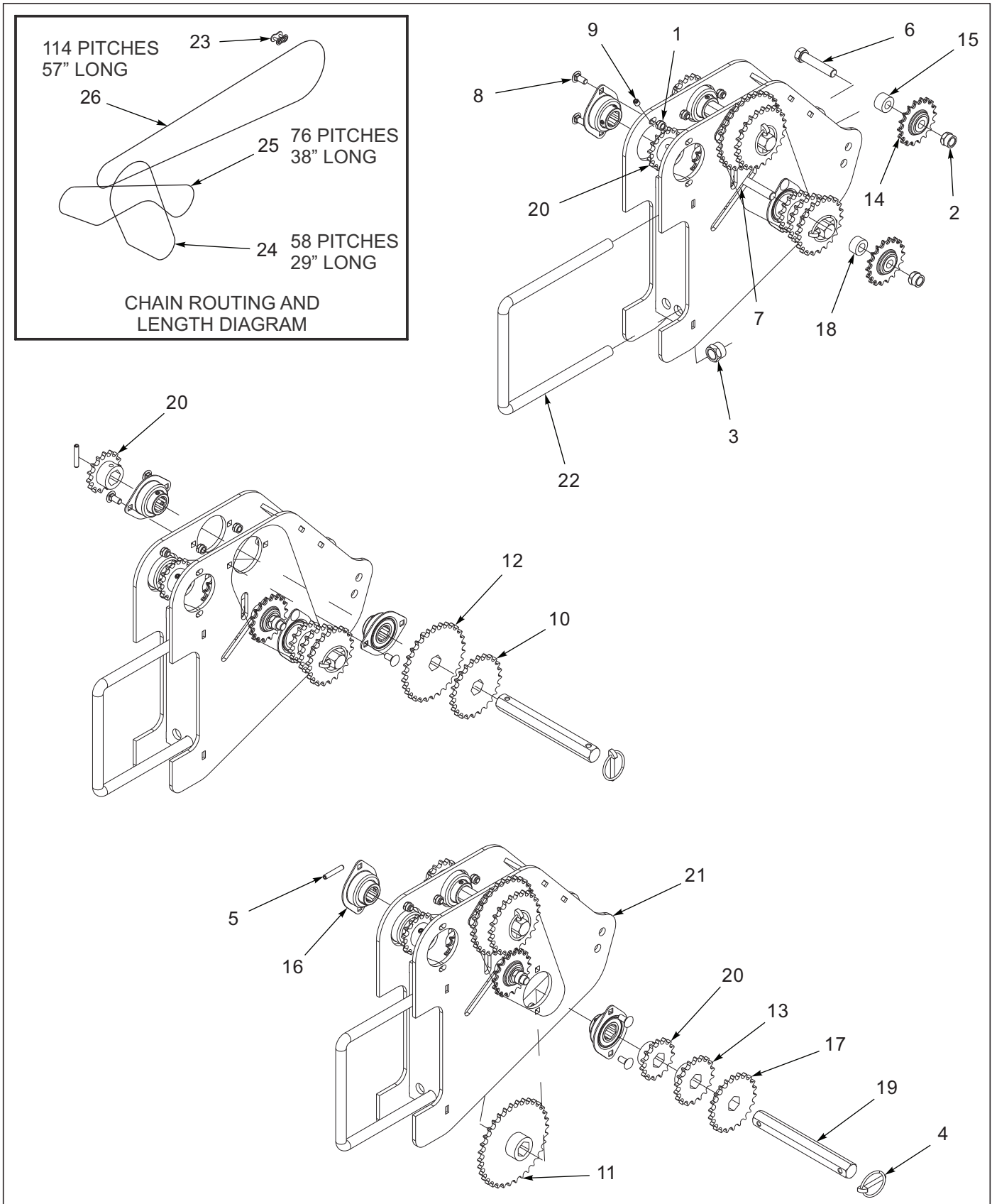


Figure 3-21: Fertilizer Drive Assembly, Right

Fertilizer Drive Assembly, Right

ITEM	PART NUMBER	DESCRIPTION	QTY.
--	174407	DRIVE ASSY, FERTILIZER RIGHT	
1	1-512-010005-03	NUT, HEX LOCK 5/16-18 GRB	10
2	1-512-010005-09	NUT, HEX LOCK 1/2-13 GRB	3
3	1-512-010005-13	NUT, HEX LOCK 5/8-11 GRB	2
4	1-557-010327	PIN, LYNCH 1/4 X 1-1/4	2
5	1-647-010004217	SPRING PIN, SLOTTED 1/4 X 1-1/2	2
6	1-654-010055-07	SCREW, HEX HEAD CAP 1/2-13 X 2-1/2 GR5	3
7	1-861-010032-14	WASHER, FLAT 1/2N	2
8	105909	SCREW, RD HEAD SQ NECK 5/16-18 X 3/4 GR5	10
9	107-0975	SCREW, SET LOCK 5/16-18 X 3/4	1
10	122825	SPROCKET, TRANSMISSION 24T	1
11	144083	SPROCKET, TRANS 40X43T	1
12	122836	SPROCKET, TRANSMISSION 30T	1
13	122837	SPROCKET, TRANSMISSION 18T	1
14	122871	SPROCKET, TRANSMISSION IDLER	3
15	125799	SPACER	2
16	144060	BEARING, 7/8 HEX BORE 2 BOLT	5
17	144082	SPROCKET, TRANS 40 X 22T	1
18	144086	SPACER, 1 X 9/16 X 17/32	1
19	144087	SHAFT, HEX 7/8 X 7-3/4	2
20	151588	SPROCKET, #40 X 15, 7/8 HEX	3
21	151596	MOUNT, FERTILIZER DRIVE	1
22	70593063	U-BOLT	1
23	119716	CONNECTING LINK, #40 CHAIN	1
24	172647	ROLLER CHAIN, #40 X 58P 29L	1
25	172648	ROLLER CHAIN, #40 X 76P 38L	1
26	172649	ROLLER CHAIN, #40 X 114P 57L	1

Fertilizer Drive Assembly, Left

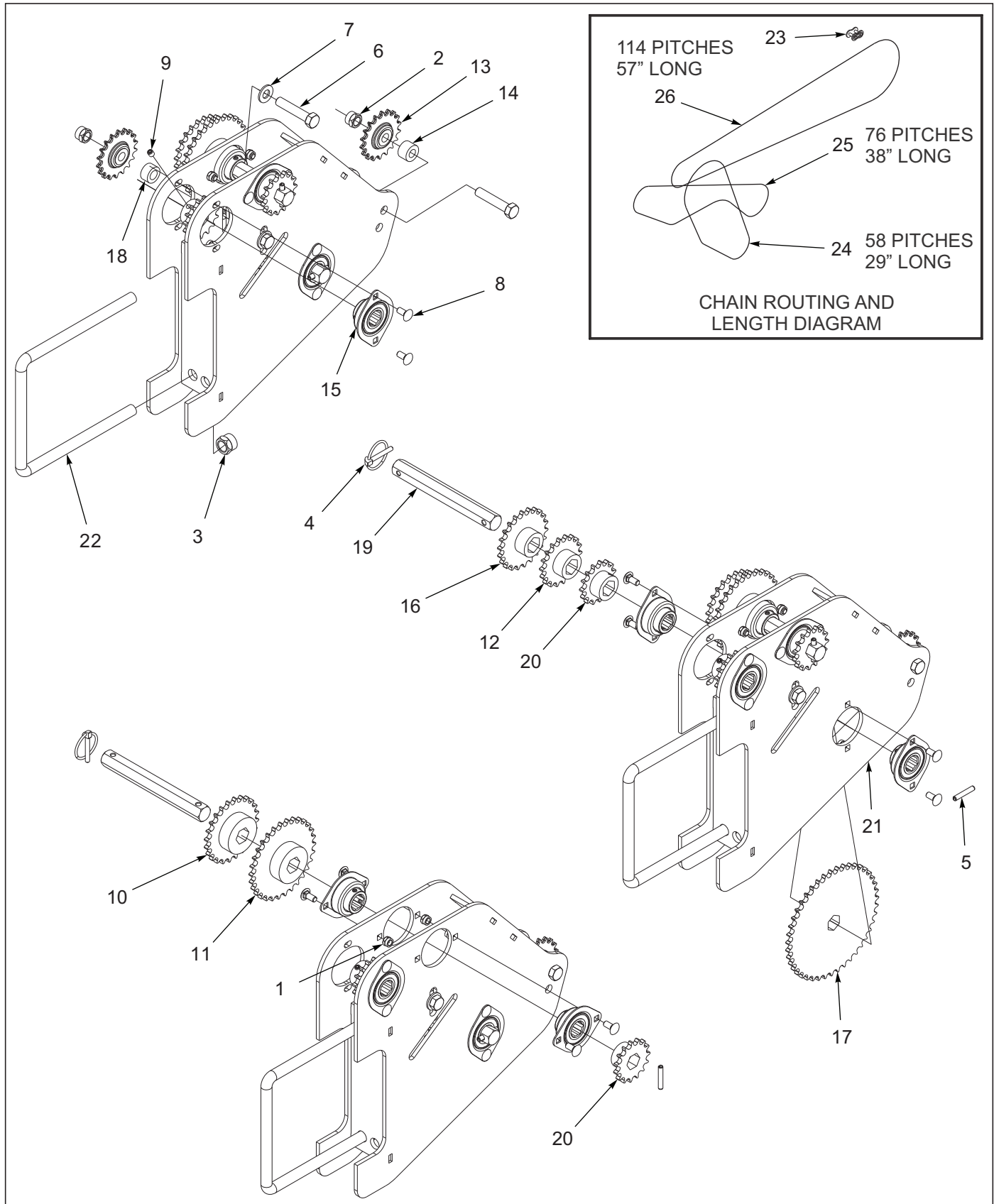


Figure 3-22: Fertilizer Drive Assembly, Left

Fertilizer Drive Assembly, Left

ITEM	PART NUMBER	DESCRIPTION	QTY.
	174408	FERTILIZER DRIVE ASSEMBLY, LEFT	
1	1-512-010005-03	NUT, HEX LOCK 5/16-18 GRB	10
2	1-512-010005-09	NUT, HEX LOCK 1/2-13 GRB	3
3	1-512-010005-13	NUT, HEX LOCK 5/8-11 GRB	2
4	1-557-010327	PIN, LYNCH 1/4 X 1-1/4	2
5	1-647-010004217	SPRING PIN, SLOTTED 1/4 X 1-1/2	2
6	1-654-010055-07	SCREW, HEX HEAD CAP 1/2-13 X 2-1/2	3
7	1-861-010032-14	WASHER, FLAT 1/2N	2
8	105909	SCREW, RD HEAD SQ NECK 5/16-18 X 3/4	10
9	107-0975	SCREW, SET LOCK 5/16-18 X 3/4	1
10	122825	SPROCKET, TRANSMISSION 24T	1
11	122836	SPROCKET, TRANSMISSION 30T	1
12	122837	SPROCKET, TRANSMISSION 18T	1
13	122871	SPROCKET, TRANSMISSION IDLER	3
14	125799	SPACER	2
15	144060	BEARING, 7/8 HEX BORE 2 BOLT	5
16	144082	SPROCKET, TRANS 40 X 22T	1
17	144083	SPROCKET, TRANSMISSION 43T	1
18	144086	SPACER, 1 X 9/16 X 17/32	1
19	144087	SHAFT, HEX 7/8 X 7-3/4	2
20	151588	SPROCKET, #40 X 15, 7/8 HEX	3
21	151596	MOUNT, FERTILIZER DRIVE	1
22	70593063	U-BOLT	1
23	119716	CONNECTING LINK, #40 CHAIN	1
24	172647	ROLLER CHAIN, #40 X 58P 29L	1
25	172648	ROLLER CHAIN, #40 X 76P 38L	1
26	172649	ROLLER CHAIN, #40 X 114P 57L	1

Fertilizer Assembly

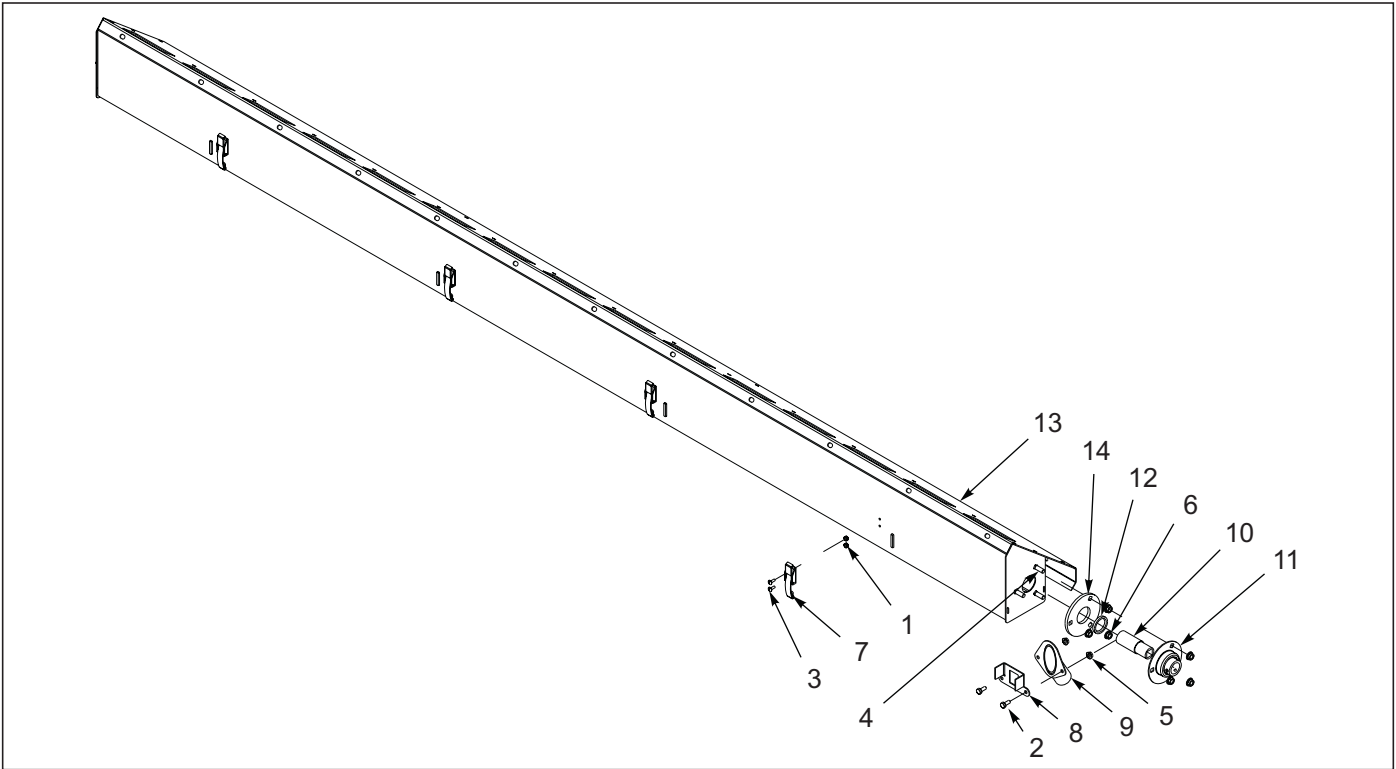


Figure 3-23: Fertilizer Assembly

Fertilizer Assembly

ITEM	PART NUMBER	DESCRIPTION	QTY.					
--	153852	FERTILIZER ASSY, 7.5" X 10'	*					
--	153853	FERTILIZER ASSY, 10" X 10'	*					
--	159883	FERTILIZER ASSY, 12-1/2X7.5	*					
--	159884	FERTILIZER ASSY, 12-1/2X10	*					
--	154828	FERTILIZER ASSY 7.5" X 7-1/2'	*					
--	154829	FERTILIZER ASSY 10" X 7-1/2'	*					
1	1-512-010003-03	NUT, HEX LOCK #8-32	8	8	12	12	6	6
2	1-654-010047-03	SCREW, HEX HEAD CAP 1/4-20 X 5/8	32	24	40	30	24	18
3	1-656-010003026	SCREW, RD HEAD MACH #8-32 X 1/2	8	8	12	12	6	6
4	104031	SCREW, RD HEAD SQ NECK 5/16-18 X 1 GR5	6	6	6	6	6	6
5	108417	NUT, HEX FLANGE SPIRAL 1/4-20	32	24	40	30	24	18
6	126561	NUT, FLANGE HEAD SERRATED 5/16-18	12	12	12	12	12	12
7	1408291	LATCH, DRAW OVER CENTER	4	4	6	6	3	3
8	143911	GUIDE, FERTILIZER METER	16	112	20	15	12	9
9	143912	TUBE, FERTILIZER	16	12	20	15	12	9
10	144094	SLEEVE, 1-1/8 OD X .630 ID	2	2	2	2	2	2
11	144095	BEARING	2	2	2	2	2	2
12	144096	SEAL	2	2	2	2	2	2
13	144106	BOTTOM, FERTILIZER 7.5" X 10'	1	--	--	--	--	--
13	144107	BOTTOM, FERTILIZER 10" X 10'	--	1	--	--	--	--

Fertilizer Assembly

ITEM	PART NUMBER	DESCRIPTION	QTY.							
13	159880	BOTTOM, FERTILIZER,12-1/2X7.5	--	--	1	--	--	--	--	
13	159881	BOTTOM, FERTILIZER,12-1/2X10	--	--	--	1	--	--	--	
13	154830	BOTTOM, FERTILIZER 7.5" X 7-1/2'	--	--	--	--	1	--	--	
13	154831	BOTTOM, FERTILIZER 10" X 7-1/2'	--	--	--	--	--	--	1	
14	151576	PLATE, FERTILIZER SHAFT SEAL	2	2	2	2	2	2	2	

Fill Shield Assembly

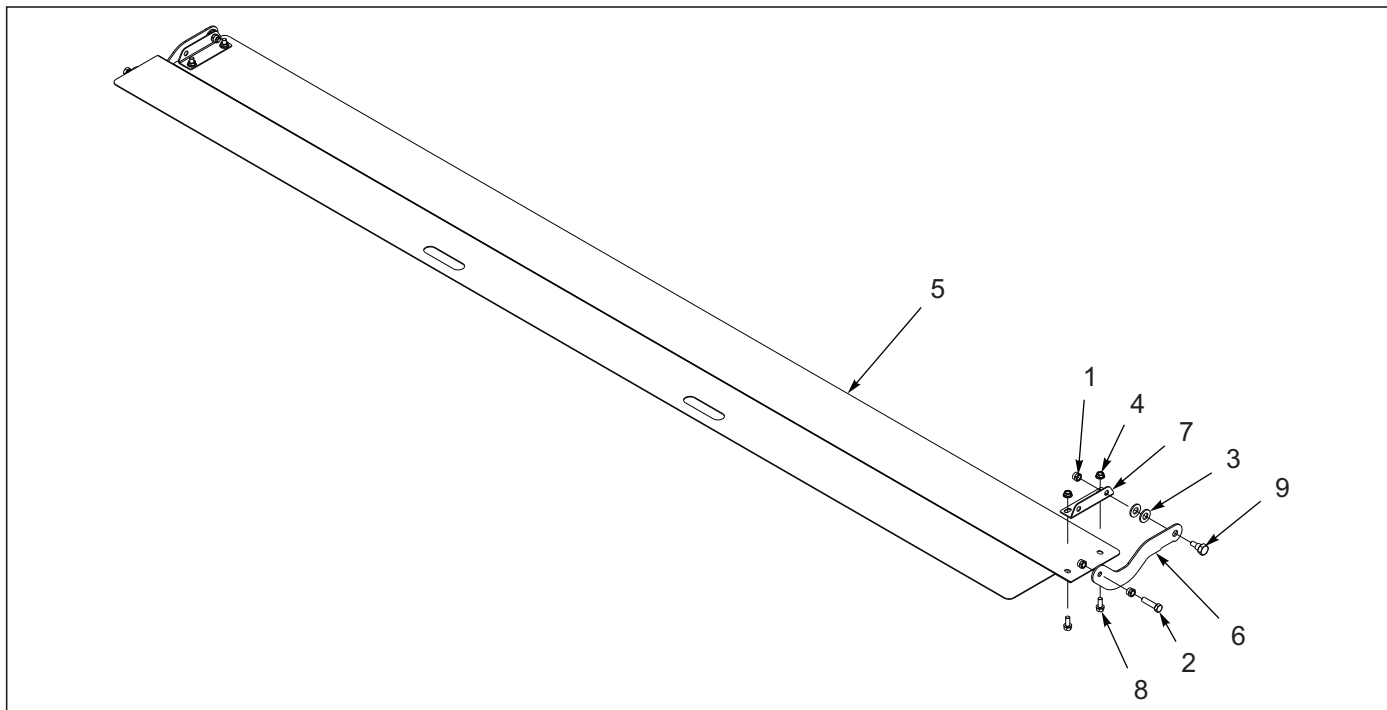


Figure 3-24: Fill Shield Assembly

Fill Shield Assembly

ITEM	PART NUMBER	DESCRIPTION	QTY		
--	144133	FILL SHIELD ASSEMBLY 10'	*		
--	154872	FILL SHIELD ASSEMBLY 7-1/2'		*	
--	159915	SHIELD ASSY, FILL 12-1/2'			-
1	1-512-010005-05	NUT, HEX LOCK 3/8-16 GRB	6	6	6
2	1-654-010160-07	SCREW, HEX HEAD CAP FULL THREAD 3/8-16 X 1-1/2	2	2	2
3	1-861-010032-14	WASHER, FLAT 1/2N	4	4	4
4	126561	NUT, FLANGE HEAD SERRATED 5/16-18	4	4	4
5	144134	SHIELD, FILL 10'	1	--	--
5	154871	SHIELD, FILL 7-1/2'	--	1	--
5	159914	SHIELD, FILL 12-1/2'	--	--	1
6	144135	HINGE, FILL SHIELD	2	2	2
7	144137	BRACKET, FILL SHIELD	2	2	2
8	144268	SCREW, FLANGE HEAD 5/16-18 X 3/4	4	4	4
9	2-095-010017	BOLT, SHOULDER HEX HEAD	2	2	2

Seed Level Indicator

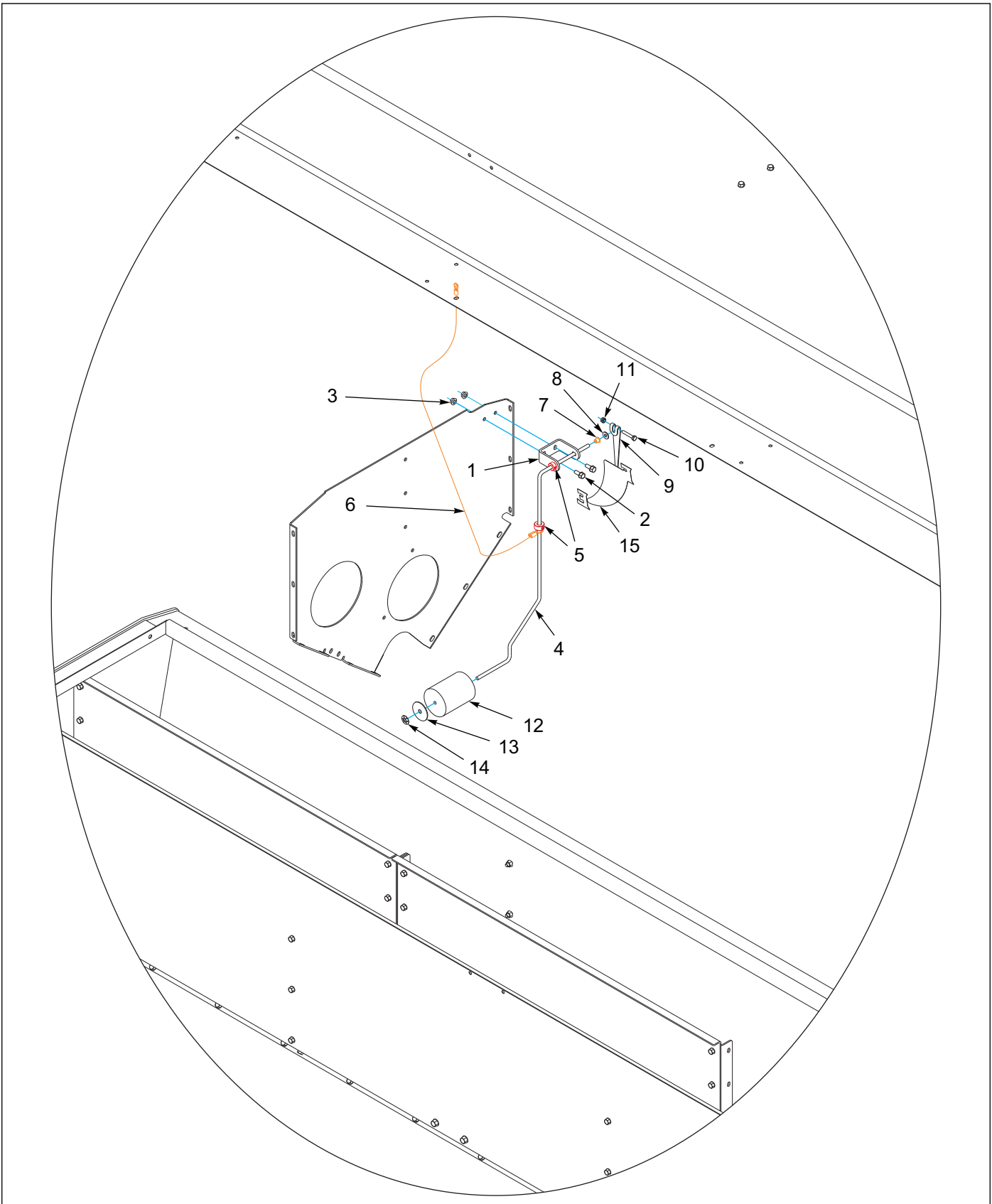


Figure 3-25: Seed Level Indicator

Seed Level Indicator

ITEM	PART NUMBER	DESCRIPTION	QTY.
1	207494	BRACKET, SEED LEVEL ROD	1
2	144268	SCREW 5/16-18UNCX3/4FLG HD ZP	2
3	126561	NUT,FLG HD,SERRATED,5/16-18ZP	2
4	207495	ROD, SEED LEVEL	1
4	222308	ROD, SEED LEVEL AGITATOR (USED ON AGITATOR OPTION ONLY)	1
5	207499	COLLAR, SHAFT SET 3/8 RD	2
6	203014	LANYARD, SEED LEVEL	1
7	207498	BEARING, FLANGE 3/8	1
8	1-861-010032-07	WASHER,FLAT 1/4 ZP	1
9	207496	INDICATOR, SEED LEVEL	1
10	1-654-010047-08	SCREW HX CP,1/4-20UNCX1-1/2G5	1
11	1-512-010005-01	NUT,HEX,SLFLKG GRB 1/4-20	1
12	207497	FLOAT, SEED LEVEL	1
13	162551	WASHER, FENDER 3/8X2	1
14	130411	PUSH-NUT,5/16 STYLE 2	1
15	205147	DECAL, SEED LEVEL	1

Seed Tube Assembly (Air Spring Opener)

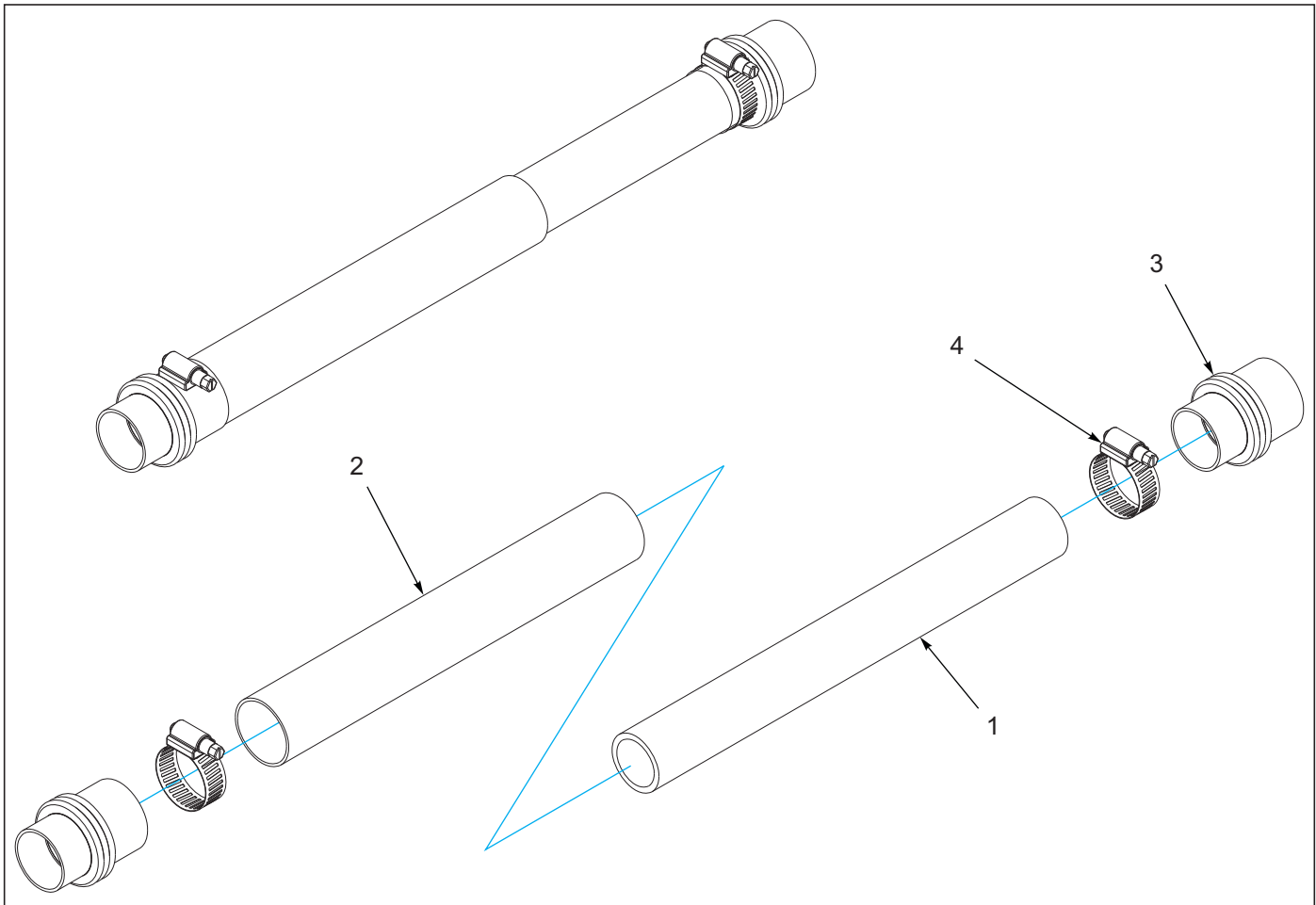


Figure 3-26: Seed Tube Assembly (Air Spring Opener)

Seed Tube Assembly (Air Spring Opener)

ITEM	PART NUMBER	DESCRIPTION	QTY.		
--	183921	SEED TUBE ASSY, 10" 5211	*		
--	199340	SEED TUBE ASSY, 11" 5211	*		
--	199341	SEED TUBE ASSY, 12" 5211	*		
1	183922	SEED TUBE, INNER	1	1	1
2	183923	SEED TUBE, OUTER 10"	1	--	--
2	199342	SEED TUBE, OUTER 11"	--	1	--
2	199343	SEED TUBE, OUTER 12"	--	--	1
3	216435	HOSE, SEED 2-1/4"	2	2	2
4	42H20	CLAMP, HOSE 1-1/4 IN	2	2	2

Seed Tube Assembly (Spring Opener)

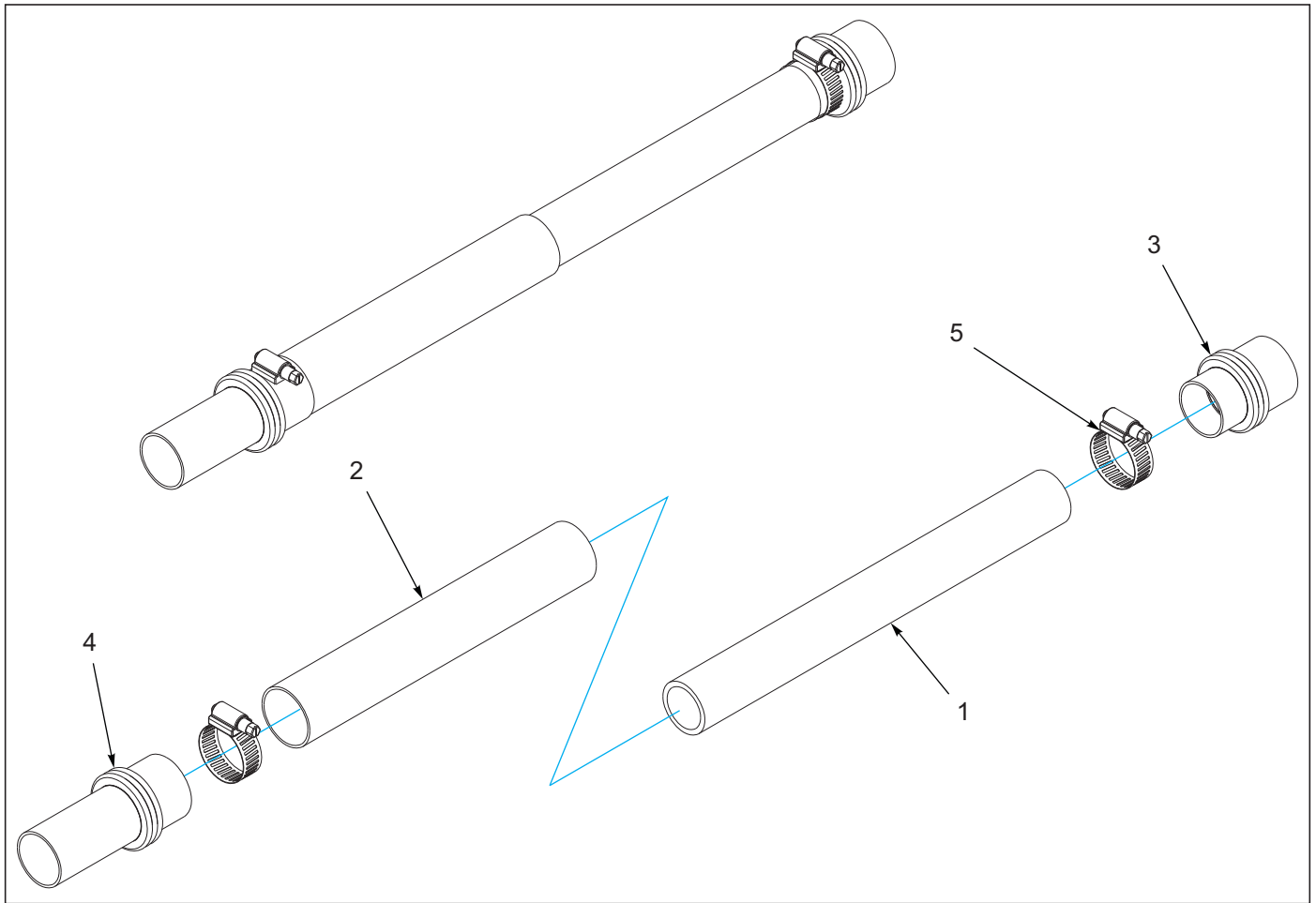


Figure 3-27: Seed Tube Assembly (Spring Opener)

Seed Tube Assembly (Spring Opener)

ITEM	PART NUMBER	DESCRIPTION	QTY.	
--	216429	SEED TUBE ASSY, 9" SPRING	*	
--	216430	SEED TUBE ASSY, 10" SPRING	*	
1	183922	SEED TUBE, INNER	1	1
2	216433	SEED TUBE, OUTER 9"	1	--
2	183923	SEED TUBE, OUTER 10"	--	1
3	216435	HOSE, SEED 2-1/4"	1	1
4	216436	HOSE, SEED 4"	1	1
5	42H20	CLAMP, HOSE 1-1/4 IN	2	2

Seed Meter Assembly 5211-10'

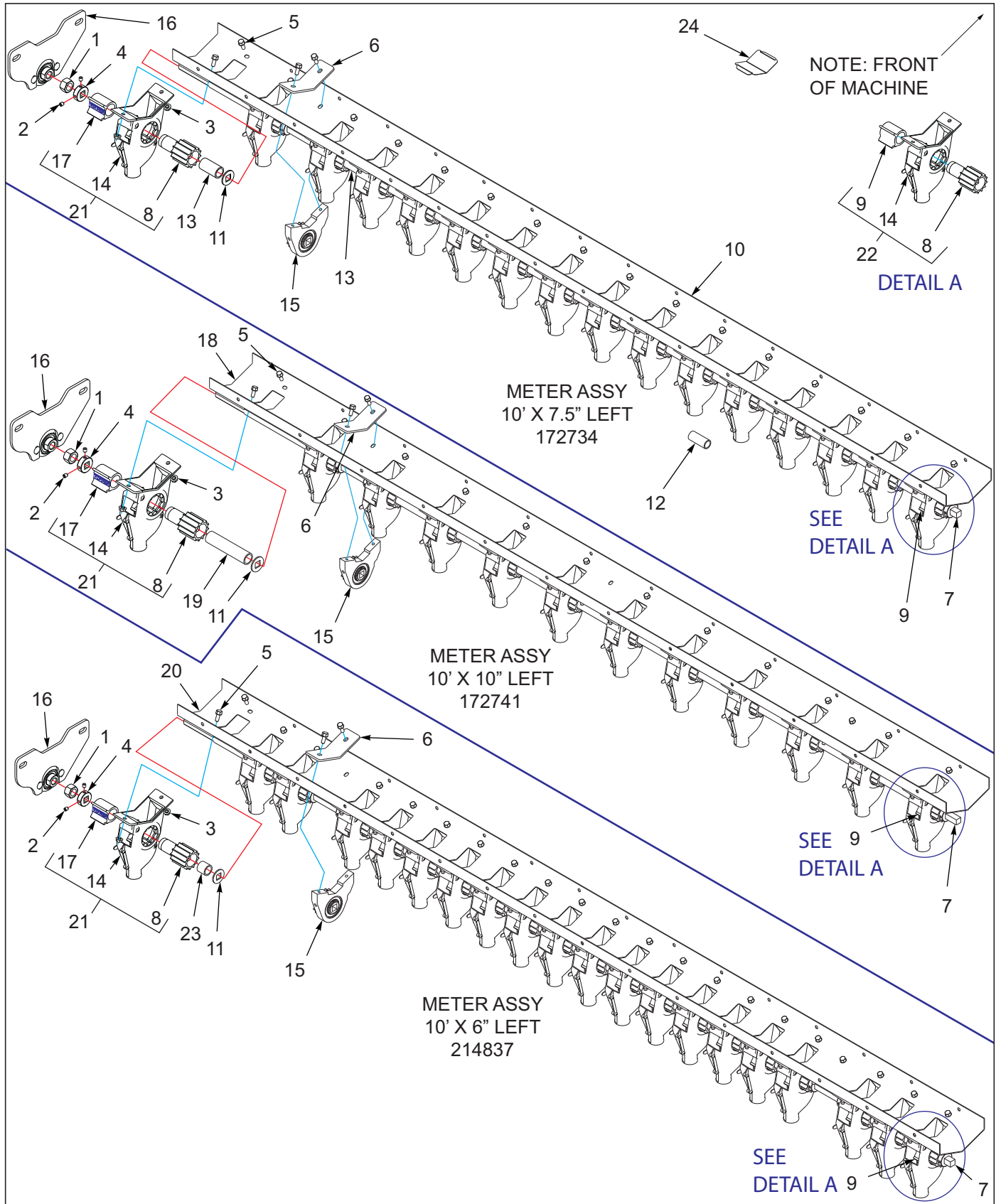


Figure 3-28: Seed Meter Assembly 5211-10'

Seed Meter Assembly 5211-10'

ITEM	PART NUMBER	DESCRIPTION	QTY.		
--	172734	METER ASSY, 10'X7.5" LEFT	*		
--	172741	METER ASSY, 10'X10" LEFT		*	
--	214837	METER ASSY, 10'X6" LEFT			*
1	1-512-010007-12	NUT, HEX 3/4-10 GRB	1	1	1
2	107-0975	SCREW, SET LOCK 5/16-18 X 3/8	8	8	12
3	126561	NUT, FLANGE HEAD SERRATED, 5/16-18	32	28	42
4	144144	COLLAR, SHAFT SET, 5/8 SQ	4	4	6
5	144268	SCREW, FLANGE HEAD 5/16-18 X 3/4	34	30	44
6	168844	PLATE, BEARING SUPPORT	1	1	1
7	168858	SHAFT 5/8 SQ X 105 W/THDS	1	1	1
8	168868	METER, FEED ROLL	16	12	20
9	168869	METER, FEED CUT-OFF	15	11	19
10	168886	BOTTOM, SEED METER 7.5" X 10'	1	--	--
11	172700	WASHER, 1.50 OD X .640 SQ	14	10	17
12	172701	SPACER, METER 2-5/8 L	12	--	--
13	205237	SPACER METER 2-3/8"	2	--	--
14	172706	METER ASSEMBLY, SEED HOUSING (SEE PAGE 3-61)	16	12	20
15	208221	BEARING ASSY, SEED SHAFT LT (SEE PAGE 3-65)	1	1	1
16	172712	SEED RATE ADJUST ASSEMBLY, LEFT (SEE PAGE 3-68)	1	1	1
17	172713	METER, FEED CUT-OFF W/ PLACARD	1	1	1
18	168887	BOTTOM, SEED METER 10" X 10'	--	1	--
19	172705	SPACER, METER 4-15/16 L	--	10	--
20	214838	BOTTOM, SEED METER 10'X6"	--	--	1
21	172735	SEED METER ASSEMBLY W/ GAUGE (INCL ITEMS 8, 14, & 17)	1	1	1
22	168870	COMPLETE SEED METER ASSEMBLY (INCL ITEMS 8, 9, 14)			
23	214839	SPACER, METER 1 L	--	--	17
24	174398	PLUG, SEED	AR	AR	AR

Seed Meter Assembly 5211-12-1/2'

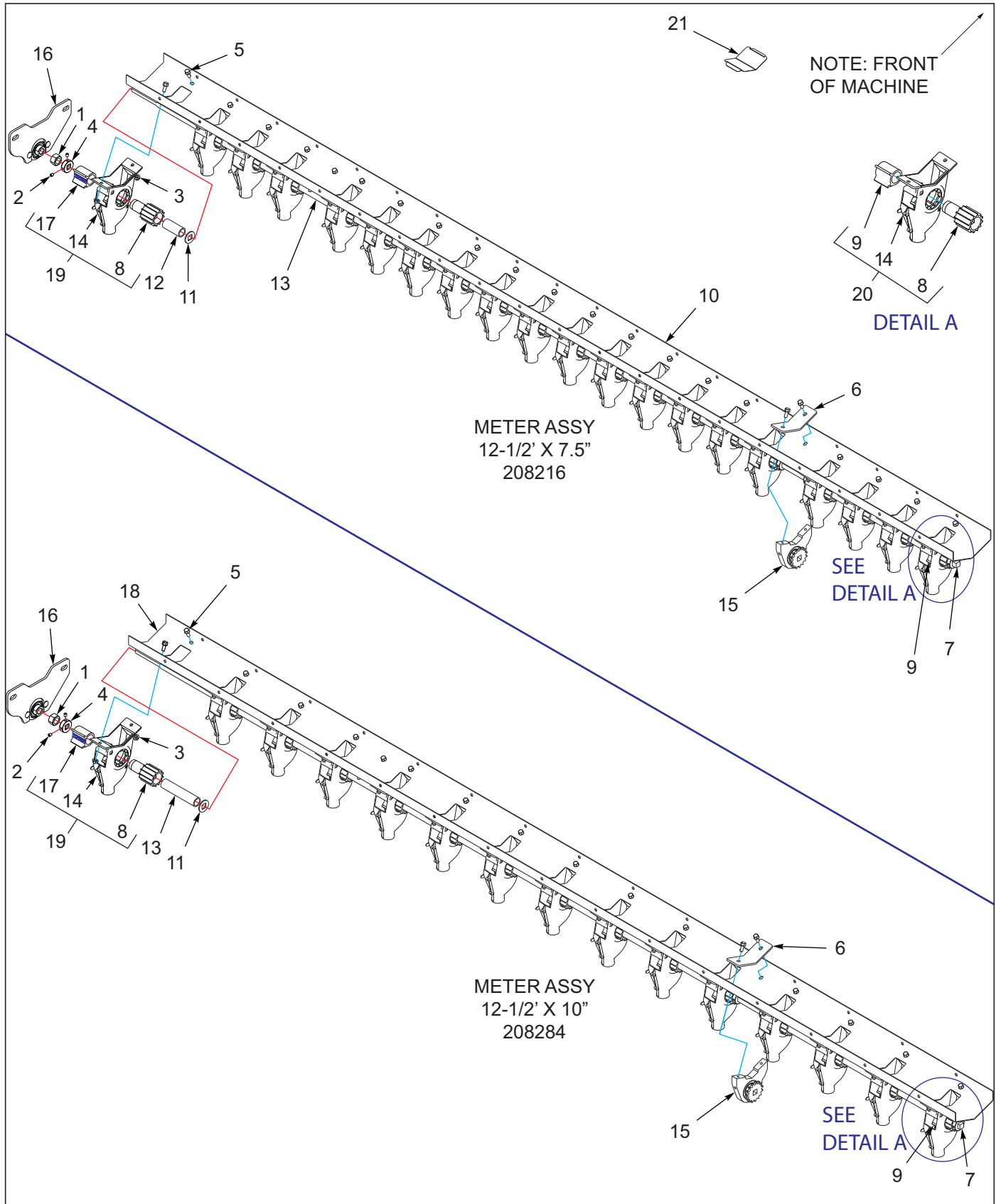


Figure 3-29: Seed Meter Assembly 5211-12-1/2'

Seed Meter Assembly 5211-12-1/2'

ITEM	PART NUMBER	DESCRIPTION	QTY.	
--	208216	METER ASSY, 12-1/2'X7.5"	*	
--	208284	METER ASSY, 12-1/2'X10"	*	
1	1-512-010007-12	NUT, HEX 3/4-10 GRB	1	1
2	107-0975	SCREW, SET LOCK 5/16-18 X 3/8	8	8
3	126561	NUT, FLANGE HEAD SERRATED, 5/16-18	42	32
4	144144	COLLAR, SHAFT SET, 5/8 SQ	4	4
5	144268	SCREW, FLANGE HEAD 5/16-18 X 3/4	44	34
6	168844	PLATE, BEARING SUPPORT	1	1
7	174487	SHAFT, 5/8 SQ X 134 W/THDS	1	1
8	168868	METER, FEED ROLL	20	15
9	168869	METER, FEEL CUT-OFF	19	14
10	168888	BOTTOM, SEED METER 12-1/2'X7.5	1	--
11	172700	WASHER, 1.50 OD X .640 SQ	18	13
12	172701	SPACER, METER 2-5/8 L	17	--
13	174486	SPACER, METER 5-5/16L	1	13
14	172706	METER ASSEMBLY, SEED HOUSING (SEE PAGE 3-61)	20	15
15	208220	BEARING ASSY, SEED SHAFT LT (SEE PAGE 3-65)	1	1
16	172712	SEED RATE ADJUST ASSEMBLY, LEFT (SEE PAGE 3-68)	1	1
17	172713	METER, FEED CUT-OFF W/ PLACARD	1	1
18	168889	BOTTOM, SEED METER 12-1/2'X10"	--	1
19	172735	SEED METER ASSEMBLY W/ GAUGE (INCL ITEMS 8, 14, & 17)		
20	168870	COMPLETE SEED METER ASSEMBLY (INCL ITEMS 8, 9, 14)		
21	174398	PLUG, SEED	AR	AR

Seed Meter Assembly 5211-15'

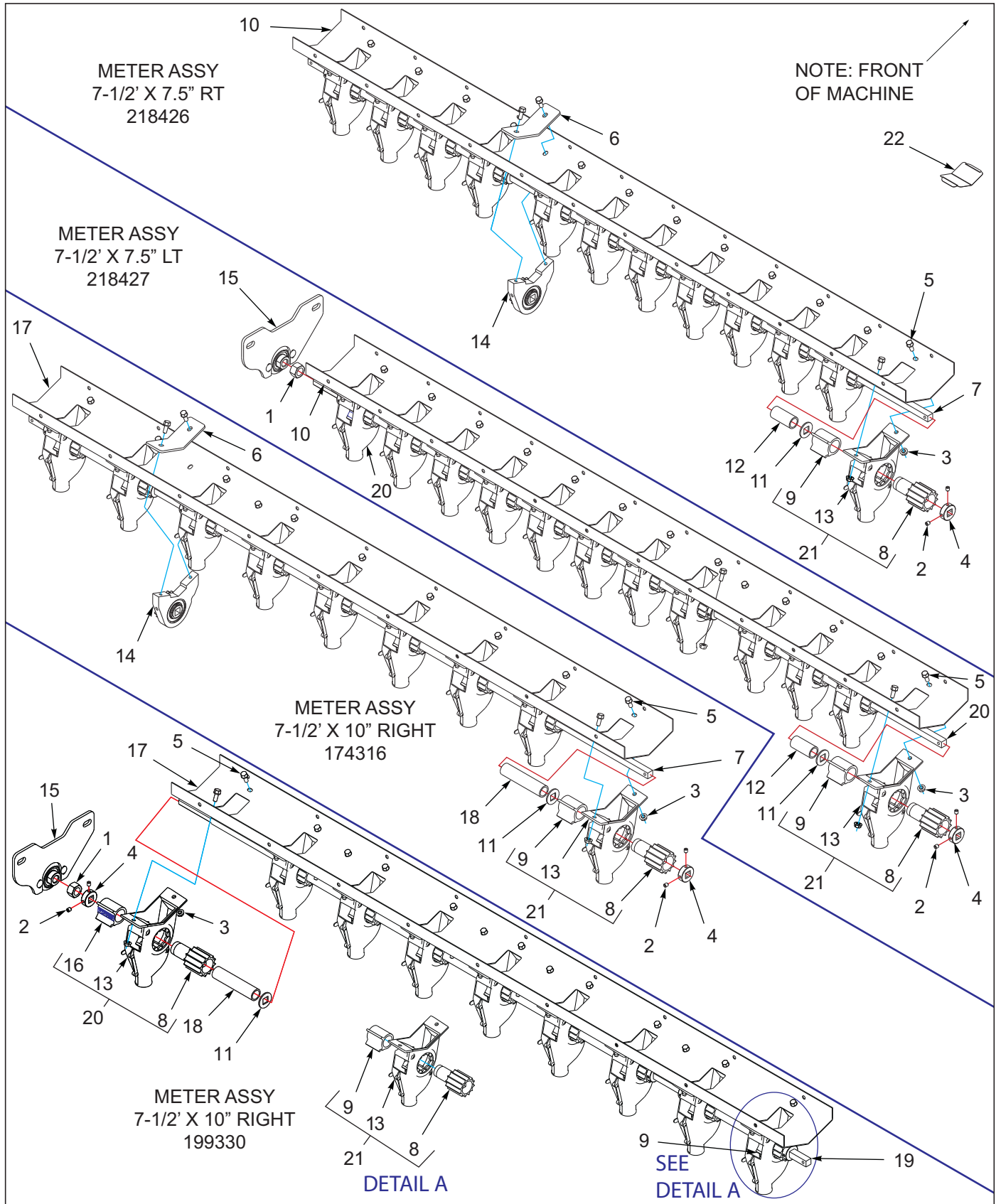


Figure 3-30: Seed Meter Assembly 5211-15'

Seed Meter Assembly 5211-15'

ITEM	PART NUMBER	DESCRIPTION	QTY.			
--	218426	METER ASSY, 7-1/2'X7.5" RT	*			
--	218427	METER ASSY, 7-1/2'X7.5" LT		*		
--	174316	METER ASSY, 7-1/2' X 10" RIGHT			*	
--	199330	METER ASSY, 7-1/2'X10" RIGHT				*
1	1-512-010007-12	NUT, HEX 3/4-10 GRB	--	1	--	1
2	107-0975	SCREW, SET LOCK 5/16-18 X 3/8	8	8	8	8
3	126561	NUT, FLANGE HEAD SERRATED, 5/16-18	24	26	20	22
4	144144	COLLAR, SHAFT SET, 5/8 SQ	4	4	4	4
5	144268	SCREW, FLANGE HEAD 5/16-18 X 3/4	26	26	22	22
6	168844	PLATE, BEARING SUPPORT	1	--	1	--
7	154826	SHAFT 5/8 SQ X 78	1	--	1	--
8	168868	METER, FEED ROLL	12	12	9	9
9	168869	METER, FEEL CUT-OFF	12	11	9	8
10	218428	BOTTOM, SEED METER 7-1/2'X7.5"	1	1	--	--
11	172700	WASHER, 1.50 OD X .640 SQ	10	10	7	7
12	205237	SPACER METER 2-3/8"	10	10	--	--
13	172706	METER ASSEMBLY, SEED HOUSING (SEE PAGE 3-61)	12	12	9	9
14	208221	BEARING ASSY, SEED SHAFT LT (SEE PAGE 3-65)	1	--	1	--
15	172712	SEED RATE ADJUST ASSEMBLY, LEFT (SEE PAGE 3-68)	--	1	--	1
16	172713	METER, FEED CUT-OFF W/ PLACARD	--	1	--	1
17	168885	BOTTOM, SEED METER 7-1/2'X10"	--	--	1	1
18	172705	SPACER, METER 4-15/16 L	--	--	7	7
19	174311	SHAFT SQ 5/8X79 W/THDS	--	1	--	1
20	172735	SEED METER ASSEMBLY W/ GAUGE (INCL ITEMS 8, 14, & 17)				
21	168870	COMPLETE SEED METER ASSEMBLY (INCL ITEMS 8, 9, 14)				
22	174398	PLUG, SEED	AR	AR	AR	AR

Seed Meter Assembly 5211-20'

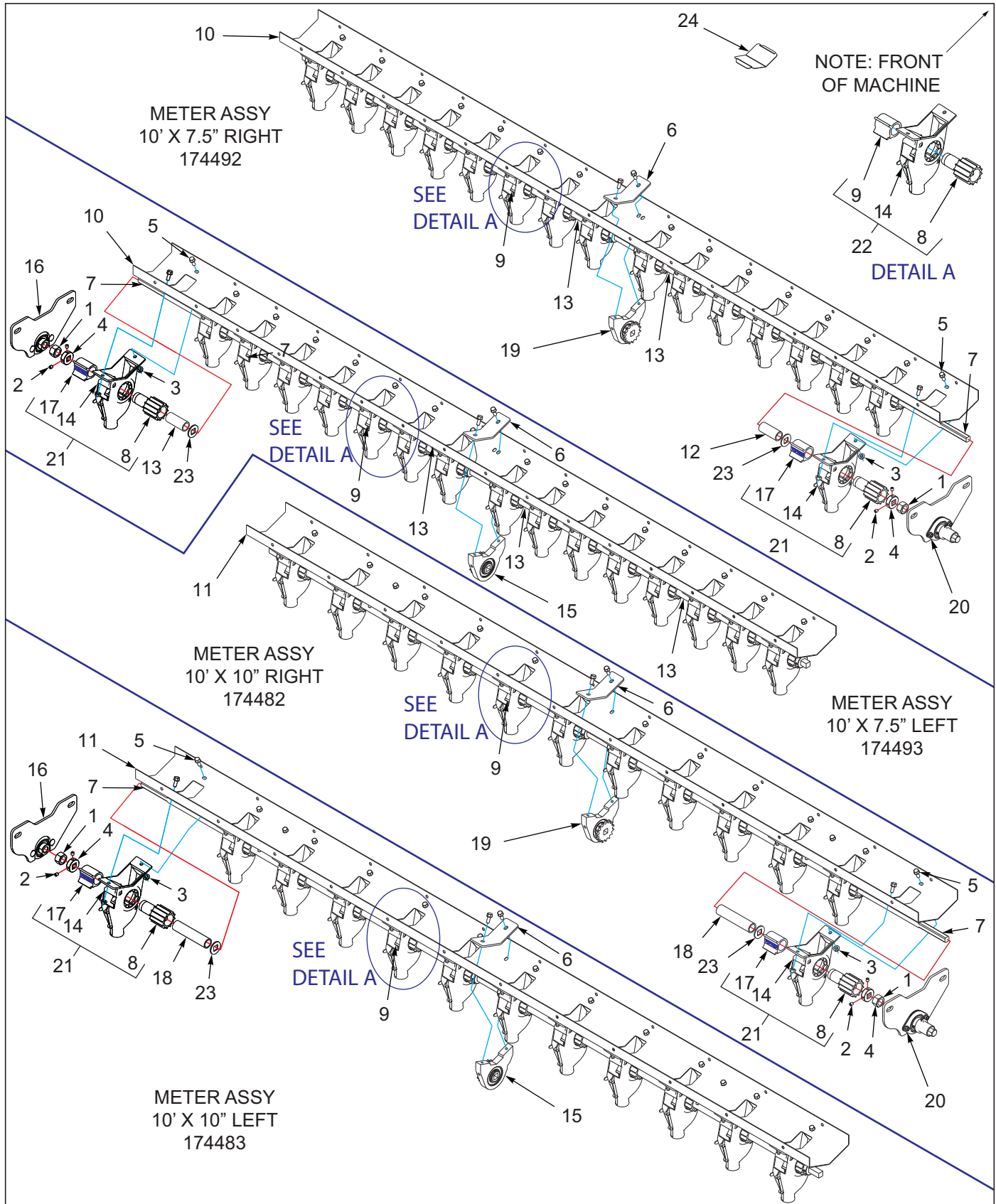


Figure 3-31: Seed Meter Assembly 5211-20'

Seed Meter Assembly 5211-20'

ITEM	PART NUMBER	DESCRIPTION	QTY.			
--	174492	METER ASSY 10'X7.5" RIGHT	*			
--	174493	METER ASSY 10'X7.5" LEFT		*		
--	174482	METER ASSY, 10'X10" RIGHT			*	
--	174483	METER ASSY, 10'X10" LEFT				*
1	1-512-010007-12	NUT, HEX 3/4-10 GRB	1	1	1	1
2	107-0975	SCREW, SET LOCK 5/16-18 X 3/8	8	8	8	8
3	126561	NUT, FLANGE HEAD SERRATED, 5/16-18	32	32	28	28
4	144144	COLLAR, SHAFT SET, 5/8 SQ	4	4	4	4
5	144268	SCREW, FLANGE HEAD 5/16-18 X 3/4	34	34	30	30
6	168844	PLATE, BEARING SUPPORT	1	1	1	1
7	168858	SHAFT 5/8 SQ X 105 W/THDS	1	1	1	1
8	168868	METER, FEED ROLL	16	16	12	12
9	168869	METER, FEEL CUT-OFF	15	15	11	11
10	174491	BOTTOM, SEED METER 10'X7.5"	1	1	--	--
11	168887	BOTTOM, SEED METER 10' X 10"	--	--	1	1
12	172701	SPACER, METER 2-5/8 L	12	12	--	--
13	205237	SPACER METER 2-3/8"	2	2	--	--
14	172706	METER ASSEMBLY, SEED HOUSING (SEE PAGE 3-61)	16	16	12	12
15	208221	BEARING ASSY, SEED SHAFT LT (SEE PAGE 3-65)	--	1	--	1
16	172712	SEED RATE ADJUST ASSEMBLY, LEFT (SEE PAGE 3-68)	--	1	--	1
17	172713	METER, FEED CUT-OFF W/ PLACARD	1	1	1	1
18	172705	SPACER, METER 4-15/16 L	--	--	10	10
19	208220	BEARING ASSY, SEED SHAFT RT (SEE PAGE 3-65)	1	--	1	--
20	172711	SEED RATE ADJ ASSY, RIGHT (SEE PAGE 3-67)	1	--	1	--
21	172735	SEED METER ASSEMBLY W/ GAUGE (INCL ITEMS 8, 14, & 17)				
22	168870	COMPLETE SEED METER ASSEMBLY (INCL ITEMS 8, 9, 14)				
23	172700	WASHER, 1.50 OD X .640 SQ	14	14	10	10
24	174398	PLUG, SEED	AR	AR	AR	AR

Seed Meter Housing Assembly

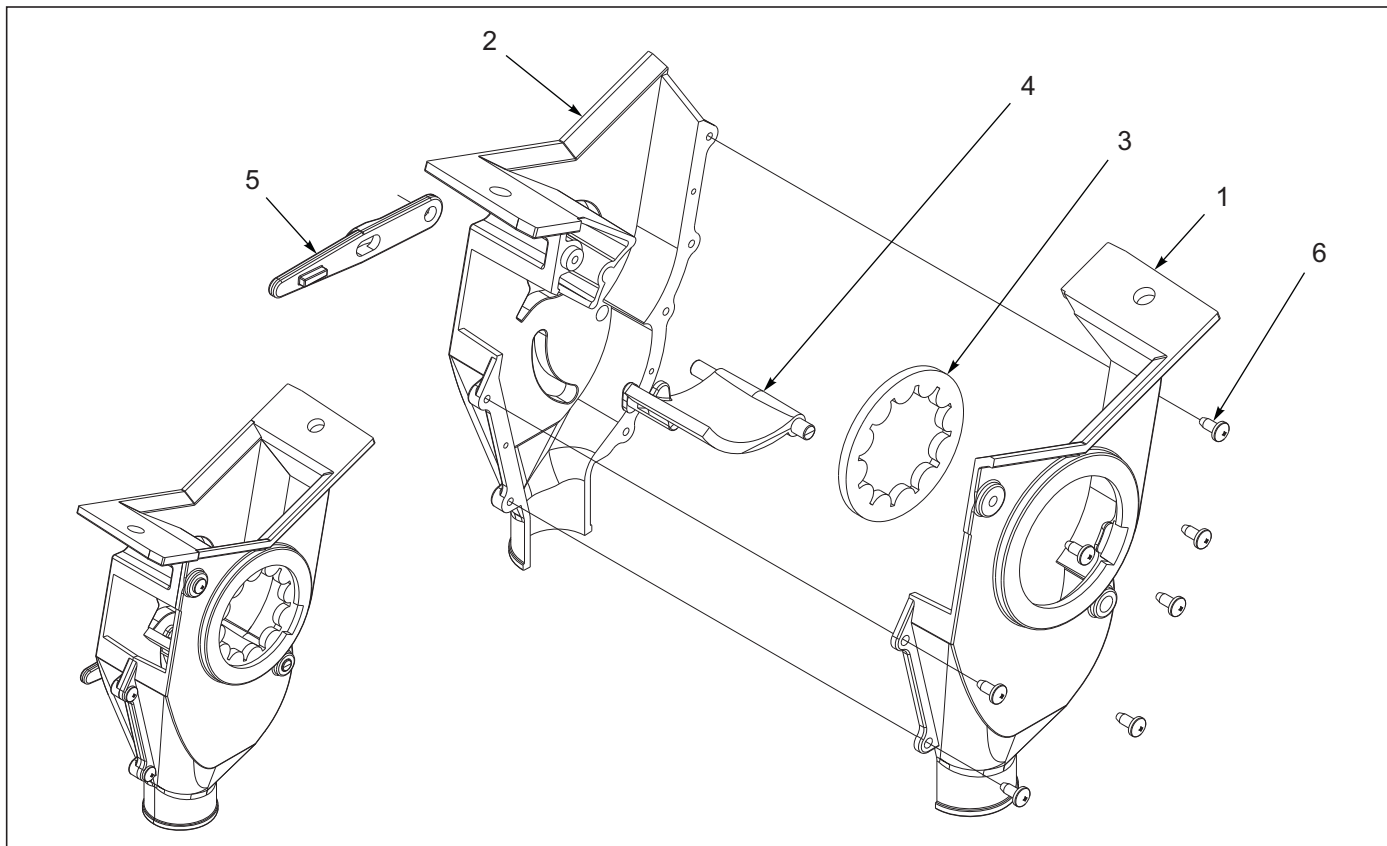


Figure 3-32: Seed Meter Housing Assembly

Seed Meter Housing Assembly

ITEM	PART NUMBER	DESCRIPTION	QTY.
--	172706	METER, ASSEMBLY, SEED HOUSING	
1	168866	METER HOUSING, RIGHT	1
2	168867	METER HOUSING, LEFT	1
3	168871	METER, FEED ROLL WASHER	1
4	168872	METER, SEED GATE	1
5	168873	METER, SEED GATE HANDLE	1
6	172730	SCREW, THREAD CUTTING #8-18 X 3/8	7

Seed Shaft Bearing Assembly (Before 12-18-2018)

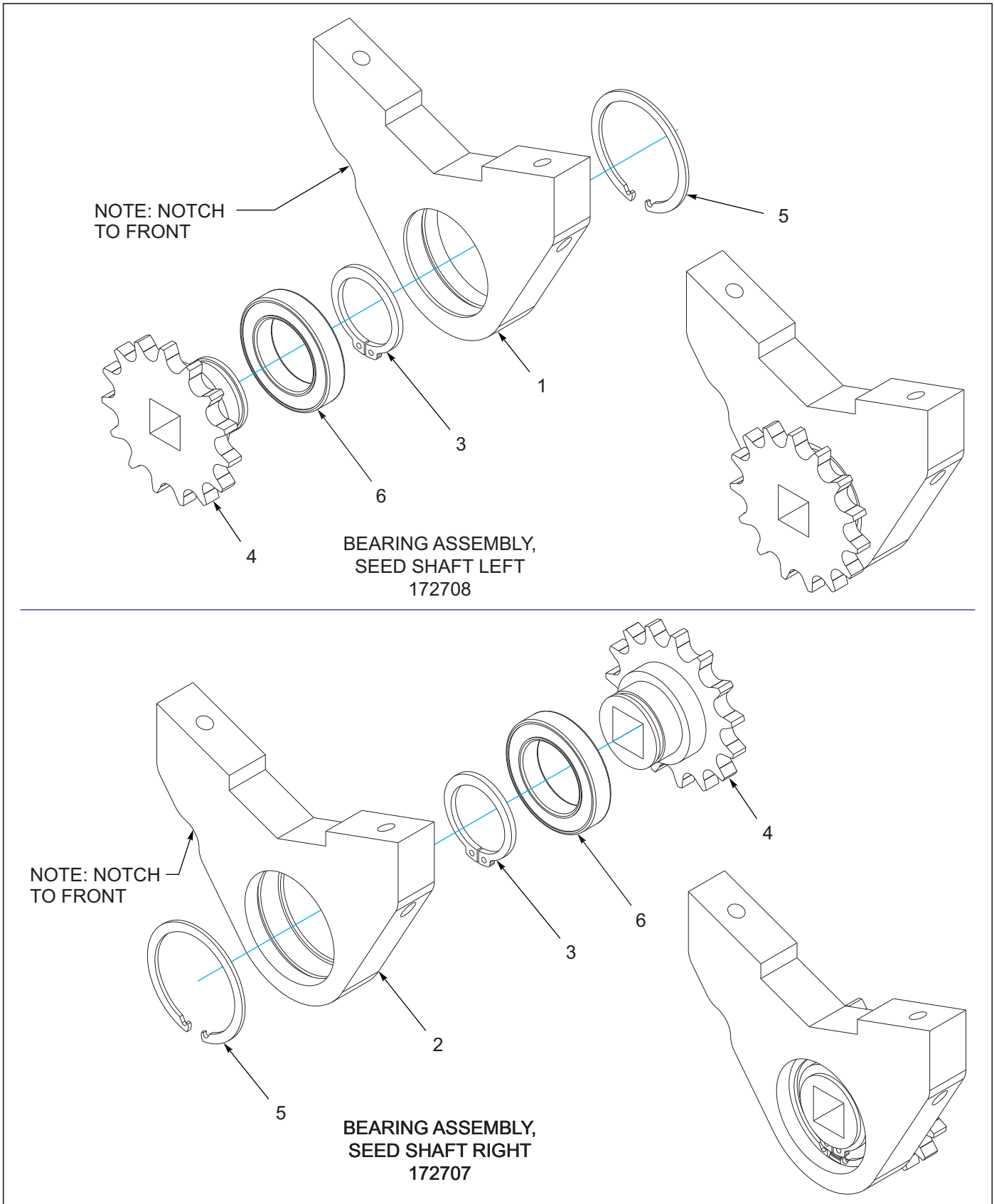


Figure 3-33: Seed Shaft Bearing Assembly (Before 12-18-2018)

Seed Shaft Bearing Assembly (Before 12-18-2018)

ITEM	PART NUMBER	DESCRIPTION	QTY.
--	172708	BEARING ASSEMBLY, SEED SHAFT LEFT (ITEMS 1, 3-6)	
--	172707	BEARING ASSEMBLY, SEED SHAFT RIGHT (ITEMS 2-6)	
1	183951	BEARING MOUNT, WITH BEARING - LEFT	1
2	183950	BEARING MOUNT, WITH BEARING - RIGHT	1
3	143992	SNAP RING, 1.181 SHAFT	1
4	161460	SPROCKET, #40 X 15T, 5/8 SQ BORE	1
5	161471	SNAP RING, INTERNAL 1.850 BORE	1
6	143956	BEARING, SEED DRIVE CLUTCH	1

Seed Shaft Bearing Assembly (After 12-18-2018)

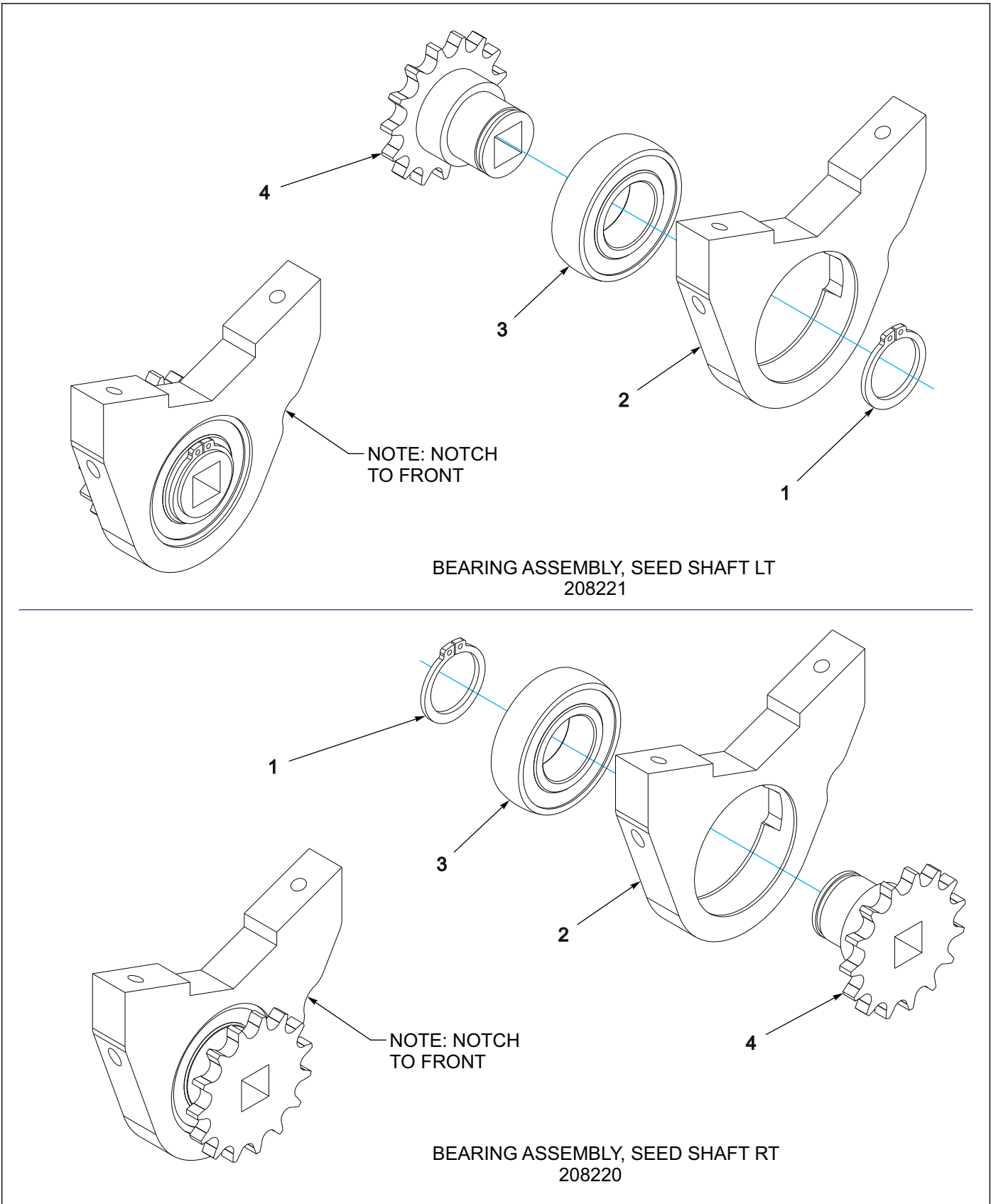


Figure 3-34: Seed Shaft Bearing Assembly (After 12-18-2018)

Seed Shaft Bearing Assembly (After 12-18-2018)

ITEM	PART NUMBER	DESCRIPTION	QTY.
--	208221	BEARING ASSY, SEED SHAFT LT	
--	208220	BEARING ASSY, SEED SHAFT RT	
1	143992	SNAP RING, 1.181 SHAFT	1
2	205192	BEARING MOUNT SEED SHAFT	1
3	208215	BEARING, BALL 1.181IDX2.441OD	1
4	208219	SPROCKET, #40X15T, 5/8 SQ BORE	1

Seed Rate Adjust Assembly, Right

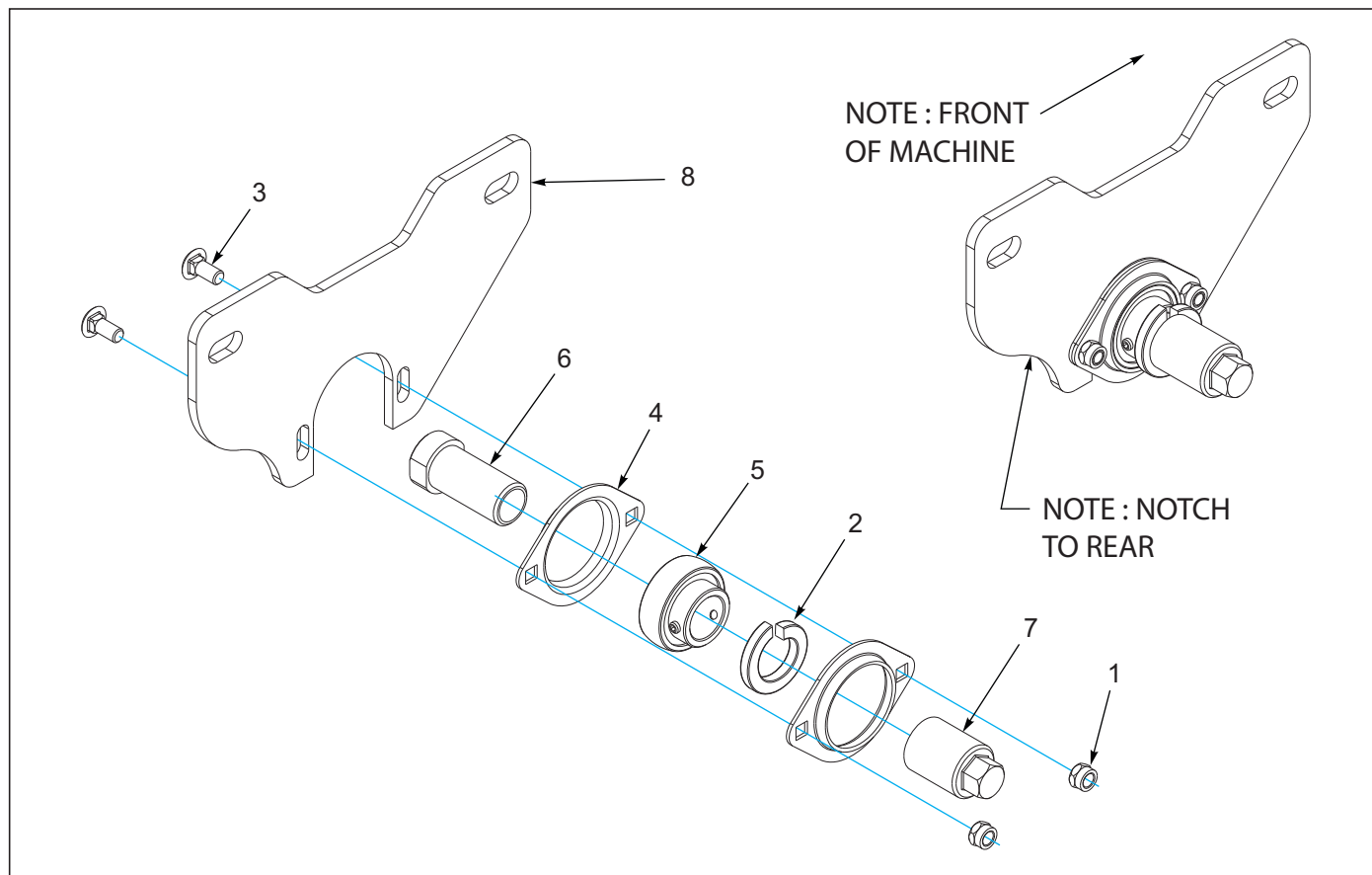


Figure 3-35: Seed Rate Adjust Assembly, Right

Seed Rate Adjust Assembly, Right

ITEM	PART NUMBER	DESCRIPTION	QTY.
--	172711	SEED RATE ADJ ASSY, RIGHT	
1	1-512-010005-03	NUT, HEX LOCK 5/16-18 GRB	2
2	1-861-010034-21	WASHER, SPLIT LOCK 1	1
3	105909	SCREW, RD HEAD SQ NECK 5/16-18 X 3/4	2
4	143901	FLANGE, BEARING 2 HOLE	2
5	144147	BEARING, 52 MM OD X 1" ID	1
6	168856	BUSHING, SEED RATE	1
7	168857	BUSHING, SEED RATE LOCKING	1
8	172704	BRACKET, SEED RATE ADJUST	1

Seed Rate Adjust Assembly, Left

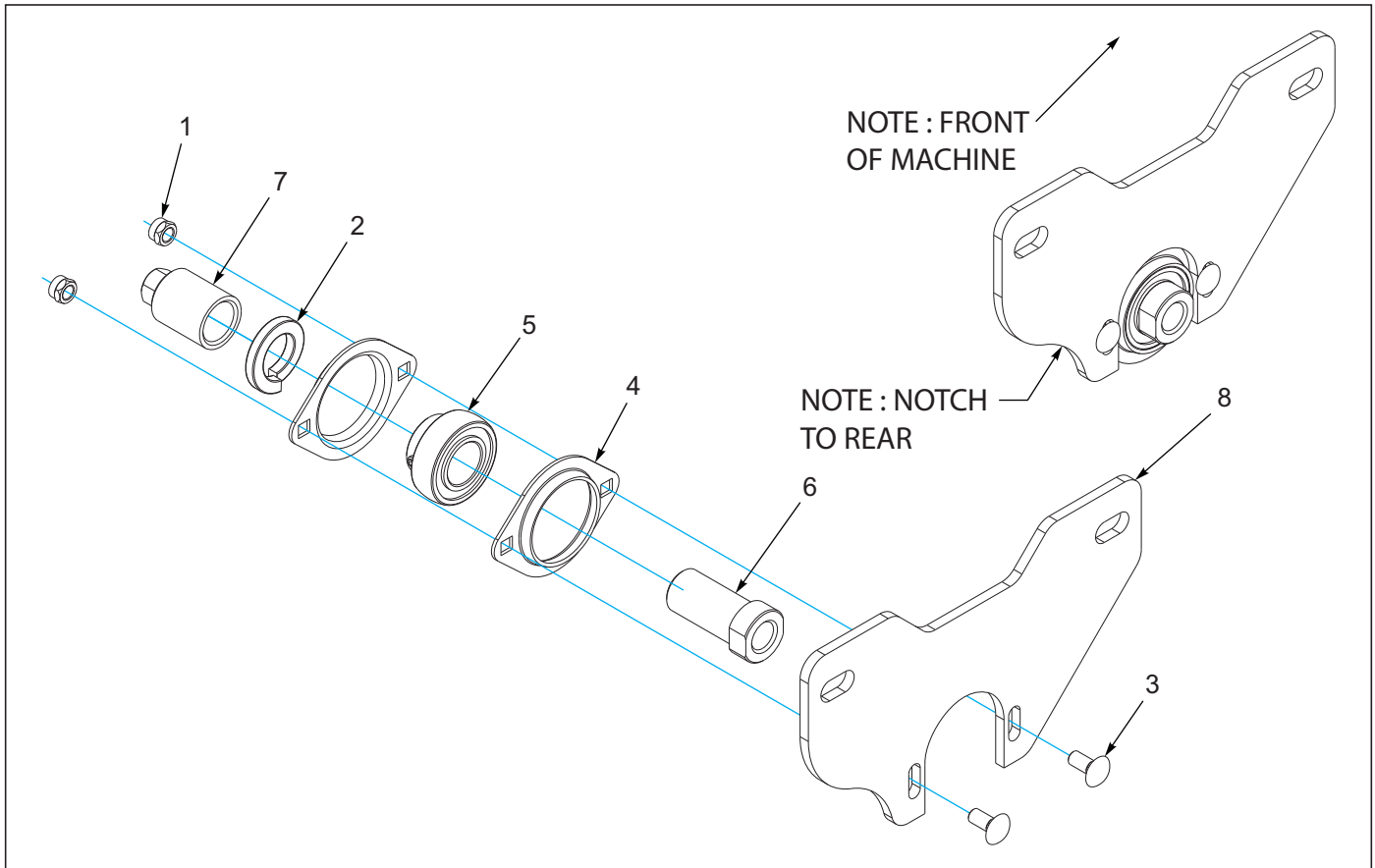


Figure 3-36: Seed Rate Adjust Assembly, Left

Seed Rate Adjust Assembly, Left

ITEM	PART NUMBER	DESCRIPTION	QTY.
--	172712	SEED RATE ADJUST ASSEMBLY, LEFT	
1	1-512-010005-03	NUT, HEX LOCK 5/16-18 GRB	2
2	1-861-010034-21	WASHER, SPLIT LOCK 1	1
3	105909	SCREW, RD HEAD SQ NECK 5/16-18 X 3/4	2
4	143901	FLANGE, BEARING 2 HOLE	2
5	144147	BEARING, 52 MM OD X 1" ID	1
6	168856	BUSHING, SEED RATE	1
7	168857	BUSHING, SEED RATE LOCKING	1
8	172704	BRACKET, SEED RATE ADJUST	1

Agitator Assembly 5211-10'-12-1/2'

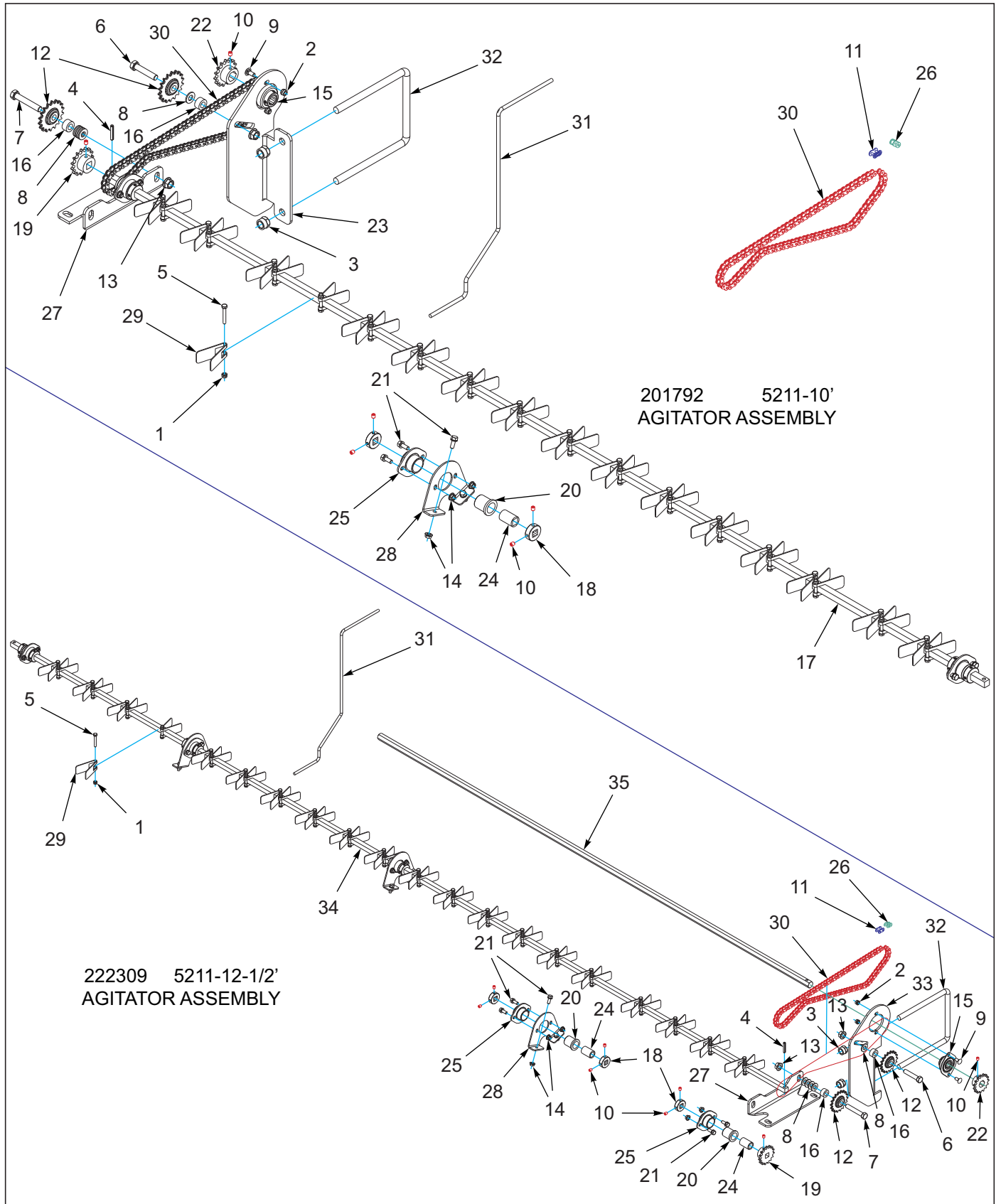


Figure 3-37: Agitator Assembly 5211-10'-12-1/2'

Agitator Assembly 5211-10'-12-1/2'

ITEM	PART NUMBER	DESCRIPTION	QTY.	
--	201792	AGITATOR ASSY 5211-10	*	
--	222309	AGITATOR ASSY, 5211-12-1/2'	*	
1	1-512-010005-01	NUT,HEX,SLFLKG GRB 1/4-20	32	40
2	1-512-010005-03	NUT HEX SLFLKG GRB 5/16-18	2	2
3	1-512-010005-13	NUT,HEX SLFLKG GRB 5/8-11	2	2
4	1-647-010004217	SPRING PIN, SLOTTED 1/4X1-1/2	1	1
5	1-654-010047-09	SCREW,HX CP,1/4-20UNCX1-3/4G5	32	40
6	1-654-010055-07	SCREW HX CP 1/2-13UNCX2-1/2	1	1
7	1-654-010055-09	SCREW,HX CP,1/2-13UNCX3 GR5	1	1
8	1-861-010032-14	WASHER, FLAT 1/2" N ZP/CD	5	5
9	105909	SCREW,RDHD,SQNCK,5/16-18X3/4	2	2
10	107-0975	SCREW SET LOCK 5/16-18X3/8LG	11	19
11	119716	CONNECTING LINK #40 CHAIN	1	1
12	122871	SPROCKET,TRANSMISSION IDLER	2	2
13	124971	NUT HX FLG 1/2-13 SPIRALOCK	2	2
14	126561	NUT,FLG HD,SERRATED,5/16-18ZP	8	16
15	144060	BEARING .875 HEX BORE, 2-BOLT	1	1
16	144086	SPACER 1 X 9/16 X 17/32	2	2
17	144143	SHAFT, 5/8 SQ X 110	1	--
18	144144	COLLAR, SHAFT SET, 5/8 SQ	5	9
19	144150	SPROCKET, #40 X 15, 5/8 SQ	1	1
20	144264	BEARING, FLANGE 1"	3	5
21	144268	SCREW 5/16-18UNCX3/4FLG HD ZP	8	16
22	151588	SPROCKET, #40 X 15, 7/8 HEX	1	1
23	158310	BRACKET, GRASS SEED LEFT	1	--
24	159018	SLEEVE,1 ODX5/8 SQ IDX1-1/2L	3	5
25	159942	MOUNT, BEARING WLDMT	3	5
26	163981	OFFSET LINK #40	1	1
27	168902	BRACKET, SEED BOX AGITATOR	1	1
28	189428	BRACKET, AGITATOR SHAFT BRG	1	3
29	189429	AGITATOR, SEED	32	40
30	189432	ROLLER CHAIN, #40X87P 43-1/2L	1	1
31	222308	ROD, SEED LEVEL AGITATOR	1	1
32	70593063	U-BOLT	1	1
33	158309	BRACKET, GRASS SEED RIGHT	--	1
34	159897	SHAFT, 5/8 SQ X 140	--	1
35	159055	SHAFT, 7/8 HEX 85L	--	1

Agitator Assembly 5211-15'-20'

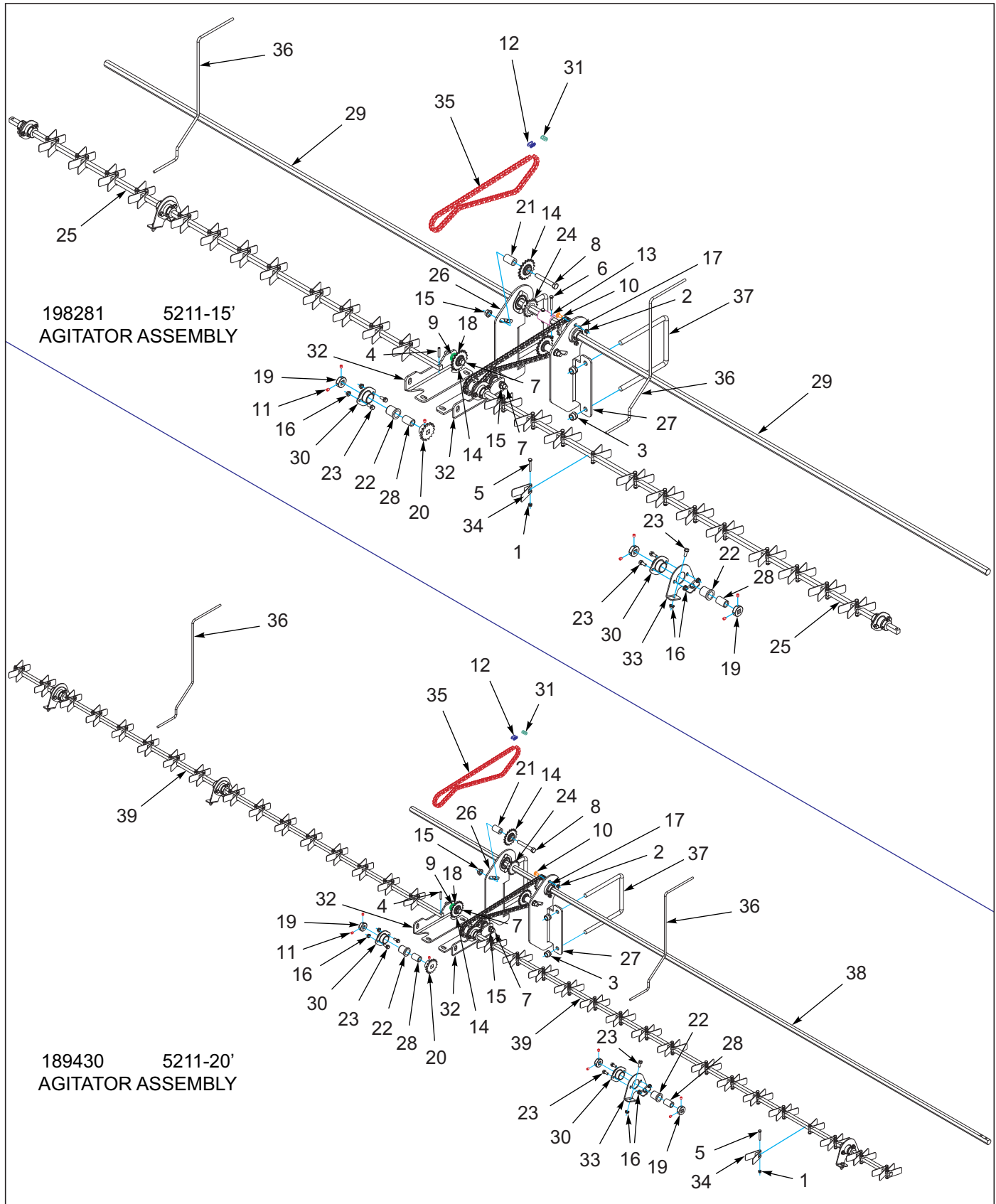


Figure 3-38: Agitator Assembly 5211-15'-20'

Agitator Assembly 5211-15'-20'

ITEM	PART NUMBER	DESCRIPTION	QTY.	
--	198281	AGITATOR ASSY 5211-15	*	
--	189430	AGITATOR ASSY 5211-20	*	
1	1-512-010005-01	NUT,HEX,SLFLKG GRB 1/4-20	50	64
2	1-512-010005-03	NUT HEX SLFLKG GRB 5/16-18	4	4
3	1-512-010005-13	NUT,HEX SLFLKG GRB 5/8-11	4	4
4	1-647-010004217	SPRING PIN, SLOTTED 1/4X1-1/2	2	2
5	1-654-010047-09	SCREW,HX CP,1/4-20UNCX1-3/4G5	48	64
6	1-654-010047-10	SCREW,HX CP,1/4-20UNC X2 GR5	2	--
7	1-654-010055-09	SCREW,HX CP,1/2-13UNCX3 GR5	2	2
8	1-654-010055-11	SCREW,HX CP 1/2-13UNCX3-1/2	2	2
9	1-861-010032-14	WASHER, FLAT 1/2" N ZP/CD	8	8
10	105909	SCREW,RDHD,SQNCK,5/16-18X3/4	4	4
11	107-0975	SCREW SET LOCK 5/16-18X3/8LG	22	22
12	119716	CONNECTING LINK #40 CHAIN	2	2
13	122853	COUPLER, DRIVE SHAFT	1	--
14	122871	SPROCKET,TRANSMISSION IDLER	4	4
15	124971	NUT HX FLG 1/2-13 SPIRALOCK	4	4
16	126561	NUT,FLG HD,SERRATED,5/16-18ZP	19	20
17	144060	BEARING .875 HEX BORE, 2-BOLT	2	2
18	144086	SPACER 1 X 9/16 X 17/32	2	2
19	144144	COLLAR, SHAFT SET, 5/8 SQ	10	10
20	144150	SPROCKET, #40 X 15, 5/8 SQ	2	2
21	144256	SPACER 1 X 9/16 X 1-9/16	2	2
22	144264	BEARING, FLANGE 1"	6	6
23	144268	SCREW 5/16-18UNCX3/4FLG HD ZP	16	20
24	151588	SPROCKET, #40 X 15, 7/8 HEX	2	2
25	154836	SHAFT, 5/8 SQ X 83	2	--
26	158309	BRACKET, GRASS SEED RIGHT	1	1
27	158310	BRACKET, GRASS SEED LEFT	1	1
28	159018	SLEEVE,1 ODX5/8 SQ IDX1-1/2L	6	6
29	159055	SHAFT, 7/8 HEX 85L	2	--
30	159942	MOUNT, BEARING WLDMT	6	6
31	163981	OFFSET LINK #40	2	2
32	168902	BRACKET, SEED BOX AGITATOR	2	2
33	189428	BRACKET, AGITATOR SHAFT BRG	2	4
34	189429	AGITATOR, SEED	48	64
35	189432	ROLLER CHAIN, #40X87P 43-1/2L	2	2
36	222308	ROD, SEED LEVEL AGITATOR	2	2
37	70593063	U-BOLT	2	2
38	154869	SHAFT, 7/8 HEX, 140 L	--	1
39	189431	SHAFT, 5/8 SQ X 103-1/2	--	2

Opener Assemblies

Air Opener Assembly

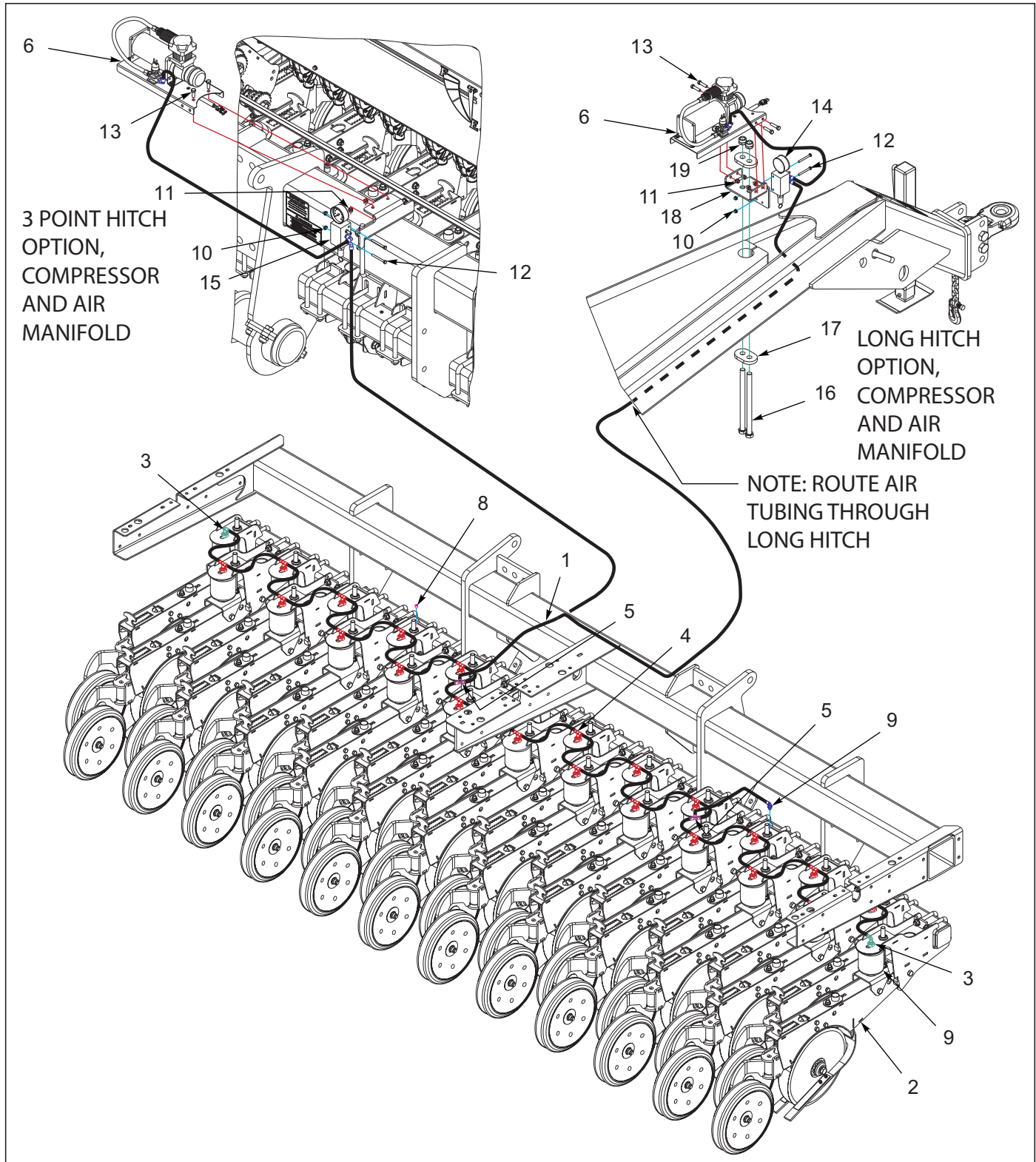


Figure 4-1: Air Opener Assembly

Air Opener Assembly

ITEM	PART NUMBER	DESCRIPTION	QTY.							
--	158270	OPENER ASSY, AIR 10X7.5	*							
--	158271	OPENER ASSY, AIR 10X10		*						
--	158272	OPENER ASSY, AIR 12.5X7.5			*					
--	158273	OPENER ASSY, AIR 12.5X10				*				
--	158274	OPENER ASSY, 15X7.5 AIR					*			
--	158275	OPENER ASSY, AIR 15X10						*		
--	158276	OPENER ASSY, AIR 20X7.5							*	
--	158277	OPENER ASSY, AIR 20X10								*
1	1-833-010001	TUBING NYLON 1/4 OD	AR	AR	AR	AR	AR	AR	AR	AR
2	144316	OPENER ASSY, AIR SHORT (SEE PAGE 4-7)	8	6	10	8	12	9	16	12
2	144317	OPENER ASSY, AIR LONG (SEE PAGE 4-7)	8	6	10	7	12	9	16	12
3	151590	MALE ELBOW, 1/4 OD X 1/8 NPT	2	2	2	2	2	2	2	2
4	151591	MALE BRANCH TEE,1/4 ODX1/8NPT	14	10	18	13	22	16	30	22
5	151592	UNION TEE, 1/4 OD TUBE	2	2	2	2	2	2	3	3
6	187518	COMPRESSOR ASSY, AIR 12V (SEE PAGE 4-3)	1	1	1	1	1	1	1	1
7	187491	MALE ELBOW, 1/4ODX1/4NPT	1	1	1	1	1	1	2	2
8	1-560-010002-02	PLUG, PIPE, 1/4NPT	1	1	1	1	1	1	2	2
9	144237	SPRING, AIR 4.1 DIA	REF	REF	REF	REF	REF	REF	REF	REF
10	108417	NUT SPIRAL 1/4-20HX FG	REF	REF	REF	REF	REF	REF	REF	REF
11	1-512-010005-05	NUT, HEX, SLFLKG GRB 3/8-16	REF	REF	REF	REF	REF	REF	REF	REF
12	1-654-010047-12	SCREW,HEX 1/4-20UNCX2-1/2	REF	REF	REF	REF	REF	REF	REF	REF
13	1-654-010051-05	SCREW,HEX CAP 3/8-16UNCX1 GR5	REF	REF	REF	REF	REF	REF	REF	REF
14	158285	AIR MANIFOLD ASSY (SEE PAGE 4-5)	REF	REF	REF	REF	REF	REF	REF	REF
15	154864	AIR MANIFOLD ASSY (SEE PAGE 4-5)	REF	REF	REF	REF	REF	REF	REF	REF
16	100809	SCREW,HEX CAP,3/4-10X11-1/2G5	2	2	2	2	2	2	2	2
17	176766	PLATE, WEIGHT LOCK	2	2	2	2	2	2	2	2
18	179786	BRACKET, COMPRESSOR	1	1	1	1	1	1	1	1
19	1-512-010005-15	NUT,HEX,SLFLKG GRB 3/4-10	2	2	2	2	2	2	2	2

12V Air Compressor Assembly

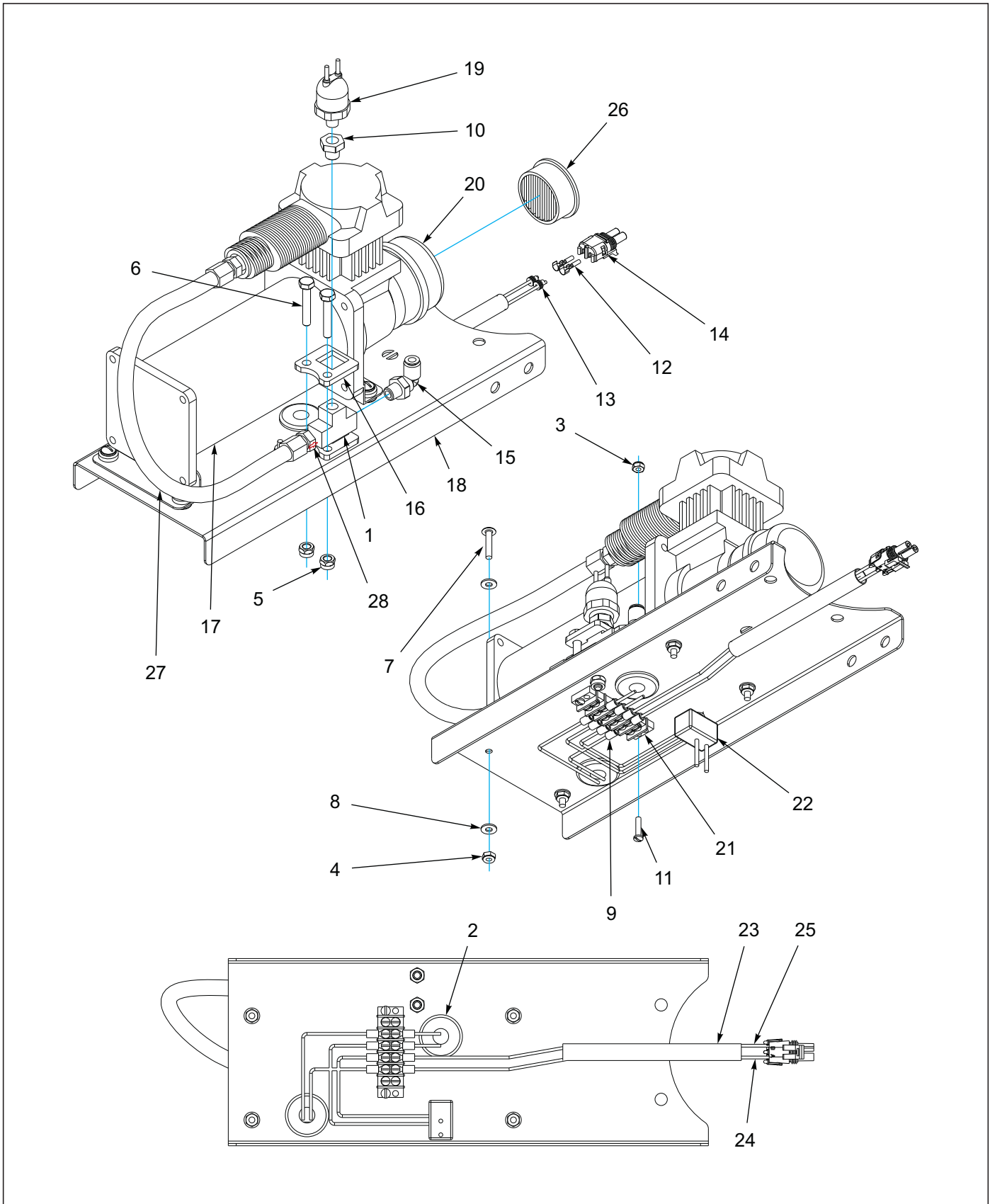


Figure 4-2: 12V Air Compressor Assembly

12V Air Compressor Assembly

ITEM	PART NUMBER	DESCRIPTION	QTY.
--	187518	COMPRESSOR ASSY, AIR 12V	
1	1-297-010009-02	FITTING,AIR,PIPE TEE 1/4	1
2	1-343-010001	GROMMET RUB 1-3/8ODX3/4IDX1/8	2
3	1-512-010003-03	NUT,HX 8-32,SLF-LKG W/NYL	2
4	1-512-010003-06	NUT,HEX,SLFLKG W/NLY 10-24	4
5	1-512-010005-01	NUT,HEX,SLFLKG GRB 1/4-20	2
6	1-654-010047-08	SCREW HX CP,1/4-20UNCX1-1/2G5	2
7	1-656-010003053	SCREW RD HD MACH 10-24X1	4
8	1-861-010032-03	WASHER, FLAT #10 ZP/CD	8
9	101552	SNAP SPADE,#6 STUD SIZE 14-16	8
10	102-0114	BUSHING,HX 1/4NPTX1/8NPT BRS	1
11	111-0600	SCREW,MACHINE-RD.HD.#8-32X3/4	2
12	139974	TERMINAL FEMALE 16-14AWG (PACKARD)	2
13	154851	SEAL, CABLE WEATHER PACK	2
14	154852	TOWER, 2-PIN WEATHER PACK	1
15	187491	MALE ELBOW, 1/4ODX1/4NPT	1
16	187519	CLAMP PLATE, TEE	2
17	187520	COMPRESSOR, AIR	1
18	187521	MOUNT, AIR COMPRESSOR	1
19	187522	SWITCH, PRESSURE SEALED	1
20	194674	FILTER, AIR	1
21	2-788-010010	TERMINAL STRIP 10-18AWG	1
22	3-272-010017	TOGGLE SWITCH SEALED SPST	1
23	160406	LOOM,1/4"BLK SPIRAL LDPE WIRE	1.5FT
24	1-879-010011	WIRE BLACK 14 AWG	2 FT
25	239-8101-14	WIRE #14 AWG RED 19STRAND	1 FT
26	194675	FILTER, ELEMENT	1
27	224573	HOSE, AIR W/CHECK VALVE	1
28	199396	VALVE, AIR CHECK	1
29	HEHM240	TUBING HEAT SHRINK 1/4" BLACK (NOT SHOWN)	.333
30	203063	KIT, HD COMPRESSOR W/O WIRING (NOT SHOWN) (USE TO REPLACE 154850 COMPRESSOR ASSEMBLY)	1

Air Manifold Assembly

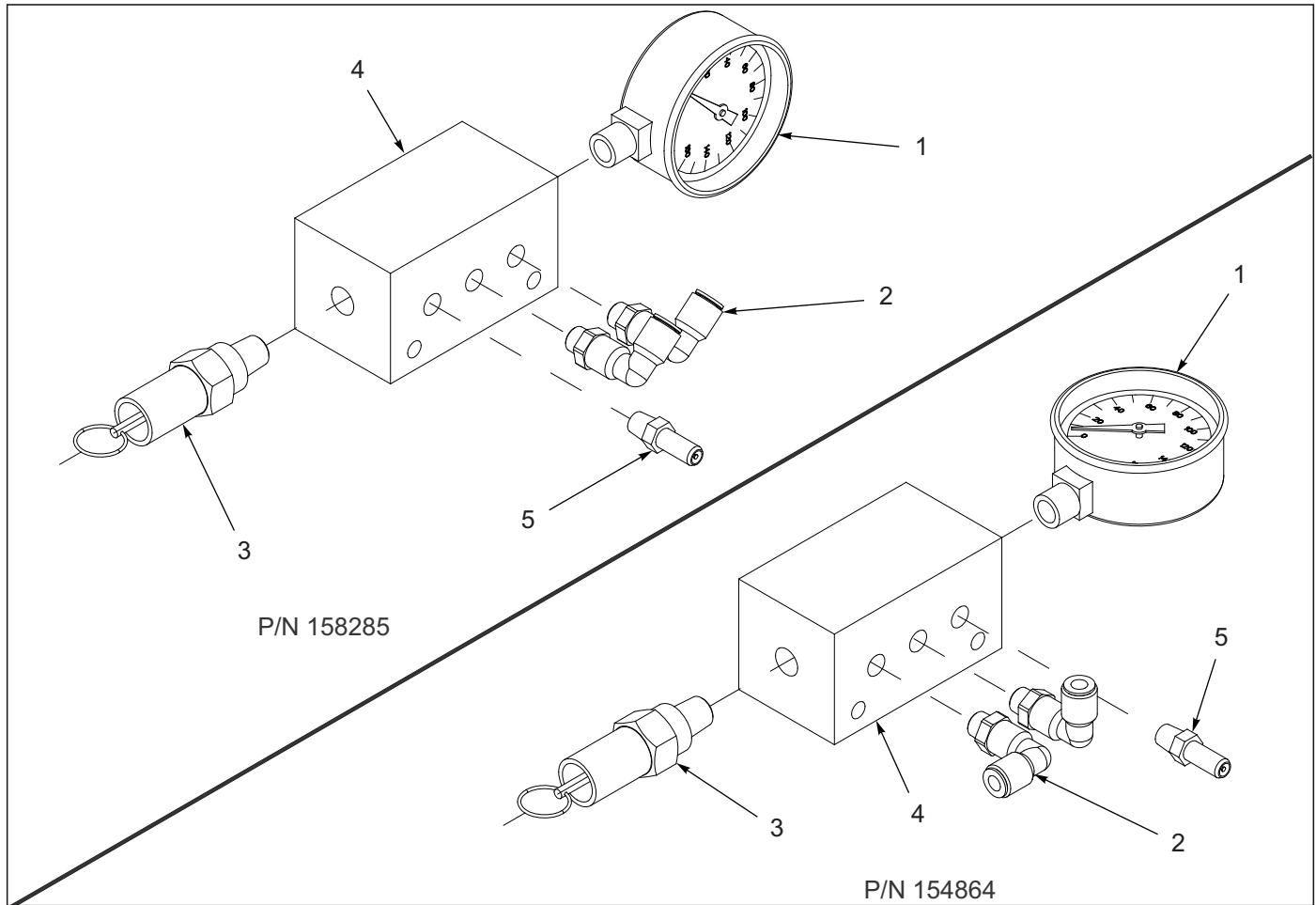


Figure 4-3: Air Manifold Assembly

Air Manifold Assembly

ITEM	PART NUMBER	DESCRIPTION	QTY.
--	158285	AIR MANIFOLD ASSEMBLY (USED ON LONG AND COULTER HITCH ASSEMBLIES)	
--	154864	AIR MANIFOLD ASSEMBLY (USED ON 3 POINT HITCH ASSEMBLY)	
1	1-323-010008	GAUGE, PRESSURE 0 - 160 PSI	1
2	151590	MALE ELBOW	2
3	151595	VALVE, AIR RELIEF	1
4	151604	MANIFOLD, AIR	1
5	151610	VALVE, AIR	1

Opener Assembly Air

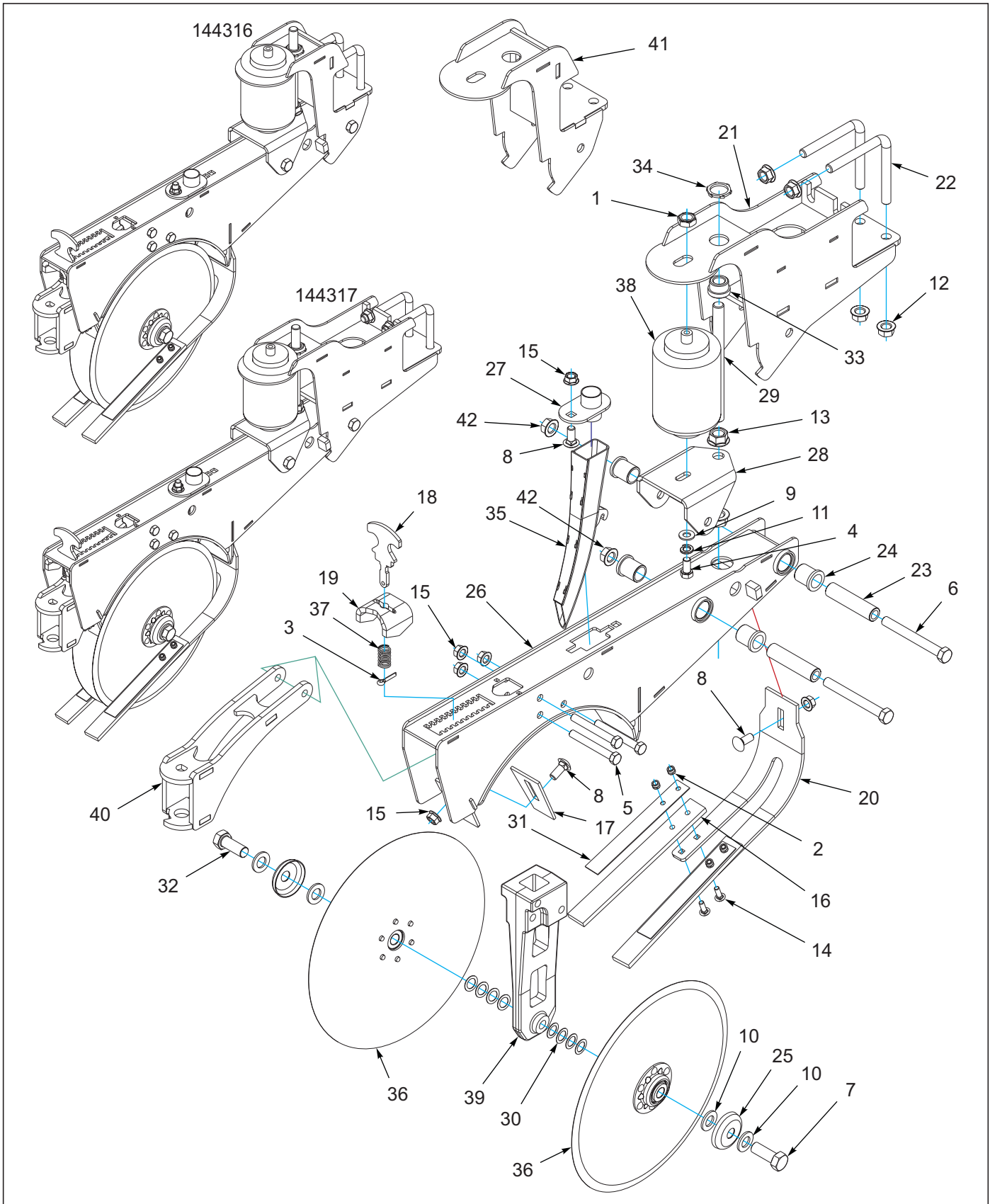


Figure 4-4: Opener Assembly Air

Opener Assembly Air

ITEM	PART NUMBER	DESCRIPTION	QTY.
--	144316	AIR OPENER ASSEMBLY, SHORT	
--	144317	AIR OPENER ASSEMBLY, LONG	
1	1-511-010002-08	NUT, HEX JAM 3/4-16 GRB	1
2	1-512-010005-03	NUT, HEX LOCK 5/16-18 GRB	4
3	1-557-010362-59	PIN, COTTER 1/4 X 1	1
4	1-654-010055-01	SCREW, HEX HEAD CAP 1/2-13 X 1 GR5	1
5	1-654-010055-13	SCREW, HEX HEAD CAP 1/2-13 X 4 GR5	3
6	1-654-010059-16	SCREW, HEX HEAD CAP 5/8-11 X 5-1/2	2
7	1-654-010061-05	SCREW, HEX HEAD CAP 3/4-10 X 2 GR5	1
8	1-654-010070-02	SCREW, RD HEAD SQ NECK 1/2-13 X 1-1/4	3
9	1-861-010032-14	WASHER, FLAT 1/2N	1
10	1-861-010032-20	WASHER, FLAT 3/4N	4
11	1-861-010034-13	WASHER, SPLIT LOCK 1/2	1
12	100827	NUT, FLANGE HEAD SERRATED 5/8-11	6
13	103841	NUT, FLANGE PREVAILING TORQUE 3/4-10	2
14	104031	SCREW, RD HEAD SQ NECK 5/16-18 X 1 GR5	4
15	1-510-010003-09	NUT, FLANGE HEAD SERRATED 1/2-13	6
16	143904	STRIP, SOIL	2
17	143910	SCRAPER, OPENER	1
18	143915	HANDLE, PRESS WHEEL ADJ	1
19	143924	STOP, PRESS WHEEL ADJ	1
20	143937	BRACKET, SOIL STRIP	1
21	143963	MOUNT, OPENER LONG	1
22	143966	L-BOLT, 5/8 X 5-1/2 X 5-1/2	2
23	143971	BUSHING, OPENER CLAMP	2
24	144264	BEARING, FLANGE 1"	4
25	144266	COVER, OPENER DUST	2
26	144275	ARM, OPENER	1
27	144328	TUBE, SEED	1
28	144331	PIVOT, AIR SPRING	1
29	144332	ROD, GUIDE	1
30	144335	SHIM, STEEL	8
31	144336	STRIP, SOIL BACKING	2
32	144337	SCREW, HEX HEAD CAP LH 3/4-10 X 2 GR5	1
33	144348	BUSHING, GUIDE ROD	1
34	144349	LOCKNUT, 1" CONDUIT	1
35	151543	TUBE, SEED	1
36	143880	DISC BLADE ASSEMBLY 15.8 X 138	2
37	143898	SPRING, COMPRESSION, 2-1/2	1
38	144237	SPRING, AIR 4.1 DIA	1
39	144324	BAR, CASTING OPENER	1
40	143920	SWIVEL, PRESSWHEEL	1
41	143962	MOUNT, OPENER SHORT	1
42	29SFFL 5811	NUT,FLANGE HEAD LOCK5/8-11UNC	2

Press Wheel Assembly Air Opener

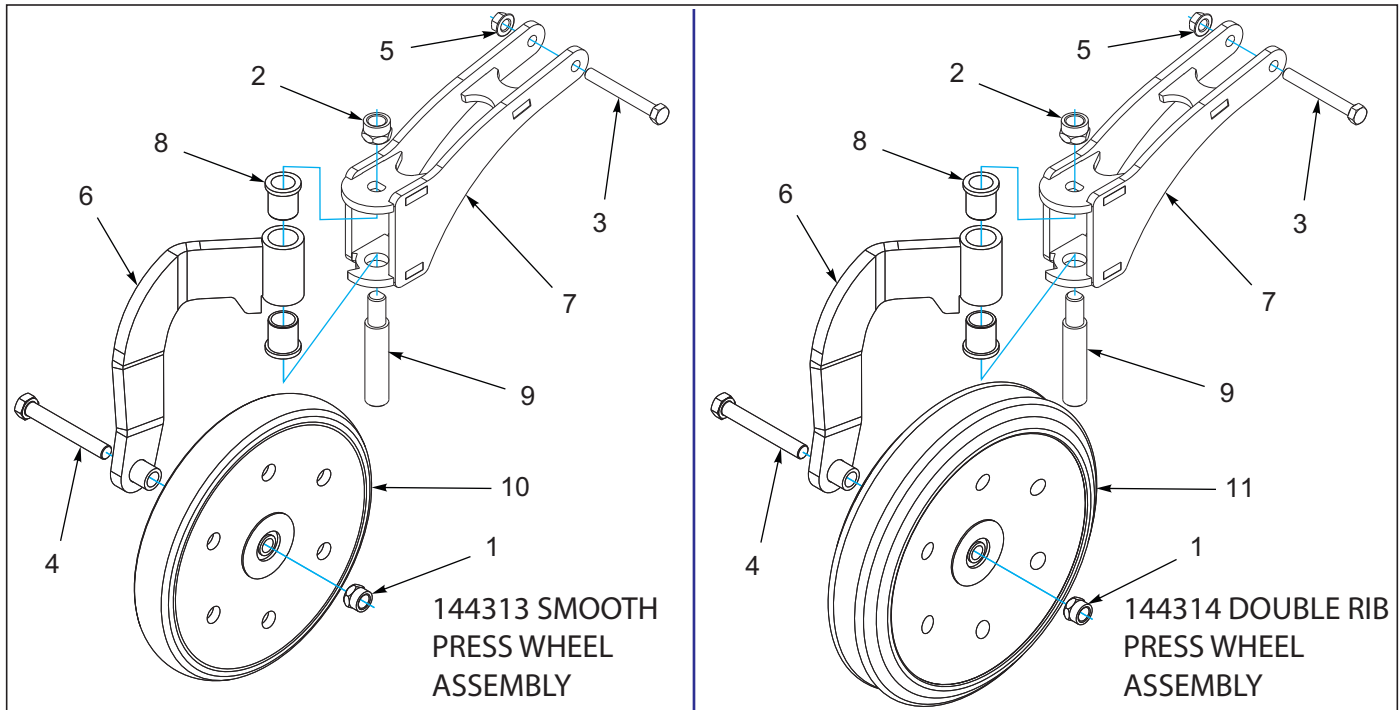


Figure 4-5: Press Wheel Assembly Air Opener

Press Opener Assembly Air Opener

ITEM	PART NUMBER	DESCRIPTION	QTY.
--	144313	PRESSWHEEL ASSY 2X13 SMOOTH (ITEMS 1, 4, 6, 8, 9, 10)	
--	144314	PRESSWHEEL ASSY 3X13DOUBLE RIB (ITEMS 1, 4, 6, 8, 9, 11)	
1	1-512-010005-13	NUT,HEX SLFLKG GRB 5/8-11	1
2	1-512-010005-15	NUT,HEX,SLFLKG GRB 3/4-10	1
3	1-654-010055-13	SCREW,HEX CAP,1/2-13UNCX4 GR5	1
4	1-654-010059-14	SCREW HX CP,5/8-11UNCX4-1/2G5	1
5	1-510-010003-09	NUT,1/2-13 FLANGE HD,SERRATED	1
6	143906	ARM, PRESSWHEEL WLDMT	1
7	143920	SWIVEL, PRESSWHEEL WLDMT	1
8	144264	BEARING, FLANGE 1"	2
9	151530	PIN, PRESSWHEEL ARM	1
10	144271	PRESS WHEEL, 2X13 SMOOTH	1
11	144272	PRESS WHEEL, 3X13 DOUBLE RIB	1

Opener Assembly Spring

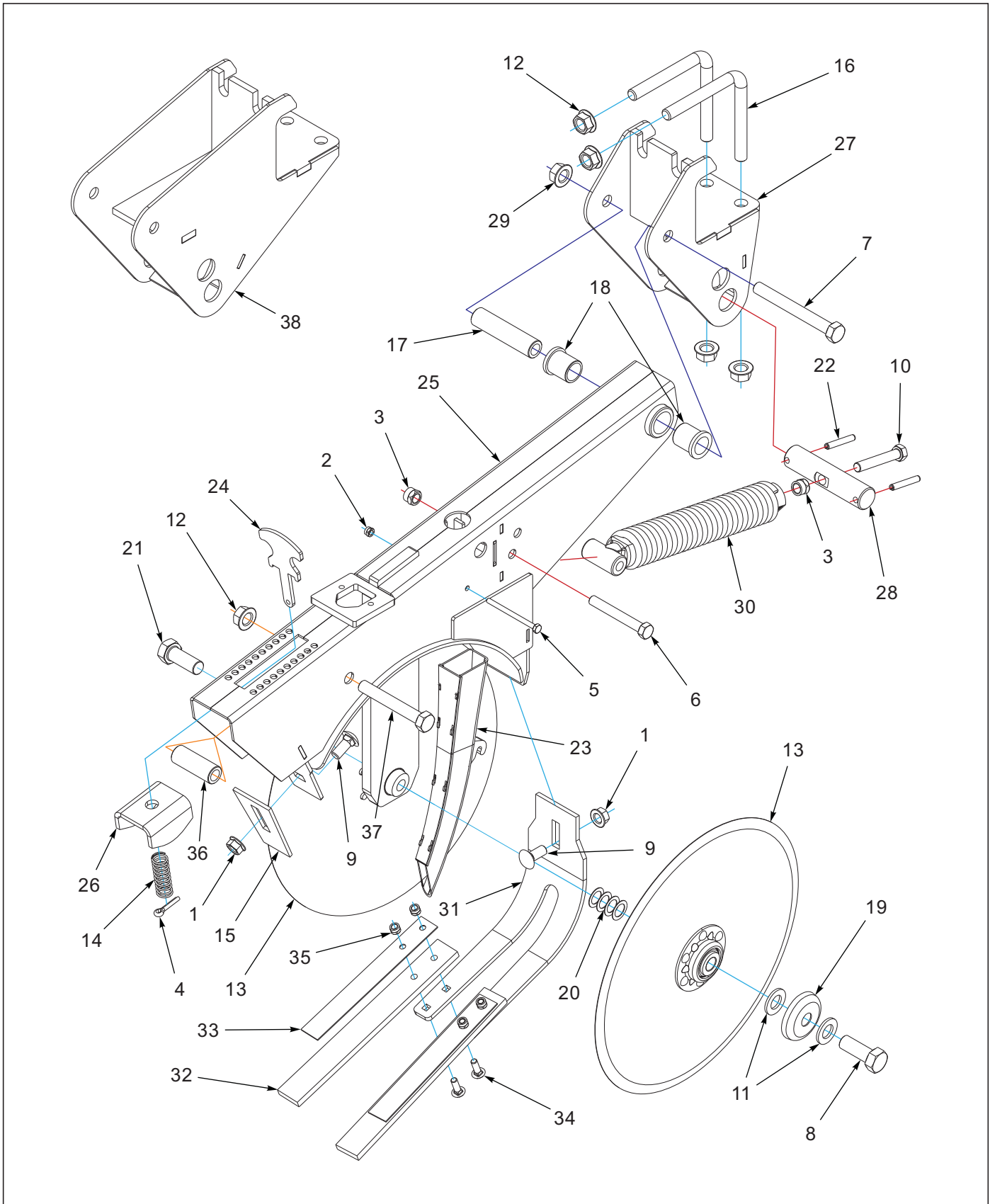


Figure 4-6: Opener Assembly Spring

Opener Assembly Spring

ITEM	PART NUMBER	DESCRIPTION	QTY.	
--	214805	OPENER ASSY, SHORT WO/SS	*	
--	214806	OPENER ASSY, LONG WO/SS		*
--	212777	OPENER ASSY, SHORT W/SS	*	
--	212778	OPENER ASSY, LONG W/SS		*
1	1-510-010003-09	NUT,1/2-13 FLANGE HD,SERRATED	1	2
2	1-512-010005-01	NUT,HEX,SLFLKG GRB 1/4-20	1	1
3	1-512-010005-09	NUT,HEX,SLFLKG, 1/2-13 GRB	2	2
4	1-557-010362-59	PIN,COTTER 1/4X1	1	1
5	1-654-010047-16	SCREW,HX CP 1/4-20UNCX3.50 G5	1	1
6	1-654-010055-12	SCREW,CP,HX .50-13UNCX3.75 GR5	1	1
7	1-654-010059-16	SCREW,HEX CAP,5/8-11UNCX5.50	1	1
8	1-654-010061-05	SCREW,HHC,3/4-10UNCX2,GR5,ZP	1	1
9	1-654-010070-02	SCREW 1/2-13X1-1/4 RD HD SQNK	1	2
10	1-654-010153-09	SCREW,HX 1/2-13UNCX3 FL THD	1	1
11	1-861-010032-20	WASHER, FLAT,3/4 N ZP/CD	4	4
12	100827	NUT,FLG HD,SERRATED,5/8-11	5	5
13	143880	DISC BLADE ASSY, 15.8" X .138	2	2
14	143898	SPRING COMPRESSION 2-1/2" L	1	1
15	143910	SCRAPER,OPENER	1	1
16	143966	L-BOLT, 5/8X5-1/2X5-1/2	2	2
17	143971	BUSHING, OPENER CLAMP	1	1
18	144264	BEARING FLANGE	2	2
19	144266	COVER,OPENER DUST	2	2
20	144335	SHIM,STEEL .031X.75 IDX1.125	8	8
21	144337	SCREW CAP 3/4-10X2 GR5 LH	1	1
22	147072	PIN, SPRING SLOTTED 5/16 X 2	2	2
23	151543	TUBE, SEED	1	1
24	211091	HANDLE, PRESSWHEEL ADJ	1	1
25	212780	ARM, OPENER WLDMT	1	1
26	212789	STOP, PRESSWHEEL ARM	1	1
27	212792	MOUNT, OPENER SHORT WLDMT	1	1
28	212799	PIN, OPENER SPRING	1	1
29	29SFFL 5811	NUT,FLANGE HEAD LOCK5/8-11UNC	1	1
30	8-183-010058	ASSY FIELD CULT SPRING	1	1
31	143937	BRACKET, SOIL STRIP	--	1
32	143904	STRIP, SOIL	--	2
33	144336	STRIP, SOIL BACKING	--	2
34	104031	SCREW,RDHD,SQNK 5/16-18X1 GR5	--	2
35	1-512-010005-03	NUT HEX SLFLKG GRB 5/16-18	--	2
36	213921	BUSHING, PRESS WHEEL ARM (USED TO ATTACH PRESS WHEEL ASSEMBLY) (SEE PAGE 4-13)	1	1
37	1-654-010059-13	SCREW HEX CAP 5/8-11X4UNC GR5 (USED TO ATTACH PRESS WHEEL ASSEMBLY) (SEE PAGE 4-13)	1	1
38	212793	MOUNT, OPENER LONG WLDMT	1	1

Press Wheel Assembly Spring Opener

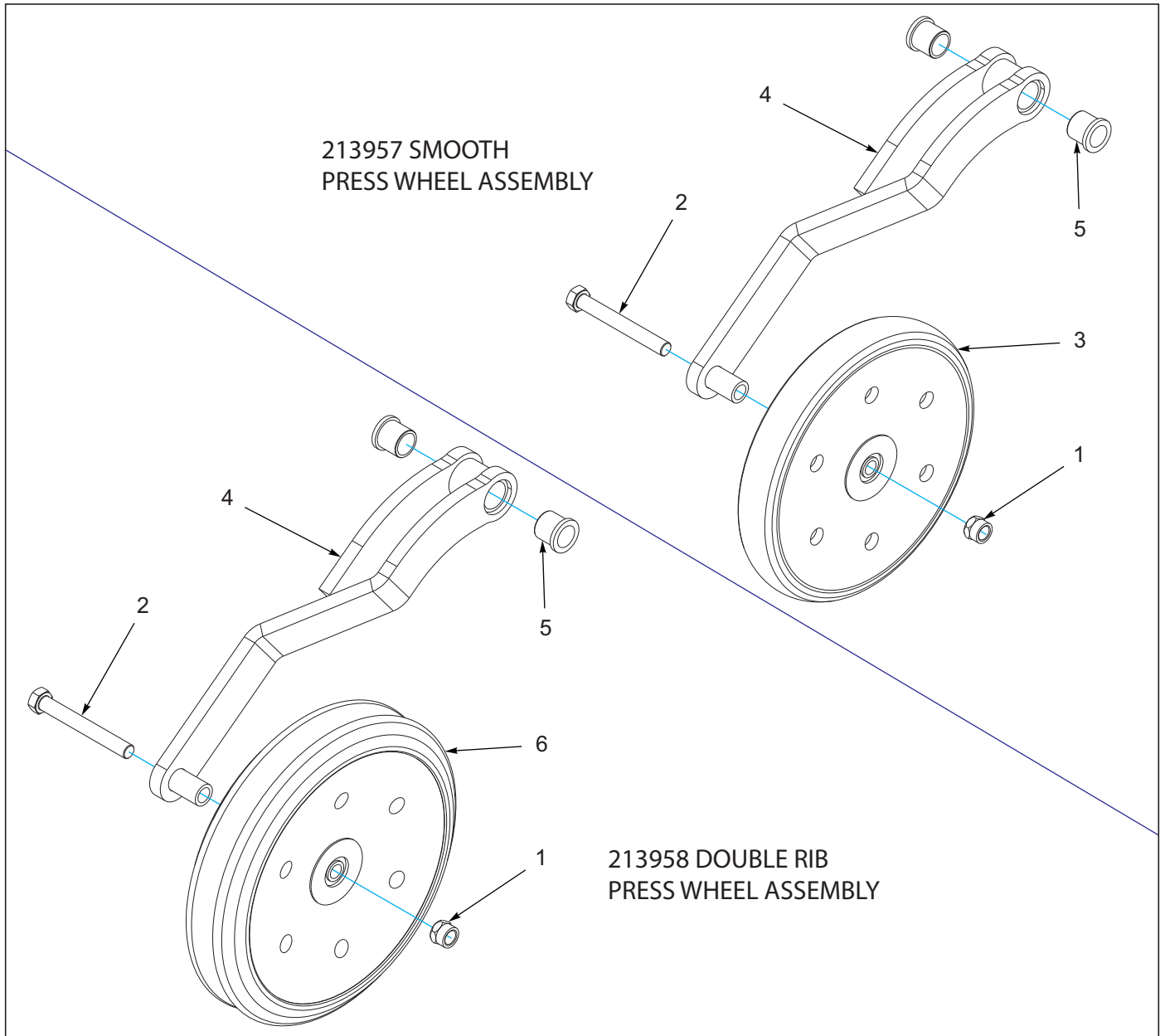


Figure 4-7: Press Wheel Assembly Spring Opener

Press Opener Assembly Spring Opener

ITEM	PART NUMBER	DESCRIPTION	QTY.
--	213957	SPRING-2X13 SMOOTH PW ASSY	
--	213958	SPRING-3X13 DBL RIB PW ASSY	
1	1-512-010005-13	NUT,HEX SLFLKG GRB 5/8-11	1
2	1-654-010059-15	SCREW,HEX CAP,5/8-11UNCX5 GR5	1
3	144271	PRESS WHEEL, 2X13 SMOOTH	1
4	212798	ARM, PRESSWHEEL WLDMT	1
5	213956	BEARING FLANGE, 1 X 1-1/4L	2
6	144272	PRESS WHEEL, 3X13 DOUBLE RIB	1

Rebounder Assembly

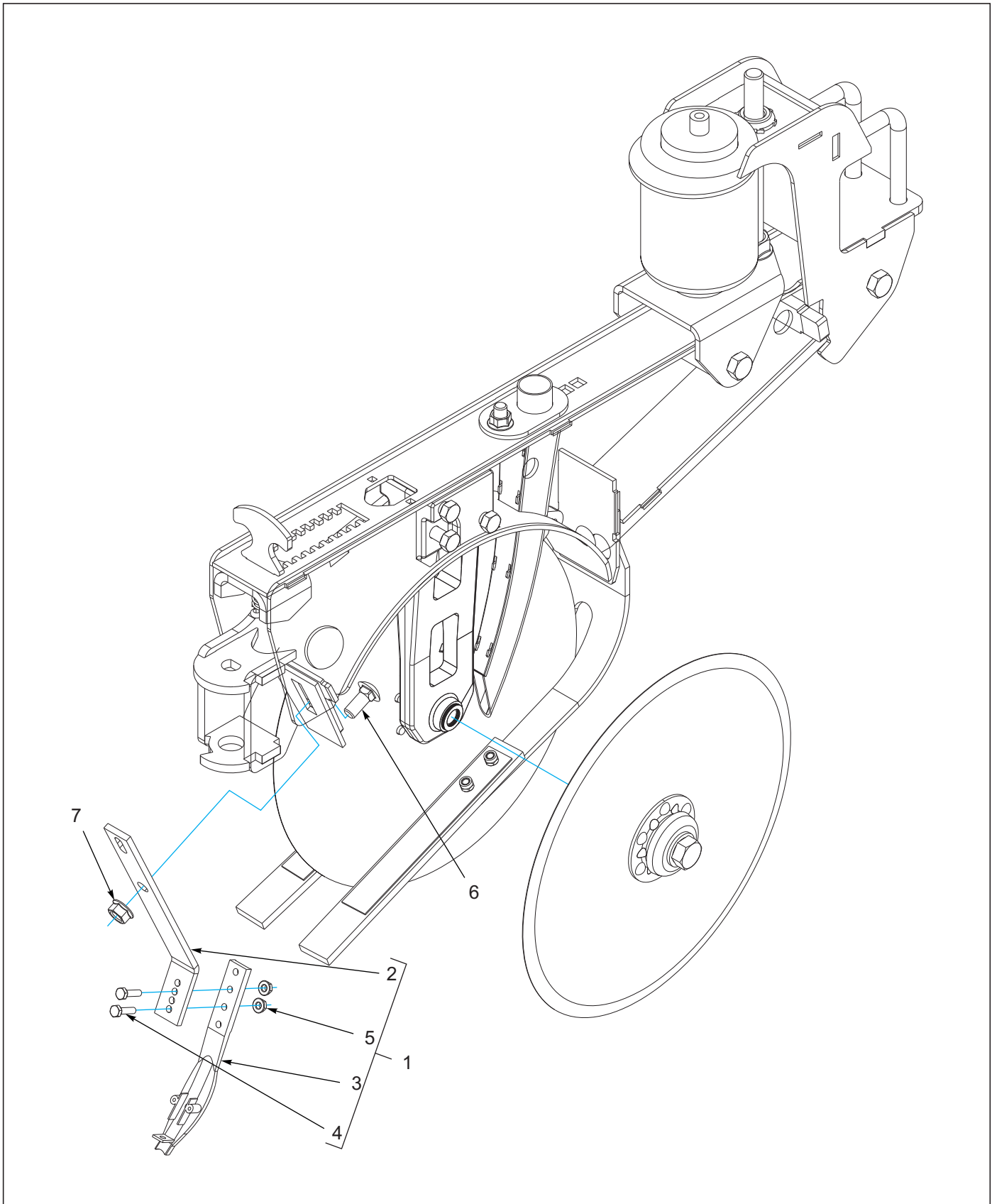


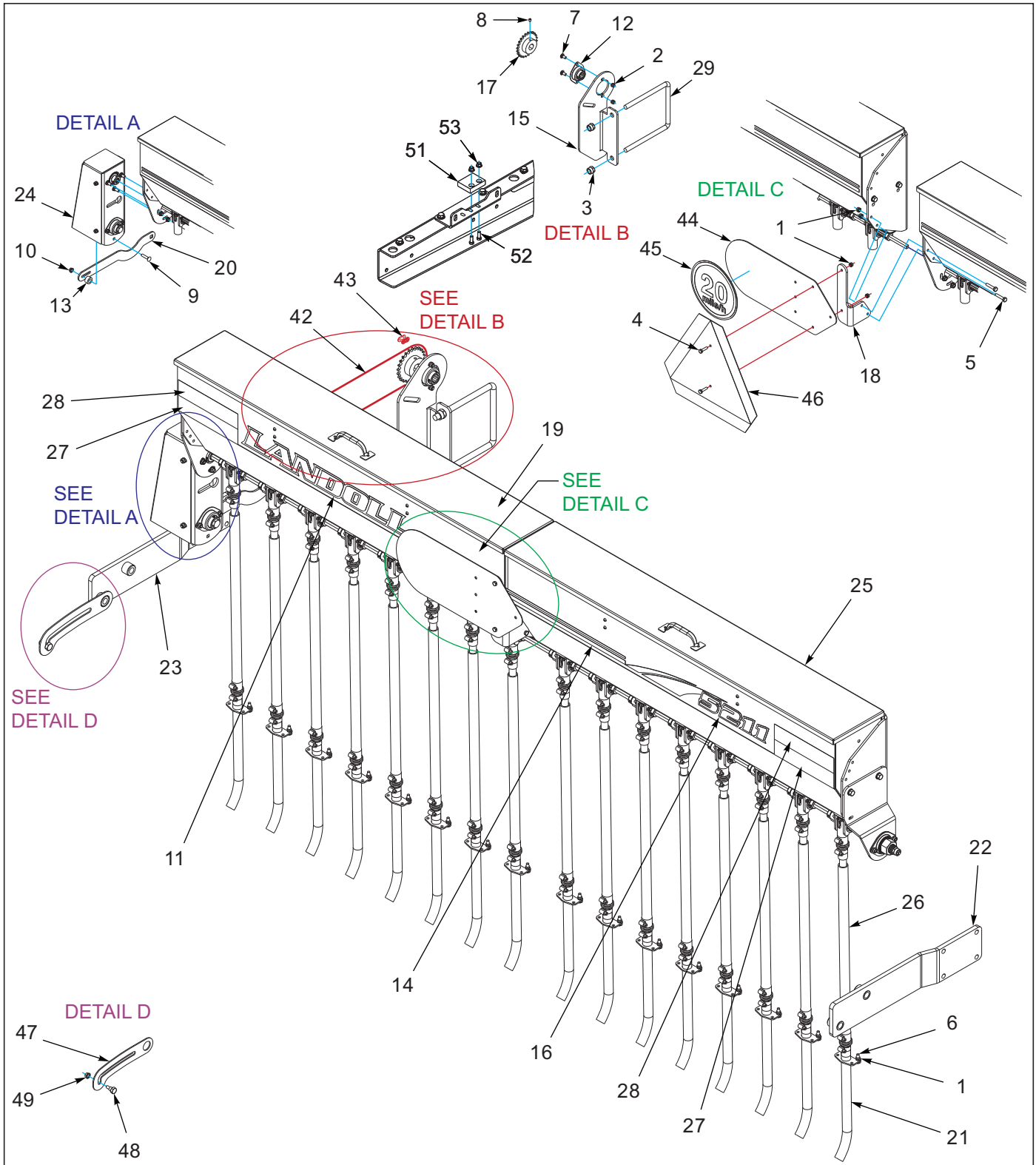
Figure 4-8: Rebounder Assembly

Rebounder Assembly

ITEM	PART NUMBER	DESCRIPTION	QTY.
1	224584	ASSY, REBOUNDER W/MOUNT (INCLUDES ITEMS 2-5)	
2	224587	BRACKET, REBOUNDER MOUNT ASSY (INCLUDES ITEMS 2, 4, 5)	1
3	224585	REBOUNDER, ORANGE	1
4	1-654-010047-06	SCREW,HX CP 1/4-20UNCX1 GR5	2
5	142779	NUT,FLANG SERRATED 1/4-20	2
6	1-654-010070-02	SCREW 1/2-13X1-1/4 RD HD SQNK	1
7	1-510-010003-09	NUT,1/2-13 FLANGE HD,SERRATED	1

Small Seed Box Assemblies

Small Seed Box Assemblies



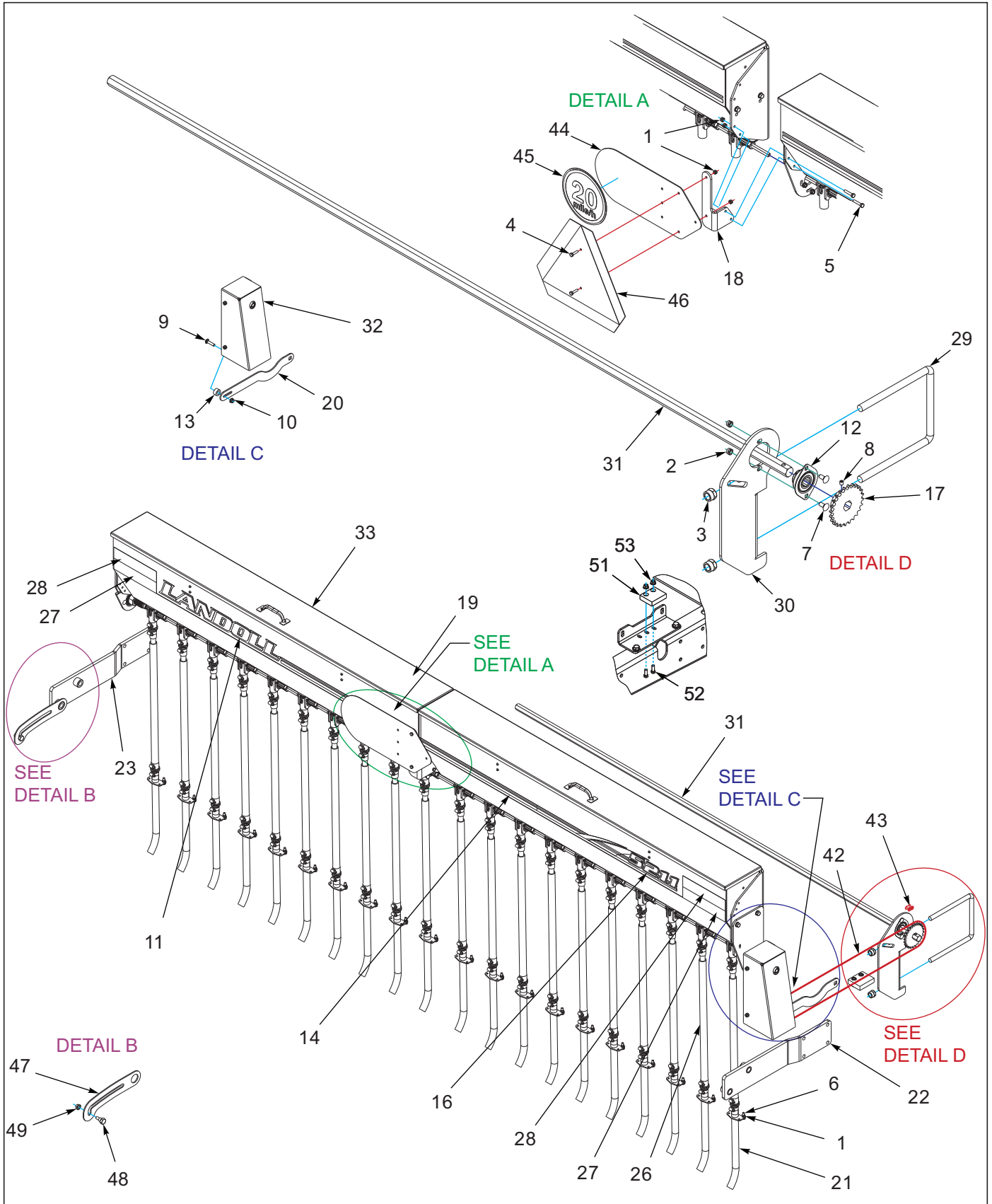


Figure 5-2: Small Seed Box Assembly 5211-12-1/2' (2 of 4)

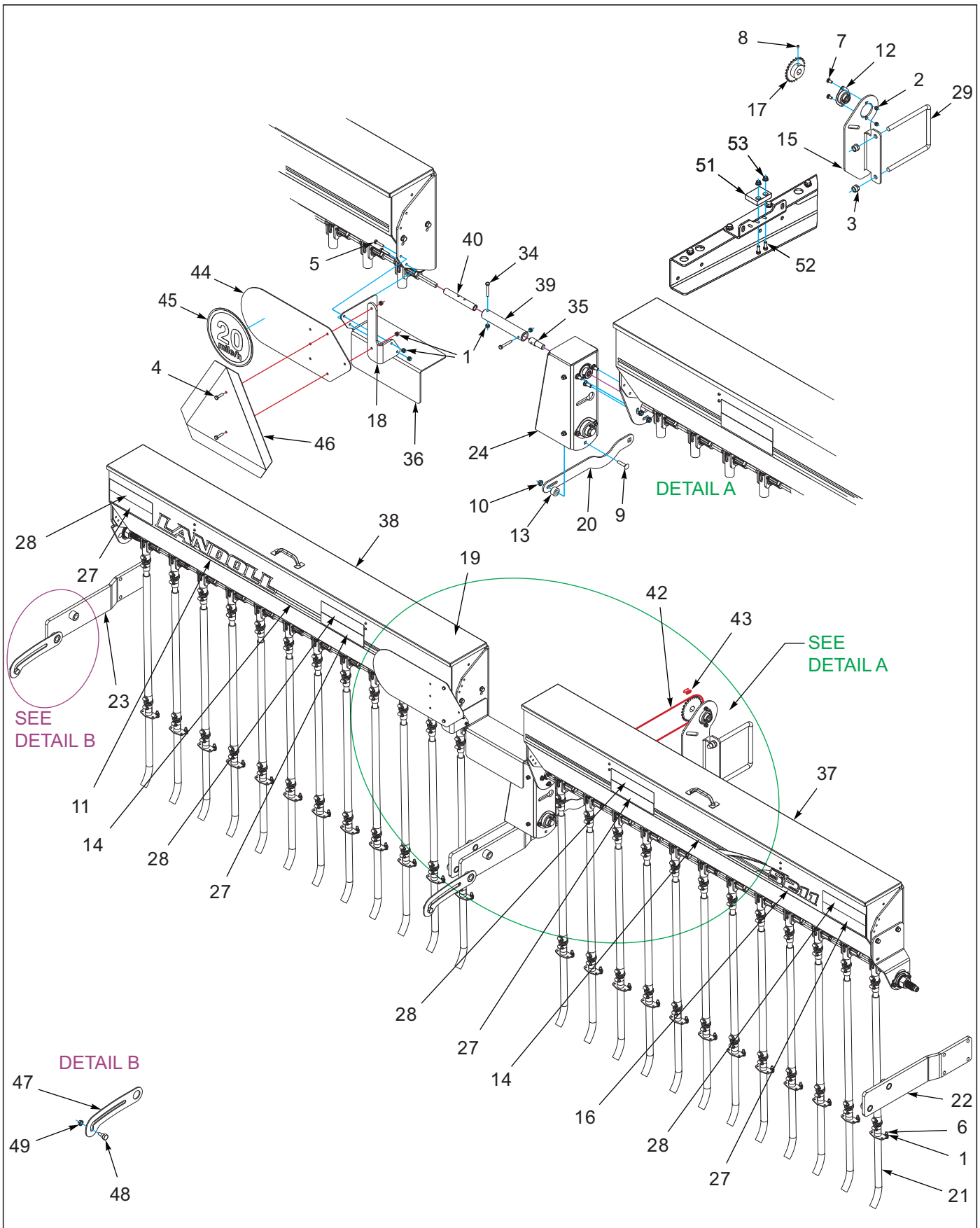


Figure 5-3: Small Seed Box Assembly 5211-15' (3 of 4)

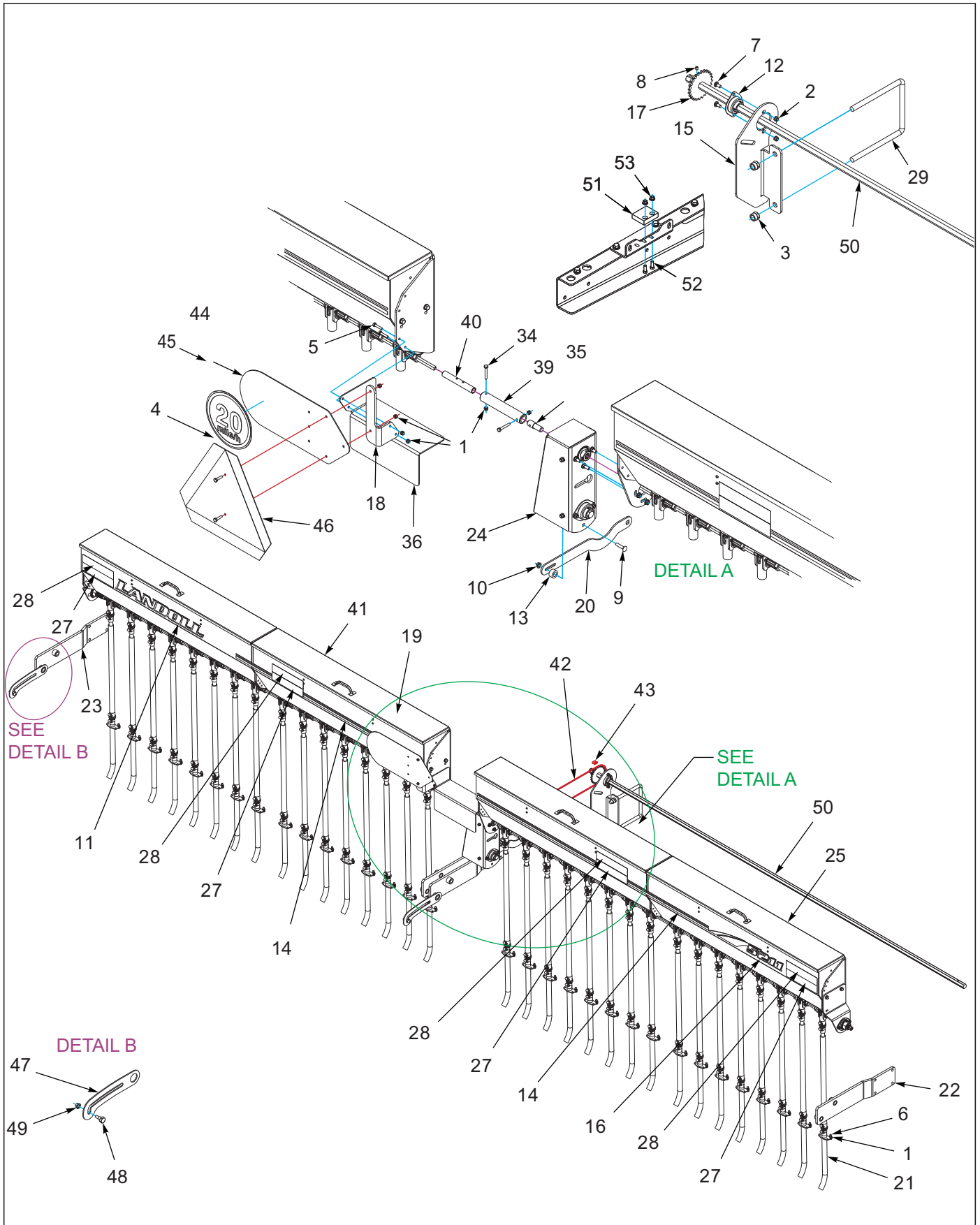


Figure 5-4: Small Seed Box Assembly 5211-20' (4 of 4)

Small Seed Box Assembly

ITEM	PART NUMBER	DESCRIPTION	QTY.					
--	232404	SMALL SEED ASSY, 5211-10X6	*					
--	176608	SMALL SEED ASSY 5211-10X7.5		*				
--	176609	SMALL SEED ASSY5211-12-1/2X7.5			*			
--	176610	SMALL SEED ASSY 5211-15X7.5				*		
--	176611	SMALL SEED ASSY 5211-20X7.5					*	
--	187484	SMALL SEED ASSY 5211-20 10SP						*
1	1-512-010005-01	NUT, HEX LOCK 1/4-20 GRB	45	37	45	54	70	54
2	1-512-010005-03	NUT, HEX LOCK 5/16-18 GRB	2	2	2	2	2	2
3	1-512-010005-13	NUT, HEX LOCK 5/8-11 GRB	2	2	2	2	2	2
4	1-654-010047-04	SCREW HEX HEAD CAP 1/4-20 X 3/4 GR5	2	2	2	2	2	2
5	1-654-010047-07	SCREW, HEX HEAD CAP 1/4-20 X 1-1/4 GR5	2	2	2	2	2	2
6	1-654-010158-02	SCREW, RD HEAD SQ NECK 1/4-20 X 1	40	32	40	48	64	48
7	105909	SCREW, RD HEAD SQ NECK 5/16-18 X 3/4	2	2	2	2	2	2
8	107-0975	SCREW, SET LOCK 5/16-18 X 3/8	1	1	1	1	1	1
9	110993	SCREW, RD HEAD SQ NECK 5/16-18 X 1-1/2 GR5	1	1	1	1	1	1
10	126561	NUT, FLANGE HEAD SERRATED 5/16-18	1	1	1	1	1	1
11	141260	DECAL, LANDOLL	1	1	1	1	1	1
12	144060	BEARING, 7/8 HEX BORE 2 BOLT	1	1	1	1	1	1
13	144086	SPACER, 1 X 9/16 X 17/32	1	1	1	1	1	1
14	151539	DECAL, STRIPE 1 X 54"	1	1	2	2	3	3
15	158310	BRACKET, GRASS SEED LEFT	1	1	--	1	1	1
16	172731	DECAL, MODEL 5211	1	1	1	1	1	1
17	174409	SPROCKET, #40 X 24 7/8 HEX	1	1	1	1	1	1
18	174410	BRACKET, SMV	1	1	1	1	1	1
19	174412	DECAL, SMALL SEED RATE	1	1	1	1	1	1
20	176565	BRACKET, CHAIN ADJUSTMENT	1	1	1	1	1	1
21	176569	TUBE, SMALL SEED	20	16	20	24	32	24
22	176590	MOUNT, WALKBOARD RIGHT EXT	1	1	1	2	2	2
23	176591	MOUNT, WALKBOARD LEFT EXT	1	1	1	2	2	2
24	176606	BEARING ASSEMBLY, SEED SHAFT LEFT (SEE PAGE 5-18)	1	1	--	1	1	1
25	232405	SEED BOX ASSY 10'X6" RIGHT	1	--	--	--	--	--
25	176617	SEED BOX ASSEMBLY, 10' RIGHT (SEE PAGE 5-10)	--	1	--	--	1	--
25	187481	SEED BOX ASSY 10'X10" RIGHT	--	--	--	--	--	1
26	176620	SEED TUBE ASSEMBLY, SMALL (SEE PAGE 5-19)	20	16	20	24	32	24
27	528933	REFLECTOR, RED	2	2	2	4	4	4
28	528938	STRIPE, ORANGE	2	2	2	4	4	4
29	70593063	U-BOLT	1	1	1	1	1	1
30	158309	BRACKET, GRASS SEED RIGHT	--	--	1	--	--	--
31	161462	SHAFT 7/8 HEX, 48L (3-POINT HITCH OPTION)	--	--	1	--	--	--
31	159055	SHAFT, 7/8 HEX 85L (PULL HITCH OPTION)	--	--	1	--	--	--
32	176605	BEARING ASSEMBLY, SEED SHAFT RT (SEE PAGE 5-16)	--	--	1	--	--	--

Small Seed Box Assembly

ITEM	PART NUMBER	DESCRIPTION	QTY.					
33	176619	SEED BOX ASSEMBLY, 12-1/2' (SEE PAGE 5-12)	--	--	1	--	--	--
34	1-654-010047-09	SCREW, HEX HEAD CAP 1/4-20 X 1-3/4 GR5	--	--	--	2	2	2
35	174411	COUPLER DRIVE, THREADED	--	--	--	1	1	1
36	176553	SHIELD, SEED SHAFT	--	--	--	1	1	1
37	176614	SEED BOX ASSEMBLY, 7-1/2' RIGHT (SEE PAGE 5-10)	--	--	--	1	--	--
38	176615	SEED BOX ASSEMBLY, 7-1/2' LEFT (SEE PAGE 5-8)	--	--	--	1	--	--
39	176666	COUPLER, SHAFT 6"	--	--	--	1	1	1
40	6K516	DRIVE TUBE	--	--	--	1	1	1
41	176616	SEED BOX ASSEMBLY, 10' LEFT (SEE PAGE 5-8)	--	--	--	--	1	--
41	187482	SEED BOX ASSY 10'X10" LEFT	--	--	--	--	--	1
42	176664	ROLLER CHAIN, #40X164P 82L (INCLUDES 119716)	1	1	1	1	1	1
43	119716	CONNECTING LINK #40 CHAIN	1	1	1	1	1	1
44	224590	MOUNT, SIS DECAL	1	1	1	1	1	1
45	224589	DECAL, SIS 20 MILE/H	1	1	1	1	1	1
46	70260977	SMV EMBLEM	1	1	1	1	1	1
47	151513	LATCH, WALKBOARD	1	1	1	2	2	5
48	2-095-010017	BOLT, SHOULDER HEX HEAD	1	1	1	2	2	2
49	107470	NUT, SPIRALOCK 3/8-16HX	1	1	1	2	2	2
50	144181	SHAFT, 7/8 HEX, 72-1/4 L (3-POINT HITCH OPTION)	--	--	--	--	1	1
50	144180	SHAFT, 7/8 HEX, 108-1/2 L (3-POINT HITCH OPTION)	--	--	--	--	1	1
50	154869	SHAFT, 7/8 HEX, 140 L (PULL HITCH OPTION)	--	--	--	--	1	1
51	231495	WEAR PAD, CHAIN	1	1	1	1	1	1
52	1-654-010051-05	SCREW, HEX CAP 3/8-16UNCX1 GR5	2	2	2	2	2	2
53	1-510-010001	NUT, 3/8-16 UNC FLG LOCK GR G	2	2	2	2	2	2

Small Seed Box Assembly, Left

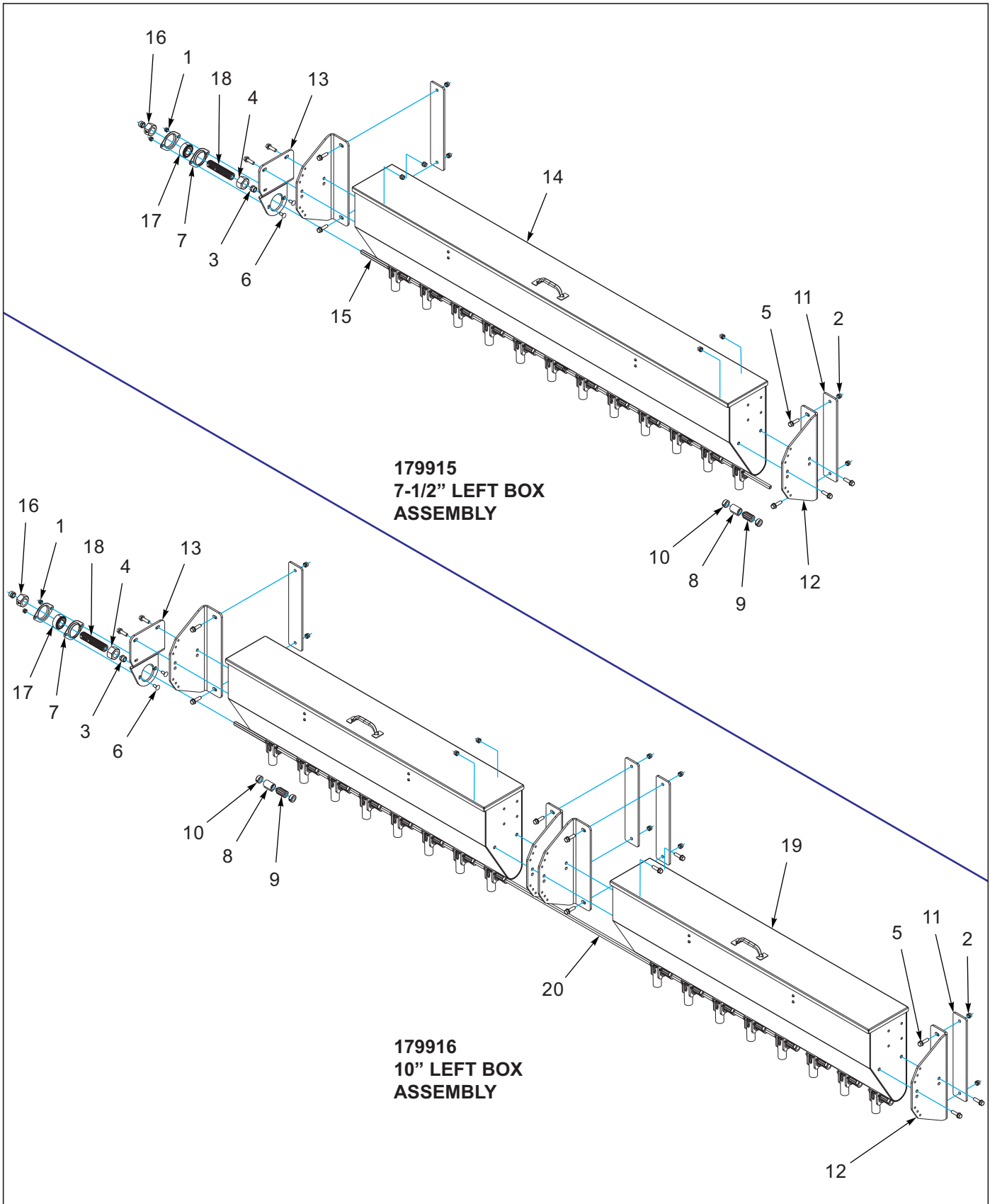


Figure 5-5: Small Seed Box Assembly, Left

Small Seed Box Assembly, Left

ITEM	PART NUMBER	DESCRIPTION	QTY.		
--	176615	SEED BOX ASSY 7-1/2' LEFT	*		
--	176616	SEED BOX ASSY 10' LEFT		*	
--	187482	SEED BOX ASSY 10'X10" LEFT			*
1	1-512-010005-03	NUT, HEX LOCK 5/16-18 GRB	2	2	2
2	1-512-010005-05	NUT, HEX LOCK 3/8-16 GRB	8	14	14
3	1-512-010005-09	NUT, HEX LOCK 1/2-13 GRB	2	2	2
4	1-512-010007-14	NUT, HEX 1-8 GRB	1	1	1
5	1-655-010003-06	SCREW, FLANGE HEAD 3/8-16 X 2-1/4	8	14	14
6	105909	SCREW, RD HEAD SQ NECK 5/16-18 X 3/4	2	2	2
7	143901	FLANGE, BEARING 2 HOLE	2	2	2
8	155871	METER, FEED CUT-OFF	12	16	12
9	155873	METER, FEED ROLL	12	16	12
10	159041	COLLAR, RD. SHAFT SET 9/16	24	32	24
11	176552	PLATE, MOUNTING	2	4	4
12	176555	MOUNT, SMALL SEED BOX	2	4	4
13	176557	MOUNT, SMALL SEED ADJ LEFT	1	1	1
14	176585	SEEDBOX ASSEMBLY 72" (SEE PAGE 5-14)	1	--	--
15	176665	SHAFT, 3/8 SQ X 78-3/4 W/ THREADS	1	--	--
16	4D402	SEED RATE ADJUSTING NUT	1	1	1
17	4D413	BEARING	1	1	1
18	9J433	ADJUSTING SCREW	1	1	1
19	176583	SEEDBOX ASSEMBLY 49-3/8" (SEE PAGE 5-14)	--	2	--
20	186296	SEEDBOX ASSY, 49-3/8 10SP (SEE PAGE 5-14)	--	--	2
20	176571	SHAFT, 3/8 SQ X 106 W/ THREADS	--	1	1

Small Seed Box Assembly, Right

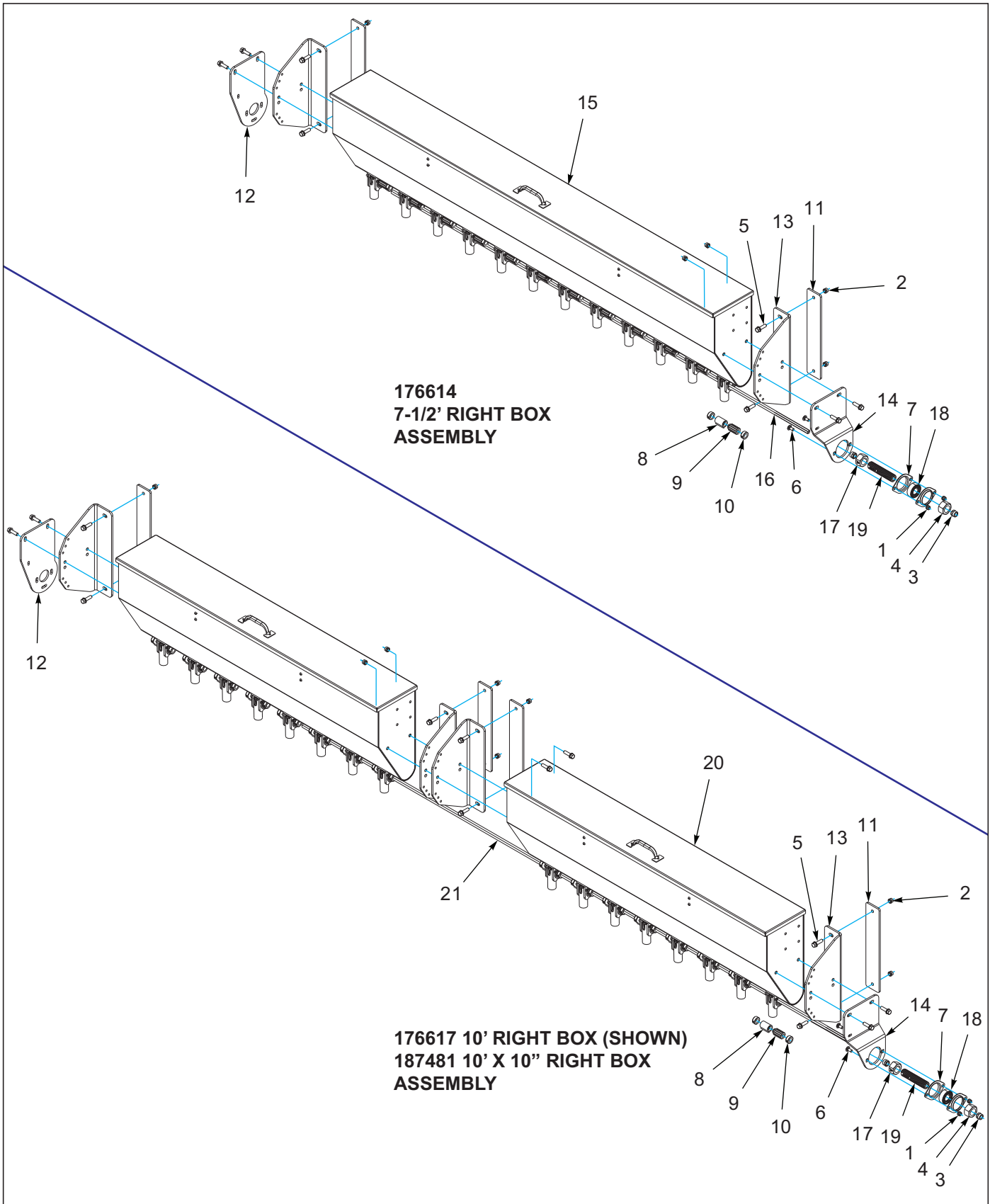


Figure 5-6: Small Seed Box Assembly, Right

Small Seed Box Assembly, Right

ITEM	PART NUMBER	DESCRIPTION	QTY.		
--	176614	SEED BOX ASSY 7-1/2' RIGHT	*		
--	176617	SEED BOX ASSY 10' RIGHT		*	
--	187481	SEED BOX ASSY 10'X10" RIGHT			*
1	1-512-010005-03	NUT, HEX LOCK 5/16-18 GRB	2	2	2
2	1-512-010005-05	NUT, HEX LOCK 3/8-16 GRB	8	14	14
3	1-512-010005-09	NUT, HEX LOCK 1/2-13 GRB	2	2	2
4	1-512-010007-14	NUT, HEX 1-8 GRB	1	1	1
5	1-655-010003-06	SCREW, FLANGE HEAD 3/8-16 X 2-1/4	8	14	14
6	105909	SCREW, RD HEAD SQ NECK 5/16-18 X 3/4	2	2	2
7	143901	FLANGE, BEARING 2 HOLE	2	2	2
8	155871	METER, FEED CUT-OFF	12	16	12
9	155873	METER, FEED ROLL	12	16	12
10	159041	COLLAR, RD. SHAFT SET 9/16	24	32	24
11	176552	PLATE, MOUNTING	2	4	4
12	176554	MOUNT, DRIVE SMALL SEED	1	1	1
13	176555	MOUNT, SMALL SEED BOX	2	4	4
14	176556	MOUNT, SMALL SEED ADJ RIGHT	1	1	1
15	176585	SEEDBOX ASSEMBLY 72" (SEE PAGE 5-14)	1	--	--
16	176665	SHAFT, 3/8 SQ X 78-3/4 W/ THREADS	1	--	--
17	4D402	SEED RATE ADJUSTING NUT	1	1	1
18	4D413	BEARING	1	1	1
19	9J433	ADJUSTING SCREW	1	1	1
20	176583	SEEDBOX ASSEMBLY 49-3/8" (SEE PAGE 5-14)	--	2	--
20	186296	SEEDBOX ASSY, 49-3/8 10SP (SEE PAGE 5-14)	--	--	2
21	176571	SHAFT, 3/8 SQ X 106 W/ THREADS	--	1	1

Small Seed Box Assembly 12-1/2'

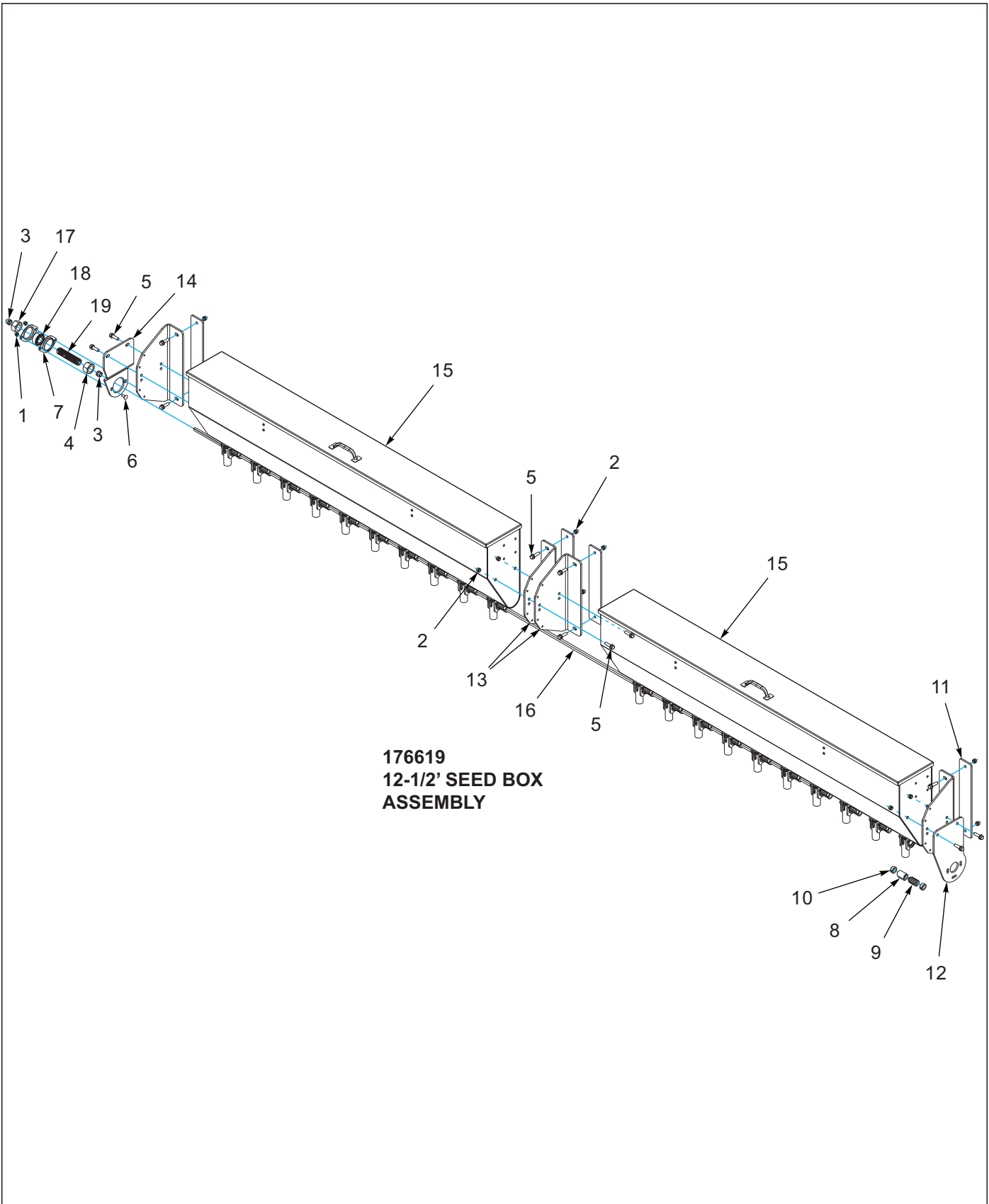


Figure 5-7: Small Seed Box Assembly 12-1/2'

Small Seed Box Assembly 12-1/2'

ITEM	PART NUMBER	DESCRIPTION	QTY.
--	176619	SEED BOX ASSY 12-1/2'	
1	1-512-010005-03	NUT, HEX LOCK 5/16-18 GRB	2
2	1-512-010005-05	NUT, HEX LOCK 3/8-16 GRB	14
3	1-512-010005-09	NUT, HEX LOCK 1/2-13 GRB	2
4	1-512-010007-14	NUT, HEX 1-8 GRB	1
5	1-655-010003-06	SCREW, FLANGE HEAD 3/8-16 X 2-1/4	14
6	105909	SCREW, RD HEAD SQ NECK 5/16-18 X 3/4	2
7	143901	FLANGE, BEARING 2 HOLE	2
8	155871	METER, FEED CUT-OFF	20
9	155873	METER, FEED ROLL	20
10	159041	COLLAR, RD. SHAFT SET 9/16	40
11	176552	PLATE, MOUNTING	4
12	176554	MOUNT, DRIVE SMALL SEED	1
13	176555	MOUNT, SMALL SEED BOX	4
14	176557	MOUNT, SMALL SEED ADJ LEFT	1
15	176584	SEEDBOX ASSEMBLY 64-3/8" (SEE PAGE 5-14)	2
16	176667	SHAFT, 3/8 SQ X 136 W/ THREADS	1
17	4D402	SEED RATE ADJUSTING NUT	1
18	4D413	BEARING	1
19	9J433	ADJUSTING SCREW	1

Seed Box Assembly, Small

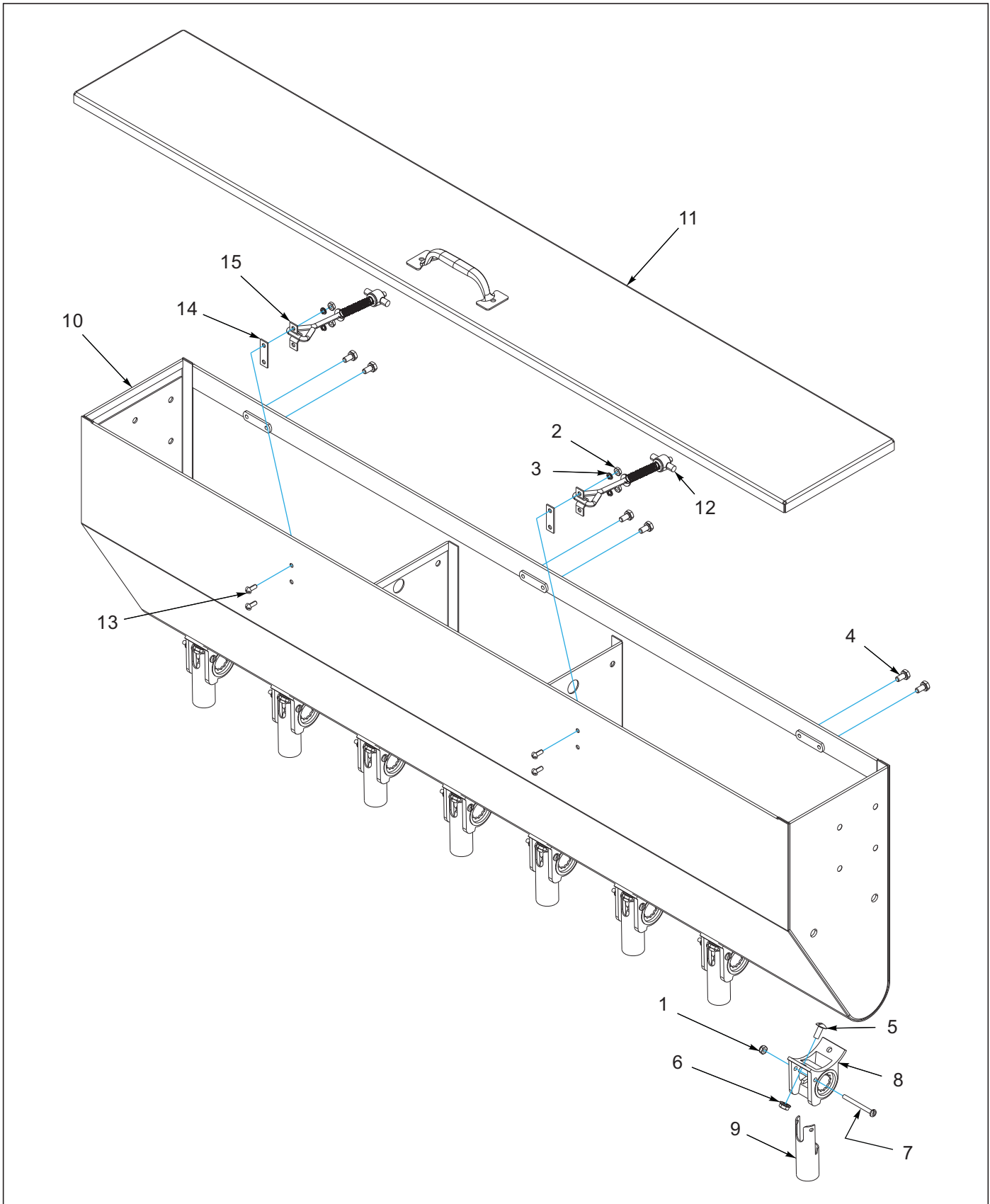


Figure 5-8: Seed Box Assembly, Small

Seed Box Assembly, Small

ITEM	PART NUMBER	DESCRIPTION	QTY.			
--	176583	SEED BOX ASSEMBLY, 49-3/8" (SHOWN)	*			
--	176584	SEED BOX ASSEMBLY, 64-3/8"		*		
--	176585	SEED BOX ASSEMBLY, 72"			*	
--	186296	SEEDBOX ASSY, 49-3/8 10SP				*
1	1-512-010003-05	NUT, HEX LOCK #10-32	8	10	12	6
2	1-512-010007-03	NUT, HEX #10-24	4	4	4	4
3	1-861-010034-07	WASHER, SPLIT LOCK #10	4	4	4	4
4	104877	SCREW, HEX HEAD CAP 1/4-20 X 1/2 GR5	6	6	6	6
5	108213	SCREW, RD HEAD MACH 1/4-20 X 5/8	16	20	24	12
6	108417	NUT, HEX FLANGE SPIRAL 1/4-20	16	20	24	12
7	132554	SCREW, PAN HEAD #10-32 X 2	8	10	12	6
8	155874	METER, PLASTIC CUP W/ HOLE	8	10	12	6
9	172656	TUBE, GRASS SEED METER	8	10	12	6
10	176574	SEEDBOX, SMALL SEED 49-3/8"	1	--	--	--
10	176575	SEEDBOX, SMALL SEED 64-3/8"	--	1	--	--
10	176576	SEEDBOX, SMALL SEED 72"	--	--	1	--
10	186298	SEEDBOX, SMALL SEED 49-3/8 10"	--	--	--	1
11	176577	COVER, SEED BOX 49-3/8"	1	--	--	1
11	176578	COVER, SEED BOX 64-3/8"	--	1	--	--
11	176607	COVER, SEED BOX 72"	--	--	1	--
12	1C199	COVER LOCK ASSEMBLY	2	2	2	2
13	1C213	SCREW, RD HEAD #10-24 X 1/2	4	4	4	4
14	7D937	WEAR STRIP	2	2	2	2
15	7D938	COVER, LOCK CLIP	2	2	2	2

Seed Shaft Bearing Assembly, Right

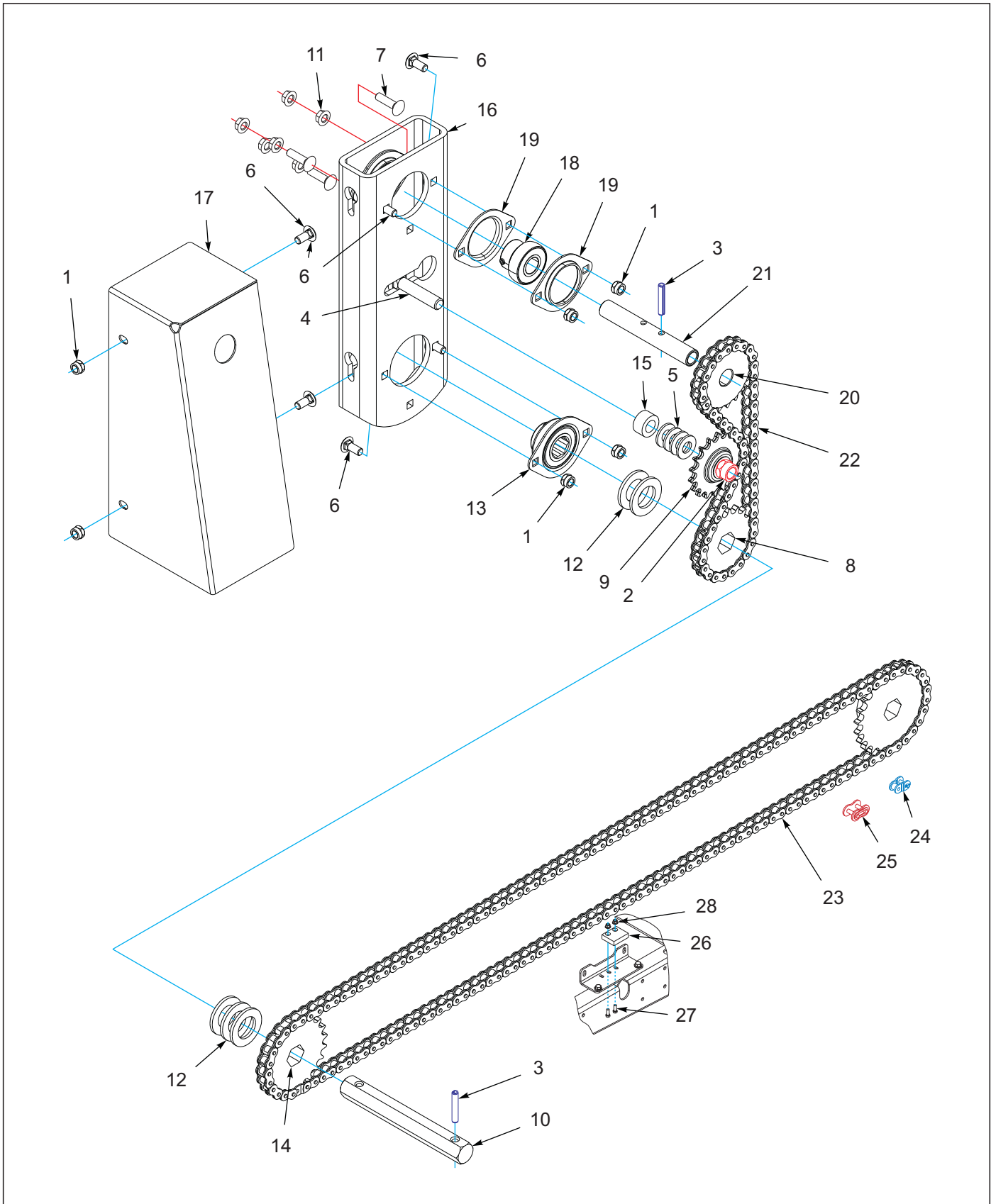


Figure 5-9: Seed Shaft Bearing Assembly, Right

Seed Shaft Bearing Assembly, Right

ITEM	PART NUMBER	DESCRIPTION	QTY.
--	176605	BEARING ASSEMBLY, SEED SHAFT RIGHT	
1	1-512-010005-03	NUT, HEX LOCK 5/16-18 GRB	2
2	1-512-010005-09	NUT, HEX LOCK 1/2-13 GRB	2
3	1-647-010004217	SPRING PIN, SLOTTED 1/4 X 1-1/2	2
4	1-654-010070-07	SCREW, RD HEAD SQ NECK 1/2-13 X 2-1/2	1
5	1-861-010032-14	WASHER, FLAT 1/2" N ZP/CD	2
6	105909	SCREW, RD HEAD SQ NECK 5/16-18 X 3/4	2
7	111-1267	SCREW, RD HEAD SQ NECK 5/16-18 X 1-1/4 GR5	3
8	122827	SPROCKET, TRANSMISSION 19T	1
9	122871	SPROCKET, TRANSMISSION IDLER	3
10	125777	SHAFT, HEX 7/8 X 7	1
11	126561	NUT, FLANGE HEAD SERRATED, 5/16-18	6
12	141238	WASHER, SPINDLE	5
13	144060	BEARING, 7/8 HEX BORE 2 BOLT	2
14	144082	SPROCKET, TRANS 40 X 22T	1
15	144086	SPACER, 1 X 9/16 X 17/32	1
16	168906	BEARING MOUNT, SEED SHAFT	1
17	176567	SHIELD, SMALL SEED RIGHT	1
18	1D598	BEARING AND COLLAR 3/4	2
19	2K503	FLANGETTE, 2 BOLT	4
20	3P115	SPROCKET, #40B19 X 3/4" BORE	1
21	6K516	DRIVE TUBE	1
22	176627	ROLLER CHAIN, #40X57P 28-1/2L (INCLUDES 119716, 163981)	1
23	176664	ROLLER CHAIN, #40X164P 82L (INCLUDES 119716)	1
24	163981	OFFSET LINK #40	1
25	119716	CONNECTING LINK #40 CHAIN	1
26	231495	WEAR PAD, CHAIN	1
27	1-654-010051-05	SCREW, HEX CAP 3/8-16UNCX1 GR5	2
28	1-510-010001	NUT, 3/8-16 UNC FLG LOCK GR G	2

Seed Shaft Bearing Assembly, Left

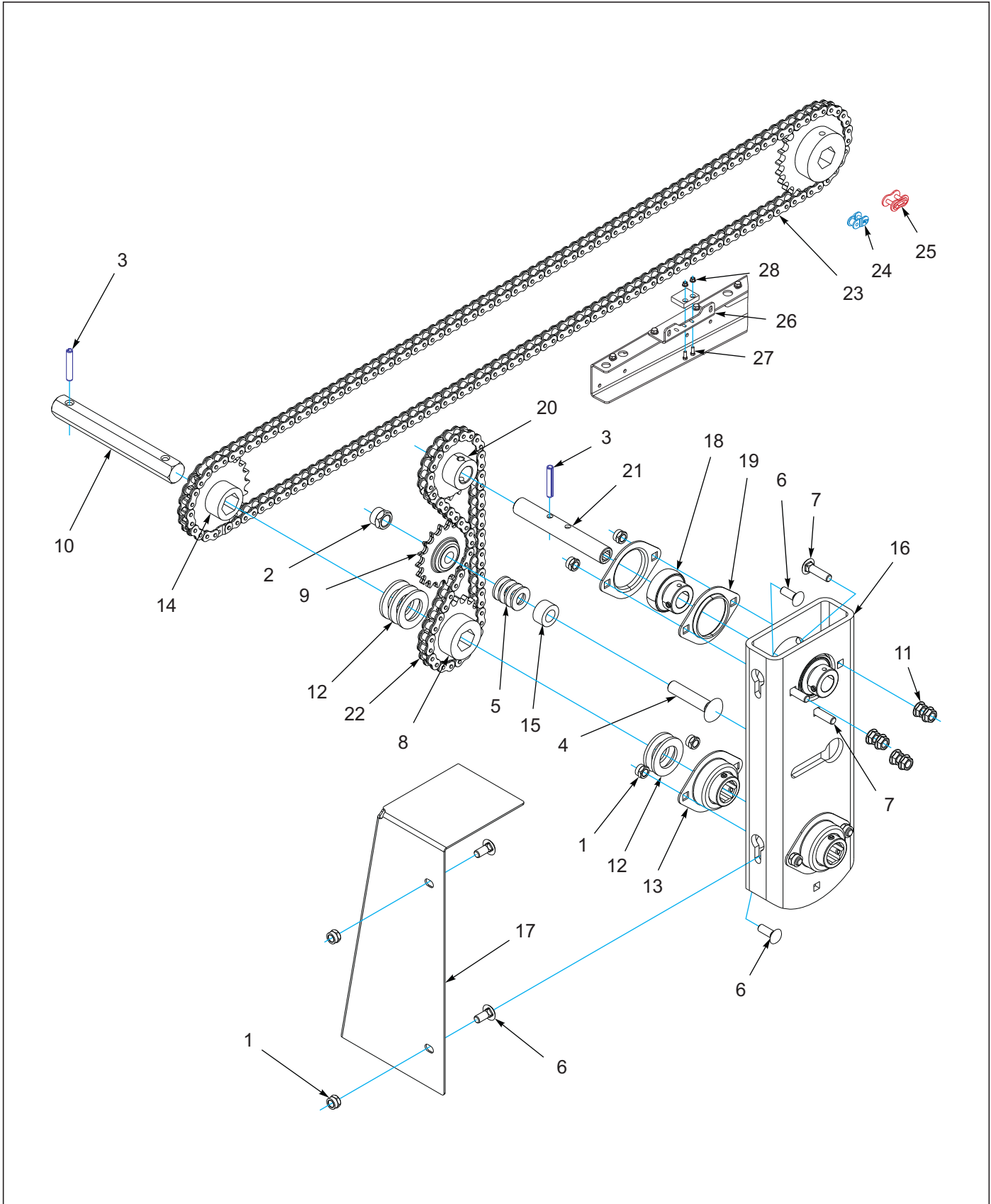


Figure 5-10: Seed Shaft Bearing Assembly, Left

Seed Shaft Bearing Assembly, Left

ITEM	PART NUMBER	DESCRIPTION	QTY.
--	176606	BEARING ASSEMBLY, SEED SHAFT LEFT	
1	1-512-010005-03	NUT, HEX LOCK 5/16-18 GRB	2
2	1-512-010005-09	NUT, HEX LOCK 1/2-13 GRB	2
3	1-647-010004217	SPRING PIN, SLOTTED 1/4 X 1-1/2	2
4	1-654-010070-07	SCREW, RD HEAD SQ NECK 1/2-13 X 2-1/2	1
5	1-861-010032-14	WASHER, FLAT 1/2" N ZP/CD	2
6	105909	SCREW, RD HEAD SQ NECK 5/16-18 X 3/4	2
7	111-1267	SCREW, RD HEAD SQ NECK 5/16-18 X 1-1/4 GR5	3
8	122827	SPROCKET, TRANSMISSION 19T	1
9	122871	SPROCKET, TRANSMISSION IDLER	3
10	125777	SHAFT, HEX 7/8 X 7	1
11	126561	NUT, FLANGE HEAD SERRATED, 5/16-18	6
12	141238	WASHER, SPINDLE	5
13	144060	BEARING, 7/8 HEX BORE 2 BOLT	2
14	144082	SPROCKET, TRANS 40 X 22T	1
15	144086	SPACER, 1 X 9/16 X 17/32	1
16	168906	BEARING MOUNT, SEED SHAFT	1
17	176568	SHIELD, SMALL SEED LEFT	1
18	1D598	BEARING AND COLLAR 3/4	2
19	2K503	FLANGETTE, 2 BOLT	4
20	3P115	SPROCKET, #40B19 X 3/4" BORE	1
21	6K516	DRIVE TUBE	1
22	176627	ROLLER CHAIN, #40X57P 28-1/2L (INCLUDES 119716, 163981)	1
23	176664	ROLLER CHAIN, #40X164P 82L (INCLUDES 119716)	1
24	163981	OFFSET LINK #40	1
25	119716	CONNECTING LINK #40 CHAIN	1
26	231495	WEAR PAD, CHAIN	1
27	1-654-010051-05	SCREW, HEX CAP 3/8-16UNCX1 GR5	2
28	1-510-010001	NUT, 3/8-16 UNC FLG LOCK GR G	2

Seed Tube Assembly, Small

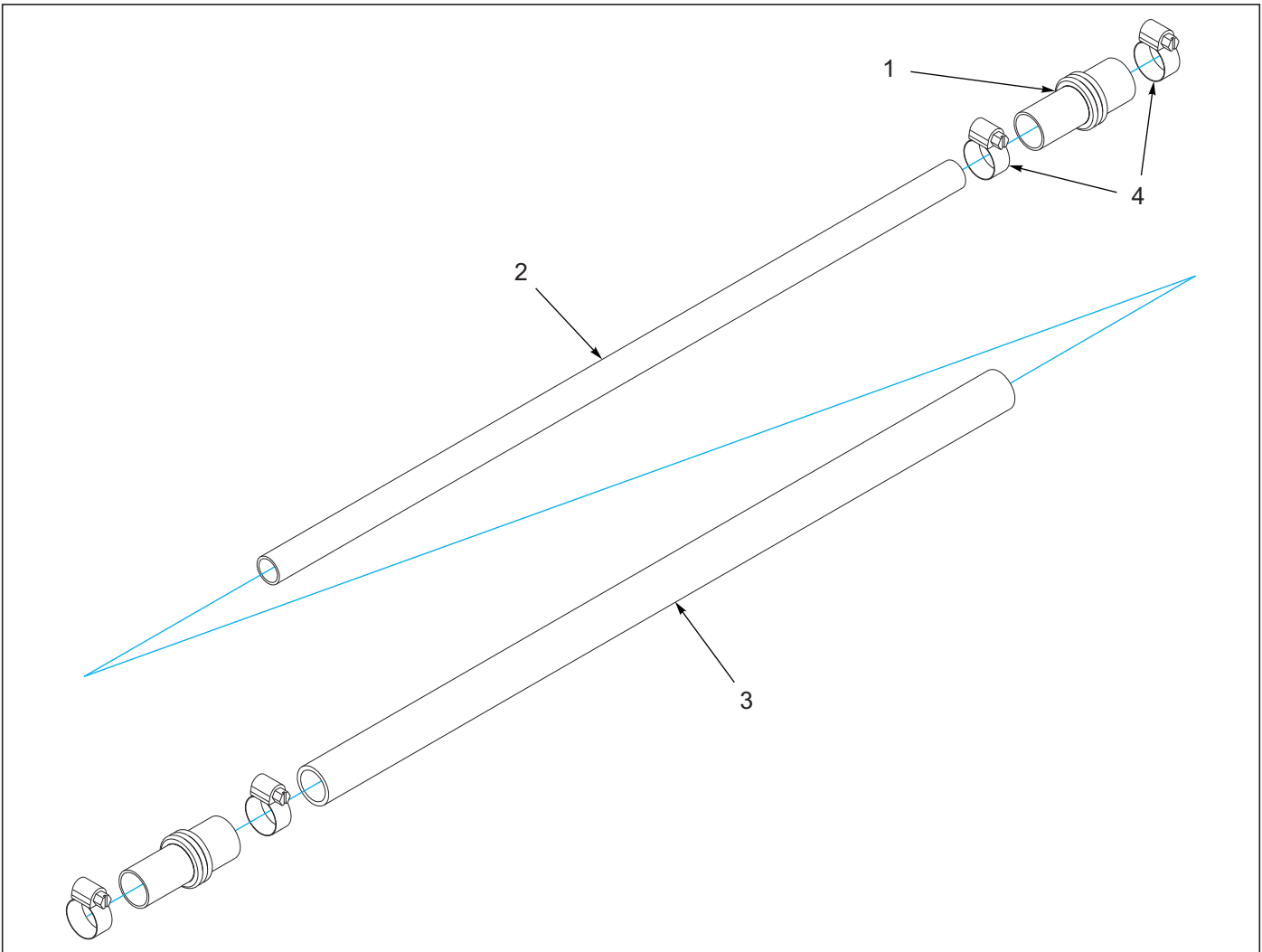


Figure 5-11: Small Tube Assembly, Small

Seed Tube Assembly, Small




ITEM	PART NUMBER	DESCRIPTION	QTY.
--	176620	SEED TUBE ASSEMBLY, SMALL	
1	176594	HOSE, SEED 3"	2
2	176595	SEED TUBE, INNER	1
3	176596	SEED TUBE, OUTER	1
4	42H12	CLAMP, HOSE 3/4	4

Electrical

Electrical Assembly W/LED Lights Wiring Chart

7-PIN CONN.	4-PIN TOWER	CIRCUIT	WIRE COLOR
1	D	GROUND	WHITE 
2	-	WORK LAMPS	BLACK 
3	B	LEFT FLASHING & TURN	YELLOW 
4	-	STOP LAMPS	RED 
5	A	RIGHT FLASHING & TURN	GREEN 
6	C	TAIL LAMPS	BROWN 
7	-	SWITCHED POWER (12 V)	BLUE 

MAIN WARNING LIGHT HARNESS - WIRING CHART

	1	2	3	4	5
	2-PIN TOWER	3-PIN TOWER	6-PIN SHROUD	3-PIN TOWER	2-PIN TOWER
 BLACK LEFT TURN			A	C	
 WHITE GROUND	A	A	B	A	A
 BROWN TAIL LIGHT		B	C	B	
 YELLOW LEFT TURN			D		B
 GREEN RIGHT TURN	B		E		
 RED RIGHT TURN		C	F		

REAR WARNING LIGHT HARNESS - WIRING CHART

Figure 6-1: Electrical Assembly W/LED Lights Wiring Chart

Electrical Assembly W/LED Lights 5211-10'-12-1/2' W/Long Hitch

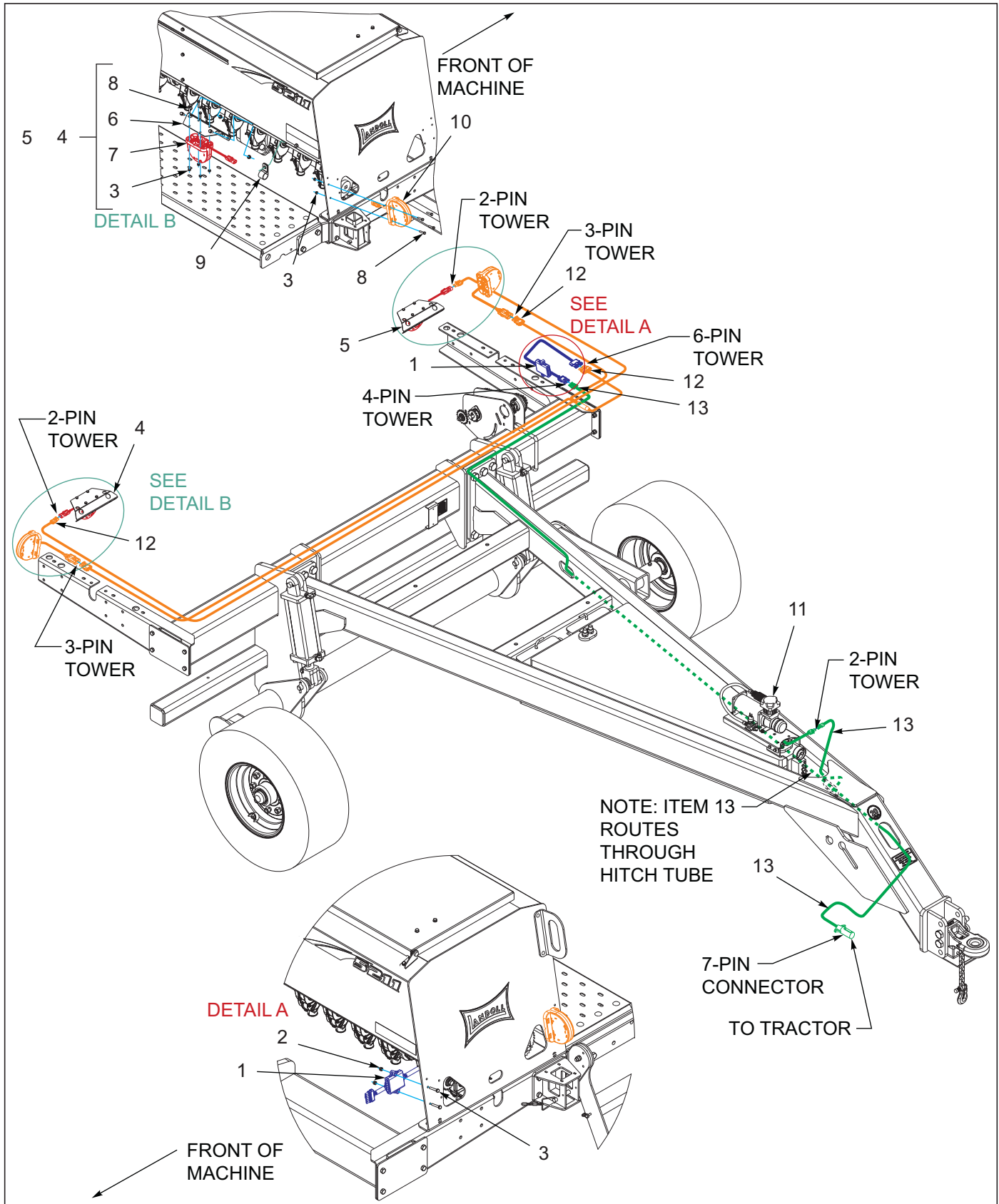


Figure 6-2: Electrical Assembly W/LED Lights 5211-10'-12-1/2' W/Long Hitch

Electrical Assembly W/LED Lights 5211-10'-12-1/2' W/Long Hitch

ITEM	PART NUMBER	DESCRIPTION	QTY.
1	174437	MODULE, AG FLASHER CONTROL	1
2	1-654-010047-08	SCREW HX CP, 1/4-20UNCX1-1/2G5	2
3	1-512-010005-01	NUT, HEX, SLFLKG GRB 1/4-20	18
4	174455	LIGHT ASSY, RED RIGHT (INCLUDES ITEMS 3, 6, 7, 8)	1
5	174456	LIGHT ASSY, RED LEFT (INCLUDES ITEMS 3, 6, 7, 8)	1
6	159057	BRACKET, LIGHT	2
7	174435	LAMP, AG RED SINGLE LED	2
8	1-654-010047-07	SCREW, HX CP 1/4-20UNCX1-1/4G5	16
9	40-0717-02	CLAMP, HYD HOSE SUPPORT	10
10	174436	LAMP, AG AMBER SINGLE LED	2
11	187518	COMPRESSOR ASSY, AIR 12V (SEE PAGE 4-1)	REF
12	174444	HARNESS, REAR WARNING LIGHTS	1
13	174441	HARNESS, MAIN WARNING LIGHTS	1

Electrical Assembly W/LED Lights 5211-15'-20' W/Long Hitch

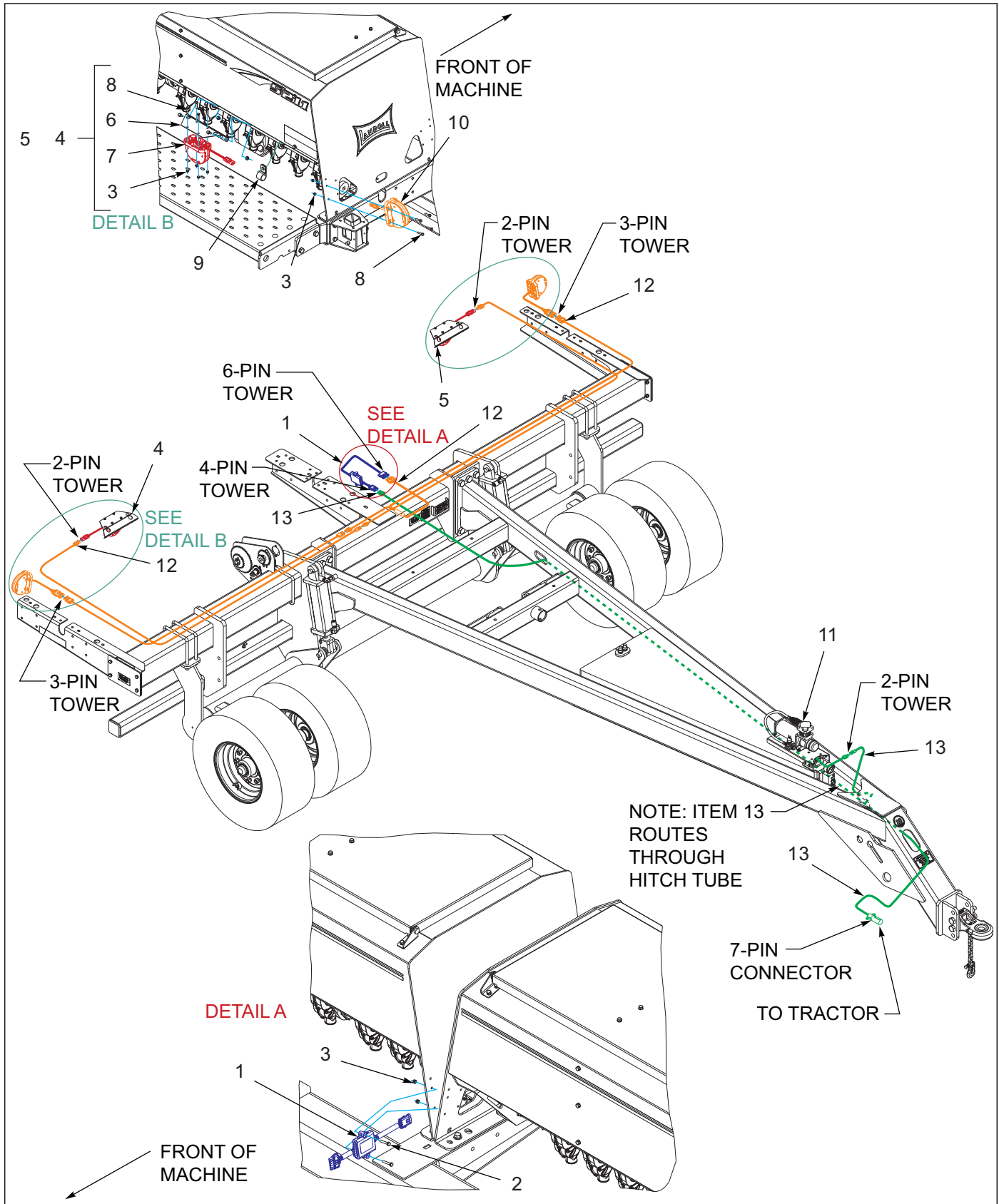


Figure 6-3: Electrical Assembly W/LED Lights 5211-15'-20' W/Long Hitch

Electrical Assembly W/LED Lights 5211-15'-20' W/Long Hitch

ITEM	PART NUMBER	DESCRIPTION	QTY.
1	174437	MODULE, AG FLASHER CONTROL	1
2	1-654-010047-08	SCREW HX CP, 1/4-20UNCX1-1/2G5	2
3	1-512-010005-01	NUT, HEX, SLFLKG GRB 1/4-20	18
4	174455	LIGHT ASSY, RED RIGHT (INCLUDES ITEMS 3, 6, 7, 8)	1
5	174456	LIGHT ASSY, RED LEFT (INCLUDES ITEMS 3, 6, 7, 8)	1
6	159057	BRACKET, LIGHT	2
7	174435	LAMP, AG RED SINGLE LED	2
8	1-654-010047-07	SCREW, HX CP 1/4-20UNCX1-1/4G5	16
9	40-0717-02	CLAMP, HYD HOSE SUPPORT	10
10	174436	LAMP, AG AMBER SINGLE LED	2
11	187518	COMPRESSOR ASSY, AIR 12V (SEE PAGE 4-1)	REF
12	174445	HARNESS, REAR WARNING LIGHTS (MODEL 5211-15')	1
12	174446	HARNESS, REAR WARNING LIGHTS (MODEL 5211-20')	1
13	174441	HARNESS, MAIN WARNING LIGHTS	1

Electrical Assembly W/LED Lights 5211-12-1/2'-15'-20' W/3Point Hitch

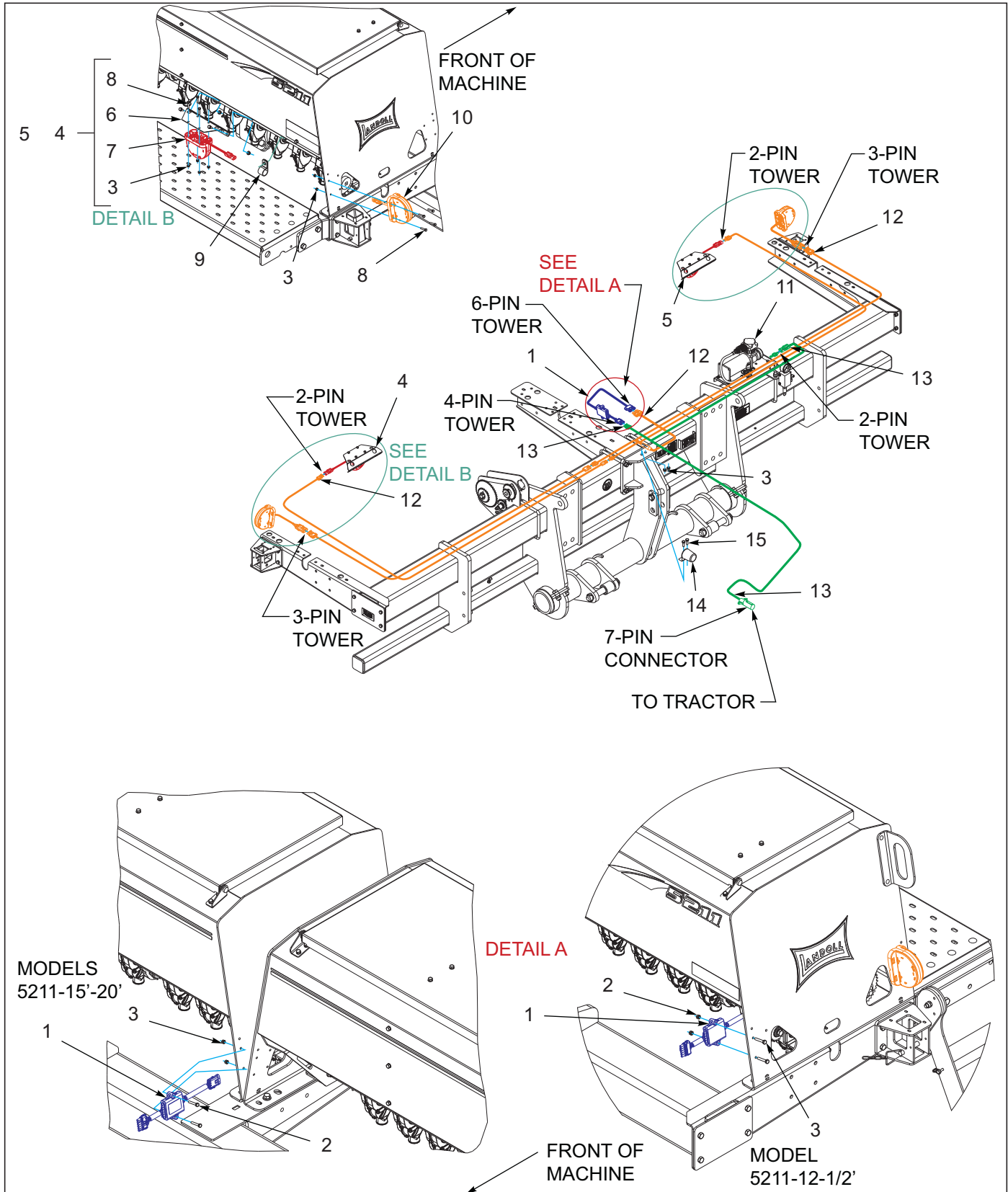


Figure 6-4: Electrical Assembly W/LED Lights 5211-12-1/2'-15'-20' W/3Point Hitch

Electrical Assembly W/LED Lights 5211-12-1/2'-15'-20' W/3Point Hitch

ITEM	PART NUMBER	DESCRIPTION	QTY.
1	174437	MODULE, AG FLASHER CONTROL	1
2	1-654-010047-08	SCREW HX CP, 1/4-20UNCX1-1/2G5	2
3	1-512-010005-01	NUT, HEX, SLFLKG GRB 1/4-20	20
4	174455	LIGHT ASSY, RED RIGHT (INCLUDES ITEMS 3, 6, 7, 8)	1
5	174456	LIGHT ASSY, RED LEFT (INCLUDES ITEMS 3, 6, 7, 8)	1
6	159057	BRACKET, LIGHT	2
7	174435	LAMP, AG RED SINGLE LED	2
8	1-654-010047-07	SCREW, HX CP 1/4-20UNCX1-1/4G5	16
9	40-0717-02	CLAMP, HYD HOSE SUPPORT	10
10	174436	LAMP, AG AMBER SINGLE LED	2
11	187518	COMPRESSOR ASSY, AIR 12V (SEE PAGE 4-1)	REF
12	174444	HARNESS, REAR WARNING LIGHTS (MODEL 5211-12-1/2')	1
12	174445	HARNESS, REAR WARNING LIGHTS (MODEL 5211-15')	1
12	174446	HARNESS, REAR WARNING LIGHTS (MODEL 5211-20')	1
13	174443	HARNESS, REAR WARNING LIGHTS	1
14	2-368-010287	HARNESS, STOR-A-WAY	1
15	1-654-010047-06	SCREW, HX CP 1/4-20UNCX1 GR5	2

Decals

Decals

1 HOSE IDENTIFICATION
BLUE - LIFT WHEELS
YELLOW - WING FOLD
RED - OPENERS
BLACK - MARKERS
 224513

2 20 mile/h
 144193

3 **WARNING**
 1. BEFORE OPERATING - STUDY OPERATORS MANUAL SAFETY MESSAGES AND SAFE OPERATING PROCEDURES. READ SAFETY SIGNS ON THIS MACHINE.
 2. TRANSPORT ON PUBLIC ROADS - OBSERVE FEDERAL, STATE, AND LOCAL REGULATIONS; DISPLAY SUV EMBLEM; ATTACH PROPER STRENGTH IMPLEMENT SAFETY CHAIN; AND LIMIT MAXIMUM SPEED TO 20mph (32km/h).
 3. LOWER OR BLOCK ALL ELEVATED COMPONENTS BEFORE SERVICING OR LEAVING THIS MACHINE.
 8-573-010084

4 **MEMBER**
FEMA
FARM EQUIPMENT
MANUFACTURERS
ASSOCIATION

5 Link to Parts & Operational Manuals
SCAN ME!
5000 60
800-428-5655
www.landoll.com
 800-428-5655
 www.landoll.com
 800-428-5655
 www.landoll.com

6

7 **LANDOLL** LANDOLL COMPANY, LLC
 1900 North Street
 Marysville, Kansas 66508
 166243
 MANUFACTURED UNDER ONE OR MORE OF THE FOLLOWING PATENTS:
 US: 7992650, 7997218

8 **LANDOLL** Landoll Company, LLC
 Marysville, Kansas
 www.landoll.com
 MODEL # _____
 SERIAL # _____
 MADE IN USA 1-573-010006

9 **LANDOLL**
 MARYSVILLE, KANSAS

10 **5211**

11 **F** **E**

12

13 **LANDOLL**

14

15

16

17

18 20 mile/h

19

20 **FERTILIZER FLOW RATE (LBS/ACRE)**
 Notes: Using 43T vs 34T sprocket.

ROW SPACING	SPROCKETS		
	DRIVEN	DRIVER	
32	24	151	307
36	27	168	343
40	30	185	379
44	33	192	415
48	36	209	451
52	39	216	487
56	42	233	523
60	45	240	559
64	48	257	595
68	51	264	631
72	54	281	667
76	57	288	703
80	60	305	739
84	63	312	775
88	66	329	811
92	69	336	847
96	72	353	883
100	75	360	919
104	78	377	955
108	81	384	991
112	84	401	1027
116	87	408	1063
120	90	425	1099
124	93	432	1135
128	96	449	1171
132	99	456	1207
136	102	473	1243
140	105	480	1279
144	108	497	1315
148	111	504	1351
152	114	521	1387
156	117	528	1423
160	120	545	1459
164	123	552	1495
168	126	569	1531
172	129	576	1567
176	132	593	1603
180	135	600	1639
184	138	617	1675
188	141	624	1711
192	144	641	1747
196	147	648	1783
200	150	665	1819
204	153	672	1855
208	156	689	1891
212	159	696	1927
216	162	713	1963
220	165	720	1999
224	168	737	2035
228	171	744	2071
232	174	761	2107
236	177	768	2143
240	180	785	2179
244	183	792	2215
248	186	809	2251
252	189	816	2287
256	192	833	2323
260	195	840	2359
264	198	857	2395
268	201	864	2431
272	204	881	2467
276	207	888	2503
280	210	905	2539
284	213	912	2575
288	216	929	2611
292	219	936	2647
296	222	953	2683
300	225	960	2719
304	228	977	2755
308	231	984	2791
312	234	1001	2827
316	237	1008	2863
320	240	1025	2899
324	243	1032	2935
328	246	1049	2971
332	249	1056	3007
336	252	1073	3043
340	255	1080	3079
344	258	1097	3115
348	261	1104	3151
352	264	1121	3187
356	267	1128	3223
360	270	1145	3259
364	273	1152	3295
368	276	1169	3331
372	279	1176	3367
376	282	1193	3403
380	285	1200	3439
384	288	1217	3475
388	291	1224	3511
392	294	1241	3547
396	297	1248	3583
400	300	1265	3619
404	303	1272	3655
408	306	1289	3691
412	309	1296	3727
416	312	1313	3763
420	315	1320	3799
424	318	1337	3835
428	321	1344	3871
432	324	1361	3907
436	327	1368	3943
440	330	1385	3979
444	333	1392	4015
448	336	1409	4051
452	339	1416	4087
456	342	1433	4123
460	345	1440	4159
464	348	1457	4195
468	351	1464	4231
472	354	1481	4267
476	357	1488	4303
480	360	1505	4339
484	363	1512	4375
488	366	1529	4411
492	369	1536	4447
496	372	1553	4483
500	375	1560	4519

 Fertilizer rates are in pounds per acre, based on density of 65 pounds per cubic foot. Rates are approximate, operator must verify actual fertilizer output.
 174397

21 **SEEDING RATE CHART**
 Seeding rates in lb/acre/row ft. based on average seed size.
 Minimum recommended seeding rate: 100 lb/acre/row ft.

ROW SPACING	SEEDING RATE (LBS/ACRE)	SEEDING RATE (LBS/ROW FT.)
30"	100	1.00
32"	110	1.10
34"	120	1.20
36"	130	1.30
38"	140	1.40
40"	150	1.50
42"	160	1.60
44"	170	1.70
46"	180	1.80
48"	190	1.90
50"	200	2.00
52"	210	2.10
54"	220	2.20
56"	230	2.30
58"	240	2.40
60"	250	2.50
62"	260	2.60
64"	270	2.70
66"	280	2.80
68"	290	2.90
70"	300	3.00
72"	310	3.10
74"	320	3.20
76"	330	3.30
78"	340	3.40
80"	350	3.50
82"	360	3.60
84"	370	3.70
86"	380	3.80
88"	390	3.90
90"	400	4.00
92"	410	4.10
94"	420	4.20
96"	430	4.30
98"	440	4.40
100"	450	4.50

 174397

22

23 **DANGER**
ELECTROCUTION HAZARD
 To prevent serious injury or death:
 * Stay away from power lines when transporting, extending or folding implement.
 * Electrocution can occur without contacting power lines.
 141597

24 50 HOURS

Figure 7-1: Decals

Decal Installation

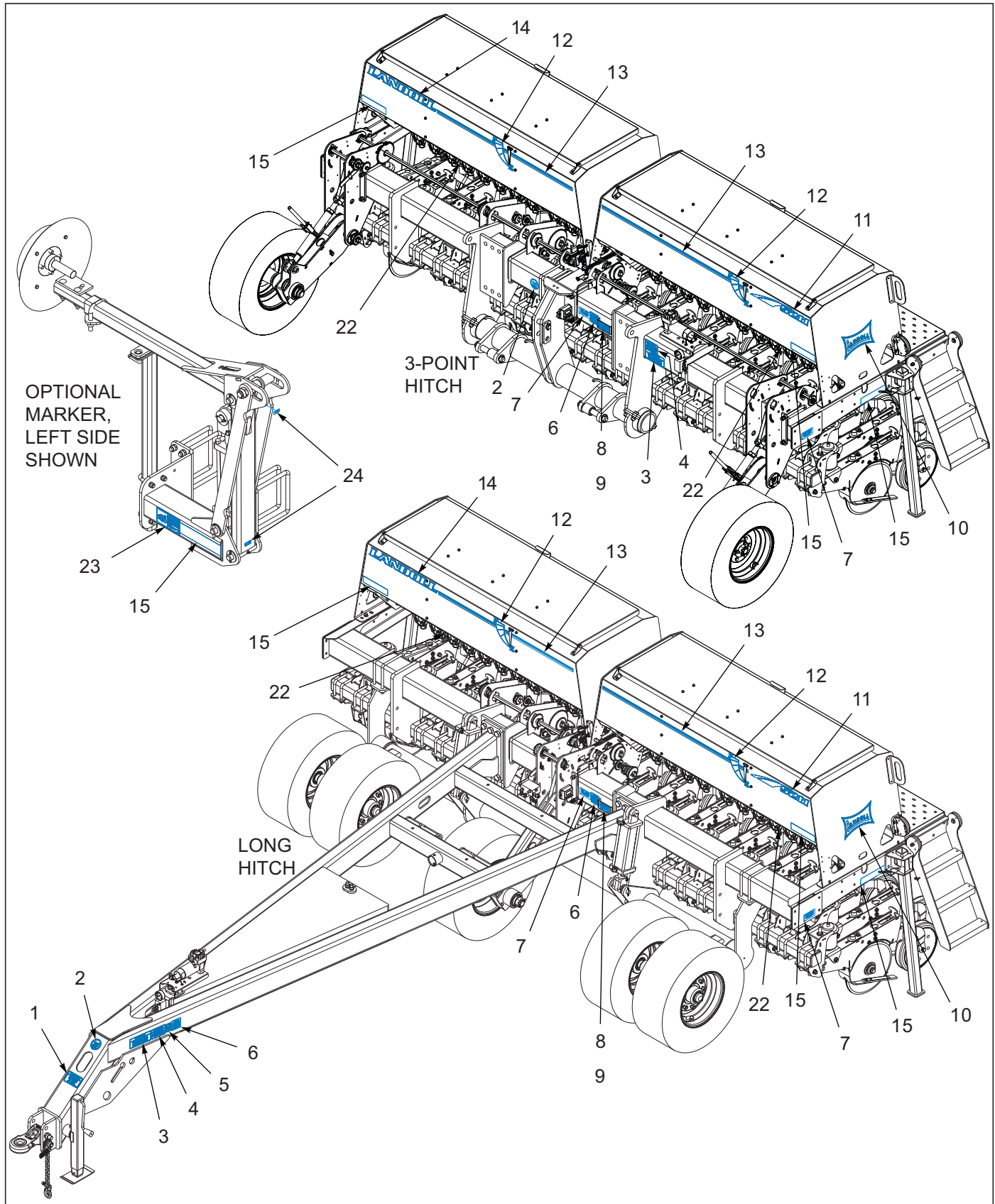


Figure 7-2: Decal Installation (1 of 2)

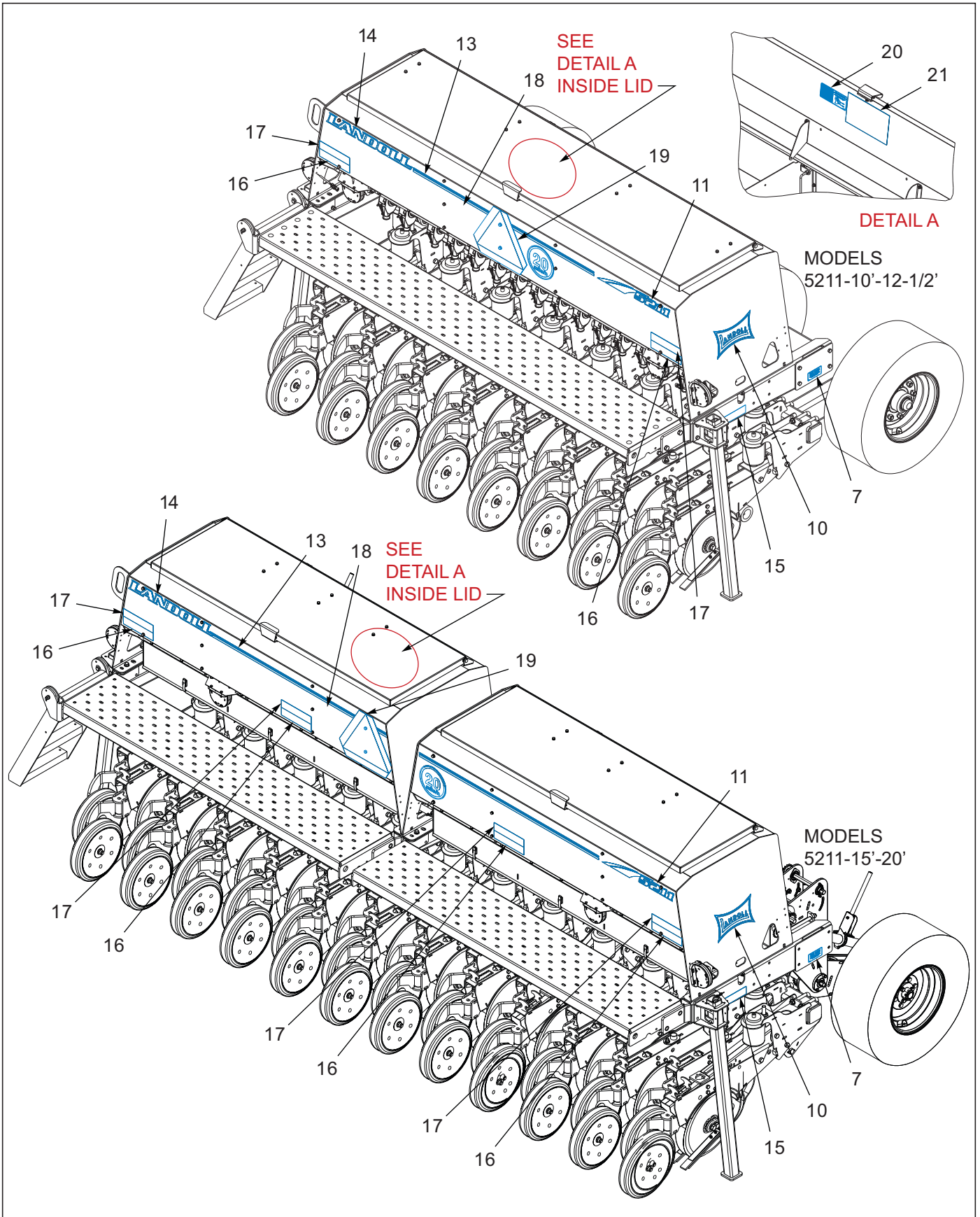


Figure 7-3: Decal Installation (2 of 2)

Decals

ITEM	PART NUMBER	DESCRIPTION	QTY.			
--	-----	MODELS 5211-10'		*		
--	-----	MODELS 5211-12-1/2'			*	
--	-----	MODELS 5211-15'				*
--	-----	MODELS 5211-20'				*
1	224513	DECAL, HOSE ID GRAIN DRILL	--	1	1	1
2	144193	DECAL, SIS 20 MPH	1	1	1	1
3	8-573-010084	DECAL WARNING BEFORE OPERATG	1	1	1	1
4	211045	DECAL, AIR SYSTEM	1	1	1	1
5	2-573-010198	DECAL, MEMBER FEMA	1	1	1	1
6	232178	DECAL, QR CODE 5000 GD SERIES	1	1	2	2
7	166243	DECAL, PATENT, TILLAGE	3	3	3	3
8	1-573-010006	PLACARD, NAME	1	1	1	1
9	156010	RIVET, BLIND .156X1/2 GRIP	2	2	2	2
10	144351	DECAL, BLACK BOW-TIE	2	2	2	2
11	172731	DECAL, MODEL 5211	2	2	2	2
12	205147	DECAL, SEED LEVEL	1	2	2	2
13	151539	DECAL, STRIPE 1" X 54"	2	--	4	--
13	161515	DECAL, STRIPE 1" X 84"	--	2	--	4
14	141260	DECAL, LANDOLL	2	2	2	2
15	528934	REFLECTOR - YELLOW	4	4	4	4
16	528933	REFLECTOR - RED	2	2	4	4
17	528938	STRIPE, ORANGE	2	2	4	4
18	224589	DECAL, SIS 20 MILE/H	1	1	1	1
19	70260977	SMV EMBLEM	1	1	1	1
20	174397	DECAL, FERILIZER RATE (LOW)	1	1	1	1
21	176490	DECAL, SEED RATE	1	1	1	1
22	205140	REFLECTOR-YELLOW 1/2X2	1	1	2	2
23	141597	DECAL, DANGER ELECTROCUTION	2	2	2	2
24	2-573-010330-03	DECAL, LUBRICATION 50 HOURS	4	4	4	4

Monitors

Drill Monitor Loup Mini Assembly

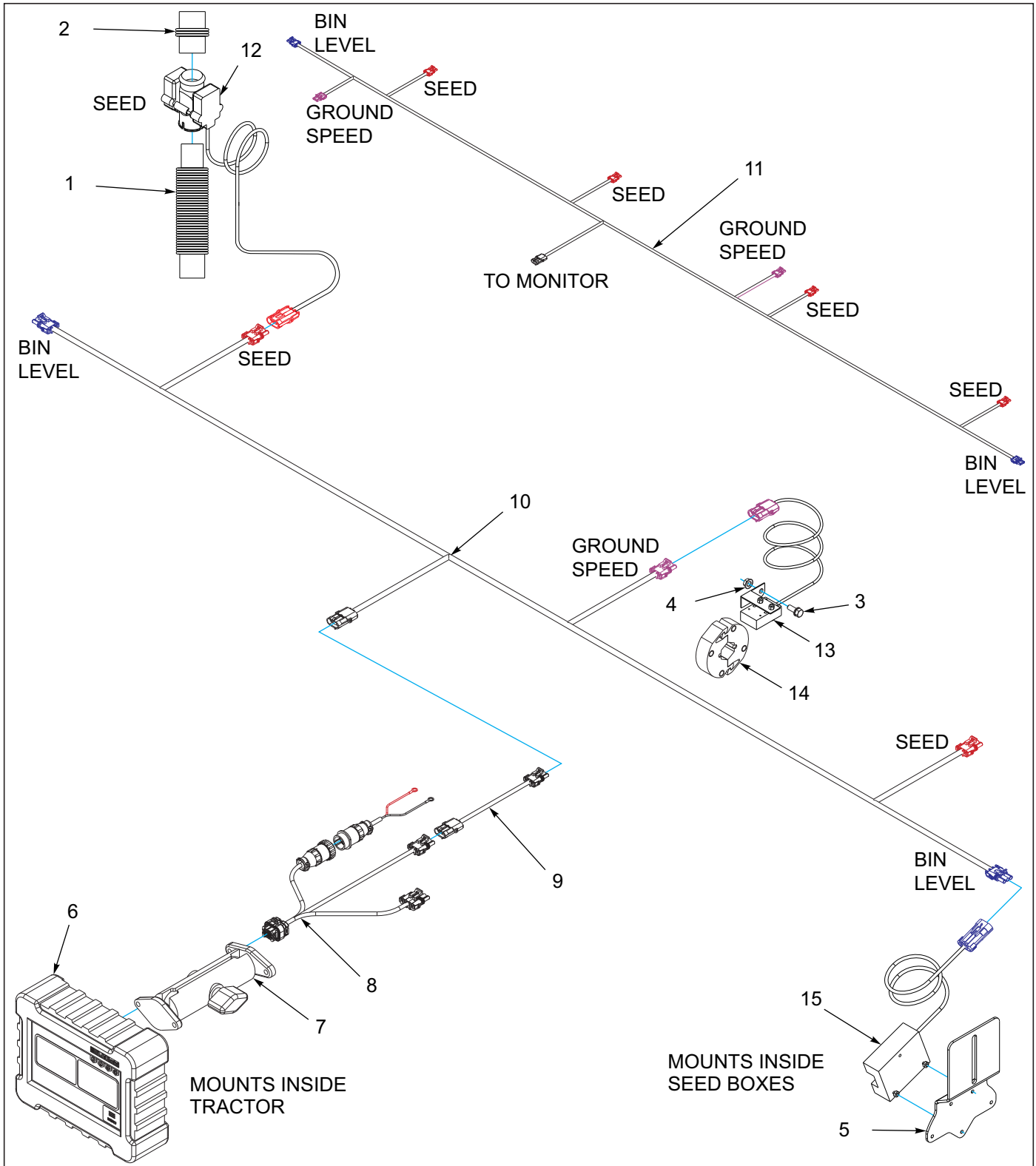


Figure 8-1: Drill Monitor Loup Mini Assembly

Drill Monitor Loup Mini Assembly

ITEM	PART NUMBER	DESCRIPTION	QTY.	
--	214896	MONITOR MINI ASSY, AIR 10' (INCLUDES ITEMS 1-15)	*	
--	214897	MONITOR MINI ASSY, AIR 12-1/2' (INCLUDES ITEMS 1-15)	*	
--	214898	MONITOR ASSY, AIR OPENER 15 (INCLUDES ITEMS 1-15)		*
--	214899	MONITOR ASSY, AIR OPENER 20 (INCLUDES ITEMS 1-15)		*
1	179773	HOSE, SEED (USED ON BOTTOM OF SENSOR) (USED ON AIR OPENER)	2	4
1	214803	HOSE, SEED SPRING OPENER (USED ON BOTTOM OF SENSOR) (USED ON SPRING OPENER)	2	4
2	176566	HOSE, SEED 2-1/2" (USED ON TOP OF SENSOR)	2	4
3	144268	SCREW 5/16-18UNCX3/4FLG HD ZP	1	1
4	126561	NUT,FLG HD,SERRATED,5/16-18ZP	1	1
5	174400	BRACKET, BIN LEVEL SENSOR	1	2
--	224625	KIT,DRILL MONITOR MINI 10-12.5 (INCLUDES ITEMS 6-15)	1	--
--	224626	KIT, DRILL MONITOR MINI 15-20 (INCLUDES ITEMS 6-15)	--	1
6	224631	MONITOR, DRILL ELITE MINI	1	1
7	174434	MOUNT, LOUP II MONITOR	1	1
8	224632	CABLE, MONITOR POWER MINI	1	1
9	176657	HARNESS, DRILL MONITOR 14'	2	2
10	176488	HARNESS, DRILL 5211 10-12-1/2	1	--
11	176489	HARNESS, DRILL 5211 15'-20'	--	1
12	174414	SENSOR, POPULATION	2	4
13	174419	SENSOR, SMART SHAFT	1	1
14	174420	ACTUATOR, 7/8 HEX	1	1
15	174399	SENSOR, BIN LEVEL	1	1

Electronic Acre Meter Assembly

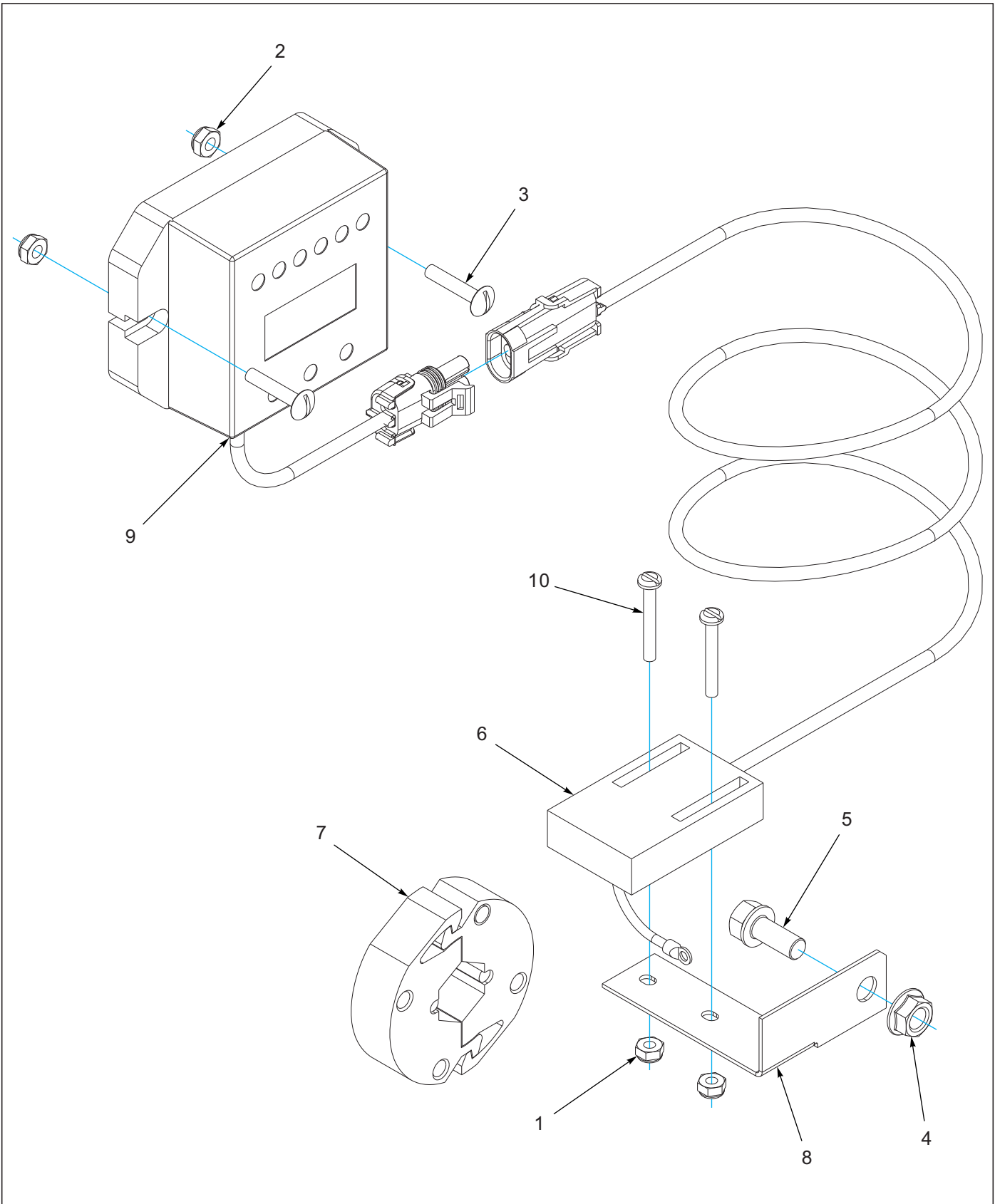


Figure 8-2: Electronic Acre Meter Assembly

Drill Monitor Loup Mini Assembly

ITEM	PART NUMBER	DESCRIPTION	QTY.
--	218442	METER ASSY, ELECTRONIC ACRE	
1	1-512-010003-03	NUT,HX 8-32,SLF-LKG W/NYL	2
2	1-512-010003-06	NUT,HEX,SLFLKG W/NLY 10-24	2
3	1-656-010003053	SCREW RD HD MACH 10-24X1	2
4	126561	NUT,FLG HD,SERRATED,5/16-18ZP	1
5	144268	SCREW 5/16-18UNCX3/4FLG HD ZP	1
6	153862	SWITCH ASSY, ELECTRONIC ACRE	1
7	153863	ACTUATOR, ELECTRONIC ACRE	1
8	165879	MOUNT - PICKUP SWITCH	1
9	170948	CONSOLE, ELECTRONIC ACRE	1
10	85G820E	SCREW PAN HD SLT 8-32X1-1/4	2

Options

Scale Mount Assembly

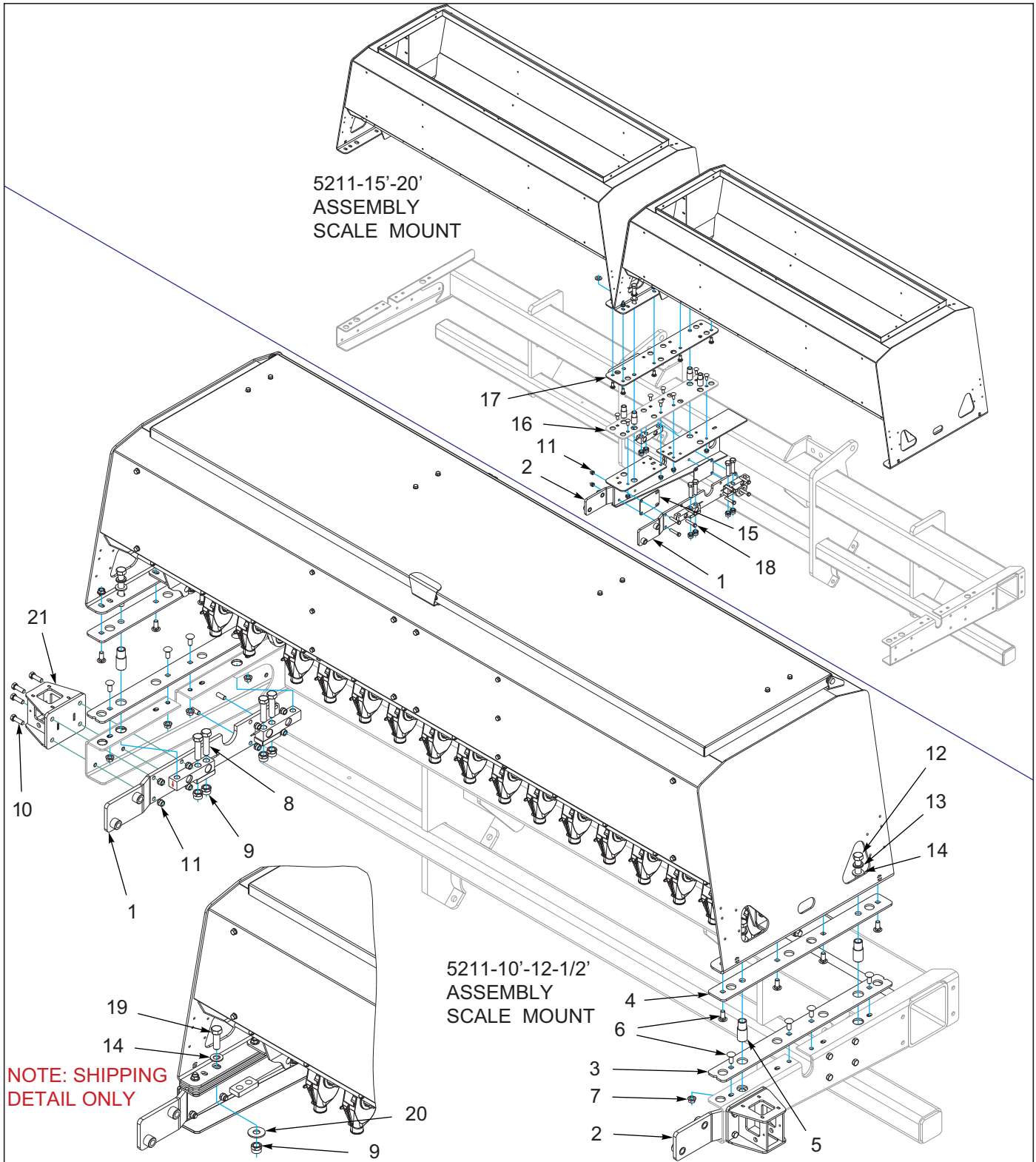


Figure 9-1: Scale Mount Assembly

Scale Mount Assembly

ITEM	PART NUMBER	DESCRIPTION	QTY.			
--	220191	SCALE MOUNT KIT, 10-12-1/2	*			
--	220193	SCALE MT KIT, SMALL SEED 10-12		*		
--	220192	SCALE MOUNT KIT, 15-20			*	
--	220194	SCALE MT KIT, SMALL SEED 15-20				*
1	216479	MOUNT,WALKBOARD LT/SCALE WLDMT	1	--	2	--
1	220177	MOUNT, WALKBOARD LT WLDMT EXT	--	1	--	2
2	216478	MOUNT,WALKBOARD RT/SCALE WLDMT	1	--	2	--
2	220176	MOUNT, WALKBOARD RT WLDMT EXT	--	1	--	2
3	216472	MOUNT, FRAME SUPPORT	2	2	2	2
4	216473	MOUNT, BOX SUPPORT	2	2	2	2
5	216475	BUSHING, CLAMP 2-7/8"L	4	4	8	8
6	1-654-010070-02	SCREW 1/2-13X1-1/4 RD HD SQNK	16	16	32	32
7	1-510-010003-09	NUT,1/2-13 FLANGE HD,SERRATED	8	8	16	16
8	1-654-010061-09	SCREW HX CP 3/4-10UNCX3 GR5	4	4	8	8
9	1-512-010005-15	NUT,HEX,SLFLKG GRB 3/4-10	8	8	16	16
10	1-654-010055-05	SCREW,HEX CAP,1/2-13UNCX2 GR5	8	8	8	8
		(PARKING JACK STAND)				
11	1-512-010005-09	NUT,HEX,SLFLKG, 1/2-13 GRB	8	8	12	12
12	1-654-010087-15	SCREW HX CP,3/4-16UNFX5 GR8	4	4	8	8
13	1-861-010034-17	WASHER,LKG,HLCL SPR,3/4	4	4	8	8
14	1-861-010032-20	WASHER, FLAT,3/4 N ZP/CD	4	4	8	8
15	216482	SPACER, 4-HOLE	--	--	4	4
16	216486	MOUNT, FRAME SUPPORT DUAL	--	--	1	1
17	216484	MOUNT, BOX SUPPORT DUAL	--	--	1	1
18	1-654-010055-07	SCREW HX CP 1/2-13UNCX2-1/2	--	--	4	4
19	1-654-010061-06	SCREW,HXCP,3/4-10UNCX2-1/4GR5	4	4	8	8
		(USED FOR SHIPPING ONLY)				
20	1-861-010032-21	WASHER, FLAT 3/4 W ZP/CD	4	4	8	8
		(USED FOR SHIPPING ONLY)				
21	161496	MOUNT, PARKING STAND WLDMT	2	2	2	2

Rear Tow Hitch Assembly

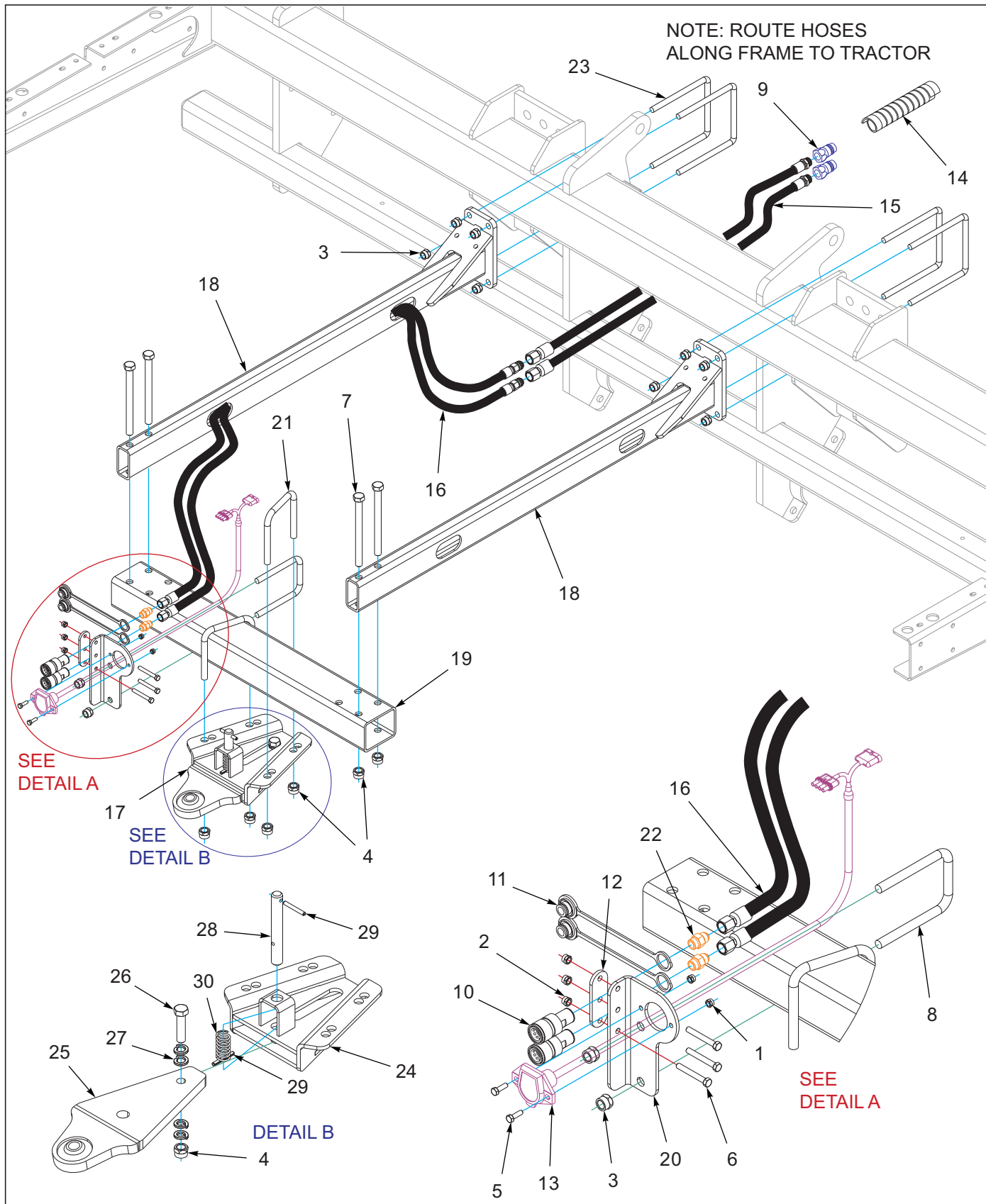


Figure 9-2: Rear Tow Hitch Assembly

Rear Tow Hitch Assembly

ITEM	PART NUMBER	DESCRIPTION	QTY.	
--	183960	REAR TOW HITCH, CLTR\LONG 5211 (12-1/2' & 15' COULTER)	*	
--	199339	REAR TOW HITCH, LONG 5211-12.5 (12-1/2' LONG)	*	
1	1-512-010005-03	NUT HEX SLFLKG GRB 5/16-18	2	2
2	1-512-010005-05	NUT, HEX, SLFLKG GRB 3/8-16	3	3
3	1-512-010005-13	NUT,HEX SLFLKG GRB 5/8-11	10	10
4	1-512-010005-15	NUT,HEX,SLFLKG GRB 3/4-10	8	8
5	1-654-010049-05	SCREW HX CP 5/16-18UNCX1 GR5	2	2
6	1-654-010051-12	SCREW,HEX CAP,3/8-16UNCX2-3/4	3	3
7	1-654-010061-23	SCREW,HEX CAP 3/4-10UNCX9 GR5	4	4
8	141228	U-BOLT 5/8X4X6-1/2	1	1
9	141828	COUPLER,MALE 3/4-16 O-RING	2	2
10	142668	COUPLER FEMALE 3/4-16 O-RING	2	2
11	142669	PLUG, COUPLER DUST	2	2
12	142671	PLATE, COUPLER	1	1
13	143871	HARNESS, TANDEM ADAPTER	1	1
14	155530	HOSE WRAP, BLACK 1" ID X 8"	1	1
15	158295	HOSE ASSY 3/8X255 #8JICX#8OR	2	--
15	145130	HOSE ASSY 3/8X214 #8 JICX#80R	--	2
16	162887	HOSE 3/8X80 #8JIC MALE X #8JIC	2	2
17	168767	HITCH ASSY REAR TOW (INCLUDES ITEMS 4, 24-30)	1	1
18	182421	ARM, REAR TOW HITCH WLDMT	2	2
19	182423	TUBE, REAR TOW HITCH	1	1
20	182424	BRACKET COUPLER/SOCKET	1	1
21	2-102-010040	U-BOLT, DISC ROCKFLEX SHANK	2	2
22	202702-8-8S	ADAPTER #8 O-RING TO #8 TUBE	2	2
23	70593063	U-BOLT	4	4
24	168768	MOUNT WLDMT REAR TOW HITCH	1	1
25	168771	HITCH WLDMT REAR TOW	1	1
26	1-654-010061-09	SCREW HX CP 3/4-10UNCX3 GR5	1	1
27	1-861-010034-17	WASHER,LKG,HLCL SPR,3/4	4	4
28	168773	PIN REAR TOW HITCH	1	1
29	1-647-010004240	PIN,SPRING,SLOTTED,5/16X2-1/2	2	2
30	162191	SPRING, COMP 1.218 X 2.5	1	1

Marker Assembly

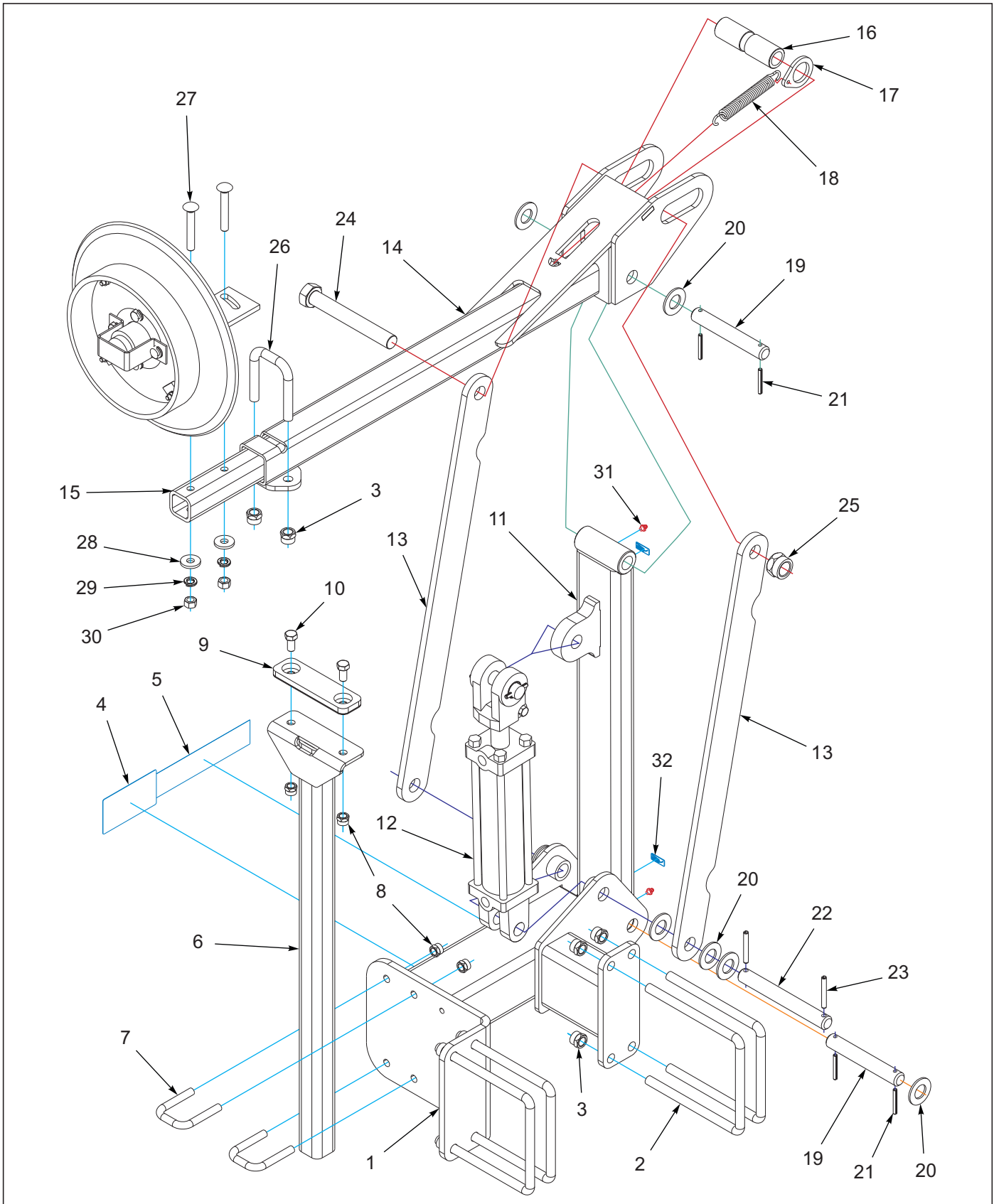


Figure 9-3: Marker Assembly (1 of 2)

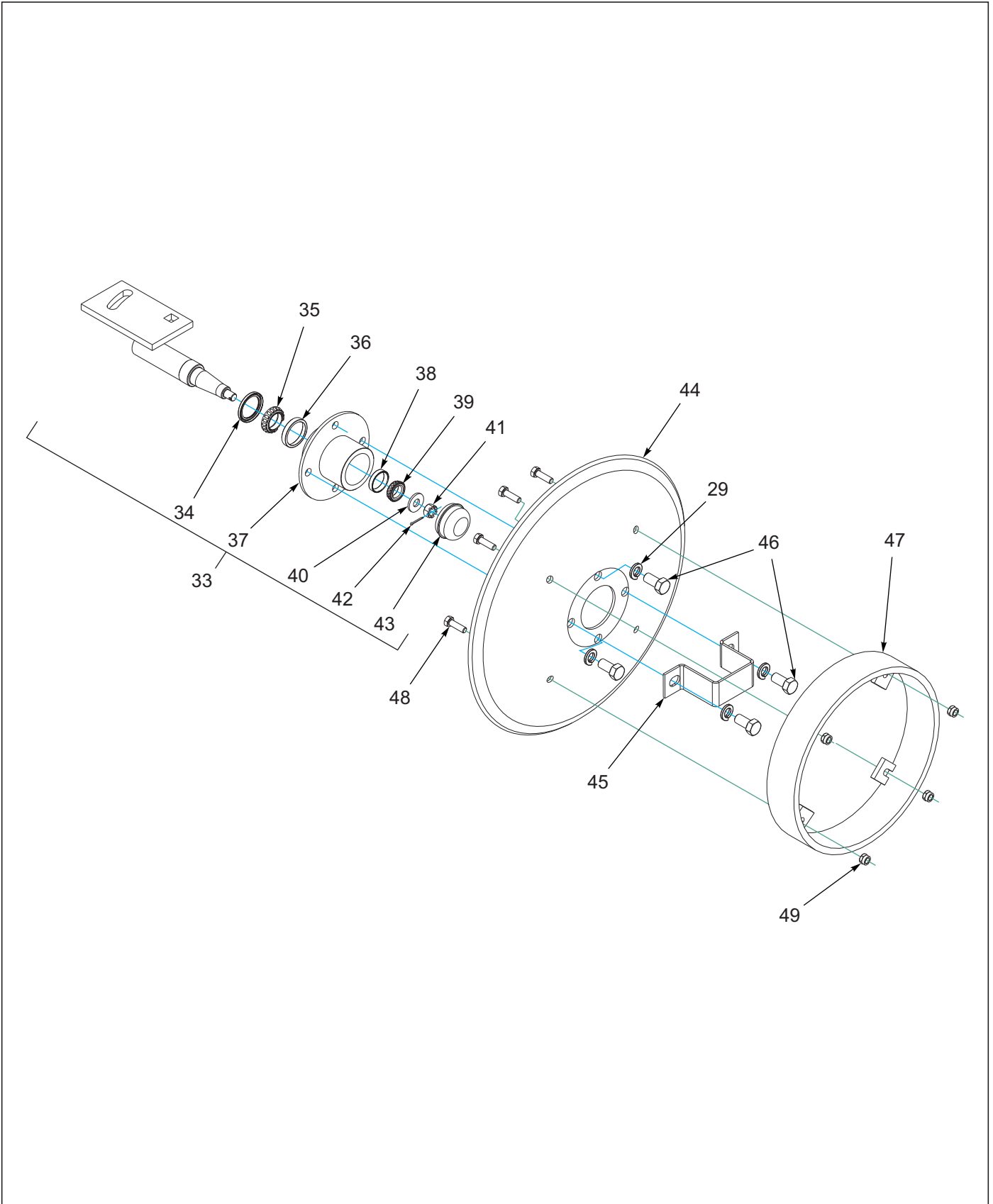


Figure 9-4: Marker Blade Assembly (2 of 2)

Marker Assembly

ITEM	PART NUMBER	DESCRIPTION	QTY.										
--	199380	MARKER ASSY, 10' RIGHT	*										
--	199381	MARKER ASSY, 10' LEFT		*									
--	159084	MARKER ASSY, 12' - 15' RIGHT			*								
--	159085	MARKER ASSY, 12' - 15' LEFT				*							
--	164346	MARKER ASSY, 15' RIGHT					*						
--	164347	MARKER ASSY, 15' LEFT						*					
--	161487	MARKER ASSY, 20' RIGHT							*				
--	161488	MARKER ASSY, 20' LEFT								*			
1	199382	MOUNT, MARKER RIGHT 10' WLDMT	1	--	--	--	--	--	--	--	--	--	--
1	199383	MOUNT, MARKER LEFT 10' WLDMT	--	1	--	--	--	--	--	--	--	--	--
1	159074	MOUNT, MARKER RIGHT WLDMT	--	--	1	--	--	--	--	--	--	--	--
1	159075	MOUNT, MARKER LEFT WLDMT	--	--	--	1	--	--	--	--	--	--	--
1	164148	MOUNT MARKER RIGHT 15 WLDMT	--	--	--	--	1	--	--	--	--	--	--
1	164149	MOUNT MARKER LEFT 15 WLDMT	--	--	--	--	--	1	--	--	--	--	--
1	159074	MOUNT, MARKER RIGHT WLDMT	--	--	--	--	--	--	--	1	--	--	--
1	159075	MOUNT, MARKER LEFT WLDMT	--	--	--	--	--	--	--	--	--	1	--
2	70593063	U-BOLT	4	4	4	4	4	4	4	4	4	4	4
3	1-512-010005-13	NUT,HEX SLFLKG GRB 5/8-11	10	10	10	10	10	10	10	10	10	10	10
4	141597	DECAL, DANGER ELECTROCUTION	1	1	1	1	1	1	1	1	1	1	1
5	528934	REFLECTOR - YELLOW	1	1	1	1	1	1	1	1	1	1	1
6	159072	ARM, MARKER SUPPORT WLDMT	1	1	1	1	1	1	1	--	--	--	--
7	8-102-010019	U BOLT SCRAPER	2	2	2	2	2	2	2	--	--	--	--
8	1-512-010005-09	NUT,HEX,SLFLKG, 1/2-13 GRB	6	6	6	6	6	6	6	--	--	--	--
9	159073	PAD, MARKER SUPPORT	1	1	1	1	1	1	1	--	--	--	--
10	1-654-010055-01	SCR,HX CP 1/2-13UNCX1 GR5	2	2	2	2	2	2	2	--	--	--	--
11	159062	MARKER, FIRST ARM WLDMT	1	1	1	1	1	1	1	1	1	1	1
12	144320	CYLINDER, 2-1/2 X 8 (SEE PAGE 9-17)	1	1	1	1	1	1	1	1	1	1	1
13	159070	LINK, MARKER	2	2	2	2	2	2	2	--	--	--	--
13	161505	LINK MARKER 20'	--	--	--	--	--	--	--	--	2	2	2
14	199384	MARKER, OUTER ARM WLDMT	1	1	--	--	--	--	--	--	--	--	--
14	159067	MARKER, OUTER ARM WLDMT	--	--	1	1	1	1	--	--	--	--	--
14	161490	MARKER, OUTER ARM WLDMT	--	--	--	--	--	--	--	1	1	1	1
15	199385	TUBE, EXTENSION MARKER	1	1	--	--	--	--	--	--	--	--	--
15	153887	EXTENSION TUBE MRKR ASSY 5530	--	--	1	1	1	1	1	1	1	1	1
16	159068	BUSHING 1-1/2 OD X 1 ID,5-1/4	1	1	1	1	1	1	1	1	1	1	1
17	159069	END, SPRING	1	1	1	1	1	1	1	1	1	1	1
18	125935	SPRING,CHAIN TIGHTENER,MONO	1	1	1	1	1	1	1	1	1	1	1
19	133457	PIN CYL BUTT END	2	2	2	2	2	2	2	2	2	2	2
20	1-861-010032-24	WASHER FL 1IN NARROW ZP	10	10	10	10	10	10	10	8	8	8	8
21	1-647-010004221	PIN,SPRING 1/4X2 SLOTTED	4	4	4	4	4	4	4	4	4	4	4
22	144355	PIN 1 X 8	1	1	1	1	1	1	1	1	1	1	1
23	1-647-010004240	PIN,SPRING,SLOTTED,5/16X2-1/2	2	2	2	2	2	2	2	2	2	2	2
24	100856	SCREW,HHCS,1-8X7-1/2 GR5	1	1	1	1	1	1	1	1	1	1	1
25	114462	NUT,HEX SLFLKG 1-8 UNC GRC	1	1	1	1	1	1	1	1	1	1	1
26	1-102-010050	U-BOLT,5/8-11X4 GR5	1	1	1	1	1	1	1	1	1	1	1
27	1-654-010070-11	SCREW,RDHD,SQNK 1/2-13X3-1/2	2	2	2	2	2	2	2	2	2	2	2
28	116254	WASHER MARKER MOUNT	2	2	2	2	2	2	2	2	2	2	2
29	1-861-010034-13	WASHER, LKG HLCL SPR, 1/2	6	6	6	6	6	6	6	6	6	6	6
30	1-512-010007-09	NUT, HEX 1/2-13 GR2 ZP	2	2	2	2	2	2	2	2	2	2	2

Marker Assembly

ITEM	PART NUMBER	DESCRIPTION	QTY.							
31	1-298-010001-1	ZERK FITTING 1/4 SAE	2	2	2	2	2	2	2	2
32	2-573-010330-03	DECAL, LUBRICATION 50 HOURS	2	2	2	2	2	2	2	2
33	116446	LH SPINDLE WLDMT ROWMARKER (SHOWN) (INCLUDES HUB & SPINDLE)	--	1	--	1	--	1	--	1
33	116447	RH SPINDLE WLDMT ROWMARKER (INCLUDES HUB & SPINDLE)	1	--	1	--	1	--	1	--
34	125611	GREASE SEAL CR12411(P602123)	1	1	1	1	1	1	1	1
35	125613	INNER CONE L44643(P752316)	1	1	1	1	1	1	1	1
36	70336916	CUP,LARGE	1	1	1	1	1	1	1	1
37	125614	HUB W/CUPS (084000-4) (INCLUDES ITEMS 37, 39)	1	1	1	1	1	1	1	1
38	70336914	CUP,SMALL	1	1	1	1	1	1	1	1
39	70336915	CONE,SMALL	1	1	1	1	1	1	1	1
40	125617	SPINDLE WASHER (P301801)	1	1	1	1	1	1	1	1
41	125616	SPINDLE NUT 5/8-18 (P251701)	1	1	1	1	1	1	1	1
42	125615	COTTER PIN 5/32X1-1/2(P401905)	1	1	1	1	1	1	1	1
43	125612	HUB CAP 1517 (P502013)	1	1	1	1	1	1	1	1
44	116337	DISC BLADE, SOLID, 16" PLAIN	1	1	1	1	1	1	1	1
45	116038	SHIPPING RETAINER,ROWMRKR HUB	1	1	1	1	1	1	1	1
46	830025	SCREW,HHC 1/2-20UNFX1"LG GR8	4	4	4	4	4	4	4	4
47	116390	DEPTH BAND WLDMT	1	1	1	1	1	1	1	1
48	1-654-010049-05	SCREW HX CP 5/16-18UNCX1 GR5	4	4	4	4	4	4	4	4
49	1-512-010005-03	NUT HEX SLFLKG GRB 5/16-18	4	4	4	4	4	4	4	4

Marker Hydraulic Assembly 5211-10'

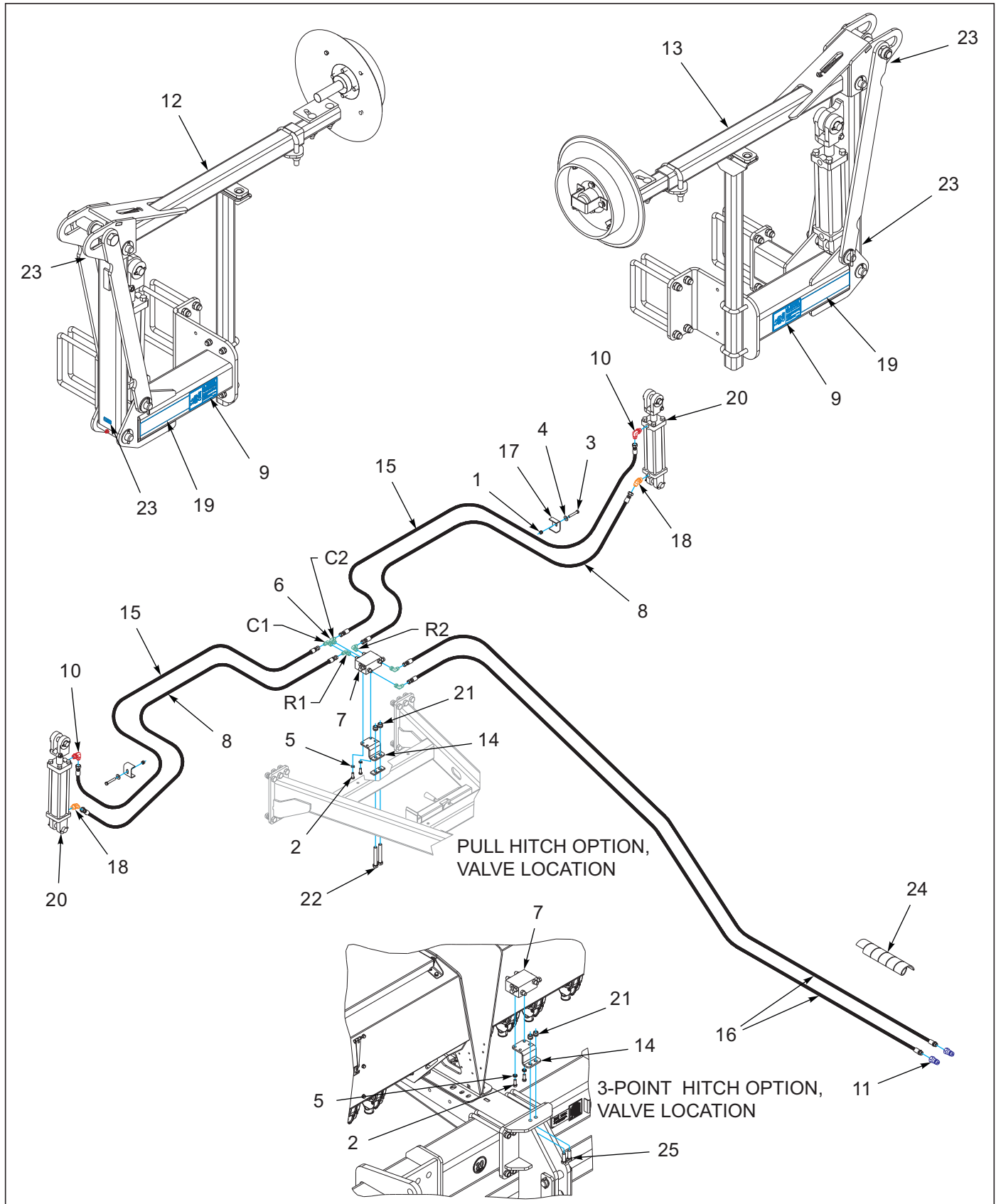


Figure 9-5: Marker Hydraulic Assembly 5211-10'

Marker Hydraulic Assembly 5211-10'

ITEM	PART NUMBER	DESCRIPTION	QTY.
--	199379	MARKER ASSY, LONG 5211-10	
1	1-512-010005-05	NUT, HEX, SLFLKG GRB 3/8-16	2
2	1-654-010051-05	SCREW,HEX CAP 3/8-16UNCX1 GR5	2
3	1-654-010051-10	SCREW,HX CP3/8-16X2-1/4 GR5	2
4	1-861-010032-11	WASHER, FLAT 3/8 W ZP/CD	2
5	1-861-010034-11	WASHER, LKG HLCL SPR, 3/8	2
6	102-0031	ADAPTER,90 JIC SWIVEL #6	6
7	116350	VALVE ASSY	1
8	130342	HOSE ASSY 3/8X72,#6JICX#8JIC	2
9	141597	DECAL, DANGER ELECTROCUTION (SEE PAGE 7-3)	2
10	141827	ELBOW 90 3/4ORB3/4JIC 1/32REST	2
11	141828	COUPLER,MALE 3/4-16 O-RING	2
12	199380	MARKER ASSY, 10' RIGHT (SEE PAGE 9-17)	1
13	199381	MARKER ASSY, 10' LEFT (SEE PAGE 9-17)	1
14	159086	BRACKET, VALVE MOUNT	1
15	130947	HOSE,3/8X62,#6JIX-#8JIC	2
16	189464	HOSE ASSY 3/8X213 #6JICX#8OR	2
17	2-181-010001	HOSE CLAMP	2
18	2061-8-8S	ADAPTER, 45, #8 O-RING-TUBE	2
19	528934	REFLECTOR - YELLOW (SEE PAGE 7-3)	2
20	144320	CYLINDER, 2-1/2 X 8 (SEE PAGE 9-17)	2
21	1-512-010005-09	NUT,HEX,SLFLKG, 1/2-13 GRB	2
22	1-654-010055-13	SCREW,HEX CAP,1/2-13UNCX4 GR5	2
23	2-573-010330-03	DECAL, LUBRICATION 50 HOURS (SEE PAGE 7-3)	4
24	155530	HOSE WRAP, BLACK 1" ID X 8"	1
25	1-654-010055-03	SCREW,HEX CAP,1/2-13UNCX1-1/2	2

Marker Hydraulic Assembly 5211-12-1/2'

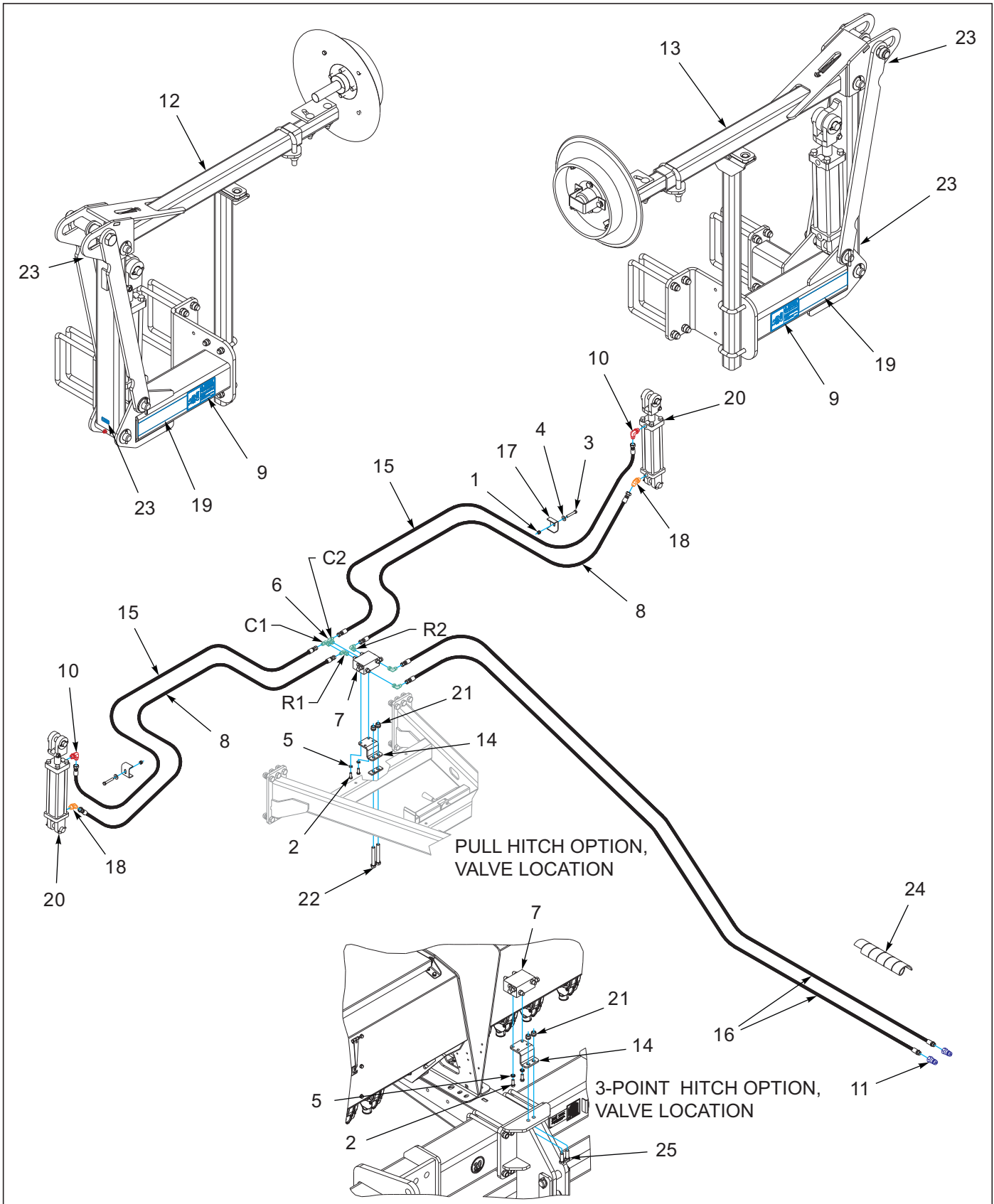


Figure 9-6: Marker Hydraulic Assembly 5211-12-1/2'

Marker Hydraulic Assembly 5211-12-1/2'

ITEM	PART NUMBER	DESCRIPTION	QTY.		
--	189462	MARKER ASSY, LONG 5211-12.5	*		
--	159919	MARKER ASSY, CLTR 5210-12.5		*	
--	161502	MARKER ASSY, 3PT 5210-12.5			*
1	1-512-010005-05	NUT, HEX, SLFLKG GRB 3/8-16	2	2	2
2	1-654-010051-05	SCREW,HEX CAP 3/8-16UNCX1 GR5	2	2	2
3	1-654-010051-10	SCREW,HX CP3/8-16X2-1/4 GR5	2	2	2
4	1-861-010032-11	WASHER, FLAT 3/8 W ZP/CD	2	2	2
5	1-861-010034-11	WASHER, LKG HLCL SPR, 3/8	2	2	2
6	102-0031	ADAPTER,90 JIC SWIVEL #6	6	6	6
7	116350	VALVE ASSY	1	1	1
8	130342	HOSE ASSY 3/8X72,#6JICX#8JIC	2	2	2
9	141597	DECAL, DANGER ELECTROCUTION (SEE PAGE 7-3)	2	2	2
10	141827	ELBOW 90 3/4ORB3/4JIC 1/32REST	2	2	2
11	141828	COUPLER,MALE 3/4-16 O-RING	2	2	2
12	159084	MARKER ASSY, 12' - 15' RIGHT (SEE PAGE 9-17)	1	1	1
13	159085	MARKER ASSY, 12' - 15' LEFT (SEE PAGE 9-17)	1	1	1
14	159086	BRACKET, VALVE MOUNT	1	1	1
15	161459	HOSE ASSY 3/8X84, #6JICX#8JIC	2	2	2
16	161493	HOSE ASSY 3/8X252 #6JICX#8OR	2	--	--
16	189464	HOSE ASSY 3/8X213 #6JICX#8OR	--	2	--
16	168882	HOSE ASSY 3/8 X 72 #6JICX#8OR	--	--	2
17	2-181-010001	HOSE CLAMP	2	2	2
18	2061-8-8S	ADAPTER, 45, #8 O-RING-TUBE	2	2	2
19	528934	REFLECTOR - YELLOW (SEE PAGE 7-3)	2	2	2
20	144320	CYLINDER, 2-1/2 X 8 (SEE PAGE 9-17)	2	2	2
21	1-512-010005-09	NUT,HEX,SLFLKG, 1/2-13 GRB	2	2	2
22	1-654-010055-13	SCREW,HEX CAP,1/2-13UNCX4 GR5	2	2	2
23	2-573-010330-03	DECAL, LUBRICATION 50 HOURS (SEE PAGE 7-3)	4	4	4
24	155530	HOSE WRAP, BLACK 1" ID X 8"	1	1	1
25	1-654-010055-03	SCREW,HEX CAP,1/2-13UNCX1-1/2	2	2	2

Marker Hydraulic Assembly 5211-15'

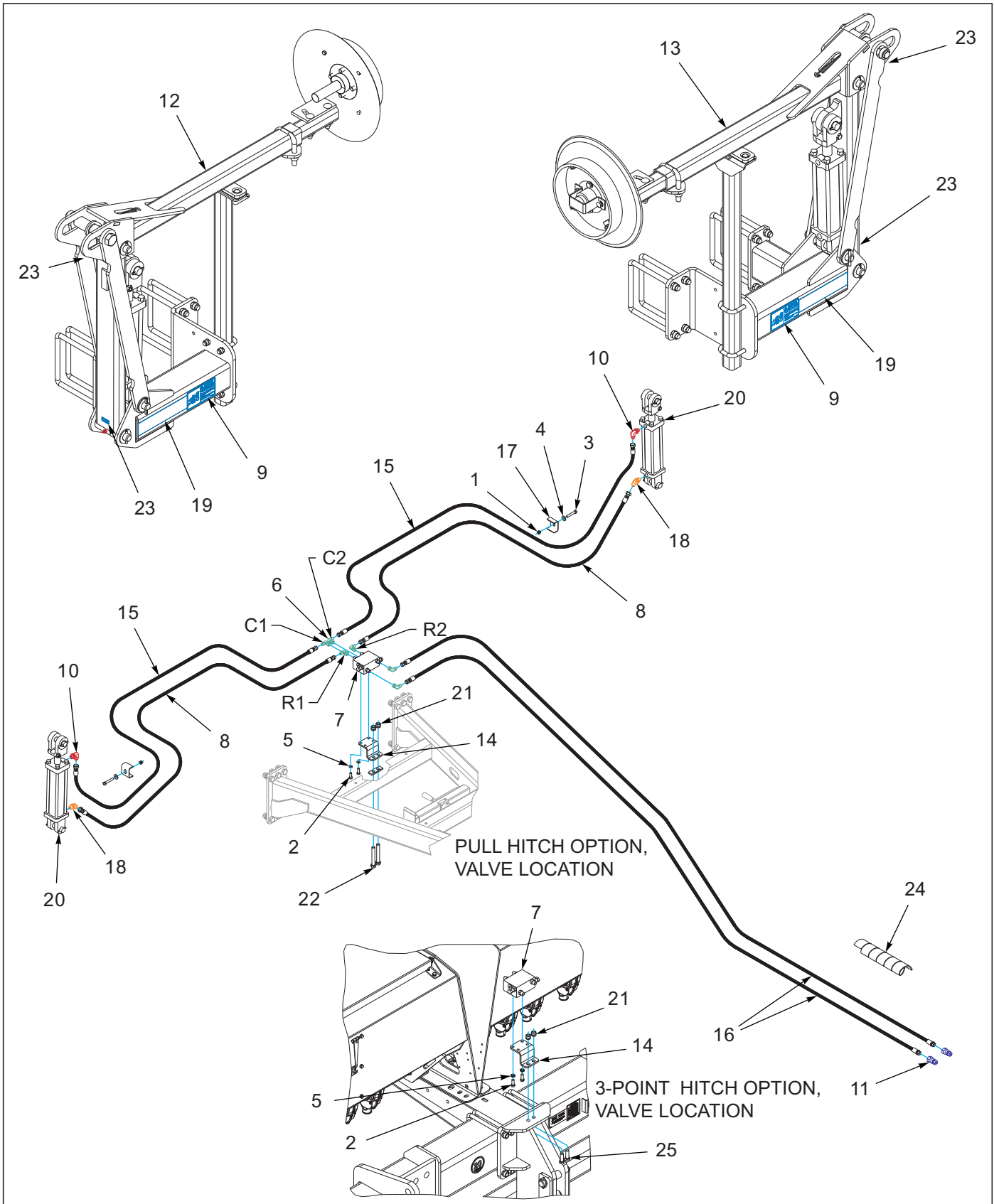


Figure 9-7: Marker Hydraulic Assembly 5211-15'

Marker Hydraulic Assembly 5211-15'

ITEM	PART NUMBER	DESCRIPTION	QTY.	
--	161495	MARKER ASSY, LONG-CLTR 5210-15	*	
--	161494	MARKER ASSY, 3PT 5210-15	*	
1	1-512-010005-05	NUT, HEX, SLFLKG GRB 3/8-16	2	2
2	1-654-010051-05	SCREW,HEX CAP 3/8-16UNCX1 GR5	2	2
3	1-654-010051-10	SCREW,HX CP3/8-16X2-1/4 GR5	2	2
4	1-861-010032-11	WASHER, FLAT 3/8 W ZP/CD	2	2
5	1-861-010034-11	WASHER, LKG HLCL SPR, 3/8	2	2
6	102-0031	ADAPTER,90 JIC SWIVEL #6	6	6
7	116350	VALVE ASSY	1	1
8	130333	HOSE ASSY 3/8X96 #6JICX#8JIC	2	2
9	141597	DECAL, DANGER ELECTROCUTION (SEE PAGE 7-3)	2	2
10	141827	ELBOW 90 3/4ORB3/4JIC 1/32REST	2	2
11	141828	COUPLER,MALE 3/4-16 O-RING	2	2
12	164346	MARKER ASSY, 15' RIGHT (SEE PAGE 9-17)	1	--
12	159084	MARKER ASSY, 12' - 15' RIGHT (SEE PAGE 9-17)	--	1
13	164347	MARKER ASSY, 15' LEFT (SEE PAGE 9-17)	1	--
13	159085	MARKER ASSY, 12' - 15' LEFT (SEE PAGE 9-17)	--	1
14	159086	BRACKET, VALVE MOUNT	1	1
15	159087	HOSE ASSY 3/8X108 #6JICX#8JIC	2	2
16	161493	HOSE ASSY 3/8X252 #6JICX#8OR	2	--
16	168882	HOSE ASSY 3/8 X 72 #6JICX#8OR	--	2
17	2-181-010001	HOSE CLAMP	2	2
18	2061-8-8S	ADAPTER, 45, #8 O-RING-TUBE	2	2
19	528934	REFLECTOR - YELLOW (SEE PAGE 7-3)	2	2
20	144320	CYLINDER, 2-1/2 X 8 (SEE PAGE 9-17)	2	2
21	1-512-010005-09	NUT,HEX,SLFLKG, 1/2-13 GRB	2	2
22	1-654-010055-13	SCREW,HEX CAP,1/2-13UNCX4 GR5	2	2
23	2-573-010330-03	DECAL, LUBRICATION 50 HOURS (SEE PAGE 7-3)	4	4
24	155530	HOSE WRAP, BLACK 1" ID X 8"	1	1
25	1-654-010055-03	SCREW,HEX CAP,1/2-13UNCX1-1/2	2	2

Marker Hydraulic Assembly 5211-20'

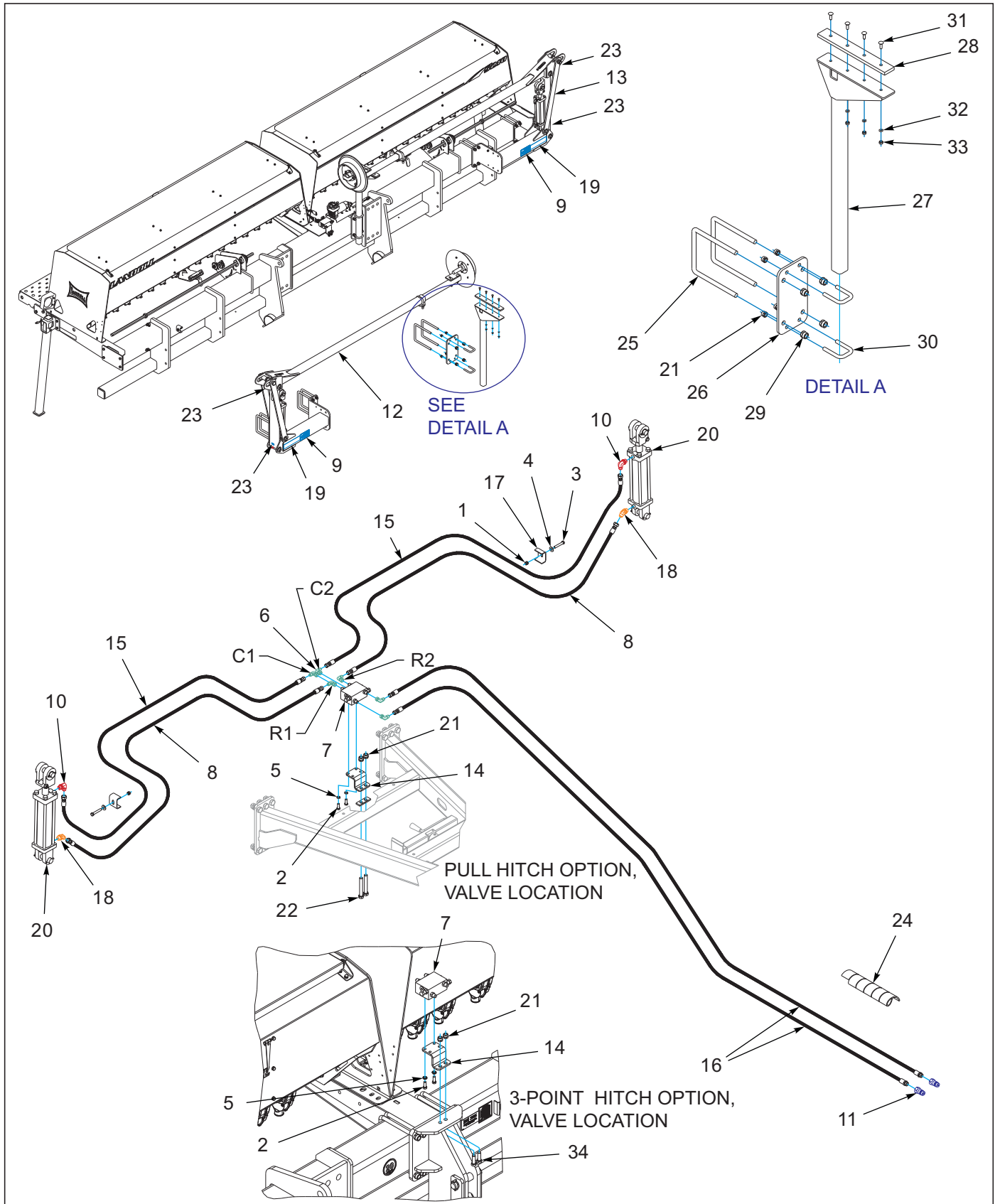


Figure 9-8: Marker Hydraulic Assembly 5211-20'

Marker Hydraulic Assembly 5211-20'

ITEM	PART NUMBER	DESCRIPTION	QTY.	
--	183961	MARKER ASSY, LONG 5211-20	*	
--	161485	MARKER ASSY, 3PT 5210-20	*	
1	1-512-010005-05	NUT, HEX, SLFLKG GRB 3/8-16	2	2
2	1-654-010051-05	SCREW,HEX CAP 3/8-16UNCX1 GR5	2	2
3	1-654-010051-10	SCREW,HX CP3/8-16X2-1/4 GR5	2	2
4	1-861-010032-11	WASHER, FLAT 3/8 W ZP/CD	2	2
5	1-861-010034-11	WASHER, LKG HLCL SPR, 3/8	2	2
6	102-0031	ADAPTER,90 JIC SWIVEL #6	6	6
7	116350	VALVE ASSY	1	1
8	151714	HOSE ASSY 3/8X118 #6JICX#8JIC	2	2
9	141597	DECAL, DANGER ELECTROCUTION (SEE PAGE 7-3)	2	2
10	141827	ELBOW 90 3/4ORB3/4JIC 1/32REST	2	2
11	141828	COUPLER,MALE 3/4-16 O-RING	2	2
12	161487	MARKER ASSY, 20' RIGHT (SEE PAGE 9-17)	1	1
13	161488	MARKER ASSY, 20' LEFT (SEE PAGE 9-17)	1	1
14	159086	BRACKET, VALVE MOUNT	1	1
15	151729	HOSE ASSY,3/8X130,#6JICX#8JIC	2	2
16	161493	HOSE ASSY 3/8X252 #6JICX#8OR	2	--
16	168882	HOSE ASSY 3/8 X 72 #6JICX#8OR	--	2
17	2-181-010001	HOSE CLAMP	2	2
18	2061-8-8S	ADAPTER, 45, #8 O-RING-TUBE	2	2
19	528934	REFLECTOR - YELLOW (SEE PAGE 7-3)	2	2
20	144320	CYLINDER, 2-1/2 X 8 (SEE PAGE 9-17)	2	2
21	1-512-010005-09	NUT,HEX,SLFLKG, 1/2-13 GRB	10	10
22	1-654-010055-13	SCREW,HEX CAP,1/2-13UNCX4 GR5	2	2
23	2-573-010330-03	DECAL, LUBRICATION 50 HOURS (SEE PAGE 7-3)	4	4
24	155530	HOSE WRAP, BLACK 1" ID X 8"	1	1
25	70593063	U-BOLT	4	4
26	155833	MOUNT, MARKER SUPPORT	2	2
27	161482	ARM, MARKER SUPPORT WLDMT	2	2
28	117186	RUBBER ARMORITE	2	2
29	1-512-010005-13	NUT,HEX SLFLKG GRB 5/8-11	8	8
30	8-102-010019	U BOLT SCRAPER	4	4
31	104031	SCREW,RDHD,SQNK 5/16-18X1 GR5	8	8
32	1-861-010034-10	WASHER,LKG 5/16	8	8
33	1-512-010007-06	NUT, HEX 5/16-18 GR2 ZP	8	8
34	1-654-010055-03	SCREW,HEX CAP,1/2-13UNCX1-1/2	2	2

2-1/2 x 8" Hydraulic Cylinder

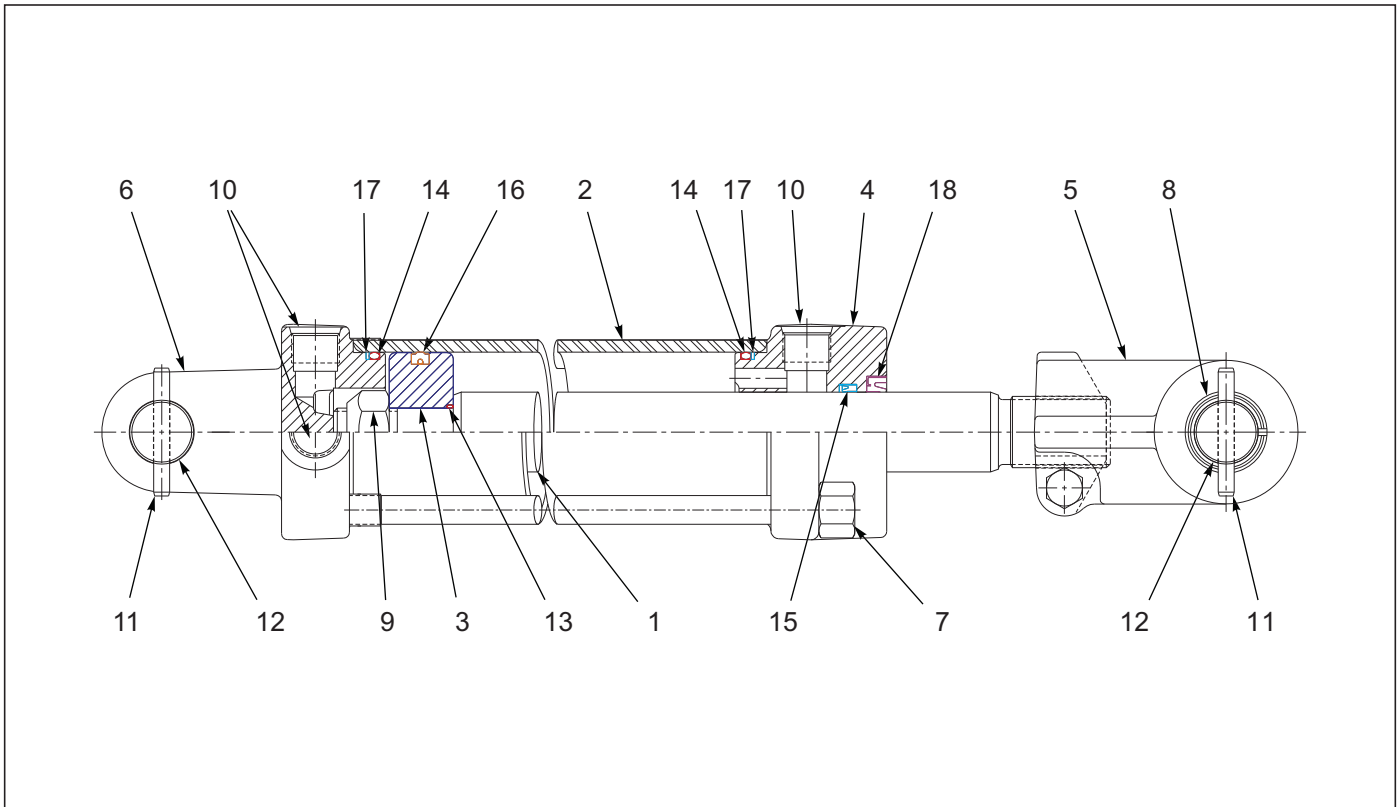


Figure 9-9: 2-1/2 x 8" Hydraulic Cylinder

2-1/2 x 8" Hydraulic Cylinder

ITEM	PART NUMBER	DESCRIPTION	QTY.
--	144320	CYLINDER, 2-1/2 X 8	
1	----	PISTON ROD	1
2	----	TUBE	1
3	----	PISTON	1
4	154105	GLAND	1
5	154095	CLEVIS ASSEMBLY	1
6	154096	BUTT	2
7	----	TIEROD ASSEMBLY	4
8	154097	BUSHING	2
9	----	LOCKNUT	1
10	----	SHIPPING PLUG	3
11	111789	ROLL PIN	4
12	155868	CLEVIS PIN	2
13	----	O-RING	1
14	----	O-RING	2
15	----	U-CUP	1
16	----	CROWN SEAL	1
17	----	BU-WASHER	2
18	----	WIPER	1
19	154098	PACKING KIT (NOT SHOWN) (INCL ITEMS 13 - 18)	

Glossary

For clarity this glossary of industry standard abbreviations and their definitions are provided. For additional information, see instruction on the inside front cover or the last page of this manual.

A

ASM Assembly

B

BATT Battery
BHSC Button Head Socket Cap
BLK Black

C

CB Carriage Bolt
CONN Connector
CRG Carriage
CTSK Countersunk
CTWT Counterweight
CVR Cover
CYD Cylinder

D

DBL Double
DIA Diameter

E

ENCLSD Enclosed

F

FHCS Flanged Head Cap Screw
FHHCS Flanged Hex Head Cap Screw
FL OR FLG Flange
FLT Flat

G

GA Gauge

H

HHCS Hex Head Cap Screw
HCS High Carbon Steel
HD Head
HLCL Helical
HCSKT Hex Socket
HSFC Hex Socket Flat Countersunk
HYD Hydraulic

I

ID Inside Diameter

L

LH Lefthand
LKG OR LOCK Locking
LWR Lower

M

MANF Manifold
MNT Mount

N

NRW Narrow
NSS Not Serviced Separately

O

OD Outside Diameter
OHG Overhead Guard
ORFS OR ORS O-Ring Seal
ORP OR ORB O-Ring Boss

P

P-STEER Power Steering
PTFE Polytetrafluoroethylene (Teflon)

R

RH Righthand
RND Round

S

SER Series
SHCS Socket Head Cap Screw
SHLD Shield
SKT Socket
SLFLKG Selflocking
SOC Socket
SPDT Single Pole Double Throw
SPR Spring

SQ Square
SRTD Serrated
SSCR Setscrew
SST Stainless Steel
STD Standard

U

UPR Upper

W

WHL Wheel
WLD OR WLDMT Weldment

Index

Numerics

1/2-20X1HHCS	2-20	116038	9-8
1-007-010025	2-13	116254	9-7
100809	2-6, 2-10, 4-2	116337	9-8
100824	2-17	116350	9-10, 9-12, 9-14, 9-16
100827	4-8, 4-12	116390	9-8
100856	9-7	116446	9-8
101552	4-4	116447	9-8
101988	2-2, 2-4, 2-8	117186	9-16
102-0031	9-10, 9-12, 9-14, 9-16	117823	2-20
102-0114	4-4	119097	2-20
102600	2-2, 2-4, 2-8, 2-28	119098	2-20
103841	4-8	119099	2-20
104031	2-24, 2-39, 3-4, 3-8, 3-12, 3-16, 3-21, 3-27, 3-33, 3-39, 3-45, 4-8, 4-12, 9-16	119118	2-24, 2-39, 2-42
104358	2-6, 2-10, 2-13, 2-17	119180	2-20
104877	5-14	119181	2-20
105909 1-10, 1-12, 3-42, 3-44, 3-67, 3-68, 3-70, 3-72, 5-5, 5-8, 5-10, 5-12, 5-16, 5-18		119182	2-20
107-0975	1-10, 1-12, 3-42, 3-44, 3-54, 3-56, 3-58, 3-60, 3-70, 3-72, 5-5	119183	2-20
107470	1-2, 1-4, 1-6, 1-8, 5-6	119184	2-20
1-076-010007	2-20, 2-28	119185	2-20
1-076-010008	2-20	119716 1-10, 1-12, 3-42, 3-44, 3-70, 3-72, 5-6, 5-16, 5-18	
1-076-010010	2-28	122825	1-10, 1-12, 3-42, 3-44
108213	5-14	122827	5-16, 5-18
108417	2-6, 2-10, 2-17, 2-32, 2-34, 2-36, 3-45, 4-2, 5-14	122836	3-42, 3-44
1-102-010050	9-7	122837	3-42, 3-44
1-104-010001	2-24, 2-39, 2-42	122853	3-10, 3-14, 3-36, 3-72
110993	5-5	122871 1-10, 1-12, 3-21, 3-27, 3-34, 3-39, 3-42, 3-44, 3-70, 3-72, 5-16, 5-18	
111-0600	4-4	124971	3-4, 3-8, 3-12, 3-16, 3-21, 3-27, 3-33, 3-39, 3-70, 3-72
111-1267	5-16, 5-18	125611	9-8
111789	2-43, 9-17	125612	9-8
113805	2-43	125613	9-8
114462	2-17, 9-7	125614	9-8
		125615	9-8
		125616	9-8

125617	9-8	141238	2-28, 5-16, 5-18
125720	2-24, 2-39	141244	2-32, 2-34, 2-36
125777	5-16, 5-18	141250	2-30
125784	2-24, 2-39	141260	5-5, 7-5
125796	2-24, 2-39	141263	2-17
125799	1-13, 3-42, 3-44	141434	2-6, 2-10, 2-17
125935	9-7	141597	7-5, 9-7, 9-10, 9-12, 9-14, 9-16
126561	3-4, 3-8, 3-12, 3-16, 3-21, 3-27, 3-33, 3-39, 3-45, 3-47, 3-50, 3-54, 3-56, 3-58, 3-60, 3-70, 3-72, 5-5, 5-16, 5-18, 8-2, 8-4	141809	2-2, 2-4, 2-8
129683	2-24, 2-39	141827	9-10, 9-12, 9-14, 9-16
1-297-010009-02	4-4	141828	2-6, 2-10, 2-13, 2-18, 2-21, 9-4, 9-10, 9-12, 9-14, 9-16
1-298-010001-01	2-29	141867	2-28
1-298-010001-1	2-17, 2-20, 9-8	142189	2-30
130333	9-14	142194	2-30
130342	9-10, 9-12	142650	2-24, 2-39, 2-42
130411	3-50	142668	9-4
130947	9-10	142669	9-4
1-323-010008	4-5	142671	9-4
132554	5-14	142779	4-16
133457	9-7	143067	2-28
1-343-010001	4-4	143871	9-4
139692	3-4, 3-8, 3-12, 3-16, 3-21, 3-27, 3-33, 3-39	143880	4-8, 4-12
139974	4-4	143898	4-8, 4-12
1401756	3-4, 3-8, 3-12, 3-16, 3-21, 3-27, 3-33, 3-39	143901	3-67, 3-68, 5-8, 5-10, 5-12
140519	2-2, 2-4, 2-8	143904	4-8, 4-12
140547	2-25, 2-40, 2-42	143906	4-9
140548	2-2, 2-4, 2-8	143910	4-8, 4-12
140554	2-28	143911	3-45
140594	2-28	143912	3-45
140595	2-28	143915	4-8
140599	2-24, 2-39, 2-42	143920	4-8, 4-9
140646	2-28	143924	4-8
140647	2-6, 2-10, 2-17, 2-30	143931	3-4, 3-16
1408291	3-45	143932	3-4, 3-16, 3-21, 3-39
141198	2-28	143937	4-8, 4-12
141228	9-4	143956	3-64
141236	2-28	143962	4-8
		143963	4-8

143966	4-8, 4-12	144150	3-70, 3-72
143971	4-8, 4-12	144158	3-4, 3-8, 3-12, 3-16, 3-21, 3-27, 3-33, 3-39
143992	3-64, 3-66	144159	3-4, 3-8, 3-12, 3-16, 3-21, 3-27, 3-33, 3-39
143994	2-43	144179	3-6
144060	1-10, 1-12, 2-24, 2-39, 3-42, 3-44, 3-70, 3-72, 5-5, 5-16, 5-18	144180	3-14, 5-6
144077	1-2, 1-4, 1-6, 1-8, 1-10	144181	3-2, 3-10, 3-14, 3-18, 3-36, 5-6
144078	1-4, 1-6, 1-8, 1-12	144183	1-10, 1-12, 2-24, 2-39, 3-21, 3-27, 3-34, 3-39
144082	1-10, 1-12, 3-42, 3-44, 5-16, 5-18	144193	2-6, 2-10, 2-18, 7-5
144083	1-10, 1-12, 3-42, 3-44	144222	3-30
144086	1-10, 1-12, 3-42, 3-44, 3-70, 3-72, 5-5, 5-16, 5-18	144237	4-2, 4-8
144087	1-10, 1-12, 3-42, 3-44	144251	2-24, 2-39, 2-42
144094	3-45	144252	2-24, 2-39, 2-42
144095	3-45	144256	3-72
144096	3-45	144258	1-2, 1-8
144099	1-10, 1-12	144259	1-2, 1-4, 1-6, 1-8
144105	3-21, 3-27, 3-33, 3-39	144260	1-2, 1-4, 1-6, 1-8
144106	3-45	144264	3-70, 3-72, 4-8, 4-9, 4-12
144107	3-45	144266	4-8, 4-12
144118	3-21, 3-27, 3-33, 3-39	144268	3-4, 3-8, 3-12, 3-16, 3-21, 3-27, 3-33, 3-39, 3-47, 3-50, 3-54, 3-56, 3-58, 3-60, 3-70, 3-72, 8-2, 8-4
144119	3-21, 3-34, 3-39	144271	4-9, 4-13
144122	3-21, 3-34, 3-39	144272	4-9, 4-13
144123	3-21, 3-27, 3-33, 3-39	144275	4-8
144124	3-21, 3-27, 3-33, 3-39	144313	4-9
144125	3-4, 3-8, 3-12, 3-16, 3-21, 3-27, 3-33, 3-39	144314	4-9
144126	3-4, 3-8, 3-12, 3-16, 3-21, 3-27, 3-33, 3-39	144316	4-2, 4-8
144127	3-4, 3-8, 3-12, 3-16, 3-21, 3-27, 3-33, 3-39	144317	4-2, 4-8
144129	3-2, 3-6, 3-10, 3-14, 3-18, 3-24, 3-30, 3-36	144320	9-7, 9-10, 9-12, 9-14, 9-16, 9-17
144133	3-21, 3-39, 3-47	144321	2-2, 2-4, 2-8, 2-13, 2-17, 2-21, 2-43
144134	3-47	144324	4-8
144135	3-47	144328	4-8
144137	3-47	144331	4-8
144141	3-4, 3-8, 3-12, 3-16, 3-21, 3-27, 3-33, 3-39	144332	4-8
144143	3-21, 3-39, 3-70	144335	4-8, 4-12
144144	3-54, 3-56, 3-58, 3-60, 3-70, 3-72	144336	4-8, 4-12
144146	3-21, 3-27, 3-33, 3-39	144337	4-8, 4-12
144147	3-67, 3-68	144338	3-18, 3-24, 3-30, 3-36

144348	4-8	1-512-010007-09	9-7
144349	4-8	1-512-010007-12	3-54, 3-56, 3-58, 3-60
144351	7-5	1-512-010007-14	5-8, 5-10, 5-12
144355	9-7	151512	1-2, 1-4, 1-6, 1-8
145130	2-6, 2-13, 9-4	151513	1-2, 1-4, 1-6, 1-8, 5-6
147072	4-12	151530	4-9
147123	2-13	151539	5-5, 7-5
147375	2-43	151540	3-2, 3-6, 3-10, 3-14, 3-18, 3-24, 3-30, 3-36
147376	2-43	151543	4-8, 4-12
147553	2-2, 2-4, 2-8, 2-28	151547	3-4, 3-8, 3-12, 3-16, 3-21, 3-27, 3-33, 3-39
149193	2-17	151576	3-46
150076	3-6, 3-10, 3-14, 3-18, 3-24, 3-30, 3-36	151578	3-4, 3-16, 3-21, 3-39
1-510-010001	5-6, 5-16, 5-18	151580	3-4, 3-16, 3-21, 3-39
1-510-010003-05	2-17	151582	3-21, 3-27, 3-33, 3-39
1-510-010003-09	1-2, 1-4, 1-6, 1-8, 2-24, 2-39, 3-2, 3-6, 3-10, 3-14, 3-18, 3-24, 3-30, 3-36, 4-8, 4-9, 4-12, 4-16, 9-2	151586	3-21, 3-24, 3-27, 3-30, 3-39
1-511-010002-08	4-8	151587	1-10, 1-12
1-512-010003-03	3-45, 4-4, 8-4	151588	1-10, 1-12, 3-42, 3-44, 3-70, 3-72
1-512-010003-05	5-14	151590	4-2, 4-5
1-512-010003-06	4-4, 8-4	151591	4-2
1-512-010005-01	2-39, 2-42, 3-2, 3-4, 3-6, 3-8, 3-10, 3-12, 3-14, 3-16, 3-18, 3-21, 3-24, 3-27, 3-30, 3-33, 3-36, 3-39, 3-50, 3-70, 3-72, 4-4, 4-12, 5-5, 6-4, 6-6, 6-8	151592	4-2
1-512-010005-03	1-10, 1-12, 2-24, 2-39, 3-42, 3-44, 3-67, 3-68, 3-70, 3-72, 4-8, 4-12, 5-5, 5-8, 5-10, 5-12, 5-16, 5-18, 9-4, 9-8	151595	4-5
1-512-010005-05	2-13, 2-18, 2-24, 2-39, 2-42, 3-4, 3-8, 3-12, 3-16, 3-22, 3-28, 3-34, 3-40, 3-47, 4-2, 5-8, 5-10, 5-12, 9-4, 9-10, 9-12, 9-14, 9-16	151596	3-42, 3-44
1-512-010005-09	1-2, 1-4, 1-6, 1-8, 1-10, 1-12, 1-13, 2-6, 2-10, 2-13, 2-17, 3-42, 3-44, 4-12, 5-8, 5-10, 5-12, 5-16, 5-18, 9-2, 9-7, 9-10, 9-12, 9-14, 9-16	1-516-010001-20	2-28
1-512-010005-13	1-2, 1-4, 1-6, 1-8, 1-10, 1-12, 2-2, 2-4, 2-8, 2-17, 2-24, 2-32, 2-34, 2-36, 2-39, 2-42, 3-18, 3-24, 3-30, 3-36, 3-42, 3-44, 3-70, 3-72, 4-9, 4-13, 5-5, 9-4, 9-7, 9-16	151604	4-5
1-512-010005-15	2-2, 2-4, 2-6, 2-8, 2-10, 2-17, 2-20, 2-32, 2-34, 2-36, 4-2, 4-9, 9-2, 9-4	151610	4-5
1-512-010005-19	2-6, 2-10, 2-17	151714	9-16
1-512-010007-03	5-14	151729	9-16
1-512-010007-06	9-16	153696	2-6, 2-10, 2-17
		153811	1-2, 1-4, 1-6, 1-8
		153817	2-24, 2-39
		153841	2-13
		153852	3-21, 3-39, 3-45
		153853	3-21, 3-45
		153862	8-4
		153863	8-4
		153868	3-12
		153869	3-12, 3-33
		153871	3-12, 3-33

153887	9-7	1-557-010403	2-6, 2-10, 2-13, 2-17
153900	1-6	155833	9-16
154095	9-17	155840	3-4, 3-8, 3-12, 3-16, 3-21, 3-27, 3-33, 3-39
154096	9-17	155868	9-17
154097	9-17	155871	5-8, 5-10, 5-12
154098	9-17	155873	5-8, 5-10, 5-12
154102	2-43	155874	5-14
154104	2-43	155876	1-2
154105	9-17	155877	1-4
154826	3-58	155878	1-6
154827	3-10, 3-30	155879	1-8
154828	3-33, 3-45	155881	2-2, 2-4, 2-8, 2-32, 2-34, 2-36
154829	3-33, 3-45	155883	2-2
154830	3-46	155884	2-4
154831	3-46	155885	2-8
154836	3-33, 3-72	1-560-010002-02	4-2
154837	3-30	156010	7-5
154838	3-33	157020	2-20
154839	3-33	1-573-010006	7-5
154841	3-4, 3-8, 3-12, 3-16, 3-21, 3-27, 3-33, 3-39	158109	2-20
154842	3-12, 3-33	158112	2-20
154845	1-13	158114	2-20
154846	1-13	158120	2-18, 2-20
154849	1-2, 1-4, 1-6, 1-8, 1-13	158122	2-18, 2-20
154851	4-4	158127	2-17
154852	4-4	158132	2-17
154864	2-32, 2-34, 2-36, 4-2, 4-5	158138	2-4
154869	3-14, 3-36, 3-72, 5-6	158139	2-4
154871	3-47	158147	2-24
154872	3-33, 3-47	158150	2-24
155528	2-6, 2-10, 2-13, 2-18	158151	2-24, 2-39
155529	2-18, 2-21	158152	2-24, 2-39, 2-42
155530	9-4, 9-10, 9-12, 9-14, 9-16	158153	2-24, 2-39
1-557-010327	1-10, 1-12, 3-42, 3-44	158154	2-24, 2-39
1-557-010362-40	2-20	158162	2-24, 2-39, 2-42
1-557-010362-51	2-28	158168	2-24, 2-39
1-557-010362-54	2-24, 2-39, 2-42	158169	2-24, 2-39
1-557-010362-59	4-8, 4-12	158175	2-2, 2-4, 2-8, 2-18, 2-24

158270	4-2	159074	9-7
158271	4-2	159075	9-7
158272	4-2	159084	9-7, 9-12, 9-14
158273	4-2	159085	9-7, 9-12, 9-14
158274	4-2	159086	9-10, 9-12, 9-14, 9-16
158275	4-2	159087	9-14
158276	4-2	159094	3-8, 3-27
158277	4-2	159095	3-8, 3-27
158278	2-24, 2-39	159101	3-8
158279	2-17	159102	3-8, 3-27
158283	2-17	159880	3-46
158284	2-17	159881	3-46
158285	2-6, 2-10, 2-17, 4-2, 4-5	159882	3-27
158286	2-17	159883	3-27, 3-45
158290	2-17	159884	3-27, 3-45
158293	2-17	159885	2-6, 2-10, 2-13, 2-17
158294	2-18, 2-21	159890	2-8
158295	2-13, 2-18, 9-4	159891	2-8
158296	2-20	159893	2-17
158299	2-2, 2-4, 2-8, 2-13	159894	2-17
158300	2-2, 2-4, 2-8	159897	3-27, 3-70
158301	2-18, 2-20	159898	3-27
158309	3-70, 3-72, 5-5	159899	3-27
158310	3-70, 3-72, 5-5	159914	3-47
159018	3-70, 3-72	159915	3-27, 3-47
159041	5-8, 5-10, 5-12	159917	1-4
159046	1-2, 1-8	159919	9-12
159047	1-6	159941	1-4
159055	3-6, 3-10, 3-14, 3-24, 3-30, 3-36, 3-70, 3-72, 5-5	159942	3-70, 3-72
159057	6-4, 6-6, 6-8	159952	3-33
159062	9-7	159953	3-21, 3-39
159067	9-7	159983	2-36, 2-39
159068	9-7	159984	2-36, 2-39
159069	9-7	159990	2-32
159070	9-7	160406	4-4
159072	9-7	160813	2-40, 2-42
159073	9-7	161459	9-12
		161460	3-64

161462	3-6, 3-10, 3-24, 3-30, 5-5	1-647-010004217	1-10, 1-12, 2-24, 2-39, 2-42, 3-21, 3-27, 3-30, 3-39, 3-42, 3-44, 3-70, 3-72, 5-16, 5-18
161471	3-64	1-647-010004221	9-7
161472	2-32, 2-34, 2-39	1-647-010004240	2-2, 2-4, 2-8, 2-13, 2-18, 9-4, 9-7
161473	2-32, 2-34, 2-42	1-647-010004257	2-20, 2-32, 2-39, 2-42
161474	3-4, 3-8, 3-12, 3-16, 3-21, 3-27, 3-33, 3-39	1-654-010047-03	3-45
161475	3-4, 3-8, 3-12, 3-16, 3-21, 3-27, 3-33, 3-39	1-654-010047-04	3-4, 3-6, 3-8, 3-10, 3-12, 3-14, 3-16, 3-18, 3-21, 3-24, 3-27, 3-30, 3-33, 3-36, 3-39, 5-5
161476	3-4, 3-8, 3-12, 3-16, 3-21, 3-27, 3-33, 3-39	1-654-010047-06	3-6, 3-10, 3-14, 3-18, 3-24, 3-30, 3-36, 4-16, 6-8
161477	3-4, 3-8, 3-12, 3-16, 3-21, 3-27, 3-33, 3-39	1-654-010047-07	5-5, 6-4, 6-6, 6-8
161482	9-16	1-654-010047-08	3-50, 4-4, 6-4, 6-6, 6-8
161483	2-32, 2-34, 2-36	1-654-010047-09	2-39, 2-42, 3-70, 3-72, 5-6
161485	9-16	1-654-010047-10	3-10, 3-14, 3-30, 3-36, 3-72
161487	9-7, 9-16	1-654-010047-12	2-6, 2-10, 2-17, 2-32, 2-34, 2-36, 4-2
161488	9-7, 9-16	1-654-010047-16	4-12
161490	9-7	1-654-010049-05	9-4, 9-8
161493	9-12, 9-14, 9-16	1-654-010051-05	4-2, 5-6, 5-16, 5-18, 9-10, 9-12, 9-14, 9-16
161494	9-14	1-654-010051-07	2-24, 2-39, 2-42
161495	9-14	1-654-010051-08	2-13, 2-18
161496	1-2, 1-4, 1-6, 1-8, 9-2	1-654-010051-10	9-10, 9-12, 9-14, 9-16
161500	1-2, 1-4, 1-6, 1-8	1-654-010051-11	2-13, 2-18
161502	9-12	1-654-010051-12	9-4
161505	9-7	1-654-010051-14	2-24, 2-39
161515	7-5	1-654-010055-01	4-8, 9-7
161550	2-6, 2-10, 2-17, 2-29	1-654-010055-02	1-2, 1-4, 1-6, 1-8, 2-24, 2-39, 2-42, 3-4, 3-8, 3-12, 3-16, 3-21, 3-27, 3-33, 3-39
162191	9-4	1-654-010055-03	9-10, 9-12, 9-14, 9-16
162551	3-50	1-654-010055-05	1-2, 1-4, 1-6, 1-8, 1-13, 9-2
162887	9-4	1-654-010055-07	1-10, 1-12, 3-42, 3-44, 3-70, 9-2
163981	1-10, 1-12, 3-70, 3-72, 5-16, 5-18	1-654-010055-09	3-21, 3-27, 3-34, 3-39, 3-70, 3-72
164148	9-7	1-654-010055-11	1-10, 1-12, 2-6, 2-10, 2-13, 2-17, 2-24, 2-39, 3-72
164149	9-7	1-654-010055-12	4-12
164194	2-39, 2-42	1-654-010055-13	4-8, 4-9, 9-10, 9-12, 9-14, 9-16
164195	2-39	1-654-010059-07	1-2, 1-4, 1-6, 1-8
164196	2-42	1-654-010059-09	1-2, 1-4, 1-6, 1-8
164310	2-34, 2-36	1-654-010059-13	4-12
164311	2-34, 2-36		
164312	2-34, 2-36		
164346	9-7, 9-14		
164347	9-7, 9-14		

1-654-010059-14	4-9	168870	3-54, 3-56, 3-58, 3-60
1-654-010059-15	4-13	168871	3-61
1-654-010059-16	4-8, 4-12	168872	3-61
1-654-010061-05	2-2, 2-4, 2-8, 2-32, 2-34, 2-36, 4-8, 4-12	168873	3-61
1-654-010061-06	9-2	168882	9-12, 9-14, 9-16
1-654-010061-09	2-4, 9-2, 9-4	168885	3-58
1-654-010061-23	9-4	168886	3-54
1-654-010065-08	2-6, 2-10, 2-17	168887	3-54, 3-60
1-654-010065-15	2-17	168888	3-56
1-654-010070-02	1-2, 1-4, 1-6, 1-8, 2-24, 2-39, 4-8, 4-12, 4-16, 9-2	168889	3-56
1-654-010070-07	5-16, 5-18	168902	3-70, 3-72
1-654-010070-11	9-7	168903	3-4, 3-8, 3-12, 3-16, 3-21, 3-27, 3-33, 3-39
1-654-010087-15	9-2	168906	5-16, 5-18
1-654-010153-09	4-12	170948	8-4
1-654-010158-02	3-2, 3-6, 3-10, 3-14, 3-18, 3-24, 3-30, 3-36, 5-5	172644	1-10, 1-12
1-654-010160-07	3-47	172647	3-42, 3-44
1-655-010001-3	3-6, 3-10, 3-14, 3-18, 3-24, 3-30, 3-36	172648	3-42, 3-44
1-655-010003-06	5-8, 5-10, 5-12	172649	3-42, 3-44
1-656-010003026	3-45	172652	2-25, 2-40
1-656-010003053	4-4, 8-4	172653	2-25, 2-40
165879	8-4	172656	5-14
166243	7-5	172700	3-27, 3-54, 3-56, 3-58
168767	9-4	172701	3-54, 3-56, 3-60
168768	9-4	172703	3-4, 3-8, 3-12, 3-16, 3-21, 3-27, 3-33, 3-39
168771	9-4	172704	3-67, 3-68
168773	9-4	172705	3-54, 3-58, 3-60
168841	2-24, 2-39, 2-42	172706	3-54, 3-56, 3-58, 3-60, 3-61
168844	3-54, 3-56, 3-58, 3-60	172707	3-64
168856	3-67, 3-68	172708	3-64
168857	3-67, 3-68	172711	3-60, 3-67
168858	3-54, 3-60	172712	3-54, 3-56, 3-58, 3-60, 3-68
168866	3-61	172713	3-54, 3-56, 3-58, 3-60
168867	3-61	172730	3-61
168868	3-54, 3-56, 3-58, 3-60	172731	5-5, 7-5
168869	3-54, 3-56, 3-58, 3-60	172734	3-4, 3-22, 3-54
		172735	3-54, 3-56, 3-58, 3-60
		172737	3-2, 3-4
		172740	3-22

172741	3-4, 3-54	174493	3-16, 3-40, 3-60
174311	3-58	174498	3-10, 3-12
174313	3-10, 3-12	174499	3-10, 3-12
174316	3-12, 3-33, 3-58	174500	3-30, 3-33
174362	3-2, 3-4	174501	3-30, 3-33
174397	3-18, 3-24, 3-30, 3-36, 7-5	174502	3-14, 3-16
174398	3-54, 3-56, 3-58, 3-60	174503	3-14, 3-16
174399	8-2	176480	3-14, 3-16
174400	8-2	176481	3-14, 3-16
174407	3-24, 3-30, 3-36, 3-42	176484	2-17
174408	3-18, 3-36, 3-44	176485	2-17
174409	5-5	176488	8-2
174410	5-5	176489	8-2
174411	5-6	176490	7-5
174412	5-5	176509	2-32
174414	8-2	176510	2-34
174419	8-2	176511	2-36
174420	8-2	176524	2-17
174425	3-18, 3-21	176525	2-17
174427	3-18, 3-21	176528	2-17
174432	3-30, 3-33	176529	2-17
174434	8-2	176532	3-2
174435	6-4, 6-6, 6-8	176533	3-18
174436	6-4, 6-6, 6-8	176535	3-2
174437	6-4, 6-6, 6-8	176536	3-18
174441	2-6, 2-10, 2-18, 6-4, 6-6	176537	3-6
174443	6-8	176538	3-24
174444	6-4, 6-8	176540	3-6
174445	6-6, 6-8	176541	3-24
174446	6-6, 6-8	176542	3-10
174455	6-4, 6-6, 6-8	176543	3-30
174456	6-4, 6-6, 6-8	176545	3-10
174482	3-16, 3-60	176546	3-30
174483	3-16, 3-60	176547	3-14
174486	3-56	176548	3-36
174487	3-56	176550	3-14
174491	3-60	176552	5-8, 5-10, 5-12
174492	3-16, 3-40, 3-60	176553	5-6

176554	5-10, 5-12	176657	8-2
176555	5-8, 5-10, 5-12	176664	5-6, 5-16, 5-18
176556	5-10	176665	5-8, 5-10
176557	5-8, 5-12	176666	5-6
176560	3-18, 3-24, 3-30, 3-36	176667	5-12
176565	5-5	176676	3-6, 3-10, 3-14, 3-18, 3-24, 3-30, 3-36
176566	8-2	176766	2-6, 2-10, 4-2
176567	5-16	177030	2-6, 2-10, 2-17, 2-29
176568	5-18	179773	8-2
176569	5-5	179776	3-4, 3-8, 3-12, 3-16, 3-22, 3-28, 3-34, 3-40
176571	5-8, 5-10	179777	2-8
176574	5-14	179778	2-10
176575	5-14	179780	2-10
176576	5-14	179782	3-36, 3-39
176577	5-14	179783	3-36, 3-39
176578	5-14	179786	2-6, 2-10, 4-2
176583	5-8, 5-10, 5-14	179787	2-10
176584	5-12, 5-14	182421	9-4
176585	5-8, 5-10, 5-14	182423	9-4
176590	5-5	182424	9-4
176591	5-5	1-833-010001	4-2
176594	5-19	183921	3-2, 3-6, 3-10, 3-14, 3-18, 3-24, 3-30, 3-36, 3-51
176595	5-19	183922	3-51, 3-52
176596	5-19	183923	3-51, 3-52
176605	5-5, 5-16	183950	3-64
176606	5-5, 5-18	183951	3-64
176607	5-14	183960	9-4
176608	5-5	183961	9-16
176609	5-5	183962	2-10
176610	5-5	183963	2-8
176611	5-5	1-861-010003	2-20
176614	5-6, 5-10	1-861-010032-03	4-4
176615	5-6, 5-8	1-861-010032-07	3-50
176616	5-6, 5-8	1-861-010032-11	2-13, 2-18, 9-10, 9-12, 9-14, 9-16
176617	5-5, 5-10	1-861-010032-14	1-10, 1-12, 2-17, 2-24, 2-39, 3-4, 3-8, 3-12, 3-16, 3-21, 3-27, 3-33, 3-39, 3-42, 3-44, 3-47, 3-70, 3-72, 4-8, 5-16, 5-18
176619	5-6, 5-12	1-861-010032-15	1-13
176620	5-5, 5-19		
176627	1-10, 1-12, 5-16, 5-18		

1-861-010032-19	1-2, 1-4, 1-6, 1-8	189460	2-4
1-861-010032-20	4-8, 4-12, 9-2	189461	2-4
1-861-010032-21	9-2	189462	9-12
1-861-010032-22	3-21, 3-39	189464	9-10, 9-12
1-861-010032-24	2-6, 2-10, 2-17, 2-24, 2-39, 2-42, 9-7	194674	4-4
1-861-010032-32	2-17	194675	4-4
1-861-010034-07	5-14	198281	3-72
1-861-010034-10	9-16	199328	3-10, 3-12
1-861-010034-11	9-10, 9-12, 9-14, 9-16	199329	3-30, 3-33
1-861-010034-13	2-20, 2-24, 2-39, 2-42, 4-8, 9-7	199330	3-12, 3-34, 3-58
1-861-010034-17	9-2, 9-4	199339	9-4
1-861-010034-21	3-67, 3-68	199340	3-2, 3-6, 3-10, 3-14, 3-18, 3-24, 3-30, 3-36, 3-51
186296	5-8, 5-10, 5-14	199341	3-6, 3-14, 3-24, 3-36, 3-51
186298	5-14	199342	3-51
187481	5-5, 5-10	199343	3-51
187482	5-6, 5-8	199379	9-10
187484	5-5	199380	9-7, 9-10
187491	4-2, 4-4	199381	9-7, 9-10
187518	4-2, 4-4, 6-4, 6-6, 6-8	199382	9-7
187519	4-4	199383	9-7
187520	4-4	199384	9-7
187521	4-4	199385	9-7
187522	4-4	199396	4-4
1-879-010011	4-4	1C199	5-14
189428	3-70, 3-72	1C213	5-14
189429	3-70, 3-72	1D598	5-16, 5-18
189430	3-72	201792	3-70
189431	3-72	202702-8-8S	2-13, 9-4
189432	3-70, 3-72	203014	3-50
189440	2-6	203063	4-4
189441	2-6	204384	2-2, 2-4, 2-8, 2-25, 2-40, 2-42
189449	2-6	205140	7-5
189453	2-29	205147	3-50, 7-5
189454	2-29	205192	3-66
189457	2-6	205237	3-54, 3-58, 3-60
189458	2-2	2061-8-8S	9-10, 9-12, 9-14, 9-16
189459	2-2	2062-8-8S	2-13, 2-21

207494	3-50	214839	3-54
207495	3-50	214889	3-24, 3-27
207496	3-50	214892	3-24, 3-27
207497	3-50	214896	8-2
207498	3-50	214897	8-2
207499	3-50	214898	8-2
208215	3-66	214899	8-2
208216	3-8, 3-28, 3-56	2-150-010008	2-2, 2-4, 2-8, 2-17, 2-24, 2-39, 2-42
208219	3-66	2-150-010227	2-2, 2-4, 2-8, 2-13
208220	3-56, 3-60, 3-66	215948	3-2, 3-4
208221	3-54, 3-58, 3-60, 3-66	216429	3-2, 3-52
208276	3-6, 3-8	216430	3-2, 3-52
208282	3-6, 3-8	216433	3-52
208284	3-8, 3-28, 3-56	216435	3-51, 3-52
2-095-010017	1-2, 1-4, 1-6, 1-8, 2-17, 3-47, 5-6	216436	3-52
2-102-010040	9-4	216472	9-2
2-102-010056	2-20	216473	9-2
2-102-010063	2-18	216475	9-2
211045	2-6, 2-10, 2-18, 7-5	216478	9-2
211091	4-12	216479	9-2
212777	4-12	216482	9-2
212778	4-12	216484	9-2
212780	4-12	216486	9-2
212789	4-12	2-181-010001	2-13, 2-18, 9-10, 9-12, 9-14, 9-16
212792	4-12	218426	3-12, 3-33, 3-58
212793	4-12	218427	3-12, 3-33, 3-58
212798	4-13	218428	3-58
212799	4-12	218442	8-4
213921	4-12	220176	9-2
213932	1-8, 3-6, 3-10, 3-14, 3-18, 3-24, 3-30, 3-36	220177	9-2
213956	4-13	220191	9-2
213957	4-13	220192	9-2
213958	4-13	220193	9-2
214803	8-2	220194	9-2
214805	4-12	222308	3-50, 3-70, 3-72
214806	4-12	222309	3-70
214837	3-4, 3-54	224513	2-6, 2-10, 2-18, 7-5
214838	3-54	224573	4-4

224584	4-16	4D413	5-8, 5-10, 5-12
224585	4-16	500171	2-30
224587	4-16	528933	5-5, 7-5
224589	5-6, 7-5	528934	7-5, 9-7, 9-10, 9-12, 9-14, 9-16
224590	5-6	528938	5-5, 7-5
224625	8-2	5410	2-17
224626	8-2	6-557-010163	2-24, 2-40, 2-42
224631	8-2	6K516	5-6, 5-16, 5-18
224632	8-2	70239854	2-32, 2-34, 2-36
231494	2-39, 2-42	70260977	3-2, 3-6, 3-10, 3-14, 3-18, 3-24, 3-30, 3-36, 5-6, 7-5
231495	5-6, 5-16, 5-18	70336914	9-8
232178	7-5	70336915	9-8
232402	3-2	70336916	9-8
232404	5-5	70592442	1-13, 2-40, 2-42
232405	5-5	70593063	1-2, 1-4, 1-6, 1-8, 1-10, 1-12, 2-2, 2-4, 2-8, 2-24, 2-32, 2-34, 2-36, 2-40, 2-42, 3-18, 3-24, 3-30, 3-36, 3-42, 3-44, 3-70, 3-72, 5-5, 9-4, 9-7, 9-16
2-368-010287	6-8	71508984	2-13
239-8101-14	4-4	7D937	5-14
2-423-010040	2-39, 2-42	7D938	5-14
2-474-010022	2-6, 2-10, 2-13, 2-17	8-102-010019	9-7, 9-16
2-557-010125	2-24, 2-39, 2-42	8-105-010006	3-6, 3-10, 3-14, 3-18, 3-24, 3-30, 3-36
2-557-010417	2-34, 2-36	8-183-010058	4-12
2-557-010426	1-2, 1-4, 1-6, 1-8	830025	9-8
25618	3-22, 3-28, 3-34	8-557-010114	2-32
2-573-010198	2-6, 2-10, 2-18, 7-5	8-573-010084	2-6, 2-10, 2-18, 7-5
2-573-010330-03	7-5, 9-8, 9-10, 9-12, 9-14, 9-16	85G820E	8-4
2-684-010045	2-17	8-720-010013	2-24
2-788-010010	4-4	8-861-010021	2-24, 2-40, 2-42
29SFFL 5811	4-8, 4-12	9J433	5-8, 5-10, 5-12
2K503	5-16, 5-18		
3/4-16HSN	2-20	H	
3-272-010017	4-4	HEHM240	4-4
3P115	5-16, 5-18		
40-0717-02	6-4, 6-6, 6-8	T	
415	2-25, 2-40, 2-42	TR416	2-2, 2-4, 2-8
42H12	5-19		
42H16	3-18, 3-24, 3-30, 3-36		
42H20	3-51, 3-52		
4D402	5-8, 5-10, 5-12		

Instructions for Ordering Parts

**** Repair parts must be ordered through an Authorized Dealer ****

DEALER INSTRUCTIONS FOR ORDERING PARTS FROM LANDOLL PARTS DISTRIBUTION CENTER

Phone #: 800-423-4320 or 785-562-5381

Fax #: 888-527-3909

Order online: dealer.landoll.com

IDENTIFICATION PLATE

The identification plate, which lists the model number and serial number, is located on the front of the frame.

SERIAL NUMBER

The serial number is located on the identification plate.
The Following information will help decode the 5211 Grain Drill serial number

52H2022100 = xxmysssss

QR CODE DECAL

The 5000 series QR code decal, may be scanned to link you to the most current manuals, located on the front of the frame [See Figure 12-1](#)

xx	= model series (i.e. 52 for Grain Drill, Rigid)
m	= month of manufacture (ex. "H" means October. The letter I is not used.)
yy	= year manufactured (ex. "22" means 2022)
SSSSS	= Sequential number used to track warranty and service information.

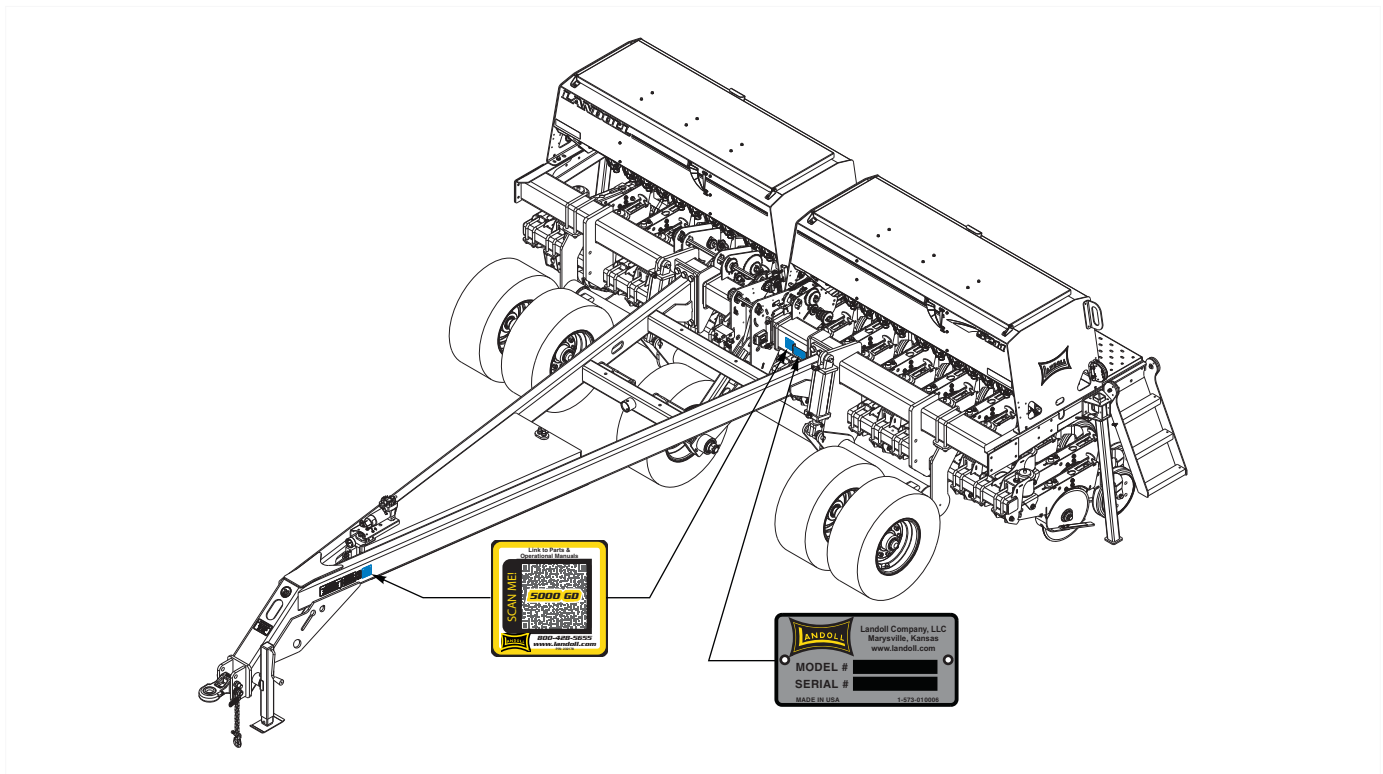


Figure 12-1: Identification Plate and Location

Manuals for 52111 Grain Drill

Manual Number	Manual Type
F-725	Operator's Manual
F-726	Parts Manual

Document Control Revision Log:

Date	Form #	Improvement(s): Description and Comments
10/04/2013	F-726-0713	Initial Release
01/10/2022	F-726-0122	Updated whole manual, added rebounder, spring openers



Intertek

Equipment from Landoll Company, LLC is built to exacting standards ensured by ISO 9001 registration at all Landoll manufacturing facilities.

Model 5211

Grain Drill

Parts Manual

Re-order Part Number F-726

LANDOLL COMPANY, LLC

1900 North Street

Marysville, Kansas 66508

(785) 562-5381

800-428-5655 ~ **WWW.LANDOLL.COM**



Copyright 2022. Landoll Company, LLC

“All rights reserved, including the right to reproduce this material or portions thereof in any form.”

