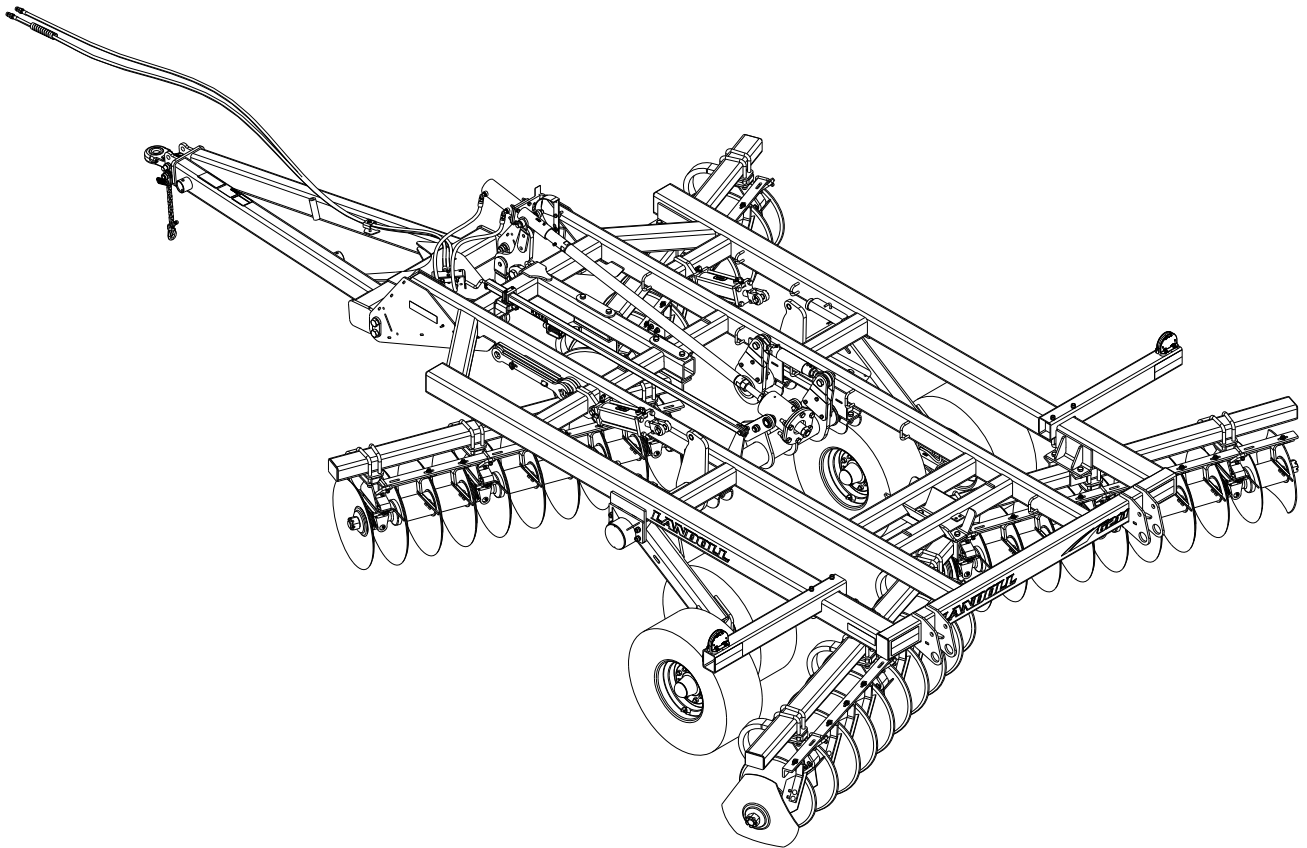




Model 6211 Disc Parts Manual



LANDOLL CORPORATION

1900 North Street
Marysville, Kansas 66508
(785) 562-5381

800-428-5655 ~ WWW.LANDOLL.COM

Manuals for the 6211 Disc

MANUAL NUMBER	MANUAL NAME
F-841	6211 Disc Operator's Manual
F-842	6211 Disc Parts Manual

Table of Contents

1 Illustrated Parts List

Instructions For Ordering Parts	1-1
Frame Assembly	1-2
Frame Assembly	1-2
Lift Wheel Assembly	1-4
Lift Wheel Assembly	1-4
Hub and Spindle Assembly - 8 Bolt	1-7
Hitches & Leveling System	1-8
Hitch and Leveling Linkage Assembly	1-8
Ball & Clevis Hitch	1-10
7,000 Lb. Sidewind Jack Assembly	1-11
Single Leveler Screw Assembly	1-12
Depth Stop Assembly	1-13
Manual Leveler Assembly	1-14
Hydraulic Leveler Assembly	1-16
Hitches	1-18
Straight Rear Tow Hitch	1-18
Disc Gang Assemblies	1-20
Disc Gang Assembly 22" 24" & 26"(8-3/4" Spacing)	1-20
Disc Gang Assembly 22" (7" Spacing)	1-24
Disc Gang Placement - 12' (22" Disc Blades)	1-26
Disc Gang Placement - 12' (24" Disc Blades)	1-28
Disc Gang Placement - 12' (26" Disc Blades)	1-30
Disc Gang Placement - 14' (22" Disc Blades)	1-32
Disc Gang Placement - 14' (24" Disc Blades)	1-34
Disc Gang Placement - 14' (26" Disc Blades)	1-36
Disc Gang Placement - 15' (22" Disc Blades)	1-38
Disc Gang Placement - 15' (24" Disc Blades)	1-40
Disc Gang Placement - 15' (26" Disc Blades)	1-42
3 Row Coil Tine Harrow Assemblies	1-44
3 Row Coil Tine Harrow Assembly - 12'	1-44
3 Row Coil Tine Harrow Assembly - 14' & 15'	1-46
Harrow Center Assembly	1-48
Conditioner Reel Assemblies	1-50
Conditioner Reel Assembly - 12'	1-50
Conditioner Reel Assembly - 14' & 15'	1-52
Hydraulic Conditioner Reel Assembly - 12'	1-54
Hydraulic Conditioner Reel Assembly - 14' & 15'	1-56
Conditioner Reel/Gangbar Assembly	1-58
Lift Hydraulic Assemblies	1-60
Lift Hydraulic Assembly - 12'-15'	1-60
Reel Hydraulic Assembly	1-62

Reel Hydraulic Assembly - 12'	1-62
Reel Hydraulic Assembly - 14' & 15'	1-64
Cylinders	1-66
Rephase Cylinder 4" X 10"	1-66
Cylinder 3-1/2" X 6"	1-67
Cylinder 2-1/2" X 2-1/2"	1-68
Electrical	1-69
Electrical Assembly W/ LED Lights	1-69
Decals	1-72
Decal Arrangement & Locations	1-72

Illustrated Parts List

Instructions For Ordering Parts

ORDER PARTS FROM LANDOLL PARTS DISTRIBUTION CENTER

**** Repair parts must be ordered through an Authorized Dealer ****

PHONE NO: 1-800-423-4320 OR 1-785-562-5381

FAX NO: 888-527-3909

ORDER ONLINE: Dealer.landoll.com

IDENTIFICATION PLATE

The identification plate, which lists the model number and serial number, is located on the front of the frame. (See Figure 1-1.)

SERIAL NUMBER NOMENCLATURE

The serial number for the 6211 DISC is located on the identification plate.

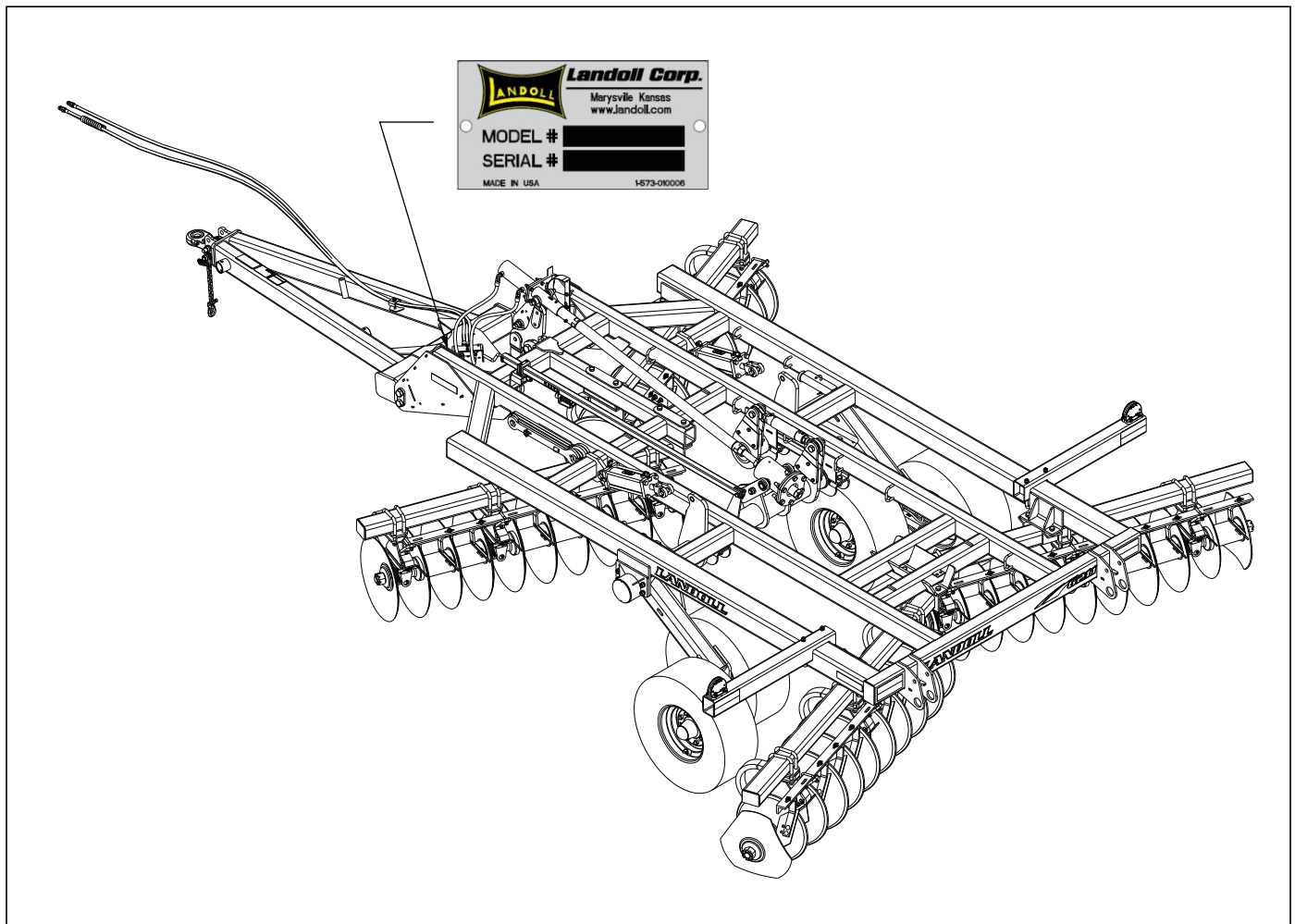


Figure 1-1: Identification Plate and Location

Frame Assembly

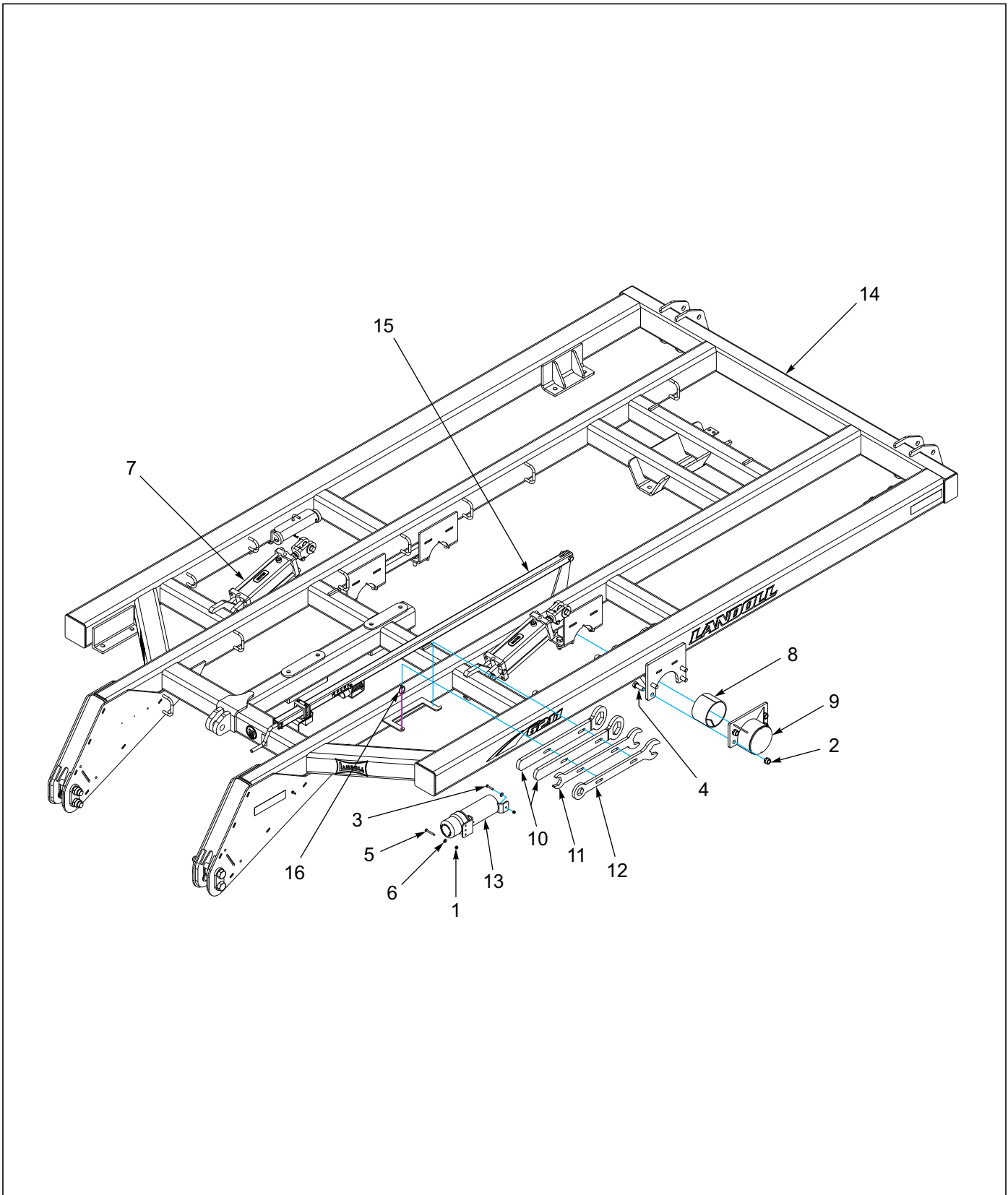


Figure 1-2: Frame Assembly

Frame Assembly

ITEM	PART NO.	DESCRIPTION	QTY.
1	1-512-010005-01	NUT,HEX,SLFLKG GRB 1/4-20	2
2	1-512-010005-15	NUT, HEX, SLFLKG GRB 3/4-10	2
3	1-654-010047-06	SCREW,HX CP 1/4-20UNCX1 GR5	1
4	1-654-010061-05	SCREW,HHC,3/4-10UNCX2,GR5,ZP	14
5	177256	SCREW,HEX CAP,1/4-20X6UNC GR5X	1
6	1-861-010032-07	WASHER,FLAT 1/4 ZP	2
7	140470	CYLINDER 4X10 REPHASE (SEE PAGE 1-66)	2
8	140519	BEARING, UHMW 4IN	5
9	141209	BEARING CAP, LIFT	2
10	140533	GANG WRENCH	2
11	155564	WRENCH, ADJUSTMENT	1
12	192834	WRENCH, HITCH ADJUSTMENT	1
13	142753	MANUAL HOLDER	1
14	189470	FRAME, CENTER 21-29	1
15	192814	STOP ASSY, DEPTH 84-1/2" (SEE PAGE 1-13)	1
16	70239854	PIN, QUICK HITCH	2

Lift Wheel Assembly

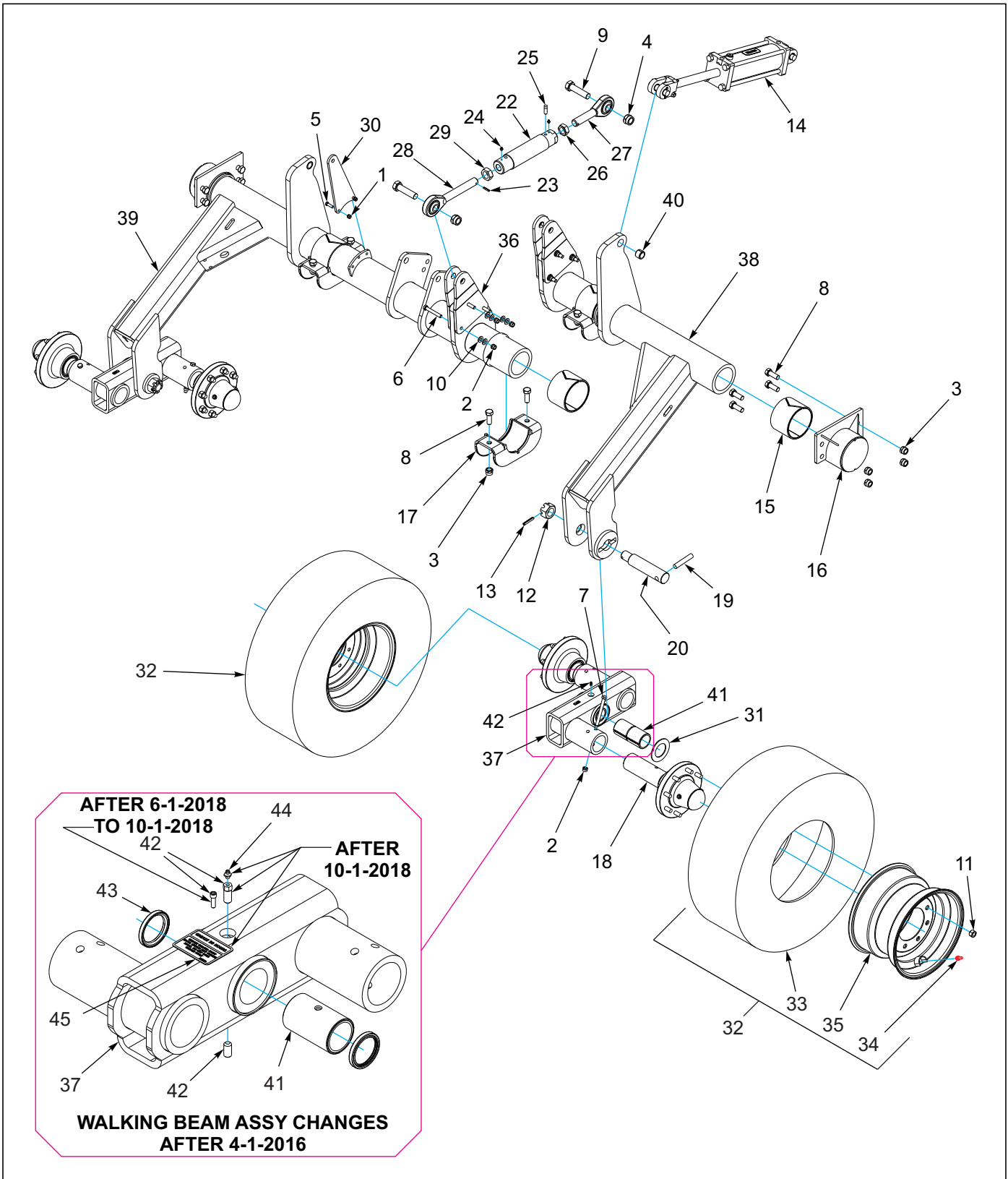


Figure 1-3: Lift Wheel Assembly

Lift Wheel Assembly

ITEM	PART NO.	DESCRIPTION	QTY.
1	1-512-010005-05	NUT, HEX, SLFLKG GRB 3/8-16	2
2	1-512-010005-09	NUT,HEX,SLFLKG, 1/2-13 GRB	10
3	1-512-010005-15	NUT,HEX,SLFLKG GRB 3/4-10	16
4	1-512-010005-19	NUT 1-8 HEX SLF-LOCKING GRB	2
5	1-654-010051-06	SCREW,HEX CAP 3/8-16UNCX1-1/4	2
6	1-654-010055-11	SCREW,HX CP 1/2-13UNCX3-1/2	6
7	1-654-010055-15	SCR, HX CP, 1/2-13UNCX5 GR5	4
8	1-654-010061-05	SCREW,HHC,3/4-10UNCX2,GR5,ZP	14
9	1-654-010065-13	SCREW, HX CP 1-8UNC X 4 GR5	2
10	1-861-010032-14	WASHER, FLAT 1/2" N ZP/CD	12
11	102600	NUT,WHEEL BOLT, 5/8	32
12	119118	NUT 1-1/2-12UNF HEX SLOTTED, ZP	2
13	127712	PIN SPRING SLOTTED 3/8X2-1/4	2
14	140470	CYLINDER 4X10 REPHASE (SEE PAGE 1-66)	1
15	140519	BEARING, UHMW 4IN	5
16	141209	BEARING CAP, LIFT	2
17	141234	BEARING CAP, LIFT BLUE	3
18	156972	HUB & SPINDLE ASSY, 8 BOLT (SEE PAGE 1-7)	4
19	156992	PIN, WALKING BEAM SPINDLE	2
20	157019	SPINDLE, WALKING BEAM	2
21	158844	RAD ROD, LIFT ASSY (22-29)	1
22	158843	RADIUS ROD WLDMT 13"	1
23	0600-250-01250	ROLL PIN 1/4X1-1/4 LONG	2
24	1-298-010001-1	ZERK FITTING 1/4 SAE	2
25	1-654-010080-2	SCREW SET1/2X1-1/4 SQHD CP PT	1
26	153803	NUT 1-1/4-7 HX JAM,UNC LH GR2	1
27	2-654-010097	SCREW, LH RADIUS ROD	1
28	159557	SCREW, SHORT, RH RADIUS ROD	1
29	100823	NUT, HEX JAM 1-1/4-7 GR2	1
30	164124	MOUNT, DEPTH CONTROL	1
31	171070	WASHER, THRUST	4
32	184709	TIRE ASSY, 8 BOLT, 12.5L X 15 SL (ITEMS 33-35) (BEFORE 11-1-16)	4
32	184708	TIRE ASSY, 8 BOLT, 320/70R15 (ITEMS 33-35) (AFTER 11-1-16)	4
33	184707	FIRESTONE TIRE 12.5L X 15 SL (BEFORE 11-1-16)	4
33	204385	FIRESTONE, RADIAL 320/70R15 (AFTER 11-1-16)	4
34	415	VALVE STEM (BEFORE 11-1-16)	4
34	TR575	VALVE STEM TUBELESS TIRE (AFTER 11-1-16)	4
35	140548	WHEEL, 15 X 10 LB, 8 BOLT	4
36	171063	PLATE, OFFSET	4
37	172961	WALKING BEAM ASSY 3" (BEFORE 4-1-16)	2
37	198344	WALKING BEAM ASSY 3" (AFTER 4-1-16)	2
38	191494	LIFT, CENTER RIGHT NC	1
39	191495	LIFT, CENTER LEFT NC	1
40	192890	BUSHING 1-3/8ODX1 IDX1 STEEL	3
41	158903	BUSHING, SPRING 2-1/2 X 2 X 4-5/8 (BEFORE 4-1-16)	2
41	200310	ASSY, TANDEM PIVOT-2" (AFTER 4-1-16)	2
42	171024	FITTING, GREASE 1/4-28 STR SHORT (BEFORE 4-1-16)	4
42	200129	5/16-24 X 1 SOCKET HD CUP PT (AFTER 4-1-16 TO 6-1-2018)	4

Lift Wheel Assembly

ITEM	PART NO.	DESCRIPTION	QTY.
42	15G816ER	SCREW SET SOC HD CPPT.5-13X1 (AFTER 6-1-2018 TO 10-1-2018)	4
42	212046	SCREW, SET FOR ZERK (AFTER 10-1-2018)	4
43	198322	SEAL, V17, DOUBLE LIP 2"	8
44	1-298-010001-1	ZERK FITTING 1/4 SAE (AFTER 10-1-2018)	4
45	215341	DECAL, GREASE WALKER (AFTER 10-1-2018)	4

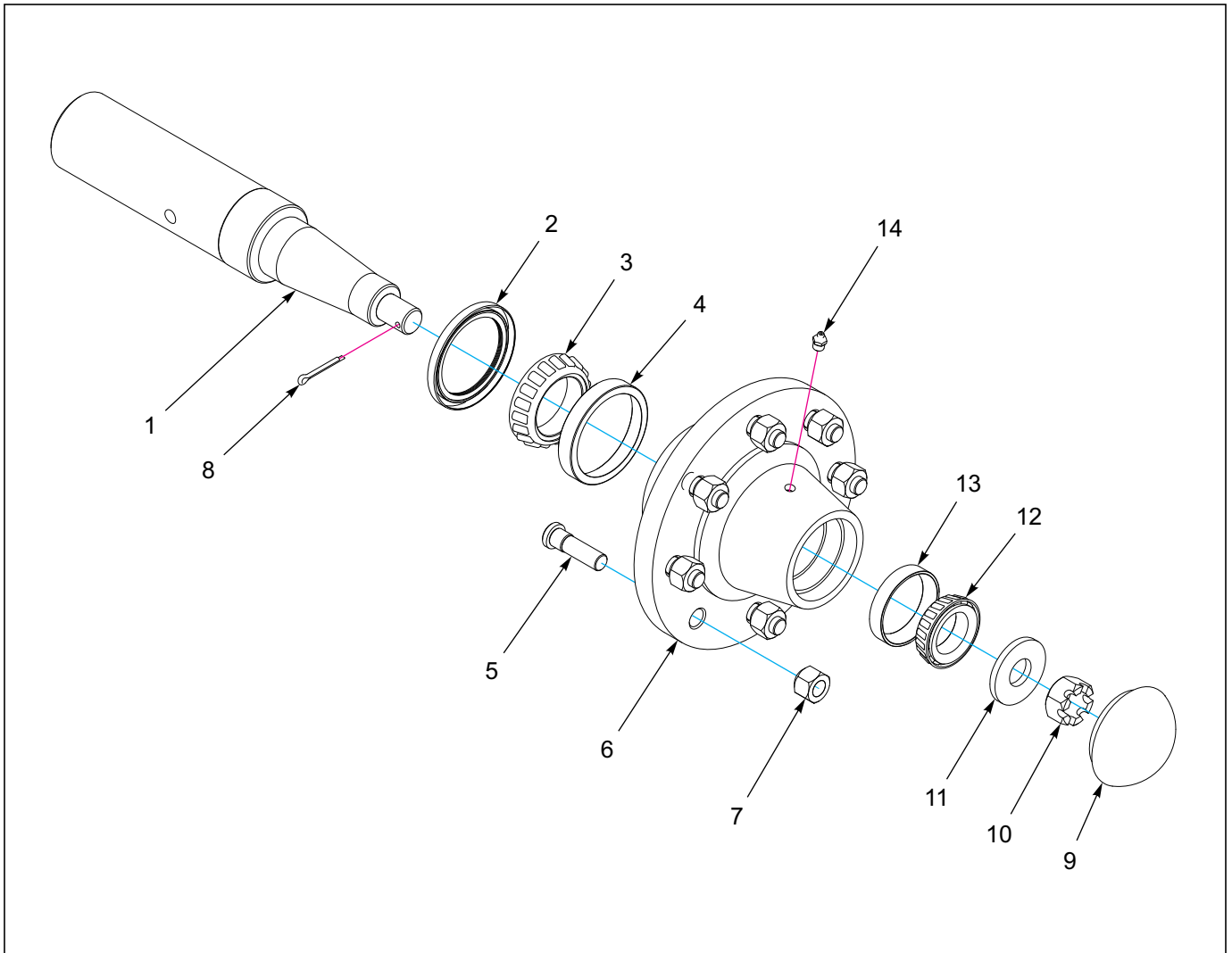


Figure 1-4: Hub and Spindle Assembly - 8 Bolt

Hub and Spindle Assembly - 8 Bolt

ITEM	PART NO.	DESCRIPTION	QTY.
--	156972	HUB AND SPINDLE ASSEMBLY - 8 BOLT, 3"	
1	156973	SPINDLE, 3 X16-1/2	1
2	159970	SEAL, TRIPLE LIP, 4OD X 3ID X 3/8	1
3	156979	CONE, BEARING, 387AS	1
4	111962	CUP, INNER BEARING	1
5	4001060	STUD BOLT, 5/8 X 2-1/2	1
6	156974	HUB W/ CUPS, 8 BOLT	1
7	102600	NUT, WHEEL BOLT, 5/8-18	8
8	1-557-010362-51	COTTER PIN, 3/16 X 1-1/2	1
9	102601	HUBCAP, 8-BOLT HUB	1
10	1-516-010001-20	NUT, SLDT HEX, 1-14 UNS	1
11	1-861-010005	WASHER, SPINDLE 1	1
12	102498	CONE, BORE BEARING OUTER 1.625	1
13	102604	CUP, OUTER BEARING	1
14	5000	ZERK	1
15	168859	HUB ASSEMBLY, 8 BOLT (NOT SHOWN) (ITEMS 4-5, 7, & 12-14)	

Hitches & Leveling System

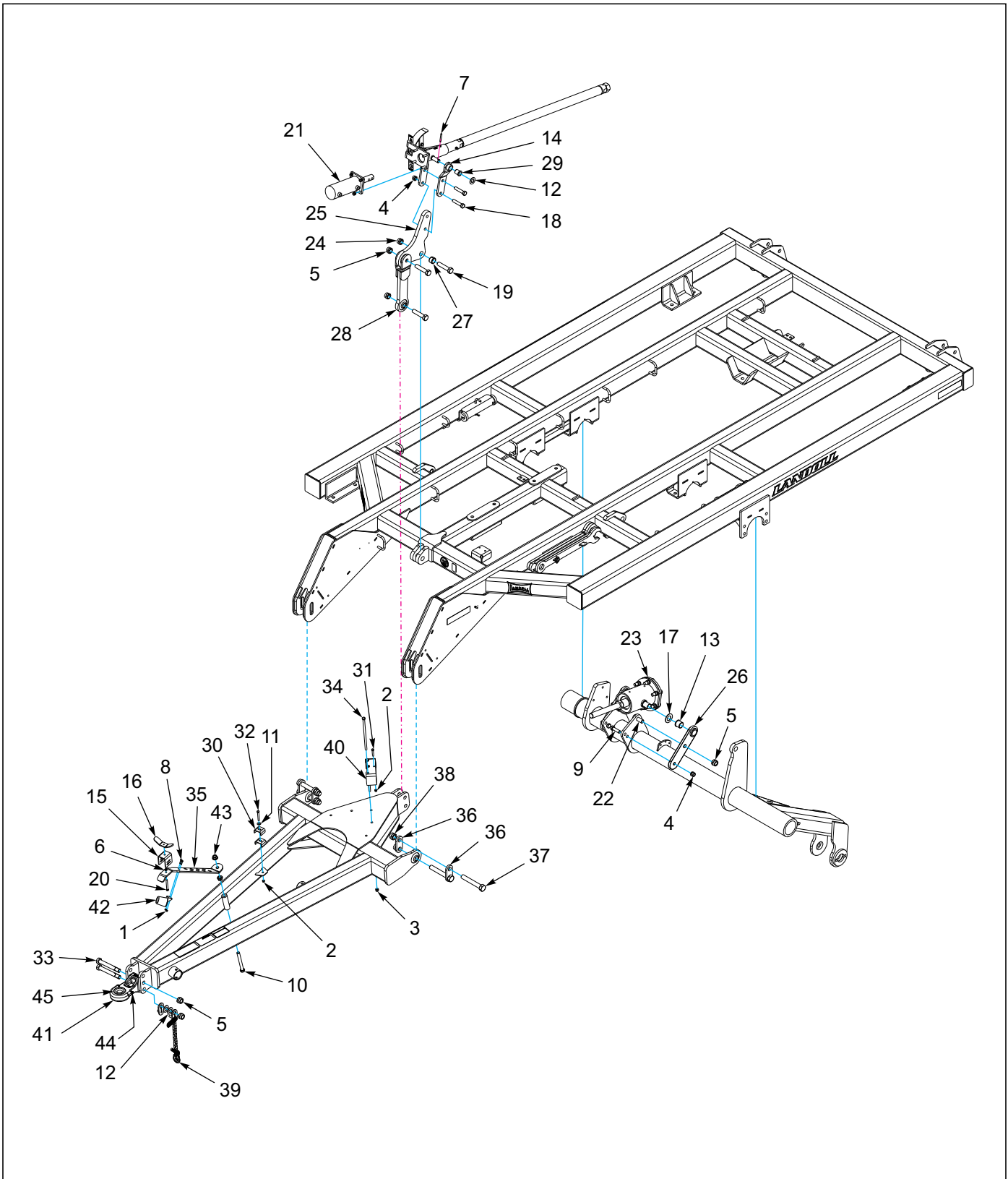


Figure 1-5: Hitch and Leveling Linkage Assembly

Hitch and Leveling Linkage Assembly

ITEM	PART NO.	DESCRIPTION	QTY.
1	1-512-010005-01	NUT,HEX,SLFLKG GRB 1/4-20	24
2	1-512-010005-05	NUT, HEX, SLFLKG GRB 3/8-16	3
3	1-512-010005-09	NUT,HEX,SLFLKG, 1/2-13 GRB	2
4	1-512-010005-15	NUT,HEX,SLFLKG GRB 3/4-10	28
5	1-512-010005-19	NUT 1-8 HEX SLF-LOCKING GRB	8
6	1-512-010007-07	NUT, HEX 3/8-16 ZP	1
7	1-647-010004240	PIN,SPRING,SLOTTED,5/16X2-1/2	2
8	1-654-010047-06	SCREW,HX CP 1/4-20UNCX1 GR5	2
9	1-654-010061-07	SCREW,HX CP 3/4-10UNCX2-1/2G5	2
10	1-654-010061-19	SCREW,HX CP 3/4-10UNCX7 GR5	1
11	1-861-010032-11	WASHER, FLAT 3/8 W ZP/CD	1
12	1-861-010032-24	WASHER FL 1IN NARROW ZP	2
13	140599	BEARING, FLANGE 1-1/2	2
14	140620	PLATE,LEVELER CROSS BRACKET	2
15	141247	CLAMP, HOSE HOLDER	1
16	141249	WING NUT, HOSE HOLDER	2
17	141266	WASHER, THRUST 1-1/2	2
18	141776	SCREWHXCP 3/4-10UNCX3-1/2GR5B	2
19	172823	SCREW HX CP 1-1/4-7X6 GR8	3
20	141807	SCREW 3/8-16UNCX3-1/2 ALLTHRD	1
21	144116	CYL ASM, 3-1/2X6 W/ FITTINGS	1
22	151528	SCREW, HX CP 1-8UNCX2-1/2 GR5	2
23	199796	LEVELER ASSY, SPRING SINGLE (SEE PAGE 1-12)	1
24	101385	NUT, HEXAGON, SELF LOCKING, GRB 1-1/4"	1
25	189485	LINK LEVELER L	1
26	191470	MOUNT, LEVELER SPRING	2
27	2-150-010174	BUSHING,1-5/8X1-1/4X1	2
28	192898	LINK, LEVELER BALL JOINT	1
29	2-073-010012	BEARING FLANGE	2
30	2-181-010001	HOSE CLAMP	3
31	1-654-010051-09	SCREW,HEX CAP,3/8-16UNCX2 GR5	2
32	1-654-010051-13	SCREW,HX CP,3/8-16UNCX3,GR5	1
33	153696	BOLT, HITCH CLEVIS	2
34	131081	SCREW,HEX CAP 1/2-13X11	2
35	141246	BRACKET, HOSE HOLDER	1
36	141252	PLATE, HITCH MOUNT	4
37	141253	SCREW HEX CAP 1-1/8-7 X 7-1/2	4
38	141254	NUT,HX SELF-LOCKING 1-1/8-7	4
39	141434	SAFETY CHAIN, 21,000 LB	1
40	174695	CLAMP, HOSE HOLDER	1
41	177030	HITCH, BALL CAT III, 2-HOLE (SEE PAGE 1-10)	1
42	2-368-010287	HARNESS, STOR-A-WAY	1
43	103841	NUT FLANGE, PREVAILING TRQ, 3/4-10 UNC	2
44	1-298-010001-1	ZERK FITTING 1/4 SAE	2
45	189453	BUSHING, SPHERICAL, 1-1/2" ID	1

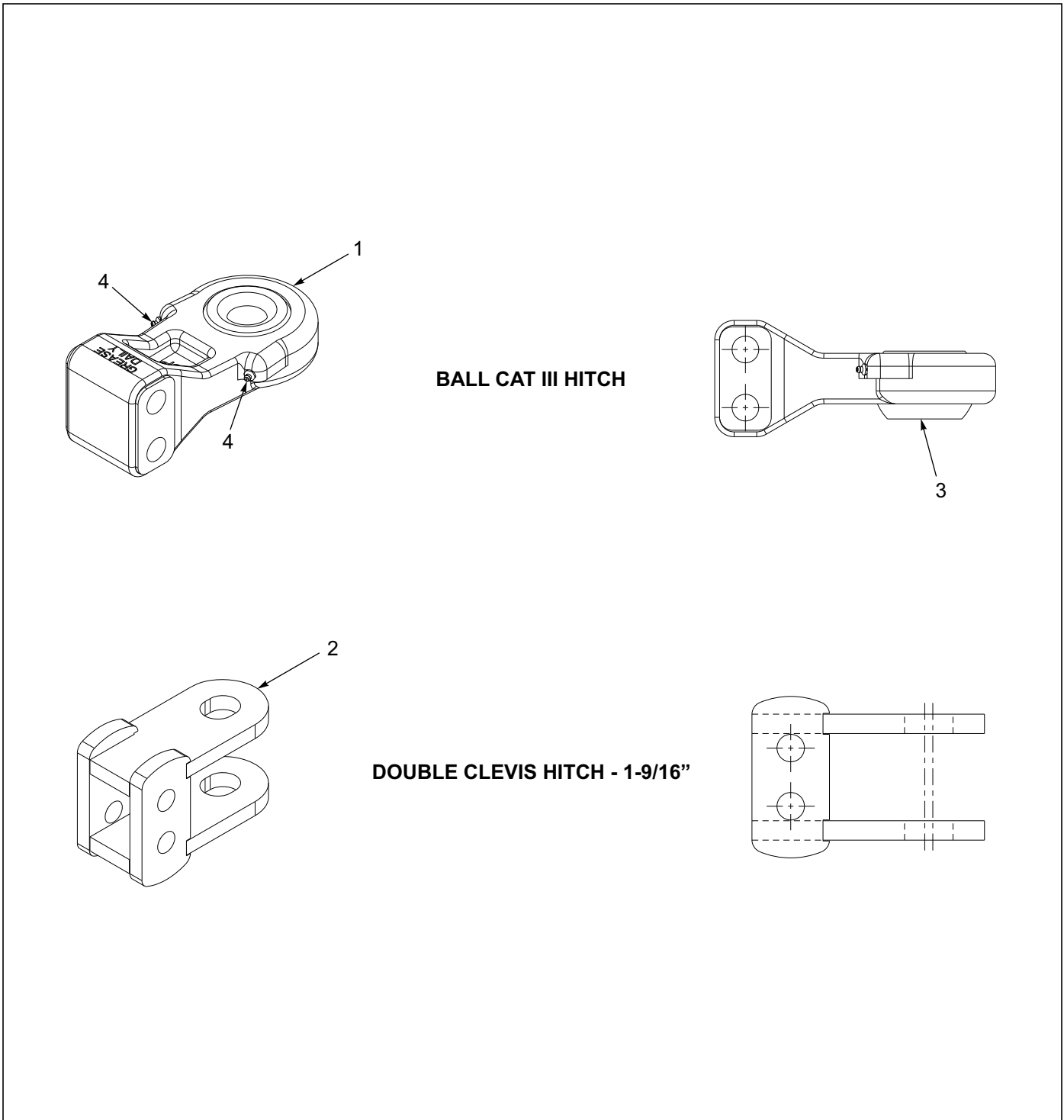


Figure 1-6: Ball & Clevis Hitch

Ball & Clevis Hitch

ITEM	PART NO.	DESCRIPTION	QTY.
1	177030	HITCH, BALL CAT III	1
2	161550	HITCH CLEVIS, DOUBLE 1-9/16"	1
3	189453	BUSHING, SPHERICAL, 1-1/2" ID	1
4	1-298-010001-1	ZERK FITTING 1/4 SAE	2

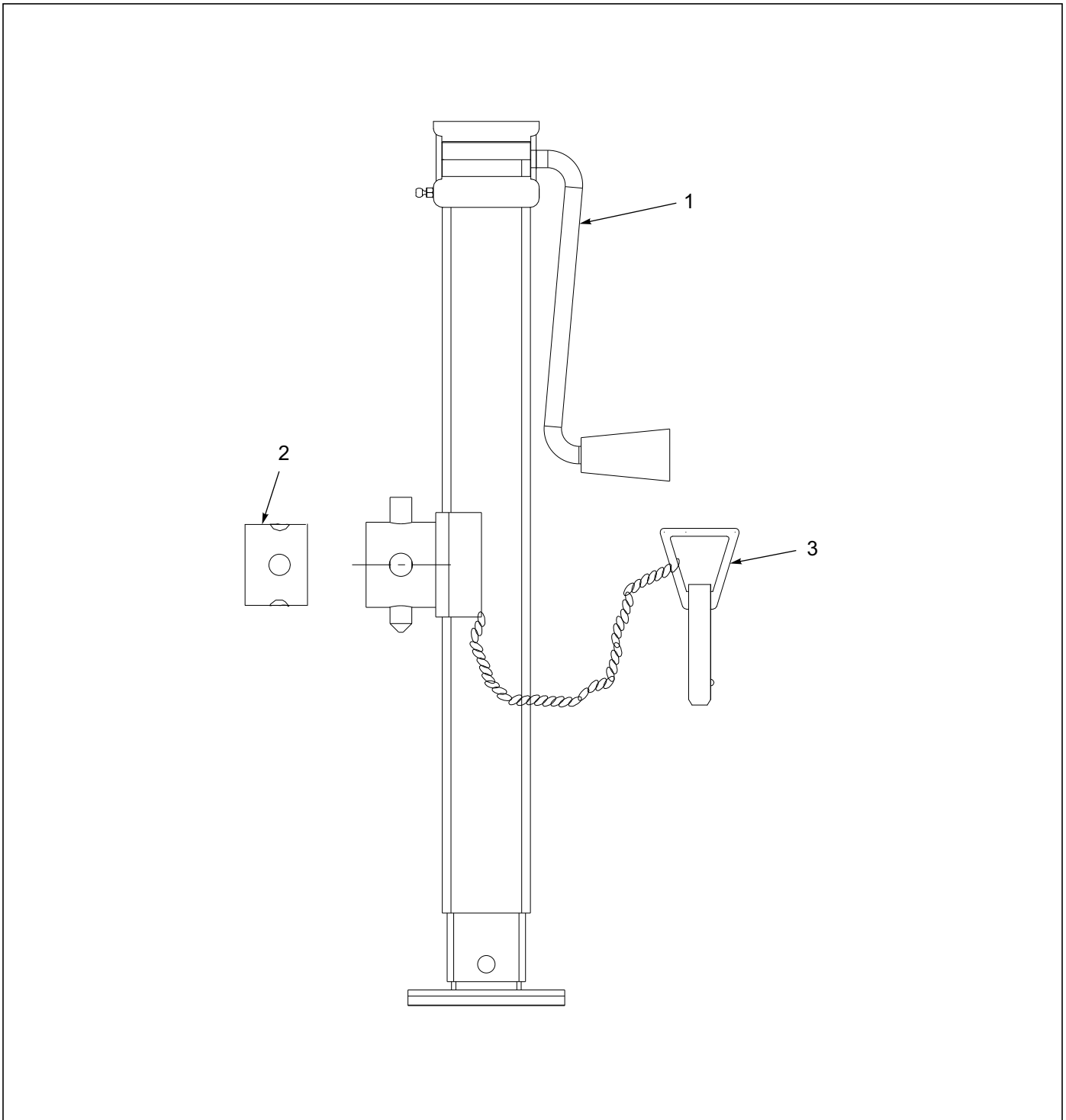


Figure 1-7: 7,000 Lb. Sidewind Jack Assembly

7,000 Lb. Sidewind Jack Assembly

ITEM	PART NO.	DESCRIPTION	QTY.
--	140647	JACK, SIDEWIND 7000LB	
1	500171	HANDLE FOR JACK	1
2	141250	TUBE, ROUND JACK MOUNT	1
3	142194	5/8" PIN	1

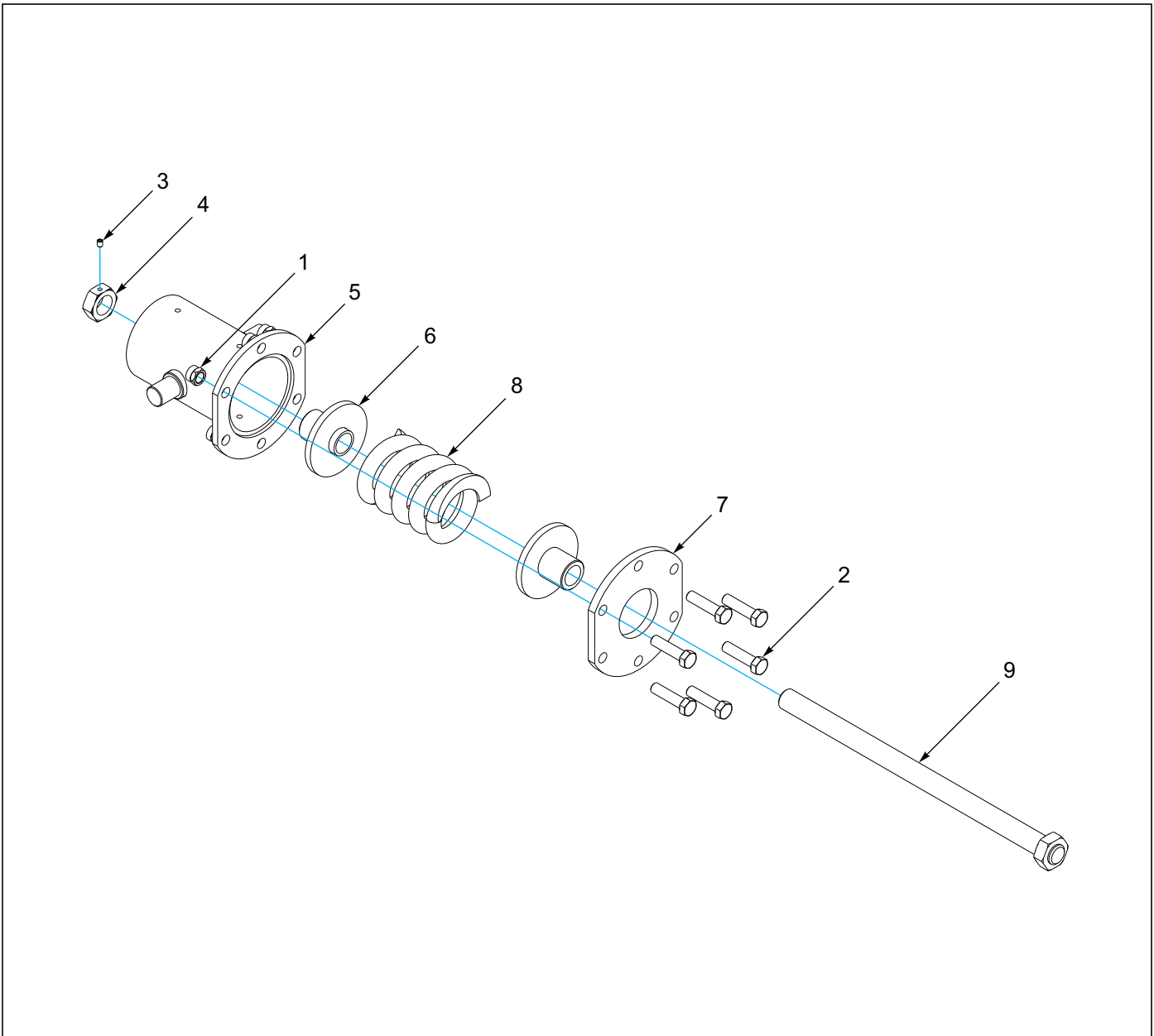


Figure 1-8: Single Leveler Screw Assembly

Single Leveler Screw Assembly

ITEM	PART NO.	DESCRIPTION	QTY.
--	197796	LEVELER ASSY, SPRING SINGLE	
1	1-512-010005-15	NUT,HEX,SLFLKG GRB 3/4-10	6
2	1-654-010061-09	SCREW HX CP 3/4-10UNCX3 GR5	6
3	122709	SCREW,SET,HXSKTCPPT 3/8-16X1/2	1
4	140610	NUT,HEX JAM W/O SET SCREW	1
5	183902	TUBE, LEVELER SPRING	1
6	183906	SPRING END, LEVELER	2
7	183909	CLAMP PLATE, LEVELER SPRING	1
8	192874	SPRING, COMPRESSION OUTER	1
9	192876	SCREW WLDMT, LEVELER	1

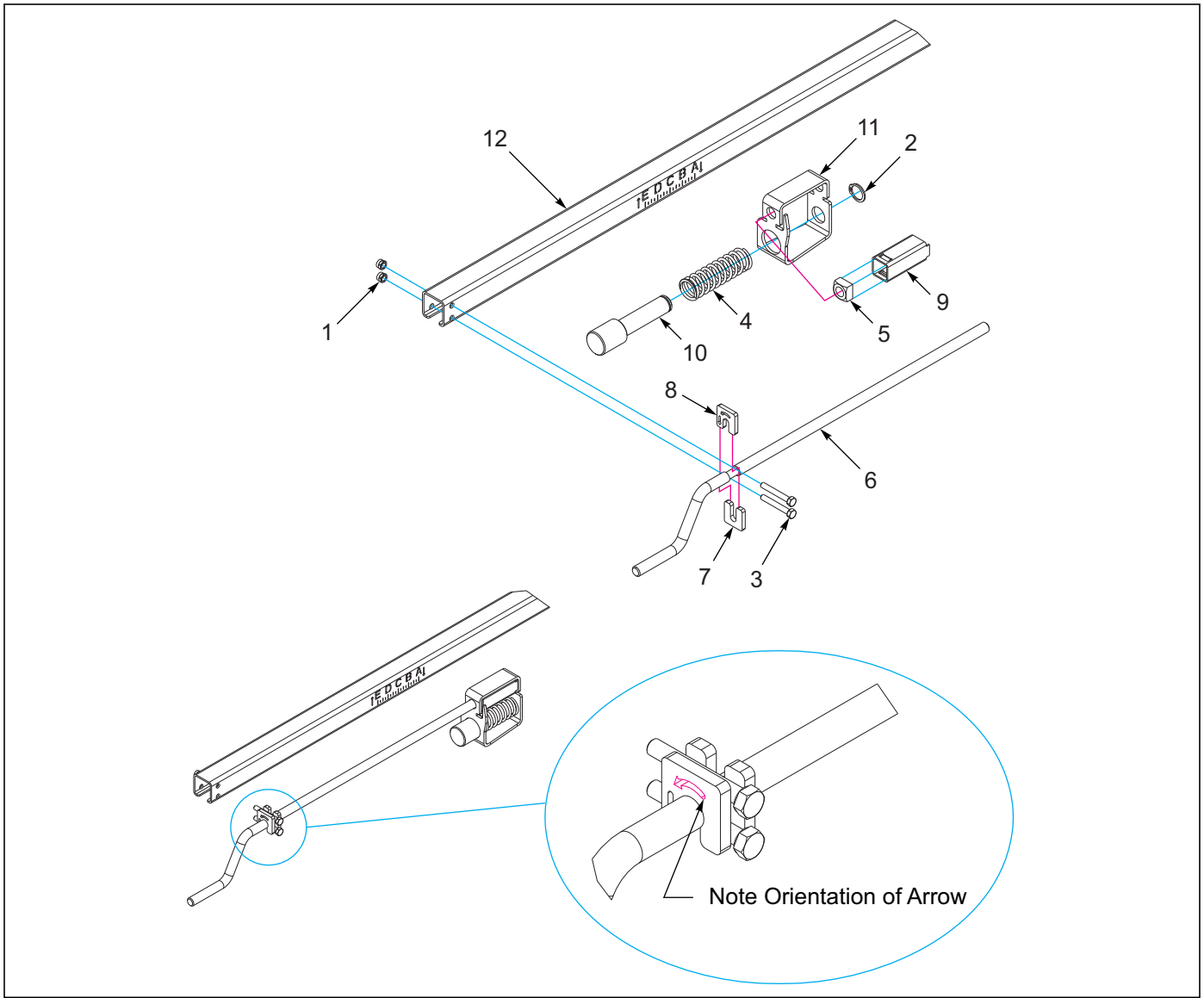


Figure 1-9: Depth Stop Assembly

Depth Stop Assembly

ITEM	PART NO.	DESCRIPTION	QTY.
--	192814	STOP ASSY, DEPTH 84-1/2"	
1	1-512-010005-03	NUT HEX SLFLKG GRB 5/16-18	2
2	1-630-010021-03	RING, RETAINING 1.0 HD	1
3	108628	SCREW HX CP 5/16-18UNCX2-1/4	2
4	122917	SPRING COMPRESSION, 4-1/2 MONO	1
5	144048	NUT, SQ 5/8-11 GR5	1
6	165258	HANDLE, DEPTH STOP	1
7	165259	STOP, HANDLE LONG	1
8	165260	STOP, HANDLE SHORT	1
9	166717	SQ TUBE, FLOATING	1
10	174708	PIN, DEPTH STOP	1
11	174709	SQ TUBE, DEPTH STOP	1
12	192815	SQ TUBE, DEPTH STOP 84-1/2"	1

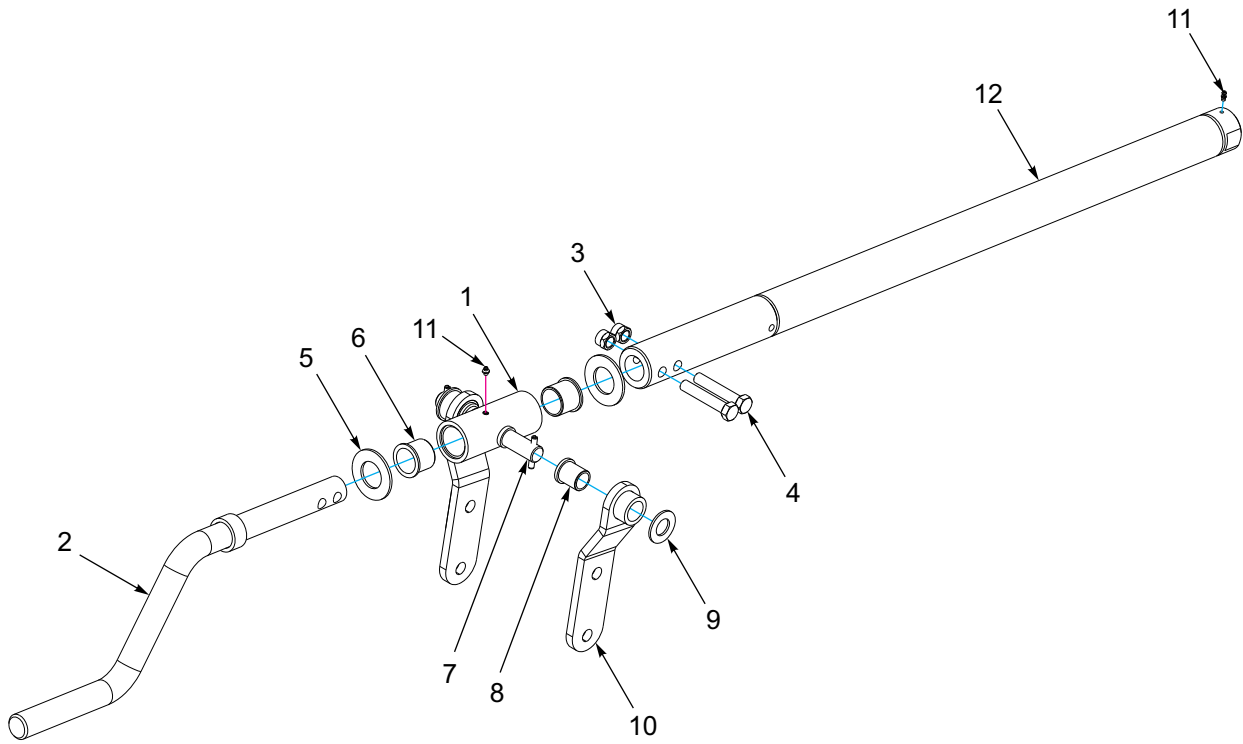


Figure 1-10: Manual Leveler Assembly

Manual Leveler Assembly

ITEM	PART NO.	DESCRIPTION	QTY.
--	140525	LEVELER ASSEMBLY, MANUAL	
1	140598	CROSS, LEVELER	1
2	140630	HANDLE, LEVELER	1
3	1-512-010005-13	NUT, HEX LOCK 5/8-11 GRB	2
4	1-654-010059-11	SCREW, HEX HEAD CAP 5/8-11 X 3-1/2 GR5	2
5	1-861-010032-32	WASHER, FLAT 1-1/2	2
6	140599	BEARING, FLANGE 1-1/2	2
7	1-647-010004240	PIN, SPRING SLOTTED 5/16 X 2-1/2	REF
8	2-073-010012	BEARING, FLANGE	REF
9	1-861-010032-24	WASHER, FLAT 1N	REF
10	142645	LEVELER CROSS BRACKET WLDMT (INCLUDES ITEM 8)	1
11	1-298-010001-1	ZERK, FITTING 1/4	1
12	183914	LEVELER TUBE 71"	REF

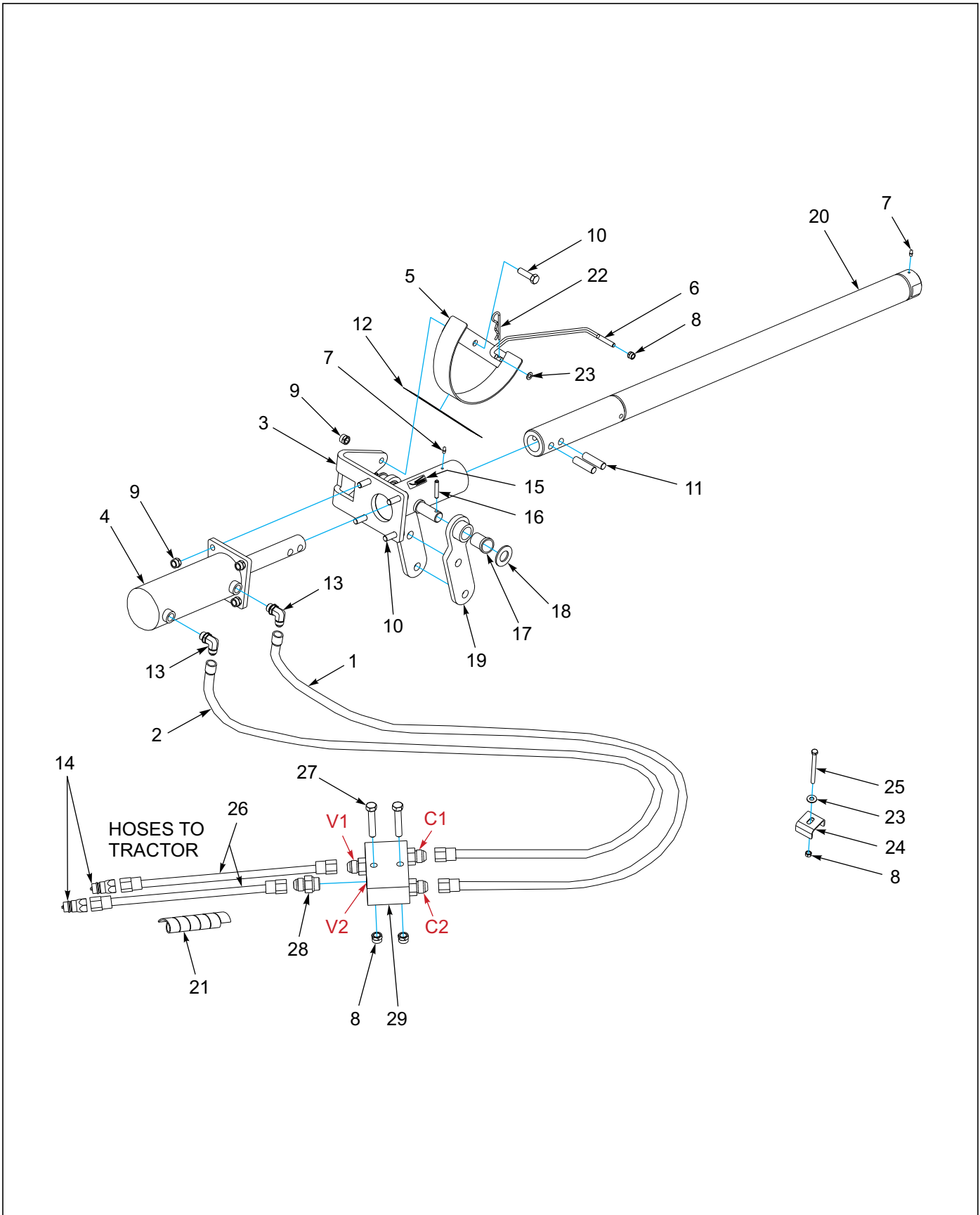


Figure 1-11: Hydraulic Leveler Assembly

Hydraulic Leveler Assembly

ITEM	PART NO.	DESCRIPTION	QTY.
--	192869	LEVELER ASSEMBLY, HYDRAULIC	
1	181801	HOSE ASSEMBLY 3/8 X 58	1
2	153843	HOSE ASSEMBLY 3/8 X 67	1
3	140625	CROSS, LEVELER	1
4	140631	CYLINDER, 3-1/2 X 6 (SEE PAGE 1-67)	1
5	141241	GAUGE, LEVEL INDICATOR	1
6	141242	ROD, LEVEL INDICATOR	1
7	1-298-010001-1	ZERK FITTING 1/4	1
8	1-512-010005-05	NUT, HEX LOCK 3/8-16 GRB	3
9	1-512-010005-09	NUT, HEX LOCK 1/2-13 GRB	5
10	1-654-010055-05	SCREW, HEX HEAD CAP 1/2-13 X 2 GR5	5
11	140627	PIN, LEVELER	2
12	141263	DECAL, LEVEL INDICATOR	1
13	141827	ELBOW 90 W/ 1/32 RESTRICTOR - RED	2
14	141828	COUPLER, MALE 3/4-16	2
15	2-573-010330-03	DECAL, LUBRICATION 50 HOURS	1
16	1-647-010004240	PIN SPRING SLOTTED 5/16 X 2-1/2	REF
17	2-073-010012	BEARING FLANGE	REF
18	1-861-010032-24	WASHER, FLAT 1 IN NARROW ZP	REF
19	142646	LEVELER CROSS BRACKET WLDMT (INCLUDES ITEM 18)	2
20	183914	LEVELER TUBE, 71"	REF
21	155530	HOSE WRAP, BLACK	AR
22	1-557-010403	HAIRPIN, 1/8	1
23	1-861-010032-11	WASHER, FLAT 3/8W	1
24	2-181-010001	HOSE CLAMP	1
25	1-654-010051-13	SCREW, HEX HEAD CAP 3/8-16 X 3	1
26	141860	HOSE ASSEMBLY 3/8 X 150	2
27	1-654-010051-09	SCREW, HEX HEAD CAP 3/8-16 X 2 GR5	2
28	202702-8-8S	ADAPTER	4
29	124696	VALVE, DOUBLE PILOT CHECK	1

Straight Rear Tow Hitch

ITEM	PART NO.	DESCRIPTION	QTY.
--	198266	REAR TOW HITCH - STRAIGHT	
1	1-512-010005-03	NUT HEX SLFLKG GRB 5/16-18	2
2	1-512-010005-05	NUT, HEX, SLFLKG GRB 3/8-16	3
3	1-512-010005-15	NUT,HEX,SLFLKG GRB 3/4-10	13
4	1-654-010049-05	SCREW HX CP 5/16-18UNCX1 GR5	2
5	1-654-010051-11	SCREW HX CP 3/8-16X2-1/2 G5ZP	3
6	100855	SCREW, HHCS,3/4-10X6-1/2 GR5	12
7	141828	COUPLER,MALE 3/4-16 O-RING	2
8	141922	HOSE ASSY 3/8X120 #8 JICX#80R	2
9	142668	COUPLER FEMALE 3/4-16 O-RING	2
10	142669	PLUG, COUPLER DUST	2
11	142671	PLATE, COUPLER	1
12	143871	HARNESS, TANDEM ADAPTER	1
13	148338	FITTING, UNION SAE 37 8X8	2
14	168750	WASHER FLAT 3/4	4
15	172509	NUT,1/2-13 WIDE FLNG TOP LCK F	2
16	188774	HOSE ASSY,3/8#8JICX#8ORB 270"	2
17	197742	HITCH ASSY, REAR TOW (ITEMS 3, & 24-30)	1
18	198265	BRACKET, COUPLER MOUNT	1
19	198267	HITCH, STR REAR TOW	1
20	198268	MOUNTING PLATE, REAR TOW HITCH	2
21	528934	REFLECTOR - YELLOW	2
22	7K858	U-BOLT 1/2-13X5-1/2 X 4-1/4	1
23	155530	HOSE, WRAP BLACK	1
24	1-647-010004240	PIN, SPRING SLOTTED 5/16 X 2-1/2	2
25	1-654-010061-09	SCREW, HEX 3/4-10UNC X 3, GR5	1
26	1-861-010034-17	WASHER, LKG, HLCL SPR, 3/4	4
27	162191	SPRING, COMP 1.218 X 2.5	1
28	168773	PIN, REAR TOW HITCH	1
29	197743	MOUNT, REAR TOW HITCH	1
30	197746	HITCH, REAR TOW, RIGID	1

Disc Gang Assemblies

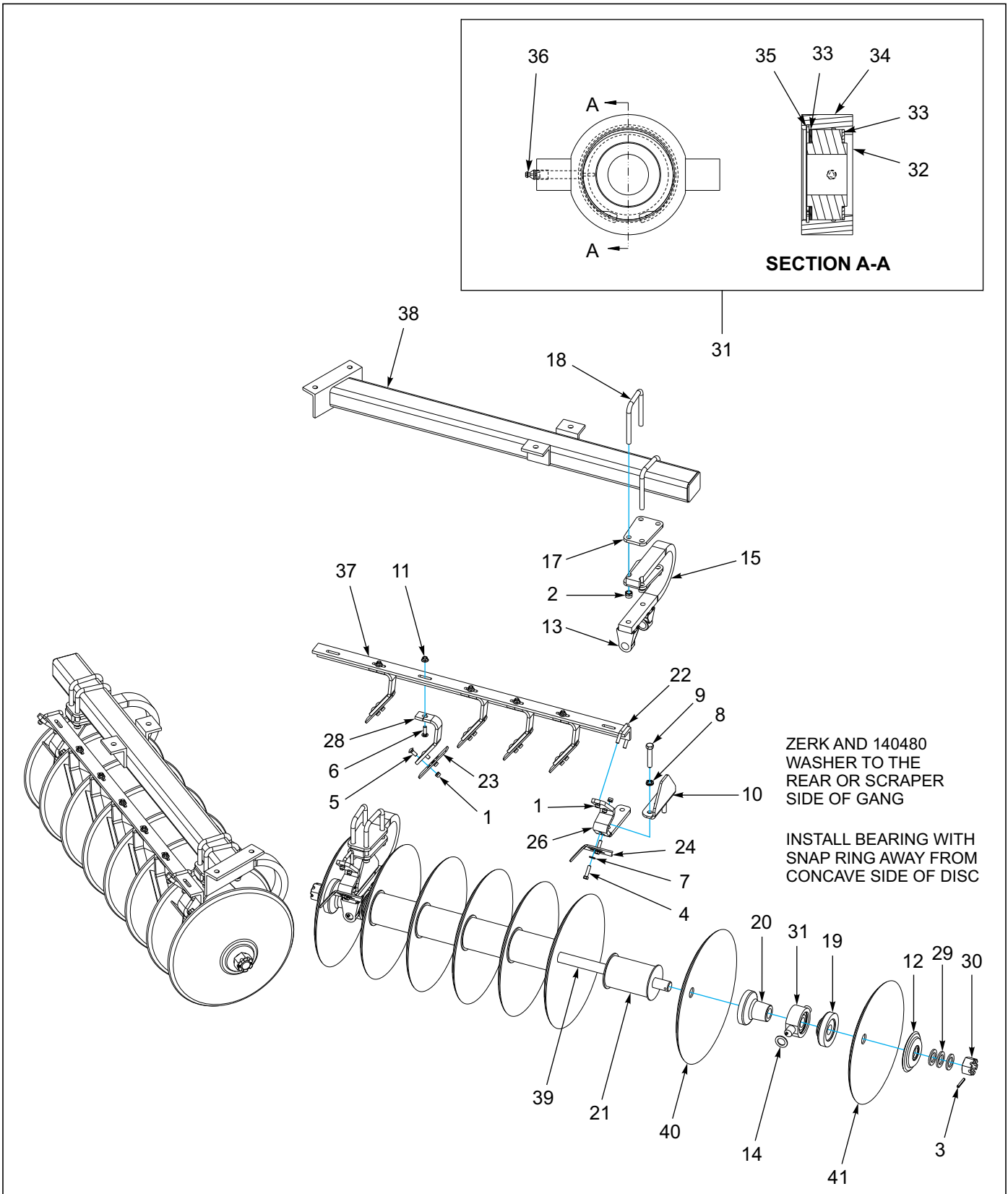


Figure 1-13: Disc Gang Assembly 22", 24" & 26" (8-3/4" Spacing)

Disc Gang Assembly 22" 24" & 26"(8-3/4" Spacing)

ITEM	PART NO.	DESCRIPTION	QTY.
1	1-512-010005-09	NUT HEX LOCK 1/2-13 GRB	
2	1-512-010005-15	NUT HEX LOCK 3/4-10 GRB	
3	1-647-010004257	PIN, SPRING SLOTTED 3/8 X 2-1/2	
4	1-654-010055-05	SCREW, HEX HEAD CAP 1/2-13 X 2 GR5	
5	1-654-010070-02	SCREW, RD HEAD SQ NECK 1/2-13 X 1-1/4	
6	160161	SCREW, RD HEAD SQ NECK 1/2-13 X 1-3/4, GR8, ZP	
7	1-861-010032-14	WASHER, FLAT 1/2N	
8	1-861-010034-17	WASHER, SPLIT LOCK 3/4	
9	114029	SCREW HEX CAP, 3/4-10 X 4 GR8 (USED W/ 143988 STOP)	
9	1-654-010032-09	SCREW HEX CAP, 3/4-10 X 3 GR8 (USED W/ OUT 143988 STOP)	
10	143988	STOP, DISC SHANK	
11	172509	NUT, 1/2-13 WIDE FLANGE TOP LOCK	
12	140469	END COLLAR	
13	140479	MOUNT, TRUNNION BEARING	
14	140480	WASHER, TRUNNION	
15	140481	SHANK, DISC BEARING, RIGHT (USED W/ RIGHT FRONT AND LEFT REAR GANGS)	
16	140482	SHANK, DISC BEARING, LEFT (NOT SHOWN) (USED W/ LEFT FRONT AND RIGHT REAR GANGS)	
17	140483	PLATE, DISC SHANK MOUNT	
18	140484	U-BOLT, 3/4 X 5	
19	140485	HALF SPOOL, CONCAVE	
20	140486	HALF SPOOL, CONVEX	
21	140496	SPOOL WELDMENT 8-3/4"	
22	140487	U-BOLT, SCRAPER BAR MOUNT, 8-3/4" SP	
23	140488	SCRAPER, 4-1/2" (USED W/ 140465, 140466, & 142662)	
23	191444	SCRAPER, 4-1/2" IN LC (USED W/ 169575)	
24	140492	SCRAPER, DUAL RIGHT (USED W/ 140465, 140466, & 142662) (USED W/ RIGHT FRONT AND LEFT REAR GANGS)	
24	195694	SCRAPER, DUAL RIGHT, 28 X 8-3/4 (USED W/ 169575)	
25	140493	SCRAPER, DUAL LEFT (NOT SHOWN) (USED W/ LEFT FRONT AND RIGHT REAR GANGS)	
25	195695	SCRAPER, DUAL LEFT, 28 X 8-3/4 (NOT SHOWN) (USED W/ 169575)	
26	140490	MOUNT, SCRAPER BAR RIGHT (USED W/ RIGHT FRONT AND LEFT REAR GANGS)	
27	140491	MOUNT, SCRAPER BAR LEFT (NOT SHOWN) (USED W/ LEFT FRONT AND RIGHT REAR GANGS)	
28	172724	SCRAPER ARM	
29	141154	WASHER, GANG SHAFT	
30	23085	NUT, HEX SLOTTED 1-3/4 - 5	
31	140477	BEARING ASSEMBLY, DISC 1.775 ID (ITEMS 32-36)	
32	140464	BEARING, DISC 1.775ID	
33	140473	WASHER, BEARING	
34	140475	CASTING, TRUNNION BEARING	
35	140476	INTERNAL RETAINING RING	
36	5000	ZERK, FITTING 1/8	
37	141168	SCRAPER BAR, 8-3/4 SP 7 HOLE (SEE PAGES 1-27 THRU 1-43)	
38	197771	GANG BAR, RCF 12" (SEE PAGES 1-27 THRU 1-43)	
39	141164	SHAFT, GANG 68" (SEE PAGES 1-27 THRU 1-43)	

Disc Gang Assembly 22" 24" & 26"(8-3/4" Spacing)

ITEM	PART NO.	DESCRIPTION	QTY.
40	140465	DISC BLADE, 24" X 1/4" 1-3/4 ID	
41	140466	DISC BLADE, 22" X 1/4" 1-3/4 ID	

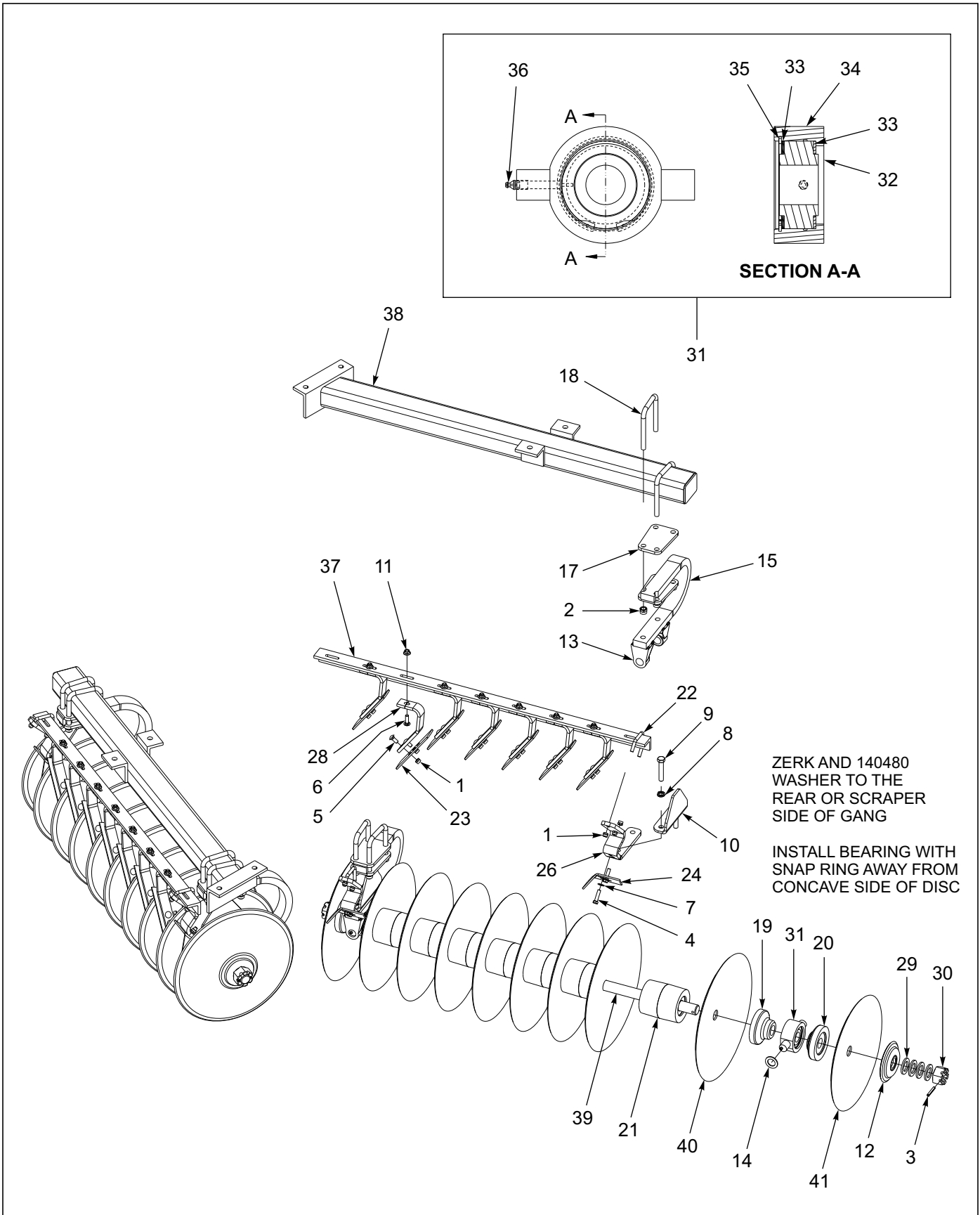
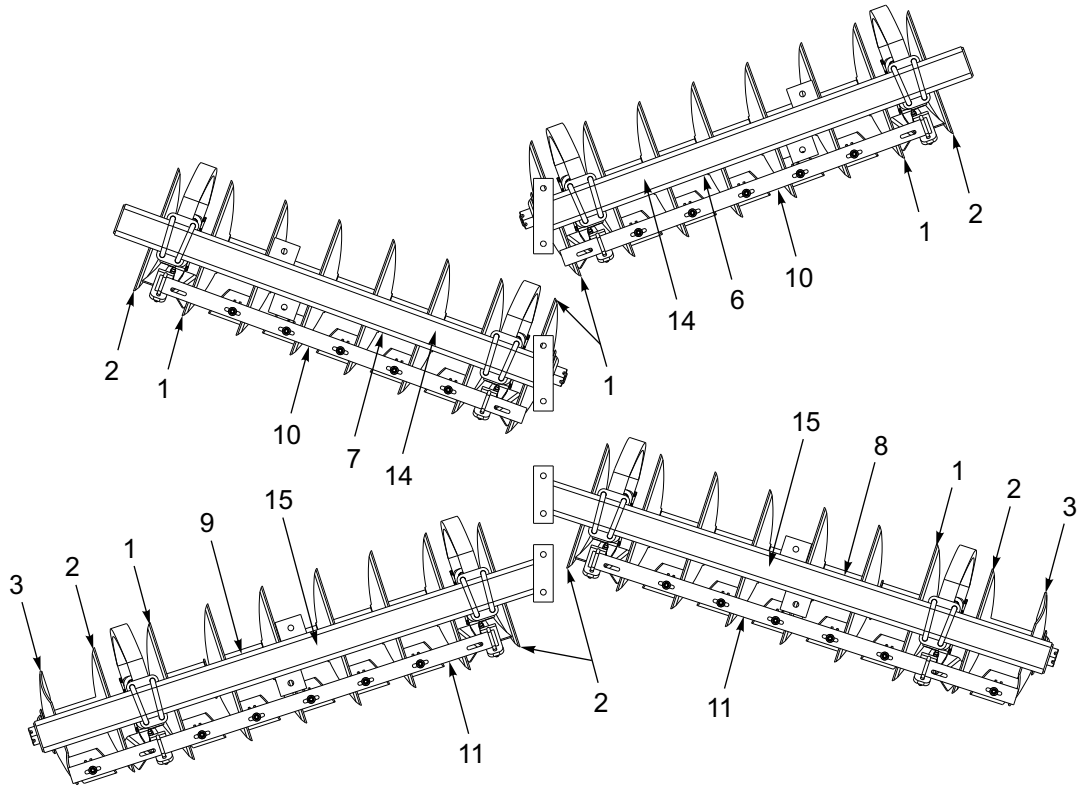


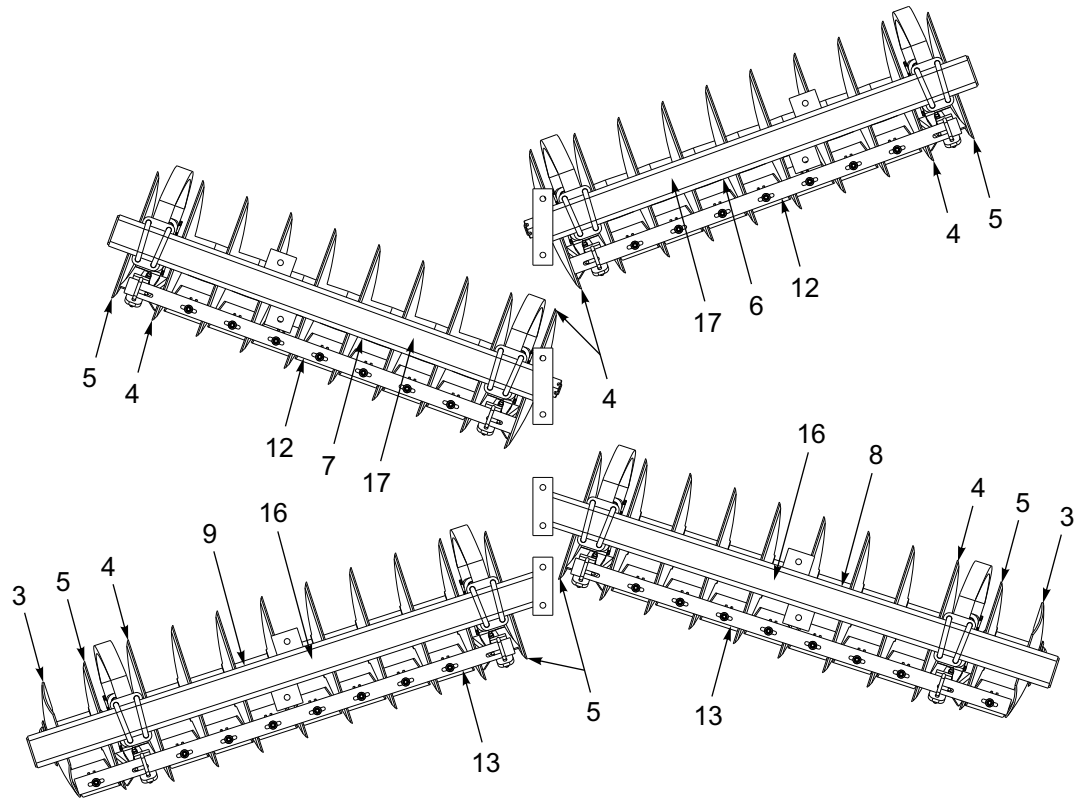
Figure 1-14: Disc Gang Assembly 22" (7" Spacing)

Disc Gang Assembly 22" (7" Spacing)

ITEM	PART NO.	DESCRIPTION	QTY.
1	1-512-010005-09	NUT,HEX,SLFLKG, 1/2-13 GRB	
2	1-512-010005-15	NUT,HEX,SLFLKG GRB 3/4-10	
3	1-647-010004257	PIN,SPRING,SLOTTED 3/8X2-1/2	
4	1-654-010055-05	SCREW,HEX CAP,1/2-13UNCX2 GR5	
5	1-654-010070-02	SCREW, RD HEAD SQ NECK 1/2-13 X 1-1/4	
6	160161	SCREW, RD HEAD SQ NECK 1/2-13 X 1-3/4, GR8, ZP	
7	1-861-010032-14	WASHER, FLAT 1/2N	
8	1-861-010034-17	WASHER, SPLIT LOCK 3/4	
9	114029	SCREW HEX CAP, 3/4-10 X 4 GR8	
10	143988	STOP, DISC SHANK	
11	172509	NUT, 1/2-13 WIDE FLANGE TOP LOCK	
12	140469	END COLLAR	
13	140479	MOUNT, TRUNNION BEARING	
14	140480	WASHER, TRUNNION	
15	140481	SHANK, DISC BEARING, RIGHT (USED W/ RIGHT FRONT AND LEFT REAR GANGS)	
16	140482	SHANK, DISC BEARING, LEFT (NOT SHOWN) (USED W/ LEFT FRONT AND RIGHT REAR GANGS)	
17	140483	PLATE, DISC SHANK MOUNT	
18	140484	U-BOLT, 3/4 X 5	
19	153651	HALF SPOOL, CONVEX 7 SP	
20	189437	HALF SPOOL, LOW CONCAVE	
21	154668	SPOOL, CAST 7 SP (USED ON FRONT GANG)	
21	153652	SPOOL WELDMENT, 7 SP (USED ON REAR GANG)	
22	140487	U-BOLT, SCRAPER BAR MOUNT, 8-3/4" SP	
23	191444	SCRAPER, 4-1/2" IN LC	
24	153649	SCRAPER, DUAL RT, 7-24" LC	
25	153650	SCRAPER, DUAL LT, 7-24" LC (NOT SHOWN)	
26	140490	MOUNT, SCRAPER BAR RIGHT (USED W/ RIGHT FRONT AND LEFT REAR GANGS)	
27	140491	MOUNT, SCRAPER BAR LEFT (NOT SHOWN) (USED W/ LEFT FRONT AND RIGHT REAR GANGS)	
28	172724	SCRAPER ARM	
29	141154	WASHER, GANG SHAFT	
30	23085	NUT, HEX SLOTTED 1-3/4 - 5	
31	140477	BEARING ASSEMBLY, DISC 1.775 ID (ITEMS 32-36)	
32	140464	BEARING, DISC 1.775ID	
33	140473	WASHER, BEARING	
34	140475	CASTING, TRUNNION BEARING	
35	140476	INTERNAL RETAINING RING	
36	5000	ZERK, FITTING 1/8	
37	153700	SCRAPER BAR, 7SP 9 HOLE (SEE PAGES 1-27 THRU 1-43)	
38	197771	GANG BAR, RCF 12" (SEE PAGES 1-27 THRU 1-43)	
39	142581	SHAFT, GANG 77" (SEE PAGES 1-27 THRU 1-43)	
40	155617	DISC BLADE, 22" X 1/4" 1-3/4 ID	
41	186100	DISC BLADE, 20" X 1/4" 1-3/4 ID	



6211-12 22" 4GA DISC BLADES (197762)

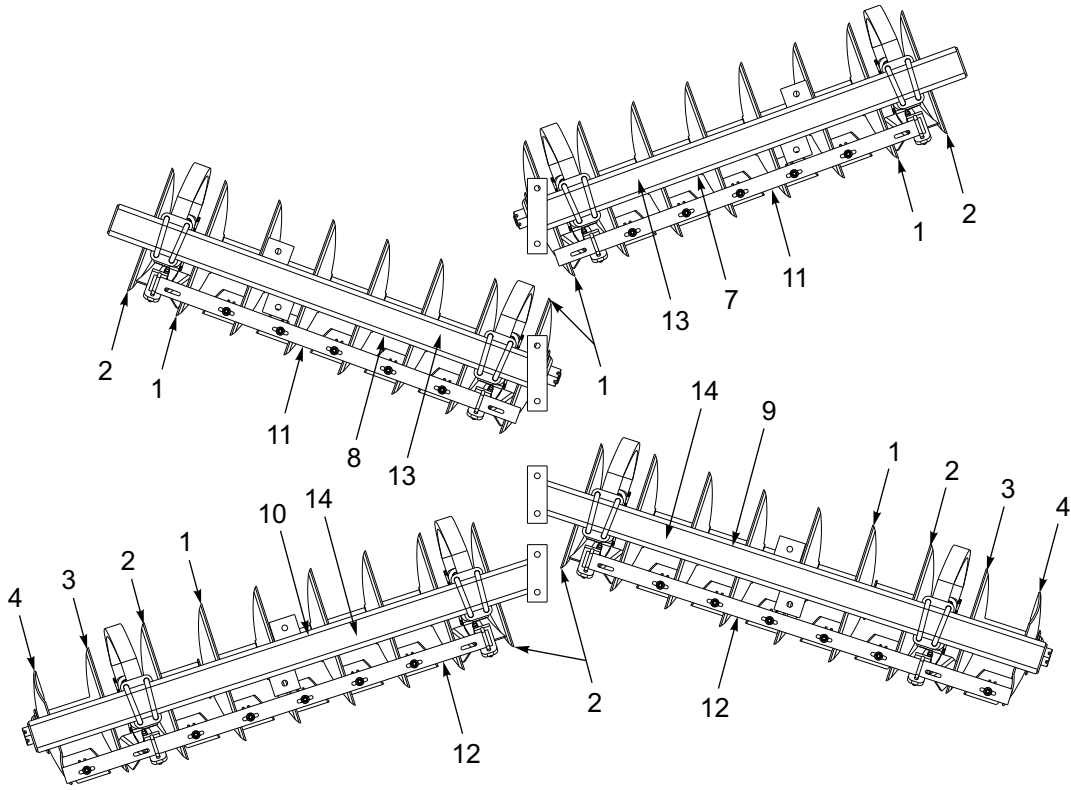


6211-12 22" 4GA DISC BLADES - 7 SPACING (197768)

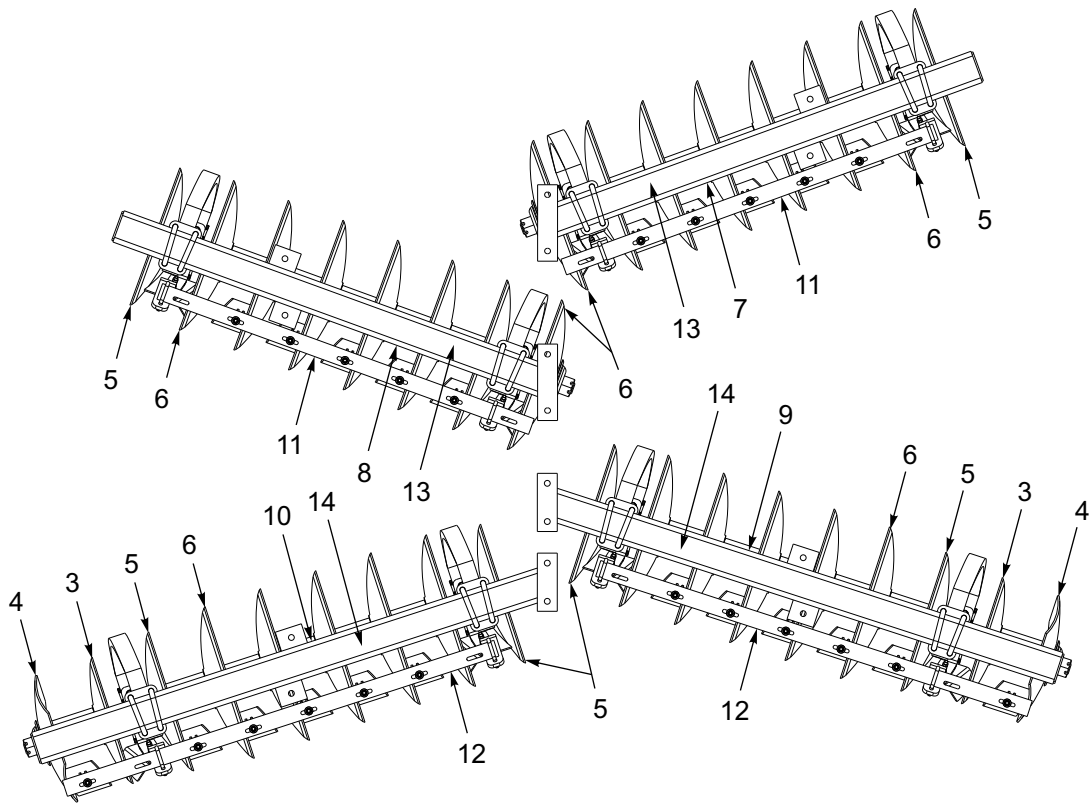
Figure 1-15: Disc Gang Placement - 12' (22" Disc Blades)

Disc Gang Placement - 12' (22" Disc Blades)

ITEM	PART NO.	DESCRIPTION	QTY.	
--	197762	GANG ASSEMBLY, 22" 4GA 12	*	
--	197768	GANG ASSEMBLY, 22" 4GA 7SP 12		*
1	140466	DISC BLADE, 22" X 1/4" 1-3/4 ID	26	--
2	140467	DISC BLADE, 20" X 1/4" 1-3/4 ID	6	--
3	140544	DISC BLADE, 18" X 1/4" 3-SIDED	2	2
4	155617	DISC BLADE, 22" X 1/4" 1-3/4 ID	--	34
5	186100	DISC BLADE, 20" X 1/4" 1-3/4 ID	--	6
6	197771	GANG BAR, RCF 12'	1	1
7	197772	GANG BAR, LCF 12'	1	1
8	197773	GANG BAR, RCR 12'	1	1
9	197774	GANG BAR, LCR 12'	1	1
10	141168	SCRAPER BAR, 8-3/4 SP 7 HOLE	2	--
11	141169	SCRAPER BAR, 8-3/4 SP 8 HOLE	2	--
12	153700	SCRAPER BAR, 7 SP 9 HOLE	--	2
13	153701	SCRAPER BAR, 7 SP 10 HOLE	--	2
14	141164	SHAFT, GANG 68"	2	--
15	141165	SHAFT, GANG 76-1/2"	2	--
16	142581	SHAFT, GANG 77"	--	2
17	156951	SHAFT, GANG 70"	--	2



6211-12 24" 4GA DISC BLADES (197759)

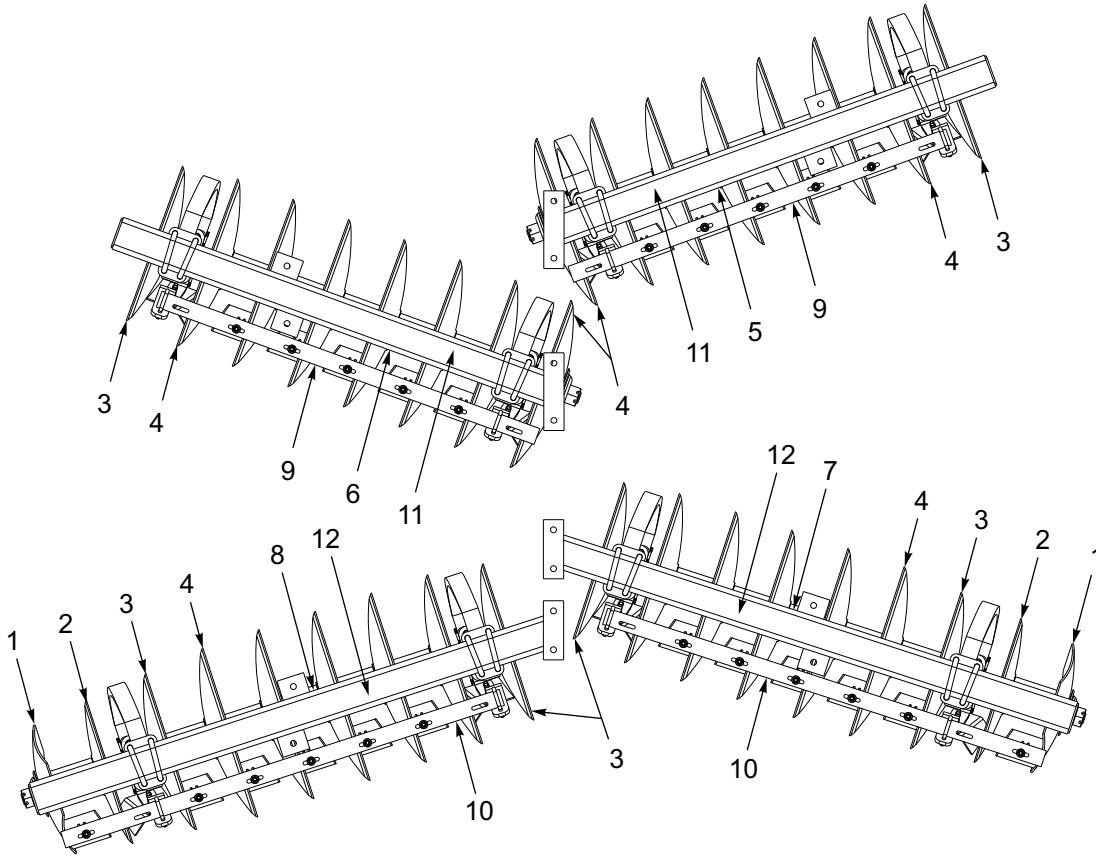


6211-12 24" 4GA DISC BLADES - ROLLABLE (197765)

Figure 1-16: Disc Gang Placement - 12' (24" Disc Blades)

Disc Gang Placement - 12' (24" Disc Blades)

ITEM	PART NO.	DESCRIPTION	QTY.	
--	197759	GANG ASSEMBLY, 24" 4GA 12	*	
--	197765	GANG ASSEMBLY, 24" 4GA ROLLABLE 12		*
1	140465	DISC BLADE, 24" X 1/4" 1-3/4 ID	24	--
2	140466	DISC BLADE, 22" X 1/4" 1-3/4 ID	6	--
3	140467	DISC BLADE, 20" X 1/4" 1-3/4 ID	2	2
4	140468	DISC BLADE, 20" X 1/4" 3-SIDED	2	2
5	142660	DISC BLADE, 22" X 1/4" 1-3/4 ID, ROLLABLE	--	6
6	142662	DISC BLADE, 24" X 1/4" 1-3/4 ID, ROLLABLE	--	24
7	197771	GANG BAR, RCF 12'	1	1
8	197772	GANG BAR, LCF 12'	1	1
9	197773	GANG BAR, RCR 12'	1	1
10	197774	GANG BAR, LCR 12'	1	1
11	141168	SCRAPER BAR, 8-3/4 SP 7 HOLE	2	2
12	141169	SCRAPER BAR, 8-3/4 SP 8 HOLE	2	2
13	141164	SHAFT, GANG 68"	2	2
14	141165	SHAFT, GANG 76-1/2"	2	2

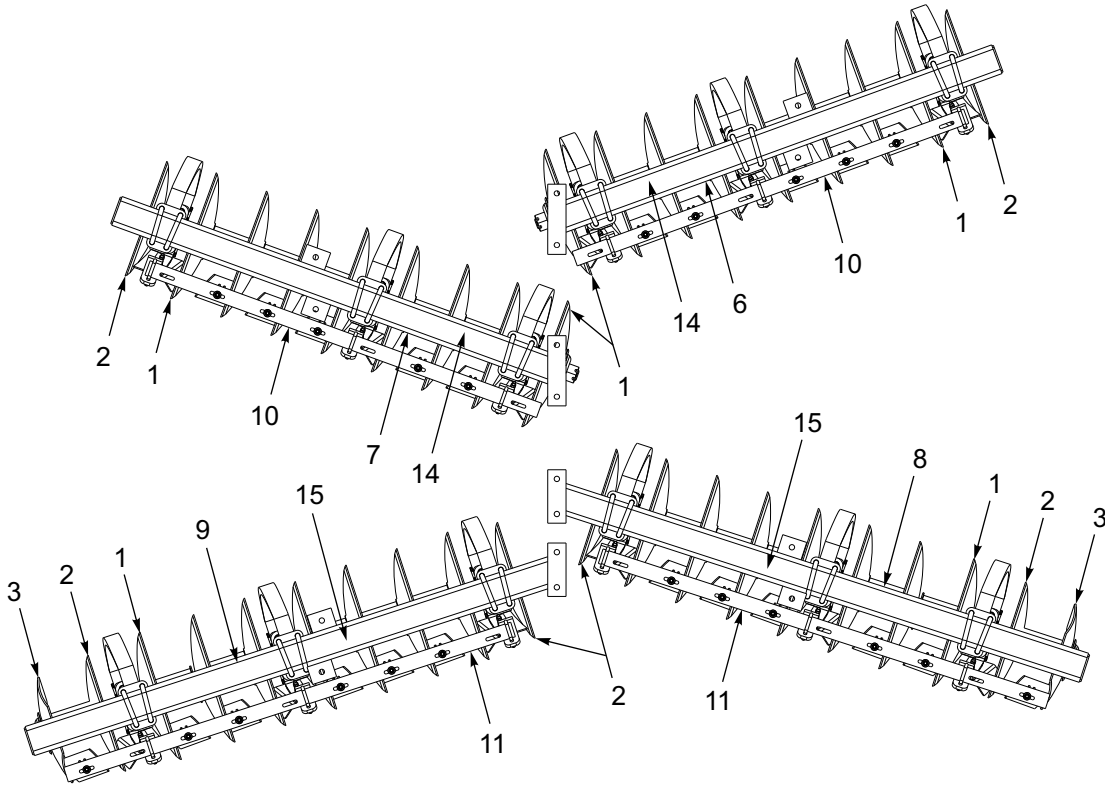


6211-12 26" 4GA DISC BLADES (201794)

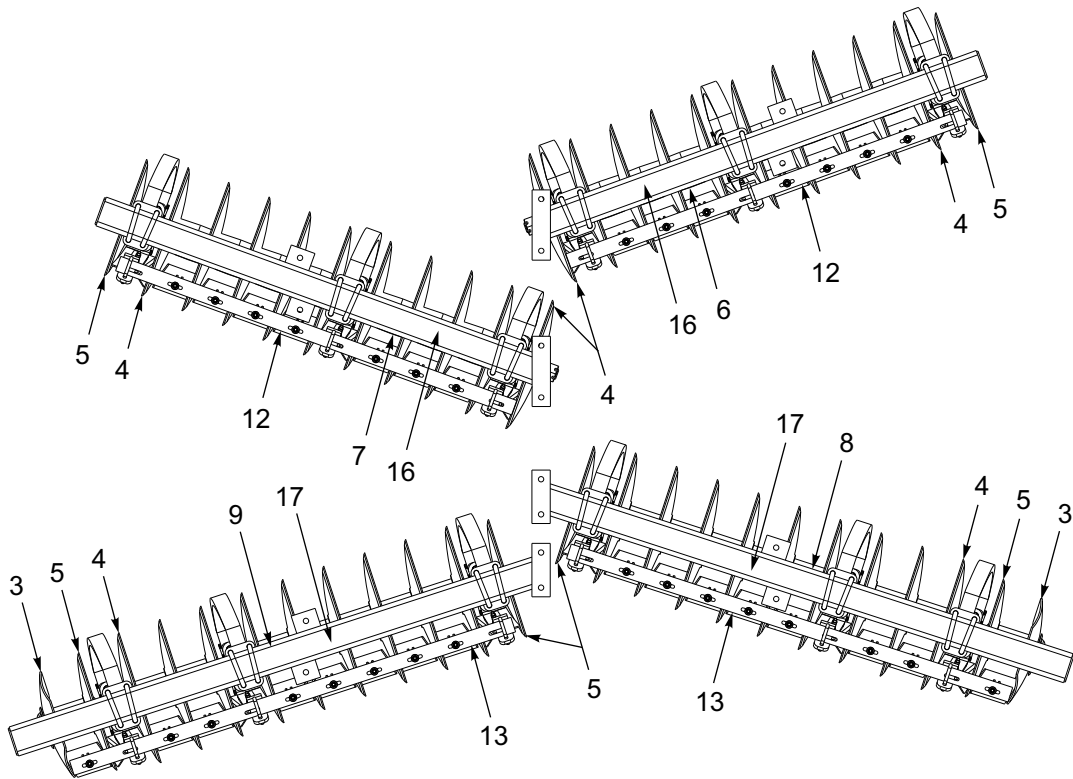
Figure 1-17: Disc Gang Placement - 12' (26" Disc Blades)

Disc Gang Placement - 12' (26" Disc Blades)

ITEM	PART NO.	DESCRIPTION	QTY.
--	201794	GANG ASSEMBLY, 26" 4GA 12	
1	140468	DISC BLADE, 20" X 1/4" 3-SIDED	2
2	155617	DISC BLADE, 22" X 1/4" 1-3/4 ID	2
3	161530	DISC BLADE, 24" X 1/4" 1-3/4 ID	6
4	169575	DISC BLADE, 26" X 1/4" 1-3/4 ID	28
5	197771	GANG BAR, RCF 12'	1
6	197772	GANG BAR, LCF 12'	1
7	197773	GANG BAR, RCR 12'	1
8	197774	GANG BAR, LCR 12'	1
9	141168	SCRAPER BAR, 8-3/4 SP 7 HOLE	2
10	141169	SCRAPER BAR, 8-3/4 SP 8 HOLE	2
11	141164	SHAFT, GANG 68"	2
12	141165	SHAFT, GANG 76-1/2"	2



6211-14 22" 4GA DISC BLADES (197763)

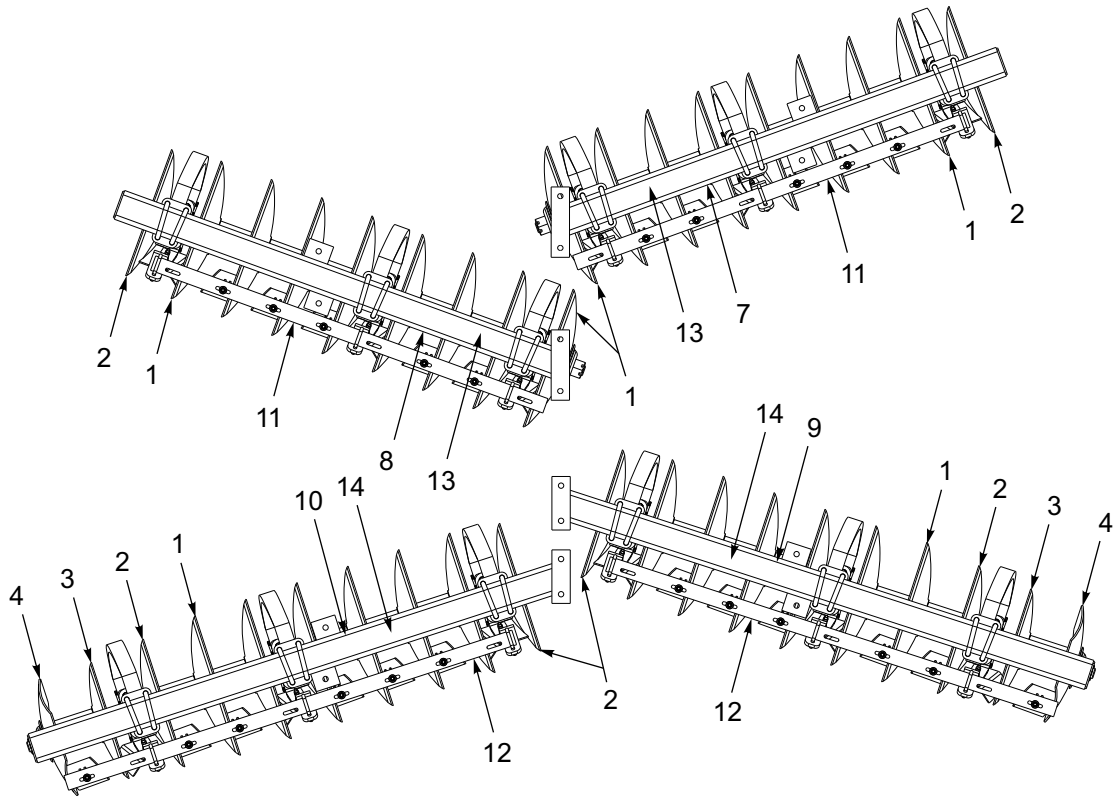


6211-14 22" 4GA DISC BLADES - 7 SPACING (197769)

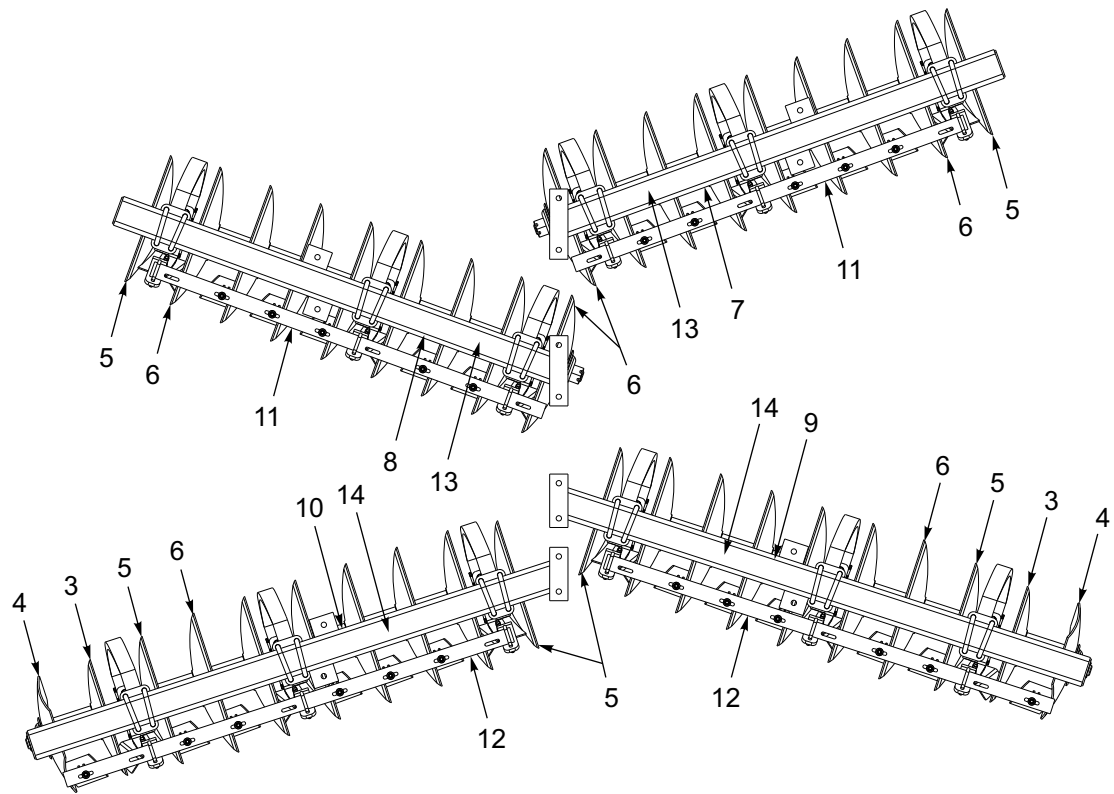
Figure 1-18: Disc Gang Placement - 14' (22" Disc Blades)

Disc Gang Placement - 14' (22" Disc Blades)

ITEM	PART NO.	DESCRIPTION	QTY.	
--	197763	GANG ASSEMBLY, 22" 4GA 14	*	
--	197769	GANG ASSEMBLY, 22" 4GA 7SP 14		*
1	140466	DISC BLADE, 22" X 1/4" 1-3/4 ID	30	--
2	140467	DISC BLADE, 20" X 1/4" 1-3/4 ID	6	--
3	140544	DISC BLADE, 18" X 1/4" 3-SIDED	2	2
4	155617	DISC BLADE, 22" X 1/4" 1-3/4 ID	--	38
5	186100	DISC BLADE, 20" X 1/4" 1-3/4 ID	--	6
6	197775	GANG BAR, RCF 14'	1	1
7	197776	GANG BAR, LCF 14'	1	1
8	197777	GANG BAR, RCR 14'	1	1
9	197778	GANG BAR, LCR 14'	1	1
10	141169	SCRAPER BAR, 8-3/4 SP 8 HOLE	2	--
11	141170	SCRAPER BAR, 8-3/4 SP 9 HOLE	2	--
12	153701	SCRAPER BAR, 7 SP 10 HOLE	--	2
13	153702	SCRAPER BAR, 7 SP 11 HOLE	--	2
14	141165	SHAFT, GANG 76-1/2"	2	--
15	141166	SHAFT, GANG 85-1/2"	2	--
16	142581	SHAFT, GANG 77"	--	2
17	156084	SHAFT, GANG 84"	--	2



6211-14 24" 4GA DISC BLADES (197760)

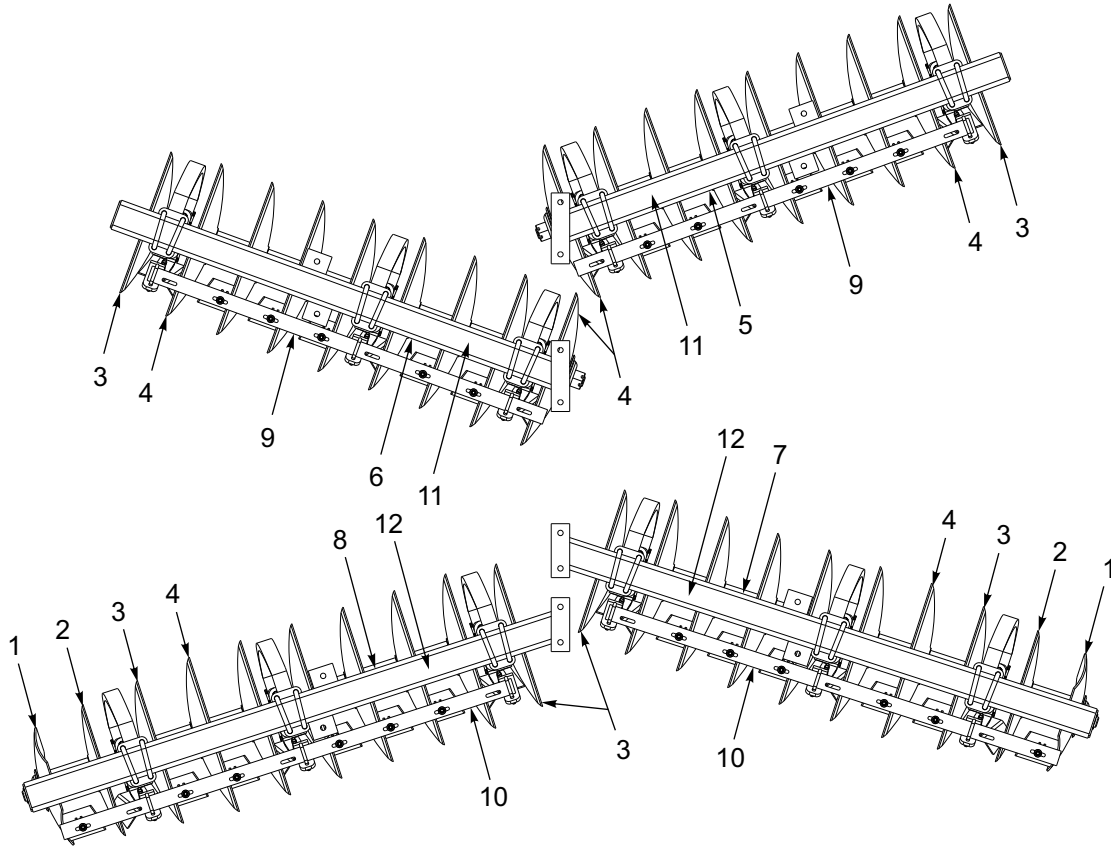


6211-14 24" 4GA DISC BLADES - ROLLABLE (197766)

Figure 1-19: Disc Gang Placement - 14' (24" Disc Blades)

Disc Gang Placement - 14' (24" Disc Blades)

ITEM	PART NO.	DESCRIPTION	QTY.	
--	197760	GANG ASSEMBLY, 24" 4GA 14	*	
--	197766	GANG ASSEMBLY, 24" 4GA ROLLABLE 14		*
1	140465	DISC BLADE, 24" X 1/4" 1-3/4 ID	28	--
2	140466	DISC BLADE, 22" X 1/4" 1-3/4 ID	6	--
3	140467	DISC BLADE, 20" X 1/4" 1-3/4 ID	2	2
4	140468	DISC BLADE, 20" X 1/4" 3-SIDED	2	2
5	142660	DISC BLADE, 22" X 1/4" 1-3/4 ID, ROLLABLE	--	6
6	142662	DISC BLADE, 24" X 1/4" 1-3/4 ID, ROLLABLE	--	28
7	197775	GANG BAR, RCF 14'	1	1
8	197776	GANG BAR, LCF 14'	1	1
9	197777	GANG BAR, RCR 14'	1	1
10	197778	GANG BAR, LCR 14'	1	1
11	141169	SCRAPER BAR, 8-3/4 SP 8 HOLE	2	2
12	141170	SCRAPER BAR, 8-3/4 SP 9 HOLE	2	2
13	141165	SHAFT, GANG 76-1/2"	2	2
14	141166	SHAFT, GANG 85-1/2"	2	2

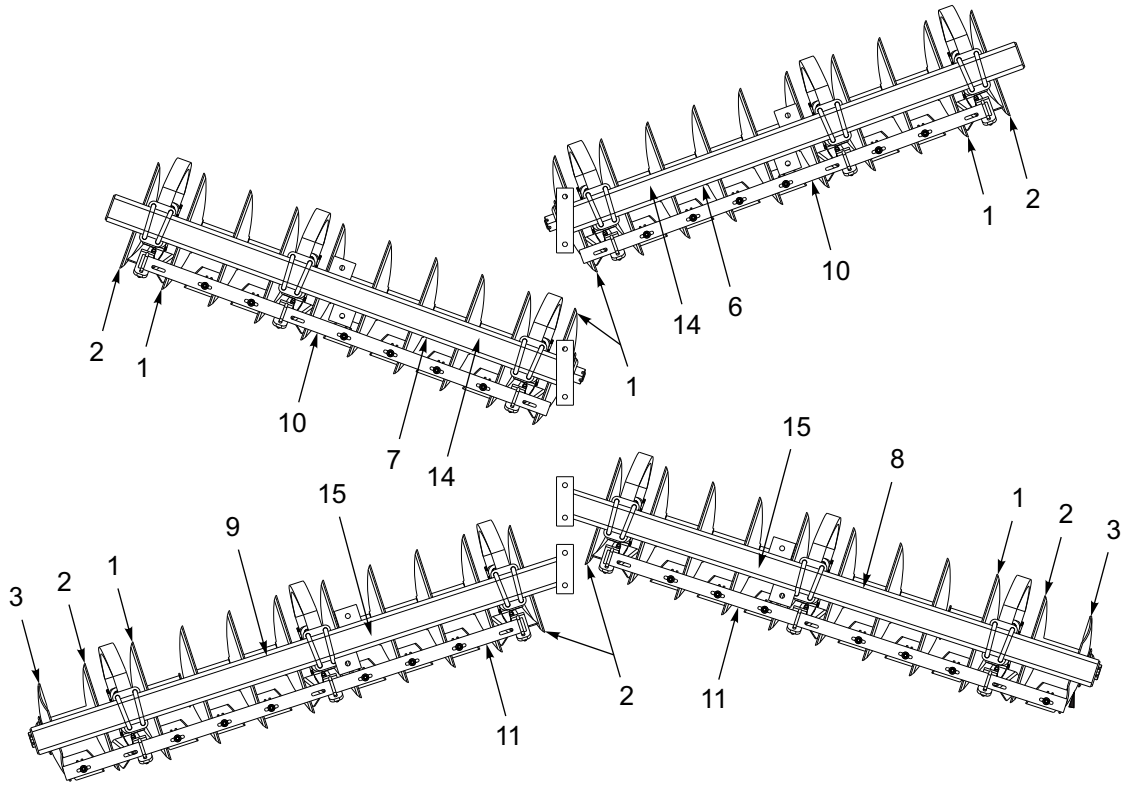


6211-14 26" 4GA DISC BLADES (201795)

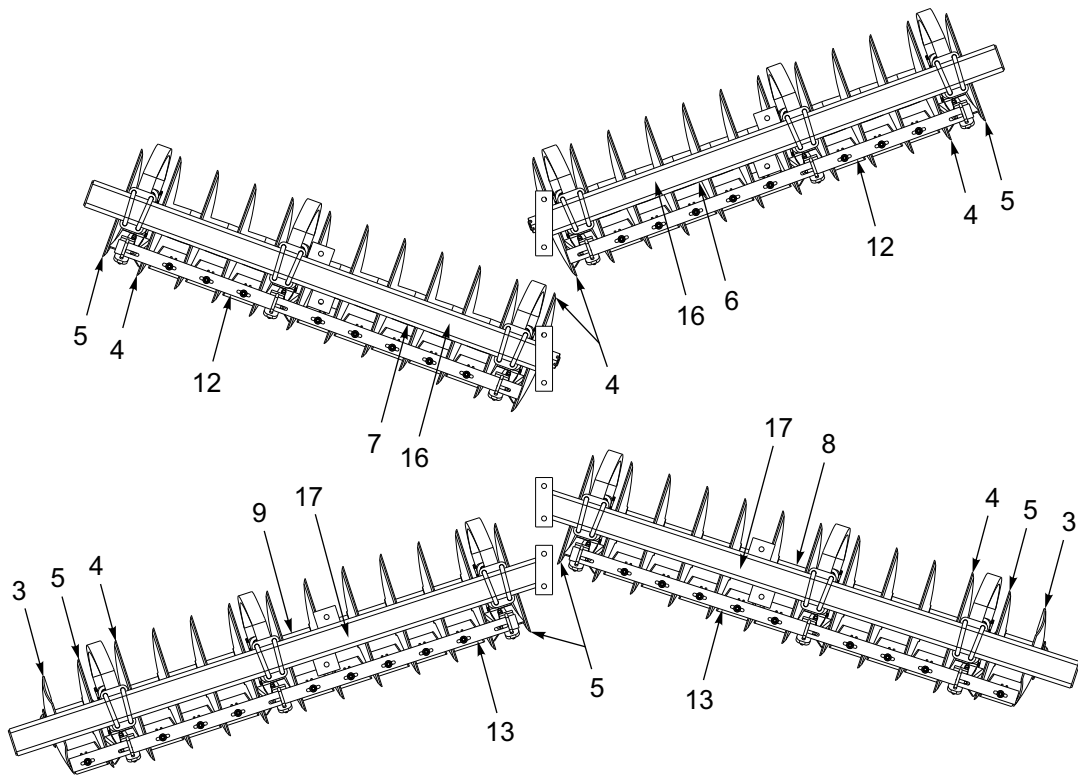
Figure 1-20: Disc Gang Placement - 14' (26" Disc Blades)

Disc Gang Placement - 14' (26" Disc Blades)

ITEM	PART NO.	DESCRIPTION	QTY.
--	201795	GANG ASSEMBLY, 26" 4GA 14	
1	140468	DISC BLADE, 20" X 1/4" 3-SIDED	2
2	155617	DISC BLADE, 22" X 1/4" 1-3/4 ID	2
3	161530	DISC BLADE, 24" X 1/4" 1-3/4 ID	6
4	169575	DISC BLADE, 26" X 1/4" 1-3/4 ID	28
5	197775	GANG BAR, RCF 14'	1
6	197776	GANG BAR, LCF 14'	1
7	197777	GANG BAR, RCR 14'	1
8	197778	GANG BAR, LCR 14'	1
9	141169	SCRAPER BAR, 8-3/4 SP 8 HOLE	2
10	141170	SCRAPER BAR, 8-3/4 SP 9 HOLE	2
11	141165	SHAFT, GANG 76-1/2"	2
12	141166	SHAFT, GANG 85-1/2"	2



6211-15 22" 4GA DISC BLADES (197764)



6211-15 22" 4GA DISC BLADES - 7 SPACING (197770)

Figure 1-21: Disc Gang Placement - 15' (22" Disc Blades)

Disc Gang Placement - 15' (22" Disc Blades)

ITEM	PART NO.	DESCRIPTION	QTY.	
--	197764	GANG ASSEMBLY, 22" 4GA 15	*	
--	197770	GANG ASSEMBLY, 22" 4GA 7SP 15		*
1	140466	DISC BLADE, 22" X 1/4" 1-3/4 ID	34	--
2	140467	DISC BLADE, 20" X 1/4" 1-3/4 ID	6	--
3	140544	DISC BLADE, 18" X 1/4" 3-SIDED	2	2
4	155617	DISC BLADE, 22" X 1/4" 1-3/4 ID	--	42
5	186100	DISC BLADE, 20" X 1/4" 1-3/4 ID	--	6
6	197779	GANG BAR, RCF 15'	1	1
7	197780	GANG BAR, LCF 15'	1	1
8	197781	GANG BAR, RCR 15'	1	1
9	197782	GANG BAR, LCR 15'	1	1
10	141170	SCRAPER BAR, 8-3/4 SP 9 HOLE	2	--
11	141171	SCRAPER BAR, 8-3/4 SP 10 HOLE	2	--
12	153702	SCRAPER BAR, 7 SP 11 HOLE	--	2
13	153703	SCRAPER BAR, 7 SP 12 HOLE	--	2
14	141166	SHAFT, GANG 85-1/2"	2	--
15	141186	SHAFT, GANG 94"	2	--
16	156084	SHAFT, GANG 84"	--	2
17	185721	SHAFT, GANG 91-1/2"	--	2

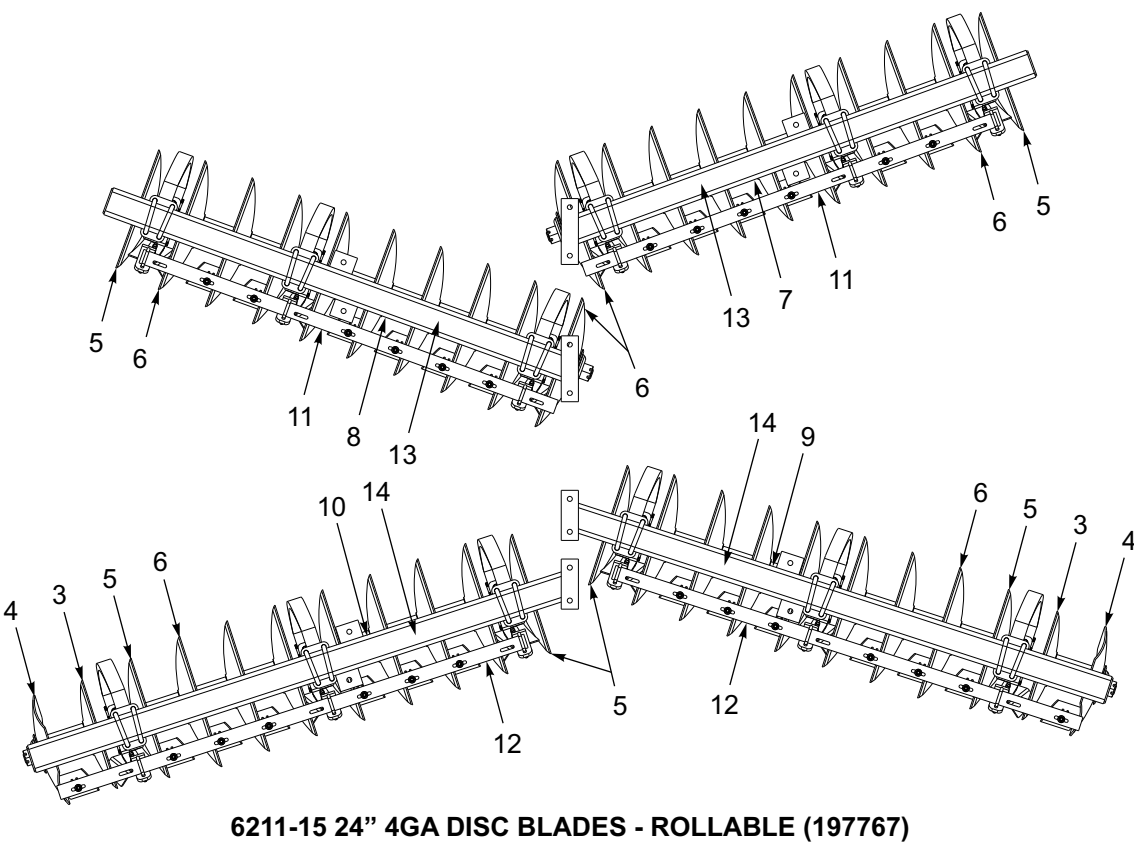
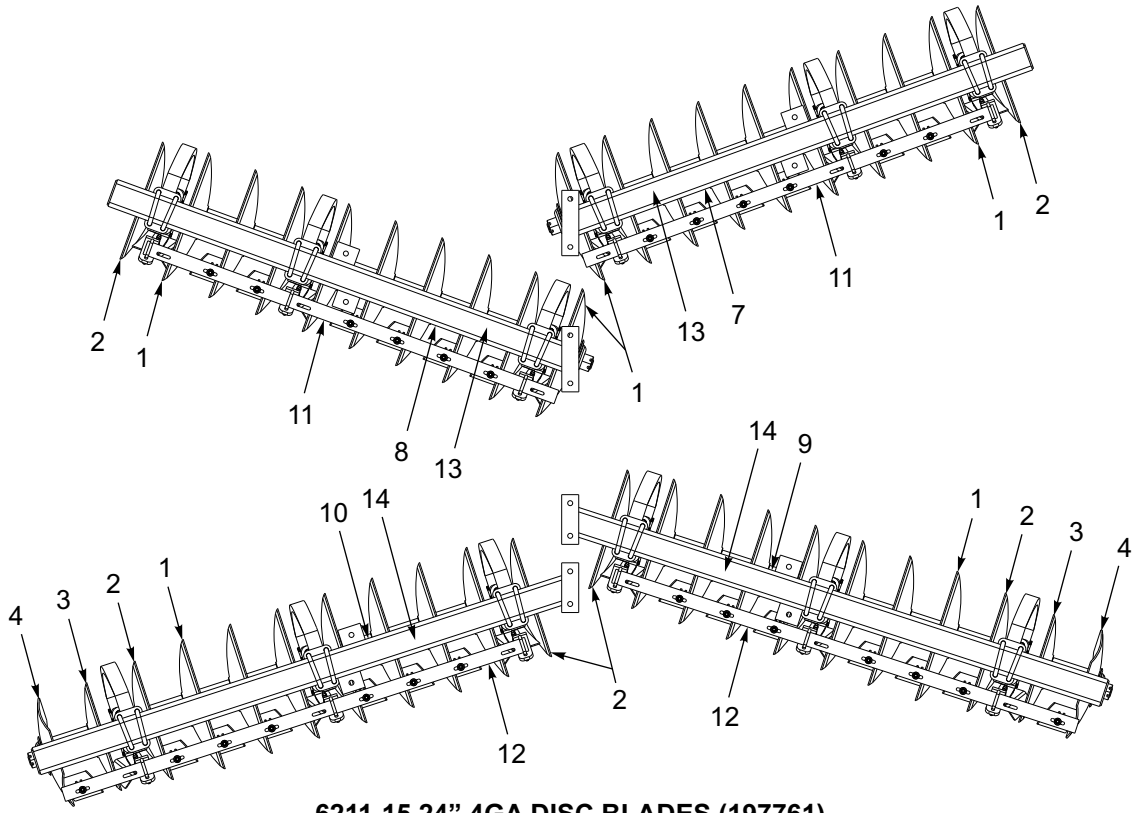
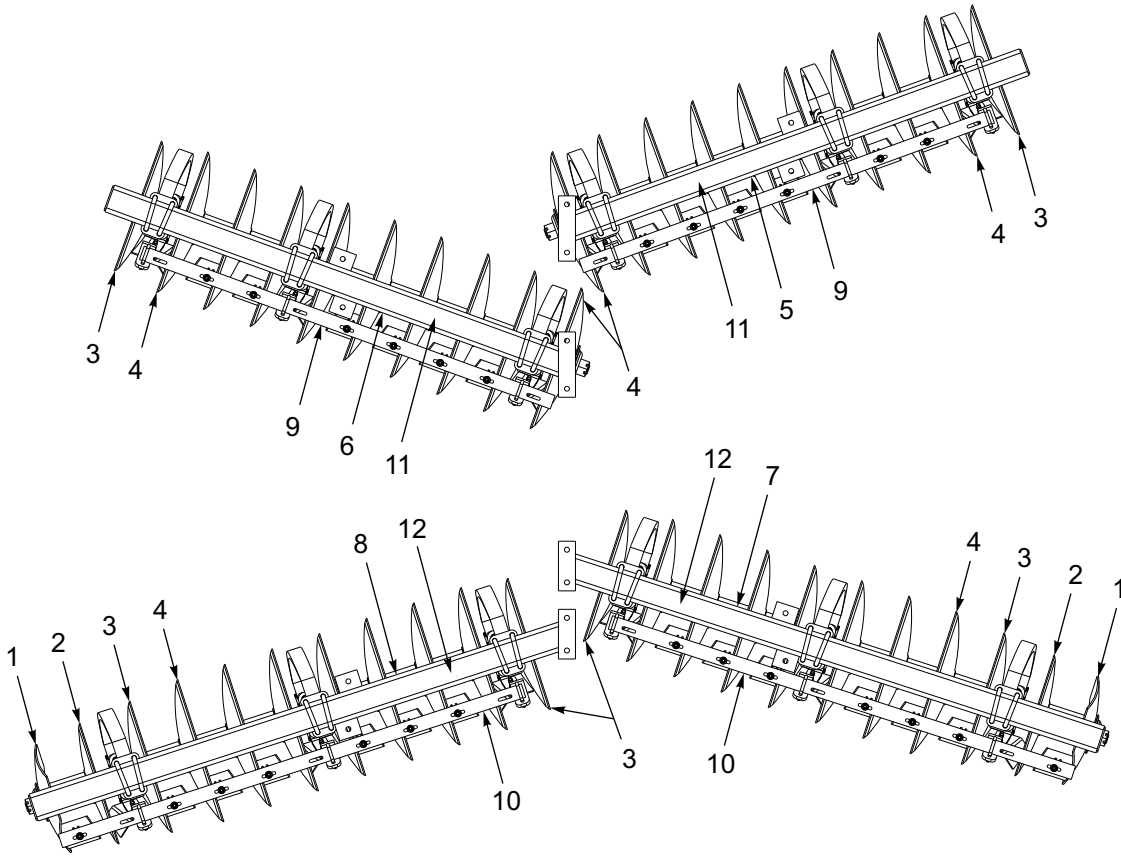


Figure 1-22: Disc Gang Placement - 15' (24" Disc Blades)

Disc Gang Placement - 15' (24" Disc Blades)

ITEM	PART NO.	DESCRIPTION	QTY.	
--	197761	GANG ASSEMBLY, 24" 4GA 15	*	
--	197767	GANG ASSEMBLY, 24" 4GA ROLLABLE 15		*
1	140465	DISC BLADE, 24" X 1/4" 1-3/4 ID	32	--
2	140466	DISC BLADE, 22" X 1/4" 1-3/4 ID	6	--
3	140467	DISC BLADE, 20" X 1/4" 1-3/4 ID	2	2
4	140468	DISC BLADE, 20" X 1/4" 3-SIDED	2	2
5	142660	DISC BLADE, 22" X 1/4" 1-3/4 ID, ROLLABLE	--	6
6	142662	DISC BLADE, 24" X 1/4" 1-3/4 ID, ROLLABLE	--	32
7	197779	GANG BAR, RCF 15'	1	1
8	197780	GANG BAR, LCF 15'	1	1
9	197781	GANG BAR, RCR 15'	1	1
10	197782	GANG BAR, LCR 15'	1	1
11	141170	SCRAPER BAR, 8-3/4 SP 9 HOLE	2	2
12	141171	SCRAPER BAR, 8-3/4 SP 10 HOLE	2	2
13	141166	SHAFT, GANG 85-1/2"	2	2
14	141186	SHAFT, GANG 94"	2	2



6211-15 26" 4GA DISC BLADES (201796)

Figure 1-23: Disc Gang Placement - 15' (26" Disc Blades)

Disc Gang Placement - 15' (26" Disc Blades)

ITEM	PART NO.	DESCRIPTION	QTY.
--	201796	GANG ASSEMBLY, 26" 4GA 15	
1	140468	DISC BLADE, 20" X 1/4" 3-SIDED	2
2	155617	DISC BLADE, 22" X 1/4" 1-3/4 ID	2
3	161530	DISC BLADE, 24" X 1/4" 1-3/4 ID	6
4	169575	DISC BLADE, 26" X 1/4" 1-3/4 ID	32
5	197779	GANG BAR, RCF 15'	1
6	197780	GANG BAR, LCF 15'	1
7	197781	GANG BAR, RCR 15'	1
8	197782	GANG BAR, LCR 15'	1
9	141170	SCRAPER BAR, 8-3/4 SP 9 HOLE	2
10	141171	SCRAPER BAR, 8-3/4 SP 10 HOLE	2
11	141166	SHAFT, GANG 85-1/2"	2
12	141186	SHAFT, GANG 94"	2

3 Row Coil Tine Harrow Assemblies

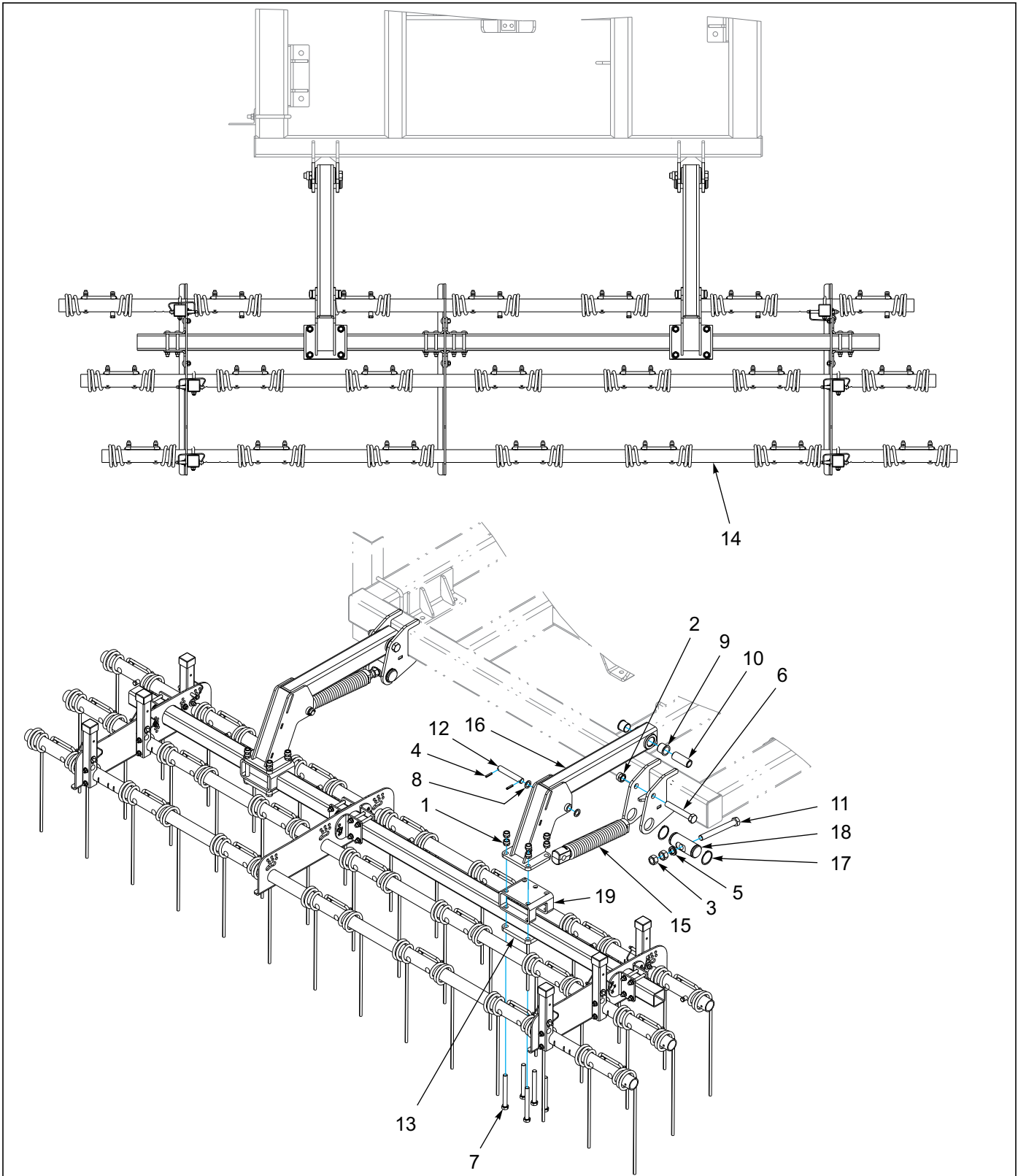


Figure 1-24: 3 Row Coil Tine Harrow Assembly - 12'

3 Row Coil Tine Harrow Assembly - 12'

ITEM	PART NO.	DESCRIPTION	QTY.
--	197789	3 ROW CT HARROW, 6211-12	
1	1-512-010005-15	NUT,HEX,SLFLKG GRB 3/4-10	20
2	1-512-010005-19	NUT 1-8 HEX SLF-LOCKING GRB	2
3	1-512-010007-14	NUT, HEX 1-8 GR2 ZP	4
4	1-647-010004236	SPRING PIN,SLOTTED 5/16X1-1/2	4
5	1-861-010034-21	WASHER, LKG, HLCL SPR, 1	2
6	100829	SCREW,HEX CAP,1-8X6-1/2,GR5	2
7	102209	SCREW HXCP 3/4-10X7 GR8	10
8	117957	MACHINERY BUSHING,ZINC PLATED	4
9	140599	BEARING, FLANGE 1-1/2	4
10	152209	BUSHING, PIVOT 1-1/2	2
11	152210	BOLT, ADJ, 1 X 9	2
12	154392	PIN,PIVOT	2
13	154748P	PLATE, GANGBAR MOUNT	2
14	157123	7 TINE HARROW ASSY (SEE PAGE 1-49)	1
15	158795	SPRING ASSY, 17"	2
16	158847	ARM, REEL	2
17	158896	SNAP RING, 2-1/2 SHAFT	4
18	158897	PIN, ADJUSTMENT W/SNAP RING	2
19	180152	TUBE, CLAMP	2

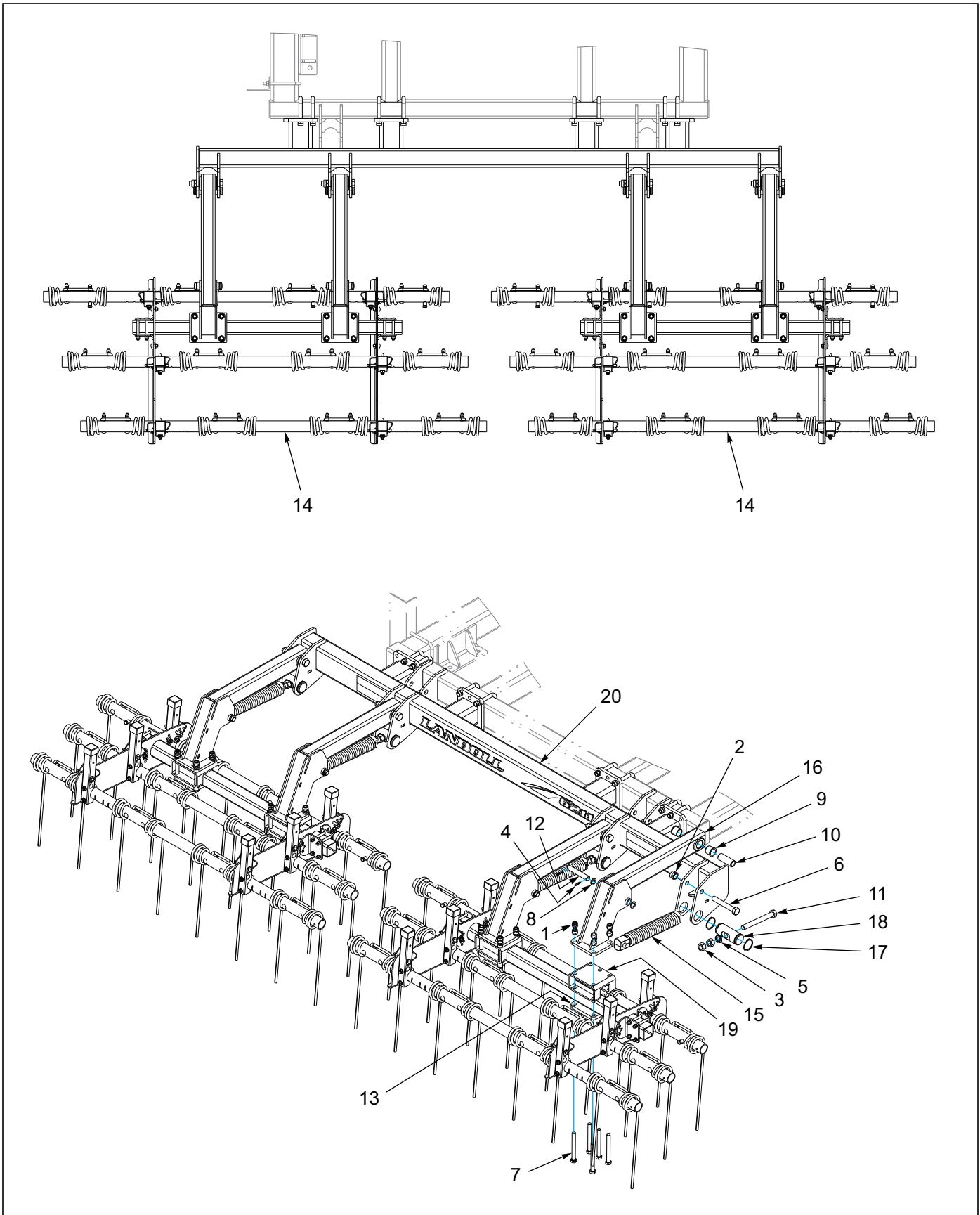
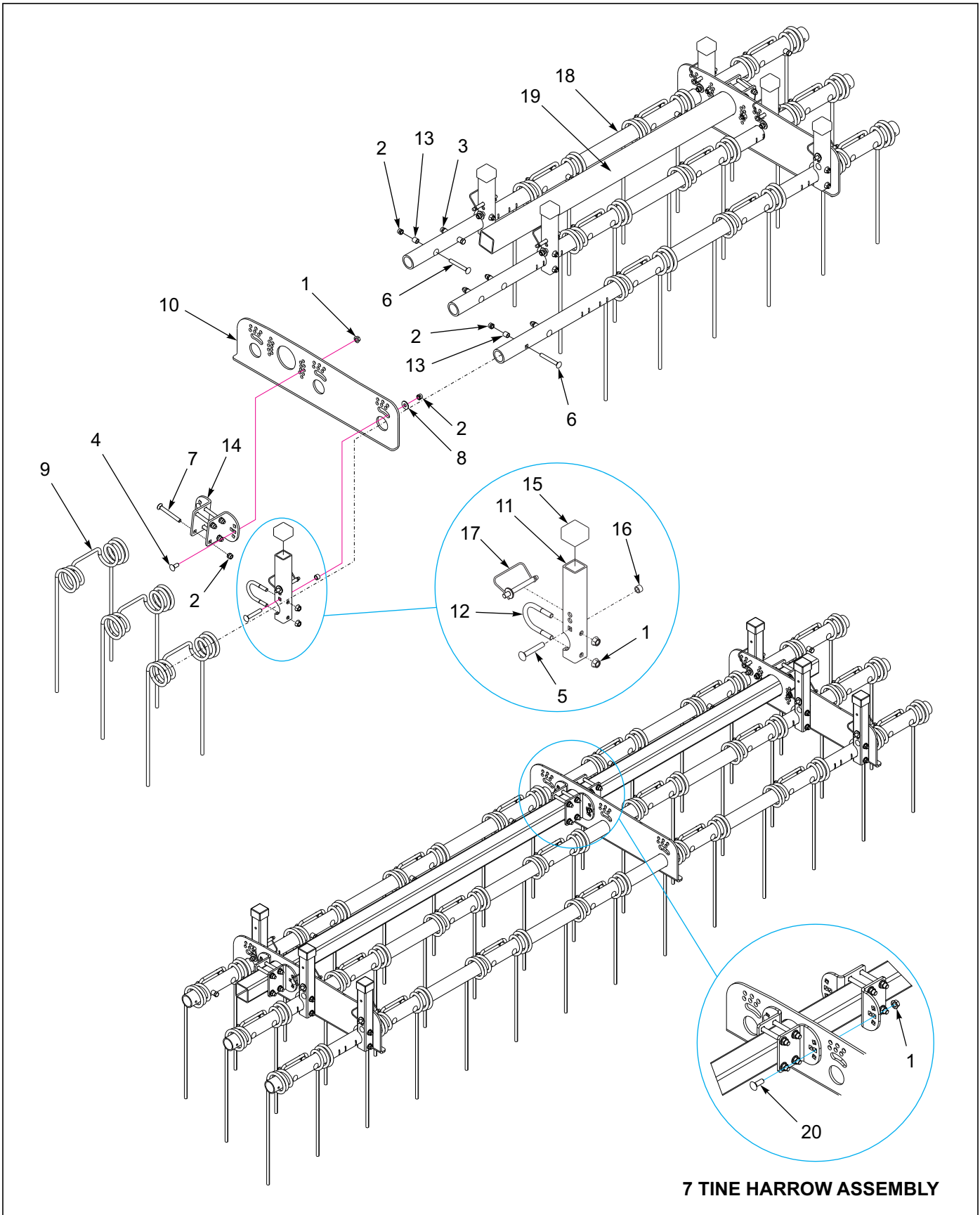


Figure 1-25: 3 Row Coil Tine Harrow Assembly - 14' & 15'

3 Row Coil Tine Harrow Assembly - 14' & 15'

ITEM	PART NO.	DESCRIPTION	QTY.
--	197791	3 ROW CT HARROW, 6211 14-15	
1	1-512-010005-15	NUT,HEX,SLFLKG GRB 3/4-10	40
2	1-512-010005-19	NUT 1-8 HEX SLF-LOCKING GRB	4
3	1-512-010007-14	NUT, HEX 1-8 GR2 ZP	8
4	1-647-010004236	SPRING PIN,SLOTTED 5/16X1-1/2	8
5	1-861-010034-21	WASHER, LKG, HLCL SPR, 1	4
6	100829	SCREW,HEX CAP,1-8X6-1/2,GR5	4
7	102209	SCREW HXCP 3/4-10X7 GR8	20
8	117957	MACHINERY BUSHING,ZINC PLATED	8
9	140599	BEARING, FLANGE 1-1/2	8
10	152209	BUSHING, PIVOT 1-1/2	4
11	152210	BOLT, ADJ, 1 X 9	4
12	154392	PIN,PIVOT	4
13	154748P	PLATE, GANGBAR MOUNT	4
14	157121	4 TINE HARROW ASSY CENTER (SEE PAGE 1-49)	2
15	158795	SPRING ASSY, 17"	4
16	158847	ARM, REEL	4
17	158896	SNAP RING, 2-1/2 SHAFT	8
18	158897	PIN, ADJUSTMENT W/SNAP RING	4
19	180152	TUBE, CLAMP	4
20	198256	MOUNT ASSY, TINE HARROW	1



7 TINE HARROW ASSEMBLY

Figure 1-26: Harrow Center Assembly

Harrow Center Assembly

ITEM	PART NO.	DESCRIPTION	QTY.	
--	157121	4 TINE HARROW ASSEMBLY, CENTER	*	
--	157123	7 TINE HARROW ASSEMBLY, CENTER		*
1	1-510-010003-09	NUT, FLANGE HD SERRATED 1/2-13	16	34
2	1-512-010005-09	NUT, HEX LOCK 1/2-13 GRB	37	48
3	1-654-010055-14	SCREW, HEX HEAD CAP 1/2-13 X 4-1/2 GR5	4	7
4	1-654-010070-02	SCREW, RD HEAD SQ NECK 1/2-13 X 1-1/4	4	4
5	1-654-010070-11	SCREW, RD HEAD SQ NECK 1/2-13 X 3-1/2	6	6
6	1-654-010070-13	SCREW, RD HEAD SQ NECK 1/2-13 X 4	20	35
7	1-654-010070-14	SCREW, RD HEAD SQ NECK 1/2-13 X 4-1/2	8	16
8	1-861-010032-15	WASHER, FLAT 1/2W	6	6
9	154532	TINE, HARROW SPRING	12	21
10	154993	PLATE, GANG BAR	2	3
11	154994	TUBE, ANGLE ADJUST	6	6
12	154995	U-BOLT, 1/2	6	6
13	154997	BUSHING, TINE RETAINER	28	49
14	154998	PLATE, ANGLE ADJUSTMENT	4	8
15	155927	CAP, TUBE 1.95 X 1.5	6	6
16	155956	BUSHING, ANGLE ADJUSTMENT	6	6
17	155971	PIN, SPRING CLIP	6	6
18	195243	GANG BAR, 4 TINE 87-1/4"	3	--
18	195282	GANG BAR 7 TINE 159"	--	3
19	156777	TUBE, RIDE BAR 57-7/8"	1	--
19	156779	TUBE, RIDE BAR 138"	--	1
20	1-654-010070-03	SCREW, RD HEAD SQ NECK 1/2-13 X 1-1/2 (USED W/ CENTER GANG BAR PLATES)	--	2

Conditioner Reel Assemblies

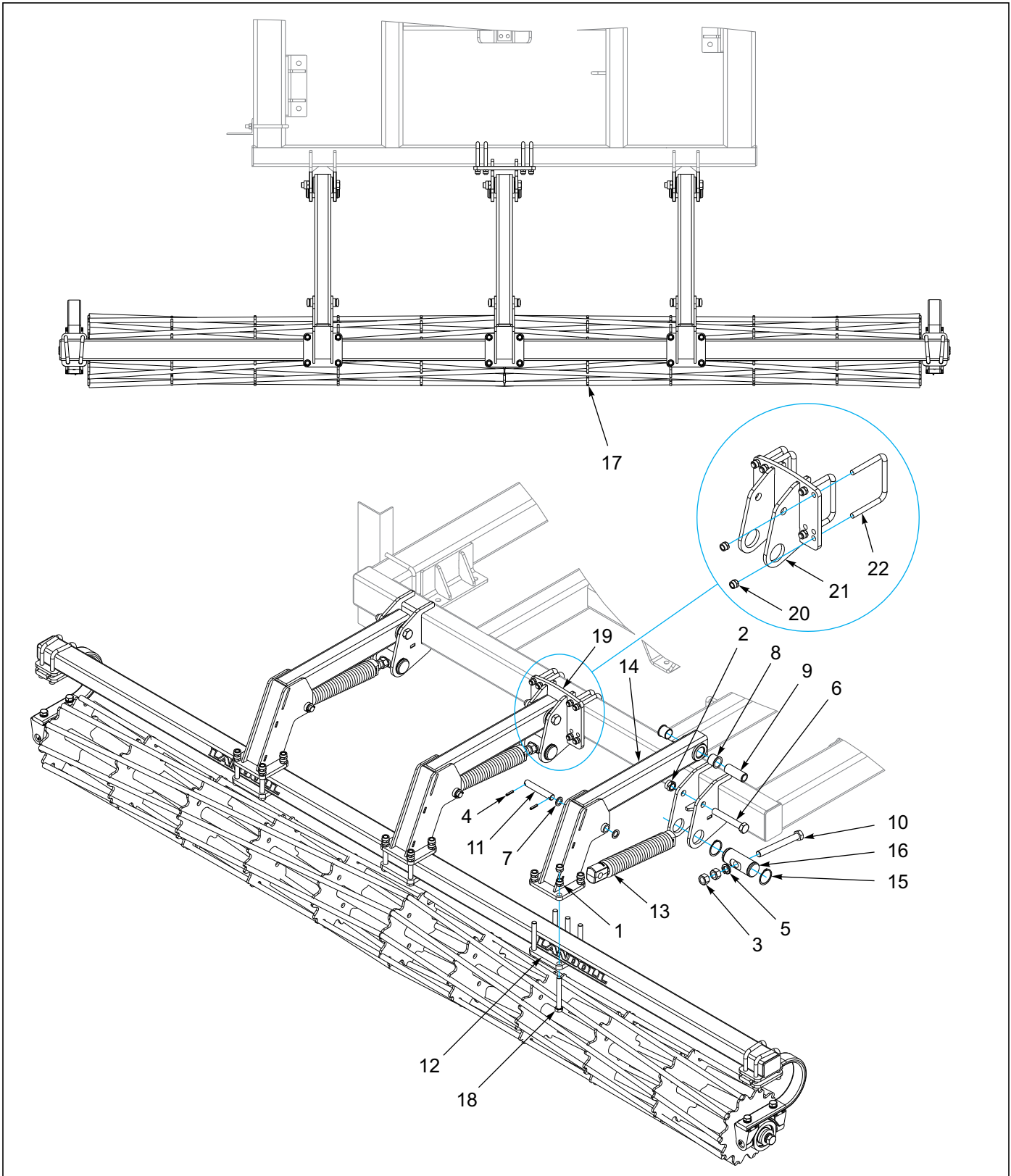


Figure 1-27: Conditioner Reel Assembly - 12'

Conditioner Reel Assembly - 12'

ITEM	PART NO.	DESCRIPTION	QTY.
--	197783	HYDRAULIC CONDITIONER REEL, 6211-12	
1	1-512-010005-15	NUT,HEX,SLFLKG GRB 3/4-10	30
2	1-512-010005-19	NUT 1-8 HEX SLF-LOCKING GRB	3
3	1-512-010007-14	NUT, HEX 1-8 GR2 ZP	6
4	1-647-010004236	SPRING PIN,SLOTTED 5/16X1-1/2	6
5	1-861-010034-21	WASHER, LKG, HLCL SPR, 1	3
6	100829	SCREW,HEX CAP,1-8X6-1/2,GR5	3
7	117957	MACHINERY BUSHING,ZINC PLATED	6
8	140599	BEARING, FLANGE 1-1/2	6
9	152209	BUSHING, PIVOT 1-1/2	3
10	152210	BOLT, ADJ, 1 X 9	3
11	154392	PIN,PIVOT	3
12	154748P	PLATE, GANGBAR MOUNT	3
13	158795	SPRING ASSY, 17"	3
14	158847	ARM, REEL	3
15	158896	SNAP RING, 2-1/2 SHAFT	6
16	158897	PIN, ADJUSTMENT W/SNAP RING	3
17	165127	CONDITIONER REEL/GANGBAR ASSY 156" (SEE PAGE 1-59)	1
18	172884	SCREW, HEX CAP, 3/4-10 UNC X 6 GR8 ZP	15
19	180164	ASSY, MOUNT 6" (ITEMS 20-22)	1
20	1-512-010005-13	NUT, HEX, LOCK 5/8-11 GRB	8
21	180161	MOUNT, COIL TINE	1
22	2-102-010032	U-BOLT, CENTER SHANK MT	4

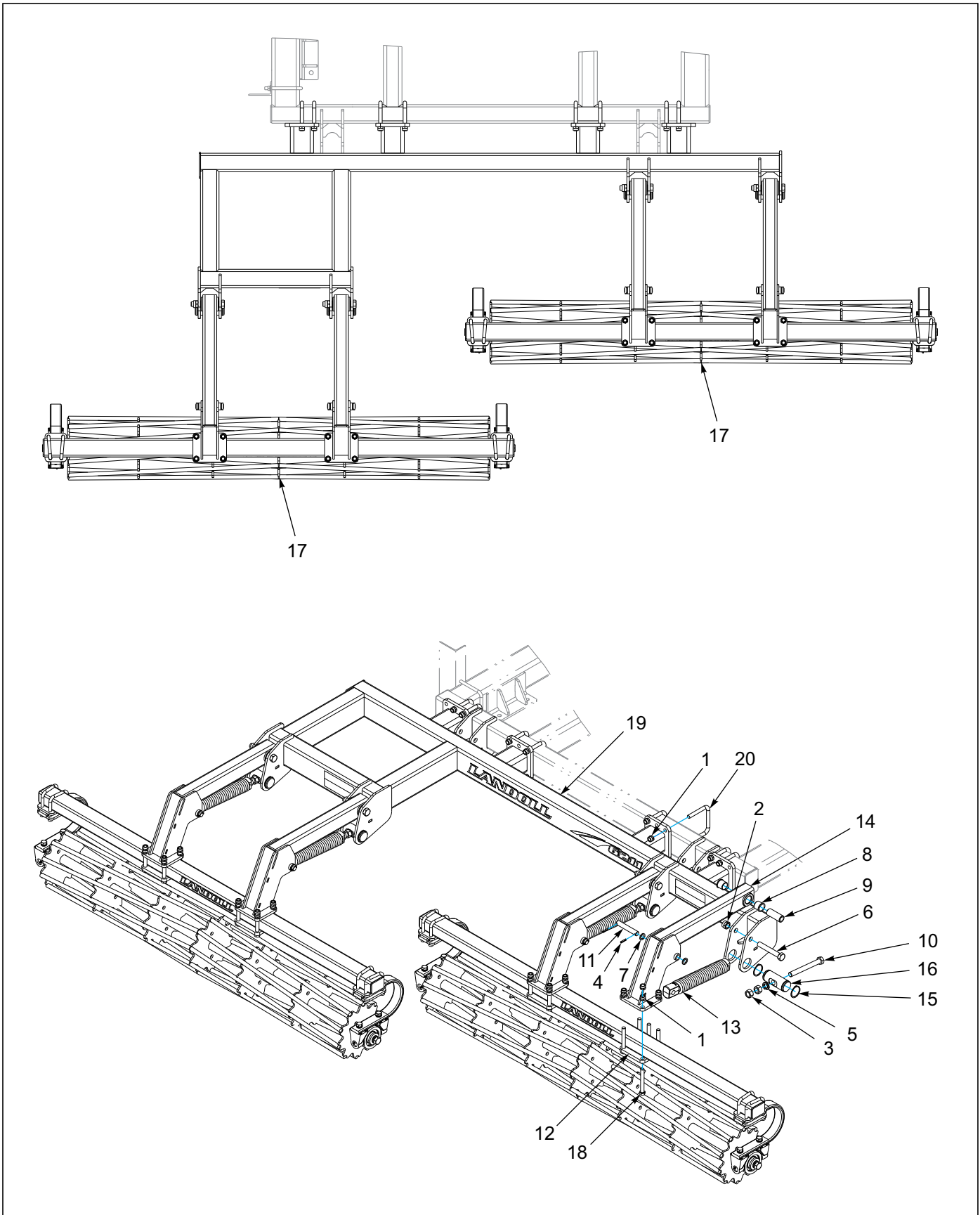


Figure 1-28: Conditioner Reel Assembly - 14' & 15'

Conditioner Reel Assembly - 14' & 15'

ITEM	PART NO.	DESCRIPTION	QTY.
--	197784	CONDITIONER REEL, 6211-14	
--	197785	CONDITIONER REEL, 6211-15	
1	1-512-010005-15	NUT,HEX,SLFLKG GRB 3/4-10	40
2	1-512-010005-19	NUT 1-8 HEX SLF-LOCKING GRB	4
3	1-512-010007-14	NUT, HEX 1-8 GR2 ZP	8
4	1-647-010004236	SPRING PIN,SLOTTED 5/16X1-1/2	8
5	1-861-010034-21	WASHER, LKG, HLCL SPR, 1	4
6	100829	SCREW,HEX CAP,1-8X6-1/2,GR5	4
7	117957	MACHINERY BUSHING,ZINC PLATED	8
8	140599	BEARING, FLANGE 1-1/2	8
9	152209	BUSHING, PIVOT 1-1/2	4
10	152210	BOLT, ADJ, 1 X 9	4
11	154392	PIN,PIVOT	4
12	154748P	PLATE, GANGBAR MOUNT	4
13	158795	SPRING ASSY, 17"	4
14	158847	ARM, REEL	4
15	158896	SNAP RING, 2-1/2 SHAFT	8
16	158897	PIN, ADJUSTMENT W/SNAP RING	4
17	154686	CONDITIONER REEL/GANGBAR ASSY 91" (USED W/ 197784) (SEE PAGE 1-59)	2
17	155545	CONDITIONER REEL/GANGBAR ASSY 97" (USED W/ 197785) (SEE PAGE 1-59)	2
18	172884	SCREW, HEX CAP, 3/4-10 UNC X 6 GR8 ZP	20
19	198260	MOUNT ASSY, CONDITIONER REEL (ITEMS 1 & 20)	1
20	111392	U-BOLT, GAUGE WHEEL 1550	8

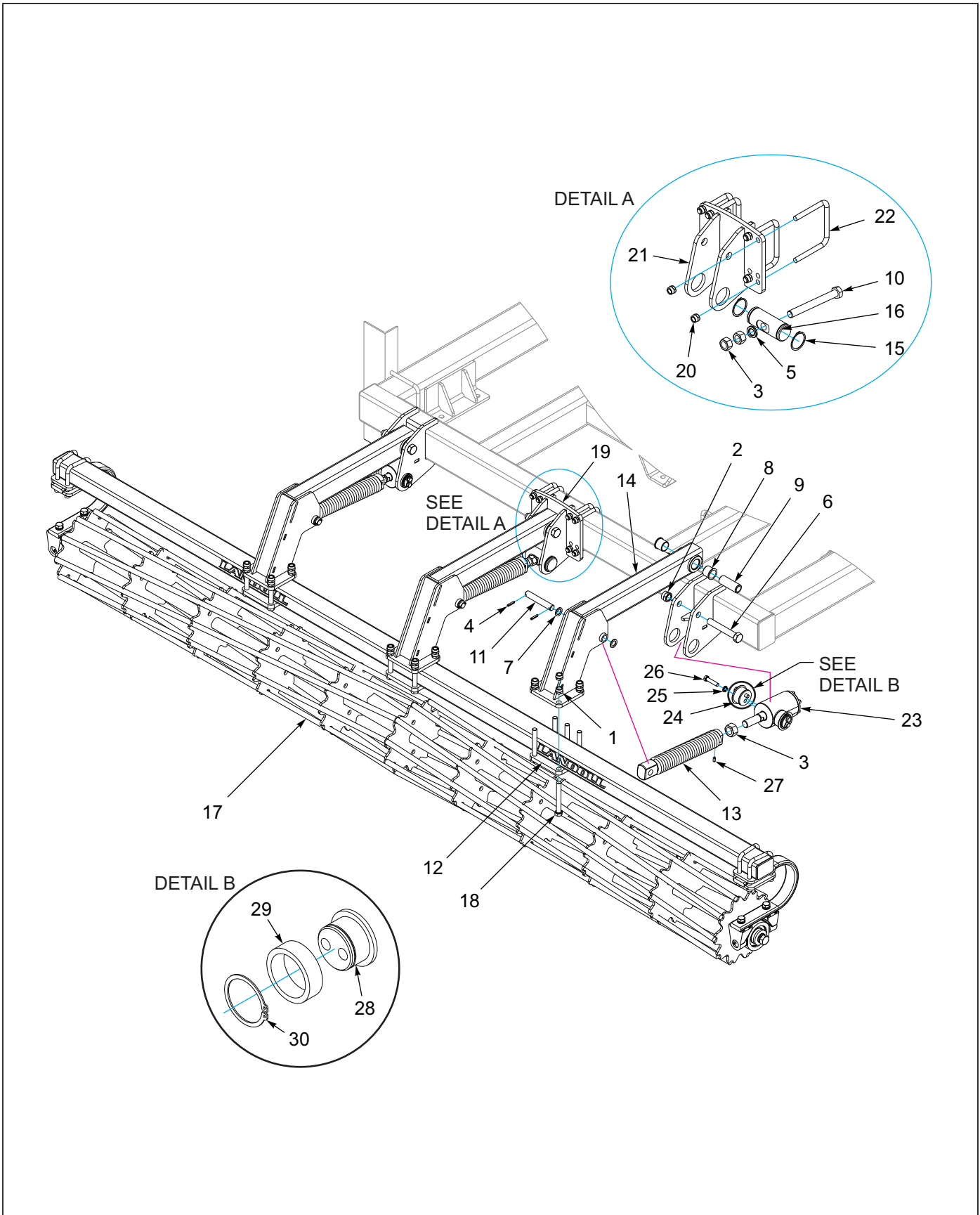


Figure 1-29: Hydraulic Conditioner Reel Assembly - 12'

Hydraulic Conditioner Reel Assembly - 12'

ITEM	PART NO.	DESCRIPTION	QTY.
--	197786	HYDRAULIC CONDITIONER REEL, 6211-12	
1	1-512-010005-15	NUT,HEX,SLFLKG GRB 3/4-10	30
2	1-512-010005-19	NUT 1-8 HEX SLF-LOCKING GRB	3
3	1-512-010007-14	NUT, HEX 1-8 GRB (BEFORE 6-8-2017)	6
3	206675	NUT, 1-1/8 -12 UNF, Z/P GR 2 (AFTER 6-8-2017)	6
4	1-647-010004236	SPRING PIN,SLOTTED 5/16X1-1/2	6
5	1-861-010034-21	WASHER, LKG, HLCL SPR, 1	1
6	100829	SCREW,HEX CAP,1-8X6-1/2,GR5	3
7	117957	MACHINERY BUSHING,ZINC PLATED	6
8	140599	BEARING, FLANGE 1-1/2	6
9	152209	BUSHING, PIVOT 1-1/2	3
10	152210	BOLT, ADJ, 1 X 9	1
11	154392	PIN,PIVOT	3
12	154748P	PLATE, GANGBAR MOUNT	3
13	158795	SPRING ASSEMBLY, 17" (BEFORE 6-8-2017)	3
13	206652	SPRING ASSY 17" 1-1/8 THD (AFTER 6-8-2017)	3
14	158847	ARM, REEL	3
15	158896	SNAP RING, 2-1/2 SHAFT	2
16	158897	PIN, ADJUSTMENT W/SNAP RING	1
17	165127	CONDITIONER REEL/GANGBAR ASSY 156" (SEE PAGE 1-59)	1
18	172884	SCREW, HEX CAP, 3/4-10 UNC X 6 GR8 ZP	15
19	180164	ASSY, MOUNT 6" (ITEMS 20-22)	1
20	1-512-010005-13	NUT, HEX, LOCK 5/8-11 GRB	8
21	180161	MOUNT, COIL TINE	1
22	2-102-010032	U-BOLT, CENTER SHANK MT	4
23	172537	CYLINDER, 2-1/2" X 2-1/2" STROKE (BEFORE 6-8-2017) (SEE PAGE 1-68)	2
23	206671	CYLINDER, 2-1/2" X 2-1/2" ST 1-1/8 THDS (AFTER 6-8-2017) (SEE PAGE 1-68)	2
24	198320	ASSY, TRUNION MOUNT, 1-1/4 (AFTER 2-21-2016) (INCLUDES ITEMS 28-30)	4
25	1-861-010034-13	WASHER, LKG HLCL SPR, 1/2	8
26	1-654-010055-05	SCREW, HEX CAP, 1/2-13 UNC X 2 GR5	8
27	1P444	SET SCREW, 3/8-16 X 3/4 NYLON (AFTER 6-8-2017)	3
28	191924	TRUNION, CYLINDER	1
29	191925	TRUNION, BEARING	1
30	188530	SNAP RING, 2 SHAFT	1

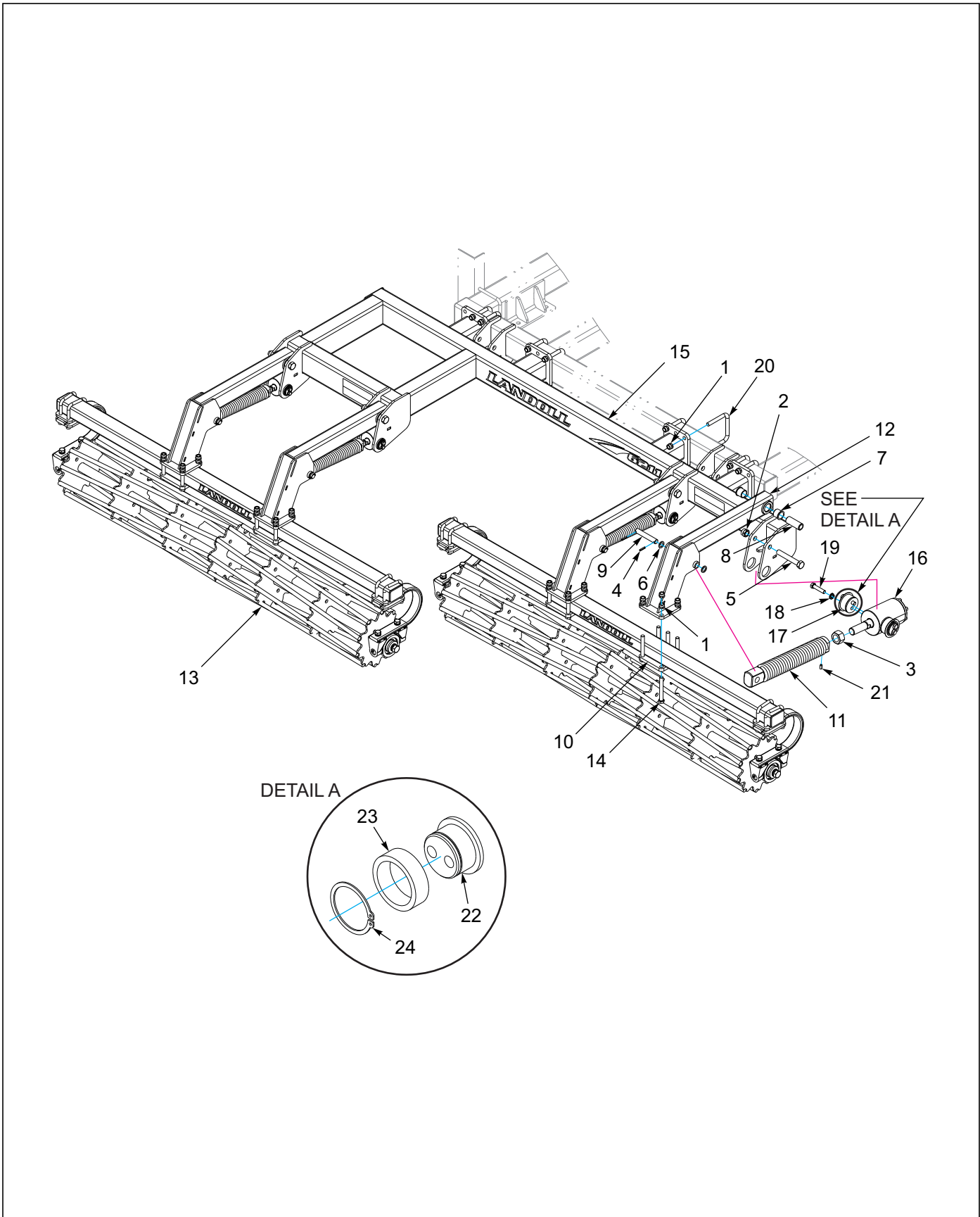


Figure 1-30: Hydraulic Conditioner Reel Assembly - 14' & 15'

Hydraulic Conditioner Reel Assembly - 14' & 15'

ITEM	PART NO.	DESCRIPTION	QTY.
--	197787	HYDRAULIC CONDITIONER REEL, 6211-14	
--	197788	HYDRAULIC CONDITIONER REEL, 6211-15	
1	1-512-010005-15	NUT,HEX,SLFLKG GRB 3/4-10	40
2	1-512-010007-14	NUT, HEX 1-8 GRB (BEFORE 6-8-2017)	4
2	206675	NUT, 1-1/8 -12 UNF, Z/P GR 2 (AFTER 6-8-2017)	4
3	1-512-010007-14	NUT, HEX 1-8 GR2 ZP	4
4	1-647-010004236	SPRING PIN,SLOTTED 5/16X1-1/2	8
5	100829	SCREW,HEX CAP,1-8X6-1/2,GR5	4
6	117957	MACHINERY BUSHING,ZINC PLATED	8
7	140599	BEARING, FLANGE 1-1/2	8
8	152209	BUSHING, PIVOT 1-1/2	4
9	154392	PIN,PIVOT	4
10	154748P	PLATE, GANGBAR MOUNT	4
11	158795	SPRING ASSEMBLY, 17" (BEFORE 6-8-2017 WITH 174720)	4
11	206652	SPRING ASSY 17" 1-1/8 THD (AFTER 6-8-2017)	4
12	158847	ARM, REEL	4
13	154686	CONDITIONER REEL/GANGBAR ASSY 91" (USED W/ 197784) (SEE PAGE 1-59)	2
13	155545	CONDITIONER REEL/GANGBAR ASSY 97" (USED W/ 197785) (SEE PAGE 1-59)	2
14	172884	SCREW, HEX CAP, 3/4-10 UNC X 6 GR8 ZP	20
15	198260	MOUNT ASSY, CONDITIONER REEL	1
16	172537	CYLINDER, 2-1/2" X 2-1/2" STROKE (BEFORE 6-8-2017) (SEE PAGE 1-68)	4
15	206671	CYLINDER, 2-1/2" X 2-1/2" ST 1-1/8 THDS (SEE PAGE 1-68) (SEE PAGE 1-68)	4
17	198320	ASSY, TRUNION MOUNT, 1-1/4 (AFTER 2-21-2016) (INCLUDES ITEMS 28-30)	8
18	1-861-010034-13	WASHER, LKG HLCL SPR, 1/2	16
19	1-654-010055-05	SCREW, HEX CAP, 1/2-13 UNC X 2 GR5	16
20	111392	U-BOLT, GAUGE WHEEL 1550	8
21	1P444	SET SCREW, 3/8-16 X 3/4 NYLON (AFTER 6-8-2017)	4
22	191924	TRUNION, CYLINDER	1
23	191925	TRUNION, BEARING	1
24	188530	SNAP RING, 2 SHAFT	1

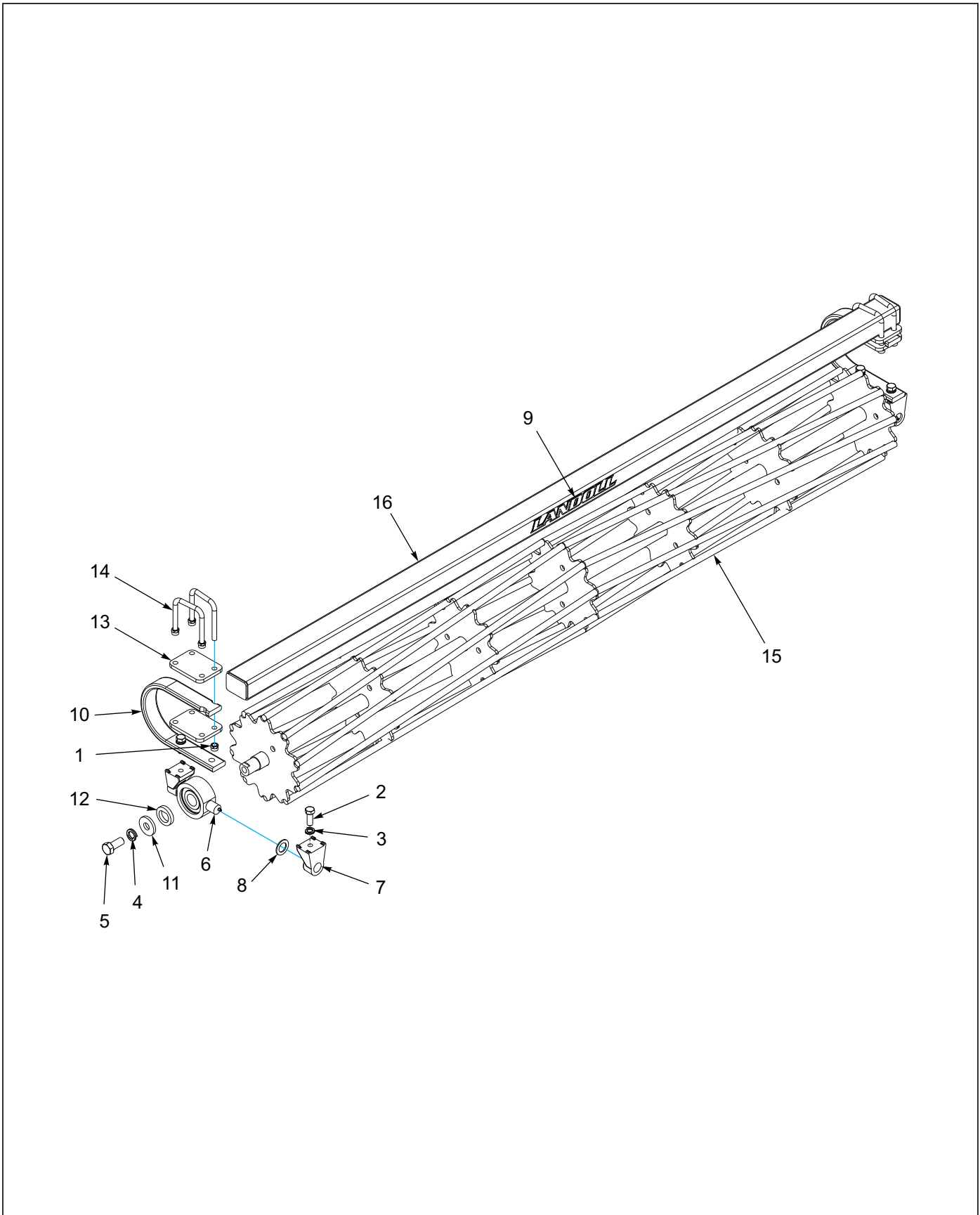


Figure 1-31: Conditioner Reel/Gangbar Assembly

Conditioner Reel/Gangbar Assembly

ITEM	PART NO.	DESCRIPTION	QTY.		
--	165127	CONDITIONER REEL/GANGBAR ASSY, 156"	*		
--	154686	CONDITIONER REEL/GANGBAR ASSY, 91"		*	
--	155545	CONDITIONER REEL/GANGBAR ASSY, 97"			*
1	1-512-010005-13	NUT, HEX LOCK 5/8-11 GRB	8	8	8
2	1-654-010032-05	SCREW, HEX HEAD CAP 3/4-10 X 2 GR8	4	4	4
3	1-861-010034-17	WASHER, SPLIT LOCK 3/4	4	4	4
4	1-861-010034-21	WASHER, SPLIT LOCK 1"	2	2	2
5	137943	SCREW, HEX HEAD CAP 1-8 X 2-1/4 GR5	2	2	2
6	140477	BEARING, DISC 1.775 ID ASSEMBLY	2	2	2
7	140479	MOUNT, TRUNNION BEARING	4	4	4
8	140480	WASHER, TRUNNION	2	2	2
9	148337	ATTACHMENT DECAL, LANDOLL	2	1	1
10	153716	SHANK, STRAIGHT 3/4 X 2-1/2	2	2	2
11	154185	WASHER, 3/8 THICK	2	2	2
12	154186	WASHER, FLAT TOP	2	2	2
13	154393	PLATE, SHANK MOUNT	4	4	4
14	6-102-010009	U-BOLT	4	4	4
15	164378	CONDITIONER REEL, 156"	1	--	--
15	154691	CONDITIONER REEL, 91"	--	1	--
15	155520	CONDITIONER REEL, 97"	--	--	1
16	165226	GANG BAR, 166" REEL 156"	1	--	--
16	154658	GANG BAR, 101" REEL 91"	--	1	--
16	155544	GANG BAR, 107" REEL 97"	--	--	1

Lift Hydraulic Assemblies

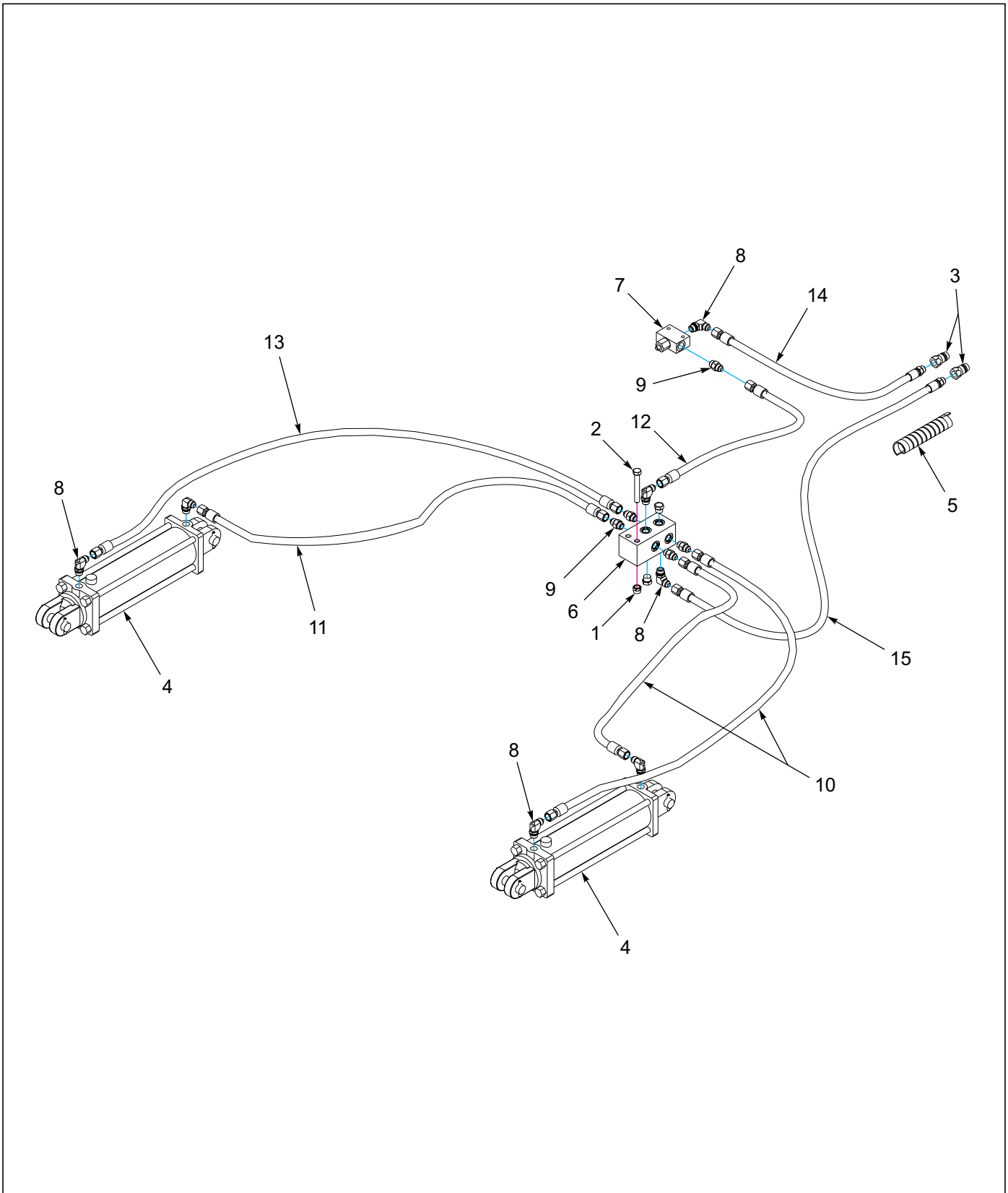


Figure 1-32: Lift Hydraulic Assembly - 12'-15'

Lift Hydraulic Assembly - 12'-15'

ITEM	PART NO.	DESCRIPTION	QTY.
1	1-512-010005-09	NUT,HEX,SLFLKG, 1/2-13 GRB	2
2	1-654-010055-11	SCREW,HX CP 1/2-13UNCX3-1/2	2
3	141828	COUPLER,MALE 3/4-16 O-RING	2
4	140470	CYLINDER 4X10 REPHASE (SEE PAGE 1-66)	2
5	155528	HOSE WRAP, BLUE 1" ID X 8"	1
6	2-474-010022	MANIFOLD ASSY, HYDR 8 HOSE	1
7	185660	VALVE, LIMIT	1
8	2062-8-8S	ADAPTER, 90, #8 O-RING-TUBE	5
9	202702-8-8S	ADAPTER #8 O-RING TO #8 TUBE	4
10	147582	HOSE ASSY 3/8X24 #8 JIC SWIV	2
11	153842	HOSE ASSY 3/8X33 #8 JIC SWIV	1
12	1403982	HOSE ASSY 1/2X38,SAE37,STR-STR	1
13	71508984	HOSE .38X42	1
14	167555	HOSE ASSY 1/2X210#8JICXO-RING	1
15	176996	HOSE 1/2 X 220, #8JIC X #8OR	1

Reel Hydraulic Assembly

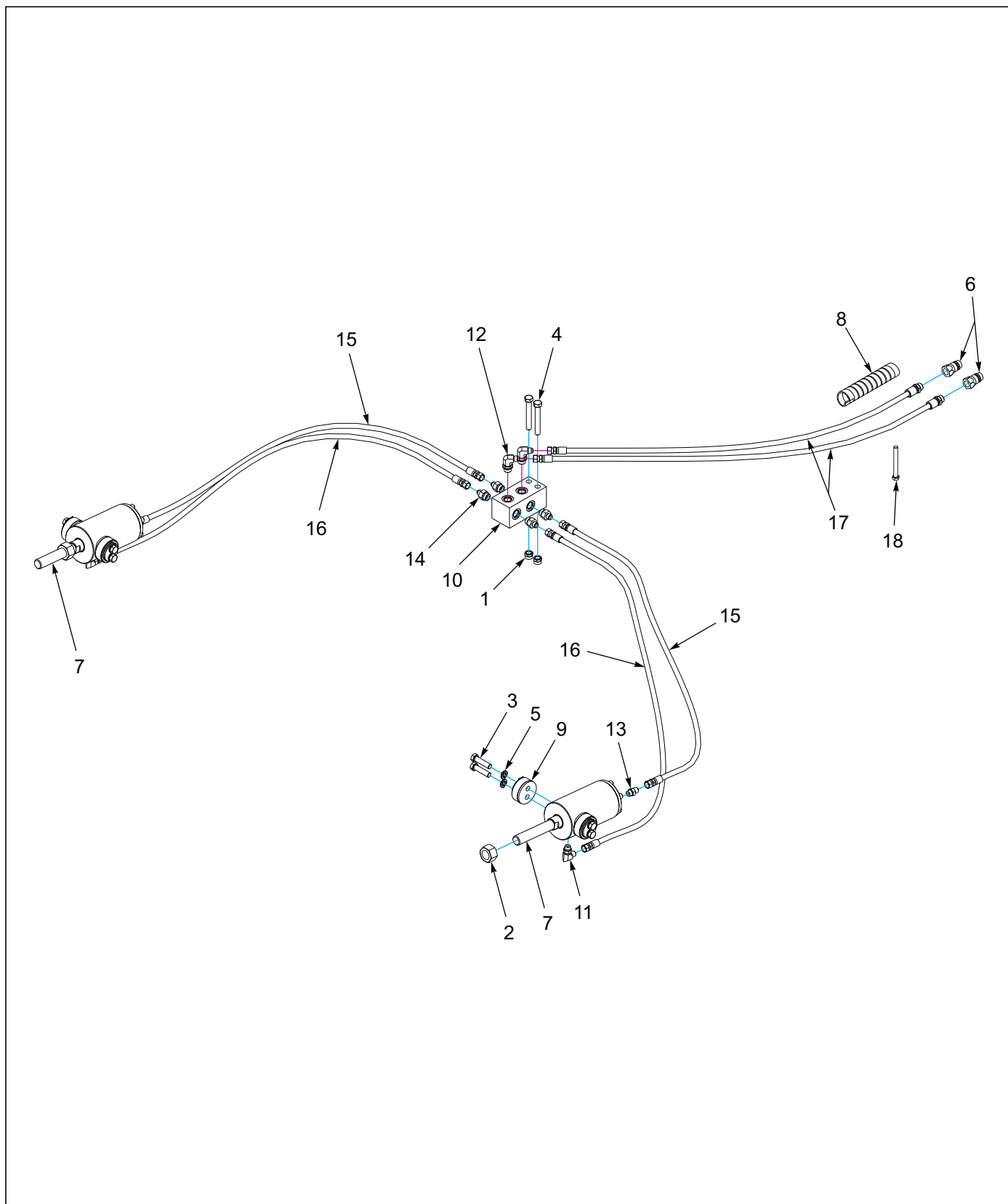


Figure 1-33: Reel Hydraulic Assembly - 12'

Reel Hydraulic Assembly - 12'

ITEM	PART NO.	DESCRIPTION	QTY.
1	1-512-010005-09	NUT,HEX,SLFLKG, 1/2-13 GRB	2
2	1-512-010007-14	NUT, HEX 1-8 GRB (BEFORE 6-8-2017)	2
2	206675	NUT, 1-1/8 -12 UNF, Z/P GR 2 (AFTER 6-8-2017)	2
3	1-654-010055-05	SCREW,HEX CAP,1/2-13UNCX2 GR5	8
4	1-654-010055-11	SCREW,HX CP 1/2-13UNCX3-1/2	2
5	1-861-010034-13	WASHER, LKG HLCL SPR, 1/2	8
6	141828	COUPLER,MALE 3/4-16 O-RING	2
7	172537	CYLINDER, 2-1/2" X 2-1/2" STROKE (BEFORE 6-8-2017) (SEE PAGE 1-68)	2
7	206671	CYLINDER, 2-1/2" X 2-1/2" ST 1-1/8 THDS (SEE PAGE 1-68) (SEE PAGE 1-68)	2
8	172973	HOSE WRAP, RED	1
9	198320	ASSY, TRUNION MOUNT 1-1/4ASSY, TRUNION MOUNT, 1-1/4" (AFTER 2-21-2016)	4
10	2-474-010022	MANIFOLD, HYDRAULIC ASSEMBLY 8 PORT	1
11	2062-6-6S	ADAPTER, 90, #6SAE X #6 JIC	2
12	2062-8-6S	ELBOW,90,#8 SAE X #6 JIC	2
13	202702-6-6S	ADAPTER, STR,#6 SAEX#6 JIC	2
14	202702-8-6S	ADAPTER #8 O-RING TO #6 TUBE	4
15	7779-48	HOSE HYD 1/4 X 48	2
16	71500166	HOSE, .25 X 52 IN.	2
17	172972	HOSE ASSY, 3/8, #6JICX#8ORX330	2
18	173044	SCREW, ALL THREAD,3/8-16X4-1/2 (REPLACES 141807, 3/8-16 X 3-1/2 BOLT ON FRONT HOSE HOLDER CLAMP, FRONT OF HITCH SEE PAGE 1-9)	1

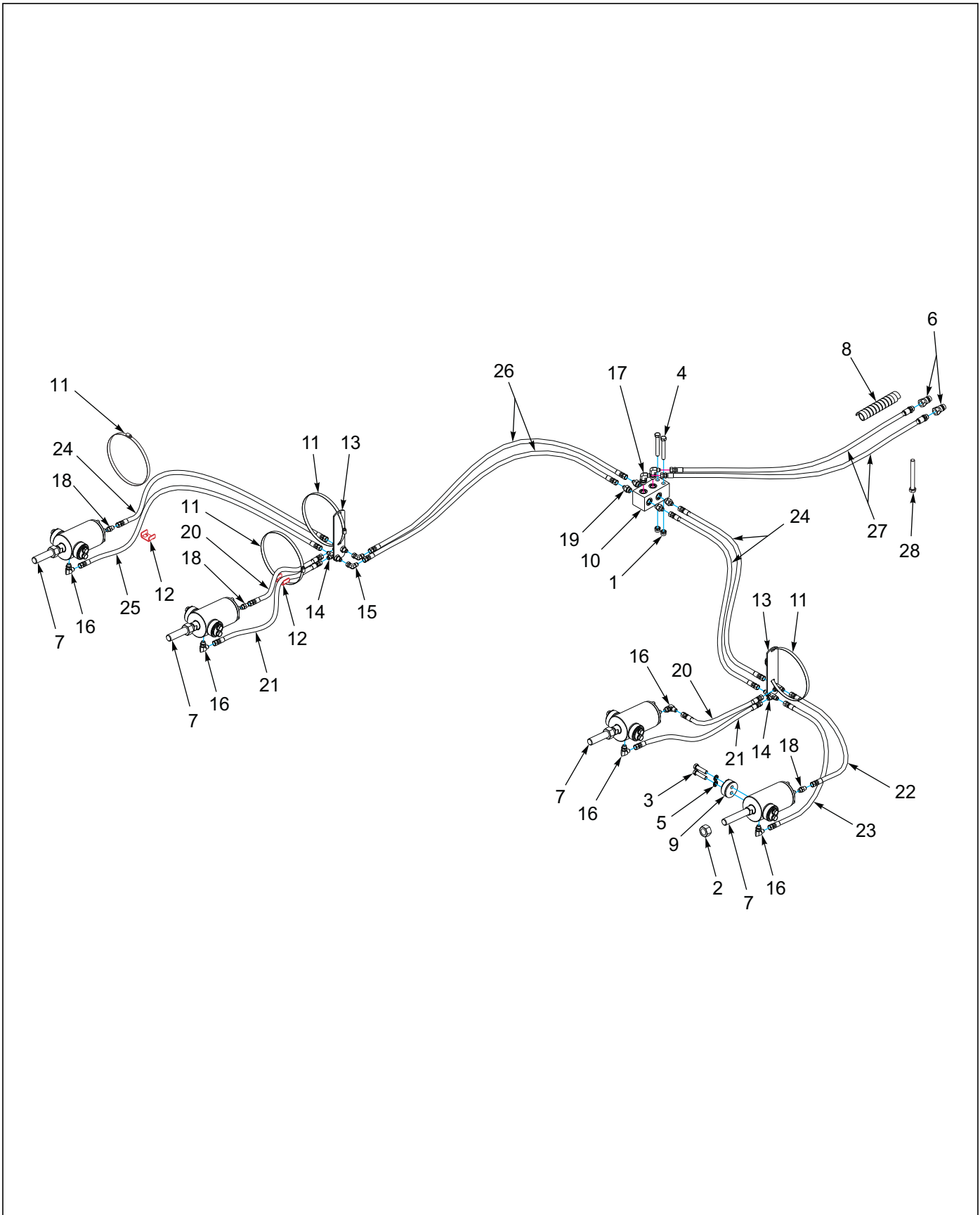


Figure 1-34: Reel Hydraulic Assembly - 14' & 15'

Reel Hydraulic Assembly - 14' & 15'

ITEM	PART NO.	DESCRIPTION	QTY.
1	1-512-010005-09	NUT,HEX,SLFLKG, 1/2-13 GRB	2
2	1-512-010007-14	NUT, HEX 1-8 GRB (BEFORE 6-8-2017)	4
2	206675	NUT, 1-1/8 -12 UNF, Z/P GR 2 (AFTER 6-8-2017)	4
3	1-654-010055-05	SCREW,HEX CAP,1/2-13UNCX2 GR5	16
4	1-654-010055-11	SCREW,HX CP 1/2-13UNCX3-1/2	2
5	1-861-010034-13	WASHER, LKG HLCL SPR, 1/2	16
6	141828	COUPLER,MALE 3/4-16 O-RING	2
7	172537	CYLINDER, 2-1/2" X 2-1/2" STROKE (BEFORE 6-8-2017) (SEE PAGE 1-68)	4
7	206671	CYLINDER, 2-1/2" X 2-1/2" ST 1-1/8 THDS (SEE PAGE 1-68) (SEE PAGE 1-68)	4
8	172973	HOSE WRAP, RED	1
9	198320	ASSY, TRUNION MOUNT 1-1/4" (AFTER 2-21-2016)	8
10	2-474-010022	MANIFOLD ASSY, HYDR 8 HOSE	1
11	172977	CLAMP, HOSE 2-1/2 - 8-1/2 #128	4
12	174784	CLAMP HOSE	2
13	172992	PLATE, BULKHEAD	2
14	162569	TEE,#6 JIC BULKHD RUN, W/NUT	4
15	102-0031	ADAPTER,90 JIC SWIVEL #6	2
16	2062-6-6S	ADAPTER, 90, #6SAE X #6 JIC	5
17	2062-8-6S	ELBOW,90,#8 SAE X #6 JIC	2
18	202702-6-6S	ADAPTER, STR,#6 SAEX#6 JIC	3
19	202702-8-6S	ADAPTER #8 O-RING TO #6 TUBE	4
20	7779-22	HOSE HYD 1/4 X 22	2
21	195666	HOSE ASSY, 1/4X26" #6 JIC STR	2
22	71509125	HOSE ASSY, 1/4, #6 JIC 30"	1
23	7779-34	HOSE HYD 1/4 X 34	1
24	71500165	HOSE, .25 X 46 IN.	3
25	172981	HOSE ASSY, 1/4 X 50 #6 JIC STR	1
26	173013	HOSE ASSY 1/4 X 57 #6 JIC STR	2
27	172972	HOSE ASSY, 3/8, #6JICX#8ORX330	2
28	173044	SCREW, ALL THREAD,3/8-16X4-1/2 (REPLACES 141807, 3/8-16 X 3-1/2 BOLT ON FRONT HOSE HOLDER CLAMP, FRONT OF HITCH SEE PAGE 1-9)	1

Cylinders

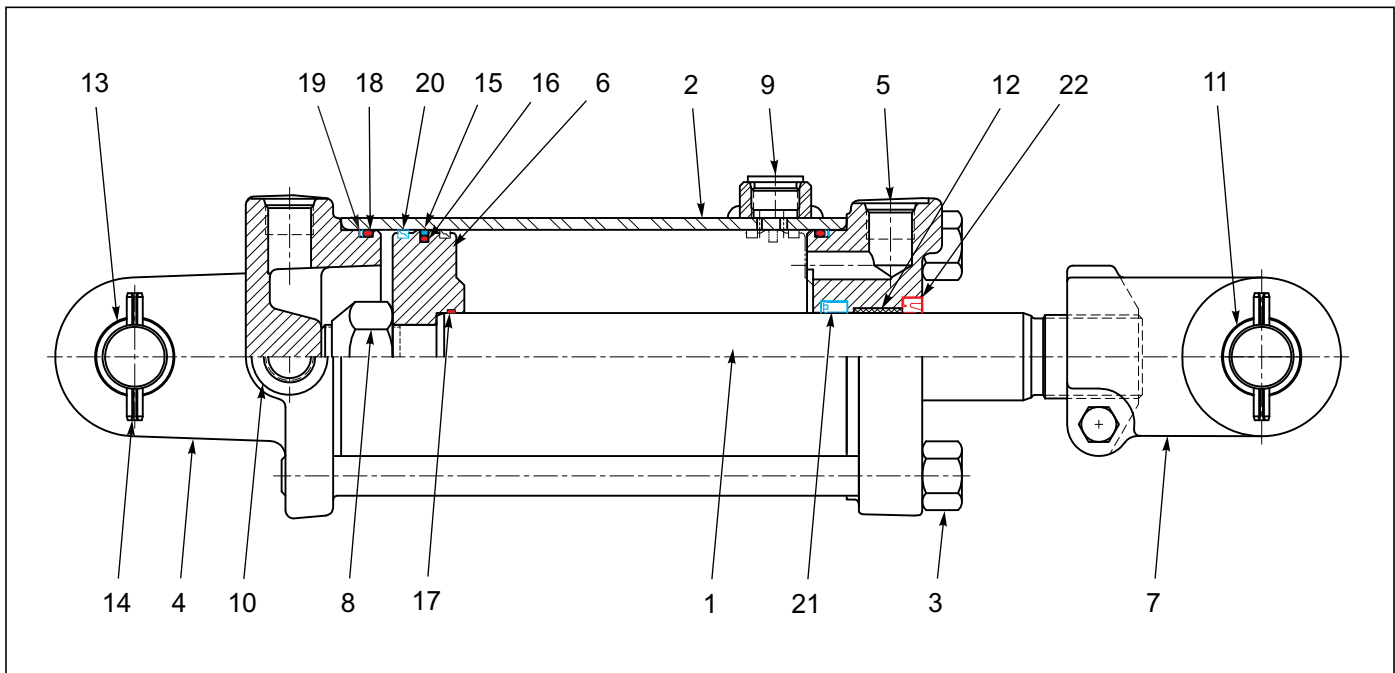


Figure 1-35: Rephase Cylinder 4" X 10"

Rephase Cylinder 4" X 10"

ITEM	PART NO.	DESCRIPTION	QTY.
--	140470	CYLINDER 4 X 10 REPHASE	
1	142106	ROD, PISTON	1
2	----	TUBE	1
3	----	TIE ROD ASSY	1
4	142114	BUTT CLEVIS ASSY	1
5	142109	GLAND	1
6	----	PISTON	1
7	142110	CLEVIS ASSY	1
8	----	NUT, LOCK	1
9	----	PLUG, PORT	1
10	----	PLUG, PORT	3
11	142112	BUSHING	4
12	141301	BUSHING	1
13	111790	CLEVIS PIN	2
14	----	ROLL PIN	4
15	----	TEFLON SEAL	1
16	----	O-RING	1
17	----	O-RING	1
18	----	O-RING	2
19	----	BU-WASHER	2
20	----	BEARING RING	2
21	----	U-CUP	1
22	----	CANNED WIPER	1
23	142111	PACKING KIT (NOT SHOWN) (ITEMS 15-23)	

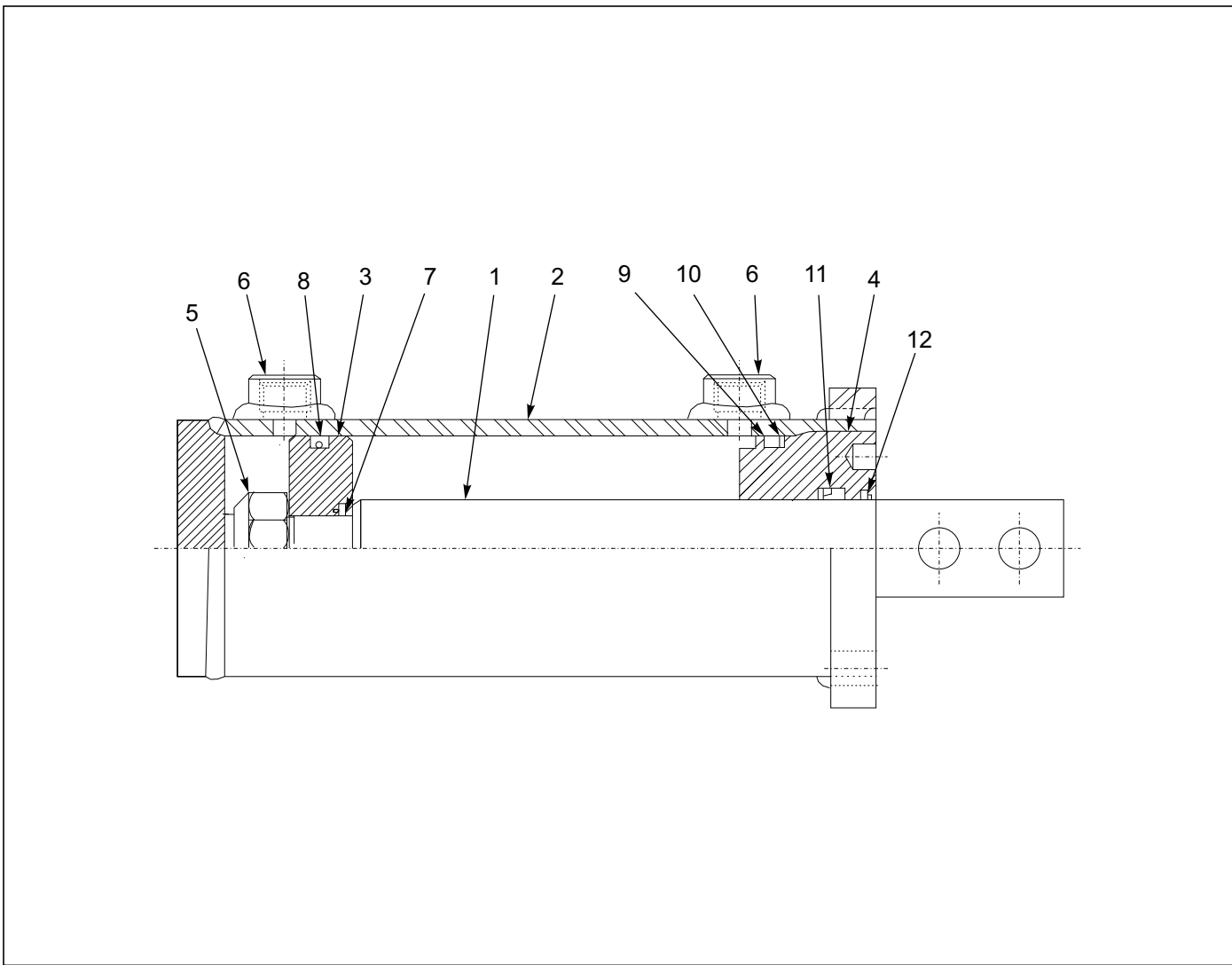


Figure 1-36: Cylinder 3-1/2" X 6"

Cylinder 3-1/2" X 6"

ITEM	PART NO.	DESCRIPTION	QTY.
--	140631	CYLINDER 3-1/2 X 6	
1	142803	PISTON ROD	1
2	142804	BUTT AND TUBE ASSEMBLY	1
3	142805	PISTON	1
4	142806	GLAND	1
5	220000210	LOCKNUT	1
6	200300040	PORT PLUG	2
7	----	O-RING	1
8	----	CROWN SEAL	1
9	----	O-RING	1
10	----	BU-WASHER	1
11	----	U-CUP	1
12	----	CANNED WIPER	1
13	142807	PACKING KIT (NOT SHOWN) (ITEMS 7-12)	

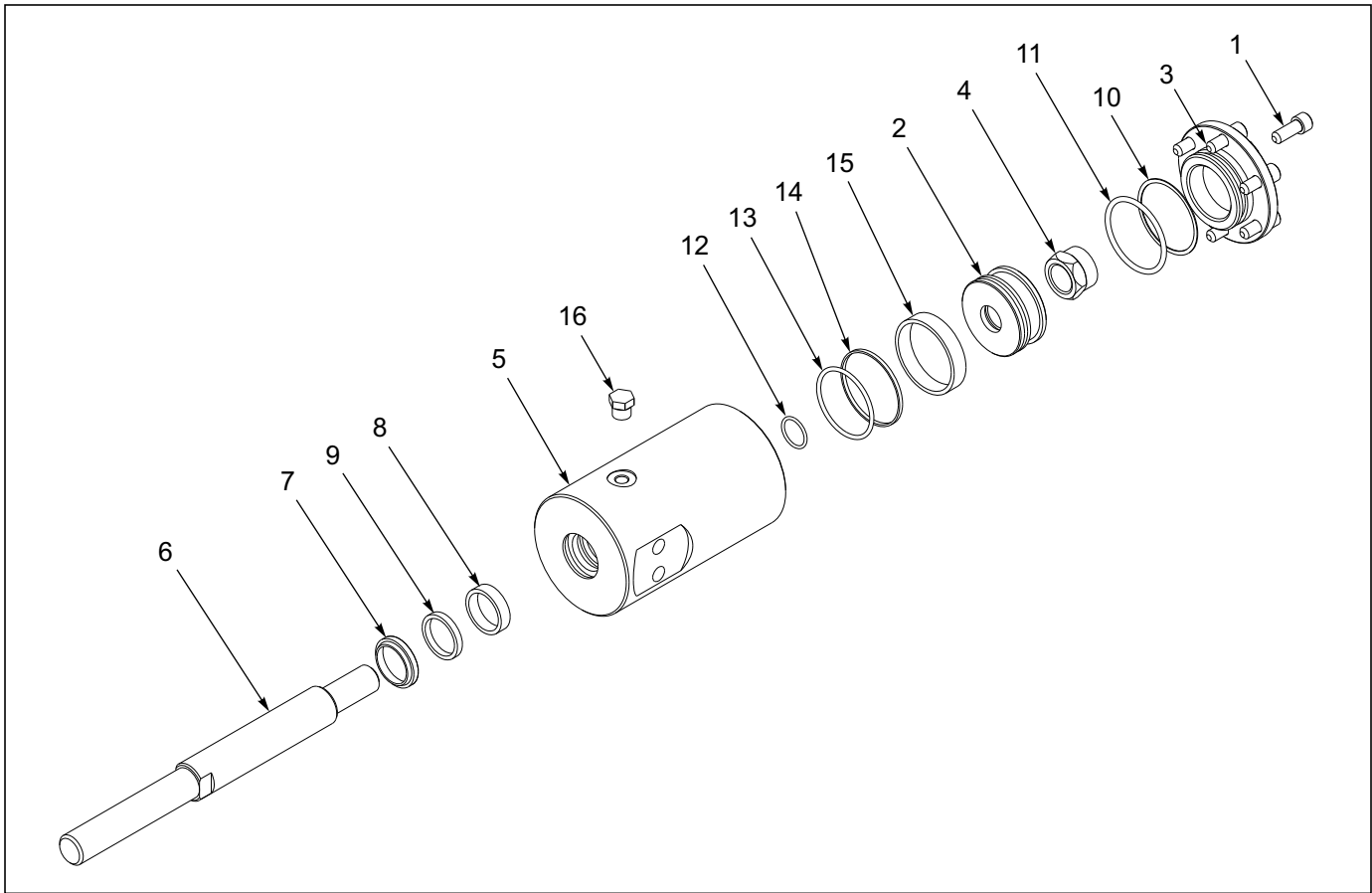


Figure 1-37: Cylinder 2-1/2" X 2-1/2"

Cylinder 2-1/2" X 2-1/2"

ITEM	PART NO.	DESCRIPTION	QTY.
--	172537	CYLINDER 2-1/2" X 2-1/2" ST 1" THRDS (BEFORE 6-8-2017)	
--	206671	CYLINDER, 2-1/2" X 2-1/2" ST 1-1/8" THDS (BEFORE 6-8-2017)	
1	1-654-010104245	SCREW, HEX SOCKET 3/8-16 X 1	6
2	171079	PISTON, 2-1/2 BORE	1
3	171080	BASE CAP 2-1/2	1
4	171093	NUT, HEX LOCK 7/8-14 GRC	1
5	172538	CYLINDER, BARREL 2-1/2 STROKE	1
6	172539	ROD, 1-1/4 DIA, 2-1/2" STROKE 1" THRDS (BEFORE 6-8-2017)	1
	206673	ROD, 1-1/4 DIA 1-1/8" THRDS (BEFORE 6-8-2017)	1
7	----	WIPER, 1-1/4 ROD	1
8	----	WEAR RING, 1-1/4 ROD	1
9	----	U-CUP, 1-1/4 ROD	1
10	----	BACK-UP RING, CAP	1
11	----	O-RING, CAP	1
12	----	O-RING, PISTON	1
13	----	O-RING, PISTON	1
14	----	SEAL, 2-1/2 PISTON	1
15	----	WEAR RING, 2-1/2 PISTON	1
16	----	PLUG, O-RING 9/16-18	2
17	171081	SEAL KIT (NOT SHOWN) (ITEMS 7-16)	

Electrical

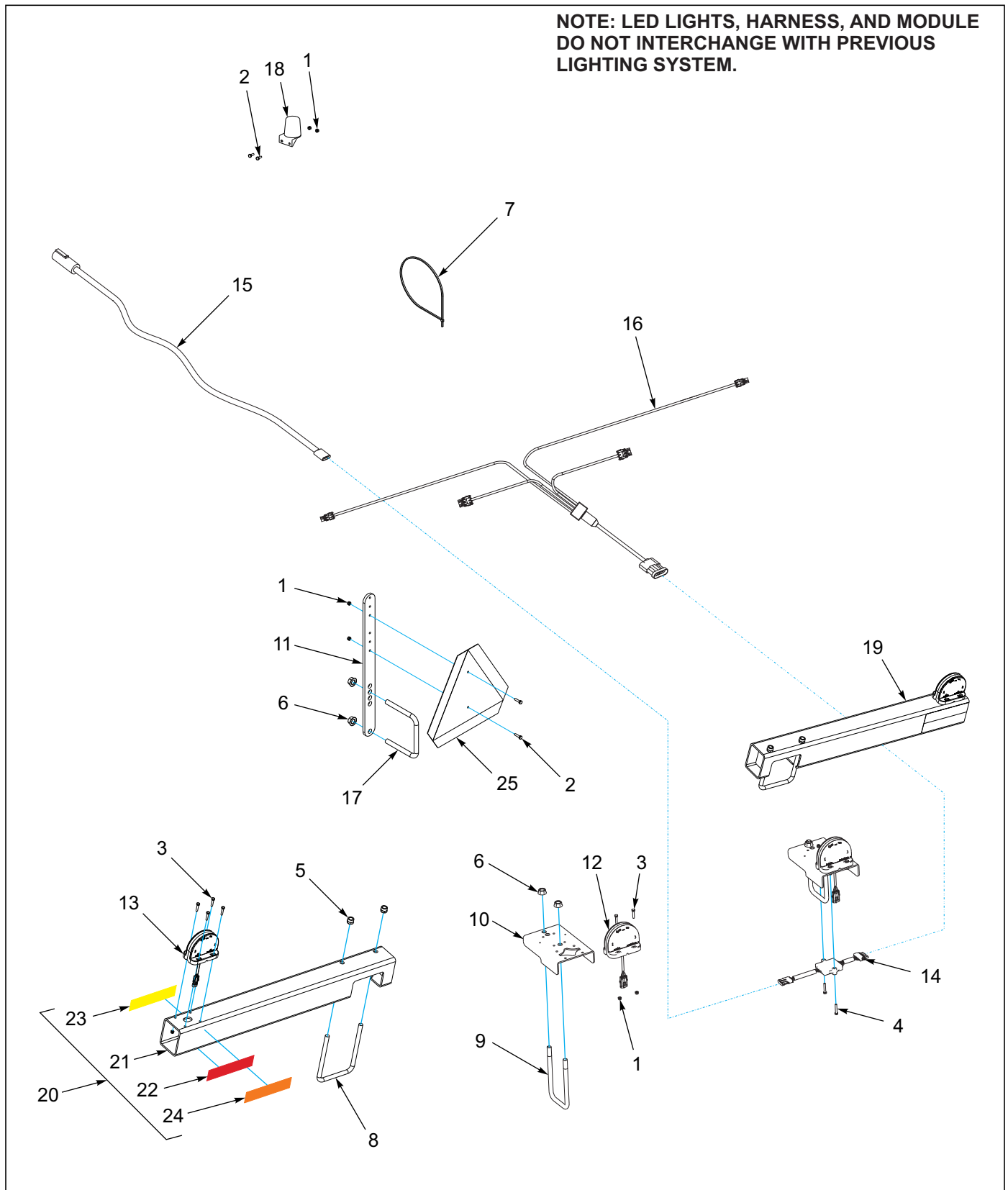


Figure 1-38: Electrical Assembly W/ LED Lights (1 of 2)

7-PIN CONN.	4-PIN TOWER	CIRCUIT	WIRE COLOR
1	D	GROUND	GROUND
2	-	WORK LAMPS	BLACK 
3	B	LEFT FLASHING & TURN	YELLOW 
4	-	STOP LAMPS	RED 
5	A	RIGHT FLASHING & TURN	GREEN 
6	C	TAIL LAMPS	BROWN 
7	-	SWITCHED POWER (12 V)	BLUE 

MAIN WARNING LIGHT HARNESS - WIRING CHART

	1	2	3	4	5
	2-PIN TOWER	3-PIN TOWER	6-PIN SHROUD	3-PIN TOWER	2-PIN TOWER
 BLACK LEFT TURN			A	C	
 WHITE GROUND	A	A	B	A	A
 BROWN TAIL LIGHT		B	C	B	
 YELLOW LEFT TURN			D		B
 GREEN RIGHT TURN	B		E		
 RED RIGHT TURN		C	F		

REAR WARNING LIGHT HARNESS - WIRING CHART

Figure 1-39: Electrical Assembly W/ LED Lights (2 of 2)

Electrical Assembly W/ LED Lights

ITEM	PART NO.	DESCRIPTION	QTY.
--	197797	LIGHT KIT, 6211	
1	1-512-010005-01	NUT,HEX,SLFLKG GRB 1/4-20	22
2	1-654-010047-06	SCREW,HX CP 1/4-20UNCX1 GR5	4
3	1-654-010047-07	SCREW,HX CP 1/4-20UNCX1-1/4G5	16
4	1-654-010047-08	SCREW HX CP,1/4-20UNCX1-1/2G5	2
5	1-512-010005-13	NUT,HEX SLFLKG GRB 5/8-11	4
6	100827	NUT,FLG HD,SERRATED,5/8-11	10
7	105874	TIE,STRAP PLSTC 21.5-24X.301	15
8	149192	U-BOLT,6-11/16 CENTERS X 8-1/2	2
9	157648	U-BOLT, HYDRAULIC MNT	2
10	164138	MOUNT, LIGHT TAIL	2
11	164142	BRACKET, SMV MOUNTING	1
12	174435	LAMP, AG RED SINGLE LED	2
13	174436	LAMP, AG AMBER SINGLE LED	2
14	174437	MODULE, AG FLASHER CONTROL	1
15	174438	HARNESS, MAIN WARNING LIGHTS	1
16	174439	HARNESS, REAR WARNING LIGHTS	1
17	2-102-010032	U BOLT CENTER SHANK MT.	1
18	2-368-010287	HARNESS, STOR-A-WAY	1
19	198262	BRACKET ASSY, LIGHT RT W/REF (USED W/ 12') (ITEMS 21-24)	1
19	197798	BRACKET ASSY, LIGHT RT W/REF (USED W/ 14' & 15') (ITEMS 21-24)	1
20	198263	BRACKET ASSY, LIGHT LT W/REF (USED W/ 12') (ITEMS 21-24)	1
20	197799	BRACKET ASSY, LIGHT LT W/REF (USED W/ 14' & 15') (ITEMS 21-24)	1
21	197741	BRACKET, LIGHT (USED W/ 12')	2
21	185699	BRACKET, LIGHT (USED W/ 14' & 15')	2
22	528933	REFLECTOR - RED	2
23	528934	REFLECTOR - YELLOW	2
24	528938	STRIPE, ORANGE	2
25	70260977	SMV EMBLEM	1

Decals

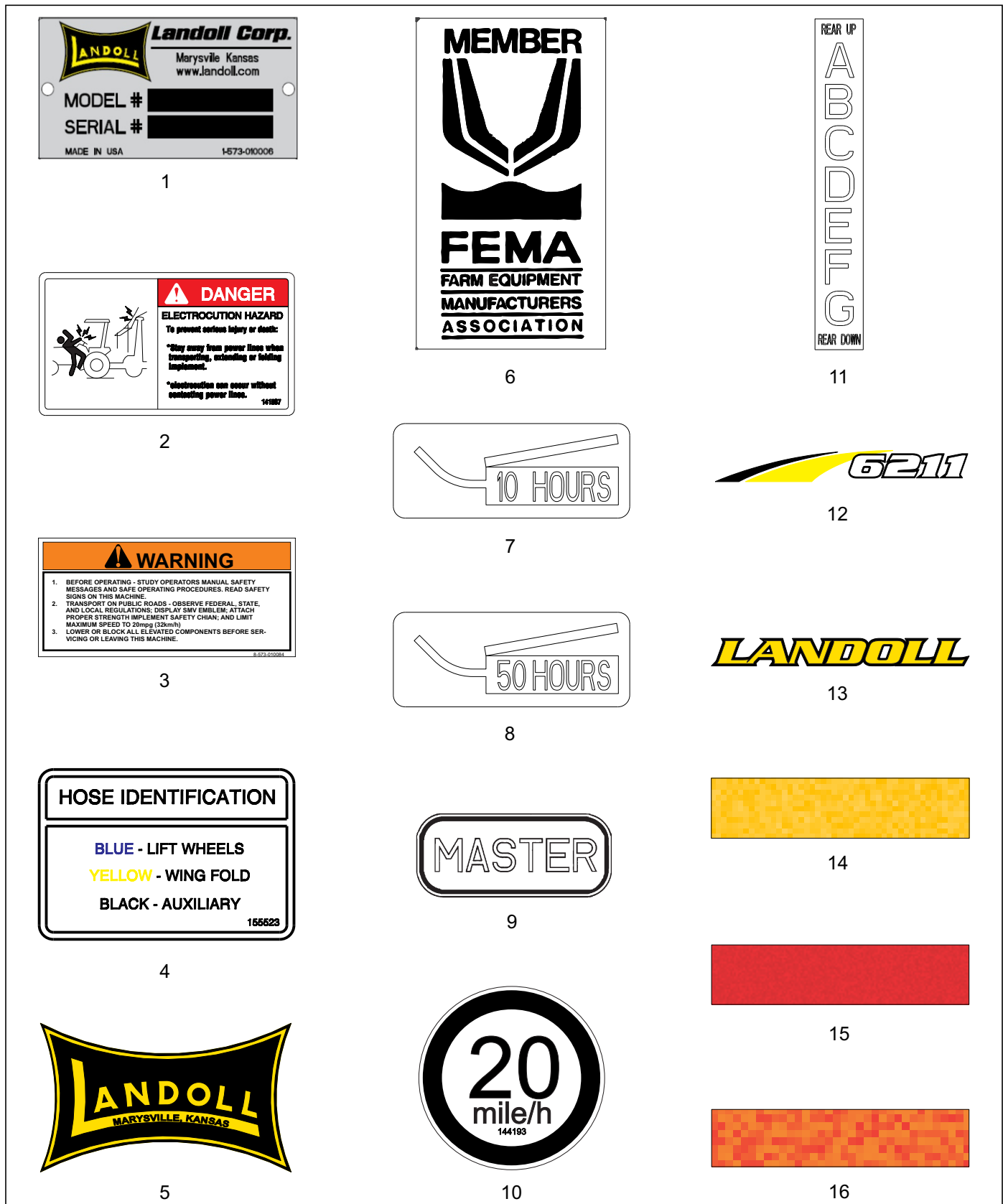


Figure 1-40: Decal Arrangement (1 of 2)

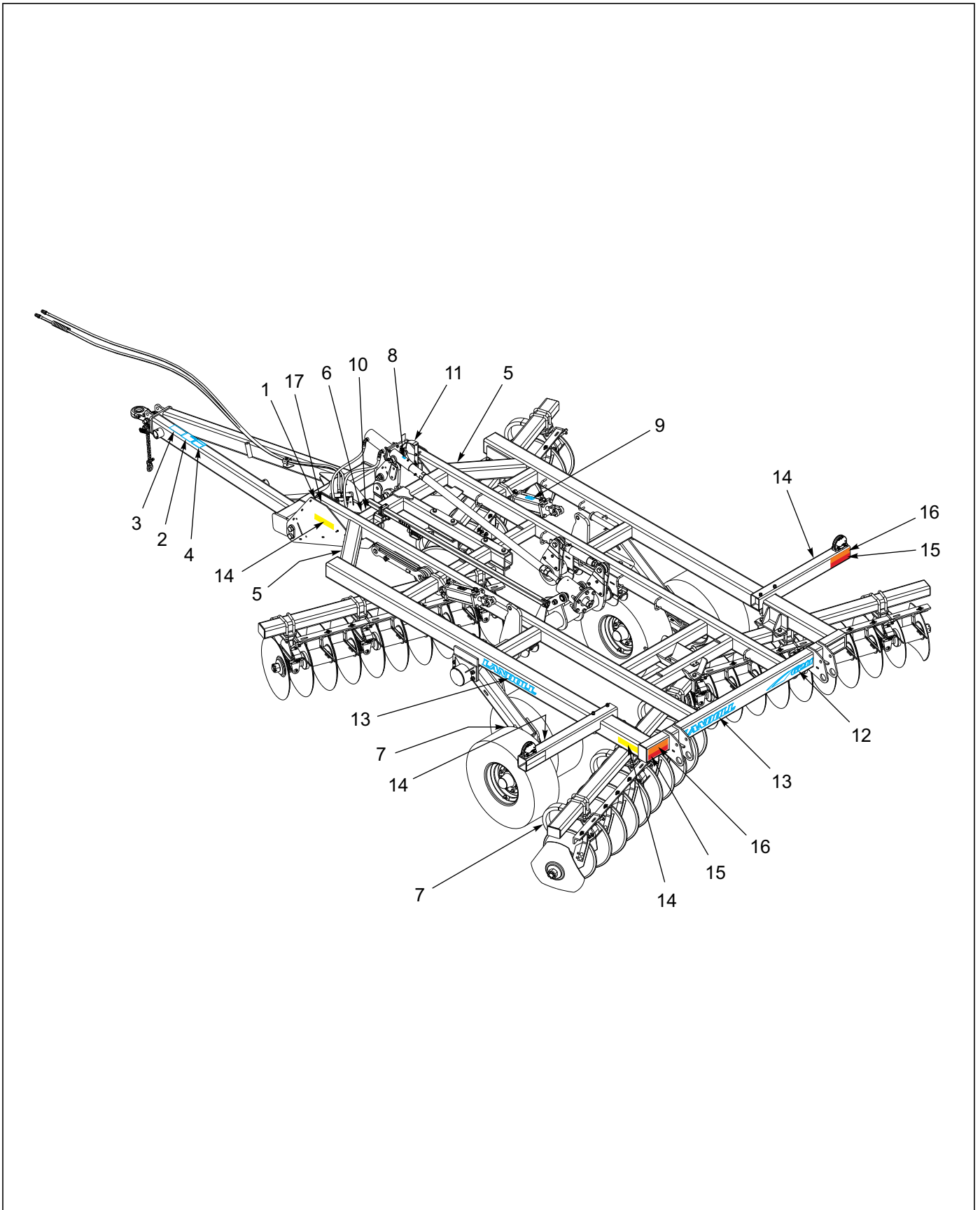


Figure 1-41: Decal Locations (2 of 2)

Decal Arrangement & Locations

ITEM	PART NO.	DESCRIPTION	QTY.
1	1-573-010006	PLACARD, NAME	1
2	141597	DECAL, DANGER ELECTROCUTION	1
3	8-573-010084	DECAL, WARNING BEFORE OPERATING	1
4	155523	DECAL, HOSE IDENTIFICATION	1
5	141259	DECAL, LANDOLL, YELLOW	2
6	2-573-010198	DECAL, MEMBER FEMA	1
7	2-573-010330-02	DECAL LUBRICATION 10 HOURS	1
8	2-573-010330-03	DECAL LUBRICATION 50 HOURS	1
9	2-573-010150	DECAL, MASTER	1
10	144193	DECAL, SIS, 20 MPH	1
11	141263	DECAL, LEVEL INDICATOR	1
12	197795	DECAL, MODEL 6211	3
13	141260	DECAL, LANDOLL	7
14	528934	REFLECTOR, YELLOW, 2 X 9	4
15	528933	REFLECTOR, RED, 2 X 9	4
16	528938	REFLECTOR, ORANGE, 2 X 9	4
17	156010	RIVET, BLIND .156 X 1/2 GRIP	1

TABLE OF CONTENTS

Index

Numerics

0600-250-01250	1-5	140466	1-22, 1-27, 1-29, 1-33, 1-35, 1-39, 1-41
100823	1-5	140467	1-27, 1-29, 1-33, 1-35, 1-39, 1-41
100827	1-71	140468	1-29, 1-31, 1-35, 1-37, 1-41, 1-43
100829	1-45, 1-47, 1-51, 1-53, 1-55, 1-57	140469	1-21, 1-25
100855	1-19	140470	1-3, 1-5, 1-61, 1-66
101385	1-9	140473	1-21, 1-25
102-0031	1-65	140475	1-21, 1-25
102209	1-45, 1-47	140476	1-21, 1-25
102498	1-7	140477	1-21, 1-25, 1-59
102600	1-5, 1-7	140479	1-21, 1-25, 1-59
102601	1-7	140480	1-21, 1-25, 1-59
102604	1-7	140481*	1-21, 1-25
103841	1-9	140482**	1-21, 1-25
105874	1-71	140483	1-21, 1-25
108628	1-13	140484	1-21, 1-25
111392	1-53, 1-57	140485	1-21
111790	1-66	140486	1-21
111962	1-7	140487	1-21, 1-25
114029	1-25	140488	1-21
117957	1-45, 1-47, 1-51, 1-53, 1-55, 1-57	140490*	1-21, 1-25
119118	1-5	140491**	1-21, 1-25
122709	1-12	140492*	1-21
122917	1-13	140493**	1-21
124696	1-17	140496	1-21
127712	1-5	140519	1-3, 1-5
1-298-010001-1	1-5, 1-6, 1-9, 1-10, 1-15, 1-17	140525	1-15
131081	1-9	140533	1-3
137943	1-59	140544	1-27, 1-33, 1-39
1403982	1-61	140548	1-5
140464	1-21, 1-25	140598	1-15
140465	1-22, 1-29, 1-35, 1-41	140599	1-9, 1-15, 1-45, 1-47, 1-51, 1-53, 1-55, 1-57
		140610	1-12
		140620	1-9

TABLE OF CONTENTS

140625	1-17	141922	1-19
140627	1-17	142106	1-66
140630	1-15	142109	1-66
140631	1-17, 1-67	142110	1-66
140647	1-11	142111	1-66
141154	1-21, 1-25	142112	1-66
141164	1-21, 1-27, 1-29, 1-31	142114	1-66
141165	1-27, 1-29, 1-31, 1-33, 1-35, 1-37	142194	1-11
141166	1-33, 1-35, 1-37, 1-39, 1-41, 1-43	142581	1-25, 1-27, 1-33
141168	1-21, 1-27, 1-29, 1-31	142645	1-15
141169	1-27, 1-29, 1-31, 1-33, 1-35, 1-37	142646	1-17
141170	1-33, 1-35, 1-37, 1-39, 1-41, 1-43	142660	1-29, 1-35, 1-41
141171	1-39, 1-41, 1-43	142662	1-29, 1-35, 1-41
141186	1-39, 1-41, 1-43	142668	1-19
141209	1-3, 1-5	142669	1-19
141234	1-5	142671	1-19
141241	1-17	142753	1-3
141242	1-17	142803	1-67
141246	1-9	142804	1-67
141247	1-9	142805	1-67
141249	1-9	142806	1-67
141250	1-11	142807	1-67
141252	1-9	143871	1-19
141253	1-9	143988	1-21, 1-25
141254	1-9	144048	1-13
141259	1-74	144116	1-9
141260	1-74	144193	1-74
141263	1-17, 1-74	147582	1-61
141266	1-9	148337	1-59
141301	1-66	148338	1-19
141434	1-9	149192	1-71
141597	1-74	1-510-010003-09	1-49
141776	1-9	1-512-010005-01	1-3, 1-9, 1-71
141807	1-9	1-512-010005-03	1-13, 1-19
141827	1-17	1-512-010005-05	1-5, 1-9, 1-17, 1-19
141828	1-17, 1-19, 1-61, 1-63, 1-65	1-512-010005-09	1-5, 1-9, 1-17, 1-21, 1-25, 1-49, 1-61, 1-63, 1-65
141860	1-17	1-512-010005-13	1-15, 1-51, 1-55, 1-59, 1-71

TABLE OF CONTENTS

1-512-010005-15	1-3, 1-5, 1-9, 1-12, 1-19, 1-21, 1-25, 1-45, 1-47, 1-51, 1-53, 1-55, 1-57	155520	1-59
1-512-010005-19	1-5, 1-9, 1-45, 1-47, 1-51, 1-53, 1-55	155523	1-74
1-512-010007-07	1-9	155528	1-61
1-512-010007-14	1-45, 1-47, 1-51, 1-53, 1-55, 1-57, 1-63, 1-65	155530	1-17, 1-19
151528	1-9	155544	1-59
1-516-010001-20	1-7	155545	1-53, 1-57, 1-59
152209	1-45, 1-47, 1-51, 1-53, 1-55, 1-57	155564	1-3
152210	1-45, 1-47, 1-51, 1-53, 1-55	155617	1-25, 1-27, 1-31, 1-33, 1-37, 1-39, 1-43
153649	1-25	1-557-010362-51	1-7
153650	1-25	1-557-010403	1-17
153651	1-25	155927	1-49
153652	1-25	155956	1-49
153696	1-9	155971	1-49
153700	1-25, 1-27	156010	1-74
153701	1-27, 1-33	156084	1-33, 1-39
153702	1-33, 1-39	156777	1-49
153703	1-39	156779	1-49
153716	1-59	156951	1-27
153803	1-5	156972	1-5, 1-7
153842	1-61	156973	1-7
153843	1-17	156974	1-7
154185	1-59	156979	1-7
154186	1-59	156992	1-5
154392	1-45, 1-47, 1-51, 1-53, 1-55, 1-57	157019	1-5
154393	1-59	157121	1-47, 1-49
154532	1-49	157123	1-45, 1-49
154658	1-59	1-573-010006	1-74
154668	1-25	157648	1-71
154686	1-53, 1-57, 1-59	158795	1-45, 1-47, 1-51, 1-53, 1-55, 1-57
154691	1-59	158843	1-5
154748P	1-45, 1-47, 1-51, 1-53, 1-55, 1-57	158844	1-5
154993	1-49	158847	1-45, 1-47, 1-51, 1-53, 1-55, 1-57
154994	1-49	158896	1-45, 1-47, 1-51, 1-53, 1-55
154995	1-49	158897	1-45, 1-47, 1-51, 1-53, 1-55
154997	1-49	158903	1-5
154998	1-49	159557	1-5
		159970	1-7
		15G816ER	1-6

TABLE OF CONTENTS

160161	1-21, 1-25	1-654-010070-02	1-21, 1-25, 1-49
161530	1-31, 1-37, 1-43	1-654-010070-03	1-49
161550	1-10	1-654-010070-11	1-49
162191	1-19	1-654-010070-13	1-49
162569	1-65	1-654-010070-14	1-49
1-630-010021-03	1-13	1-654-010080-2	1-5
164124	1-5	1-654-010104245	1-68
164138	1-71	166717	1-13
164142	1-71	167555	1-61
164378	1-59	168750	1-19
1-647-010004236	1-45, 1-47, 1-51, 1-53, 1-55, 1-57	168773	1-19
1-647-010004240	1-9, 1-15, 1-17, 1-19	168859	1-7
1-647-010004257	1-21, 1-25	169575	1-31, 1-37, 1-43
165127	1-51, 1-55, 1-59	171024	1-5
165226	1-59	171063	1-5
165258	1-13	171070	1-5
165259	1-13	171079	1-68
165260	1-13	171080	1-68
1-654-010032-05	1-59	171081	1-68
1-654-010047-06	1-3, 1-9, 1-71	171093	1-68
1-654-010047-07	1-71	172509	1-19, 1-21, 1-25
1-654-010047-08	1-71	172537	1-55, 1-57, 1-63, 1-65, 1-68
1-654-010049-05	1-19	172538	1-68
1-654-010051-06	1-5	172539	1-68
1-654-010051-09	1-9, 1-17	172724	1-21, 1-25
1-654-010051-11	1-19	172823	1-9
1-654-010051-13	1-9, 1-17	172884	1-51, 1-53, 1-55, 1-57
1-654-010055-05	1-17, 1-21, 1-25, 1-55, 1-57, 1-63, 1-65	172961	1-5
1-654-010055-11	1-5, 1-61, 1-63, 1-65	172972	1-63, 1-65
1-654-010055-14	1-49	172973	1-63, 1-65
1-654-010055-15	1-5	172977	1-65
1-654-010059-11	1-15	172981	1-65
1-654-010061-05	1-3, 1-5	172992	1-65
1-654-010061-07	1-9	173013	1-65
1-654-010061-09	1-12, 1-19	173044	1-63, 1-65
1-654-010061-19	1-9	174435	1-71
1-654-010065-13	1-5	174436	1-71

TABLE OF CONTENTS

174437	1-71	189470	1-3
174438	1-71	189485	1-9
174439	1-71	191444	1-21, 1-25
174695	1-9	191470	1-9
174708	1-13	191494	1-5
174709	1-13	191495	1-5
174784	1-65	191924	1-55, 1-57
176996	1-61	191925	1-55, 1-57
177030	1-9, 1-10	192814	1-3, 1-13
177256	1-3	192815	1-13
180152	1-45, 1-47	192834	1-3
180161	1-51, 1-55	192869	1-17
180164	1-51, 1-55	192874	1-12
181801	1-17	192876	1-12
183902	1-12	192890	1-5
183906	1-12	192898	1-9
183909	1-12	195243	1-49
183914	1-15, 1-17	195282	1-49
184707	1-5	195666	1-65
184708	1-5	195694	1-21
184709	1-5	195695	1-21
185660	1-61	197741	1-71
185699	1-71	197742	1-19
185721	1-39	197743	1-19
186100	1-25, 1-27, 1-33, 1-39	197746	1-19
1-861-010032-07	1-3	197759	1-29
1-861-010032-11	1-9, 1-17	197760	1-35
1-861-010032-14	1-5, 1-21, 1-25	197761	1-41
1-861-010032-15	1-49	197762	1-27
1-861-010032-24	1-9, 1-15, 1-17	197763	1-33
1-861-010032-32	1-15	197764	1-39
1-861-010034-13	1-55, 1-57, 1-63, 1-65	197765	1-29
1-861-010034-17	1-19, 1-21, 1-25, 1-59	197766	1-35
1-861-010034-21	1-45, 1-47, 1-51, 1-53, 1-55, 1-59	197767	1-41
188530	1-55, 1-57	197768	1-27
188774	1-19	197769	1-33
189437	1-25	197770	1-39
189453	1-9, 1-10	197771	1-21, 1-25, 1-27, 1-29, 1-31

TABLE OF CONTENTS

197772	1-27, 1-29, 1-31	200129	1-5
197773	1-27, 1-29, 1-31	200300040	1-67
197774	1-27, 1-29, 1-31	200310	1-5
197775	1-33, 1-35, 1-37	201794	1-31
197776	1-33, 1-35, 1-37	201795	1-37
197777	1-33, 1-35, 1-37	201796	1-43
197778	1-33, 1-35, 1-37	202702-6-6S	1-63, 1-65
197779	1-39, 1-41, 1-43	202702-8-6S	1-63, 1-65
197780	1-39, 1-41, 1-43	202702-8-8S	1-17, 1-61
197781	1-39, 1-41, 1-43	204385	1-5
197782	1-39, 1-41, 1-43	2062-6-6S	1-63, 1-65
197783	1-51	2062-8-6S	1-63, 1-65
197784	1-53	2062-8-8S	1-61
197785	1-53	206652	1-55, 1-57
197786	1-55	206671	1-55, 1-57, 1-63, 1-65, 1-68
197787	1-57	206673	1-68
197788	1-57	206675	1-55, 1-57, 1-63, 1-65
197789	1-45	2-073-010012	1-9, 1-15, 1-17
197791	1-47	2-102-010032	1-51, 1-55, 1-71
197795	1-74	212046	1-6
197796	1-12	2-150-010174	1-9
197797	1-71	215341	1-6
197798	1-71	2-181-010001	1-9, 1-17
197799	1-71	220000210	1-67
198256	1-47	23085	1-21, 1-25
198260	1-53, 1-57	2-368-010287	1-9, 1-71
198262	1-71	2-474-010022	1-61, 1-63, 1-65
198263	1-71	2-573-010150	1-74
198265	1-19	2-573-010198	1-74
198266	1-19	2-573-010330-02	1-74
198267	1-19	2-573-010330-03	1-17, 1-74
198268	1-19	2-654-010097	1-5
198320	1-55, 1-57, 1-63, 1-65	4001060	1-7
198322	1-6	415	1-5
198344	1-5	5000	1-7, 1-21, 1-25
199796	1-9	500171	1-11
1P444	1-55, 1-57	528933	1-71, 1-74

TABLE OF CONTENTS

528934 1-19, 1-71, 1-74
528938 1-71, 1-74
6-102-010009 1-59
70239854 1-3
70260977 1-71
71500165 1-65
71500166 1-63
71508984 1-61
71509125 1-65
7779-22 1-65
7779-34 1-65
7779-48 1-63
7K858 1-19
8-573-010084 1-74

T

TR575 1-5

Page Intentionally Blank

Document Control Revision Log:

Date	Form	New/Updated	Improvement(s) Description and Comments
11/28/2016	F-842	New	Initial Release.
11/08/2018	F-842-1118	Updated	Walking beam revision,
10/01/2019	F-842-1019	Updated	Updated Reel Hydraulic Assembly pages and updated for E-Commerce.



Intertek

Equipment from Landoll Corporation is built to exacting standards ensured by ISO 9001 registration at all Landoll manufacturing facilities.

Model 6211 Disc Parts Manual

Re-Order Part Number F-842-1019

LANDOLL CORPORATION

1900 North Street

Marysville, Kansas 66508

(785) 562-5381

800-428-5655 ~ WWW.LANDOLL.COM



Copyright 2014. Landoll Corporation

“All rights reserved, including the right to reproduce this material or portions thereof in any form.”

Scan to go to www.landoll.com

