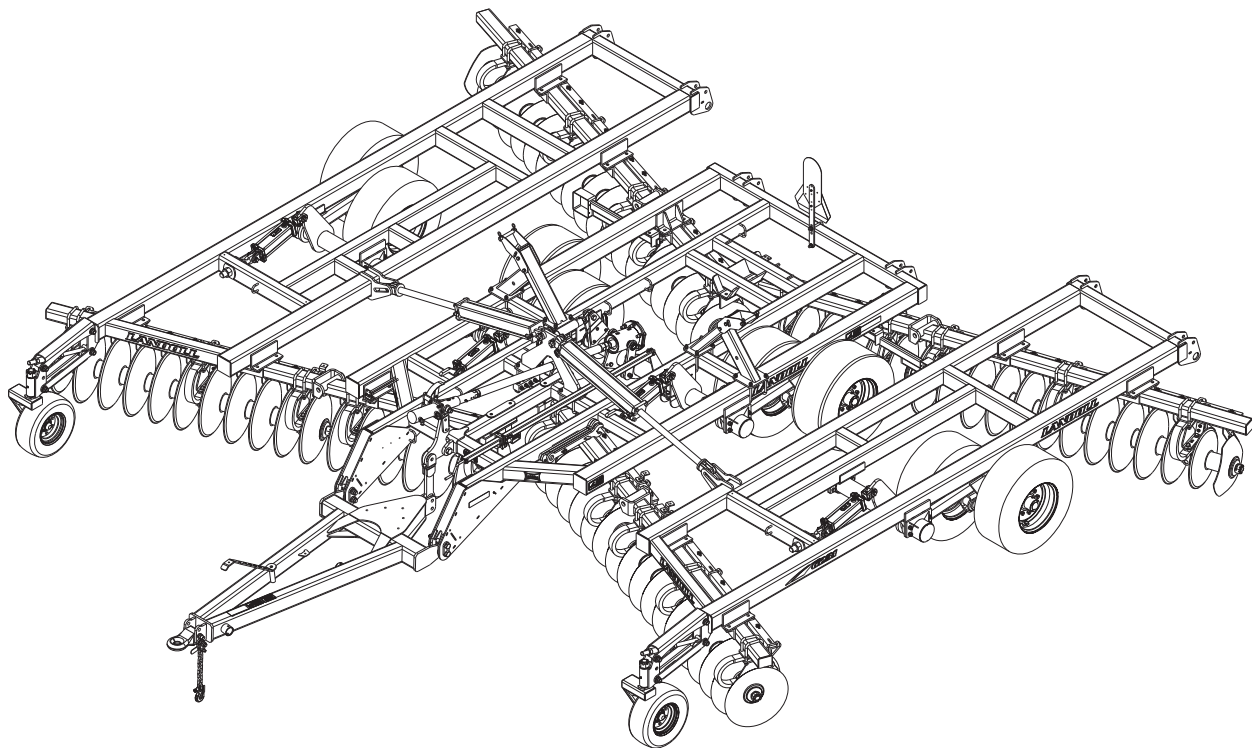




**Model 6231  
Disc  
Parts Manual**



**LANDOLL COMPANY, LLC**

1900 North Street

Marysville, Kansas 66508

(785) 562-5381

800-428-5655 ~ [WWW.LANDOLL.COM](http://WWW.LANDOLL.COM)

# Instructions for Ordering Parts

**\*\* Repair parts must be ordered through an Authorized Dealer \*\***

## DEALER INSTRUCTIONS FOR ORDERING PARTS FROM LANDOLL PARTS DISTRIBUTION CENTER

Phone #: 800-423-4320 or 785-562-5381

Fax #: 888-527-3909

Order online: [dealer.landoll.com](http://dealer.landoll.com)

### IDENTIFICATION PLATE

The identification plate, which lists the model number and serial number, is located on the front of the frame.

### SERIAL NUMBER

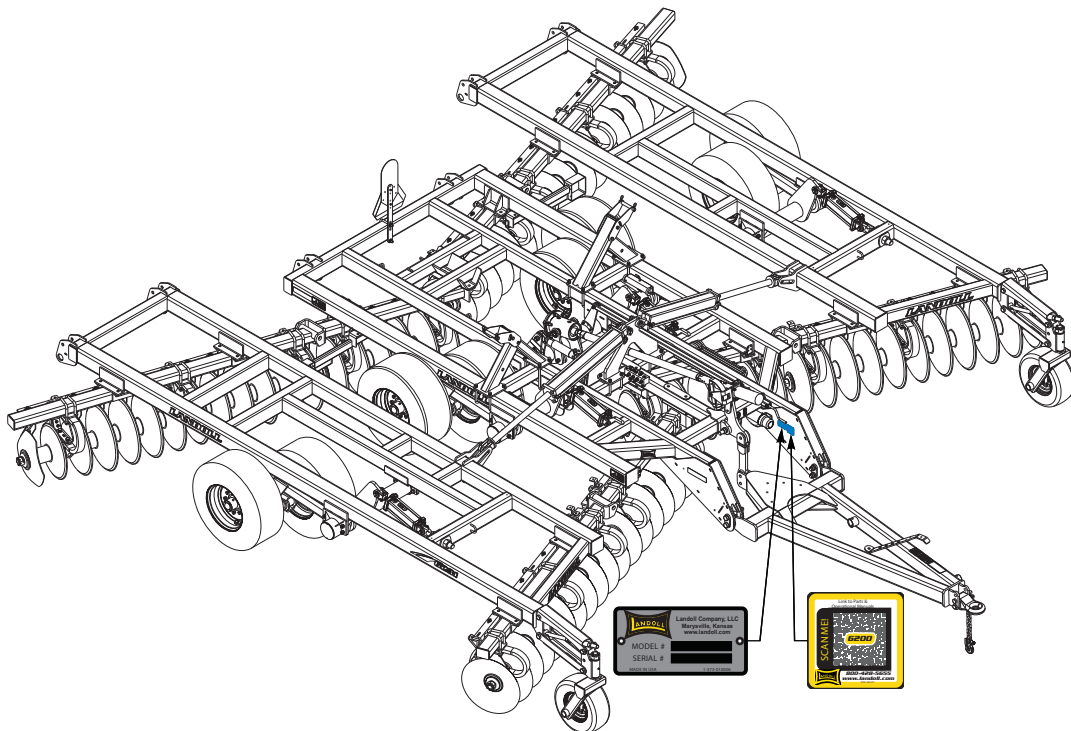
The serial number is located on the identification plate.  
The Following information will help decode the 6231 Disc serial number

**62H23100100 = xxmysssss**

### QR CODE DECAL

The 5000 series QR code decal, may be scanned to link you to the most current manuals, located on the front of the frame *See Figure 1-1*

|              |  |
|--------------|--|
| <b>xx</b>    | = model series (i.e. 62 for Disc)  |
| <b>m</b>     | = month of manufacture<br>(ex. "H" means October. The letter I is not used.) |
| <b>yy</b>    | = year manufactured<br>(ex. "23" means 2023)                                 |
| <b>SSSSS</b> | = Sequential number used to track warranty and service information.          |



**Figure 1-1: Identification Plate and Location**

## Manuals for 6231 Disc

| Manual Number | Manual Type       |
|---------------|-------------------|
| F-832         | Operator's Manual |
| F-833         | Parts Manual      |



# Table of Contents

---

## 1 Frame Assemblies

|  |      |
|--|------|
| Center Frame & Wing Assembly .....                             | 1-1  |
| Center Frame Lift Assembly 6231-21'-29' .....                  | 1-3  |
| Center Frame Lift Assembly 6231-30'-36' Before 2-15-2020 ..... | 1-5  |
| Center Frame Lift Assembly 6231-30'-36' After 2-15-2020 .....  | 1-7  |
| Wing Lift Assembly 6231-21' .....                              | 1-9  |
| Wing Lift Assembly 6231-23'-36' .....                          | 1-11 |
| Wing Lift Assembly 6231-30'-36' After 2-15-2020 .....          | 1-13 |
| Walking Beam Assemblies .....                                  | 1-15 |
| Hub/Spindle Assembly 156972 .....                              | 1-17 |
| Hub/Spindle Assembly 223440 .....                              | 1-19 |
| Radius Rod Lift Assembly .....                                 | 1-21 |
| Gauge Wheel Assembly .....                                     | 1-23 |

## 2 Hitch Assemblies

|                                    |      |
|------------------------------------|------|
| Hitch/Leveler Assembly .....       | 2-1  |
| Leveler Spring Tube Assembly ..... | 2-5  |
| Depth Stop Tube Assembly .....     | 2-6  |
| Leveler Assembly Manual .....      | 2-7  |
| Leveler Assembly Hydraulic .....   | 2-9  |
| Hitch Assemblies .....             | 2-11 |
| Jack Assembly .....                | 2-12 |

## 3 Disc Gang Assemblies

|   |      |
|---|------|
| Disc Gang Assembly 24" & 26" (8-3/4" Spacing) .....             | 3-1  |
| Disc Gang Assembly 24" (7" Spacing) .....                       | 3-5  |
| Disc Gang Assembly 28" X 5/16" (8-3/4" & 10-1/2" Spacing) ..... | 3-9  |
| Disc Gang Placement 6231-21' (24" Disc Blades) .....            | 3-13 |
| Disc Gang Placement 6231-21' (26" Disc Blades) .....            | 3-17 |
| Disc Gang Placement 6231-21' (28" Disc Blades) .....            | 3-19 |
| Disc Gang Placement 6231-23' (24" Disc Blades) .....            | 3-21 |
| Disc Gang Placement 6231-23' (26" Disc Blades) .....            | 3-25 |
| Disc Gang Placement 6231-23' (28" Disc Blades) .....            | 3-27 |
| Disc Gang Placement 6231-26' (24" Disc Blades) .....            | 3-29 |
| Disc Gang Placement 6231-26' (26" Disc Blades) .....            | 3-33 |
| Disc Gang Placement 6231-26' (28" Disc Blades) .....            | 3-35 |
| Disc Gang Placement 6231-29' (24" Disc Blades) .....            | 3-37 |
| Disc Gang Placement 6231-29' (26" Disc Blades) .....            | 3-41 |
| Disc Gang Placement 6231-29' (28" Disc Blades) .....            | 3-43 |
| Disc Gang Placement 6231-30' (24" Disc Blades) .....            | 3-45 |
| Disc Gang Placement 6231-30' (26" Disc Blades) .....            | 3-49 |
| Disc Gang Placement 6231-30' (28" Disc Blades) .....            | 3-51 |
| Disc Gang Placement 6231-33' (24" Disc Blades) .....            | 3-53 |
| Disc Gang Placement 6231-33' (26" Disc Blades) .....            | 3-57 |

Disc Gang Placement 6231-33' (28" Disc Blades) ..... 3-59  
 Disc Gang Placement 6231-36' (24" Disc Blades) ..... 3-61  
 Disc Gang Placement 6231-36' (26" Disc Blades) ..... 3-65  
 Disc Gang Placement 6231-36' (28" Disc Blades) ..... 3-67

**4 Hydraulic Assemblies**

Lift Assembly 6231-21-29 ..... 4-1  
 Lift Assembly 6231-30-36 ..... 4-3  
 Fold Assembly 6231-21, 23, 26, 30 (Single) ..... 4-5  
 Fold Assembly 6231-29 (Double) ..... 4-7  
 Fold Assembly 6231-33-36 (Double) ..... 4-9

**5 Cylinders**

Cylinder Assembly 4 x 10, Rephase ..... 5-1  
 Cylinder Assembly 3-3/4 x 10, Rephase ..... 5-2  
 Cylinder Assembly 4-1/2 x 30 ..... 5-3  
 Cylinder Assembly 3-1/2 x 6 ..... 5-4  
 Cylinder Assembly 2-1/2 x 2-1/2 ..... 5-5  
 Cylinder Assembly 2-1/2 x 2-1/2 1-1/8 Threads ..... 5-6

**6 Electrical**

Electrical Assembly W/LED Lights Wiring Chart ..... 6-1  
 Electrical Assembly W/LED Lights ..... 6-3

**7 Decals**

Decals ..... 7-1  
 Decal Installation ..... 7-3

**8 Attachments**

3 Row Coil Tine Harrow Assemblies 6231-21-36 ..... 8-1  
 3 Row CT Harrow Assembly ..... 8-7  
 Harrow Tine Assembly Center Frame ..... 8-9  
 Harrow Tine Assembly Wing Frame ..... 8-11  
 Conditioner Reel Assemblies 6231-21-36 ..... 8-13  
 Conditioner Reel Assembly ..... 8-17  
 Conditioner Reel Assembly Hydraulic ..... 8-19  
 Conditioner Reel/Gangbar Assembly ..... 8-21  
 Reel Hydraulic Assembly 6231-21 ..... 8-23  
 Reel Hydraulic Assembly 6231-23 ..... 8-25  
 Reel Hydraulic Assembly 6231-26 ..... 8-27  
 Reel Hydraulic Assembly 6231-29 ..... 8-29  
 Reel Hydraulic Assembly 6231-30-36 ..... 8-31  
 Chevron Flat Bar ReelAssemblies 6231-23'-36' ..... 8-33  
 Chevron Flat Bar Reel Assembly ..... 8-37  
 Chevron Flat Reel/Gangbar Assembly ..... 8-39  
 Double Reel Assemblies 6231-21-23-26-29 ..... 8-41  
 Double Reel Assemblies 6231-30 ..... 8-43  
 Double Reel Assemblies 6231-33 ..... 8-45  
 Double Reel Assemblies 6231-36 ..... 8-47

Hydraulic Double Reel Layout 6231-21-26-29 ..... 8-49

Hydraulic Double Reel Layout 6231-30-33-36 ..... 8-51

Hydraulic Double Reel Assembly 6231-21-26-29 ..... 8-53

Hydraulic Double Reel Assembly 6231-30 ..... 8-55

Hydraulic Double Reel Assembly 6231-33 ..... 8-57

Hydraulic Double Reel Assembly 6231-36 ..... 8-59

Double Reel Assembly 6231-21-23-26-29 ..... 8-61

Double Reel Assembly 6231-30-33-36 ..... 8-63

Double Hydraulic Reel Assembly 6231-21-23-26-29 ..... 8-65

Double Hydraulic Reel Assembly 6231-30-33-36 ..... 8-67

Double Reel Assembly Round ..... 8-69

Double Reel Assembly Flat ..... 8-71

Double Reel Assembly 6231-30-33-36 ..... 8-73

Double Reel Assembly Wing 6231-33 ..... 8-75

Spare Tire Assembly 6231-21-29 ..... 8-77

Spare Tire Assembly 6231-30-33-36 ..... 8-79

Rear Hitch Assembly Long ..... 8-81

Rear Jack Assembly ..... 8-83

Rear Tow Hitch Assembly Straight ..... 8-85

**9 Glossary**

# Frame Assemblies

## Center Frame & Wing Assembly

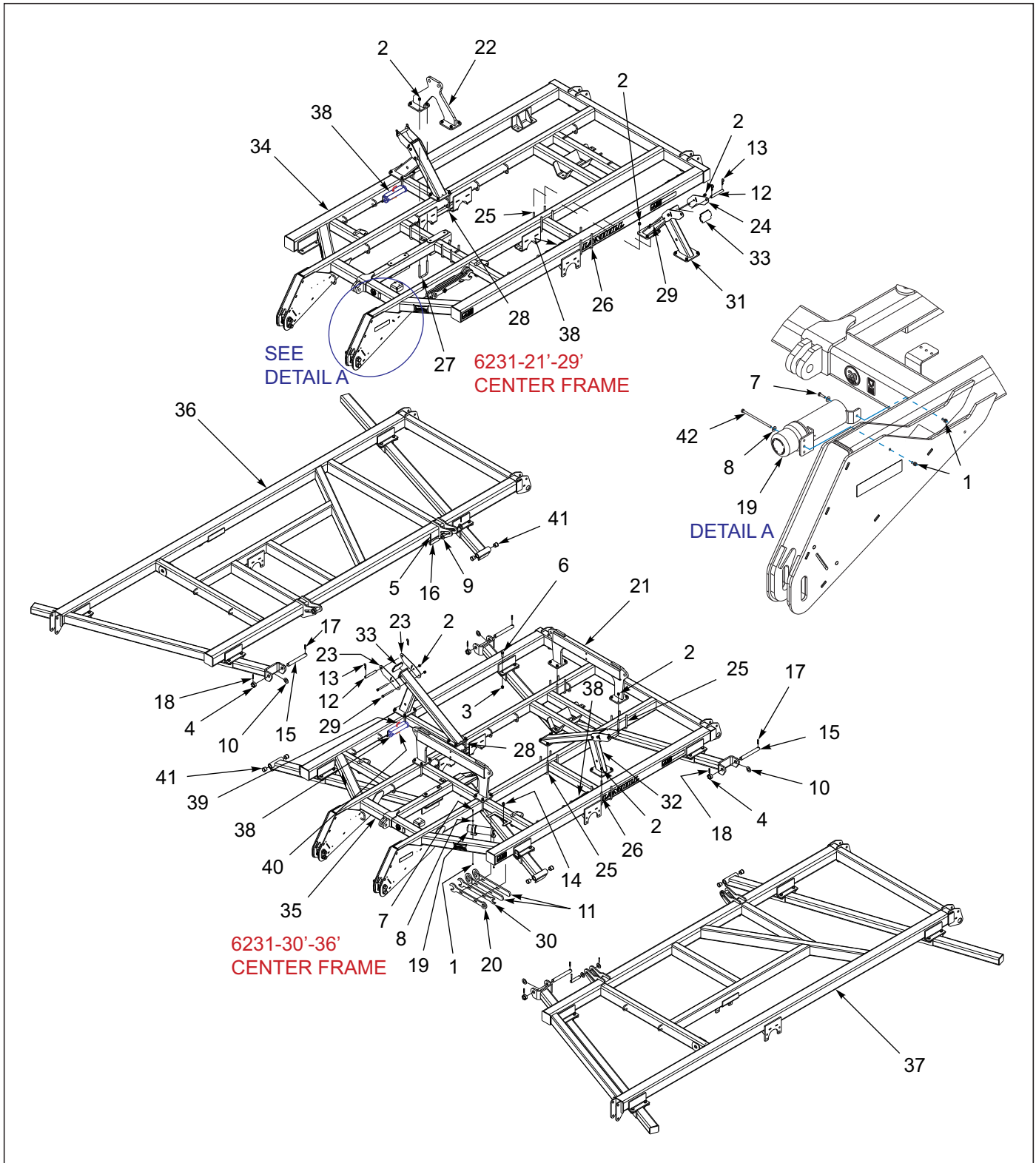


Figure 1-1: Center Frame & Wing Assembly

## Center Frame & Wing Assembly

| ITEM | PART NUMBER     | DESCRIPTION                    | QTY. |
|------|-----------------|--------------------------------|------|
| 1    | 1-512-010005-01 | NUT,HEX,SLFLKG GRB 1/4-20      | 2    |
| 2    | 1-512-010005-13 | NUT,HEX SLFLKG GRB 5/8-11      | 44   |
| 3    | 1-512-010005-15 | NUT,HEX,SLFLKG GRB 3/4-10      | 56   |
| 4    | 1-516-010001-27 | NUT,HX SLOT 1-1/2-6 ZP         | 4    |
| 5    | 1-647-010004240 | PIN,SPRING,SLOTTED,5/16X2-1/2  | 8    |
| 6    | 1-654-010032-05 | SCREW HEX CAP 3/4-10X2 GR8     | 50   |
| 7    | 1-654-010047-06 | SCREW,HX CP 1/4-20UNCX1 GR5    | 2    |
| 8    | 1-861-010032-07 | WASHER,FLAT 1/4 ZP             | 2    |
| 9    | 116100          | WASHER 1-1/4 NAR FL ZP/CD      | 8    |
| 10   | 141266          | WASHER, THRUST 1-1/2           | 4    |
| 11   | 140533          | GANG WRENCH                    | 2    |
| 12   | 158299          | PIN, 1X7-5/16                  | 2    |
| 13   | 1-557-010013    | PIN, HAIR 3/16 DIA             | 4    |
| 14   | 70239854        | PIN QUICK HITCH                | 1    |
| 15   | 192887          | PIN, HINGE                     | 4    |
| 16   | 141244          | PIN, FOLD                      | 4    |
| 17   | 144115          | PIN, GROOVED ALLOY 1/2X2-1/4   | 4    |
| 18   | 127712          | PIN SPRING SLOTTED 3/8X2-1/4   | 4    |
| 19   | 142753          | MANUAL HOLDER                  | 1    |
| 20   | 192834          | WRENCH, HITCH ADJUSTMENT       | 1    |
| 21   | 192800          | MOUNT, FOLD CYLINDER WC        | 2    |
| 22   | 191475          | MOUNT, FOLD CYLINDER 21-29     | 1    |
| 23   | 192811          | BRACKET, WING STABILIZER       | 4    |
| 24   | 191485          | BRACKET, WING STABILIZER       | 4    |
| 25   | 2-102-010037    | U-BOLT CENTER SCRAPER          | 10   |
| 26   | 141269          | U-BOLT, WING STABILIZER        | 4    |
| 27   | 141228          | U-BOLT 5/8X4X6-1/2             | 4    |
| 28   | 158841          | U-BOLT,5/8X4-11/16X10-3/4      | 4    |
| 29   | 107-0018        | HHCS 5/8-11X6-1/2LG GR5        | 4    |
| 30   | 155564          | WRENCH, ADJUSTMENT             | 1    |
| 31   | 191479          | WING STABILIZER 21-29          | 2    |
| 32   | 191480          | WING STABILIZER 30-36          | 2    |
| 33   | 191486          | STOP, WING                     | 4    |
| 34   | 189470          | FRAME, CENTER 21-29            | 1    |
| 35   | 189471          | FRAME, CENTER 30-36            | 1    |
| 36   | 189472          | FRAME, WING RIGHT 21           | 1    |
| 36   | 189474          | FRAME, WING RIGHT 23           | 1    |
| 36   | 189476          | FRAME, WING RIGHT 26,30        | 1    |
| 36   | 189478          | FRAME, WING RIGHT 29', 33'     | 1    |
| 36   | 189498          | FRAME, WING RIGHT 36' WLDMT    | 1    |
| 37   | 189473          | FRAME, WING LEFT 21            | 1    |
| 37   | 189475          | FRAME, WING LEFT 23            | 1    |
| 37   | 189477          | FRAME, WING LEFT 26,30         | 1    |
| 37   | 189479          | FRAME, WING LEFT 29', 33'      | 1    |
| 37   | 189499          | FRAME, WING LEFT 36'           | 1    |
| 38   | 141274          | LOCKOUT, 1-3/8 ROD X 10 WLDMT  | 2    |
| 39   | 104358          | L PIN,CYL STOP                 | 2    |
| 40   | 1-557-010403    | HAIRPIN 1/8                    | 2    |
| 41   | 140599          | BEARING, FLANGE 1-1/2"         | 8    |
| 42   | 243729          | SCREW,HEXCAP1/4-20X5-1/2UNCGR5 | 1    |

# Center Frame Lift Assembly 6231-21'-29'

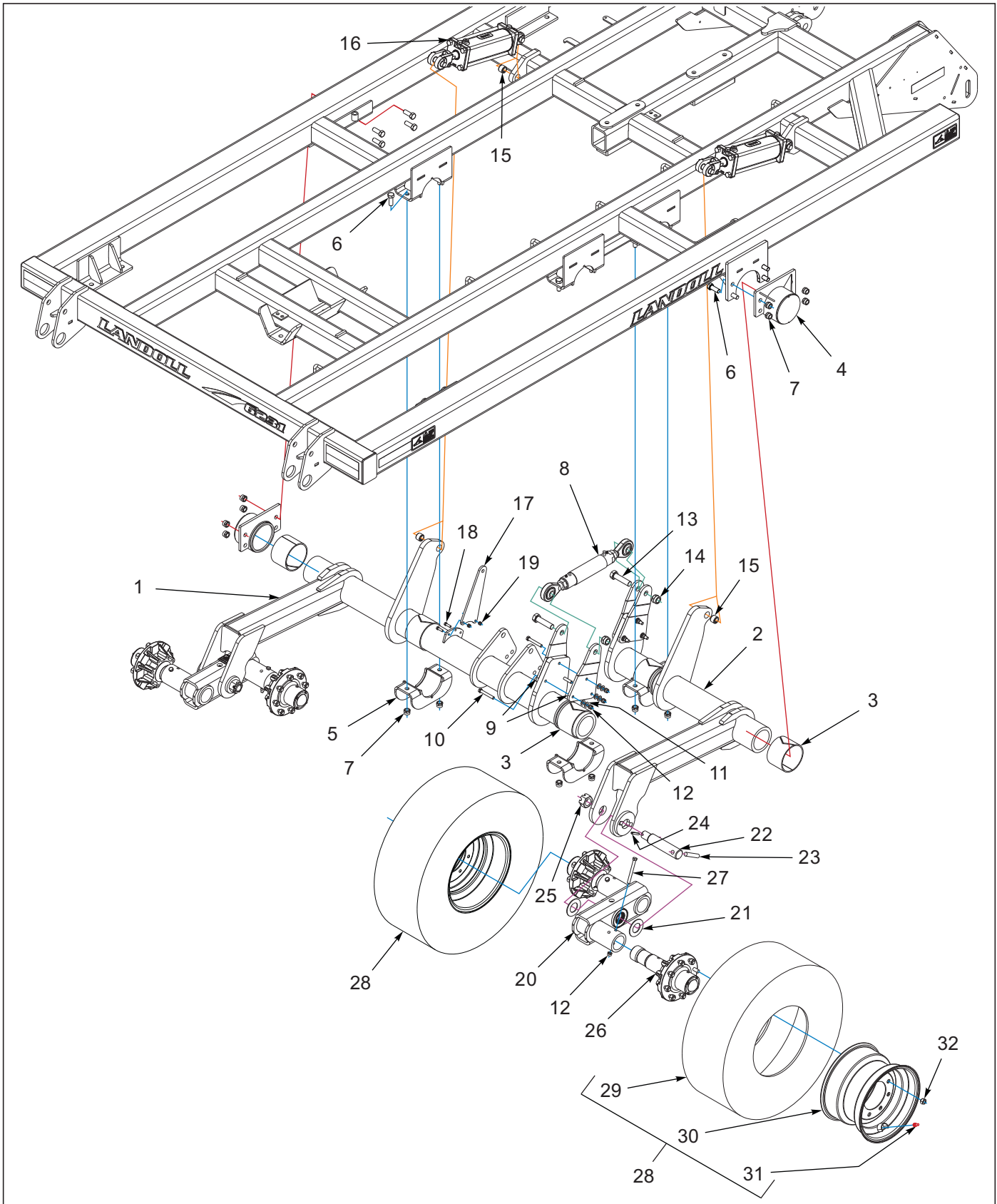


Figure 1-2: Center Frame Lift Assembly 6231-21'-29'



## Center Frame Lift Assembly 6231-21'-29'

| ITEM | PART NUMBER     | DESCRIPTION  | QTY. |    |
|------|-----------------|--|------|----|
| --   | ----            | CENTER FRAME LIFT ASSEMBLY 6231-21'-23'                                    | *    |    |
| --   | ----            | CENTER FRAME LIFT ASSEMBLY 6231-26'-29'                                    |      | *  |
| 1    | 191495          | LIFT, CENTER LEFT NC WLDMT   | 1    | 1  |
| 2    | 191494          | LIFT, CENTER RIGHT NC WLDMT  | 1    | 1  |
| 3    | 140519          | BEARING, UHMW 4IN  | 5    | 5  |
| 4    | 141209          | BEARING CAP, LIFT WLDMT  | 2    | 2  |
| 5    | 141234          | WLDMT, BEARING CAP LIFT  | 3    | 3  |
| 6    | 1-654-010061-05 | SCREW,HHC,3/4-10UNCX2,GR5,ZP   | 14   | 14 |
| 7    | 1-512-010005-15 | NUT,HEX,SLFLKG GRB 3/4-10  | 14   | 14 |
| 8    | 158844          | RAD ROD, LIFT ASSY <b>(SEE PAGE 1-21)</b>                                  | 1    | 1  |
| 9    | 171063          | PLATE, OFFSET  | 4    | 4  |
| 10   | 1-654-010055-11 | SCREW,HX CP 1/2-13UNCX3-1/2  | 6    | 6  |
| 11   | 1-861-010032-14 | WASHER, FLAT 1/2" N ZP/CD  | 12   | 12 |
| 12   | 1-512-010005-09 | NUT,HEX,SLFLKG, 1/2-13 GRB   | 10   | 10 |
| 13   | 1-654-010065-13 | SCREW, HX CP 1-8UNC X 4 GR5  | 2    | 2  |
| 14   | 1-512-010005-19 | NUT 1-8 HEX SLF-LOCKING GRB  | 2    | 2  |
| 15   | 192890          | BUSHING 1-3/8ODX1 IDX1 STEEL   | 4    | 4  |
| 16   | 140470          | CYLINDER 4X10 REPHASE <b>(SEE PAGE 5-1)</b>                                | 2    | 2  |
| 17   | 164124          | MOUNT, DEPTH CONTROL   | 1    | 1  |
| 18   | 1-654-010051-06 | SCREW,HEX CAP 3/8-16UNCX1-1/4  | 2    | 2  |
| 19   | 1-512-010005-05 | NUT, HEX, SLFLKG GRB 3/8-16  | 2    | 2  |
| 20   | 198344          | WALKING BEAM ASSY 3" <b>(6231-23'-29')</b> <b>(SEE PAGE 1-15)</b>          | 2    | 2  |
| 21   | 171070          | WASHER, THRUST 2   | 4    | 4  |
| 22   | 157019          | SPINDLE, WALKING BEAM  | 2    | 2  |
| 23   | 156992          | PIN, WALKING BEAM SPINDLE  | 2    | 2  |
| 24   | 127712          | PIN SPRING SLOTTED 3/8X2-1/4   | 2    | 2  |
| 25   | 119118          | NUT 1-1/2-12UNF HEX SLOTTEDZP  | 2    | 2  |
| 26   | 156972          | HUB & SPINDLE ASSY, 8 BOLT <b>(BEFORE 2-1-2020)</b> <b>(SEE PAGE 1-17)</b> | 4    | 4  |
| 26   | 223440          | ASSY, 8 BOLT HUB & SPINDLE <b>(AFTER 2-1-2020)</b> <b>(SEE PAGE 1-19)</b>  | 4    | 4  |
| 27   | 1-654-010055-15 | SCR, HX CP, 1/2-13UNCX5 GR5  | 4    | 4  |
| 28   | 184708          | TIRE ASSY,320/70R15,8 BOLTWHL <b>(INCLUDES ITEMS 29-31)</b>                | 4    | -- |
| 28   | 221272          | BKT 380 TIRE&WHL ASSY POS 1.5" <b>(INCLUDES ITEMS 29-31)</b>               | --   | 4  |
| 29   | 204385          | FIRESTONE RADIAL 320/70R15 <b>(USED WITH 184708)</b>                       | 4    | -- |
| 29   | 221270          | BKT TIRE 380/55R 16.5 IMP <b>(USED WITH 221272)</b>                        | --   | 4  |
| 30   | 140548          | WHEEL, 15 X 10 LB 8 BOLT <b>(USED WITH 184708)</b>                         | 4    | -- |
| 30   | 171011          | WHL 16.5X12 POS 1.5 OFFST 8BLT <b>(USED WITH 221272)</b>                   | --   | 4  |
| 31   | TR575           | VALVE STEM TUBELESS TIRE   | 4    | 4  |
| 32   | 102600          | NUT,WHEEL BOLT, 5/8  | 32   | 32 |

# Center Frame Lift Assembly 6231-30'-36' Before 2-15-2020

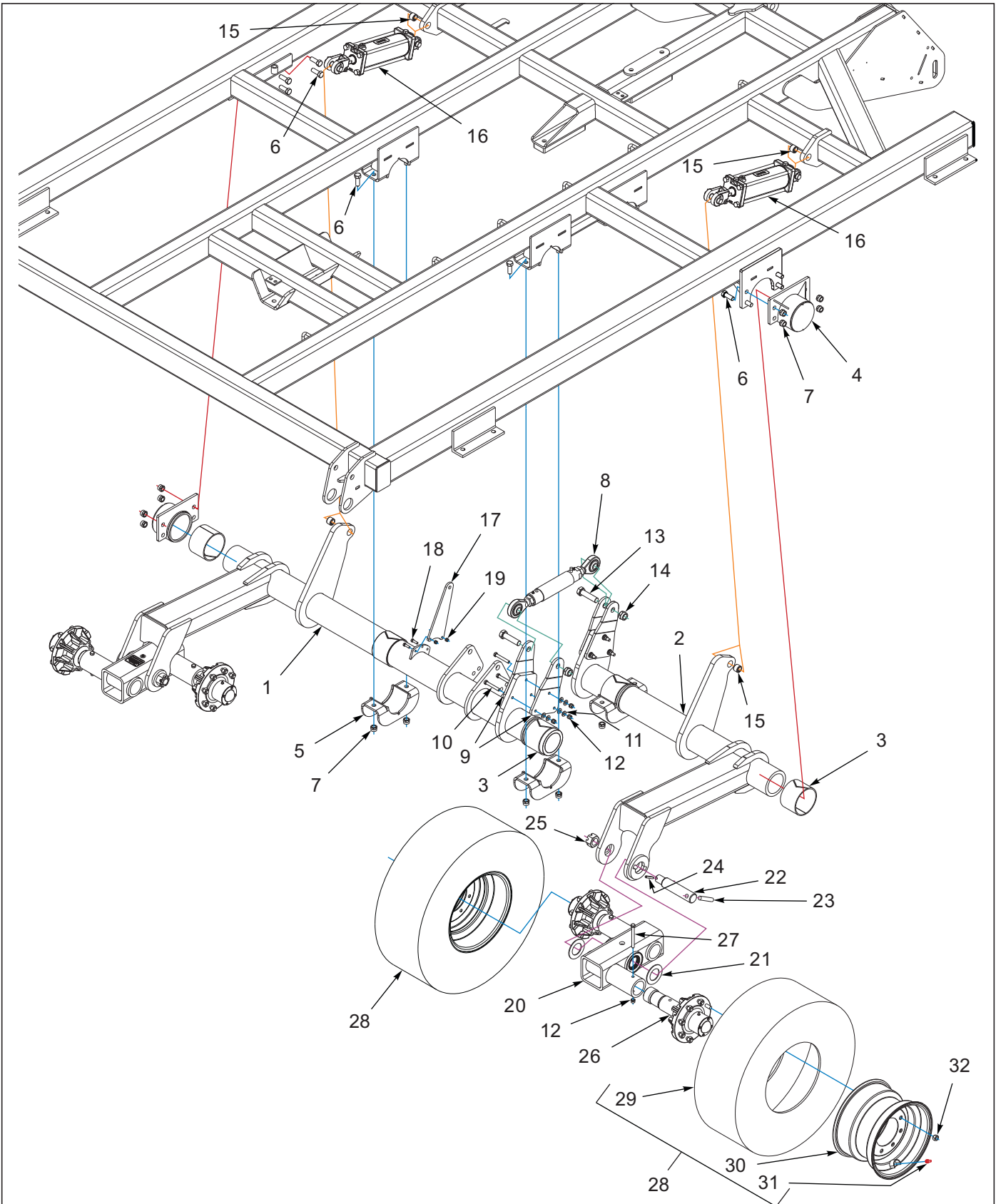


Figure 1-3: Center Frame Lift Assembly 6231-30'-36' Before 2-15-2020

## Center Frame Lift Assembly Before 6231-30'-36' 2-15-2020

| ITEM | PART NUMBER     | DESCRIPTION   | QTY. |
|------|-----------------|---|------|
| 1    | 191497          | LIFT, CENTER LEFT-WC WLDMT  | 1    |
| 2    | 191496          | LIFT, CENTER RIGHT-WC WLDMT   | 1    |
| 3    | 140519          | BEARING, UHMW 4IN   | 5    |
| 4    | 141209          | BEARING CAP, LIFT WLDMT   | 2    |
| 5    | 141234          | WLDMT, BEARING CAP LIFT   | 3    |
| 6    | 1-654-010061-05 | SCREW,HHC,3/4-10UNCX2,GR5,ZP  | 14   |
| 7    | 1-512-010005-15 | NUT,HEX,SLFLKG GRB 3/4-10   | 14   |
| 8    | 158844          | RAD ROD, LIFT ASSY <b>(SEE PAGE 1-21)</b>                           | 1    |
| 9    | 171063          | PLATE, OFFSET   | 4    |
| 10   | 1-654-010055-11 | SCREW,HX CP 1/2-13UNCX3-1/2   | 6    |
| 11   | 1-861-010032-14 | WASHER, FLAT 1/2" N ZP/CD   | 12   |
| 12   | 1-512-010005-09 | NUT,HEX,SLFLKG, 1/2-13 GRB  | 10   |
| 13   | 1-654-010065-13 | SCREW, HX CP 1-8UNC X 4 GR5   | 2    |
| 14   | 1-512-010005-19 | NUT 1-8 HEX SLF-LOCKING GRB   | 2    |
| 15   | 192890          | BUSHING 1-3/8ODX1 IDX1 STEEL  | 4    |
| 16   | 140470          | CYLINDER 4X10 REPHASE <b>(SEE PAGE 5-1)</b>                         | 2    |
| 17   | 164124          | MOUNT, DEPTH CONTROL  | 1    |
| 18   | 1-654-010051-06 | SCREW,HEX CAP 3/8-16UNCX1-1/4                                       | 2    |
| 19   | 1-512-010005-05 | NUT, HEX, SLFLKG GRB 3/8-16   | 2    |
| 20   | 198338          | WALKING BEAM ASSY 3" <b>(SEE PAGE 1-15)</b>                         | 2    |
| 21   | 164563          | WASHER, THRUST 2-1/2  | 4    |
| 22   | 156991          | SPINDLE, WALKING BEAM   | 2    |
| 23   | 156992          | PIN, WALKING BEAM SPINDLE   | 2    |
| 24   | 127712          | PIN SPRING SLOTTED 3/8X2-1/4  | 2    |
| 25   | 119118          | NUT 1-1/2-12UNF HEX SLOTTEDZP                                       | 2    |
| 26   | 156972          | HUB & SPINDLE ASSY, 8 BOLT <b>(BEFORE 2-1-2020) (SEE PAGE 1-17)</b> | 4    |
| 26   | 223440          | ASSY, 8 BOLT HUB & SPINDLE <b>(AFTER 2-1-2020) (SEE PAGE 1-19)</b>  | 4    |
| 27   | 1-654-010055-15 | SCR, HX CP, 1/2-13UNCX5 GR5   | 4    |
| 28   | 221272          | BKT 380 TIRE&WHL ASSY POS 1.5" <b>(INCLUDES ITEMS 29-31)</b>        | 4    |
| 28   | 215351          | TIRE&WHL ASSY, VF410/50R16.5 <b>(INCLUDES ITEMS 29-31)</b>          | 4    |
| 29   | 221270          | BKT TIRE 380/55R 16.5 IMP <b>(USED WITH 221272)</b>                 | 4    |
| 29   | 215352          | TIRE, VF410/50R16.5 <b>(USED WITH 215351)</b>                       | 4    |
| 30   | 171011          | WHL 16.5X12 POS 1.5 OFFST 8BLT <b>(USED WITH 221272)</b>            | 4    |
| 30   | 157001          | WHL 16.5X12NEG.51 OFST,8BOLT <b>(USED WITH 215351)</b>              | 1    |
| 31   | TR575           | VALVE STEM TUBELESS TIRE  | 4    |
| 32   | 102600          | NUT,WHEEL BOLT, 5/8   | 32   |

# Center Frame Lift Assembly 6231-30'-36' After 2-15-2020

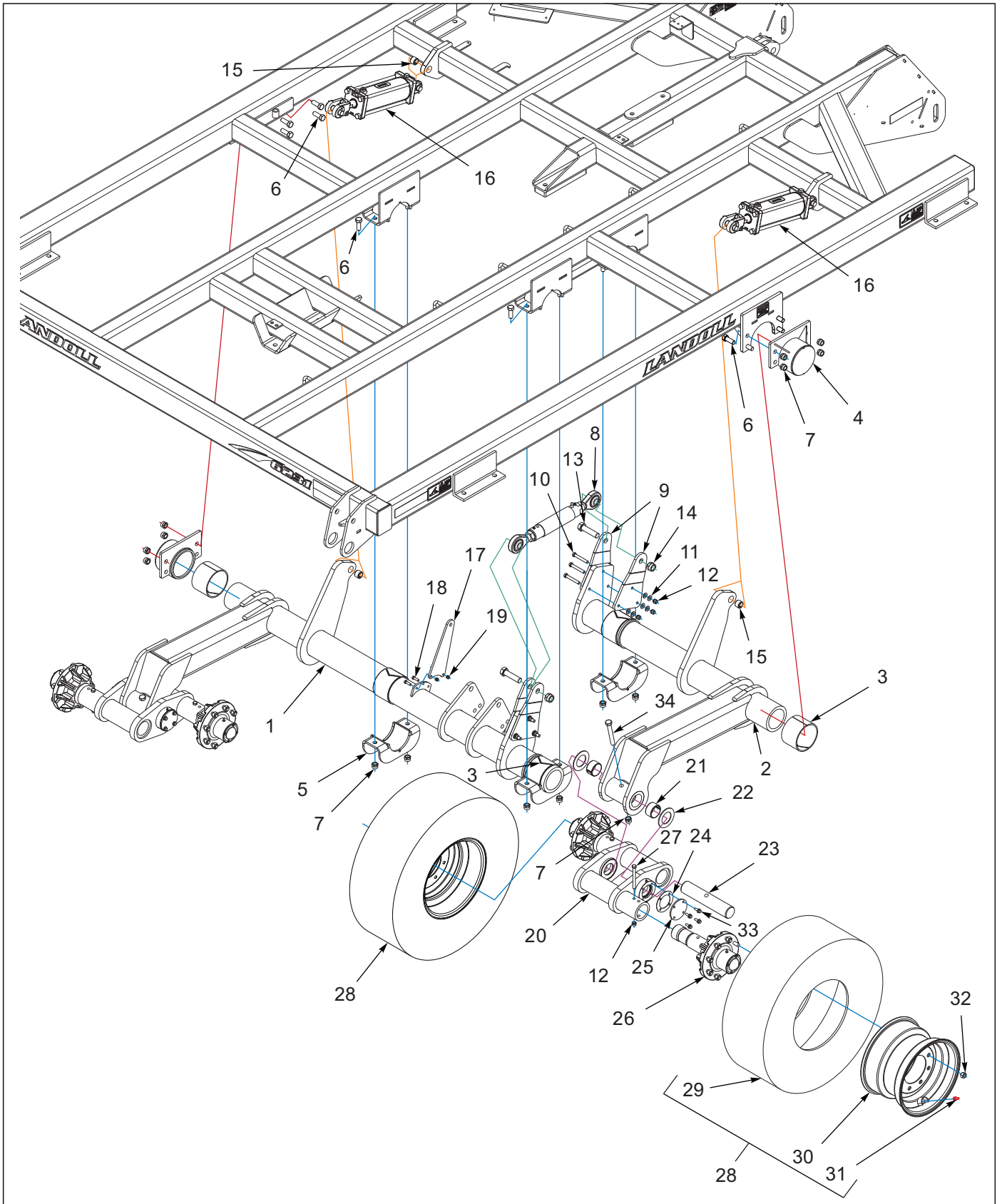


Figure 1-4: Center Frame Lift Assembly 6231-30'-36' After 2-15-2020

## Center Frame Lift Assembly 6231-30'-36' After 2-15-2020

| ITEM | PART NUMBER     | DESCRIPTION   | QTY. |
|------|-----------------|---|------|
| 1    | 223531          | LIFT, CENTER LEFT-WC WLDMT  | 1    |
| 2    | 223530          | LIFT, CENTER RIGHT-WC WLDMT   | 1    |
| 3    | 140519          | BEARING, UHMW 4IN   | 5    |
| 4    | 141209          | BEARING CAP, LIFT WLDMT   | 2    |
| 5    | 141234          | WLDMT, BEARING CAP LIFT   | 3    |
| 6    | 1-654-010061-05 | SCREW,HHC,3/4-10UNCX2,GR5,ZP  | 14   |
| 7    | 1-512-010005-15 | NUT,HEX,SLFLKG GRB 3/4-10   | 14   |
| 8    | 158844          | RAD ROD, LIFT ASSY <b>(SEE PAGE 1-21)</b>   | 1    |
| 9    | 171063          | PLATE, OFFSET   | 4    |
| 10   | 1-654-010055-11 | SCREW,HX CP 1/2-13UNCX3-1/2   | 6    |
| 11   | 1-861-010032-14 | WASHER, FLAT 1/2" N ZP/CD   | 12   |
| 12   | 1-512-010005-09 | NUT,HEX,SLFLKG, 1/2-13 GRB  | 10   |
| 13   | 1-654-010065-13 | SCREW, HX CP 1-8UNC X 4 GR5   | 2    |
| 14   | 1-512-010005-19 | NUT 1-8 HEX SLF-LOCKING GRB   | 2    |
| 15   | 192890          | BUSHING 1-3/8ODX1 IDX1 STEEL  | 4    |
| 16   | 140470          | CYLINDER 4X10 REPHASE <b>(SEE PAGE 5-1)</b>   | 2    |
| 17   | 164124          | MOUNT, DEPTH CONTROL  | 1    |
| 18   | 1-654-010051-06 | SCREW,HEX CAP 3/8-16UNCX1-1/4   | 2    |
| 19   | 1-512-010005-05 | NUT, HEX, SLFLKG GRB 3/8-16   | 2    |
| 20   | 223526          | ASSY, WALKER 3SP/2-1/2 PIN <b>(SEE PAGE 1-15)</b>   | 2    |
| 21   | 198351          | CONNEX, 2-3/4 X 2-1/2 X 1-1/2L  | 4    |
| 22   | 164563          | WASHER, THRUST 2-1/2  | 4    |
| 23   | 223528          | SPINDLE, WALKBEAM,2-1/2X12-1/2  | 2    |
| 24   | 217646          | GASKET, ENDCAP  | 4    |
| 25   | 217568          | ENDCAP, WALKER 2-1/2"   | 4    |
| 26   | 223440          | ASSY, 8 BOLT HUB & SPINDLE <b>(SEE PAGE 1-19)</b>   | 4    |
| 27   | 1-654-010055-15 | SCR, HX CP, 1/2-13UNCX5 GR5   | 4    |
| 28   | 221272          | BKT 380 TIRE&WHL ASSY POS 1.5" <b>(INCLUDES ITEMS 29-31)</b><br><b>(6231-30'-36' BEFORE 1-1-2021)</b> | 4    |
| 28   | 215351          | TIRE&WHL ASSY, VF410/50R16.5 <b>(INCLUDES ITEMS 29-31)</b><br><b>(6231-30'-36' AFTER 1-1-2021)</b>    | 4    |
| 29   | 221270          | BKT TIRE 380/55R 16.5 IMP <b>(USED WITH 221272)</b>   | 4    |
| 29   | 215352          | TIRE, VF410/50R16.5 <b>(USED WITH 215351)</b>   | 4    |
| 30   | 171011          | WHL 16.5X12 POS 1.5 OFFST 8BLT <b>(USED WITH 221272)</b>  | 4    |
| 30   | 157001          | WHL 16.5X12NEG.51 OFST,8BOLT <b>(USED WITH 215351)</b>  | 1    |
| 31   | TR575           | VALVE STEM TUBELESS TIRE  | 4    |
| 32   | 102600          | NUT,WHEEL BOLT, 5/8   | 32   |
| 33   | 219795          | SCREW, HEX FLANGE HD, 3/8 X 1   | 16   |
| 34   | 1-654-010061-16 | SCREW 3/4-10UNCX5-1/2 HXCP G5   | 2    |

## Wing Lift Assembly 6231-21

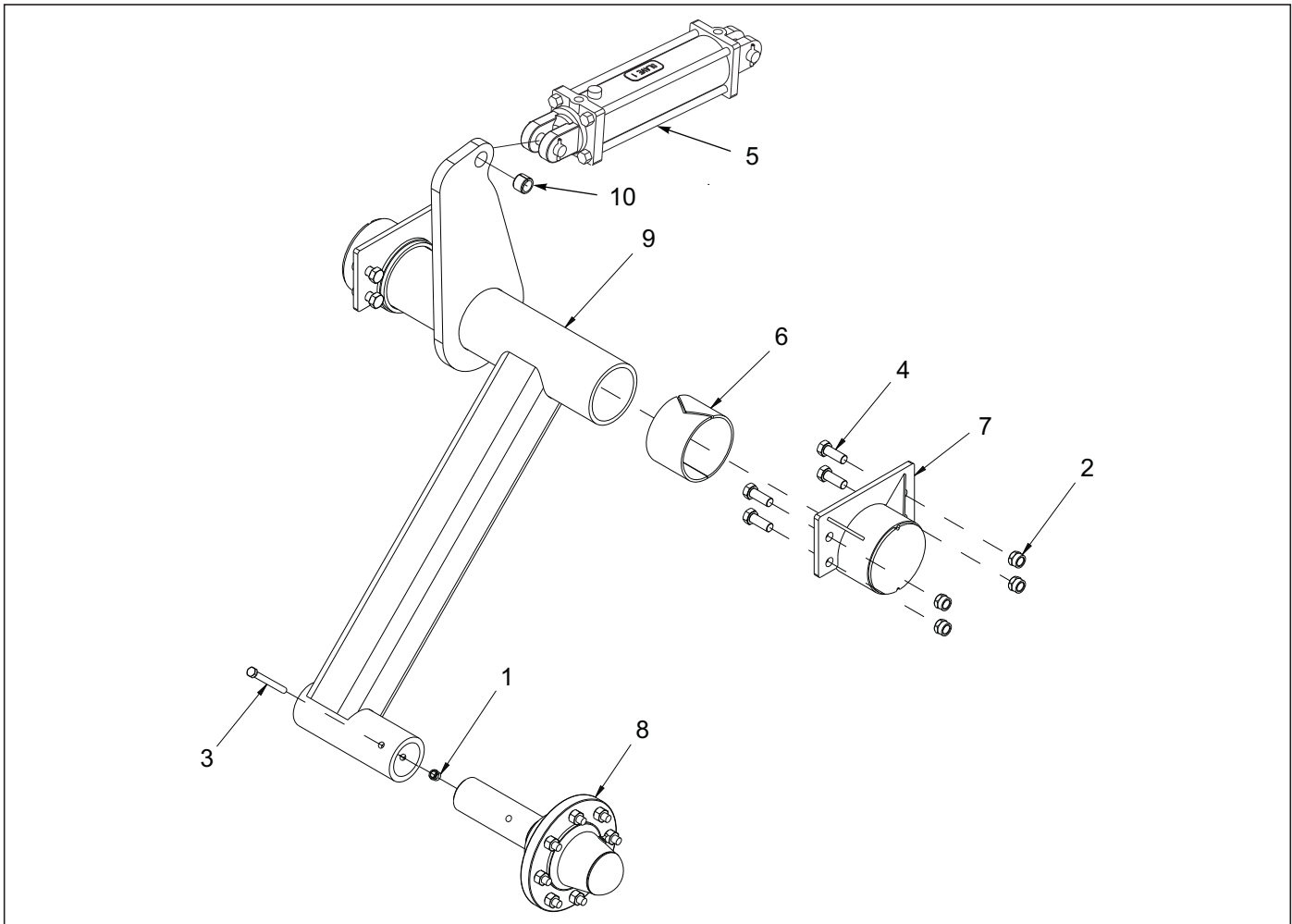


Figure 1-5: Wing Lift Assembly 6231-21

## Wing Lift Assembly 6231-21

| ITEM | PART NUMBER     | DESCRIPTION   | QTY. |
|------|-----------------|---|------|
| 1    | 1-512-010005-09 | NUT,HEX,SLFLKG, 1/2-13 GRB  | 1    |
| 2    | 1-512-010005-15 | NUT, HEX SLFLKG, 3/4-10 UNC X 2 GR6                               | 8    |
| 3    | 1-654-010055-15 | SCR, HX CP, 1/2-13UNCX5 GR5                                       | 1    |
| 4    | 1-654-010061-05 | SCREW,HHC,3/4-10UNCX2,GR5,ZP                                      | 8    |
| 5    | 140471          | CYLINDER 3-3/4X10 REPHASE (SEE PAGE 5-2)                          | 1    |
| 6    | 140519          | BEARING, UHMW 4IN   | 2    |
| 7    | 141209          | BEARING CAP, LIFT   | 2    |
| 8    | 156972          | HUB & SPINDLE ASSY, 8 BOLT (BEFORE 02-01-2020)<br>(SEE PAGE 1-17) | 1    |
| 8    | 223440          | ASSY, 8 BOLT HUB & SPINDLE (AFTER 02-01-2020)<br>(SEE PAGE 1-19)  | 1    |
| 9    | 191460          | LIFT, WING RIGHT  | 1    |
| 9    | 191461          | LIFT, WING LEFT (NOT SHOWN)                                       | 1    |
| 10   | 192890          | BUSHING 1-3/8ODX1 IDX1 STEEL                                      | 1    |





Wing Lift Assembly 6231-23'-36'

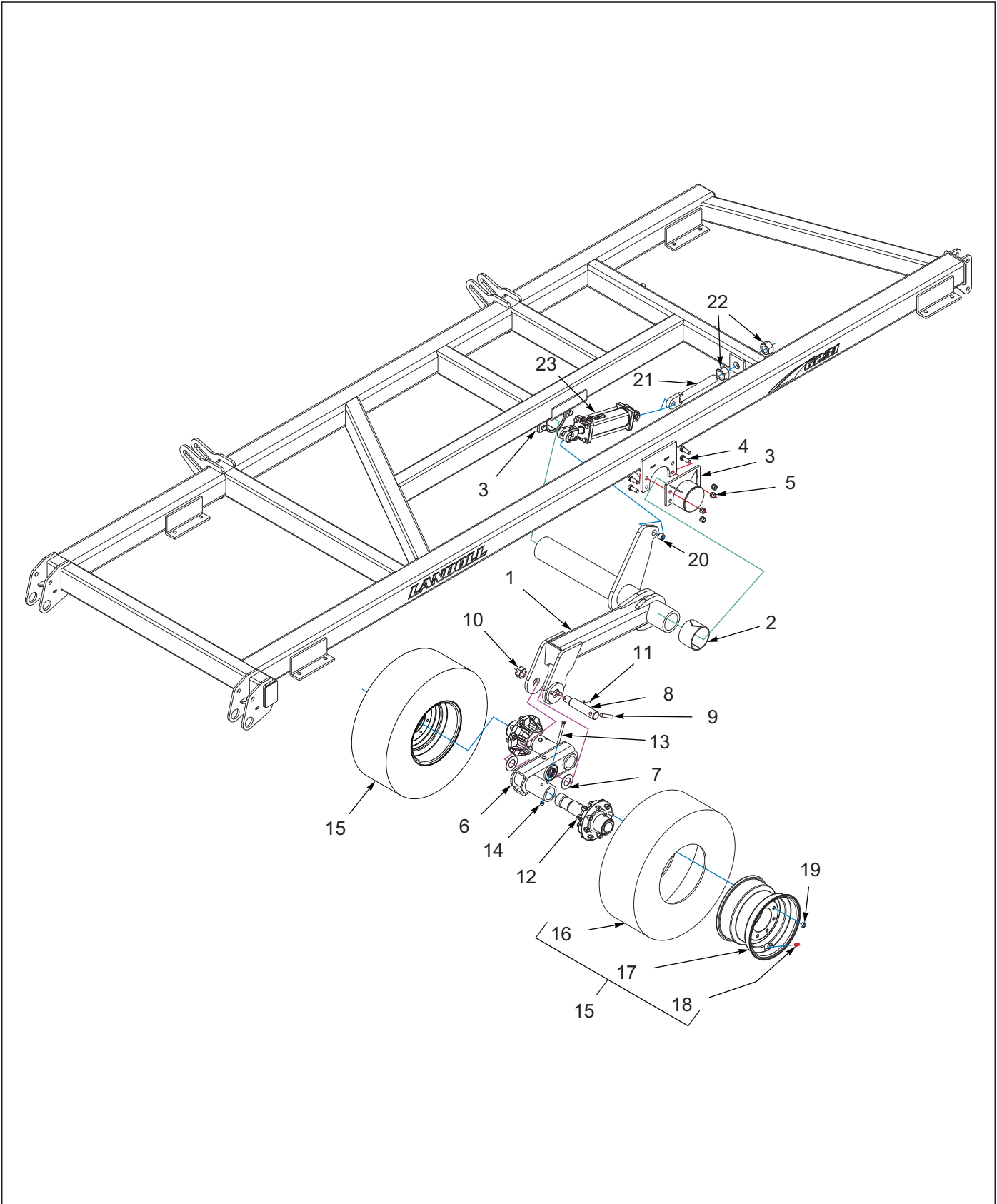


Figure 1-6: Wing Lift Assembly 6231-23'-36'

## Wing Lift Assembly 6231-23'-36'

| ITEM | PART NUMBER     | DESCRIPTION  | QTY. |    |    |
|------|-----------------|--|------|----|----|
| --   | ----            | Wing Lift Assembly 6231-23'  | *    |    |    |
| --   | ----            | Wing Lift Assembly 6231-26'-29'  | *    |    |    |
| --   | ----            | Wing Lift Assembly 6231-30'-36' (BEFORE 2-15-2020)   | *    |    |    |
| 1    | 191499          | LIFT, WING LEFT WLDMT  | 1    | 1  | 1  |
| 1    | 191498          | LIFT, WING RIGHT WLDMT (SHOWN)   | 1    | 1  | 1  |
| 2    | 140519          | BEARING, UHMW 4IN  | 4    | 4  | 4  |
| 3    | 141209          | BEARING CAP, LIFT WLDMT  | 4    | 4  | 4  |
| 4    | 1-654-010061-05 | SCREW,HHC,3/4-10UNCX2,GR5,ZP   | 8    | 8  | 8  |
| 5    | 1-512-010005-15 | NUT,HEX,SLFLKG GRB 3/4-10  | 8    | 8  | 8  |
| 6    | 198344          | WALKING BEAM ASSY 3" (6231-30'-36' BEFORE 2-15-2020)<br>(SEE PAGE 1-15)  | 2    | 2  | 2  |
| 7    | 171070          | WASHER, THRUST 2   | 4    | 4  | 4  |
| 8    | 157019          | SPINDLE, WALKING BEAM  | 2    | 2  | 2  |
| 9    | 156992          | PIN, WALKING BEAM SPINDLE  | 2    | 2  | 2  |
| 10   | 119118          | NUT 1-1/2-12UNF HEX SLOTTEDZP  | 2    | 2  | 2  |
| 11   | 127712          | PIN SPRING SLOTTED 3/8X2-1/4   | 2    | 2  | 2  |
| 12   | 156972          | HUB & SPINDLE ASSY, 8 BOLT (BEFORE 2-1-2020)<br>(SEE PAGE 1-17)  | 4    | 4  | 4  |
| 12   | 223440          | ASSY, 8 BOLT HUB & SPINDLE (AFTER 2-1-2020)<br>(SEE PAGE 1-19)   | 4    | 4  | 4  |
| 13   | 1-654-010055-15 | SCR, HX CP, 1/2-13UNCX5 GR5  | 4    | 4  | 4  |
| 14   | 1-512-010005-09 | NUT,HEX,SLFLKG, 1/2-13 GRB   | 4    | 4  | 4  |
| 15   | 184708          | TIRE ASSY,320/70R15,8 BOLTWHL (INCLUDES ITEMS 30-32)   | 4    | -- | -- |
| 15   | 171010          | TIRE & WHEEL ASSY,380/55RX16.5 (INCLUDES ITEMS 30-32)<br>(TILL 8-16-2019)  |      | 4  | 4  |
| 15   | 221272          | BKT 380 TIRE&WHL ASSY POS 1.5" (6231-30'-36' BEFORE 1-1-2021) (6231-26'-29' FROM 8-16-2019) (INCLUDES ITEMS 30-32) | --   | 4  | 4  |
| 16   | 184706          | FIRESTONE TIRE 12.5L X 15 FI (USED WITH 184708)<br>(BEFORE 10-18-2016)   | 4    | 4  | -- |
| 16   | 221270          | BKT TIRE 380/55R 16.5 IMP (USED WITH 221272)<br>(AFTER 10-18-2016)   | --   | 4  | 4  |
| 16   | 204385          | FIRESTONE RADIAL 320/70R15 (USED WITH 184708)  | 4    | 4  | -- |
| 16   | 165236          | TIRE 380/55R 16.5 IMP (USED WITH 171010)   | --   | 4  | 4  |
| 17   | 140548          | WHEEL, 15 X 10 LB 8 BOLT (USED WITH 184708)  | 4    | -- | -- |
| 17   | 171011          | WHL 16.5X12 POS 1.5 OFFST 8BLT (USED WITH 171010 & 221272)   | --   | 4  | 4  |
| 18   | TR575           | VALVE STEM TUBELESS TIRE   | 4    | 4  | 4  |
| 19   | 102600          | NUT,WHEEL BOLT, 5/8  | 32   | 32 | 32 |
| 20   | 192890          | BUSHING 1-3/8ODX1 IDX1 STEEL   | 2    | 2  | 2  |
| 21   | 159955          | ROD, CYLINDER ANCHOR WLDMT   | 2    | 2  | 2  |
| 22   | 159954          | NUT HEX 1-3/4-5UNC GR2   | 4    | 4  | 4  |
| 23   | 140471          | CYLINDER 3-3/4X10 REPHASE (SEE PAGE 5-2)   | 2    | 2  | 2  |

Wing Lift Assembly 6231-30'-36' After 2-15-2020

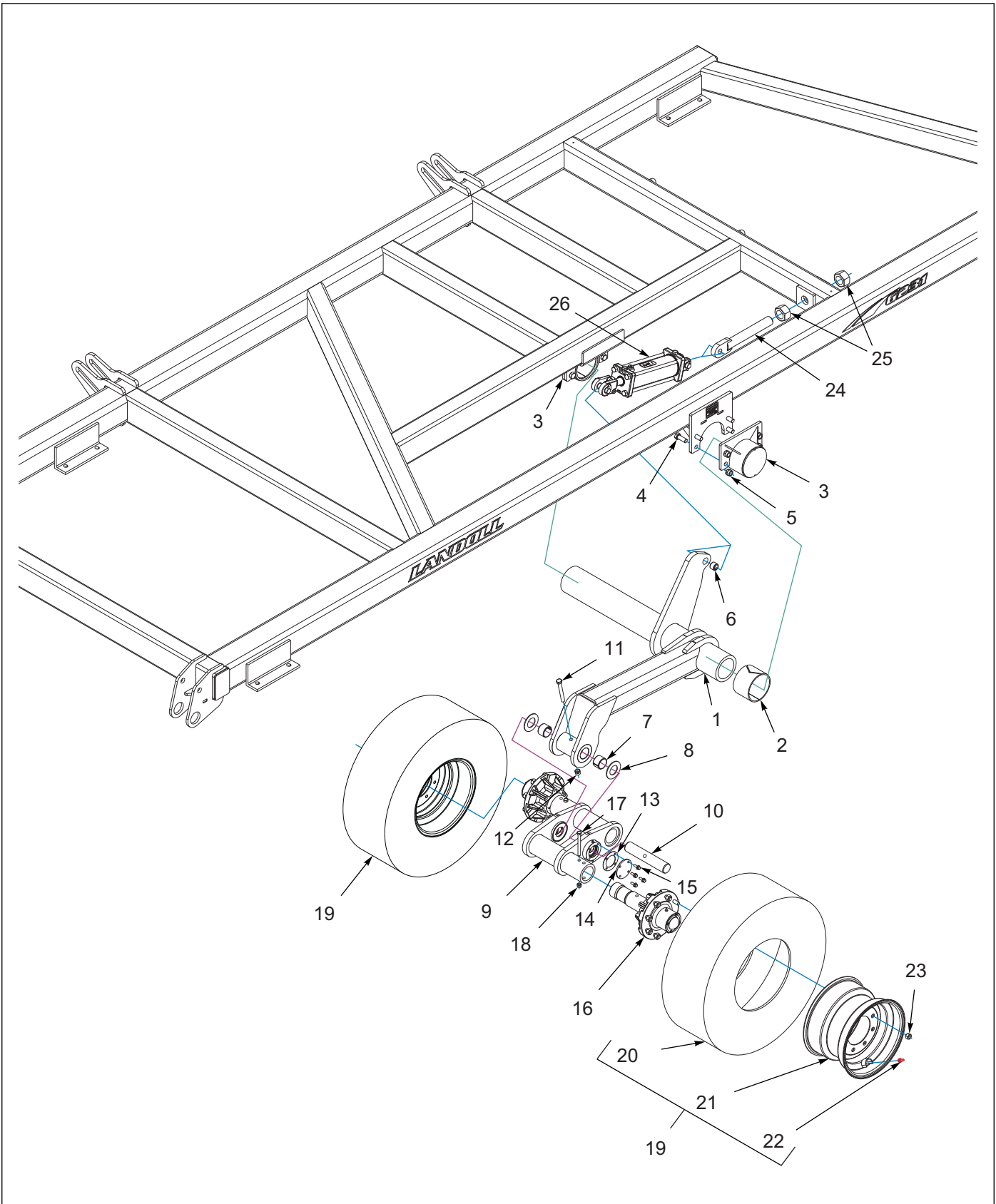


Figure 1-7: Wing Lift Assembly 6231-30'-36' After 2-15-2020

## Wing Lift Assembly 6231-30'-36' After 2-15-2020

| ITEM | PART NUMBER     | DESCRIPTION  | QTY. |
|------|-----------------|--|------|
| --   | ----            | Wing Lift Assembly 6231-30'-36'  |      |
| 1    | 223535          | LIFT, WING LEFT WLDMT  | 1    |
| 1    | 223534          | LIFT, WING RIGHT WLDMT <b>(SHOWN)</b>  | 1    |
| 2    | 140519          | BEARING, UHMW 4IN  | 1    |
| 3    | 141209          | BEARING CAP, LIFT WLDMT  | 2    |
| 4    | 1-654-010061-05 | SCREW,HHC,3/4-10UNCX2,GR5,ZP   | 8    |
| 5    | 1-512-010005-15 | NUT,HEX,SLFLKG GRB 3/4-10  | 8    |
| 6    | 192890          | BUSHING 1-3/8ODX1 IDX1 STEEL   | 2    |
| 7    | 130052          | BUSHING,SPRING 2-1/4X2X1-1/2   | 4    |
| 8    | 171070          | WASHER, THRUST 2   | 4    |
| 9    | 217591          | ASSY, WALKER 3" <b>(SEE PAGE 1-15)</b>   | 2    |
| 10   | 217593          | SPINDLE, WALK BEAM 2"  | 2    |
| 11   | 1-654-010059-15 | SCREW,HEX CAP,5/8-11UNCX5 GR5  | 2    |
| 12   | 1-512-010005-13 | NUT,HEX SLFLKG GRB 5/8-11  | 2    |
| 13   | 217627          | GASKET, ENDCAP   | 4    |
| 14   | 217626          | ENDCAP, WALKER   | 4    |
| 15   | 219795          | SCREW, HEX FLANGE HD, 3/8 X 1  | 16   |
| 16   | 223440          | ASSY, 8 BOLT HUB & SPINDLE <b>(SEE PAGE 1-19)</b>  | 4    |
| 17   | 1-654-010055-15 | SCR, HX CP, 1/2-13UNCX5 GR5  | 4    |
| 18   | 1-512-010005-09 | NUT,HEX,SLFLKG, 1/2-13 GRB   | 4    |
| 19   | 221272          | BKT 380 TIRE&WHL ASSY POS 1.5"<br><b>(6231-30'-36' BEFORE 1-1-2021) (INCLUDES ITEMS 30-32)</b> | 4    |
| 19   | 215351          | TIRE&WHL ASSY, VF410/50R16.5 <b>(AFTER 1-1-2021)</b><br><b>(INCLUDES ITEMS 30-32)</b>          | 4    |
| 20   | 221270          | BKT TIRE 380/55R 16.5 IMP <b>(USED WITH 221272)</b>  | 4    |
| 20   | 215352          | TIRE, VF410/50R16.5 <b>(USED WITH 215351)</b>  | 4    |
| 21   | 171011          | WHL 16.5X12 POS 1.5 OFFST 8BLT <b>(USED WITH 221272)</b>                                       | 4    |
| 21   | 157001          | WHL 16.5X12NEG.51 OFST,8BOLT <b>(USED WITH 215351)</b>   | 4    |
| 22   | TR575           | VALVE STEM TUBELESS TIRE   | 4    |
| 23   | 102600          | NUT,WHEEL BOLT, 5/8  | 32   |
| 24   | 159955          | ROD, CYLINDER ANCHOR WLDMT   | 2    |
| 25   | 159954          | NUT HEX 1-3/4-5UNC GR2   | 4    |
| 26   | 140471          | CYLINDER 3-3/4X10 REPHASE <b>(SEE PAGE 5-2)</b>  | 2    |

# Walking Beam Assemblies

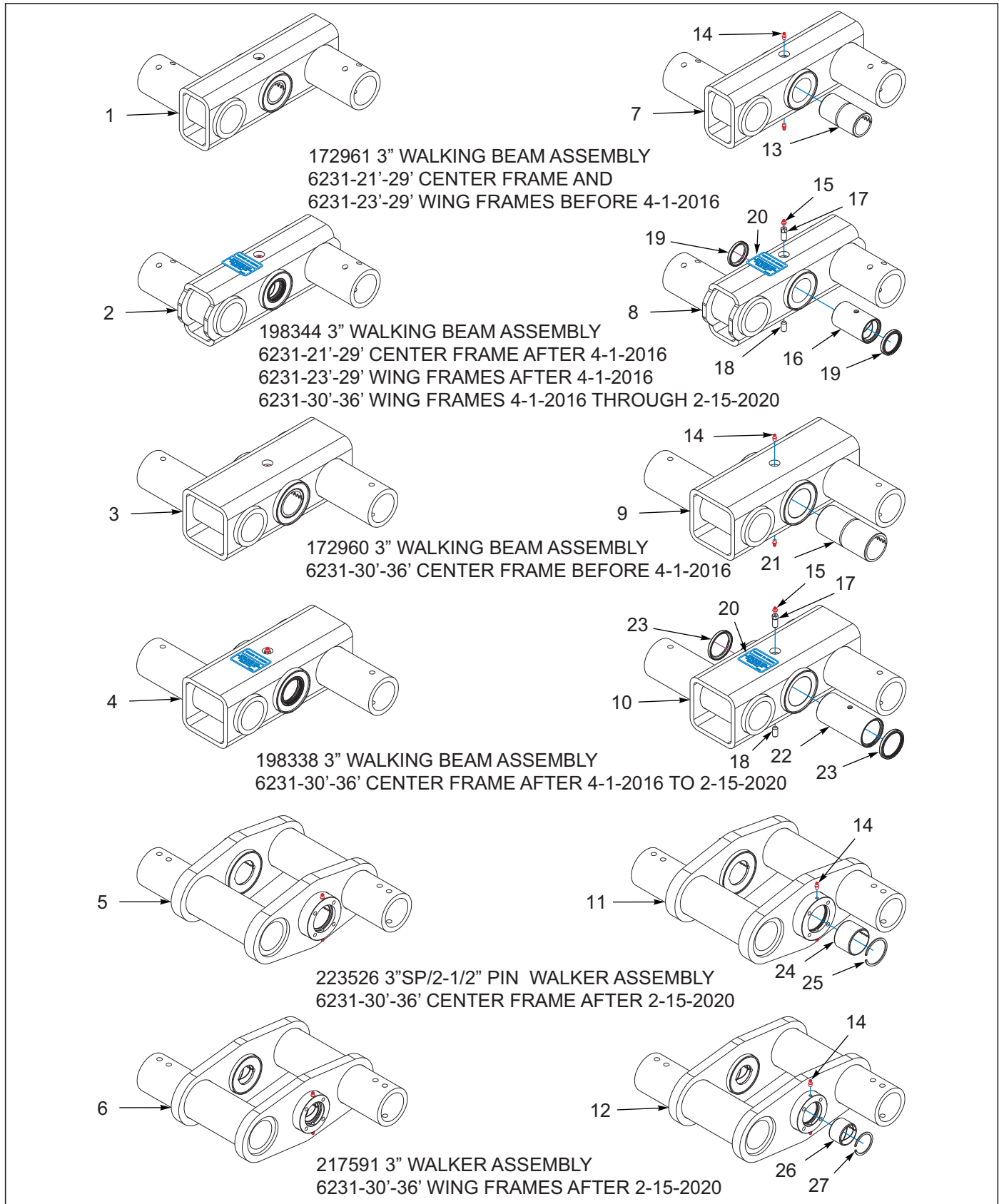


Figure 1-8: Walking Beam Assemblies



## Walking Beam Assemblies

| ITEM | PART NUMBER    | DESCRIPTION   | QTY. |    |    |    |    |    |    |
|------|----------------|---|------|----|----|----|----|----|----|
| 1    | 172961         | WALKING BEAM ASSY 3" (6231-21'-29'<br>CENTER FRAME AND 6231-23'-29' WING<br>FRAMES BEFORE 4-1-2016)   | *    |    |    |    |    |    |    |
| 2    | 198344         | WALKING BEAM ASSY 3 (6231-21'-29'<br>CENTER FRAME AND 6231-23'-29' WING<br>FRAMES AFTER 4-1-2016)<br>(6231-30'-36' WING FRAMES<br>4-1-2016-2-15-2020) | *    |    |    |    |    |    |    |
| 3    | 172960         | WALKING BEAM ASSY 3" (6231-30'-36"<br>CENTER FRAME BEFORE 4-1-2016)   | *    |    |    |    |    |    |    |
| 4    | 198338         | WALKING BEAM ASSY 3" (6231-30'-36"<br>CENTER FRAME AFTER 4-1-2016)  |      |    |    |    | *  |    |    |
| 5    | 223526         | ASSY, WALKER 3SP/2-1/2 PIN<br>(6231-30'-36' CENTER FRAME AFTER<br>2-15-2020)  |      |    |    |    |    | *  |    |
| 6    | 217591         | ASSY, WALKER 3" (6231-30'-36' WING<br>FRAMES AFTER 2-15-2020)   |      |    |    |    |    |    | *  |
| 7    | 172959         | WALKING BEAM, 3" SPINDLE WLDMT  | 1    | -- | -- | -- | -- | -- | -- |
| 8    | 198345         | WALKING BEAM WLDMT 3" SPINDLE   | --   | 1  | -- | -- | -- | -- | -- |
| 9    | 171065         | WALKING BEAM, 3 IN SPINDLE  | --   | -- | 1  | -- | -- | -- | -- |
| 10   | 198339         | WALKING BEAM, 3" SPINDLE WLDMT  | --   | -- | -- | 1  | -- | -- | -- |
| 11   | 223525         | WALKING TANDEM2-1/2,3 SP WLDMT  | --   | -- | -- | -- | 1  | -- | -- |
| 12   | 217547         | WALKING TANDEM-3" SP WLDMT  | --   | -- | -- | -- | -- | 1  | -- |
| 13   | 158903         | BUSHING, SPRING 2-1/2X2X4-5/8   | 1    | -- | -- | -- | -- | -- | -- |
| 14   | 171024         | FITTING, GREASE 5/16-24 STR   | 2    | -- | 2  | -- | 4  | 4  |    |
| 15   | 1-298-010001-1 | ZERK FITTING 1/4 SAE  | --   | 1  | -- | 1  | -- | -- | -- |
| 16   | 228187         | ASSY, PIVOT 2 X 4 CONNEX  | --   | 1  | -- | -- | -- | -- | -- |
| 17   | 212046         | SCREW, SET FOR ZERK   | --   | 1  | -- | 1  | -- | -- | -- |
| 18   | 15G816ER       | SCREW SET SOC HD CPPT.5-13X1  | --   | 1  | -- | 1  | -- | -- | -- |
| 19   | 198322         | SEAL, V17, DOUBLE LIP 2"  | --   | 2  | -- | -- | -- | -- | -- |
| 20   | 215341         | DECAL, GREASE WALKER  | --   | 1  | -- | 1  | -- | -- | -- |
| 21   | 158904         | BUSHING, SPRING 3X2-1/2X6-5/8   | --   | -- | 1  | -- | -- | -- | -- |
| 22   | 228189         | ASSY, PIVOT 2-1/2 X 6 CONNEX  | --   | -- | -- | 1  | -- | -- | -- |
| 23   | 198323         | SEAL, V17, DOUBLE LIP 2-1/2"  | --   | -- | -- | 2  | -- | -- | -- |
| 24   | 217561         | BUSHING, SPRING 2-3/4X2-1/2X2   | --   | -- | -- | -- | 2  | -- | -- |
| 25   | 217560         | SNAP RING, INTERNAL 2-3/4   | --   | -- | -- | -- | 2  | -- | -- |
| 26   | 130052         | BUSHING, SPRING 2-1/4X2X1-1/2   | --   | -- | -- | -- | -- | 2  | -- |
| 27   | 217559         | SNAP RING, INTERNAL-2-1/4   | --   | -- | -- | -- | -- | 2  | -- |

# Hub/Spindle Assembly 156972

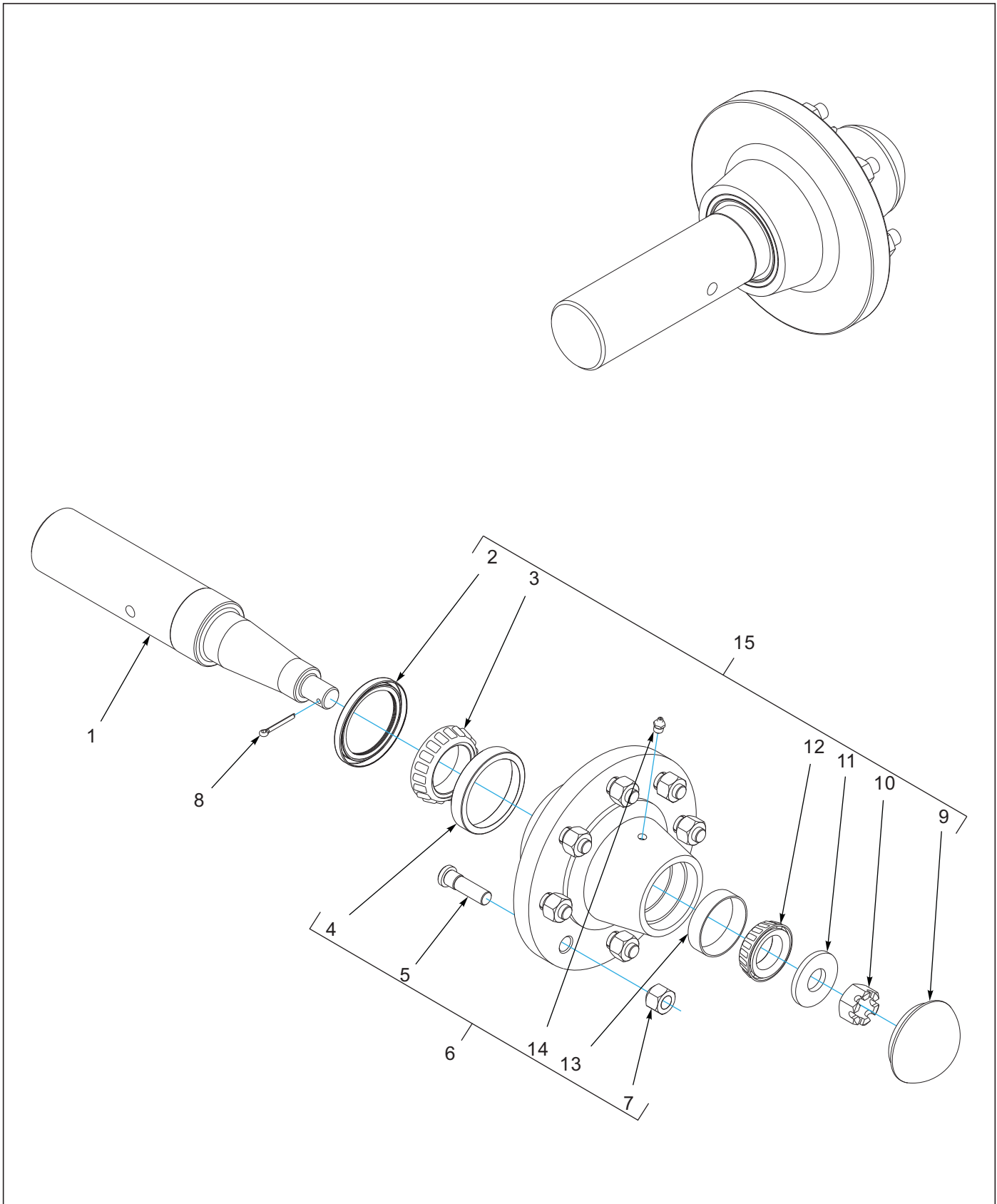


Figure 1-9: Hub/Spindle Assembly 156972

## Hub/Spindle Assembly 156972

| ITEM | PART NUMBER     | DESCRIPTION   | QTY. |
|------|-----------------|---|------|
| --   | 156972          | HUB & SPINDLE ASSY, 8 BOLT <b>(BEFORE 2-1-2020)</b>                 |      |
| 1    | 156973          | SPINDLE 3 X 16-1/2  | 1    |
| 2    | 159970          | SEAL, TRIPLE LIP 4 ODX3 IDX3/8                                      | 1    |
| 3    | 156979          | CONE BEARING - 387AS  | 1    |
| 4    | 111962          | OUTER BEARING CUP L20HD#382A  | 1    |
| 5    | 4001060         | HUB 75-8 BOLTS 5/8-18 STUD  | 1    |
| 6    | 156974          | HUB W/CUPS, 8 BOLT, 7500LBS <b>(INCLUDES ITEMS 4, 5, 7, 13, 14)</b> | 1    |
| 7    | 102600          | NUT, WHEEL BOLT, 5/8  | 8    |
| 8    | 1-557-010362-51 | PIN, COTTER 3/16X1-1/2  | 1    |
| 9    | 102601          | HUB CAP, 8-BOLT HUB   | 1    |
| 10   | 1-516-010001-20 | NUT, HX SLOT 1-14   | 1    |
| 11   | 1-861-010005    | WASHER, SPINDLE 1   | 1    |
| 12   | 102498          | BEARING CONE, OUTER, 1.625  | 1    |
| 13   | 102604          | BEARING CUP, OUTER  | 1    |
| 14   | 5000            | ZERK FITTING 1/8NPT   | 1    |
| 15   | 168859          | HUB ASSY, EIGHT BOLT <b>(SERVICE KIT ONLY)</b>                      |      |

# Hub/Spindle Assembly 223440

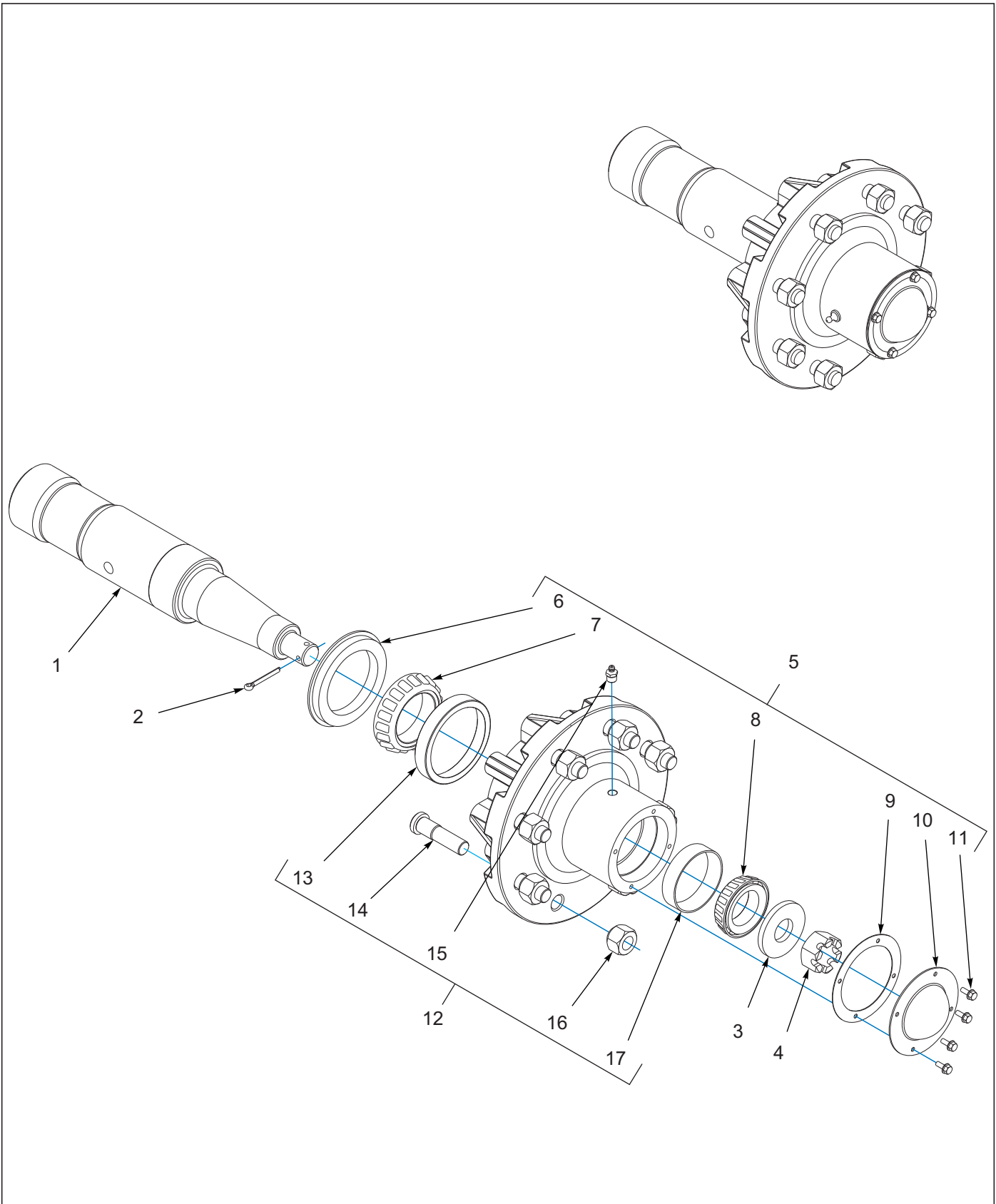


Figure 1-10: Hub/Spindle Assembly 223440

## Hub/Spindle Assembly 223440

| ITEM | PART NUMBER     | DESCRIPTION   | QTY. |
|------|-----------------|---|------|
| --   | 223440          | ASSY, 8 BOLT HUB & SPINDLE  |      |
| 1    | 156973          | SPINDLE 3 X 16-1/2  | 1    |
| 2    | 1-557-010362-51 | PIN, COTTER 3/16X1-1/2  | 1    |
| 3    | 1-861-010005    | WASHER, SPINDLE 1   | 1    |
| 4    | 1-516-010001-20 | NUT, HX SLOT 1-14   | 1    |
| 5    | 168859          | HUB ASSY, EIGHT BOLT <b>(INCLUDES ITEMS 6-12)</b><br>(SERVICE KIT ONLY) |      |
| 6    | 193089          | SEAL, PURGABLE 4 OD X 3 ID  | 1    |
| 7    | 156979          | CONE BEARING - 387AS  | 1    |
| 8    | 102498          | BEARING CONE, OUTER, 1.625  | 1    |
| 9    | 223439          | GASKET, DUST CAP  | 1    |
| 10   | 223437          | DUST CAP, BOLT ON   | 1    |
| 11   | 223438          | SCREW, 10-32X1/2 HEX FLANGE   | 4    |
| 12   | 223435          | HUB ASSY W/ CUPS, GASKET, CAP <b>(INCLUDES ITEMS 13-17)</b>             | 1    |
| 13   | 111962          | OUTER BEARING CUP L20HD#382A  | 1    |
| 14   | 4001060         | HUB 75-8 BOLTS 5/8-18 STUD  | 8    |
| 15   | 5000            | ZERK FITTING 1/8NPT   | 1    |
| 16   | 102600          | NUT, WHEEL BOLT, 5/8  | 8    |
| 17   | 102604          | BEARING CUP, OUTER  | 1    |

# Radius Rod Lift Assembly

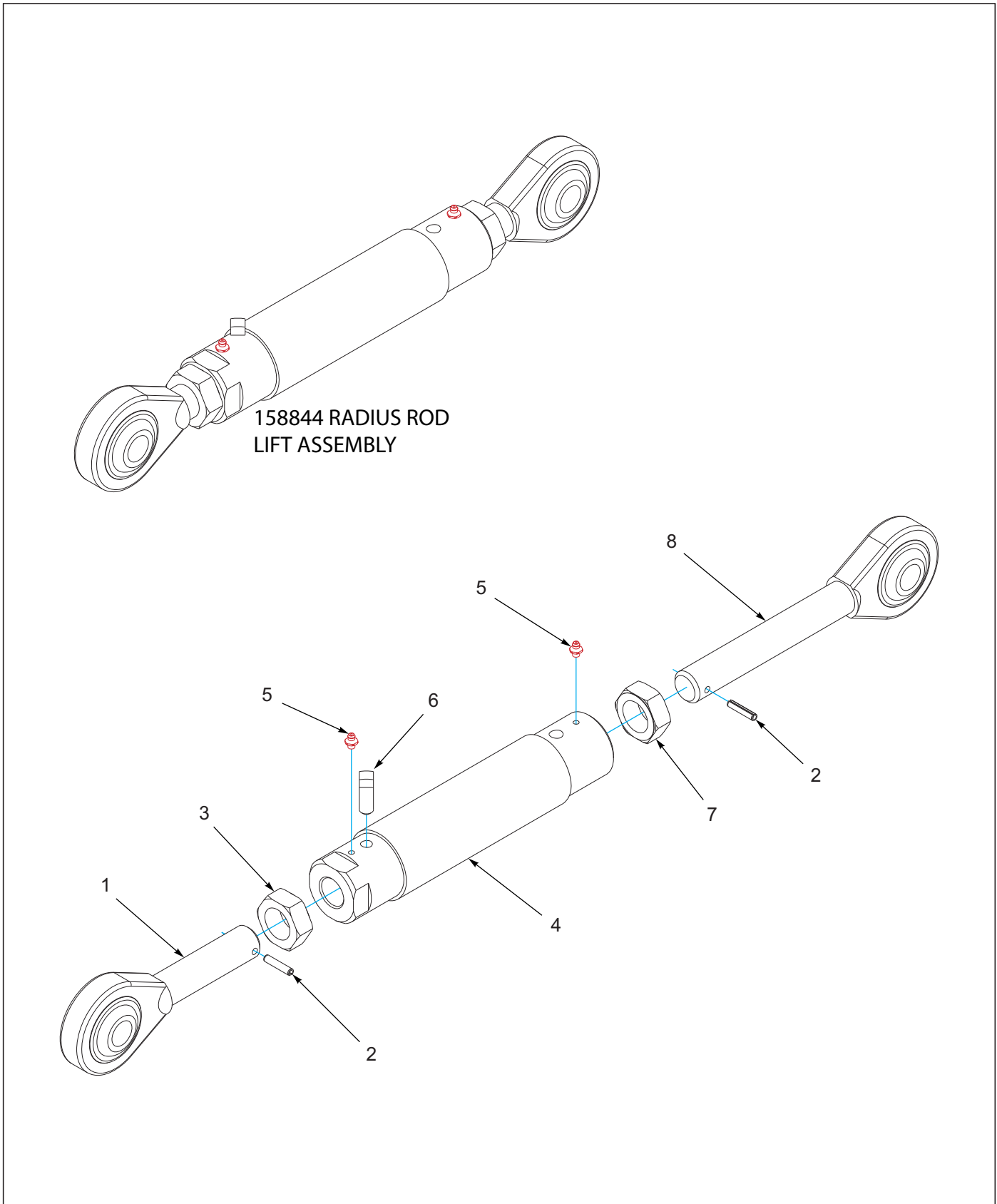


Figure 1-11: Radius Rod Lift Assembly



## Radius Rod Lift Assembly

---

| ITEM | PART NUMBER    | DESCRIPTION                   | QTY. |
|------|----------------|-------------------------------|------|
| --   | 158844         | RAD ROD, LIFT ASSY            |      |
| 1    | 159557         | SCREW, SHORT, RH RADIUS ROD   | 1    |
| 2    | 0600-250-01250 | ROLL PIN 1/4X1-1/4 LONG       | 2    |
| 3    | 100823         | NUT,HEX JAM,1-1/4-7 GR2       | 1    |
| 4    | 158843         | RADIUS ROD WLDMT 13"          | 1    |
| 5    | 1-298-010001-1 | ZERK FITTING 1/4 SAE          | 2    |
| 6    | 1-654-010080-2 | SCREW SET1/2X1-1/4 SQHD CP PT | 1    |
| 7    | 153803         | NUT 1-1/4-7 HX JAM,UNC LH GR2 | 1    |
| 8    | 2-654-010097   | SCREW, LH RADIUS ROD          | 1    |

# Gauge Wheel Assembly

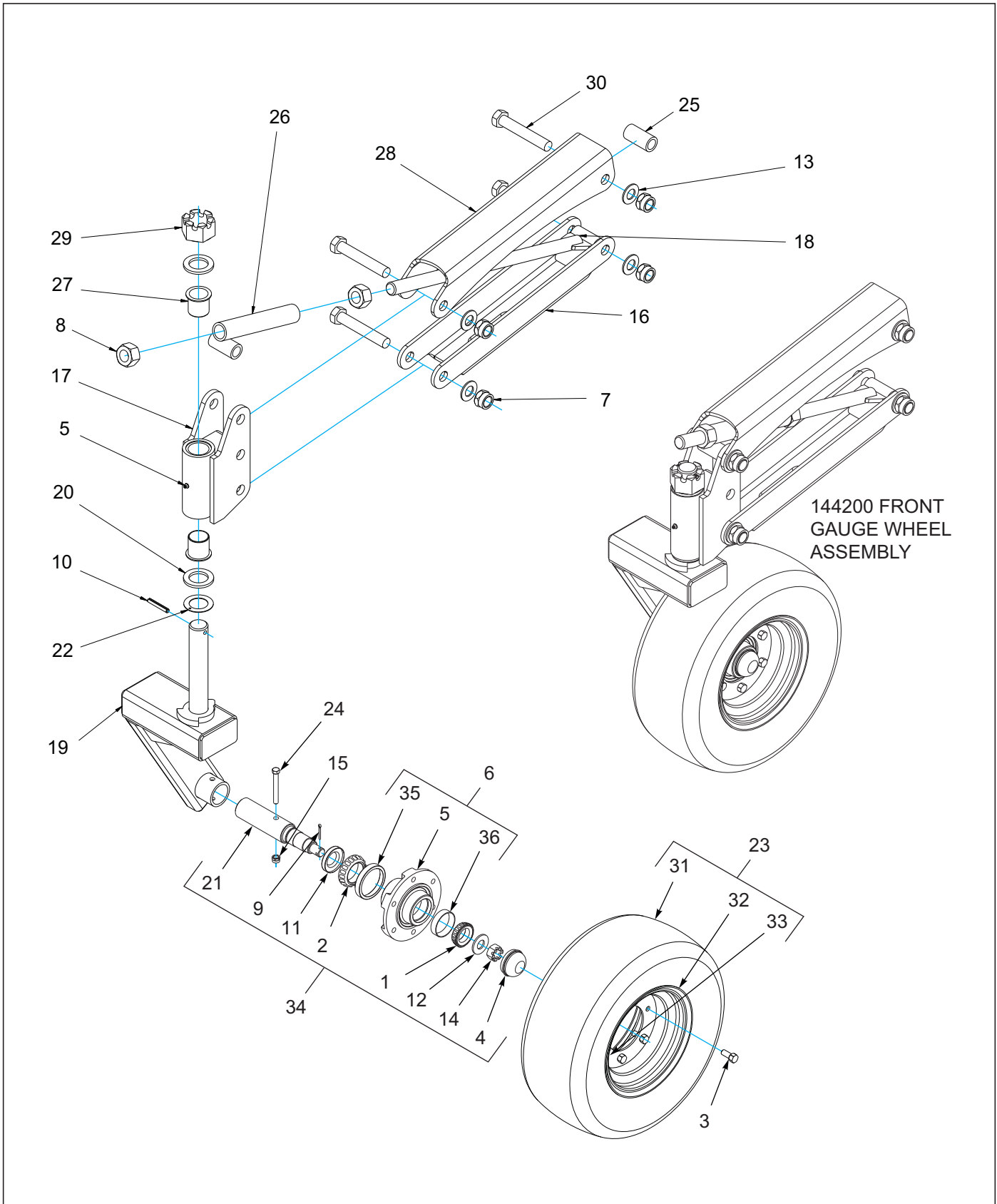


Figure 1-12: Gauge Wheel Assembly

## Gauge Wheel Assembly

| ITEM | PART NUMBER     | DESCRIPTION  | QTY. |
|------|-----------------|--|------|
| --   | 144200          | FRONT GAUGE WHEEL ASSEMBLY                                   |      |
| 1    | 1-076-010007    | CONE, INNER  | 1    |
| 2    | 1-076-010009    | CONE, INNER  | 1    |
| 3    | 1-104-010002    | WHEEL BOLT, 1/2 X 1-3/8                                      | 6    |
| 4    | 1-161-010003    | HUB CAP, 6 BOLT  | 1    |
| 5    | 1-298-010001-1  | FITTING, GREASE 1/4-28                                       | 2    |
| 6    | 1-406-010012    | HUB, 6 BOLT W/ CUPS <b>(INCLUDES ITEMS 5, 35, 36)</b>        | 1    |
| 7    | 1-512-010005-19 | NUT, HEX LOCK 1-8 GRB  | 4    |
| 8    | 1-512-010007-16 | NUT, HEX 1-1/4 - 7   | 2    |
| 9    | 1-557-010362-40 | PIN, COTTER 5/32 X 1-1/4                                     | 1    |
| 10   | 1-647-010004257 | PIN, SPRING SLOTTED 3/8 X 2-1/2                              | 1    |
| 11   | 1-659-010004    | 1-5/8 ID GREASE SEAL   | 1    |
| 12   | 1-861-010004    | WASHER, SPINDLE 7/8  | 1    |
| 13   | 1-861-010032-24 | WASHER, FLAT 1N  | 4    |
| 14   | 100966          | NUT, HEX SLOTTED 7/8-14                                      | 1    |
| 15   | 101988          | NUT, HEX LOCK 7/16-20 GRB                                    | 1    |
| 16   | 140658          | LINK, GAUGE WHEEL  | 1    |
| 17   | 140663          | HUB, GAUGE WHEEL   | 1    |
| 18   | 140667          | ROD WELDMENT, GAUGE WHEEL                                    | 1    |
| 19   | 140672          | AXLE, GAUGE WHEEL  | 1    |
| 20   | 141154          | WASHER, GANG SHAFT   | 2    |
| 21   | 141245          | SPINDLE, GAUGE WHEEL   | 1    |
| 22   | 141258          | WASHER, THRUST 1-3/4   | 1    |
| 23   | 141271          | TIRE AND WHEEL ASSEMBLY, FRONT <b>(INCLUDES ITEMS 31-33)</b> | 1    |
| 24   | 141808          | SCREW, HEX HEAD CAP 7/16-14 X 3-1/2 GR5                      | 1    |
| 25   | 144198          | SPACER, GAUGE WHEEL  | 1    |
| 26   | 144199          | CROSS, GAUGE WHEEL   | 1    |
| 27   | 164533          | BEARING FLANGE, 1-3/4  | 2    |
| 28   | 183910          | LINK, GAUGE WHEEL TOP  | 1    |
| 29   | 23085           | NUT, HEX SLOTTED, 1-3/4-5                                    | 1    |
| 30   | 8-105-010003    | SCREW, HEX HEAD CAP 1-8 X 6 GR5                              | 4    |
| 31   | 160151          | TIRE, 20.5 X 8.0, 10 8 PLY RATING                            | 1    |
| 32   | 160155          | WHEEL, 10 X 6, 6-BOLT  | 1    |
| 33   | TR416           | VALVE, CLAMP IN METAL  | 1    |
| 34   | 224600          | HUB & SPINDLE ASSY, 6 BOLT                                   | 1    |
| 35   | 1-076-010012    | CUP OUTER  | 1    |
| 36   | 1-076-010010    | CUP INNER  | 1    |

# Hitch Assemblies

## Hitch/Leveler Assembly

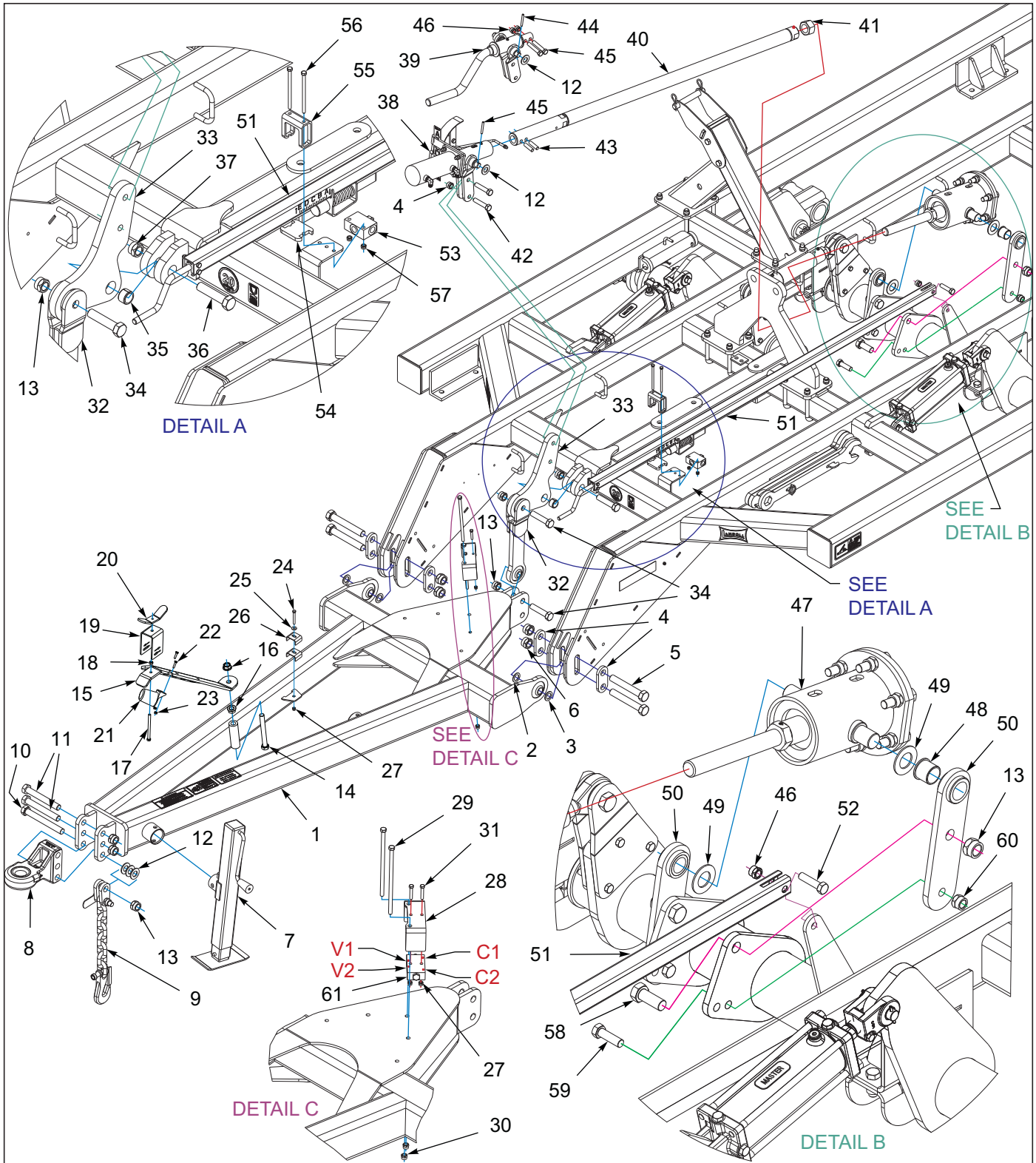


Figure 2-1: Hitch/Leveler Assembly

## Hitch/Leveler Assembly

| ITEM | PART NUMBER     | DESCRIPTION   | QTY. |
|------|-----------------|---|------|
| 1    | 140575          | HITCH WLDMT   | 1    |
| 2    | 141255          | BUSHING,MACHINE 1-1/8X14GA                          | AR   |
| 3    | 141256          | BUSHING,MACHINE 1-1/8X10GA                          | AR   |
| 4    | 141252          | PLATE, HITCH MOUNT                                  | 4    |
| 5    | 141253          | SCREW HEX CAP 1-1/8-7 X 7-1/2                       | 4    |
| 6    | 141254          | NUT,HX SELF-LOCKING 1-1/8-7                         | 4    |
| 7    | 140647          | JACK, SIDE WIND 7000/8000 LB <b>(SEE PAGE 2-12)</b> | 1    |
| 8    | 189451          | HITCH, BALL CAT IV 3-HOLE <b>(SEE PAGE 2-11)</b>    | 1    |
| 9    | 141434          | SAFETY CHAIN 21,000LB <b>(6231-21'-29')</b>         | 1    |
| 9    | 156950          | SAFETY CHAIN, 41,000 LB <b>(6231-30'-36')</b>       | 1    |
| 10   | 1-654-010125-22 | SCREW HX CP 1-8UNCX8-1/2G8ZP                        | 1    |
| 11   | 153696          | BOLT, HITCH CLEVIS                                  | 2    |
| 12   | 1-861-010032-24 | WASHER FL 1IN NARROW ZP                             | 5    |
| 13   | 1-512-010005-19 | NUT 1-8 HEX SLF-LOCKING GRB                         | 6    |
| 14   | 1-654-010061-19 | SCREW,HX CP 3/4-10UNCX7 GR5                         | 1    |
| 15   | 200829          | BRACKET, HOSE HOLDER                                | 1    |
| 16   | 103841          | NUT,FLG,LNK,SERRATED 3/4-10UNC                      | 2    |
| 17   | 141807          | SCREW 3/8-16UNCX3-1/2 ALLTHRD                       | 1    |
| 18   | 1-512-010007-07 | NUT, HEX 3/8-16 GR2 ZP                              | 1    |
| 19   | 141247          | CLAMP, HOSE HOLDER                                  | 1    |
| 20   | 141249          | WING NUT, HOSE HOLDER                               | 1    |
| 21   | 2-368-010287    | HARNESS, STOR-A-WAY                                 | 1    |
| 22   | 1-654-010047-06 | SCREW,HX CP 1/4-20UNCX1 GR5                         | 2    |
| 23   | 1-512-010005-01 | NUT,HEX,SLFLKG GRB 1/4-20                           | 2    |
| 24   | 1-654-010051-13 | SCREW,HX CP,3/8-16UNCX3,GR5                         | 1    |
| 25   | 1-861-010032-11 | WASHER, FLAT 3/8 W ZP/CD                            | 1    |
| 26   | 2-181-010001    | HOSE CLAMP  | 3    |
| 27   | 1-512-010005-05 | NUT, HEX, SLFLKG GRB 3/8-16                         | 1    |
| 28   | 174695          | CLAMP, HOSE HOLDER                                  | 1    |
| 29   | 131081          | SCREW,HEX CAP 1/2-13X11                             | 2    |
| 30   | 1-512-010005-09 | NUT,HEX,SLFLKG, 1/2-13 GRB                          | 2    |
| 31   | 1-654-010051-09 | SCREW,HEX CAP,3/8-16UNCX2 GR5                       | 2    |
| 32   | 192898          | LINK, LEVELER BALL JOINT WLDMT                      | 1    |
| 33   | 189485          | LINK, LEVELER L WLDMT                               | 1    |
| 34   | 141777          | SCREW HX CP 1-8UNCX4-1/2 GR5                        | 2    |
| 35   | 2-150-010174    | BUSHING,1-5/8X1-1/4X1                               | 2    |
| 36   | 172823          | SCREW HX CAP 1-1/4-7X6 GR8                          | 1    |
| 37   | 101385          | NUT,HEX SLFLKG,1-1/4-7 GRB                          | 1    |
| 38   | 192869          | LEVELER ASSY, HYDRAULIC <b>(SEE PAGE 2-9)</b>       | 1    |
| 39   | 140525          | LEVELER ASSY, MANUAL <b>(SEE PAGE 2-7)</b>          | 1    |
| 40   | 183914          | TUBE, LEVELER 71" WLDMT                             | 1    |
| 41   | 102351          | NUT,HEX 1-1/2-6UNC GR2 ZP                           | 1    |
| 42   | 141776          | SCREWHXCP 3/4-10UNCX3-1/2GR5B                       | 2    |
| 43   | 140627          | PIN, LEVELER  | 2    |
| 44   | 1-647-010004240 | PIN,SPRING,SLOTTED,5/16X2-1/2                       | 2    |
| 45   | 1-654-010059-11 | SCREW,HX CP 5/8-11UNCX3.5GR5                        | 2    |
| 46   | 1-512-010005-13 | NUT,HEX SLFLKG GRB 5/8-11                           | 2    |
| 47   | 183915          | TUBE ASSY, LEVELER SPRING <b>(SEE PAGE 2-5)</b>     | 1    |
| 48   | 140599          | BEARING, FLANGE 1-1/2"                              | 2    |

## Hitch/Leveler Assembly

| ITEM | PART NUMBER     | DESCRIPTION   | QTY. |
|------|-----------------|---|------|
| 49   | 141266          | WASHER, THRUST 1-1/2                                  | 2    |
| 50   | 191470          | MOUNT, LEVELER SPRING WLDMT <b>(INCLUDES ITEM 48)</b> | 2    |
| 51   | 192814          | STOP ASSY, DEPTH 84-1/2" <b>(SEE PAGE 2-6)</b>        | 1    |
| 52   | 1-654-010059-07 | SCREW HX CP 5/8-11UNCX2-1/2G5                         | 1    |
| 53   | 185660          | VALVE, LIMIT  | 1    |
| 54   | 165257          | PAD, SLIDE  | 1    |
| 55   | 165265          | GUIDE, DEPTH STOP                                     | 1    |
| 56   | 1-654-010049-19 | SCREW,HEX CP,5/16-18UNCX5 GR5                         | 2    |
| 57   | 1-512-010005-03 | NUT HEX SLFLKG GRB 5/16-18                            | 2    |
| 58   | 151528          | SCREW, HX CP 1-8UNCX2-1/2 GR5                         | 1    |
| 59   | 1-654-010061-07 | SCREW,HX CP 3/4-10UNCX2-1/2G5                         | 1    |
| 60   | 1-512-010005-15 | NUT,HEX,SLFLKG GRB 3/4-10                             | 1    |
| 61   | 124696          | VALVE,CHK DBL PILOT O-RING                            | 1    |



## Leveler Spring Tube Assembly

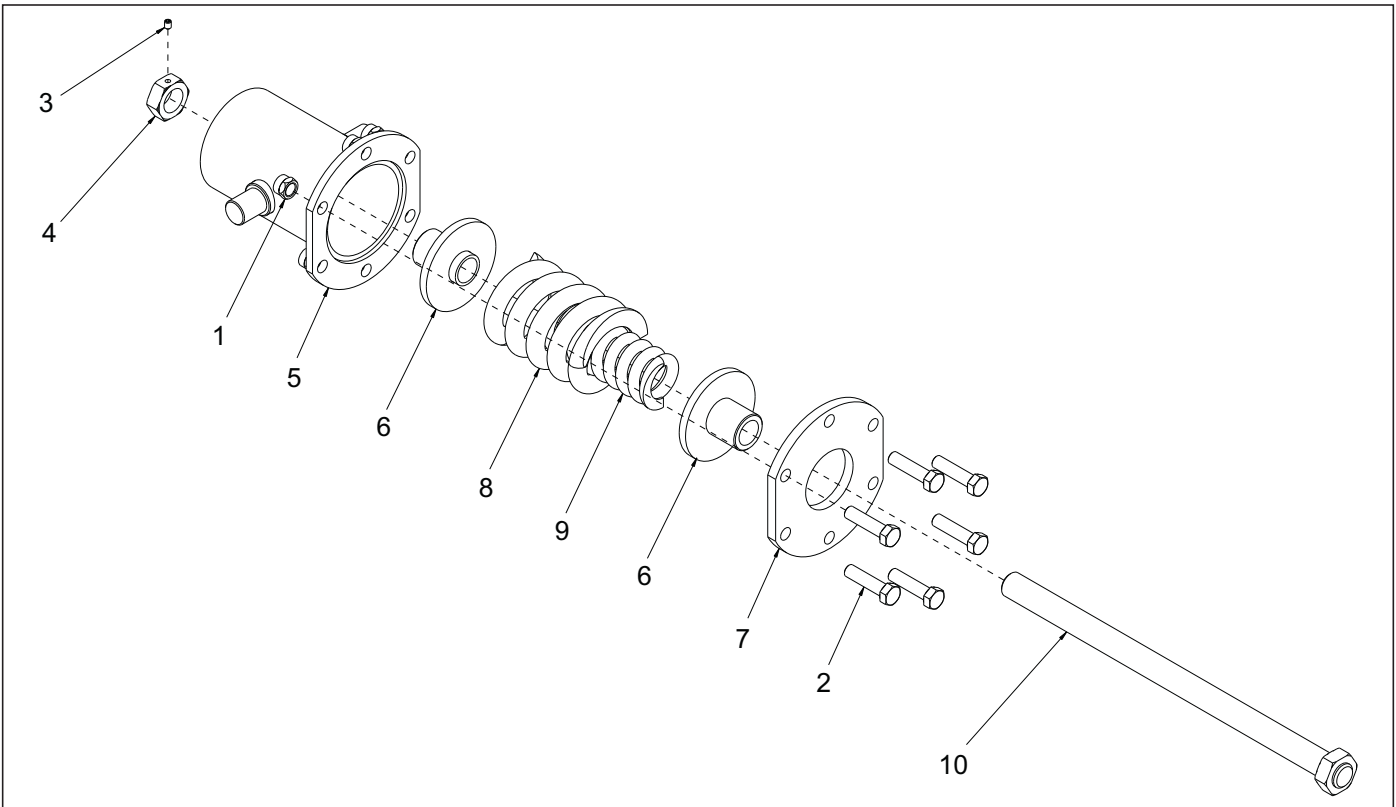


Figure 2-2: Leveler Spring Tube Assembly

## Leveler Spring Tube Assembly

| ITEM | PART NUMBER     | DESCRIPTION                       | QTY. |
|------|-----------------|-----------------------------------|------|
| --   | 183915          | LEVELER SPRING TUBE ASSEMBLY      |      |
| 1    | 1-512-010005-15 | NUT, HEX SLFLKG, 3/4-10 UNC GRB   | 6    |
| 2    | 1-654-010061-09 | SCREW, HEX 3/4-10UNC X 3, GR5     | 6    |
| 3    | 122709          | SCREW, SET HXSKTCPPT 3/8-16 X 1/2 | 1    |
| 4    | 140610          | NUT, HEX JAM W/O SET SCREW        | 1    |
| 5    | 183902          | TUBE, LEVELER SPRING              | 1    |
| 6    | 183906          | SPRING, END LEVELER               | 2    |
| 7    | 183909          | CLAMP PLATE, LEVELER SPRING TUBE  | 1    |
| 8    | 192874          | SPRING, COMPRESSION OUTER         | 1    |
| 9    | 192875          | SPRING COMPRESSION INNER          | 1    |
| 10   | 192876          | SCREW, LEVELER                    | 1    |



### Depth Stop Tube Assembly

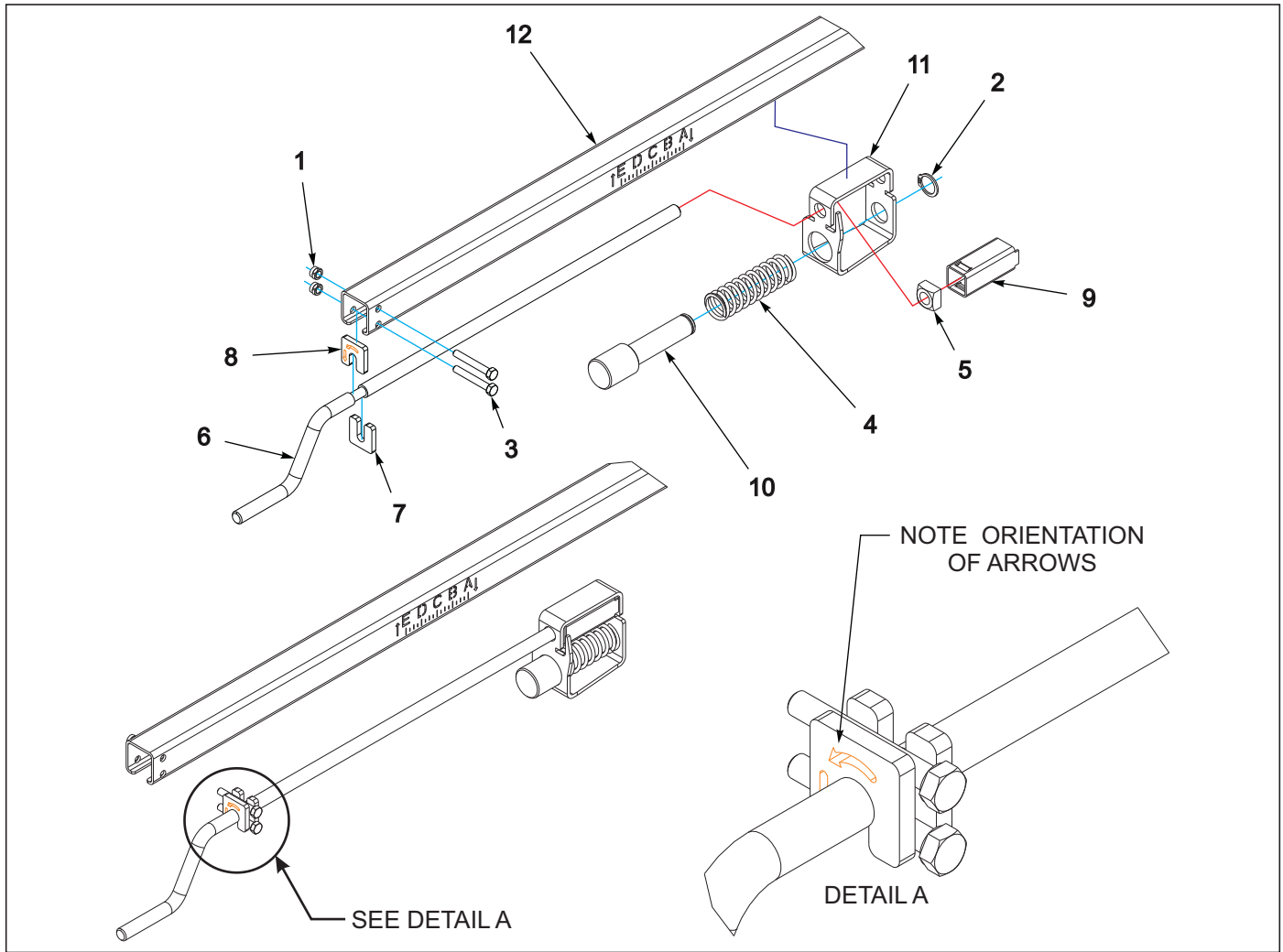


Figure 2-3: Depth Stop Tube Assembly

### Depth Stop Tube Assembly

| ITEM | PART NUMBER     | DESCRIPTION                    | QTY. |
|------|-----------------|--------------------------------|------|
| --   | 192814          | STOP ASSY, DEPTH 84-1/2"       |      |
| 1    | 1-512-010005-03 | NUT HEX SLFLKG GRB 5/16-18     | 2    |
| 2    | 1-630-010021-03 | RING, RETAINING 1.0 HD         | 1    |
| 3    | 108628          | SCREW HX CP 5/16-18UNCX2-1/4   | 2    |
| 4    | 122917          | SPRING COMPRESSION, 4-1/2 MONO | 1    |
| 5    | 144048          | NUT, SQ 5/8-11 GR5             | 1    |
| 6    | 165258          | HANDLE, DEPTH STOP             | 1    |
| 7    | 165259          | STOP, HANDLE LONG              | 1    |
| 8    | 165260          | STOP, HANDLE SHORT             | 1    |
| 9    | 166717          | SQ TUBE, FLOATING              | 1    |
| 10   | 174708          | PIN, DEPTH STOP                | 1    |
| 11   | 174709          | SQ TUBE, DEPTH STOP            | 1    |
| 12   | 192815          | SQ TUBE, DEPTH STOP 84-1/2"    | 1    |

# Leveler Assembly Manual

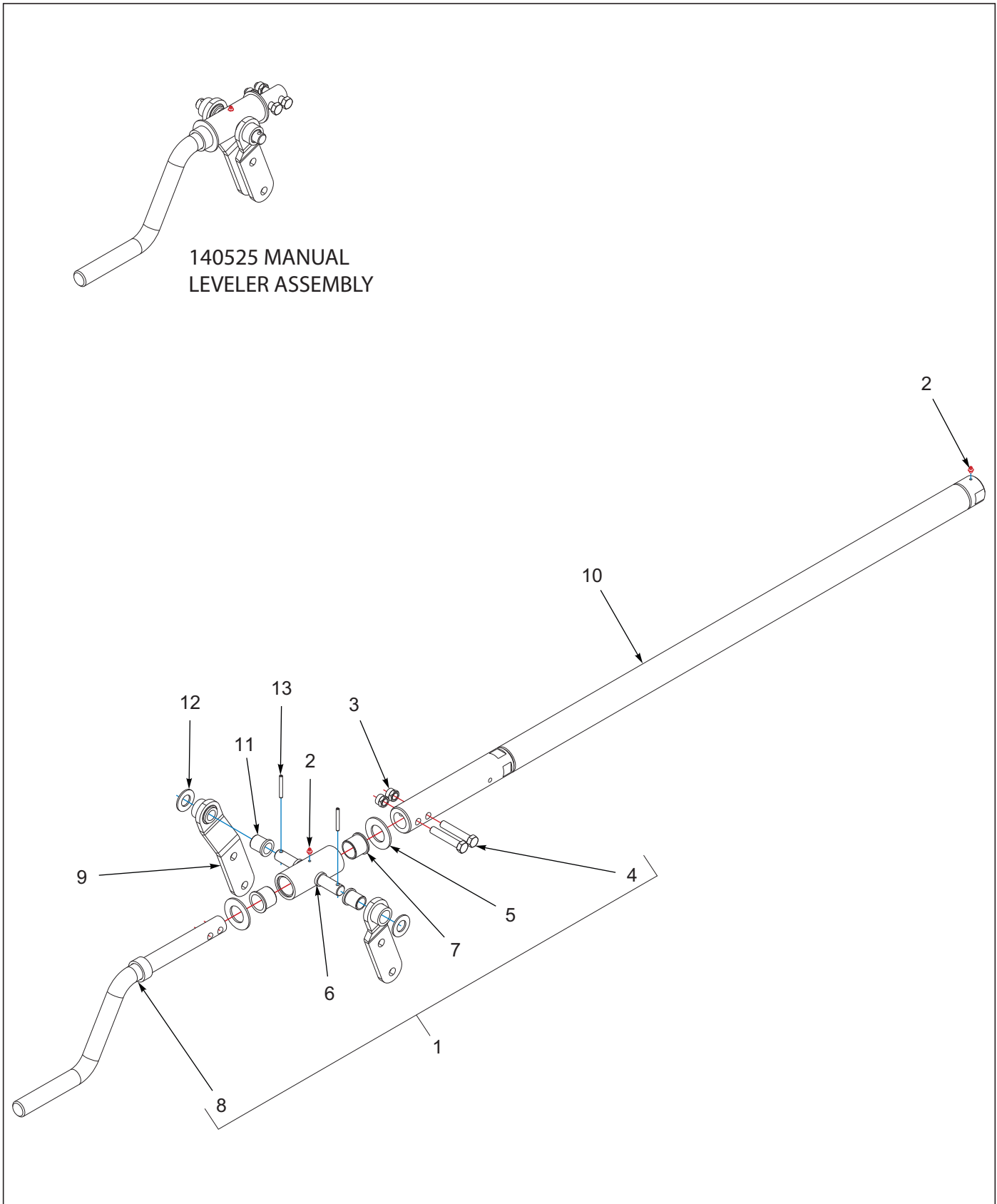
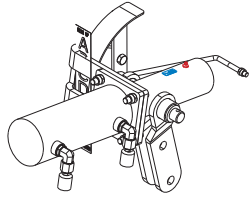


Figure 2-4: Leveler Assembly Manual

## Leveler Assembly Manual

| ITEM | PART NUMBER     | DESCRIPTION   | QTY. |
|------|-----------------|---|------|
| 1    | 140525          | LEVELER ASSY, MANUAL <b>(INCLUDES ITEMS 2-9)</b>        | 1    |
| 2    | 1-298-010001-1  | ZERK FITTING 1/4 SAE                                    | 2    |
| 3    | 1-512-010005-13 | NUT,HEX SLFLKG GRB 5/8-11                               | 2    |
| 4    | 1-654-010059-11 | SCREW,HX CP 5/8-11UNCX3.5GR5                            | 2    |
| 5    | 1-861-010032-32 | WASHER FLAT ZP/CD 1-1/2                                 | 2    |
| 6    | 140598          | CROSS, LEVELER WLDMT                                    | 1    |
| 7    | 140599          | BEARING, FLANGE 1-1/2"                                  | 2    |
| 8    | 140630          | HANDLE, LEVELER WLDMT                                   | 1    |
| 9    | 142645          | BRACKET WLDMT LEVELER CROSS MA <b>(INCLUDE ITEM 11)</b> | 2    |
| 10   | 183914          | TUBE, LEVELER 71" WLDMT                                 | 1    |
| 11   | 2-073-010012    | BEARING FLANGE  | 2    |
| 12   | 1-861-010032-24 | WASHER FL 1IN NARROW ZP                                 | 2    |
| 13   | 1-647-010004240 | PIN,SPRING,SLOTTED,5/16X2-1/2                           | 2    |

# Leveler Assembly Hydraulic



192869 HYDRAULIC  
LEVELER ASSEMBLY

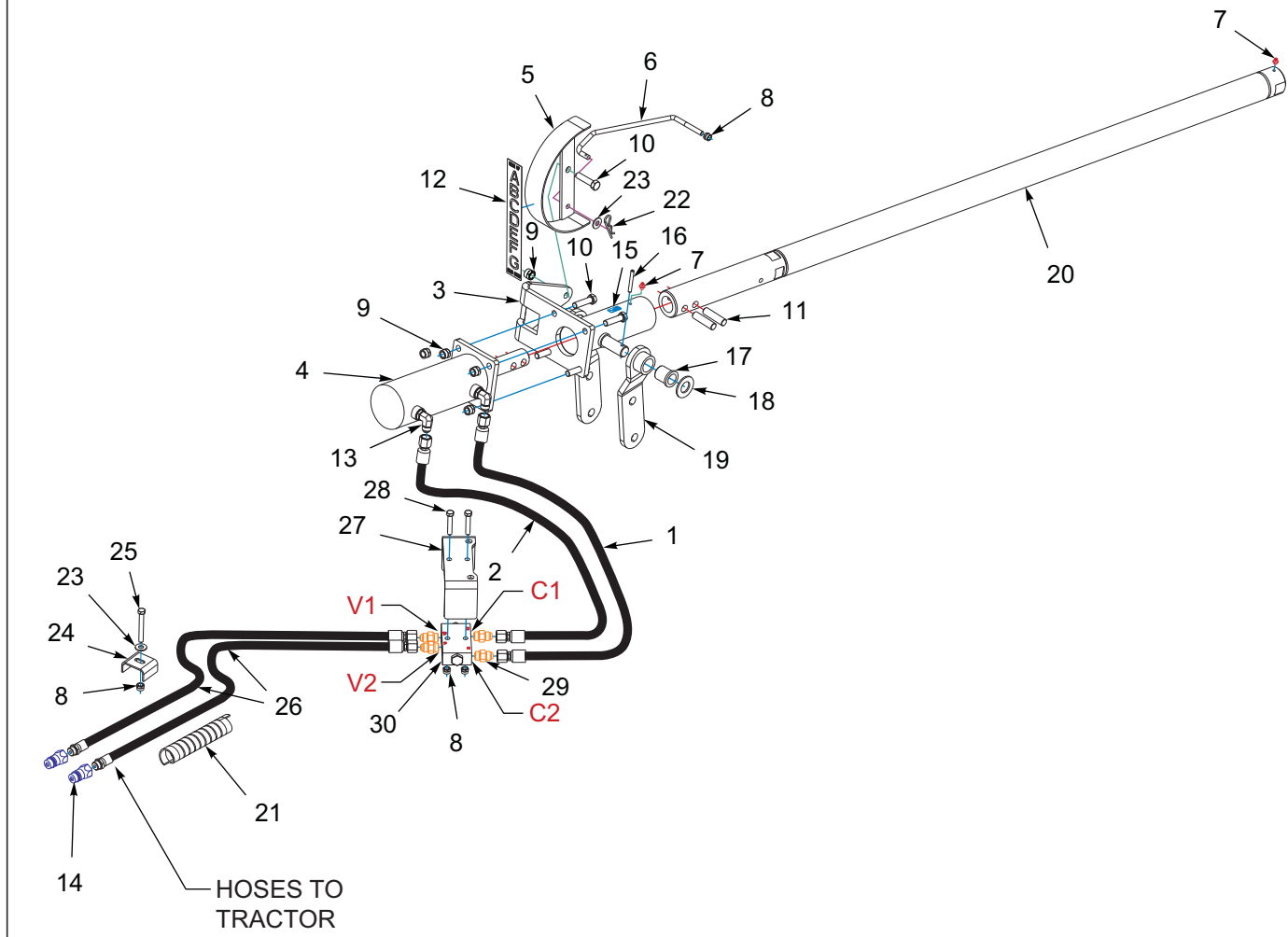


Figure 2-5: Leveler Assembly Hydraulic

## Leveler Assembly Hydraulic

| ITEM | PART NUMBER     | DESCRIPTION  | QTY. |
|------|-----------------|--|------|
| --   | 192869          | LEVELER ASSEMBLY, HYDRAULIC (INCLUDE ITEM 1-12, 14-15, 17, 19, 21-26, 28-30) |      |
| 1    | 116489          | HOSE ASSY 3/8X64 #8 JIC SW   | 1    |
| 2    | 123547          | HOSE ASSY 3/8X56 #8 JIC SWIVL  | 1    |
| 3    | 140625          | CROSS, LEVELER   | 1    |
| 4    | 140631          | CYLINDER, 3-1/2 X 6 (SEE PAGE 5-4)   | 1    |
| 5    | 141241          | GAUGE, LEVEL INDICATOR   | 1    |
| 6    | 141242          | ROD, LEVEL INDICATOR   | 1    |
| 7    | 1-298-010001-1  | ZERK FITTING 1/4   | 1    |
| 8    | 1-512-010005-05 | NUT, HEX LOCK 3/8-16 GRB   | 3    |
| 9    | 1-512-010005-09 | NUT, HEX LOCK 1/2-13 GRB   | 5    |
| 10   | 1-654-010055-05 | SCREW, HEX HEAD CAP 1/2-13 X 2 GR5   | 5    |
| 11   | 140627          | PIN, LEVELER   | 2    |
| 12   | 141263          | DECAL, LEVEL INDICATOR   | 1    |
| 13   | 141827          | ELBOW 90 W/ 1/32 RESTRICTOR  | 2    |
| 14   | 141828          | COUPLER, MALE 3/4-16   | 2    |
| 15   | 2-573-010330-03 | DECAL, LUBRICATION 50 HOURS  | 1    |
| 16   | 1-647-010004240 | PIN SPRING SLOTTED 5/16 X 2-1/2  | REF  |
| 17   | 2-073-010012    | BEARING FLANGE   | 2    |
| 18   | 1-861-010032-24 | WASHER, FLAT 1N  | REF  |
| 19   | 142646          | LEVELER CROSS BRACKET WLDMT (INCLUDE ITEM 17)                                | 2    |
| 20   | 183914          | LEVELER TUBE 71"   | REF  |
| 21   | 155530          | HOSE WRAP, BLACK   | AR   |
| 22   | 1-557-010403    | HAIRPIN, 1/8   | 1    |
| 23   | 1-861-010032-11 | WASHER, FLAT 3/8W  | 2    |
| 24   | 2-181-010001    | HOSE CLAMP   | 1    |
| 25   | 1-654-010051-13 | SCREW, HEX HEAD CAP 3/8-16 X 3   | 1    |
| 26   | 174721          | HOSE ASSY 3/8,8JICX80-RINGX140   | 2    |
| 27   | 174695          | CLAMP, HOSE HOLDER   | REF  |
| 28   | 1-654-010051-09 | SCREW, HEX HEAD CAP 3/8-16 X 2 GR5   | 2    |
| 29   | 202702-8-8S     | ADAPTER  | 4    |
| 30   | 124696          | VALVE, DOUBLE PILOT CHECK  | 1    |

## Hitch Assemblies

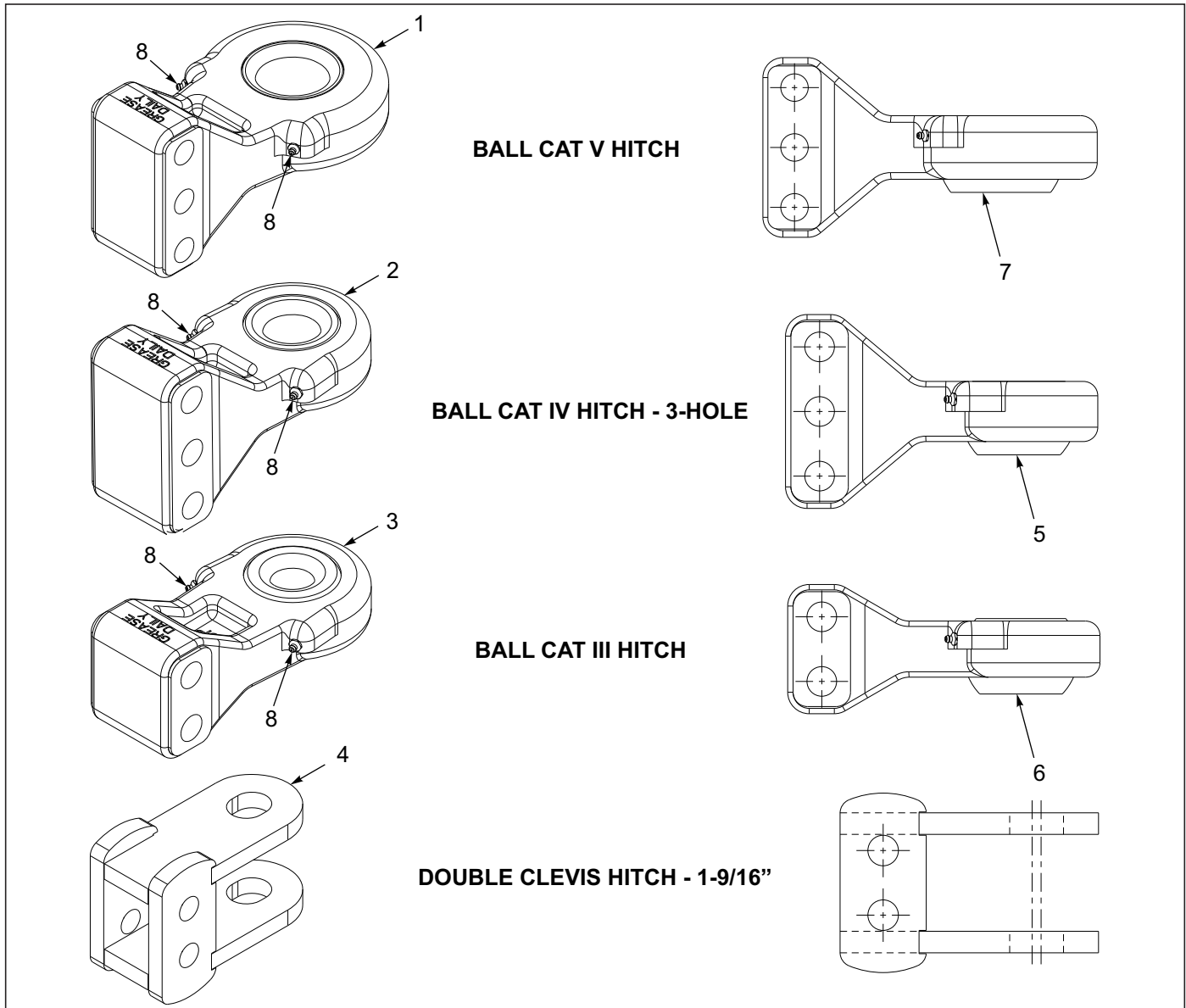


Figure 2-6: Hitch Assemblies

## Hitch Assemblies

| ITEM | PART NUMBER    | DESCRIPTION                                    | QTY. |
|------|----------------|--|------|
| 1    | 177032         | HITCH, BALL V                                  | 1    |
| 2    | 189451         | HITCH, BALL CAT IV, 3-HOLE                     | 1    |
| 3    | 177030         | HITCH, BALL CAT III                            | 1    |
| 4    | 161550         | HITCH CLEVIS, DOUBLE 1-9/16"                   | 1    |
| 5    | 189454         | BUSHING, SPHERICAL, 2" ID (STANDARD CAT IV)    | 1    |
| 5    | 189453         | BUSHING, SPHERICAL, 1-1/2" ID                  | 1    |
| 6    | 189453         | BUSHING, SPHERICAL 1-1/2 ID                    | 1    |
| 7    | 189468         | BUSHING, SPHERICAL, 2-3/4" ID (STANDARD CAT V) | 1    |
| 7    | 189467         | BUSHING, SPHERICAL 2 ID                        | 1    |
| 8    | 1-298-010001-1 | ZERK FITTING 1/4 SAE                           | 1    |

## Jack Assembly

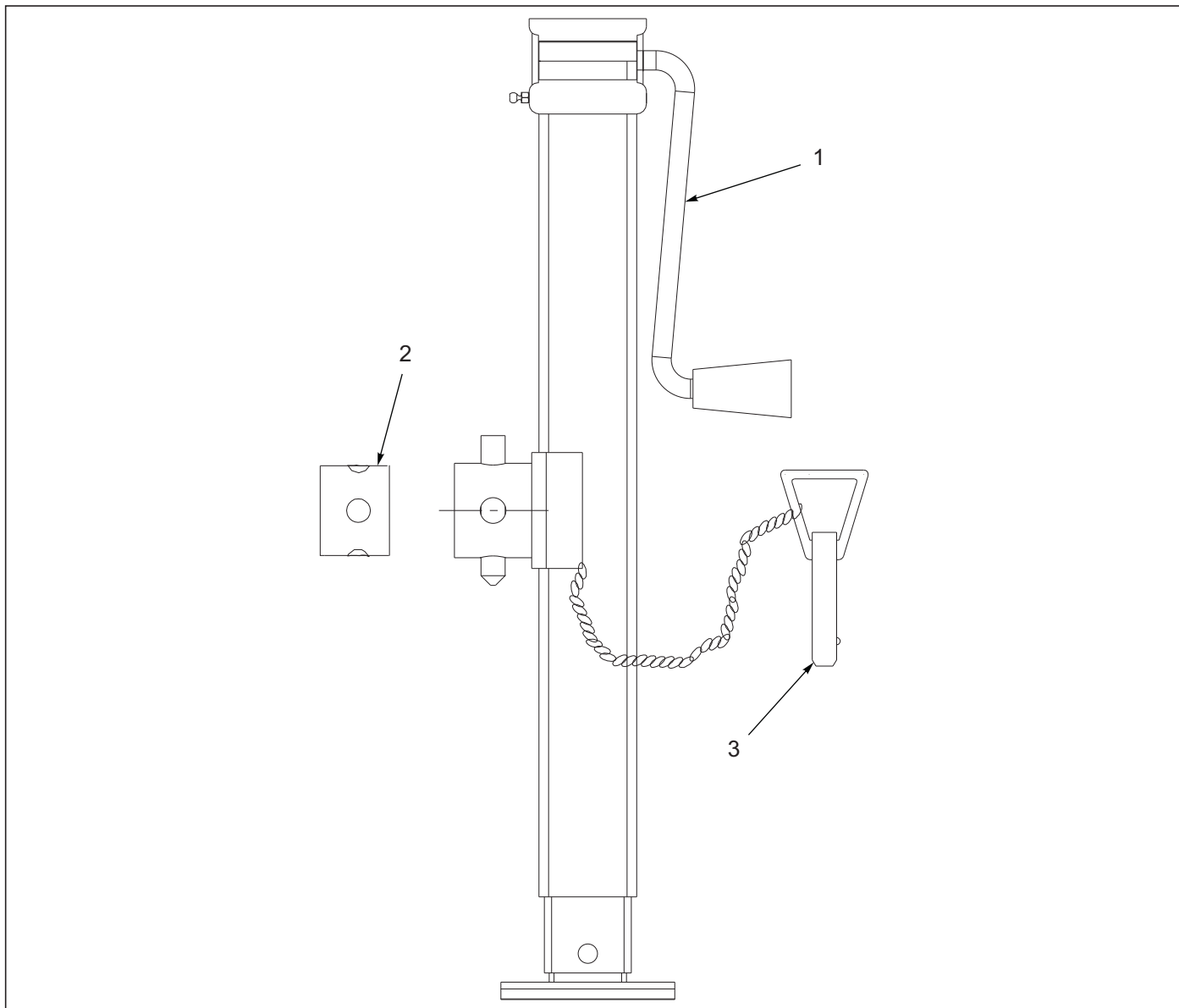


Figure 2-7: Jack Assembly

## Jack Assembly

| ITEM | PART NUMBER | DESCRIPTION   | QTY. |
|------|-------------|---|------|
| --   | 140647      | JACK, SIDEWIND 7000LB                                     |      |
| 1    | 500171      | HANDLE FOR JACK ( <b>HAMMERBLOW</b> )                     | 1    |
| 2    | 141250      | TUBE, ROUND JACK MOUNT ( <b>WELD TO IMPLEMENT FRAME</b> ) | 1    |
| 3    | 142194      | 5/8" PIN  | 1    |

# Disc Gang Assemblies

## Disc Gang Assembly 24" & 26" (8-3/4" Spacing)

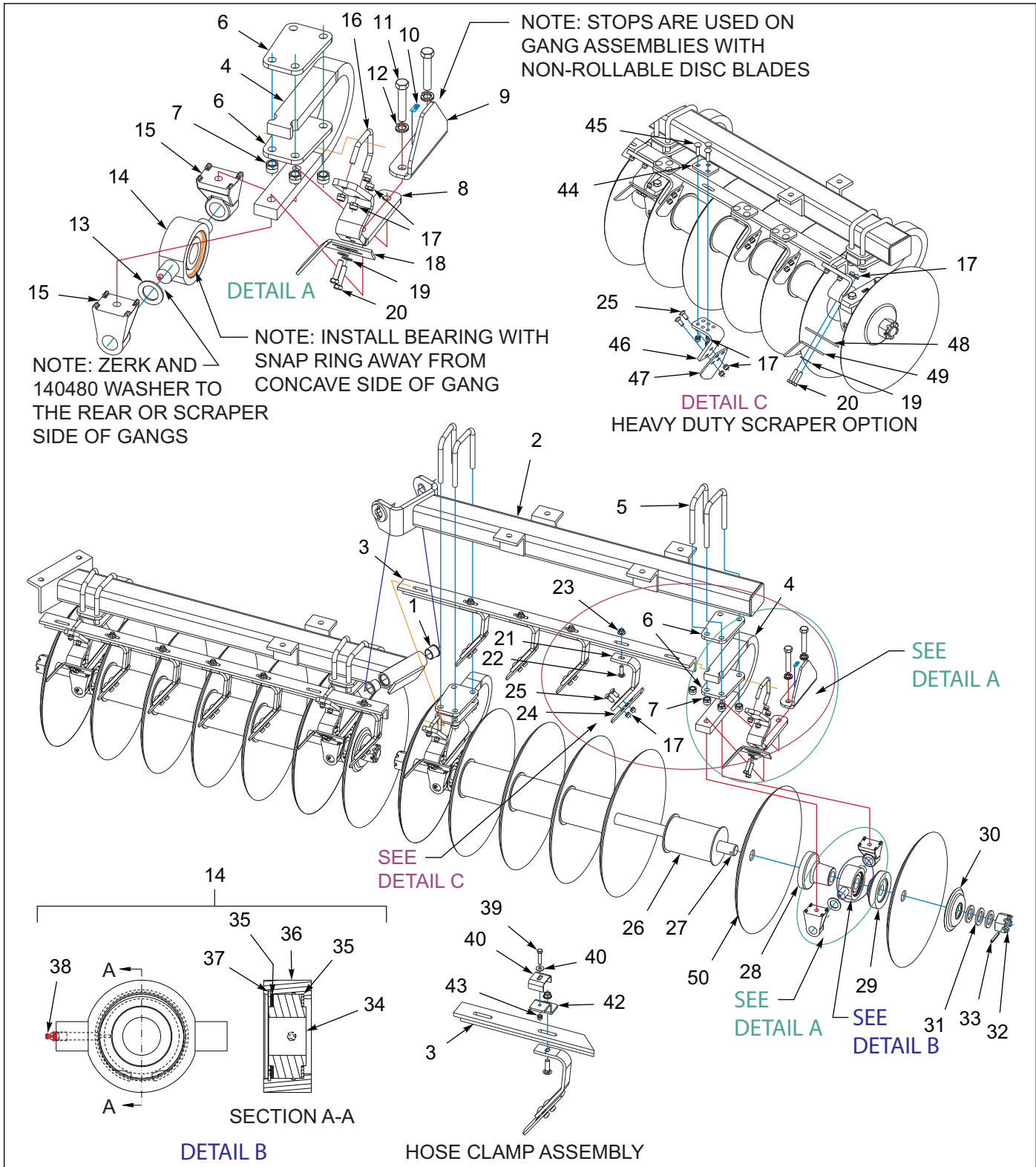


Figure 3-1: Disc Gang Assembly 24" & 26" (8-3/4" Spacing)



## Disc Gang Assembly 24" & 26" (8-3/4" Spacing)

| ITEM | PART NUMBER     | DESCRIPTION  | QTY. |
|------|-----------------|--|------|
| 1    | 140599          | BEARING, FLANGE 1-1/2  |      |
| 2    | -----           | GANG BAR ( <b>SEE PAGES 3-13 THRU 3-45</b> )   | REF  |
| 3    | -----           | SCRAPER BAR ( <b>SEE PAGES 3-13 THRU 3-45</b> )  | REF  |
| 4    | 140481          | SHANK, DISC BEARING, RIGHT ( <b>USED RIGHT FRONT AND LEFT REAR GANGS</b> )   |      |
| 4    | 140482          | SHANK, DISC BEARING, LEFT ( <b>USED LEFT FRONT AND RIGHT REAR GANGS</b> ) (NOT SHOWN)  |      |
| 5    | 140484          | U-BOLT, 3/4 X 5  |      |
| 6    | 140483          | PLATE, DISC SHANK MOUNT  |      |
| 7    | 1-512-010005-15 | NUT,HEX,SLFLKG GRB 3/4-10  |      |
| 8    | 140490          | MOUNT, SCRAPER BAR RIGHT ( <b>USED RIGHT FRONT AND LEFT REAR GANGS</b> )   |      |
| 8    | 140491          | MOUNT, SCRAPER BAR LEFT ( <b>USED LEFT FRONT AND RIGHT REAR GANGS</b> ) (NOT SHOWN)  |      |
| 9    | 143988          | STOP, DISC SHANK   |      |
| 10   | 2-573-010330-02 | DECAL, LUBRICATION 10 HOURS  |      |
| 11   | 1-654-010032-09 | SCREW HEX CAP 3/4-10X3 GR8   |      |
| 11   | 114029          | SCREW HX CAP 3/4-10X4 GR8 ( <b>USED ON NON-ROLLABLE GANGS ONLY</b> )   |      |
| 12   | 1-861-010034-17 | WASHER,LKG,HLCL SPR,3/4  |      |
| 13   | 140480          | WASHER, TRUNNION   |      |
| 14   | 140477          | BEARING, DISC 1.775 ID ASSY ( <b>INCLUDES ITEMS 34-38</b> )  |      |
| 15   | 140479          | MOUNT, TRUNNION  |      |
| 16   | 140487          | UBOLT, SCRAPER BAR MOUNT   |      |
| 17   | 1-512-010005-09 | NUT,HEX,SLFLKG, 1/2-13 GRB   |      |
| 18   | 140492          | SCRAPER, DUAL RIGHT ( <b>USE W/ 140465, 142662, &amp; 141871</b> ) ( <b>USED RIGHT FRONT AND LEFT REAR GANGS</b> )           |      |
| 18   | 195694          | SCRAPER, DUAL RIGHT, 28 X 8-3/4 ( <b>USE W/ 169575</b> )   |      |
| 18   | 140493          | SCRAPER, DUAL LEFT ( <b>USE W/ 140465, 142662 &amp; 141871</b> ) ( <b>USED LEFT FRONT AND RIGHT REAR GANGS</b> ) (NOT SHOWN) |      |
| 18   | 195695          | SCRAPER, DUAL LEFT, 28 X 8-3/4 ( <b>USE W/ 169575</b> ) (NOT SHOWN)  |      |
| 19   | 1-861-010032-14 | WASHER, FLAT 1/2" N ZP/CD  |      |
| 20   | 1-654-010055-05 | SCREW,HEX CAP,1/2-13UNCX2 GR5  |      |
| 21   | 172724          | ARM, SCRAPER   |      |
| 22   | 160161          | SHAKER BOLT1/2-13X1-3/4 GR8ZP  |      |
| 23   | 172509          | NUT,1/2-13 WIDE FLNG TOP LCK F   |      |
| 24   | 140488          | SCRAPER, 4-1/2" ( <b>USED W/ 140465, 142662, &amp; 141871</b> )  |      |
| 24   | 191444          | SCRAPER, 4-1/2" IN LC ( <b>USED W/ 169575</b> )  |      |
| 25   | 1-654-010070-02 | SCREW 1/2-13X1-1/4 RD HD SQNK  |      |
| 26   | 140496          | SPOOL WLDMT, 8-3/4"  |      |
| 27   | -----           | GANG SHAFT ( <b>SEE PAGES 3-13 THRU 3-45</b> )   | REF  |
| 28   | 140486          | HALF SPOOL, CONVEX   |      |
| 29   | 140485          | HALF SPOOL, CONCAVE  |      |
| 30   | 140469          | END COLLAR   |      |
| 31   | 141154          | WASHER, GANG SHAFT   |      |
| 32   | 23085           | NUT, HEX SLOTTED 1-3/4 - 5   |      |
| 33   | 1-647-010004257 | PIN, SPRING SLOTTED 3/8 X 2-1/2  |      |
| 34   | 140464          | BEARING, DISC 1.775ID  |      |
| 35   | 140473          | WASHER, BEARING  |      |

## Disc Gang Assembly 24" & 26" (8-3/4" Spacing)

| ITEM | PART NUMBER     | DESCRIPTION  | QTY. |
|------|-----------------|--|------|
| 36   | 140475          | CASTING, TRUNNION  |      |
| 37   | 140476          | INTERNAL RETAINING RING  |      |
| 38   | 5000            | ZERK FITTING 1/8NPT  |      |
| 39   | 1-654-010051-07 | SCREW,HEX CAP,3/8-16UNCX1-1/2  |      |
| 40   | 1-861-010032-11 | WASHER, FLAT 3/8 W ZP/CD   |      |
| 41   | 2-181-010001    | HOSE CLAMP   |      |
| 42   | 141275          | BRACKET, HOSE CLAMP  |      |
| 43   | 1-512-010005-05 | NUT, HEX, SLFLKG GRB 3/8-16  |      |
| 44   | 161524          | CLAMP, SCRAPER   |      |
| 45   | 1-654-010070-05 | SCREW,RDHD SQNCK 1/2-13X2 GR5  |      |
| 46   | 161523          | ARM, SCRAPER   |      |
| 47   | 161522          | SCRAPER BLADE <b>(USED WITH 140465 24" DISC BLADES)</b>  |      |
| 47   | 211018          | BLADE, SCRAPER <b>(USED WITH 169575 26" DISC BLADES)</b>   |      |
| 48   | 174329          | SCRAPER, DUAL ADJ BACK   |      |
| 49   | 174330          | SCRAPER, DUAL ADJ RIGHT <b>(USED WITH 140465 24" DISC BLADES) (USED ON RIGHT FRONT &amp; LEFT REAR GANGS)</b>            |      |
| 49   | 211016          | SCRAPER, DUAL ADJ RIGHT <b>(USED WITH 169575 26" DISC BLADES) (USED ON RIGHT FRONT &amp; LEFT REAR GANGS)</b>            |      |
| 49   | 174331          | SCRAPER, DUAL ADJ LEFT <b>(NOT SHOWN) (USED WITH 140465 24" DISC BLADES) (USED ON LEFT FRONT &amp; RIGHT REAR GANGS)</b> |      |
| 49   | 211017          | SCRAPER, DUAL ADJ LEFT <b>(NOT SHOWN) (USED WITH 169575 26" DISC BLADES) (USED ON LEFT FRONT &amp; RIGHT REAR GANGS)</b> |      |
| 50   | -----           | DISC BLADE <b>(SEE PAGES 3-13 THRU 3-45)</b>   |      |



# Disc Gang Assembly 24" (7" Spacing)

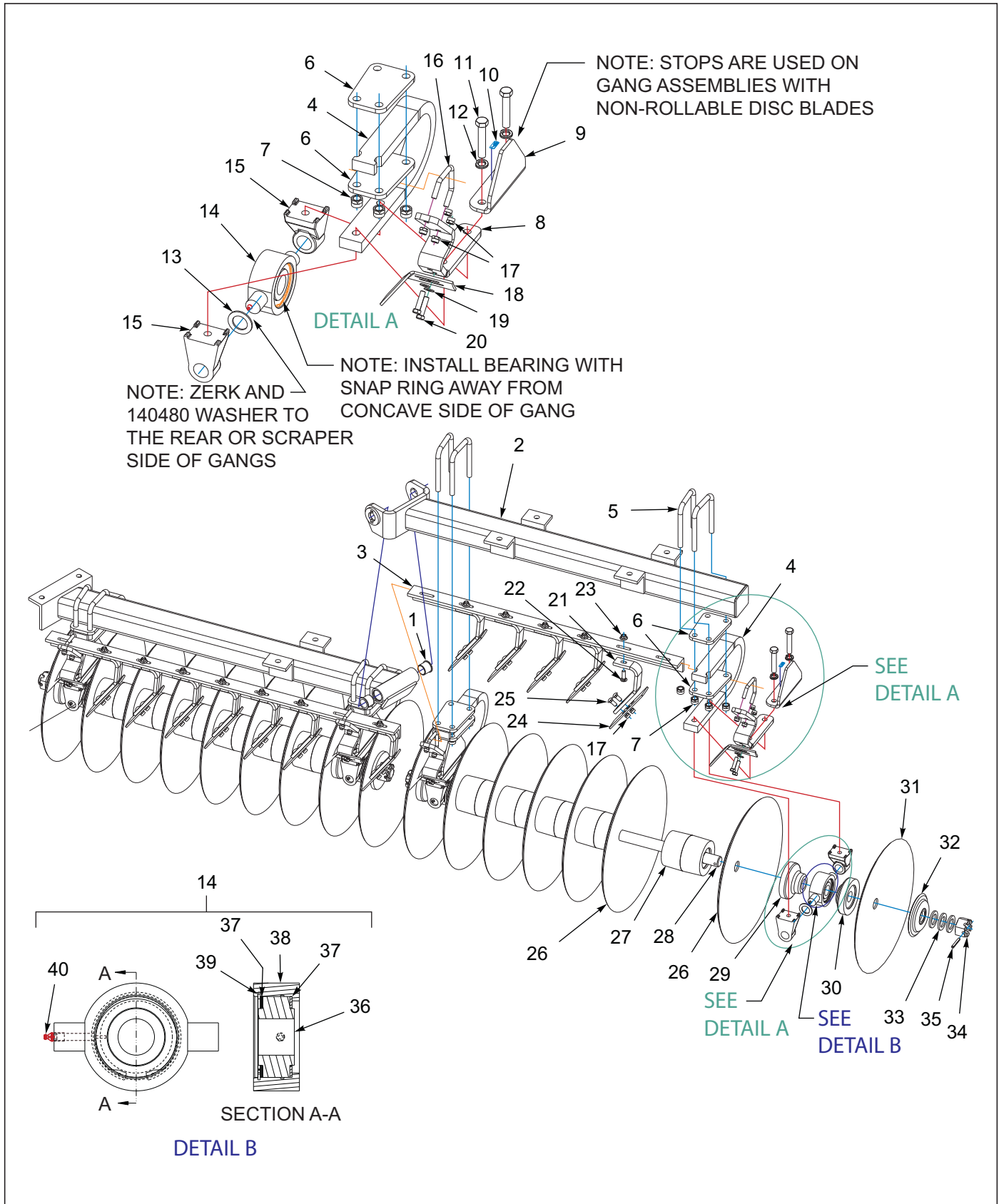


Figure 3-2: Disc Gang Assembly 24" (7" Spacing)

## Disc Gang Assembly 24" (7" Spacing)

| ITEM | PART NUMBER     | DESCRIPTION  | QTY. |
|------|-----------------|--|------|
| 1    | 140599          | BEARING, FLANGE 1-1/2  |      |
| 2    | -----           | GANG BAR ( <b>SEE PAGES 3-13 THRU 3-45</b> )   | REF  |
| 3    | -----           | SCRAPER BAR ( <b>SEE PAGES 3-13 THRU 3-45</b> )  | REF  |
| 4    | 140481          | SHANK, DISC BEARING, RIGHT ( <b>USED RIGHT FRONT AND LEFT REAR GANGS</b> )   |      |
| 4    | 140482          | SHANK, DISC BEARING, LEFT ( <b>USED LEFT FRONT AND RIGHT REAR GANGS</b> ) ( <b>NOT SHOWN</b> )                           |      |
| 5    | 140484          | U-BOLT, 3/4 X 5  |      |
| 6    | 140483          | PLATE, DISC SHANK MOUNT  |      |
| 7    | 1-512-010005-15 | NUT,HEX,SLFLKG GRB 3/4-10  |      |
| 8    | 140490          | MOUNT, SCRAPER BAR RIGHT ( <b>USED RIGHT FRONT AND LEFT REAR GANGS</b> )   |      |
| 8    | 140491          | MOUNT, SCRAPER BAR LEFT ( <b>USED LEFT FRONT AND RIGHT REAR GANGS</b> ) ( <b>NOT SHOWN</b> )                             |      |
| 9    | 143988          | STOP, DISC SHANK   |      |
| 10   | 2-573-010330-02 | DECAL, LUBRICATION 10 HOURS  |      |
| 11   | 1-654-010032-09 | SCREW HEX CAP 3/4-10X3 GR8   |      |
| 11   | 114029          | SCREW HX CAP 3/4-10X4 GR8  |      |
| 12   | 1-861-010034-17 | WASHER,LKG,HLCL SPR,3/4  |      |
| 13   | 140480          | WASHER, TRUNNION   |      |
| 14   | 140477          | BEARING, DISC 1.775 ID ASSY ( <b>INCLUDES ITEMS 36-40</b> )  |      |
| 15   | 140479          | MOUNT, TRUNNION  |      |
| 16   | 140487          | UBOLT, SCRAPER BAR MOUNT   |      |
| 17   | 1-512-010005-09 | NUT,HEX,SLFLKG, 1/2-13 GRB   |      |
| 18   | 180140          | SCRAPER, DUAL RT, 7-24" LC ( <b>USE W/ 140465, 142662, &amp; 141871</b> )( <b>USED RIGHT FRONT AND LEFT REAR GANGS</b> ) |      |
| 18   | 180141          | SCRAPER, DUAL LT, 7-24" LC ( <b>NOT SHOWN</b> )  |      |
| 19   | 1-861-010032-14 | WASHER, FLAT 1/2" N ZP/CD  |      |
| 20   | 1-654-010055-05 | SCREW,HEX CAP,1/2-13UNCX2 GR5  |      |
| 21   | 172724          | ARM, SCRAPER   |      |
| 22   | 160161          | SHAKER BOLT1/2-13X1-3/4 GR8ZP  |      |
| 23   | 172509          | NUT,1/2-13 WIDE FLNG TOP LCK F   |      |
| 24   | 140488          | SCRAPER, 4-1/2" ( <b>USED W/ 140465, 142662, &amp; 141871</b> )  |      |
| 24   | 191444          | SCRAPER, 4-1/2" IN LC ( <b>USED W/ 169575</b> )  |      |
| 25   | 1-654-010070-02 | SCREW 1/2-13X1-1/4 RD HD SQNK  |      |
| 26   | 161530          | OSM DISC BLD, 24X1/4 1-3/4 ID ( <b>NON ROLLABLE</b> )  |      |
| 26   | 172076          | DISC BLADE, 24"X1/4", 1-3/4"ID ( <b>ROLLABLE</b> )   |      |
| 27   | 154668          | SPOOL, CAST 7 SP ( <b>FRONT GANG</b> )   |      |
| 27   | 153652          | SPOOL WLDMT, 7 SP ( <b>REAR GANG</b> )   |      |
| 28   | -----           | GANG SHAFT ( <b>SEE PAGES 3-13 THRU 3-45</b> )   | REF  |
| 29   | 153651          | HALF SPOOL, CONVEX 7 SP  |      |
| 30   | 140485          | HALF SPOOL, CONCAVE  |      |
| 31   | 155617          | DISC BLADE,22"X1/4" 1-3/4 ID ( <b>NON ROLLABLE</b> )   |      |
| 31   | 155618          | DISC BLADE,22"X1/4" 1-3/4 ID ( <b>ROLLABLE</b> )   |      |
| 32   | 140469          | END COLLAR   |      |
| 33   | 141154          | WASHER, GANG SHAFT   |      |
| 34   | 23085           | NUT, HEX SLOTTED 1-3/4 - 5   |      |
| 35   | 1-647-010004257 | PIN, SPRING SLOTTED 3/8 X 2-1/2  |      |
| 36   | 140464          | BEARING, DISC 1.775ID  |      |

---

## Disc Gang Assembly 24" (7" Spacing)

---

| ITEM | PART NUMBER | DESCRIPTION             | QTY. |
|------|-------------|-------------------------|------|
| 37   | 140473      | WASHER, BEARING         |      |
| 38   | 140475      | CASTING, TRUNNION       |      |
| 39   | 140476      | INTERNAL RETAINING RING |      |
| 40   | 5000        | ZERK FITTING 1/8NPT     |      |



# Disc Gang Assembly 28" X 5/16" (8-3/4" & 10-1/2" Spacing)

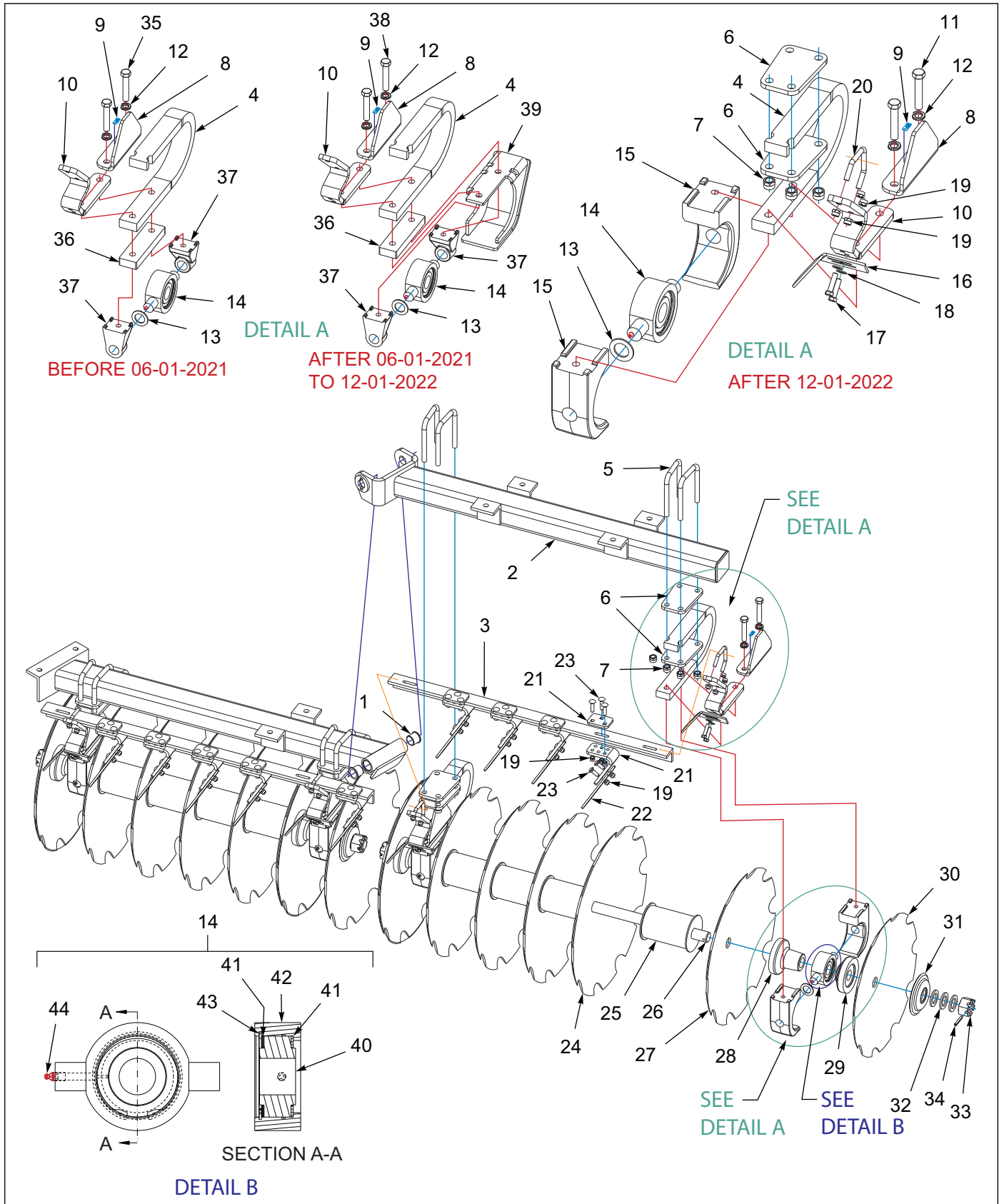


Figure 3-3: Disc Gang Assembly 28" X 5/16" (8-3/4" & 10-1/2" Spacing)



## Disc Gang Assembly 28" X 5/16" (8-3/4" & 10-1/2" Spacing)

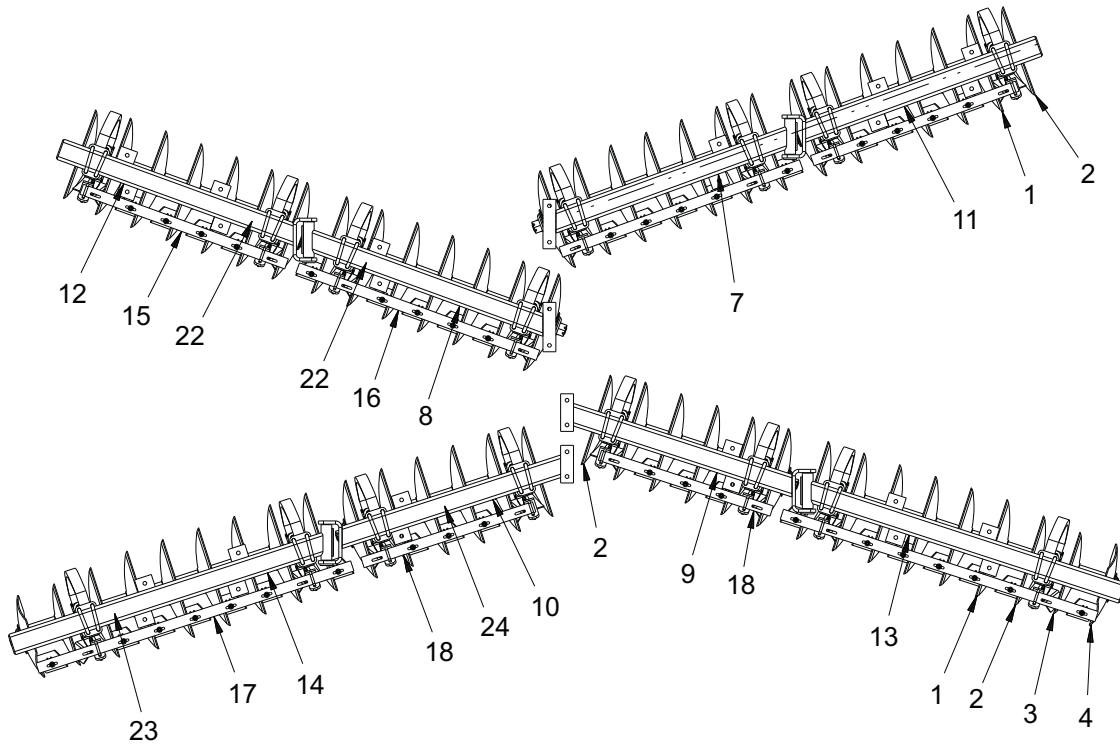
| ITEM | PART NUMBER     | DESCRIPTION   | QTY. |
|------|-----------------|---|------|
| 1    | 140599          | BEARING, FLANGE 1-1/2"  |      |
| 2    | -----           | GANG BAR <b>(SEE PAGES 3-13 THRU 3-67)</b>                                  | REF  |
| 3    | -----           | SCRAPER BAR <b>(SEE PAGES 3-13 THRU 3-67)</b>                               |      |
| 4    | 140481          | SHANK, DISC BEARING, RIGHT<br><b>(USED RIGHT FRONT AND LEFT REAR GANGS)</b> | REF  |
| 4    | 140482          | SHANK, DISC BEARING, LEFT<br><b>(USED LEFT FRONT AND RIGHT REAR GANGS)</b>  |      |
| 5    | 140484          | U-BOLT, 3/4 X 5   |      |
| 6    | 140483          | PLATE, DISC SHANK MOUNT   |      |
| 7    | 1-512-010005-15 | NUT,HEX,SLFLKG GRB 3/4-10   |      |
| 8    | 143988          | STOP, DISC SHANK  |      |
| 9    | 2-573-010330-02 | DECAL, LUBRICATION 10 HOURS   |      |
| 10   | 140490          | MOUNT, SCRAPER BAR RIGHT<br><b>(USED RIGHT FRONT AND LEFT REAR GANGS)</b>   |      |
| 10   | 140491          | MOUNT, SCRAPER BAR LEFT<br><b>(USED LEFT FRONT AND RIGHT REAR GANGS)</b>    |      |
| 11   | 114029          | SCREW HX CAP 3/4-10X4 GR8   |      |
| 12   | 1-861-010034-17 | WASHER,LKG,HLCL SPR,3/4   |      |
| 13   | 140480          | WASHER, TRUNNION  |      |
| 14   | 140477          | BEARING, DISC 1.775 ID ASSY <b>(INCLUDES ITEMS 40-45)</b>                   |      |
| 15   | 238476          | MOUNT, TRUNNION GUARD <b>(AFTER 12-01-2022)</b>                             |      |
| 16   | 195694          | SCRAPER, DUAL RT 28X8-3/4   |      |
| 16   | 197737          | SCRAPER, DUAL LT 28X10-1/2  |      |
| 17   | 1-654-010055-05 | SCREW,HEX CAP,1/2-13UNCX2 GR5   |      |
| 18   | 1-861-010032-14 | WASHER, FLAT 1/2" N ZP/CD   |      |
| 19   | 1-512-010005-09 | NUT,HEX,SLFLKG, 1/2-13 GRB  |      |
| 20   | 140487          | UBOLT, SCRAPER BAR MOUNT  |      |
| 21   | 161524          | CLAMP, SCRAPER  |      |
| 22   | 195685          | BLADE, SCRAPER HD 28"   |      |
| 23   | 1-654-010070-05 | SCREW,RDHD SQNCK 1/2-13X2 GR5   |      |
| 24   | 195677          | DISC BLADE, 28X5/16 NOTCHED   |      |
| 24   | 195676          | DISC BLADE, 28X5/16 1-3/4 ID  |      |
| 25   | 140496          | SPOOL WLDMT, 8-3/4"   |      |
| 25   | 148364          | SPOOL WLDMT 10-1/2"   |      |
| 26   | -----           | GANG SHAFT <b>(SEE PAGES 3-13 THRU 3-67)</b>                                | REF  |
| 27   | 195691          | DISC BLADE, 26X5/16 NOTCHED   |      |
| 27   | 169575          | DISC BLADE 26"X1/4" 1-3/4" ID   |      |
| 28   | 140486          | HALF SPOOL, CONVEX  |      |
| 28   | 148363          | HALF SPOOL CONVEX   |      |
| 29   | 140485          | HALF SPOOL, CONCAVE   |      |
| 30   | 195690          | DISC BLADE, 24X5/16 NOTCHED   |      |
| 30   | 161530          | OSM DISC BLD, 24X1/4 1-3/4 ID   |      |
| 31   | 140469          | END COLLAR  |      |
| 32   | 141154          | WASHER GANG SHAFT   |      |
| 33   | 23085           | NUT HEX SLOTTED 1 3/4-5   |      |
| 34   | 1-647-010004257 | PIN,SPRING,SLOTTED 3/8X2-1/2  |      |
| 35   | 172883          | SCREW HX CP,3/4-10X5 GR8 ZP <b>(BEFORE 06-01-2021)</b>                      |      |
| 36   | 195692          | SPACER, DISC GANG <b>(BEFORE 12-01-2021)</b>                                |      |
| 37   | 140479          | MOUNT, TRUNNION <b>(BEFORE 12-01-2021)</b>                                  |      |

## Disc Gang Assembly 28" X 5/16" (8-3/4" & 10-1/2" Spacing)

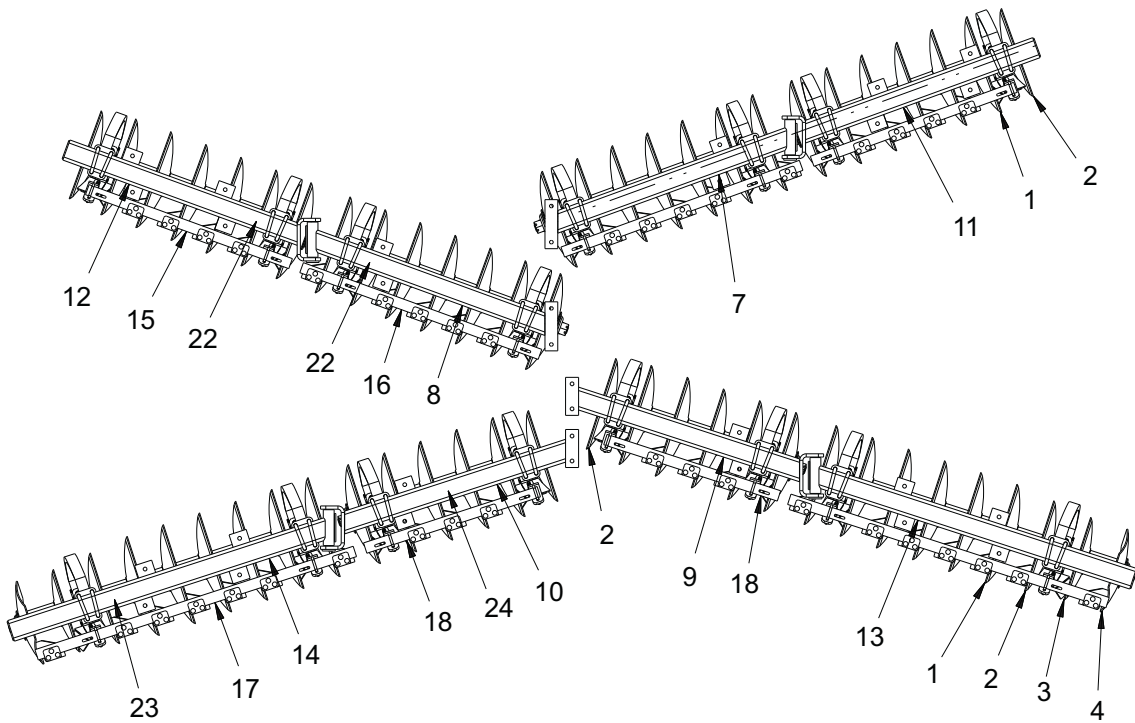
| ITEM | PART NUMBER | DESCRIPTION   | QTY. |
|------|-------------|---|------|
| 38   | 139201      | SCREW,HX CP 3/4-10UNCX5.50GR8<br><b>(AFTER 06-01-2021 TO BEFORE 06-01-2021)</b> |      |
| 39   | 187343      | WLDMT, RH BEARING GUARD<br><b>(AFTER 06-01-2021 TO BEFORE 06-01-2021)</b>       |      |
| 39   | 187348      | WLDMT, LH BEARING GUARD<br><b>(AFTER 06-01-2021 TO BEFORE 06-01-2021)</b>       |      |
| 40   | 140464      | BEARING, DISC 1.775ID   |      |
| 41   | 140473      | WASHER, BEARING   |      |
| 42   | 140475      | CASTING, TRUNNION   |      |
| 43   | 140476      | INTERNAL RETAINING RING   |      |
| 44   | 5000        | ZERK, FITTING 1/8   |      |



**Disc Gang Placement 6231-21' (24" Disc Blades)**

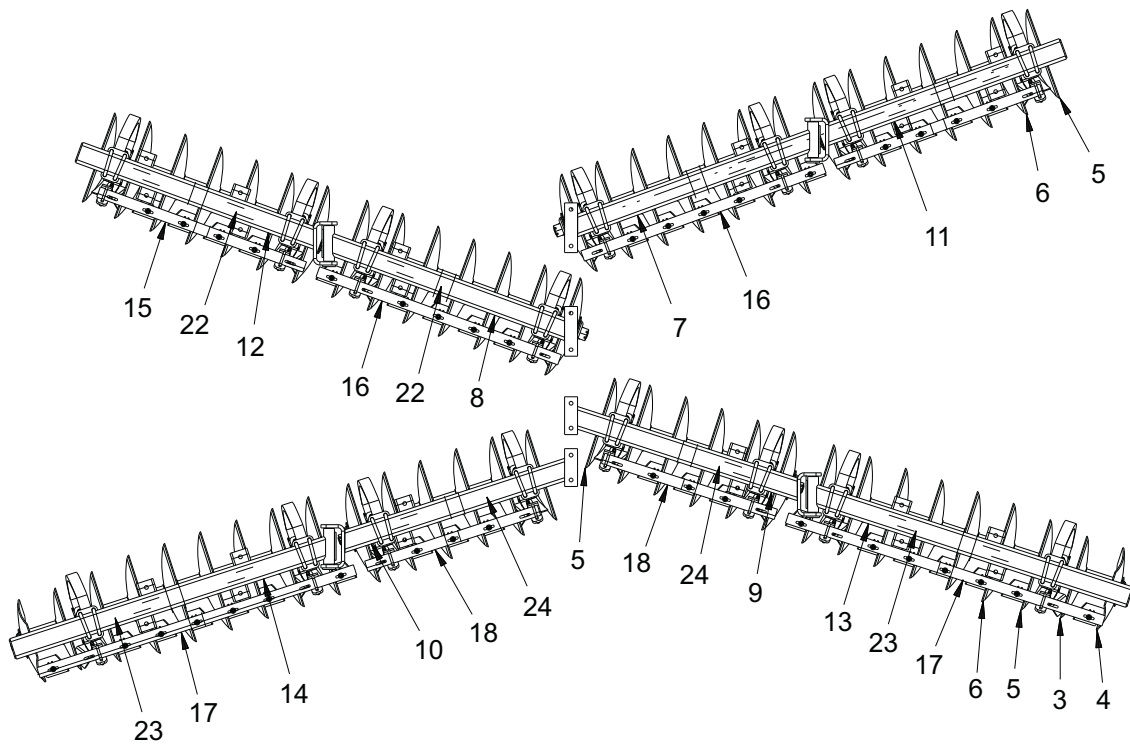


**6231-21 24" 4GA DISC BLADES (191424)**

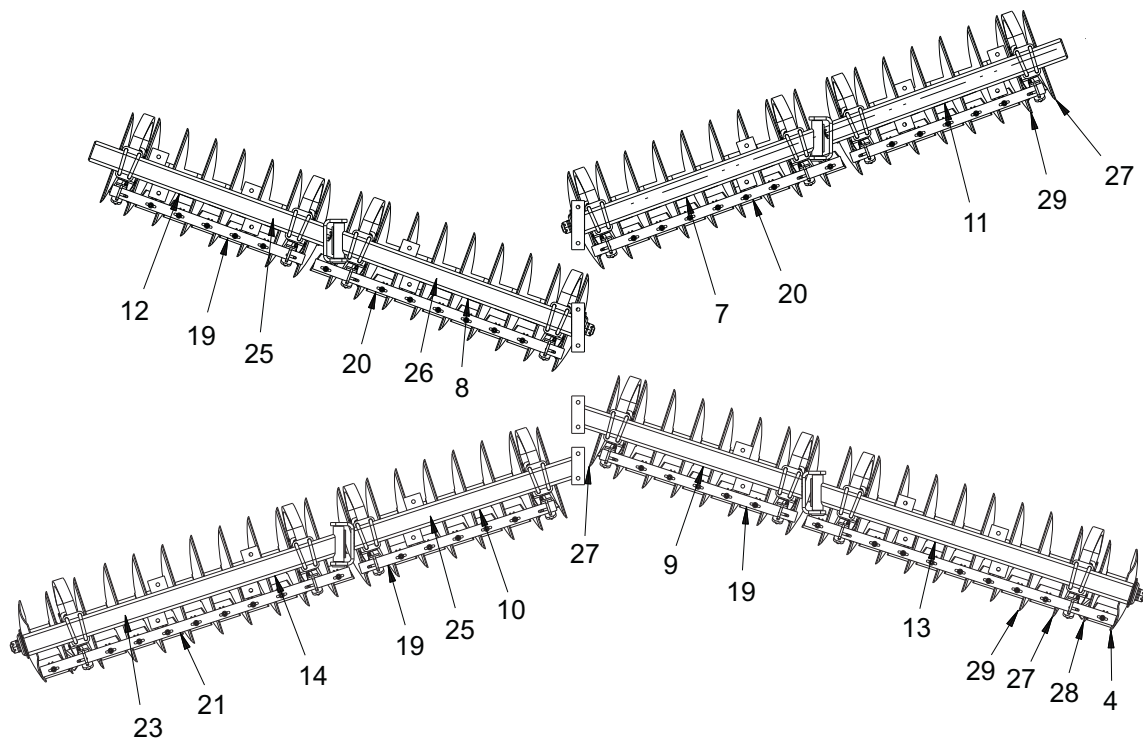


**6231-21 24" 4GA DISC BLADES W/ HEAVY DUTY SCRAPERS (195640)**

**Figure 3-4: Disc Gang Placement 6231-21' (24" Disc Blades) (1 of 3)**

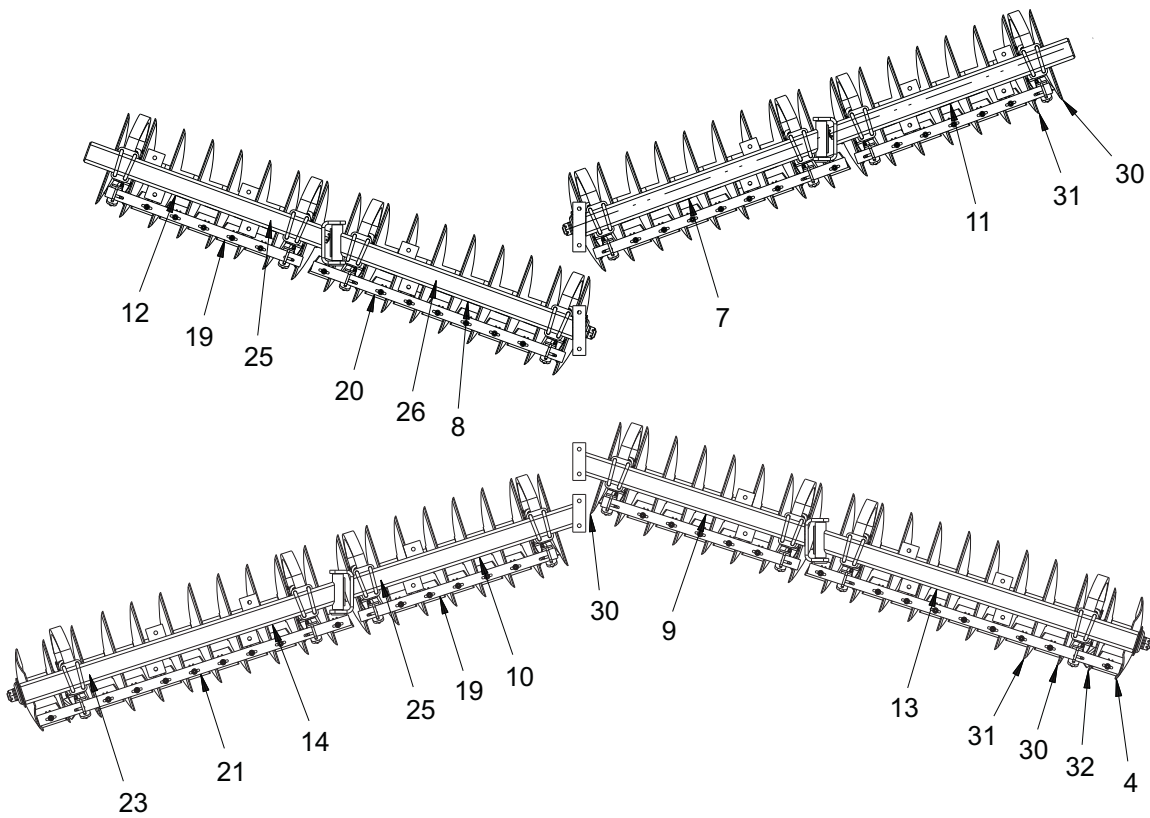


**6231-21 24" 4GA DISC BLADES - ROLLABLE (193555)**



**6231-21 24" 4GA DISC BLADES - 7 SPACING ROLLABLE (191431)**

**Figure 3-5: Disc Gang Placement 6231-21' (24" Disc Blades) (2 of 3)**



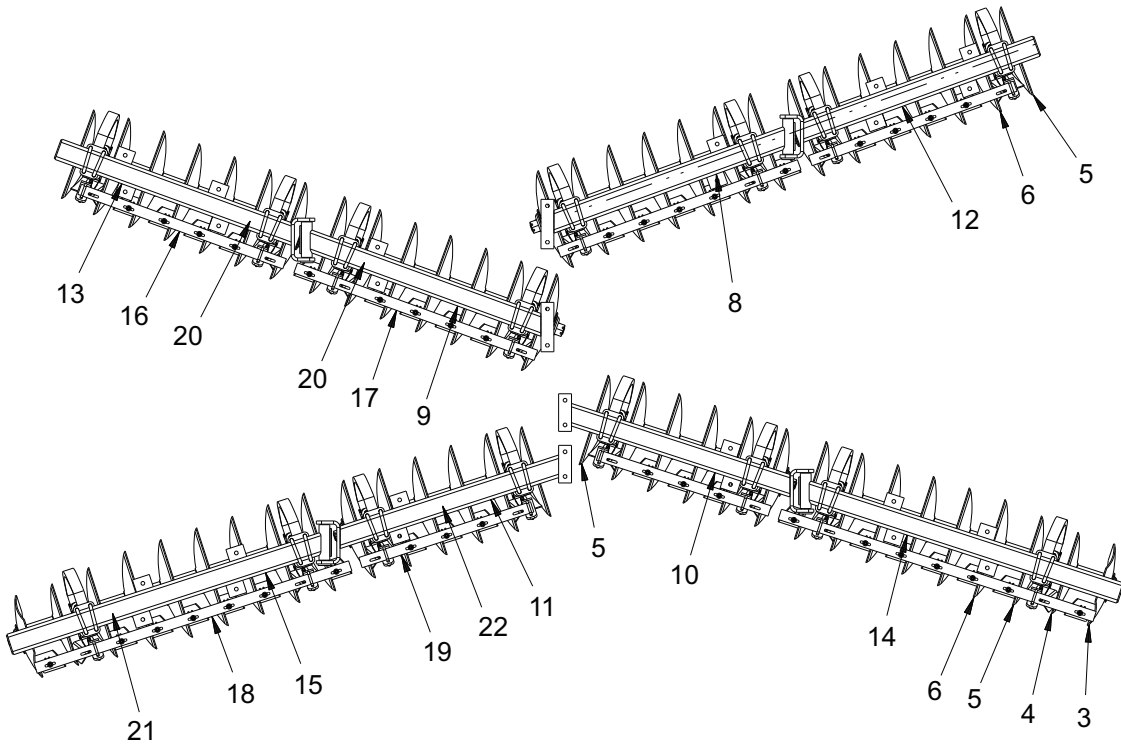
6231-21 24" 4GA DISC BLADES - 7 SPACING (198289)

Figure 3-6: Disc Gang Placement 6231-21' (24" Disc Blades) (3 of 3)

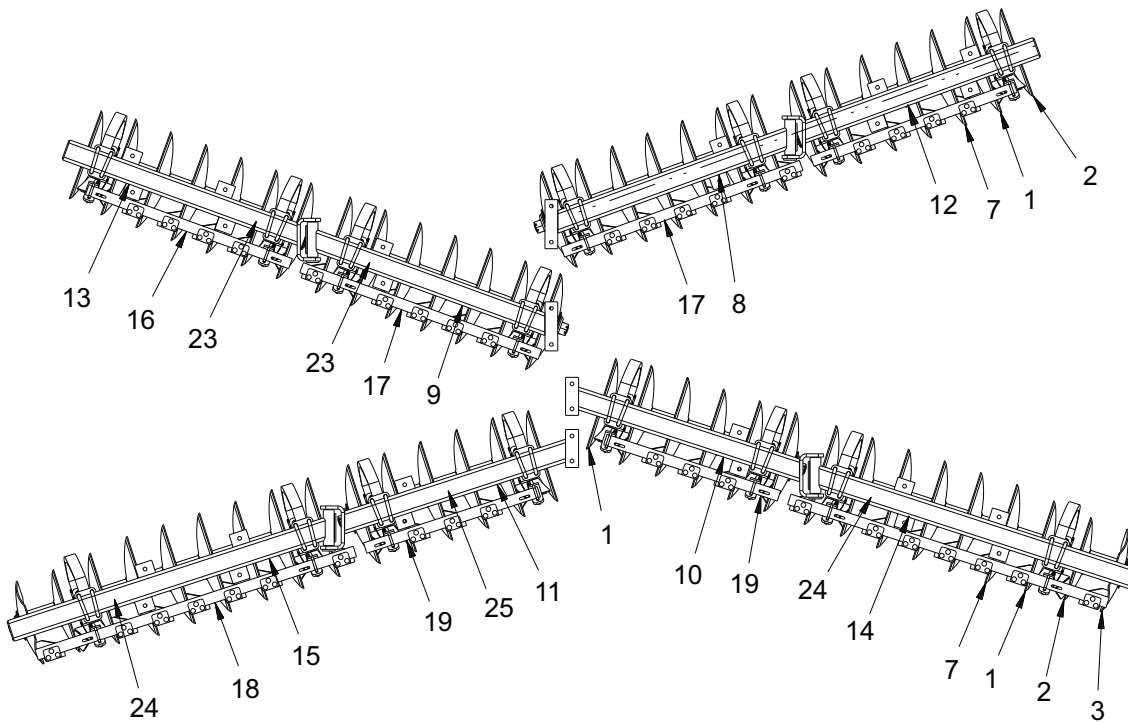
## Disc Gang Placement 6231-21' (24" Disc Blades)

| ITEM | PART NUMBER | DESCRIPTION                                | QTY. |    |    |    |    |  |
|------|-------------|--|------|----|----|----|----|--|
| --   | 191424      | GANG ASSEMBLY, 24" 4 GA                    | *    |    |    |    |    |  |
| --   | 195640      | GANG ASSEMBLY, 24" 4 GA HDS                |      | *  |    |    |    |  |
| --   | 193555      | GANG ASSY, 24" 4GA ROLL 21 (ROLLABLE)      |      |    | *  |    |    |  |
| --   | 191431      | GANG ASSY, 24" 7SP ROLL 4GA 21 (ROLLABLE)  |      |    |    | *  |    |  |
| --   | 198289      | GANG ASSEMBLY, 24" 4GA 7SP                 |      |    |    |    | *  |  |
| 1    | 140465      | DISC BLADE, 24" X 1/4" 1-3/4 ID            | 48   | 48 | -- | -- | -- |  |
| 2    | 140466      | DISC BLADE, 22" X 1/4" 1-3/4 ID            | 6    | 6  | -- | -- | -- |  |
| 3    | 140467      | DISC BLADE, 20" X 1/4" 1-3/4 ID            | 2    | 2  | 2  | -- | -- |  |
| 4    | 140468      | DISC BLADE, 20" X 1/4" 3-SIDED             | 2    | 2  | 2  | 2  | 2  |  |
| 5    | 142660      | DISC BLADE, 22" X 1/4" 1-3/4 ID (ROLLABLE) | --   | -- | 6  | -- | -- |  |
| 6    | 142662      | DISC BLADE, 24" X 1/4" 1-3/4 ID (ROLLABLE) | --   | -- | 48 | -- | -- |  |
| 7    | 193508      | GANG BAR, RCF 21'-29'                      | 1    | 1  | 1  | 1  | 1  |  |
| 8    | 193509      | GANG BAR, LCF 21'-29'                      | 1    | 1  | 1  | 1  | 1  |  |
| 9    | 193510      | GANG BAR, RCR 21'-29'                      | 1    | 1  | 1  | 1  | 1  |  |
| 10   | 193511      | GANG BAR, LCR 21'-29'                      | 1    | 1  | 1  | 1  | 1  |  |
| 11   | 193516      | GANG BAR, RWF 21'                          | 1    | 1  | 1  | 1  | 1  |  |
| 12   | 193517      | GANG BAR, LWF 21'                          | 1    | 1  | 1  | 1  | 1  |  |
| 13   | 193518      | GANG BAR, RWR 21'                          | 1    | 1  | 1  | 1  | 1  |  |
| 14   | 193519      | GANG BAR, LWR 21'                          | 1    | 1  | 1  | 1  | 1  |  |
| 15   | 141167      | SCRAPER BAR, 8-3/4 SP 6 HOLE               | 2    | 2  | 2  | -- | -- |  |
| 16   | 141168      | SCRAPER BAR, 8-3/4 SP 7 HOLE               | 2    | 2  | 2  | -- | -- |  |
| 17   | 141170      | SCRAPER BAR, 8-3/4 SP 9 HOLE               | 2    | 2  | 2  | -- | -- |  |
| 18   | 141188      | SCRAPER BAR, 8-3/4 SP 5 HOLE               | 2    | 2  | 2  | -- | -- |  |
| 19   | 153698      | SCRAPER BAR, 7 SP 7 HOLE                   | --   | -- | -- | 4  | 4  |  |
| 20   | 153700      | SCRAPER BAR, 7 SP 9 HOLE                   | --   | -- | -- | 2  | 2  |  |
| 21   | 153702      | SCRAPER BAR, 7 SP 11 HOLE                  | --   | -- | -- | 2  | 2  |  |
| 22   | 141163      | SHAFT, GANG 59"                            | 4    | 4  | 4  | -- | -- |  |
| 23   | 141165      | SHAFT, GANG 76-1/2"                        | 2    | 2  | 2  | 2  | 2  |  |
| 24   | 141184      | SHAFT, GANG 50-1/2"                        | 2    | 2  | 2  | -- | -- |  |
| 25   | 153713      | SHAFT, GANG 55-1/2"                        | --   | -- | -- | 4  | 4  |  |
| 26   | 154663      | SHAFT, GANG 62-1/2"                        | --   | -- | -- | 2  | 2  |  |
| 27   | 155618      | DISC BLADE, 22" X 1/4" 1-3/4 ID (ROLLABLE) | --   | -- | -- | 6  | -- |  |
| 28   | 155619      | DISC BLADE, 20" X 1/4" 1-3/4 ID (ROLLABLE) | --   | -- | -- | 2  | -- |  |
| 29   | 172076      | DISC BLADE, 24" X 1/4" 1-3/4 ID (ROLLABLE) | --   | -- | -- | 62 | -- |  |
| 30   | 155617      | DISC BLADE, 22" X 1/4" 1-3/4 ID            | --   | -- | -- | -- | 6  |  |
| 31   | 161530      | DISC BLADE, 24" X 1/4" 1-3/4 ID            | --   | -- | -- | -- | 62 |  |
| 32   | 186100      | DISC BLADE, 20" X 1/4" 1-3/4 ID            | --   | -- | -- | -- | 2  |  |

Disc Gang Placement 6231-21' (26" Disc Blades)



6231-21 26" 4GA DISC BLADES (198274)



6231-21 26" X 5/16 DISC BLADES (194609)

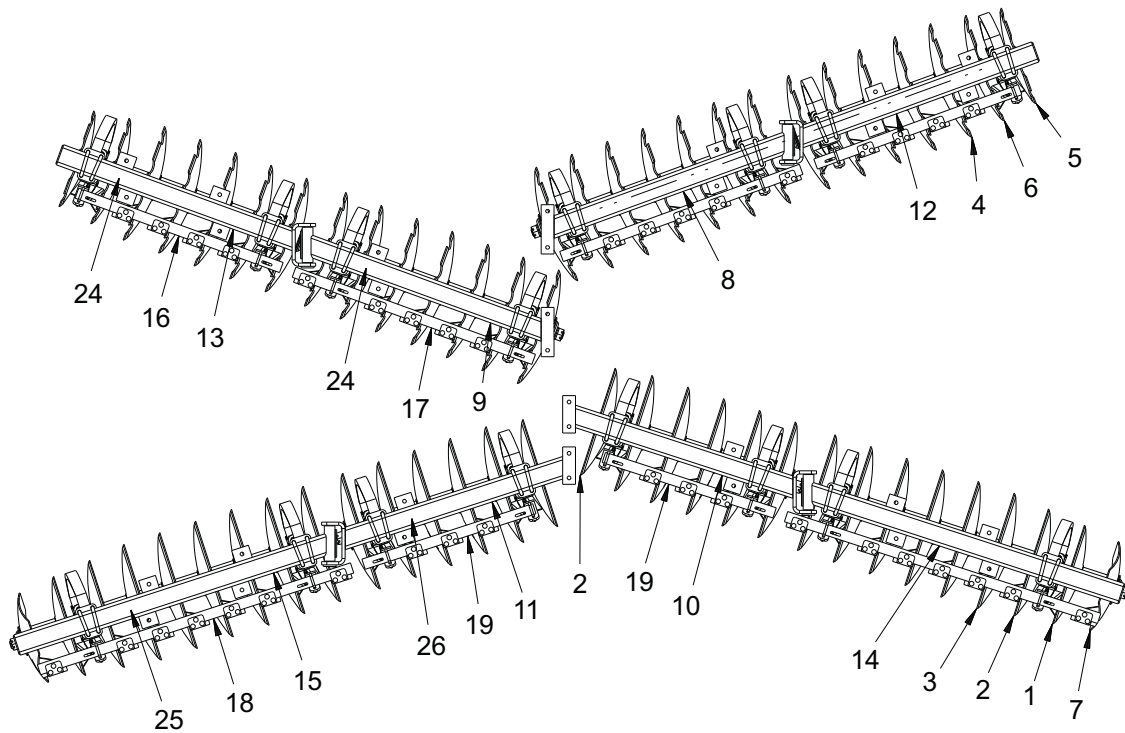
Figure 3-7: Disc Gang Placement 6231-21' (26" Disc Blades)



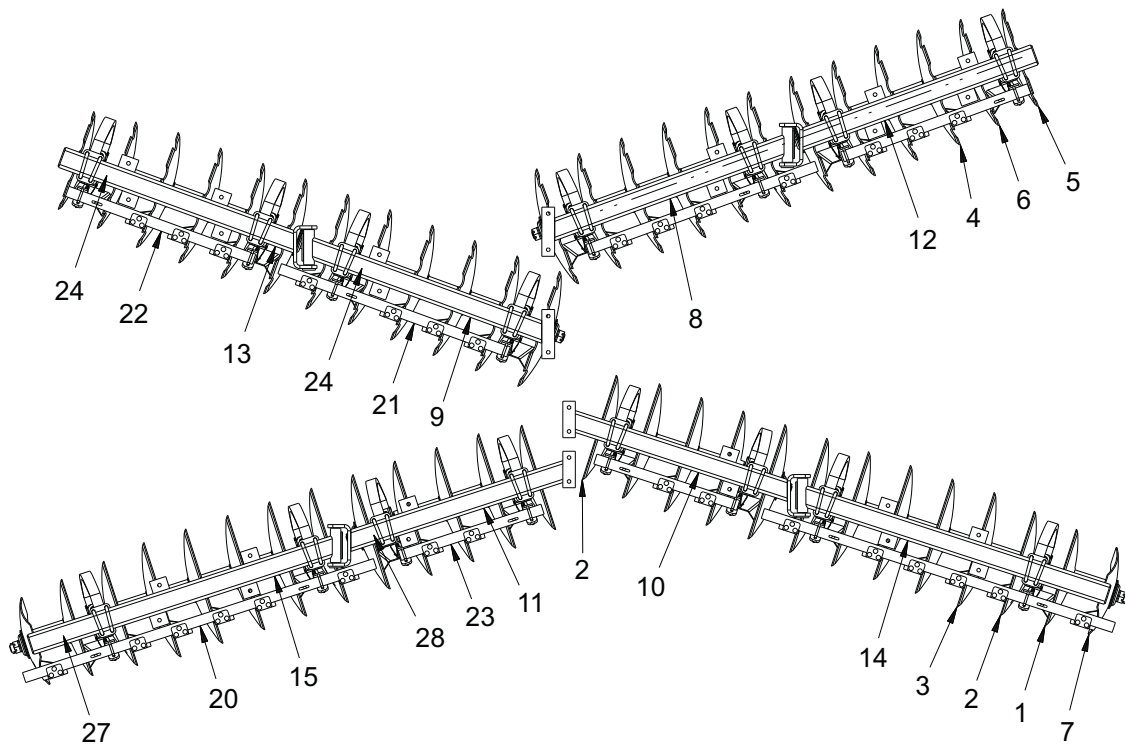
## Disc Gang Placement 6231-21' (26" Disc Blades)

| ITEM | PART NUMBER | DESCRIPTION                      | QTY. |    |
|------|-------------|----------------------------------|------|----|
| --   | 198274      | GANG ASSEMBLY, 26" 4GA           | *    |    |
| --   | 194609      | GANG ASSEMBLY, 26" 5/16"         |      | *  |
| 1    | 140465      | DISC BLADE, 24" X 1/4" 1-3/4 ID  | --   | 6  |
| 2    | 140466      | DISC BLADE, 22" X 1/4" 1-3/4 ID  | --   | 4  |
| 3    | 140468      | DISC BLADE, 20" X 1/4" 3-SIDED   | 2    | 2  |
| 4    | 155617      | DISC BLADE, 22" X 1/4" 1-3/4 ID  | 2    | -- |
| 5    | 161530      | DISC BLADE, 24" X 1/4" 1-3/4 ID  | 6    | -- |
| 6    | 169575      | DISC BLADE, 26" X 1/4" 1-3/4 ID  | 48   | -- |
| 7    | 141871      | DISC BLADE, 26" X 5/16" 1-3/4 ID |      | 46 |
| 8    | 193508      | GANG BAR, RCF 21'-29'            | 1    | 1  |
| 9    | 193509      | GANG BAR, LCF 21'-29'            | 1    | 1  |
| 10   | 193510      | GANG BAR, RCR 21'-29'            | 1    | 1  |
| 11   | 193511      | GANG BAR, LCR 21'-29'            | 1    | 1  |
| 12   | 193516      | GANG BAR, RWF 21'                | 1    | 1  |
| 13   | 193517      | GANG BAR, LWF 21'                | 1    | 1  |
| 14   | 193518      | GANG BAR, RWR 21'                | 1    | 1  |
| 15   | 193519      | GANG BAR, LWR 21'                | 1    | 1  |
| 16   | 141167      | SCRAPER BAR, 8-3/4 SP 6 HOLE     | 2    | 2  |
| 17   | 141168      | SCRAPER BAR, 8-3/4 SP 7 HOLE     | 2    | 2  |
| 18   | 141170      | SCRAPER BAR, 8-3/4 SP 9 HOLE     | 2    | 2  |
| 19   | 141188      | SCRAPER BAR, 8-3/4 SP 5 HOLE     | 2    | 2  |
| 20   | 141163      | SHAFT, GANG 59"                  | 4    | -- |
| 21   | 141165      | SHAFT, GANG 76-1/2"              | 2    | -- |
| 22   | 141184      | SHAFT, GANG 50-1/2"              | 2    | -- |
| 23   | 142579      | SHAFT, GANG 59-1/2"              | --   | 4  |
| 24   | 142581      | SHAFT, GANG 77"                  | --   | 2  |
| 25   | 142705      | SHAFT, GANG 51"                  | --   | 2  |

Disc Gang Placement 6231-21' (28" Disc Blades)



6231-21 28" X 5/16" 8-3/4 NFPR DISC BLADES (195678)



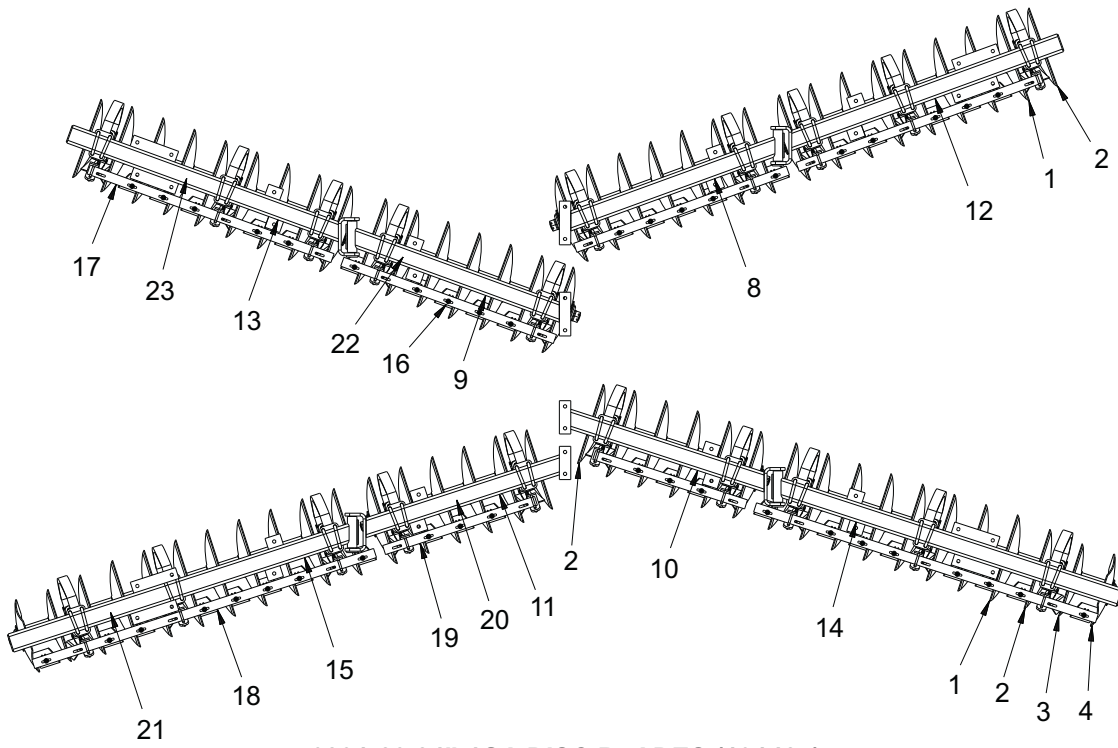
6231-21 28" X 5/16" 10-1/2 NFPR DISC BLADES (197726)

Figure 3-8: Disc Gang Placement 6231-21' (28" Disc Blades)

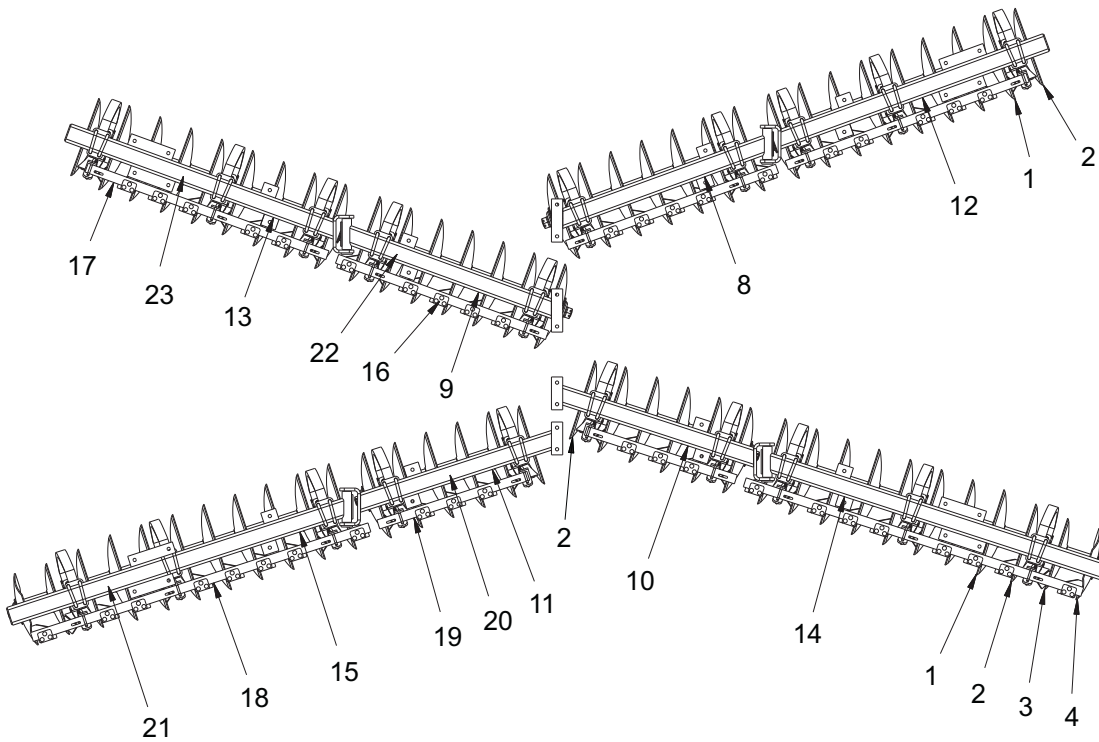
## Disc Gang Placement 6231-21' (28" Disc Blades)

| ITEM | PART NUMBER | DESCRIPTION                              | QTY. |    |
|------|-------------|--|------|----|
| --   | 195678      | GANG ASSEMBLY, 28" X 5/16" 8-3/4 NFPR    | *    |    |
| --   | 197726      | GANG ASSEMBLY, 28" X 5/16" 10-1/2 NFPR   |      | *  |
| 1    | 161530      | DISC BLADE, 24" X 1/4" 1-3/4 ID          | 2    | 2  |
| 2    | 169575      | DISC BLADE, 26" X 1/4" 1-3/4 ID          | 4    | 4  |
| 3    | 195676      | DISC BLADE, 28" X 5/16" 1-3/4 ID         | 22   | 18 |
| 4    | 195677      | DISC BLADE, 28" X 5/16" NOTCHED 1-3/4 ID | 24   | 20 |
| 5    | 195690      | DISC BLADE, 24" X 5/16" NOTCHED 1-3/4 ID | 2    | 2  |
| 6    | 195691      | DISC BLADE, 26" X 5/16" NOTCHED 1-3/4 ID | 2    | 2  |
| 7    | 195693      | DISC BLADE, 22" X 1/4" 3-SIDED           | 2    | 2  |
| 8    | 193508      | GANG BAR, RCF 21'-29                     | 1    | 1  |
| 9    | 193509      | GANG BAR, LCF 21'-29                     | 1    | 1  |
| 10   | 193510      | GANG BAR, RCR 21'-29                     | 1    | 1  |
| 11   | 193511      | GANG BAR, LCR 21'-29'                    | 1    | 1  |
| 12   | 193516      | GANG BAR, RWF 21'                        | 1    | 1  |
| 13   | 193517      | GANG BAR, LWF 21'                        | 1    | 1  |
| 14   | 193518      | GANG BAR, RWR 21'                        | 1    | 1  |
| 15   | 193519      | GANG BAR, LWR 21'                        | 1    | 1  |
| 16   | 141167      | SCRAPER BAR, 8-3/4 SP 6 HOLE             | 2    | -- |
| 17   | 141168      | SCRAPER BAR, 8-3/4 SP 7 HOLE             | 2    | -- |
| 18   | 141170      | SCRAPER BAR, 8-3/4 SP 9 HOLE             | 2    | -- |
| 19   | 141188      | SCRAPER BAR, 8-3/4 SP 5 HOLE             | 2    | -- |
| 20   | 149605      | SCRAPER BAR, 10-1/2 SP 8 HOLE            | --   | 2  |
| 21   | 160183      | SCRAPER BAR, 10-1/2 SP 5 HOLE            | --   | 2  |
| 22   | 197734      | SCRAPER BAR, 10-1/2 SP 4 HOLE            | --   | 2  |
| 23   | 197733      | SCRAPER BAR, 10-1/2 SP 3 HOLE            | --   | 2  |
| 24   | 142579      | SHAFT, GANG 59-1/2"                      | 4    | 4  |
| 25   | 142581      | SHAFT, GANG 77"                          | 2    | -- |
| 26   | 142705      | SHAFT, GANG 51"                          | 2    | -- |
| 27   | 185724      | SHAFT, GANG 80-1/2"                      | --   | 2  |
| 28   | 195698      | SHAFT, GANG 49"                          | --   | 2  |

Disc Gang Placement 6231-23' (24" Disc Blades)

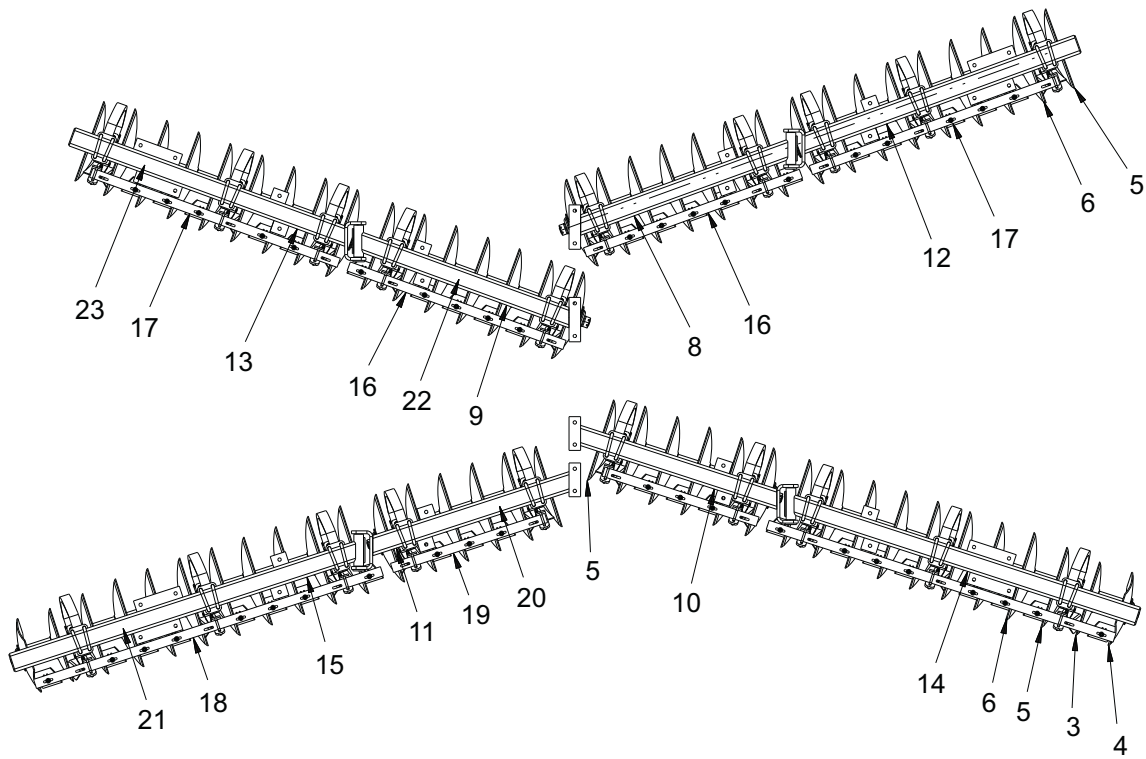


6231-23 24" 4GA DISC BLADES (191425)

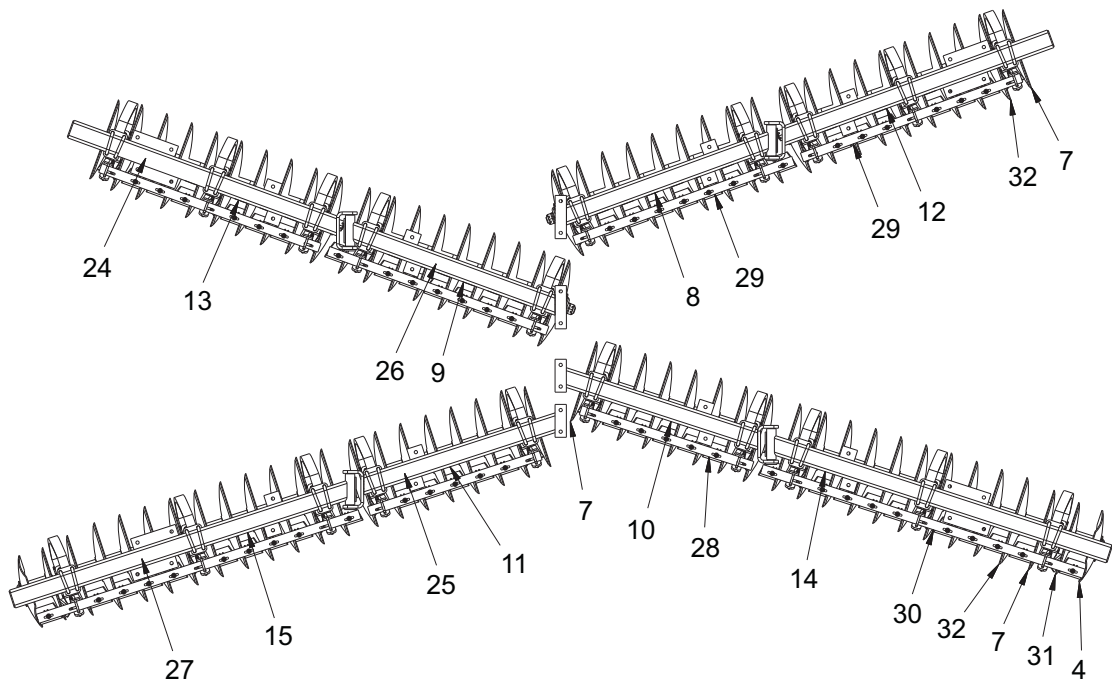


6231-23 24" 4GA DISC BLADES W/ HEAVY DUTY SCRAPERS (195641)

Figure 3-9: Disc Gang Placement 6231-23' (24" Disc Blades) (1 of 3)

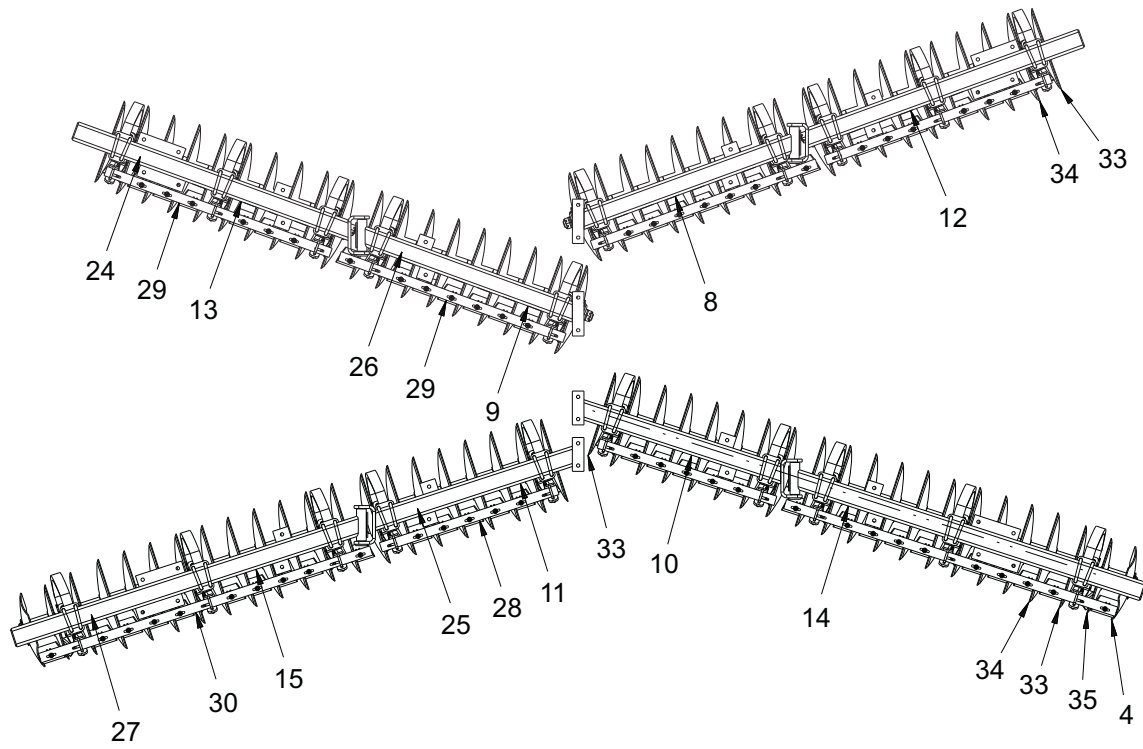


**6231-23 24' 4GA DISC BLADES - ROLLABLE (193556)**



**6231-23 24' 4GA DISC BLADES - 7 SPACING ROLLABLE (191432)**

**Figure 3-10: Disc Gang Placement 6231-23' (24' Disc Blades) (2 of 3)**



6231-23 24" 4GA DISC BLADES - 7 SPACING (198290)

Figure 3-11: Disc Gang Placement 6231-23' (24" Disc Blades) (3 of 3)

## Disc Gang Placement 6231-23' (24" Disc Blades)

| ITEM | PART NUMBER | DESCRIPTION                                 | QTY. |    |    |    |    |   |
|------|-------------|---|------|----|----|----|----|---|
| --   | 191425      | GANG ASSEMBLY, 24" 4 GA                     | *    |    |    |    |    |   |
| --   | 195641      | GANG ASSEMBLY, 24" 4 GA HDS                 |      | *  |    |    |    |   |
| --   | 193556      | GANG ASSY, 24" 4GA ROLL 23 (ROLLABLE)       |      |    | *  |    |    |   |
| --   | 191432      | GANG ASSY, 24" 7SP ROLL 4GA 23 (ROLLABLE)   |      |    |    | *  |    |   |
| --   | 198290      | GANG ASSEMBLY, 24" 4GA 7SP                  |      |    |    |    |    | * |
| 1    | 140465      | DISC BLADE, 24" X 1/4" 1-3/4 ID             | 56   | 56 | -- | -- | -- |   |
| 2    | 140466      | DISC BLADE, 22" X 1/4" 1-3/4 ID             | 6    | 6  | -- | -- | -- |   |
| 3    | 140467      | DISC BLADE, 20" X 1/4" 1-3/4 ID             | 2    | 2  | 2  | -- | -- |   |
| 4    | 140468      | DISC BLADE, 20" X 1/4" 3-SIDED              | 2    | 2  | 2  | 2  | 2  |   |
| 5    | 142660      | DISC BLADE, 22" X 1/4" 1-3/4 ID (ROLLABLE)  | --   | -- | 6  | -- | -- |   |
| 6    | 142662      | DISC BLADE, 24" X 1/4" 1-3/4 ID (ROLLABLE)  | --   | -- | 56 | -- | -- |   |
| 7    | 155618      | DISC, BLADE, 22" X 1/4" 1-3/4 ID (ROLLABLE) | --   | -- | -- | 6  |    |   |
| 8    | 193508      | GANG BAR, RCF 21'-29'                       | 1    | 1  | 1  | 1  | 1  |   |
| 9    | 193509      | GANG BAR, LCF 21'-29'                       | 1    | 1  | 1  | 1  | 1  |   |
| 10   | 193510      | GANG BAR, RCR 21'-29'                       | 1    | 1  | 1  | 1  | 1  |   |
| 11   | 193511      | GANG BAR, LCR 21'-29'                       | 1    | 1  | 1  | 1  | 1  |   |
| 12   | 193520      | GANG BAR, RWF 23'                           | 1    | 1  | 1  | 1  | 1  |   |
| 13   | 193521      | GANG BAR, LWF 23'                           | 1    | 1  | 1  | 1  | 1  |   |
| 14   | 193522      | GANG BAR, RWR 23'                           | 1    | 1  | 1  | 1  | 1  |   |
| 15   | 193523      | GANG BAR, LWR 23'                           | 1    | 1  | 1  | 1  | 1  |   |
| 16   | 141168      | SCRAPER BAR, 8-3/4 SP 7 HOLE                | 2    | 2  | 2  | -- | -- |   |
| 17   | 141169      | SCRAPER BAR, 8-3/4 SP 8 HOLE                | 2    | 2  | 2  | -- | -- |   |
| 18   | 141172      | SCRAPER BAR, 8-3/4 SP 11 HOLE               | 2    | 2  | 2  | -- | -- |   |
| 19   | 141188      | SCRAPER BAR, 8-3/4 SP 5 HOLE                | 2    | 2  | 2  | -- | -- |   |
| 20   | 141184      | SHAFT, GANG 50-1/2"                         | 2    | 2  | 2  | -- | -- |   |
| 21   | 141186      | SHAFT, GANG 94"                             | 2    | 2  | 2  | -- | -- |   |
| 22   | 141163      | SHAFT, GANG 59"                             | 2    | 2  | 2  | -- | -- |   |
| 23   | 141165      | SHAFT, GANG 76-1/2"                         | 2    | 2  | 2  | -- | -- |   |
| 24   | 180147      | SHAFT, GANG 69-1/2"                         | --   | -- | -- | 2  | 2  |   |
| 25   | 153713      | SHAFT, GANG 55-1/2"                         | --   | -- | -- | 2  | 2  |   |
| 26   | 154663      | SHAFT, GANG 62-1/2"                         | --   | -- | -- | 2  | 2  |   |
| 27   | 149592      | SHAFT, GANG 90-1/2                          | --   | -- | -- | 2  | 2  |   |
| 28   | 153698      | SCRAPER BAR 7 SP 7 HOLE                     | --   | -- | -- | 2  | 2  |   |
| 29   | 153700      | SCRAPER BAR 7 SP 9 HOLE                     | --   | -- | -- | 4  | 4  |   |
| 30   | 153704      | SCRAPER BAR 7 SP 13 HOLE                    | --   | -- | -- | 2  | 2  |   |
| 31   | 155619      | DISC BLADE, 20" X 1/4" 1-3/4 ID (ROLLABLE)  | --   | -- | -- | 2  | -- |   |
| 32   | 172706      | DISC BLADE, 24" X 1/4" 1-3/4 ID (ROLLABLE)  | --   | -- | -- | 70 | -- |   |
| 33   | 155617      | DISC BLADE, 22" X 1/4" 1-3/4 ID             | --   | -- | -- | -- | 6  |   |
| 34   | 161530      | DISC BLADE, 24" X 1/4" 1-3/4 ID             | --   | -- | -- | -- | 70 |   |
| 35   | 186100      | DISC BLADE, 20" X 1/4" 1-3/4 ID             | --   | -- | -- | -- | 2  |   |



Disc Gang Placement 6231-23' (26" Disc Blades)

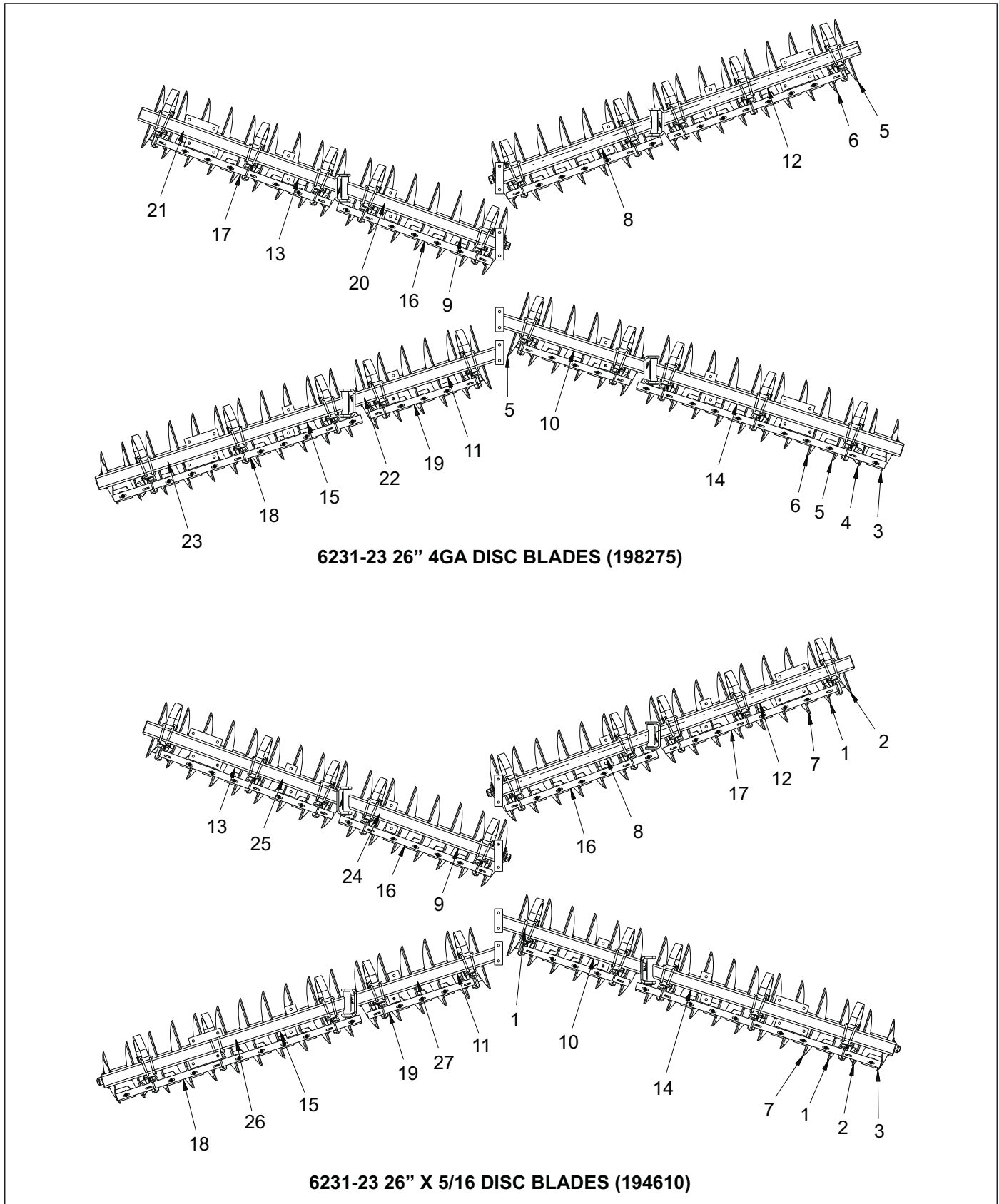


Figure 3-12: Disc Gang Placement 6231-23' (26" Disc Blades)



## Disc Gang Placement 6231-23' (26" Disc Blades)

| ITEM | PART NUMBER | DESCRIPTION                      | QTY. |    |
|------|-------------|----------------------------------|------|----|
| --   | 198275      | GANG ASSEMBLY, 26" 4GA           | *    |    |
| --   | 194610      | GANG ASSEMBLY, 26" 5/16"         |      | *  |
| 1    | 140465      | DISC BLADE, 24" X 1/4" 1-3/4 ID  | --   | 6  |
| 2    | 140466      | DISC BLADE, 22" X 1/4" 1-3/4 ID  | --   | 4  |
| 3    | 140468      | DISC BLADE, 20" X 1/4" 3-SIDED   | 2    | 2  |
| 4    | 155617      | DISC BLADE, 22" X 1/4" 1-3/4 ID  | 2    | -- |
| 5    | 161530      | DISC BLADE, 24" X 1/4" 1-3/4 ID  | 6    | -- |
| 6    | 169575      | DISC BLADE, 26" X 1/4" 1-3/4 ID  | 56   | -- |
| 7    | 141871      | DISC BLADE, 26" X 5/16" 1-3/4 ID | --   | 54 |
| 8    | 193508      | GANG BAR, RCF 21'-29'            | 1    | 1  |
| 9    | 193509      | GANG BAR, LCF 21'-29'            | 1    | 1  |
| 10   | 193510      | GANG BAR, RCR 21'-29'            | 1    | 1  |
| 11   | 193511      | GANG BAR, LCR 21'-29'            | 1    | 1  |
| 12   | 193520      | GANG BAR, RWF 23'                | 1    | 1  |
| 13   | 193521      | GANG BAR, LWF 23'                | 1    | 1  |
| 14   | 193522      | GANG BAR, RWR 23'                | 1    | 1  |
| 15   | 193523      | GANG BAR, LWR 23'                | 1    | 1  |
| 16   | 141168      | SCRAPER BAR, 8-3/4 SP 7 HOLE     | 2    | 2  |
| 17   | 141169      | SCRAPER BAR, 8-3/4 SP 8 HOLE     | 2    | 2  |
| 18   | 141172      | SCRAPER BAR, 8-3/4 SP 11 HOLE    | 2    | 2  |
| 19   | 141188      | SCRAPER BAR, 8-3/4 SP 5 HOLE     | 2    | 2  |
| 20   | 141163      | SHAFT, GANG 59"                  | 2    | -- |
| 21   | 141165      | SHAFT, GANG 76-1/2"              | 2    | -- |
| 22   | 141184      | SHAFT, GANG 50-1/2"              | 2    | -- |
| 23   | 141186      | SHAFT, GANG 94"                  | 2    | -- |
| 24   | 142579      | SHAFT, GANG 59-1/2"              | --   | 2  |
| 25   | 142581      | SHAFT, GANG 77"                  | --   | 2  |
| 26   | 142703      | SHAFT, GANG 95"                  | --   | 2  |
| 27   | 142705      | SHAFT, GANG 51"                  | --   | 2  |

### Disc Gang Placement 6231-23' (28" Disc Blades)

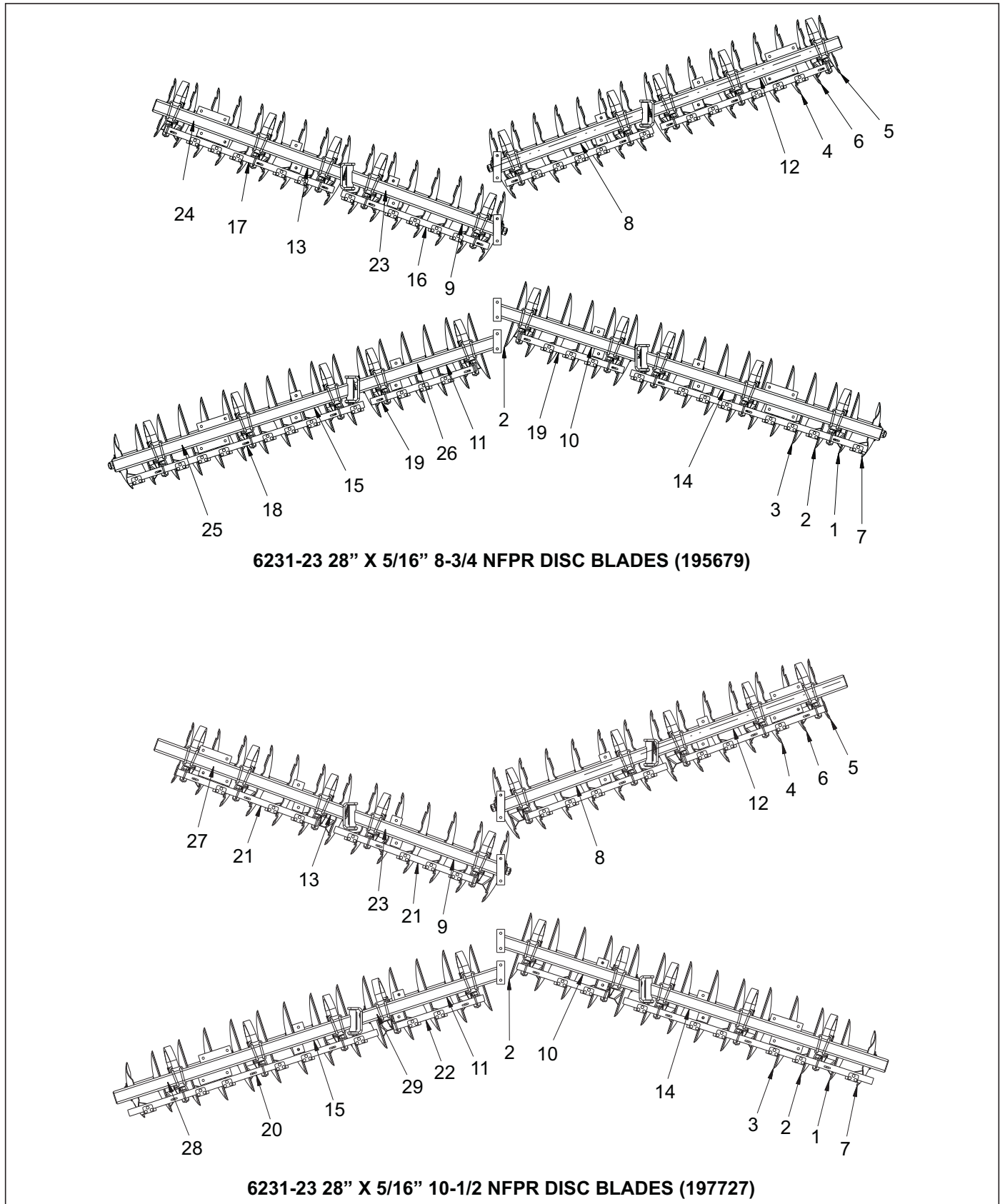
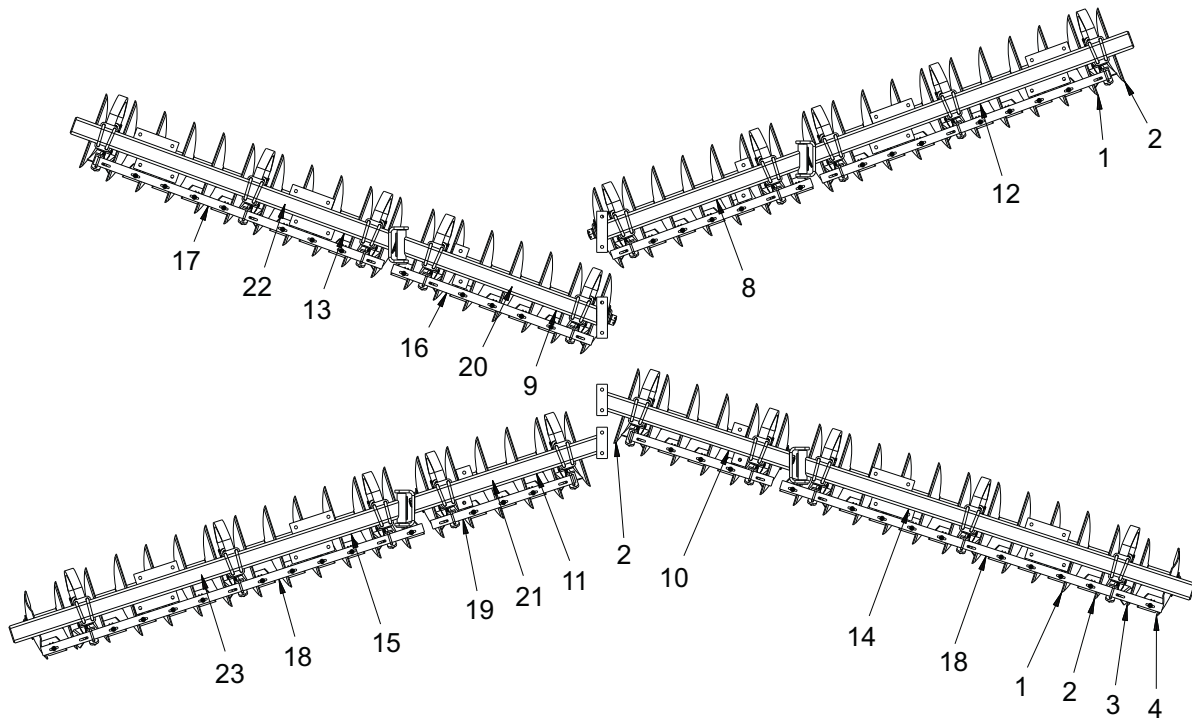


Figure 3-13: Disc Gang Placement 6231-23' (28" Disc Blades)

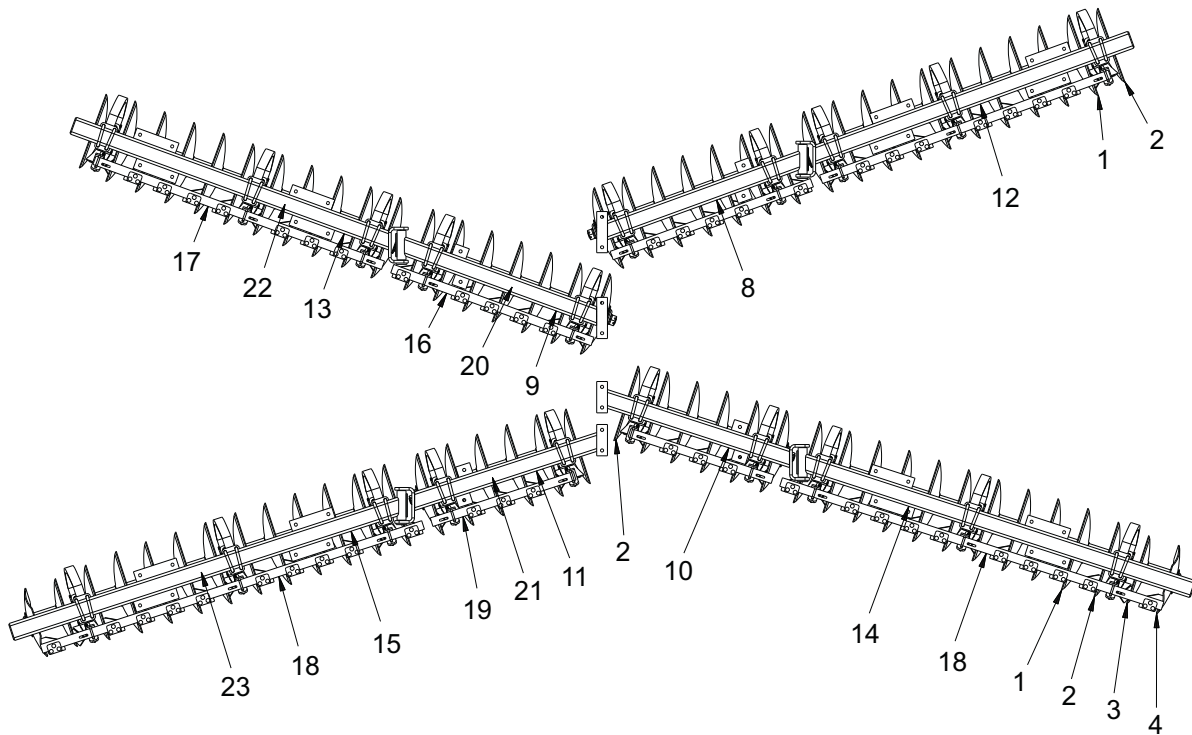
## Disc Gang Placement 6231-23' (28" Disc Blades)

| ITEM | PART NUMBER | DESCRIPTION                              | QTY. |    |
|------|-------------|--|------|----|
| --   | 195679      | GANG ASSEMBLY, 28" X 5/16" 8-3/4 NFPR    | *    |    |
| --   | 197727      | GANG ASSEMBLY, 28" X 5/16" 10-1/2 NFPR   |      | *  |
| 1    | 161530      | DISC BLADE, 24" X 1/4" 1-3/4 ID          | 2    | 2  |
| 2    | 169575      | DISC BLADE, 26" X 1/4" 1-3/4 ID          | 4    | 4  |
| 3    | 195676      | DISC BLADE, 28" X 5/16" 1-3/4 ID         | 26   | 22 |
| 4    | 195677      | DISC BLADE, 28" X 5/16" NOTCHED 1-3/4 ID | 28   | 20 |
| 5    | 195690      | DISC BLADE, 24" X 5/16" NOTCHED 1-3/4 ID | 2    | 2  |
| 6    | 195691      | DISC BLADE, 26" X 5/16" NOTCHED 1-3/4 ID | 2    | 2  |
| 7    | 195693      | DISC BLADE, 22" X 1/4" 1-3/4 ID          | 2    | 2  |
| 8    | 193508      | GANG BAR, RCF 21'-29'                    | 1    | 1  |
| 9    | 193509      | GANG BAR, LCF 21'-29'                    | 1    | 1  |
| 10   | 193510      | GANG BAR, RCR 21'-29'                    | 1    | 1  |
| 11   | 193511      | GANG BAR, LCR 21'-29'                    | 1    | 1  |
| 12   | 193520      | GANG BAR, RWF 23'                        | 1    | 1  |
| 13   | 193521      | GANG BAR, LWF 23'                        | 1    | 1  |
| 14   | 193522      | GANG BAR, RWR 23'                        | 1    | 1  |
| 15   | 193523      | GANG BAR, LWR 23'                        | 1    | 1  |
| 16   | 141168      | SCRAPER BAR, 8-3/4 SP 7 HOLE             | 2    | -- |
| 17   | 141169      | SCRAPER BAR, 8-3/4 SP 8 HOLE             | 2    | -- |
| 18   | 141172      | SCRAPER BAR, 8-3/4 SP 11 HOLE            | 2    | -- |
| 19   | 141188      | SCRAPER BAR, 8-3/4 SP 5 HOLE             | 2    | -- |
| 20   | 149606      | SCRAPER BAR, 10-1/2" SP 9 HOLE           | --   | 2  |
| 21   | 160183      | SCRAPER BAR, 10-1/2 SP 5 HOLE            | --   | 4  |
| 22   | 197733      | SCRAPER BAR, 10-1/2 SP 3 HOLE            | --   | 2  |
| 23   | 142579      | SHAFT, GANG 59-1/2"                      | 2    | 2  |
| 24   | 142581      | SHAFT, GANG 77"                          | 2    | -- |
| 25   | 142703      | SHAFT, GANG 95"                          | 2    | -- |
| 26   | 142705      | SHAFT, GANG 51"                          | 2    | -- |
| 27   | 156951      | SHAFT, GANG 70"                          | --   | 2  |
| 28   | 185721      | SHAFT, GANG 91"                          | --   | 2  |
| 29   | 195698      | SHAFT, GANG 49"                          | --   | 2  |

Disc Gang Placement 6231-26' (24" Disc Blades)

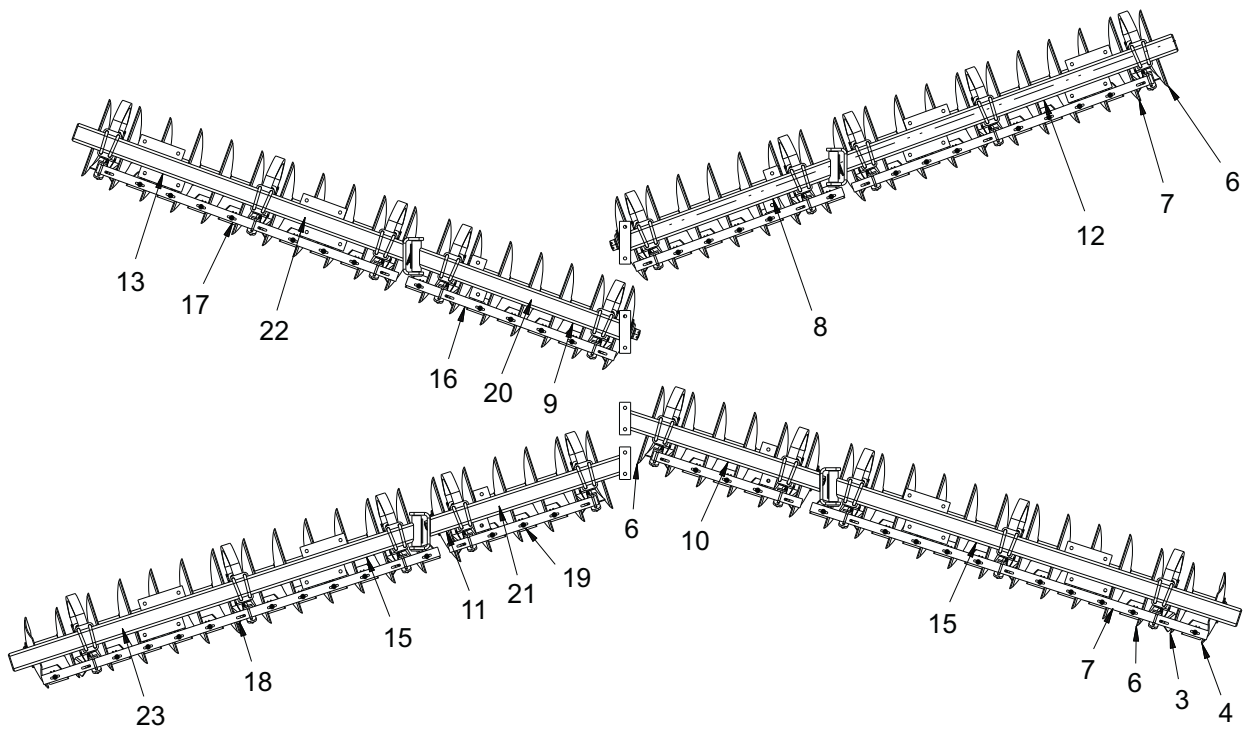


6231-26 24" 4GA DISC BLADES (191426)

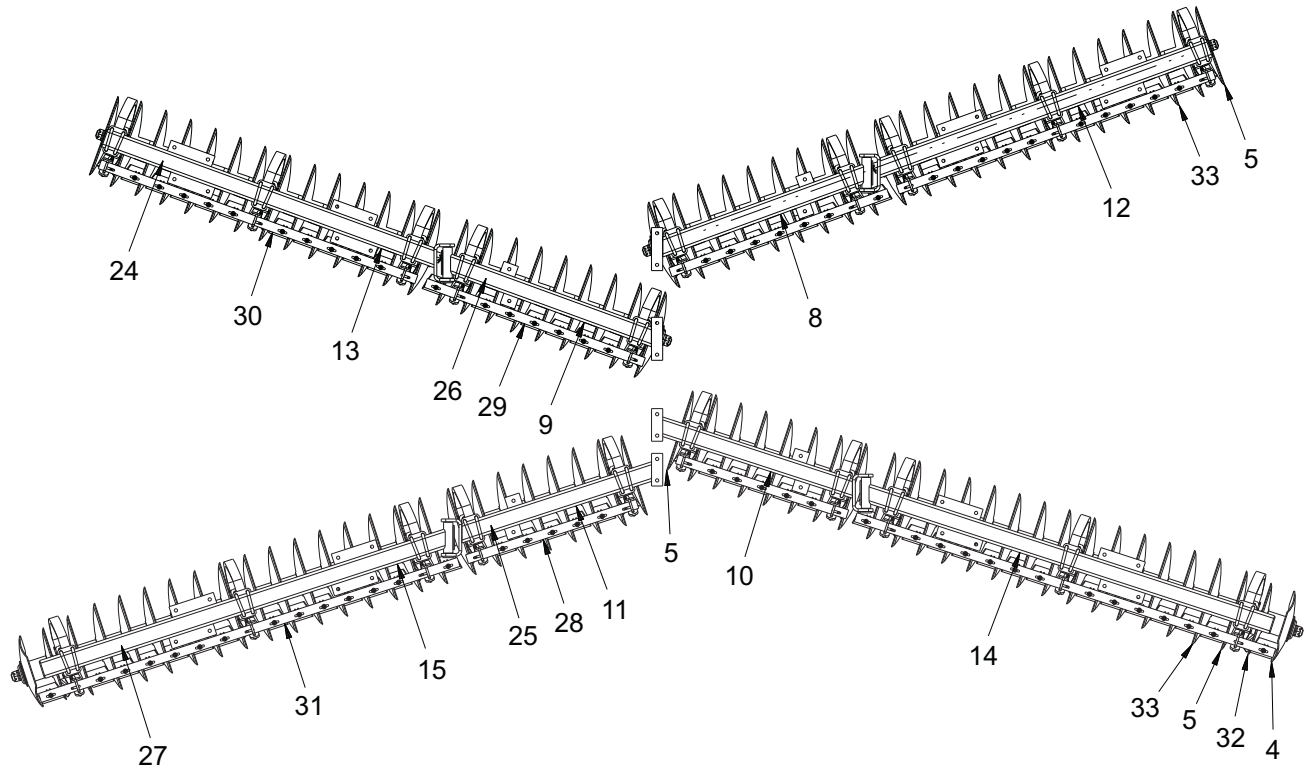


6231-26 24" 4GA DISC BLADES W/ HEAVY DUTY SCRAPERS (195642)

Figure 3-14: Disc Gang Placement 6231-26' (24" Disc Blades) (1 of 3)

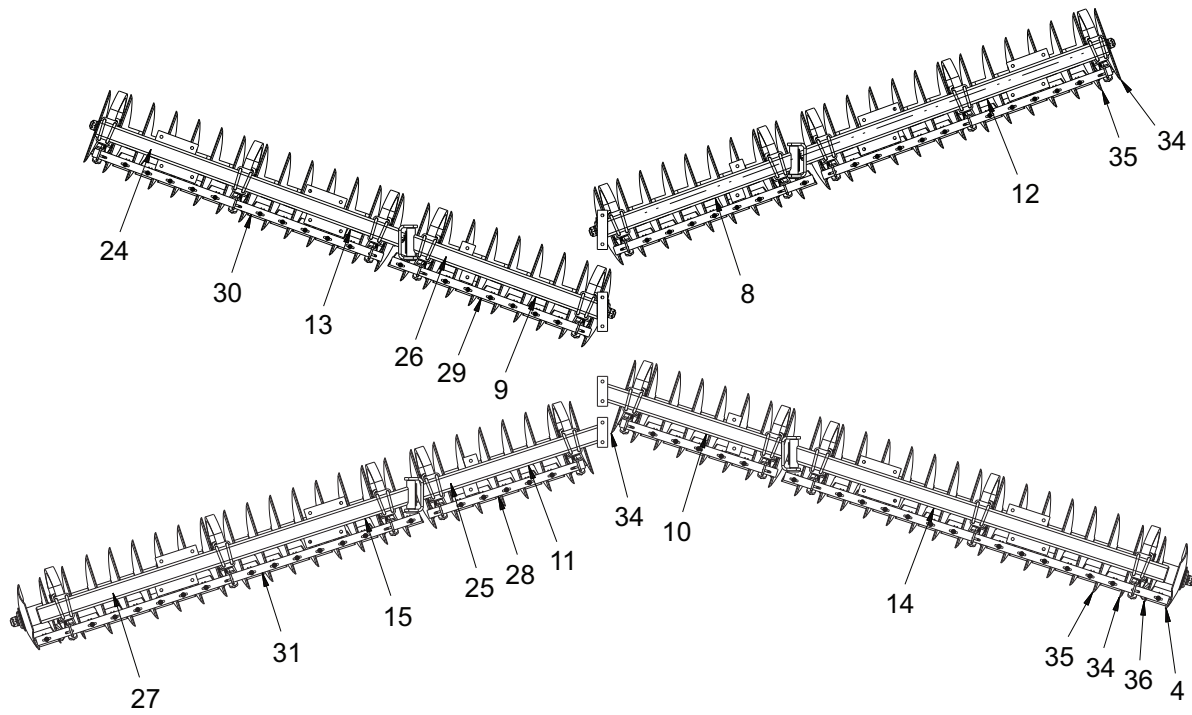


6231-26 24' 4GA DISC BLADES - ROLLABLE (193557)



6231-26 24' 4GA DISC BLADES - 7 SPACING ROLLABLE (191433)

Figure 3-15: Disc Gang Placement 6231-26' (24' Disc Blades) (2 of 3)



6231-26 24" 4GA DISC BLADES - 7 SPACING (198291)

Figure 3-16: Disc Gang Placement 6231-23' (24" Disc Blades) (3 of 3)

## Disc Gang Placement 6231-23' (24" Disc Blades)

| ITEM | PART NUMBER | DESCRIPTION                                      | QTY. |    |    |    |    |    |
|------|-------------|--|------|----|----|----|----|----|
| --   | 191426      | GANG ASSEMBLY, 24" 4 GA                          |      |    |    |    |    | *  |
| --   | 195642      | GANG ASSEMBLY, 24" 4 GA HDS                      |      |    |    |    | *  |    |
| --   | 193557      | GANG ASSY, 24" 4GA ROLL 26 (ROLLABLE)            |      |    |    |    | *  |    |
| --   | 191433      | GANG ASSY, 24" 7SP ROLL 4GA 26 7SP<br>(ROLLABLE) |      |    |    |    |    | *  |
| --   | 198291      | GANG ASSEMBLY, 24" 4GA 7SP                       |      |    |    |    |    | *  |
| 1    | 140465      | DISC BLADE, 24" X 1/4" 1-3/4 ID                  | 64   | 64 | -- | -- | -- | -- |
| 2    | 140466      | DISC BLADE, 22" X 1/4" 1-3/4 ID                  | 6    | 6  | -- | -- | -- | -- |
| 3    | 140467      | DISC BLADE, 20" X 1/4" 1-3/4 ID                  | 2    | 2  | 2  | -- | -- | -- |
| 4    | 140468      | DISC BLADE, 20" X 1/4" 3-SIDED                   | 2    | 2  | 2  | 2  | 2  | 2  |
| 5    | 155618      | DISC, BLADE 22" X 1/4" 1-3/4 ID (ROLLABLE)       | --   | -- | -- | 6  | -- | -- |
| 6    | 142660      | DISC BLADE, 22" X 1/4" 1-3/4 ID (ROLLABLE)       | --   | -- | 6  | -- | -- | -- |
| 7    | 142662      | DISC BLADE, 24" X 1/4" 1-3/4 ID (ROLLABLE)       | --   | -- | 64 | -- | -- | -- |
| 8    | 193508      | GANG BAR, RCF 21'-29'                            | 1    | 1  | 1  | 1  | 1  | 1  |
| 9    | 193509      | GANG BAR, LCF 21'-29'                            | 1    | 1  | 1  | 1  | 1  | 1  |
| 10   | 193510      | GANG BAR, RCR 21'-29'                            | 1    | 1  | 1  | 1  | 1  | 1  |
| 11   | 193511      | GANG BAR, LCR 21'-29'                            | 1    | 1  | 1  | 1  | 1  | 1  |
| 12   | 193524      | GANG BAR, RWF 26'-30'                            | 1    | 1  | 1  | 1  | 1  | 1  |
| 13   | 193525      | GANG BAR, LWF 26'-30'                            | 1    | 1  | 1  | 1  | 1  | 1  |
| 14   | 193526      | GANG BAR, RWR 26'-30'                            | 1    | 1  | 1  | 1  | 1  | 1  |
| 15   | 193527      | GANG BAR, LWR 26'-30'                            | 1    | 1  | 1  | 1  | 1  | 1  |
| 16   | 141168      | SCRAPER BAR, 8-3/4 SP 7 HOLE                     | 2    | 2  | 2  | -- | -- | -- |
| 17   | 141171      | SCRAPER BAR, 8-3/4 SP 10 HOLE                    | 2    | 2  | 2  | -- | -- | -- |
| 18   | 141173      | SCRAPER BAR, 8-3/4 SP 13 HOLE                    | 2    | 2  | 2  | -- | -- | -- |
| 19   | 141188      | SCRAPER BAR, 8-3/4 SP 5 HOLE                     | 2    | 2  | 2  | -- | -- | -- |
| 20   | 141163      | SHAFT, GANG 59"                                  | 2    | 2  | 2  | -- | -- | -- |
| 21   | 141184      | SHAFT, GANG 50-1/2"                              | 2    | 2  | 2  | -- | -- | -- |
| 22   | 141186      | SHAFT, GANG 94"                                  | 2    | 2  | 2  | -- | -- | -- |
| 23   | 141187      | SHAFT, GANG 111-1/2"                             | 2    | 2  | 2  | -- | -- | -- |
| 24   | 156082      | SHAFT, GANG 98"                                  | --   | -- | -- | 2  | 2  | 2  |
| 25   | 153713      | SHAFT, GANG 55-1/2"                              | --   | -- | -- | 2  | 2  | 2  |
| 26   | 154663      | SHAFT, GANG 62-1/2"                              | --   | -- | -- | 2  | 2  | 2  |
| 27   | 199399      | SHAFT, GANG 119"                                 | --   | -- | -- | 2  | 2  | 2  |
| 28   | 153698      | SCRAPER BAR 7 SP 7 HOLE                          | --   | -- | -- | 2  | 2  | 2  |
| 29   | 153700      | SCRAPER BAR 7 SP 9 HOLE                          | --   | -- | -- | 2  | 2  | 2  |
| 30   | 153704      | SCRAPER BAR 7 SP 13 HOLE                         | --   | -- | -- | 2  | 2  | 2  |
| 31   | 182328      | SCRAPER BAR 7 SP 17 HOLE                         | --   | -- | -- | 2  | 2  | 2  |
| 32   | 155619      | DISC BLADE, 20" X 1/4" 1-3/4 ID (ROLLABLE)       | --   | -- | -- | 2  | -- | -- |
| 33   | 172076      | DISC BLADE, 24" X 1/4" 1-3/4 ID (ROLLABLE)       | --   | -- | -- | 86 | -- | -- |
| 34   | 155617      | DISC BLADE, 22" X 1/4" 1-3/4 ID                  | --   | -- | -- | -- | -- | 6  |
| 35   | 161530      | DISC BLADE, 24" X 1/4" 1-3/4 ID                  | --   | -- | -- | -- | -- | 86 |
| 36   | 186100      | DISC BLADE, 20" X 1/4" 1-3/4 ID                  | --   | -- | -- | -- | -- | 2  |



### Disc Gang Placement 6231-26' (26" Disc Blades)

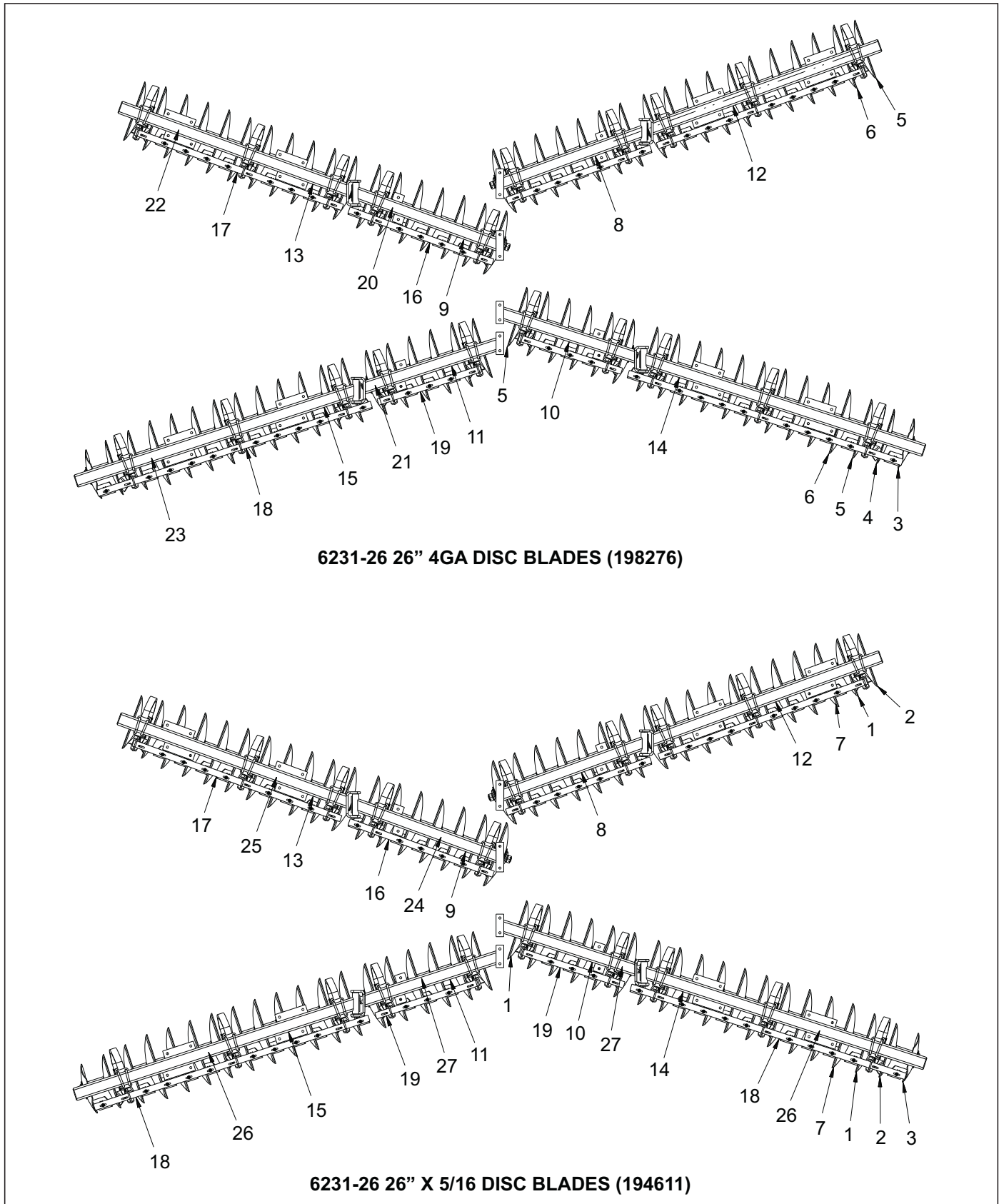


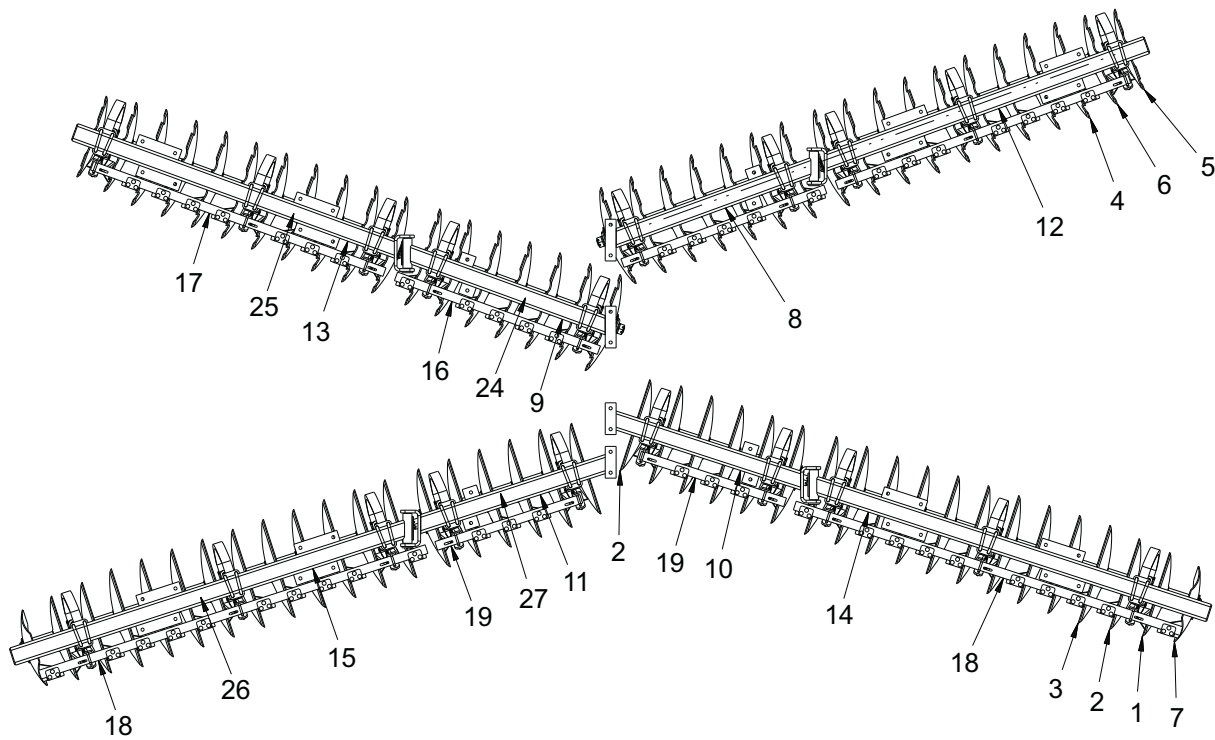
Figure 3-17: Disc Gang Placement 6231-26' (26" Disc Blades)



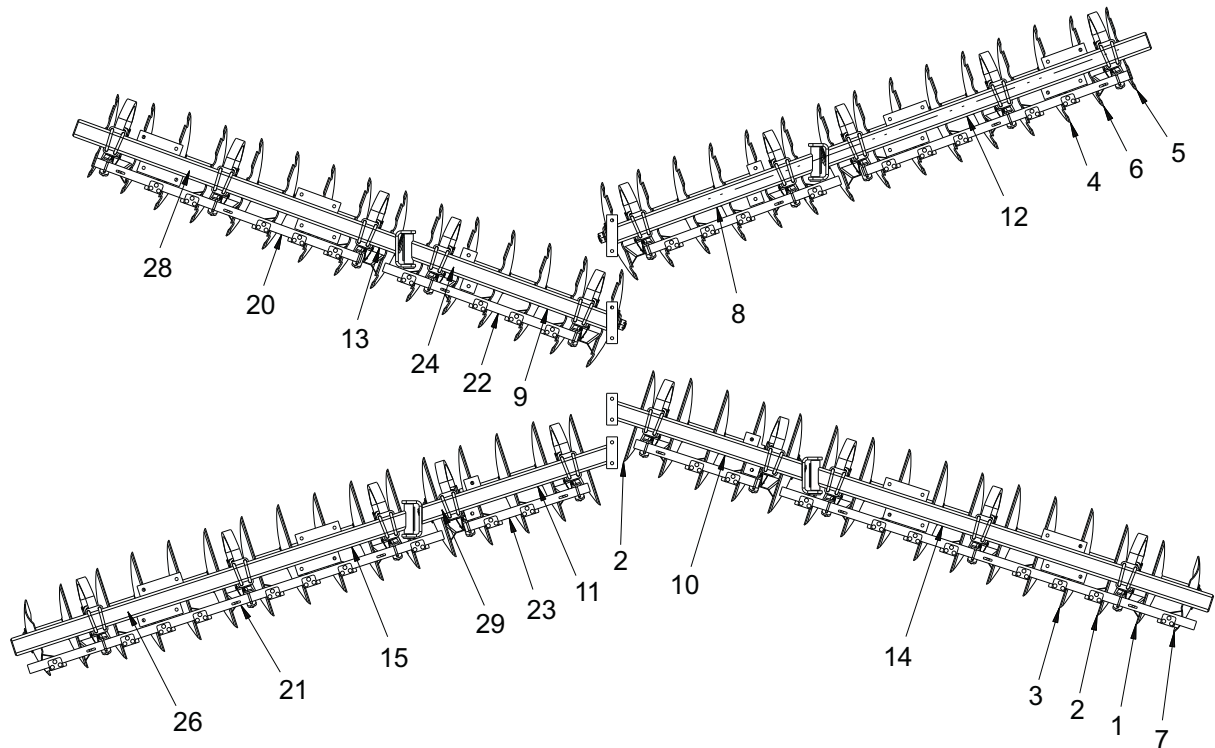
## Disc Gang Placement 6231-26' (26" Disc Blades)

| ITEM | PART NUMBER | DESCRIPTION                      | QTY. |    |
|------|-------------|----------------------------------|------|----|
| --   | 198276      | GANG ASSEMBLY, 26" 4GA           | *    |    |
| --   | 194611      | GANG ASSEMBLY, 26" 5/16"         |      | *  |
| 1    | 140465      | DISC BLADE, 24" X 1/4" 1-3/4 ID  | --   | 6  |
| 2    | 140466      | DISC BLADE, 22" X 1/4" 1-3/4 ID  | --   | 4  |
| 3    | 140468      | DISC BLADE, 20" X 1/4" 3-SIDED   | 2    | 2  |
| 4    | 155617      | DISC BLADE, 22" X 1/4" 1-3/4 ID  | 2    | -- |
| 5    | 161530      | DISC BLADE, 24" X 1/4" 1-3/4 ID  | 6    | -- |
| 6    | 169575      | DISC BLADE, 26" X 1/4" 1-3/4 ID  | 64   | -- |
| 7    | 141871      | DISC BLADE, 26" X 5/16" 1-3/4 ID | --   | 62 |
| 8    | 193508      | GANG BAR, RCF 21'-29'            | 1    | 1  |
| 9    | 193509      | GANG BAR, LCF 21'-29'            | 1    | 1  |
| 10   | 193510      | GANG BAR, RCR 21'-29'            | 1    | 1  |
| 11   | 193511      | GANG BAR, LCR 21'-29'            | 1    | 1  |
| 12   | 193524      | GANG BAR, RWF 26'-30'            | 1    | 1  |
| 13   | 193525      | GANG BAR, LWF 26'-30'            | 1    | 1  |
| 14   | 193526      | GANG BAR, RWR 26'-30'            | 1    | 1  |
| 15   | 193527      | GANG BAR, LWR 26'-30'            | 1    | 1  |
| 16   | 141168      | SCRAPER BAR, 8-3/4 SP 7 HOLE     | 2    | 2  |
| 17   | 141171      | SCRAPER BAR, 8-3/4 SP 10 HOLE    | 2    | 2  |
| 18   | 141173      | SCRAPER BAR, 8-3/4 SP 13 HOLE    | 2    | 2  |
| 19   | 141188      | SCRAPER BAR, 8-3/4 SP 5 HOLE     | 2    | 2  |
| 20   | 141163      | SHAFT, GANG 59"                  | 2    | -- |
| 21   | 141184      | SHAFT, GANG 50-1/2"              | 2    | -- |
| 22   | 141186      | SHAFT, GANG 94"                  | 2    | -- |
| 23   | 141187      | SHAFT, GANG 111-1/2"             | 2    | -- |
| 24   | 142579      | SHAFT, GANG 59-1/2"              | --   | 2  |
| 25   | 142703      | SHAFT, GANG 95"                  | --   | 2  |
| 26   | 142704      | SHAFT, GANG 112-1/2"             | --   | 2  |
| 27   | 142705      | SHAFT, GANG 51"                  | --   | 2  |

### Disc Gang Placement 6231-26' (28" Disc Blades)



**6231-26 28" X 5/16" 8-3/4 NFPR DISC BLADES (195680)**



**6231-26 28" X 5/16" 10-1/2 NFPR DISC BLADES (197728)**

**Figure 3-18: Disc Gang Placement 6231-26' (28" Disc Blades)**

## Disc Gang Placement 6231-26' (28" Disc Blades)

| ITEM | PART NUMBER | DESCRIPTION                              | QTY. |    |
|------|-------------|--|------|----|
| --   | 195680      | GANG ASSEMBLY, 28" X 5/16" 8-3/4 NFPR    | *    |    |
| --   | 197728      | GANG ASSEMBLY, 28" X 5/16" 10-1/2 NFPR   |      | *  |
| 1    | 161530      | DISC BLADE, 24" X 1/4" 1-3/4 ID          | 2    | 2  |
| 2    | 169575      | DISC BLADE, 26" X 1/4" 1-3/4 ID          | 4    | 4  |
| 3    | 195676      | DISC BLADE, 28" X 5/16" 1-3/4 ID         | 30   | 24 |
| 4    | 195677      | DISC BLADE, 28" X 5/16" NOTCHED 1-3/4 ID | 32   | 26 |
| 5    | 195690      | DISC BLADE, 24" X 5/16" NOTCHED 1-3/4 ID | 2    | 2  |
| 6    | 195691      | DISC BLADE, 26" X 5/16" NOTCHED 1-3/4 ID | 2    | 2  |
| 7    | 195693      | DISC BLADE, 22" X 1/4" 1-3/4 ID, 3-SIDED | 2    | 2  |
| 8    | 193508      | GANG BAR, RCF 21'-29'                    | 1    | 1  |
| 9    | 193509      | GANG BAR, LCF 21'-29'                    | 1    | 1  |
| 10   | 193510      | GANG BAR, RCR 21'-29'                    | 1    | 1  |
| 11   | 193511      | GANG BAR, LCR 21'-29'                    | 1    | 1  |
| 12   | 193524      | GANG BAR, RWF 26'-30'                    | 1    | 1  |
| 13   | 193525      | GANG BAR, LWF 26'-30'                    | 1    | 1  |
| 14   | 193526      | GANG BAR, RWR 26'-30'                    | 1    | 1  |
| 15   | 193527      | GANG BAR, LWR 26'-30'                    | 1    | 1  |
| 16   | 141168      | SCRAPER BAR, 8-3/4 SP 7 HOLE             | 2    | -- |
| 17   | 141171      | SCRAPER BAR, 8-3/4 SP 10 HOLE            | 2    | -- |
| 18   | 141173      | SCRAPER BAR, 8-3/4 SP 13 HOLE            | 2    | -- |
| 19   | 141188      | SCRAPER BAR, 8-3/4 SP 5 HOLE             | 2    | -- |
| 20   | 149604      | SCRAPER BAR, 10-1/2" SP 7 HOLE           | --   | 2  |
| 21   | 149608      | SCRAPER BAR, 10-1/2" SP 11 HOLE          | --   | 2  |
| 22   | 160183      | SCRAPER BAR, 10-1/2 SP 5 HOLE            | --   | 2  |
| 23   | 197733      | SCRAPER BAR, 10-1/2 SP 3 HOLE            | --   | 2  |
| 24   | 142579      | SHAFT, GANG 59-1/2"                      | 2    | 2  |
| 25   | 142703      | SHAFT, GANG 95"                          | 2    | -- |
| 26   | 142704      | SHAFT, GANG 112-1/2"                     | 2    | 2  |
| 27   | 142705      | SHAFT, GANG 51"                          | 2    | -- |
| 28   | 185721      | SHAFT, GANG 91"                          | --   | 2  |
| 29   | 195698      | SHAFT, GANG 49"                          | --   | 2  |

Disc Gang Placement 6231-29' (24" Disc Blades)

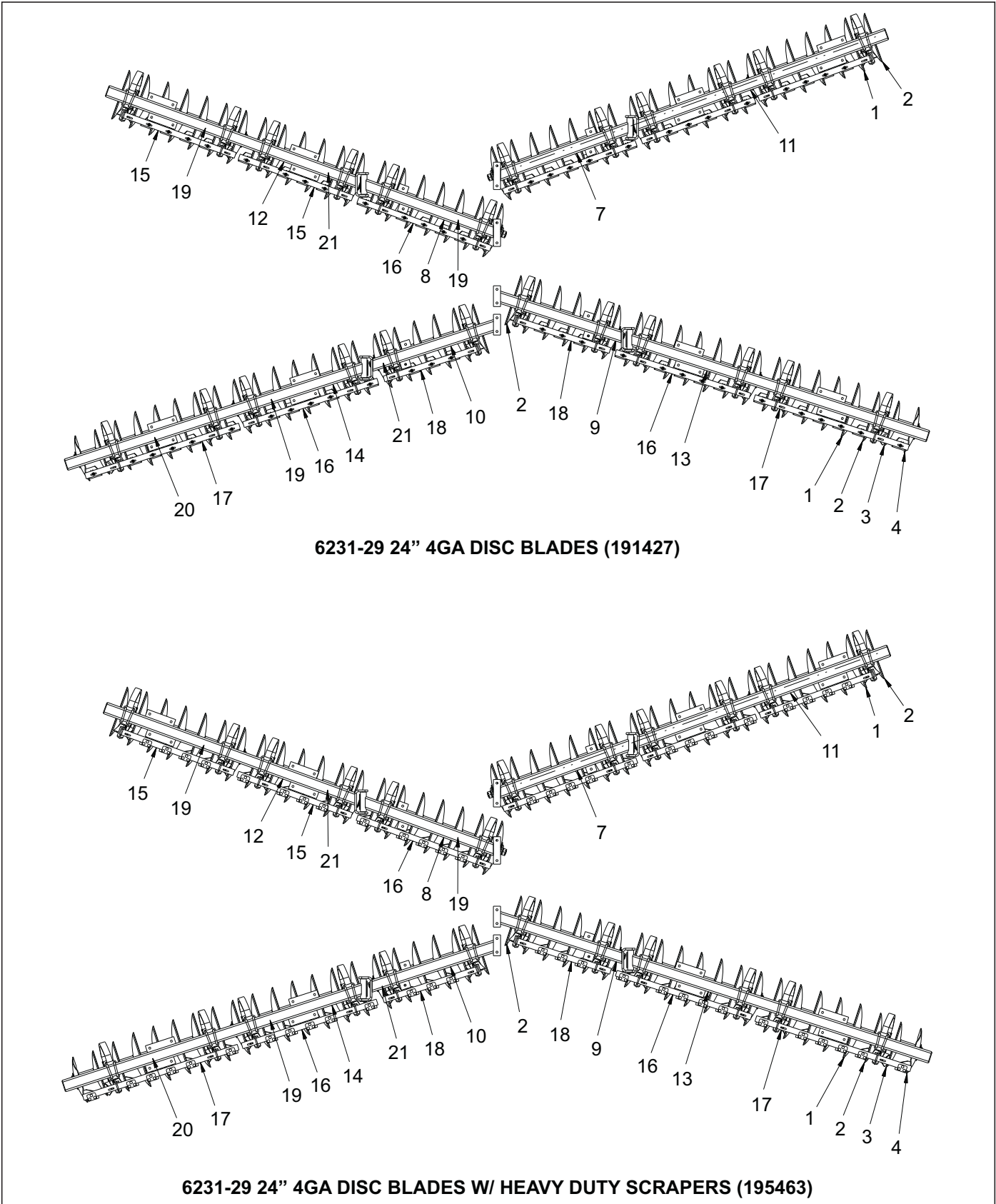
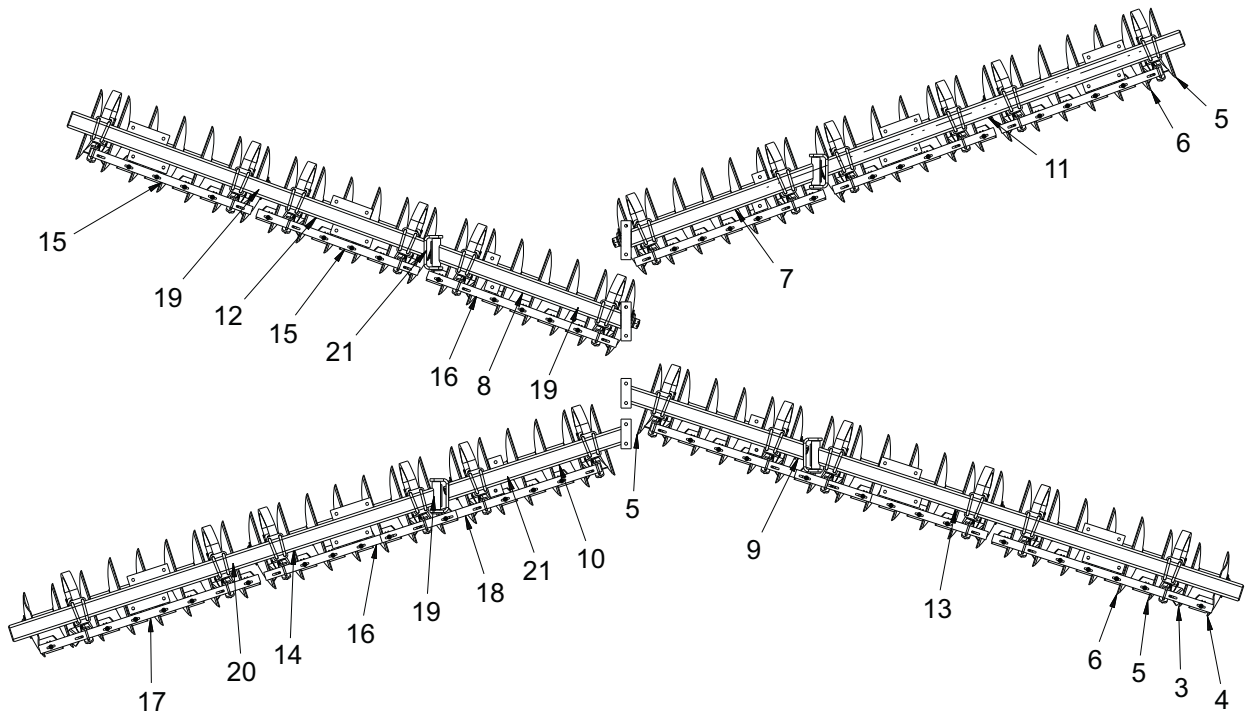
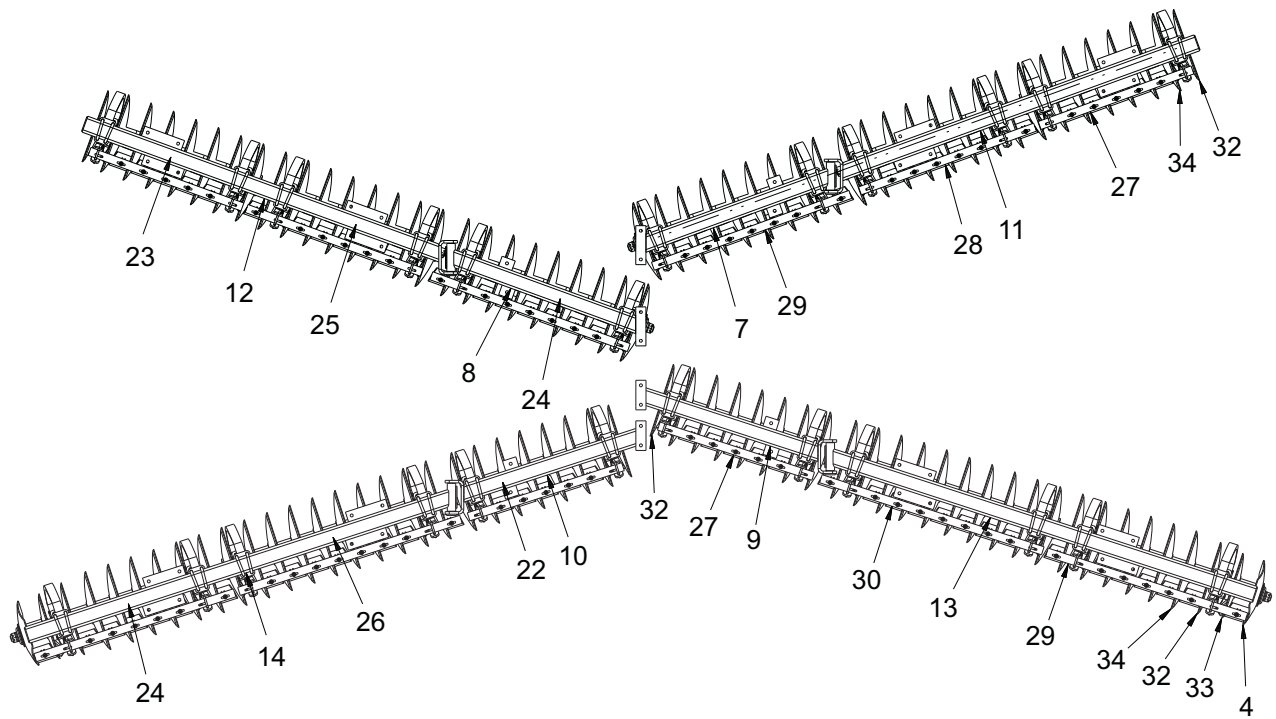


Figure 3-19: Disc Gang Placement 6231-29' (24" Disc Blades) (1 of 3)

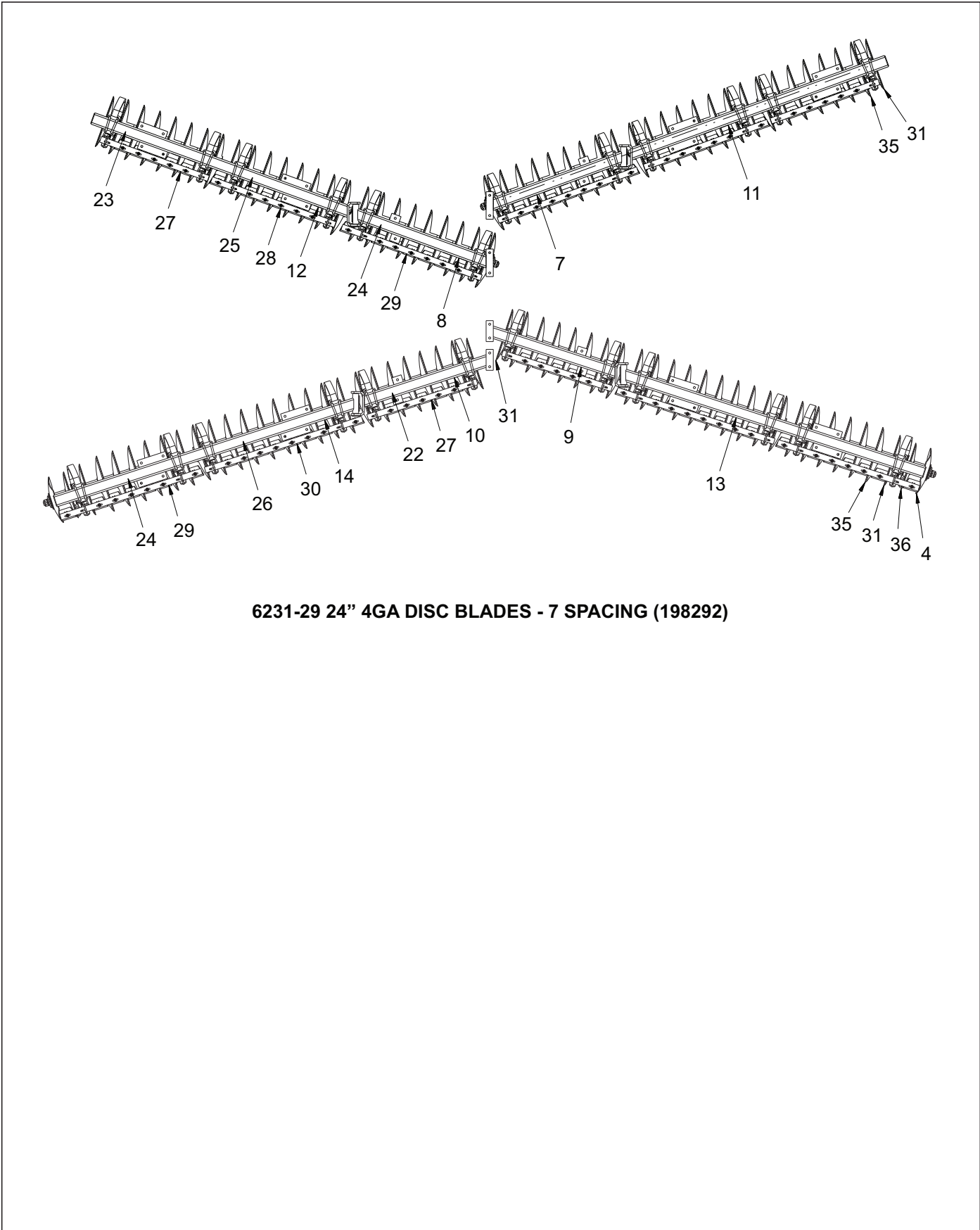


6231-29 24" 4GA DISC BLADES - ROLLABLE (193558)



6231-29 24" 4GA DISC BLADES - 7 SPACING ROLLABLE (191434)

Figure 3-20: Disc Gang Placement 6231-29' (24" Disc Blades) (2 of 3)



6231-29 24" 4GA DISC BLADES - 7 SPACING (198292)

Figure 3-21: Disc Gang Placement 6231-29' (24" Disc Blades) (3 of 3)

## Disc Gang Placement 6231-29' (24" Disc Blades)

| ITEM | PART NUMBER | DESCRIPTION                                | QTY. |    |    |    |    |   |
|------|-------------|--|------|----|----|----|----|---|
| --   | 191427      | GANG ASSEMBLY, 24" 4 GA                    | *    |    |    |    |    |   |
| --   | 195643      | GANG ASSEMBLY, 24" 4 GA HDS                |      | *  |    |    |    |   |
| --   | 193558      | GANG ASSY, 24" 4GA ROLL 29 (ROLLABLE)      |      |    | *  |    |    |   |
| --   | 191434      | GANG ASSY, 24" 7SP ROLL 4GA 29 (ROLLABLE)  |      |    |    | *  |    |   |
| --   | 198292      | GANG ASSEMBLY, 24" 4GA 7SP                 |      |    |    |    |    | * |
| 1    | 140465      | DISC BLADE 24" X 1/4" 1-3/4 ID             | 72   | 72 | -- | -- | -- |   |
| 2    | 140466      | DISC BLADE 22" X 1/4" 1-3/4 ID             | 6    | 6  | -- | -- | -- |   |
| 3    | 140467      | DISC BLADE, 20" X 1/4" 1-3/4 ID            | 2    | 2  | 2  | -- | -- |   |
| 4    | 140468      | DISC BLADE, 20" X 1/4" 3-SIDED             | 2    | 2  | 2  | 2  | 2  |   |
| 5    | 142660      | DISC BLADE 22" X 1/4" 1-3/4 ID (ROLLABLE)  | --   | -- | 6  | -- | -- |   |
| 6    | 142662      | DISC BLADE 24" X 1/4" 1-3/4 ID (ROLLABLE)  | --   | -- | 72 | -- | -- |   |
| 7    | 193508      | GANG BAR, RCF 21'-29'                      | 1    | 1  | 1  | 1  | 1  |   |
| 8    | 193509      | GANG BAR, LCF 21'-29'                      | 1    | 1  | 1  | 1  | 1  |   |
| 9    | 193510      | GANG BAR, RCR 21'-29'                      | 1    | 1  | 1  | 1  | 1  |   |
| 10   | 193511      | GANG BAR, LCR 21'-29'                      | 1    | 1  | 1  | 1  | 1  |   |
| 11   | 193528      | GANG BAR, RWF 29'-33'                      | 1    | 1  | 1  | 1  | 1  |   |
| 12   | 193529      | GANG BAR, LWF 29'-33'                      | 1    | 1  | 1  | 1  | 1  |   |
| 13   | 193530      | GANG BAR, RWR 29'-33'                      | 1    | 1  | 1  | 1  | 1  |   |
| 14   | 193531      | GANG BAR, LWR 29'-33'                      | 1    | 1  | 1  | 1  | 1  |   |
| 15   | 141167      | SCRAPER BAR, 8-3/4 SP 6 HOLE               | 4    | 4  | 4  | -- | -- |   |
| 16   | 141168      | SCRAPER BAR, 8-3/4 SP 7 HOLE               | 4    | 4  | 4  | -- | -- |   |
| 17   | 141169      | SCRAPER BAR, 8-3/4 SP 8 HOLE               | 2    | 2  | 2  | -- | -- |   |
| 18   | 141188      | SCRAPER BAR, 8-3/4 SP 5 HOLE               | 2    | 2  | 2  | -- | -- |   |
| 19   | 141163      | SHAFT, GANG 59"                            | 6    | 6  | 6  | -- | -- |   |
| 20   | 141164      | SHAFT, GANG 68"                            | 2    | 2  | 2  | -- | -- |   |
| 21   | 141184      | SHAFT, GANG 50-1/2"                        | 4    | 4  | 4  | -- | -- |   |
| 22   | 153713      | SHAFT, GANG 55-1/2"                        | --   | -- | -- | 2  | 2  |   |
| 23   | 154662      | SHAFT, GANG 55"                            | --   | -- | -- | 2  | 2  |   |
| 24   | 154663      | SHAFT, GANG 66-1/2"                        | --   | -- | -- | 4  | 4  |   |
| 25   | 171021      | SHAFT, GANG 90-1/2"                        | --   | -- | -- | 2  | 2  |   |
| 26   | 142580      | SHAFT, GANG 68-1/2"                        | --   | -- | -- | 2  | 2  |   |
| 27   | 153698      | SCRAPER BAR 7 SP 7 HOLE                    | --   | -- | -- | 4  | 4  |   |
| 28   | 153699      | SCRAPER BAR 7 SP 8 HOLE                    | --   | -- | -- | 2  | 2  |   |
| 29   | 153700      | SCRAPER BAR 7 SP 9 HOLE                    | --   | -- | -- | 4  | 4  |   |
| 30   | 153701      | SCRAPER BAR 7 SP 10 HOLE                   | --   | -- | -- | 2  | 2  |   |
| 31   | 155617      | DISC BLADE, 22" X 1/4" 1-3/4 ID            | --   | -- | -- | -- | 6  |   |
| 32   | 155618      | DISC BLADE, 22" X 1/4" 1-3/4 ID (ROLLABLE) | --   | -- | -- | 6  | -- |   |
| 33   | 155619      | DISC BLADE, 20" X 1/4" 1-3/4 ID (ROLLABLE) | --   | -- | -- | 2  | -- |   |
| 34   | 172076      | DISC BLADE, 24" X 1/4" 1-3/4 ID (ROLLABLE) | --   | -- | -- | 94 | -- |   |
| 35   | 161530      | OSM DISC BLD, 24X1/4 1-3/4 ID              | --   | -- | -- | -- | 94 |   |
| 36   | 186100      | DISC BLADE, 20" X 1/4" 1-3/4 ID            | --   | -- | -- | -- | 2  |   |



Disc Gang Placement 6231-29' (26" Disc Blades)

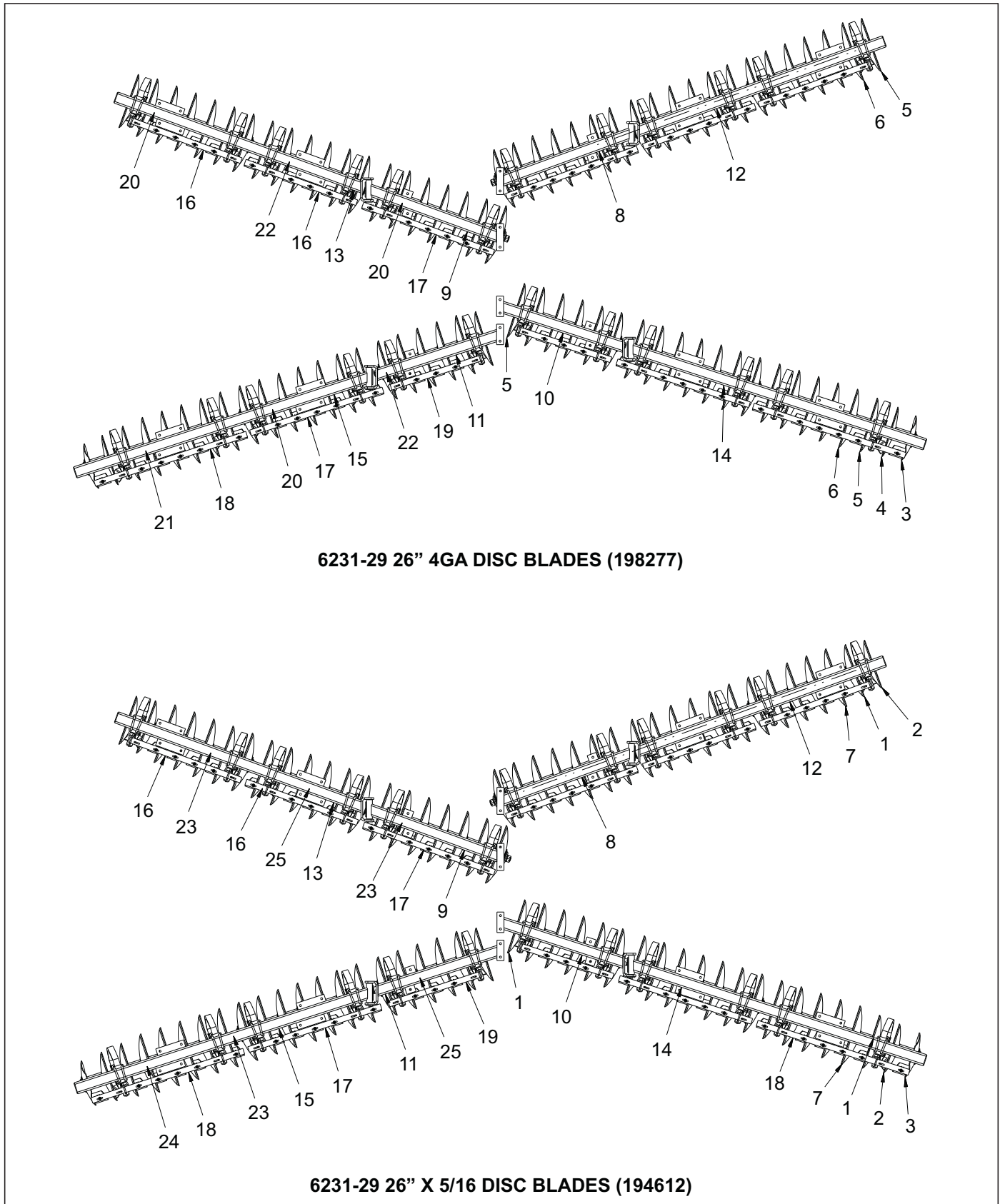


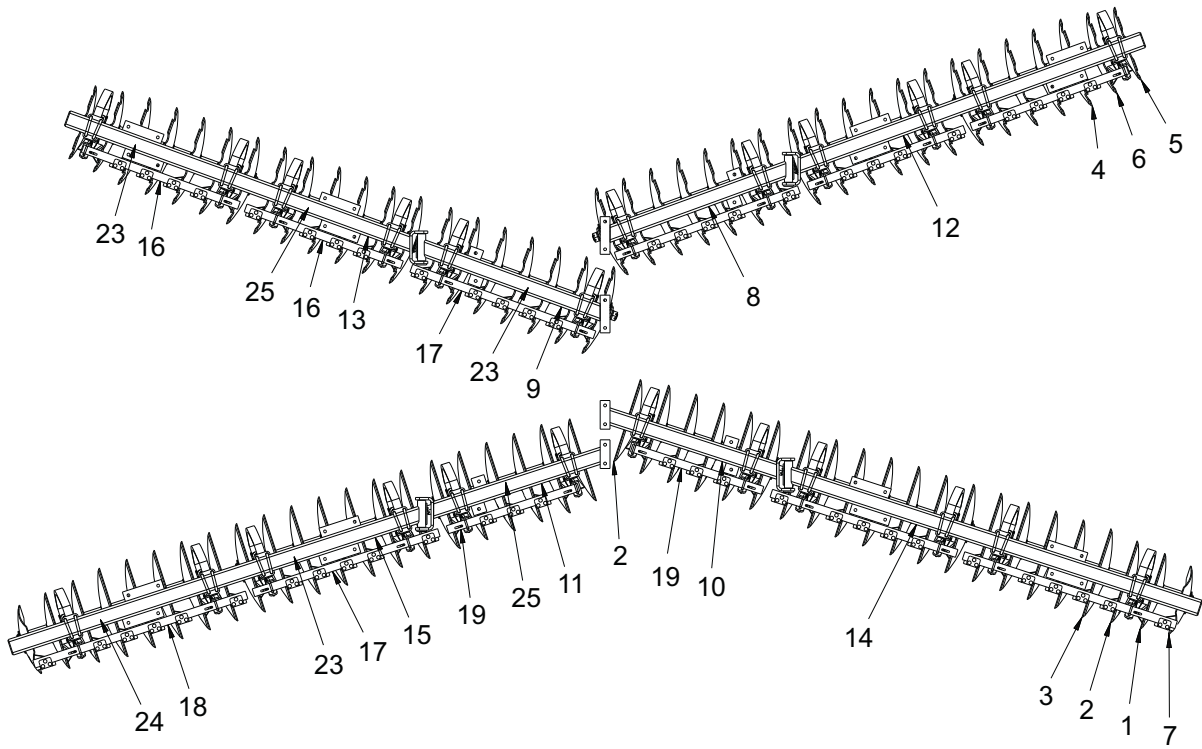
Figure 3-22: Disc Gang Placement 6231-29' (26" Disc Blades)



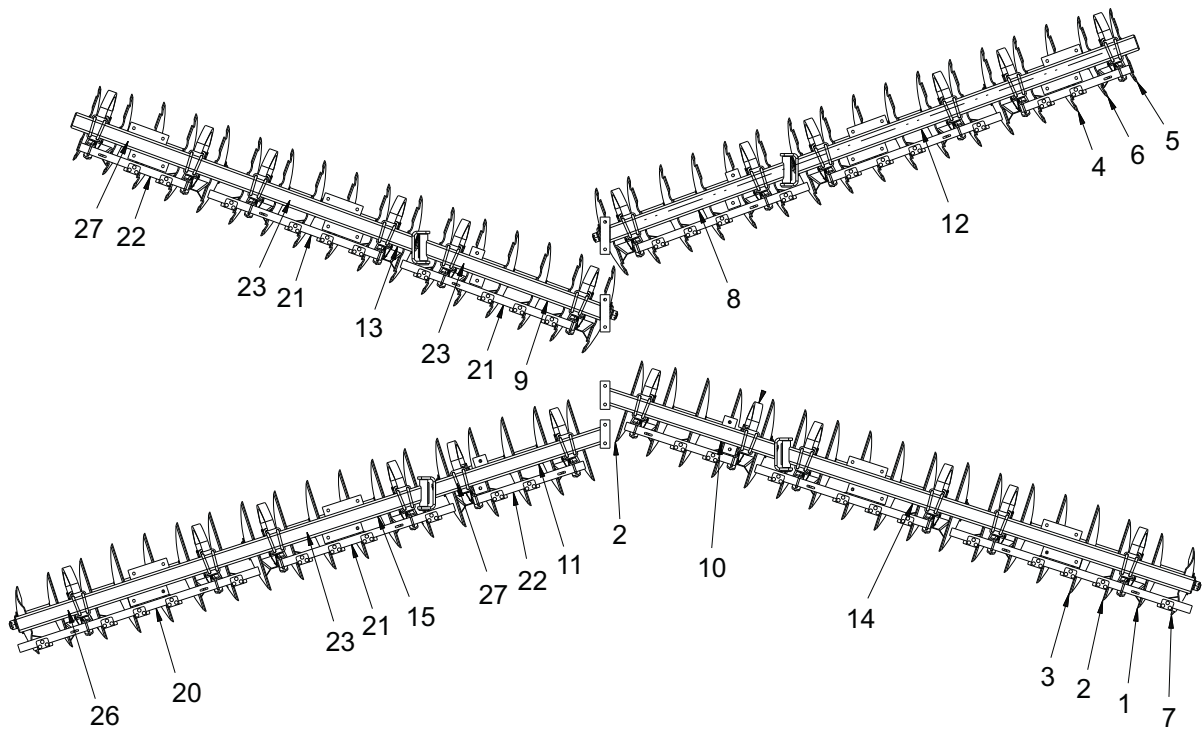
## Disc Gang Placement 6231-29' (26" Disc Blades)

| ITEM | PART NUMBER | DESCRIPTION                      | QTY. |    |
|------|-------------|----------------------------------|------|----|
| --   | 198277      | GANG ASSEMBLY, 26" 4GA           | *    |    |
| --   | 194612      | GANG ASSEMBLY, 26" 5/16"         |      | *  |
| 1    | 140465      | DISC BLADE, 24" X 1/4" 1-3/4 ID  | --   | 6  |
| 2    | 140466      | DISC BLADE, 22" X 1/4" 1-3/4 ID  | --   | 4  |
| 3    | 140468      | DISC BLADE, 20" X 1/4" 3-SIDED   | 2    | 2  |
| 4    | 155617      | DISC BLADE, 22" X 1/4" 1-3/4 ID  | 2    | -- |
| 5    | 161530      | DISC BLADE, 24" X 1/4" 1-3/4 ID  | 6    | -- |
| 6    | 169575      | DISC BLADE, 26" X 1/4" 1-3/4 ID  | 72   | -- |
| 7    | 141871      | DISC BLADE, 26" X 5/16" 1-3/4 ID | --   | 70 |
| 8    | 193508      | GANG BAR, RCF 21'-29'            | 1    | 1  |
| 9    | 193509      | GANG BAR, LCF 21'-29'            | 1    | 1  |
| 10   | 193510      | GANG BAR, RCR 21'-29'            | 1    | 1  |
| 11   | 193511      | GANG BAR, LCR 21'-29'            | 1    | 1  |
| 12   | 193528      | GANG BAR, RWF 29'-33'            | 1    | 1  |
| 13   | 193529      | GANG BAR, LWF 29'-33'            | 1    | 1  |
| 14   | 193530      | GANG BAR, RWR 29'-33'            | 1    | 1  |
| 15   | 193531      | GANG BAR, LWR 29'-33'            | 1    | 1  |
| 16   | 141167      | SCRAPER BAR, 8-3/4 SP 6 HOLE     | 4    | 4  |
| 17   | 141168      | SCRAPER BAR, 8-3/4 SP 7 HOLE     | 4    | 4  |
| 18   | 141169      | SCRAPER BAR, 8-3/4 SP 8 HOLE     | 2    | 2  |
| 19   | 141188      | SCRAPER BAR, 8-3/4 SP 5 HOLE     | 2    | 2  |
| 20   | 141163      | SHAFT, GANG 59"                  | 6    | -- |
| 21   | 141164      | SHAFT, GANG 68"                  | 2    | -- |
| 22   | 141184      | SHAFT, GANG 50-1/2"              | 4    | -- |
| 23   | 142579      | SHAFT, GANG 59-1/2"              | --   | 6  |
| 24   | 142580      | SHAFT, GANG 68-1/2"              | --   | 2  |
| 25   | 142705      | SHAFT, GANG 51"                  | --   | 4  |

### Disc Gang Placement 6231-29' (28" Disc Blades)



**6231-29 28" X 5/16" 8-3/4 NFPR DISC BLADES (195681)**



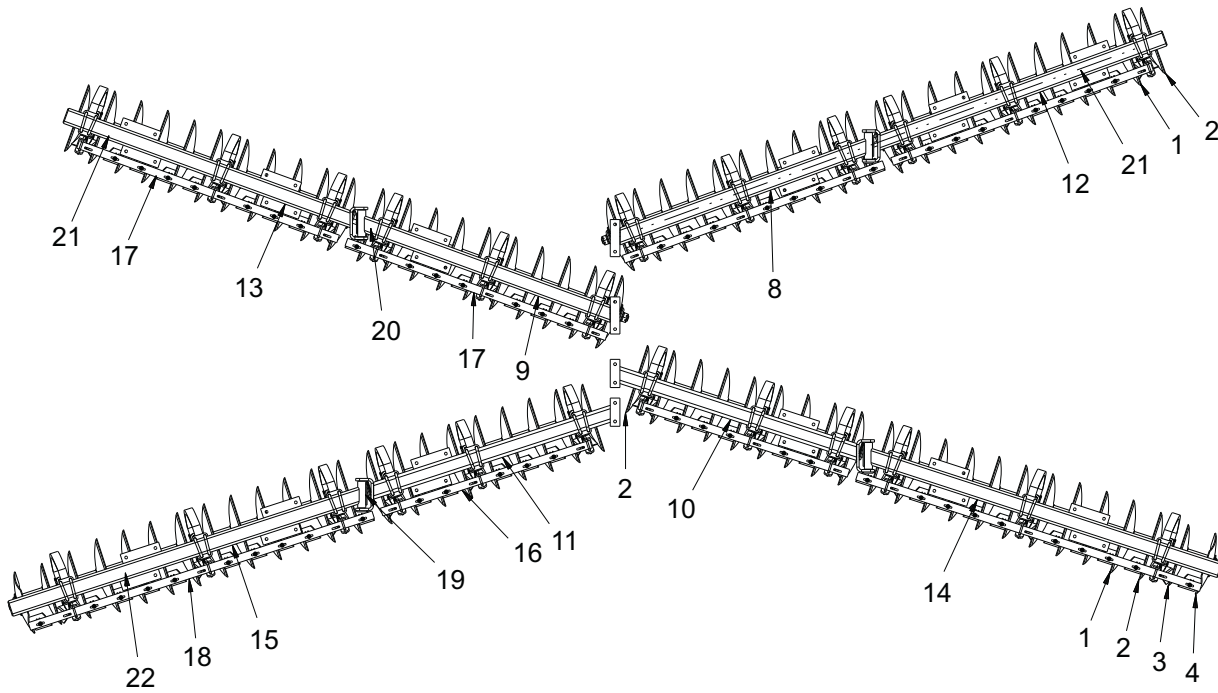
**6231-29 28" X 5/16" 10-1/2 NFPR DISC BLADES (197729)**

**Figure 3-23: Disc Gang Placement 6231-29' (28" Disc Blades)**

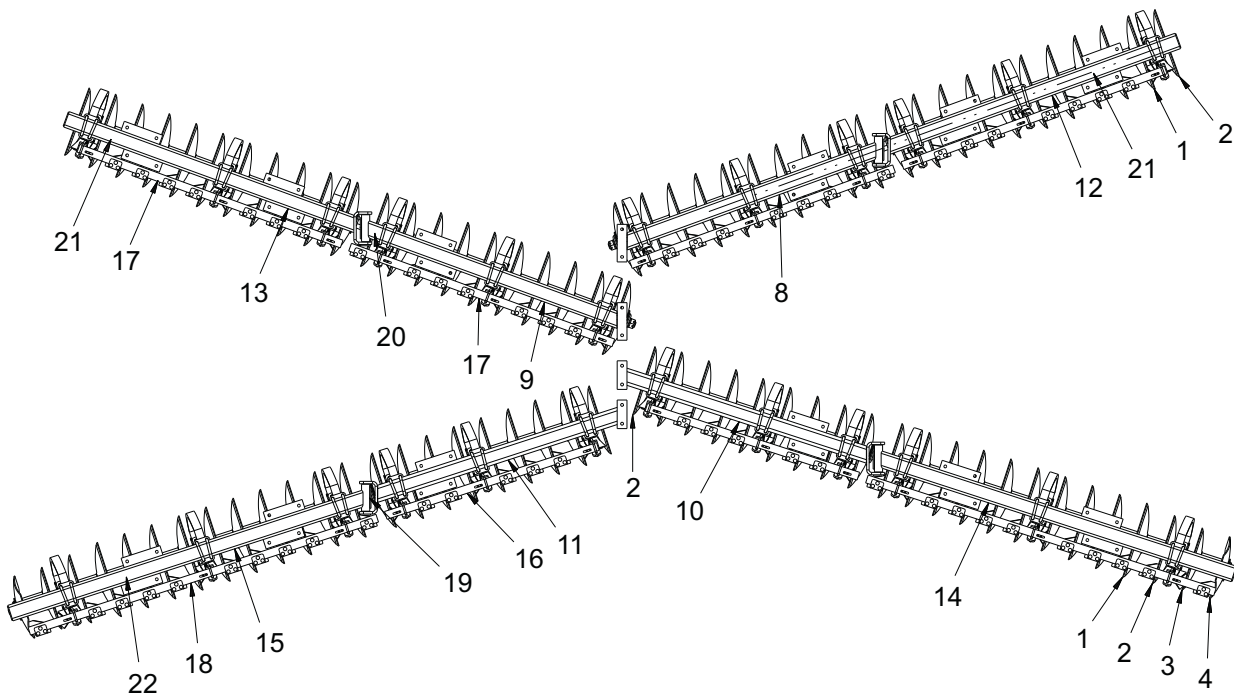
## Disc Gang Placement 6231-29' (28" Disc Blades)

| ITEM | PART NUMBER | DESCRIPTION                              | QTY. |    |
|------|-------------|--|------|----|
| --   | 195681      | GANG ASSEMBLY, 28" X 5/16" 8-3/4 NFPR    | *    |    |
| --   | 197729      | GANG ASSEMBLY, 28" X 5/16" 10-1/2 NFPR   |      | *  |
| 1    | 161530      | DISC BLADE, 24" X 1/4" 1-3/4 ID          | 2    | 2  |
| 2    | 169575      | DISC BLADE, 26" X 1/4" 1-3/4 ID          | 4    | 4  |
| 3    | 195676      | DISC BLADE, 28" X 5/16" 1-3/4 ID         | 34   | 28 |
| 4    | 195677      | DISC BLADE, 28" X 5/16" NOTCHED 1-3/4 ID | 36   | 30 |
| 5    | 195690      | DISC BLADE, 24" X 5/16" NOTCHED 1-3/4 ID | 2    | 2  |
| 6    | 195691      | DISC BLADE, 26" X 5/16" NOTCHED 1-3/4 ID | 2    | 2  |
| 7    | 195693      | DISC BLADE, 22" X 1/4" 1-3/4 ID, 3-SIDED | 2    | 2  |
| 8    | 193508      | GANG BAR, RCF 21'-29'                    | 1    | 1  |
| 9    | 193509      | GANG BAR, LCF 21'-29'                    | 1    | 1  |
| 10   | 193510      | GANG BAR, RCR 21'-29'                    | 1    | 1  |
| 11   | 193511      | GANG BAR, LCR 21'-29'                    | 1    | 1  |
| 12   | 193528      | GANG BAR RWF 29'-33'                     | 1    | 1  |
| 13   | 193529      | GANG BAR LWF 29'-33'                     | 1    | 1  |
| 14   | 193530      | GANG BAR RWR 29'-33'                     | 1    | 1  |
| 15   | 193531      | GANG BAR LWR 29'-33'                     | 1    | 1  |
| 16   | 141167      | SCRAPER BAR, 8-3/4 SP 6 HOLE             | 4    | -- |
| 17   | 141168      | SCRAPER BAR, 8-3/4 SP 7 HOLE             | 4    | -- |
| 18   | 141169      | SCRAPER BAR, 8-3/4 SP 8 HOLE             | 2    | -- |
| 19   | 141188      | SCRAPER BAR, 8-3/4 SP 5 HOLE             | 2    | -- |
| 20   | 149604      | SCRAPER BAR, 10-1/2" SP 7 HOLE           | --   | 2  |
| 21   | 160183      | SCRAPER BAR, 10-1/2 SP 5 HOLE            | --   | 6  |
| 22   | 197733      | SCRAPER BAR, 10-1/2 SP 3 HOLE            | --   | 4  |
| 23   | 142579      | SHAFT, GANG 59-1/2"                      | 6    | 6  |
| 24   | 142580      | SHAFT, GANG 68-1/2"                      | 2    | -- |
| 25   | 142705      | SHAFT, GANG 51"                          | 4    | -- |
| 26   | 156951      | SHAFT, GANG 70"                          | --   | 2  |
| 27   | 195698      | SHAFT, GANG 49"                          | --   | 4  |

# Disc Gang Placement 6231-30' (24" Disc Blades)

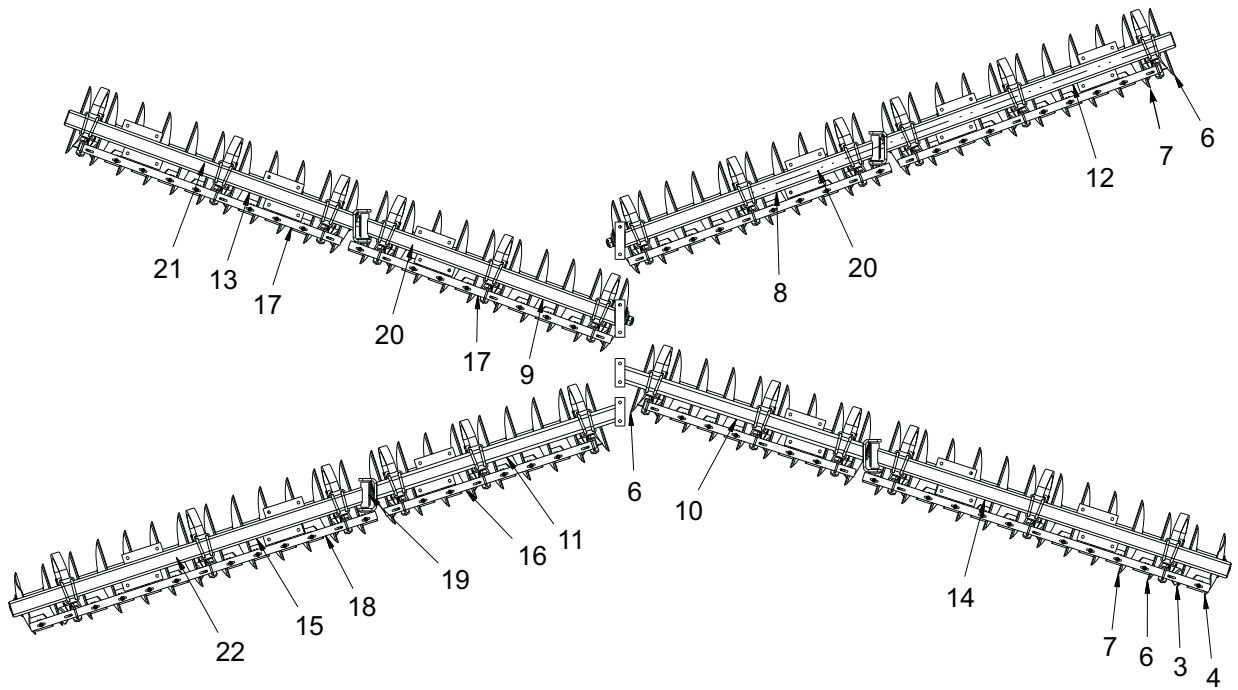


6231-30 24" 4GA DISC BLADES (191428)

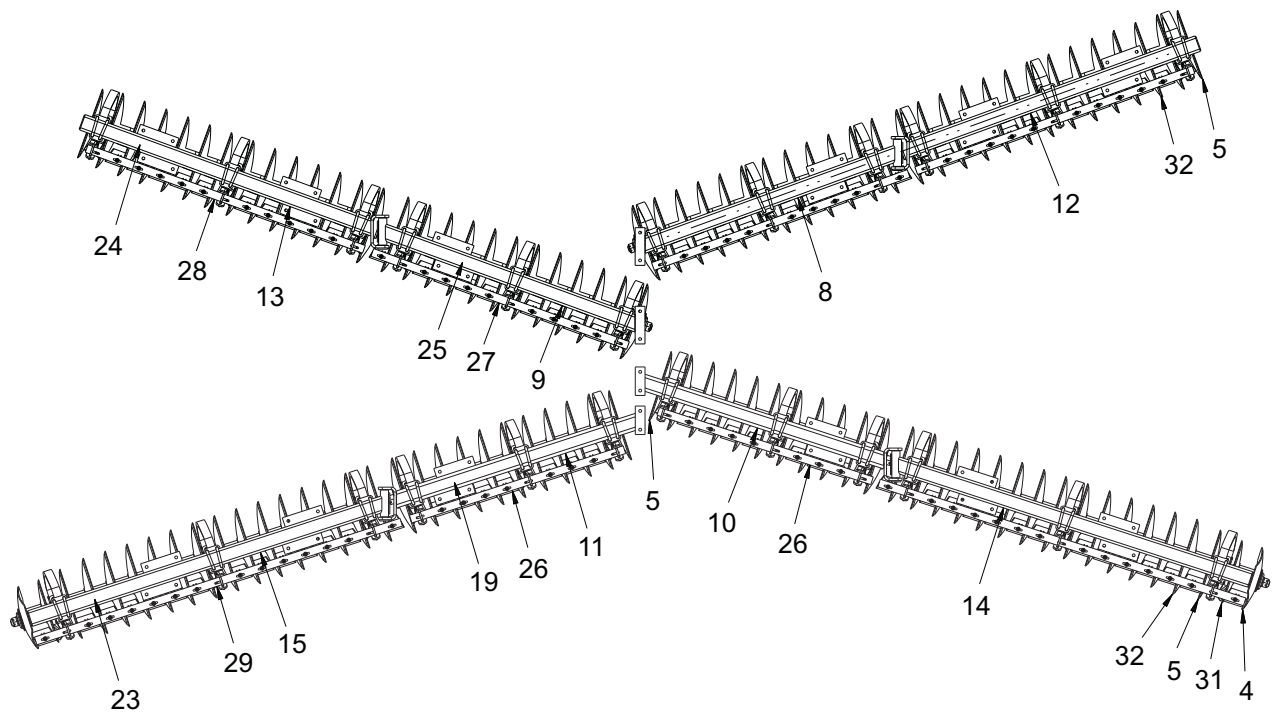


6231-30 24" 4GA DISC BLADES W/ HEAVY DUTY SCRAPERS (195644)

Figure 3-24: Disc Gang Placement 6231-30' (24" Disc Blades) (1 of 3)

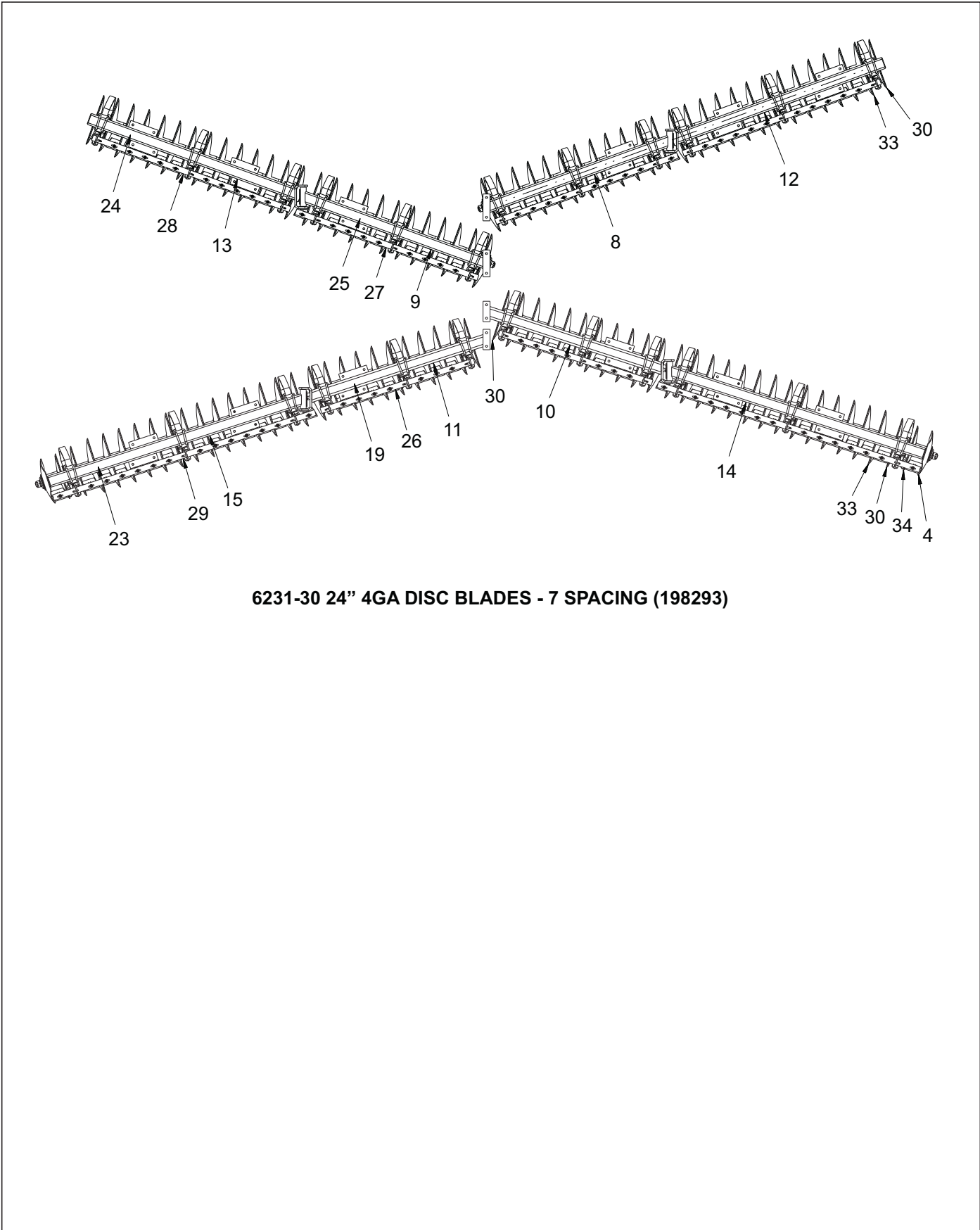


6231-30 24" 4GA DISC BLADES - ROLLABLE (193559)



6231-30 24" 4GA DISC BLADES - 7 SPACING ROLLABLE (191435)

Figure 3-25: Disc Gang Placement 6231-30' (24" Disc Blades) (2 of 3)



6231-30 24" 4GA DISC BLADES - 7 SPACING (198293)

Figure 3-26: Disc Gang Placement 6231-30' (24" Disc Blades) (3 of 3)

## Disc Gang Placement 6231-30' (24" Disc Blades)

| ITEM | PART NUMBER | DESCRIPTION                                | QTY. |    |    |    |    |  |
|------|-------------|--|------|----|----|----|----|--|
| --   | 191428      | GANG ASSEMBLY, 24" 4 GA                    | *    |    |    |    |    |  |
| --   | 195644      | GANG ASSEMBLY, 24" 4 GA HDS                |      | *  |    |    |    |  |
| --   | 193559      | GANG ASSY, 24" 4GA ROLL 30 (ROLLABLE)      |      |    | *  |    |    |  |
| --   | 191435      | GANG ASSY, 24" 7SP ROLL 4GA 30 (ROLLABLE)  |      |    |    | *  |    |  |
| --   | 198293      | GANG ASSEMBLY, 24" 4GA 7SP                 |      |    |    |    | *  |  |
| 1    | 140465      | DISC BLADE, 24" X 1/4" 1-3/4 ID            | 76   | 76 | -- | -- | -- |  |
| 2    | 140466      | DISC BLADE, 22" X 1/4" 1-3/4 ID            | 6    | 6  | -- | -- | -- |  |
| 3    | 140467      | DISC BLADE, 20" X 1/4" 1-3/4 ID            | 2    | 2  | 2  | -- | -- |  |
| 4    | 140468      | DISC BLADE, 20" X 1/4" 3-SIDED             | 2    | 2  | 2  | 2  | 2  |  |
| 5    | 155618      | DISC BLADE, 22" X 1/4" 1-3/4 ID (ROLLABLE) | --   | -- | -- | 6  | -- |  |
| 6    | 142660      | DISC BLADE, 22" X 1/4" 1-3/4 ID (ROLLABLE) | --   | -- | 6  | -- | -- |  |
| 7    | 142662      | DISC BLADE, 24" X 1/4" 1-3/4 ID (ROLLABLE) | --   | -- | 76 | -- | -- |  |
| 8    | 193512      | GANG BAR, RCF 30'-36'                      | 1    | 1  | 1  | 1  | 1  |  |
| 9    | 193513      | GANG BAR, LCF 30'-36'                      | 1    | 1  | 1  | 1  | 1  |  |
| 10   | 193514      | GANG BAR, RCR 30'-36'                      | 1    | 1  | 1  | 1  | 1  |  |
| 11   | 193515      | GANG BAR, LCR 30'-36'                      | 1    | 1  | 1  | 1  | 1  |  |
| 12   | 193524      | GANG BAR, RWF 26'-30'                      | 1    | 1  | 1  | 1  | 1  |  |
| 13   | 193525      | GANG BAR, LWF 26'-30'                      | 1    | 1  | 1  | 1  | 1  |  |
| 14   | 193526      | GANG BAR, RWR 26'-30'                      | 1    | 1  | 1  | 1  | 1  |  |
| 15   | 193527      | GANG BAR, LWR 26'-30'                      | 1    | 1  | 1  | 1  | 1  |  |
| 16   | 141169      | SCRAPER BAR, 8-3/4 SP 8 HOLE               | 2    | 2  | 2  | -- | -- |  |
| 17   | 141171      | SCRAPER BAR, 8-3/4 SP 10 HOLE              | 4    | 4  | 4  | -- | -- |  |
| 18   | 141173      | SCRAPER BAR, 8-3/4 SP 13 HOLE              | 2    | 2  | 2  | -- | -- |  |
| 19   | 141165      | SHAFT, GANG 76-1/2"                        | 2    | 2  | 2  | 2  | 2  |  |
| 20   | 141166      | SHAFT, GANG 85-1/2"                        | 2    | 2  | 2  | -- | -- |  |
| 21   | 141186      | SHAFT, GANG 94"                            | 2    | 2  | 2  | -- | -- |  |
| 22   | 141187      | SHAFT, GANG 111-1/2"                       | 2    | 2  | 2  | -- | -- |  |
| 23   | 199399      | SHAFT, GANG 119"                           | --   | -- | -- | 2  | 2  |  |
| 24   | 156082      | SHAFT, GANG 98"                            | --   | -- | -- | 2  | 2  |  |
| 25   | 156921      | SHAFT, GANG 83-1/2"                        | --   | -- | -- | 2  | 2  |  |
| 26   | 153701      | SCRAPER BAR 7 SP 10 HOLE                   | --   | -- | -- | 2  | 2  |  |
| 27   | 153703      | SCRAPER BAR 7 SP 12 HOLE                   | --   | -- | -- | 2  | 2  |  |
| 28   | 153704      | SCRAPER BAR 7 SP 13 HOLE                   | --   | -- | -- | 2  | 2  |  |
| 29   | 182328      | SCRAPER BAR 7 SP 17 HOLE                   | --   | -- | -- | 2  | 2  |  |
| 30   | 155617      | DISC BLADE, 22" X 1/4" 1-3/4 ID            | --   | -- | -- | -- | 6  |  |
| 31   | 155619      | DISC BLADE, 20" X 1/4" 1-3/4 ID (ROLLABLE) | --   | -- | -- | 2  | -- |  |
| 32   | 172076      | DISC BLADE, 24" X 1/4" 1-3/4 ID (ROLLABLE) | --   | -- | -- | 98 | -- |  |
| 33   | 161530      | DISC BLADE, 24" X 1/4" 1-3/4 ID            | --   | -- | -- | -- | 98 |  |
| 34   | 186100      | DISC BLADE, 20" X 1/4" 1-3/4 ID            | --   | -- | -- | -- | 2  |  |



Disc Gang Placement 6231-30' (26" Disc Blades)

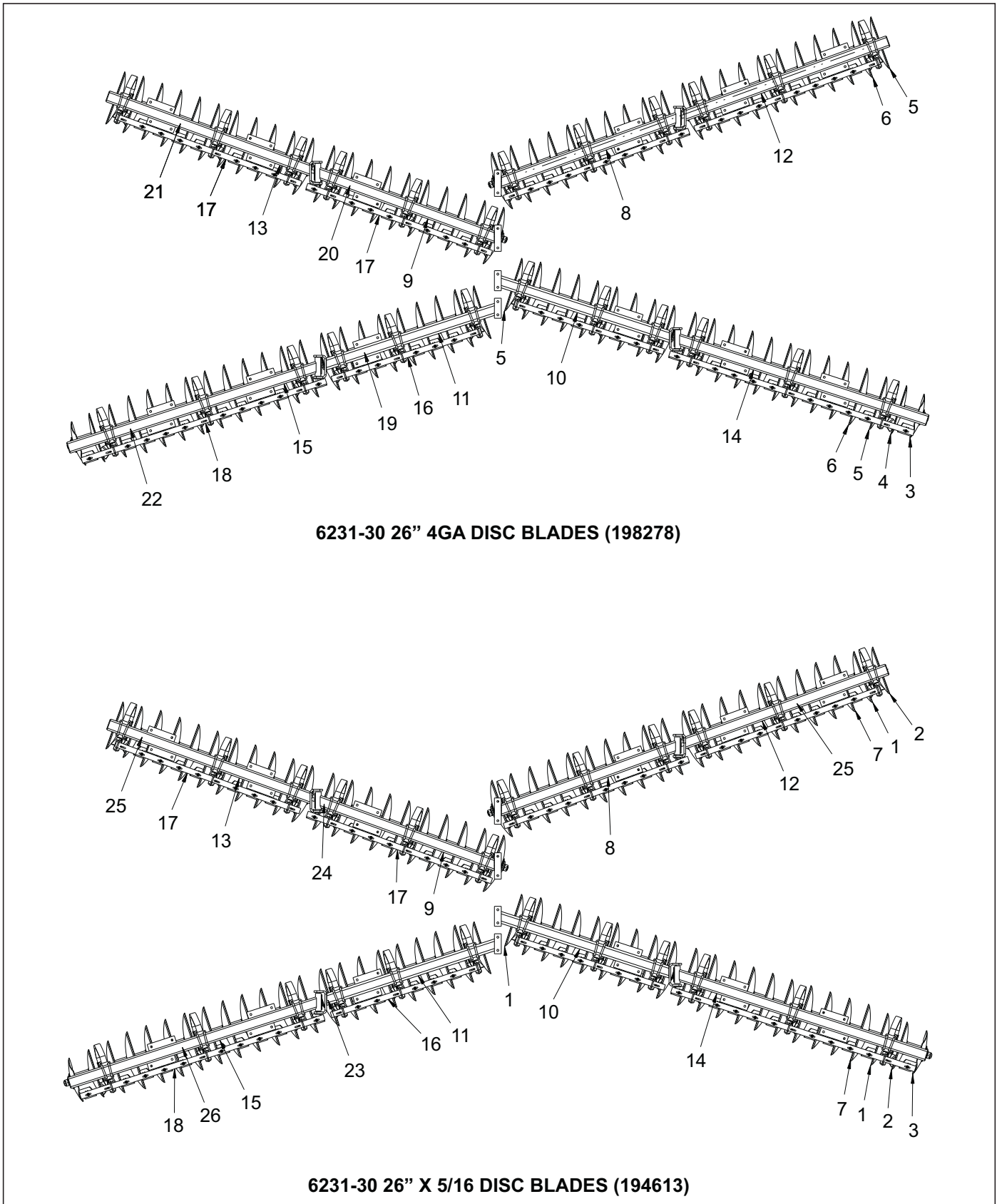


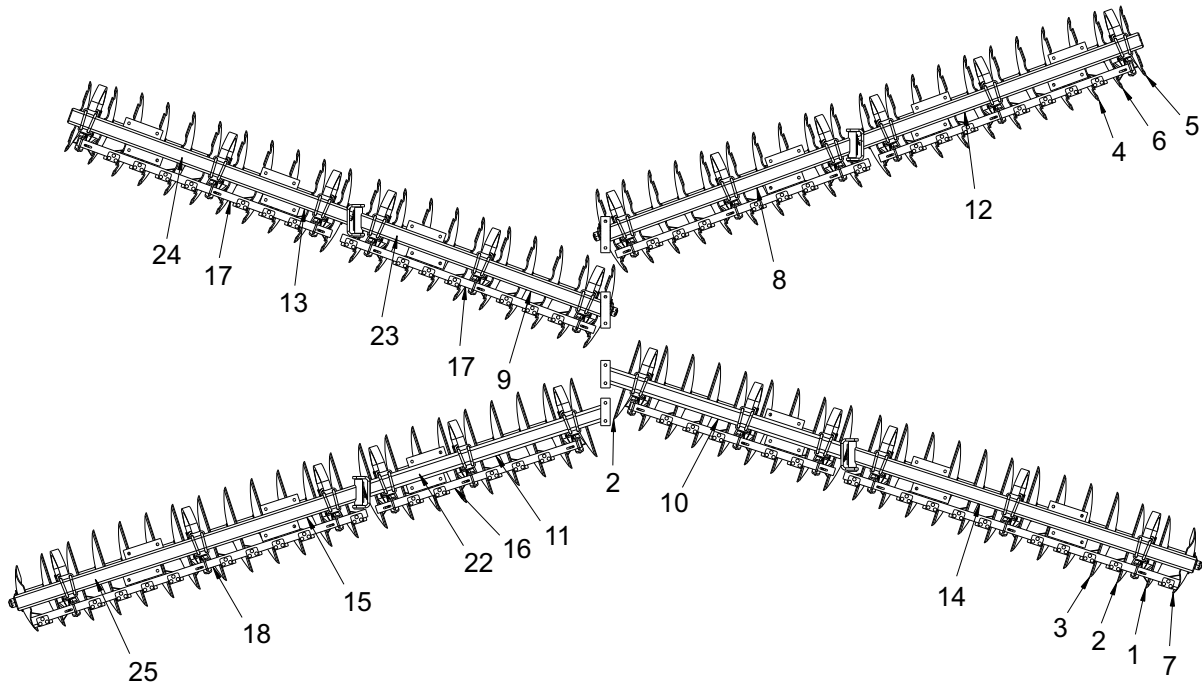
Figure 3-27: Disc Gang Placement 6231-30' (26" Disc Blades)



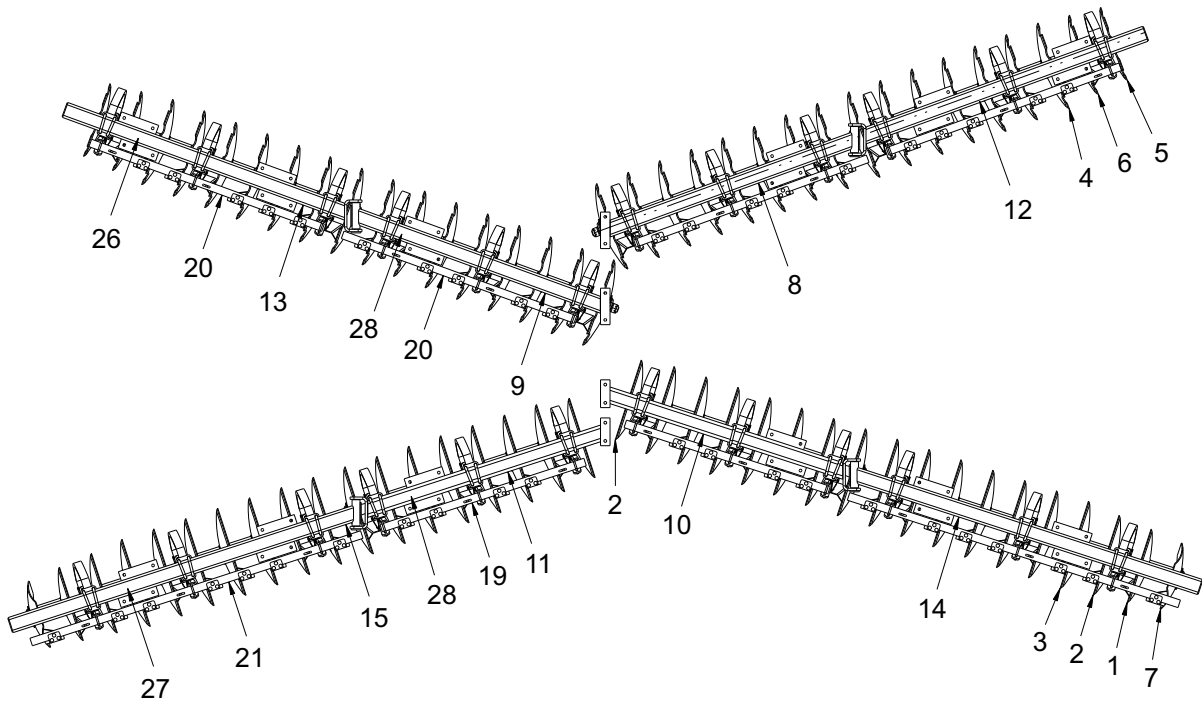
## Disc Gang Placement 6231-30' (26" Disc Blades)

| ITEM | PART NUMBER | DESCRIPTION                      | QTY. |    |
|------|-------------|----------------------------------|------|----|
| --   | 198278      | GANG ASSEMBLY, 26" 4GA           | *    |    |
| --   | 194613      | GANG ASSEMBLY, 26" 5/16"         |      | *  |
| 1    | 140465      | DISC BLADE, 24" X 1/4" 1-3/4 ID  | --   | 6  |
| 2    | 140466      | DISC BLADE, 22" X 1/4" 1-3/4 ID  | --   | 4  |
| 3    | 140468      | DISC BLADE, 20" X 1/4" 3-SIDED   | 2    | 2  |
| 4    | 155617      | DISC BLADE, 22" X 1/4" 1-3/4 ID  | 2    | -- |
| 5    | 161530      | DISC BLADE, 24" X 1/4" 1-3/4 ID  | 6    | -- |
| 6    | 169575      | DISC BLADE, 26" X 1/4" 1-3/4 ID  | 76   | -- |
| 7    | 141871      | DISC BLADE, 26" X 5/16" 1-3/4 ID | --   | 74 |
| 8    | 193512      | GANG BAR, RCF 30'-36'            | 1    | 1  |
| 9    | 193513      | GANG BAR, LCF 30'-36'            | 1    | 1  |
| 10   | 193514      | GANG BAR, RCR 30'-36'            | 1    | 1  |
| 11   | 193515      | GANG BAR, LCR 30'-36'            | 1    | 1  |
| 12   | 193524      | GANG BAR, RWF 26'-30'            | 1    | 1  |
| 13   | 193525      | GANG BAR, LWF 26'-30'            | 1    | 1  |
| 14   | 193526      | GANG BAR, RWR 26'-30'            | 1    | 1  |
| 15   | 193527      | GANG BAR, LWR 26'-30'            | 1    | 1  |
| 16   | 141169      | SCRAPER BAR, 8-3/4 SP 8 HOLE     | 2    | 2  |
| 17   | 141171      | SCRAPER BAR, 8-3/4 SP 10 HOLE    | 4    | 4  |
| 18   | 141173      | SCRAPER BAR, 8-3/4 SP 13 HOLE    | 2    | 2  |
| 19   | 141165      | SHAFT, GANG 76-1/2"              | 2    | -- |
| 20   | 141166      | SHAFT, GANG 68"                  | 2    | -- |
| 21   | 141186      | SHAFT, GANG 94"                  | 2    | -- |
| 22   | 141187      | SHAFT, GANG 111-1/2"             | 2    | -- |
| 23   | 142581      | SHAFT, GANG 77"                  | --   | 2  |
| 24   | 142582      | SHAFT, GANG 86"                  | --   | 2  |
| 25   | 142703      | SHAFT, GANG 95"                  | --   | 2  |
| 26   | 142704      | SHAFT, GANG 112-1/2"             | --   | 2  |

### Disc Gang Placement 6231-30' (28" Disc Blades)



**6231-30 28" X 5/16" 8-3/4 NFPR DISC BLADES (195682)**



**6231-30 28" X 5/16" 10-1/2 NFPR DISC BLADES (197730)**

**Figure 3-28: Disc Gang Placement 6231-30' (28" Disc Blades)**

## Disc Gang Placement 6231-30' (28" Disc Blades)

| ITEM | PART NUMBER | DESCRIPTION                              | QTY. |    |
|------|-------------|--|------|----|
| --   | 195682      | GANG ASSEMBLY, 28" X 5/16" 8-3/4 NFPR    | *    |    |
| --   | 197730      | GANG ASSEMBLY, 28" X 5/16" 10-1/2 NFPR   |      | *  |
| 1    | 161530      | DISC BLADE, 24" X 1/4" 1-3/4 ID          | 2    | 2  |
| 2    | 169575      | DISC BLADE, 26" X 1/4" 1-3/4 ID          | 4    | 4  |
| 3    | 195676      | DISC BLADE, 28" X 5/16" 1-3/4 ID         | 36   | 28 |
| 4    | 195677      | DISC BLADE, 28" X 5/16" NOTCHED 1-3/4 ID | 38   | 30 |
| 5    | 195690      | DISC BLADE, 24" X 5/16" NOTCHED 1-3/4 ID | 2    | 2  |
| 6    | 195691      | DISC BLADE, 26" X 5/16" NOTCHED 1-3/4 ID | 2    | 2  |
| 7    | 195693      | DISC BLADE, 22" X 1/4" 1-3/4 ID, 3-SIDED | 2    | 2  |
| 8    | 193512      | GANG BAR, RCF 30'-36'                    | 1    | 1  |
| 9    | 193513      | GANG BAR, LCF 30'-36'                    | 1    | 1  |
| 10   | 193514      | GANG BAR, RCR 30'-36'                    | 1    | 1  |
| 11   | 193515      | GANG BAR, LCR 30'-36'                    | 1    | 1  |
| 12   | 193524      | GANG BAR, RWF 26'-30'                    | 1    | 1  |
| 13   | 193525      | GANG BAR, LWF 26'-30'                    | 1    | 1  |
| 14   | 193526      | GANG BAR, RWR 26'-30'                    | 1    | 1  |
| 15   | 193527      | GANG BAR, LWR 26'-30'                    | 1    | 1  |
| 16   | 141169      | SCRAPER BAR, 8-3/4 SP 8 HOLE             | 2    | -- |
| 17   | 141171      | SCRAPER BAR, 8-3/4 SP 10 HOLE            | 4    | -- |
| 18   | 141173      | SCRAPER BAR, 8-3/4 SP 13 HOLE            | 2    | -- |
| 19   | 149603      | SCRAPER BAR, 10-1/2 SP 6 HOLE            | --   | 2  |
| 20   | 149604      | SCRAPER BAR, 10-1/2 SP 7 HOLE            | --   | 4  |
| 21   | 149607      | SCRAPER BAR, 10-1/2 SP 10 HOLE           | --   | 2  |
| 22   | 142581      | SHAFT, GANG 77"                          | 2    | -- |
| 23   | 142582      | SHAFT, GANG 86"                          | 2    | -- |
| 24   | 142703      | SHAFT, GANG 95"                          | 2    | -- |
| 25   | 142704      | SHAFT, GANG 112-1/2"                     | 2    | -- |
| 26   | 185721      | SHAFT, GANG 91"                          | --   | 2  |
| 27   | 185722      | SHAFT, GANG 102"                         | --   | 2  |
| 28   | 185724      | SHAFT, GANG 80-1/2"                      | --   | 4  |

Disc Gang Placement 6231-33' (24" Disc Blades)

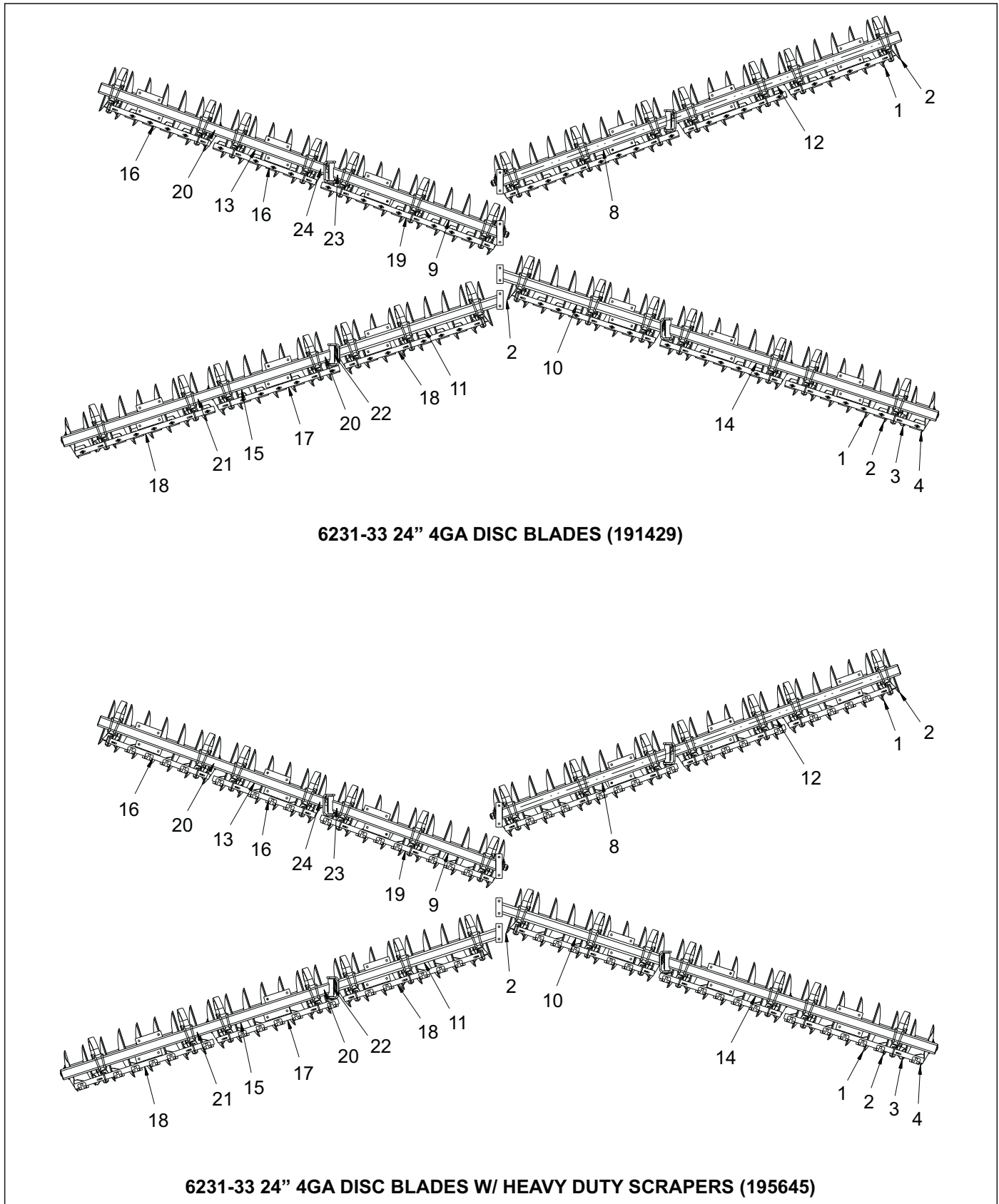
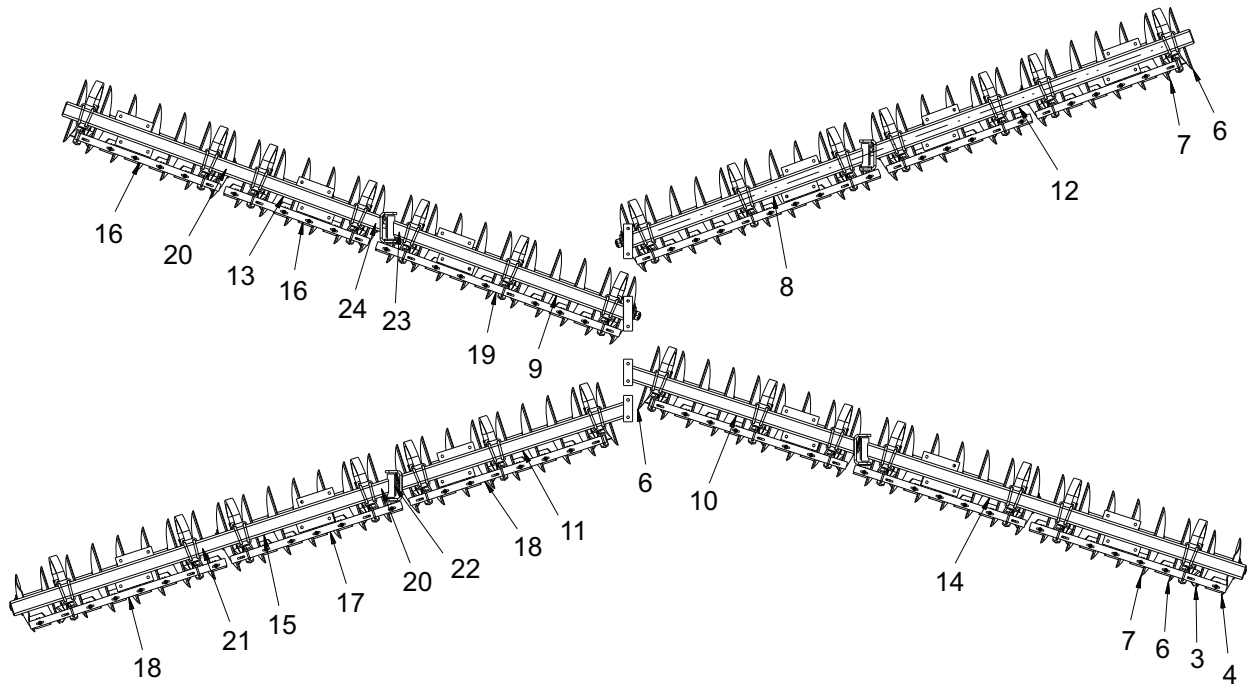
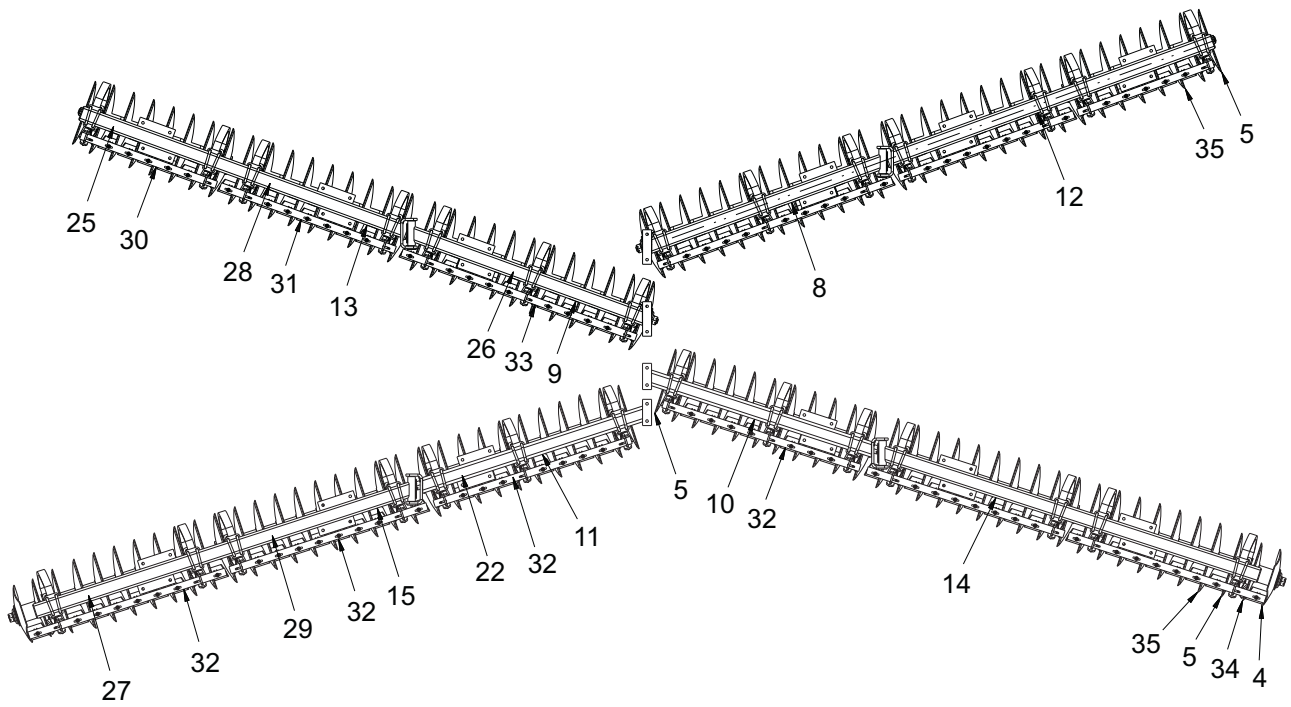


Figure 3-29: Disc Gang Placement 6231-33' (24" Disc Blades) (1 of 3)

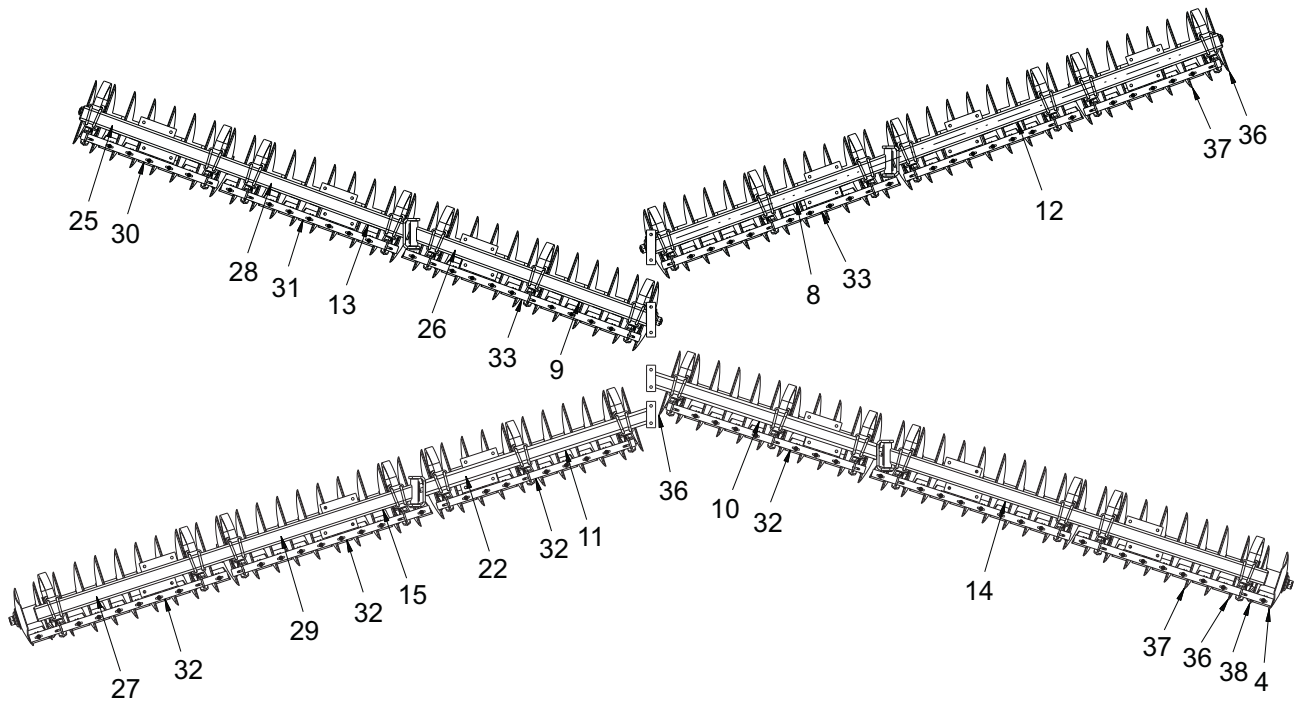


6231-33 24" 4GA DISC BLADES - ROLLABLE (193560)



6231-33 24" 4GA DISC BLADES - 7 SPACING ROLLABLE (191436)

Figure 3-30: Disc Gang Placement 6231-33' (24" Disc Blades) (2 of 3)



6231-33 24" 4GA DISC BLADES - 7 SPACING (198294)

Figure 3-31: Disc Gang Placement 6231-33' (24" Disc Blades) (3 of 3)

## Disc Gang Placement 6231-33' (24" Disc Blades)

| ITEM | PART NUMBER | DESCRIPTION                                | QTY. |    |    |     |     |   |
|------|-------------|--|------|----|----|-----|-----|---|
| --   | 191429      | GANG ASSEMBLY, 24" 4 GA                    | *    |    |    |     |     |   |
| --   | 195645      | GANG ASSEMBLY, 24" 4 GA HDS                |      | *  |    |     |     |   |
| --   | 193560      | GANG ASSY, 24" 4GA ROLL 33 (ROLLABLE)      |      |    | *  |     |     |   |
| --   | 191436      | GANG ASSY, 24" 7SP ROLL 4GA 33 (ROLLABLE)  |      |    |    | *   |     |   |
| --   | 198294      | GANG ASSEMBLY, 24" 4GA 7SP                 |      |    |    |     |     | * |
| 1    | 140465      | DISC BLADE, 24" X 1/4" 1-3/4 ID            | 84   | 84 | -- | --  | --  |   |
| 2    | 140466      | DISC BLADE, 22" X 1/4" 1-3/4 ID            | 6    | 6  | -- | --  | --  |   |
| 3    | 140467      | DISC BLADE, 20" X 1/4" 1-3/4 ID            | 2    | 2  | 2  | --  | --  |   |
| 4    | 140468      | DISC BLADE, 20" X 1/4" 3-SIDED             | 2    | 2  | 2  | 2   | 2   |   |
| 5    | 155618      | DISC BLADE, 22" X 1/4" 1-3/4 ID (ROLLABLE) | --   | -- | -- | 6   | --  |   |
| 6    | 142660      | DISC BLADE, 22" X 1/4" 1-3/4 ID (ROLLABLE) | --   | -- | 6  | --  | --  |   |
| 7    | 142662      | DISC BLADE, 24" X 1/4" 1-3/4 ID (ROLLABLE) | --   | -- | 84 | --  | --  |   |
| 8    | 193512      | GANG BAR, RCF 30'-36'                      | 1    | 1  | 1  | 1   | 1   |   |
| 9    | 193513      | GANG BAR, LCF 30'-36'                      | 1    | 1  | 1  | 1   | 1   |   |
| 10   | 193514      | GANG BAR, RCR 30'-36'                      | 1    | 1  | 1  | 1   | 1   |   |
| 11   | 193515      | GANG BAR, LCR 30'-36'                      | 1    | 1  | 1  | 1   | 1   |   |
| 12   | 193528      | GANG BAR, RWF 29'-33'                      | 1    | 1  | 1  | 1   | 1   |   |
| 13   | 193529      | GANG BAR, LWF 29'-33'                      | 1    | 1  | 1  | 1   | 1   |   |
| 14   | 193530      | GANG BAR, RWR 29'-33'                      | 1    | 1  | 1  | 1   | 1   |   |
| 15   | 193531      | GANG BAR, LWR 29'-33'                      | 1    | 1  | 1  | 1   | 1   |   |
| 16   | 141167      | SCRAPER BAR, 8-3/4 SP 6 HOLE               | 4    | 4  | 4  | --  | --  |   |
| 17   | 141168      | SCRAPER BAR, 8-3/4 SP 7 HOLE               | 2    | 2  | 2  | --  | --  |   |
| 18   | 141169      | SCRAPER BAR, 8-3/4 SP 8 HOLE               | 4    | 4  | 4  | --  | --  |   |
| 19   | 141171      | SCRAPER BAR, 8-3/4 SP 10 HOLE              | 2    | 2  | 2  | --  | --  |   |
| 20   | 141163      | SHAFT, GANG 59"                            | 4    | 4  | 4  | --  | --  |   |
| 21   | 141164      | SHAFT, GANG 68"                            | 2    | 2  | 2  | --  | --  |   |
| 22   | 141165      | SHAFT, GANG 76-1/2"                        | 2    | 2  | 2  | 2   | 2   |   |
| 23   | 141166      | SHAFT, GANG 85-1/2"                        | 2    | 2  | 2  | --  | --  |   |
| 24   | 141184      | SHAFT, GANG 50-1/2"                        | 2    | 2  | 2  | --  | --  |   |
| 25   | 153713      | SHAFT, GANG 55-1/2"                        | --   | -- | -- | 2   | 2   |   |
| 26   | 156921      | SHAFT, GANG 83-1/2"                        | --   | -- | -- | 2   | 2   |   |
| 27   | 164562      | SHAFT, GANG 69"                            | --   | -- | -- | 2   | 2   |   |
| 28   | 180087      | SHAFT, GANG 61-1/2"                        | --   | -- | -- | 2   | 2   |   |
| 29   | 142580      | SHAFT, GANG 68-1/2"                        | --   | -- | -- | 2   | 2   |   |
| 30   | 153698      | SCRAPER BAR 7 SP 7 HOLE                    | --   | -- | -- | 2   | 2   |   |
| 31   | 153700      | SCRAPER BAR 7 SP 9 HOLE                    | --   | -- | -- | 2   | 2   |   |
| 32   | 153701      | SCRAPER BAR 7 SP 10 HOLE                   | --   | -- | -- | 6   | 6   |   |
| 33   | 153703      | SCRAPER BAR 7 SP 12 HOLE                   | --   | -- | -- | 2   | 2   |   |
| 34   | 155619      | DISC BLADE, 20" X 1/4" 1-3/4 ID (ROLLABLE) | --   | -- | -- | 2   | --  |   |
| 35   | 172076      | DISC BLADE, 24" X 1/4" 1-3/4 ID (ROLLABLE) | --   | -- | -- | 110 | --  |   |
| 36   | 155617      | DISC BLADE, 22" X 1/4" 1-3/4 ID            | --   | -- | -- | --  | 6   |   |
| 37   | 161530      | DISC BLADE, 24" X 1/4" 1-3/4 ID            | --   | -- | -- | --  | 110 |   |
| 38   | 186100      | DISC BLADE, 20" X 1/4" 1-3/4 ID            | --   | -- | -- | --  | 2   |   |



Disc Gang Placement 6231-33' (26" Disc Blades)

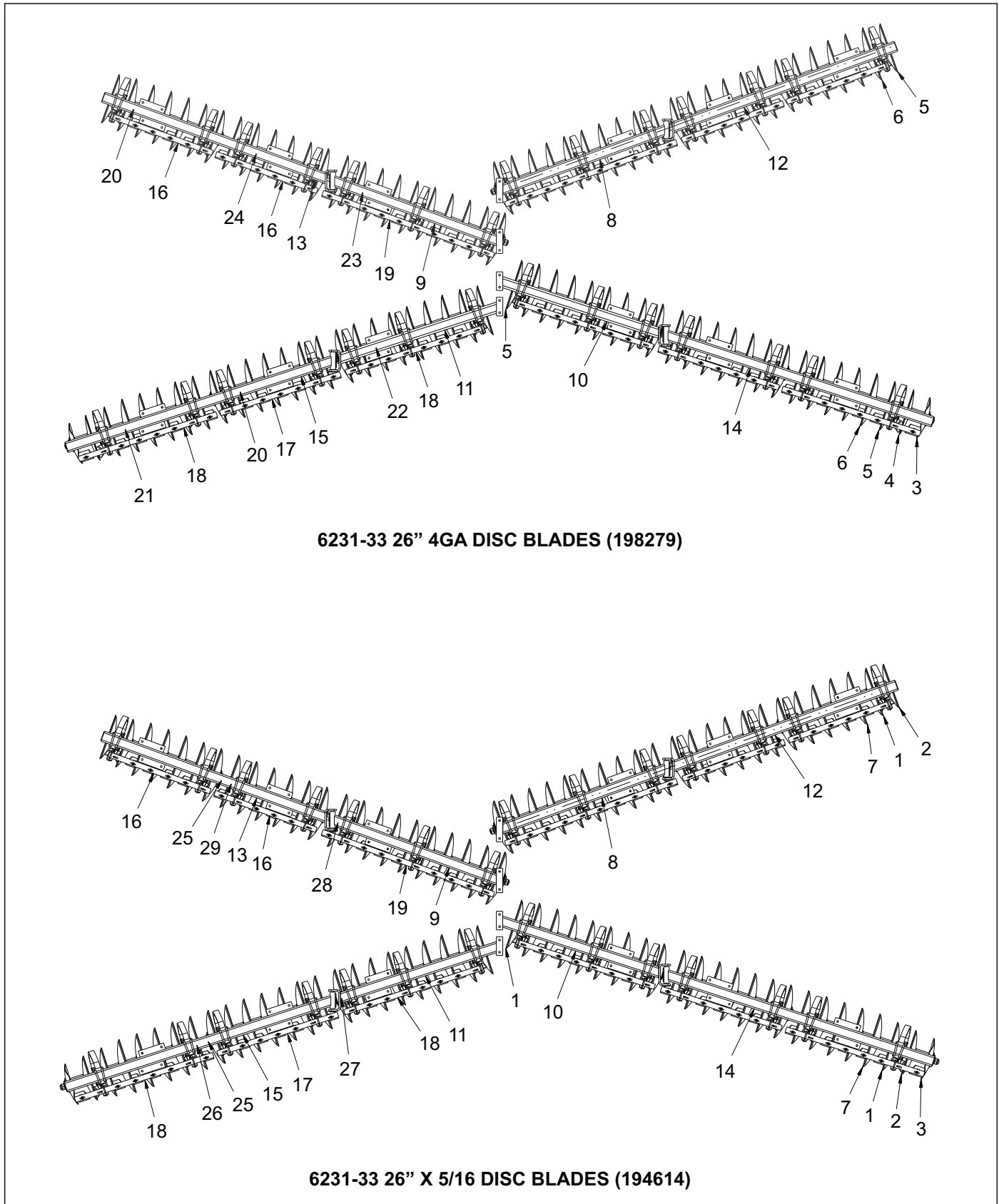


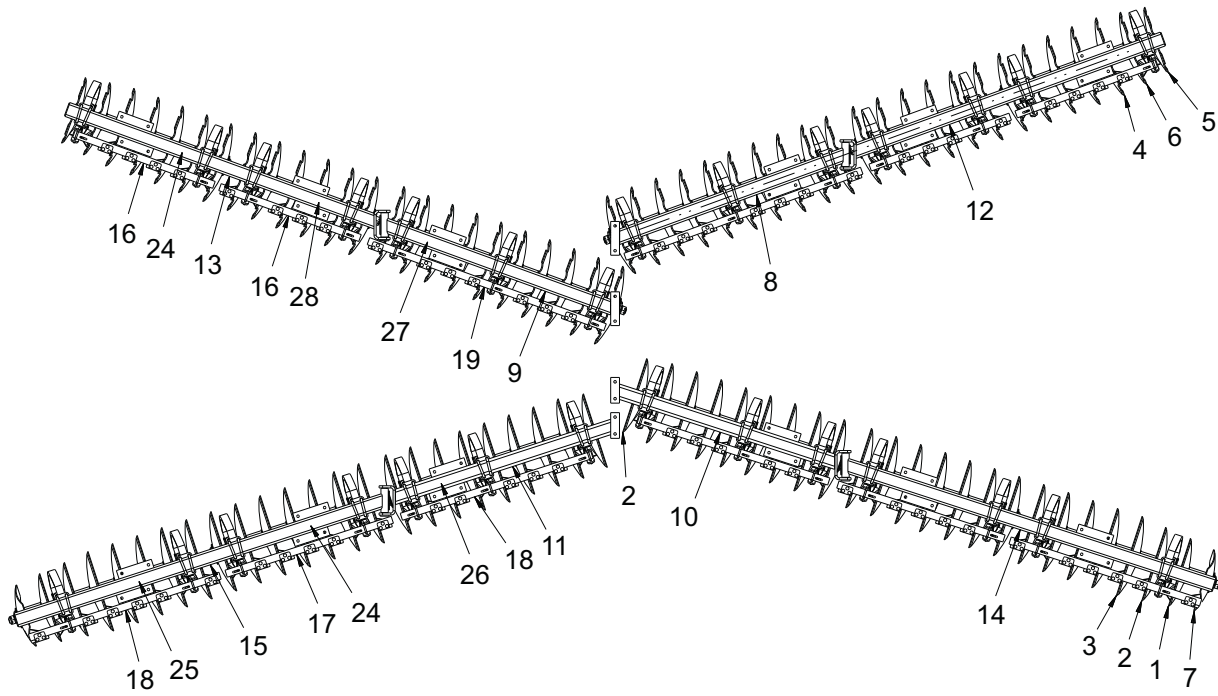
Figure 3-32: Disc Gang Placement 6231-33' (26" Disc Blades)



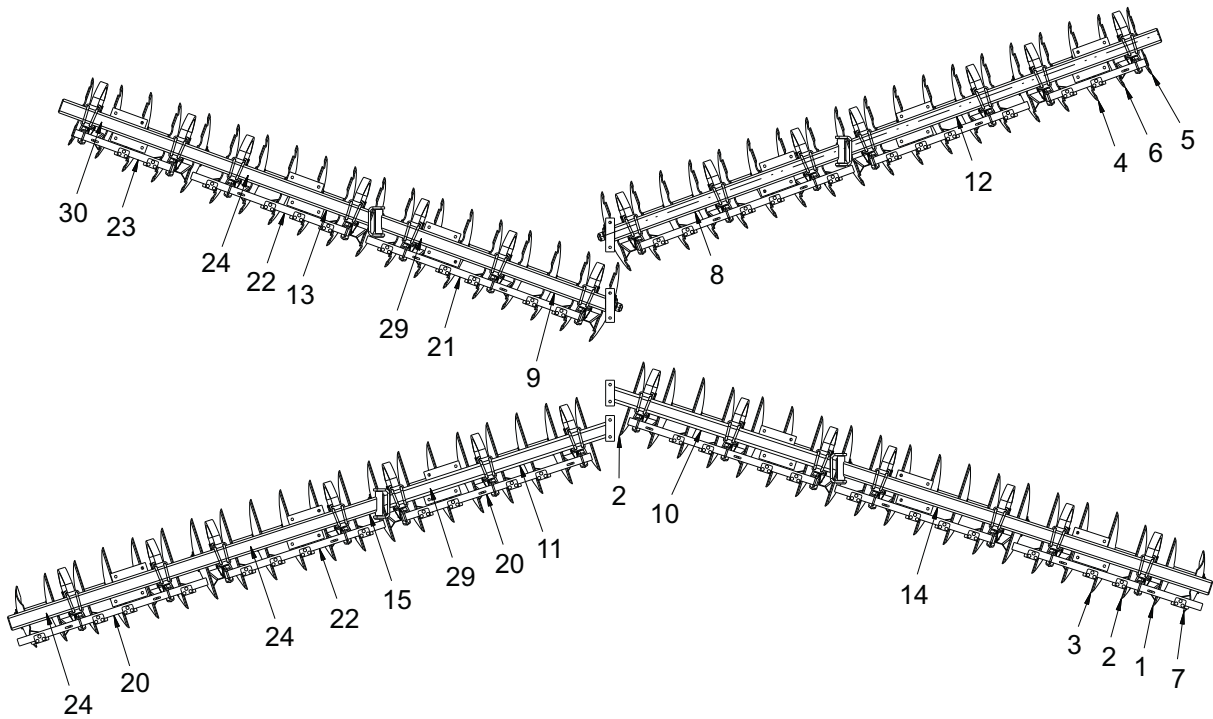
## Disc Gang Placement 6231-33' (26" Disc Blades)

| ITEM | PART NUMBER | DESCRIPTION                      | QTY. |    |
|------|-------------|----------------------------------|------|----|
| --   | 198279      | GANG ASSEMBLY, 26" 4GA           | *    |    |
| --   | 194614      | GANG ASSEMBLY, 26" 5/16"         |      | *  |
| 1    | 140465      | DISC BLADE, 24" X 1/4" 1-3/4 ID  | --   | 6  |
| 2    | 140466      | DISC BLADE, 22" X 1/4" 1-3/4 ID  | --   | 4  |
| 3    | 140468      | DISC BLADE, 20" X 1/4" 3-SIDED   | 2    | 2  |
| 4    | 155617      | DISC BLADE, 22" X 1/4" 1-3/4 ID  | 2    | -- |
| 5    | 161530      | DISC BLADE, 24" X 1/4" 1-3/4 ID  | 6    | -- |
| 6    | 169575      | DISC BLADE, 26" X 1/4" 1-3/4 ID  | 84   | -- |
| 7    | 141871      | DISC BLADE, 26" X 5/16" 1-3/4 ID | --   | 82 |
| 8    | 193512      | GANG BAR, RCF 30'-36'            | 1    | 1  |
| 9    | 193513      | GANG BAR, LCF 30'-36'            | 1    | 1  |
| 10   | 193514      | GANG BAR, RCR 30'-36'            | 1    | 1  |
| 11   | 193515      | GANG BAR, LCR 30'-36'            | 1    | 1  |
| 12   | 193528      | GANG BAR, RWF 29'-33'            | 1    | 1  |
| 13   | 193529      | GANG BAR, LWF 29'-33'            | 1    | 1  |
| 14   | 193530      | GANG BAR, RWR 29'-33'            | 1    | 1  |
| 15   | 193531      | GANG BAR, LWR 29'-33'            | 1    | 1  |
| 16   | 141167      | SCRAPER BAR, 8-3/4 SP 6 HOLE     | 4    | 4  |
| 17   | 141168      | SCRAPER BAR, 8-3/4 SP 7 HOLE     | 2    | 2  |
| 18   | 141169      | SCRAPER BAR, 8-3/4 SP 8 HOLE     | 4    | 4  |
| 19   | 141171      | SCRAPER BAR, 8-3/4 SP 10 HOLE    | 2    | 2  |
| 20   | 141163      | SHAFT, GANG 59"                  | 4    | -- |
| 21   | 141164      | SHAFT, GANG 68"                  | 2    | -- |
| 22   | 141165      | SHAFT, GANG 76-1/2"              | 2    | -- |
| 23   | 141166      | SHAFT, GANG 85-1/2"              | 2    | -- |
| 24   | 141184      | SHAFT, GANG 50-1/2"              | 2    | -- |
| 25   | 142579      | SHAFT, GANG 59-1/2"              | --   | 4  |
| 26   | 142580      | SHAFT, GANG 68-1/2"              | --   | 2  |
| 27   | 142581      | SHAFT, GANG 77"                  | --   | 2  |
| 28   | 142582      | SHAFT, GANG 86"                  | --   | 2  |
| 29   | 142705      | SHAFT, GANG 51"                  | --   | 2  |

# Disc Gang Placement 6231-33' (28" Disc Blades)



**6231-33 28" X 5/16" 8-3/4 NFPR DISC BLADES (195683)**



**6231-33 28" X 5/16" 10-1/2 NFPR DISC BLADES (197731)**

**Figure 3-33: Disc Gang Placement 6231-33' (28" Disc Blades)**

## Disc Gang Placement 6231-33' (28" Disc Blades)

| ITEM | PART NUMBER | DESCRIPTION                              | QTY. |    |
|------|-------------|--|------|----|
| --   | 195683      | GANG ASSEMBLY, 28" X 5/16" 8-3/4 NFPR    | *    |    |
| --   | 197731      | GANG ASSEMBLY, 28" X 5/16" 10-1/2 NFPR   |      | *  |
| 1    | 161530      | DISC BLADE, 24" X 1/4" 1-3/4 ID          | 2    | 2  |
| 2    | 169575      | DISC BLADE, 26" X 1/4" 1-3/4 ID          | 4    | 4  |
| 3    | 195676      | DISC BLADE, 28" X 5/16" 1-3/4 ID         | 40   | 32 |
| 4    | 195677      | DISC BLADE, 28" X 5/16" NOTCHED 1-3/4 ID | 42   | 34 |
| 5    | 195690      | DISC BLADE, 24" X 5/16" NOTCHED 1-3/4 ID | 2    | 2  |
| 6    | 195691      | DISC BLADE, 26" X 5/16" NOTCHED 1-3/4 ID | 2    | 2  |
| 7    | 195693      | DISC BLADE, 22" X 1/4" 1-3/4 ID, 3-SIDED | 2    | 2  |
| 8    | 193512      | GANG BAR, RCF 30'-36'                    | 1    | 1  |
| 9    | 193513      | GANG BAR, LCF 30'-36'                    | 1    | 1  |
| 10   | 193514      | GANG BAR, RCR 30'-36'                    | 1    | 1  |
| 11   | 193515      | GANG BAR, LCR 30'-36'                    | 1    | 1  |
| 12   | 193528      | GANG BAR, RWF 29'-33'                    | 1    | 1  |
| 13   | 193529      | GANG BAR, LWF 29'-33'                    | 1    | 1  |
| 14   | 193530      | GANG BAR, RWR 29'-33'                    | 1    | 1  |
| 15   | 193531      | GANG BAR, LWR 29'-33'                    | 1    | 1  |
| 16   | 141167      | SCRAPER BAR, 8-3/4 SP 6 HOLE             | 4    | -- |
| 17   | 141168      | SCRAPER BAR, 8-3/4 SP 7 HOLE             | 2    | -- |
| 18   | 141169      | SCRAPER BAR, 8-3/4 SP 8 HOLE             | 4    | -- |
| 19   | 141171      | SCRAPER BAR, 8-3/4 SP 10 HOLE            | 2    | -- |
| 20   | 149603      | SCRAPER BAR, 10-1/2" SP 6 HOLE           | --   | 4  |
| 21   | 149604      | SCRAPER BAR, 10-1/2 SP 7 HOLE            | --   | 2  |
| 22   | 160183      | SCRAPER BAR, 10-1/2 SP 5 HOLE            | --   | 4  |
| 23   | 197733      | SCRAPER BAR, 10-1/2 SP 3 HOLE            | --   | 2  |
| 24   | 142579      | SHAFT, GANG 59-1/2"                      | 4    | 6  |
| 25   | 142580      | SHAFT, GANG 68-1/2"                      | 2    | -- |
| 26   | 142581      | SHAFT, GANG 77"                          | 2    | -- |
| 27   | 142582      | SHAFT, GANG 86"                          | 2    | -- |
| 28   | 142705      | SHAFT, GANG 51"                          | 2    | -- |
| 29   | 185724      | SHAFT, GANG 80-1/2"                      | --   | 4  |
| 30   | 195698      | SHAFT, GANG 49"                          | --   | 2  |

### Disc Gang Placement 6231-36' (24" Disc Blades)

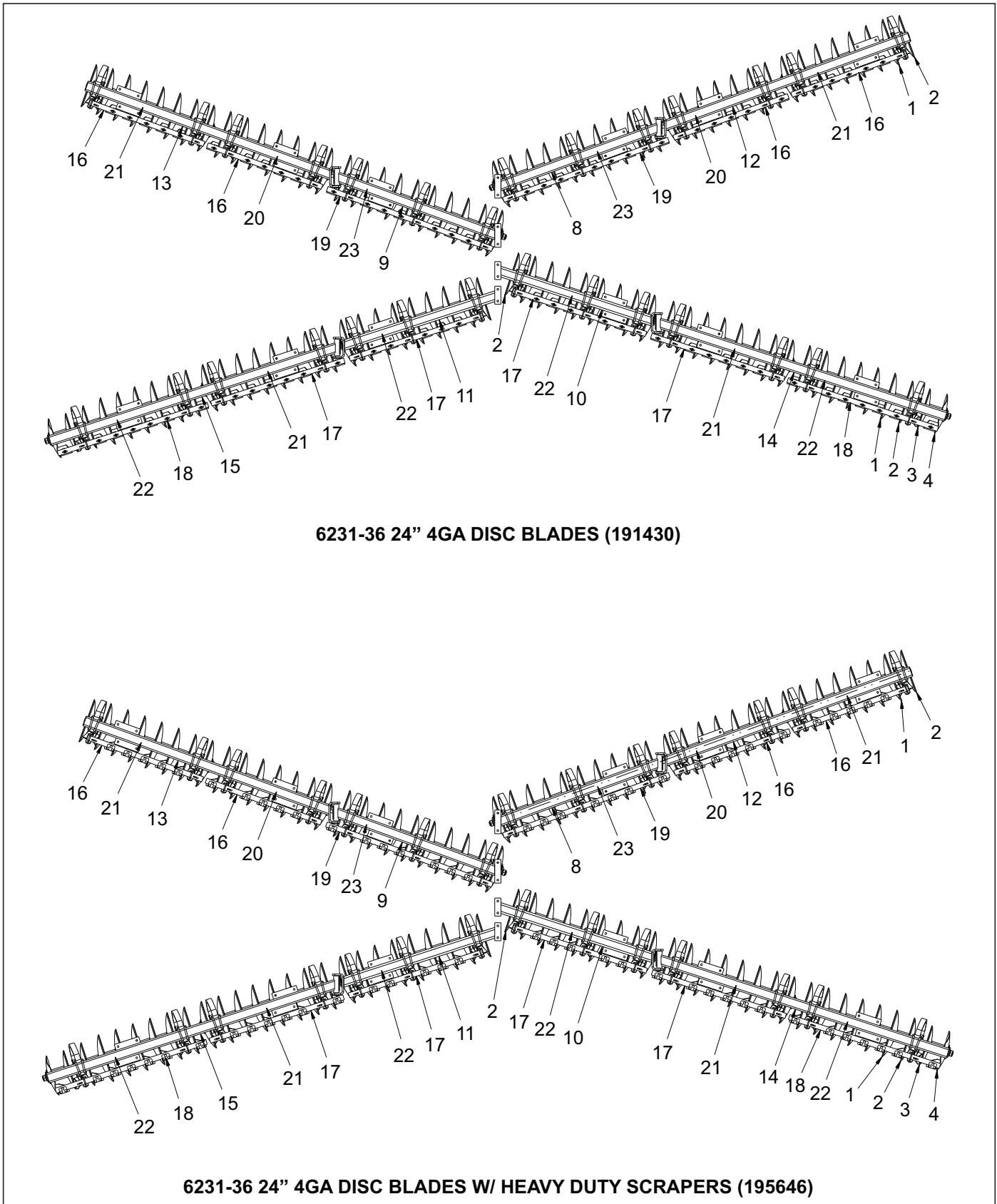
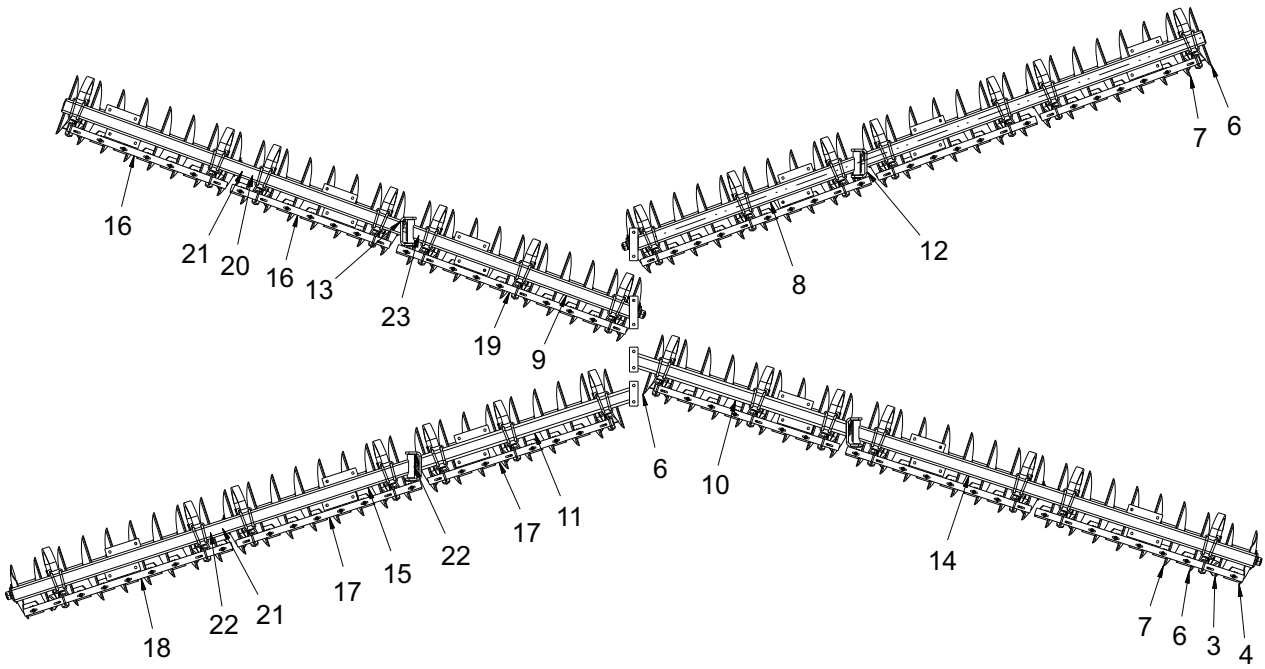
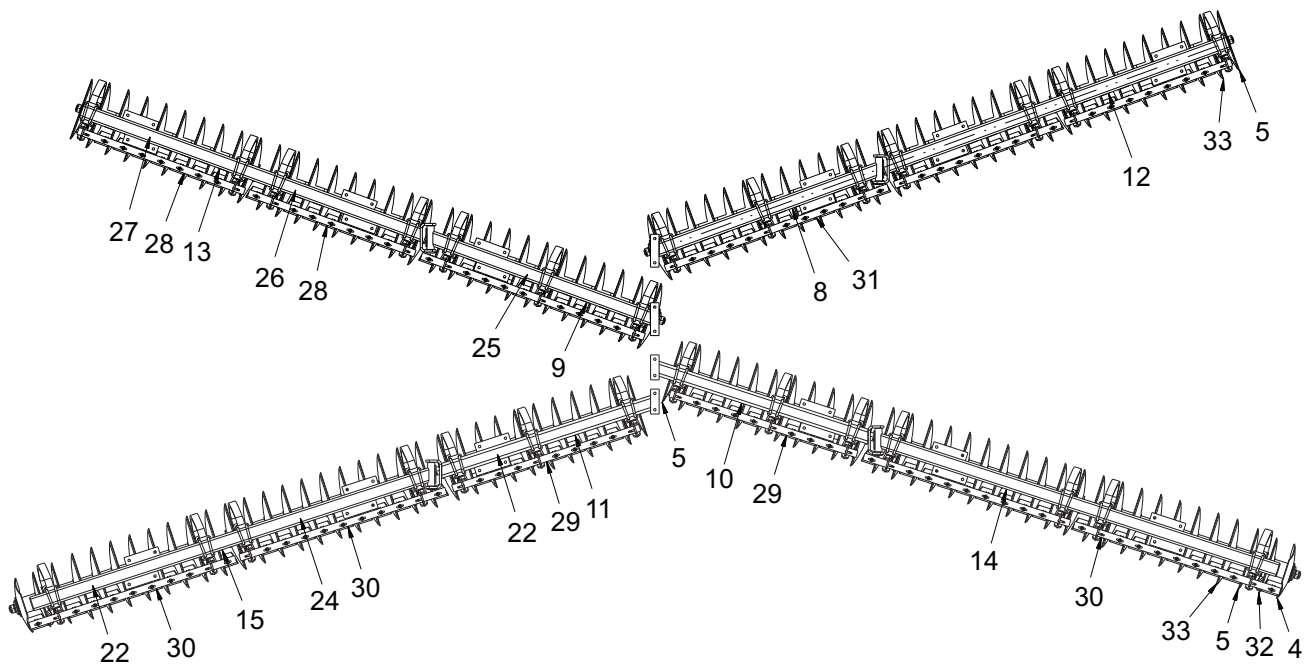


Figure 3-34: Disc Gang Placement 6231-36' (24" Disc Blades) (1 of 3)

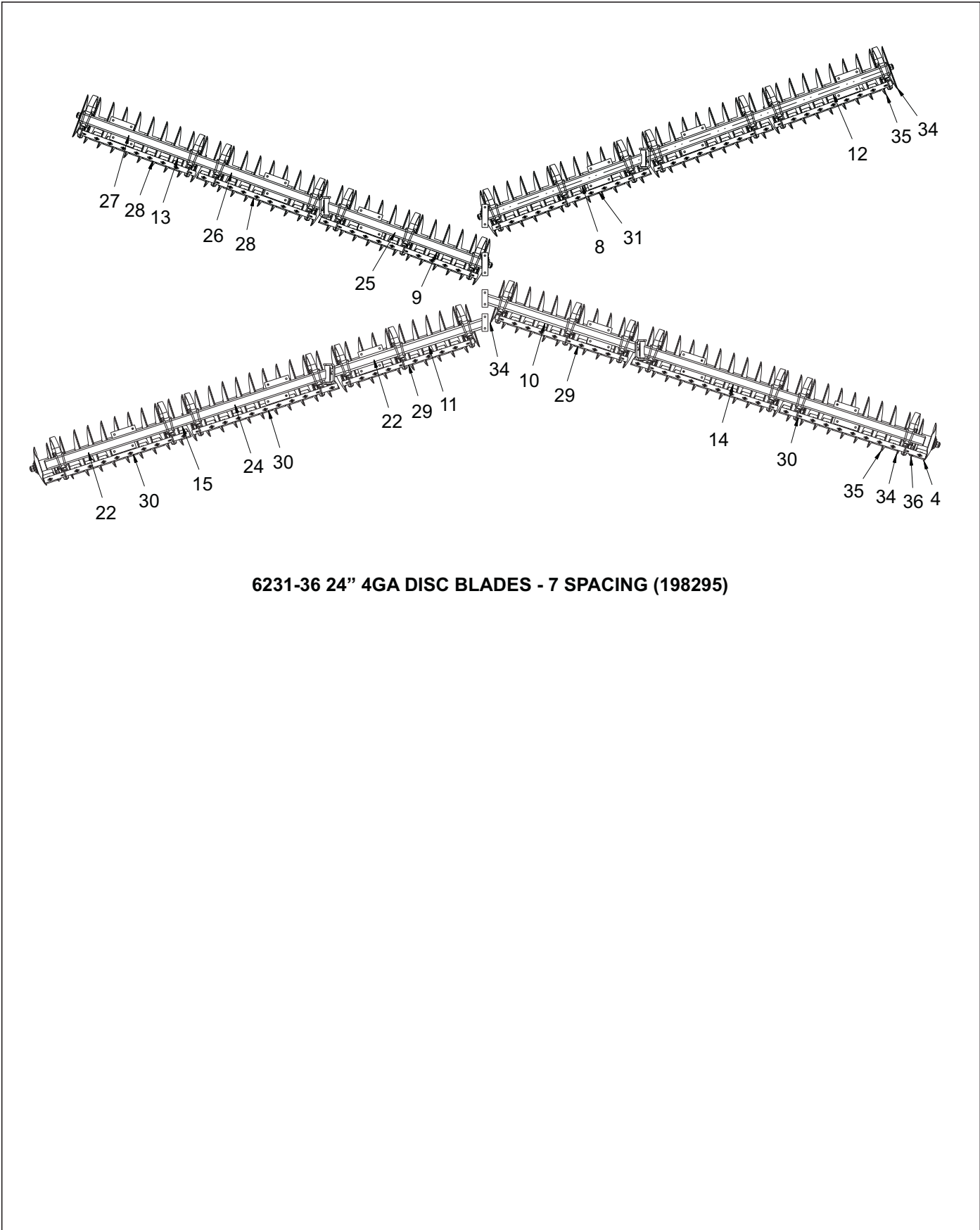


6231-36 24" 4GA DISC BLADES - ROLLABLE (193561)



6231-36 24" 4GA DISC BLADES - 7 SPACING ROLLABLE (191437)

Figure 3-35: Disc Gang Placement 6231-36' (24" Disc Blades) (2 of 3)



6231-36 24" 4GA DISC BLADES - 7 SPACING (198295)

Figure 3-36: Disc Gang Placement 6231-36' (24" Disc Blades) (3 of 3)

## Disc Gang Placement 6231-36' (24" Disc Blades)

| ITEM | PART NUMBER | DESCRIPTION                                | QTY. |    |    |     |     |   |
|------|-------------|--|------|----|----|-----|-----|---|
| --   | 191430      | GANG ASSEMBLY, 24" 4 GA                    | *    |    |    |     |     |   |
| --   | 195646      | GANG ASSEMBLY, 24" 4 GA HDS                |      | *  |    |     |     |   |
| --   | 193561      | GANG ASSY, 24" 4GA ROLL 33 (ROLLABLE)      |      |    | *  |     |     |   |
| --   | 191437      | GANG ASSY, 24" 7SP ROLL 4GA 33 (ROLLABLE)  |      |    |    | *   |     |   |
| --   | 198295      | GANG ASSEMBLY, 24" 4GA 7SP                 |      |    |    |     |     | * |
| 1    | 140465      | DISC BLADE, 24" X 1/4" 1-3/4 ID            | 92   | 92 | -- | --  | --  |   |
| 2    | 140466      | DISC BLADE, 22" X 1/4" 1-3/4 ID            | 6    | 6  | -- | --  | --  |   |
| 3    | 140467      | DISC BLADE, 20" X 1/4" 1-3/4 ID            | 2    | 2  | 2  | --  | --  |   |
| 4    | 140468      | DISC BLADE, 20" X 1/4" 3-SIDED             | 2    | 2  | 2  | 2   | 2   |   |
| 5    | 155618      | DISC BLADE, 22" X 1/4" 1-3/4 ID (ROLLABLE) | --   | -- | -- | 6   | --  |   |
| 6    | 142660      | DISC BLADE, 22" X 1/4" 1-3/4 ID (ROLLABLE) | --   | -- | 6  | --  | --  |   |
| 7    | 142662      | DISC BLADE, 24" X 1/4" 1-3/4 ID (ROLLABLE) | --   | -- | 92 | --  | --  |   |
| 8    | 193512      | GANG BAR, RCF 30'-36'                      | 1    | 1  | 1  | 1   | 1   |   |
| 9    | 193513      | GANG BAR, LCF 30'-36'                      | 1    | 1  | 1  | 1   | 1   |   |
| 10   | 193514      | GANG BAR, RCR 30'-36'                      | 1    | 1  | 1  | 1   | 1   |   |
| 11   | 193515      | GANG BAR, LCR 30'-36'                      | 1    | 1  | 1  | 1   | 1   |   |
| 12   | 193532      | GANG BAR, RWF 36'                          | 1    | 1  | 1  | 1   | 1   |   |
| 13   | 193533      | GANG BAR, LWF 36'                          | 1    | 1  | 1  | 1   | 1   |   |
| 14   | 193534      | GANG BAR, RWR 36'                          | 1    | 1  | 1  | 1   | 1   |   |
| 15   | 193535      | GANG BAR, LWR 36'                          | 1    | 1  | 1  | 1   | 1   |   |
| 16   | 141168      | SCRAPER, BAR, 8-3/4 SP 7 HOLE              | 4    | 4  | 4  | --  | --  |   |
| 17   | 141169      | SCRAPER, BAR, 8-3/4 SP 8 HOLE              | 4    | 4  | 4  | --  | --  |   |
| 18   | 141170      | SCRAPER, BAR, 8-3/4 SP 9 HOLE              | 2    | 2  | 2  | --  | --  |   |
| 19   | 141171      | SCRAPER, BAR, 8-3/4 SP 10 HOLE             | 2    | 2  | 2  | --  | --  |   |
| 20   | 141163      | SHAFT, GANG 59"                            | 2    | 2  | 2  | --  | --  |   |
| 21   | 141164      | SHAFT, GANG 68"                            | 4    | 4  | 4  | --  | --  |   |
| 22   | 141165      | SHAFT, GANG 76-1/2"                        | 4    | 4  | 4  | 4   | 4   |   |
| 23   | 141166      | SHAFT, GANG 85-1/2"                        | 2    | 2  | 2  | --  | --  |   |
| 24   | 156922      | SHAFT, GANG 68-1/2"                        | --   | -- | -- | 2   | 2   |   |
| 25   | 156921      | SHAFT, GANG 83-1/2"                        | --   | -- | -- | 2   | 2   |   |
| 26   | 180087      | SHAFT, GANG 61-1/2"                        | --   | -- | -- | 2   | 2   |   |
| 27   | 180147      | SHAFT, GANG 69-1/2"                        | --   | -- | -- | 2   | 2   |   |
| 28   | 153700      | SCRAPER BAR 7 SP 9 HOLE                    | --   | -- | -- | 4   | 4   |   |
| 29   | 153701      | SCRAPER BAR 7 SP 10 HOLE                   | --   | -- | -- | 2   | 2   |   |
| 30   | 153702      | SCRAPER BAR 7 SP 11 HOLE                   | --   | -- | -- | 4   | 4   |   |
| 31   | 153703      | SCRAPER BAR 7 SP 12 HOLE                   | --   | -- | -- | 2   | 2   |   |
| 32   | 155619      | DISC BLADE, 20" X 1/4" 1-3/4 ID (ROLLABLE) | --   | -- | -- | 2   | --  |   |
| 33   | 172076      | DISC BLADE, 24" X 1/4" 1-3/4 ID (ROLLABLE) | --   | -- | -- | 118 | --  |   |
| 34   | 155617      | DISC BLADE, 22" X 1/4" 1-3/4 ID            | --   | -- | -- | --  | 6   |   |
| 35   | 161530      | DISC BLADE, 24" X 1/4" 1-3/4 ID            | --   | -- | -- | --  | 118 |   |
| 36   | 186100      | DISC BLADE, 20" X 1/4" 1-3/4 ID            | --   | -- | -- | --  | 2   |   |



Disc Gang Placement 6231-36' (26" Disc Blades)

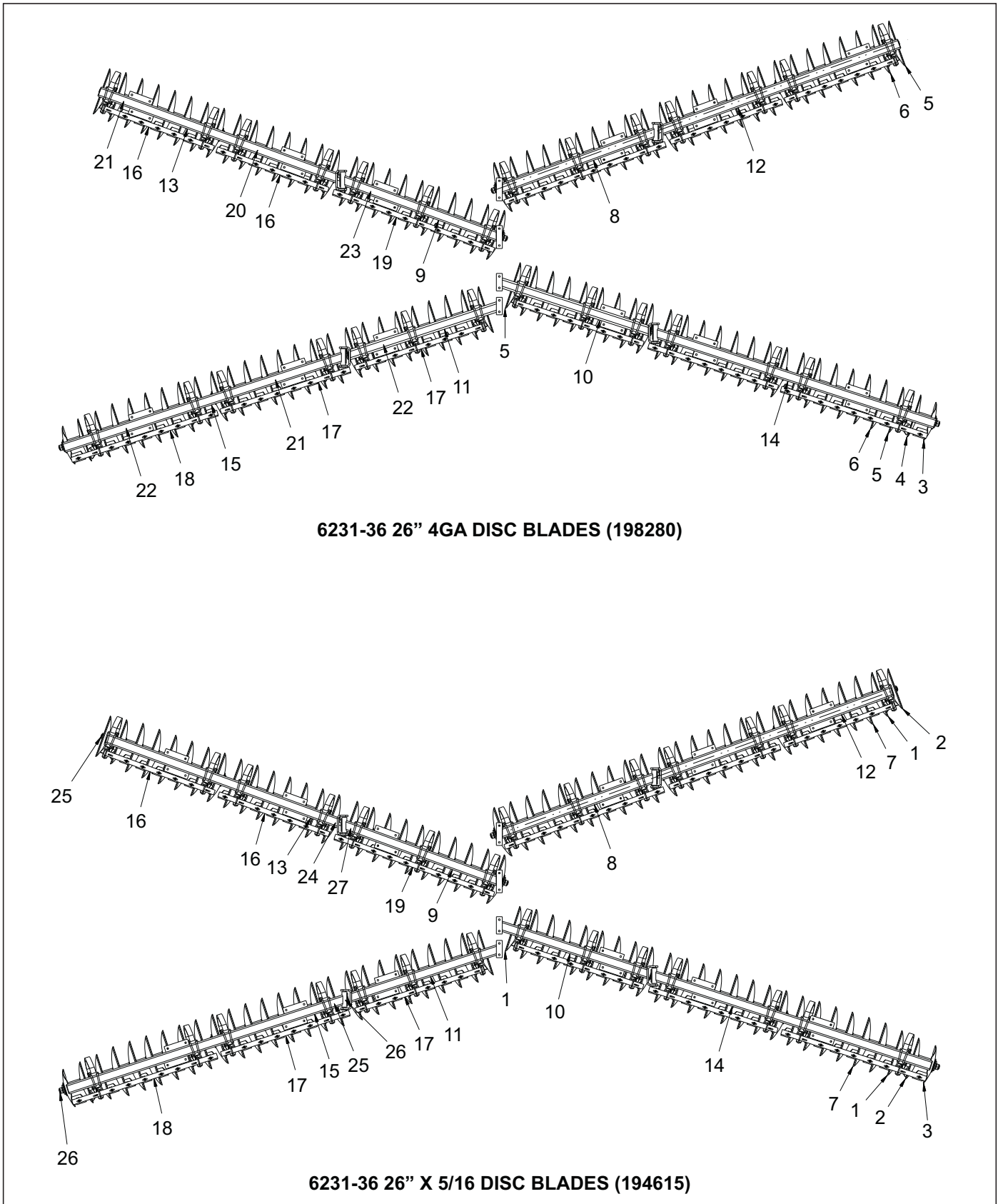


Figure 3-37: Disc Gang Placement 6231-36' (26" Disc Blades)



## Disc Gang Placement 6231-36' (26" Disc Blades)

| ITEM | PART NUMBER | DESCRIPTION                      | QTY. |    |
|------|-------------|----------------------------------|------|----|
| --   | 198280      | GANG ASSEMBLY, 26" 4GA           | *    |    |
| --   | 194615      | GANG ASSEMBLY, 26" 5/16"         |      | *  |
| 1    | 140465      | DISC BLADE, 24" X 1/4" 1-3/4 ID  | --   | 6  |
| 2    | 140466      | DISC BLADE, 22" X 1/4" 1-3/4 ID  | --   | 4  |
| 3    | 140468      | DISC BLADE, 20" X 1/4" 3-SIDED   | 2    | 2  |
| 4    | 155617      | DISC BLADE, 22" X 1/4" 1-3/4 ID  | 2    | -- |
| 5    | 161530      | DISC BLADE, 24" X 1/4" 1-3/4 ID  | 6    | -- |
| 6    | 169575      | DISC BLADE, 26" X 1/4" 1-3/4 ID  | 92   | -- |
| 7    | 141871      | DISC BLADE, 26" X 5/16" 1-3/4 ID | --   | 90 |
| 8    | 193512      | GANG BAR, RCF 30'-36'            | 1    | 1  |
| 9    | 193513      | GANG BAR, LCF 30'-36'            | 1    | 1  |
| 10   | 193514      | GANG BAR, RCR 30'-36'            | 1    | 1  |
| 11   | 193515      | GANG BAR, LCR 30'-36'            | 1    | 1  |
| 12   | 193532      | GANG BAR, RWF 36'                | 1    | 1  |
| 13   | 193533      | GANG BAR, LWF 36'                | 1    | 1  |
| 14   | 193534      | GANG BAR, RWR 36'                | 1    | 1  |
| 15   | 193535      | GANG BAR, LWR 36'                | 1    | 1  |
| 16   | 141168      | SCRAPER BAR, 8-3/4 SP 7 HOLE     | 4    | 4  |
| 17   | 141169      | SCRAPER BAR, 8-3/4 SP 8 HOLE     | 4    | 4  |
| 18   | 141170      | SCRAPER BAR, 8-3/4 SP 9 HOLE     | 2    | 2  |
| 19   | 141171      | SCRAPER BAR, 8-3/4 SP 10 HOLE    | 2    | 2  |
| 20   | 141163      | SHAFT, GANG 59"                  | 2    | -- |
| 21   | 141164      | SHAFT, GANG 68"                  | 4    | -- |
| 22   | 141165      | SHAFT, GANG 76-1/2"              | 4    | -- |
| 23   | 141166      | SHAFT, GANG 85-1/2"              | 2    | -- |
| 24   | 142579      | SHAFT, GANG 59-1/2"              | --   | 2  |
| 25   | 142580      | SHAFT, GANG 68-1/2"              | --   | 4  |
| 26   | 142581      | SHAFT, GANG 77"                  | --   | 4  |
| 27   | 142582      | SHAFT, GANG 86"                  | --   | 2  |

### Disc Gang Placement 6231-36' (28" Disc Blades)

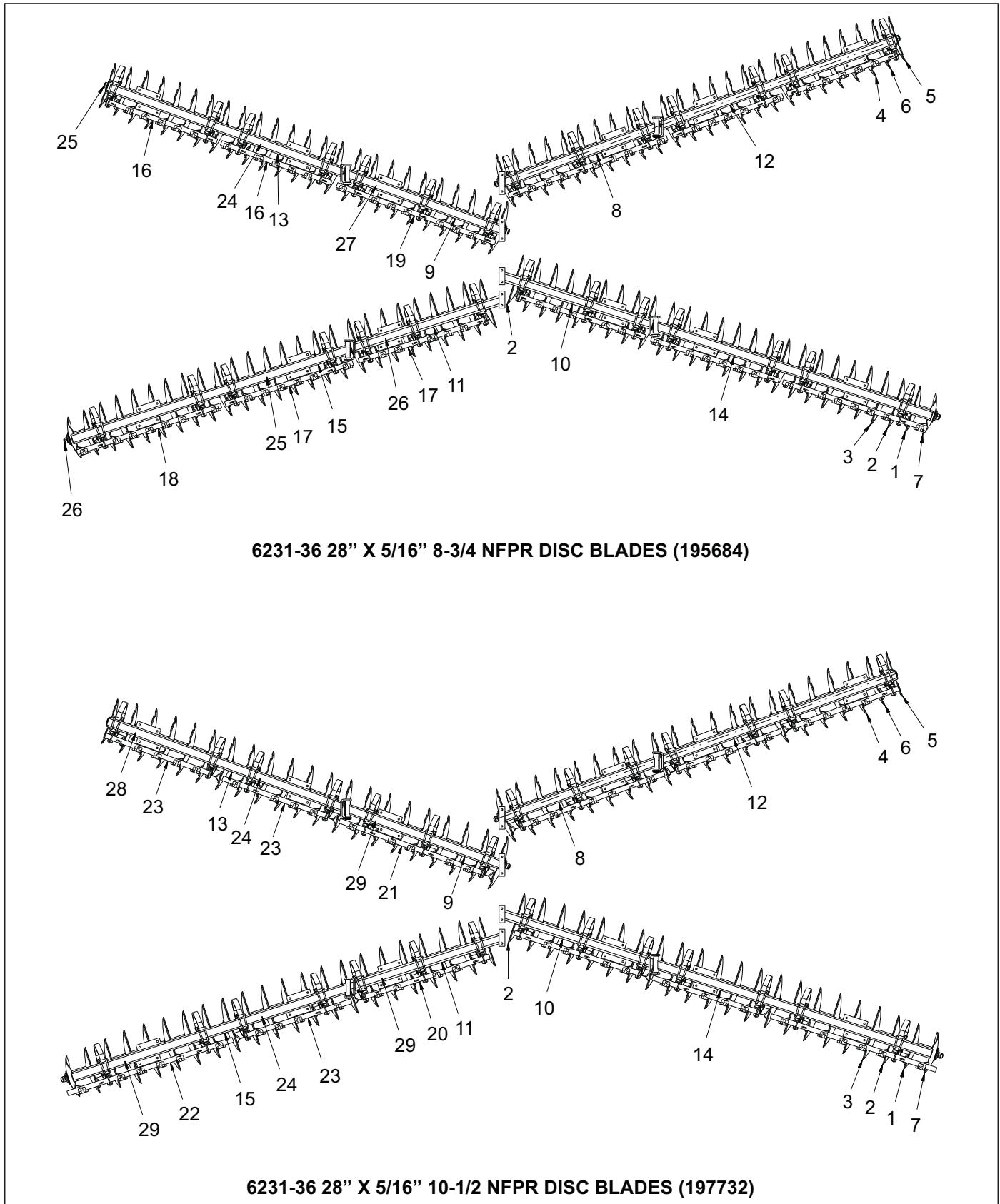


Figure 3-38: Disc Gang Placement 6231-36' (28" Disc Blades)

## Disc Gang Placement 6231-36' (28" Disc Blades)

| ITEM | PART NUMBER | DESCRIPTION                              | QTY. |    |
|------|-------------|--|------|----|
| --   | 195684      | GANG ASSEMBLY, 28" X 5/16" 8-3/4 NFPR    | *    |    |
| --   | 197732      | GANG ASSEMBLY, 28" X 5/16" 10-1/2 NFPR   |      | *  |
| 1    | 161530      | DISC BLADE, 24" X 1/4" 1-3/4 ID          | 2    | 2  |
| 2    | 169575      | DISC BLADE, 26" X 1/4" 1-3/4 ID          | 4    | 4  |
| 3    | 195676      | DISC BLADE, 28" X 5/16" 1-3/4 ID         | 44   | 36 |
| 4    | 195677      | DISC BLADE, 28" X 5/16" NOTCHED 1-3/4 ID | 46   | 38 |
| 5    | 195690      | DISC BLADE, 24" X 5/16" NOTCHED 1-3/4 ID | 2    | 2  |
| 6    | 195691      | DISC BLADE, 26" X 5/16" NOTCHED 1-3/4 ID | 2    | 2  |
| 7    | 195693      | DISC BLADE, 22" X 1/4" 1-3/4 ID, 3-SIDED | 2    | 2  |
| 8    | 193512      | GANG BAR, RCF 30'-36'                    | 1    | 1  |
| 9    | 193513      | GANG BAR, LCF 30'-36'                    | 1    | 1  |
| 10   | 193514      | GANG BAR, RCR 30'-36'                    | 1    | 1  |
| 11   | 193515      | GANG BAR, LCR 30'-36'                    | 1    | 1  |
| 12   | 193532      | GANG BAR, RWF 36'                        | 1    | 1  |
| 13   | 193533      | GANG BAR, LWF 36'                        | 1    | 1  |
| 14   | 193534      | GANG BAR, RWR 36'                        | 1    | 1  |
| 15   | 193535      | GANG BAR, LWR 36'                        | 1    | 1  |
| 16   | 141168      | SCRAPER BAR, 8-3/4 SP 7 HOLE             | 4    | -- |
| 17   | 141169      | SCRAPER BAR, 8-3/4 SP 8 HOLE             | 4    | -- |
| 18   | 141170      | SCRAPER BAR, 8-3/4 SP 9 HOLE             | 2    | -- |
| 19   | 141171      | SCRAPER BAR, 8-3/4 SP 10 HOLE            | 2    | -- |
| 20   | 149603      | SCRAPER BAR, 10-1/2" SP 6 HOLE           | --   | 2  |
| 21   | 149604      | SCRAPER BAR, 10-1/2 SP 7 HOLE            | --   | 2  |
| 22   | 149605      | SCRAPER BAR, 10-1/2 SP 8 HOLE            | --   | 2  |
| 23   | 160183      | SCRAPER BAR, 10-1/2 SP 5 HOLE            | --   | 6  |
| 24   | 142579      | SHAFT, GANG 59-1/2"                      | 2    | 4  |
| 25   | 142580      | SHAFT, GANG 68-1/2"                      | 4    | -- |
| 26   | 142581      | SHAFT, GANG 77"                          | 4    | -- |
| 27   | 142582      | SHAFT, GANG 86"                          | 2    | -- |
| 28   | 156951      | SHAFT, GANG 70"                          | --   | 2  |
| 29   | 185724      | SHAFT, GANG 80-1/2"                      | --   | 6  |

# Hydraulic Assemblies

## Lift Assembly 6231-21-29

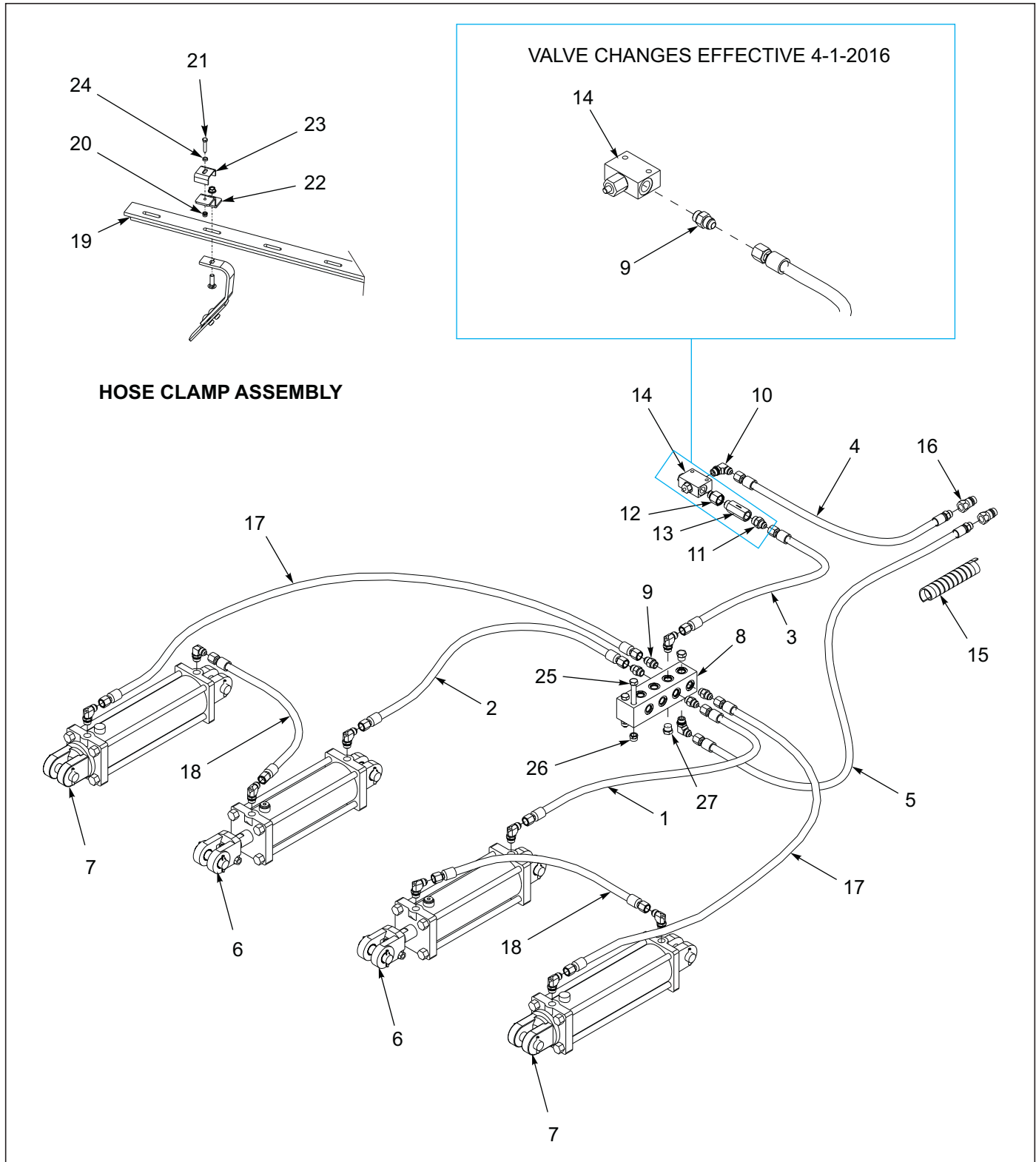


Figure 4-1: Lift Assembly 6231-21-29

## Lift Assembly 6231-21-29

| ITEM | PART NUMBER     | DESCRIPTION   | QTY. |
|------|-----------------|---|------|
| 1    | 71508954        | HOSE ASSY, 3/8 X 22", #8 JIC, SWVL                                | 1    |
| 2    | 1-397-010369036 | HOSE ASSY, 3/8 X 36", #8 JIC, SWVL                                | 1    |
| 3    | 111301          | HOSE ASSY, 1/2 X 195" 37 STR-STR                                  | 1    |
| 4    | 167555          | HOSE ASSY, 1/2 X 210" 37 JIC X 3/4-16 O-RING                      | 1    |
| 5    | 176996          | HOSE ASSY, 1/2 X 220" 37 JIC X 3/4-16 O-RING                      | 1    |
| 6    | 140470          | CYLINDER, 4 X 10, REPHASE <b>(SEE PAGE 5-1)</b>                   | 2    |
| 7    | 140471          | CYLINDER, 3-3/4 X 10, REPHASE <b>(SEE PAGE 5-2)</b>               | 2    |
| 8    | 141594          | MANIFOLD HYDRAULIC, 16 PORT                                       | 1    |
| 9    | 202702-8-8S     | ADAPTER, #8, O-RING TO #8 TUBE <b>(AFTER 4-1-2016)</b>            | 4    |
| 10   | 2062-8-8S       | ADAPTER, O-RING, 37°, JIC 90                                      | 11   |
| 11   | 202702-10-8S    | ADAPTER, O-RING, 37° FLARE, SAE 070120 <b>(BEFORE 4-1-2016)</b>   | 1    |
| 12   | 181938          | ADAPTER, #8 MORB X #10 FORB <b>(BEFORE 4-1-2016)</b>              | 1    |
| 13   | 181933          | VALVE, IN-LINE RES <b>(BEFORE 4-1-2016)</b>                       | 1    |
| 14   | 185660          | VALVE LIMIT   | 1    |
| 15   | 155528          | HOSE WRAP, BLUE   | 1    |
| 16   | 141828          | COUPLER, MALE, 3/4-16, O-RING                                     | 2    |
| 17   | 137600          | HOSE ASSY, 3/8 X 130", #8 JIC, SWVL <b>(USED ON 21' MODEL)</b>    | 2    |
| 17   | 141881          | HOSE ASSY, 3/8 X 136", #8 JIC, SWVL <b>(USED ON 23' MODEL)</b>    | 2    |
| 17   | 144342          | HOSE ASSY, 3/8 X 150", #8 JIC, SWVL <b>(USED ON 26' MODEL)</b>    | 2    |
| 17   | 122911          | HOSE ASSY, 3/8 X 168", #8 JIC, SWVL <b>(USED ON 29' MODEL)</b>    | 2    |
| 18   | 1413183         | HOSE ASSY, 3/8 X 103.25", #8 JIC, SWVL <b>(USED ON 21' MODEL)</b> | 2    |
| 18   | 1413572         | HOSE ASSY, 3/8 X 107", #8 JIC, SWVL <b>(USED ON 23' MODEL)</b>    | 2    |
| 18   | 137598          | HOSE ASSY, 3/8 X 123", #8 JIC, SWVL <b>(USED ON 26' MODEL)</b>    | 2    |
| 18   | 198296          | HOSE ASSY, 3/8 X 144", #8 JIC, SWVL <b>(USED ON 29' MODEL)</b>    | 2    |
| 19   | -----           | SCRAPER BAR   | REF  |
| 20   | 1-512-010005-05 | NUT, HEX LOCK 3/8-16 GRB  | 1    |
| 21   | 1-654-010051-08 | SCREW, HEX HEAD CAP 3/8-16 X 1-3/4 GR5                            | 1    |
| 22   | 141275          | BRACKET, HOSE CLAMP   | 1    |
| 23   | 2-181-010001    | HOSE CLAMP  | 1    |
| 24   | 1-861-010032-11 | WASHER, FLAT 3/8  | 1    |
| 25   | 1-654-010055-11 | SCREW, HEX 1/2-13 UNC X 3-1/2 UNC, GRB                            | 2    |
| 26   | 1-512-010005-09 | NUT, HEX SLFLKG, 1/2-13 UNC GRB                                   | 2    |
| 27   | 1-007-010025    | PLUG, 3/4-16 O-RING BOSS  | 8    |

# Lift Assembly 6231-30-36

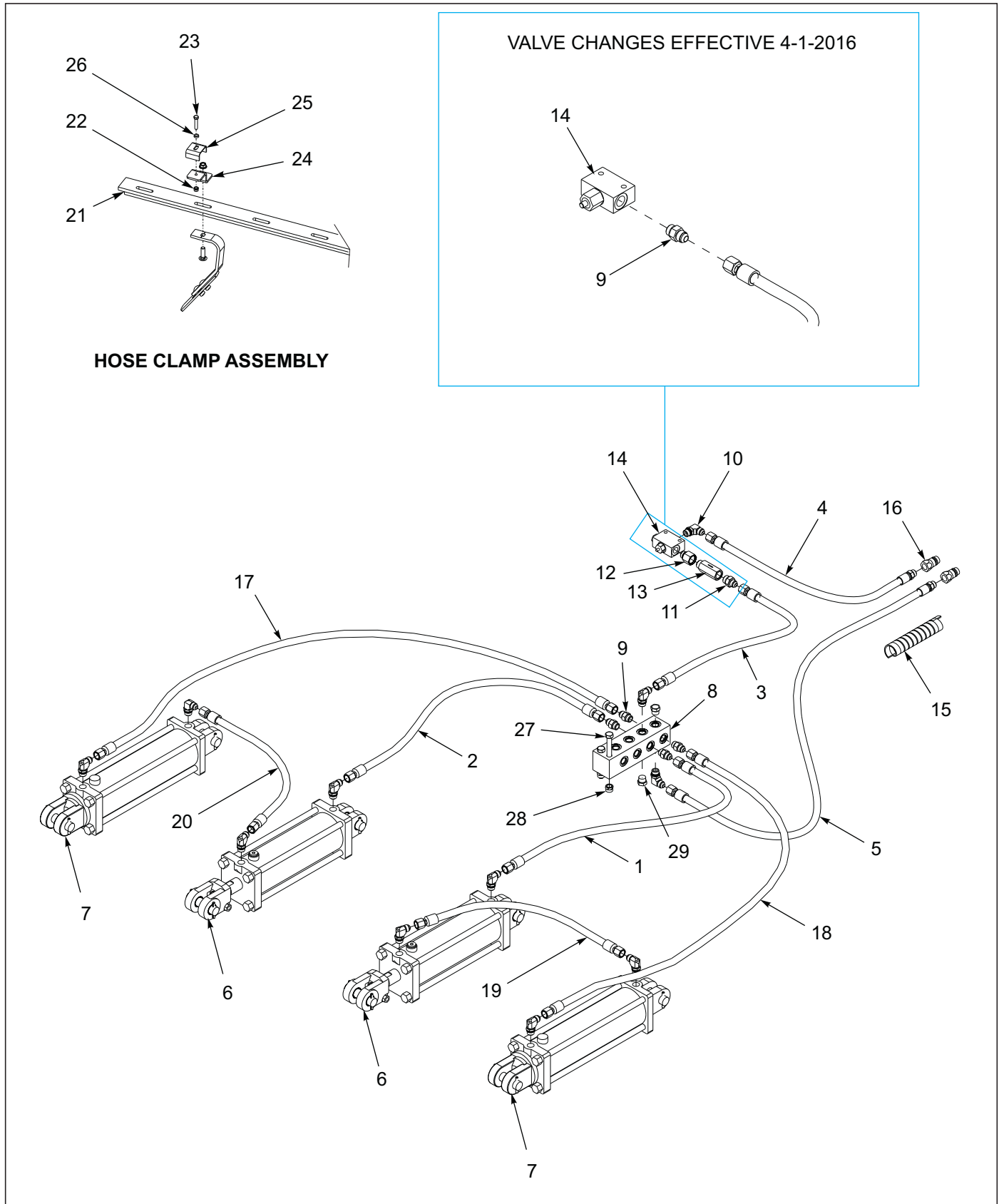


Figure 4-2: Lift Assembly 6231-30-36

## Lift Assembly 6231-30-36

| ITEM | PART NUMBER     | DESCRIPTION   | QTY. |
|------|-----------------|---|------|
| 1    | 147584          | HOSE ASSY, 3/8 X 40", #8 JIC, SWVL                              | 1    |
| 2    | 71508992        | HOSE ASSY, 3/8 X 50", #8 JIC, SWVL                              | 1    |
| 3    | 111301          | HOSE ASSY, 1/2 X 36" 37 STR-STR                                 | 1    |
| 4    | 167555          | HOSE ASSY, 1/2 X 210" 37 JIC X 3/4-16 O-RING                    | 1    |
| 5    | 176996          | HOSE ASSY, 1/2 X 220" 37 JIC X 3/4-16 O-RING                    | 1    |
| 6    | 140470          | CYLINDER, 4 X 10, REPHASE <b>(SEE PAGE 5-1)</b>                 | 2    |
| 7    | 140471          | CYLINDER, 3-3/4 X 10, REPHASE <b>(SEE PAGE 5-2)</b>             | 2    |
| 8    | 141594          | MANIFOLD HYDRAULIC, 16 PORT                                     | 1    |
| 9    | 202702-8-8S     | ADAPTER, #8, O-RING TO #8 TUBE <b>(AFTER 4-1-2016)</b>          | 14   |
| 10   | 2062-8-8S       | ADAPTER, O-RING, 37°, JIC 90                                    | 9    |
| 11   | 202702-10-8S    | ADAPTER, O-RING, 37° FLARE, SAE 070120 <b>(BEFORE 4-1-2016)</b> | 1    |
| 12   | 181938          | ADAPTER, #8 MORB X #10 FORB <b>(BEFORE 4-1-2016)</b>            | 1    |
| 13   | 181933          | VALVE, IN-LINE RES <b>(BEFORE 4-1-2016)</b>                     | 1    |
| 14   | 185660          | VALVE LIMIT   | 1    |
| 15   | 155528          | HOSE WRAP, BLUE   | 1    |
| 16   | 141828          | COUPLER, MALE, 3/4-16, O-RING                                   | 2    |
| 17   | 71508983        | HOSE ASSY, 3/8 X 182", #8 JIC, SWVL <b>(USED ON 30' MODEL)</b>  | 1    |
| 17   | 117163          | HOSE ASSY, 3/8 X 196", #8 JIC, SWVL <b>(USED ON 33' MODEL)</b>  | 1    |
| 17   | 153621          | HOSE ASSY, 3/8 X 212", #8 JIC, SWVL <b>(USED ON 36' MODEL)</b>  | 1    |
| 18   | 122911          | HOSE ASSY, 3/8 X 168", #8 JIC, SWVL <b>(USED ON 30' MODEL)</b>  | 1    |
| 18   | 150273          | HOSE ASSY, 3/8 X 185", #8 JIC, SWVL <b>(USED ON 33' MODEL)</b>  | 1    |
| 18   | 71509000        | HOSE ASSY, 3/8 X 202", #8 JIC, SWVL <b>(USED ON 36' MODEL)</b>  | 1    |
| 19   | 141881          | HOSE ASSY, 3/8 X 136", #8 JIC, SWVL <b>(USED ON 30' MODEL)</b>  | 1    |
| 19   | 144342          | HOSE ASSY, 3/8 X 150", #8 JIC, SWVL <b>(USED ON 33' MODEL)</b>  | 1    |
| 19   | 144343          | HOSE ASSY, 3/8 X 165", #8 JIC, SWVL <b>(USED ON 36' MODEL)</b>  | 1    |
| 20   | 137600          | HOSE ASSY, 3/8 X 130", #8 JIC, SWVL <b>(USED ON 30' MODEL)</b>  | 1    |
| 20   | 116435          | HOSE ASSY, 3/8 X 146", #8 JIC, SWVL <b>(USED ON 33' MODEL)</b>  | 1    |
| 20   | 144343          | HOSE ASSY, 3/8 X 165", #8 JIC, SWVL <b>(USED ON 36' MODEL)</b>  | 1    |
| 21   | -----           | SCRAPER BAR   | REF  |
| 22   | 1-512-010005-05 | NUT, HEX LOCK 3/8-16 GRB  | 1    |
| 23   | 1-654-010051-08 | SCREW, HEX HEAD CAP 3/8-16 X 1-3/4 GR5                          | 1    |
| 24   | 141275          | BRACKET, HOSE CLAMP   | 1    |
| 25   | 2-181-010001    | HOSE CLAMP  | 1    |
| 26   | 1-861-010032-11 | WASHER, FLAT 3/8  | 1    |
| 27   | 1-654-010055-11 | SCREW, HEX 1/2-13 UNC X 3-1/2 UNC, GRB                          | 2    |
| 28   | 1-512-010005-09 | NUT, HEX SLFLKG, 1/2-13 UNC GRB                                 | 2    |
| 29   | 1-007-010025    | PLUG, 3/4-16 O-RING BOSS  | 8    |

Fold Assembly 6231-21, 23, 26, 30 (Single)

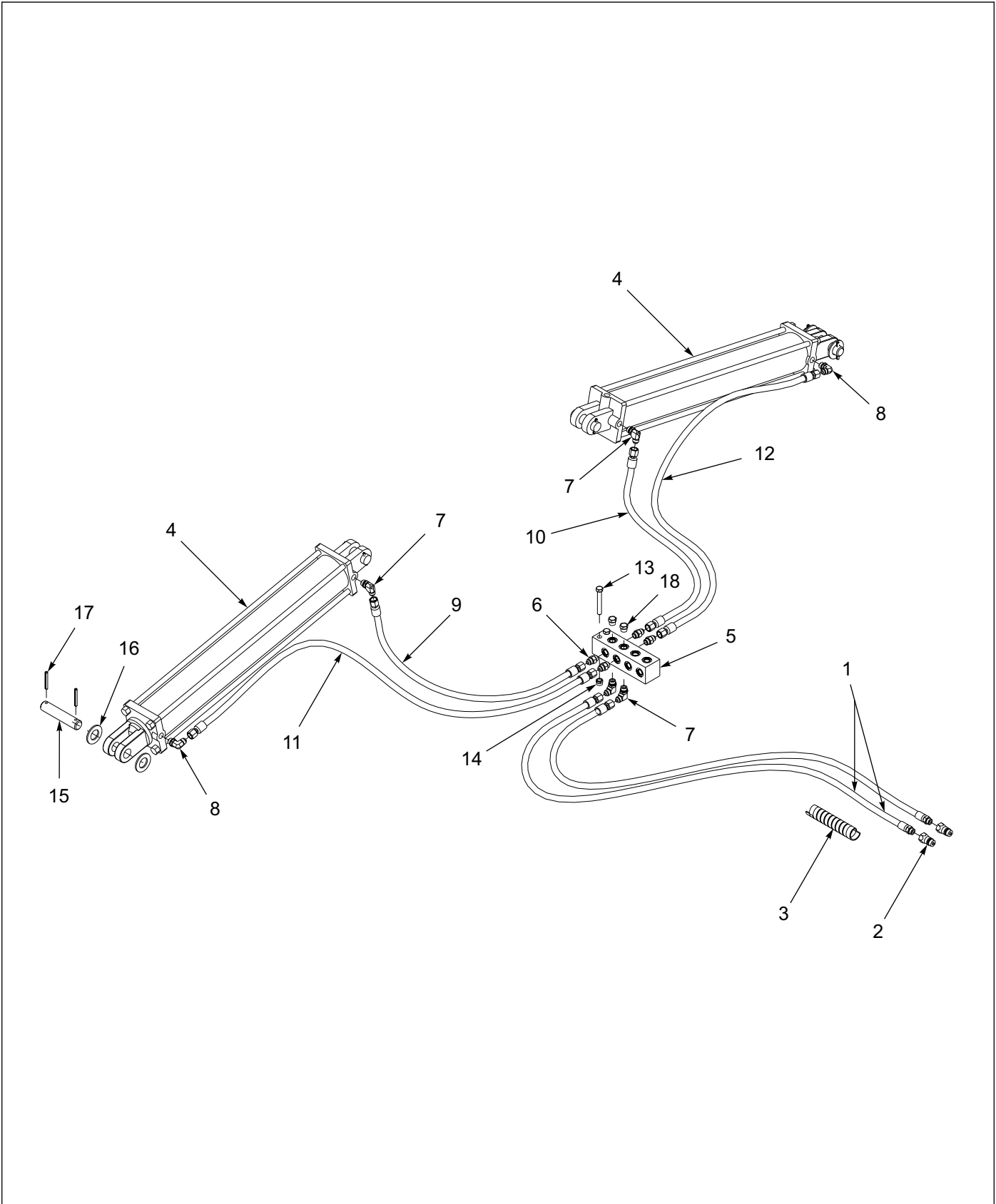


Figure 4-3: Fold Assembly 6231-21, 23, 26, 30 (Single)



## Fold Assembly 6231-21, 23, 26, 30 (Single)

| ITEM | PART NUMBER     | DESCRIPTION   | QTY. |
|------|-----------------|---|------|
| 1    | 194696          | HOSE ASSY, 3/8 X 220", #8 JIC X #8 O-RING                   | 2    |
| 2    | 141828          | COUPLER, MALE, 3/4-16, O-RING                               | 2    |
| 3    | 155529          | HOSE WRAP, YELLOW   | 1    |
| 4    | 167575          | CYLINDER, 4-1/2 X 30, 2 DIA ROD (SEE PAGE 5-3)              | 2    |
| 5    | 141594          | MANIFOLD HYDRAULIC, 16 PORT                                 | 1    |
| 6    | 202702-8-8S     | ADAPTER, #8, O-RING TO #8 TUBE                              | 14   |
| 7    | 2062-8-8S       | ADAPTER, O-RING, 37°, JIC 90                                | 4    |
| 8    | 141826          | ELBOW 90, 3/4 O-RING-3/4 JIC, 1/16 RES                      | 2    |
| 9    | 71508954        | HOSE ASSY, 3/8 X 22", #8 JIC, SWVL (USED ON 21'-26' MODELS) | 1    |
| 9    | 147123          | HOSE ASSY, 3/8 X 31", #8 JIC, SWVL (USED ON 30' MODEL)      | 1    |
| 10   | 153842          | HOSE ASSY, 3/8 X 33", #8 JIC, SWVL (USED ON 21'-26' MODELS) | 1    |
| 10   | 147584          | HOSE ASSY, 3/8 X 40", #8 JIC, SWVL (USED ON 30' MODEL)      | 1    |
| 11   | 71508984        | HOSE ASSY, 3/8 X 42", #8 JIC, SWVL (USED ON 21'-26' MODELS) | 1    |
| 11   | 116432          | HOSE ASSY, 3/8 X 60", #8 JIC, SWVL (USED ON 30' MODEL)      | 1    |
| 12   | 71508992        | HOSE ASSY, 3/8 X 50", #8 JIC, SWVL (USED ON 21'-26' MODELS) | 1    |
| 12   | 122910          | HOSE ASSY, 3/8 X 70", #8 JIC, SWVL (USED ON 30' MODEL)      | 1    |
| 13   | 1-654-010055-11 | SCREW, HEX 1/2-13 UNC X 3-1/2 UNC, GRB                      | 2    |
| 14   | 1-512-010005-09 | NUT, HEX SLFLKG, 1/2-13 UNC GRB                             | 2    |
| 15   | 141244          | PIN, FOLD   | 4    |
| 16   | 116100          | WASHER 1-1/4 NAR FL ZP/CD                                   | 8    |
| 17   | 1-647-010004240 | PIN, SPRING, SLOTTED, 5/16X2-1/2                            | 8    |
| 18   | 1-007-010025    | PLUG, 3/4-16 O-RING BOSS                                    | 12   |

Fold Assembly 6231-29 (Double)

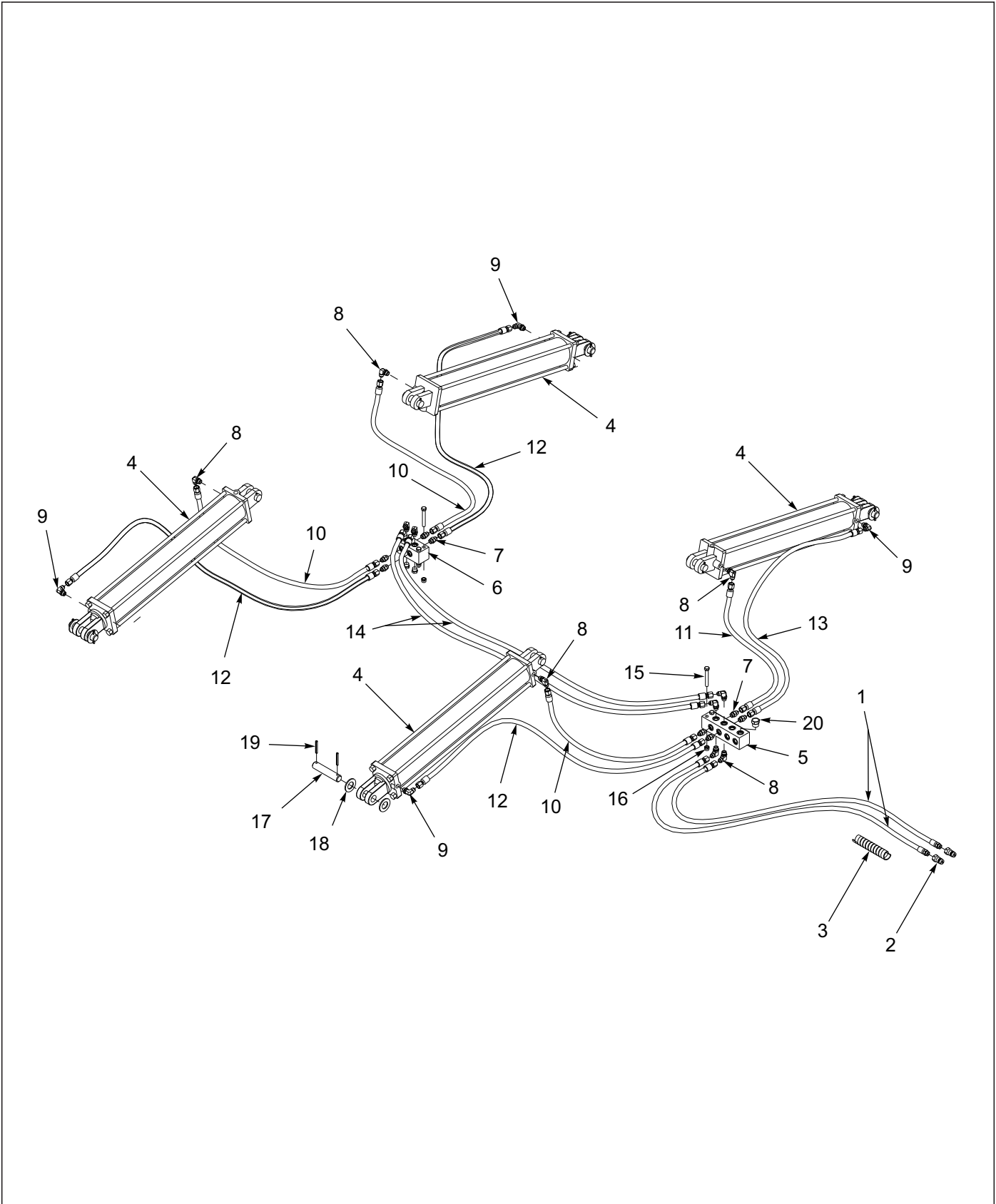


Figure 4-4: Fold Assembly 6231-29 (Double)

## Fold Assembly 6231-29 (Double)

| ITEM | PART NUMBER     | DESCRIPTION                                    | QTY. |
|------|-----------------|--|------|
| 1    | 194696          | HOSE ASSY, 3/8 X 220", #8 JIC X #8 O-RING      | 2    |
| 2    | 141828          | COUPLER, MALE, 3/4-16, O-RING                  | 2    |
| 3    | 155529          | HOSE WRAP, YELLOW                              | 1    |
| 4    | 167575          | CYLINDER, 4-1/2 X 30, 2 DIA ROD (SEE PAGE 5-3) | 4    |
| 5    | 141594          | MANIFOLD HYDRAULIC, 16 PORT                    | 1    |
| 6    | 2-474-010022    | MANIFOLD HYDRAULIC ASSY, 6 HOSE                | 1    |
| 7    | 202702-8-8S     | ADAPTER, #8, O-RING TO #8 TUBE                 | 8    |
| 8    | 2062-8-8S       | ADAPTER, O-RING, 37°, JIC 90                   | 10   |
| 9    | 141826          | ELBOW 90, 3/4 O-RING-3/4 JIC, 1/16 RES         | 4    |
| 10   | 71508954        | HOSE ASSY, 3/8 X 22", #8 JIC, SWVL             | 3    |
| 11   | 153842          | HOSE ASSY, 3/8 X 33", #8 JIC, SWVL             | 1    |
| 12   | 71508984        | HOSE ASSY, 3/8 X 42", #8 JIC, SWVL             | 3    |
| 13   | 71508992        | HOSE ASSY, 3/8 X 50", #8 JIC, SWVL             | 1    |
| 14   | 137599          | HOSE ASSY, 3/8 X 126", #8 JIC, SWVL            | 2    |
| 15   | 1-654-010055-11 | SCREW, HEX 1/2-13 UNC X 3-1/2 UNC, GRB         | 2    |
| 16   | 1-512-010005-09 | NUT, HEX SLFLKG, 1/2-13 UNC GRB                | 2    |
| 17   | 141244          | PIN, FOLD                                      | 4    |
| 18   | 116100          | WASHER 1-1/4 NAR FL ZP/CD                      | 8    |
| 19   | 1-647-010004240 | PIN, SPRING, SLOTTED, 5/16 X 2-1/2             | 8    |
| 20   | 1-007-010025    | PLUG, 3/4-16 O-RING BOSS                       | 12   |

Fold Assembly 6231-33-36 (Double)

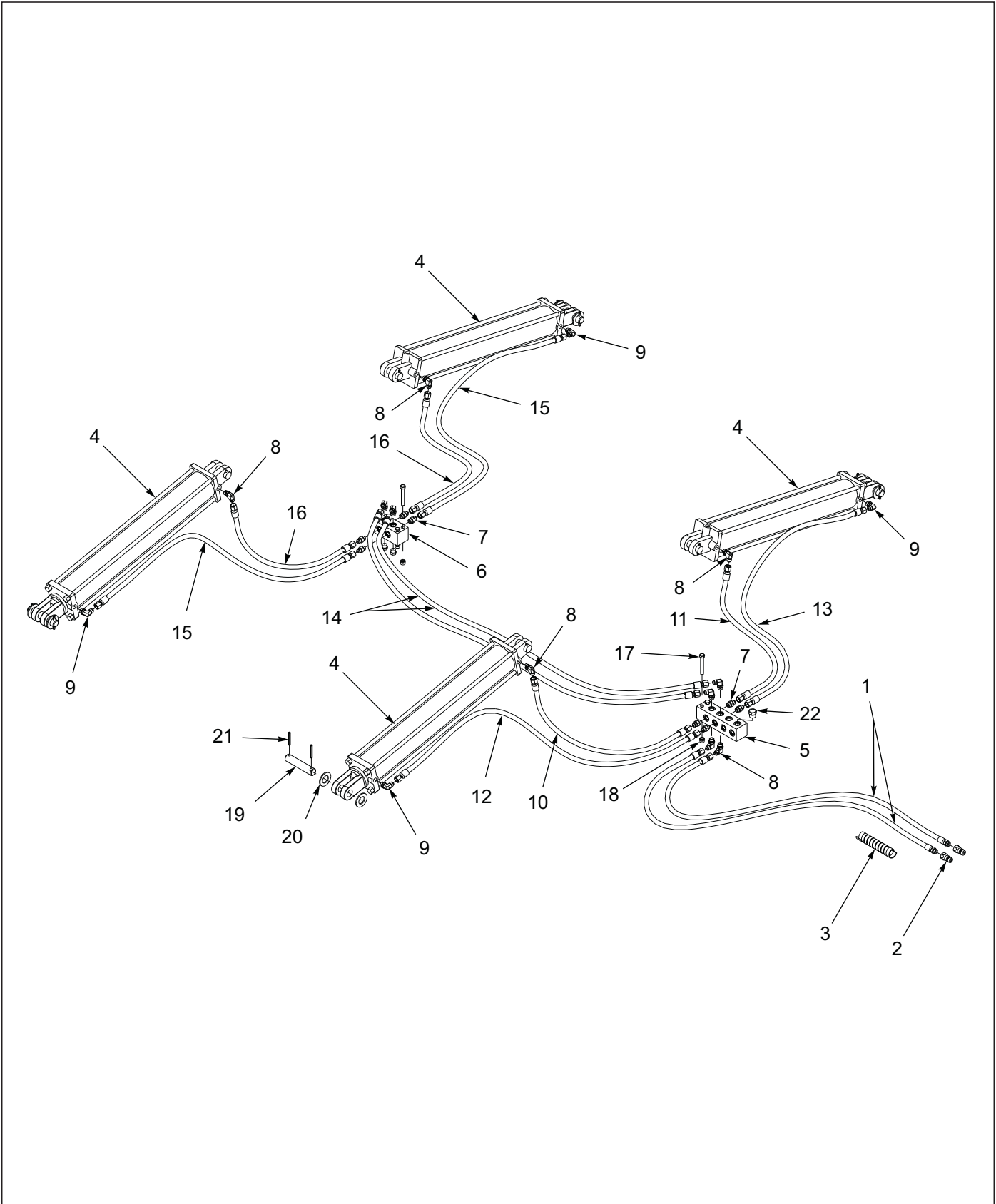


Figure 4-5: Fold Assembly 6231-33-36 (Double)

## Fold Assembly 6231-33-36 (Double)

| ITEM | PART NUMBER     | DESCRIPTION                                    | QTY. |
|------|-----------------|--|------|
| 1    | 194696          | HOSE ASSY, 3/8 X 222", #8 JIC X #8 O-RING      | 2    |
| 2    | 141828          | COUPLER, MALE, 3/4-16, O-RING                  | 2    |
| 3    | 155529          | HOSE WRAP, YELLOW                              | 1    |
| 4    | 167575          | CYLINDER, 4-1/2 X 30, 2 DIA ROD (SEE PAGE 5-3) | 4    |
| 5    | 141594          | MANIFOLD HYDRAULIC, 16 PORT                    | 1    |
| 6    | 2-474-010022    | MANIFOLD HYDRAULIC ASSY, 6 HOSE                | 1    |
| 7    | 202702-8-8S     | ADAPTER, #8, O-RING TO #8 TUBE                 | 8    |
| 8    | 2062-8-8S       | ADAPTER, O-RING, 37°, JIC 90                   | 10   |
| 9    | 141826          | ELBOW 90, 3/4 O-RING-3/4 JIC, 1/16 RES         | 4    |
| 10   | 147123          | HOSE ASSY, 3/8 X 31", #8 JIC, SWVL             | 1    |
| 11   | 147584          | HOSE ASSY, 3/8 X 40", #8 JIC, SWVL             | 1    |
| 12   | 116432          | HOSE ASSY, 3/8 X 60", #8 JIC, SWVL             | 1    |
| 13   | 122910          | HOSE ASSY, 3/8 X 70", #8 JIC, SWVL             | 1    |
| 14   | 166171          | HOSE ASSY, 3/8 X 114", #8 JIC, SWVL            | 2    |
| 15   | 153843          | HOSE ASSY, 3/8 X 67", #8 JIC, SWVL             | 2    |
| 16   | 1-397-010369036 | HOSE ASSY, 3/8 X 36", #8 JIC, SWVL             | 2    |
| 17   | 1-654-010055-11 | SCREW, HEX 1/2-13 UNC X 3-1/2 UNC, GRB         | 2    |
| 18   | 1-512-010005-09 | NUT, HEX SLFLKG, 1/2-13 UNC GRB                | 2    |
| 19   | 141244          | PIN, FOLD                                      | 4    |
| 20   | 116100          | WASHER 1-1/4 NAR FL ZP/CD                      | 8    |
| 21   | 1-647-010004240 | PIN, SPRING, SLOTTED, 5/16X2-1/2               | 8    |
| 22   | 1-007-010025    | PLUG, 3/4-16 O-RING BOSS                       | 12   |

# Cylinders

## Cylinder Assembly 4 x 10, Rephase

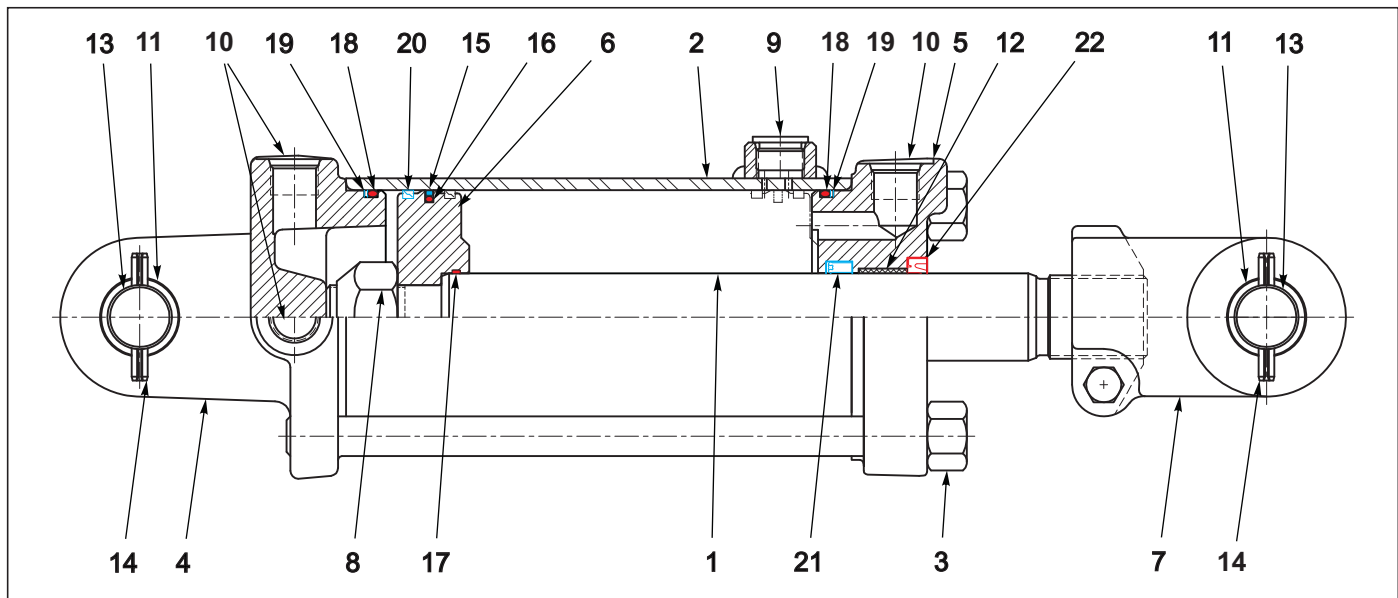


Figure 5-1: Cylinder Assembly 4 x 10, Rephase

## Cylinder Assembly 4 x 10, Rephase

| ITEM | PART NUMBER | DESCRIPTION                                    | QTY. |
|------|-------------|--|------|
| --   | 140470      | CYLINDER 4X10 REPHASE (1" PINS)                |      |
| 1    | ----        | PISTON, ROD                                    | 1    |
| 2    | ----        | TUBE   | 1    |
| 3    | ----        | TIEROD ASSY                                    | 1    |
| 4    | 142114      | BUTT CLEVIS ASSY                               | 1    |
| 5    | 142109      | GLAND ASSEMBLY                                 | 1    |
| 6    | ----        | PISTON   | 1    |
| 7    | 142110      | CLEVIS ASSEMBLY                                | 1    |
| 8    | ----        | NUT, LOCK                                      | 1    |
| 9    | ----        | PLUG, PORT                                     | 1    |
| 10   | ----        | PLUG, PORT                                     | 3    |
| 11   | 142112      | BUSHING  | 4    |
| 12   | 141301      | BUSHING  | 1    |
| 13   | 143994      | PIN, CLEVIS                                    | 2    |
| 14   | 147072      | PIN, SPRING SLOTTED 5/16 X 2                   | 4    |
| 15   | ----        | TEFLON SEAL                                    | 1    |
| 16   | ----        | O- RING  | 1    |
| 17   | ----        | O- RING  | 1    |
| 18   | ----        | O- RING  | 2    |
| 19   | ----        | BU- WASHER                                     | 2    |
| 20   | ----        | BEARING RING                                   | 2    |
| 21   | ----        | U- CUP   | 1    |
| 22   | ----        | CANNED WIPER                                   | 1    |
| 23   | 142111      | PACKING KIT (NOT SHOWN) (INCLUDES ITEMS 15-22) |      |

### Cylinder Assembly 3-3/4 x 10, Rephase

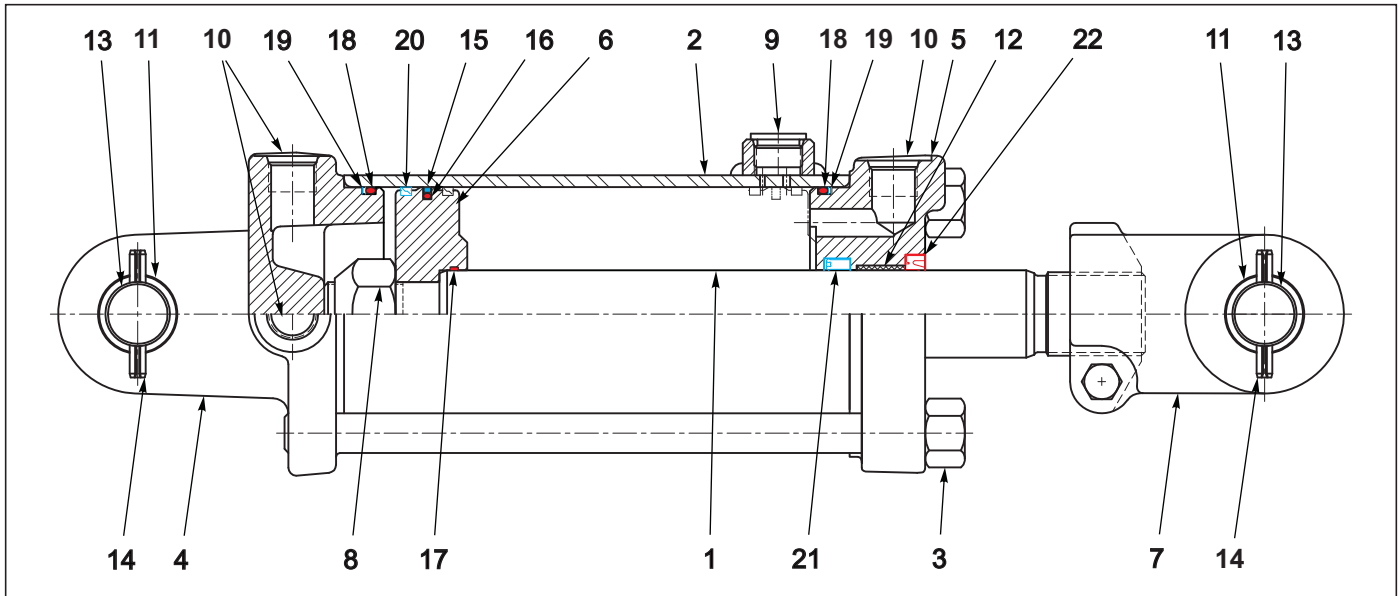


Figure 5-2: Cylinder Assembly 3-3/4 x 10, Rephase

### Cylinder Assembly 3-3/4 x 10, Rephase

| ITEM | PART NUMBER | DESCRIPTION                                    | QTY. |
|------|-------------|--|------|
| --   | 140471      | CYLINDER, 3-3/4 X 10, REPHASE (1" PINS)        |      |
| 1    | ----        | PISTON, ROD                                    | 1    |
| 2    | ----        | TUBE ASSY                                      | 1    |
| 3    | ----        | TIEROD ASSY                                    | 1    |
| 4    | 142116      | BUTT CLEVIS ASSEMBLY                           | 1    |
| 5    | 111871      | GLAND ASSY                                     | 1    |
| 6    | ----        | PISTON ROD                                     | 1    |
| 7    | 142110      | CLEVIS ASSY                                    | 1    |
| 8    | ----        | NUT, LOCK                                      | 1    |
| 9    | ----        | PLUG, PORT                                     | 1    |
| 10   | ----        | PLUG, PORT                                     | 3    |
| 11   | 142112      | BUSHING  | 4    |
| 12   | 141301      | BUSHING  | 1    |
| 13   | 143994      | PIN, CLEVIS                                    | 2    |
| 14   | 111789      | ROLL PIN                                       | 4    |
| 15   | ----        | TEFLON SEAL                                    | 1    |
| 16   | ----        | O- RING  | 1    |
| 17   | ----        | O- RING  | 1    |
| 18   | ----        | O- RING  | 2    |
| 19   | ----        | BU- WASHER                                     | 2    |
| 20   | ----        | BEARING RING                                   | 2    |
| 21   | ----        | U- CUP   | 1    |
| 22   | ----        | CANNED WIPER                                   | 1    |
| 23   | 142103      | PACKING KIT (NOT SHOWN) (INCLUDES ITEMS 15-22) |      |

### Cylinder Assembly 4-1/2 x 30

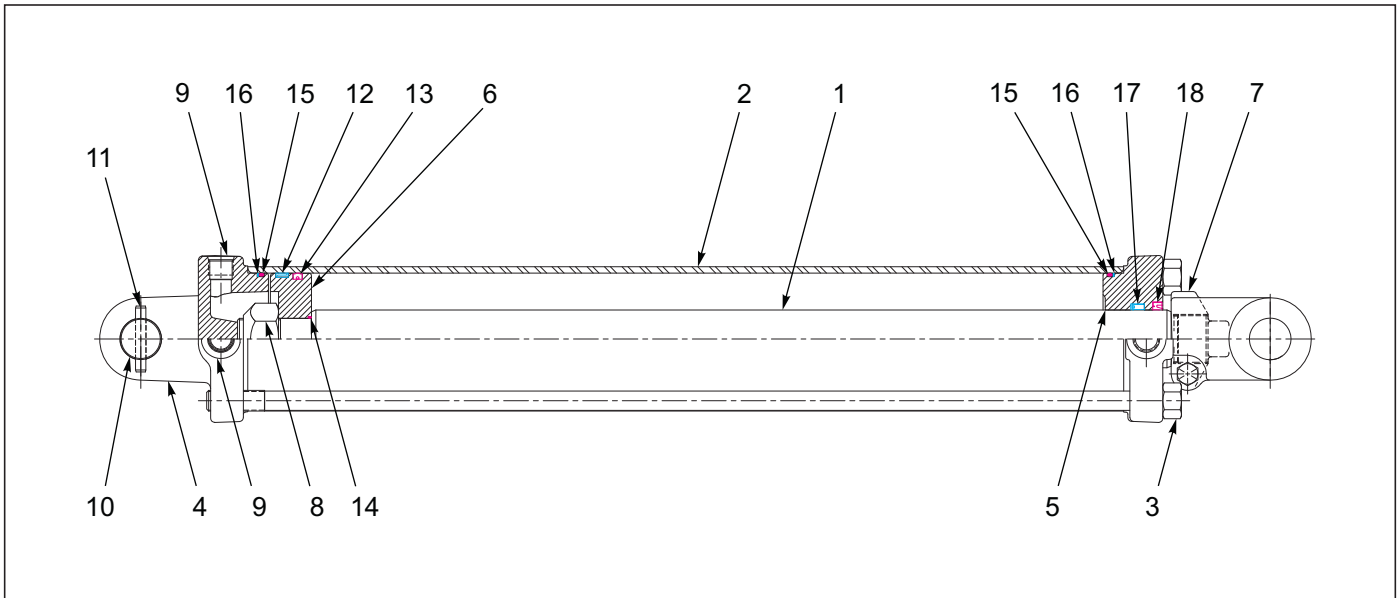


Figure 5-3: Cylinder Assembly 4-1/2 x 30

### Cylinder Assembly 4-1/2 x 30

| ITEM | PART NUMBER | DESCRIPTION                    | QTY. |
|------|-------------|--------------------------------|------|
| --   | 167575      | CYLINDER, 4-1/2 X 30, 2DIA ROD |      |
| 1    | ----        | PISTON ROD                     | 1    |
| 2    | ----        | TUBE                           | 1    |
| 3    | ----        | TIEROD ASSEMBLY                | 4    |
| 4    | 218648      | BUTT                           | 1    |
| 5    | 169549      | GLAND                          | 1    |
| 6    | ----        | PISTON                         | 1    |
| 7    | 100000362   | CLEVIS ASSEMBLY                | 1    |
| 8    | ----        | LOCKNUT                        | 1    |
| 9    | ----        | PORT PLUG                      | 3    |
| 10   | 169550      | CLEVIS PIN                     | 1    |
| 11   | 111789      | ROLL PIN                       | 2    |
| 12   | ----        | BEARING RING                   | 2    |
| 13   | ----        | CROWN SEAL                     | 1    |
| 14   | ----        | O-RING                         | 1    |
| 15   | ----        | O-RING                         | 2    |
| 16   | ----        | BU-WASHER                      | 2    |
| 17   | ----        | U-CUP                          | 1    |
| 18   | ----        | WIPER                          | 2    |
| 19   | 169552      | PACKING KIT (ITEMS 12-18)      | 1    |



### Cylinder Assembly 3-1/2 x 6

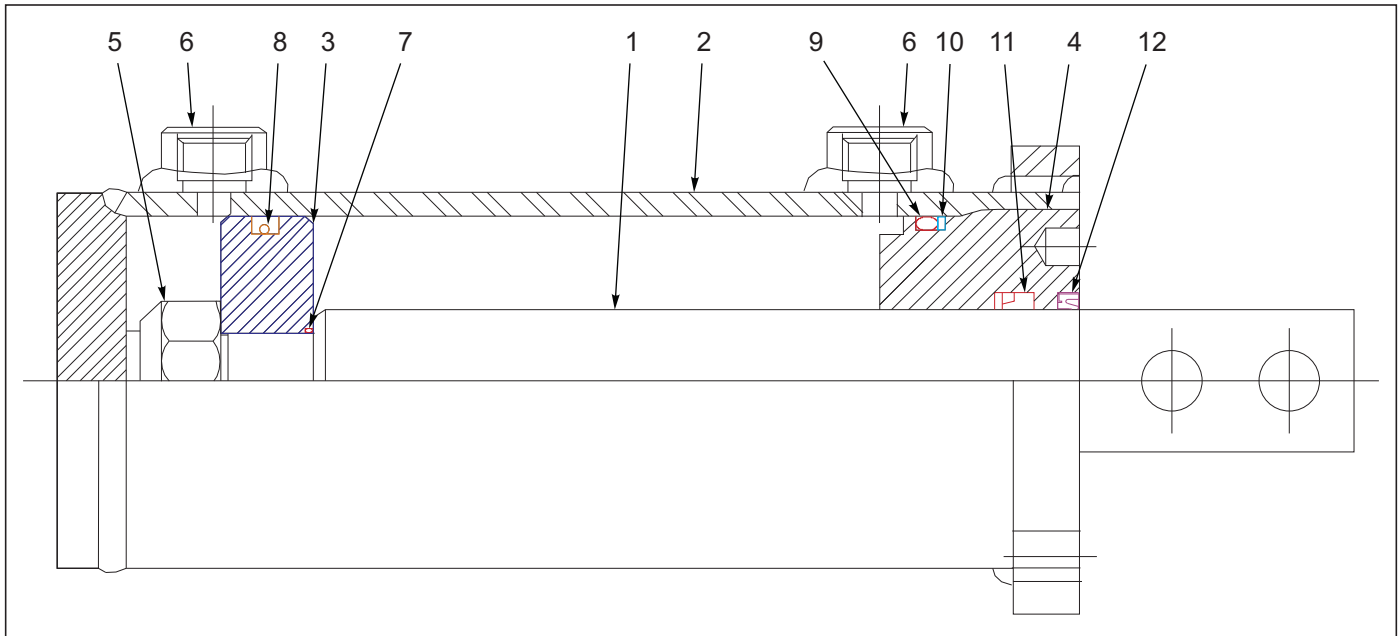


Figure 5-4: Cylinder Assembly 3-1/2 x 6

### Cylinder Assembly 3-1/2 x 6

| ITEM | PART NUMBER | DESCRIPTION                                  | QTY. |
|------|-------------|--|------|
| --   | 140631      | CYLINDER 3-1/2X6                             |      |
| 1    | 142803      | PISTON ROD                                   | 1    |
| 2    | -----       | BUTT AND TUBE ASSEMBLY                       | 1    |
| 3    | -----       | PISTON                                       | 1    |
| 4    | 142806      | GLAND ASSY                                   | 1    |
| 5    | -----       | LOCKNUT                                      | 1    |
| 6    | -----       | PORT PLUG                                    | 2    |
| 7    | -----       | O-RING                                       | 1    |
| 8    | -----       | CROWN SEAL                                   | 1    |
| 9    | -----       | O-RING                                       | 1    |
| 10   | -----       | BU-WASHER                                    | 1    |
| 11   | -----       | U-CUP  | 1    |
| 12   | -----       | CANNED WIPER                                 | 1    |
| 13   | 142807      | PACKING KIT (NOT SHOWN) (INCLUDES ITEM 7-12) |      |

### Cylinder Assembly 2-1/2 x 2-1/2

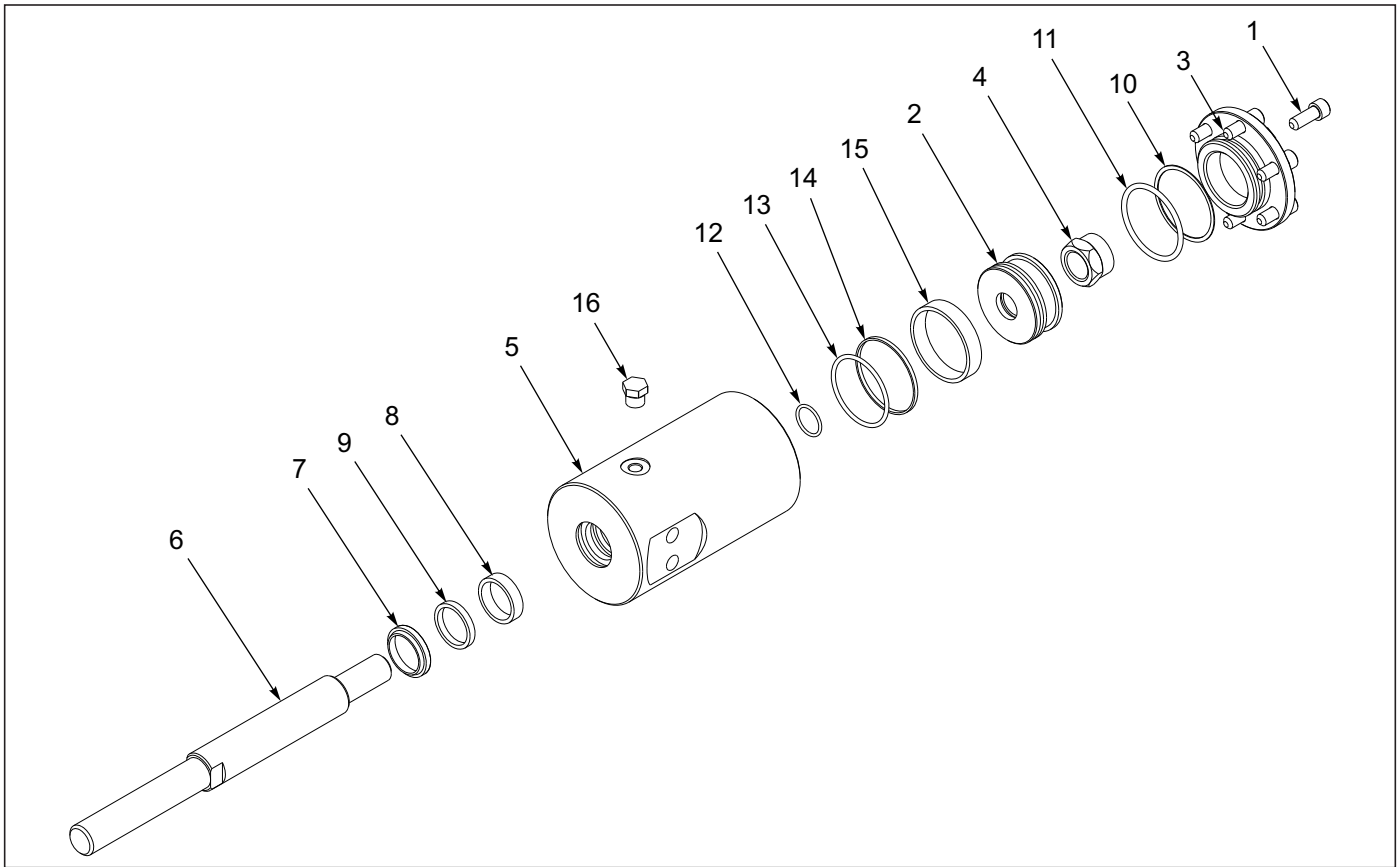


Figure 5-5: Cylinder Assembly 2-1/2 x 2-1/2

### Cylinder Assembly 2-1/2 x 2-1/2

| ITEM | PART NUMBER | DESCRIPTION  | QTY. |
|------|-------------|--|------|
| --   | 172537      | CYL ASSY 2-1/2"X 2-1/2" STROKE (BEFORE 6-8-2017)           |      |
| 1    | -----       | SCREW, HEX SOCKET 3/8-16 X 1                               | 6    |
| 2    | -----       | PISTON, 2-1/2 BORE   | 1    |
| 3    | 171080      | 2-1/2" BASE CAP  | 1    |
| 4    | -----       | NUT, HEX LOCK 7/8-14 GRC                                   | 1    |
| 5    | -----       | CYLINDER, BARREL 2-1/2 STROKE                              | 1    |
| 6    | 172539      | ROD 1-1/4" DIA 2-1/2" STROKE                               | 1    |
| 7    | -----       | WIPER, 1-1/4 ROD   | 1    |
| 8    | -----       | WEAR RING, 1-1/4 ROD                                       | 1    |
| 9    | -----       | U-CUP, 1-1/4 ROD   | 1    |
| 10   | -----       | BACK-UP RING, CAP  | 1    |
| 11   | -----       | O-RING, CAP  | 1    |
| 12   | -----       | O-RING, PISTON   | 1    |
| 13   | -----       | O-RING, PISTON   | 1    |
| 14   | -----       | SEAL, 2-1/2 PISTON   | 1    |
| 15   | -----       | WEAR RING, 2-1/2 PISTON                                    | 1    |
| 16   | -----       | PLUG, O-RING 9/16-18                                       | 2    |
| 17   | 171081      | SEAL KIT, 2-1/2" BORE CYL (NOT SHOWN) (INCL. ITEMS 7 - 15) |      |

### Cylinder Assembly 2-1/2 x 2-1/2 1-1/8 Threads

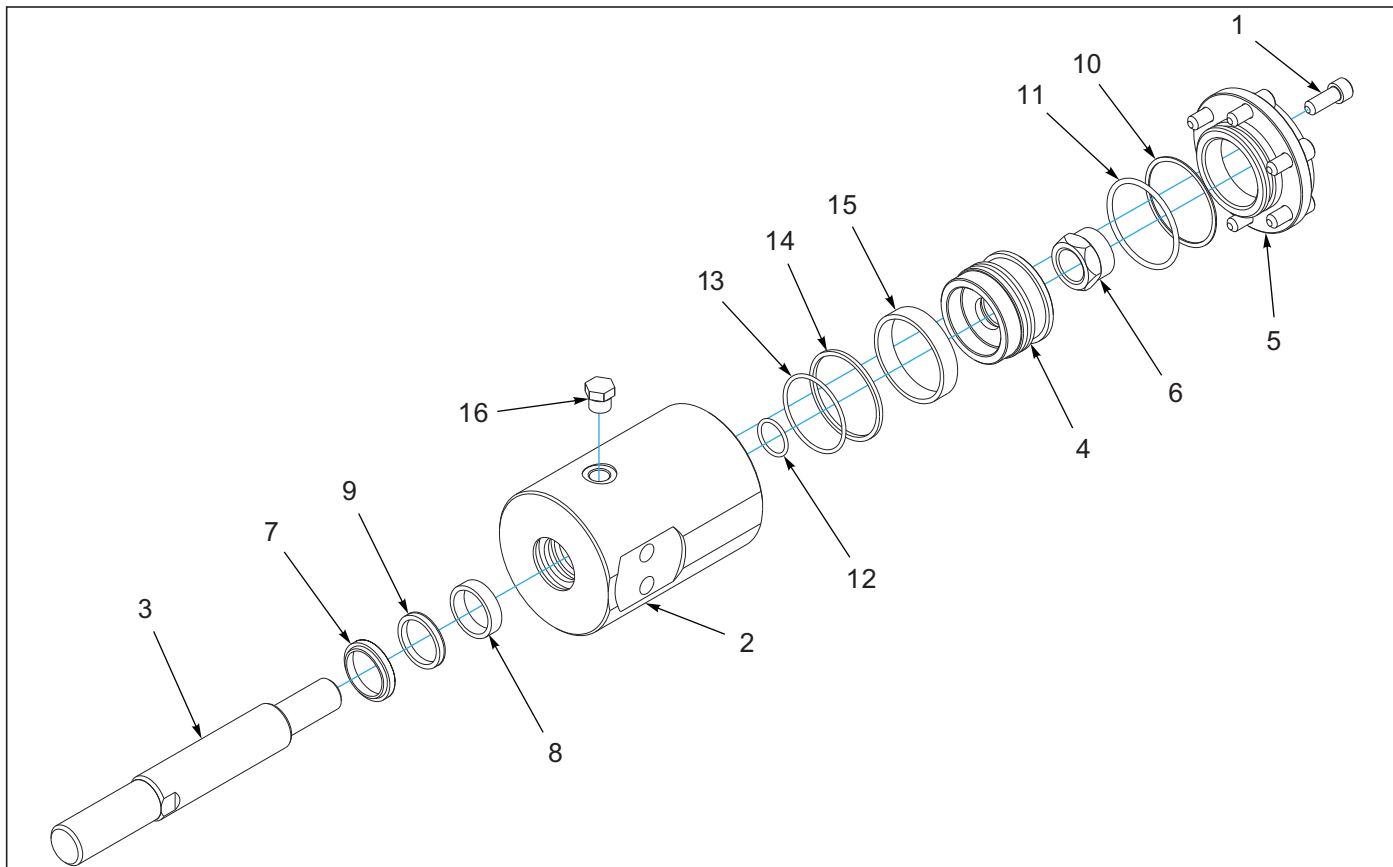


Figure 5-6: Cylinder Assembly 2-1/2 x 2-1/2 1-1/8 Threads

### Cylinder Assembly 2-1/2 x 2-1/2 1-1/8 Threads







| ITEM | PART NUMBER | DESCRIPTION  | QTY. |
|------|-------------|--|------|
| --   | 206671      | CYL ASM 2-1/2X2-1/2ST1-1/8THDS (AFTER 6-8-2017)            |      |
| 1    | ----        | SCREW, HEX SOCKET 3/8-16 X 1                               | 6    |
| 2    | ----        | CYLINDER, BARREL 2-1/2" STROKE                             | 1    |
| 3    | 206673      | ROD 1-1/4 DIA  | 1    |
| 4    | ----        | PISTON, 2-1/2 BORE   | 1    |
| 5    | 171080      | 2-1/2" BASE CAP  | 1    |
| 6    | ----        | NUT, HEX SLFLKG 7/8-14 GRC                                 | 1    |
| 7    | ----        | WIPER, 1-1/4 ROD   | 1    |
| 8    | ----        | WEAR RING, 1-1/4 ROD                                       | 1    |
| 9    | ----        | U-CUP, 1-1/4 ROD   | 1    |
| 10   | ----        | BACK-UP RING, CAP  | 1    |
| 11   | ----        | O-RING, CAP  | 1    |
| 12   | ----        | O-RING, PISTON   | 1    |
| 13   | ----        | O-RING, PISTON   | 1    |
| 14   | ----        | SEAL, 2-1/2 PISTON   | 1    |
| 15   | ----        | WEAR RING, 2-1/2 PISTON                                    | 1    |
| 16   | ----        | PLUG, O-RING 9/16-18                                       | 2    |
| 17   | 171081      | SEAL KIT, 2-1/2" BORE CYL (NOT SHOWN) (INCL. ITEMS 7 - 15) |      |

# Electrical

## Electrical Assembly W/LED Lights Wiring Chart

| 7-PIN CONN. | 4-PIN TOWER | CIRCUIT               | WIRE COLOR   |
|-------------|-------------|-----------------------|--|
| 1           | D           | GROUND                | WHITE   |
| 2           | –           | WORK LAMPS            | BLACK   |
| 3           | B           | LEFT FLASHING & TURN  | YELLOW  |
| 4           | –           | STOP LAMPS            | RED     |
| 5           | A           | RIGHT FLASHING & TURN | GREEN   |
| 6           | C           | TAIL LAMPS            | BROWN   |
| 7           | –           | SWITCHED POWER (12 V) | BLUE   |

MAIN WARNING LIGHT HARNESS - WIRING CHART

|  | RIGHT AMBER | RIGHT RED   |              | LEFT RED    | LEFT AMBER  |
|--|-------------|-------------|--------------|-------------|-------------|
|  | 2-PIN TOWER | 3-PIN TOWER | 6-PIN SHROUD | 3-PIN TOWER | 2-PIN TOWER |
|  BLACK LEFT TURN  |             |             | A            | C           |             |
|  WHITE GROUND     | A           | A           | B            | A           | A           |
|  BROWN TAIL LIGHT |             | B           | C            | B           |             |
|  YELLOW LEFT TURN |             |             | D            |             | B           |
|  GREEN RIGHT TURN | B           |             | E            |             |             |
|  RED RIGHT TURN   |             | C           | F            |             |             |

REAR WARNING LIGHT HARNESS - WIRING CHART

Figure 6-1: Electrical Assembly W/LED Lights Wiring Chart



# Electrical Assembly W/LED Lights

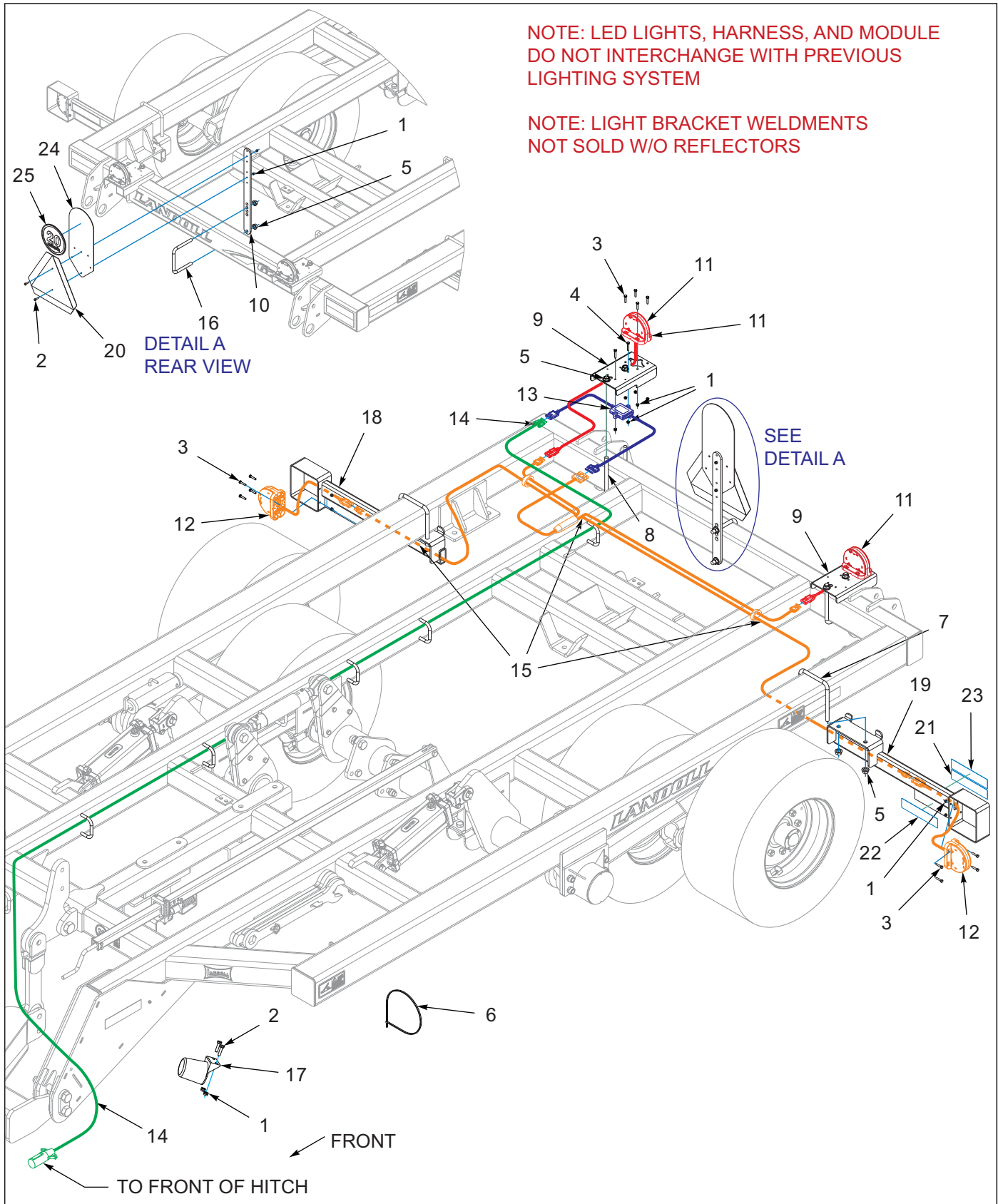


Figure 6-2: Electrical Assembly W/LED Lights

## Electrical Assembly W/LED Lights

| ITEM | PART NUMBER     | DESCRIPTION   | QTY. |
|------|-----------------|---|------|
| --   | 194695          | LIGHT KIT   |      |
| 1    | 1-512-010005-01 | NUT, HEX LOCK 1/4-20 GRB                            | 22   |
| 2    | 1-654-010047-06 | SCREW, HEX HEAD CAP 1/4-20 X 1" GR5                 | 4    |
| 3    | 1-654-010047-07 | SCREW, HEX HEAD CAP 1/4-20 X 1-1/4 GR5              | 16   |
| 4    | 1-654-010047-08 | SCREW, HEX HEAD CAP 1/4-20 X 1-1/2 GR5              | 2    |
| 5    | 100827          | NUT, FLANGE HEAD SERRATED 5/8-11                    | 6    |
| 6    | 105874          | TIE SELF LOCKING 19"                                | 15   |
| 7    | 141269          | U-BOLT, WING STABILIZER                             | 2    |
| 8    | 157648          | U-BOLT  | 2    |
| 9    | 164138          | MOUNT, TAIL LIGHT                                   | 2    |
| 10   | 164142          | BRACKET MOUNTING, SMV                               | 1    |
| 11   | 174435          | LAMP, AG RED SINGLE LED                             | 2    |
| 12   | 174436          | LAMP, AG AMBER SINGLE LED                           | 2    |
| 13   | 174437          | MODULE, AG FLASHER CONTROL                          | 1    |
| 14   | 174438          | HARNESS, MAIN WARNING LIGHTS                        | 1    |
| 15   | 174439          | HARNESS, REAR WARNING LIGHTS                        | 1    |
| 16   | 2-102-010032    | U-BOLT, 5/8 X 5-11/16 X 5-1/2                       | 1    |
| 17   | 2-368-010287    | HARNESS, STOR-AWAY (SEE PAGE 2-1)                   | 1    |
| 18   | 156970          | BRACKET, LIGHT RH NC W/ REF (21'-29') (ITEMS 21-23) | 1    |
| 18   | 194691          | BRACKET, LIGHT RH WC W/ REF (30'-36') (ITEMS 21-23) | 1    |
| 19   | 156971          | BRACKET, LIGHT LH NC W/ REF (21'-29') (ITEMS 21-23) | 1    |
| 19   | 194692          | BRACKET, LIGHT LH WC W/ REF (30'-36') (ITEMS 21-23) | 1    |
| 20   | 70260977        | SMV EMBLEM  | 1    |
| 21   | 528933          | REFLECTOR, RED                                      | 2    |
| 22   | 528934          | REFLECTOR, YELLOW                                   | 2    |
| 23   | 528938          | STRIPE, ORANGE                                      | 2    |
| 24   | 224590          | MOUNT, SIS DECAL                                    | 1    |
| 25   | 224589          | DECAL, SIS 20 MILE/H                                | 1    |

# Decals

## Decals



Figure 7-1: Decals





# Decal Installation

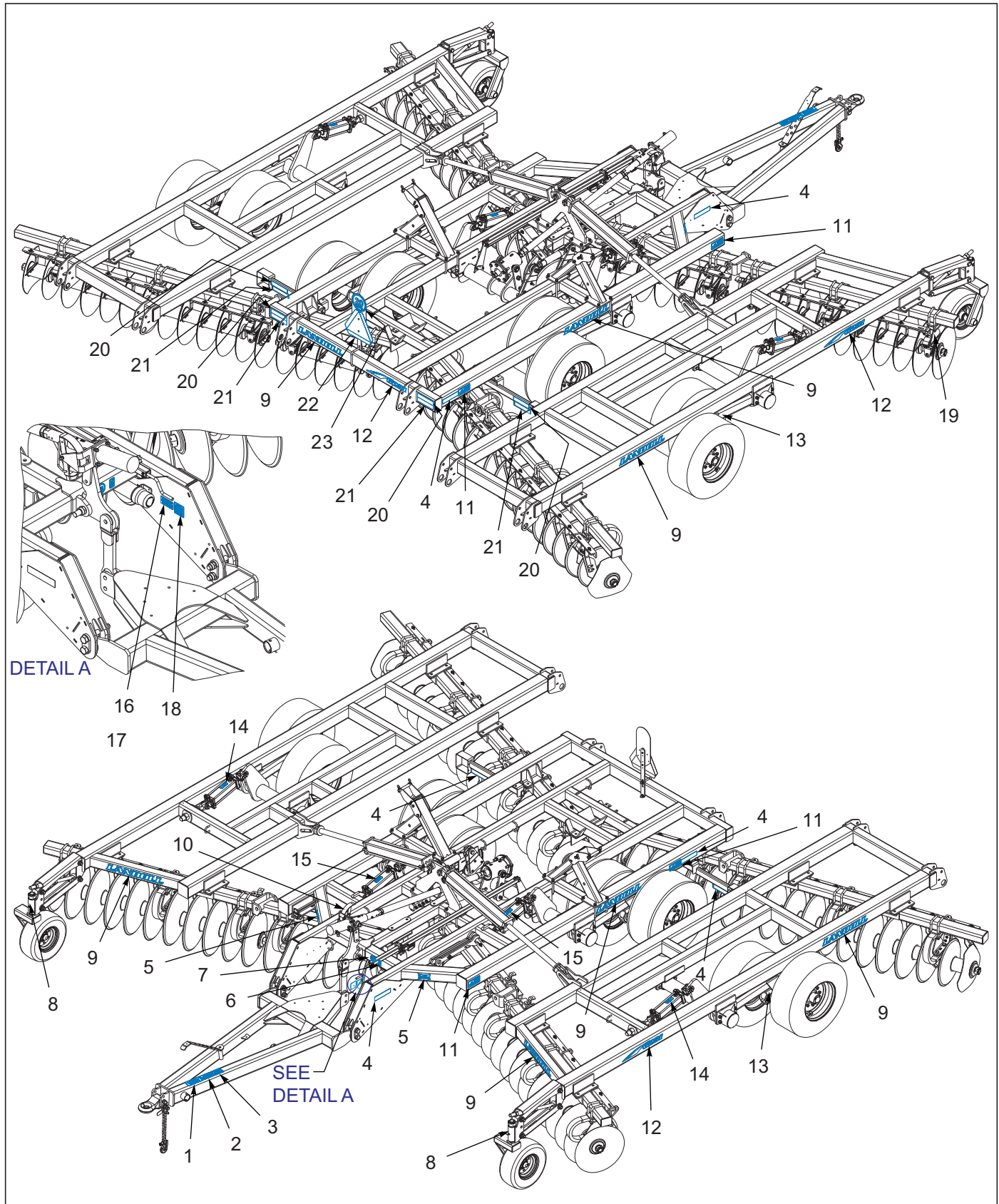


Figure 7-2: Decal Installation

## Decals

| ITEM | PART NUMBER     | DESCRIPTION                           | QTY. |
|------|-----------------|---------------------------------------|------|
| 1    | 8-573-010084    | DECAL WARNING BEFORE OPERATG          | 1    |
| 2    | 141597          | DECAL, DANGER ELECTROCUTION           | 1    |
| 3    | 155523          | DECAL, HOSE IDENTIFICATION            | 1    |
| 4    | 528934          | REFLECTOR - YELLOW                    | 4    |
| 5    | 141259          | DECAL, LANDOLL, YELLOW                | 2    |
| 6    | 2-573-010198    | DECAL, MEMBER FEMA                    | 1    |
| 7    | 144193          | DECAL, SIS 20 MPH                     | 1    |
| 8    | 2-573-010330-03 | DECAL, LUBRICATION 50 HOURS           | 2    |
| 9    | 141260          | DECAL, LANDOLL                        | 7    |
| 10   | 141263          | DECAL, LEVEL INDICATOR                | 1    |
| 11   | 2-573-010037    | DECAL, DANGER, WING                   | 4    |
| 12   | 192839          | DECAL, MODEL 6231                     | 3    |
| 13   | 215341          | DECAL, GREASE WALKER                  | 4    |
| 14   | 2-573-010149    | DECAL SLAVE                           | 2    |
| 15   | 2-573-010150    | DECAL MASTER                          | 2    |
| 16   | 1-573-010006    | PLACARD, NAME                         | 1    |
| 17   | 156010          | RIVET, BLIND .156X1/2 GRIP            | 2    |
| 18   | 232177          | DECAL, QR CODE 6200 SERIES            | 1    |
| 19   | 2-573-010330-02 | DECAL, LUBRICATION 10 HOURS           |      |
| 20   | 528938          | STRIPE, ORANGE <b>(SEE PAGE 6-3)</b>  | 4    |
| 21   | 528933          | REFLECTOR - RED <b>(SEE PAGE 6-3)</b> | 4    |
| 22   | 70260977        | SMV EMBLEM                            | 1    |
| 23   | 224589          | DECAL, SIS 20 MILE/H                  | 1    |

# Attachments

## 3 Row Coil Tine Harrow Assemblies 6231-21-36

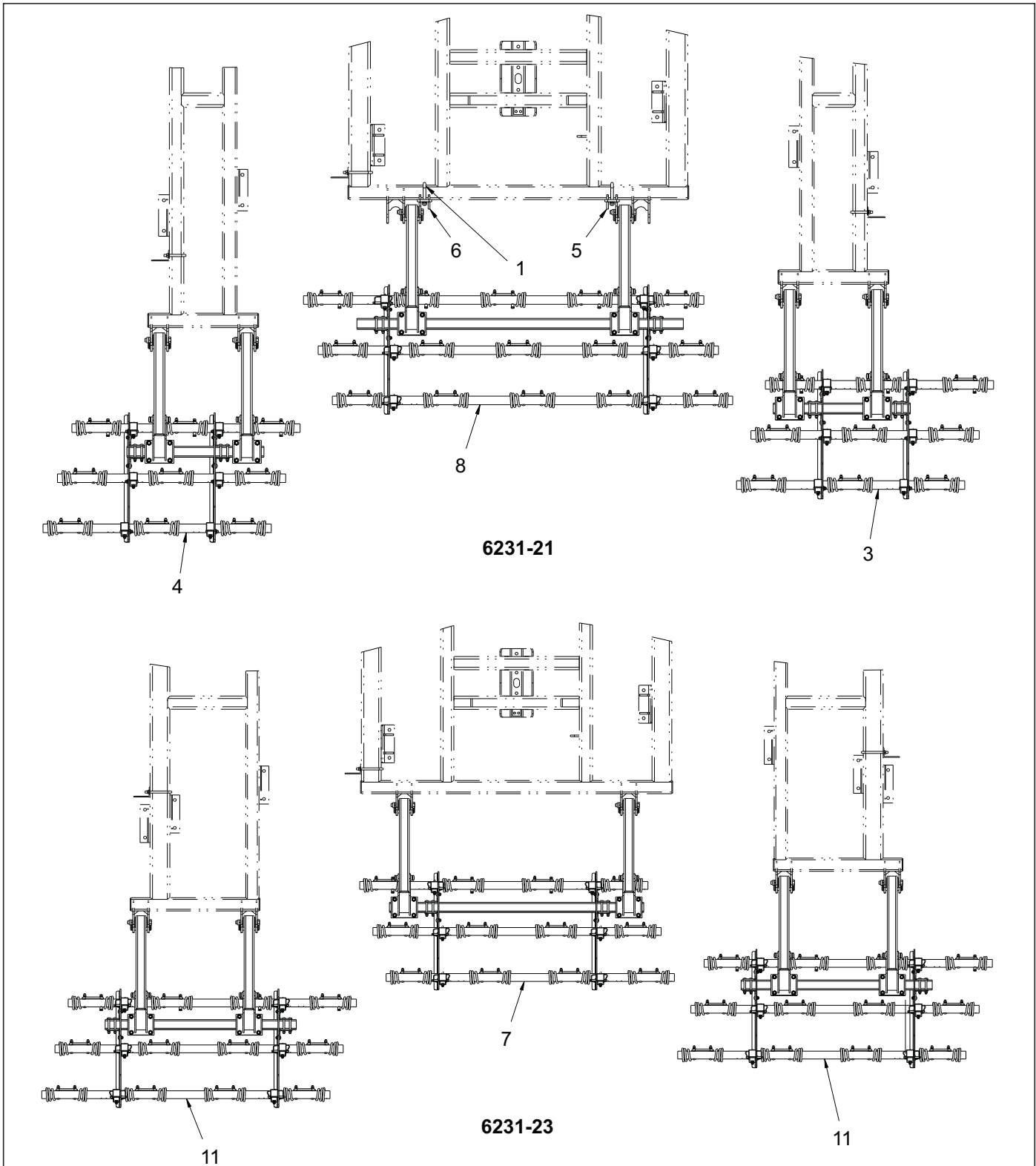


Figure 8-1: 3 Row Coil Tine Harrow Layout 6231-21-23

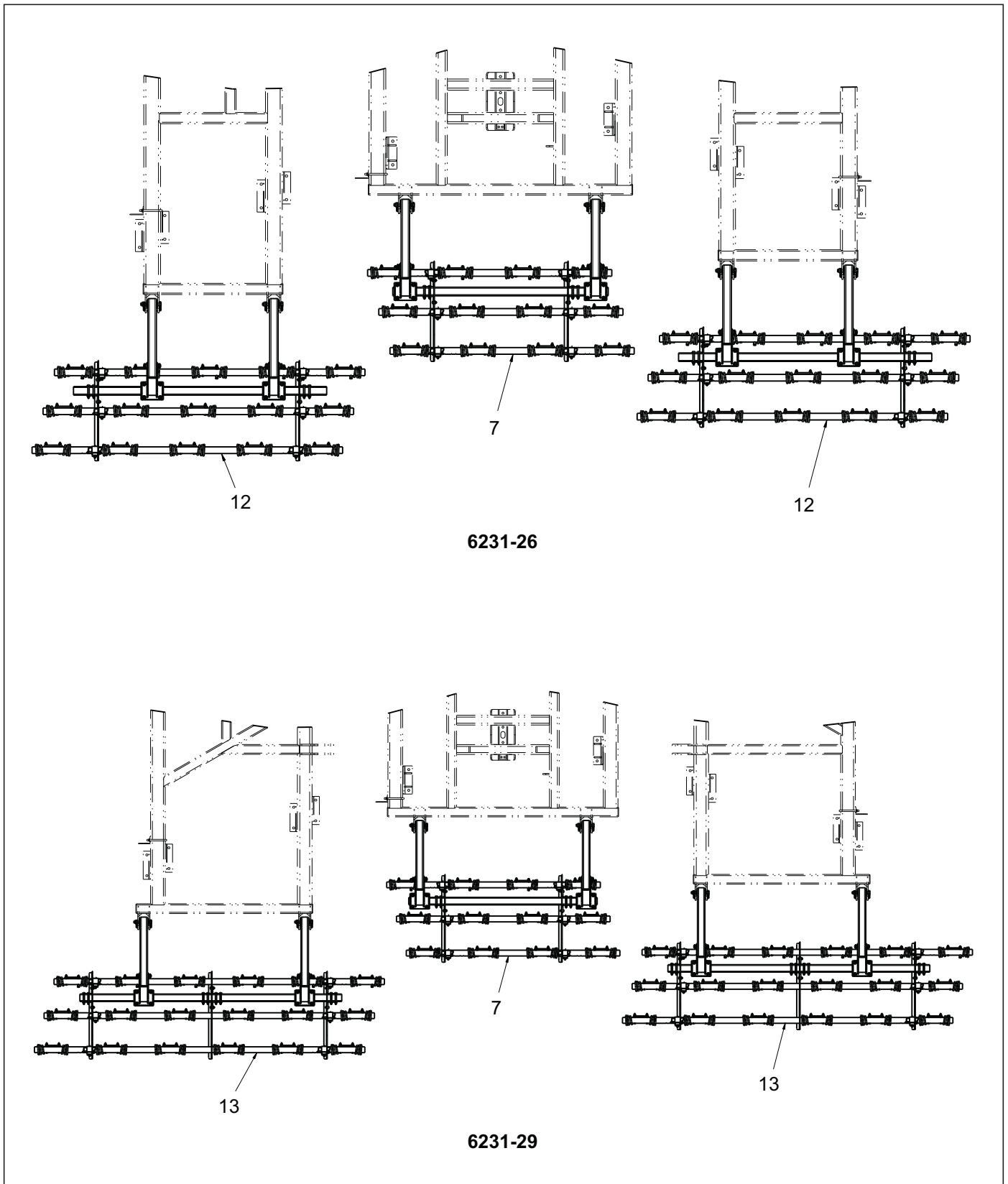


Figure 8-2: 3 Row Coil Tine Harrow Layout 6231-26-29

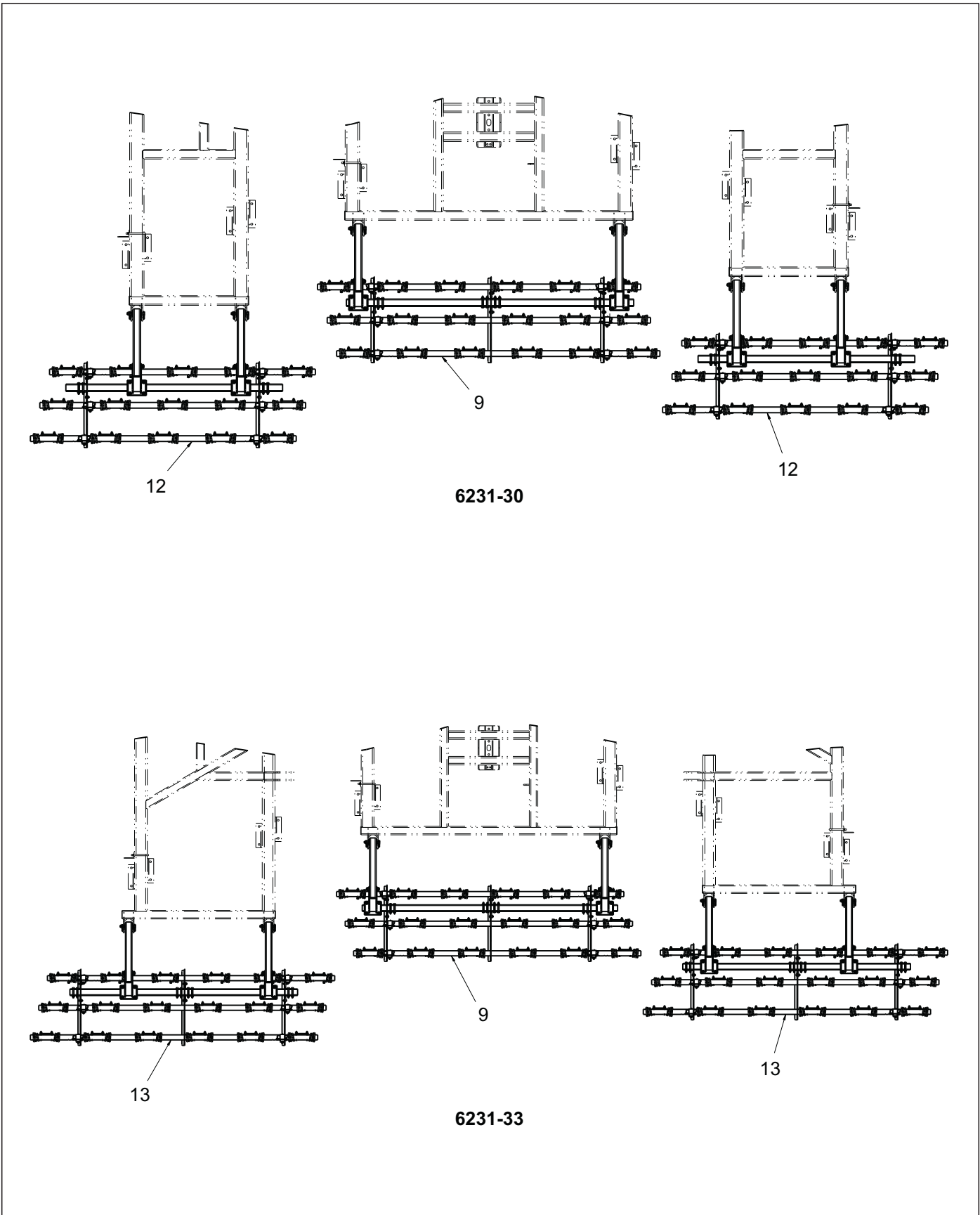


Figure 8-3: 3 Row Coil Tine Harrow Layout 6231-30-33

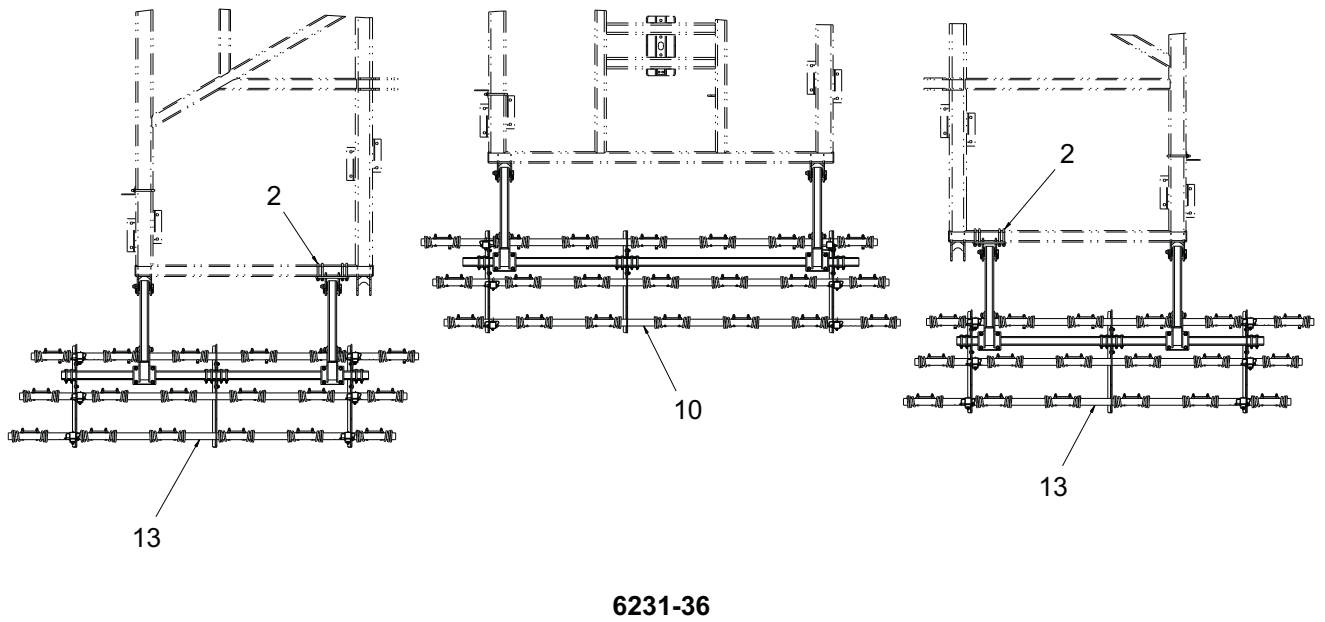


Figure 8-4: 3 Row Coil Tine Harrow Layout 6231-36

### 3 Row Coil Tine Harrow Layout 6231-21-36

| ITEM | PART NUMBER | DESCRIPTION                                      | QTY. |    |    |    |    |    |    |
|------|-------------|--|------|----|----|----|----|----|----|
| --   | 195615      | 3 ROW CT HARROW ASSEMBLY (21')                   | *    |    |    |    |    |    |    |
| --   | 195616      | 3 ROW CT HARROW ASSEMBLY (23')                   |      | *  |    |    |    |    |    |
| --   | 195617      | 3 ROW CT HARROW ASSEMBLY (26')                   |      |    | *  |    |    |    |    |
| --   | 195618      | 3 ROW CT HARROW ASSEMBLY (29')                   |      |    |    | *  |    |    |    |
| --   | 195619      | 3 ROW CT HARROW ASSEMBLY (30')                   |      |    |    |    | *  |    |    |
| --   | 195620      | 3 ROW CT HARROW ASSEMBLY (33')                   |      |    |    |    |    | *  |    |
| --   | 195621      | 3 ROW CT HARROW ASSEMBLY (36')                   |      |    |    |    |    |    | *  |
| 1    | 111392      | U-BOLT, GAUGE WHEEL 1550                         | 2    | -- | -- | -- | -- | -- | -- |
| 2    | 180164      | ASSY, MOUNT 6" (SEE PAGE 8-17)                   | --   | -- | -- | -- | -- | -- | 2  |
| 3    | 195660      | 3 TINE HARROW ASSEMBLY, RH<br>(SEE PAGE 8-7)     | 1    | -- | -- | -- | -- | -- | -- |
| 4    | 195661      | 3 TINE HARROW ASSEMBLY, LH<br>(SEE PAGE 8-7)     | 1    | -- | -- | -- | -- | -- | -- |
| 5    | 195650      | MOUNT, COIL TINE RIGHT                           | 1    | -- | -- | -- | -- | -- | -- |
| 6    | 195651      | MOUNT, COIL TINE LEFT                            | 1    | -- | -- | -- | -- | -- | -- |
| 7    | 195658      | 4 TINE HARROW ASSEMBLY, CENTER<br>(SEE PAGE 8-9) | --   | 1  | 1  | 1  | -- | -- | -- |
| 8    | 157120      | 5 TINE HARROW ASSEMBLY, CENTER<br>(SEE PAGE 8-9) | 1    | -- | -- | -- | -- | -- | -- |
| 9    | 180153      | 6 TINE HARROW ASSEMBLY, CENTER<br>(SEE PAGE 8-9) | --   | -- | -- | -- | 1  | 1  | -- |
| 10   | 157123      | 7 TINE HARROW ASSEMBLY, CENTER<br>(SEE PAGE 8-9) | --   | -- | -- | -- | -- | -- | 1  |
| 11   | 155954      | 4 TINE HARROW ASSEMBLY<br>(SEE PAGE 8-11)        | --   | 2  | -- | -- | -- | -- | -- |
| 12   | 155998      | 5 TINE HARROW ASSEMBLY<br>(SEE PAGE 8-11)        | --   | -- | 2  | -- | 2  | -- | -- |
| 13   | 155803      | 6 TINE HARROW ASSEMBLY<br>(SEE PAGE 8-11)        | --   | -- | -- | 2  | -- | 2  | 2  |





### 3 Row CT Harrow Assembly

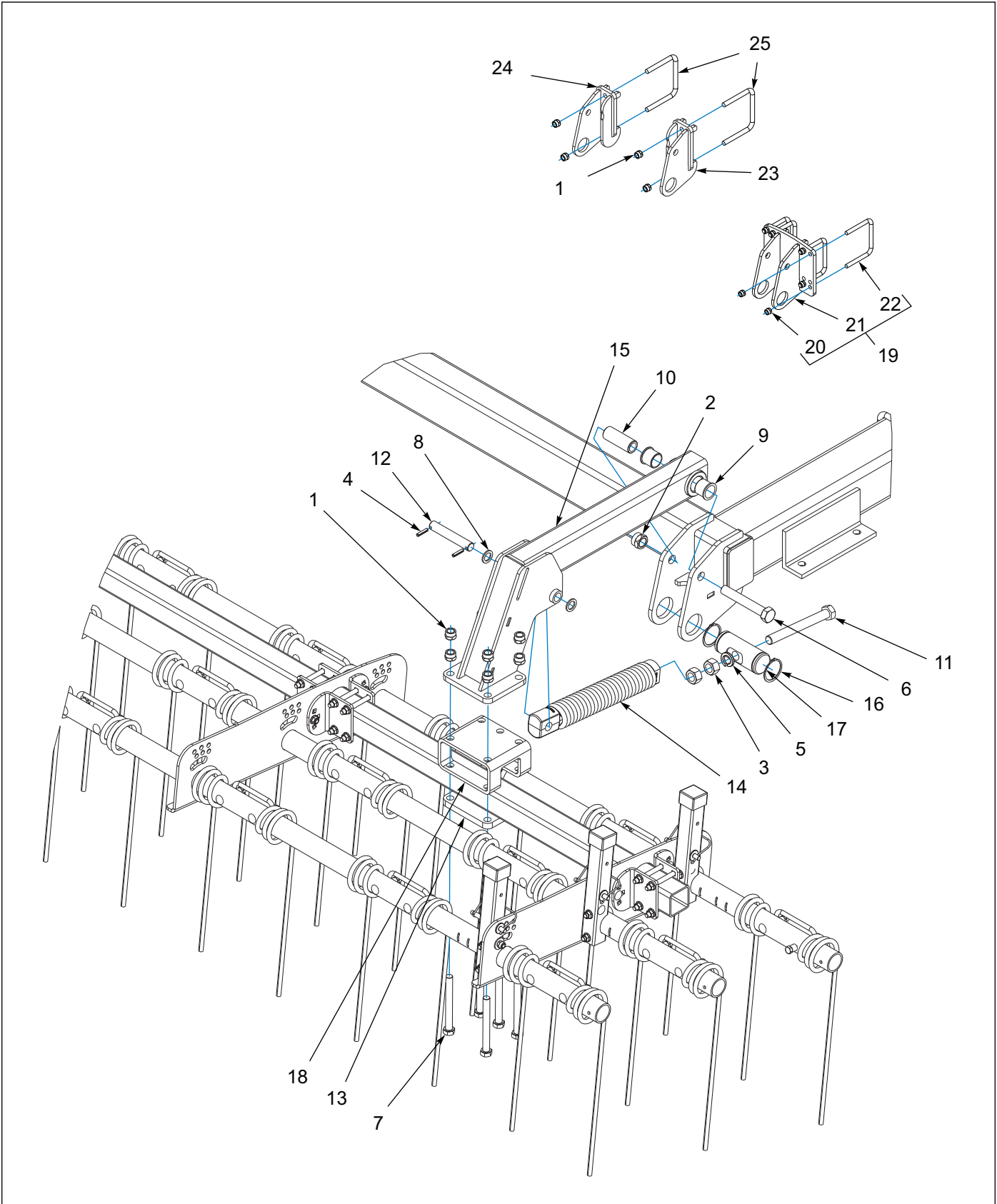


Figure 8-5: 3 Row CT Harrow Assembly

### 3 Row CT Harrow Assembly

| ITEM | PART NUMBER     | DESCRIPTION                       | QTY. |    |    |    |    |    |    |    |
|------|-----------------|-----------------------------------|------|----|----|----|----|----|----|----|
| --   | 195615          | 3 ROW CT HARROW, 6231-21 ASSY     | *    |    |    |    |    |    |    |    |
| --   | 195616          | 3 ROW CT HARROW, 6231-23 ASSY     |      | *  |    |    |    |    |    |    |
| --   | 195617          | 3 ROW CT HARROW, 6231-26 ASSY     |      |    | *  |    |    |    |    |    |
| --   | 195618          | 3 ROW CT HARROW, 6231-29 ASSY     |      |    |    | *  |    |    |    |    |
| --   | 195619          | 3 ROW CT HARROW, 6231-30 ASSY     |      |    |    |    | *  |    |    |    |
| --   | 195620          | 3 ROW CT HARROW, 6231-33 ASSY     |      |    |    |    |    | *  |    |    |
| --   | 195621          | 3 ROW CT HARROW, 6231-36 ASSY     |      |    |    |    |    |    | *  |    |
| 1    | 1-512-010005-15 | NUT,HEX SLFLKG, 3/4-10 UNC, GRB   | 64   | 60 | 60 | 60 | 60 | 60 | 60 | 60 |
| 2    | 1-512-010005-19 | NUT,HEX SLFLKG, 1-8 UNC, GRB      | 6    | 6  | 6  | 6  | 6  | 6  | 6  | 6  |
| 3    | 1-512-010007-14 | NUT,HEX 1-8 UNC, GR2              | 12   | 12 | 12 | 12 | 12 | 12 | 12 | 12 |
| 4    | 1-647-010004236 | ROLL PIN, SLTD, 5/16 X 1-1/2      | 12   | 12 | 12 | 12 | 12 | 12 | 12 | 12 |
| 5    | 1-861-010034-21 | WASHER,LKG, HLCL SPR 1            | 6    | 6  | 6  | 6  | 6  | 6  | 6  | 6  |
| 6    | 100829          | SCREW HEX 1-8 UNC X 6-1/2 GR5     | 6    | 6  | 6  | 6  | 6  | 6  | 6  | 6  |
| 7    | 102209          | SCREW,HEX 3/4-10UNC X 7 GR8       | 30   | 30 | 30 | 30 | 30 | 30 | 30 | 30 |
| 8    | 117957          | MACHINERY BUSHING, ZINC<br>PLATED | 12   | 12 | 12 | 12 | 12 | 12 | 12 | 12 |
| 9    | 140599          | BEARING, FLANGE 1-1/2             | 12   | 12 | 12 | 12 | 12 | 12 | 12 | 12 |
| 10   | 152209          | BUSHING, PIVOT 1-1/2              | 6    | 6  | 6  | 6  | 6  | 6  | 6  | 6  |
| 11   | 152210          | BOLT,SPRING ADJ 1 X 9             | 6    | 6  | 6  | 6  | 6  | 6  | 6  | 6  |
| 12   | 154392          | PIN, PIVOT                        | 6    | 6  | 6  | 6  | 6  | 6  | 6  | 6  |
| 13   | 154748P         | PLATE, GANGBAR MOUNT              | 6    | 6  | 6  | 6  | 6  | 6  | 6  | 6  |
| 14   | 158795          | SPRING ASSY, 17"                  | 6    | 6  | 6  | 6  | 6  | 6  | 6  | 6  |
| 15   | 158847          | ARM REEL                          | 6    | 6  | 6  | 6  | 6  | 6  | 6  | 6  |
| 16   | 158896          | SNAP RING, 2-1/2 SHAFT            | 12   | 12 | 12 | 12 | 12 | 12 | 12 | 12 |
| 17   | 158897          | PIN, ADJUSTMENT W/SNAP RING       | 6    | 6  | 6  | 6  | 6  | 6  | 6  | 6  |
| 18   | 180152          | TUBE, CLAMP                       | 6    | 6  | 6  | 6  | 6  | 6  | 6  | 6  |
| 19   | 180164          | ASSY, MOUNT 6" (ITEMS 20-22)      | --   | -- | -- | -- | -- | -- | -- | 2  |
| 20   | 1-512-010005-13 | NUT, HEX SLFLKG, 5/8-11 UNC GRB   | --   | -- | -- | -- | -- | -- | -- | 16 |
| 21   | 180161          | MOUNT, COIL TINE                  | --   | -- | -- | -- | -- | -- | -- | 2  |
| 22   | 2-102-010032    | U-BOLT, CENTER SHANK MT           | --   | -- | -- | -- | -- | -- | -- | 8  |
| 23   | 195650          | MOUNT WLDMT, COIL TINE RIGHT      | 1    | -- | -- | -- | -- | -- | -- | -- |
| 24   | 195651          | MOUNT WLDMT, COIL TINE LEFT       | 1    | -- | -- | -- | -- | -- | -- | -- |
| 25   | 111392          | U-BOLT, GAUGE WHEEL 1550          | 2    | -- | -- | -- | -- | -- | -- | -- |

# Harrow Tine Assembly Center Frame

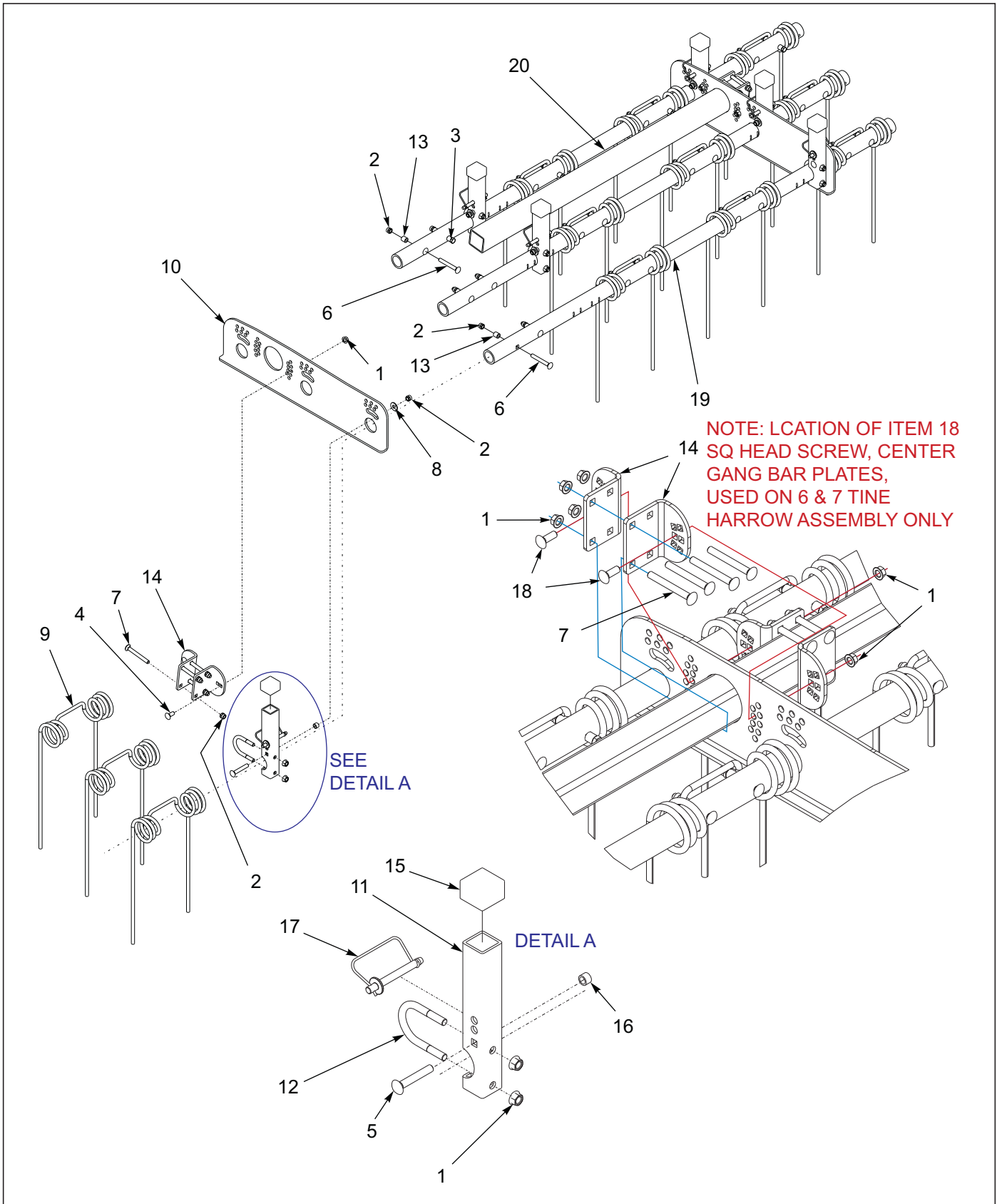


Figure 8-6: Harrow Tine Assembly Center Frame

## Harrow Tine Assembly Center Frame

| ITEM | PART NUMBER     | DESCRIPTION   | QTY. |    |    |    |
|------|-----------------|---|------|----|----|----|
| --   | 195658          | HARROW ASSY, 4 TINE   | *    |    |    |    |
| --   | 157120          | 5 TINE HARROW CENTER ASSY   |      | *  |    |    |
| --   | 180153          | ASSY, 6 TINE HARROW   |      |    | *  |    |
| --   | 157123          | 7 TINE HARROW CENTER ASSY   |      |    |    | *  |
| 1    | 1-510-010003-09 | NUT, FLANGE HD SERRATED 1/2-13  | 16   | 24 | 34 | 34 |
| 2    | 1-512-010005-09 | NUT, HEX LOCK 1/2-13 GRB  | 38   | 36 | 42 | 48 |
| 3    | 1-654-010055-14 | SCREW, HEX HEAD CAP 1/2-13 X 4-1/2 GR5                                      | 4    | 5  | 6  | 7  |
| 4    | 1-654-010070-02 | SCREW, RD HEAD SQ NECK 1/2-13 X 1-1/4                                       | 4    | 4  | 4  | 4  |
| 5    | 1-654-010070-11 | SCREW, RD HEAD SQ NECK 1/2-13 X 3-1/2                                       | 6    | 6  | 6  | 6  |
| 6    | 1-654-010070-13 | SCREW, RD HEAD SQ NECK 1/2-13 X 4   | 20   | 25 | 30 | 35 |
| 7    | 1-654-010070-14 | SCREW, RD HEAD SQ NECK 1/2-13 X 4-1/2                                       | 8    | 8  | 16 | 16 |
| 8    | 1-861-010032-15 | WASHER, FLAT 1/2W   | 6    | 6  | 6  | 6  |
| 9    | 154532          | TINE, HARROW SPRING   | 12   | 15 | 18 | 21 |
| 10   | 154993          | PLATE, GANG BAR   | 2    | 2  | 3  | 3  |
| 11   | 154994          | TUBE, ANGLE ADJUST  | 6    | 6  | 6  | 6  |
| 12   | 154995          | U-BOLT, 1/2   | 6    | 6  | 6  | 6  |
| 13   | 154997          | BUSHING, TINE RETAINER  | 28   | 35 | 42 | 49 |
| 14   | 154998          | PLATE, ANGLE ADJUSTMENT   | 4    | 4  | 8  | 8  |
| 15   | 155927          | CAP, TUBE 1.95 X 1.5  | 6    | 6  | 6  | 6  |
| 16   | 155956          | BUSHING, ANGLE ADJUSTMENT   | 6    | 6  | 6  | 6  |
| 17   | 155971          | PIN, SPRING CLIP  | 6    | 6  | 6  | 6  |
| 18   | 1-654-010070-03 | SCREW, RD HEAD SQ 1/2-13 X 1-1/2<br><b>(USED W/ CENTER GANG BAR PLATES)</b> | --   | -- | 2  | 2  |
| 19   | 195243          | GANG BAR, 4 TINE 87-1/4"  | 3    | -- | -- | -- |
| 19   | 195244          | GANG BAR, 5 TINE 111"   | --   | 3  | -- | -- |
| 19   | 195274          | GANG BAR, 6 TINE 135"   | --   | -- | 3  | -- |
| 19   | 195282          | GANG BAR, 7 TINE 159"   | --   | -- | -- | 3  |
| 20   | 180156          | TUBE, RIDE BAR 78"  | 1    | -- | -- | -- |
| 20   | 156778          | TUBE, RIDE BAR 90.5"  | --   | 1  | -- | -- |
| 20   | 180155          | TUBE, RIDE BAR 120"   | --   | -- | 1  | -- |
| 20   | 156779          | TUBE, RIDE BAR 138"   | --   | -- | -- | 1  |

# Harrow Tine Assembly Wing Frame

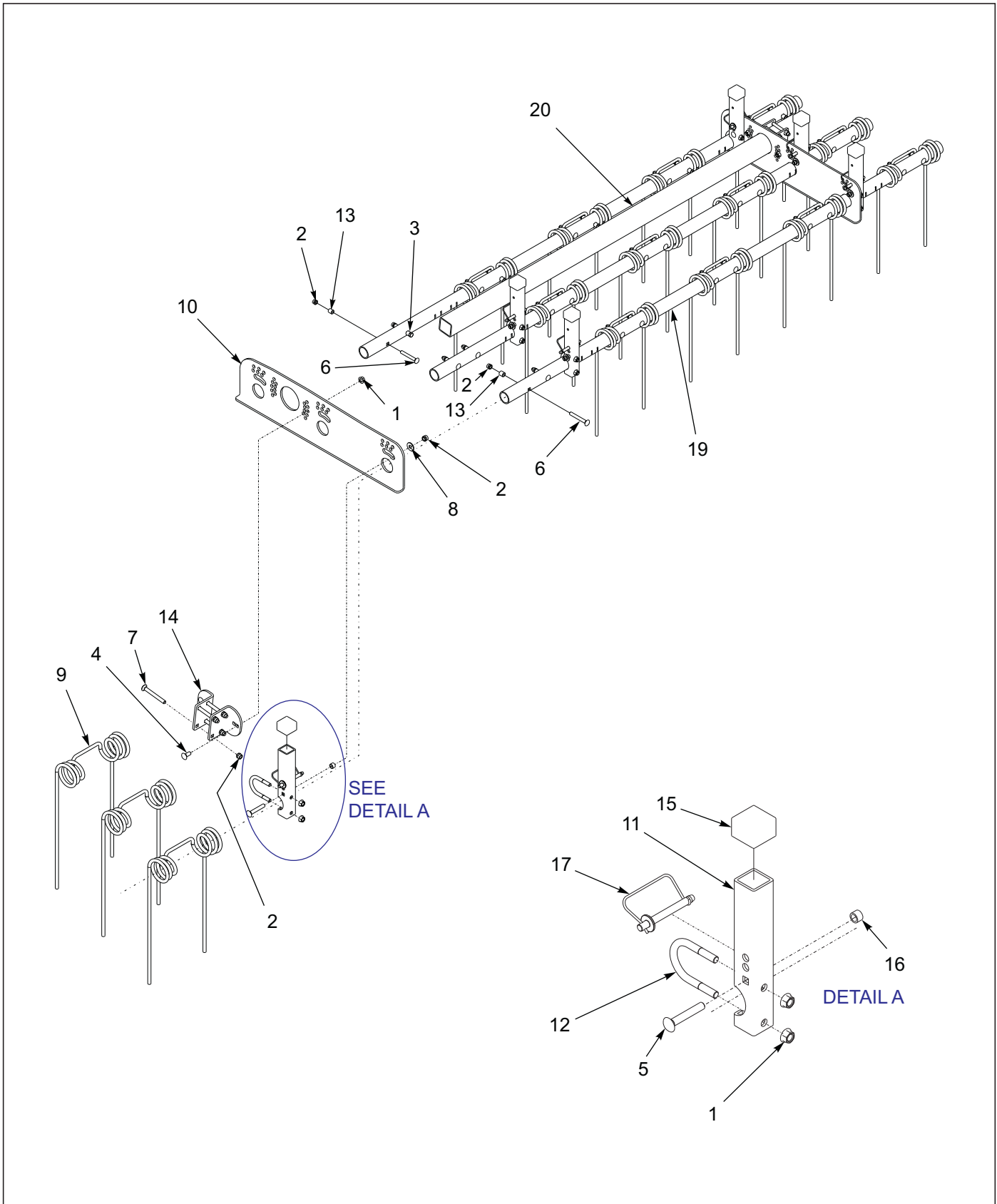


Figure 8-7: Harrow Tine Assembly Wing Frame

## Harrow Tine Assembly Wing Frame

| ITEM | PART NUMBER     | DESCRIPTION                             | QTY. |    |    |    |    |  |
|------|-----------------|---|------|----|----|----|----|--|
| --   | 195660          | HARROW ASSY, 3 TINE RH                  | *    |    |    |    |    |  |
| --   | 195661          | HARROW ASSY, 3 TINE LH                  |      | *  |    |    |    |  |
| --   | 155954          | HARROW ASSY 4 TINE                      |      |    | *  |    |    |  |
| --   | 155998          | HARROW 5 TINE SECTION                   |      |    |    | *  |    |  |
| --   | 155803          | HARROW ASSY 6 TINE                      |      |    |    |    | *  |  |
| 1    | 1-510-010003-09 | NUT, FLANGE HD SERRATED 1/2-13          | 16   | 16 | 16 | 24 | 34 |  |
| 2    | 1-512-010005-09 | NUT, HEX LOCK 1/2-13 GRB                | 32   | 32 | 38 | 36 | 42 |  |
| 3    | 1-654-010055-14 | SCREW, HEX HEAD CAP 1/2-13 X 4-1/2 GR5  | 3    | 3  | 4  | 5  | 6  |  |
| 4    | 1-654-010070-02 | SCREW, RD HEAD SQ NECK 1/2-13 X 1-1/4   | 4    | 4  | 4  | 4  | 4  |  |
| 5    | 1-654-010070-11 | SCREW, RD HEAD SQ NECK 1/2-13 X 3-1/2   | 6    | 6  | 6  | 6  | 6  |  |
| 6    | 1-654-010070-13 | SCREW, RD HEAD SQ NECK 1/2-13 X 4       | 15   | 15 | 20 | 25 | 30 |  |
| 7    | 1-654-010070-14 | SCREW, RD HEAD SQ NECK 1/2-13 X 4-1/2   | 8    | 8  | 8  | 8  | 16 |  |
| 8    | 1-861-010032-15 | WASHER, FLAT 1/2W                       | 6    | 6  | 6  | 6  | 6  |  |
| 9    | 154532          | TINE, HARROW SPRING                     | 9    | 9  | 12 | 15 | 18 |  |
| 10   | 154993          | PLATE, GANG BAR                         | 2    | 2  | 2  | 2  | 3  |  |
| 11   | 154994          | TUBE, ANGLE ADJUST                      | 6    | 6  | 6  | 6  | 6  |  |
| 12   | 154995          | U-BOLT, 1/2                             | 6    | 6  | 6  | 6  | 6  |  |
| 13   | 154997          | BUSHING, TINE RETAINER                  | 21   | 21 | 28 | 35 | 42 |  |
| 14   | 154998          | PLATE, ANGLE ADJUSTMENT                 | 4    | 4  | 4  | 4  | 8  |  |
| 15   | 155927          | CAP, TUBE 1.95 X 1.5                    | 6    | 6  | 6  | 6  | 6  |  |
| 16   | 155956          | BUSHING, ANGLE ADJUSTMENT               | 6    | 6  | 6  | 6  | 6  |  |
| 17   | 155971          | PIN, SPRING CLIP                        | 6    | 6  | 6  | 6  | 6  |  |
| 18   | 1-654-010070-03 | SCREW, RD HEAD SQ 1/2-13 X 1-1/2        | --   | -- | -- | 2  | 2  |  |
|      |                 | <b>(NOT SHOWN)</b>                      |      |    |    |    |    |  |
|      |                 | <b>(USED W/ CENTER GANG BAR PLATES)</b> |      |    |    |    |    |  |
| 19   | 195241          | GANG BAR, 3 TINE 63-1/4"                | 3    | 3  | -- | -- | -- |  |
| 19   | 195243          | GANG BAR, 4 TINE 87-1/4"                | --   | -- | 3  | -- | -- |  |
| 19   | 195244          | GANG BAR, 5 TINE 111"                   | --   | -- | -- | 3  | -- |  |
| 19   | 195274          | GANG BAR, 6 TINE 135"                   | --   | -- | -- | -- | 3  |  |
| 20   | 156776          | TUBE, RIDE BAR 38"                      | 1    | 1  | -- | -- | -- |  |
| 20   | 156777          | TUBE, RIDE BAR 57.875"                  | --   | -- | 1  | -- | -- |  |
| 20   | 156778          | TUBE, RIDE BAR 90.5"                    | --   | -- | -- | 1  | -- |  |
| 20   | 155005          | TUBE, SQUARE 3 X 3/16 X 107             | --   | -- | -- | -- | 1  |  |

# Conditioner Reel Assemblies 6231-21-36

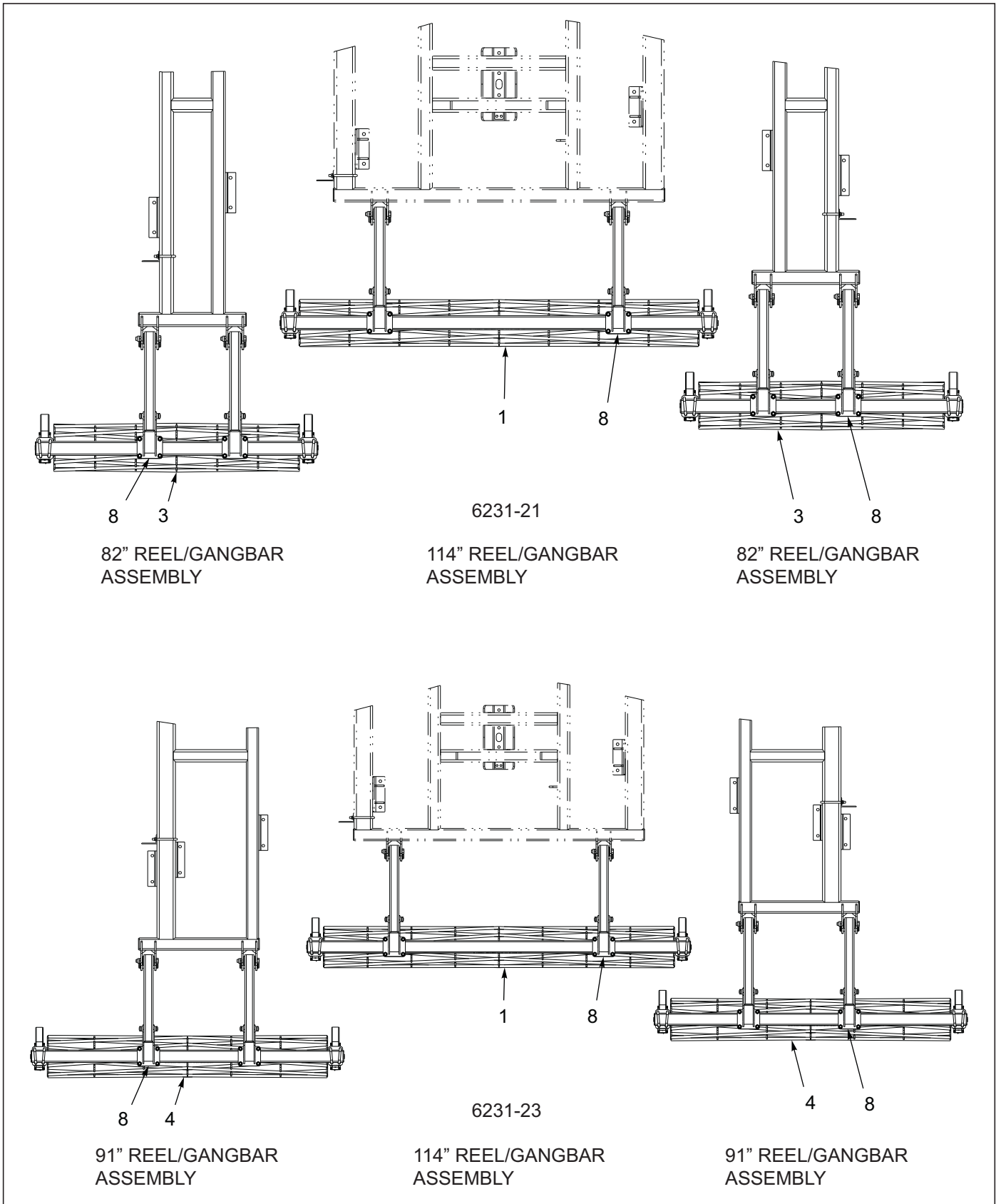
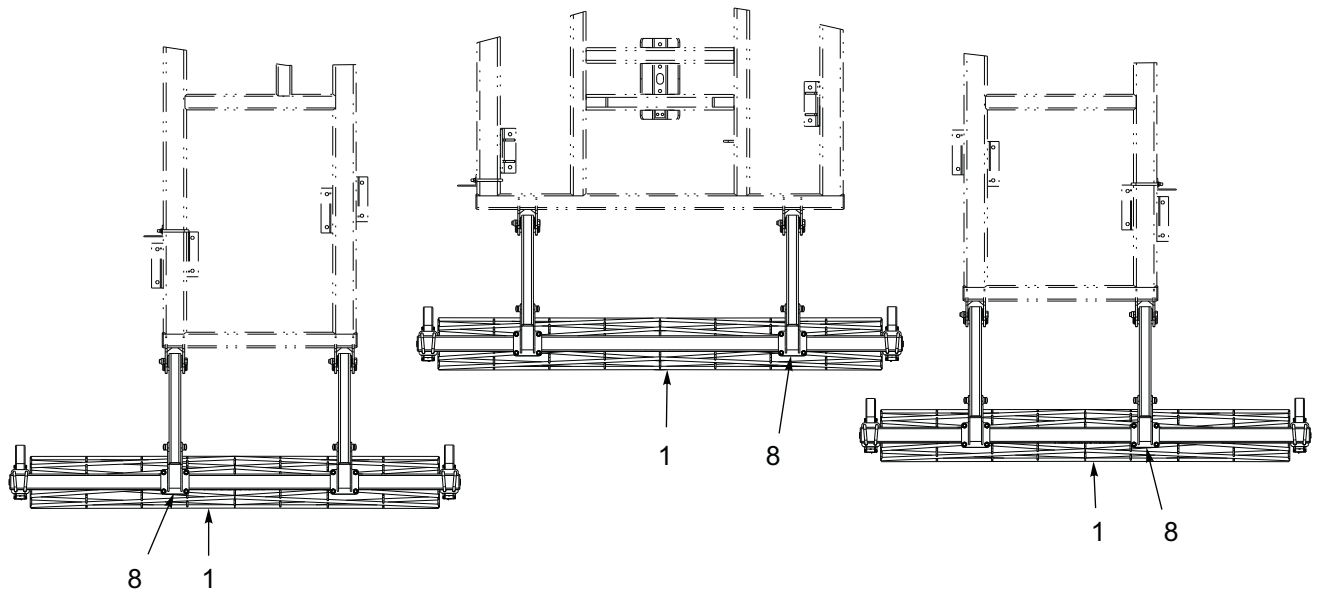


Figure 8-8: Conditioner Reel Layout 6231-21-23



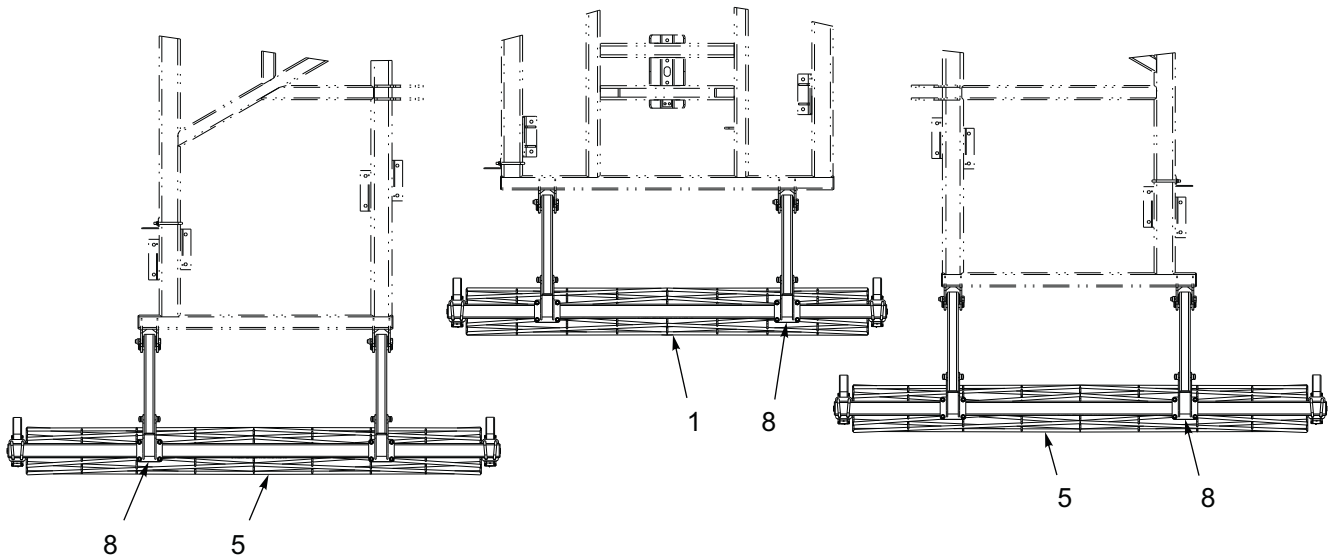


6231-26

114" REEL/GANGBAR ASSEMBLY

114" REEL/GANGBAR ASSEMBLY

114" REEL/GANGBAR ASSEMBLY



6231-29

129" REEL/GANGBAR ASSEMBLY

114" REEL/GANGBAR ASSEMBLY

129" REEL/GANGBAR ASSEMBLY

Figure 8-9: Conditioner Reel Layout 6231-26-29

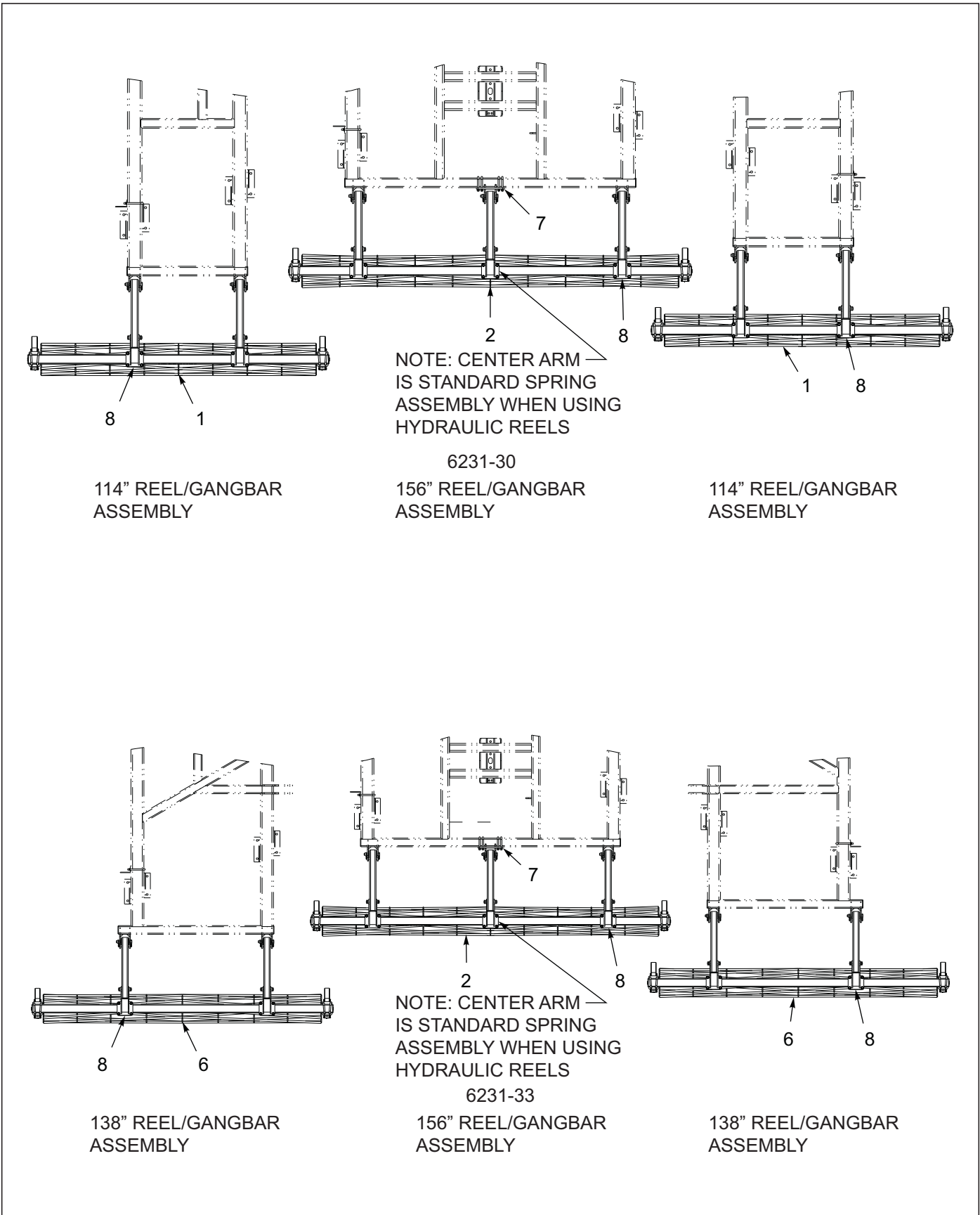


Figure 8-10: Conditioner Reel Layout 6231-30-33

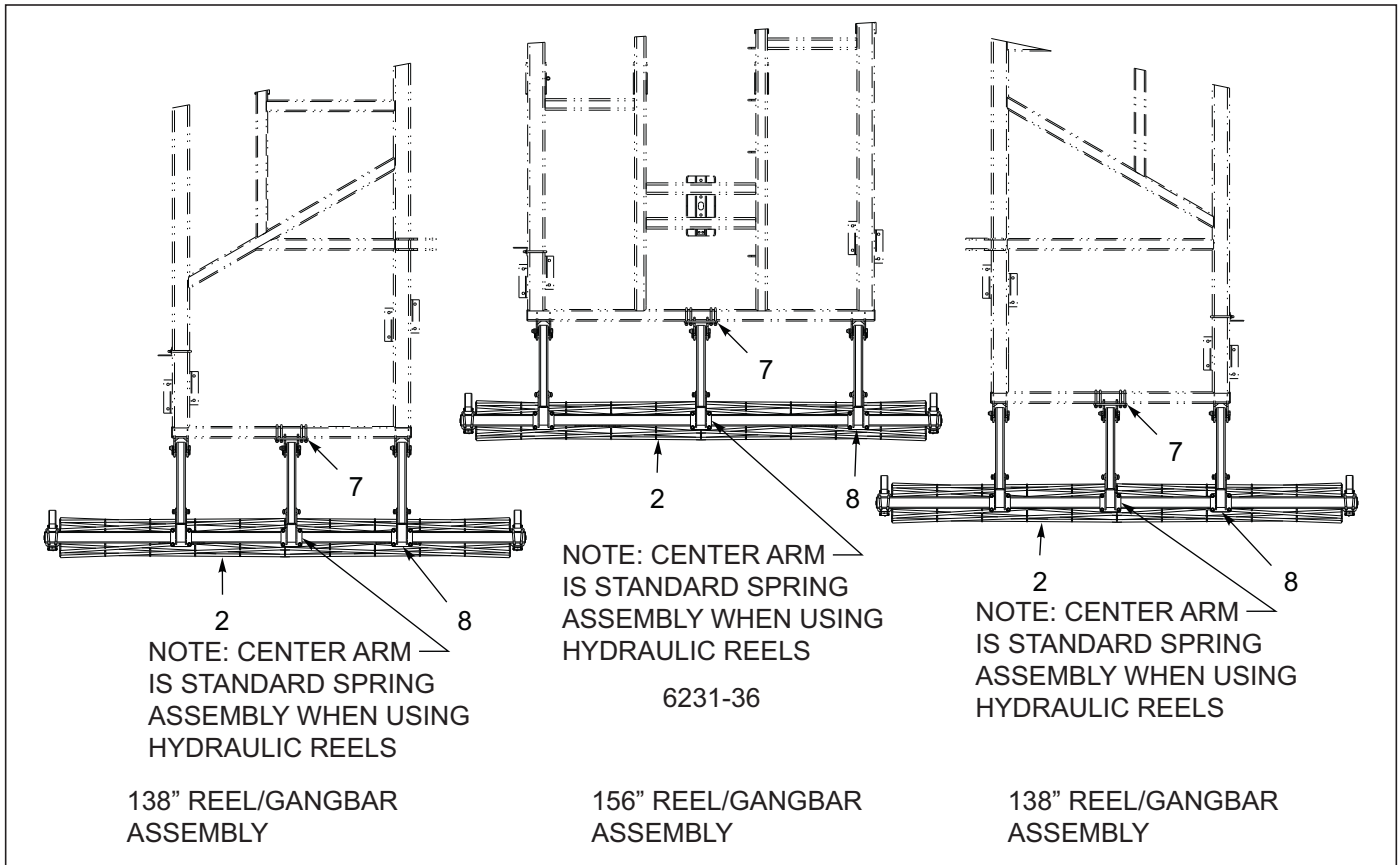


Figure 8-11: Conditioner Reel Layout 6231-36

### Conditioner Reel Layout 6231-21-36

| ITEM | PART NO. | DESCRIPTION                                    | QTY. |    |    |    |    |    |    |
|------|----------|--|------|----|----|----|----|----|----|
| --   | 193590   | CONDITIONER REEL, 6231-21                      | *    |    |    |    |    |    |    |
| --   | 193591   | CONDITIONER REEL, 6231-23                      |      | *  |    |    |    |    |    |
| --   | 193592   | CONDITIONER REEL, 6231-26                      |      |    | *  |    |    |    |    |
| --   | 193593   | CONDITIONER REEL, 6231-29                      |      |    |    | *  |    |    |    |
| --   | 193594   | CONDITIONER REEL, 6231-30                      |      |    |    |    | *  |    |    |
| --   | 193595   | CONDITIONER REEL, 6231-33                      |      |    |    |    |    | *  |    |
| --   | 193596   | CONDITIONER REEL, 6231-36                      |      |    |    |    |    |    | *  |
| 1    | 154687   | COND-REEL/GANGBAR ASSY 114"                    | 1    | 1  | 3  | 1  | 2  | -- | -- |
| 2    | 165127   | COND-REEL/GANGBAR ASSY 156"                    | --   | -- | -- | -- | 1  | 1  | 3  |
| 3    | 154684   | COND-REEL/GANGBAR ASSY 82"                     | 2    | -- | -- | -- | -- | -- | -- |
| 4    | 154686   | COND-REEL/GANGBAR ASSY 91"                     | --   | 2  | -- | -- | -- | -- | -- |
| 5    | 156125   | COND-REEL/GANGBAR ASSY 129"                    | --   | -- | -- | 2  | -- | -- | -- |
| 6    | 201765   | COND-REEL/GANGBAR ASSY 138"                    | --   | -- | -- | -- | -- | 2  | -- |
| 7    | 180164   | ASSY, MOUNT-6                                  | --   | -- | -- | -- | 1  | 1  | 3  |
| 8    | ----     | REEL ARM ASSEMBLY-SPRING<br>(SEE PAGE 8-17)    | 6    | 6  | 6  | 6  | 7  | 7  | 7  |
| 8    | ----     | REEL ARM ASSEMBLY-HYDRAULIC<br>(SEE PAGE 8-19) | 6    | 6  | 6  | 6  | 6  | 6  | 6  |

(NOTE: FOR P/N'S 154687, 165127, 154684, 154686, 156125, & 201765 SEE PAGE 8-17)

# Conditioner Reel Assembly

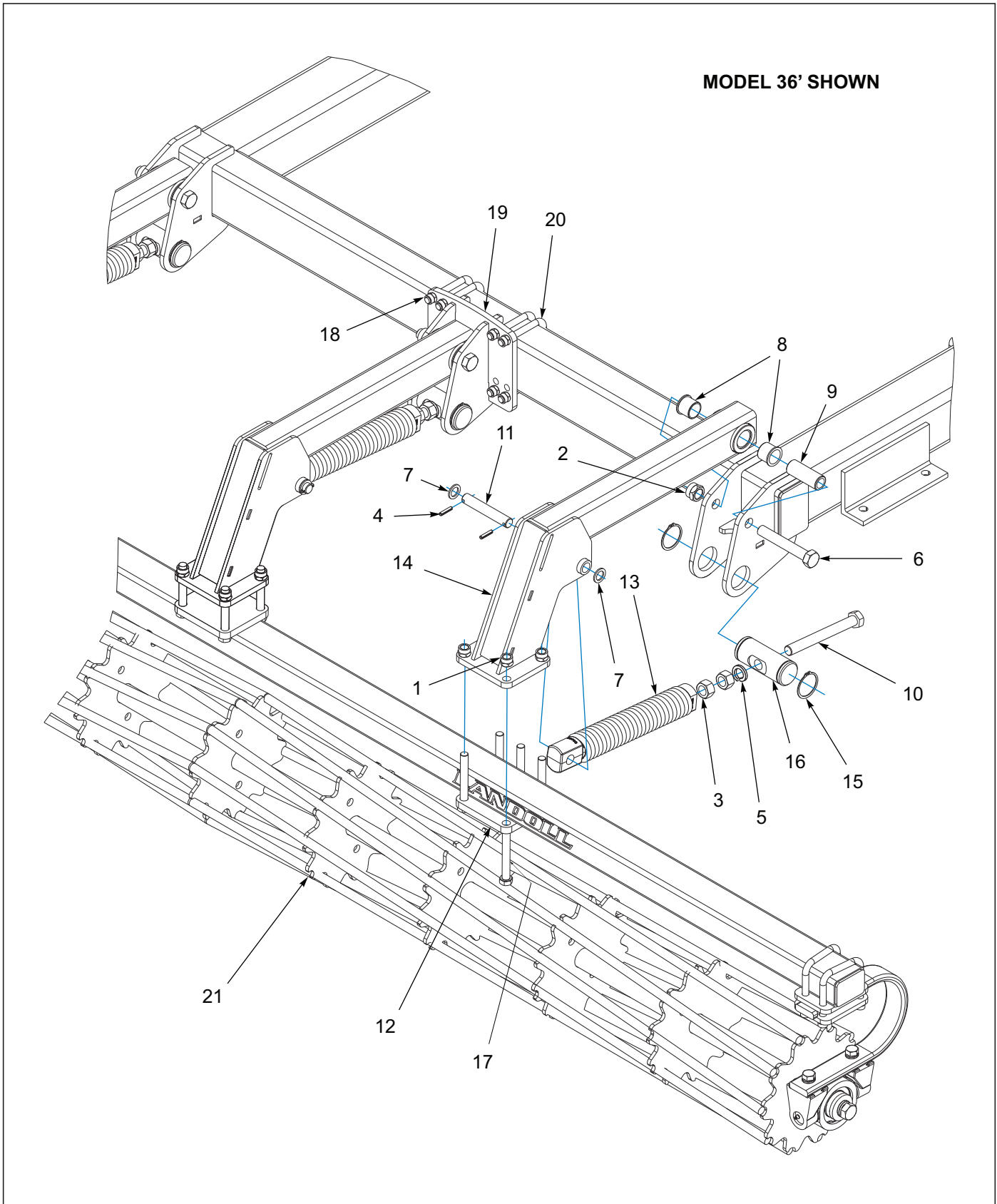


Figure 8-12: Conditioner Reel Assembly

## Conditioner Reel Assembly

| ITEM | PART NUMBER     | DESCRIPTION  | QTY. |     |
|------|-----------------|--|------|-----|
| --   | 193590          | CONDITIONER REEL, 6231-21 ASSY   | *    |     |
| --   | 193591          | CONDITIONER REEL, 6231-23 ASSY   | *    |     |
| --   | 193592          | CONDITIONER REEL, 6231-26 ASSY   | *    |     |
| --   | 193593          | CONDITIONER REEL, 6231-29 ASSY   | *    |     |
| --   | 193594          | CONDITIONER REEL, 6231-30 ASSY   |      | *   |
| --   | 193595          | CONDITIONER REEL, 6231-33 ASSY   |      | *   |
| --   | 193596          | CONDITIONER REEL, 6231-36 ASSY   |      | *   |
| 1    | 1-512-010005-15 | NUT,HEX,SLFLKG GRB 3/4-10 <b>(2 USED WITH 172884)</b><br><b>(BEFORE 5-17-2023)</b> | 60   | 70  |
| 1    | 1-512-010002-16 | NUT,3/4-16 HEX,SLFLKG, GRC<br><b>(2 USED WITH 172884) (AFTER 5-17-2023)</b>        | 30   | 35  |
| 2    | 1-512-010005-19 | NUT 1-8 HEX SLF-LOCKING GRB  | 6    | 7   |
| 3    | 1-512-010007-14 | NUT, HEX 1-8 GR2 ZP  | 12   | 14  |
| 4    | 1-647-010004236 | SPRING PIN,SLOTTED 5/16X1-1/2  | 12   | 14  |
| 5    | 1-861-010034-21 | WASHER, LKG HEL SPRG 1IN   | 6    | 7   |
| 6    | 100829          | SCREW,HEX CAP,1-8X6-1/2,GR5  | 6    | 7   |
| 7    | 117957          | MACHINERY BUSHING,ZINC PLATED  | 12   | 14  |
| 8    | 140599          | BEARING, FLANGE 1-1/2  | 12   | 14  |
| 9    | 152209          | BUSHING, PIVOT 1-1/2   | 6    | 7   |
| 10   | 152210          | BOLT, ADJ, 1 X 9   | 6    | 7   |
| 11   | 154392          | PIN,PIVOT  | 6    | 7   |
| 12   | 154748P         | PLATE, GANGBAR MOUNT   | 6    | 7   |
| 13   | 158795          | SPRING ASSY, 17  | 6    | 7   |
| 14   | 158847          | ARM, REEL  | 6    | 7   |
| 15   | 158896          | SNAP RING, 2-1/2 SHAFT   | 12   | 14  |
| 16   | 158897          | PIN, ADJUSTMENT  | 6    | 7   |
| 17   | 172884          | SCREW HX CP,3/4-10X6 GR8ZP <b>(BEFORE 5-17-2023)</b>                               | 30   | 35  |
| 17   | 1-654-010087-16 | SCREW,HEX CAP,3/4-16X5.50 GR8 <b>(AFTER 5-17-2023)</b>                             | 30   | 35  |
| 18   | 1-512-010005-13 | NUT, HEX SLFLKG, 5/8-11 UNC GRB  | 8    | 8   |
| 19   | 180161          | MOUNT, COIL TINE   | 1    | 1   |
| 20   | 2-102-010032    | U-BOLT, CENTER SHANK MT  | 4    | 4   |
| 21   | -----           | CONDITIONER REEL/GANGBAR ASSEMBLY <b>(SEE PAGE 8-21)</b>                           | N/A  | N/A |

# Conditioner Reel Assembly Hydraulic

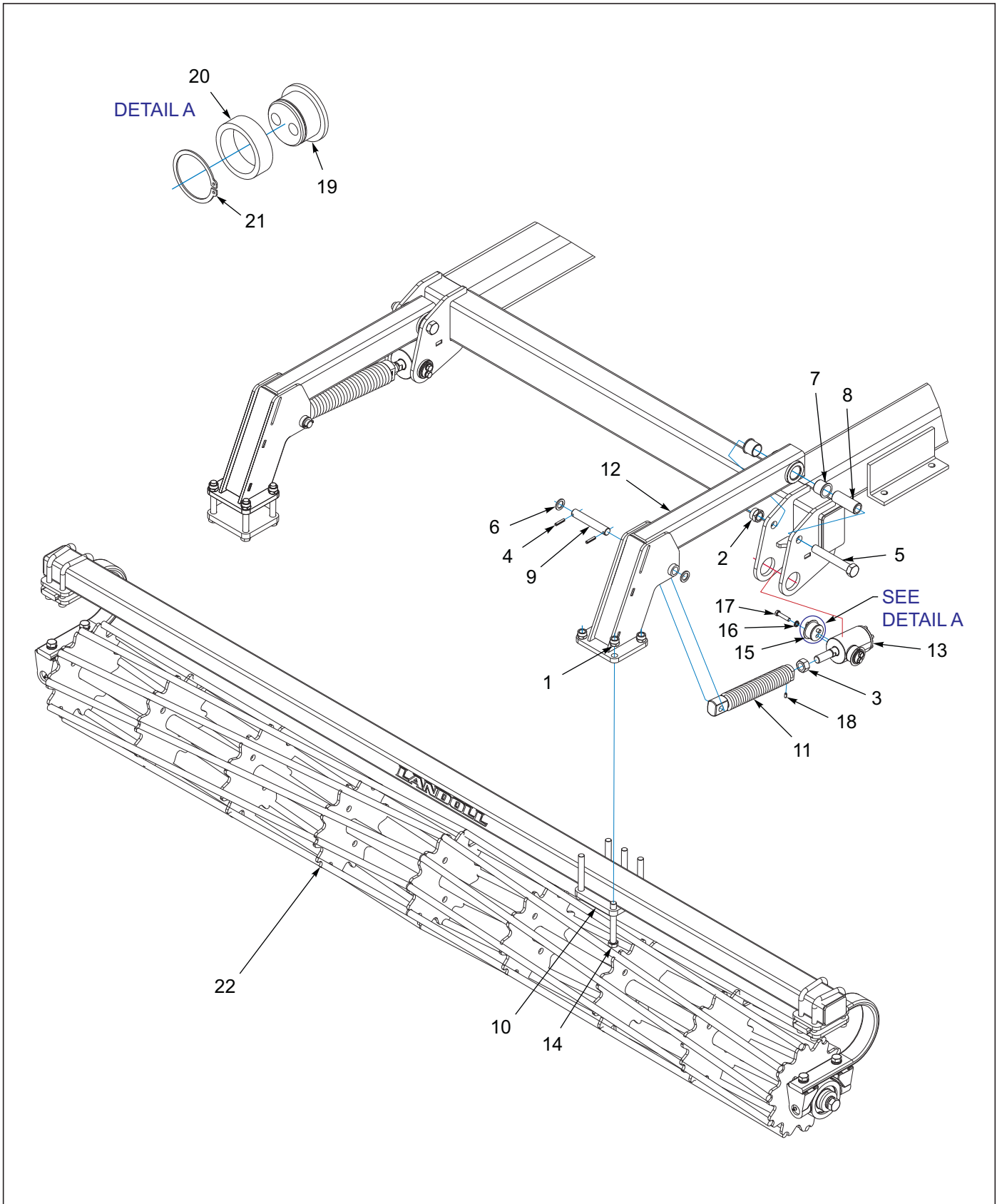


Figure 8-13: Conditioner Reel Assembly Hydraulic

## Conditioner Reel Assembly Hydraulic

| ITEM | PART NUMBER     | DESCRIPTION  | QTY. |     |
|------|-----------------|--|------|-----|
| --   | 194652          | HYD COND REEL 6231-21 ASSY   | *    |     |
| --   | 194653          | HYD COND REEL 6231-23 ASSY   | *    |     |
| --   | 194654          | HYD COND REEL 6231-26 ASSY   | *    |     |
| --   | 194655          | HYD COND REEL 6231-29 ASSY   | *    |     |
| --   | 194656          | HYD COND REEL 6231-30 ASSY   |      | *   |
| --   | 194657          | HYD COND REEL 6231-33 ASSY   |      | *   |
| --   | 194658          | HYD COND REEL 6231-36 ASSY   |      | *   |
| 1    | 1-512-010005-15 | NUT,HEX,SLFLKG GRB 3/4-10 <b>(2 USED WITH 172884)</b><br><b>(BEFORE 5-17-2023)</b>       | 60   | 70  |
| 1    | 1-512-010002-16 | NUT,3/4-16 HEX,SLFLKG, GRC<br><b>(2 USED WITH 172884) (AFTER 5-17-2023)</b>              | 30   | 35  |
| 2    | 1-512-010005-19 | NUT 1-8 HEX SLF-LOCKING GRB  | 6    | 7   |
| 3    | 1-512-010007-14 | NUT, HEX 1-8 GRB <b>(BEFORE 6-8-2017)</b>  | 12   | 14  |
| 3    | 206675          | NUT, 1-1/8 -12 UNF, Z/P GR 2 <b>(AFTER 6-8-2017)</b>                                     | 12   | 14  |
| 4    | 1-647-010004236 | SPRING PIN,SLOTTED 5/16X1-1/2  | 12   | 14  |
| 5    | 100829          | SCREW,HEX CAP,1-8X6-1/2,GR5  | 6    | 7   |
| 6    | 117957          | MACHINERY BUSHING,ZINC PLATED  | 12   | 14  |
| 7    | 140599          | BEARING, FLANGE 1-1/2  | 12   | 14  |
| 8    | 152209          | BUSHING, PIVOT 1-1/2   | 6    | 7   |
| 9    | 154392          | PIN,PIVOT  | 6    | 7   |
| 10   | 154748P         | PLATE, GANGBAR MOUNT   | 6    | 7   |
| 11   | 158795          | SPRING ASSEMBLY, 17" <b>(BEFORE 6-8-2017)</b>  | 6    | 7   |
| 11   | 206652          | SPRING ASSY 17" 1-1/8 THD <b>(AFTER 6-8-2017)</b>  | 6    | 7   |
| 12   | 158847          | ARM, REEL  | 6    | 7   |
| 13   | 172537          | CYLINDER, 2-1/2 X 2-1/2 STROKE <b>(BEFORE 6-8-2017)</b><br><b>(SEE PAGE 5-5)</b>         | 6    | 7   |
| 13   | 206671          | CYLINDER, 2-1/2" X 2-1/2" ST 1-1/8 THDS <b>(AFTER 6-8-2017)</b><br><b>(SEE PAGE 5-6)</b> | 6    | 7   |
| 14   | 172884          | SCREW HX CP,3/4-10X6 GR8ZP <b>(BEFORE 5-17-2023)</b>                                     | 30   | 35  |
| 14   | 1-654-010087-16 | SCREW,HEX CAP,3/4-16X5.50 GR8 <b>(AFTER 5-17-2023)</b>                                   | 30   | 35  |
| 15   | 198320          | ASSY, TRUNION MOUNT 1-1/4" <b>(AFTER 2-21-2016) (INCLUDES</b><br><b>ITEMS 19-21)</b>     | 2    | 2   |
| 16   | 1-861-010034-13 | WASHER, SPLIT LOCK 1/2   | 2    | 2   |
| 17   | 1-654-010055-05 | SCREW, HEX HEAD CAP 1/2-13 X 2 GR5   | 2    | 2   |
| 18   | 1P444           | SET SCREW, 3/8-16 X 3/4 NYLON <b>(AFTER 6-8-2017)</b>                                    | 6    | 7   |
| 19   | 191924          | TRUNION, CYLINDER  | 1    | 1   |
| 20   | 191925          | TRUNION, BEARING   | 1    | 1   |
| 21   | 188530          | SNAP RING, 2 SHAFT   | 1    | 1   |
| 22   | -----           | CONDITIONER REEL/GANGBAR ASSEMBLY <b>(SEE PAGE 8-21)</b>                                 | N/A  | N/A |





## Conditioner Reel/Gangbar Assembly

| ITEM | PART NUMBER     | DESCRIPTION  | QTY. |    |    |    |    |
|------|-----------------|--|------|----|----|----|----|
| --   | 154686          | COND-REEL/GANGBAR ASSY 91"                                       | *    |    |    |    |    |
| --   | 154687          | COND-REEL/GANGBAR ASSY 114"                                      |      | *  |    |    |    |
| --   | 156125          | COND-REEL/GANGBAR ASSY 129"                                      |      |    | *  |    |    |
| --   | 201765          | COND-REEL/GANGBAR ASSY 138"                                      |      |    |    | *  |    |
| --   | 165127          | COND-REEL/GANGBAR ASSY 156"                                      |      |    |    |    | *  |
| 1    | 1-512-010005-13 | NUT, HEX LOCK 5/8-11 GRB   | 8    | 8  | 8  | 8  | 8  |
| 2    | 1-654-010032-05 | SCREW, HEX HEAD CAP 3/4-10 X 2 GR8                               | 4    | 4  | 4  | 4  | 4  |
| 3    | 1-861-010034-17 | WASHER, SPLIT LOCK 3/4   | 4    | 4  | 4  | 4  | 4  |
| 4    | 1-861-010034-21 | WASHER, SPLIT LOCK 1"  | 2    | 2  | 2  | 2  | 2  |
| 5    | 137943          | SCREW, HEX HEAD CAP 1-8 X 2-1/4 GR5                              | 2    | 2  | 2  | 2  | 2  |
| 6    | 140477          | BEARING, DISC 1.775 ID ASSEMBLY<br><b>(INCLUDES ITEMS 17-21)</b> | 2    | 2  | 2  | 2  | 2  |
| 7    | 140479          | MOUNT, TRUNNION BEARING  | 4    | 4  | 4  | 4  | 4  |
| 8    | 140480          | WASHER, TRUNNION   | 2    | 2  | 2  | 2  | 2  |
| 9    | 148337          | ATTACHMENT DECAL, LANDOLL  | 1    | 1  | 1  | 1  | 1  |
| 10   | 153716          | SHANK, STRAIGHT 3/4 X 2-1/2                                      | 2    | 2  | 2  | 2  | 2  |
| 11   | 154691          | CONDITIONER REEL, 91"  | 1    | -- | -- | -- | -- |
| 11   | 154692          | CONDITIONER REEL, 114"   | --   | 1  | -- | -- | -- |
| 11   | 156124          | CONDITIONER REEL, 129"   | --   | -- | 1  | -- | -- |
| 11   | 201766          | CONDITIONER REEL WLDMT 138"                                      | --   | -- | -- | 1  | -- |
| 11   | 164378          | CONDITIONER REEL, 156"   | --   | -- | -- | -- | 1  |
| 12   | 154185          | WASHER, 3/8 THICK  | 2    | 2  | 2  | 2  | 2  |
| 13   | 154186          | WASHER, FLAT TOP   | 2    | 2  | 2  | 2  | 2  |
| 14   | 154393          | PLATE, SHANK MOUNT   | 4    | 4  | 4  | 4  | 4  |
| 15   | 154658          | GANG BAR, 101" REEL 91"  | 1    | -- | -- | -- | -- |
| 15   | 154659          | GANG BAR, 124" REEL 114"   | --   | 1  | -- | -- | -- |
| 15   | 155594          | GANG BAR, 139" REEL 129"   | --   | -- | 1  | -- | -- |
| 15   | 201768          | GANGBAR WLDMT, 148"-REEL-138"                                    | --   | -- | -- | 1  | -- |
| 15   | 165226          | GANG BAR, 166" REEL 156"   | --   | -- | -- | -- | 1  |
| 16   | 6-102-010009    | U-BOLT   | 4    | 4  | 4  | 4  | 4  |
| 17   | 140464          | BEARING, DISC 1.775 ID   | 1    | 1  | 1  | 1  | 1  |
| 18   | 140473          | WASHER, BEARING  | 2    | 2  | 2  | 2  | 2  |
| 19   | 140475          | CASTING, TRUNNION  | 1    | 1  | 1  | 1  | 1  |
| 20   | 140476          | INTERNAL RETAINING RING  | 1    | 1  | 1  | 1  | 1  |
| 21   | 5000            | ZERK FITTING 1/8NPT  | 1    | 1  | 1  | 1  | 1  |

# Reel Hydraulic Assembly 6231-21

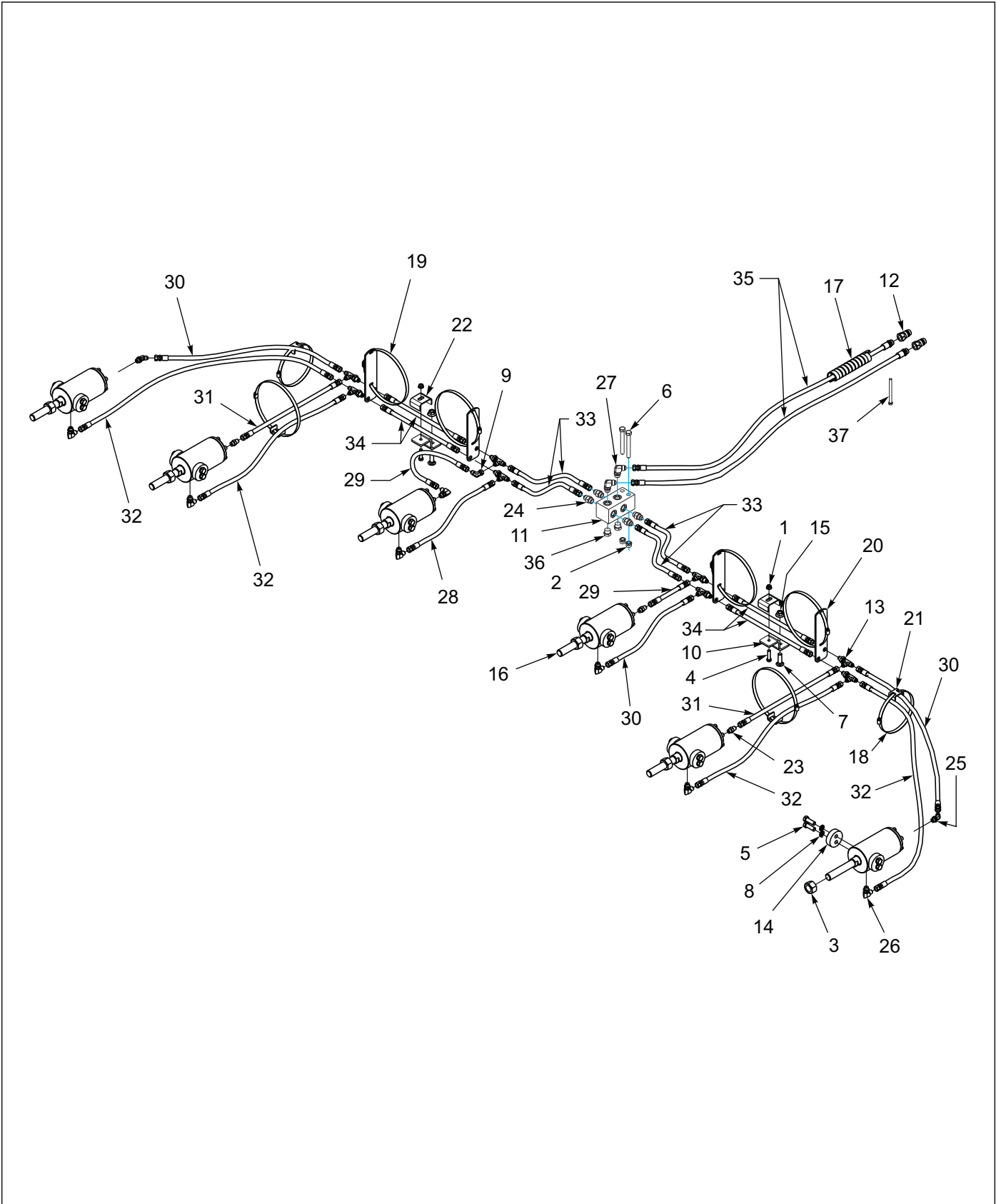


Figure 8-15: Reel Hydraulic Assembly 6231-21

## Reel Hydraulic Assembly 6231-21

| ITEM | PART NUMBER     | DESCRIPTION  | QTY. |
|------|-----------------|--|------|
| 1    | 1-510-010001    | NUT, 3/8-16 FLANGE LOCK  | 4    |
| 2    | 1-512-010005-09 | NUT,HEX,SLFLKG, 1/2-13 GRB   | 2    |
| 3    | 1-512-010007-14 | NUT, HEX 1-8 GRB <b>(BEFORE 6-8-2017)</b>                                      | 6    |
| 3    | 206675          | NUT, 1-1/8 -12 UNF, Z/P GR 2 <b>(AFTER 6-8-2017)</b>                           | 6    |
| 4    | 1-654-010051-07 | SCREW,HEX CAP,3/8-16UNCX1-1/2  | 4    |
| 5    | 1-654-010055-05 | SCREW,HEX CAP,1/2-13UNCX2  | 24   |
| 6    | 1-654-010055-11 | SCREW,HX CP 1/2-13UNCX3-1/2  | 2    |
| 7    | 1-654-010070-04 | SCREW RDHD SQNK 1/2-13X1-3/4   | 4    |
| 8    | 1-861-010034-13 | WASHER, LKG HLCL SPR, 1/2  | 24   |
| 9    | 102-0031        | ADAPTER,90 JIC SWIVEL #6   | 1    |
| 10   | 141275          | BRACKET, HOSE CLAMP  | 2    |
| 11   | 2-474-010022    | MANIFOLD HYDRAULIC, 6 HOSE <b>(8 PORT)</b>                                     | 1    |
| 12   | 141828          | COUPLER,MALE 3/4-16 O-RING   | 2    |
| 13   | 162569          | TEE,#6 JIC BULKHD RUN, W/NUT   | 8    |
| 14   | 198320          | ASSY, TRUNION MOUNT 1-1/4"   | 12   |
| 15   | 172509          | NUT,1/2-13 WIDE FLNG TOP LCK F   | 4    |
| 16   | 172537          | CYLINDER, 2-1/2 X 2-1/2 STROKE <b>(BEFORE 6-8-2017) (SEE PAGE 5-5)</b>         | 6    |
| 16   | 206671          | CYLINDER, 2-1/2" X 2-1/2" ST 1-1/8 THDS <b>(AFTER 6-8-2017) (SEE PAGE 5-6)</b> | 6    |
| 17   | 172973          | HOSE WRAP, RED   | 1    |
| 18   | 172976          | CLAMP, HOSE 4-1/2 - 6-1/2 #096   | 8    |
| 19   | 172977          | CLAMP, HOSE 2-1/2 - 8-1/2 #128   | 8    |
| 20   | 172992          | PLATE, BULKHEAD  | 4    |
| 21   | 174784          | CLAMP HOSE   | 12   |
| 22   | 2-181-010001    | HOSE CLAMP   | 5    |
| 23   | 202702-6-6S     | ADAPTER, STR,#6 SAEX#6 JIC   | 3    |
| 24   | 202702-8-6S     | ADAPTER #8 O-RING TO #6 TUBE   | 4    |
| 25   | 2061-6-6S       | ADAPTER, 45, #6 O-RING-TUBE  | 2    |
| 26   | 2062-6-6S       | ADAPTER, 90, #6SAE X #6 JIC  | 7    |
| 27   | 2062-8-6S       | ELBOW,90,#8 SAE X #6 JIC   | 2    |
| 28   | 7779-14         | HOSE ASSY, 1/4 X 14", #6 JIC, FEMALE   | 1    |
| 29   | 195665          | HOSE ASSY, 1/4 X 20", #6 JIC, FEMALE   | 2    |
| 30   | 176929          | HOSE ASSY, 1/4 X 24", #6 JIC, FEMALE   | 3    |
| 31   | 195666          | HOSE ASSY, 1/4 X 26", #6 JIC, FEMALE   | 2    |
| 32   | 195667          | HOSE ASSY, 1/4 X 32", #6 JIC, FEMALE   | 4    |
| 33   | 172999          | HOSE ASSY, 1/4 X 42", #6 JIC, FEMALE   | 4    |
| 34   | 71500165        | HOSE ASSY, 1/4 X 46", #6 JIC, FEMALE   | 4    |
| 35   | 172972          | HOSE ASSY, 3/8 X 330", #8 JIC, SWVL  | 2    |
| 36   | 1-007-010025    | PLUG, 3/4-16 O-RING BOSS   | 2    |
| 37   | 173044          | SCREW, ALL THREAD,3/8-16X4-1/2   | 1    |
| 38   | 199315          | HYD REEL KIT, 6231-21 <b>(NOT SHOWN) (ITEMS 1-35)</b>                          | 1    |

Reel Hydraulic Assembly 6231-23

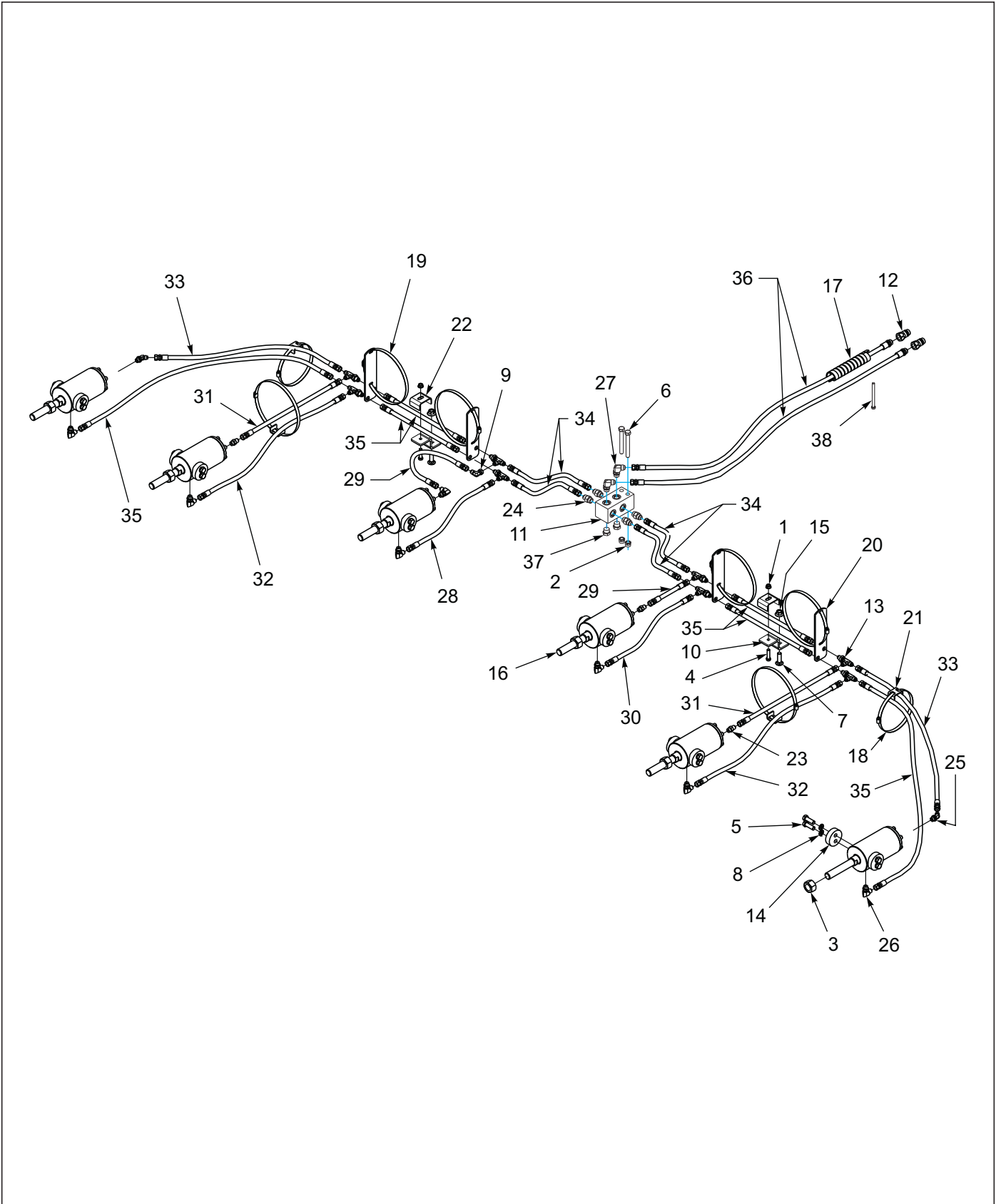


Figure 8-16: Reel Hydraulic Assembly 6231-23

## Reel Hydraulic Assembly 6231-23

| ITEM | PART NUMBER     | DESCRIPTION  | QTY. |
|------|-----------------|--|------|
| 1    | 1-510-010001    | NUT, 3/8-16 FLANGE LOCK  | 4    |
| 2    | 1-512-010005-09 | NUT,HEX,SLFLKG, 1/2-13 GRB   | 2    |
| 3    | 1-512-010007-14 | NUT, HEX 1-8 GRB <b>(BEFORE 6-8-2017)</b>                                      | 6    |
| 3    | 206675          | NUT, 1-1/8 -12 UNF, Z/P GR 2 <b>(AFTER 6-8-2017)</b>                           | 6    |
| 4    | 1-654-010051-07 | SCREW,HEX CAP,3/8-16UNCX1-1/2  | 4    |
| 5    | 1-654-010055-05 | SCREW,HEX CAP,1/2-13UNCX2  | 24   |
| 6    | 1-654-010055-11 | SCREW,HX CP 1/2-13UNCX3-1/2  | 2    |
| 7    | 1-654-010070-04 | SCREW RDHD SQNK 1/2-13X1-3/4   | 4    |
| 8    | 1-861-010034-13 | WASHER, LKG HLCL SPR, 1/2  | 24   |
| 9    | 102-0031        | ADAPTER,90 JIC SWIVEL #6   | 1    |
| 10   | 141275          | BRACKET, HOSE CLAMP  | 2    |
| 11   | 2-474-010022    | MANIFOLD HYDRAULIC, 6 HOSE <b>(8 PORT)</b>                                     | 1    |
| 12   | 141828          | COUPLER,MALE 3/4-16 O-RING   | 2    |
| 13   | 162569          | TEE,#6 JIC BULKHD RUN, W/NUT   | 8    |
| 14   | 198320          | ASSY, TRUNION MOUNT 1-1/4" <b>(AFTER 2-20-2016)</b>                            | 12   |
| 15   | 172509          | NUT,1/2-13 WIDE FLNG TOP LCK F   | 4    |
| 16   | 172537          | CYLINDER, 2-1/2 X 2-1/2 STROKE <b>(BEFORE 6-8-2017) (SEE PAGE 5-5)</b>         | 6    |
| 16   | 206671          | CYLINDER, 2-1/2" X 2-1/2" ST 1-1/8 THDS <b>(AFTER 6-8-2017) (SEE PAGE 5-6)</b> | 6    |
| 17   | 172973          | HOSE WRAP, RED   | 1    |
| 18   | 172976          | CLAMP, HOSE 4-1/2 - 6-1/2 #096   | 8    |
| 19   | 172977          | CLAMP, HOSE 2-1/2 - 8-1/2 #128   | 8    |
| 20   | 172992          | PLATE, BULKHEAD  | 4    |
| 21   | 174784          | CLAMP HOSE   | 12   |
| 22   | 2-181-010001    | HOSE CLAMP   | 5    |
| 23   | 202702-6-6S     | ADAPTER, STR,#6 SAEX#6 JIC   | 3    |
| 24   | 202702-8-6S     | ADAPTER #8 O-RING TO #6 TUBE   | 4    |
| 25   | 2061-6-6S       | ADAPTER, 45, #6 O-RING-TUBE  | 2    |
| 26   | 2062-6-6S       | ADAPTER, 90, #6SAE X #6 JIC  | 7    |
| 27   | 2062-8-6S       | ELBOW,90,#8 SAE X #6 JIC   | 2    |
| 28   | 7779-14         | HOSE ASSY, 1/4 X 14", #6 JIC, FEMALE   | 1    |
| 29   | 195665          | HOSE ASSY, 1/4 X 20", #6 JIC, FEMALE   | 2    |
| 30   | 176929          | HOSE ASSY, 1/4 X 24", #6 JIC, FEMALE   | 1    |
| 31   | 195666          | HOSE ASSY, 1/4 X 26", #6 JIC, FEMALE   | 2    |
| 32   | 195667          | HOSE ASSY, 1/4 X 32", #6 JIC, FEMALE   | 2    |
| 33   | 71509008        | HOSE ASSY, 1/4 X 40", #6 JIC, FEMALE   | 2    |
| 34   | 172999          | HOSE ASSY, 1/4 X 42", #6 JIC, FEMALE   | 4    |
| 35   | 71500165        | HOSE ASSY, 1/4 X 46", #6 JIC, FEMALE   | 6    |
| 36   | 172972          | HOSE ASSY, 3/8 X 330", #8 JIC, SWVL  | 2    |
| 37   | 1-007-010025    | PLUG, 3/4-16 O-RING BOSS   | 2    |
| 38   | 173044          | SCREW, ALL THREAD,3/8-16X4-1/2   | 1    |
| 39   | 199316          | HYD REEL KIT, 6231-23 <b>(NOT SHOWN) (ITEMS 1-36)</b>                          | 1    |

Reel Hydraulic Assembly 6231-26

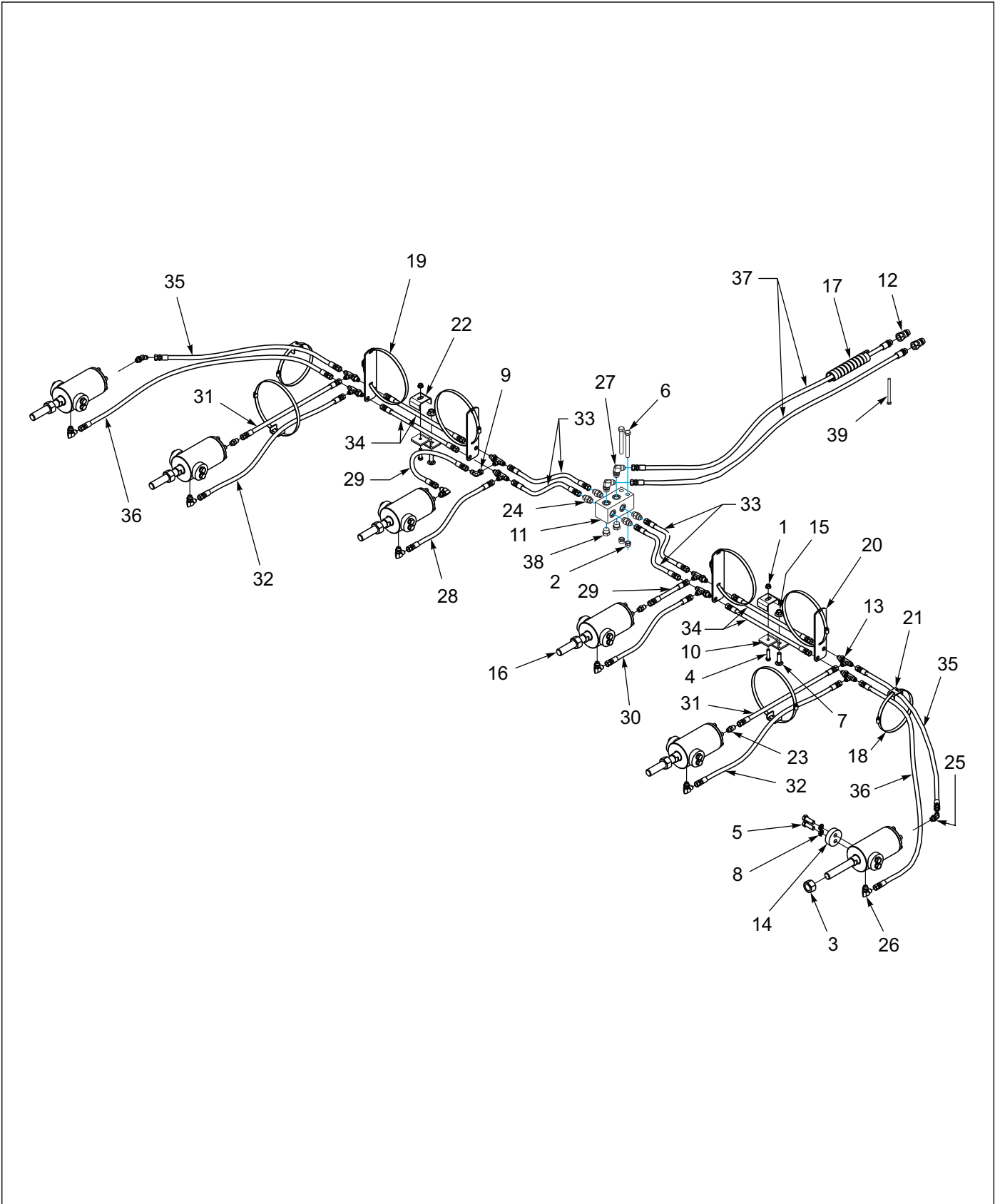


Figure 8-17: Reel Hydraulic Assembly 6231-26

## Reel Hydraulic Assembly 6231-26

| ITEM | PART NUMBER     | DESCRIPTION  | QTY. |
|------|-----------------|--|------|
| 1    | 1-510-010001    | NUT, 3/8-16 FLANGE LOCK  | 4    |
| 2    | 1-512-010005-09 | NUT,HEX,SLFLKG, 1/2-13 GRB   | 2    |
| 3    | 1-512-010007-14 | NUT, HEX 1-8 GRB <b>(BEFORE 6-8-2017)</b>                                      | 6    |
| 3    | 206675          | NUT, 1-1/8 -12 UNF, Z/P GR 2 <b>(AFTER 6-8-2017)</b>                           | 6    |
| 4    | 1-654-010051-07 | SCREW,HEX CAP,3/8-16UNCX1-1/2  | 4    |
| 5    | 1-654-010055-05 | SCREW,HEX CAP,1/2-13UNCX2  | 24   |
| 6    | 1-654-010055-11 | SCREW,HX CP 1/2-13UNCX3-1/2  | 2    |
| 7    | 1-654-010070-04 | SCREW RDHD SQNK 1/2-13X1-3/4   | 4    |
| 8    | 1-861-010034-13 | WASHER, LKG HLCL SPR, 1/2  | 24   |
| 9    | 102-0031        | ADAPTER,90 JIC SWIVEL #6   | 1    |
| 10   | 141275          | BRACKET, HOSE CLAMP  | 2    |
| 11   | 2-474-010022    | MANIFOLD HYDRAULIC, 6 HOSE <b>(8 PORT)</b>                                     | 1    |
| 12   | 141828          | COUPLER,MALE 3/4-16 O-RING   | 2    |
| 13   | 162569          | TEE,#6 JIC BULKHD RUN, W/NUT   | 8    |
| 14   | 198320          | ASSY, TRUNION MOUNT 1-1/4" <b>(AFTER 2-20-2016)</b>                            | 12   |
| 15   | 172509          | NUT,1/2-13 WIDE FLNG TOP LCK F   | 4    |
| 16   | 172537          | CYLINDER, 2-1/2 X 2-1/2 STROKE <b>(BEFORE 6-8-2017) (SEE PAGE 5-5)</b>         | 6    |
| 16   | 206671          | CYLINDER, 2-1/2" X 2-1/2" ST 1-1/8 THDS <b>(AFTER 6-8-2017) (SEE PAGE 5-6)</b> | 6    |
| 17   | 172973          | HOSE WRAP, RED   | 1    |
| 18   | 172976          | CLAMP, HOSE 4-1/2 - 6-1/2 #096   | 8    |
| 19   | 172977          | CLAMP, HOSE 2-1/2 - 8-1/2 #128   | 8    |
| 20   | 172992          | PLATE, BULKHEAD  | 4    |
| 21   | 174784          | CLAMP HOSE   | 12   |
| 22   | 2-181-010001    | HOSE CLAMP   | 5    |
| 23   | 202702-6-6S     | ADAPTER, STR,#6 SAEX#6 JIC   | 3    |
| 24   | 202702-8-6S     | ADAPTER #8 O-RING TO #6 TUBE   | 4    |
| 25   | 2061-6-6S       | ADAPTER, 45, #6 O-RING-TUBE  | 2    |
| 26   | 2062-6-6S       | ADAPTER, 90, #6SAE X #6 JIC  | 7    |
| 27   | 2062-8-6S       | ELBOW,90,#8 SAE X #6 JIC   | 2    |
| 28   | 7779-14         | HOSE ASSY, 1/4 X 14", #6 JIC, FEMALE   | 1    |
| 29   | 195665          | HOSE ASSY, 1/4 X 20", #6 JIC, FEMALE   | 2    |
| 30   | 176929          | HOSE ASSY, 1/4 X 24", #6 JIC, FEMALE   | 1    |
| 31   | 195666          | HOSE ASSY, 1/4 X 26", #6 JIC, FEMALE   | 2    |
| 32   | 195667          | HOSE ASSY, 1/4 X 32", #6 JIC, FEMALE   | 2    |
| 33   | 172999          | HOSE ASSY, 1/4 X 42", #6 JIC, FEMALE   | 4    |
| 34   | 71500165        | HOSE ASSY, 1/4 X 46", #6 JIC, FEMALE   | 4    |
| 35   | 71509010        | HOSE ASSY, 1/4 X 64", #6 JIC, FEMALE   | 2    |
| 36   | 173000          | HOSE ASSY, 1/4 X 68", #6 JIC, FEMALE   | 2    |
| 37   | 172972          | HOSE ASSY, 3/8 X 330", #8 JIC, SWVL  | 2    |
| 38   | 1-007-010025    | PLUG, 3/4-16 O-RING BOSS   | 2    |
| 39   | 173044          | SCREW, ALL THREAD,3/8-16X4-1/2   | 1    |
| 40   | 199317          | HYD REEL KIT, 6231-26 <b>(NOT SHOWN) (ITEMS 1-37)</b>                          | 1    |

# Reel Hydraulic Assembly 6231-29

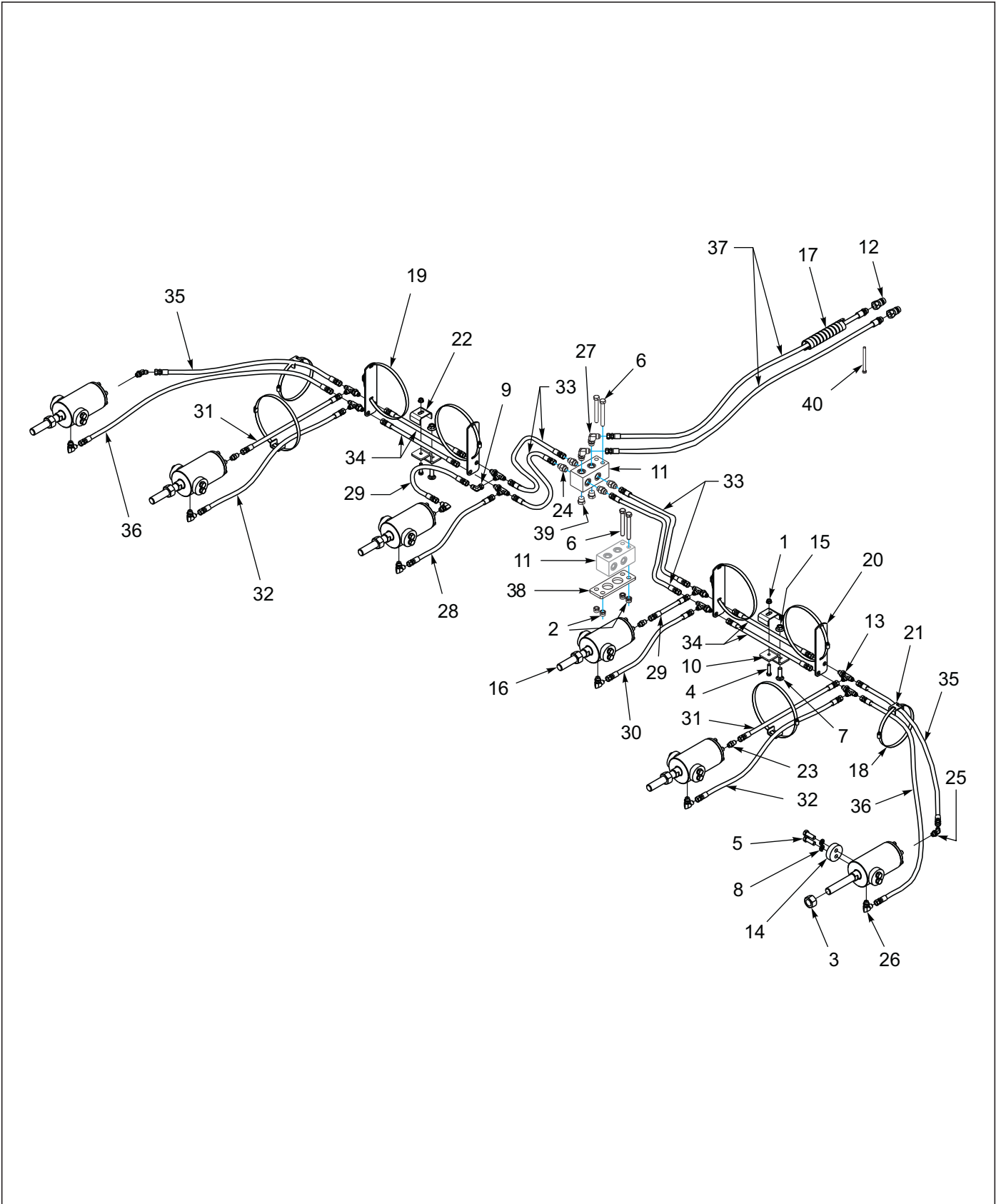


Figure 8-18: Reel Hydraulic Assembly 6231-29



## Reel Hydraulic Assembly 6231-29

| ITEM | PART NUMBER     | DESCRIPTION  | QTY. |
|------|-----------------|--|------|
| 1    | 1-510-010001    | NUT, 3/8-16 FLANGE LOCK  | 4    |
| 2    | 1-512-010005-09 | NUT,HEX,SLFLKG, 1/2-13 GRB   | 4    |
| 3    | 1-512-010007-14 | NUT, HEX 1-8 GRB <b>(BEFORE 6-8-2017)</b>                                      | 6    |
| 3    | 206675          | NUT, 1-1/8 -12 UNF, Z/P GR 2 <b>(AFTER 6-8-2017)</b>                           | 6    |
| 4    | 1-654-010051-07 | SCREW,HEX CAP,3/8-16UNCX1-1/2  | 4    |
| 5    | 1-654-010055-05 | SCREW,HEX CAP,1/2-13UNCX2  | 24   |
| 6    | 1-654-010055-13 | SCREW,HEX CAP,1/2-13UNCX4 GR5  | 4    |
| 7    | 1-654-010070-04 | SCREW RDHD SQNK 1/2-13X1-3/4   | 4    |
| 8    | 1-861-010034-13 | WASHER, LKG HLCL SPR, 1/2  | 24   |
| 9    | 102-0031        | ADAPTER,90 JIC SWIVEL #6   | 1    |
| 10   | 141275          | BRACKET, HOSE CLAMP  | 2    |
| 11   | 2-474-010022    | MANIFOLD HYDRAULIC, 6 HOSE <b>(8 PORT)</b>                                     | 2    |
| 12   | 141828          | COUPLER,MALE 3/4-16 O-RING   | 2    |
| 13   | 162569          | TEE,#6 JIC BULKHD RUN, W/NUT   | 8    |
| 14   | 198320          | ASSY, TRUNION MOUNT 1-1/4" <b>(AFTER 2-20-2016)</b>                            | 12   |
| 15   | 172509          | NUT,1/2-13 WIDE FLNG TOP LCK F   | 4    |
| 16   | 172537          | CYLINDER, 2-1/2 X 2-1/2 STROKE <b>(BEFORE 6-8-2017) (SEE PAGE 5-5)</b>         | 6    |
| 16   | 206671          | CYLINDER, 2-1/2" X 2-1/2" ST 1-1/8 THDS <b>(AFTER 6-8-2017) (SEE PAGE 5-6)</b> | 6    |
| 17   | 172973          | HOSE WRAP, RED   | 1    |
| 18   | 172976          | CLAMP, HOSE 4-1/2 - 6-1/2 #096   | 8    |
| 19   | 172977          | CLAMP, HOSE 2-1/2 - 8-1/2 #128   | 8    |
| 20   | 172992          | PLATE, BULKHEAD  | 4    |
| 21   | 174784          | CLAMP HOSE   | 12   |
| 22   | 2-181-010001    | HOSE CLAMP   | 5    |
| 23   | 202702-6-6S     | ADAPTER, STR,#6 SAEX#6 JIC   | 3    |
| 24   | 202702-8-6S     | ADAPTER #8 O-RING TO #6 TUBE   | 4    |
| 25   | 2061-6-6S       | ADAPTER, 45, #6 O-RING-TUBE  | 2    |
| 26   | 2062-6-6S       | ADAPTER, 90, #6SAE X #6 JIC  | 7    |
| 27   | 2062-8-6S       | ELBOW,90,#8 SAE X #6 JIC   | 2    |
| 28   | 7779-14         | HOSE ASSY, 1/4 X 14", #6 JIC, FEMALE   | 1    |
| 29   | 195665          | HOSE ASSY, 1/4 X 20", #6 JIC, FEMALE   | 2    |
| 30   | 176929          | HOSE ASSY, 1/4 X 24", #6 JIC, FEMALE   | 1    |
| 31   | 71509125        | HOSE ASSY, 1/4 X 30", #6 JIC, FEMALE   | 2    |
| 32   | 71509009        | HOSE ASSY, 1/4 X 36", #6 JIC, FEMALE   | 2    |
| 33   | 172999          | HOSE ASSY, 1/4 X 42", #6 JIC, FEMALE   | 4    |
| 34   | 71500165        | HOSE ASSY, 1/4 X 46", #6 JIC, FEMALE   | 4    |
| 35   | 71509006        | HOSE ASSY, 1/4 X 80", #6 JIC, FEMALE   | 2    |
| 36   | 71509788        | HOSE ASSY, 1/4 X 84", #6 JIC, FEMALE   | 2    |
| 37   | 172972          | HOSE ASSY, 3/8 X 330", #8 JIC, SWVL  | 2    |
| 38   | 211367          | HYD MANIFOLD MNT   | 1    |
| 39   | 1-007-010025    | PLUG, 3/4-16 O-RING BOSS   | 2    |
| 40   | 173044          | SCREW, ALL THREAD,3/8-16X4-1/2   | 1    |
| 41   | 199318          | HYD REEL KIT, 6231-29 <b>(NOT SHOWN) (ITEMS 1-38)</b>                          | 1    |

# Reel Hydraulic Assembly 6231-30-36

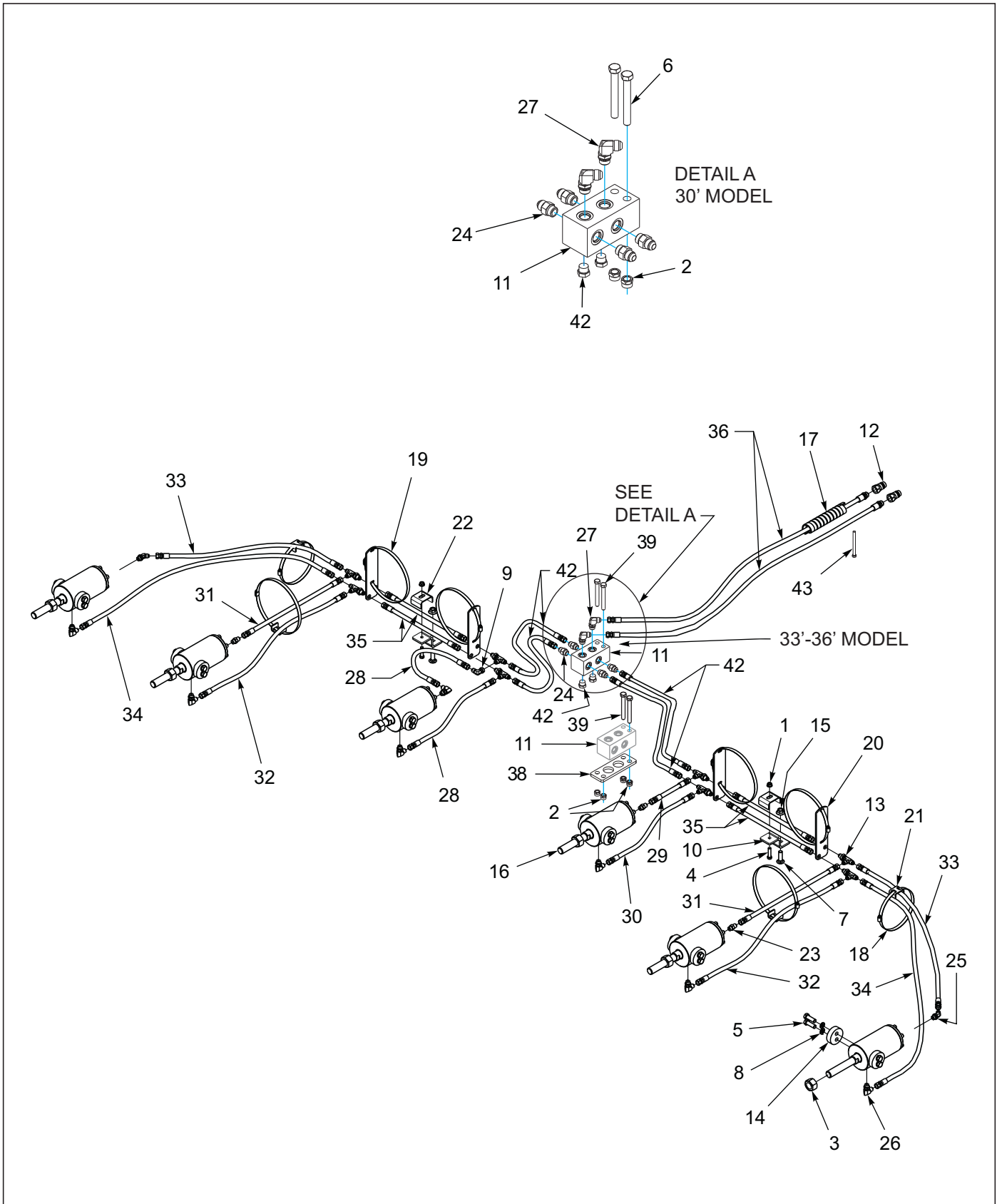


Figure 8-19: Reel Hydraulic Assembly 6231-30-36

## Reel Hydraulic Assembly 6231-30-36

| ITEM | PART NUMBER     | DESCRIPTION  | QTY. |
|------|-----------------|--|------|
| 1    | 1-510-010001    | NUT, 3/8-16 FLANGE LOCK  | 4    |
| 2    | 1-512-010005-09 | NUT,HEX,SLFLKG, 1/2-13 GRB   | 2    |
| 3    | 1-512-010007-14 | NUT, HEX 1-8 GRB <b>(BEFORE 6-8-2017)</b>                                      | 6    |
| 3    | 206675          | NUT, 1-1/8 -12 UNF, Z/P GR 2 <b>(AFTER 6-8-2017)</b>                           | 6    |
| 4    | 1-654-010051-07 | SCREW,HEX CAP,3/8-16UNCX1-1/2  | 4    |
| 5    | 1-654-010055-05 | SCREW,HEX CAP,1/2-13UNCX2  | 24   |
| 6    | 1-654-010055-11 | SCREW,HX CP 1/2-13UNCX3-1/2 <b>(USED ON 30' MODEL)</b>                         | 2    |
| 7    | 1-654-010070-04 | SCREW RDHD SQNK 1/2-13X1-3/4   | 4    |
| 8    | 1-861-010034-13 | WASHER, LKG HLCL SPR, 1/2  | 24   |
| 9    | 102-0031        | ADAPTER,90 JIC SWIVEL #6   | 1    |
| 10   | 141275          | BRACKET, HOSE CLAMP  | 2    |
| 11   | 2-474-010022    | MANIFOLD HYDRAULIC, 6 HOSE <b>(8 PORT)</b>                                     | 2    |
| 12   | 141828          | COUPLER,MALE 3/4-16 O-RING   | 2    |
| 13   | 162569          | TEE,#6 JIC BULKHD RUN, W/NUT   | 8    |
| 14   | 198320          | ASSY, TRUNION MOUNT 1-1/4" <b>(AFTER 2-20-2016)</b>                            | 12   |
| 15   | 172509          | NUT,1/2-13 WIDE FLNG TOP LCK F   | 4    |
| 16   | 172537          | CYLINDER, 2-1/2 X 2-1/2 STROKE <b>(BEFORE 6-8-2017) (SEE PAGE 5-5)</b>         | 6    |
| 16   | 206671          | CYLINDER, 2-1/2" X 2-1/2" ST 1-1/8 THDS <b>(AFTER 6-8-2017) (SEE PAGE 5-6)</b> | 6    |
| 17   | 172973          | HOSE WRAP, RED   | 1    |
| 18   | 172976          | CLAMP, HOSE 4-1/2 - 6-1/2 #096   | 8    |
| 19   | 172977          | CLAMP, HOSE 2-1/2 - 8-1/2 #128   | 8    |
| 20   | 172992          | PLATE, BULKHEAD  | 4    |
| 21   | 174784          | CLAMP HOSE   | 12   |
| 22   | 2-181-010001    | HOSE CLAMP   | 5    |
| 23   | 202702-6-6S     | ADAPTER, STR,#6 SAEX#6 JIC   | 3    |
| 24   | 202702-8-6S     | ADAPTER #8 O-RING TO #6 TUBE   | 4    |
| 25   | 2061-6-6S       | ADAPTER, 45, #6 O-RING-TUBE  | 2    |
| 26   | 2062-6-6S       | ADAPTER, 90, #6SAE X #6 JIC  | 7    |
| 27   | 2062-8-6S       | ELBOW,90,#8 SAE X #6 JIC   | 2    |
| 28   | 7779-14         | HOSE ASSY, 1/4 X 14", #6 JIC, FEMALE   | 2    |
| 29   | 195665          | HOSE ASSY, 1/4 X 20", #6 JIC, FEMALE   | 1    |
| 30   | 195666          | HOSE ASSY, 1/4 X 26", #6 JIC, FEMALE   | 1    |
| 31   | 71509125        | HOSE ASSY, 1/4 X 30", #6 JIC, FEMALE   | 2    |
| 32   | 71509009        | HOSE ASSY, 1/4 X 36", #6 JIC, FEMALE   | 2    |
| 33   | 71509010        | HOSE ASSY, 1/4 X 64", #6 JIC, FEMALE <b>(USED ON 30' MODEL)</b>                | 2    |
| 33   | 71509788        | HOSE ASSY .250 X 84" <b>(USED ON 33' MODEL)</b>                                | 2    |
| 33   | 71509004        | HOSE ASSY, 1/4 X 98", #6 JIC, FEMALE <b>(USED ON 36' MODEL)</b>                | 2    |
| 34   | 173000          | HOSE ASSY, 1/4 X 68", #6 JIC, FEMALE <b>(USED ON 30' MODEL)</b>                | 2    |
| 34   | 7779-90         | HOSE HYD 1/4 X 90 <b>(USED ON 33' MODEL)</b>                                   | 2    |
| 34   | 7779-102        | HOSE ASSY, 1/4 X 102", #6 JIC, FEMALE <b>(USED ON 36' MODEL)</b>               | 2    |
| 35   | 7779-54         | HOSE ASSY, 1/4 X 54", #6 JIC, FEMALE   | 4    |
| 36   | 172972          | HOSE ASSY, 3/8 X 330", #8 JIC, SWVL  | 2    |
| 37   | 199319          | HYD REEL KIT, 6231-30 <b>(NOT SHOWN) (ITEMS 1-36)</b>                          | 1    |
| 38   | 211367          | HYD MANIFOLD MNT <b>(USED ON 33'-36' MODELS)</b>                               | 1    |
| 39   | 1-654-010055-13 | SCREW,HEX CAP,1/2-13UNCX4 GR5 <b>(USED ON 33'-36' MODELS)</b>                  | 4    |
| 40   | 199320          | HYD REEL KIT, 6231-33 <b>(NOT SHOWN) (ITEMS 1-36, 38, 39)</b>                  | 1    |
| 41   | 199321          | HYD REEL KIT, 6231-36 <b>(NOT SHOWN) (ITEMS 1-36, 38, 39)</b>                  | 1    |
| 42   | 1-007-010025    | PLUG, 3/4-16 O-RING BOSS   | 2    |
| 43   | 173044          | SCREW, ALL THREAD,3/8-16X4-1/2   | 1    |
| 44   | 71509010        | HOSE ASSY, 1/4 X 64", #6 JIC, FEMALE   | 4    |

# Chevron Flat Bar Reel Assemblies 6231-23'-36'

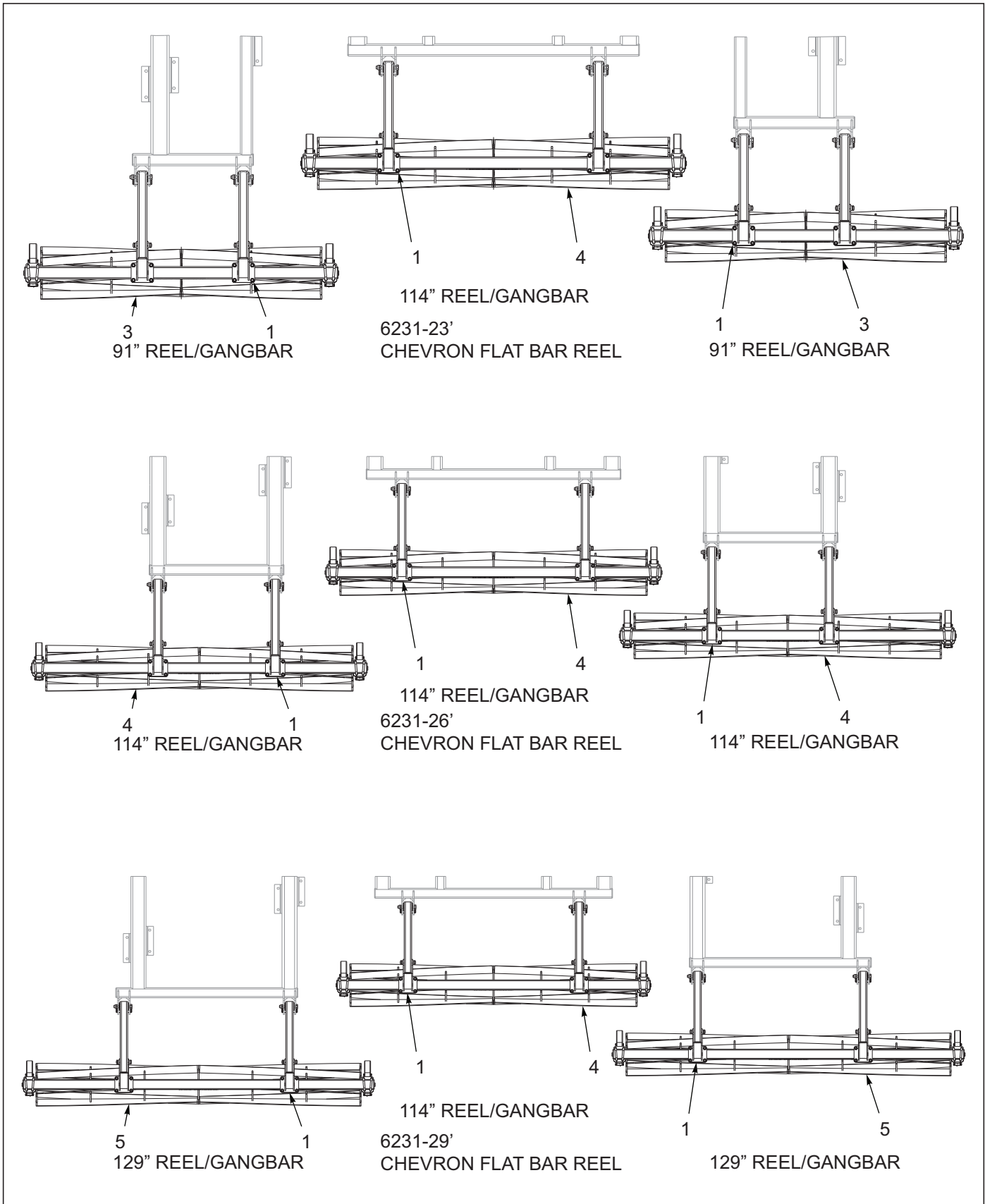


Figure 8-20: Chevron Flat Bar Reel Layout 6231-26-29

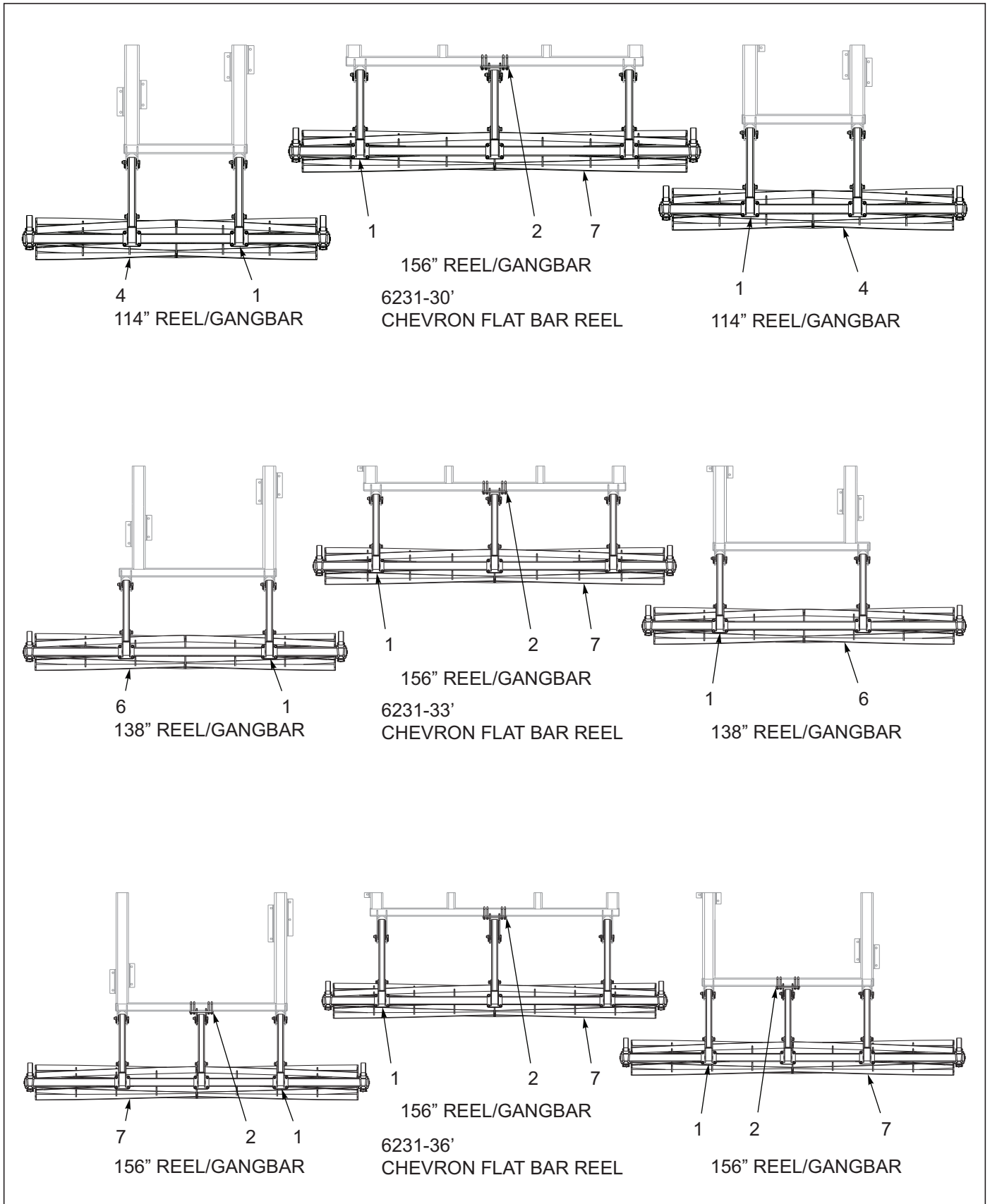


Figure 8-21: Chevron Flat Bar Reel Layout 6231-30-33-36

## Chevron Flat Bar Reel Layout

| ITEM | PART NO. | DESCRIPTION  | QTY. |    |    |    |    |    |
|------|----------|--|------|----|----|----|----|----|
| --   | 247143   | CHEVRON FLAT BAR REEL, 6231-23                     | *    |    |    |    |    |    |
| --   | 237167   | CHEVRON FLAT BAR REEL, 6231-26                     |      | *  |    |    |    |    |
| --   | 237168   | CHEVRON FLAT BAR REEL, 6231-29                     |      |    | *  |    |    |    |
| --   | 237147   | CHEVRON FLAT BAR REEL, 6231-30                     |      |    |    | *  |    |    |
| --   | 237169   | CHEVRON FLAT BAR REEL, 6231-33                     |      |    |    |    | *  |    |
| --   | 237170   | CHEVRON FLAT BAR REEL, 6231-36                     |      |    |    |    |    | *  |
| 1    | -----    | REEL ARM ASSEMBLY (SEE PAGE 8-37)                  | 6    | 6  | 6  | 7  | 7  | 9  |
| 2    | 180164   | ASSY, MOUNT-6" (SEE PAGE 8-37)                     | --   | -- | -- | 1  | 1  | 3  |
| 3    | 234349   | REEL/GANGBAR, 91" CHEVRON FLAT<br>(SEE PAGE 8-39)  | 2    | -- | -- | -- | -- | -- |
| 4    | 234352   | REEL/GANGBAR, 114" CHEVRON FLAT<br>(SEE PAGE 8-39) | 1    | 3  | 1  | 2  | -- | -- |
| 5    | 234354   | REEL/GANGBAR, 129" CHEVRON FLAT<br>(SEE PAGE 8-39) | --   | -- | 2  | -- | -- | -- |
| 6    | 237140   | REEL/GANGBAR, 138" CHEVRON FLAT<br>(SEE PAGE 8-39) | --   | -- | -- | -- | 2  | -- |
| 7    | 234355   | REEL/GANGBAR, 156" CHEVRON FLAT<br>(SEE PAGE 8-39) | --   | -- | -- | 1  | 1  | 3  |



# Chevron Flat Bar Reel Assembly

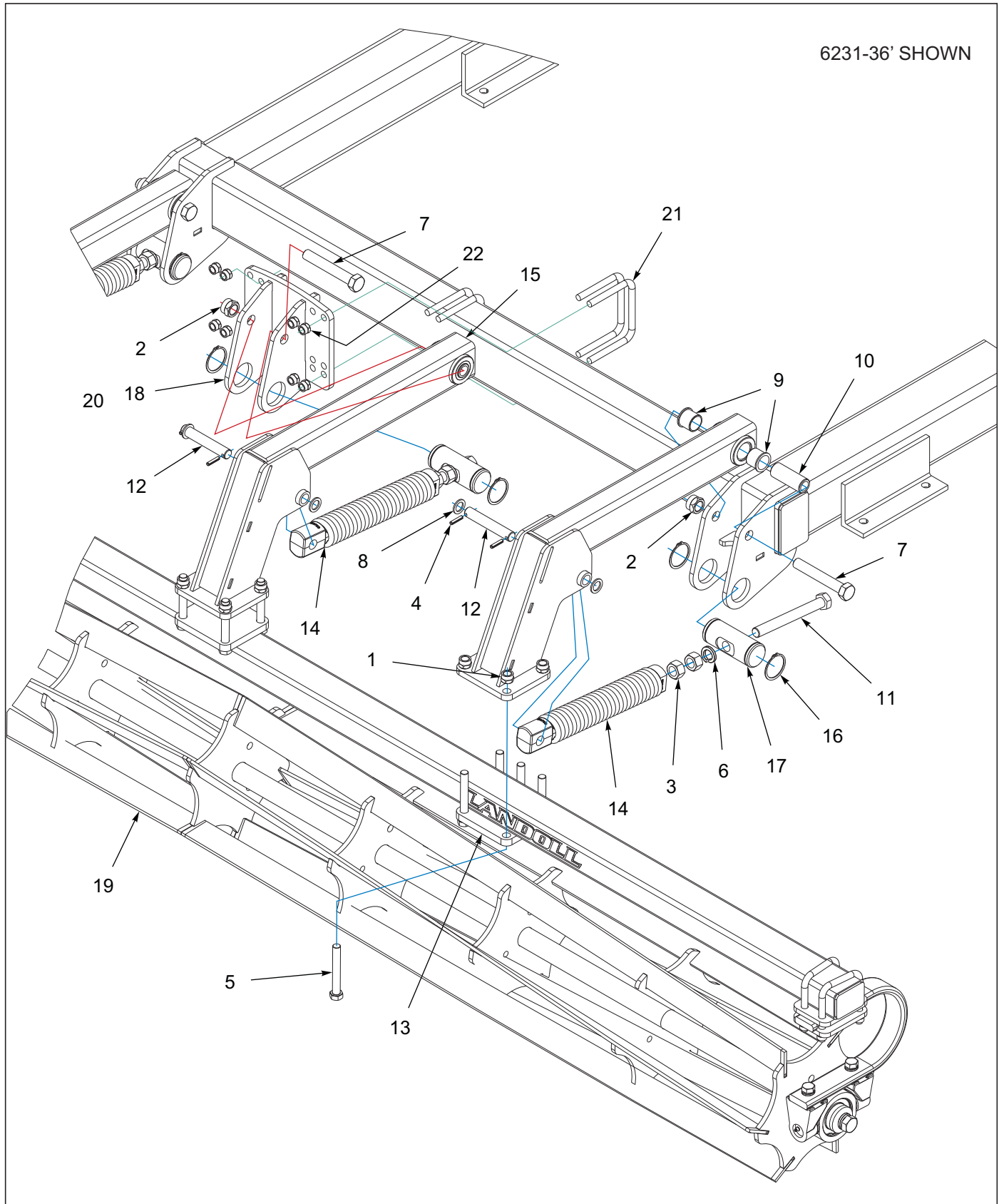


Figure 8-22: Chevron Flat Bar Reel Assembly



## Chevron Flat Reel Assembly

| ITEM | PART NUMBER     | DESCRIPTION  | QTY. |     |     |     |     |     |  |
|------|-----------------|--|------|-----|-----|-----|-----|-----|--|
| --   | 247143          | CHEVRON FLAT BAR REEL, 6231-23   | *    |     |     |     |     |     |  |
| --   | 237167          | CHEVRON FLAT BAR REEL, 6231-26   |      | *   |     |     |     |     |  |
| --   | 237168          | CHEVRON FLAT BAR REEL, 6231-29   |      |     | *   |     |     |     |  |
| --   | 237147          | CHEVRON FLAT BAR REEL, 6231-30   |      |     |     | *   |     |     |  |
| --   | 237169          | CHEVRON FLAT BAR REEL, 6231-33   |      |     |     |     | *   |     |  |
| --   | 237170          | CHEVRON FLAT BAR REEL, 6231-36   |      |     |     |     |     | *   |  |
| 1    | 1-512-010005-15 | NUT,HEX,SLFLKG GRB 3/4-10 <b>(2 USED WITH 172884) (BEFORE 5-17-2023)</b> | --   | 60  | 60  | 70  | 70  | 90  |  |
| 1    | 1-512-010002-16 | NUT,3/4-16 HEX,SLFLKG, GRC <b>(2 USED WITH 172884) (AFTER 5-17-2023)</b> | 30   | 30  | 30  | 35  | 35  | 45  |  |
| 2    | 1-512-010005-19 | NUT 1-8 HEX SLF-LOCKING GRB  | 6    | 6   | 6   | 7   | 7   | 9   |  |
| 3    | 1-512-010007-14 | NUT, HEX 1-8 GR2 ZP  | 12   | 12  | 12  | 14  | 14  | 18  |  |
| 4    | 1-647-010004236 | SPRING PIN,SLOTTED 5/16X1-1/2  | 12   | 12  | 12  | 14  | 14  | 18  |  |
| 5    | 172884          | SCREW HX CP,3/4-10X6 GR8ZP <b>(BEFORE 5-17-2023)</b>                     | --   | 30  | 30  | 35  | 35  | 45  |  |
| 5    | 1-654-010087-16 | SCREW,HEX CAP,3/4-16X5.50 GR8 <b>(AFTER 5-17-2023)</b>                   | 30   | 30  | 30  | 35  | 35  | 45  |  |
| 6    | 1-861-010034-21 | WASHER, LKG HEL SPRG 1IN   | 6    | 6   | 6   | 7   | 7   | 9   |  |
| 7    | 100829          | SCREW,HEX CAP,1-8X6-1/2,GR5  | 6    | 6   | 6   | 7   | 7   | 9   |  |
| 8    | 117957          | MACHINERY BUSHING,ZINC PLATED  | 12   | 12  | 12  | 14  | 14  | 18  |  |
| 9    | 140599          | BEARING, FLANGE 1-1/2"   | 12   | 12  | 12  | 14  | 14  | 18  |  |
| 10   | 152209          | BUSHING, PIVOT 1-1/2   | 6    | 6   | 6   | 7   | 7   | 9   |  |
| 11   | 152210          | BOLT, ADJ, 1 X 9   | 6    | 6   | 6   | 7   | 7   | 9   |  |
| 12   | 154392          | PIN, PIVOT   | 6    | 6   | 6   | 7   | 7   | 9   |  |
| 13   | 154748P         | PLATE, GANGBAR MOUNT BLUE  | 6    | 6   | 6   | 7   | 7   | 9   |  |
| 14   | 158795          | SPRING ASSY, 17"   | 6    | 6   | 6   | 7   | 7   | 9   |  |
| 15   | 158847          | ARM, REEL WLDMT  | 6    | 6   | 6   | 7   | 7   | 9   |  |
| 16   | 158896          | SNAP RING, 2-1/2 SHAFT   | 12   | 12  | 12  | 14  | 14  | 18  |  |
| 17   | 158897          | PIN, ADJUSTMENT  | 6    | 6   | 6   | 7   | 7   | 9   |  |
| 18   | 180164          | ASSY, MOUNT-6"   | --   | --  | --  | 1   | 3   | 3   |  |
| 19   | -----           | REEL/GANGBAR, CHEVRON FLAT <b>(SEE PAGE 8-39)</b>                        | N/A  | N/A | N/A | N/A | N/A | N/A |  |
| 20   | 180161          | MOUNT, COIL TINE WLDMT   | --   | --  | --  | 1   | 1   | 3   |  |
| 21   | 2-102-010032    | U BOLT CENTER SHANK MT.  | --   | --  | --  | 4   | 4   | 12  |  |
| 22   | 1-512-010005-13 | NUT,HEX SLFLKG GRB 5/8-11  | --   | --  | --  | 8   | 8   | 24  |  |

# Chevron Flat Reel/Gangbar Assembly

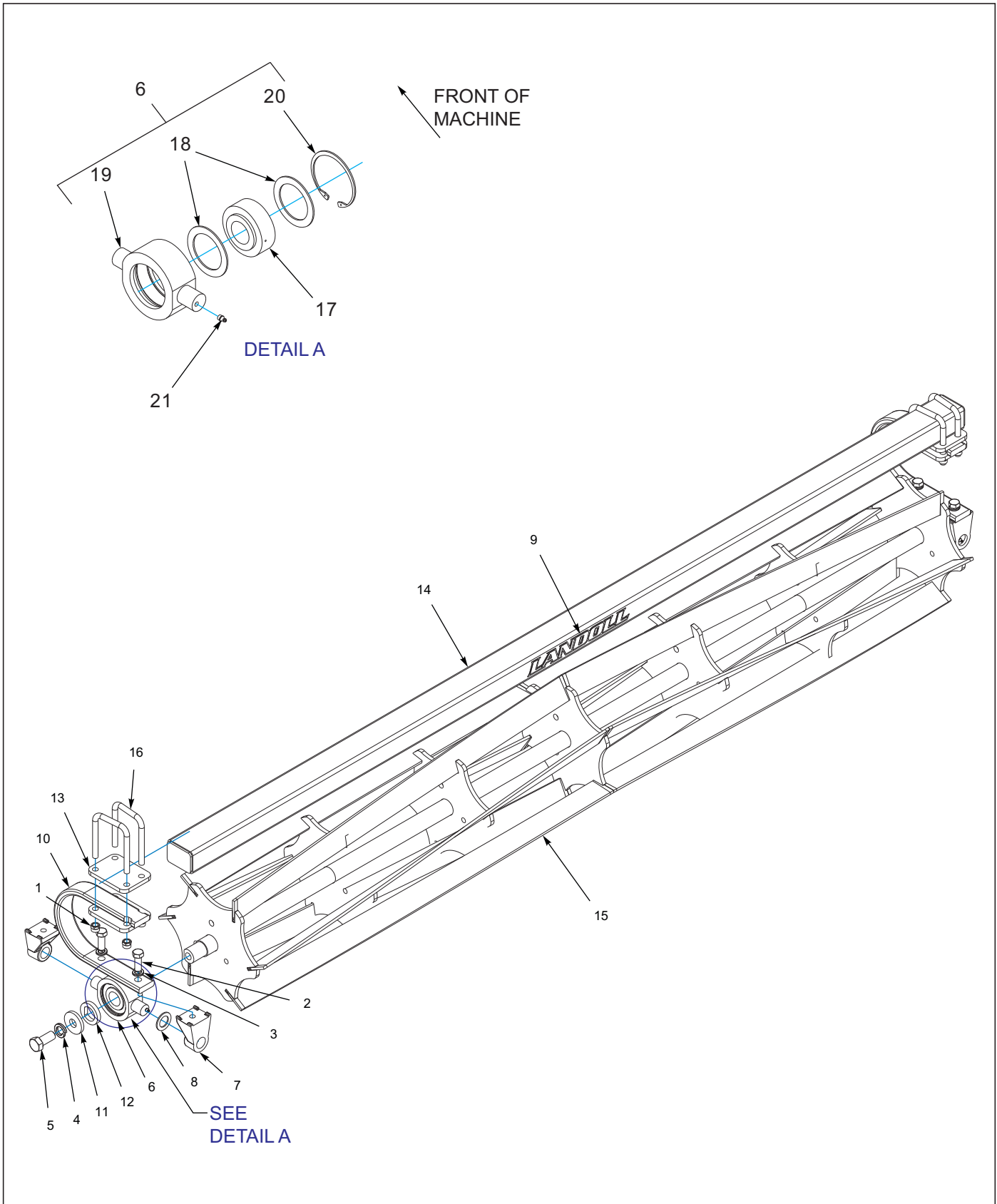


Figure 8-23: Chevron Flat Bar Reel/Gangbar Assembly

## Chevron Flat Reel/Gangbar Assembly

| ITEM | PART NUMBER     | DESCRIPTION                     | QTY. |    |    |    |    |    |
|------|-----------------|---------------------------------|------|----|----|----|----|----|
| --   | 234349          | REEL/GANGBAR, 91" CHEVRON FLAT  | *    |    |    |    |    |    |
| --   | 234352          | REEL/GANGBAR, 114" CHEVRON FLAT |      | *  |    |    |    |    |
| --   | 234354          | REEL/GANGBAR, 129" CHEVRON FLAT |      |    | *  |    |    |    |
| --   | 237140          | REEL/GANGBAR, 138" CHEVRON FLAT |      |    |    | *  |    |    |
| --   | 234355          | REEL/GANGBAR, 156" CHEVRON FLAT |      |    |    |    | *  |    |
| 1    | 1-512-010005-13 | NUT, HEX SLFLKG GRB 5/8-11      | 8    | 8  | 8  | 8  | 8  | 8  |
| 2    | 1-654-010032-05 | SCREW HEX CAP 3/4-10X2 GR8      | 4    | 4  | 4  | 4  | 4  | 4  |
| 3    | 1-861-010034-17 | WASHER, LKG, HLCL SPR, 3/4      | 4    | 4  | 4  | 4  | 4  | 4  |
| 4    | 1-861-010034-21 | WASHER, LKG HEL SPRG 1IN        | 2    | 2  | 2  | 2  | 2  | 2  |
| 5    | 137943          | SCREW, HEX CAP 1-8UNCX2-1/4GR5  | 2    | 2  | 2  | 2  | 2  | 2  |
| 6    | 140477          | BEARING, DISC 1.775 ID ASSY     | 2    | 2  | 2  | 2  | 2  | 2  |
| 7    | 140479          | MOUNT, TRUNNION                 | 4    | 4  | 4  | 4  | 4  | 4  |
| 8    | 140480          | WASHER, TRUNNION                | 2    | 2  | 2  | 2  | 2  | 2  |
| 9    | 148337          | ATTACHMENT DECAL, LANDOLL       | 1    | 1  | 1  | 1  | 1  | 1  |
| 10   | 153716          | SHANK, STRAIGHT 3/4 X 2-1/2     | 2    | 2  | 2  | 2  | 2  | 2  |
| 11   | 154185          | WASHER 3/8 THICK 1" ID          | 2    | 2  | 2  | 2  | 2  | 2  |
| 12   | 154186          | WASHER FLAT TOP                 | 2    | 2  | 2  | 2  | 2  | 2  |
| 13   | 154393          | PLATE SHANK MOUNT               | 4    | 4  | 4  | 4  | 4  | 4  |
| 14   | 154658          | GANGBAR WLDMT 101" - REEL 91"   | 1    | -- | -- | -- | -- | -- |
| 14   | 154659          | GANGBAR WLDMT 124" - REEL 114"  | --   | 1  | -- | -- | -- | -- |
| 14   | 155594          | GANGBAR WLDMT 139" - REEL 129"  | --   | -- | 1  | -- | -- | -- |
| 14   | 201768          | GANGBAR, 148" REEL 138" WLDMT   | --   | -- | -- | 1  | -- | -- |
| 14   | 165226          | GANGBAR, 166" REEL 156" WLDMT   | --   | -- | -- | -- | -- | 1  |
| 15   | 234366          | REEL WLDMT, CHEVRON FLAT, 91"   | 1    | -- | -- | -- | -- | -- |
| 15   | 234369          | REEL WLDMT, CHEVRON FLAT, 114"  | --   | 1  | -- | -- | -- | -- |
| 15   | 234371          | REEL WLDMT, CHEVRON FLAT, 129"  | --   | -- | 1  | -- | -- | -- |
| 15   | 237141          | REEL WLDMT, CHEVRON FLAT, 138"  | --   | -- | -- | 1  | -- | -- |
| 15   | 234372          | REEL WLDMT, CHEVRON FLAT, 156"  | --   | -- | -- | -- | -- | 1  |
| 16   | 6-102-010009    | U-BOLT RIGID GA WHEEL           | 4    | 4  | 4  | 4  | 4  | 4  |
| 17   | 140464          | BEARING, DISC 1.775 ID          | 1    | 1  | 1  | 1  | 1  | 1  |
| 18   | 140473          | WASHER, BEARING                 | 2    | 2  | 2  | 2  | 2  | 2  |
| 19   | 140475          | CASTING, TRUNNION               | 1    | 1  | 1  | 1  | 1  | 1  |
| 20   | 140476          | INTERNAL RETAINING RING         | 1    | 1  | 1  | 1  | 1  | 1  |
| 21   | 5000            | ZERK FITTING 1/8NPT             | 1    | 1  | 1  | 1  | 1  | 1  |

Double Reel Assemblies 6231-21-23-26-29

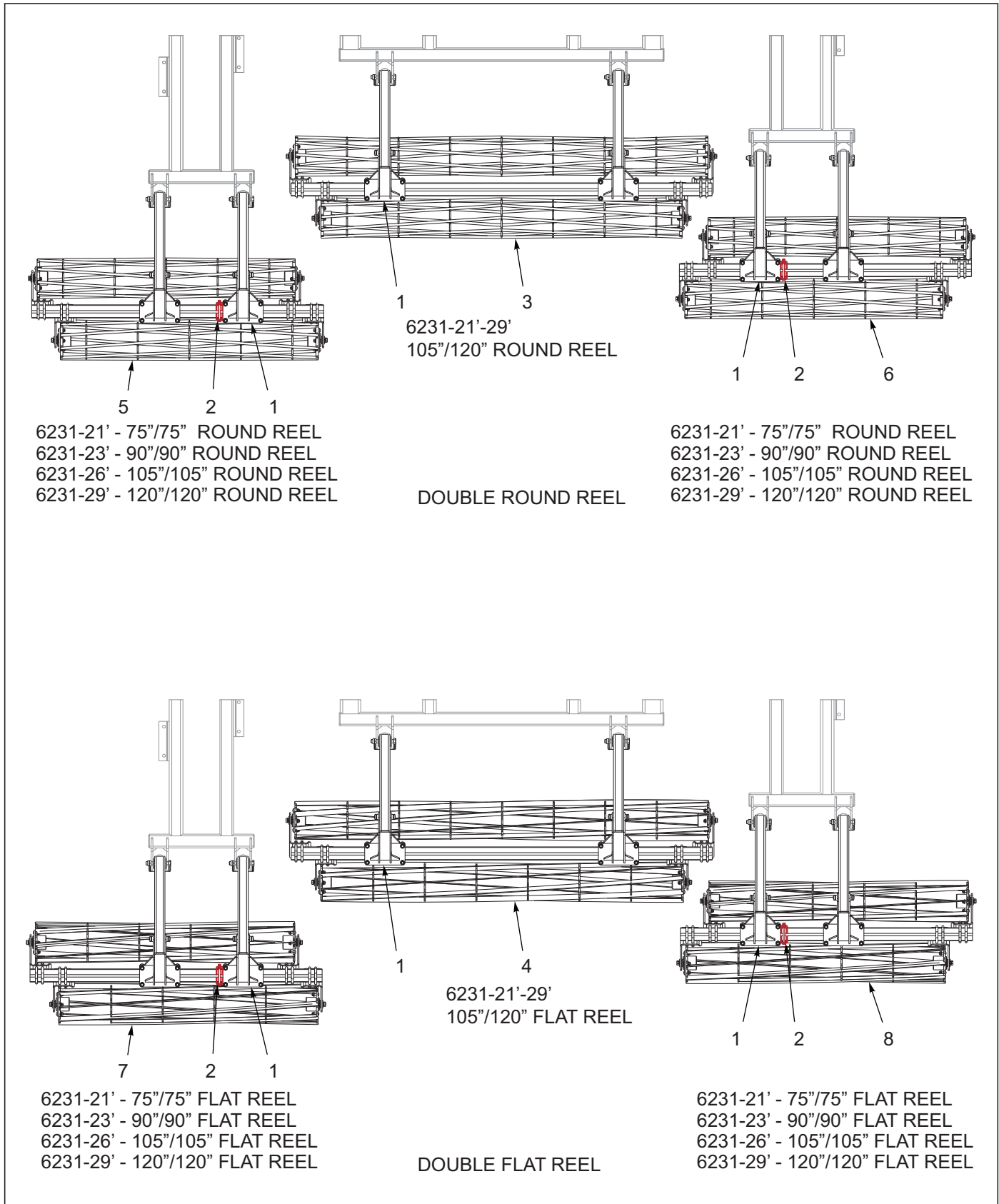


Figure 8-24: Double Reel Layout 6231-21-23-26-29

**Double Reel Assemblies 6231-21-23-26-29**

| ITEM | PART NUMBER | DESCRIPTION                                       | QTY. |    |    |    |    |    |    |    |    |    |    |
|------|-------------|---|------|----|----|----|----|----|----|----|----|----|----|
| --   | 204513      | DOUBLE ROUND REEL 6231-21 ASSY                    | *    |    |    |    |    |    |    |    |    |    |    |
| --   | 204514      | DOUBLE ROUND REEL 6231-23 ASSY                    |      | *  |    |    |    |    |    |    |    |    |    |
| --   | 204515      | DOUBLE ROUND REEL 6231-26 ASSY                    |      |    | *  |    |    |    |    |    |    |    |    |
| --   | 204516      | DOUBLE ROUND REEL 6231-29 ASSY                    |      |    |    | *  |    |    |    |    |    |    |    |
| --   | 221186      | DOUBLE FLAT REEL 6231-21 ASSY                     |      |    |    |    | *  |    |    |    |    |    |    |
| --   | 221187      | DOUBLE FLAT REEL 6231-23 ASSY                     |      |    |    |    |    | *  |    |    |    |    |    |
| --   | 221188      | DOUBLE FLAT REEL 6231-26 ASSY                     |      |    |    |    |    |    | *  |    |    |    |    |
| --   | 221189      | DOUBLE FLAT REEL 6231-29 ASSY                     |      |    |    |    |    |    |    | *  |    |    |    |
| 1    | ----        | DOUBLE REEL ARM ASSEMBLY (SEE PAGE 8-61)          | 6    | 6  | 6  | 6  | 6  | 6  | 6  | 6  | 6  | 6  | 6  |
| 2    | ----        | CLAMP TUBE STOP ASSEMBLY (SEE PAGE 8-61)          | 2    | 2  | 2  | 2  | 2  | 2  | 2  | 2  | 2  | 2  | 2  |
| 3    | 204413      | DOUBLE REEL ASSY, 105/120 (SEE PAGE 8-69)         | 1    | 1  | 1  | 1  | -- | -- | -- | -- | -- | -- | -- |
| 4    | 209626      | DOUBLE REEL ASSY, 105/120 (SEE PAGE 8-71)         | --   | -- | -- | -- | 1  | 1  | 1  | 1  | 1  | 1  | 1  |
| 5    | 204416      | DOUBLE REEL ASSY, 75/75 (SEE PAGE 8-69)           | 1    | -- | -- | -- | -- | -- | -- | -- | -- | -- | -- |
| 5    | 204417      | DOUBLE REEL ASSY, 90/90 (SEE PAGE 8-69)           | --   | 1  | -- | -- | -- | -- | -- | -- | -- | -- | -- |
| 5    | 204418      | DOUBLE REEL ASSY, 105/105 (SEE PAGE 8-69)         | --   | -- | 1  | -- | -- | -- | -- | -- | -- | -- | -- |
| 5    | 204419      | DOUBLE REEL ASSY, 120/120 (SEE PAGE 8-69)         | --   | -- | -- | 1  | -- | -- | -- | -- | -- | -- | -- |
| 6    | 204422      | DOUBLE REEL ASSY, 75/75 (SEE PAGE 8-69)           | 1    | -- | -- | -- | -- | -- | -- | -- | -- | -- | -- |
| 6    | 204423      | DOUBLE REEL ASSY, 90/90 (SEE PAGE 8-69)           | --   | 1  | -- | -- | -- | -- | -- | -- | -- | -- | -- |
| 6    | 204424      | DOUBLE REEL ASSY, 105/105 (SEE PAGE 8-69)         | --   | -- | 1  | -- | -- | -- | -- | -- | -- | -- | -- |
| 6    | 204425      | DOUBLE REEL ASSY, 120/120 (SEE PAGE 8-69)         | --   | -- | -- | 1  | -- | -- | -- | -- | -- | -- | -- |
| 7    | 209629      | DOUBLE FLAT REEL ASSY 75/75 (SEE PAGE 8-71)       | --   | -- | -- | -- | 1  | -- | -- | -- | -- | -- | -- |
| 7    | 209630      | DOUBLE FLAT REEL ASSY 90/90 (SEE PAGE 8-71)       | --   | -- | -- | -- | -- | 1  | -- | -- | -- | -- | -- |
| 7    | 209631      | DOUBLE FLAT REEL ASSY, 105/105<br>(SEE PAGE 8-71) | --   | -- | -- | -- | -- | -- | 1  | -- | -- | -- | -- |
| 7    | 209632      | DOUBLE FLAT REEL ASSY 120/120<br>(SEE PAGE 8-71)  | --   | -- | -- | -- | -- | -- | -- | -- | -- | 1  | -- |
| 8    | 209635      | DOUBLE FLAT REEL ASSY 75/75 (SEE PAGE 8-71)       | --   | -- | -- | -- | 1  | -- | -- | -- | -- | -- | -- |
| 8    | 209636      | DOUBLE FLAT REEL ASSY 90/90 (SEE PAGE 8-71)       | --   | -- | -- | -- | -- | 1  | -- | -- | -- | -- | -- |
| 8    | 209637      | DOUBLE FLAT REEL ASSY, 105/105<br>(SEE PAGE 8-71) | --   | -- | -- | -- | -- | -- | 1  | -- | -- | -- | -- |
| 8    | 209638      | DOUBLE FLAT REEL ASSY 120/120 (SEE PAGE 8-71)     | --   | -- | -- | -- | -- | -- | -- | -- | -- | 1  | -- |

# Double Reel Assemblies 6231-30

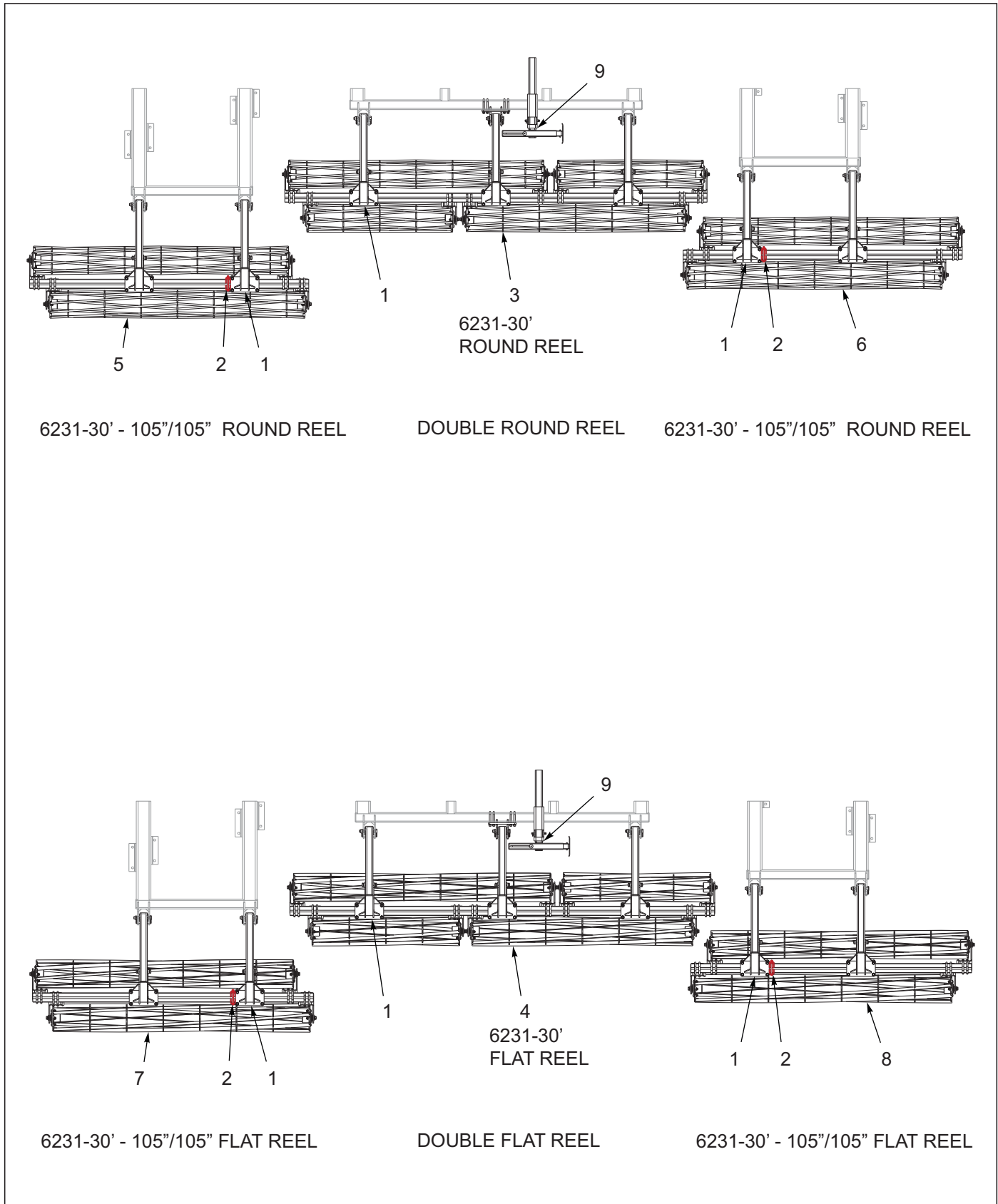


Figure 8-25: Double Reel Layout 6231-30

## Double Reel Assemblies 6231-30

| ITEM | PART NUMBER | DESCRIPTION                                    | QTY. |    |
|------|-------------|--|------|----|
| --   | 204517      | DOUBLE ROUND REEL 6231-30 ASSY                 | *    |    |
| --   | 221190      | DOUBLE FLAT REEL 6231-30 ASSY                  |      | *  |
| 1    | -----       | DOUBLE REEL ARM ASSEMBLY (SEE PAGE 8-63)       | 6    | 6  |
| 2    | -----       | CLAMP TUBE STOP ASSEMBLY (SEE PAGE 8-63)       | 2    | 2  |
| 3    | 204427      | DOUBLE REEL ASSY (SEE PAGE 8-73)               | 1    | -- |
| 4    | 209639      | DOUBLE FLAT REEL ASSY 150/165 (SEE PAGE 8-73)  | --   | 1  |
| 5    | 204418      | DOUBLE REEL ASSY, 105/105 (SEE PAGE 8-69)      | 1    | -- |
| 6    | 204424      | DOUBLE REEL ASSY, 105/105 (SEE PAGE 8-69)      | 1    | -- |
| 7    | 209631      | DOUBLE FLAT REEL ASSY, 105/105 (SEE PAGE 8-71) | --   | 1  |
| 8    | 209637      | DOUBLE FLAT REEL ASSY, 105/105 (SEE PAGE 8-71) | --   | 1  |
| 9    | -----       | REAR JACK MOUNT ASSEMBLY (SEE PAGE 8-63)       | 1    | 1  |

## Double Reel Assemblies 6231-33

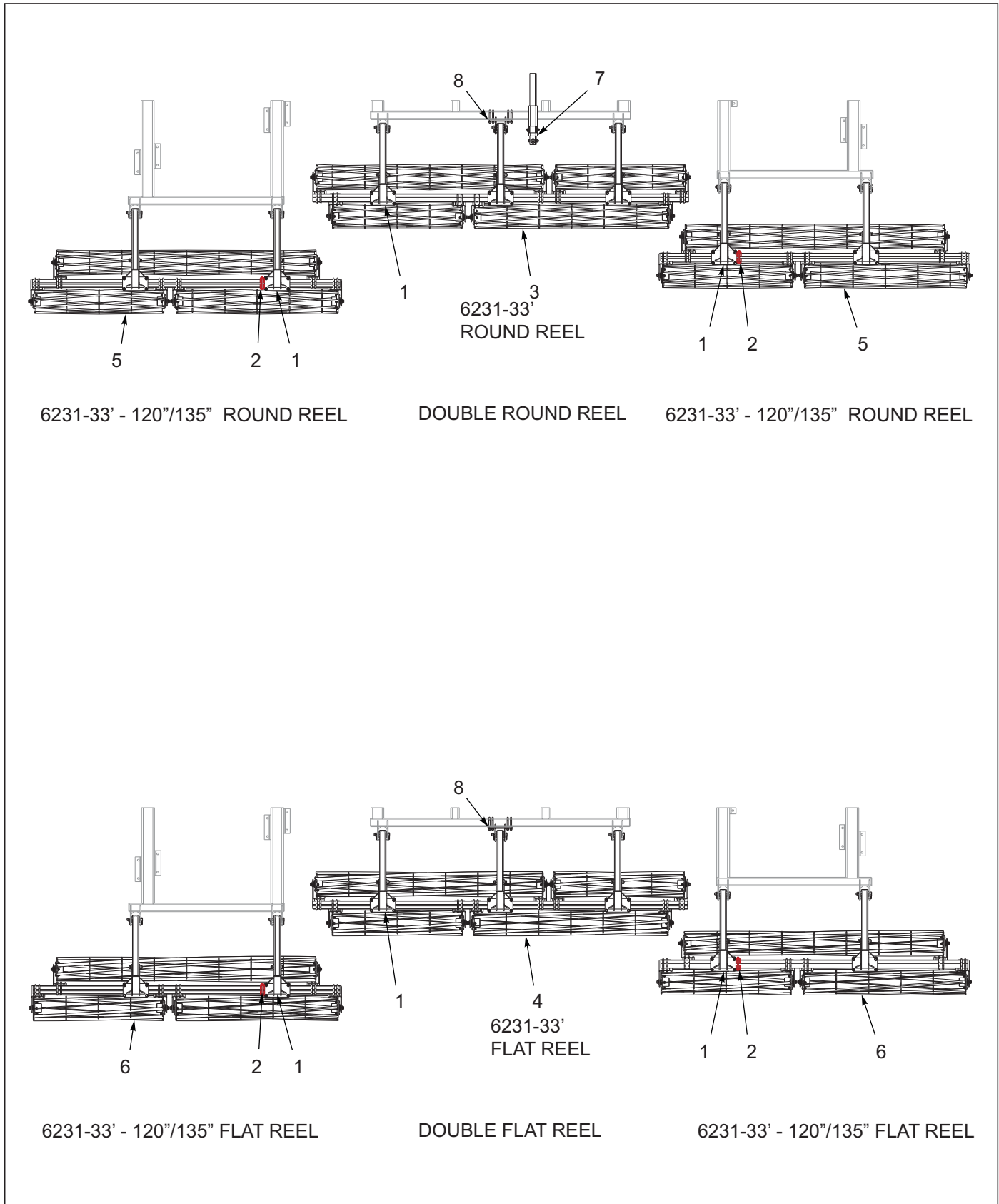


Figure 8-26: Double Reel Layout 6231-33



## Double Reel Assemblies 6231-33

| ITEM | PART NUMBER | DESCRIPTION                                    | QTY. |    |
|------|-------------|--|------|----|
| --   | 204518      | DOUBLE ROUND REEL 6231-33 ASSY                 | *    |    |
| --   | 221191      | DOUBLE FLAT REEL 6231-33 ASSY                  |      | *  |
| 1    | -----       | DOUBLE REEL ARM ASSEMBLY (SEE PAGE 8-63)       | 6    | 6  |
| 2    | -----       | CLAMP TUBE STOP ASSEMBLY (SEE PAGE 8-63)       | 2    | 2  |
| 3    | 204427      | DOUBLE REEL ASSY (SEE PAGE 8-73)               | 1    | -- |
| 4    | 209639      | DOUBLE FLAT REEL ASSY 150/165 (SEE PAGE 8-73)  | --   | 1  |
| 5    | 204520      | DOUBLE REEL ASSY 120/135 (SEE PAGE 8-75)       | 2    | -- |
| 6    | 213756      | DOUBLE FLAT REEL ASSY, 120/135 (SEE PAGE 8-75) | --   | 2  |
| 7    | -----       | REAR JACK MOUNT ASSEMBLY (SEE PAGE 8-63)       | 1    | -- |
| 8    | 180164      | ASSY, MOUNT-6" (SEE PAGE 8-63)                 | 1    | 1  |

Double Reel Assemblies 6231-36

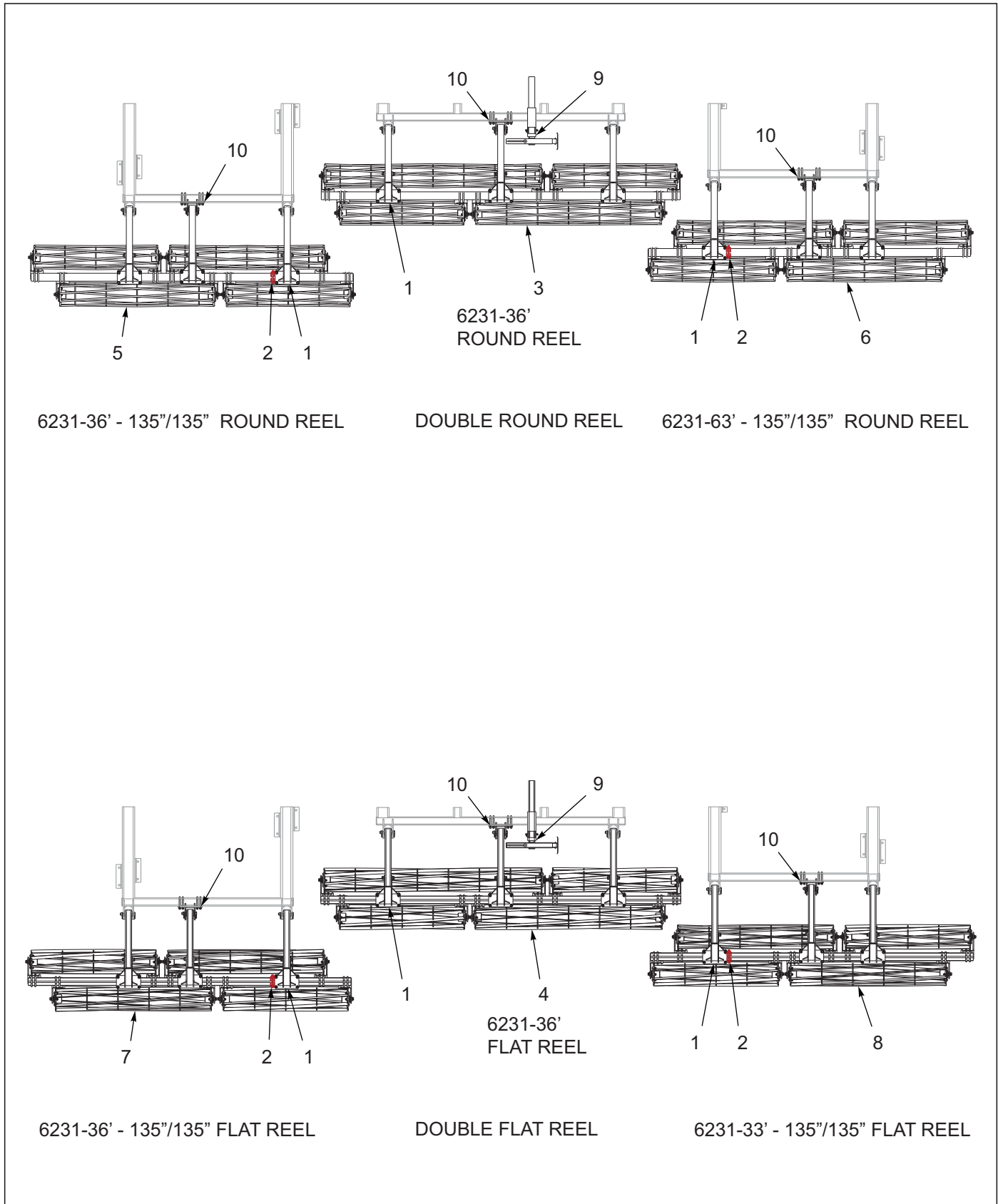


Figure 8-27: Double Reel Layout 6231-36

## Double Reel Assemblies 6231-36

| ITEM | PART NUMBER | DESCRIPTION                                    | QTY. |    |
|------|-------------|--|------|----|
| --   | 204519      | DOUBLE ROUND REEL 6231-36 ASSY                 | *    |    |
| --   | 221192      | DOUBLE FLAT REEL 6231-36 ASSY                  |      | *  |
| 1    | -----       | DOUBLE REEL ARM ASSEMBLY (SEE PAGE 8-63)       | 9    | 9  |
| 2    | -----       | CLAMP TUBE STOP ASSEMBLY (SEE PAGE 8-63)       | 2    | 2  |
| 3    | 204427      | DOUBLE REEL ASSY (SEE PAGE 8-73)               | 1    | -- |
| 4    | 209639      | DOUBLE FLAT REEL ASSY 150/165 (SEE PAGE 8-73)  | --   | 1  |
| 5    | 232462      | DOUBLE REEL ASSY, 135/135 (SEE PAGE 8-73)      | 1    | -- |
| 6    | 232461      | DOUBLE REEL ASSY, 135/135 (SEE PAGE 8-73)      | 1    | -- |
| 7    | 236791      | DOUBLE FLAT REEL ASSY, 135/135 (SEE PAGE 8-73) | --   | 1  |
| 8    | 236790      | DOUBLE FLAT REEL ASSY, 135/135 (SEE PAGE 8-73) | --   | 1  |
| 9    | -----       | REAR JACK MOUNT ASSEMBLY (SEE PAGE 8-63)       | 1    | -- |
| 10   | 180164      | ASSY, MOUNT-6" (SEE PAGE 8-63)                 | 3    | 3  |

# Hydraulic Double Reel Layout 6231-21-26-29

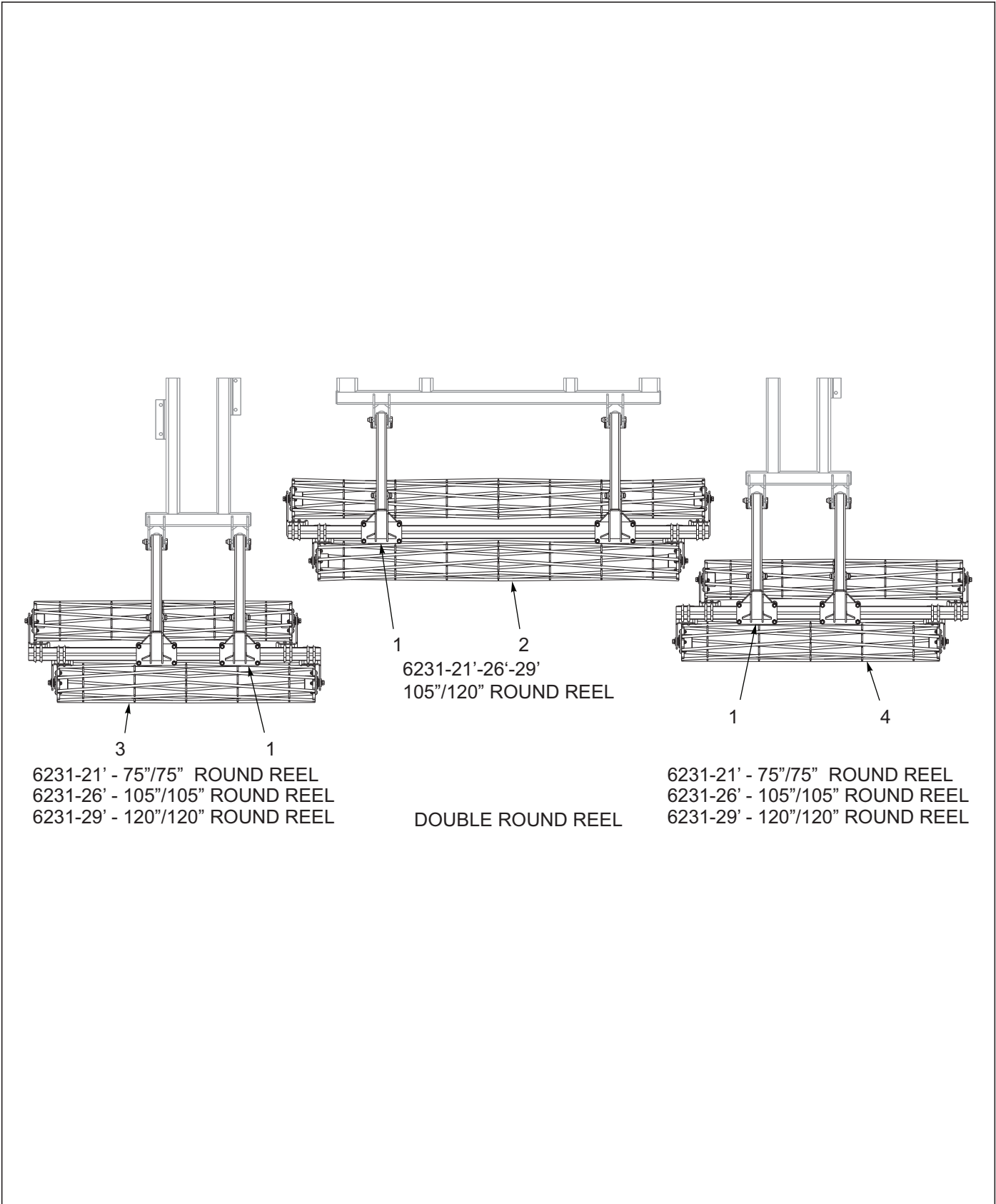


Figure 8-28: Hydraulic Double Reel Layout 6231-21-26-29

## Hydraulic Double Reel Layout 6231-21-26-29

| ITEM | PART NUMBER | DESCRIPTION                               | QTY. |    |    |
|------|-------------|---|------|----|----|
| --   | 229798      | HYD DOUBLE REEL ASSY 6231-21              | *    |    |    |
| --   | 229750      | HYD DOUBLE REEL ASSY 6231-26              |      | *  |    |
| --   | 232493      | HYD DBL RD REEL ASSY 6231-29              |      |    | *  |
| 1    | -----       | DOUBLE REEL ARM ASSEMBLY (SEE PAGE 8-65)  | 6    | 6  | 6  |
| 2    | 204413      | DOUBLE REEL ASSY, 105/120 (SEE PAGE 8-69) | 1    | 1  | 1  |
| 3    | 204416      | DOUBLE REEL ASSY, 75/75 (SEE PAGE 8-69)   | 1    | -- | -- |
| 3    | 204418      | DOUBLE REEL ASSY, 105/105 (SEE PAGE 8-69) | --   | 1  | -- |
| 3    | 204419      | DOUBLE REEL ASSY, 120/120 (SEE PAGE 8-69) | --   | -- | 1  |
| 4    | 204422      | DOUBLE REEL ASSY, 75/75 (SEE PAGE 8-69)   | 1    | -- | -- |
| 4    | 204424      | DOUBLE REEL ASSY, 105/105 (SEE PAGE 8-69) | --   | 1  | -- |
| 4    | 204425      | DOUBLE REEL ASSY, 120/120 (SEE PAGE 8-69) | --   | -- | 1  |

# Hydraulic Double Reel Layout 6231-30-33-36

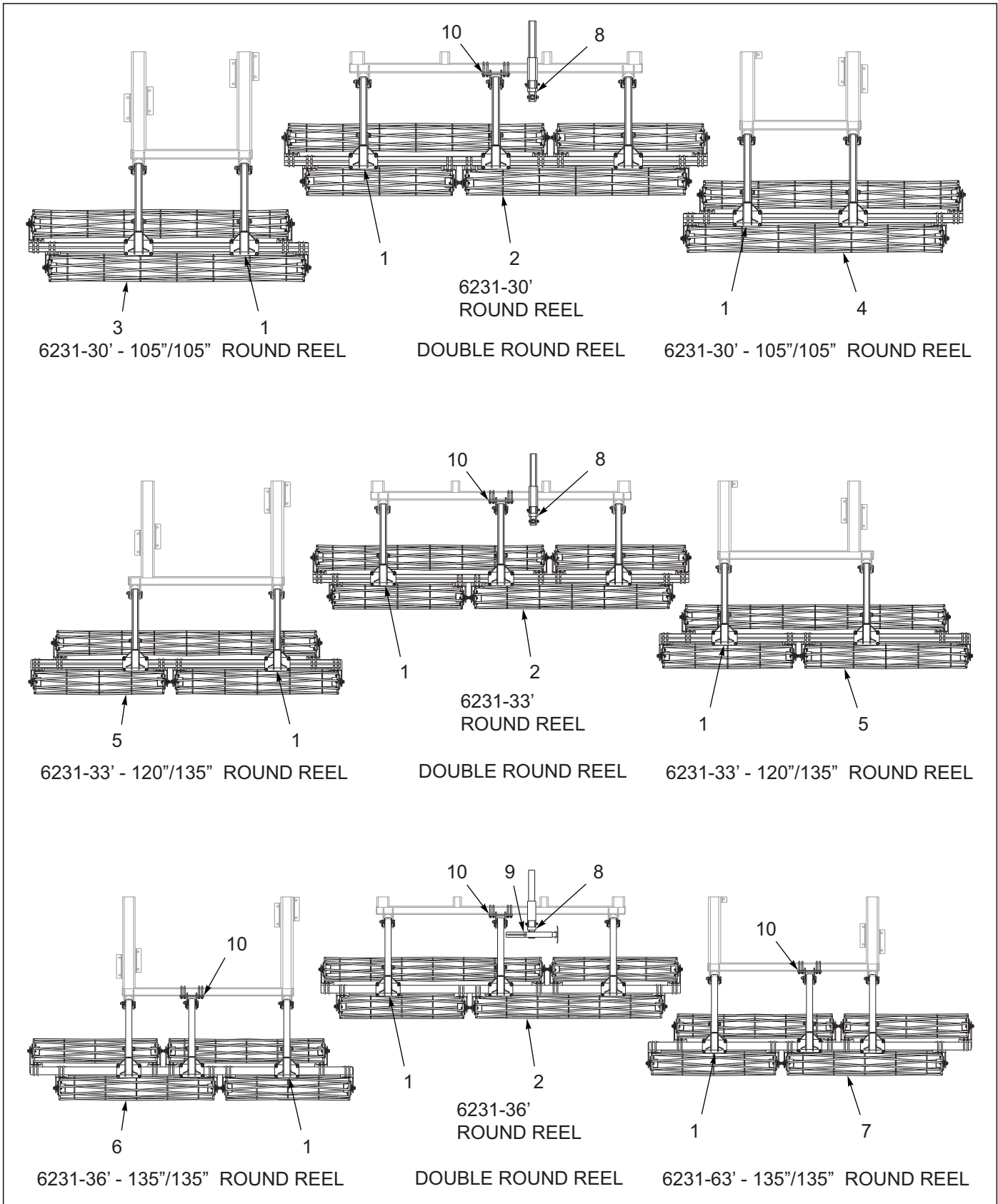


Figure 8-29: Hydraulic Double Reel Layout 6231-30-33-36

## Hydraulic Double Reel Layout 6231-30-33-36

| ITEM | PART NUMBER | DESCRIPTION                                  | QTY. |    |    |
|------|-------------|--|------|----|----|
| --   | 240692      | HYD DBL RD REEL ASSY 6231-30                 | *    |    |    |
| --   | 232378      | HYD DBL RD REEL ASSY 6231-33                 |      | *  |    |
| --   | 232459      | HYD DBL REEL ASSY 6231-36                    |      |    | *  |
| 1    | -----       | DOUBLE REEL ARM ASSEMBLY (SEE PAGE 8-67)     | 7    | 7  | 9  |
| 2    | 204427      | DOUBLE REEL ASSY (SEE PAGE 8-73)             | 1    | 1  | 1  |
| 3    | 204418      | DOUBLE REEL ASSY, 105/105 (SEE PAGE 8-69)    | 1    | -- | -- |
| 4    | 204424      | DOUBLE REEL ASSY, 105/105 (SEE PAGE 8-69)    | 1    | -- | -- |
| 5    | 204520      | DOUBLE REEL ASSY 120/135 (SEE PAGE 8-75)     | --   | 2  | -- |
| 6    | 232462      | DOUBLE REEL ASSY, 135/135 (SEE PAGE 8-73)    | --   | -- | 1  |
| 7    | 232461      | DOUBLE REEL ASSY, 135/135 (SEE PAGE 8-73)    | --   | -- | 1  |
| 8    | 156953      | REAR JACK MOUNT ASSY (SEE PAGE 8-67)         | 1    | 1  | 1  |
| 9    | 140647      | JACK, SIDE WIND 7000/8000 LB (SEE PAGE 2-12) | --   | -- | 1  |
| 10   | 180164      | ASSY, MOUNT-6" (SEE PAGE 8-67)               | 1    | 1  | 3  |

# Hydraulic Double Reel Assembly 6231-21-26-29

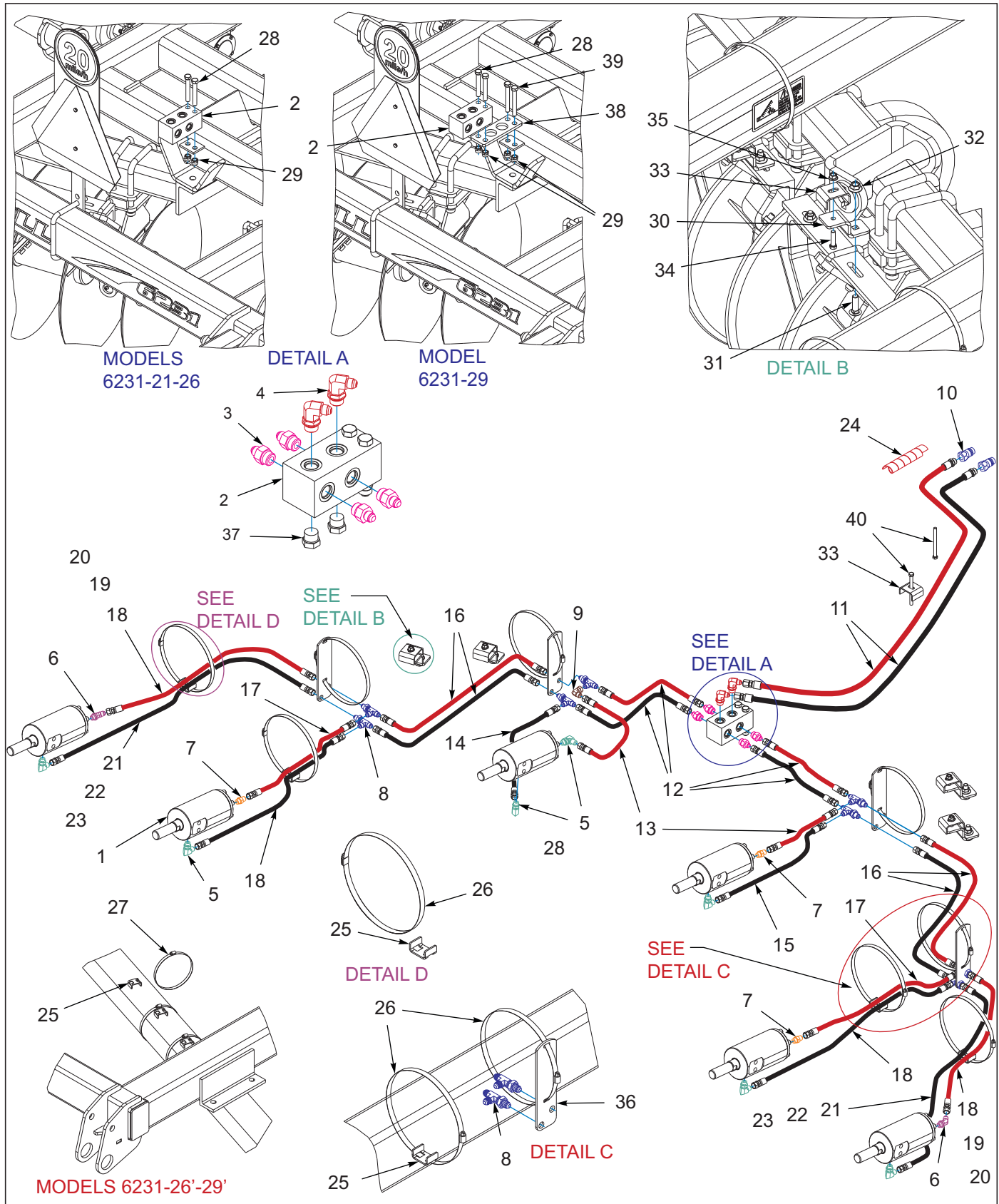


Figure 8-30: Hydraulic Double Reel Assembly 6231-21-26-29



## Hydraulic Double Reel Assembly 6231-21-26-29

| ITEM | PART NUMBER     | DESCRIPTION   | QTY. |    |    |
|------|-----------------|---|------|----|----|
| --   | 229798          | HYD DOUBLE REEL ASSY 6231-21                        | *    |    |    |
| --   | 229750          | HYD DOUBLE REEL ASSY 6231-26                        |      | *  |    |
| --   | 232493          | HYD DBL RD REEL ASSY 6231-29                        |      |    | *  |
| 1    | 206671          | CYL 2-1/2X2-1/2ST1-1/8THDS ASM (SEE PAGE 5-6)       | 6    | 6  | 6  |
| 2    | 2-474-010022    | MANIFOLD HYDRAULIC, 8 HOSE                          | 1    | 1  | 1  |
| 3    | 202702-8-6S     | ADAPTER #8 O-RING TO #6 TUBE                        | 4    | 4  | 4  |
| 4    | 2062-8-6S       | ELBOW,90,#8 SAE X #6 JIC                            | 2    | 2  | 2  |
| 5    | 2062-6-6S       | ADAPTER, 90, #6SAE X #6 JIC                         | 7    | 7  | 7  |
| 6    | 2061-6-6S       | ADAPTER, 45, #6 O-RING-TUBE                         | 2    | 2  | 2  |
| 7    | 202702-6-6S     | ADAPTER, STR,#6 SAEX#6 JIC                          | 3    | 3  | 3  |
| 8    | 162569          | TEE,#6 JIC BULKHD RUN, W/NUT                        | 8    | 8  | 8  |
| 9    | 102-0031        | ADAPTER,90 JIC SWIVEL #6                            | 1    | 1  | 1  |
| 10   | 141828          | COUPLER,MALE 3/4-16 O-RING                          | 2    | 2  | 2  |
| 11   | 172972          | HOSE ASSY, 3/8, #6JICX#8ORX330                      | 2    | 2  | 2  |
| 12   | 172999          | HOSE ASSY, 1/4 X 42 #6 JIC STR                      | 4    | 4  | 4  |
| 13   | 195665          | HOSE ASSY, 1/4X20" #6 JIC STR                       | 2    | 2  | 2  |
| 14   | 7779-14         | HOSE HYD 1/4 X 14                                   | 1    | 1  | 1  |
| 15   | 176929          | HOSE ASSY, 1/4 X 24 #6 JIC STR                      | 1    | 1  | 1  |
| 16   | 71500165        | HOSE, .25 X 46 IN.                                  | 4    | 4  | 4  |
| 17   | 195666          | HOSE ASSY, 1/4X26" #6 JIC STR (MODELS 6231-21'-26') | 2    | 2  | -- |
| 17   | 71509125        | HOSE ASSY, 1/4, #6 JIC 30" (MODEL 6231-29')         | --   | -- | 2  |
| 18   | 195667          | HOSE ASSY, 1/4X32" #6 JIC STR                       | 4    | 2  | -- |
| 19   | 71509010        | HOSE ASM 1/4 X 64                                   | --   | 2  | -- |
| 20   | 71509006        | HOSE ASM 1/4 X 80                                   | --   | -- | 2  |
| 21   | 224663          | HOSE ASSY, 1/4 X 38 #6 JIC STR                      | 2    | -- | -- |
| 22   | 173000          | HOSE ASSY, 1/4 X 68 #6 JIC STR                      | --   | 2  | -- |
| 23   | 71509788        | HOSE ASSY .250 X 84"                                | --   | -- | 2  |
| 24   | 172973          | HOSE WRAP, RED                                      | 1    | 1  | 1  |
| 25   | 174784          | CLAMP HOSE  | 4    | 8  | 8  |
| 26   | 172977          | CLAMP, HOSE 2-1/2 - 8-1/2 #128                      | 8    | 6  | 6  |
| 27   | 172976          | CLAMP, HOSE 4-1/2 - 6-1/2 #096                      | --   | 6  | 6  |
| 28   | 1-654-010055-11 | SCREW,HX CP 1/2-13UNCX3-1/2                         | 2    | 2  | 2  |
| 29   | 1-512-010005-09 | NUT,HEX,SLFLKG, 1/2-13 GRB                          | 2    | 2  | 2  |
| 30   | 141275          | BRACKET, HOSE CLAMP                                 | 4    | 4  | 4  |
| 31   | 1-654-010070-04 | SCREW RDHD SQNK 1/2-13X1-3/4                        | 4    | 4  | 4  |
| 32   | 172509          | NUT,1/2-13 WIDE FLNG TOP LCK F                      | 4    | 4  | 4  |
| 33   | 2-181-010001    | HOSE CLAMP  | 5    | 5  | 5  |
| 34   | 1-654-010051-07 | SCREW,HEX CAP,3/8-16UNCX1-1/2                       | 4    | 4  | 4  |
| 35   | 1-510-010001    | NUT, 3/8-16 UNC FLG LOCK GR G                       | 4    | 4  | 4  |
| 36   | 172992          | PLATE, BULKHEAD                                     | 4    | 4  | 4  |
| 37   | 1-007-010025    | PLUG, 3/4-16 O-RING BOSS                            | 2    | 2  | 2  |
| 38   | 211367          | HYD MANIFOLD MNT                                    | --   | -- | 1  |
| 39   | 1-654-010055-13 | SCREW,HEX CAP,1/2-13UNCX4 GR5                       | --   | -- | 1  |
| 40   | 173044          | SCREW, ALL THREAD,3/8-16X4-1/2                      | 2    | 2  | 2  |

# Hydraulic Double Reel Assembly 6231-30

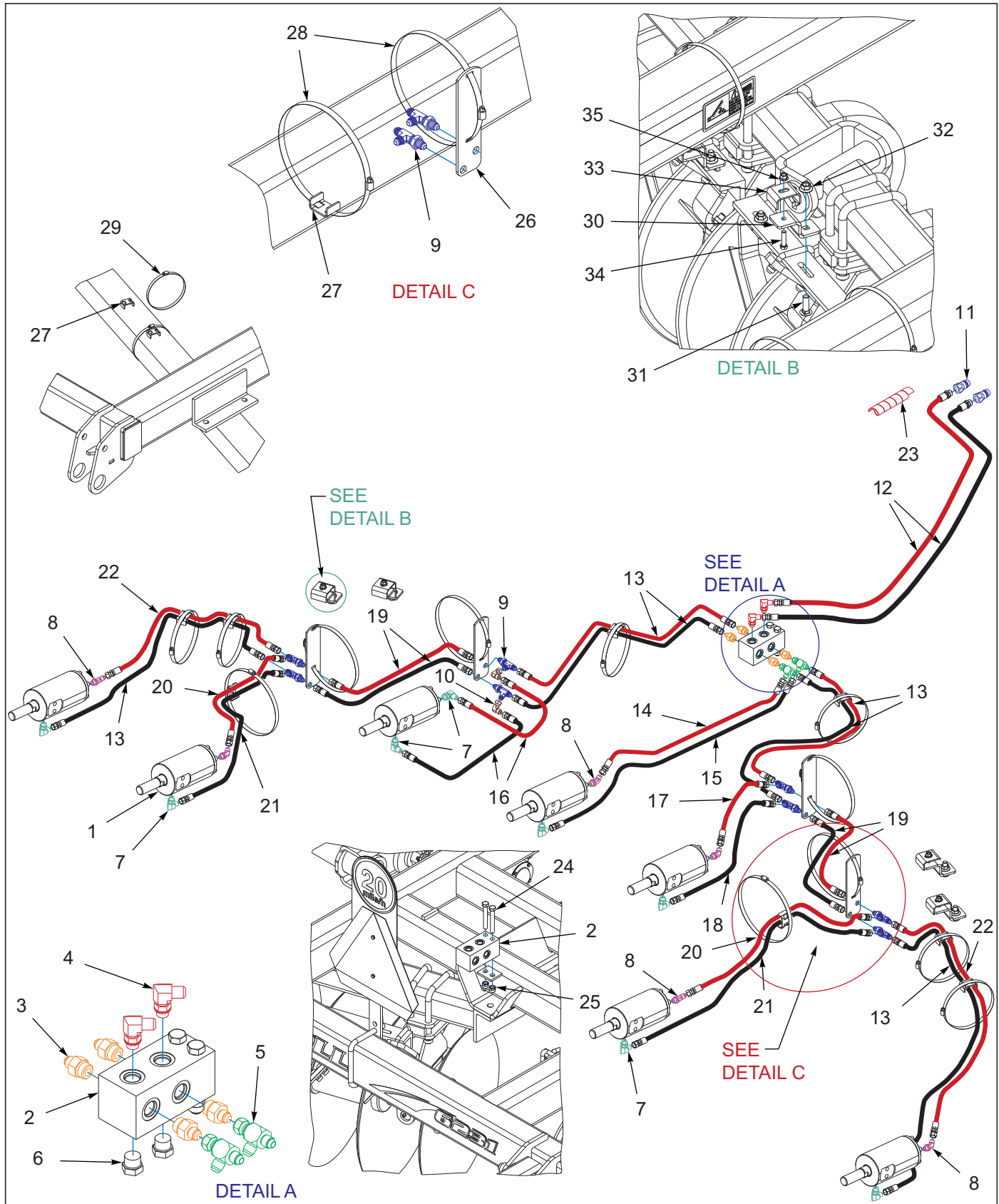


Figure 8-31: Hydraulic Double Reel Assembly 6231-30

## Hydraulic Double Reel Assembly 6231-30

| ITEM | PART NUMBER     | DESCRIPTION                                   | QTY. |
|------|-----------------|---|------|
| --   | 240692          | HYD DBL RD REEL ASSY 6231-30                  |      |
| 1    | 206671          | CYL 2-1/2X2-1/2ST1-1/8THDS ASM (SEE PAGE 5-6) | 7    |
| 2    | 2-474-010022    | MANIFOLD HYDRAULIC, 8 HOSE                    | 1    |
| 3    | 202702-8-6S     | ADAPTER #8 O-RING TO #6 TUBE                  | 4    |
| 4    | 2062-8-6S       | ELBOW,90,#8 SAE X #6 JIC                      | 2    |
| 5    | 102-1158        | TEE,RUN-SWVL .38SAE                           | 2    |
| 6    | 1-007-010025    | PLUG, 3/4-16 O-RING BOSS                      | 2    |
| 7    | 2062-6-6S       | ADAPTER, 90, #6SAE X #6 JIC                   | 8    |
| 8    | 2061-6-6S       | ADAPTER, 45, #6 O-RING-TUBE                   | 6    |
| 9    | 162569          | TEE,#6 JIC BULKHD RUN, W/NUT                  | 8    |
| 10   | 102-0031        | ADAPTER,90 JIC SWIVEL #6                      | 2    |
| 11   | 141828          | COUPLER,MALE 3/4-16 O-RING                    | 2    |
| 12   | 172972          | HOSE ASSY, 3/8, #6JICX#8ORX330                | 2    |
| 13   | 71509010        | HOSE ASM 1/4 X 64                             | 6    |
| 14   | 195667          | HOSE ASSY, 1/4X32" #6 JIC STR                 | 1    |
| 15   | 71509009        | HOSE ASSY, 1/4 X 36 #6 JIC STR                | 1    |
| 16   | 7779-14         | HOSE HYD 1/4 X 14                             | 2    |
| 17   | 195665          | HOSE ASSY, 1/4X20" #6 JIC STR                 | 1    |
| 18   | 195666          | HOSE ASSY, 1/4X26" #6 JIC STR                 | 4    |
| 19   | 7779-54         | HOSE HYD 1/4 X 54                             | 4    |
| 20   | 176930          | HOSE ASSY, 1/4 X 28 #6 JIC STR                | 2    |
| 21   | 7779-34         | HOSE HYD 1/4 X 34                             | 2    |
| 22   | 172979          | HOSE ASSY, 1/4 X 60 #6 JIC STR                | 2    |
| 23   | 172973          | HOSE WRAP, RED                                | 1    |
| 24   | 1-654-010055-11 | SCREW,HX CP 1/2-13UNCX3-1/2                   | 2    |
| 25   | 1-512-010005-09 | NUT,HEX,SLFLKG, 1/2-13 GRB                    | 4    |
| 26   | 172992          | PLATE, BULKHEAD                               | 4    |
| 27   | 174784          | CLAMP HOSE                                    | 8    |
| 28   | 172977          | CLAMP, HOSE 2-1/2 - 8-1/2 #128                | 6    |
| 29   | 172976          | CLAMP, HOSE 4-1/2 - 6-1/2 #096                | 6    |
| 30   | 141275          | BRACKET, HOSE CLAMP                           | 4    |
| 31   | 1-654-010070-04 | SCREW RDHD SQNK 1/2-13X1-3/4                  | 4    |
| 32   | 172509          | NUT,1/2-13 WIDE FLNG TOP LCK F                | 4    |
| 33   | 2-181-010001    | HOSE CLAMP                                    | 5    |
| 34   | 1-654-010051-07 | SCREW,HEX CAP,3/8-16UNCX1-1/2                 | 4    |
| 35   | 1-510-010001    | NUT, 3/8-16 UNC FLG LOCK GR G                 | 4    |

# Hydraulic Double Reel Assembly 6231-33

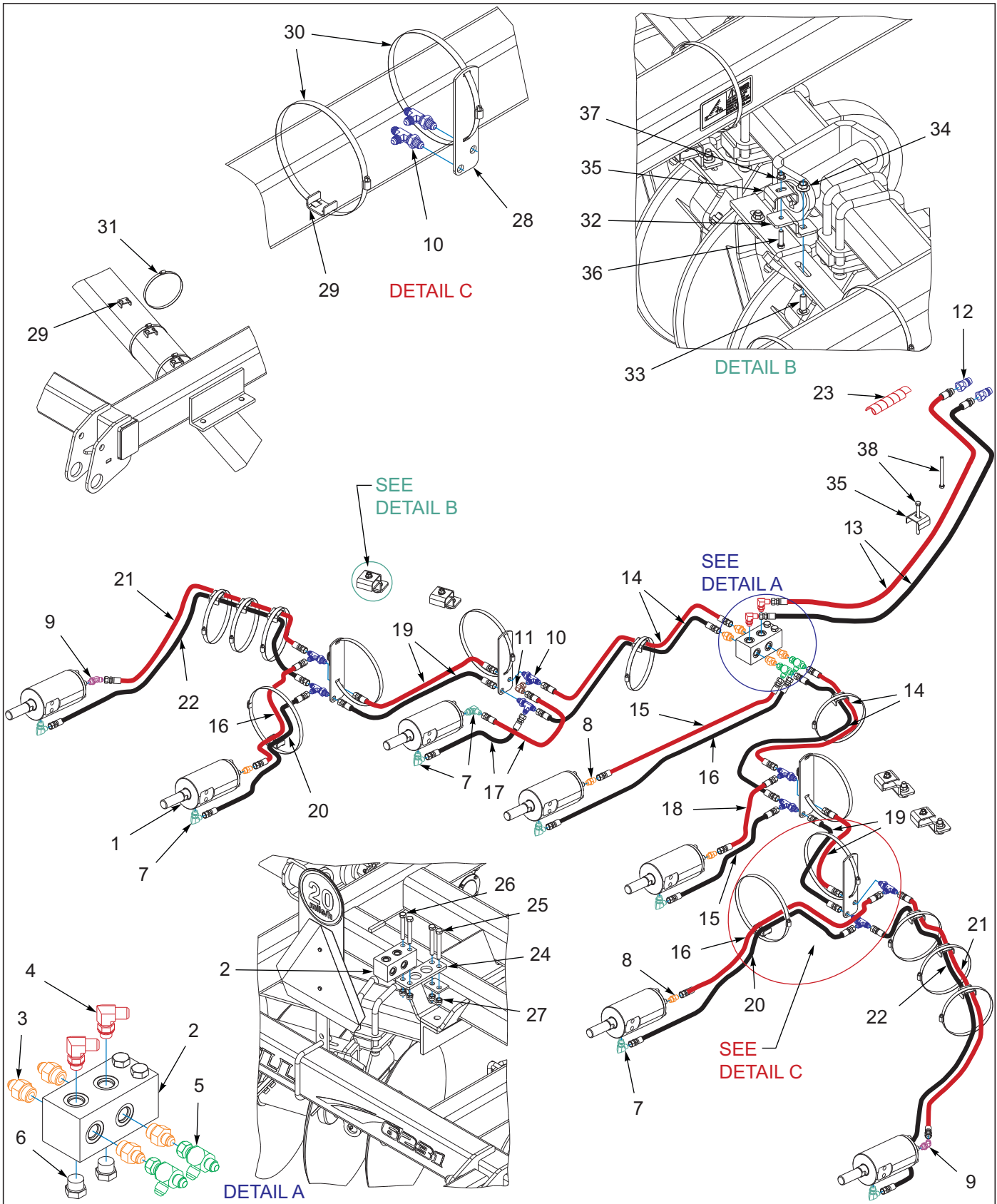


Figure 8-32: Hydraulic Double Reel Assembly 6231-33

## Hydraulic Double Reel Assembly 6231-33

| ITEM | PART NUMBER     | DESCRIPTION                                   | QTY. |
|------|-----------------|---|------|
| --   | 232378          | HYD DBL RD REEL ASSY 6231-33                  |      |
| 1    | 206671          | CYL 2-1/2X2-1/2ST1-1/8THDS ASM (SEE PAGE 5-6) | 7    |
| 2    | 2-474-010022    | MANIFOLD HYDRAULIC, 8 HOSE                    | 1    |
| 3    | 202702-8-6S     | ADAPTER #8 O-RING TO #6 TUBE                  | 4    |
| 4    | 2062-8-6S       | ELBOW,90,#8 SAE X #6 JIC                      | 2    |
| 5    | 102-1158        | TEE,RUN-SWVL .38SAE                           | 2    |
| 6    | 1-007-010025    | PLUG, 3/4-16 O-RING BOSS                      | 2    |
| 7    | 2062-6-6S       | ADAPTER, 90, #6SAE X #6 JIC                   | 8    |
| 8    | 202702-6-6S     | ADAPTER, STR,#6 SAEX#6 JIC                    | 4    |
| 9    | 2061-6-6S       | ADAPTER, 45, #6 O-RING-TUBE                   | 2    |
| 10   | 162569          | TEE,#6 JIC BULKHD RUN, W/NUT                  | 8    |
| 11   | 102-0031        | ADAPTER,90 JIC SWIVEL #6                      | 1    |
| 12   | 141828          | COUPLER,MALE 3/4-16 O-RING                    | 2    |
| 13   | 172972          | HOSE ASSY, 3/8, #6JICX#8ORX330                | 2    |
| 14   | 71509010        | HOSE ASM 1/4 X 64                             | 4    |
| 15   | 195666          | HOSE ASSY, 1/4X26" #6 JIC STR                 | 2    |
| 16   | 71509125        | HOSE ASSY, 1/4, #6 JIC 30"                    | 3    |
| 17   | 7779-14         | HOSE HYD 1/4 X 14                             | 2    |
| 18   | 195665          | HOSE ASSY, 1/4X20" #6 JIC STR                 | 1    |
| 19   | 7779-54         | HOSE HYD 1/4 X 54                             | 4    |
| 20   | 71509009        | HOSE ASSY, 1/4 X 36 #6 JIC STR                | 2    |
| 21   | 71509788        | HOSE ASSY .250 X 84"                          | 2    |
| 22   | 7779-90         | HOSE HYD 1/4 X 90                             | 2    |
| 23   | 172973          | HOSE WRAP, RED                                | 1    |
| 24   | 211367          | HYD MANIFOLD MNT                              | 1    |
| 25   | 1-654-010055-13 | SCREW,HEX CAP,1/2-13UNCX4 GR5                 | 2    |
| 26   | 1-654-010055-11 | SCREW,HX CP 1/2-13UNCX3-1/2                   | 2    |
| 27   | 1-512-010005-09 | NUT,HEX,SLFLKG, 1/2-13 GRB                    | 4    |
| 28   | 172992          | PLATE, BULKHEAD                               | 4    |
| 29   | 174784          | CLAMP HOSE                                    | 10   |
| 30   | 172977          | CLAMP, HOSE 2-1/2 - 8-1/2 #128                | 6    |
| 31   | 172976          | CLAMP, HOSE 4-1/2 - 6-1/2 #096                | 8    |
| 32   | 141275          | BRACKET, HOSE CLAMP                           | 4    |
| 33   | 1-654-010070-04 | SCREW RDHD SQNK 1/2-13X1-3/4                  | 4    |
| 34   | 172509          | NUT,1/2-13 WIDE FLNG TOP LCK F                | 4    |
| 35   | 2-181-010001    | HOSE CLAMP                                    | 5    |
| 36   | 1-654-010051-07 | SCREW,HEX CAP,3/8-16UNCX1-1/2                 | 4    |
| 37   | 1-510-010001    | NUT, 3/8-16 UNC FLG LOCK GR G                 | 4    |
| 38   | 173044          | SCREW, ALL THREAD,3/8-16X4-1/2                | 2    |



# Hydraulic Double Reel Assembly 6231-36

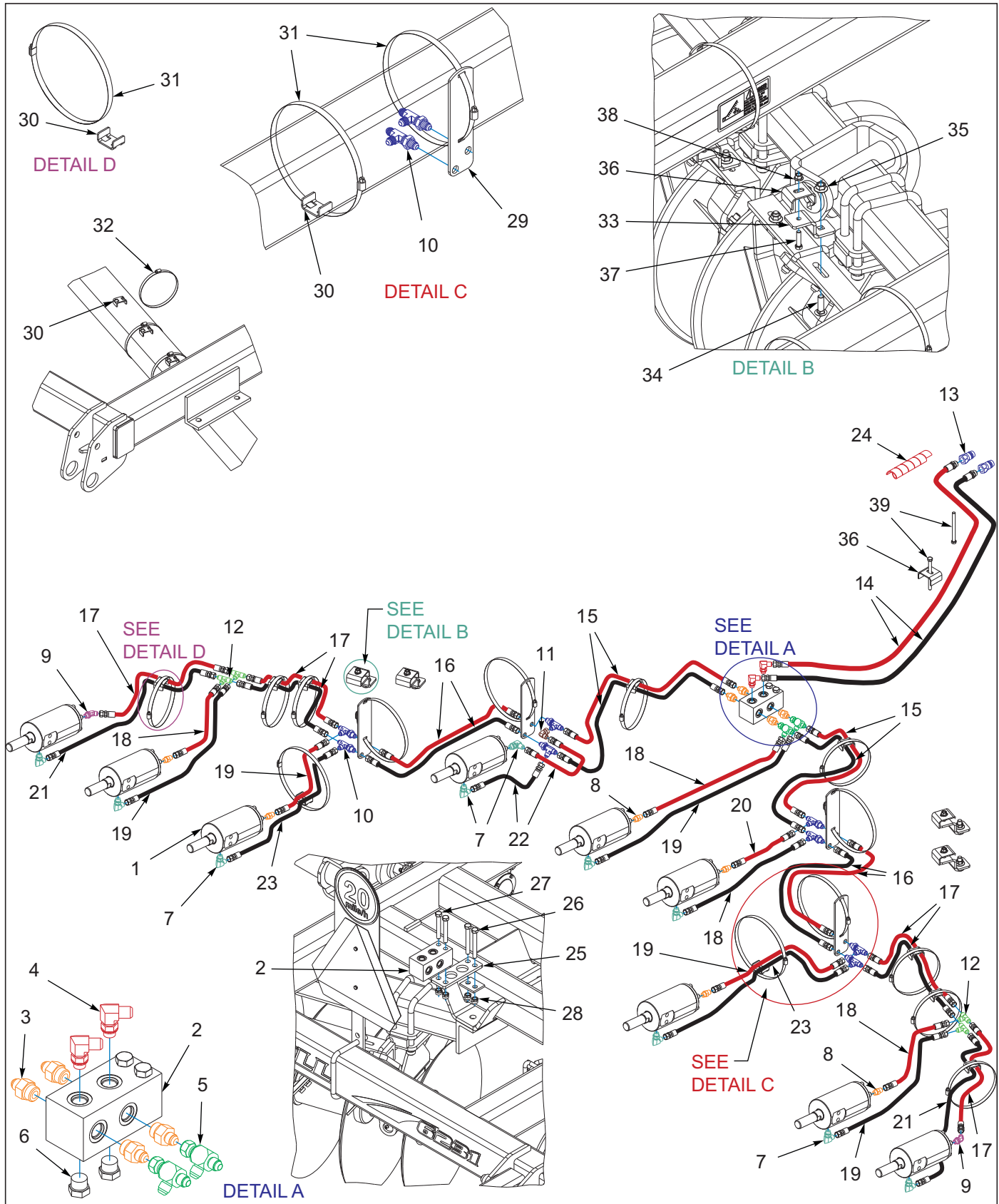


Figure 8-33: Hydraulic Double Reel Assembly 6231-36

## Hydraulic Double Reel Assembly 6231-36

| ITEM | PART NUMBER     | DESCRIPTION                                   | QTY. |
|------|-----------------|---|------|
| --   | 232459          | HYD DBL REEL ASSY 6231-36                     |      |
| 1    | 206671          | CYL 2-1/2X2-1/2ST1-1/8THDS ASM (SEE PAGE 5-6) | 6    |
| 2    | 2-474-010022    | MANIFOLD HYDRAULIC, 8 HOSE                    | 1    |
| 3    | 202702-8-6S     | ADAPTER #8 O-RING TO #6 TUBE                  | 4    |
| 4    | 2062-8-6S       | ELBOW,90,#8 SAE X #6 JIC                      | 2    |
| 5    | 102-1158        | TEE,RUN-SWVL .38SAE                           | 2    |
| 6    | 1-007-010025    | PLUG, 3/4-16 O-RING BOSS                      | 2    |
| 7    | 2062-6-6S       | ADAPTER, 90, #6SAE X #6 JIC                   | 10   |
| 8    | 202702-6-6S     | ADAPTER, STR,#6 SAEX#6 JIC                    | 6    |
| 9    | 2061-6-6S       | ADAPTER, 45, #6 O-RING-TUBE                   | 2    |
| 10   | 162569          | TEE,#6 JIC BULKHD RUN, W/NUT                  | 8    |
| 11   | 102-0031        | ADAPTER,90 JIC SWIVEL #6                      | 1    |
| 12   | 2033-6-6S       | ADAPTER, TEE, #6 TUBE                         | 4    |
| 13   | 141828          | COUPLER,MALE 3/4-16 O-RING                    | 2    |
| 14   | 172972          | HOSE ASSY, 3/8, #6JICX#8ORX330                | 2    |
| 15   | 71509010        | HOSE ASM 1/4 X 64                             | 4    |
| 16   | 7779-54         | HOSE HYD 1/4 X 54                             | 4    |
| 17   | 232464          | HOSE ASSY, 1/4X44 #6 JIC STR                  | 6    |
| 18   | 195666          | HOSE ASSY, 1/4X26" #6 JIC STR                 | 4    |
| 19   | 71509125        | HOSE ASSY, 1/4, #6 JIC 30"                    | 5    |
| 20   | 195665          | HOSE ASSY, 1/4X20" #6 JIC STR                 | 1    |
| 21   | 7779-48         | HOSE HYD 1/4 X 48                             | 2    |
| 22   | 7779-14         | HOSE HYD 1/4 X 14                             | 2    |
| 23   | 71509009        | HOSE ASSY, 1/4 X 36 #6 JIC STR                | 2    |
| 24   | 172973          | HOSE WRAP, RED                                | 1    |
| 25   | 211367          | HYD MANIFOLD MNT                              | 1    |
| 26   | 1-654-010055-13 | SCREW,HEX CAP,1/2-13UNCX4 GR5                 | 2    |
| 27   | 1-654-010055-11 | SCREW,HX CP 1/2-13UNCX3-1/2                   | 2    |
| 28   | 1-512-010005-09 | NUT,HEX,SLFLKG, 1/2-13 GRB                    | 4    |
| 29   | 172992          | PLATE, BULKHEAD                               | 4    |
| 30   | 174784          | CLAMP HOSE                                    | 8    |
| 31   | 172977          | CLAMP, HOSE 2-1/2 - 8-1/2 #128                | 6    |
| 32   | 172976          | CLAMP, HOSE 4-1/2 - 6-1/2 #096                | 8    |
| 33   | 141275          | BRACKET, HOSE CLAMP                           | 4    |
| 34   | 1-654-010070-04 | SCREW RDHD SQNK 1/2-13X1-3/4                  | 4    |
| 35   | 172509          | NUT,1/2-13 WIDE FLNG TOP LCK F                | 4    |
| 36   | 2-181-010001    | HOSE CLAMP                                    | 5    |
| 37   | 1-654-010051-07 | SCREW,HEX CAP,3/8-16UNCX1-1/2                 | 4    |
| 38   | 1-510-010001    | NUT, 3/8-16 UNC FLG LOCK GR G                 | 4    |
| 39   | 173044          | SCREW, ALL THREAD,3/8-16X4-1/2                | 2    |

# Double Reel Assembly 6231-21-23-26-29

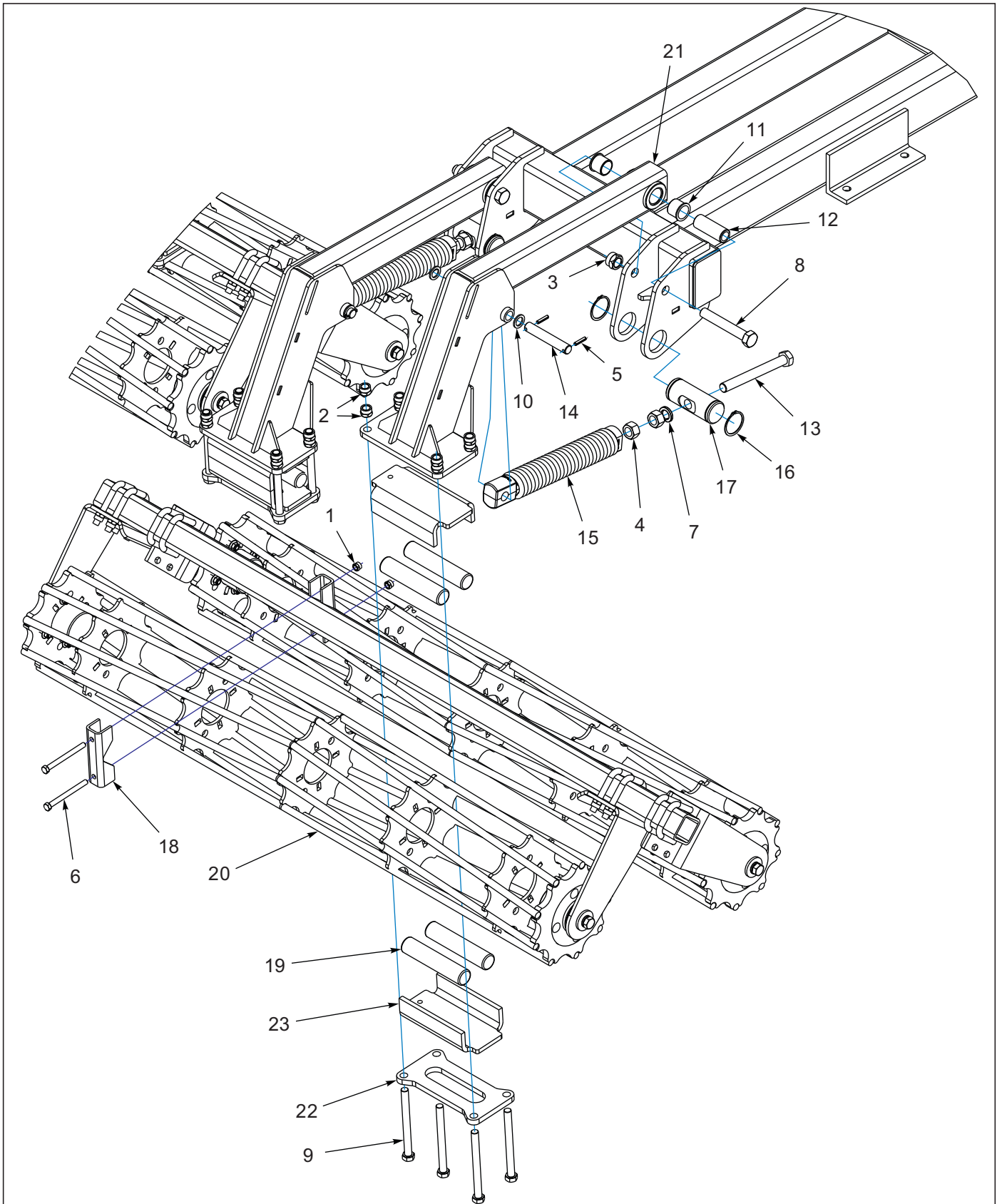


Figure 8-34: Double Reel Assembly 6231-21-23-26-29



## Double Reel Assembly 6231-21-23-26-29

| ITEM | PART NUMBER     | DESCRIPTION                            | QTY. |
|------|-----------------|--|------|
| --   | 204513          | DOUBLE ROUND REEL 6231-21 ASSY         |      |
| --   | 204514          | DOUBLE ROUND REEL 6231-23 ASSY         |      |
| --   | 204515          | DOUBLE ROUND REEL 6231-26 ASSY         |      |
| --   | 204516          | DOUBLE ROUND REEL 6231-29 ASSY         |      |
| --   | 221186          | DOUBLE FLAT REEL 6231-21 ASSY          |      |
| --   | 221187          | DOUBLE FLAT REEL 6231-23 ASSY          |      |
| --   | 221188          | DOUBLE FLAT REEL 6231-26 ASSY          |      |
| --   | 221189          | DOUBLE FLAT REEL 6231-29 ASSY          |      |
| 1    | 1-512-010005-09 | NUT,HEX,SLFLKG, 1/2-13 GRB             | 4    |
| 2    | 1-512-010005-15 | NUT,HEX,SLFLKG GRB 3/4-10              | 48   |
| 3    | 1-512-010005-19 | NUT 1-8 HEX SLF-LOCKING GRB            | 6    |
| 4    | 1-512-010007-14 | NUT, HEX 1-8 GR2 ZP                    | 12   |
| 5    | 1-647-010004236 | SPRING PIN,SLOTTED 5/16X1-1/2          | 12   |
| 6    | 1-654-010055-16 | SCREW HEX CAP 1/2-13X5-1/2GR5          | 4    |
| 7    | 1-861-010034-21 | WASHER, LKG HEL SPRG 1IN               | 6    |
| 8    | 100829          | SCREW,HEX CAP,1-8X6-1/2,GR5            | 6    |
| 9    | 107491          | SCREW HX CP 3/4-10X8-1/2 GR8           | 24   |
| 10   | 117957          | MACHINERY BUSHING,ZINC PLATED          | 12   |
| 11   | 140599          | BEARING, FLANGE 1-1/2"                 | 12   |
| 12   | 152209          | BUSHING, PIVOT 1-1/2                   | 6    |
| 13   | 152210          | BOLT, ADJ, 1 X 9                       | 6    |
| 14   | 154392          | PIN, PIVOT                             | 6    |
| 15   | 158795          | SPRING ASSY, 17"                       | 6    |
| 16   | 158896          | SNAP RING, 2-1/2 SHAFT                 | 12   |
| 17   | 158897          | PIN, ADJUSTMENT                        | 6    |
| 18   | 191487          | CLAMP, TUBE 3X3                        | 4    |
| 19   | 203525          | SPRING-TORSION, RUBBER, 1-3/4          | 24   |
| 20   | -----           | DOUBLE REEL ASSEMBLIES (SEE PAGE 8-69) | N/A  |
| 21   | 204505          | ARM WLDMT DOUBLE REEL                  | 6    |
| 22   | 204510          | PLATE GANGBAR MOUNT                    | 6    |
| 23   | 204511          | TUBE, CLAMP                            | 12   |

# Double Reel Assembly 6231-30-33-36

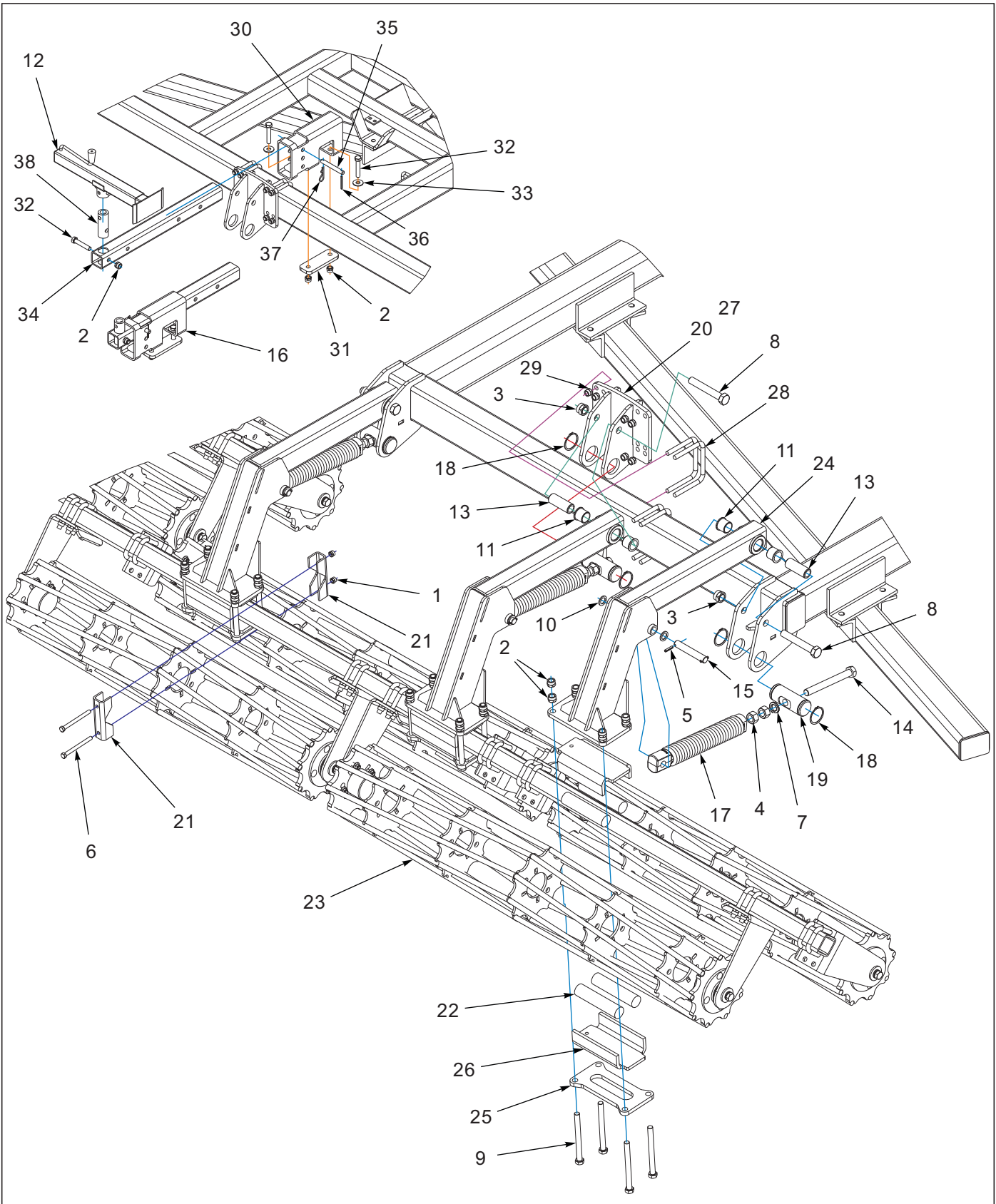


Figure 8-35: Double Reel Assembly 6231-30-33-36

## Double Reel Assembly 6231-30-33-36

| ITEM | PART NUMBER     | DESCRIPTION                                | QTY. |     |     |     |     |     |     |
|------|-----------------|--|------|-----|-----|-----|-----|-----|-----|
| --   | 204517          | DOUBLE ROUND REEL 6231-30 ASSY             | *    |     |     |     |     |     |     |
| --   | 204518          | DOUBLE ROUND REEL 6231-33 ASSY             |      | *   |     |     |     |     |     |
| --   | 204519          | DOUBLE ROUND REEL 6231-36 ASSY             |      |     | *   |     |     |     |     |
| --   | 221190          | DOUBLE FLAT REEL 6231-30 ASSY              |      |     |     | *   |     |     |     |
| --   | 221191          | DOUBLE FLAT REEL 6231-33 ASSY              |      |     |     |     | *   |     |     |
| --   | 221192          | DOUBLE FLAT REEL 6231-36 ASSY              |      |     |     |     |     | *   |     |
| 1    | 1-512-010005-09 | NUT,HEX,SLFLKG, 1/2-13 GRB                 | 4    | 4   | 4   | 4   | 4   | 4   | 4   |
| 2    | 1-512-010005-15 | NUT,HEX,SLFLKG GRB 3/4-10                  | 56   | 56  | 72  | 56  | 56  | 72  | 72  |
| 3    | 1-512-010005-19 | NUT 1-8 HEX SLF-LOCKING GRB                | 7    | 7   | 9   | 7   | 7   | 9   | 9   |
| 4    | 1-512-010007-14 | NUT, HEX 1-8 GR2 ZP                        | 14   | 14  | 18  | 14  | 14  | 18  | 18  |
| 5    | 1-647-010004236 | SPRING PIN,SLOTTED 5/16X1-1/2              | 14   | 14  | 18  | 14  | 14  | 18  | 18  |
| 6    | 1-654-010055-16 | SCREW HEX CAP 1/2-13X5-1/2GR5              | 4    | 4   | 4   | 4   | 4   | 4   | 4   |
| 7    | 1-861-010034-21 | WASHER, LKG HEL SPRG 1IN                   | 7    | 7   | 9   | 7   | 7   | 9   | 9   |
| 8    | 100829          | SCREW,HEX CAP,1-8X6-1/2,GR5                | 7    | 7   | 9   | 7   | 7   | 9   | 9   |
| 9    | 107491          | SCREW HX CP 3/4-10X8-1/2 GR8               | 28   | 28  | 36  | 28  | 28  | 36  | 36  |
| 10   | 117957          | MACHINERY BUSHING,ZINC PLATED              | 14   | 14  | 18  | 14  | 14  | 18  | 18  |
| 11   | 140599          | BEARING, FLANGE 1-1/2"                     | 14   | 14  | 18  | 14  | 14  | 18  | 18  |
| 12   | 140647          | JACK, SIDE WIND 7000/8000 LB               | 1    | --  | 1   | 1   | --  | 1   | 1   |
| 13   | 152209          | BUSHING, PIVOT 1-1/2                       | 7    | 7   | 9   | 7   | 7   | 9   | 9   |
| 14   | 152210          | BOLT, ADJ, 1 X 9                           | 7    | 7   | 9   | 7   | 7   | 9   | 9   |
| 15   | 154392          | PIN, PIVOT                                 | 7    | 7   | 9   | 7   | 7   | 9   | 9   |
| 16   | 156953          | REAR JACK MOUNT ASSY                       | 1    | 1   | 1   | 1   | --  | 1   | 1   |
| 17   | 158795          | SPRING ASSY, 17"                           | 7    | 7   | 9   | 7   | 7   | 9   | 9   |
| 18   | 158896          | SNAP RING, 2-1/2 SHAFT                     | 14   | 14  | 18  | 14  | 14  | 18  | 18  |
| 19   | 158897          | PIN, ADJUSTMENT                            | 7    | 7   | 9   | 7   | 7   | 9   | 9   |
| 20   | 180164          | ASSY, MOUNT-6" (INCLUDES ITEMS 27, 28, 29) | 1    | 1   | 3   | 1   | 1   | 3   | 3   |
| 21   | 191487          | CLAMP, TUBE 3X3                            | 4    | 4   | 4   | 4   | 4   | 4   | 4   |
| 22   | 203525          | SPRING-TORSION, RUBBER, 1-3/4              | 28   | 28  | 36  | 28  | 28  | 36  | 36  |
| 23   | -----           | DOUBLE REEL ASSY (SEE PAGE 8-73)           | N/A  | N/A | N/A | N/A | N/A | N/A | N/A |
| 24   | 204505          | ARM WLDMT DOUBLE REEL                      | 7    | 7   | 9   | 7   | 7   | 9   | 9   |
| 25   | 204510          | PLATE GANGBAR MOUNT                        | 7    | 7   | 9   | 7   | 7   | 9   | 9   |
| 26   | 204511          | TUBE, CLAMP                                | 14   | 14  | 18  | 14  | 14  | 18  | 18  |
| 27   | 180161          | MOUNT, COIL TINE WLDMT                     | 1    | 1   | 1   | 1   | 1   | 1   | 1   |
| 28   | 2-102-010032    | U BOLT CENTER SHANK MT.                    | 4    | 4   | 4   | 4   | 4   | 4   | 4   |
| 29   | 1-512-010005-13 | NUT,HEX SLFLKG GRB 5/8-11                  | 8    | 8   | 8   | 8   | 8   | 8   | 8   |
| 30   | 156954          | MOUNT, REAR JACK                           | 1    | 1   | 1   | 1   | --  | 1   | 1   |
| 31   | 156955          | PLATE, REAR JACK                           | 1    | 1   | 1   | 1   | --  | 1   | 1   |
| 32   | 1-654-010061-13 | SCREW,HX CP 3/4-10UNCX4 GR5                | 3    | 3   | 3   | 3   | --  | 3   | 3   |
| 33   | 1-861-010032-21 | WASHER, FLAT 3/4 W ZP/CD                   | 2    | 2   | 2   | 2   | --  | 2   | 2   |
| 34   | 156956          | SQ TUBE, REAR JACK                         | 1    | 1   | 1   | 1   | --  | 1   | 1   |
| 35   | 2-557-010409    | PIN, WING LOCK                             | 1    | 1   | 1   | 1   | --  | 1   | 1   |
| 36   | 0600-250-03000  | 1/4X3 ROLL PIN ZP                          | 1    | 1   | 1   | 1   | --  | 1   | 1   |
| 37   | 1-557-010013    | PIN, HAIR 3/16 DIA                         | 1    | 1   | 1   | 1   | --  | 1   | 1   |
| 38   | 156957          | TUBE JACK MOUNT                            | 1    | 1   | 1   | 1   | --  | 1   | 1   |

# Double Hydraulic Reel Assembly 6231-21-23-26-29

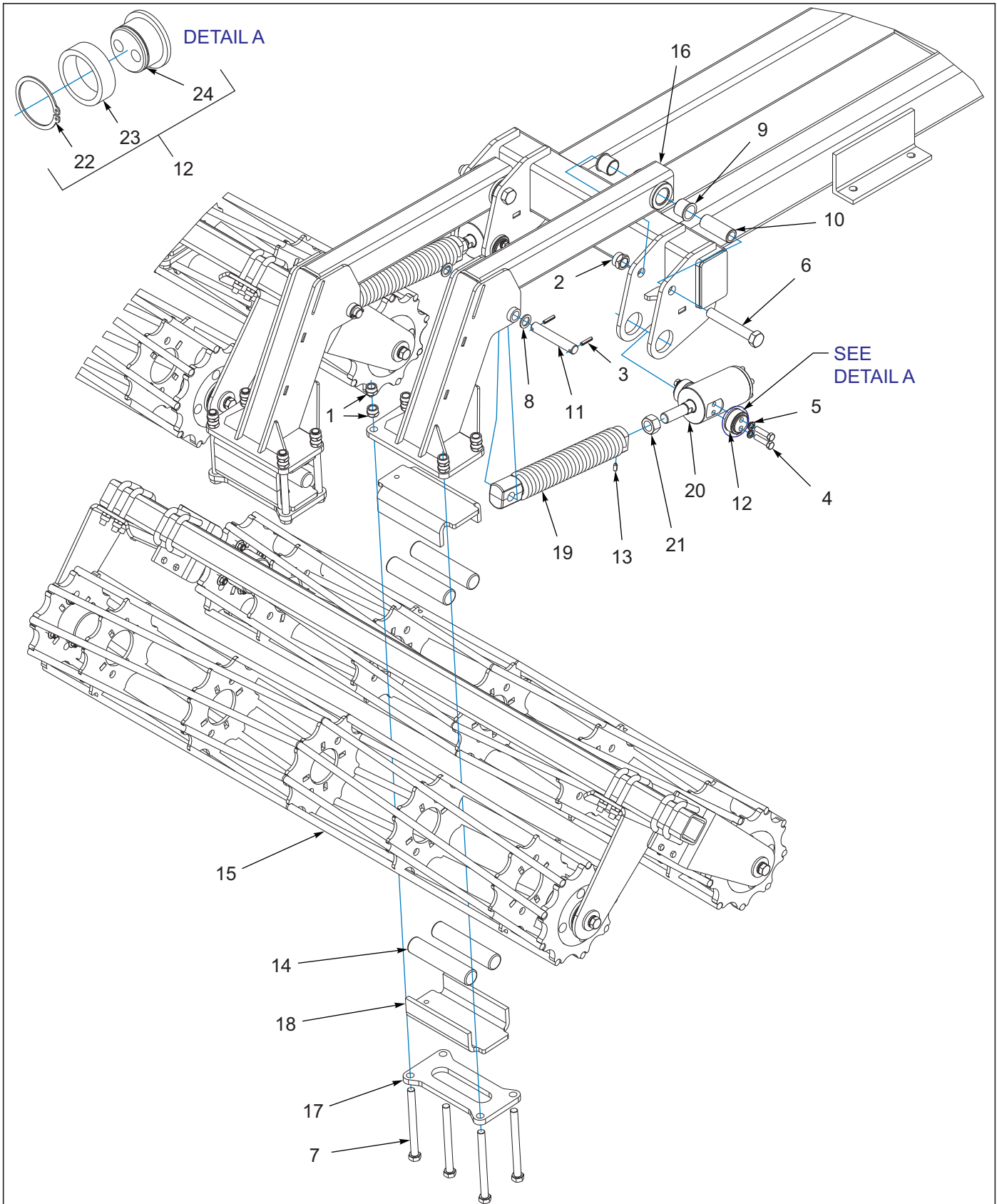


Figure 8-36: Double Hydraulic Reel Assembly 6231-21-23-26-29

## Double Hydraulic Reel Assembly 6231-21-23-26-29

| ITEM | PART NUMBER     | DESCRIPTION   | QTY. |
|------|-----------------|---|------|
| --   | 229798          | HYD DOUBLE REEL ASSY 6231-21                                  |      |
| --   | 229750          | HYD DOUBLE REEL ASSY 6231-26                                  |      |
| --   | 232493          | HYD DBL RD REEL ASSY 6231-29                                  |      |
| 1    | 1-512-010005-15 | NUT,HEX,SLFLKG GRB 3/4-10                                     | 48   |
| 2    | 1-512-010005-19 | NUT 1-8 HEX SLF-LOCKING GRB                                   | 6    |
| 3    | 1-647-010004236 | SPRING PIN,SLOTTED 5/16X1-1/2                                 | 12   |
| 4    | 1-654-010055-05 | SCREW,HEX CAP,1/2-13UNCX2 GR5                                 | 24   |
| 5    | 1-861-010034-13 | WASHER, LKG HLCL SPR, 1/2                                     | 24   |
| 6    | 100829          | SCREW,HEX CAP,1-8X6-1/2,GR5                                   | 6    |
| 7    | 107491          | SCREW HX CP 3/4-10X8-1/2 GR8                                  | 24   |
| 8    | 117957          | MACHINERY BUSHING,ZINC PLATED                                 | 12   |
| 9    | 140599          | BEARING, FLANGE 1-1/2"  | 12   |
| 10   | 152209          | BUSHING, PIVOT 1-1/2  | 6    |
| 11   | 154392          | PIN, PIVOT  | 6    |
| 12   | 198320          | ASSY, TRUNION MOUNT 1-1/4" <b>(INCLUDES ITEMS 22, 23, 24)</b> | 12   |
| 13   | 1P444           | SET SCREW, 3/8-16 X 3/4 NYLON                                 | 6    |
| 14   | 203525          | SPRING-TORSION, RUBBER, 1-3/4                                 | 24   |
| 15   | -----           | DOUBLE REEL ASSEMBLIES <b>(SEE PAGE 8-69)</b>                 | N/A  |
| 16   | 204505          | ARM WLDMT DOUBLE REEL   | 6    |
| 17   | 204510          | PLATE GANGBAR MOUNT   | 6    |
| 18   | 204511          | TUBE, CLAMP   | 12   |
| 19   | 206652          | SPRING ASSY 17" 1-1/8 THD                                     | 6    |
| 20   | 206671          | CYL 2-1/2X2-1/2ST1-1/8THDS ASM <b>(SEE PAGE 5-6)</b>          | 6    |
| 21   | 206675          | NUT, 1-1/8 -12 UNF, Z/P GR 2                                  | 6    |
| 22   | 188530          | SNAP RING, 2 SHAFT  | 12   |
| 23   | 191925          | TRUNION, BEARING  | 12   |
| 24   | 191924          | TRUNION, CYLINDER   | 12   |

# Double Hydraulic Reel Assembly 6231-30-33-36

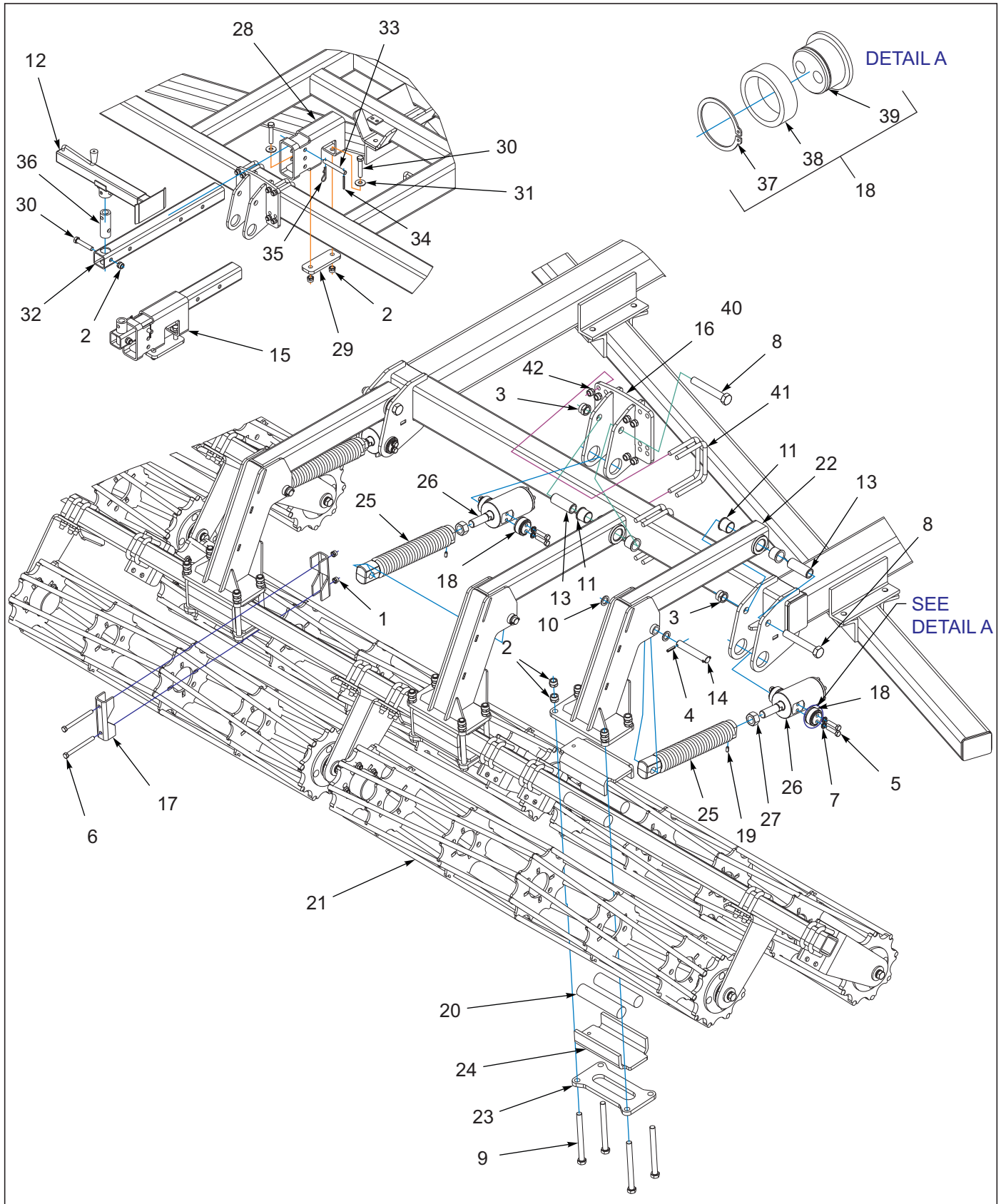


Figure 8-37: Double Hydraulic Reel Assembly 6231-30-33-36



## Double Hydraulic Reel Assembly 6231-30-33-36

| ITEM | PART NUMBER     | DESCRIPTION  | QTY. |     |     |
|------|-----------------|--|------|-----|-----|
| --   | 240692          | HYD DBL RD REEL ASSY 6231-30                           | *    |     |     |
| --   | 232378          | HYD DBL RD REEL ASSY 6231-33                           | *    |     |     |
| --   | 232459          | HYD DBL REEL ASSY 6231-36                              | *    |     |     |
| 1    | 1-512-010005-09 | NUT,HEX,SLFLKG, 1/2-13 GRB                             | 4    | 4   | 8   |
| 2    | 1-512-010005-15 | NUT,HEX,SLFLKG GRB 3/4-10                              | 56   | 56  | 72  |
| 3    | 1-512-010005-19 | NUT 1-8 HEX SLF-LOCKING GRB                            | 7    | 7   | 9   |
| 4    | 1-647-010004236 | SPRING PIN,SLOTTED 5/16X1-1/2                          | 14   | 14  | 18  |
| 5    | 1-654-010055-05 | SCREW,HEX CAP,1/2-13UNCX2 GR5                          | 28   | 28  | 36  |
| 6    | 1-654-010055-16 | SCREW HEX CAP 1/2-13X5-1/2GR5                          | 4    | 4   | 4   |
| 7    | 1-861-010034-13 | WASHER, LKG HLCL SPR, 1/2                              | 28   | 28  | 36  |
| 8    | 100829          | SCREW,HEX CAP,1-8X6-1/2,GR5                            | 7    | 7   | 9   |
| 9    | 107491          | SCREW HX CP 3/4-10X8-1/2 GR8                           | 28   | 28  | 36  |
| 10   | 117957          | MACHINERY BUSHING,ZINC PLATED                          | 14   | 14  | 18  |
| 11   | 140599          | BEARING, FLANGE 1-1/2"                                 | 14   | 14  | 18  |
| 12   | 140647          | JACK, SIDE WIND 7000/8000 LB                           | --   | --  | 1   |
| 13   | 152209          | BUSHING, PIVOT 1-1/2                                   | 7    | 7   | 9   |
| 14   | 154392          | PIN, PIVOT   | 7    | 7   | 9   |
| 15   | 156953          | REAR JACK MOUNT ASSY                                   | 1    | 1   | 1   |
| 16   | 180164          | ASSY, MOUNT-6" (INCLUDES ITEMS 40, 41, 42)             | 1    | 1   | 3   |
| 17   | 191487          | CLAMP, TUBE 3X3  | 4    | 4   | 4   |
| 18   | 198320          | ASSY, TRUNION MOUNT 1-1/4" (INCLUDES ITEMS 37, 38, 39) | 14   | 14  | 18  |
| 19   | 1P444           | SET SCREW, 3/8-16 X 3/4 NYLON                          | 7    | 7   | 9   |
| 20   | 203525          | SPRING-TORSION, RUBBER, 1-3/4                          | 28   | 28  | 36  |
| 21   | -----           | DOUBLE REEL ASSY (SEE PAGES 8-69 & 8-73)               | N/A  | N/A | N/A |
| 22   | 204505          | ARM WLDMT DOUBLE REEL                                  | 7    | 7   | 9   |
| 23   | 204510          | PLATE GANGBAR MOUNT                                    | 7    | 7   | 9   |
| 24   | 204511          | TUBE, CLAMP  | 14   | 14  | 18  |
| 25   | 206652          | SPRING ASSY 17" 1-1/8 THD                              | 7    | 7   | 9   |
| 26   | 206671          | CYL 2-1/2X2-1/2ST1-1/8THDS ASM (SEE PAGE 5-6)          | 7    | 7   | 9   |
| 27   | 206675          | NUT, 1-1/8 -12 UNF, Z/P GR 2                           | 7    | 7   | 9   |
| 28   | 156954          | MOUNT, REAR JACK                                       | 1    | 1   | 1   |
| 29   | 156955          | PLATE, REAR JACK                                       | 1    | 1   | 1   |
| 30   | 1-654-010061-13 | SCREW,HX CP 3/4-10UNCX4 GR5                            | 3    | 3   | 3   |
| 31   | 1-861-010032-21 | WASHER, FLAT 3/4 W ZP/CD                               | 2    | 2   | 2   |
| 32   | 156956          | SQ TUBE, REAR JACK                                     | 1    | 1   | 1   |
| 33   | 2-557-010409    | PIN, WING LOCK   | 1    | 1   | 1   |
| 34   | 0600-250-03000  | 1/4X3 ROLL PIN ZP                                      | 1    | 1   | 1   |
| 35   | 1-557-010013    | PIN, HAIR 3/16 DIA                                     | 1    | 1   | 1   |
| 36   | 156957          | TUBE JACK MOUNT  | 1    | 1   | 1   |
| 37   | 188530          | SNAP RING, 2 SHAFT                                     | 14   | 14  | 18  |
| 38   | 191925          | TRUNION, BEARING                                       | 14   | 14  | 18  |
| 39   | 191924          | TRUNION, CYLINDER                                      | 14   | 14  | 18  |
| 40   | 180161          | MOUNT, COIL TINE WLDMT                                 | 1    | 1   | 3   |
| 41   | 2-102-010032    | U BOLT CENTER SHANK MT.                                | 4    | 4   | 12  |
| 42   | 1-512-010005-13 | NUT,HEX SLFLKG GRB 5/8-11                              | 8    | 8   | 24  |

# Double Reel Assembly Round

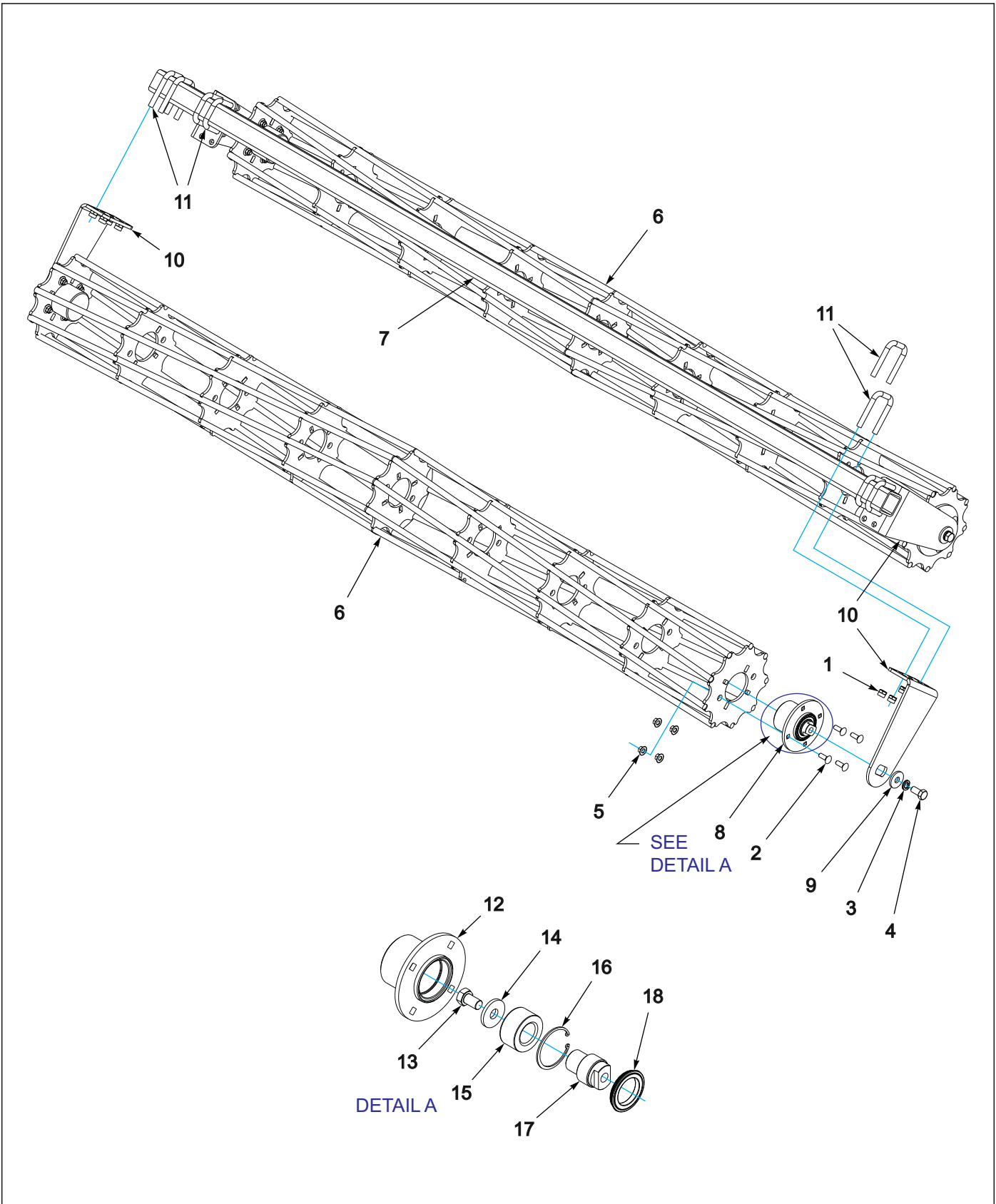


Figure 8-38: Double Reel Assembly Round



## Double Reel Assembly Round

| ITEM | PART NUMBER     | DESCRIPTION                            | QTY. |    |    |    |    |    |    |    |    |    |    |    |    |    |    |    |    |    |
|------|-----------------|--|------|----|----|----|----|----|----|----|----|----|----|----|----|----|----|----|----|----|
| --   | 204413          | DOUBLE REEL ASSY, 105/120 (CENTER)     | *    |    |    |    |    |    |    |    |    |    |    |    |    |    |    |    |    |    |
| --   | 204416          | DOUBLE REEL ASSY, 75/75 (LEFT WING)    |      | *  |    |    |    |    |    |    |    |    |    |    |    |    |    |    |    |    |
| --   | 204417          | DOUBLE REEL ASSY, 90/90 (LEFT WING)    |      |    | *  |    |    |    |    |    |    |    |    |    |    |    |    |    |    |    |
| --   | 204418          | DOUBLE REEL ASSY, 105/105 (LEFT WING)  |      |    |    | *  |    |    |    |    |    |    |    |    |    |    |    |    |    |    |
| --   | 204419          | DOUBLE REEL ASSY, 120/120 (LEFT WING)  |      |    |    |    | *  |    |    |    |    |    |    |    |    |    |    |    |    |    |
| --   | 204422          | DOUBLE REEL ASSY, 75/75 (RIGHT WING)   |      |    |    |    |    | *  |    |    |    |    |    |    |    |    |    |    |    |    |
| --   | 204423          | DOUBLE REEL ASSY, 90/90 (RIGHT WING)   |      |    |    |    |    |    | *  |    |    |    |    |    |    |    |    |    |    |    |
| --   | 204424          | DOUBLE REEL ASSY, 105/105 (RIGHT WING) |      |    |    |    |    |    |    | *  |    |    |    |    |    |    |    |    |    |    |
| --   | 204425          | DOUBLE REEL ASSY, 120/120 (RIGHT WING) |      |    |    |    |    |    |    |    | *  |    |    |    |    |    |    |    |    |    |
| 1    | 1-512-010005-13 | NUT,HEX SLFLKG GRB 5/8-11              | 16   | 16 | 16 | 16 | 16 | 16 | 16 | 16 | 16 | 16 | 16 | 16 | 16 | 16 | 16 | 16 | 16 | 16 |
| 2    | 1-654-010070-04 | SCREW RDHD SQNK 1/2-13X1-3/4           | 16   | 16 | 16 | 16 | 16 | 16 | 16 | 16 | 16 | 16 | 16 | 16 | 16 | 16 | 16 | 16 | 16 | 16 |
| 3    | 1-861-010034-17 | WASHER,LKG,HLCL SPR,3/4                | 4    | 4  | 4  | 4  | 4  | 4  | 4  | 4  | 4  | 4  | 4  | 4  | 4  | 4  | 4  | 4  | 4  | 4  |
| 4    | 108705          | SCREW,HEXCAP,3/4-10X1-1/2 GR8          | 4    | 4  | 4  | 4  | 4  | 4  | 4  | 4  | 4  | 4  | 4  | 4  | 4  | 4  | 4  | 4  | 4  | 4  |
| 5    | 172509          | NUT,1/2-13 WIDE FLNG TOP LCK F         | 16   | 16 | 16 | 16 | 16 | 16 | 16 | 16 | 16 | 16 | 16 | 16 | 16 | 16 | 16 | 16 | 16 | 16 |
| 6    | 225124          | REEL WLDMT, 12 DIA X 75" RD            | --   | 2  | -- | -- | -- | -- | 2  | -- | -- | -- | -- | -- | -- | -- | -- | -- | -- | -- |
| 6    | 225125          | REEL WLDMT, 12 DIA X 90" RD            | --   | -- | 2  | -- | -- | -- | -- | 2  | -- | -- | -- | -- | -- | -- | -- | -- | -- | -- |
| 6    | 225126          | REEL WLDMT, 12 DIA X 105" RD           | 1    | -- | -- | 2  | -- | -- | -- | -- | -- | 2  | -- | -- | -- | -- | -- | -- | -- | -- |
| 6    | 225127          | REEL WLDMT, 12 DIA X 120" RD           | 1    | -- | -- | -- | 2  | -- | -- | -- | -- | -- | -- | -- | -- | -- | -- | -- | -- | 2  |
| 7    | 190955          | GANG BAR, DOUBLE REEL 85L              | --   | 1  | -- | -- | -- | 1  | -- | -- | -- | -- | -- | -- | -- | -- | -- | -- | -- | -- |
| 7    | 190956          | GANG BAR, DOUBLE REEL 100L             | --   | -- | 1  | -- | -- | -- | 1  | -- | -- | -- | -- | -- | -- | -- | -- | -- | -- | -- |
| 7    | 190957          | GANG BAR, DOUBLE REEL 115L             | --   | -- | -- | 1  | -- | -- | -- | 1  | -- | -- | -- | -- | -- | -- | -- | -- | -- | -- |
| 7    | 190960          | GANG BAR, DOUBLE REEL 122-1/2          | 1    | -- | -- | -- | -- | -- | -- | -- | -- | -- | -- | -- | -- | -- | -- | -- | -- | -- |
| 7    | 190958          | GANG BAR, DOUBLE REEL 130L             | --   | -- | -- | -- | 1  | -- | -- | -- | -- | -- | -- | -- | -- | -- | -- | -- | -- | 1  |
| 8    | 200222          | HUB ASSY REEL (INCLUDES ITEMS 12-18)   | 4    | 4  | 4  | 4  | 4  | 4  | 4  | 4  | 4  | 4  | 4  | 4  | 4  | 4  | 4  | 4  | 4  | 4  |
| 9    | 200259          | WASHER, 3/4 HEAVY - 2-1/4              | 4    | 4  | 4  | 4  | 4  | 4  | 4  | 4  | 4  | 4  | 4  | 4  | 4  | 4  | 4  | 4  | 4  | 4  |
| 10   | 204400          | BEARING MOUNT, REEL                    | 4    | 4  | 4  | 4  | 4  | 4  | 4  | 4  | 4  | 4  | 4  | 4  | 4  | 4  | 4  | 4  | 4  | 4  |
| 11   | 8-102-010012    | U BOLT                                 | 8    | 8  | 8  | 8  | 8  | 8  | 8  | 8  | 8  | 8  | 8  | 8  | 8  | 8  | 8  | 8  | 8  | 8  |
| 12   | 200221          | HUB WLDMT REEL                         | 4    | 4  | 4  | 4  | 4  | 4  | 4  | 4  | 4  | 4  | 4  | 4  | 4  | 4  | 4  | 4  | 4  | 4  |
| 13   | 129263          | SCREW HEX CAP 3/4-10 X 1-1/4           | 4    | 4  | 4  | 4  | 4  | 4  | 4  | 4  | 4  | 4  | 4  | 4  | 4  | 4  | 4  | 4  | 4  | 4  |
| 14   | 200259          | WASHER, 3/4 HEAVY - 2-1/4              | 4    | 4  | 4  | 4  | 4  | 4  | 4  | 4  | 4  | 4  | 4  | 4  | 4  | 4  | 4  | 4  | 4  | 4  |
| 15   | 174526          | BEARING, DOUBLE TAPER RLLR             | 4    | 4  | 4  | 4  | 4  | 4  | 4  | 4  | 4  | 4  | 4  | 4  | 4  | 4  | 4  | 4  | 4  | 4  |
| 16   | 174532          | INTERNAL SNAP RING                     | 4    | 4  | 4  | 4  | 4  | 4  | 4  | 4  | 4  | 4  | 4  | 4  | 4  | 4  | 4  | 4  | 4  | 4  |
| 17   | 200218          | SPINDLE REEL BEARING                   | 4    | 4  | 4  | 4  | 4  | 4  | 4  | 4  | 4  | 4  | 4  | 4  | 4  | 4  | 4  | 4  | 4  | 4  |
| 18   | 185757          | SEAL, MAINT FREE HUB HSL               | 4    | 4  | 4  | 4  | 4  | 4  | 4  | 4  | 4  | 4  | 4  | 4  | 4  | 4  | 4  | 4  | 4  | 4  |

# Double Reel Assembly Flat

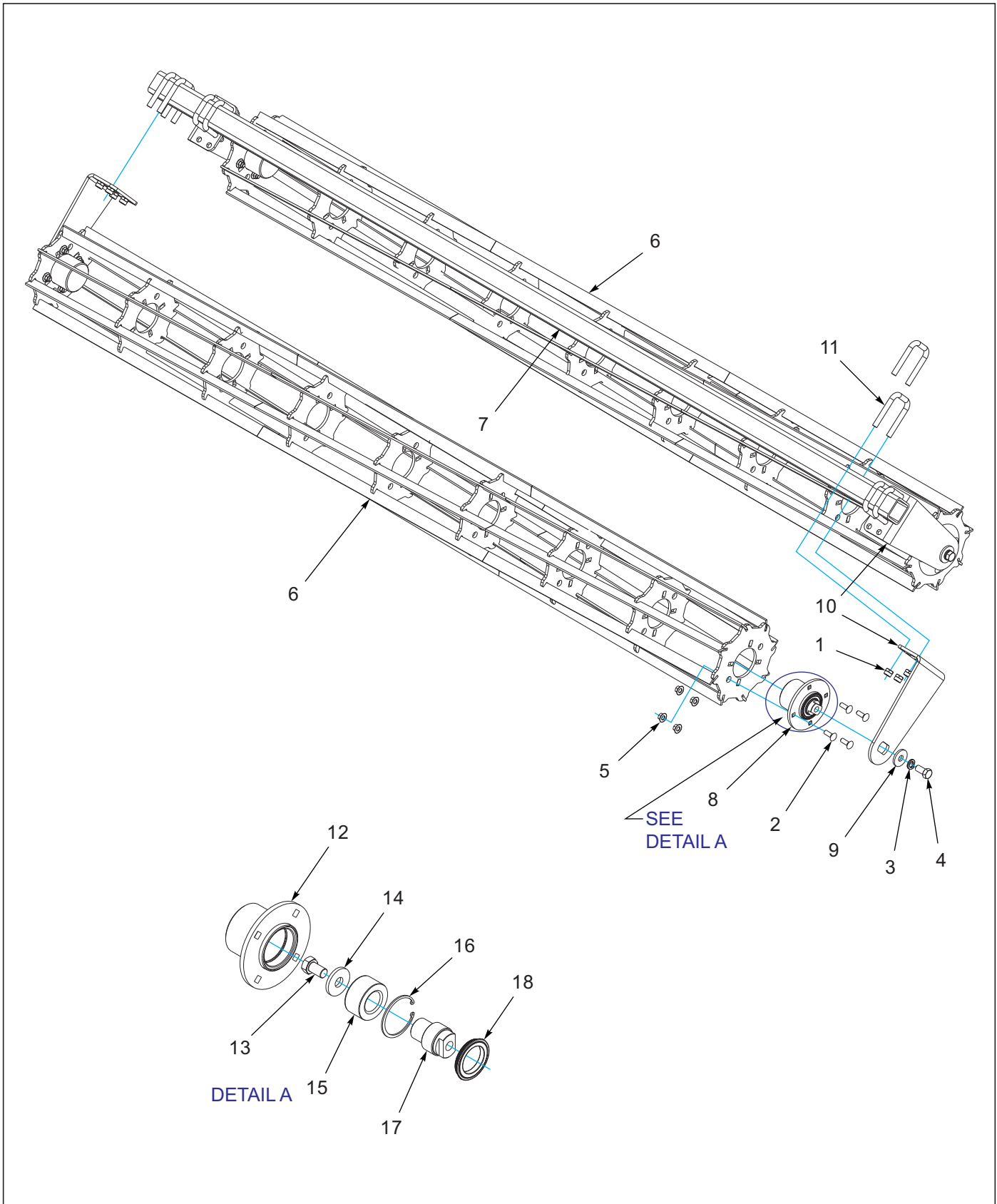


Figure 8-39: Double Reel Assembly Flat

## Double Reel Assembly Flat

| ITEM | PART NUMBER     | DESCRIPTION   | QTY. |    |    |    |    |    |    |    |    |    |    |    |    |    |    |    |    |    |
|------|-----------------|---|------|----|----|----|----|----|----|----|----|----|----|----|----|----|----|----|----|----|
| --   | 209626          | DOUBLE REEL ASSY, 105/120 <b>(CENTER)</b>             | *    |    |    |    |    |    |    |    |    |    |    |    |    |    |    |    |    |    |
| --   | 209629          | DOUBLE FLAT REEL ASSY 75/75 <b>(LEFT WING)</b>        |      | *  |    |    |    |    |    |    |    |    |    |    |    |    |    |    |    |    |
| --   | 209630          | DOUBLE FLAT REEL ASSY 90/90 <b>(LEFT WING)</b>        |      |    | *  |    |    |    |    |    |    |    |    |    |    |    |    |    |    |    |
| --   | 209631          | DOUBLE FLAT REEL ASSY, 105/105 <b>(LEFT WING)</b>     |      |    |    | *  |    |    |    |    |    |    |    |    |    |    |    |    |    |    |
| --   | 209632          | DOUBLE FLAT REEL ASSY 120/120 <b>(LEFT WING)</b>      |      |    |    |    | *  |    |    |    |    |    |    |    |    |    |    |    |    |    |
| --   | 209635          | DOUBLE FLAT REEL ASSY 75/75 <b>(RIGHT WING)</b>       |      |    |    |    |    | *  |    |    |    |    |    |    |    |    |    |    |    |    |
| --   | 209636          | DOUBLE FLAT REEL ASSY 90/90 <b>(RIGHT WING)</b>       |      |    |    |    |    |    | *  |    |    |    |    |    |    |    |    |    |    |    |
| --   | 209637          | DOUBLE FLAT REEL ASSY, 105/105<br><b>(RIGHT WING)</b> |      |    |    |    |    |    |    | *  |    |    |    |    |    |    |    |    |    |    |
| --   | 209638          | DOUBLE FLAT REEL ASSY 120/120 <b>(RIGHT WING)</b>     |      |    |    |    |    |    |    |    | *  |    |    |    |    |    |    |    |    |    |
| 1    | 1-512-010005-13 | NUT,HEX SLFLKG GRB 5/8-11                             | 16   | 16 | 16 | 16 | 16 | 16 | 16 | 16 | 16 | 16 | 16 | 16 | 16 | 16 | 16 | 16 | 16 | 16 |
| 2    | 1-654-010070-04 | SCREW RDHD SQNK 1/2-13X1-3/4                          | 16   | 16 | 16 | 16 | 16 | 16 | 16 | 16 | 16 | 16 | 16 | 16 | 16 | 16 | 16 | 16 | 16 | 16 |
| 3    | 1-861-010034-17 | WASHER,LKG,HLCL SPR,3/4                               | 4    | 4  | 4  | 4  | 4  | 4  | 4  | 4  | 4  | 4  | 4  | 4  | 4  | 4  | 4  | 4  | 4  | 4  |
| 4    | 108705          | SCREW,HEXCAP,3/4-10X1-1/2 GR8                         | 4    | 4  | 4  | 4  | 4  | 4  | 4  | 4  | 4  | 4  | 4  | 4  | 4  | 4  | 4  | 4  | 4  | 4  |
| 5    | 172509          | NUT,1/2-13 WIDE FLNG TOP LCK F                        | 16   | 16 | 16 | 16 | 16 | 16 | 16 | 16 | 16 | 16 | 16 | 16 | 16 | 16 | 16 | 16 | 16 | 16 |
| 6    | 200297          | REEL, 12" DIA X 75" FLAT WLDMT                        | --   | 2  | -- | -- | -- | -- | 2  | -- | -- | -- | -- | -- | -- | -- | -- | -- | -- | -- |
| 6    | 200298          | REEL, 12" DIA X 90" FLAT WLDMT                        | --   | -- | 2  | -- | -- | -- | -- | 2  | -- | -- | -- | -- | -- | -- | -- | -- | -- | -- |
| 6    | 200299          | REEL,12" DIA X 105" FLAT WLDMT                        | 1    | -- | -- | 2  | -- | -- | -- | -- | -- | 2  | -- | -- | -- | -- | -- | -- | -- | -- |
| 6    | 209641          | REEL, 12 DIA X 120" FLAT WLDMT                        | 1    | -- | -- | -- | 2  | -- | -- | -- | -- | -- | -- | 2  | -- | -- | -- | -- | -- | 2  |
| 7    | 190955          | GANG BAR, DOUBLE REEL 85L                             | --   | 1  | -- | -- | -- | -- | 1  | -- | -- | -- | -- | -- | -- | -- | -- | -- | -- | -- |
| 7    | 190956          | GANG BAR, DOUBLE REEL 100L                            | --   | -- | 1  | -- | -- | -- | -- | 1  | -- | -- | -- | -- | -- | -- | -- | -- | -- | -- |
| 7    | 190957          | GANG BAR, DOUBLE REEL 115L                            | --   | -- | -- | 1  | -- | -- | -- | -- | -- | -- | 1  | -- | -- | -- | -- | -- | -- | -- |
| 7    | 190960          | GANG BAR, DOUBLE REEL 122-1/2                         | 1    | -- | -- | -- | -- | -- | -- | -- | -- | -- | -- | -- | -- | -- | -- | -- | -- | -- |
| 7    | 190958          | GANG BAR, DOUBLE REEL 130L                            | --   | -- | -- | -- | 1  | -- | -- | -- | -- | -- | -- | -- | -- | -- | -- | -- | -- | 1  |
| 8    | 200222          | HUB ASSY REEL <b>(INCLUDES ITEMS 12-18)</b>           | 4    | 4  | 4  | 4  | 4  | 4  | 4  | 4  | 4  | 4  | 4  | 4  | 4  | 4  | 4  | 4  | 4  | 4  |
| 9    | 200259          | WASHER, 3/4 HEAVY - 2-1/4                             | 4    | 4  | 4  | 4  | 4  | 4  | 4  | 4  | 4  | 4  | 4  | 4  | 4  | 4  | 4  | 4  | 4  | 4  |
| 10   | 204400          | BEARING MOUNT, REEL                                   | 4    | 4  | 4  | 4  | 4  | 4  | 4  | 4  | 4  | 4  | 4  | 4  | 4  | 4  | 4  | 4  | 4  | 4  |
| 11   | 8-102-010012    | U BOLT  | 8    | 8  | 8  | 8  | 8  | 8  | 8  | 8  | 8  | 8  | 8  | 8  | 8  | 8  | 8  | 8  | 8  | 8  |
| 12   | 200221          | HUB WLDMT REEL  | 4    | 4  | 4  | 4  | 4  | 4  | 4  | 4  | 4  | 4  | 4  | 4  | 4  | 4  | 4  | 4  | 4  | 4  |
| 13   | 129263          | SCREW HEX CAP 3/4-10 X 1-1/4                          | 4    | 4  | 4  | 4  | 4  | 4  | 4  | 4  | 4  | 4  | 4  | 4  | 4  | 4  | 4  | 4  | 4  | 4  |
| 14   | 200259          | WASHER, 3/4 HEAVY - 2-1/4                             | 4    | 4  | 4  | 4  | 4  | 4  | 4  | 4  | 4  | 4  | 4  | 4  | 4  | 4  | 4  | 4  | 4  | 4  |
| 15   | 174526          | BEARING, DOUBLE TAPER RLLR                            | 4    | 4  | 4  | 4  | 4  | 4  | 4  | 4  | 4  | 4  | 4  | 4  | 4  | 4  | 4  | 4  | 4  | 4  |
| 16   | 174532          | INTERNAL SNAP RING                                    | 4    | 4  | 4  | 4  | 4  | 4  | 4  | 4  | 4  | 4  | 4  | 4  | 4  | 4  | 4  | 4  | 4  | 4  |
| 17   | 200218          | SPINDLE REEL BEARING                                  | 4    | 4  | 4  | 4  | 4  | 4  | 4  | 4  | 4  | 4  | 4  | 4  | 4  | 4  | 4  | 4  | 4  | 4  |
| 18   | 185757          | SEAL, MAINT FREE HUB HSL                              | 4    | 4  | 4  | 4  | 4  | 4  | 4  | 4  | 4  | 4  | 4  | 4  | 4  | 4  | 4  | 4  | 4  | 4  |

# Double Reel Assembly 6231-30-33-36

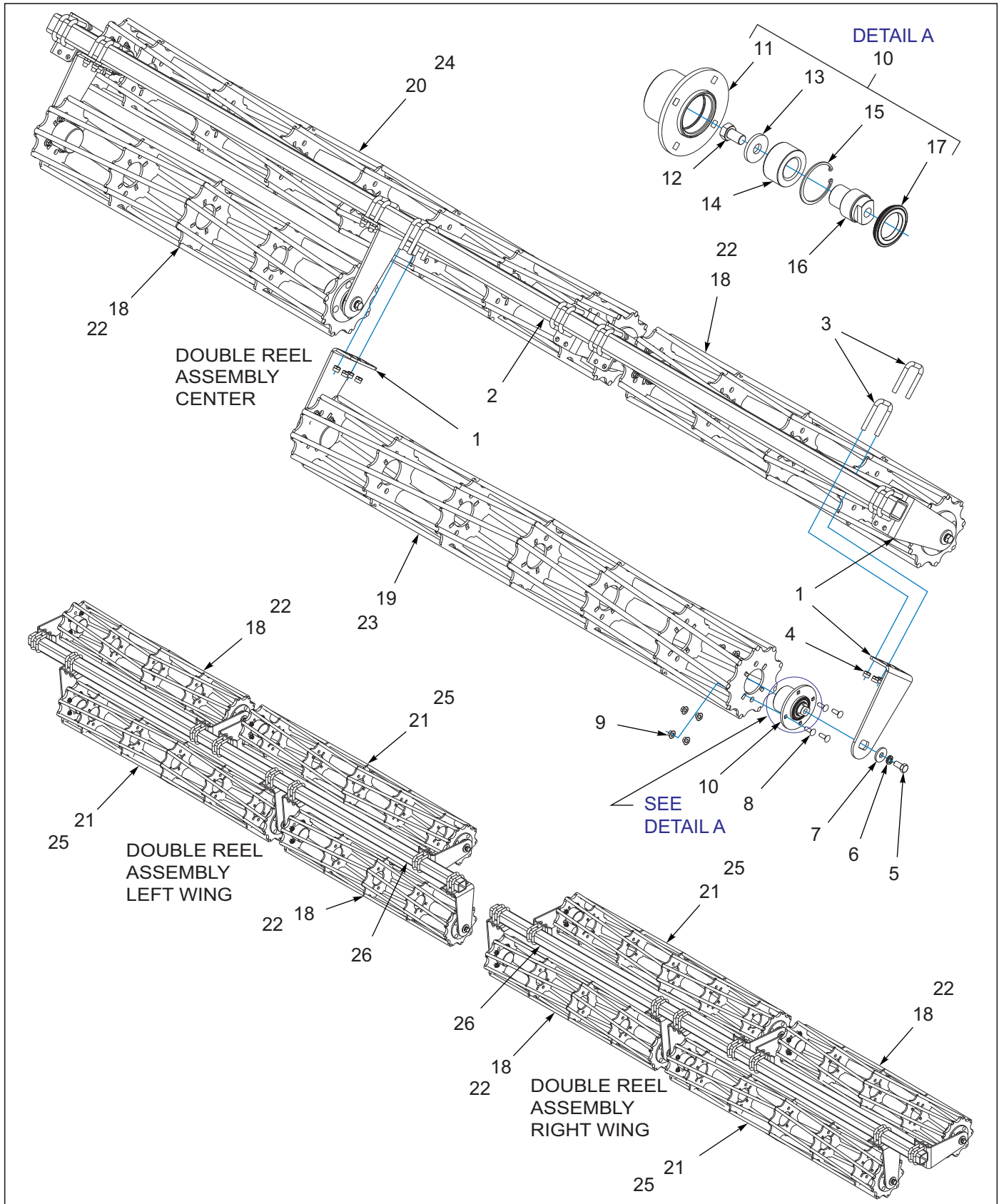


Figure 8-40: Double Reel Assembly 6231-30-33-36

## Double Reel Assembly 6231-30-33-36

| ITEM | PART NUMBER     | DESCRIPTION  | QTY. |    |    |    |    |    |    |
|------|-----------------|--|------|----|----|----|----|----|----|
| --   | 204427          | DOUBLE REEL ASSY ROUND ( <b>CENTER 6231-30-33-36</b> )           | *    |    |    |    |    |    |    |
| --   | 232462          | DOUBLE REEL ASSY, 135/135 ( <b>LEFT WING 6231-36</b> )           |      | *  |    |    |    |    |    |
| --   | 232461          | DOUBLE REEL ASSY, 135/135 ( <b>RIGHT WING 6231-36</b> )          |      |    | *  |    |    |    |    |
| --   | 209639          | DOUBLE FLAT REEL ASSY 105/165<br>( <b>CENTER 6231-30-33-36</b> ) |      |    |    | *  |    |    |    |
| --   | 236791          | DOUBLE FLAT REEL ASSY, 135/135 ( <b>LEFT WING 6231-36</b> )      |      |    |    |    | *  |    |    |
| --   | 236790          | DOUBLE FLAT REEL ASSY, 135/135 ( <b>RIGHT WING 6231-36</b> )     |      |    |    |    |    | *  |    |
| 1    | 204400          | BEARING MOUNT, REEL  | 8    | 8  | 8  | 8  | 8  | 8  | 8  |
| 2    | 191998          | GANG BAR, DOUBLE REEL 174L                                       | 1    | -- | -- | 1  | -- | -- | -- |
| 3    | 8-102-010012    | U BOLT   | 16   | 16 | 16 | 16 | 16 | 16 | 16 |
| 4    | 1-512-010005-13 | NUT,HEX SLFLKG GRB 5/8-11  | 32   | 32 | 32 | 32 | 32 | 32 | 32 |
| 5    | 108705          | SCREW,HEXCAP,3/4-10X1-1/2 GR8                                    | 8    | 8  | 8  | 8  | 8  | 8  | 8  |
| 6    | 1-861-010034-17 | WASHER,LKG,HLCL SPR,3/4  | 8    | 8  | 8  | 8  | 8  | 8  | 8  |
| 7    | 200259          | WASHER, 3/4 HEAVY - 2-1/4  | 8    | 8  | 8  | 8  | 8  | 8  | 8  |
| 8    | 1-654-010070-04 | SCREW RDHD SQNK 1/2-13X1-3/4<br>( <b>USED WITH ROUND REEL</b> )  | 32   | -- | 32 | 32 | -- | -- | -- |
| 8    | 1-654-010070-03 | SCREW RDHD SQNK1/2-13X1-1/2<br>( <b>USED WITH FLAT REEL</b> )    | --   | 32 | -- | -- | 32 | 32 |    |
| 9    | 172509          | NUT,1/2-13 WIDE FLNG TOP LCK F                                   | 32   | 32 | 32 | 32 | 32 | 32 | 32 |
| 10   | 200222          | HUB ASSY REEL ( <b>INCLUDES ITEMS 11-17</b> )                    | 8    | 8  | 8  | 8  | 8  | 8  | 8  |
| 11   | 200221          | HUB WLDMT REEL   | 4    | 4  | 4  | 4  | 4  | 4  | 4  |
| 12   | 129263          | SCREW HEX CAP 3/4-10 X 1-1/4                                     | 4    | 4  | 4  | 4  | 4  | 4  | 4  |
| 13   | 200259          | WASHER, 3/4 HEAVY - 2-1/4  | 4    | 4  | 4  | 4  | 4  | 4  | 4  |
| 14   | 174526          | BEARING, DOUBLE TAPER RLLR                                       | 4    | 4  | 4  | 4  | 4  | 4  | 4  |
| 15   | 174532          | INTERNAL SNAP RING   | 4    | 4  | 4  | 4  | 4  | 4  | 4  |
| 16   | 200218          | SPINDLE REEL BEARING   | 4    | 4  | 4  | 4  | 4  | 4  | 4  |
| 17   | 185757          | SEAL, MAINT FREE HUB HSL   | 4    | 4  | 4  | 4  | 4  | 4  | 4  |
| 18   | 225123          | REEL WLDMT, 12 DIA X 60" RD                                      | 2    | 2  | 2  | -- | -- | -- | -- |
| 19   | 225125          | REEL WLDMT, 12 DIA X 90" RD                                      | 1    | -- | -- | -- | -- | -- | -- |
| 20   | 225126          | REEL WLDMT, 12 DIA X 105" RD                                     | 1    | -- | -- | -- | -- | -- | -- |
| 21   | 225124          | REEL WLDMT, 12 DIA X 75" RD                                      | --   | 2  | 2  | -- | -- | -- | -- |
| 22   | 200296          | REEL, 12" DIA X 60" FLAT WLDMT                                   | --   | -- | -- | 2  | 2  | 2  |    |
| 23   | 200298          | REEL, 12" DIA X 90" FLAT WLDMT                                   | --   | -- | -- | 1  | -- | -- |    |
| 24   | 200299          | REEL,12" DIA X 105" FLAT WLDMT                                   | --   | -- | -- | 1  | -- | -- |    |
| 25   | 200297          | REEL, 12" DIA X 75" FLAT WLDMT                                   | --   | -- | -- | -- | 2  | 2  |    |
| 26   | 232463          | GANG BAR, DOUBLE REEL 154 L                                      | --   | 1  | 1  | -- | 1  | 1  |    |

# Double Reel Assembly Wing 6231-33

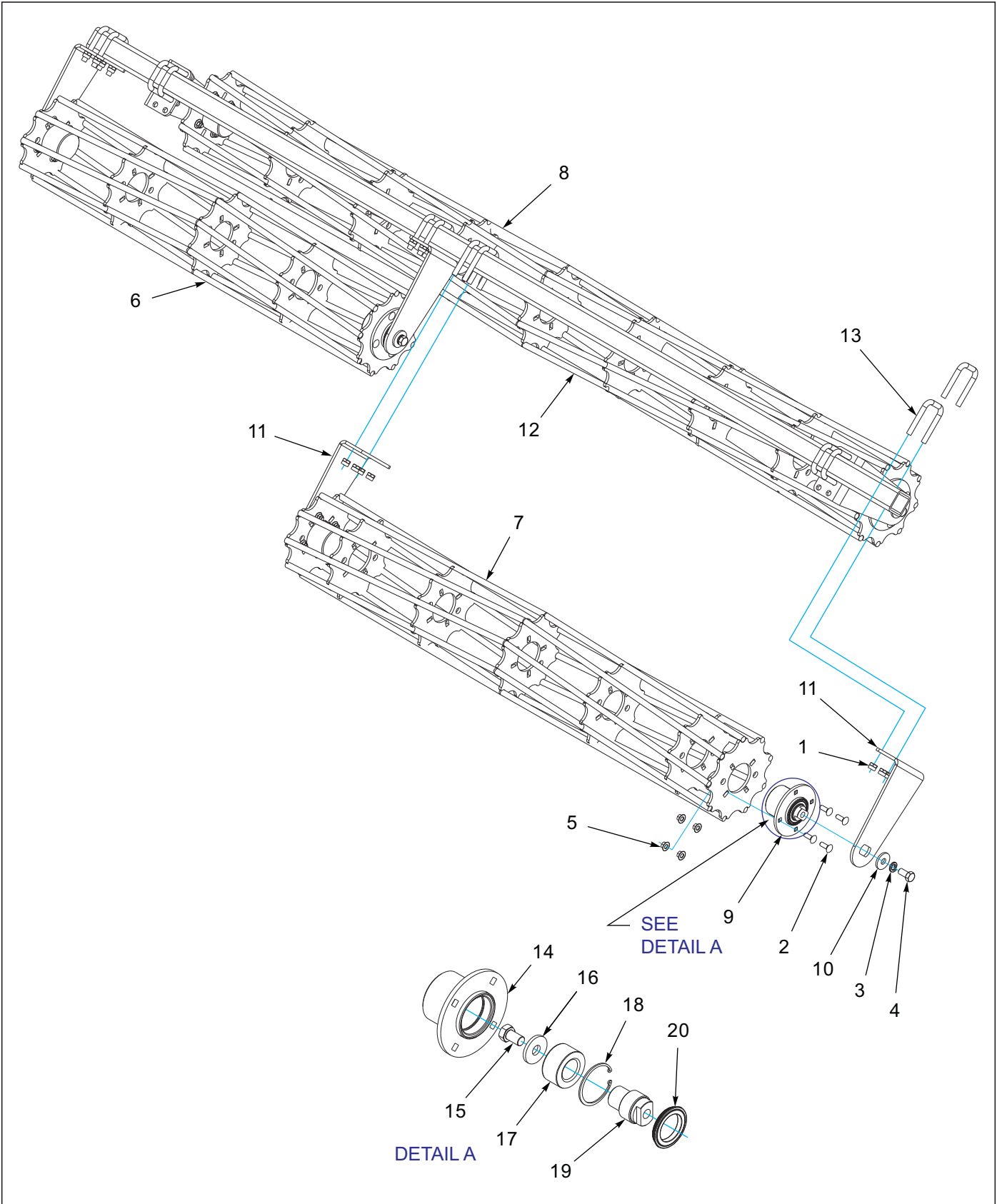


Figure 8-41: Double Reel Assembly 6231-33

## Double Reel Assembly 6231-33

| ITEM | PART NUMBER     | DESCRIPTION  | QTY. |    |
|------|-----------------|--|------|----|
| --   | 204520          | DOUBLE REEL ASSY, 120/135                                  | *    |    |
| --   | 213756          | DBL FLAT REEL ASSY, 120/135                                | *    |    |
| 1    | 1-512-010005-13 | NUT,HEX SLFLKG GRB 5/8-11                                  | 24   | 24 |
| 1    | 1-654-010070-04 | SCREW RDHD SQNK 1/2-13X1-3/4 <b>(USED WITH ROUND REEL)</b> | 24   | -- |
| 2    | 1-654-010070-03 | SCREW RDHD SQNK1/2-13X1-1/2 <b>(USED WITH FLAT REEL)</b>   | --   | 24 |
| 3    | 1-861-010034-17 | WASHER,LKG,HLCL SPR,3/4                                    | 6    | 6  |
| 4    | 108705          | SCREW,HEXCAP,3/4-10X1-1/2 GR8                              | 6    | 8  |
| 5    | 172509          | NUT,1/2-13 WIDE FLNG TOP LCK F                             | 24   | 24 |
| 6    | 225123          | REEL WLDMT, 12 DIA X 60" RD                                | 1    | -- |
| 6    | 200296          | REEL WLDMT 12" DIA X 60" FLAT                              | --   | 1  |
| 7    | 225124          | REEL WLDMT, 12 DIA X 75" RD                                | 1    | -- |
| 7    | 200297          | REEL WLDMT 12" DIA X 75" FLAT                              | --   | 1  |
| 8    | 225127          | REEL WLDMT, 12 DIA X 120" RD                               | 1    | -- |
| 8    | 209641          | REEL, 12 DIA X 120" FLAT WLDMT                             | --   | 1  |
| 9    | 200222          | HUB ASSY REEL <b>(INCLUDES ITEMS 14-20)</b>                | 6    | 6  |
| 10   | 200259          | WASHER, 3/4 HEAVY - 2-1/4                                  | 6    | 6  |
| 11   | 204400          | BEARING MOUNT, REEL  | 6    | 6  |
| 12   | 204521          | GANG BAR DOUBLE REEL 142-1/2"                              | 1    | 1  |
| 13   | 8-102-010012    | U BOLT   | 12   | 12 |
| 14   | 200221          | HUB WLDMT REEL   | 6    | 6  |
| 15   | 129263          | SCREW HEX CAP 3/4-10 X 1-1/4                               | 6    | 6  |
| 16   | 200259          | WASHER, 3/4 HEAVY - 2-1/4                                  | 6    | 6  |
| 17   | 174526          | BEARING, DOUBLE TAPER RLLR                                 | 6    | 6  |
| 18   | 174532          | INTERNAL SNAP RING   | 6    | 6  |
| 19   | 200218          | SPINDLE REEL BEARING                                       | 6    | 6  |
| 20   | 185757          | SEAL, MAINT FREE HUB HSL                                   | 6    | 6  |



# Spare Tire Assembly 6231-21-29

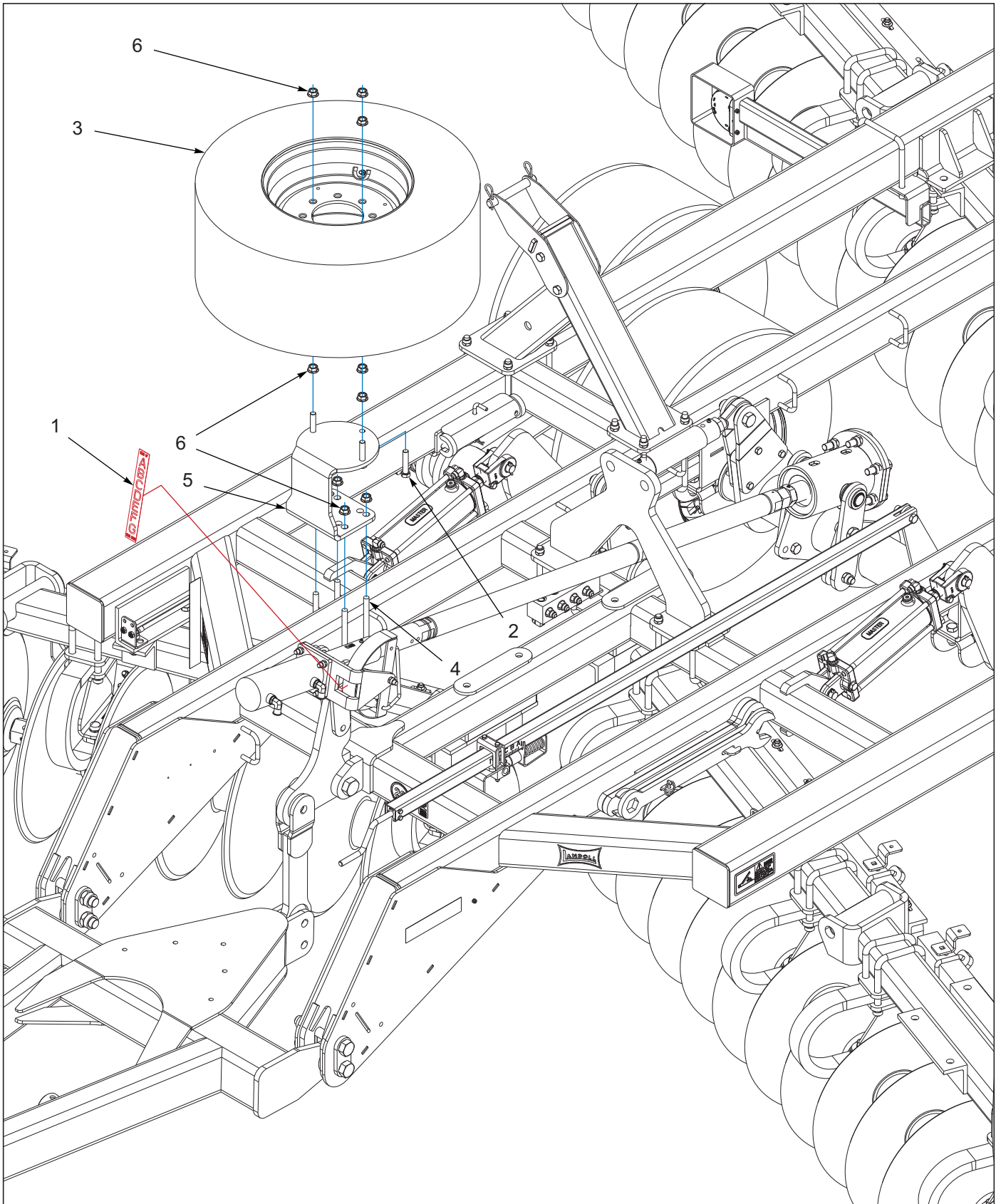


Figure 8-42: Spare Tire Assembly 6231-21-29



## Spare Tire Assembly 6231-21-29

| ITEM | PART NUMBER  | DESCRIPTION                             | QTY. |    |
|------|--------------|---|------|----|
| --   | 208223       | MOUNT ASSY TIRE 8-BOLT 4X6 (6231-21-23) | *    |    |
| --   | 208222       | MOUNT ASSY TIRE 8-BOLT 4X6 (6231-26-29) | *    |    |
| 1    | 141263       | DECAL, LEVEL INDICATOR                  | 1    | 1  |
| 2    | 164147       | SCREW HX CAP5/8-11X3 2-1/2THD           | 3    | 3  |
| 3    | 184708       | TIRE ASSY,320/70R15,8 BOLTWHL           | 1    | -- |
| 3    | 221272       | BKT 380 TIRE&WHL ASSY POS 1.5"          | --   | 1  |
| 4    | 2-102-010037 | U-BOLT CENTER SCRAPER                   | 2    | 2  |
| 5    | 208213       | MOUNT, TIRE 8-BOLT                      | 1    | 1  |
| 6    | 29SFFL 5811  | NUT,FLANGE HEAD LOCK5/8-11UNC           | 10   | 10 |

# Spare Tire Assembly 6231-30-33-36

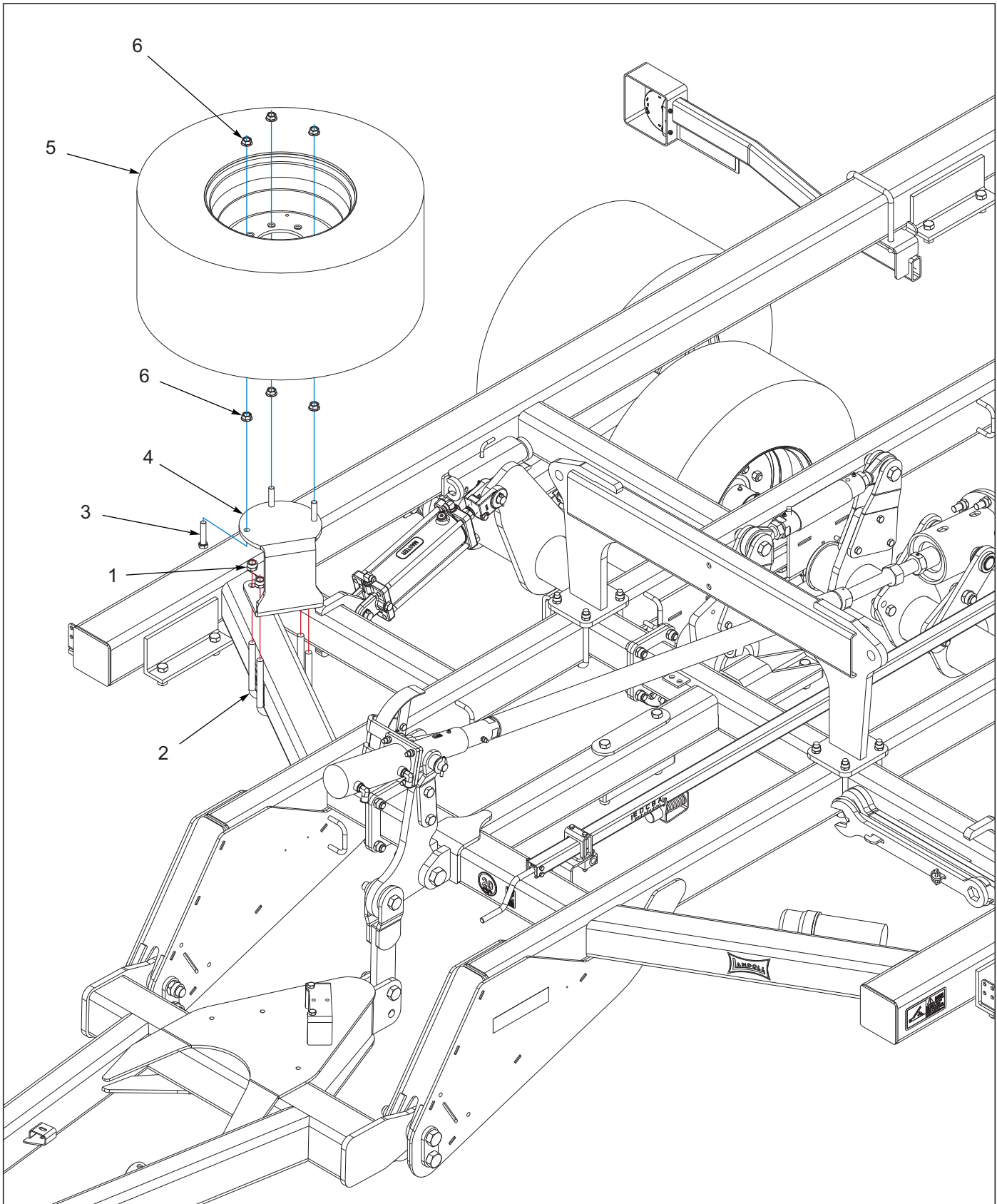


Figure 8-43: Spare Tire Assembly 6231-30-33-36

## Spare Tire Assembly 6231-30-33-36

---

| ITEM | PART NUMBER     | DESCRIPTION                    | QTY. |
|------|-----------------|--------------------------------|------|
| --   | 243730          | MOUNT ASSY, 410 TIRE 8-BLT 5X5 |      |
| 1    | 1-512-010005-15 | NUT,HEX,SLFLKG GRB 3/4-10      | 4    |
| 2    | 140484          | U-BOLT, 3/4 X 5                | 2    |
| 3    | 164147          | SCREW HX CAP5/8-11X3 2-1/2THD  | 3    |
| 4    | 208213          | MOUNT, TIRE 8-BOLT             | 1    |
| 5    | 215351          | TIRE&WHL ASSY, VF410/50R16.5   | 1    |
| 6    | 29SFFL 5811     | NUT,FLANGE HEAD LOCK5/8-11UNC  | 6    |



## Rear Hitch Assembly Long

| ITEM | PART NUMBER     | DESCRIPTION   | QTY. |
|------|-----------------|---|------|
| --   | 198264          | LONG REAR TOW HITCH ASSEMBLY                        |      |
| 1    | 1-512-010005-03 | NUT HEX SLFLKG GRB 5/16-18                          | 2    |
| 2    | 1-512-010005-05 | NUT, HEX, SLFLKG GRB 3/8-16                         | 3    |
| 3    | 1-512-010005-13 | NUT,HEX SLFLKG GRB 5/8-11                           | 10   |
| 4    | 1-512-010005-15 | NUT,HEX,SLFLKG GRB 3/4-10                           | 12   |
| 5    | 1-654-010049-05 | SCREW HX CP 5/16-18UNCX1 GR5                        | 2    |
| 6    | 1-654-010051-11 | SCREW HX CP 3/8-16X2-1/2 G5ZP                       | 3    |
| 7    | 1-822-010001    | TRIM 1350 3/8BLK FINE PEBBLE                        | 3    |
| 8    | 111392          | U-BOLT, GAUGE WHEEL 1550                            | 4    |
| 9    | 141828          | COUPLER,MALE 3/4-16 O-RING                          | 2    |
| 10   | 142668          | COUPLER FEMALE 3/4-16 O-RING                        | 2    |
| 11   | 142669          | PLUG, COUPLER DUST                                  | 2    |
| 12   | 142671          | PLATE, COUPLER                                      | 1    |
| 13   | 142712          | HOSE ASSY 3/8X175#8JICX#80R                         | 2    |
| 14   | 143871          | HARNESS, TANDEM ADAPTER                             | 1    |
| 15   | 148338          | FITTING, UNION SAE 37 8X8                           | 2    |
| 16   | 172885          | SCREW HX CP,3/4-10X7-1/2 GR8ZP                      | 4    |
| 17   | 188774          | HOSE ASSY,3/8#8JICX#8ORB 270"                       | 2    |
| 18   | 189433          | U-BOLT, 5/8X6-11/16X4-1/2                           | 1    |
| 19   | 195648          | HITCH, REAR TOW                                     | 1    |
| 20   | 197742          | HITCH ASSY, REAR TOW <b>(ITEMS 4, &amp; 26-32)</b>  | 1    |
| 21   | 198259          | MOUNTING PLATE, 6 HOLE                              | 1    |
| 22   | 198265          | BRACKET, COUPLER MOUNT                              | 1    |
| 23   | 2-102-010037    | U-BOLT CENTER SCRAPER                               | 4    |
| 24   | 528934          | REFLECTOR - YELLOW                                  | 2    |
| 25   | 155530          | HOSE, WRAP YELLOW                                   | 1    |
| 26   | 1-647-010004240 | PIN, SPRING SLOTTED 5/16 X 2-1/2                    | 2    |
| 27   | 1-654-010061-09 | SCREW, HEX 3/4-10UNC X 3, GR5                       | 1    |
| 28   | 1-861-010034-17 | WASHER, LKG, HLCL SPR, 3/4                          | 4    |
| 29   | 162191          | SPRING, COMP 1.218 X 2.5                            | 1    |
| 30   | 168773          | PIN, REAR TOW HITCH                                 | 1    |
| 31   | 197743          | MOUNT, REAR TOW HITCH                               | 1    |
| 32   | 197746          | HITCH, REAR TOW, RIGID                              | 1    |
| 33   | 156953          | REAR JACK MOUNT <b>(SEE PAGE 8-83)</b>              | 1    |
| 34   | 140647          | JACK, SIDE WIND 7000/8000 LB <b>(SEE PAGE 2-12)</b> | 1    |

# Rear Jack Assembly

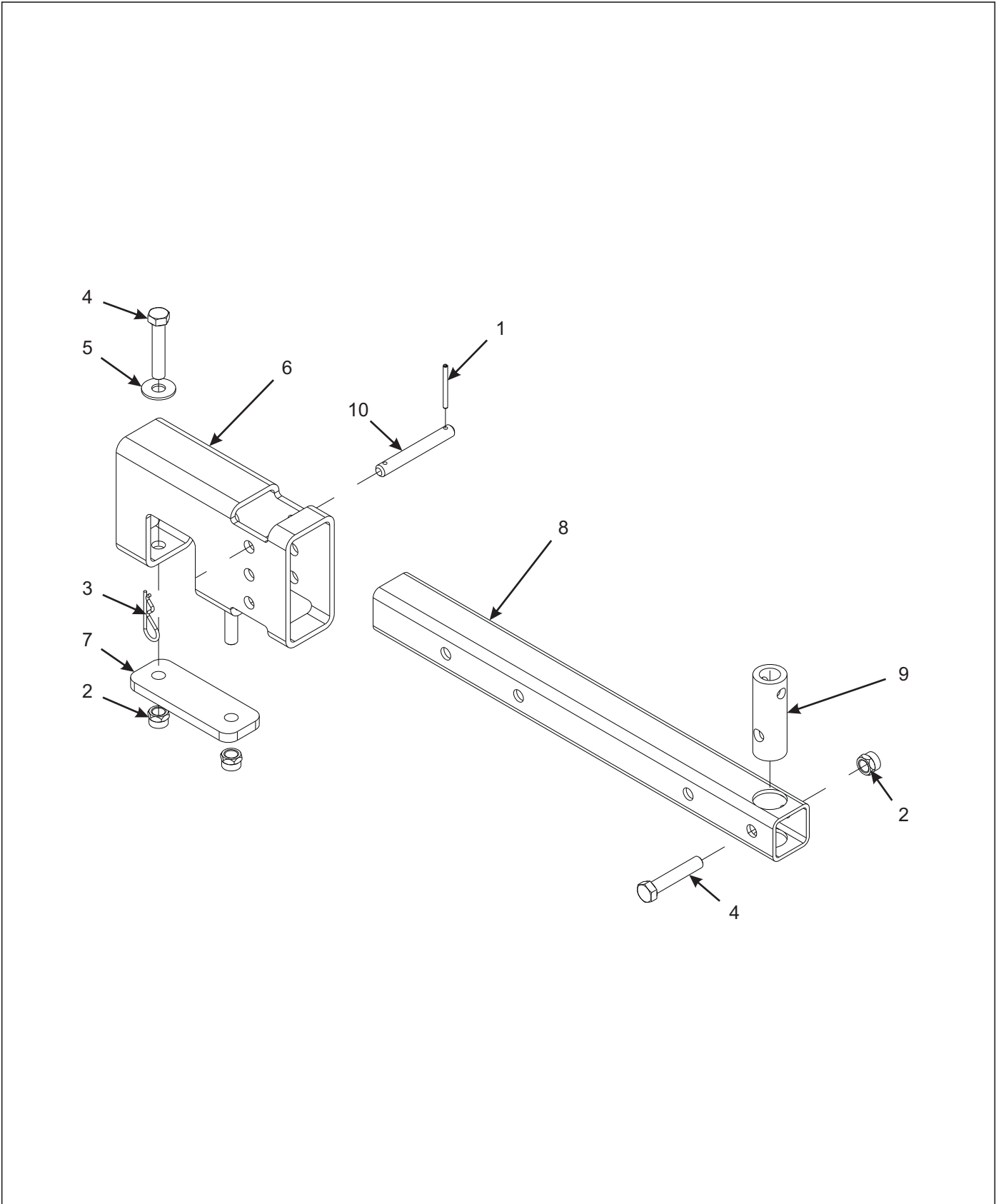


Figure 8-45: Rear Jack Assembly

---

## Rear Jack Assembly

---

| ITEM | PART NUMBER     | DESCRIPTION                        | QTY. |
|------|-----------------|------------------------------------|------|
| --   | 156953          | REAR JACK MOUNT                    |      |
| 1    | 0600-250-03000  | ROLL PIN, SLOTTED 1/4 X 3          | 1    |
| 2    | 1-512-010005-15 | NUT, HEX LOCK 3/4-10 GRB           | 3    |
| 3    | 1-557-010013    | PIN, HAIR 3/16                     | 1    |
| 4    | 1-654-010061-13 | SCREW, HEX HEAD CAP 3/4-10 x 4 GR5 | 3    |
| 5    | 1-861-010032-21 | WASHER, FLAT 3/4W                  | 2    |
| 6    | 156954          | MOUNT, REAR JACK                   | 1    |
| 7    | 156955          | PLATE, REAR JACK MOUNT             | 1    |
| 8    | 156956          | SQ. TUBE, REAR JACK                | 1    |
| 9    | 156957          | TUBE, JACK MOUNT                   | 1    |
| 10   | 2-557-010409    | PIN, WING LOCK                     | 1    |

# Rear Tow Hitch Assembly Straight

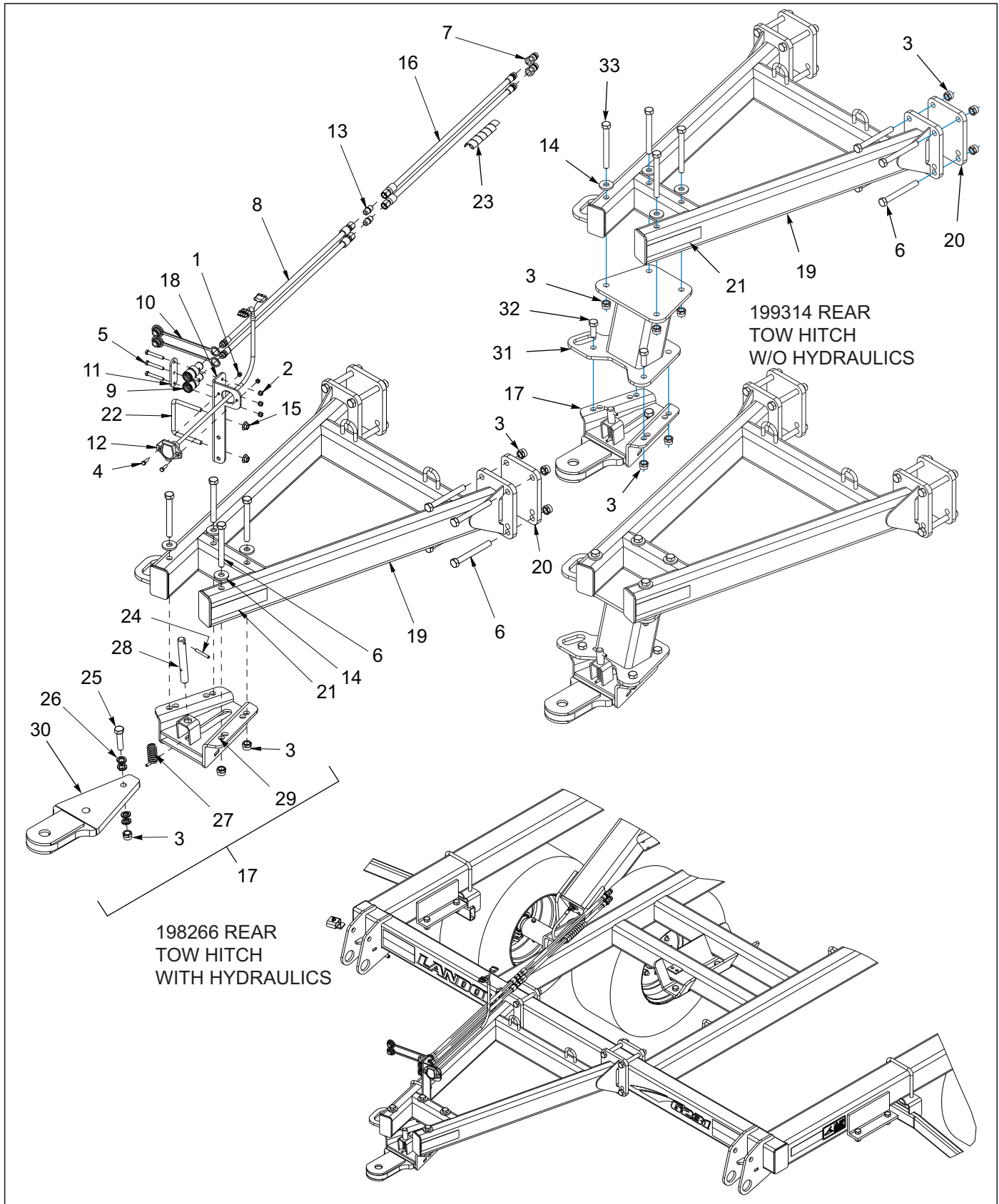


Figure 8-46: Rear Tow Hitch Assembly Straight



## Rear Tow Hitch Assembly Straight

| ITEM | PART NUMBER     | DESCRIPTION  | QTY. |    |
|------|-----------------|--|------|----|
| --   | 198266          | REAR TOW HITCH - STRAIGHT                          | *    |    |
| --   | 199314          | HITCH ASSY DROP REAR W/O HYD                       |      | *  |
| 1    | 1-512-010005-03 | NUT HEX SLFLKG GRB 5/16-18                         | 2    | -- |
| 2    | 1-512-010005-05 | NUT, HEX, SLFLKG GRB 3/8-16                        | 3    | -- |
| 3    | 1-512-010005-15 | NUT,HEX,SLFLKG GRB 3/4-10                          | 13   | 16 |
| 4    | 1-654-010049-05 | SCREW HX CP 5/16-18UNCX1 GR5                       | 2    | -- |
| 5    | 1-654-010051-11 | SCREW HX CP 3/8-16X2-1/2 G5ZP                      | 3    | -- |
| 6    | 100855          | SCREW, HHCS,3/4-10X6-1/2 GR5                       | 12   | 8  |
| 7    | 141828          | COUPLER,MALE 3/4-16 O-RING                         | 2    | -- |
| 8    | 141922          | HOSE ASSY 3/8X120 #8 JICX#80R                      | 2    | -- |
| 9    | 142668          | COUPLER FEMALE 3/4-16 O-RING                       | 2    | -- |
| 10   | 142669          | PLUG, COUPLER DUST                                 | 2    | -- |
| 11   | 142671          | PLATE, COUPLER                                     | 1    | -- |
| 12   | 143871          | HARNESS, TANDEM ADAPTER                            | 1    | -- |
| 13   | 148338          | FITTING, UNION SAE 37 8X8                          | 2    | -- |
| 14   | 168750          | WASHER FLAT 3/4                                    | 4    | 4  |
| 15   | 172509          | NUT,1/2-13 WIDE FLNG TOP LCK F                     | 2    | -- |
| 16   | 188774          | HOSE ASSY,3/8#8JICX#8ORB 270"                      | 2    | -- |
| 17   | 197742          | HITCH ASSY, REAR TOW <b>(ITEMS 3, &amp; 24-30)</b> | 1    | 1  |
| 18   | 198265          | BRACKET, COUPLER MOUNT                             | 1    | -- |
| 19   | 198267          | HITCH, STR REAR TOW                                | 1    | 1  |
| 20   | 198268          | MOUNTING PLATE, REAR TOW HITCH                     | 2    | 2  |
| 21   | 528934          | REFLECTOR - YELLOW                                 | 2    | 2  |
| 22   | 7K858           | U-BOLT 1/2-13X5-1/2 X 4-1/4                        | 1    | -- |
| 23   | 155530          | HOSE, WRAP YELLOW                                  | 1    | -- |
| 24   | 1-647-010004240 | PIN, SPRING SLOTTED 5/16 X 2-1/2                   | 2    | 2  |
| 25   | 1-654-010061-09 | SCREW, HEX 3/4-10UNC X 3, GR5                      | 1    | 1  |
| 26   | 1-861-010034-17 | WASHER, LKG, HLCL SPR, 3/4                         | 4    | 4  |
| 27   | 162191          | SPRING, COMP 1.218 X 2.5                           | 1    | 1  |
| 28   | 168773          | PIN, REAR TOW HITCH                                | 1    | 1  |
| 29   | 197743          | MOUNT, REAR TOW HITCH                              | 1    | 1  |
| 30   | 197746          | HITCH, REAR TOW, RIGID                             | 1    | 1  |
| 31   | 201797          | EXTENSION, HITCH DROP                              | --   | 1  |
| 32   | 1-654-010061-05 | SCREW,HHC,3/4-10UNCX2,GR5,ZP                       | --   | 4  |
| 33   | 1-654-010061-19 | SCREW,HX CP 3/4-10UNCX7 GR5                        | --   | 4  |

# Glossary

For clarity this glossary of industry standard abbreviations and their definitions are provided. For additional information, see instruction on the inside front cover or the last page of this manual.

## A

**ASM** ..... Assembly

## B

**BATT** ..... Battery  
**BHSC** ..... Button Head Socket Cap  
**BLK** ..... Black

## C

**CB** ..... Carriage Bolt  
**CONN** ..... Connector  
**CRG** ..... Carriage  
**CTSK** ..... Countersunk  
**CTWT** ..... Counterweight  
**CVR** ..... Cover  
**CYD** ..... Cylinder

## D

**DBL** ..... Double  
**DIA** ..... Diameter

## E

**ENCLSD** ..... Enclosed

## F

**FHCS** ..... Flanged Head Cap Screw  
**FHHCS** ..... Flanged Hex Head Cap Screw  
**FL OR FLG** ..... Flange  
**FLT** ..... Flat

## G

**GA** ..... Gauge

## H

**HHCS** ..... Hex Head Cap Screw  
**HCS** ..... High Carbon Steel  
**HD** ..... Head  
**HLCL** ..... Helical  
**HCSKT** ..... Hex Socket  
**HSFC** ..... Hex Socket Flat Countersunk  
**HYD** ..... Hydraulic

## I

**ID** ..... Inside Diameter

## L

**LH** ..... Lefthand  
**LKG OR LOCK** ..... Locking  
**LWR** ..... Lower

## M

**MANF** ..... Manifold  
**MNT** ..... Mount

## N

**NRW** ..... Narrow  
**NSS** ..... Not Serviced Separately

## O

**OD** ..... Outside Diameter  
**OHG** ..... Overhead Guard  
**ORFS OR ORS** ..... O-Ring Seal  
**ORP OR ORB** ..... O-Ring Boss

## P

**P-STEER** ..... Power Steering  
**PTFE** ..... Polytetrafluoroethylene (Teflon)

**R**

---

**RH** ..... Righthand  
**RND** ..... Round

**S**

---

**SER** ..... Series  
**SHCS** ..... Socket Head Cap Screw  
**SHLD** ..... Shield  
**SKT** ..... Socket  
**SLFLKG** ..... Selflocking  
**SOC** ..... Socket  
**SPDT** ..... Single Pole Double Throw  
**SPR** ..... Spring

**SQ** ..... Square  
**SRTD** ..... Serrated  
**SSCR** ..... Setscrew  
**SST** ..... Stainless Steel  
**STD** ..... Standard

**U**

---

**UPR** ..... Upper

**W**

---

**WHL** ..... Wheel  
**WLD OR WLDMT** ..... Weldment

### Index

#### Numerics

|                |  |                 |  |
|----------------|--|-----------------|--|
| 0600-250-01250 | 1-22   | 111392          | 8-5, 8-8, 8-82   |
| 0600-250-03000 | 8-64, 8-68, 8-84   | 111789          | 5-2, 5-3   |
| 100000362      | 5-3  | 111871          | 5-2  |
| 1-007-010025   | 4-2, 4-4, 4-6, 4-8, 4-10, 8-24, 8-26, 8-28, 8-30, 8-32, 8-54, 8-56, 8-58, 8-60 | 111962          | 1-18, 1-20   |
| 100823         | 1-22   | 114029          | 3-2, 3-6, 3-10   |
| 100827         | 6-4  | 116100          | 1-2, 4-6, 4-8, 4-10  |
| 100829         | 8-8, 8-18, 8-20, 8-38, 8-62, 8-64, 8-66, 8-68                                  | 1-161-010003    | 1-24   |
| 100855         | 8-86   | 116432          | 4-6, 4-10  |
| 100966         | 1-24   | 116435          | 4-4  |
| 101385         | 2-2  | 116489          | 2-10   |
| 101988         | 1-24   | 117163          | 4-4  |
| 102-0031       | 8-24, 8-26, 8-28, 8-30, 8-32, 8-54, 8-56, 8-58, 8-60                           | 117957          | 8-8, 8-18, 8-20, 8-38, 8-62, 8-64, 8-66, 8-68                                      |
| 102-1158       | 8-56, 8-58, 8-60   | 119118          | 1-4, 1-6, 1-12   |
| 102209         | 8-8  | 122709          | 2-5  |
| 102351         | 2-2  | 122910          | 4-6, 4-10  |
| 102498         | 1-18, 1-20   | 122911          | 4-2, 4-4   |
| 102600         | 1-4, 1-6, 1-8, 1-12, 1-14, 1-18, 1-20  | 122917          | 2-6  |
| 102601         | 1-18   | 123547          | 2-10   |
| 102604         | 1-18, 1-20   | 124696          | 2-3, 2-10  |
| 103841         | 2-2  | 127712          | 1-2, 1-4, 1-6, 1-12  |
| 104358         | 1-2  | 129263          | 8-70, 8-72, 8-74, 8-76   |
| 105874         | 6-4  | 1-298-010001-1  | 1-16, 1-22, 1-24, 2-8, 2-10, 2-11  |
| 107-0018       | 1-2  | 130052          | 1-14, 1-16   |
| 107491         | 8-62, 8-64, 8-66, 8-68   | 131081          | 2-2  |
| 1-076-010007   | 1-24   | 137598          | 4-2  |
| 1-076-010009   | 1-24   | 137599          | 4-8  |
| 1-076-010010   | 1-24   | 137600          | 4-2, 4-4   |
| 1-076-010012   | 1-24   | 137943          | 8-22, 8-40   |
| 108628         | 2-6  | 139201          | 3-11   |
| 108705         | 8-70, 8-72, 8-74, 8-76   | 1-397-010369036 | 4-2, 4-10  |
| 1-104-010002   | 1-24   | 140464          | 3-2, 3-6, 3-11, 8-22, 8-40   |
| 111301         | 4-2, 4-4   | 140465          | 3-16, 3-18, 3-24, 3-26, 3-32, 3-34, 3-40, 3-42, 3-48, 3-50, 3-56, 3-58, 3-64, 3-66 |
|                |  | 140466          | 3-16, 3-18, 3-24, 3-26, 3-32, 3-34, 3-40, 3-42, 3-48, 3-50, 3-56, 3-58, 3-64, 3-66 |
|                |  | 140467          | 3-16, 3-24, 3-32, 3-40, 3-48, 3-56, 3-64   |

|              |  |        |  |
|--------------|--|--------|--|
| 140468       | 3-16, 3-18, 3-24, 3-26, 3-32, 3-34, 3-40, 3-42, 3-48, 3-50, 3-56, 3-58, 3-64, 3-66 | 140647 | 2-2, 2-12, 8-52, 8-64, 8-68, 8-82  |
| 140469       | 3-2, 3-6, 3-10   | 140658 | 1-24   |
| 140470       | 1-4, 1-6, 1-8, 4-2, 4-4, 5-1   | 140663 | 1-24   |
| 140471       | 1-9, 1-12, 1-14, 4-2, 4-4, 5-2   | 140667 | 1-24   |
| 140473       | 3-2, 3-7, 3-11, 8-22, 8-40   | 140672 | 1-24   |
| 140475       | 3-3, 3-7, 3-11, 8-22, 8-40   | 141154 | 1-24, 3-2, 3-6, 3-10   |
| 140476       | 3-3, 3-7, 3-11, 8-22, 8-40   | 141163 | 3-16, 3-18, 3-24, 3-26, 3-32, 3-34, 3-40, 3-42, 3-56, 3-58, 3-64, 3-66                                     |
| 140477       | 3-2, 3-6, 3-10, 8-22, 8-40   | 141164 | 3-40, 3-42, 3-56, 3-58, 3-64, 3-66   |
| 140479       | 3-2, 3-6, 3-10, 8-22, 8-40   | 141165 | 3-16, 3-18, 3-24, 3-26, 3-48, 3-50, 3-56, 3-58, 3-64, 3-66   |
| 140480       | 3-2, 3-6, 3-10, 8-22, 8-40   | 141166 | 3-48, 3-50, 3-56, 3-58, 3-64, 3-66   |
| 140481       | 3-2, 3-6, 3-10   | 141167 | 3-16, 3-18, 3-20, 3-40, 3-42, 3-44, 3-56, 3-58, 3-60   |
| 140482       | 3-2, 3-6, 3-10   | 141168 | 3-16, 3-18, 3-20, 3-24, 3-26, 3-28, 3-32, 3-34, 3-36, 3-40, 3-42, 3-44, 3-56, 3-58, 3-60, 3-64, 3-66, 3-68 |
| 140483       | 3-2, 3-6, 3-10   | 141169 | 3-24, 3-26, 3-28, 3-40, 3-42, 3-44, 3-48, 3-50, 3-52, 3-56, 3-58, 3-60, 3-64, 3-66, 3-68                   |
| 140484       | 3-2, 3-6, 3-10, 8-80   | 141170 | 3-16, 3-18, 3-20, 3-64, 3-66, 3-68   |
| 140485       | 3-2, 3-6, 3-10   | 141171 | 3-32, 3-34, 3-36, 3-48, 3-50, 3-52, 3-56, 3-58, 3-60, 3-64, 3-66, 3-68                                     |
| 140486       | 3-2, 3-10  | 141172 | 3-24, 3-26, 3-28   |
| 140487       | 3-2, 3-6, 3-10   | 141173 | 3-32, 3-34, 3-36, 3-48, 3-50, 3-52   |
| 140488       | 3-2, 3-6   | 141184 | 3-16, 3-18, 3-24, 3-26, 3-32, 3-34, 3-40, 3-42, 3-56, 3-58   |
| 140490       | 3-2, 3-6, 3-10   | 141186 | 3-24, 3-26, 3-32, 3-34, 3-48, 3-50   |
| 140491       | 3-2, 3-6, 3-10   | 141187 | 3-32, 3-34, 3-48, 3-50   |
| 140492       | 3-2  | 141188 | 3-16, 3-18, 3-20, 3-24, 3-26, 3-28, 3-32, 3-34, 3-36, 3-40, 3-42, 3-44                                     |
| 140493       | 3-2  | 141209 | 1-4, 1-6, 1-8, 1-9, 1-12, 1-14   |
| 140496       | 3-2, 3-10  | 141228 | 1-2  |
| 140519       | 1-4, 1-6, 1-8, 1-9, 1-12, 1-14   | 141234 | 1-4, 1-6, 1-8  |
| 140525       | 2-2, 2-8   | 141241 | 2-10   |
| 140533       | 1-2  | 141242 | 2-10   |
| 140548       | 1-4, 1-12  | 141244 | 1-2, 4-6, 4-8, 4-10  |
| 140575       | 2-2  | 141245 | 1-24   |
| 140598       | 2-8  | 141247 | 2-2  |
| 140599       | 1-2, 2-2, 2-8, 3-2, 3-6, 3-10, 8-8, 8-18, 8-20, 8-38, 8-62, 8-64, 8-66, 8-68       | 141249 | 2-2  |
| 1-406-010012 | 1-24   | 141250 | 2-12   |
| 140610       | 2-5  | 141252 | 2-2  |
| 140625       | 2-10   |        |  |
| 140627       | 2-2, 2-10  |        |  |
| 140630       | 2-8  |        |  |
| 140631       | 2-10, 5-4  |        |  |

|   |                          |   |  |
|---|--------------------------|---|--|
| 141253 .....  | 2-2                      | 142194 .....  | 2-12                                     |
| 141254 .....  | 2-2                      | 142579 3-18, 3-20, 3-26, 3-28, 3-34, 3-36, 3-42, 3-44, 3-58, 3-60, 3-66, 3-68 |  |
| 141255 .....  | 2-2                      | 142580 3-40, 3-42, 3-44, 3-56, 3-58, 3-60, 3-66, 3-68                         |  |
| 141256 .....  | 2-2                      | 142581 3-18, 3-20, 3-26, 3-28, 3-50, 3-52, 3-58, 3-60, 3-66, 3-68             |  |
| 141258 .....  | 1-24                     | 142582 .....  | 3-50, 3-52, 3-58, 3-60, 3-66, 3-68       |
| 141259 .....  | 7-4                      | 142645 .....  | 2-8                                      |
| 141260 .....  | 7-4                      | 142646 .....  | 2-10                                     |
| 141263 .....  | 2-10, 7-4, 8-78          | 142660 .....  | 3-16, 3-24, 3-32, 3-40, 3-48, 3-56, 3-64 |
| 141266 .....  | 1-2, 2-3                 | 142662 .....  | 3-16, 3-24, 3-32, 3-40, 3-48, 3-56, 3-64 |
| 141269 .....  | 1-2, 6-4                 | 142668 .....  | 8-82, 8-86                               |
| 141271 .....  | 1-24                     | 142669 .....  | 8-82, 8-86                               |
| 141274 .....  | 1-2                      | 142671 .....  | 8-82, 8-86                               |
| 141275 .. 3-3, 4-2, 4-4, 8-24, 8-26, 8-28, 8-30, 8-32, 8-54, 8-56, 8-58, 8-60                               |                          | 142703 .....  | 3-26, 3-28, 3-34, 3-36, 3-50, 3-52       |
| 141301 .....  | 5-1, 5-2                 | 142704 .....  | 3-34, 3-36, 3-50, 3-52                   |
| 1413183 .....   | 4-2                      | 142705 3-18, 3-20, 3-26, 3-28, 3-34, 3-36, 3-42, 3-44, 3-58, 3-60             |  |
| 1413572 .....   | 4-2                      | 142712 .....  | 8-82                                     |
| 141434 .....  | 2-2                      | 142753 .....  | 1-2                                      |
| 141594 .....  | 4-2, 4-4, 4-6, 4-8, 4-10 | 142803 .....  | 5-4                                      |
| 141597 .....  | 7-4                      | 142806 .....  | 5-4                                      |
| 141776 .....  | 2-2                      | 142807 .....  | 5-4                                      |
| 141777 .....  | 2-2                      | 143871 .....  | 8-82, 8-86                               |
| 141807 .....  | 2-2                      | 143988 .....  | 3-2, 3-6, 3-10                           |
| 141808 .....  | 1-24                     | 143994 .....  | 5-1, 5-2                                 |
| 141826 .....  | 4-6, 4-8, 4-10           | 144048 .....  | 2-6                                      |
| 141827 .....  | 2-10                     | 144115 .....  | 1-2                                      |
| 141828 ... 2-10, 4-2, 4-4, 4-6, 4-8, 4-10, 8-24, 8-26, 8-28, 8-30, 8-32, 8-54, 8-56, 8-58, 8-60, 8-82, 8-86 |                          | 144193 .....  | 7-4                                      |
| 141871 .... 3-18, 3-26, 3-34, 3-42, 3-50, 3-58, 3-66  |                          | 144198 .....  | 1-24                                     |
| 141881 .....  | 4-2, 4-4                 | 144199 .....  | 1-24                                     |
| 141922 .....  | 8-86                     | 144200 .....  | 1-24                                     |
| 142103 .....  | 5-2                      | 144342 .....  | 4-2, 4-4                                 |
| 142109 .....  | 5-1                      | 144343 .....  | 4-4                                      |
| 142110 .....  | 5-1, 5-2                 | 147072 .....  | 5-1                                      |
| 142111 .....  | 5-1                      | 147123 .....  | 4-6, 4-10                                |
| 142112 .....  | 5-1, 5-2                 | 147584 .....  | 4-4, 4-6, 4-10                           |
| 142114 .....  | 5-1                      | 148337 .....  | 8-22, 8-40                               |
| 142116 .....  | 5-2                      | 148338 .....  | 8-82, 8-86                               |

|                 |   |         |   |
|-----------------|---|---------|---|
| 148363          | 3-10  | 153696  | 2-2   |
| 148364          | 3-10  | 153698  | 3-16, 3-24, 3-32, 3-40, 3-56                  |
| 149592          | 3-24  | 153699  | 3-40  |
| 149603          | 3-52, 3-60, 3-68  | 153700  | 3-16, 3-24, 3-32, 3-40, 3-56, 3-64            |
| 149604          | 3-36, 3-44, 3-52, 3-60, 3-68  | 153701  | 3-40, 3-48, 3-56, 3-64                        |
| 149605          | 3-20, 3-68  | 153702  | 3-16, 3-64                                    |
| 149606          | 3-28  | 153703  | 3-48, 3-56, 3-64                              |
| 149607          | 3-52  | 153704  | 3-24, 3-32, 3-48                              |
| 149608          | 3-36  | 153713  | 3-16, 3-24, 3-32, 3-40, 3-56                  |
| 150273          | 4-4   | 153716  | 8-22, 8-40                                    |
| 1-510-010001    | 8-24, 8-26, 8-28, 8-30, 8-32, 8-54, 8-56, 8-58, 8-60  | 153803  | 1-22  |
| 1-510-010003-09 | 8-10, 8-12  | 153842  | 4-6, 4-8                                      |
| 1-512-010002-16 | 8-18, 8-20, 8-38  | 153843  | 4-10  |
| 1-512-010005-01 | 1-2, 2-2, 6-4   | 154185  | 8-22, 8-40                                    |
| 1-512-010005-03 | 2-3, 2-6, 8-82, 8-86  | 154186  | 8-22, 8-40                                    |
| 1-512-010005-05 | 1-4, 1-6, 1-8, 2-2, 2-10, 3-3, 4-2, 4-4, 8-82, 8-86   | 154392  | 8-8, 8-18, 8-20, 8-38, 8-62, 8-64, 8-66, 8-68 |
| 1-512-010005-09 | 1-4, 1-6, 1-8, 1-9, 1-12, 1-14, 2-2, 2-10, 3-2, 3-6, 3-10, 4-2, 4-4, 4-6, 4-8, 4-10, 8-10, 8-12, 8-24, 8-26, 8-28, 8-30, 8-32, 8-54, 8-56, 8-58, 8-60, 8-62, 8-64, 8-68 | 154393  | 8-22, 8-40                                    |
| 1-512-010005-13 | 1-2, 1-14, 2-2, 2-8, 8-8, 8-18, 8-22, 8-38, 8-40, 8-64, 8-68, 8-70, 8-72, 8-74, 8-76, 8-82  | 154532  | 8-10, 8-12                                    |
| 1-512-010005-15 | 1-2, 1-4, 1-6, 1-8, 1-9, 1-12, 1-14, 2-3, 2-5, 3-2, 3-6, 3-10, 8-8, 8-18, 8-20, 8-38, 8-62, 8-64, 8-66, 8-68, 8-80, 8-82, 8-84, 8-86                                    | 154658  | 8-22, 8-40                                    |
| 1-512-010005-19 | 1-4, 1-6, 1-8, 1-24, 2-2, 8-8, 8-18, 8-20, 8-38, 8-62, 8-64, 8-66, 8-68   | 154659  | 8-22, 8-40                                    |
| 1-512-010007-07 | 2-2   | 154662  | 3-40  |
| 1-512-010007-14 | 8-8, 8-18, 8-20, 8-24, 8-26, 8-28, 8-30, 8-32, 8-38, 8-62, 8-64   | 154663  | 3-16, 3-24, 3-32, 3-40                        |
| 1-512-010007-16 | 1-24  | 154668  | 3-6   |
| 151528          | 2-3   | 154684  | 8-16  |
| 1-516-010001-20 | 1-18, 1-20  | 154686  | 8-16, 8-22                                    |
| 1-516-010001-27 | 1-2   | 154687  | 8-16, 8-22                                    |
| 152209          | 8-8, 8-18, 8-20, 8-38, 8-62, 8-64, 8-66, 8-68   | 154691  | 8-22  |
| 152210          | 8-8, 8-18, 8-38, 8-62, 8-64   | 154692  | 8-22  |
| 153621          | 4-4   | 154748P | 8-8, 8-18, 8-20, 8-38                         |
| 153651          | 3-6   | 154993  | 8-10, 8-12                                    |
| 153652          | 3-6   | 154994  | 8-10, 8-12                                    |
|                 |   | 154995  | 8-10, 8-12                                    |
|                 |   | 154997  | 8-10, 8-12                                    |
|                 |   | 154998  | 8-10, 8-12                                    |
|                 |   | 155005  | 8-12  |
|                 |   | 155523  | 7-4   |
|                 |   | 155528  | 4-2, 4-4                                      |
|                 |   | 155529  | 4-6, 4-8, 4-10                                |

|                 |  |              |   |
|-----------------|--|--------------|---|
| 155530          | 2-10, 8-82, 8-86   | 156974       | 1-18  |
| 155564          | 1-2  | 156979       | 1-18, 1-20  |
| 155594          | 8-22, 8-40   | 156991       | 1-6   |
| 155617          | 3-6, 3-16, 3-18, 3-24, 3-26, 3-32, 3-34, 3-40,<br>3-42, 3-48, 3-50, 3-56, 3-58, 3-64, 3-66 | 156992       | 1-4, 1-6, 1-12  |
| 155618          | 3-6, 3-16, 3-24, 3-32, 3-40, 3-48, 3-56, 3-64  | 157001       | 1-6, 1-8, 1-14  |
| 155619          | 3-16, 3-24, 3-32, 3-40, 3-48, 3-56, 3-64   | 157019       | 1-4, 1-12   |
| 1-557-010013    | 1-2, 8-64, 8-68, 8-84  | 157120       | 8-5, 8-10   |
| 1-557-010362-40 | 1-24   | 157123       | 8-5, 8-10   |
| 1-557-010362-51 | 1-18, 1-20   | 1-573-010006 | 7-4   |
| 1-557-010403    | 1-2, 2-10  | 157648       | 6-4   |
| 155803          | 8-5, 8-12  | 158299       | 1-2   |
| 155927          | 8-10, 8-12   | 158795       | 8-8, 8-18, 8-20, 8-38, 8-62, 8-64   |
| 155954          | 8-5, 8-12  | 158841       | 1-2   |
| 155956          | 8-10, 8-12   | 158843       | 1-22  |
| 155971          | 8-10, 8-12   | 158844       | 1-4, 1-6, 1-8, 1-22   |
| 155998          | 8-5, 8-12  | 158847       | 8-8, 8-18, 8-20, 8-38   |
| 156010          | 7-4  | 158896       | 8-8, 8-18, 8-38, 8-62, 8-64   |
| 156082          | 3-32, 3-48   | 158897       | 8-8, 8-18, 8-38, 8-62, 8-64   |
| 156124          | 8-22   | 158903       | 1-16  |
| 156125          | 8-16, 8-22   | 158904       | 1-16  |
| 156776          | 8-12   | 159557       | 1-22  |
| 156777          | 8-12   | 159954       | 1-12, 1-14  |
| 156778          | 8-10, 8-12   | 159955       | 1-12, 1-14  |
| 156779          | 8-10   | 159970       | 1-18  |
| 156921          | 3-48, 3-56, 3-64   | 15G816ER     | 1-16  |
| 156922          | 3-64   | 160151       | 1-24  |
| 156950          | 2-2  | 160155       | 1-24  |
| 156951          | 3-28, 3-44, 3-68   | 160161       | 3-2, 3-6  |
| 156953          | 8-52, 8-64, 8-68, 8-82, 8-84   | 160183       | 3-20, 3-28, 3-36, 3-44, 3-60, 3-68  |
| 156954          | 8-64, 8-68, 8-84   | 161522       | 3-3   |
| 156955          | 8-64, 8-68, 8-84   | 161523       | 3-3   |
| 156956          | 8-64, 8-68, 8-84   | 161524       | 3-3, 3-10   |
| 156957          | 8-64, 8-68, 8-84   | 161530       | 3-6, 3-10, 3-16, 3-18, 3-20, 3-24, 3-26, 3-28,<br>3-32, 3-34, 3-36, 3-40, 3-42, 3-44, 3-48, 3-50, 3-52,<br>3-56, 3-58, 3-60, 3-64, 3-66, 3-68 |
| 156970          | 6-4  | 161550       | 2-11  |
| 156971          | 6-4  | 162191       | 8-82, 8-86  |
| 156972          | 1-4, 1-6, 1-9, 1-12, 1-18  | 162569       | 8-24, 8-26, 8-28, 8-30, 8-32, 8-54, 8-56, 8-58,<br>8-60   |
| 156973          | 1-18, 1-20   |              |   |



|                           |   |                           |  |
|---------------------------|---|---------------------------|--|
| 1-630-010021-03 . . . . . | 2-6   | 1-654-010055-11 . . . . . | 1-4, 1-6, 1-8, 4-2, 4-4, 4-6, 4-8,<br>4-10, 8-24, 8-26, 8-28, 8-32, 8-54, 8-56, 8-58, 8-60 |
| 164124 . . . . .          | 1-4, 1-6, 1-8   | 1-654-010055-13 . . . . . | 8-30, 8-32, 8-54, 8-58, 8-60   |
| 164138 . . . . .          | 6-4   | 1-654-010055-14 . . . . . | 8-10, 8-12   |
| 164142 . . . . .          | 6-4   | 1-654-010055-15 . . . . . | 1-4, 1-6, 1-8, 1-9, 1-12, 1-14   |
| 164147 . . . . .          | 8-78, 8-80  | 1-654-010055-16 . . . . . | 8-62, 8-64, 8-68   |
| 164378 . . . . .          | 8-22  | 1-654-010059-07 . . . . . | 2-3  |
| 164533 . . . . .          | 1-24  | 1-654-010059-11 . . . . . | 2-2, 2-8   |
| 164562 . . . . .          | 3-56  | 1-654-010059-15 . . . . . | 1-14   |
| 164563 . . . . .          | 1-6, 1-8  | 1-654-010061-05 . . . . . | 1-4, 1-6, 1-8, 1-9, 1-12, 1-14, 8-86   |
| 1-647-010004236 . . . . . | 8-8, 8-18, 8-20, 8-38, 8-62, 8-64,<br>8-66, 8-68                        | 1-654-010061-07 . . . . . | 2-3  |
| 1-647-010004240 . . . . . | 1-2, 2-2, 2-8, 2-10, 4-6, 4-8, 4-10,<br>8-82, 8-86                      | 1-654-010061-09 . . . . . | 2-5, 8-82, 8-86  |
| 1-647-010004257 . . . . . | 1-24, 3-2, 3-6, 3-10  | 1-654-010061-13 . . . . . | 8-64, 8-68, 8-84   |
| 165127 . . . . .          | 8-16, 8-22  | 1-654-010061-16 . . . . . | 1-8  |
| 165226 . . . . .          | 8-22, 8-40  | 1-654-010061-19 . . . . . | 2-2, 8-86  |
| 165236 . . . . .          | 1-12  | 1-654-010065-13 . . . . . | 1-4, 1-6, 1-8  |
| 165257 . . . . .          | 2-3   | 1-654-010070-02 . . . . . | 3-2, 3-6, 8-10, 8-12   |
| 165258 . . . . .          | 2-6   | 1-654-010070-03 . . . . . | 8-10, 8-12, 8-74, 8-76   |
| 165259 . . . . .          | 2-6   | 1-654-010070-04 . . . . . | 8-24, 8-26, 8-28, 8-30, 8-32, 8-54,<br>8-56, 8-58, 8-60, 8-70, 8-72, 8-74, 8-76            |
| 165260 . . . . .          | 2-6   | 1-654-010070-05 . . . . . | 3-3, 3-10  |
| 165265 . . . . .          | 2-3   | 1-654-010070-11 . . . . . | 8-10, 8-12   |
| 1-654-010032-05 . . . . . | 1-2, 8-22, 8-40   | 1-654-010070-13 . . . . . | 8-10, 8-12   |
| 1-654-010032-09 . . . . . | 3-2, 3-6  | 1-654-010070-14 . . . . . | 8-10, 8-12   |
| 1-654-010047-06 . . . . . | 1-2, 2-2, 6-4   | 1-654-010080-2 . . . . .  | 1-22   |
| 1-654-010047-07 . . . . . | 6-4   | 1-654-010087-16 . . . . . | 8-18, 8-20, 8-38   |
| 1-654-010047-08 . . . . . | 6-4   | 1-654-010125-22 . . . . . | 2-2  |
| 1-654-010049-05 . . . . . | 8-82, 8-86  | 1-659-010004 . . . . .    | 1-24   |
| 1-654-010049-19 . . . . . | 2-3   | 166171 . . . . .          | 4-10   |
| 1-654-010051-06 . . . . . | 1-4, 1-6, 1-8   | 166717 . . . . .          | 2-6  |
| 1-654-010051-07 . . . . . | 3-3, 8-24, 8-26, 8-28, 8-30, 8-32,<br>8-54, 8-56, 8-58, 8-60            | 167555 . . . . .          | 4-2, 4-4   |
| 1-654-010051-08 . . . . . | 4-2, 4-4  | 167575 . . . . .          | 4-6, 4-8, 4-10, 5-3  |
| 1-654-010051-09 . . . . . | 2-2, 2-10   | 168750 . . . . .          | 8-86   |
| 1-654-010051-11 . . . . . | 8-82, 8-86  | 168773 . . . . .          | 8-82, 8-86   |
| 1-654-010051-13 . . . . . | 2-2, 2-10   | 168859 . . . . .          | 1-18, 1-20   |
| 1-654-010055-05 . . . . . | 2-10, 3-2, 3-6, 3-10, 8-20, 8-24,<br>8-26, 8-28, 8-30, 8-32, 8-66, 8-68 | 169549 . . . . .          | 5-3  |
|                           |   | 169550 . . . . .          | 5-3  |
|                           |   | 169552 . . . . .          | 5-3  |

|        |  |              |  |
|--------|--|--------------|--|
| 169575 | 3-10, 3-18, 3-20, 3-26, 3-28, 3-34, 3-36, 3-42, 3-44, 3-50, 3-52, 3-58, 3-60, 3-66, 3-68     | 174330       | 3-3  |
| 171010 | 1-12   | 174331       | 3-3  |
| 171011 | 1-4, 1-6, 1-8, 1-12, 1-14  | 174435       | 6-4  |
| 171021 | 3-40   | 174436       | 6-4  |
| 171024 | 1-16   | 174437       | 6-4  |
| 171063 | 1-4, 1-6, 1-8  | 174438       | 6-4  |
| 171065 | 1-16   | 174439       | 6-4  |
| 171070 | 1-4, 1-12, 1-14  | 174526       | 8-70, 8-72, 8-74, 8-76                                   |
| 171080 | 5-5, 5-6   | 174532       | 8-70, 8-72, 8-74, 8-76                                   |
| 171081 | 5-5, 5-6   | 174695       | 2-2, 2-10  |
| 172076 | 3-6, 3-16, 3-32, 3-40, 3-48, 3-56, 3-64  | 174708       | 2-6  |
| 172509 | 3-2, 3-6, 8-24, 8-26, 8-28, 8-30, 8-32, 8-54, 8-56, 8-58, 8-60, 8-70, 8-72, 8-74, 8-76, 8-86 | 174709       | 2-6  |
| 172537 | 5-5, 8-20, 8-24, 8-26, 8-28, 8-30, 8-32  | 174721       | 2-10   |
| 172539 | 5-5  | 174784       | 8-24, 8-26, 8-28, 8-30, 8-32, 8-54, 8-56, 8-58, 8-60     |
| 172706 | 3-24   | 176929       | 8-24, 8-26, 8-28, 8-30, 8-54                             |
| 172724 | 3-2, 3-6   | 176930       | 8-56   |
| 172823 | 2-2  | 176996       | 4-2, 4-4   |
| 172883 | 3-10   | 177030       | 2-11   |
| 172884 | 8-18, 8-20, 8-38   | 177032       | 2-11   |
| 172885 | 8-82   | 180087       | 3-56, 3-64   |
| 172959 | 1-16   | 180140       | 3-6  |
| 172960 | 1-16   | 180141       | 3-6  |
| 172961 | 1-16   | 180147       | 3-24, 3-64   |
| 172972 | 8-24, 8-26, 8-28, 8-30, 8-32, 8-54, 8-56, 8-58, 8-60   | 180152       | 8-8  |
| 172973 | 8-24, 8-26, 8-28, 8-30, 8-32, 8-54, 8-56, 8-58, 8-60   | 180153       | 8-5, 8-10  |
| 172976 | 8-24, 8-26, 8-28, 8-30, 8-32, 8-54, 8-56, 8-58, 8-60   | 180155       | 8-10   |
| 172977 | 8-24, 8-26, 8-28, 8-30, 8-32, 8-54, 8-56, 8-58, 8-60   | 180156       | 8-10   |
| 172979 | 8-56   | 180161       | 8-8, 8-18, 8-38, 8-64, 8-68                              |
| 172992 | 8-24, 8-26, 8-28, 8-30, 8-32, 8-54, 8-56, 8-58, 8-60   | 180164       | 8-5, 8-8, 8-16, 8-35, 8-38, 8-46, 8-48, 8-52, 8-64, 8-68 |
| 172999 | 8-24, 8-26, 8-28, 8-30, 8-54   | 181933       | 4-2, 4-4   |
| 173000 | 8-28, 8-32, 8-54   | 181938       | 4-2, 4-4   |
| 173044 | 8-24, 8-26, 8-28, 8-30, 8-32, 8-54, 8-58, 8-60   | 1-822-010001 | 8-82   |
| 174329 | 3-3  | 182328       | 3-32, 3-48   |
|        |  | 183902       | 2-5  |
|        |  | 183906       | 2-5  |
|        |  | 183909       | 2-5  |

|                 |  |        |            |
|-----------------|--|--------|------------|
| 183910          | 1-24   | 189473 | 1-2        |
| 183914          | 2-2, 2-8, 2-10   | 189474 | 1-2        |
| 183915          | 2-2, 2-5   | 189475 | 1-2        |
| 184706          | 1-12   | 189476 | 1-2        |
| 184708          | 1-4, 1-12, 8-78  | 189477 | 1-2        |
| 185660          | 2-3, 4-2, 4-4  | 189478 | 1-2        |
| 185721          | 3-28, 3-36, 3-52   | 189479 | 1-2        |
| 185722          | 3-52   | 189485 | 2-2        |
| 185724          | 3-20, 3-52, 3-60, 3-68   | 189498 | 1-2        |
| 185757          | 8-70, 8-72, 8-74, 8-76   | 189499 | 1-2        |
| 186100          | 3-16, 3-24, 3-32, 3-40, 3-48, 3-56, 3-64                       | 190955 | 8-70, 8-72 |
| 1-861-010004    | 1-24   | 190956 | 8-70, 8-72 |
| 1-861-010005    | 1-18, 1-20   | 190957 | 8-70, 8-72 |
| 1-861-010032-07 | 1-2  | 190958 | 8-70, 8-72 |
| 1-861-010032-11 | 2-2, 2-10, 3-3, 4-2, 4-4                                       | 190960 | 8-70, 8-72 |
| 1-861-010032-14 | 1-4, 1-6, 1-8, 3-2, 3-6, 3-10                                  | 191424 | 3-16       |
| 1-861-010032-15 | 8-10, 8-12   | 191425 | 3-24       |
| 1-861-010032-21 | 8-64, 8-68, 8-84   | 191426 | 3-32       |
| 1-861-010032-24 | 1-24, 2-2, 2-8, 2-10   | 191427 | 3-40       |
| 1-861-010032-32 | 2-8  | 191428 | 3-48       |
| 1-861-010034-13 | 8-20, 8-24, 8-26, 8-28, 8-30, 8-32, 8-66, 8-68                 | 191429 | 3-56       |
| 1-861-010034-17 | 3-2, 3-6, 3-10, 8-22, 8-40, 8-70, 8-72, 8-74, 8-76, 8-82, 8-86 | 191430 | 3-64       |
| 1-861-010034-21 | 8-8, 8-18, 8-22, 8-38, 8-40, 8-62, 8-64                        | 191431 | 3-16       |
| 187343          | 3-11   | 191432 | 3-24       |
| 187348          | 3-11   | 191433 | 3-32       |
| 188530          | 8-20, 8-66, 8-68   | 191434 | 3-40       |
| 188774          | 8-82, 8-86   | 191435 | 3-48       |
| 189433          | 8-82   | 191436 | 3-56       |
| 189451          | 2-2, 2-11  | 191437 | 3-64       |
| 189453          | 2-11   | 191444 | 3-2, 3-6   |
| 189454          | 2-11   | 191460 | 1-9        |
| 189467          | 2-11   | 191461 | 1-9        |
| 189468          | 2-11   | 191470 | 2-3        |
| 189470          | 1-2  | 191475 | 1-2        |
| 189471          | 1-2  | 191479 | 1-2        |
| 189472          | 1-2  | 191480 | 1-2        |
|                 |  | 191485 | 1-2        |
|                 |  | 191486 | 1-2        |

|        |  |        |                                    |
|--------|--|--------|------------------------------------|
| 191487 | 8-62, 8-64, 8-68   | 193516 | 3-16, 3-18, 3-20                   |
| 191494 | 1-4  | 193517 | 3-16, 3-18, 3-20                   |
| 191495 | 1-4  | 193518 | 3-16, 3-18, 3-20                   |
| 191496 | 1-6  | 193519 | 3-16, 3-18, 3-20                   |
| 191497 | 1-6  | 193520 | 3-24, 3-26, 3-28                   |
| 191498 | 1-12   | 193521 | 3-24, 3-26, 3-28                   |
| 191499 | 1-12   | 193522 | 3-24, 3-26, 3-28                   |
| 191924 | 8-20, 8-66, 8-68   | 193523 | 3-24, 3-26, 3-28                   |
| 191925 | 8-20, 8-66, 8-68   | 193524 | 3-32, 3-34, 3-36, 3-48, 3-50, 3-52 |
| 191998 | 8-74   | 193525 | 3-32, 3-34, 3-36, 3-48, 3-50, 3-52 |
| 192800 | 1-2  | 193526 | 3-32, 3-34, 3-36, 3-48, 3-50, 3-52 |
| 192811 | 1-2  | 193527 | 3-32, 3-34, 3-36, 3-48, 3-50, 3-52 |
| 192814 | 2-3, 2-6   | 193528 | 3-40, 3-42, 3-44, 3-56, 3-58, 3-60 |
| 192815 | 2-6  | 193529 | 3-40, 3-42, 3-44, 3-56, 3-58, 3-60 |
| 192834 | 1-2  | 193530 | 3-40, 3-42, 3-44, 3-56, 3-58, 3-60 |
| 192839 | 7-4  | 193531 | 3-40, 3-42, 3-44, 3-56, 3-58, 3-60 |
| 192869 | 2-2, 2-10  | 193532 | 3-64, 3-66, 3-68                   |
| 192874 | 2-5  | 193533 | 3-64, 3-66, 3-68                   |
| 192875 | 2-5  | 193534 | 3-64, 3-66, 3-68                   |
| 192876 | 2-5  | 193535 | 3-64, 3-66, 3-68                   |
| 192887 | 1-2  | 193555 | 3-16                               |
| 192890 | 1-4, 1-6, 1-8, 1-9, 1-12, 1-14   | 193556 | 3-24                               |
| 192898 | 2-2  | 193557 | 3-32                               |
| 193089 | 1-20   | 193558 | 3-40                               |
| 193508 | 3-16, 3-18, 3-20, 3-24, 3-26, 3-28, 3-32, 3-34, 3-36, 3-40, 3-42, 3-44 | 193559 | 3-48                               |
| 193509 | 3-16, 3-18, 3-20, 3-24, 3-26, 3-28, 3-32, 3-34, 3-36, 3-40, 3-42, 3-44 | 193560 | 3-56                               |
| 193510 | 3-16, 3-18, 3-20, 3-24, 3-26, 3-28, 3-32, 3-34, 3-36, 3-40, 3-42, 3-44 | 193561 | 3-64                               |
| 193511 | 3-16, 3-18, 3-20, 3-24, 3-26, 3-28, 3-32, 3-34, 3-36, 3-40, 3-42, 3-44 | 193590 | 8-16, 8-18                         |
| 193512 | 3-48, 3-50, 3-52, 3-56, 3-58, 3-60, 3-64, 3-66, 3-68                   | 193591 | 8-16, 8-18                         |
| 193513 | 3-48, 3-50, 3-52, 3-56, 3-58, 3-60, 3-64, 3-66, 3-68                   | 193592 | 8-16, 8-18                         |
| 193514 | 3-48, 3-50, 3-52, 3-56, 3-58, 3-60, 3-64, 3-66, 3-68                   | 193593 | 8-16, 8-18                         |
| 193515 | 3-48, 3-50, 3-52, 3-56, 3-58, 3-60, 3-64, 3-66, 3-68                   | 193594 | 8-16, 8-18                         |
|        |  | 193595 | 8-16, 8-18                         |
|        |  | 193596 | 8-16, 8-18                         |
|        |  | 194609 | 3-18                               |
|        |  | 194610 | 3-26                               |
|        |  | 194611 | 3-34                               |
|        |  | 194612 | 3-42                               |

---

|        |                |        |  |
|--------|----------------|--------|--|
| 194613 | 3-50           | 195661 | 8-5, 8-12  |
| 194614 | 3-58           | 195665 | 8-24, 8-26, 8-28, 8-30, 8-32, 8-54, 8-56, 8-58, 8-60 |
| 194615 | 3-66           | 195666 | 8-24, 8-26, 8-28, 8-32, 8-54, 8-56, 8-58, 8-60       |
| 194652 | 8-20           | 195667 | 8-24, 8-26, 8-28, 8-54, 8-56                         |
| 194653 | 8-20           | 195676 | 3-10, 3-20, 3-28, 3-36, 3-44, 3-52, 3-60, 3-68       |
| 194654 | 8-20           | 195677 | 3-10, 3-20, 3-28, 3-36, 3-44, 3-52, 3-60, 3-68       |
| 194655 | 8-20           | 195678 | 3-20   |
| 194656 | 8-20           | 195679 | 3-28   |
| 194657 | 8-20           | 195680 | 3-36   |
| 194658 | 8-20           | 195681 | 3-44   |
| 194691 | 6-4            | 195682 | 3-52   |
| 194692 | 6-4            | 195683 | 3-60   |
| 194695 | 6-4            | 195684 | 3-68   |
| 194696 | 4-6, 4-8, 4-10 | 195685 | 3-10   |
| 195241 | 8-12           | 195690 | 3-10, 3-20, 3-28, 3-36, 3-44, 3-52, 3-60, 3-68       |
| 195243 | 8-10, 8-12     | 195691 | 3-10, 3-20, 3-28, 3-36, 3-44, 3-52, 3-60, 3-68       |
| 195244 | 8-10, 8-12     | 195692 | 3-10   |
| 195274 | 8-10, 8-12     | 195693 | 3-20, 3-28, 3-36, 3-44, 3-52, 3-60, 3-68             |
| 195282 | 8-10           | 195694 | 3-2, 3-10  |
| 195615 | 8-5, 8-8       | 195695 | 3-2  |
| 195616 | 8-5, 8-8       | 195698 | 3-20, 3-28, 3-36, 3-44, 3-60                         |
| 195617 | 8-5, 8-8       | 197726 | 3-20   |
| 195618 | 8-5, 8-8       | 197727 | 3-28   |
| 195619 | 8-5, 8-8       | 197728 | 3-36   |
| 195620 | 8-5, 8-8       | 197729 | 3-44   |
| 195621 | 8-5, 8-8       | 197730 | 3-52   |
| 195640 | 3-16           | 197731 | 3-60   |
| 195641 | 3-24           | 197732 | 3-68   |
| 195642 | 3-32           | 197733 | 3-20, 3-28, 3-36, 3-44, 3-60                         |
| 195643 | 3-40           | 197734 | 3-20   |
| 195644 | 3-48           | 197737 | 3-10   |
| 195645 | 3-56           | 197742 | 8-82, 8-86   |
| 195646 | 3-64           | 197743 | 8-82, 8-86   |
| 195648 | 8-82           | 197746 | 8-82, 8-86   |
| 195650 | 8-5, 8-8       | 198259 | 8-82   |
| 195651 | 8-5, 8-8       | 198264 | 8-82   |
| 195658 | 8-5, 8-10      | 198265 | 8-82, 8-86   |
| 195660 | 8-5, 8-12      |        |  |

---

|        |  |              |  |
|--------|--|--------------|--|
| 198266 | 8-86   | 200222       | 8-70, 8-72, 8-74, 8-76                               |
| 198267 | 8-86   | 200259       | 8-70, 8-72, 8-74, 8-76                               |
| 198268 | 8-86   | 200296       | 8-74, 8-76   |
| 198274 | 3-18   | 200297       | 8-72, 8-74, 8-76                                     |
| 198275 | 3-26   | 200298       | 8-72, 8-74   |
| 198276 | 3-34   | 200299       | 8-72, 8-74   |
| 198277 | 3-42   | 200829       | 2-2  |
| 198278 | 3-50   | 201765       | 8-16, 8-22   |
| 198279 | 3-58   | 201766       | 8-22   |
| 198280 | 3-66   | 201768       | 8-22, 8-40   |
| 198289 | 3-16   | 201797       | 8-86   |
| 198290 | 3-24   | 202702-10-8S | 4-2, 4-4   |
| 198291 | 3-32   | 202702-6-6S  | 8-24, 8-26, 8-28, 8-30, 8-32, 8-54, 8-58, 8-60       |
| 198292 | 3-40   | 202702-8-6S  | 8-24, 8-26, 8-28, 8-30, 8-32, 8-54, 8-56, 8-58, 8-60 |
| 198293 | 3-48   | 202702-8-8S  | 2-10, 4-2, 4-4, 4-6, 4-8, 4-10                       |
| 198294 | 3-56   | 2033-6-6S    | 8-60   |
| 198295 | 3-64   | 203525       | 8-62, 8-64, 8-66, 8-68                               |
| 198296 | 4-2  | 204385       | 1-4, 1-12  |
| 198320 | 8-20, 8-24, 8-26, 8-28, 8-30, 8-32, 8-66, 8-68 | 204400       | 8-70, 8-72, 8-74, 8-76                               |
| 198322 | 1-16   | 204413       | 8-42, 8-50, 8-70                                     |
| 198323 | 1-16   | 204416       | 8-42, 8-50, 8-70                                     |
| 198338 | 1-6, 1-16                                      | 204417       | 8-42, 8-70   |
| 198339 | 1-16   | 204418       | 8-42, 8-44, 8-50, 8-52, 8-70                         |
| 198344 | 1-4, 1-12, 1-16                                | 204419       | 8-42, 8-50, 8-70                                     |
| 198345 | 1-16   | 204422       | 8-42, 8-50, 8-70                                     |
| 198351 | 1-8  | 204423       | 8-42, 8-70   |
| 199314 | 8-86   | 204424       | 8-42, 8-44, 8-50, 8-52, 8-70                         |
| 199315 | 8-24   | 204425       | 8-42, 8-50, 8-70                                     |
| 199316 | 8-26   | 204427       | 8-44, 8-46, 8-48, 8-52, 8-74                         |
| 199317 | 8-28   | 204505       | 8-62, 8-64, 8-66, 8-68                               |
| 199318 | 8-30   | 204510       | 8-62, 8-64, 8-66, 8-68                               |
| 199319 | 8-32   | 204511       | 8-62, 8-64, 8-66, 8-68                               |
| 199320 | 8-32   | 204513       | 8-42, 8-62   |
| 199321 | 8-32   | 204514       | 8-42, 8-62   |
| 199399 | 3-32, 3-48                                     | 204515       | 8-42, 8-62   |
| 1P444  | 8-20, 8-66, 8-68                               | 204516       | 8-42, 8-62   |
| 200218 | 8-70, 8-72, 8-74, 8-76                         |              |  |
| 200221 | 8-70, 8-72, 8-74, 8-76                         |              |  |

|              |  |              |   |
|--------------|--|--------------|---|
| 204517       | 8-44, 8-64   | 213756       | 8-46, 8-76  |
| 204518       | 8-46, 8-64   | 2-150-010174 | 2-2   |
| 204519       | 8-48, 8-64   | 215341       | 1-16, 7-4   |
| 204520       | 8-46, 8-52, 8-76   | 215351       | 1-6, 1-8, 1-14, 8-80  |
| 204521       | 8-76   | 215352       | 1-6, 1-8, 1-14  |
| 2061-6-6S    | 8-24, 8-26, 8-28, 8-30, 8-32, 8-54, 8-56,<br>8-58, 8-60                        | 217547       | 1-16  |
| 2062-6-6S    | 8-24, 8-26, 8-28, 8-30, 8-32, 8-54, 8-56,<br>8-58, 8-60                        | 217559       | 1-16  |
| 2062-8-6S    | 8-24, 8-26, 8-28, 8-30, 8-32, 8-54, 8-56,<br>8-58, 8-60                        | 217560       | 1-16  |
| 2062-8-8S    | 4-2, 4-4, 4-6, 4-8, 4-10   | 217561       | 1-16  |
| 206652       | 8-20, 8-66, 8-68   | 217568       | 1-8   |
| 206671       | 5-6, 8-20, 8-24, 8-26, 8-28, 8-30, 8-32, 8-54,<br>8-56, 8-58, 8-60, 8-66, 8-68 | 217591       | 1-14, 1-16  |
| 206673       | 5-6  | 217593       | 1-14  |
| 206675       | 8-20, 8-24, 8-26, 8-28, 8-30, 8-32, 8-66, 8-68                                 | 217626       | 1-14  |
| 2-073-010012 | 2-8, 2-10  | 217627       | 1-14  |
| 208213       | 8-78, 8-80   | 217646       | 1-8   |
| 208222       | 8-78   | 2-181-010001 | 2-2, 2-10, 3-3, 4-2, 4-4, 8-24, 8-26,<br>8-28, 8-30, 8-32, 8-54, 8-56, 8-58, 8-60 |
| 208223       | 8-78   | 218648       | 5-3   |
| 209626       | 8-42, 8-72   | 219795       | 1-8, 1-14   |
| 209629       | 8-42, 8-72   | 221186       | 8-42, 8-62  |
| 209630       | 8-42, 8-72   | 221187       | 8-42, 8-62  |
| 209631       | 8-42, 8-44, 8-72   | 221188       | 8-42, 8-62  |
| 209632       | 8-42, 8-72   | 221189       | 8-42, 8-62  |
| 209635       | 8-42, 8-72   | 221190       | 8-44, 8-64  |
| 209636       | 8-42, 8-72   | 221191       | 8-46, 8-64  |
| 209637       | 8-42, 8-44, 8-72   | 221192       | 8-48, 8-64  |
| 209638       | 8-42, 8-72   | 221270       | 1-4, 1-6, 1-8, 1-12, 1-14   |
| 209639       | 8-44, 8-46, 8-48, 8-74   | 221272       | 1-4, 1-6, 1-8, 1-12, 1-14, 8-78   |
| 209641       | 8-72, 8-76   | 223435       | 1-20  |
| 2-102-010032 | 6-4, 8-8, 8-18, 8-38, 8-64, 8-68   | 223437       | 1-20  |
| 2-102-010037 | 1-2, 8-78, 8-82  | 223438       | 1-20  |
| 211016       | 3-3  | 223439       | 1-20  |
| 211017       | 3-3  | 223440       | 1-4, 1-6, 1-8, 1-9, 1-12, 1-14, 1-20  |
| 211018       | 3-3  | 223525       | 1-16  |
| 211367       | 8-30, 8-32, 8-54, 8-58, 8-60   | 223526       | 1-8, 1-16   |
| 212046       | 1-16   | 223528       | 1-8   |
|              |  | 223530       | 1-8   |
|              |  | 223531       | 1-8   |

|              |                      |                 |   |
|--------------|----------------------|-----------------|---|
| 223534       | 1-14                 | 237167          | 8-35, 8-38  |
| 223535       | 1-14                 | 237168          | 8-35, 8-38  |
| 224589       | 6-4, 7-4             | 237169          | 8-35, 8-38  |
| 224590       | 6-4                  | 237170          | 8-35, 8-38  |
| 224600       | 1-24                 | 238476          | 3-10  |
| 224663       | 8-54                 | 240692          | 8-52, 8-56, 8-68  |
| 225123       | 8-74, 8-76           | 243729          | 1-2   |
| 225124       | 8-70, 8-74, 8-76     | 243730          | 8-80  |
| 225125       | 8-70, 8-74           | 247143          | 8-35, 8-38  |
| 225126       | 8-70, 8-74           | 2-474-010022    | 4-8, 4-10, 8-24, 8-26, 8-28, 8-30, 8-32, 8-54, 8-56, 8-58, 8-60 |
| 225127       | 8-70, 8-76           | 2-557-010409    | 8-64, 8-68, 8-84  |
| 228187       | 1-16                 | 2-573-010037    | 7-4   |
| 228189       | 1-16                 | 2-573-010149    | 7-4   |
| 229750       | 8-50, 8-54, 8-66     | 2-573-010150    | 7-4   |
| 229798       | 8-50, 8-54, 8-66     | 2-573-010198    | 7-4   |
| 23085        | 1-24, 3-2, 3-6, 3-10 | 2-573-010330-02 | 3-2, 3-6, 3-10, 7-4   |
| 232177       | 7-4                  | 2-573-010330-03 | 2-10, 7-4   |
| 232378       | 8-52, 8-58, 8-68     | 2-654-010097    | 1-22  |
| 232459       | 8-52, 8-60, 8-68     | 29SFFL 5811     | 8-78, 8-80  |
| 232461       | 8-48, 8-52, 8-74     | 4001060         | 1-18, 1-20  |
| 232462       | 8-48, 8-52, 8-74     | 5000            | 1-18, 1-20, 3-3, 3-7, 3-11, 8-22, 8-40                          |
| 232463       | 8-74                 | 500171          | 2-12  |
| 232464       | 8-60                 | 528933          | 6-4, 7-4  |
| 232493       | 8-50, 8-54, 8-66     | 528934          | 6-4, 7-4, 8-82, 8-86  |
| 234349       | 8-35, 8-40           | 528938          | 6-4, 7-4  |
| 234352       | 8-35, 8-40           | 6-102-010009    | 8-22, 8-40  |
| 234354       | 8-35, 8-40           | 70239854        | 1-2   |
| 234355       | 8-35, 8-40           | 70260977        | 6-4, 7-4  |
| 234366       | 8-40                 | 71500165        | 8-24, 8-26, 8-28, 8-30, 8-54                                    |
| 234369       | 8-40                 | 71508954        | 4-2, 4-6, 4-8   |
| 234371       | 8-40                 | 71508983        | 4-4   |
| 234372       | 8-40                 | 71508984        | 4-6, 4-8  |
| 236790       | 8-48, 8-74           | 71508992        | 4-4, 4-6, 4-8   |
| 236791       | 8-48, 8-74           | 71509000        | 4-4   |
| 2-368-010287 | 2-2, 6-4             | 71509004        | 8-32  |
| 237140       | 8-35, 8-40           | 71509006        | 8-30, 8-54  |
| 237141       | 8-40                 | 71509008        | 8-26  |
| 237147       | 8-35, 8-38           |                 |   |



71509009 ..... 8-30, 8-32, 8-56, 8-58, 8-60  
71509010 ..... 8-28, 8-32, 8-54, 8-56, 8-58, 8-60  
71509125 ..... 8-30, 8-32, 8-54, 8-58, 8-60  
71509788 ..... 8-30, 8-32, 8-54, 8-58  
7779-102 ..... 8-32  
7779-14 ... 8-24, 8-26, 8-28, 8-30, 8-32, 8-54, 8-56,  
8-58, 8-60  
7779-34 ..... 8-56  
7779-48 ..... 8-60  
7779-54 ..... 8-32, 8-56, 8-58, 8-60  
7779-90 ..... 8-32, 8-58  
7K858 ..... 8-86  
8-102-010012 ..... 8-70, 8-72, 8-74, 8-76  
8-105-010003 ..... 1-24  
8-573-010084 ..... 7-4

**T**

---

TR416 ..... 1-24  
TR575 ..... 1-4, 1-6, 1-8, 1-12, 1-14

# Instructions for Ordering Parts

**\*\* Repair parts must be ordered through an Authorized Dealer \*\***

## DEALER INSTRUCTIONS FOR ORDERING PARTS FROM LANDOLL PARTS DISTRIBUTION CENTER

Phone #: 800-423-4320 or 785-562-5381

Fax #: 888-527-3909

Order online: [dealer.landoll.com](http://dealer.landoll.com)

### IDENTIFICATION PLATE

The identification plate, which lists the model number and serial number, is located on the front of the frame.

### SERIAL NUMBER

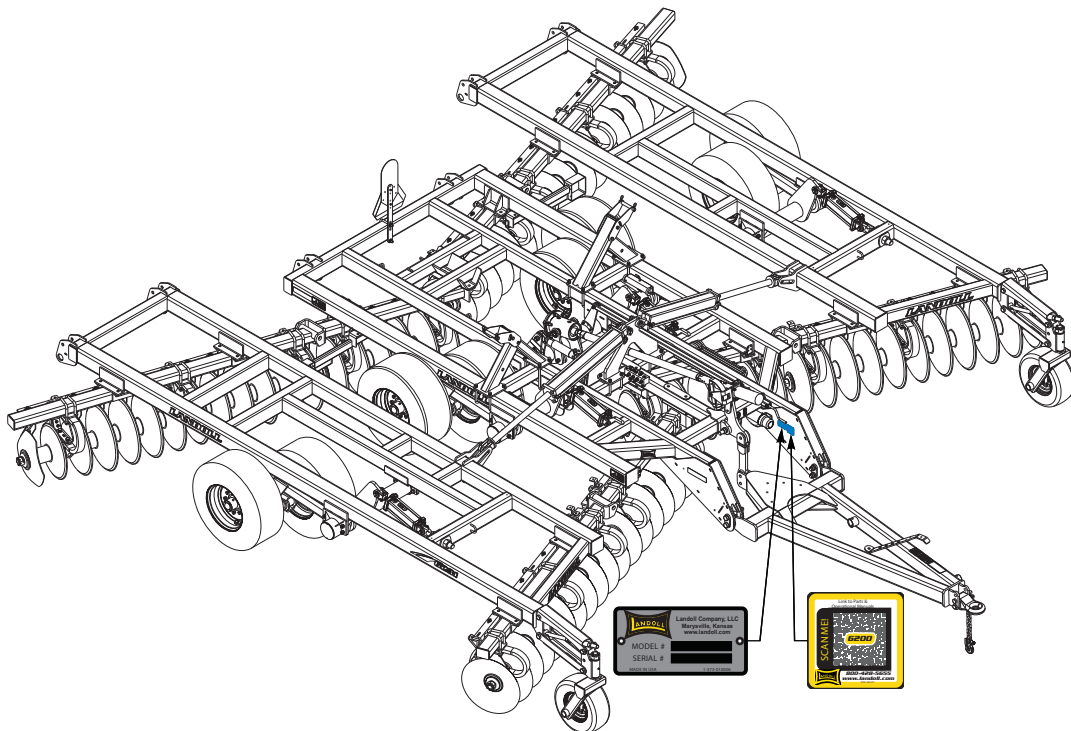
The serial number is located on the identification plate.  
The Following information will help decode the 6231 Disc serial number

**62H23100100 = xxmysssss**

### QR CODE DECAL

The 5000 series QR code decal, may be scanned to link you to the most current manuals, located on the front of the frame [See Figure 11-1](#)

|              |  |
|--------------|--|
| <b>xx</b>    | = model series (i.e. 62 for Disc)  |
| <b>m</b>     | = month of manufacture<br>(ex. "H" means October. The letter I is not used.) |
| <b>yy</b>    | = year manufactured<br>(ex. "23" means 2023)                                 |
| <b>SSSSS</b> | = Sequential number used to track warranty and service information.          |



**Figure 11-1: Identification Plate and Location**

## Manuals for 6231 Disc

| Manual Number | Manual Type       |
|---------------|-------------------|
| F-832         | Operator's Manual |
| F-833         | Parts Manual      |

## Document Control Revision Log:

| Date       | Form #     | Improvement(s): Description and Comments   |
|------------|------------|--|
| 02/28/2017 | F-833-0217 | Initial Release  |
| 11/27/2018 | F-833-1118 | Walking beam revision & cylinders updated  |
| 05/22/2020 | F-833-0520 | Updated hub/spindle assembly, tire/wheel assembly, hydraulic reel manifolds.   |
| 08/07/2020 | F-833-0820 | Updated walking beam assemblies.   |
| 03/23/2022 | F-833-0322 | Added QR decal, SIS 20mph to rear of machine, updated decal pages, updated 7" disc gang placement drawings, updated lift and tire.   |
| 07/18/2023 | F-833-2307 | Updated frame, lift, hitch and hydraulic pages, added new electrical drawing with frame, added new double reel and chevron flat reel attachments, added spare tire assembly drawings |
|            |            |  |



---

# Intertek

Equipment from Landoll Company, LLC is built to exacting standards ensured by ISO 9001 registration at all Landoll manufacturing facilities.

## Model 6231

### Disc

## Parts Manual

# Re-Order Part Number F-833

**LANDOLL COMPANY, LLC**

1900 North Street

Marysville, Kansas 66508

(785) 562-5381

800-428-5655 ~ **WWW.LANDOLL.COM**



Copyright 2023. Landoll Company, LLC

“All rights reserved, including the right to reproduce this material or portions thereof in any form.”

