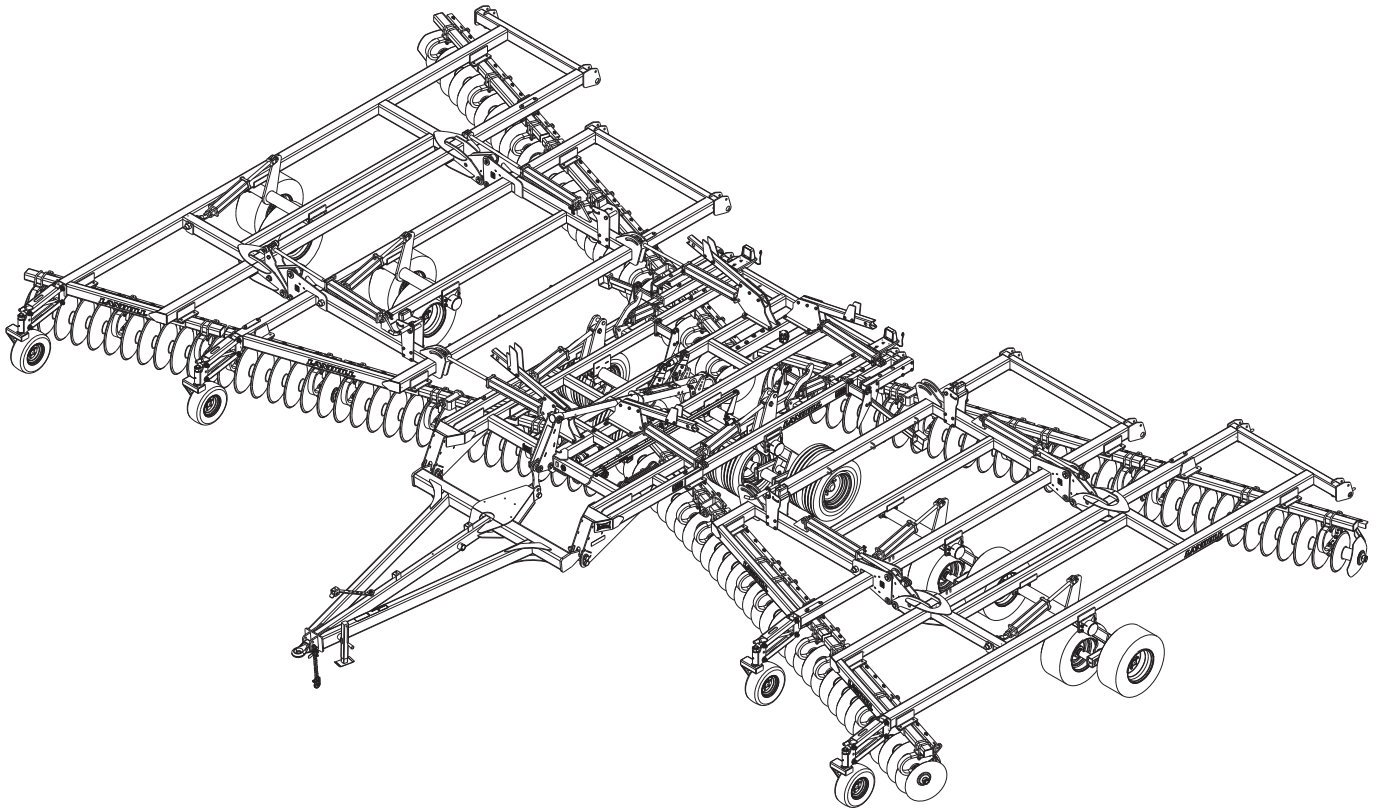




# Model 6250 Disc Parts Manual



**LANDOLL COMPANY, LLC**

1900 North Street

Marysville, Kansas 66508

(785) 562-5381

800-428-5655 ~ [WWW.LANDOLL.COM](http://WWW.LANDOLL.COM)

---

## Manuals for the 6250 Disc

MANUAL NUMBER	MANUAL NAME
F-733	6250 Disc Operator's Manual
F-734	6250 Disc Parts Manual

# Table of Contents

<b>Instructions For Ordering Parts</b> .....	<b>1-1</b>
<b>Center Frame Assemblies</b> .....	<b>1-2</b>
Frame Center And Depth Control Assembly .....	1-4
Depth Stop Tube Assembly .....	1-7
Lift Wheel Assembly, Frame Center .....	1-9
Leveler Assembly .....	1-11
Hub/spindle Assembly 164558 .....	1-13
Hub/spindle Assembly 191974 .....	1-15
Leveling Linkage Assembly .....	1-17
Leveler Assembly Prior to 12-1-2020 .....	1-18
Leveler Assembly After to 12-1-2020 .....	1-19
<b>Wing Frame Assemblies</b> .....	<b>1-20</b>
Inner Wing Frame And Stabilizer Assembly .....	1-21
Inner Wing Lift Wheel Assembly (Before 02-01-2019) .....	1-23
Inner Wing Lift Wheel Assembly 6250-45'-50' (After 02-01-2019) .....	1-27
Outer Wing Frame And Fold Lock Assembly .....	1-29
Outer Wing Lift Wheel Assembly (Before 02-01-2019) .....	1-31
Outer Wing Lift Wheel Assembly 6250-45'-50' (After 02-01-2019) .....	1-35
Hub And Spindle Assembly - 8 Bolt (2-1/4") .....	1-37
Hub And Spindle Assembly - 8 Bolt (3") .....	1-39
<b>Hitch Assemblies</b> .....	<b>1-40</b>
Hitch Assembly .....	1-41
Hitch Assemblies .....	1-42
7,000 Lb. Sidewind Jack Assembly .....	1-43
<b>Front Gauge Wheel Assemblies</b> .....	<b>1-44</b>
Front Gauge Wheel Assembly .....	1-45
<b>Disc Gang Assemblies</b> .....	<b>1-46</b>
Disc Gang Assembly .....	1-47
40' Disc Gang Placement Parts (8-3/4" Spacing) .....	1-52
40' Disc Gang Placement Parts (7" Spacing) .....	1-55
45' Disc Gang Placement Parts (8-3/4" Spacing) .....	1-58
45' Disc Gang Placement Parts (7" Spacing) .....	1-61
50' Disc Gang Placement Parts (8-3/4" Spacing) .....	1-64
50' Disc Gang Placement Parts (7" Spacing) .....	1-67
<b>Lift Hydraulic Assemblies</b> .....	<b>1-68</b>
Lift Hydraulic Assembly .....	1-69
<b>Fold Hydraulic Assemblies</b> .....	<b>1-70</b>
Fold Hydraulic Assembly .....	1-72
<b>Manifold Assemblies</b> .....	<b>1-74</b>
Front Manifold Assembly .....	1-74
Rear Manifold Assembly .....	1-75
<b>Cylinders</b> .....	<b>1-76</b>
Cylinder Assembly - 4 X 8 .....	1-76
Hydraulic Cylinder 3-1/2" X 8"-145203 .....	1-77
Hydraulic Cylinder 3-1/4" X 8"-145204 .....	1-78

Cylinder - Rephase Assembly - 4 X 16 .....	1-79
Cylinder - Rephase Assembly - 4-1/2 X 16 .....	1-80
Hydraulic Cylinder 4 X 30 .....	1-81
Hydraulic Cylinder 4-1/2 X 30 .....	1-82
Cylinder - Rephase Assembly - 3-3/4 X 16 .....	1-83
Cylinder - 2-1/2" X 1" (1" Thds) .....	1-84
Cylinder - 2-1/2" X 1" (1-1/8" Thds) .....	1-85
<b>Electrical</b> .....	<b>1-86</b>
Electrical Assembly .....	1-87
<b>Decals</b> .....	<b>1-88</b>
Decal Installation .....	1-91
<b>Attachments</b> .....	<b>1-92</b>
Hydraulic Conditioner Reel Assembly .....	1-95
Reel / Gangbar Assembly .....	1-99
Coil Tine Harrow Assembly .....	1-103
Harrow Assembly (Center Frame) .....	1-105
Harrow Assembly (Left Wings) .....	1-107
Harrow Assembly (Right Wings) .....	1-109
<b>Rear Hitch Assemblies</b> .....	<b>1-110</b>
Rear Tow Hitch Assembly - Short - Fits All 6250 Models .....	1-111
Rear Tow Hitch Assembly - Long .....	1-113
Rear Tow Assembly .....	1-115
Rear Jack Assembly .....	1-116

# Illustrated Parts List

## Instructions For Ordering Parts

**ORDER PARTS FROM LANDOLL PARTS DISTRIBUTION CENTER**

**\*\* Repair parts must be ordered through an Authorized Dealer \*\***

PHONE NO: 1-800-423-4320 OR 1-785-562-5381

FAX NO: 888-527-3909

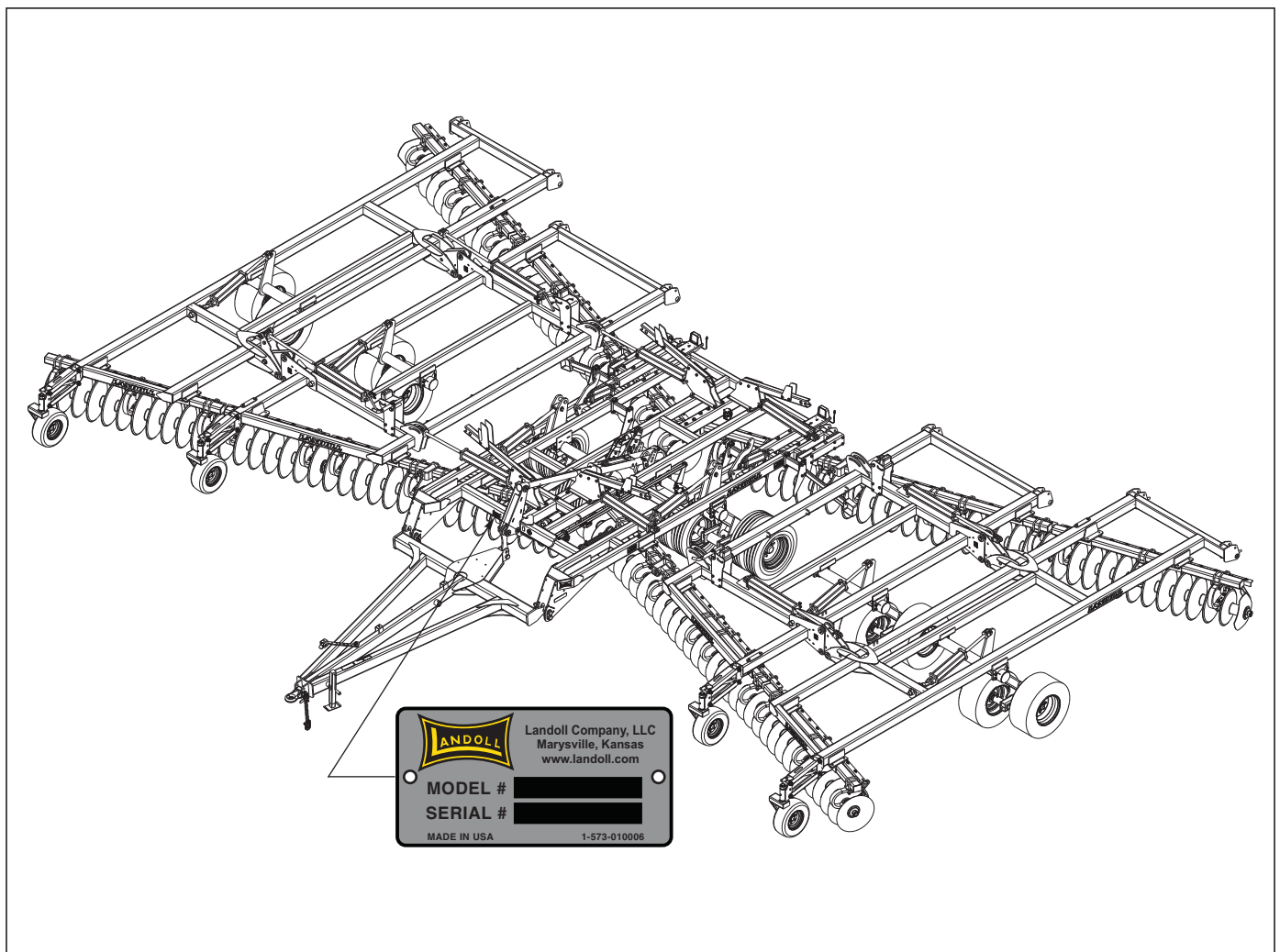
ORDER ONLINE: [Dealer.landoll.com](http://Dealer.landoll.com)

### IDENTIFICATION PLATE

The identification plate, which lists the model number and serial number, is located on the front of the frame. (See [Figure 1-1](#).)

### SERIAL NUMBER NOMENCLATURE

The serial number for the 6250 Disc is located on the identification plate.



**Figure 1-1: Identification Plate and Location**

# Center Frame Assemblies

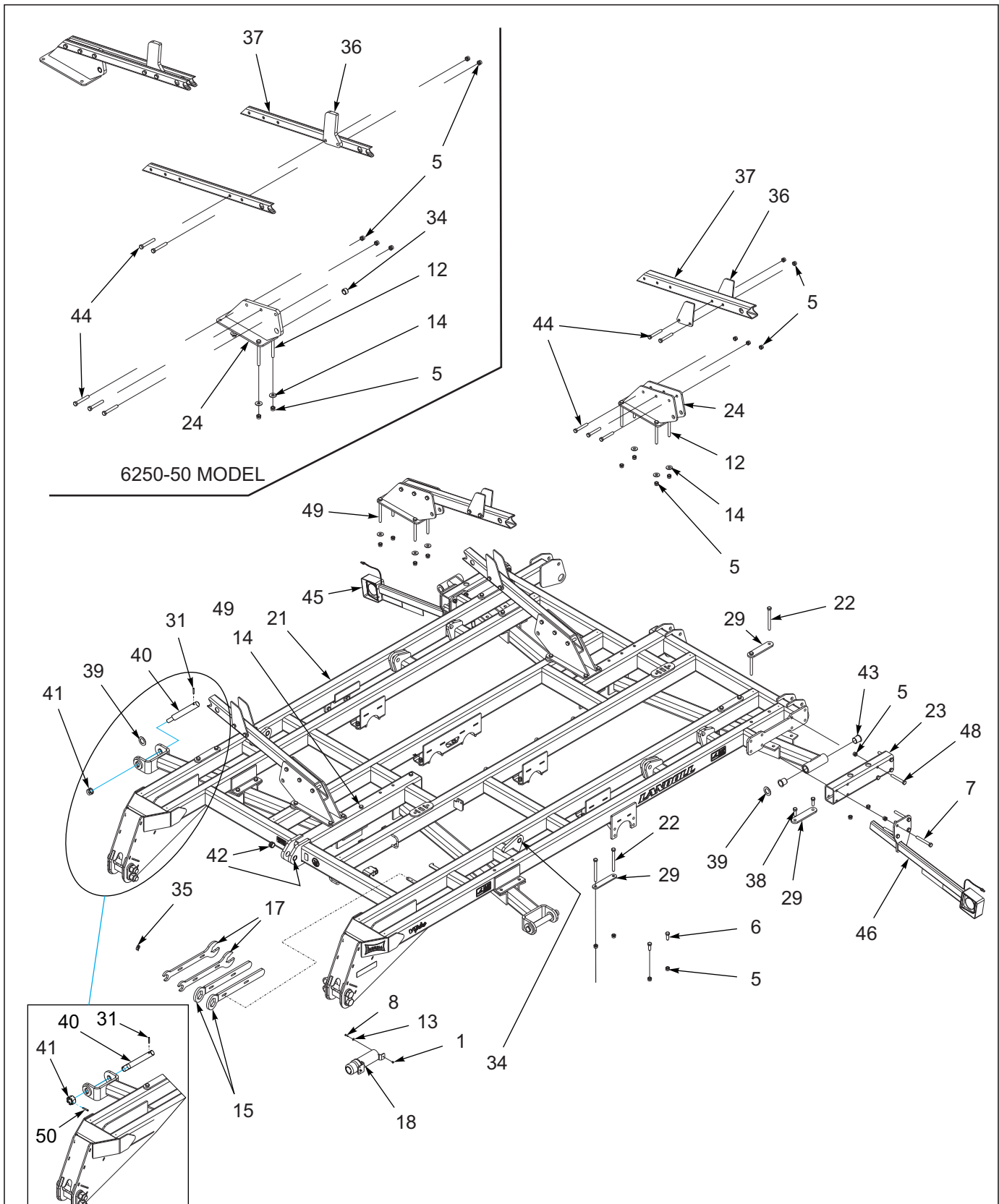


Figure 1-2: Frame Center and Depth Control Assembly (1 of 2)

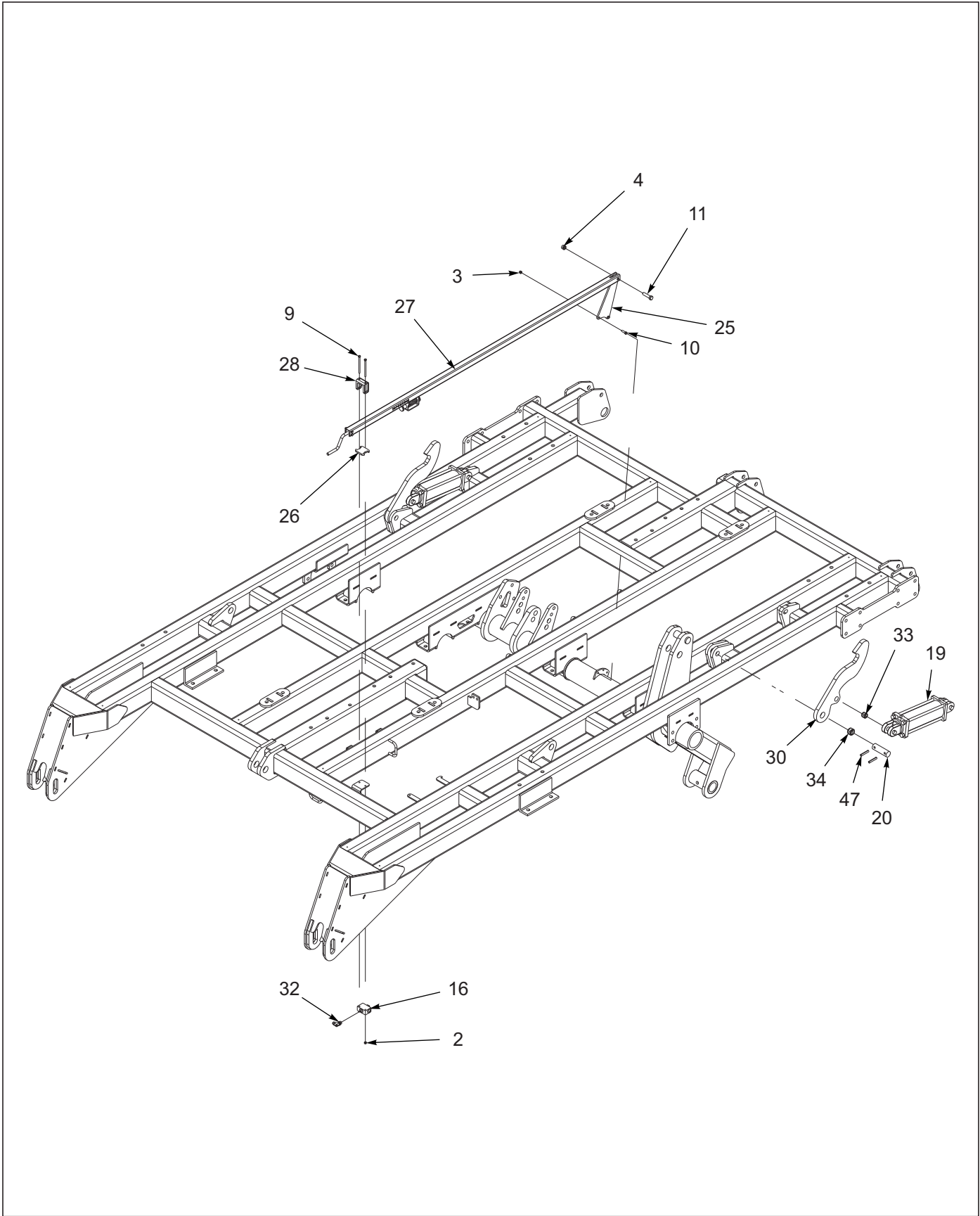


Figure 1-3: Frame Center and Depth Control Assembly (2 of 2)

## Frame Center And Depth Control Assembly

ITEM	PART NO.	DESCRIPTION	QTY.
--	178797	FRAME CENTER ASSEMBLY	
1	1-512-010005-01	NUT,HEX,SLFLKG GRB 1/4-20	2
2	1-512-010005-03	NUT HEX SLFLKG GRB 5/16-18	2
3	1-512-010005-05	NUT, HEX, SLFLKG GRB 3/8-16	2
4	1-512-010005-13	NUT,HEX SLFLKG GRB 5/8-11	1
5	1-512-010005-15	NUT,HEX,SLFLKG GRB 3/4-10	11
6	1-654-010032-05	SCREW HEX CAP 3/4-10X2 GR8	6
7	W908409-4	SCR 3/4-10X6 HEX HD CAP	8
8	1-654-010047-06	SCREW,HX CP 1/4-20UNCX1 GR5	2
9	1-654-010049-19	SCREW,HEX CP,5/16-18UNCX5 GR5	2
10	1-654-010051-06	SCREW,HEX CAP 3/8-16UNCX1-1/4	2
11	1-654-010059-07	SCREW HX CP 5/8-11UNCX2-1/2G5	1
12	1-654-010061-23	SCREW,HEX CAP 3/4-10UNCX9 GR5	8
13	1-861-010032-07	WASHER,FLAT 1/4 ZP	2
14	1-861-010032-21	WASHER, FLAT 3/4 W ZP/CD	11
15	140533	GANG WRENCH	2
16	140693	VALVE, LIMIT	1
17	141109	WRENCH, ADJUSTMENT	2
18	142753	MANUAL HOLDER	1
19	145203	CYLINDER 3-1/2 X 8 REPHASE <b>(SEE PAGE 1-77)</b>	1
20	147755	CLEVIS PIN	2
21	161662	FRAME CENTER	1
22	162249	SCREW, HX CP,3/4-10UNCX8 GR8	16
23	163629	TUBE, ARM SHORT	2
24	178977	MOUNT, FOLD-STABILIZER	4
24	180169	MOUNT, FOLD-STAB, 4-1/2 CYL	4
25	164124	MOUNT, DEPTH CONTROL	1
26	165257	PAD, SLIDE	1
27	180120	DEPTH STOP ASSY	1
28	165265	GUIDE, DEPTH STOP	1
29	170292	PLATE, CLAMP	8
30	165283	LOCK, TRANSPORT	2
31	144115	PIN, GROOVED ALLOY 1/2X2-1/4 <b>(BEFORE 6-6-2016)</b>	8
31	148382	PIN, WALKING BEAM SPINDLE <b>(AFTER 6-6-2016)</b>	4
32	2062-8-8S	ADAPTER, 90, #8 O-RING-TUBE	1
33	2-150-010008	BUSHING 1-1/4ODX1IDX1 STEEL	2
34	2-150-010174	BUSHING,1-5/8X1-1/4X1	2
35	70239854	PIN QUICK HITCH	1
36	178984	STOP, OUTER WING-40	8
36	167574	STOP, OUTER WING - 44	8
36	180172	STOP, OUTER WING-50	8
37	163642	WING STABILIZER	4
37	167579	WING STABILIZER	8
38	100941	SCREW,HEXCAP,3/4-10X2-1/4G8ZP	17
39	164539	WASHER THRUST 1-3/4	8
40	164553	PIN HINGE (BEFORE 6-6-2016)	4
40	198404	PIN, HINGE 1-3/4 <b>(AFTER 6-6-2016)</b>	4
41	101385	NUT,HEX SLFLKG,1-1/4-7 GRB <b>(BEFORE 6-6-2016)</b>	4
41	23085	NUT HEX SLOTTED 1 3/4-5 <b>(AFTER 6-6-2016)</b>	4



## Frame Center And Depth Control Assembly

---

ITEM	PART NO.	DESCRIPTION	QTY.
42	2-150-010218	BUSHING,LEVELING LINKAGE2220F	8
43	164533	BEARING, FLANGE 1-3/4	4
44	1-654-010061-15	SCREW,HX CP 3/4-10UNCX5 GR5	5
45	165268	BRACKET LIGHT RH W REF	REF
46	165269	BRACKET LIGHT LH W REF	REF
47	111789	PIN,ROLL #190100057 1500	2
48	1-654-010061-16	SCREW 3/4-10UNCX5-1/2 HXCP G5	8
49	107491	SCREW HX CP 3/4-10X8-1/2 GR8	7
50	1-647-010004257	PIN,SPRING,SLOTTED 3/8X2-1/2 <b>(AFTER 6-6-2016)</b>	4

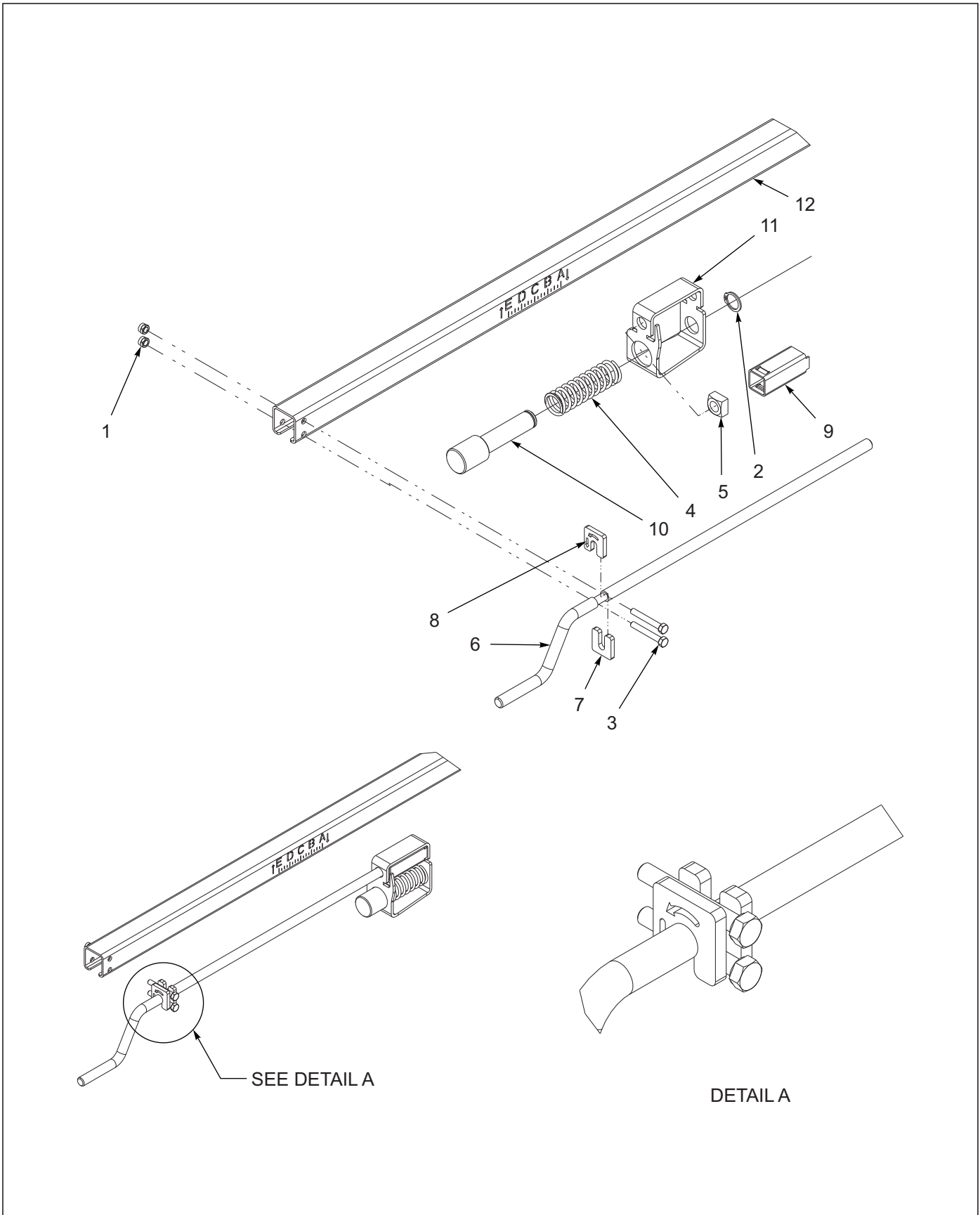


Figure 1-4: Depth Stop Tube Assembly

## Depth Stop Tube Assembly

---

ITEM	PART NO.	DESCRIPTION	QTY.
--	180120	DEPTH STOP ASSEMBLY	1
1	1-512-010005-03	NUT, HEX LOCK 5/16-18 GRB	2
2	1-630-010021-03	RING, RETAINING 1 HD	1
3	108628	SCREW, HEX HEAD CAP 5/16-18 X 2-1/4 GR5	2
4	122917	SPRING, COMPRESSION 4-1/2	1
5	144048	NUT, SQUARE 5/8-11 GR5	1
6	165258	HANDLE, DEPTH STOP	1
7	165259	STOP, HANDLE LONG	1
8	165260	STOP, HANDLE SHORT	1
9	166717	SQUARE TUBE, FLOATING	1
10	174708	PIN, DEPTH STOP	1
11	174709	SQUARE TUBE, DEPTH STOP	1
12	180121	SQUARE TUBE, DEPTH STOP	1

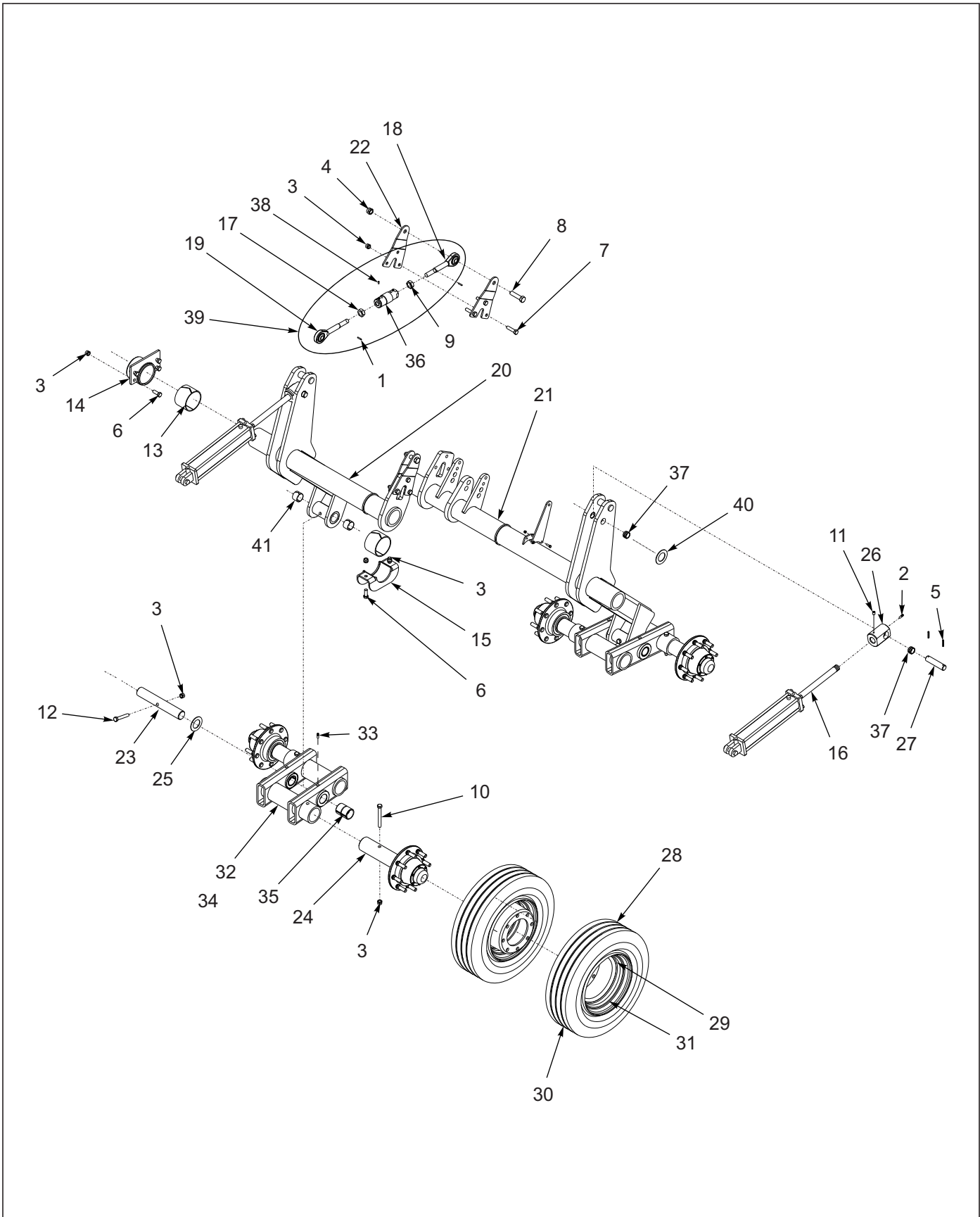


Figure 1-5: Lift Wheel Assembly, Frame Center

## Lift Wheel Assembly, Frame Center

ITEM	PART NO.	DESCRIPTION	QTY.
--	178797	FRAME, CENTER ASSY 6250 (MODELS 40' & 45')	
--	178798	FRAME, CENTER ASSY 6250-50 (MODEL 50')	
1	0600-250-01250	ROLL PIN 1/4 X 1-1/4 LONG	2
2	1-298-010001-1	ZERK FITTING 1/4	4
3	1-512-010005-15	NUT, HEX LOCK 3/4-10 GRB	30
4	1-512-010005-19	NUT, HEX LOCK 1-8 GRB	2
5	1-647-010004240	PIN, SPRING SLOTTED 5/16 X 2-1/2	4
6	1-654-010061-05	SCREW, HEX HEAD CAP 3/4-10 X 2 GR5	18
7	1-654-010061-09	SCREW, HEX HEAD CAP 3/4-10 X 3 GR5	6
8	1-654-010065-13	SCREW, HEX HEAD CAP 1-8 X 4 GR5	2
9	100823	NUT, HEX JAM 1-1/4-7 GR2	1
10	100855	SCREW, HEX HEAD CAP 3/4-10 X 6-1/2 GR5	4
11	122709	SET SCREW, HEX SOCKET CUP PT 3/8-16 X 1/2	2
12	126108	SCREW, HEX HEAD CAP 3/4-10 X 4-1/2 GR8	2
13	140519	BEARING, UHMW 4IN	7
14	141209	BEARING CAP, LIFT	2
15	141234	BEARING CAP, LIFT	5
16	146824	CYLINDER, 4-1/2 X16 REPHASE (SEE PAGE 1-80)	2
17	153803	NUT HEX JAM, LH 1-1/4-7 GR2	1
18	159553	SCREW, SHORT LH RADIUS ROD	1
19	159557	SCREW, SHORT RH RADIUS ROD	1
20	162724	LIFT, CENTER RIGHT (PRIOR 12-1-2020)	1
20	231322	LIFT, CENTER RIGHT WLDMT (AFTER 12-1-2020)	1
21	162725	LIFT, CENTER LEFT (PRIOR 12-1-2020)	1
21	231323	LIFT, CENTER LEFT WLDMT (AFTER 12-1-2020)	1
22	162765	PLATE, OFFSET	4
23	164501	SPINDLE, WALKING BEAM	2
24	164558	HUB/SPINDLE ASSEMBLY (PRIOR 8-22-2016) (SEE PAGE 1-13)	4
24	191974	HUB/SPINDLE ASSY, 4" W/ZERK (AFTER 8-22-2016) (SEE PAGE 1-15)	4
25	164563	WASHER, THRUST 2-1/2	4
26	165238	BLOCK, CYLINDER ROD	2
27	165256	PIN, LIFT	2
28	167551	TIRE AND WHEEL ASSEMBLY 235/75R17.5 DC STL PLT (PRIOR 12-1-2020)	8
28	223600	TIRE ASSY265/70R19.5FIRESTONE-8 (AFTER 12-1-2020) (USED WITH 223600)	8
29	TR416	VALVE STEM	8
30	147473	TIRE 235/75R 17.5 DOUBLE COIN (PRIOR 12-1-2020) (USED WITH 167551)	8
30	223586	TIRE, VF265/70R19.5 FIRESTONE (PRIOR 12-1-2020) (USED WITH 223600)	8
31	167552	WHEEL, DISC PILOT MOUNT 17.5 X 6.75 (PRIOR 12-1-2020) (USED WITH 167551)	8
31	223599	WHL DISC PILOT MT 19.5X7.50 8B (AFTER 12-1-2020) (USED WITH 223600)	8
32	167553	WALKING BEAM ASSY 4" (INCL ITEMS 33 - 35)	2
33	171024	FITTING, GREASE 5/16-24	4
34	163696	WALKING TANDEM - 4" SP	1
35	165286	BUSHING, SPRING 3 X 2-1/2 X 4	2
36	167569	RADIUS ROD WELDMENT 7"	1
37	2-150-010218	BUSHING, LEVELING LINKAGE	8
38	1-654-010080-2	SCREW SET1/2X1-1/4 SQHD CP PT	1
39	167568	RADIUS ROD ASSEMBLY, LIFT (INCL. ITEMS 1-2, 9, 17-19, 36, 38)	1
40	170258	BUSHING, MACHINE 1-1/2 X 10 GA	4

---

## Lift Wheel Assembly, Frame Center

---

ITEM	PART NO.	DESCRIPTION	QTY.
41	198351	CONNEX, 2-3/4 X 2-1/2 X 1-1/2L	4

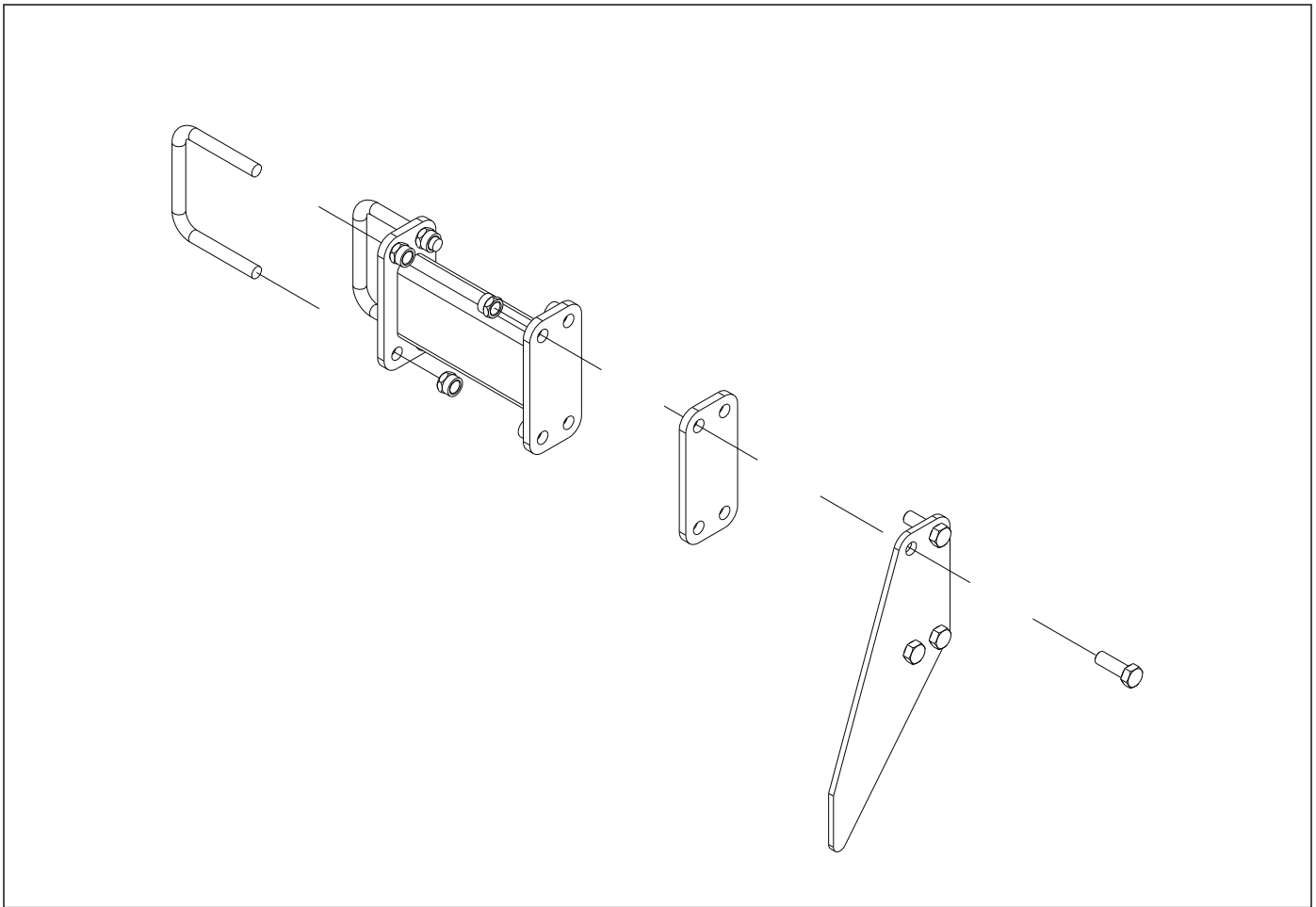


Figure 1-6: Leveler Assembly

## Leveler Assembly

ITEM	PART NO.	DESCRIPTION	QTY.
--	173045	DUAL TIRE SCRAPER KIT ASSEMBLY	
1	1-512-010005-15	NUT, HEX LOCK 3/4-10 GRB	32
2	1-654-010061-04	SCREW, HEX HEAD CAP 3/4-10 X 1-3/4 GR5 <b>(USED WHEN SCRAPER PLATE ITEM 4 IS NOT USED)</b>	8
2	1-654-010061-06	SCREW, HEX HEAD CAP 3/4-10 X 2-1/4 GR5 <b>(USED WHEN SCRAPER PLATE ITEM 4 IS USED)</b>	8
3	111392	U-BOLT, GAUGE WHEEL	8
4	170209P	PLATE, SCRAPER <b>(USED ON OUTER TIRES ONLY)</b>	2
5	170212	MOUNT, SCRAPER	4
6	170213	SCRAPER, DUAL TIRE	4

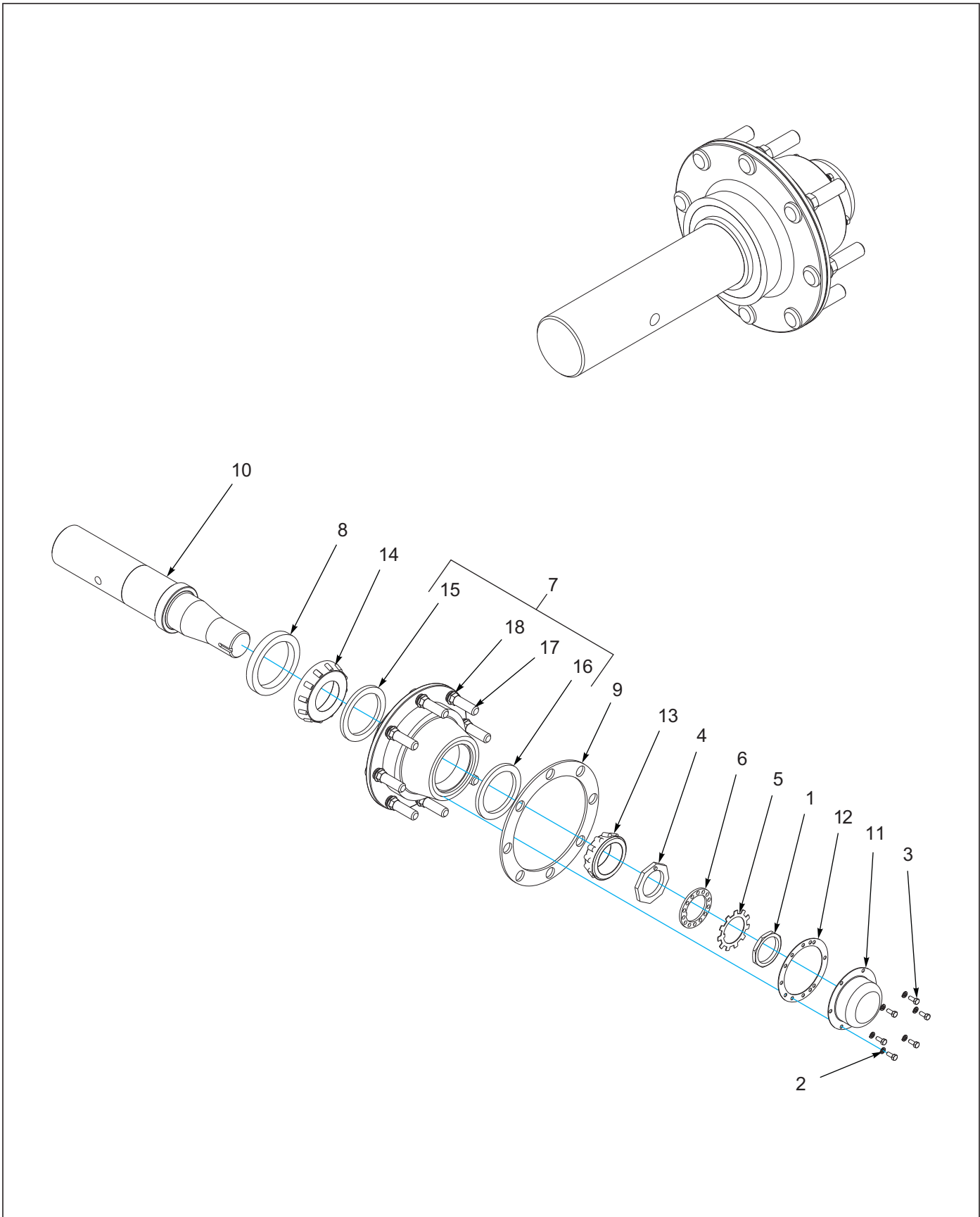


Figure 1-7: Hub/Spindle Assembly 164558



## Hub/spindle Assembly 164558

ITEM	PART NO.	DESCRIPTION	QTY.
--	164558	HUB/SPINDLE ASSY( <b>BEFORE 8-22-2016</b> )	
1	006-115-00	NUT OUTER, SPINDLE, DEXTER	1
2	1-654-010049-03	SCREW HX CP 5/16-18UNCX3/4GR5	6
3	1-861-010034-10	WASHER,LKG 5/16	6
4	103103-002	INNER SPIN NUT	1
5	105106	STAR L/W	1
6	105107	LOCK WASHER	1
7	164557	HUB W/CUPS, 8 BOLT ( <b>INCL. ITEMS 16-19</b> )	1
8	165254	SEAL, 4-5/8, TRIPLE TEFLON	1
9	167586	SPACER, WHEEL	1
10	167649	ASSY, 4" SPINDLE-SLEEVE	1
11	168456	HUBCAP	1
12	3067	GASKET HUB	1
13	HM212049	OUTER BRG A19S	1
14	HM218248	INNER BEARING	1
15	HM218210	BEARING CUP,INNER-DEXTERD225K	1
16	HM212011	OUTER CUP	1
17	101162	STUD - DISC PILOT HOLE WHL	8
18	179933	NUT, HEX M22X1.5	8

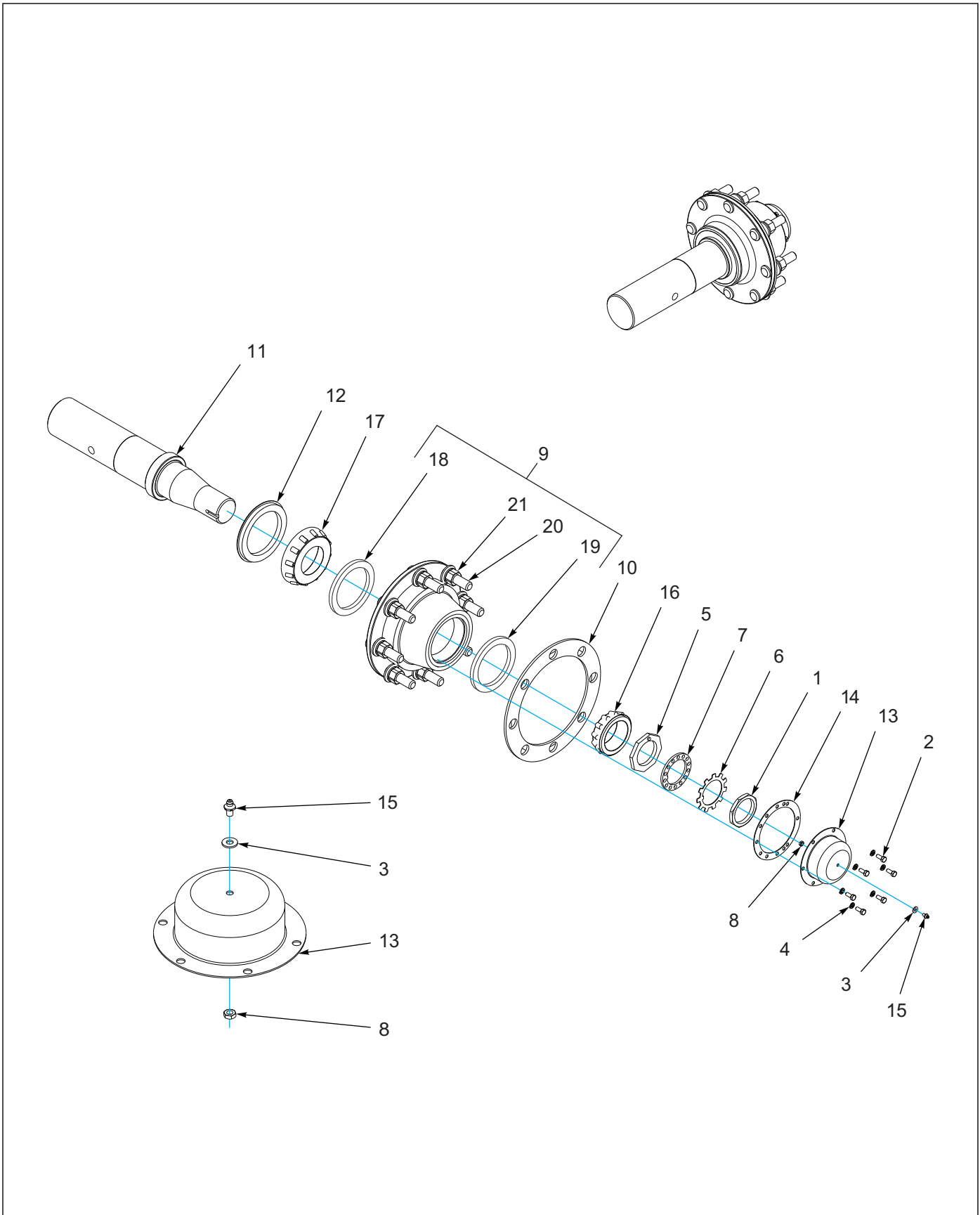


Figure 1-8: Hub/Spindle Assembly 191974

## Hub/spindle Assembly 191974

ITEM	PART NO.	DESCRIPTION	QTY.
--	191974	HUB/SPINDLE ASSY, 4" W/ZERK (AFTER 8-22-2018) (NOTE: 191974 WILL REPLACE 164558. COMPONENTS 3, 8, 12, 13, 15 CAN ALSO BE USED WITH 164558)	
1	006-115-00	NUT OUTER, SPINDLE, DEXTER	1
2	1-654-010049-03	SCREW HX CP 5/16-18UNCX3/4GR5	6
3	1-861-010032-06	WASHER, FLAT 1/4 N ZP/CD	1
4	1-861-010034-10	WASHER,LKG 5/16	6
5	103103-002	INNER SPIN NUT	1
6	105106	STAR L/W	1
7	105107	LOCK WASHER	1
8	1404013	NUT JAM HEX HD GR 5 1/4-28	1
9	164557	HUB W/CUPS, 8 BOLT (INCL. ITEMS 18-21)	1
10	167586	SPACER, WHEEL	1
11	167649	ASSY, 4" SPINDLE-SLEEVE	1
12	184769	SEAL, PURGABLE 6 OD X 4-5/8 ID	1
13	191976	HUBCAP W/ 1/4 HOLE	1
14	3067	GASKET HUB	1
15	5013	ZERK, FITTING 1/4-28SAEX11/16	1
16	HM212049	OUTER BRG A19S	1
17	HM218248	INNER BEARING	1
18	HM218210	BEARING CUP,INNER-DEXTERD225K	1
19	HM212011	OUTER CUP	1
20	101162	STUD - DISC PILOT HOLE WHL	8
21	179933	NUT, HEX M22X1.5	8

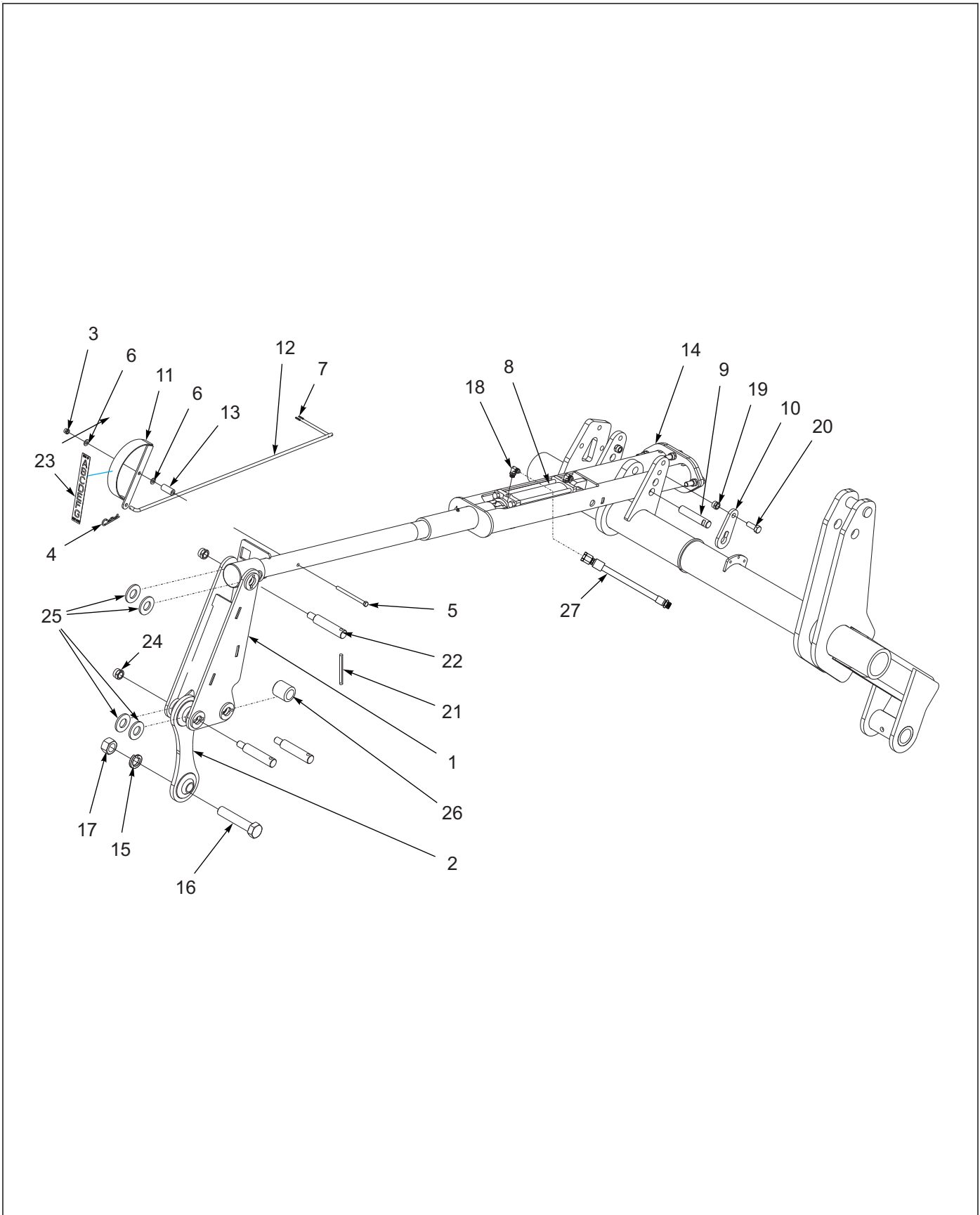


Figure 1-9: Leveling Linkage Assembly

## Leveling Linkage Assembly

ITEM	PART NO.	DESCRIPTION	QTY.
1	180043	LEVELER TOWER	1
2	163716	LINK, LEVELER BALL JOINT	1
3	1-512-010005-09	NUT, HEX LOCK 1/2-13 GRB	1
4	1-557-010403	HAIRPIN 1/8	1
5	1-654-010055-18	SCREW, HEX HEAD CAP 1/2-13 X 6-1/2 GR5	1
6	1-861-010032-14	WASHER, FLAT 1/2N	2
7	104597	PIN, SPRING SLOTTED 3/16 X 1	2
8	148387	CYLINDER, HYDRAULIC 4 X 8 <b>(SEE PAGE 1-76)</b>	REF
9	163705	PIN, LEVELER	2
10	164544	KEEPER, LEVELER PIN	2
11	166705	GAUGE, LEVEL INDICATOR	1
12	166707	ROD, LEVEL INDICATOR <b>(PRIOR 12-1-2020)</b>	1
12	223467	ROD, LEVEL INDICATOR <b>(AFTER 12-1-2020)</b>	1
13	166710	SPACER, LEVELER	1
14	163685	LEVELER ASSEMBLY <b>(PRIOR 12-1-2020) (SEE PAGE 1-18)</b>	1
14	223461	ASSY, LEVELER 57-3/8 <b>(AFTER 12-1-2020) (SEE PAGE 1-19)</b>	1
15	1-1/2SLW	WASHER, SPLIT LOCK 1-1/2	1
16	1-654-010068-17	SCREW, HEX HEAD CAP 1-1/2-6 X 6 GR8	1
17	102351	NUT, HEX 1-1/2-6 GR2	1
18	141827	ELBOW, 90 W/ 1/32 RESTRICTOR - RED	2
19	1-512-010005-15	NUT, HEX LOCK 3/4-10 GRB	2
20	100941	SCREW, HEX HEAD CAP 3/4-10 X 2-1/4 GR8	2
21	144115	PIN, GROOVED ALLOY 1/2 X 2-1/4	3
22	144493	PIN, HITCH	3
23	141263	DECAL, LEVEL INDICATOR	1
24	1-512-010005-19	NUT, HEX LOCK 1-8 GRB	3
25	1-861-010032-32	WASHER, FLAT 1-1/2	4
26	167645	SPACER, LEVELER	1
27	176998	HOSE ASSEMBLY 3/8 X 312	2

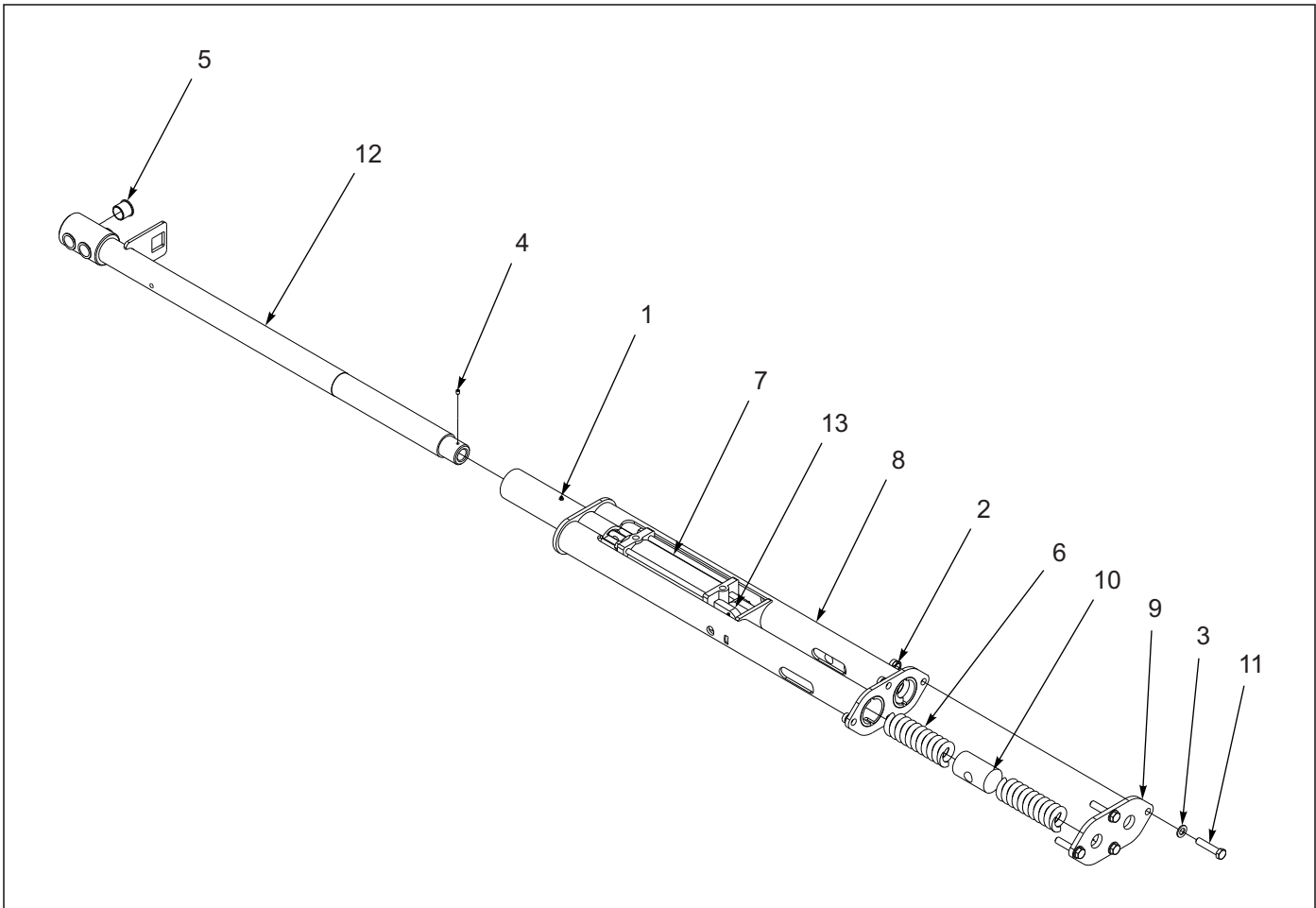


Figure 1-10: Leveler Assembly Prior to 12-1-2020

### Leveler Assembly Prior to 12-1-2020

ITEM	PART NO.	DESCRIPTION	QTY.
--	163685	LEVELER ASSEMBLY	
1	1-298-010001-1	ZERK FITTING 1/4	1
2	1-512-010005-15	NUT, HEX LOCK 3/4-10 GRB	4
3	1-861-010032-20	WASHER, FLAT 3/4 N	4
4	122709	SCREW, SET HEX SOCKET CUP PT 3/8-16 X 1/2	1
5	140599	BEARING, FLANGE 1-1/2	4
6	140649	SPRING, LEVELER	4
7	148387	CYLINDER, HYDRAULIC 4 X 8 (SEE PAGE 1-76)	1
8	163672	BASE, LEVELER	1
9	163679	CAP, LEVELER SPRINGS	1
10	164545	LEVELER CROSS	2
11	165288	BOLT, LEVELER 3/4-10 X 3-1/2 GR8	4
12	166701	TUBE LEVELER ASSEMBLY	1
13	2-150-010008	BUSHING, STEEL 1-1/4 OD X 1 ID X 1	1

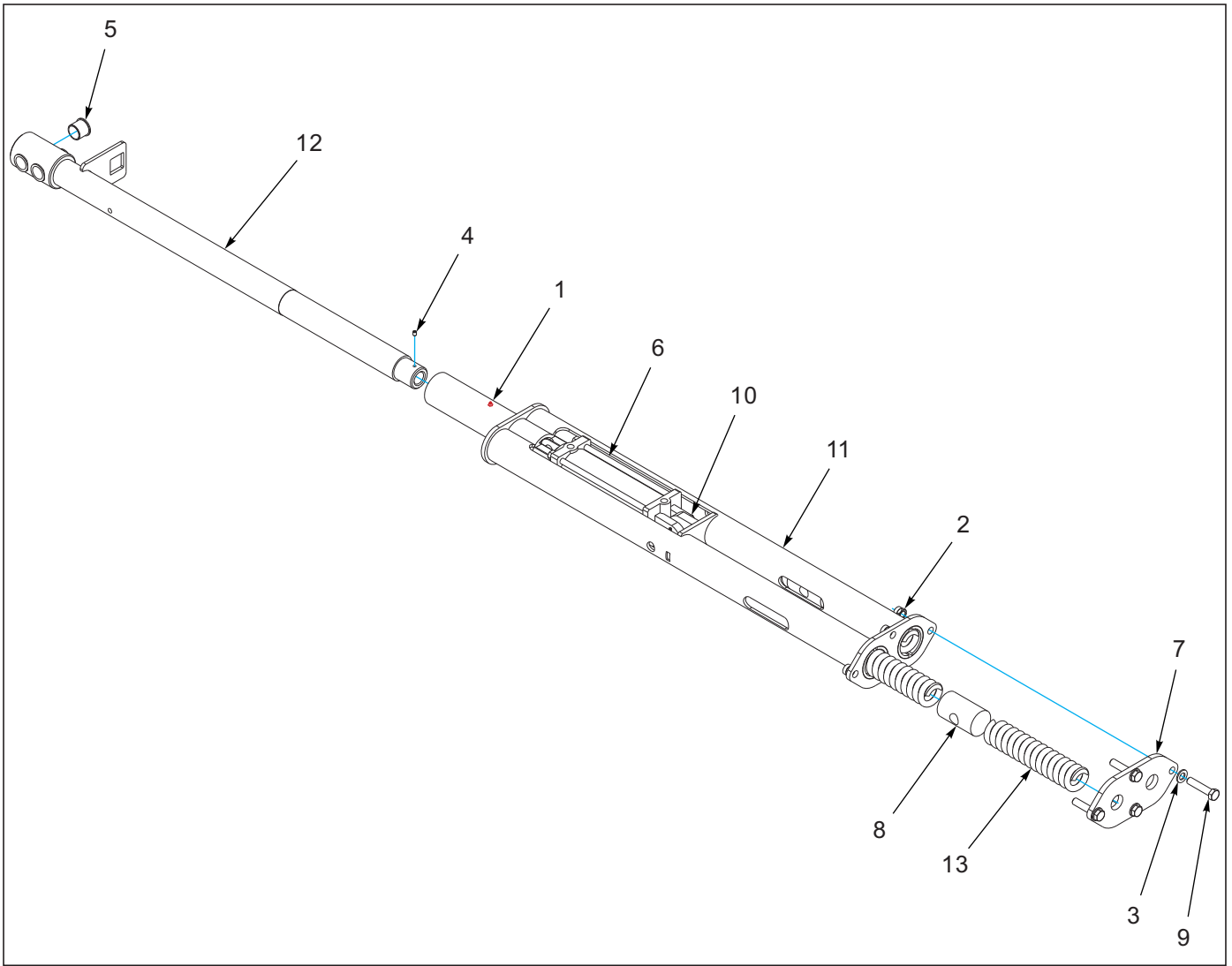


Figure 1-11: Leveler Assembly After to 12-1-2020

### Leveler Assembly After to 12-1-2020

ITEM	PART NO.	DESCRIPTION	QTY.
--	223461	ASSY, LEVELER 57-3/8	
1	1-298-010001-1	ZERK FITTING 1/4 SAE	1
2	1-512-010005-15	NUT,HEX,SLFLKG GRB 3/4-10	4
3	1-861-010032-20	WASHER, FLAT,3/4 N ZP/CD	4
4	122709	SCREW,SET,HXSKTCPPT 3/8-16X1/2	1
5	140599	BEARING, FLANGE 1-1/2"	4
6	148387	CYLINDER HYDRAULIC 4 X 8 (SEE PAGE 1-76)	1
7	163679	CAP LEVELER SPRINGS	1
8	164545	LEVELER CROSS	2
9	165288	BOLT 3/4-10X3-1/2 GR8	4
10	2-150-010008	BUSHING 1-1/4ODX1IDX1 STEEL	1
11	223462	BASE, LEVELER WLDMT	1
12	223464	WLDMT, TUBE LEVELER 57-5/8	1
13	223466	SPRING, LEVELER BLUE	4

# Wing Frame Assemblies

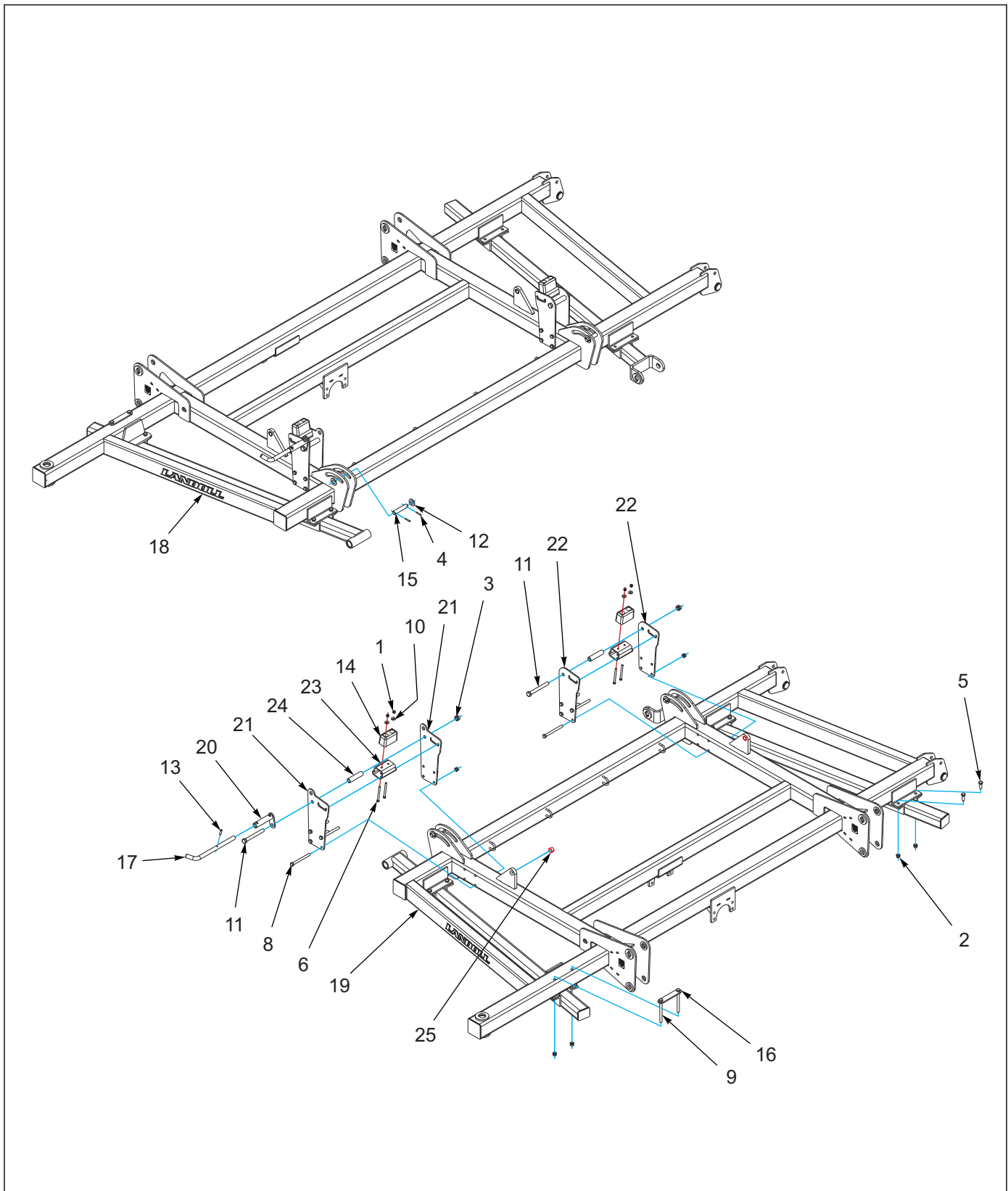


Figure 1-12: Inner Wing Frame and Stabilizer Assembly



## Inner Wing Frame And Stabilizer Assembly

ITEM	PART NO.	DESCRIPTION	QTY.
--	178799	FRAME, WING ASSY RH INNER 40	
--	178804	FRAME, WING ASSY LH INNER 45	
--	178807	FRAME, WING ASSY RH INNER-50'	
--	178800	FRAME, WING ASSY LH INNER 40	
--	178805	FRAME, WING ASSY RH OUTER 45	
--	178808	FRAME, WING ASSY LH INNER-50'	
1	1-512-010005-09	NUT,HEX,SLFLKG, 1/2-13 GRB	8
2	1-512-010005-15	NUT,HEX,SLFLKG GRB 3/4-10	8
3	1-512-010005-19	NUT 1-8 HEX SLF-LOCKING GRB	
4	1-647-010004240	PIN,SPRING,SLOTTED,5/16X2-1/2	
5	1-654-010032-05	SCREW HEX CAP 3/4-10X2 GR8	
6	1-654-010055-11	SCREW,HX CP 1/2-13UNCX3-1/2	
7	163644	ASSY WING LOCK <b>(INCL. ITEMS 13, 17, AND 20)</b>	2
8	1-654-010061-21	SCREW,HX CP,3/4-10UNCX8	
9	1-654-010061-22	SCREW,HEX CAP,3/4-10UNCX8-1/2	
10	1-861-010032-15	WASHER, FLAT 1/2 W ZP/CD	
11	114616	SCREW,HHC,1-8UNCX8-1/2,GR5	4
12	116100	WASHER 1-1/4 NAR FL ZP/CD	1
13	127351	PIN, SPRING, SLOTTED 1/2X2	2
14	128874	BUMPER RUBBER 6X3X3-1/2	4
15	141244	PIN, FOLD	1
16	170292	PLATE, CLAMP	2
17	160656	PIN, WING LOCK	2
18	178784	FRAME, WING RIGHT INNER 40	1
18	178788	FRAME, WING RIGHT INNER 45	1
18	178792	FRAME, WING RIGHT INNER 50	1
19	178785	FRAME, WING LEFT INNER 40	1
19	178789	FRAME, WING LEFT INNER 45	1
19	178793	FRAME, WING LEFT INNER 50	1
20	163645	MOUNT LOCK	2
21	178982	MOUNT, WING STABILIZER REAR <b>(40')</b>	4
21	180047	MOUNT, WING STABILIZER FRONT <b>(45' &amp; 50')</b>	4
22	178983	MOUNT, WING STABILIZER FRONT <b>(40')</b>	4
22	180048	MOUNT, WING STABILIZER REAR <b>(45' &amp; 50')</b>	4
23	164474	MOUNT WING REST <b>(40')</b>	4
23	166628	MOUNT, WING REST, 44'	4
23	166629	MOUNT, WING REST, 49'	4
24	164555	SPACER WING STABILIZER	4
25	2-150-010174	BUSHING,1-5/8X1-1/4X1	3

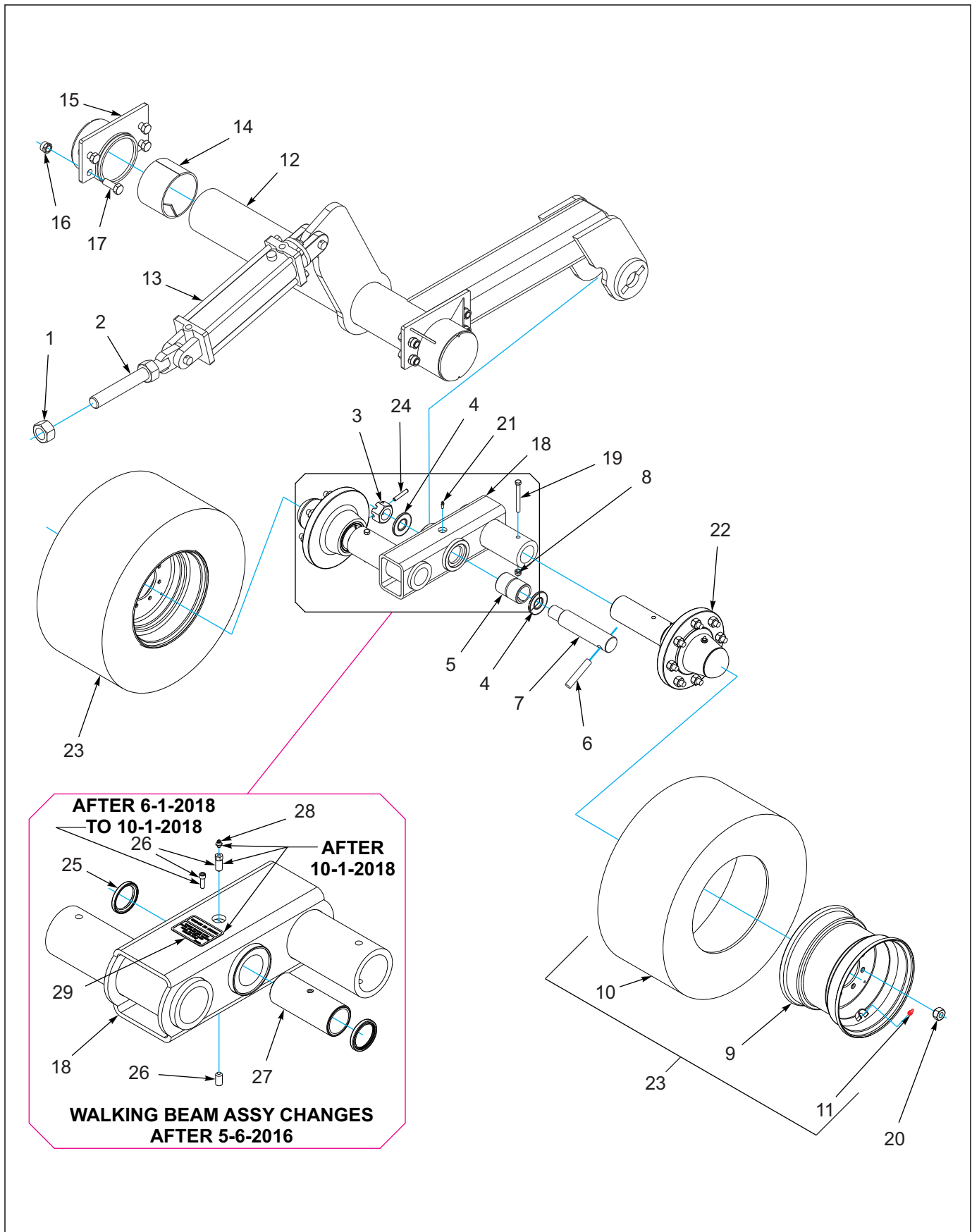


Figure 1-13: Inner Wing Lift Wheel Assembly (Before 02-01-2019)

## Inner Wing Lift Wheel Assembly (Before 02-01-2019)

ITEM	PART NO.	DESCRIPTION	QTY.
--	178799	FRAME, WING ASSY RH INNER 40 (BEFORE & AFTER 02-01-2019)	
--	178804	FRAME, WING ASSY LH INNER 45	
--	178807	FRAME, WING ASSY RH INNER-50'	
--	178800	FRAME, WING ASSY LH INNER 40 (BEFORE & AFTER 02-01-2019)	
--	178805	FRAME, WING ASSY RH OUTER 45	
--	178808	FRAME, WING ASSY LH INNER-50'	
1	159954	NUT, HEX 1-3/4 GRB	2
2	164546	ROD, CYLINDER ANCHOR 1-1/4	1
3	119118	NUT, HEX SLOTTED 1-1/2-12	2
4	171070	WASHER, THRUST 2"	4
5	158903	BUSHING, SPRING 2-1/2 X 2 X 4-5/8 (5-6-2016)	2
6	156992	PIN, WALKING BEAM SPINDLE	2
7	157019	SPINDLE, WALKING BEAM (40' & ALL BEFORE 7-10-2017)	2
7	207849	SPINDLE, WALKING BEAM-2" (45'/50' AFTER 7-10-2017)	2
8	101988	NUT, HEX LOCK 7/16-14 GRB (BEFORE 7-10-2017)	4
8	1-512-010005-09	NUT,HEX,SLFLKG, 1/2-13 GRB (AFTER 7-10-2017)	4
9	140548	WHEEL, 15 X 10 LB 8 BOLT (184708)	4
9	157001	WHEEL, 8 BOLT 16.5 X 12, NEGATIVE 1/2" OFFSET (157000/215351)	4
10	204385	FIRESTONE RADIAL 320/70R15 (184708)	4
10	157002	TIRE, 32/1550 X 16.5 SL, (GALAXY) (157000) (THROUGH 12-1-2018)	4
10	215352	TIRE, VF410/50R16.5 (AFTER 12-1-2018)	4
11	415	VALVE STEM, TUBELESS TIRE (187408)	4
11	TR575	VALVE STEM, TUBELESS TIRE (157000)	4
12	162729	LIFT, WING LEFT (40')	1
12	162728	LIFT, WING RIGHT (40') (NOT SHOWN)	1
12	178968	LIFT, WING RIGHT (45' & 50' BEFORE 7-10-2017) (NOT SHOWN)	1
12	207876	LIFT, WING RIGHT (45' & 50' AFTER 7-10-2017)	1
12	178969	LIFT, WING LEFT (45' & 50' BEFORE 7-10-2017)	1
12	207877	LIFT, WING LEFT (45' & 50' AFTER 7-10-2017)	1
13	146825	CYLINDER, 4X16, REPHASE (SEE PAGE 1-79)	1
14	140519	BEARING, UHMW 4"	4
15	141209	BEARING CAP, LIFT	4
16	1-512-010005-15	NUT, HEX LOCK 3/4-10 GRB	16
17	1-654-010061-05	SCREW, HEX HEAD CAP 3/4-10 X 2 GR5	16
18	172962	WALKING BEAM ASSY, 2-1/4 (ITEMS 5 & 21) (BEFORE 5-06-2016)	1
18	198342	WALKING BEAM ASSY, 2-1/4 (ITEMS 25-27) (AFTER 5-06-2016 TO 7-10-2017) (WILL ALSO REPLACE 172962)	1
18	198344	WALKING BEAM ASSY, 3" (ITEMS 25-27) (40' AFTER 7-10-2017)	1
18	204544	WALKING BEAM ASSY, 3" (ITEMS 25-27) (45'/50' AFTER 7-10-2017)	1
19	141809	SCREW, HEX HEAD CAP 7/16-14 X 4 GR5 (BEFORE 7-10-2017)	4
19	1-654-010055-15	SCR, HX CP, 1/2-13UNCX5 GR5 (AFTER 7-10-2017)	4
20	102600	LUG NUT (8 BOLT)	32
21	171024	FITTING, GREASE 1/4-28 STR LONG (BEFORE 5-06-2016)	2
22	147553	8 BOLT HUB ASSY, 2-1/4" SPDL (BEFORE 7-10-2017) (SEE PAGE 1-37)	4
22	156972	HUB & SPINDLE ASSY, 8 BOLT 3" SPDL (AFTER 7-10-2017) (SEE PAGE 1-39)	4
23	184708	TTIRE ASSY,320/70R15,8 BOLTWHL (40') (INCL ITEMS 9-11)	4
23	157000	TIRE AND WHEEL ASSY 32/1550 X 16.5 SL (45' & 50') (INCL ITEMS 9-11) (THROUGH 12-1-2018)	4
23	215351	TIRE&WHL ASSY, VF410/50R16.5 (AFTER 12-1-2018)	4

## Inner Wing Lift Wheel Assembly (Before 02-01-2019)

ITEM	PART NO.	DESCRIPTION	QTY.
24	127712	PIN, SPRING SLOTTED 3/8 X 2-1/4	2
25	198322	SEAL, V17, DOUBLE LIP 2"	2
26	200129	SCREW SOCKET HD CAP 5/16-24X1 <b>(BEFORE 6-1-2018)</b>	2
26	15G816ER	SCREW SET SOC HD CPPT.5-13X1 <b>(AFTER 6-1-2018 TO 10-1-2018)</b>	1
26	212046	SCREW, SET FOR ZERK <b>(AFTER 10-1-2018)</b>	1
27	200310	ASSY, TANDEM PIVOT 2" <b>(4" LONG) (198342 &amp; 198344)</b>	1
27	204548	ASSY, TANDEM PIVOT 2" <b>(6" LONG) (20544)</b>	1
28	1-298-010001-1	ZERK FITTING 1/4 SAE <b>(AFTER 10-1-2018)</b>	1
29	215341	DECAL, GREASE WALKER <b>(AFTER 10-1-2018)</b>	1



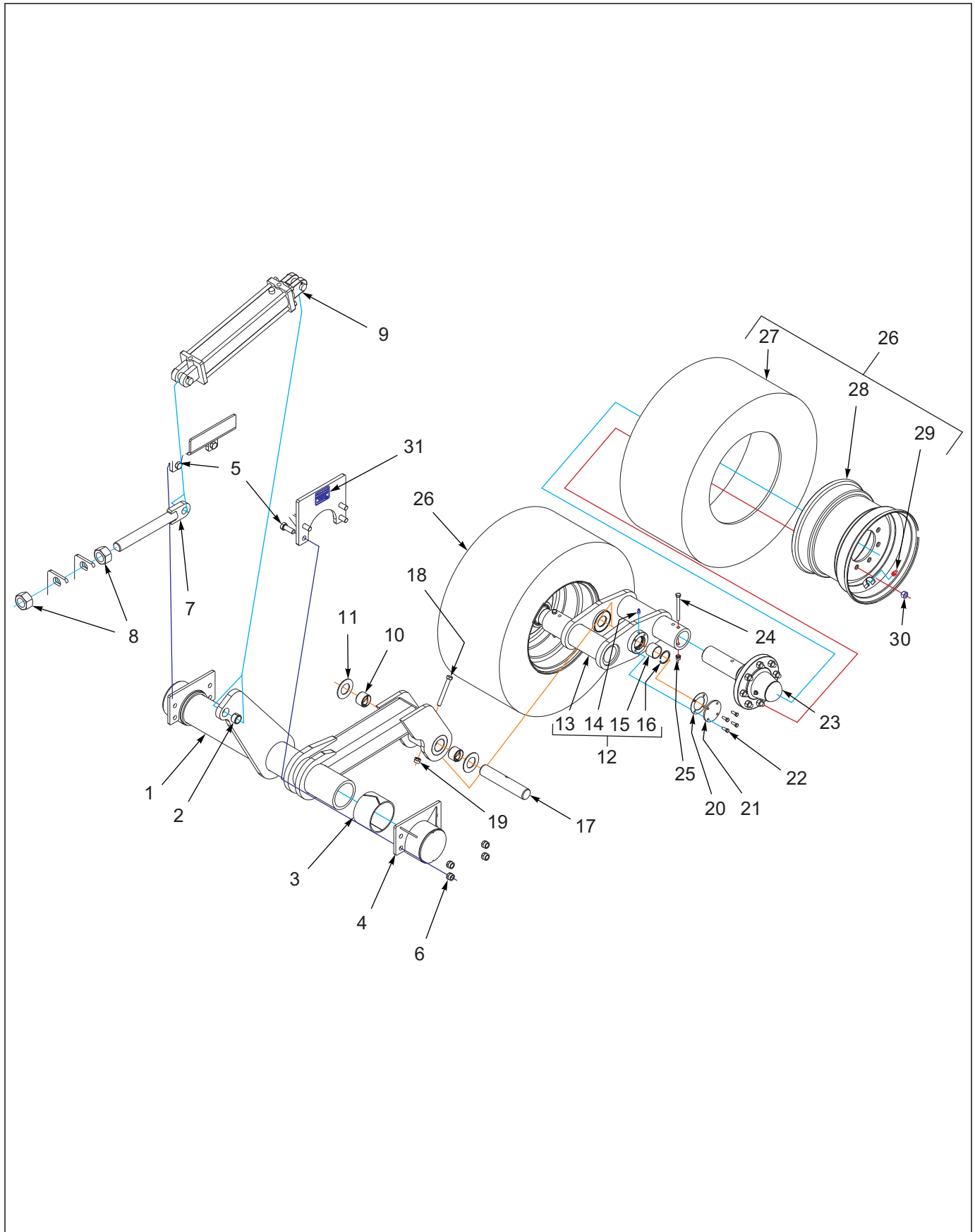


Figure 1-14: Inner Wing Lift Wheel Assembly 6250-45'-50' (After 02-01-2019)

## Inner Wing Lift Wheel Assembly 6250-45'-50' (After 02-01-2019)

ITEM	PART NO.	DESCRIPTION	QTY.
--	178803	FRAME, WING ASSY RH INNER 45	
--	178804	FRAME, WING ASSY LH INNER 45	
--	178807	FRAME, WING ASSY RH INNER-50'	
--	178808	FRAME, WING ASSY LH INNER-50'	
1	219770	LIFT, WING RIGHT WLDMT (6250-45'-50')	1
1	219771	LIFT, WING LEFT WLDMT (6250-45'-50')	1
2	2-150-010174	BUSHING,1-5/8X1-1/4X1	3
3	140519	BEARING, UHMW 4IN	2
4	141209	BEARING CAP, LIFT	2
5	1-654-010061-05	SCREW,HHC,3/4-10UNCX2,GR5,ZP	8
6	1-512-010005-15	NUT,HEX,SLFLKG GRB 3/4-10	8
7	164546	ROD, CYLINDER ANCHOR 1-1/4	1
8	159954	NUT HEX 1-3/4-5UNC GR2	2
9	146825	CYLINDER, 4X16, REPHASE (SEE PAGE 1-79)	1
10	130052	BUSHING,SPRING 2-1/4X2X1-1/2	2
11	171070	WASHER, THRUST 2	2
12	217591	ASSY, WALKER 3"	1
13	217547	WALKING TANDEM-3" SP WLDMT	1
14	171024	FITTING, GREASE 5/16-24 STR	2
15	187162	BUSHING, 2-1/4 X 2 X 1-1/2 L	2
16	217559	SNAP RING, INTERNAL-2-1/4	2
17	217593	SPINDLE, WALK BEAM 2"	1
18	1-654-010059-15	SCREW,HEX CAP,5/8-11UNCX5 GR5	1
19	1-512-010005-13	NUT,HEX SLFLKG GRB 5/8-11	1
20	217627	GASKET, ENDCAP	2
21	217626	ENDCAP, WALKER	2
22	219795	SCREW, HEX FLANGE HD, 3/8 X 1	8
23	156972	HUB & SPINDLE ASSY, 8 BOLT (SEE PAGE 1-39)	2
24	1-654-010055-15	SCR, HX CP, 1/2-13UNCX5 GR5	2
25	1-512-010005-09	NUT,HEX,SLFLKG, 1/2-13 GRB	2
26	215351	TIRE&WHL ASSY, VF410/50R16.5 (INCL ITEMS 27-29)	4
27	157001	WHEEL, 8 BOLT	4
28	215352	TIRE, VF410/50R16.5	4
29	TR575	VALVE STEM TUBELESS TIRE	4
30	102600	NUT,WHEEL BOLT, 5/8	32
31	219776	DECAL, GREASE WALKER	1

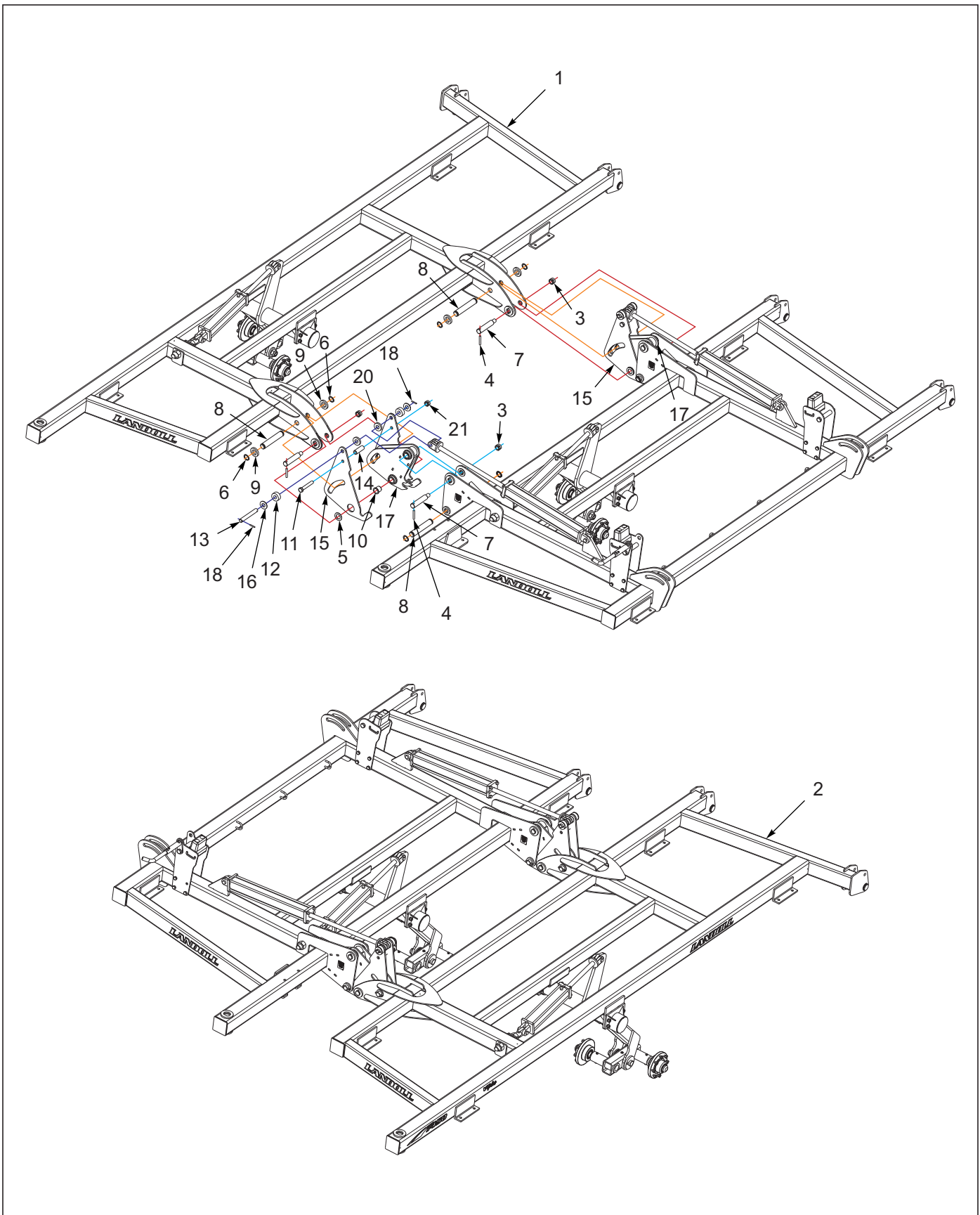


Figure 1-15: Outer Wing Frame and Fold Lock Assembly



## Outer Wing Frame And Fold Lock Assembly

ITEM	PART NO.	DESCRIPTION	QTY.
--	178801	FRAME, WING ASSY RH OUTER 40	
--	178805	FRAME, WING ASSY RH OUTER 45	
--	178809	FRAME, WING ASSY RH OUTER-50'	
--	178802	FRAME, WING ASSY LH OUTER 40	
--	178806	FRAME, WING ASSY LH OUTER 45	
--	178810	FRAME, WING ASSY LH OUTER-50'	
1	178786	FRAME, WING RIGHT OUTER 40	1
1	178790	FRAME, WING RIGHT OUTER 45	1
1	178794	FRAME, WING RIGHT OUTER 50	1
2	178787	FRAME, WING LEFT OUTER 40	1
2	178791	FRAME, WING LEFT OUTER 45	1
2	178795	FRAME, WING LEFT OUTER 50	1
3	101385	NUT,HEX SLFLKG,1-1/4-7 GRB	4
4	144115	PIN, GROOVED ALLOY 1/2X2-1/4	8
5	164539	WASHER THRUST 1-3/4	8
6	167594	SNAP RING, 1-3/4 SHAFT	16
7	164541	PIN, HINGE	8
8	167593	PIN 1-3/4 W/SNAP RING	8
9	141154	WASHER GANG SHAFT	8
10	164533	BEARING, FLANGE 1-3/4	4
11	100829	SCREW,HEX CAP,1-8X6-1/2,GR5	4
12	164564	ROLLER, WING FOLD	8
13	164565	PIN, FOLD	4
14	165295	SPACER, WING FOLD	4
15	164490	LINK, FOLD	8
16	1-861-010032-29	WASHER, FLAT 1-1/4 W ZP/CD	8
17	164491	HINGE WLDMT DOUBLE	4
18	1-647-010004240	PIN,SPRING,SLOTTED,5/16X2-1/2	4
19	164540	HINGE ASSY (INCL. ITEMS 10 & 17)	4
20	173018	SPACER, WING FOLD, 1/2" WIDE	8
21	1-512-010005-19	NUT 1-8 HEX SLF-LOCKING GRB	4

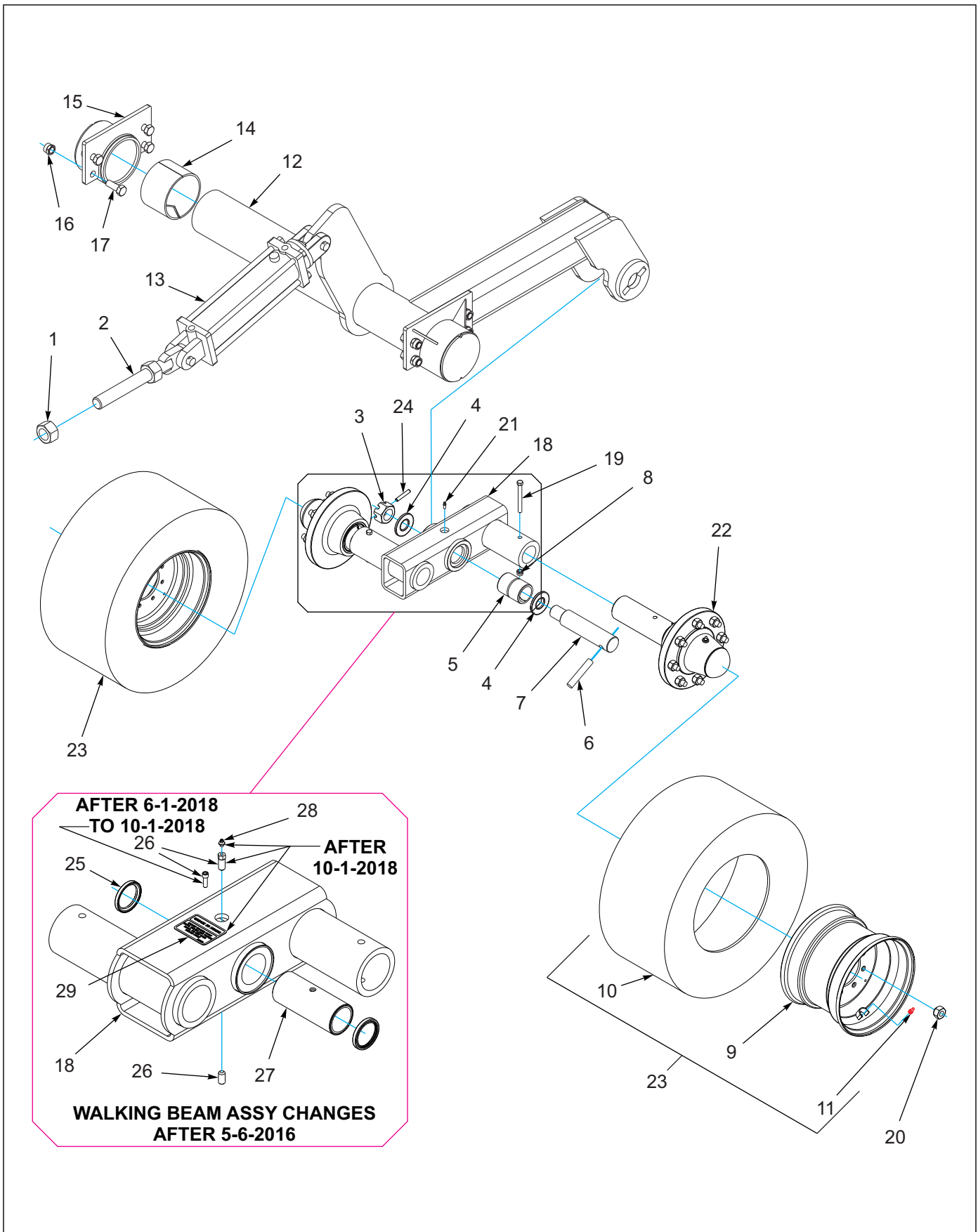


Figure 1-16: Outer Wing Lift Wheel Assembly (Before 02-01-2019)

## Outer Wing Lift Wheel Assembly (Before 02-01-2019)

ITEM	PART NO.	DESCRIPTION	QTY.
--	178801	FRAME, WING ASSY RH OUTER 40 (BEFORE & AFTER 02-01-2019)	
--	178805	FRAME, WING ASSY RH OUTER 45	
--	178809	FRAME, WING ASSY RH OUTER-50'	
--	178802	FRAME, WING ASSY LH OUTER 40 (BEFORE & AFTER 02-01-2019)	
--	178806	FRAME, WING ASSY LH OUTER 45	
--	178810	FRAME, WING ASSY LH OUTER-50'	
1	159954	NUT, HEX 1-3/4 GRB	2
2	164546	ROD, CYLINDER ANCHOR 1-1/4	1
3	119118	NUT, HEX SLOTTED 1-1/2-12	2
4	171070	WASHER, THRUST 2"	4
5	158903	BUSHING, SPRING 2-1/2 X 2 X 4-5/8 (5-6-2016)	2
6	156992	PIN, WALKING BEAM SPINDLE	2
7	157019	SPINDLE, WALKING BEAM (40' & ALL BEFORE 7-10-2017)	2
7	207849	SPINDLE, WALKING BEAM-2" (45'/50' AFTER 7-10-2017)	2
8	101988	NUT, HEX LOCK 7/16-14 GRB (BEFORE 7-10-2017)	4
8	1-512-010005-09	NUT,HEX,SLFLKG, 1/2-13 GRB (AFTER 7-10-2017)	4
9	140548	WHEEL, 15 X 10 LB 8 BOLT (184708)	4
9	157001	WHEEL, 8 BOLT 16.5 X 12, NEGATIVE 1/2" OFFSET(157000/215351)	4
10	204385	FIRESTONE RADIAL 320/70R15 (184708)	4
10	157002	TIRE, 32/1550 X 16.5 SL, (GALAXY) (157000) (THROUGH 12-1-2018)	4
10	215352	TIRE, VF410/50R16.5 (AFTER 12-1-2018)	4
11	415	VALVE STEM, TUBELESS TIRE (187408)	4
11	TR575	VALVE STEM, TUBELESS TIRE (157000)	4
12	162729	LIFT, WING LEFT (40')	1
12	162728	LIFT, WING RIGHT (40') (NOT SHOWN)	1
12	178968	LIFT, WING RIGHT (45' & 50' BEFORE 7-10-2017) (NOT SHOWN)	1
12	207876	LIFT, WING RIGHT (45' & 50' AFTER 7-10-2017)	1
12	178969	LIFT, WING LEFT (45' & 50' BEFORE 7-10-2017)	1
12	207877	LIFT, WING LEFT (45' & 50' AFTER 7-10-2017)	1
13	163700	CYLINDER, 3-3/4X16, REPHASE (SEE PAGE 1-83)	1
14	140519	BEARING, UHMW 4"	4
15	141209	BEARING CAP, LIFT	4
16	1-512-010005-15	NUT, HEX LOCK 3/4-10 GRB	16
17	1-654-010061-05	SCREW, HEX HEAD CAP 3/4-10 X 2 GR5	16
18	172962	WALKING BEAM ASSY, 2-1/4 (ITEMS 5 & 21) (BEFORE 5-06-2016)	1
18	198342	WALKING BEAM ASSY, 2-1/4 (ITEMS 25-27) (AFTER 5-06-2016 TO 7-10-2017) (WILL ALSO REPLACE 172962)	1
18	198344	WALKING BEAM ASSY, 3" (ITEMS 25-27) (40' AFTER 7-10-2017)	1
18	204544	WALKING BEAM ASSY, 3" (ITEMS 25-27) (45'/50' AFTER 7-10-2017)	1
19	141809	SCREW, HEX HEAD CAP 7/16-14 X 4 GR5 (BEFORE 7-10-2017)	4
19	1-654-010055-15	SCR, HX CP, 1/2-13UNCX5 GR5 (AFTER 7-10-2017)	4
20	102600	LUG NUT (8 BOLT)	32
21	171024	FITTING, GREASE 1/4-28 STR LONG (BEFORE 5-06-2016)	2
22	147553	8 BOLT HUB ASSY, 2-1/4" SPDL (BEFORE 7-10-2017) (SEE PAGE 1-37)	4
22	156972	HUB & SPINDLE ASSY, 8 BOLT 3" SPDL (AFTER 7-10-2017) (SEE PAGE 1-39)	4
23	184708	TTIRE ASSY,320/70R15,8 BOLTWHL (40') (INCL ITEMS 9-11)	4
23	157000	TIRE AND WHEEL ASSY 32/1550 X 16.5 SL (45' & 50') (INCL ITEMS 9-11) (THROUGH 12-1-2018)	4
23	215351	TIRE&WHL ASSY, VF410/50R16.5 (AFTER 12-1-2018)	4

## Outer Wing Lift Wheel Assembly (Before 02-01-2019)

ITEM	PART NO.	DESCRIPTION	QTY.
24	127712	PIN, SPRING SLOTTED 3/8 X 2-1/4	2
25	198322	SEAL, V17, DOUBLE LIP 2"	2
26	200129	SCREW SOCKET HD CAP 5/16-24X1 <b>(BEFORE 6-1-2018)</b>	2
26	15G816ER	SCREW SET SOC HD CPPT.5-13X1 <b>(AFTER 6-1-2018 TO 10-1-2018)</b>	1
26	212046	SCREW, SET FOR ZERK <b>(AFTER 10-1-2018)</b>	1
27	200310	ASSY, TANDEM PIVOT 2" <b>(4" LONG) (198342 &amp; 198344)</b>	1
27	204548	ASSY, TANDEM PIVOT 2" <b>(6" LONG) (20544)</b>	1
28	1-298-010001-1	ZERK FITTING 1/4 SAE <b>(AFTER 10-1-2018)</b>	1
29	215341	DECAL, GREASE WALKER <b>(AFTER 10-1-2018)</b>	1



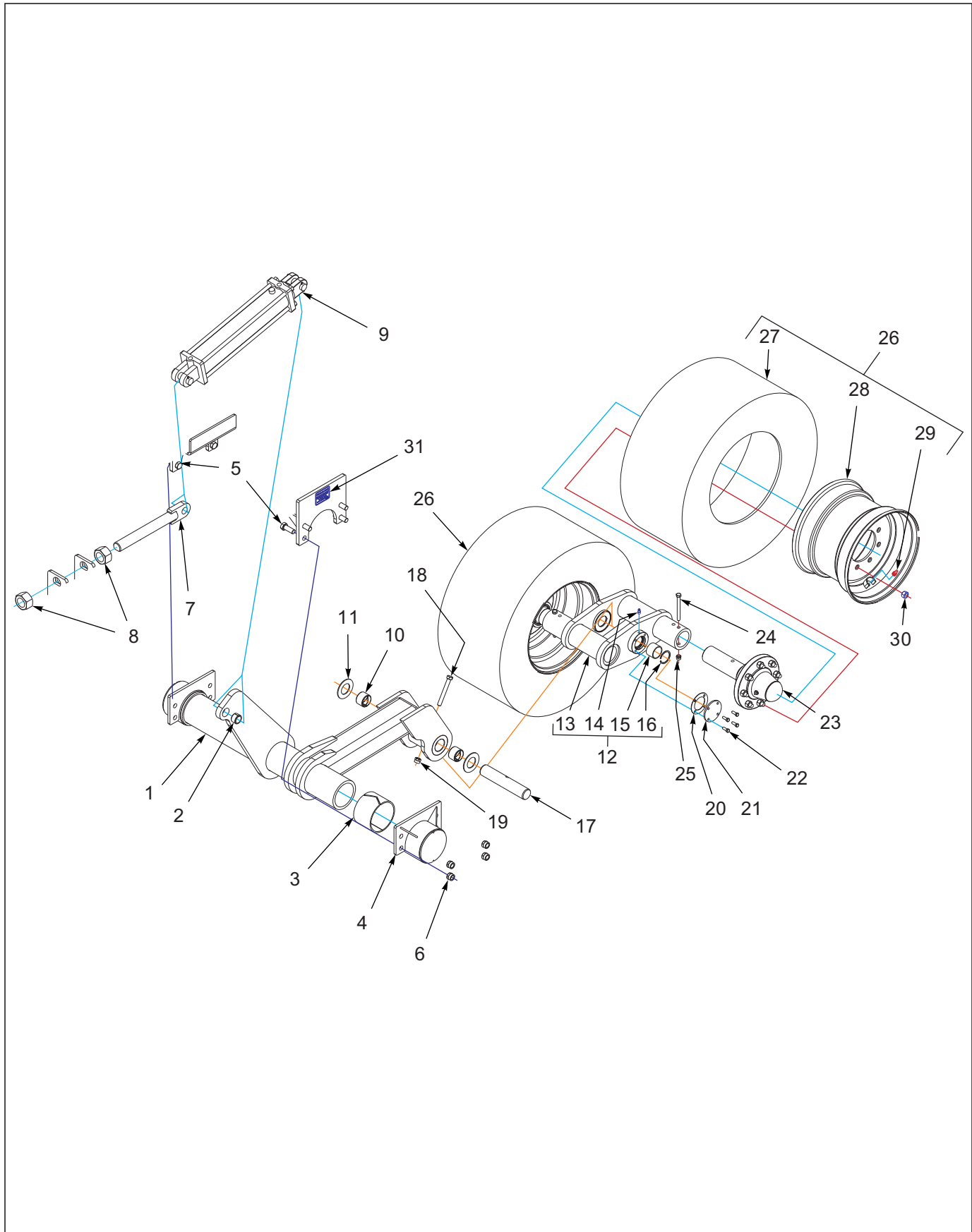


Figure 1-17: Outer Wing Lift Wheel Assembly 5240-45'-50' (After 02-01-2019)

## Outer Wing Lift Wheel Assembly 6250-45'-50' (After 02-01-2019)

ITEM	PART NO.	DESCRIPTION	QTY.
--	178805	FRAME, WING ASSY RH OUTER 45	
--	178806	FRAME, WING ASSY LH OUTER 45	
--	178809	FRAME, WING ASSY RH OUTER-50'	
--	178810	FRAME, WING ASSY LH OUTER-50'	
1	219770	LIFT, WING RIGHT WLDMT	1
1	219771	LIFT, WING LEFT WLDMT	1
2	2-150-010174	BUSHING,1-5/8X1-1/4X1	3
3	140519	BEARING, UHMW 4IN	2
4	141209	BEARING CAP, LIFT	2
5	1-654-010061-05	SCREW,HHC,3/4-10UNCX2,GR5,ZP	8
6	1-512-010005-15	NUT,HEX,SLFLKG GRB 3/4-10	8
7	164546	ROD, CYLINDER ANCHOR 1-1/4	1
8	159954	NUT HEX 1-3/4-5UNC GR2	2
9	163700	CYLINDER, 3-3/4X16, REPHASE <b>(SEE PAGE 1-83)</b>	1
10	130052	BUSHING,SPRING 2-1/4X2X1-1/2	2
11	171070	WASHER, THRUST 2	2
12	217591	ASSY, WALKER 3"	1
13	217547	WALKING TANDEM-3" SP WLDMT	1
14	171024	FITTING, GREASE 5/16-24 STR	2
15	187162	BUSHING, 2-1/4 X 2 X 1-1/2 L	2
16	217559	SNAP RING, INTERNAL-2-1/4	2
17	217593	SPINDLE, WALK BEAM 2"	1
18	1-654-010059-15	SCREW,HEX CAP,5/8-11UNCX5 GR5	1
19	1-512-010005-13	NUT,HEX SLFLKG GRB 5/8-11	1
20	217627	GASKET, ENDCAP	2
21	217626	ENDCAP, WALKER	2
22	219795	SCREW, HEX FLANGE HD, 3/8 X 1	8
23	156972	HUB & SPINDLE ASSY, 8 BOLT <b>(SEE PAGE 1-39)</b>	2
24	1-654-010055-15	SCR, HX CP, 1/2-13UNCX5 GR5	2
25	1-512-010005-09	NUT,HEX,SLFLKG, 1/2-13 GRB	2
26	215351	TIRE&WHL ASSY, VF410/50R16.5 <b>(INCL ITEMS 27-29)</b>	4
27	157001	WHEEL, 8 BOLT	4
28	215352	TIRE, VF410/50R16.5	4
29	TR575	VALVE STEM TUBELESS TIRE	4
30	102600	NUT,WHEEL BOLT, 5/8	32
31	219776	DECAL, GREASE WALKER	1

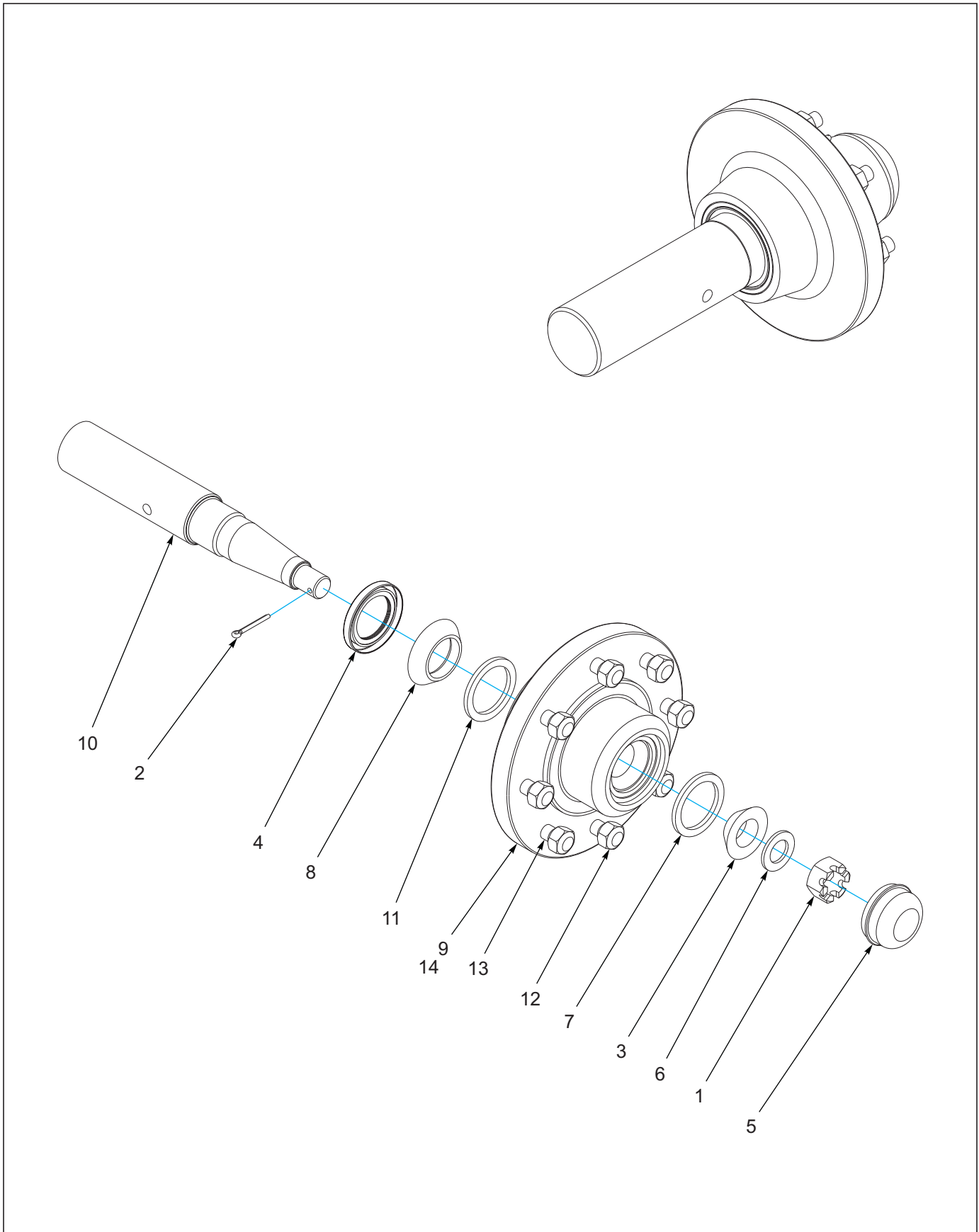


Figure 1-18: Hub and Spindle Assembly - 8 Bolt (2-1/4")



---

## Hub And Spindle Assembly - 8 Bolt (2-1/4")

---

ITEM	PART NO.	DESCRIPTION	QTY.
--	147553	8 BOLT HUB ASSY, 2-1/4" SPDL	
1	1-516-010001-20	NUT, HX SLOT 1-14	1
2	1-557-010362-51	PIN, COTTER 3/16X1-1/2	1
3	1-076-010007	CONE INNER	1
4	140554	SEAL GREASE	1
5	141236	DUST CAP, WHEEL HUB	1
6	141238	WASHER, SPINDLE	1
7	1-076-010010	CUP INNER	1
8	140595	CONE BEARING	1
9	140646	HUB W/CUPS, EIGHT BOLT <b>(INCL ITEMS 7 &amp; 11)</b>	1
10	141198	SPINDLE 2-1/4 IN	1
11	140594	CUP BEARING	1
12	102600	NUT,WHEEL BOLT, 5/8 <b>(8 BOLT)</b>	8
13	143067	STUD BOLT 5/8-18 <b>(8 BOLT)</b>	8
14	141867	HUB ASSY EIGHT BOLT <b>(INCL. ITEMS 3-5, 8-9)</b>	

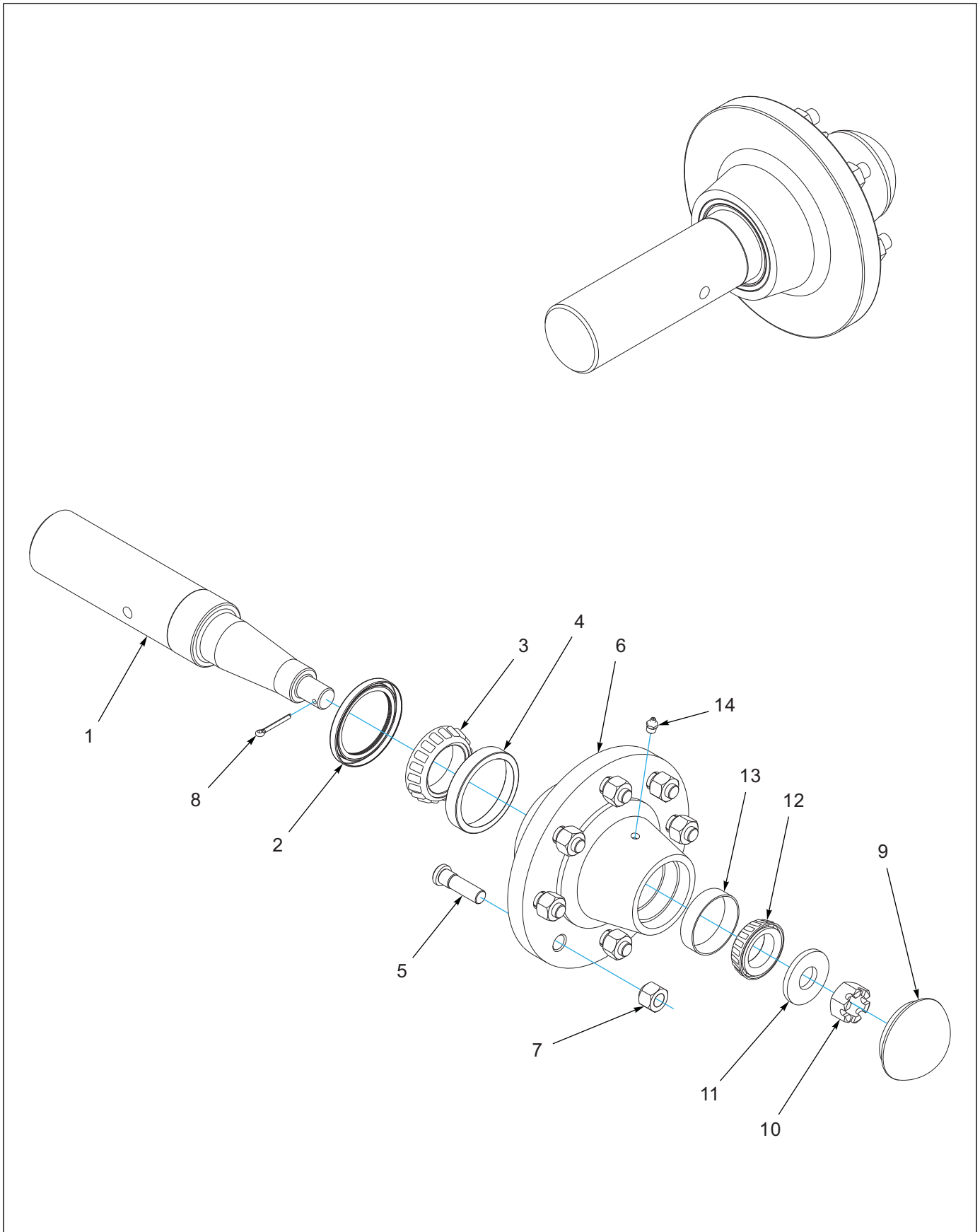


Figure 1-19: Hub and Spindle Assembly (3")

## Hub And Spindle Assembly - 8 Bolt (3")

ITEM	PART NO.	DESCRIPTION	QTY.
--	156972	HUB AND SPINDLE ASSEMBLY, 8 BOLT	
1	156973	SPINDLE, 3 X 16-1/2	1
2	159970	SEAL, TRIPLE LIP 4OD X 3ID X 3/8	1
3	156979	CONE BEARING	1
4	111962	INNER CUP	1
5	4001060	HUB 75-8 BOLT 5/8-18 STUD	8
6	156974	HUB W/ CUPS, 8 BOLT 7500 LBS. <b>(INCLUDES ITEMS 4-5, 7 13 &amp; 14)</b>	1
7	102600	NUT	8
8	1-557-010362-51	PIN, COTTER 3/16 X 1-1/2	1
9	102601	HUB CAP, 8 BOLT	1
10	1-516-010001-20	NUT, HEX SLOT 1-14	1
11	1-861-010005	WASHER, SPINDLE 1	1
12	102498	BEARING CONE, OUTER1.625	1
13	102604	OUTER CUP	1
14	5000	ZERK FITTING 1/8NPT	1
15	168859	HUB ASSEMBLY, 8 BOLT <b>(INCLUDES ITEMS 2-3, 6, 9, 12)</b>	

# Hitch Assemblies

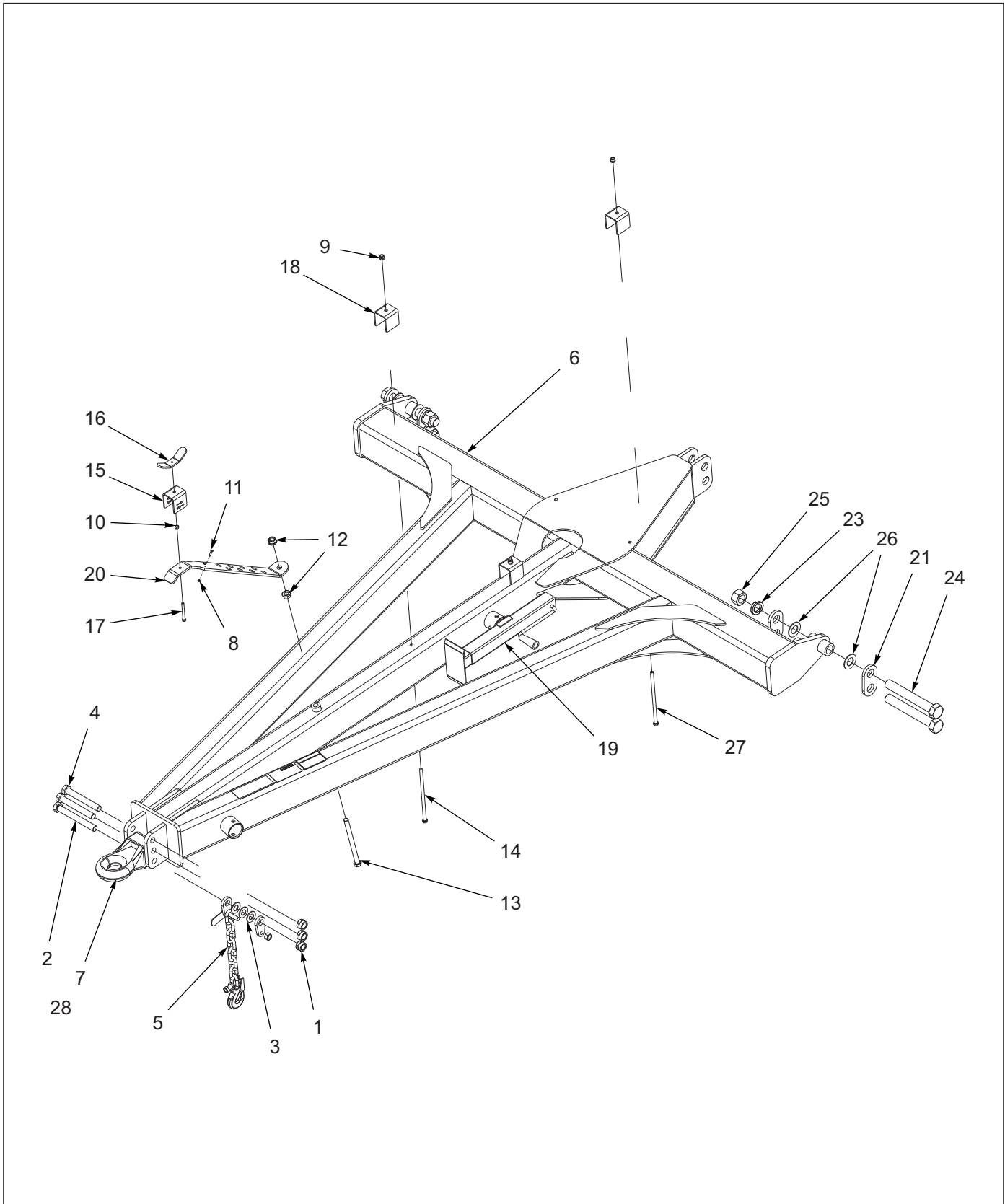


Figure 1-20: Hitch Assembly

## Hitch Assembly

ITEM	PART NO.	DESCRIPTION	QTY.
--	180118	HITCH ASSEMBLY, CAT IV <b>(ITEMS 1 - 7)</b>	
--	180119	HITCH ASSEMBLY, CAT V <b>(ITEMS 1 - 7)</b>	
1	1-512-010005-19	NUT, HEX LOCK 1-8 GRB	3
2	172581	SCREW, HEX HEAD CAP 1-8 G8	1
3	1-861-010032-24	WASHER FL 1IN NARROW	4
4	153696	BOLT, HITCH CLEVIS	3
5	193183	SAFETY CHAIN, 61,000 LB	1
6	177097	HITCH	1
7	189451	HITCH, BALL CAT IV 3-HOLE <b>(USED W/ 180118)</b>	1
7	156949	HITCH RING CAT V <b>(NOT SHOWN) (USED W/ 180119)</b>	1
8	1-512-010005-01	NUT HEX LOCK 1/4-20 GRB	2
9	1-512-010005-09	NUT, HEX LOCK 1/2-13 GRB	4
10	1-512-010007-07	NUT, HEX 3/8-16	1
11	1-654-010047-06	SCREW, HEX HEAD CAP 1/4-20 X 1 GR5	2
12	103841	NUT, FLANGE PREVAILING TORQUE 3/4-10	2
13	126235	SCREW, HEX HEAD CAP 3/4-10 X 10-1/2 GR5	1
14	131081	SCREW, HEX HEAD CAP 1/2-13 X 11	3
15	141247	CLAMP, HOSE HOLDER	1
16	141249	WING NUT, HOSE HOLDER	1
17	141807	SCREW, ALL THREAD 3/8-16 X 3-1/2	1
18	165266	CLAMP, HOSE HOLDER	3
19	140647	JACK, SIDEWIND 7,000LB <b>(SEE PAGE 1-43)</b>	1
20	141246	BRACKET, HOSE HOLDER	1
21	164543	PLATE, HITCH MOUNT 1-1/2	4
22	1-557-010403	HAIRPIN 1/8	1
23	1-1/2SLW	WASHER, SPLIT LOCK 1-1/2	2
24	1-654-010076-26	SCREW HEX HEAD CAP 1-1/2-6 X 11 GR8	4
25	102351	NUT, HEX 1-1/2-6 GR2	2
26	141266	WASHER, THRUST 1-1/2	4
27	167638	SCREW, HEX HEAD CAP 1/2-13 X 12 GR5	1
28	189451	HITCH, BALL CAT IV, 3-HOLE <b>(SEE PAGE 1-42)</b>	1

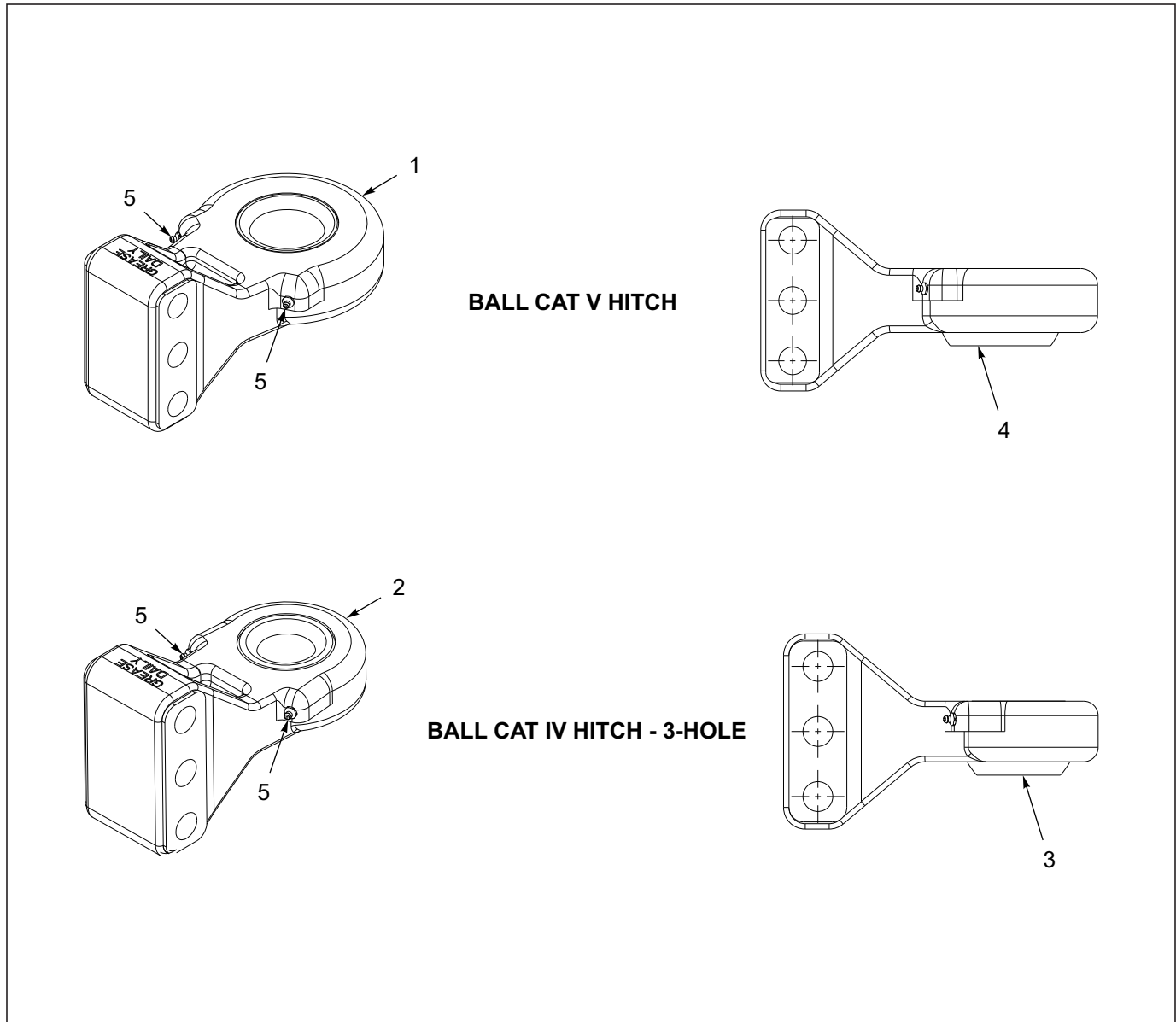
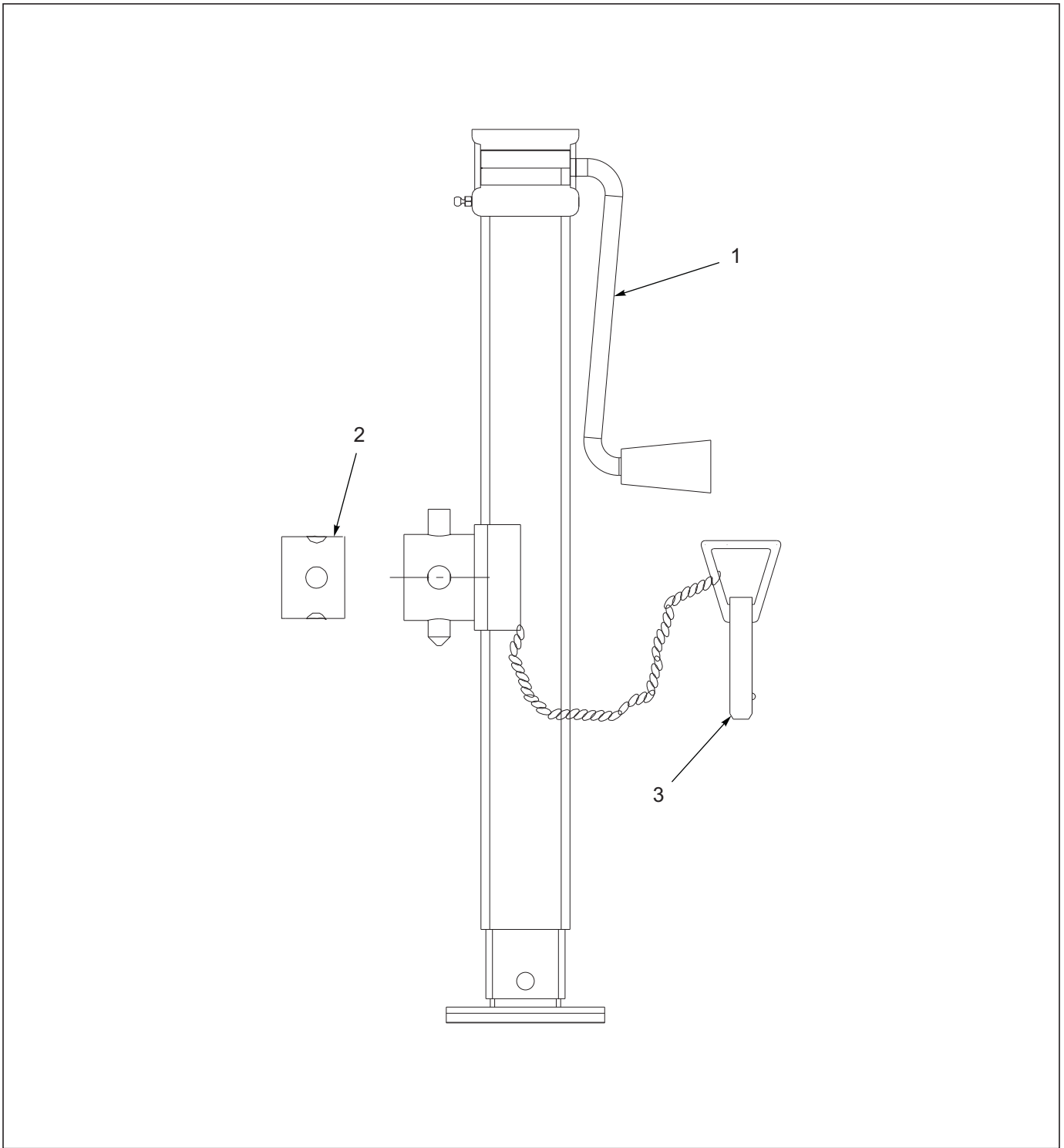


Figure 1-21: Hitch Assemblies

## Hitch Assemblies

ITEM	PART NO.	DESCRIPTION	QTY.
1	177032	HITCH, BALL V	1
2	189451	HITCH, BALL CAT IV, 3-HOLE	1
3	189454	BUSHING, SPHERICAL, 2" ID (Standard)	1
3	189453	BUSHING, SPHERICAL 1-1/2 ID	1
4	189468	BUSHING, SPHERICAL, 2-3/4" ID (Standard)	1
4	189467	BUSHING, SPHERICAL 2 ID	1
5	1-298-010001-1	ZERK FITTING 1/4 SAE	1



**Figure 1-22: 7,000 Lb. Sidewind Jack Assembly**

**7,000 Lb. Sidewind Jack Assembly**

ITEM	PART NO.	DESCRIPTION	QTY.
--	140647	JACK, SIDEWIND 7000LB	
1	500171	HANDLE FOR JACK	1
2	141250	TUBE, RD, JACK MOUNT	1
3	142194	5/8" PIN	1

# Front Gauge Wheel Assemblies

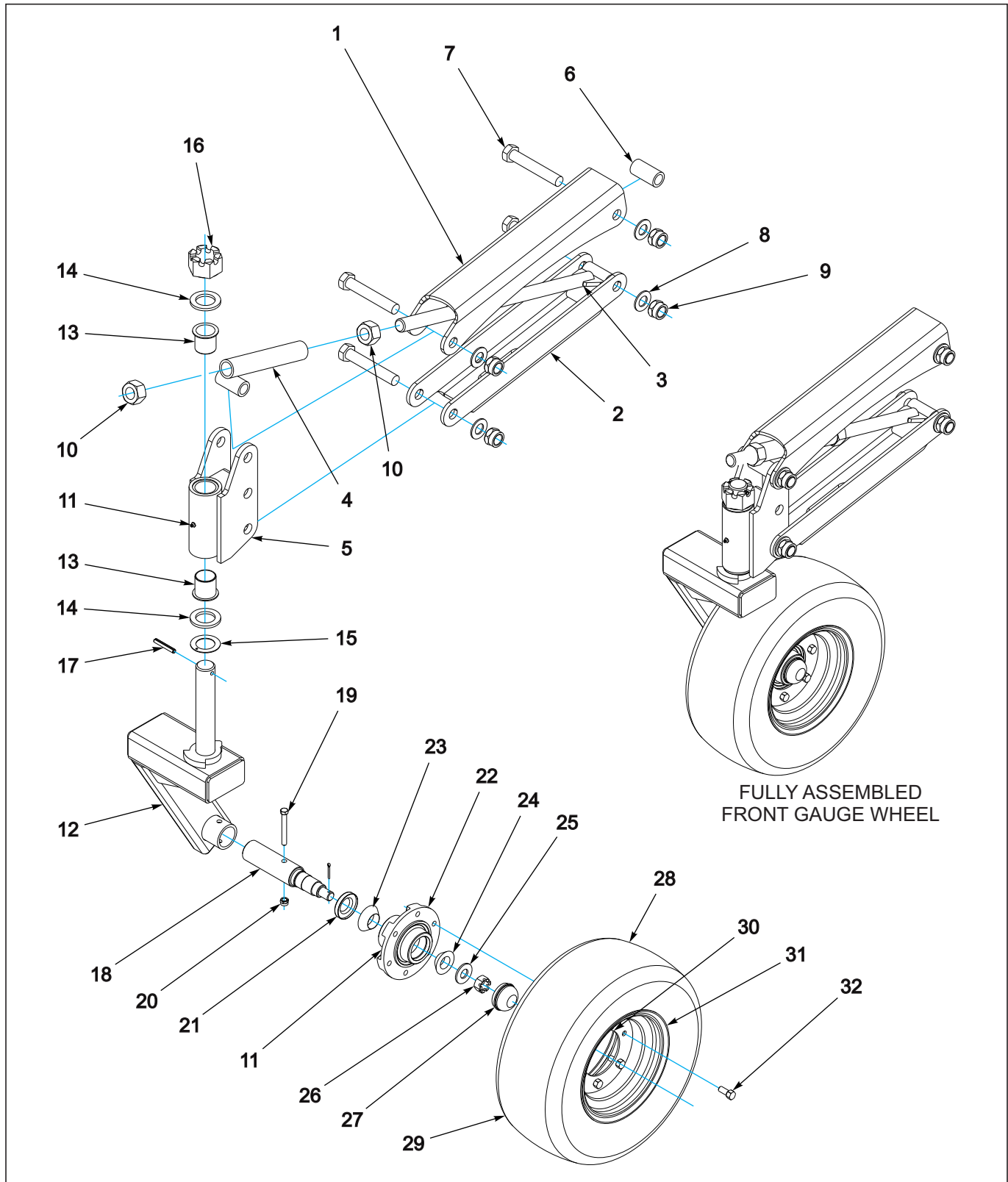


Figure 1-23: Front Gauge Wheel Assembly



## Front Gauge Wheel Assembly

ITEM	PART NO.	DESCRIPTION	QTY.
--	144200	GAUGE WHEEL ASSY	
1	183910	LINK, GAUGE WHEEL TOP	1
2	140658	LINK, GAUGE WHEEL	1
3	140667	ROD WLDMT, GAUGE WHEEL	1
4	144199	CROSS, GAUGE WHEEL	1
5	140663	HUB, GAUGE WHEEL	1
6	144198	SPACER, GAUGE WHEEL	1
7	8-105-010003	HINGE PIVOT BOLT	4
8	1-861-010032-24	WASHER FL 1IN NARROW ZP	4
9	1-512-010005-19	NUT 1-8 HEX SLF-LOCKING GRB	4
10	1-512-010007-16	NUT,HEX 1-1/4-7, ZP	2
11	1-298-010001-1	ZERK FITTING 1/4 SAE	2
12	140672	AXLE WLDMT GAUGE WHEEL	1
13	164533	BEARING, FLANGE 1-3/4	2
14	141154	WASHER GANG SHAFT	2
15	141258	WASHER, THRUST 1-3/4	1
16	23085	NUT HEX SLOTTED 1 3/4-5	1
17	1-647-010004257	PIN,SPRING,SLOTTED 3/8X2-1/2	1
18	141245	SPINDLE, GAUGE WHEEL	1
19	141808	SCREW HX CP7/16-14UNCX3-1/2G5	1
20	101988	NUT,HEXSLF-LKG 7/16-14 GRB	1
21	1-659-010004	1-5/8 ID GREASE SEAL	1
22	1-406-010012	HUB 6 BOLT W/CUPS <b>(INCLUDES ITEMS 11, 24-25)</b>	1
23	1-076-010012	CUP OUTER	1
24	1-076-010010	CUP INNER	1
25	1-861-010004	WASHER SPINDLE 7/8	1
26	100966	NUT, HEX SLOTTED 7/8-14	1
27	1-161-010003	CAP 6BOLT HUB	1
28	141271	TIRE AND WHEEL ASSY,FRT YELLOW <b>(INCLUDES ITEMS 30-32)</b>	1
29	160151	TIRE 20.5X8 10/8 PLY	1
30	TR416	VALVE STEM TUBELESS TIRE	1
31	160155	WHEEL 10X6 6 BOLT	1
32	1-104-010002	WHEEL BOLT1/2X1-3/8	6

# Disc Gang Assemblies

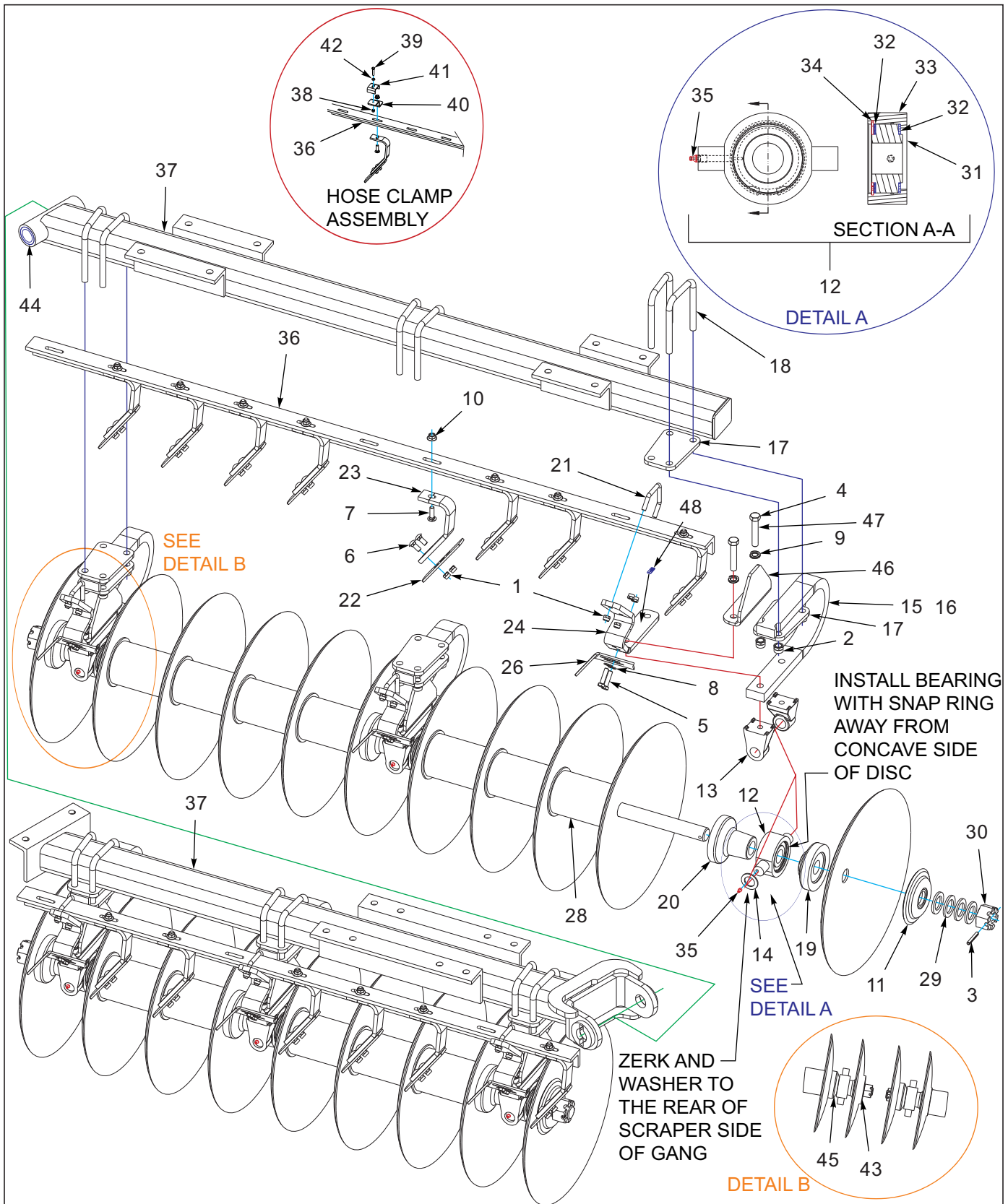


Figure 1-24: Disc Gang Assembly

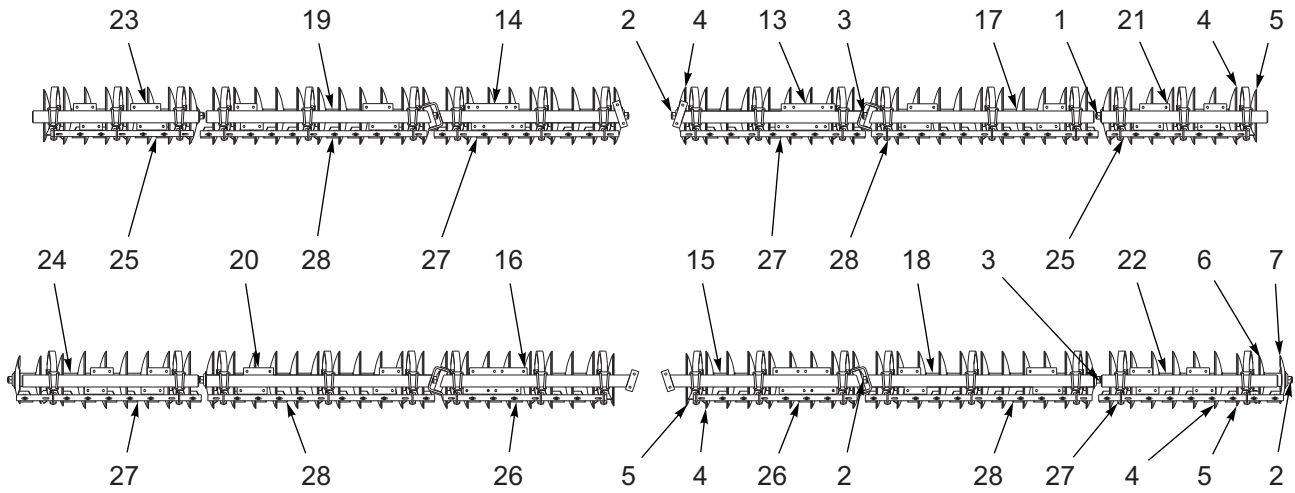
## Disc Gang Assembly

ITEM	PART NO.	DESCRIPTION	QTY.
1	1-512-010005-09	NUT HEX LOCK 1/2-13 GRB	
2	1-512-010005-15	NUT HEX LOCK 3/4-10 GRB	
3	1-647-010004257	PIN, SPRING SLOTTED 3/8 X 2-1/2	
4	1-654-010032-09	SCREW, HEX HEAD CAP 3/4-10 X 3 GR8 <b>(USED W/OUT ITEM #46)</b>	
5	1-654-010055-05	SCREW, HEX HEAD CAP 1/2-13 X 2 GR5	
6	1-654-010070-02	SCREW, RD HEAD SQ NECK 1/2-13 X 1-1/4	
7	160161	SCREW, RD HEAD SQ NECK 1/2-13 X 1-3/4 GR8	
8	1-861-010032-14	WASHER, FLAT 1/2N	
9	1-861-010034-17	WASHER, SPLIT LOCK 3/4	
10	172509	NUT, 1/2-13 WIDE FLANGE TOP LOCK	
11	140469	END COLLAR	
12	140477	BEARING ASSEMBLY, DISC 1.775 ID <b>(INCL ITEMS 31-35)</b>	
13	140479	MOUNT, TRUNNION BEARING	
14	140480	WASHER, TRUNNION	
15	140481	SHANK, DISC BEARING, RIGHT <b>(USED RIGHT FRONT AND LEFT REAR GANGS)</b>	
16	140482	SHANK, DISC BEARING, LEFT <b>(NOT SHOWN) (USED LEFT FRONT AND RIGHT REAR GANGS)</b>	
17	140483	PLATE, DISC SHANK MOUNT	
18	140484	U-BOLT, 3/4 X 5	
19	140485	HALF SPOOL, CONCAVE	
20	153651	HALF SPOOL, CONVEX 7" SPACE	
20	140486	HALF SPOOL, CONVEX - 8-3/4" SPACE	
21	140487	U-BOLT, SCRAPER BAR MOUNT	
22	166718	SCRAPER, 4" - 7 " SPACE <b>(AFTER 8-2-2016)</b>	
22	191444	SCRAPER, 4-1/2 IN LC <b>(PRIOR 8-2-2016)</b>	
22	140488	SCRAPER, 4-1/2 - 8-3/4" SPACE	
23	144155	SCRAPER ARM <b>(PRIOR 8-2-2016)</b>	
23	172724	ARM, SCRAPER <b>(AFTER 8-2-2016)</b>	
24	140490	MOUNT, SCRAPER BAR RIGHT <b>(USED RIGHT FRONT AND LEFT REAR GANGS)</b>	
25	140491	MOUNT, SCRAPER BAR LEFT <b>(NOT SHOWN) (USED LEFT FRONT AND RIGHT REAR GANGS)</b>	
26	140492	SCRAPER, DUAL RIGHT 8-3/4" SPACE <b>(USED RIGHT FRONT AND LEFT REAR GANGS)</b>	
26	180140	SCRAPER, DUAL RT 7-24" LC BLADE <b>(USED RIGHT FRONT AND LEFT REAR GANGS) (NOTE: HAS A 1/4" DIAMETER HOLE)</b>	
27	140493	SCRAPER, DUAL LEFT 8-3/4" SPACE <b>(NOT SHOWN) (USED LEFT FRONT AND RIGHT REAR GANGS)</b>	
27	180141	SCRAPER, DUAL LEFT 7-24" LC <b>(USED LEFT FRONT AND RIGHT REAR GANGS) (NOTE: HAS A 1/4" DIAMETER HOLE)</b>	
28	153652	SPOOL WELDMENT 7" <b>(REAR GANGS)</b>	
28	140496	SPOOL WELDMENT 8-3/4"	
29	141154	WASHER, GANG SHAFT	
30	23085	NUT, HEX SLOTTED 1-3/4 - 5	
31	140464	BEARING, DISC 1.775ID	
32	140473	WASHER, BEARING	
33	140475	CASTING, TRUNNION BEARING	
34	140476	INTERNAL RETAINING RING	

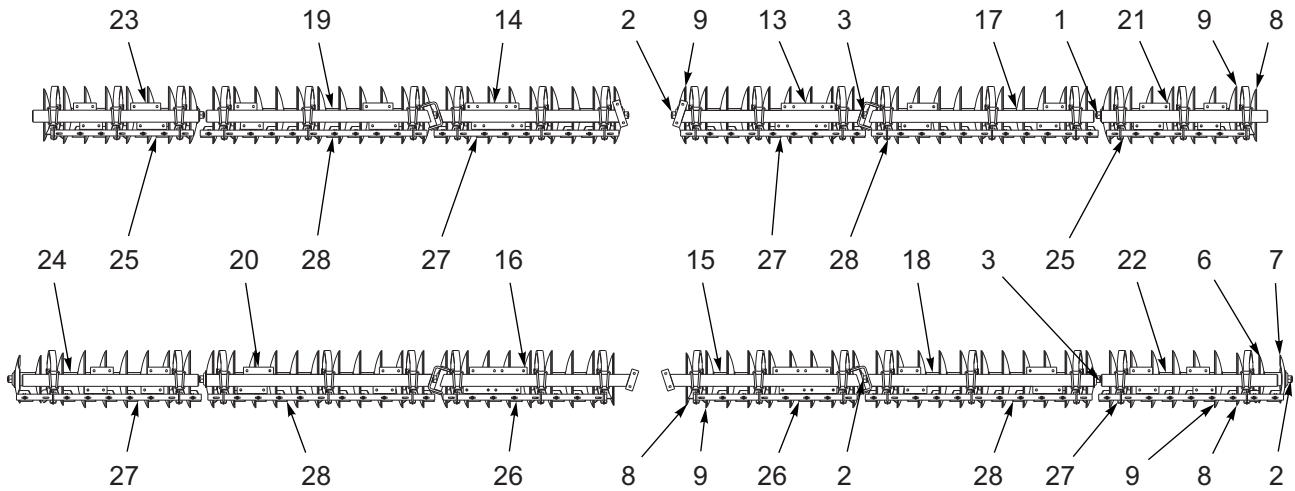
## Disc Gang Assembly

ITEM	PART NO.	DESCRIPTION	QTY.
35	5000	ZERK, FITTING 1/8	
36	-----	SCRAPER BAR <b>(SEE PAGES 1-52 - 1-67)</b>	
37	-----	GANG BAR <b>(SEE PAGES 1-52 - 1-67)</b>	
38	1-512-010005-05	NUT, HEX LOCK 3/8-16 GRB	
39	1-654-010051-11	SCREW, HEX HEAD CAP 3/8-16 X 2-1/2 GR5	
40	141275	BRACKET, HOSE CLAMP	
41	2-181-010001	HOSE CLAMP	
42	1-861-010032-11	WASHER, FLAT 3/8	
43	153709	WASHER, DISC GANG END <b>(7" SPACE ONLY)</b>	
44	164533	BEARING, FLANGE 1-3/4 <b>(USED IN GANG BARS) (7" SPACE ONLY)</b>	
45	170195	SPACER, 1/2 <b>(2/ SPRING END COLLAR WHEN INSIDE GANG) (6" SPACING ONLY)</b>	
46	143988	STOP, DISC SHANK <b>(USED WITH NON ROLLABLE BLADES)</b>	
47	114029	SCREW HX CAP 3/4-10X4 GR8 <b>(USED WITH ITEM# 46 STOP)</b>	
48	2-573-010330-02	DECAL, LUBRICATION 10 HOURS	



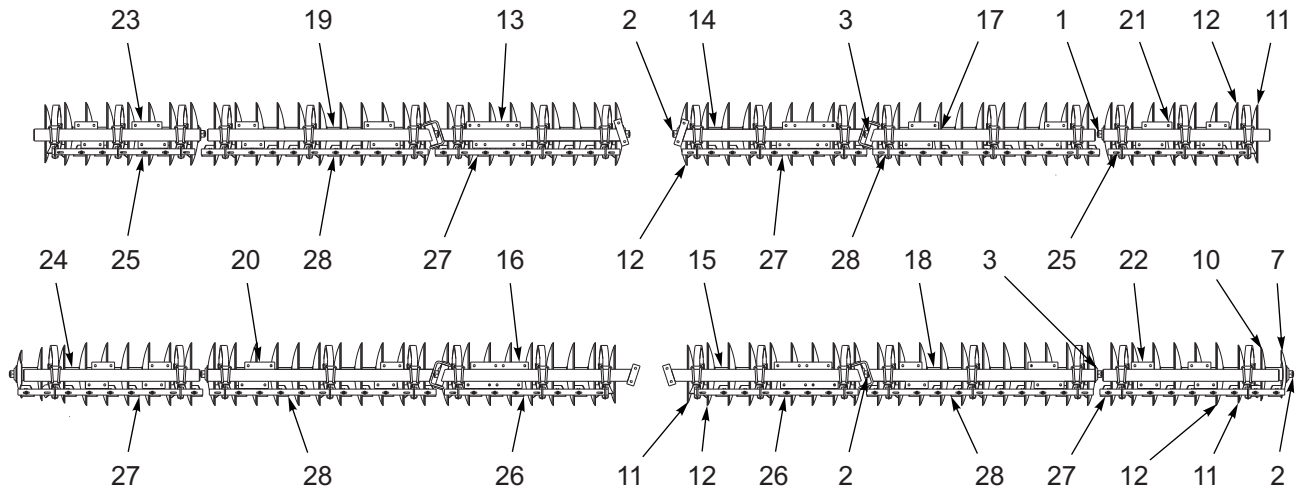


6250-40 8-3/4"-24" 4 GA STD. BLADES (178943)  
 (ALL DISC BLADES NOT BALLOONED ARE ITEM 4)

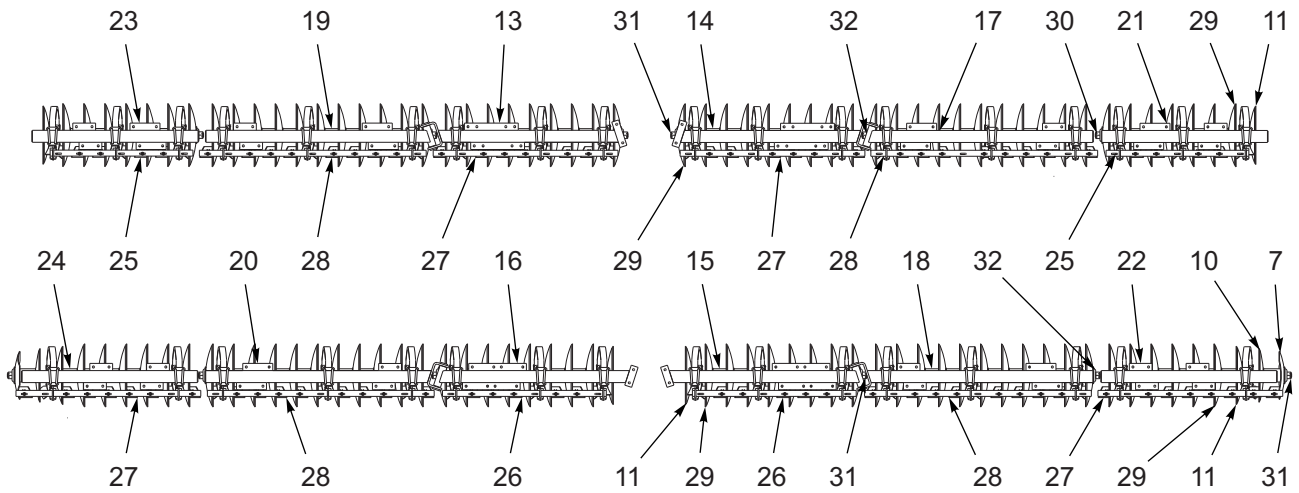


6250-40 8-3/4"-24" 4 GA STD. ROLLABLE GANG (178944)  
 (ALL DISC BLADES NOT BALLOONED ARE ITEM 9)

Figure 1-25: 40' Disc Gang Placement (8-3/4" Spacing) (1 of 2)



6250-40 8-3/4"-26" 4 GA LC BLADES (180056)  
 (ALL DISC BLADES NOT BALLOONED ARE ITEM 12)



6250-40 8-3/4"-26" 5/16" BLADES (180057)  
 (ALL DISC BLADES NOT BALLOONED ARE ITEM 29)

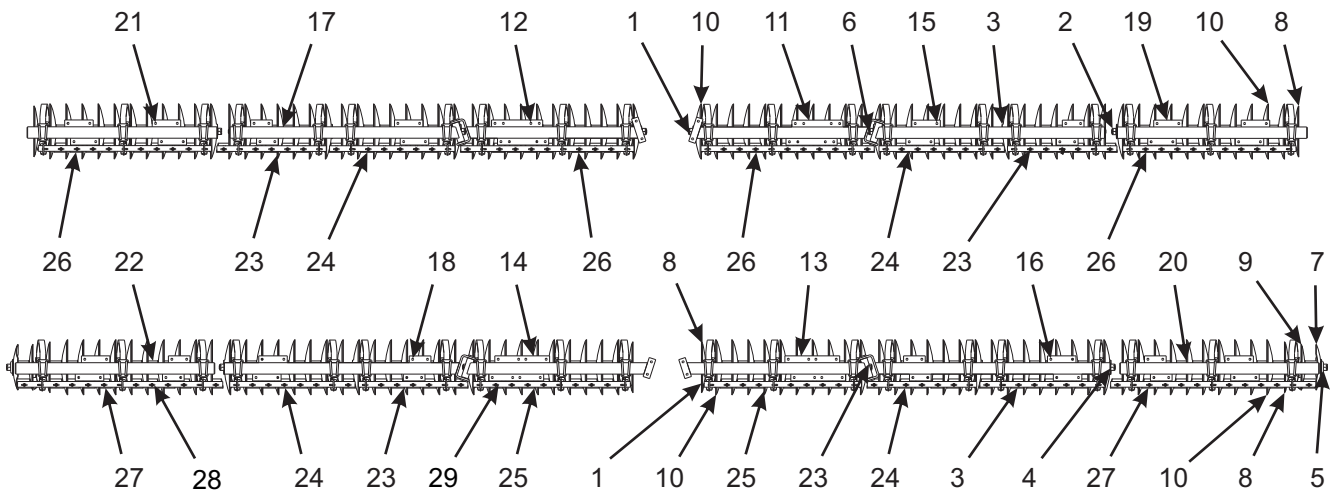
Figure 1-26: 40' Disc Gang Placement (8-3/4" Spacing) (2 of 2)

**40' Disc Gang Placement Parts (8-3/4" Spacing)**

ITEM	PART NO.	DESCRIPTION	QTY.			
--	178943	8-3/4-24" 4 GA STD GANG-40	*			
--	178944	8-3/4-24" 4GA STD ROLL-40' (ROLLABLE)		*		
--	180056	8-3/4-26" 4GA LC -40'			*	
--	180057	8-3/4 SP-26",5/16, GANG-40				*
1	141164	SHAFT, GANG 68L	2	2	2	--
2	141165	SHAFT, GANG 76-1/2L	6	6	6	--
3	141186	SHAFT, GANG 94L	4	4	4	--
4	140465	DISC BLADE 24" X 1/4" 1-3/4 ID	104	--	--	--
5	140466	DISC BLADE 22" X 1/4" 1-3/4 ID	6	--	--	--
6	140467	DISC BLADE, 20" 1/4" 1-3/4 ID	2	2	--	--
7	140468	DISC BLADE, 20" 1/4" 3-SIDED	2	2	2	2
8	142660	DISC BLADE 22" X 1/4" 1-3/4 ID (ROLLABLE)	--	6	--	--
9	142662	DISC BLADE 24" X 1/4" 1-3/4 ID (ROLLABLE)	--	104	--	--
10	155617	DISC BLADE 22" X 1/4" - 1-3/4" ID	--	--	2	--
11	161530	DISC BLADE 24" X 1/4" - 1-3/4" ID	--	--	6	--
12	169575	DISC BLADE 26" X 1/4" - 1-3/4" ID	--	--	104	--
13	178811	GANG BAR WLDMT RCF	1	1	1	1
14	178812	GANG BAR WLDMT LCF	1	1	1	1
15	178813	GANG BAR WLDMT RCR	1	1	1	1
16	178814	GANG BAR WLDMT LCR	1	1	1	1
17	178815	GANGBAR, 40' RT INNER WING FT	1	1	1	1
18	178816	GANGBAR 40' RT INR WING RR WLD	1	1	1	1
19	178817	GANGBAR, 40' LT INNER WING FT	1	1	1	1
20	178818	GANGBAR 40' LT INR WING RR WLD	1	1	1	1
21	178819	GANGBAR, 40' RT OUTER WING FT	1	1	1	1
22	178820	GANGBAR, 40' RT OUTER WING RR	1	1	1	1
23	178821	GANGBAR, 40' LT OUTER WING FT	1	1	1	1
24	178822	GANGBAR, 40' LT OUTER WING RR	1	1	1	1
25	141168	SCRAPER BAR, 8-3/4 SP 7 HOLE	2	2	2	2
26	141169	SCRAPER BAR 8-3/4 SP 8 HOLE	2	2	2	2
27	141170	SCRAPER BAR 8-3/4 SP 9 HOLE	4	4	4	4
28	141172	SCRAPER BAR, 8-3/4 SP 11 HOLE	4	4	4	4
29	141871	DISC BLADE,26" X 5/16" - 1-3/4 ID				102
30	142580	SHAFT, GANG 68" - 1/2" L				2
31	142581	SHAFT, GANG 77" L				6
32	142703	SHAFT, GANG 95" L				4





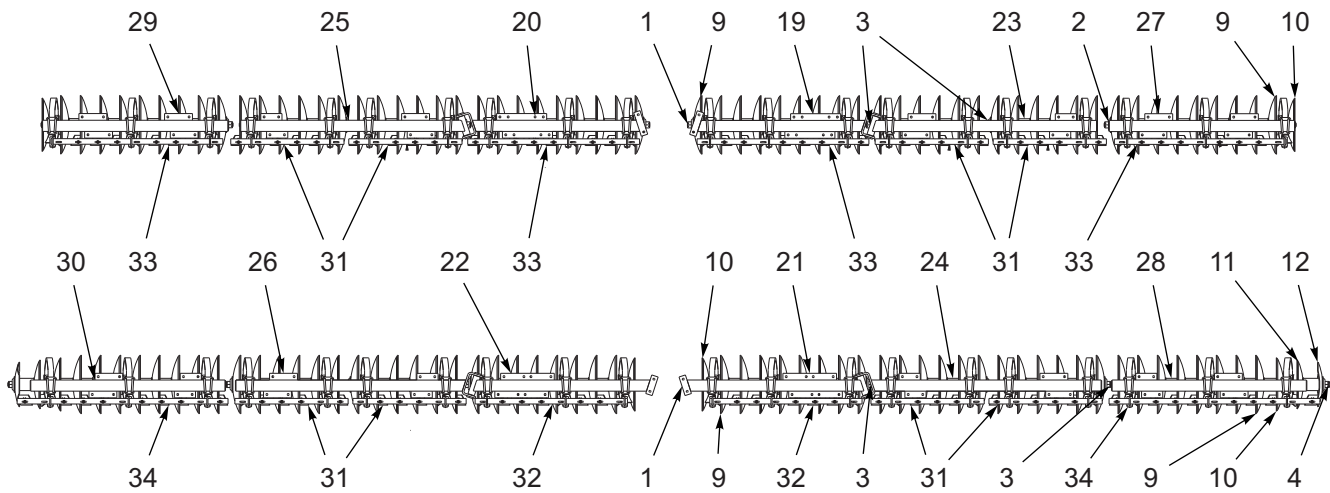


6250-40 7"-24" 4 GA LC ROLLABLE GANG (180059)

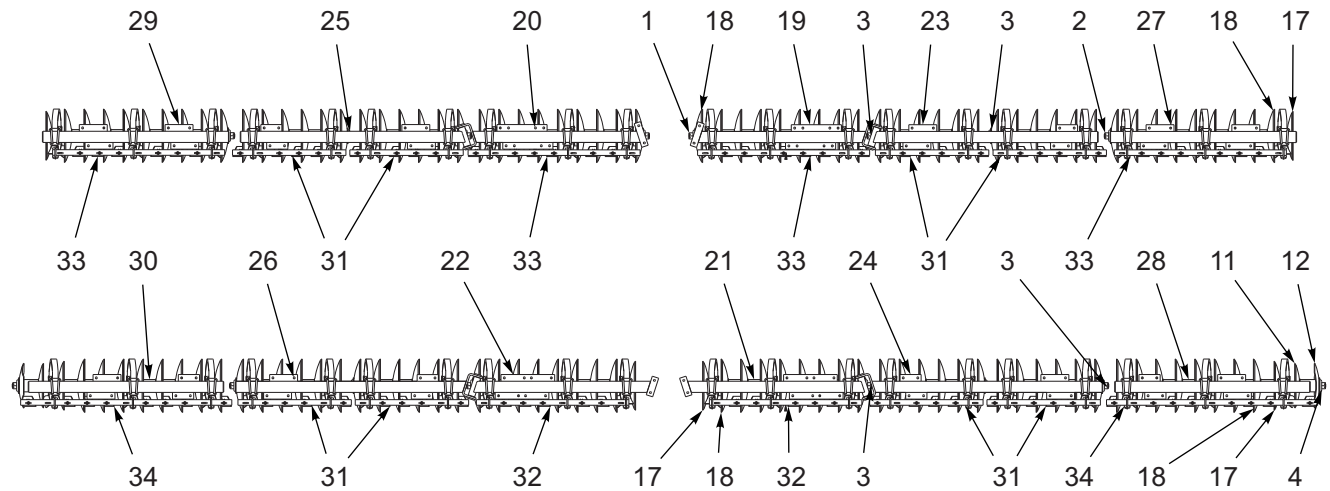
Figure 1-27: 40' Disc Gang Placement (7" Spacing)

## 40' Disc Gang Placement Parts (7" Spacing)

ITEM	PART NO.	DESCRIPTION	QTY
--	180059	7"-24" 4GA LC ROLL GANG-40 (ROLLABLE)	*
1	141165	SHAFT, GANG 76-1/2L	6
2	180147	SHAFT, GANG 69-1/2L	2
3	170223	SHAFT, GANG 47-1/2L (PRIOR TO S/N 62D1404813)	8
4	153710	SHAFT, GANG - 97L (AFTER S/N 620140813)	2
5	153705	SCRAPER BAR, 7SP 14 HOLE	2
6	153702	SCRAPER BAR, 7 SP 11 HOLE	4
7	140468	DISC BLADE, 20" 1/4" 3-SIDED	2
8	155618	DISC BLADE 22" X 1/4 - 1-3/4" ID (ROLLABLE)	6
9	155619	DISC BLADE 20" X 1/4 - 1-3/4" ID (ROLLABLE)	2
10	172076	DISC BLADE 24" X 1/4" - 1-3/4" ID	144
11	178811	GANG BAR WLDMT RCF	1
12	178812	GANG BAR WLDMT LCF	1
13	178813	GANG BAR WLDMT RCR	1
14	178814	GANG BAR WLDMT LCR	1
15	178815	GANGBAR, 40' RT INNER WING FT (THE REAR INNER WING GANGS WERE CHANGED FROM (2) GANGS PER UNIT TO A SINGLE SOLID GANG AT S/N 6201404813)	1
16	178816	GANGBAR 40' RT INR WING RR WLD (THE REAR INNER WING GANGS WERE CHANGED FROM (2) GANGS PER UNIT TO A SINGLE SOLID GANG AT S/N 6201404813)	1
17	178817	GANGBAR, 40' LT INNER WING FT	1
18	178818	GANGBAR 40' LT INR WING RR WLD	1
19	178819	GANGBAR, 40' RT OUTER WING FT	1
20	178820	GANGBAR, 40' RT OUTER WING RR	1
21	178821	GANGBAR, 40' LT OUTER WING FT	1
22	178822	GANGBAR, 40' LT OUTER WING RR	1
23	153698	SCRAPER BAR 7 SP 7 HOLE	8
24	153700	SCRAPER BAR 7 SP 9 HOLE	2
25	153701	SCRAPER BAR, 7 SP 10 HOLE	2

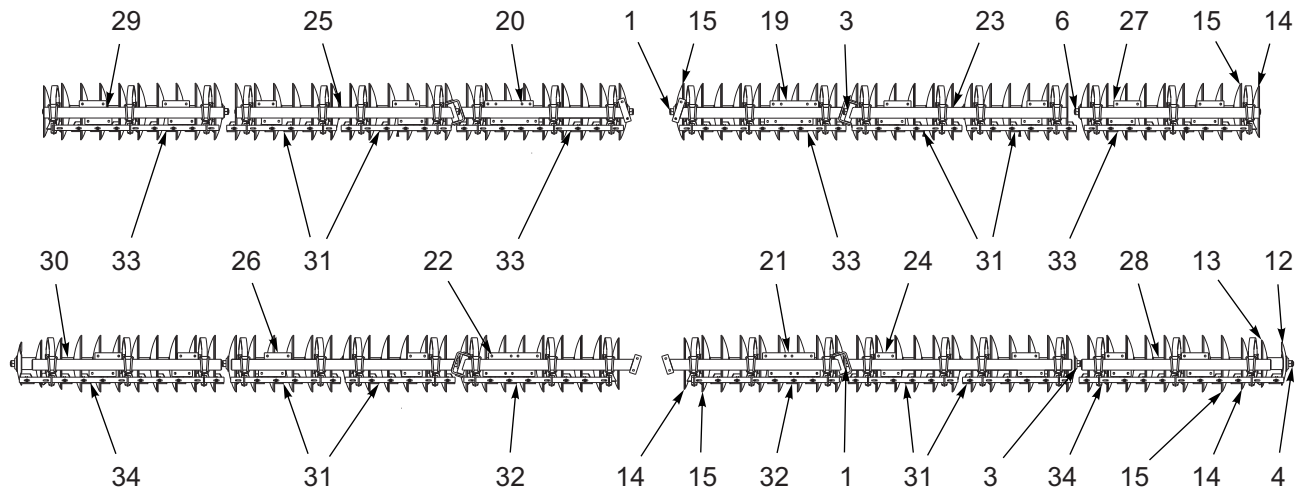


6250-45 8-3/4"-24" 4 GA STD. (178946)  
 (ALL DISC BLADES NOT BALLOONED ARE ITEM 9)

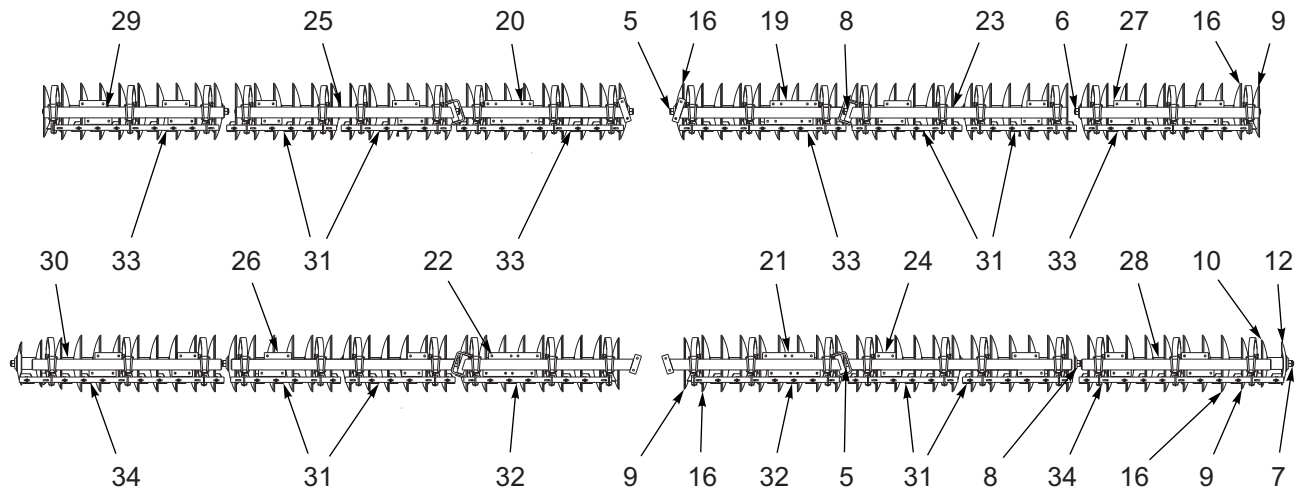


6250-45 8-3/4"-24" 4 GA STD. ROLLABLE GANG (178947)  
 (ALL DISC BLADES NOT BALLOONED ARE ITEM 18)

Figure 1-28: 45' Disc Gang Placement (8-3/4" Spacing) (1 of 2)



6250-45 8-3/4"-26" 4 GA LC BLADES (180062)  
(ALL DISC BLADES NOT BALLOONED ARE ITEM 15)



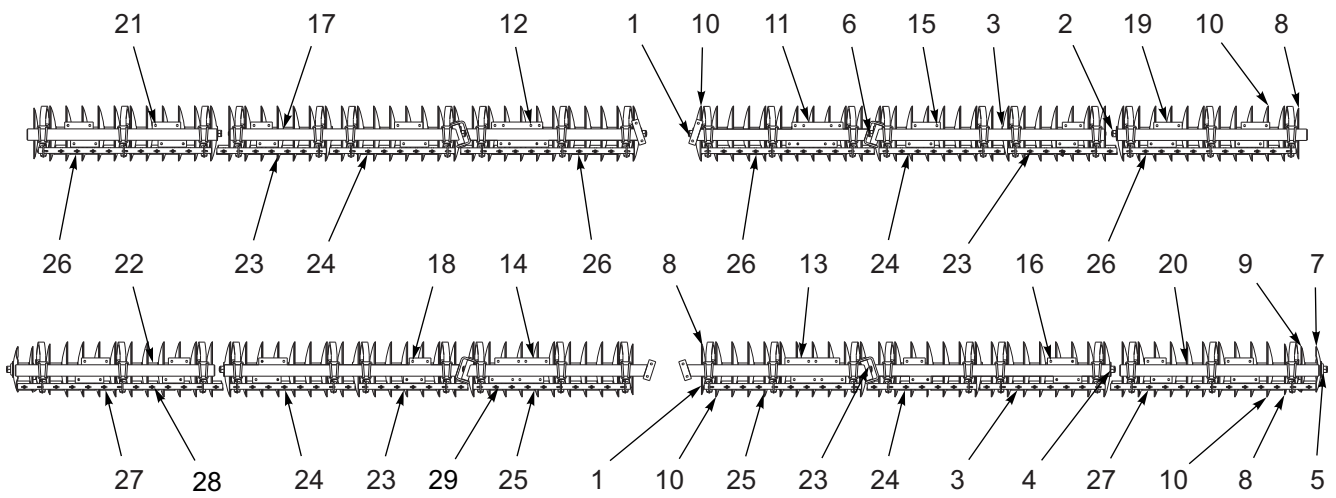
6250-45 8-3/4"-26" 5/16 DISC BLADES (180063)  
(ALL DISC BLADES NOT BALLOONED ARE ITEM 16)

Figure 1-29: 45' Disc Gang Placement (8-3/4" Spacing) (2 of 2)

## 45' Disc Gang Placement Parts (8-3/4" Spacing)

ITEM	PART NO.	DESCRIPTION	QTY.			
--	178946	8-3/4-24" 4 GA STD GANG-45	*			
--	178947	8-3/4-24" 4GA STD ROLL-45 (ROLLABLE)		*		
--	180062	8-3/4-26" 4 GA LC - 45			*	
--	180063	8-3/4" - 26", 5/16,GANG ASSY45				*
1	141165	SHAFT, GANG 76-1/2 L	4	4	4	--
2	141166	SHAFT, GANG 85-1/2 L	2	2	2	--
3	141184	SHAFT, GANG 50-1/2 L	8	8	8	--
4	141186	SHAFT, GANG 94 L	2	2	2	--
5	142581	SHAFT, GANG 77 L	--	--	--	4
6	142582	SHAFT, GANG 86	--	--	--	2
7	142703	SHAFT, GANG 95 L	--	--	--	2
8	142705	SHAFT, GANG 51L	--	--	--	8
9	140465	DISC BLADE 24" X 1/4" 1-3/4 ID	120	--	--	6
10	140466	DISC BLADE 22" X 1/4" 1-3/4 ID	6	--	--	2
11	140467	DISC BLADE, 20" 1/4" 1-3/4 ID	2	2	--	
12	140468	DISC BLADE, 20" 1/4" 3-SIDED	2	2	2	2
13	155617	DISC BLADE 22" X 1/4" - 1-3/4" ID	--	--	2	--
14	161530	DISC BLADE 24" X 1/4" - 1-3/4" ID	--	--	6	--
15	169575	DISC BLADE 26" X 1/4" - 1-3/4" ID	--	--	120	--
16	141871	DISC BLADE 26" X 5/16" 1-3/4 ID	--			114
17	142660	DISC BLADE 22" X 1/4" 1-3/4 ID (ROLLABLE)	--	6	--	--
18	142662	DISC BLADE 24" X 1/4" 1-3/4 ID (ROLLABLE)	--	114	--	--
19	178811	GANG BAR WLDMT RCF	1	1	1	1
20	178812	GANG BAR WLDMT LCF	1	1	1	1
21	178813	GANG BAR WLDMT RCR	1	1	1	1
22	178814	GANG BAR WLDMT LCR	1	1	1	1
23	178823	GANG BAR, 45' RT INNER WING FT	1	1	1	1
24	178824	GANGBAR 45' RT INR WING RR WLD	1	1	1	1
25	178825	GANG BAR, 45' LT INNER WING FT	1	1	1	1
26	178826	GANGBAR 45' LT INR WING RR WLD	1	1	1	1
27	178827	GANG BAR, 45' RT OUTER WING FT	1	1	1	1
28	178828	GANG BAR, 45' RT OUTER WING RR	1	1	1	1
29	178829	GANG BAR, 45' LT OUTER WING FT	1	1	1	1
30	178830	GANG BAR, 45' LT OUTER WING RR	1	1	1	1
31	141167	SCRAPER BAR, 8-3/4 SP 6 HOLE	8	8	8	8
32	141169	SCRAPER BAR 8-3/4 SP 8 HOLE	2	2	2	2
33	141170	SCRAPER BAR 8-3/4 SP 9 HOLE	4	4	4	4
34	141172	SCRAPER BAR, 8-3/4 SP 11 HOLE	2	2	2	2





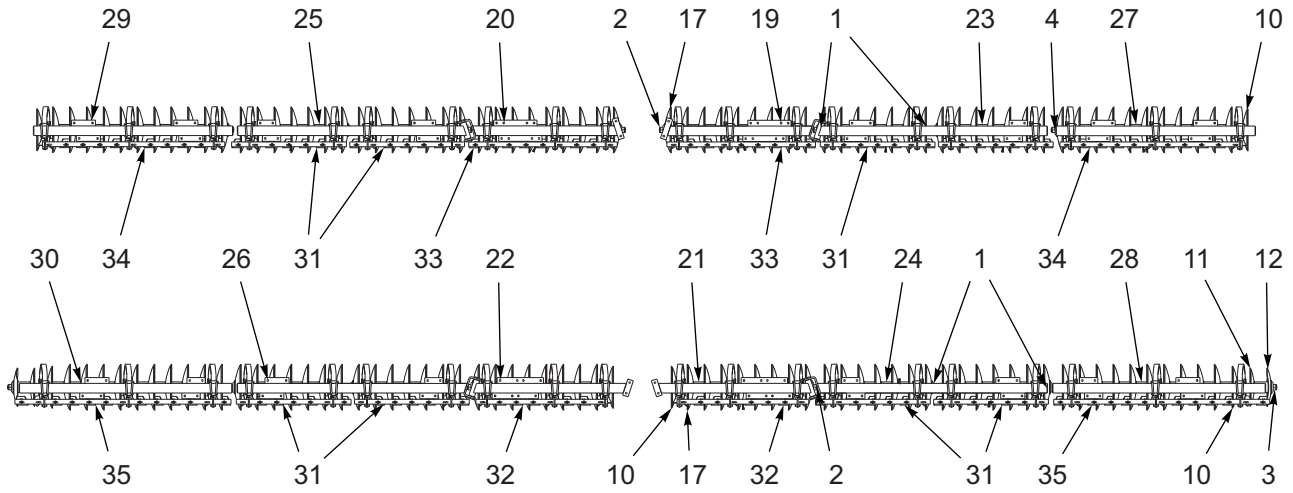
6250-45 7"-24" 4 GA LC ROLLABLE GANG (180065)  
 (ALL DISC BLADES NOT BALLOONED ARE ITEM 10)

Figure 1-30: 45' Disc Gang Placement (7" Spacing)

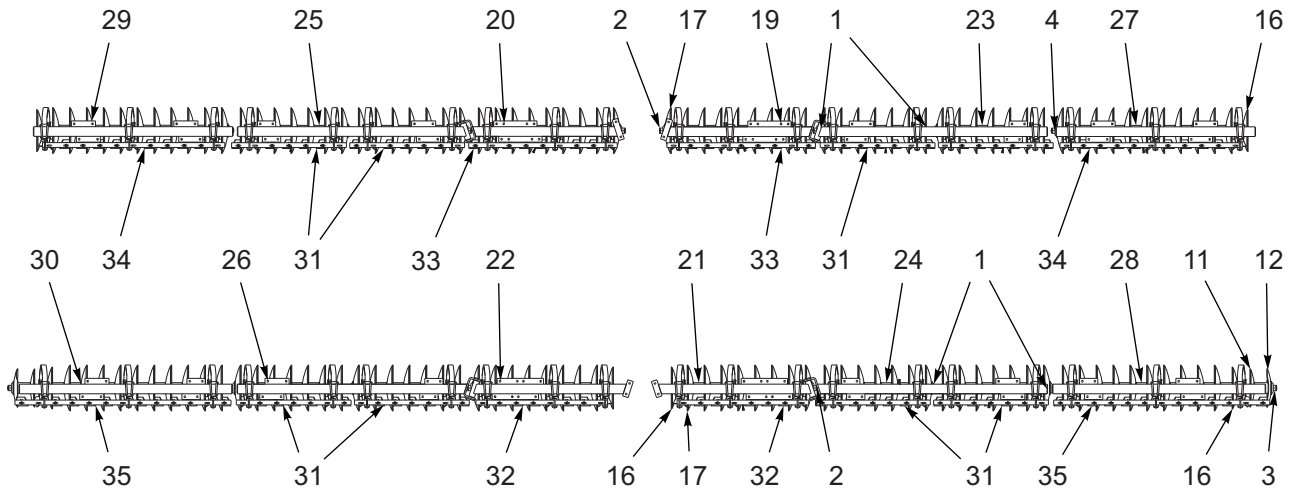


## 45' Disc Gang Placement Parts (7" Spacing)

ITEM	PART NO.	DESCRIPTION	QTY
--	180065	7"-24" 4 GA LC ROLL GANG-45 (ROLLABLE)	*
1	141165	SHAFT, GANG 76-1/2L	4
2	156084	SHAFT, GANG 84L	2
3	170223	SHAFT, GANG 47-1/2L (PRIOR TO S/N 62D1404813)	4
4	171021	SHAFT, GANG 54-1/2L (PRIOR TO S/N 62D1404813)	2
5	149592	SHAFT, GANG 90-1/2L	2
6	154662	SHAFT, GANG 55L	2
7	140468	DISC BLADE, 20" 1/4" 3-SIDED	2
8	155618	DISC BLADE 22" X 1/4 - 1-3/4" ID (ROLLABLE)	6
9	155619	DISC BLADE 20" X 1/4 - 1-3/4" ID (ROLLABLE)	2
10	172076	DISC BLADE 24" X 1/4" - 1-3/4" ID	144
11	178811	GANG BAR WLDMT RCF	1
12	178812	GANG BAR WLDMT LCF	1
13	178813	GANG BAR WLDMT RCR	1
14	178814	GANG BAR WLDMT LCR	1
15	178823	GANG BAR, 45' RT INNER WING FT (THE REAR INNER WING GANGS WERE CHANGED FROM 2 GANGS PER UNIT TO A SINGLE SOLID GANG AT S/N 6201404813)	1
16	178824	GANGBAR 45' RT INR WING RR WLD (THE REAR INNER WING GANGS WERE CHANGED FROM 2 GANGS PER UNIT TO A SINGLE SOLID GANG AT S/N 6201404813)	1
17	178825	GANG BAR, 45' LT INNER WING FT	1
18	178826	GANGBAR 45' LT INR WING RR WLD	1
19	178827	GANG BAR, 45' RT OUTER WING FT	1
20	178828	GANG BAR, 45' RT OUTER WING RR	1
21	178829	GANG BAR, 45' LT OUTER WING FT	1
22	178830	GANG BAR, 45' LT OUTER WING RR	1
23	153698	SCRAPER BAR 7 SP 7 HOLE (PRIOR TO S/N 62D1404813)	4
24	153699	SCRAPER BAR 7 SP 8 HOLE (PRIOR TO S/N 62D1404813)	4
25	153701	SCRAPER BAR, 7 SP 10 HOLE	2
26	153702	SCRAPER BAR, 7 SP 11 HOLE	4
27	153704	SCRAPER BAR 7 AP 13 HOLE	2
28	153711	SHAFT, GANG 104 L (AFTER S/N 62D1404813)	2
29	153706	SCRAPER BAR 7 AP 15 HOLE, (AFTER S/N 62D1404813)	2

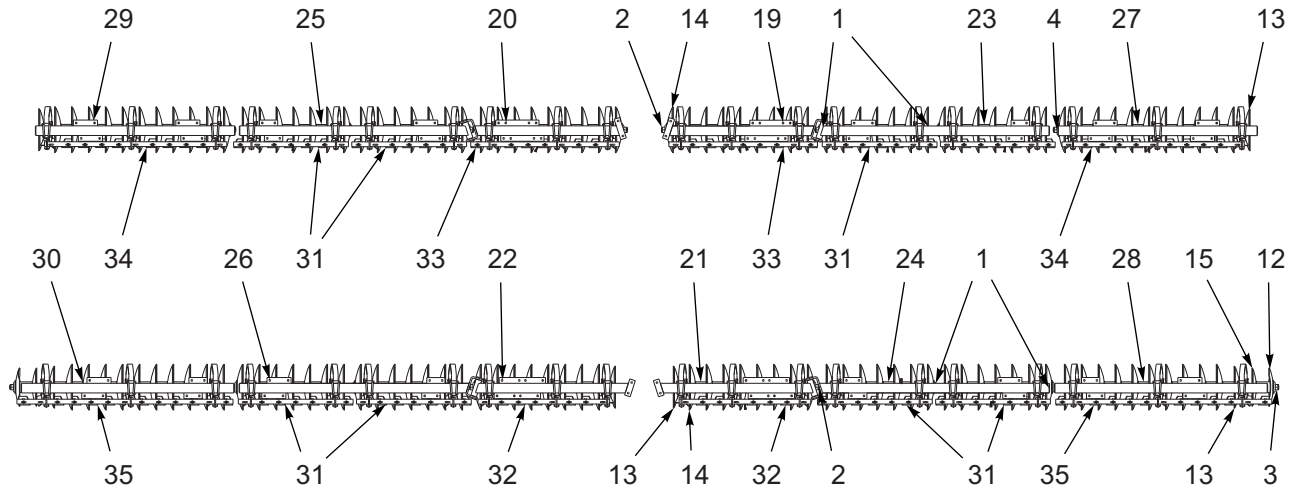


6250-50 8-3/4"-24" 4 GA STD. BLADES (178949)  
 (ALL DISC BLADES NOT BALLOONED ARE ITEM 9)

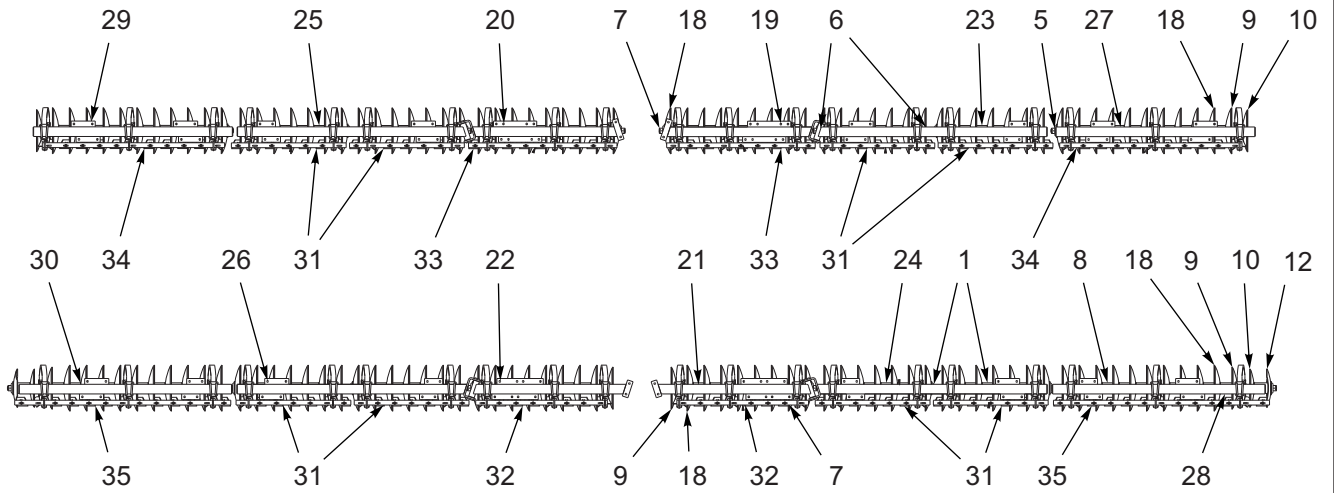


6250-50 8-3/4"-24" 4 GA STD. ROLLABLE GANG (178950)  
 (ALL DISC BLADES NOT BALLOONED ARE ITEM 17)

Figure 1-31: 50' Disc Gang Placement (8-3/4" Spacing) (1 of 2)



6250-50 8-3/4"-26" 4 GA LC BLADES (180068)  
(ALL DISC BLADES NOT BALLOONED ARE ITEM 14)



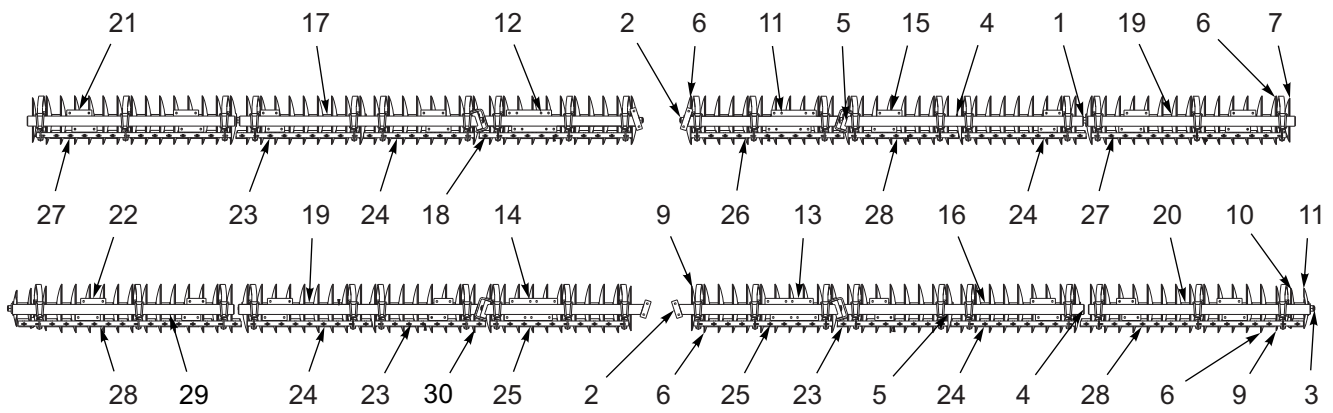
6250-50 8-3/4"-26" 5/16 DISC BLADES (180069)  
(ALL DISC BLADES NOT BALLOONED ARE ITEM 18)

Figure 1-32: 50' Disc Gang Placement (8-3/4" Spacing) (2 of 2)

**50' Disc Gang Placement Parts (8-3/4" Spacing)**

ITEM	PART NO.	DESCRIPTION	QTY.			
--	178949	8-3/4"-24" 4 GA STD GANG-50'	*			
--	178950	8-3/4"-24" 4GA STD ROLL-50' (ROLLABLE)		*		
--	180068	8-3/4"-26" 4 GA LC - 50			*	
--	180069	8-3/4 SP-26",5/16, GANG-50				*
1	141163	SHAFT, GANG 59L	8	8	8	2
2	141165	SHAFT, GANG 76-1/2L	4	4	4	--
3	141187	SHAFT, GANG 111-1/2L	2	2	2	--
4	180086	SHAFT, GANG 103L	2	2	2	--
5	153711	SHAFT, GANG 104 L	--	--	--	2
6	142579	SHAFT, GANG 59-1/2 L	--	--	--	6
7	142581	SHAFT, GANG 77 L	--	--	--	4
8	142704	SHAFT, GANG 112-1/2 L	--	--	--	2
9	140465	DISC BLADE 24" X 1/4" 1-3/4 ID	132	--	--	6
10	140466	DISC BLADE 22" X 1/4" 1-3/4 ID	4	--	--	4
11	140467	DISC BLADE 20" X 1/4" 1-3/4 ID	2	2	--	--
12	140468	DISC BLADE 20" X 1/4" 3-SIDED	2	2	2	2
13	161530	DISC BLADE 24" X 1/4" - 1-3/4" ID	--	--	4	--
14	169575	DISC BLADE 26" X 1/4" - 1-3/4" ID	--	--	132	--
15	155617	DISC BLADE 22" X 1/4" - 1-3/4" ID	--	--	2	--
16	142660	DISC BLADE 22" X 1/4" 1-3/4 ID (ROLLABLE)	--	6	--	--
17	142662	DISC BLADE 24" X 1/4" 1-3/4 ID (ROLLABLE)	--	132	--	--
18	141871	DISC BLADE 26" X 5/16" 1-3/4" ID	--	--	--	130
19	178811	GANG BAR WLDMT RCF	1	1	1	1
20	178812	GANG BAR WLDMT LCF	1	1	1	1
21	178813	GANG BAR WLDMT RCR	1	1	1	1
22	178814	GANG BAR WLDMT LCR	1	1	1	1
23	178831	GANG BAR, 50' RT INNER WING FT	1	1	1	1
24	178832	GANGBAR 50' RT INR WING RR WLD	1	1	1	1
25	178833	GANG BAR, 50' LT INNER WING FT	1	1	1	1
26	178834	GANGBAR 50' LT INR WING RR WLD	1	1	1	1
27	178835	GANG BAR, 50' RT OUTER WING FT	1	1	1	1
28	178836	GANG BAR, 50' RT OUTER WING RR	1	1	1	1
29	178837	GANG BAR, 50' LT OUTER WING FT	1	1	1	1
30	178838	GANG BAR, 50' LT OUTER WING RR	1	1	1	1
31	141168	SCRAPER BAR, 8-3/4 SP 7 HOLE	8	8	8	8
32	141169	SCRAPER BAR 8-3/4 SP 8 HOLE	2	2	2	2
33	141170	SCRAPER BAR 8-3/4 SP 9 HOLE	2	2	2	2
34	141172	SCRAPER BAR, 8-3/4 SP 11 HOLE	2	2	2	2
35	141173	SCRAPER BAR, 8-3/4 SP 13 HOLE	2	2	2	2





6250-50 7"-24" 4 GA LC ROLLABLE GANG (180071)  
 (ALL DISC BLADES NOT BALLOONED ARE ITEM 6)

Figure 1-33: 50' Disc Gang Placement (7" Spacing)

## 50' Disc Gang Placement Parts (7" Spacing)

ITEM	PART NO.	DESCRIPTION	QTY
--	180071	7"-24" 4GA LC ROLL GANG-50 (ROLLABLE)	*
1	156083	SHAFT, GANG 105 L	2
2	141165	SHAFT, GANG 76-1/2 L	4
3	149594	SHAFT, GANG 112	2
4	180087	SHAFT, GANG 61-1/2 L (UNITS PRIOR TO S/N 62D1404813)	4
5	171021	SHAFT, GANG 54-1/2 (UNITS PRIOR TO S/N 62D1404813)	4
6	172076	DISC BLADE 24" X 1/4" - 1-3/4" ID	164
7	142660	DISC BLADE 22" X 1/4" 1-3/4 ID (ROLLABLE)	2
8	140544	DISC BLADE 18" X 1/4"	2
9	155618	DISC BLADE 22" X 1/4 - 1-3/4" ID (ROLLABLE)	10
10	155619	DISC BLADE 20" X 1/4 - 1-3/4" ID (ROLLABLE)	2
11	178811	GANG BAR WLDMT RCF	1
12	178812	GANG BAR WLDMT LCF	1
13	178813	GANG BAR WLDMT RCR	1
14	178814	GANG BAR WLDMT LCR	1
15	178831	GANG BAR, 50' RT INNER WING FT (NOTE: THE REAR INNER WING GANGS WERE CHANGED FROM 2 GANGS PER UNIT TO A SINGLE SOLID GANG AT S/N 6201404813)	1
16	178832	GANGBAR 50' RT INR WING RR WLD (NOTE: THE REAR INNER WING GANGS WERE CHANGED FROM 2 GANGS PER UNIT TO A SINGLE SOLID GANG AT S/N 6201404813)	1
17	178833	GANG BAR, 50' LT INNER WING FT	1
18	178834	GANGBAR 50' LT INR WING RR WLD	1
19	178835	GANG BAR, 50' RT OUTER WING FT	1
20	178836	GANG BAR, 50' RT OUTER WING RR	1
21	178837	GANG BAR, 50' LT OUTER WING FT	1
22	178838	GANG BAR, 50' LT OUTER WING RR	1
23	153699	SCRAPER BAR, 7 SP 8 HOLE (UNITS PRIOR TO S/N 62D1404813)	4
24	153700	SCRAPER BAR 7 SP 9 HOLE (UNITS PRIOR TO S/N 62D1404813)	4
25	153701	SCRAPER BAR, 7 SP 10 HOLE	2
26	153702	SCRAPER BAR, 7 SP 11 HOLE	2
27	153705	SCRAPER BAR 7 SP 14 HOLE	2
28	180088	SCRAPER BAR 7 SP 16 HOLE	2
29	182327	SHAFT, GANG 118" (AFTER S/N 62D1404813)	2
30	182328	SCRAPER BAR 17 HOLES (AFTER S/N 62D1404813)	2

# Lift Hydraulic Assemblies

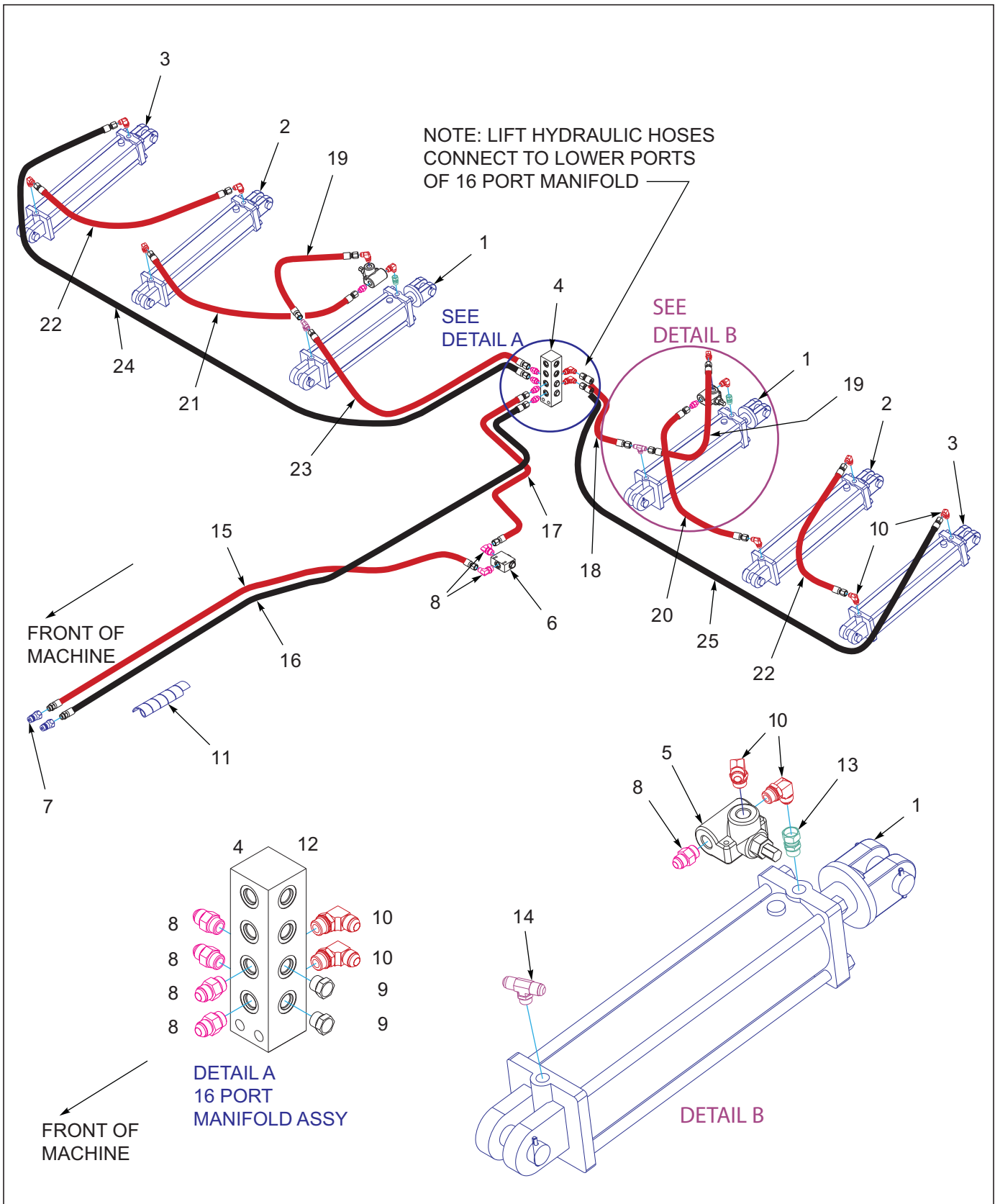


Figure 1-34: Lift Hydraulic Assembly



## Lift Hydraulic Assembly

ITEM	PART NO.	DESCRIPTION	QTY.
1	146824	CYLINDER, 4-1/2 X16, REPHASE (SEE PAGE 1-80)	2
2	146825	CYLINDER, 4X16, REPHASE (SEE PAGE 1-79)	2
3	163700	CYLINDER 3-3/4 X 16, REPHASE (SEE PAGE 1-83)	2
4	141594	MANIFOLD, HYDRAULIC 16 PORT	1
5	165287	VALVE, RELIEF, 1000PSI	2
6	140693	VALVE, LIMIT	1
7	141828	COUPLER,MALE 3/4-16 O-RING	2
8	202702-8-8S	ADAPTER #8 O-RING TO #8 TUBE	8
9	1-007-010025	PLUG, 3/4-16 O-RING BOSS	2
10	2062-8-8S	ADAPTER, 90, #8 O-RING-TUBE	14
11	155528	HOSE WRAP, BLUE 1" ID X 8"	1
12	167557	MANIFOLD FRONT (SEE PAGE 1-74 FOR DETAILS)	
13	102-1130	FTG,STR 8M ORING X 8F JIC SW	2
14	203003-8-8S	ADAPTER,TEE,#8 O-RING-TUBE	2
15	180020	HOSE 1/2X37JICX3/4-16ORINGX230	1
16	168892	HOSE ASM1/2X37JICX3/4-16ORX271	1
17	124132	MHE-T HOSE HYD 1/2X49	1
18	147123	HOSE ASSY, 3/8X31 #8 JIC SWV	1
19	147582	HOSE ASSY 3/8X24 #8 JIC SWIV	1
20	116434	HOSE ASSY, 3/8X120 #8 JIC SW (MODEL 6250-40')	1
20	137600	HOSE ASSY 3/8X130 #8JIC SWVL (MODEL 6250-45')	1
20	144342	HOSE ASSY 3/8X150 #8 JIC SWIV (MODEL 6250-50')	1
21	116492	HOSE ASSY 3/8X128 #8 JIC SW (MODEL 6250-40')	1
21	141881	HOSE ASSY 3/8X136 #8 JIC SWIV (MODEL 6250-45')	1
21	117260	HOSE ASSY 3/8X156 #8JIC (MODEL 6250-50')	1
22	116433	HOSE ASSY 3/8X90 #8 JIC SWV (MODEL 6250-40')	2
22	139213	HOSE ASSY 3/8X105 #8JIC SWIVEL (MODEL 6250-45')	2
22	116434	HOSE ASSY, 3/8X120 #8 JIC SW (MODEL 6250-50')	2
23	116491	HOSE ASSY 3/8X96 #8 JIC SW	1
24	71600089	HOSE ASSY 3/8 X 295IN (MODEL 6250-40')	1
24	116493	HOSE ASSY 3/8X312 #8 JIC SW (MODEL 6250-45')	1
24	166978	HOSE ASSY 3/8X340 #8JIC SWIVL (MODEL 6250-50')	1
25	160693	HOSE ASSY 3/8X222 #8 JIC SWIV (MODEL 6250-40')	1
25	71510821	HOSE, .38 X 244 IN. (MODEL 6250-45')	1
25	180117	HOSE ASSY, 3/8X275, #8JIC SWIV (MODEL 6250-50')	1

# Fold Hydraulic Assemblies

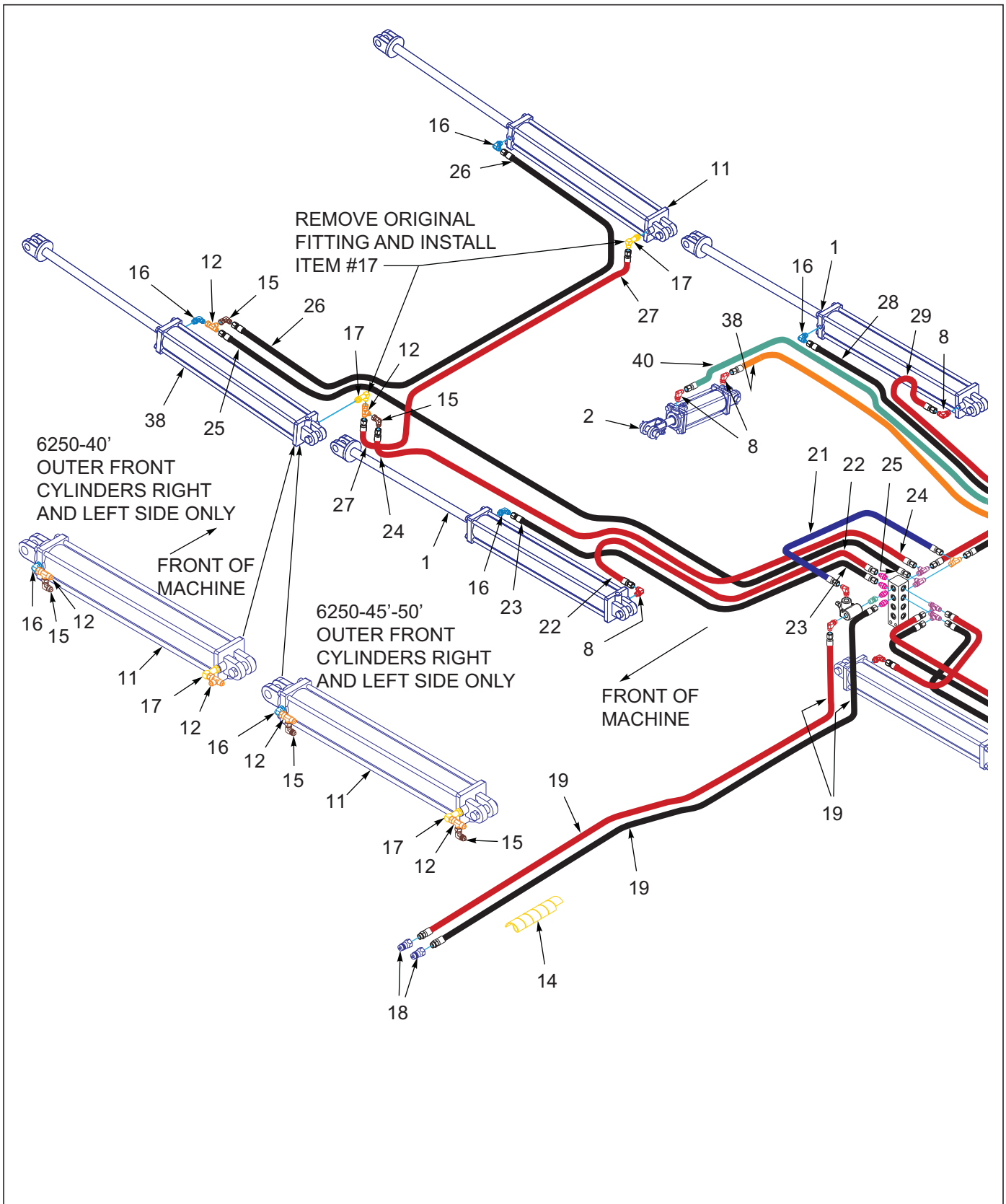


Figure 1-35: Fold Hydraulic Assembly RH

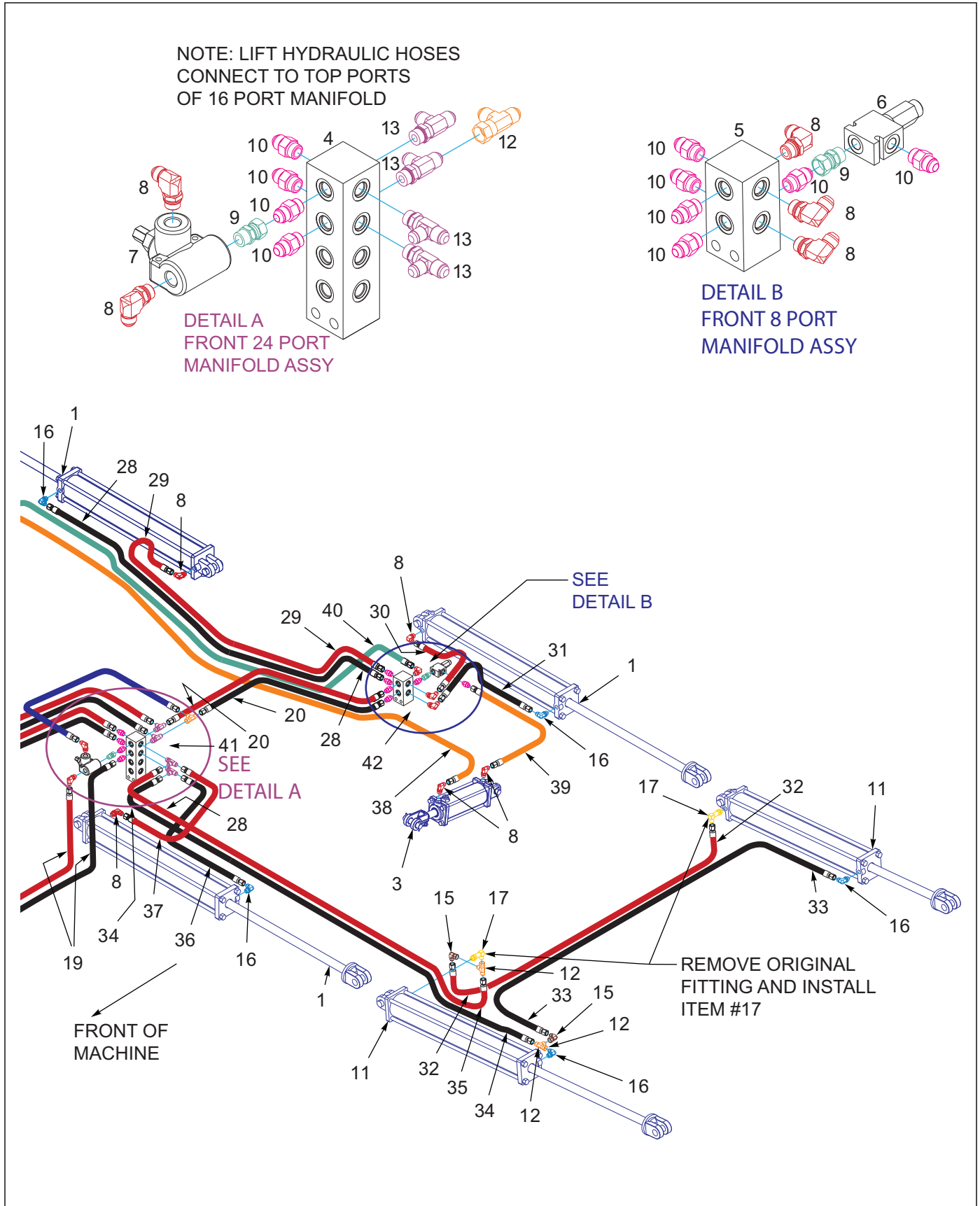


Figure 1-36: Fold Hydraulic Assembly LH

## Fold Hydraulic Assembly

ITEM	PART NO.	DESCRIPTION	QTY.
1	167575	CYLINDER, 4-1/2 X 30, 2DIA ROD (SEE PAGE 1-82)	4
2	145204	CYLINDER 3-1/4 X 8 REPHASE (SEE PAGE 1-78)	1
3	145203	CYLINDER 3-1/2 X 8 REPHASE (SEE PAGE 1-77)	1
4	141594	MANIFOLD, HYDRAULIC 16 PORT	1
5	2-474-010022	MANIFOLD ASSY, HYDR 8 HOSE	1
6	193149	VALVE,RELIEF PILOT OP W/REV CK	1
7	165287	VALVE, RELIEF, 1000PSI	1
8	2062-8-8S	ADAPTER, 90, #8 O-RING-TUBE	13
9	102-1130	FTG,STR 8M ORING X 8F JIC SW	2
10	202702-8-8S	ADAPTER #8 O-RING TO #8 TUBE	10
11	140472	CYLINDER 4X30 1-1/2 ROD (SEE PAGE 1-81)	4
12	203102-8-8S	ADAPTER,TEE,1/2 #8JICX#8JICSWV	5
13	203005-8-8S	ADAPTER,TEE,#8 O-RING-TUBE	4
14	155529	HOSE WRAP, YELLOW 1" ID X 8"	1
15	2071-8-8S	ADAPTER90 #8 FLR SWIVEL #8JIC	4
16	141826	ELBOW 90 1/16 RES	8
17	1400548	ELBOW EX LG	4
18	141828	COUPLER,MALE 3/4-16 O-RING	2
19	147588	HOSE ASY3/8X276 #8JICX#8 O/R	2
20	116433	HOSE ASSY 3/8X90 #8 JIC SWV	2
21	137601	HOSE ASSY, 3/8X20, #8JIC SWVL	1
22	147583	HOSE ASSY 3/8X72 #8 JIC SWIV	1
23	139213	HOSE ASSY 3/8X105 #8JIC SWIVEL	1
24	159569	HOSE ASSY 3/8X161,#8JIC SWVL (MODEL 6250-40')	1
24	122911	HOSE ASSY 3/8X168,#8JIC SWVL (MODEL 6250-45')	1
24	150273	HOSE ASSY 3/8X185 #8JIC SWIVL (MODEL 6250-50')	1
25	117163	HOSE ASSY 3/8X196 #8JIC (MODEL 6250-40')	1
25	141882	HOSE ASSY 3/8X206 #8 JIC SWIV (MODEL 6250-45')	1
25	160693	HOSE ASSY 3/8X222 #8 JIC SWIV (MODEL 6250-50')	1
26	71509000	HOSE ASM 3/8 X202 (MODEL 6250-40')	1
26	160693	HOSE ASSY 3/8X222 #8 JIC SWIV (MODEL 6250-45')	1
26	116436	HOSE ASSY, 3/8X255 #8 JIC SW (MODEL 6250-50')	1
27	141881	HOSE ASSY 3/8X136 #8 JIC SWIV (MODEL 6250-40')	1
27	144342	HOSE ASSY 3/8X150 #8 JIC SWIV (MODEL 6250-45')	1
27	150273	HOSE ASSY 3/8X185 #8JIC SWIVL (MODEL 6250-50')	1
28	153843	HOSE ASSY 3/8X67 #8 JIC SWIV	1
29	71508982	HOSE ASSY 3/8 X 36	1
30	137601	HOSE ASSY, 3/8X20, #8JIC SWVL	1
31	1-397-010369054	HOSE ASSY 3/8X54 #8 JIC SWVL	1
32	137598	HOSE ASSY #6 .38X123.25HIPRES (MODEL 6250-40')	1
32	153620	HOSE ASSY 3/8X140 #8 JIC SWIV (MODEL 6250-45')	1
32	141864	HOSE ASSY 3/8X175 #8 JIC SWIV (MODEL 6250-50')	1
33	141883	HOSE ASSY 3/8X190 #8 JIC SWIV (MODEL 6250-40')	1
33	141882	HOSE ASSY 3/8X206 #8 JIC SWIV (MODEL 6250-45')	1
33	164307	HOSE ASSY,3/8X237 #8JIC SWIV (MODEL 6250-50')	1
34	141881	HOSE ASSY 3/8X136 #8 JIC SWIV (MODEL 6250-40')	1
34	116435	HOSE ASSY, 3/8X146 #8 JIC SW (MODEL 6250-45')	1
34	144343	HOSE ASSY 3/8X165 #8 JIC SWIV (MODEL 6250-50')	1

## Fold Hydraulic Assembly

---

ITEM	PART NO.	DESCRIPTION	QTY.
35	139213	HOSE ASSY 3/8X105 #8JIC SWIVEL ( <b>MODEL 6250-40'</b> )	1
35	166171	HOSE ASSY 3/8X114 #8JIC SWIV ( <b>MODEL 6250-45'</b> )	1
35	137600	HOSE ASSY 3/8X130 #8JIC SWVL ( <b>MODEL 6250-50'</b> )	1
36	71508984	HOSE .38X42	1
37	147582	HOSE ASSY 3/8X24 #8 JIC SWIV	1
38	116435	HOSE ASSY, 3/8X146 #8 JIC SW	1
39	123547	HOSE ASSY 3/8X56 #8 JIC SWIVL	1
40	71508987	HOSE ASSY 3/8 X 86	1
41	167557	MANIFOLD FRONT 7450 ASSY ( <b>SEE PAGE 1-74 FOR DETAILS</b> )	1
42	177112	MANIFOLD, REAR 6250 ( <b>SEE PAGE 1-75 FOR DETAILS</b> )	1

# Manifold Assemblies

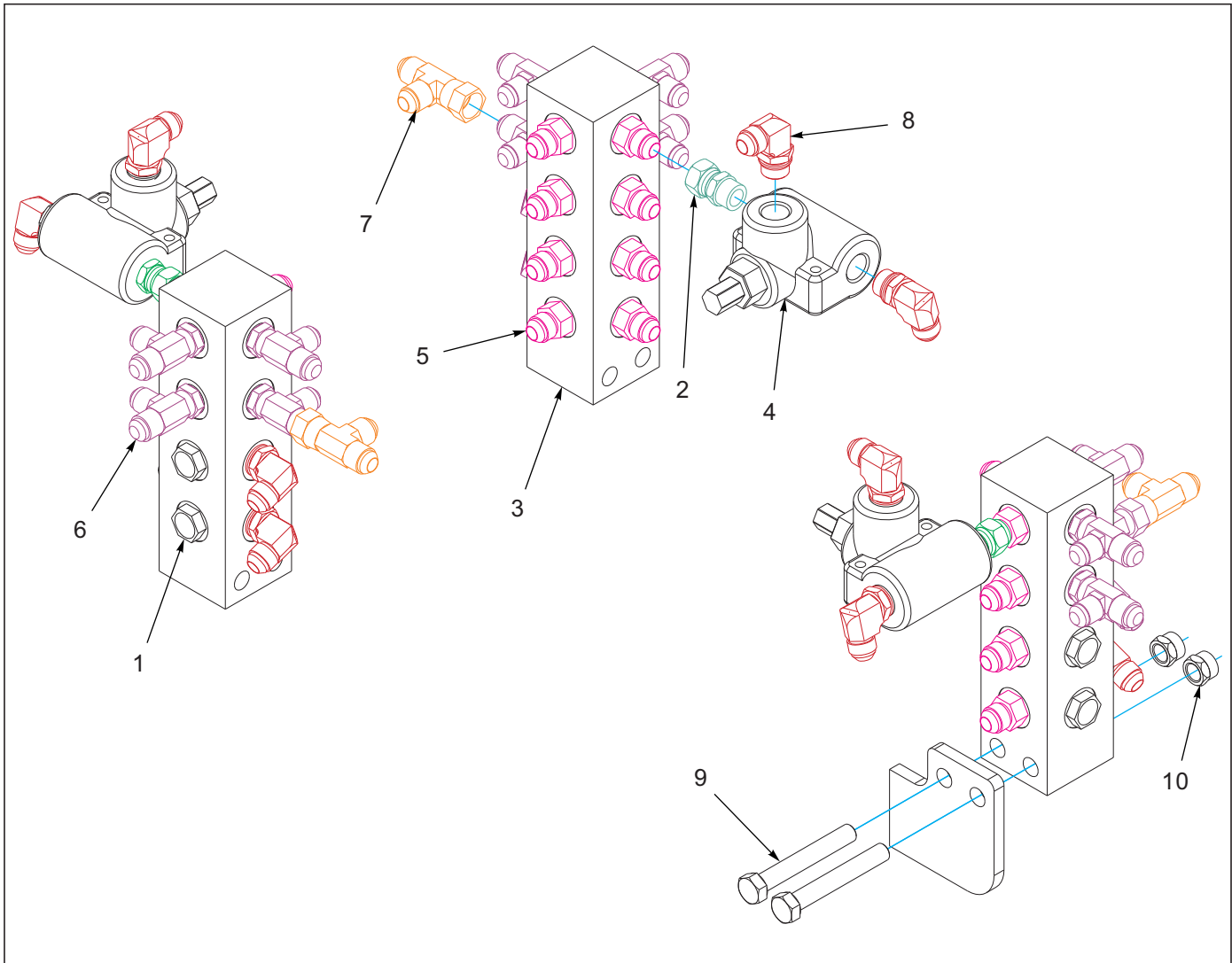


Figure 1-37: Front Manifold Assembly

## Front Manifold Assembly

ITEM	PART NO.	DESCRIPTION	QTY.
--	167557	MANIFOLD FRONT	
1	1-007-010025	PLUG, 3/4-16 O-RING BOSS	2
2	102-1130	FTG,STR 8M ORING X 8F JIC SW	1
3	141594	MANIFOLD, HYDRAULIC 16 PORT	1
4	165287	VALVE, RELIEF, 1000PSI	1
5	202702-8-8S	ADAPTER #8 O-RING TO #8 TUBE	8
6	203005-8-8S	ADAPTER,TEE,#8 O-RING-TUBE	4
7	203102-8-8S	ADAPTER,TEE,1/2 #8JICX#8JICSWV	1
8	2062-8-8S	ADAPTER, 90, #8 O-RING-TUBE	4
9	1-654-010055-11	SCREW,HX CP 1/2-13UNCX3-1/2	2
10	1-512-010005-09	NUT,HEX,SLFLKG, 1/2-13 GRB	2

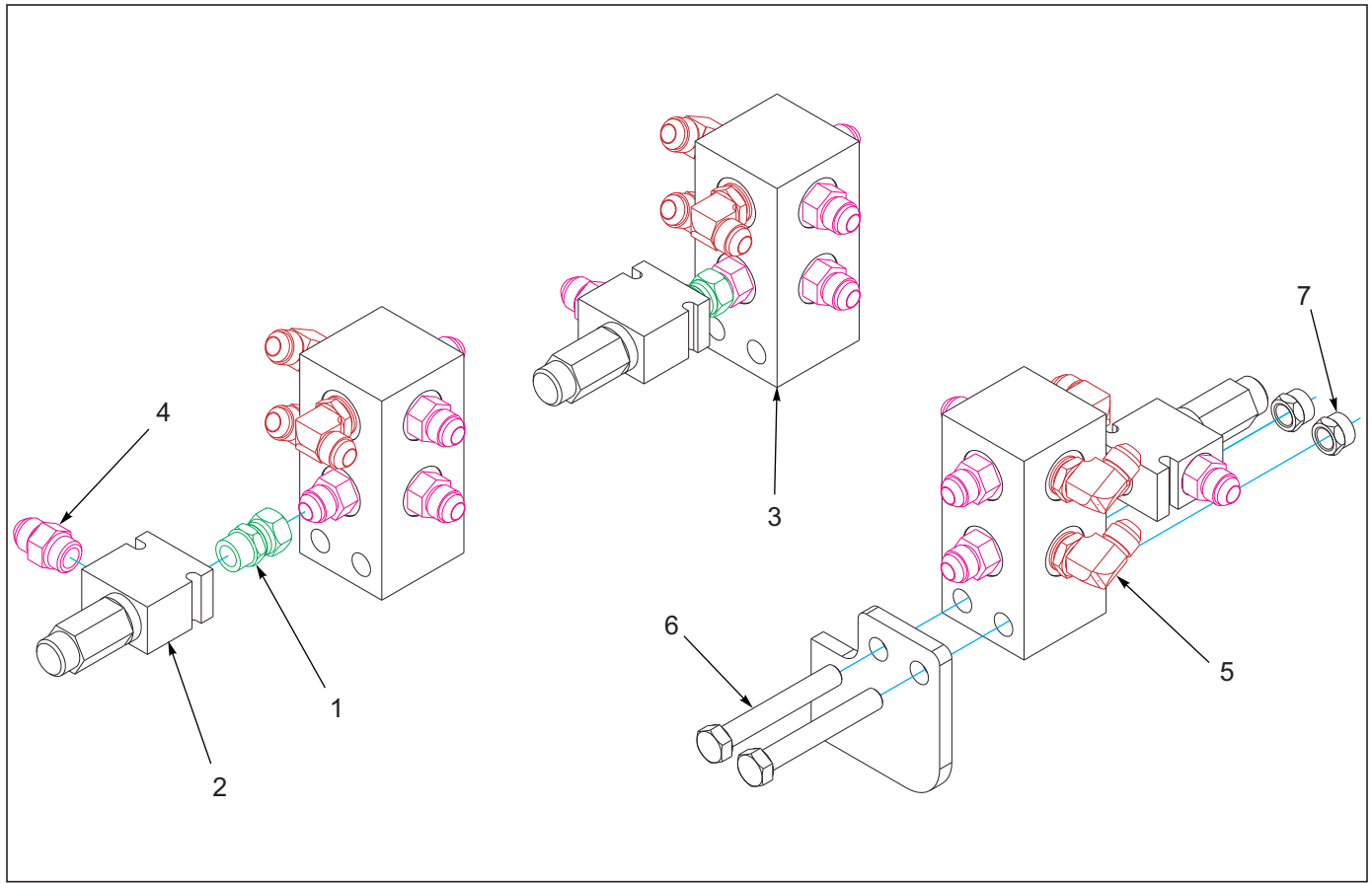


Figure 1-38: Rear Manifold Assembly

### Rear Manifold Assembly

ITEM	PART NO.	DESCRIPTION	QTY.
--	177112	MANIFOLD, REAR 6250	
1	102-1130	FTG,STR 8M ORING X 8F JIC SW	1
2	193149	VALVE,RELIEF PILOT OP W/REV CK	1
3	2-474-010022	MANIFOLD ASSY, HYDR 8 HOSE	1
4	202702-8-8S	ADAPTER #8 O-RING TO #8 TUBE	6
5	2062-8-8S	ADAPTER, 90, #8 O-RING-TUBE	3
6	1-654-010055-11	SCREW,HX CP 1/2-13UNCX3-1/2	2
7	1-512-010005-09	NUT,HEX,SLFLKG, 1/2-13 GRB	2

# Cylinders

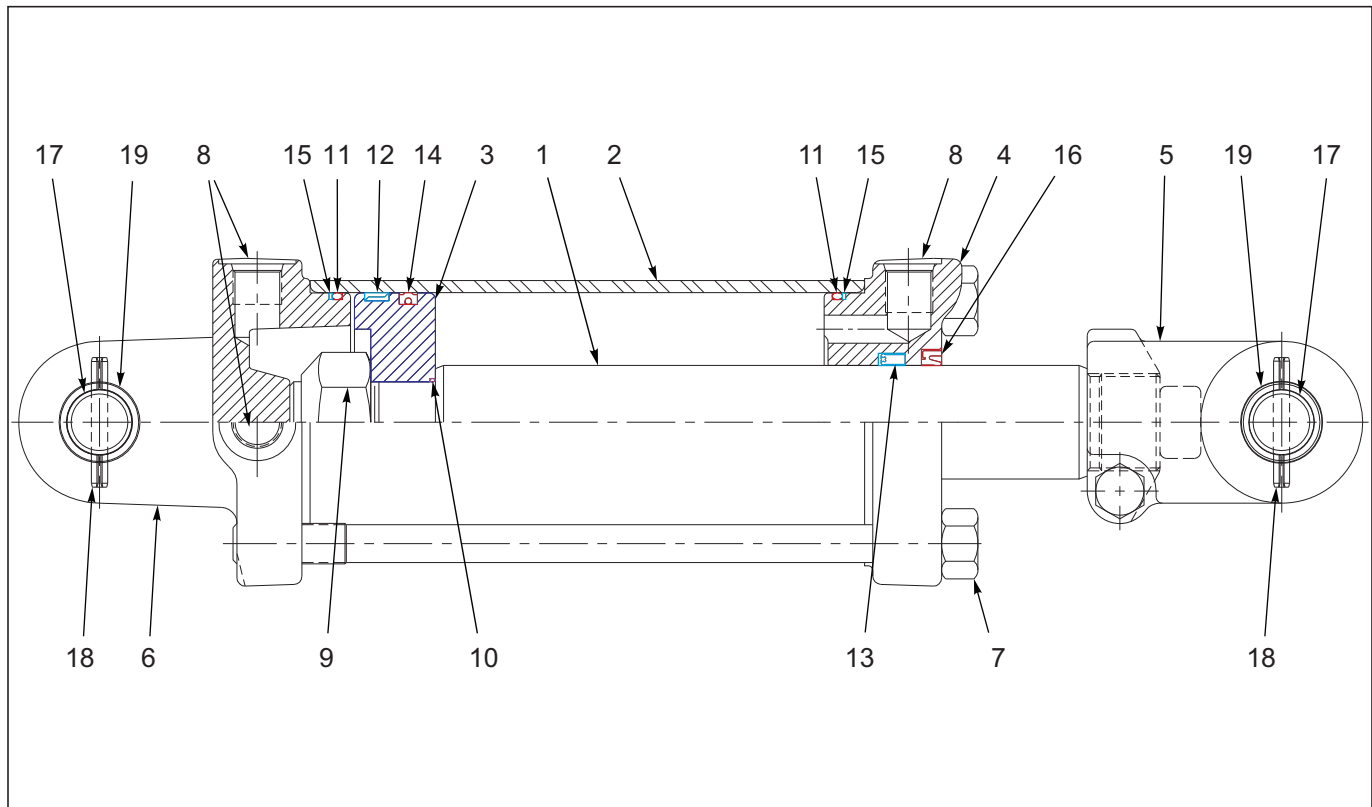


Figure 1-39: Cylinder Assembly- 4 X 8

## Cylinder Assembly - 4 X 8

ITEM	PART NO.	DESCRIPTION	QTY.
--	148387	CYLINDER, HYDRAULIC 4 X 8	
1	----	PISTON ROD	1
2	----	TUBE	1
3	----	PISTON	1
4	147376	GLAND	1
5	149858	CLEVIS	1
6	142114	BUTT	1
7	----	TIEROD ASSEMBLY	4
8	----	PORT PLUG	3
9	----	LOCK NUT	1
10	----	O-RING	1
11	----	O-RING	2
12	----	BEARING RING	1
13	----	U-CUP	1
14	----	CROWN SEAL	1
15	----	BU-WASHER	2
16	----	WIPER	1
17	143994	CLEVIS PIN	2
18	111789	ROLL PIN	4
19	142112	BUSHING	4
20	152640	SEAL KIT (NOT SHOWN) (INCLUDES ITEMS 10 - 16)	



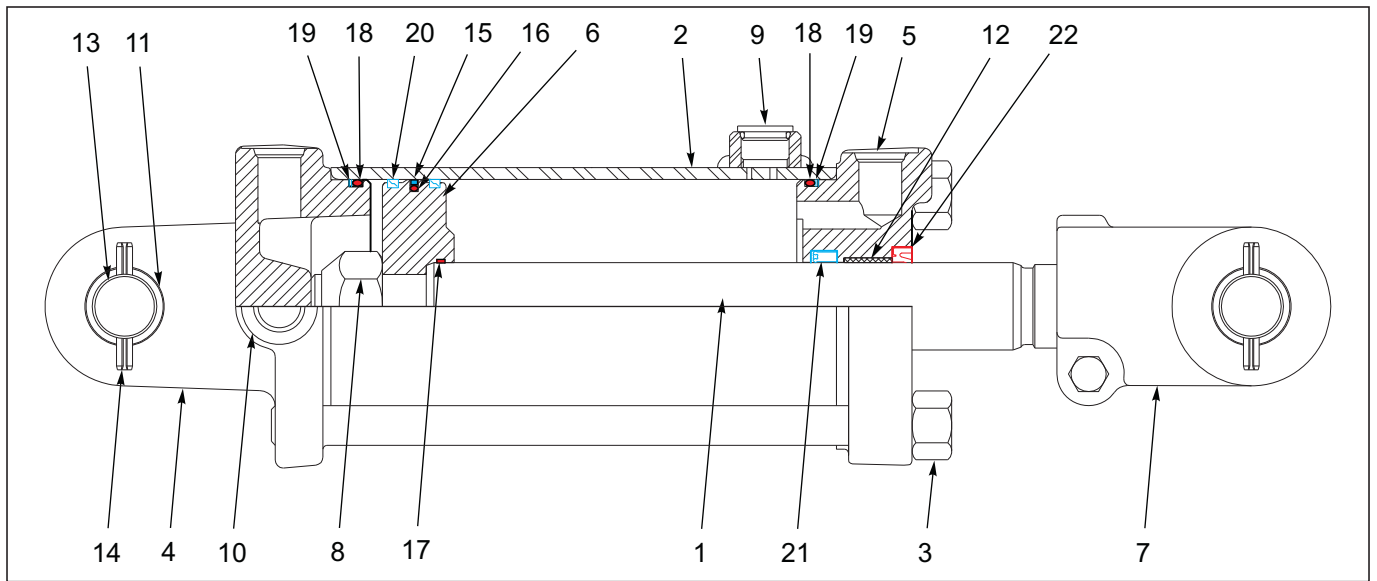


Figure 1-40: Hydraulic Cylinder 3-1/2" X 8"-145203

### Hydraulic Cylinder 3-1/2" X 8"-145203

ITEM	PART NO.	DESCRIPTION	QTY.
--	145203	CYLINDER 3-1/2 X 8 REPHASE	--
1	010600382	PISTON ROD	1
2	----	TUBE ASSEMBLY	--
3	148083	TIEROD ASSEMBLY	4
4	218643	BUTT CLEVIS ASSEMBLY	1
5	148085	GLAND ASSY	1
6	----	PISTON	--
7	148087	CLEVIS ASSEMBLY	1
8	220000209	LOCK NUT	1
9	----	SHIPPING PLUG	--
10	----	PLUG O-RING	--
11	148088	BUSHING	4
12	----	BUSHING	--
13	143994	PIN, CLEVIS	2
14	111789	PIN,ROLL	4
--	148089	PACKING KIT (CONSIST OF THE FOLLOWING)	--
15	----	TEFLON SEAL	1
16	----	O-RING	1
17	----	O-RING	1
18	----	O-RING	2
19	----	BU-WASHER	2
20	----	BEARING RING	1
21	----	U-CUP	1
22	----	CANNED WIPER	1

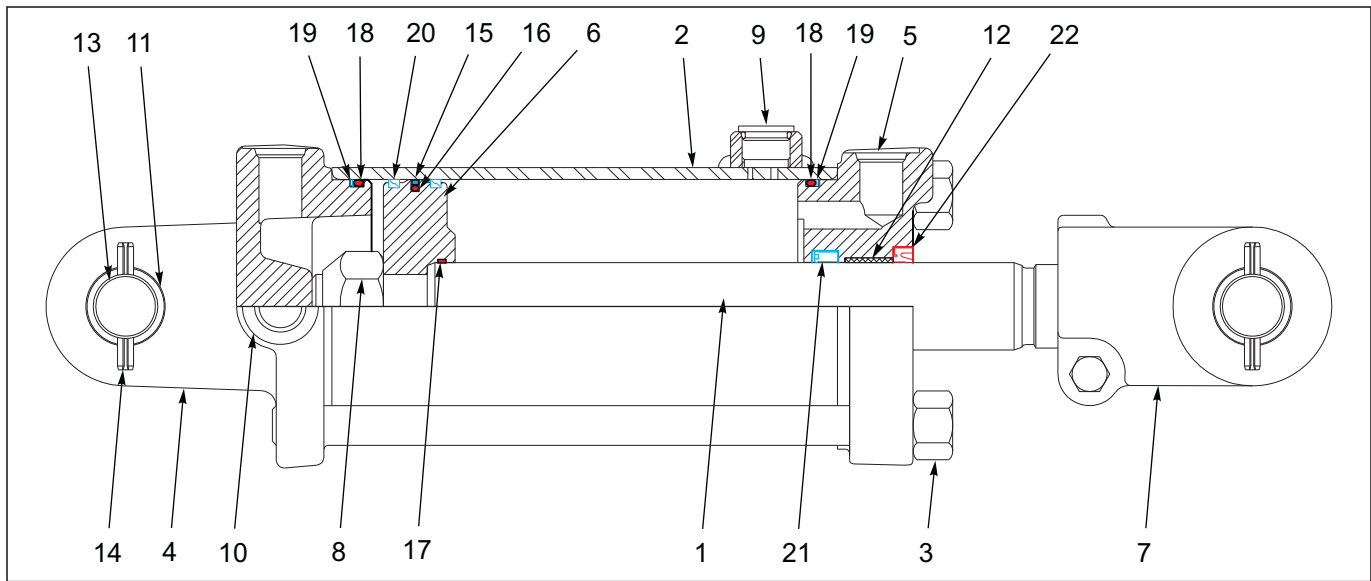


Figure 1-41: Hydraulic Cylinder 3-1/4" X 8"-145204

### Hydraulic Cylinder 3-1/4" X 8"-145204

ITEM	PART NO.	DESCRIPTION	QTY.
--	145204	CYLINDER 3-1/4 X 8 REPHASE	--
1	010600382	PISTON ROD	1
2	----	TUBE ASSEMBLY	--
3	148083	TIEROD ASSEMBLY	4
4	218642	BUTT CLEVIS ASSEMBLY	1
5	148092	GLAND ASSY	1
6	----	PISTON	--
7	148087	CLEVIS ASSEMBLY	1
8	220000209	LOCK NUT	1
9	----	SHIPPING PLUG	--
10	----	PLUG O-RING	--
11	148088	BUSHING	4
12	----	BUSHING	--
13	143994	PIN, CLEVIS	2
14	111789	PIN, ROLL	4
--	148094	PACKING KIT (CONSIST OF THE FOLLOWING)	--
15	----	TEFLON SEAL	1
16	----	O-RING	1
17	----	O-RING	1
18	----	O-RING	2
19	----	BU-WASHER	2
20	----	BEARING RING	1
21	----	U-CUP	1
22	----	CANNED WIPER	1

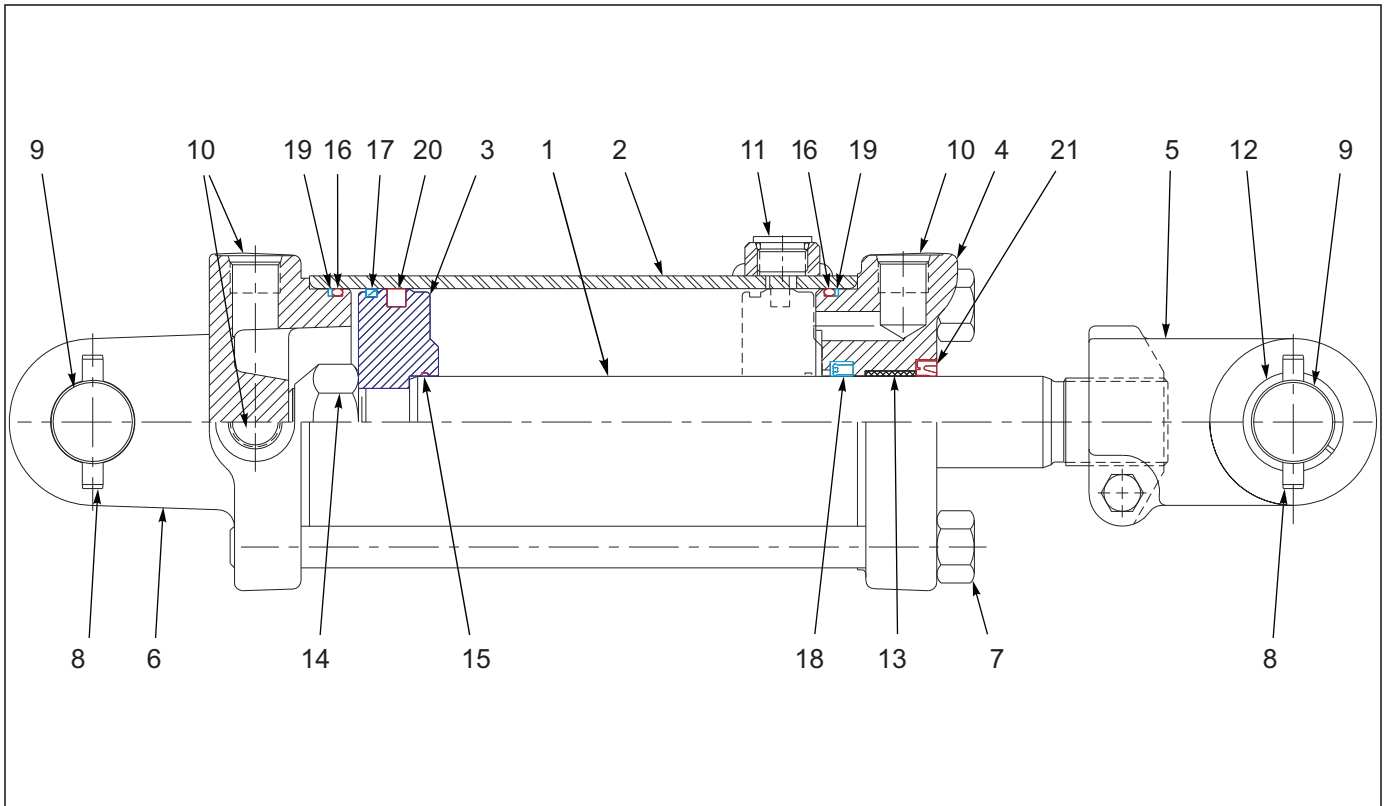


Figure 1-42: Cylinder - Rephase Assembly - 4 X 16

### Cylinder - Rephase Assembly - 4 X 16

ITEM	PART NO.	DESCRIPTION	QTY.
--	146825	CYLINDER, 4X16, REPHASE	
1	----	PISTON ROD	1
2	----	TUBE ASSY	1
3	----	PISTON	1
4	142109	GLAND ASSY	1
5	148097	CLEVIS ASSY	1
6	142119	BUTT CLEVIS	1
7	----	TIEROD ASSY	4
8	111789	ROLL PIN	4
9	147755	CLEVIS PIN	2
10	----	PORT PLUG	3
11	----	PORT PLUG	1
12	135912	BUSHING	2
13	141301	DU BUSHING	1
14	----	LOCKNUT	1
15	----	O-RING	1
16	----	O-RING	2
17	----	BEARING RING	1
18	----	U-CUP	1
19	----	BU-WASHER	2
20	----	TEFLON SEAL	1
21	----	WIPER	1
22	148100	SEAL KIT (NOT SHOWN) (INCLUDES ITEMS 15 - 21)	

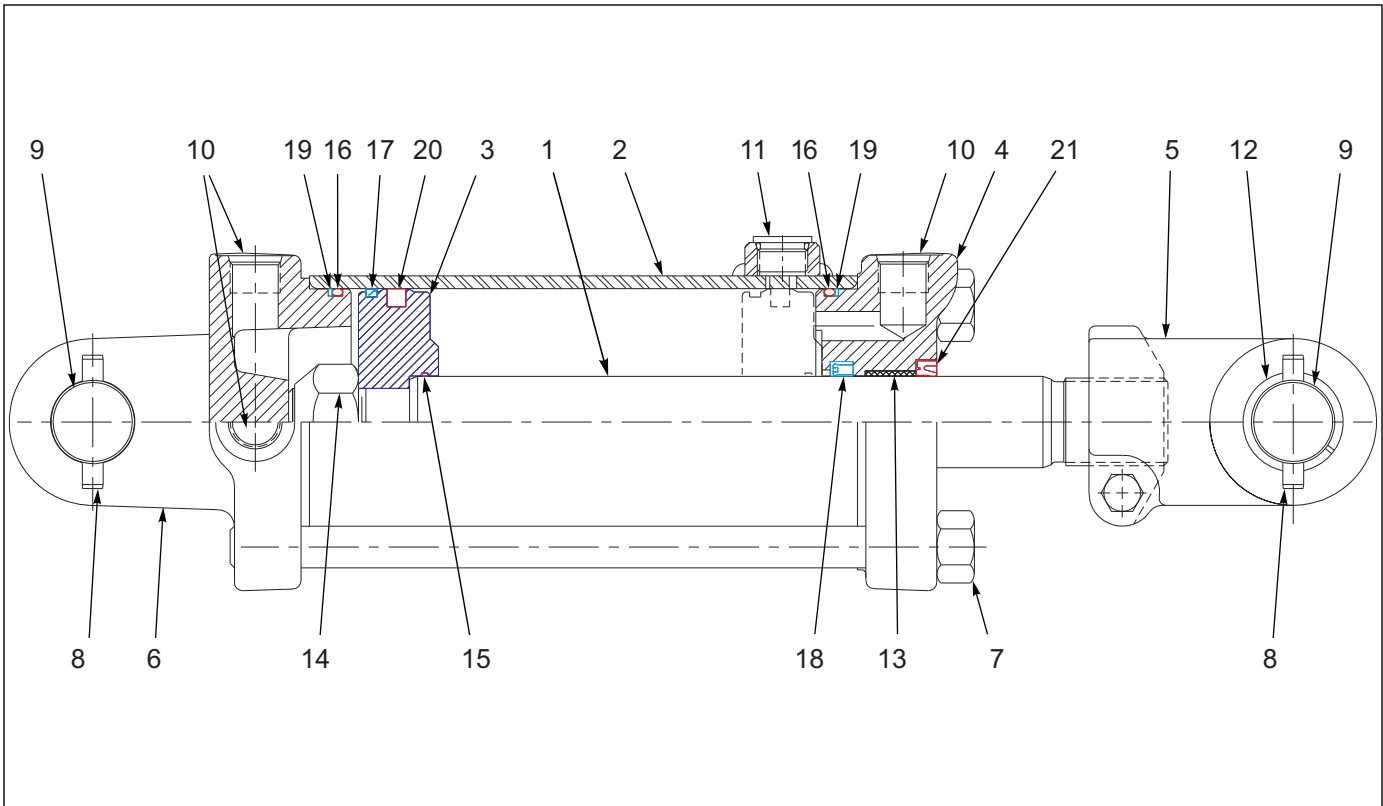


Figure 1-43: Cylinder - Rephase Assembly - 4-1/2 X 16

### Cylinder - Rephase Assembly - 4-1/2 X 16

ITEM	PART NO.	DESCRIPTION	QTY.
--	146824	CYLINDER, 4-1/2 X16, REPHASE	
1	----	PISTON ROD	1
2	----	TUBE ASSY	1
3	----	PISTON	4
4	103153	GLAND ASSY	1
5	137304	CLEVIS ASSY	1
6	148104	BUTT CLEVIS	1
7	----	TIEROD ASSY	4
8	111789	ROLL PIN	4
9	147755	CLEVIS PIN	2
10	----	PORT PLUG	3
11	----	PORT PLUG	1
12	135912	BUSHING	2
13	137702	DU BUSHING	1
14	----	LOCKNUT	1
15	----	O-RING	1
16	----	O-RING	2
17	----	BEARING RING	1
18	----	U-CUP	1
19	----	BU-WASHER	2
20	----	TEFLON SEAL	1
21	----	WIPER	1
22	148106	SEAL KIT (NOT SHOWN) (INCLUDES ITEMS 15 - 21)	

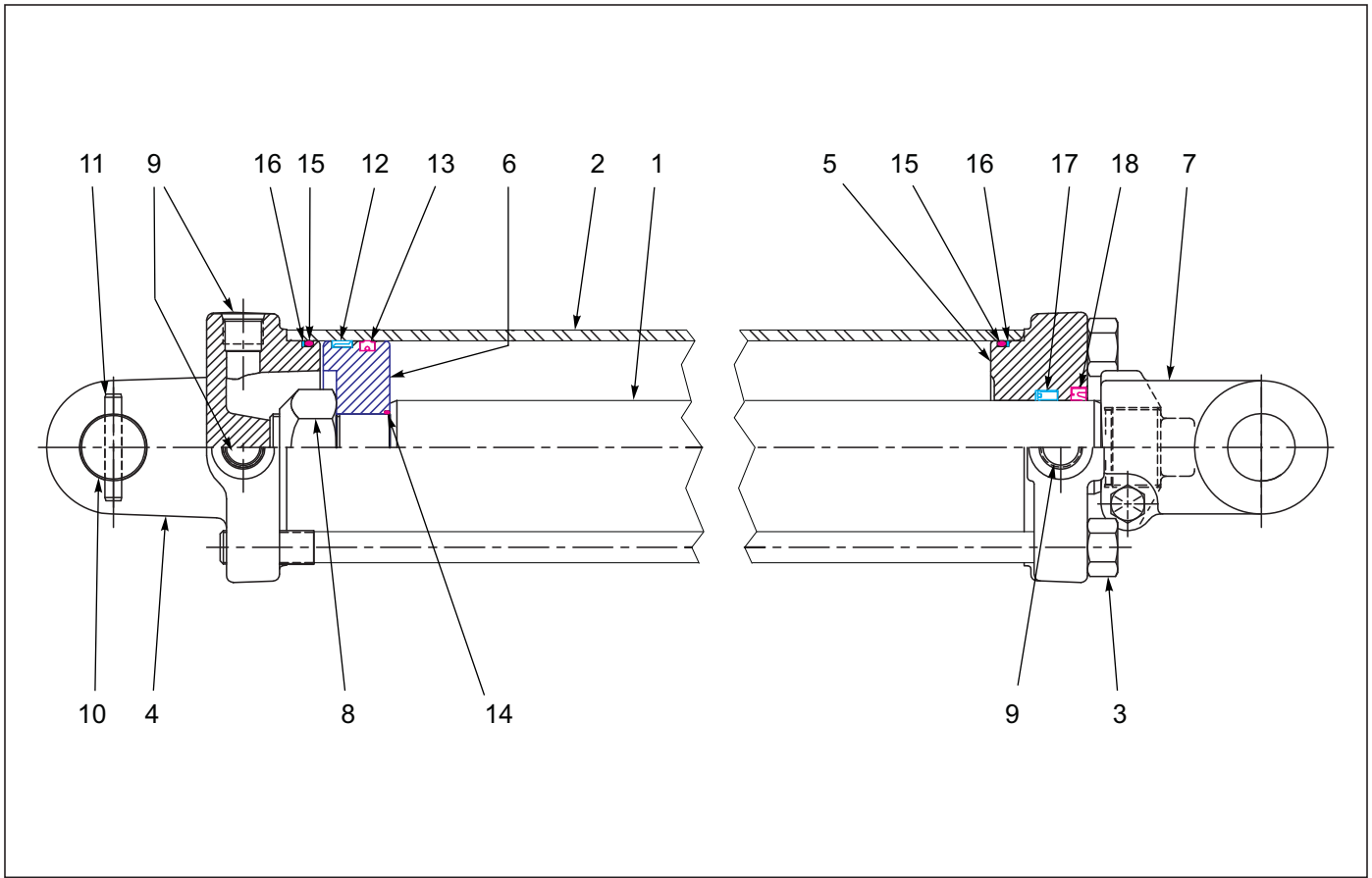


Figure 1-44: Hydraulic Cylinder 4 X 30

### Hydraulic Cylinder 4 X 30

ITEM	PART NO.	DESCRIPTION	QTY.
--	140472	CYLINDER 4X30 1-1/2 ROD	
1	----	PISTON ROD	1
2	----	TUBE	1
3	----	TIEROD ASSY	4
4	142119	BUTT CLEVIS ASSY	1
5	142120	GLAND	1
6	----	PISTON	1
7	100000328	CLEVIS ASSY	1
8	----	LOCKNUT	1
9	----	SHIPPING PLUG	3
10	111880	CLEVIS PIN	1
11	111789	ROLL PIN	2
12	----	BEARING RING	1
13	----	CROWN SEAL	1
14	----	O- RING	1
15	----	O- RING	2
16	----	BU- WASHER	2
17	----	U- CUP	1
18	----	CANNED WIPER	1
19	142113	PACKING KIT (NOT SHOWN) (INCLUDES ITEMS 12-18)	

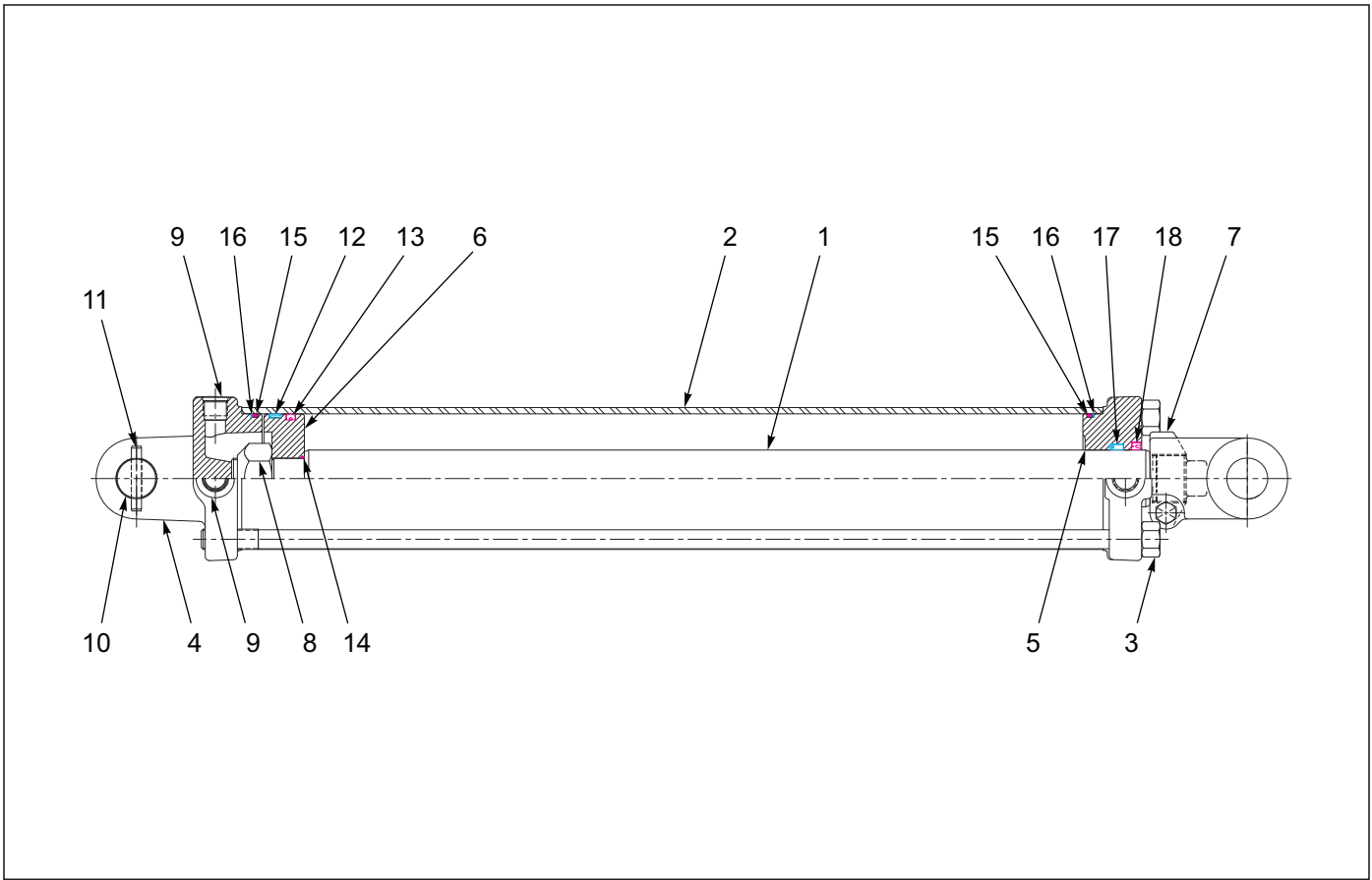


Figure 1-45: Hydraulic Cylinder 4-1/2 X 30

### Hydraulic Cylinder 4-1/2 X 30

ITEM	PART NO.	DESCRIPTION	QTY.
--	167575	CYLINDER, 4-1/2 X 30, 2DIA ROD	
1	----	PISTON ROD	1
2	----	TUBE	1
3	----	TIEROD ASSEMBLY	4
4	218648	BUTT	1
5	169549	GLAND	1
6	----	PISTON	1
7	100000362	CLEVIS ASSEMBLY	1
8	----	LOCKNUT	1
9	----	PORT PLUG	3
10	169550	CLEVIS PIN	1
11	111789	ROLL PIN	2
12	----	BEARING RING	2
13	----	CROWN SEAL	1
14	----	O-RING	1
15	----	O-RING	2
16	----	BU-WASHER	2
17	----	U-CUP	1
18	----	WIPER	2
19	169552	PACKING KIT (ITEMS 12-18)	1

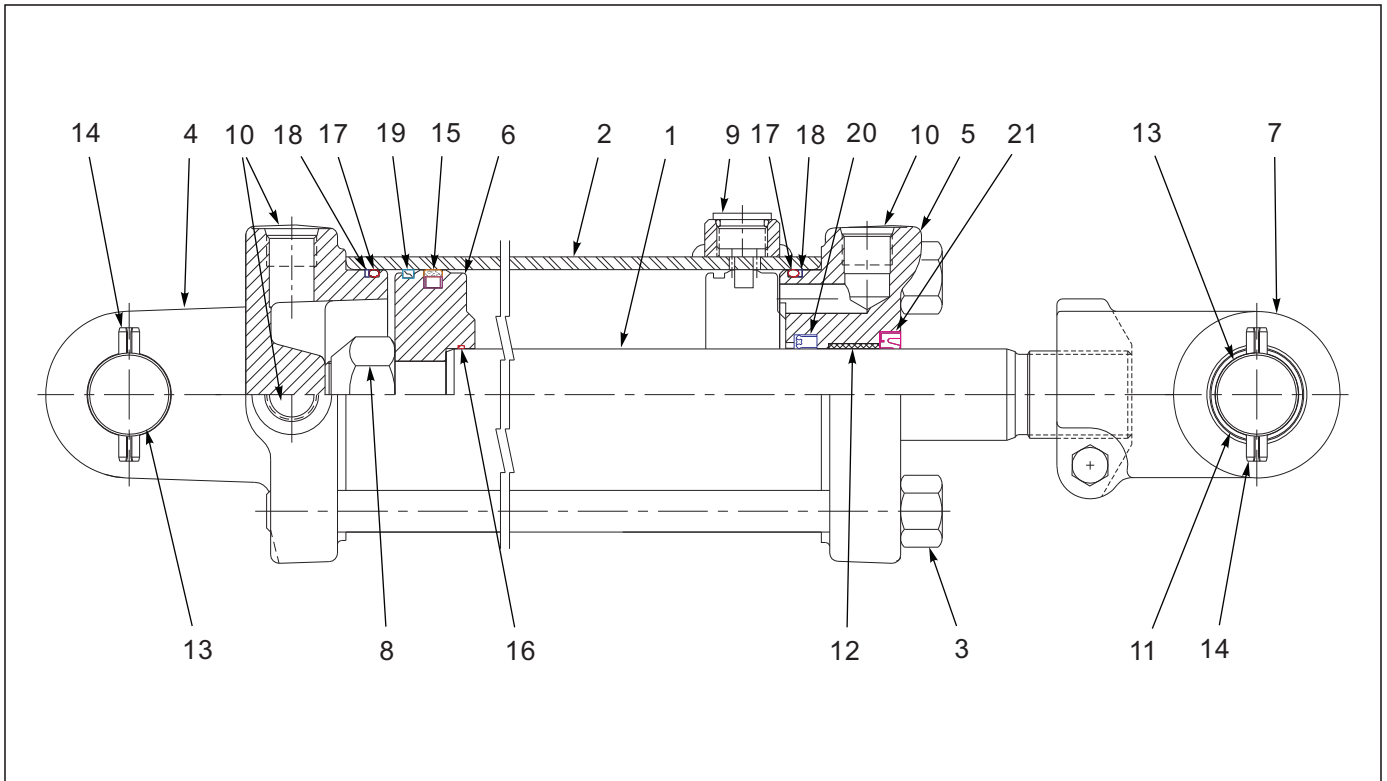


Figure 1-46: Cylinder - Rephase Assembly - 3-3/4 X 16

### Cylinder - Rephase Assembly - 3-3/4 X 16

ITEM	PART NO.	DESCRIPTION	QTY.
--	163700	CYLINDER 3-3/4 X 16, REPHASE	
1	----	PISTON ROD	1
2	----	TUBE ASSY	1
3	----	TIEROD ASSY	4
4	218644	BUTT CLEVIS ASSY	1
5	111871	GLAND ASSY	1
6	----	PISTON	1
7	148097	CLEVIS ASSY	1
8	----	LOCKNUT	1
9	----	SHIPPING PLUG	1
10	----	SHIPPING PLUG	3
11	135912	BUSHING	2
12	141301	BUSHING	1
13	147755	CLEVIS PIN	2
14	111789	ROLL PIN	4
15	----	TEFLON SEAL	1
16	----	O-RING	1
17	----	O-RING	2
18	----	BU-WASHER	2
19	----	BEARING RING	1
20	----	U-CUP	1
21	----	CANNED WIPER	1
22	167690	PACKING KIT (NOT SHOWN) (INCLUDES ITEMS 15-21)	

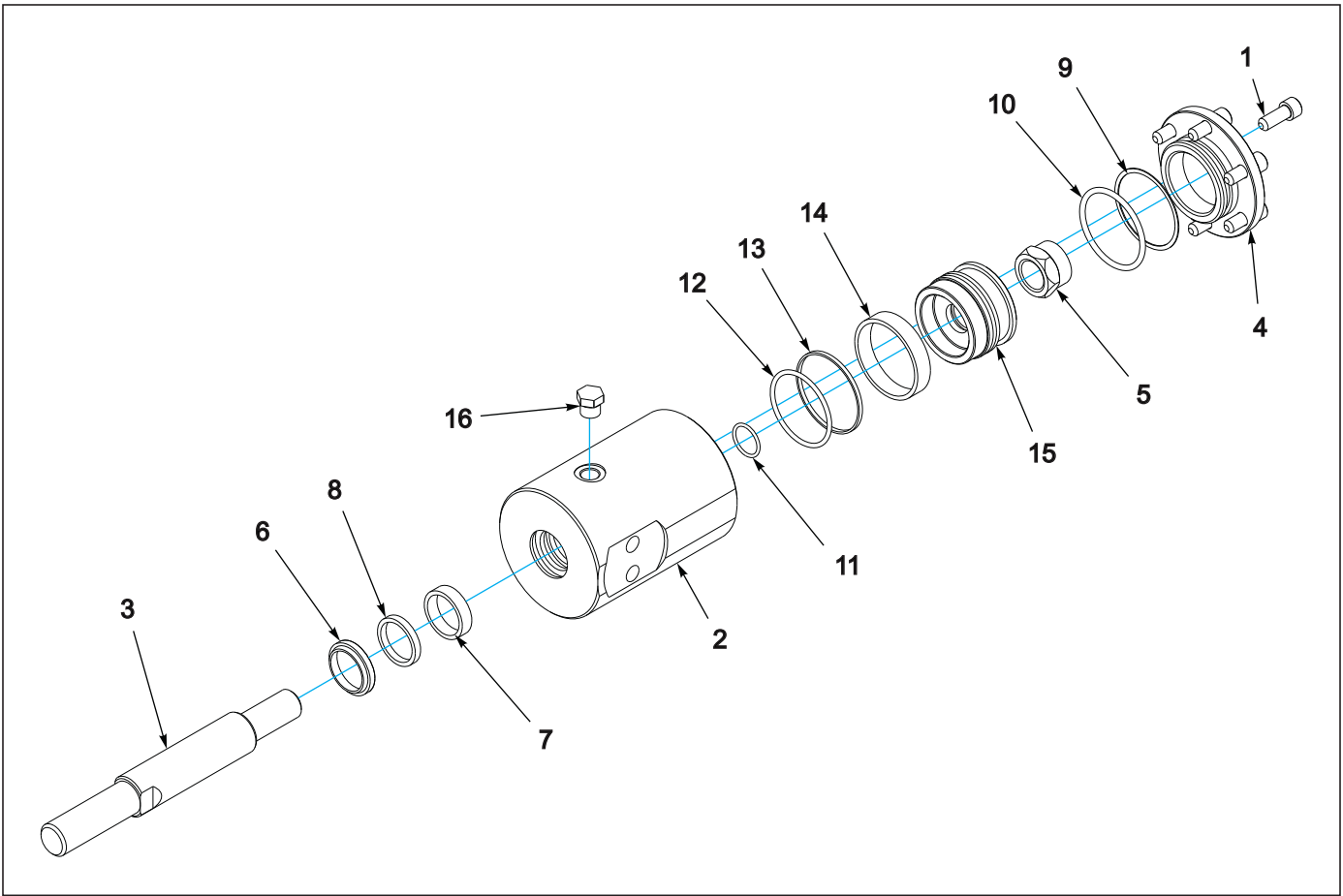


Figure 1-47: Cylinder - 2-1/2" X 1" (1" Thds)

### Cylinder - 2-1/2" X 1" (1" Thds)

ITEM	PART NO.	DESCRIPTION	QTY.
--	174720	CYLINDER ASM 2-1/2"X1" STROKE (BEFORE 6-8-2017)	
1	----	SCREW, HEX SOCKET 3/8-16X1	6
2	----	CYLINDER, BARREL	1
3	171078	ROD 1-1/4 DIA	1
4	171080	2-1/2" BASE CAP	4
5	----	NUT, HEX SLFLKG 7/8-14 GRC	1
6	----	WIPER, 1-1/4 ROD	1
7	----	WEAR RING, 1-1/4 ROD	1
8	----	U-CUP, 1-1/4 ROD	1
9	----	BACK-UP RING - CAP	1
10	----	O-RING - CAP	1
11	----	O-RING - PISTON	1
12	----	O-RING - PISTON	1
13	----	SEAL, 2-1/2 PISTON	1
14	----	WEAR RING, 2-1/2 PISTON	1
15	----	PISTON, 2-1/2 BORE	1
16	----	PLUG O-RING 9/16-18 AEROQUIP	2
17	171081	SEAL KIT, 2-1/2" BORE CYL (NOT SHOWN) (INCL ITEMS 6 - 15)	



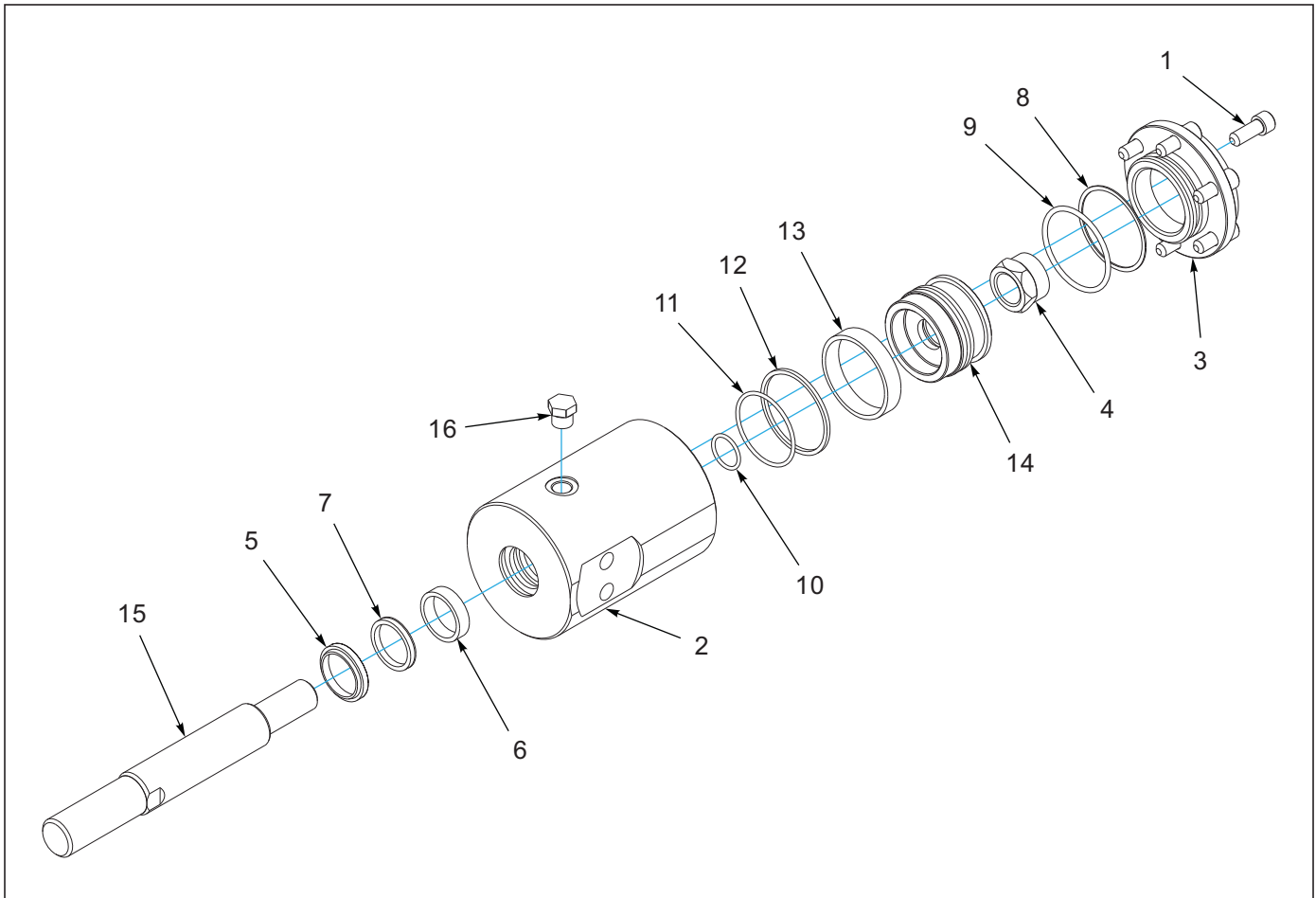


Figure 1-48: Cylinder - 2-1/2" X 1" (1-1/8" Thds)

**Cylinder - 2-1/2" X 1" (1-1/8" Thds)**

ITEM	PART NO.	DESCRIPTION	QTY.
--	206670	CYL ASM 2-1/2X1 ST 1-1/8 THDS (AFTER 6-8-2017)	
1	1-654-010104245	SCREW, HEX SOCKET 3/8-16 X 1	6
2	----	CYLINDER, BARREL	1
3	171080	BASE CAP 2-1/2 (1" THREADS)	1
4	----	NUT, HEX LOCK 7/8-14 GRC	1
5	----	WIPER, 1-1/4 ROD	1
6	----	WEAR RING, 1-1/4 ROD	1
7	----	U-CUP, 1-1/4 ROD	1
8	----	BACK-UP RING, CAP	1
9	----	O-RING, CAP	1
10	----	O-RING, PISTON	1
11	----	O-RING, PISTON	1
12	----	SEAL, 2-1/2 PISTON	1
13	----	WEAR RING, 2-1/2 PISTON	1
14	----	PISTON, 2-1/2 BORE	1
15	206599	ROD, 1-1/4 DIA	1
16	----	PLUG, O-RING 9/16-18 AEROQUIP	2
17	171081	SEAL KIT (NOT SHOWN) (INCLUDES ITEMS 7 - 16)	

# Electrical

7-PIN CONN	4-PIN TOWER	CIRCUIT	WIRE COLOR
1	D	GROUND	GROUND
2		WORK LAMPS	BLACK
3	B	LEFT FLASHING & TURN	YELLOW
4		STOP LAMPS	RED
5	A	RIGHT FLASHING & TURN	GREEN
6	C	TAIL LAMPS	BROWN
7		SWITCHED POWER (12V)	BLUE

	1	2	3	4	5
	2-PIN TOWER	3-PIN TOWERS	6-PIN SHROUD	3-PIN TOWER	2-PIN TOWER
BLACK LEFT TURN			A	C	
WHITE GROUND	A	A	B	A	A
BROWN TAIL LIGHT		B	C	B	
YELLOW LEFT TURN			D		B
GREEN RIGHT TURN	B		E		
RED RIGHT TURN		C	F		

13

14

SEE 7-PIN CONNECTION IN WIRING CHART

SEE 4-PIN CONNECTION IN WIRING CHART

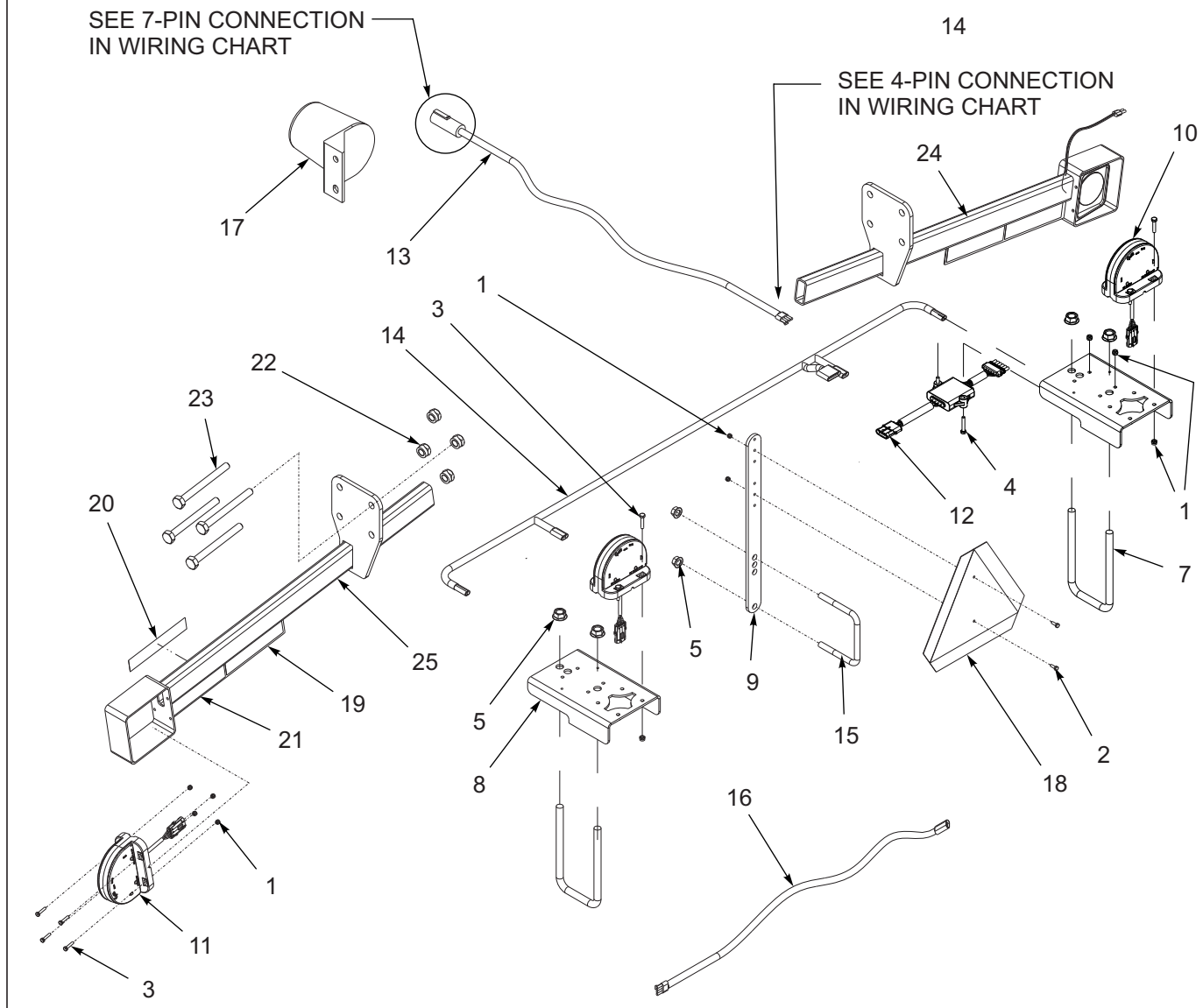


Figure 1-49: Electrical Assembly

## Electrical Assembly

ITEM	PART NO.	DESCRIPTION	QTY.
	177035	LIGHT KIT, 6250/7450	
1	1-512-010005-01	NUT, HEX LOCK 1/4-20 GRB	20
2	1-654-010047-04	SCREW, HEX HEAD CAP 1/4-20 X 3/4 GR5	2
3	1-654-010047-07	SCREW, HEX HEAD CAP 1/4-20 X 1-1/4 GR5	16
4	1-654-010047-08	SCREW, HEX HEAD CAP 1/4-20 X 1-1/2 GR5	2
5	100827	NUT, FLANGE HEAD SERRATED 5/8-11	6
6	105874	TIE SELF LOCKING 19" <b>(NOT SHOWN)</b>	15
7	157648	U-BOLT, HYDRAULIC MOUNT	2
8	164138	MOUNT, TAIL LIGHT	2
9	164142	BRACKET MOUNTING, SMV	1
10	174435	LAMP, AG RED SINGLE LED	2
11	174436	LAMP, AG AMBER SINGLE LED	2
12	174437	MODULE, AG FLASHER CONTROL	1
13	174438	HARNESS, MAIN WARNING LIGHTS	1
14	174439	HARNESS, REAR WARNING LIGHTS	1
15	2-102-010032	U-BOLT	1
16	2-368-010273	HARNESS, 34" EXTENSION	2
17	2-368-010287	HARNESS, STOR-AWAY	1
18	70260977	SMV EMBLEM	1
19	528933	REFLECTOR, RED	2
20	528934	REFLECTOR, YELLOW	2
21	528938	STRIPE, ORANGE	2
22	1-512-010005-15	NUT, HEX LOCK 3/4-10 GRB	REF
23	W908409-4	SCREW, HEX HEAD CAP 3/4-10 X 6 GR5	REF
24	165268	BRACKET WELDMENT, RH W/ REFLECTORS <b>(INCL. ITEMS 19-21)</b>	1
25	165269	BRACKET WELDMENT, LH W/ REFLECTORS <b>(INCL. ITEMS 19-21)</b>	1

Decals



Figure 1-50: Decals

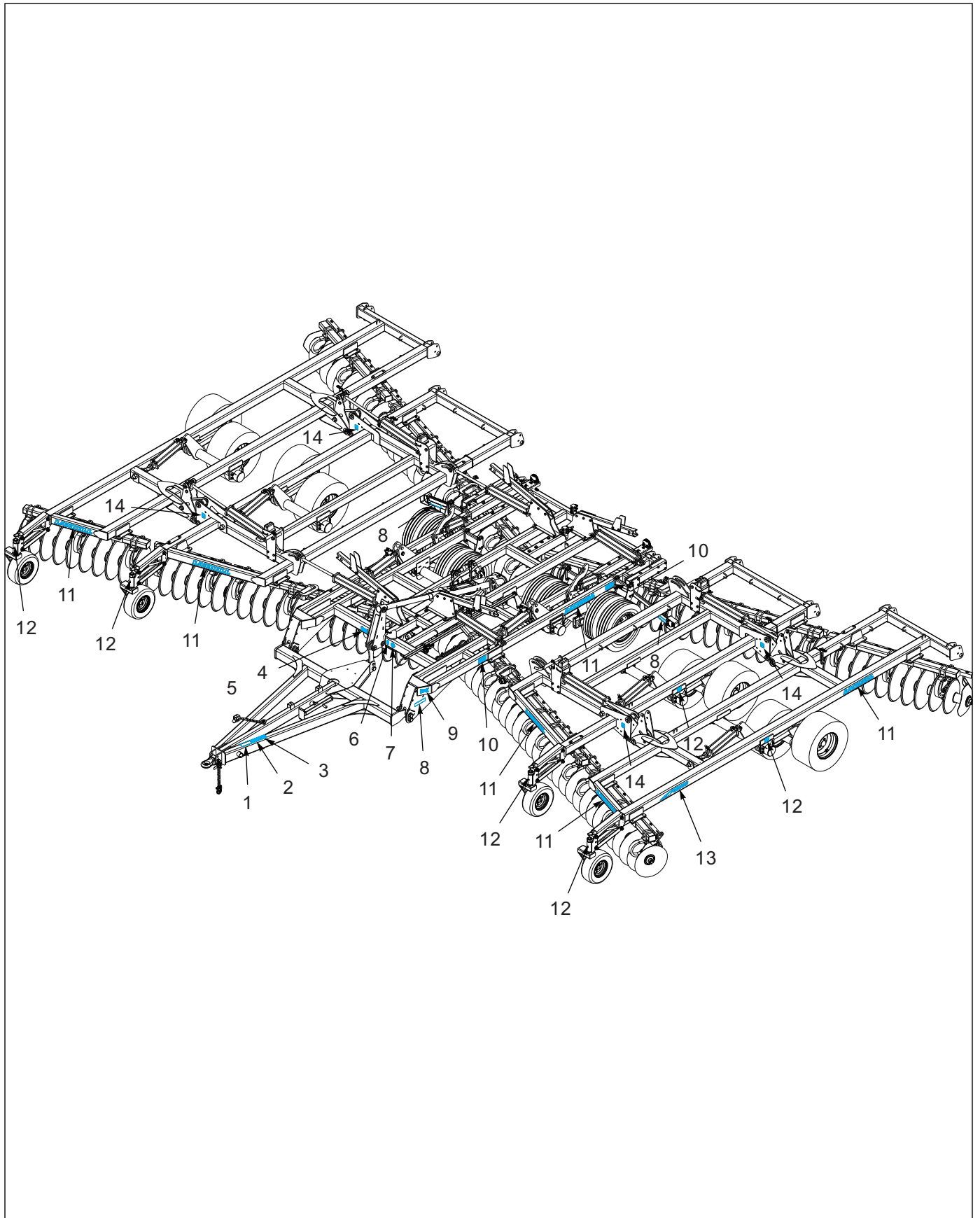


Figure 1-51: Decal Installation Front

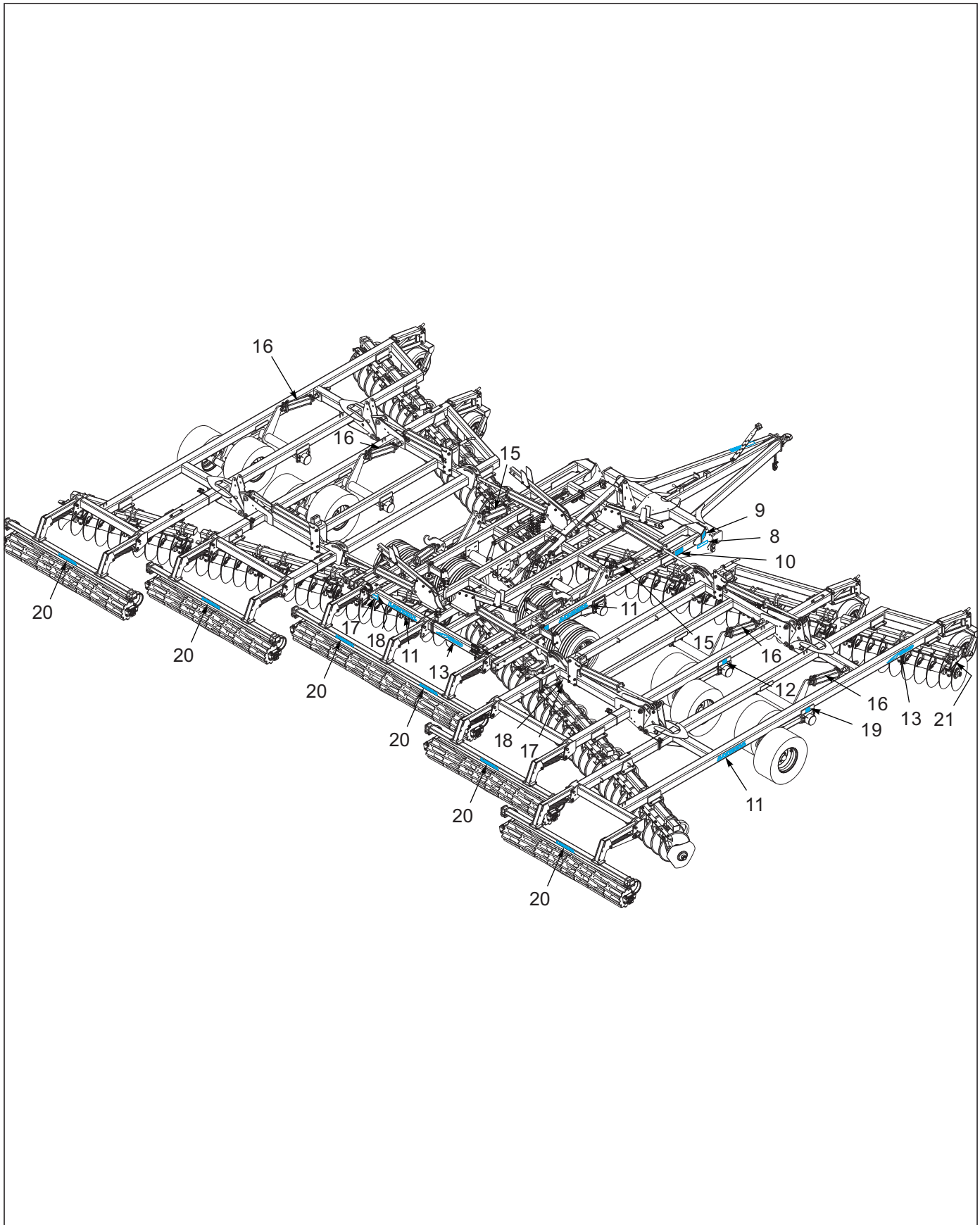


Figure 1-52: Decal Installation Rear

## Decal Installation

ITEM	PART NO.	DESCRIPTION	QTY.
1	8-573-010084	DECAL WARNING BEFORE OPERATG	
2	141597	DECAL, DANGER ELECTROCUTION	
3	155523	DECAL, HOSE IDENTIFICATION	
4	1-573-010006	PLACARD, NAME	
5	156010	RIVET, BLIND .156X1/2 GRIP	
6	2-573-010198	DECAL, MEMBER FEMA	
7	144193	DECAL, SIS 20 MPH	
8	528934	REFLECTOR - YELLOW ( <b>SEE PAGE 1-87 FOR DECAL LOCATION</b> )	
9	141259	DECAL, LANDOLL, YELLOW	
10	2-573-010037	DECAL, DANGER, WING	
11	141260	DECAL, LANDOLL	
12	2-573-010330-03	DECAL, LUBRICATION 50 HOURS	
13	177129	DECAL, MODEL 6250	
14	167566	PATENT RIGHTS RESERVED DECAL	
15	2-573-010150	DECAL MASTER	
16	2-573-010149	DECAL SLAVE	
17	528933	REFLECTOR - RED ( <b>SEE PAGE 1-87 FOR DECAL LOCATION</b> )	
18	528938	STRIPE, ORANGE ( <b>SEE PAGE 1-87 FOR DECAL LOCATION</b> )	
19	2-573-010330-02	DECAL, LUBRICATION 10 HOURS	
20	148337	ATTACHMENT DECAL, LANDOLL	
21	219776	DECAL, GREASE WALKER	

# Attachments

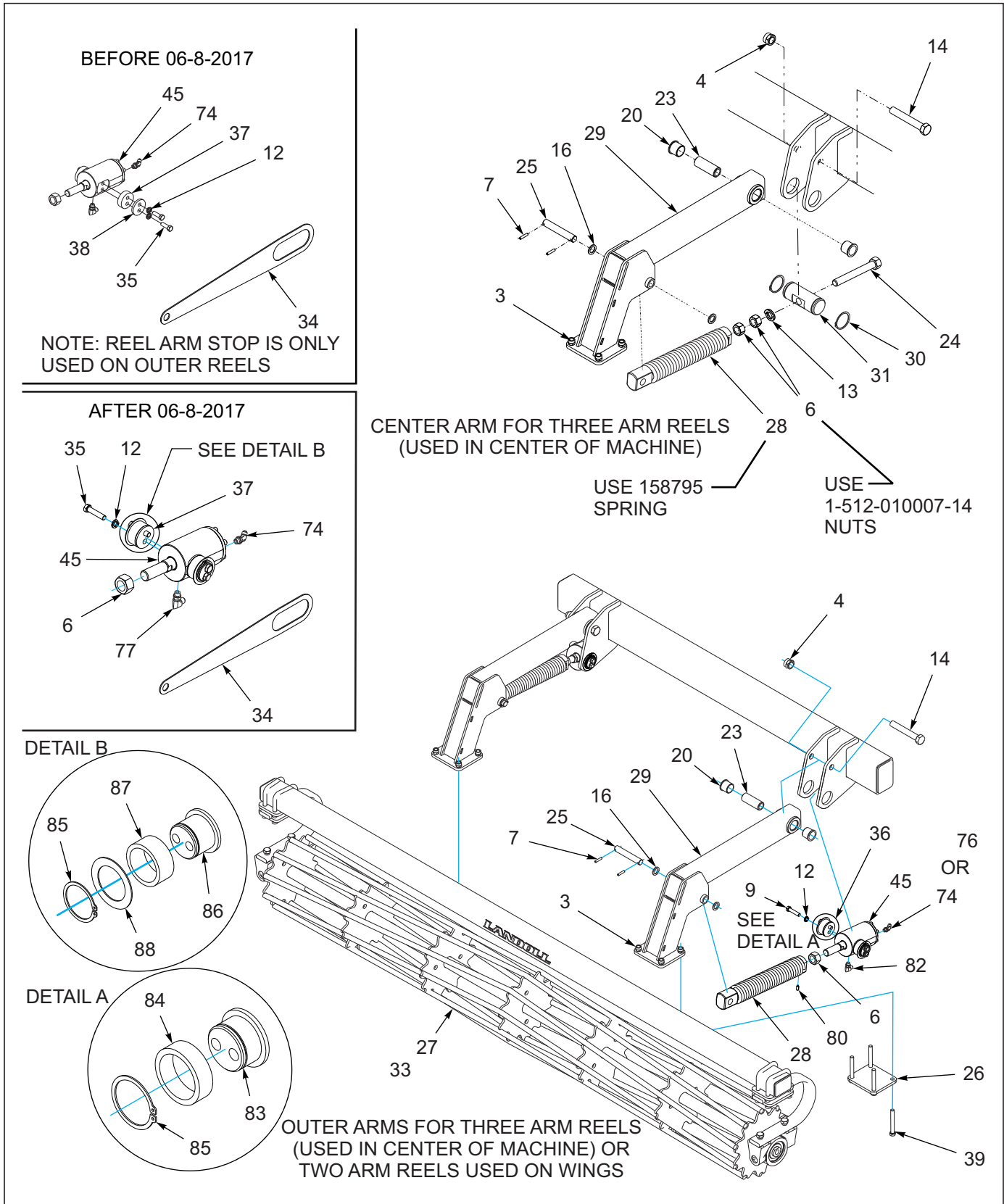


Figure 1-53: Hydraulic Conditioner Reel Assembly (1 of 3)



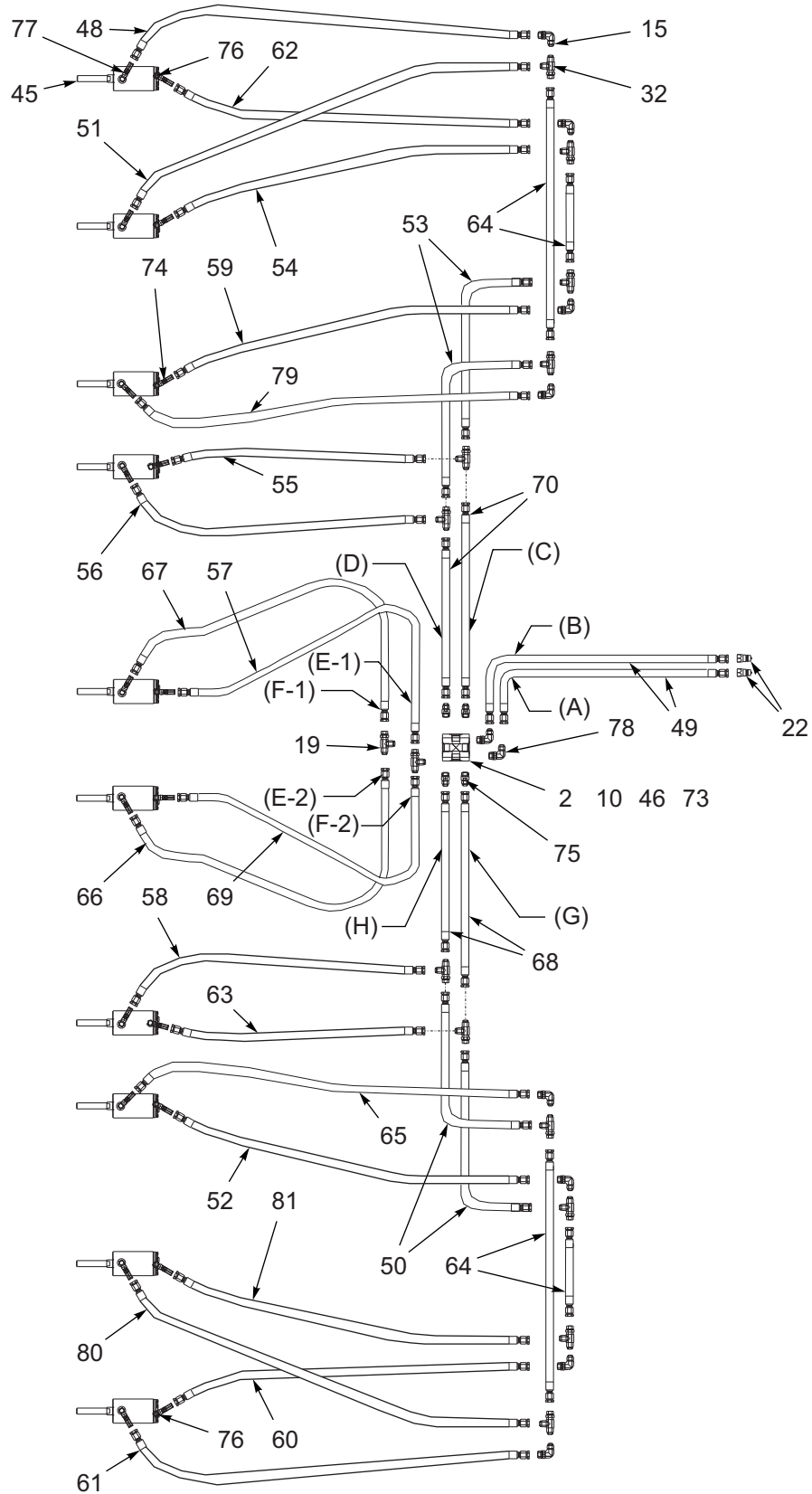
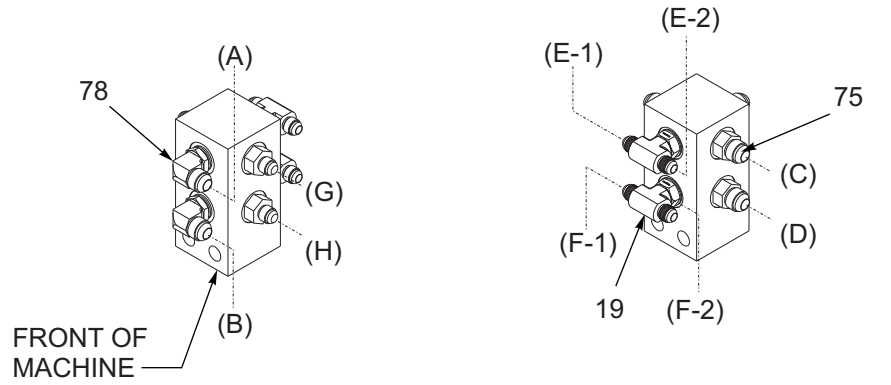


Figure 1-54: Hydraulic Conditioner Reel Assembly (2 of 3)



CENTER MANIFOLD

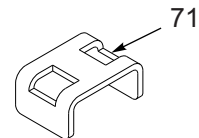
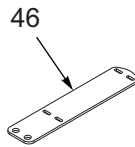
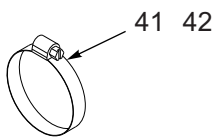
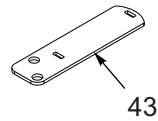
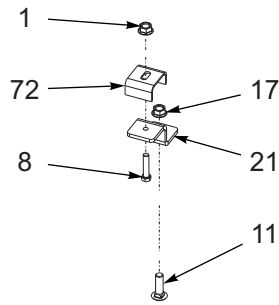


Figure 1-55: Hydraulic Conditioner Reel Assembly (3 of 3)

## Hydraulic Conditioner Reel Assembly

ITEM	PART NO.	DESCRIPTION	QTY.		
--	180125	HYD COND REEL ASSY 6250-40	*		
--	180127	HYD COND REEL ASSY 6250-45		*	
--	180129	HYD COND REEL ASSY 6250-50			*
1	1-510-010001	NUT, FLANGE LOCK 3/8-16	4	4	4
2	1-512-010005-09	NUT, HEX LOCK 1/2-13 GRB	2	2	2
3	1-512-010005-15	NUT, HEX LOCK 3/4-10 GRB <b>(BEFORE 7-1-2019)</b>	110	110	110
3	1-512-010002-16	NUT,3/4-16 HEX,SLFLKG, GRC <b>(AFTER 7-1-2019)</b>			
4	1-512-010005-19	NUT, HEX LOCK 1-8 GRB	11	11	11
5	1-512-010007-07	NUT, HEX 3/8-16 ZP	1	1	1
6	1-512-010007-14	NUT, HEX 1-8 GRB <b>(BEFORE 6-8-2017)</b>	12	12	12
6	206675	NUT, 1-1/8 -12 UNF, Z/P GR 2 <b>(AFTER 6-8-2017)</b>	12	12	12
7	1-647-010004236	SPRING PIN, SLOTTED 5/16 X 1-1/2	22	22	22
8	1-654-010051-07	SCREW, HEX HEAD CAP 3/8-16 X 1-1/2 GR5	4	4	4
9	1-654-010055-03	SCREW, HEX CAP 1/2-13 X 1-1/2 GR5 <b>(BEFORE 2-21-2016)</b>	32	32	32
9	1-654-010055-05	SCREW, HEX CAP, 1/2-13 UNC, GR5 <b>(AFTER 2-21-2016)</b>	32	32	32
10	1-654-010055-11	SCREW, HEX HEAD CAP 1/2-13 X 3-1/2 GR5	2	2	2
11	1-654-010070-03	SCREW, RD HEAD SQ NECK 1/2-13 X 1-1/2	4	4	4
12	1-861-010034-13	WASHER, SPLIT LOCK 1/2	40	40	40
13	1-861-010034-21	WASHER, LKG HEL SPRG 1IN	1	1	1
14	100829	SCREW, HEX HEAD CAP 1-8 X 6-1/2 GR5	11	11	11
15	102-0031	ADAPTER,90 JIC SWIVEL #6	8	8	8
16	117957	MACHINERY BUSHING	22	22	22
17	124971	NUT, HEX FLANGE LOCK 1/2-13	4	4	4
18	129698	SCREW, HEX HEAD CAP 3/8-16 X 4-1/2 GR5	1	1	1
19	139347	ADAPTER, TEE	2	2	2
20	140599	BEARING, FLANGE 1-1/2	22	22	22
21	141275	BRACKET, HOSE CLAMP	4	4	4
22	141828	COUPLER, MALE 3/4-16	2	2	2
23	152209	BUSHING, PIVOT 1-1/2	11	11	11
24	152210	BOLT, ADJUSTMENT1 X 9	1	1	1
25	154392	PIN, PIVOT	11	11	11
26	154748P	PLATE, GANGBAR MOUNT BLUE	11	11	11
27	154686	CONDITIONER REEL/ GANG BAR ASSEMBLY, 91" <b>(SEE PAGE 1-99)</b>	4	--	--
27	180074	CONDITIONER REEL/GANGBAR ASSEMBLY,, 105" <b>(SEE PAGE 1-99)</b>	--	4	--
27	180075	CONDITIONER REEL/ GANG BAR ASSEMBLY, 120" <b>(SEE PAGE 1-99)</b>	--	--	4
28	158795	SPRING ASSEMBLY, 17" <b>(USED WITH 158897) (BEFORE 6-8-2017 WITH 174720)</b>	11	11	11
28	206652	SPRING ASSY 17" 1-1/8 THD <b>(AFTER 6-8-2017)</b>	11	11	11
29	158847	ARM, REEL	11	11	11
30	158896	SNAP RING, 2-1/2 SHAFT	2	2	2
31	158897	PIN, ADJUSTMENT W/ SNAP RING	1	1	1
32	162569	TEE, BULKHEAD RUN	12	12	12
33	165127	CONDITIONER REEL/GANGBAR ASSEMBLY, 156" <b>(SEE PAGE 1-99)</b>	1	1	1
34	167554	STOP, REEL ARM	4	4	4
35	169690	SCREW, HEX HEAD CAP 1/2-13 X 2-1/4 GR5	8	8	8

## Hydraulic Conditioner Reel Assembly

ITEM	PART NO.	DESCRIPTION	QTY.		
36	171074	TRUNNION, CYLINDER (BEFORE 2-21-16)	16	16	16
36	198320	ASSY, TRUNION MOUNT, 1-1/4 (AFTER 2-21-2016) (ITEMS 83-85)	16	16	16
37	172534	TRUNNION, CYLINDER (BEFORE 2-21-2016)	4	4	4
37	198321	ASSY, TRUNION MOUNT, 1-5/8 (AFTER 2-21-2016) (ITEMS 85-88)	4	4	4
38	172535	TRUNNION STOP, CYLINDER (BEFORE 2-21-16)	4	4	4
39	172884	SCREW, HEX HEAD CAP 3/4-10 X 6 GR8 (BEFORE 7-1-2019)	55	55	55
39	1-654-010087-16	SCREW,HEX CAP,3/4-16X5.50 GR8 (AFTER 7-1-2019)			
40	172973	HOSE WRAP, RED (NOT SHOWN)	1	1	1
41	172976	CLAMP, HOSE 4-1/2 - 6-1/2	10	10	10
42	172977	CLAMP, HOSE 2-1/2 - 8-1/2	12	12	12
43	172992	PLATE, BULKHEAD	6	6	6
44	173044	SCREW, ALL THREAD 3/8-16 X 4-1/2	1	1	1
45	174720	CYLINDER, HYDRAULIC 2-1/2 X 1 (SEE PAGE 1-84) (BEFORE 6-8-2017)	10	10	10
45	206670	CYLINDER, HYDRAULIC 2-1/2" X 1" ST 1-1/8THD (SEE PAGE 1-85) (AFTER 6-8-2017)	10	10	10
46	177022	MOUNT, MANIFOLD	1	1	1
47	180131	HOSE KIT, REEL CYLINDER (40') (INCL. ITEMS 48-70)	1	--	--
47	180132	HOSE KIT, REEL CYLINDER (45') (INCL. ITEMS 48-70)	--	1	--
47	180133	HOSE KIT, REEL CYLINDER (50') (INCL. ITEMS 48-70)	--	--	1
48	125648	HOSE ASSEMBLY 1/4 X 108	1	--	--
48	71600529	HOSE ASSEMBLY 1/4 X 120	--	1	--
48	71509787	HOSE ASSEMBLY 1/4 X 148	--	--	1
49	172481	HOSE ASSEMBLY 3/8 X 428	2	2	2
50	71600529	HOSE ASSEMBLY 1/4 X 120	2	--	--
50	71508981	HOSE ASSEMBLY 1/4 X 130	--	2	--
50	71509002	HOSE ASSEMBLY 1/4 X 164	--	--	2
51	7779-72	HOSE ASSEMBLY 1/4 X 72	1	1	--
51	7779-84	HOSE ASSEMBLY 1/4 X 84	--	--	1
52	71500166	HOSE ASSEMBLY 1/4 X 52	1	1	--
52	172979	HOSE ASSEMBLY 1/4 X 60	--	--	1
53	172978	HOSE ASSEMBLY 1/4 X 94	2	--	--
54	7779-102	HOSE ASSEMBLY 1/4 X 102	--	2	--
54	71509001	HOSE ASSEMBLY 1/4 X 137	--	--	2
54	173000	HOSE ASSEMBLY 1/4 X 68	1	1	--
54	71509006	HOSE ASSEMBLY 1/4 X 80	--	--	1
55	176930	HOSE ASSEMBLY 1/4 X 28	1	1	--
55	71509009	HOSE ASSEMBLY 1/4 X 36	--	--	1
56	7779-34	HOSE ASSEMBLY 1/4 X 34	1	1	--
56	71509008	HOSE ASSEMBLY 1/4 X 40	--	--	1
57	71509006	HOSE ASSEMBLY 1/4 X 80	1	1	1
58	7779-48	HOSE ASSEMBLY 1/4 X 48	1	1	--
58	173013	HOSE ASSEMBLY 1/4 X 57	--	--	1
59	71509008	HOSE ASSEMBLY 1/4 X 40	1	1	--
59	172981	HOSE ASSEMBLY 1/4 X 50	--	--	1
60	71600529	HOSE ASSEMBLY 1/4 X 120	1	--	--

## Hydraulic Conditioner Reel Assembly

ITEM	PART NO.	DESCRIPTION	QTY.		
60	71508981	HOSE ASSEMBLY 1/4 X 130	--	1	--
60	149007	HOSE ASSEMBLY 1/4 X 156	--	--	1
61	172980	HOSE ASSEMBLY 1/4 X 125	1	--	--
61	71509001	HOSE ASSEMBLY 1/4 X 137	--	1	--
61	71509002	HOSE ASSEMBLY 1/4 X 164	--	--	1
62	71509123	HOSE ASSEMBLY 1/4 X 104	1	--	--
62	71509124	HOSE ASSEMBLY 1/4 X 116	--	1	--
62	169849	HOSE ASSEMBLY 1/4 X 144	--	--	1
63	172999	HOSE ASSEMBLY 1/4 X 42	1	1	--
63	71500166	HOSE ASSEMBLY 1/4 X 52	--	--	1
64	7779-48	HOSE ASSEMBLY 1/4 X 48	4	4	4
65	173013	HOSE ASSEMBLY 1/4 X 57	1	1	--
65	71509010	HOSE ASSEMBLY 1/4 X 64	--	--	1
66	7779-78	HOSE ASSEMBLY 1/4 X 78	1	1	1
67	7779-84	HOSE ASSEMBLY 1/4 X 84	1	1	1
68	172980	HOSE ASSEMBLY 1/4 X 125	2	2	2
69	172998	HOSE ASSEMBLY 1/4 X 75	1	1	1
70	71600529	HOSE ASSEMBLY 1/4 X 120	2	2	2
71	174784	CLAMP HOSE	20	20	20
72	2-181-010001	HOSE CLAMP	5	5	5
73	2-474-010022	MANIFOLD, HYDRAULIC ASSEMBLY 8 PORT	1	1	1
74	202702-6-6S	ADAPTER, STR	8	8	8
75	202702-8-6S	ADAPTER	4	4	4
76	2061-6-6S	ADAPTER, 45	2	2	2
77	2062-6-6S	ADAPTER, 90	10	10	10
78	2062-8-8S	ADAPTER, 90	2	2	2
79	71500165	HOSE ASSEMBLY 1/4 X 46	1	1	--
79	7779-54	HOSE ASSEMBLY 1/4 X 54	--	--	1
80	7779-90	HOSE ASSEMBLY 1/4 X 90	1	1	--
80	7779-102	HOSE ASSEMBLY 1/4 X 102	--	--	1
81	172568	HOSE ASSEMBLY 1/4 X 86	1	1	--
81	71509004	HOSE ASSEMBLY 1/4 X 98	--	--	1
82	1P444	SET SCREW, 3/8-16 X 3/4 NYLON (AFTER 6-8-2017)	11	11	11
83	191924	TRUNION, CYLINDER	1	1	1
84	191925	TRUNION, BEARING	1	1	1
85	188530	SNAP RING, 2 SHAFT	1	1	1
86	188528	TRUNION, CYLINDER	1	1	1
87	188531	TRUNION, BEARING	1	1	1
88	109895	WASHER,3ODX2-1/16X14GA	1	1	1

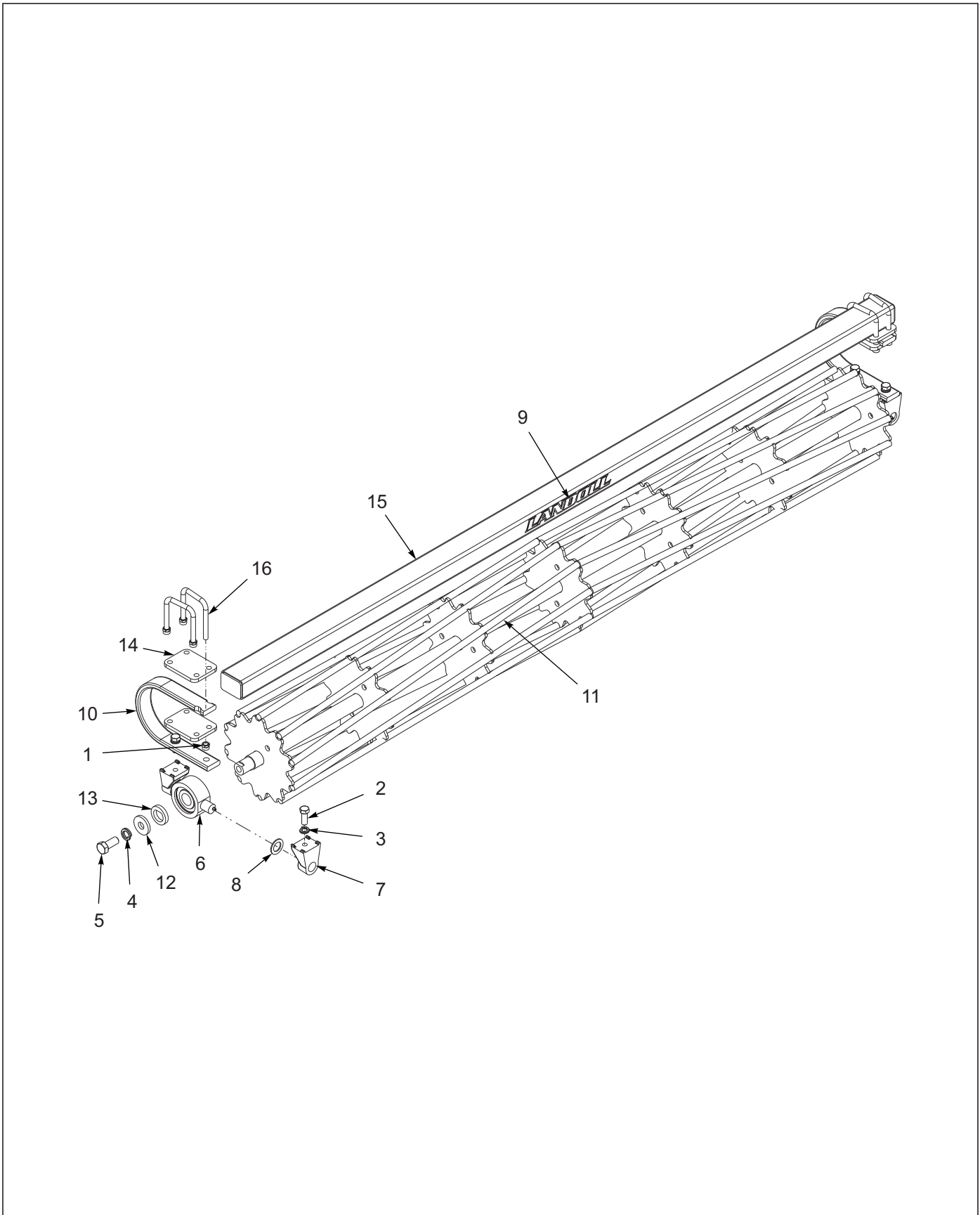


Figure 1-56: Reel/Gang Bar Assembly

## Reel / Gangbar Assembly

ITEM	PART NO.	DESCRIPTION	QTY.
--	154686	COND-REEL/GANGBAR ASSY 91" <b>(40)</b>	
--	165127	COND-REEL/GANGBAR ASSY 156" <b>(ALL MODELS)</b>	
--	180074	COND REEL/GANGBAR ASSY 105" <b>(45')</b>	
--	180075	COND REEL/GANGBAR ASSY 120" <b>(50')</b>	
1	1-512-010005-13	NUT, HEX LOCK 5/8-11 GRB	8
2	1-654-010032-05	SCREW, HEX HEAD CAP 3/4-10 X 2 GR8	4
3	1-861-010034-17	WASHER, SPLIT LOCK 3/4	4
4	1-861-010034-21	WASHER, SPLIT LOCK 1"	2
5	137943	SCREW, HEX HEAD CAP 1-8 X 2-1/4 GR5	2
6	140477	BEARING, DISC 1.775 ID ASSEMBLY	2
7	140479	MOUNT, TRUNNION BEARING	4
8	140480	WASHER, TRUNNION	2
9	148337	ATTACHMENT DECAL, LANDOLL	1
10	153716	SHANK, STRAIGHT 3/4 X 2-1/2	2
11	154691	CONDITIONER REEL, 91" <b>(154686)</b>	1
11	164378	CONDITIONER REEL, 156" <b>(165127)</b>	1
11	180076	CONDITIONER REEL, 105" <b>(180074)</b>	1
11	180077	CONDITIONER REEL, 120" <b>(180075)</b>	1
12	154185	WASHER, 3/8 THICK	2
13	154186	WASHER, FLAT TOP	2
14	154393	PLATE, SHANK MOUNT	4
15	165226	GANG BAR, 166" REEL 156" <b>(165127)</b>	1
15	154658	GANG BAR, 101" REEL 91" <b>(154686)</b>	1
15	180080	GANG BAR, 115" REEL 105" <b>(180074)</b>	1
15	180081	GANG BAR, 120" REEL 130" <b>(180075)</b>	1
16	6-102-010009	U-BOLT	4

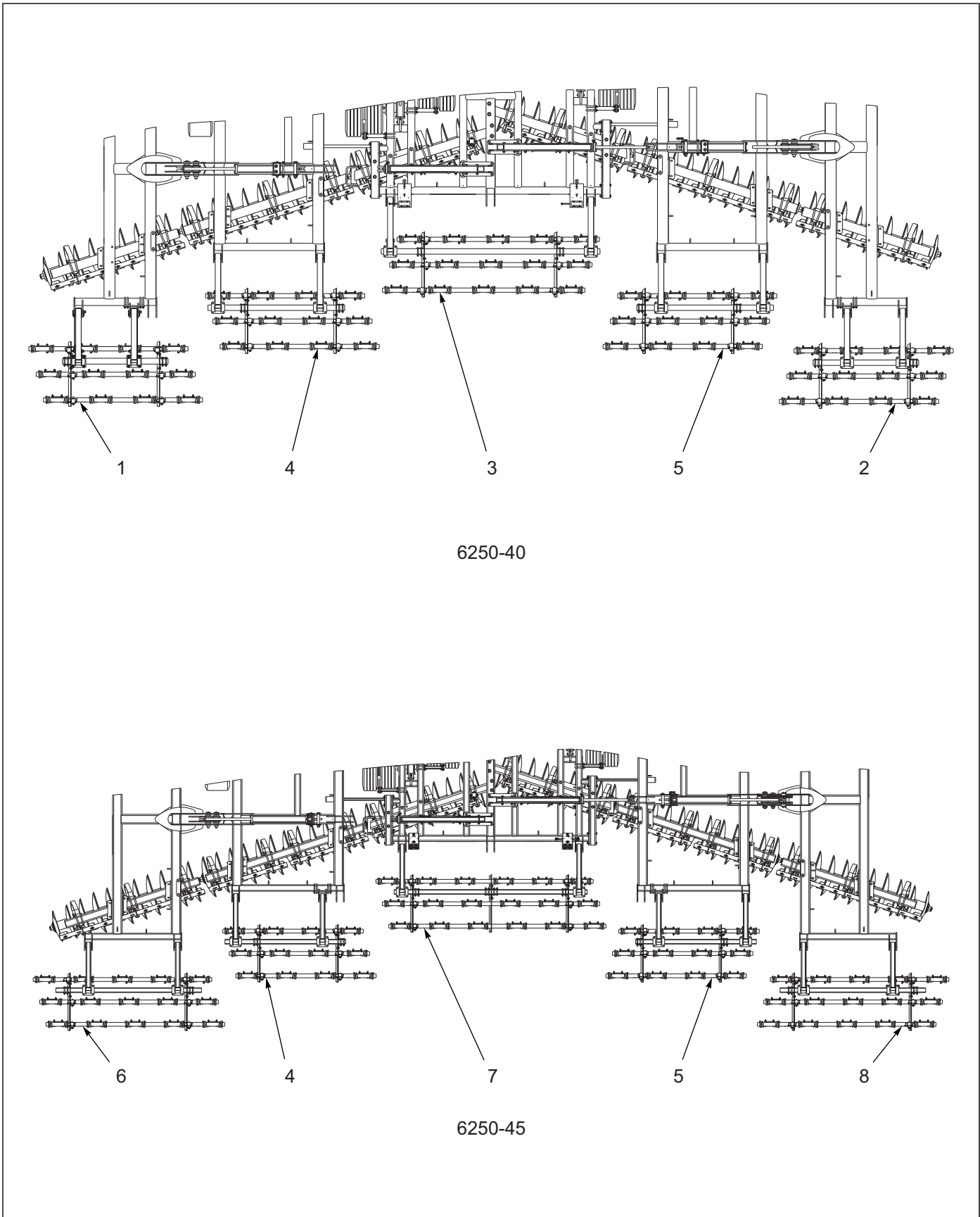
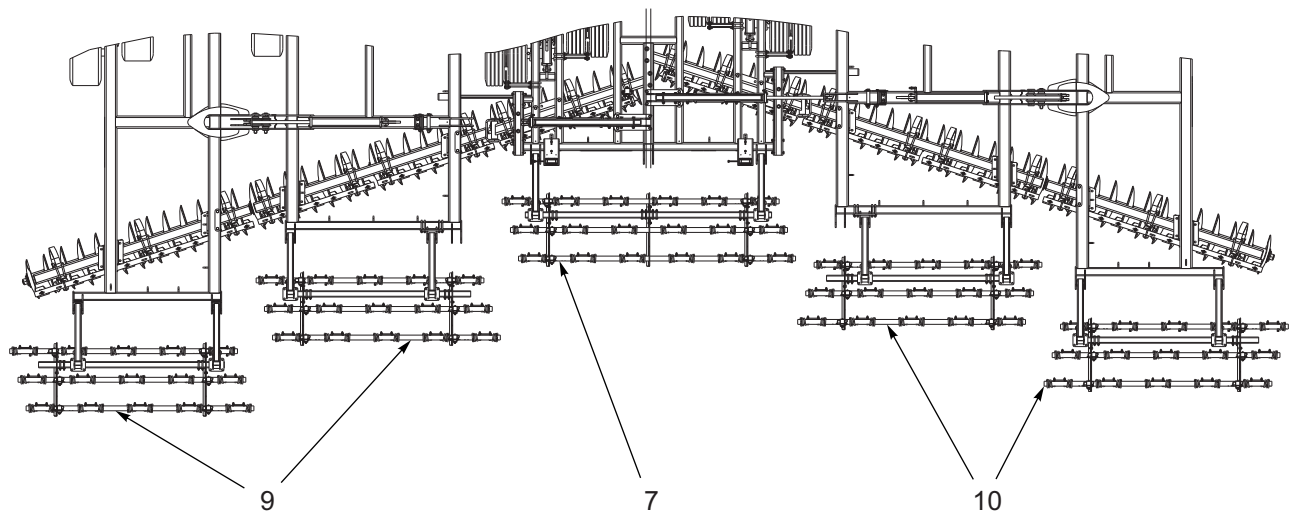


Figure 1-57: Coil Tine Harrow Assembly (1 of 3)





6250-50

Figure 1-58: Coil Tine Harrow Assembly (2 of 3)

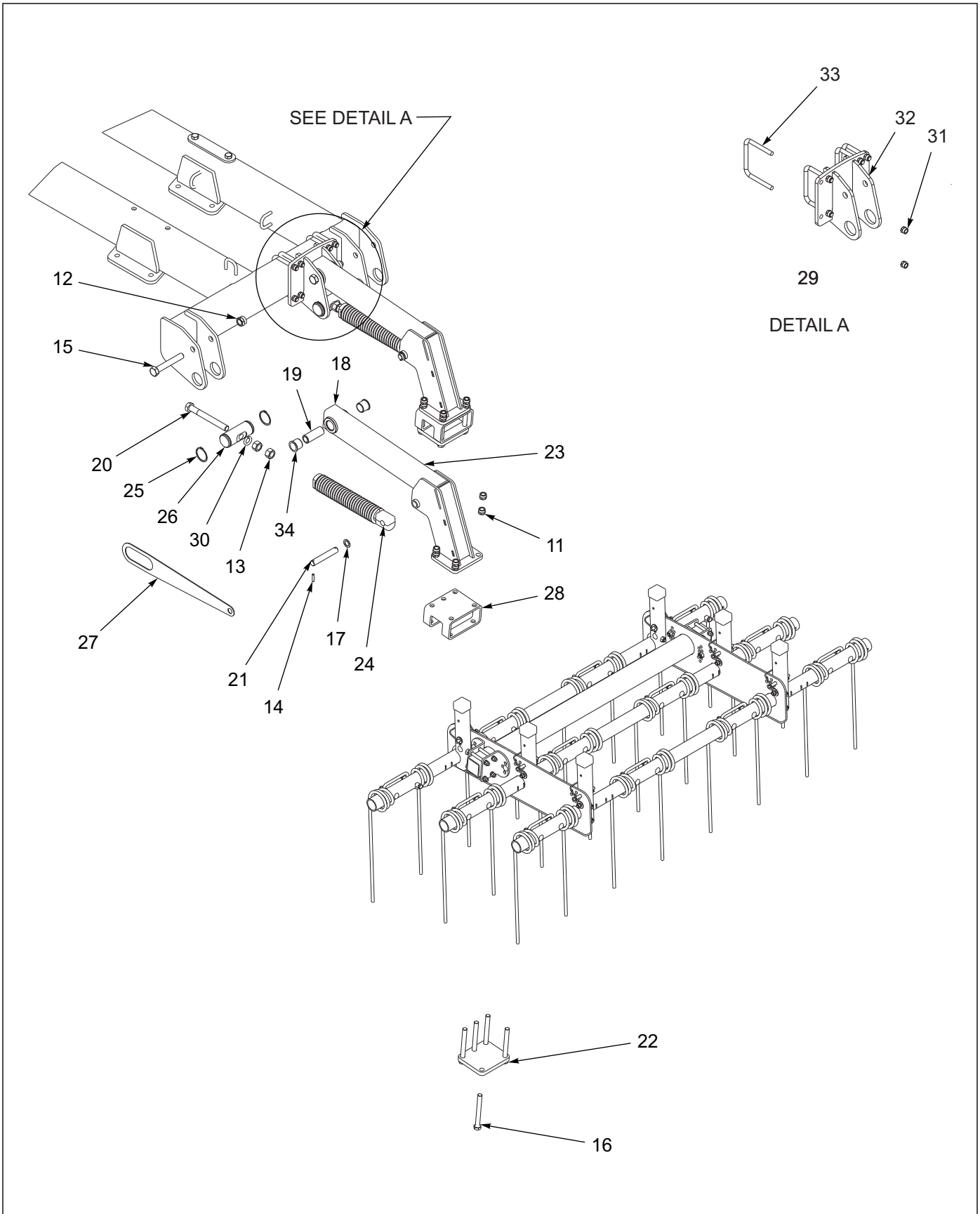


Figure 1-59: Coil Tine Harrow Assembly (3 of 3)

## Coil Tine Harrow Assembly

ITEM	PART NO.	DESCRIPTION	QTY.		
--	180126	COIL TINE ASSY 6250-40	*		
--	180128	COIL TINE ASSY 6250-45		*	
--	180130	COIL TINE ASSY 6250-50			*
1	157121	4 TINE HARROW CENTER ASSY (SEE PAGE 1-107)	1	--	--
2	155954	HARROW ASSY 4 TINE (SEE PAGE 1-109)	1	--	--
3	180154	ASSY, 5 TINE HARROW (SEE PAGE 1-105)	1	--	--
4	180157	ASSY, 4 TINE HARROW (SEE PAGE 1-107)	1	1	--
5	180158	ASSY, 4 TINE HARROW (SEE PAGE 1-109)	1	1	--
6	157120	5 TINE HARROW CENTER ASSY (SEE PAGE 1-107)	--	1	--
7	180153	ASSY, 6 TINE HARROW (SEE PAGE 1-105)	--	1	1
8	155998	HARROW 5 TINE SECTION (SEE PAGE 1-109)	--	1	--
9	180159	ASSY, 5 TINE HARROW (SEE PAGE 1-107)	--	--	2
10	180160	ASSY, 5 TINE HARROW (SEE PAGE 1-109)	--	--	2
11	1-512-010005-15	NUT, HEX LOCK 3/4-10 GRB	100	100	100
12	1-512-010005-19	NUT, HEX LOCK 1-8 GRB	10	10	10
13	1-512-010007-14	NUT, HEX 1-8 GRB	20	20	20
14	1-647-010004236	SPRING PIN, SLOTTED 5/16 X 1-1/2	20	20	20
15	100829	SCREW, HEX HEAD CAP 1-8 X 6-1/2 GR5	10	10	10
16	102209	SCREW HEX HEAD CAP 3/4-10 X 7 GR8	50	50	50
17	117957	MACHINERY BUSHING	16	16	16
18	140599	BEARING, FLANGE 1-1/2	20	20	20
19	152209	BUSHING, PIVOT 1-1/2	10	10	10
20	152210	BOLT, SPRING ADJ. 1 X 9	10	10	10
21	154392	PIN, PIVOT	10	10	10
22	154748P	PLATE, GANGBAR MOUNT	10	10	10
23	158847	ARM, REEL	10	10	10
24	158795	SPRING ASSEMBLY, HEAVY 17"	10	10	10
25	158896	SNAP RING, 2-1/2 SHAFT	20	20	20
26	158897	PIN, ADJUSTMENT W/ SNAP RING	10	10	10
27	167554	STOP, REEL ARM	4	4	4
28	180152	CLAMP	10	10	10
29	180164	COIL TINE MOUNT ASSEMBLY (INCLUDES ITEMS 31-33)	2	2	2
30	1-861-010034-21	WASHER, SPLIT LOCK 1"	10	10	10
31	1-512-010005-13	NUT, HEX LOCK 5/8-11 GRB	8	8	8
32	180161	MOUNT, COIL TINE	1	1	1
33	2-102-010032	U-BOLT	4	4	4
34	140599	BEARING, FLANGE 1-1/2"	20	20	20

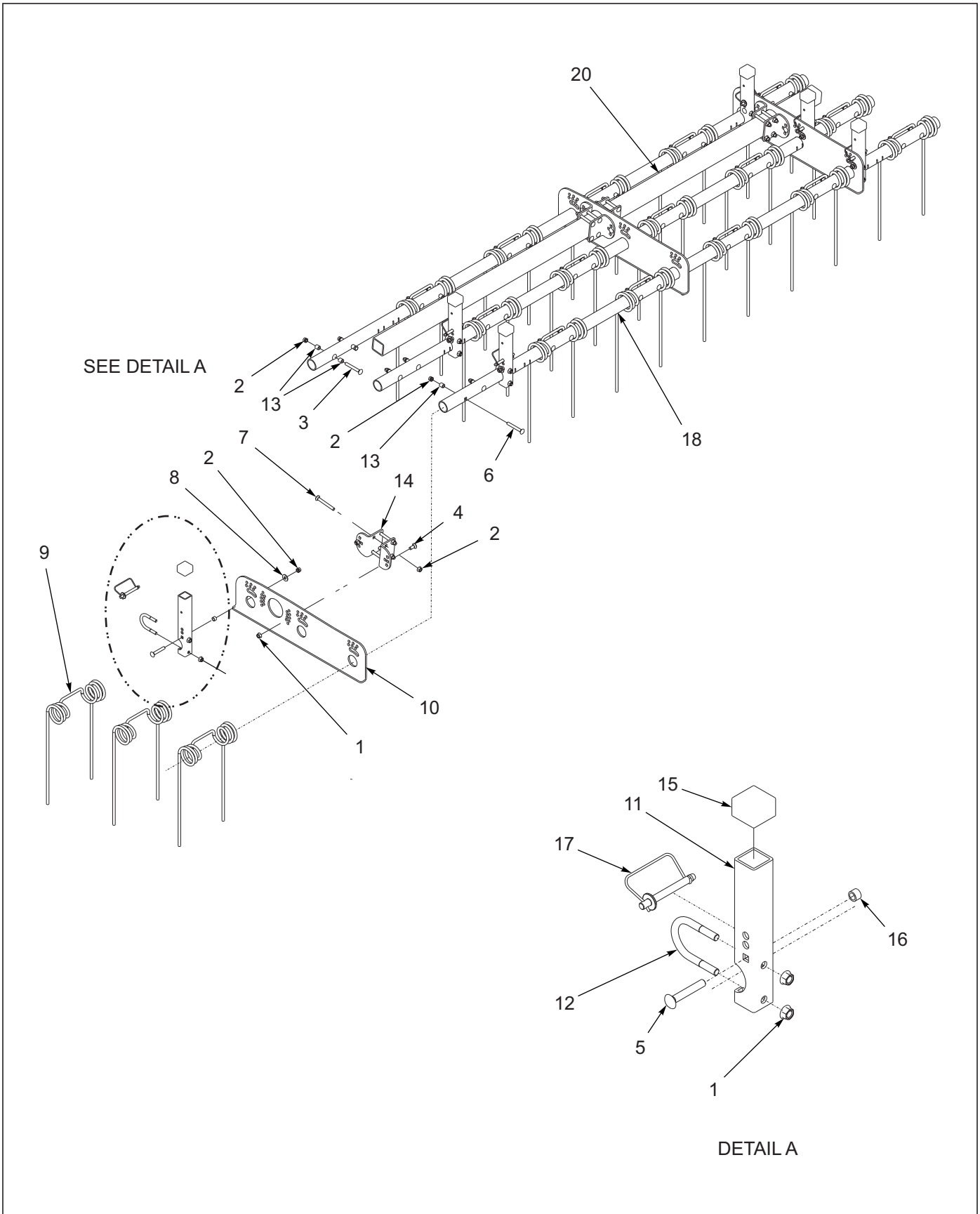


Figure 1-60: Harrow Center Assembly

## Harrow Assembly (Center Frame)

ITEM	PART NO.	DESCRIPTION	QTY.	
--	180153	ASSY, 6 TINE HARROW	*	
--	180154	ASSY, 5 TINE HARROW	*	
1	1-510-010003-09	NUT, FLANGE HD SERRATED 1/2-13	24	34
2	1-512-010005-09	NUT, HEX LOCK 1/2-13 GRB	36	42
3	1-654-010055-14	SCREW, HEX HEAD CAP 1/2-13 X 4-1/2 GR5	5	6
4	1-654-010070-02	SCREW, RD HEAD SQ NECK 1/2-13 X 1-1/4	4	4
5	1-654-010070-11	SCREW, RDHD, SQNCK 1/2-13X3-1/2	6	6
6	1-654-010070-13	SCREW, RD HEAD SQ NECK 1/2-13 X 4	25	30
7	1-654-010070-14	SCREW, RD HEAD SQ NECK 1/2-13 X 4-1/2	8	16
8	1-861-010032-15	WASHER, FLAT 1/2W	6	6
9	154532	TINE, HARROW SPRING	15	18
10	154993	PLATE, GANG BAR	2	3
11	154994	TUBE, ANGLE ADJUST	6	6
12	154995	U-BOLT, 1/2	6	6
13	154997	BUSHING, TINE RETAINER	35	42
14	154998	PLATE, ANGLE ADJUSTMENT	4	8
15	155927	CAP, TUBE 1.95 X 1.5	6	6
16	155956	BUSHING, ANGLE ADJUSTMENT	6	6
17	155971	PIN, SPRING CLIP	6	6
18	155972	GANG BAR, 5 TINE 111"	3	
18	154990	GANG BAR, 6 TINE 135"	--	3
19	1-654-010070-03	SCREW, RD HEAD SQ NECK 1/2-13 X 1-1/2 <b>(NOT SHOWN)</b>	--	2
20	180155	TUBE, RIDE BAR 120"	1	1

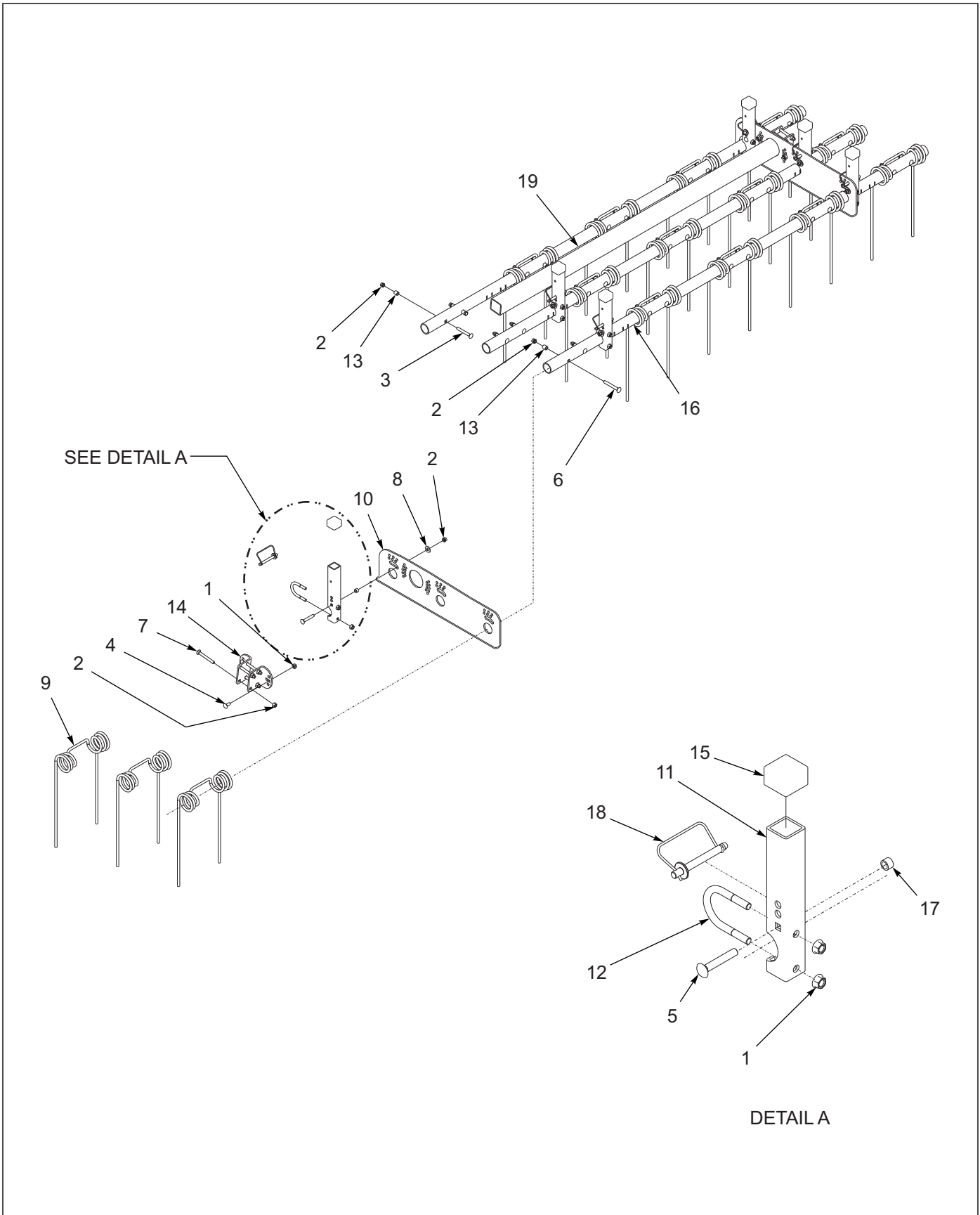


Figure 1-61: Harrow Assembly (Left Wings)

## Harrow Assembly (Left Wings)

ITEM	PART NO.	DESCRIPTION	QTY.			
--	157120	5 TINE HARROW CENTER ASSY	*			
--	157121	4 TINE HARROW CENTER ASSY		*		
--	180157	ASSY, 4 TINE HARROW			*	
--	180159	ASSY, 5 TINE HARROW				*
1	1-510-010003-09	NUT, FLANGE HD SERRATED 1/2-13	24	16	16	24
2	1-512-010005-09	NUT, HEX LOCK 1/2-13 GRB	36	38	37	36
3	1-654-010055-14	SCREW, HEX HEAD CAP 1/2-13 X 4-1/2 GR5	5	4	4	5
4	1-654-010070-02	SCREW, RD HEAD SQ NECK 1/2-13 X 1-1/4	4	4	4	4
5	1-654-010070-11	SCREW, RDHD, SQNCK 1/2-13X3-1/2	6	6	6	6
6	1-654-010070-13	SCREW, RD HEAD SQ NECK 1/2-13 X 4	25	20	20	25
7	1-654-010070-14	SCREW, RD HEAD SQ NECK 1/2-13 X 4-1/2	8	8	8	8
8	1-861-010032-15	WASHER, FLAT 1/2W	6	6	3	6
9	154532	TINE, HARROW SPRING	15	12	12	15
10	154993	PLATE, GANG BAR	2	2	2	2
11	154994	TUBE, ANGLE ADJUST	6	6	6	6
12	154995	U-BOLT, 1/2	6	6	6	6
13	154997	BUSHING, TINE RETAINER	35	28	28	35
14	154998	PLATE, ANGLE ADJUSTMENT	4	4	4	4
15	155927	CAP, TUBE 1.95 X 1.5	6	6	6	6
16	155972	GANG BAR, 5 TINE 111"	3	--	--	3
16	155953	GANG BAR, 4 TINE 87-1/4"	--	3	3	--
17	155956	BUSHING, ANGLE ADJUSTMENT	4	6	6	6
18	155971	PIN, SPRING CLIP	6	6	6	6
19	156777	TUBE, RIDE BAR 57-7/8"	--	1	--	--
19	156778	TUBE, RIDE BAR 90-1/2"	1	--	--	1
19	180156	TUBE, RIDE BAR 75"	--	--	1	--

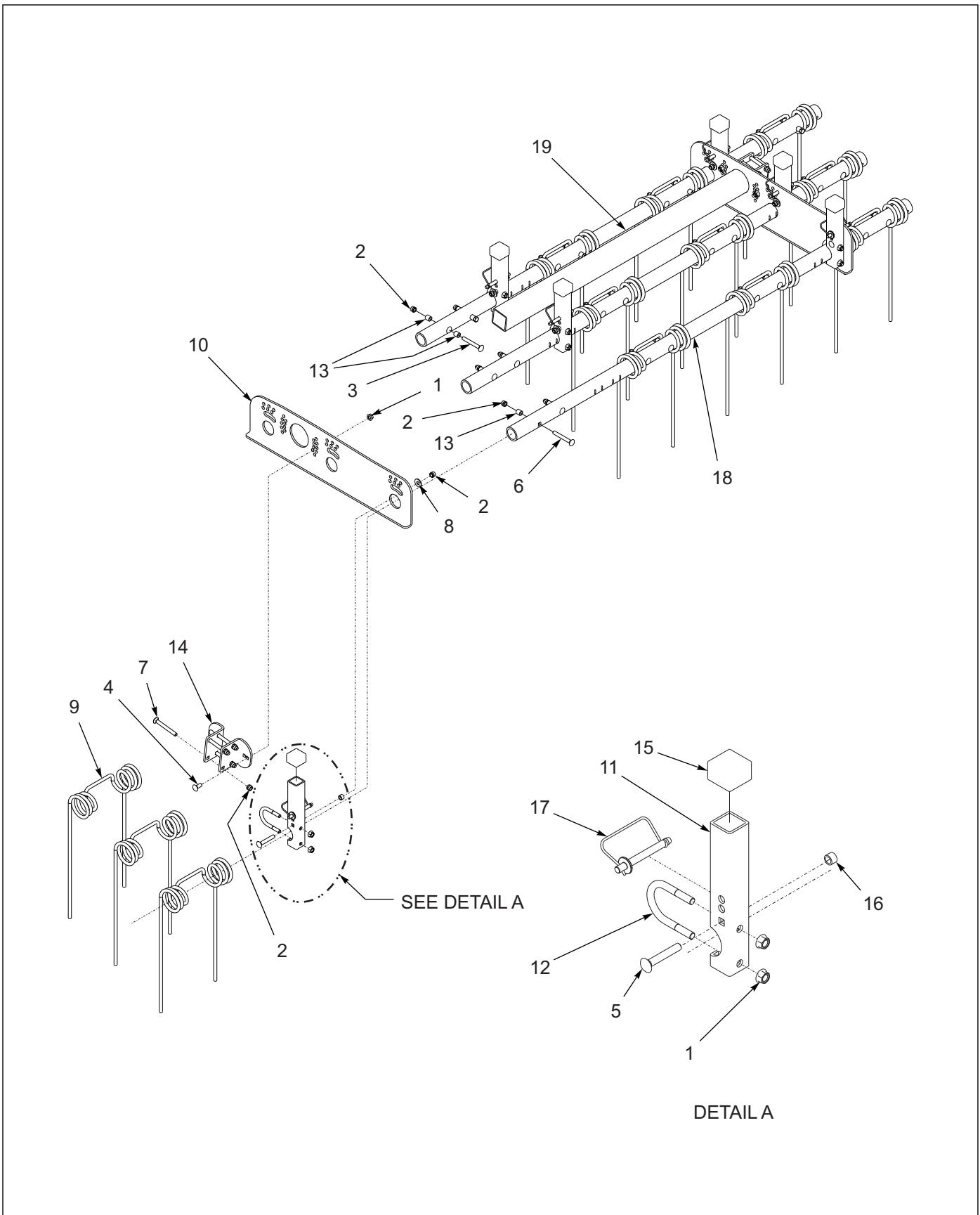


Figure 1-62: Harrow Assembly (Right Wings)



## Harrow Assembly (Right Wings)

ITEM	PART NO.	DESCRIPTION	QTY.			
--	180158	ASSY, 4 TINE HARROW	*			
--	155954	HARROW ASSY 4 TINE		*		
--	155998	HARROW 5 TINE SECTION			*	
--	180160	ASSY, 5 TINE HARROW				*
1	1-510-010003-09	NUT, FLANGE HD SERRATED 1/2-13	16	16	24	24
2	1-512-010005-09	NUT, HEX LOCK 1/2-13 GRB	38	38	36	36
3	1-654-010055-14	SCREW, HEX HEAD CAP 1/2-13 X 4-1/2 GR5	4	4	5	5
4	1-654-010070-02	SCREW, RD HEAD SQ NECK 1/2-13 X 1-1/4	4	4	4	4
5	1-654-010070-11	SCREW, RDHD, SQNCK 1/2-13X3-1/2	6	6	6	6
6	1-654-010070-13	SCREW, RD HEAD SQ NECK 1/2-13 X 4	20	20	25	25
7	1-654-010070-14	SCREW, RD HEAD SQ NECK 1/2-13 X 4-1/2	8	8	8	8
8	1-861-010032-15	WASHER, FLAT 1/2W	6	6	6	6
9	154532	TINE, HARROW SPRING	12	12	15	15
10	154993	PLATE, GANG BAR	2	2	2	2
11	154994	TUBE, ANGLE ADJUST	6	6	6	6
12	154995	U-BOLT, 1/2	6	6	6	6
13	154997	BUSHING, TINE RETAINER	28	28	35	35
14	154998	PLATE, ANGLE ADJUSTMENT	4	4	4	4
15	155927	CAP, TUBE 1.95 X 1.5	6	6	6	6
16	155956	BUSHING, ANGLE ADJUSTMENT	6	6	6	6
17	155971	PIN, SPRING CLIP	6	6	6	6
18	155972	GANG BAR, 5 TINE 111"	--	--	3	3
18	155953	GANG BAR, 4 TINE 87-1/4"	3	3	--	--
19	156778	TUBE, RIDE BAR 90-1/2"	--	--	1	1
19	156977	TUBE, RIDE BAR 57-7/8"	--	1	--	--
19	180156	TUBE, RIDE BAR 75"	1	--	--	--

# Rear Hitch Assemblies

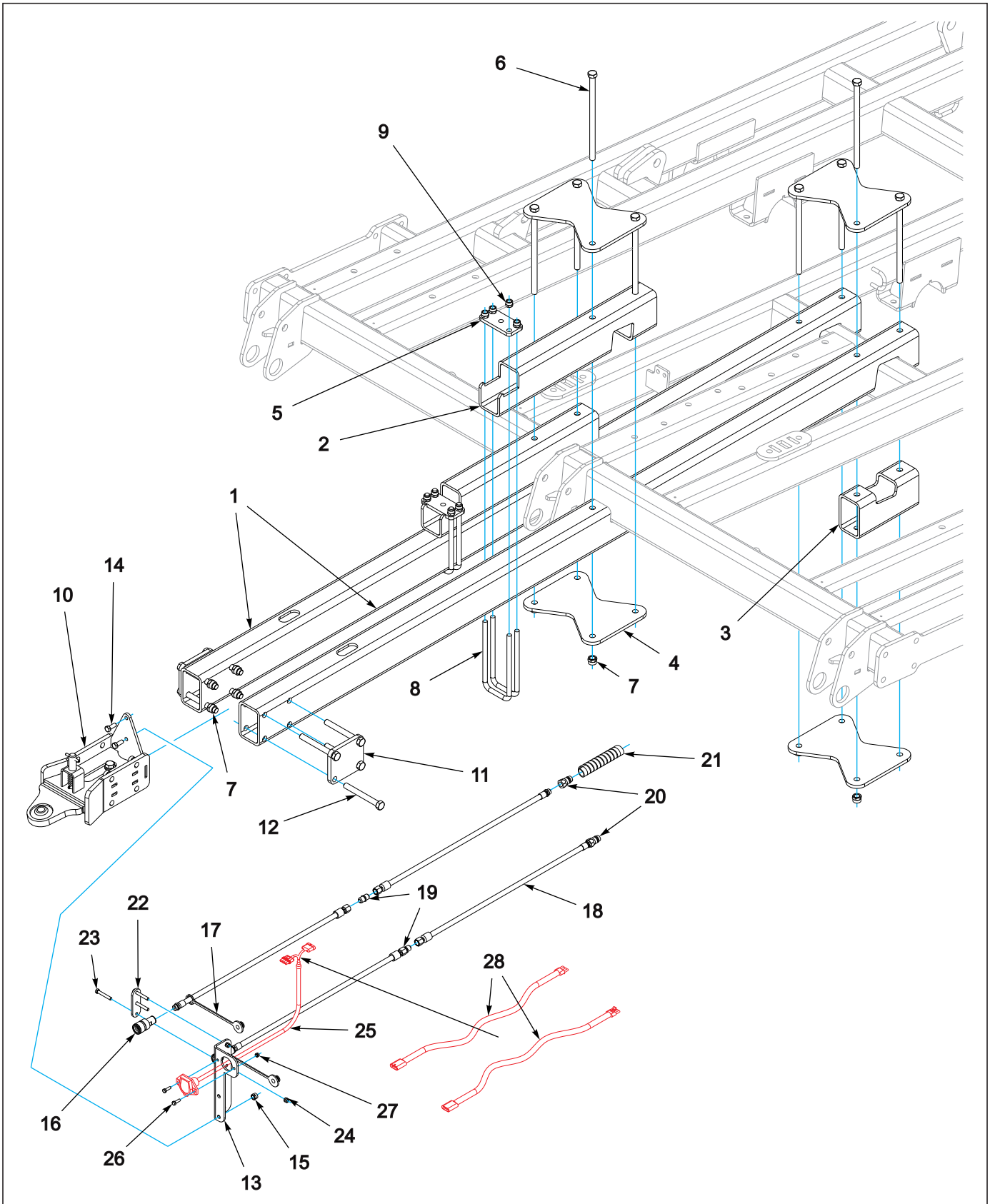


Figure 1-63: Rear Tow Hitch Assembly - Short - Fits all 6250 Models

## Rear Tow Hitch Assembly - Short - Fits All 6250 Models

ITEM	PART NO.	DESCRIPTION	QTY.
--	183752	ASSY, SHORT TOW HITCH 6250	
1	183745	TUBE, HITCH 6250	2
2	183746	TUBE, HITCH BRACE-6250	2
3	183748	TUBE, HITCH 6250	2
4	183747	PLATE, CLAMP	4
5	176992	CLAMP, PLATE	2
6	155965	SCREW HX CP 3/4-10UNCX14 GR5B	8
7	1-512-010005-15	NUT,HEX,SLFLKG GRB 3/4-10	16
8	158841	U-BOLT,5/8X4-11/16X10-3/4	4
9	1-512-010005-13	NUT,HEX SLFLKG GRB 5/8-11	8
10	167632	ASSY REAR TOW ( <b>SEE PAGE 1-115</b> )	1
11	167612P	PLATE HITCH	2
12	100855	SCREW, HHCS,3/4-10X6-1/2 GR5	8
13	142670	BRACKET COUPLER MOUNT	1
14	1-654-010055-02	SCREW 1/2-13UNCX1-1/4 CP GR5	2
15	1-512-010005-09	NUT,HEX,SLFLKG, 1/2-13 GRB	2
16	142668	COUPLER FEMALE 3/4-16 O-RING	2
17	142669	PLUG, COUPLER DUST	2
18	176997	HOSE 3/8 X 240, #8JIC X #8OR	4
19	148338	FITTING, UNION SAE 37 8X8	2
20	141828	COUPLER,MALE 3/4-16 O-RING	2
21	155530	HOSE WRAP, BLACK 1" ID X 8"	1
22	142671	PLATE, COUPLER	1
23	1-654-010051-11	SCREW HX CP 3/8-16X2-1/2 G5ZP	3
24	1-512-010005-05	NUT, HEX, SLFLKG GRB 3/8-16	3
25	143871	HARNESS, TANDEM ADAPTER	1
26	1-654-010049-05	SCREW HX CP 5/16-18UNCX1 GR5	2
27	1-512-010005-03	NUT HEX SLFLKG GRB 5/16-18	2
28	2-368-010273	HARNESS, 34 INCH EXT	2

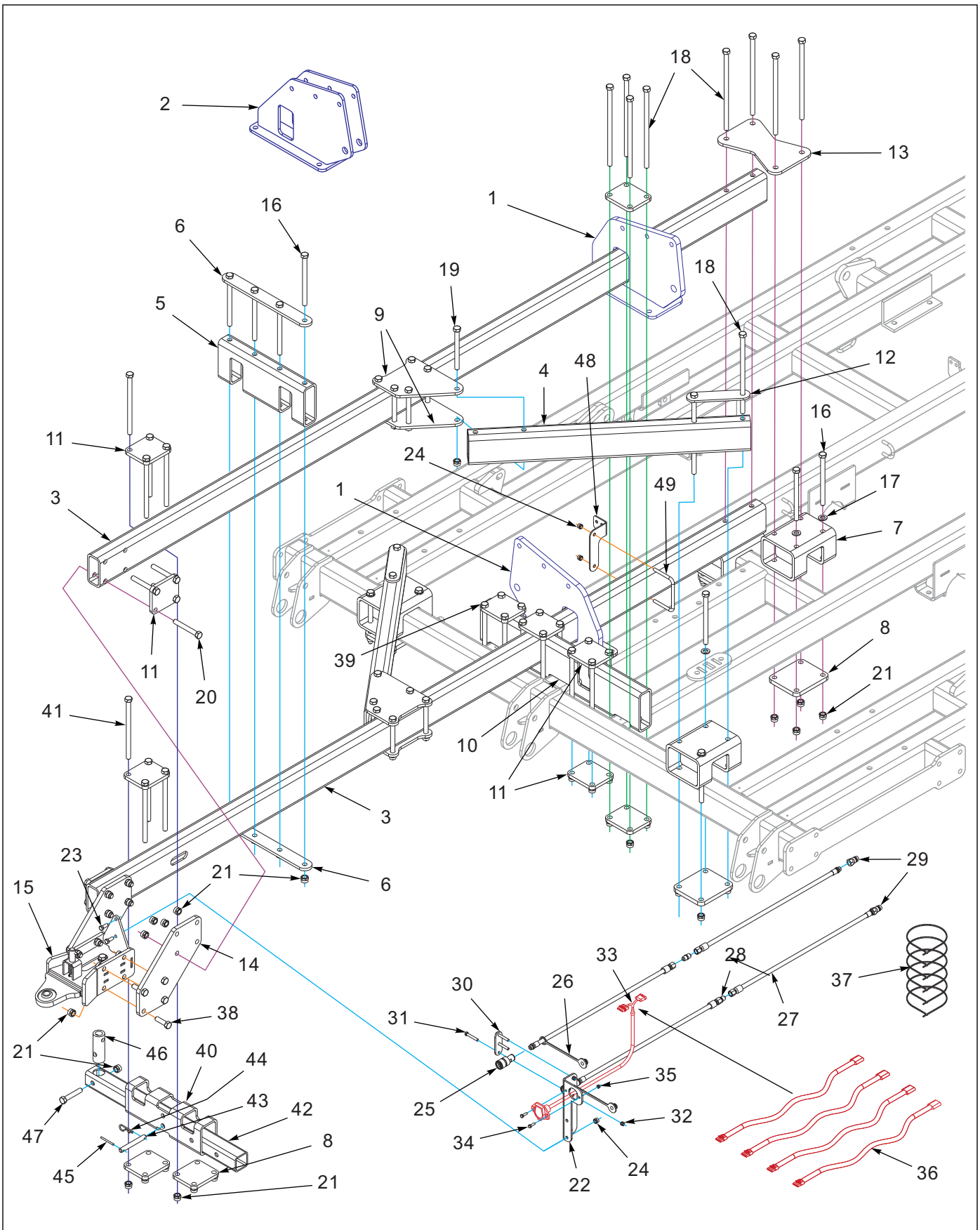


Figure 1-64: Rear Tow Hitch Assembly - Long

## Rear Tow Hitch Assembly - Long

ITEM	PART NO.	DESCRIPTION	QTY.
--	191000	ASSY, LONG TOW 6250-50	
--	207879	ASSY, LONG TOW 6250-40/45	
1	191921	MOUNT WLD FOLD4-1/2CYL W/HITCH (6250-50')	2
2	207880	MOUNT WLDMT FOLD-STAB W/HITCH (6250-40'/45')	2
3	190990	TUBE, HITCH	2
4	190992	TUBE, HITCH BRACE (6250-45'/50' QTY. 2) (6250-40' QTY. 1)	--
4	228203	TUBE, HITCH BRACE SHORT (6250-40' RIGHT SIDE QTY. 1)	--
5	190998	TUBE, HITCH BRACE	1
6	190999	PLATE, CLAMP	2
7	190993	TUBE, HITCH BRACE	4
8	190996	PLATE, HITCH	4
9	190994	PLATE, CLAMP	4
10	190991	TUBE, HITCHMOUNT	1
11	167612P	PLATE HITCH	14
12	170292	PLATE, CLAMP	2
13	190995	PLATE, CLAMP	1
14	190997	PLATE, HITCH	2
15	167632	ASSY REAR TOW (SEE PAGE 1-115)	1
16	1-654-010061-25	SCREW,HX CP 3/4-10UNCX10 GR5	12
17	622-3511-008	WASHER, FLAT 3/4 MIL-CARB SAE	8
18	167637	SCREW HEX CAP 3/4 IOUNC GR5	16
19	1-654-010061-21	SCREW,HX CP,3/4-10UNCX8	12
20	1-654-010061-16	SCREW 3/4-10UNCX5-1/2 HXCP G5	8
21	1-512-010005-15	NUT,HEX,SLFLKG GRB 3/4-10	73
22	142670	BRACKET COUPLER MOUNT	1
23	1-654-010055-02	SCREW 1/2-13UNCX1-1/4 CP GR5	2
24	1-512-010005-09	NUT,HEX,SLFLKG, 1/2-13 GRB	4
25	142668	COUPLER FEMALE 3/4-16 O-RING	2
26	142669	PLUG, COUPLER DUST	2
27	158295	HOSE ASSY 3/8X255 #8JICX#8OR	4
28	148338	FITTING, UNION SAE 37 8X8	2
29	141828	COUPLER,MALE 3/4-16 O-RING	2
30	142671	PLATE, COUPLER	1
31	1-654-010051-11	SCREW HX CP 3/8-16X2-1/2 G5ZP	3
32	1-512-010005-05	NUT, HEX, SLFLKG GRB 3/8-16	3
33	143871	HARNESS, TANDEM ADAPTER	1
34	1-654-010049-05	SCREW HX CP 5/16-18UNCX1 GR5	2
35	1-512-010005-03	NUT HEX SLFLKG GRB 5/16-18	2
36	2-368-010273	HARNESS, 34 INCH EXT	4
37	105874	TIE,STRAP PLSTC 21.5-24X.301	6
38	104483	SCREW 3/4-10X2-1/2 HXCP ZPGR8	8
39	100809	SCREW,HEX CAP,3/4-10X11-1/2G5	8
40	221251	MOUNT, HITCH JACK	1
41	155345	SCREW HX CP 3/4-10UNCX12 GR5	8
42	212827	TUBE, REAR JACK	1
43	2-557-010409	PIN, WING LOCK	1
44	1-557-010013	PIN, HAIR 3/16 DIA	1
45	0600-250-03000	1/4X3 ROLL PIN ZP	1
46	156957	TUBE JACK MOUNT	1

---

## Rear Tow Hitch Assembly - Long

---

ITEM	PART NO.	DESCRIPTION	QTY.
47	1-654-010061-13	SCREW,HX CP 3/4-10UNCX4 GR5	1
48	221231	MOUNT, MANIFOLD	1
49	2-102-010051	U-BOLT, WING REST	1

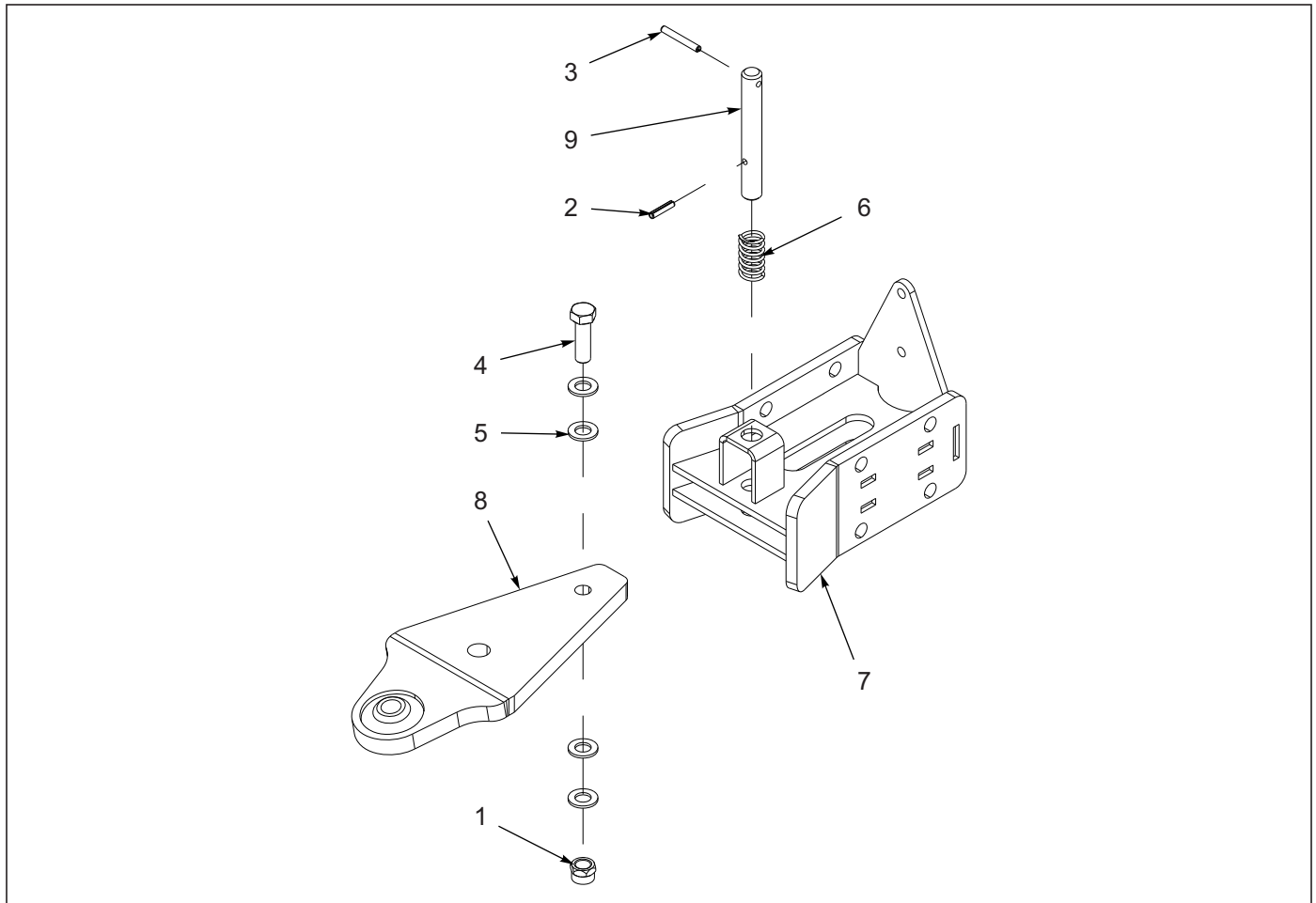


Figure 1-65: Rear Tow Hitch Assembly

## Rear Tow Assembly

ITEM	PART NO.	DESCRIPTION	QTY.
--	167632	REAR TOW ASSEMBLY	
1	1-512-010005-15	NUT HEX LOCK 3/4-10 GRB	36
2	1-647-010004236	SPRING PIN, SLOTTED 5/16 X 1-1/2	22
3	1-647-010004240	PIN, SPRING SLOTTED 5/16 X 2-1/2	4
4	1-654-010061-07	SCREW, HEX HEAD CAP 3/4-10 X 2-1/2 GR5	18
5	1-861-010032-20	WASHER, FLAT 3/4 N	4
6	162191	SPRING, COMP 1.218 X 2.5	1
7	167628	HITCH, REAR TOW	1
8	168771	HITCH, REAR TOW	1
9	168773	PIN, REAR TOW HITCH	1

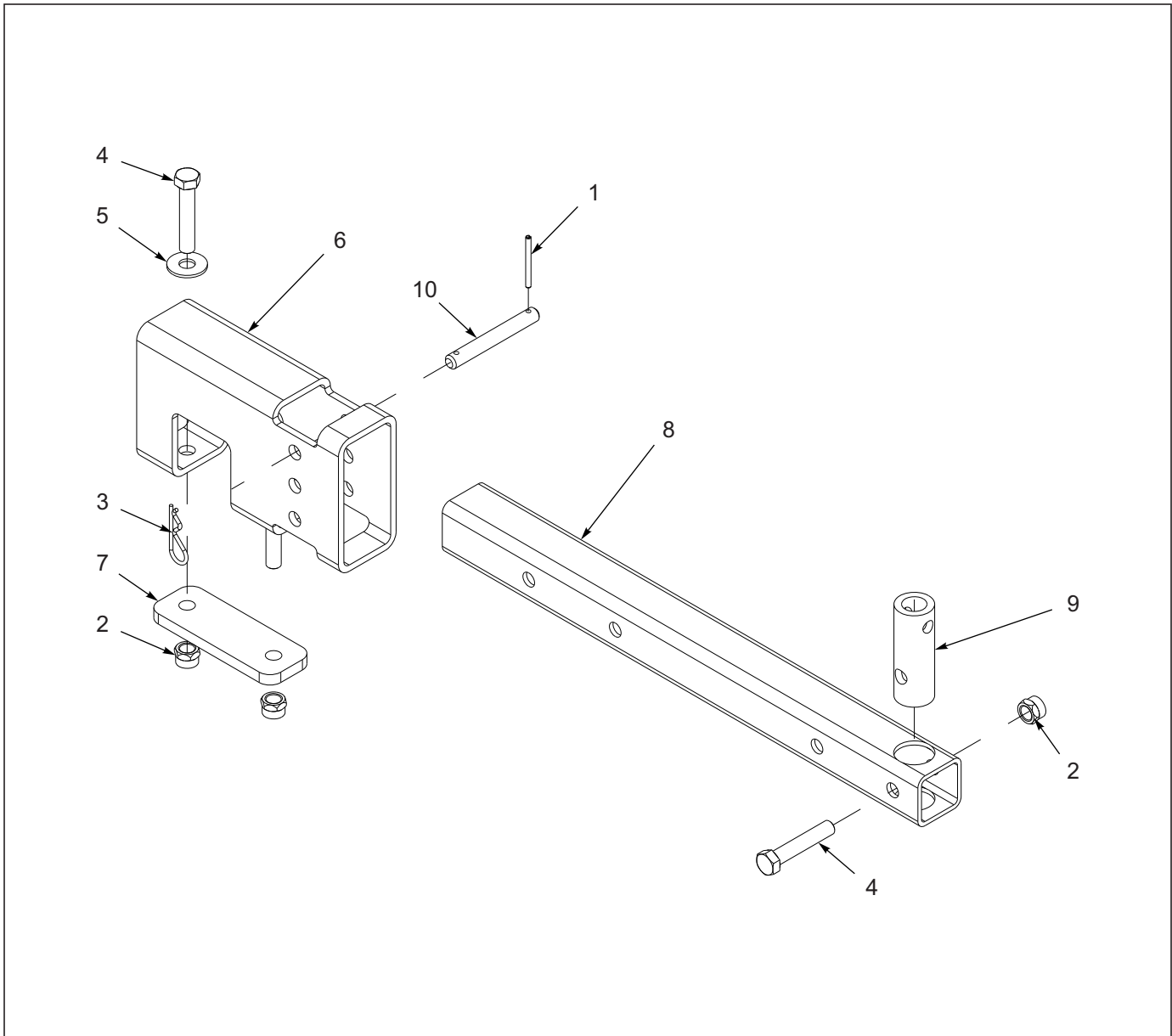


Figure 1-66: Rear Jack Assembly

## Rear Jack Assembly

ITEM	PART NO.	DESCRIPTION	QTY.
--	156953	REAR JACK MOUNT	
1	0600-250-03000	1/4X3 ROLL PIN ZP	1
2	1-512-010005-15	NUT,HEX,SLFLKG GRB 3/4-10	3
3	1-557-010013	PIN, HAIR 3/16 DIA	1
4	1-654-010061-13	SCREW,HX CP 3/4-10UNCX4 GR5	3
5	1-861-010032-21	WASHER, FLAT 3/4 W ZP/CD	2
6	156954	MOUNT, REAR JACK	1
7	156955	PLATE, REAR JACK	1
8	156956	SQ TUBE, REAR JACK	1
9	156957	TUBE JACK MOUNT	1
10	2-557-010409	PIN, WING LOCK	1



**Numerics**

006-115-00 .....	1-13, 1-15	107491 .....	1-5
010600382 .....	1-77, 1-78	1-076-010007 .....	1-37
0600-250-01250 .....	1-9	1-076-010010 .....	1-37, 1-45
0600-250-03000 .....	1-113, 1-116	1-076-010012 .....	1-45
100000328 .....	1-81	108628 .....	1-7
100000362 .....	1-82	109895 .....	1-97
1-007-010025 .....	1-69, 1-74	1-1/2SLW .....	1-17, 1-41
100809 .....	1-113	1-104-010002 .....	1-45
100823 .....	1-9	111392 .....	1-11
100827 .....	1-87	111789 1-5, 1-76, 1-77, 1-78, 1-79, 1-80, 1-81, 1-82, 1-83	
100829 .....	1-29, 1-95, 1-103	111871 .....	1-83
100855 .....	1-9, 1-111	111880 .....	1-81
100941 .....	1-4, 1-17	111962 .....	1-39
100966 .....	1-45	114029 .....	1-48
101162 .....	1-13, 1-15	114616 .....	1-21
101385 .....	1-4, 1-29	116100 .....	1-21
101988 .....	1-23, 1-31, 1-45	1-161-010003 .....	1-45
102-0031 .....	1-95	116433 .....	1-69, 1-72
102-1130 .....	1-69, 1-72, 1-74, 1-75	116434 .....	1-69
102209 .....	1-103	116435 .....	1-72, 1-73
102351 .....	1-17, 1-41	116436 .....	1-72
102498 .....	1-39	116491 .....	1-69
102600 .....	1-23, 1-27, 1-31, 1-35, 1-37, 1-39	116492 .....	1-69
102601 .....	1-39	116493 .....	1-69
102604 .....	1-39	117163 .....	1-72
103103-002 .....	1-13, 1-15	117260 .....	1-69
103153 .....	1-80	117957 .....	1-95, 1-103
103841 .....	1-41	119118 .....	1-23, 1-31
104483 .....	1-113	122709 .....	1-9, 1-18, 1-19
104597 .....	1-17	122911 .....	1-72
105106 .....	1-13, 1-15	122917 .....	1-7
105107 .....	1-13, 1-15	123547 .....	1-73
105874 .....	1-87, 1-113	124132 .....	1-69
		124971 .....	1-95

125648	1-96	140483	1-47
126108	1-9	140484	1-47
126235	1-41	140485	1-47
127351	1-21	140486	1-47
127712	1-24, 1-32	140487	1-47
128874	1-21	140488	1-47
129698	1-95	140490	1-47
1-298-010001-1	1-9, 1-18, 1-19, 1-24, 1-32, 1-42, 1-45	140491	1-47
130052	1-27, 1-35	140492	1-47
131081	1-41	140493	1-47
135912	1-79, 1-80, 1-83	140496	1-47
137304	1-80	140519	1-9, 1-23, 1-27, 1-31, 1-35
137598	1-72	140533	1-4
137600	1-69, 1-73	140544	1-67
137601	1-72	140548	1-23, 1-31
137702	1-80	140554	1-37
137943	1-99	140594	1-37
139213	1-69, 1-72, 1-73	140595	1-37
139347	1-95	140599	1-18, 1-19, 1-95, 1-103
1-397-010369054	1-72	1-406-010012	1-45
1400548	1-72	140646	1-37
1404013	1-15	140647	1-41, 1-43
140464	1-47	140649	1-18
140465	1-52, 1-58, 1-64	140658	1-45
140466	1-52, 1-58, 1-64	140663	1-45
140467	1-52, 1-58, 1-64	140667	1-45
140468	1-52, 1-55, 1-58, 1-61, 1-64	140672	1-45
140469	1-47	140693	1-4, 1-69
140472	1-72, 1-81	141109	1-4
140473	1-47	141154	1-29, 1-45, 1-47
140475	1-47	141163	1-64
140476	1-47	141164	1-52
140477	1-47, 1-99	141165	1-52, 1-55, 1-58, 1-61, 1-64, 1-67
140479	1-47, 1-99	141166	1-58
140480	1-47, 1-99	141167	1-58
140481	1-47	141168	1-52, 1-64
140482	1-47	141169	1-52, 1-58, 1-64
		141170	1-52, 1-58, 1-64

## TABLE OF CONTENTS

---

141172	1-52, 1-58, 1-64	142109	1-79
141173	1-64	142112	1-76
141184	1-58	142113	1-81
141186	1-52, 1-58	142114	1-76
141187	1-64	142119	1-79, 1-81
141198	1-37	142120	1-81
141209	1-9, 1-23, 1-27, 1-31, 1-35	142194	1-43
141234	1-9	142579	1-64
141236	1-37	142580	1-52
141238	1-37	142581	1-52, 1-58, 1-64
141244	1-21	142582	1-58
141245	1-45	142660	1-52, 1-58, 1-64, 1-67
141246	1-41	142662	1-52, 1-58, 1-64
141247	1-41	142668	1-111, 1-113
141249	1-41	142669	1-111, 1-113
141250	1-43	142670	1-111, 1-113
141258	1-45	142671	1-111, 1-113
141259	1-91	142703	1-52, 1-58
141260	1-91	142704	1-64
141263	1-17	142705	1-58
141266	1-41	142753	1-4
141271	1-45	143067	1-37
141275	1-48, 1-95	143871	1-111, 1-113
141301	1-79, 1-83	143988	1-48
141594	1-69, 1-72, 1-74	143994	1-76, 1-77, 1-78
141597	1-91	144048	1-7
141807	1-41	144115	1-4, 1-17, 1-29
141808	1-45	144155	1-47
141809	1-23, 1-31	144193	1-91
141826	1-72	144198	1-45
141827	1-17	144199	1-45
141828	1-69, 1-72, 1-95, 1-111, 1-113	144200	1-45
141864	1-72	144342	1-69, 1-72
141867	1-37	144343	1-72
141871	1-52, 1-58, 1-64	144493	1-17
141881	1-69, 1-72	145203	1-4, 1-72, 1-77
141882	1-72	145204	1-72, 1-78
141883	1-72	146824	1-9, 1-69, 1-80

---

146825	1-23, 1-27, 1-69, 1-79	1-512-010005-13	1-4, 1-27, 1-35, 1-99, 1-103, 1-111
147123	1-69	1-512-010005-15	1-4, 1-9, 1-11, 1-17, 1-18, 1-19, 1-21, 1-23, 1-27, 1-31, 1-35, 1-47, 1-87, 1-95, 1-103, 1-111, 1-113, 1-115, 1-116
147376	1-76	1-512-010005-19	1-9, 1-17, 1-21, 1-29, 1-41, 1-45, 1-95, 1-103
147473	1-9	1-512-010007-07	1-41, 1-95
147553	1-23, 1-31, 1-37	1-512-010007-14	1-95, 1-103
147582	1-69, 1-73	1-512-010007-16	1-45
147583	1-72	1-516-010001-20	1-37, 1-39
147588	1-72	152209	1-95, 1-103
147755	1-4, 1-79, 1-80, 1-83	152210	1-95, 1-103
148083	1-77, 1-78	152640	1-76
148085	1-77	153620	1-72
148087	1-77, 1-78	153651	1-47
148088	1-77, 1-78	153652	1-47
148089	1-77	153696	1-41
148092	1-78	153698	1-55, 1-61
148094	1-78	153699	1-61, 1-67
148097	1-79, 1-83	153700	1-55, 1-67
148100	1-79	153701	1-55, 1-61, 1-67
148104	1-80	153702	1-55, 1-61, 1-67
148106	1-80	153704	1-61
148337	1-91, 1-99	153705	1-55, 1-67
148338	1-111, 1-113	153706	1-61
148382	1-4	153709	1-48
148387	1-17, 1-18, 1-19, 1-76	153710	1-55
149007	1-97	153711	1-61, 1-64
149592	1-61	153716	1-99
149594	1-67	153803	1-9
149858	1-76	153843	1-72
150273	1-72	154185	1-99
1-510-010001	1-95	154186	1-99
1-510-010003-09	1-105, 1-107, 1-109	154392	1-95, 1-103
1-512-010002-16	1-95	154393	1-99
1-512-010005-01	1-4, 1-41, 1-87	154532	1-105, 1-107, 1-109
1-512-010005-03	1-4, 1-7, 1-111, 1-113	154658	1-99
1-512-010005-05	1-4, 1-48, 1-111, 1-113	154662	1-61
1-512-010005-09	1-17, 1-21, 1-23, 1-27, 1-31, 1-35, 1-41, 1-47, 1-74, 1-75, 1-95, 1-105, 1-107, 1-109, 1-111, 1-113	154686	1-95, 1-99

## TABLE OF CONTENTS

---

154691	1-99	156972	1-23, 1-27, 1-31, 1-35, 1-39
154748P	1-95, 1-103	156973	1-39
154990	1-105	156974	1-39
154993	1-105, 1-107, 1-109	156977	1-109
154994	1-105, 1-107, 1-109	156979	1-39
154995	1-105, 1-107, 1-109	156992	1-23, 1-31
154997	1-105, 1-107, 1-109	157000	1-23, 1-31
154998	1-105, 1-107, 1-109	157001	1-23, 1-27, 1-31, 1-35
155345	1-113	157002	1-23, 1-31
155523	1-91	157019	1-23, 1-31
155528	1-69	157120	1-103, 1-107
155529	1-72	157121	1-103, 1-107
155530	1-111	1-573-010006	1-91
155617	1-52, 1-58, 1-64	157648	1-87
155618	1-55, 1-61, 1-67	158295	1-113
155619	1-55, 1-61, 1-67	158795	1-95, 1-103
1-557-010013	1-113, 1-116	158841	1-111
1-557-010362-51	1-37, 1-39	158847	1-95, 1-103
1-557-010403	1-17, 1-41	158896	1-95, 1-103
155927	1-105, 1-107, 1-109	158897	1-95, 1-103
155953	1-107, 1-109	158903	1-23, 1-31
155954	1-103, 1-109	159553	1-9
155956	1-105, 1-107, 1-109	159557	1-9
155965	1-111	159569	1-72
155971	1-105, 1-107, 1-109	159954	1-23, 1-27, 1-31, 1-35
155972	1-105, 1-107, 1-109	159970	1-39
155998	1-103, 1-109	15G816ER	1-24, 1-32
156010	1-91	160151	1-45
156083	1-67	160155	1-45
156084	1-61	160161	1-47
156777	1-107	160656	1-21
156778	1-107, 1-109	160693	1-69, 1-72
156949	1-41	161530	1-52, 1-58, 1-64
156953	1-116	161662	1-4
156954	1-116	162191	1-115
156955	1-116	162249	1-4
156956	1-116	162569	1-95
156957	1-113, 1-116	162724	1-9

---

162725 .....	1-9	164564 .....	1-29
162728 .....	1-23, 1-31	164565 .....	1-29
162729 .....	1-23, 1-31	1-647-010004236 .....	1-95, 1-103, 1-115
162765 .....	1-9	1-647-010004240 .....	1-9, 1-21, 1-29, 1-115
1-630-010021-03 .....	1-7	1-647-010004257 .....	1-5, 1-45, 1-47
163629 .....	1-4	165127 .....	1-95, 1-99
163642 .....	1-4	165226 .....	1-99
163644 .....	1-21	165238 .....	1-9
163645 .....	1-21	165254 .....	1-13
163672 .....	1-18	165256 .....	1-9
163679 .....	1-18, 1-19	165257 .....	1-4
163685 .....	1-17, 1-18	165258 .....	1-7
163696 .....	1-9	165259 .....	1-7
163700 .....	1-31, 1-35, 1-69, 1-83	165260 .....	1-7
163705 .....	1-17	165265 .....	1-4
163716 .....	1-17	165266 .....	1-41
164124 .....	1-4	165268 .....	1-5, 1-87
164138 .....	1-87	165269 .....	1-5, 1-87
164142 .....	1-87	165283 .....	1-4
164307 .....	1-72	165286 .....	1-9
164378 .....	1-99	165287 .....	1-69, 1-72, 1-74
164474 .....	1-21	165288 .....	1-18, 1-19
164490 .....	1-29	165295 .....	1-29
164491 .....	1-29	1-654-010032-05 .....	1-4, 1-21, 1-99
164501 .....	1-9	1-654-010032-09 .....	1-47
164533 .....	1-5, 1-29, 1-45, 1-48	1-654-010047-04 .....	1-87
164539 .....	1-4, 1-29	1-654-010047-06 .....	1-4, 1-41
164540 .....	1-29	1-654-010047-07 .....	1-87
164541 .....	1-29	1-654-010047-08 .....	1-87
164543 .....	1-41	1-654-010049-03 .....	1-13, 1-15
164544 .....	1-17	1-654-010049-05 .....	1-111, 1-113
164545 .....	1-18, 1-19	1-654-010049-19 .....	1-4
164546 .....	1-23, 1-27, 1-31, 1-35	1-654-010051-06 .....	1-4
164553 .....	1-4	1-654-010051-07 .....	1-95
164555 .....	1-21	1-654-010051-11 .....	1-48, 1-111, 1-113
164557 .....	1-13, 1-15	1-654-010055-02 .....	1-111, 1-113
164558 .....	1-9, 1-13	1-654-010055-03 .....	1-95
164563 .....	1-9	1-654-010055-05 .....	1-47, 1-95

## TABLE OF CONTENTS

---

1-654-010055-11	1-21, 1-74, 1-75, 1-95	166718	1-47
1-654-010055-14	1-105, 1-107, 1-109	166978	1-69
1-654-010055-15	1-23, 1-27, 1-31, 1-35	167551	1-9
1-654-010055-18	1-17	167552	1-9
1-654-010059-07	1-4	167553	1-9
1-654-010059-15	1-27, 1-35	167554	1-95, 1-103
1-654-010061-04	1-11	167557	1-69, 1-73, 1-74
1-654-010061-05	1-9, 1-23, 1-27, 1-31, 1-35	167566	1-91
1-654-010061-06	1-11	167568	1-9
1-654-010061-07	1-115	167569	1-9
1-654-010061-09	1-9	167574	1-4
1-654-010061-13	1-114, 1-116	167575	1-72, 1-82
1-654-010061-15	1-5	167579	1-4
1-654-010061-16	1-5, 1-113	167586	1-13, 1-15
1-654-010061-21	1-21, 1-113	167593	1-29
1-654-010061-22	1-21	167594	1-29
1-654-010061-23	1-4	167612P	1-111, 1-113
1-654-010061-25	1-113	167628	1-115
1-654-010065-13	1-9	167632	1-111, 1-113, 1-115
1-654-010068-17	1-17	167637	1-113
1-654-010070-02	1-47, 1-105, 1-107, 1-109	167638	1-41
1-654-010070-03	1-95, 1-105	167645	1-17
1-654-010070-11	1-105, 1-107, 1-109	167649	1-13, 1-15
1-654-010070-13	1-105, 1-107, 1-109	167690	1-83
1-654-010070-14	1-105, 1-107, 1-109	168456	1-13
1-654-010076-26	1-41	168771	1-115
1-654-010080-2	1-9	168773	1-115
1-654-010087-16	1-96	168859	1-39
1-654-010104245	1-85	168892	1-69
1-659-010004	1-45	169549	1-82
166171	1-73	169550	1-82
166628	1-21	169552	1-82
166629	1-21	169575	1-52, 1-58, 1-64
166701	1-18	169690	1-95
166705	1-17	169849	1-97
166707	1-17	170195	1-48
166710	1-17	170209P	1-11
166717	1-7	170212	1-11

---

---

170213	1-11	174437	1-87
170223	1-55, 1-61	174438	1-87
170258	1-9	174439	1-87
170292	1-4, 1-21, 1-113	174708	1-7
171021	1-61, 1-67	174709	1-7
171024	1-9, 1-23, 1-27, 1-31, 1-35	174720	1-84, 1-96
171070	1-23, 1-27, 1-31, 1-35	174784	1-97
171074	1-96	176930	1-96
171078	1-84	176992	1-111
171080	1-84, 1-85	176997	1-111
171081	1-84, 1-85	176998	1-17
172076	1-55, 1-61, 1-67	177022	1-96
172481	1-96	177032	1-42
172509	1-47	177035	1-87
172534	1-96	177097	1-41
172535	1-96	177112	1-73, 1-75
172568	1-97	177129	1-91
172581	1-41	178784	1-21
172724	1-47	178785	1-21
172884	1-96	178786	1-29
172962	1-23, 1-31	178787	1-29
172973	1-96	178788	1-21
172976	1-96	178789	1-21
172977	1-96	178790	1-29
172978	1-96	178791	1-29
172979	1-96	178792	1-21
172980	1-97	178793	1-21
172981	1-96	178794	1-29
172992	1-96	178795	1-29
172998	1-97	178797	1-4, 1-9
172999	1-97	178798	1-9
173000	1-96	178799	1-21, 1-23
173013	1-96, 1-97	178800	1-21, 1-23
173018	1-29	178801	1-29, 1-31
173044	1-96	178802	1-29, 1-31
173045	1-11	178803	1-27
174435	1-87	178804	1-21, 1-23, 1-27
174436	1-87	178805	1-21, 1-23, 1-29, 1-31, 1-35



## TABLE OF CONTENTS

---

178806	1-29, 1-31, 1-35	178950	1-64
178807	1-21, 1-23, 1-27	178968	1-23, 1-31
178808	1-21, 1-23, 1-27	178969	1-23, 1-31
178809	1-29, 1-31, 1-35	178977	1-4
178810	1-29, 1-31, 1-35	178982	1-21
178811	1-52, 1-55, 1-58, 1-61, 1-64, 1-67	178983	1-21
178812	1-52, 1-55, 1-58, 1-61, 1-64, 1-67	178984	1-4
178813	1-52, 1-55, 1-58, 1-61, 1-64, 1-67	179933	1-13, 1-15
178814	1-52, 1-55, 1-58, 1-61, 1-64, 1-67	180020	1-69
178815	1-52, 1-55	180043	1-17
178816	1-52, 1-55	180047	1-21
178817	1-52, 1-55	180048	1-21
178818	1-52, 1-55	180056	1-52
178819	1-52, 1-55	180057	1-52
178820	1-52, 1-55	180059	1-55
178821	1-52, 1-55	180062	1-58
178822	1-52, 1-55	180063	1-58
178823	1-58, 1-61	180065	1-61
178824	1-58, 1-61	180068	1-64
178825	1-58, 1-61	180069	1-64
178826	1-58, 1-61	180071	1-67
178827	1-58, 1-61	180074	1-95, 1-99
178828	1-58, 1-61	180075	1-95, 1-99
178829	1-58, 1-61	180076	1-99
178830	1-58, 1-61	180077	1-99
178831	1-64, 1-67	180080	1-99
178832	1-64, 1-67	180081	1-99
178833	1-64, 1-67	180086	1-64
178834	1-64, 1-67	180087	1-67
178835	1-64, 1-67	180088	1-67
178836	1-64, 1-67	180117	1-69
178837	1-64, 1-67	180118	1-41
178838	1-64, 1-67	180119	1-41
178943	1-52	180120	1-4, 1-7
178944	1-52	180121	1-7
178946	1-58	180125	1-95
178947	1-58	180126	1-103
178949	1-64	180127	1-95

---

---

180128	1-103	1-861-010032-15	1-21, 1-105, 1-107, 1-109
180129	1-95	1-861-010032-20	1-18, 1-19, 1-115
180130	1-103	1-861-010032-21	1-4, 1-116
180131	1-96	1-861-010032-24	1-41, 1-45
180132	1-96	1-861-010032-29	1-29
180133	1-96	1-861-010032-32	1-17
180140	1-47	1-861-010034-10	1-13, 1-15
180141	1-47	1-861-010034-13	1-95
180147	1-55	1-861-010034-17	1-47, 1-99
180152	1-103	1-861-010034-21	1-95, 1-99, 1-103
180153	1-103, 1-105	187162	1-27, 1-35
180154	1-103, 1-105	188528	1-97
180155	1-105	188530	1-97
180156	1-107, 1-109	188531	1-97
180157	1-103, 1-107	189451	1-41, 1-42
180158	1-103, 1-109	189453	1-42
180159	1-103, 1-107	189454	1-42
180160	1-103, 1-109	189467	1-42
180161	1-103	189468	1-42
180164	1-103	190990	1-113
180169	1-4	190991	1-113
180172	1-4	190992	1-113
182327	1-67	190993	1-113
182328	1-67	190994	1-113
183745	1-111	190995	1-113
183746	1-111	190996	1-113
183747	1-111	190997	1-113
183748	1-111	190998	1-113
183752	1-111	190999	1-113
183910	1-45	191000	1-113
184708	1-23, 1-31	191444	1-47
184769	1-15	191921	1-113
1-861-010004	1-45	191924	1-97
1-861-010005	1-39	191925	1-97
1-861-010032-06	1-15	191974	1-9, 1-15
1-861-010032-07	1-4	191976	1-15
1-861-010032-11	1-48	193149	1-72, 1-75
1-861-010032-14	1-17, 1-47	193183	1-41

## TABLE OF CONTENTS

---

198320	1-96	2-150-010218	1-5, 1-9
198321	1-96	215341	1-24, 1-32
198322	1-24, 1-32	215351	1-23, 1-27, 1-31, 1-35
198342	1-23, 1-31	215352	1-23, 1-27, 1-31, 1-35
198344	1-23, 1-31	217547	1-27, 1-35
198351	1-10	217559	1-27, 1-35
198404	1-4	217591	1-27, 1-35
1P444	1-97	217593	1-27, 1-35
200129	1-24, 1-32	217626	1-27, 1-35
200310	1-24, 1-32	217627	1-27, 1-35
202702-6-6S	1-97	2-181-010001	1-48, 1-97
202702-8-6S	1-97	218642	1-78
202702-8-8S	1-69, 1-72, 1-74, 1-75	218643	1-77
203003-8-8S	1-69	218644	1-83
203005-8-8S	1-72, 1-74	218648	1-82
203102-8-8S	1-72, 1-74	219770	1-27, 1-35
204385	1-23, 1-31	219771	1-27, 1-35
204544	1-23, 1-31	219776	1-27, 1-35, 1-91
204548	1-24, 1-32	219795	1-27, 1-35
2061-6-6S	1-97	220000209	1-77, 1-78
2062-6-6S	1-97	221231	1-114
2062-8-8S	1-4, 1-69, 1-72, 1-74, 1-75, 1-97	221251	1-113
206599	1-85	223461	1-17, 1-19
206652	1-95	223462	1-19
206670	1-85, 1-96	223464	1-19
206675	1-95	223466	1-19
2071-8-8S	1-72	223467	1-17
207849	1-23, 1-31	223586	1-9
207876	1-23, 1-31	223599	1-9
207877	1-23, 1-31	223600	1-9
207879	1-113	228203	1-113
207880	1-113	23085	1-4, 1-45, 1-47
2-102-010032	1-87, 1-103	231322	1-9
2-102-010051	1-114	231323	1-9
212046	1-24, 1-32	2-368-010273	1-87, 1-111, 1-113
212827	1-113	2-368-010287	1-87
2-150-010008	1-4, 1-18, 1-19	2-474-010022	1-72, 1-75, 1-97
2-150-010174	1-4, 1-21, 1-27, 1-35	2-557-010409	1-113, 1-116

---

2-573-010037	1-91
2-573-010149	1-91
2-573-010150	1-91
2-573-010198	1-91
2-573-010330-02	1-48, 1-91
2-573-010330-03	1-91
3067	1-13, 1-15
4001060	1-39
415	1-23, 1-31
5000	1-39, 1-48
500171	1-43
5013	1-15
528933	1-87, 1-91
528934	1-87, 1-91
528938	1-87, 1-91
6-102-010009	1-99
622-3511-008	1-113
70239854	1-4
70260977	1-87
71500165	1-97
71500166	1-96, 1-97
71508981	1-96, 1-97
71508982	1-72
71508984	1-73
71508987	1-73
71509000	1-72
71509001	1-96, 1-97
71509002	1-96, 1-97
71509004	1-97
71509006	1-96
71509008	1-96
71509009	1-96
71509010	1-97
71509123	1-97
71509124	1-97
71509787	1-96
71510821	1-69
71600089	1-69

71600529	1-96, 1-97
7779-102	1-96, 1-97
7779-34	1-96
7779-48	1-96, 1-97
7779-54	1-97
7779-72	1-96
7779-78	1-97
7779-84	1-96, 1-97
7779-90	1-97
8-105-010003	1-45
8-573-010084	1-91

**H**

HM212011	1-13, 1-15
HM212049	1-13, 1-15
HM218210	1-13, 1-15
HM218248	1-13, 1-15

**T**

TR416	1-9, 1-45
TR575	1-23, 1-27, 1-31, 1-35

**W**

W908409-4	1-4, 1-87
-----------	-----------

**Document Control Revision Log:**

<b>Date</b>	<b>Form #</b>	<b>New/Updated</b>	<b>Improvement(s): Description and Comments</b>
04/10/2013	F-734	New	Initial Release
11/05/2018	F-734-1118	Update	ECN44047 walking beam revision, ECN 44101 Galaxy Tire/Wheel revision
01/14/2019	F-734-0119	Update	Cylinder and Dealer Portal updates
06/18/2019	F-734-0619	Update	ECN's 44606,44871, 44881, 44910, 44774, 44934 & 44934. Added TOC & INDEX cross-references.
06/16/2020	F-734-0620	Update	ECN 45881, Hydraulic Cylinder Service Part Numbers, 8" Rephase
11/4/2020	F-734-1120	Update	Updated center frame lift, tire/wheel assembly. Added updated leveling linkage assembly. Updated rear tow hitch brace assembly.



---

# Intertek

Equipment from Landoll Company, LLC is built to exacting standards ensured by ISO 9001 registration at all Landoll manufacturing facilities.

## Model 6250 Disc Parts Manual

Re-Order Part Number F-734-1120

### LANDOLL COMPANY, LLC

1900 North Street

Marysville, Kansas 66508

(785) 562-5381

800-428-5655 ~ [WWW.LANDOLL.COM](http://WWW.LANDOLL.COM)



Copyright 2010. Landoll Company. LLC

“All rights reserved, including the right to reproduce this material or portions thereof in any form.”

Scan to go to [www.landoll.com](http://www.landoll.com)

