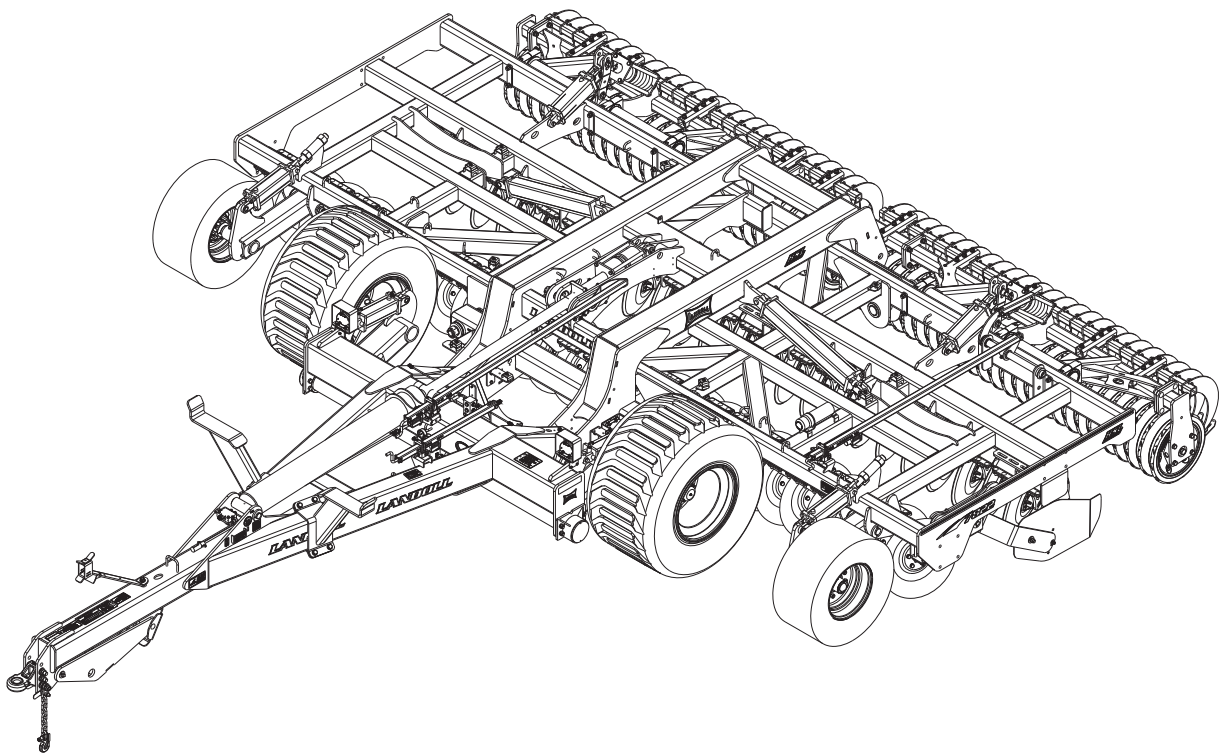




**Model 7822**  
**High Speed Landoll (HSL)**  
**Parts Manual**



**LANDOLL COMPANY, LLC**

1900 North Street

Marysville, Kansas 66508

(785) 562-5381

800-428-5655 ~ [WWW.LANDOLL.COM](http://WWW.LANDOLL.COM)

# Instructions for Ordering Parts

**\*\* Repair parts must be ordered through an Authorized Dealer \*\***

## DEALER INSTRUCTIONS FOR ORDERING PARTS FROM LANDOLL PARTS DISTRIBUTION CENTER

Phone #: 800-423-4320 or 785-562-5381

Fax #: 888-527-3909

Order online: [dealer.landoll.com](http://dealer.landoll.com)

### IDENTIFICATION PLATE

The identification plate, which lists the model number and serial number, is located on the front of the frame.

### SERIAL NUMBER

The serial number is located on the identification plate.  
The following information will help decode the serial number

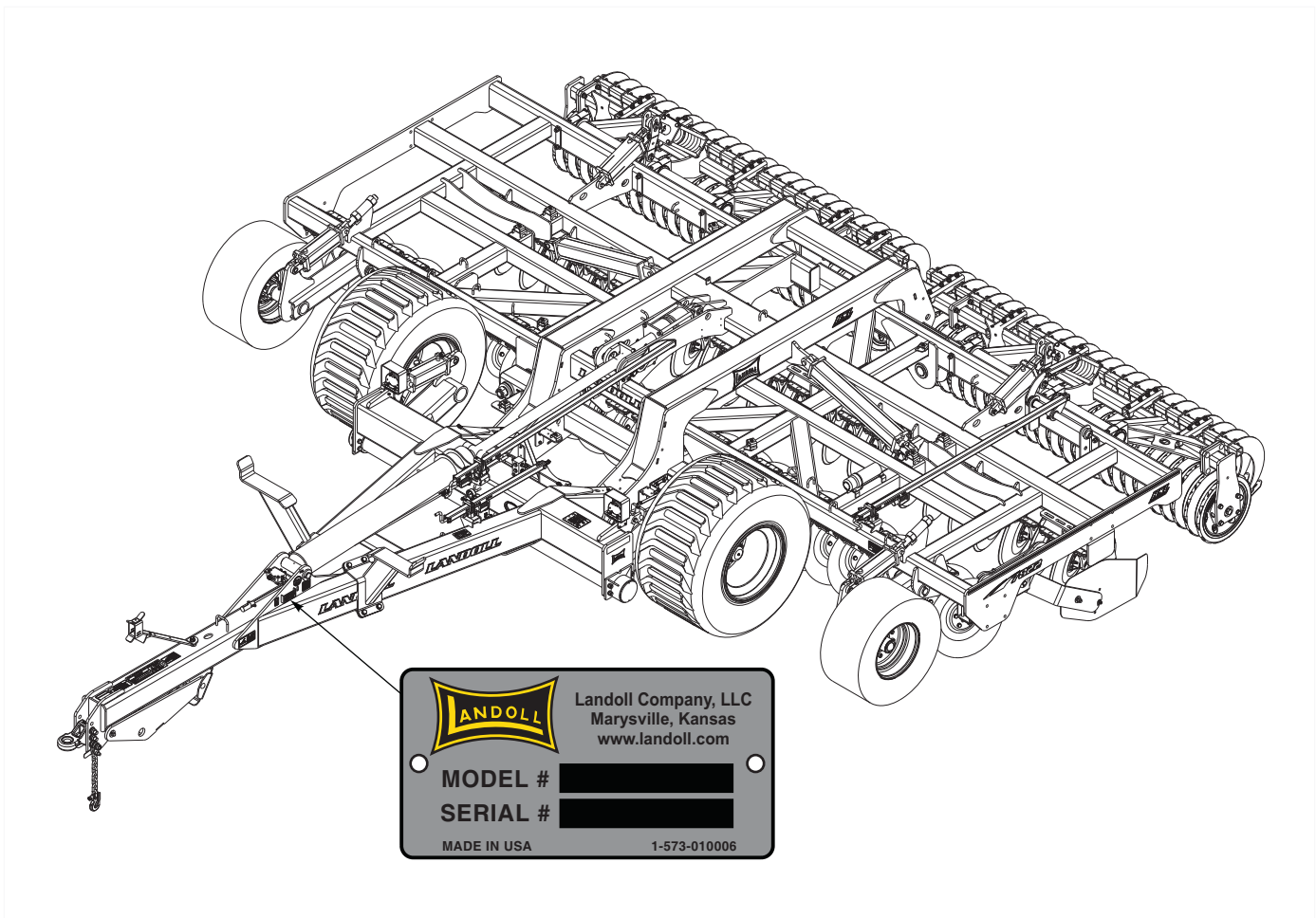


Figure 1-1: Identification Plate and Location

## Manuals for 7822 High Speed Landoll (HSL)

Manual Number	Manual Type
F-1045	Operator's Manual
F-1034	Parts Manual

# Table of Contents

---

<b>1</b>	<b>Center Frame Assembly</b>	
	Center Frame Assembly . . . . .	1-1
	Tilt Spring Cylinder Assembly . . . . .	1-3
<b>2</b>	<b>Wing Assemblies</b>	
	Wing Assembly - Left Hand 15' . . . . .	2-1
	Wing Assembly - Left Hand 17' . . . . .	2-5
	Wing Assembly - Left Hand 20' . . . . .	2-9
	Wing Assembly - Left Hand 23' . . . . .	2-13
	Reel Depth Control Assembly . . . . .	2-16
	Wing Assembly - Right Hand 15' . . . . .	2-17
	Wing Assembly - Right Hand 17' . . . . .	2-19
	Wing Assembly - Right Hand 20' . . . . .	2-21
	Wing Assembly - Right Hand 23' . . . . .	2-23
<b>3</b>	<b>Hub and Spindles</b>	
	Hub and Spindle Assembly, 8 Bolt . . . . .	3-1
	Hub and Spindle Assembly, 10 Bolt - 193814 (AFTER 05/27/2020) . . . . .	3-2
	Hub and Spindle Assembly, 10 Bolt - 193814 (BEFORE 05/27/2020) . . . . .	3-3
<b>4</b>	<b>Hitch Assemblies</b>	
	Hitch Assemblies (AFTER 12/2022) . . . . .	4-1
	Hitch Assemblies (BEFORE 12/2022) . . . . .	4-5
	Depth Control Assembly - 218749 . . . . .	4-9
	Tilt Stop Assembly (AFTER 12/2022) . . . . .	4-10
	Tilt Stop Assembly (BEFORE 12/2022) . . . . .	4-11
<b>5</b>	<b>Rear Gang Assemblies</b>	
	Left Wing Rear Gang Assemblies . . . . .	5-1
	Right Wing Rear Gang Assemblies . . . . .	5-2
<b>6</b>	<b>Front Disc Assemblies</b>	
	Left Wing Front Disc Assemblies . . . . .	6-1
	Right Wing Front Disc Assemblies . . . . .	6-3
<b>7</b>	<b>Disc Assemblies</b>	
	Right Rear Disc Assembly - Notched . . . . .	7-1
	Right Disc Assembly - Smooth . . . . .	7-2
	Right Disc Assembly - Rollable . . . . .	7-3
	Left Rear Disc Assembly - Notched . . . . .	7-4
	Left Disc Assembly - Smooth . . . . .	7-5
	Left Disc Assembly - Rollable . . . . .	7-6
	Left Disc Assembly - Hybrid . . . . .	7-7
	Disc Hub Assembly . . . . .	7-8

<b>8</b>	<b>Scraper, Blade Assembly</b>	
	Scraper, Blade Assembly .....	8-1
<b>9</b>	<b>Spring Reel Assemblies</b>	
	Spring Reel Assembly - 15' .....	9-1
	Spring Reel Assembly - 17' .....	9-2
	Spring Reel Assembly - 20' .....	9-3
	Spring Reel Assembly - 23' .....	9-4
	Spring Reel Assembly .....	9-5
	Hemi Spring Reel Assembly - 15' .....	9-6
	Hemi Spring Reel Assembly - 17' .....	9-7
	Hemi Spring Reel Assembly - 20' .....	9-8
	Hemi Spring Reel Assembly - 23' .....	9-9
	Hemi Spring Reel Assembly .....	9-10
	Spring Reel Mount Assembly .....	9-11
	Spring Reel Extension Assemblies .....	9-12
	Link Spring Cylinder Assemblies .....	9-13
<b>10</b>	<b>Chevron Reel Assemblies</b>	
	Chevron Single Reel Assembly - 15' .....	10-1
	Chevron Single Reel Assembly - 17' .....	10-2
	Chevron Single Reel Assembly - 20' .....	10-3
	Chevron Single Reel Assembly - 23' .....	10-4
	Chevron Double Reel Assembly - 15' .....	10-5
	Chevron Double Reel Assembly - 17' .....	10-6
	Chevron Double Reel Assembly - 20' .....	10-7
	Double Reel Bottom Mount Assembly .....	10-8
	Double Reel Side Mount Assembly .....	10-9
	Chevron Mount Extension Assembly .....	10-10
<b>11</b>	<b>Rubber Roller Assemblies</b>	
	Rubber Roller Assembly - 15' .....	11-1
	Rubber Roller Assembly - 17' .....	11-3
	Rubber Roller Assembly - 20' .....	11-5
	Rubber Roller Assembly - 23' .....	11-7
	Reel Mount Plate Assembly .....	11-9
	Reel Mount Extension Assembly .....	11-10
	Rubber Roller Assemblies .....	11-11
<b>12</b>	<b>Hydraulics</b>	
	Hydraulic Hitch Kit (AFTER 12/05/2022) .....	12-1
	Hydraulic Hitch Kit (BEFORE 12/05/2022) .....	12-2
	Hydraulic System - Tilt Control .....	12-3
	Hydraulic System - Front Gauge - 15' .....	12-4
	Hydraulic System - Front Gauge - 17', 20', 23' .....	12-5
	Hydraulic System - Rear Reel/Roller Circuit .....	12-7
	Hydraulic System - Wing Fold Down Circuit - 15' .....	12-8
	Hydraulic System - Wing Fold Down Circuit - 17', 20', 23' .....	12-9

Hydraulic Jack Assembly . . . . . 12-11  
Hydraulic Cylinder, 7 x 60 . . . . . 12-12  
Hydraulic Cylinder, 4-1/2 x 30 . . . . . 12-13  
Hydraulic Cylinder, 4-1/2 x 8 . . . . . 12-14  
Hydraulic Cylinder, 4 x 8 - 145201 . . . . . 12-15  
Hydraulic Cylinder, 3-3/4 x 8 - 145202 . . . . . 12-16  
Hydraulic Cylinder, 3-3/4 x 10 Rephase . . . . . 12-17  
Hydraulic Cylinder, 4 x 10 Rephase . . . . . 12-18

**13 Electrical**

Electrical Assembly . . . . . 13-1  
Electrical Assembly . . . . . 13-2

**14 Decals**

Decals . . . . . 14-1  
Decal Placement . . . . . 14-3

**15 Glossary**

**16 Index**

# Center Frame Assembly

## Center Frame Assembly

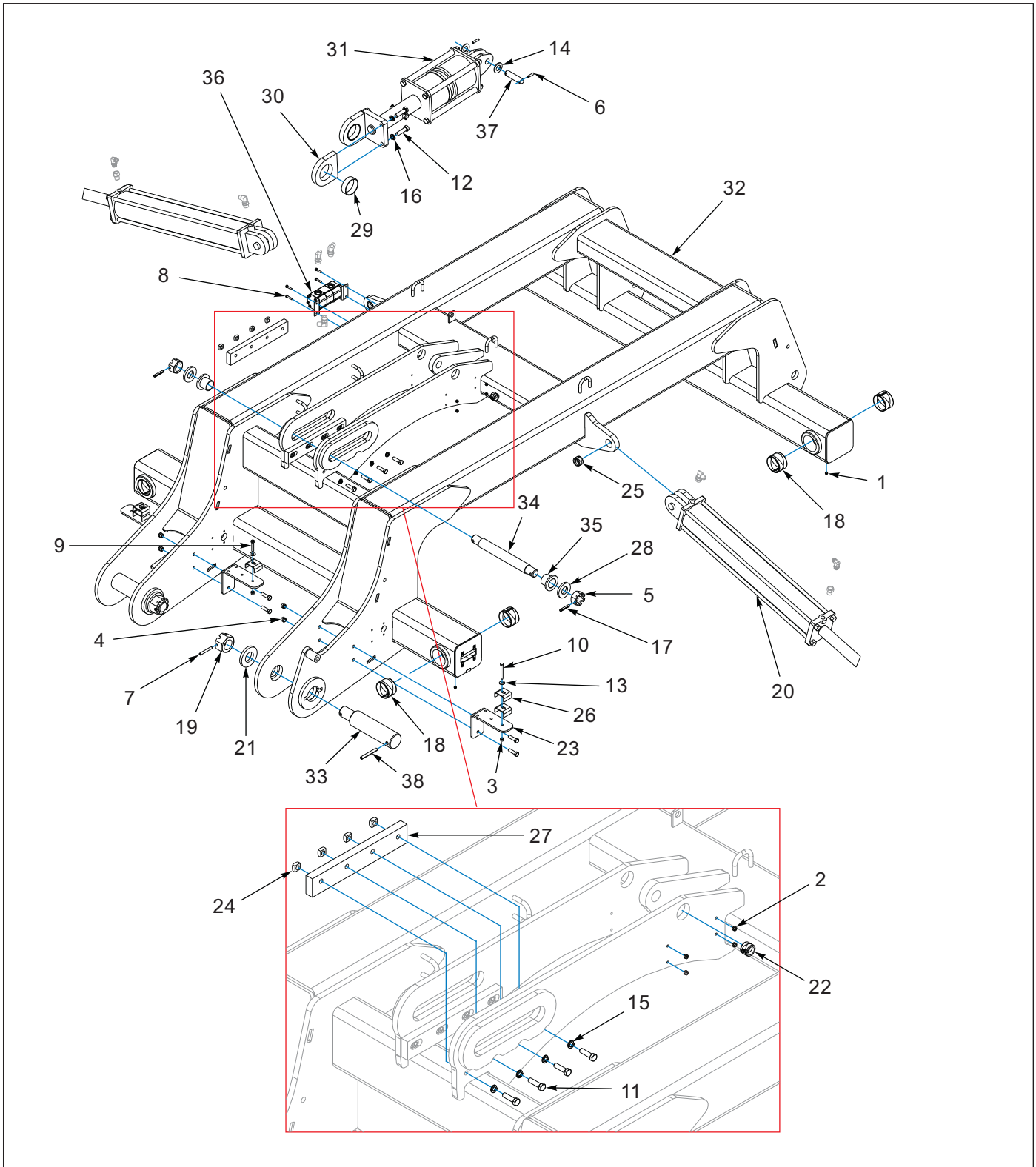


Figure 1-1: Center Frame Assembly

## Center Frame Assembly

ITEM	PART NUMBER	DESCRIPTION	QTY.
	217331	FRAME-CENTER, 7822, ASM	--
1	1-298-010001-1	ZERK FITTING 1/4 SAE	4
2	1-512-010005-01	NUT, HEX, SLFLKG, 1/4-20 UNC, GRB	4
3	1-512-010005-05	NUT, HEX, SLFLKG, 3/8-16 UNC, GRB	3
4	1-512-010005-09	NUT,HEX,SLFLKG, 1/2-13 GRB	6
5	1-516-010001-27	NUT,HX SLOT 1-1/2-6 ZP	2
6	1-647-010004236	SPRING PIN,SLOTTED 5/16X1-1/2	2
7	1-647-010004259	SPRING PIN,SLOTTED 3/8X3	2
8	1-654-010047-07	SCREW,HX CP 1/4-20UNCX1-1/4G5	4
9	1-654-010051-09	SCREW,HEX CAP,3/8-16UNCX2 GR5	1
10	1-654-010051-13	SCREW,HX CP,3/8-16UNCX3,GR5	2
11	1-654-010055-04	SCREW,HEX CAP,1/2-13UNCX1-3/4	14
12	1-654-010059-06	SCREW,HEX CAP 5/8-11X2-1/4 G5	4
13	1-861-010032-11	WASHER, FLAT 3/8 W ZP/CD	3
14	1-861-010032-24	WASHER, FLAT, ZP/CD, IN	2
15	1-861-010034-13	WASHER, LKG HLCL SPR, 1/2	8
16	1-861-010034-15	WASHER,LKG,HLCL SPR,5/8	4
17	127712	PIN SPRING SLOTTED 3/8X2-1/4	2
18	144341	BUSHING, SPRING 3-1/4X3X2	8
19	172891	NUT HX SLOT 2-4-1/2 ZP	2
20	176035	CYLINDER, HYD 4-1/2X30 3000PSI	2
21	187317	WASHER-HEAVY, 4X2X1/2	2
22	192890	BUSHING 1-3/8ODX1 IDX1 STEEL	1
23	195283	PLATE-HOSE HOLDER MOUNT	3
24	1C380	NUT SQ 1/2-13NC	8
25	2-150-010174	BUSHING,1-5/8X1-1/4X1	2
26	2-181-010001	HOSE CLAMP	5
27	200793	GLIDE CYLINDER	2
28	203399	WASHER RETAINING 1-1/2 <b>(BEFORE 12/05/2022, QTY=2)</b>	1
29	203433	BEARING-EWS, 3.02 X 3.254 X 1	2
30	203454	PLATE-YOKE BUSHING	2
31	209373	SPRING-TILT CYL, 80A-90A, ASM <b>(SEE PAGE 1-3)</b>	1
32	217324	FRAME-CENTER, 7822, WELDMENT	1
33	217397	PIN-STEP, 9-1/2 X 3	2
34	217942	PIN-MAST, 7833-25,30	1
35	217943	BUSHING-FLANGED, 1-3/4 X 2	2
36	218736	KIT-HYDRAULIC,CNTR FRAME, 7822	1
37	8K047	PIN - 1 X 4 1/16	1
38	8K756	ROLL PIN 1/2 x 4	2
39	240184	BUSHING, 1.53 X 2.50 X 5/16 <b>(AFTER 12/05/2022)</b>	1
40	240194	WASHER, 1.53 X 3.8 X 14Ga SS <b>(AFTER 12/05/2022)</b>	2
41	219943	KIT-HYD HOSE, 7822-23 <b>(NOT SHOWN)</b>	--

CENTER FRAME ASSEMBLY

Tilt Spring Cylinder Assembly

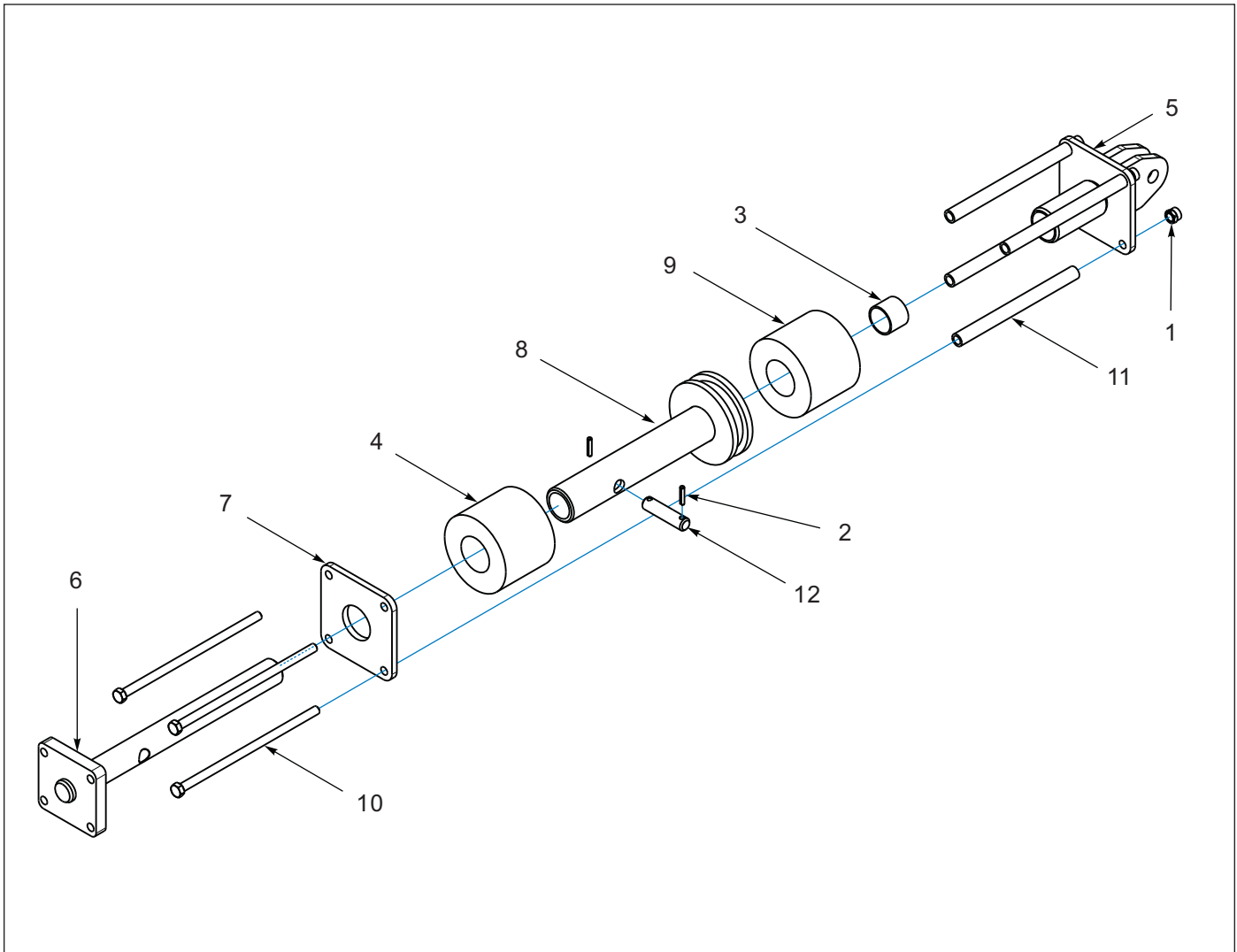


Figure 1-2: Tilt Spring Cylinder Assembly

Tilt Spring Cylinder Assembly

ITEM	PART NUMBER	DESCRIPTION	QTY.
	209373	SPRING-TILT CYL, 80A-90A, ASM	--
1	1-512-010005-13	NUT,HEX SLFLKG GRB 5/8-11	4
2	1-647-010004236	ROLL PIN, SLTD, 5/16X1-1/2	2
3	197140	BUSHING POLYLUBE 2-1.4X2X1-3/4	1
4	207532	SPRING-ROCKSHAFT, URETHANE,80A <b>(BLUE)</b>	1
5	207564	BASE-SPRING, WLDMT	1
6	207566	ROD-SPRING, WELDMENT	1
7	207567	PLATE-SPRING STOP	1
8	207571	MOUNT-SPRING, WLDMT	1
9	209171	SPRING-URETHANE, 90A <b>(BLACK)</b>	1
10	217299	SCREW, HEX 5/8-11UNCX14,GR5	4
11	217989	TUBE, TIE ROD-SPACER 12 IN	4
12	8K047	PIN - 1 X 4 1/16	1





## Wing Assemblies

### Wing Assembly - Left Hand 15'

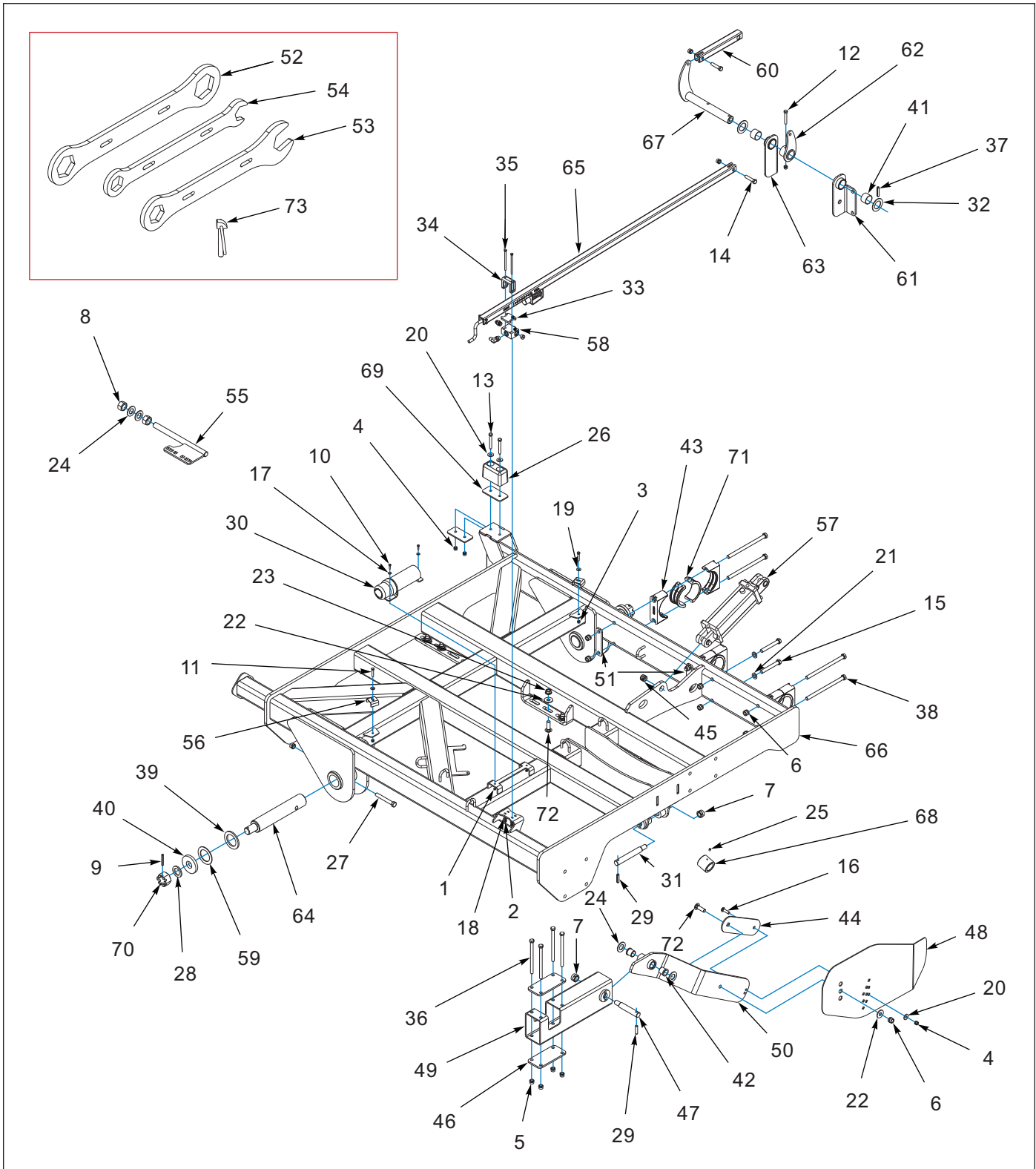


Figure 2-1: Wing Assembly - Left Hand 15'

## Wing Assembly - Left Hand 15'

ITEM	PART NUMBER	DESCRIPTION	QTY.
	219517	WING-7822-15, LH, ASSY	--
1	1-512-010005-01	NUT,HEX,SLFLKG GRB 1/4-20	2
2	1-512-010005-03	NUT HEX SLFLKG GRB 5/16-18	2
3	1-512-010005-05	NUT, HEX, SLFLKG GRB 3/8-16	4
4	1-512-010005-09	NUT,HEX,SLFLKG, 1/2-13 GRB	4
5	1-512-010005-13	NUT,HEX SLFLKG GRB 5/8-11	6
6	1-512-010005-15	NUT,HEX,SLFLKG GRB 3/4-10	11
7	1-512-010005-19	NUT 1-8 HEX SLF-LOCKING GRB	2
8	1-512-010007-16	NUT,HEX 1-1/4-7 GR2 ZP	2
9	1-647-010004259	SPRING PIN, SLOTTED 3/8X3	2
10	1-654-010047-06	SCREW, HX CP 1/4-20UNCX1 FR5	2
11	1-654-010051-09	SCREW,HEX CAP,3/8-16UNCX2 GR5	4
12	1-654-010055-10	SCREW HEX CAP 1/2-13X3-1/4GR5	1
13	1-654-010055-12	SCREW,CP,HX .50-13UNCX3.75 GR5	2
14	1-654-010059-08	SCREW HX CP 5/8-11UNCX2-3/4G5	2
15	1-654-010061-16	SCREW 3/4-10UNCX5-1/2 HXCP G5	2
16	1-654-010070-05	SCREW,RDHD SQNCK 1/2-13X2 GR5	1
17	1-861-010032-07	WASHER,FLAT 1/4 ZP	2
18	1-861-010032-08	WASHER,FLAT 5/16 N ZP	2
19	1-861-010032-11	WASHER, FLAT 3/8 W ZP/CD	4
20	1-861-010032-15	WASHER, FLAT 1/2 W ZP/CD	3
21	1-861-010032-20	WASHER, FLAT,3/4 N ZP/CD	2
22	1-861-010032-21	WASHER, FLAT 3/4 W ZP/CD	13
23	103841	NUT,FLG,LNK,SERRATED 3/4-10UNC	12
24	116100	WASHER 1-1/4 NAR FL ZP/CD	4
25	122709	SCREW,SET,HXSKTCPPT 3/8-16X1/2	1
26	128874	BUMPER RUBBER 6X3X3-1/2	1
27	139201	SCREW,HX CP 3/4-10UNCX5.50GR8	2
28	141151	WASHER, RETAINING	2
29	141251	SPRING PIN,SLOTTED 1/2X2-1/4	2
30	150076	MANUAL TUBE (4-1/4"ID) (AFTER 09/12/2023)	1
30	142753	MANUAL HOLDER (BEFORE 09/12/2023)	1
31	144457	PIN, SHANK (1-1/4 X 7-1/4, STEP)	1
32	164471	WASHER, THRUST 2"	2
33	165257	PAD, SLIDE	1
34	165265	GUIDE, DEPTH STOP	1
35	171556	SCREW,HEX CP,5/16-18UNCX5-1/2	2
36	171892	SCREW, HEX CAP 5/8-11UNCX9 GR5	4
37	172802	PIN SPRING SLOTTED 1/2X2-1/2	1
38	172919	SCREW HX CP,3/4-10X12 GR8 ZP	6
39	175677	PLATE, THRUST WASHER WING	2
40	175686	PLATE THRUST WASHER WING	2
41	183815	BUSHING, 2-1/4 X 2 X 1-1/2 L	2
42	184413	BEARING, FLANGE 1-1/4	2

## WING ASSEMBLIES

## Wing Assembly - Left Hand 15'

ITEM	PART NUMBER	DESCRIPTION	QTY.
43	188038	BRG HALF, 4-1/2 INSERT	6
44	192594	PLATE-BACKER	1
45	192890	BUSHING 1-3/8ODX1 IDX1 STEEL	1
46	193699	PLATE-STRAP	2
47	193730	PIN-SHOULDER, 1-1/4 X 5	1
48	193757	BLADE-LEVELER	1
49	193758	MOUNT-BLADE LEVELER, WELDMENT	1
50	193763	ARM-LEVELER MOUNT, WELDMENT	1
51	195115	PLATE-BACKER, BEARING	2
52	219950	WRENCH, ADJUSTMENT	1
53	219951	WRENCH, ADJUSTMENT	1
54	195277	WRENCH, ADJUSTMENT	1
55	195279	BRACKET-GANG ADJUSTMENT,WLD	1
56	2-181-010001	HOSE CLAMP	4
57	201275	CYLINDER, 4 X 10 REPHASE <b>(SEE PAGE 12-18)</b>	1
58	203467	VALVE-LIMIT, STROKE	1
59	206709	WASHER, THRUST - 3"	2
60	209194	TUBE-REEL CONTROL	1
61	209219	WLDMT BRACKET-PIVOT	1
62	209366	WLDMT ARM-CRANK, REEL CONTROL	1
63	217302	BRACKET-REEL CONTROL, WLDMT	1
64	217396	PIN-SHOULDER, 3X11.8	2
65	218707	TUBE-REEL CONTROL, ASSY <b>(SEE PAGE 2-16)</b>	1
66	219512	FRAME-WING, 7822-15 LH, WLDMNT	1
67	219530	TUBE, REEL CONTROL, WELDMENT	1
68	219579	TUBE, CYLINDER-STOP	1
69	219580	PLATE-SHIM STOP	2
70	23085	NUT HEX SLOTTED 1 3/4-5	2
71	2P793	BRG INSERT, 4 1/2 INSERT	6
72	3/4-10X2-1/2CB	SCREW, RDH, SQ NK, 3/4-10X2-1/2	13
73	70239854	PIN QUICK HITCH	1



WING ASSEMBLIES

Wing Assembly - Left Hand 17'

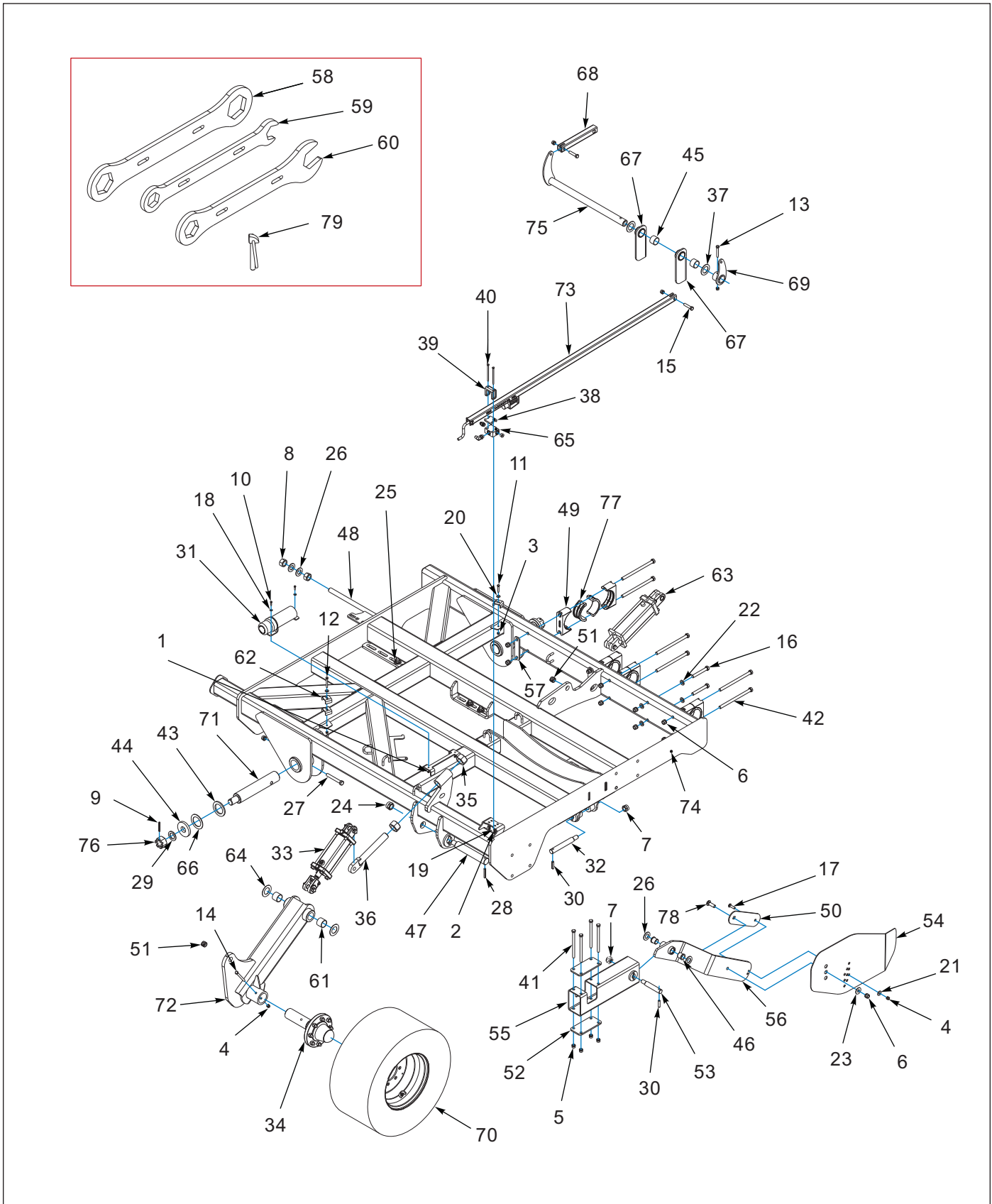


Figure 2-2: Wing Assembly - Left Hand 17'

## Wing Assembly - Left Hand 17'

ITEM	PART NUMBER	DESCRIPTION	QTY.
	219519	WING-7822-17, LH, ASSY	--
1	1-512-010005-01	NUT,HEX,SLFLKG GRB 1/4-20	2
2	1-512-010005-03	NUT HEX SLFLKG GRB 5/16-18	2
3	1-512-010005-05	NUT, HEX, SLFLKG GRB 3/8-16	4
4	1-512-010005-09	NUT,HEX,SLFLKG, 1/2-13 GRB	3
5	1-512-010005-13	NUT,HEX SLFLKG GRB 5/8-11	6
6	1-512-010005-15	NUT,HEX,SLFLKG GRB 3/4-10	13
7	1-512-010005-19	NUT 1-8 HEX SLF-LOCKING GRB	2
8	1-512-010007-16	NUT,HEX 1-1/4-7 GR2 ZP	2
9	1-647-010004259	SPRING PIN, SLOTTED 3/8X3	2
10	1-654-010047-06	SCREW, HEX, 1/4-20UNCX1GR5	2
11	1-654-010051-09	SCREW,HEX CAP,3/8-16UNCX2 GR5	3
12	1-654-010051-13	SCREW,HX CP,3/8-16UNCX3,GR5	1
13	1-654-010055-10	SCREW HEX CAP 1/2-13X3-1/4GR5	1
14	1-654-010055-15	SCR, HX CP, 1/2-13UNCX5 GR5	1
15	1-654-010059-08	SCREW HX CP 5/8-11UNCX2-3/4G5	2
16	1-654-010061-16	SCREW 3/4-10UNCX5-1/2 HXCP G5	2
17	1-654-010070-05	SCREW,RDHD SQNCK 1/2-13X2 GR5	1
18	1-861-010032-07	WASHER,FLAT 1/4 ZP	2
19	1-861-010032-08	WASHER,FLAT 5/16 N ZP	2
20	1-861-010032-11	WASHER, FLAT 3/8 W ZP/CD	4
21	1-861-010032-15	WASHER, FLAT 1/2 W ZP/CD	1
22	1-861-010032-20	WASHER, FLAT,3/4 N ZP/CD	4
23	1-861-010032-21	WASHER, FLAT 3/4 W ZP/CD	13
24	101385	NUT,HEX SLFLKG,1-1/4-7 GRB	1
25	103841	NUT,FLG,LNK,SERRATED 3/4-10UNC	12
26	116100	WASHER 1-1/4 NAR FL ZP/CD	4
27	139201	SCREW,HX CP 3/4-10UNCX5.50GR8	2
28	140191	PIN, GROOVED ALLOY 1/2X3	1
29	141154	WASHER GANG SHAFT	2
30	141251	SPRING PIN,SLOTTED 1/2X2-1/4	2
31	150076	MANUAL TUBE (4-1/4"ID) (AFTER 09/12/2023)	1
31	142753	MANUAL HOLDER (BEFORE 09/12/2023)	1
32	144457	PIN, SHANK (1-1/4 X 7-1/4, STEP)	1
33	201276	CYLINDER 3-3/4 X 10 REPHASE (SEE PAGE 12-17)	1
34	156972	HUB & SPINDLE ASSY, 8 BOLT (SEE PAGE 3-1)	1
35	159954	NUT HEX 1-3/4-5UNC GR2	2
36	159955	ROD, CYLINDER ANCHOR	1
37	164471	WASHER, THRUST 2"	2
38	165257	PAD, SLIDE	1
39	165265	GUIDE, DEPTH STOP	1
40	171556	SCREW,HEX CP,5/16-18UNCX5-1/2	2
41	171892	SCREW, HEX, 5/16-11UNCX9, GR5	4
42	172919	SCREW HX CP,3/4-10X12 GR8 ZP	8

## WING ASSEMBLIES

## Wing Assembly - Left Hand 17'

ITEM	PART NUMBER	DESCRIPTION	QTY.
43	175677	PLATE, THRUST WASHER WING	2
44	175686	PLATE THRUST WASHER WING	2
45	183815	BUSHING, 2-1/4 X 2 X 1-1/2 L	2
46	184413	BEARING, FLANGE 1-1/4	2
47	187318	PIN SHOULDER 2 X 11-5/8	1
48	187632	ADJUSTING BRACKET	1
49	188038	BRG HALF, 4-1/2 INSERT	8
50	192594	PLATE-BACKER	1
51	192890	BUSHING 1-3/8ODX1 IDX1 STEEL	2
52	193699	PLATE-STRAP	2
53	193730	PIN-SHOULDER, 1-1/4 X 5	1
54	193757	BLADE-LEVELER	1
55	193758	MOUNT-BLADE LEVELER, WELDMENT	1
56	193763	ARM-LEVELER MOUNT, WELDMENT	1
57	195115	PLATE-BACKER, BEARING	2
58	219950	WRENCH, ADJUSTMENT	1
59	219951	WRENCH, ADJUSTMENT	1
60	195277	WRENCH, ADJUSTMENT	1
61	197140	BUSHING POLYLUBE 2-1.4X2X1-3/4	2
62	2-181-010001	CLAMP	5
63	201275	CYLINDER, 4 X 10 REPHASE (SEE PAGE 12-18)	1
64	202844	WASHER, 2 X 3-1/2 X 14 GA, SS	2
65	203467	VALVE-LIMIT, STROKE	1
66	206709	WASHER, THRUST - 3"	2
67	209189	WLDMT BRACKET-REEL CONTROL	2
68	209194	TUBE-REEL CONTROL	1
69	209366	WLDMT ARM-CRANK, REEL CONTROL	1
70	215351	TIRE&WHL ASSY, VF410/50R16.5	1
71	217396	PIN-SHOULDER, 3X11.8	2
72	218701	ARM-GAUGE WHEEL LH, WLDMT	1
73	218707	TUBE-REEL CONTROL, ASSY (SEE PAGE 2-16)	1
74	219508	FRAME-WING, 7822-17 LH, WLDMNT	1
75	219939	TUBE-REEL CONTROL, WELDMENT	1
76	23085	NUT HEX SLOTTED 1 3/4-5	2
77	2P793	BRG INSERT, 4 1/2 INSERT	8
78	3/4-10X2-1/2CB	SCREW, RDH, SQ NK, 3/4-10X2-1/2	13
79	70239854	PIN QUICK HITCH	1





WING ASSEMBLIES

Wing Assembly - Left Hand 20'

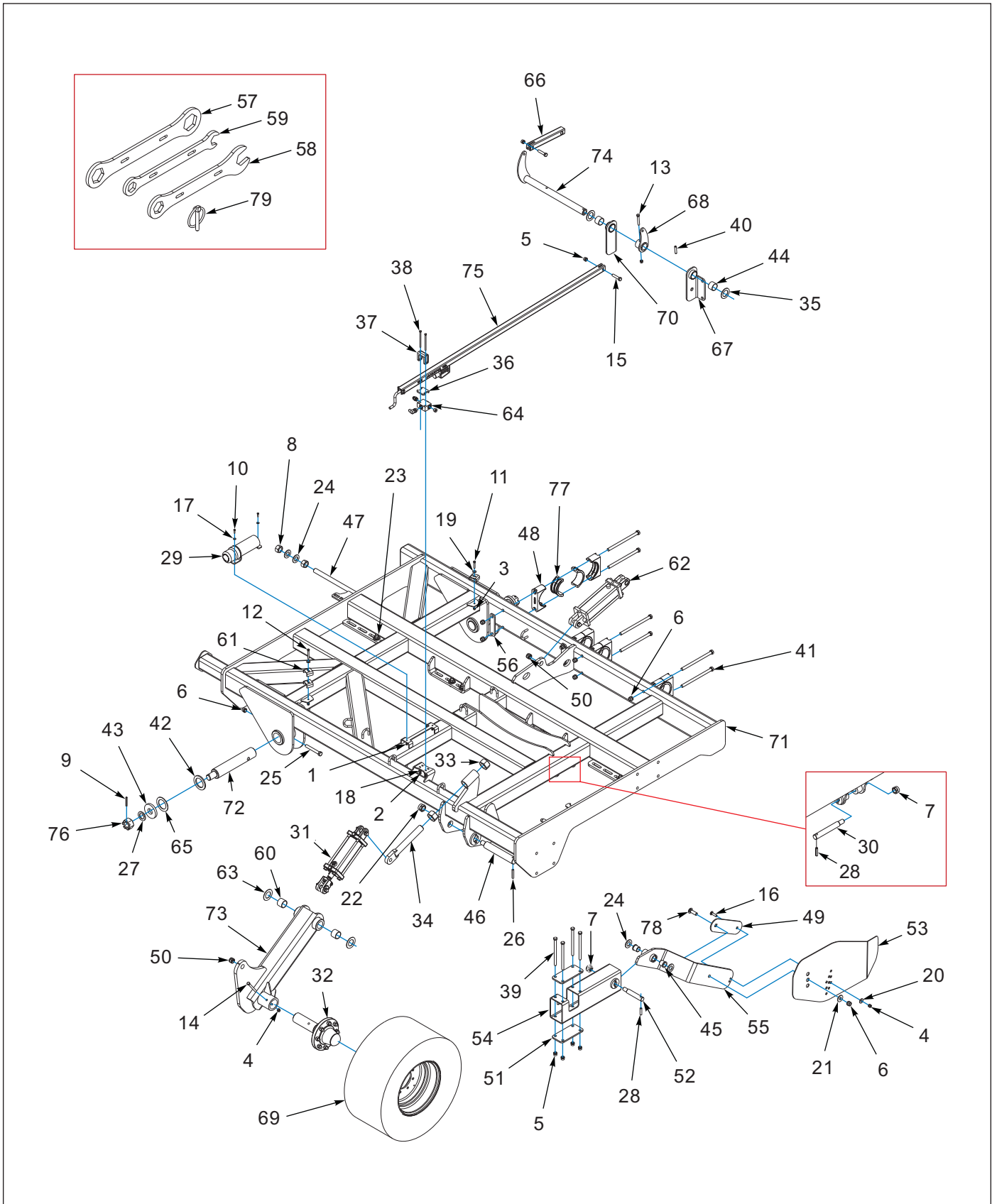


Figure 2-3: Wing Assembly - Left Hand 20'

## Wing Assembly - Left Hand 20'

ITEM	PART NUMBER	DESCRIPTION	QTY.
	217329	WING-7822-20, LH, ASSY	--
1	1-512-010005-01	NUT,HEX,SLFLKG GRB 1/4-20	2
2	1-512-010005-03	NUT HEX SLFLKG GRB 5/16-18	2
3	1-512-010005-05	NUT, HEX, SLFLKG GRB 3/8-16	4
4	1-512-010005-09	NUT,HEX,SLFLKG, 1/2-13 GRB	3
5	1-512-010005-13	NUT,HEX SLFLKG GRB 5/8-11	6
6	1-512-010005-15	NUT,HEX,SLFLKG GRB 3/4-10	13
7	1-512-010005-19	NUT 1-8 HEX SLF-LOCKING GRB	2
8	1-512-010007-16	NUT,HEX 1-1/4-7 GR2 ZP	2
9	1-647-010004259	SPRING PIN, SLOTTED 3/8X3	2
10	1-654-010047-06	SCREW, HEX, 1/4-20UNCX1GR5	2
11	1-654-010051-09	SCREW,HEX CAP,3/8-16UNCX2 GR5	3
12	1-654-010051-13	SCREW,HX CP,3/8-16UNCX3,GR5	1
13	1-654-010055-10	SCREW HEX CAP 1/2-13X3-1/4GR5	1
14	1-654-010055-15	SCR, HX CP, 1/2-13UNCX5 GR5	1
15	1-654-010059-08	SCREW HX CP 5/8-11UNCX2-3/4G5	2
16	1-654-010070-05	SCREW,RDHD SQNCK 1/2-13X2 GR5	1
17	1-861-010032-07	WASHER,FLAT 1/4 ZP	2
18	1-861-010032-08	WASHER,FLAT 5/16 N ZP	2
19	1-861-010032-11	WASHER, FLAT 3/8 W ZP/CD	4
20	1-861-010032-15	WASHER, FLAT 1/2 W ZP/CD	1
21	1-861-010032-21	WASHER, FLAT 3/4 W ZP/CD	13
22	101385	NUT,HEX SLFLKG,1-1/4-7 GRB	1
23	103841	NUT,FLG,LNK,SERRATED 3/4-10UNC	12
24	116100	WASHER 1-1/4 NAR FL ZP/CD	4
25	139201	SCREW,HX CP 3/4-10UNCX5.50GR8	2
26	140191	PIN, GROOVED ALLOY 1/2X3	1
27	141154	WASHER GANG SHAFT	2
28	141251	SPRING PIN,SLOTTED 1/2X2-1/4	2
29	150076	MANUAL TUBE (4-1/4"ID) <b>(AFTER 09/12/2023)</b>	1
29	142753	MANUAL HOLDER <b>(BEFORE 09/12/2023)</b>	1
30	144457	PIN, SHANK <b>(1-1/4 X 7-1/4, STEP)</b>	1
31	201276	CYLINDER 3-3/4 X 10 REPHASE <b>(SEE PAGE 12-17)</b>	1
32	156972	HUB & SPINDLE ASSY, 8 BOLT <b>(SEE PAGE 3-1)</b>	1
33	159954	NUT HEX 1-3/4-5UNC GR2	2
34	159955	ROD, CYLINDER ANCHOR	1
35	164471	WASHER, THRUST 2"	2
36	165257	PAD, SLIDE	1
37	165265	GUIDE, DEPTH STOP	1
38	171556	SCREW,HEX CP,5/16-18UNCX5-1/2	2
39	171892	SCREW, HEX, 5/16-11UNCX9, GR5	4
40	172802	PIN SPRING SLOTTED 1/2X2-1/2	1
41	172919	SCREW HX CP,3/4-10X12 GR8 ZP	8
42	175677	PLATE, THRUST WASHER WING	2

## WING ASSEMBLIES

## Wing Assembly - Left Hand 20'

ITEM	PART NUMBER	DESCRIPTION	QTY.
43	175686	PLATE THRUST WASHER WING	2
44	183815	BUSHING, 2-1/4 X 2 X 1-1/2 L	2
45	184413	BEARING, FLANGE 1-1/4	2
46	187318	PIN SHOULDER 2 X 11-5/8	1
47	187632	ADJUSTING BRACKET	1
48	188038	BRG HALF, 4-1/2 INSERT	8
49	192594	PLATE-BACKER	1
50	192890	BUSHING 1-3/8ODX1 IDX1 STEEL	2
51	193699	PLATE-STRAP	2
52	193730	PIN-SHOULDER, 1-1/4 X 5	1
53	193757	BLADE-LEVELER	1
54	193758	MOUNT-BLADE LEVELER, WELDMENT	1
55	193763	ARM-LEVELER MOUNT, WELDMENT	1
56	195115	PLATE-BACKER, BEARING	2
57	219950	WRENCH, ADJUSTMENT	1
58	219951	WRENCH, ADJUSTMENT	1
59	195277	WRENCH, ADJUSTMENT	1
60	197140	BUSHING POLYLUBE 2-1.4X2X1-3/4	2
61	2-181-010001	CLAMP	5
62	201275	CYLINDER, 4 X 10 REPHASE <b>(SEE PAGE 12-18)</b>	1
63	202844	WASHER, 2 X 3-1/2 X 14 GA, SS	2
64	203467	VALVE-LIMIT, STROKE	1
65	206709	WASHER, THRUST - 3"	2
66	209194	TUBE-REEL CONTROL	1
67	209219	WLDMT BRACKET-PIVOT	1
68	209366	WLDMT ARM-CRANK, REEL CONTROL	1
69	215351	TIRE&WHL ASSY, VF410/50R16.5	1
70	217302	BRACKET-REEL CONTROL, WLDMT	1
71	217325	FRAME-WING, 7822-20 LH, WLDMT	1
72	217396	PIN-SHOULDER, 3X11.8	2
73	218701	ARM-GAUGE WHEEL LH, WLDMT	1
74	218705	TUBE-REEL CONTROL, WLDMT	1
75	218707	TUBE-REEL CONTROL, ASSY <b>(SEE PAGE 2-16)</b>	1
76	23085	NUT HEX SLOTTED 1 3/4-5	2
77	2P793	BRG INSERT, 4 1/2 INSERT	8
78	3/4-10X2-1/2CB	SCREW, RDH, SQ NK, 3/4-10X2-1/2	17
79	70239854	PIN QUICK HITCH	1



WING ASSEMBLIES

Wing Assembly - Left Hand 23'

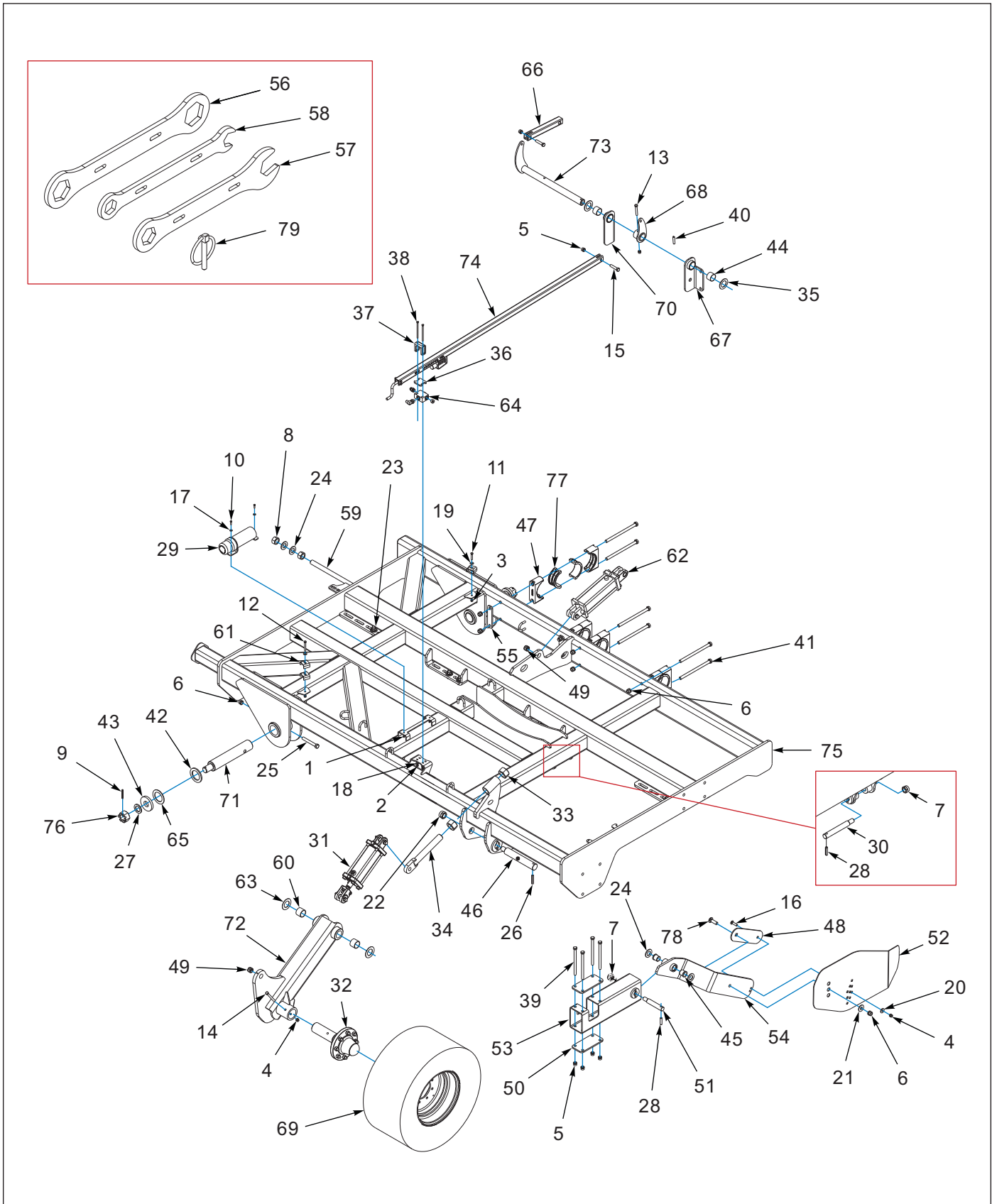


Figure 2-4: Wing Assembly - Left Hand 23'

## Wing Assembly - Left Hand 23'

ITEM	PART NUMBER	DESCRIPTION	QTY.
	219521	WING-7822-23, LH, ASSY	--
1	1-512-010005-01	NUT,HEX,SLFLKG GRB 1/4-20	2
2	1-512-010005-03	NUT HEX SLFLKG GRB 5/16-18	2
3	1-512-010005-05	NUT, HEX, SLFLKG GRB 3/8-16	4
4	1-512-010005-09	NUT,HEX,SLFLKG, 1/2-13 GRB	3
5	1-512-010005-13	NUT,HEX SLFLKG GRB 5/8-11	6
6	1-512-010005-15	NUT,HEX,SLFLKG GRB 3/4-10	13
7	1-512-010005-19	NUT 1-8 HEX SLF-LOCKING GRB	2
8	1-512-010007-16	NUT,HEX 1-1/4-7 GR2 ZP	2
9	1-647-010004259	SPRING PIN, SLOTTED 3/8X3	2
10	1-654-010047-06	SCREW, HEX, 1/4-20UNCX1GR5	2
11	1-654-010051-09	SCREW,HEX CAP,3/8-16UNCX2 GR5	3
12	1-654-010051-13	SCREW,HX CP,3/8-16UNCX3,GR5	1
13	1-654-010055-10	SCREW HEX CAP 1/2-13X3-1/4GR5	1
14	1-654-010055-15	SCR, HX CP, 1/2-13UNCX5 GR5	1
15	1-654-010059-08	SCREW HX CP 5/8-11UNCX2-3/4G5	2
16	1-654-010070-05	SCREW,RDHD SQNCK 1/2-13X2 GR5	1
17	1-861-010032-07	WASHER,FLAT 1/4 ZP	2
18	1-861-010032-08	WASHER,FLAT 5/16 N ZP	2
19	1-861-010032-11	WASHER, FLAT 3/8 W ZP/CD	4
20	1-861-010032-15	WASHER, FLAT 1/2 W ZP/CD	1
21	1-861-010032-21	WASHER, FLAT 3/4 W ZP/CD	13
22	101385	NUT,HEX SLFLKG,1-1/4-7 GRB	1
23	103841	NUT,FLG,LNK,SERRATED 3/4-10UNC	12
24	116100	WASHER 1-1/4 NAR FL ZP/CD	4
25	139201	SCREW,HX CP 3/4-10UNCX5.50GR8	2
26	140191	PIN, GROOVED ALLOY 1/2X3	1
27	141154	WASHER GANG SHAFT	2
28	141251	SPRING PIN,SLOTTED 1/2X2-1/4	2
29	150076	MANUAL TUBE (4-1/4"ID) <b>(AFTER 09/12/2023)</b>	1
29	142753	MANUAL HOLDER <b>(BEFORE 09/12/2023)</b>	1
30	144457	PIN, SHANK <b>(1-1/4 X 7-1/4, STEP)</b>	1
31	201276	CYLINDER 3-3/4 X 10 REPHASE <b>(SEE PAGE 12-17)</b>	1
32	156972	HUB & SPINDLE ASSY, 8 BOLT <b>(SEE PAGE 3-1)</b>	1
33	159954	NUT HEX 1-3/4-5UNC GR2	2
34	159955	ROD, CYLINDER ANCHOR	1
35	164471	WASHER, THRUST 2"	2
36	165257	PAD, SLIDE	1
37	165265	GUIDE, DEPTH STOP	1
38	171556	SCREW,HEX CP,5/16-18UNCX5-1/2	2
39	171892	SCREW, HEX, 5/16-11UNCX9, GR5	4
40	172802	PIN SPRING SLOTTED 1/2X2-1/2	1
41	172919	SCREW HX CP,3/4-10X12 GR8 ZP	8
42	175677	PLATE, THRUST WASHER WING	2

## WING ASSEMBLIES

## Wing Assembly - Left Hand 23'

ITEM	PART NUMBER	DESCRIPTION	QTY.
43	175686	PLATE THRUST WASHER WING	2
44	183815	BUSHING, 2-1/4 X 2 X 1-1/2 L	2
45	184413	BEARING, FLANGE 1-1/4	2
46	187318	PIN SHOULDER 2 X 11-5/8	1
47	188038	BRG HALF, 4-1/2 INSERT	8
48	192594	PLATE-BACKER	1
49	192890	BUSHING 1-3/8ODX1 IDX1 STEEL	2
50	193699	PLATE-STRAP	2
51	193730	PIN-SHOULDER, 1-1/4 X 5	1
52	193757	BLADE-LEVELER	1
53	193758	MOUNT-BLADE LEVELER, WELDMNT	1
54	193763	ARM-LEVELER MOUNT, WELDMNT	1
55	195115	PLATE-BACKER, BEARING	2
56	219950	WRENCH, ADJUSTMENT	1
57	219951	WRENCH, ADJUSTMENT	1
58	195277	WRENCH, ADJUSTMENT	1
59	195279	BRACKET - GANG ADJUSTMENT, WLD	1
60	197140	BUSHING POLYLUBE 2-1.4X2X1-3/4	2
61	2-181-010001	CLAMP	5
62	201275	CYLINDER, 4 X 10 REPHASE <b>(SEE PAGE 12-18)</b>	1
63	202844	WASHER, 2 X 3-1/2 X 14 GA, SS	2
64	203467	VALVE-LIMIT, STROKE	1
65	206709	WASHER, THRUST - 3"	2
66	209194	TUBE-REEL CONTROL	1
67	209219	WLDMT BRACKET-PIVOT	1
68	209366	WLDMT ARM-CRANK, REEL CONTROL	1
69	215351	TIRE&WHL ASSY, VF410/50R16.5	1
70	217302	BRACKET - REEL CONTROL, WLDMNT	1
71	217396	PIN-SHOULDER, 3X11.8	2
72	218701	ARM-GAUGE WHEEL LH, WLDMT	1
73	218705	TUBE-REEL CONTROL, WLDMT	1
74	218707	TUBE-REEL CONTROL, ASSY <b>(SEE PAGE 2-16)</b>	1
75	219502	FRAME - WING, 7822-23 LH, WLDMNT	1
76	23085	NUT HEX SLOTTED 1 3/4-5	2
77	2P793	BRG INSERT, 4 1/2 INSERT	8
78	3/4-10X2-1/2CB	SCREW, RDH, SQ NK, 3/4-10X2-1/2	17
79	70239854	PIN QUICK HITCH	1



# Reel Depth Control Assembly

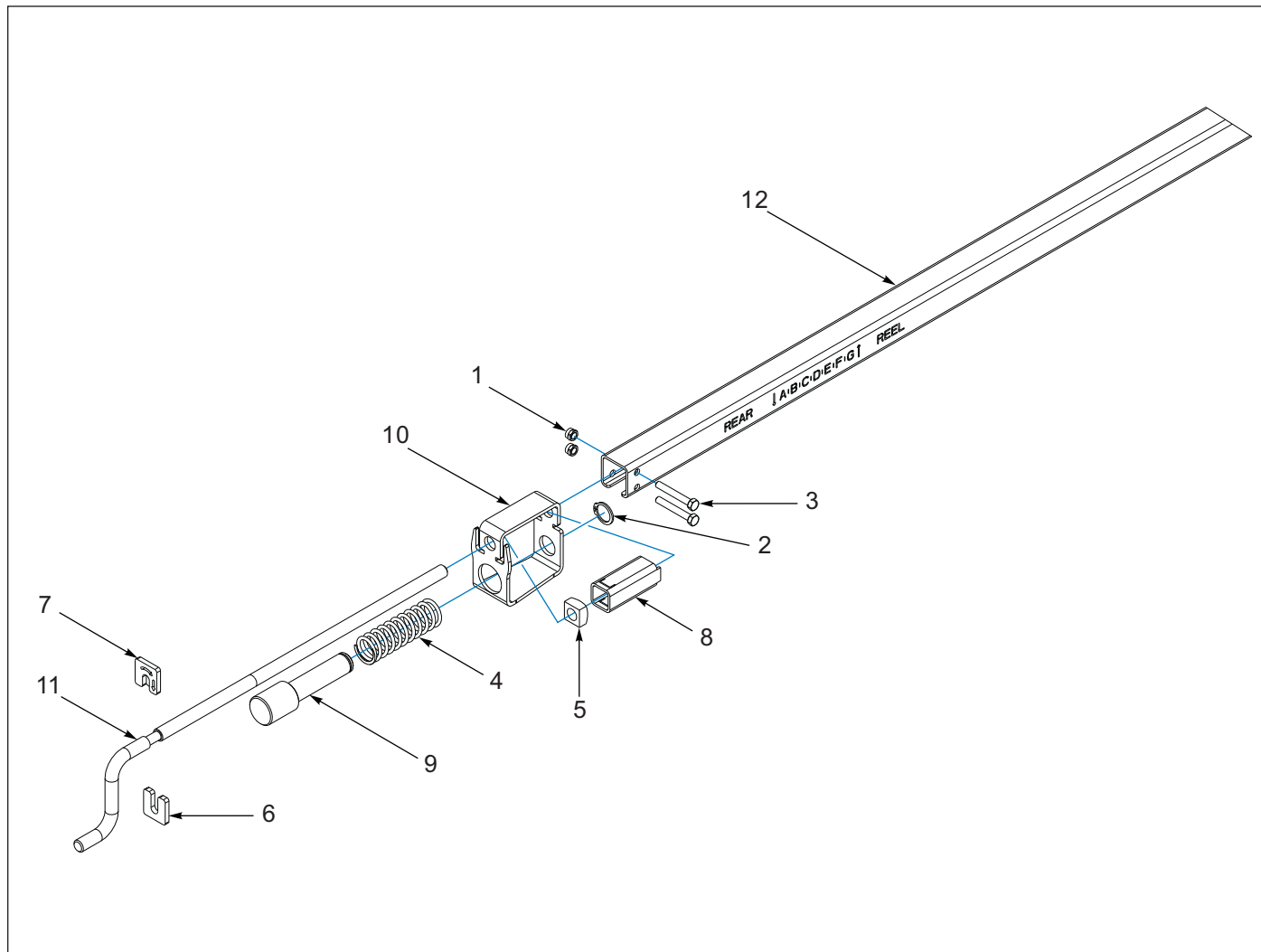


Figure 2-5: Reel Depth Control Assembly

## Reel Depth Control Assembly

ITEM	PART NUMBER	DESCRIPTION	QTY.
	218707	TUBE-REEL CONTROL, ASSY	--
1	1-512-010005-03	NUT HEX SLFLKG GRB 5/16-18	2
2	1-630-010021-03	RING, RETAINING 1.0 HD	1
3	108628	SCREW HX CP 5/16-18UNCX2-1/4	2
4	122917	SPRING COMPRESSION,4-1/2 MONO	1
5	144048	NUT, SQ 5/8-11 GR5	1
6	165259	STOP, HANDLE LONG	1
7	165260	STOP, HANDLE SHORT	1
8	166717	SQ TUBE, FLOATING	1
9	174708	PIN, DEPTH STOP	1
10	182289	STOP-DEPTH	1
11	201337	HANDLE-DEPTH STOP	1
12	218706	TUBE-REEL CONTROL	1

Wing Assembly - Right Hand 15'

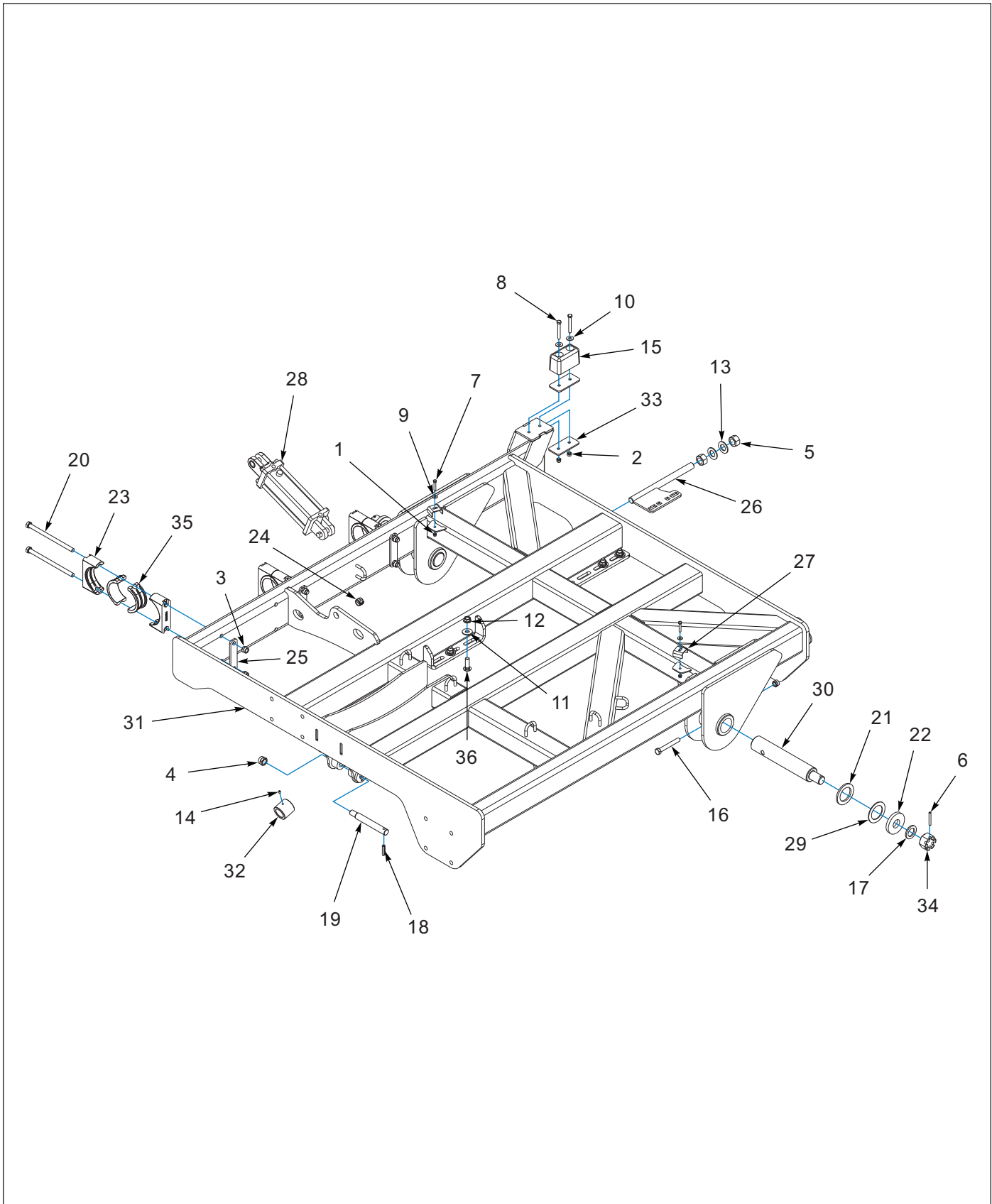


Figure 2-6: Wing Assembly - Right Hand 15'

## Wing Assembly - Right Hand 15'

ITEM	PART NUMBER	DESCRIPTION	QTY.
	219518	WING-7822-15, RH, ASSY	--
1	1-512-010005-05	NUT, HEX, SLFLKG GRB 3/8-16	4
2	1-512-010005-09	NUT,HEX,SLFLKG, 1/2-13 GRB	2
3	1-512-010005-15	NUT,HEX,SLFLKG GRB 3/4-10	8
4	1-512-010005-19	NUT, HEX SLFLKG 1-8 UNC, GRB	2
5	1-512-010007-16	NUT,HEX 1-1/4-7 GR2 ZP	2
6	1-647-010004259	SPRING PIN, SLOTTED 3/8X3	2
7	1-654-010051-09	SCREW,HEX CAP,3/8-16UNCX2 GR5	4
8	1-654-010055-12	SCREW,CP,HX .50-13UNCX3.75 GR5	2
9	1-861-010032-11	WASHER, FLAT 3/8 W ZP/CD	4
10	1-861-010032-15	WASHER, FLAT 1/2 W ZP/CD	2
11	1-861-010032-21	WASHER, FLAT 3/4 W ZP/CD	8
12	103841	NUT,FLG,LNK,SERRATED 3/4-10UNC	8
13	116100	WASHER 1-1/4 NAR FL ZP/CD	2
14	122709	SCREW,SET,HXSKTCPPT 3/8-16X1/2	1
15	128874	BUMPER RUBBER 6X3X3-1/2	1
16	139201	SCREW,HX CP 3/4-10UNCX5.50GR8	2
17	141154	WASHER GANG SHAFT	2
18	141251	SPRING PIN,SLOTTED 1/2X2-1/4	1
19	144457	PIN, SHANK (1-1/4 X 7-1/4, STEP)	1
20	172919	SCREW HX CP,3/4-10X12 GR8 ZP	6
21	175677	PLATE, THRUST WASHER WING	2
22	175686	PLATE THRUST WASHER WING	2
23	188038	BRG HALF, 4-1/2 INSERT	6
24	192890	BUSHING 1-3/8ODX1 IDX1 STEEL	1
25	195115	PLATE-BACKER, BEARING	3
26	195279	BRACKET-GANG ADJUSTMENT,WLD	1
27	2-181-010001	HOSE CLAMP	4
28	201276	CYLINDER, 3.75 X 10 REPHASE (SEE PAGE 12-17)	1
29	206709	WASHER, THRUST - 3"	2
30	217396	PIN-SHOULDER, 3X11.8	2
31	219513	FRAME-WING, 7822-15 RH, WLDMNT	1
32	219579	TUBE, CYLINDER-STOP	1
33	219580	PLATE-SHIM STOP	2
34	23085	NUT HEX SLOTTED 1 3/4-5	2
35	2P793	BRG INSERT, 4 1/2 INSERT	6
36	3/4-10X2-1/2CB	SCREW, RDH, SQ NK, 3/4-10X2-1/2	8

WING ASSEMBLIES

Wing Assembly - Right Hand 17'

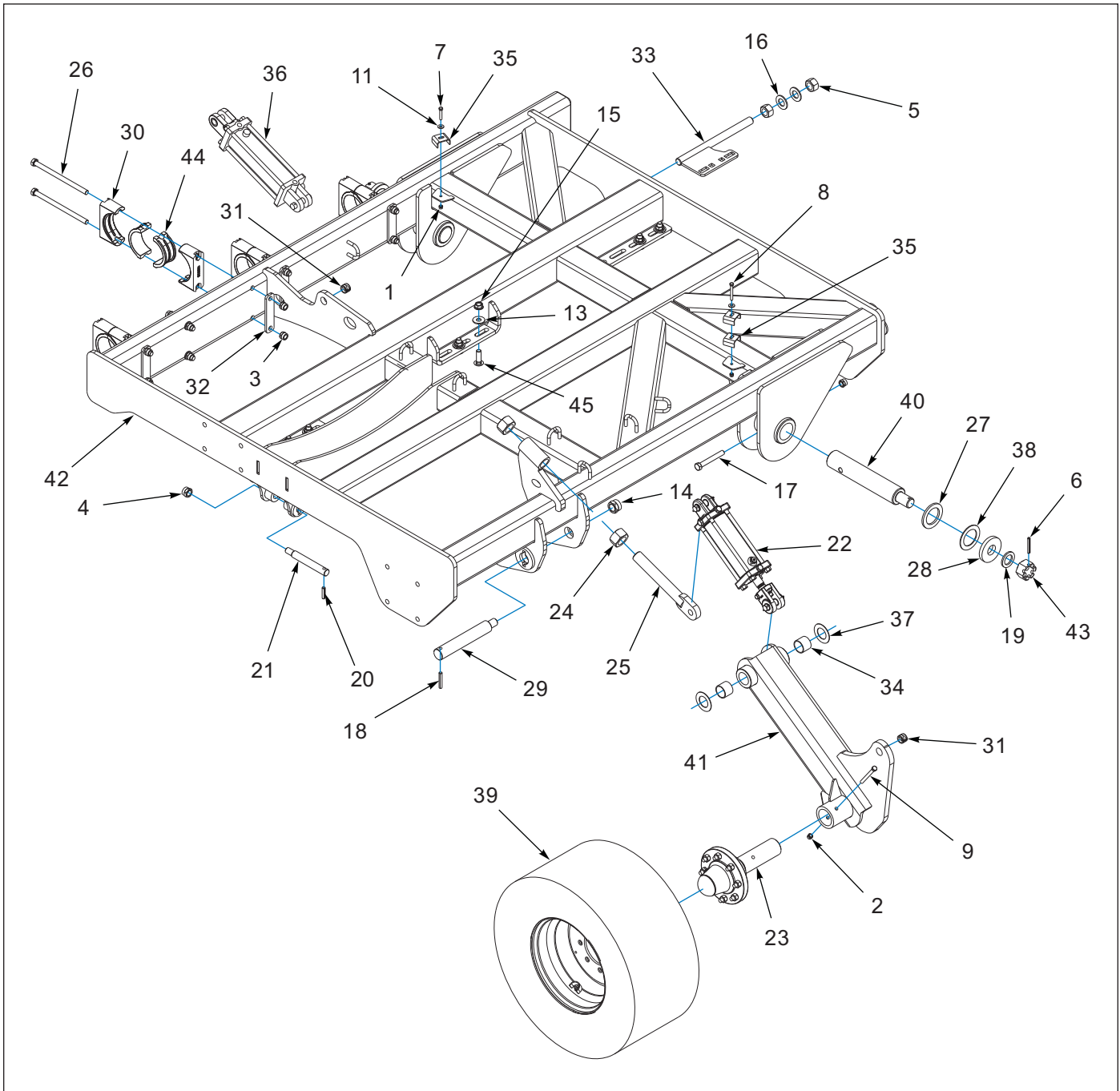


Figure 2-7: Wing Assembly - Right Hand 17'

Wing Assembly - Right Hand 17'

ITEM	PART NUMBER	DESCRIPTION	QTY.
	219520	WING-7822-17, RH, ASSY	--
1	1-512-010005-05	NUT, HEX, SLFLKG GRB 3/8-16	4
2	1-512-010005-09	NUT,HEX,SLFLKG, 1/2-13 GRB	1
3	1-512-010005-15	NUT,HEX,SLFLKG GRB 3/4-10	12
4	1-512-010005-19	NUT, HEX SLFLKG 1-8 UNC, GRB	2

## Wing Assembly - Right Hand 17'

ITEM	PART NUMBER	DESCRIPTION	QTY.
5	1-512-010007-16	NUT,HEX 1-1/4-7 GR2 ZP	2
6	1-647-010004259	SPRING PIN, SLOTTED 3/8X3	2
7	1-654-010051-09	SCREW,HEX CAP,3/8-16UNCX2 GR5	3
8	1-654-010051-13	SCREW,HX CP,3/8-16UNCX3,GR5	1
9	1-654-010055-15	SCREW, HEX, 1/2-13UNCX GR5	1
10	1-654-010061-16	SCREW 3/4-10UNCX5-1/2 HXCP G5	2
11	1-861-010032-11	WASHER, FLAT 3/8 W ZP/CD	4
12	1-861-010032-20	WASHER, FLAT,3/4 N ZP/CD	4
13	1-861-010032-21	WASHER, FLAT 3/4 W ZP/CD	12
14	101385	NUT,HEX SLFLKG,1-1/4-7 GRB	1
15	103841	NUT,FLG,LNK,SERRATED 3/4-10UNC	12
16	116100	WASHER 1-1/4 NAR FL ZP/CD	2
17	139201	SCREW,HX CP 3/4-10UNCX5.50GR8	2
18	140191	PIN, GROOVED ALLOY 1/2X3	1
19	141154	WASHER GANG SHAFT	2
20	141251	SPRING PIN,SLOTTED 1/2X2-1/4	1
21	144457	PIN, SHANK (1-1/4 X 7-1/4, STEP)	1
22	201276	CYLINDER 3-3/4 X 10 REPHASE (SEE PAGE 12-17)	2
23	156972	HUB & SPINDLE ASSY, 8 BOLT (SEE PAGE 3-1)	1
24	159954	NUT HEX 1-3/4-5UNC GR2	2
25	159955	ROD, CYLINDER ANCHOR	1
26	172919	SCREW HX CP,3/4-10X12 GR8 ZP	8
27	175677	PLATE, THRUST WASHER WING	2
28	175686	PLATE THRUST WASHER WING	2
29	187318	PIN SHOULDER 2 X 11-5/8	1
30	188038	BRG HALF, 4-1/2 INSERT	8
31	192890	BUSHING 1-3/8ODX1 IDX1 STEEL	2
32	195115	PLATE-BACKER, BEARING	4
33	195279	BRACKET-GANG ADJUSTMENT,WLD	1
34	197140	BUSHING POLYLUBE 2-1.4X2X1-3/4	2
35	2-181-010001	CLAMP	5
36	201276	CYLINDER, 3.75 X 10 REPHASE (SEE PAGE 12-17)	1
37	202844	WASHER, 2 X 3-1/2 X 14 GA, SS	2
38	206709	WASHER, THRUST - 3"	2
39	215351	TIRE&WHL ASSY, VF410/50R16.5	1
40	217396	PIN-SHOULDER, 3X11.8	2
41	218702	ARM-GAUGE WHEEL RH, WLDMT	1
42	219509	FRAME-WING, 7822-17 RH, WLDMT	1
43	23085	NUT HEX SLOTTED 1 3/4-5	2
44	2P793	BRG INSERT, 4 1/2 INSERT	8
45	3/4-10X2-1/2CB	SCREW, RDH, SQ NK, 3/4-10X2-1/2	12

WING ASSEMBLIES

Wing Assembly - Right Hand 20'

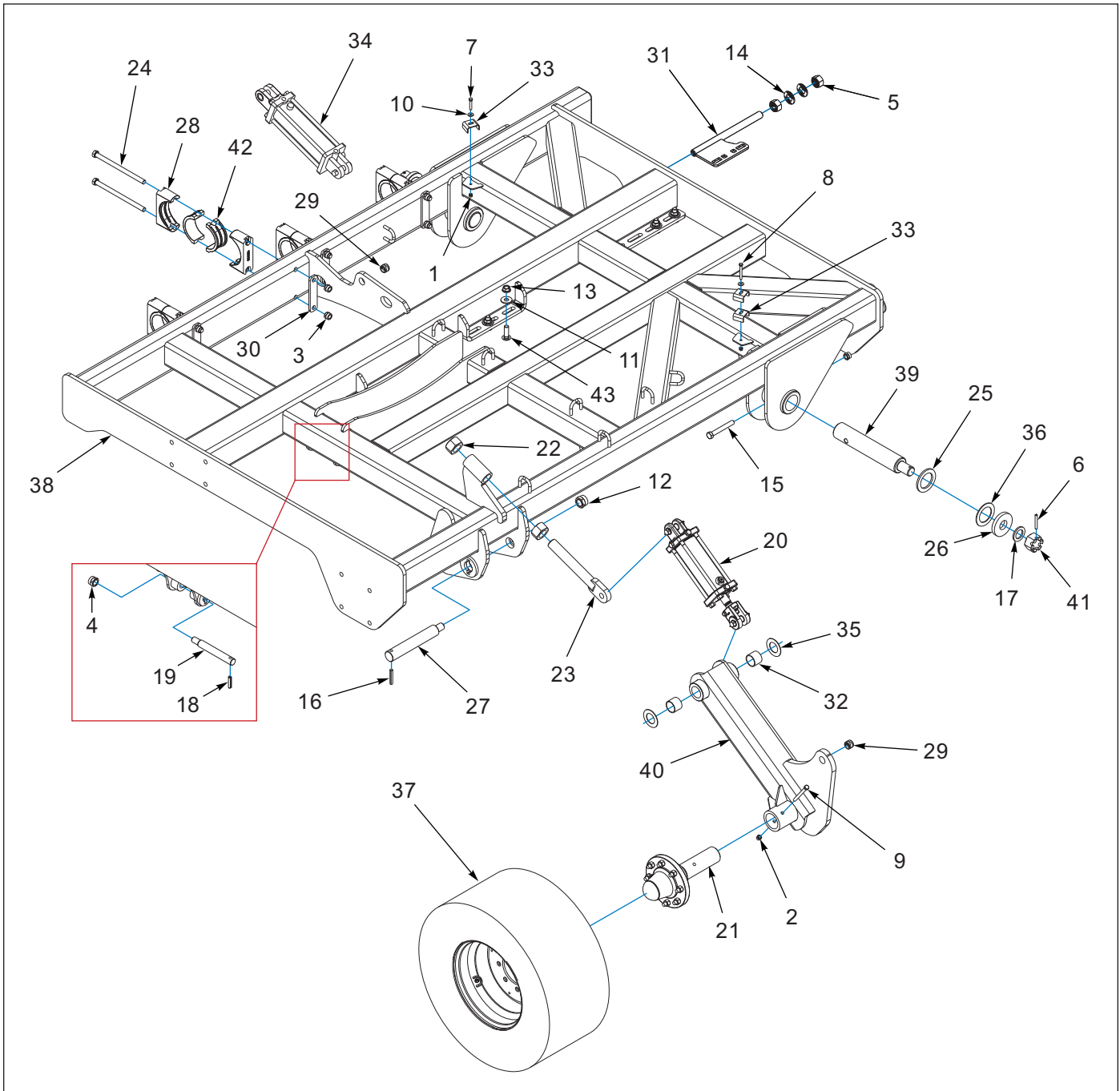


Figure 2-8: Wing Assembly - Right Hand 20'

Wing Assembly - Right Hand 20'

ITEM	PART NUMBER	DESCRIPTION	QTY.
	217330	WING-7822-20, RH, ASSY	--
1	1-512-010005-05	NUT, HEX, SLFLKG GRB 3/8-16	4
2	1-512-010005-09	NUT,HEX,SLFLKG, 1/2-13 GRB	1
3	1-512-010005-15	NUT,HEX,SLFLKG GRB 3/4-10	10
4	1-512-010005-19	NUT, HEX SLFLKG 1-8 UNC, GRB	2

## Wing Assembly - Right Hand 20'

ITEM	PART NUMBER	DESCRIPTION	QTY.
5	1-512-010007-16	NUT,HEX 1-1/4-7 GR2 ZP	2
6	1-647-010004259	SPRING PIN, SLOTTED 3/8X3	2
7	1-654-010051-09	SCREW,HEX CAP,3/8-16UNCX2 GR5	3
8	1-654-010051-13	SCREW,HX CP,3/8-16UNCX3,GR5	1
9	1-654-010055-15	SCREW, HEX, 1/2-13UNCX GR5	1
10	1-861-010032-11	WASHER, FLAT 3/8 W ZP/CD	4
11	1-861-010032-21	WASHER, FLAT 3/4 W ZP/CD	12
12	101385	NUT,HEX SLFLKG,1-1/4-7 GRB	1
13	103841	NUT,FLG,LNK,SERRATED 3/4-10UNC	12
14	116100	WASHER 1-1/4 NAR FL ZP/CD	2
15	139201	SCREW,HX CP 3/4-10UNCX5.50GR8	2
16	140191	PIN, GROOVED ALLOY 1/2X3	1
17	141154	WASHER GANG SHAFT	2
18	141251	SPRING PIN,SLOTTED 1/2X2-1/4	1
19	144457	PIN, SHANK (1-1/4 X 7-1/4, STEP)	1
20	201276	CYLINDER 3-3/4 X 10 REPHASE (SEE PAGE 12-17)	2
21	156972	HUB & SPINDLE ASSY, 8 BOLT (SEE PAGE 3-1)	1
22	159954	NUT HEX 1-3/4-5UNC GR2	2
23	159955	ROD, CYLINDER ANCHOR	1
24	172919	SCREW HX CP,3/4-10X12 GR8 ZP	8
25	175677	PLATE, THRUST WASHER WING	2
26	175686	PLATE THRUST WASHER WING	2
27	187318	PIN SHOULDER 2 X 11-5/8	1
28	188038	BRG HALF, 4-1/2 INSERT	8
29	192890	BUSHING 1-3/8ODX1 IDX1 STEEL	2
30	195115	PLATE-BACKER, BEARING	4
31	195279	BRACKET-GANG ADJUSTMENT,WLD	1
32	197140	BUSHING POLYLUBE 2-1.4X2X1-3/4	2
33	2-181-010001	CLAMP	5
34	201276	CYLINDER, 3.75 X 10 REPHASE (SEE PAGE 12-17)	1
35	202844	WASHER, 2 X 3-1/2 X 14 GA, SS	2
36	206709	WASHER, THRUST - 3"	2
37	215351	TIRE&WHL ASSY, VF410/50R16.5	1
38	217326	FRAME-WING, 7822-20 RH, WLDMT	1
39	217396	PIN-SHOULDER, 3X11.8	2
40	218702	ARM-GAUGE WHEEL RH, WLDMT	1
41	23085	NUT HEX SLOTTED 1 3/4-5	2
42	2P793	BRG INSERT, 4 1/2 INSERT	8
43	3/4-10X2-1/2CB	SCREW, RDH, SQ NK, 3/4-10X2-1/2	12

WING ASSEMBLIES

Wing Assembly - Right Hand 23'

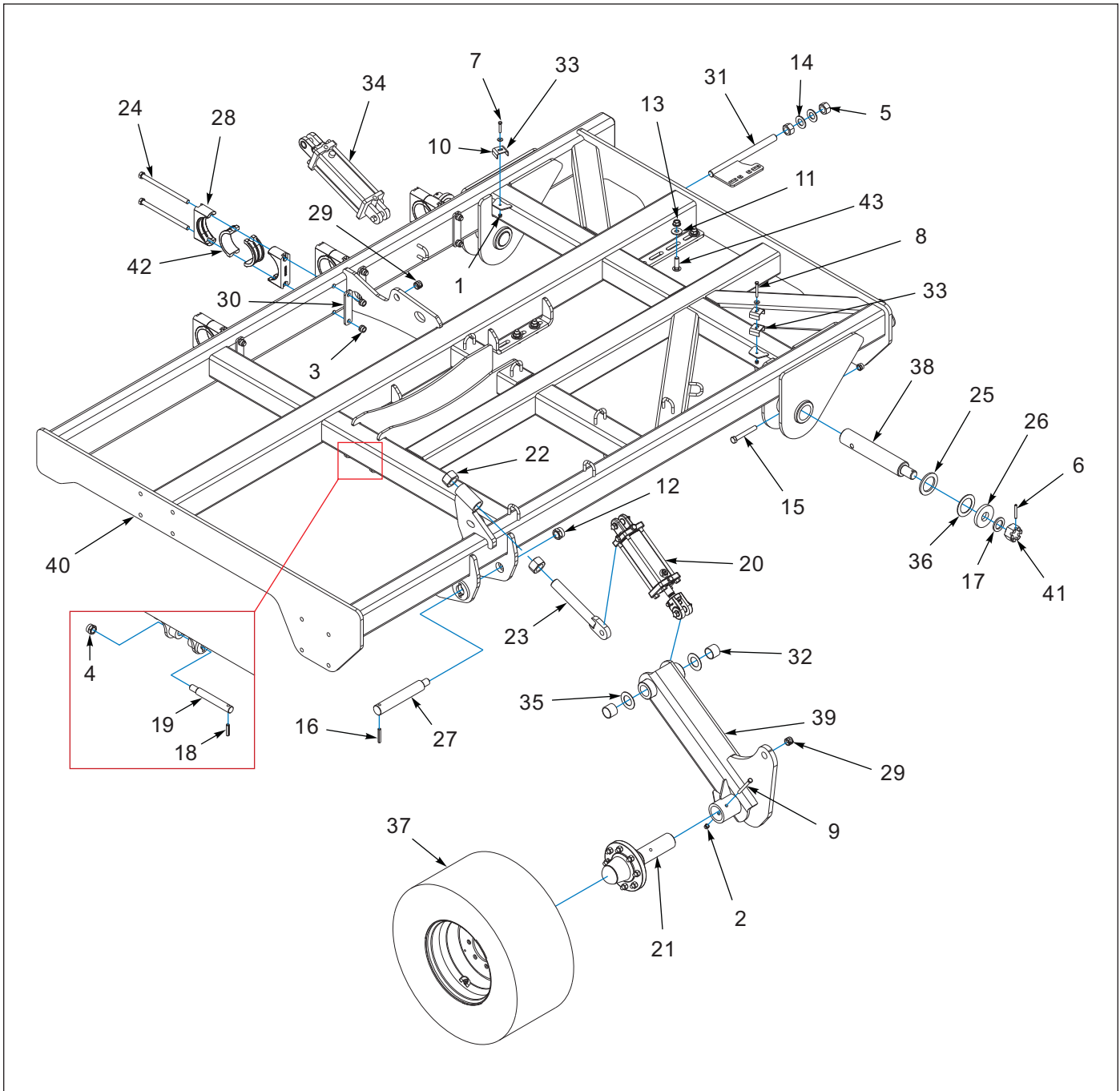


Figure 2-9: Wing Assembly - Right Hand 23'

Wing Assembly - Right Hand 23'

ITEM	PART NUMBER	DESCRIPTION	QTY.
	219522	WING-7822-23, RH, ASSY	--
1	1-512-010005-05	NUT, HEX, SLFLKG GRB 3/8-16	4
2	1-512-010005-09	NUT,HEX,SLFLKG, 1/2-13 GRB	1
3	1-512-010005-15	NUT,HEX,SLFLKG GRB 3/4-10	10
4	1-512-010005-19	NUT 1-8 HEX SLF-LOCKING GRB	2



## Wing Assembly - Right Hand 23'

ITEM	PART NUMBER	DESCRIPTION	QTY.
5	1-512-010007-16	NUT,HEX 1-1/4-7 GR2 ZP	2
6	1-647-010004259	SPRING PIN, SLOTTED 3/8X3	2
7	1-654-010051-09	SCREW,HEX CAP,3/8-16UNCX2 GR5	3
8	1-654-010051-13	SCREW,HX CP,3/8-16UNCX3,GR5	1
9	1-654-010055-15	SCREW, HEX, 1/2-13UNCX GR5	1
10	1-861-010032-11	WASHER, FLAT 3/8 W ZP/CD	4
11	1-861-010032-21	WASHER, FLAT 3/4 W ZP/CD	12
12	101385	NUT,HEX SLFLKG,1-1/4-7 GRB	1
13	103841	NUT,FLG,LNK,SERRATED 3/4-10UNC	12
14	116100	WASHER 1-1/4 NAR FL ZP/CD	2
15	139201	SCREW,HX CP 3/4-10UNCX5.50GR8	2
16	140191	PIN, GROOVED ALLOY 1/2X3	1
17	141154	WASHER GANG SHAFT	2
18	141251	SPRING PIN,SLOTTED 1/2X2-1/4	1
19	144457	PIN, SHANK (1-1/4 X 7-1/4, STEP)	1
20	201276	CYLINDER 3-3/4 X 10 REPHASE (SEE PAGE 12-17)	1
21	156972	HUB & SPINDLE ASSY, 8 BOLT (SEE PAGE 3-1)	1
22	159954	NUT HEX 1-3/4-5UNC GR2	2
23	159955	ROD, CYLINDER ANCHOR	1
24	172919	SCREW HX CP,3/4-10X12 GR8 ZP	8
25	175677	PLATE, THRUST WASHER WING	2
26	175686	PLATE THRUST WASHER WING	2
27	187318	PIN SHOULDER 2 X 11-5/8	1
28	188038	BRG HALF, 4-1/2 INSERT	8
29	192890	BUSHING 1-3/8ODX1 IDX1 STEEL	2
30	195115	PLATE-BACKER, BEARING	4
31	195279	BRACKET-GANG ADJUSTMENT,WLD	1
32	197140	BUSHING POLYLUBE 2-1.4X2X1-3/4	2
33	2-181-010001	CLAMP	5
34	201276	CYLINDER, 3.75 X 10 REPHASE (SEE PAGE 12-17)	1
35	202844	WASHER, 2 X 3-1/2 X 14 GA, SS	2
36	206709	WASHER, THRUST - 3"	2
37	215351	TIRE&WHL ASSY, VF410/50R16.5	1
38	217396	PIN-SHOULDER, 3X11.8	2
39	218702	ARM-GAUGE WHEEL RH, WLDMT	1
40	219503	FRAME-WING, 7822-23 RH, WLDMT	1
41	23085	NUT HEX SLOTTED 1 3/4-5	2
42	2P793	BRG INSERT, 4 1/2 INSERT	8
43	3/4-10X2-1/2CB	SCREW, RDH, SQ NK, 3/4-10X2-1/2	12

# Hub and Spindles

## Hub and Spindle Assembly, 8 Bolt

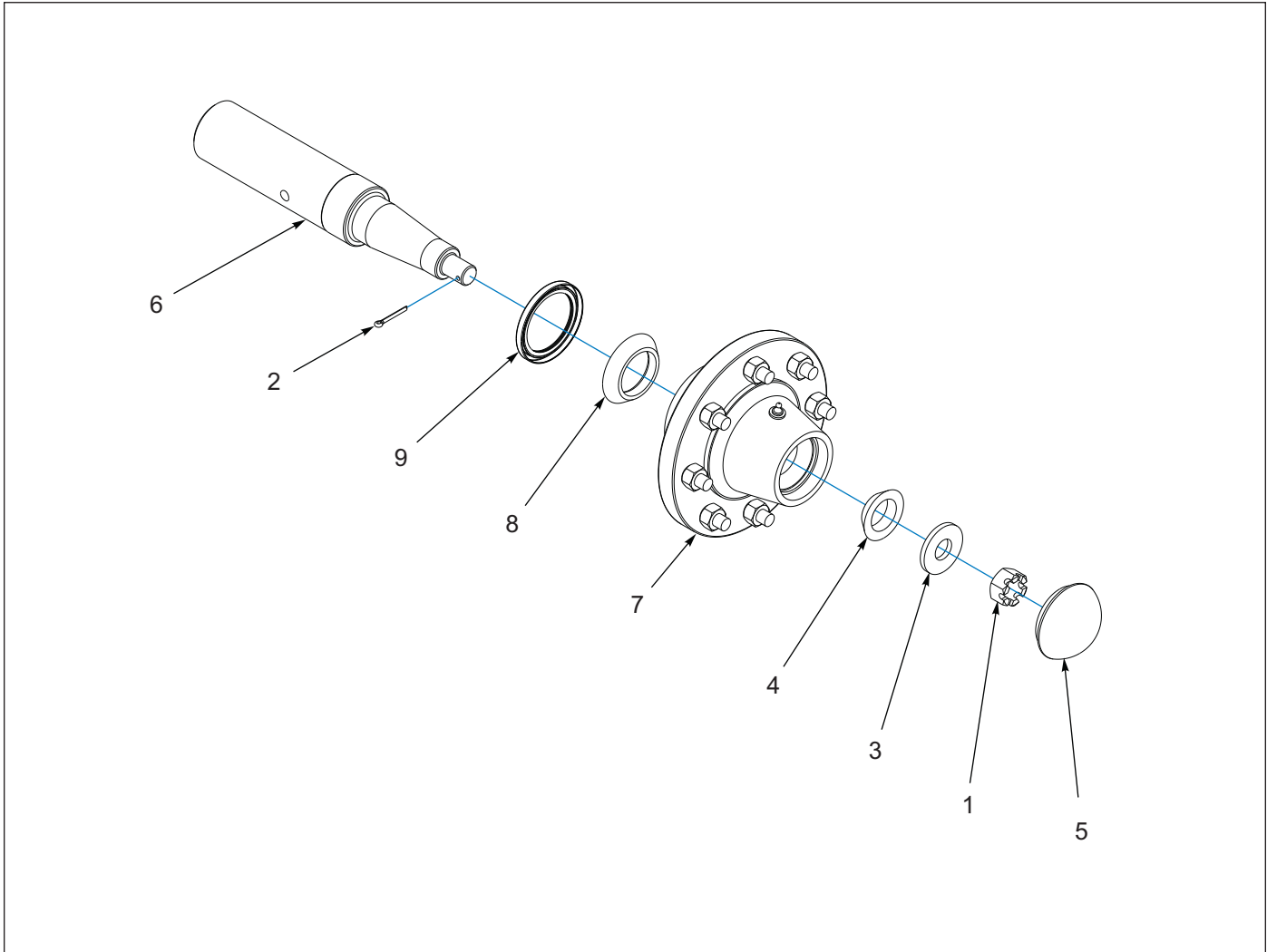


Figure 3-1: Hub and Spindle Assembly, 8 Bolt

## Hub and Spindle Assembly, 8 Bolt

ITEM	PART NUMBER	DESCRIPTION	QTY.
	156972	HUB & SPINDLE ASSY, 8 BOLT	--
1	1-516-010001-20	NUT, HX SLOT 1-14	1
2	1-557-010362-51	PIN, COTTER 3/16X1-1/2	1
3	1-861-010005	WASHER, SPINDLE 1	1
4	102498	BEARING CONE, OUTER, 1.625	1
5	102601	HUB CAP, 8-BOLT HUB	1
6	156973	SPINDLE 3 X 16-1/2	1
7	156974	HUB W/CUPS, 8 BOLT, 7500LBS	1
8	156979	CONE BEARING - 387AS	1
9	159970	SEAL, TRIPLE LIP 4 ODX3 IDX3/8	1

Hub and Spindle Assembly, 10 Bolt - 193814 (AFTER 05/27/2020)

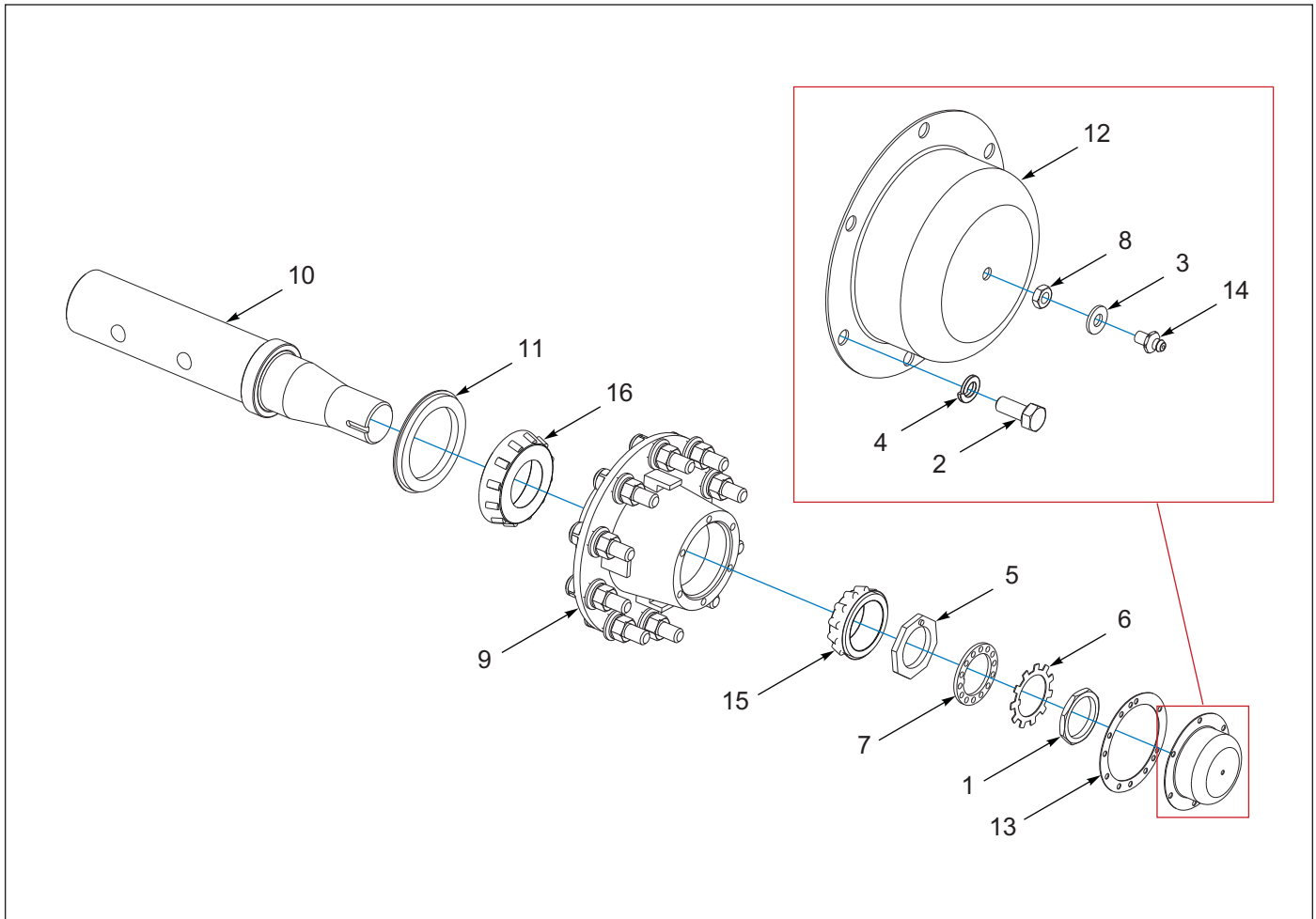


Figure 3-2: Hub and Spindle Assembly, 10 Bolt - 193814 (AFTER 05/27/2020)

Hub and Spindle Assembly, 10 Bolt - 193814 (AFTER 05/27/2020)

ITEM	PART NUMBER	DESCRIPTION	QTY.
	193814	HUB AND SPINDLE ASSEMBLY - 10 BOLT	--
1	006-115-00	NUT OUTER, SPINDLE, DEXTER	1
2	1-654-010049-03	SCREW HX CP 5/16-18UNCX3/4GR5	6
3	1-861-010032-06	WASHER, FLAT 1/4 N ZP/CD	1
4	1-861-010034-10	WASHER,LKG 5/16	6
5	103103-002	INNER SPIN NUT	1
6	105106	STAR L/W	1
7	105107	LOCK WASHER	1
8	1404013	NUT JAM HEX HD GR 5 1/4-28	1
9	181785	HUB, 10 BOLT W/CUPS	1
10	181789	SLEEVE ASSY, 4" SPINDLE	1
11	184769	SEAL, PURGABLE 6 OD X 4-5/8 ID	1
12	191976	HUBCAP W/ 1/4 HOLE	1
13	3067	GASKET HUB	1
14	5013	ZERK, FITTING 1/4-28SAEX11/16	1
15	HM212049	OUTER BEARING	1
16	HM218248	INNER BEARING	1

HUB AND SPINDLES

Hub and Spindle Assembly, 10 Bolt - 193814 (BEFORE 05/27/2020)

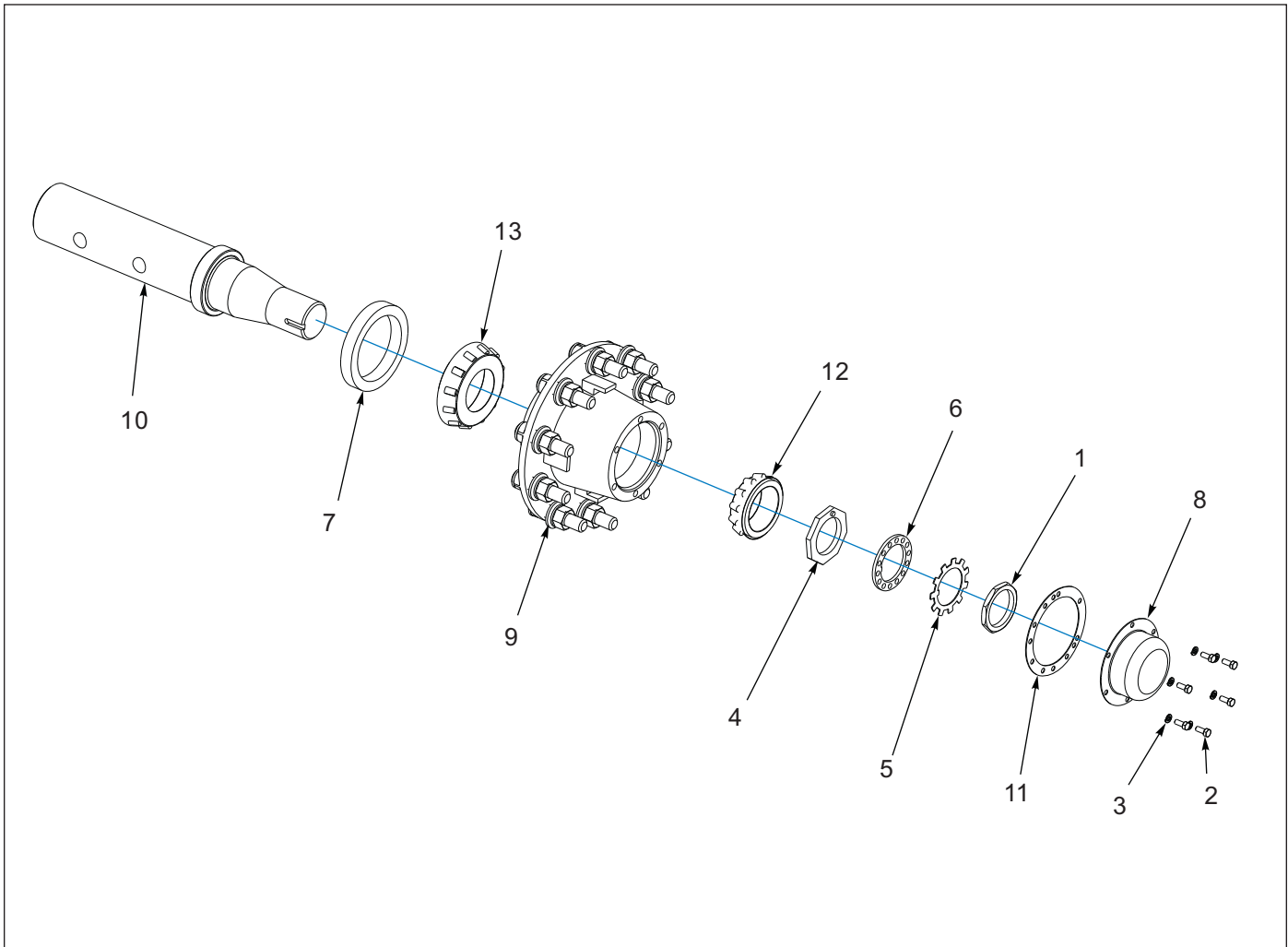


Figure 3-3: Hub and Spindle Assembly, 10 Bolt - 193814 (BEFORE 05/27/2020)

Hub and Spindle Assembly, 10 Bolt - 193814 (BEFORE 05/27/2020)

ITEM	PART NUMBER	DESCRIPTION	QTY.
	193814	HUB/SPINDLE ASSY, 8 BOLT	--
1	006-115-00	NUT OUTER, SPINDLE, DEXTER	1
2	1-654-010049-03	SCREW HX CP 5/16-18UNCX3/4GR5	6
3	1-861-010034-10	WASHER,LKG 5/16	6
4	103103-002	INNER SPIN NUT	1
5	105106	STAR L/W	1
6	105107	LOCK WASHER	1
7	165254	SEAL, 4-5/8, TRIPLE TEFLON	1
8	168456	HUBCAP	1
9	181785	HUB, 10 BOLT W/CUPS	1
10	181789	SLEEVE ASSY, 4" SPINDLE	1
11	3067	GASKET HUB	1
12	HM212049	OUTER BRG A19S	1
13	HM218248	INNER BEARING	1



# Hitch Assemblies

## Hitch Assemblies (AFTER 12/2022)

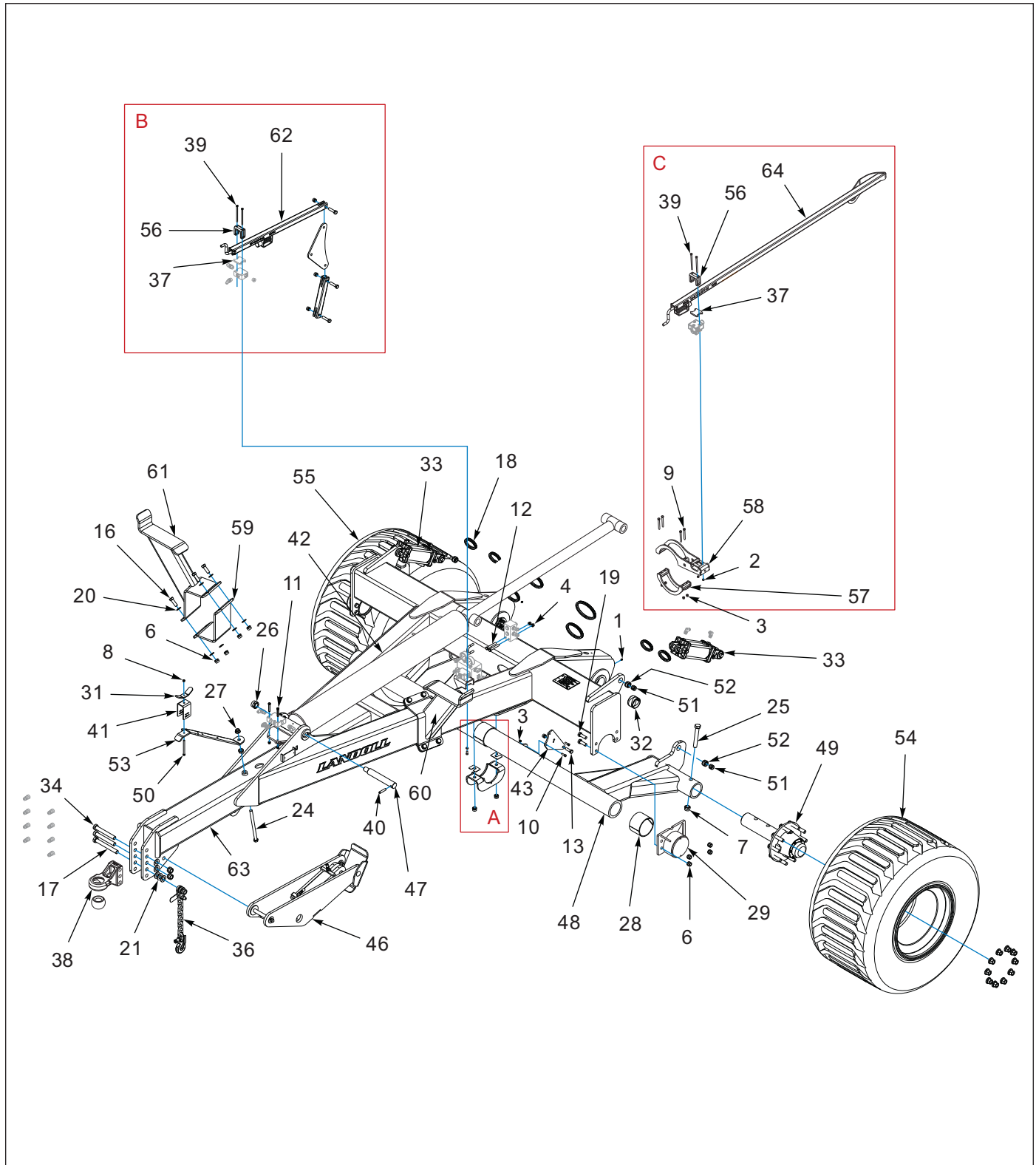


Figure 4-1: Hitch Assemblies (AFTER 12/2022) (1 of 2)

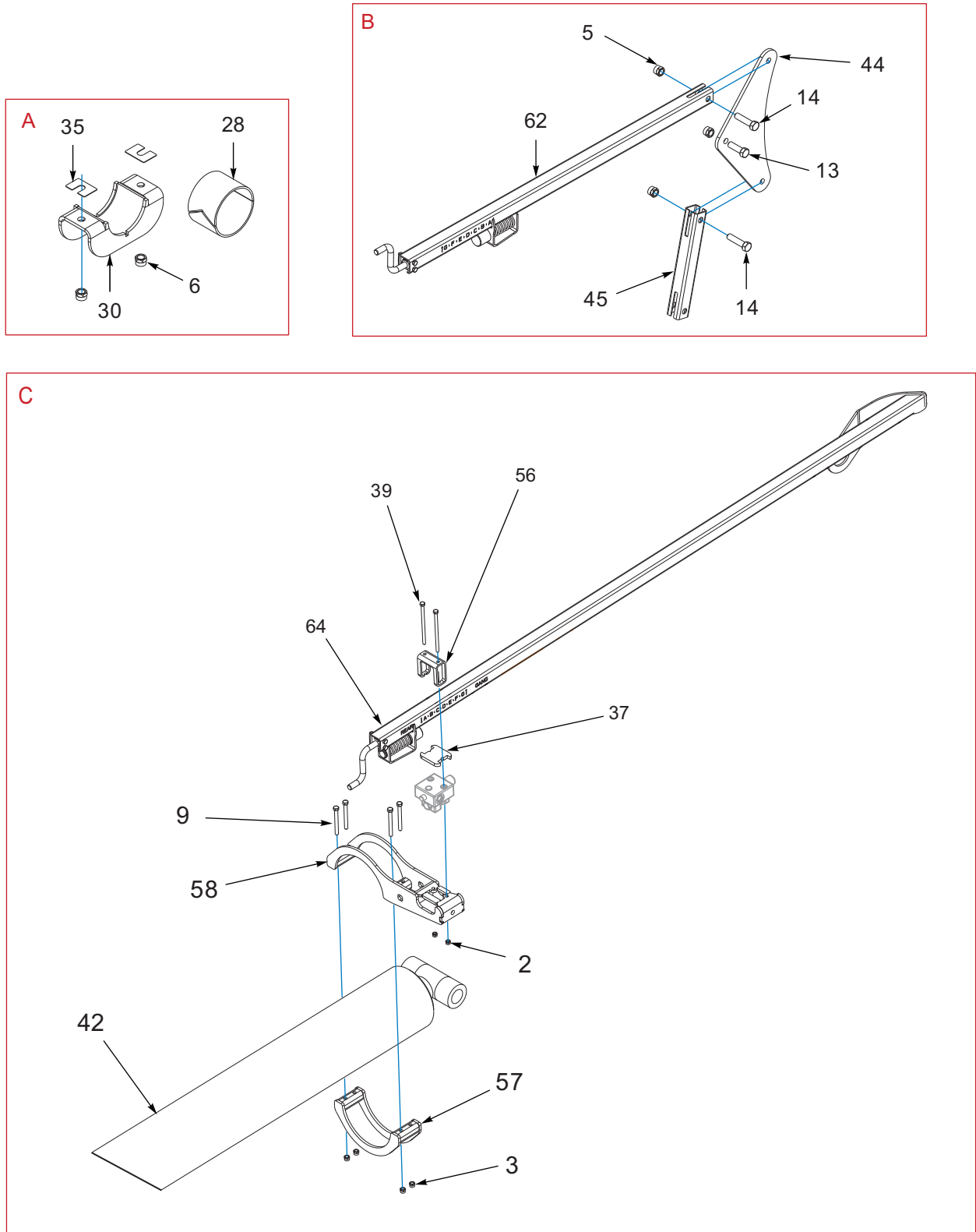


Figure 4-2: Hitch Assemblies (AFTER 12/2022) (2 of 2)

**HITCH ASSEMBLIES**

**Hitch Assemblies (AFTER 12/2022)**

<b>ITEM</b>	<b>PART NUMBER</b>	<b>DESCRIPTION</b>	<b>QTY.</b>
	218798	HITCH-7822, SHORT, ASM (15' & 17' MODELS)	--
	217332	HITCH-7822, ASM (20' MODELS)	--
	219938	HITCH-7822-23, ASM (23' MODELS)	--
1	1-298-010001-1	ZERK FITTING 1/4 SAE	2
2	1-512-010005-03	NUT HEX SLFLKG GRB 5/16-18	6
3	1-512-010005-05	NUT, HEX, SLFLKG GRB 3/8-16	8
4	1-512-010005-09	NUT,HEX,SLFLKG, 1/2-13 GRB	2
5	1-512-010005-13	NUT,HEX SLFLKG GRB 5/8-11	4
6	1-512-010005-15	NUT,HEX,SLFLKG GRB 3/4-10	18
7	1-512-010005-19	NUT 1-8 HEX SLF-LOCKING GRB	5
8	1-512-010007-07	NUT, HEX 3/8-16 GR2 ZP	1
9	1-654-010051-15	SCREW HXCP 3/8-16UNCX3-1/2 G5	4
10	1-654-010051-06	SCREW,HEX CAP 3/8-16UNCX1-1/4	2
11	1-654-010051-11	SCREW HX CP 3/8-16X2-1/2 G5ZP	2
12	1-654-010055-11	SCREW,HX CP 1/2-13UNCX3-1/2	2
13	1-654-010059-05	SCREW,HEX CAP,5/8-11UNCX2 GR5	1
14	1-654-010059-07	SCREW HX CP 5/8-11UNCX2-1/2G5	3
15	1-654-010059-15	SCREW,HEX CAP,5/8-11UNCX5 GR5	1
16	1-654-010061-06	SCREW,HXCP,3/4-10UNCX2-1/4GR5	10
17	1-654-010125-22	SCREW HX CP 1-8UNCX8-1/2G8ZP	1
18	1-822-010001	TRIM 1350 3/8BLK FINE PEBBLE	8.25
19	1-654-010061-07	SCREW,HX CP 3/4-10UNCX2-1/2G5	8
20	1-861-010032-20	WASHER, FLAT,3/4 N ZP/CD	16
21	1-861-010032-24	WASHER FL 1IN NARROW ZP	9
22	1-861-010034-11	WASHER, LKG HLCL SPR, 3/8 (NOT SHOWN)	4
23	100131	SCREW HHC,3/8-16UNCX7/8 GR5 (NOT SHOWN)	4
24	100809	SCREW,HEX CAP,3/4-10X11-1/2G5	1
25	100829	SCREW,HEX CAP,1-8X6-1/2,GR5	2
26	101385	NUT,HEX SLFLKG,1-1/4-7 GRB	1
27	100829	SCREW,HEX CAP,1-8X6-1/2,GR5	2
28	140519	BEARING, UHMW 4IN	3
29	226570	BEARING CAP, LIFT WLDMT	2
30	141234	BEARING CAP, LIFT BLUE	1
31	141249	WING NUT, HOSE HOLDER	1
32	144341	BUSHING, SPRING 3-1/4X3X2	4
33	201275	CYLINDER, 4 X 10 REPHASE	2
34	153696	BOLT, HITCH CLEVIS	2
35	153827	SHIM, LIFT BEARING	2
36	156950	SAFETY CHAIN, 41,000 LB	1
37	165257	PAD, SLIDE	2
38	177032	HITCH, BALL CAT IV	1
39	171556	SCREW,HEX CP,5/16-18UNCX5-1/2	4
40	172802	PIN SPRING SLOTTED 1/2X2-1/2	1
41	177398	CLAMP, HOSE HOLDER, LONG	1



## Hitch Assemblies (AFTER 12/2022)

ITEM	PART NUMBER	DESCRIPTION	QTY.
42	187436	CYLINDER, HYD 7X60 WLD 3000PSI (SEE PAGE 12-12)	1
43	187639	PLATE - LIFT CONTROL	1
44	187642	PLATE-DEPTH CONTROL LINK	1
45	187645	TUBE-DEPTH STOP LINK	1
46	187684	JACK-7831, HYDRAULIC ASSEMBLY (SEE PAGE 12-11)	1
47	187692	PIN, 1-3/4 X 12-1/4, STEP	1
48	192522	ROCKSHAFT WLDMT 7831	1
49	193814	HUB/SPINDLE ASSY 10 BOLT (SEE PAGE 3-2)	2
50	196754	SCREW,HH 3/8-16X5,GR5,FUL THRD	1
51	2-150-010008	BUSHING 1-1/4ODX1IDX1 STEEL	4
52	2-150-010174	BUSHING,1-5/8X1-1/4X1	4
53	200829	BRACKET, HOSE HOLDER	1
54	201281	TIRE/WHEEL 710/40 LH	1
55	201282	TIRE/WHEEL 710/40 RH	1
56	187313	GUIDE, DEPTH STOP	2
57	240190	BRACKET-MOUNT, VALVE, WELDMENT	1
58	240192	BRACKET-VALVE MOUNT, WELDMENT	1
59	218720	BRACKET-MOUNT, WING REST	2
60	218721	REST-WING, LH, WLDMT	1
61	218724	REST-WING, RH, WLDMT	1
62	218749	TUBE-DEPTH CONTROL, ASSY (SEE PAGE 4-9)	1
63	218797	HITCH-7822, SHORT, WELDMENT (15' & 17' HSL)	1
63	217380	HITCH-7822-20, WELDMENT (20' HSL) (NOT SHOWN)	1
63	219937	HITCH-7822, LONG, WELDMENT (23' HSL) (NOT SHOWN)	1
64	240188	TUBE-TILT STOP, ASSEMBLY	1
65	218735	KIT, HYDRAULIC, HITCH 7822 (NOT SHOWN) (SEE PAGE 12-2)	--

HITCH ASSEMBLIES

Hitch Assemblies (BEFORE 12/2022)

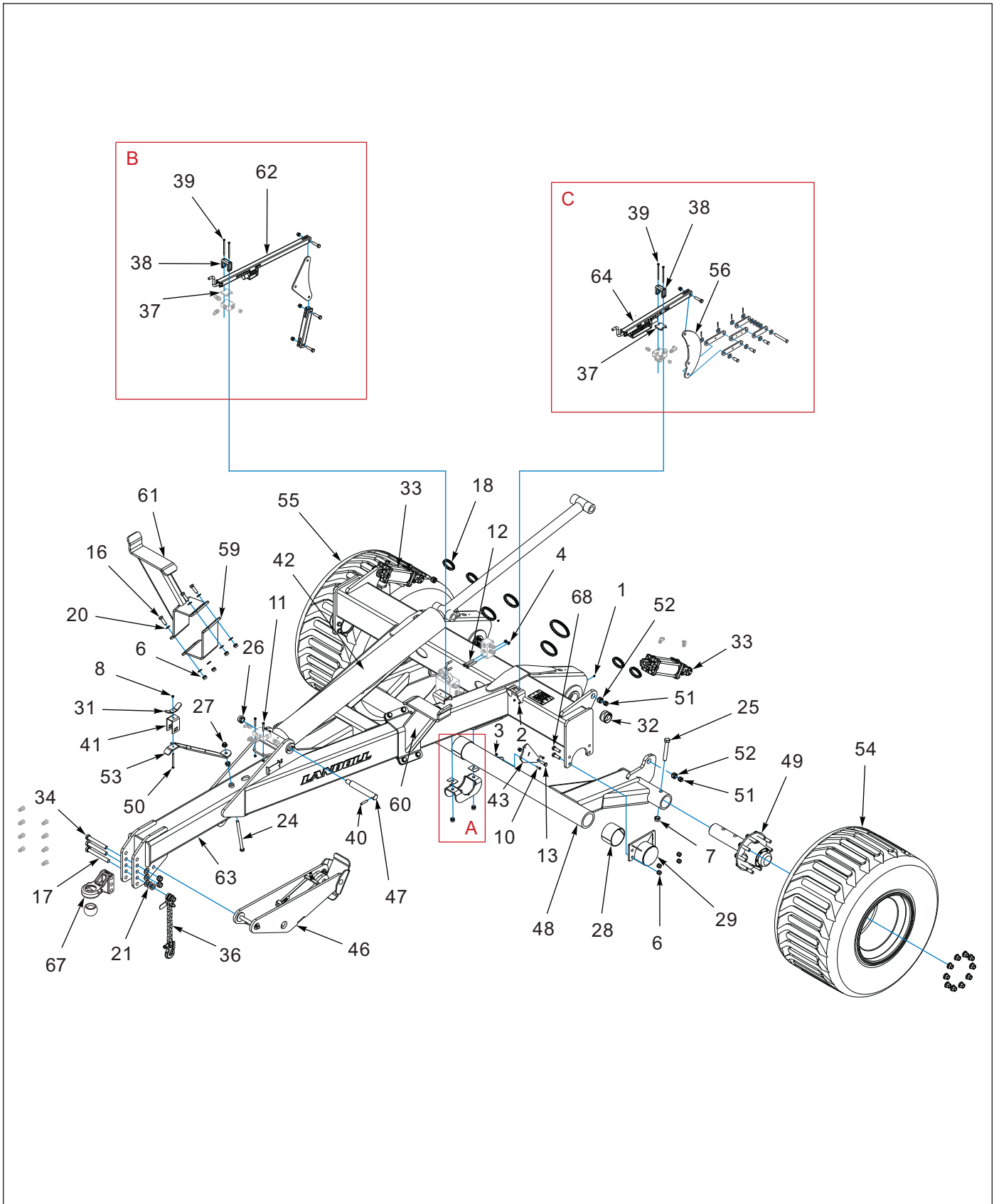


Figure 4-3: Hitch Assemblies (BEFORE 12/2022) (1 of 2)

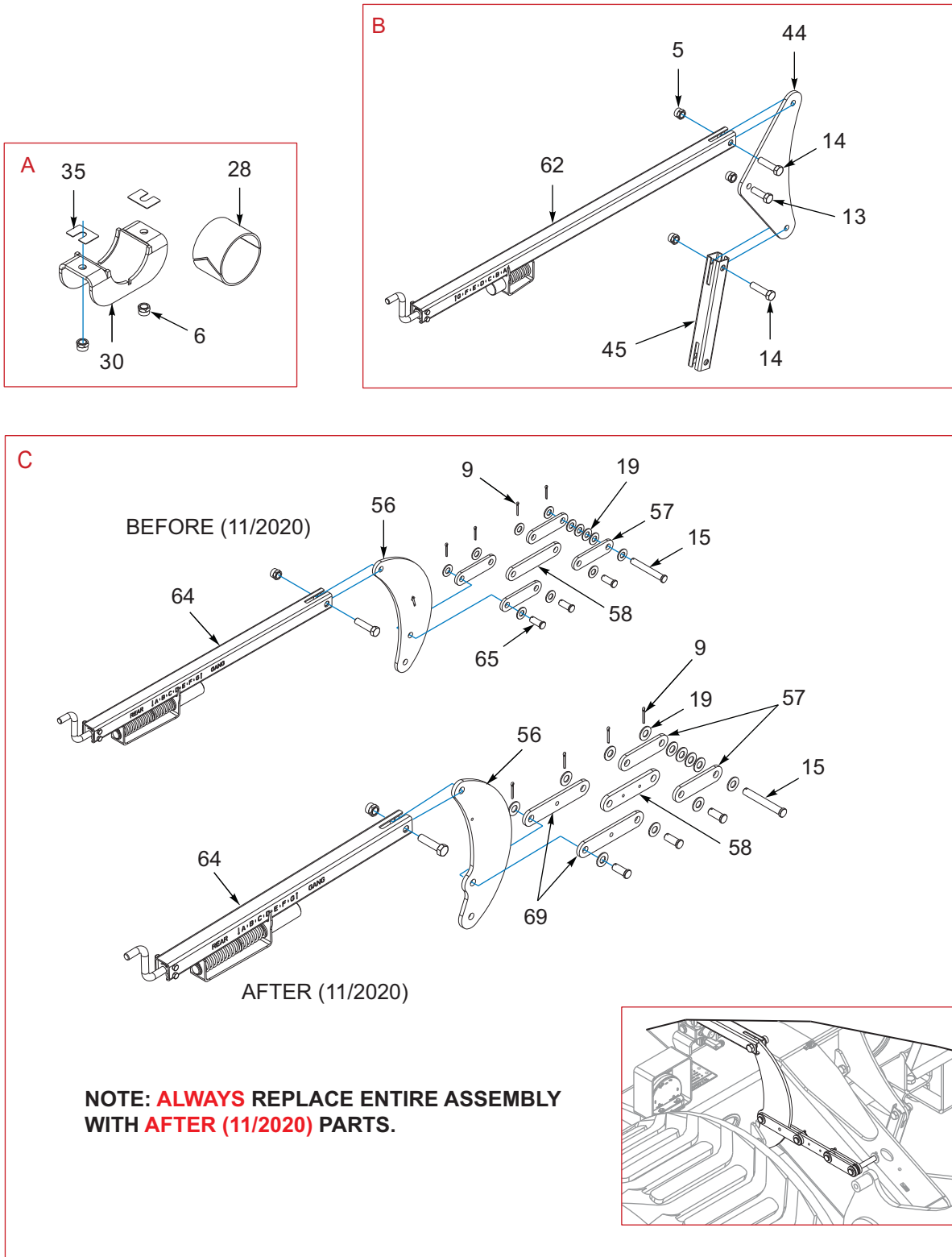


Figure 4-4: Hitch Assemblies (BEFORE 12/2022) (2 of 2)

**HITCH ASSEMBLIES**

**Hitch Assemblies (BEFORE 12/2022)**

ITEM	PART NUMBER	DESCRIPTION	QTY.
	218798	HITCH-7822, SHORT, ASM (15' & 17' MODELS)	--
	217332	HITCH-7822, ASM (20' MODELS)	--
	219938	HITCH-7822-23, ASM (23' MODELS)	--
1	1-298-010001-1	ZERK FITTING 1/4 SAE	2
2	1-512-010005-03	NUT HEX SLFLKG GRB 5/16-18	6
3	1-512-010005-05	NUT, HEX, SLFLKG GRB 3/8-16	4
4	1-512-010005-09	NUT,HEX,SLFLKG, 1/2-13 GRB	2
5	1-512-010005-13	NUT,HEX SLFLKG GRB 5/8-11	7
6	1-512-010005-15	NUT,HEX,SLFLKG GRB 3/4-10	18
7	1-512-010005-19	NUT 1-8 HEX SLF-LOCKING GRB	5
8	1-512-010007-07	NUT, HEX 3/8-16 GR2 ZP	1
9	1-557-010362-40	PIN, COTTER 5/32X1-1/4	3
10	1-654-010051-06	SCREW,HEX CAP 3/8-16UNCX1-1/4	2
11	1-654-010051-11	SCREW HX CP 3/8-16X2-1/2 G5ZP	2
12	1-654-010055-11	SCREW,HX CP 1/2-13UNCX3-1/2	2
13	1-654-010059-05	SCREW,HEX CAP,5/8-11UNCX2 GR5	1
14	1-654-010059-07	SCREW HX CP 5/8-11UNCX2-1/2G5	5
15	1-654-010059-15	SCREW,HEX CAP,5/8-11UNCX5 GR5	1
16	1-654-010061-06	SCREW,HXCP,3/4-10UNCX2-1/4GR5 <b>(BEFORE 03/2020, QTY=18) (AFTER 03/2020, QTY=10)</b>	10
17	1-654-010125-22	SCREW HX CP 1-8UNCX8-1/2G8ZP	1
18	1-822-010001	TRIM 1350 3/8BLK FINE PEBBLE	8.25
19	1-861-010032-18	WASHER, FLAT 5/8 N ZP/CD	10
20	1-861-010032-20	WASHER, FLAT,3/4 N ZP/CD	16
21	1-861-010032-24	WASHER FL 1IN NARROW ZP	9
22	1-861-010034-11	WASHER, LKG HLCL SPR, 3/8 <b>(NOT SHOWN)</b>	4
23	100131	SCREW HHC,3/8-16UNCX7/8 GR5 <b>(NOT SHOWN)</b>	4
24	100809	SCREW,HEX CAP,3/4-10X11-1/2G5	1
25	100829	SCREW,HEX CAP,1-8X6-1/2,GR5	2
26	101385	NUT,HEX SLFLKG,1-1/4-7 GRB	1
27	100829	SCREW,HEX CAP,1-8X6-1/2,GR5	2
28	140519	BEARING, UHMW 4IN	3
29	141209	BEARING CAP, LIFT WLDMT <b>(BEFORE 03/2020)</b>	2
29	226570	BEARING CAP, LIFT WLDMT <b>(AFTER 03/2020)</b>	2
30	141234	BEARING CAP, LIFT BLUE	1
31	141249	WING NUT, HOSE HOLDER	1
32	144341	BUSHING, SPRING 3-1/4X3X2	4
33	145201	CYLINDER 4 X 8 REPHASE <b>(BEFORE 01/2020) (SEE PAGE 12-15)</b>	2
33	201275	CYLINDER, 4 X 10 REPHASE <b>(AFTER 01/2020)</b>	2
34	153696	BOLT, HITCH CLEVIS	2
35	153827	SHIM, LIFT BEARING	2
36	156950	SAFETY CHAIN, 41,000 LB	1
37	165257	PAD, SLIDE	2
38	165265	GUIDE, DEPTH STOP	2

## Hitch Assemblies (BEFORE 12/2022)

ITEM	PART NUMBER	DESCRIPTION	QTY.
39	171556	SCREW,HEX CP,5/16-18UNCX5-1/2	4
40	172802	PIN SPRING SLOTTED 1/2X2-1/2	1
41	177398	CLAMP, HOSE HOLDER, LONG	1
42	187436	CYLINDER, HYD 7X60 WLD 3000PSI (SEE PAGE 12-12)	1
43	187639	PLATE - LIFT CONTROL	1
44	187642	PLATE-DEPTH CONTROL LINK	1
45	187645	TUBE-DEPTH STOP LINK	1
46	187684	JACK-7831, HYDRAULIC ASSEMBLY (SEE PAGE 12-11)	1
47	187692	PIN, 1-3/4 X 12-1/4, STEP	1
48	192522	ROCKSHAFT WLDMT 7831	1
49	193814	HUB/SPINDLE ASSY 10 BOLT (SEE PAGE 3-2)	2
50	196754	SCREW,HH 3/8-16X5,GR5,FUL THRD	1
51	2-150-010008	BUSHING 1-1/4ODX1IDX1 STEEL	4
52	2-150-010174	BUSHING,1-5/8X1-1/4X1	4
53	200829	BRACKET, HOSE HOLDER	1
54	201281	TIRE/WHEEL 710/40 LH	1
55	201282	TIRE/WHEEL 710/40 RH	1
56	227899	PLATE-TILT STOP (AFTER 11/2020)	1
56	209380	PLATE-TILT STOP (BEFORE 11/2020)	1
57	209381	LINK-TILT STOP, SHORT (BEFORE 11/2020 QTY=4) (*ALWAYS REPLACE ENTIRE ASM WITH AFTER 11/2020 ASM)	2
58	227901	LINK-TILT STOP, INTERMED (AFTER 11/2020)	1
58	209382	LINK-TILT STOP, LONG (BEFORE 11/2020)	1
59	218720	BRACKET-MOUNT, WING REST	2
60	218721	REST-WING, LH, WLDMT	1
61	218724	REST-WING, RH, WLDMT	1
62	218749	TUBE-DEPTH CONTROL, ASSY (SEE PAGE 4-9)	1
63	218797	HITCH-7822, SHORT, WELDMENT (15' & 17' HSL)	1
63	217380	HITCH-7822-20, WELDMENT (20' HSL) (NOT SHOWN)	1
63	219937	HITCH-7822, LONG, WELDMENT (23' HSL) (NOT SHOWN)	1
64	218799	TUBE-TILT STOP, ASSY (SEE PAGE 4-11)	1
65	3K287	CLEVIS PIN	3
66	218735	KIT, HYDRAULIC, HITCH 7822 (NOT SHOWN) (SEE PAGE 12-2)	--
67	177032	HITCH, BALL CAT IV	1
68	1-654-010061-06	SCREW,HXCP,3/4-10UNCX2-1/4GR5 (BEFORE 03/2020)	8
68	1-654-010061-07	SCREW,HX CP 3/4-10UNCX2-1/2G5 (AFTER 03/2020)	8
69	227902	LINK-TILT STOP, FRONT (AFTER 11/2020)	2

HITCH ASSEMBLIES

Depth Control Assembly - 218749

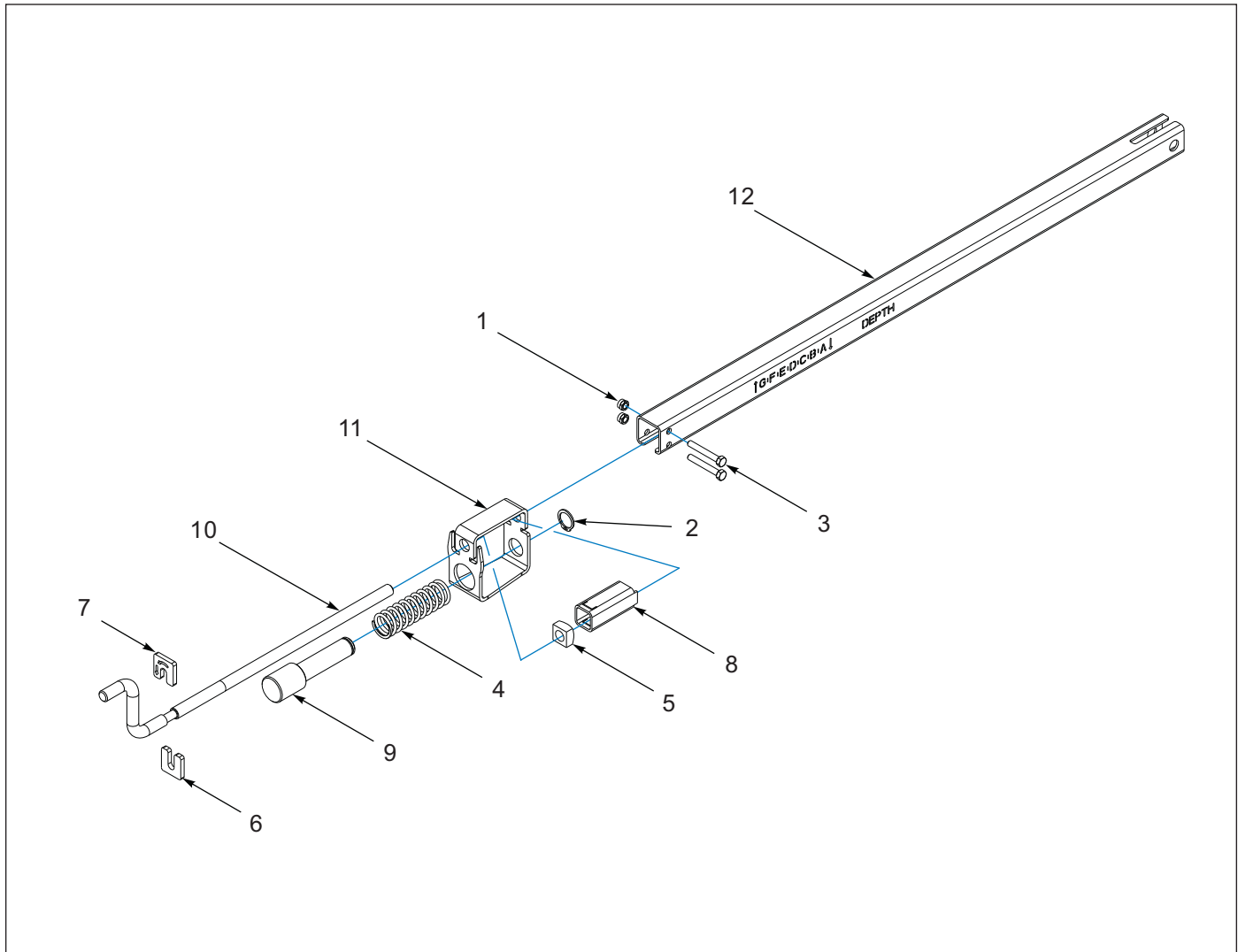


Figure 4-5: Depth Control Assembly - 218749

Depth Control Assembly - 218749

ITEM	PART NUMBER	DESCRIPTION	QTY.
	218749	TUBE-DEPTH CONTROL, ASSY	--
1	1-512-010005-03	NUT HEX SLFLKG GRB 5/16-18	2
2	1-630-010021-03	RING, RETAINING 1.0 HD	1
3	108628	SCREW HX CP 5/16-18UNCX2-1/4	2
4	122917	SPRING COMPRESSION,4-1/2 MONO	1
5	144048	NUT, SQ 5/8-11 GR5	1
6	165259	STOP, HANDLE LONG	1
7	165260	STOP, HANDLE SHORT	1
8	166717	SQ TUBE, FLOATING	1
9	174708	PIN, DEPTH STOP	1
10	182288	HANDLE-DEPTH STOP	1
11	182289	STOP-DEPTH	1
12	218748	TUBE-DEPTH STOP, 7822	1

### Tilt Stop Assembly (AFTER 12/2022)

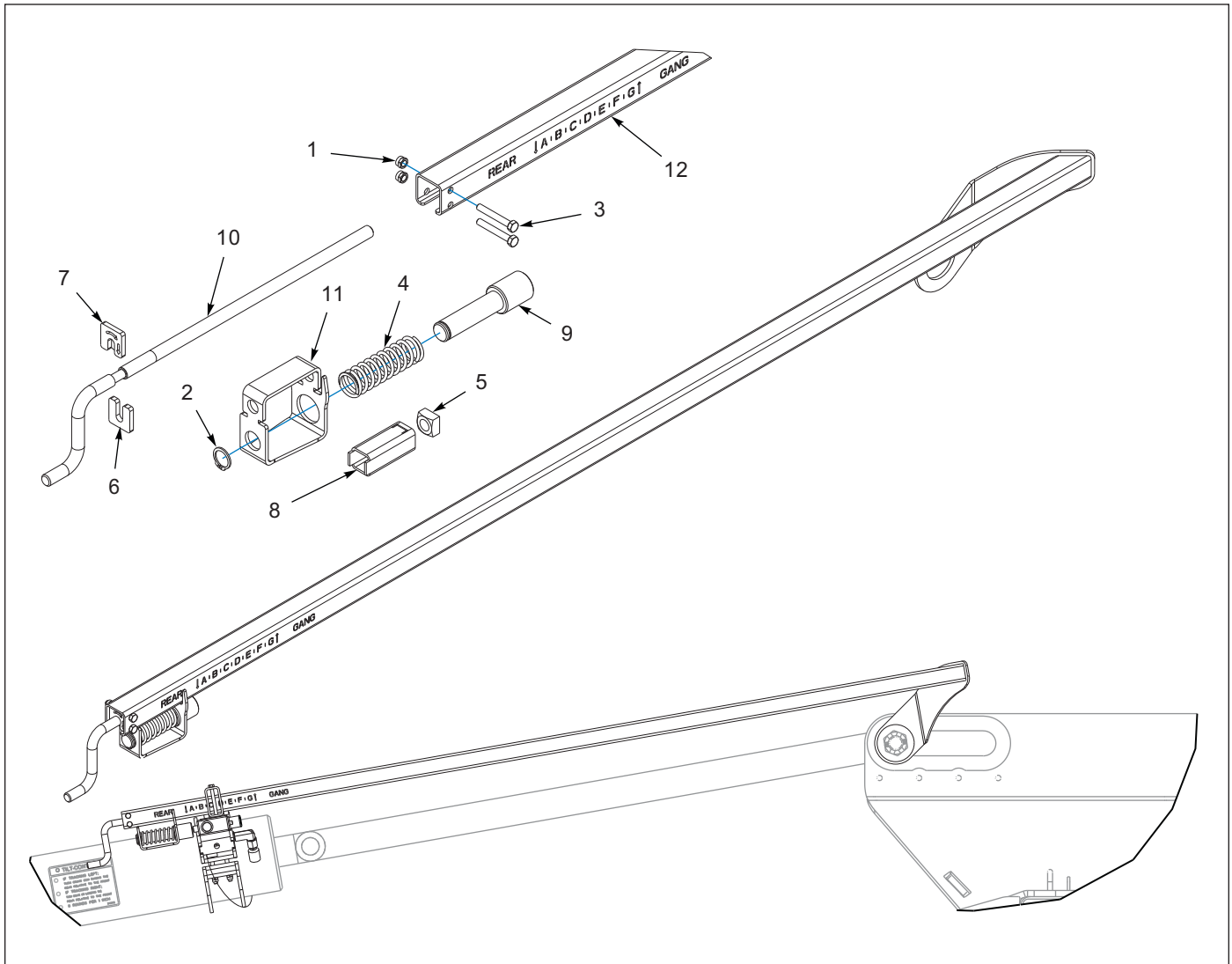


Figure 4-6: Tilt Stop Assembly (AFTER 12/2022)

### Tilt Stop Assembly (AFTER 12/2022)

ITEM	PART NUMBER	DESCRIPTION	QTY.
	240188	TUBE-TILT STOP, ASSEMBLY (INCL. ITEMS 1-12)	--
1	1-512-010005-03	NUT HEX SLFLKG GRB 5/16-18	2
2	1-630-010021-03	RING, RETAINING 1.0 HD	1
3	108628	SCREW HX CP 5/16-18UNCX2-1/4	2
4	122917	SPRING COMPRESSION,4-1/2 MONO	1
5	144048	NUT, SQ 5/8-11 GR5	1
6	165259	STOP, HANDLE LONG	1
7	165260	STOP, HANDLE SHORT	1
8	166717	SQ TUBE, FLOATING	1
9	174708	PIN, DEPTH STOP	1
10	182288	HANDLE-DEPTH STOP	1
11	182289	STOP-DEPTH	1
12	240187	TUBE-TILT STOP, WELDMENT	1
13	240195	KIT-TILT CONTROL, 7 INCH (7822-15 THRU 7822-23)	1

HITCH ASSEMBLIES

Tilt Stop Assembly (BEFORE 12/2022)

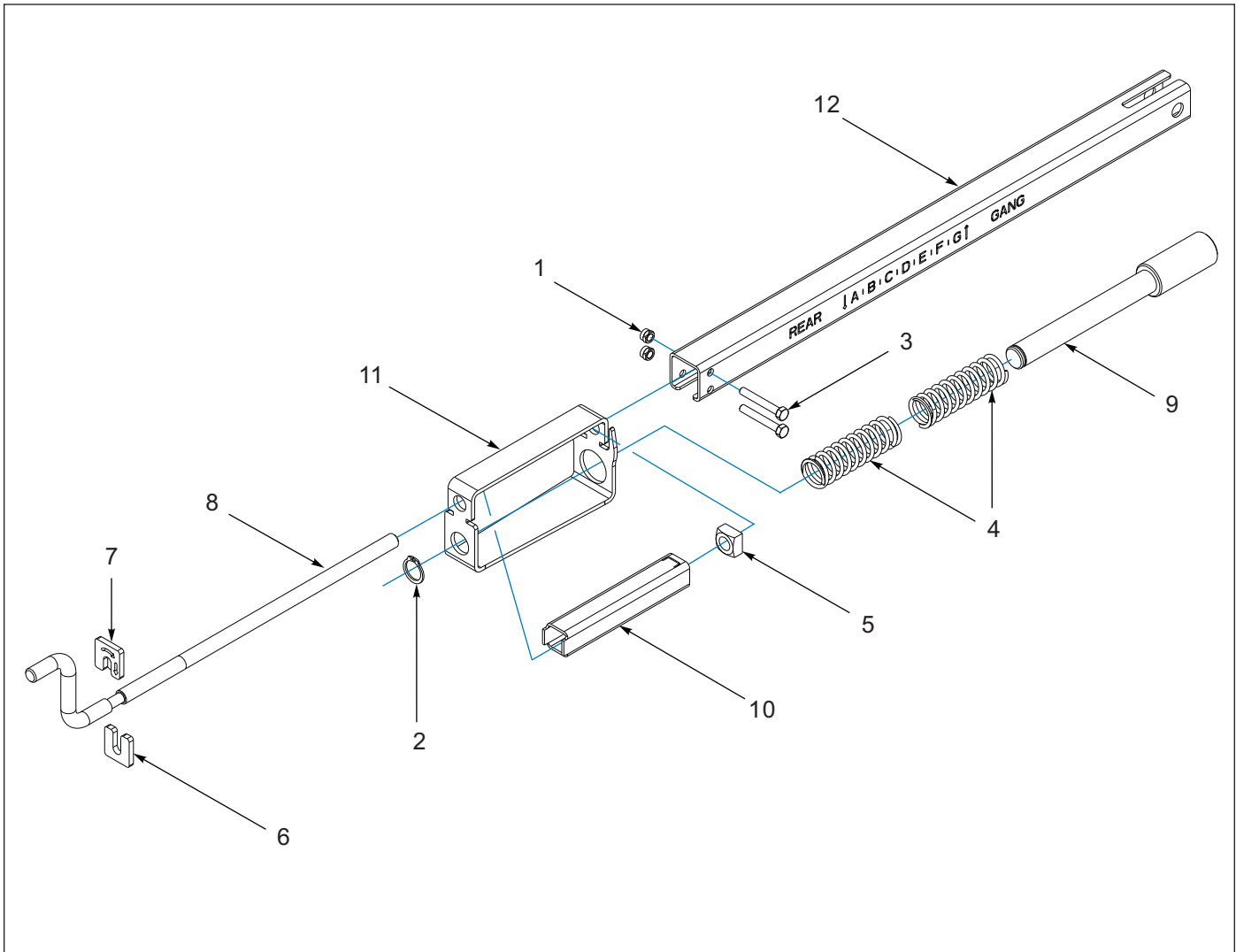


Figure 4-7: Tilt Stop Assembly (BEFORE 12/2022)

Tilt Stop Assembly (BEFORE 12/2022)

ITEM	PART NUMBER	DESCRIPTION	QTY.
	218799	TUBE-TILT STOP, ASSY	--
1	1-512-010005-03	NUT HEX SLFLKG GRB 5/16-18	2
2	1-630-010021-03	RING, RETAINING 1.0 HD	1
3	108628	SCREW HX CP 5/16-18UNCX2-1/4	2
4	122917	SPRING COMPRESSION,4-1/2 MONO	2
5	144048	NUT, SQ 5/8-11 GR5	1
6	165259	STOP, HANDLE LONG	1
7	165260	STOP, HANDLE SHORT	1
8	182288	HANDLE-DEPTH STOP	1
9	209354	PIN-DEPTH STOP	1
10	209357	TUBE-FLOATING SQUARE	1
11	210863	BRACKET-STOP	1
12	218763	TUBE-TILT STOP	1





# Rear Gang Assemblies

## Left Wing Rear Gang Assemblies

Note: Gangbars shows as viewed from rear of machine.

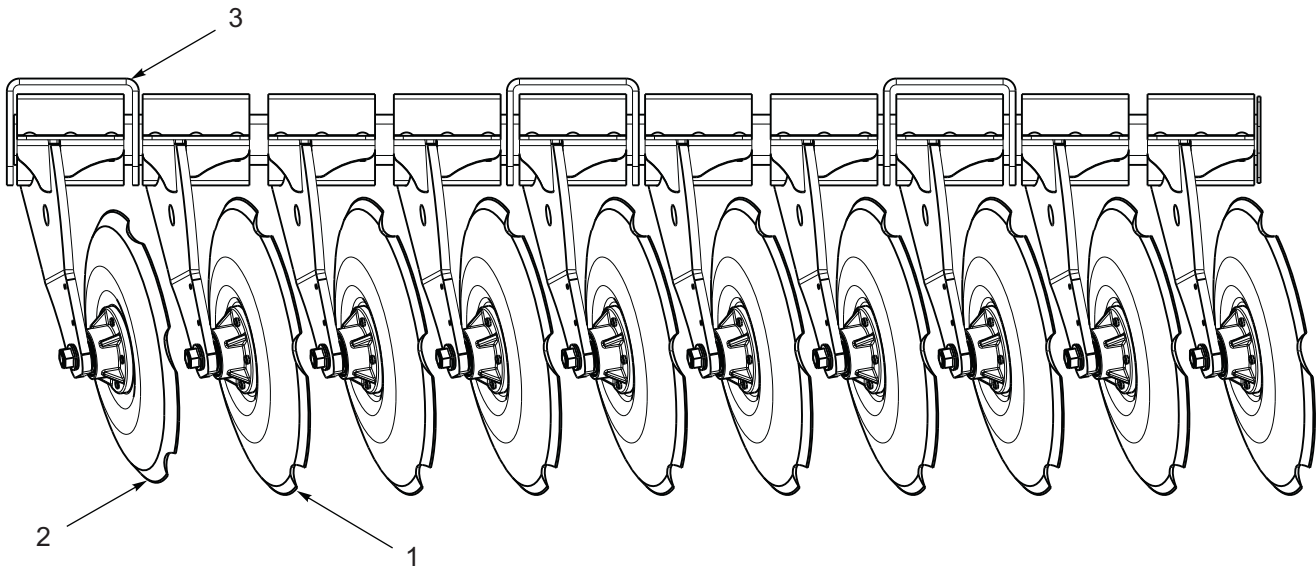


Figure 5-1: Left Wing Rear Gang Assemblies

## Left Wing Rear Gang Assemblies

ITEM	PART NUMBER	DESCRIPTION	QTY.			
			15'	17'	20'	23'
		<b>MODELS</b>	<b>15'</b>	<b>17'</b>	<b>20'</b>	<b>23'</b>
	220780	GANG-7822-15LR,HYBRD,17-7NTCH (15')	1	--	--	--
	221047	GANG-7822-17LR,HYBRD,NTCHD (17') (NOT SHOWN)	--	1	--	--
	221054	GANG ASM 7822-20LR,HYBRD,NTCHD (20') (NOT SHOWN)	--	--	1	--
	219555	GNG ASM7822-23LR HBRD17-7NTCD (23') (NOT SHOWN)	--	--	--	1
1	217316	DISC,RH,HYBRID,17-7,NOTCHD ASM (SEE PAGE 7-1)	9	10	12	14
2	217321	DISC,NTCHD22RH HYBRID 17-7 ASM	1	1	1	1
3	219578	GANGBAR-7822-15,LR,WELDMENT (15')	1	--	--	--
3	221043	GANGBAR-7822-17,LR, WELDMENT (17') (NOT SHOWN)	--	1	--	--
3	221050	GANGBAR-7822-20,LR, WLDMT (20') (NOT SHOWN)	--	--	1	--
3	219547	GANGBAR,7822-23,LR, WELDMENT (23') (NOT SHOWN)	--	--	--	1

## Right Wing Rear Gang Assemblies

Note: Gangbars shows as viewed from rear of machine.

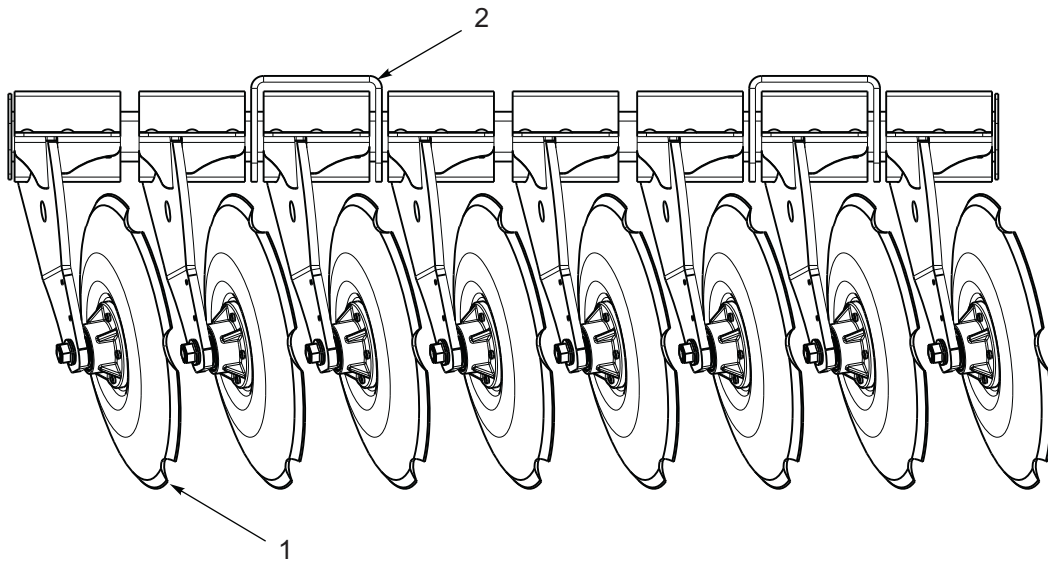


Figure 5-2: Right Wing Rear Gang Assemblies

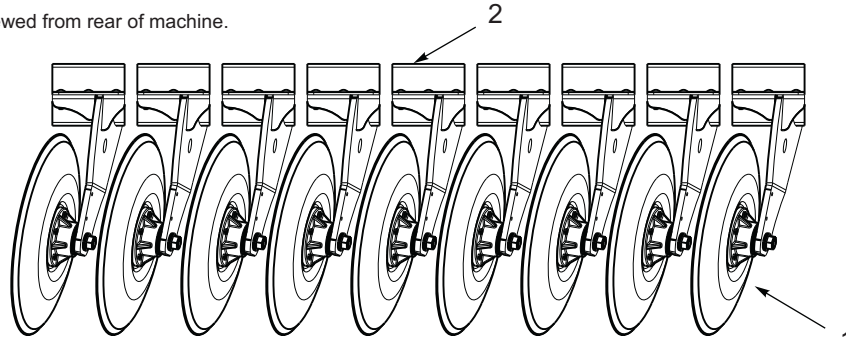
## Right Wing Rear Gang Assemblies

ITEM	PART NUMBER	DESCRIPTION	QTY.			
			15'	17'	20'	23'
		<b>MODELS</b>				
	212633	GANG-7821-15RR, HYBRID, 17-7, NTCHD (15')	1	--	--	--
	212639	GANG-7821-17RR, HYBRID, 17-7, NTCHD (17') (NOT SHOWN)	--	1	--	--
	212645	GANG-7821-20RR, HYBRID, 17-7, NTCHD (20') (NOT SHOWN)	--	--	1	--
	219556	GNG ASM7822-23RR HBRD17-7NTCD (23') (NOT SHOWN)	--	--	--	1
1	217316	DISC, RH, HYBRID, 17-7, NOTCHD ASM (15') (SEE PAGE 7-1)	8	9	11	13
2	198879	GANGBAR-7821-15, RR, WELDMENT (15')	1	--	--	--
2	195101	GANGBAR WLDMT LR 7821-20 (17' & 20') (NOT SHOWN)	--	1	1	--
2	219548	GANGBAR, 7822-23, RR, WELDMENT (23') (NOT SHOWN)	--	--	--	1

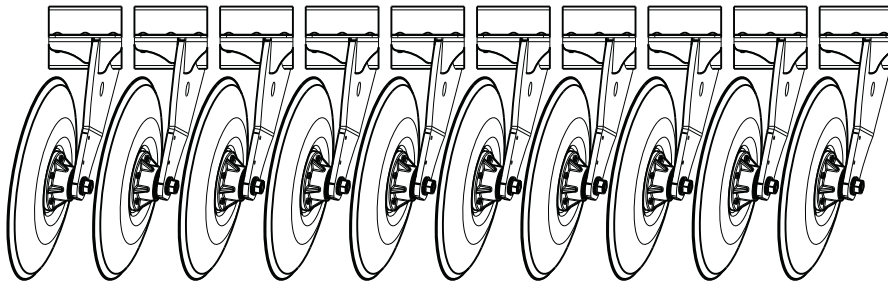
# Front Disc Assemblies

## Left Wing Front Disc Assemblies

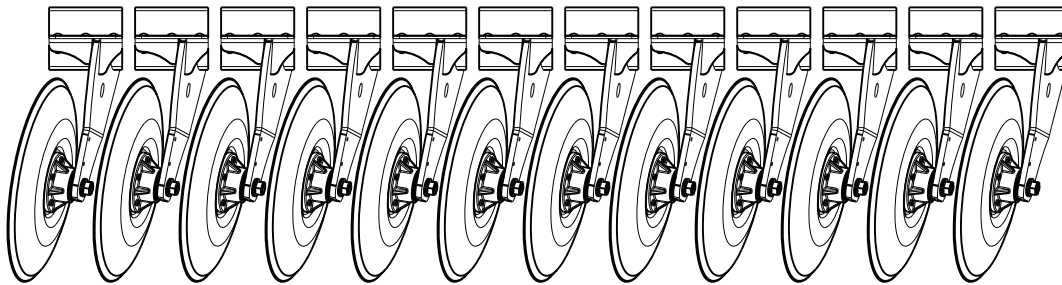
Note: Gangbars shows as viewed from rear of machine.



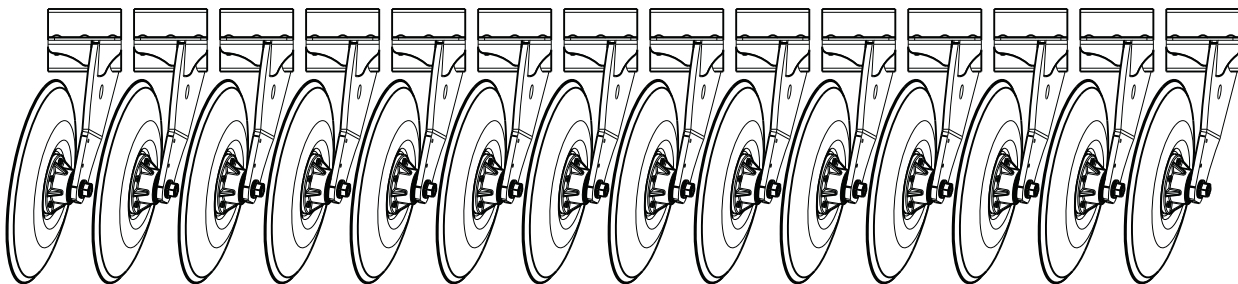
7822-15 Left Wing Front Hybrid 17-7P Disc Row



7822-17 Left Wing Front Hybrid 17-7P Disc Row



7822-20 Left Wing Front Hybrid 17-7P Disc Row



7822-23 Left Wing Front Hybrid 17-7P Disc Row

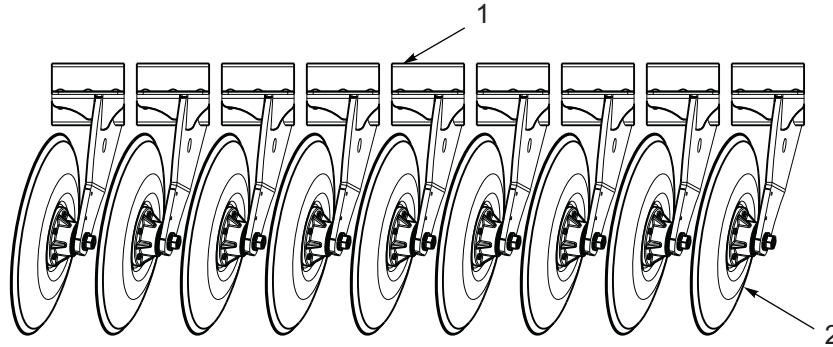
Figure 6-1: Left Wing Front Disc Assemblies

## Left Wing Front Disc Assemblies

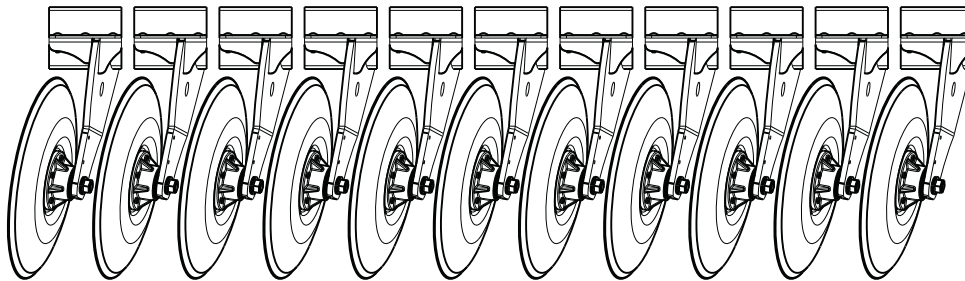
ITEM	PART NUMBER	DESCRIPTION	QTY.			
1	212633	GANG-7821-15RR, VERT, 17-7, NTCHD	1	--	--	--
1	212639	GANG-7821-17RR, VERT, 17-7, NTCHD	--	1	--	--
1	212645	GANG-7821-20RR, VERT, 17-7, NTCHD	--	--	1	--
1	219556	GNG ASM7822-23RR HBRD17-7NTCD	--	--	--	1
2	217315	DISC-LH, HYBRID, 17-7, NOTCHD ASSEM (SEE PAGE 7-4)	9	10	12	14
2	217317	DISC-LH, HYBRID, 17-7, SMOOTH ASSEM (SEE PAGE 7-5)	9	10	12	14
2	217319	DISC-LH, HYBRID, 17-7, ROLLABLE ASSEM (SEE PAGE 7-6)	9	10	12	14

## Right Wing Front Disc Assemblies

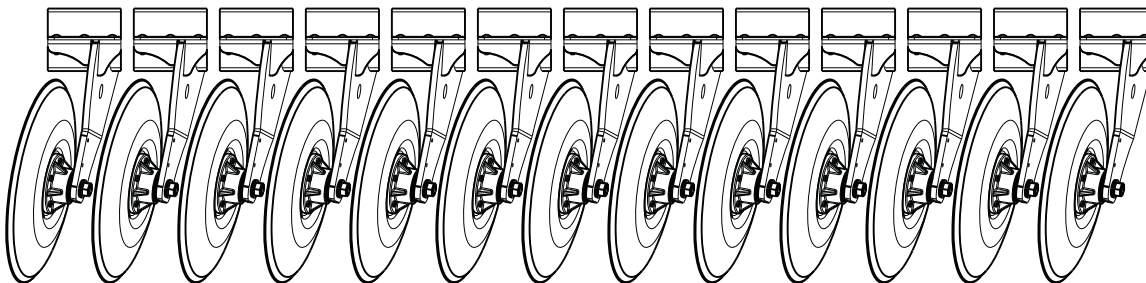
Note: Gangbars shows as viewed from rear of machine.



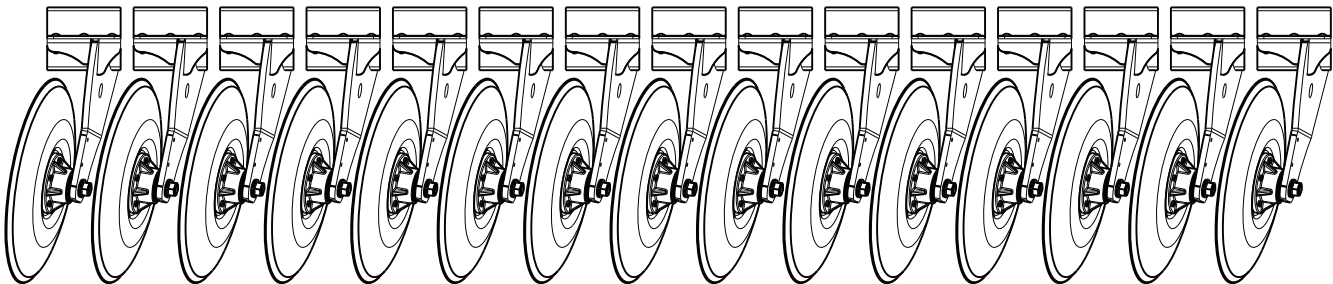
7822-15 Right Wing Front Hybrid 17-7P Disc Row



7822-17 Right Wing Front Hybrid 17-7P Disc Row



7822-20 Right Wing Front Hybrid 17-7P Disc Row



7822-23 Right Wing Front Hybrid 17-7P Disc Row

Figure 6-2: Right Wing Front Disc Assemblies

## Right Wing Front Disc Assemblies

ITEM	PART NUMBER	DESCRIPTION	QTY.			
1	212633	GANG-7821-15RR, HYBRID, 17-7, NTCHD	1	--	--	--
1	212639	GANG-7821-17RR, HYBRID, 17-7, NTCHD	--	1	--	--
1	212645	GANG-7821-20RR, HYBRID, 17-7, NTCHD	--	--	1	--
1	219556	GNG ASM7822-23RR HBRD17-7NTCD	--	--	--	1
2	217315	DISC-LH, HYBRID, 17-7, NOTCHD ASSEM (SEE PAGE 7-4)	9	11	13	15
2	217318	DISC-RH, HYBRID, 17-7, SMOOTH ASSEM (SEE PAGE 7-2)	9	11	13	15
2	217320	DISC-RH, HYBRID, 17-7, ROLLABLE ASSEM (SEE PAGE 7-3)	9	11	13	15

# Disc Assemblies

## Right Rear Disc Assembly - Notched

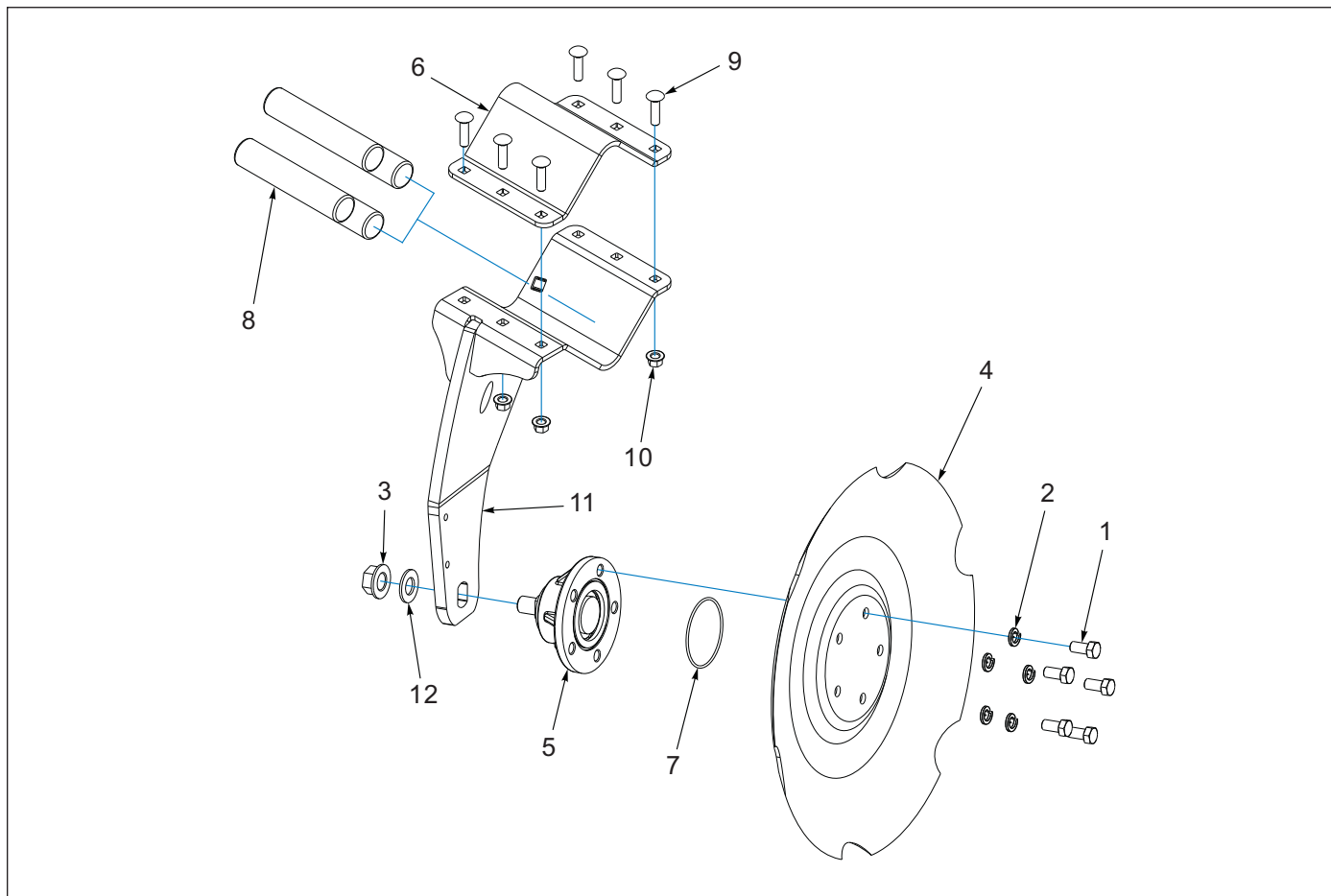


Figure 7-1: Right Rear Disc Assembly - Notched

## Right Rear Disc Assembly - Notched

ITEM	PART NUMBER	DESCRIPTION	QTY.
	217316	DISC-RH, HYBRID, 17-7, NOTCHD ASSEM	--
1	1-654-010059-02	SCREW,HEX CAP,5/8-11X1-1/4GR5	5
2	1-861-010034-15	WASHER,LKG,HLCL SPR,5/8	5
3	174732	NUT, FLG HD, TOPLOCK, 1-8 UNC	1
4	175284	DISC BLADE RH 24X1/4 DIR NOTCH	1
5	185742	HUB-HSL DISC, ASSEMBLY	1
6	186979	CAP SHANK MOUNT	1
7	202843	O-RING, 4" ID X 1/8" BUNA	1
8	203525	SPRING-TORSION, RUBBER, 1-3/4	4
9	209392	SCREW-RDH, SQ NK,1/2-20X2,GR8	6
10	209393	NUT,1/2-20,LG FLNG HD TOP LOCK	6
11	217288	SHANK-HYBRID, RH, 17-7, WLDMT	1
12	622-3511-010	WASHER, FLAT 1" MIL-CARB SAE	1



### Right Disc Assembly - Smooth

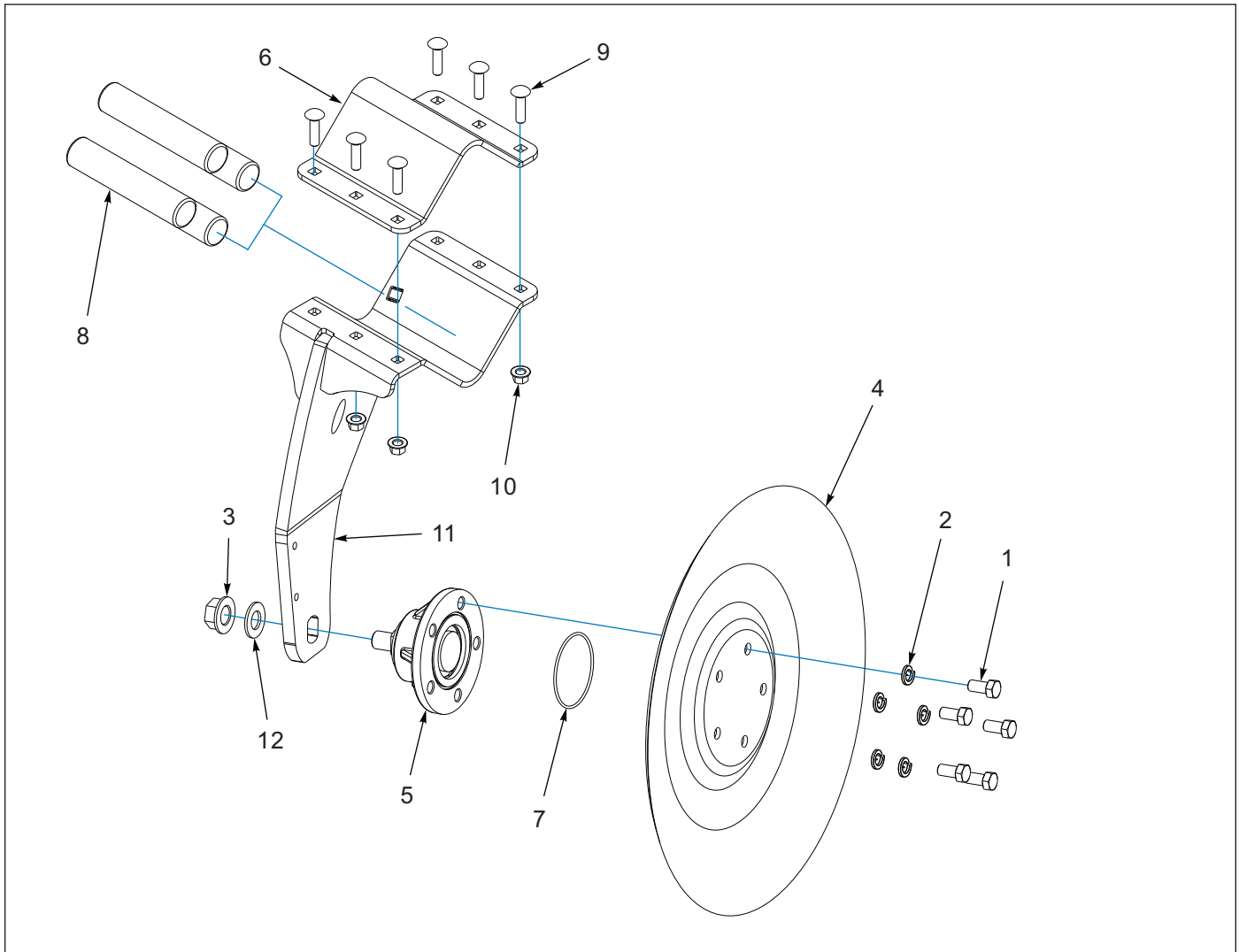


Figure 7-2: Right Disc Assembly - Smooth

### Right Disc Assembly - Smooth

ITEM	PART NUMBER	DESCRIPTION	QTY.
	217318	DISC-RH, HYBRID, 17-7, SMOOTH ASSEM	--
1	1-654-010059-02	SCREW,HEX CAP,5/8-11X1-1/4GR5	5
2	1-861-010034-15	WASHER,LKG,HLCL SPR,5/8	5
3	174732	NUT, FLG HD, TOPLOCK, 1-8 UNC	1
4	175329	BLADE-HSL, NO NOTCH, 24X1/4	1
5	185742	HUB-HSL DISC, ASSEMBLY	1
6	186979	CAP SHANK MOUNT	1
7	202843	O-RING, 4" ID X 1/8" BUNA	1
8	203525	SPRING-TORSION, RUBBER, 1-3/4	4
9	209392	SCREW-RDH, SQ NK,1/2-20X2,GR8	6
10	209393	NUT,1/2-20,LG FLNG HD TOP LOCK	6
11	217288	SHANK-HYBRID, RH, 17-7, WLDMT	1
12	622-3511-010	WASHER, FLAT 1" MIL-CARB SAE	1

DISC ASSEMBLIES

Right Disc Assembly - Rollable

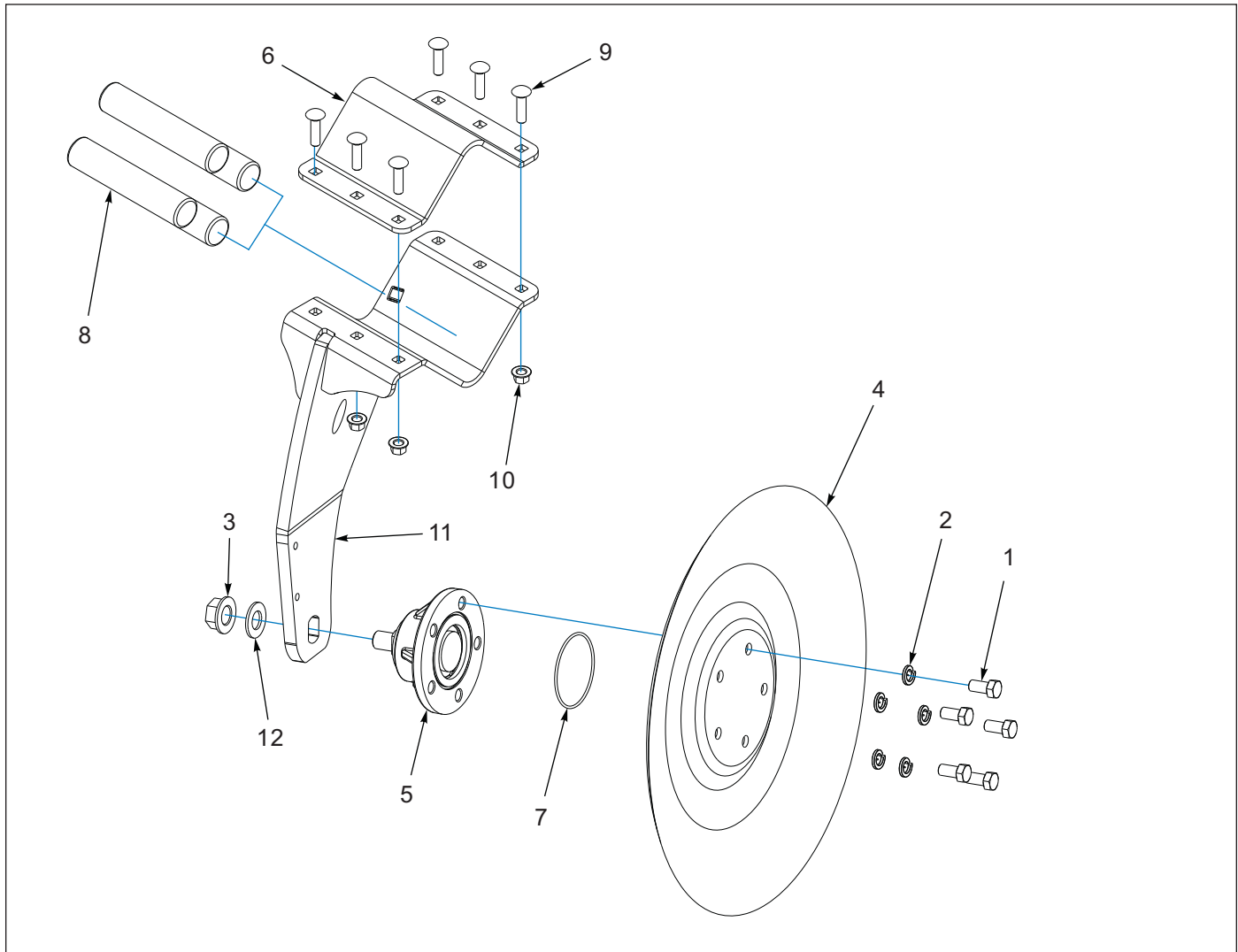


Figure 7-3: Right Disc Assembly - Rollable

Right Disc Assembly - Rollable

ITEM	PART NUMBER	DESCRIPTION	QTY.
	217320	DISC-RH, HYBRID, 17-7, ROLLABLE ASSEM	--
1	1-654-010059-02	SCREW,HEX CAP,5/8-11X1-1/4GR5	5
2	1-861-010034-15	WASHER,LKG,HLCL SPR,5/8	5
3	174732	NUT, FLG HD, TOPLOCK, 1-8 UNC	1
4	198785	BLADE-HSL, NO NOTCH, 24X1/4, ROLLABLE	1
5	185742	HUB-HSL DISC, ASSEMBLY	1
6	186979	CAP SHANK MOUNT	1
7	202843	O-RING, 4" ID X 1/8" BUNA	1
8	203525	SPRING-TORSION, RUBBER, 1-3/4	4
9	209392	SCREW-RDH, SQ NK,1/2-20X2,GR8	6
10	209393	NUT,1/2-20,LG FLNG HD TOP LOCK	6
11	217288	SHANK-HYBRID, RH, 17-7, WLDMT	1
12	622-3511-010	WASHER, FLAT 1" MIL-CARB SAE	1

### Left Rear Disc Assembly - Notched

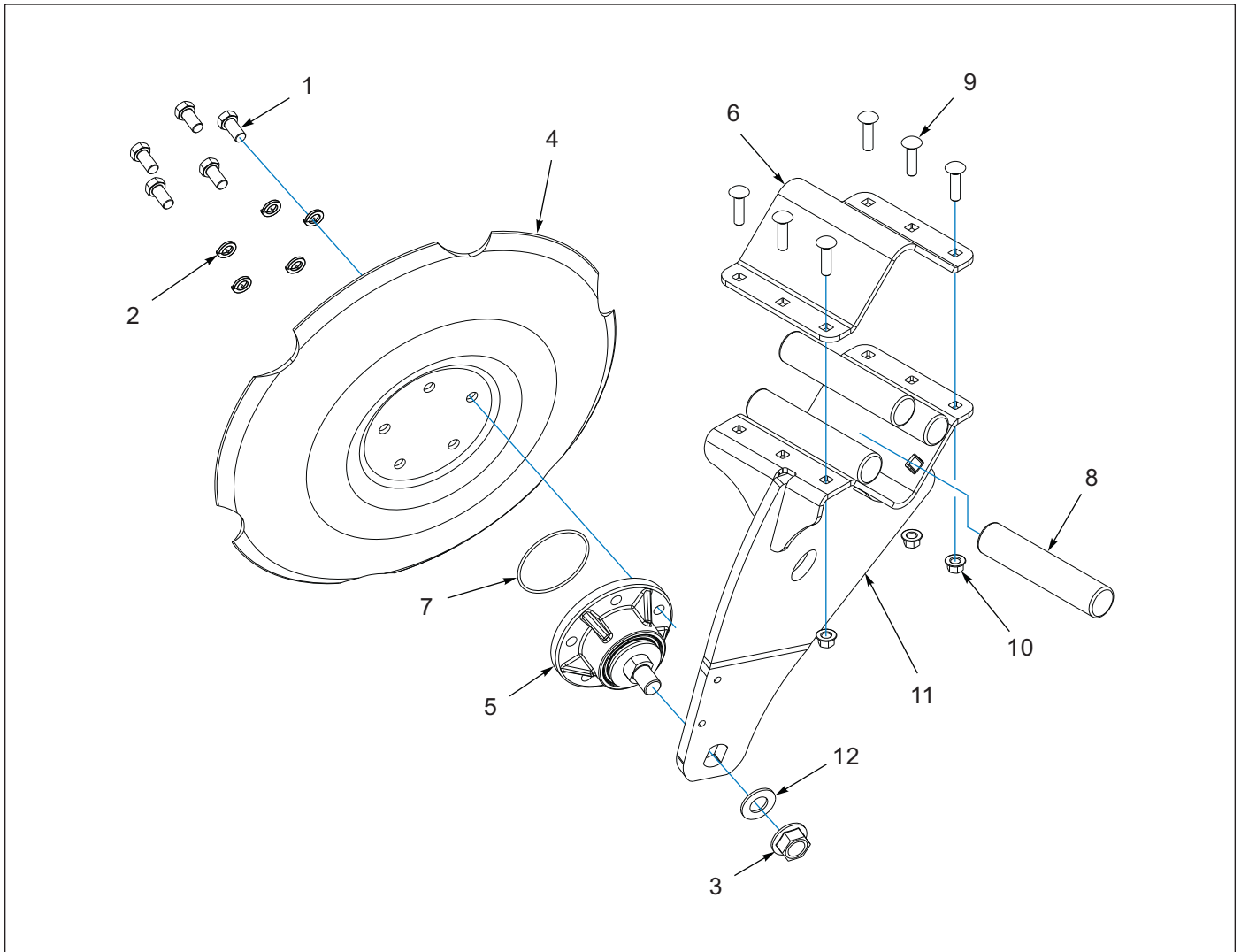


Figure 7-4: Left Rear Disc Assembly - Notched

### Left Rear Disc Assembly - Notched

ITEM	PART NUMBER	DESCRIPTION	QTY.
	217315	DISC-LH, HYBRID, 17-7, NOTCHD ASSEM	--
1	1-654-010059-02	SCREW,HEX CAP,5/8-11X1-1/4GR5	5
2	1-861-010034-15	WASHER,LKG,HLCL SPR,5/8	5
3	174732	NUT, FLG HD, TOPLOCK, 1-8 UNC	1
4	175283	DISC BLADE, LH 24 X 1/4 DIR NOTCH	1
5	185742	HUB-HSL DISC, ASSEMBLY	1
6	186979	CAP SHANK MOUNT	1
7	202843	O-RING, 4" ID X 1/8" BUNA	1
8	203525	SPRING-TORSION, RUBBER, 1-3/4	4
9	209392	SCREW-RDH, SQ NK,1/2-20X2,GR8	6
10	209393	NUT,1/2-20,LG FLNG HD TOP LOCK	6
11	217287	SHANK-HYBRID, LH, 17-7, WLDMNT	1
12	622-3511-010	WASHER, FLAT 1" MIL-CARB SAE	1

DISC ASSEMBLIES

Left Disc Assembly - Smooth

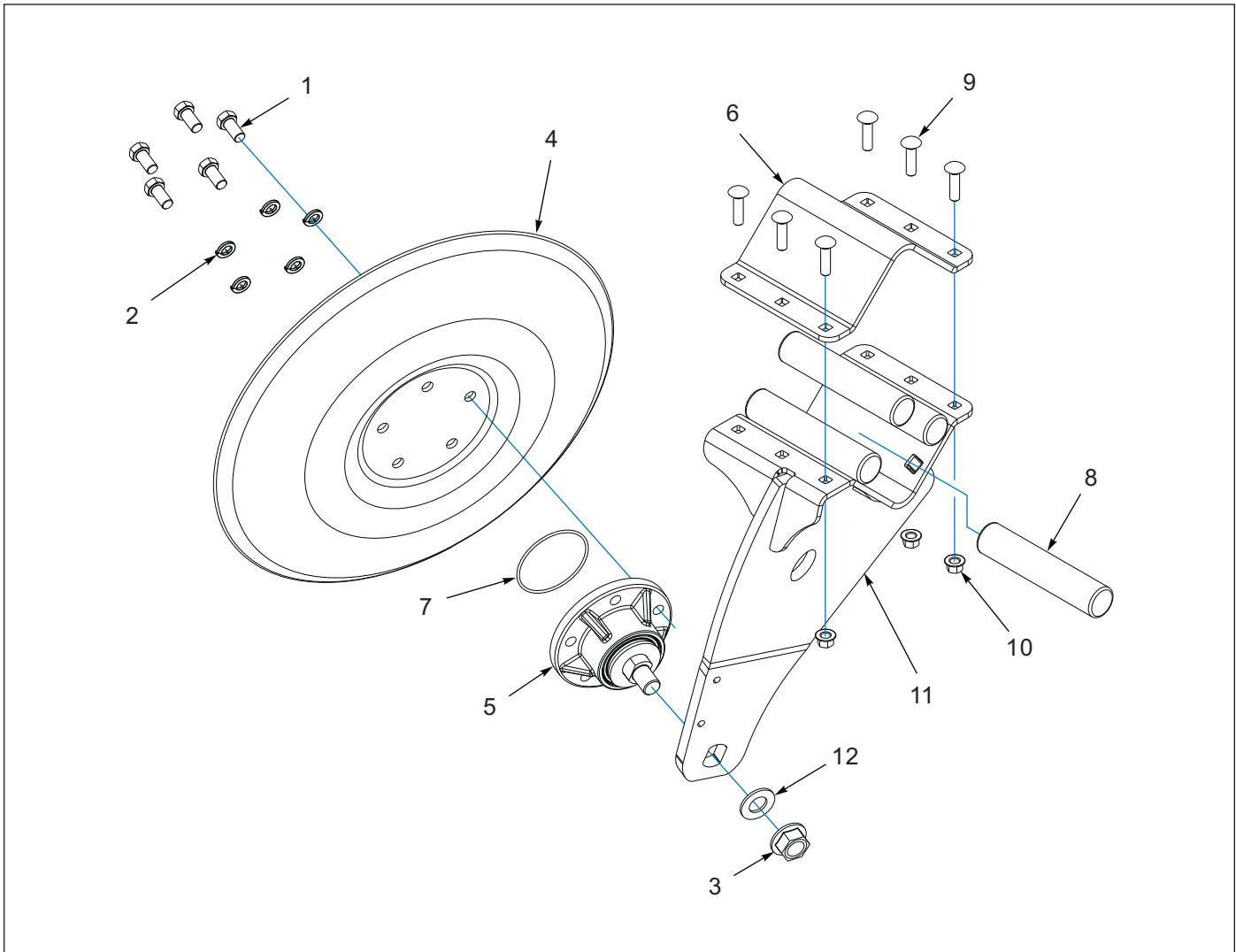


Figure 7-5: Left Disc Assembly - Smooth

Left Disc Assembly - Smooth

ITEM	PART NUMBER	DESCRIPTION	QTY.
	217317	DISC-LH, HYBRID, 17-7, SMOOTH ASSEM	--
1	1-654-010059-02	SCREW,HEX CAP,5/8-11X1-1/4GR5	5
2	1-861-010034-15	WASHER,LKG,HLCL SPR,5/8	5
3	174732	NUT, FLG HD, TOPLOCK, 1-8 UNC	1
4	175329	BLADE-HSL, NO NOTCH, 24 X 1/4	1
5	185742	HUB-HSL DISC, ASSEMBLY	1
6	186979	CAP SHANK MOUNT	1
7	202843	O-RING, 4" ID X 1/8" BUNA	1
8	203525	SPRING-TORSION, RUBBER, 1-3/4	4
9	209392	SCREW-RDH, SQ NK,1/2-20X2,GR8	6
10	209393	NUT,1/2-20,LG FLNG HD TOP LOCK	6
11	217287	SHANK-HYBRID, LH, 17-7, WLDMNT	1
12	622-3511-010	WASHER, FLAT 1" MIL-CARB SAE	1

## Left Disc Assembly - Rollable

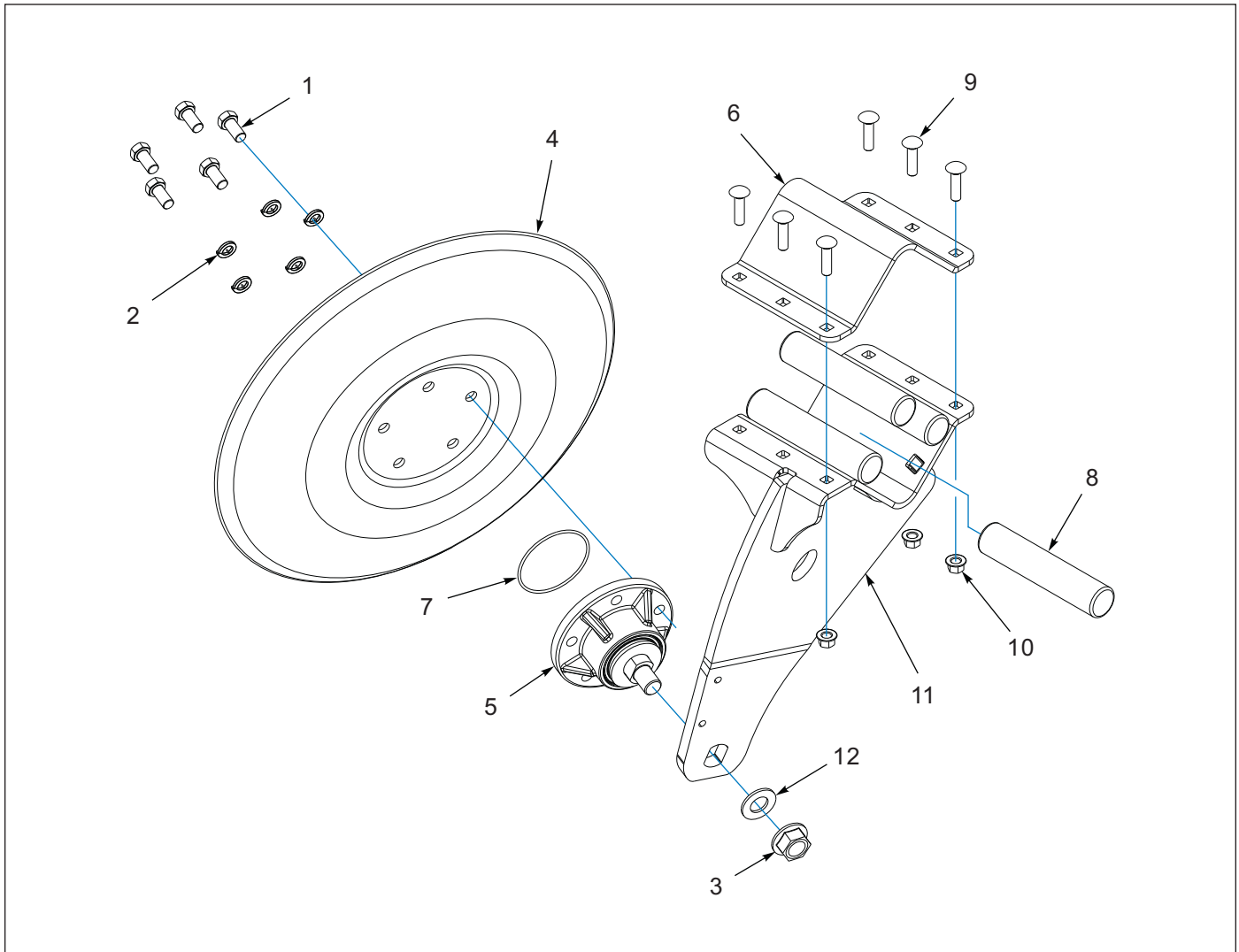


Figure 7-6: Left Disc Assembly - Rollable

## Left Disc Assembly - Rollable

ITEM	PART NUMBER	DESCRIPTION	QTY.
	217319	DISC-LH, HYBRID, 17-7, ROLLABLE ASSEM	--
1	1-654-010059-02	SCREW,HEX CAP,5/8-11X1-1/4GR5	5
2	1-861-010034-15	WASHER,LKG,HLCL SPR,5/8	5
3	174732	NUT, FLG HD, TOPLOCK, 1-8 UNC	1
4	198785	BLADE-HSL, SMOOTH, 24 X 1/4, ROLLABLE	1
5	185742	HUB-HSL DISC, ASSEMBLY	1
6	186979	CAP SHANK MOUNT	1
7	202843	O-RING, 4" ID X 1/8" BUNA	1
8	203525	SPRING-TORSION, RUBBER, 1-3/4	4
9	209392	SCREW-RDH, SQ NK,1/2-20X2,GR8	6
10	209393	NUT,1/2-20,LG FLNG HD TOP LOCK	6
11	217287	SHANK-HYBRID, LH, 17-7, WLDMNT	1
12	622-3511-010	WASHER, FLAT 1" MIL-CARB SAE	1

DISC ASSEMBLIES

Left Disc Assembly - Hybrid

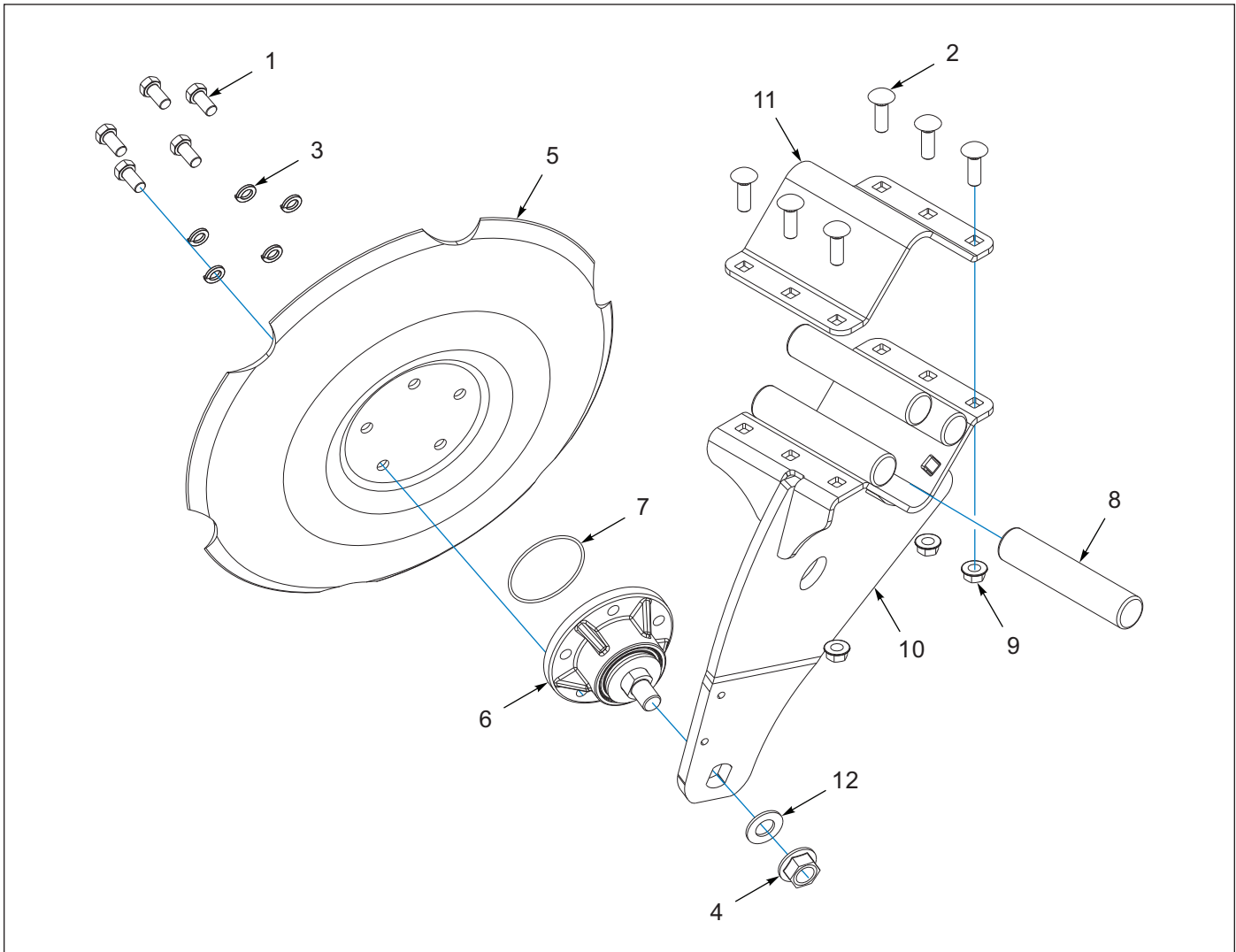


Figure 7-7: Left Disc Assembly - Hybrid

Left Disc Assembly - Hybrid

ITEM	PART NUMBER	DESCRIPTION	QTY.
	217315	DISC-LH, HYBRID, 17-7, NOTCHD ASM	--
1	1-654-010059-02	SCREW, HEX CAP, 5/8-11X1-1/4GR5	5
2	1-654-010126-05	SCREW, RD HD, SQNCK, 5/8-11X2 G5	6
3	1-861-010034-15	WASHER, LKG, HLCL SPR, 5/8	5
4	174732	NUT, FLG HD, TOPLOCK, 1-8 UNC	1
5	175283	DISC BLADE LH 24X1/4 DIR NOTCH	1
6	185742	HUB-HSL DISC, ASSEMBLY	1
7	202843	O-RING, 4" ID X 1/8" BUNA	1
8	203525	SPRING-TORSION, RUBBER, 1-3/4	4
9	218739	NUT, HD FLNG HEX, 5/8-11 UNC, GR5	6
10	221062	SHANK-HYBRID, LH, 17-7, WLDMT	1
11	221066	CAP-SHANK MOUNT	1
12	622-3511-010	WASHER, FLAT 1" MIL-CARB SAE	1

## Disc Hub Assembly

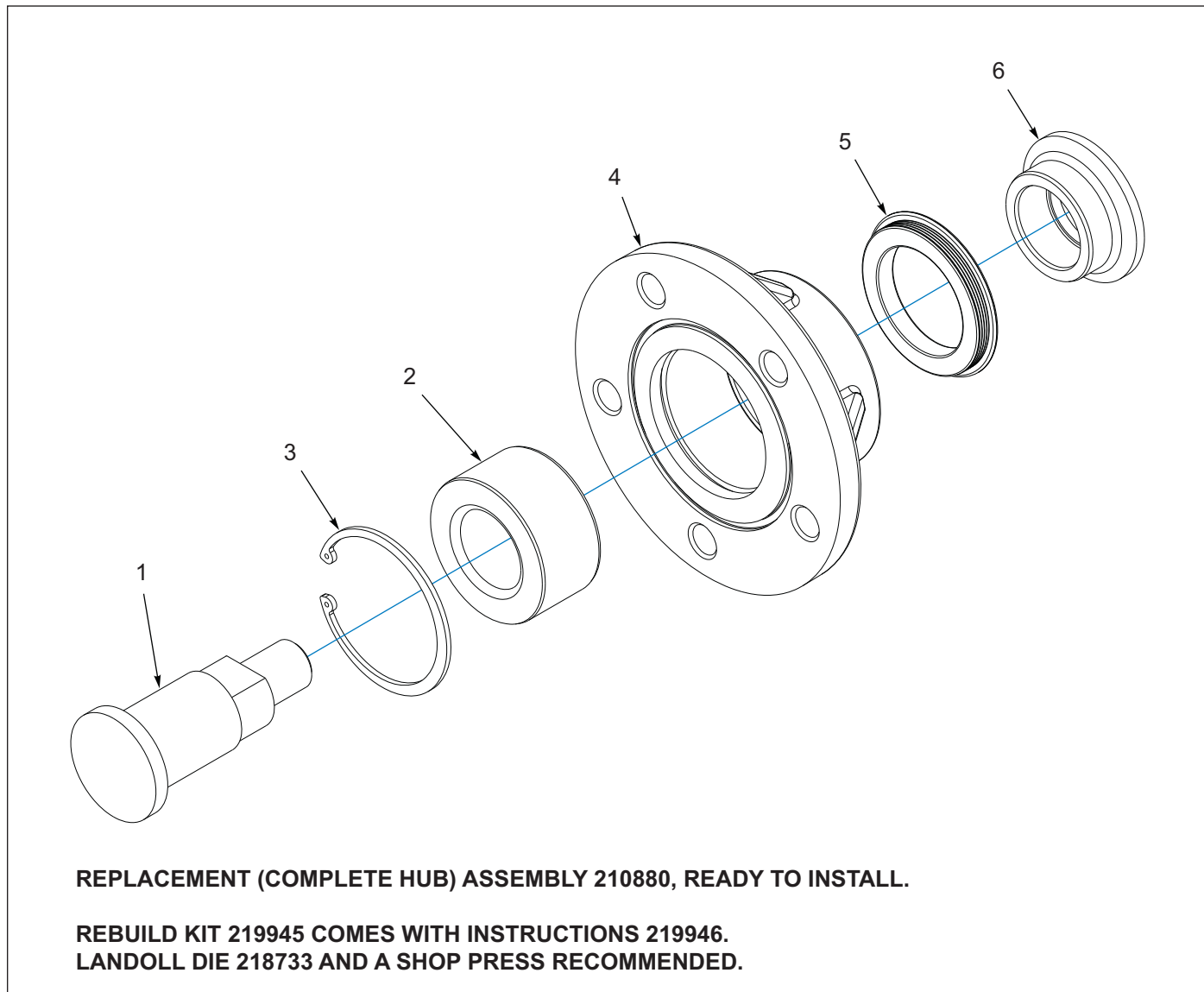


Figure 7-8: Disc Hub Assembly

## Disc Hub Assembly

ITEM	PART NUMBER	DESCRIPTION	QTY.
	185742	HUB-HSL DISC, ASSEMBLY (INCLUDES ITEM 1-6)	1
1	174523	BOLT-SPINDLE, DISC, HSL (2-1/4 IN)	1
2	174526	BEARING, DOUBLE TAPER RLLR	1
3	174532	INTERNAL SNAP RING	1
4	185740	HUB-DISC, HSL CAST	1
5	185757	SEAL, MAINT FREE HUB HSL	1
6	188757	BUSHING-SPINDLE MOUNT	1
7	210880	KIT-HSL DISC HUB (REPLACEMENT ASSEMBLY) (NOT SHOWN)	1
8	219945	KIT RE-BUILD, HSL (NOT SHOWN) (INCLUDES ITEM 9)	1
9	219946	INSTRUCTION-REBLD,HSL DISC HUB	1
10	218733	DIE-HUB REBUILD, HSL (NOT SHOWN)	1

# Scraper, Blade Assembly

## Scraper, Blade Assembly

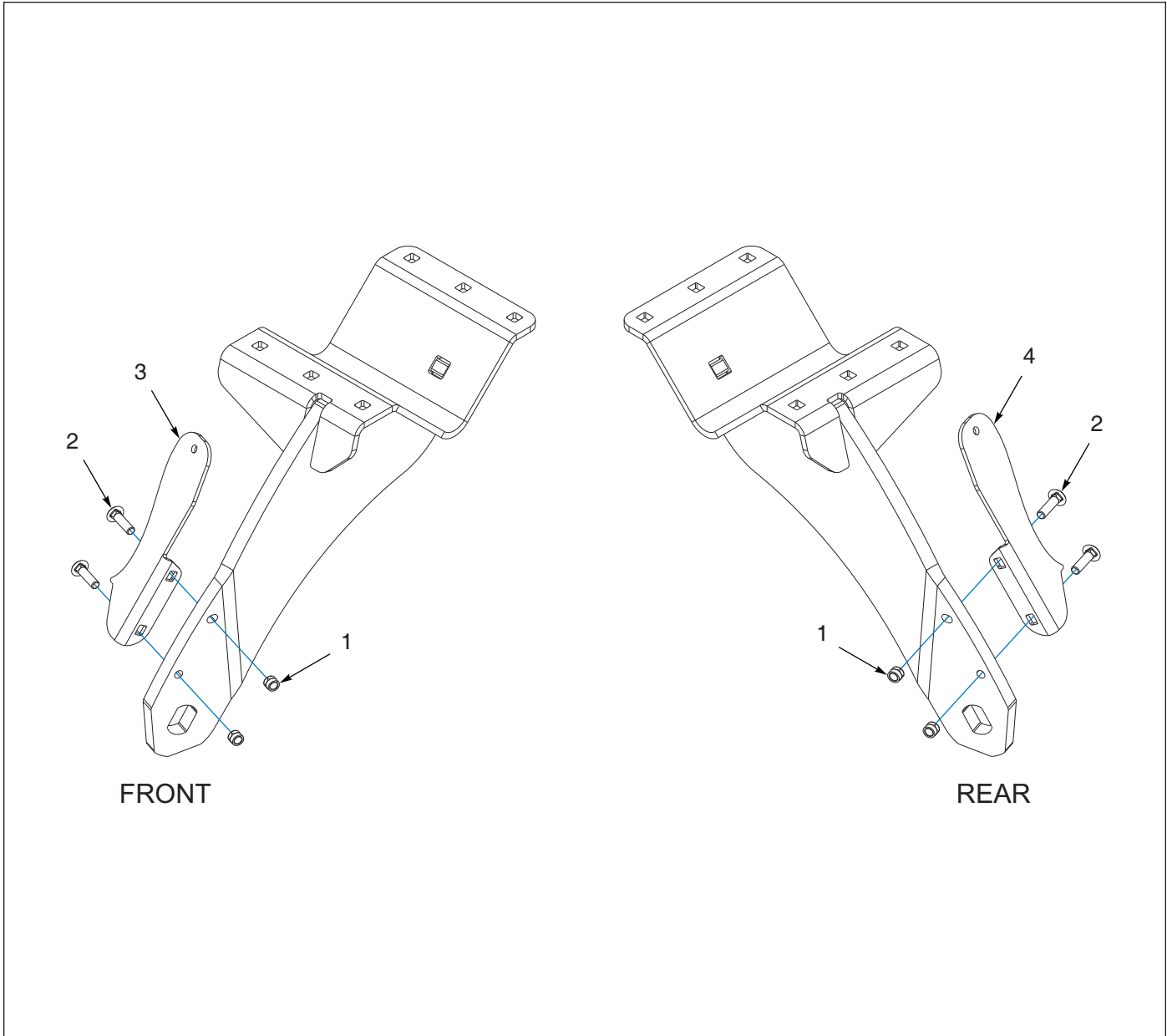


Figure 8-1: Scraper, Disc Blade

### Scraper, Disc Blade

ITEM	PART NUMBER	DESCRIPTION	QTY.
1	1-512-010005-05	NUT, HEX, SLFLKG GRB 3/8-16	2
2	195009	SCREW,RD HD 3/8-16X1-1/2 GR5	2
3	195162	SCRAPER COMPOUND FRONT HSL(BEFORE 03/2018)	1
3	195161	SCRAPER-FRONT LH, HSL (AFTER 03/2018)	1
4	195163	SCRAPER COMPOUND REAR HSL (BEFORE 03/2018)	1
4	195164	SCRAPER-REAR RH, HSL (AFTER 03/2018)	1





# Spring Reel Assemblies

## Spring Reel Assembly - 15'

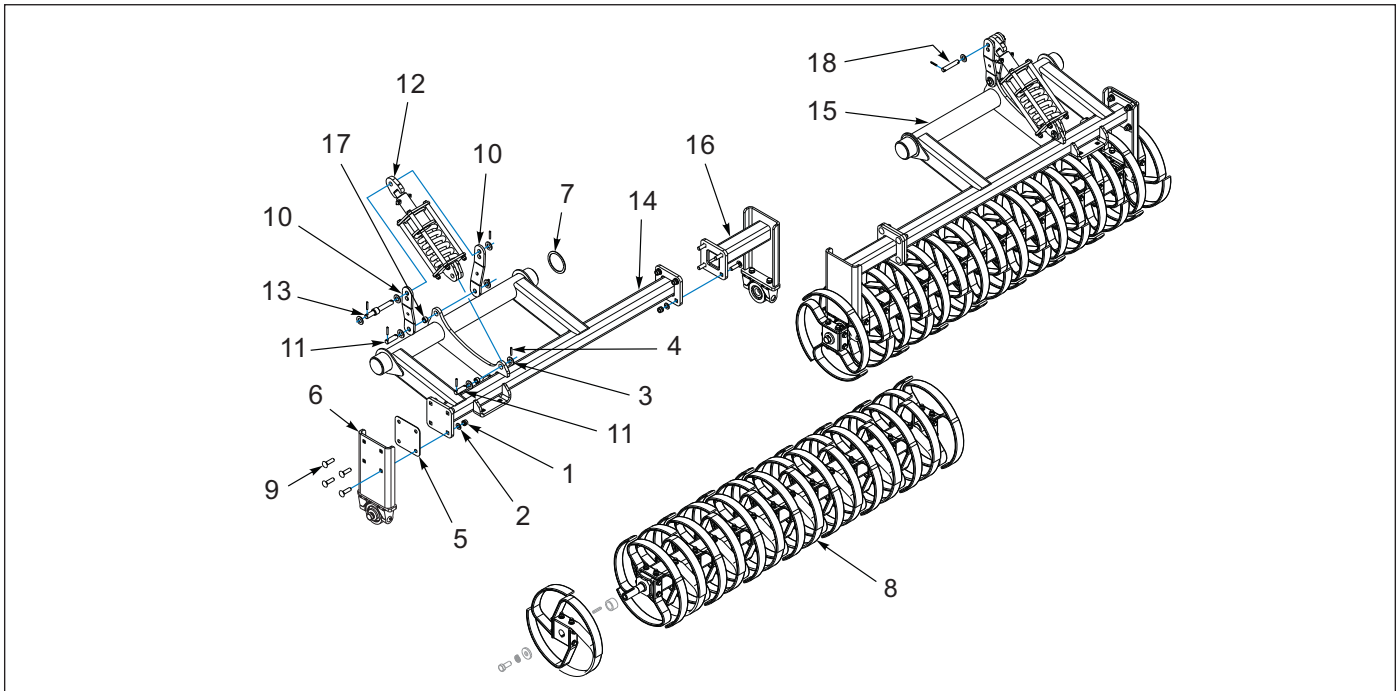


Figure 9-1: Spring Reel Assembly - 15'

## Spring Reel Assembly - 15'

ITEM	PART NUMBER	DESCRIPTION	QTY.
	219903	REEL-SPRING,4LEAF,7822-15,ASM	--
1	1-512-010005-15	NUT,HEX,SLFLKG GRB 3/4-10	16
2	1-861-010032-20	WASHER, FLAT,3/4 N ZP/CD	16
3	1-861-010032-24	WASHER FL 1IN NARROW ZP	13
4	147072	PIN, SPRING SLOTTED 5/16 X 2	12
5	187755	PLATE SHIM 11 GA	2
6	191759	MOUNT, SPRING-REEL, ASSY (SEE PAGE 9-11)	2
7	195066	WASHER SHIM ROCKSHAFT	2
8	199417	REEL-SPRING, ASSEMBLY (SEE PAGE 9-5)	2
9	201250	SCREW,RD,HD,SQ NK,3/4-10X2-3/4	16
10	207537	LINK IDLER	4
11	209162	PIN, 1 X 3-1/4, H2	4
12	209183	LINK-SPRING, K2700 ASSY (SEE PAGE 9-13)	2
13	209196	PIN-REEL CONTROL	1
14	223313	ROCKSHAFT-LH REEL MOUNT WLDMT	1
15	223314	ROCKSHAFT-RH REEL MOUNT WLDMT	1
16	214684	EXTENSION-SPRING REEL, ASSY (SEE PAGE 9-12)	2
17	3P079	SPRING BUSHING,1 X 1.25 X 0.75	4
18	5J768	PIN	1

### Spring Reel Assembly - 17'

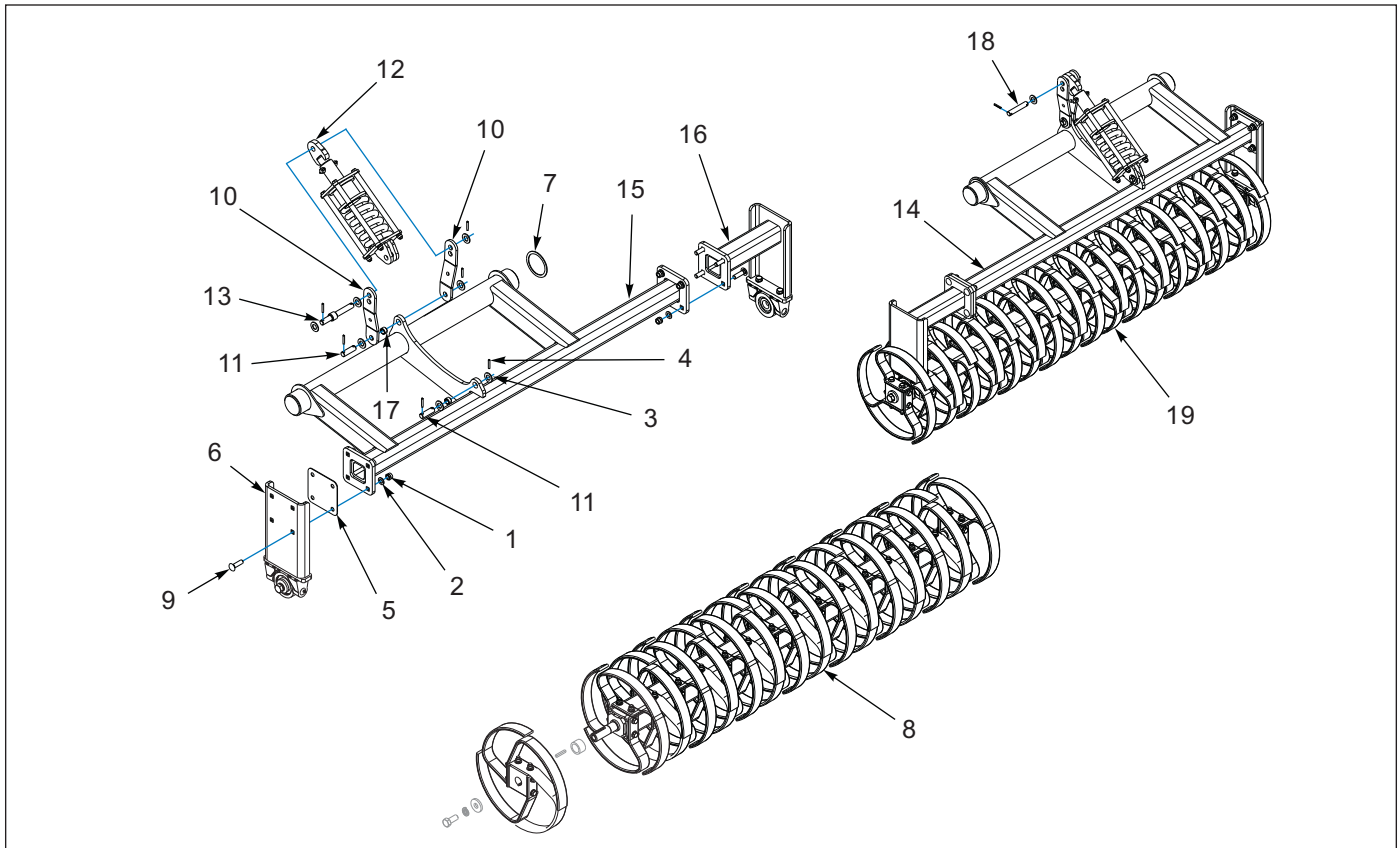


Figure 9-2: Spring Reel Assembly - 17'

### Spring Reel Assembly - 17'

ITEM	PART NUMBER	DESCRIPTION	QTY.
	219907	REEL-SPRING,4LEAF,7822-17,ASM	--
1	1-512-010005-15	NUT,HEX,SLFLKG GRB 3/4-10	16
2	1-861-010032-20	WASHER, FLAT,3/4 N ZP/CD	16
3	1-861-010032-24	WASHER FL 1IN NARROW ZP	13
4	147072	PIN, SPRING SLOTTED 5/16 X 2	12
5	187755	PLATE SHIM 11 GA	2
6	191759	MOUNT, SPRING-REEL, ASSY (SEE PAGE 9-11)	2
7	195066	WASHER SHIM ROCKSHAFT	1
8	198763	REEL-SPRING, ASSEMBLY (SEE PAGE 9-5)	1
9	201250	SCREW,RD,HD,SQ NK,3/4-10X2-3/4	16
10	207537	LINK IDLER	4
11	209162	PIN, 1 X 3-1/4, H2	4
12	209183	LINK-SPRING, K2700 ASSY (AFTER 01/30/2023) (SEE PAGE 9-13)	2
12	207577	LINK-SPRING, K3400, ASM (BEFORE 01/30/2023) (SEE PAGE 9-13)	2
13	209196	PIN-REEL CONTROL	1
14	223311	ROCKSHAFT, LH, REEL, MOUNT, WLDMNT	1
15	223312	ROCKSHAFT-7821, RH, REEL, MOUNT. WLDMNT	1
16	214684	EXTENSION-SPRING REEL, ASSY (SEE PAGE 9-12)	2
17	3P079	SPRING BUSHING,1 X 1.25 X 0.75	4
18	5J768	PIN	1
19	198767	REEL-SPRING, ASSEMBLY (SEE PAGE 9-5)	1

SPRING REEL ASSEMBLIES

Spring Reel Assembly - 20'

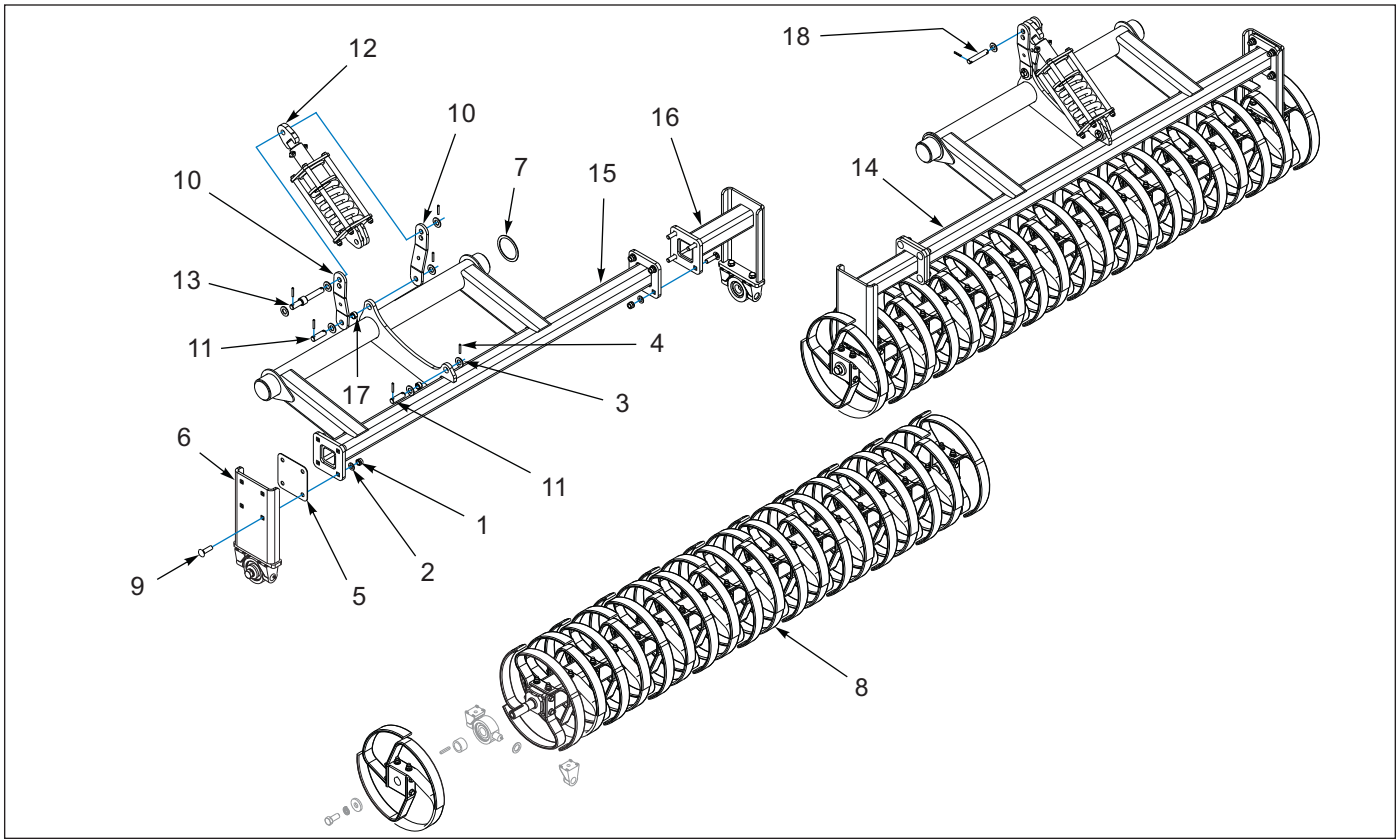


Figure 9-3: Spring Reel Assembly - 20'

Spring Reel Assembly - 20'

ITEM	PART NUMBER	DESCRIPTION	QTY.
	219911	REEL-SPRING, 4LEAF,7822-20,ASM	--
1	1-512-010005-15	NUT,HEX,SLFLKG GRB 3/4-10	16
2	1-861-010032-20	WASHER, FLAT,3/4 N ZP/CD	16
3	1-861-010032-24	WASHER FL 1IN NARROW ZP	13
4	147072	PIN, SPRING SLOTTED 5/16 X 2	12
5	187755	PLATE SHIM 11 GA	2
6	191759	MOUNT, SPRING-REEL, ASSY (SEE PAGE 9-11)	2
7	195066	WASHER SHIM ROCKSHAFT	1
8	198746	REEL-SPRING, 125 INCH, ASSM (SEE PAGE 9-5)	2
9	201250	SCREW,RD,HD,SQ NK,3/4-10X2-3/4	16
10	207537	LINK IDLER	4
11	209162	PIN, 1 X 3-1/4, H2	4
12	207577	LINK-SPRING, K3400, ASM (SEE PAGE 9-13)	2
13	209196	PIN-REEL CONTROL	1
14	223315	ROCKSHAFT-REEL, LH, 7822. WLDMNT	1
15	223316	ROCKSHAFT-REEL, RH, 7822. WLDMNT	1
16	214684	EXTENSION-SPRING REEL, ASSY (SEE PAGE 9-12)	2
17	3P079	SPRING BUSHING,1 X 1.25 X 0.75	4
18	5J768	PIN	1

### Spring Reel Assembly - 23'

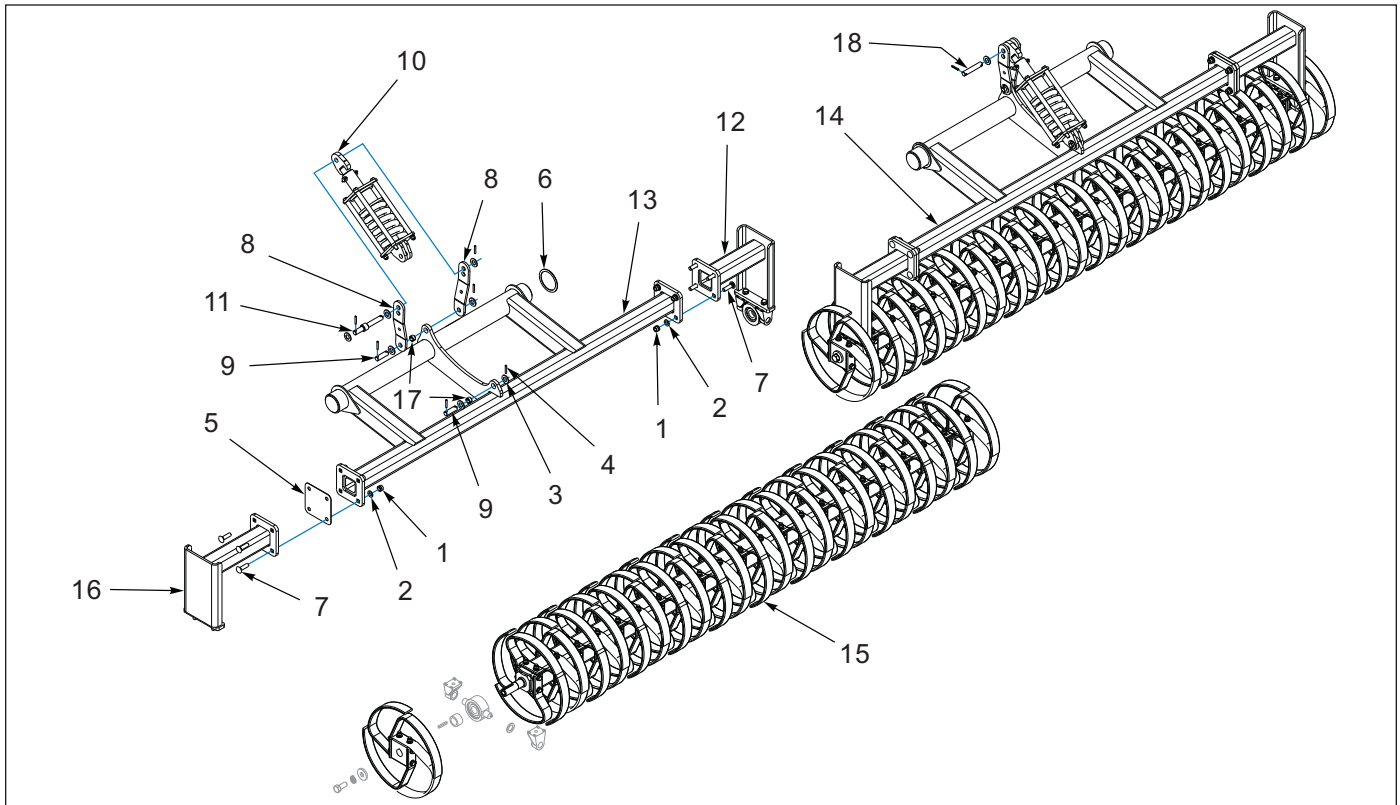


Figure 9-4: Spring Reel Assembly - 23'

### Spring Reel Assembly - 23'

ITEM	PART NUMBER	DESCRIPTION	QTY.
	220811	REEL-SPRING,4LEAF,7822-23,ASM	--
1	1-512-010005-15	NUT,HEX,SLFLKG GRB 3/4-10	16
2	1-861-010032-20	WASHER, FLAT,3/4 N ZP/CD	16
3	1-861-010032-24	WASHER FL 1IN NARROW ZP	13
4	147072	PIN, SPRING SLOTTED 5/16 X 2	12
5	187755	PLATE SHIM 11 GA	2
6	195066	WASHER SHIM ROCKSHAFT	1
7	201250	SCREW,RD,HD,SQ NK,3/4-10X2-3/4	16
8	207537	LINK IDLER	4
9	209162	PIN, 1 X 3-1/4, H2	4
10	207577	LINK-SPRING, K3400 (AFTER 01/30/2023) (SEE PAGE 9-13)	2
10	209184	LINK-SPRING, K4600, ASM (BEFORE 01/30/2023) (SEE PAGE 9-13)	2
11	209196	PIN-REEL CONTROL	1
12	214684	EXTENSION-SPRING REEL, ASSY (SEE PAGE 9-12)	2
13	223315	ROCKSHAFT-REEL, LH, 7822. WLDMNT	1
14	223316	ROCKSHAFT-REEL, RH, 7822. WLDMNT	1
15	220815	REEL-SPRING, 145 INCH, ASSM (SEE PAGE 9-5)	2
16	220818	EXTENSION-SPRING REEL, ASSY (SEE PAGE 9-12)	2
17	3P079	SPRING BUSHING,1 X 1.25 X 0.75	4
18	5J768	PIN	1

SPRING REEL ASSEMBLIES

Spring Reel Assembly

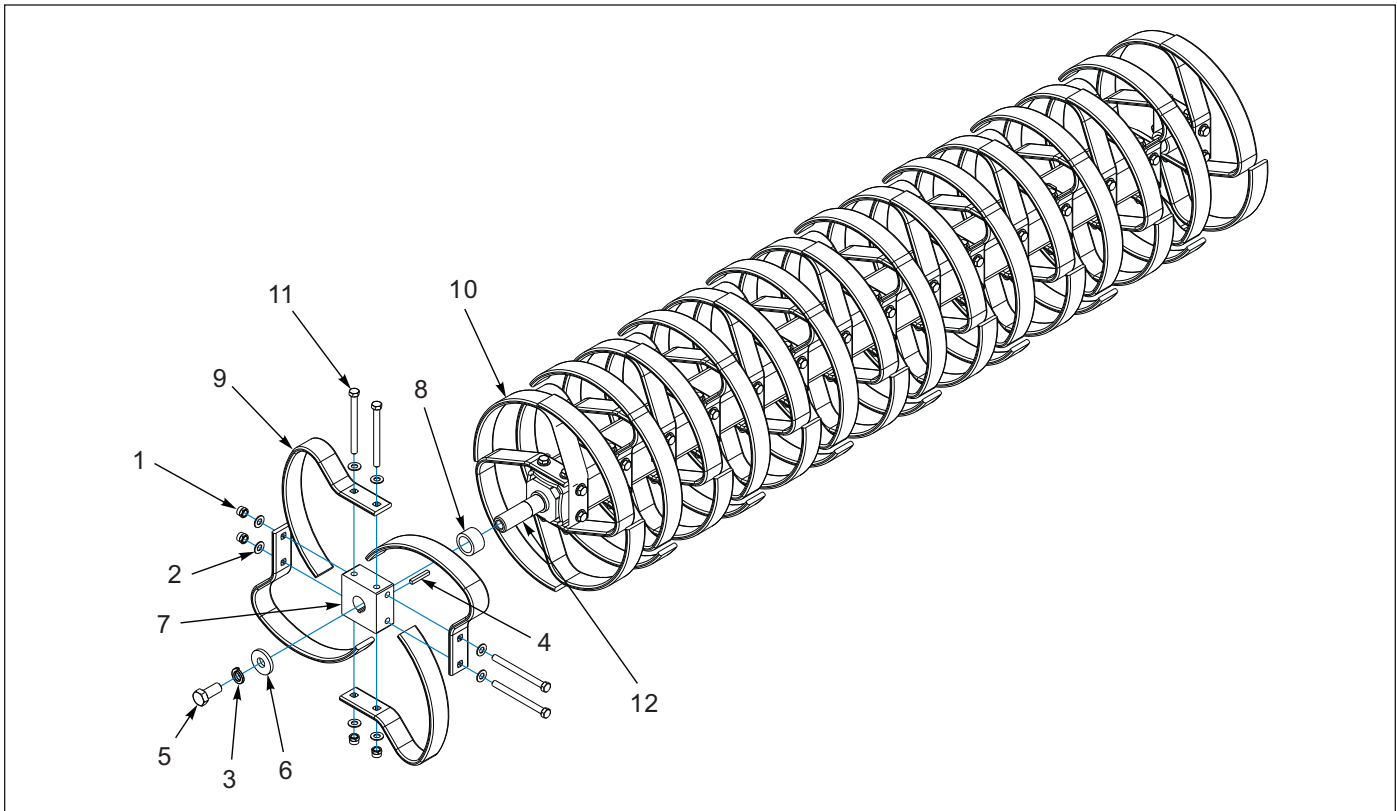


Figure 9-5: Spring Reel Assembly

Spring Reel Assembly

ITEM	PART NUMBER	DESCRIPTION	QTY.			
	199417	REEL-SPRING, ASSEMBLY	1	--	--	--
	198763	REEL-SPRING, ASSEMBLY	--	1	--	--
	198767	REEL-SPRING, ASSEMBLY	--	1	--	--
	198746	REEL-SPRING, 125 INCH ASSEM	--	--	1	--
	220815	REEL-SPRING, 145 INCH,ASSM	--	--	--	1
1	1-512-010005-13	NUT,HEX SLFLKG GRB 5/8-11	64	68	80	92
2	1-861-010032-18	WASHER, FLAT 5/8 N ZP/CD	128	136	160	184
3	1-861-010034-21	WASHER, LKG HEL SPRG 1IN	2	1	2	2
4	110-4349	KEY SQUARE 3/8X3/8X2-1/2	2	1	2	2
5	137943	SCREW,HEX CAP 1-8UNCX2-1/4GR5	2	1	2	2
6	154185	WASHER 3/8 THICK 1" ID	2	1	2	2
7	191740	HUB-SPRING REEL	2	1	2	2
8	191742	BUSHING, 2-1/2X1-13/16X1-1/2	2	1	2	2
9	195116	SPRING-REEL, HSL	32	32	40	44
10	195117	SPRING-REEL, HSL	32	36	40	48
11	209331	SCREW, HEX 5/8-11 UNC,GR5	64	68	80	92
12	199418	AXLE-SPRING REEL, WELDMENT	1	--	--	--
12	198764	AXLE-SPRING REEL, WELDMENT	--	1	--	--
12	198745	AXLE-SPRING REEL, WELDMENT	--	--	1	--
12	220816	AXLE-SPRING REEL, WELDMENT	--	--	--	1

## Hemi Spring Reel Assembly - 15'

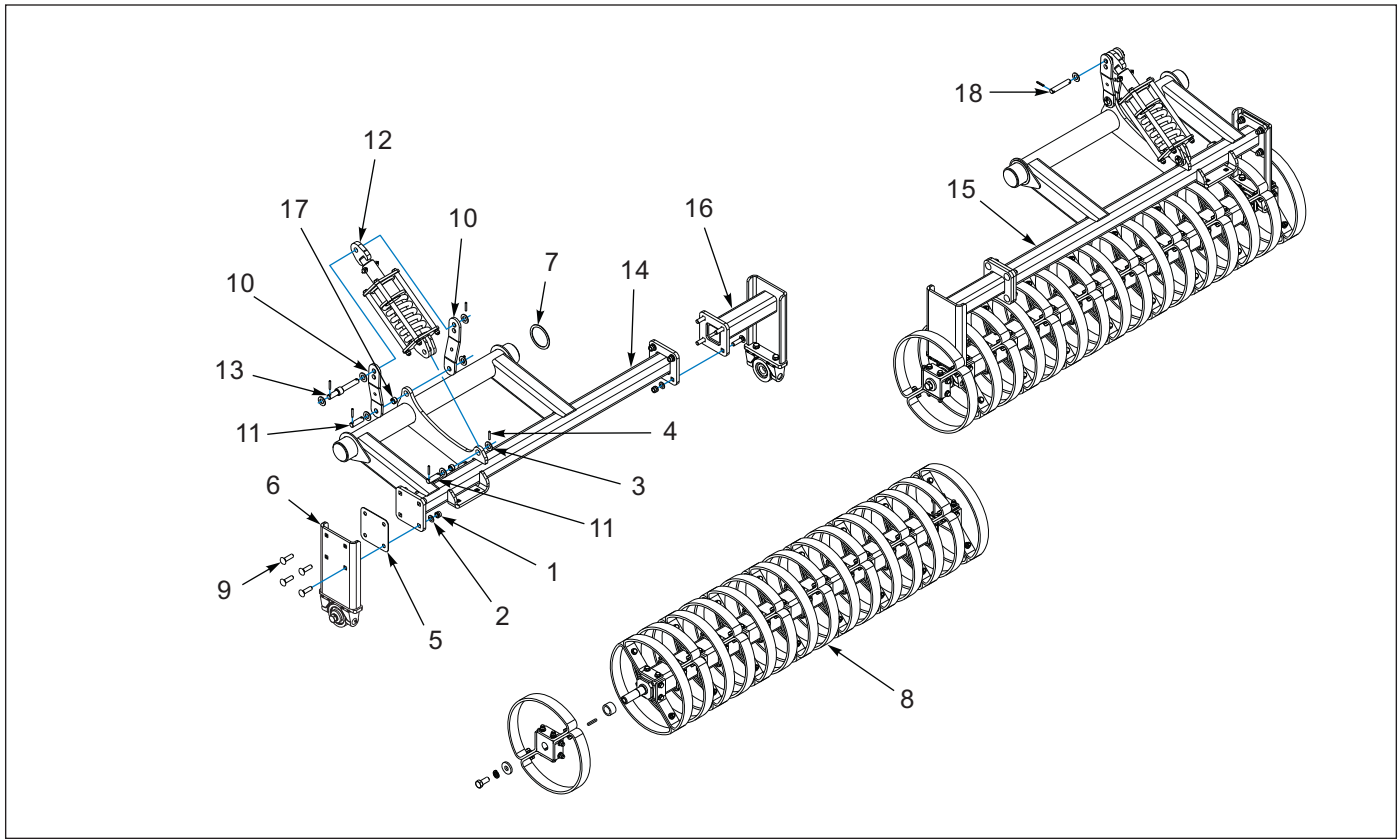


Figure 9-6: Hemi Spring Reel Assembly - 15'

## Hemi Spring Reel Assembly - 15'

ITEM	PART NUMBER	DESCRIPTION	QTY.
	219904	REEL-SPRING,4LEAF,7822-15,ASM	--
1	1-512-010005-15	NUT,HEX,SLFLKG GRB 3/4-10	16
2	1-861-010032-20	WASHER, FLAT,3/4 N ZP/CD	16
3	1-861-010032-24	WASHER FL 1IN NARROW ZP	13
4	147072	PIN, SPRING SLOTTED 5/16 X 2	12
5	187755	PLATE SHIM 11 GA	2
6	191759	MOUNT, SPRING-REEL, ASSY (SEE PAGE 9-11)	2
7	195066	WASHER SHIM ROCKSHAFT	2
8	200775	REEL-SPRING, CENTER, ASSEMBLY (SEE PAGE 9-10)	2
9	201250	SCREW,RD,HD,SQ NK,3/4-10X2-3/4	16
10	207537	LINK IDLER	4
11	209162	PIN, 1 X 3-1/4, H2	4
12	209183	LINK-SPRING, K2700 ASSY (SEE PAGE 9-13)	2
13	209196	PIN-REEL CONTROL	1
14	223313	ROCKSHAFT-LH REEL MOUNT WLDMT	1
15	223314	ROCKSHAFT-RH REEL MOUNT WLDMT	1
16	214684	EXTENSION-SPRING REEL, ASSY (SEE PAGE 9-12)	2
17	3P079	SPRING BUSHING,1 X 1.25 X 0.75	4
18	5J768	PIN	1

SPRING REEL ASSEMBLIES

Hemi Spring Reel Assembly - 17'

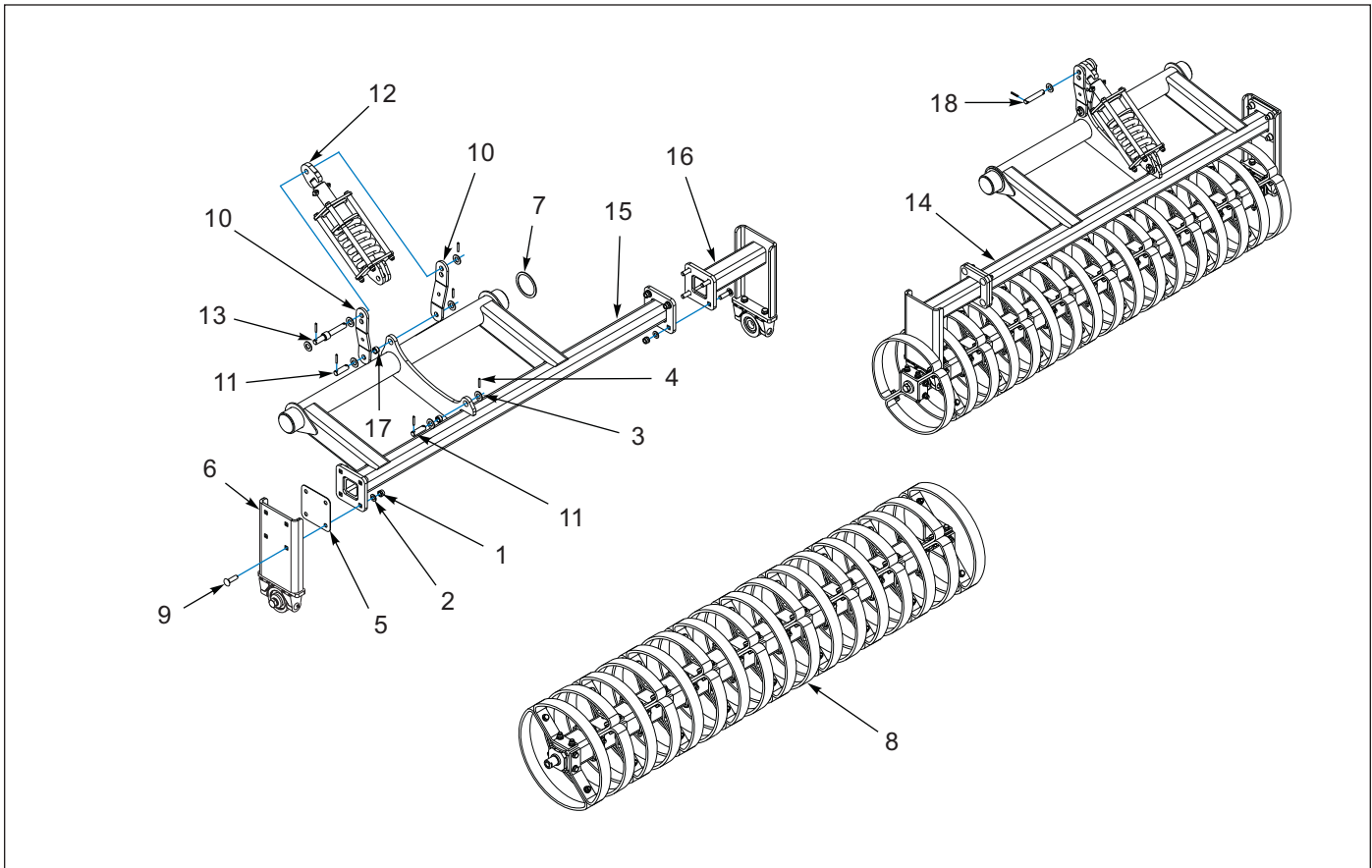


Figure 9-7: Hemi Spring Reel Assembly - 17'

Hemi Spring Reel Assembly - 17'

ITEM	PART NUMBER	DESCRIPTION	QTY.
	219908	REEL-SPRING,4LEAF,7822-17,ASM	--
1	1-512-010005-15	NUT,HEX,SLFLKG GRB 3/4-10	16
2	1-861-010032-20	WASHER, FLAT,3/4 N ZP/CD	16
3	1-861-010032-24	WASHER FL 1IN NARROW ZP	13
4	147072	PIN, SPRING SLOTTED 5/16 X 2	12
5	187755	PLATE SHIM 11 GA	2
6	191759	MOUNT, SPRING-REEL, ASSY (SEE PAGE 9-11)	2
7	195066	WASHER SHIM ROCKSHAFT	1
8	199469	REEL-SPRING, ASSEMBLY (SEE PAGE 9-10)	2
9	201250	SCREW,RD,HD,SQ NK,3/4-10X2-3/4	16
10	207537	LINK IDLER	4
11	209162	PIN, 1 X 3-1/4, H2	4
12	209183	LINK-SPRING, K2700 ASSY (AFTER 01/30/2023) (SEE PAGE 9-13)	2
12	207577	LINK-SPRING, K3400, ASM (BEFORE 01/30/2023) (SEE PAGE 9-13)	2
13	209196	PIN-REEL CONTROL	1
14	223311	ROCKSHAFT, LH, REEL, MOUNT, WLDMNT	1
15	223312	ROCKSHAFT-7821, RH, REEL, MOUNT. WLDMNT	1
16	214684	EXTENSION-SPRING REEL, ASSY (SEE PAGE 9-12)	2
17	3P079	SPRING BUSHING,1 X 1.25 X 0.75	4
18	5J768	PIN	1



## Hemi Spring Reel Assembly - 20'

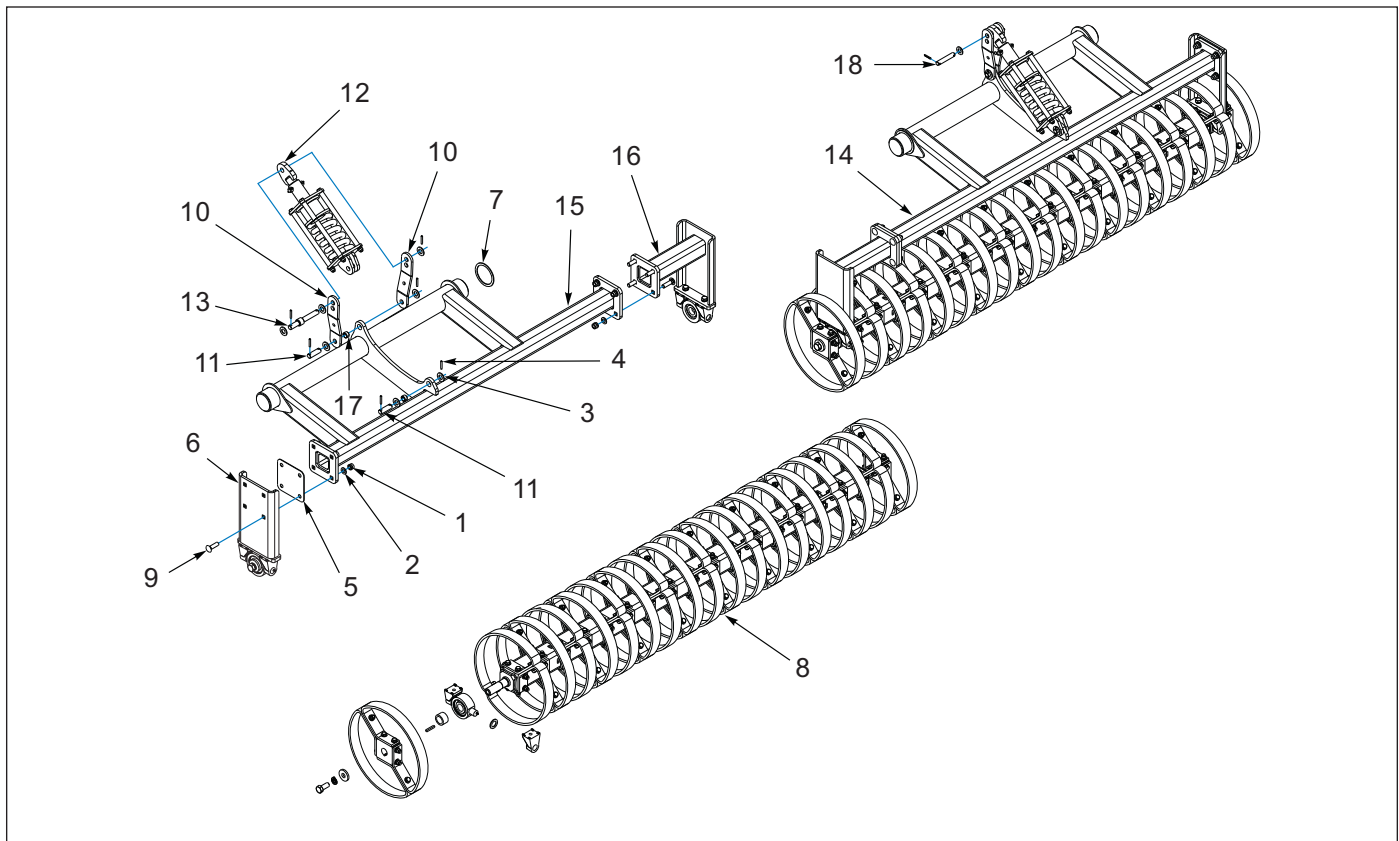


Figure 9-8: Hemi Spring Reel Assembly - 20'

## Hemi Spring Reel Assembly - 20'

ITEM	PART NUMBER	DESCRIPTION	QTY.
	219912	REEL-SPRING, 4LEAF,7822-20,ASM	--
1	1-512-010005-15	NUT,HEX,SLFLKG GRB 3/4-10	16
2	1-861-010032-20	WASHER, FLAT,3/4 N ZP/CD	16
3	1-861-010032-24	WASHER FL 1IN NARROW ZP	13
4	147072	PIN, SPRING SLOTTED 5/16 X 2	12
5	187755	PLATE SHIM 11 GA	2
6	191759	MOUNT, SPRING-REEL, ASSY (SEE PAGE 9-11)	2
7	195066	WASHER SHIM ROCKSHAFT	1
8	199466	REEL-SPRING, CENTER, ASSEMBLY (SEE PAGE 9-10)	2
9	201250	SCREW,RD,HD,SQ NK,3/4-10X2-3/4	16
10	207537	LINK IDLER	4
11	209162	PIN, 1 X 3-1/4, H2	4
12	207577	LINK-SPRING, K3400, ASM (SEE PAGE 9-13)	2
13	209196	PIN-REEL CONTROL	1
14	223315	ROCKSHAFT-REEL, LH, 7822. WLDMNT	1
15	223316	ROCKSHAFT-REEL, RH, 7822. WLDMNT	1
16	214684	EXTENSION-SPRING REEL, ASSY (SEE PAGE 9-12)	2
17	3P079	SPRING BUSHING,1 X 1.25 X 0.75	4
18	5J768	PIN	1

SPRING REEL ASSEMBLIES

Hemi Spring Reel Assembly - 23'

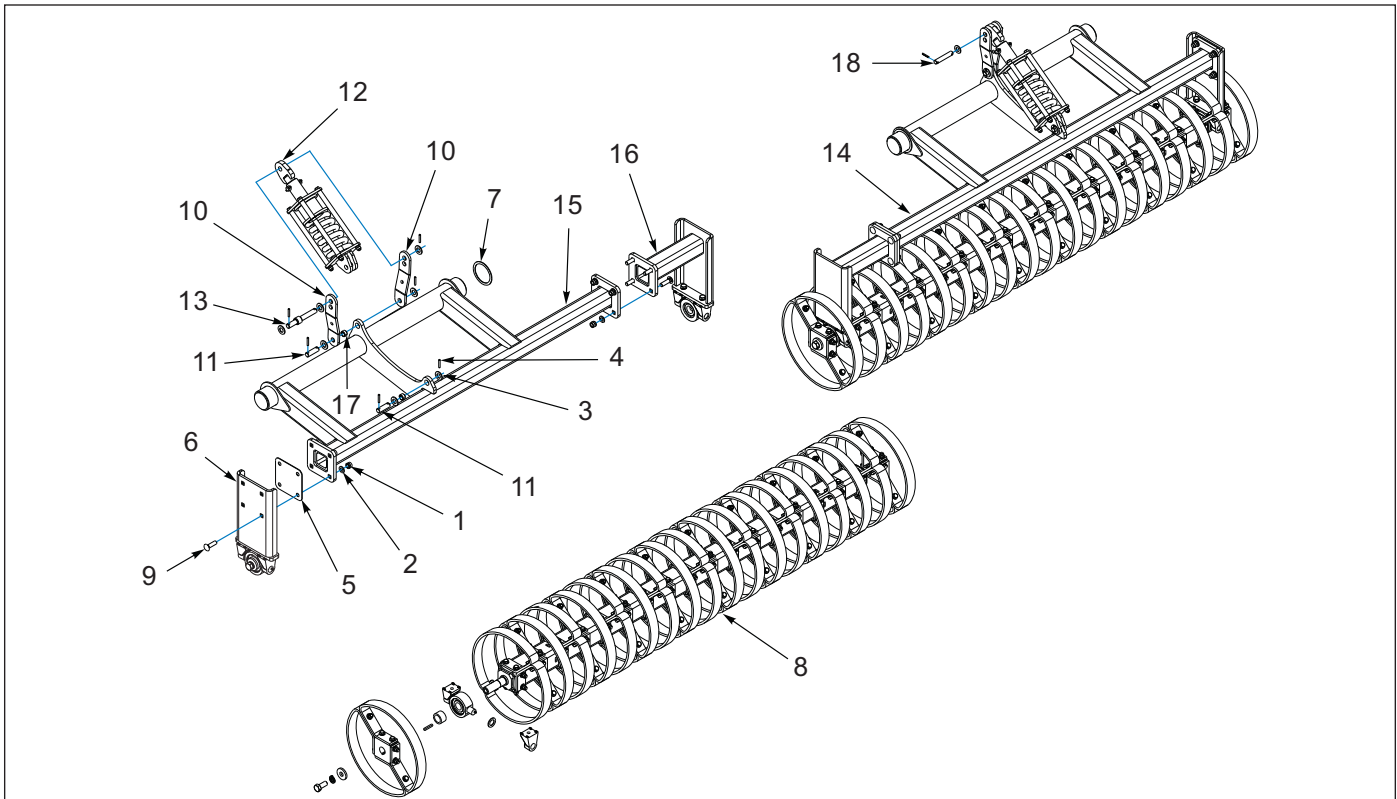


Figure 9-9: Hemi Spring Reel Assembly - 23'

Hemi Spring Reel Assembly - 23'

ITEM	PART NUMBER	DESCRIPTION	QTY.
	220812	REEL-SPRING, 4LEAF,7822-23,ASM	--
1	1-512-010005-15	NUT,HEX,SLFLKG GRB 3/4-10	16
2	1-861-010032-20	WASHER, FLAT,3/4 N ZP/CD	16
3	1-861-010032-24	WASHER FL 1IN NARROW ZP	13
4	147072	PIN, SPRING SLOTTED 5/16 X 2	12
5	187755	PLATE SHIM 11 GA	2
6	220818	MOUNT, SPRING-REEL, ASSY (SEE PAGE 9-11)	2
7	195066	WASHER SHIM ROCKSHAFT	2
8	220821	REEL-SPRING, CENTER, ASSEMBLY (SEE PAGE 9-10)	2
9	201250	SCREW,RD,HD,SQ NK,3/4-10X2-3/4	16
10	207537	LINK IDLER	4
11	209162	PIN, 1 X 3-1/4, H2	4
12	207577	LINK-SPRING, K3400 ASSY (AFTER 01/30/2023) (SEE PAGE 9-13)	2
12	209184	LINK-SPRING, K4600, ASM (BEFORE 01/30/2023) (SEE PAGE 9-13)	2
13	209196	PIN-REEL CONTROL	1
14	223315	ROCKSHAFT-REEL, LH, 7822. WLDMNT	1
15	223316	ROCKSHAFT-REEL, RH, 7822. WLDMNT	1
16	214684	EXTENSION-SPRING REEL, ASSY (SEE PAGE 9-12)	2
17	3P079	SPRING BUSHING,1 X 1.25 X 0.75	4
18	5J768	PIN	1

# Hemi Spring Reel Assembly

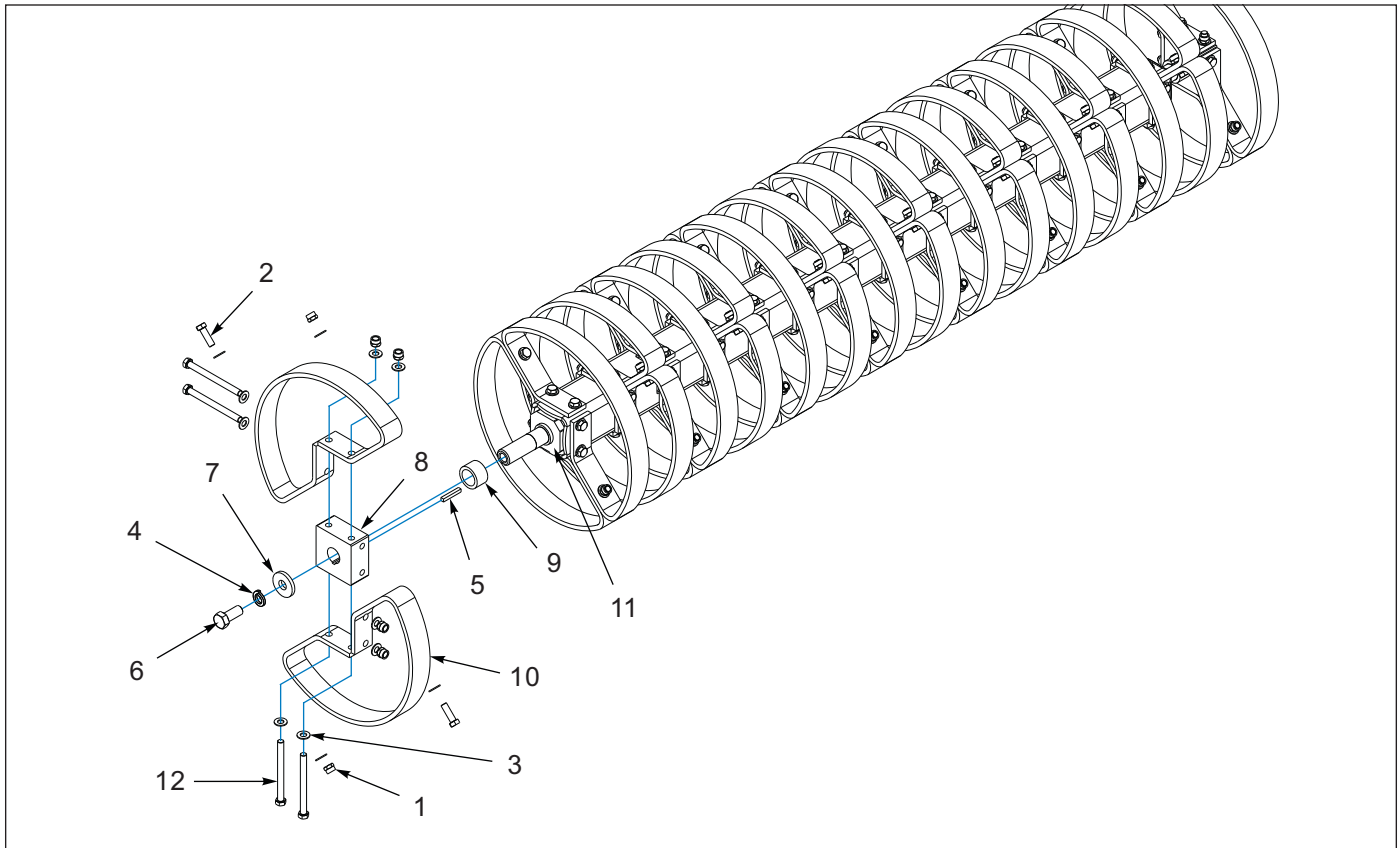


Figure 9-10: Hemi Spring Reel Assembly

## Hemi Spring Reel Assembly

ITEM	PART NUMBER	DESCRIPTION	QTY.			
	200775	REEL-SPRING, CENTER, ASSM	1	--	--	--
	199469	REEL-SPRING, 7821-17 ASSM	--	1	--	--
	199466	REEL-7821-20, SPRING, ASSY	--	--	1	--
	220821	REEL-SPRING, 7822-23 ASSEM	--	--	--	1
1	1-512-010005-13	NUT,HEX SLFLKG GRB 5/8-11	96	102	114	132
2	1-654-010059-05	SCREW,HEX CAP,5/8-11UNCX2 GR5	32	34	38	44
3	1-861-010032-18	WASHER, FLAT 5/8 N ZP/CD	192	204	228	264
4	1-861-010034-21	WASHER, LKG HEL SPRG 1IN	2	1	2	2
5	110-4349	KEY SQUARE 3/8X3/8X2-1/2	2	1	2	2
6	137943	SCREW,HEX CAP 1-8UNCX2-1/4GR5	2	1	2	2
7	154185	WASHER 3/8 THICK 1" ID	2	1	2	2
8	191740	HUB-SPRING REEL	2	1	2	2
9	191742	BUSHING, 2-1/2X1-13/16X1-1/2	2	1	2	2
10	195079	SPRING-REEL, HSL	32	34	38	44
11	200776	AXLE-SPRING REEL, WELDMENT	1	--	--	--
11	199470	AXLE-SPRING REEL, WELDMENT	--	1	--	--
11	199467	AXLE-SPRING REEL, WELDMENT	--	--	1	--
11	220822	AXLE-SPRING REEL, WELDMENT	--	--	--	1
12	209331	SCREW, HEX 5/8-11 UNC,GR5	64	68	76	88

# Spring Reel Mount Assembly

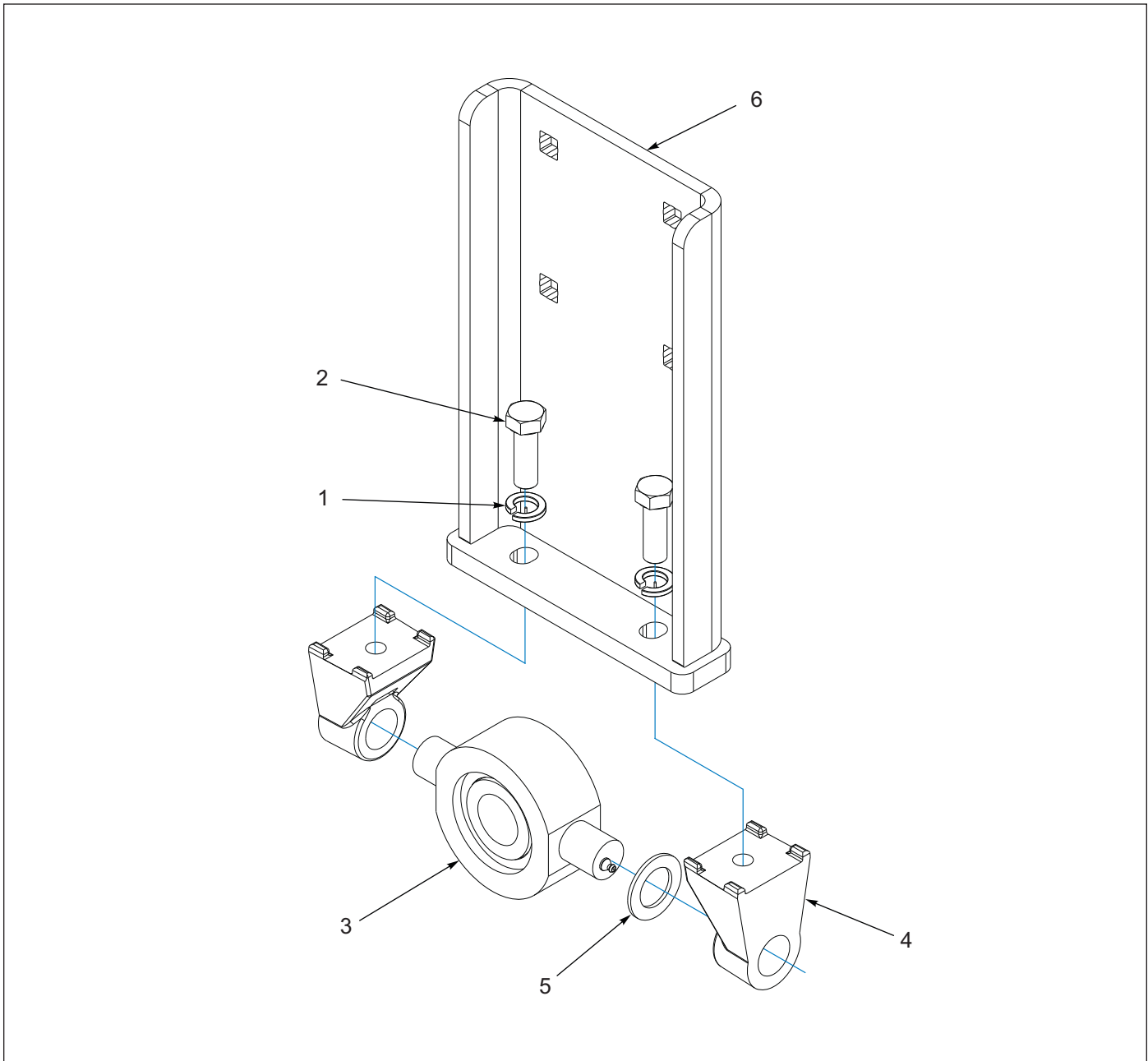


Figure 9-11: Spring Reel Mount Assembly

## Spring Reel Mount Assembly

ITEM	PART NUMBER	DESCRIPTION	QTY.
	191759	MOUNT, SPRING-REEL, ASSEM	--
1	1-861-010034-17	WASHER,LKG,HLCL SPR,3/4	2
2	100941	SCREW,HEXCAP,3/4-10X2-1/4G8ZP	2
3	140477	BEARING, DISC 1.775 ID ASSY	1
4	140479	MOUNT, TRUNNION	2
5	140480	WASHER, TRUNNION	1
6	188825	BRACKET-REEL MOUNT, WLDMT	1

## Spring Reel Extension Assemblies

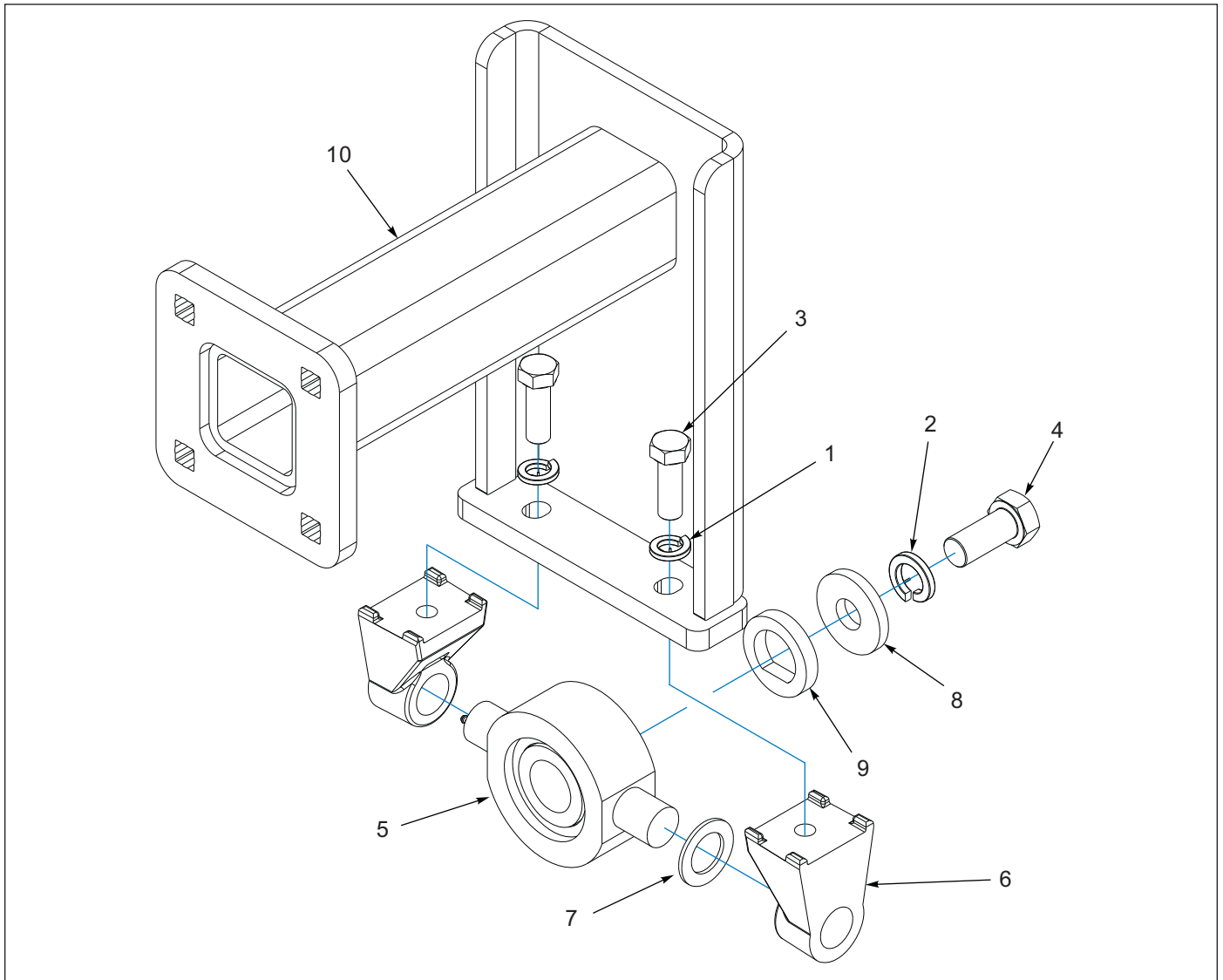


Figure 9-12: Spring Reel Extension Assemblies

## Spring Reel Extension Assemblies

ITEM	PART NUMBER	DESCRIPTION	QTY.
	214684	EXTENSION, SPRING-REEL, ASSEM	--
	220818	EXTENSION, SPRING-REEL, ASSEM	--
1	1-861-010034-17	WASHER,LKG,HLCL SPR,3/4	2
2	1-861-010034-21	WASHER, LKG HEL SPRG 1IN	1
3	100941	SCREW,HEXCAP,3/4-10X2-1/4G8ZP	2
4	137943	SCREW,HEX CAP 1-8UNCX2-1/4GR5	1
5	140477	BEARING, DISC 1.775 ID ASSY	1
6	140479	MOUNT, TRUNNION	2
7	140480	WASHER, TRUNNION	1
8	154185	WASHER 3/8 THICK 1" ID	1
9	154186	WASHER FLAT TOP	1
10	214683	EXTENSION-SPRING REEL, WLDMT (USED ON 214684)	1
10	220819	EXTENSION, SPRING-REEL, WLDMNT (USED ON 220818)	1

## Link Spring Cylinder Assemblies

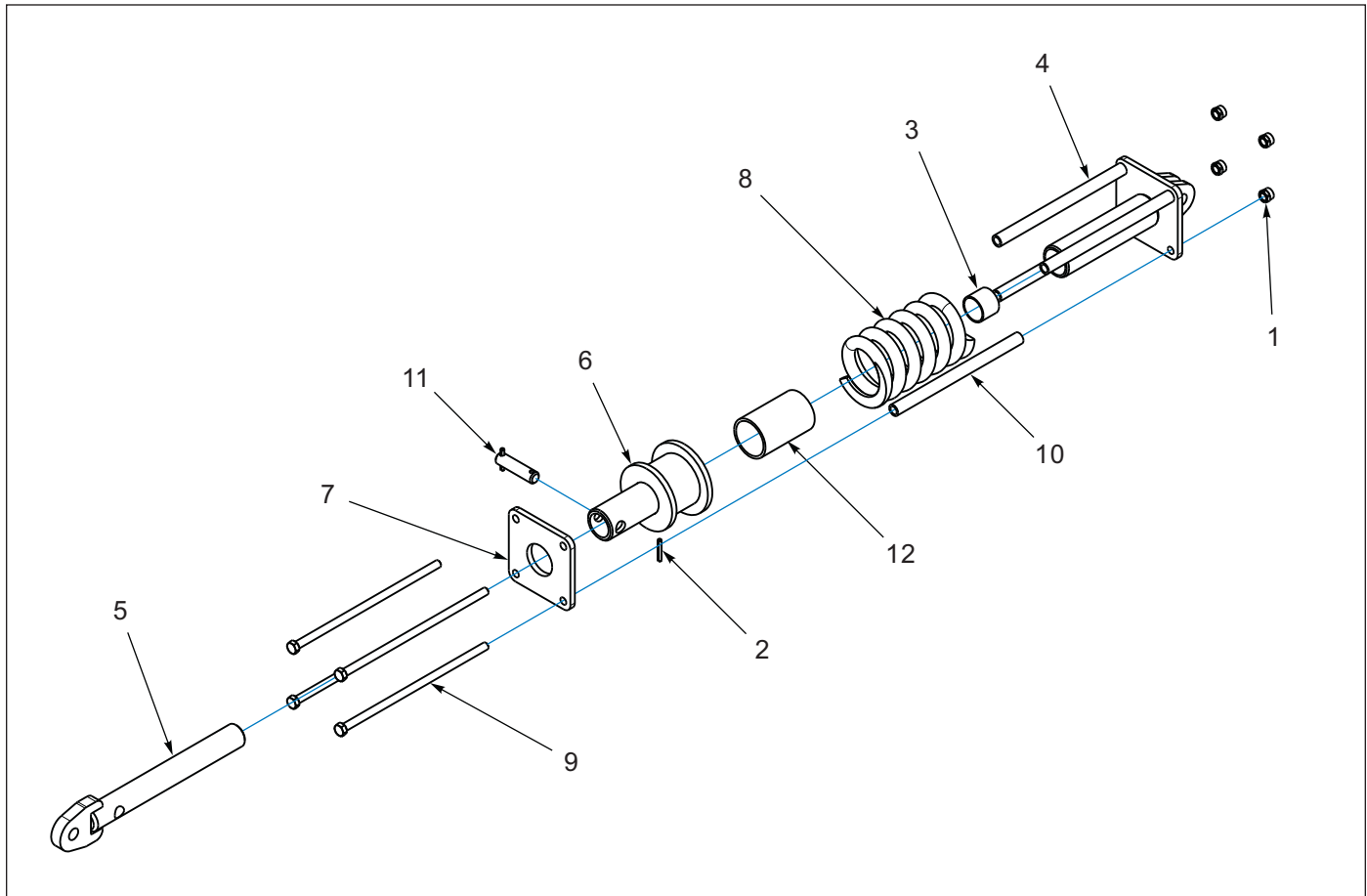


Figure 9-13: Link Spring Cylinder Assemblies

## Link Spring Cylinder Assemblies

ITEM	PART NUMBER	DESCRIPTION	QTY.
	209183	LINK-SPRING, K2700 ASSY	--
	207577	LINK-SPRING, K3400 ASSY	--
	209184	LINK-SPRING, K4600 ASSY	--
1	1-512-010005-13	NUT,HEX SLFLKG GRB 5/8-11	4
2	147072	PIN, SPRING SLOTTED 5/16 X 2	2
3	197140	BUSHING POLYLUBE 2-1.4X2X1-3/4	1
4	207578	BASE-SPRING MOUNT, WLDMT	1
5	207580	ROD-SPRING, WLDMT	1
6	207585	TUBE-SPRING STOP WLDMT	1
7	207587	PLATE-SPRING STOP	1
8	209182	SPRING-COMPRESSION, K2700 <b>(209183)</b>	1
8	209181	SPRING-COMPRESSION, K3400 <b>(207577)</b>	1
8	209180	SPRING-COMPRESSION, K4600 <b>(209184)</b>	1
9	217300	SCREW, HEX 5/8-11UNCX16,GR5	4
10	219435	TUBE, TIE ROD-SPACER 14 IN	4
11	8K047	PIN - 1 X 4 1/16	1
12	207590	BUSHING, 3-1/2 X 3 X 5-1/2,PVC	1



## Chevron Reel Assemblies

### Chevron Single Reel Assembly - 15'

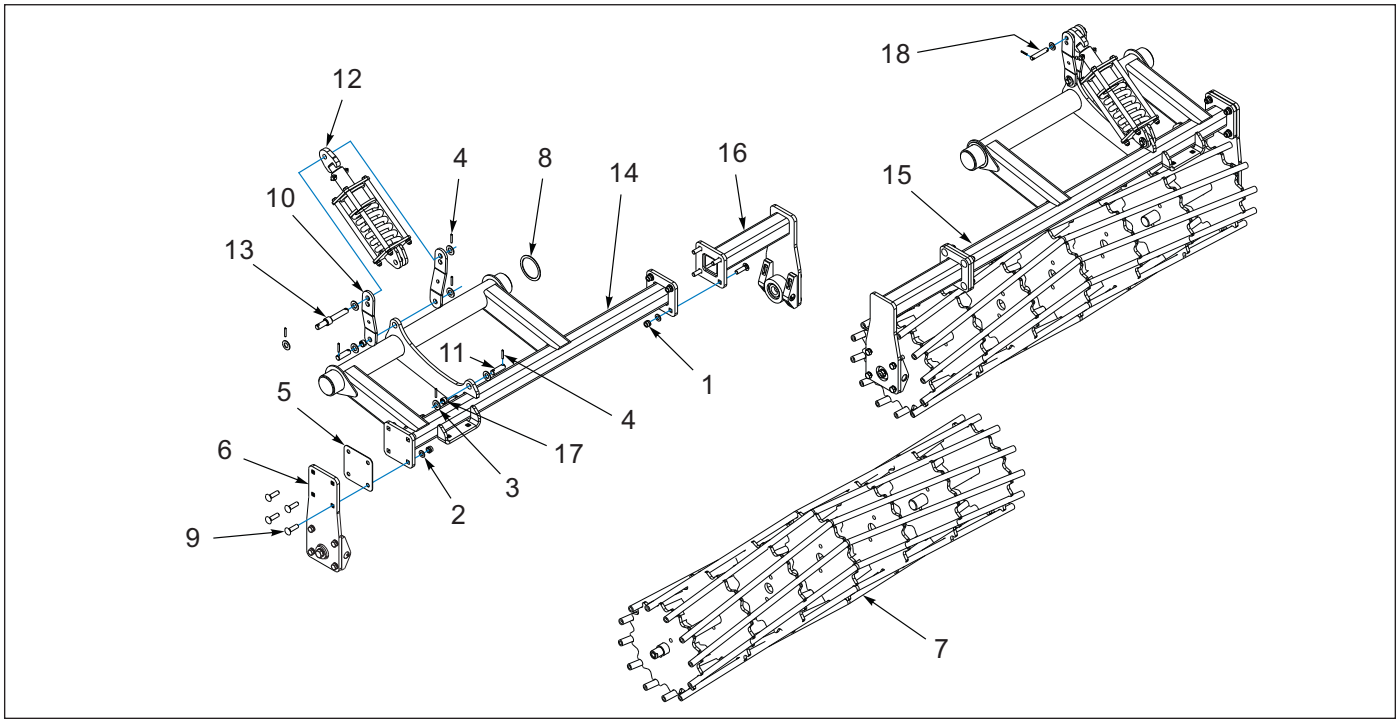


Figure 10-1: Chevron Single Reel Assembly - 15'

### Chevron Single Reel Assembly - 15'

ITEM	PART NUMBER	DESCRIPTION	QTY.
	219901	REEL-CHEVRON, SINGLE, 8922-15	--
1	1-512-010005-15	NUT,HEX,SLFLKG GRB 3/4-10	16
2	1-861-010032-20	WASHER, FLAT, ZP/CD,3/4N	16
3	1-861-010032-24	WASHER FL 1IN NARROW ZP	13
4	147072	PIN, SPRING SLOTTED 5/16 X 2	12
5	187755	PLATE SHIM 11 GA	2
6	191752	PLATE-REEL MOUNT, ASSEMBLY (SEE PAGE 11-9)	2
7	192951	REEL, 21 X 94 INCH, WLDMT	2
8	195066	WASHER SHIM ROCKSHAFT	2
9	201250	SCREW,RD,HD,SQ NK,3/4-10X2-3/4	16
10	207537	LINK IDLER	4
11	209162	PIN, 1 X 3-1/4, H2	4
12	209183	LINK-SPRING, K2700 ASSY (SEE PAGE 9-13)	2
13	209196	PIN-REEL CONTROL	1
14	223313	ROCKSHAFT-LH REEL MOUNT WLDMT	1
15	223314	ROCKSHAFT-RH REEL MOUNT WLDMT	1
16	214682	EXTENSION-REEL MOUNT, ASSY (SEE PAGE 10-10)	2
17	3P079	SPRING BUSHING,1 X 1.25 X 0.75	4
18	5J758	TUBE	1



### Chevron Single Reel Assembly - 17'

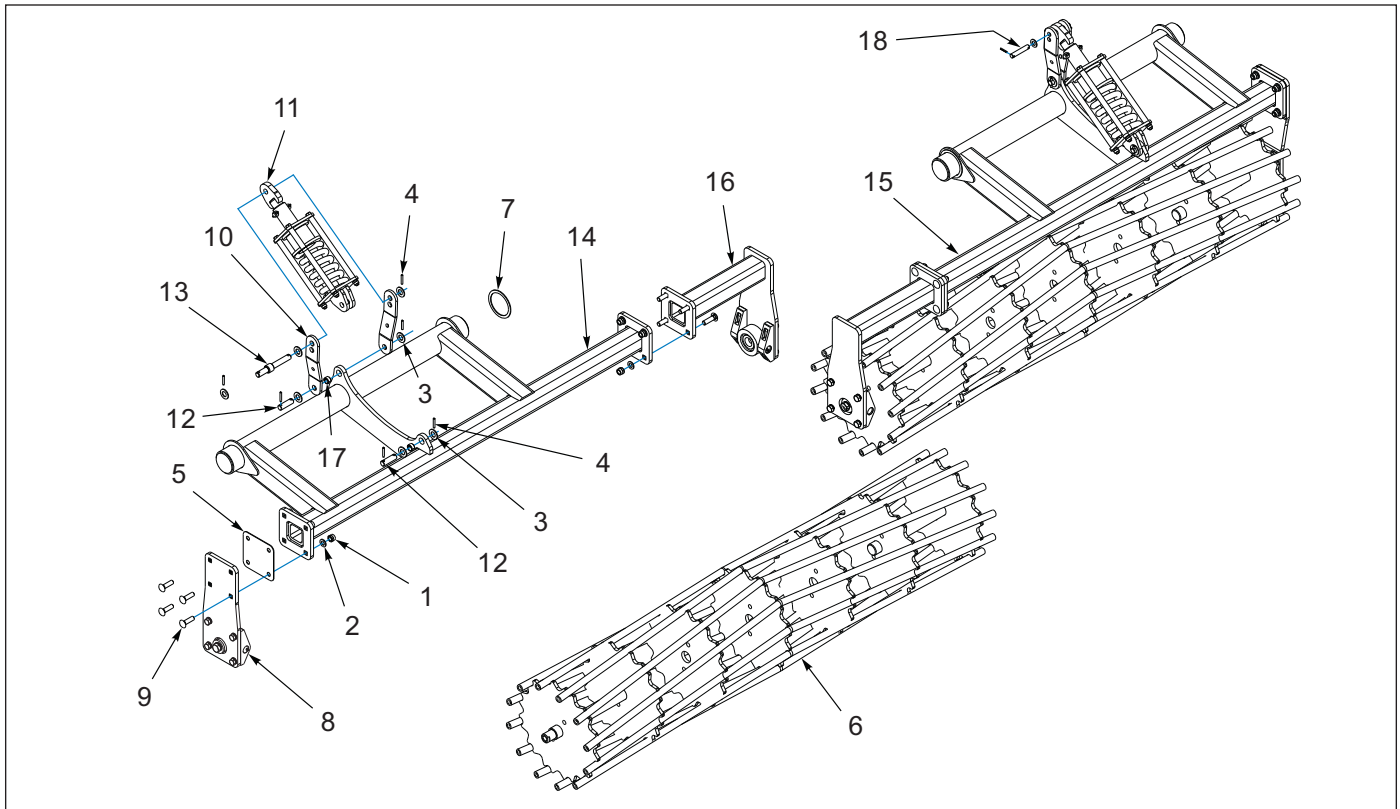


Figure 10-2: Chevron Single Reel Assembly - 17'

### Chevron Single Reel Assembly - 17'

ITEM	PART NUMBER	DESCRIPTION	QTY.
	219905	REEL-CHEVRON, SINGLE, 8922-17	--
1	1-512-010005-15	NUT,HEX,SLFLKG GRB 3/4-10	16
2	1-861-010032-20	WASHER, FLAT,3/4 N ZP/CD	16
3	1-861-010032-24	WASHER FL 1IN NARROW ZP	13
4	147072	PIN, SPRING SLOTTED 5/16 X 2	12
5	187755	PLATE SHIM 11 GA	2
6	192949	REEL, 21 X 104 INCH, WLDMT	2
7	195066	WASHER SHIM ROCKSHAFT	2
8	198762	PLATE-OFFSET REEL MOUNT, ASSEM (SEE PAGE 11-9)	2
9	201250	SCREW,RD,HD,SQ NK,3/4-10X2-3/4	13
10	207537	LINK IDLER	4
11	209183	LINK-SPRING, K2700 ASSY (AFTER 01/30/2023) (SEE PAGE 9-13)	2
11	207577	LINK-SPRING, K3400 ASSY (BEFORE 01/30/2023) (SEE PAGE 9-13)	2
12	209162	PIN, 1 X 3-1/4, H2	4
13	209196	PIN-REEL CONTROL	1
14	223311	ROCKSHAFT-LH REEL MOUNT WLDMT	1
15	223312	ROCKSHAFT-RH REEL MOUNT WLDMT	1
16	214682	EXTENSION-REEL MOUNT, ASSY (SEE PAGE 11-10)	2
17	3P079	SPRING BUSHING,1 X 1.25 X 0.75	4
18	5J758	TUBE	1

CHEVRON REEL ASSEMBLIES

Chevron Single Reel Assembly - 20'

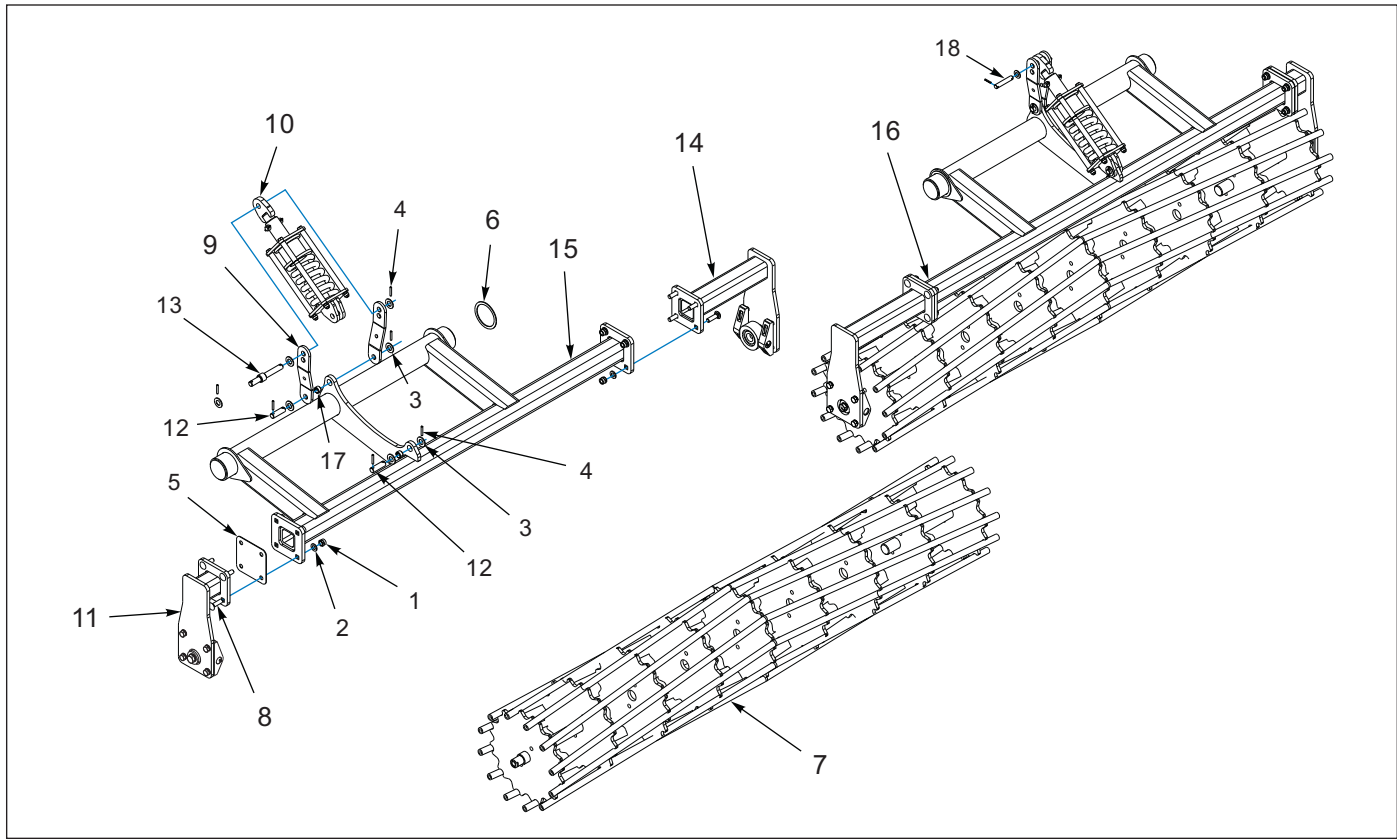


Figure 10-3: Chevron Single Reel Assembly - 20'

Chevron Single Reel Assembly - 20'

ITEM	PART NUMBER	DESCRIPTION	QTY.
	219909	REEL-CHEVRON, SINGLE, 8922-20	--
1	1-512-010005-15	NUT,HEX,SLFLKG GRB 3/4-10	16
2	1-861-010032-20	WASHER, FLAT,3/4 N ZP/CD	16
3	1-861-010032-24	WASHER FL 1IN NARROW ZP	13
4	147072	PIN, SPRING SLOTTED 5/16 X 2	12
5	187755	PLATE SHIM 11 GA	2
6	195066	WASHER SHIM ROCKSHAFT	2
7	198750	REEL, 21 X 124 INCH, WLDMT	2
8	201250	SCREW,RD,HD,SQ NK,3/4-10X2-3/4	16
9	207537	LINK IDLER	4
10	207577	LINK-SPRING, K3400 ASSY (SEE PAGE 9-13)	2
11	208647	EXTENSION-REEL MOUNT, ASSY (SEE PAGE 10-10)	2
12	209162	PIN, 1 X 3-1/4, H2	4
13	209196	PIN-REEL CONTROL	1
14	214682	EXTENSION-REEL MOUNT, ASSY (SEE PAGE 11-10)	2
15	223315	ROCKSHAFT-REEL,LH,78252,WLDMNT	1
16	223316	ROCKSHAFT-REEL,RH,7822, WLDMNT	1
17	3P079	SPRING BUSHING,1 X 1.25 X 0.75	4
18	5J758	TUBE	1

### Chevron Single Reel Assembly - 23'

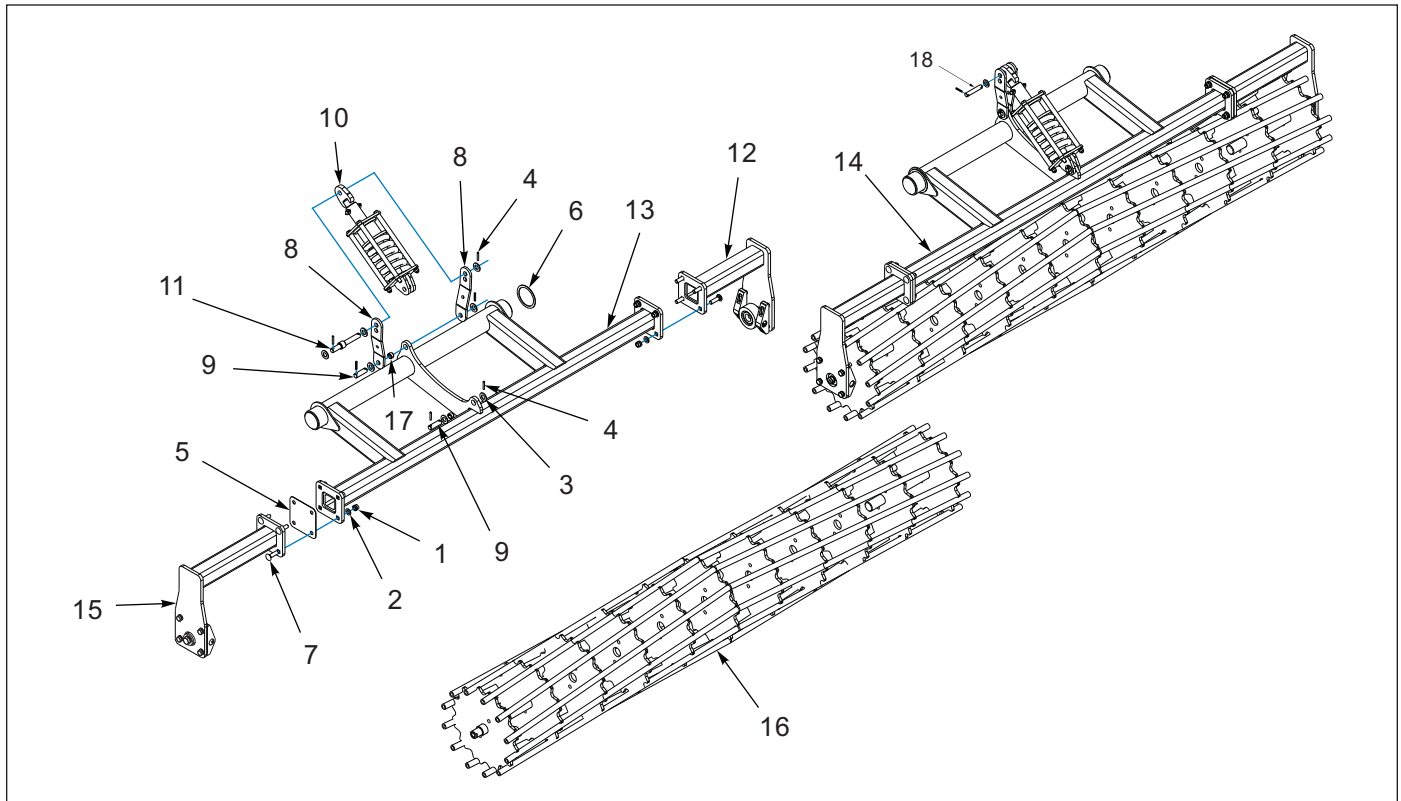


Figure 10-4: Chevron Single Reel Assembly - 23'

### Chevron Single Reel Assembly - 23'

ITEM	PART NUMBER	DESCRIPTION	QTY.
	220809	REEL-CHEVRON,SINGLE, 7822-23	--
1	1-512-010005-15	NUT,HEX,SLFLKG GRB 3/4-10	16
2	1-861-010032-20	WASHER, FLAT,3/4 N ZP/CD	16
3	1-861-010032-24	WASHER FL 1IN NARROW ZP	13
4	147072	PIN, SPRING SLOTTED 5/16 X 2	12
5	187755	PLATE SHIM 11 GA	2
6	195066	WASHER SHIM ROCKSHAFT	2
7	201250	SCREW,RD,HD,SQ NK,3/4-10X2-3/4	16
8	207537	LINK IDLER	4
9	209162	PIN, 1 X 3-1/4, H2	4
10	207577	LINK-SPRING, K3400 ASSY (AFTER 01/30/2023) (SEE PAGE 9-13)	2
10	209184	LINK-SPRING, K4600 ASSY (BEFORE 01/30/2023) (SEE PAGE 9-13)	2
11	209196	PIN-REEL CONTROL	1
12	214682	EXTENSION-REEL MOUNT, ASSY (SEE PAGE 11-10)	2
13	223315	ROCKSHAFT-REEL,LH,78252,WLDMNT	1
14	223316	ROCKSHAFT-REEL,RH,7822, WLDMNT	1
15	219544	EXTENSION-REEL MOUNT, ASM (SEE PAGE 11-9)	2
16	220813	REEL,21X144 INCH,WELDMNT	2
17	3P079	SPRING BUSHING,1 X 1.25 X 0.75	4
18	5J758	TUBE	1

CHEVRON REEL ASSEMBLIES

Chevron Double Reel Assembly - 15'

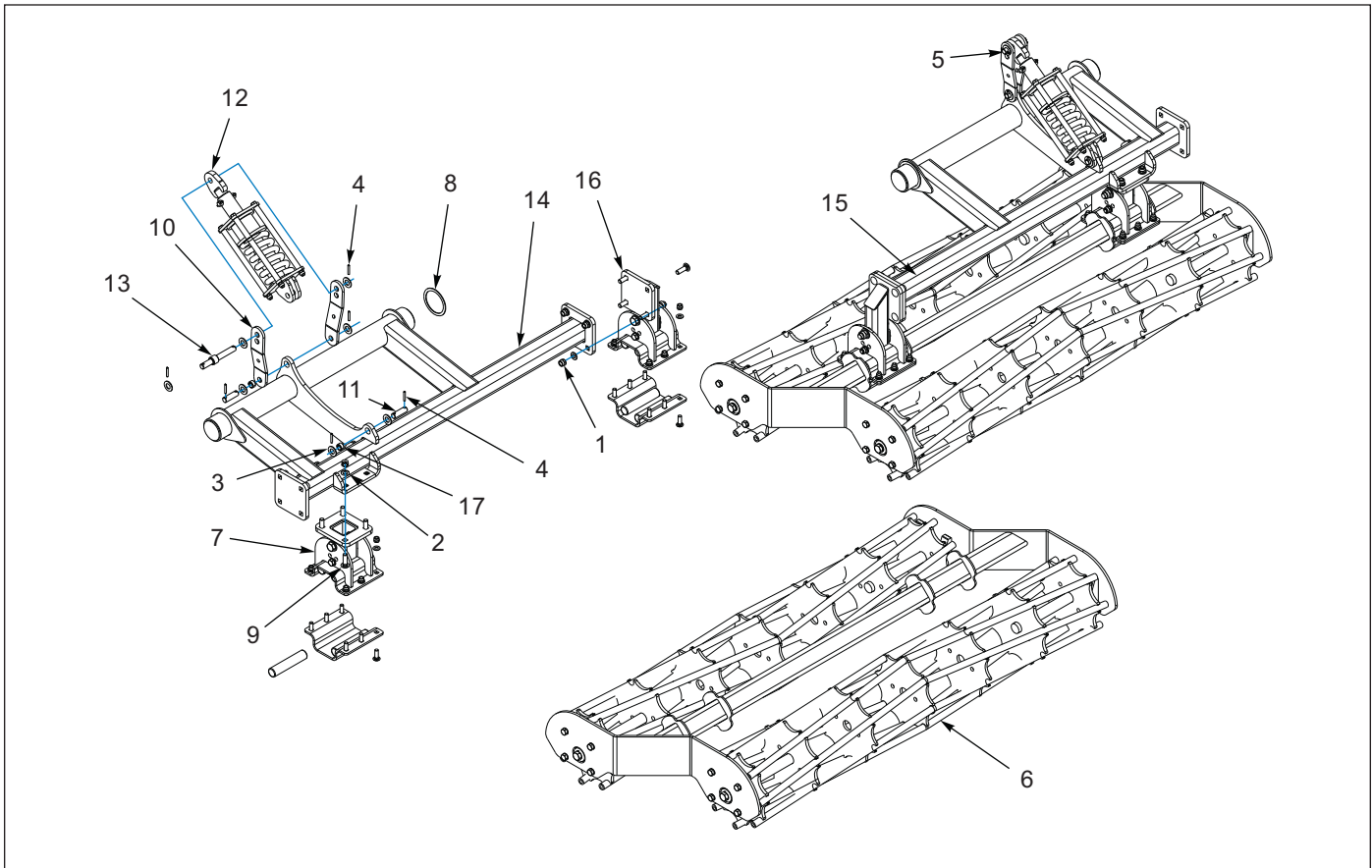


Figure 10-5: Chevron Double Reel Assembly - 15'

Chevron Double Reel Assembly - 15'

ITEM	PART NUMBER	DESCRIPTION	QTY.
	219902	REEL-CHEVRON,DBL,7822-15,ASM	--
1	1-512-010005-15	NUT,HEX,SLFLKG GRB 3/4-10	16
2	1-861-010032-20	WASHER, FLAT,3/4 N ZP/CD	16
3	1-861-010032-24	WASHER FL 1IN NARROW ZP	13
4	147072	PIN, SPRING SLOTTED 5/16 X 2	12
5	5J758	TUBE	1
6	199421	REEL ASSY DOUBLE 91"	2
7	207153	MOUNT ASSY REEL (SEE PAGE 10-8)	2
8	195066	WASHER SHIM ROCKSHAFT	2
9	3/4-10X2-1/2CB	SCREW, RDH, SQ NK, 3/4 - 10X2 - 1/2	16
10	207537	LINK IDLER	4
11	209162	PIN, 1 X 3-1/4, H2	4
12	209183	LINK-SPRING, K2700 ASSY (SEE PAGE 9-13)	2
13	209196	PIN-REEL CONTROL	1
14	223313	ROCKSHAFT-LH REEL MOUNT WLDMT	1
15	223314	ROCKSHAFT-RH REEL MOUNT WLDMT	1
16	207154	MOUNT ASSY REEL (SEE PAGE 10-9)	2
17	3P079	SPRING BUSHING,1 X 1.25 X 0.75	4

### Chevron Double Reel Assembly - 17'

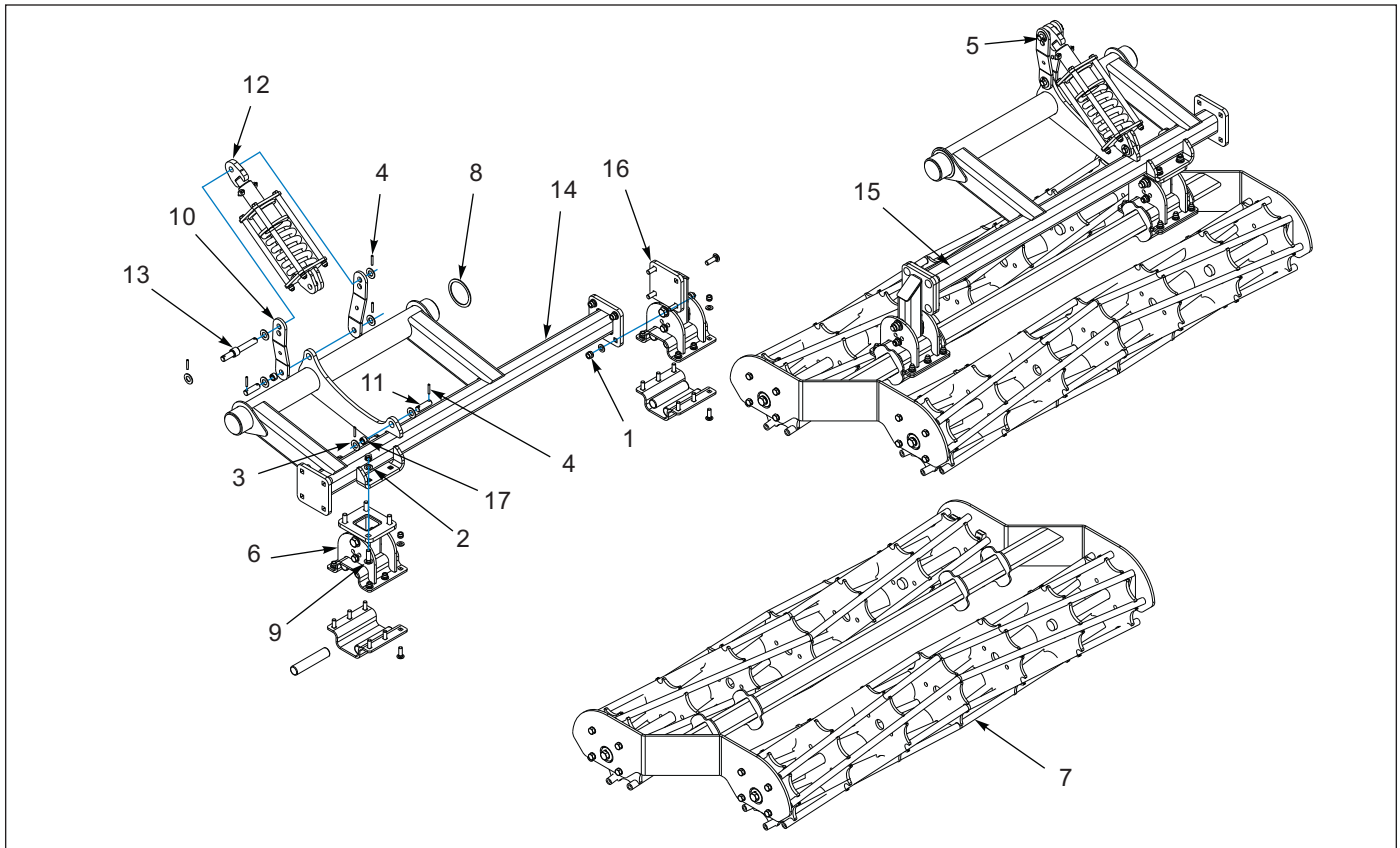


Figure 10-6: Chevron Double Reel Assembly - 17'

### Chevron Double Reel Assembly - 17'

ITEM	PART NUMBER	DESCRIPTION	QTY.
	219906	REEL-CHEVRON,DBL,7822-17,ASM	--
1	1-512-010005-15	NUT,HEX,SLFLKG GRB 3/4-10	16
2	1-861-010032-20	WASHER, FLAT,3/4 N ZP/CD	16
3	1-861-010032-24	WASHER FL 1IN NARROW ZP	13
4	147072	PIN, SPRING SLOTTED 5/16 X 2	12
5	5J758	TUBE	1
6	207153	MOUNT ASSY REEL (SEE PAGE 10-8)	1
7	198772	REEL ASSY DOUBLE 101"	2
8	195066	WASHER SHIM ROCKSHAFT	2
9	3/4-10X2-1/2CB	SCREW, RDH, SQ NK, 3/4 - 10X2 - 1/2	16
10	207537	LINK IDLER	4
11	209162	PIN, 1 X 3-1/4, H2	4
12	209183	LINK-SPRING, K2700 ASSY (AFTER 01/30/2023) (SEE PAGE 9-13)	2
12	207577	LINK-SPRING, K3400 ASSY (BEFORE 01/30/2023) (SEE PAGE 9-13)	2
13	209196	PIN-REEL CONTROL	1
14	223313	ROCKSHAFT-LH REEL MOUNT WLDMT	1
15	223314	ROCKSHAFT-RH REEL MOUNT WLDMT	1
16	207154	MOUNT ASSY REEL (SEE PAGE 10-9)	2
17	3P079	SPRING BUSHING,1 X 1.25 X 0.75	4

CHEVRON REEL ASSEMBLIES

Chevron Double Reel Assembly - 20'

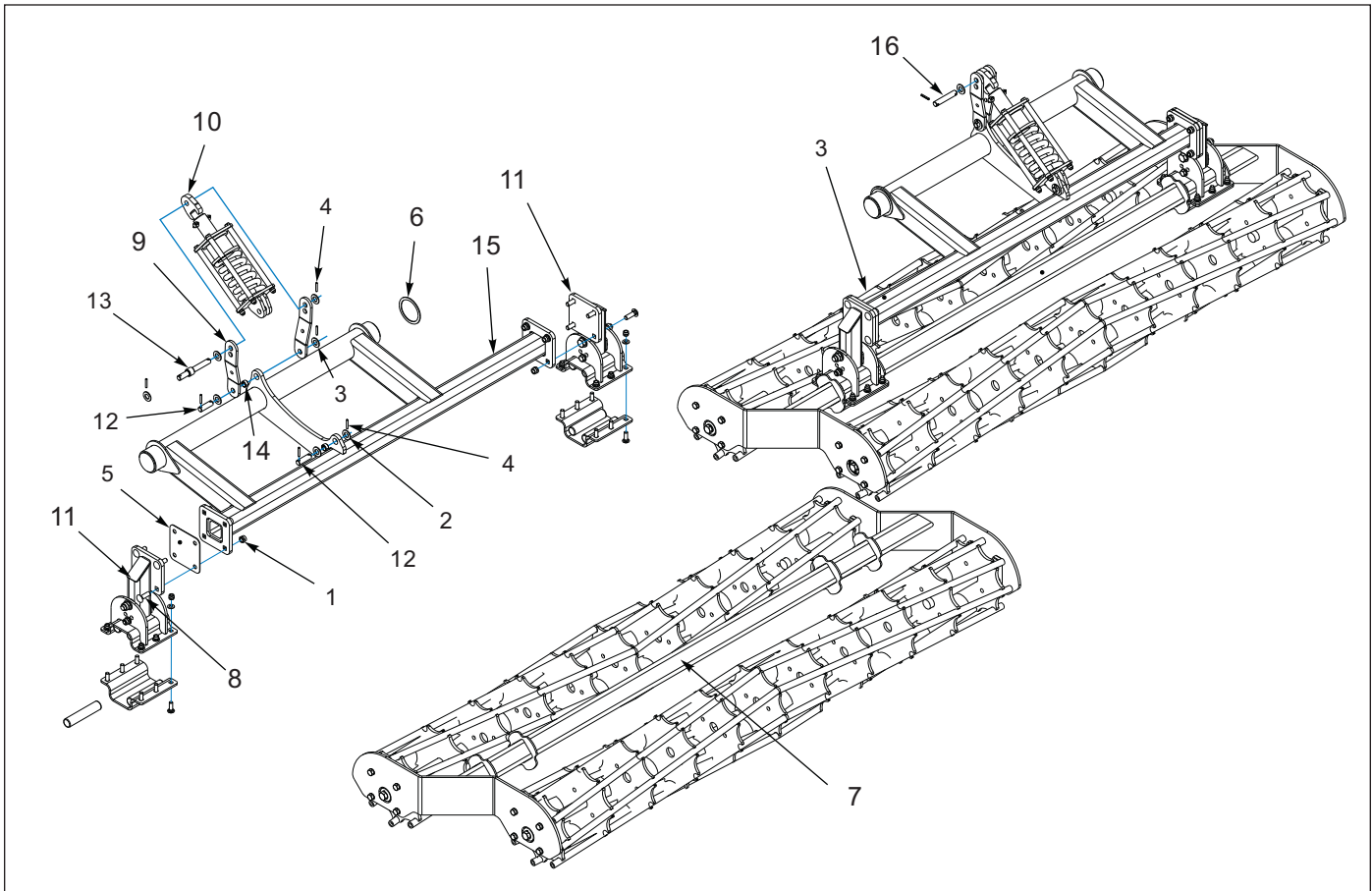


Figure 10-7: Chevron Double Reel Assembly - 20'

Chevron Double Reel Assembly - 20'

ITEM	PART NUMBER	DESCRIPTION	QTY.
	219910	REEL-CHEVRON,DBL,7822-20,ASM	--
1	1-512-010005-15	NUT,HEX,SLFLKG GRB 3/4-10	16
2	1-861-010032-24	WASHER FL 1IN NARROW ZP	13
3	223312	ROCKSHAFT-RH REEL MOUNT WLDMT	1
4	147072	PIN, SPRING SLOTTED 5/16 X 2	12
5	187755	PLATE SHIM 11 GA	2
6	195066	WASHER SHIM ROCKSHAFT	2
7	198741	REEL-DOUBLE, 118 INCH, ASSEM	2
8	3/4-10X2-1/2CB	SCREW, RDH, SQ NK, 3/4 - 10X2 - 1/2	16
9	207537	LINK IDLER	2
10	207577	LINK-SPRING, K3400 ASSY (SEE PAGE 9-13)	2
11	207154	MOUNT ASSY REEL (SEE PAGE 10-9)	2
12	209162	PIN, 1 X 3-1/4, H2	1
13	209196	PIN-REEL CONTROL	1
14	3P079	SPRING BUSHING,1 X 1.25 X 0.75	4
15	223311	ROCKSHAFT-LH REEL MOUNT WLDMT	1
16	5J758	TUBE	1

## Double Reel Bottom Mount Assembly

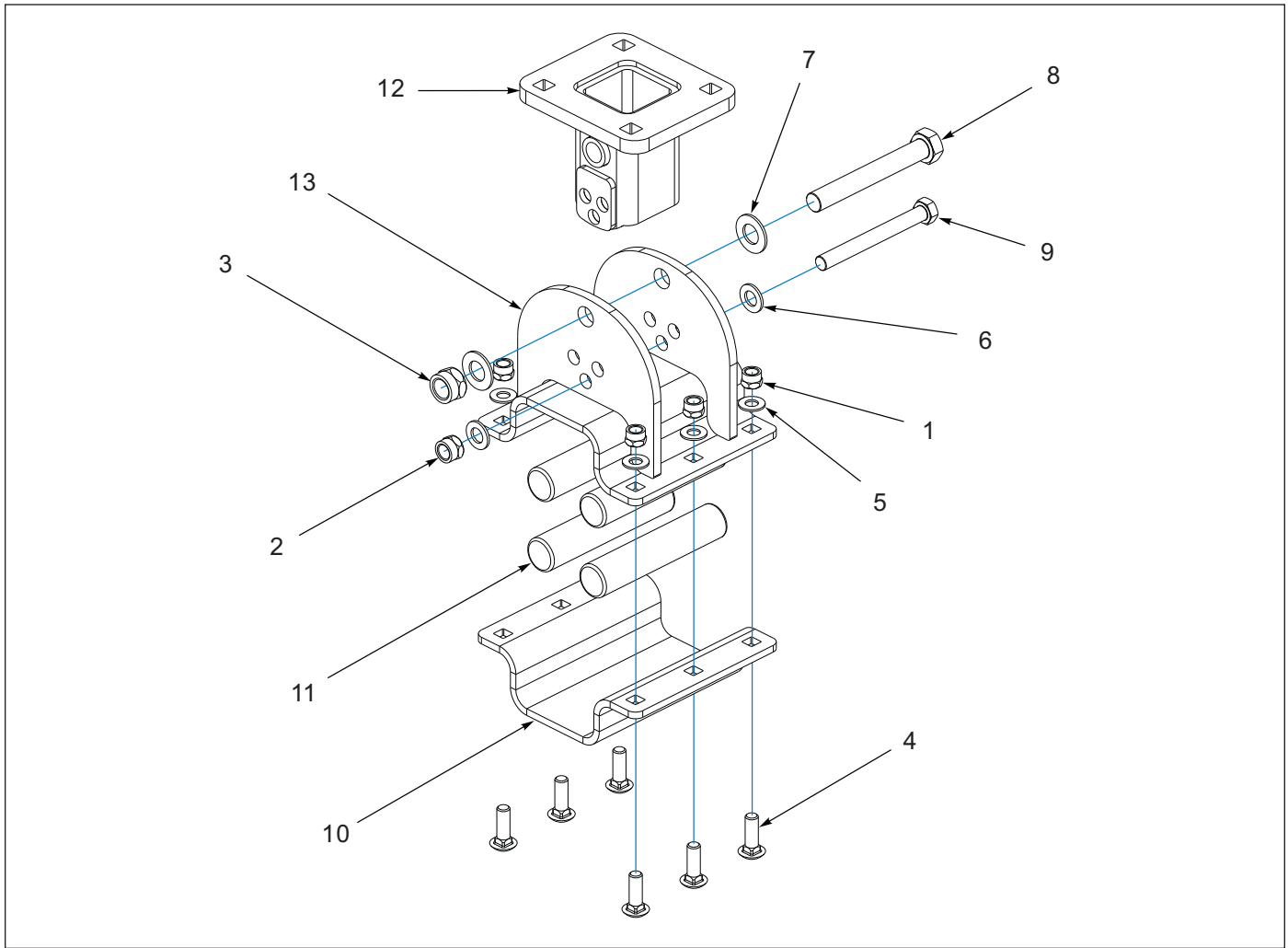


Figure 10-8: Double Reel Bottom Mount Assembly

## Double Reel Bottom Mount Assembly

ITEM	PART NUMBER	DESCRIPTION	QTY.
	207153	MOUNT ASSY REEL	--
1	1-512-010005-13	NUT,HEX SLFLKG GRB 5/8-11	6
2	1-512-010005-15	NUT,HEX,SLFLKG GRB 3/4-10	1
3	1-512-010005-19	NUT 1-8 HEX SLF-LOCKING GRB	1
4	1-654-010126-05	SCREW,RD HD,SQNCK,5/8-11X2 G5	6
5	1-861-010032-18	WASHER, FLAT 5/8 N ZP/CD	6
6	1-861-010032-20	WASHER, FLAT,3/4 N ZP/CD	2
7	1-861-010032-24	WASHER FL 1IN NARROW ZP	2
8	100856	SCREW,HHCS,1-8X7-1/2 GR5	1
9	102209	SCREW HXCP 3/4-10X7 GR8	1
10	176904	CAP-GAUGE MOUNT	1
11	203525	SPRING-TORSION, RUBBER, 1-3/4	4
12	207145	MOUNT WLDMT REEL	1
13	207151	MOUNT WLDMT DOUBLE REEL	1

CHEVRON REEL ASSEMBLIES

Double Reel Side Mount Assembly

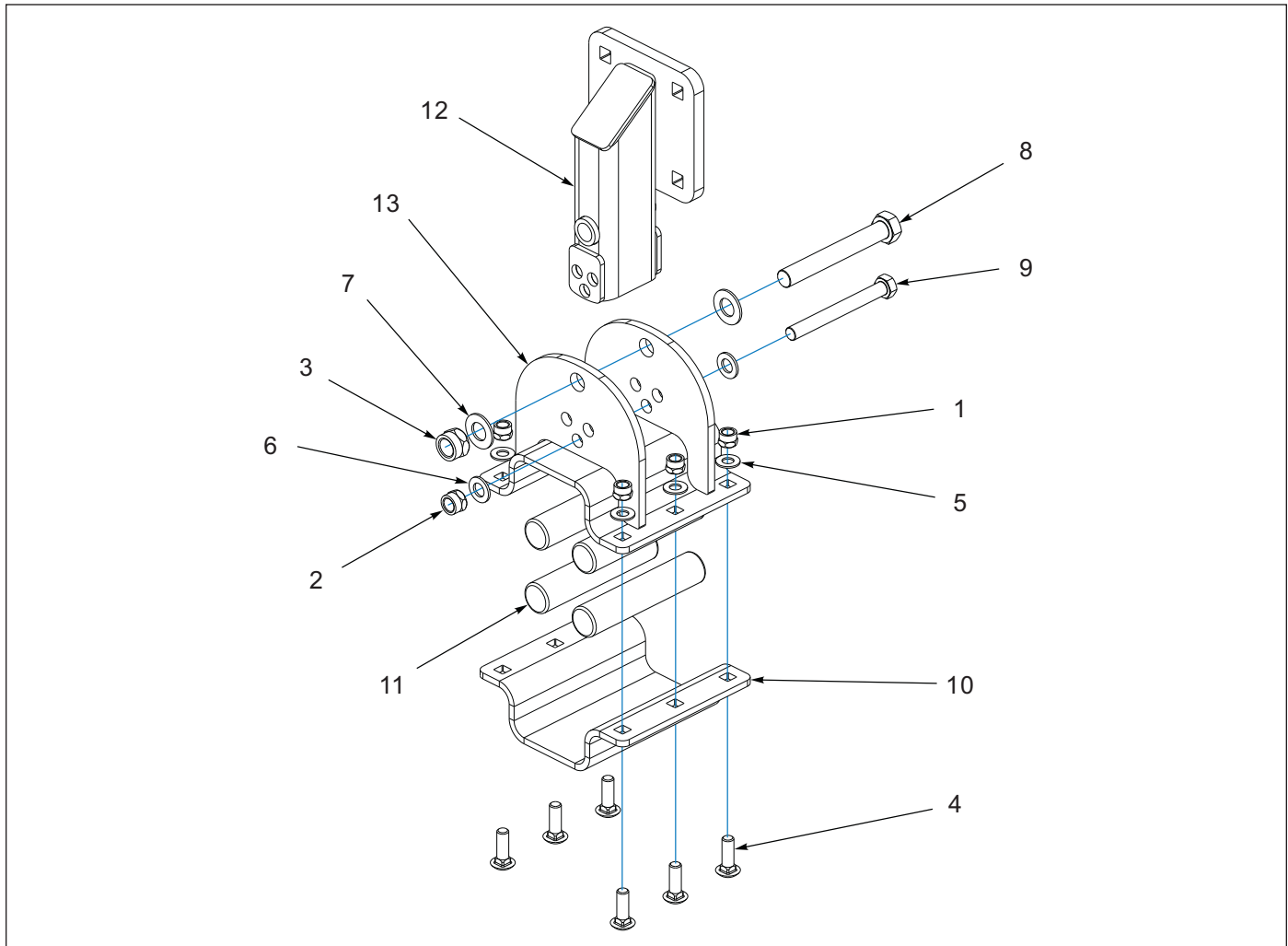


Figure 10-9: Double Reel Side Mount Assembly

Double Reel Side Mount Assembly

ITEM	PART NUMBER	DESCRIPTION	QTY.
	207154	MOUNT ASSY REEL	--
1	1-512-010005-13	NUT,HEX SLFLKG GRB 5/8-11	6
2	1-512-010005-15	NUT,HEX,SLFLKG GRB 3/4-10	1
3	1-512-010005-19	NUT 1-8 HEX SLF-LOCKING GRB	1
4	1-654-010126-05	SCREW,RD HD,SQNCK,5/8-11X2 G5	6
5	1-861-010032-18	WASHER, FLAT 5/8 N ZP/CD	6
6	1-861-010032-20	WASHER, FLAT,3/4 N ZP/CD	2
7	1-861-010032-24	WASHER FL 1IN NARROW ZP	2
8	100856	SCREW,HHCS,1-8X7-1/2 GR5	1
9	102209	SCREW HXCP 3/4-10X7 GR8	1
10	176904	CAP-GAUGE MOUNT	1
11	203525	SPRING-TORSION, RUBBER, 1-3/4	4
12	207147	MOUNT WLDMT REEL	1
13	207151	MOUNT WLDMT DOUBLE REEL	1



### Chevron Mount Extension Assembly

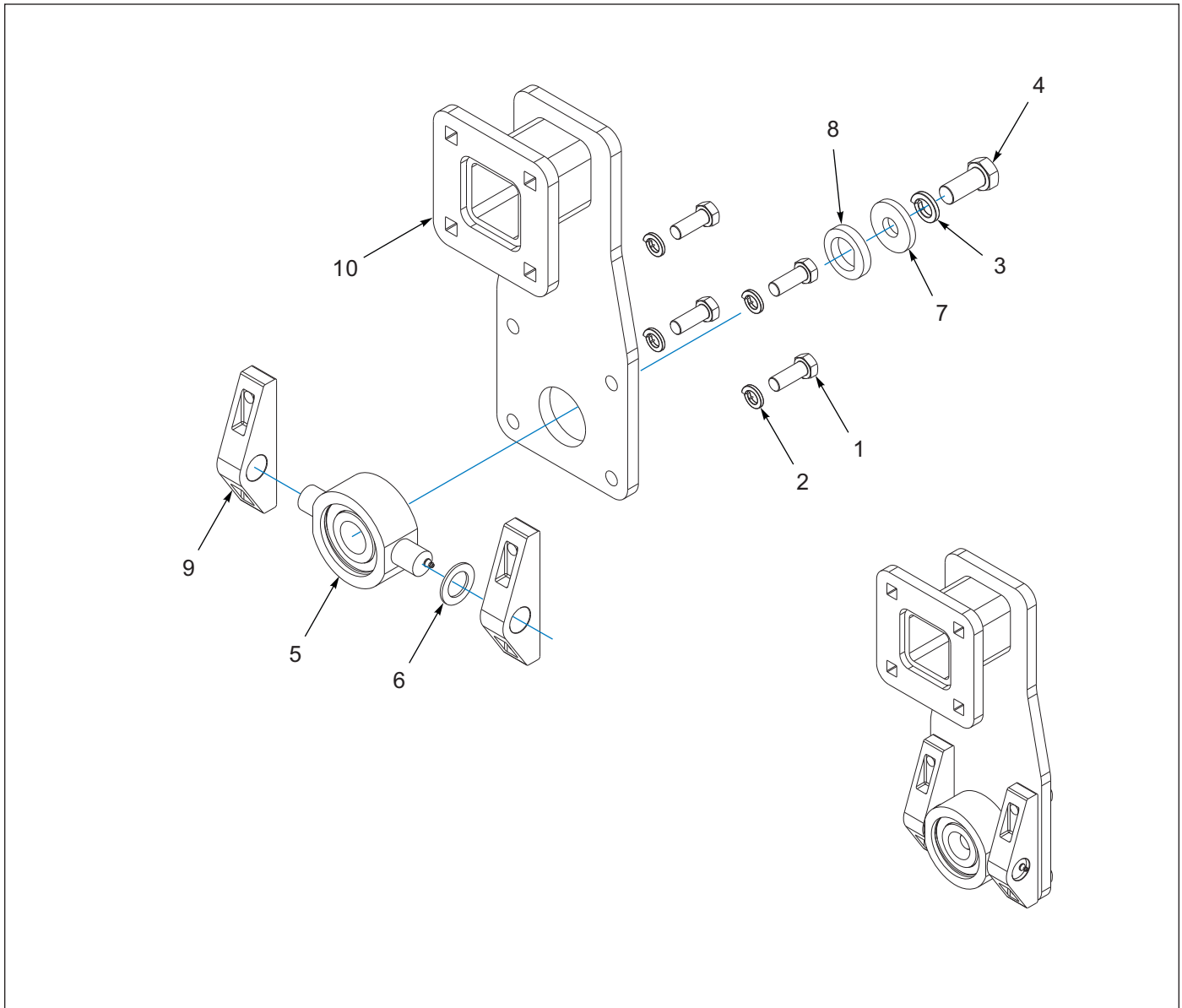


Figure 10-10: Chevron Mount Extension Assembly

### Chevron Mount Extension Assembly

ITEM	PART NUMBER	DESCRIPTION	QTY.
	208647	EXTENSION-REEL MOUNT, ASSY	1
1	1-654-010061-05	SCREW,HHC,3/4-10UNCX2,GR5,ZP	4
2	1-861-010034-17	WASHER,LKG,HLCL SPR,3/4	4
3	1-861-010034-21	WASHER, LKG HEL SPRG 1IN	1
4	137943	SCREW,HEX CAP 1-8UNCX2-1/4GR5	1
5	140477	BEARING, DISC 1.775 ID ASSY	1
6	140480	WASHER, TRUNNION	1
7	154185	WASHER 3/8 THICK 1" ID	1
8	154186	WASHER FLAT TOP	1
9	191750	MOUNT-TRUNNION BEARING	2
10	208648	EXTENSION-REEL MOUNT, WLDMT	1

# Rubber Roller Assemblies

## Rubber Roller Assembly - 15'

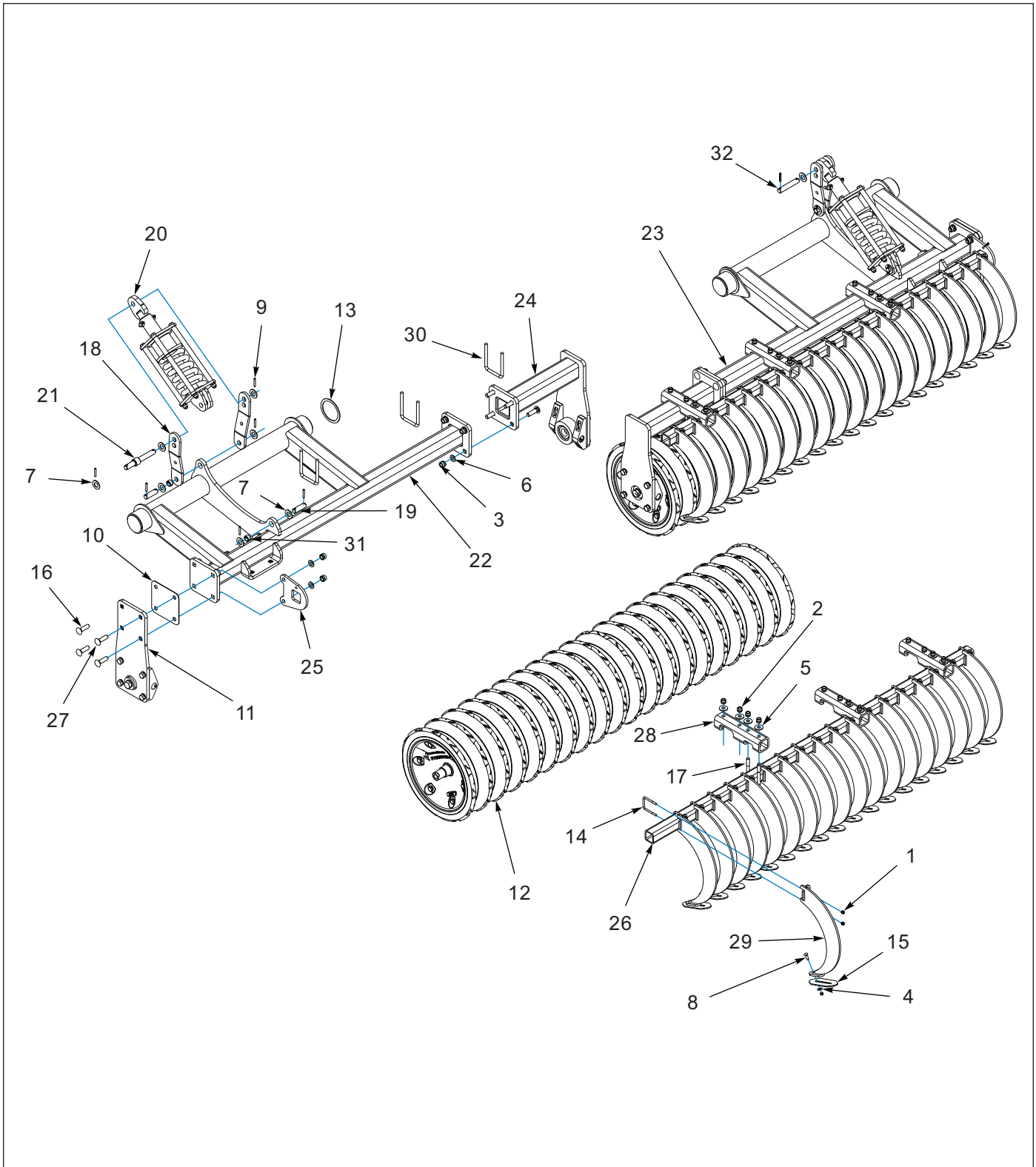


Figure 11-1: Rubber Roller Assembly - 15'

## Rubber Roller Assembly - 15'

ITEM	PART NUMBER	DESCRIPTION	QTY.
	219914	ROLLER-RUBBER, 7822-15, ASM	--
1	1-512-010002-05	NUT, HEX SLFLKG GRC 3/8-16	114
2	1-512-010005-13	NUT,HEX SLFLKG GRB 5/8-11	24
3	1-512-010005-15	NUT,HEX,SLFLKG GRB 3/4-10	16
4	1-861-010032-11	WASHER, FLAT 3/8 W ZP/CD	38
5	1-861-010032-18	WASHER, FLAT 5/8 W ZP/CD	24
6	1-861-010032-20	WASHER, FLAT,3/4 N ZP/CD	16
7	1-861-010032-24	WASHER FL 1IN NARROW ZP	12
8	101864	SCREW,RD HD 3/8-16X1-1/4 GR5	38
9	147072	PIN, SPRING SLOTTED 5/16 X 2	12
10	187755	PLATE SHIM 11 GA	2
11	191752	PLATE-REEL MOUNT, ASSEMBLY (SEE PAGE 11-9)	2
12	192584	ROLLER RUBBER LCTX 2405 OTICO (SEE PAGE 11-11)	2
13	195066	WASHER SHIM ROCKSHAFT	2
14	199436	U-BOLT, 3/8-16X2-7/8X3-1/2,ZP	38
15	199437	PLATE-SCRAPER	38
16	201250	SCREW,RD,HD,SQ NK,3/4-10X2-3/4	12
17	201274	U-BOLT, 5/8-11 X 3-3/16X5-3/16	6
18	207537	LINK IDLER	4
19	209162	PIN, 1 X 3-1/4, H2	4
20	209183	LINK-SPRING, K2700 ASSY (SEE PAGE 9-13)	2
21	209196	PIN-REEL CONTROL	1
22	223313	ROCKSHAFT-LH REEL MOUNT WLDMT	1
23	223314	ROCKSHAFT-RH REEL MOUNT WLDMT	1
24	214682	EXTENSION-REEL MOUNT, ASSY (SEE PAGE 11-10)	2
25	214688	PLATE, SCRAPER TUBE MOUNT	2
26	214689	TUBE, SQ 2-1/2 X 1/4 X 94	2
27	215690	FRAME ASSY 950E-35HDSTDBBGALV	4
28	217966	TUBE-SCRAPER MOUNT	6
29	217967	MOUNT-SCRAPER, WLDMT	38
30	3P011	U-BOLT, 5/8-11X4-11/16X6,ZP	6
31	3P079	SPRING BUSHING,1 X 1.25 X 0.75	4
32	5J758	TUBE	1

RUBBER ROLLER ASSEMBLIES

Rubber Roller Assembly - 17'

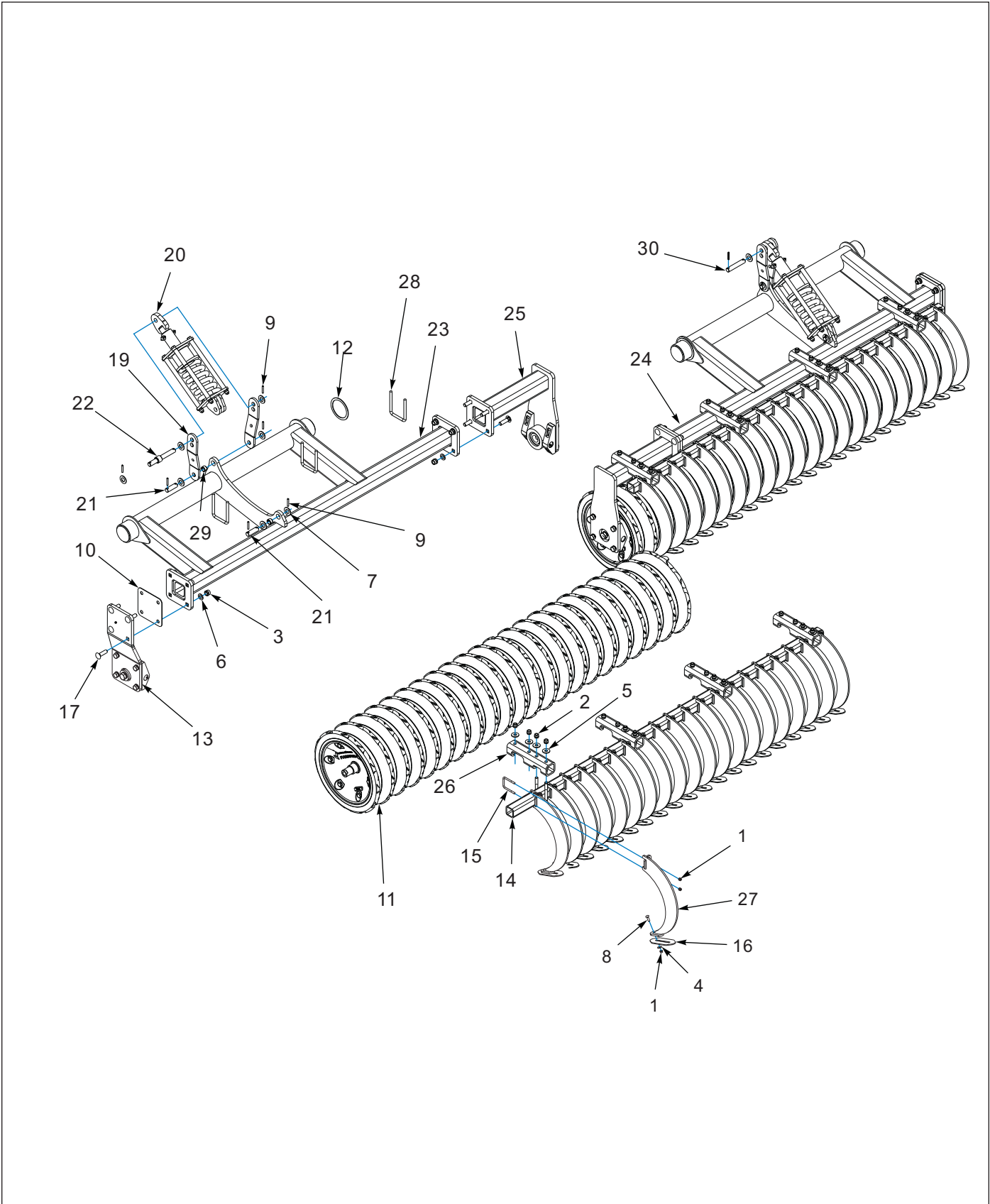


Figure 11-2: Rubber Roller Assembly - 17'

## Rubber Roller Assembly - 17'

ITEM	PART NUMBER	DESCRIPTION	QTY.
	219915	ROLLER-RUBBER, 7822-17	--
1	1-512-010002-05	NUT, HEX SLFLKG GRC 3/8-16	162
2	1-512-010005-13	NUT,HEX SLFLKG GRB 5/8-11	32
3	1-512-010005-15	NUT,HEX,SLFLKG GRB 3/4-10	16
4	1-861-010032-11	WASHER, FLAT 3/8 W ZP/CD	42
5	1-861-010032-18	WASHER, FLAT 5/8 W ZP/CD	32
6	1-861-010032-20	WASHER, FLAT,3/4 N ZP/CD	16
7	1-861-010032-24	WASHER FL 1IN NARROW ZP	12
8	101864	SCREW,RD HD 3/8-16X1-1/4 GR5	42
9	147072	PIN, SPRING SLOTTED 5/16 X 2	12
10	187755	PLATE SHIM 11 GA	2
11	192585	ROLLER RUBBER LCTX 2655 OTICO (SEE PAGE 11-11)	2
12	195066	WASHER SHIM ROCKSHAFT	2
13	198762	PLATE-OFFSET REEL MOUNT, ASSEM (SEE PAGE 11-9)	2
14	199434	TUBE SQ 2-1/2 X 1/4X 103-3/16	2
15	199436	U-BOLT, 3/8-16X2-7/8X3-1/2,ZP	42
16	199437	PLATE-SCRAPER	42
17	201250	SCREW,RD,HD,SQ NK,3/4-10X2-3/4	16
18	201274	U-BOLT, 5/8-11 X 3-3/16X5-3/16 (NOT SHOWN)	8
19	207537	LINK IDLER	4
20	209183	LINK-SPRING, K2700 ASSY (AFTER 01/30/2023) (SEE PAGE 9-13)	2
20	207577	LINK-SPRING, K3400 ASSY (BEFORE 01/30/2023) (SEE PAGE 9-13)	2
21	209162	PIN, 1 X 3-1/4, H2	4
22	209196	PIN-REEL CONTROL	1
23	223311	ROCKSHAFT-LH REEL MOUNT WLDMT	1
24	223312	ROCKSHAFT-RH REEL MOUNT WLDMT	1
25	214682	EXTENSION-REEL MOUNT, ASSEM (SEE PAGE 11-10)	2
26	217966	TUBE-SCRAPER MOUNT	8
27	217967	MOUNT-SCRAPER, WLDMT	42
28	3P011	U-BOLT, 5/8-11X4-11/16X6,ZP	8
29	3P079	SPRING BUSHING,1 X 1.25 X 0.75	4
30	5J758	TUBE	1

RUBBER ROLLER ASSEMBLIES

Rubber Roller Assembly - 20'

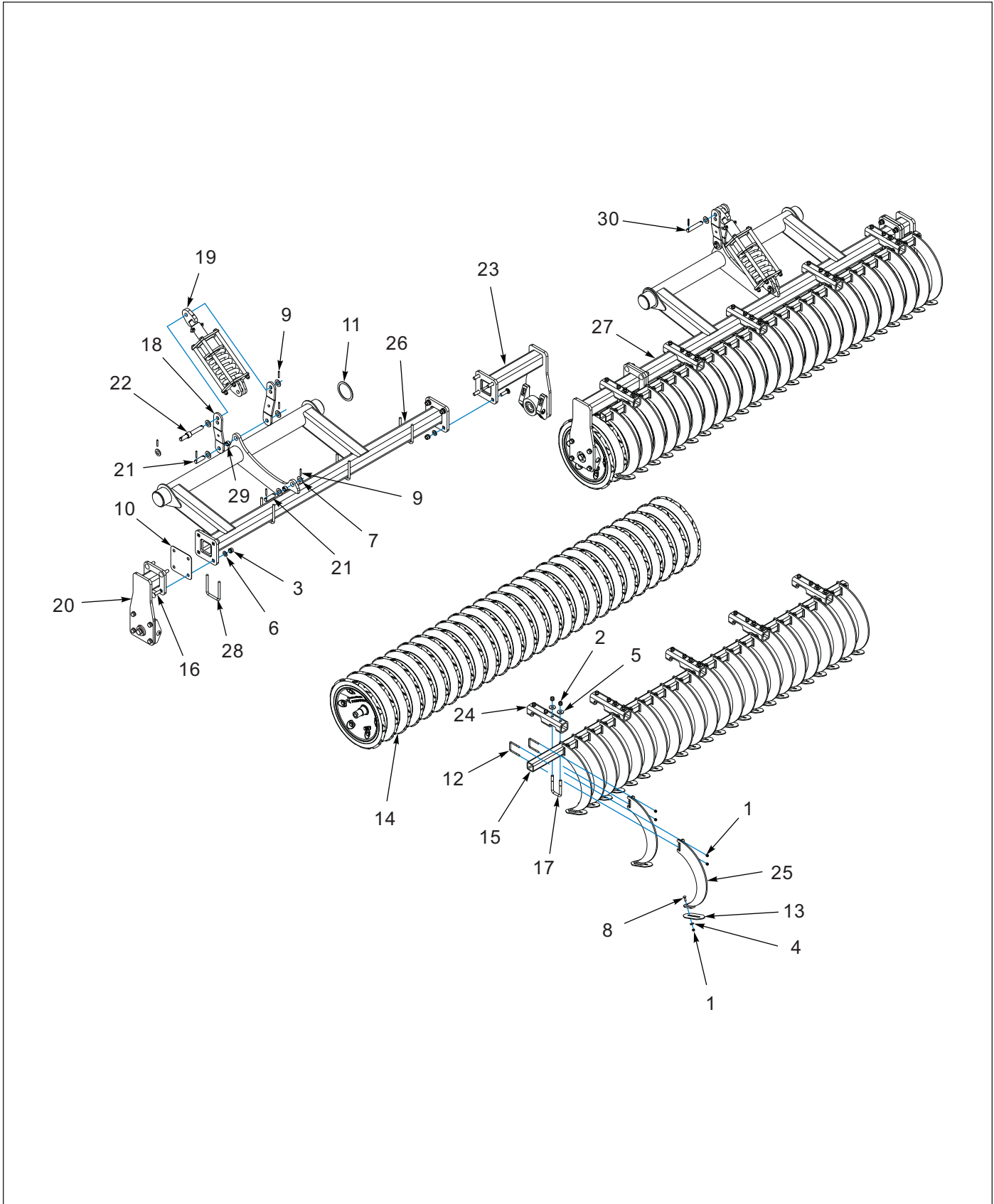


Figure 11-3: Rubber Roller Assembly - 20'

## Rubber Roller Assembly - 20'

ITEM	PART NUMBER	DESCRIPTION	QTY.
	219916	ROLLER-RUBBER, 7822-20, ASM	--
1	1-512-010002-05	NUT, HEX SLFLKG GRC 3/8-16	150
2	1-512-010005-13	NUT,HEX SLFLKG GRB 5/8-11	40
3	1-512-010005-15	NUT,HEX,SLFLKG GRB 3/4-10	16
4	1-861-010032-11	WASHER, FLAT 3/8 W ZP/CD	50
5	1-861-010032-18	WASHER, FLAT 5/8 W ZP/CD	40
6	1-861-010032-20	WASHER, FLAT,3/4 N ZP/CD	16
7	1-861-010032-24	WASHER FL 1IN NARROW ZP	12
8	101864	SCREW,RD HD 3/8-16X1-1/4 GR5	50
9	147072	PIN, SPRING SLOTTED 5/16 X 2	12
10	187755	PLATE SHIM 11 GA	2
11	195066	WASHER SHIM ROCKSHAFT	2
12	199436	U-BOLT, 3/8-16X2-7/8X3-1/2,ZP	50
13	199437	PLATE-SCRAPER	50
14	200819	ROLLER RUBBER LCTX 3155 OTICO <b>(SEE PAGE 11-11)</b>	2
15	200823	TUBE SQ 2-1/2 X 1/4 X 123	2
16	201250	SCREW,RD,HD,SQ NK,3/4-10X2-3/4	16
17	201274	U-BOLT, 5/8-11 X 3-3/16X5-3/16	10
18	207537	LINK IDLER	4
19	207577	LINK-SPRING, K3400 ASSY <b>(SEE PAGE 9-13)</b>	2
20	208647	EXTENSION-REEL MOUNT, ASSY <b>(SEE PAGE 11-10)</b>	2
21	209162	PIN, 1 X 3-1/4, H2	4
22	209196	PIN-REEL CONTROL	1
23	214682	EXTENSION-REEL MOUNT, ASSY <b>(SEE PAGE 11-10)</b>	2
24	217966	TUBE-SCRAPER MOUNT	10
25	217967	MOUNT-SCRAPER, WLDMT	50
26	223315	ROCKSHAFT-REEL,LH,78252,WLDMNT	1
27	223316	ROCKSHAFT-REEL,RH,7822, WLDMNT	1
28	3P011	U-BOLT, 5/8-11X4-11/16X6,ZP	10
29	3P079	SPRING BUSHING,1 X 1.25 X 0.75	4
30	5J758	TUBE	1

# Rubber Roller Assembly - 23'

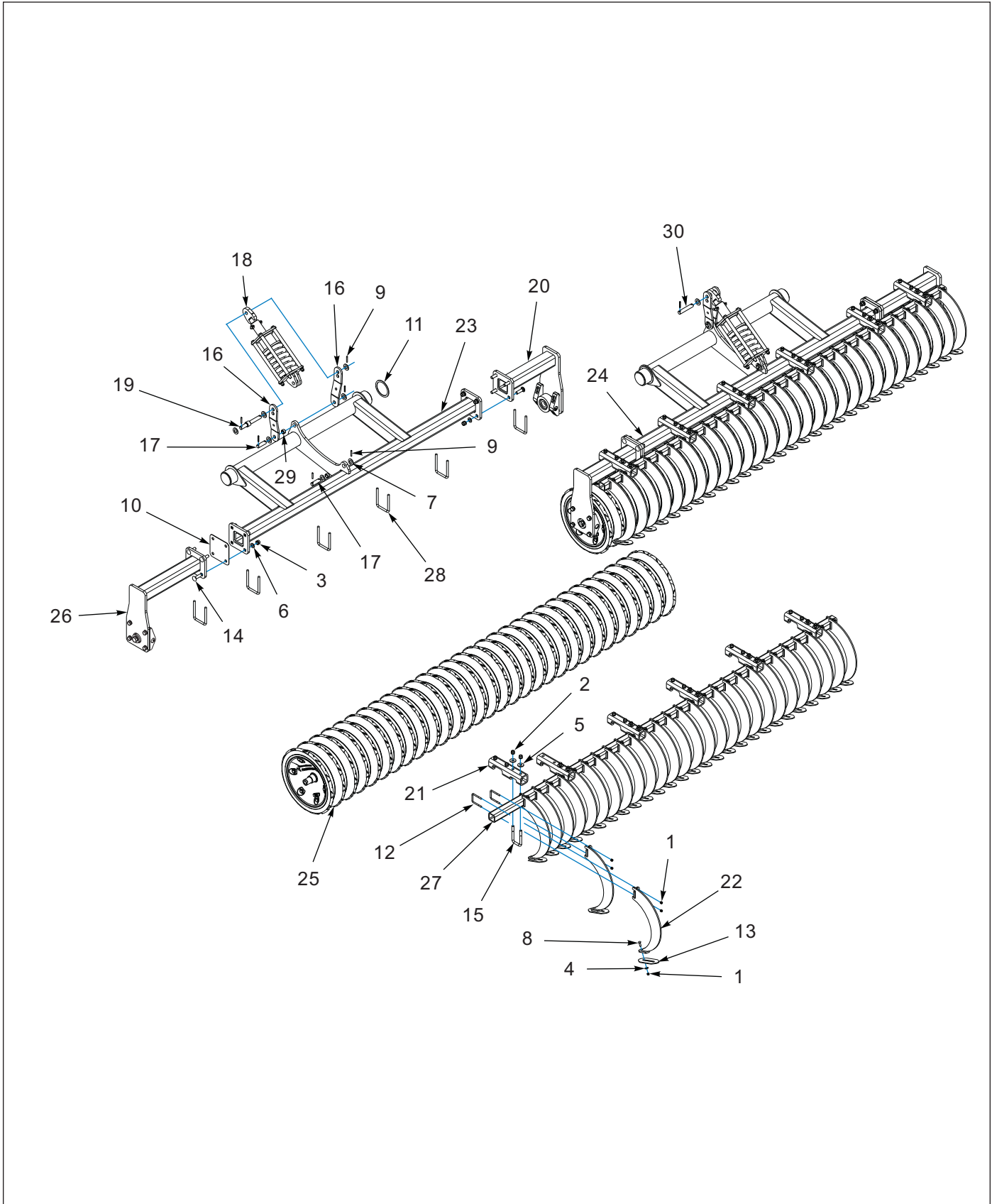


Figure 11-4: Rubber Roller Assembly - 23'



## Rubber Roller Assembly - 23'

ITEM	PART NUMBER	DESCRIPTION	QTY.
	219540	ROLLER-RUBBER, 7822-23, ASM	--
1	1-512-010002-05	NUT, HEX SLFLKG GRC 3/8-16	174
2	1-512-010005-13	NUT,HEX SLFLKG GRB 5/8-11	48
3	1-512-010005-15	NUT,HEX,SLFLKG GRB 3/4-10	16
4	1-861-010032-11	WASHER, FLAT 3/8 W ZP/CD	58
5	1-861-010032-18	WASHER, FLAT 5/8 W ZP/CD	48
6	1-861-010032-20	WASHER, FLAT,3/4 N ZP/CD	16
7	1-861-010032-24	WASHER FL 1IN NARROW ZP	12
8	101864	SCREW,RD HD 3/8-16X1-1/4 GR5	58
9	147072	PIN, SPRING SLOTTED 5/16 X 2	12
10	187755	PLATE SHIM 11 GA	2
11	195066	WASHER SHIM ROCKSHAFT	2
12	199436	U-BOLT, 3/8-16X2-7/8X3-1/2,ZP	58
13	199437	PLATE-SCRAPER	58
14	201250	SCREW,RD,HD,SQ NK,3/4-10X2-3/4	16
15	201274	U-BOLT, 5/8-11 X 3-3/16X5-3/16	12
16	207537	LINK IDLER	4
17	209162	PIN, 1 X 3-1/4, H2	4
18	207577	LINK-SPRING, K3400 ASSY <b>(AFTER 01/30/2023) (SEE PAGE 9-13)</b>	2
18	209184	LINK-SPRING, K4600 ASSY <b>(BEFORE 01/30/2023) (SEE PAGE 9-13)</b>	2
19	209196	PIN-REEL CONTROL	1
20	214682	EXTENSION-REEL MOUNT, ASSY <b>(SEE PAGE 11-10)</b>	2
21	217966	TUBE-SCRAPER MOUNT	12
22	217967	MOUNT-SCRAPER, WLDMT	58
23	223315	ROCKSHAFT-REEL,LH,78252,WLDMNT	1
24	223316	ROCKSHAFT-REEL,RH,7822, WLDMNT	1
25	219541	ROLLER-RUBBER, LCTX. 3408, OTICO <b>(SEE PAGE 11-11)</b>	2
26	219544	EXTENSION-REEL MOUNT, ASM <b>(SEE PAGE 11-10)</b>	2
27	219546	TUBE, SQ 2 1/2X1/4X142 5/8	2
28	3P011	U-BOLT, 5/8-11X4-11/16X6,ZP	12
29	3P079	SPRING BUSHING,1 X 1.25 X 0.75	4
30	5J758	TUBE	1

## Reel Mount Plate Assembly

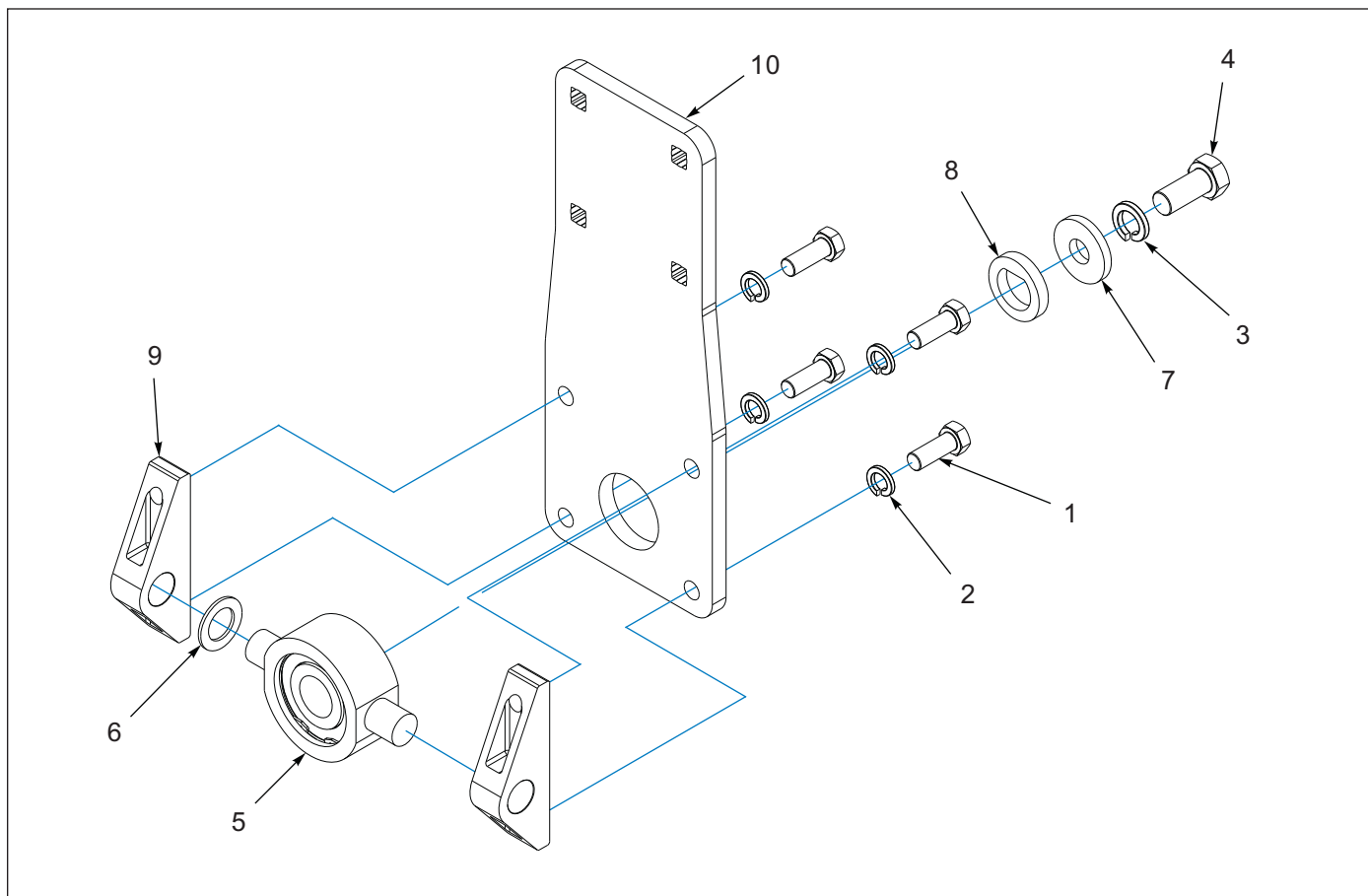


Figure 11-5: Reel Mount Plate Assembly

## Reel Mount Plate Assembly

ITEM	PART NUMBER	DESCRIPTION	QTY.
	191752	PLATE-REEL MOUNT, ASSEMBLY	--
	198762	PLATE-OFFSET REEL MOUNT, ASSEM	--
	208648	EXTENSION-REEL MOUNT, WLDMT	--
	219544	EXTENSION-REEL MOUNT, ASM	--
1	1-654-010061-05	SCREW,HHC,3/4-10UNCX2,GR5,ZP	4
2	1-861-010034-17	WASHER,LKG,HLCL SPR,3/4	4
3	1-861-010034-21	WASHER, LKG HEL SPRG 1IN	1
4	137943	SCREW,HEX CAP 1-8UNCX2-1/4GR5	1
5	140477	BEARING, DISC 1.775 ID ASSY	1
6	140480	WASHER, TRUNNION	1
7	154185	WASHER 3/8 THICK 1" ID	1
8	154186	WASHER FLAT TOP	1
9	191750	MOUNT-TRUNNION BEARING	2
10	191751	PLATE-REEL MOUNT <b>(USE ON 191172)</b>	1
10	198761	PLATE-OFFSET BEARING MOUNT <b>(USE ON 198762)</b>	1
10	208648	EXTENSION-REEL MOUNT, WLDMT <b>(USE ON 208648)</b>	1
10	219545	EXTENSION-REEL MOUNT, WLDMT <b>(USE ON 219544)</b>	1

## Reel Mount Extension Assembly

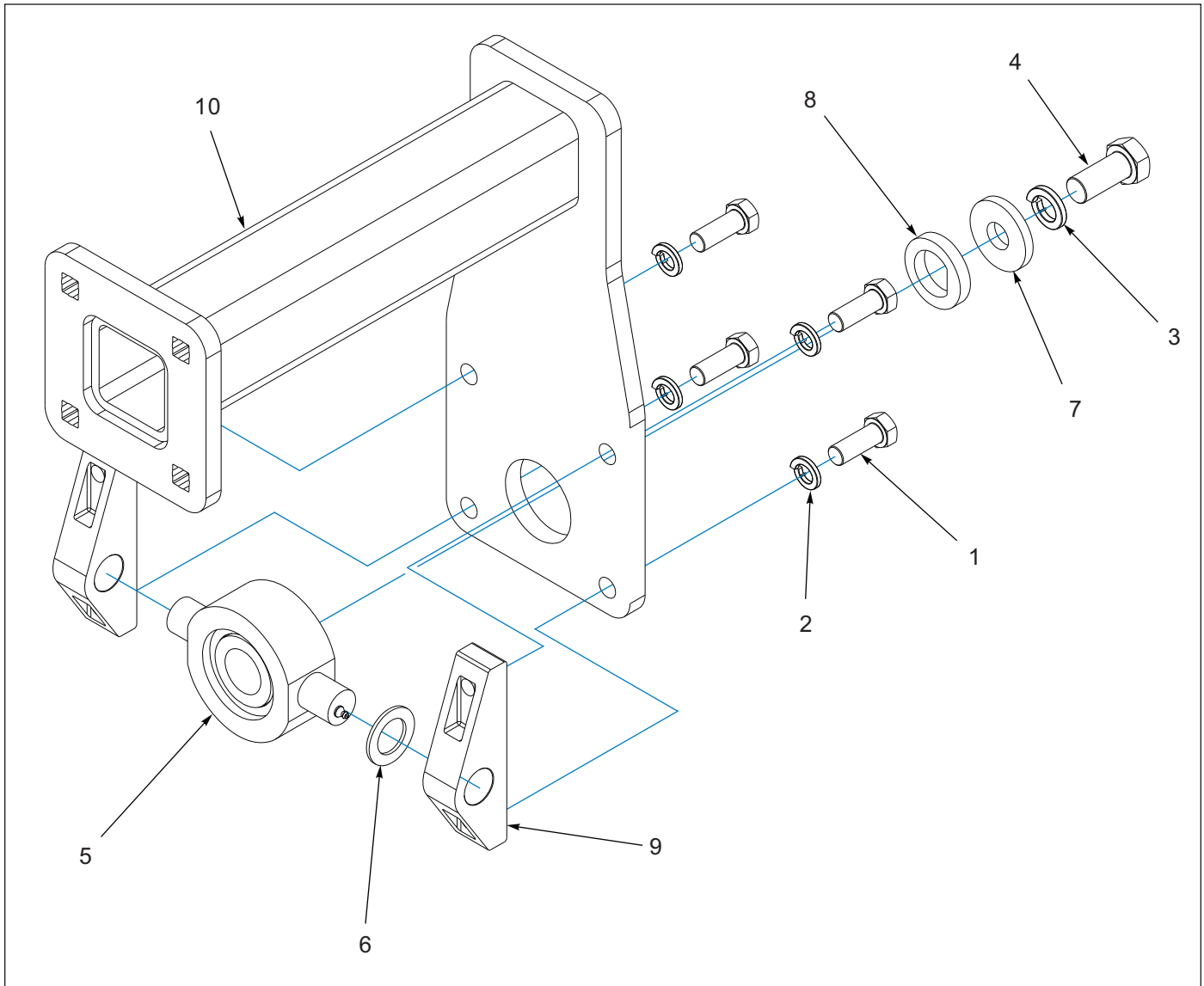


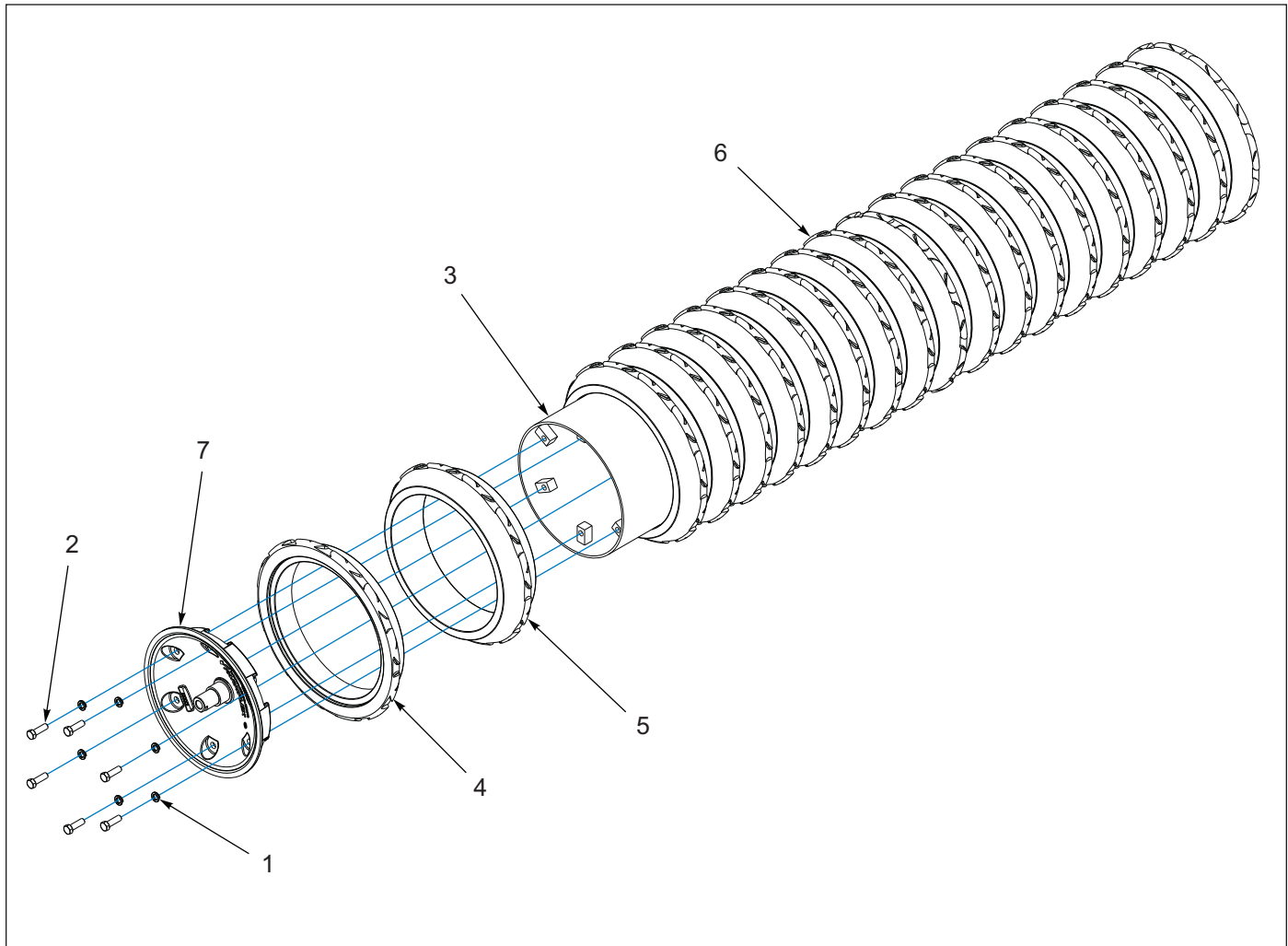
Figure 11-6: Reel Mount Extension Assembly

## Reel Mount Extension Assembly

ITEM	PART NUMBER	DESCRIPTION	QTY.
	214682	EXTENSION-REEL MOUNT, ASSY	--
1	1-654-010061-05	SCREW,HHC,3/4-10UNCX2,GR5,ZP	4
2	1-861-010034-17	WASHER,LKG,HLCL SPR,3/4	4
3	1-861-010034-21	WASHER, LKG HEL SPRG 1IN	1
4	137943	SCREW,HEX CAP 1-8UNCX2-1/4GR5	1
5	140477	BEARING, DISC 1.775 ID ASSY	1
6	140480	WASHER, TRUNNION	1
7	154185	WASHER 3/8 THICK 1" ID	1
8	154186	WASHER FLAT TOP	1
9	191750	MOUNT-TRUNNION BEARING	2
10	214671	PLATE, PIVOT CTR MOUNT	1

**RUBBER ROLLER ASSEMBLIES**

**Rubber Roller Assemblies**



**Figure 11-7: Rubber Roller Assemblies**

**Rubber Roller Assemblies**

ITEM	PART NUMBER	DESCRIPTION	QTY.			
	192584	ROLLER RUBBER LCTX 2405VOTICO	1	--	--	--
	192585	ROLLER RUBBER LCTX 2655 OTICO	--	1	--	--
	200819	ROLLER RUBBER LCTX 3155 OTICO	--	--	1	--
	219541	ROLLER RUBBER LCTX 3405OTICO	--	--	--	1
1	1-861-010034-15	WASHER,LKG,HLCL SPR,5/8	12	12	12	12
2	122766	SCREW,CAP 5/8-11UNCX2 GR8	12	12	12	12
3	200811	TUBE WLDMT ROLLER 2405	1	--	--	--
3	200814	TUBE WLDMT ROLLER 2655	--	1	--	--
3	200818	TUBE WLDMT ROLLER 3155	--	--	1	--
3	219542	TUBE, ROLLER 3405, WELDMENT	--	--	--	1
4	201301	TIRE-END, ROLLER	2	2	2	2
5	201302	TIRE-STANDARD, ROLLER	16	18	22	26
6	201303	TIRE-STANDARD, ROLLER	2	2	2	2
7	203403	SHAFT ASSY ROLLER OTICO	2	2	2	2



# Hydraulics

## Hydraulic Hitch Kit (AFTER 12/05/2022)

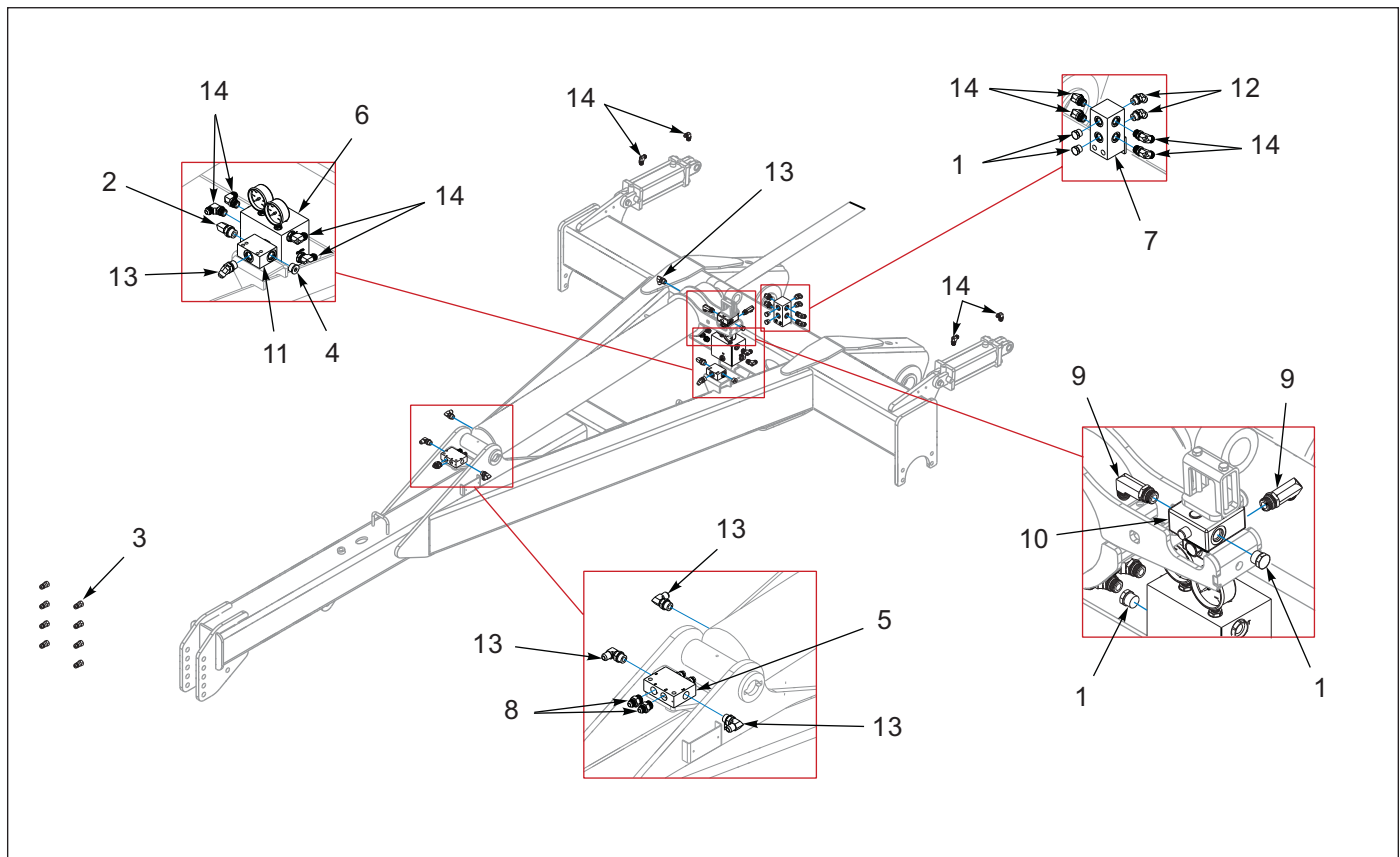


Figure 12-1: Hydraulic Hitch Kit (AFTER 12/05/2022)

## Hydraulic Hitch Kit (AFTER 12/05/2022)

ITEM	PART NUMBER	DESCRIPTION	QTY.
	218735	KIT-HYDRAULIC, HITCH, 7822	--
1	1-007-010025	PLUG, 3/4-16 O-RING BOSS	4
2	124510	ADAPTER 45 #10 O-RINGX#8JIC	1
3	141828	COUPLER,MALE 3/4-16 O-RING	8
4	143853	PLUG #10 M ORB HEX SOCKET	1
5	184585	VALVE,DUAL COUNTER BALANCE,30G	1
6	195108	MANIFOLD ASSY VALVE DOWN PRESS	1
7	2-474-010022	MANIFOLD ASSY, HYDR 8 HOSE	1
8	202702-10-8S	ADAPTER, #10 O-RING #8 TUBE	2
9	206209-8-8S	ADAPTER,90LONG,#8 O-RING-TUBE	2
10	203450	VALVE-LIMIT	1
11	203467	VALVE-LIMIT, STROKE	1
12	2061-8-8S	ADAPTER, 45, #8 O-RING-TUBE	2
13	2062-10-8S	ADAPTER,90, #10 O-RING-TUBE	5
14	2062-8-8S	ADAPTER, 90, #8 O-RING-TUBE	12

### Hydraulic Hitch Kit (BEFORE 12/05/2022)

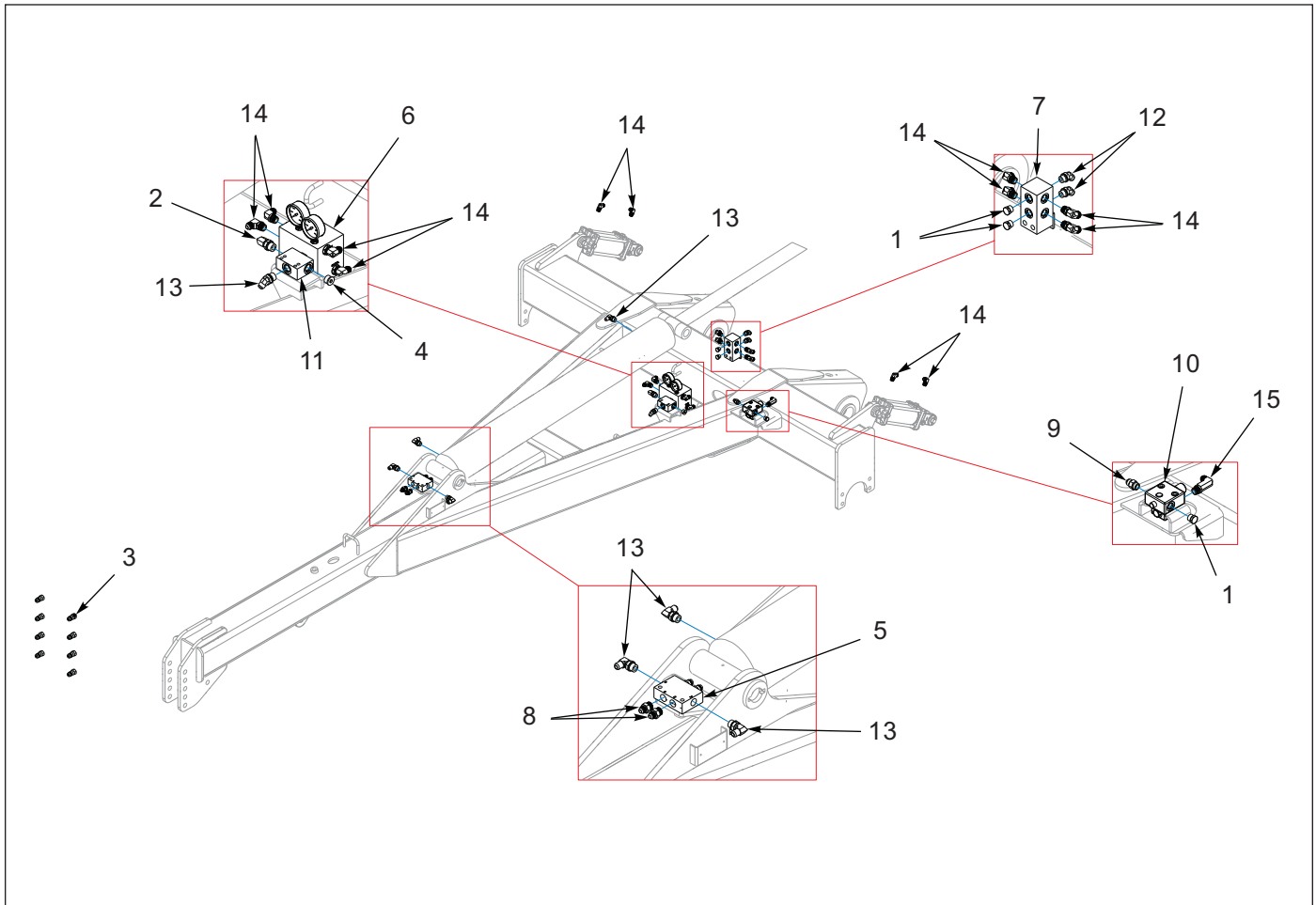


Figure 12-2: Hydraulic Hitch Kit (BEFORE 12/05/2022)

### Hydraulic Hitch Kit (BEFORE 12/05/2022)

ITEM	PART NUMBER	DESCRIPTION	QTY.
	218735	KIT-HYDRAULIC, HITCH, 7822	--
1	1-007-010025	PLUG, 3/4-16 O-RING BOSS	4
2	124510	ADAPTER 45 #10 O-RINGX#8JIC	1
3	141828	COUPLER,MALE 3/4-16 O-RING	8
4	143853	PLUG #10 M ORB HEX SOCKET	1
5	184585	VALVE,DUAL COUNTER BALANCE,30G	1
6	195108	MANIFOLD ASSY VALVE DOWN PRESS	1
7	2-474-010022	MANIFOLD ASSY, HYDR 8 HOSE	1
8	202702-10-8S	ADAPTER, #10 O-RING #8 TUBE	2
9	202702-8-8S	ADAPTER #8 O-RING TO #8 TUBE	1
10	203450	VALVE-LIMIT	1
11	203467	VALVE-LIMIT, STROKE	1
12	2061-8-8S	ADAPTER, 45, #8 O-RING-TUBE	2
13	2062-10-8S	ADAPTER,90, #10 O-RING-TUBE	5
14	2062-8-8S	ADAPTER, 90, #8 O-RING-TUBE	12
15	206209-8-8S	ADAPTER,90LONG,#8 O-RING-TUBE	1

HYDRAULICS

# Hydraulic System - Tilt Control

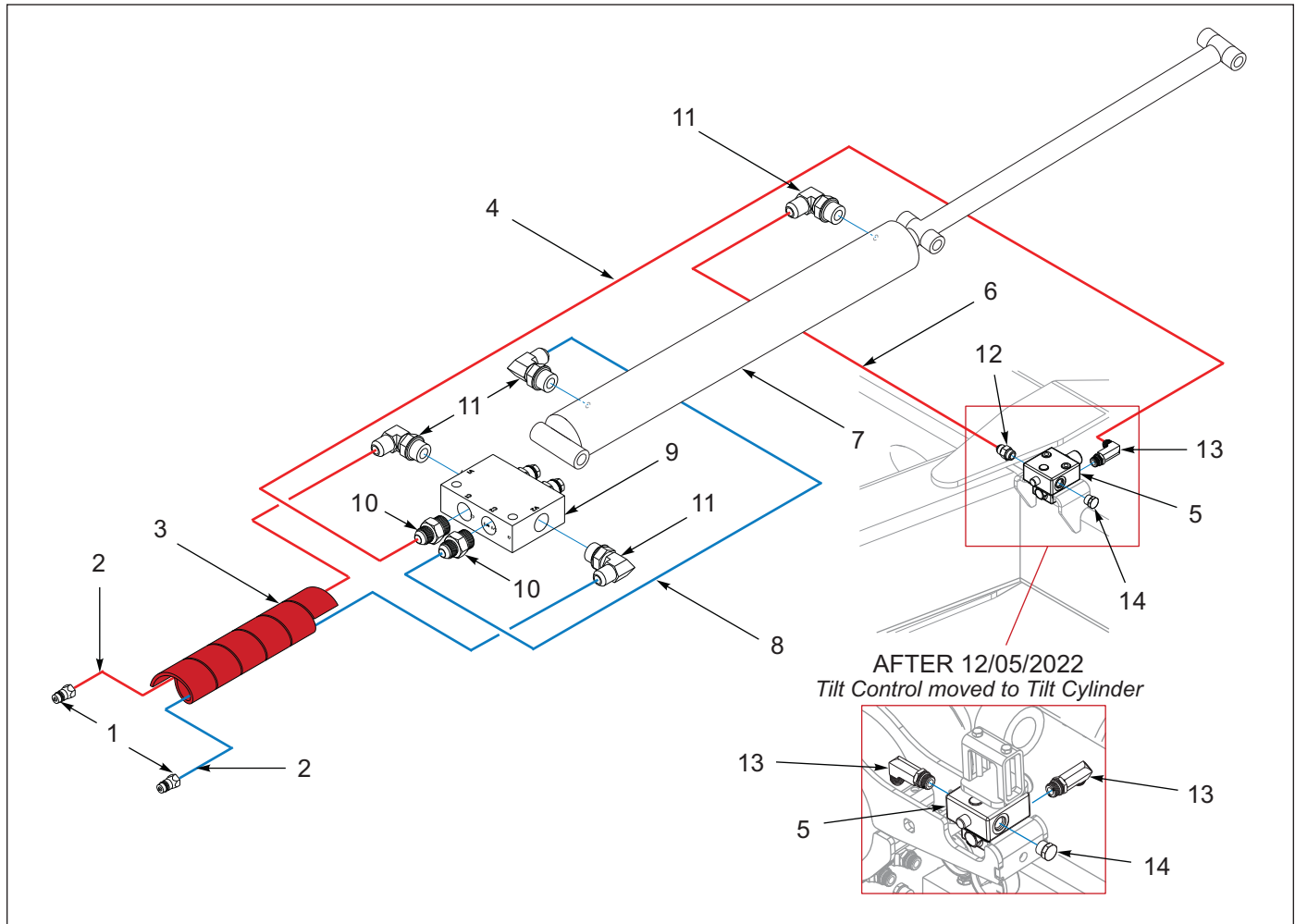


Figure 12-3: Hydraulic System - Tilt Control

## Hydraulic System - Tilt Control

ITEM	PART NUMBER	DESCRIPTION	QTY.
1	141828	COUPLER,MALE 3/4-16 O-RING	2
2	186247	HOSE 1/2X102 #8JICX#8OR	2
3	172973	HOSE WRAP, RED	1
4	1-397-010301124	HOSE ASSY,1/2X124 SAE37,STR	1
5	203450	VALVE-LIMIT	1
6	1-397-010301025	HOSE ASSY,1/2SAE37, STR-STR25 (1/2 X 25") (AFTER 12/05/2022)	
6	1406046	HOSE ASSY,1/2X117,SAE37,STR (BEFORE 12/05/2022)	1
7	187436	CYLINDER, HYD 7X60 WLD 3000PSI (SEE PAGE 12-12)	1
8	1-397-010301070	HOSE ASSY,1/2X70,SAE37,STR-ST	1
9	184585	VALVE,DUAL COUNTER BALANCE,30G	1
10	202702-10-8S	ADAPTER, #10 O-RING #8 TUBE	2
11	2062-10-8S	ADAPTER,90, #10 O-RING-TUBE	4
12	202702-8-8S	ADAPTER #8 O-RING TO #8 TUBE (BEFORE 12/05/2022)	1
13	2062-8-8S	ADAPTER, 90, #8 O-RING-TUBE (BEFORE 12/05/2022, QTY=1)	2
14	1-007-010025	PLUG, 3/4-16 O-RING BOSS	1



### Hydraulic System - Front Gauge - 15'

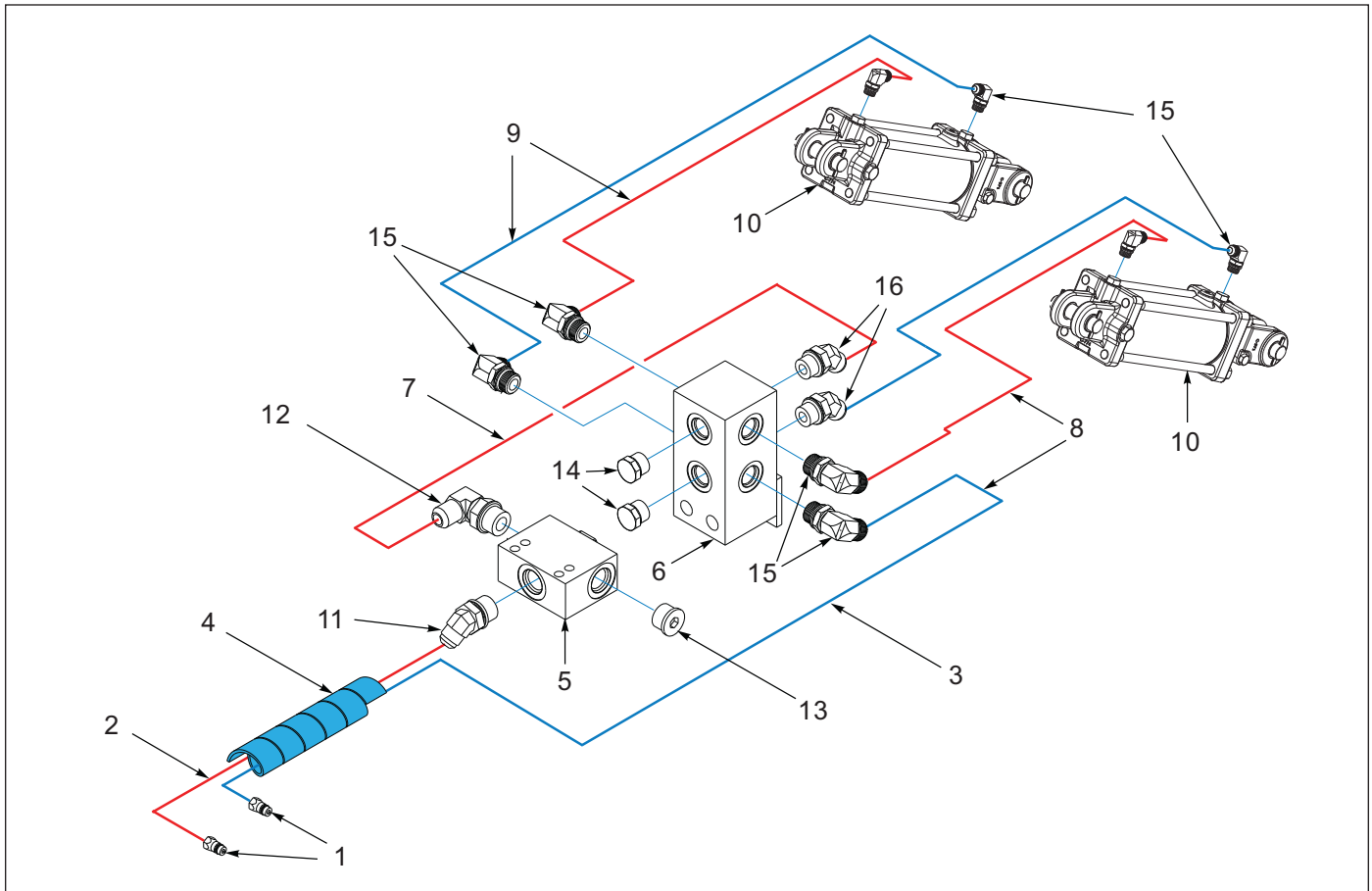


Figure 12-4: Hydraulic System - Front Gauge - 15'

### Hydraulic System - Front Gauge - 15'

ITEM	PART NUMBER	DESCRIPTION	QTY.
1	141828	COUPLER,MALE 3/4-16 O-RING	2
2	141887	HOSE ASSY 3/8X168 #8JICX#8OR	1
3	145130	HOSE ASSY 3/8X214 #8 JICX#80R	1
4	155528	HOSE WRAP, BLUE 1" ID X 8"	1
5	203467	VALVE-LIMIT, STROKE	1
6	2-474-010022	MANIFOLD ASSY, HYDR 8 HOSE	1
7	71508992	HOSE ASSY .38 X 50	1
8	209436	HOSE ASSY, 3/8X76,-8FJX,-8FJX	1
9	116491	HOSE ASSY 3/8X96 #8 JIC SW	2
10	201275	CYLINDER, 4 X 10 REPHASE (AFTER 01/2020) (SEE PAGE 12-18)	2
10	145201	CYLINDER 4 X 8 REPHASE (BEFORE 01/2020) (SEE PAGE 12-15)	2
11	2062-10-8S	ADAPTER,90, #10 O-RING-TUBE	1
12	124510	ADAPTER 45 #10 O-RINGX#8JIC	1
13	143853	PLUG #10 M ORB HEX SOCKET	1
14	1-007-010025	PLUG, 3/4-16 O-RING BOSS	2
15	2062-8-8S	ADAPTER, 90, #8 O-RING-TUBE	8
16	2061-8-8S	ADAPTER, 45, #8 O-RING-TUBE	2

Hydraulic System - Front Gauge - 17', 20', 23'

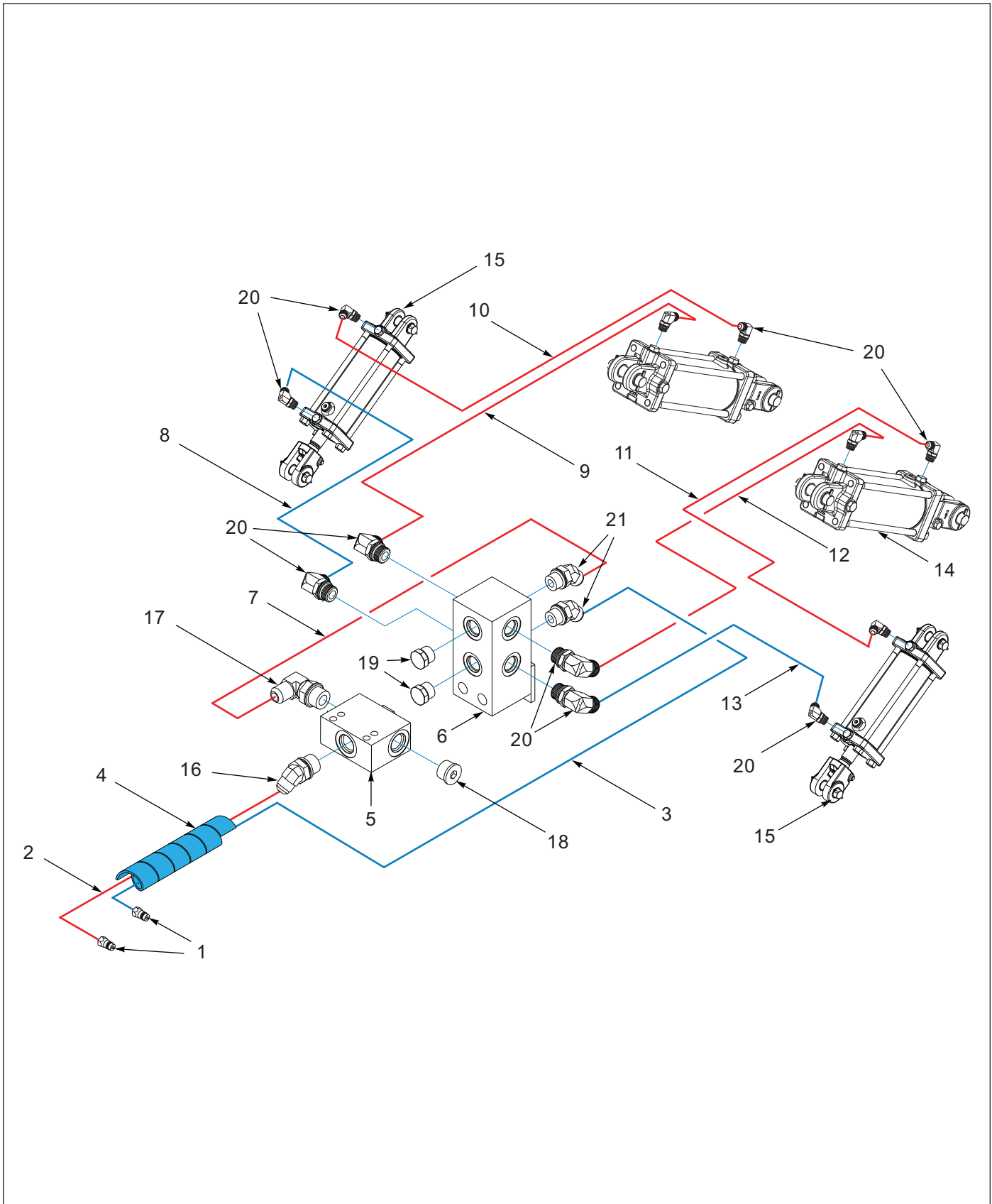


Figure 12-5: Hydraulic System - Front Gauge - 17', 20', 23'

## Hydraulic System - Front Gauge - 17', 20', 23'

ITEM	PART NUMBER	DESCRIPTION	QTY.
1	141828	COUPLER,MALE 3/4-16 O-RING	2
2	141887	HOSE ASSY 3/8X168 #8JICX#8OR	1
3	145130	HOSE ASSY 3/8X214 #8 JICX#80R	1
4	155528	HOSE WRAP, BLUE 1" ID X 8"	1
5	203467	VALVE-LIMIT, STROKE	1
6	2-474-010022	MANIFOLD ASSY, HYDR 8 HOSE	1
7	71508992	HOSE ASSY .38 X 50	1
8	141890	HOSE ASSY 3/8X192 #8JIC SWIV	1
9	116491	HOSE ASSY 3/8X96 #8 JIC SW	1
10	144343	HOSE ASSY 3/8X165 #8 JIC SWIV (17' MODEL)	1
10	150273	HOSE ASSY 3/8X185 #8 JIC SWIV (20' MODEL)	1
10	117163	HOSE ASSY 3/8X196 #8 JIC (23' MODEL)	1
11	141889	HOSE ASSY 3/8X159 #8JIC SWIV (17' MODEL)	1
11	210265	HOSE ASSY 3/8X178 #8 JIC SWIV (20' MODEL)	1
11	141883	HOSE ASSY 3/8X190 #8 JIC SWIV (23' MODEL)	1
12	209436	HOSE ASSY, 3/8X76,-8FJX,-8FJX	1
13	210265	HOSE ASSY,3/8,#8 JIC SWIVELX178 (17' MODEL)	1
13	117163	HOSE ASSY,3/8X196,#8 JIC (20' MODEL)	1
13	141882	HOSE ASSY,3/8X206,#8 JIC SWIV (23' MODEL)	1
14	201275	CYLINDER, 4 X 10 REPHASE (AFTER 01/2020) (SEE PAGE 12-18)	2
14	145201	CYLINDER 4 X 8 REPHASE (BEFORE 01/2020) (SEE PAGE 12-15)	2
15	201276	CYLINDER, 3.75 X 10 REPHASE (AFTER 01/2020) (SEE PAGE 12-17)	2
15	145202	CYLINDER 3-3/4 X 8 REPHASE (BEFORE 01/2020) (SEE PAGE 12-16)	2
16	2062-10-8S	ADAPTER,90, #10 O-RING-TUBE	1
17	124510	ADAPTER 45 #10 O-RINGX#8JIC	1
18	143853	PLUG #10 M ORB HEX SOCKET	1
19	1-007-010025	PLUG, 3/4-16 O-RING BOSS	2
20	2062-8-8S	ADAPTER, 90, #8 O-RING-TUBE	12
21	2061-8-8S	ADAPTER, 45, #8 O-RING-TUBE	2

### Hydraulic System - Rear Reel/Roller Circuit

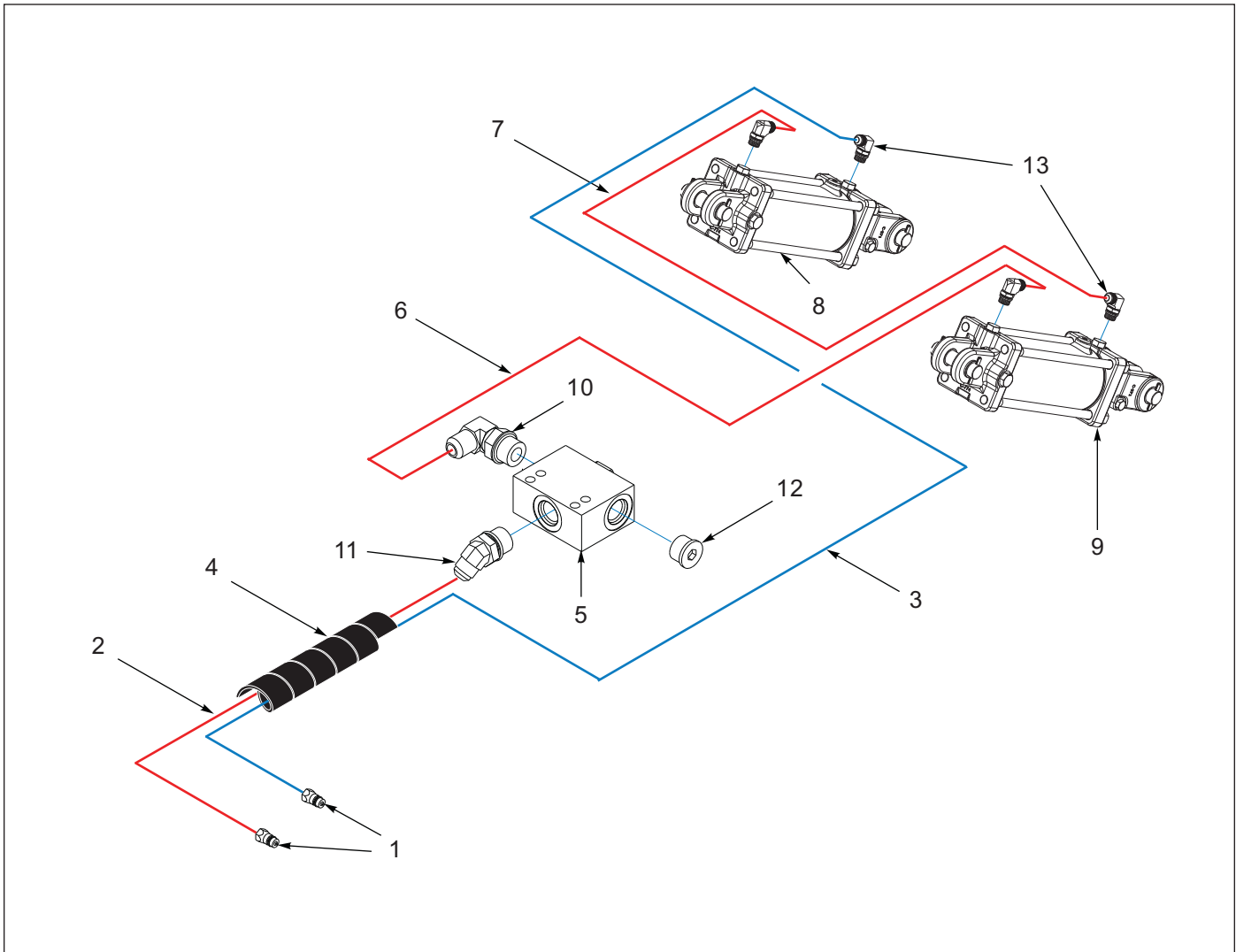


Figure 12-6: Hydraulic System - Rear Reel/Roller Circuit

### Hydraulic System - Rear Reel/Roller Circuit

ITEM	PART NUMBER	DESCRIPTION	QTY.
1	141828	COUPLER,MALE 3/4-16 O-RING	2
2	176999	HOSE 3/8 X 342, #8JIC X #8OR	1
3	185677	HOSE ASSY, 3/8X405#8JICX#8OR	1
4	155530	HOSE WRAP, BLACK 1" ID X 8"	1
5	203467	VALVE-LIMIT, STROKE	1
6	116490	HOSE ASSY 3/8X78 #8 JIC SW	1
7	160693	HOSE ASSY 3/8X222 #8 JIC SWIV	1
8	201276	CYLINDER, 3.75 X 10 REPHASE (SEE PAGE 12-17)	1
9	201275	CYLINDER, 4 X 10 REPHASE (SEE PAGE 12-18)	1
10	2062-10-8S	ADAPTER,90, #10 O-RING-TUBE	1
11	124510	ADAPTER 45 #10 O-RINGX#8JIC	1
12	143853	PLUG #10 M ORB HEX SOCKET	1
13	2062-8-8S	ADAPTER, 90, #8 O-RING-TUBE	4

### Hydraulic System - Wing Fold Down Circuit - 15'

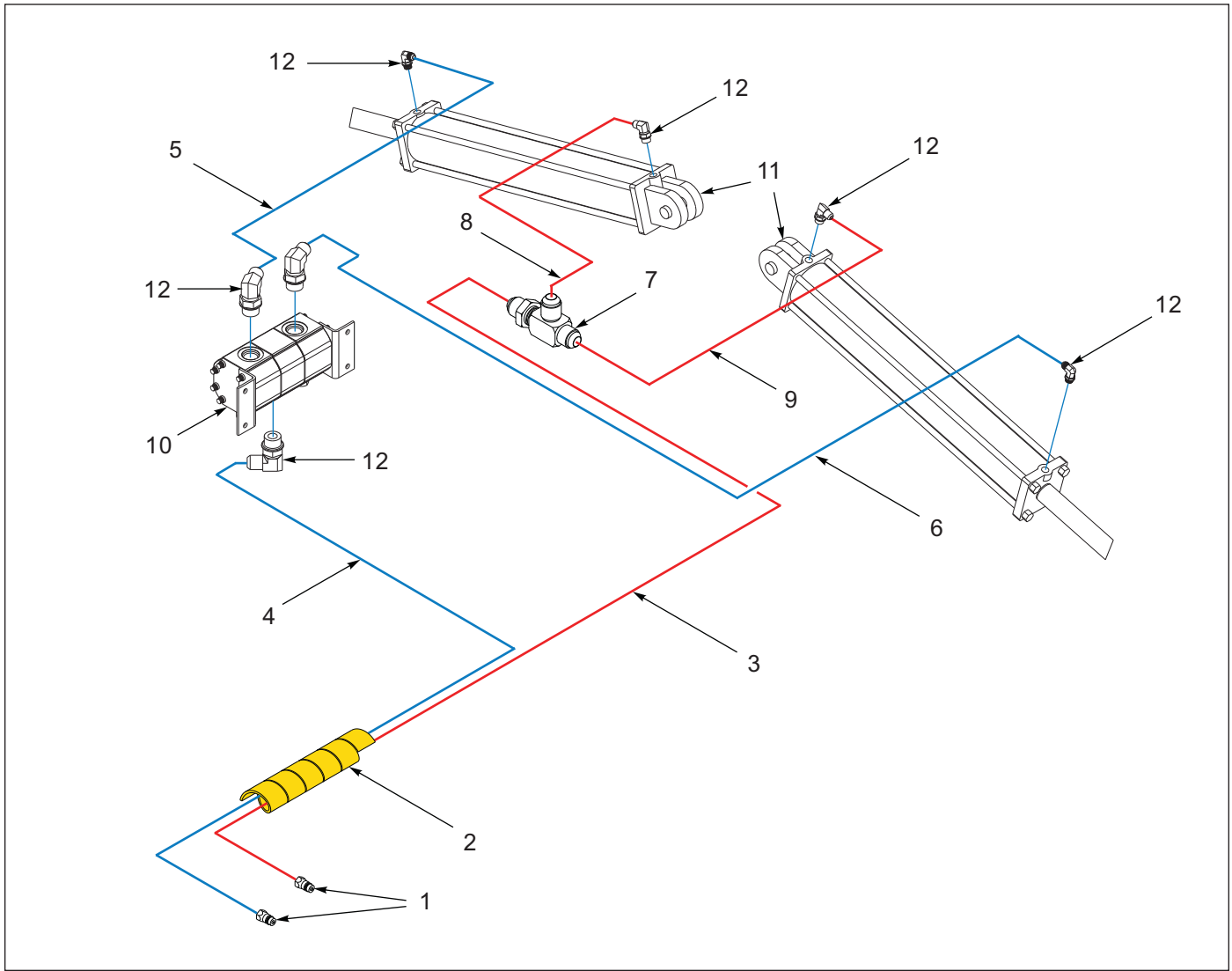


Figure 12-7: Hydraulic System - Wing Fold Down Circuit - 15'

### Hydraulic System - Wing Fold Down Circuit - 15'

ITEM	PART NUMBER	DESCRIPTION	QTY.
1	141828	COUPLER,MALE 3/4-16 O-RING	2
2	155529	HOSE WRAP, YELLOW 1" ID X 8"	1
3	211320	HOSE ASSY, 3/8X300 #8JICX#M8OR	1
4	165335	HOSE ASSY,3/8X290,#8JICX#8 O/R	1
5	181799	HOSE ASSY, 3/8X74, #8 JIC	1
6	195647	HOSE ASSY, 3/8X93 #8 JIC SWIV	1
7	1P292	08MJ MALE BULKHEAD RUN TEE	1
8	153843	HOSE ASSY 3/8X67 #8 JIC SWIV	1
9	122909	HOSE ASSY 3/8X82,#8 JIC SWVL	1
10	221788	DIVIDER-FLOW, HYD, .517 CUI	1
11	176035	CYLINDER, HYD 4-1/2X30 3000PSI (SEE PAGE 12-13)	2
12	2062-10-8S	ADAPTER,90, #10 O-RING-TUBE	7

# Hydraulic System - Wing Fold Down Circuit - 17', 20', 23'

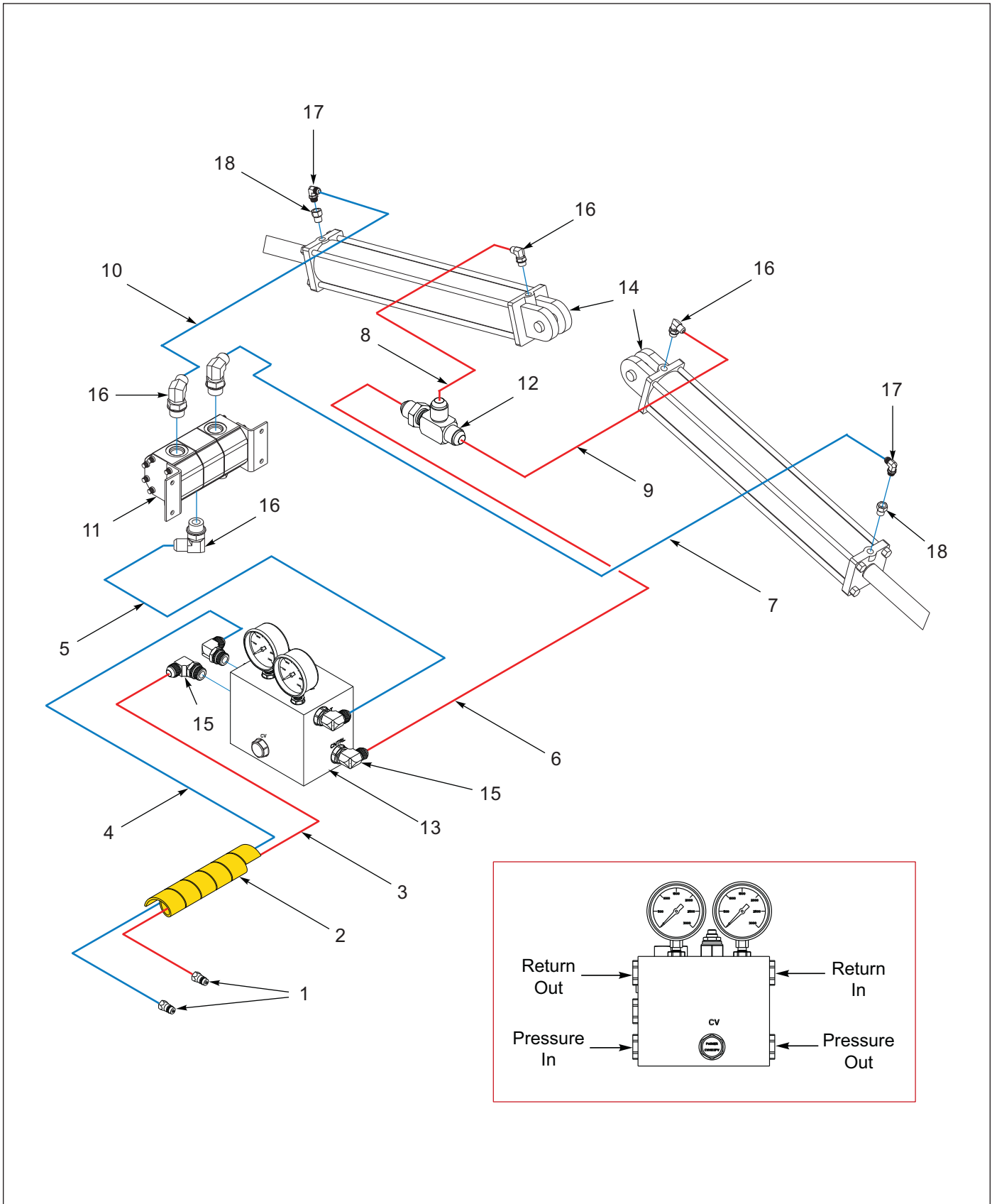


Figure 12-8: Hydraulic System - Wing Fold Down Circuit - 17', 20', 23'

## Hydraulic System - Wing Fold Down Circuit - 17', 20', 23'

ITEM	PART NUMBER	DESCRIPTION	QTY.
1	141828	COUPLER,MALE 3/4-16 O-RING	2
2	155529	HOSE WRAP, YELLOW 1" ID X 8"	1
3	156944	HOSE ASY3/8#8JICX#8 O-RG 184 (17' MODEL)	1
3	211319	HOSE ASSY,3/8 X 200,8FJSX8MOR (20' MODEL)	1
3	194696	HOSE ASSY, 3/8X222 #8JICX#8OR (23' MODEL)	1
4	156944	HOSE ASY3/8#8JICX#8 O-RG 184 (17' MODEL)	1
4	211319	HOSE ASSY,3/8 X 200,8FJSX8MOR (20' & 23' MODELS)	1
5	210264	HOSE ASSY,3/8,#8JIC SWIVELX138	1
6	144342	HOSE ASSY 3/8X150 #8 JIC SWIV	1
7	195647	HOSE ASSY, 3/8X93 #8 JIC SWIV	1
8	153843	HOSE ASSY 3/8X67 #8 JIC SWIV	1
9	122909	HOSE ASSY 3/8X82,#8 JIC SWVL	1
10	181799	HOSE ASSY, 3/8X74, #8 JIC	1
11	221788	DIVIDER-FLOW, HYD, .517 CUI	1
12	1P292	08MJ MALE BULKHEAD RUN TEE	1
13	195108	MANIFOLD ASSY VALVE DOWN PRESS	1
14	176035	CYLINDER, HYD 4-1/2X30 3000PSI (SEE PAGE 12-13)	2
15	2062-8-8S	ADAPTER, 90, #8 O-RING-TUBE	4
16	2062-10-8S	ADAPTER,90, #10 O-RING-TUBE	5
17	141826	ELBOW 90 1/16 RES	2
18	5001195	REDUCER ORB 7/8 TO 3/4	2

HYDRAULICS

Hydraulic Jack Assembly

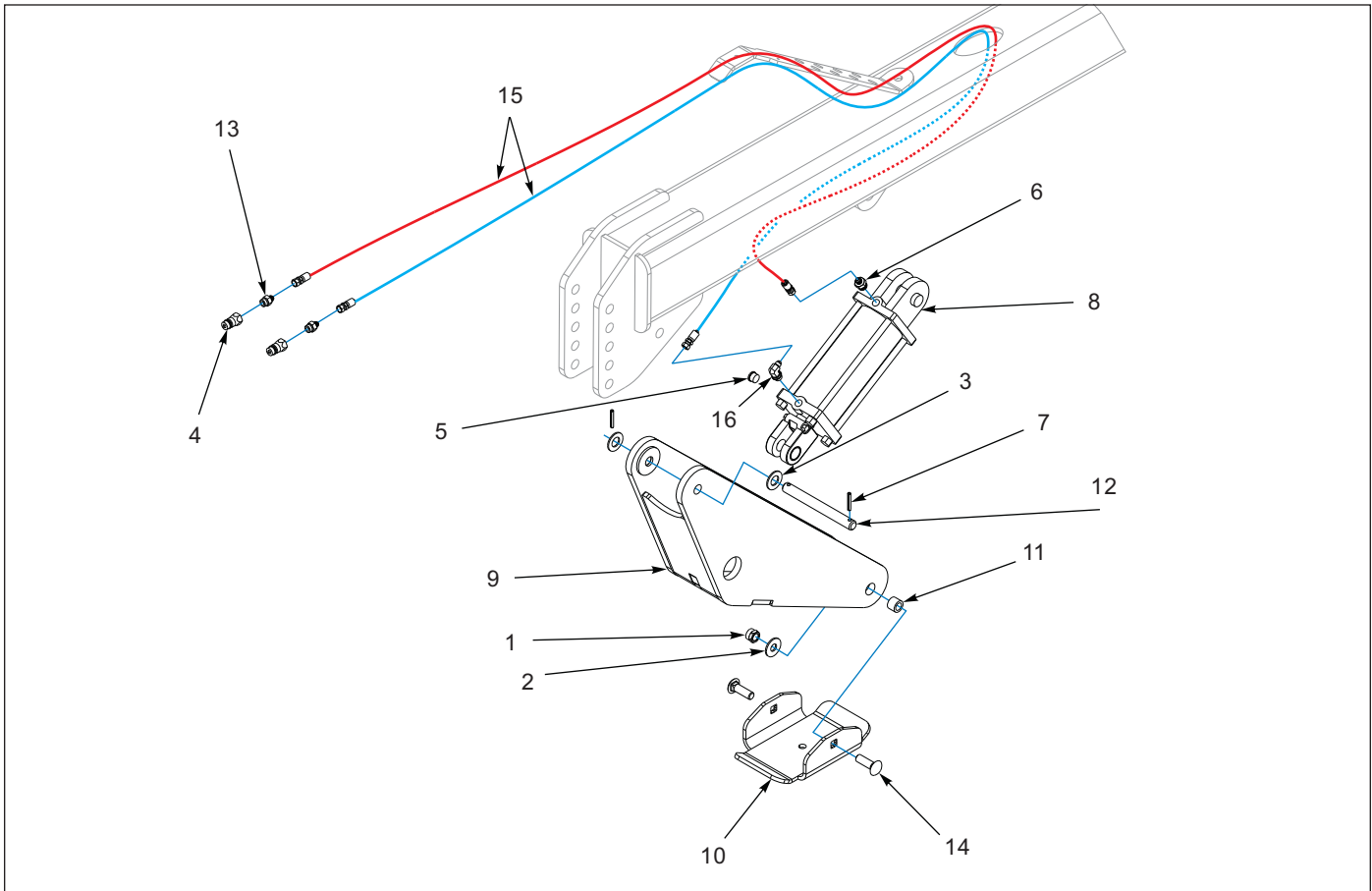


Figure 12-9: Hydraulic Jack Assembly

Hydraulic Jack Assembly

ITEM	PART NUMBER	DESCRIPTION	QTY.
	187684	JACK-7831, HYDRAULIC ASSEMBLY	--
1	1-512-010005-15	NUT,HEX,SLFLKG GRB 3/4-10	2
2	1-861-010032-21	WASHER, FLAT 3/4 W ZP/CD	2
3	1-861-010032-24	WASHER FL 1IN NARROW ZP	2
4	141828	COUPLER,MALE 3/4-16 O-RING	1
5	143853	PLUG #10 M ORB HEX SOCKET	1
6	146707	ADAPTER,#10 O-RING #6 TUBE	2
7	147072	PIN, SPRING SLOTTED 5/16 X 2	1
8	177389	CYLINDER,HYD 4-1/2X8 3000 PSI (SEE PAGE 12-13)	1
9	187479	PLANK, 12'	1
10	187680	FOOT - JACK LEG	2
11	187681	BUSHING 1.25 X .812 X .9375	1
12	188794	PIN, 1.0 X 9.50 H2	2
13	202702-8-6S	ADAPTER #8 O-RING TO #6 TUBE	2
14	3/4-10X2-1/2CB	SCREW, RDH, SQ NK, 3/4-10X2-1/2	2
15	169849	HOSE ASSY, 14 X 144, 6JFX, 6 JFX	2
16	102-1333	FTG,90EL 06SAEM X 10 O'RINGM	1



### Hydraulic Cylinder, 7 x 60

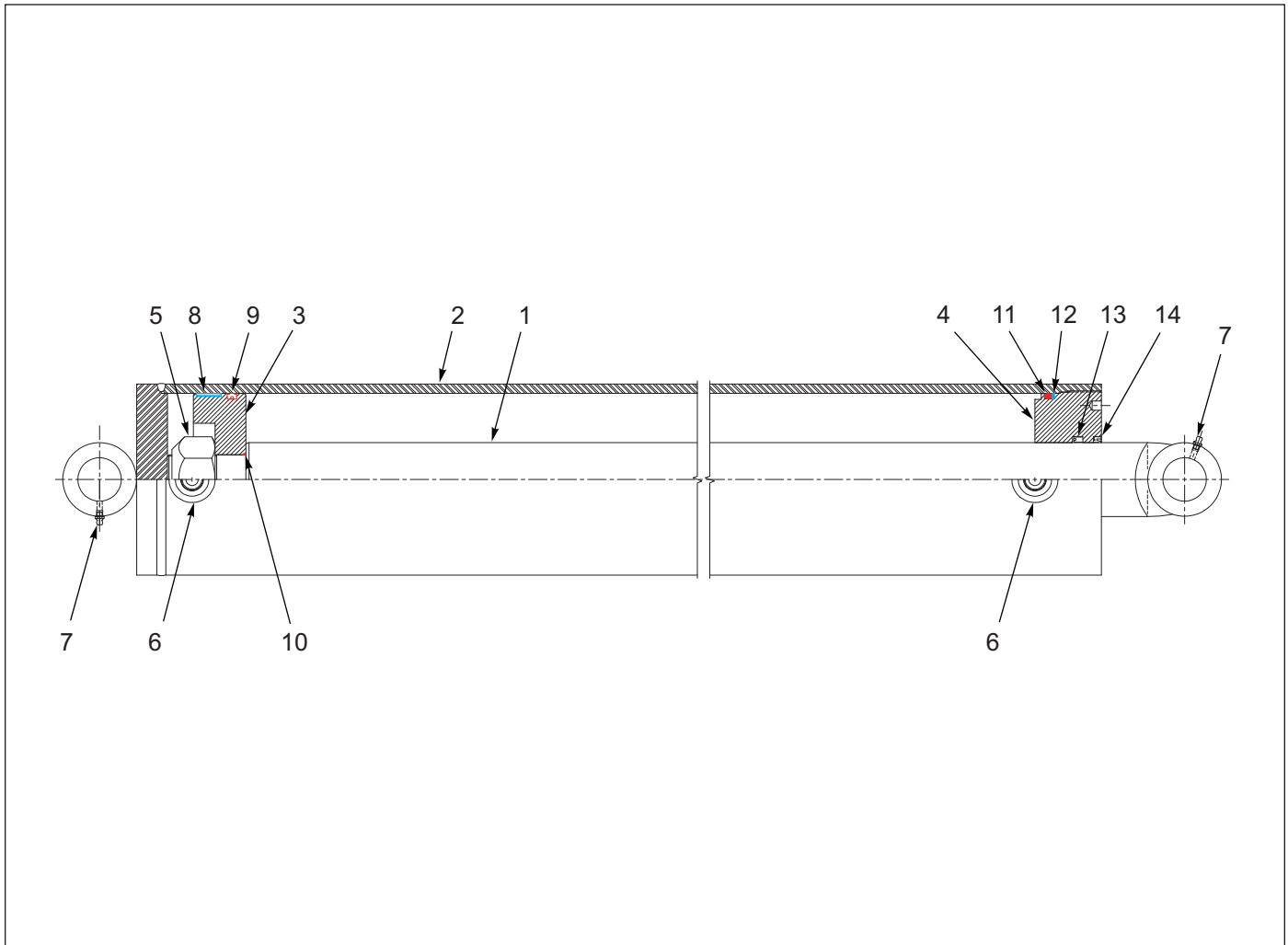


Figure 12-10: Hydraulic Cylinder, 7 x 60

### Hydraulic Cylinder, 7 x 60

ITEM	PART NUMBER	DESCRIPTION	QTY.
	187436	CYLINDER, HYDRAULIC 7 X 60, WELD 3000 PSI	--
1	-----	PISTON ROD	1
2	-----	BUTT & TUBE ASSY	1
3	-----	PISTON	1
4	-----	GLAND	1
5	116606	LOCK NUT	1
6	148142	PORT PLUG	2
7	-----	GREASE ZERK	2
8	-----	BEARING RING	1
9	-----	CROWN SEAL	1
10	-----	O- RING	1
11	-----	O-RING	1
12	-----	BU-WASHER	1
13	-----	U-CUP	1
14	-----	WIPER	1
15	-----	PACKING KIT (ITEMS 8-14)	1

HYDRAULICS

Hydraulic Cylinder, 4-1/2 x 30

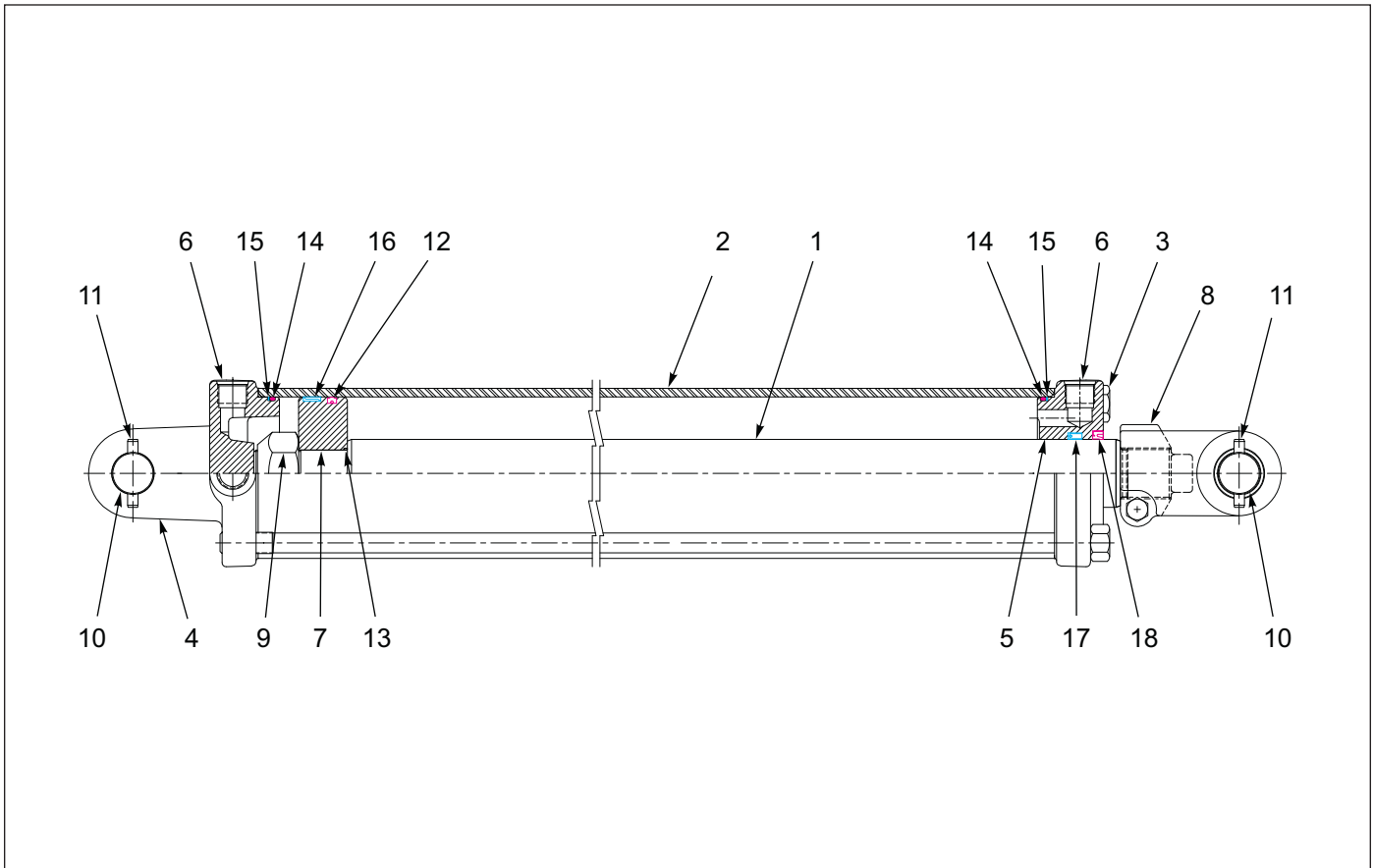


Figure 12-11: Hydraulic Cylinder, 4-1/2 x 30

Hydraulic Cylinder, 4-1/2 x 30

ITEM	PART NUMBER	DESCRIPTION	QTY.
	176035	CYLINDER, HYDRAULIC 4-1/2 X 30, 3000 PSI	--
1	-----	PISTON ROD	1
2	-----	TUBE	1
3	-----	TIE ROD ASSY	4
4	-----	BUTT	1
5	-----	GLAND	1
6	-----	PORT PLUG	3
7	-----	PISTON	1
8	-----	CLEVIS ASSEMBLY	1
9	-----	LOCKNUT	1
10	-----	CLEVIS PIN	2
11	-----	ROLL PIN	4
12	-----	CROWN SEAL	1
13	-----	O-RING	1
14	-----	O-RING	2
15	-----	BU-WASHER	2
16	-----	BEARING RING	1
17	-----	U-CUP	1
18	-----	WIPER	1
19	180483	PACKING KIT (NOT SHOWN) (ITEMS 12-18)	1

### Hydraulic Cylinder, 4-1/2 x 8

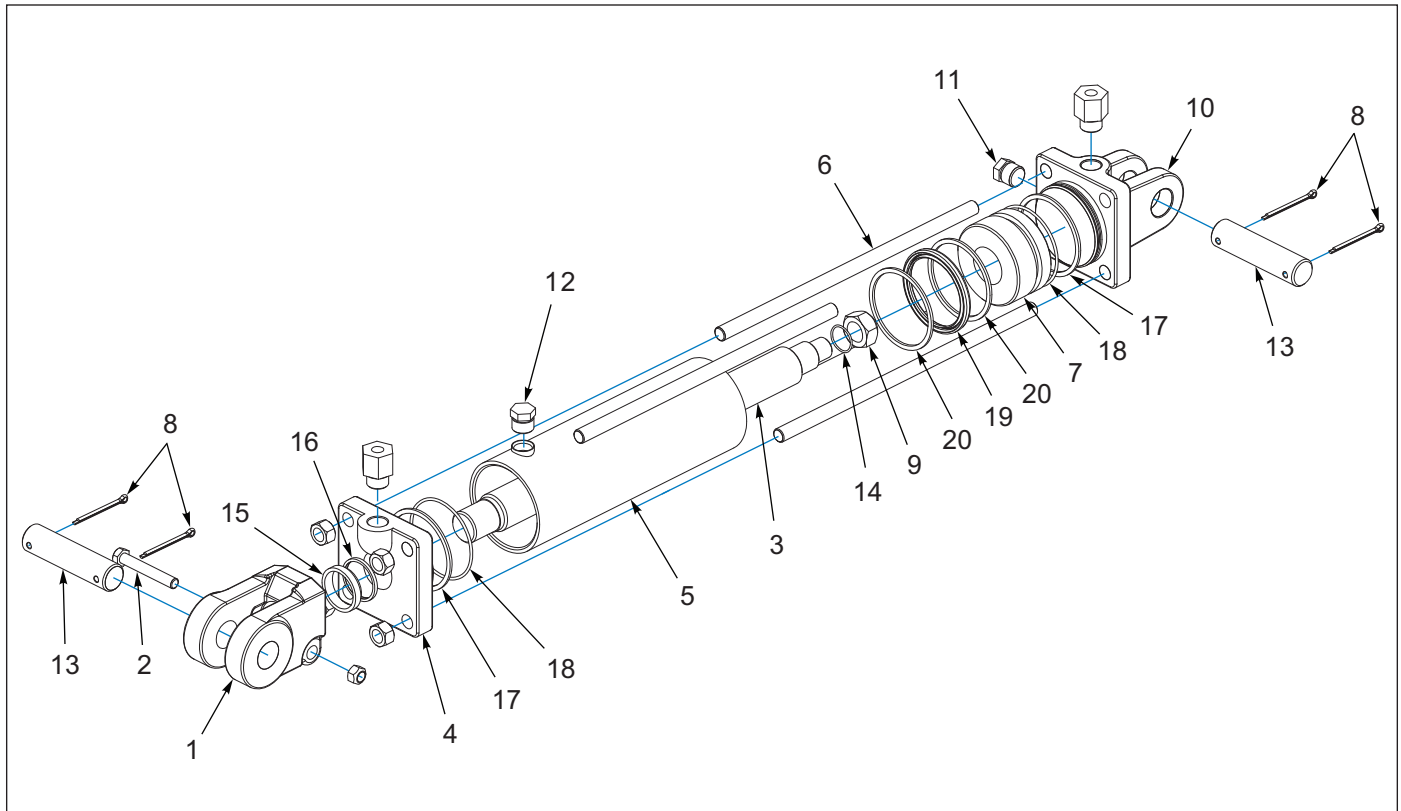


Figure 12-12: Hydraulic Cylinder, 4-1/2 x 8

### Hydraulic Cylinder, 4-1/2 x 8

ITEM	PART NUMBER	DESCRIPTION	QTY.
	177389	CYLINDER, HYDRAULIC 4-1/2 X 8, 3000 PSI	--
1	-----	ROD, END CLEVIS	1
2	-----	CAPSCREW, 3/8-16 NC X 2-1/2	1
3	-----	ROD, PISTON	1
4	-----	GLAND, W/ BUSHING	1
5	-----	TUBE ASSY	1
6	-----	TIE ROD ASSY	4
7	-----	PISTON	1
8	-----	COTTER PIN	4
9	220000210	LOCK NUT	1
10	-----	BASE	1
11	-----	STEEL PLUG, O-RING TYPE	1
12	200300040	PLUG	1
13	-----	CLEVIS PIN	2
14	-----	O-RING	1
15	-----	ROD, WIPER	1
16	-----	U-CUP	1
17	-----	BU-WASHER	2
18	-----	O-RING	2
19	-----	TEFON SEAL	1
20	-----	BEARING RING	2
21	180483	PACKING KIT (NOT SHOWN) (ITEMS 13-20)	1

HYDRAULICS

Hydraulic Cylinder, 4 x 8 - 145201

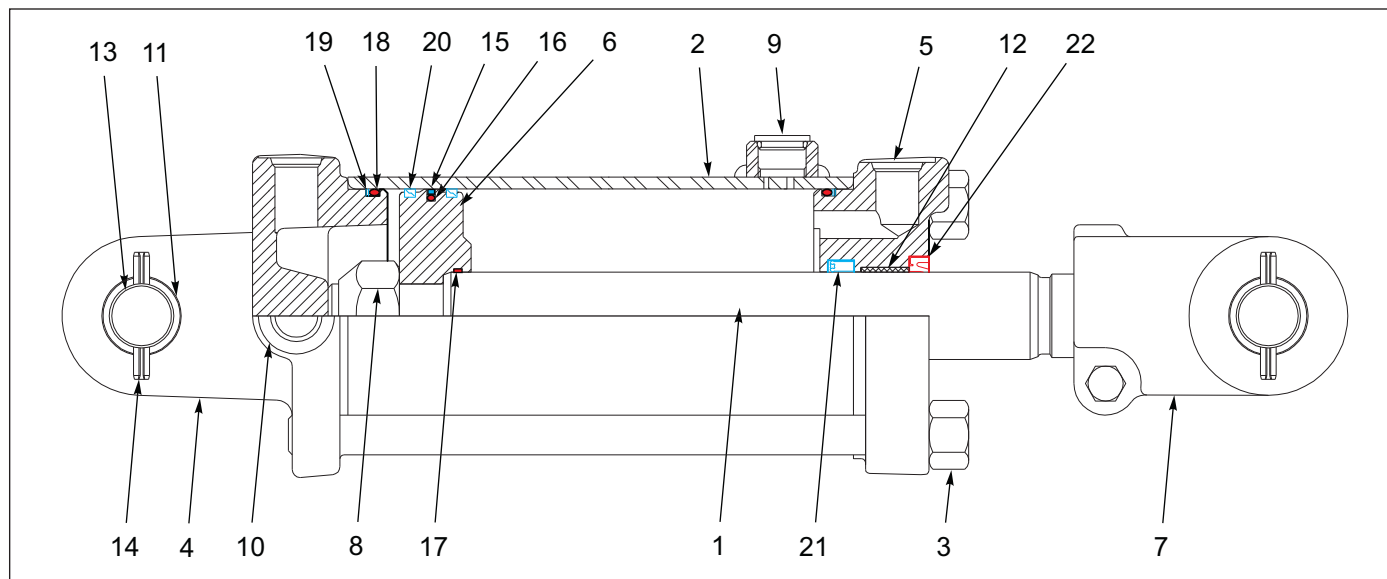


Figure 12-13: Hydraulic Cylinder, 4 x 8 - 145201

Hydraulic Cylinder, 4 x 8 - 145201

ITEM	PART NUMBER	DESCRIPTION	QTY.
	145201	CYLINDER 4 X 8 REPHASE	--
1	147741	PISTON ROD	1
2	-----	TUBE	--
3	147742	TIEROD ASSEMBLY	4
4	142114	BUTT CLEVIS ASSEMBLY (AFTER 04/2020)	1
4	135911	BUTT CLEVIS ASSEMBLY (BEFORE (04/2020)	1
5	142109	GLAND ASSEMBLY	1
6	147744	PISTON	1
6	-----	PISTON	--
7	142110	CLEVIS ASSEMBLY	1
8	220000210	LOCK NUT	1
9	142115	SHIPPING PLUG	1
10	200300040	PLUG O-RING	3
11	142112	BUSHING (BEFORE 11/17/2008)	4
11	-----	BUSHING (AFTER 11/17/2008)	--
12	141301	BUSHING	1
13	111790	PIN, CLEVIS (BEFORE 11/17/2008)	2
13	143994	PIN, CLEVIS (AFTER 11/17/2008)	2
14	1-647-010004221	PIN, ROLL (AFTER 04/2020)	4
14	111789	PIN,ROLL (BEFORE 04/2020)	4
15	-----	TEFLON SEAL	1
16	-----	O-RING	1
17	-----	O-RING	1
18	-----	O-RING	2
19	-----	BU-WASHER	2
20	-----	BEARING RING	1
21	-----	U-CUP	1
22	-----	CANNED WIPER	1
23	147745	PACKING KIT (INCLUDES ITEMS 15 - 22)	1

## Hydraulic Cylinder, 3-3/4 x 8 - 145202

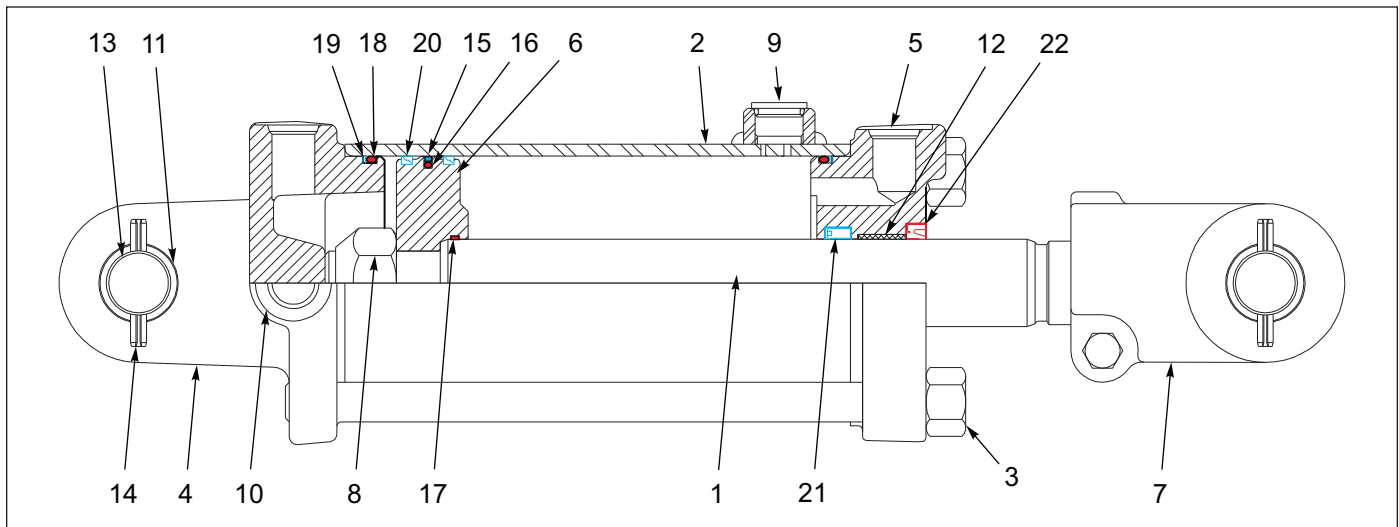


Figure 12-14: Hydraulic Cylinder, 3-3/4 x 8 - 145202

## Hydraulic Cylinder, 3-3/4 x 8 - 145202

ITEM	PART NUMBER	DESCRIPTION	QTY.
	145202	CYLINDER 3-3/4 X 8 REPHASE	--
1	147741	PISTON ROD	1
2	147746	TUBE ASSEMBLY (BEFORE 04/2020)	1
2	-----	TUBE ASSEMBLY (AFTER 04/2020)	--
3	147742	TIEROD ASSEMBLY	4
4	111876	BUTT CLEVIS ASSEMBLY (BEFORE 04/2020)	1
4	142116	BUTT CLEVIS ASSEMBLY (AFTER 04/2020)	1
5	111871	GLAND ASSY	1
6	147747	PISTON (BEFORE 04/2020)	1
6	-----	PISTON (AFTER 04/2020)	--
7	142110	CLEVIS ASSEMBLY	1
8	220000210	LOCK NUT	1
9	142115	SHIPPING PLUG	1
10	200300040	PLUG O-RING 1-242-010120	3
11	142112	BUSHING (BEFORE 11/17/2008)	4
11	-----	BUSHING (AFTER 11/17/2008)	--
12	141301	BUSHING	1
13	111790	PIN,CLEVIS (BEFORE 11/17/2008)	2
13	143994	PIN, CLEVIS (AFTER 11/17/2008)	2
14	111789	PIN,ROLL (BEFORE 04/2020)	4
14	1-647-010004221	PIN, ROLL (AFTER 04/2020)	14
15	-----	TEFLON SEAL	1
16	-----	O-RING	1
17	-----	O-RING	1
18	-----	O-RING	2
19	-----	BU-WASHER	2
20	-----	BEARING RING	1
21	-----	U-CUP	1
22	-----	CANNED WIPER	1
23	147748	PACKING KIT (INCLUDES ITEMS 15 - 22)	1

HYDRAULICS

Hydraulic Cylinder, 3-3/4 x 10 Rephase

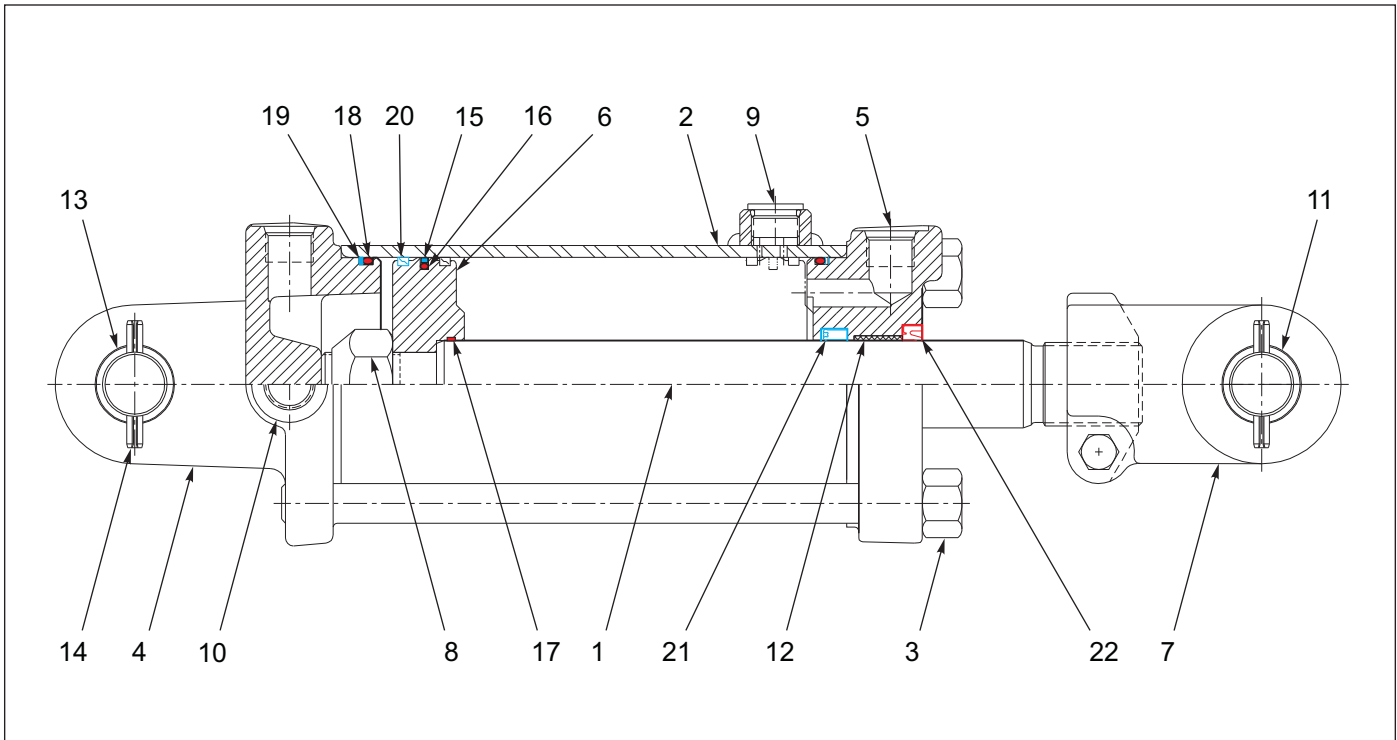


Figure 12-15: Hydraulic Cylinder, 3-3/4 x 10 Rephase

Hydraulic Cylinder, 3-3/4 x 10 Rephase

ITEM	PART NUMBER	DESCRIPTION	QTY.
	201276	CYLINDER, REPHASE	--
1	145714	PISTON ROD	1
2	-----	TUBE ASSEMBLY	1
3	-----	TIE ROD ASSY	4
4	111876	BUTT CLEVIS ASSY	1
5	111871	GLAND ASSEMBLY	1
6	-----	PISTON	1
7	140306	CLEVIS ASSY	1
8	220000210	LOCK NUT	1
9	-----	PLUG, PORT	1
10	200300040	PLUG, PORT	3
11	141301	BUSHING	4
12	-----	BUSHING	1
13	143994	CLEVIS PIN	2
14	111789	ROLL PIN	4
15	-----	TEFLON SEAL	1
16	-----	O- RING	1
17	-----	O- RING	1
18	-----	O- RING	2
19	-----	BU- WASHER	2
20	-----	BEARING RING	1
21	-----	U- CUP	1
22	250014137	CANNED WIPER	1
23	147748	PACKING KIT (NOT SHOWN) (ITEMS 15-22)	--

## Hydraulic Cylinder, 4 x 10 Rephase

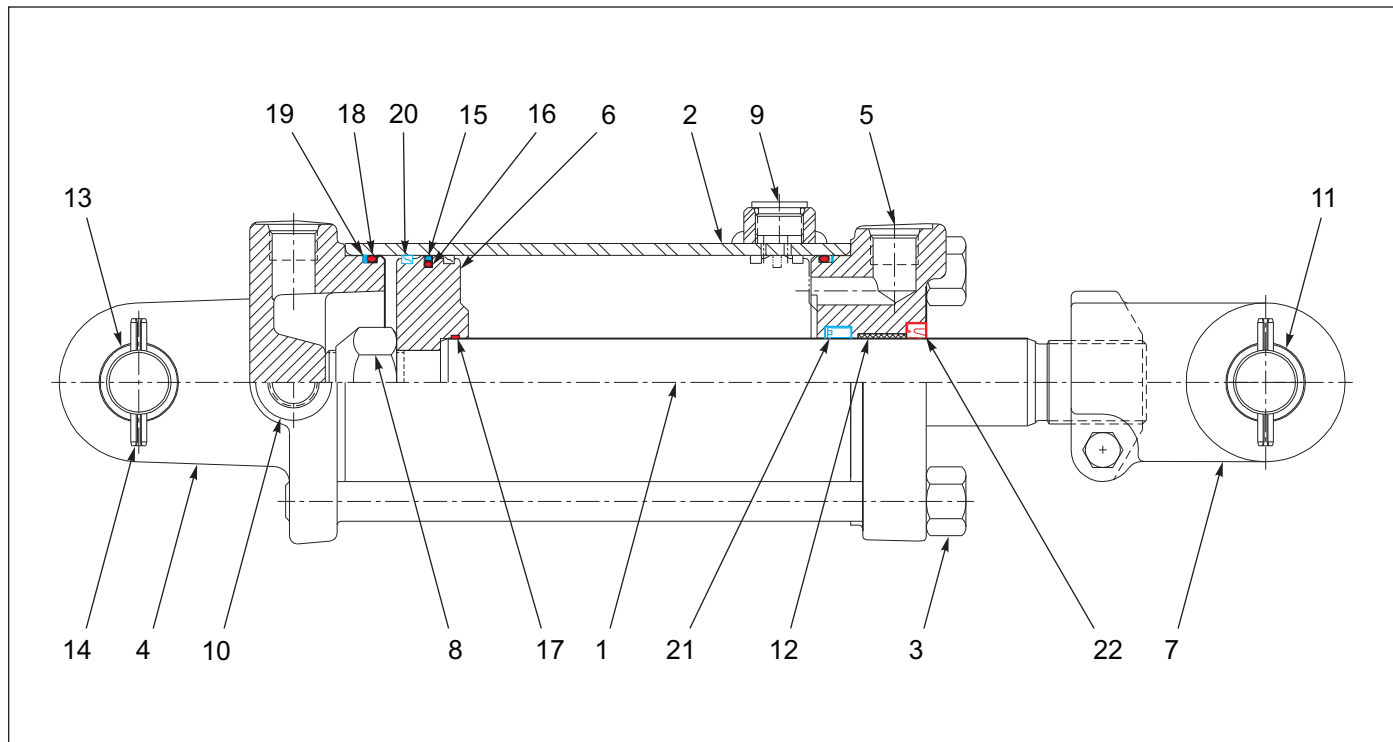


Figure 12-16: Hydraulic Cylinder, 4 x 10 Rephase

## Hydraulic Cylinder, 4 x 10 Rephase

ITEM	PART NUMBER	DESCRIPTION	QTY.
	201275	CYLINDER, REPHASE	--
1	145714	PISTON ROD	1
2	-----	TUBE ASSEMBLY	1
3	-----	TIE ROD ASSY	4
4	-----	BUTT CLEVIS ASSY	1
5	142109	GLAND ASSEMBLY	1
6	147744	PISTON	1
7	-----	CLEVIS ASSY	1
8	220000210	LOCK NUT	1
9	-----	PLUG, PORT	1
10	200300040	PLUG, PORT	3
11	141301	BUSHING	4
12	-----	BUSHING	1
13	143994	CLEVIS PIN	2
14	111789	ROLL PIN	4
15	-----	TEFLON SEAL	1
16	-----	O- RING	1
17	-----	O- RING	1
18	-----	O- RING	2
19	111795	BU- WASHER	2
20	-----	BEARING RING	1
21	-----	U- CUP	1
22	250014137	CANNED WIPER	1
23	147745	PACKING KIT (NOT SHOWN) (ITEMS 15-22)	--

# Electrical

## Electrical Assembly

7-PIN CONN.	4-PIN TOWER	CIRCUIT	WIRE COLOR
1	D	GROUND	GROUND
2	–	WORK LAMPS	BLACK ●
3	B	LEFT FLASHING & TURN	YELLOW ●
4	–	STOP LAMPS	RED ●
5	A	RIGHT FLASHING & TURN	GREEN ●
6	–	TAIL LAMPS	BROWN ●
7	C	SWITCHED POWER (12 V)	BLUE ●

MAIN WARNING LIGHT HARNESS - WIRING CHART

	1	2	3	4	5
	2-PIN TOWER	3-PIN TOWER	6-PIN SHROUD	3-PIN TOWER	2-PIN TOWER
● BLACK LEFT TURN			A	C	
● WHITE GROUND	A	A	B	A	A
● BROWN TAIL LIGHT		B	C	B	
● YELLOW LEFT TURN			D		B
● GREEN RIGHT TURN	B		E		
● RED RIGHT TURN			F		

REAR WARNING LIGHT HARNESS - WIRING CHART

Figure 13-1: Electrical Assembly (1 of 2)



# Electrical Assembly

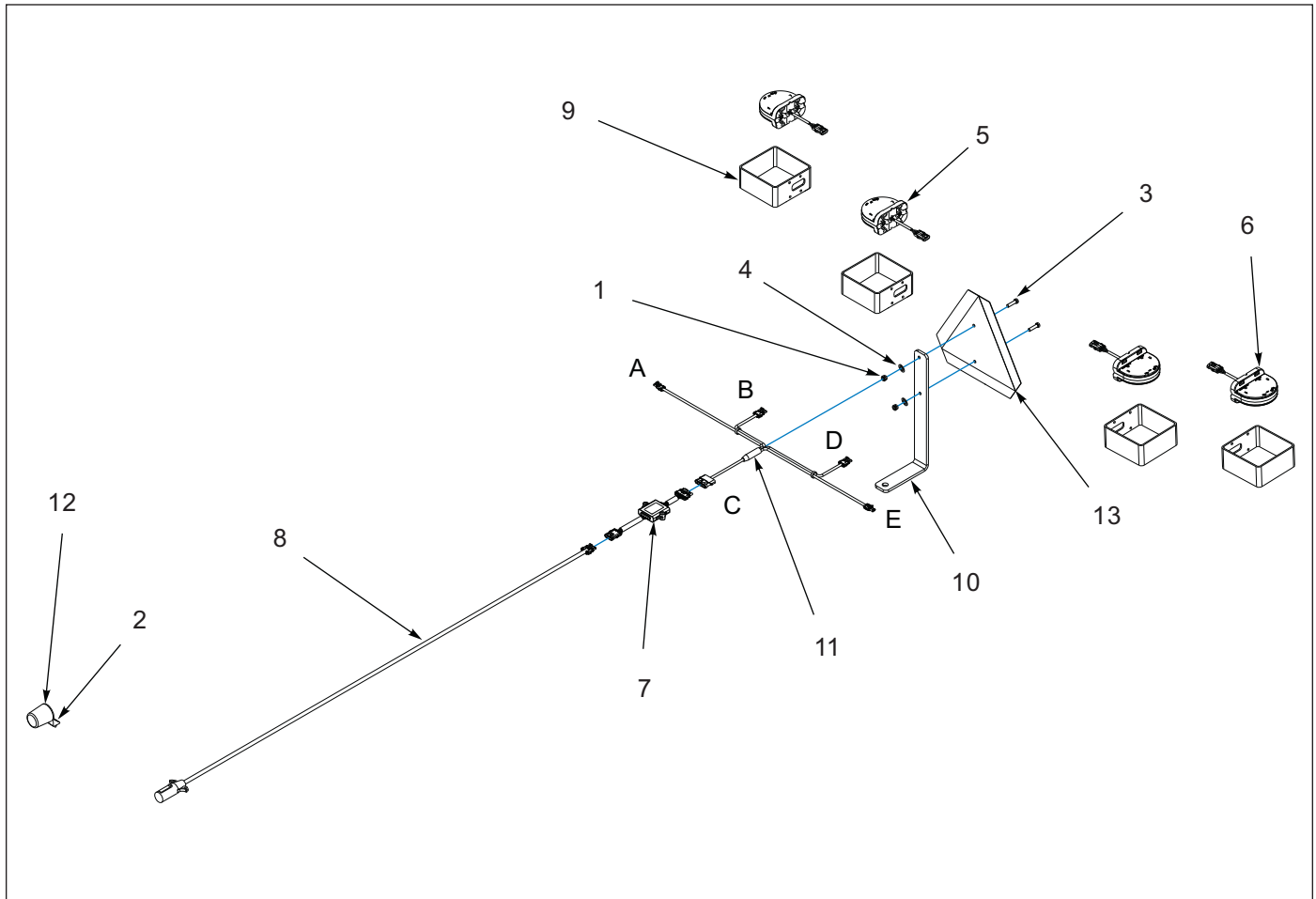


Figure 13-2: Electrical Assembly (2 of 2)

## Electrical Assembly

ITEM	PART NUMBER	DESCRIPTION	QTY.
	218737	KIT-WARNING LIGHT, 7822	--
1	1-512-010005-01	NUT,HEX,SLFLKG GRB 1/4-20	12
2	1-654-010047-05	SCREW, HX CP 1/4-20UNCx7/8 GR5	2
3	1-654-010047-06	SCREW,HX CP 1/4-20UNCX1 GR5	2
4	1-861-010032-07	WASHER,FLAT 1/4 ZP	2
5	174435	LAMP, AG RED SINGLE LED	2
6	174436	LAMP, AG AMBER SINGLE LED	2
7	174437	MODULE, AG FLASHER CONTROL	1
8	174438	HARNESS, MAIN WARNING LIGHTS	1
9	187689	GUARD-LAMP	4
10	191070	BRACKET, SMV 7831	1
11	195073	HARNESS, REAR WARNING LIGHTS	1
12	2-368-010287	HARNESS, STOR-A-WAY	1
13	70260977	SMV EMBLEM	1
14	1-654-010047-08	SCREW HX CP,1/4-20UNCX1-1/2G5	8
15	1-654-010047-10	SCREW,HX CP,1/4-20UNC X2 GR5	8

## Decals

### Decals

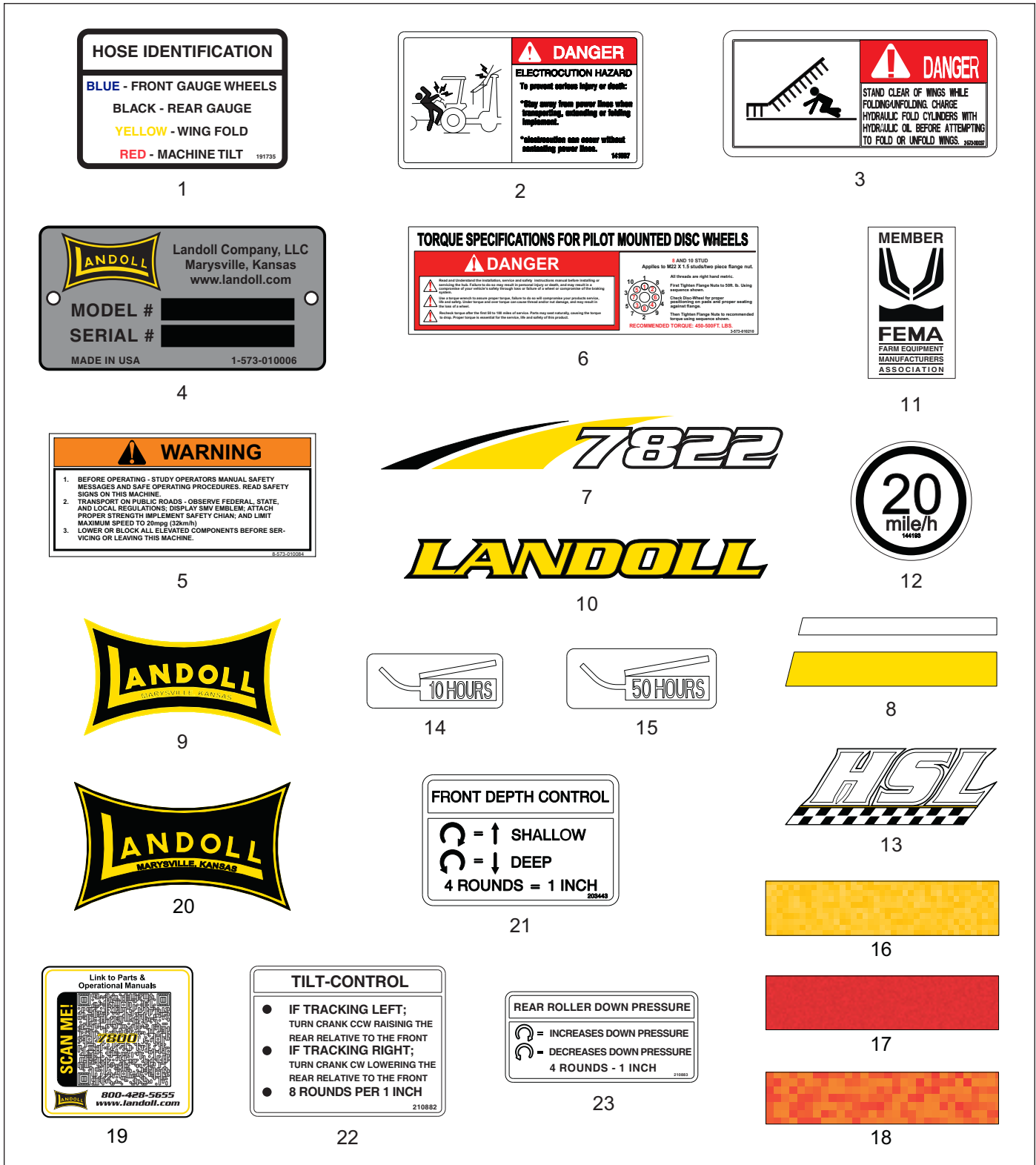


Figure 14-1: Decals

## Decals

ITEM	PART NUMBER	DESCRIPTION	QTY.
1	191735	DECAL-7831 HOSE IDENTIFICATION	1
2	141597	DECAL, DANGER ELECTROCUTION	1
3	2-573-010037	DECAL, DANGER, WING	2
4	1-573-010006	PLACARD, NAME	1
5	8-573-010084	DECAL WARNING BEFORE OPERATG	1
6	3-573-010210	DECAL TORQUE SPEC 8-10STU HUB	3
7	217323	DECAL-7822	4
8	161515	DECAL, STRIPE 1" X 84"	2
9	141259	DECAL, LANDOLL, YELLOW (5 X 3)	2
10	141260	DECAL, LANDOLL	REF
11	2-573-010198	DECAL, MEMBER FEMA	1
12	144193	DECAL, SIS 20 MPH	1
13	188810	DECAL, HSL	4
14	2-573-010330-02	DECAL, LUBRICATION 10 HOURS	6
15	2-573-010330-03	DECAL, LUBRICATION 50 HOURS	1
16	528934	REFLECTOR - YELLOW	2
17	528933	REFLECTOR - RED	4
18	528938	STRIPE, ORANGE	2
19	232186	DECAL, QR CODE 7800 SERIES	1
20	144351	DECAL, BLACK BOW-TIE (11 X 6-3/4)	2
21	203443	DECAL-DEPTH CONTROL, HSL	1
22	210882	DECAL, TILT CONTORL	1
23	210883	DECAL, REAR ROLLER	1
23	156010	RIVET, BLIND .156X1/2 (NOT SHOWN) (FOR INSTALLATION OF NAME PLACARD)	2

# Decal Placement

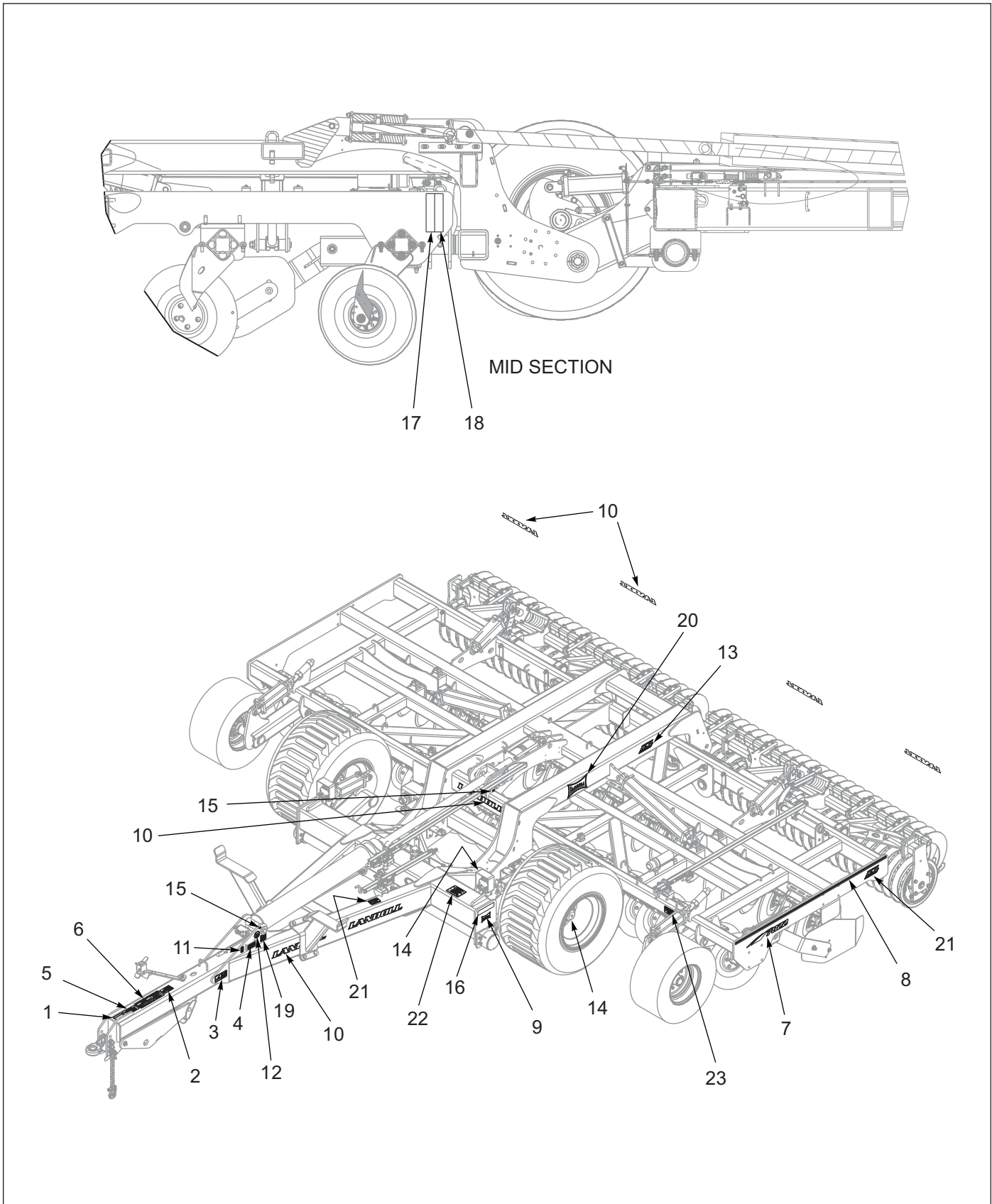


Figure 14-2: Decal Placement



# Glossary

---

For clarity this glossary of industry standard abbreviations and their definitions are provided. For additional information, see instruction on the inside front cover or the last page of this manual.

## A

---

**ASM** ..... Assembly

## B

---

**BATT** ..... Battery  
**BHSC** ..... Button Head Socket Cap  
**BLK** ..... Black

## C

---

**CB** ..... Carriage Bolt  
**CONN** ..... Connector  
**CRG** ..... Carriage  
**CTSK** ..... Countersunk  
**CTWT** ..... Counterweight  
**CVR** ..... Cover  
**CYD** ..... Cylinder

## D

---

**DBL** ..... Double  
**DIA** ..... Diameter

## E

---

**ENCLSD** ..... Enclosed

## F

---

**FHCS** ..... Flanged Head Cap Screw  
**FHHCS** ..... Flanged Hex Head Cap Screw  
**FL OR FLG** ..... Flange  
**FLT** ..... Flat

## G

---

**GA** ..... Gauge

## H

---

**HHCS** ..... Hex Head Cap Screw  
**HCS** ..... High Carbon Steel  
**HD** ..... Head  
**HLCL** ..... Helical  
**HCSKT** ..... Hex Socket  
**HSFC** ..... Hex Socket Flat Countersunk  
**HYD** ..... Hydraulic

## I

---

**ID** ..... Inside Diameter

## L

---

**LH** ..... Lefthand  
**LKG OR LOCK** ..... Locking  
**LWR** ..... Lower

## M

---

**MANF** ..... Manifold  
**MNT** ..... Mount

## N

---

**NRW** ..... Narrow  
 ----- ..... Not Serviced Separately

## O

---

**OD** ..... Outside Diameter  
**OHG** ..... Overhead Guard  
**ORFS OR ORS** ..... O-Ring Seal  
**ORP OR ORB** ..... O-Ring Boss

## P

---

**P-STEER** ..... Power Steering  
**PTFE** ..... Polytetrafluoroethylene (Teflon)

**R**

---

**RH** ..... Righthand  
**RND** ..... Round

**S**

---

**SER** ..... Series  
**SHCS** ..... Socket Head Cap Screw  
**SHLD** ..... Shield  
**SKT** ..... Socket  
**SLFLKG** ..... Selflocking  
**SOC** ..... Socket  
**SPDT** ..... Single Pole Double Throw  
**SPR** ..... Spring  
**SQ** ..... Square  
**SRTD** ..... Serrated  
**SSCR** ..... Setscrew  
**SST** ..... Stainless Steel  
**STD** ..... Standard

**U**

---

**UPR** ..... Upper

**W**

---

**WHL** ..... Wheel  
**WLD OR WLDMT** ..... Weldment

## Index

## Numerics

006-115-00 .....	3-2, 3-3	122917 .....	2-16, 4-9, 4-11
100131 .....	4-3, 4-7	124510 .....	12-1, 12-2, 12-4, 12-6, 12-7
1-007-010025 .....	12-1, 12-2, 12-3, 12-4, 12-6	127712 .....	1-2
100809 .....	4-3, 4-7	128874 .....	2-2, 2-18
100829 .....	4-3, 4-7	1-298-010001-1 .....	1-2, 4-3, 4-7
100856 .....	10-8, 10-9	135911 .....	12-15
100941 .....	9-11, 9-12	137943 .....	9-5, 9-10, 9-12, 11-9, 11-10
101385 ..	2-6, 2-10, 2-14, 2-20, 2-22, 2-24, 4-3, 4-7	139201 ..	2-2, 2-6, 2-10, 2-14, 2-18, 2-20, 2-22, 2-24
101864 .....	11-2, 11-4, 11-6, 11-8	1-397-010301070 .....	12-3
102-1333 .....	12-11	1-397-010301124 .....	12-3
102209 .....	10-8, 10-9	140191 .....	2-6, 2-10, 2-14, 2-20, 2-22, 2-24
102498 .....	3-1	140306 .....	12-17
102601 .....	3-1	1404013 .....	3-2
103103-002 .....	3-2, 3-3	140477 .....	9-11, 9-12, 11-9, 11-10
103841 ..	2-2, 2-6, 2-10, 2-14, 2-18, 2-20, 2-22, 2-24	140479 .....	9-11, 9-12
105106 .....	3-2, 3-3	140480 .....	9-11, 9-12, 11-9, 11-10
105107 .....	3-2, 3-3	140519 .....	4-3, 4-7
108628 .....	2-16, 4-9, 4-11	1406046 .....	12-3
110-4349 .....	9-5, 9-10	141151 .....	2-2
111789 .....	12-15, 12-16, 12-17, 12-18	141154 .....	2-6, 2-10, 2-14, 2-18, 2-20, 2-22, 2-24
111790 .....	12-15, 12-16	141209 .....	4-7
111795 .....	12-18	141234 .....	4-3, 4-7
111871 .....	12-16, 12-17	141249 .....	4-3, 4-7
111876 .....	12-16, 12-17	141251 ..	2-2, 2-6, 2-10, 2-14, 2-18, 2-20, 2-22, 2-24
116100 ..	2-2, 2-6, 2-10, 2-14, 2-18, 2-20, 2-22, 2-24	141259 .....	14-2
116490 .....	12-7	141260 .....	14-2
116491 .....	12-4, 12-6	141301 .....	12-15, 12-16, 12-17, 12-18
116606 .....	12-12	141597 .....	14-2
117163 .....	12-6	141826 .....	12-10
122709 .....	2-2, 2-18	141828 .....	12-1, 12-2, 12-3, 12-4, 12-6, 12-7, 12-8, 12-10, 12-11
122766 .....	11-11	141882 .....	12-6
122909 .....	12-8, 12-10	141883 .....	12-6
		141887 .....	12-4, 12-6



141889	12-6	1-512-010005-03	2-2, 2-6, 2-10, 2-14, 2-16, 4-3, 4-7, 4-9, 4-11
141890	12-6	1-512-010005-05	1-2, 2-2, 2-6, 2-10, 2-14, 2-18, 2-19, 2-21, 2-23, 4-3, 4-7, 8-1
142109	12-15, 12-18	1-512-010005-09	1-2, 2-2, 2-6, 2-10, 2-14, 2-18, 2-19, 2-21, 2-23, 4-3, 4-7
142110	12-15, 12-16	1-512-010005-13	1-3, 2-2, 2-6, 2-10, 2-14, 4-3, 4-7, 9-5, 9-10, 9-13, 10-8, 10-9, 11-2, 11-4, 11-6, 11-8
142112	12-15, 12-16	1-512-010005-15	2-2, 2-6, 2-10, 2-14, 2-18, 2-19, 2-21, 2-23, 4-3, 4-7, 9-1, 9-2, 9-3, 9-4, 9-6, 9-7, 9-8, 9-9, 10-1, 10-2, 10-3, 10-4, 10-5, 10-6, 10-7, 10-8, 10-9, 11-2, 11-4, 11-6, 11-8, 12-11
142114	12-15	1-512-010005-19	2-2, 2-6, 2-10, 2-14, 2-18, 2-19, 2-21, 2-23, 4-3, 4-7, 10-8, 10-9
142115	12-15, 12-16	1-512-010007-07	4-3, 4-7
142116	12-16	1-512-010007-16	2-2, 2-6, 2-10, 2-14, 2-18, 2-20, 2-22, 2-24
142753	2-2, 2-6, 2-10, 2-14	1-516-010001-20	3-1
143853	12-1, 12-2, 12-4, 12-6, 12-7, 12-11	1-516-010001-27	1-2
143994	12-15, 12-16, 12-17, 12-18	153696	4-3, 4-7
144048	2-16, 4-9, 4-11	153827	4-3, 4-7
144193	14-2	153843	12-8, 12-10
144341	1-2, 4-3, 4-7	154185	9-5, 9-10, 9-12, 11-9, 11-10
144342	12-10	154186	9-12, 11-9, 11-10
144343	12-6	155528	12-4, 12-6
144351	14-2	155529	12-8, 12-10
145130	12-4, 12-6	155530	12-7
145201	4-7, 12-4, 12-6, 12-15	1-557-010362-40	4-7
145202	12-6, 12-16	1-557-010362-51	3-1
145714	12-17, 12-18	156010	14-2
146707	12-11	156944	12-10
147072	9-1, 9-2, 9-3, 9-4, 9-6, 9-7, 9-8, 9-9, 9-13, 10-1, 10-2, 10-3, 10-4, 10-5, 10-6, 10-7, 11-2, 11-4, 11-6, 11-8, 12-11	156950	4-3, 4-7
147741	12-15, 12-16	156972	2-6, 2-10, 2-14, 2-20, 2-22, 2-24, 3-1
147742	12-15, 12-16	156973	3-1
147744	12-15, 12-18	156974	3-1
147745	12-15, 12-18	156979	3-1
147746	12-16	1-573-010006	14-2
147747	12-16	159954	2-6, 2-10, 2-14, 2-20, 2-22, 2-24
147748	12-16, 12-17	159955	2-6, 2-10, 2-14, 2-20, 2-22, 2-24
148142	12-12		
150273	12-6		
1-512-010002-05	11-2, 11-4, 11-6, 11-8		
1-512-010005-01	1-2, 2-2, 2-6, 2-10, 2-14, 13-2		

**INDEX**

159970 .....	3-1	1-654-010059-15 .....	4-3, 4-7
160693 .....	12-7	1-654-010061-05 .....	11-9, 11-10
161515 .....	14-2	1-654-010061-06 .....	4-3, 4-7, 4-8
1-630-010021-03 .....	2-16, 4-9, 4-11	1-654-010061-07 .....	4-3, 4-8
164471 .....	2-2, 2-6, 2-10, 2-14	1-654-010061-16 .....	2-2, 2-6, 2-20
1-647-010004221 .....	12-15, 12-16	1-654-010070-05 .....	2-2, 2-6, 2-10, 2-14
1-647-010004236 .....	1-2, 1-3	1-654-010125-22 .....	4-3, 4-7
1-647-010004259 ...	1-2, 2-2, 2-6, 2-10, 2-14, 2-18, 2-20, 2-22, 2-24	1-654-010126-05 .....	7-7, 10-8, 10-9
165254 .....	3-3	166717 .....	2-16, 4-9
165257 .....	2-2, 2-6, 2-10, 2-14, 4-3, 4-7	168456 .....	3-3
165259 .....	2-16, 4-9, 4-11	169849 .....	12-11
165260 .....	2-16, 4-9, 4-11	171556 .....	2-2, 2-6, 2-10, 2-14, 4-3, 4-8
165265 .....	2-2, 2-6, 2-10, 2-14, 4-7	171892 .....	2-2, 2-6, 2-10, 2-14
165335 .....	12-8	172802 .....	2-2, 2-10, 2-14, 4-3, 4-8
1-654-010047-05 .....	13-2	172891 .....	1-2
1-654-010047-06 .....	2-2, 2-6, 2-10, 2-14, 13-2	172919 ..	2-2, 2-6, 2-10, 2-14, 2-18, 2-20, 2-22, 2-24
1-654-010047-07 .....	1-2	172973 .....	12-3
1-654-010047-08 .....	13-2	174435 .....	13-2
1-654-010047-10 .....	13-2	174436 .....	13-2
1-654-010049-03 .....	3-2, 3-3	174437 .....	13-2
1-654-010051-06 .....	4-3, 4-7	174438 .....	13-2
1-654-010051-09	1-2, 2-2, 2-6, 2-10, 2-14, 2-18, 2-20, 2-22, 2-24	174523 .....	7-8
1-654-010051-11 .....	4-3, 4-7	174526 .....	7-8
1-654-010051-13 ..	1-2, 2-6, 2-10, 2-14, 2-20, 2-22, 2-24	174532 .....	7-8
1-654-010055-04 .....	1-2	174708 .....	2-16, 4-9
1-654-010055-10 .....	2-2, 2-6, 2-10, 2-14	174732 .....	7-1, 7-2, 7-3, 7-4, 7-5, 7-6, 7-7
1-654-010055-11 .....	4-3, 4-7	175283 .....	7-4, 7-7
1-654-010055-12 .....	2-2, 2-18	175284 .....	7-1
1-654-010055-15 ..	2-6, 2-10, 2-14, 2-20, 2-22, 2-24	175329 .....	7-2, 7-5
1-654-010059-02 ...	7-1, 7-2, 7-3, 7-4, 7-5, 7-6, 7-7	175677 ..	2-2, 2-6, 2-10, 2-14, 2-18, 2-20, 2-22, 2-24
1-654-010059-05 .....	4-3, 4-7, 9-10	175686 ..	2-2, 2-7, 2-10, 2-14, 2-18, 2-20, 2-22, 2-24
1-654-010059-06 .....	1-2	176035 .....	1-2, 12-8, 12-10, 12-13
1-654-010059-07 .....	4-3, 4-7	176904 .....	10-8, 10-9
1-654-010059-08 .....	2-2, 2-6, 2-10, 2-14	176999 .....	12-7
		177032 .....	4-3, 4-8
		177389 .....	12-11, 12-14

177398 .....	4-3, 4-8	1-861-010034-21 .....	9-5, 9-10, 9-12, 11-9, 11-10
180483 .....	12-13, 12-14	186247 .....	12-3
181785 .....	3-2, 3-3	186979 .....	7-1, 7-2, 7-3, 7-4, 7-5, 7-6
181789 .....	3-2, 3-3	187317 .....	1-2
181799 .....	12-8, 12-10	187318 .....	2-7, 2-11, 2-15, 2-20, 2-22, 2-24
1-822-010001 .....	4-3, 4-7	187436 .....	4-4, 4-8, 12-3, 12-12
182288 .....	4-9, 4-11	187479 .....	12-11
182289 .....	2-16, 4-9	187632 .....	2-7, 2-11
183815 .....	2-2, 2-7, 2-11, 2-15	187639 .....	4-4, 4-8
184413 .....	2-2, 2-7, 2-11, 2-15	187642 .....	4-4, 4-8
184585 .....	12-1, 12-2, 12-3	187645 .....	4-4, 4-8
184769 .....	3-2	187680 .....	12-11
185677 .....	12-7	187681 .....	12-11
185740 .....	7-8	187684 .....	4-4, 4-8, 12-11
185742 .....	7-1, 7-2, 7-3, 7-4, 7-5, 7-6, 7-7, 7-8	187689 .....	13-2
185757 .....	7-8	187692 .....	4-4, 4-8
1-861-010005 .....	3-1	187755 ..	9-1, 9-2, 9-3, 9-4, 9-6, 9-7, 9-8, 9-9, 10-1, 10-2, 10-3, 10-4, 10-7, 11-2, 11-4, 11-6, 11-8
1-861-010032-06 .....	3-2	188038 ..	2-3, 2-7, 2-11, 2-15, 2-18, 2-20, 2-22, 2-24
1-861-010032-07 .....	2-2, 2-6, 2-10, 2-14, 13-2	188757 .....	7-8
1-861-010032-08 .....	2-2, 2-6, 2-10, 2-14	188794 .....	12-11
1-861-010032-11 ..	1-2, 2-2, 2-6, 2-10, 2-14, 2-18, 2-20, 2-22, 2-24, 11-2, 11-4, 11-6, 11-8	188810 .....	14-2
1-861-010032-15 .....	2-2, 2-6, 2-10, 2-14, 2-18	188825 .....	9-11
1-861-010032-18 ..	4-7, 9-5, 9-10, 10-8, 10-9, 11-2, 11-4, 11-6, 11-8	191070 .....	13-2
1-861-010032-20 ..	2-2, 2-6, 2-20, 4-3, 4-7, 9-1, 9-2, 9-3, 9-4, 9-6, 9-7, 9-8, 9-9, 10-1, 10-2, 10-3, 10-4, 10-5, 10-6, 10-8, 10-9, 11-2, 11-4, 11-6, 11-8	191735 .....	14-2
1-861-010032-21 ..	2-2, 2-6, 2-10, 2-14, 2-18, 2-20, 2-22, 2-24, 12-11	191740 .....	9-5, 9-10
1-861-010032-24 ..	1-2, 4-3, 4-7, 9-1, 9-2, 9-3, 9-4, 9-6, 9-7, 9-8, 9-9, 10-1, 10-2, 10-3, 10-4, 10-5, 10-6, 10-7, 10-8, 10-9, 11-2, 11-4, 11-6, 11-8, 12-11	191742 .....	9-5, 9-10
1-861-010034-10 .....	3-2, 3-3	191750 .....	11-9, 11-10
1-861-010034-11 .....	4-3, 4-7	191751 .....	11-9
1-861-010034-13 .....	1-2	191752 .....	10-1, 11-2, 11-9
1-861-010034-15 ..	1-2, 7-1, 7-2, 7-3, 7-4, 7-5, 7-6, 7-7, 11-11	191759 .....	9-1, 9-2, 9-3, 9-6, 9-7, 9-8, 9-11
1-861-010034-17 .....	9-11, 9-12, 11-9, 11-10	191976 .....	3-2
		192522 .....	4-4, 4-8
		192584 .....	11-2, 11-11
		192585 .....	11-4, 11-11
		192594 .....	2-3, 2-7, 2-11, 2-15

**INDEX**

192890 . . . 1-2, 2-3, 2-7, 2-11, 2-15, 2-18, 2-20, 2-22, 2-24	198762 . . . . . 10-2, 11-4, 11-9
192949 . . . . . 10-2	198763 . . . . . 9-2
192951 . . . . . 10-1	198764 . . . . . 9-5
193699 . . . . . 2-3, 2-7, 2-11, 2-15	198767 . . . . . 9-2, 9-5
193730 . . . . . 2-3, 2-7, 2-11, 2-15	198772 . . . . . 10-6
193757 . . . . . 2-3, 2-7, 2-11, 2-15	198785 . . . . . 7-3, 7-6
193758 . . . . . 2-3, 2-7, 2-11, 2-15	198879 . . . . . 5-2
193763 . . . . . 2-3, 2-7, 2-11, 2-15	199417 . . . . . 9-1, 9-5
193814 . . . . . 3-2, 3-3, 4-4, 4-8	199418 . . . . . 9-5
194696 . . . . . 12-10	199421 . . . . . 10-5
195009 . . . . . 8-1	199434 . . . . . 11-4
195066 . . . 9-1, 9-2, 9-3, 9-4, 9-6, 9-7, 9-8, 9-9, 10-1, 10-2, 10-3, 10-4, 10-5, 10-6, 10-7, 11-2, 11-4, 11-6, 11-8	199436 . . . . . 11-2, 11-4, 11-6, 11-8
195073 . . . . . 13-2	199437 . . . . . 11-2, 11-4, 11-6, 11-8
195079 . . . . . 9-10	199466 . . . . . 9-8
195101 . . . . . 5-2	199467 . . . . . 9-10
195108 . . . . . 12-1, 12-2, 12-10	199469 . . . . . 9-7
195115 . . . 2-3, 2-7, 2-11, 2-15, 2-18, 2-20, 2-22, 2-24	1C380 . . . . . 1-2
195116 . . . . . 9-5	1P292 . . . . . 12-8, 12-10
195117 . . . . . 9-5	200300040 . . . . . 12-14, 12-15, 12-16, 12-17, 12-18
195161 . . . . . 8-1	200775 . . . . . 9-6
195162 . . . . . 8-1	200793 . . . . . 1-2
195163 . . . . . 8-1	200811 . . . . . 11-11
195164 . . . . . 8-1	200814 . . . . . 11-11
195277 . . . . . 2-3, 2-7, 2-11, 2-15	200818 . . . . . 11-11
195279 . . . . . 2-3, 2-15, 2-18, 2-20, 2-22, 2-24	200819 . . . . . 11-6, 11-11
195283 . . . . . 1-2	200823 . . . . . 11-6
195647 . . . . . 12-8, 12-10	200829 . . . . . 4-4, 4-8
196754 . . . . . 4-4, 4-8	201250 . . . 9-1, 9-2, 9-3, 9-4, 9-6, 9-7, 9-8, 9-9, 10-1, 10-2, 10-3, 10-4, 11-2, 11-4, 11-6, 11-8
197140 . . . 1-3, 2-7, 2-11, 2-15, 2-20, 2-22, 2-24, 9-13	201274 . . . . . 11-2, 11-4, 11-6, 11-8
198741 . . . . . 10-7	201275 . . . 2-3, 2-7, 2-11, 2-15, 4-3, 4-7, 12-4, 12-6, 12-7, 12-18
198745 . . . . . 9-5	201276 . . . 2-6, 2-10, 2-14, 2-18, 2-20, 2-22, 2-24, 12-6, 12-7, 12-17
198746 . . . . . 9-3, 9-5	201281 . . . . . 4-4, 4-8
198750 . . . . . 10-3	201282 . . . . . 4-4, 4-8
198761 . . . . . 11-9	201301 . . . . . 11-11

---

201302	11-11	207580	9-13
201303	11-11	207585	9-13
201337	2-16	207587	9-13
202702-10-8S	12-1, 12-2, 12-3	207590	9-13
202702-8-6S	12-11	208647	10-3, 11-6
202702-8-8S	12-2, 12-3	208648	11-9
202843	7-1, 7-2, 7-3, 7-4, 7-5, 7-6, 7-7	209162	9-1, 9-2, 9-3, 9-4, 9-6, 9-7, 9-8, 9-9, 10-1, 10-2, 10-3, 10-4, 10-5, 10-6, 10-7, 11-2, 11-4, 11-6, 11-8
202844	2-7, 2-11, 2-15, 2-20, 2-22, 2-24	209171	1-3
203399	1-2	209180	9-13
203403	11-11	209181	9-13
203433	1-2	209182	9-13
203450	12-1, 12-2, 12-3	209183	9-1, 9-6, 9-13, 10-1, 10-5, 11-2
203454	1-2	209184	9-4, 9-9, 9-13, 10-4, 11-8
203467	2-3, 2-7, 2-11, 2-15, 12-1, 12-2, 12-4, 12-6, 12-7	209189	2-7
203525	7-1, 7-2, 7-3, 7-4, 7-5, 7-6, 7-7, 10-8, 10-9	209194	2-3, 2-7, 2-11, 2-15
2061-8-8S	12-1, 12-2, 12-4, 12-6	209196	9-1, 9-2, 9-3, 9-4, 9-6, 9-7, 9-8, 9-9, 10-1, 10-2, 10-3, 10-4, 10-5, 10-6, 10-7, 11-2, 11-4, 11-6, 11-8
206209-8-8S	12-1, 12-2	209219	2-3, 2-11, 2-15
2062-10-8S	12-1, 12-2, 12-3, 12-4, 12-6, 12-7, 12-8, 12-10	209331	9-5, 9-10
2062-8-8S	12-1, 12-2, 12-3, 12-4, 12-6, 12-7, 12-10	209354	4-11
206709	2-3, 2-7, 2-11, 2-15, 2-18, 2-20, 2-22, 2-24	209357	4-11
207145	10-8	209366	2-3, 2-7, 2-11, 2-15
207147	10-9	209373	1-2, 1-3
207151	10-8, 10-9	209380	4-8
207153	10-5, 10-6, 10-8	209381	4-8
207154	10-5, 10-6, 10-7, 10-9	209382	4-8
207532	1-3	209392	7-1, 7-2, 7-3, 7-4, 7-5, 7-6
207537	9-1, 9-2, 9-3, 9-4, 9-6, 9-7, 9-8, 9-9, 10-1, 10-2, 10-3, 10-4, 10-5, 10-6, 10-7, 11-2, 11-4, 11-6, 11-8	209393	7-1, 7-2, 7-3, 7-4, 7-5, 7-6
207564	1-3	209436	12-4, 12-6
207566	1-3	210264	12-10
207567	1-3	210265	12-6
207571	1-3	210863	4-11
207577	9-2, 9-3, 9-7, 9-8, 9-13, 10-2, 10-3, 10-6, 10-7, 11-4, 11-6	210880	7-8
207578	9-13	210887	2-2, 2-6, 2-14, 2-18, 2-20, 2-22, 2-24

---

211319 .....	12-10	217380 .....	4-4, 4-8
211320 .....	12-8	217396 ..	2-3, 2-7, 2-11, 2-15, 2-18, 2-20, 2-22, 2-24
212633 .....	5-2, 6-2, 6-4	217397 .....	1-2
212639 .....	5-2, 6-2, 6-4	217942 .....	1-2
212645 .....	5-2, 6-2, 6-4	217943 .....	1-2
214671 .....	11-10	217966 .....	11-2, 11-4, 11-6, 11-8
214682 10-1, 10-2, 10-3, 10-4, 11-2, 11-4, 11-6, 11-8, 11-10		217967 .....	11-2, 11-4, 11-6, 11-8
214683 .....	9-12	217989 .....	1-3
214684 ... 9-1, 9-2, 9-3, 9-4, 9-6, 9-7, 9-8, 9-9, 9-12		2-181-010001 .	1-2, 2-3, 2-7, 2-11, 2-15, 2-18, 2-20, 2-22, 2-24
214688 .....	11-2	218701 .....	2-7, 2-11, 2-15
214689 .....	11-2	218702 .....	2-20, 2-22, 2-24
2-150-010008 .....	4-4, 4-8	218705 .....	2-11, 2-15
2-150-010174 .....	1-2, 4-4, 4-8	218706 .....	2-16
215351 .....	2-7, 2-11, 2-15, 2-20, 2-22, 2-24	218707 .....	2-3, 2-7, 2-11, 2-15, 2-16
215690 .....	11-2	218720 .....	4-4, 4-8
217287 .....	7-4, 7-5, 7-6	218721 .....	4-4, 4-8
217288 .....	7-1, 7-2, 7-3	218724 .....	4-4, 4-8
217299 .....	1-3	218733 .....	7-8
217300 .....	9-13	218735 .....	4-4, 4-8, 12-1, 12-2
217302 .....	2-3, 2-11, 2-15	218736 .....	1-2
217315 .....	6-2, 6-4, 7-4, 7-7	218737 .....	13-2
217316 .....	5-1, 5-2, 7-1	218739 .....	7-7
217317 .....	6-2, 7-5	218748 .....	4-9
217318 .....	6-4, 7-2	218749 .....	4-4, 4-8, 4-9
217319 .....	6-2, 7-6	218763 .....	4-11
217320 .....	6-4, 7-3	218797 .....	4-4, 4-8
217321 .....	5-1	218798 .....	4-3, 4-7
217323 .....	14-2	218799 .....	4-8, 4-11
217324 .....	1-2	219435 .....	9-13
217325 .....	2-11	219502 .....	2-15
217326 .....	2-22	219503 .....	2-24
217329 .....	2-10	219508 .....	2-7
217330 .....	2-21	219509 .....	2-20
217331 .....	1-2	219512 .....	2-3
217332 .....	4-3, 4-7	219513 .....	2-18

219517 .....	2-2	219939 .....	2-7
219518 .....	2-18	219943 .....	1-2
219519 .....	2-6	219945 .....	7-8
219520 .....	2-19	219946 .....	7-8
219521 .....	2-14	219950 .....	2-3, 2-7, 2-11, 2-15
219522 .....	2-23	219951 .....	2-3, 2-7, 2-11, 2-15
219530 .....	2-3	220000210 .....	12-14, 12-15, 12-16, 12-17, 12-18
219540 .....	11-8	220780 .....	5-1
219541 .....	11-8, 11-11	220809 .....	10-4
219542 .....	11-11	220811 .....	9-4
219544 .....	10-4, 11-8, 11-9	220812 .....	9-9
219545 .....	11-9	220813 .....	10-4
219546 .....	11-8	220815 .....	9-4, 9-5
219547 .....	5-1	220816 .....	9-5
219548 .....	5-2	220818 .....	9-4, 9-9, 9-12
219555 .....	5-1	220819 .....	9-12
219556 .....	5-2, 6-2, 6-4	220821 .....	9-9
219578 .....	5-1	221043 .....	5-1
219579 .....	2-3, 2-18	221047 .....	5-1
219580 .....	2-3, 2-18	221050 .....	5-1
219901 .....	10-1	221054 .....	5-1
219902 .....	10-5	221062 .....	7-7
219903 .....	9-1	221066 .....	7-7
219904 .....	9-6	221788 .....	12-8, 12-10
219905 .....	10-2	223311 .....	9-2, 9-7, 10-2, 10-7, 11-4
219906 .....	10-6	223312 .....	9-2, 9-7, 10-2, 10-7, 11-4
219907 .....	9-2, 9-7	223313 .....	9-1, 9-6, 10-1, 10-5, 10-6, 11-2
219909 .....	10-3	223314 .....	9-1, 9-6, 10-1, 10-5, 10-6, 11-2
219910 .....	10-7	223315 .....	9-3, 9-4, 9-8, 9-9, 10-3, 10-4, 11-6, 11-8
219911 .....	9-3	223316 .....	9-3, 9-4, 9-8, 9-9, 10-3, 10-4, 11-6, 11-8
219912 .....	9-8	226570 .....	4-3, 4-7
219914 .....	11-2	227899 .....	4-8
219915 .....	11-4	227902 .....	4-8
219916 .....	11-6	23085 .....	2-3, 2-7, 2-11, 2-15, 2-18, 2-20, 2-22, 2-24
219937 .....	4-4, 4-8	232186 .....	14-2
219938 .....	4-3, 4-7	2-368-010287 .....	13-2

**INDEX**

---

2-474-010022 ..... 12-1, 12-2, 12-4, 12-6

250014137 ..... 12-17, 12-18

2-573-010037 ..... 14-2

2-573-010198 ..... 14-2

2-573-010330-02 ..... 14-2

2P793 .. 2-3, 2-7, 2-11, 2-15, 2-18, 2-20, 2-22, 2-24

3/4-10X2-1/2CB ... 2-3, 2-7, 2-11, 2-15, 2-18, 2-20,  
2-22, 2-24, 10-5, 10-6, 10-7, 12-11

3067 ..... 3-2, 3-3

3-573-010210 ..... 14-2

3K287 ..... 4-8

3P011 ..... 11-2, 11-4, 11-6, 11-8

3P079 ... 9-1, 9-2, 9-3, 9-4, 9-6, 9-7, 9-8, 9-9, 10-1,  
10-2, 10-3, 10-4, 10-5, 10-6, 10-7, 11-2, 11-4, 11-6,  
11-8

5001195 ..... 12-10

5013 ..... 3-2

528933 ..... 14-2

528934 ..... 14-2

528938 ..... 14-2

5J758 10-1, 10-2, 10-3, 10-4, 10-5, 10-6, 10-7, 11-2,  
11-4, 11-6, 11-8

5J768 ..... 9-1, 9-2, 9-3, 9-4, 9-6, 9-7, 9-8, 9-9

622-3511-010 ..... 7-1, 7-2, 7-3, 7-4, 7-5, 7-6, 7-7

70239854 ..... 2-3, 2-7, 2-11, 2-15

70260977 ..... 13-2

71508992 ..... 12-4, 12-6

8-573-010084 ..... 14-2

8K047 ..... 1-2, 1-3, 9-13

8K756 ..... 1-2

**H**

---

HM212049 ..... 3-2, 3-3

HM218248 ..... 3-2, 3-3





# Instructions for Ordering Parts

**\*\* Repair parts must be ordered through an Authorized Dealer \*\***

## DEALER INSTRUCTIONS FOR ORDERING PARTS FROM LANDOLL PARTS DISTRIBUTION CENTER

Phone #: 800-423-4320 or 785-562-5381

Fax #: 888-527-3909

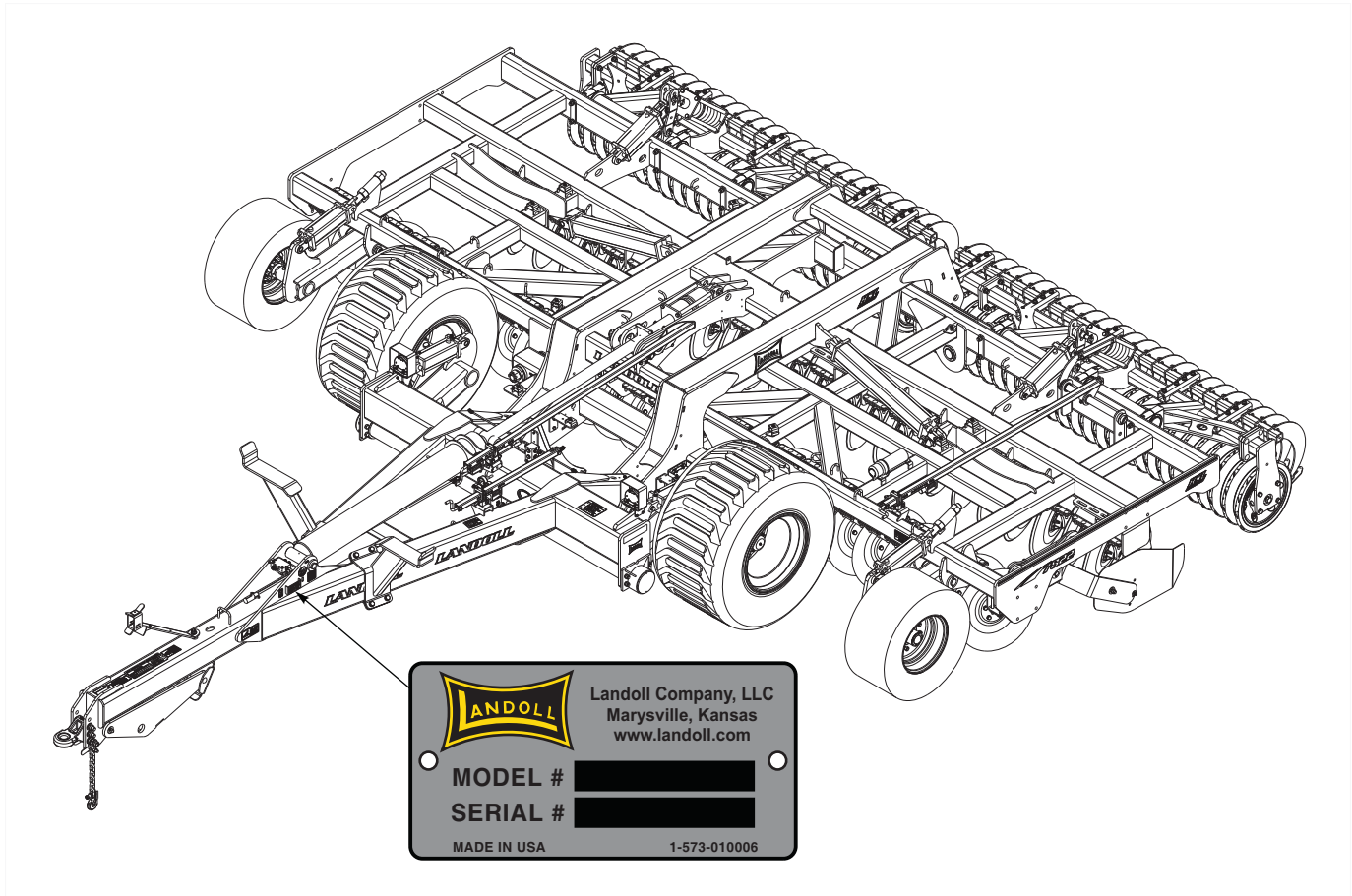
Order online: [dealer.landoll.com](http://dealer.landoll.com)

### IDENTIFICATION PLATE

The identification plate, which lists the model number and serial number, is located on the front of the frame.

### SERIAL NUMBER

The serial number is located on the identification plate.  
The following information will help decode the serial number



**Figure 17-1: Identification Plate and Location**

## Manuals for 7822 High Speed Landoll (HSL)

Manual Number	Manual Type
F-1045	Operator's Manual
F-1034	Parts Manual

## Document Control Revision Log:

Date	Form #	Improvement(s): Description and Comments
07/08/2019	F-1034-0719	Initial Release - GG
08/27/2019	F-1034-0919	ECN 45170 - Update Rockshafts
10/15/2019	F-1034-1019	ECN 45244 - Update Cylinders
10/17/2019	F-1034-1019	ECN 45359 - Remove P/N 130009, Change Qty 1-512-010005-19
06/2020	F-1034-0620	ECN 45652 - Lift Bearing Cap Update ECN 45721 - Wing Hardware ECN 45881 - Hydraulic Cylinder Service Part Numbers, 8" Rephase ECN 45886 - Hydraulic Plug 1-007-010025 ECN 46096 - Hub/Spindle 193814 Update
03/2021	F-1034-0321	ECN 47061 - Update Divider-Flow, Hyd P/N
07/2021	F-1034-0721	ECN 46640 - Update Tilt Control Linkage ECN 47137 - Added QR Code Decal, Update Decals ECN 47227 - Change to Plate-Tilt Stop ECN 47254 - Wing Hardware
09/2021	F-1034-0921	Added Chevron Mount Extension Asm, P/N Corrections
03/2023	F-1034-2303	ECN 48625 - Hitch Assembly, Moved Tilt Control to Tilt Cylinder, Hydraulic Kit ECN 48761 - Link-Spring Changes on Reel/Roller Assemblies *Revision Format "Year/Month"
09/2023	F-1034-2309	ECN 49292 - Manual Holder (larger size), Hose Asm



---

# Intertek

Equipment from Landoll Company, LLC is built to exacting standards ensured by ISO 9001 registration at all Landoll manufacturing facilities.

## 7822 High Speed Landoll (HSL) Parts Manual

### Re-Order Part Number F-1034

**LANDOLL COMPANY, LLC**

1900 North Street

Marysville, Kansas 66508

(785) 562-5381

800-428-5655 ~ **WWW.LANDOLL.COM**



Copyright 2023. Landoll Company, LLC

“All rights reserved, including the right to reproduce this material or portions thereof in any form.”

