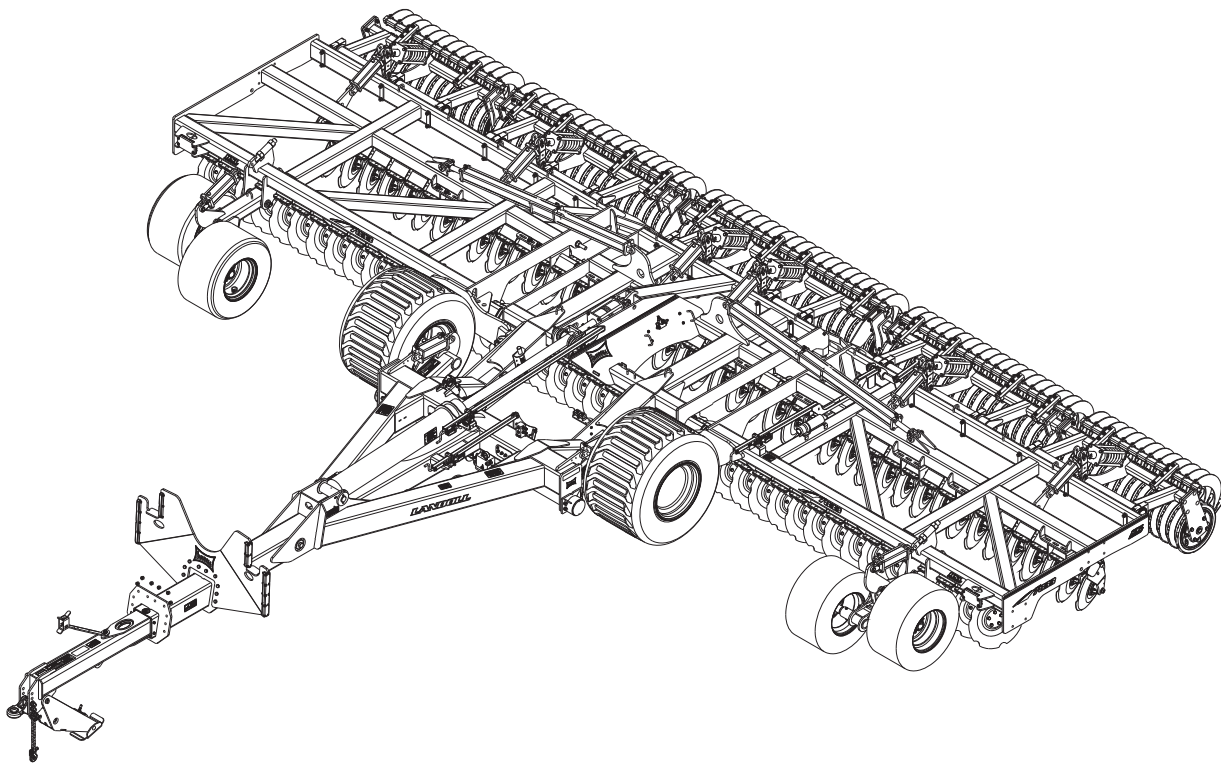




**Model 7833
High Speed Landoll (HSL)
Parts Manual**



LANDOLL COMPANY, LLC

1900 North Street

Marysville, Kansas 66508

(785) 562-5381

800-428-5655 ~ WWW.LANDOLL.COM

Instructions for Ordering Parts

**** Repair parts must be ordered through an Authorized Dealer ****

DEALER INSTRUCTIONS FOR ORDERING PARTS FROM LANDOLL PARTS DISTRIBUTION CENTER

Phone #: 800-423-4320 or 785-562-5381

Fax #: 888-527-3909

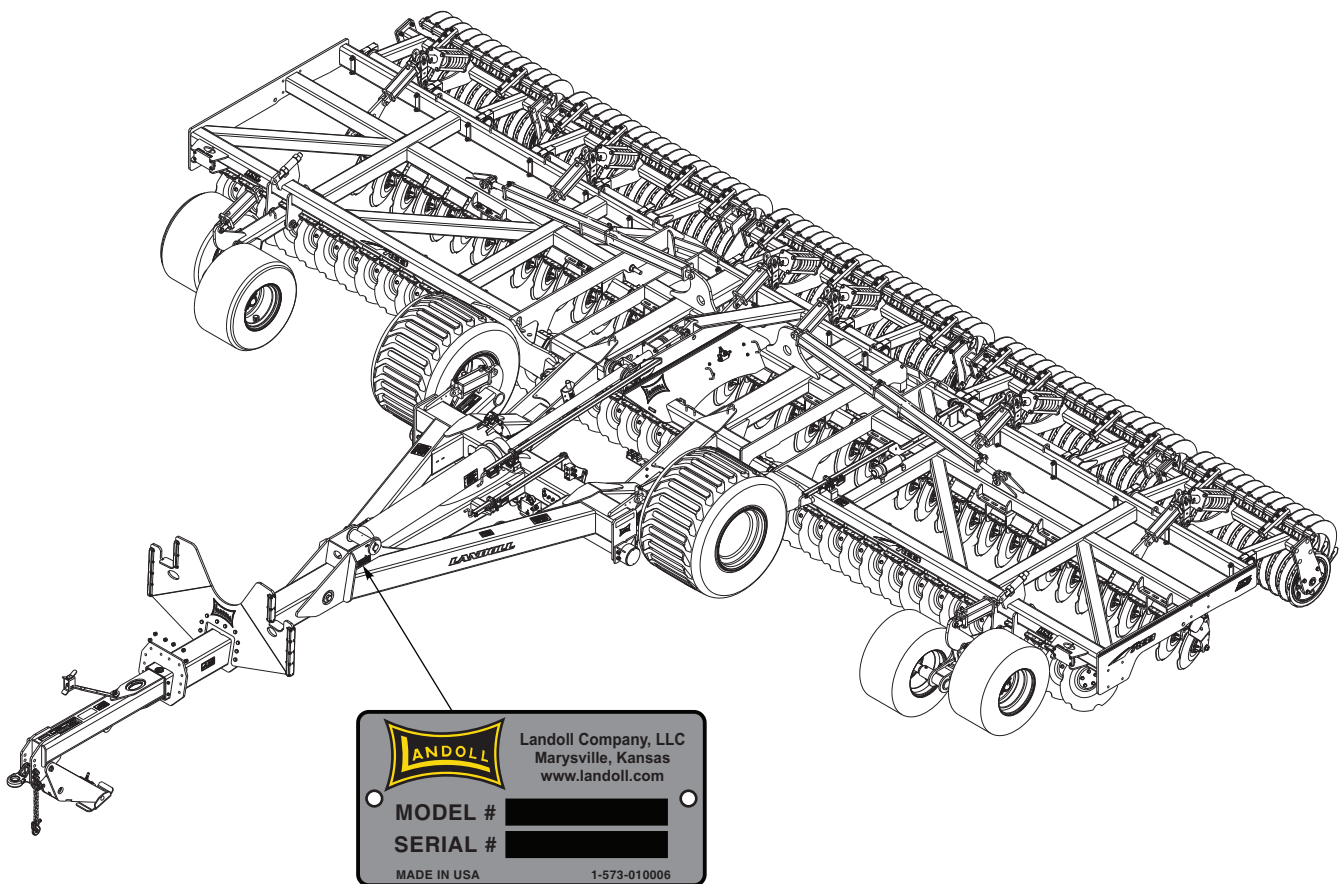
Order online: dealer.landoll.com

IDENTIFICATION PLATE

The identification plate, which lists the model number and serial number, is located on the front of the frame.

SERIAL NUMBER

The serial number is located on the identification plate.



Identification Plate and Location

Manuals for 7833 HSL

Manual Number	Manual Type
F-894	7833 HSL Operator's Manual
F-895	7833 HSL Parts Manual

Table of Contents

1	Center Frames & Assemblies	
	Center Section Frame Assembly, 25' & 30' (AFTER 12/2020)	1-1
	Center Section Frame Assembly, 35' & 40' (AFTER 12/2020)	1-4
	Center Section Frame Assembly, 25' & 30' (BEFORE 12/2020)	1-7
	Center Section Frame Assembly, 35' & 40' (BEFORE 12/2020)	1-10
	Bracket Spring Assembly	1-13
2	Wing Frames & Assemblies	
	25' Wing Frame Assembly	2-1
	30' Wing Frame Assembly	2-5
	35' Wing Frame Assembly	2-9
	40' Wing Frame Assembly	2-13
	Blade Leveler Assembly	2-16
3	Spindle & Hub	
	Spindle & Hub, 8 Bolt (AFTER 02/2020)	3-1
	Spindle & Hub, 8 Bolt, 35' & 40' (AFTER 01/10/2023)	3-2
	Spindle & Hub, 8 Bolt (BEFORE 02/2020)	3-3
	Spindle & Hub, 10 Bolt (AFTER 05/2020)	3-4
	Spindle & Hub, 10 Bolt (BEFORE 05/2020)	3-5
4	Tires and Wheels	
	Transport Tire and Wheel	4-1
	Gauge Tire and Wheel	4-2
5	Wing Gauge	
	Wing Gauge Assembly	5-1
	Depth Control Tube Assembly (USED ON WING ASSEMBLY)	5-3
	Walking Beam Assembly - 201264	5-4
	Walking Beam Assembly - 230976	5-5
6	Hitch Assembly	
	Hitch Assembly, 25' & 30' (AFTER 12/2022)	6-1
	Hitch Assembly, 35' & 40' (AFTER 12/2022)	6-5
	Hitch Assembly, 25' & 30' (BEFORE 12/2022)	6-9
	Hitch Assembly, 35' & 40' (BEFORE 12/2022)	6-13
	Hitch Components	6-17
	Depth Control Tube Assembly (USED ON HITCH ASSEMBLY)	6-19
	Tilt Stop Assembly (AFTER 12/2022)	6-20
	Tilt Stop Assembly (BEFORE 12/2022)	6-21
7	Center Section (Front) Disc Assemblies	
	Center Section (Front) Disc Assemblies	7-1

8	Center Section (Rear) Gang Assemblies	
	Center Section (Rear) Gang Assemblies	8-1
9	Left Wing (Front) Disc Assemblies	
	Left Wing (Front) Disc Assemblies	9-1
10	Left Wing (Rear) Gang Assemblies	
	25' Gang Assemblies (Left Wing - Rear)	10-1
	30' Gang Assemblies (Left Wing - Rear)	10-3
	35' Gang Assemblies (Left Wing - Rear)	10-5
	40' Gang Assemblies (Left Wing - Rear)	10-7
11	Right Wing (Front) Disc Assemblies	
	Right Wing (Front) Disc Assemblies	11-1
12	Right Wing (Rear) Gang Assemblies	
	25' Gang Assemblies (Right Wing - Rear)	12-1
	30' Gang Assemblies (Right Wing - Rear)	12-3
	35' Gang Assemblies (Right Wing - Rear)	12-5
	40' Gang Assemblies (Right Wing - Rear)	12-7
13	Left Hand - Front Disc Assemblies	
	Hybrid Shank Assembly (LH Front) (AFTER 03/01/2019)	13-1
	Hybrid Shank Assembly (LH Front) (02/15/18 TO 03/01/19)	13-2
	Compound Angle Shank Assembly (LH Front) (AFTER 03/01/2019)	13-3
	Compound Angle Shank Assembly (LH Front) (BEFORE 03/01/2019)	13-4
	Vertical Shank Assembly (LH Front) (AFTER 03/01/2019)	13-5
	Vertical Shank Assembly (LH Front) (BEFORE 03/01/2019)	13-6
	Disc Hub Assembly	13-7
14	Right Hand - Rear Disc Assemblies	
	Hybrid Shank Assembly (RH Rear) (AFTER 03/01/2019)	14-1
	Hybrid Shank Assembly (RH Rear) (02/15/18 TO 03/01/19)	14-2
	Hybrid Shank Assembly, 22" (RH)	14-3
	Compound Shank Assembly (RH Rear) (AFTER 03/01/2019)	14-4
	Compound Shank Assembly (RH Rear) (BEFORE 03/01/2019)	14-5
	Compound Shank Assembly 22" (RH)	14-6
	Vertical Shank Assembly (RH Rear) (AFTER 03/01/2019)	14-7
	Vertical Shank Assembly (RH Rear) (BEFORE 03/01/2019)	14-8
	Vertical Shank Assembly 22" (RH)	14-9
15	Scraper and Blade Assembly	
	Scraper and Blade Assembly	15-1
16	Hydraulics	
	Hitch Hydraulics Adapter Kit (AFTER 12/2022)	16-1
	Hitch Hydraulics Adapter Kit (03/2018 TO 12/2022)	16-3
	Hitch Hydraulics Adapter Kit (BEFORE 03/2018)	16-5

Center Section Hydraulic Kit (AFTER 03/2018)	16-7
Center Section Hydraulic Kit (BEFORE 03/2018)	16-8
25' Hydraulic Diagram (AFTER 03/2018)	16-9
30' Hydraulic Diagram (AFTER 03/2018)	16-15
35' Hydraulic Diagram (AFTER 03/2018)	16-21
40' Hydraulic Diagram (AFTER 03/2018)	16-27
25' Hydraulic Diagram (BEFORE 03/2018)	16-33
30' Hydraulic Diagram (BEFORE 03/2018)	16-39
35' Hydraulic Diagram (BEFORE 03/2018)	16-45
40' Hydraulic Diagram (BEFORE 03/2018)	16-51
Hydraulic Cylinder, 4.5 X 8 - 145200	16-57
Hydraulic Cylinder, 4 X 8 - 145201	16-58
Hydraulic Cylinder, 3.75 X 8 - 145202	16-59
Hydraulic Cylinder, 3.5 X 10 - 201292	16-60
Hydraulic Rephase Cylinder, 10"	16-61
Hydraulic Cylinder, 4.5 X 8 - 177389	16-63
Hydraulic Cylinder, 4 X 48 - 201347	16-64
Hydraulic Cylinder, 7 X 60 (25' & 30') - 187436	16-65
Hydraulic Cylinder, 8 X 60 (35' & 40') - 199920	16-66
Hydraulic Cylinder, 4.5 X 10 - 223374	16-67
17 Electrical	
Wiring Diagram	17-1
18 Reel Mounts & Extensions (Rubber Roller & Single Chevron)	
Reel Mount Plate Assemblies	18-1
25' Reel Mount Extension Assemblies (AFTER 03/2018)	18-2
30' Reel Mount Extension Assemblies (AFTER 03/2018)	18-3
35' Reel Mount Extension Assemblies (AFTER 03/2018)	18-4
40' Reel Mount Extension Assemblies (AFTER 03/2018)	18-5
Reel Mount Extension Assemblies (BEFORE 03/2018)	18-6
19 Rubber Roller Assemblies	
25' Rubber Roller Assembly (AFTER 03/2018)	19-1
30' Rubber Roller Assembly (AFTER 03/2018)	19-3
35' Rubber Roller Assembly (AFTER 03/2018)	19-5
40' Rubber Roller Assembly (AFTER 03/2018)	19-7
25' Rubber Roller Assembly (BEFORE 03/2018)	19-9
30' Rubber Roller Assembly (BEFORE 03/2018)	19-11
35' Rubber Roller Assembly (BEFORE 03/2018)	19-13
40' Rubber Roller Assembly (BEFORE 03/2018)	19-15
20 Single Chevron Reel Assemblies	
25' Single Chevron Reel Assembly (AFTER 03/2018)	20-1
30' Single Chevron Reel Assembly (AFTER 03/2018)	20-2
35' Single Chevron Reel Assembly (AFTER 03/2018)	20-3
40' Single Chevron Reel Assembly (AFTER 03/2018)	20-4

25' Single Chevron Reel Assembly (BEFORE 03/2018) 20-5
 30' Single Chevron Reel Assembly (BEFORE 03/2018) 20-6
 35' Single Chevron Reel Assembly (BEFORE 03/2018) 20-7
 40' Single Chevron Reel Assembly (BEFORE 03/2018) 20-8
 Double Tine Kit 20-9

21 Spring Reel Assemblies

25' Spring Reel Assembly (AFTER 03/2018) 21-1
 30' Spring Reel Assembly (AFTER 03/2018) 21-2
 35' Spring Reel Assembly (AFTER 03/2018) 21-3
 40' Spring Reel Assembly (AFTER 03/2018) 21-4
 25' Spring Reel Assembly (BEFORE 03/2018) 21-5
 30' Spring Reel Assembly (BEFORE 03/2018) 21-6
 35' Spring Reel Assembly (BEFORE 03/2018) 21-7
 40' Spring Reel Assembly (BEFORE 03/2018) 21-8
 Spring Reel Assemblies, Hemi 21-9
 Spring Reel Assemblies, 4 Leaf 21-11
 Spring Reel Mount Assembly (AFTER 03/2018) 21-13
 Spring Reel Mount Assemblies (BEFORE 03/2018) 21-14
 Spring Reel Mount Extension Assemblies (AFTER 03/2018) 21-15
 Spring Reel Mount Extension Assemblies (BEFORE 03/2018) 21-16

22 Harrow Assemblies

4 Bar Harrow Assembly - 40FT 22-1
 4 Bar Harrow Assembly - 35FT 22-5
 4 Bar Harrow - Center 22-9
 4 Bar Harrow - Intermediate 22-11
 4 Bar Harrow - Narrow 22-13
 3 Bar Harrow Assembly - 40FT 22-15
 3 Bar Harrow - Center 22-17
 3 Bar Harrow - Intermediate 22-19

23 Decals

Decal Placement 23-1

24 Glossary

25 Index

Center Frames & Assemblies

Center Section Frame Assembly, 25' & 30' (AFTER 12/2020)

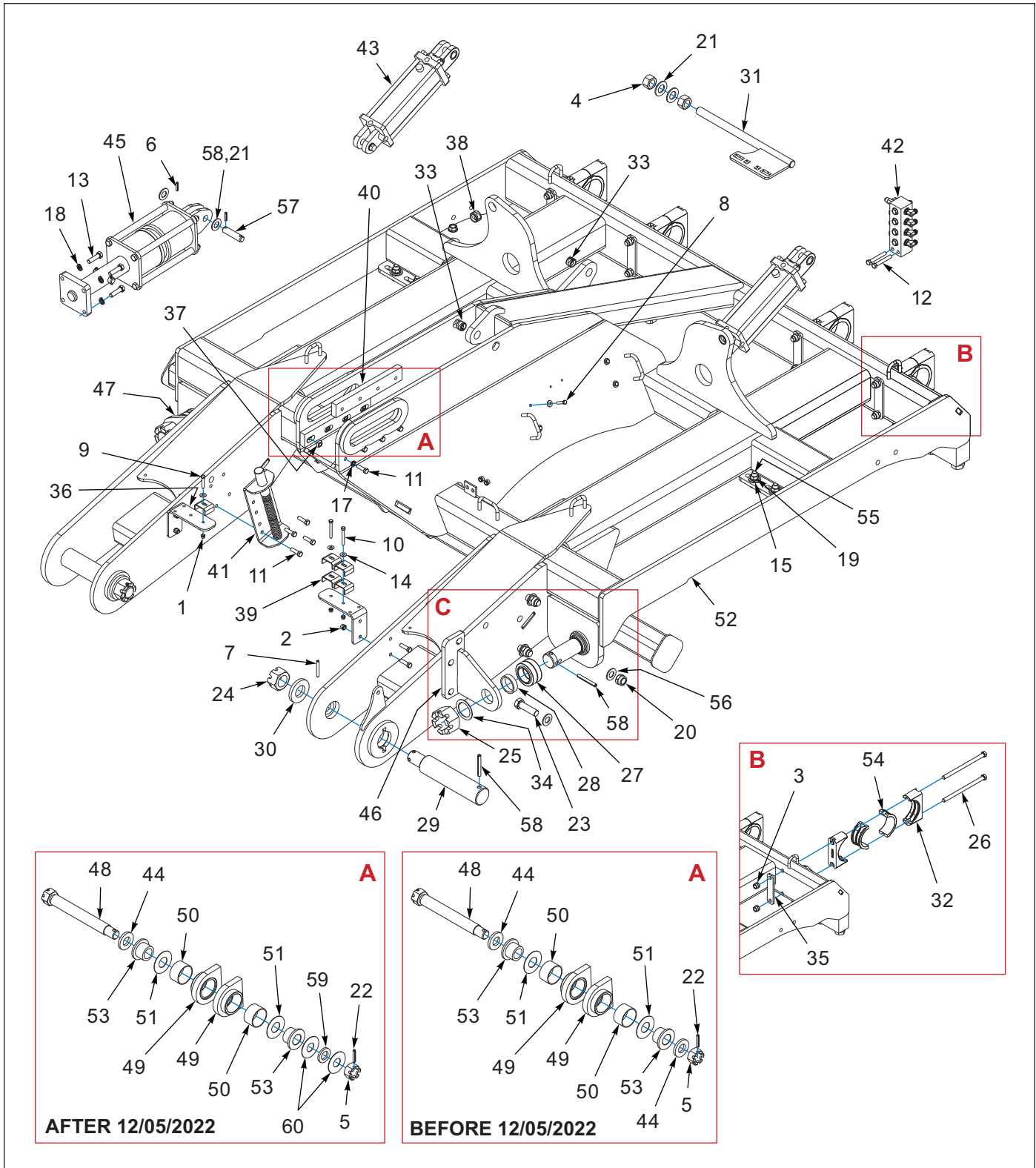


Figure 1-1: Center Section Frame Assembly, 25' & 30' (AFTER 12/2020) (1 of 2)

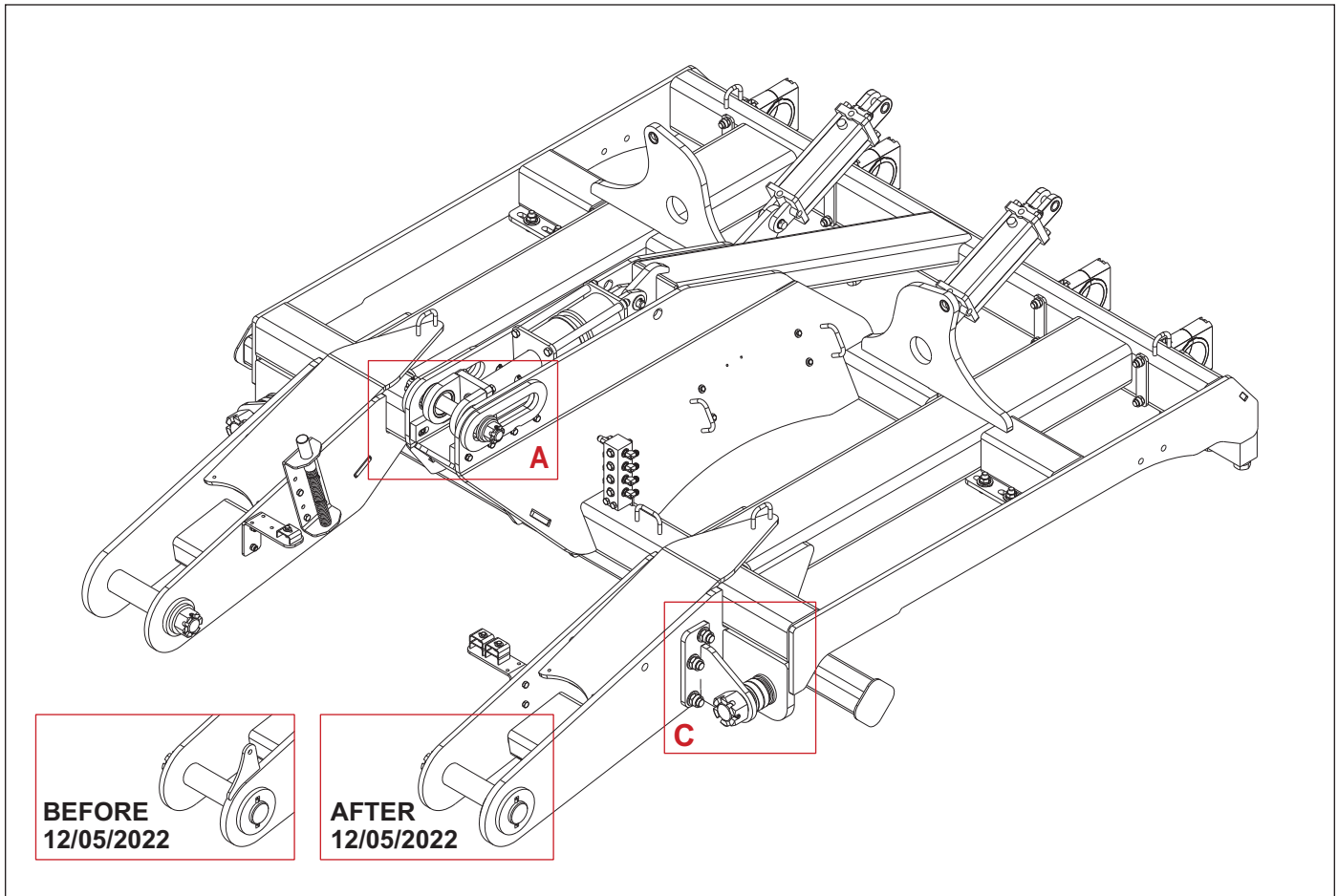


Figure 1-2: Center Section Frame Assembly, 25' & 30' (AFTER 12/2020) (2 of 2)

Center Section Frame Assembly - 25' & 30' (AFTER 12/2020)

ITEM	PART NUMBER	DESCRIPTION	QTY.
1	1-512-010005-05	NUT, HEX, SLFLKG GRB 3/8-16	7
2	1-512-010005-09	NUT,HEX,SLFLKG, 1/2-13 GRB	10
3	1-512-010005-15	NUT,HEX,SLFLKG GRB 3/4-10	8
4	1-512-010007-16	NUT,HEX 1-1/4-7 GR2 ZP	2
5	1-516-010001-27	NUT,HX SLOT 1-1/2-6 ZP	2
6	147072	PIN, SPRING SLOTTED 5/16 X 2 (AFTER 05/2021)	2
6	1-647-010004236	SPRING PIN,SLOTTED 5/16X1-1/2 (BEFORE 05/2021)	2
7	1-647-010004259	SPRING PIN, SLOTTED 3/8X3	2
8	1-654-010051-08	SCREW,HEX CAP,3/8-16X1-3/4 G5	4
9	1-654-010051-09	SCREW,HEX CAP,3/8-16UNCX2 GR5	1
10	1-654-010051-13	SCREW,HX CP,3/8-16UNCX3,GR5	2
11	1-654-010055-04	SCREW,HEX CAP,1/2-13UNCX1-3/4	16
12	1-654-010055-11	SCREW,HX CP 1/2-13UNCX3-1/2	2
13	1-654-010059-06	SCREW,HEX CAP 5/8-11X2-1/4 G5	4
14	1-861-010032-11	WASHER, FLAT 3/8 W ZP/CD	11
15	1-861-010032-21	WASHER, FLAT 3/4 W ZP/CD	12
16	8K756	ROLL PIN 1/2 X 4	4
17	1-861-010034-13	WASHER, LKG HLCL SPR, 1/2	8
18	1-861-010034-15	WASHER,LKG,HLCL SPR,5/8	4
19	103841	NUT,FLG,LNK,SERRATED 3/4-10UNC	12

CENTER FRAMES & ASSEMBLIES

Center Section Frame Assembly - 25' & 30' (AFTER 12/2020)

ITEM	PART NUMBER	DESCRIPTION	QTY.
20	114462	NUT,HEX SLFLKG 1-8 UNC GRC	6
21	116100	WASHER 1-1/4 NAR FL ZP/CD (BEFORE 05/2021, QTY=2)	4
22	127712	PIN SPRING SLOTTED 3/8X2-1/4	2
23	172579	SCREW HEX CAP 1-8UNCX3.5 GR8	6
24	172891	NUT HX SLOT 2-4-1/2 ZP	2
25	172892	NUT HX SLOT 2-1/2-4 ZP	2
26	172919	SCREW HX CP,3/4-10X12 GR8 ZP	8
27	186592	BUSHING, SELF ALIGNING 2-1/2	2
28	187227	SPACER PIVOT	2
29	187316	PIN-STEP, 12 X 3	2
30	187317	WASHER-HEAVY, 4X2X1/2	2
31	187631	BRACKET-GANG ADJUSTMENT WLDMT	1
32	188038	BRG HALF, 4-1/2 INSERT	8
33	192890	BUSHING 1-3/8ODX1 IDX1 STEEL	2
34	192946	WASHER, 2-9/16 X 3-1/2, SS	2
35	195115	PLATE-BACKER, BEARING	4
36	195283	PLATE-HOSE HOLDER MOUNT	2
37	1C380	NUT SQ 1/2-13NC	8
38	2-150-010174	BUSHING,1-5/8X1-1/4X1	3
39	2-181-010001	HOSE CLAMP	5
40	200793	GLIDE CYLINDER	2
41	201197	BRACKET ASSY SPRING (SEE PAGE 1-13)	1
42	201227	KIT HYDRAULIC CENTER SECTION (SEE PAGE 16-7)	1
43	201275	CYLINDER, 4 X 10 REPHASE (SEE PAGE 16-61)	2
44	203399	WASHER RETAINING 1-1/2 (BEFORE 12/05/2022, QTY=2)	1
45	233854	SPRING-TILT CYL, 80/80, ASM (AFTER 10/2022)	1
45	233773	SPRING-TILT CYL, 90/90, ASM (05/2021 TO 10/2022)	1
45	217209	SPRING-TILT CYL, 95/95, ASM (05/2018 TO 05/2021)	1
46	217197	BRACKET-SUPPORT,HINGE,LH,WELD	1
47	217198	BRACKET-SUPPORT,HINGE,RH,WELD	1
48	217942	PIN-MAST, 7833-25,30	1
49	227995	PLATE-YOKE, WLDMT	2
50	227996	BEARING-EWS,3.02 X 3.25 X 1.87	2
51	227997	WASHER,1.78X3-7/8X16GA SS	2
52	230834	FRAME-CENTER SECTION, WLDMT	1
53	230835	BUSHING-FLANGED, 1-3/4 X 2-1/2	2
54	2P793	BRG INSERT, 4 1/2 INSERT	8
55	3/4-10X2-1/2CB	SCREW,RDH SQNK 3/4-10X2-1/2	12
56	622-3511-010	WASHER, FLAT 1" MIL-CARB SAE	12
57	233771	PIN, 1-1/4 X 4-1/4, 2H (AFTER 05/2021)	1
57	8K047	PIN, 1 X 4-1-16 (BEFORE 05/2021)	1
58	1-861-010032-24	WASHER FL 1IN NARROW ZP (12/2020 TO 05/2021)	2
59	240184	BUSHING, 1.53 X 2.50 X 5/16 (AFTER 12/05/2022)	1
60	240194	WASHER, 1.53 X 3.8 X 14Ga SS (AFTER 12/05/2022)	2

Center Section Frame Assembly, 35' & 40' (AFTER 12/2020)

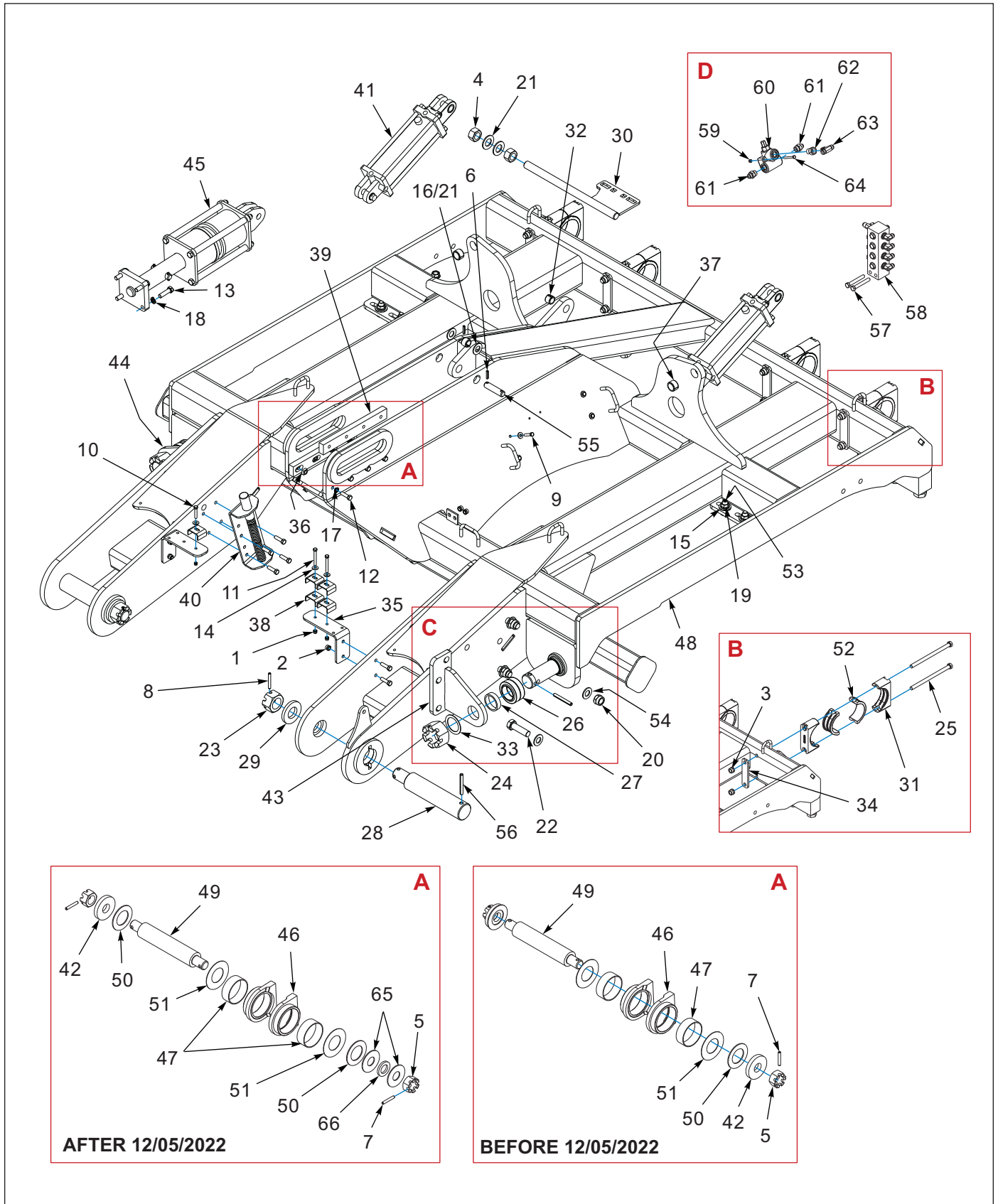


Figure 1-3: Center Section Frame Assembly, 35' & 40' (AFTER 12/2020) (1 of 2)

CENTER FRAMES & ASSEMBLIES

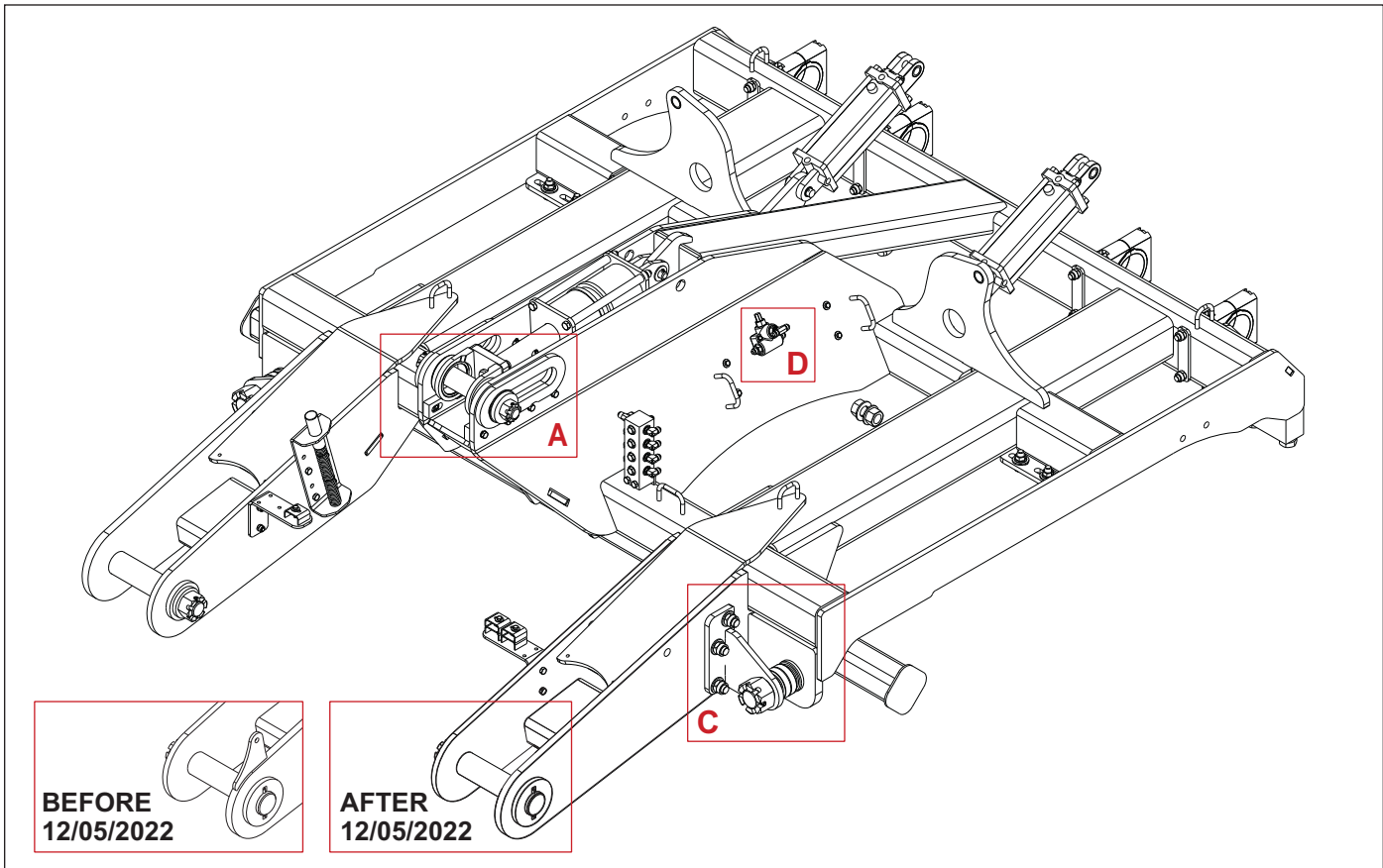


Figure 1-4: Center Section Frame Assembly, 35' & 40' (AFTER 12/2020) (2 of 2)

Center Section Frame Assembly, 35' & 40' (AFTER 12/2020)

ITEM	PART NUMBER	DESCRIPTION	QTY.
1	1-512-010005-05	NUT, HEX, SLFLKG, GRB 3/8-16	6
2	1-512-010005-09	NUT, HEX, SLFLKG, GRB 1/2-13	10
3	1-512-010005-15	NUT, HEX, SLFLKG, GRB 3/4-10	8
4	1-512-010007-16	NUT,HEX 1-1/4-7, ZP	2
5	1-516-010001-27	NUT, HEX SLOT 1-1/2-6 ZP	2
6	147072	SPRING PIN (AFTER 05/2021)	2
6	1-647-010004236	SPRING PIN, SLOTTED, 5/16 X 1-1/2 (BEFORE 05/2021)	2
7	1-647-010004257	PIN SPRING SLOTTED 3/8X2-1/2	2
8	1-647-010004259	SPRING PIN, SLOTTED 3/8X3	2
9	1-654-010051-08	SCREW,HEX CAP,3/8-16X1-3/4 GR	4
10	1-654-010051-09	SCREW, HEX CAP,3/8-16UNCX2 GR5	1
11	1-654-010051-13	SCREW, HEX CAP,3/8-16UNCX3,GR5	2
12	1-654-010055-04	SCREW, HEX CAP,1/2-13UNCX1-3/4	16
13	1-654-010059-06	SCREW,HEX CAP 5/8-11X2-1/4 G5	4
14	1-861-010032-11	WASHER, FLAT 3/8 W ZP/CD	10
15	1-861-010032-21	WASHER, FLAT 3/4 W ZP/CD	12
16	1-861-010032-24	WASHER, FLAT, 1IN NARROW ZP (05/2021 TO 11/2022)	2
17	1-861-010034-13	WASHER, LKG HLCL SPR, 1/2	8
18	1-861-010034-15	WASHER,LKG,HLCL SPR,5/8	4
19	103841	NUT, FLG, LNK, SERRATED 3/4-10 UNC	12
20	114462	NUT,HEX SLFLKG 1-8 UNC GRC	6
21	116100	WASHER 1-1/4 NAR FL ZP/CD (12/2020 TO 05/2021, QTY=2)	4

Center Section Frame Assembly, 35' & 40' (AFTER 12/2020)

ITEM	PART NUMBER	DESCRIPTION	QTY.
22	172579	SCREW HEX CAP 1-8UNCX3.5 GR8	6
23	172891	NUT, HEX SLOT 2-4-1/2 ZP	2
24	172892	NUT, HEX SLOT 2-1/2-4 ZP	2
25	172919	SCREW, HEX CP,3/4-10X12 GR8 ZP	8
26	186592	BUSHING, SELF ALIGNING 2-1/2	2
27	187227	SPACER PIVOT	2
28	187316	PIN-STEP, 11-3/4 X 3	2
29	187317	WASHER-HEAVY, 4X2X1/2	2
30	187631	BRACKET, GANG ADJUSTMENT, 12-1/2, WLDMT	1
31	188038	BRG HALF, 4-1/2 INSERT	8
32	192890	BUSHING 1-3/8OD X 1 ID X 1 STEEL (12/2020 TO 05/2021, QTY=3)	2
33	192946	WASHER, 2-9/16 X 3-1/2, SS	2
34	195115	PLATE-BACKER, BEARING	4
35	195283	PLATE-HOSE HOLDER MOUNT	2
36	1C380	NUT SQ 1/2-13NC	8
37	2-150-010174	BUSHING,1-5/8X1-1/4X1 (12/2020 TO 05/2021, QTY=2)	3
38	2-181-010001	HOSE CLAMP	5
39	200755	GLIDE CYLINDER	2
40	201197	BRACKET-SPRING, ASSEMBLY (SEE PAGE 1-13)	1
41	201275	CYLINDER, 4 X 10 REPHASE (SEE PAGE 16-61)	2
42	203396	WASHER, RETAINING, 1.53X4X5/8 (BEFORE 12/05/2022, QTY=2)	1
43	217197	BRACKET-SUPPORT,HINGE,LH,WELD	1
44	217198	BRACKET-SUPPORT,HINGE,RH,WELD	1
45	233773	SPRING-TILT CYL, 90/90 ASM (AFTER 11/2022)	1
45	233772	SPRING-TILT CYL, 95/95 ASM (05/2021 TO 11/2022)	1
45	217209	SPRING-TILT CYL, 95/95 ASM (12/2020 TO 05/2021)	1
46	227930	PLATE-YOKE, WLDMT	2
47	227931	BEARING-EWS,4.02X4.25X1.47	2
48	230834	FRAME-CENTER SECTION, WLDMT	1
49	230836	PIN-MAST, 2-1/2	1
50	230837	WASHER-2-1/2X4-1/4X10GA. SS	2
51	230838	WASHER-2-1/2X4-7/8X16GA. SS	2
52	2P793	BRG INSERT, 4 1/2 INSERT	8
53	3/4-10X2-1/2CB	SCREW,RDH SQNK 3/4-10X2-1/2	12
54	622-3511-010	WASHER, FLAT 1" MIL-CARB SAE	12
55	233771	PIN, 1-1/4 X 4-1/4, 2H (AFTER 05/2021)	1
55	8K047	PIN, 1 X 4 1/16 (BEFORE 05/2021)	1
56	8K756	ROLL PIN 1/2 x 4	4
57	1-654-010055-11	SCREW,HX CP 1/2-13UNCX3-1/2	2
58	201227	KIT HYDRAULIC CENTER SECTION	1
59	1-512-010005-01	NUT,HEX,SLFLKG GRB 1/4-20	2
60	227898	VALVE-RELIEF, 2000 PSI	1
61	202702-10-8S	ADAPTER, #10 O-RING #8 TUBE	2
62	5001195	REDUCER ORB 7/8 - 3/4	1
63	203003-8-8S	ADAPTER,TEE,#8 O-RING-TUBE	1
64	1-654-010047-12	SCREW,HEX 1/4-20UNCX2-1/2	2
65	240183	WASHER, 1.53 X 3.8 X 10Ga SS (AFTER 12/05/2022)	2
66	240184	BUSHING, 1.53 X 2.50 X 5/16 (AFTER 12/05/2022)	1

CENTER FRAMES & ASSEMBLIES

Center Section Frame Assembly, 25' & 30' (BEFORE 12/2020)

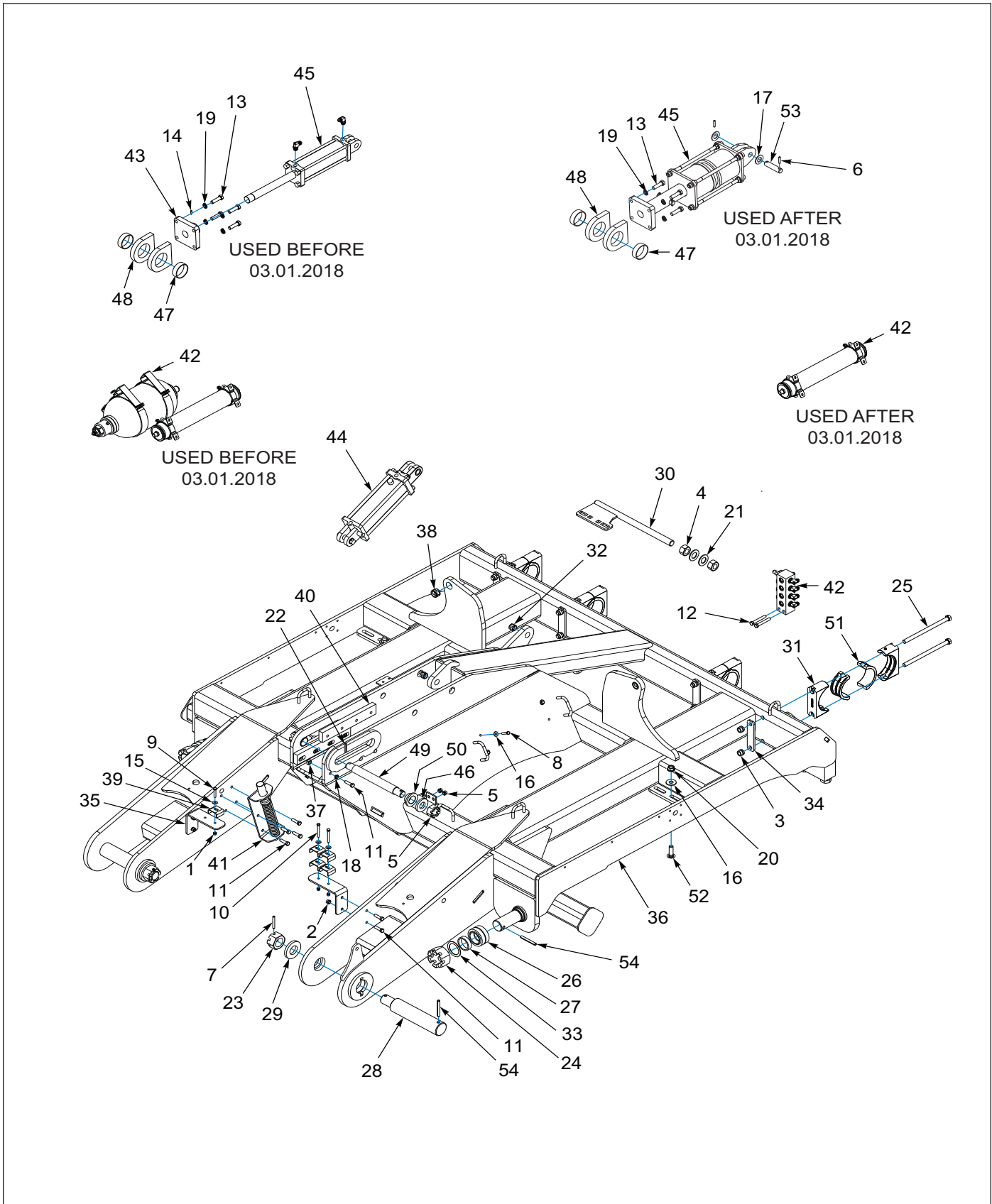


Figure 1-5: Center Section Frame Assembly, 25' & 30' (BEFORE 12/2020)

Center Section Frame Assembly, 25' & 30' (BEFORE 12/2020)

ITEM	PART NUMBER	DESCRIPTION	QTY.
1	1-512-010005-05	NUT, HEX, SLFLKG GRB 3/8-16	7
2	1-512-010005-09	NUT,HEX,SLFLKG, 1/2-13 GRB	10
3	1-512-010005-15	NUT,HEX,SLFLKG GRB 3/4-10	8
4	1-512-010007-16	NUT,HEX 1-1/4-7, ZP	2
5	1-516-010001-27	NUT,HX SLOT 1-1/2-6 ZP	2
6	1-647-010004236	SPRING PIN, SLOTTED, 5/16 X 1-1/2	2
7	1-647-010004259	SPRING PIN, SLOTTED 3/8X3	2
8	1-654-010051-08	SCREW, HEX CAP, 3/8-16 X 1-3/4 G	4
9	1-654-010051-09	SCREW,HEX CAP,3/8-16UNCX2 GR5	1
10	1-654-010051-13	SCREW,HX CP,3/8-16UNCX3,GR5	2
11	1-654-010055-04	SCREW,HEX CAP,1/2-13UNCX1-3/4	16
12	1-654-010055-11	SCREW,HX CP 1/2-13UNCX3-1/2	2
13	1-654-010059-06	SCREW,HEX CAP 5/8-11X2-1/4 G5	4
14	1-654-010077-2	SCREW, SET, 1/4 X 3/4, SQHD CP PT	1
15	1-861-010032-11	WASHER, FLAT 3/8 W ZP/CD	9
16	1-861-010032-21	WASHER, FLAT 3/4 W ZP/CD	12
17	1-861-010032-24	WASHER, FLAT, 1IN NARROW ZP	2
18	1-861-010034-13	WASHER, LKG HLCL SPR, 1/2	8
19	1-861-010034-15	WASHER, LKG,HLCL SPR,5/8	4
20	103841	NUT,FLG,LNK,SERRATED 3/4-10UNC	12
21	116100	WASHER 1-1/4 NAR FL ZP/CD	2
22	127712	PIN SPRING SLOTTED 3/8X2-1/4	2
23	172891	NUT HX SLOT 2-4-1/2 ZP	2
24	172892	NUT HX SLOT 2-1/2-4 ZP	2
25	172919	SCREW HX CP,3/4-10X12 GR8 ZP	8
26	186592	BUSHING, SELF ALIGNING 2-1/2	2
27	187227	SPACER PIVOT	2
28	187316	PIN-STEP, 11-3/4 X 3	2
29	187317	WASHER-HEAVY, 4X2X1/2	2
30	187631	BRACKET, GANG ADJUSTMENT, 12-1/2, WLDMT	1
30	195279	BRACKET, GANG ADJUSTMENT, 8-1/2, WLDMT	1
31	188038	BRG HALF, 4-1/2 INSERT	8
32	192890	BUSHING 1-3/8OD X 1 ID X 1 STEEL	3
33	192946	WASHER, 2-9/16 X 3-1/2, SS	2
34	195115	PLATE-BACKER, BEARING	4
35	195283	PLATE-HOSE HOLDER MOUNT	2
36	198934	FRAME WLDMT CENTER SECTION	1
37	1C380	NUT SQ 1/2-13NC	8
38	2-150-010174	BUSHING,1-5/8X1-1/4X1	2
39	2-181-010001	HOSE CLAMP	5
40	200793	GLIDE CYLINDER	2
41	201197	BRACKET-SPRING, ASSEMBLY (SEE PAGE 1-13)	1
42	201227	KIT, HYDRAULIC CENTER SECTION (SEE PAGE 16-7)	1
43	201270	MOUNT WLDMT CLEVIS CYLINDER	1
44	201275	CYLINDER, 4 X 10 REPHASE (AFTER 01/03/2020) (SEE PAGE 16-61)	2
44	145201	CYLINDER 4 X 8 REPHASE (BEFORE 01/03/2020) (SEE PAGE 16-58)	2
45	209373	SPRING,TILT CYLINDER, ASSEMBLY (AFTER 03/01/2018)	1
45	201292	CYLINDER-HYD,3-1/2 X10,3000PSI (BEFORE 03/01/2018) (SEE PAGE 16-60)	1

CENTER FRAMES & ASSEMBLIES

Center Section Frame Assembly, 25' & 30' (BEFORE 12/2020)

ITEM	PART NUMBER	DESCRIPTION	QTY.
46	203399	WASHER-RETAINING, 1-1/2	2
47	203433	BEARING-EWS, 3.02 X 3.254 X 1	2
48	203454	PLATE YOKE BUSHING	2
49	217942	PIN-MAST, 7833-25, 30	1
50	217943	BUSHING-FLANGED, 1-3/4 X 2	2
51	2P793	BRG INSERT, 4 1/2 INSERT	8
52	3/4-10X2-1/2CB	SCREW,RDH SQNK 3/4-10X2-1/2	12
53	8K047	PIN, 1 X 4 1/16	1
54	8K756	ROLL PIN 1/2 x 4	2

Center Section Frame Assembly, 35' & 40' (BEFORE 12/2020)

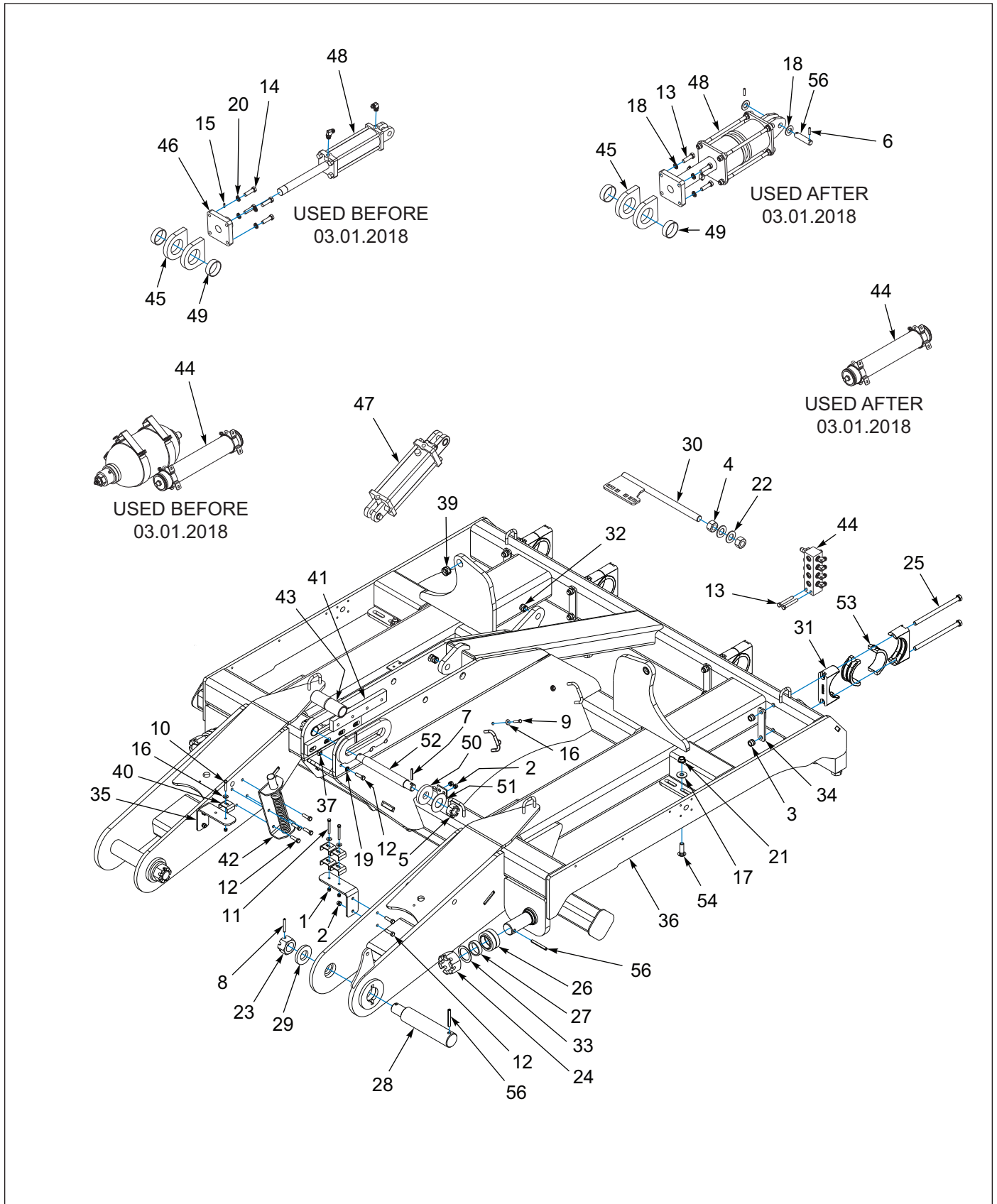


Figure 1-6: Center Section Frame Assembly, 35' & 40' (BEFORE 12/2020)

CENTER FRAMES & ASSEMBLIES

Center Section Frame Assembly, 35' & 40' (BEFORE 12/2020)

ITEM	PART NUMBER	DESCRIPTION	QTY.
1	1-512-010005-05	NUT, HEX, SLFLKG, GRB 3/8-16	6
2	1-512-010005-09	NUT, HEX, SLFLKG, GRB 1/2-13	14
3	1-512-010005-15	NUT, HEX, SLFLKG, GRB 3/4-10	8
4	1-512-010007-16	NUT,HEX 1-1/4-7, ZP	2
5	1-516-010001-27	NUT, HEX SLOT 1-1/2-6 ZP	2
6	1-647-010004236	SPRING PIN, SLOTTED, 5/16 X 1-1/2	2
7	1-647-010004257	PIN SPRING SLOTTED 3/8X2-1/2	2
8	1-647-010004259	SPRING PIN, SLOTTED 3/8X3	2
9	1-654-010051-08	SCREW, HEX CAP, 3/8-16 X 1-3/4 G	3
10	1-654-010051-09	SCREW, HEX CAP,3/8-16UNCX2 GR5	1
11	1-654-010051-13	SCREW, HEX CAP,3/8-16UNCX3,GR5	2
12	1-654-010055-04	SCREW, HEX CAP,1/2-13UNCX1-3/4	16
13	1-654-010055-11	SCREW,HX CP 1/2-13UNCX3-1/2	2
14	1-654-010059-06	SCREW,HEX CAP 5/8-11X2-1/4 G5	4
15	1-654-010077-2	SCREW, SET, 1/4 X 3/4, SQHD CP PT	1
16	1-861-010032-11	WASHER, FLAT 3/8 W ZP/CD	9
17	1-861-010032-21	WASHER, FLAT 3/4 W ZP/CD	12
18	1-861-010032-24	WASHER, FLAT, 1IN NARROW ZP	2
19	1-861-010034-13	WASHER, LKG HLCL SPR, 1/2	8
20	1-861-010034-15	WASHER,LKG,HLCL SPR,5/8	4
21	103841	NUT, FLG, LNK, SERRATED 3/4-10 UNC	12
22	116100	WASHER 1-1/4 NAR FL ZP/CD	2
23	172891	NUT, HEX SLOT 2-4-1/2 ZP	2
24	172892	NUT, HEX SLOT 2-1/2-4 ZP	2
25	172919	SCREW, HEX CP,3/4-10X12 GR8 ZP	8
26	186592	BUSHING, SELF ALIGNING 2-1/2	2
27	187227	SPACER PIVOT	2
28	187316	PIN-STEP, 11-3/4 X 3	2
29	187317	WASHER-HEAVY, 4X2X1/2	2
30	187631	BRACKET, GANG ADJUSTMENT, 12-1/2, WLDMT	1
31	188038	BRG HALF, 4-1/2 INSERT	8
32	192890	BUSHING 1-3/8OD X 1 ID X 1 STEEL	3
33	192946	WASHER, 2-9/16 X 3-1/2, SS	2
34	195115	PLATE-BACKER, BEARING	4
35	195283	PLATE-HOSE HOLDER MOUNT	2
36	198934	FRAME WLDMT CENTER SECTION	1
37	1C380	NUT SQ 1/2-13NC	8
38	2-150-010008	BUSHING 1-1/4ODX1IDX1 STEEL	3
39	2-150-010174	BUSHING,1-5/8X1-1/4X1	2
40	2-181-010001	HOSE CLAMP	5
41	200755	GLIDE CYLINDER	2
42	201197	BRACKET-SPRING, ASSEMBLY (SEE PAGE 1-13)	1
43	201226	BUSHING, 2.50 X 2.015 X 7.75	1
44	201227	KIT, HYDRAULIC CENTER SECTION (SEE PAGE 16-8)	1
45	201256	PLATE YOKE BUSHING	2
46	201270	MOUNT WLDMT CLEVIS CYLINDER	1
47	201275	CYLINDER, 4 X 10 REPHASE (SEE PAGE 16-61)	2
48	217209	SPRING,TILT CYLINDER, ASSEMBLY (AFTER 05/2019)	1
48	209299	SPRING,TILT CYLINDER, ASSEMBLY (03/01/18 TO 05/2019)	1

Center Section Frame Assembly, 35' & 40' (BEFORE 12/2020)

ITEM	PART NUMBER	DESCRIPTION	QTY.
48	201292	CYLINDER-HYD, 3-1/2 X10,3000 PSI (BEFORE 03/01/18) (SEE PAGE 16-60)	1
49	203497	BEARING-EWS, 4.02 X 4.255 X 1 (AFTER 4/25/2017)	2
49	201323	BEARING-EWS, 4 X 4-1/4 X 1 (BEFORE 4/25/2017)	2
50	203396	WASHER, RETAINING, 1.53X4X5/8	2
51	203398	WASHER, 2 X 4 X 10 GA SS	2
52	217940	PIN-MAST,	1
53	2P793	BRG INSERT, 4 1/2 INSERT	8
54	3/4-10X2-1/2CB	SCREW,RDH SQNK 3/4-10X2-1/2	12
55	8K047	PIN, 1 X 4 1/16	1
56	8K756	ROLL PIN 1/2 x 4	2

Bracket Spring Assembly

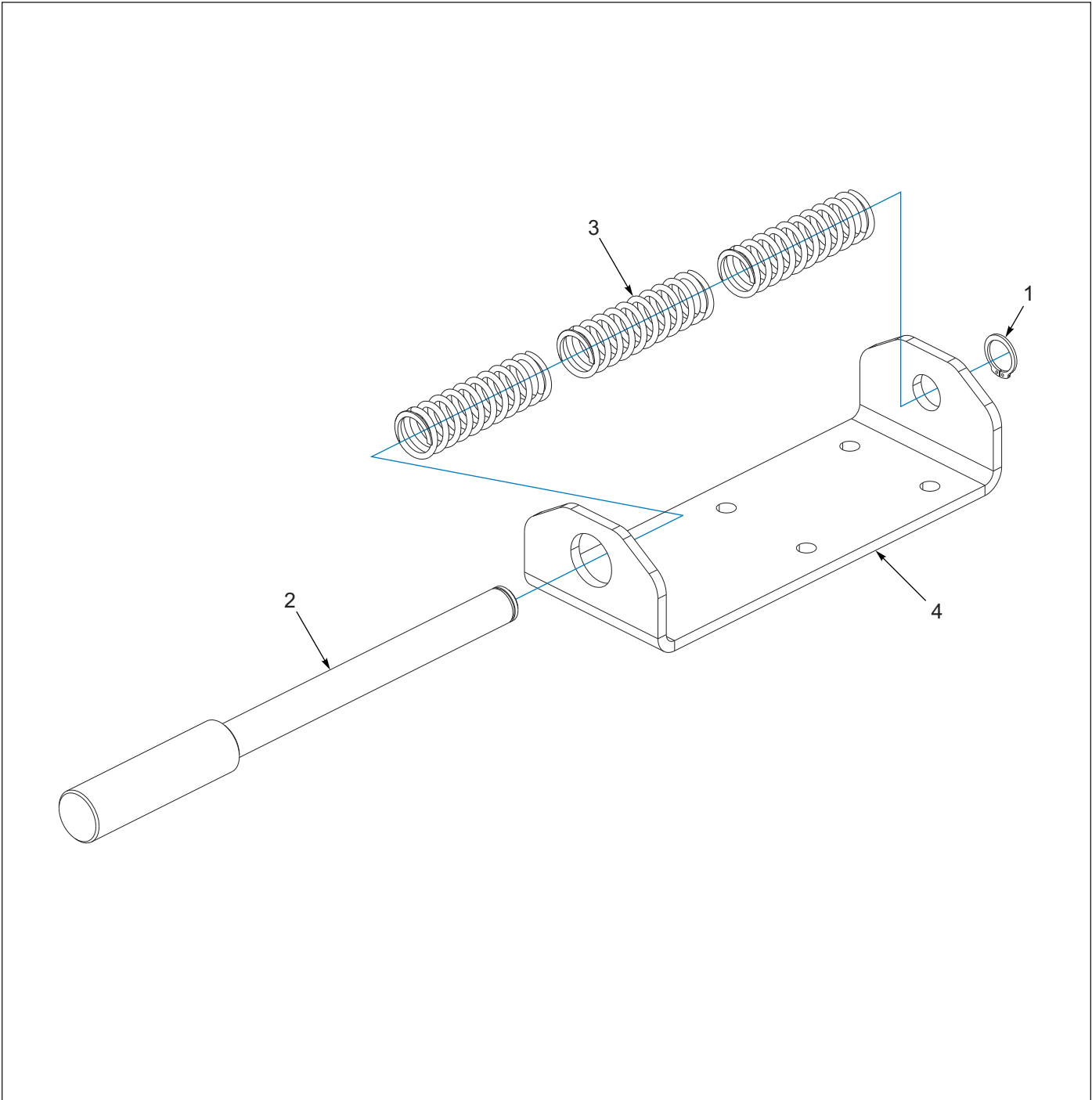


Figure 1-7: Bracket Spring Assembly

Bracket Spring Assembly

ITEM	PART NUMBER	DESCRIPTION	QTY.
	201197	BRACKET SPRING ASSEMBLY	
1	1-630-010021-03	RING, RETAINING 1 HD	1
2	195027	PIN, DEPTH STOP	1
3	122917	SPRING, CMPNDRESSION, 4-1/2 MONO	3
4	201196	BRACKET SPRING	1

Wing Frames & Assemblies

25' Wing Frame Assembly

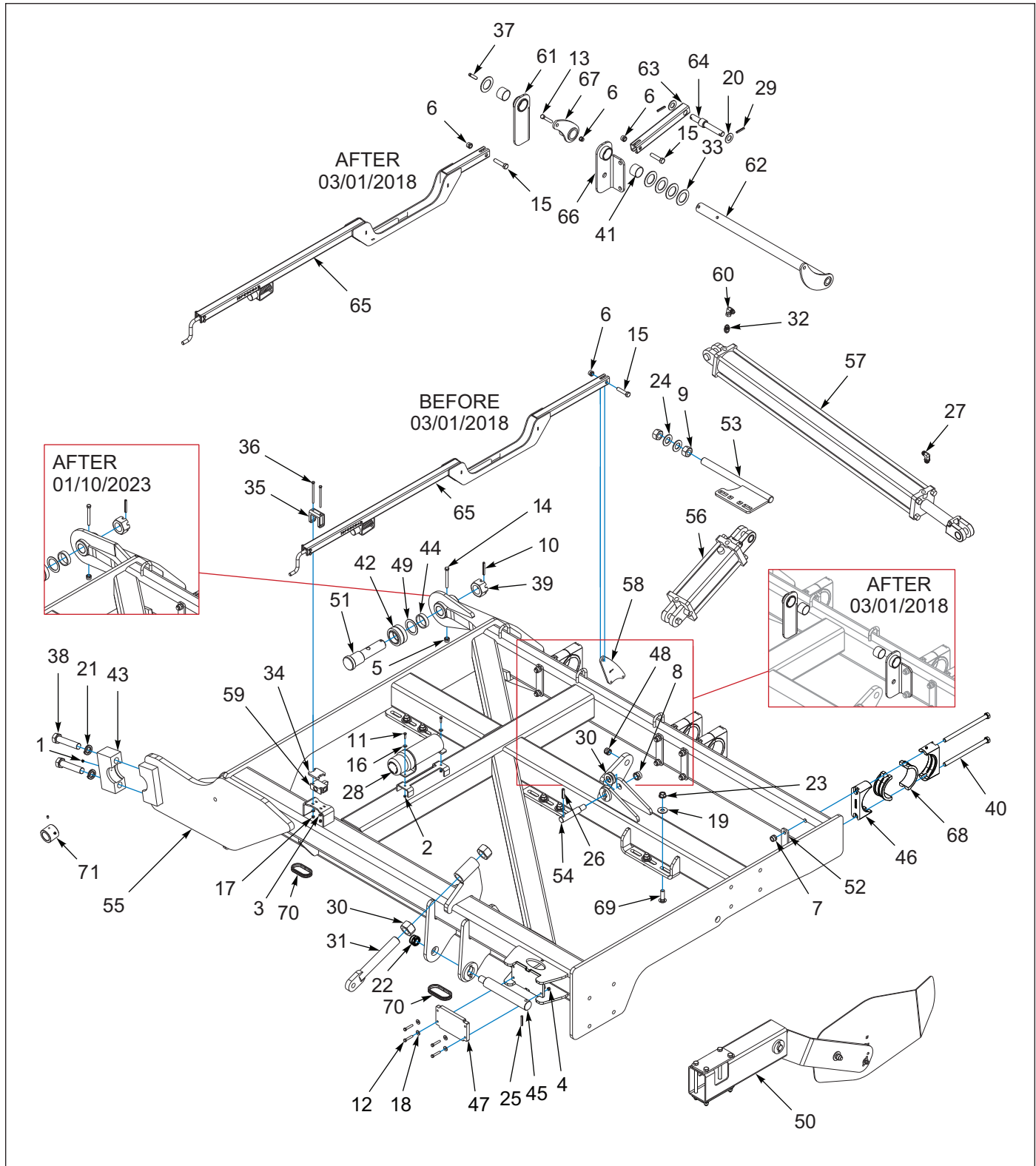


Figure 2-1: 25' Wing Frame Assembly (LH SHOWN)

25' Wing Frame Assembly

ITEM	PART NUMBER	DESCRIPTION	QTY.
	201211	WING ASSEMBLY, 7833 - 25 LH (SHOWN)	--
	201212	WING ASSEMBLY, 7833 - 25 RH (NOT SHOWN)	--
1	1-298-010001-1	ZERK FITTING, 1/4 SAE	1
2	1-512-010005-01	NUT, HEX, SELFLOCKING GRB 1/4-20 (LH ONLY)	2
3	1-512-010005-03	NUT, HEX, SELFLOCKING GRB 5/16-18 (LH ONLY)	2
4	1-512-010005-05	NUT, HEX, SELFLOCKING GRB 3/8-16	4
5	1-512-010005-09	NUT, HEX, SELFLOCKING GRM 1/2-13	3
6	1-512-010005-13	NUT, HEX, SELFLOCKING GRB 5/8-11 (LH ONLY)	4
7	1-512-010005-15	NUT, HEX, SELFLOCKING GRB 3/4-10	8
8	1-512-010005-19	NUT, HEX, SELFLOCKING GRB 1-8	1
9	1-512-010007-16	NUT, HEX, 1-1/4-7 GR2 ZP	2
10	1-647-010004259	SPRING PIN, SLOTTED 3/8 X 3	1
11	1-654-010047-06	SCREW, HEX CAP, 1/4-20 X 1 UNC GR5 (LH ONLY)	2
12	1-654-010051-09	SCREW, HEX CAP, 3/8-16 UNC X 2 GR5	4
13	1-654-010055-10	SCREW, HEX CAP, 1/2-13 X 3-1/4 GR5 (LH ONLY)	1
14	1-654-010055-14	SCREW, HEX CAP, 1/2-13 UNC X 4-1/2 GR5	1
15	1-654-010059-08	SCREW, HEX CAP, 5/8-11UNC X 2-3/4 GR5 (LH ONLY)	2
16	1-861-010032-07	WASHER, FLAT 1/4 ZP (LH ONLY)	2
17	1-861-010032-08	WASHER, FLAT 5/16 N ZP (LH ONLY)	2
18	1-861-010032-11	WASHER, FLAT 3/8 W ZP/CD	4
19	1-861-010032-21	WASHER, FLAT 3/4 W ZP/CD (RH ASM,QTY=6)	12
20	1-861-010032-24	WASHER, FLAT 1 NARROW ZP (LH ONLY)	2
21	100825	WASHER, LKG, HLCL SPR 1-1/4	2
22	101385	NUT, HEX, SELFLOCKING GRB 1-1/4-7	1
23	103841	NUT, FLANG, LNK, SERRATED 3/4-10UNC (RH ASM,QTY=6)	12
24	116100	WASHER, NARROW, FLAT, 1-1/4 ZP/CD (RH ASM,QTY=4)	2
25	140191	PIN, GROOVED, ALLOY 1/2 X 3	1
26	141251	PIN, SPRING, SLOTTED 1/2 X 2-1/4	1
27	141826	ELBOW, 90, 1/16 RES	1
28	150076	MANUAL TUBE (4-1/4"ID) (LH ONLY) (AFTER 09/12/2023)	1
28	142753	MANUAL HOLDER (LH ONLY) (BEFORE 09/12/2023)	1
29	147072	PIN, SPRING, SLOTTED 5/16 X 2 (LH ONLY)	2
30	159954	NUT HEX 1-3/4-5 UNC GR2	2
31	159955	ROD, CYLINDER ANCHOR	1
32	162671	CHECK VALVE W/ORIFICE	1
33	164471	WASHER, THRUST 2 (LH ONLY)	5
34	165257	PAD, SLIDE (LH ONLY)	1
35	165265	GUIDE, DEPTH STOP (LH ONLY)	1
36	171556	SCREW, HEX CAP, 5/16-18 UNC X 5-1/2 (LH ONLY)	2
37	172802	PIN, SPRING, SLOTTED 1/2 X 2-1/2 (LH ONLY)	1
38	172823	SCREW HX CAP 1-1/4-7X6 GR8	2
39	172891	NUT, HEX SLOT 2-4-1/2 ZP	1
40	172919	SCREW, HEX CAP, 3/4-10 X 12 GR8 ZP	8
41	183815	BUSHING, 2-1/4 X 2 X 1-1/2 L (LH ONLY)	2
42	186592	BUSHING, SELF ALIGNING, 2-1/2	1
43	186799	BLOCK-BEARING	1
44	187227	SPACER PIVOT	1
45	187318	PIN, SHOULDER 2 X 11-5/8	1
46	188038	BEARING HALF, 4-1/2 INSERT	8

WING FRAMES & ASSEMBLIES

25' Wing Frame Assembly

ITEM	PART NUMBER	DESCRIPTION	QTY.
47	192563	PLATE-WING REST, NYLATRON	1
48	192890	BUSHING, 1-2/8 OD X 1 ID X 1 STEEL (AFTER 03/01/2018)	2
48	2-150-010008	BUSHING, 1-1/4 OD X 1 ID X 1 STEEL (BEFORE 03/01/2018)	1
49	192946	WASHER, 2-9/16 X 3-1/2, SS	1
50	193760	BLADE-LEVELER, ASSEMBLY (SEE PAGE 2-16) (LH ONLY)	1
51	195047	PIN, PIVOT, WING	1
52	195115	PLATE, BEARING BACKER	4
53	195279	BRACKET, GANG ADJUSTMENT, WLDMT (LH ASM) (SHOWN)	1
53	187631	BRACKET-GANG ADJUSTMENT WLDMT (RH ASM) (NOT SHOWN)	1
54	200756	PIN, 1-1/4 X 4-5/8, STEP	1
55	201203	FRAME, WLDMT WING LH 7833-25 (SHOWN)	1
55	201204	FRAME, WLDMT WING RH 7833-25 (NOT SHOWN)	1
56	201276	CYLINDER, 3.75 X 10 REPHASE (SEE PAGE 16-60)	1
57	201347	CYLINDER, HYDRAULIC, 4 X 48, 2-1/4 RD, 3000 (SEE PAGE 16-64)	1
58	203383	PLATE, LIFT CONTROL (LH ONLY)	1
59	203467	VALVE, LIMIT, STROKE (LH ONLY)	1
60	2071-8-8S	ADAPTER, 90, 8 FLARE SWIVEL, 8 JIC	1
61	209189	BRACKET, REEL CONTROL, WLDMT (LH ONLY)	1
62	209193	TUBE, REEL CONTROL, WLDMT (LH ONLY)	1
63	209194	TUBE, REEL CONTROL (LH ONLY)	1
64	209196	PIN, REEL CONTROL (LH ONLY)	1
65	203381	TUBE, DEPTH CONTROL, ASSEMBLY (BEFORE 03/01/2018) (LH ONLY) (SEE PAGE 5-3)	1
65	209200	TUBE, REEL CONTROL, ASSEMBLY (AFTER 03/01/2018) (LH ONLY) (SEE PAGE 5-3)	1
66	209219	BRACKET, PIVOT, WLDMT (LH ONLY)	1
67	209366	ARM, CRANK, REEL CONTROL, WLDMT (LH ONLY)	1
68	2P793	BEARING INSERT, 4 1/2	8
69	3/4-10X2-1/2CB	SCREW, ROUND HEAD SQUARE NECK 3/4-10 X 2-1/2 (RH ASM,QTY=6)	12
70	1-822-010001	TRIM, 1350 3/8, BLACK FINE PEBBLE	2
71	224425	STOP-CYLINDER, 1-3/8 ROD,X2-1/2 (ASSEMBLED ON THE MAIN HITCH ROCKSHAFT LIFT CYLINDER)	1

30' Wing Frame Assembly

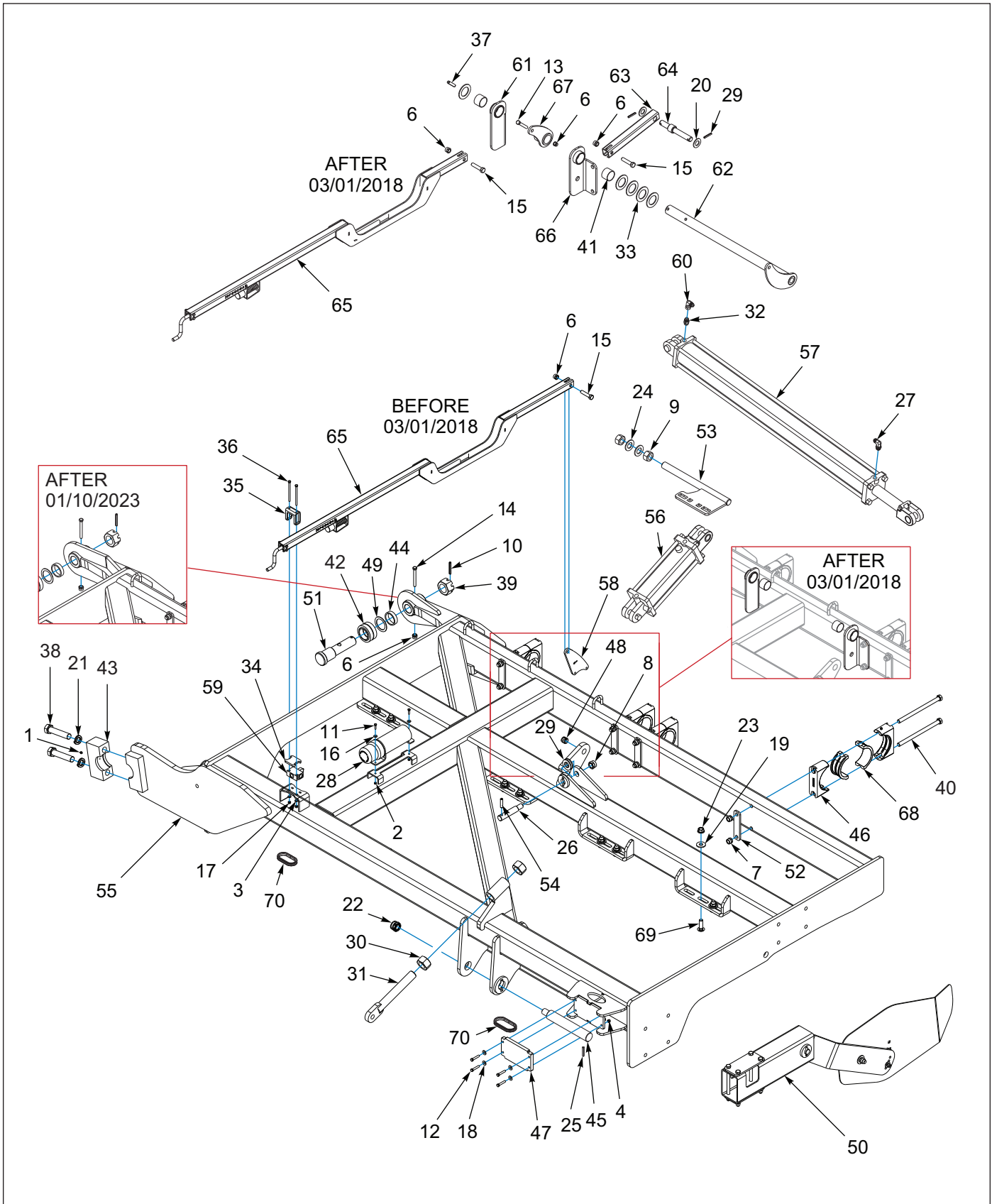


Figure 2-2: 30' Wing Frame Assembly (LH SHOWN)

30' Wing Frame Assembly

ITEM	PART NUMBER	DESCRIPTION	QTY.
	201213	WING ASSY 7833-30 LH (SHOWN)	--
	201214	WING ASSY 7833-30 RH (NOT SHOWN)	--
1	1-298-010001-1	ZERK FITTING, 1/4 SAE	1
2	1-512-010005-01	NUT, HEX, SELFLOCKING GRB 1/4-20 (LH ONLY)	2
3	1-512-010005-03	NUT, HEX, SELFLOCKING GRB 5/16-18 (LH ONLY)	2
4	1-512-010005-05	NUT, HEX, SELFLOCKING GRB 3/8-16	4
5	1-512-010005-09	NUT, HEX, SELFLOCKING GRM 1/2-13	3
6	1-512-010005-13	NUT, HEX, SELFLOCKING GRB 5/8-11	4
7	1-512-010005-15	NUT, HEX, SELFLOCKING GRB 3/4-10 (RH WING,QTY=8)	4
8	1-512-010005-19	NUT, HEX, SELFLOCKING GRB 1-8	1
9	1-512-010007-16	NUT, HEX, 1-1/4-7 GR2 ZP	2
10	1-647-010004259	SPRING PIN, SLOTTED 3/8 X 3	1
11	1-654-010047-06	SCREW, HEX CAP, 1/4-20 X 1 UNC GR5 (LH ONLY)	2
12	1-654-010051-09	SCREW, HEX CAP, 3/8-16 UNC X 2 GR5	4
13	1-654-010055-10	SCREW, HEX CAP, 1/2-13 X 3-1/4 GR5 (LH ONLY)	1
14	1-654-010055-14	SCREW, HEX CAP, 1/2-13 UNC X 4-1/2 GR5	1
15	1-654-010059-08	SCREW, HEX CAP, 5/8-11UNC X 2-3/4 GR5 (LH ONLY)	2
16	1-861-010032-07	WASHER, FLAT 1/4 ZP (LH ONLY)	2
17	1-861-010032-08	WASHER, FLAT 5/16 N ZP (LH ONLY)	2
18	1-861-010032-11	WASHER, FLAT 3/8 W ZP/CD	4
19	1-861-010032-21	WASHER, FLAT 3/4 W ZP/CD (RH WING,QTY=12)	16
20	1-861-010032-24	WASHER, FLAT 1 NARROW ZP (LH ONLY)	2
21	100825	WASHER, LKG, HLCL SPR 1-1/4	2
22	101385	NUT, HEX, SELFLOCKING GRB 1-1/4-7	1
23	103841	NUT, FLANG, LNK, SERRATED 3/4-10UNC (RH WING,QTY=12)	16
24	116100	WASHER, NARROW, FLAT, 1-1/4 ZP/CD	2
25	140191	PIN, GROOVED, ALLOY 1/2 X 3	1
26	141251	PIN, SPRING, SLOTTED 1/2 X 2-1/4	1
27	141826	ELBOW, 90, 1/16 RES	1
28	150076	MANUAL TUBE (4-1/4"ID) (LH ONLY) (AFTER 09/12/2023)	1
28	142753	MANUAL HOLDER (LH ONLY) (BEFORE 09/12/2023)	1
29	147072	PIN, SPRING, SLOTTED 5/16 X 2 (LH ONLY)	2
30	159954	NUT HEX 1-3/4-5 UNC GR2	2
31	159955	ROD, CYLINDER ANCHOR	1
32	162671	CHECK VALVE W/ORIFICE	1
33	164471	WASHER, THRUST 2 (LH ONLY)	5
34	165257	PAD, SLIDE (LH ONLY)	1
35	165265	GUIDE, DEPTH STOP (LH ONLY)	1
36	171556	SCREW, HEX CAP, 5/16-18 UNC X 5-1/2 (LH ONLY)	2
37	172802	PIN, SPRING, SLOTTED 1/2 X 2-1/2 (LH ONLY)	1
38	172823	SCREW HX CAP 1-1/4-7X6 GR8	2
39	172891	NUT, HEX SLOT 2-4-1/2 ZP	1
40	172919	SCREW, HEX CAP, 3/4-10 X 12 GR8 ZP	8
41	183815	BUSHING, 2-1/4 X 2 X 1-1/2 L (LH ONLY)	2
42	186592	BUSHING, SELF ALIGNING, 2-1/2	1
43	186799	BLOCK-BEARING	1
44	187227	SPACER PIVOT	1
45	187318	PIN, SHOULDER 2 X 11-5/8	1
46	188038	BEARING HALF, 4-1/2 INSERT	8

WING FRAMES & ASSEMBLIES

30' Wing Frame Assembly

ITEM	PART NUMBER	DESCRIPTION	QTY.
47	192563	PLATE-WING REST, NYLATRON	1
48	192890	BUSHING, 1-2/8 OD X 1 ID X 1 STEEL (AFTER 03/01/2018)	2
48	2-150-010008	BUSHING, 1-1/4 OD X 1 ID X 1 STEEL (BEFORE 03/01/2018)	1
49	192946	WASHER, 2-9/16 X 3-1/2, SS	1
50	193760	BLADE-LEVELER, ASSEMBLY (LH ONLY) (SEE PAGE 2-16)	1
51	195047	PIN, PIVOT, WING	1
52	195115	PLATE, BEARING BACKER	4
53	195279	BRACKET-GANG ADJUSTMENT, WLD (LH) (SHOWN)	1
53	187631	BRACKET-GANG ADJUSTMENT WLDMT (RH) (NOT SHOWN)	1
54	200756	PIN, 1-1/4 X 4-5/8, STEP	1
55	201205	FRAME WLDMT WING LH 7833-30 (SHOWN)	1
55	201206	FRAME WLDMT WING RH 7833-30 (NOT SHOWN)	1
56	201276	CYLINDER, 3.75 X 10 REPHASE (SEE PAGE 16-61)	1
57	201347	CYLINDER, HYDRAULIC, 4 X 48, 2-1/4 RD, 3000 (SEE PAGE 16-64)	1
58	203383	PLATE, LIFT CONTROL (LH ONLY)	1
59	203467	VALVE, LIMIT, STROKE (LH ONLY)	1
60	2071-8-8S	ADAPTER, 90, 8 FLARE SWIVEL, 8 JIC	1
61	209189	BRACKET, REEL CONTROL, WLDMT (LH ONLY)	1
62	209193	TUBE, REEL CONTROL, WLDMT (LH ONLY)	1
63	209194	TUBE, REEL CONTROL (LH ONLY)	1
64	209196	PIN, REEL CONTROL (LH ONLY)	1
65	203381	TUBE, DEPTH CONTROL, ASSEMBLY (BEFORE 03/01/2018) (LH ONLY) (SEE PAGE 5-3)	1
65	209200	TUBE, REEL CONTROL, ASSEMBLY (AFTER 03/01/2018) (LH ONLY) (SEE PAGE 5-3)	1
66	209219	BRACKET, PIVOT, WLDMT (LH ONLY)	1
67	209366	ARM, CRANK, REEL CONTROL, WLDMT (LH ONLY)	1
68	2P793	BEARING INSERT, 4 1/2	8
69	3/4-10X2-1/2CB	SCREW, ROUND HEAD SQUARE NECK 3/4-10 X 2-1/2	12
70	1-822-010001	TRIM, 1350 3/8, BLACK FINE PEBBLE	2

35' Wing Frame Assembly

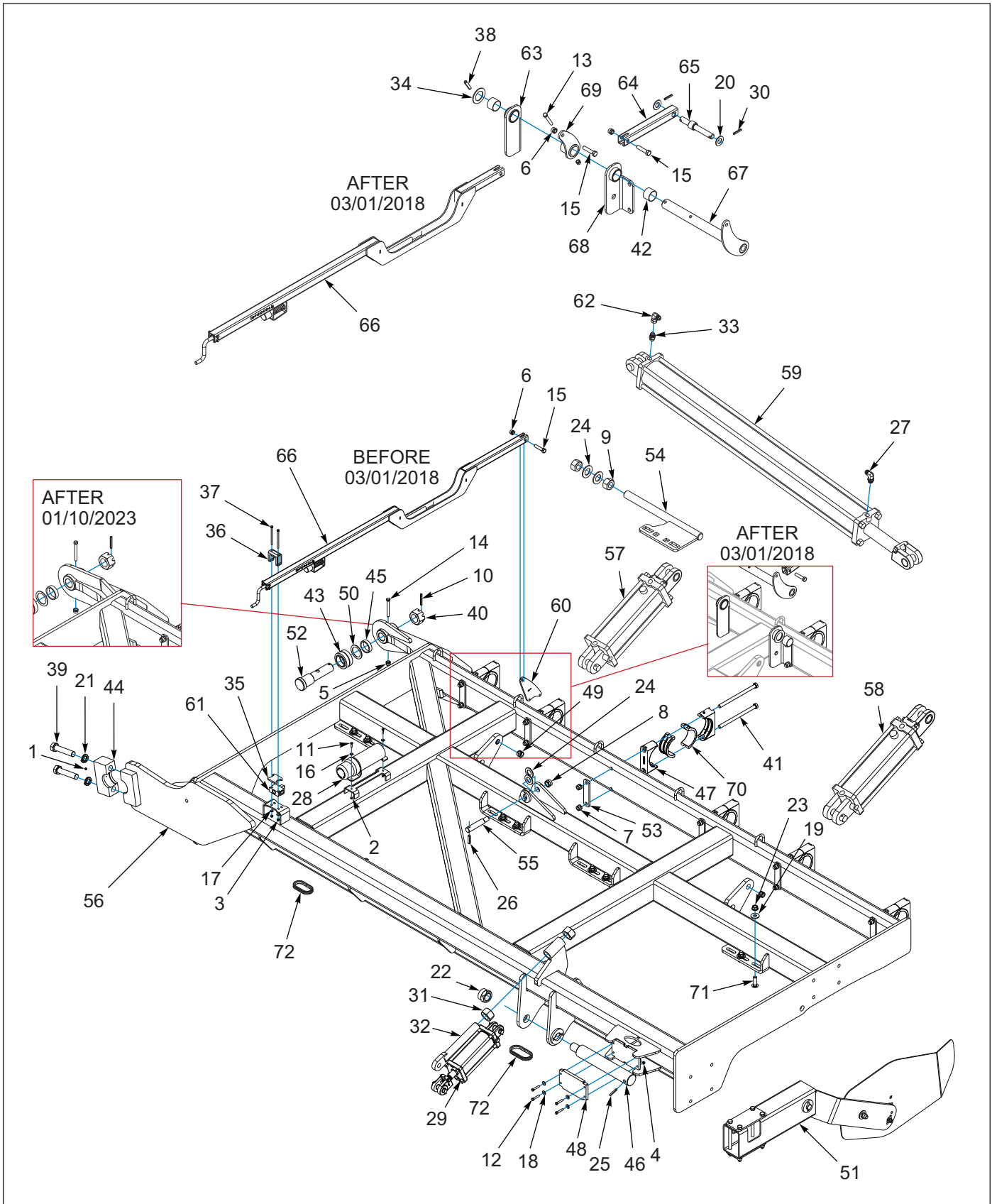


Figure 2-3: 35' Wing Frame Assembly (LH SHOWN)

35' Wing Frame Assembly

ITEM	PART NUMBER	DESCRIPTION	QTY.
	201215	WING ASSEMBLY, 7833-35 LH (SHOWN)	--
	201216	WING ASSEMBLY, 7833-35 RH (NOT SHOWN)	--
1	1-298-010001-1	ZERK FITTING, 1/4 SAE	1
2	1-512-010005-01	NUT,HEX, SLFLKG GRB 1/4-20 (LH ONLY)	2
3	1-512-010005-03	NUT, HEX, SLFLKG GRB 5/16-18 (LH ONLY)	2
4	1-512-010005-05	NUT, HEX, SLFLKG GRB 3/8-16	4
5	1-512-010005-09	NUT, HEX, SELFLOCKING GRM 1/2-13 (RH WING,QTY=1)	4
6	1-512-010005-13	NUT, HEX, SLFLKG GRB 5/8-11	3
7	1-512-010005-15	NUT, HEX, SLFLKG GRB 3/4-10	12
8	1-512-010005-19	NUT, HEX, SLF-LOCKING GRB 1-8	1
9	1-512-010007-16	NUT, HEX, 1-1/4-7 GR2 ZP	2
10	1-647-010004259	SPRING PIN, SLOTTED 3/8X3	1
11	1-654-010047-06	SCREW, HEX CAP, 1/4-20UNCX1 GR5 (LH ONLY)	2
12	1-654-010051-09	SCREW, HEX CAP, 3/8-16UNCX2 GR5	4
13	1-654-010055-10	SCREW, HEX CAP, 1/2-13 X 3-1/4 GR5 (LH ONLY)	1
14	1-654-010055-14	SCREW, HEX CAP, 1/2-13UNCX4-1/2G5	1
15	1-654-010059-08	SCREW, HEX CAP, 5/8-11UNCX2-3/4G5 (LH ONLY)	2
16	1-861-010032-07	WASHER, FLAT 1/4 ZP (LH ONLY)	2
17	1-861-010032-08	WASHER, FLAT 5/16 N ZP (LH ONLY)	2
18	1-861-010032-11	WASHER, FLAT 3/8 W ZP/CD	4
19	1-861-010032-21	WASHER, FLAT 3/4 W ZP/CD (RH WING,QTY=12)	16
20	1-861-010032-24	WASHER, FLAT 1 NARROW ZP	3
21	100825	WASHER, LKG, HLCL SPR 1-1/4	2
22	101385	NUT, HEX, SELFLOCKING GRB 1-1/4-7	1
23	103841	NUT, FLG, LNK,SERRATED 3/4-10UNC (RH WING,QTY=12)	16
24	116100	WASHER 1-1/4 NAR FL ZP/CD	4
25	140191	PIN, GROOVED, ALLOY 1/2 X 3	1
26	141251	SPRING PIN,SLOTTED 1/2X2-1/4	1
27	2062-8-8S	ADAPTER, 90, #8 O-RING-TUBE	1
28	150076	MANUAL TUBE (4-1/4"ID) (LH ONLY) (AFTER 09/12/2023)	1
28	142753	MANUAL HOLDER (LH ONLY) (BEFORE 09/12/2023)	1
29	201275	CYLINDER 4 X 10 REPHASE (SEE PAGE 16-61)	2
30	147072	PIN, SPRING, SLOTTED 5/16 X 2	2
31	159954	NUT, HEX 1-3/4-5 UNC GR2	2
32	159955	ROD, CYLINDER ANCHOR	1
33	162671	CHECK VALVE W/ORIFICE	1
34	164471	WASHER, THRUST 2 (LH ONLY)	1
35	165257	PAD, SLIDE (LH ONLY)	1
36	165265	GUIDE, DEPTH STOP (LH ONLY)	1
37	171556	SCREW, HEX CAP, 5/16-18 UNC X 5-1/2 (LH ONLY)	2
38	172802	PIN, SPRING, SLOTTED 1/2 X 2-1/2 (LH ONLY)	1
39	172823	SCREW HX CAP 1-1/4-7X6 GR8	2
40	172891	NUT, HEX SLOT 2-4-1/2 ZP	1
41	172919	SCREW, HEX CAP, 3/4-10X12 GR8 ZP	12
42	183815	BUSHING, 2-1/4 X 2 X 1-1/2 L (LH ONLY)	2
43	186592	BUSHING, SELF ALIGNING 2-1/2	1
44	186799	BLOCK-BEARING	1
45	187227	SPACER PIVOT	1
46	187318	PIN, SHOULDER 2 X 11-5/8	1

WING FRAMES & ASSEMBLIES

35' Wing Frame Assembly

ITEM	PART NUMBER	DESCRIPTION	QTY.
47	188038	BRG HALF, 4-1/2 INSERT	12
48	192563	PLATE-WING REST, NYLATRON	1
49	192890	BUSHING, 1-2/8 OD X 1 ID X 1 STEEL (AFTER 03/01/2018)	3
49	2-150-010008	BUSHING, 1-1/4 OD X 1 ID X 1 STEEL (BEFORE 03/01/2018)	3
50	192946	WASHER, 2-9/16 X 3-1/2, SS	1
51	193760	BLADE-LEVELER, ASSEMBLY (LH ONLY) (SEE PAGE 2-16)	1
52	195047	PIN-PIVOT, WING	1
53	195115	PLATE-BACKER, BEARING	4
54	195279	BRACKET-GANG ADJUSTMENT,WLD (LH WING)	1
54	187631	BRACKET-GANG ADJUSTMENT WLDMT (RH WING)	1
55	200756	PIN, 1-1/4 X 4-5/8, STEP	1
56	201207	FRAME WLDMT WING LH 7833-35	1
56	201208	FRAME WLDMT WING RH 7833-35	1
57	201276	CYLINDER, 3.75 X 10 REPHASE (SEE PAGE 16-61)	1
58	201277	CYLINDER, 3.5 X 10 REPHASE (SEE PAGE 16-60)	1
59	201347	CYLINDER, HYDRAULIC, 4 X 48, 2-1/4 RD, 3000 (SEE PAGE 16-64)	1
60	203383	PLATE LIFT CONTROL (LH ONLY)	1
61	203467	VALVE, LIMIT, STROKE (LH ONLY)	1
62	2071-8-8S	ADAPTER, 90, 8 FLARE SWIVEL, 8 JIC	1
63	209189	BRACKET, REEL CONTROL, WLDMT (LH ONLY)	1
64	209194	TUBE, REEL CONTROL (LH ONLY)	1
65	209196	PIN, REEL CONTROL (LH ONLY)	1
66	209200	TUBE, REEL CONTROL, ASSEMBLY (AFTER 03/01/2018) (LH ONLY) (SEE PAGE 5-3)	1
66	203381	TUBE, DEPTH CONTROL, ASSEMBLY (BEFORE 03/01/2018) (LH ONLY) (SEE PAGE 5-3)	1
67	209216	TUBE, REEL CONTROL, WLDMT (LH ONLY)	1
68	209219	BRACKET, PIVOT, WLDMT (LH ONLY)	1
69	209366	ARM, CRANK, REEL CONTROL, WLDMT (LH ONLY)	1
70	2P793	BEARING INSERT, 4 1/2	12
71	3/4-10X2-1/2CB	SCREW, ROUND HEAD SQUARE NECK 3/4-10 X 2-1/2	16
72	1-822-010001	TRIM, 1350 3/8, BLACK FINE PEBBLE	2

WING FRAMES & ASSEMBLIES

40' Wing Frame Assembly

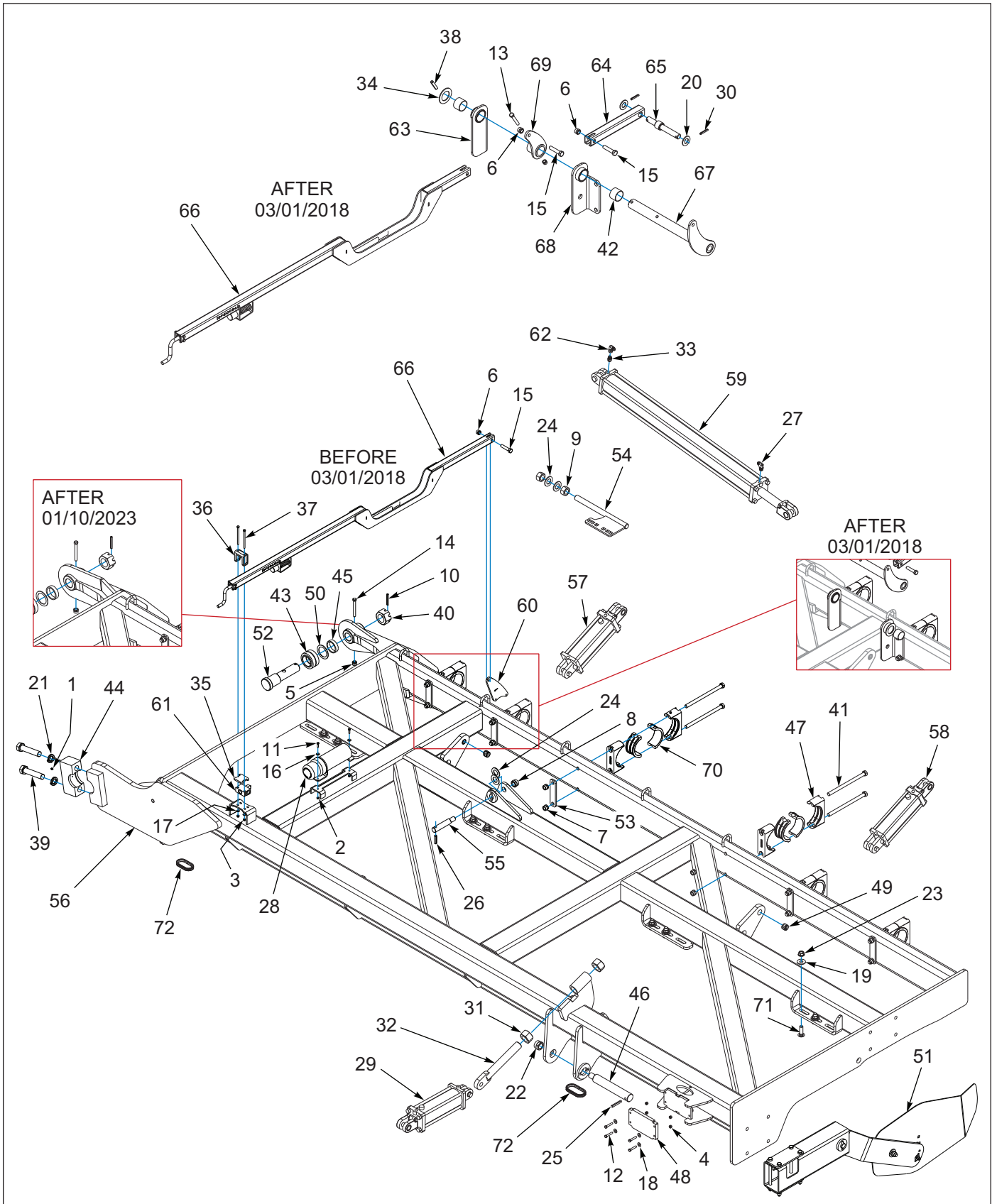


Figure 2-4: 40' Wing Frame Assembly (LH SHOWN)

40' Wing Frame Assembly

ITEM	PART NUMBER	DESCRIPTION	QTY.
	201217	WING ASSY 7833-40 LH (SHOWN)	--
	201218	WING ASSY 7833-40 RH (NOT SHOWN)	--
1	1-298-010001-1	ZERK FITTING, 1/4 SAE	1
2	1-512-010005-01	NUT,HEX, SLFLKG GRB 1/4-20 (LH ONLY)	2
3	1-512-010005-03	NUT, HEX, SLFLKG GRB 5/16-18	2
4	1-512-010005-05	NUT, HEX, SLFLKG GRB 3/8-16	4
5	1-512-010005-09	NUT, HEX, SELFLOCKING GRM 1/2-13	4
6	1-512-010005-13	NUT, HEX, SLFLKG GRB 5/8-11 (LH ONLY)	3
7	1-512-010005-15	NUT, HEX, SLFLKG GRB 3/4-10	12
8	1-512-010005-19	NUT, HEX, SLF-LOCKING GRB 1-8	1
9	1-512-010007-16	NUT, HEX, 1-1/4-7 GR2 ZP	2
10	1-647-010004259	SPRING PIN, SLOTTED 3/8X3	1
11	1-654-010047-06	SCREW, HEX CAP, 1/4-20UNCX1 GR5 (LH ONLY)	2
12	1-654-010051-09	SCREW, HEX CAP, 3/8-16UNCX2 GR5	4
13	1-654-010055-10	SCREW, HEX CAP, 1/2-13 X 3-1/4 GR5 (LH ONLY)	1
14	1-654-010055-14	SCREW, HEX CAP, 1/2-13UNCX4-1/2G5	1
15	1-654-010059-08	SCREW, HEX CAP, 5/8-11UNCX2-3/4G5 (LH ONLY)	2
16	1-861-010032-07	WASHER, FLAT 1/4 ZP (LH ONLY)	2
17	1-861-010032-08	WASHER, FLAT 5/16 N ZP	2
18	1-861-010032-11	WASHER, FLAT 3/8 W ZP/CD	4
19	1-861-010032-21	WASHER, FLAT 3/4 W ZP/CD	16
20	1-861-010032-24	WASHER, FLAT 1 NARROW ZP (LH ONLY)	3
21	100825	WASHER, LKG, HLCL SPR 1-1/4	2
22	101385	NUT, HEX, SELFLOCKING GRB 1-1/4-7	1
23	103841	NUT, FLG, LNK,SERRATED 3/4-10UNC	16
24	116100	WASHER 1-1/4 NAR FL ZP/CD	4
25	140191	PIN, GROOVED, ALLOY 1/2 X 3	1
26	141251	SPRING PIN,SLOTTED 1/2X2-1/4	1
27	2062-8-8S	ADAPTER, 90, #8 O-RING-TUBE	1
28	150076	MANUAL TUBE (4-1/4"ID) (LH ONLY) (AFTER 09/12/2023)	1
28	142753	MANUAL HOLDER (LH ONLY) (BEFORE 09/12/2023)	1
29	201275	CYLINDER, 4 X 10 REPHASE (AFTER 01/03/2020) (SEE PAGE 16-61)	1
29	145201	CYLINDER 4 X 8 REPHASE (BEFORE 01/03/2020) (SEE PAGE 16-58)	1
30	147072	PIN, SPRING, SLOTTED 5/16 X 2 (LH ONLY)	2
31	159954	NUT, HEX 1-3/4-5 UNC GR2	2
32	159955	ROD, CYLINDER ANCHOR	1
33	162671	CHECK VALVE W/ORIFICE	1
34	164471	WASHER, THRUST 2 (LH ONLY)	1
35	165257	PAD, SLIDE	1
36	165265	GUIDE, DEPTH STOP	1
37	171556	SCREW, HEX CAP, 5/16-18 UNC X 5-1/2	2
38	172802	PIN, SPRING, SLOTTED 1/2 X 2-1/2 (LH ONLY)	1
39	172823	SCREW HX CAP 1-1/4-7X6 GR8	2
40	172891	NUT, HEX SLOT 2-4-1/2 ZP	1
41	172919	SCREW, HEX CAP, 3/4-10X12 GR8 ZP	12
42	183815	BUSHING, 2-1/4 X 2 X 1-1/2 L (LH ONLY)	2
43	186592	BUSHING, SELF ALIGNING 2-1/2	1

WING FRAMES & ASSEMBLIES

40' Wing Frame Assembly

ITEM	PART NUMBER	DESCRIPTION	QTY.
44	186799	BLOCK-BEARING	1
45	187227	SPACER PIVOT	1
46	187318	PIN, SHOULDER 2 X 11-5/8	1
47	188038	BRG HALF, 4-1/2 INSERT	12
48	192563	PLATE-WING REST, NYLATRON	1
49	192890	BUSHING, 1-2/8 OD X 1 ID X 1 STEEL (AFTER 03/01/2018)	3
49	2-150-010008	BUSHING, 1-1/4 OD X 1 ID X 1 STEEL (BEFORE 03/01/2018)	3
50	192946	WASHER, 2-9/16 X 3-1/2, SS	1
51	193760	BLADE-LEVELER, ASSEMBLY (LH ONLY) (SEE PAGE 2-16)	1
52	195047	PIN-PIVOT, WING	1
53	195115	PLATE-BACKER, BEARING	4
54	195279	BRACKET-GANG ADJUSTMENT, WLD (LH WING)	1
54	187631	BRACKET-GANG ADJUSTMENT, WLDMT (RH WING)	1
55	200756	PIN, 1-1/4 X 4-5/8, STEP	1
56	201209	FRAME WLDMT WING LH 7833-40	1
56	201210	FRAME WLDMT WING LH 7833-40	1
57	201276	CYLINDER, 3.75 X 10 REPHASE (AFTER 01/03/2020) (SEE PAGE 16-61)	1
57	145202	CYLINDER 3-3/4 X 8 REPHASE (BEFORE 01/03/2020) (SEE PAGE 16-59)	1
58	201277	CYLINDER, 3.5 X 10 REPHASE (SEE PAGE 16-61)	1
59	201347	CYLINDER, HYDRAULIC, 4 X 48, 2-1/4 RD, 3000 (SEE PAGE 16-64)	1
60	203383	PLATE LIFT CONTROL (BEFORE 03/01/2018)	1
61	203467	VALVE, LIMIT, STROKE	1
62	2071-8-8S	ADAPTER, 90, 8 FLARE SWIVEL, 8 JIC	1
63	209189	BRACKET, REEL CONTROL, WLDMT (LH ONLY)	1
64	209194	TUBE, REEL CONTROL (LH ONLY)	1
65	209196	PIN, REEL CONTROL (LH ONLY)	1
66	209200	TUBE, REEL CONTROL, ASSEMBLY (LH ONLY) (AFTER 03/01/2018)	1
66	203381	TUBE, DEPTH CONTROL, ASSEMBLY (LH ONLY) (BEFORE 03/01/2018)	1
67	209216	TUBE, REEL CONTROL, WLDMT (LH ONLY)	1
68	209219	BRACKET, PIVOT, WLDMT (LH ONLY)	1
69	209366	ARM, CRANK, REEL CONTROL, WLDMT (LH ONLY)	1
70	2P793	BEARING INSERT, 4 1/2	12
71	3/4-10X2-1/2CB	SCREW, ROUND HEAD SQUARE NECK 3/4-10 X 2-1/2	16
72	1-822-010001	TRIM, 1350 3/8, BLACK FINE PEBBLE	2

Blade Leveler Assembly

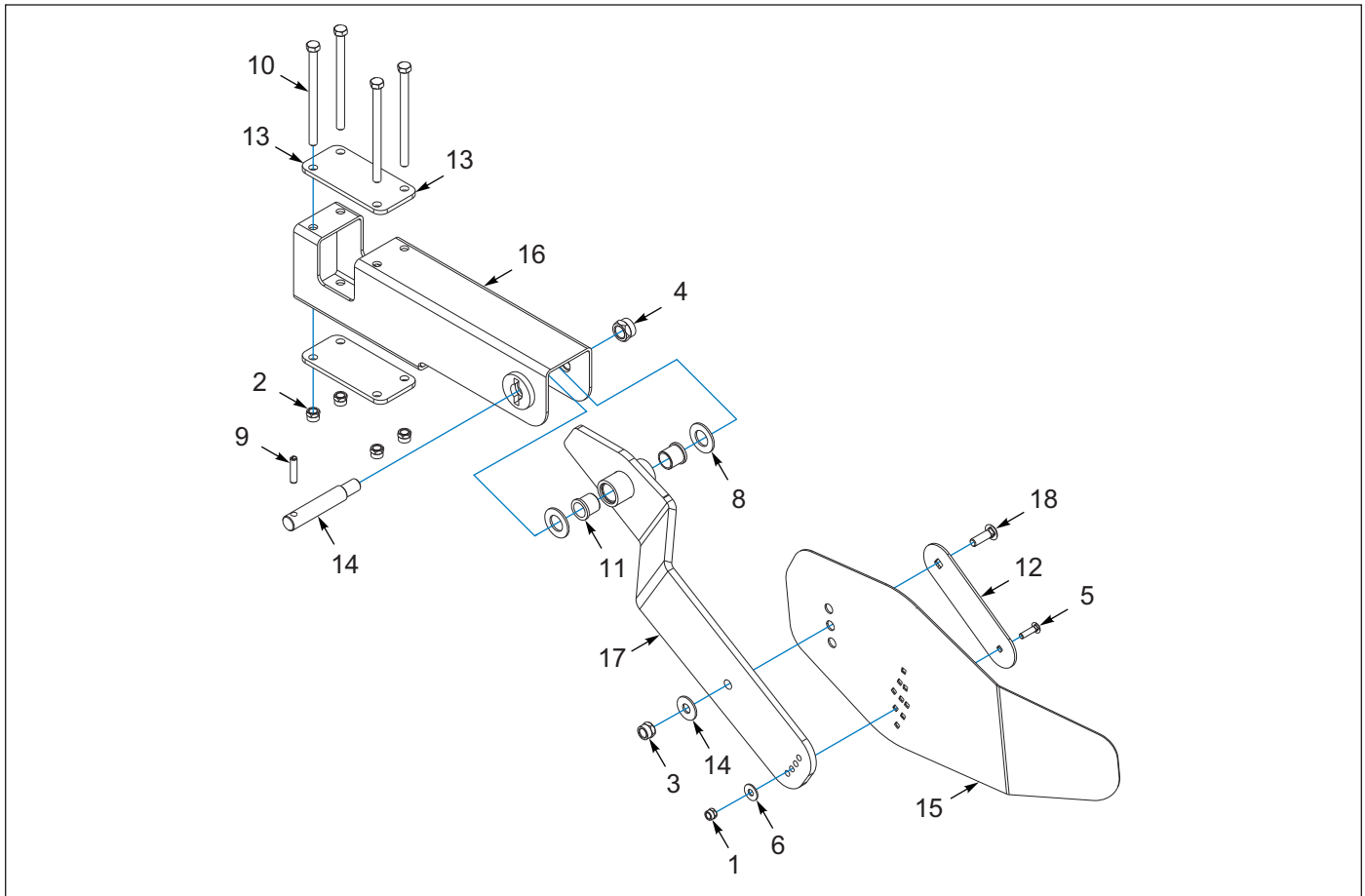


Figure 2-5: Blade Leveler Assembly

Blade Leveler Assembly

ITEM	PART NUMBER	DESCRIPTION	QTY.
	193760	BLADE, LEVELER ASSEMBLY	--
1	1-512-010005-09	NUT, HEX SLFLKG, 1/2-13 UNC, GRB	1
2	1-512-010005-13	NUT, HEX SLFLKG, 5/8-11 UNC, GRB	4
3	1-512-010005-15	NUT, HEX SLFLKG, 3/4-10 UNC, GRB	1
4	1-512-010005-19	NUT, HEX SLFLKG, 1-8 UNC, GRB	1
5	1-654-010070-05	SCREW, RDH SQ NK, 1/2-13 X 2	1
6	1-861-010032-15	WASHER, FLAT, ZP/CD, 1/2W	1
7	1-861-010032-21	WASHER, FLAT, ZP/CD, 3/4W	1
8	116100	WASHER, FLAT, ZP/CD, 1-1/4N	2
9	141251	PIN, SPRING SLOTTED, 1/2 X 2-1/4	1
10	171892	SCREW, HEX CAP, 5/8-11 UNC X 9 GR5	4
11	184413	BEARING, FLANGE 1, 1/4	2
12	192594	PLATE, BACKER	1
13	193699	PLATE, STRAP	2
14	193730	PIN, SHOULDER 1-1/4 X 5	1
15	193757	BLADE, LEVELER	1
16	193758	MOUNT, BLADE LEVELER WELDMENT	1
17	193759	ARM, LEVELER MOUNT WELDMENT	1
18	3/4-10X2-1/2CB	SCREW, RDH SQ NK, 3/4-10 X 1/2	1

Spindle & Hub

Spindle & Hub, 8 Bolt (AFTER 02/2020)

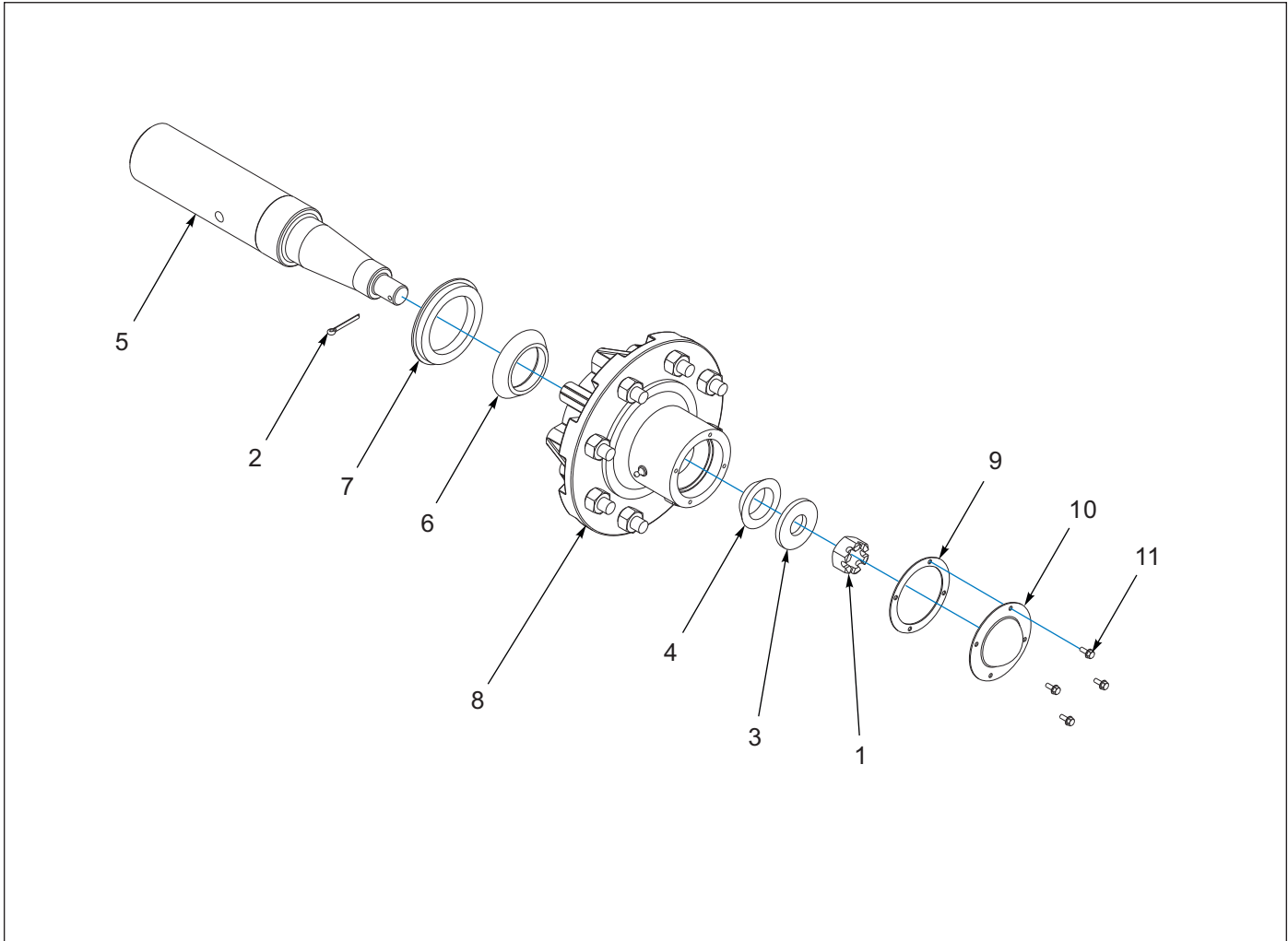


Figure 3-1: Spindle & Hub, 8 Bolt (AFTER 02/2020)

Spindle & Hub, 8 Bolt (AFTER 02/2020)

ITEM	PART NUMBER	DESCRIPTION	QTY.
	223440	ASSY, 8 BOLT HUB & SPINDLE	--
1	1-516-010001-20	NUT, HX SLOT 1-14	1
2	1-557-010362-51	PIN, COTTER 3/16X1-1/2	1
3	1-861-010005	WASHER, SPINDLE 1	1
4	102498	BEARING CONE, OUTER, 1.625	1
5	156973	SPINDLE 3 X 16-1/2	1
6	156979	CONE BEARING - 387AS	1
7	193089	SEAL, PURGABLE 4 OD X 3 ID	1
8	223435	HUB ASSY W/ CUPS, GASKET, CAP	1
9	223439	GASKET, DUST CAP (NOT IN KIT)	1
10	223437	DUST CAP, BOLT ON (NOT IN KIT)	1
11	223438	SCREW, 10-32X1/2 HEX FLANGE (NOT IN KIT)	1

Spindle & Hub, 8 Bolt, 35' & 40' (AFTER 01/10/2023)

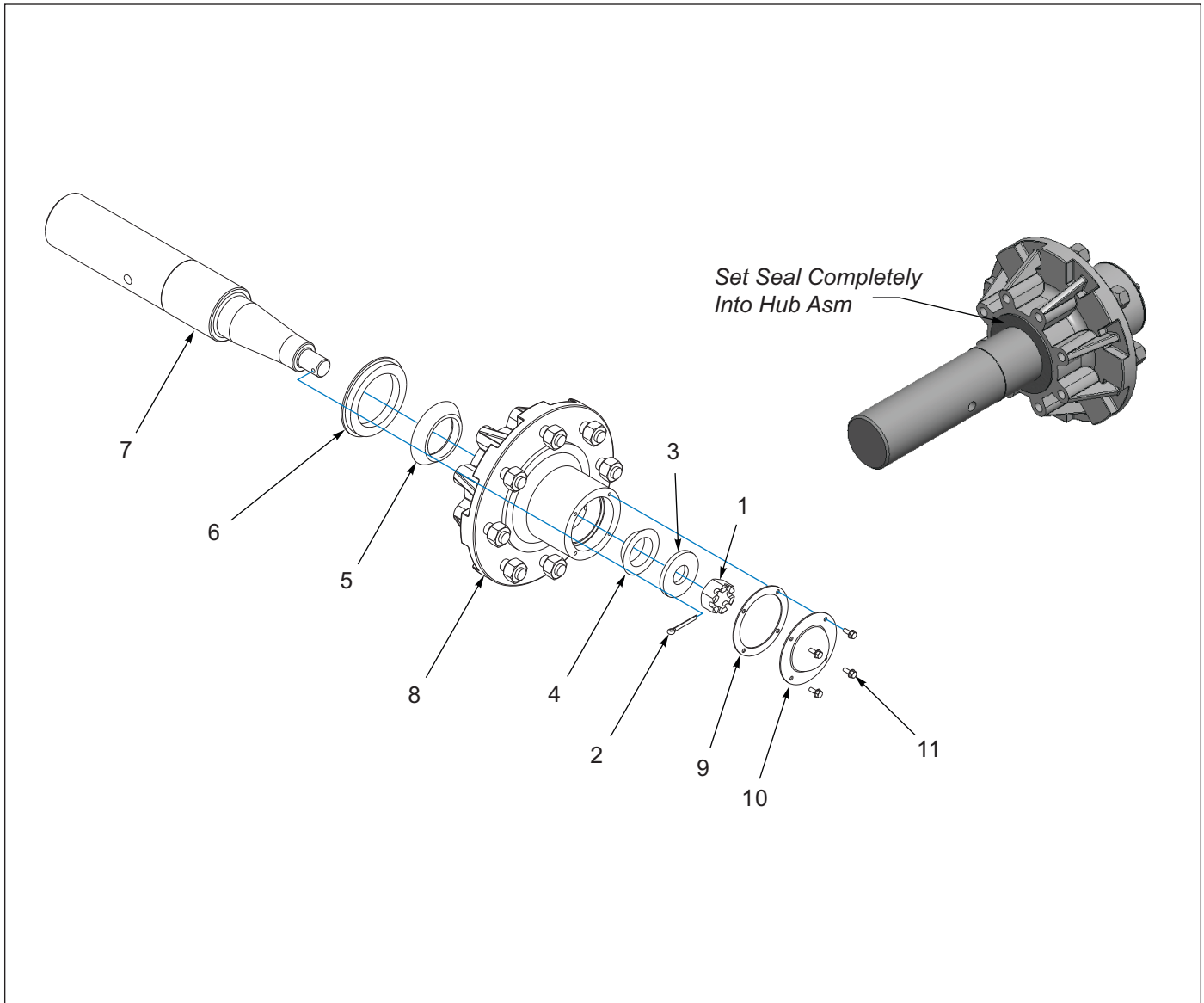


Figure 3-2: Spindle & Hub, 8 Bolt, 35' & 40' (AFTER 01/10/2023)

Spindle & Hub, 8 Bolt, 35' & 40' (AFTER 01/10/2023)

ITEM	PART NUMBER	DESCRIPTION	QTY.
	193133	HUB & SPINDLE ASSY, 8 BOLT	--
1	1-516-010001-20	NUT, HX SLOT 1-14	1
2	1-557-010362-51	PIN, COTTER 3/16X1-1/2	1
3	1-861-010005	WASHER, SPINDLE 1	1
4	102498	BEARING CONE, OUTER, 1.625	1
5	156979	CONE BEARING - 387AS	1
6	193089	SEAL, PURGABLE 4 OD X 3 ID	1
7	193134	SPINDLE, 3 X 18-1/2	1
8	223435	HUB ASSY W/ CUPS, GASKET, CAP (INCLUDES ITEMS 9-11)	1
9	223439	GASKET, DUST CAP	1
10	223437	DUST CAP, BOLT ON	1
11	223438	SCREW, 10-32X1/2 HEX FLANGE	4

SPINDLE & HUB

Spindle & Hub, 8 Bolt (BEFORE 02/2020)

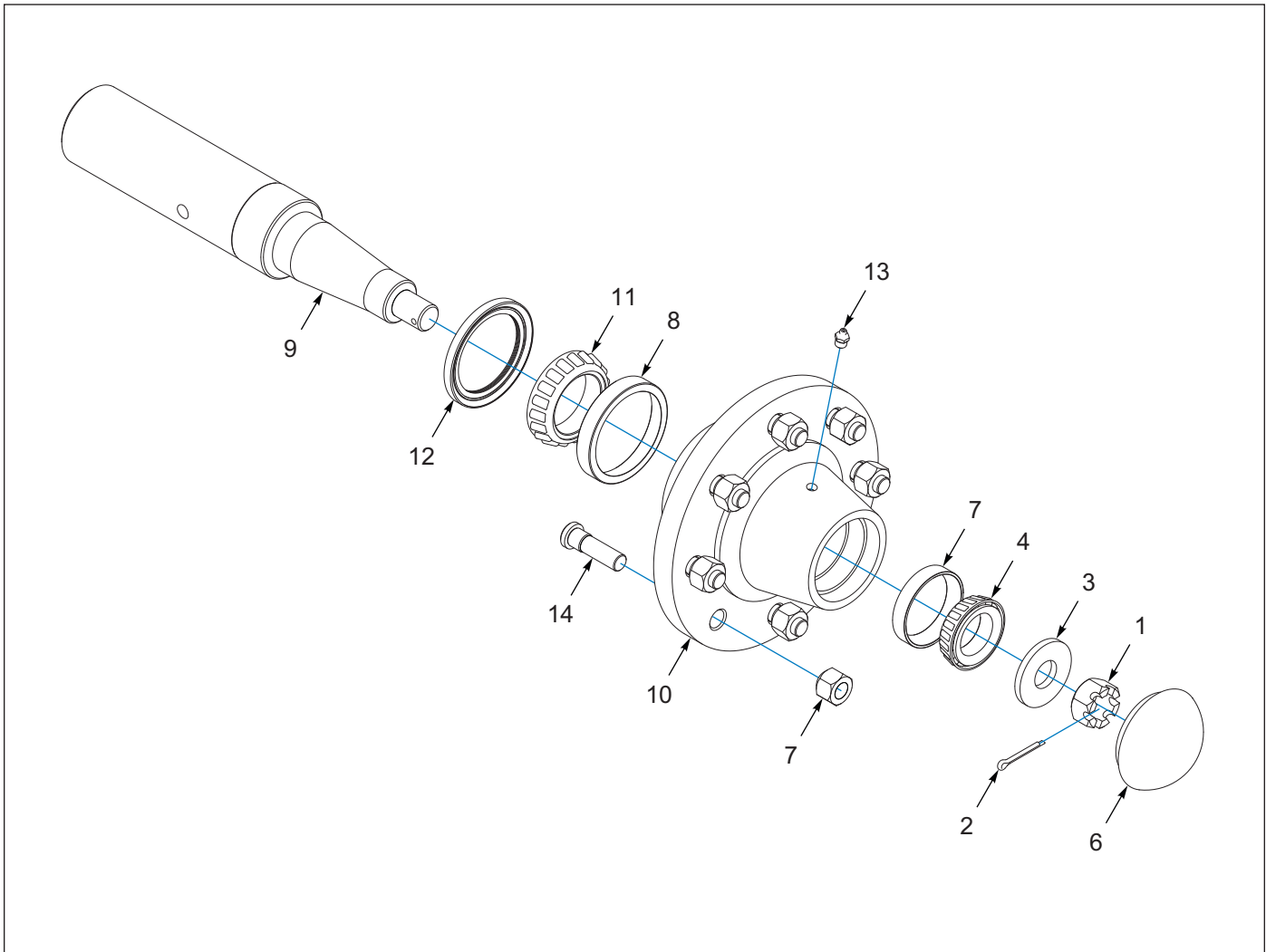


Figure 3-3: Spindle & Hub, 8 Bolt (BEFORE 02/2020)

Spindle & Hub, 8 Bolt (BEFORE 02/2020)

ITEM	PART NUMBER	DESCRIPTION	QTY.
	156972	HUB AND SPINDLE ASSEMBLY - 8 BOLT	--
1	1-516-010001-20	NUT, SLDT HEX, 1-14 UNS	1
2	1-557-010362-51	COTTER PIN, 3/16 X 1-1/2	1
3	1-861-010005	WASHER, SPINDLE	1
4	102498	CONE, BORE BEARING OUTER 1.625	1
5	102600	NUT, WHEEL BOLT, 5/8-18	8
6	102601	HUBCAP, 8-BOLT HUB	1
7	102604	CUP, OUTER BEARING	1
8	111962	CUP, INNER BEARING	1
9	156973	SPINDLE, 3 X16-1/2	1
10	156974	HUB W/ CUPS, 8 BOLT	1
11	156979	CONE, BEARING, 387AS	1
12	159970	SEAL, TRIPLE LIP, 4OD X 3ID X 3/8	1
13	5000	ZERK	1
14	4001060	STUD BOLT, 5/8 X 2-1/2	8

Spindle & Hub, 10 Bolt (AFTER 05/2020)

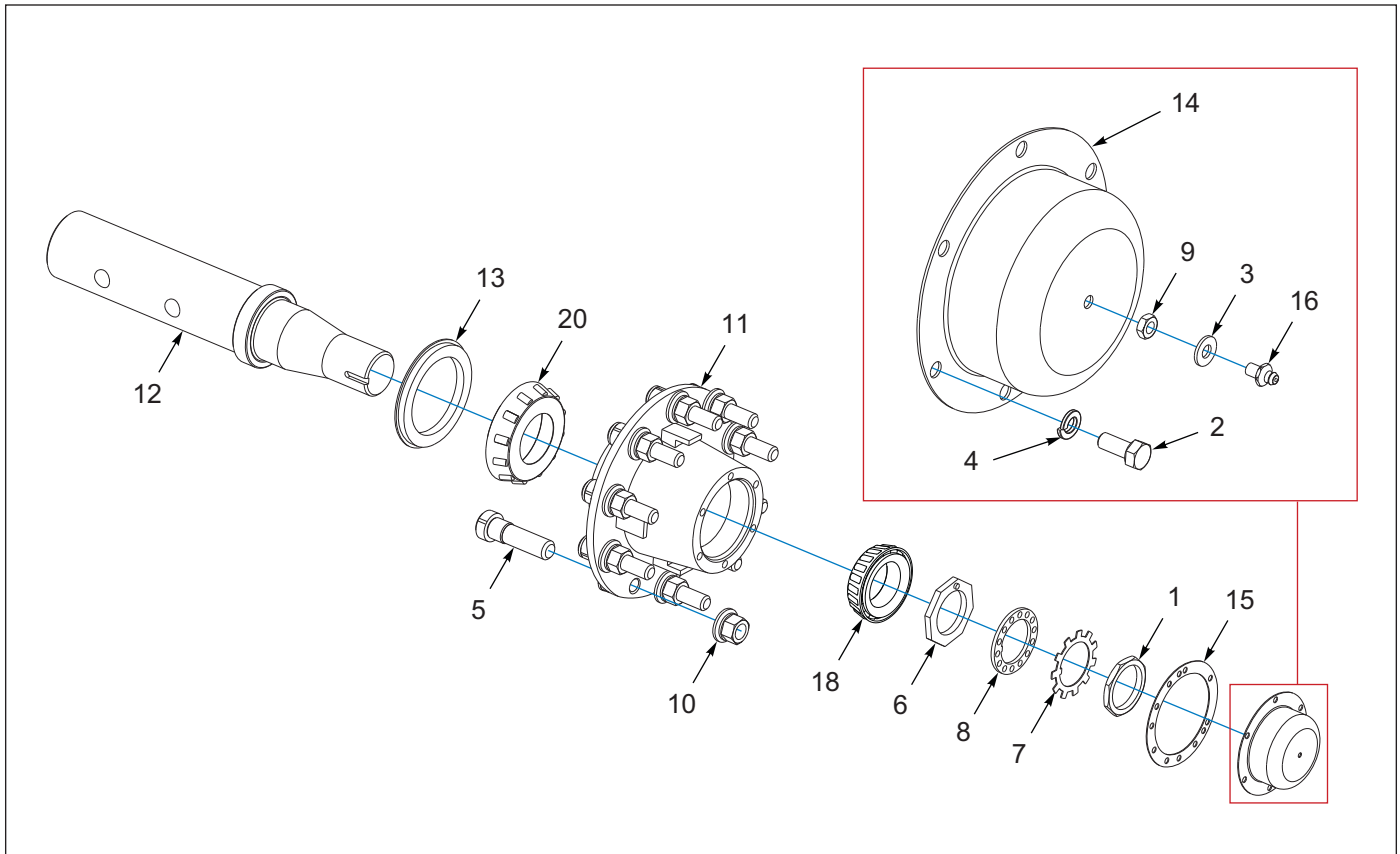


Figure 3-4: Spindle & Hub, 10 Bolt (AFTER 05/2020)

Spindle & Hub, 10 Bolt (AFTER 05/2020)

ITEM	PART NUMBER	DESCRIPTION	QTY.
	193814	HUB AND SPINDLE ASSEMBLY - 10 BOLT	--
1	006-115-00	NUT OUTER, SPINDLE, DEXTER	1
2	1-654-010049-03	SCREW HX CP 5/16-18UNCX3/4GR5	6
3	1-861-010032-06	WASHER, FLAT 1/4 N ZP/CD	1
4	1-861-010034-10	WASHER,LKG 5/16	6
5	101162	STUD	10
6	103103-002	INNER SPIN NUT	1
7	105106	STAR L/W	1
8	105107	LOCK WASHER	1
9	1404013	NUT JAM HEX HD GR 5 1/4-28	1
10	179933	NUT, HEX M22X1.5	10
11	181785	HUB, 10 BOLT W/CUPS	1
12	181789	SLEEVE-SPINDLE, 4", ASM	1
13	184769	SEAL, PURGABLE 6 OD X 4-5/8 ID	1
14	191976	HUBCAP W/ 1/4 HOLE	1
15	3067	GASKET HUB	1
16	5013	ZERK, FITTING 1/4-28SAEX11/16	1
17	HM212011	OUTER CUP (NOT SHOWN)	1
18	HM212049	OUTER BEARING	1
19	HM218210	BEARING CUP,INNER-DEXTERD225K (NOT SHOWN)	1
20	HM218248	INNER BEARING	1

SPINDLE & HUB

Spindle & Hub, 10 Bolt (BEFORE 05/2020)

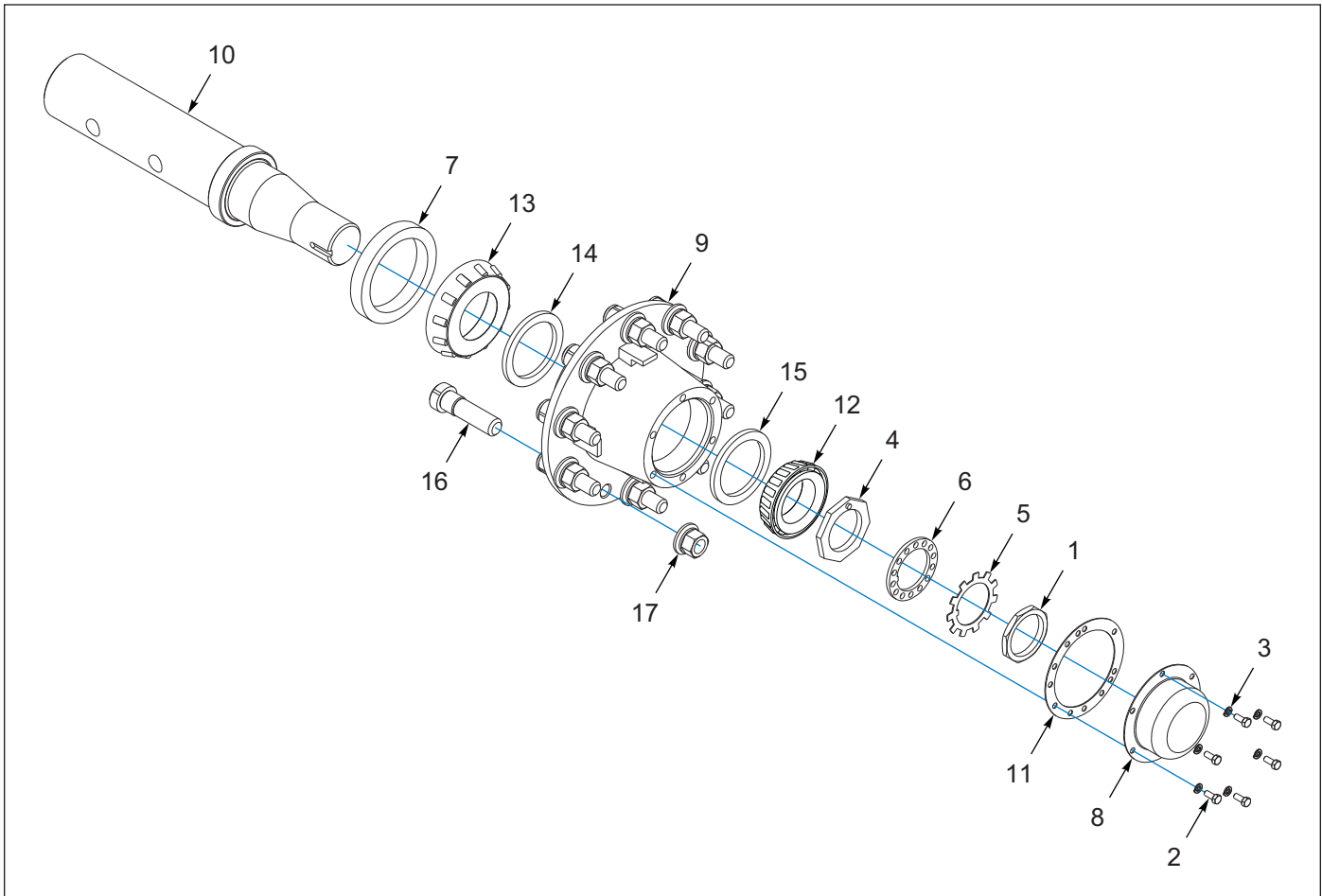


Figure 3-5: Spindle & Hub, 10 Bolt (BEFORE 05/2020)

Spindle & Hub, 10 Bolt (BEFORE 05/2020)

ITEM	PART NUMBER	DESCRIPTION	QTY.
	193814	HUB AND SPINDLE ASSEMBLY - 10 BOLT	--
1	006-115-00	NUT, OUTER SPINDLE, DEXTER	1
2	1-654-010049-03	SCREW, HEX 5/16-18 UNC X 3/4 GR5	6
3	1-861-010034-10	WASHER, LKG HLCL SPR, 5/16	6
4	103103-002	NUT, INNER SPIN	1
5	105106	LOCKWASHER, DEXTER	1
6	105107	WASHER, TONGUE, DEXTER	1
7	165254	SEAL, 4-5/8, TRIPLE TEFLON	1
8	168456	HUBCAP	1
9	181785	HUB, 10 BOLT WITH CUPS	1
10	181789	SLEEVE-SPINDLE, 4", ASM	1
11	3067	GASKET, HUB	1
12	HM212049	OUTER BEARING, A19S	1
13	HM218248	INNER BEARING	1
14	HM218210	INNER BEARING	1
15	HM212011	OUTER BEARING CUP	1
16	101162	STUD BOLT, 10 BOLT	10
17	179933	LUG NUT, 10 BOLT	10

Tires and Wheels

Transport Tire and Wheel

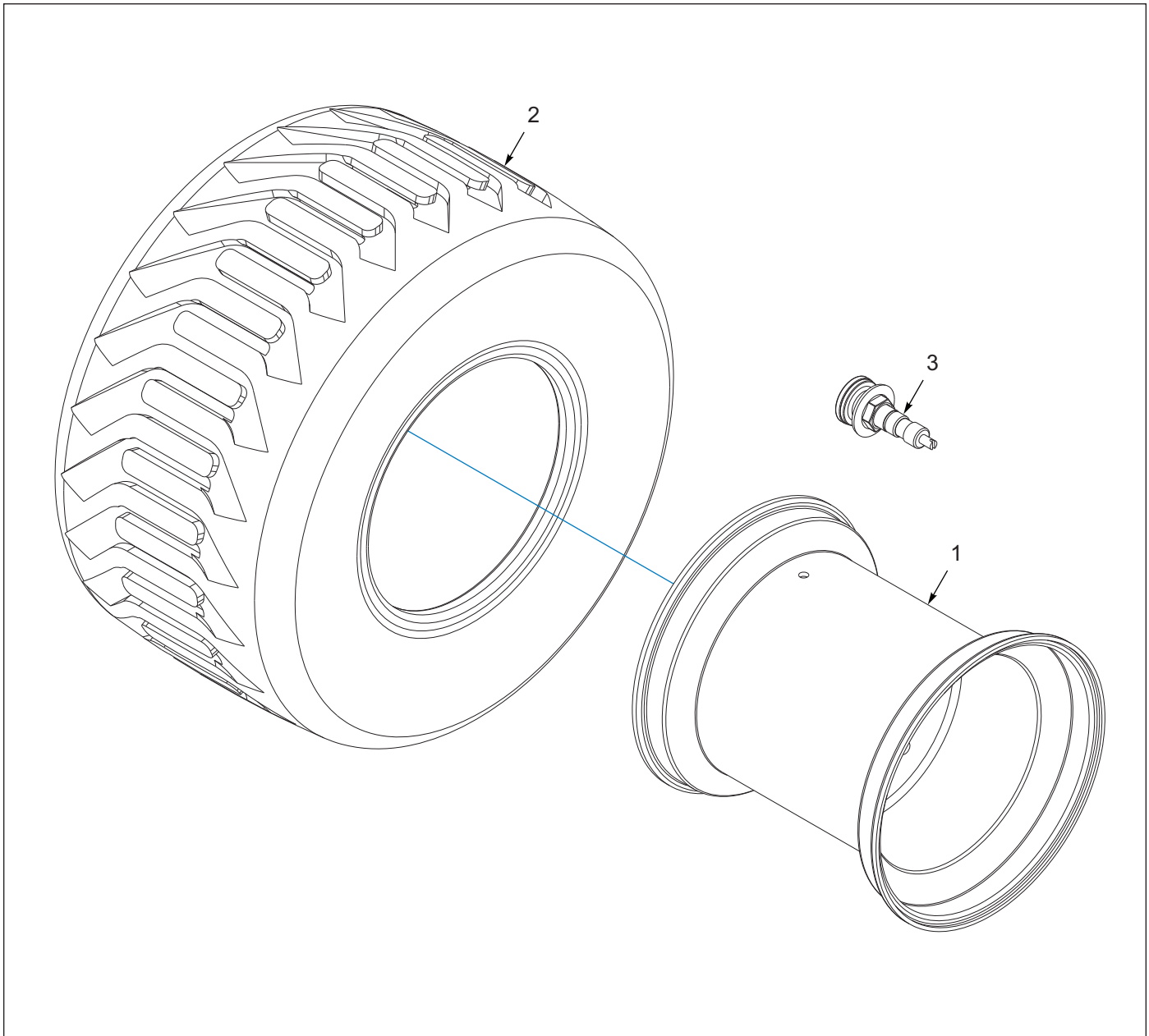


Figure 4-1: Transport Tire and Wheel

Transport Tire and Wheel

ITEM	PART NUMBER	DESCRIPTION	QTY.
	201281	TIRE/WHEEL 710/40 LH	--
	201282	TIRE/WHEEL 710/40 RH	--
1	201279	WHEEL, 22.5 X 24, 10 BOLT	REF
2	201280	TIRE, 710/40R22.5	REF
3	203466	VALVE-STEM, TR-618A	REF

Gauge Tire and Wheel

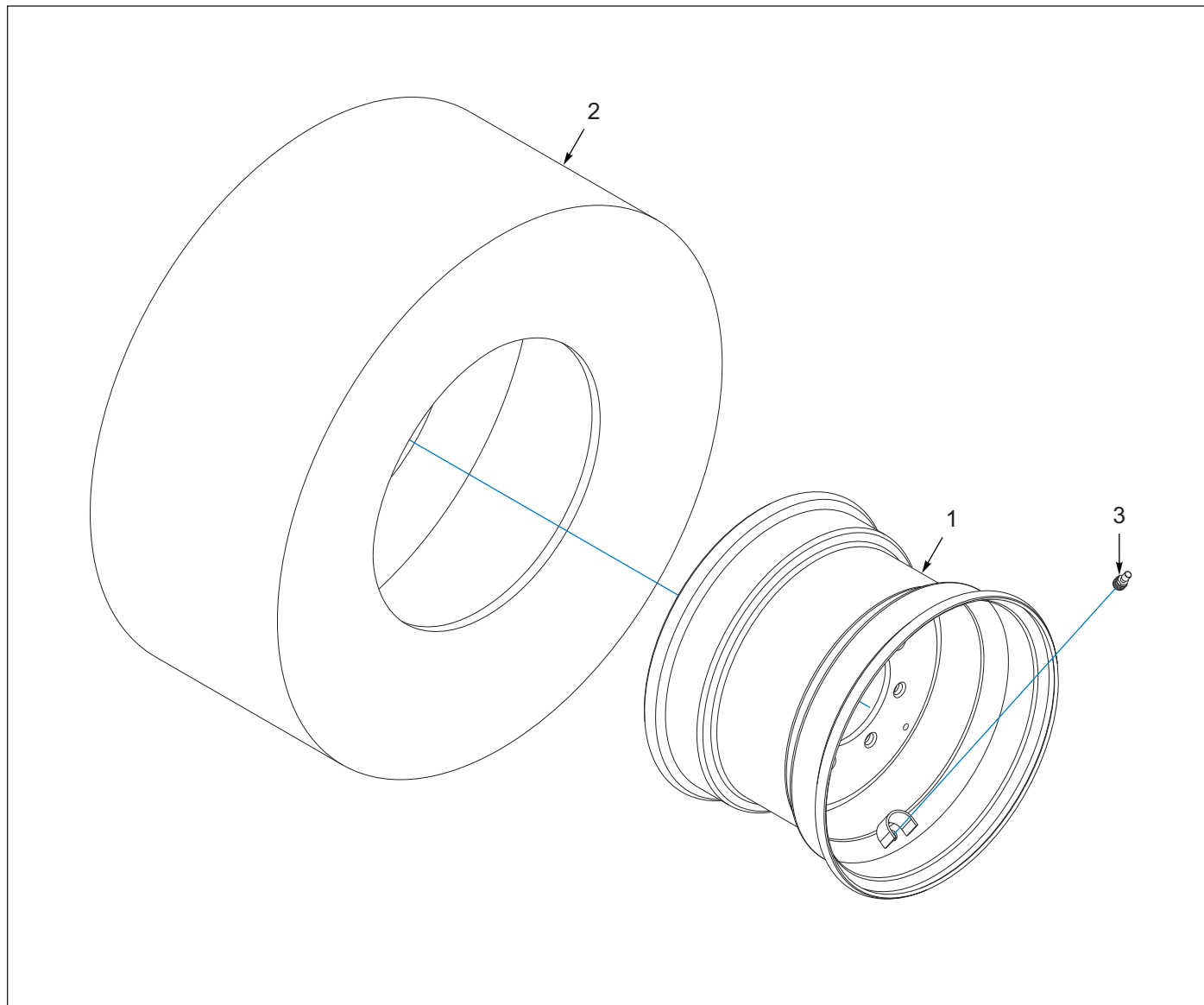


Figure 4-2: Gauge Tire and Wheel

Gauge Tire and Wheel

ITEM	PART NUMBER	DESCRIPTION	QTY.
	215351	TIRE & WHEEL ASSY, VF410/50R16.5 (AFTER 12/01/2018, 25', 30)	--
	157000	TIRE & WHEEL ASSY, 32/1550X16.5 (BEFORE 03/01/2018, 25', 30)	--
	193130	TIRE&WHEEL ASSY, 480/45R17 AG (AFTER 01/10/2023, 35' & 40')	--
	203500	TIRE & WHEEL ASSY, 500/40, R16.5 (BEFORE 01/10/2023, 35' & 40')	--
1	157001	WHEEL, 8 BOLT (215351) (157000)	REF
1	193131	WHEEL,17X16,POS.38OFFSET,8BOLT (193130)	REF
1	203453	WHEEL-16.5X16, 8 BOLT (203500)	REF
2	215352	TIRE, VF410/50R16.5 (215351)	REF
2	157002	TIRE 32/1550 X 16.5 SL (157000)	REF
2	204386	TIRE, BKT VG 480/45R17 (193130)	REF
2	203452	TIRE, 500/40 R16.5 (203500)	REF
3	TR575	VALVE STEM TUBELESS TIRE	REF

Wing Gauge

Wing Gauge Assembly

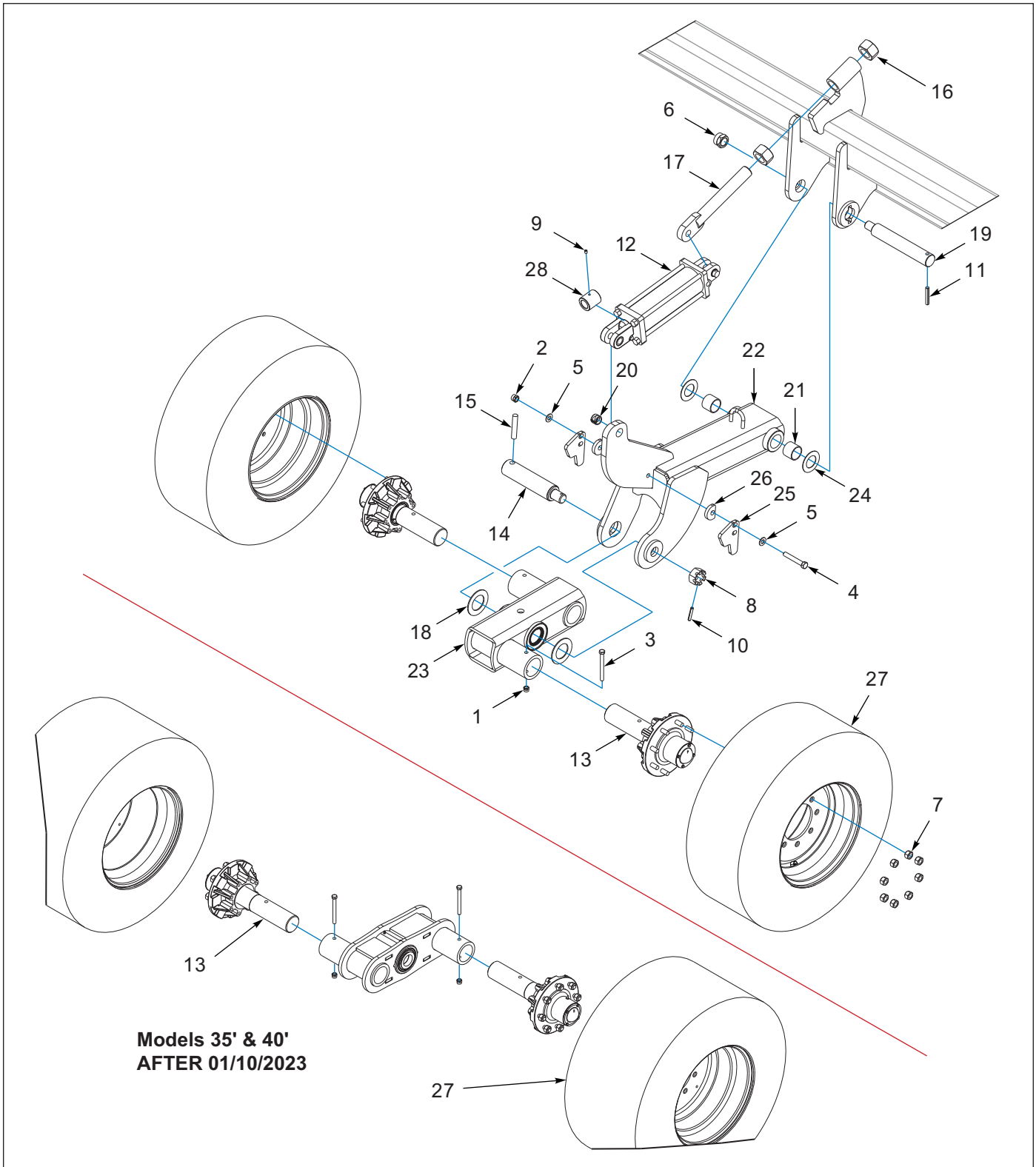


Figure 5-1: Wing Gauge Assembly

Wing Gauge Assembly

ITEM	PART NUMBER	DESCRIPTION	QTY.
1	1-512-010005-09	NUT,HEX,SLFLKG, 1/2-13 GRB	3
2	1-512-010005-13	NUT,HEX SLFLKG GRB 5/8-11	1
3	1-654-010055-15	SCREW, HEX CAP, 1/2-13UNCX5 GR5	2
4	1-654-010059-13	SCREW HEX CAP 5/8-11X4UNC GR5	1
5	1-861-010032-18	WASHER, FLAT 5/8 N ZP/CD	2
6	101385	NUT,HEX SLFLKG,1-1/4-7 GRB	1
7	102600	NUT,WHEEL BOLT, 5/8	8
8	119118	NUT 1-1/2-12UNF HEX SLOTTED ZP	1
9	122709	SCREW,SET,HXSKTCPPT3/8-16X1/2 (25' ONLY)	1
10	127712	PIN SPRING SLOTTED 3/8 X 2-1/4	1
11	140191	PIN, GROOVED ALLOY 1/2X3	1
12	201275	CYLINDER, 4 X 10 REPHASE (AFTER 01/2020) (SEE PAGE 16-61)	1
12	145201	CYLINDER 4 X 8 REPHASE (BEFORE 01/2020) (SEE PAGE 16-58)	1
13	193133	HUB & SPINDLE ASSY, 8 BOLT (AFTER 01/10/2023, 35', 40' ONLY) (SEE PAGE 3-2)	2
13	223440	ASSY, 8 BOLT HUB & SPINDLE (02/2020 TO 01/2023) (SEE PAGE 3-5)	2
13	156972	HUB & SPINDLE ASSY, 8 BOLT (BEFORE 02/2020) (SEE PAGE 3-1)	2
14	227253	SPINDLE, WALKING BEAM (AFTER 11/2021)	1
14	156991	SPINDLE, WALKING BEAM (BEFORE 11/2021)	1
15	156992	PIN, WALKING BEAM SPINDLE	1
16	159954	NUT HEX 1-3/4-5UNC GR2	2
17	159955	ROD, CYLINDER ANCHOR WLDMT	1
18	164563	WASHER, THRUST 2-1/2 (BEFORE 11/2021)	2
19	187318	PIN SHOULDER 2 X 11-5/8	1
20	192890	BUSHING 1-3/8ODX1 IDX1 STEEL	3
21	197140	BUSHING POLYLUBE 2-1.4X2X2	2
22	233775	ARM-GAUGE WHEEL,LH-FWD,WLDMT (AFTER 11/2021) (NOT SHOWN)	1
22	224439	ARM-GAUGE WHEEL,LH-FWD,WLDMT (01/2020 TO 11/2021) (NOT SHOWN)	1
22	201268	ARM-GAUGE WHEEL, LH FWD, WLDMT (BEFORE 01/2020) (NOT SHOWN)	1
22	233776	ARM-GAUGE WHEEL,RH-FWD,WLDMT (AFTER 11/2021)	1
22	224440	ARM WLDMT GAUGE WHEEL RH FWD (01/2020 TO 11/2021)	1
22	201259	ARM-GAUGE WHEEL, RH FWD, WLDMT (BEFORE 01/2020)	1
23	230976	BEAM-WALKER, HSL, ASM (AFTER 11/2021)	2
23	201264	WALKING BEAM ASSY 3" (BEFORE 11/2021)	2
24	202844	WASHER, 2 X 3-1/2 X 14 GA, SS	2
25	230985	PLATE-SPACER (AFTER 11/2021)	1
25	203428	PLATE-SPACER (BEFORE 11/2021)	1
26	203434	PLATE-SPACER, INSIDE	1
27	215351	TIRE&WHL ASSY, VF410/50R16.5 (AFTER 12/2018, 25', 30' ONLY) (SEE PAGE 4-2)	2
27	157000	TIRE & WHEEL ASSY, 32/1550X16.5 (BEFORE 12/2018, 25', 30' ONLY)	2
27	193130	TIRE&WHEEL ASSY, 480/45R17 AG (AFTER 01/10/2023, 35', 40' ONLY) (SEE PAGE 4-2)	2
27	203500	WHEEL & TIRE,500/40R16.5,8 BLT (BEFORE 01/10/2023, 35', 40' ONLY)	2
28	224424	STOP-CYLINDER, 2 ROD, X 2-1/2 (25' ONLY)	1

Depth Control Tube Assembly (USED ON WING ASSEMBLY)

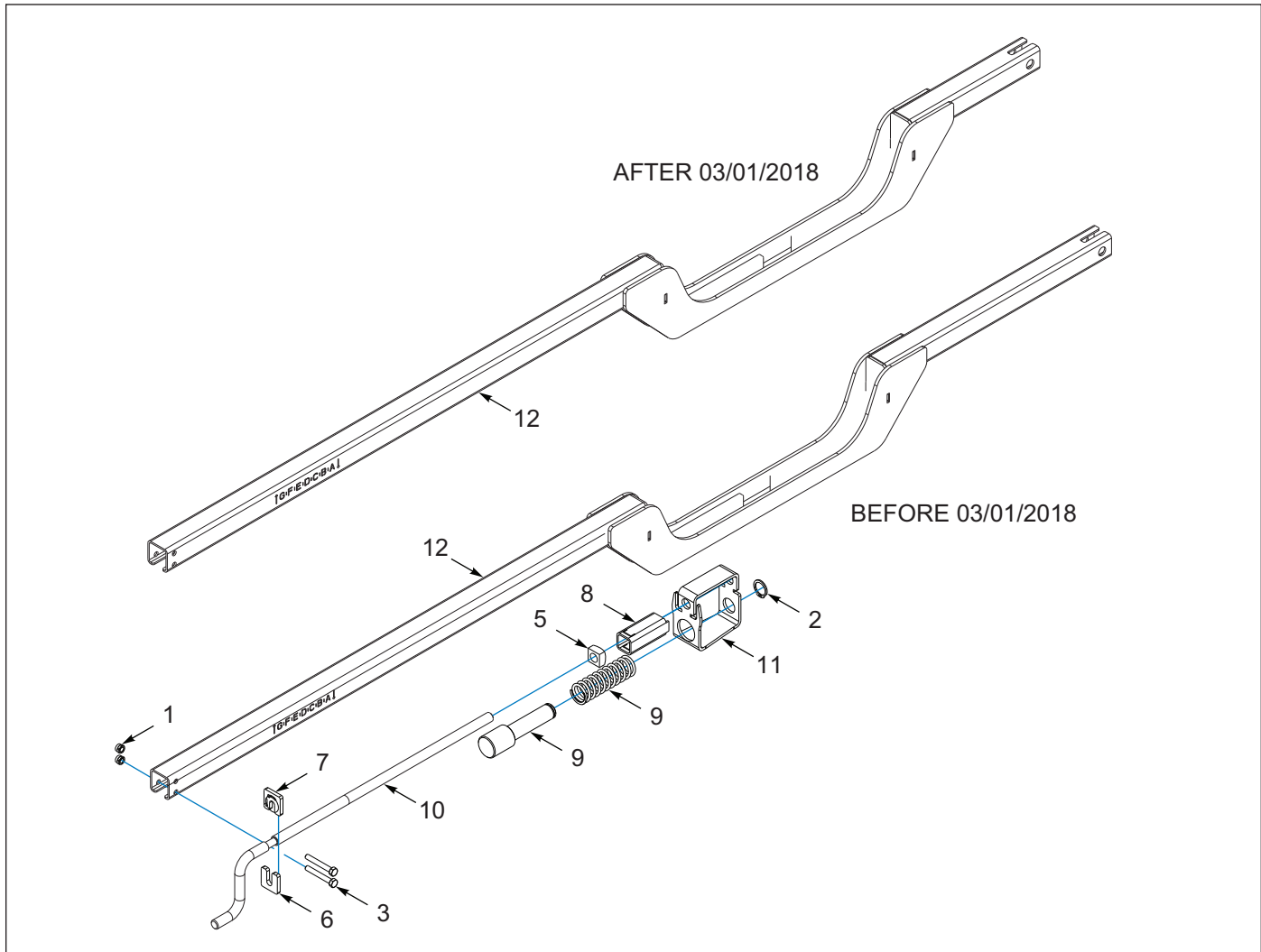


Figure 5-2: Depth Control Tube Assembly (USED ON WING ASSEMBLY)

Depth Control Tube Assembly (USED ON WING ASSEMBLY)

ITEM	PART NUMBER	DESCRIPTION	QTY.
	209200	TUBE ASSY DEPTH CONTROL (AFTER 03/01/2018)	--
	203381	TUBE ASSY DEPTH CONTROL (BEFORE 03/01/2018)	--
1	1-512-010005-03	NUT, HEX SLFLKG, 5/16-18 UNC, GRB	2
2	1-630-010021-03	RING, RETAINING 1 HD	1
3	108628	SCREW, HEX 5/16-18 X 2-1/4 GR5	2
4	122917	SPRING, CMPNDRESSION 4-1/2, MONOSEM	1
5	144048	NUT, SQ 5/8-11 GR5	1
6	165259	STOP, HANDLE LONG	1
7	165260	STOP, HANDLE SHORT	1
8	166717	SQ TUBE, FLOATING	1
9	174708	PIN, DEPTH STOP	1
10	201337	HANDLE, DEPTH STOP	1
11	182289	STOP, DEPTH	1
12	209198	TUBE, REEL CONTROL, WELDMENT (AFTER 03/01/2018)	1
12	203380	TUBE, DEPTH STOP, WELDMENT (BEFORE 03/01/2018)	1

Walking Beam Assembly - 201264

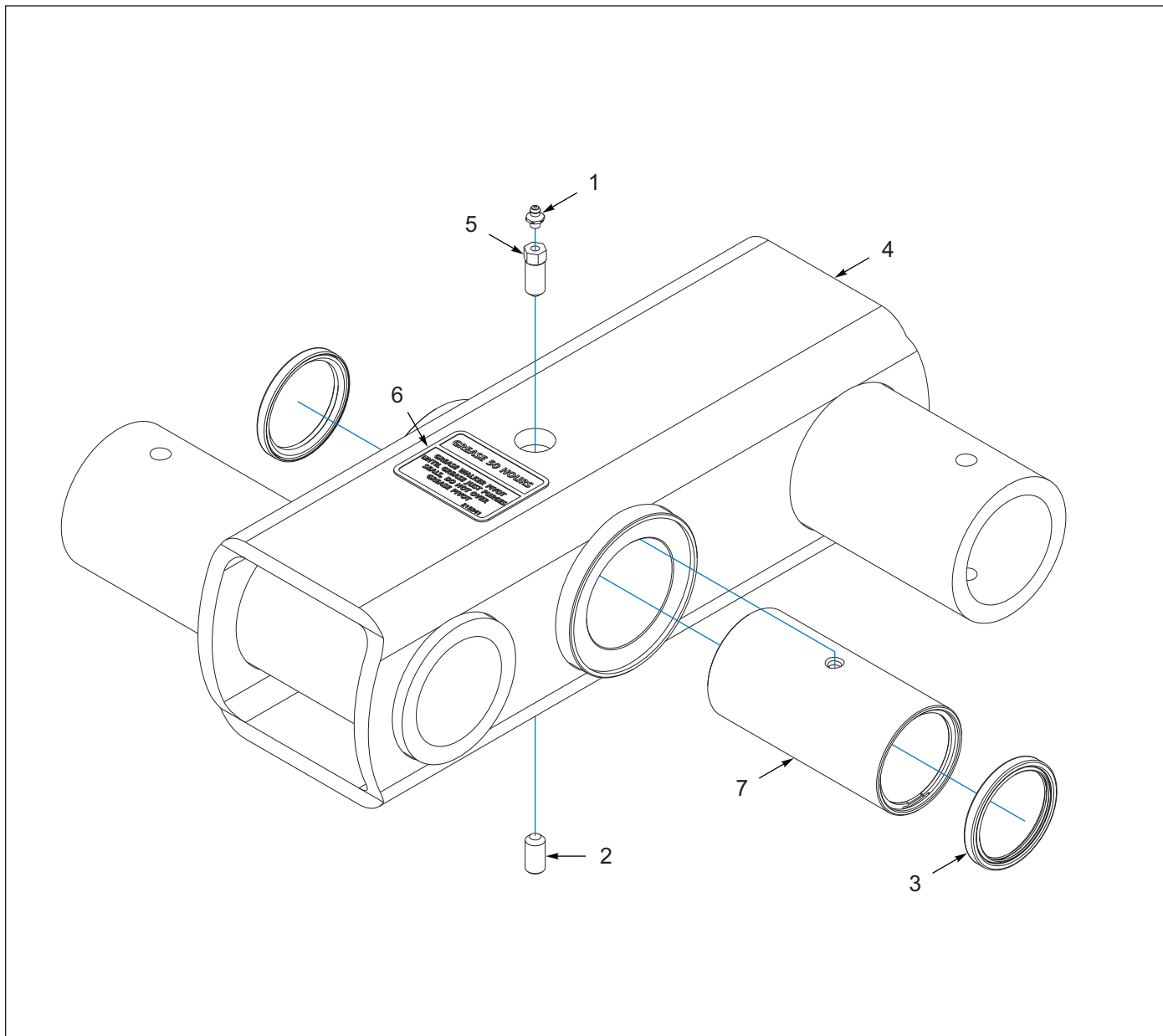


Figure 5-3: Walking Beam Assembly - 201264

Walking Beam Assembly - 201264

ITEM	PART NUMBER	DESCRIPTION	QTY.
	201264	WALKING BEAM ASSY 3"	--
1	1-298-010001-1	ZERK FITTING 1/4 SAE	1
2	15G816ER	SCREW SET SOC HD CPPT.5-13X1	1
3	198323	SEAL, V17, DOUBLE LIP 2-1/2"	2
4	201262	WALKING BEAM WLDMT 3" SPINDLE	1
5	212046	SCREW, SET FOR ZERK	1
6	215341	DECAL, GREASE WALKER	1
7	228189	ASSY, PIVOT 2-1/2 X 6 CONNEX	1
8	227255	KIT-BEAM, WALKER, HSL (REPLACEMENT KIT INCLUDES 119118, 127712, 156992, 227251, 227252-(2), 227253, 227254)	--

Walking Beam Assembly - 230976

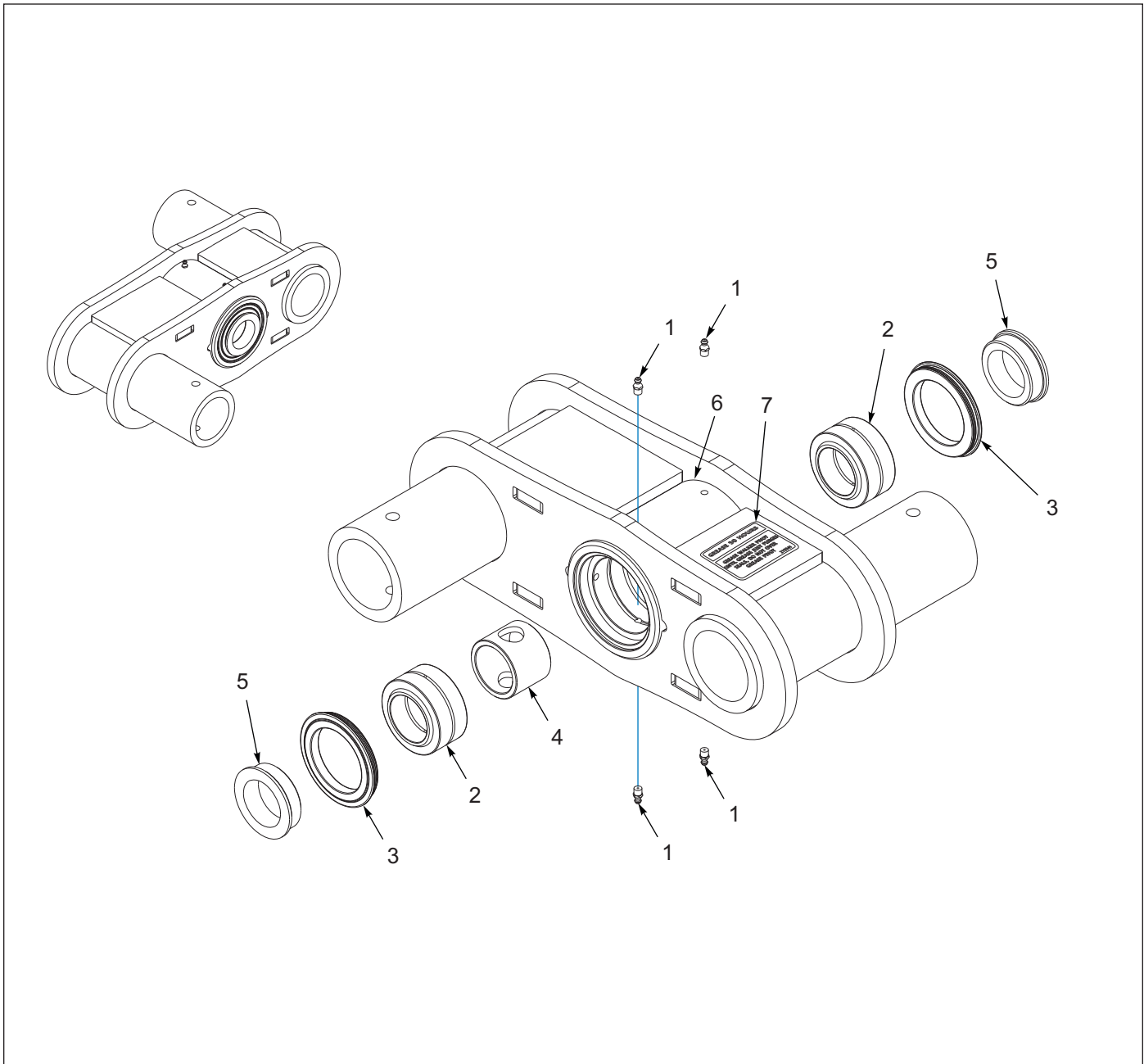


Figure 5-4: Walking Beam Assembly - 230976

Walking Beam Assembly - 230976

ITEM	PART NUMBER	DESCRIPTION	QTY.
	230976	WALKING BEAM ASSY 3" (AFTER 11/2021)	--
1	171024	FITTING, GREASE 5/16-24 STR	1
2	224771	BEARING-SPHERICAL, 2 INCH	2
3	224775	SEAL-BEARING, 2.75 X 3.75	2
4	224799	SLEEVE-SUPPORT, INNER, BEARING	1
5	227252	BUSHING-SPINDLE MOUNT	2
6	230973	BEAM-WALKER, HSL, WLDMT	1
7	215341	DECAL, GREASE WALKER	1

Hitch Assembly

Hitch Assembly, 25' & 30' (AFTER 12/2022)

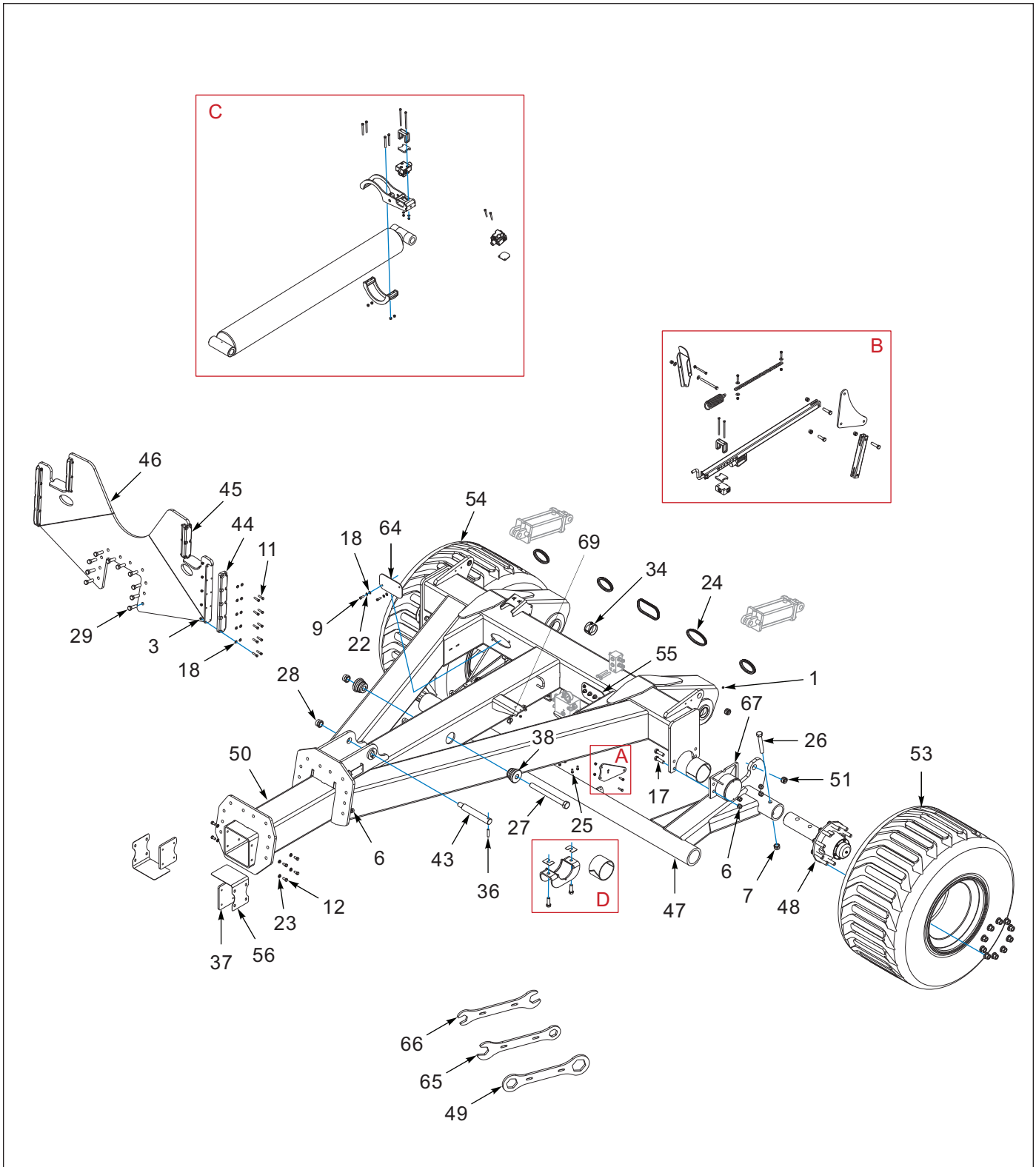


Figure 6-1: Hitch Assembly, 25' & 30'

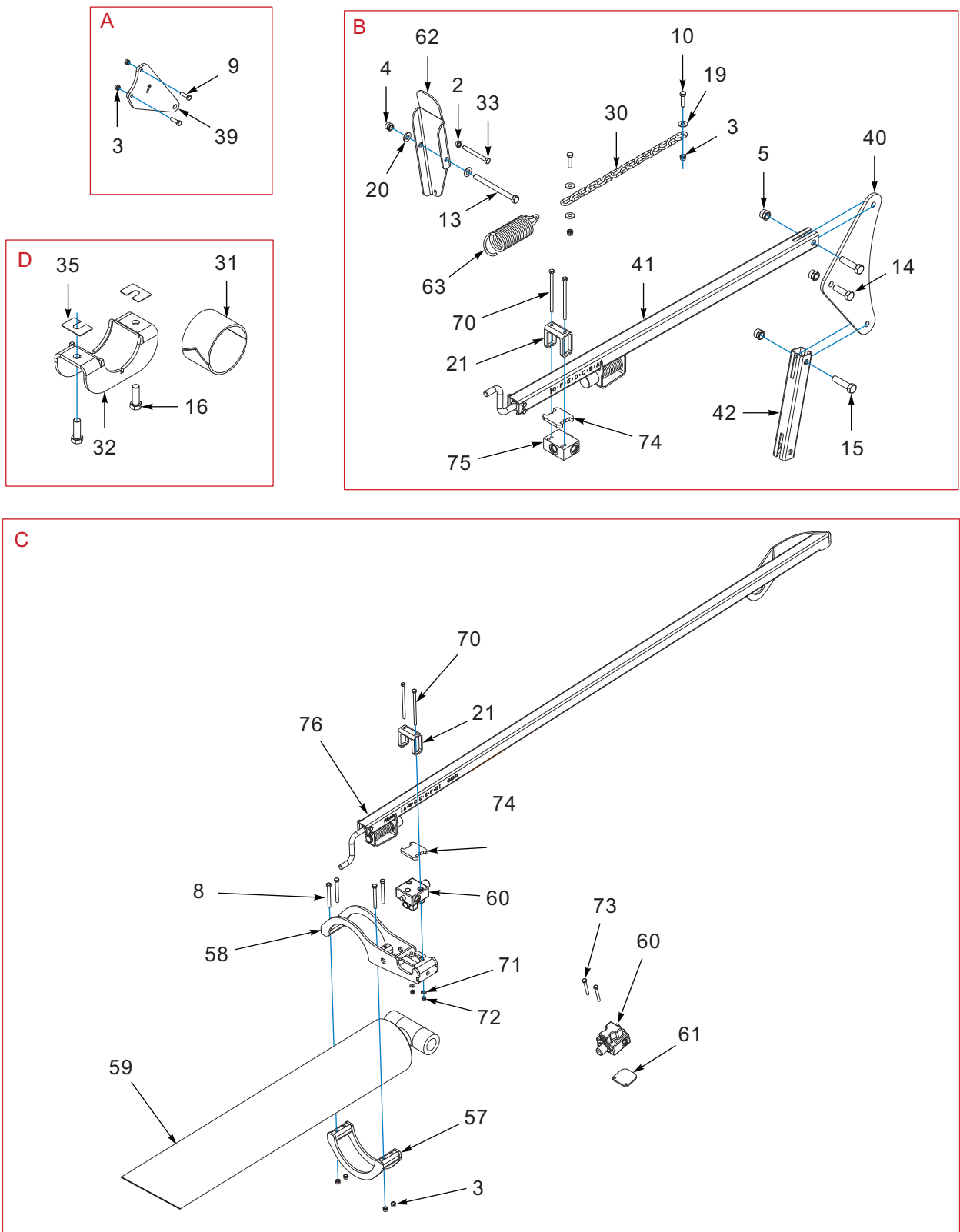


Figure 6-2: Hitch Assembly, 25' & 30'

HITCH ASSEMBLY

Hitch Assembly, 25' & 30' (AFTER 12/2022)

ITEM	PART NUMBER	DESCRIPTION	QTY.
	201309	HITCH-7833-25,30, ASSEMBLY	--
1	1-298-010001-1	ZERK FITTING 1/4 SAE	2
2	1-510-010001	NUT, 3/8-16 UNC FLANGE LOCK	1
3	1-512-010005-05	NUT, HEX, SLFLKG GRB 3/8-16	42
4	1-512-010005-09	NUT,HEX,SLFLKG, 1/2-13 GRB	3
5	1-512-010005-13	NUT,HEX SLFLKG GRB 5/8-11	4
6	1-512-010005-15	NUT,HEX,SLFLKG GRB 3/4-10	20
7	1-512-010005-19	NUT 1-8 HEX SLF-LOCKING GRB	2
8	1-654-010051-15	SCREW HXCP 3/8-16UNCX3-1/2 G5	4
9	1-654-010051-06	SCREW,HEX, 3/8-16UNCX1-1/4 GR5	6
10	1-654-010051-07	SCREW,HEX CAP,3/8-16UNCX1-1/2	2
11	1-654-010051-08	SCREW,HEX CAP,3/8-16X1-3/4 G5	32
12	1-654-010055-01	SCR,HX CP 1/2-13UNCX1 GR5	8
13	1-654-010055-17	SCREW,HEX CAP,1/2-13UNCX6 GR5	1
14	1-654-010059-05	SCREW,HEX CAP,5/8-11UNCX2 GR5	1
15	1-654-010059-07	SCREW HX CP 5/8-11UNCX2-1/2G5	3
16	1-654-010061-06	SCREW,HXCP,3/4-10UNCX2-1/4GR5	2
17	1-654-010061-07	SCREW,HX CP 3/4-10UNCX2-1/2G5	8
18	1-861-010032-10	WASHER, FLAT 3/8" N ZP/CD	34
19	1-861-010032-11	WASHER, FLAT 3/8 W ZP/CD	3
20	1-861-010032-14	WASHER, FLAT 1/2" N ZP/CD	2
21	187313	GUIDE, DEPTH STOP	2
22	1-861-010034-11	WASHER, LKG HLCL SPR, 3/8	8
23	1-861-010034-13	WASHER, LKG HLCL SPR, 1/2	8
24	1-822-010001	TRIM 1350 3/8BLK FINE PEBBLE	7
25	100131	SCREW HHC,3/8-16UNCX7/8 GR5	4
26	100829	SCREW,HEX CAP,1-8X6-1/2,GR5	2
27	100857	SCREW,HHCS,1-1/4-7X13-1/2 GR8	2
28	101385	NUT,HEX SLFLKG,1-1/4-7 GRB	3
29	104483	SCREW 3/4-10X2-1/2 HXCP ZPGR8	10
30	133937	CHAIN, LIFTING HARROW, WP	1
31	140519	BEARING, UHMW 4IN	3
32	141234	WLDMT, BEARING CAP LIFT	1
33	141807	SCREW 3/8-16UNCX3-1/2 ALLTHRD	1
34	144341	BUSHING, SPRING 3-1/4X3X2	4
35	153827	SHIM, LIFT BEARING	2
36	172802	PIN SPRING SLOTTED 1/2X2-1/2	1
37	187284	HITCH GUIDE	2
38	187288	HITCH STOP	4
39	187639	PLATE - LIFT CONTROL	1
40	187642	PLATE-DEPTH CONTROL LINK	1
41	187643	TUBE DEPTH CONTROL ASSY	1
42	187645	TUBE-DEPTH STOP LINK	1
43	187692	PIN, 1-3/4 X 12-1/4, STEP	1

Hitch Assembly, 25' & 30' (AFTER 12/2022)

ITEM	PART NUMBER	DESCRIPTION	QTY.
44	188707	PAD-STOP	2
45	188708	PAD-STOP	2
46	188837	REST WING WLDMT	1
47	192522	ROCKSHAFT WLDMT 7831	1
48	193814	HUB/SPINDLE ASSY 10 BOLT	2
49	195275	WRENCH, ADJUSTMENT	1
50	198926	HITCH WLDMT 7833	1
51	2-150-010174	BUSHING,1-5/8X1-1/4X1	4
52	201221	KIT HYDRAULIC ADAPTER HITCH (NOT SHOWN) (SEE PAGE 16-5)	1
53	201281	TIRE/WHEEL 710/40 LH	1
54	201282	TIRE/WHEEL 710/40 RH	1
55	203391	PLATE-BULKHEAD MOUNT	1
56	203477	SHIM-HITCH, FORMED	2
57	240190	BRACKET-MOUNT, VALVE, WELDMENT	1
58	240192	BRACKET-VALVE MOUNT, WELDMENT	1
59	187436	CYLINDER, HYD 7 X 60 WLD 3000PSI	1
60	203450	VALVE-LIMIT	2
61	224793	PLATE-STOP, SPOOL	1
62	209384	LEVER-VALVE CONTROL	1
63	210764	SPRING-EXT,7.5 X 2.4, 49 LB	1
64	210765	PLATE-BULKHEAD BLAND	1
65	219951	WRENCH-ADJSTMNT,2-5/8 X 2-1/4	1
66	219953	WRENCH-2-3/4 X 2-1/4	1
67	226570	BEARING CAP, LIFT, HD WLDMT	2
68	3K287	CLEVIS PIN	4
69	70239854	PIN QUICK HITCH	1
70	171556	SCREW,HEX CP,5/16-18UNCX5-1/2	4
71	1-861-010032-08	WASHER,FLAT 5/16 N ZP	2
72	1-512-010005-03	NUT HEX SLFLKG GRB 5/16-18	2
73	1-654-010049-11	SCREW,HX CAP,5/16-18UNCX2-1/2	2
74	165257	PAD, SLIDE	2
75	203467	VALVE-LIMIT, STROKE	1
76	240188	TUBE-TILT STOP, ASSEMBLY (SEE PAGE 6-20)	1

HITCH ASSEMBLY

Hitch Assembly, 35' & 40' (AFTER 12/2022)

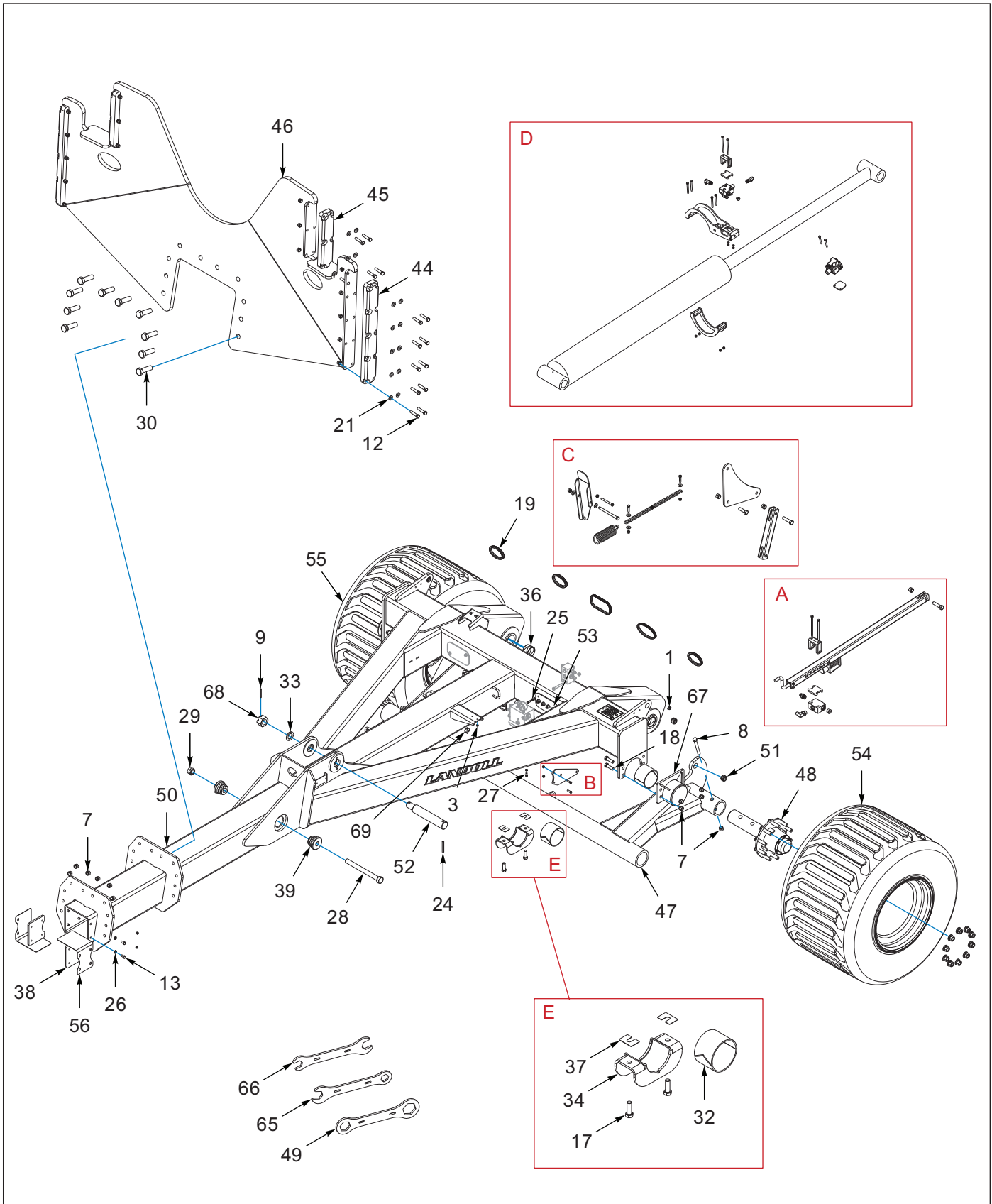


Figure 6-3: Hitch Assembly, 35' & 40' (After 12/05/2022)

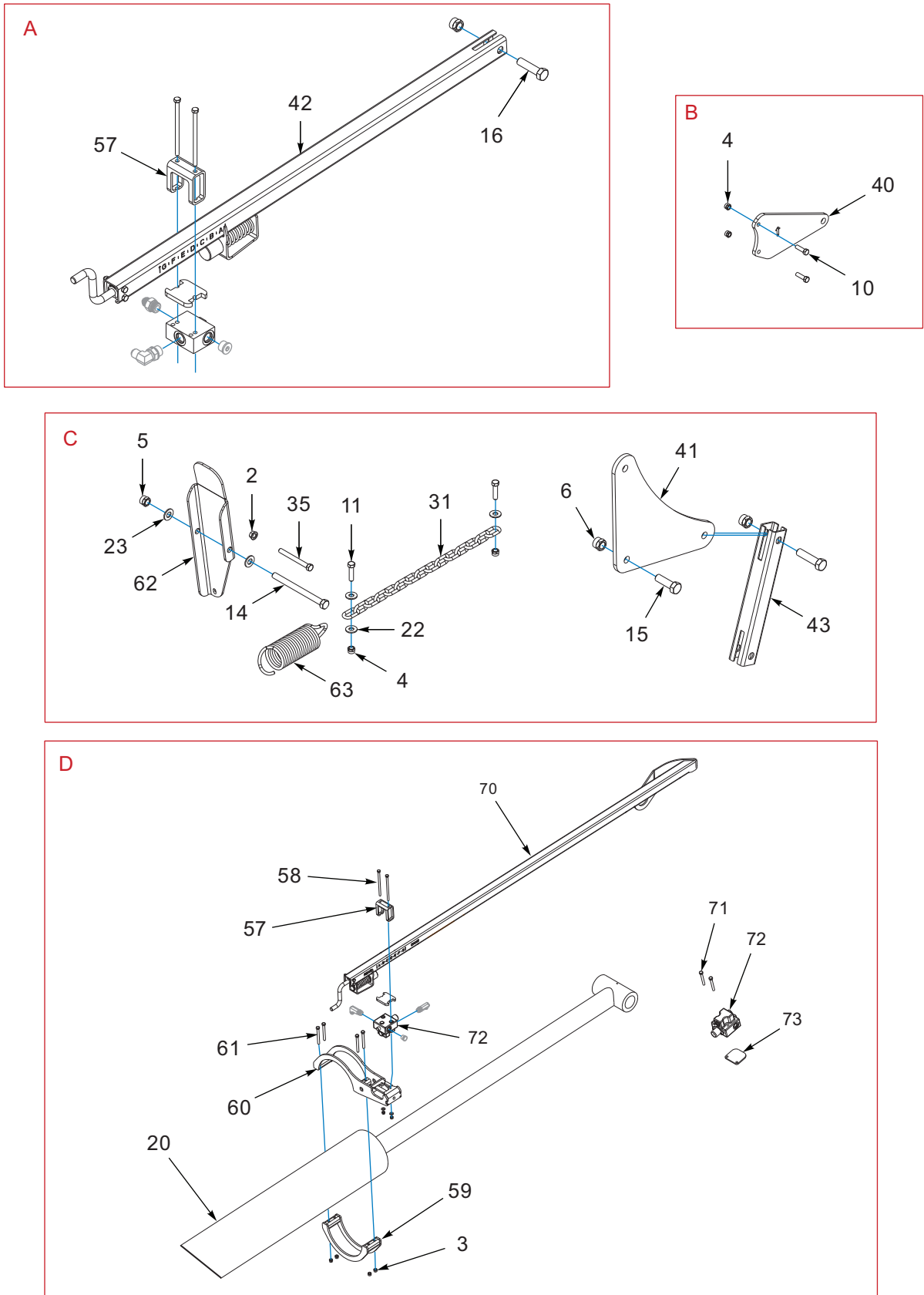


Figure 6-4: Hitch Assembly, 35' & 40' (After 12/05/2022)

HITCH ASSEMBLY

Hitch Assembly, 35' & 40' (AFTER 12/2022)

ITEM	PART NUMBER	DESCRIPTION	QTY.
	201220	HITCH-7833-35, 40, ASM	--
1	1-298-010001-1	ZERK FITTING 1/4 SAE	2
2	1-510-010003-05	NUT,3/8-16 FLANGE HD, SERRATED	1
3	1-512-010005-03	NUT HEX SLFLKG GRB 5/16-18	8
4	1-512-010005-05	NUT, HEX, SLFLKG GRB 3/8-16	42
5	1-512-010005-09	NUT,HEX,SLFLKG, 1/2-13 GRB	3
6	1-512-010005-13	NUT,HEX SLFLKG GRB 5/8-11	4
7	1-512-010005-15	NUT,HEX,SLFLKG GRB 3/4-10	20
8	W908409-4	SCREW 3/4-10X6 HEX HD CAP	2
9	1-647-010004259	SPRING PIN, SLOTTED 3/8X3	1
10	1-654-010051-06	SCREW, HEX CAP 3/8-16UNCX1-1/4	6
11	1-654-010051-07	SCREW, HEX CAP,3/8-16UNCX1-1/2	2
12	1-654-010051-08	SCREW, HEX CAP,3/8-16X1-3/4 G	32
13	1-654-010055-01	SCREW, HX CP 1/2-13UNCX1 GR5	8
14	1-654-010055-17	SCREW, HEX CAP,1/2-13UNCX6 GR5	1
15	1-654-010059-05	SCREW, HEX CAP,5/8-11UNCX2 GR5	1
16	1-654-010059-07	SCREW, HX CP 5/8-11UNCX2-1/2G5	3
17	1-654-010061-06	SCREW, HXCP,3/4-10UNCX2-1/4GR5	2
18	1-654-010061-07	SCREW, HEX, 3/4-10UNCX2-1/2GR5	8
19	1-822-010001	TRIM, 1350 3/8 BLK FINE PEBBLE	7
20	199920	CYLINDER-HYDR, 8X60, 3000PSI	1
21	1-861-010032-10	WASHER, FLAT 3/8 N ZP/CD	36
22	1-861-010032-11	WASHER, FLAT 3/8 W ZP/CD	3
23	1-861-010032-14	WASHER, FLAT 1/2 N ZP/CD	2
24	8K756	ROLL PIN 1/2 x 4	1
25	1-861-010034-11	WASHER, LKG HLCL SPR, 3/8	8
26	1-861-010034-13	WASHER, LKG HLCL SPR, 1/2	8
27	100131	SCREW, HHC,3/8-16UNCX7/8 GR5	4
28	100857	SCREW, HHCS,1-1/4-7X13-1/2 GR8	2
29	101385	NUT,HEX SLFLKG,1-1/4-7 GRB	2
30	104483	SCREW 3/4-10X2-1/2 HXCP ZPGR8	10
31	133937	CHAIN, LIFTING HARROW, WP	1
32	140519	BEARING, UHMW 4IN	3
33	141154	WASHER, GANG SHAFT	1
34	141234	WLDMT, BEARING CAP LIFT	1
35	141807	SCREW, 3/8-16UNCX3-1/2 ALLTHRD	1
36	144341	BUSHING, SPRING 3-1/4X3X2	4
37	153827	SHIM, LIFT BEARING	2
38	187284	HITCH GUIDE	2
39	187288	HITCH STOP	4
40	187639	PLATE - LIFT CONTROL	1
41	187642	PLATE-DEPTH CONTROL LINK	1
42	187643	TUBE ASSY DEPTH CONTROL (SEE PAGE 6-19)	1
43	187645	TUBE-DEPTH STOP LINK	1
44	188707	PAD-STOP	2
45	188708	PAD-STOP	2
46	188837	REST WLDMT WING	1
47	192522	ROCKSHAFT WLDMT 7831	1
48	193814	HUB/SPINDLE ASSY 10 BOLT (SEE PAGE 3-4)	2

Hitch Assembly, 35' & 40' (AFTER 12/2022)

ITEM	PART NUMBER	DESCRIPTION	QTY.
49	195275	WRENCH, ADJUSTMENT	1
50	199917	HITCH WLDMT LONG 7833	1
51	2-150-010174	BUSHING,1-5/8X1-1/4X1	4
52	201200	PIN-STEP, 2-1/2 X 11-1/2	1
53	203391	PLATE-BULKHEAD MOUNT	1
54	203407	TIRE & WHEEL, 800/40,LH,ASM	1
55	203408	TIRE & WHEEL, 800/40,RH,ASM	1
56	203477	SHIM-HITCH, FORMED	2
57	187313	GUIDE, DEPTH STOP	2
58	171556	SCREW,HEX CP,5/16-18UNCX5-1/2	4
59	240180	BRACKET-MOUNT, VALVE, WELDMENT	1
60	240182	BRACKET-VALVE MOUNT, WELDMENT	1
61	1-654-010051-15	SCREW HXCP 3/8-16UNCX3-1/2 G5	4
62	209384	LEVER-VALVE CONTROL	1
63	210764	SPRING-EXT,7.5 X 2.4, 49 LB	1
64	210882	DECAL, TILT CONTROL (NOT SHOWN)	1
65	219951	WRENCH-ADJSTMNT,2-5/8 X 2-1/4	1
66	219953	WRENCH-2-3/4 X 2-1/4	1
67	226570	BEARING CAP, LIFT, HD WLDMT	2
68	23085	NUT HEX SLOTTED 1 3/4-5	1
69	70239854	PIN QUICK HITCH	1
70	240188	TUBE-TILT STOP, ASSEMBLY (SEE PAGE 6-20)	1
71	1-654-010049-11	SCREW,HX CAP,5/16-18UNCX2-1/2	2
72	203450	VALVE-LIMIT	2
73	224793	PLATE-STOP, SPOOL	1

HITCH ASSEMBLY

Hitch Assembly, 25' & 30' (BEFORE 12/2022)

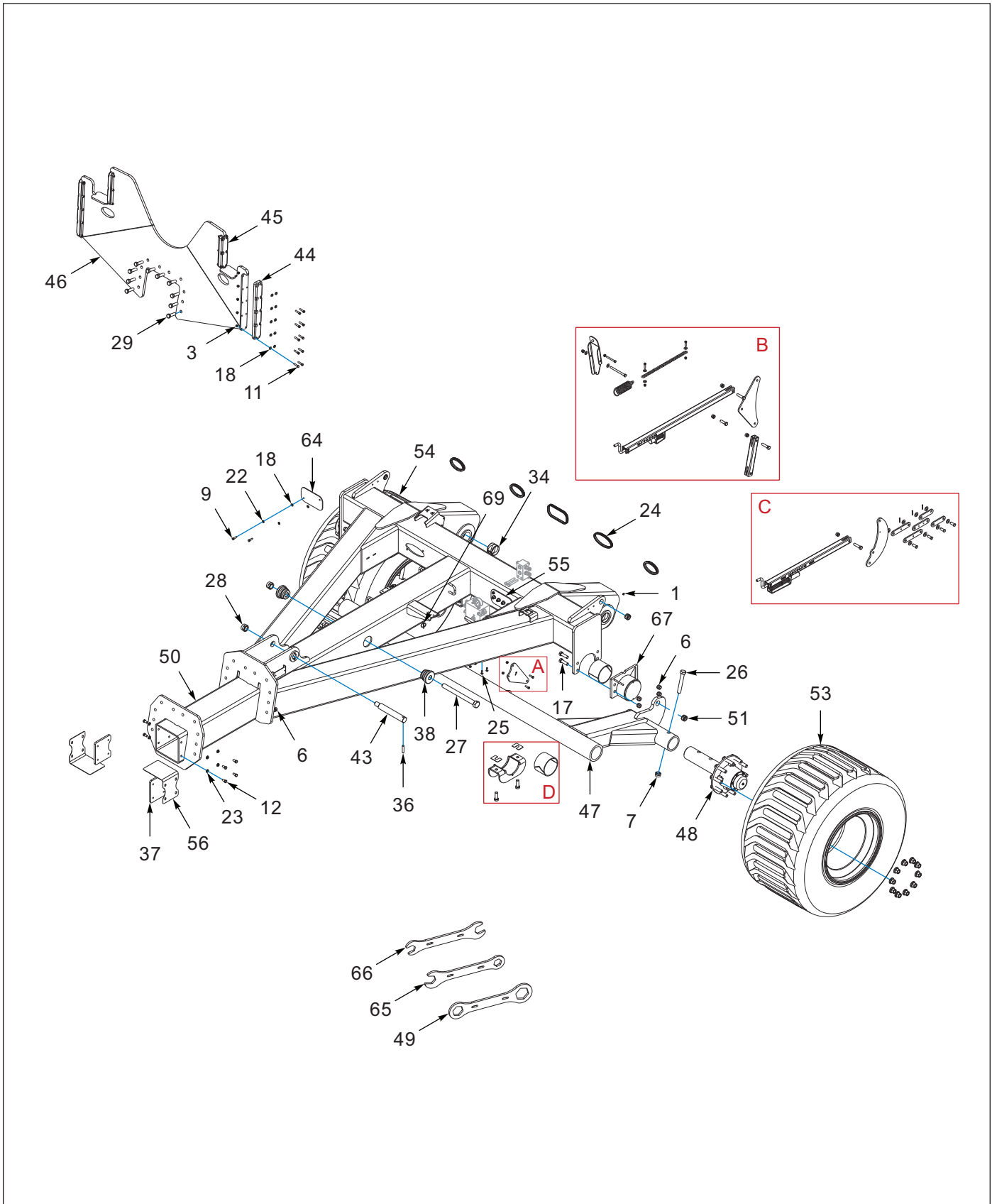


Figure 6-5: Hitch Assembly, 25' & 30' (Before 12/2022)

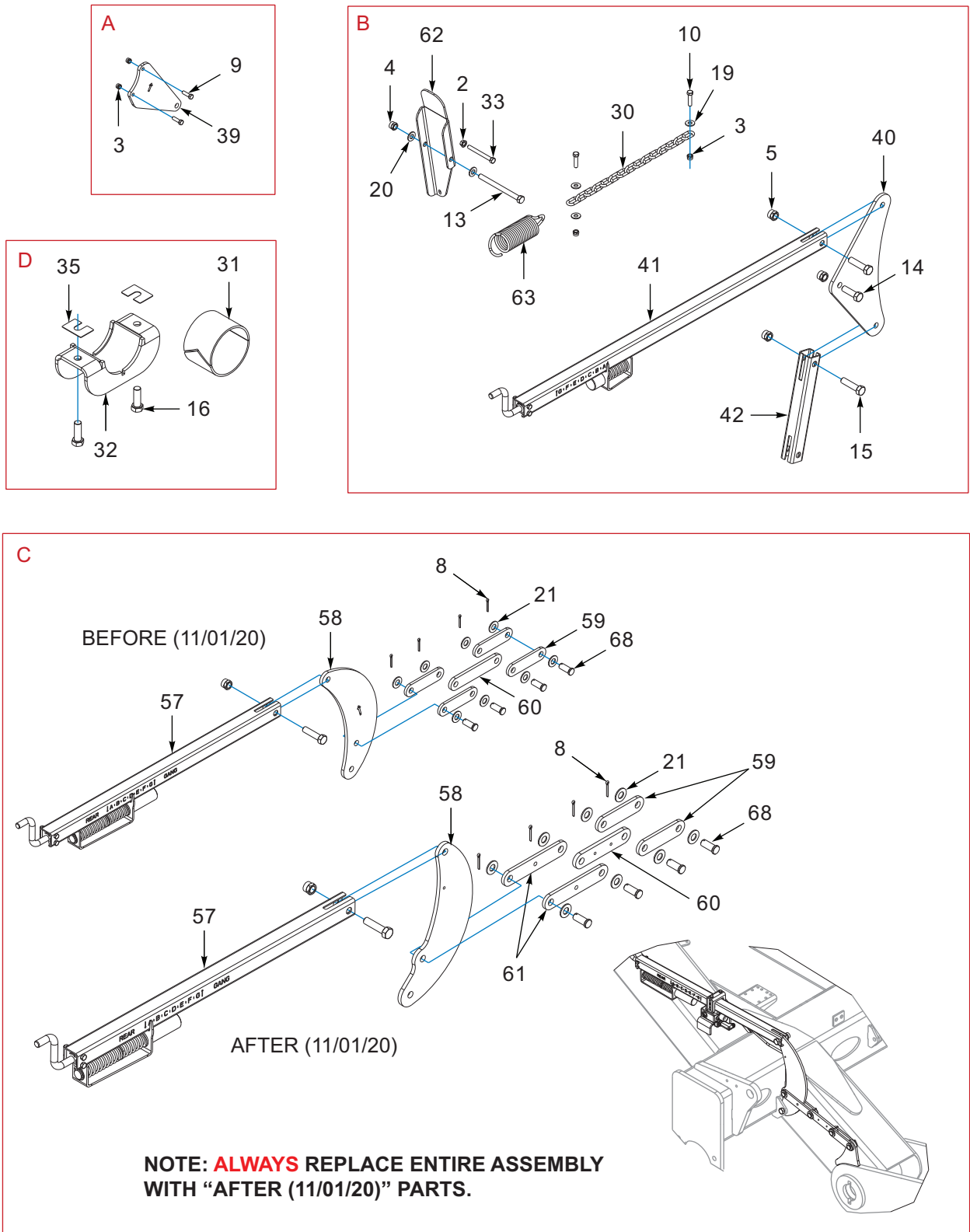


Figure 6-6: Hitch Assembly, 25' & 30' (Before 12/2022)

HITCH ASSEMBLY

Hitch Assembly, 25' & 30' (BEFORE 12/2022)

ITEM	PART NUMBER	DESCRIPTION	QTY.
	201309	HITCH-7833-25,30, ASSEMBLY	--
1	1-298-010001-1	ZERK FITTING 1/4 SAE	2
2	1-510-010001	NUT, 3/8-16 UNC FLANGE LOCK	1
3	1-512-010005-05	NUT, HEX, SLFLKG GRB 3/8-16	36
4	1-512-010005-09	NUT,HEX,SLFLKG, 1/2-13 GRB	3
5	1-512-010005-13	NUT,HEX SLFLKG GRB 5/8-11	6
6	1-512-010005-15	NUT,HEX,SLFLKG GRB 3/4-10	20
7	1-512-010005-19	NUT 1-8 HEX SLF-LOCKING GRB	2
8	1-557-010362-40	PIN, COTTER 5/32X1-1/4	4
9	1-654-010051-06	SCREW,HEX, 3/8-16UNCX1-1/4 GR5	6
10	1-654-010051-07	SCREW,HEX CAP,3/8-16UNCX1-1/2	2
11	1-654-010051-08	SCREW,HEX CAP,3/8-16X1-3/4 G5	32
12	1-654-010055-01	SCR,HX CP 1/2-13UNCX1 GR5	8
13	1-654-010055-17	SCREW,HEX CAP,1/2-13UNCX6 GR5	1
14	1-654-010059-05	SCREW,HEX CAP,5/8-11UNCX2 GR5	2
15	1-654-010059-07	SCREW HX CP 5/8-11UNCX2-1/2G5	4
16	1-654-010061-06	SCREW,HXCP,3/4-10UNCX2-1/4GR5	2
17	1-654-010061-07	SCREW,HX CP 3/4-10UNCX2-1/2G5	8
18	1-861-010032-10	WASHER, FLAT 3/8" N ZP/CD	34
19	1-861-010032-11	WASHER, FLAT 3/8 W ZP/CD	3
20	1-861-010032-14	WASHER, FLAT 1/2" N ZP/CD	2
21	1-861-010032-18	WASHER, FLAT 5/8 N ZP/CD	8
22	1-861-010034-11	WASHER, LKG HLCL SPR, 3/8	8
23	1-861-010034-13	WASHER, LKG HLCL SPR, 1/2	8
24	1-822-010001	TRIM 1350 3/8BLK FINE PEBBLE	7
25	100131	SCREW HHC,3/8-16UNCX7/8 GR5	4
26	100829	SCREW,HEX CAP,1-8X6-1/2,GR5	2
27	100857	SCREW,HHCS,1-1/4-7X13-1/2 GR8	2
28	101385	NUT,HEX SLFLKG,1-1/4-7 GRB	3
29	104483	SCREW 3/4-10X2-1/2 HXCP ZPGR8	10
30	133937	CHAIN, LIFTING HARROW, WP	1
31	140519	BEARING, UHMW 4IN	3
32	141234	WLDMT, BEARING CAP LIFT	1
33	141807	SCREW 3/8-16UNCX3-1/2 ALLTHRD	1
34	144341	BUSHING, SPRING 3-1/4X3X2	4
35	153827	SHIM, LIFT BEARING	2
36	172802	PIN SPRING SLOTTED 1/2X2-1/2	1
37	187284	HITCH GUIDE	2
38	187288	HITCH STOP	4
39	187639	PLATE - LIFT CONTROL	1
40	187642	PLATE-DEPTH CONTROL LINK	1
41	187643	TUBE DEPTH CONTROL ASSY	1
42	187645	TUBE-DEPTH STOP LINK	1
43	187692	PIN, 1-3/4 X 12-1/4, STEP	1

Hitch Assembly, 25' & 30' (BEFORE 12/2022)

ITEM	PART NUMBER	DESCRIPTION	QTY.
44	188707	PAD-STOP	2
45	188708	PAD-STOP	2
46	188837	REST WING WLDMT	1
47	192522	ROCKSHAFT WLDMT 7831	1
48	193814	HUB/SPINDLE ASSY 10 BOLT	2
49	195275	WRENCH, ADJUSTMENT	1
50	198926	HITCH WLDMT 7833	1
51	2-150-010174	BUSHING,1-5/8X1-1/4X1	4
52	201221	KIT HYDRAULIC ADAPTER HITCH (NOT SHOWN) (SEE PAGE 16-5)	1
53	201281	TIRE/WHEEL 710/40 LH	1
54	201282	TIRE/WHEEL 710/40 RH	1
55	203391	PLATE-BULKHEAD MOUNT	1
56	203477	SHIM-HITCH, FORMED	2
57	209377	TUBE-TILT STOP, ASSY	1
58	209380	PLATE-TILT STOP (BEFORE 11/01/2020) (SEE FIGURE 6-6, C) (REPLACE WITH UPDATED PART ASSEMBLY)	1
58	227899	PLATE-TILT STOP (AFTER 11/01/2020)	1
59	209381	LINK-TILT STOP, SHORT (BEFORE 11/01/2020,QTY=4) (SEE FIGURE 6-6, C) (REPLACE WITH UPDATED PART ASSEMBLY)	2
60	209382	LINK-TILT STOP, LONG (BEFORE 11/01/2020) (SEE FIGURE 6-6, C) (REPLACE WITH UPDATED PART ASSEMBLY)	1
60	227901	LINK-TILT STOP, INTERMED (AFTER 11/01/2020)	1
61	227902	LINK-TILT CONTROL, FRONT	2
62	201202	LEVER-VALVE CONTROL (BEFORE 03/15/2017)	1
62	209384	LEVER-VALVE CONTROL (AFTER 03/15/2017)	1
63	210764	SPRING-EXT,7.5 X 2.4, 49 LB	1
64	210765	PLATE-BULKHEAD BLAND	1
65	219951	WRENCH-ADJSTMNT,2-5/8 X 2-1/4	1
66	219953	WRENCH-2-3/4 X 2-1/4	1
67	141209	BEARING CAP, LIFT (BEFORE 03/04/2020)	2
67	226570	BEARING CAP, LIFT, HD WLDMT (AFTER 03/04/2020)	2
68	3K287	CLEVIS PIN	4
69	70239854	PIN QUICK HITCH	1

HITCH ASSEMBLY

Hitch Assembly, 35' & 40' (BEFORE 12/2022)

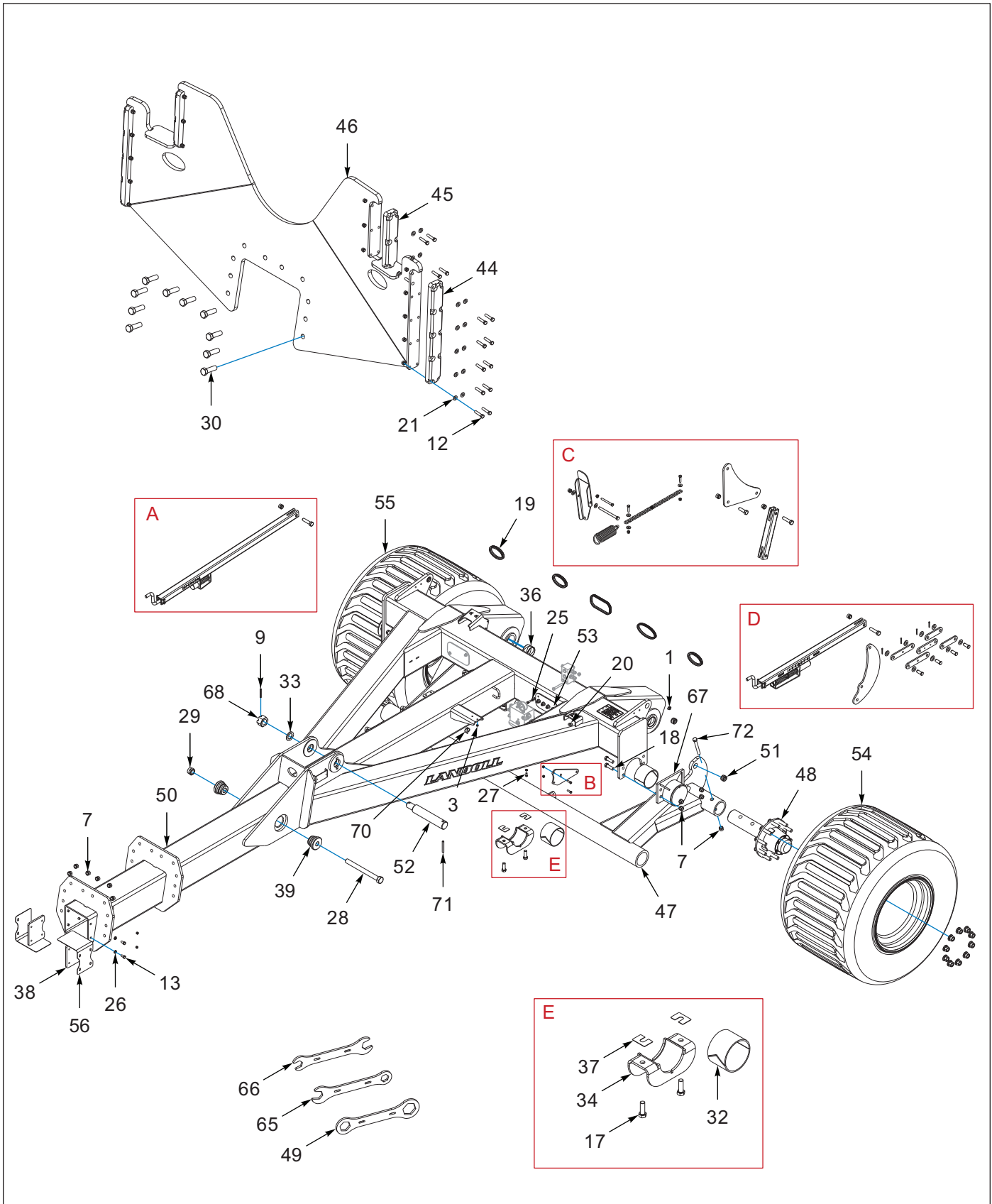


Figure 6-7: Hitch Assembly, 35' & 40' (Before 12/2022)

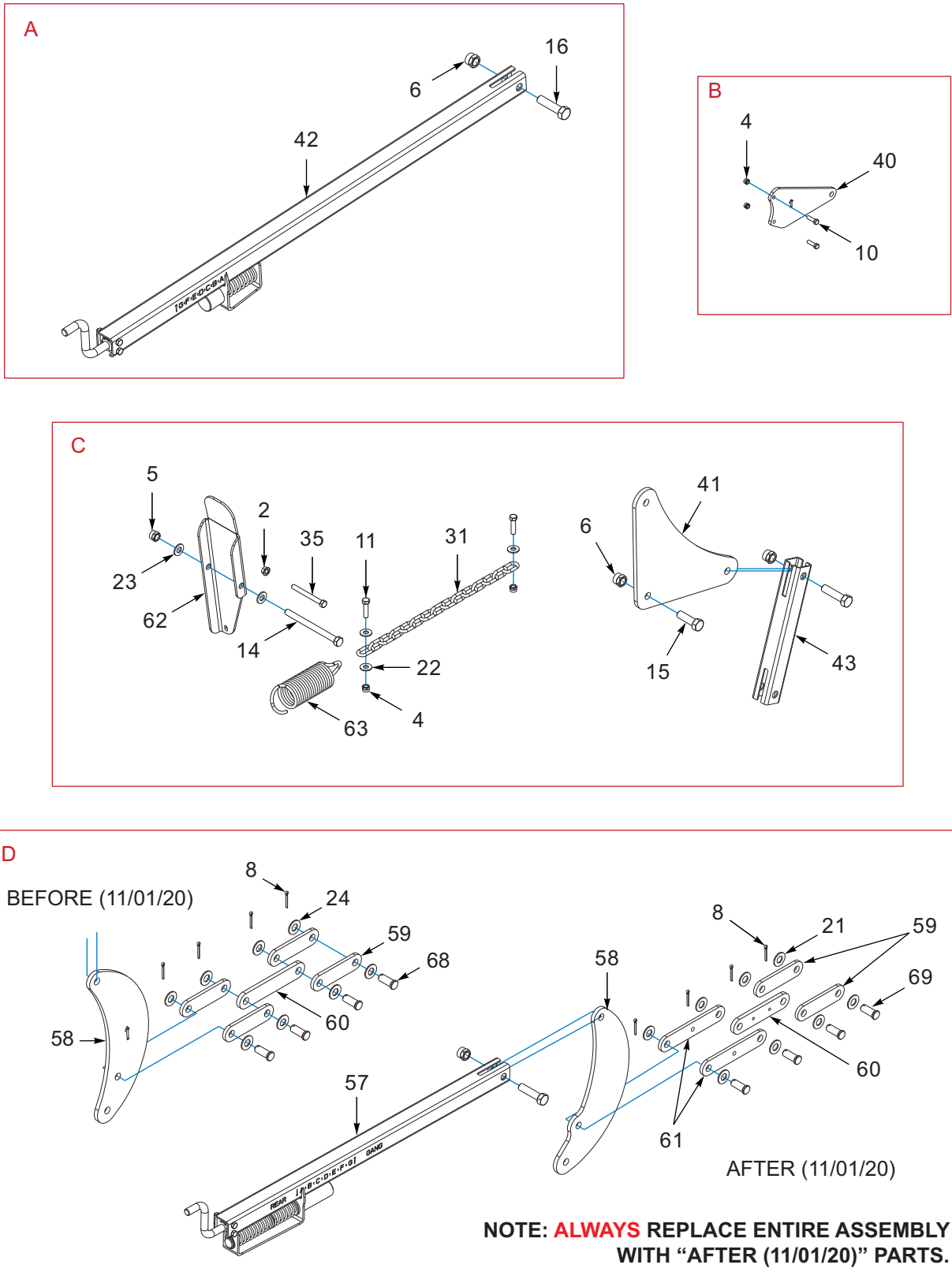


Figure 6-8: Hitch Assembly, 35' & 40' (Before 12/2022)

HITCH ASSEMBLY

Hitch Assembly, 35' & 40' (BEFORE 12/2022)

ITEM	PART NUMBER	DESCRIPTION	QTY.
	201220	HITCH-7833-35, 40, ASM	--
1	1-298-010001-1	ZERK FITTING 1/4 SAE	2
2	1-510-010001	NUT,3/8-16 FLANGE HD,SERRATED	1
3	1-512-010005-03	NUT HEX SLFLKG GRB 5/16-18	8
4	1-512-010005-05	NUT, HEX, SLFLKG GRB 3/8-16	38
5	1-512-010005-09	NUT,HEX,SLFLKG, 1/2-13 GRB	3
6	1-512-010005-13	NUT,HEX SLFLKG GRB 5/8-11	6
7	1-512-010005-15	NUT,HEX,SLFLKG GRB 3/4-10	22
8	1-557-010362-40	PIN, COTTER 5/32X1-1/4	4
9	1-647-010004259	SPRING PIN, SLOTTED 3/8X3	1
10	1-654-010051-06	SCREW, HEX CAP 3/8-16UNCX1-1/4	6
11	1-654-010051-07	SCREW, HEX CAP,3/8-16UNCX1-1/2	2
12	1-654-010051-08	SCREW, HEX CAP,3/8-16X1-3/4 G	32
13	1-654-010055-01	SCREW, HX CP 1/2-13UNCX1 GR5	8
14	1-654-010055-17	SCREW, HEX CAP,1/2-13UNCX6 GR5	1
15	1-654-010059-05	SCREW, HEX CAP,5/8-11UNCX2 GR5	2
16	1-654-010059-07	SCREW, HX CP 5/8-11UNCX2-1/2G5	4
17	1-654-010061-06	SCREW, HXCP,3/4-10UNCX2-1/4GR5	10
18	1-654-010061-07	SCREW, HEX, 3/4-10UNCX2-1/2GR5	8
19	1-822-010001	TRIM, 1350 3/8 BLK FINE PEBBLE	7
20	1-861-010032-08	WASHER, FLAT 5/16 N ZP/CD 100829	2
21	1-861-010032-10	WASHER, FLAT 3/8 N ZP/CD	36
22	1-861-010032-11	WASHER, FLAT 3/8 W ZP/CD	3
23	1-861-010032-14	WASHER, FLAT 1/2 N ZP/CD	2
24	1-861-010032-18	WASHER, FLAT 5/8 N ZP/CD	8
25	1-861-010034-11	WASHER, LKG HLCL SPR, 3/8	8
26	1-861-010034-13	WASHER, LKG HLCL SPR, 1/2	8
27	100131	SCREW, HHC,3/8-16UNCX7/8 GR5	4
28	100857	SCREW, HHCS,1-1/4-7X13-1/2 GR8	2
29	101385	NUT,HEX SLFLKG,1-1/4-7 GRB	2
30	104483	SCREW 3/4-10X2-1/2 HXCP ZPGR8	10
31	133937	CHAIN, LIFTING HARROW, WP	1
32	140519	BEARING, UHMW 4IN	3
33	141154	WASHER, GANG SHAFT	1
34	141234	WLDMT, BEARING CAP LIFT	1
35	141807	SCREW, 3/8-16UNCX3-1/2 ALLTHRD	1
36	144341	BUSHING, SPRING 3-1/4X3X2	4
37	153827	SHIM, LIFT BEARING	2
38	187284	HITCH GUIDE	2
39	187288	HITCH STOP	4
40	187639	PLATE - LIFT CONTROL	1
41	187642	PLATE-DEPTH CONTROL LINK	1
42	187643	TUBE ASSY DEPTH CONTROL (SEE PAGE 6-19)	1
43	187645	TUBE-DEPTH STOP LINK	1
44	188707	PAD-STOP	2
45	188708	PAD-STOP	2
46	188837	REST WLDMT WING	1
47	192522	ROCKSHAFT WLDMT 7831	1
48	193814	HUB/SPINDLE ASSY 10 BOLT (SEE PAGE 3-4)	2

Hitch Assembly, 35' & 40' (BEFORE 12/2022)

ITEM	PART NUMBER	DESCRIPTION	QTY.
49	195275	WRENCH, ADJUSTMENT	1
50	199917	HITCH WLDMT LONG 7833	1
51	2-150-010174	BUSHING,1-5/8X1-1/4X1	4
52	201200	PIN-STEP, 2-1/2 X 11-1/2	1
53	203391	PLATE-BULKHEAD MOUNT	1
54	201281	TIRE/WHEEL 710/40 LH (BEFORE 03/01/2018)	1
54	203407	TIRE & WHEEL, 800/40,LH,ASM (AFTER 03/01/2018)	1
55	201282	TIRE/WHEEL 710/40 RH (BEFORE 03/01/2018)	1
55	203408	TIRE & WHEEL, 800/40,RH,ASM (AFTER 03/01/2018)	1
56	203477	SHIM-HITCH, FORMED	2
57	209377	TUBE-TILT STOP, ASSY	1
58	209380	PLATE-TILT STOP (BEFORE 11/01/2020) (SEE FIGURE 6-8, D) (REPLACE WITH UPDATED PART ASSEMBLY)	1
58	227899	PLATE-TILT STOP (AFTER 11/01/2020)	1
59	209381	LINK-TILT STOP, SHORT (BEFORE 11/01/2020, QTY=4) (SEE FIGURE 6-8, D) (REPLACE WITH UPDATED PART ASSEMBLY)	2
60	209382	LINK-TILT STOP, LONG (BEFORE 11/01/2020) (SEE FIGURE 6-8, D) (REPLACE WITH UPDATED PART ASSEMBLY)	1
60	227901	LINK-TILT STOP, INTERMED (AFTER 11/01/2020)	1
61	227902	LINK-TILT STOP, FRONT (AFTER 11/01/2020)	2
62	201202	LEVER-VALVE CONTROL (BEFORE 03/01/2018) (NOT SHOWN)	1
62	209384	LEVER-VALVE CONTROL (AFTER 03/01/2018)	1
63	210764	SPRING-EXT,7.5 X 2.4, 49 LB	1
64	210882	DECAL, TILT CONTROL (NOT SHOWN)	1
65	219951	WRENCH-ADJSTMNT,2-5/8 X 2-1/4	1
66	219953	WRENCH-2-3/4 X 2-1/4	1
67	226570	BEARING CAP, LIFT, HD WLDMT	2
68	23085	NUT HEX SLOTTED 1 3/4-5	1
69	3K287	CLEVIS PIN	4
70	70239854	PIN QUICK HITCH	1
71	8K756	ROLL PIN 1/2 x 4	1
72	W908409-4	SCREW 3/4-10X6 HEX HD CAP	2

Hitch Components

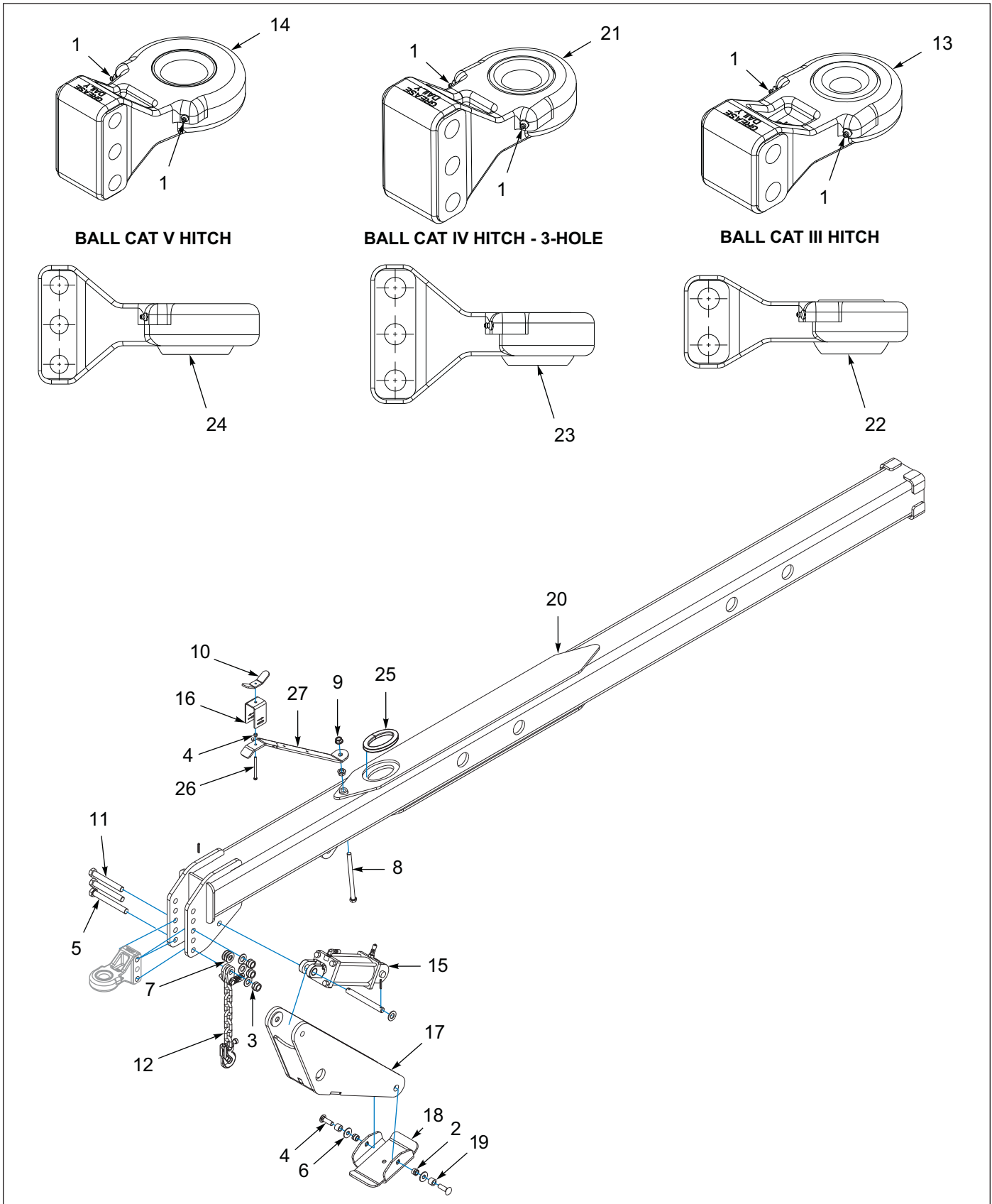


Figure 6-9: Hitch Components

Hitch Components

ITEM	PART NUMBER	DESCRIPTION	QTY.
1	1-298-010001-1	ZERK FITTING 1/4 SAE	1
2	1-512-010005-15	NUT,HEX,SLFLKG GRB 3/4-10	2
3	1-512-010005-19	NUT 1-8 HEX SLF-LOCKING GRB	3
4	1-512-010007-07	NUT, HEX 3/8-16 GR2 ZP	1
5	1-654-010125-22	SCREW HX CP 1-8UNCX8-1/2G8ZP	1
6	1-861-010032-21	WASHER, FLAT 3/4 W ZP/CD	2
7	1-861-010032-24	WASHER FL 1IN NARROW ZP	6
8	100809	SCREW,HEX CAP,3/4-10X11-1/2G5	1
9	103841	NUT,FLG,LNK,SERRATED 3/4-10UNC	2
10	141249	WING NUT, HOSE HOLDER	1
11	153696	BOLT, HITCH CLEVIS	1
12	156950	SAFETY CHAIN, 41,000 LB	1
13	177030	HITCH, BALL CAT III	1
14	177032	HITCH, BALL CAT V	1
15	177389	CYLINDER,HYD 4-1/2X8 3000 PSI (SEE PAGE 16-63)	1
16	177398	CLAMP, HOSE HOLDER, LONG	1
17	187679	LEG WLDMT JACK	1
18	187680	FOOT - JACK LEG	1
19	187681	BUSHING 1.25 X .812 X .9375	1
20	187763	HITCH WLDMT 7831 - 25/30	1
20	192570	HITCH WLDMT 7831- 35	1
20	196709	HITCH WLDMT 7831- 40	1
21	189451	HITCH, BALL CAT IV 3-HOLE	1
22	189453	BUSHING, SPHERICAL 1-1/2 ID	1
23	189454	BUSHING, SPHERICAL 2 ID	1
24	189468	BUSHING, SPHERICAL 2-3/4 ID	1
25	195147	TRIM-LOK 2000SB3 X 5/8 BLK	1
26	196754	SCREW,HH 3/8-16X5,GR5,FUL THRD	1
27	200829	BRACKET, HOSE HOLDER	1

Depth Control Tube Assembly (USED ON HITCH ASSEMBLY)

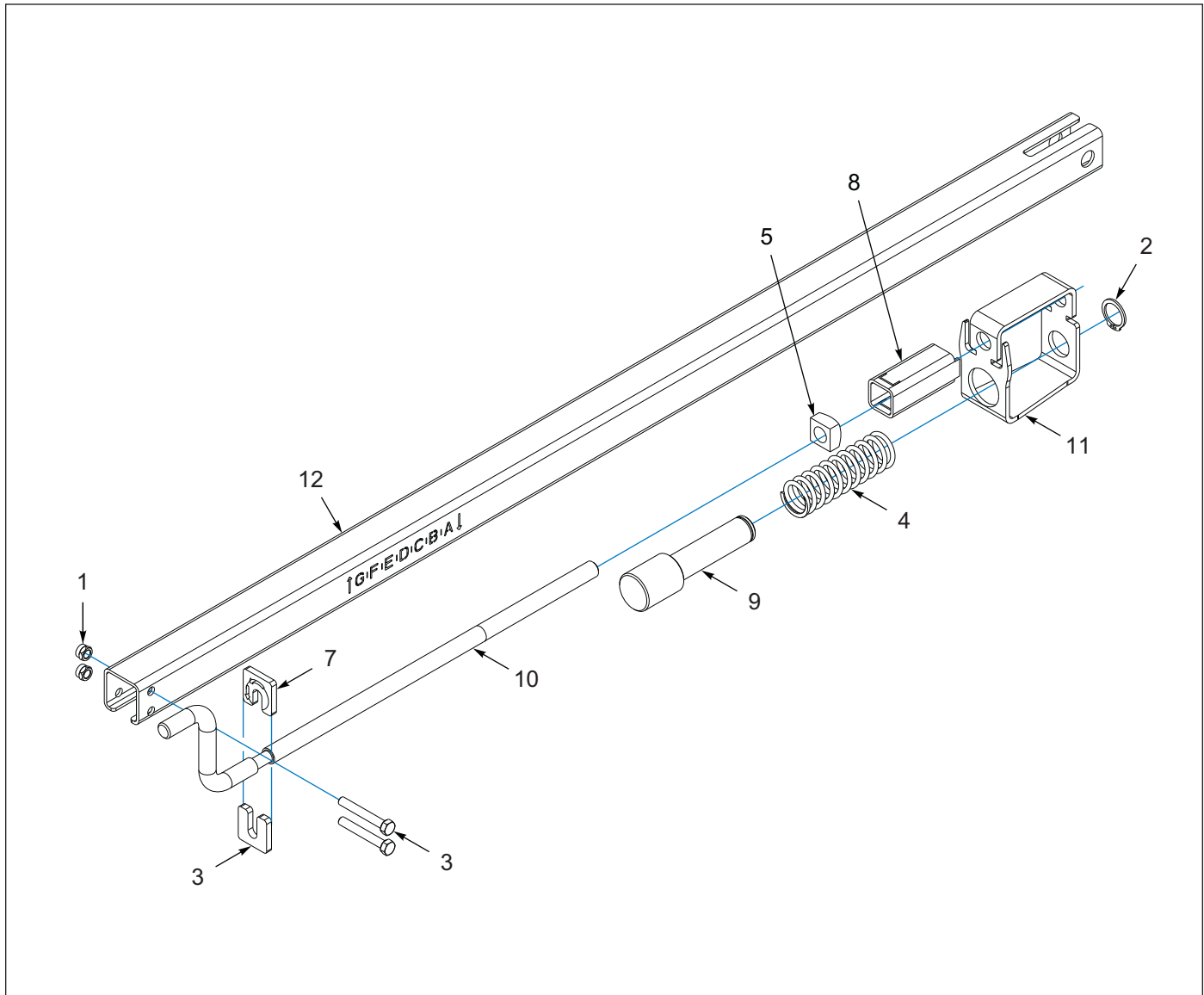


Figure 6-10: Depth Control Tube Assembly (USED ON HITCH ASSEMBLY)

Depth Control Tube Assembly (USED ON HITCH ASSEMBLY)

ITEM	PART NUMBER	DESCRIPTION	QTY.
1	1-512-010005-03	NUT, HEX SLFLKG, 5/16-18 UNC, GRB	2
2	1-630-010021-03	RING, RETAINING 1 HD	1
3	108628	SCREW, HEX 5/16-18 X 2-1/4 GR5	2
4	122917	SPRING, CMPNDRESSION 4-1/2, MONOSEM	1
5	144048	NUT, SQ 5/8-11 GR5	1
6	165259	STOP, HANDLE LONG	1
7	165260	STOP, HANDLE SHORT	1
8	166717	SQ TUBE, FLOATING	1
9	174708	PIN, DEPTH STOP	1
10	182288	HANDLE, DEPTH STOP	1
11	182289	STOP, DEPTH	1
12	187644	TUBE, DEPTH STOP 7831	1

Tilt Stop Assembly (AFTER 12/2022)

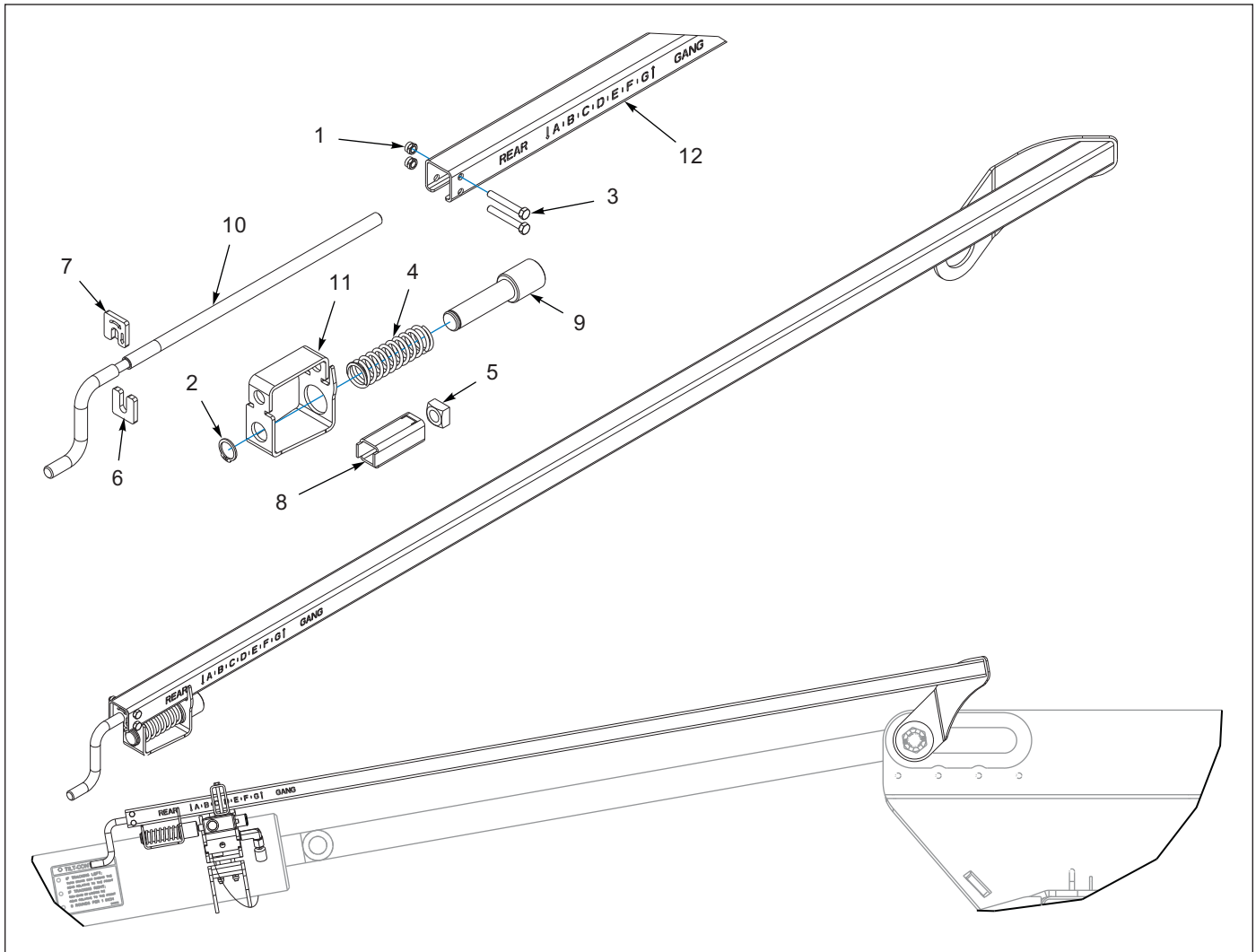


Figure 6-11: Tilt Stop Assembly (AFTER 12/2022)

Tilt Stop Assembly (AFTER 12/2022)

ITEM	PART NUMBER	DESCRIPTION	QTY.
	240188	TUBE-TILT STOP, ASSEMBLY (INCL. ITEMS 1-12)	--
1	1-512-010005-03	NUT HEX SLFLKG GRB 5/16-18	2
2	1-630-010021-03	RING, RETAINING 1.0 HD	1
3	108628	SCREW HX CP 5/16-18UNCX2-1/4	2
4	122917	SPRING COMPRESSION,4-1/2 MONO	1
5	144048	NUT, SQ 5/8-11 GR5	1
6	165259	STOP, HANDLE LONG	1
7	165260	STOP, HANDLE SHORT	1
8	166717	SQ TUBE, FLOATING	1
9	174708	PIN, DEPTH STOP	1
10	182288	HANDLE-DEPTH STOP	1
11	182289	STOP-DEPTH	1
12	240187	TUBE-TILT STOP, WELDMENT	1
13	240195	KIT-TILT CONTROL, 7 INCH (7833-25 & 30)	1
14	240196	KIT-TILT CONTROL, 8 INCH (7833-35 & 40)	1

HITCH ASSEMBLY

Tilt Stop Assembly (BEFORE 12/2022)

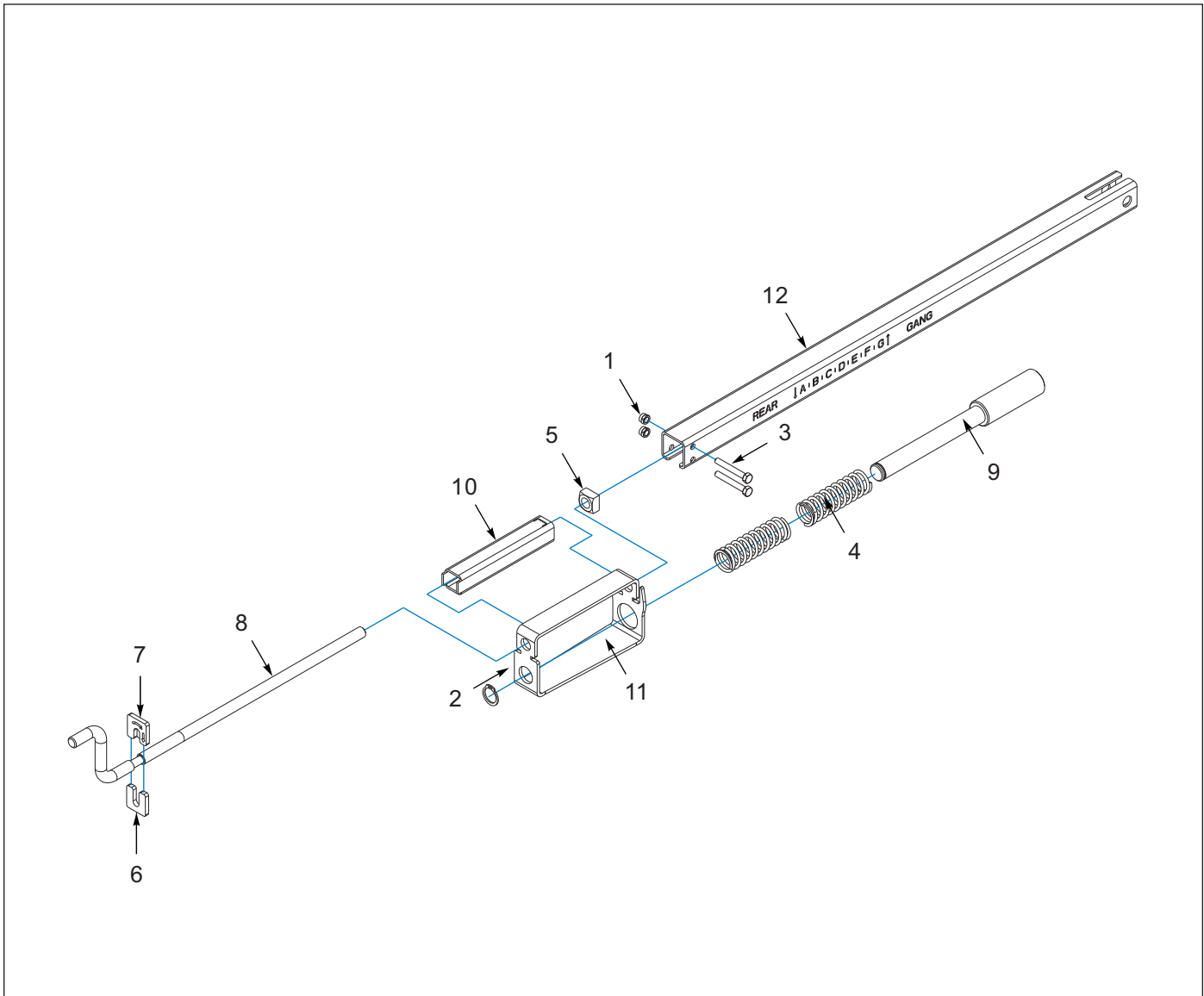


Figure 6-12: Tilt Stop Assembly (BEFORE 12/2022)

Tilt Stop Assembly (BEFORE 12/2022)

ITEM	PART NUMBER	DESCRIPTION	QTY.
1	1-512-010005-03	NUT, HEX SLFLKG, 5/16-18 UNC, GRB	2
2	1-630-010021-03	RING, RETAINING 1 HD	1
3	108628	SCREW, HEX 5/16-18 X 2-1/4 GR5	2
4	122917	SPRING, CMPNDRESSION 4-1/2, MONOSEM	1
5	144048	NUT, SQ 5/8-11 GR5	1
6	165259	STOP, HANDLE LONG	1
7	165260	STOP, HANDLE SHORT	1
8	182288	HANDLE, DEPTH STOP	1
9	209354	PIN-DEPTH STOP	1
10	209357	TUBE-FLOATING SQUARE	1
11	210863	BRACKET-STOP	1
12	210865	TUBE-TILT STOP	1

Center Section (Front) Disc Assemblies

Center Section (Front) Disc Assemblies

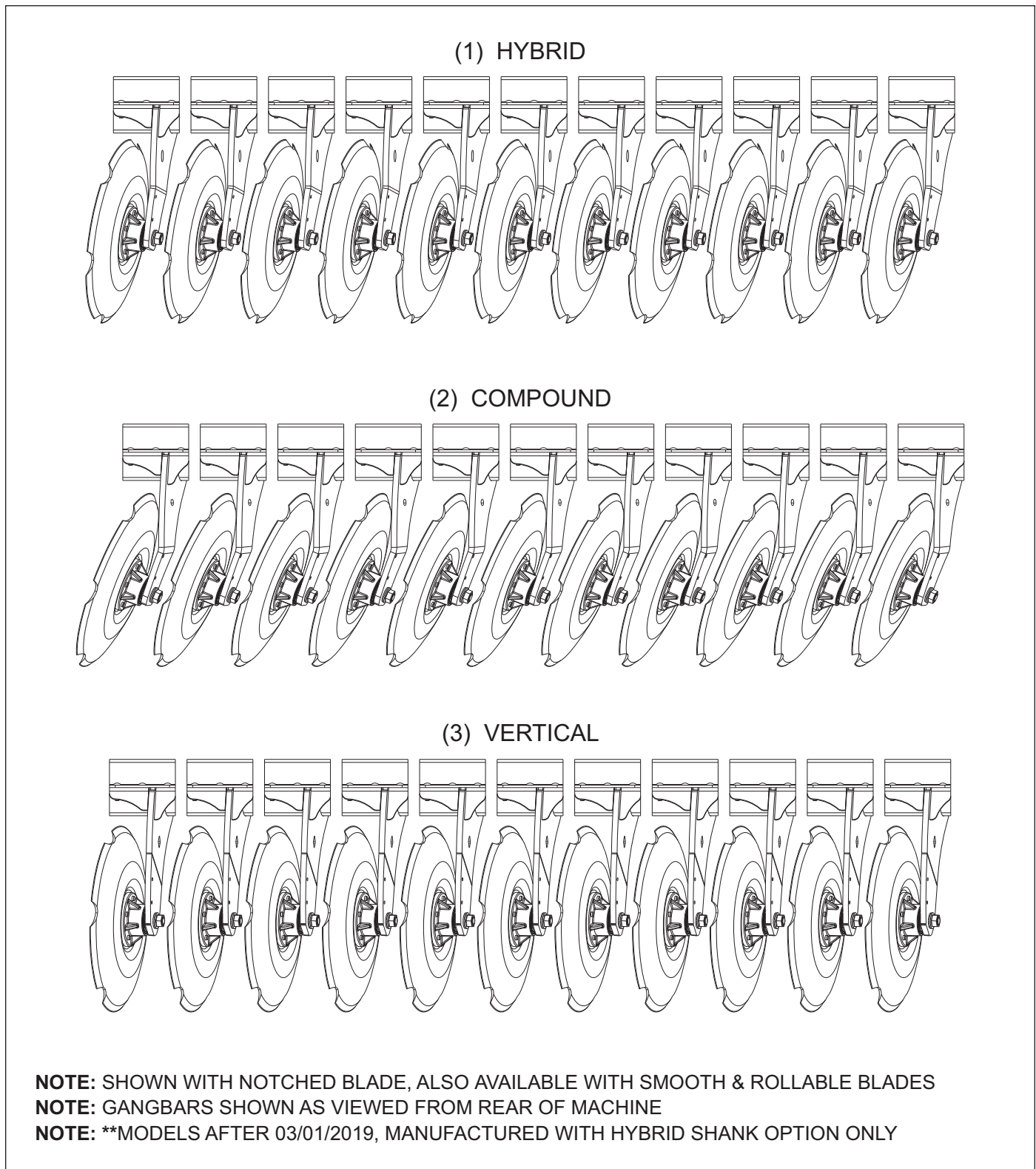


Figure 7-1: Center Section (Front) Disc Assemblies

Center Section (Front) Disc Assemblies

ITEM	PART NUMBER	DESCRIPTION	QTY.
1	217315	DISC-LH,HYBRID,17-7,NOTCHD ASM (AFTER 03/01/2019) (SEE PAGE 13-1)	11
1	217317	DISC,LH,HYBRID,17-7,SMOOTH ASM (AFTER 03/01/2019) (SEE PAGE 13-1)	11
1	217319	DISC,LH,HYBRID,17-7,ROLL ASM (AFTER 03/01/2019) (SEE PAGE 13-1)	11
1	207517	DISC-LH, HYBRD, NTCHD, ASSY (SHOWN) (02/15/18 TO 03/01/19) (SEE PAGE 13-2)	11
1	209209	DISC-LH, HYBRD, SM, ASSY (02/15/18 TO 03/01/19) (SEE PAGE 13-2)	11
1	209213	DISC-LH, HYBRD, ROLL, ASSY (02/15/18 TO 03/01/19) (SEE PAGE 13-2)	11
2	217291	DISC-LH,COMP17-20,NOTCHD ASSY (AFTER 03/01/2019) (SEE PAGE 13-3)	11
2	217293	DISC-LH,COMP17-20,SMOOTH ASSY (AFTER 03/01/2019) (SEE PAGE 13-3)	11
2	217295	DISC-LH,COMP17-20, ROLL ASSY (AFTER 03/01/2019) (SEE PAGE 13-3)	11
2	209205	DISC-LH,COMP, NTCHD, ASSY (SHOWN) (02/15/18 TO 03/01/19) (SEE PAGE 13-4)	11
2	209207	DISC-LH, COMP, SM, ASSY (02/15/18 TO 03/01/19) (SEE PAGE 13-4)	11
2	209211	DISC-LH, COMP, ROLL, ASSY (02/15/18 TO 03/01/19) (SEE PAGE 13-4)	11
2	195152	DISC-LH COMP, NTCHD, ASSY (BEFORE 02/15/18) (SEE PAGE 13-4)	11
2	201293	DISC-LH COMP, SM, ASSY (BEFORE 02/15/18) (SEE PAGE 13-4)	11
2	201297	DISC-LH COMP, ROLL, ASSY (BEFORE 02/15/18) (SEE PAGE 13-4)	11
3	217305	DISC-LH, VERT,17P, NOTCHD, ASM (AFTER 03/01/2019) (SEE PAGE 13-5)	11
3	217307	DISC-LH, VERT,17P, SMOOTH, ASM (AFTER 03/01/2019) (SEE PAGE 13-5)	11
3	217309	DISC-LH, VERT,17P, ROLL, ASM (AFTER 03/01/2019) (SEE PAGE 13-5)	11
3	207508	DISC-LH, VERT, NTCHD, ASSY (SHOWN) (02/15/18 TO 03/01/19) (SEE PAGE 13-6)	11
3	212229	DISC-LH, VERT, SM, ASSY (02/15/18 TO 03/01/19) (SEE PAGE 13-6)	11
3	212231	DISC-LH, VERT, ROLL, ASSY (02/15/18 TO 03/01/19) (SEE PAGE 13-6)	11
3	195131	DISC-LH, VERT, NTCHD, ASSY (BEFORE 02/15/18) (SEE PAGE 13-6)	11
3	201295	DISC-LH, VERT, SM, ASSY (BEFORE 02/15/18) (SEE PAGE 13-6)	11
3	201299	DISC-LH, VERT, ROLL, ASSY (BEFORE 02/15/18) (SEE PAGE 13-6)	11

Center Section (Rear) Gang Assemblies

Center Section (Rear) Gang Assemblies

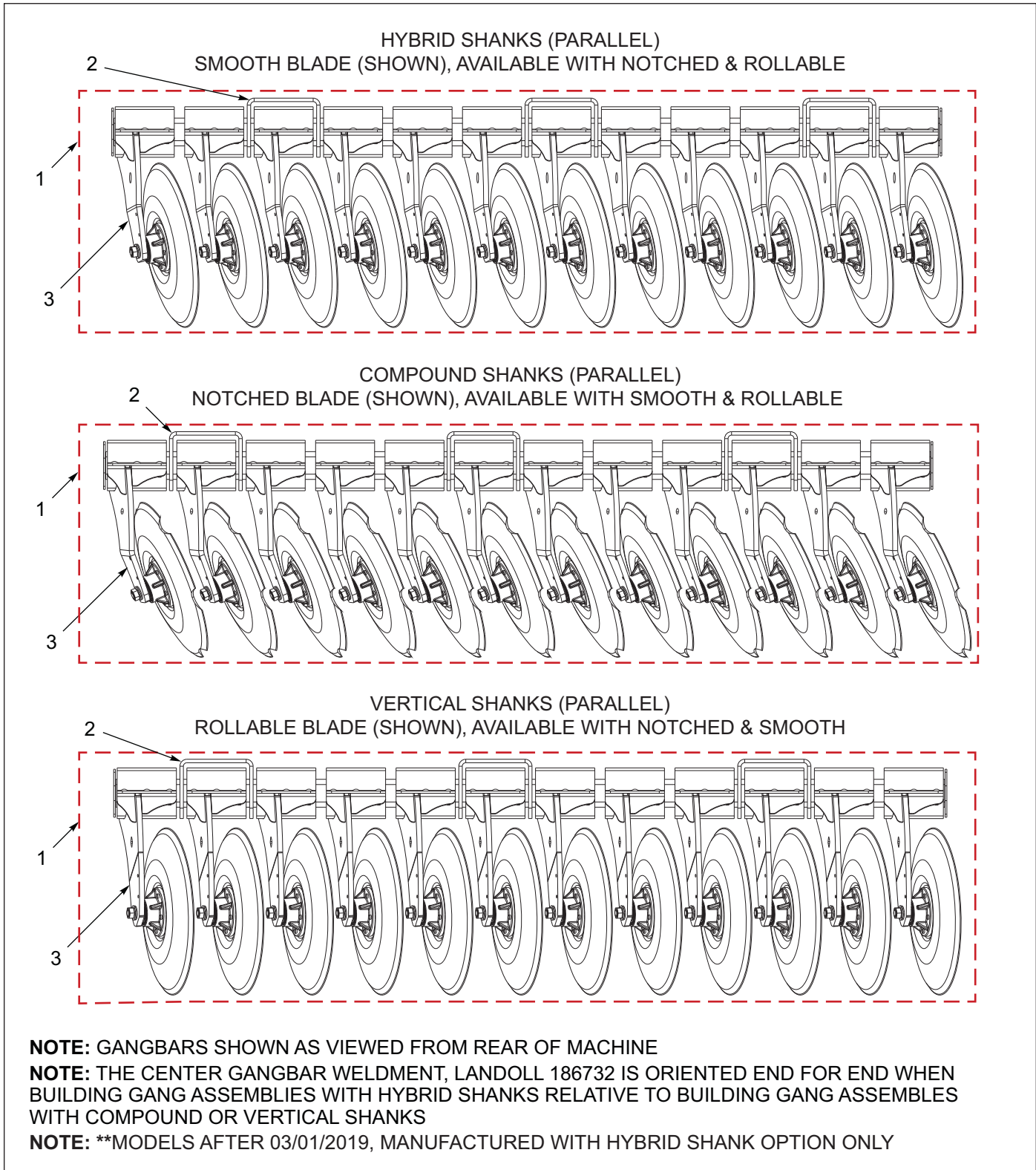


Figure 8-1: Center Section (Rear) Gang Assemblies

Center Section (Rear) Gang Assemblies

ITEM	PART NUMBER	DESCRIPTION	QTY.
1	212236	GANG-7833 R, CT, HYBRD17-7,NTCHD (ITEM #3 = 217316) (AFTER 03/01/2019) (ITEM #3 = 207518) (02/15/18 TO 03/01/19)	1
1	212237	GANG-7833 R, CT, HYBRD,17-7,SM (ITEM #3 = 217318) (AFTER 03/01/2019) (ITEM #3 = 209210) (02/15/18 TO 03/01/19)	1
1	212238	GANG-7833 R, CT, HYBRD,17-7,ROLL (ITEM #3 = 217320) (AFTER 03/01/2019) (ITEM #3 = 209214) (02/15/18 TO 03/01/19)	1
1	187014	GANG-R, CNTR, CMPND, NTCHD, ASSY (REV D) (ITEM #3 = 217292) (AFTER 03/01/2019) (REV C) (ITEM #3 = 209206) (02/15/18 TO 03/01/19) (REV B) (ITEM #3 = 195153) (BEFORE 02/15/18)	1
1	198841	GANG-R, CNTR, CMPND, SM, ASSY (REV C) (ITEM #3 = 217294) (AFTER 03/01/2019) (REV B) (ITEM #3 = 209208) (02/15/18 TO 03/01/19) (REV A) (ITEM #3 = 201294) (BEFORE 02/15/18)	1
1	198906	GANG-R, CNTR, CMPND, ROLL, ASSY (REV C) (ITEM #3 = 217296) (AFTER 03/01/2019) (REV B) (ITEM #3 = 209212) (02/15/18 TO 03/01/19) (REV A) (ITEM #3 = 201298) (BEFORE 02/15/2018)	1
1	192964	GANG-R, CNTR, VERT, NTCHD, ASSY (REV D) (ITEM #3 = 217306) (AFTER 03/01/2019) (REV C) (ITEM #3 = 207509) (02/15/2018 TO 03/01/2019) (REV B) (ITEM #3 = 195132) (BEFORE 02/15/2018)	1
1	198844	GANG-R, CNTR, VERT, SM, ASSY (REV C) (ITEM #3 = 217308) (AFTER 03/01/2019) (REV B) (ITEM #3 = 212230) (02/15/2018 TO 03/01/2019) (REV A) (ITEM #3 = 201296) (BEFORE 02/15/2018)	1
1	198916	GANG-R, CNTR, VERT, ROLL, ASSY (REV C) (ITEM #3 = 217310) (AFTER 03/01/2019) (REV B) (ITEM #3 = 212232) (02/15/2018 TO 03/01/2019) (REV A) (ITEM #3 = 201300) (BEFORE 02/15/2018)	1
2	186732	GANG BAR WLDMT CENTER 7831	1
3	217316	DISC,RH,HYBRID,17-7,NOTCHD ASM (SEE PAGE 14-1)	12
3	217318	DISC,RH,HYBRID,17-7,SMOOTH ASM (SEE PAGE 14-1)	12
3	217320	DISC,RH,HYBRID,17-7,ROLL ASM (SEE PAGE 14-1)	12
3	207518	DISC-RH,HYBR,17-7, NOTCHD,ASSY (SEE PAGE 14-2)	12
3	209210	DISC-RH,HYBRD,17-7,SMOOTH,ASM (SEE PAGE 14-2)	12
3	209214	DISC-RH,HYBR,17-7,ROLLABLE,ASM (SEE PAGE 14-2)	12
3	217292	DISC-RH,COMP17-20,NOTCHD ASSY (SEE PAGE 14-4)	12
3	217294	DISC-RH,COMP17-20,SMOOTH ASSY (SEE PAGE 14-4)	12
3	217296	DISC-RH,COMP17-20, ROLL ASSY (SEE PAGE 14-4)	12
3	209206	DISC-RH, CMPND, NTCHD, ASSY (SEE PAGE 14-5)	12
3	209208	DISC-RH, CMPND, SMOOTH, ASSY (SEE PAGE 14-5)	12
3	209212	DISC-RH, CMPND, ROLLABLE, ASSY (SEE PAGE 14-5)	12
3	195153	DISC-RH, CMPND, NTCHD, ASSY (SEE PAGE 14-5)	12
3	201294	DISC-RH, CMPND, SM, ASSY (SEE PAGE 14-5)	12
3	201298	DISC-RH, CMPND, ROLLABLE, ASSY (SEE PAGE 14-5)	12

CENTER SECTION (REAR) GANG ASSEMBLIES

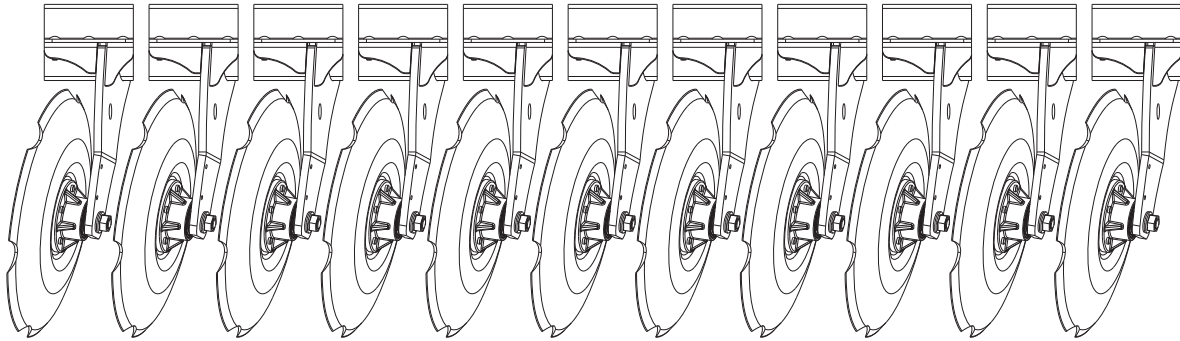
Center Section (Rear) Gang Assemblies

ITEM	PART NUMBER	DESCRIPTION	QTY.
3	217306	DISC-RH, VERT, 17P, NOTCHD, ASM (SEE PAGE 14-7)	12
3	217308	DISC-RH, VERT, 17P, SMOOTH, ASM (SEE PAGE 14-7)	12
3	217310	DISC-RH, VERT, 17P, ROLL, ASM (SEE PAGE 14-7)	12
3	207509	DISC-RH, VERT, NTCHD, ASSY (SEE PAGE 14-8)	12
3	212230	DISC-RH, VERT, SM, ASSY (SEE PAGE 14-8)	12
3	212232	DISC-RH, VERT, ROLLABLE, ASSY (SEE PAGE 14-8)	12
3	195132	DISC-RH, VERT, NTCHD, ASSY (SEE PAGE 14-8)	12
3	201296	DISC-RH, VERT, SM, ASSY (SEE PAGE 14-8)	12
3	201300	DISC-RH, VERT, SM ROLL, ASSY (SEE PAGE 14-8)	12

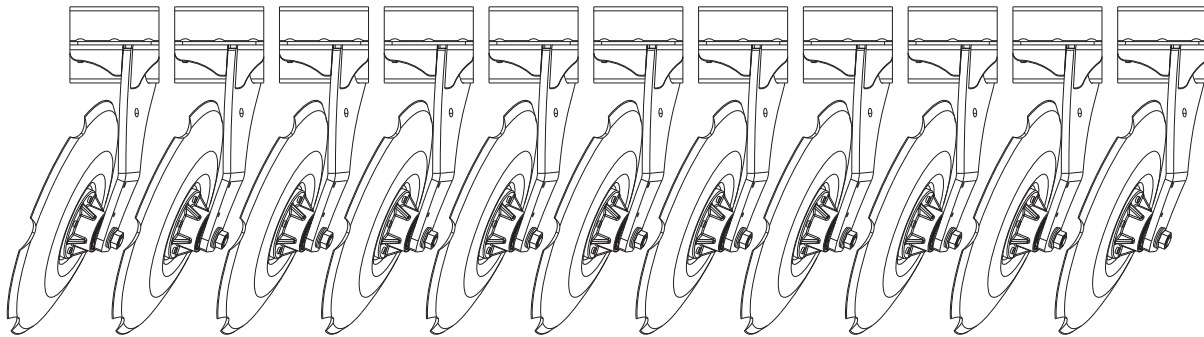
Left Wing (Front) Disc Assemblies

Left Wing (Front) Disc Assemblies

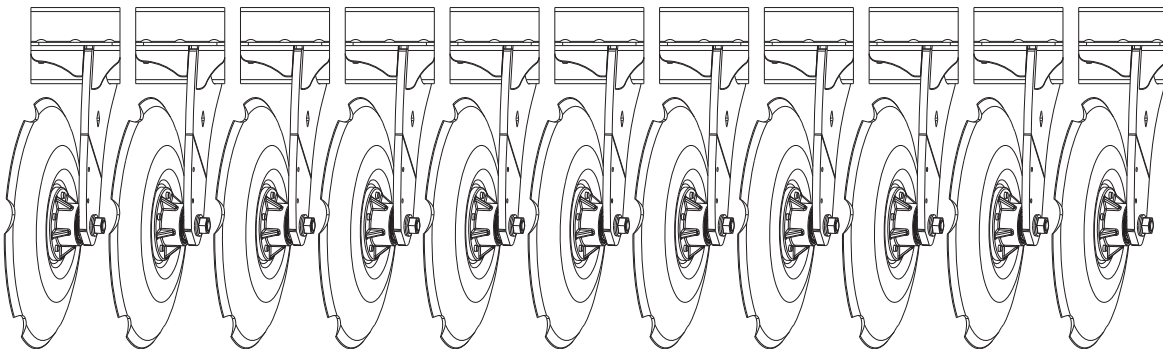
(1) HYBRID



(2) COMPOUND



(3) VERTICAL



NOTE: SHOWN WITH NOTCHED BLADE, ALSO AVAILABLE WITH SMOOTH & ROLLABLE BLADES

NOTE: GANGBARS SHOWN AS VIEWED FROM REAR OF MACHINE

NOTE: **MODELS AFTER 03/01/2019, MANUFACTURED WITH HYBRID SHANK OPTION ONLY

Figure 9-1: Left Wing (Front) Disc Assemblies

Left Wing (Front) Disc Assemblies

ITEM	PART NUMBER	DESCRIPTION	QTY.			
			25'	30'	35'	40'
	201211	WING ASSEMBLY, 7833-25 LH	*	--	--	--
	201213	WING ASSEMBLY, 7833-30 LH	--	*	--	--
	201215	WING ASSEMBLY, 7833-35 LH	--	--	*	--
	201217	WING ASSEMBLY, 7833-40 LH	--	--	--	*
1	217315	DISC-LH,HYBRID,17-7,NOTCHD ASM (AFTER 03/01/2019) (SEE PAGE 13-1)	9	12	15	18
1	217317	DISC,LH,HYBRID,17-7,SMOOTH ASM (AFTER 03/01/2019)	9	12	15	18
1	217319	DISC,LH,HYBRID,17-7,ROLL ASM (AFTER 03/01/2019)	9	12	15	18
1	207517	DISC-LH, HYBRD, NTCHD, ASSY (SHOWN) (02/15/18 TO 03/01/19) (SEE PAGE 13-2)	9	12	15	18
1	209209	DISC-LH, HYBRD, SM, ASSY (02/15/18 TO 03/01/19)	9	12	15	18
1	209213	DISC-LH, HYBRD, ROLL, ASSY (02/15/18 TO 03/01/19)	9	12	15	18
2	217291	DISC-LH,COMP17-20,NOTCHD ASSY (AFTER 03/01/2019) (SEE PAGE 13-3)	9	12	15	18
2	217293	DISC-LH,COMP17-20,SM,ASSY (AFTER 03/01/2019)	9	12	15	18
2	217295	DISC-LH,COMP17-20, ROLL ASSY (AFTER 03/01/2019)	9	12	15	18
2	209205	DISC-LH, COMP, NTCHD, ASSY (SHOWN) (02/15/18 TO 03/01/19) (SEE PAGE 13-3)	9	12	15	18
2	209207	DISC-LH, COMP, SM, ASSY (02/15/18 TO 03/01/19)	9	12	15	18
2	209211	DISC-LH, COMP, ROLL, ASSY (02/15/18 TO 03/01/19)	9	12	15	18
2	195152	DISC-LH, COMP, NTCHD, ASSY (BEFORE 02/15/2018) (SEE PAGE 13-4)	8	11	14	17
2	201293	DISC-LH, COMP, SM, ASSY (BEFORE 02/15/2018)	8	11	14	17
2	201297	DISC-LH, COMP, ROLL, ASSY (BEFORE 02/15/2018)	8	11	14	17
3	217305	DISC-LH, VERT,17P, NOTCHD, ASM (AFTER 03/01/2019) (SEE PAGE 13-5)	9	12	15	18
3	217307	DISC-LH, VERT,17P, SMOOTH,ASM (AFTER 03/01/2019)	9	12	15	18
3	217309	DISC-LH, VERT,17P, ROLL, ASM (AFTER 03/01/2019)	9	12	15	18
3	207508	DISC-LH, VERT, NTCHD, ASSY (SHOWN) (02/15/18 - 03/01/19) (SEE PAGE 13-5)	9	12	15	18
3	212229	DISC-LH, VERT, SM, ASSY (02/15/18 TO 03/01/19)	9	12	15	18
3	212231	DISC-LH, VERT, ROLL, ASSY (02/15/18 TO 03/01/19)	9	12	15	18
3	195131	DISC-LH, VERT, NTCHD, ASSY (BEFORE 02/15/2018) (SEE PAGE 13-6)	8	11	14	17
3	201295	DISC-LH, VERT, SM, ASSY (BEFORE 02/15/2018)	8	11	14	17
3	201299	DISC-LH, VERT, ROLL, ASSY (BEFORE 02/15/2018)	8	11	14	17
4	200794	DISC COVER DISC COMP, NTCHD, 22IN, ASSY (NOT SHOWN) (BEFORE 02/15/2018) (ONLY WHEN ORDERED WITH NOTCHED BLADES)	1	1	1	1
4	200795	DISC COVER DISC COMP, SM, 22IN, ASSY (NOT SHOWN) (BEFORE 02/15/2018) (ONLY WHEN ORDERED WITH SMOOTH OR ROLLABLE BLADES)	1	1	1	1

Left Wing (Rear) Gang Assemblies

25' Gang Assemblies (Left Wing - Rear)

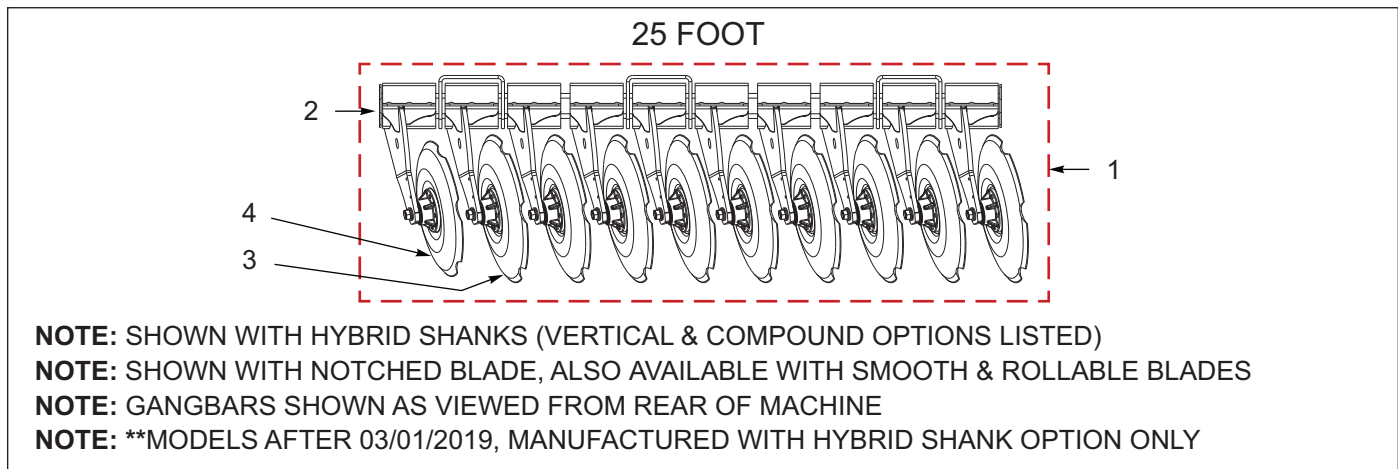


Figure 10-1: 25' Gang Assemblies (Left Wing - Rear)

25' Gang Assemblies (Left Wing - Rear)

ITEM	PART NUMBER	DESCRIPTION	QTY.
1	212561	GANG-7833-25 LR,HYBR17-7 NTCHD (SHOWN) (ITEMS #3 (9) 217316, #4 (1) 217321 (AFTER 03/01/2019)) (ITEMS #3 (9) 207518, #4 (1) 212243 (02/15/18 TO 03/01/19))	1
1	212562	GANG-7833-25 LR,HYBRRID,17-7, SM (ITEMS #3 (9) 217318, #4 (1) 217322 (AFTER 03/01/2019)) (ITEMS #3 (9) 209210, #4 (1) 212246 (02/15/18 TO 03/01/19))	1
1	212563	GANG7833-25 LR,HYBR,17-7, ROLL (ITEMS #3 (9) 217320, #4 (1) 217322 (AFTER 03/01/2019)) (ITEMS #3 (9) 209214, #4 (1) 212246 (02/15/18 TO 03/01/19))	1
1	188767	GANG-25, LR, CMPND, NTCHD, ASSY (ITEMS #3 (9) 217292, #4 (1) 217297 (AFTER 03/01/2019)) (ITEMS #3 (9) 209206, #4 (1) 212242 (02/15/18 TO 03/01/19)) (ITEMS #3 (9) 195153, #4 (1) 208634 (BEFORE 02/15/2018))	1
1	198842	GANG-25, LR, CMPND, SM, ASSY (ITEMS #3 (9) 217294, #4 (1) 217298 (AFTER 03/01/2019)) (ITEMS #3 (9) 209208, #4 (1) 212245 (02/15/18 TO 03/01/19)) (ITEMS #3 (9) 201294, #4 (1) 208633 (BEFORE 02/15/2018))	1
1	198913	GANG-25, LR, CMPND, ROLL, ASSY (ITEMS #3 (9) 217296, #4 (1) 217298 (AFTER 03/01/2019)) (ITEMS #3 (9) 209212, #4 (1) 212245 (02/15/18 TO 03/01/19)) (ITEMS #3 (9) 201298, #4 (1) 208633 (BEFORE 02/15/2018))	1
1	192623	GANG-25, LR, VERT, NTCHD, ASSY (ITEMS #3 (9) 217306, #4 (1) 217311 (AFTER 03/01/19)) (ITEMS #3 (9) 207509, #4 (1) 212244 (02/15/18 TO 03/01/19)) (ITEMS #3 (9) 195132, #4 (1) 200790 (BEFORE 02/15/2018))	1
1	198845	GANG-25, LR, VERT, SM, ASSY (ITEMS #3 (9) 217308, #4 (1) 217312 (AFTER 03/01/2019)) (ITEMS #3 (9) 212230, #4 (1) 212247 (02/15/18 TO 03/01/19)) (ITEMS #3 (9) 201296, #4 (1) 200791 (BEFORE 02/15/2018))	1

25' Gang Assemblies (Left Wing - Rear)

ITEM	PART NUMBER	DESCRIPTION	QTY.
1	198917	GANG-25, LR, VERT, ROLL, ASSY (ITEMS #3 (9) 217310, #4 (1) 217312 (AFTER 03/01/2019)) (ITEMS #3 (9) 212232, #4 (1) 212247 (02/15/18 TO 03/01/19)) (ITEMS #3 (9) 201300, #4 (1) 200791 (BEFORE 02/15/2018))	1
2	192961	GANGBAR WLDMT, R, LH 25	1
3	217316	DISC,RH,HYBRID,17-7,NOTCHD ASM (SHOWN) (SEE PAGE 14-1)	9
3	217318	DISC,RH,HYBRID,17-7,SMOOTH ASM (SEE PAGE 14-1)	9
3	217320	DISC,RH,HYBRID,17-7,ROLL ASM (SEE PAGE 14-1)	9
3	207518	DISC-RH, HYBRID, NTCHD, ASSY (SEE PAGE 14-2)	9
3	209214	DISC-RH, HYBRID, ROLL, ASSY (SEE PAGE 14-2)	9
3	209210	DISC-RH, HYBRID, SM, ASSY (SEE PAGE 14-2)	9
3	217292	DISC-RH,COMP17-20,NOTCHD ASSY (SEE PAGE 14-4)	9
3	217294	DISC-RH,COMP17-20,SMOOTH ASSY (SEE PAGE 14-4)	9
3	217296	DISC-RH,COMP17-20, ROLL ASSY (SEE PAGE 14-4)	9
3	209206	DISC-RH, CMPND, NTCHD,ASSY (SEE PAGE 14-5)	9
3	209208	DISC-RH, CMPND, SM, ASSY (SEE PAGE 14-5)	9
3	209212	DISC-RH, CMPND, ROLL, ASSY (SEE PAGE 14-5)	9
3	195153	DISC ASSY RH COMPOUND (NOTCHED) (SEE PAGE 14-5)	9
3	201294	DISC-RH, CMPND, SM, ASSY (SEE PAGE 14-5)	9
3	201298	DISC-RH, CMPND, ROLL ASSY (SEE PAGE 14-5)	9
3	217306	DISC-RH, VERT,17P, NOTCHD, ASM (SEE PAGE 14-7)	9
3	217308	DISC-RH, VERT, 17P, SMOOTH, ASM (SEE PAGE 14-7)	9
3	217310	DISC-RH,VERT,17P, ROLL, ASM (SEE PAGE 14-7)	9
3	207509	DISC-RH, VERT, NTCHD, ASSY (SEE PAGE 14-8)	9
3	212230	DISC-RH, VERT, SM, ASSY (SEE PAGE 14-8)	9
3	212232	DISC-RH, VERT, ROLL, ASSY (SEE PAGE 14-8)	9
3	195132	DISC-RH, VERT, NTCHD (SEE PAGE 14-8)	9
3	201296	DISC-RH, VERT, SM ASSY (SEE PAGE 14-8)	9
3	201300	DISC-RH, VERT, ROLL, ASSY (SEE PAGE 14-8)	9
4	217321	DISC,NTCHD22RH HYBRID 17-7 ASM (SHOWN) (SEE PAGE 14-3)	1
4	217322	DISC ASMSMOOTH22RH HYBRID17--7 (SEE PAGE 14-3)	1
4	212243	DISC,NTCHD 22RH HYBRID 17-7ASM (SEE PAGE 14-3)	1
4	212246	DISC-RH, FEATHER, HYBRID, SM 22 (SEE PAGE 14-3)	1
4	217297	DISC ASSY NTCHD 22 RH CMP17-20 (SEE PAGE 14-6)	1
4	217298	DISC ASSY SMOOTH 22RH CMP17-20 (SEE PAGE 14-6)	1
4	212242	DISC-RH, FEATHER, CMP, NTCHD 22 (SEE PAGE 14-6)	1
4	212245	DISC-RH, FEATHER, CMP, SM 22 (SEE PAGE 14-6)	1
4	208634	DISC-RH, FEATHER, CMP, NTCHD 22 (SEE PAGE 14-6)	1
4	208633	DISC-RH, FEATHER, CMP, SM 22 (SEE PAGE 14-6)	1
4	217311	DISC ASSY NTCHD 22RH VERT 17P (SEE PAGE 14-9)	1
4	217312	DISC ASSY SMOOTH 22RH VERT 17P (SEE PAGE 14-9)	1
4	212244	DISC ASM NTCHD 22RH VERT 17P (SEE PAGE 14-9)	1
4	212247	DISC ASM SMOOTH 22RH VERT 17P (SEE PAGE 14-9)	1
4	200790	DISC-RH, FEATHER, VERT, NTCHD (SEE PAGE 14-9)	1
4	200791	DISC-RH, FEATHER, VERT, SM (SEE PAGE 14-9)	1

LEFT WING (REAR) GANG ASSEMBLIES

30' Gang Assemblies (Left Wing - Rear)

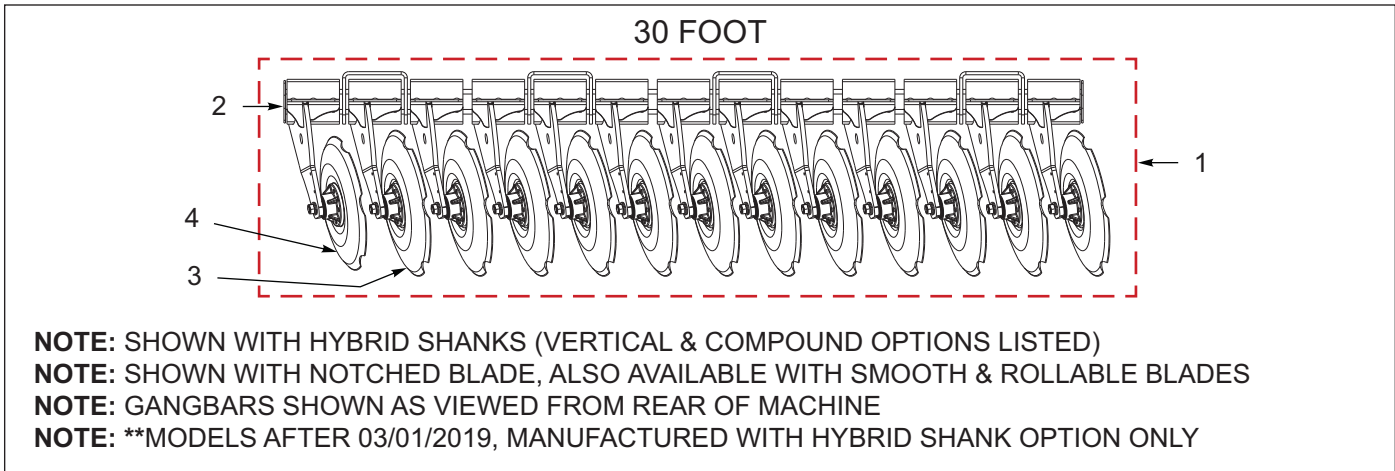


Figure 10-2: 30' Gang Assemblies (Left Wing - Rear)

30' Gang Assemblies (Left Wing - Rear)

ITEM	PART NUMBER	DESCRIPTION	QTY.
1	212579	GANG-7833-30 LR,HYBR17-17,NTCHD (SHOWN) (ITEMS #3 (12) 217316, #4 (1) 217321 (AFTER 03/01/2019)) (ITEMS #3 (12) 207518, #4 (1) 212243 (02/15/18 TO 03/01/19))	1
1	212580	GANG-7833-30 LR,HYBRID,17-7,SM (ITEMS #3 (12) 217318, #4 (1) 217322 (AFTER 03/01/2019)) (ITEMS #3 (12) 209210, #4 (1) 212246 (02/15/18 TO 03/01/19))	1
1	212581	GANG-7833-30 LR,HYBR,17-7,ROLL (ITEMS #3 (12) 217320, #4 (1) 217322 (AFTER 03/01/2019)) (ITEMS #3 (12) 209214, #4 (1) 212246 (02/15/18 TO 03/01/19))	1
1	187625	GANG-30, LR, CMPND NTCHD, ASSY (SHOWN) (ITEMS #3 (12) 209206, #4 (1) 212242 (AFTER 03/01/2019)) (ITEMS #3 (12) 209206, #4 (1) 212242 (02/15/18 TO 03/01/19)) (ITEMS #3 (12) 195153, #4 (1) 208634 (BEFORE 02/15/2018))	1
1	198851	GANG-30, LR, CMPD, SM, ASSY (ITEMS #3 (12) 217294, #4 (1) 217298 (AFTER 03/01/2019)) (ITEMS #3 (12) 209208, #4 (1) 212245 (02/15/18 TO 03/01/19)) (ITEMS #3 (12) 201294, #4 (1) 208633 (BEFORE 02/15/2018))	1
1	198919	GANG-30, LR, CMPND, ROLL, ASSY (ITEMS #3 (12) 217296, #4 (1) 217298 (AFTER 03/01/2019)) (ITEMS #3 (12) 209212, #4 (1) 212245 (02/15/18 TO 03/01/19)) (ITEMS #3 (12) 201298, #4 (1) 208633 (BEFORE 02/15/2018))	1
1	192626	GANG-30, LR, VERT, NTCHD, ASSY (ITEMS #3 (12) 217306, #4 (1) 217311 (AFTER 03/01/2019)) (ITEMS #3 (12) 207509, #4 (1) 212244 (02/15/18 TO 03/01/19)) (ITEMS #3 (12) 195132, #4 (1) 200790 (BEFORE 02/15/2018))	1
1	198850	GANG-30, LR, VERT, SM, ASSY (ITEMS #3 (12) 217308, #4 (1) 217312 (AFTER 03/01/2019)) (ITEMS #3 (12) 212230, #4 (1) 212247 (02/15/18 TO 03/01/19)) (ITEMS #3 (12) 201296, #4 (1) 200791 (BEFORE 02/15/2018))	1
1	198922	GANG-30 LR VERT ROLL, ASSY (ITEMS #3 (12) 217310, #4 (1) 217312 (AFTER 03/01/2019)) (ITEMS #3 (12) 212232, #4 (1) 212247 (02/15/18 TO 03/01/19)) (ITEMS #3 (12) 201300, #4 (1) 200791 (BEFORE 02/15/2018))	1

30' Gang Assemblies (Left Wing - Rear)

ITEM	PART NUMBER	DESCRIPTION	QTY.
2	192967	GANGBAR WLDMT, R, LH 30	1
3	217316	DISC,RH,HYBRID,17-7,NOTCHD ASM (SHOWN) (SEE PAGE 14-1)	12
3	217318	DISC,RH,HYBRID,17-7,SMOOTH ASM (SEE PAGE 14-1)	12
3	217320	DISC,RH,HYBRID,17-7,ROLL ASM (SEE PAGE 14-1)	12
3	207518	DISC-RH, HYBRID, NTCHD, ASSY (SEE PAGE 14-2)	12
3	209214	DISC-RH, HYBRID, ROLL, ASSY (SEE PAGE 14-2)	12
3	209210	DISC-RH, HYBRID, SM, ASSY (SEE PAGE 14-2)	12
3	217292	DISC-RH,COMP17-20,NOTCHD ASSY (SEE PAGE 14-4)	12
3	217294	DISC-RH,COMP17-20,SMOOTH ASSY (SEE PAGE 14-4)	12
3	217296	DISC-RH,COMP17-20, ROLL ASSY (SEE PAGE 14-4)	12
3	209206	DISC-RH, CMPND, NTCHD,ASSY (SHOWN) (SEE PAGE 14-5)	12
3	209208	DISC-RH, CMPND, SM, ASSY (SEE PAGE 14-5)	12
3	209212	DISC-RH, CMPND, ROLL, ASSY (SEE PAGE 14-5)	12
3	195153	DISC ASSY RH COMPOUND (NOTCHED) (SEE PAGE 14-5)	12
3	201294	DISC-RH, CMPND, SM, ASSY (SEE PAGE 14-5)	12
3	201298	DISC-RH, CMPND, ROLL ASSY (SEE PAGE 14-5)	12
3	217306	DISC-RH, VERT,17P, NOTCHD, ASM (SEE PAGE 14-7)	12
3	217308	DISC-RH, VERT, 17P, SMOOTH, ASM (SEE PAGE 14-7)	12
3	217310	DISC-RH,VERT,17P, ROLL, ASM (SEE PAGE 14-7)	12
3	207509	DISC-RH, VERT, NTCHD, ASSY (SEE PAGE 14-8)	12
3	212230	DISC-RH, VERT, SM, ASSY (SEE PAGE 14-8)	12
3	212232	DISC-RH, VERT, ROLL, ASSY (SEE PAGE 14-8)	12
3	195132	DISC-RH, VERT, NTCHD (SEE PAGE 14-8)	12
3	201296	DISC-RH, VERT, SM ASSY (SEE PAGE 14-8)	12
3	201300	DISC-RH, VERT, ROLL, ASSY (SEE PAGE 14-8)	12
4	217321	DISC,NTCHD22RH HYBRID 17-7 ASM (SHOWN) (SEE PAGE 14-3)	1
4	217322	DISC ASMSMOOTH22RH HYBRID17--7 (SEE PAGE 14-3)	1
4	212243	DISC-RH, FEATHER, HYBRID, NTCHD 22, ASSY	1
4	212246	DISC-RH, FEATHER, HYBRID, SM 22, ASSY	1
4	217297	DISC ASSY NTCHD 22 RH CMP17-20 (SEE PAGE 14-6)	1
4	217298	DISC ASSY SMOOTH 22RH CMP17-20 (SEE PAGE 14-6)	1
4	212242	DISC-RH, FEATHER, CMPND, NTCHD 22 (SHOWN)	1
4	212245	DISC-RH, FEATHER, CMPND, SM 22, ASSY	1
4	208633	DISC-RH, FEATHER, CMPND, SM 22, ASSY	1
4	208634	DISC-RH, FEATHER, CMPND, NTCHD 22, ASSY	1
4	217311	DISC ASSY NTCHD 22RH VERT 17P	1
4	217312	DISC ASSY SMOOTH 22RH VERT 17P	1
4	212244	DISC-RH, FEATHER, VERT, NTCHD 22, ASSY	1
4	212247	DISC-RH, FEATHER, VERT, SM 22, ASSY	1
4	200790	DISC-RH, FEATHER, VERT, NTCHD, ASSY	1
4	200791	DISC-RH, FEATHER, VERT, SM ASSY	1

LEFT WING (REAR) GANG ASSEMBLIES

35' Gang Assemblies (Left Wing - Rear)

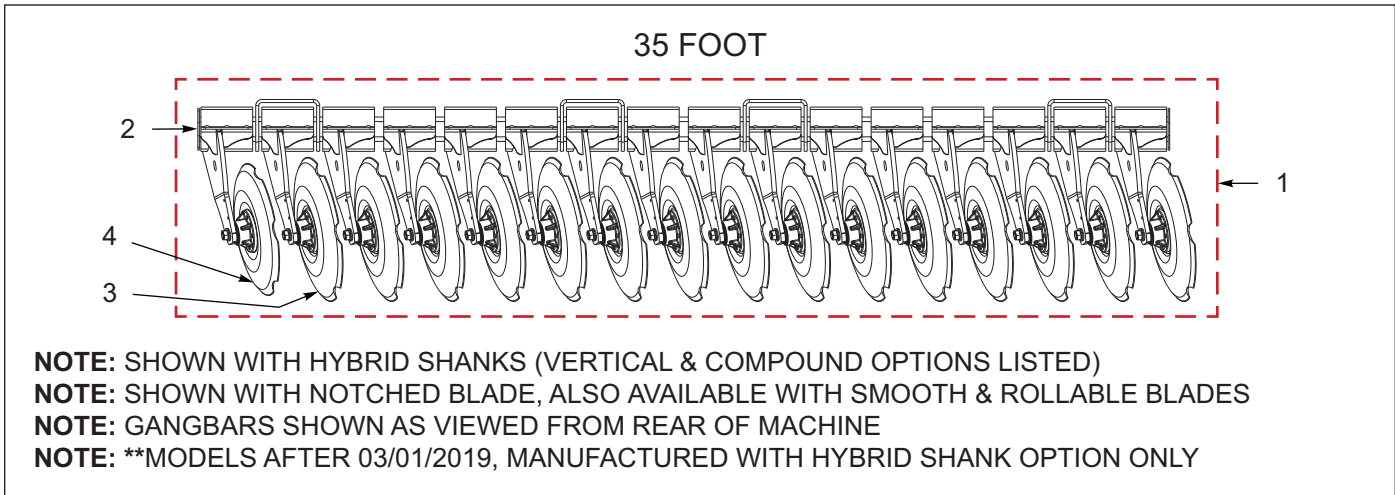


Figure 10-3: 35' Gang Assemblies (Left Wing - Rear)

35' Gang Assemblies (Left Wing - Rear)

ITEM	PART NUMBER	DESCRIPTION	QTY.
1	212597	GANG-7833-35 LR, HYBR17-7, NTCHD (SHOWN) (ITEMS #3 (15) 217316, #4 (1) 217321 (AFTER 03/01/2019)) (ITEMS #3 (15) 207518, #4 (1) 212243 (02/15/18 TO 03/01/19))	1
1	212598	GANG-7833-35 LR, HYBR17-7, SM (ITEMS #3 (15) 217318, #4 (1) 217322 (AFTER 03/01/2019)) (ITEMS #3 (15) 209210, #4 (1) 212246 (02/15/18 TO 03/01/19))	1
1	212599	GANG-7833-35 LR, HYBR17-7, ROLL (ITEMS #3 (15) 217320, #4 (1) 217322 (AFTER 03/01/2019)) (ITEMS #3 (15) 209214, #4 (1) 212246 (02/15/18 TO 03/01/19))	1
1	184423	GANG-35, LR, CMPND, NTCHD, ASSY (ITEMS #3 (15) 217292, #4 (1) 217297 (AFTER 03/01/2019)) (ITEMS #3 (15) 209206, #4 (1) 212242 (02/15/18 TO 03/01/19)) (ITEMS #3 (15) 195153, #4 (1) 208634 (BEFORE 02/15/2018))	1
1	198847	GANG-35, LR, CMPND, SM, ASSY (ITEMS #3 (15) 217294, #4 (1) 217298 (AFTER 03/01/2019)) (ITEMS #3 (15) 209208, #4 (1) 212245 (02/15/18 TO 03/01/19)) (ITEMS #3 (15) 201294, #4 (1) 208633 (BEFORE 02/15/2018))	1
1	198923	GANG-35, LR, CMPND, ROLL, ASSY (ITEMS #3 (15) 217296, #4 (1) 217298 (AFTER 03/01/2019)) (ITEMS #3 (15) 209212, #4 (1) 212245 (02/15/18 TO 03/01/19)) (ITEMS #3 (15) 201298, #4 (1) 208633 (BEFORE 02/15/2018))	1
1	192965	GANG-35, LR, VERT, NTCHD, ASSY (ITEMS #3 (15) 217306, #4 (1) 217311 (AFTER 03/01/2019)) (ITEMS #3 (15) 207509, #4 (1) 212244 (02/15/18 TO 03/01/19)) (ITEMS #3 (15) 195132, #4 (1) 200790 (BEFORE 02/15/2018))	1
1	198853	GANG-35, LR, VERT, SM, ASSY (ITEMS #3 (15) 217308, #4 (1) 217312 (AFTER 03/01/2019)) (ITEMS #3 (15) 212230, #4 (1) 212247 (02/15/18 TO 03/01/19)) (ITEMS #3 (15) 201296, #4 (1) 200791 (BEFORE 02/15/2018))	1
1	198927	GANG-35, LR, VERT, ROLL, ASSY (ITEMS #3 (15) 217310, #4 (1) 217312 (AFTER 03/01/2019)) (ITEMS #3 (15) 212232, #4 (1) 212247 (02/15/18 TO 03/01/19)) (ITEMS #3 (15) 201300, #4 (1) 200791 (BEFORE 02/15/2018))	1

35' Gang Assemblies (Left Wing - Rear)

ITEM	PART NUMBER	DESCRIPTION	QTY.
2	192955	GANGBAR WLDMT, R, LH 35	1
3	217316	DISC,RH,HYBRID,17-7,NOTCHD ASM (SHOWN) (SEE PAGE 14-1)	15
3	217318	DISC,RH,HYBRID,17-7,SMOOTH ASM (SEE PAGE 14-1)	15
3	217320	DISC,RH,HYBRID,17-7,ROLL ASM (SEE PAGE 14-1)	15
3	207518	DISC-RH, HYBRID, NTCHD, ASSY (SEE PAGE 14-2)	15
3	209210	DISC-RH, HYBRID, SM, ASSY (SEE PAGE 14-2)	15
3	209214	DISC-RH, HYBRID, ROLL, ASSY (SEE PAGE 14-2)	15
3	217292	DISC-RH,COMP17-20,NOTCHD ASSY (SEE PAGE 14-4)	15
3	217294	DISC-RH,COMP17-20,SMOOTH ASSY (SEE PAGE 14-4)	15
3	217296	DISC-RH,COMP17-20, ROLL ASSY (SEE PAGE 14-4)	15
3	209206	DISC-RH, CMPND, NTCHD,ASSY (SEE PAGE 14-5)	15
3	209208	DISC-RH, CMPND, SM, ASSY (SEE PAGE 14-5)	15
3	209212	DISC-RH, CMPND, ROLL, ASSY (SEE PAGE 14-5)	15
3	195153	DISC ASSY RH COMPOUND (NOTCHED) (SEE PAGE 14-5)	15
3	201294	DISC-RH, CMPND, SM, ASSY (SEE PAGE 14-5)	15
3	201298	DISC-RH, CMPND, ROLL ASSY (SEE PAGE 14-5)	15
3	217306	DISC-RH, VERT,17P, NOTCHD, ASM (SEE PAGE 14-7)	15
3	217308	DISC-RH, VERT, 17P, SMOOTH, ASM (SEE PAGE 14-7)	15
3	217310	DISC-RH,VERT,17P, ROLL, ASM (SEE PAGE 14-7)	15
3	207509	DISC-RH, VERT, NTCHD, ASSY (SEE PAGE 14-8)	15
3	212230	DISC-RH, VERT, SM, ASSY (SEE PAGE 14-8)	15
3	212232	DISC-RH, VERT, ROLL, ASSY (SEE PAGE 14-8)	15
3	195132	DISC-RH, VERT, NTCHD (SEE PAGE 14-8)	15
3	201296	DISC-RH, VERT, SM ASSY (SEE PAGE 14-8)	15
3	201300	DISC-RH, VERT, ROLL, ASSY (SEE PAGE 14-8)	15
4	217321	DISC,NTCHD22RH HYBRID 17-7 ASM (SHOWN) (SEE PAGE 14-3)	1
4	217322	DISC ASMSMOOTH22RH HYBRID17--7 (SEE PAGE 14-3)	1
4	212243	DISC,NTCHD 22RH HYBRID 17-7ASM (SEE PAGE 14-3)	1
4	212246	DISC ASSY SMOOTH22 RHHBRD 17-7 (SEE PAGE 14-3)	1
4	217297	DISC ASSY NTCHD 22 RH CMP17-20 (SEE PAGE 14-6)	1
4	217298	DISC ASSY SMOOTH 22RH CMP17-20 (SEE PAGE 14-6)	1
4	212242	DISC-RH, FEATHER, CMPND, NTCHD 22 (SHOWN) (SEE PAGE 14-6)	1
4	212245	DISC-RH, FEATHER, CMPND, SM 22 (SEE PAGE 14-6)	1
4	208634	DISC-RH, FEATHER, CMPND, NTCHD 22 (SEE PAGE 14-6)	1
4	208633	DISC-RH, FEATHER, CMPND, SM 22 (SEE PAGE 14-6)	1
4	217311	DISC ASSY NTCHD 22RH VERT 17P (SEE PAGE 14-9)	1
4	217312	DISC ASSY SMOOTH 22RH VERT 17P (SEE PAGE 14-9)	1
4	212244	DISC-RH, FEATHER, VERT, NTCHD 22 (SEE PAGE 14-9)	1
4	212247	DISC-RH, FEATHER, VERT, SM 22 (SEE PAGE 14-9)	1
4	200790	DISC-RH, FEATHER, VERT, NTCHD (SEE PAGE 14-9)	1
4	200791	DISC-RH, FEATHER, VERT, SM ASSY (SEE PAGE 14-9)	1

LEFT WING (REAR) GANG ASSEMBLIES

40' Gang Assemblies (Left Wing - Rear)

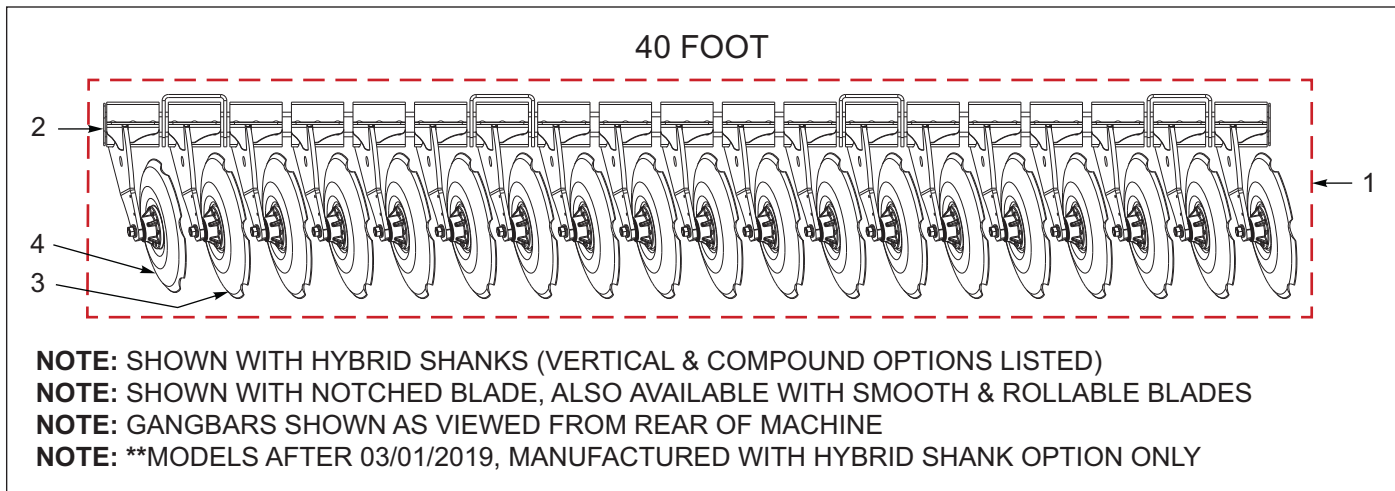


Figure 10-4: 40' Gang Assemblies (Left Wing - Rear)

40' Gang Assemblies (Left Wing - Rear)

ITEM	PART NUMBER	DESCRIPTION	QTY.
1	212615	GANG-7833-40 LR,HYBR17-7, NTCHD (SHOWN) (ITEMS #3 (18) 217316, #4 (1) 217321 (AFTER 03/01/19)) (ITEMS #3 (18) 207518, #4 (1) 212243 (02/15/18 - 03/01/19))	1
1	212616	GANG-7833-40 LR,HYBRID,17-7,SM (ITEMS #3 (18) 217318, #4 (1) 217322 (AFTER 03/01/19)) (ITEMS #3 (18) 209210, #4 (1) 212246 (02/15/18 - 03/01/19))	1
1	212617	GANG-7833-40.LR,HYBR,17-7,ROLL (ITEMS #3 (18) 217320, #4 (1) 217322 (AFTER 03/01/19)) (ITEMS #3 (18) 209214, #4 (1) 212246 (02/15/18 - 03/01/19))	1
1	184421	GANG-40, LR, CMPND, NTCHD, ASSY (ITEMS #3 (18) 217292, #4 (1) 217297 (AFTER 03/01/19)) (ITEMS #3 (18) 209206, #4 (1) 212242 (02/15/18 - 03/01/19)) (ITEMS #3 (18) 195153, #4 (1) 208634 (BEFORE 02/15/2018))	1
1	198855	GANG-40, LR, CMPND, SM, ASSY (ITEMS #3 (18) 217294, #4 (1) 217298 (AFTER 03/01/19)) (ITEMS #3 (18) 209208, #4 (1) 212245 (02/15/18 - 03/01/19)) (ITEMS #3 (18) 201294, #4 (1) 208633 (BEFORE 02/15/2018))	1
1	198929	GANG-40, LR, CMPND, ROLL, ASSY (ITEMS #3 (18) 217296, #4 (1) 217298 (AFTER 03/01/19)) (ITEMS #3 (18) 209212, #4 (1) 212245 (02/15/18 - 03/01/19)) (ITEMS #3 (18) 201298, #4 (1) 208633 (BEFORE 02/15/2018))	1
1	192620	GANG-7832-40,LR,VERT,NOTCHED (ITEMS #3 (18) 217306, #4 (1) 217311 (AFTER 03/01/19)) (ITEMS #3 (18) 207509, #4 (1) 212244 (02/15/18 - 03/01/19)) (ITEMS #3 (18) 195132, #4 (1) 200790 (BEFORE 02/15/2018))	1
1	198857	GANG ASM7832-40LR VERT NO NTCH (SMOOTH) (ITEMS #3 (18) 217308, #4 (1) 217312 (AFTER 03/01/19)) (ITEMS #3 (18) 212230, #4 (1) 212247 (02/15/18 - 03/01/19)) (ITEMS #3 (18) 201296, #4 (1) 200791 (BEFORE 02/15/2018))	1
1	198931	GANG ASM 7832-40 LR VERT ROLL (ITEMS #3 (18) 217310, #4 (1) 217312 (AFTER 03/01/19)) (ITEMS #3 (18) 212232, #4 (1) 212247 (02/15/18 - 03/01/19)) (ITEMS #3 (18) 201300, #4 (1) 200791 (BEFORE 02/15/2018))	1

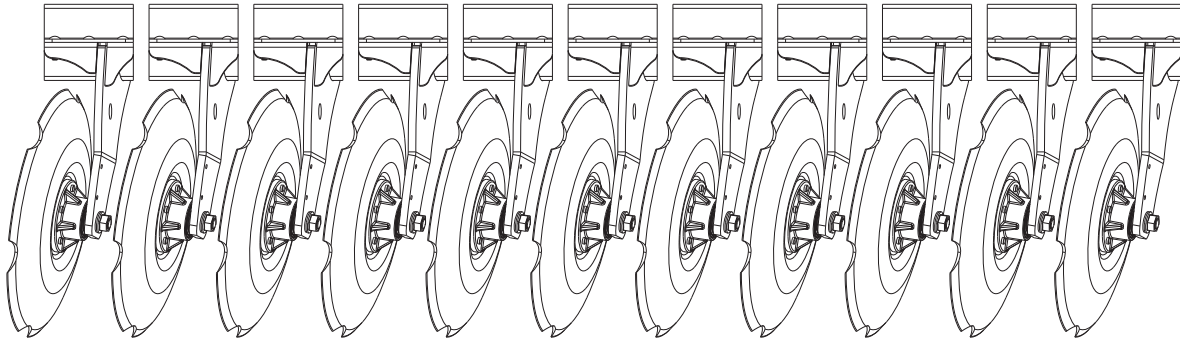
40' Gang Assemblies (Left Wing - Rear)

ITEM	PART NUMBER	DESCRIPTION	QTY.
2	192958	GANGBAR WLDMT, R, LH 40	1
3	217316	DISC,RH,HYBRID,17-7,NOTCHD ASM (SHOWN) (SEE PAGE 14-1)	18
3	217318	DISC,RH,HYBRID,17-7,SMOOTH ASM (SEE PAGE 14-1)	18
3	217320	DISC,RH,HYBRID,17-7,ROLL ASM (SEE PAGE 14-1)	18
3	207518	DISC-RH, HYBRID, NTCHD, ASSY (SEE PAGE 14-2)	18
3	209210	DISC-RH, HYBRID, SM, ASSY (SEE PAGE 14-2)	18
3	209214	DISC-RH, HYBRID, ROLL, ASSY (SEE PAGE 14-2)	18
3	217292	DISC-RH,COMP17-20,NOTCHD ASSY (SEE PAGE 14-4)	18
3	217294	DISC-RH,COMP17-20,SMOOTH ASSY (SEE PAGE 14-4)	18
3	217296	DISC-RH,COMP17-20, ROLL ASSY (SEE PAGE 14-4)	18
3	209206	DISC-RH, CMPND, NTCHD,ASSY (SEE PAGE 14-5)	18
3	209208	DISC-RH, CMPND, SM, ASSY (SEE PAGE 14-5)	18
3	209212	DISC-RH, CMPND, ROLL, ASSY (SEE PAGE 14-5)	18
3	195153	DISC ASSY RH COMPOUND (NOTCHED) (SEE PAGE 14-5)	12
3	201294	DISC-RH, CMPND, SM, ASSY (SEE PAGE 14-5)	18
3	201298	DISC-RH, CMPND, ROLL ASSY (SEE PAGE 14-5)	18
3	217306	DISC-RH, VERT,17P, NOTCHD, ASM (SEE PAGE 14-7)	18
3	217308	DISC-RH, VERT, 17P, SMOOTH, ASM (SEE PAGE 14-7)	18
3	217310	DISC-RH,VERT,17P, ROLL, ASM (SEE PAGE 14-7)	18
3	207509	DISC-RH, VERT, NTCHD, ASSY (SEE PAGE 14-8)	18
3	212230	DISC-RH, VERT, SM, ASSY (SEE PAGE 14-8)	18
3	212232	DISC-RH, VERT, ROLL, ASSY (SEE PAGE 14-8)	18
3	195132	DISC-RH, VERT, NTCHD (SEE PAGE 14-8)	18
3	201296	DISC-RH, VERT, SM ASSY (SEE PAGE 14-8)	18
3	201300	DISC-RH, VERT, ROLL, ASSY (SEE PAGE 14-8)	18
4	217321	DISC,NTCHD22RH HYBRID 17-7 ASM (SHOWN) (SEE PAGE 14-3)	1
4	217322	DISC ASMSMOOTH22RH HYBRID17--7 (SEE PAGE 14-3)	1
4	212243	DISC-RH, FEATHER, HYBRID, NTCHD 22 (SEE PAGE 14-3)	1
4	212246	DISC-RH, FEATHER, HYBRID, SM 22 (SEE PAGE 14-3)	1
4	217297	DISC ASSY NTCHD 22 RH CMP17-20 (SEE PAGE 14-6)	1
4	217298	DISC ASSY SMOOTH 22RH CMP17-20 (SEE PAGE 14-6)	1
4	212242	DISC ASM NTCHD 22RH CMP 17-20 (SEE PAGE 14-6)	1
4	212245	DISC-RH, FEATHER, CMPND, SM 22 (SEE PAGE 14-6)	1
4	208633	DISC-RH, FEATHER, CMPND, SM 22 (SEE PAGE 14-6)	1
4	208634	DISC-RH, FEATHER, CMPND, NTCHD 22 (SEE PAGE 14-6)	1
4	217311	DISC ASSY NTCHD 22RH VERT 17P (SEE PAGE 14-9)	1
4	217312	DISC ASSY SMOOTH 22RH VERT 17P (SEE PAGE 14-9)	1
4	212244	DISC-RH, FEATHER, VERT, NTCHD 22 (SEE PAGE 14-9)	1
4	212247	DISC-RH, FEATHER, VERT, SM 22 (SEE PAGE 14-9)	1
4	200790	DISC-RH, FEATHER, VERT, NTCHD (SEE PAGE 14-9)	1
4	200791	DISC-RH, FEATHER, VERT, SM ASSY (SEE PAGE 14-9)	1

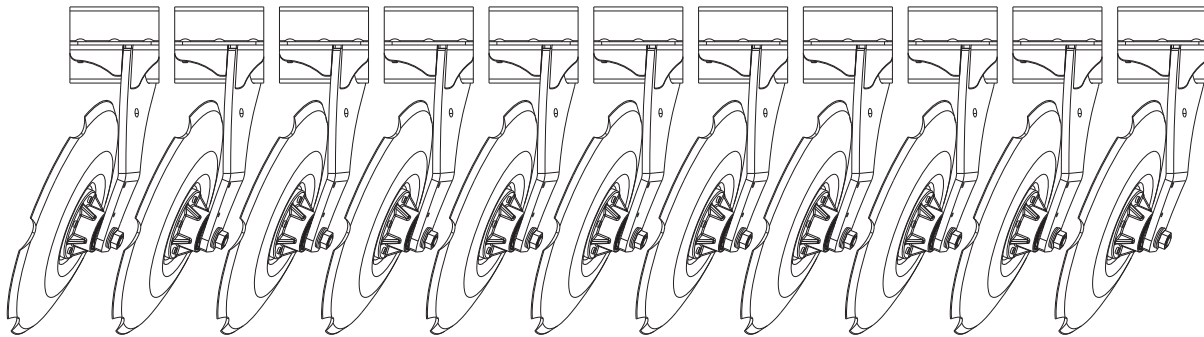
Right Wing (Front) Disc Assemblies

Right Wing (Front) Disc Assemblies

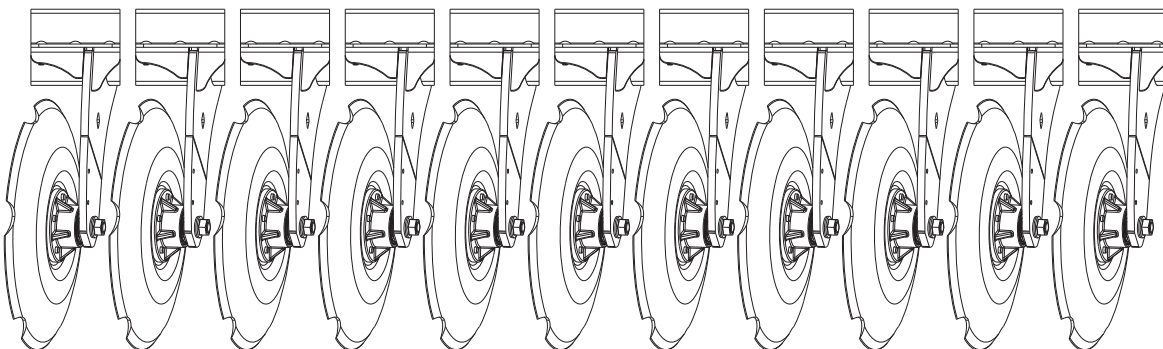
(1) HYBRID



(2) COMPOUND



(3) VERTICAL



NOTE: SHOWN WITH NOTCHED BLADE, ALSO AVAILABLE WITH SMOOTH & ROLLABLE BLADES

NOTE: GANGBARS SHOWN AS VIEWED FROM REAR OF MACHINE

NOTE: **MODELS AFTER 03/01/2019, MANUFACTURED WITH HYBRID SHANK OPTION ONLY

Figure 11-1: Right Wing (Front) Disc Assemblies

Right Wing (Front) Disc Assemblies

ITEM	PART NUMBER	DESCRIPTION	QTY.			
			25'	30'	35'	40'
	201212	WING ASSEMBLY, 7833-25 RH	*	--	--	--
	201214	WING ASSEMBLY, 7833-30 RH	--	*	--	--
	201216	WING ASSEMBLY, 7833-35 RH	--	--	*	--
	201218	WING ASSEMBLY, 7833-40 RH	--	--	--	*
1	217315	DISC-LH,HYBRID,17-7,NOTCHD ASM (AFTER 03/01/2019) (SEE PAGE 13-1)	11	14	17	20
1	217317	DISC,LH,HYBRID,17-7,SMOOTH ASM (AFTER 03/01/2019)	11	14	17	20
1	217319	DISC,LH,HYBRID,17-7,ROLL ASM (AFTER 03/01/2019)	11	14	17	20
1	207517	DISC-LH, HYBRD, NTCHD, ASSY (SHOWN) (02/15/18 - 03/01/19) (SEE PAGE 13-2)	11	14	17	20
1	209209	DISC-LH, HYBRD, SM, ASSY (02/15/18 TO 03/01/19)	11	14	17	20
1	209213	DISC-LH, HYBRD, ROLL, ASSY (02/15/18 TO 03/01/19)	11	14	17	20
2	217291	DISC-LH,COMP17-20,NOTCHD ASSY (AFTER 03/01/2019) (SEE PAGE 13-3)	11	14	17	20
2	217293	DISC-LH,COMP17-20,SMOOTH ASSY (AFTER 03/01/2019)	11	14	17	20
2	217295	DISC-LH,COMP17-20, ROLL ASSY (AFTER 03/01/2019)	11	14	17	20
2	209205	DISC-LH, COMP, NTCHD, ASSY (02/15/18 TO 03/01/19) (SEE PAGE 13-4)	11	14	17	20
2	209207	DISC-LH, COMP, SM, ASSY (02/15/18 TO 03/01/19)	11	14	17	20
2	209211	DISC-LH, COMP, ROLL, ASSY (02/15/18 TO 03/01/19)	11	14	17	20
2	195152	DISC-LH, COMP, NTCHD, ASSY (SHOWN) (BEFORE 02/15/2018) (SEE PAGE 13-4)	11	14	17	20
2	201293	DISC-LH, COMP, SM, ASSY (BEFORE 02/15/2018)	11	14	17	20
2	201297	DISC-LH, COMP, ROLL, ASSY (BEFORE 02/15/2018)	11	14	17	20
3	217305	DISC-LH, VERT,17P, NOTCHD, ASM (AFTER 03/01/2019) (SEE PAGE 13-5)	11	14	17	20
3	217307	DISC-LH, VERT,17P, SMOOTH, ASM (AFTER 03/01/2019)	11	14	17	20
3	217309	DISC-LH, VERT,17P, ROLL, ASM (AFTER 03/01/2019)	11	14	17	20
3	207508	DISC-LH, VERT, NTCHD, ASSY (SHOWN) (02/15/18 TO 03/01/19) (SEE PAGE 13-6)	11	14	17	20
3	212229	DISC-LH, VERT, SM, ASSY (02/15/18 TO 03/01/19)	11	14	17	20
3	212231	DISC-LH, VERT, ROLL, ASSY (02/15/18 TO 03/01/19)	11	14	17	20
3	195131	DISC-LH, VERT, NTCHD, ASSY (BEFORE 02/15/2018) (SEE PAGE 13-6)	11	14	17	20
3	201295	DISC-LH, VERT, SM, ASSY (BEFORE 02/15/2018)	11	14	17	20
3	201299	DISC-LH, VERT, ROLL, ASSY (BEFORE 02/15/2018)	11	14	17	20

Right Wing (Rear) Gang Assemblies

25' Gang Assemblies (Right Wing - Rear)

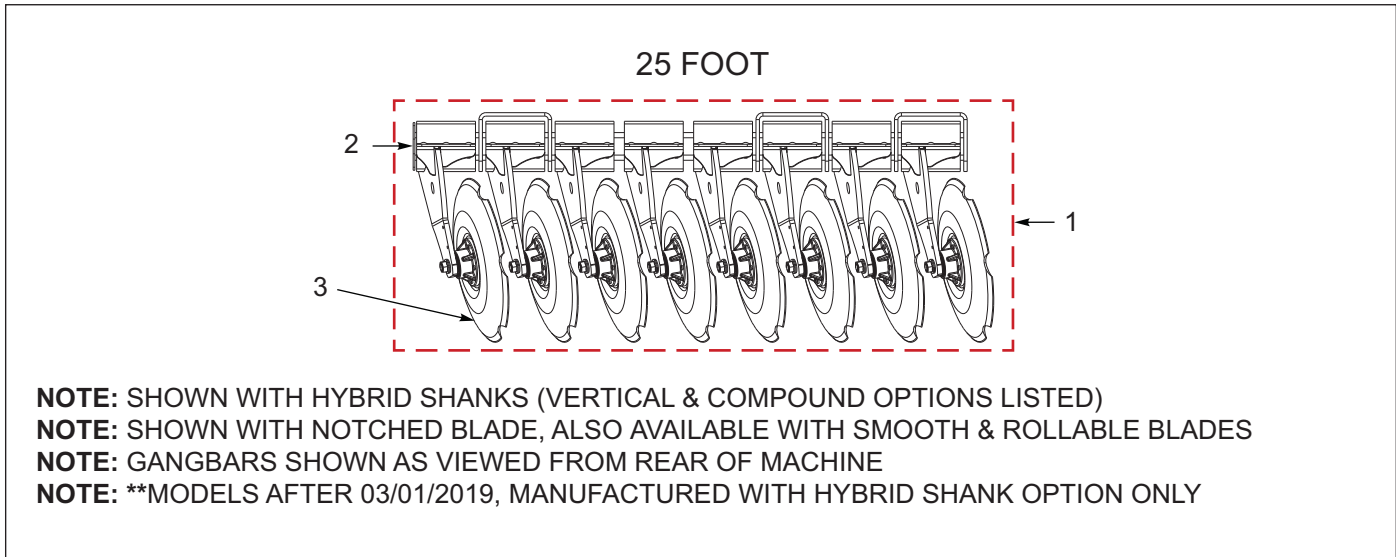


Figure 12-1: 25' Gang Assemblies (Right Wing - Rear)

25' Gang Assemblies (Right Wing - Rear)

ITEM	PART NUMBER	DESCRIPTION	QTY.
1	212570	GANG-25, RR, HYBRID, NTCHD, ASSY (SHOWN) (ITEMS #2 (1) 210843, #3 (8) 217316 (AFTER 03/01/2019)) (ITEMS #2 (1) 210843, #3 (8) 207518 (04/01/18 TO 03/01/19))	1
1	212571	GANG-25, RR, HYBRID, SM, ASSY (ITEMS #2 (1) 210843, #3 (8) 217318 (AFTER 03/01/2019)) (ITEMS #2 (1) 210843, #3 (8) 209210 (04/01/18 TO 03/01/19))	1
1	212572	GANG-25, RR, HYBRID, ROLL, ASSY (ITEMS #2 (1) 210843, #3 (8) 217320 (AFTER 03/01/2019)) (ITEMS #2 (1) 210843, #3 (8) 209214 (04/01/18 TO 03/01/19))	1
1	212567	GANG-25, RR, CMPND, NTCHD, ASSY (ITEMS #2 (1) 210843, #3 (8) 217292 (AFTER 03/01/2019)) (ITEMS #2 (1) 210843, #3 (8) 209206 (04/01/18 TO 03/01/19))	1
1	212568	GANG-25, RR, CMPND, SM, ASSY (ITEMS #2 (1) 210843, #3 (8) 217294 (AFTER 03/01/2019)) (ITEMS #2 (1) 210843, #3 (8) 209208 (04/01/18 TO 03/01/19))	1
1	212569	GANG-25, RR, CMPND, ROLL, ASSY (ITEMS #2 (1) 210843, #3 (8) 217296 (AFTER 03/01/19)) (ITEMS #2 (1) 210843, #3 (8) 209212 (04/01/18 TO 03/01/19))	1
1	188768	GANG-25, RR, CMPND, NTCHD, ASSY (ITEMS #2 (1) 192962, #3 (8) 209206 (02/15/18 TO 04/01/18)) (ITEMS #2 (1) 192962, #3 (8) 195153 (BEFORE 02/15/2018))	1
1	198843	GANG-25, RR, CMPND, SM, ASSY (ITEMS #2 (1) 192962, #3 (8) 209208 (02/15/18 TO 04/01/18)) (ITEMS #2 (1) 192962, #3 (8) 201294 (BEFORE 02/15/2018))	1
1	198914	GANG-25, RR, CMPND, ROLL, ASSY (ITEMS #2 (1) 192962, #3 (8) 109212 (02/15/18 TO 04/01/18)) (ITEMS #2 (1) 192962, #3 (8) 201298 (BEFORE 02/15/2018))	1

25' Gang Assemblies (Right Wing - Rear)

ITEM	PART NUMBER	DESCRIPTION	QTY.
1	212573	GANG-25, RR, VERT, NTCHD, ASSY (ITEMS #2 (1) 210843, #3 (8) 217306 (AFTER 03/01/19)) (ITEMS #2 (1) 210843, #3 (8) 207509 (04/01/18 TO 03/01/19))	1
1	212574	GANG-25, RR, VERT, SM, ASSY (ITEMS #2 (1) 210843, #3 (8) 217308 (AFTER 03/01/2019)) (ITEMS #2 (1) 210843, #3 (8) 212230 (04/01/18 TO 03/01/19))	1
1	212575	GANG-25, RR, VERT, ROLL, ASSY (ITEMS #2 (1) 210843, #3 (8) 217310 (AFTER 03/01/2019)) (ITEMS #2 (1) 210843, #3 (8) 212232 (04/01/18 TO 03/01/19))	1
1	192624	GANG-25, RR, VERT, NTCHD, ASSY (ITEMS #2 (1) 192962, #3 (8) 207509 (02/15/18 TO 04/01/18)) (ITEMS #2 (1) 192962, #3 (8) 195132 (BEFORE 02/15/2018))	1
1	198846	GANG-25, RR, VERT, SM, ASSY (ITEMS #2 (1) 192962, #3 (8) 212230 (02/15/18 TO 04/01/18)) (ITEMS #2 (1) 192962, #3 (8) 201296 (BEFORE 02/15/2018))	1
1	198918	GANG-25, RR, VERT, ROLL, ASSY (ITEMS #2 (1) 192962, #3 (8) 212232 (02/15/18 TO 04/01/18)) (ITEMS #2 (1) 192962, #3 (8) 201300 (BEFORE 02/15/2018))	1
2	192962	GANGBAR WLDMT REAR, RH 25	1
2	210843	GANGBAR WLDMT REAR, RH 25	1
3	217316	DISC,RH,HYBRID,17-7,NOTCHD ASM (SEE PAGE 14-1)	8
3	217318	DISC,RH,HYBRID,17-7,SMOOTH ASM (SEE PAGE 14-1)	8
3	217320	DISC,RH,HYBRID,17-7,ROLL ASM (SEE PAGE 14-1)	8
3	207518	DISC-RH, HYBRD, NTCHD, ASSY (SEE PAGE 14-2)	8
3	209210	DISC-RH, HYBRD, SM, ASSY (SEE PAGE 14-2)	8
3	209214	DISC-RH, HYBRD, ROLL, ASSY (SEE PAGE 14-2)	8
3	217292	DISC-RH,COMP17-20, NTCHD ASSY (SEE PAGE 14-4)	8
3	217294	DISC-RH,COMP17-20,SMOOTH ASSY (SEE PAGE 14-4)	8
3	217296	DISC-RH,COMP17-20, ROLL ASSY (SEE PAGE 14-4)	8
3	209206	DISC-RH, COMP, NTCHD, ASSY (SEE PAGE 14-5)	8
3	209208	DISC-RH, COMP, SM, ASSY (SEE PAGE 14-5)	8
3	209212	DISC-RH, COMP, ROLL, ASSY (SEE PAGE 14-5)	8
3	195153	DISC-RH, COMP, NTCHD, ASSY (SEE PAGE 14-5)	8
3	201294	DISC-RH, COMP, SM, ASSY (SEE PAGE 14-5)	8
3	201298	DISC-RH, COMP, ROLL, ASSY (SEE PAGE 14-5)	8
3	217306	DISC-RH, VERT,17P, NOTCHD, ASM (SEE PAGE 14-7)	8
3	217308	DISC-RH, VERT,17P, SMOOTH, ASM (SEE PAGE 14-7)	8
3	217310	DISC-RH, VERT,17P, ROLL, ASM (SEE PAGE 14-7)	8
3	207509	DISC-RH, VERT, NTCHD, ASSY (SEE PAGE 14-8)	8
3	212230	DISC-RH, VERT, SM, ASSY (SEE PAGE 14-8)	8
3	212232	DISC-RH, VERT, ROLL, ASSY (SEE PAGE 14-8)	8
3	195132	DISC-RH, VERT, NTCHD, ASSY (SEE PAGE 14-8)	8
3	201296	DISC-RH, VERT, SM, ASSY (SEE PAGE 14-8)	8
3	201300	DISC-RH, VERT, ROLL, ASSY (SEE PAGE 14-8)	8

RIGHT WING (REAR) GANG ASSEMBLIES

30' Gang Assemblies (Right Wing - Rear)

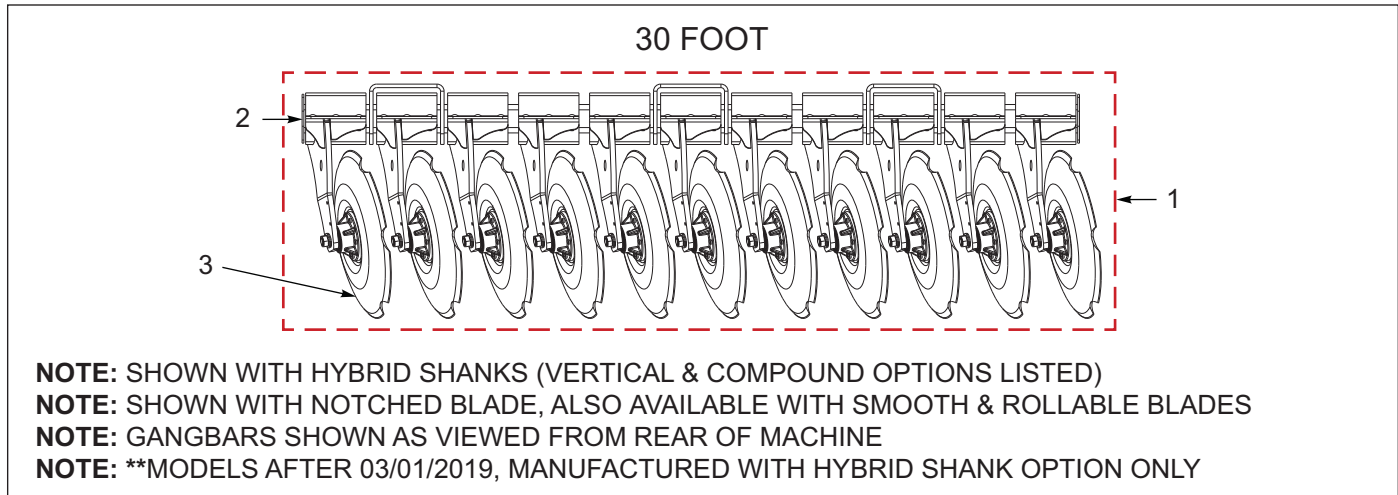


Figure 12-2: 30' Gang Assemblies (Right Wing - Rear)

30' Gang Assemblies (Right Wing - Rear)

ITEM	PART NUMBER	DESCRIPTION	QTY.
1	212588	GANG-30, RR, HYBRID, NTCHD, ASSY (ITEMS #2 (1) 210844, #3 (11) 217316 (AFTER 03/01/19)) (ITEMS #2 (1) 210844, #3 (11) 207518 (04/01/18 TO 03/01/19)) (ITEMS #2 (1) 192968, #3 (11) 207518 (02/15/18 TO 04/01/18))	1
1	212589	GANG-30, RR, HYBRID, SM, ASSY (ITEMS #2 (1) 210844, #3 (11) 217318 (AFTER 03/01/19)) (ITEMS #2 (1) 210844, #3 (11) 209210 (04/01/18 TO 03/01/19)) (ITEMS #2 (1) 192968, #3 (11) 209210 (02/15/18 TO 04/01/18))	1
1	212590	GANG-30, RR, HYBRID, ROLL, ASSY (ITEMS #2 (1) 210844, #3 (11) 217320 (AFTER 03/01/19)) (ITEMS #2 (1) 210844, #3 (11) 209214 (04/01/18 TO 03/01/19)) (ITEMS #2 (1) 192968, #3 (11) 209214 (02/15/18 TO 04/01/18))	1
1	212585	GANG-30, CMPND, NTCHD, ASSY (ITEMS #2 (1) 210844, #3 (11) 217292 (AFTER 03/01/19)) (ITEMS #2 (1) 210844, #3 (11) 209206 (04/01/18 TO 03/01/19))	1
1	212586	GANG-30, RR, CMPND, SM, ASSY (ITEMS #2 (1) 210844, #3 (11) 217294 (AFTER 03/01/19)) (ITEMS #2 (1) 210844, #3 (11) 209208 (04/01/18 TO 03/01/19))	1
1	212587	GANG-30, RR, CMPND, ROLL, ASSY (ITEMS #2 (1) 210844, #3 (11) 217294 (AFTER 03/01/19)) (ITEMS #2 (1) 210843, #3 (11) 209212 (04/01/18 TO 03/01/19))	1
1	187626	GANG-30, RR, CMPND, NTCHD, ASSY (SHOWN) (ITEMS #2 (1) 192968, #3 (11) 209206 (02/15/18 TO 04/01/18)) (ITEMS #2 (1) 192968, #3 (11) 195153 (BEFORE 02/15/2018))	1
1	198852	GANG-30, RR, CMPND, SM, ASSY (ITEMS #2 (1) 192968, #3 (11) 209208 (02/15/18 TO 04/01/18)) (ITEMS #2 (1) 192968, #3 (11) 201294 (BEFORE 02/15/2018))	1
1	198920	GANG-30, RR, CMPND, ROLL, ASSY (ITEMS #2 (1) 192968, #3 (11) 209212 (02/15/18 TO 04/01/18)) (ITEMS #2 (1) 192968, #3 (11) 201298 (BEFORE 02/15/2018))	1
1	212591	GANG-30, RR, VERT, NTCHD, ASSY (ITEMS #2 (1) 210844, #3 (11) 217306 (AFTER 03/01/19)) (ITEMS #2 (1) 210844, #3 (11) 207509 (04/01/18 TO 03/01/19))	1

30' Gang Assemblies (Right Wing - Rear)

ITEM	PART NUMBER	DESCRIPTION	QTY.
1	212592	GANG-30, RR, VERT, SM, ASSY (ITEMS #2 (1) 210844, #3 (11) 217308 (AFTER 03/01/19)) (ITEMS #2 (1) 210844, #3 (11) 212230 (04/01/18 TO 03/01/19))	1
1	212593	GANG-30, RR, VERT, ROLL, ASSY (ITEMS #2 (1) 210844, #3 (11) 217310 (AFTER 03/01/19)) (ITEMS #2 (1) 210843, #3 (11) 212232 (04/01/18 TO 03/01/19))	1
1	192625	GANG-30, RR, VERT, NTCHD, ASSY (ITEMS #2 (1) 192968, #3 (11) 207509 (02/15/18 TO 04/01/18)) (ITEMS #2 (1) 192968, #3 (11) 195132 (BEFORE 02/15/2018))	1
1	198849	GANG-30, RR, VERT, SM, ASSY (ITEMS #2 (1) 192968, #3 (11) 212230 (02/15/18 TO 04/01/18)) (ITEMS #2 (1) 192968, #3 (11) 201296 (BEFORE 02/15/2018))	1
1	198921	GANG-30, RR, VERT, ROLL, ASSY (ITEMS #2 (1) 192968, #3 (11) 212232 (02/15/18 TO 04/01/18)) (ITEMS #2 (1) 192968, #3 (11) 201300 (BEFORE 02/15/2018))	1
2	192968	GANGBAR WLDMT REAR, RH 30	1
2	210844	GANGBAR WLDMT, REAR, RH 30	1
3	217316	DISC,RH,HYBRID,17-7,NOTCHD ASM (SEE PAGE 14-1)	11
3	217318	DISC,RH,HYBRID,17-7,SMOOTH ASM (SEE PAGE 14-1)	11
3	217320	DISC,RH,HYBRID,17-7,ROLL ASM (SEE PAGE 14-1)	11
3	207518	DISC-RH, HYBRD, NTCHD, ASSY (SEE PAGE 14-2)	11
3	209210	DISC-RH, HYBRD, SM, ASSY (SEE PAGE 14-2)	11
3	209214	DISC-RH, HYBRD, ROLL, ASSY (SEE PAGE 14-2)	11
3	217292	DISC-RH,COMP17-20, NTCHD ASSY (SEE PAGE 14-4)	11
3	217294	DISC-RH,COMP17-20,SMOOTH ASSY (SEE PAGE 14-4)	11
3	217296	DISC-RH,COMP17-20, ROLL ASSY (SEE PAGE 14-4)	11
3	209206	DISC-RH, COMP, NTCHD, ASSY (SEE PAGE 14-5)	11
3	209208	DISC-RH, COMP, SM, ASSY (SEE PAGE 14-5)	11
3	209212	DISC-RH, COMP, ROLL, ASSY (SEE PAGE 14-5)	11
3	195153	DISC-RH, COMP, NTCHD, ASSY (SEE PAGE 14-5)	11
3	201294	DISC-RH, COMP, SM, ASSY (SEE PAGE 14-5)	11
3	201298	DISC-RH, COMP, ROLL, ASSY (SEE PAGE 14-5)	11
3	217306	DISC-RH, VERT,17P, NOTCHD, ASM (SEE PAGE 14-7)	11
3	217308	DISC-RH, VERT,17P, SMOOTH, ASM (SEE PAGE 14-7)	11
3	217310	DISC-RH, VERT,17P, ROLL, ASM (SEE PAGE 14-7)	11
3	207509	DISC-RH, VERT, NTCHD, ASSY (SEE PAGE 14-8)	11
3	212230	DISC-RH, VERT, SM, ASSY (SEE PAGE 14-8)	11
3	212232	DISC-RH, VERT, ROLL, ASSY (SEE PAGE 14-8)	11
3	195132	DISC-RH, VERT, NTCHD, ASSY (SEE PAGE 14-8)	11
3	201296	DISC-RH, VERT, SM, ASSY (SEE PAGE 14-8)	11
3	201300	DISC-RH, VERT, ROLL, ASSY (SEE PAGE 14-8)	11

RIGHT WING (REAR) GANG ASSEMBLIES

35' Gang Assemblies (Right Wing - Rear)

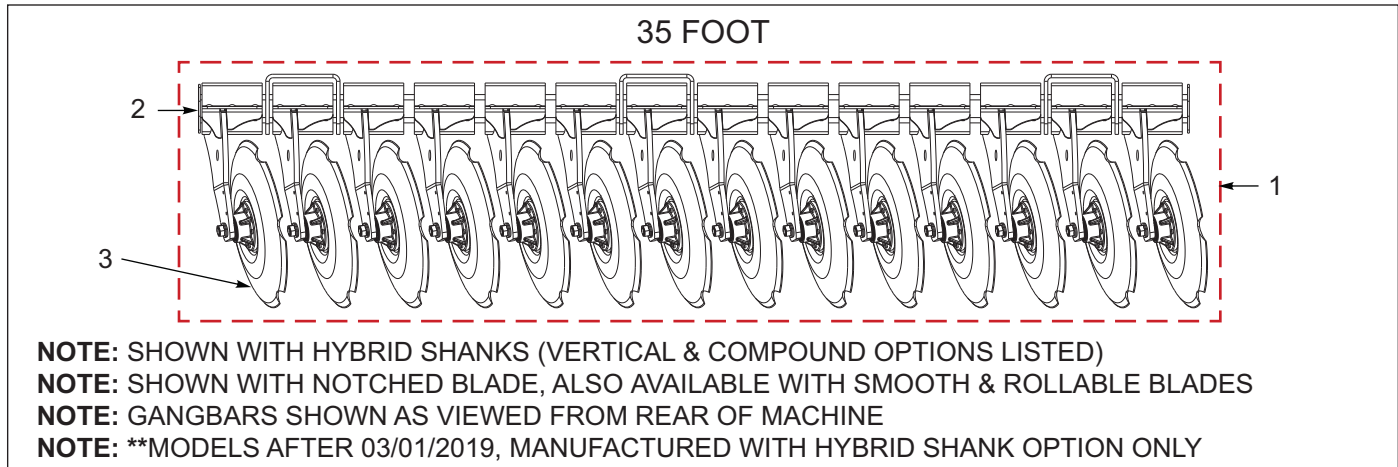


Figure 12-3: 35' Gang Assemblies (Right Wing - Rear)

35' Gang Assemblies (Right Wing - Rear)

ITEM	PART NUMBER	DESCRIPTION	QTY.
1	212606	GANG-35, RR, HYBRD, NTCHD, ASSY (ITEMS #2 (1) 210845, #3 (14) 217316 (AFTER 03/01/2019)) (ITEMS #2 (1) 210845, #3 (14) 207518 (04/01/18 TO 03/01/19)) (ITEMS #2 (1) 192959, #3 (14) 207518 (02/15/18 TO 04/01/18))	1
1	212607	GANG-35, RR, HYBRD, SM, ASSY (ITEMS #2 (1) 210845, #3 (14) 217318 (AFTER 03/01/2019)) (ITEMS #2 (1) 210845, #3 (14) 209210 (04/01/18 TO 03/01/19)) (ITEMS #2 (1) 192959, #3 (14) 209210 (02/15/18 TO 04/01/18))	1
1	212608	GANG-35, RR, HYBRD, ROLL, ASSY (ITEMS #2 (1) 210845, #3 (14) 217320 (AFTER 03/01/2019)) (ITEMS #2 (1) 210845, #3 (14) 209214 (04/01/18 TO 03/01/19)) (ITEMS #2 (1) 192959, #3 (14) 209214 (02/15/18 TO 04/01/18))	1
1	212603	GANG-35, RR, CMPND, NTCHD, ASSY (ITEMS #2 (1) 210845, #3 (14) 217292 (AFTER 03/01/2019)) (ITEMS #2 (1) 210845, #3 (14) 209206 (04/01/18 TO 03/01/19))	1
1	212604	GANG-35, RR, CMPND, SM, ASSY (ITEMS #2 (1) 210845, #3 (14) 217294 (AFTER 03/01/2019)) (ITEMS #2 (1) 210845, #3 (14) 209208 (04/01/18 TO 03/01/19))	1
1	212605	GANG-35, RR, CMPND, ROLL, ASSY (ITEMS #2 (1) 210845, #3 (14) 217296 (AFTER 03/01/2019)) (ITEMS #2 (1) 210845, #3 (14) 209212 (04/01/18 TO 03/01/19))	1
1	184424	GANG-35, RR, CMPND, NTCHD, ASSY (SHOWN) (ITEMS #2 (1) 192956, #3 (14) 209206 (02/15/18 TO 04/01/18)) (ITEMS #2 (1) 192956, #3 (14) 195153 (BEFORE 02/15/2018))	1
1	198848	GANG-35, RR, CMPND, SM, ASSY (ITEMS #2 (1) 192956, #3 (14) 209208 (02/15/18 TO 04/01/18)) (ITEMS #2 (1) 192956, #3 (14) 201294 (BEFORE 02/15/2018))	1
1	198924	GANG-35, RR, CMPND, ROLL, ASSY (ITEMS #2 (1) 192956, #3 (14) 209212 (02/15/18 TO 04/01/18)) (ITEMS #2 (1) 192956, #3 (14) 201298 (BEFORE 02/15/2018))	1

35' Gang Assemblies (Right Wing - Rear)

ITEM	PART NUMBER	DESCRIPTION	QTY.
1	212609	GANG-35, RR, VERT, NTCHD, ASSY (SHOWN) (ITEMS #2 (1) 210845, #3 (14) 217306 (AFTER 03/01/2019)) (ITEMS #2 (1) 210845, #3 (14) 207509 (04/01/18 TO 03/01/19))	1
1	212610	GANG-35, RR, VERT, SM, ASSY (ITEMS #2 (1) 210845, #3 (14) 217308 (AFTER 03/01/2019)) (ITEMS #2 (1) 210845, #3 (14) 212230 (04/01/18 TO 03/01/19))	1
1	212611	GANG-35, RR, VERT, ROLL, ASSY (ITEMS #2 (1) 210845, #3 (14) 217310 (AFTER 03/01/2019)) (ITEMS #2 (1) 210845, #3 (14) 212232 (04/01/18 TO 03/01/19))	1
1	192966	GANG-35, RR, VERT, NTCHD, ASSY (ITEMS #2 (1) 192956, #3 (14) 207509 (02/15/18 TO 04/01/18)) (ITEMS #2 (1) 192956, #3 (14) 195132 (BEFORE 02/15/2018))	1
1	198854	GANG-35, RR, VERT, SM, ASSY (ITEMS #2 (1) 192956, #3 (14) 212230 (02/15/18 TO 04/01/18)) (ITEMS #2 (1) 192956, #3 (14) 201296 (BEFORE 02/15/2018))	1
1	198928	GANG-35, RR, VERT, ROLL, ASSY (ITEMS #2 (1) 192956, #3 (14) 212232 (02/15/18 TO 04/01/18)) (ITEMS #2 (1) 192956, #3 (14) 201300 (BEFORE 02/15/2018))	1
2	192956	GANGBAR WLDMT REAR, RH 35	1
2	210845	GANGBAR WLDMT, REAR, RH 35	1
3	217316	DISC,RH,HYBRID,17-7,NOTCHD ASM (SEE PAGE 14-1)	14
3	217318	DISC,RH,HYBRID,17-7,SMOOTH ASM (SEE PAGE 14-1)	14
3	217320	DISC,RH,HYBRID,17-7,ROLL ASM (SEE PAGE 14-1)	14
3	207518	DISC-RH, HYBRD, NTCHD, ASSY (SEE PAGE 14-2)	14
3	209210	DISC-RH, HYBRD, SM, ASSY (SEE PAGE 14-2)	14
3	209214	DISC-RH, HYBRD, ROLL, ASSY (SEE PAGE 14-2)	14
3	217292	DISC-RH,COMP17-20, NTCHD ASSY (SEE PAGE 14-4)	14
3	217294	DISC-RH,COMP17-20,SMOOTH ASSY (SEE PAGE 14-4)	14
3	217296	DISC-RH,COMP17-20, ROLL ASSY (SEE PAGE 14-4)	14
3	209206	DISC-RH, COMP, NTCHD, ASSY (SEE PAGE 14-5)	14
3	209208	DISC-RH, COMP, SM, ASSY (SEE PAGE 14-5)	14
3	209212	DISC-RH, COMP, ROLL, ASSY (SEE PAGE 14-5)	14
3	195153	DISC-RH, COMP, NTCHD, ASSY (SEE PAGE 14-5)	14
3	201294	DISC-RH, COMP, SM, ASSY (SEE PAGE 14-5)	14
3	201298	DISC-RH, COMP, ROLL, ASSY (SEE PAGE 14-5)	14
3	217306	DISC-RH, VERT,17P, NOTCHD, ASM (SEE PAGE 14-7)	14
3	217308	DISC-RH, VERT,17P, SMOOTH, ASM (SEE PAGE 14-7)	14
3	217310	DISC-RH, VERT,17P, ROLL, ASM (SEE PAGE 14-7)	14
3	207509	DISC-RH, VERT, NTCHD, ASSY (SEE PAGE 14-8)	14
3	212230	DISC-RH, VERT, SM, ASSY (SEE PAGE 14-8)	14
3	212232	DISC-RH, VERT, ROLL, ASSY (SEE PAGE 14-8)	14
3	195132	DISC-RH, VERT, NTCHD, ASSY (SEE PAGE 14-8)	14
3	201296	DISC-RH, VERT, SM, ASSY (SEE PAGE 14-8)	14
3	201300	DISC-RH, VERT, ROLL, ASSY (SEE PAGE 14-8)	14

RIGHT WING (REAR) GANG ASSEMBLIES

40' Gang Assemblies (Right Wing - Rear)

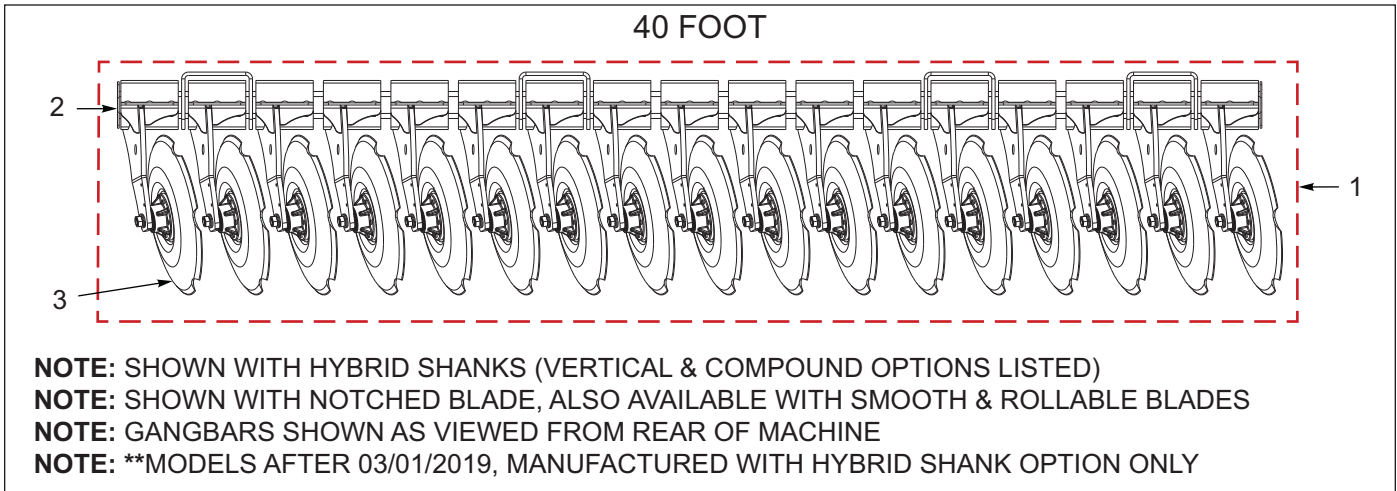


Figure 12-4: 40' Gang Assemblies (Right Wing - Rear)

40' Gang Assemblies (Right Wing - Rear)

ITEM	PART NUMBER	DESCRIPTION	QTY.
1	212624	GANG-40, RR, HYBRD, NTCHD, ASSY (ITEMS #2 (1) 210846, #3 (17) 217316 (AFTER 03/01/2019)) (ITEMS #2 (1) 210846, #3 (17) 207518 (04/01/18 TO 03/01/19)) (ITEMS #2 (1) 192959, #3 (17) 207518 (02/15/18 TO 04/01/18))	1
1	212625	GANG-40, RR, HYBRD, SM, ASSY (ITEMS #2 (1) 210846, #3 (17) 217318 (AFTER 03/01/2019)) (ITEMS #2 (1) 210846, #3 (17) 209210 (04/01/18 TO 03/01/19)) (ITEMS #2 (1) 192959, #3 (17) 209210 (02/15/18 TO 04/01/18))	1
1	212626	GANG-40, RR, HYBRD, ROLL, ASSY (ITEMS #2 (1) 210846, #3 (17) 217320 (AFTER 03/01/2019)) (ITEMS #2 (1) 210846, #3 (17) 209214 (04/01/18 TO 03/01/19)) (ITEMS #2 (1) 192959, #3 (17) 209214 (02/15/18 TO 04/01/18))	1
1	212621	GANG-40, CMPND, NTCHD, ASSY (ITEMS #2 (1) 210846, #3 (17) 217292 (AFTER 03/01/2019)) (ITEMS #2 (1) 210846, #3 (17) 209206 (04/01/18 TO 03/01/19))	1
1	212622	GANG-40, RR, CMPND, SM, ASSY (ITEMS #2 (1) 210846, #3 (17) 217294 (AFTER 03/01/2019)) (ITEMS #2 (1) 210846, #3 (17) 209208 (04/01/18 TO 03/01/19))	1
1	212623	GANG-40, RR, CMPND, ROLL, ASSY (ITEMS #2 (1) 210846, #3 (17) 217296 (AFTER 03/01/2019)) (ITEMS #2 (1) 210846, #3 (17) 209212 (04/01/18 TO 03/01/19))	1
1	184422	GANG-40, RR, CMPND, NTCHD, ASSY (SHOWN) (ITEMS #2 (1) 192959, #3 (17) 209206 (02/15/18 TO 04/01/18)) (ITEMS #2 (1) 192959, #3 (17) 195153 (BEFORE 02/15/2018))	1
1	198856	GANG-40, RR, CMPND, SM, ASSY (ITEMS #2 (1) 192959, #3 (17) 209208 (02/15/18 TO 04/01/18)) (ITEMS #2 (1) 192959, #3 (17) 201294 (BEFORE 02/15/2018))	1
1	198930	GANG-40, RR, CMPND, ROLL, ASSY (ITEMS #2 (1) 192959, #3 (17) 209212 (02/15/18 TO 04/01/18)) (ITEMS #2 (1) 192959, #3 (17) 201298 (BEFORE 02/15/2018))	1
1	212627	GANG-40, RR, VERT, NTCHD, ASSY (ITEMS #2 (1) 210846, #3 (17) 217306 (AFTER 03/01/2019)) (ITEMS #2 (1) 210846, #3 (17) 207509 (04/01/18 TO 03/01/19))	1

40' Gang Assemblies (Right Wing - Rear)

ITEM	PART NUMBER	DESCRIPTION	QTY.
1	212628	GANG-40, RR, VERT, SM, ASSY (ITEMS #2 (1) 210846, #3 (17) 217308 (AFTER 03/01/2019)) (ITEMS #2 (1) 210846, #3 (17) 212230 (04/01/18 TO 03/01/19))	1
1	212629	GANG-40, RR, VERT, ROLL, ASSY (ITEMS #2 (1) 210846, #3 (17) 217310 (AFTER 03/01/2019)) (ITEMS #2 (1) 210846, #3 (17) 212232 (04/01/18 TO 03/01/19))	1
1	192621	GANG-40, RR, VERT, NTCHD, ASSY (ITEMS #2 (1) 192959, #3 (17) 207509 (02/15/18 TO 04/01/18)) (ITEMS #2 (1) 192959, #3 (17) 195132 (BEFORE 02/15/2018))	1
1	198858	GANG-40, RR, VERT, SM, ASSY (ITEMS #2 (1) 192959, #3 (17) 212230 (02/15/18 TO 04/01/18)) (ITEMS #2 (1) 192959, #3 (17) 201296 (BEFORE 02/15/2018))	1
1	198932	GANG-40, RR, VERT, ROLL, ASSY (ITEMS #2 (1) 192959, #3 (17) 212232 (02/15/18 TO 04/01/18)) (ITEMS #2 (1) 192959, #3 (17) 201300 (BEFORE 02/15/2018))	1
2	192959	GANGBAR WLDMT REAR, RH 40	1
2	210846	GANGBAR WLDMT, REAR, RH 40	1
3	217316	DISC,RH,HYBRID,17-7,NOTCHD ASM (SEE PAGE 14-1)	17
3	217318	DISC,RH,HYBRID,17-7,SMOOTH ASM (SEE PAGE 14-1)	17
3	217320	DISC,RH,HYBRID,17-7,ROLL ASM (SEE PAGE 14-1)	17
3	207518	DISC-RH, HYBRD, NTCHD, ASSY (SEE PAGE 14-2)	17
3	209210	DISC-RH, HYBRD, SM, ASSY (SEE PAGE 14-2)	17
3	209214	DISC-RH, HYBRD, ROLL, ASSY (SEE PAGE 14-2)	17
3	217292	DISC-RH,COMP17-20, NTCHD ASSY (SEE PAGE 14-4)	17
3	217294	DISC-RH,COMP17-20,SMOOTH ASSY (SEE PAGE 14-4)	17
3	217296	DISC-RH,COMP17-20, ROLL ASSY (SEE PAGE 14-4)	17
3	209206	DISC-RH, COMP, NTCHD, ASSY (SEE PAGE 14-5)	17
3	209208	DISC-RH, COMP, SM, ASSY (SEE PAGE 14-5)	17
3	209212	DISC-RH, COMP, ROLL, ASSY (SEE PAGE 14-5)	17
3	195153	DISC-RH, COMP, NTCHD, ASSY (SEE PAGE 14-5)	17
3	201294	DISC-RH, COMP, SM, ASSY (SEE PAGE 14-5)	17
3	201298	DISC-RH, COMP, ROLL, ASSY (SEE PAGE 14-5)	17
3	217306	DISC-RH, VERT,17P, NOTCHD, ASM (SEE PAGE 14-7)	17
3	217308	DISC-RH, VERT,17P, SMOOTH, ASM (SEE PAGE 14-7)	17
3	217310	DISC-RH, VERT,17P, ROLL, ASM (SEE PAGE 14-7)	17
3	207509	DISC-RH, VERT, NTCHD, ASSY (SEE PAGE 14-8)	17
3	212230	DISC-RH, VERT, SM, ASSY (SEE PAGE 14-8)	17
3	212232	DISC-RH, VERT, ROLL, ASSY (SEE PAGE 14-8)	17
3	195132	DISC-RH, VERT, NTCHD, ASSY (SEE PAGE 14-8)	17
3	201296	DISC-RH, VERT, SM, ASSY (SEE PAGE 14-8)	17
3	201300	DISC-RH, VERT, ROLL, ASSY (SEE PAGE 14-8)	17

Left Hand - Front Disc Assemblies

Hybrid Shank Assembly (LH Front) (AFTER 03/01/2019)

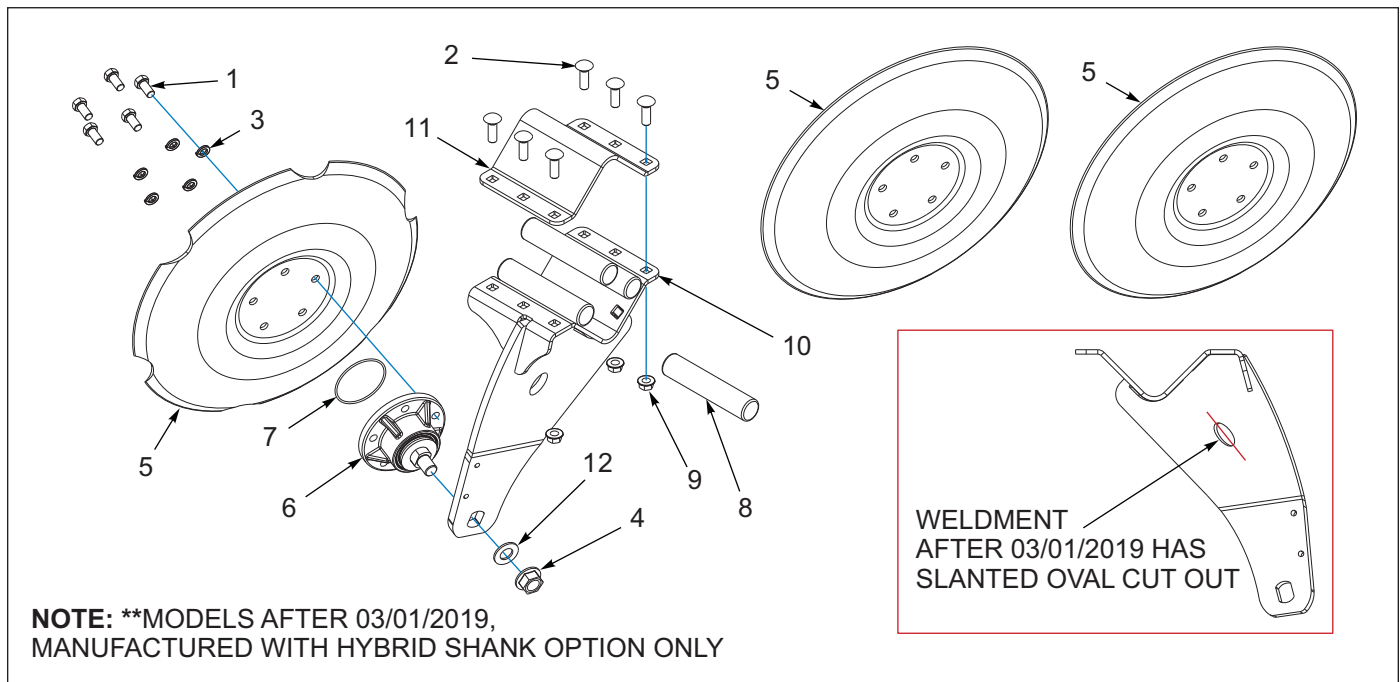


Figure 13-1: Hybrid Shank Assembly (LH Front) (AFTER 03/01/2019)

Hybrid Shank Assembly (LH Front) (AFTER 03/01/2019)

ITEM	PART NUMBER	DESCRIPTION	QTY.
	217315	DISC-LH,HYBRID,17-7,NOTCHD ASM	--
	217317	DISC,LH,HYBRID,17-7,SMOOTH ASM	--
	217319	DISC,LH,HYBRID,17-7,ROLL ASM	--
1	1-654-010059-02	SCREW,HEX CAP,5/8-11X1-1/4GR5	5
2	1-654-010126-05	SCREW,RD HD,SQNCK,5/8-11X2 G5	6
3	1-861-010034-15	WASHER,LKG,HLCL SPR,5/8	5
4	174732	NUT, FLG HD, TOPLOCK, 1-8 UNC	1
5	175283	DISC BLADE LH 24X1/4 DIR NOTCH (NOTCHED)	1
5	175329	BLADE HSD 24 NO NOTCH (SMOOTH)	1
5	198785	BLADE-HSL,SMOOTH,24X1/4,ROLLBL (ROLLABLE)	1
6	185742	HUB ASSY HSL DISC	1
7	202843	O-RING, 4" ID X 1/8" BUNA	1
8	203525	SPRING-TORSION, RUBBER, 1-3/4	4
9	218739	NUT,HD FLNG HEX,5/8-11 UNC,GR5	6
10	221062	SHANK-HYBRID, LH, 17-7,WLDMT	1
11	221066	CAP-SHANK MOUNT	1
12	622-3511-010	WASHER, FLAT 1" MIL-CARB SAE	1
13	-----	SCRPR-FRONT ONLY, 7833 (SEE PAGE 15-1) (OPTIONAL) (NOT SHOWN) (INCLUDES ITEMS 14, 15, 16)	--
14	1-512-010005-05	NUT, HEX, SLFLKG GRB (NOT SHOWN)	--
15	195009	SCREW,RD HD 3/8-16X1-1/2 (NOT SHOWN)	--
16	195161	SCRAPER-FRONT LH, HSL (NOT SHOWN)	--

Hybrid Shank Assembly (LH Front) (02/15/18 TO 03/01/19)

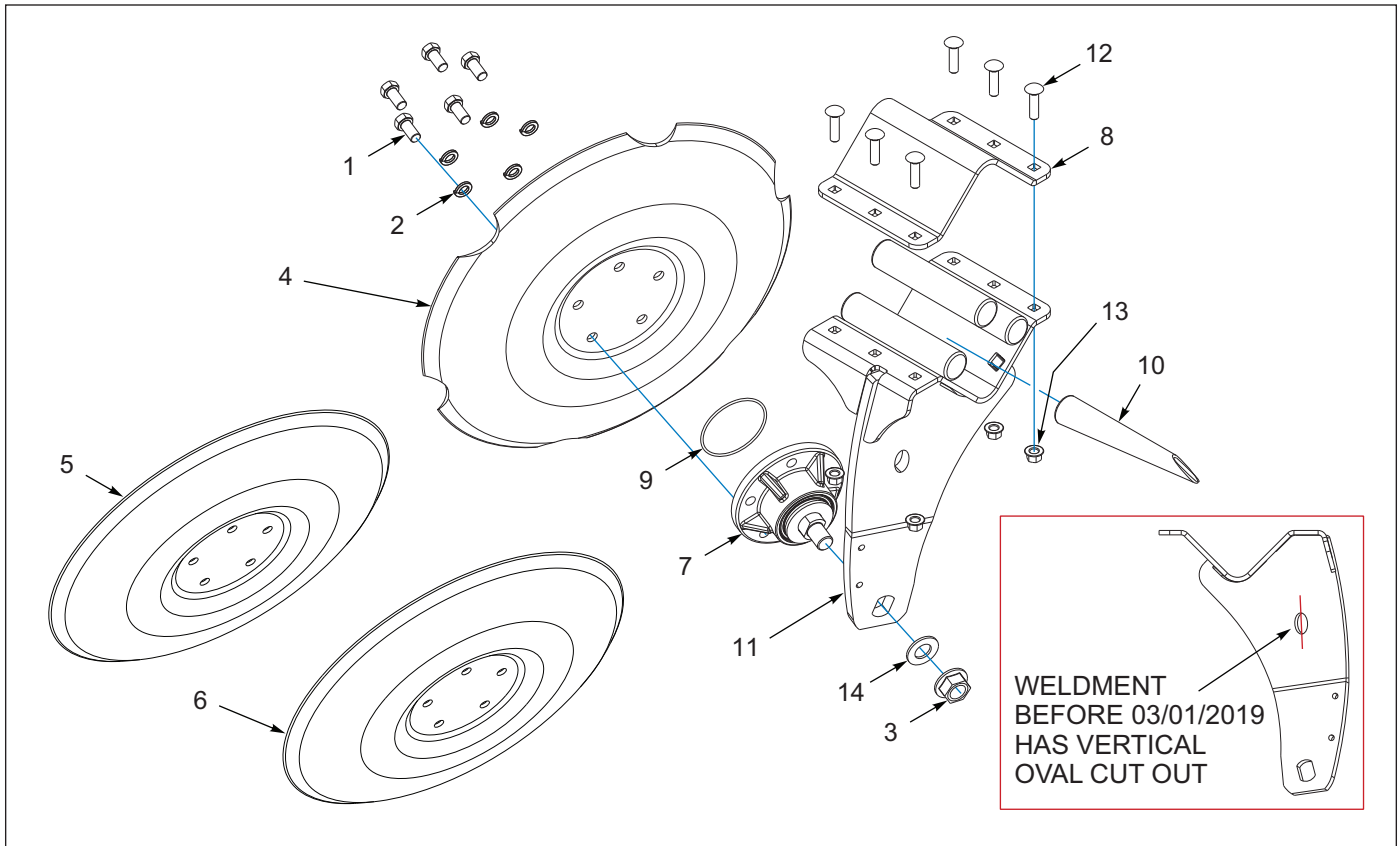


Figure 13-2: Hybrid Shank Assembly (LH Front) (02/15/18 TO 03/01/19)

Hybrid Shank Assembly (LH Front) (02/15/18 TO 03/01/19)

ITEM	PART NUMBER	DESCRIPTION	QTY.
	207517	DISC-LH, HYBRD, NTCHD, ASSY (02/15/18 TO 03/01/19)	--
	209209	DISC-LH, HYBRD, SM, ASSY (02/15/18 TO 03/01/19)	--
	209213	DISC-LH, HYBRD, ROLL, ASSY (02/15/18 TO 03/01/19)	--
1	1-654-010059-02	SCREW, HEX CAP,5/8-11X1-1/4GR5	5
2	1-861-010034-15	WASHER, LKG, HLCL SPR,5/8	5
3	174732	NUT, FLG HD, TOPLOCK, 1-8 UNC	1
4	175283	DISC BLADE LH 24X1/4 DIR NTCHD (NOTCHED)	1
5	175329	BLADE HSD 24 NO NOTCH (SMOOTH)	1
6	198785	BLADE-HSL,SMOOTH,24X1/4,ROLLBL (ROLLABLE)	1
7	210880	HUB ASSY HSL DISC (INCLUDES ITEMS 3, 9, 14) (SEE PAGE 13-7)	1
8	186979	CAP SHANK MOUNT	1
9	202843	O-RING, 4IN ID X 1/8IN BUNA	1
10	203525	SPRING-TORSION, RUBBER, 1-3/4	4
11	207515	SHANK-HYBRID, LH, 17-7, WLDMNT	1
12	209392	SCREW, RDH, SQ NK,1/2-20GR8	6
13	209393	NUT,1/2-20,LG FLNG HD TOP LOCK	6
14	622-3511-010	WASHER, FLAT 1IN MIL-CARB SAE	1
15	1-512-010005-05	NUT, HEX SLFLKG, 3/8-16 UNC, GRB (NOT SHOWN)	2
16	195009	SCREW, RDHD 3/8-16 X 1-1/2, GR5 (NOT SHOWN)	2
17	195164	SCRAPER-VERTICAL, REAR HSL (NOT SHOWN)	1
18	-----	ITEMS 15-17 (OPTIONAL SCRAPER FOR VERTICAL SHANK)	--

Compound Angle Shank Assembly (LH Front) (AFTER 03/01/2019)

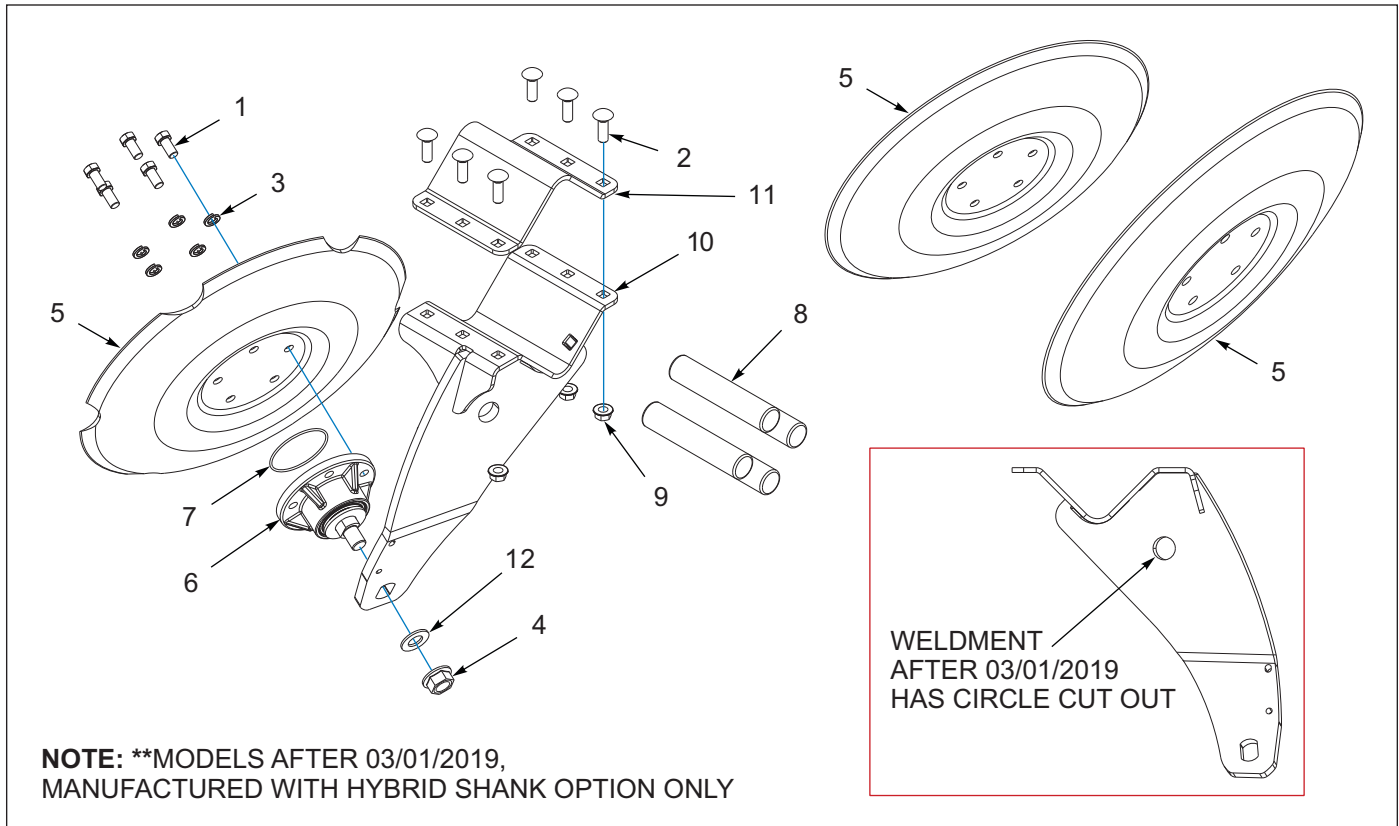


Figure 13-3: Compound Angle Shank Assembly (LH Front) (AFTER 03/01/2019)

Compound Angle Shank Assembly (LH Front) (AFTER 03/01/2019)

ITEM	PART NUMBER	DESCRIPTION	QTY.
	217291	DISC-LH,COMP17-20,NOTCHD ASSY (SHOWN)	--
	217293	DISC-LH,COMP17-20,SMOOTH ASSY	--
	217295	DISC-LH,COMP17-20, ROLL ASSY	--
1	1-654-010059-02	SCREW,HEX CAP,5/8-11X1-1/4GR5	5
2	1-654-010126-05	SCREW,RD HD,SQNK,5/8-11X2 G5	6
3	1-861-010034-15	WASHER,LKG,HLCL SPR,5/8	5
4	174732	NUT, FLG HD, TOPLOCK, 1-8 UNC	1
5	175283	DISC BLADE LH 24X1/4 DIR NOTCH (NOTCHED)	1
5	175329	BLADE HSD 24 NO NOTCH (SMOOTH)	1
5	198785	BLADE-HSL,SMOOTH,24X1/4,ROLLBL (ROLLABLE)	1
6	185742	HUB ASSY HSL DISC (SERVICE KIT 210880, INCL. 4, 7, 12) (SEE PAGE 13-7)	1
7	202843	O-RING, 4" ID X 1/8" BUNA	1
8	203525	SPRING-TORSION, RUBBER, 1-3/4	4
9	218739	NUT,HD FLNG HEX,5/8-11 UNC,GR5	6
10	219985	SHANK-COMP, LH, 1720P, WLDMT	1
11	221066	CAP-SHANK MOUNT	1
12	622-3511-010	WASHER, FLAT 1" MIL-CARB SAE	1
13	-----	SCRPR-FRONT ONLY, 7833 (SEE PAGE 15-1) (OPTIONAL) (NOT SHOWN) (ITEMS 14, 15, 16)	--
14	1-512-010005-05	NUT, HEX, SLFLKG GRB (NOT SHOWN)	--
15	195009	SCREW,RD HD 3/8-16X1-1/2 (NOT SHOWN)	--
16	195161	SCRAPER-FRONT LH, HSL (NOT SHOWN)	--

Compound Angle Shank Assembly (LH Front) (BEFORE 03/01/2019)

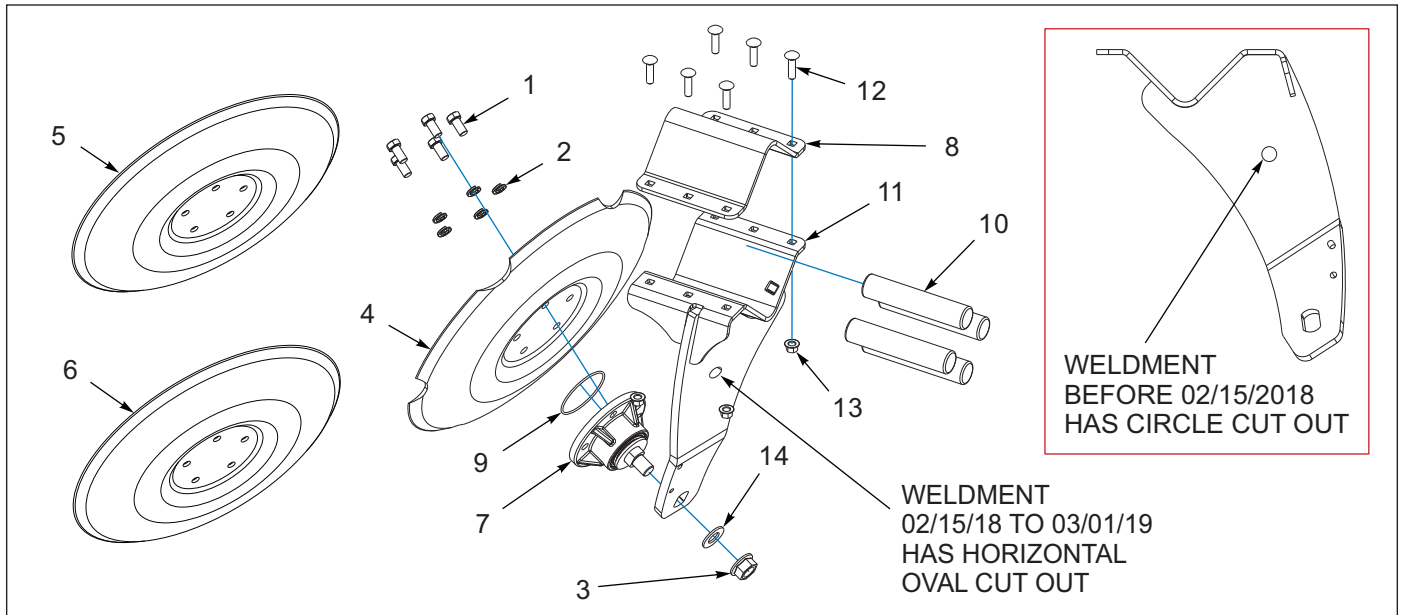


Figure 13-4: Compound Angle Shank Assembly (LH Front) (BEFORE 03/01/2019)

Compound Angle Shank Assembly (LH Front) (BEFORE 03/01/2019)

ITEM	PART NUMBER	DESCRIPTION	QTY.
	209205	DISC-LH,COMP,17-20,NTCHD,ASM (02/15/18 TO 03/01/19)	--
	209207	DISC-LH,COMP,17-20,SMOOTH,ASM (02/15/18 TO 03/01/19)	--
	209211	DISC-LH,CMP,17-20,ROLLABLE,ASM (02/15/18 TO 03/01/19)	--
	195152	DISC ASSY LH COMPOUND (NOTCHED) (BEFORE 02/15/2018)	--
	201293	DISC ASSY LH COMPOUND SMOOTH (BEFORE 02/15/2018)	--
	201297	DISC ASSY LH COMPOUND ROLLABLE (BEFORE 02/15/2018)	--
1	1-654-010059-02	SCREW,HEX CAP,5/8-11X1-1/4GR5	5
2	1-861-010034-15	WASHER,LKG,HLCL SPR,5/8	5
3	174732	NUT, FLG HD, TOPLOCK, 1-8 UNC	1
4	175283	DISC BLADE LH 24X1/4 DIR NTCHD (NOTCHED)	1
5	175329	BLADE HSD 24 NO NOTCH (SMOOTH)	1
6	198785	BLADE-HSL,SMOOTH,24X1/4,ROLLBL (ROLLABLE)	1
7	185742	HUB ASSY HSL DISC (SERVICE KIT 210880, INCL. 3, 9, 14) (SEE PAGE 13-7)	1
8	186979	CAP-SHANK MOUNT	1
9	202843	O-RING, 4" ID X 1/8" BUNA	1
10	203525	SPRING-TORSION, RUBBER, 1-3/4	4
11	209203	SHANK-COMP,LH, 17-20P, WLDMNT (02/15/18 TO 03/01/19)	1
11	195150	SHANK WLDMT, DISC COMPOUND LH (BEFORE 02/15/2018)	1
12	209392	SCREW-RDH, SQ NK,1/2-20X2,GR8	6
12	203392	SCREW,RDH,SQ NK,1/2-13 X 2	6
13	209393	NUT,1/2-20,LG FLNG HD TOP LOCK	6
13	172509	NUT,1/2-13 WIDE FLNG TOP LCK F (BEFORE 02/15/2018)	6
14	622-3511-010	WASHER, FLAT 1" MIL-CARB SAE	1
15	1-512-010005-05	NUT, HEX SLFLKG, 3/8-16 UNC, GRB (NOT SHOWN)	2
16	195009	SCREW, RDHD 3/8-16 X 1-1/2, GR5 (NOT SHOWN)	2
17	195161	SCRAPER-COMPOUND, FRONT HSL (NOT SHOWN) (AFTER 02/15/2018)	1
17	195162	SCRAPER-COMPOUND, FRONT HSL (NOT SHOWN) (BEFORE 02/15/2018)	1
18	-----	ITEMS 15-17 (OPTIONAL SCRAPER FOR COMPOUND ANGLE SHANK)	--

LEFT HAND - FRONT DISC ASSEMBLIES

Vertical Shank Assembly (LH Front) (AFTER 03/01/2019)

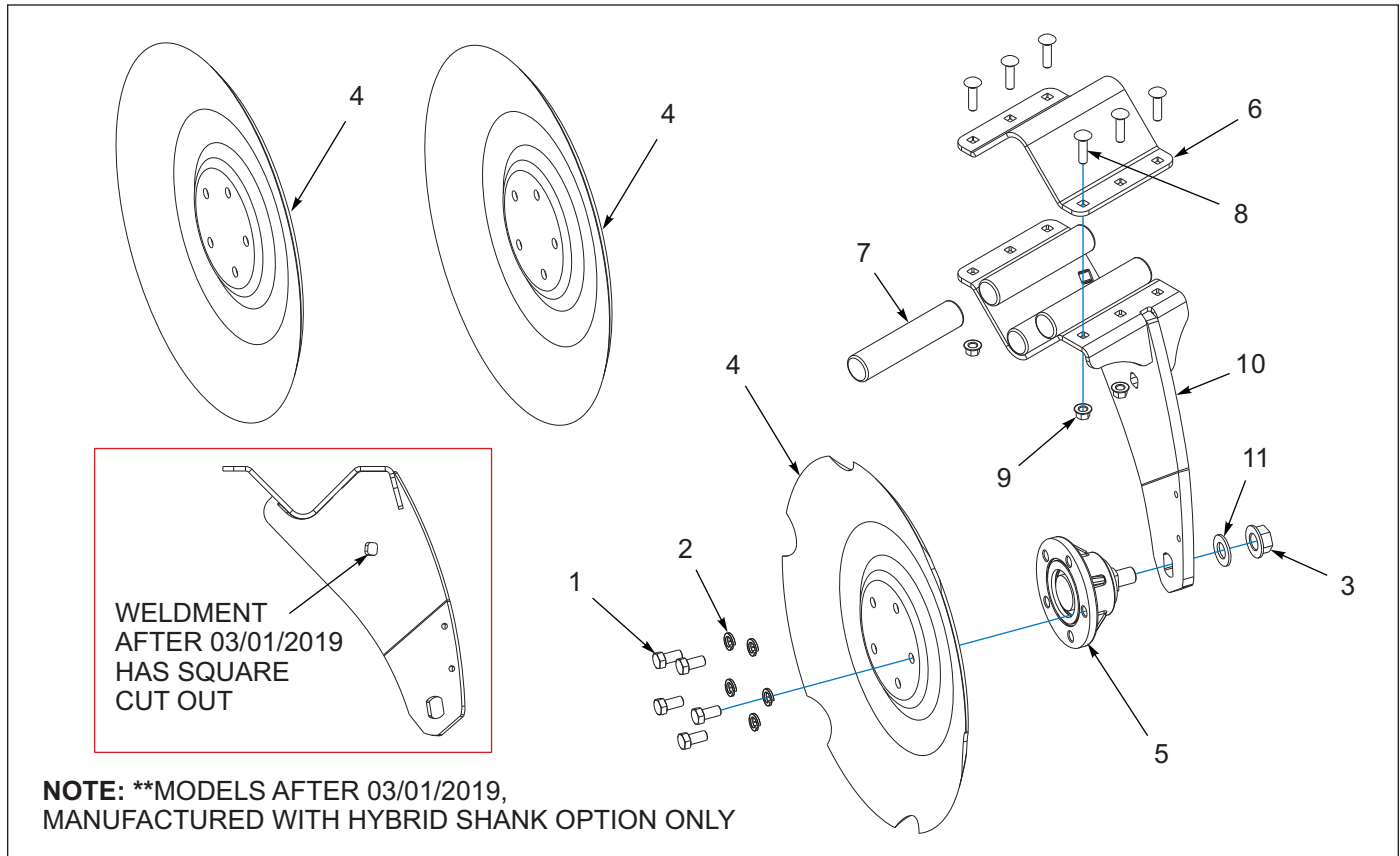


Figure 13-5: Vertical Shank Assembly (LH Front) (AFTER 03/01/2019)

Vertical Shank Assembly (LH Front) (AFTER 03/01/2019)

ITEM	PART NUMBER	DESCRIPTION	QTY.
	217305	DISC-LH, VERT,17P, NOTCHD, ASM	--
	217307	DISC-LH, VERT,17P, SMOOTH, ASM	--
	217309	DISC-LH, VERT,17P, ROLL, ASM	--
1	1-654-010059-02	SCREW,HEX CAP,5/8-11X1-1/4GR5	5
2	1-861-010034-15	WASHER,LKG,HLCL SPR,5/8	5
3	174732	NUT, FLG HD, TOPLOCK, 1-8 UNC	1
4	175283	DISC BLADE LH 24X1/4 DIR NOTCH (NOTCHED)	1
4	175329	BLADE HSD 24 NO NOTCH (SMOOTH)	1
4	198785	BLADE-HSL,SMOOTH,24X1/4,ROLLBL (ROLLABLE)	1
5	185742	HUB ASSY HSL DISC (SERVICE KIT 210880, INCL. 3, 11) (SEE PAGE 13-7)	1
6	186979	CAP SHANK MOUNT	1
7	203525	SPRING-TORSION, RUBBER, 1-3/4	4
8	209392	SCREW-RDH, SQ NK, 1/2-20X2,GR8	6
9	209393	NUT,1/2-20,LG FLNG HD TOP LOCK	6
10	217283	SHANK, VERT, LH, 17P, WLDMT	1
11	622-3511-010	WASHER, FLAT 1" MIL-CARB SAE	1
12	-----	SCRPR-FRONT ONLY, 7833 (SEE PAGE 15-1) (OPTIONAL) (NOT SHOWN) (ITEMS 13, 14, 15)	--
13	1-512-010005-05	NUT, HEX, SLFLKG GRB (NOT SHOWN)	--
14	195009	SCREW,RD HD 3/8-16X1-1/2 (NOT SHOWN)	--
15	195161	SCRAPER-FRONT LH, HSL (NOT SHOWN)	--

Vertical Shank Assembly (LH Front) (BEFORE 03/01/2019)

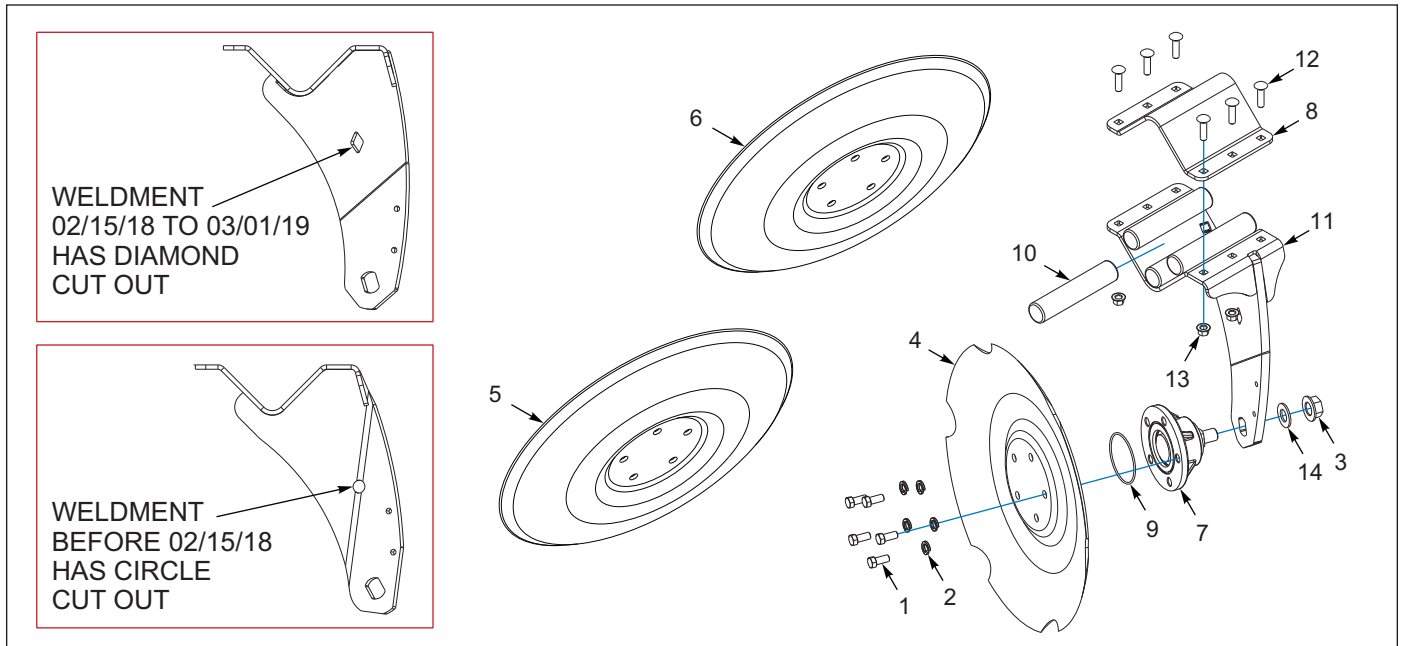


Figure 13-6: Vertical Shank Assembly (LH Front) (BEFORE 03/01/2019)

Vertical Shank Assembly (LH Front) (BEFORE 03/01/2019)

ITEM	PART NUMBER	DESCRIPTION	QTY.
	207508	DISC-RH, VERT, NTCHD, ASSY (02/15/18 TO 03/01/19)	--
	212229	DISC-RH, VERT, SM, ASSY (02/15/18 TO 03/01/19)	--
	212231	DISC-RH, VERT, ROLL, ASSY (02/15/18 TO 03/01/19)	--
	195131	DISC-RH, VERT, NTCHD, ASSY (BEFORE 02/15/2018) (SHOWN)	--
	201295	DISC-RH, VERT, SM, ASSY (BEFORE 02/15/2018)	--
	201299	DISC-RH, VERT, ROLL, ASSY (BEFORE 02/15/2018)	--
1	1-654-010059-02	SCREW,HEX CAP,5/8-11X1-1/4GR5	5
2	1-861-010034-15	WASHER,LKG,HLCL SPR,5/8	5
3	174732	NUT, FLG HD, TOPLOCK, 1-8 UNC	1
4	175283	DISC BLADE LH 24X1/4 DIR NTCHD	1
5	175329	BLADE HSD 24 NO NTCHD	1
6	198785	BLADE-HSL.SMOOTH.24X1/4, ROLLBL	1
7	185742	HUB ASSY HSL DISC (SERVICE KIT 210880, INCL. 3, 9, 14) (SEE PAGE 13-7)	1
8	186979	CAP SHANK MOUNT	1
9	202843	O-RING, 4" ID X 1/8" BUNA	1
10	203525	SPRING-TORSION, RUBBER, 1-3/4	4
11	207506	SHANK-VERT, LH, 17P, WLDMT (02/15/18 TO 03/01/19)	1
11	195129	SHANK LH VERTICAL 25 WLDMT (BEFORE 02/15/2018)	1
12	209392	SCREW, RDH, SQ NK,1/2-20GR8 (02/15/18 TO 03/01/19)	6
12	203392	SCREW,RDH,SQ NK, 1/2-13 X 2 (BEFORE 02/15/2018)	6
13	209393	NUT,1/2-20,LG FLNG HD TOP LOCK (02/15/18 TO 03/01/19)	6
13	172509	NUT,1/2-13 WIDE FLNG TOP LCK F (BEFORE 02/15/2018)	6
14	622-3511-010	WASHER, FLAT 1" MIL-CARB SAE	1
15	1-512-010005-05	NUT, HEX SLFLKG, 3/8-16 UNC, GRB (NOT SHOWN)	2
16	195009	SCREW, RDHD 3/8-16 X 1-1/2, GR5 (NOT SHOWN)	2
17	195164	SCRAPER-VERTICAL, FRONT HSL (NOT SHOWN)	1
18	-----	ITEMS 15-16 (OPTIONAL SCRAPER FOR VERTICAL SHANK)	--

Disc Hub Assembly

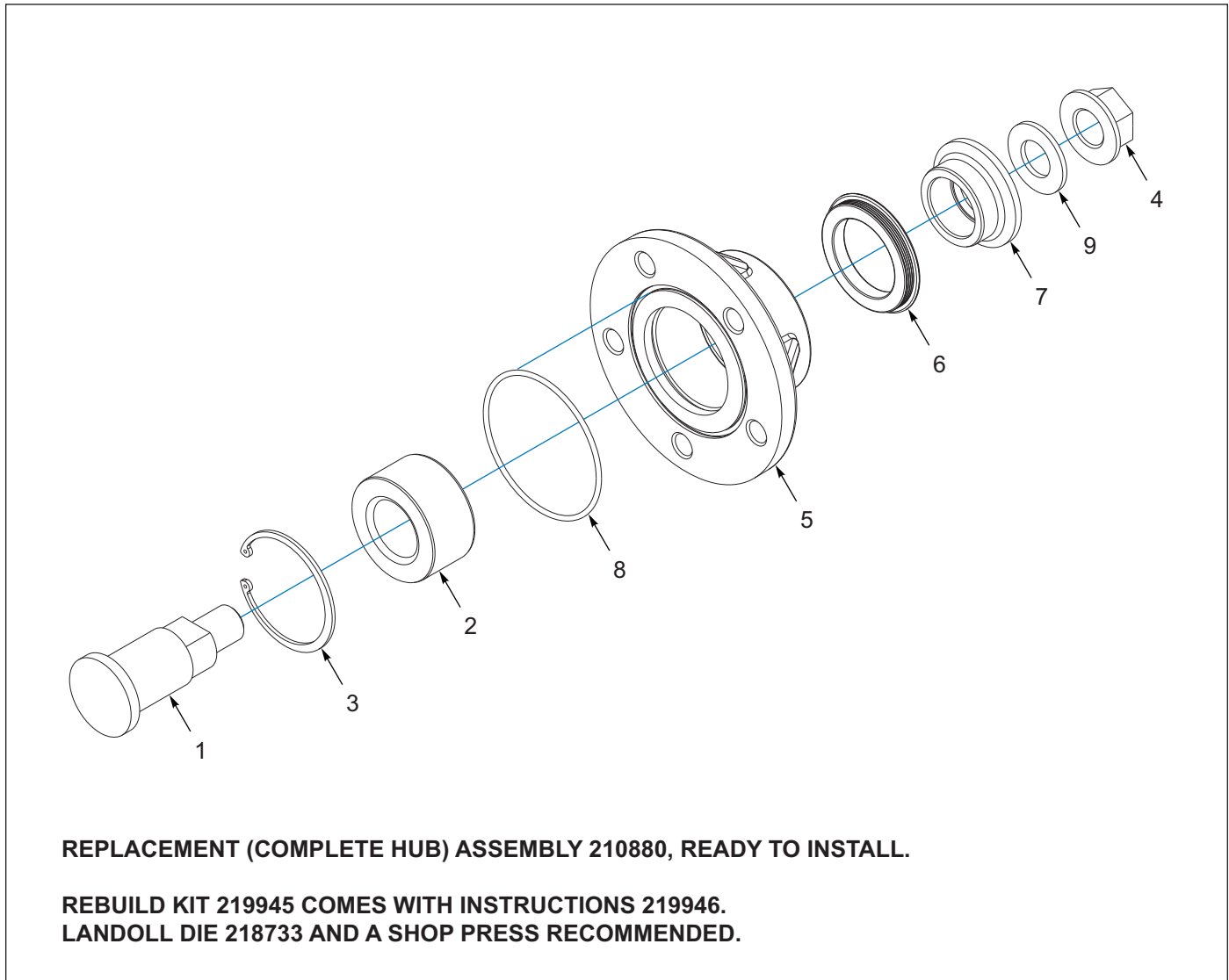


Figure 13-7: Disc Hub Assembly

Disc Hub Assembly

ITEM	PART NUMBER	DESCRIPTION	QTY.
	210880	KIT-HSL DISC HUB (INCLUDES 1, 2, 3, 5, 6, 7)	--
	219945	KIT-REBUILD, HSL DISC HUB (INCLUDES 2, 3, 4, 6, 8, 9, 11)	--
1	174523	SPINDLE, 2-1/4 IN	1
2	174526	BEARING, DOUBLE TAPER ROLLER	1
3	174532	INTERNAL RETAINING RING	1
4	174732	NUT, FLG HD, TOPLOCK, 1-8 UNC	1
5	185740	CAST, HUB HSL	1
6	185757	SEAL, MAINT FREE HUB, HSL	1
7	188757	BUSHING-SPINDLE MOUNT	1
8	202843	O-RING, 4" ID X 1/8" BUNA	1
9	622-3511-010	WASHER, FLAT 1 MIL-CARB SAE	1
10	218733	DIE-HUB REBUILD, HSL (NOT SHOWN)	1
11	219946	INSTRUCTION-REBLD,HSL DISC HUB (NOT SHOWN)	1

Right Hand - Rear Disc Assemblies

Hybrid Shank Assembly (RH Rear) (AFTER 03/01/2019)

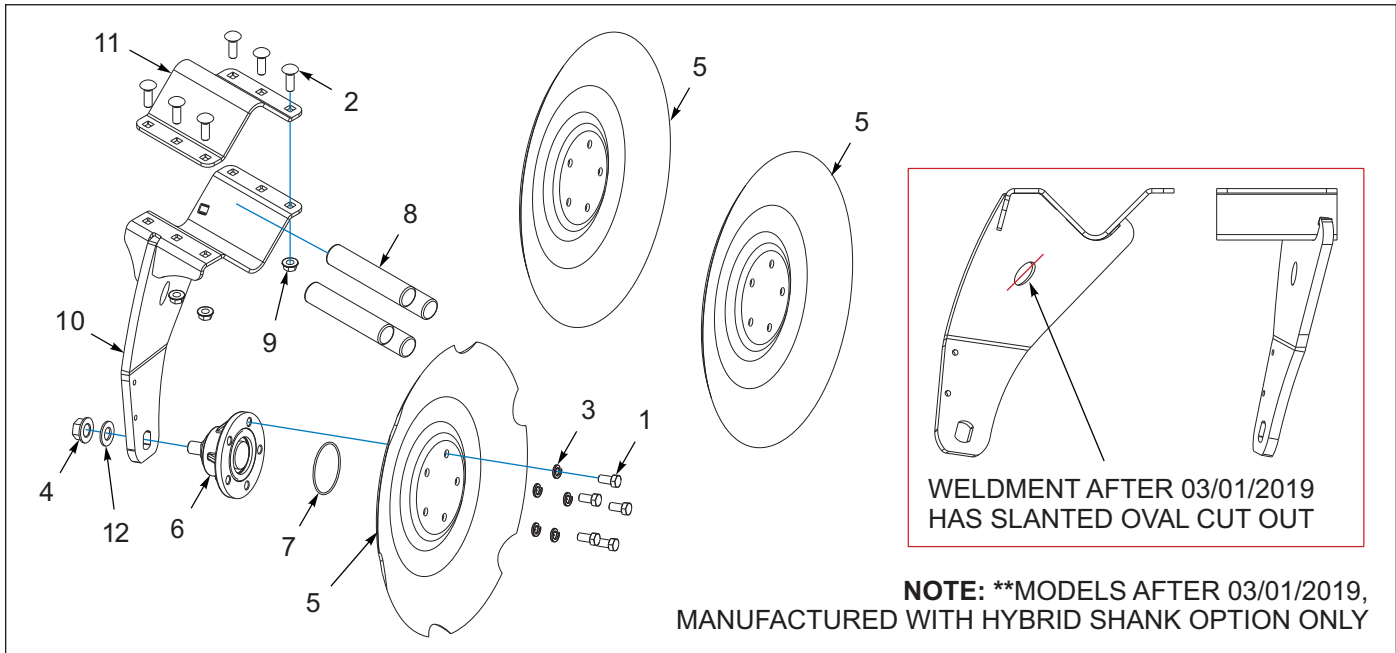


Figure 14-1: Hybrid Shank Assembly (RH Rear) (AFTER 03/01/2019)

Hybrid Shank Assembly (RH Rear) (AFTER 03/01/2019)

ITEM	PART NUMBER	DESCRIPTION	QTY.
	217316	DISC,RH,HYBRID,17-7,NOTCHD ASM (NOTCHED)	--
	217318	DISC,RH,HYBRID,17-7,SMOOTH ASM (SMOOTH)	--
	217320	DISC,RH,HYBRID,17-7,ROLL ASM (ROLLABLE)	--
1	1-654-010059-02	SCREW,HEX CAP,5/8-11X1-1/4GR5	5
2	1-654-010126-05	SCREW,RD HD,SQCK,5/8-11X2 G5	6
3	1-861-010034-15	WASHER,LKG,HLCL SPR,5/8	5
4	174732	NUT, FLG HD, TOPLOCK, 1-8 UNC	1
5	175284	DISC BLADE RH 24X1/4 DIR NOTCH (NOTCHED)	1
5	175329	BLADE HSD 24 NO NOTCH (SMOOTH)	1
5	198785	BLADE-HSL,SMOOTH,24X1/4,ROLLBL (ROLLABLE)	1
6	185742	HUB ASSY HSL DISC (INCLUDES ITEMS 3, 9, 11) (FOR REPLACEMENT PARTS - 210880) (SEE PAGE 13-7)	1
7	202843	O-RING, 4" ID X 1/8" BUNA	1
8	203525	SPRING-TORSION, RUBBER, 1-3/4	4
9	218739	NUT,HD FLNG HEX,5/8-11 UNC,GR5	6
10	221063	SHANK-HYBRID, RH, 17-7,WLDMT	4
11	221066	CAP-SHANK MOUNT	1
12	622-3511-010	WASHER, FLAT 1" MIL-CARB SAE	1
13	-----	SCRPR-REAR ONLY (SEE PAGE 15-1) (ITEMS 14-16 (OPTIONAL) (NOT SHOWN))	--
14	1-512-010005-05	NUT, HEX SLFLKG, 3/8-16 UNC, GRB (NOT SHOWN)	--
15	195009	SCREW, RDHD 3/8-16 X 1-1/2, GR5 (NOT SHOWN)	--
16	195164	SCRAPER-REAR RH, HSL (NOT SHOWN)	--

Hybrid Shank Assembly (RH Rear) (02/15/18 TO 03/01/19)

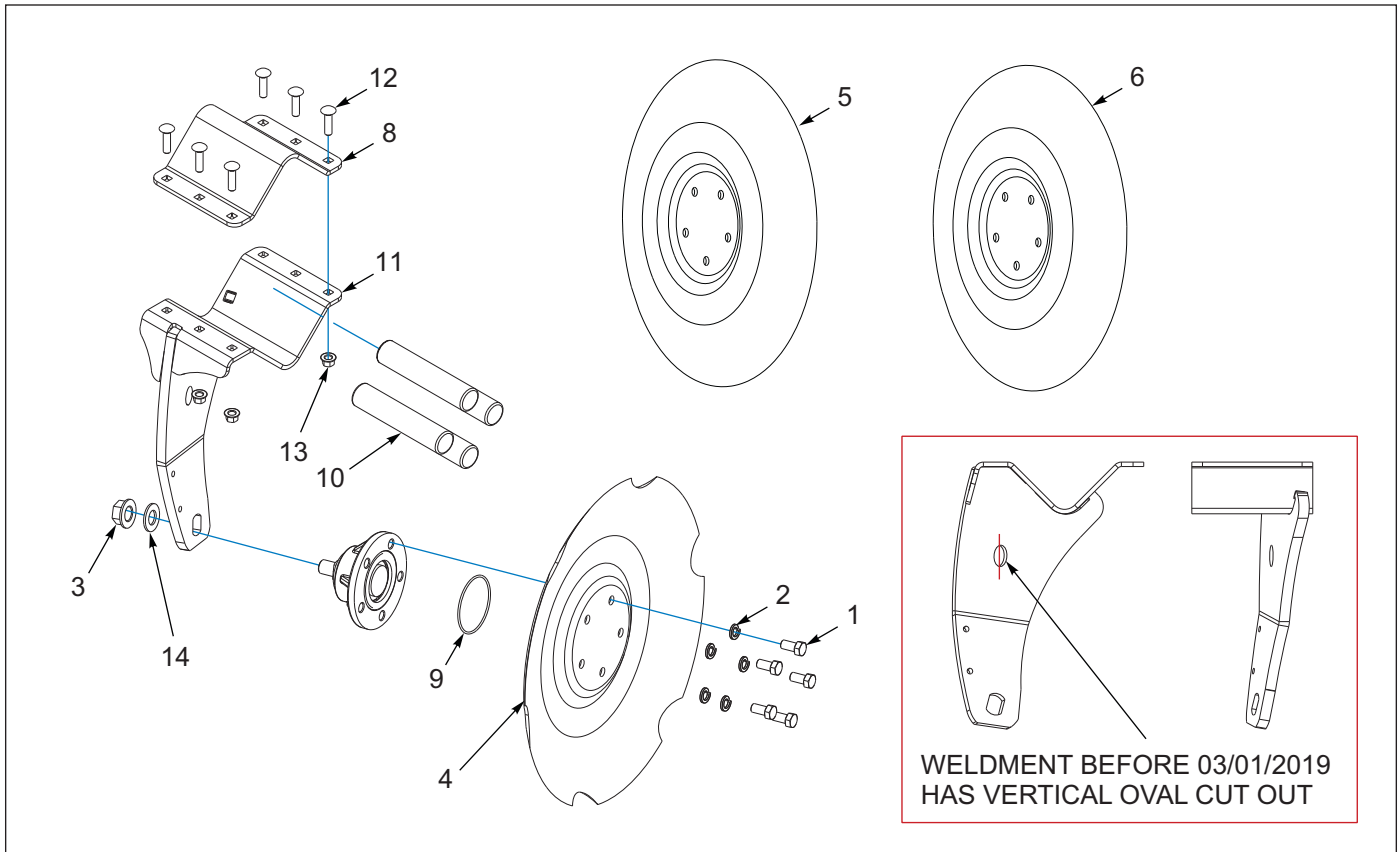


Figure 14-2: Hybrid Shank Assembly (RH Rear) (02/15/18 TO 03/01/19)

Hybrid Shank Assembly (RH Rear) (02/15/18 TO 03/01/19)

ITEM	PART NUMBER	DESCRIPTION	QTY.
	207518	DISC-RH, HYBRD, NTCHD, ASSY (02/15/18 TO 03/01/19)	--
	209210	DISC-RH, HYBRD, SM, ASSY (02/15/18 TO 03/01/19)	--
	209214	DISC-RH, HYBRD, ROLL, ASSY (02/15/18 TO 03/01/19)	--
1	1-654-010059-02	SCREW, HEX CAP, 5/8-11X1-1/4GR5	5
2	1-861-010034-15	WASHER, LKG, HLCL SPR, 5/8	5
3	174732	NUT, FLG HD, TOPLOCK, 1-8 UNC	1
4	175283	DISC BLADE LH 24X1/4 DIR NTCHD (NOTCHED)	1
5	175329	BLADE HSD 24 SM (SMOOTH)	1
6	198785	BLADE-HSL,SMOOTH,24X1/4,ROLLBL (ROLLABLE)	1
7	210880	HUB ASSY HSL DISC (INCLUDES 3, 9, 14) (SEE PAGE 13-7)	1
8	186979	CAP SHANK MOUNT	1
9	202843	O-RING, 4IN ID X 1/8IN BUNA	1
10	203525	SPRING-TORSION, RUBBER, 1-3/4	4
11	207515	SHANK, HYBRID, LH, WLDMENT	1
12	209392	SCREW, RDH, SQ NK, 1/2-20 GR8	6
13	209393	NUT, 1/2-20, LG FLNG HD TOP LOCK	6
14	622-3511-010	WASHER, FLAT 1IN MIL-CARB SAE	1
15	1-512-010005-05	NUT, HEX SLFLKG, 3/8-16 UNC, GRB (NOT SHOWN)	2
16	195009	SCREW, RDHD 3/8-16 X 1-1/2, GR5 (NOT SHOWN)	2
17	195164	SCRAPER-VERTICAL, REAR HSL (NOT SHOWN)	1
18	-----	ITEMS 15-17 (OPTIONAL SCRAPER FOR VERTICAL SHANK)	--

RIGHT HAND - REAR DISC ASSEMBLIES

Hybrid Shank Assembly, 22" (RH)

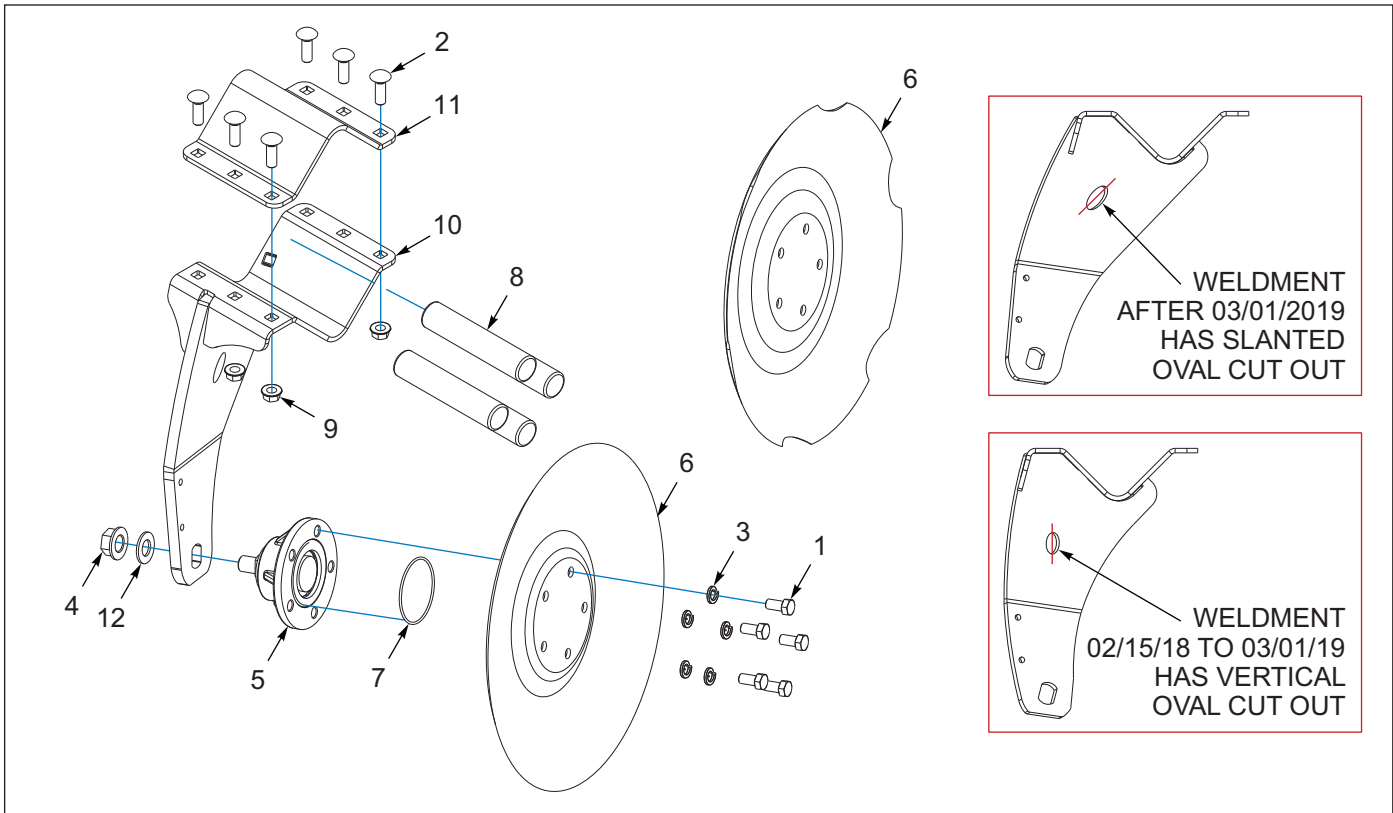


Figure 14-3: Hybrid Shank Assembly, 22" (RH)

Hybrid Shank Assembly, 22" (RH)

ITEM	PART NUMBER	DESCRIPTION	QTY.
	217321	DISC,NTCHD22RH HYBRID 17-7 ASM (AFTER 03/01/2019)	--
	217322	DISC ASMSMOOTH22RH HYBRID17--7 (AFTER 03/01/2019)	--
	212243	DISC,NTCHD 22RH HYBRID 17-7ASM (02/15/18 TO 03/01/19)	--
	212246	DISC ASSY SMOOTH22 RHHBRD 17-7 (02/15/18 TO 03/01/19)	--
1	1-654-010059-02	SCREW,HEX CAP,5/8-11X1-1/4GR5	5
2	1-654-010126-05	SCREW,RD HD,SQCK,5/8-11X2 G5 (AFTER 03/01/2019)	6
2	209392	SCREW-RDH,SQ NK,1/2-20X2,GR8 (02/15/18 TO 03/01/19)	6
3	1-861-010034-15	WASHER,LKG,HLCL SPR,5/8	5
4	174732	NUT, FLG HD, TOPLOCK, 1-8 UNC	1
5	185742	HUB ASSY HSL DISC (SERVICE KIT 210880, INCL. 4, 7, 12) (SEE PAGE 13-7)	1
6	186562	DISC BLADE,RH 22X1/4 DIR NOTCH (NOTCHED)	1
6	201243	DISC-BLADE, 22 INCH, SMOOTH (SMOOTH)	1
7	202843	O-RING, 4" ID X 1/8" BUNA	1
8	203525	SPRING-TORSION, RUBBER, 1-3/4	4
9	218739	NUT,HD FLNG HEX,5/8-11 UNC,GR5 (AFTER 03/01/2019)	6
9	209393	NUT,1/2-20,LG FLNG HD TOP LOCK (02/15/18 TO 03/01/19)	6
10	221063	SHANK-HYBRID, RH, 17-7,WLDMT (AFTER 03/01/2019)	1
10	207516	SHANK-HYBRID, RH, 17-7, WLDMT (02/15/18 TO 03/01/19)	1
11	221066	CAP-SHANK MOUNT (AFTER 03/01/2019)	1
11	186979	CAP SHANK MOUNT (02/15/18 TO 03/01/19)	1
12	622-3511-010	WASHER, FLAT 1" MIL-CARB SAE	1

Compound Shank Assembly (RH Rear) (AFTER 03/01/2019)

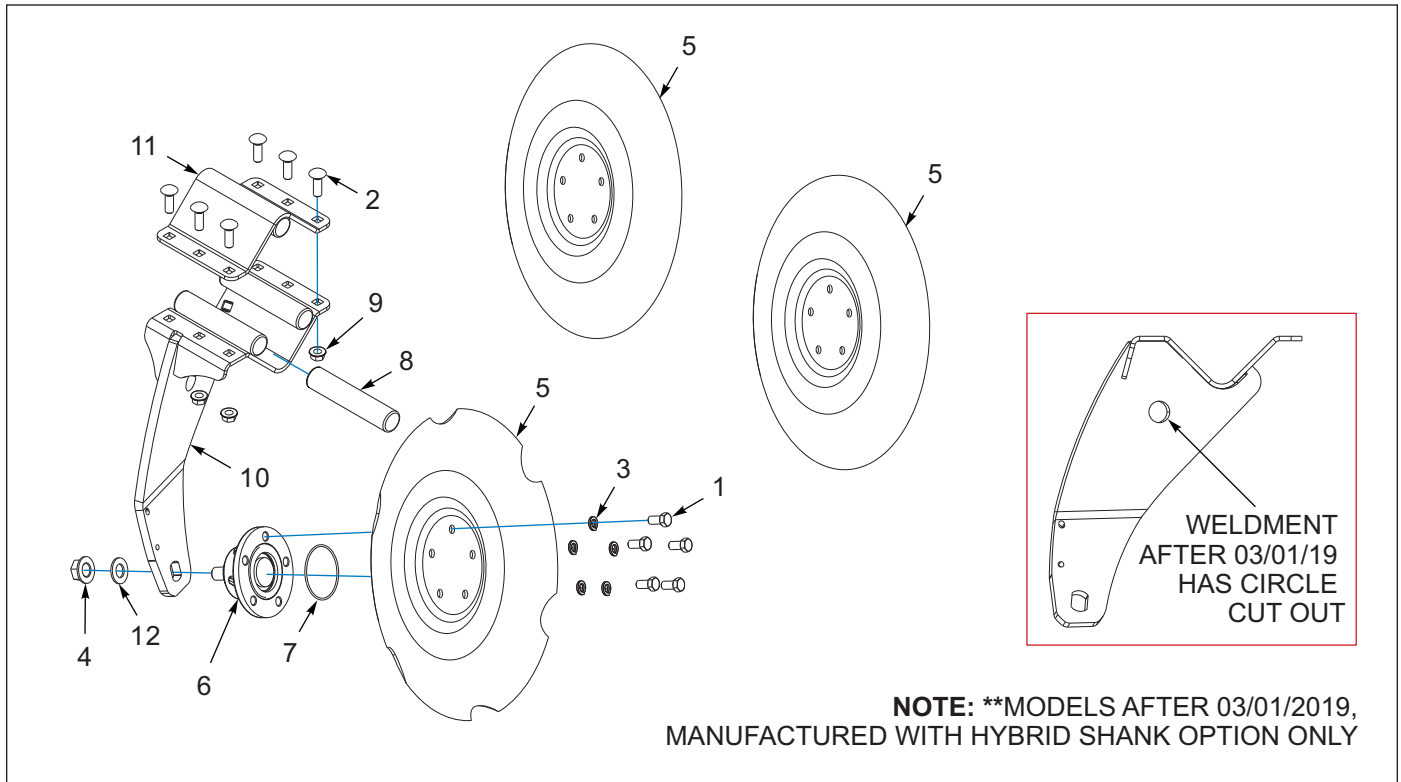


Figure 14-4: Compound Shank Assembly (RH Rear) (AFTER 03/01/2019)

Compound Shank Assembly (RH Rear) (AFTER 03/01/2019)

ITEM	PART NUMBER	DESCRIPTION	QTY.
	217292	DISC-RH,COMP17-20,NOTCHD ASSY	--
	217294	DISC-RH,COMP17-20,SMOOTH ASSY	--
	217296	DISC-RH,COMP17-20, ROLL ASSY	--
1	1-654-010059-02	SCREW,HEX CAP,5/8-11X1-1/4GR5	5
2	1-654-010126-05	SCREW,RD HD, SQNCK,5/8-11X2 G5	6
3	1-861-010034-15	WASHER,LKG,HLCL SPR,5/8	5
4	174732	NUT, FLG HD, TOPLOCK, 1-8 UNC	1
5	175284	DISC BLADE RH 24X1/4 DIR NOTCH (NOTCHED)	1
5	175329	BLADE HSD 24 NO NOTCH (SMOOTH)	1
5	198785	BLADE-HSL,SMOOTH,24X1/4,ROLLBL (ROLLABLE)	1
6	185742	HUB ASSY HSL DISC (INCLUDES ITEMS 4, 7, 12) (FOR REPLACEMENT PARTS - 210880) (SEE PAGE 13-7)	1
7	202843	O-RING, 4" ID X 1/8" BUNA	1
8	203525	SPRING-TORSION, RUBBER, 1-3/4	4
9	218739	NUT,HD FLNG HEX,5/8-11 UNC,GR5	6
10	219986	SHANK-COMP, RH, 1720P, WLDMT	1
11	221066	CAP-SHANK MOUNT	1
12	622-3511-010	WASHER, FLAT 1" MIL-CARB SAE	1
13	-----	SCRPR-REAR ONLY (SEE PAGE 15-1) (OPTIONAL) (NOT SHOWN) (ITEMS 14-16)	--
14	1-512-010005-05	NUT, HEX SLFLKG, 3/8-16 UNC, GRB (NOT SHOWN)	--
15	195009	SCREW, RDHD 3/8-16 X 1-1/2, GR5 (NOT SHOWN)	--
16	195164	SCRAPER-REAR RH, HSL (NOT SHOWN)	--

RIGHT HAND - REAR DISC ASSEMBLIES

Compound Shank Assembly (RH Rear) (BEFORE 03/01/2019)

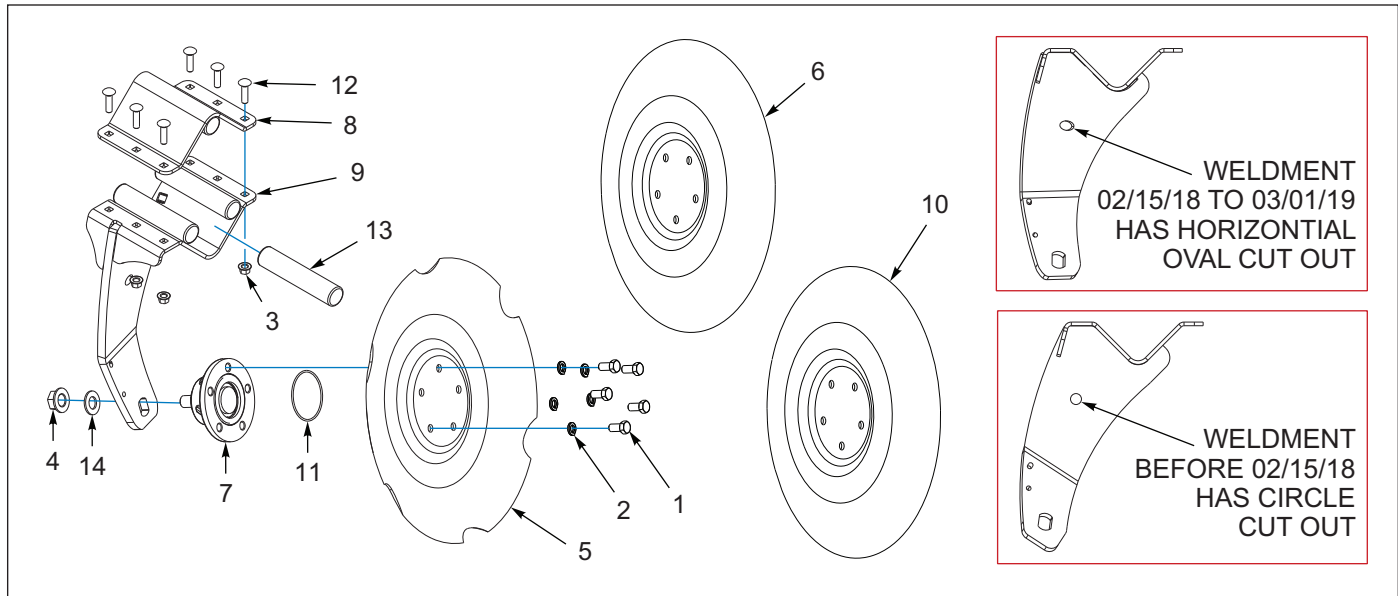


Figure 14-5: Compound Shank Assembly (RH Rear) (BEFORE 03/01/2019)

Compound Shank Assembly (RH Rear) (BEFORE 03/01/2019)

ITEM	PART NUMBER	DESCRIPTION	QTY.
	209206	DISC-RH, COMP, NTCHD, ASSY (02/15/18 TO 03/01/19)	--
	209208	DISC-RH, COMP, SM, ASSY (02/15/18 TO 03/01/19)	--
	209212	DISC-RH, COMP, ROLL, ASSY (02/15/18 TO 03/01/19)	--
	195153	DISC-RH, COMP, NTCHD, ASSY (BEFORE 02/15/2018)	--
	201294	DISC-RH, COMP, SM, ASSY (BEFORE 02/15/2018)	--
	201298	DISC-RH, COMP, ROLL, ASSY (BEFORE 02/15/2018)	--
1	1-654-010059-02	SCREW,HEX CAP,5/8-11X1-1/4GR5	5
2	1-861-010034-15	WASHER,LKG,HLCL SPR,5/8	5
3	209393	NUT, 1/2-20, LG FLNG HD TOP LOCK (02/15/18 TO 03/01/19)	6
3	172509	NUT, FLG HD TOP LCK F1/2-13 (BEFORE 02/15/2018)	6
4	174732	NUT, FLG HD, TOPLOCK, 1-8 UNC	1
5	175284	DISC BLADE RH 24X1/4 DIR NTCHD	1
6	175329	BLADE HSD 24 SM	1
7	210880	HUB ASSY HSL DISC (INCLUDES 4, 11, 14) (SEE PAGE 13-7)	1
8	186979	CAP SHANK MOUNT	1
9	209204	SHANK-COMP, RH,17-20P, WLDMNT (02/15/18 TO 03/01/19)	1
9	195151	SHANK-DISC, COMPND, RH WLDMNT (BEFORE 02/15/2018)	1
10	198785	BLADE-HSL.SMOOTH.24X1/4, ROLLBL	1
11	202843	O-RING, 4 ID X 1/8 BUNA	1
12	209392	SCREW-RDH, SQ NK,1/2-20X2,GR8 (02/15/18 TO 03/01/19)	6
12	203392	SCREW, RDH, SQ NK, 3/4-13X2 GR8 (BEFORE 02/15/2018)	6
13	203525	SPRING-TORSION, RUBBER, 1-3/4	4
14	622-3511-010	WASHER, FLAT 1 MIL-CARB SAE	1
15	1-512-010005-05	NUT, HEX SLFLKG, 3/8-16 UNC, GRB (NOT SHOWN)	2
16	195009	SCREW, RDHD 3/8-16 X 1-1/2, GR5 (NOT SHOWN)	2
17	195164	SCRAPER, CMPND, REAR HSL (AFTER 02/15/2018) (NOT SHOWN)	1
17	195163	SCRAPER, CMPND, REAR HSL (BEFORE 02/15/2018) (NOT SHOWN)	1
18	-----	ITEMS 15-18 (COMPOUND ANGLE SHANK OPTIONAL SCRAPER)	--

Compound Shank Assembly 22" (RH)

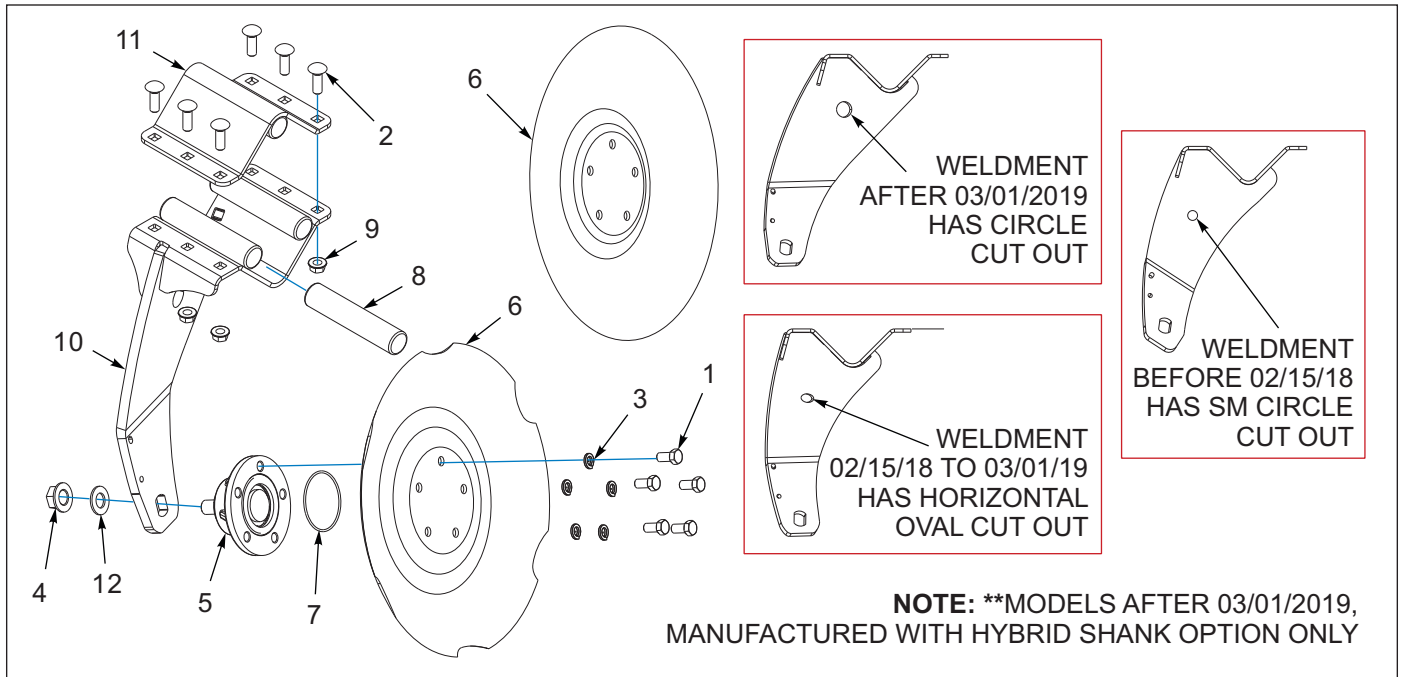


Figure 14-6: Compound Shank Assembly 22" (RH)

Compound Shank Assembly 22" (RH)

ITEM	PART NUMBER	DESCRIPTION	QTY.
	217297	DISC ASSY NTCHD 22 RH CMP17-20 (AFTER 03/01/2019)	--
	217298	DISC ASSY SMOOTH 22RH CMP17-20 (AFTER 03/01/2019)	--
	212242	DISC ASM NTCHD 22 RH CMP 17-20 (02/15/18 TO 03/01/19)	--
	212245	DISC ASM SMOOTH 22 RH CMP17-20 (02/15/18 TO 03/01/19)	--
	208634	DISC ASSY NOTCH 22 RH CMPND (BEFORE 02/15/2018)	--
	208633	DISC ASSY SMOOTH 22 RH CMPND (BEFORE 02/15/2018)	--
1	1-654-010059-02	SCREW,HEX CAP,5/8-11X1-1/4GR5	5
2	1-654-010126-05	SCREW,RD HD,SQNCK,5/8-11X2 G5	6
2	209392	SCREW-RDH, SQ NK,1/2-20X2,GR8	6
2	203392	SCREW,RDH,SQ NK,1/2-13 X 2	6
3	1-861-010034-15	WASHER,LKG,HLCL SPR,5/8	5
4	174732	NUT, FLG HD, TOPLOCK, 1-8 UNC	1
5	185742	HUB ASSY HSL DISC (SERVICE KIT 210880, INCL. 4, 7, 12) (SEE PAGE 13-7)	1
6	186562	DISC BLADE,RH 22X1/4 DIR NOTCH (NOTCHED)	1
6	201243	DISC-BLADE, 22 INCH, SMOOTH (SMOOTH)	1
7	202843	O-RING, 4" ID X 1/8" BUNA	1
8	203525	SPRING-TORSION, RUBBER, 1-3/4	4
9	218739	NUT,HD FLNG HEX,5/8-11 UNC,GR5 (AFTER 03/01/2019)	6
9	209393	NUT,1/2-20,LG FLNG HD TOP LOCK (02/15/18 TO 03/01/19)	6
9	172509	NUT,1/2-13 WIDE FLNG TOP LCK F (BEFORE 02/15/18)	6
10	219986	SHANK-COMP, RH, 1720P, WLDMT (AFTER 03/01/2019)	1
10	209204	SHANK-COMP,RH,17-20P, WLDMT (02/15/18 TO 03/01/19)	1
10	195151	SHANK WLDMT, DISC COMPOUND RH (BEFORE 02/15/2018)	1
11	221066	CAP-SHANK MOUNT (AFTER 03/01/2019)	1
11	186979	CAP SHANK MOUNT (BEFORE 02/15/2018) (02/15/18 TO 03/01/19)	1
12	622-3511-010	WASHER, FLAT 1" MIL-CARB SAE	1

RIGHT HAND - REAR DISC ASSEMBLIES

Vertical Shank Assembly (RH Rear) (AFTER 03/01/2019)

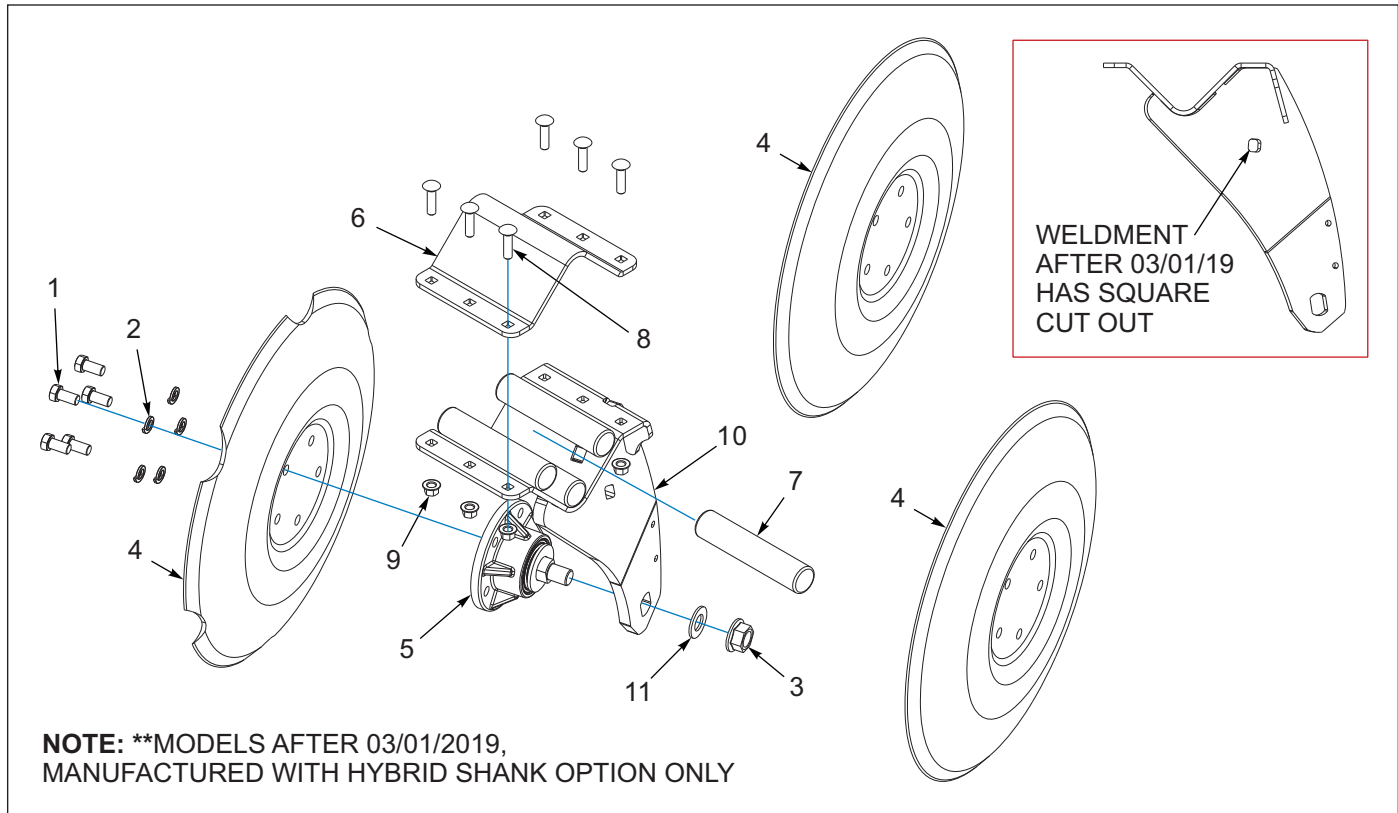


Figure 14-7: Vertical Shank Assembly (RH Rear) (AFTER 03/01/2019)

Vertical Shank Assembly (RH Rear) (AFTER 03/01/2019)

ITEM	PART NUMBER	DESCRIPTION	QTY.
	217306	DISC-RH, VERT,17P, NOTCHD, ASM (NOTCHED)	--
	217308	DISC-RH, VERT,17P, SMOOTH, ASM (SMOOTH)	--
	217310	DISC-RH, VERT,17P, ROLL, ASM (ROLLABLE)	--
1	1-654-010059-02	SCREW,HEX CAP,5/8-11X1-1/4GR5	5
2	1-861-010034-15	WASHER,LKG,HLCL SPR,5/8	5
3	174732	NUT, FLG HD, TOPLOCK, 1-8 UNC	1
4	175284	DISC BLADE RH 24X1/4 DIR NOTCH (NOTCHED)	1
4	175329	BLADE HSD 24 NO NOTCH (SMOOTH)	1
4	198785	BLADE-HSL,SMOOTH,24X1/4,ROLLBL (ROLLABLE)	1
5	185742	HUB ASSY HSL DISC (INCLUDES ITEMS 3, 11) (FOR REPLACEMENT PARTS - 210880) (SEE PAGE 13-7)	1
6	186979	CAP SHANK MOUNT	1
7	203525	SPRING-TORSION, RUBBER, 1-3/4	4
8	209392	SCREW-RDH, SQ NK,1/2-20X2,GR8	6
9	209393	NUT,1/2-20,LG FLNG HD TOP LOCK	6
10	217284	SHANK, VERT, RH, 17P, WLDMT	1
11	622-3511-010	WASHER, FLAT 1" MIL-CARB SAE	1
12	-----	SCRPR-REAR ONLY (SEE PAGE 15-1) (ITEMS 14-16) (OPTIONAL) (NOT SHOWN)	--
13	1-512-010005-05	NUT, HEX SLFLKG, 3/8-16 UNC, GRB (NOT SHOWN)	--
14	195009	SCREW, RDHD 3/8-16 X 1-1/2, GR5 (NOT SHOWN)	--
15	195164	SCRAPER-REAR RH, HSL (NOT SHOWN)	--

Vertical Shank Assembly (RH Rear) (BEFORE 03/01/2019)

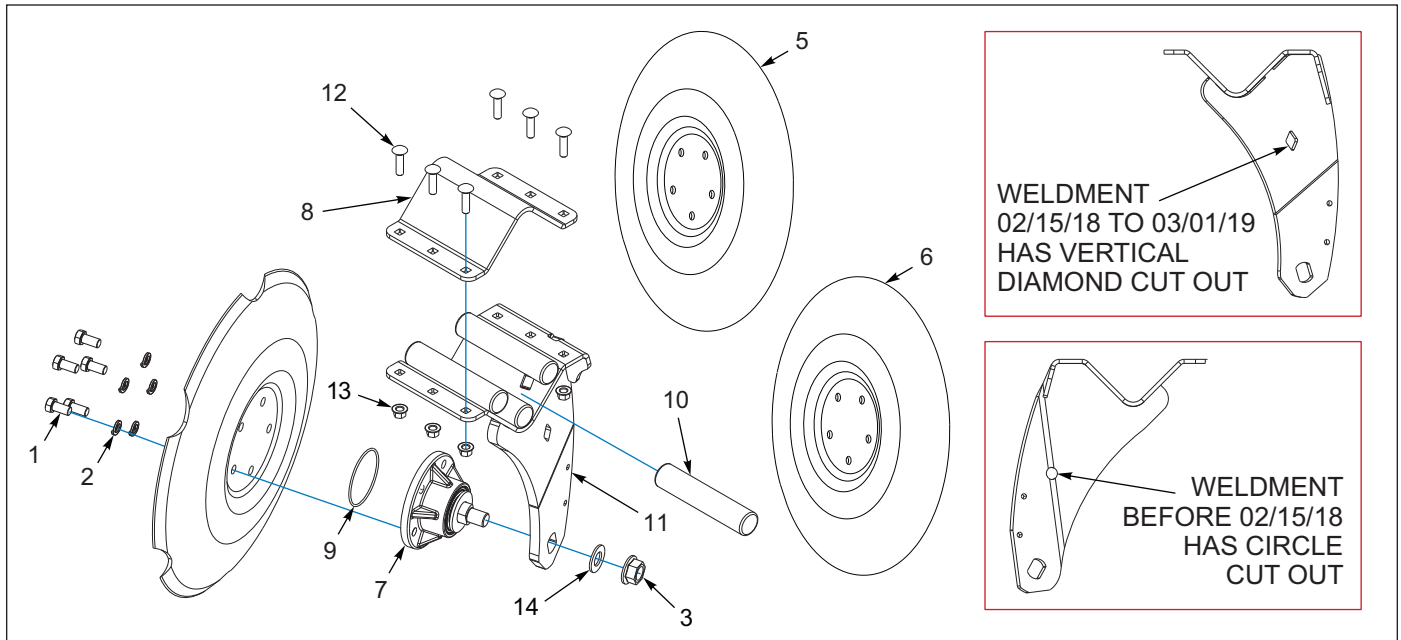


Figure 14-8: Vertical Shank Assembly (RH Rear) (BEFORE 03/01/2019)

Vertical Shank Assembly (RH Rear) (BEFORE 03/01/2019)

ITEM	PART NUMBER	DESCRIPTION	QTY.
	207509	DISC-RH, VERT, NTCHD, ASSY (02/15/18 TO 03/01/19)	--
	212230	DISC-RH, VERT, SM, ASSY (02/15/18 TO 03/01/19)	--
	212232	DISC-RH, VERT, ROLL, ASSY (02/15/18 TO 03/01/19)	--
	195132	DISC-RH, VERT, NTCHD, ASSY (BEFORE 02/15/2018)	--
	201296	DISC-RH, VERT, SM, ASSY (BEFORE 02/15/2018)	--
	201300	DISC-RH, VERT, ROLL, ASSY (BEFORE 02/15/2018)	--
1	1-654-010059-02	SCREW, HEX CAP, 5/8-11X1-1/4GR5	5
2	1-861-010034-15	WASHER, LKG, HLCL SPR, 5/8	5
3	174732	NUT, FLG HD, TOPLOCK, 1-8 UNC	1
4	175284	DISC BLADE RH 24X1/4 DIR NTCHD (NOTCHED)	1
5	175329	BLADE HSD 24 NO NTCHD (SMOOTH)	1
6	198785	BLADE-HSL.SMOOTH.24X1/4, ROLLBL (ROLLABLE)	1
7	185742	HUB ASSY HSL DISC (SERVICE KIT 210880, INCL. 3, 9, 14) (SEE PAGE 13-7)	1
8	186979	CAP SHANK MOUNT	1
9	202843	O-RING, 4" ID X 1/8" BUNA	1
10	203525	SPRING-TORSION, RUBBER, 1-3/4	4
11	207507	SHANK-VERT, RH, 17P, WLDMT (02/15/18 TO 03/01/19)	1
11	195130	SHANK RH VERICAL 25 WLDMT (BEFORE 02/15/2018)	1
12	209392	SCREW-RDH, SQ NK, 1/2-20X2, GR8 (02/15/18 TO 03/01/19)	6
12	203392	SCREW, RDH, SQ NK, 1/2-13 X 2 (BEFORE 02/15/2018)	6
13	209393	NUT, 1/2-20, LG FLNG HD TOP LOCK (02/15/18 TO 03/01/19)	6
13	172509	NUT, 1/2-13 WIDE FLNG TOP LCK F (BEFORE 02/15/2018)	6
14	622-3511-010	WASHER, FLAT 1IN MIL-CARB SAE	1
15	1-512-010005-05	NUT, HEX SLFLKG, 3/8-16 UNC, GRB (NOT SHOWN)	2
16	195009	SCREW, RDHD 3/8-16 X 1-1/2, GR5 (NOT SHOWN)	2
17	195164	SCRAPER-VERTICAL, REAR HSL (NOT SHOWN)	1
18	-----	ITEMS 15-17 (OPTIONAL SCRAPER FOR VERTICAL SHANK)	--

RIGHT HAND - REAR DISC ASSEMBLIES

Vertical Shank Assembly 22" (RH)

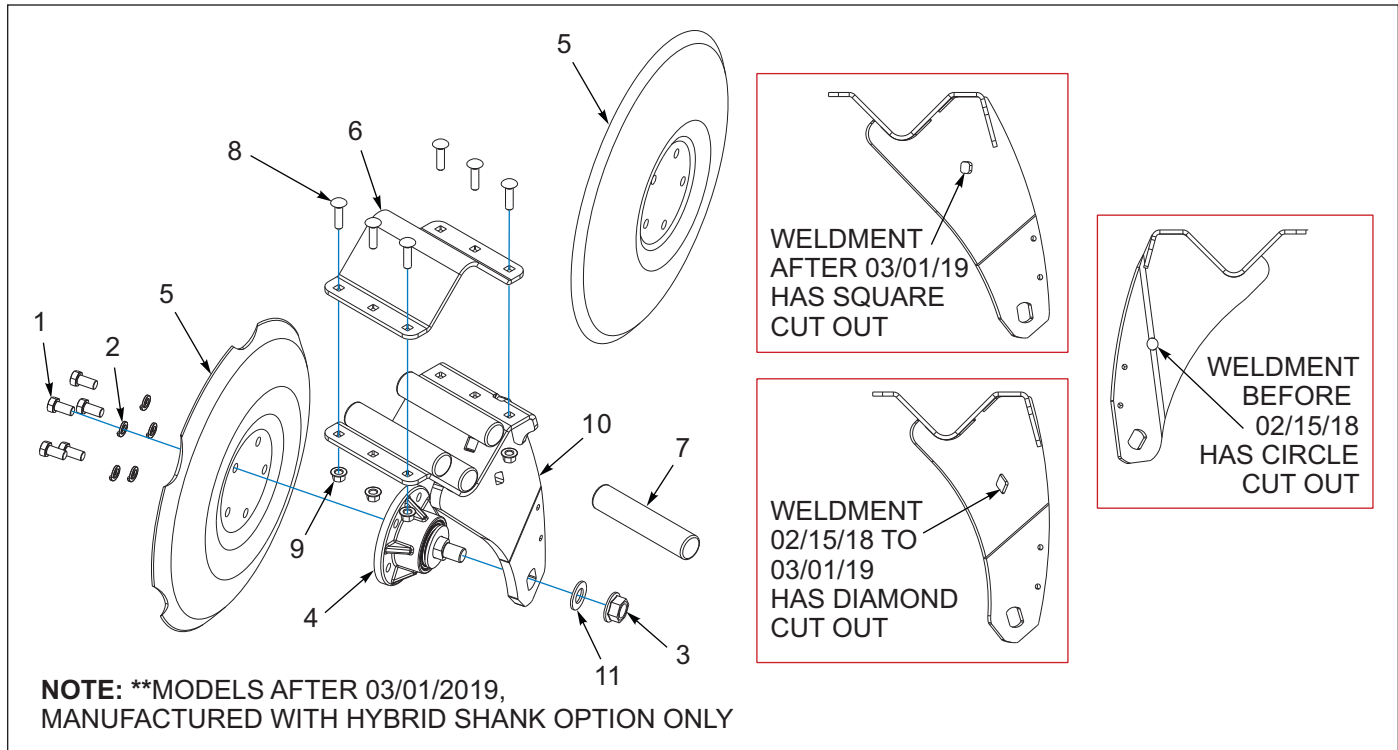


Figure 14-9: Vertical Shank Assembly 22" (RH)

Vertical Shank Assembly 22" (RH)

ITEM	PART NUMBER	DESCRIPTION	QTY.
	217311	DISC ASSY NTCHD 22RH VERT 17P (AFTER 03/01/2019)	--
	217312	DISC ASSY SMOOTH 22RH VERT 17P (AFTER 03/01/2019)	--
	212244	DISC ASM NTCHD 22 RH VERT 17P (02/15/18 TO 03/01/19)	--
	212247	DISC ASM SMOOTH 22 RH VERT 17P (02/15/18 TO 03/01/19)	--
	200790	DISC ASSY FEATHER RH VERT NCTH (BEFORE 02/15/2018)	--
	200791	DISC ASSY FEATHER RH VERT SMTH (BEFORE 02/15/2018)	--
1	1-654-010059-02	SCREW,HEX CAP,5/8-11X1-1/4GR5	5
2	1-861-010034-15	WASHER,LKG,HLCL SPR,5/8	5
3	174732	NUT, FLG HD, TOPLOCK, 1-8 UNC	1
4	185742	HUB ASSY HSL DISC (INCLUDES ITEMS 3, 9, 11) (FOR REPLACEMENT PARTS - 210880) (SEE PAGE 13-7)	1
5	186562	DISC BLADE,RH 22X1/4 DIR NOTCH (NOTCHED)	1
5	201243	DISC-BLADE, 22 INCH, SMOOTH (SMOOTH)	1
6	186979	CAP SHANK MOUNT	1
7	203525	SPRING-TORSION, RUBBER, 1-3/4	4
8	209392	SCREW-RDH, SQ NK,1/2-20X2,GR8	6
8	203392	SCREW,RDH,SQ NK,1/2-13 X 2 (BEFORE 02/15/2018)	6
9	209393	NUT,1/2-20,LG FLNG HD TOP LOCK (AFTER 02/15/18)	6
9	172509	NUT,1/2-13 WIDE FLNG TOP LCK F (BEFORE 02/15/2018)	6
10	217284	SHANK, VERT, RH, 17P, WLDMT (AFTER 03/01/2019)	1
10	207507	SHANK-VERT, RH, 17P, WLDMT (02/15/18 TO 03/01/19)	1
10	195130	SHANK RH VERTICAL 25 WLDMT (BEFORE 02/15/2018)	1
11	622-3511-010	WASHER, FLAT 1" MIL-CARB SAE	1
12	202843	O-RING, 4" ID X 1/8" BUNA (BEFORE 02/15/2018)	1

Scraper and Blade Assembly

Scraper and Blade Assembly

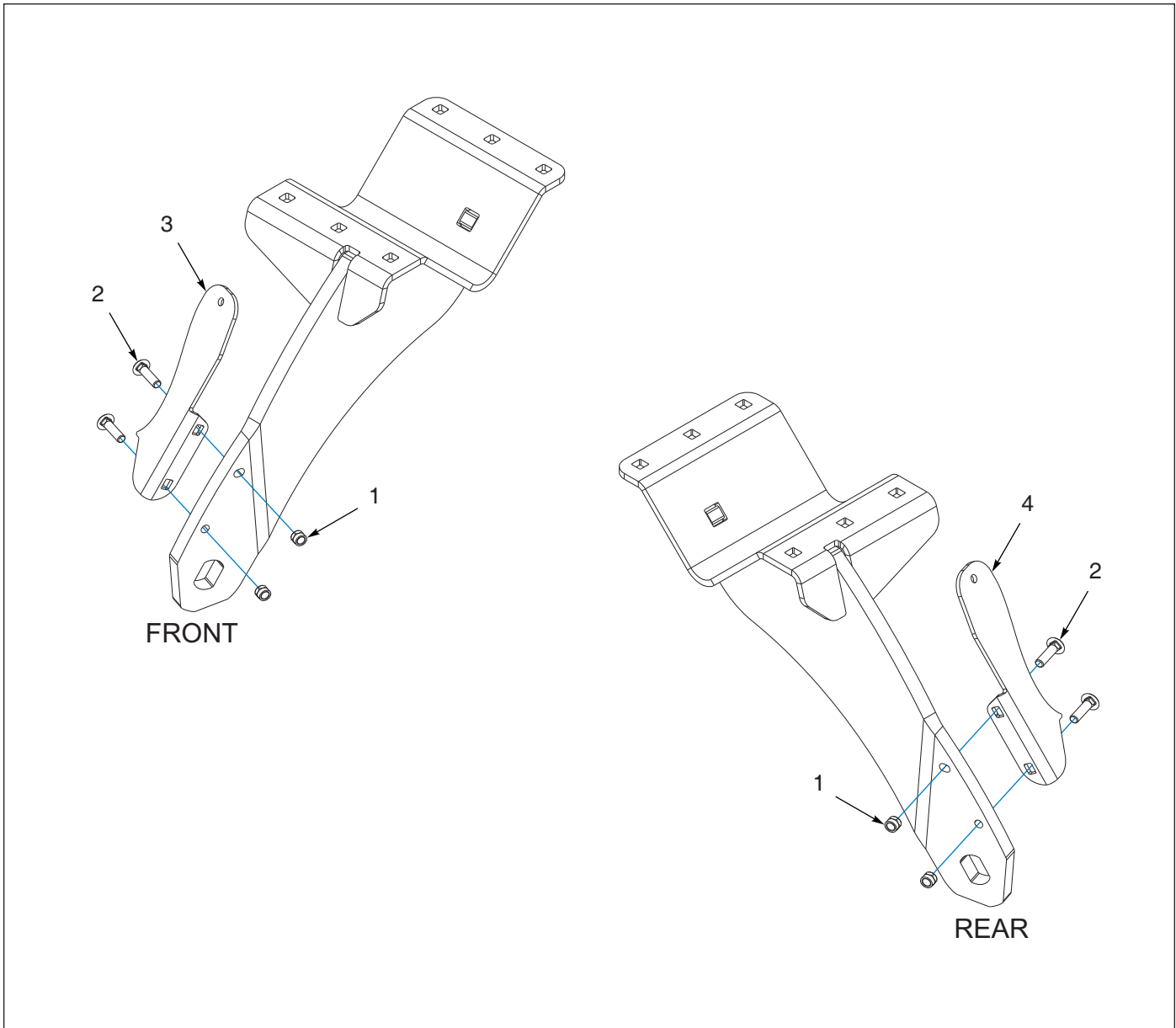


Figure 15-1: Scraper and Blade Assembly

Scraper and Blade Assembly

ITEM	PART NUMBER	DESCRIPTION	QTY.
1	1-512-010005-05	NUT, HEX, SLFLKG GRB 3/8-16	2
2	195009	SCREW, RD HD 3/8-16X1-1/2 GR5	2
3	195162	SCRAPER COMPOUND FRONT HSL (BEFORE 02/15/2018)	1
3	195161	SCRAPER-FRONT LH, HSL (AFTER 02/15/2018)	1
4	195163	SCRAPER COMPOUND REAR HSL (BEFORE 02/15/2018)	1
4	195164	SCRAPER-REAR RH, HSL (AFTER 02/15/2018)	1

Hydraulics

Hitch Hydraulics Adapter Kit (AFTER 12/2022)

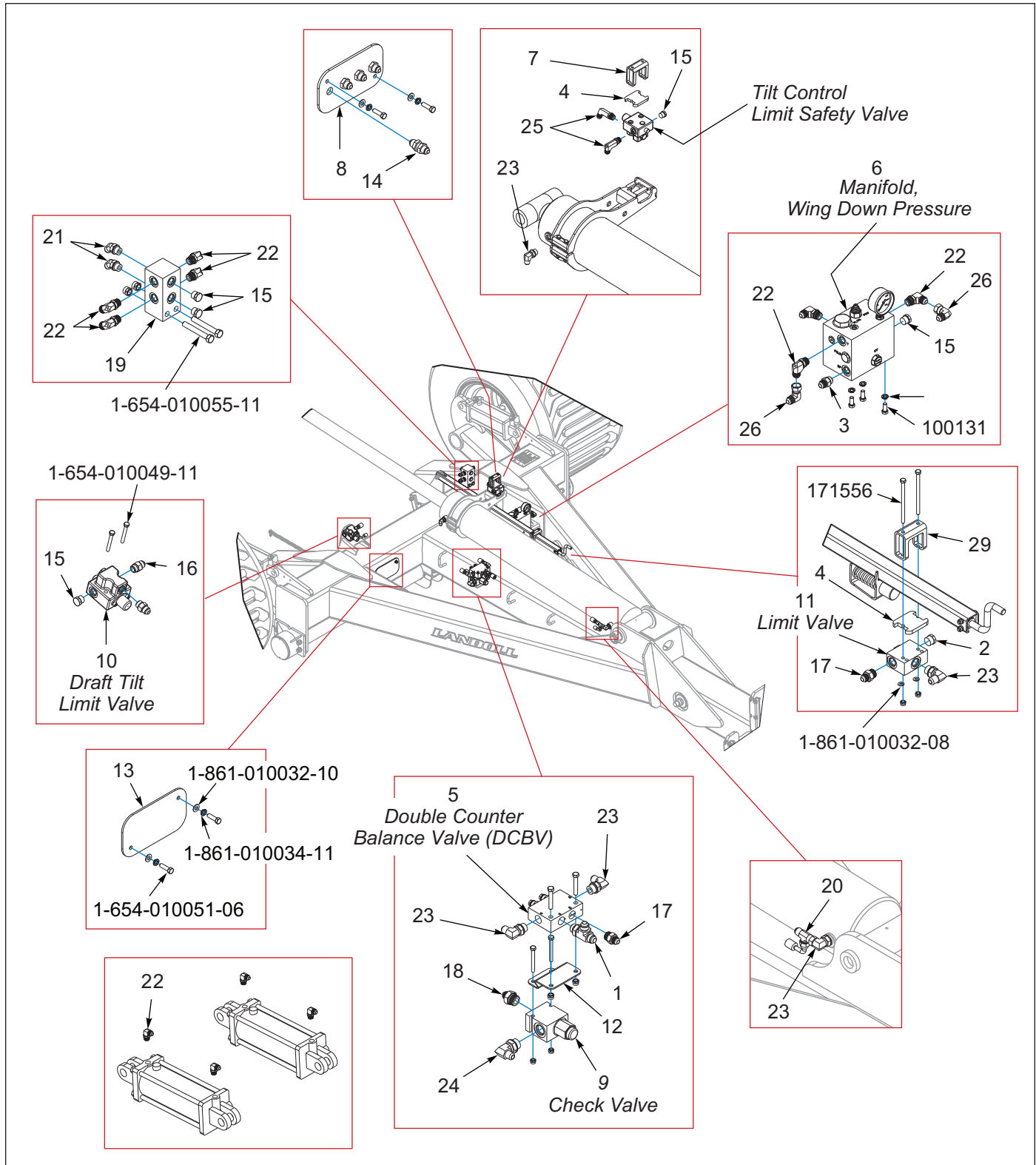


Figure 16-1: Hitch Hydraulic Adapter Kit (AFTER 12/2022)

Hitch Hydraulics Adapter Kit (AFTER 12/2022)

ITEM	PART NUMBER	DESCRIPTION	QTY.
	201221	KIT - HYDRAULIC ADAPTER, HITCH (INCL. ITEMS 1-2, 14-26)	--
1	143852	ADAPTER TEE, 10ORB, 10JIC	1
2	143853	PLUG, 10 M ORB HEX SOCKET	1
3	162671	CHECK VALVE W/ORIFICE (NOT IN KIT)	--
4	165257	PAD, SLIDE (NOT IN KIT)	--
5	184585	VALVE, DUAL COUNTER BALANCE, 30G (NOT IN KIT)	--
6	200743	MANIFOLD ASSY VALVE DOWN PRESS (NOT IN KIT)	--
7	187313	GUIDE, DEPTH STOP (NOT IN KIT)	--
8	203391	PLATE-BULKHEAD MOUNT (NOT IN KIT)	--
9	195284	VALVE CHECK, 05 PSI (NOT IN KIT)	--
10	203450	VALVE-LIMIT (NOT IN KIT)	--
11	203467	VALVE-LIMIT, STROKE (NOT IN KIT)	--
12	203541	BRACKET-VALVE MOUNT (NOT IN KIT)	--
13	210765	PLATE-BULKHEAD BLANK (NOT IN KIT)	--
14	102-0322	37 FLARE BULKHEAD/37 FLARE	4
15	102-1187	PLUG,-8M O-RING AQP#900598-8S	5
16	202702-8-8S	ADAPTER, 8,#O-RING, 8 TUBE	2
17	202702-10-8S	ADAPTER, 10,#O-RING, 8 TUBE	2
18	202702-12-8S	ADAPTER, 12,#O-RING, 8 TUBE	1
19	2-474-010022	MANIFOLD HYDRAULIC, 8 HOSE	1
20	203102-8-8S	ADAPTER, TEE, 1/2 8 JICX, 8 JICSWV	1
21	2061-8-8S	ADAPTER, 45,#O-RING, 8 TUBE	2
22	2062-8-8S	ADAPTER, 90,#O-RING 8 TUBE	11
23	2062-10-8S	ADAPTER, 90,#O-RING, 10 TUBE	5
24	2062-12-8S	ADAPTER, 90,#O-RING, 12 TUBE	1
25	206209-8-8S	ADAPTER, 90 LONG, O-RING, 8 TUBE	2
26	2071-8-8S	ADAPTER, 90, 8 FLR SWIVEL, 8 JIC	2

Hitch Hydraulics Adapter Kit (03/2018 TO 12/2022)

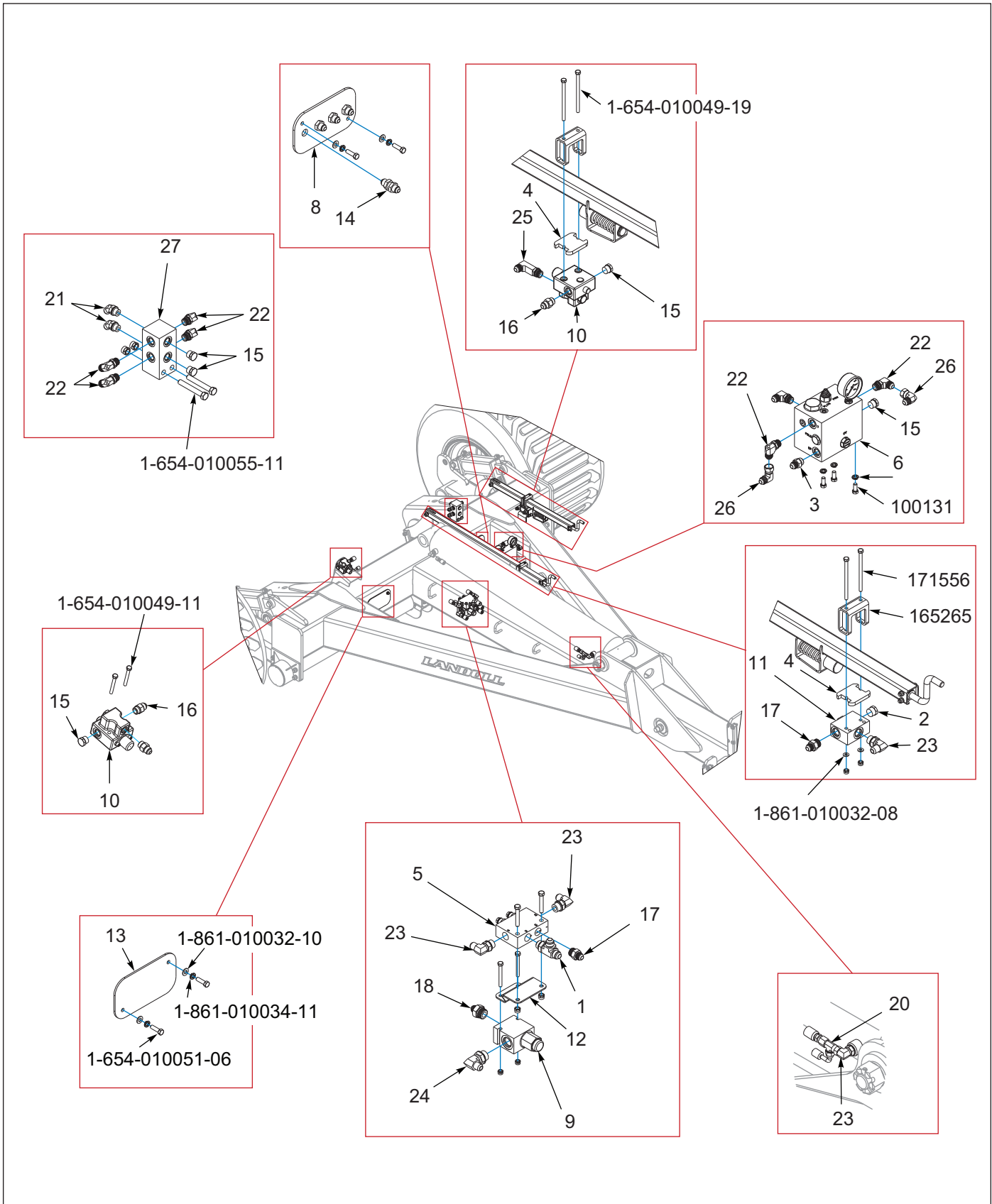


Figure 16-2: Hitch Hydraulic Adapter Kit (3/2018 TO 12/2022)

Hitch Hydraulics Adapter Kit (03/2018 TO 12/2022)

ITEM	PART NUMBER	DESCRIPTION	QTY.
	201221	KIT - HYDRAULIC ADAPTER, HITCH	--
1	143852	ADAPTER TEE, 10ORB, 10JIC	1
2	143853	PLUG, 10 M ORB HEX SOCKET	1
3	162671	CHECK VALVE W/ORIFICE (NOT IN KIT)	--
4	165257	PAD, SLIDE (NOT IN KIT)	--
5	184585	VALVE, DUAL COUNTER BALANCE, 30G (NOT IN KIT)	--
6	200743	MANIFOLD ASSY VALVE DOWN PRESS (NOT IN KIT)	--
7	201315	MANIFOLD ASSY DRAFT COMP (AFTER 08/12/2016) (NOT IN KIT)	--
7	203386	MANIFOLD ASSY DRAFT COMP (AFTER 09/15/2016) (NOT IN KIT)	--
8	203391	PLATE-BULKHEAD MOUNT (NOT IN KIT)	--
9	203447	VALVE CHECK, 225 PSI, ASM (NOT IN KIT)	--
10	203450	VALVE-LIMIT (NOT IN KIT)	--
11	203467	VALVE-LIMIT, STROKE (AFTER 03/01/2018) (NOT IN KIT)	--
11	140693	VALVE, LIMIT (BEFORE 03/01/2018) (NOT IN KIT)	--
12	203541	BRACKET-VALVE MOUNT (NOT IN KIT)	--
13	210765	PLATE-BULKHEAD BLANK (NOT IN KIT)	--
14	102-0322	37 FLARE BULKHEAD/37 FLARE	4
15	1-007-010025	PLUG, 3/4-16 O-RING BOSS	5
16	202702-8-8S	ADAPTER, 8,#O-RING, 8 TUBE	3
17	202702-10-8S	ADAPTER, 10,#O-RING, 8 TUBE	2
18	202702-12-8S	ADAPTER, 12,#O-RING, 8 TUBE	1
19	203005-8-8S	ADAPTER, TEE, 8,#O-RING TUBE (NOT IN KIT)	--
20	203102-8-8S	ADAPTER, TEE, 1/2 8 JICX, 8 JICSWV	1
21	2061-8-8S	ADAPTER, 45,#O-RING, 8 TUBE	2
22	2062-8-8S	ADAPTER, 90,#O-RING 8 TUBE	11
23	2062-10-8S	ADAPTER, 90,#O-RING, 10 TUBE	5
24	2062-12-8S	ADAPTER, 90,#O-RING, 12 TUBE	1
25	206209-8-8S	ADAPTER, 90 LONG, O-RING, 8 TUBE	1
26	2071-8-8S	ADAPTER, 90, 8 FLR SWIVEL, 8 JIC	2
27	2-474-010022	MANIFOLD ASSY, HYDR 6 HOSE	1

Hitch Hydraulics Adapter Kit (BEFORE 03/2018)

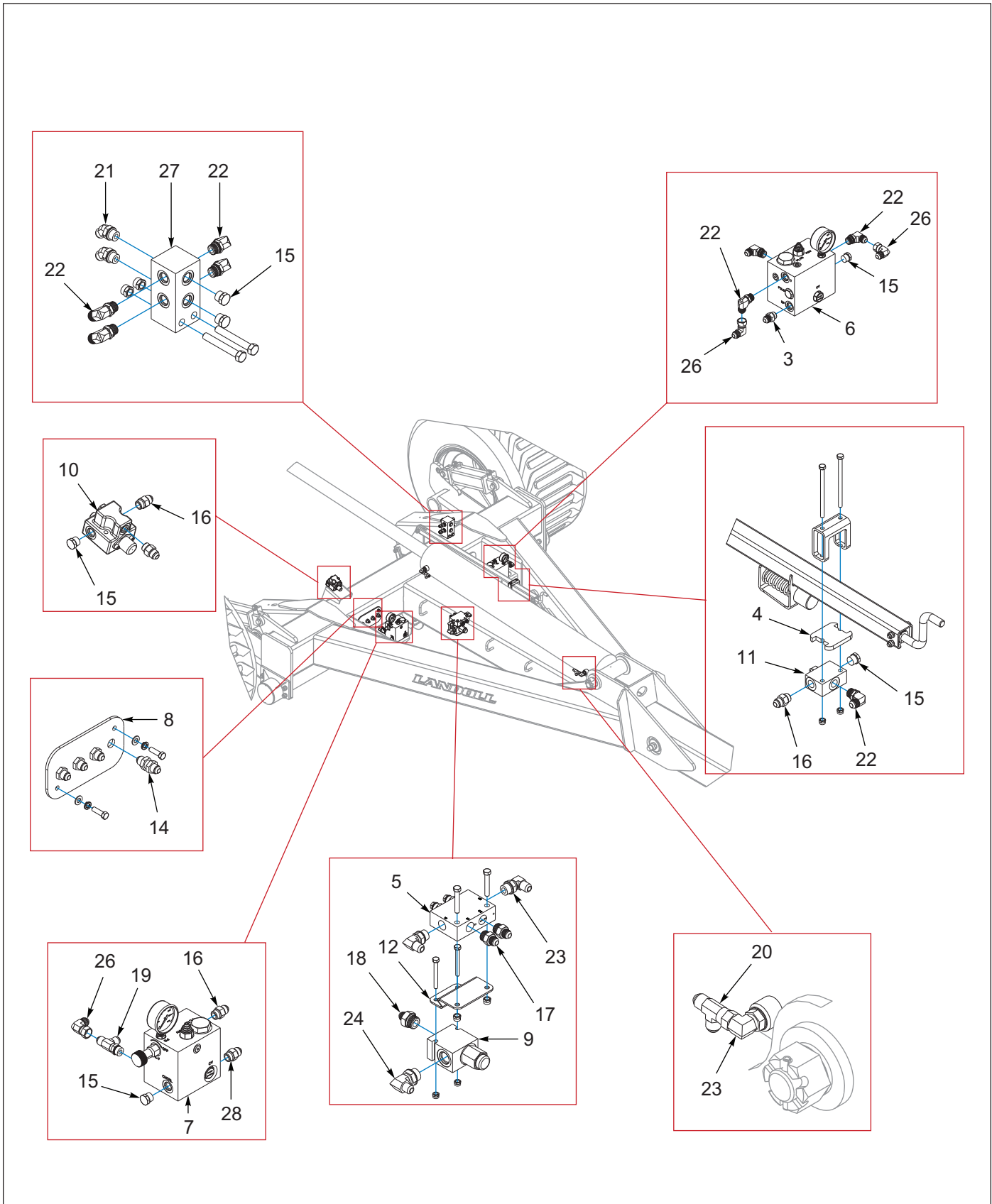


Figure 16-3: Hitch Hydraulic Adapter Kit (BEFORE 03/2018)

Hitch Hydraulics Adapter Kit (BEFORE 03/2018)

ITEM	PART NUMBER	DESCRIPTION	QTY.
	201221	KIT - HYDRAULIC ADAPTER, HITCH	--
1	143852	ADAPTER TEE, 10ORB, 10JIC	--
2	143853	PLUG, 10 M ORB HEX SOCKET	1
3	162671	CHECK VALVE W/ORIFICE (NOT IN KIT)	--
4	165257	PAD, SLIDE (NOT IN KIT)	--
5	184585	VALVE, DUAL COUNTER BALANCE, 30G (NOT IN KIT)	--
6	200743	MANIFOLD ASSY VALVE DOWN PRESS (NOT IN KIT)	--
7	203386	MANIFOLD ASSY DRAFT COMP (AFTER 09/15/2016) (NOT IN KIT)	--
7	201315	MANIFOLD ASSY DRAFT COMP(AFTER 08/12/2016) (NOT IN KIT)	--
8	203391	PLATE-BULKHEAD MOUNT (NOT IN KIT)	--
9	203447	VALVE CHECK, 225 PSI, ASM (NOT IN KIT)	--
10	203450	VALVE-LIMIT (NOT IN KIT)	--
11	203467	VALVE-LIMIT, STROKE (AFTER 03/01/2018) (NOT IN KIT)	--
11	140693	VALVE, LIMIT (BEFORE 03/01/2018) (NOT IN KIT)	--
12	203541	BRACKET-VALVE MOUNT (NOT IN KIT)	--
13	210765	PLATE-BULKHEAD BLANK (NOT IN KIT)	--
14	102-0322	37 FLARE BULKHEAD/37 FLARE	4
15	1-007-010025	PLUG, 3/4-16 O-RING BOSS	5
16	202702-8-8S	ADAPTER, 8,#O-RING, 8 TUBE	4
17	202702-10-8S	ADAPTER, 10,#O-RING, 8 TUBE	2
18	202702-12-8S	ADAPTER, 12,#O-RING, 8 TUBE (NOT IN KIT)	1
19	203005-8-8S	ADAPTER, TEE, 8,#O-RING TUBE	1
20	203102-8-8S	ADAPTER, TEE, 1/2 8 JICX, 8 JICSWV	1
21	2061-8-8S	ADAPTER, 45,#O-RING, 8 TUBE	2
22	2062-8-8S	ADAPTER, 90,#O-RING 8 TUBE	11
23	2062-10-8S	ADAPTER, 90,#O-RING, 10 TUBE	5
24	2062-12-8S	ADAPTER, 90,#O-RING, 12 TUBE	1
25	206209-8-8S	ADAPTER, 90 LONG, O-RING, 8 TUBE	--
26	2071-8-8S	ADAPTER, 90, 8 FLR SWIVEL, 8 JIC	3
27	2-474-010022	MANIFOLD ASSY, HYDR 6 HOSE	1
28	4K607	RESTRICTOR 3/4-16 (NOT IN KIT)	--

Center Section Hydraulic Kit (AFTER 03/2018)

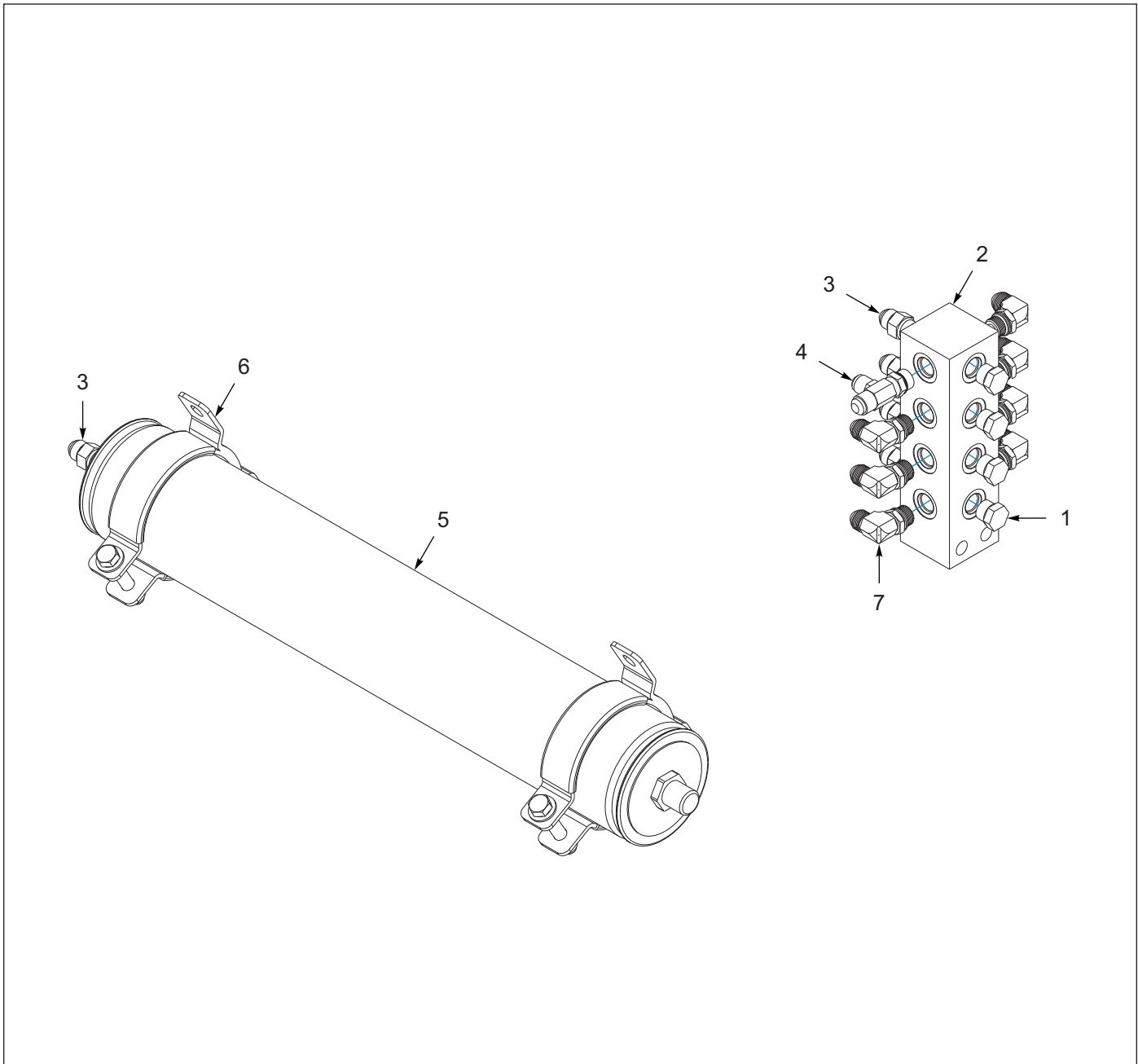


Figure 16-4: Center Section Hydraulic Kit (AFTER 03/2018)

Center Section Hydraulic Kit (AFTER 03/2018)

ITEM	PART NUMBER	DESCRIPTION	QTY.
	201227	KIT, HYDRAULIC CENTER SECTION	--
1	1-007-010025	PLUG, 3/4-12 O-RING BOSS	4
2	141594	MAIFOLD HYDRAULIC 16 PORT	1
3	202702-8-8S	ADAPTER, 8 O-RING - 8 TUBE	5
4	203005-8-8S	ADAPTER, TEE, 8 O-RING-TUBE	1
5	203429	ACCUMULATOR PISTON, 122 CI	1
6	203430	BRACKET, MOUNTING, ACCMLTR, 3 IN	2
7	2062-8-8S	ADAPTER, 90, 8 O-RING-TUBE	7

Center Section Hydraulic Kit (BEFORE 03/2018)

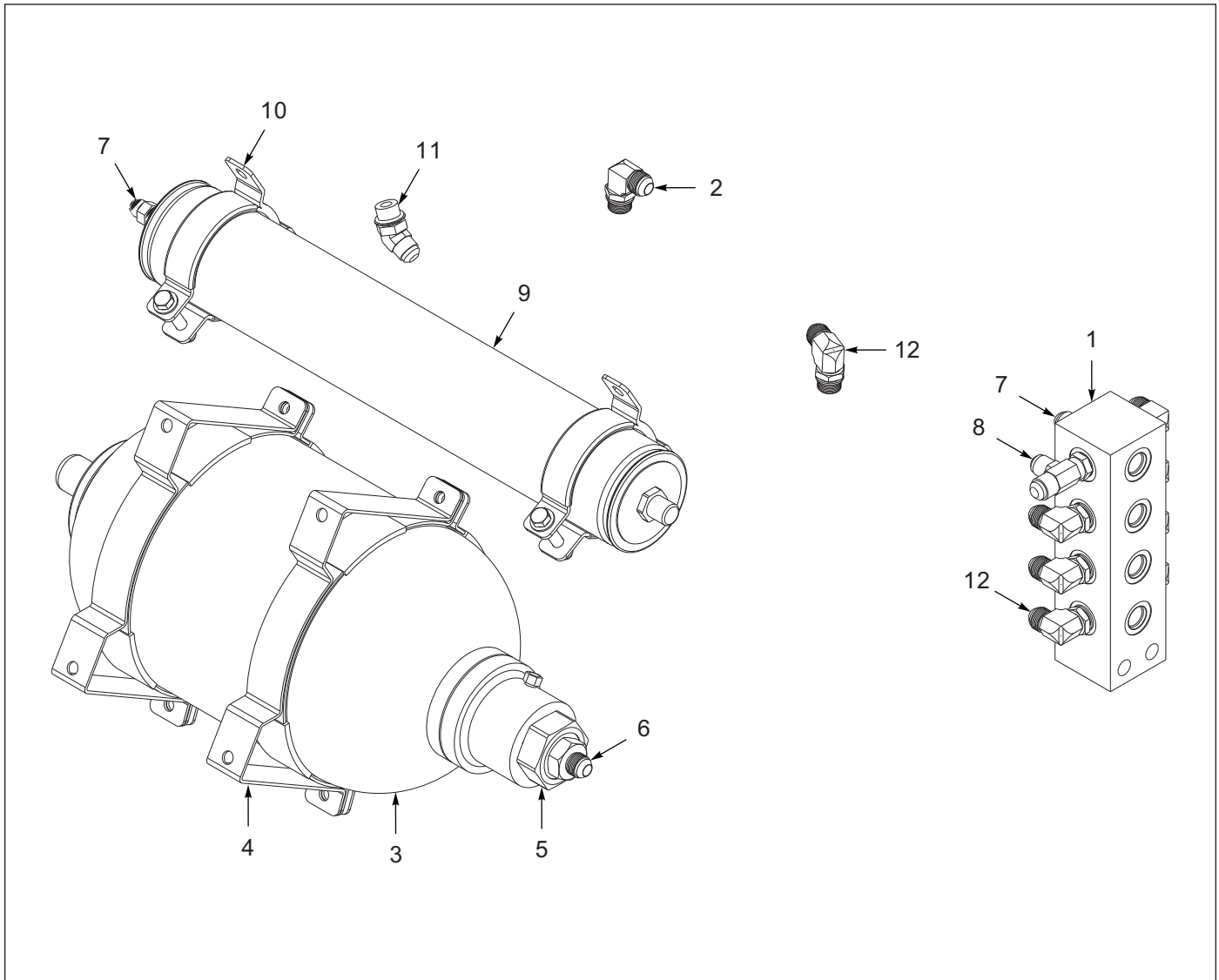


Figure 16-5: Center Section Hydraulic Kit (BEFORE 03/2018)

Center Section Hydraulic Kit (BEFORE 03/2018)

ITEM	PART NUMBER	DESCRIPTION	QTY.
	201227	KIT, HYDRAULIC CENTER SECTION	--
1	141594	MANIFOLD, HYDRAULIC 16 PORT	1
2	141826	ELBOW 90 1/16 RES WING DOWN CYLINDER ROD END	1
3	201284	ACCUMULATOR BLADR, 10 L, 3000 PSI	1
4	201321	BRACKET, MOUNTING, ACCUMULATOR	2
5	201331	ADAPTER, O-RING REDUCER, -24 X-12	1
6	202702-12-8S	ADAPTER, 12 O-RING, 8 TUBE	1
7	202702-8-8S	ADAPTER, 8 O-RING - 8 TUBE	5
8	203005-8-8S	ADAPTER, TEE, 8 O-RING-TUBE	1
9	203429	ACCUMULATOR PISTON, 122 CI	1
10	203430	BRACKET, MOUNTING, ACCMLTR, 3 IN	2
11	2061-8-8S	ADAPTER, 45, 8 O-RING-TUBE	1
12	2062-8-8S	ADAPTER, 90, 8 O-RING-TUBE	8

25' Hydraulic Diagram (AFTER 03/2018)

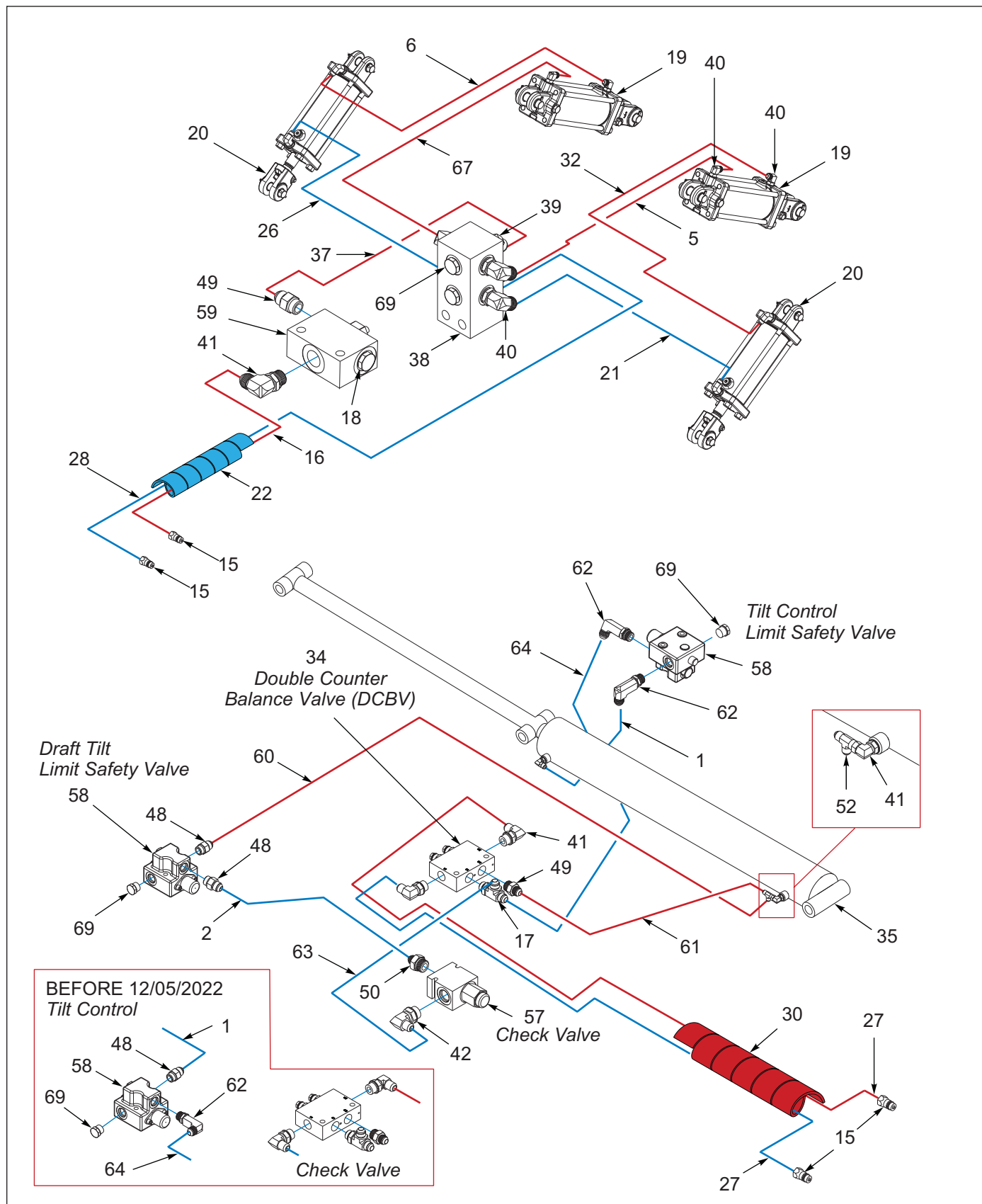


Figure 16-6: 25' Front Gauge and Tilt Diagram (AFTER 03/2018) (1 of 3)

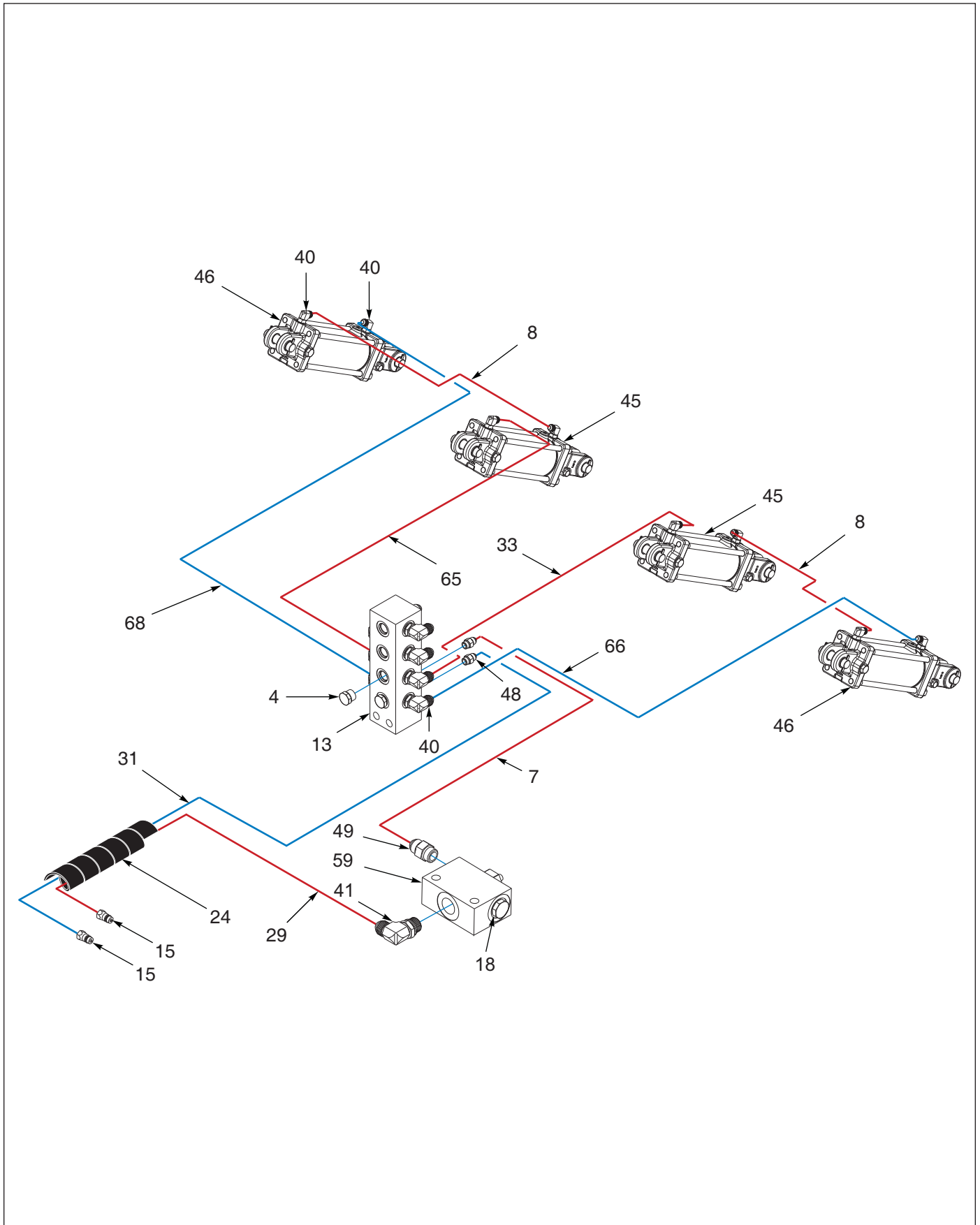


Figure 16-7: 25' Rear Gauge Diagram (AFTER 03/2018) (2 of 3)

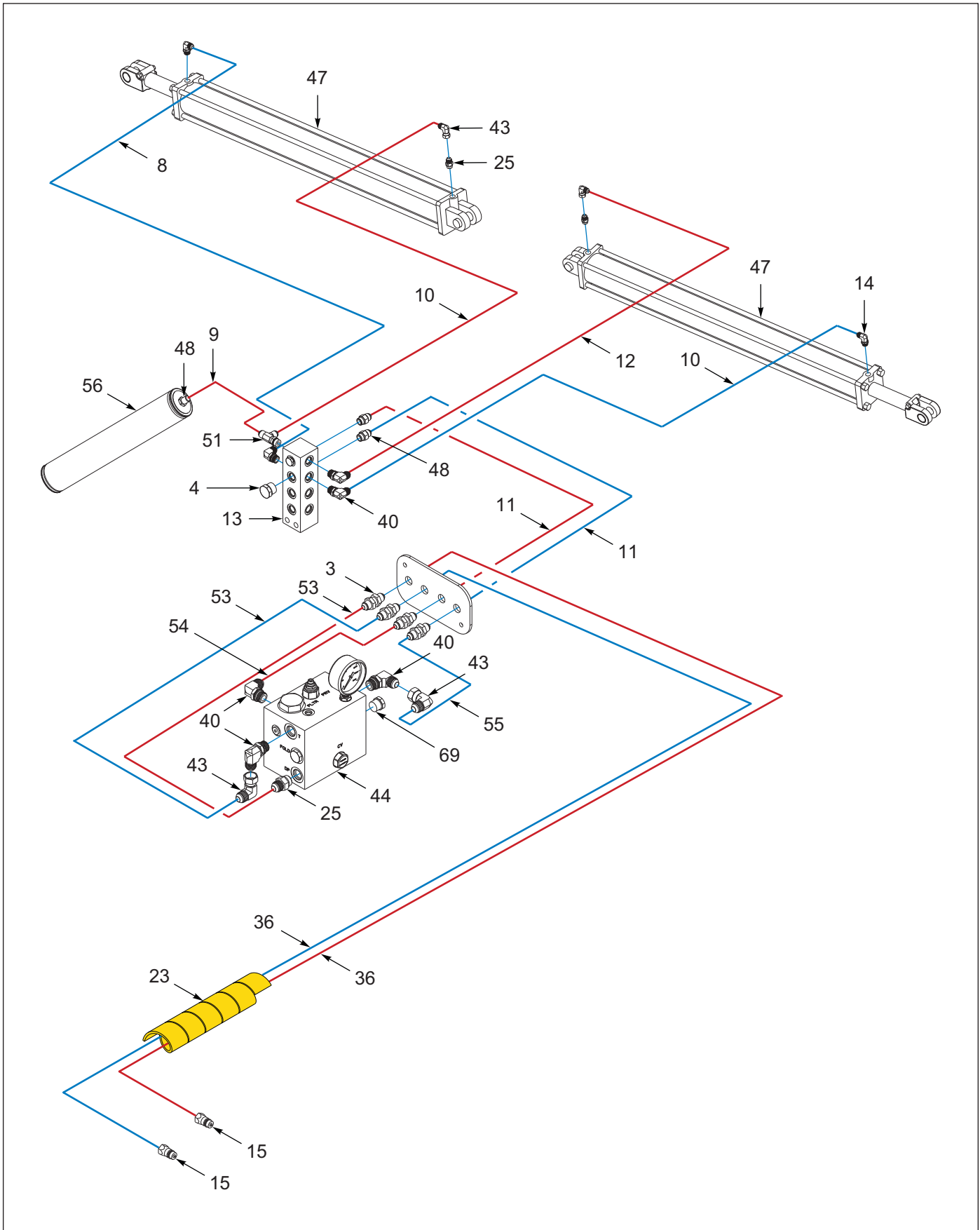


Figure 16-8: 25' Wing Fold and Down Pressure Diagram (AFTER 03/2018) (3 of 3)

25' Hydraulic Diagram (AFTER 03/2018)

ITEM	PART NUMBER	DESCRIPTION	QTY.
1	1-397-010301025	HOSE ASSY,1/2SAE37, STR-STR25 (AFTER 12/05/2022)	--
1	1-397-010301084	HOSE ASSY,1/2X84,SAE 37,STR (03/2018 TO 12/05/2022)	--
2	1-397-010302042	HOSE ASSY,1/2X42,SAE37,STR-90	--
3	102-0322	37 FLARE BULKHEAD/37 FLARE	--
4	1-007-010025	PLUG, 3/4-16 O-RING BOSS	--
5	116432	HOSE ASSY, 3/8X60 #8 JIC SWV	--
6	116437	HOSE ASSY, 3/8X267 #8 JIC SW (AFTER 02/01/2020)	--
6	116436	HOSE ASSY, 3/8X255 #8 JIC SW (BEFORE 02/01/2020)	--
7	116491	HOSE ASSY 3/8X96 #8 JIC SW	--
8	117260	HOSE ASSY 3/8X156 #8JIC	--
9	123066	HOSE ASSY 3/8X64 #8STR-#8-90	--
10	137599	HOSE ASSY 3/8X126.25 #8JIC SWV	--
11	1413183	HOSE ASSY #6 .38X103.25HIPRES	--
12	1413184	HOSE ASSY #6 .38X106.25HIPRES	--
13	141594	MANIFOLD, HYDRAULIC 16 PORT	--
14	141826	ELBOW 90 1/16 RES	--
15	141828	COUPLER,MALE 3/4-16 O-RING	--
16	141888	HOSE ASSY 3/8X320 #8JICX#8OR	--
17	143852	ADAPTER TEE #10ORB #10JIC	--
18	143853	PLUG #10 M ORB HEX SOCKET	--
19	223374	CYLINDER 4-1/2 X 10 REPHASE (AFTER 01/03/2020) (SEE PAGE 16-61)	--
19	145200	CYLINDER 4-1/2 X 8 REPHASE (BEFORE 01/03/2020) (SEE PAGE 16-57)	--
20	201275	CYLINDER, 4 X 10 REPHASE (AFTER 01/03/2020) (SEE PAGE 16-61)	--
20	145201	CYLINDER 4 X 8 REPHASE (BEFORE 01/03/2020) (SEE PAGE 16-58)	--
21	211327	HOSE ASSY,3/8X218,8FJS ENDS (AFTER 02/01/2020)	--
21	153621	HOSE ASSY 3/8X212 #8 JIC SWIV (BEFORE 02/01/2020)	--
22	155528	HOSE WRAP, BLUE 1" ID X 8"	--
23	155529	HOSE WRAP, YELLOW 1" ID X 8"	--
24	155530	HOSE WRAP, BLACK 1" ID X 8"	--
25	162671	CHECK VALVE W/ORIFICE	--
26	203596	HOSE ASSY 3/8X310,-8FJX,-8FJX (AFTER 02/01/2020)	--
26	164309	HOSE ASSY 3/8X300 #8JIC SWIV (BEFORE 02/01/2020)	--
27	164600	HOSE 1/2X37JICX3/4-16ORINGX304	--
28	165335	HOSE ASY3/8X290 #8JICX#8 O/R	--
29	172481	HOSE ASSY, 3/8X428 #8JICX#8OR	--
30	172973	HOSE WRAP, RED	--
31	177000	HOSE 3/8 X 372, #8JIC X #8OR	--
32	203595	HOSE ASSY 3/8X280,-8FJX,-8FJX (AFTER 02/01/2020)	--
32	180117	HOSE ASSY, 3/8X275, #8JIC SWIV (BEFORE 02/01/2020)	--
33	181801	HOSE ASSY, 3/8x58 #8 JIC SWIV	--
34	184585	VALVE,DUAL COUNTER BALANCE,30G	--
35	187436	CYLINDER, HYD 7X60 WLD 3000PSI (SEE PAGE 16-65)	--
36	188774	HOSE ASSY,3/8#8JICX#8ORB 270"	--
37	192481	HOSE ASSY 3/8 X 88	--
38	2-474-010022	MANIFOLD ASSY, HYDR 6 HOSE	--

HYDRAULICS

25' Hydraulic Diagram (AFTER 03/2018)

ITEM	PART NUMBER	DESCRIPTION	QTY.
39	2061-8-8S	ADAPTER, 45, #8 O-RING-TUBE	--
40	2062-8-8S	ADAPTER, 90, #8 O-RING-TUBE	--
41	2062-10-8S	ADAPTER,90, #10 O-RING-TUBE	--
42	2062-12-8S	ADAPTER,90,#12 O-RING-#8 TUBE	--
43	2071-8-8S	ADAPTER90 #8 FLR SWIVEL #8JIC	--
44	200743	MANIFOLD ASSY VALVE DOWN PRESS	--
45	201275	CYLINDER, 4 X 10 REPHASE (SEE PAGE 16-61)	--
46	201276	CYLINDER, 3.75 X 10 REPHASE (SEE PAGE 16-61)	--
47	201347	CYLINDER-HYD,4X48,2-1/4RD,3000 (SEE PAGE 16-64)	--
48	202702-8-8S	ADAPTER #8 O-RING - #8 TUBE	--
49	202702-10-8S	ADAPTER, #10 O-RING #8 TUBE	--
50	202702-12-8S	ADAPTER, #12 O-RING #8 TUBE	--
51	203005-8-8S	ADAPTER,TEE,#8 O-RING-TUBE	--
52	203102-8-8S	ADAPTER,TEE,1/2 #8JICX#8JICSWV	--
53	203424	HOSE ASSY 3/8X26 #8STR-#8-90	--
54	203425	HOSE ASSY 3/8X33 #8STR-#8-90	--
55	203426	HOSE ASSY 3/8X39 #8STR-#8-90	--
56	203429	ACCUMULATOR-PISTON, 122 CI	--
57	203447	VALVE-CHECK, 225 PSI, ASM	--
58	203450	VALVE-LIMIT	--
59	203467	VALVE-LIMIT, STROKE	--
60	203566	HOSE ASM 1/2X93,-8FJX,-8FJX90S	--
61	203599	HOSE ASSY 1/2X 47,-8FJX,-8FJX	--
62	206209-8-8S	ADAPTER,90LONG,#8 O-RING-TUBE	--
63	210861	HOSE ASM1/2X36 -10FJX90S -8FJX	--
64	240222	HOSE ASSY, 1/2X54, JIC,#8-#10 (AFTER 12/05/2022)	--
64	50002-76	HOSE #8 ASSY 89.25 OAL (03/2018 TO 12/05/2022)	--
65	71508988	HOSE ASSY 3/8 X 80	--
66	71509000	HOSE ASM 3/8 X202	--
67	71509382	HOSE ASSY .38 X 112	--
68	71600088	HOSE ASSY 3/8 X228IN	--
69	102-1187	PLUG,-8M O-RING AQP#900598-8S	--

30' Hydraulic Diagram (AFTER 03/2018)

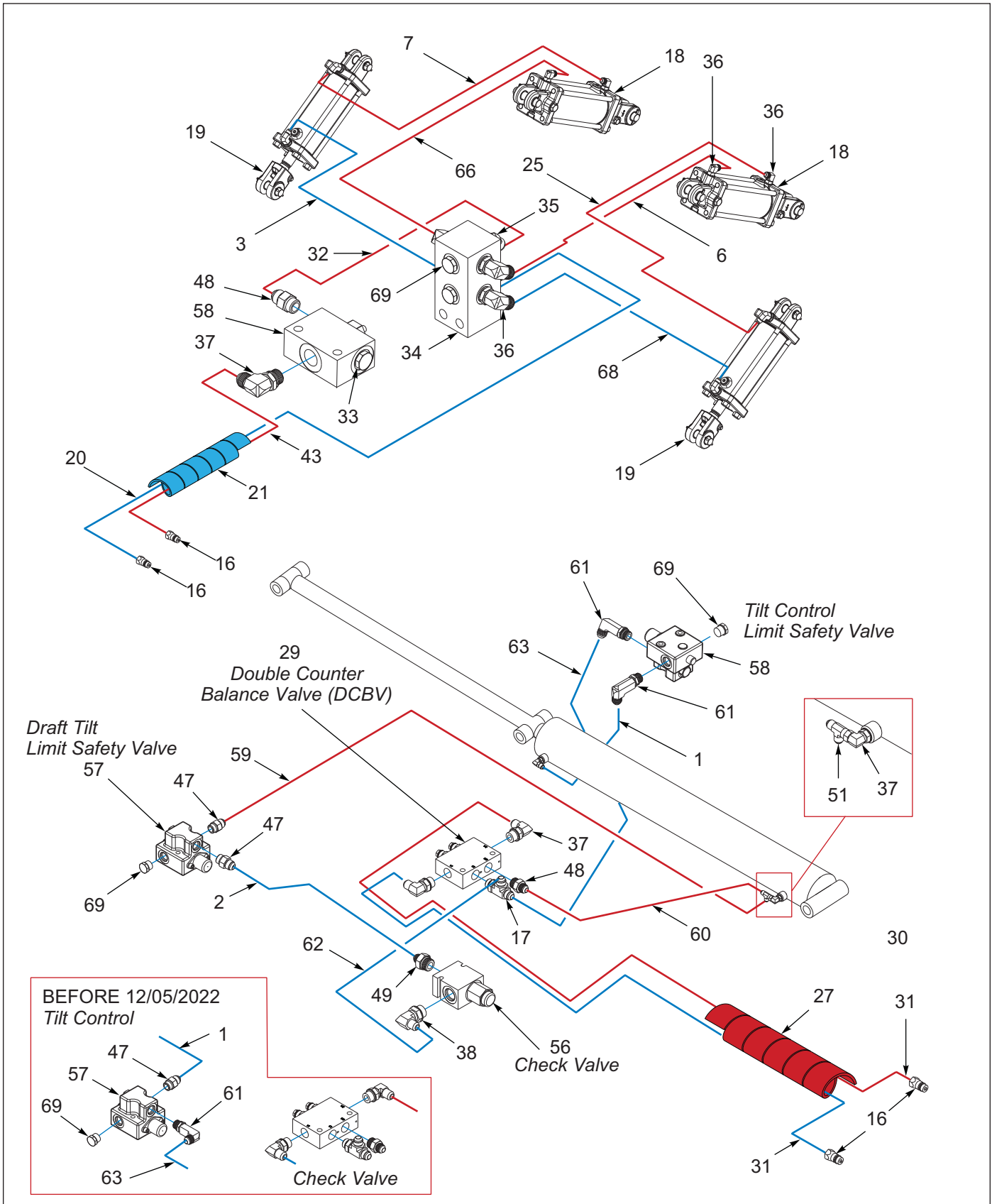


Figure 16-9: 30' Front Gauge and Tilt Diagram (AFTER 03/2018) (1 of 3)

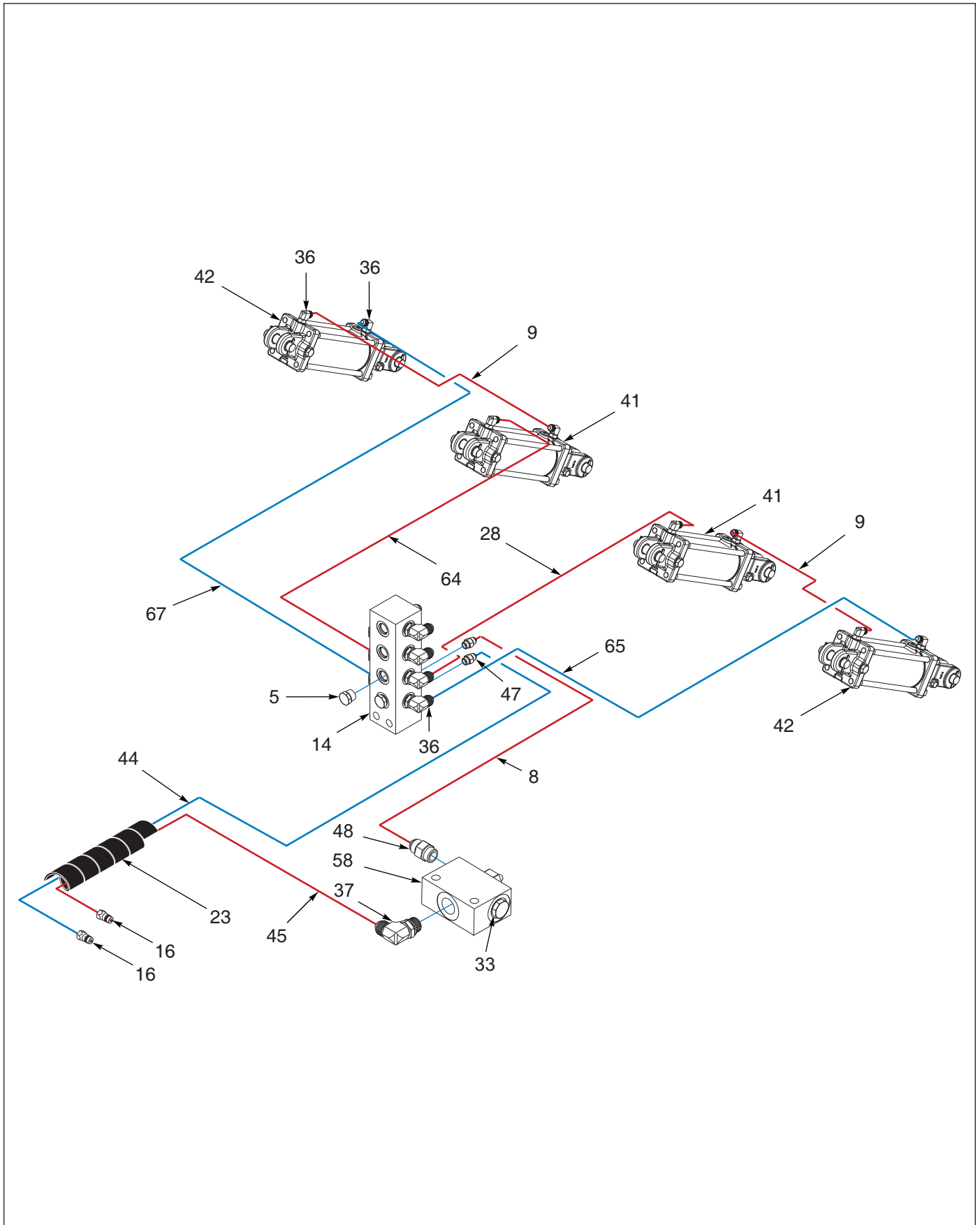


Figure 16-10: 30' Rear Gauge Diagram (AFTER 03/2018) (2 of 3)

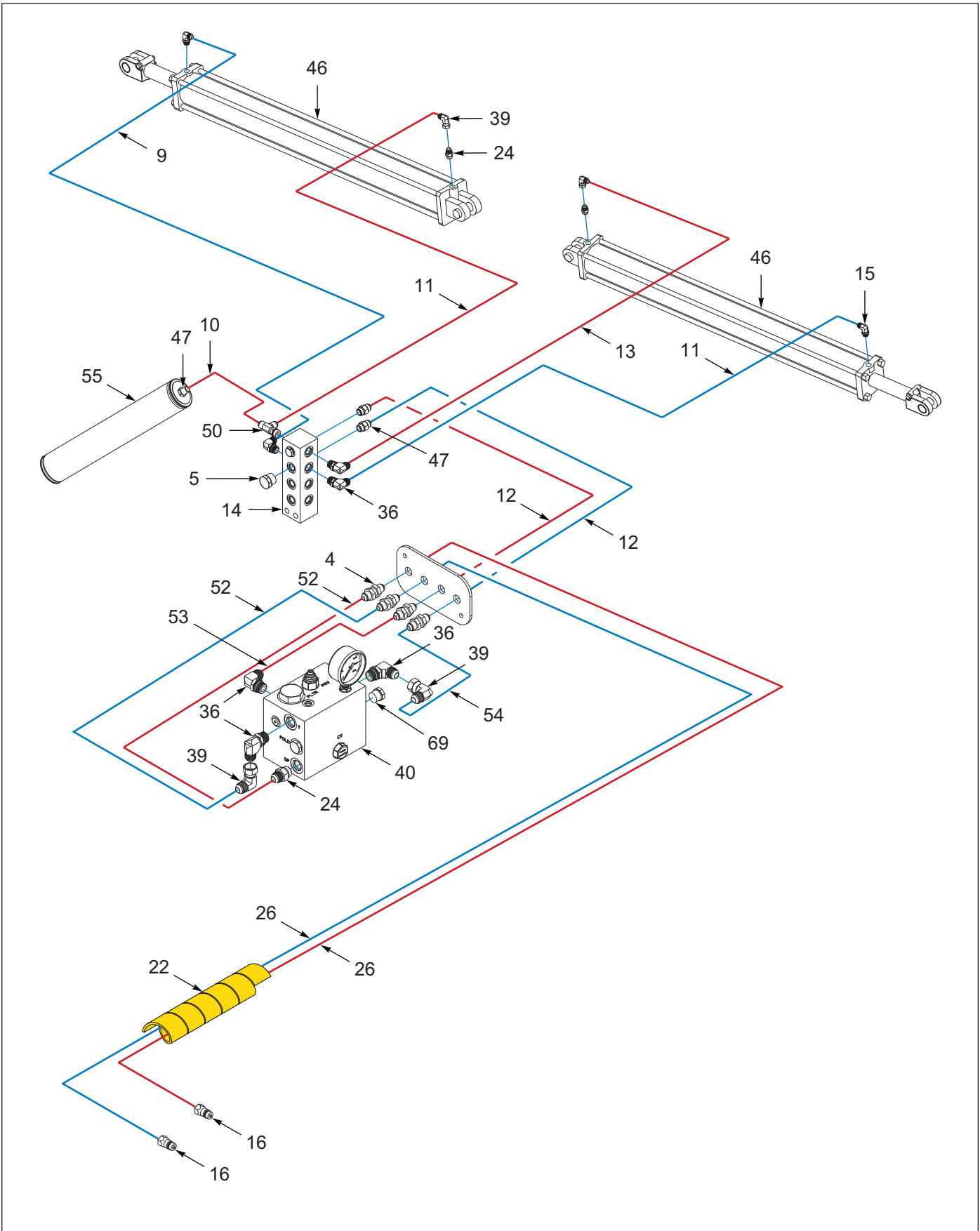


Figure 16-11: 30' Wing Fold and Down Diagram (AFTER 03/2018) (3 of 3)

30' Hydraulic Diagram (AFTER 03/2018)

ITEM	PART NUMBER	DESCRIPTION	QTY.
1	1-397-010301025	HOSE ASSY,1/2SAE37, STR-STR25 (AFTER 12/05/2022)	--
1	1-397-010301084	HOSE ASSY,1/2X84,SAE 37,STR (03/2018 TO 12/05/2022)	--
2	1-397-010302042	HOSE ASSY,1/2X42,SAE37,STR-90	--
3	201313	HOSE ASSY 3/8X335,-8FJX,-8FJX (AFTER 02/01/2020)	--
3	1-397-010369324	HOSE ASSY,3/8X324, #8 JIC SWV (BEFORE 02/01/2020)	--
4	102-0322	37 FLARE BULKHEAD/37 FLARE	--
5	1-007-010025	PLUG, 3/4-16 O-RING BOSS	--
6	116432	HOSE ASSY, 3/8X60 #8 JIC SWV	--
7	180117	HOSE ASSY, 3/8X275, #8JIC SWIV (AFTER 02/01/2020)	--
7	116437	HOSE ASSY, 3/8X267 #8 JIC SW (BEFORE 02/01/2020)	--
8	116491	HOSE ASSY 3/8X96 #8 JIC SW	--
9	117260	HOSE ASSY 3/8X156 #8JIC	--
10	123066	HOSE ASSY 3/8X64 #8STR-#8-90	--
11	137599	HOSE ASSY 3/8X126.25 #8JIC SWV (AFTER 02/01/2020)	--
11	116434	HOSE ASSY, 3/8X120 #8 JIC SW (BEFORE 02/01/2020)	--
12	1413183	HOSE ASSY #6 .38X103.25HIPRES	--
13	1413184	HOSE ASSY #6 .38X106.25HIPRES	--
14	141594	MANIFOLD, HYDRAULIC 16 PORT	--
15	141826	ELBOW 90 1/16 RES	--
16	141828	COUPLER,MALE 3/4-16 O-RING	--
17	143852	ADAPTER TEE #10ORB #10JIC	--
18	223374	CYLINDER 4-1/2 X 10 REPHASE (AFTER 01/03/2020) (SEE PAGE 16-67)	--
18	145200	CYLINDER 4-1/2 X 8 REPHASE (BEFORE 01/03/2020) (SEE PAGE 16-57)	--
19	201275	CYLINDER, 4 X 10 REPHASE (AFTER 01/03/2020) (SEE PAGE 16-61)	--
19	145201	CYLINDER 4 X 8 REPHASE (BEFORE 01/03/2020) (SEE PAGE 16-58)	--
20	147585	HOSE ASSY3/8X336#8JICX#8O-RNG	--
21	155528	HOSE WRAP, BLUE 1" ID X 8"	--
22	155529	HOSE WRAP, YELLOW 1" ID X 8"	--
23	155530	HOSE WRAP, BLACK 1" ID X 8"	--
24	162671	CHECK VALVE W/ORIFICE	--
25	71600089	HOSE ASSY 3/8 X 295IN (AFTER 02/01/2020)	--
25	164308	HOSE ASSY,3/8X285 #8JIC SWIV (BEFORE 02/01/2020)	--
26	165335	HOSE ASY3/8X290 #8JICX#8 O/R	--
27	172973	HOSE WRAP, RED	--
28	181801	HOSE ASSY, 3/8x58 #8 JIC SWIV	--
29	184585	VALVE,DUAL COUNTER BALANCE,30G	--
30	187436	CYLINDER, HYD 7X60 WLD 3000PSI (SEE PAGE 16-65)	--
31	187651	HOSE 1/2X37JICX3/4-16ORINGX332	--
32	192481	HOSE ASSY 3/8 X 88	--
33	143853	PLUG #10 M ORB HEX SOCKET	--
34	2-474-010022	MANIFOLD ASSY, HYDR 6 HOSE	--
35	2061-8-8S	ADAPTER, 45, #8 O-RING-TUBE	--
36	2062-8-8S	ADAPTER, 90, #8 O-RING-TUBE	--
37	2062-10-8S	ADAPTER,90, #10 O-RING-TUBE	--
38	2062-12-8S	ADAPTER,90,#12 O-RING-#8 TUBE	--

HYDRAULICS

30' Hydraulic Diagram (AFTER 03/2018)

ITEM	PART NUMBER	DESCRIPTION	QTY.
39	2071-8-8S	ADAPTER90 #8 FLR SWIVEL #8JIC	--
40	200743	MANIFOLD ASSY VALVE DOWN PRESS	--
41	201275	CYLINDER, 4 X 10 REPHASE (SEE PAGE 16-61)	--
42	201276	CYLINDER, 3.75 X 10 REPHASE (SEE PAGE 16-61)	--
43	201341	HOSE ASSY, 3/8X350,-8FJX,-8ORB	--
44	201343	HOSE ASSY, 3/8X395,-8FJX,-8ORB	--
45	201344	HOSE ASSY, 3/8X460,-8FJX,-8ORB	--
46	201347	CYLINDER-HYD,4X48,2-1/4RD,3000 (SEE PAGE 16-64)	--
47	202702-8-8S	ADAPTER #8 O-RING - #8 TUBE	--
48	202702-10-8S	ADAPTER, #10 O-RING #8 TUBE	--
49	202702-12-8S	ADAPTER, #12 O-RING #8 TUBE	--
50	203005-8-8S	ADAPTER,TEE,#8 O-RING-TUBE	--
51	203102-8-8S	ADAPTER,TEE,1/2 #8JICX#8JICSWV	--
52	203424	HOSE ASSY 3/8X26 #8STR-#8-90	--
53	203425	HOSE ASSY 3/8X33 #8STR-#8-90	--
54	203426	HOSE ASSY 3/8X39 #8STR-#8-90	--
55	203429	ACCUMULATOR-PISTON, 122 CI	--
56	203447	VALVE-CHECK, 225 PSI, ASM	--
57	203450	VALVE-LIMIT	--
58	203467	VALVE-LIMIT, STROKE	--
59	203566	HOSE ASM 1/2X93,-8FJX,-8FJX90S	--
60	203599	HOSE ASSY 1/2X 47,-8FJX,-8FJX	--
61	206209-8-8S	ADAPTER,90LONG,#8 O-RING-TUBE	--
62	210861	HOSE ASM1/2X36 -10FJX90S -8FJX	--
63	240222	HOSE ASSY, 1/2X54, JIC,#8-#10 (AFTER 12/05/2022)	--
63	50002-76	HOSE #8 ASSY 89.25 OAL (03/2018 TO 12/05/2022)	--
64	71508988	HOSE ASSY 3/8 X 80	--
65	71509000	HOSE ASM 3/8 X202	--
66	71509382	HOSE ASSY .38 X 112	--
67	71600088	HOSE ASSY 3/8 X228IN	--
68	164307	HOSE ASSY,3/8X237 #8JIC SWIV (FRONT GAUGE ONLY) (AFTER 02/01/2020)	--
68	71600088	HOSE ASSY 3/8 X228IN (BEFORE 02/01/2020)	--
69	102-1187	PLUG,-8M O-RING AQP#900598-8S	--

35' Hydraulic Diagram (AFTER 03/2018)

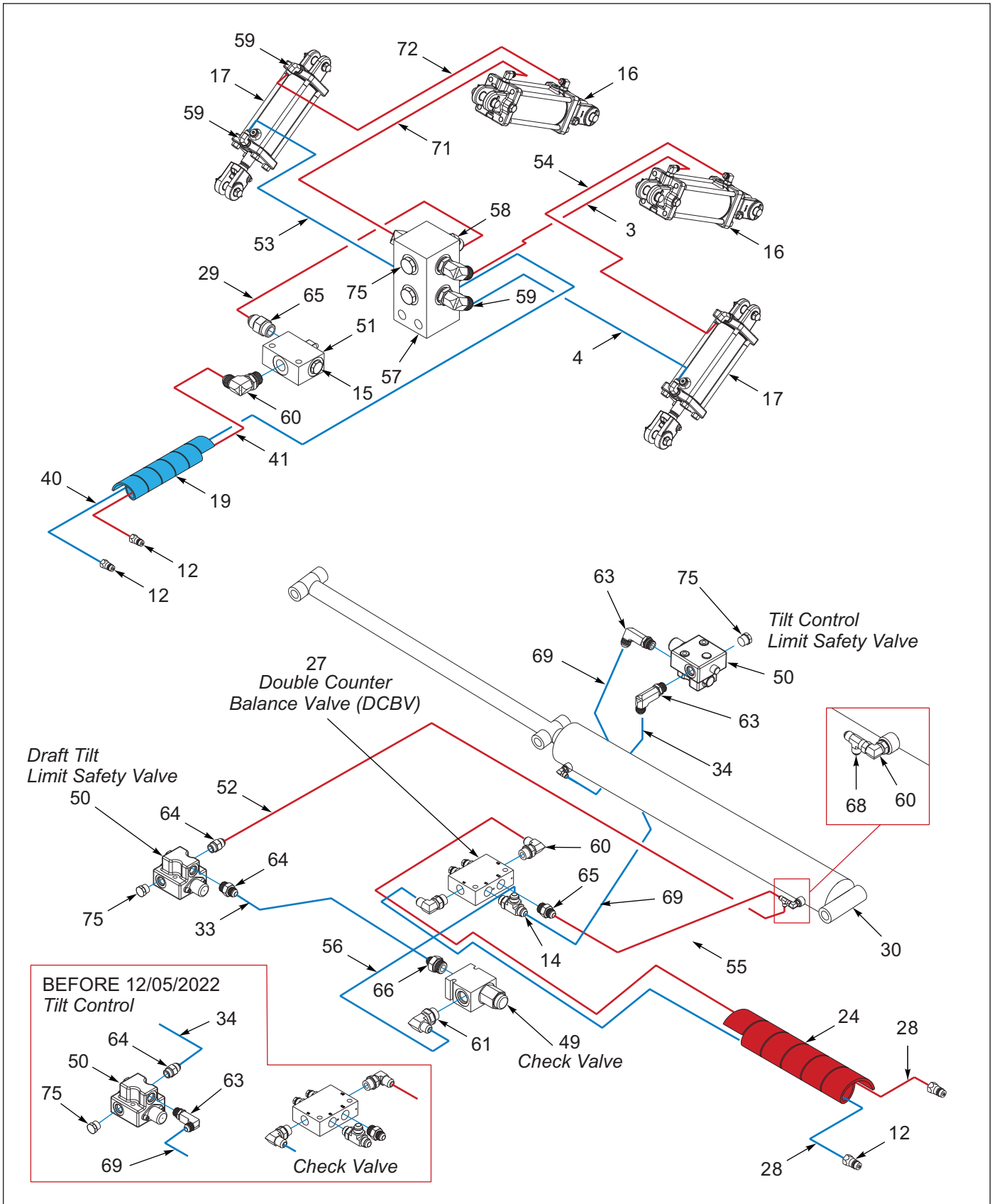


Figure 16-12: 35' Front Gauge and Tilt Diagram (AFTER 03/2018) (1 of 4)

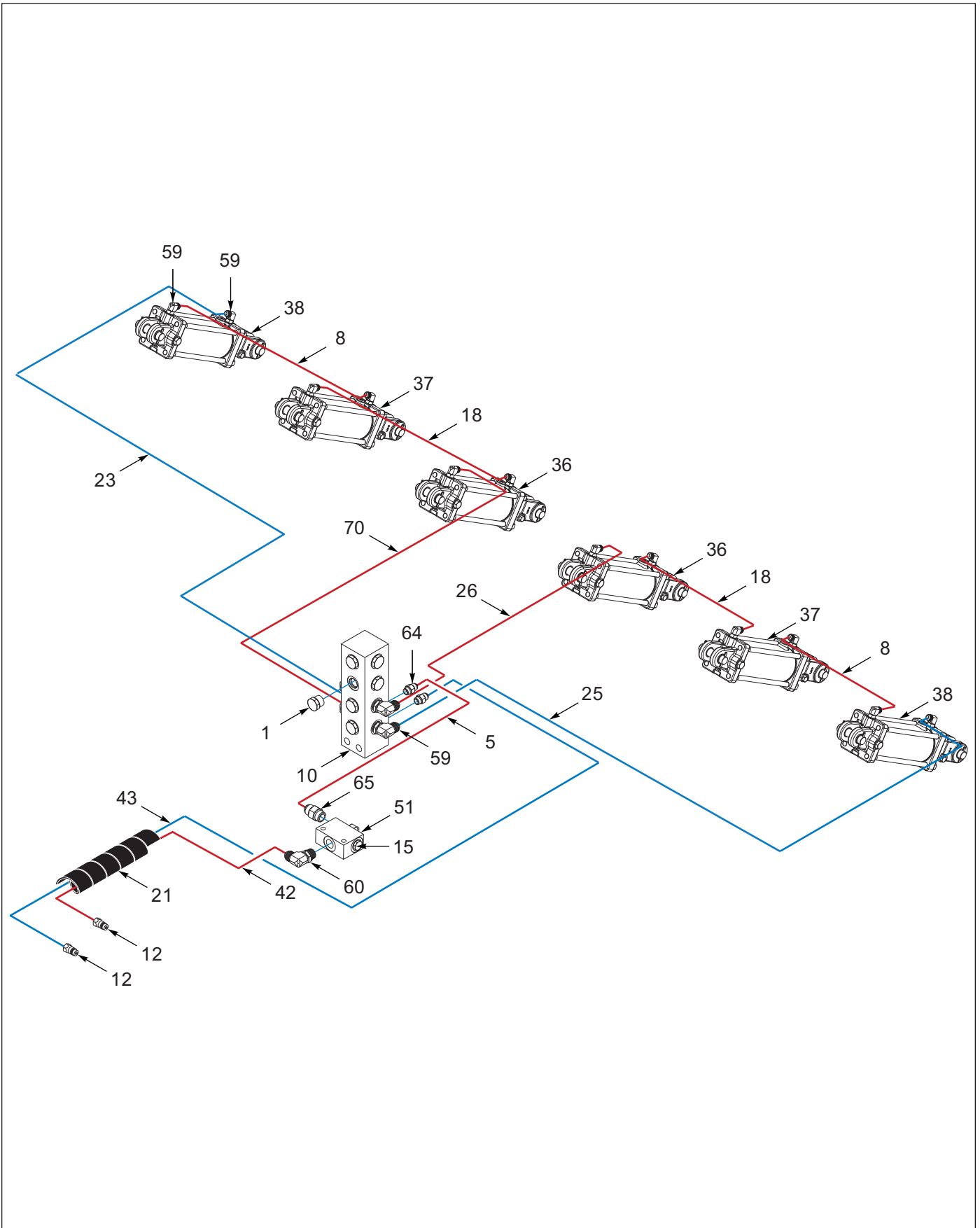


Figure 16-13: 35' Rear Gauge Diagram (AFTER 03/2018) (2 of 4)

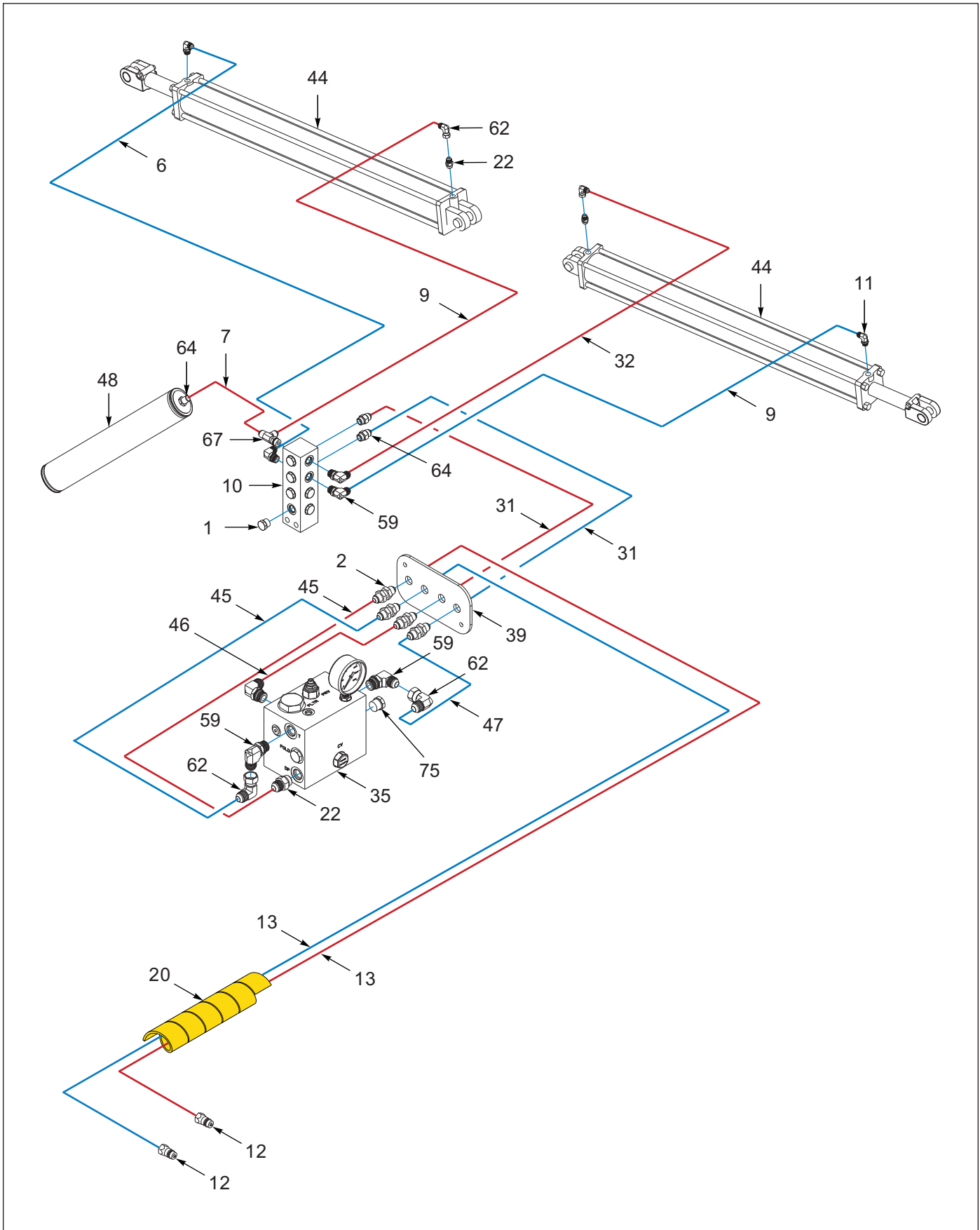


Figure 16-14: 35' Wing Fold and Down Diagram (03/2018 - 12/2020) (3 of 4)

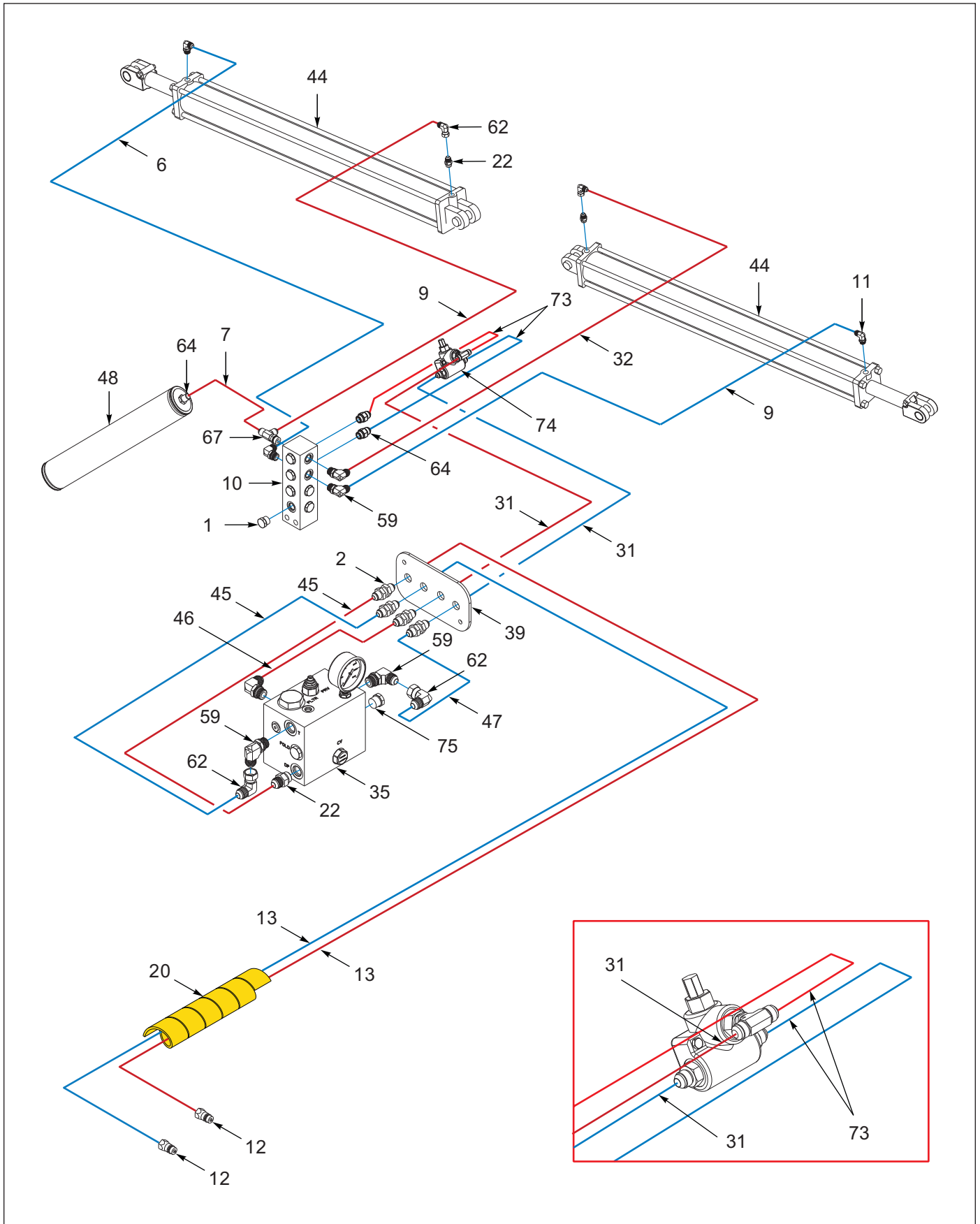


Figure 16-15: 35' Wing Fold and Down Diagram (AFTER 12/15/2020) (4 of 4)

HYDRAULICS

35' Hydraulic Diagram (AFTER 03/2018)

ITEM	PART NUMBER	DESCRIPTION	QTY.
1	1-007-010025	PLUG, 3/4-16 O-RING BOSS	--
2	102-0322	37 FLARE BULKHEAD/37 FLARE	--
3	116432	HOSE ASSY, 3/8X60 #8 JIC SWV	--
4	180117	HOSE ASSY, 3/8X275, #8JIC SWIV (AFTER 02/01/2020)	--
4	116437	HOSE ASSY, 3/8X267 #8 JIC SW (BEFORE 02/01/2020)	--
5	116491	HOSE ASSY 3/8X96 #8 JIC SW	--
6	117260	HOSE ASSY 3/8X156 #8JIC	--
7	123066	HOSE ASSY 3/8X64 #8STR-#8-90	--
8	137598	HOSE ASSY #6 .38X123.25HIPRES	--
9	137599	HOSE ASSY 3/8X126.25 #8JIC SWV	--
10	141594	MANIFOLD, HYDRAULIC 16 PORT	--
11	141826	ELBOW 90 1/16 RES	--
12	141828	COUPLER,MALE 3/4-16 O-RING	--
13	141888	HOSE ASSY 3/8X320 #8JICX#8OR	--
14	143852	ADAPTER TEE #10ORB #10JIC	--
15	143853	PLUG #10 M ORB HEX SOCKET	--
16	223374	CYLINDER, 4-1/2 X 10, REPHASE (AFTER 01/03/2020) (SEE PAGE 16-67)	--
16	145200	CYLINDER 4-1/2 X 8 REPHASE (BEFORE 01/03/2020) (SEE PAGE 16-57)	--
17	201275	CYLINDER, 4 X 10 REPHASE (AFTER 01/03/2020) (SEE PAGE 16-61)	--
17	145201	CYLINDER 4 X 8 REPHASE (BEFORE 01/03/2020) (SEE PAGE 16-58)	--
18	153620	HOSE ASSY 3/8X140 #8 JIC SWIV	--
19	155528	HOSE WRAP, BLUE 1" ID X 8"	--
20	155529	HOSE WRAP, YELLOW 1" ID X 8"	--
21	155530	HOSE WRAP, BLACK 1" ID X 8"	--
22	162671	CHECK VALVE W/ORIFICE	--
23	164309	HOSE ASSY 3/8X300 #8JIC SWIV	--
24	172973	HOSE WRAP, RED	--
25	180117	HOSE ASSY, 3/8X275, #8JIC SWIV	--
26	181801	HOSE ASSY, 3/8x58 #8 JIC SWIV	--
27	184585	VALVE,DUAL COUNTER BALANCE,30G	--
28	188845	HOSE ASSY,1/2X 362,-8FJX/-8ORB	--
29	192481	HOSE ASSY 3/8 X 88	--
30	199920	CYLINDER-HYDR, 8X60, 3000PSI (SEE PAGE 16-66)	--
31	1413183	HOSE ASSY #6 .38X103.25HIPRES	--
32	1413184	HOSE ASSY #6 .38X106.25HIPRES	--
33	1-397-010302042	HOSE ASSY,1/2X42,SAE37,STR-90	--
34	1-397-010301025	HOSE ASSY,1/2SAE37, STR-STR25 (AFTER 12/05/2022)	--
34	1-397-010301084	HOSE ASSY,1/2X84,SAE 37,STR (03/2018 TO 12/05/2022)	--
35	200743	MANIFOLD ASSY VALVE DOWN PRESS	--
36	201275	CYLINDER, 4 X 10 REPHASE (SEE PAGE 16-61)	--
37	201276	CYLINDER, 3.75 X 10 REPHASE (SEE PAGE 16-61)	--
38	201277	CYLINDER, 3.5 X 10 REPHASE (SEE PAGE 16-61)	--
39	203391	PLATE-BULKHEAD MOUNT	--
40	201341	HOSE ASSY, 3/8X350,-8FJX,-8ORB	--
41	201342	HOSE ASSY, 3/8X375,-8FJX,-8ORB	--
42	201344	HOSE ASSY, 3/8X460,-8FJX,-8ORB	--
43	201346	HOSE ASSY 3/8X420,-8FJX,-8ORB	--

35' Hydraulic Diagram (AFTER 03/2018)

ITEM	PART NUMBER	DESCRIPTION	QTY.
44	201347	CYLINDER-HYD,4X48,2-1/4RD,3000 (SEE PAGE 16-64)	--
45	203424	HOSE ASSY 3/8X26 #8STR-#8-90	--
46	203425	HOSE ASSY 3/8X33 #8STR-#8-90	--
47	203426	HOSE ASSY 3/8X39 #8STR-#8-90	--
48	203429	ACCUMULATOR-PISTON, 122 CI	--
49	203447	VALVE-CHECK, 225 PSI, ASM	--
50	203450	VALVE-LIMIT	--
51	203467	VALVE-LIMIT, STROKE (AFTER 03/01/2018)	--
51	140693	VALVE, LIMIT (BEFORE 03/01/2018)	--
52	203566	HOSE ASM 1/2X93,-8FJX,-8FJX90S	--
53	1-397-010369324	HOSE ASSY,3/8X324, #8 JIC SWV (AFTER 03/01/2018)	--
54	1-397-010369324	HOSE ASSY,3/8X324, #8 JIC SWV (AFTER 03/01/2018)	--
55	203599	HOSE ASSY 1/2X 47,-8FJX,-8FJX	--
56	210861	HOSE ASM1/2X36 -10FJX90S -8FJX	--
57	2-474-010022	MANIFOLD HYDRAULIC, 6 HOSE	--
58	2061-8-8S	ADAPTER, 45, #8 O-RING-TUBE	--
59	2062-8-8S	ADAPTER, 90, #8 O-RING-TUBE	--
60	2062-10-8S	ADAPTER,90, #10 O-RING-TUBE	--
61	2062-12-8S	ADAPTER,90,#12 O-RING-#8 TUBE	--
62	2071-8-8S	ADAPTER90 #8 FLR SWIVEL #8JIC	--
63	206209-8-8S	ADAPTER,90LONG,#8 O-RING-TUBE	--
64	202702-8-8S	ADAPTER #8 O-RING - #8 TUBE	--
65	202702-10-8S	ADAPTER, #10 O-RING #8 TUBE	--
66	202702-12-8S	ADAPTER, #12 O-RING #8 TUBE	--
67	203005-8-8S	ADAPTER,TEE,#8 O-RING-TUBE	--
68	203102-8-8S	ADAPTER,TEE,1/2 #8JICX#8JICSWV	--
69	240222	HOSE ASSY, 1/2X54, JIC,#8-#10 (AFTER 12/05/2022)	--
69	50002-76	HOSE #8 ASSY 89.25 OAL (03/2018 TO 12/05/2022)	--
70	71508988	HOSE ASSY 3/8 X 80	--
71	71509382	HOSE ASSY .38 X 112	--
72	203596	HOSE ASSY 3/8X310,-8FJX,-8FJX (AFTER 03/01/2018)	--
73	117259	HOSE ASSY 3/8X48 #8JIC	--
74	227898	VALVE-RELIEF, 2000 PSI	--
75	102-1187	PLUG,-8M O-RING AQP#900598-8S	--

40' Hydraulic Diagram (AFTER 03/2018)

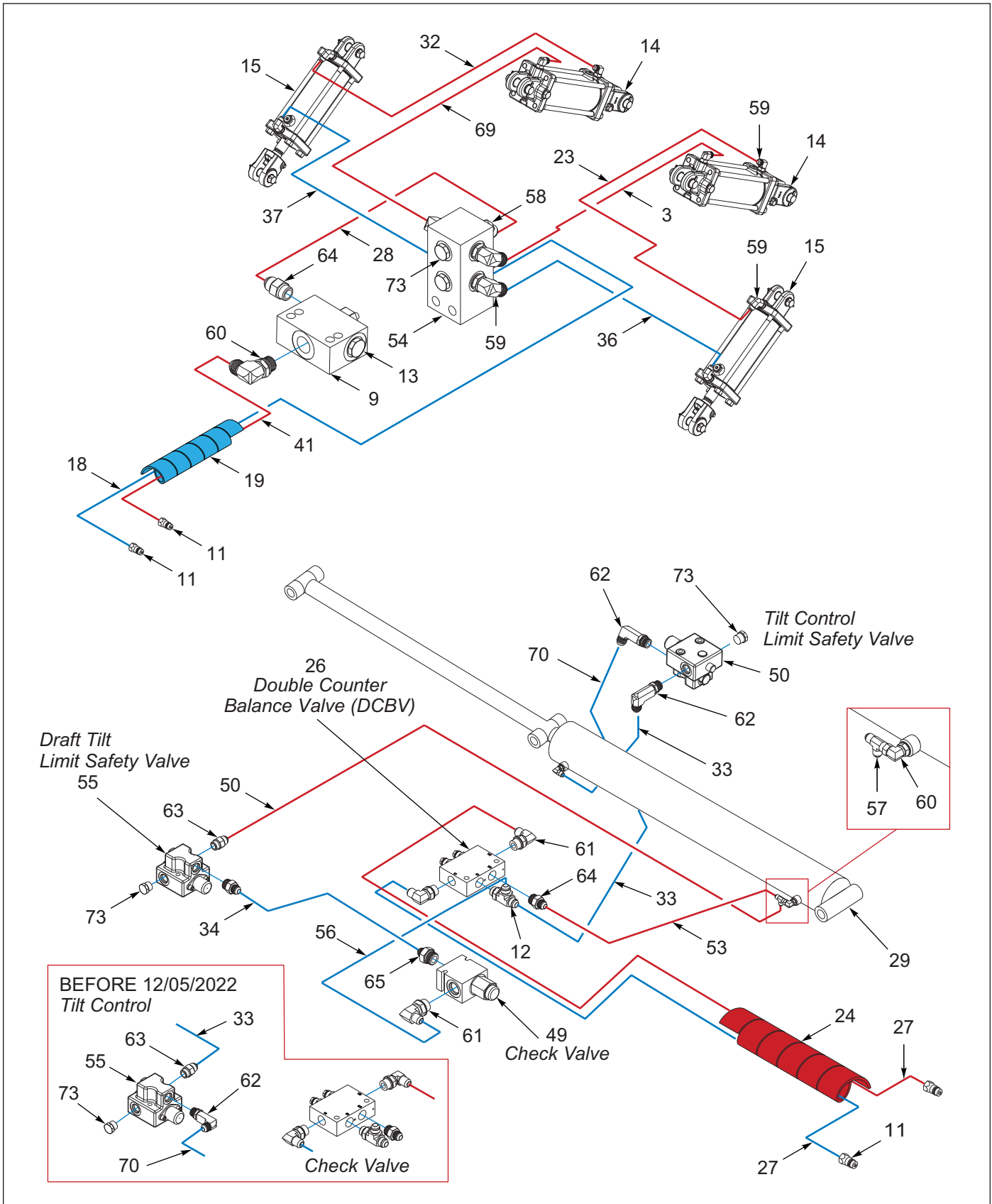


Figure 16-16: 40' Front Gauge and Tilt Diagram (AFTER 03/2018) (1 of 4)

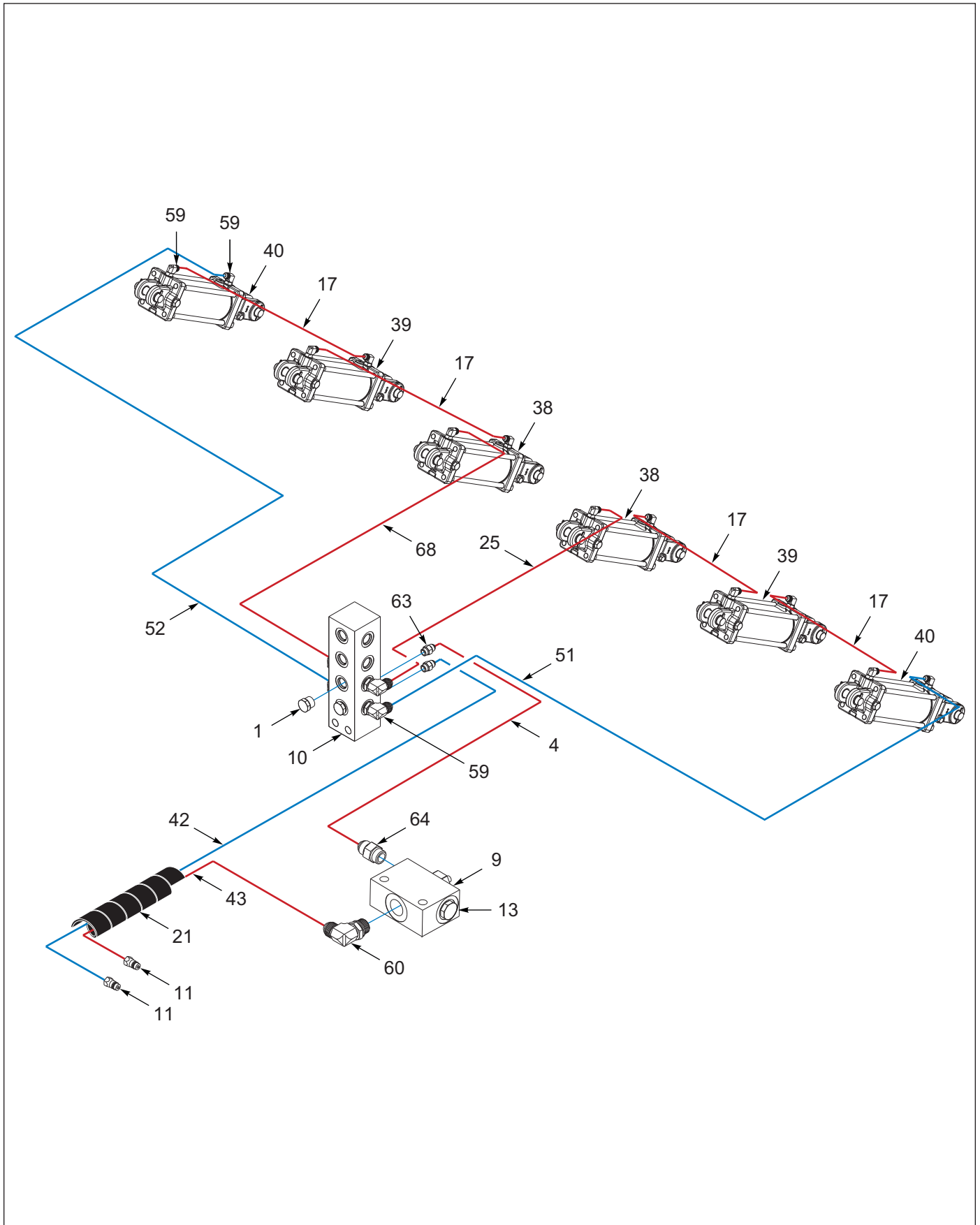


Figure 16-17: 40' Rear Gauge Diagram (AFTER 03/2018) (2 of 4)

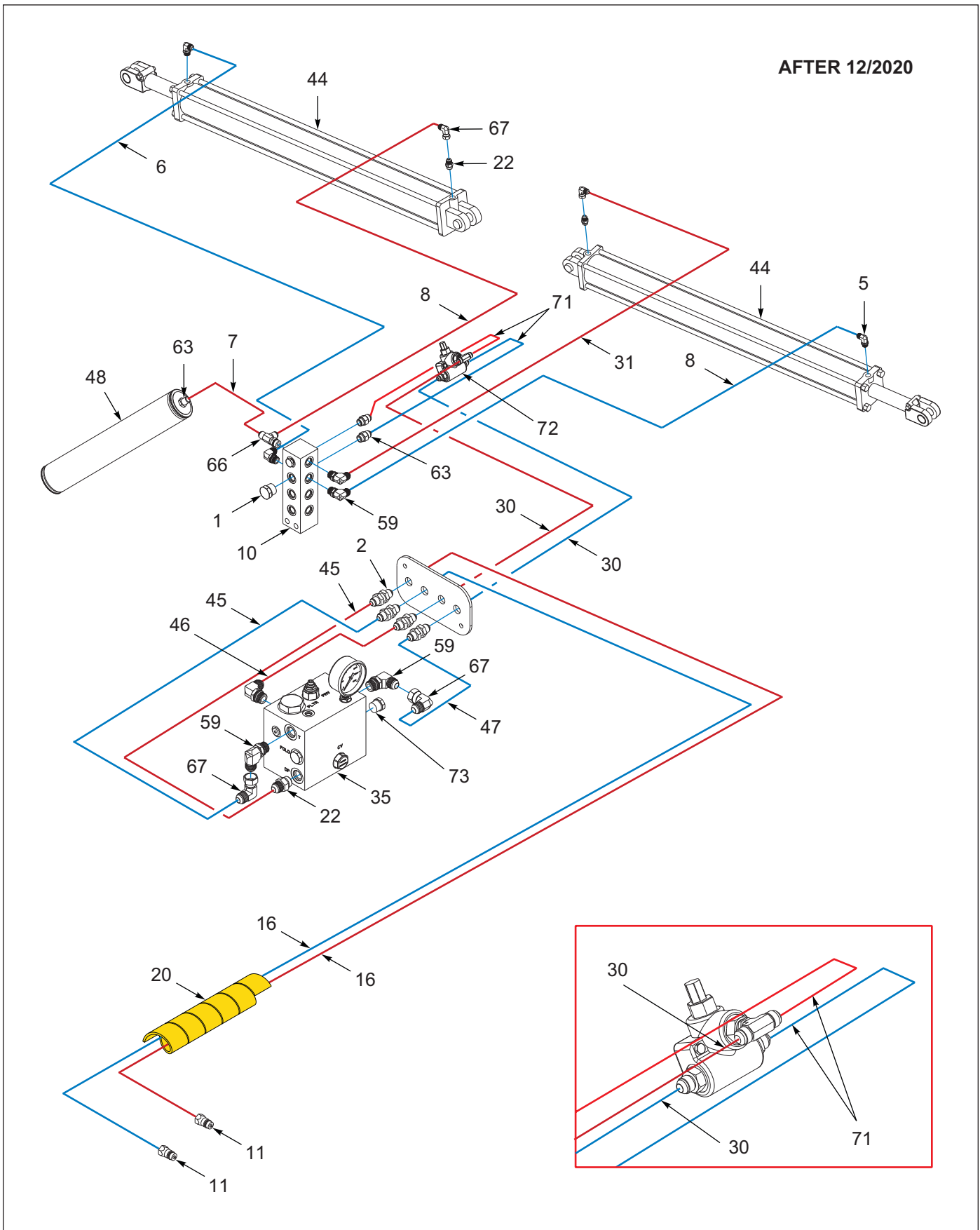


Figure 16-18: 40' Wing Fold Down Diagram (AFTER 12/15/2020) (3 of 4)

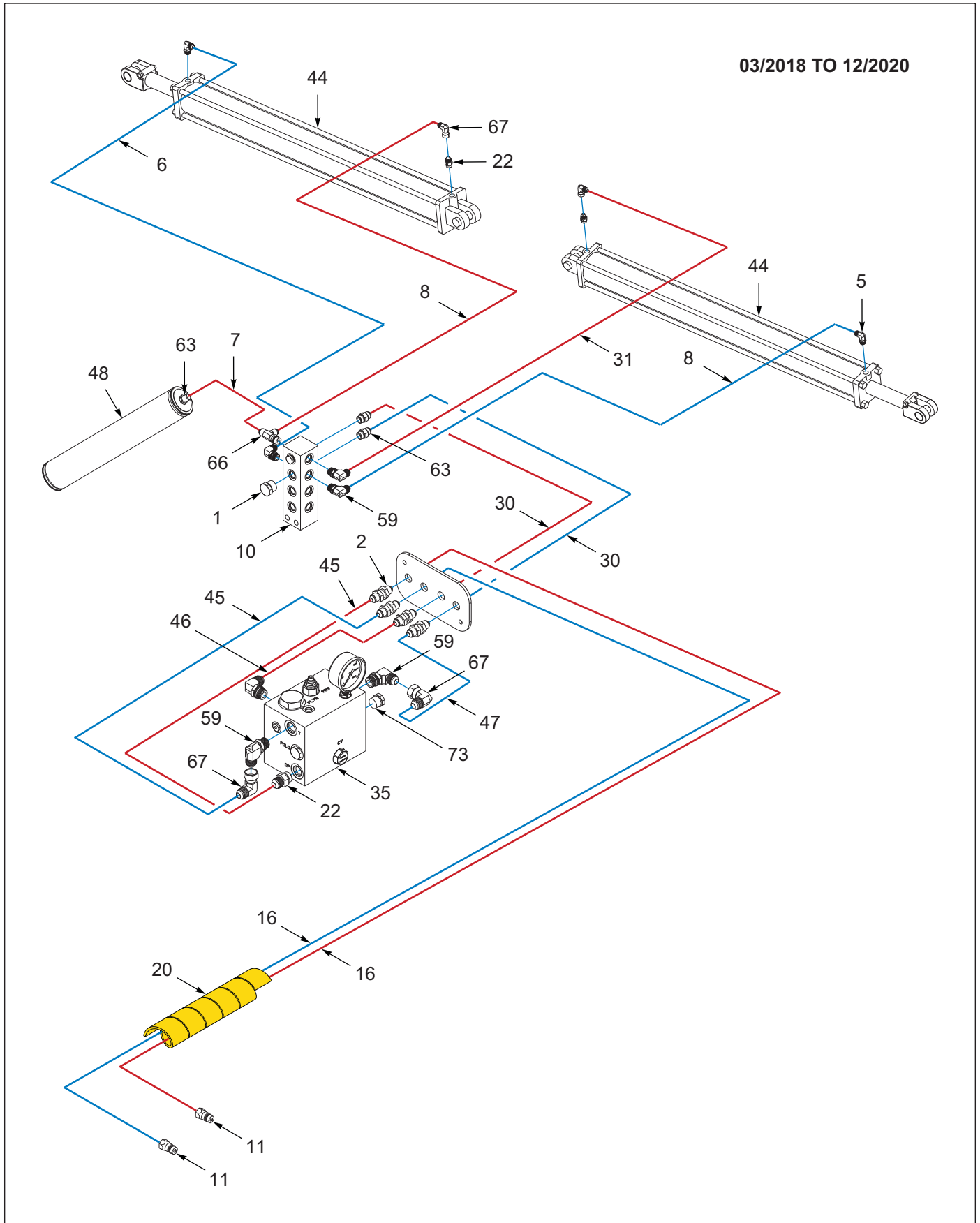


Figure 16-19: 40' Wing Fold Down Diagram (03/2018 - 12/2020) (4 of 4)

HYDRAULICS

40' Hydraulic Diagram (AFTER 03/2018)

ITEM	PART NUMBER	DESCRIPTION	QTY.
1	1-007-010025	PLUG, 3/4-16 O-RING BOSS	--
2	102-0322	37 FLARE BULKHEAD/37 FLARE	--
3	116432	HOSE ASSY, 3/8X60 #8 JIC SWV	--
4	116491	HOSE ASSY 3/8X96 #8 JIC SW	--
5	141826	ELBOW 90 1/16 RES	--
6	117260	HOSE ASSY 3/8X156 #8JIC	--
7	123066	HOSE ASSY 3/8X64 #8STR-#8-90	--
8	137599	HOSE ASSY 3/8X126.25 #8JIC SWV	--
9	203467	VALVE-LIMIT, STROKE (AFTER 03/01/2018)	--
9	140693	VALVE, LIMIT (BEFORE 03/01/2018)	--
10	141594	MANIFOLD, HYDRAULIC 16 PORT	--
11	141828	COUPLER,MALE 3/4-16 O-RING	--
12	143852	ADAPTER TEE #10ORB #10JIC	--
13	143853	PLUG #10 M ORB HEX SOCKET	--
14	223374	CYLINDER 4-1/2 X 10 REPHASE (AFTER 01/03/2020)	--
14	145200	CYLINDER 4-1/2 X 8 REPHASE (BEFORE 01/03/2020) (SEE PAGE 16-57)	--
15	201275	CYLINDER, 4 X 10 REPHASE (AFTER 01/03/2020) (SEE PAGE 16-61)	--
15	145201	CYLINDER 4 X 8 REPHASE (BEFORE 01/03/2020) (SEE PAGE 16-58)	--
16	150272	HOSE ASSY3/8X362#8JICX#8O-RNG	--
17	153620	HOSE ASSY 3/8X140 #8 JIC SWIV	--
18	153622	HOSE ASSY 3/8X385 #8JICX#8OR	--
19	155528	HOSE WRAP, BLUE 1" ID X 8"	--
20	155529	HOSE WRAP, YELLOW 1" ID X 8"	--
21	155530	HOSE WRAP, BLACK 1" ID X 8"	--
22	162671	CHECK VALVE W/ORIFICE	--
23	71600089	HOSE ASSY 3/8 X 295IN (AFTER 02/01/2020)	--
23	164308	HOSE ASSY,3/8X285 #8JIC SWIV (BEFORE 02/01/2020)	--
24	172973	HOSE WRAP, RED	--
25	181801	HOSE ASSY, 3/8x58 #8 JIC SWIV	--
26	184585	VALVE,DUAL COUNTER BALANCE,30G	--
27	188846	HOSE ASSY, 1/2X382,-8FJX/-8ORB (AFTER 02/01/2020)	--
27	201253	HOSE ASSY 1/2X425,-8FJX,-8ORB (BEFORE 02/01/2020)	--
28	192481	HOSE ASSY 3/8 X 88	--
29	199920	CYLINDER-HYDR, 8X60, 3000PSI (SEE PAGE 16-66)	--
30	1413183	HOSE ASSY #6 .38X103.25HIPRES	--
31	1413184	HOSE ASSY #6 .38X106.25HIPRES	--
32	201313	HOSE ASSY 3/8X335,-8FJX,-8FJX (AFTER 02/01/2020)	--
32	1-397-010369324	HOSE ASSY,3/8X324, #8 JIC SWV (BEFORE 02/01/2020)	--
33	1-397-010301025	HOSE ASSY,1/2SAE37, STR-STR25 (AFTER 12/05/2022)	--
33	1-397-010301084	HOSE ASSY,1/2X84,SAE 37,STR (03/2018 TO 12/05/2022)	--
34	1-397-010302042	HOSE ASSY,1/2X42,SAE37,STR-90	--
35	200743	MANIFOLD ASSY VALVE DOWN PRESS	--
36	166978	HOSE ASSY 3/8X340 #8JIC SWIVL (AFTER 02/01/2020)	--
36	201312	HOSE ASSY 3/8X375,-8FJX,-8FJX (BEFORE 02/01/2020)	--
37	201311	HOSE ASSY 3/8X350,-8FJX,-8FJX (AFTER 02/01/2020)	--
37	201313	HOSE ASSY 3/8X335,-8FJX,-8FJX (BEFORE 02/01/2020)	--

40' Hydraulic Diagram (AFTER 03/2018)

ITEM	PART NUMBER	DESCRIPTION	QTY.
38	201275	CYLINDER, 4 X 10 REPHASE (SEE PAGE 16-61)	--
39	201276	CYLINDER, 3.75 X 10 REPHASE (SEE PAGE 16-61)	--
40	201277	CYLINDER, 3.5 X 10 REPHASE (SEE PAGE 16-61)	--
41	201343	HOSE ASSY, 3/8X395,-8FJX,-8ORB	--
42	201344	HOSE ASSY, 3/8X460,-8FJX,-8ORB	--
43	201345	HOSE ASSY 3/8X512,-8FJX,-8ORB	--
44	201347	CYLINDER-HYD,4X48,2-1/4RD,3000 (SEE PAGE 16-64)	--
45	203424	HOSE ASSY 3/8X26 #8STR-#8-90	--
46	203425	HOSE ASSY 3/8X33 #8STR-#8-90	--
47	203426	HOSE ASSY 3/8X39 #8STR-#8-90	--
48	203429	ACCUMULATOR-PISTON, 122 CI	--
49	203447	VALVE-CHECK, 225 PSI, ASM	--
50	203566	HOSE ASM 1/2X93,-8FJX,-8FJX90S	--
51	203595	HOSE ASSY 3/8X280,-8FJX,-8FJX	--
52	203596	HOSE ASSY 3/8X310,-8FJX,-8FJX	--
53	203599	HOSE ASSY 1/2X 47,-8FJX,-8FJX	--
54	2-474-010022	MANIFOLD HYDRAULIC, 6 HOSE	--
55	203450	VALVE-LIMIT	--
56	210861	HOSE ASM1/2X36 -10FJX90S -8FJX	--
57	203102-8-8S	ADAPTER,TEE,1/2 #8JICX#8JICSWV	--
58	2061-8-8S	ADAPTER, 45, #8 O-RING-TUBE	--
59	2062-8-8S	ADAPTER, 90, #8 O-RING-TUBE	--
60	2062-10-8S	ADAPTER,90, #10 O-RING-TUBE	--
61	2062-12-8S	ADAPTER,90,#12 O-RING-#8 TUBE	--
62	206209-8-8S	ADAPTER,90LONG,#8 O-RING-TUBE	--
63	202702-8-8S	ADAPTER #8 O-RING - #8 TUBE	--
64	202702-10-8S	ADAPTER, #10 O-RING #8 TUBE	--
65	202702-12-8S	ADAPTER, #12 O-RING #8 TUBE	--
66	203005-8-8S	ADAPTER,TEE,#8 O-RING-TUBE	--
67	2071-8-8S	ADAPTER90 #8 FLR SWIVEL #8JIC	--
68	71508988	HOSE ASSY 3/8 X 80	--
69	71509382	HOSE ASSY .38 X 112	--
70	240222	HOSE ASSY, 1/2X54, JIC,#8-#10 (AFTER 12/05/2022)	--
70	50002-76	HOSE #8 ASSY 89.25 OAL (02/01/2020 TO 12/05/2022)	--
70	71600087	HOSE ASSY 1/2X48 SAE37 STR (BEFORE 02/01/2020)	--
71	117259	HOSE ASSY 3/8X48 #8JIC (AFTER 12/15/2020)	--
72	227898	VALVE-RELIEF, 2000 PSI (AFTER 12/15/2020) (SEE FIGURE 1-8)	--
73	102-1187	PLUG,-8M O-RING AQP#900598-8S	--

25' Hydraulic Diagram (BEFORE 03/2018)

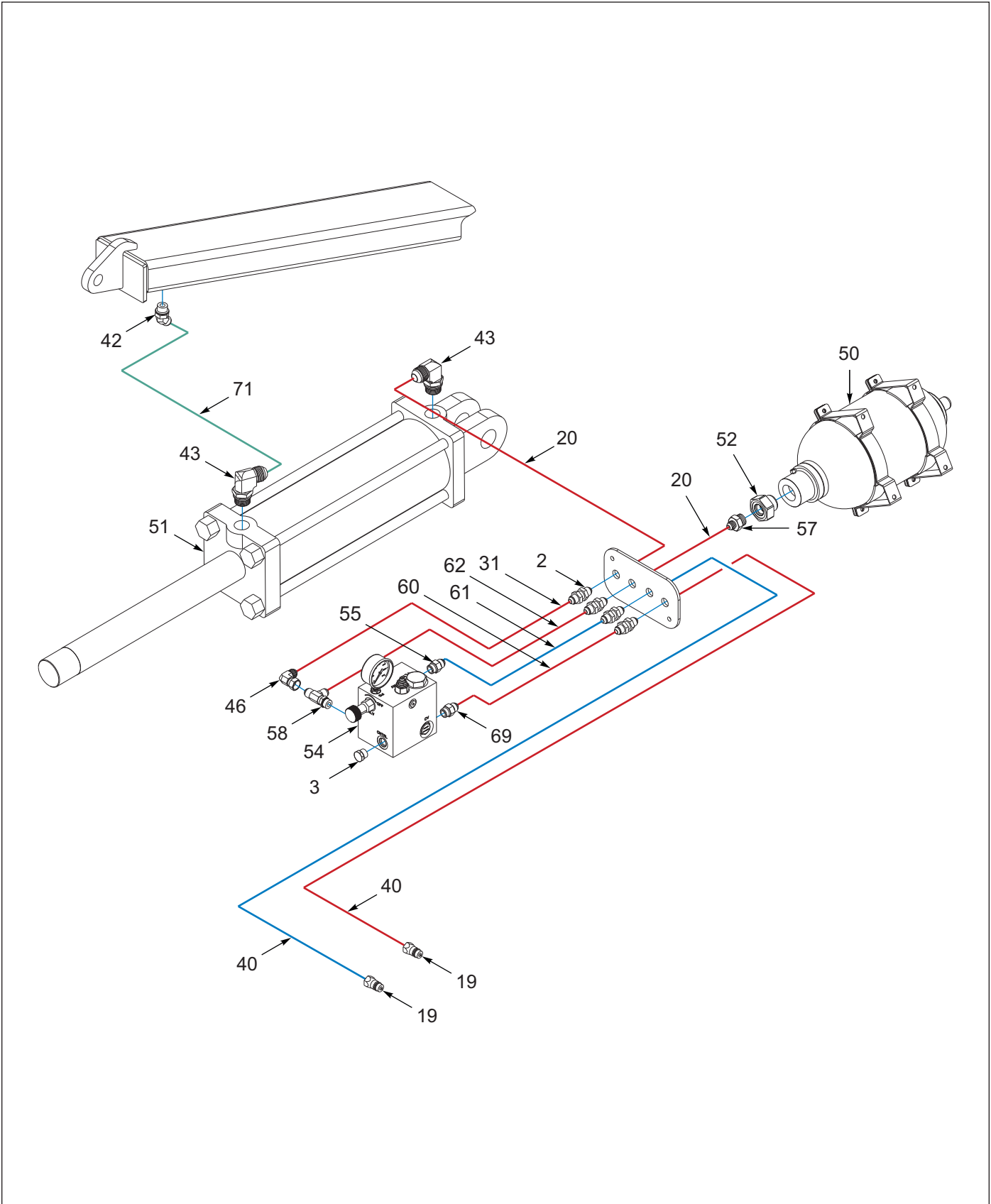


Figure 16-20: 25' Draft Compensator Diagram (BEFORE 03/2018) (1 of 4)

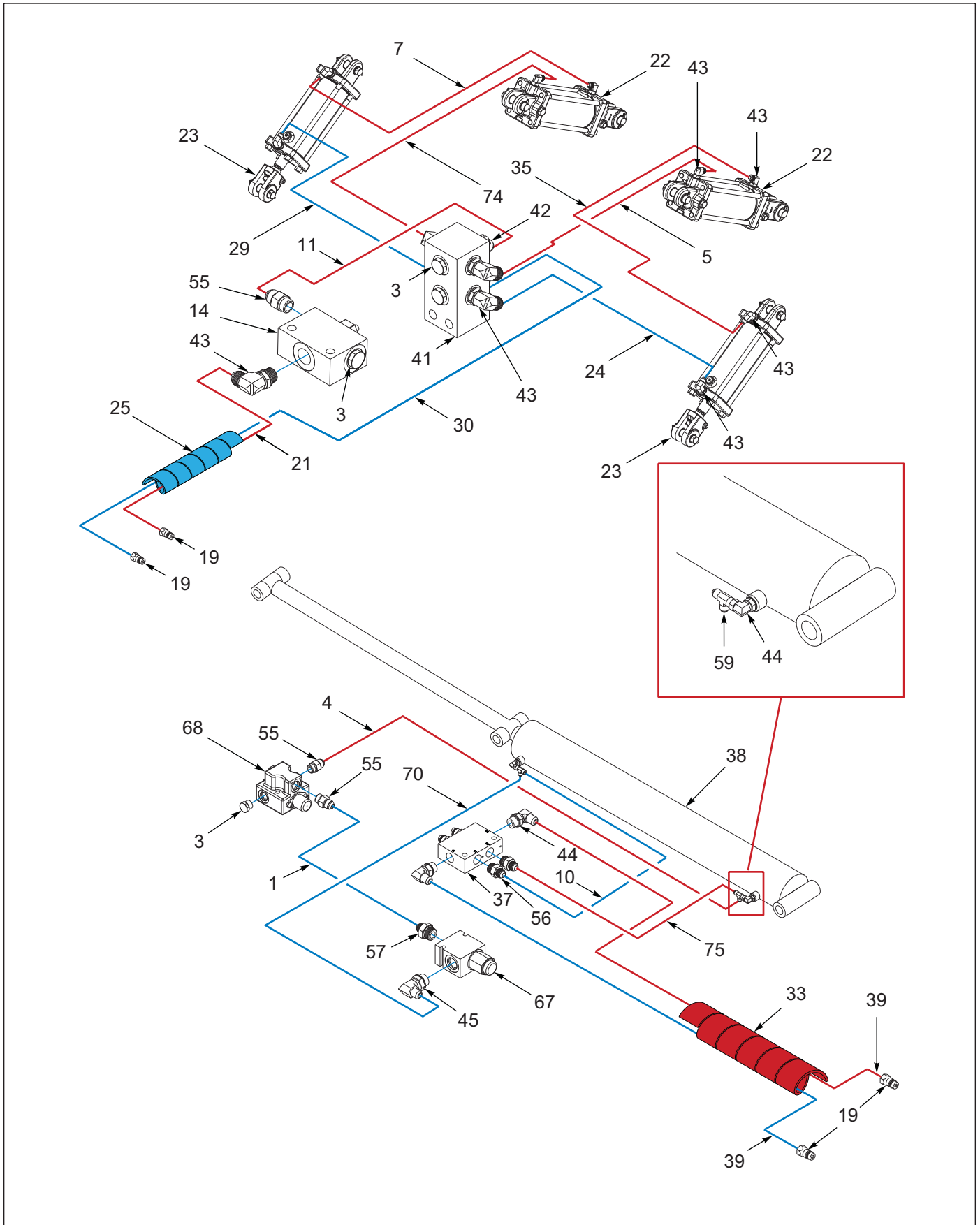


Figure 16-21: 25' Front Gauge and Tilt Diagram (BEFORE 03/2018) (2 of 4)

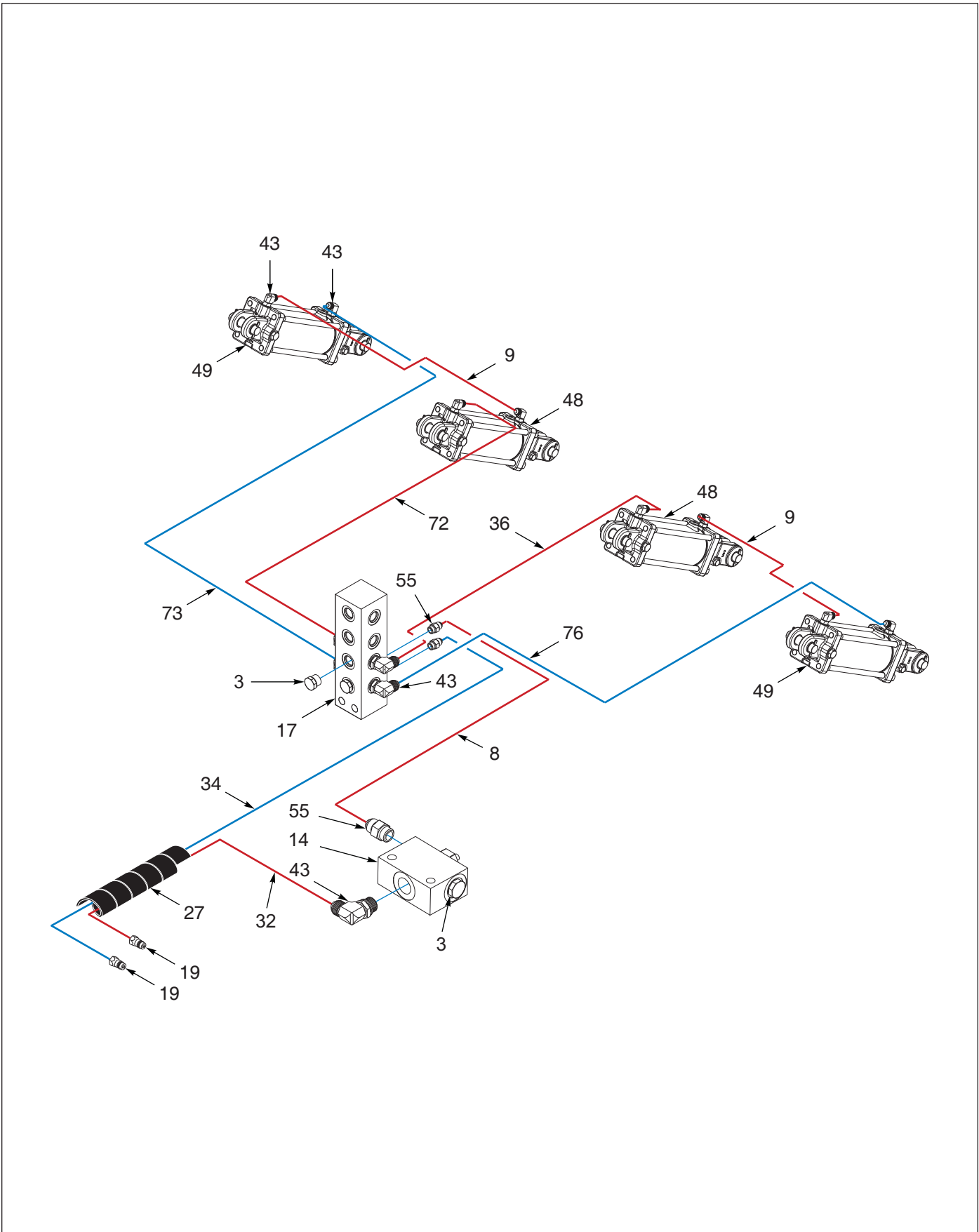


Figure 16-22: 25' Rear Gauge Diagram (BEFORE 03/2018) (3 of 4)

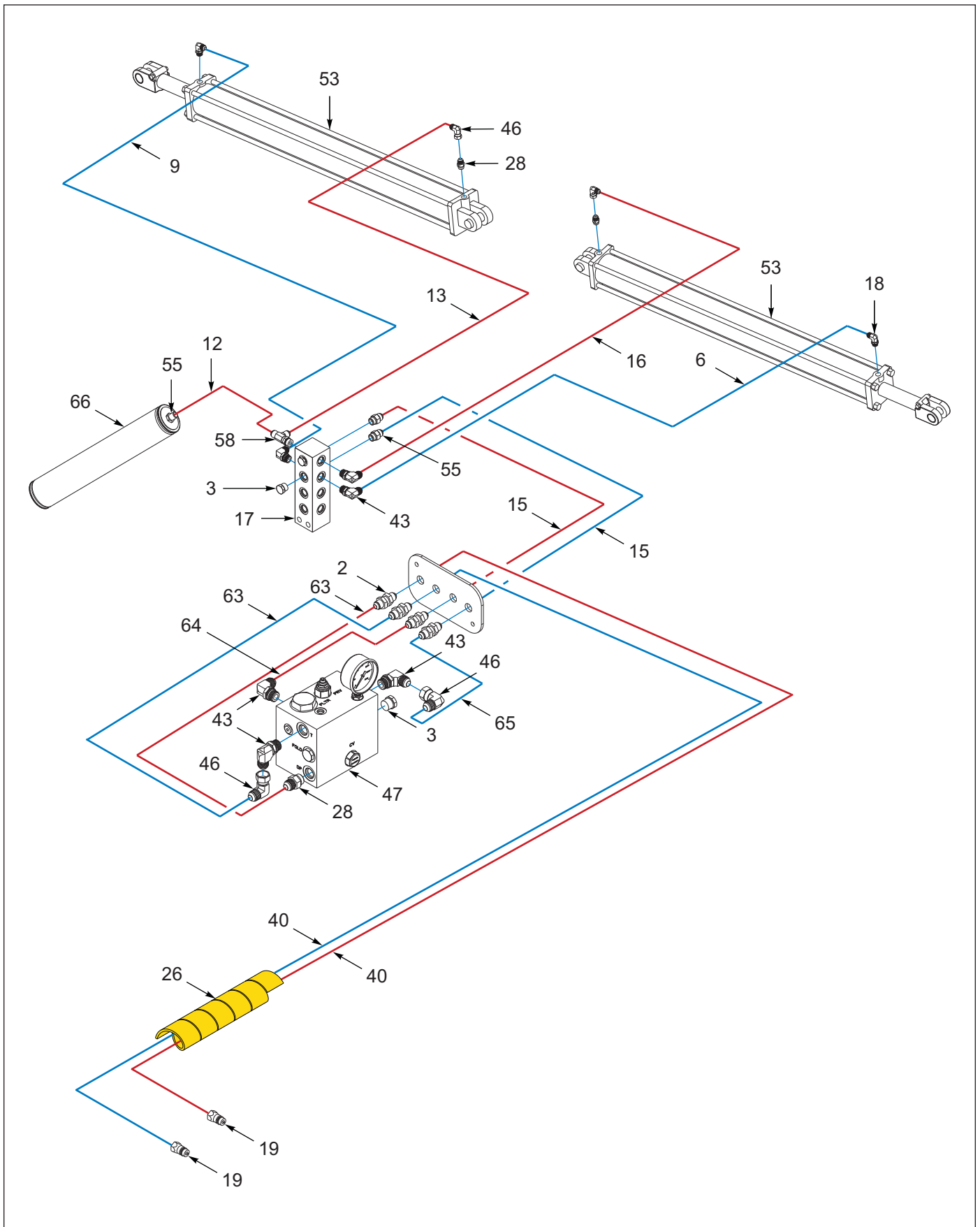


Figure 16-23: 25' Wing Fold and Down Pressure Diagram (BEFORE 03/2018) (4 of 4)

HYDRAULICS

25' Hydraulic Diagram (BEFORE 03/2018)

ITEM	PART NUMBER	DESCRIPTION	QTY.
1	1-397-010302042	HOSE ASSY,1/2X42,SAE37,STR-90	--
2	102-0322	37 FLARE BULKHEAD/37 FLARE	--
3	1-007-010025	PLUG, 3/4-16 O-RING BOSS	--
4	104369	HOSE ASSY 1/2X96,SAE37,STR-90	--
5	116432	HOSE ASSY, 3/8X60 #8 JIC SWV	--
6	116434	HOSE ASSY, 3/8X120 #8 JIC SW	--
7	116436	HOSE ASSY, 3/8X255 #8 JIC SW	--
8	116491	HOSE ASSY 3/8X96 #8 JIC SW	--
9	117260	HOSE ASSY 3/8X156 #8JIC	--
10	121002	HOSE ASSY1/2X45,SAE37,STR-STR	--
11	192481	HOSE ASSY 3/8 X 88 (AFTER 08/12/2016)	--
11	122909	HOSE ASSY 3/8X82,#8 JIC SWVL (BEFORE 08/12/2016)	--
12	123066	HOSE ASSY 3/8X64 #8STR-#8-90	--
13	137599	HOSE ASSY 3/8X126.25 #8JIC SWV	--
14	140693	VALVE, LIMIT	--
15	1413183	HOSE ASSY #6 .38X103.25HIPRES	--
16	1413184	HOSE ASSY #6 .38X106.25HIPRES	--
17	141594	MANIFOLD, HYDRAULIC 16 PORT	--
18	141826	ELBOW 90 1/16 RES	--
19	141828	COUPLER,MALE 3/4-16 O-RING	--
20	141883	HOSE ASSY 3/8X190 #8 JIC SWIV	--
21	141888	HOSE ASSY 3/8X320 #8JICX#8OR	--
22	145200	CYLINDER 4-1/2 X 8 REPHASE (SEE PAGE 16-57)	--
23	145201	CYLINDER 4 X 8 REPHASE (SEE PAGE 16-58)	--
24	153621	HOSE ASSY 3/8X212 #8 JIC SWIV	--
25	155528	HOSE WRAP, BLUE 1" ID X 8"	--
26	155529	HOSE WRAP, YELLOW 1" ID X 8"	--
27	155530	HOSE WRAP, BLACK 1" ID X 8"	--
28	162671	CHECK VALVE W/ORIFICE	--
29	164309	HOSE ASSY 3/8X300 #8JIC SWIV	--
30	165335	HOSE ASY3/8X290 #8JICX#8 O/R	--
31	171760	HOSE ASSY 3/8 X 32 #8STR-#8-90	--
32	172481	HOSE ASSY, 3/8X428 #8JICX#8OR	--
33	172973	HOSE WRAP, RED	--
34	177000	HOSE 3/8 X 372, #8JIC X #8OR	--
35	180117	HOSE ASSY, 3/8X275, #8JIC SWIV	--
36	181801	HOSE ASSY, 3/8x58 #8 JIC SWIV	--
37	184585	VALVE,DUAL COUNTER BALANCE,30G	--
38	187436	CYLINDER, HYD 7X60 WLD 3000PSI (SEE PAGE 16-65)	--
39	187651	HOSE 1/2X37JICX3/4-16ORINGX332	--
40	188774	HOSE ASSY,3/8#8JICX#8ORB 270"	--
41	2-474-010022	MANIFOLD ASSY, HYDR 6 HOSE	--
42	2061-8-8S	ADAPTER, 45, #8 O-RING-TUBE	--
43	2062-8-8S	ADAPTER, 90, #8 O-RING-TUBE	--
44	2062-10-8S	ADAPTER,90, #10 O-RING-TUBE	--
45	2062-12-8S	ADAPTER,90,#12 O-RING-#8 TUBE	--
46	2071-8-8S	ADAPTER90 #8 FLR SWIVEL #8JIC	--
47	200743	MANIFOLD ASSY VALVE DOWN PRESS	--
48	201275	CYLINDER, 4 X 10 REPHASE (SEE PAGE 16-61)	--

25' Hydraulic Diagram (BEFORE 03/2018)

ITEM	PART NUMBER	DESCRIPTION	QTY.
49	201276	CYLINDER, 3.75 X 10 REPHASE (SEE PAGE 16-61)	--
50	201284	ACCUMULATOR-BLADR,10 L,3000PSI	--
51	201292	CYLINDER-HYD,3-1/2 X10,3000PSI (SEE PAGE 16-60)	--
52	201331	ADAPTER, O-RING REDUCR,-24X-12	--
53	201347	CYLINDER-HYD,4X48,2-1/4RD,3000 (SEE PAGE 16-64)	--
54	203386	MANIFOLD ASSY DRAFT COMP (AFTER 08/12/2016)	--
54	201315	MANIFOLD ASSY DRAFT COMP (BEFORE 08/12/2016)	--
55	202702-8-8S	ADAPTER #8 O-RING - #8 TUBE	--
56	202702-10-8S	ADAPTER, #10 O-RING #8 TUBE	--
57	202702-12-8S	ADAPTER, #12 O-RING #8 TUBE	--
58	203005-8-8S	ADAPTER,TEE,#8 O-RING-TUBE	--
59	203102-8-8S	ADAPTER,TEE,1/2 #8JICX#8JICSWV	--
60	203421	HOSE ASSY 3/8X21 #8STR-#8-90	--
61	203422	HOSE ASSY 3/8X23 #8STR-#8-90	--
62	203423	HOSE ASSY 3/8X29 #8STR-#8-90	--
63	203424	HOSE ASSY 3/8X26 #8STR-#8-90	--
64	203425	HOSE ASSY 3/8X33 #8STR-#8-90	--
65	203426	HOSE ASSY 3/8X39 #8STR-#8-90	--
66	203429	ACCUMULATOR-PISTON, 122 CI	--
67	203447	VALVE-CHECK, 225 PSI, ASM	--
68	203450	VALVE-LIMIT	--
69	4K607	RESTRICTOR 3/4-16	--
70	50976-26	HOSE #8 ASSY 48 OAL	--
71	71508985	HOSE ASSY .38 X 30	--
72	71508988	HOSE ASSY 3/8 X 80	--
73	71509000	HOSE ASM 3/8 X202	--
74	71509382	HOSE ASSY .38 X 112	--
75	71600087	HOSE ASSY 1/2X48 SAE37 STR	--
76	71600088	HOSE ASSY 3/8 X228IN	--

30' Hydraulic Diagram (BEFORE 03/2018)

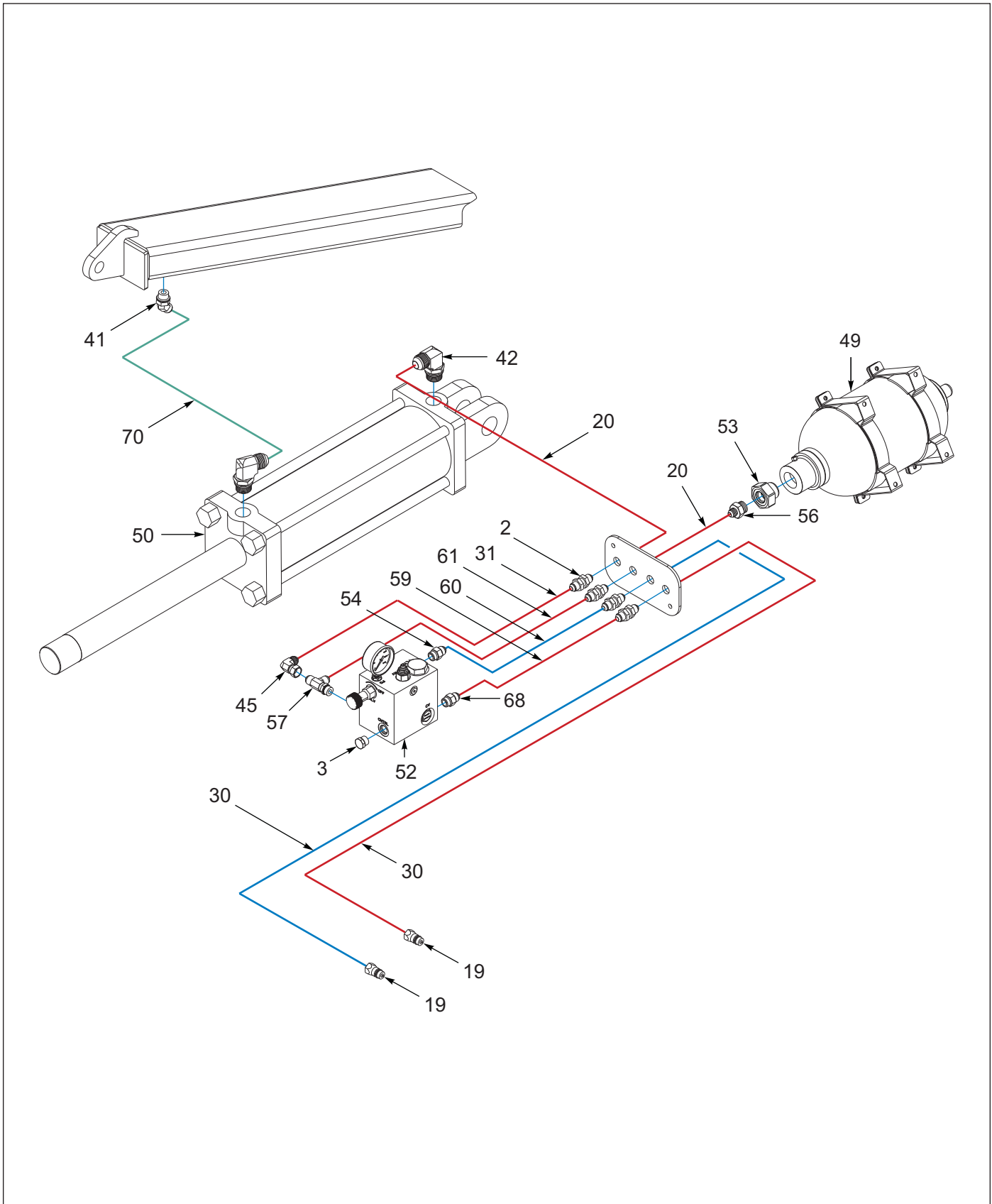


Figure 16-24: 30' Draft Compensator Diagram (BEFORE 03/2018) (1 of 4)

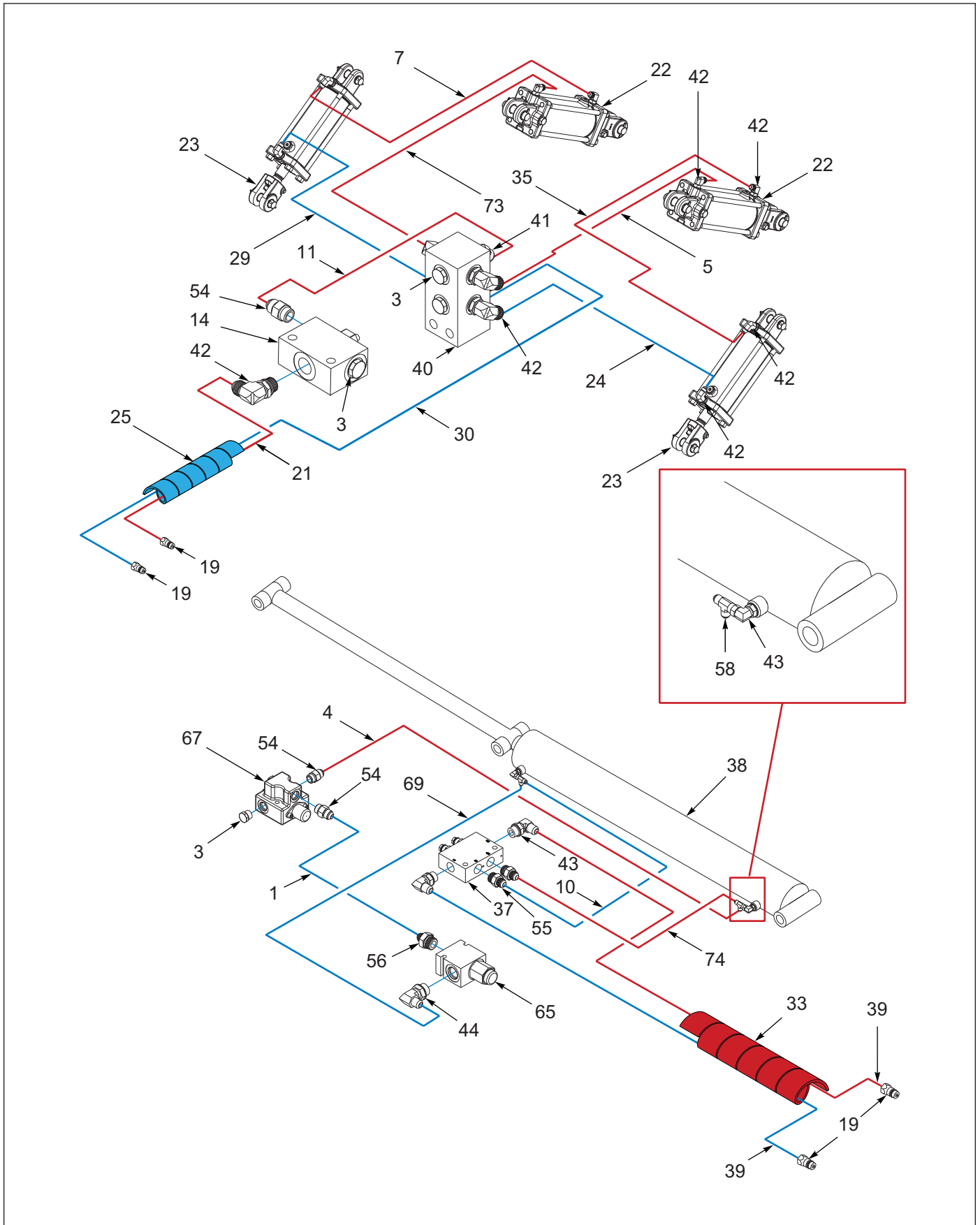


Figure 16-25: 30' Front Gauge and Tilt Diagram (BEFORE 03/2018) (2 of 4)

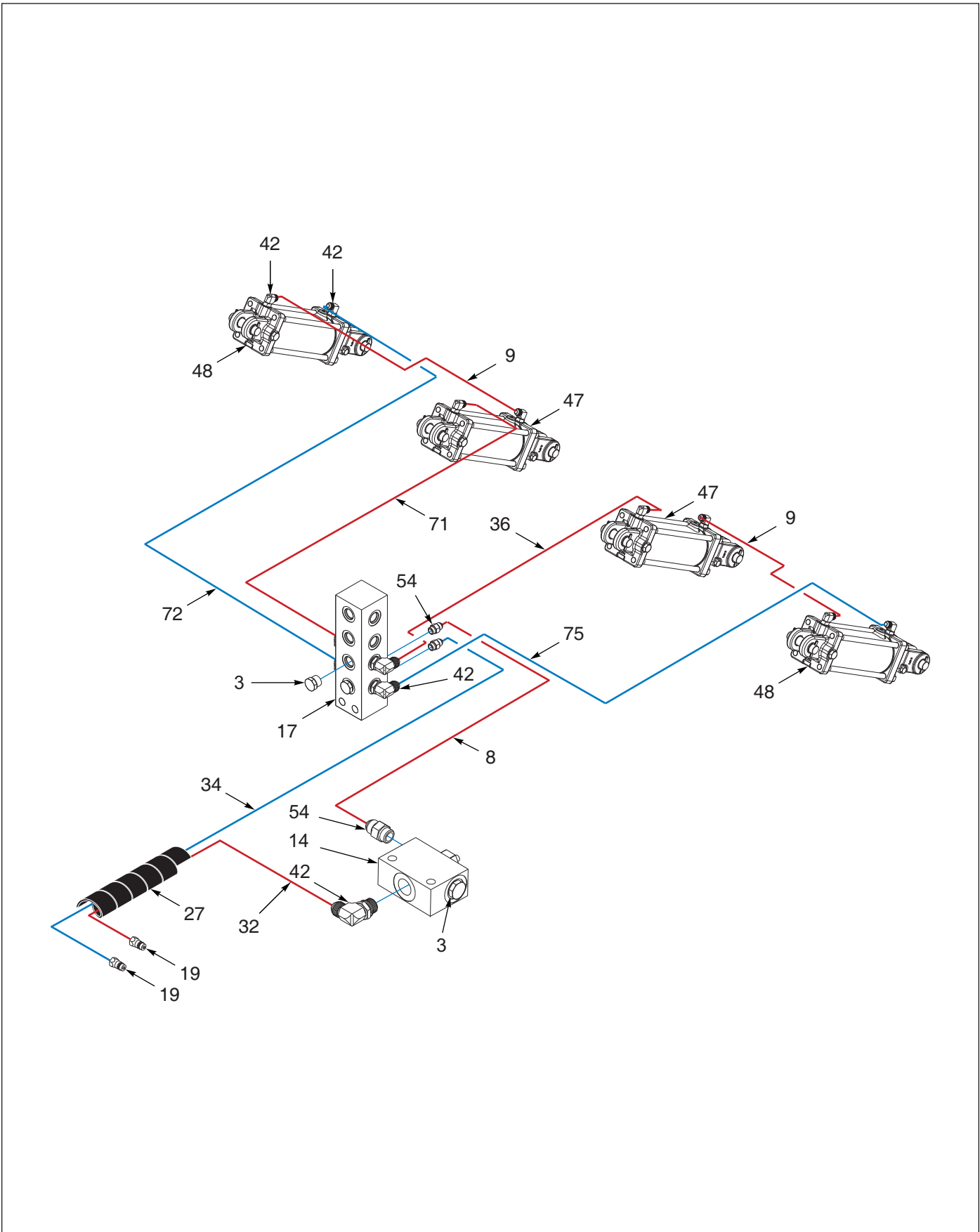
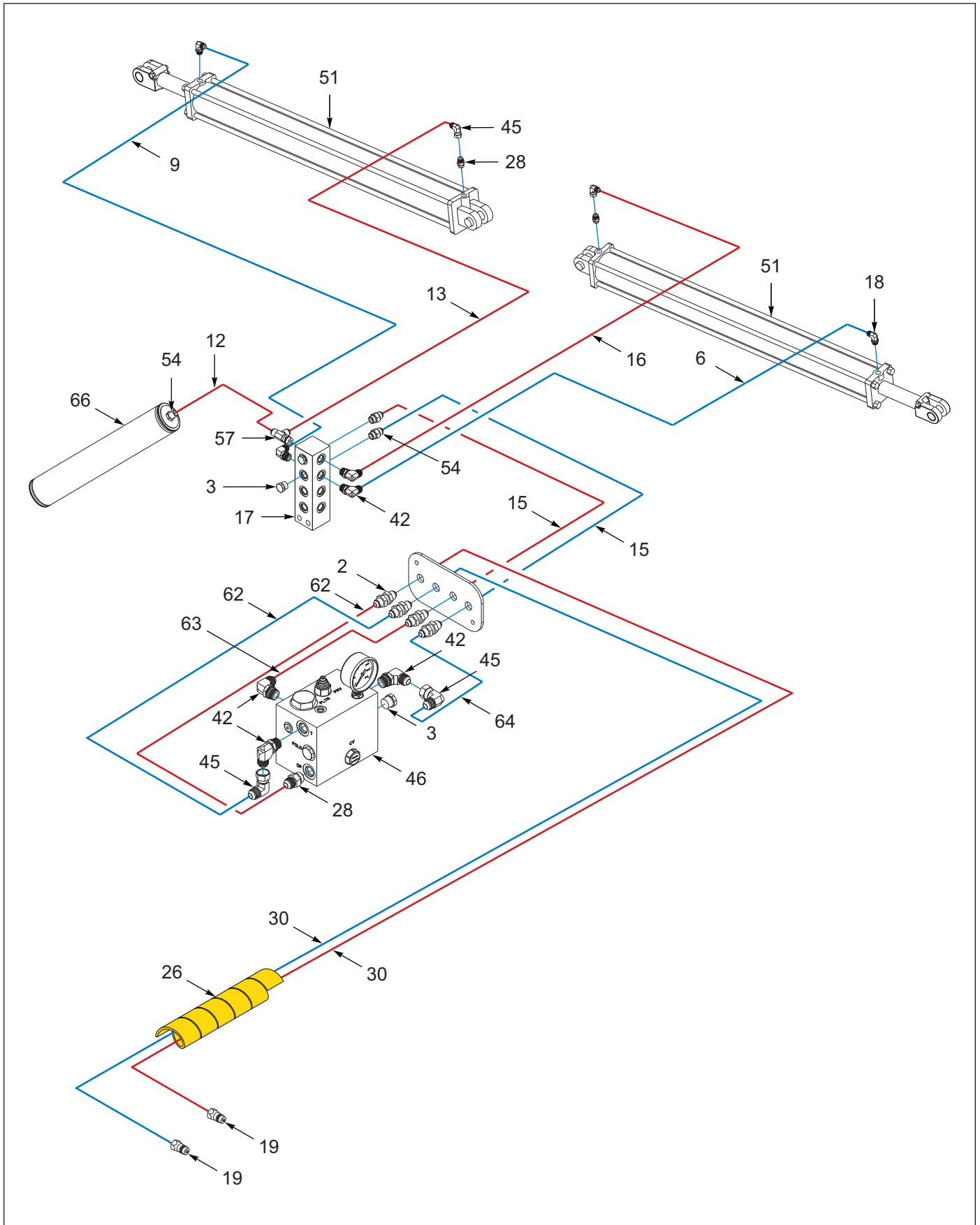


Figure 16-26: 30' Rear Gauge Diagram (BEFORE 03/2018) (3 of 4)



HYDRAULICS

30' Hydraulic Diagram (BEFORE 03/2018)

ITEM	PART NUMBER	DESCRIPTION	QTY.
1	1-397-010302042	HOSE ASSY,1/2X42,SAE37,STR-90	--
2	102-0322	37 FLARE BULKHEAD/37 FLARE	--
3	1-007-010025	PLUG,-8M O-RING AQP#900598-8S	--
4	104369	HOSE ASSY 1/2X96,SAE37,STR-90	--
5	116432	HOSE ASSY, 3/8X60 #8 JIC SWV	--
6	116434	HOSE ASSY, 3/8X120 #8 JIC SW	--
7	116436	HOSE ASSY, 3/8X255 #8 JIC SW	--
8	116491	HOSE ASSY 3/8X96 #8 JIC SW	--
9	117260	HOSE ASSY 3/8X156 #8JIC	--
10	121002	HOSE ASSY1/2X45,SAE37,STR-STR	--
11	122909	HOSE ASSY 3/8X82,#8 JIC SWVL	--
12	123066	HOSE ASSY 3/8X64 #8STR-#8-90	--
13	137599	HOSE ASSY 3/8X126.25 #8JIC SWV	--
14	140693	VALVE, LIMIT	--
15	1413183	HOSE ASSY #6 .38X103.25HIPRES	--
16	1413184	HOSE ASSY #6 .38X106.25HIPRES	--
17	141594	MANIFOLD, HYDRAULIC 16 PORT	--
18	141826	ELBOW 90 1/16 RES	--
19	141828	COUPLER,MALE 3/4-16 O-RING	--
20	141883	HOSE ASSY 3/8X190 #8 JIC SWIV	--
21	141888	HOSE ASSY 3/8X320 #8JICX#8OR	--
22	145200	CYLINDER 4-1/2 X 8 REPHASE (SEE PAGE 16-57)	--
23	145201	CYLINDER 4 X 8 REPHASE (SEE PAGE 16-58)	--
24	153621	HOSE ASSY 3/8X212 #8 JIC SWIV	--
25	155528	HOSE WRAP, BLUE 1" ID X 8"	--
26	155529	HOSE WRAP, YELLOW 1" ID X 8"	--
27	155530	HOSE WRAP, BLACK 1" ID X 8"	--
28	162671	CHECK VALVE W/ORIFICE	--
29	164309	HOSE ASSY 3/8X300 #8JIC SWIV	--
30	165335	HOSE ASY3/8X290 #8JICX#8 O/R	--
31	171760	HOSE ASSY 3/8 X 32 #8STR-#8-90	--
32	172481	HOSE ASSY, 3/8X428 #8JICX#8OR	--
33	172973	HOSE WRAP, RED	--
34	177000	HOSE 3/8 X 372, #8JIC X #8OR	--
35	180117	HOSE ASSY, 3/8X275, #8JIC SWIV	--
36	181801	HOSE ASSY, 3/8x58 #8 JIC SWIV	--
37	184585	VALVE,DUAL COUNTER BALANCE,30G	--
38	187436	CYLINDER, HYD 7X60 WLD 3000PSI (SEE PAGE 16-65)	--
39	188845	HOSE ASSY,1/2X 362,-8FJX/-8ORB	--
40	2-474-010022	MANIFOLD ASSY, HYDR 6 HOSE	--
41	2061-8-8S	ADAPTER, 45, #8 O-RING-TUBE	--
42	2062-8-8S	ADAPTER, 90, #8 O-RING-TUBE	--
43	2062-10-8S	ADAPTER,90, #10 O-RING-TUBE	--
44	2062-12-8S	ADAPTER,90,#12 O-RING-#8 TUBE	--
45	2071-8-8S	ADAPTER90 #8 FLR SWIVEL #8JIC	--
46	200743	MANIFOLD ASSY VALVE DOWN PRESS	--
47	201275	CYLINDER, 4 X 10 REPHASE (SEE PAGE 16-61)	--
48	201276	CYLINDER, 3.75 X 10 REPHASE (SEE PAGE 16-61)	--
49	201284	ACCUMULATOR-BLADR,10 L,3000PSI	--

30' Hydraulic Diagram (BEFORE 03/2018)

ITEM	PART NUMBER	DESCRIPTION	QTY.
50	201292	CYLINDER-HYD,3-1/2 X10,3000PSI (SEE PAGE 16-60)	--
51	201347	CYLINDER-HYD,4X48,2-1/4RD,3000 (SEE PAGE 16-64)	--
52	203386	MANIFOLD ASSY DRAFT COMP (AFTER 08/12/2016)	--
52	201315	MANIFOLD ASSY DRAFT COMP (BEFORE 08/12/2016)	--
53	201331	ADAPTER, O-RING REDUCR,-24X-12	--
54	202702-8-8S	ADAPTER #8 O-RING - #8 TUBE	--
55	202702-10-8S	ADAPTER, #10 O-RING #8 TUBE	--
56	202702-12-8S	ADAPTER, #12 O-RING #8 TUBE	--
57	203005-8-8S	ADAPTER,TEE,#8 O-RING-TUBE	--
58	203102-8-8S	ADAPTER,TEE,1/2 #8JICX#8JICSWV	--
59	203421	HOSE ASSY 3/8X21 #8STR-#8-90	--
60	203422	HOSE ASSY 3/8X23 #8STR-#8-90	--
61	203423	HOSE ASSY 3/8X29 #8STR-#8-90	--
62	203424	HOSE ASSY 3/8X26 #8STR-#8-90	--
63	203425	HOSE ASSY 3/8X33 #8STR-#8-90	--
64	203426	HOSE ASSY 3/8X39 #8STR-#8-90	--
65	203447	VALVE-CHECK, 225 PSI, ASM	--
66	203429	ACCUMULATOR-PISTON, 122 CI	--
67	203450	VALVE-LIMIT	--
68	4K607	RESTRICTOR 3/4-16	--
69	50976-26	HOSE #8 ASSY 48 OAL	--
70	71508985	HOSE ASSY .38 X 30	--
71	71508988	HOSE ASSY 3/8 X 80	--
72	71509000	HOSE ASM 3/8 X202	--
73	71509382	HOSE ASSY .38 X 112	--
74	71600087	HOSE ASSY 1/2X48 SAE37 STR	--
75	71600088	HOSE ASSY 3/8 X228IN	--

35' Hydraulic Diagram (BEFORE 03/2018)

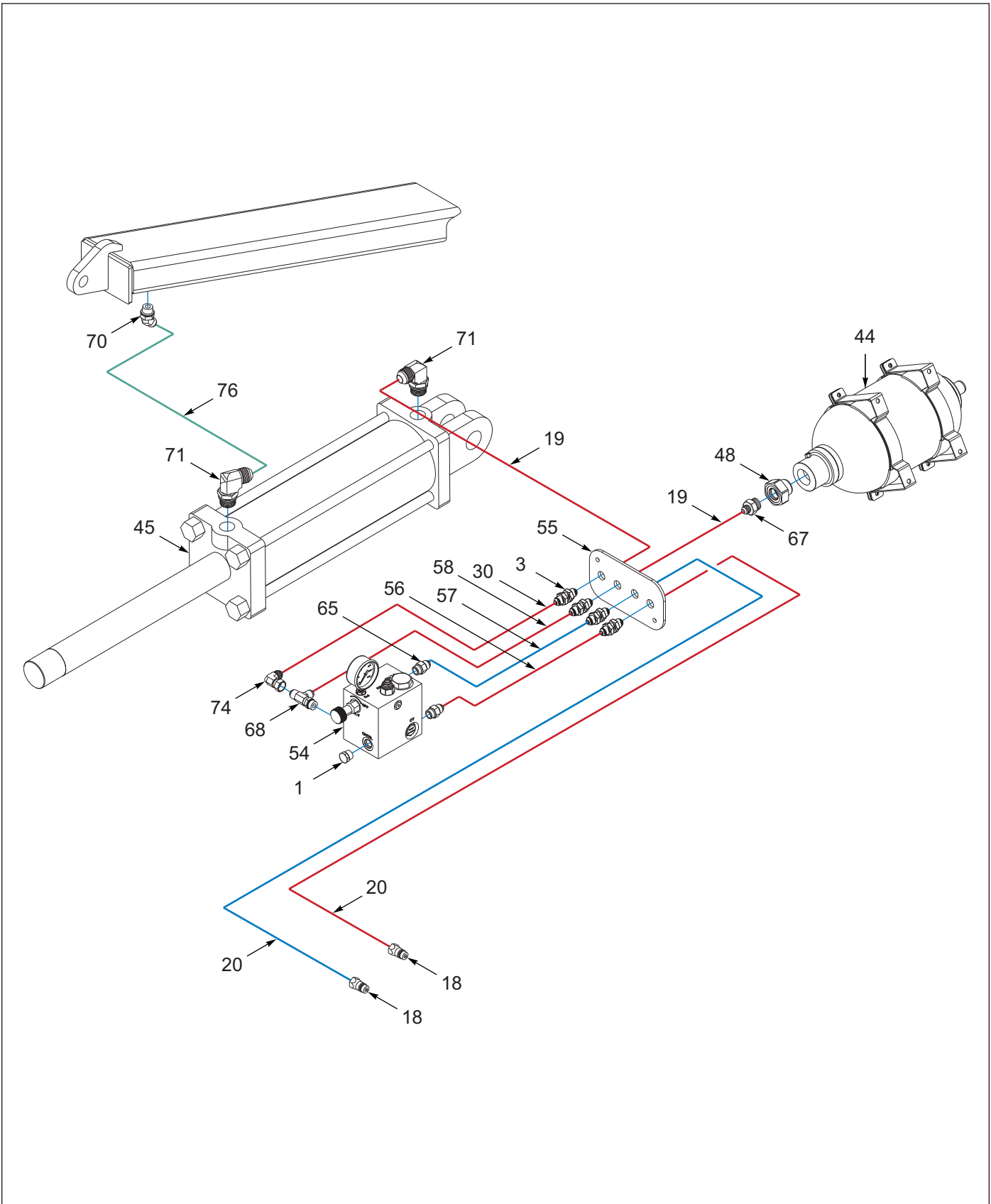


Figure 16-28: 35' Draft Compensator Diagram (BEFORE 03/2018) (1 of 4)

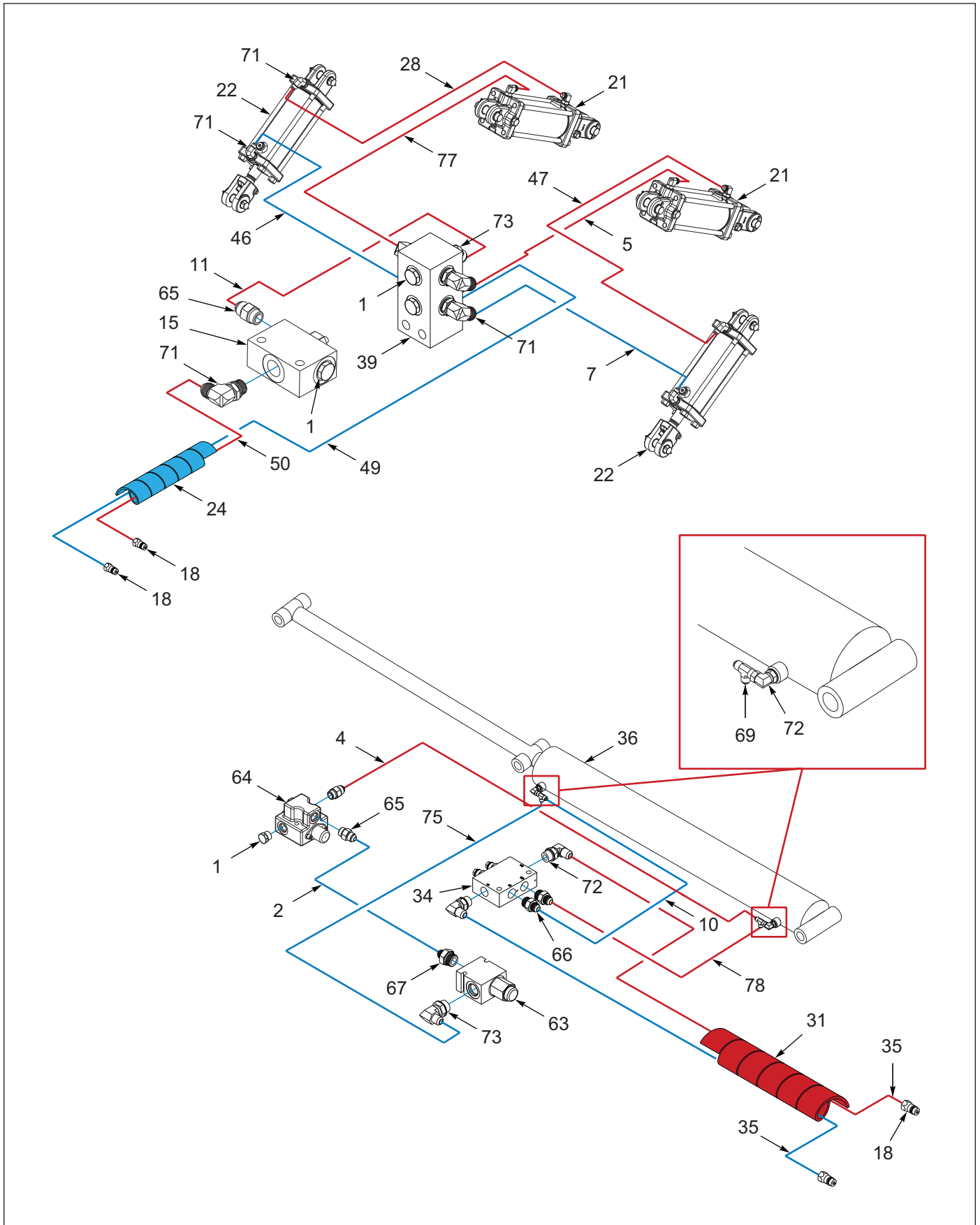


Figure 16-29: 35' Front Gauge and Tilt Diagram (BEFORE 03/2018) (2 of 4)

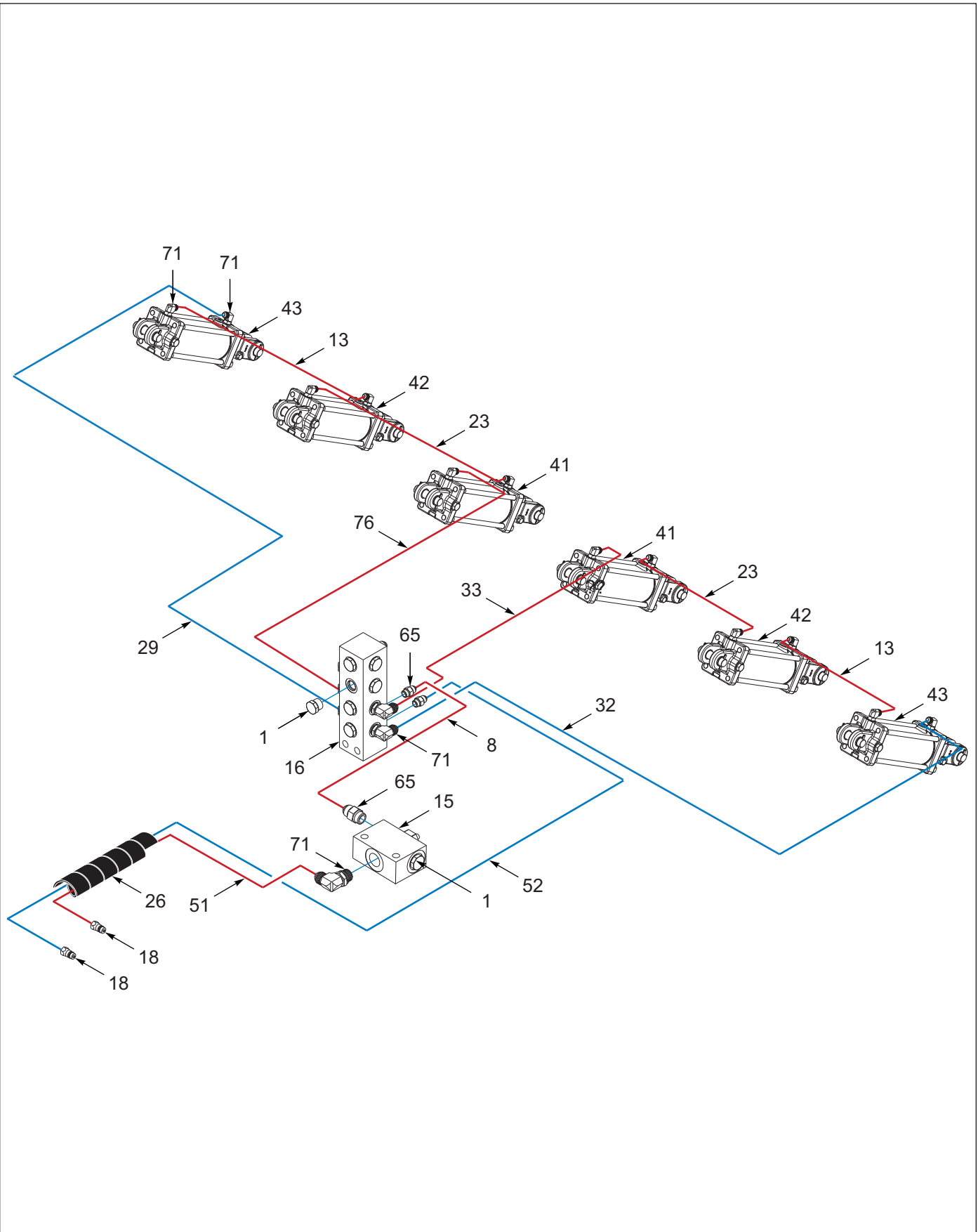


Figure 16-30: 35' Rear Gauge Diagram (BEFORE 03/2018) (3 of 4)

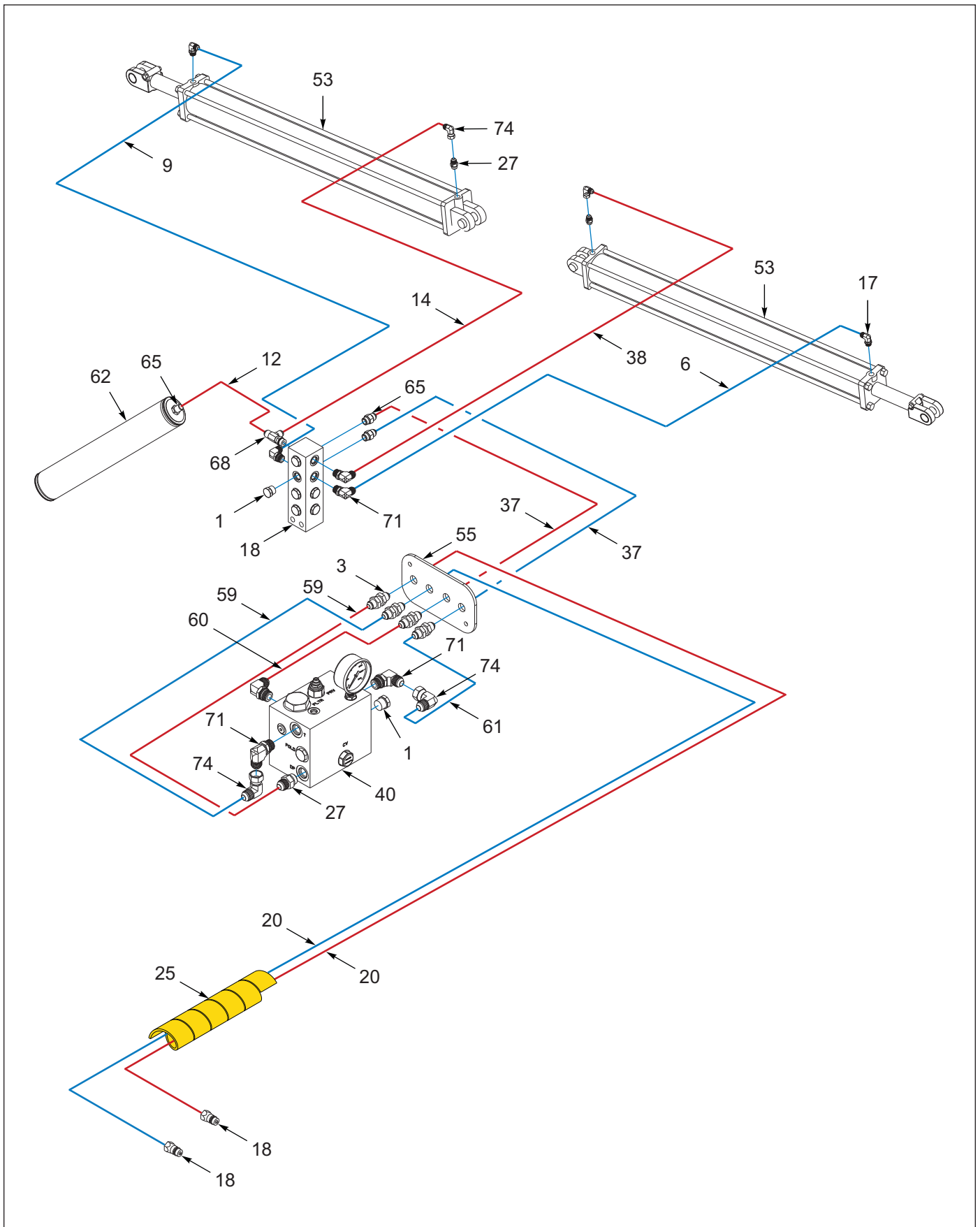


Figure 16-31: 35' Wing Fold and Down Diagram (BEFORE 03/2018) (4 of 4)

HYDRAULICS

35' Hydraulic Diagram (BEFORE 03/2018)

ITEM	PART NUMBER	DESCRIPTION	QTY.
1	1-007-010025	PLUG, 3/4-16 O-RING BOSS	--
2	1-397-010302042	HOSE ASSY, 1/2X42,SAE37,STR-90	--
3	102-0322	37 FLARE BULKHEAD/37 FLARE	--
4	203566	HOSE ASM 1/2X93,-8FJX,-8FJX90S	--
5	180117	HOSE ASSY, 3/8X275, #8JIC SWIV (AFTER 02/01/2020)	--
5	116432	HOSE ASSY, 3/8X60 #8 JIC SWV (BEFORE 02/01/2020)	--
6	137599	HOSE ASSY 3/8X126.25 #8JIC SWV	--
7	180117	HOSE ASSY, 3/8X275, #8JIC SWIV (AFTER 02/01/2020)	--
7	116437	HOSE ASSY, 3/8X267 #8 JIC SW (BEFORE 02/01/2020)	--
8	116491	HOSE ASSY 3/8X96 #8 JIC SW	--
9	117260	HOSE ASSY 3/8X156 #8JIC	--
10	50002-76	HOSE #8 ASSY 89.25 OAL	--
11	192481	HOSE ASSY 3/8 X 88	--
12	123066	HOSE ASSY 3/8X64 #8STR-#8-90	--
13	137598	HOSE ASSY #6 .38X123.25HIPRES	--
14	137599	HOSE ASSY 3/8X126.25 #8JIC SWV	--
15	203467	VALVE-LIMIT, STROKE	--
16	141594	MANIFOLD, HYDRAULIC 16 PORT	--
17	141826	ELBOW 90 1/16 RES	--
18	141828	COUPLER,MALE 3/4-16 O-RING	--
19	141883	HOSE ASSY 3/8X190 #8 JIC SWIV	--
20	141888	HOSE ASSY 3/8X320 #8JICX#8OR	--
21	223374	CYLINDER, 4-1/2 X 10, REPHASE (AFTER 01/03/2020)	--
		(SEE PAGE 16-67)	
21	145200	CYLINDER 4-1/2 X 8 REPHASE (BEFORE 01/03/2020)	--
		(SEE PAGE 16-57)	
22	201275	CYLINDER, 4 X 10 REPHASE (AFTER 01/03/2020)(SEE PAGE 16-61)	--
22	145201	CYLINDER 4 X 8 REPHASE (BEFORE 01/03/2020)(SEE PAGE 16-58)	--
23	153620	HOSE ASSY 3/8X140 #8 JIC SWIV	--
24	155528	HOSE WRAP, BLUE 1" ID X 8"	--
25	155529	HOSE WRAP, YELLOW 1" ID X 8"	--
26	155530	HOSE WRAP, BLACK 1" ID X 8"	--
27	162671	CHECK VALVE W/ORIFICE	--
28	164309	HOSE ASSY 3/8X300 #8JIC SWIV	--
29	203596	HOSE ASSY 3/8X310,-8FJX,-8FJX (AFTER 02/01/2020)	--
29	164309	HOSE ASSY 3/8X300 #8JIC SWIV (BEFORE 02/01/2020)	--
30	203421	HOSE ASSY 3/8X21 #8STR-#8-90	--
31	172973	HOSE WRAP, RED	--
32	180117	HOSE ASSY, 3/8X275, #8JIC SWIV	--
33	181801	HOSE ASSY, 3/8x58 #8 JIC SWIV	--
34	184585	VALVE,DUAL COUNTER BALANCE,30G	--
35	188845	HOSE ASSY,1/2X 362,-8FJX/-8ORB	--
36	199920	CYLINDER-HYDR, 8X60, 3000PSI (SEE PAGE 16-66)	--
37	1413183	HOSE ASSY #6 .38X103.25HIPRES	--
38	1413184	HOSE ASSY #6 .38X106.25HIPRES	--
39	2-474-010022	MANIFOLD HYDRAULIC, 6 HOSE	--
40	200743	MANIFOLD ASSY VALVE DOWN PRESS	--
41	201275	CYLINDER, 4 X 10 REPHASE (SEE PAGE 16-61)	--
42	201276	CYLINDER, 3.75 X 10 REPHASE (SEE PAGE 16-61)	--

35' Hydraulic Diagram (BEFORE 03/2018)

ITEM	PART NUMBER	DESCRIPTION	QTY.
43	201277	CYLINDER, 3.5 X 10 REPHASE (SEE PAGE 16-61)	--
44	201284	ACCUMULATOR-BLADR,10 L,3000PSI	--
45	201292	CYLINDER-HYD,3-1/2 X10,3000PSI	--
46	1-397-010369324	HOSE ASSY,3/8X324, #8 JIC SWV (AFTER 02/01/2020)	--
46	203597	HOSE ASSY 3/8X314,-8FJX,-8FJX (BEFORE 02/01/2020)	--
47	1-397-010369324	HOSE ASSY,3/8X324, #8 JIC SWV (AFTER 02/01/2020)	--
47	203598	HOSE ASSY 3/8X317,-8FJX,-8FJX (BEFORE 02/01/2020)	--
48	201331	ADAPER, O-RING REDUCR,-24X-12	--
49	201341	HOSE ASSY, 3/8X350,-8FJX,-8ORB	--
50	201342	HOSE ASSY, 3/8X375,-8FJX,-8ORB	--
51	201344	HOSE ASSY, 3/8X460,-8FJX,-8ORB	--
52	201346	HOSE ASSY 3/8X420,-8FJX,-8ORB	--
53	201347	CYLINDER-HYD,4X48,2-1/4RD,3000 (SEE PAGE 16-64)	--
54	203386	MANIFOLD ASSY DRAFT COMP	--
55	203391	PLATE-BULKHEAD MOUNT	--
56	171760	HOSE ASSY 3/8 X 32 #8STR-#8-90	--
57	203421	HOSE ASSY 3/8X21 #8STR-#8-90	--
58	203422	HOSE ASSY 3/8X23 #8STR-#8-90	--
59	203424	HOSE ASSY 3/8X26 #8STR-#8-90	--
60	203425	HOSE ASSY 3/8X33 #8STR-#8-90	--
61	203426	HOSE ASSY 3/8X39 #8STR-#8-90	--
62	203429	ACCUMULATOR-PISTON, 122 CI	--
63	203447	VALVE-CHECK, 225 PSI, ASM	--
64	203450	VALVE-LIMIT	--
65	202702-8-8S	ADAPTER #8 O-RING - #8 TUBE	--
66	202702-10-8S	ADAPTER, #10 O-RING #8 TUBE	--
67	202702-12-8S	ADAPTER, #12 O-RING #8 TUBE	--
68	203005-8-8S	ADAPTER,TEE,#8 O-RING-TUBE	--
69	203102-8-8S	ADAPTER,TEE,1/2 #8JICX#8JICSWV	--
70	2061-8-8S	ADAPTER, 45, #8 O-RING-TUBE	--
71	2062-8-8S	ADAPTER, 90, #8 O-RING-TUBE	--
72	2062-10-8S	ADAPTER,90, #10 O-RING-TUBE	--
73	2062-12-8S	ADAPTER,90,#12 O-RING-#8 TUBE	--
74	2071-8-8S	ADAPTER90 #8 FLR SWIVEL #8JIC	--
75	1-397-010301084	HOSE ASSY,1/2X84,SAE 37,STR	--
76	71508988	HOSE ASSY 3/8 X 80	--
77	71509382	HOSE ASSY .38 X 112	--
78	203599	HOSE ASSY 1/2X 47,-8FJX,-8FJX	--

40' Hydraulic Diagram (BEFORE 03/2018)

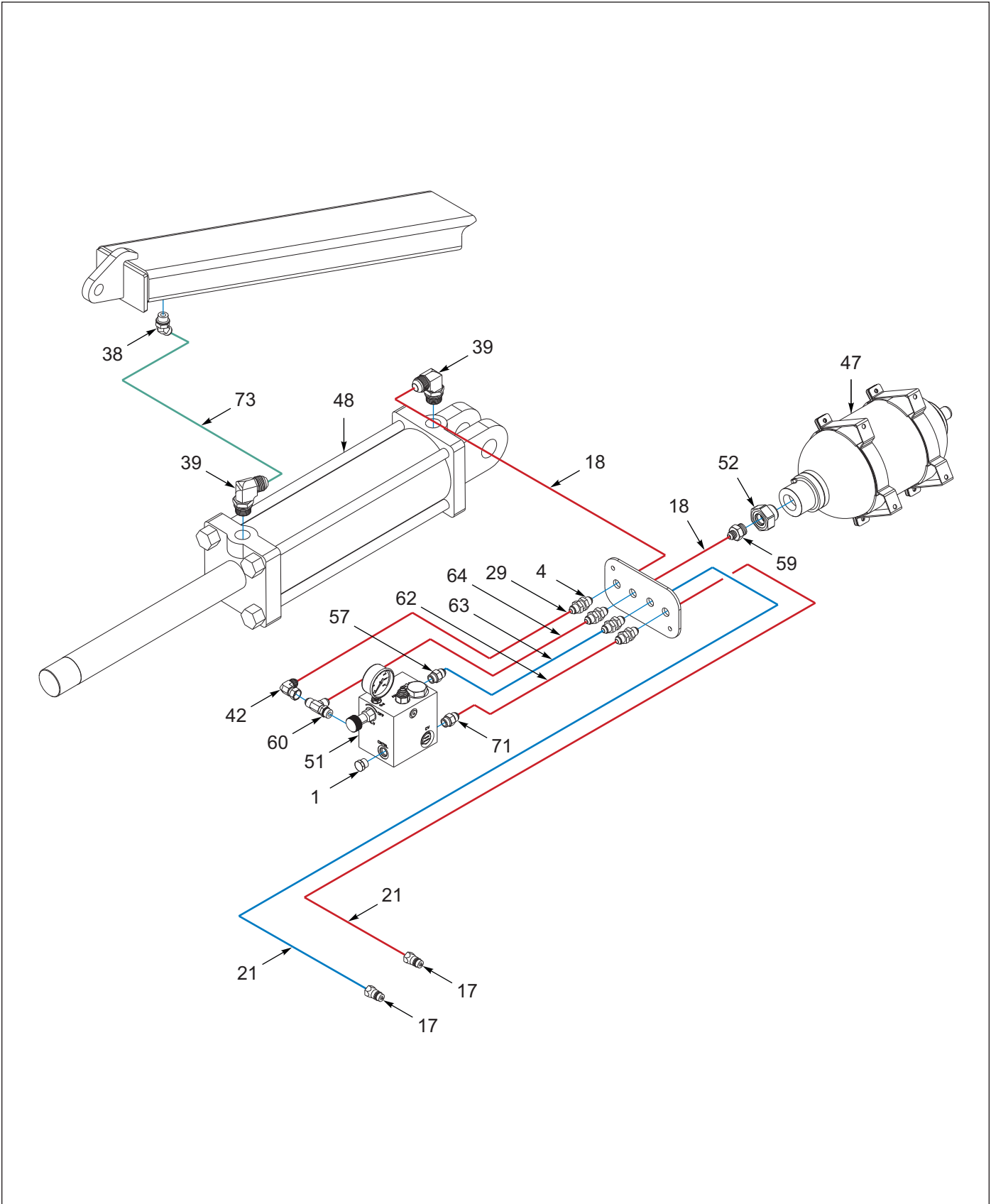


Figure 16-32: 40' Draft Compensator Diagram (BEFORE 03/2018) (1 of 4)

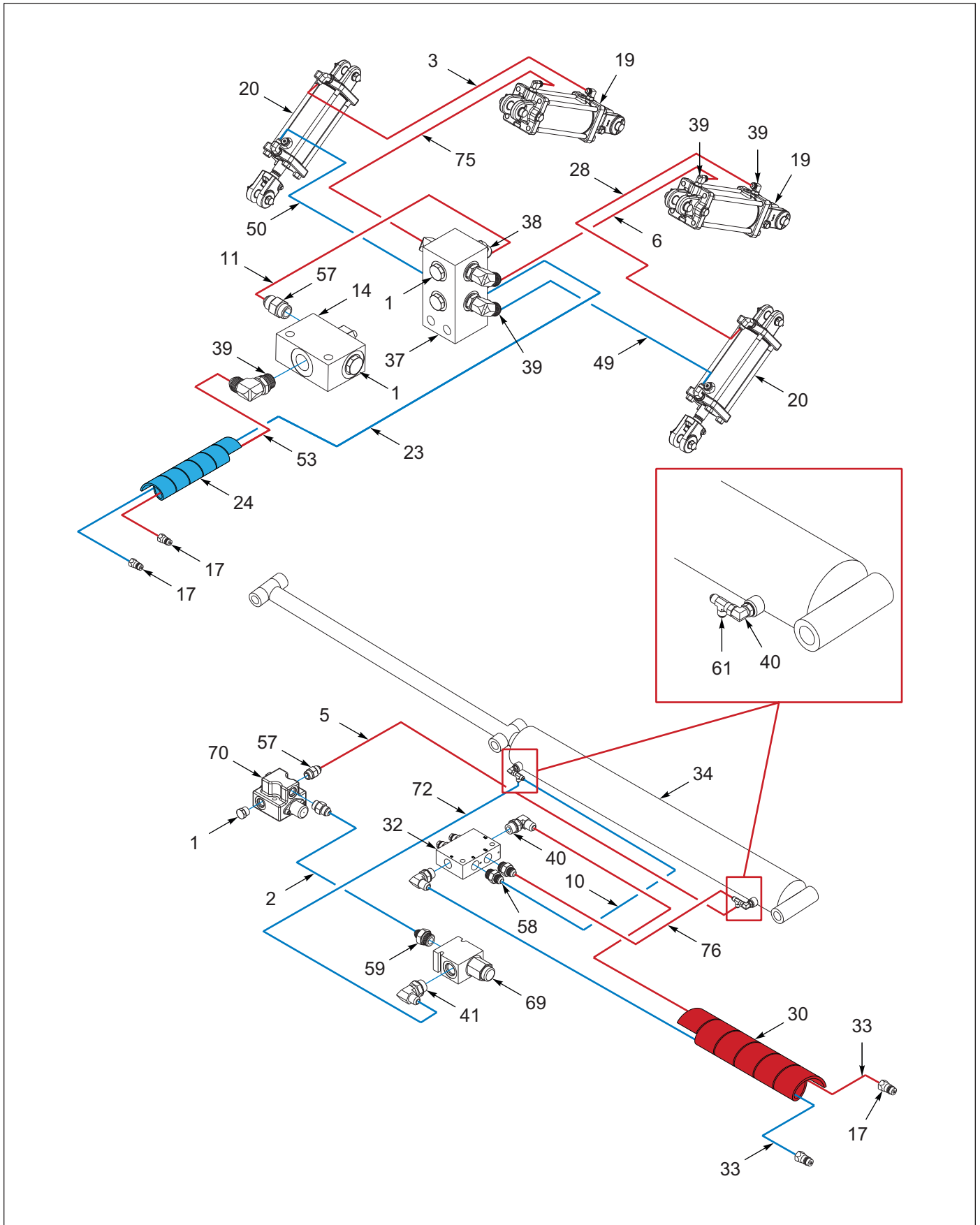


Figure 16-33: 40' Front Gauge and Tilt Diagram (BEFORE 03/2018) (2 of 4)

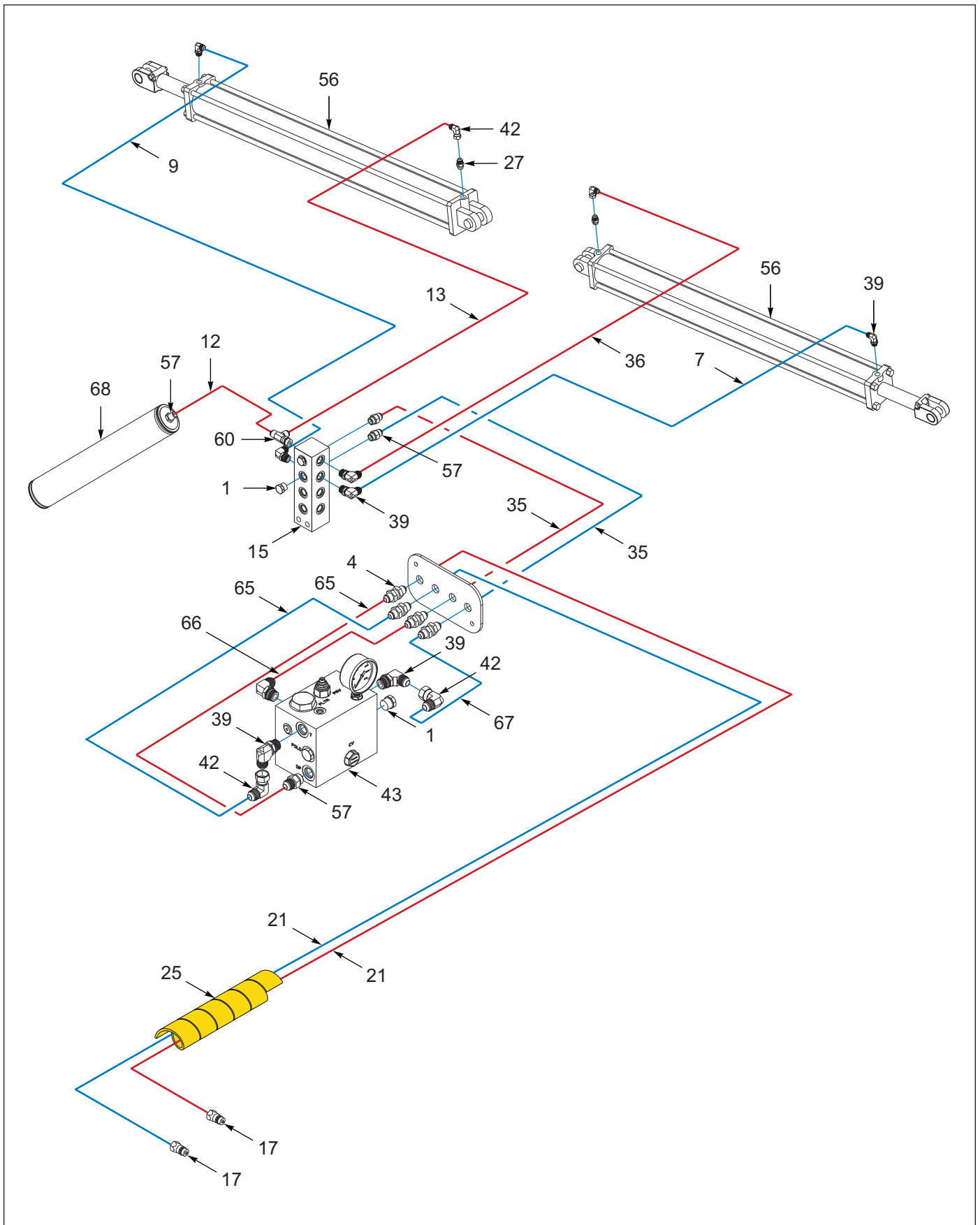


Figure 16-35: 40' Wing Fold and Down Diagram (BEFORE 03/2018) (4 of 4)

HYDRAULICS

40' Hydraulic Diagram (BEFORE 03/2018)

ITEM	PART NUMBER	DESCRIPTION	QTY.
1	1-007-010025	PLUG, 3/4-16 O-RING BOSS	--
2	1-397-010302042	HOSE ASSY,1/2X42,SAE37,STR-90	--
3	1-397-010369324	HOSE ASSY,3/8X324, #8 JIC SWV	--
4	102-0322	37 FLARE BULKHEAD/37 FLARE	--
5	104369	HOSE ASSY 1/2X96,SAE37,STR-90	--
6	116432	HOSE ASSY, 3/8X60 #8 JIC SWV	--
7	116434	HOSE ASSY, 3/8X120 #8 JIC SW	--
8	116491	HOSE ASSY 3/8X96 #8 JIC SW	--
9	117260	HOSE ASSY 3/8X156 #8JIC	--
10	121002	HOSE ASSY1/2X45,SAE37,STR-STR	--
11	122909	HOSE ASSY 3/8X82,#8 JIC SWVL	--
12	123066	HOSE ASSY 3/8X64 #8STR-#8-90	--
13	137599	HOSE ASSY 3/8X126.25 #8JIC SWV	--
14	140693	VALVE, LIMIT	--
15	141594	MANIFOLD, HYDRAULIC 16 PORT	--
16	141826	ELBOW 90 1/16 RES	--
17	141828	COUPLER,MALE 3/4-16 O-RING	--
18	141883	HOSE ASSY 3/8X190 #8 JIC SWIV	--
19	223374	CYLINDER 4-1/2 X 10 REPHASE (AFTER 01/03/2020) (SEE PAGE 16-67)	--
19	145200	CYLINDER 4-1/2 X 8 REPHASE (BEFORE 01/03/2020) (SEE PAGE 16-57)	--
20	201275	CYLINDER, 4 X 10 REPHASE (AFTER 01/03/2020) (SEE PAGE 16-61)	--
20	145201	CYLINDER 4 X 8 REPHASE (BEFORE 01/03/2020) (SEE PAGE 16-58)	--
21	150272	HOSE ASSY3/8X362#8JICX#8O-RNG	--
22	153620	HOSE ASSY 3/8X140 #8 JIC SWIV	--
23	153622	HOSE ASSY 3/8X385 #8JICX#8OR	--
24	155528	HOSE WRAP, BLUE 1" ID X 8"	--
25	155529	HOSE WRAP, YELLOW 1" ID X 8"	--
26	155530	HOSE WRAP, BLACK 1" ID X 8"	--
27	162671	CHECK VALVE W/ORIFICE	--
28	164308	HOSE ASSY,3/8X285 #8JIC SWIV	--
29	171760	HOSE ASSY 3/8 X 32 #8STR-#8-90	--
30	172973	HOSE WRAP, RED	--
31	181801	HOSE ASSY, 3/8x58 #8 JIC SWIV	--
32	184585	VALVE,DUAL COUNTER BALANCE,30G	--
33	188850	HOSE ASSY, 1/2X412,-8FJX/-8ORB	--
34	199920	CYLINDER-HYDR, 8X60, 3000PSI (SEE PAGE 16-66)	--
35	1413183	HOSE ASSY #6 .38X103.25HIPRES	--
36	1413184	HOSE ASSY #6 .38X106.25HIPRES	--
37	2-474-010022	MANIFOLD ASSY, HYDR 6 HOSE	--
38	2061-8-8S	ADAPTER, 45, #8 O-RING-TUBE	--
39	2062-8-8S	ADAPTER, 90, #8 O-RING-TUBE	--
40	2062-10-8S	ADAPTER,90, #10 O-RING-TUBE	--
41	2062-12-8S	ADAPTER,90,#12 O-RING-#8 TUBE	--
42	2071-8-8S	ADAPTER90 #8 FLR SWIVEL #8JIC	--
43	200743	MANIFOLD ASSY VALVE DOWN PRESS	--
44	201275	CYLINDER, 4 X 10 REPHASE (SEE PAGE 16-61)	--
45	201276	CYLINDER, 3.75 X 10 REPHASE (SEE PAGE 16-61)	--
46	201277	CYLINDER, 3.5 X 10 REPHASE (SEE PAGE 16-61)	--

40' Hydraulic Diagram (BEFORE 03/2018)

ITEM	PART NUMBER	DESCRIPTION	QTY.
47	201284	ACCUMULATOR-BLADR,10 L,3000PSI	--
48	201292	CYLINDER-HYD,3-1/2 X10,3000PSI (SEE PAGE 16-60)	--
49	201311	HOSE ASSY 3/8X350,-8FJX,-8FJX	--
50	201312	HOSE ASSY 3/8X375,-8FJX,-8FJX	--
51	203386	MANIFOLD ASSY DRAFT COMP (AFTER 08/12/2016)	--
51	201315	MANIFOLD ASSY DRAFT COMP (BEFORE 08/12/2016)	--
52	201331	ADAPTER, O-RING REDUCR,-24X-12	--
53	201343	HOSE ASSY, 3/8X395,-8FJX,-8ORB	--
54	201344	HOSE ASSY, 3/8X460,-8FJX,-8ORB	--
55	201345	HOSE ASSY 3/8X512,-8FJX,-8ORB	--
56	201347	CYLINDER-HYD,4X48,2-1/4RD,3000 (SEE PAGE 16-64)	--
57	202702-8-8S	ADAPTER #8 O-RING - #8 TUBE	--
58	202702-10-8S	ADAPTER, #10 O-RING #8 TUBE	--
59	202702-12-8S	ADAPTER, #12 O-RING #8 TUBE	--
60	203005-8-8S	ADAPTER,TEE,#8 O-RING-TUBE	--
61	203102-8-8S	ADAPTER,TEE,1/2 #8JICX#8JICSWV	--
62	203421	HOSE ASSY 3/8X21 #8STR-#8-90	--
63	203422	HOSE ASSY 3/8X23 #8STR-#8-90	--
64	203423	HOSE ASSY 3/8X29 #8STR-#8-90	--
65	203424	HOSE ASSY 3/8X26 #8STR-#8-90	--
66	203425	HOSE ASSY 3/8X33 #8STR-#8-90	--
67	203426	HOSE ASSY 3/8X39 #8STR-#8-90	--
68	203429	ACCUMULATOR-PISTON, 122 CI	--
69	203447	VALVE-CHECK, 225 PSI, ASM	--
70	203450	VALVE-LIMIT	--
71	4K607	RESTRICTOR 3/4-16	--
72	50976-26	HOSE #8 ASSY 48 OAL	--
73	71508985	HOSE ASSY .38 X 30	--
74	71508988	HOSE ASSY 3/8 X 80	--
75	71509382	HOSE ASSY .38 X 112	--
76	71600087	HOSE ASSY 1/2X48 SAE37 STR	--
77	71600089	HOSE ASSY 3/8 X 295IN	--

HYDRAULICS

Hydraulic Cylinder, 4.5 X 8 - 145200

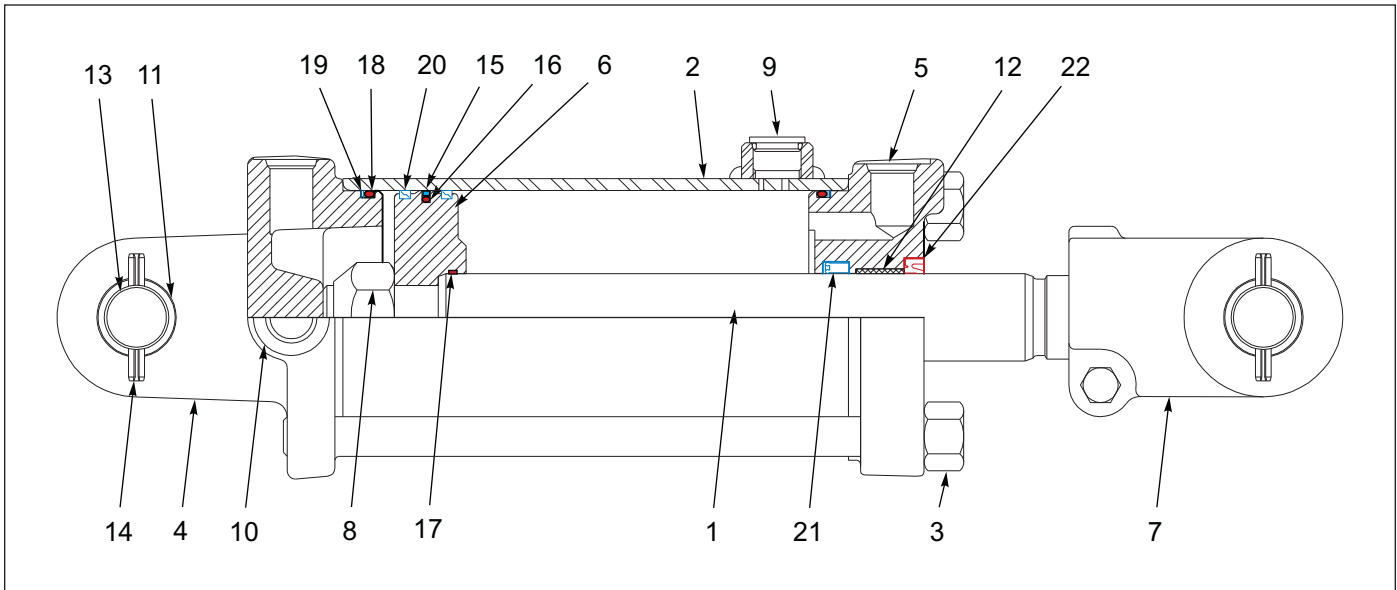


Figure 16-36: Hydraulic Cylinder, 4.5 X 8 - 145200

Hydraulic Cylinder, 4.5 X 8 - 145200

ITEM	PART NUMBER	DESCRIPTION	QTY.
	145200	CYLINDER 4-1/2 X 8 REPHASE	--
1	-----	PISTON ROD	--
2	-----	TUBE	--
3	137694	TIEROD ASSEMBLY	4
4	218641	BUTT CLEVIS ASSEMBLY (AFTER 04/03/2020)	1
4	147743	BUTT CLEVIS ASSEMBLY (BEFORE (04/03/2020)	1
5	103153	GLAND ASSEMBLY	1
6	-----	PISTON	--
7	137304	CLEVIS ASSEMBLY	1
8	220000211	LOCK NUT	1
9	142115	SHIPPING PLUG	1
10	200300040	PLUG O-RING	3
11	135912	BUSHING (AFTER 11/17/2008)	4
11	-----	BUSHING (BEFORE 11/17/2008)	--
12	137702	BUSHING	1
13	218640	PIN, CLEVIS (AFTER 11/17/2008)	2
13	-----	PIN, CLEVIS (BEFORE 11/17/2008)	--
14	1-647-010004221	PIN, ROLL (AFTER 04/03/2020)	4
14	111789	PIN,ROLL (BEFORE 04/03/2020)	4
15	208435	PACKING KIT (INCLUDES ITEMS 16-23)	--
16	-----	TEFLON SEAL	1
17	-----	O-RING	1
18	-----	O-RING	1
19	-----	O-RING	2
20	-----	BU-WASHER	2
21	-----	BEARING RING	1
22	-----	U-CUP	1
23	-----	CANNED WIPER	1

Hydraulic Cylinder, 4 X 8 - 145201

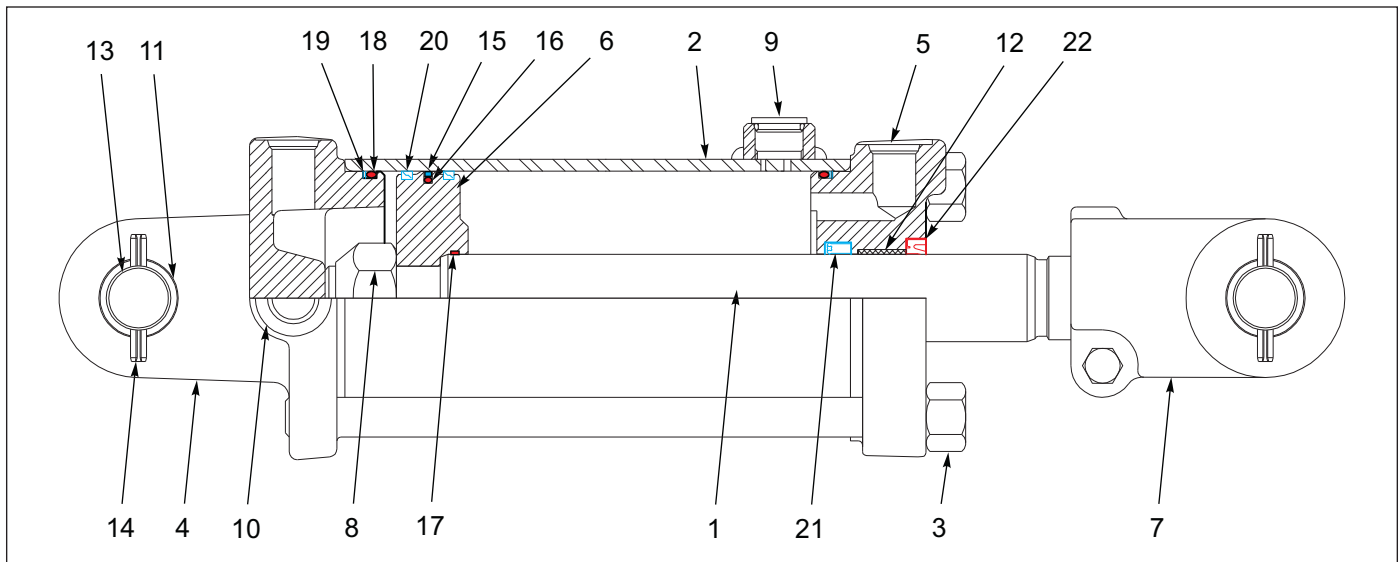


Figure 16-37: Hydraulic Cylinder, 4 X 8 - 145201

Hydraulic Cylinder, 4 X 8 - 145201

ITEM	PART NUMBER	DESCRIPTION	QTY.
	145201	CYLINDER 4 X 8 REPHASE	--
1	147741	PISTON ROD	1
2	-----	TUBE	1
3	147742	TIEROD ASSEMBLY	4
4	142114	BUTT CLEVIS ASSEMBLY (AFTER 04/03/2020)	1
4	135911	BUTT CLEVIS ASSEMBLY (BEFORE (04/03/2020))	1
5	142109	GLAND ASSEMBLY	1
6	147744	PISTON	1
6	-----	PISTON	--
7	142110	CLEVIS ASSEMBLY	1
8	220000210	LOCK NUT	1
9	142115	SHIPPING PLUG	1
10	200300040	PLUG O-RING	3
11	-----	BUSHING (AFTER 11/17/2008)	4
11	142112	BUSHING (BEFORE 11/17/2008)	4
12	141301	BUSHING	1
13	143994	PIN, CLEVIS (AFTER 11/17/2008)	2
13	111790	PIN, CLEVIS (BEFORE 11/17/2008)	2
14	1-647-010004221	PIN, ROLL (AFTER 04/03/2020)	4
14	111789	PIN,ROLL (BEFORE 04/03/2020)	4
15	147745	PACKING KIT (INCLUDES ITEMS 16-23)	--
16	-----	TEFLON SEAL	1
17	-----	O-RING	1
18	-----	O-RING	1
19	-----	O-RING	2
20	-----	BU-WASHER	2
21	-----	BEARING RING	1
22	-----	U-CUP	1
23	-----	CANNED WIPER	1

HYDRAULICS

Hydraulic Cylinder, 3.75 X 8 - 145202

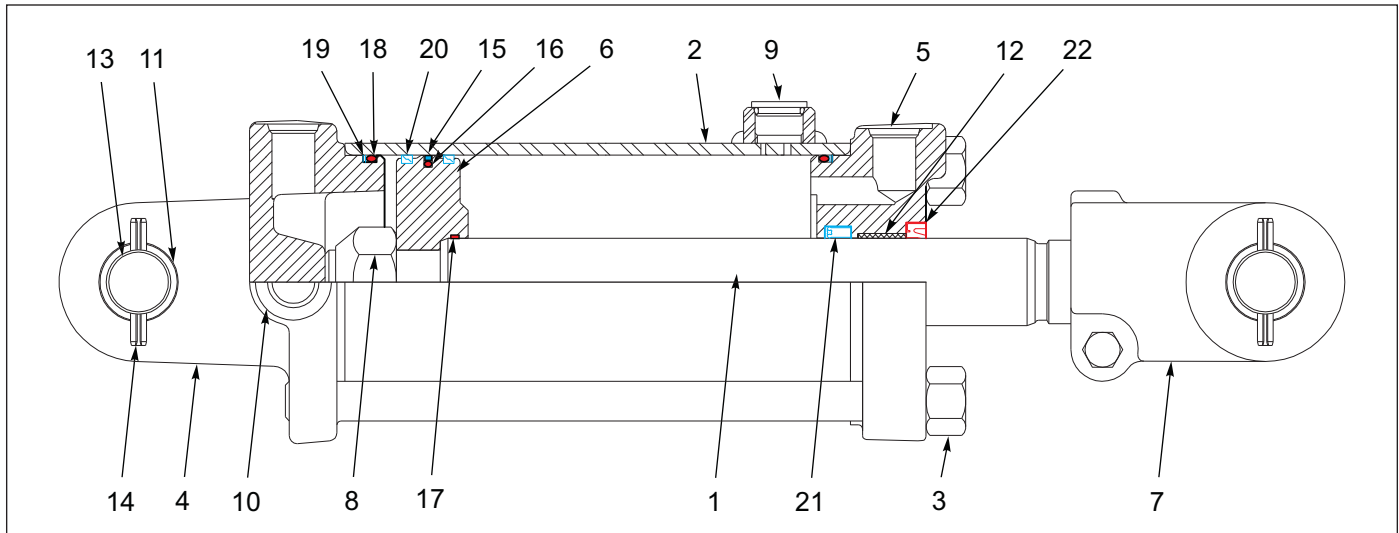


Figure 16-38: Hydraulic Cylinder, 3.75 X 8 - 145202

Hydraulic Cylinder, 3.75 X 8 - 145202

ITEM	PART NUMBER	DESCRIPTION	QTY.
	145202	CYLINDER 3-3/4 X 8 REPHASE	
1	147741	PISTON ROD	1
2	-----	TUBE ASSEMBLY (AFTER 04/03/2020)	--
2	147746	TUBE ASSEMBLY (BEFORE 04/03/2020)	1
3	147742	TIEROD ASSEMBLY	4
4	142116	BUTT CLEVIS ASSEMBLY (AFTER 04/03/2020)	1
4	111876	BUTT CLEVIS ASSEMBLY (BEFORE 04/03/2020)	1
5	111871	GLAND ASSY	1
6	-----	PISTON (AFTER 04/03/2020)	--
6	147747	PISTON (BEFORE 04/03/2020)	1
7	142110	CLEVIS ASSEMBLY	1
8	220000210	LOCK NUT	1
9	142115	SHIPPING PLUG	1
10	200300040	PLUG O-RING 1-242-010120	3
11	-----	BUSHING (AFTER 11/17/2008)	4
11	142112	BUSHING (BEFORE 11/17/2008)	4
12	141301	BUSHING	1
13	143994	PIN, CLEVIS (AFTER 11/17/2008)	2
13	111790	PIN,CLEVIS (BEFORE 11/17/2008)	2
14	1-647-010004221	PIN, ROLL (AFTER 04/03/2020)	4
14	111789	PIN,ROLL (BEFORE 04/03/2020)	4
15	147748	PACKING KIT (INCLUDES 16-23)	--
16	-----	TEFLON SEAL	1
17	-----	O-RING	1
18	-----	O-RING	1
19	-----	O-RING	2
20	-----	BU-WASHER	2
21	-----	BEARING RING	1
22	-----	U-CUP	1
23	-----	CANNED WIPER	1

Hydraulic Cylinder, 3.5 X 10 - 201292

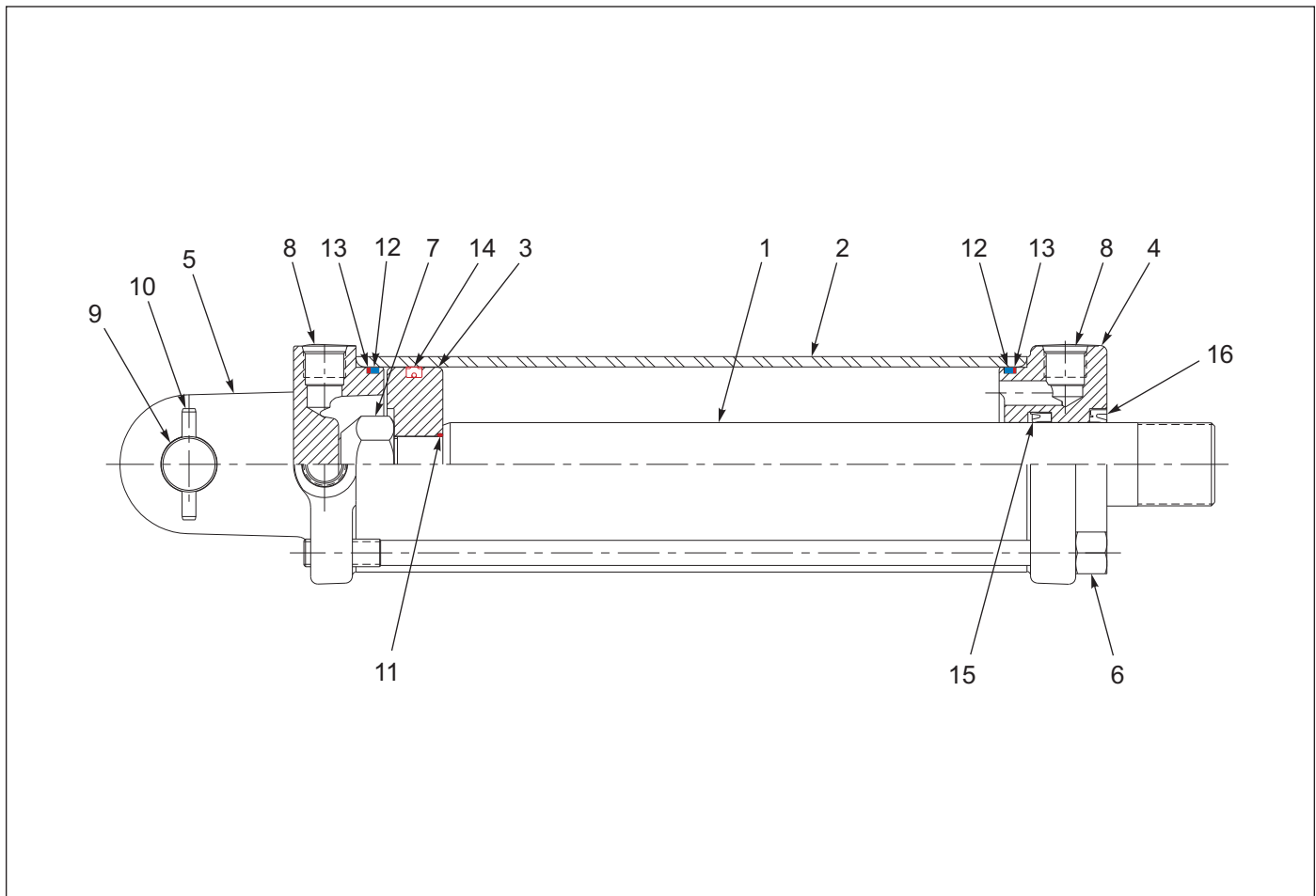


Figure 16-39: Hydraulic Cylinder, 3.5 X 10 - 201292

Hydraulic Cylinder, 3.5 X 10 - 201292

ITEM	PART NUMBER	DESCRIPTION	QTY.
	201292	CYLINDER, HYDRAULIC 3-1/2 X 10, 3000 PSI	--
1	-----	PISTON ROD	1
2	-----	TUBE	1
3	-----	PISTON	1
4	-----	GLAND	1
5	148084	BUTT CLEVIS	1
6	149862	TIE ROD ASSEMBLY	4
7	220000210	LOCK NUT	1
8	200300040	PLUG, PORT	3
9	143994	CLEVIS PIN	1
10	111789	ROLL PIN	2
11	-----	O-RING	1
12	-----	O-RING	2
13	-----	BU-WASHER	2
14	-----	CROWN SEAL	1
15	-----	U-CUP	1
16	-----	WIPER	1
17	-----	PACKING KIT (ITEMS 11-16)	1

HYDRAULICS

Hydraulic Rephase Cylinder, 10"

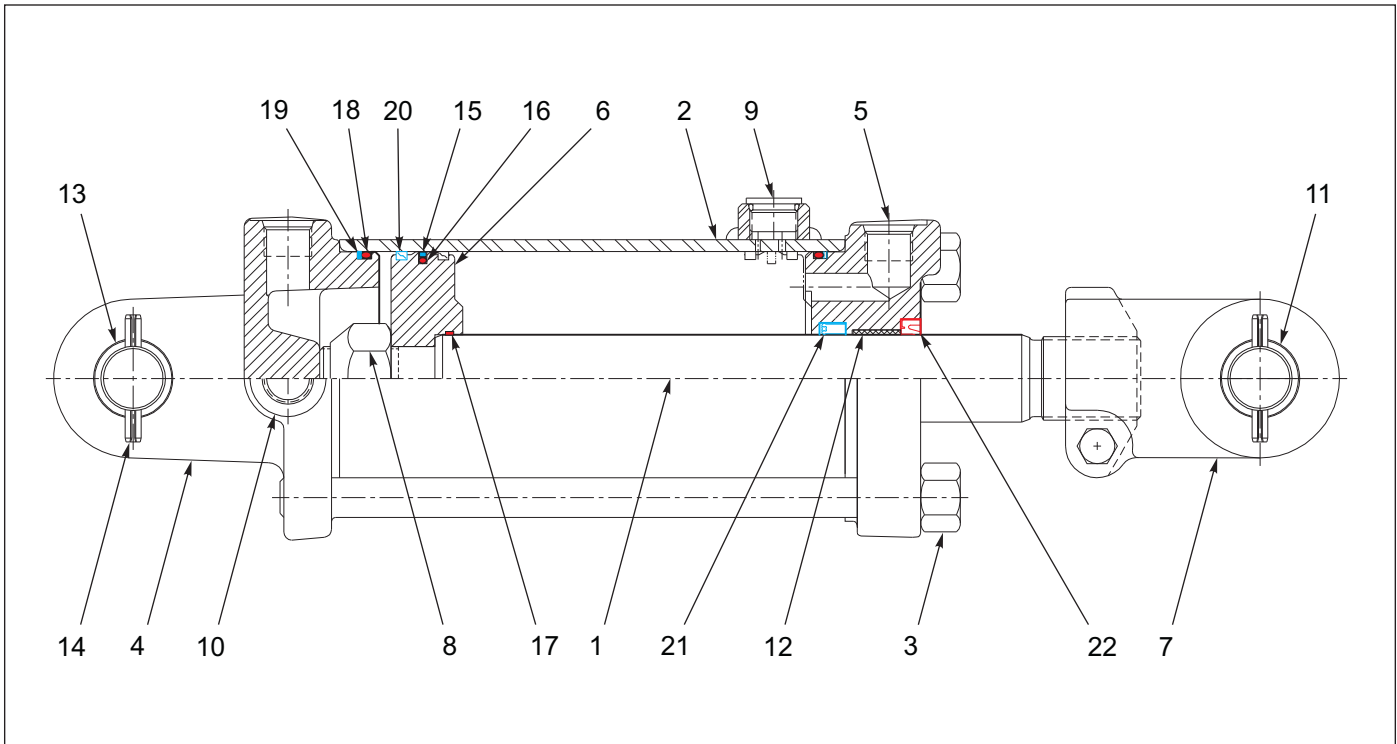


Figure 16-40: Hydraulic Rephase Cylinder, 10"

Hydraulic Rephase Cylinder, 10"

ITEM	PART NUMBER	DESCRIPTION	QTY.
	201275	CYLINDER, REPHASE (4 X 10) (AFTER 01/03/2020)	--
	201276	CYLINDER, REPHASE (3-3/4 X 10) (AFTER 01/03/2020)	--
	201277	CYLINDER, REPHASE (3-1/2 X 10)	--
1	145714	PISTON ROD (3-3/4 X 10) (4 X 10)	1
1	149860	PISTON ROD (3-1/2 X 10)	1
2	149861	TUBE ASSEMBLY (3-1/2 X 10)	1
3	149862	TIE ROD ASSY (3-1/2 X 10)	4
4	111876	BUTT CLEVIS ASSY (3-3/4 X 10)	1
4	148084	BUTT CLEVIS ASSY (3-1/2 X 10)	1
5	142109	GLAND ASSEMBLY (4 X 10)	1
5	111871	GLAND ASSEMBLY (3-3/4 X 10)	1
5	148085	GLAND ASSEMBLY (3-1/2 X 10)	1
6	147744	PISTON (4 X 10)	1
6	148086	PISTON (3-1/2 X 10)	1
7	140306	CLEVIS ASSY (3-3/4 X 10)	1
8	220000210	LOCK NUT (4 X 10 & 3-3/4 X 10)	1
8	220000209	LOCK NUT (3-1/2 X 10)	1
9	-----	PLUG, PORT	1
10	200300040	PLUG, PORT	3
11	141301	BUSHING	4
12	125566	BUSHING	1
13	143994	CLEVIS PIN	2
14	111789	ROLL PIN	4
15	-----	TEFLON SEAL	1

Hydraulic Rephase Cylinder, 10"

ITEM	PART NUMBER	DESCRIPTION	QTY.
16	-----	O- RING	1
17	-----	O- RING	1
18	-----	O- RING	2
19	111795	BU- WASHER	2
20	-----	BEARING RING	1
21	-----	U- CUP	1
22	250014137	CANNED WIPER	1
23	-----	PACKING KIT (ITEMS 15-22)	--

HYDRAULICS

Hydraulic Cylinder, 4.5 X 8 - 177389

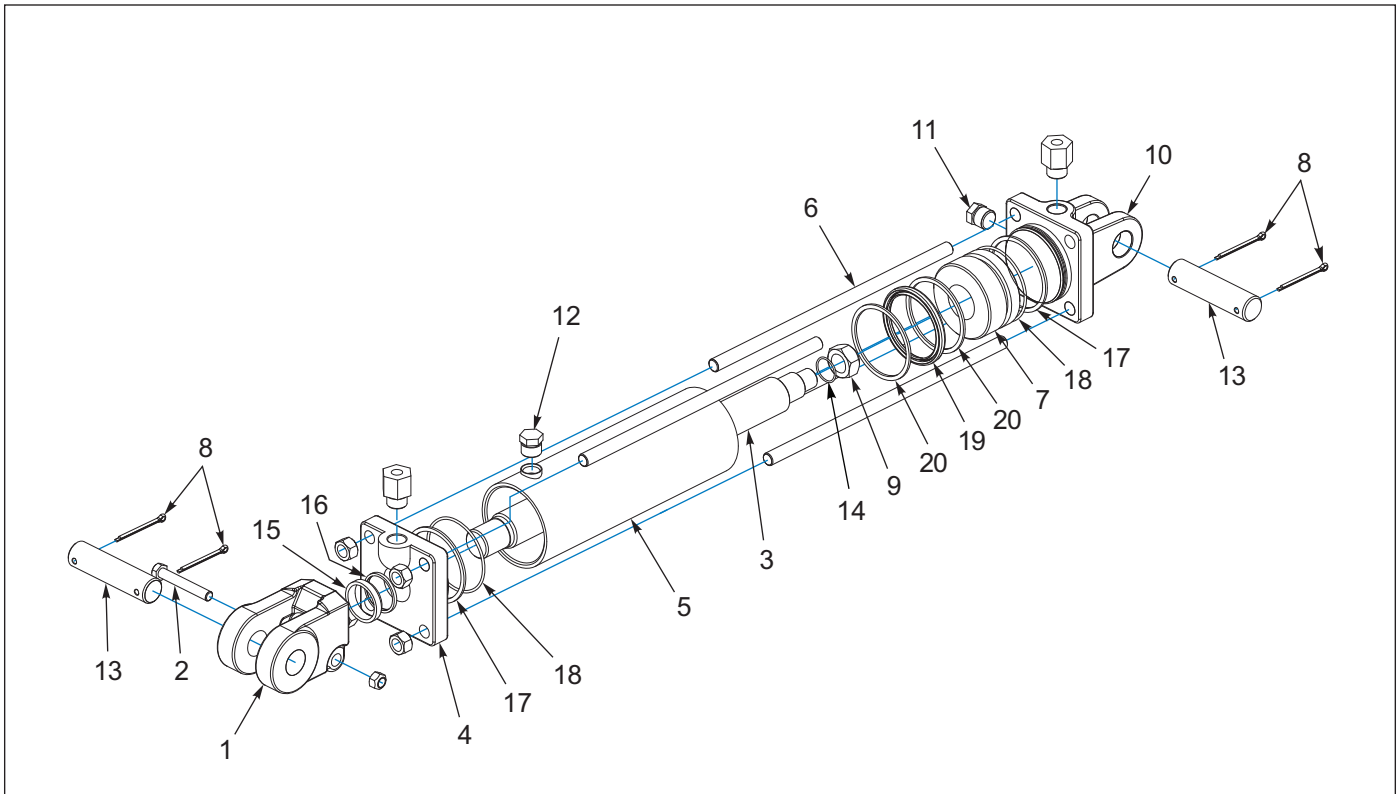


Figure 16-41: Hydraulic Cylinder, 4.5 X 8 - 177389

Hydraulic Cylinder, 4.5 X 8 - 177389

ITEM	PART NUMBER	DESCRIPTION	QTY.
	177389	CYLINDER, HYDRAULIC 4-1/2 X 8, 3000 PSI	--
1	-----	ROD, END CLEVIS	1
2	-----	CAPSCREW, 3/8-16 NC X 2-1/2	1
3	-----	ROD, PISTON	1
4	-----	GLAND, W/ BUSHING	1
5	-----	TUBE ASSY	1
6	-----	TIE ROD ASSY	4
7	-----	PISTON	1
8	-----	COTTER PIN	4
9	220000210	LOCK NUT	1
10	-----	BASE	1
11	-----	STEEL PLUG, O-RING TYPE	1
12	200300040	PLUG	1
13	-----	CLEVIS PIN	2
14	-----	O-RING	1
15	-----	ROD, WIPER	1
16	-----	U-CUP	1
17	-----	BU-WASHER	2
18	-----	O-RING	2
19	-----	TEFON SEAL	1
20	-----	BEARING RING	2
21	-----	PACKING KIT (INCLUDES ITEMS 13-20)	1

Hydraulic Cylinder, 4 X 48 - 201347

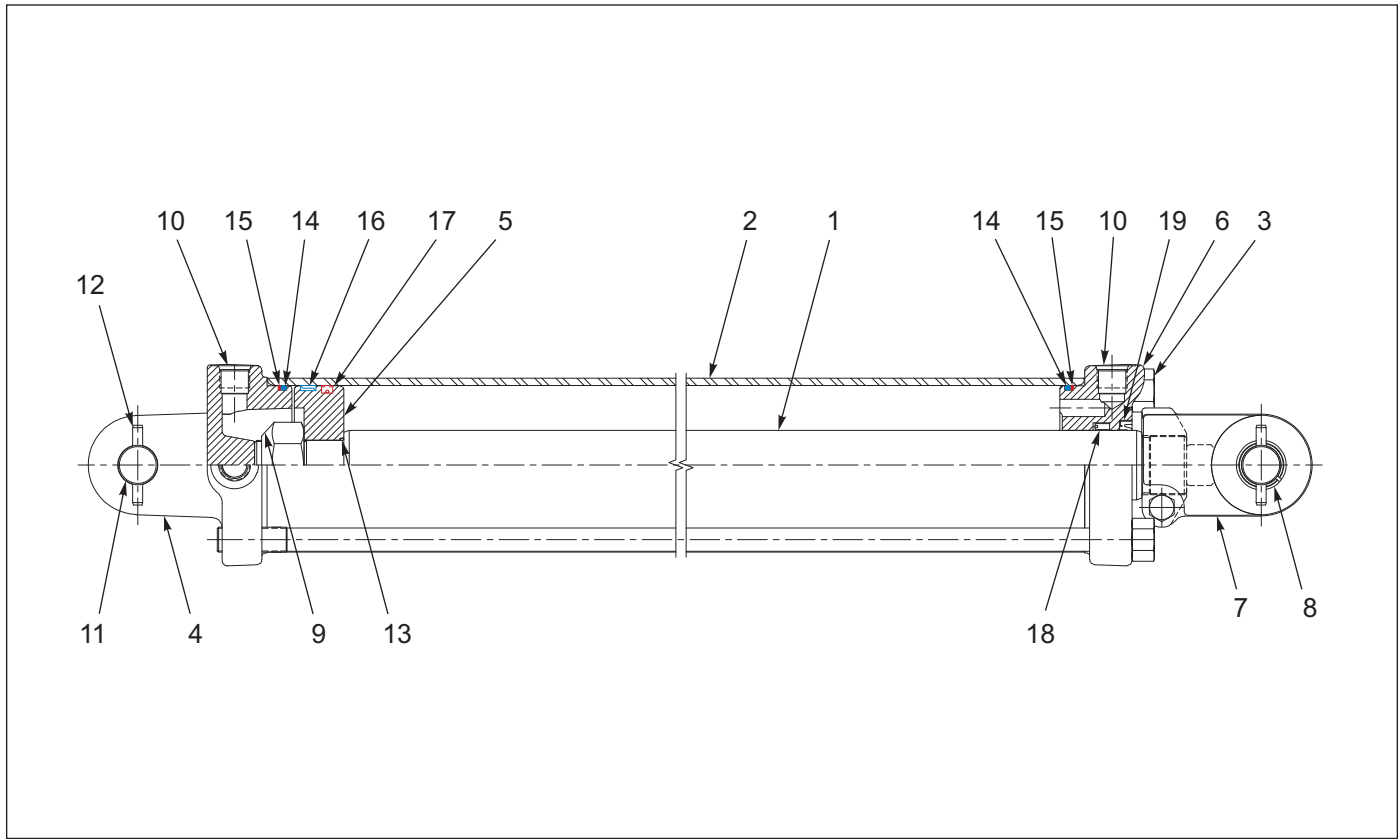


Figure 16-42: Hydraulic Cylinder, 4 X 48 - 201347

Hydraulic Cylinder, 4 X 48 - 201347

ITEM	PART NUMBER	DESCRIPTION	QTY.
	201347	CYLINDER, HYDRAULIC 4 X 48, 3000 PSI	--
1	-----	PISTON ROD	1
2	-----	TUBE	1
3	-----	TIE ROD ASSY	4
4	147375	BUTT	1
5	111786	PISTON	1
6	147376	GLAND	1
7	154102	CLEVIS ASSY	1
8	113805	BUSHING	2
9	220000212	LOCK NUT	1
10	200300040	SHIPPING PLUG	3
11	-----	CLEVIS PIN	2
12	111789	ROLL PIN	4
13	-----	O- RING	1
14	-----	O- RING	2
15	-----	BU-WASHER	2
16	-----	BEARING RING	1
17	-----	CROWN SEAL	1
18	-----	U-CUP	1
19	-----	WIPER	1
20	-----	PACKING KIT (INCLUDES ITEMS 13-19)	--

HYDRAULICS

Hydraulic Cylinder, 7 X 60 (25' & 30') - 187436

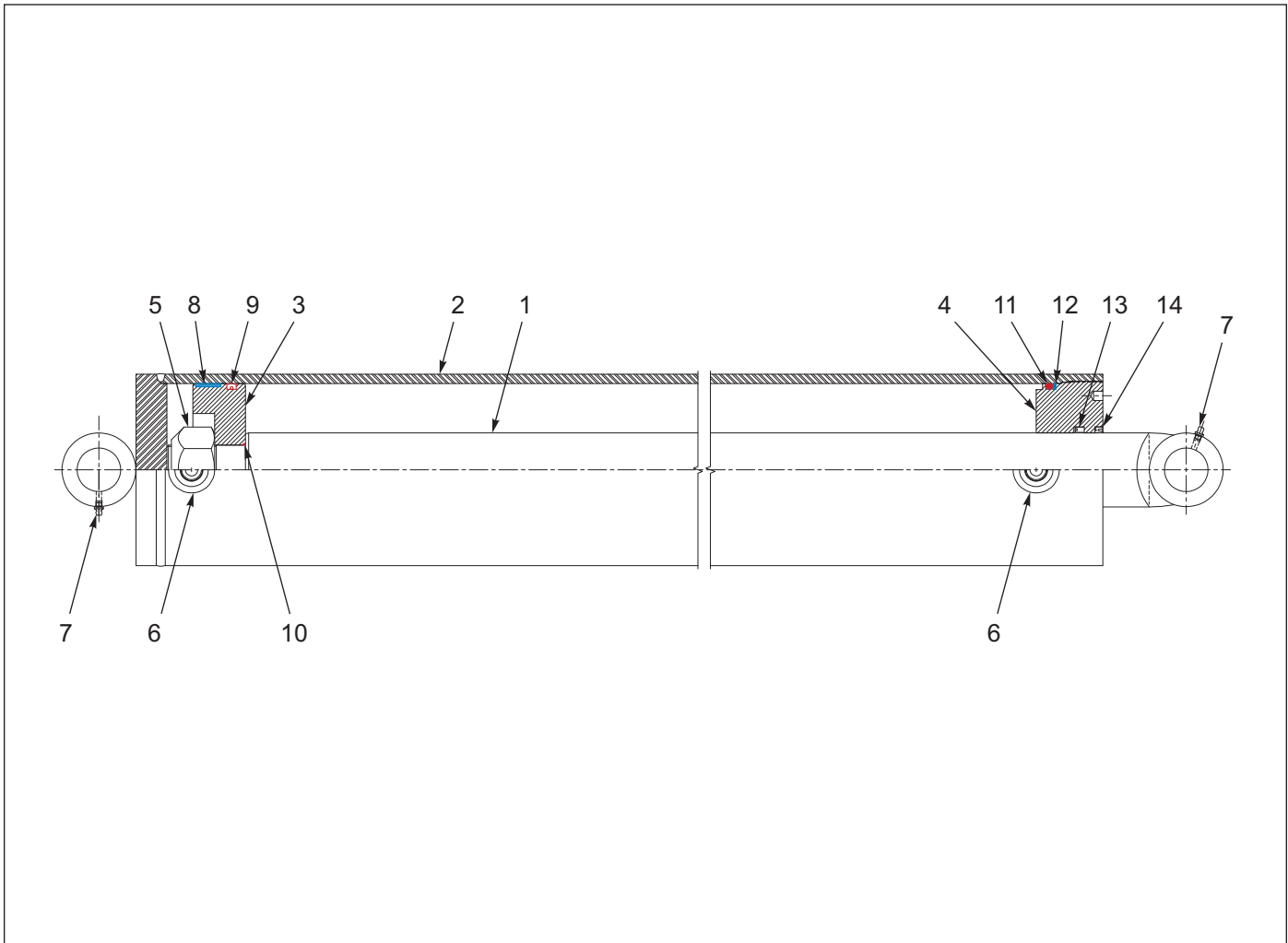


Figure 16-43: Hydraulic Cylinder, 7 X 60 (25' & 30') - 187436

Hydraulic Cylinder, 7 X 60 (25' & 30') - 187436

ITEM	PART NUMBER	DESCRIPTION	QTY.
	187436	CYLINDER, HYDRAULIC 7 X 60, WELD 3000 PSI	--
1	-----	PISTON ROD	1
2	-----	BUTT & TUBE ASSY	1
3	-----	PISTON	1
4	-----	GLAND	1
5	116606	LOCK NUT	1
6	148142	PORT PLUG	2
7	-----	GREASE ZERK	2
8	-----	BEARING RING	1
9	-----	CROWN SEAL	1
10	-----	O- RING	1
11	-----	O-RING	1
12	-----	BU-WASHER	1
13	-----	U-CUP	1
14	-----	WIPER	1
15	-----	PACKING KIT (INCLUDES ITEMS 8-14)	

Hydraulic Cylinder, 8 X 60 (35' & 40') - 199920

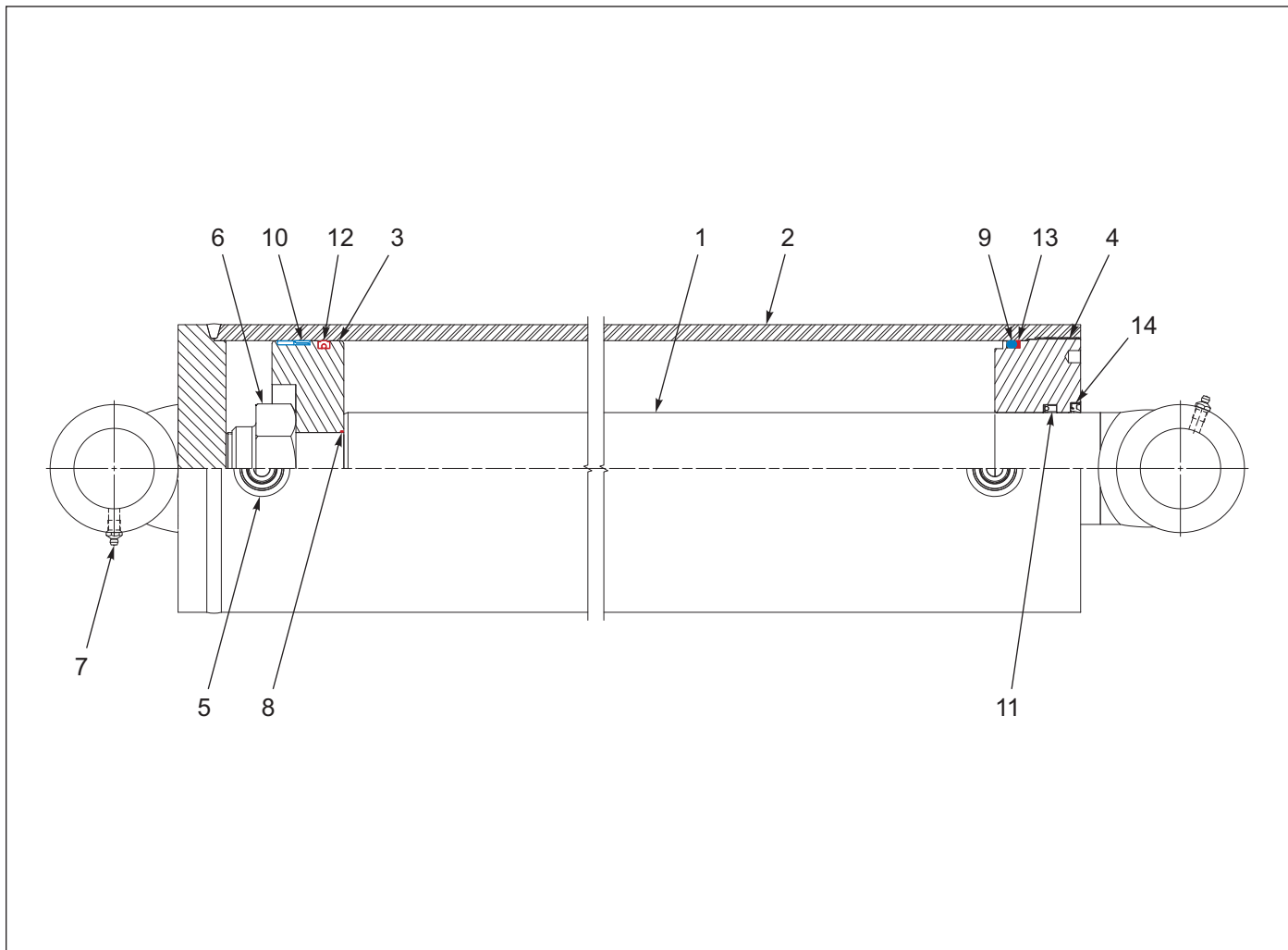


Figure 16-44: Hydraulic Cylinder, 8 X 60 (35' & 40') - 199920

Hydraulic Cylinder, 8 X 60 (35' & 40') - 199920

ITEM	PART NUMBER	DESCRIPTION	QTY.
	199920	CYLINDER, HYDRAULIC 8 X 60, 3000 PSI	--
1	-----	PISTON ROD ASSY	1
2	-----	BUTT & TUBE ASSY	1
3	-----	PISTON	1
4	-----	GLAND	1
5	148142	HEX HEAD PLUG	2
6	-----	LOCK NUT	1
7	-----	GREASE ZERK	2
8	-----	O- RING	1
9	-----	O- RING	1
10	-----	BEARING RING	1
11	-----	U-CUP	1
12	-----	CROWN SEAL	1
13	-----	BU-WASHER	1
14	-----	WIPER	1
15	-----	PACKING KIT (INCLUDES ITEMS 8-14)	

HYDRAULICS

Hydraulic Cylinder, 4.5 X 10 - 223374

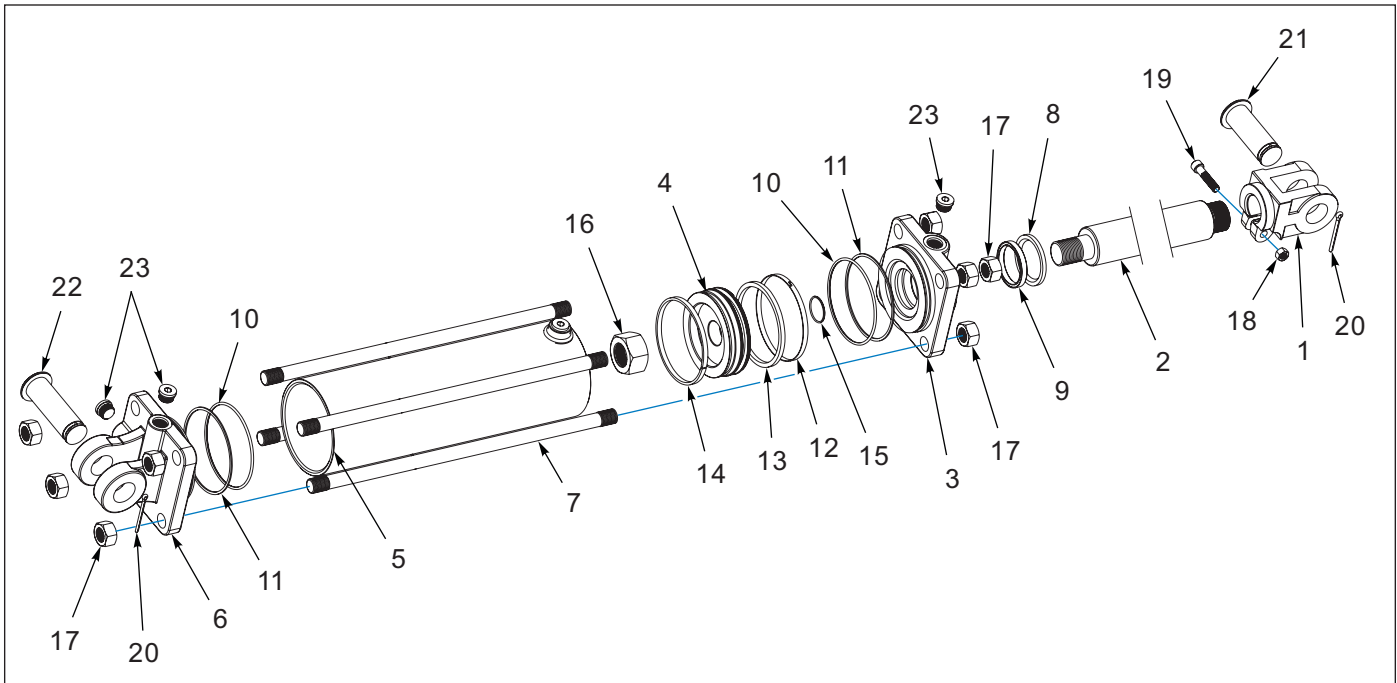


Figure 16-45: Hydraulic Cylinder, 4.5 x 10 - 223374

Hydraulic Cylinder, 4.5 X 10 - 223374

ITEM	PART NUMBER	DESCRIPTION	QTY.
	223374	CYLINDER, 4-1/2 X 10, REPHASE	--
1	229553	ROD CLEVIS-ADI,1-1/4 PIN, MIDWA	1
2	-----	ROD	1
3	226607	GLAND, 4-1/2" BORE, MIDWAY	1
4	-----	PISTON	1
5	-----	TUBE	1
6	226610	BUTT CLEVIS-ADI, 4-1/2" BORE	1
7	-----	TIE ROD	4
8	-----	WIPER	1
9	-----	U-CUP	1
10	-----	OD O-RING	2
11	-----	OD BACKUP	2
12	-----	GREEN	1
13	-----	LOADER	1
14	-----	WEAR RING	1
15	-----	O-RING	1
16	-----	PISTON NUT	1
17	-----	TIE ROD NUT	8
18	-----	CLEVIS NUT	1
19	-----	CAP SCREW	1
20	W932022-4	COTTER PIN	2
21	226615	ROD CLEVIS PIN	1
22	226614	BASE CLEVIS PIN	1
23	-----	STEEL PLUG	3
24	226616	PACKING KIT,4-1/2" BORE,MIDWAY (SEAL KIT INCLUDES ITEMS 8 - 15)	1

Electrical

Wiring Diagram

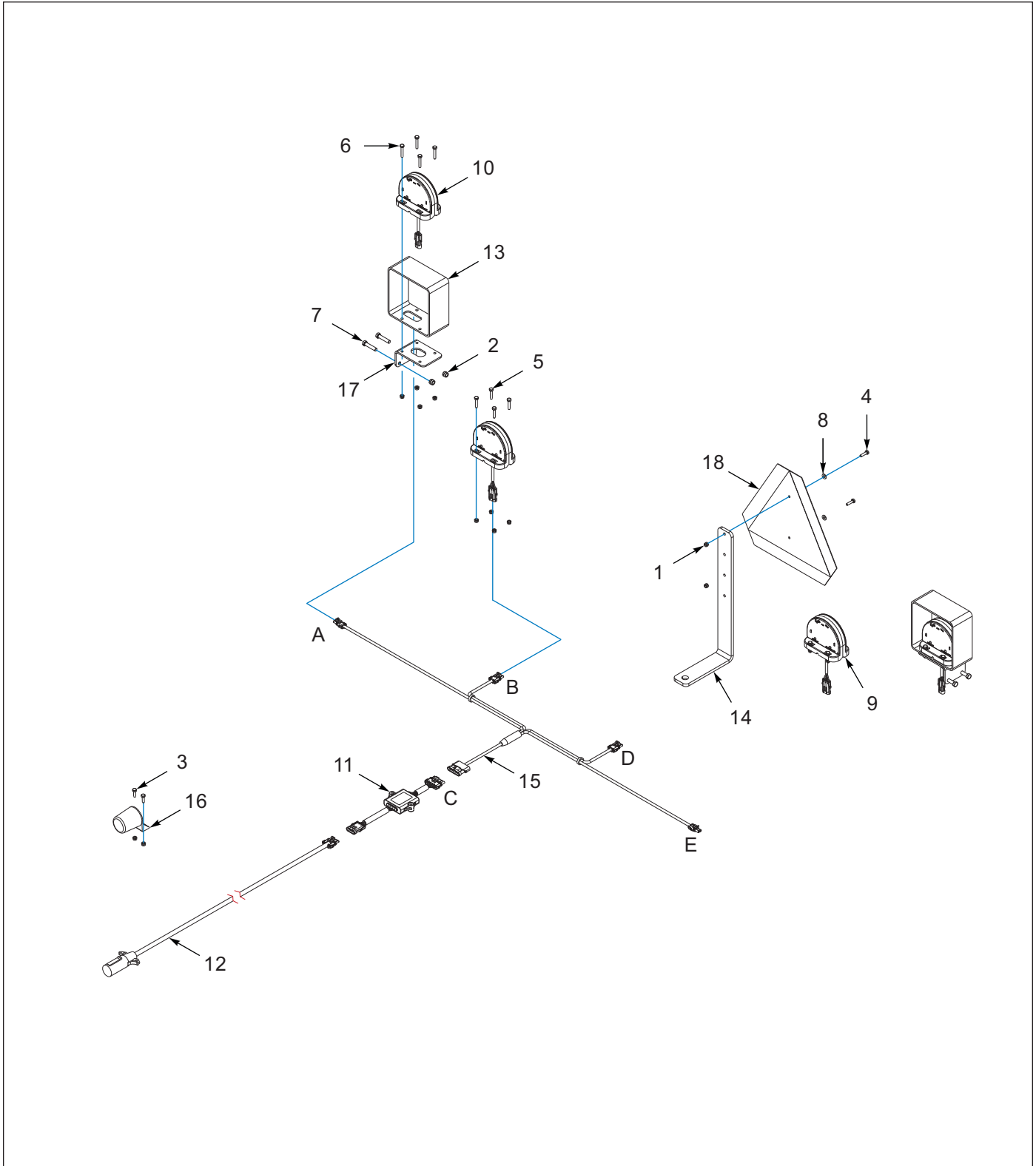


Figure 17-1: Wiring Diagram (1 of 2)

7-PIN CONN.	4-PIN TOWER	CIRCUIT	WIRE COLOR
1	D	GROUND	GROUND
2	-	WORK LAMPS	BLACK ●
3	B	LEFT FLASHING & TURN	YELLOW ●
4	-	STOP LAMPS	RED ●
5	A	RIGHT FLASHING & TURN	GREEN ●
6	-	TAIL LAMPS	BROWN ●
7	C	SWITCHED POWER (12 V)	BLUE ●

MAIN WARNING LIGHT HARNESS - WIRING CHART

	1	2	3	4	5
	2-PIN TOWER	3-PIN TOWER	6-PIN SHROUD	3-PIN TOWER	2-PIN TOWER
● BLACK LEFT TURN			A	C	
● WHITE GROUND	A	A	B	A	A
● BROWN TAIL LIGHT		B	C	B	
● YELLOW LEFT TURN			D		B
● GREEN RIGHT TURN	B		E		
● RED RIGHT TURN			F		

REAR WARNING LIGHT HARNESS - WIRING CHART

Figure 17-2: Wiring Diagram (2 of 2)

ELECTRICAL

Wiring Diagram

ITEM	PART NUMBER	DESCRIPTION	QTY.
	187690	KIT, WARNING LIGHTS 7831	--
1	1-512-010005-01	NUT, HEX SLFLKG, 1/4-20 UNC, GRB	20
2	1-512-010005-05	NUT, HEX, SLFLKG GRB 3/8-16	4
3	1-654-010047-05	SCREW, HX CP 1/4-20UNCx7/8 GR5	2
4	1-654-010047-06	SCREW, HEX 1/4-20 UNC X 1 GR5	2
5	1-654-010047-07	SCREW,HX CP 1/4-20UNCX1-1/4G5	8
6	1-654-010047-08	SCREW HX CP,1/4-20UNCX1-1/2G5	8
7	1-654-010051-08	SCREW, HEX, 3/8-16 x 1-3/4, GR 5	4
8	1-861-010032-06	WASHER, FLAT ZP/CD, 1/4N	2
9	174435	LAMP, AG RED SINGLE LED	2
10	174436	LAMP, AG AMBER SINGLE LED	2
11	174437	MODULE, AG FLASHER CONTROL	1
12	174438	HARNESS, MAIN WARNING LIGHTS	1
13	187689	TUBE, LIGHT	2
14	191070	BRACKET, SMV 7831	1
15	195073	HARNESS, REAR WARNING LIGHTS	1
16	2-368-010287	HARNESS, STOR-A-WAY	1
17	219947	BRACKET-LIGHT MOUNT	2
18	70260977	SMV EMBLEM	1

Reel Mounts & Extensions (Rubber Roller & Single Chevron)

Reel Mount Plate Assemblies

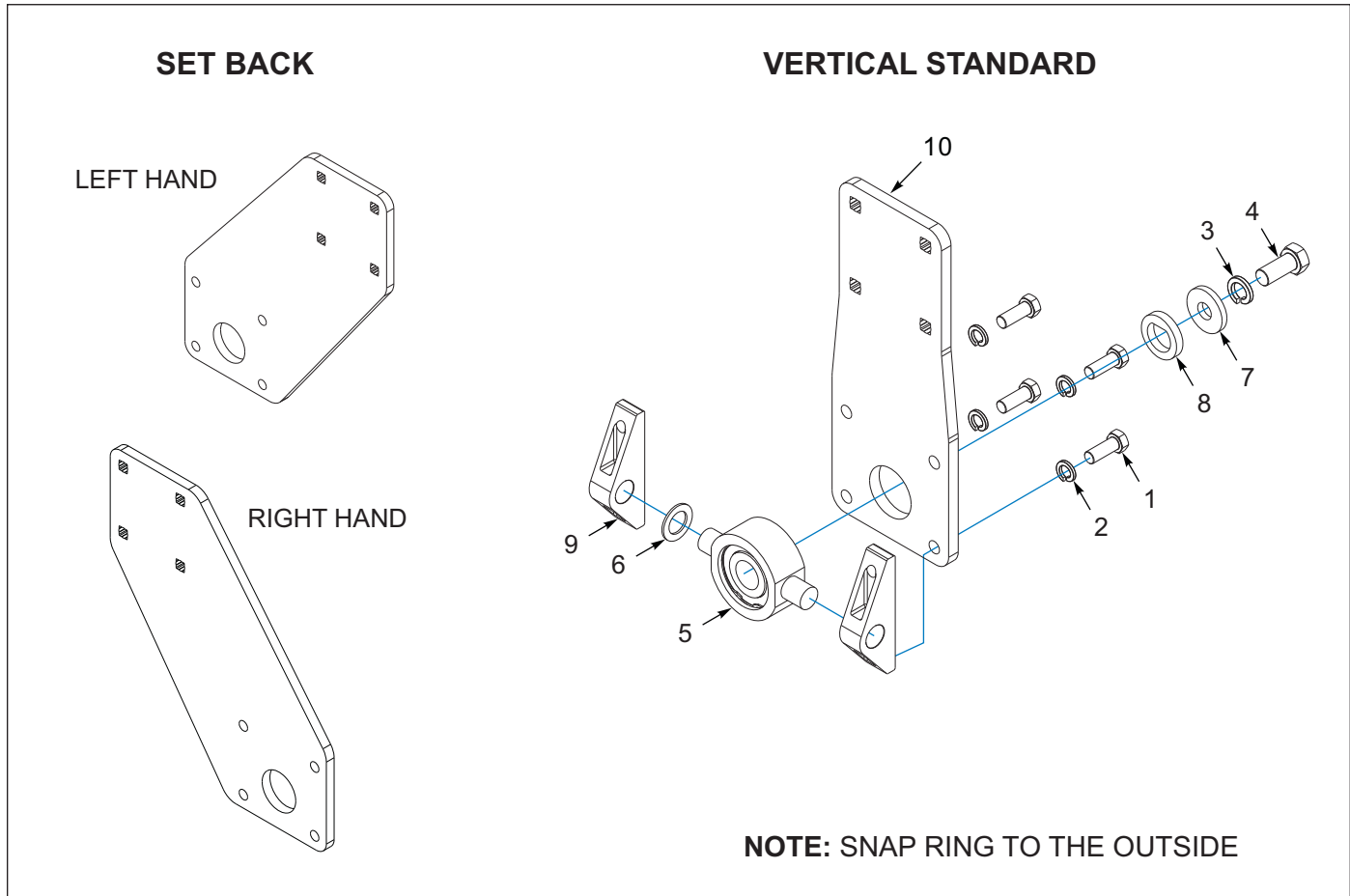


Figure 18-1: Reel Mount Plate Assemblies

Reel Mount Plate Assemblies

ITEM	PART NUMBER	DESCRIPTION	QTY.
	191752	PLATE, REEL MOUNT ASSEMBLY	--
	199889	PLATE, REEL MOUNT ASSEMBLY RH	--
	199890	PLATE, REEL MOUNT ASSEMBLY LH	--
1	1-654-010061-05	SCREW, HEX 3/4-10 UNC X 2 GR5	4
2	1-861-010034-17	WASHER, LKG HLCL SPR, 3/4	4
3	1-861-010034-21	WASHER, LKG HCSL SPR, 1	1
4	137943	SCREW, HEX 1-8 UNC X 2-1/4 GR8	1
5	140477	BEARING, DISC 1.775 ID, ASSY (POSITION - BACKSIDE OF BEARING)	1
6	140480	WASHER, TRUNNION (POSITIONED - REAR OF MACHINE)	1
7	154185	WASHER, 3/8	1
8	154186	WASHER, FLAT TOP	1
9	191750	MOUNT, TRUNNION BEARING	2
10	199883	PLATE, REEL MOUNT	1
10	191751	PLATE, REEL MOUNT	1

25' Reel Mount Extension Assemblies (AFTER 03/2018)

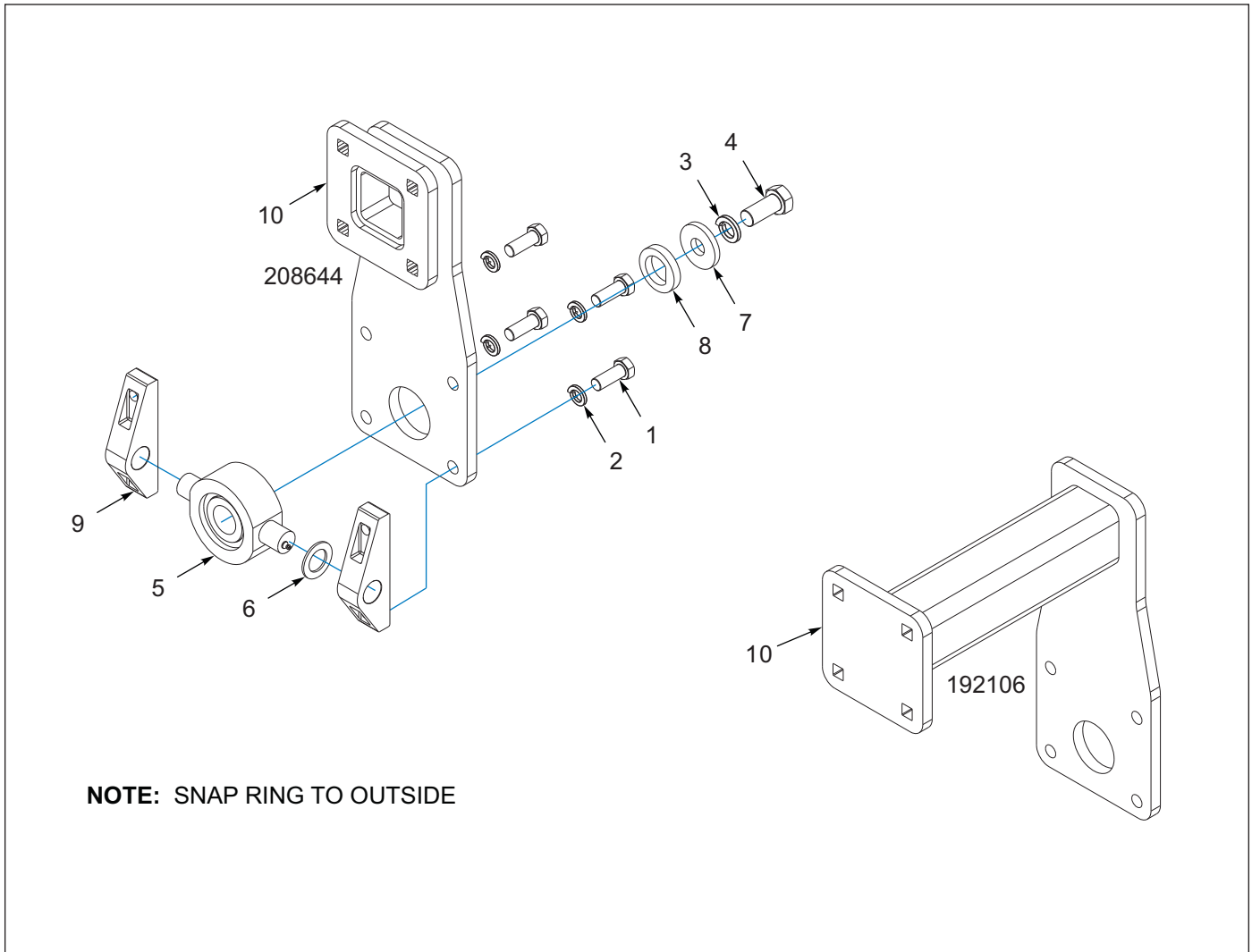


Figure 18-2: 25' Reel Mount Extension Assemblies (AFTER 03/2018)

25' Reel Mount Extension Assemblies (AFTER 03/2018)

ITEM	PART NUMBER	DESCRIPTION	QTY.
	192106	EXTENSION, REEL MOUNT ASSEMBLY	2
	208644	EXTENSION, REEL MOUNT ASSEMBLY	2
1	1-654-010061-05	SCREW, HEX 3/4-10 UNC X 2 GR5	4
2	1-861-010034-17	WASHER, LKG HLCL SPR, 3/4	4
3	1-861-010034-21	WASHER, LKG HLCL SPR, 1	1
4	137943	SCREW, HEX 1-8 UNC X 2-1/4 GR8	1
5	140477	BEARING, DISC 1.775 ID, ASSY (POSITION ZERK TOWARDS BACK REAR)	1
6	140480	WASHER, TRUNNION (POSITIONED ON BACKSIDE OF BEARING)	1
7	154185	WASHER, 3/8	1
8	154186	WASHER, FLAT TOP	2
9	191750	MOUNT, TRUNNION BEARING 2	1
10	192105	EXTENSION, REEL MOUNT WELD (FOR 192106)	1
10	208645	EXTENSION, REEL MOUNT WELD (FOR 208644)	1

30' Reel Mount Extension Assemblies (AFTER 03/2018)

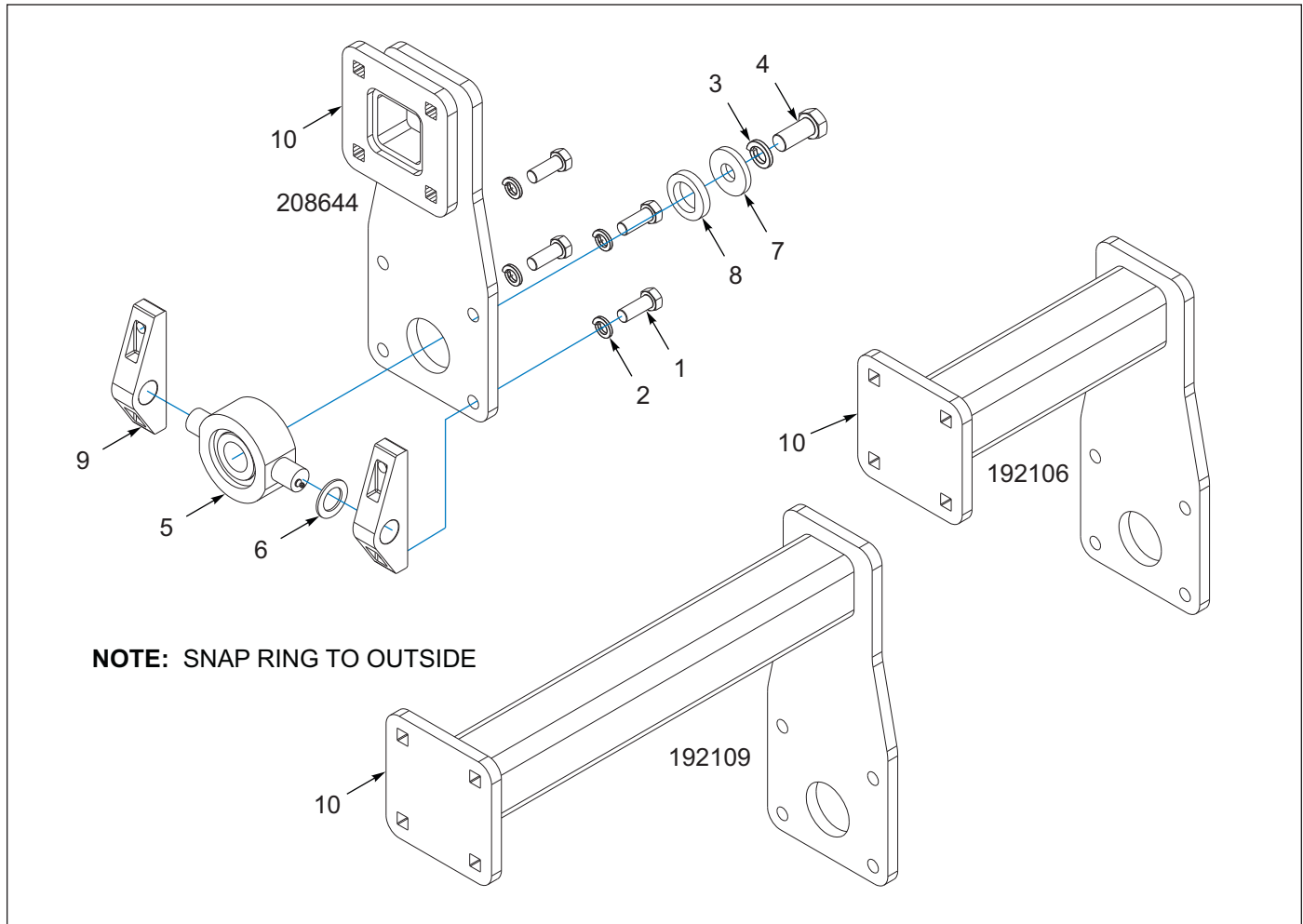


Figure 18-3: 30' Reel Mount Extension Assemblies (AFTER 03/01/2018)

30' Reel Mount Extension Assemblies (AFTER 03/2018)

ITEM	PART NUMBER	DESCRIPTION	QTY.
	192106	EXTENSION, REEL MOUNT ASSEMBLY	2
	192109	EXTENSION, REEL MOUNT ASSEMBLY	2
	208644	EXTENSION, REEL MOUNT ASSEMBLY	2
1	1-654-010061-05	SCREW, HEX 3/4-10 UNC X 2 GR5	4
2	1-861-010034-17	WASHER, LKG HLCL SPR, 3/4	4
3	1-861-010034-21	WASHER, LKG HLCL SPR, 1	1
4	137943	SCREW, HEX 1-8 UNC X 2-1/4 GR8	1
5	140477	BEARING, DISC 1.775 ID, ASSY (POSITION ZERK TOWARDS BACK REAR)	1
6	140480	WASHER, TRUNNION (POSITIONED ON BACKSIDE OF BEARING)	1
7	154185	WASHER, 3/8	1
8	154186	WASHER, FLAT TOP	2
9	191750	MOUNT, TRUNNION BEARING 2	1
10	192105	EXTENSION, REEL MOUNT WELD (FOR 192106)	1
10	192108	EXTENSION, REEL MOUNT WELD (FOR 192109)	1
10	208645	EXTENSION, REEL MOUNT WELD (FOR 208644)	1

35' Reel Mount Extension Assemblies (AFTER 03/2018)

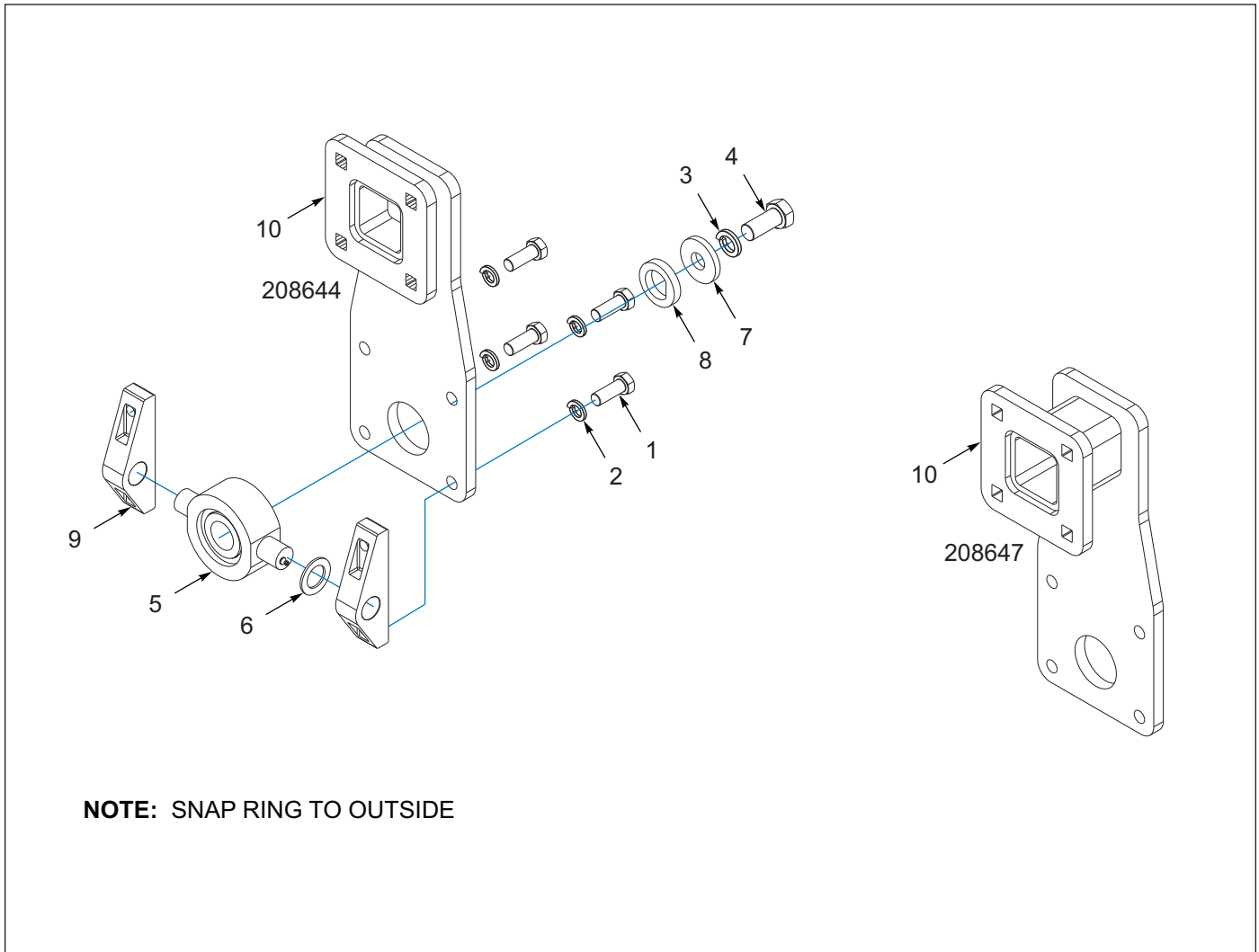


Figure 18-4: 35' Reel Mount Extension Assemblies (AFTER 03/2018)

35' Reel Mount Extension Assemblies (AFTER 03/2018)

ITEM	PART NUMBER	DESCRIPTION	QTY.
	208644	EXTENSION, REEL MOUNT ASSEMBLY	2
	208647	EXTENSION, REEL MOUNT ASSEMBLY	4
1	1-654-010061-05	SCREW, HEX 3/4-10 UNC X 2 GR5	4
2	1-861-010034-17	WASHER, LKG HLCL SPR, 3/4	4
3	1-861-010034-21	WASHER, LKG HLCL SPR, 1	1
4	137943	SCREW, HEX 1-8 UNC X 2-1/4 GR8	1
5	140477	BEARING, DISC 1.775 ID, ASSY (POSITION ZERK TOWARDS BACK REAR)	1
6	140480	WASHER, TRUNNION (POSITIONED ON BACKSIDE OF BEARING)	1
7	154185	WASHER, 3/8	1
8	154186	WASHER, FLAT TOP	2
9	191750	MOUNT, TRUNNION BEARING 2	1
10	208645	EXTENSION, REEL MOUNT WELD (FOR 208644)	1
10	208648	EXTENSION, REEL MOUNT WELD (FOR 208647)	1

40' Reel Mount Extension Assemblies (AFTER 03/2018)

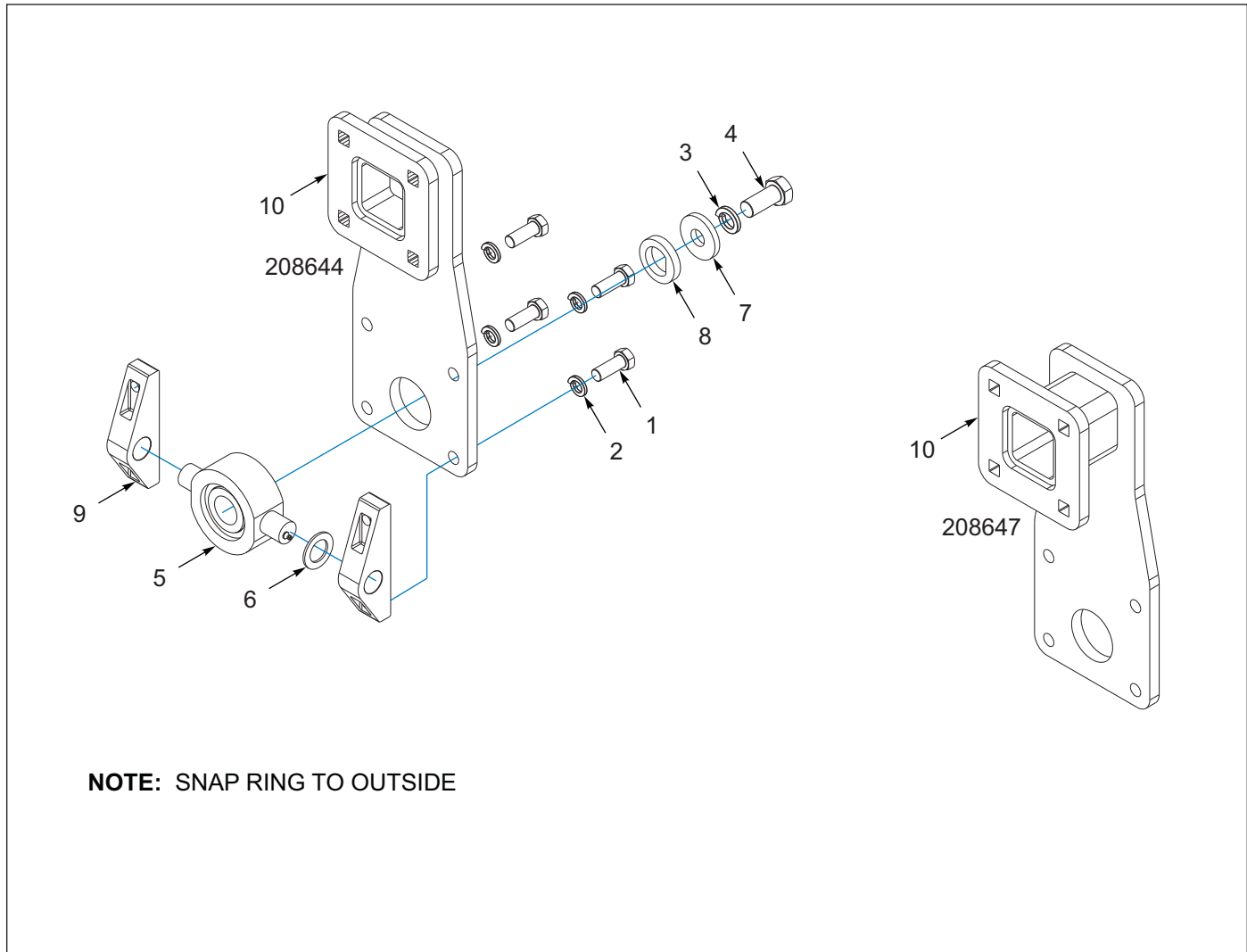


Figure 18-5: 40' Reel Mount Extension Assemblies (AFTER 03/2018)

40' Reel Mount Extension Assemblies (AFTER 03/2018)

ITEM	PART NUMBER	DESCRIPTION	QTY.
	208644	EXTENSION, REEL MOUNT ASSEMBLY	2
	208647	EXTENSION, REEL MOUNT ASSEMBLY	8
1	1-654-010061-05	SCREW, HEX 3/4-10 UNC X 2 GR5	4
2	1-861-010034-17	WASHER, LKG HLCL SPR, 3/4	4
3	1-861-010034-21	WASHER, LKG HLCL SPR, 1	1
4	137943	SCREW, HEX 1-8 UNC X 2-1/4 GR8	1
5	140477	BEARING, DISC 1.775 ID, ASSY (POSITION ZERK TOWARDS BACK REAR)	1
6	140480	WASHER, TRUNNION (POSITIONED ON BACKSIDE OF BEARING)	1
7	154185	WASHER, 3/8	1
8	154186	WASHER, FLAT TOP	2
9	191750	MOUNT, TRUNNION BEARING 2	1
10	208645	EXTENSION, REEL MOUNT WELD (FOR 208644)	1
10	208648	EXTENSION, REEL MOUNT WELD (FOR 208647)	1

Reel Mount Extension Assemblies (BEFORE 03/2018)

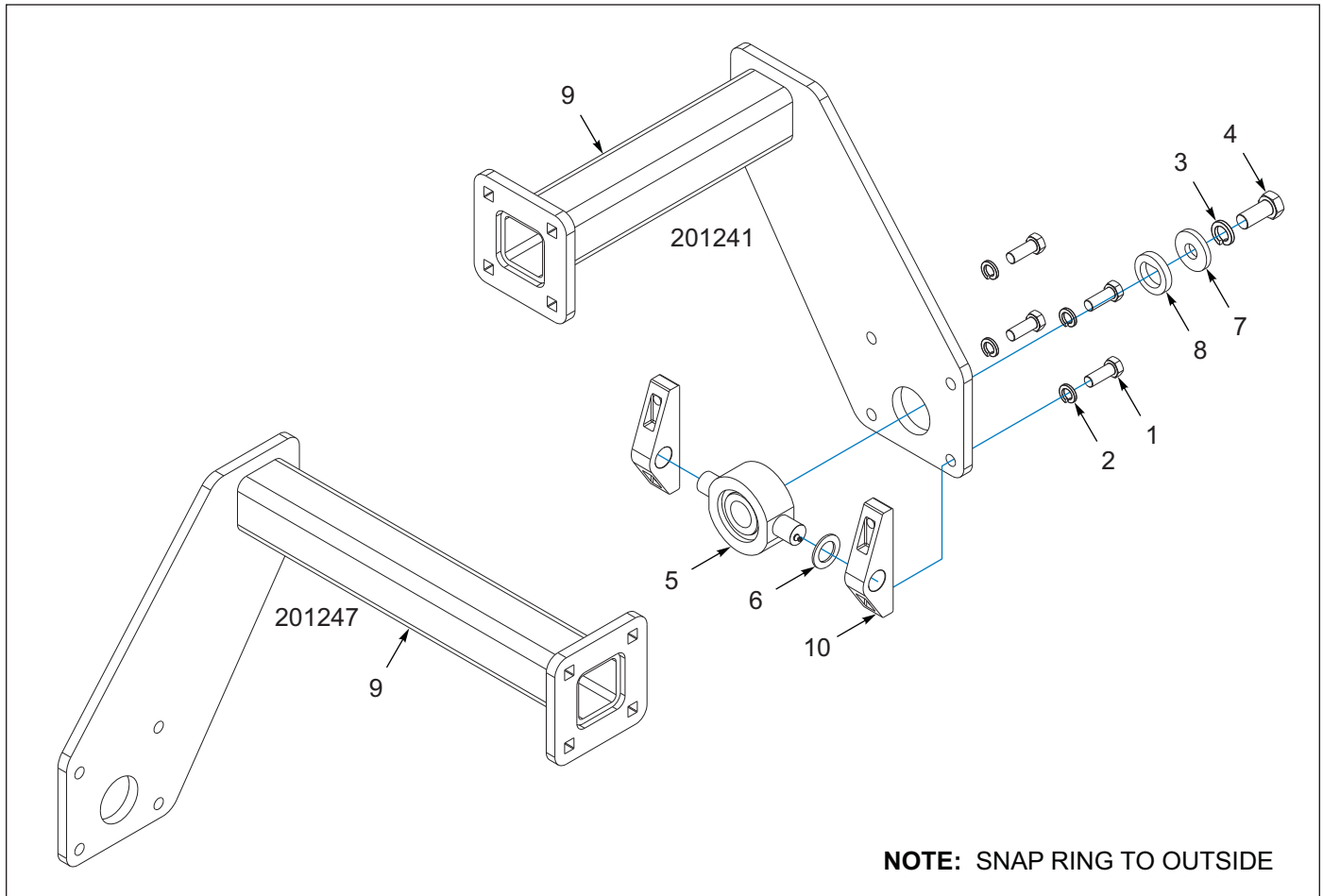


Figure 18-6: Reel Mount Extension Assemblies (BEFORE 03/2018)

Reel Mount Extension Assemblies (BEFORE 03/2018)

ITEM	PART NUMBER	DESCRIPTION	QTY.
	201241	EXTENSION, REEL MOUNT ASSY (RH) (25',30')	--
	201242	EXTENSION, REEL MOUNT ASSY (LH) (25',30')	--
	201247	EXTENSION, REEL MOUNT ASSY (RH) (30')	--
	201248	EXTENSION, REEL MOUNT ASSY (LH) (30')	--
1	1-654-010061-05	SCREW, HEX 3/4-10 UNC X 2 GR5	4
2	1-861-010034-17	WASHER, LKG HLCL SPR, 3/4	4
3	1-861-010034-21	WASHER, LKG HLCL SPR, 1	1
4	137943	SCREW, HEX 1-8 UNC X 2-1/4 GR8	1
5	140477	BEARING, DISC 1.775 ID, ASSY (POSITION ZERK TOWARDS BACK REAR)	1
6	140480	WASHER, TRUNNION (POSITIONED ON BACKSIDE OF BEARING)	1
7	154185	WASHER, 3/8	1
8	154186	WASHER, FLAT TOP	1
9	201239	EXTENSION, REEL MOUNT WELD LH (USED W/ 201241) (25',30')	1
9	201240	EXTENSION, REEL MOUNT WELD RH (USED W/ 201242) (25',30')	1
9	201245	EXTENSION, REEL MOUNT WELD LH (USED W/ 201247) (30')	1
9	201246	EXTENSION, REEL MOUNT WELD RH (USED W/ 201248) (30')	1
10	191750	MOUNT, TRUNNION BEARING 2	2

Rubber Roller Assemblies

25' Rubber Roller Assembly (AFTER 03/2018)

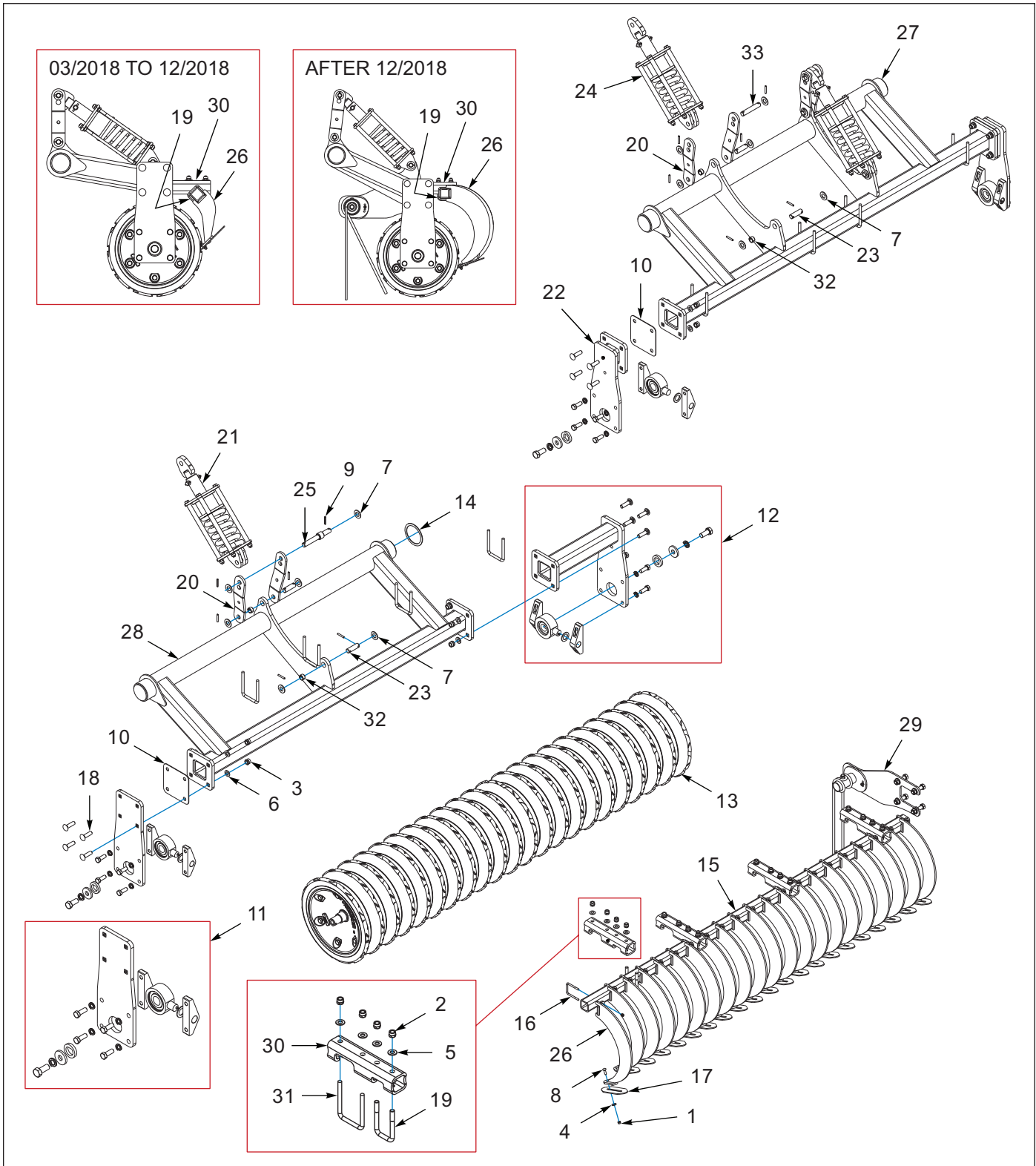


Figure 19-1: 25' Rubber Roller Assembly (AFTER 03/2018)

25' Rubber Roller Assembly (AFTER 03/2018)

ITEM	PART NUMBER	DESCRIPTION	QTY.
	191129	ROLLER, RUBBER ASSEMBLY, 25	--
1	1-512-010005-05	NUT, HEX, SLFLKG GRB 3/8-16	189
2	1-512-010005-13	NUT,HEX SLFLKG GRB 5/8-11	48
3	1-512-010005-15	NUT,HEX,SLFLKG GRB 3/4-10	24
4	1-861-010032-11	WASHER, FLAT 3/8 W ZP/CD	63
5	1-861-010032-18	WASHER, FLAT 5/8 N ZP/CD (AFTER 09/2019)	48
5	1-861-010032-19	WASHER, FLAT 5/8 W ZP/CD (BEFORE 09/2019)	24
6	1-861-010032-20	WASHER, FLAT,3/4 N ZP/CD	24
7	1-861-010032-24	WASHER FL 1IN NARROW ZP	24
8	101864	SCREW,RD HD 3/8-16X1-1/4 GR5	63
9	147072	PIN, SPRING SLOTTED 5/16 X 2	24
10	187755	PLATE SHIM 11 GA	3
11	191752	PLATE-REEL MOUNT, ASSY (SEE PAGE 18-1)	2
12	192106	EXTENSION-REEL MOUNT, ASSY (SEE PAGE 18-2)	2
13	192585	ROLLER RUBBER LCTX 2655 OTICO	3
14	195066	WASHER SHIM ROCKSHAFT	2
15	199434	TUBE SQ 2-1/2 X 1/4X 103-3/16	3
16	199436	U-BOLT, 3/8-16X2-7/8X3-1/2,ZP	63
17	199437	PLATE-SCRAPER	63
18	201250	SCREW,RD,HD,SQ NK,3/4-10X2-3/4	24
19	201274	U-BOLT, 5/8-11 X 3-3/16X5-3/16 (AFTER 12/2018)	12
19	199435	U-BOLT, 5/8-11,2-1/2SQ DIAMOND (03/2018 TO 12/2018)	12
20	207537	LINK IDLER	8
21	242812	LINK-SPRING, K1500, ASM (AFTER 01/30/2023)	2
21	207577	LINK-SPRING, K3400 ASSY (BEFORE 01/30/2023)	2
22	208644	EXTENSION-REEL MOUNT, ASSY	2
23	209162	PIN, 1 X 3-5/16, H2	8
24	209183	LINK-SPRING, K2700 ASSY	2
25	209196	PIN-REEL CONTROL	1
26	217967	MOUNT-SCRAPER, WLDMT (AFTER 12/2018)	63
26	199430	MOUNT-SCRAPER, WLDMT (03/2018 TO 12/2018)	63
27	221955	ROCKSHAFT-REEL MOUNT, WLDMT (AFTER 09/2019)	1
27	209155	ROCKSHAFT-REEL MOUNT, WLDMT (03/2018 TO 09/2019)	1
28	221956	ROCKSHAFT-REEL MOUNT, WLDMT (AFTER 09/2019)	2
28	209156	ROCKSHAFT-REEL MOUNT, WLDMT (03/2018 TO 09/2019)	2
29	223387	KIT-TINE, DOUBLE, ROLLER, ASM (AFTER 05/2020)	2
30	224429	TUBE-SCRAPER MOUNT (AFTER 05/2020)	12
30	217966	TUBE-SCRAPER MOUNT (12/2018 TO 05/2020)	12
30	199429	TUBE-SCRAPER MOUNT (03/2018 TO 12/2018)	12
31	3P011	U-BOLT, 5/8-11X4-11/16X6,ZP	12
32	3P079	SPRING BUSHING,1 X 1.25 X 0.75	8
33	5J768	PIN	3

RUBBER ROLLER ASSEMBLIES

30' Rubber Roller Assembly (AFTER 03/2018)

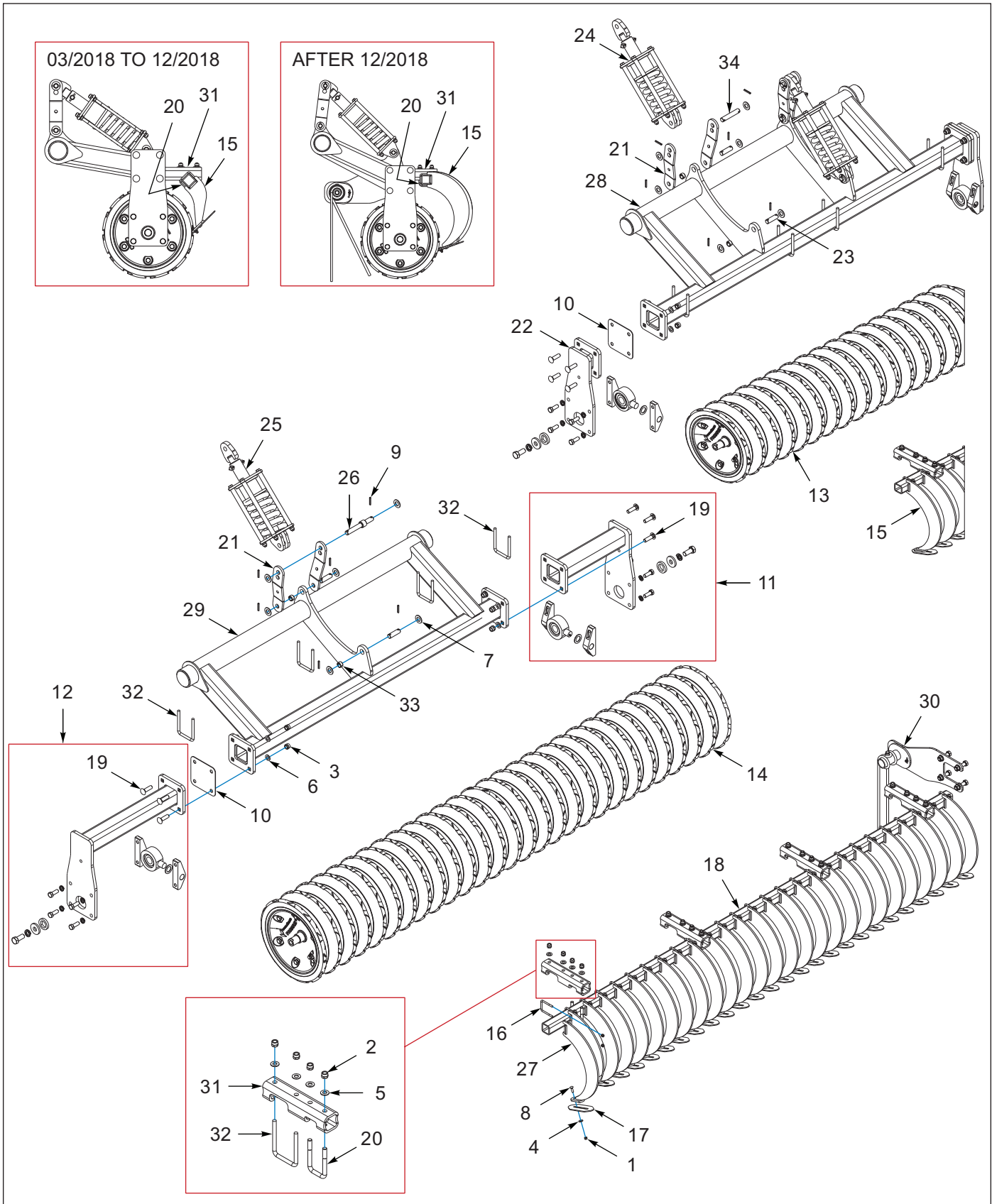


Figure 19-2: 30' Rubber Roller Assembly (AFTER 03/2018)

30' Rubber Roller Assembly (AFTER 03/2018)

ITEM	PART NUMBER	DESCRIPTION	QTY.
	191134	ROLLER, RUBBER ASSEMBLY, 30	--
1	1-512-010005-05	NUT, HEX, SLFLKG GRB 3/8-16	255
2	1-512-010005-13	NUT,HEX SLFLKG GRB 5/8-11	48
3	1-512-010005-15	NUT,HEX,SLFLKG GRB 3/4-10	24
4	1-861-010032-11	WASHER, FLAT 3/8 W ZP/CD	75
5	1-861-010032-18	WASHER, FLAT 5/8 N ZP/CD (AFTER 09/2019)	48
5	1-861-010032-19	WASHER, FLAT 5/8 W ZP/CD (12/2018 TO 09/2019)	24
6	1-861-010032-20	WASHER, FLAT,3/4 N ZP/CD	24
7	1-861-010032-24	WASHER FL 1IN NARROW ZP	24
8	101864	SCREW,RD HD 3/8-16X1-1/4 GR5	75
9	147072	PIN, SPRING SLOTTED 5/16 X 2	24
10	187755	PLATE SHIM 11 GA	23
11	192106	EXTENSION-REEL MOUNT, ASSY (SEE PAGE 18-3)	2
12	192109	EXTENSION-REEL MOUNT, ASSY (SEE PAGE 18-3)	1
13	192585	ROLLER RUBBER LCTX 2655 OTICO	2
14	192586	ROLLER RUBBER LCTX 3405 OTICO	1
15	199434	TUBE SQ 2-1/2 X 1/4X 103-3/16	75
16	199436	U-BOLT, 3/8-16X2-7/8X3-1/2,ZP	75
17	199437	PLATE-SCRAPER	2
18	199440	TUBE SQ 2-1/2 X1/4X 132-11/16	24
19	201250	SCREW,RD,HD,SQ NK,3/4-10X2-3/4	12
20	201274	U-BOLT, 5/8-11 X 3-3/16X5-3/16 (AFTER 12/2018)	12
20	199435	U-BOLT, 5/8-11,2-1/2SQ DIAMOND (02/2018 TO 12/2018)	12
21	207537	LINK IDLER	2
22	208644	EXTENSION-REEL MOUNT, ASSY (SEE PAGE 18-3)	8
23	209162	PIN, 1 X 3-5/16, H2	2
24	242812	LINK-SPRING, K1500, ASM (AFTER 01/30/2023)	2
24	209183	LINK-SPRING, K2700 ASSY (BEFORE 01/30/2023)	2
25	207577	LINK-SPRING, K3400 ASSY (AFTER 01/30/2023)	2
25	209184	LINK-SPRING, K4600 ASSY (BEFORE 01/30/2023)	2
26	209196	PIN-REEL CONTROL	75
27	217967	MOUNT-SCRAPER, WLDMT (AFTER 12/2018)	1
27	199430	MOUNT-SCRAPER, WLDMT (03/2018 TO 12/2018)	1
28	221955	ROCKSHAFT-REEL MOUNT, WLDMT (AFTER 09/2019)	1
28	209155	ROCKSHAFT-REEL MOUNT, WLDMT (12/2018 TO 09/2019)	1
29	221956	ROCKSHAFT-REEL MOUNT, WLDMT (AFTER 09/2019)	2
29	209156	ROCKSHAFT-REEL MOUNT, WLDMT (12/2018 TO 09/2019)	2
30	223387	KIT-TINE, DOUBLE, ROLLER, ASM	2
31	224429	TUBE-SCRAPER MOUNT (AFTER 05/2020)	12
31	217966	TUBE-SCRAPER MOUNT (12/2018 TO 05/2020)	12
31	199429	TUBE-SCRAPER MOUNT (03/2018 TO 12/2018)	12
32	3P011	U-BOLT, 5/8-11X4-11/16X6,ZP	12
33	3P079	SPRING BUSHING,1 X 1.25 X 0.75	8
34	5J768	PIN	3

RUBBER ROLLER ASSEMBLIES

35' Rubber Roller Assembly (AFTER 03/2018)

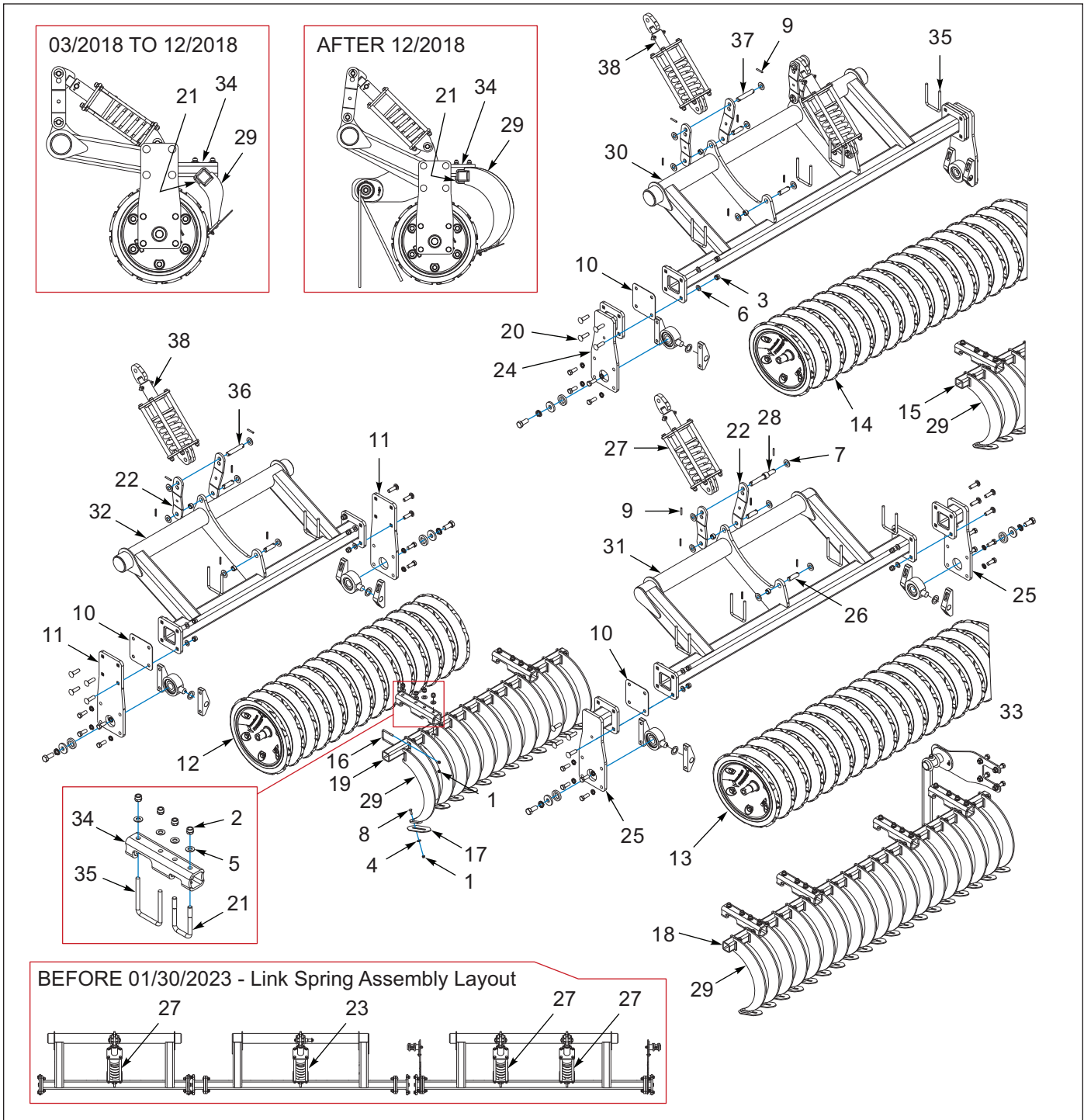


Figure 19-3: 35' Rubber Roller Assembly (AFTER 03/2018)

35' Rubber Roller Assembly (AFTER 03/2018)

ITEM	PART NUMBER	DESCRIPTION	QTY.
	191139	ROLLER, RUBBER ASSEMBLY, 35	--
1	1-512-010005-05	NUT, HEX, SLFLKG GRB 3/8-16	255
2	1-512-010005-13	NUT, HEX, SLFLKG GRB 5/8-11	64

35' Rubber Roller Assembly (AFTER 03/2018)

ITEM	PART NUMBER	DESCRIPTION	QTY.
3	1-512-010005-15	NUT, HEX, SLFLKG GRB 3/4-10	40
4	1-861-010032-11	WASHER, FLAT 3/8 W ZP/CD	85
5	1-861-010032-18	WASHER, FLAT ZP/CD, 5/8N (AFTER 09/2019)	64
5	1-861-010032-19	WASHER, FLAT 5/8 W ZP/CD (03/2018 TO 09/2019)	32
6	1-861-010032-20	WASHER, FLAT, ZP/CD, 3/4N	40
7	1-861-010032-24	WASHER, FLAT, ZP/CD, 1N	36
8	101864	SCREW,RD HD 3/8-16X1-1/4 GR5	85
9	147072	PIN, SPRING SLOTTED 5/16X2	36
10	187755	PLATE SHIM 11 GA	6
11	191752	PLATE-REEL MOUNT, ASSEMBLY (SEE PAGE 18-1)	4
12	192583	ROLLER ASM RBR 65 5/32"	2
13	192584	ROLLER ASM RBR 94 5/8"	2
14	192585	ROLLER ASM RBR 104 1/2"	1
15	199434	TUBE SQ 2-1/2 X 1/4X 103-3/16	1
16	199436	U-BOLT, 3/8-16X2-7/8X3-1/2,ZP	85
17	199437	PLATE-SCRAPER	85
18	199441	TUBE SQ 2-1/2 X1/4X 93-1/4	2
19	199442	TUBE SQ 2-1/2 X1/4X 63-3/4	2
20	201250	SCREW,RD,HD,SQ NK,3/4-10X2-3/4	40
21	201274	U-BOLT, 5/8-11 X 3-3/16X5-3/16 (AFTER 12/2018)	16
21	199435	U-BOLT, 5/8-11,2-1/2SQ DIAMOND (03/2018 TO 12/2018)	16
22	207537	LINK-IDLER	12
23	207577	LINK-SPRING, K3400, ASM (BEFORE 01/30/2023)	2
24	208644	EXTENSION-REEL MOUNT, ASSEMBLY (SEE PAGE 18-4)	2
25	208647	EXTENSION-REEL MOUNT, ASSEMBLY (SEE PAGE 18-4)	4
26	209162	PIN, 1 X 3-5/16, H2	12
27	209183	LINK-SPRING, K2700, ASM (BEFORE 01/30/2023, QTY=4)	2
28	209196	PIN-REEL CONTROL	1
29	217967	MOUNT-SCRAPER, WELDMENT (AFTER 12/2018)	85
29	199430	MOUNT-SCRAPER, WELDMENT (03/2018 TO 12/2018)	85
30	221955	ROCKSHAFT-REEL MOUNT, WLDMT (AFTER 09/2019)	1
30	209155	ROCKSHAFT-REEL MOUNT, WLDMT (03/2018 TO 09/2019)	1
31	221957	ROCKSHAFT-REEL MOUNT, WLDMT (AFTER 09/2019)	2
31	209157	ROCKSHAFT-REEL MOUNT, WLDMT (03/2018 TO 09/2019)	2
32	221958	ROCKSHAFT-REEL MOUNT, WLDMT (AFTER 09/2019)	2
32	209159	ROCKSHAFT-REEL MOUNT, WLDMT (03/2018 TO 09/2019)	2
33	223387	KIT-TINE, DOUBLE, ROLLER	2
34	224429	TUBE-SCRAPER MOUNT (AFTER 05/2020)	16
34	217966	TUBE-SCRAPER MOUNT (12/2018 TO 05/2020)	16
34	199429	TUBE-SCRAPER MOUNT (03/2018 TO 12/2018)	16
35	3P011	U-BOLT, 5/8-11X4-11/16X6,ZP	16
36	3P079	SPRING BUSHING, 1.0X1.25X0.75	12
37	5J768	PIN, 1 X 4-7/16. H2	5
38	242812	LINK-SPRING, K1500, ASM (AFTER 01/30/2023)	4

RUBBER ROLLER ASSEMBLIES

40' Rubber Roller Assembly (AFTER 03/2018)

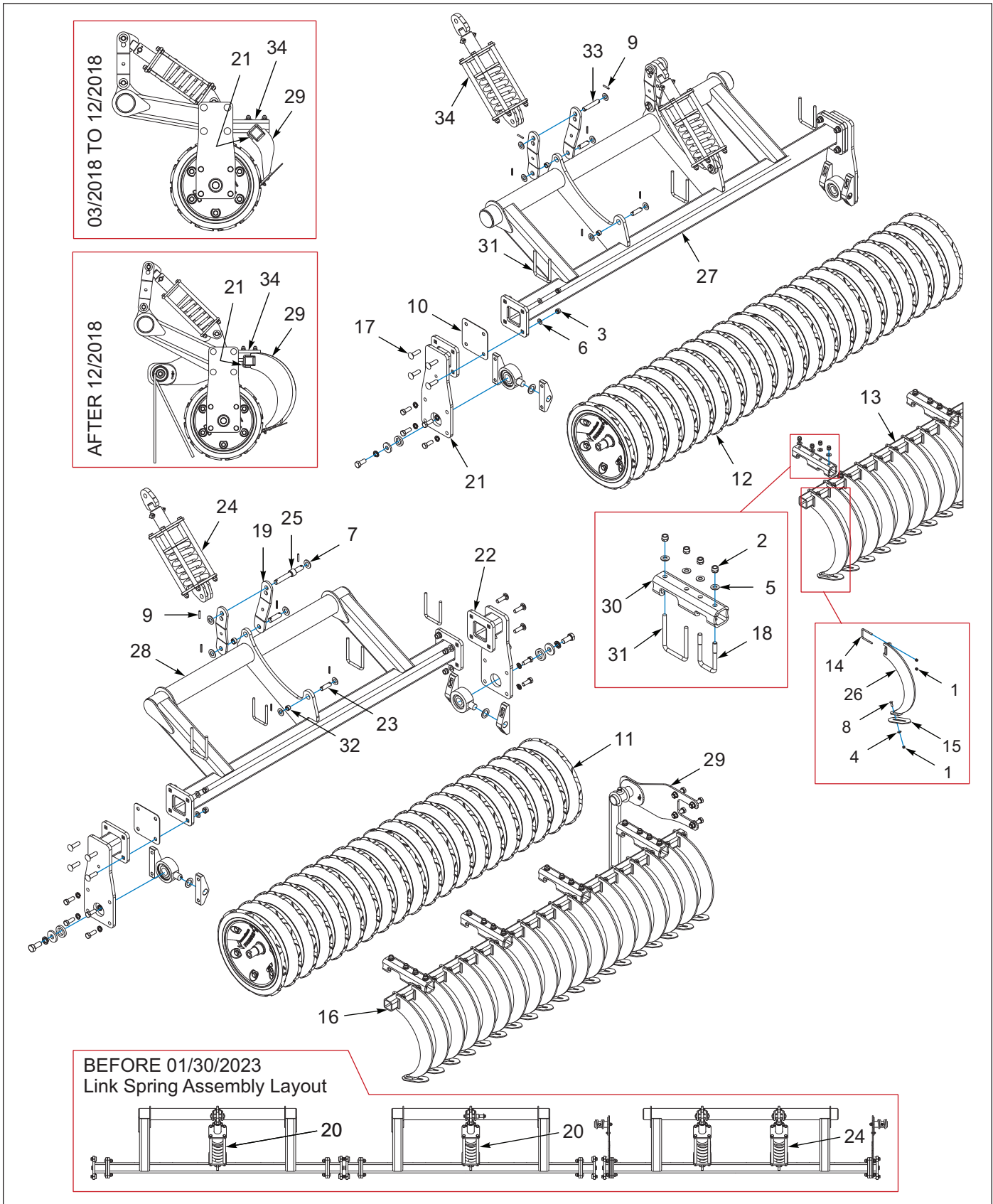


Figure 19-4: 40' Rubber Roller Assembly (AFTER 03/2018)

40' Rubber Roller Assembly (AFTER 03/2018)

ITEM	PART NUMBER	DESCRIPTION	QTY.
	191144	ROLLER, RUBBER ASSEMBLY, 40	--
1	1-512-010005-05	NUT, HEX, SLFLKG GRB 3/8-16	291
2	1-512-010005-13	NUT,HEX SLFLKG GRB 5/8-11	80
3	1-512-010005-15	NUT,HEX,SLFLKG GRB 3/4-10	40
4	1-861-010032-11	WASHER, FLAT 3/8 W ZP/CD	97
5	1-861-010032-18	WASHER, FLAT 5/8 N ZP/CD (AFTER 09/2019)	80
5	1-861-010032-19	WASHER, FLAT 5/8 W ZP/CD (03/2018 TO 09/2019)	40
6	1-861-010032-20	WASHER, FLAT,3/4 N ZP/CD	40
7	1-861-010032-24	WASHER FL 1IN NARROW ZP	36
8	101864	SCREW,RD HD 3/8-16X1-1/4 GR5	97
9	147072	PIN, SPRING SLOTTED 5/16 X 2	36
10	187755	PLATE SHIM 11 GA	5
11	192584	ROLLER RUBBER LCTX 2405 OTICO	4
12	192585	ROLLER RUBBER LCTX 2655 OTICO	1
13	199434	TUBE SQ 2-1/2 X 1/4X 103-3/16	1
14	199436	U-BOLT, 3/8-16X2-7/8X3-1/2,ZP	97
15	199437	PLATE-SCRAPER	97
16	199441	TUBE SQ 2-1/2 X1/4X 93-1/4	4
17	201250	SCREW,RD,HD,SQ NK,3/4-10X2-3/4	40
18	201274	U-BOLT, 5/8-11 X 3-3/16X5-3/16 (AFTER 12/2018)	20
18	199435	U-BOLT, 5/8-11,2-1/2SQ DIAMOND (03/2018 TO 12/2018)	20
19	207537	LINK IDLER	12
20	207577	LINK-SPRING, K3400 ASSY (BEFORE 01/30/2023)	4
21	208644	EXTENSION-REEL MOUNT, ASSY (SEE PAGE 18-5)	2
22	208647	EXTENSION-REEL MOUNT, ASSY (SEE PAGE 18-5)	8
23	209162	PIN, 1 X 3-5/16, H2	12
24	209183	LINK-SPRING, K2700 ASSY (BEFORE 01/30/2023, QTY=2)	4
25	209196	PIN-REEL CONTROL	1
26	217967	MOUNT-SCRAPER, WLDMT (AFTER 12/2018)	97
26	199430	SCRAPER MOUNT WLDMT OTICO (03/2018 TO 12/2018)	97
27	221955	ROCKSHAFT-REEL MOUNT, WLDMT (AFTER 9/2019)	1
27	209155	ROCKSHAFT-REEL MOUNT, WLDMT (03/2018 TO 09/2019)	1
28	221957	ROCKSHAFT-REEL MOUNT, WLDMT (AFTER 9/2019)	4
28	209157	ROCKSHAFT-REEL MOUNT, WLDMT (03/2018 TO 09/2019)	4
29	223387	KIT-TINE, DOUBLE, ROLLER, ASM	2
30	224429	TUBE-SCRAPER MOUNT (AFTER 05/2020)	20
30	217966	TUBE-SCRAPER MOUNT (12/2018 TO 05/2020)	20
30	199429	TUBE-SCRAPER MOUNT (03/2018 TO 12/2018)	20
31	3P011	U-BOLT, 5/8-11X4-11/16X6,ZP	20
32	3P079	SPRING BUSHING,1 X 1.25 X 0.75	12
33	5J768	PIN	5
34	242812	LINK-SPRING, K1500,ASM (AFTER 01/30/2023)	2

25' Rubber Roller Assembly (BEFORE 03/2018)

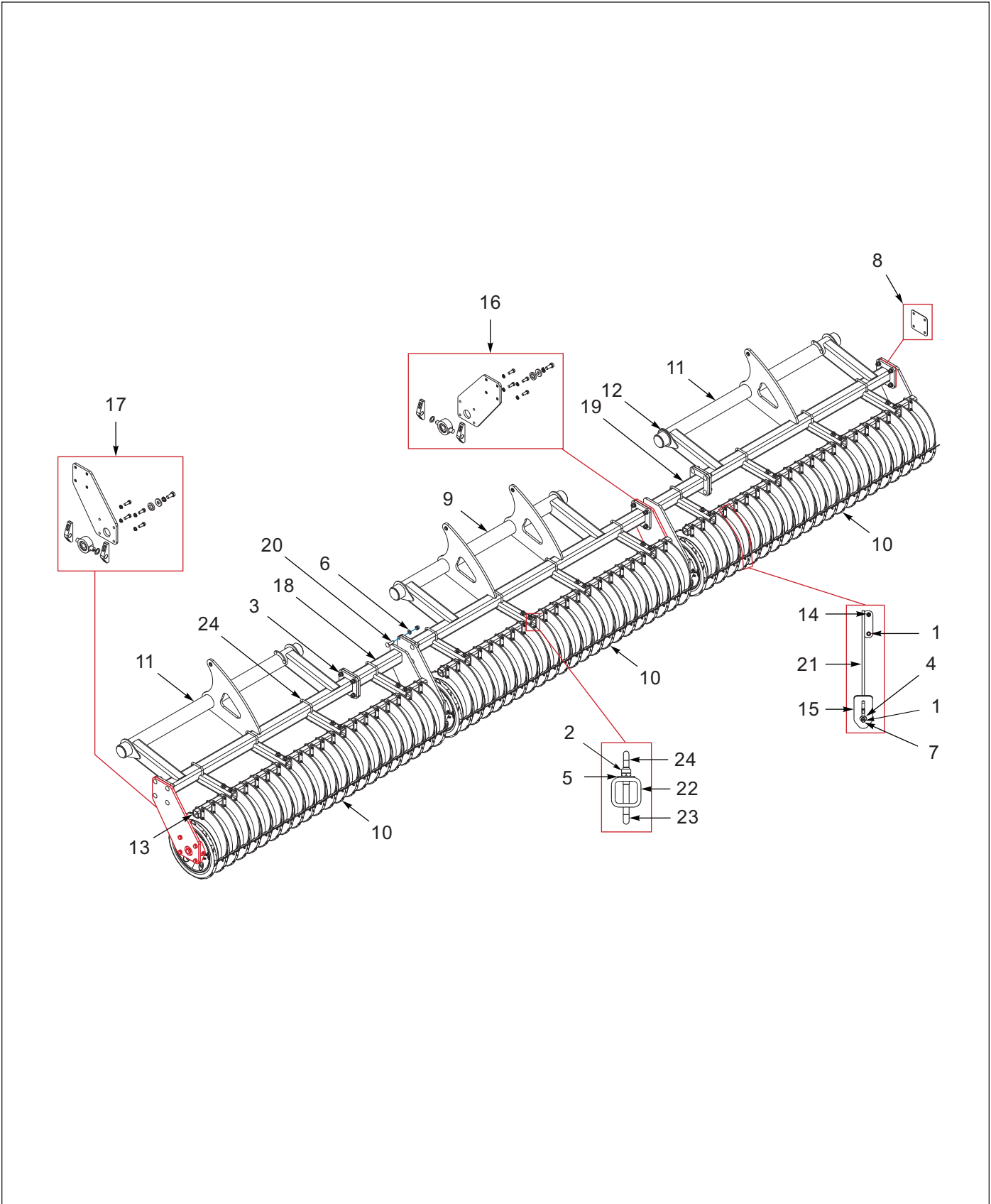


Figure 19-5: 25' Rubber Roller Assembly (BEFORE 03/2018)

25' Rubber Roller Assembly (BEFORE 03/2018)

ITEM	PART NUMBER	DESCRIPTION	QTY.
	191129	ROLLER, RUBBER ASSEMBLY, 25	--
1	1-512-010005-05	NUT, HEX, SLFLKG GRB 3/8-16	189
2	1-512-010005-13	NUT, HEX, SLFLKG GRB 5/8-11	48
3	1-512-010005-15	NUT, HEX, SLFLKG GRB 3/4-10	24
4	1-861-010032-11	WASHER, FLAT 3/8 W ZP/CD	63
5	1-861-010032-19	WASHER, FLAT 5/8 W ZP/CD	24
6	1-861-010032-20	WASHER, FLAT,3/4 N ZP/CD	24
7	101864	SCREW,RD HD 3/8-16X1-1/4 GR5	63
8	187755	PLATE SHIM 11 GA	4
9	192127	ROCKSHAFT WLDMT REEL MOUNT	1
10	192585	ROLLER RUBBER LCTX 2655 OTICO	3
11	192939	ROCKSHAFT WLDMT REEL MOUNT	2
12	195066	WASHER-SHIM, ROCKSHAFT	2
13	199434	TUBE SQ 2-1/2 X 1/4X 103-3/16	3
14	199436	U-BOLT, 3/8-16X2-7/8X3-1/2,ZP	63
15	199437	PLATE-SCRAPER	63
16	199889	PLATE-REEL MOUNT, RH, ASSEMBLY (SEE PAGE 18-1)	2
17	199890	PLATE-REEL MOUNT, LH, ASSEMBLY	2
18	201241	EXTENSION-REEL MOUNT, ASSEMBLY (SEE PAGE 18-6)	1
19	201242	EXTENSION-REEL MOUNT, ASSEMBLY (SEE PAGE 18-6)	1
20	201250	SCREW,RD,HD,SQ NK,3/4-10X2-3/4	24
21	201272	MOUNT WLDMT SCRAPER	63
22	201273	TUBE-SCRAPER MOUNT	12
23	201274	U-BOLT, 5/8-11 X 3-3/16X5-3/16	12
24	3P011	U-BOLT, 5/8-11X4-11/16X6,ZP	12

RUBBER ROLLER ASSEMBLIES

30' Rubber Roller Assembly (BEFORE 03/2018)

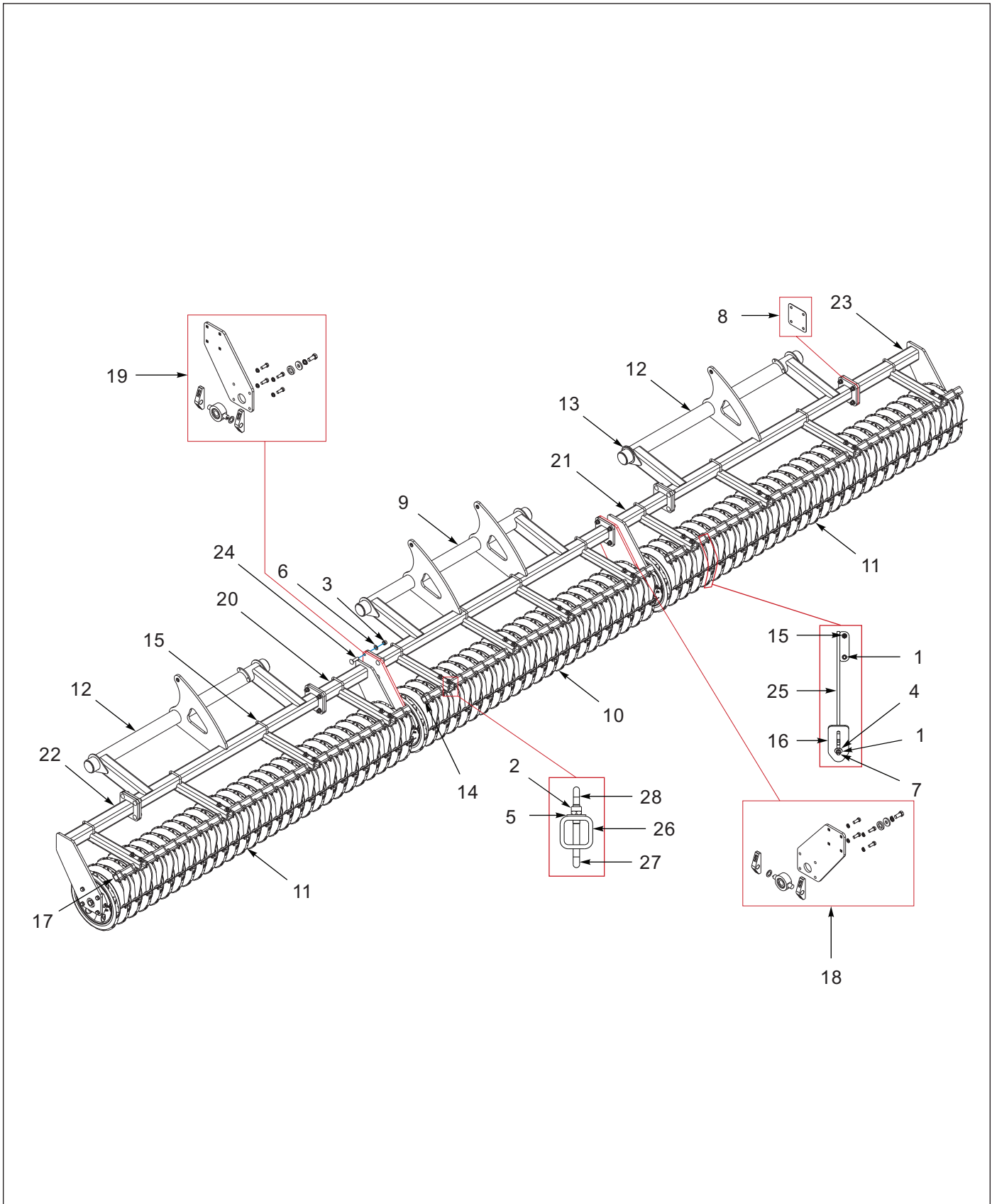


Figure 19-6: 30' Rubber Roller Assembly (BEFORE 03/2018)

30' Rubber Roller Assembly (BEFORE 03/2018)

ITEM	PART NUMBER	DESCRIPTION	QTY.
	191134	ROLLER, RUBBER ASSEMBLY, 30	--
1	1-512-010005-05	NUT, HEX, SLFLKG GRB 3/8-16	225
2	1-512-010005-13	NUT, HEX, SLFLKG GRB 5/8-11	48
3	1-512-010005-15	NUT, HEX, SLFLKG GRB 3/4-10	24
4	1-861-010032-11	WASHER, FLAT 3/8 W ZP/CD	75
5	1-861-010032-19	WASHER, FLAT 5/8 W ZP/CD	24
6	1-861-010032-20	WASHER, FLAT,3/4 N ZP/CD	24
7	101864	SCREW,RD HD 3/8-16X1-1/4 GR5	75
8	187755	PLATE SHIM 11 GA	4
9	192127	ROCKSHAFT WLDMT REEL MOUNT	1
10	192585	ROLLER ASM RBR 104 1/2"	1
11	192586	ROLLER ASM RBR 134"	2
12	192939	ROCKSHAFT WLDMT REEL MOUNT	2
13	195066	WASHER-SHIM, ROCKSHAFT	2
14	199434	TUBE SQ 2-1/2 X 1/4X 103-3/16	1
15	199436	U-BOLT, 3/8-16X2-7/8X3-1/2,ZP	75
16	199437	PLATE-SCRAPER	75
17	199440	TUBE SQ 2-1/2 X1/4X 132-11/16	2
18	199889	PLATE-REEL MOUNT, RH, ASSEMBLY (SEE PAGE 18-1)	1
19	199890	PLATE-REEL MOUNT, LH, ASSEMBLY (SEE PAGE 18-1)	1
20	201241	EXTENSION-REEL MOUNT, ASSEMBLY (SEE PAGE 18-6)	1
21	201242	EXTENSION-REEL MOUNT, ASSEMBLY (SEE PAGE 18-6)	1
22	201247	EXTENSION-REEL MOUNT, ASSEMBLY (SEE PAGE 18-6)	1
23	201248	EXTENSION-REEL MOUNT, ASSEMBLY (SEE PAGE 18-6)	1
24	201250	SCREW,RD,HD,SQ NK,3/4-10X2-3/4	24
25	201272	MOUNT WLDMT SCRAPER	75
26	201273	TUBE-SCRAPER MOUNT	12
27	201274	U-BOLT, 5/8-11 X 3-3/16X5-3/16	12
28	3P011	U-BOLT, 5/8-11X4-11/16X6,ZP	12

35' Rubber Roller Assembly (BEFORE 03/2018)

ITEM	PART NUMBER	DESCRIPTION	QTY.
	191139	ROLLER, RUBBER ASSEMBLY, 35	--
1	1-512-010005-05	NUT, HEX, SLFLKG GRB 3/8-16	255
2	1-512-010005-13	NUT, HEX, SLFLKG GRB 5/8-11	64
3	1-512-010005-15	NUT, HEX, SLFLKG GRB 3/4-10	40
4	1-861-010032-11	WASHER, FLAT 3/8 W ZP/CD	85
5	1-861-010032-19	WASHER, FLAT 5/8 W ZP/CD	32
6	1-861-010032-20	WASHER, FLAT,3/4 N ZP/CD	40
7	101864	SCREW,RD HD 3/8-16X1-1/4 GR5	85
8	187755	PLATE SHIM 11 GA	6
9	191757	ROCKSHAFT WLDMT REEL MOUNT	2
10	192127	ROCKSHAFT WLDMT REEL MOUNT	1
11	192498	ROCKSHAFT WLDMT REEL MOUNT	2
12	192583	ROLLER ASM RBR 65 5/32"	2
13	192584	ROLLER ASM RBR 94 5/8"	2
14	192585	ROLLER ASM RBR 104 1/2"	1
15	199434	TUBE SQ 2-1/2 X 1/4X 103-3/16	1
16	199436	U-BOLT, 3/8-16X2-7/8X3-1/2,ZP	85
17	199437	PLATE-SCRAPER	85
18	199441	TUBE SQ 2-1/2 X1/4X 93-1/4	2
19	199442	TUBE SQ 2-1/2 X1/4X 63-3/4	2
20	199889	PLATE-REEL MOUNT, RH, ASSEMBLY (SEE PAGE 18-1)	5
21	199890	PLATE-REEL MOUNT, LH, ASSEMBLY (SEE PAGE 18-1)	5
22	201250	SCREW,RD,HD,SQ NK,3/4-10X2-3/4	40
23	201272	MOUNT WLDMT SCRAPER	85
24	201273	TUBE-SCRAPER MOUNT	16
25	201274	U-BOLT, 5/8-11 X 3-3/16X5-3/16	16
26	3P011	U-BOLT, 5/8-11X4-11/16X6,ZP	16

40' Rubber Roller Assembly (BEFORE 03/2018)

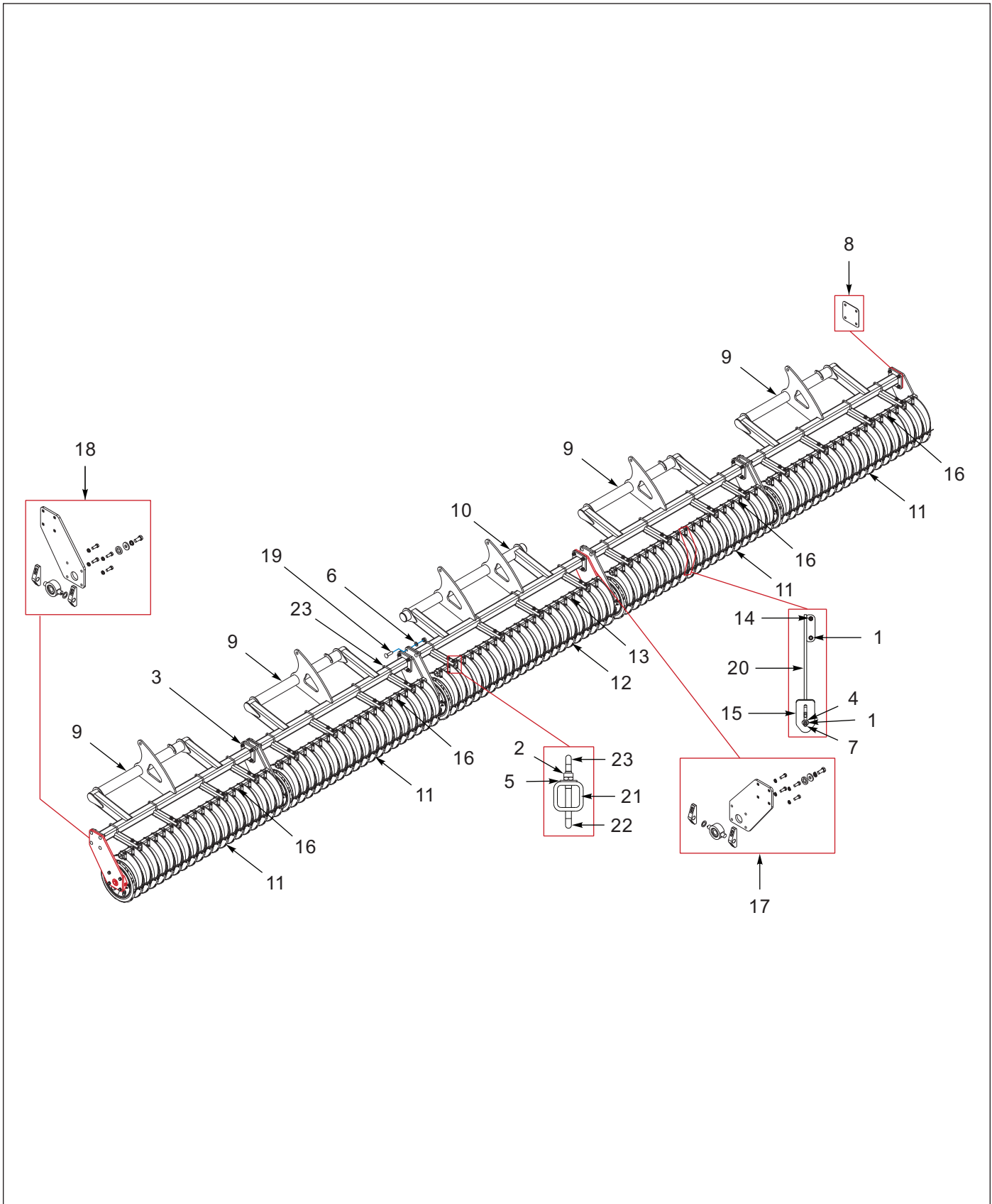


Figure 19-8: 40' Rubber Roller Assembly (BEFORE 03/2018)

40' Rubber Roller Assembly (BEFORE 03/2018)

ITEM	PART NUMBER	DESCRIPTION	QTY.
	191144	ROLLER, RUBBER ASSEMBLY, 40	- -
1	1-512-010005-05	NUT, HEX, SLFLKG GRB 3/8-16	291
2	1-512-010005-13	NUT, HEX, SLFLKG GRB 5/8-11	80
3	1-512-010005-15	NUT, HEX, SLFLKG GRB 3/4-10	40
4	1-861-010032-11	WASHER, FLAT 3/8 W ZP/CD	97
5	1-861-010032-19	WASHER, FLAT 5/8 W ZP/CD	40
6	1-861-010032-20	WASHER, FLAT,3/4 N ZP/CD	40
7	101864	SCREW,RD HD 3/8-16X1-1/4 GR5	97
8	187755	PLATE SHIM 11 GA	6
9	191757	ROCKSHAFT WLDMT REEL MOUNT	4
10	192127	ROCKSHAFT WLDMT REEL MOUNT	1
11	192584	ROLLER ASM RBR 94 5/8"	4
12	192585	ROLLER ASM RBR 104 1/2"	1
13	199434	TUBE SQ 2-1/2 X 1/4X 103-3/16	1
14	199436	U-BOLT, 3/8-16X2-7/8X3-1/2,ZP	97
15	199437	PLATE-SCRAPER	97
16	199441	TUBE SQ 2-1/2 X1/4X 93-1/4	4
17	199889	PLATE-REEL MOUNT, RH, ASSEMBLY (SEE PAGE 18-1)	5
18	199890	PLATE-REEL MOUNT, LH, ASSEMBLY (SEE PAGE 18-1)	5
19	201250	SCREW,RD,HD,SQ NK,3/4-10X2-3/4	40
20	201272	MOUNT WLDMT SCRAPER	97
21	201273	TUBE-SCRAPER MOUNT	20
22	201274	U-BOLT, 5/8-11 X 3-3/16X5-3/16	20
23	3P011	U-BOLT, 5/8-11X4-11/16X6,ZP	20

Single Chevron Reel Assemblies

25' Single Chevron Reel Assembly (AFTER 03/2018)

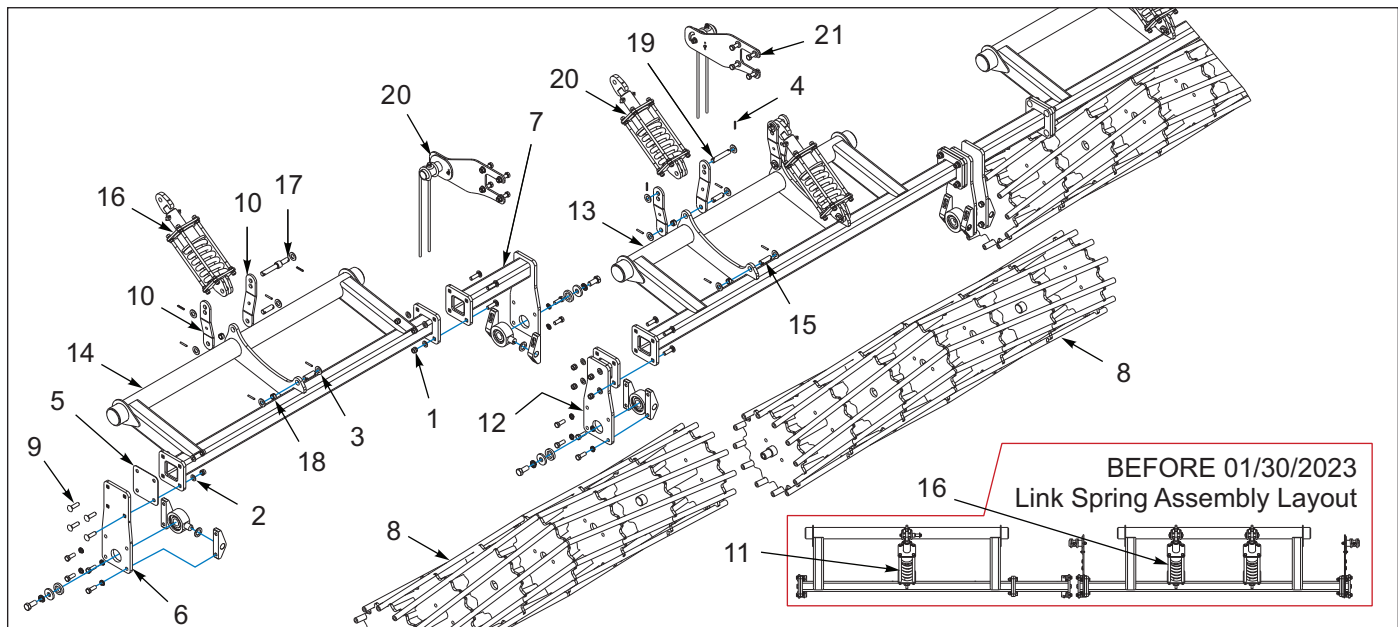


Figure 20-1: 25' Single Chevron Reel Assembly (AFTER 03/2018)

25' Single Chevron Reel Assembly (AFTER 03/2018)

ITEM	PART NUMBER	DESCRIPTION	QTY.
	192111	REEL-SINGLE CHEV, 7832-25, ASSY	--
1	1-512-010005-15	NUT, HEX SLFLKG, 3/4-10 UNC, GRB	24
2	1-861-010032-20	WASHER, FLAT, 3/4 NARROW ZP/CD	24
3	1-861-010032-24	WASHER, FLAT, 1IN NARROW ZP	24
4	147072	PIN, SPRING SLOTTED 5/16 X 2	24
5	187755	PLATE, SHIM 11 GA	3
6	191752	PLATE-REEL MOUNT, ASSEMBLY (SEE PAGE 18-1)	2
7	192106	EXTENSION-REEL MOUNT, ASSEMBLY (SEE PAGE 18-2)	2
8	192949	REEL, 21 X 104 INCH, WLDMT	3
9	201250	SCREW, RD, HD, SQ NK, 3/4-10X2-3/4	24
10	207537	LINK IDLER	8
11	207577	LINK-SPRING, K3400 ASSY (BEFORE 01/30/2023)	2
12	208644	EXTENSION-REEL MOUNT, ASSEMBLY (SEE PAGE 18-2)	2
13	221955	ROCKSHAFT-REEL MOUNT, WLDMT (100-11/19") (AFTER 09/2019)	1
13	209155	ROCKSHAFT-REEL MOUNT, WLDMT (03/2018 TO 09/2019)	1
14	221956	ROCKSHAFT-REEL MOUNT, WLDMT (84") (AFTER 09/2019)	2
14	209156	ROCKSHAFT-REEL MOUNT, WLDMT (03/2018 TO 09/2019)	2
15	209162	PIN, 1 X 3-1/4, H2	8
16	209183	LINK-SPRING, K2700 ASSY	2
17	209196	PIN-REEL CONTROL	1
18	3P079	SPRING BUSHING, 1 X 1.25 X 0.75	8
19	5J768	PIN	3
20	242812	LINK-SPRING, K1500, ASM (AFTER 01/30/2023)	2
21	223387	KIT-TINE, DOUBLE, ROLLER, ASM (STD AFTER 12/15/20)	2

30' Single Chevron Reel Assembly (AFTER 03/2018)

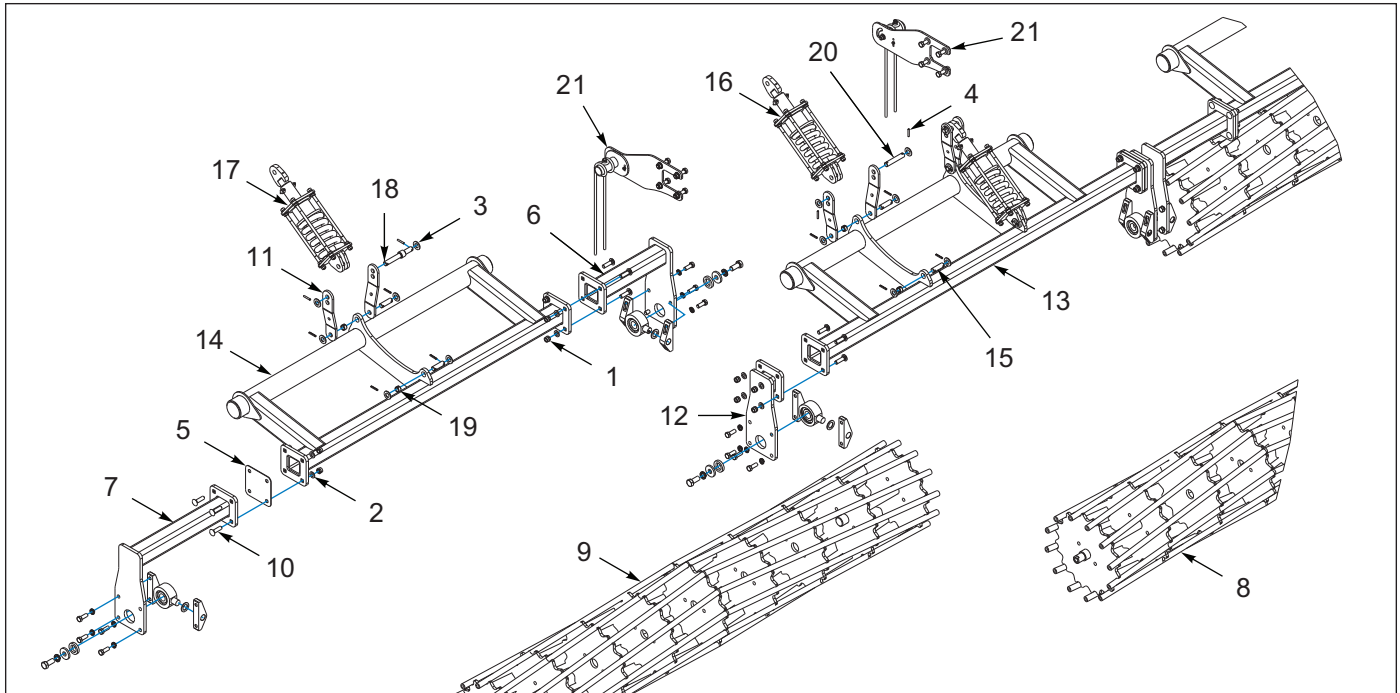


Figure 20-2: 30' Single Chevron Reel Assembly (AFTER 03/2018)

30' Single Chevron Reel Assembly (AFTER 03/2018)

ITEM	PART NUMBER	DESCRIPTION	QTY.
	192112	REEL-SINGLE CHEV, 7832-30,ASSY	--
1	1-512-010005-15	NUT, HEX SLFLKG, 3/4-10 UNC, GRB	24
2	1-861-010032-20	WASHER, FLAT, 3/4 NARROW ZP/CD	24
3	1-861-010032-24	WASHER, FLAT, 1IN NARROW ZP	24
4	147072	PIN, SPRING SLOTTED 5/16 X 2	24
5	187755	PLATE, SHIM 11 GA	3
6	192106	EXTENSION-REEL MOUNT,ASSEMBLY (SEE PAGE 18-3)	2
7	192109	EXTENSION-REEL MOUNT, ASSEMBLY (SEE PAGE 18-3)	2
8	192949	REEL, 21 X 104 INCH, WLDMT	1
9	193807	REEL, 21 X 134 INCH, WLDMT	2
10	201250	SCREW,RD,HD,SQ NK,3/4-10X2-3/4	24
11	207537	LINK IDLER	8
12	208644	EXTENSION-REEL MOUNT, ASSEMBLY (SEE PAGE 18-3)	2
13	221955	ROCKSHAFT-REEL MOUNT, WLDMT (100-11/19") (AFTER 09/2019)	1
13	209155	ROCKSHAFT-REEL MOUNT, WLDMT (03/2018 TO 09/2019)	1
14	221956	ROCKSHAFT-REEL MOUNT, WLDMT (84") (AFTER 09/2019)	2
14	209156	ROCKSHAFT-REEL MOUNT, WLDMT (03/2018 TO 09/2019)	2
15	209162	PIN, 1 X 3-1/4, H2	8
16	242812	LINK-SPRING, K1500, ASM (AFTER 01/30/2023)	2
16	209183	LINK-SPRING, K2700 ASSY (BEFORE 01/30/2023)	2
17	207577	LINK-SPRING, K3400 ASSY (AFTER 01/30/2023)	2
17	209184	LINK-SPRING, K4600 ASSY (BEFORE 01/30/2023)	2
18	209196	PIN-REEL CONTROL	1
19	3P079	SPRING BUSHING,1 X 1.25 X 0.75	8
20	5J768	PIN	3
21	223387	KIT-TINE, DOUBLE, ROLLER, ASM (STD AFTER 12/15/2020)	2

SINGLE CHEVRON REEL ASSEMBLIES

35' Single Chevron Reel Assembly (AFTER 03/2018)

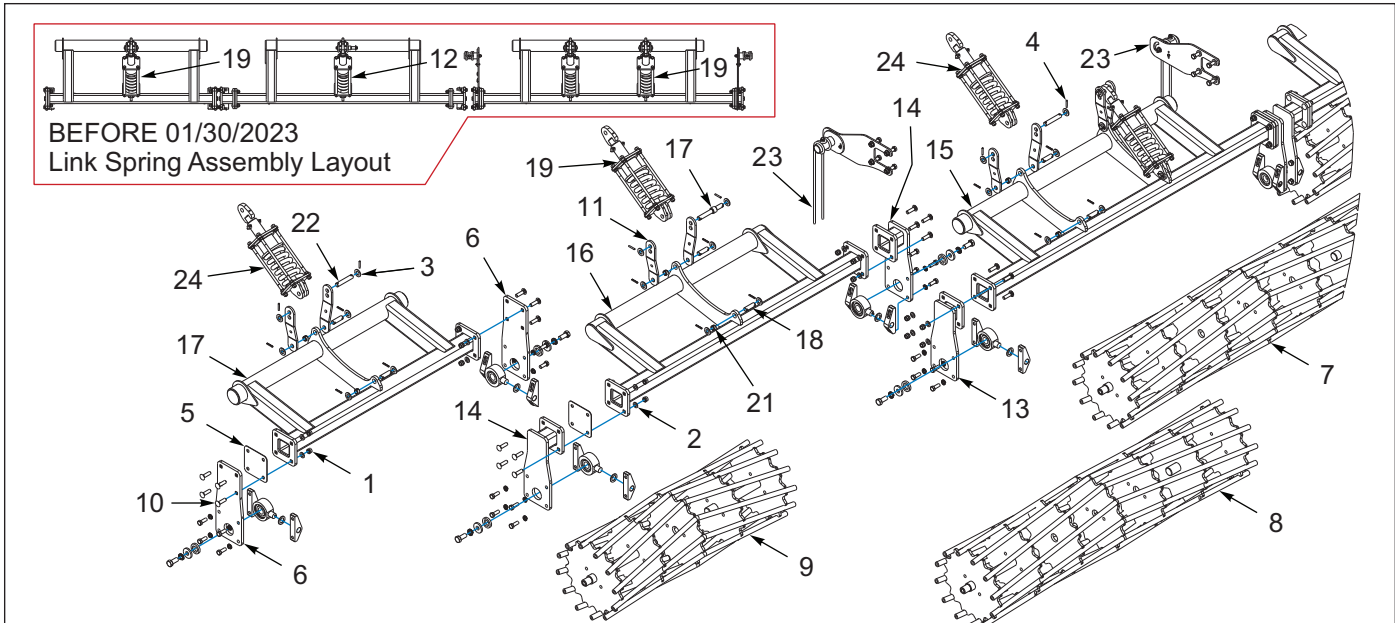


Figure 20-3: 35' Single Chevron Reel Assembly (AFTER 03/2018)

35' Single Chevron Reel Assembly (AFTER 03/2018)

ITEM	PART NUMBER	DESCRIPTION	QTY.
	192113	REEL-SINGLE CHEV, 7832-35,ASSY	--
1	1-512-010005-15	NUT, HEX SLFLKG, 3/4-10 UNC, GRB	40
2	1-861-010032-20	WASHER, FLAT, 3/4 NARROW ZP/CD	40
3	1-861-010032-24	WASHER, FLAT, 1IN NARROW ZP	36
4	147072	PIN, SPRING SLOTTED 5/16 X 2	36
5	187755	PLATE, SHIM 11 GA	5
6	191752	PLATE-REEL MOUNT, ASSEMBLY	4
7	192949	REEL, 21 X 104 INCH, WLDMT	1
8	192951	REEL, 21 X 94 INCH, WLDMT	2
9	192953	REEL, 21 X 65 INCH, WLDMT	2
10	201250	SCREW,RD,HD,SQ NK,3/4-10X2-3/4	40
11	207537	LINK IDLER	12
12	207577	LINK-SPRING, K3400 ASSY (BEFORE 01/30/2023)	2
13	208644	EXTENSION-REEL MOUNT, ASSEMBLY (SEE PAGE 18-4)	2
14	208647	EXTENSION-REEL MOUNT, ASSEMBLY (SEE PAGE 18-4)	4
15	221955	ROCKSHAFT-REEL MOUNT, WLDMT (100-11/19") (AFTER 09/2019)	1
15	209155	ROCKSHAFT-REEL MOUNT, WLDMT (03/2018 TO 09/2019)	1
16	221957	ROCKSHAFT-REEL MOUNT, WLDMT (85-7/8") (AFTER 09/2019)	2
16	209157	ROCKSHAFT-REEL MOUNT, WLDMT (03/2018 TO 09/2019)	2
17	221958	ROCKSHAFT-REEL MOUNT, WLDMT (66-1/2") (AFTER 09/2019)	2
17	209159	ROCKSHAFT-REEL MOUNT, WLDMT (03/2018 TO 09/2019)	2
18	209162	PIN, 1 X 3-1/4, H2	12
19	209183	LINK-SPRING, K2700 ASSY (BEFORE 01/30/2023,QTY=4)	2
20	209196	PIN-REEL CONTROL	1
21	3P079	SPRING BUSHING,1 X 1.25 X 0.75	12
22	5J768	PIN	5
23	223387	KIT-TINE, DOUBLE, ROLLER, ASM (SEE PAGE 20-9)	2
24	242812	LINK-SPRING, K1500, ASM (AFTER 01/30/2023)	4

40' Single Chevron Reel Assembly (AFTER 03/2018)

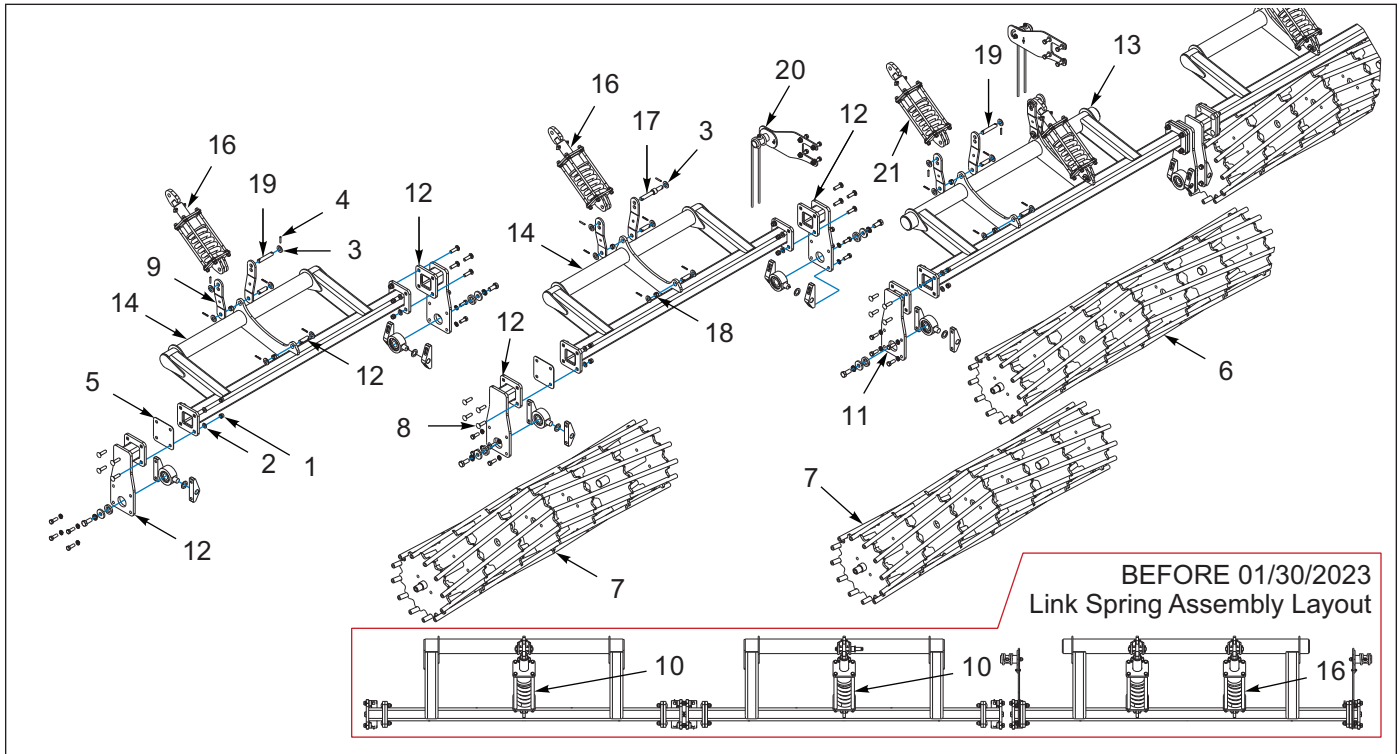


Figure 20-4: 40' Single Chevron Reel Assembly (AFTER 03/2018)

40' Single Chevron Reel Assembly (AFTER 03/2018)

ITEM	PART NUMBER	DESCRIPTION	QTY.
	192114	REEL-SINGLE CHEV, 7832-40,ASSY	--
1	1-512-010005-15	NUT, HEX SLFLKG, 3/4-10 UNC, GRB	40
2	1-861-010032-20	WASHER, FLAT, 3/4 NARROW ZP/CD	40
3	1-861-010032-24	WASHER, FLAT, 1IN NARROW ZP	36
4	147072	PIN, SPRING SLOTTED 5/16 X 2	36
5	187755	PLATE, SHIM 11 GA	5
6	192949	REEL, 21 X 104 INCH, WLDMT	1
7	192951	REEL, 21 X 94 INCH, WLDMT	4
8	201250	SCREW,RD,HD,SQ NK,3/4-10X2-3/4	40
9	207537	LINK IDLER	12
10	207577	LINK-SPRING, K3400 ASSY (BEFORE 01/30/2023)	4
11	208644	EXTENSION-REEL MOUNT, ASSEMBLY (SEE PAGE 18-5)	2
12	208647	EXTENSION-REEL MOUNT, ASSEMBLY (SEE PAGE 18-5)	8
13	221955	ROCKSHAFT-REEL MOUNT, WLDMT (100-11/19") (AFTER 09/2019)	1
13	209155	ROCKSHAFT-REEL MOUNT, WLDMT (03/2018 TO 09/2019)	1
14	221957	ROCKSHAFT-REEL MOUNT, WLDMT (85-7/8") (AFTER 09/2019)	4
14	209157	ROCKSHAFT-REEL MOUNT, WLDMT (03/2018 TO 09/2019)	4
15	209162	PIN, 1 X 3-1/4, H2	12
16	209183	LINK-SPRING, K2700 ASSY (BEFORE 01/30/2023, QTY=2)	4
17	209196	PIN-REEL CONTROL	1
18	3P079	SPRING BUSHING,1 X 1.25 X 0.75	12
19	5J768	PIN	5
20	223387	KIT-TINE, DOUBLE, ROLLER, ASM (SEE PAGE 20-9)	2
21	242812	LINK-SPRING, K1500, ASM (AFTER 01/30/2023)	2

SINGLE CHEVRON REEL ASSEMBLIES

25' Single Chevron Reel Assembly (BEFORE 03/2018)

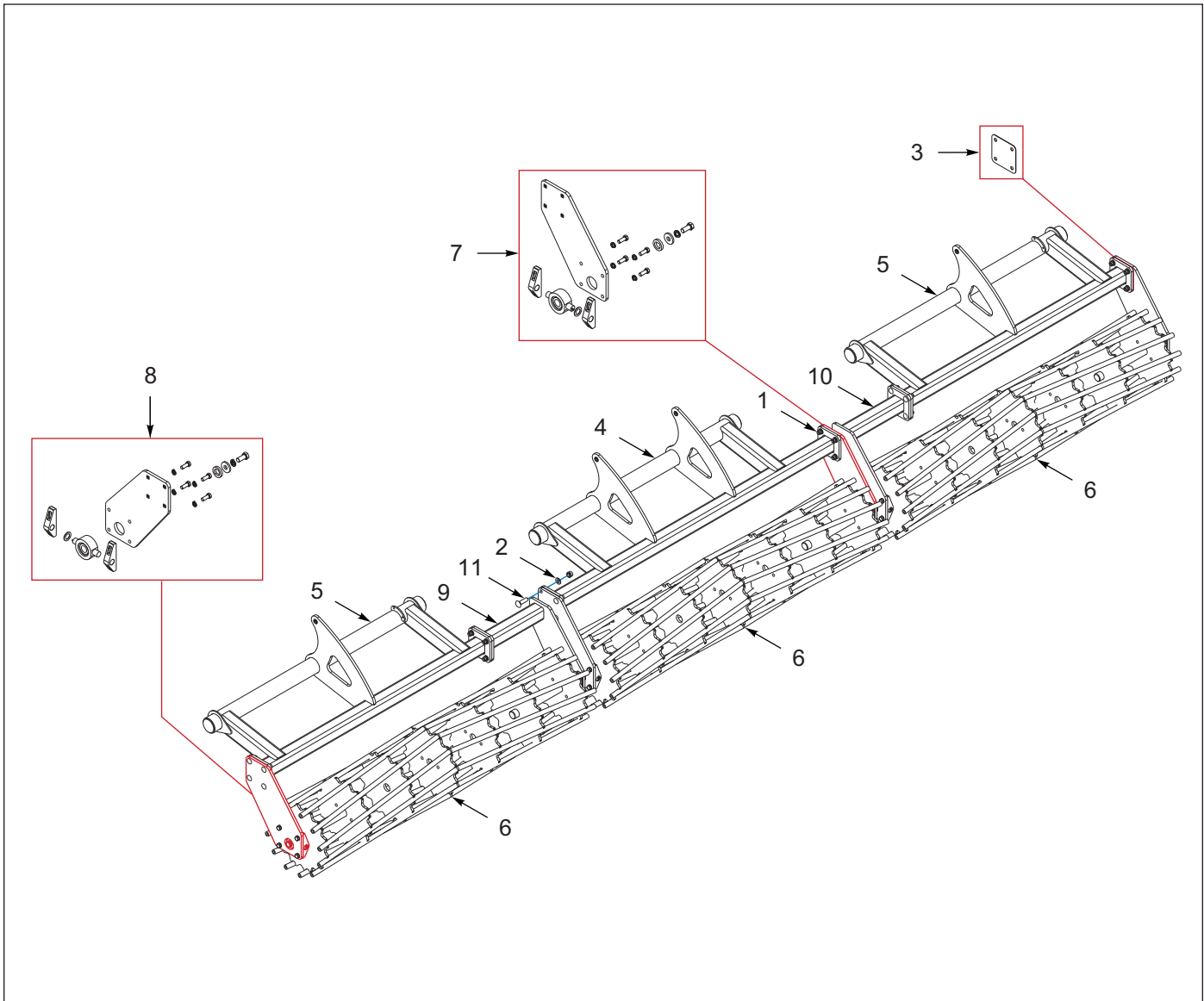


Figure 20-5: 25' Single Chevron Reel Assembly (BEFORE 03/2018)

25' Single Chevron Reel Assembly (BEFORE 03/2018)

ITEM	PART NUMBER	DESCRIPTION	QTY.
	192111	REEL SINGLE ASSEMBLY, 7831-40	--
1	1-512-010005-15	NUT, HEX SLFLKG, 3/4-10 UNC, GRB	24
2	1-861-010032-20	WASHER, FLAT,3/4 N ZP/CD	24
3	187755	PLATE, SHIM 11 GA	3
4	192127	ROCKSHAFT, REEL MOUNT WELDMENT	1
5	192939	ROCKSHAFT, REEL MOUNT WELDMENT	2
6	192949	REEL, 21 X 104 WELD	3
7	199889	PLATE, REEL MOUNT ASSEMBLY LH	2
8	199890	PLATE, REEL MOUNT ASSEMBLY RH	2
9	201241	EXTENSION-REEL MOUNT, ASSEMBLY	1
10	201242	EXTENSION-REEL MOUNT, ASSEMBLY	1
11	201250	SCREW,RD,HD,SQ NK,3/4-10X2-3/4	24

30' Single Chevron Reel Assembly (BEFORE 03/2018)

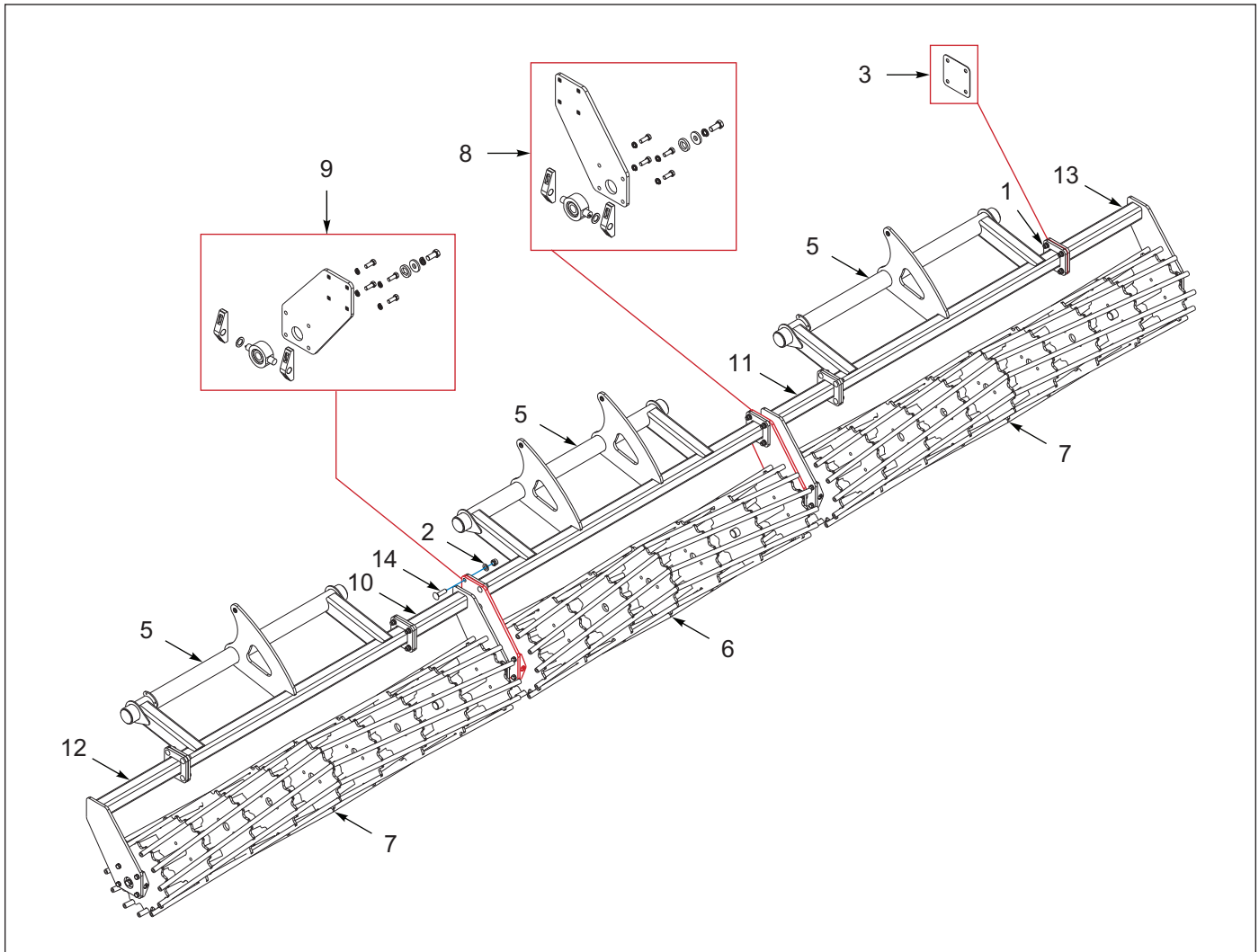


Figure 20-6: 30' Single Chevron Reel Assembly (BEFORE 03/2018)

30' Single Chevron Reel Assembly (BEFORE 03/2018)

ITEM	PART NUMBER	DESCRIPTION	QTY.
	192112	REEL SINGLE ASSEMBLY, 7831-30	--
1	1-512-010005-15	NUT, HEX SLFLKG, 3/4-10 UNC, GRB	24
2	1-861-010032-20	WASHER, FLAT,3/4 N ZP/CD	24
3	187755	PLATE, SHIM 11 GA	3
4	192127	ROCKSHAFT, REEL MOUNT WELDMENT	1
5	192939	ROCKSHAFT, REEL MOUNT WELDMENT	2
6	192949	REEL, 21 X 104 WELD	1
7	193807	REEL, 21 X 134 WELD	2
8	199889	PLATE, REEL MOUNT ASSEMBLY LH (SEE PAGE 18-1)	1
9	199890	PLATE, REEL MOUNT ASSEMBLY RH	1
10	201241	EXTENSION-REEL MOUNT, ASSEMBLY (SEE PAGE 18-6)	1
11	201242	EXTENSION-REEL MOUNT, ASSEMBLY (SEE PAGE 18-6)	1
12	201247	EXTENSION-REEL MOUNT, ASSEMBLY (SEE PAGE 18-6)	1
13	201248	EXTENSION-REEL MOUNT, ASSEMBLY (SEE PAGE 18-6)	1
14	201250	SCREW,RD,HD,SQ NK,3/4-10X2-3/4	24

SINGLE CHEVRON REEL ASSEMBLIES

35' Single Chevron Reel Assembly (BEFORE 03/2018)

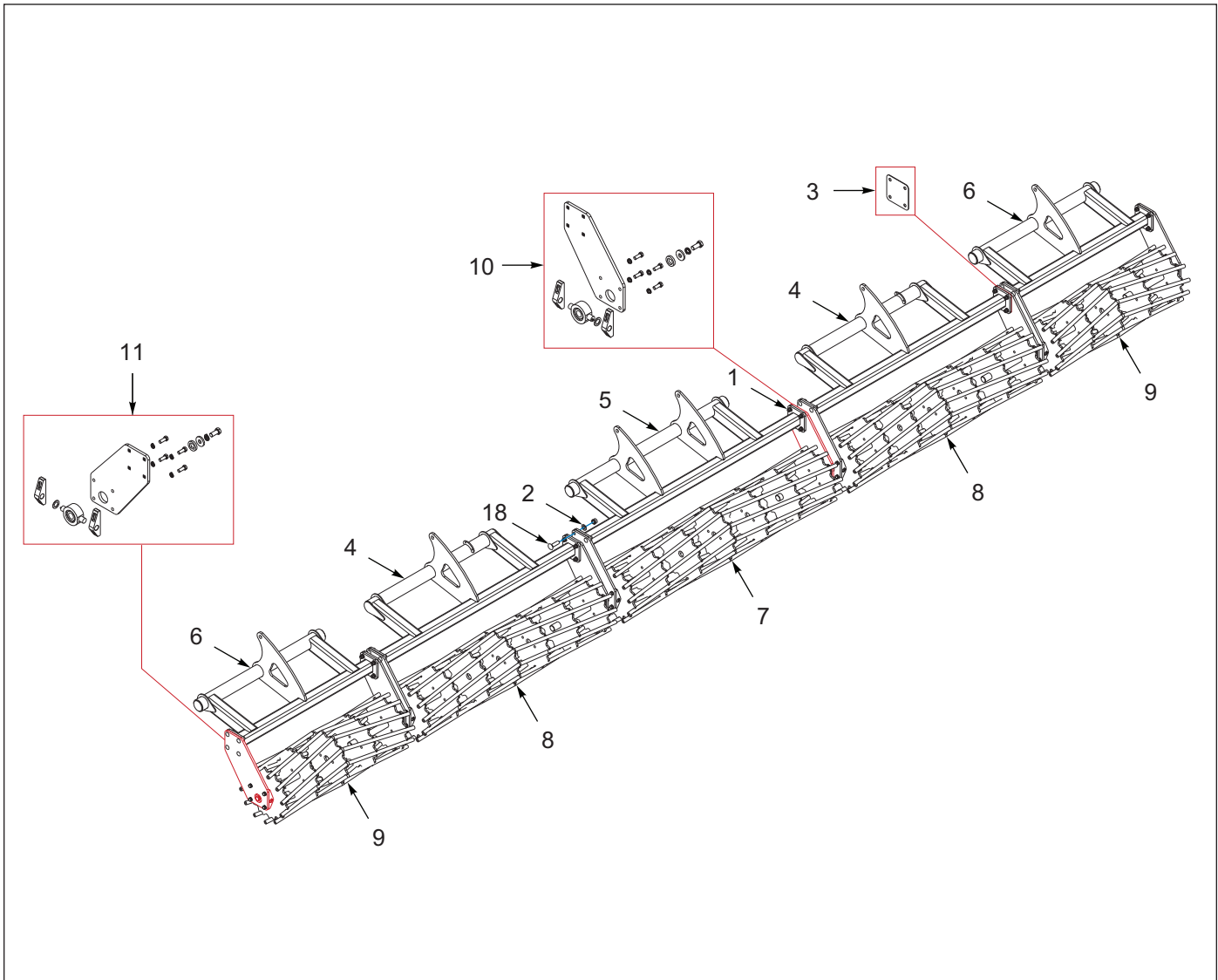


Figure 20-7: 35' Single Chevron Reel Assembly (BEFORE 03/2018)

35' Single Chevron Reel Assembly (BEFORE 03/2018)

ITEM	PART NUMBER	DESCRIPTION	QTY.
	192113	REEL SINGLE ASSEMBLY, 7831-30	--
1	1-512-010005-15	NUT, HEX SLFLKG, 3/4-10 UNC, GRB	40
2	1-861-010032-20	WASHER, FLAT,3/4 N ZP/CD	40
3	187755	PLATE, SHIM 11 GA	5
4	191757	ROCKSHAFT, REEL MOUNT WELDMENT	2
5	192127	ROCKSHAFT, REEL MOUNT WELDMENT	1
6	192498	ROCKSHAFT, REEL MOUNT WELDMENT	2
7	192949	REEL, 21 X 104 WELD	1
8	192951	REEL, 21 X 94 WELD	2
9	192953	REEL, 21 X 65 WELD	2
10	199889	PLATE, REEL MOUNT ASSEMBLY LH (SEE PAGE 18-1)	2
11	199890	PLATE, REEL MOUNT ASSEMBLY RH (SEE PAGE 18-1)	2
12	201250	SCREW,RD,HD,SQ NK,3/4-10X2-3/4	40

40' Single Chevron Reel Assembly (BEFORE 03/2018)

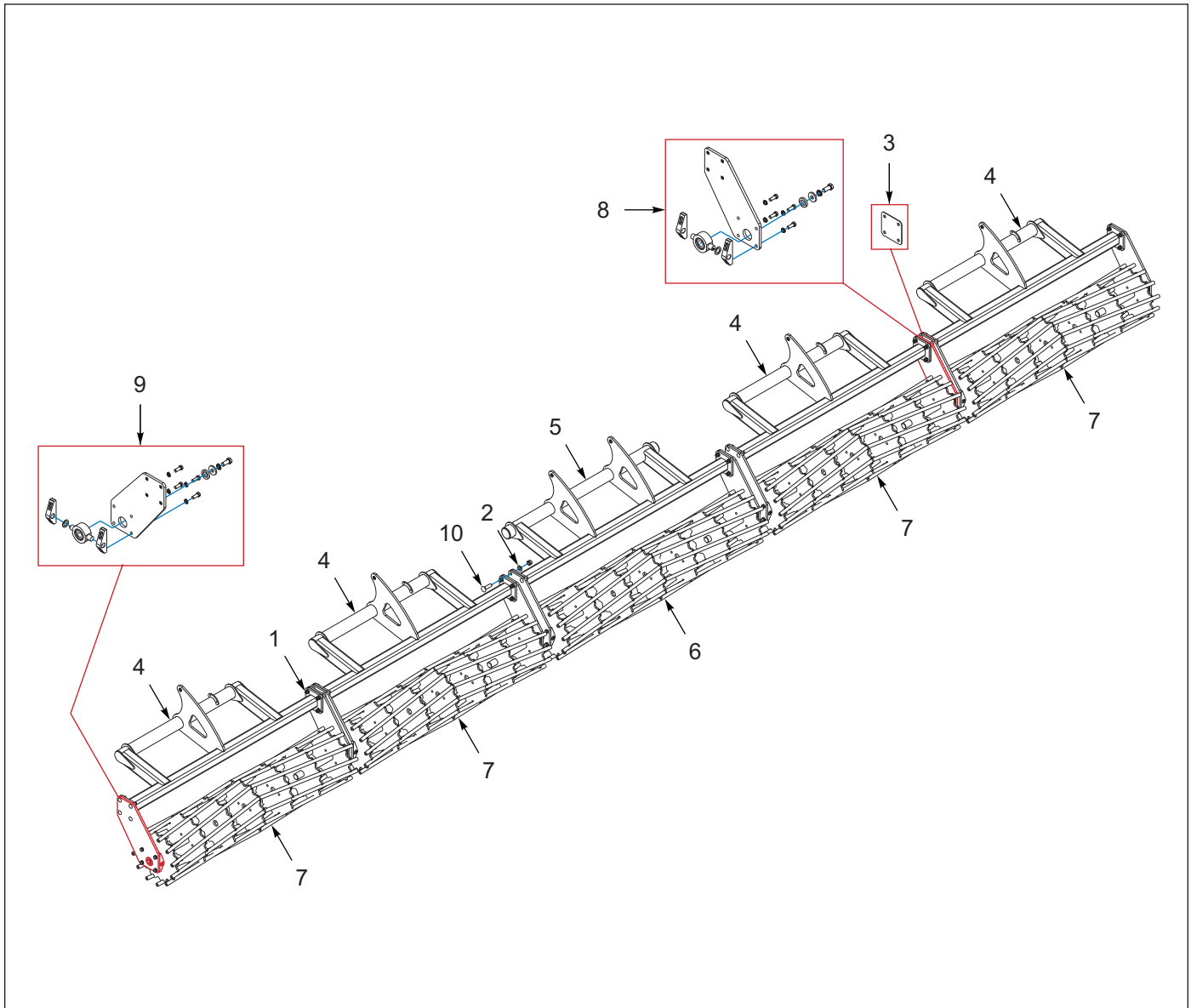


Figure 20-8: 40' Single Chevron Reel Assembly (BEFORE 03/2018)

40' Single Chevron Reel Assembly (BEFORE 03/2018)

ITEM	PART NUMBER	DESCRIPTION	QTY.
	192114	REEL SINGLE ASSEMBLY, 7831-30	--
1	1-512-010005-15	NUT, HEX SLFLKG, 3/4-10 UNC, GRB	40
2	1-861-010032-20	WASHER, FLAT,3/4 N ZP/CD	40
3	187755	PLATE, SHIM 11 GA	5
4	191757	ROCKSHAFT, REEL MOUNT WELDMENT	4
5	192127	ROCKSHAFT, REEL MOUNT WELDMENT	1
6	192949	REEL, 21 X 104 WELD	1
7	192951	REEL, 21 X 94 WELD	4
8	199889	PLATE, REEL MOUNT ASSEMBLY LH (SEE PAGE 18-1)	5
9	199890	PLATE, REEL MOUNT ASSEMBLY RH (SEE PAGE 18-1)	5
10	201250	SCREW,RD,HD,SQ NK,3/4-10X2-3/4	40

SINGLE CHEVRON REEL ASSEMBLIES

Double Tine Kit

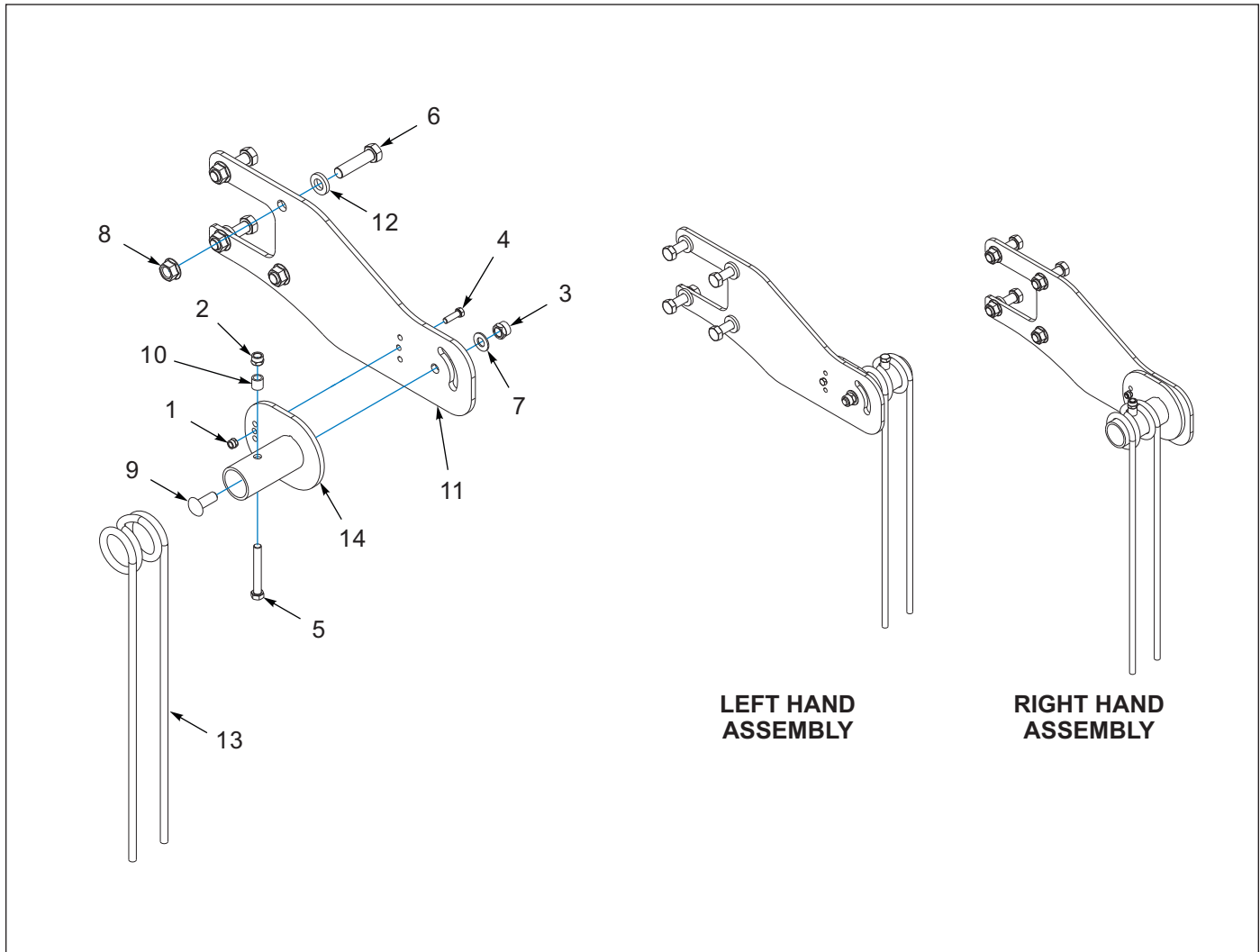


Figure 20-9: Double Tine Kit

Double Tine Kit

ITEM	PART NUMBER	DESCRIPTION	QTY.
	223387	DOUBLE TINE KIT (STD ON 35' & 40' AFTER 12/15/2020)	--
1	1-512-010005-05	NUT, HEX, SLFLKG GRB 3/8-16	1
2	1-512-010005-09	NUT,HEX,SLFLKG, 1/2-13 GRB	1
3	1-512-010005-13	NUT,HEX SLFLKG GRB 5/8-11	1
4	1-654-010051-06	SCREW,HEX CAP 3/8-16UNCX1-1/4	1
5	1-654-010055-12	SCREW,CP,HX .50-13UNCX3.75 GR5	1
6	1-654-010061-09	SCREW HX CP 3/4-10UNCX3 GR5	4
7	1-861-010032-18	WASHER, FLAT 5/8 N ZP/CD	1
8	103841	NUT,FLG,LNK,SERRATED 3/4-10UNC	4
9	133662	SCRW RDHD SHT SQNK5/8-11X1.75	1
10	154997	TUBE 0.75ODX0.532IDX0.75 ZP	1
11	223372	PLATE-TINE MOUNT	1
12	223381	WASHER, 1-1/2 X 13/16 X 1/4	4
13	223384	TINE-DOUBLE, SPRING, 3 X 24	1
14	223385	MOUNT-TINE, ROLLER, WLDMT	1

Spring Reel Assemblies

25' Spring Reel Assembly (AFTER 03/2018)

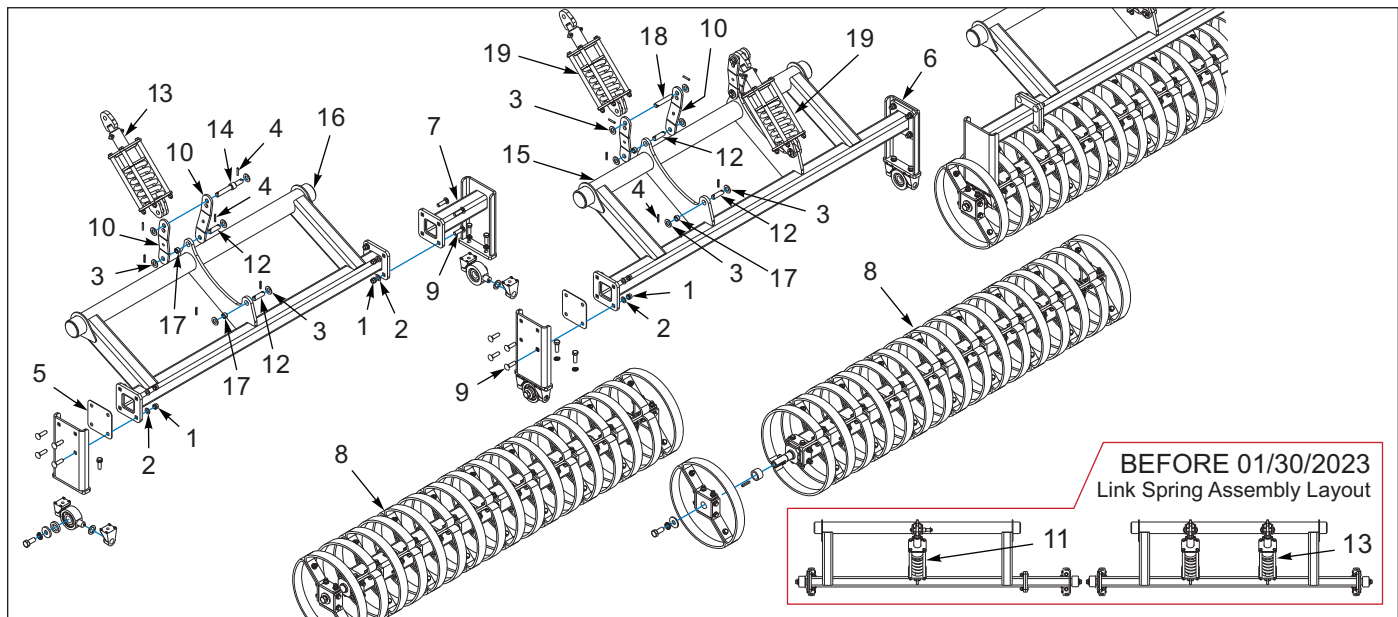


Figure 21-1: 25' Spring Reel Assembly (AFTER 03/2018)

25' Spring Reel Assembly (AFTER 03/2018)

ITEM	PART NUMBER	DESCRIPTION	QTY.
	198777	REEL SPRING ASSEMBLY, 7832- 25 (HEMI) (SHOWN)	--
	195238	REEL-SPRING, 7831-25 ASSY (4 LEAF)	--
1	1-512-010005-15	NUT,HEX,SLFLKG GRB 3/4-10	24
2	1-861-010032-20	WASHER, FLAT,3/4 N ZP/CD	24
3	1-861-010032-24	WASHER FL 1IN NARROW ZP	24
4	147072	PIN, SPRING SLOTTED 5/16 X 2	24
5	187755	PLATE, SHIM 11 GA	3
6	191759	MOUNT, SPRING-REEL, ASSY (SEE PAGE 21-13)	4
7	195225	EXTENSION SPRING REEL ASSY (SEE PAGE 21-15)	2
8	197345	REEL ASSY SPRING CENTER (HEMI) (SHOWN) (SEE PAGE 21-9)	3
8	192504	REEL-SPRING, CENTER, ASSY (4 LEAF) (SEE PAGE 21-11)	3
9	201250	SCREW, RD, HD, SQ NK,3/4-10X2-3/4	24
10	207537	LINK IDLER	8
11	207577	LINK-SPRING, K3400 ASSY (BEFORE 01/30/2023)	2
12	209162	PIN, 1 X 3-1/4, H2	8
13	209183	LINK-SPRING, K2700 ASSY	2
14	209196	PIN, REEL CONTROL	1
15	221955	ROCKSHAFT-REEL MOUNT, WLDMT (AFTER 09/2019)	1
15	209155	ROCKSHAFT-REEL MOUNT, WLDMT (03/2018 TO 09/2019)	1
16	221956	ROCKSHAFTREEL MOUNT, WLDMT (AFTER 09/2019)	2
16	209156	ROCKSHAFT-REEL MOUNT, WLDMT (03/2018 TO 09/2019)	2
17	3P079	SPRING BUSHING,1 X 1.25 X 0.75	8
18	5J768	PIN	3
19	242812	LINK-SPRING, K1500, ASM (AFTER 01/30/2023)	2

30' Spring Reel Assembly (AFTER 03/2018)

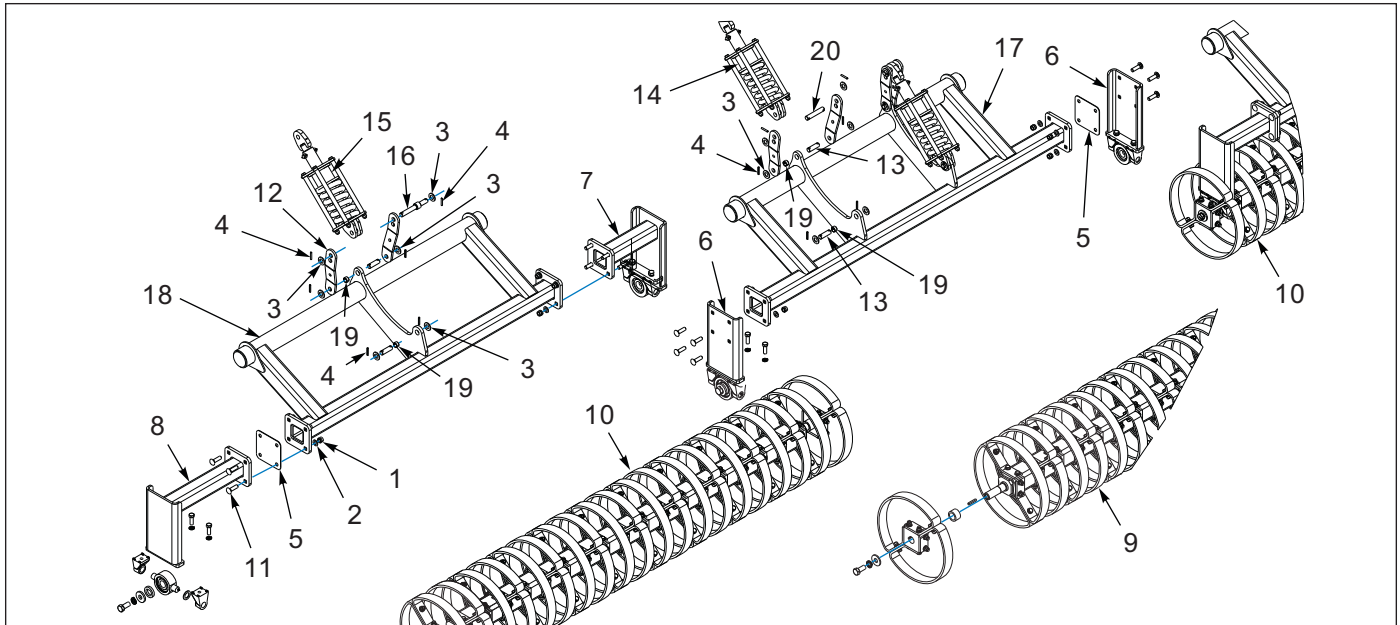


Figure 21-2: 30' Spring Reel Assembly (AFTER 03/2018)

30' Spring Reel Assembly (AFTER 03/2018)

ITEM	PART NUMBER	DESCRIPTION	QTY.
	198778	REEL SPRING ASSEMBLY, 7832- 30 (HEMI) (SHOWN)	--
	195239	REEL-SPRING, 7831-30 ASSY (4 LEAF)	--
1	1-512-010005-15	NUT,HEX,SLFLKG GRB 3/4-10	24
2	1-861-010032-20	WASHER, FLAT,3/4 N ZP/CD	24
3	1-861-010032-24	WASHER FL 1IN NARROW ZP	24
4	147072	PIN, SPRING SLOTTED 5/16 X 2	24
5	187755	PLATE, SHIM 11 GA	3
6	191759	MOUNT, SPRING-REEL, ASSY (SEE PAGE 21-13)	2
7	195225	EXTENSION SPRING REEL ASSY (SEE PAGE 21-15)	2
8	195232	EXTENSION SPRING REEL ASSY (SEE PAGE 21-15)	2
9	197345	REEL-SPRING, CENTER, ASSY (HEMI) (SHOWN) (SEE PAGE 21-9)	1
9	192504	REEL-SPRING, CENTER, ASSY (4 LEAF) (SEE PAGE 21-11)	1
10	197348	REEL ASSY SPRING 135" (HEMI) (SHOWN) (SEE PAGE 21-9)	2
10	195210	REEL ASSY SPRING 135-1/2" (4 LEAF) (SEE PAGE 21-11)	2
11	201250	SCREW, RD, HD, SQ NK,3/4-10X2-3/4	24
12	207537	LINK IDLER	8
13	209162	PIN, 1 X 3-1/4, H2	8
14	242812	LINK-SPRING, K1500, ASM (AFTER 01/30/2023)	2
14	209183	LINK-SPRING, K2700 ASSY (BEFORE 01/30/2023)	2
15	207577	LINK-SPRING, K3400 ASSY (AFTER 01/30/2023)	2
15	209184	LINK-SPRING, K4600 ASSY (BEFORE 01/30/2023)	2
16	209196	PIN, REEL CONTROL	1
17	221955	ROCKSHAFT-REEL MOUNT, WLDMT (AFTER 09/2019)	1
17	209155	ROCKSHAFT-REEL MOUNT, WLDMT (03/2018 TO 09/2019)	1
18	221956	ROCKSHAFT-REEL MOUNT, WLDMT (AFTER 09/2019)	2
18	209156	ROCKSHAFT-REEL MOUNT, WLDMT (03/2018 TO 09/2019)	2
19	3P079	SPRING BUSHING,1 X 1.25 X 0.75	8
20	5J768	PIN	3

SPRING REEL ASSEMBLIES

35' Spring Reel Assembly (AFTER 03/2018)

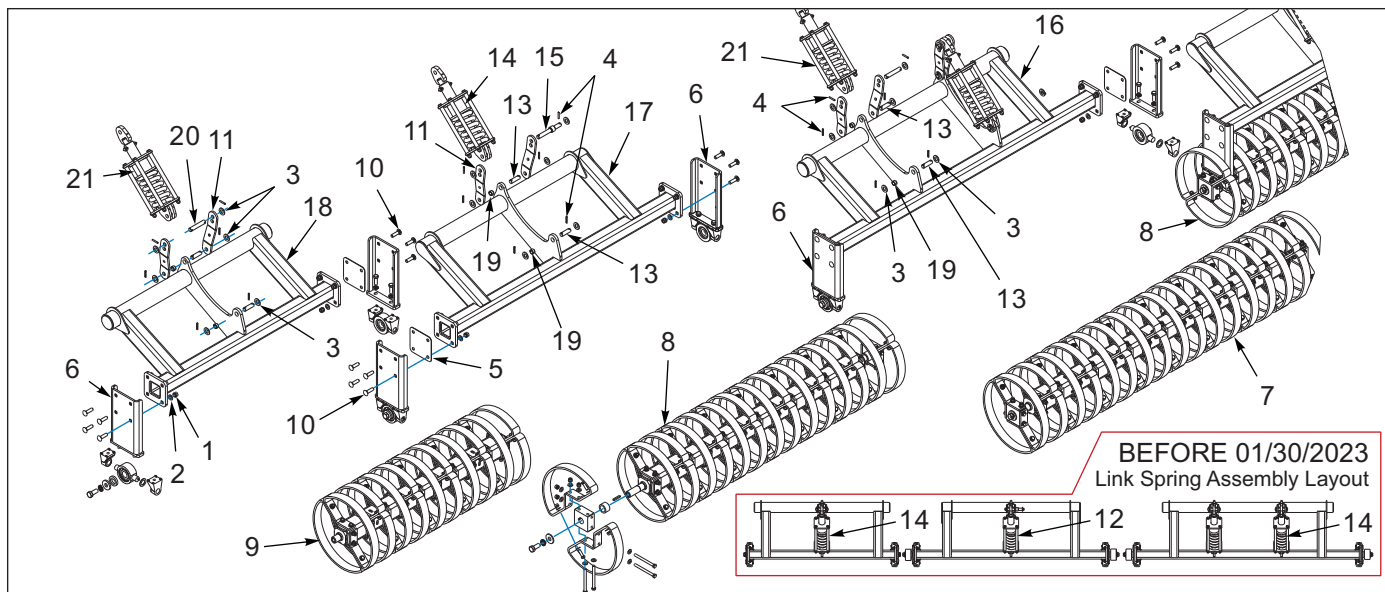


Figure 21-3: 35' Spring Reel Assembly (AFTER 03/2018)

35' Spring Reel Assembly (AFTER 03/2018)

ITEM	PART NUMBER	DESCRIPTION	QTY.
	198779	REEL SPRING ASSEMBLY, 7832- 35 (HEMI) (SHOWN)	--
	191147	REEL-SPRING, 7831-35 ASSY (4 LEAF)	--
1	1-512-010005-15	NUT,HEX,SLFLKG GRB 3/4-10	40
2	1-861-010032-20	WASHER, FLAT,3/4 N ZP/CD	40
3	1-861-010032-24	WASHER FL 1IN NARROW ZP	36
4	147072	PIN, SPRING SLOTTED 5/16 X 2	36
5	187755	PLATE, SHIM 11 GA	5
6	191759	MOUNT, SPRING-REEL, ASSY (SEE PAGE 21-13)	10
7	197345	REEL-SPRING, CENTER, ASSY (HEMI) (SHOWN) (SEE PAGE 21-9)	1
7	192504	REEL-SPRING, CENTER, ASSY (4 LEAF) (SEE PAGE 21-11)	1
8	197354	REEL ASSY SPRING INTERMED (HEMI) (SHOWN) (SEE PAGE 21-9)	2
8	193810	REEL ASSY SPRING INTERMED (4 LEAF) (SEE PAGE 21-11)	2
9	197357	REEL-SPRING, 64-3/4 INCH ASSM (HEMI) (SHOWN) (SEE PAGE 21-9)	2
9	191765	REEL ASSY SPRING 64-3/4" (4 LEAF) (SEE PAGE 21-11)	2
10	201250	SCREW, RD, HD, SQ NK,3/4-10X2-3/4	40
11	207537	LINK IDLER	12
12	207577	LINK-SPRING, K3400 ASSY (BEFORE 01/30/2023)	2
13	209162	PIN, 1 X 3-1/4, H2	12
14	209183	LINK-SPRING, K2700 ASSY (BEFORE 01/30/2023, QTY=4)	2
15	209196	PIN, REEL CONTROL	1
16	221955	ROCKSHAFT-REEL MOUNT, WLDMT (AFTER 09/2019)	1
16	209155	ROCKSHAFT-REEL MOUNT, WLDMT (03/2018 TO 09/2019)	1
17	221957	ROCKSHAFT-REEL MOUNT, WLDMT (AFTER 09/2019)	2
17	209157	ROCKSHAFT-REEL MOUNT, WLDMT (03/2018 TO 09/2019)	2
18	221958	ROCKSHAFT-REEL MOUNT, WLDMT (AFTER 09/2019)	2
18	209159	ROCKSHAFT-REEL MOUNT, WLDMT (03/2018 TO 09/2019)	2
19	3P079	SPRING BUSHING,1 X 1.25 X 0.75	12
20	5J768	PIN	5
21	242812	LINK-SPRING, K1500, ASM (AFTER 01/30/2023)	4

40' Spring Reel Assembly (AFTER 03/2018)

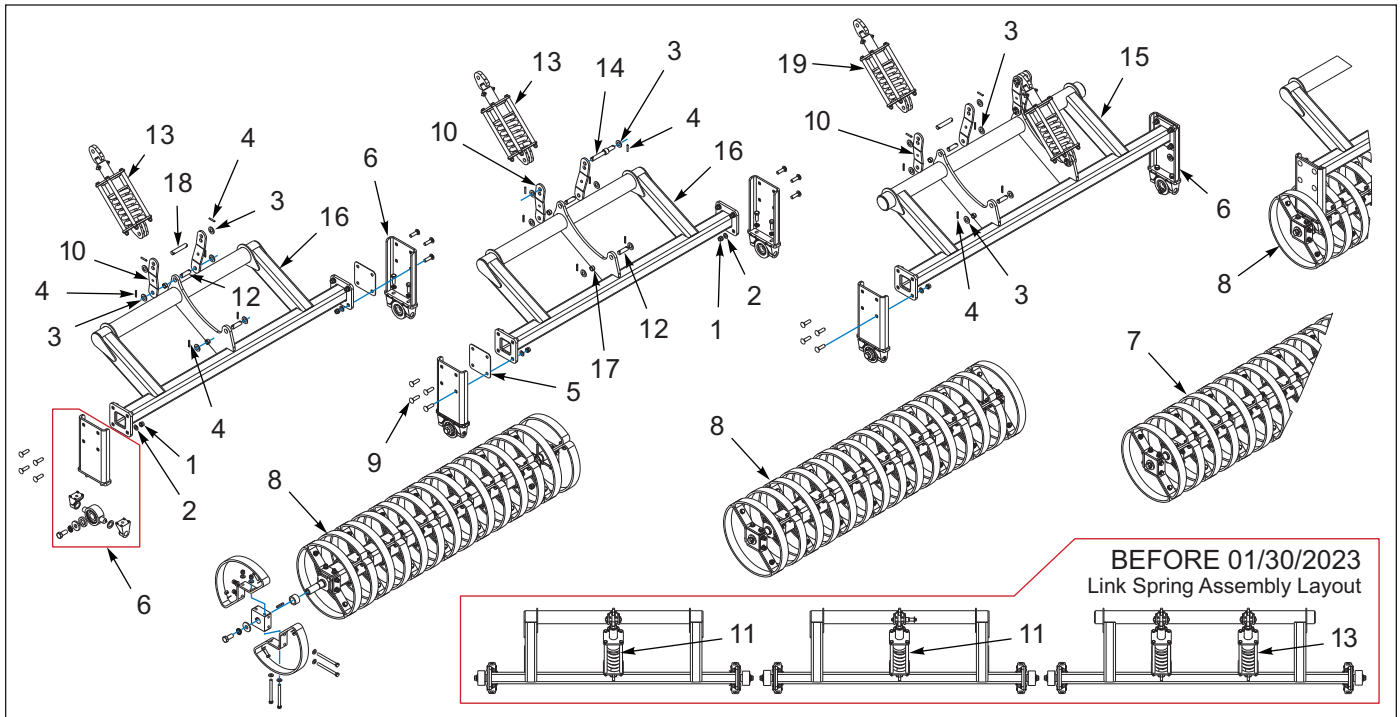


Figure 21-4: 40' Spring Reel Assembly (AFTER 03/2018)

40' Spring Reel Assembly (AFTER 03/2018)

ITEM	PART NUMBER	DESCRIPTION	QTY.
	198780	REEL SPRING ASSEMBLY, 7832- 40 (HEMI) (SHOWN)	--
	191148	REEL-SPRING, 7831-40 ASSY (4 LEAF)	--
1	1-512-010005-15	NUT,HEX,SLFLKG GRB 3/4-10	40
2	1-861-010032-20	WASHER, FLAT,3/4 N ZP/CD	40
3	1-861-010032-24	WASHER FL 1IN NARROW ZP	36
4	147072	PIN, SPRING SLOTTED 5/16 X 2	36
5	187755	PLATE, SHIM 11 GA	5
6	191759	MOUNT, SPRING-REEL, ASSY (SEE PAGE 21-13)	10
7	197345	REEL ASSY SPRING CENTER (HEMI) (SHOWN) (SEE PAGE 21-9)	1
7	192504	REEL-SPRING, CENTER, ASSY (4 LEAF) (SEE PAGE 21-11)	1
8	197354	REEL ASSY SPRING INTERMED (HEMI) (SHOWN) (SEE PAGE 21-9)	4
8	193810	REEL ASSY SPRING INTERMED (4 LEAF) (SEE PAGE 21-11)	4
9	201250	SCREW, RD, HD, SQ NK,3/4-10X2-3/4	40
10	207537	LINK IDLER	12
11	207577	LINK-SPRING, K3400 ASSY (BEFORE 01/30/2023)	4
12	209162	PIN, 1 X 3-1/4, H2	12
13	209183	LINK-SPRING, K2700 ASSY (BEFORE 01/30/2023, QTY=2)	4
14	209196	PIN, REEL CONTROL	1
15	221955	ROCKSHAFT-REEL MOUNT, WLDMT (AFTER 09/2019)	1
15	209155	ROCKSHAFT-REEL MOUNT, WLDMT (03/2018 TO 09/2019)	1
16	221957	ROCKSHAFT-REEL MOUNT, WLDMT (AFTER 09/2019)	4
16	209157	ROCKSHAFT-REEL MOUNT, WLDMT (03/2018 TO 09/2019)	4
17	3P079	SPRING BUSHING,1 X 1.25 X 0.75	12
18	5J768	PIN	5
19	242812	LINK-SPRING, K1500, ASM (AFTER 01/30/2023)	2

SPRING REEL ASSEMBLIES

25' Spring Reel Assembly (BEFORE 03/2018)

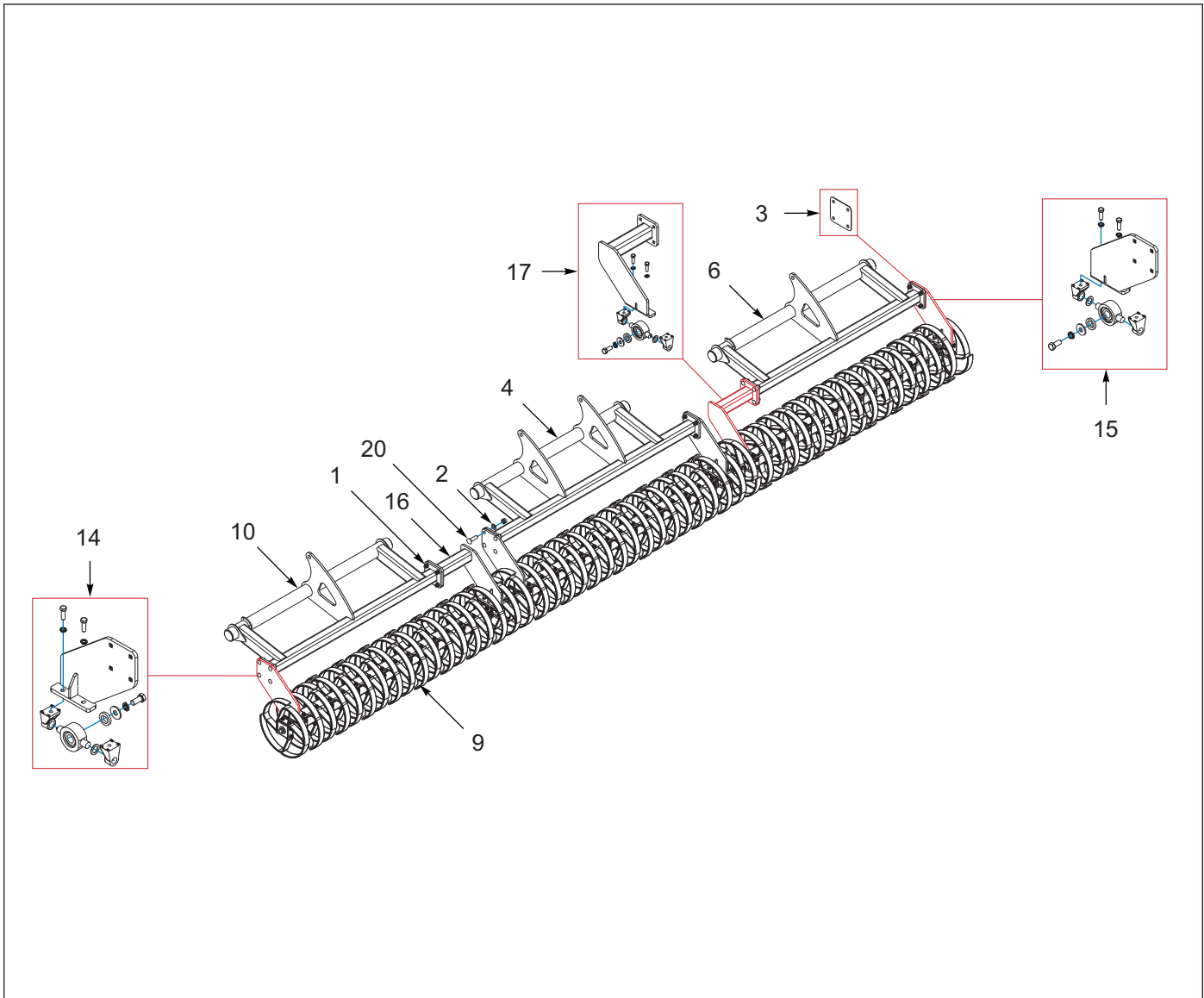


Figure 21-5: 25' Spring Reel Assembly (BEFORE 03/2018)

25' Spring Reel Assembly (BEFORE 03/2018)

ITEM	PART NUMBER	DESCRIPTION	QTY.
	195238	REEL SPRING ASSEMBLY, 7831- 25	--
1	1-512-010005-15	NUT,HEX,SLFLKG GRB 3/4-10	24
2	1-861-010032-20	WASHER, FLAT, 3/4 N ZP/CD	24
3	187755	PLATE SHIM 11 GA	3
4	191754	ROCKSHAFT WLDMT SPRING REEL MT	1
9	192504	REEL ASSY SPRING CENTER (SEE PAGE 21-11)	3
10	192939	ROCKSHAFT WLDMT REEL MOUNT	2
14	199901	MOUNT ASSY SPRING REEL (SEE PAGE 21-14)	2
15	199902	MOUNT ASSY SPRING REEL (SEE PAGE 21-14)	2
16	201231	EXTENSION ASSY SPRING REEL(SEE PAGE 21-16)	1
17	201232	EXTENSION ASSY SPRING REEL(SEE PAGE 21-16)	1
20	201250	SCREW,RD,HD,SQ NK,3/4-10X2-3/4	24

30' Spring Reel Assembly (BEFORE 03/2018)

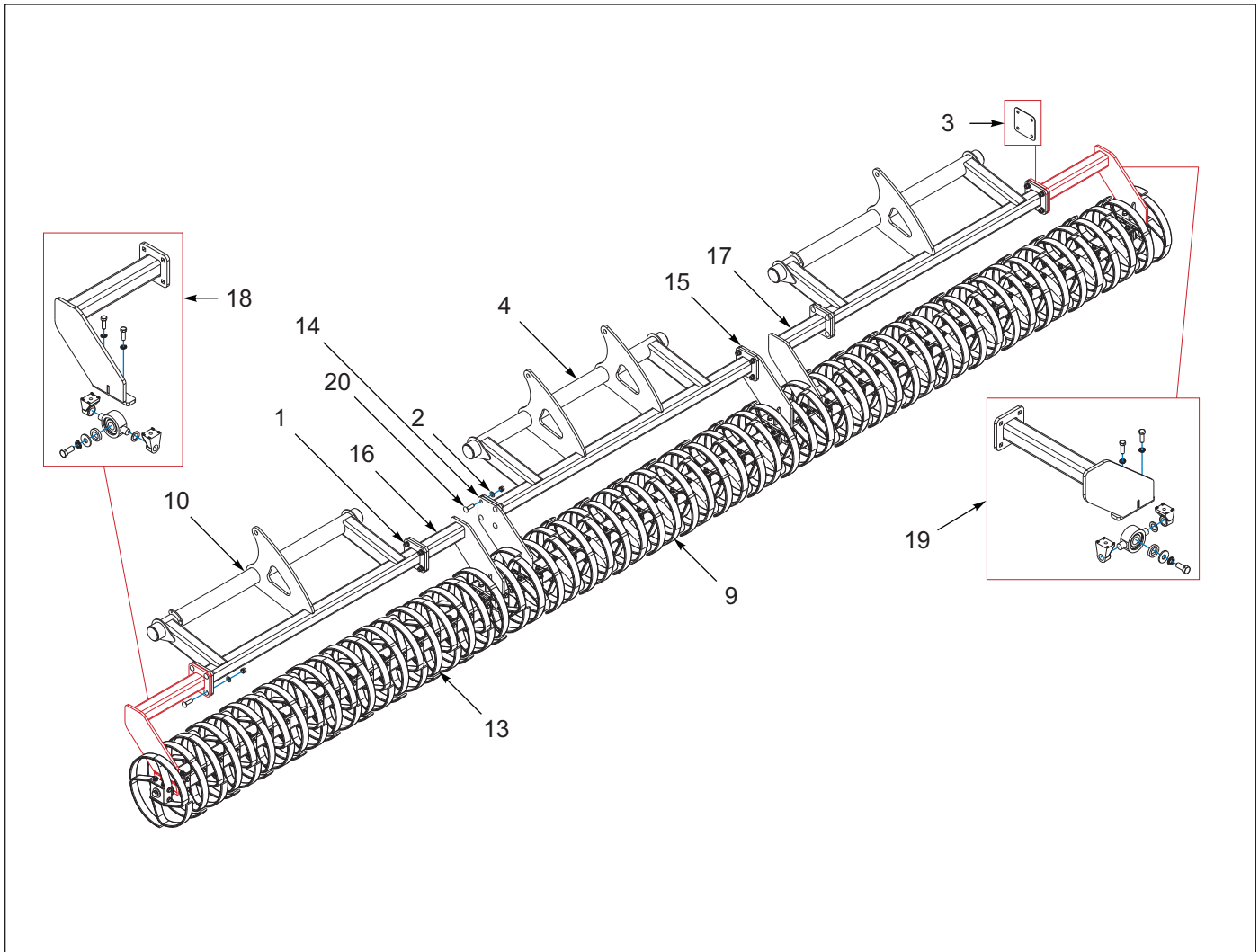


Figure 21-6: 30' Spring Reel Assembly (BEFORE 03/2018)

30' Spring Reel Assembly (BEFORE 03/2018)

ITEM	PART NUMBER	DESCRIPTION	QTY.
	195239	REEL SPRING ASSEMBLY, 7831- 30	--
1	1-512-010005-15	NUT,HEX,SLFLKG GRB 3/4-10	24
2	1-861-010032-20	WASHER, FLAT, 3/4 N ZP/CD	24
3	187755	PLATE SHIM 11 GA	3
4	191754	ROCKSHAFT WLDMT SPRING REEL MT	1
9	192504	REEL ASSY SPRING CENTER (SEE PAGE 21-11)	1
10	192939	ROCKSHAFT WLDMT REEL MOUNT	2
13	195210	REEL ASSY SPRING 135-1/2"	2
14	199901	MOUNT ASSY SPRING REEL (SEE PAGE 21-14)	1
15	199902	MOUNT ASSY SPRING REEL (SEE PAGE 21-14)	1
16	201231	EXTENSION ASSY SPRING REEL(SEE PAGE 21-16)	1
17	201232	EXTENSION ASSY SPRING REEL(SEE PAGE 21-16)	1
18	201235	EXTENSION ASSY SPRING REEL(SEE PAGE 21-16)	1
19	201236	EXTENSION ASSY SPRING REEL(SEE PAGE 21-16)	1
20	201250	SCREW, RD, HD, SQ NK, 3/4-10X2-3/4	24

SPRING REEL ASSEMBLIES

35' Spring Reel Assembly (BEFORE 03/2018)

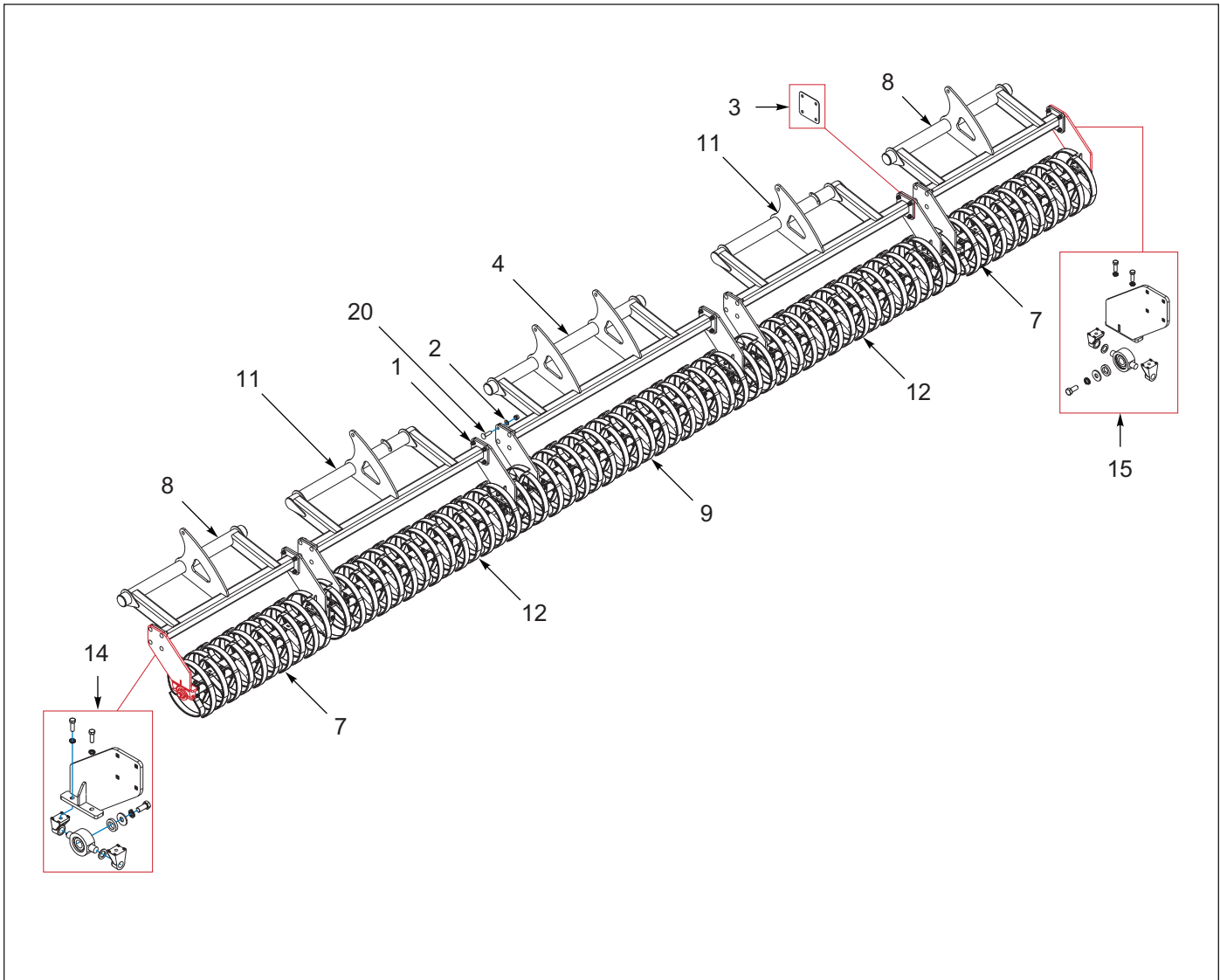


Figure 21-7: 35' Spring Reel Assembly (BEFORE 03/2018)

35' Spring Reel Assembly (BEFORE 03/2018)

ITEM	PART NUMBER	DESCRIPTION	QTY.
	191147	REEL SPRING ASSEMBLY, 7831- 35	--
1	1-512-010005-15	NUT,HEX,SLFLKG GRB 3/4-10	40
2	1-861-010032-20	WASHER, FLAT, 3/4 N ZP/CD	40
3	187755	PLATE SHIM 11 GA	5
4	191754	ROCKSHAFT WLDMT SPRING REEL MT	1
7	191765	REEL ASSY SPRING 64 - 3/4" (SEE PAGE 21-11)	2
8	192498	ROCKSHAFT WLDMT REEL MOUNT	2
9	192504	REEL ASSY SPRING CENTER (SEE PAGE 21-11)	1
11	193808	ROCKSHAFT WLDMT REEL MOUNT	2
12	193810	REEL ASSY SPRING INTERMED	2
14	199901	MOUNT ASSY SPRING REEL (SEE PAGE 21-14)	5
15	199902	MOUNT ASSY SPRING REEL (SEE PAGE 21-14)	5
20	201250	SCREW, RD, HD, SQ NK, 3/4-10X2-3/4	40

40' Spring Reel Assembly (BEFORE 03/2018)

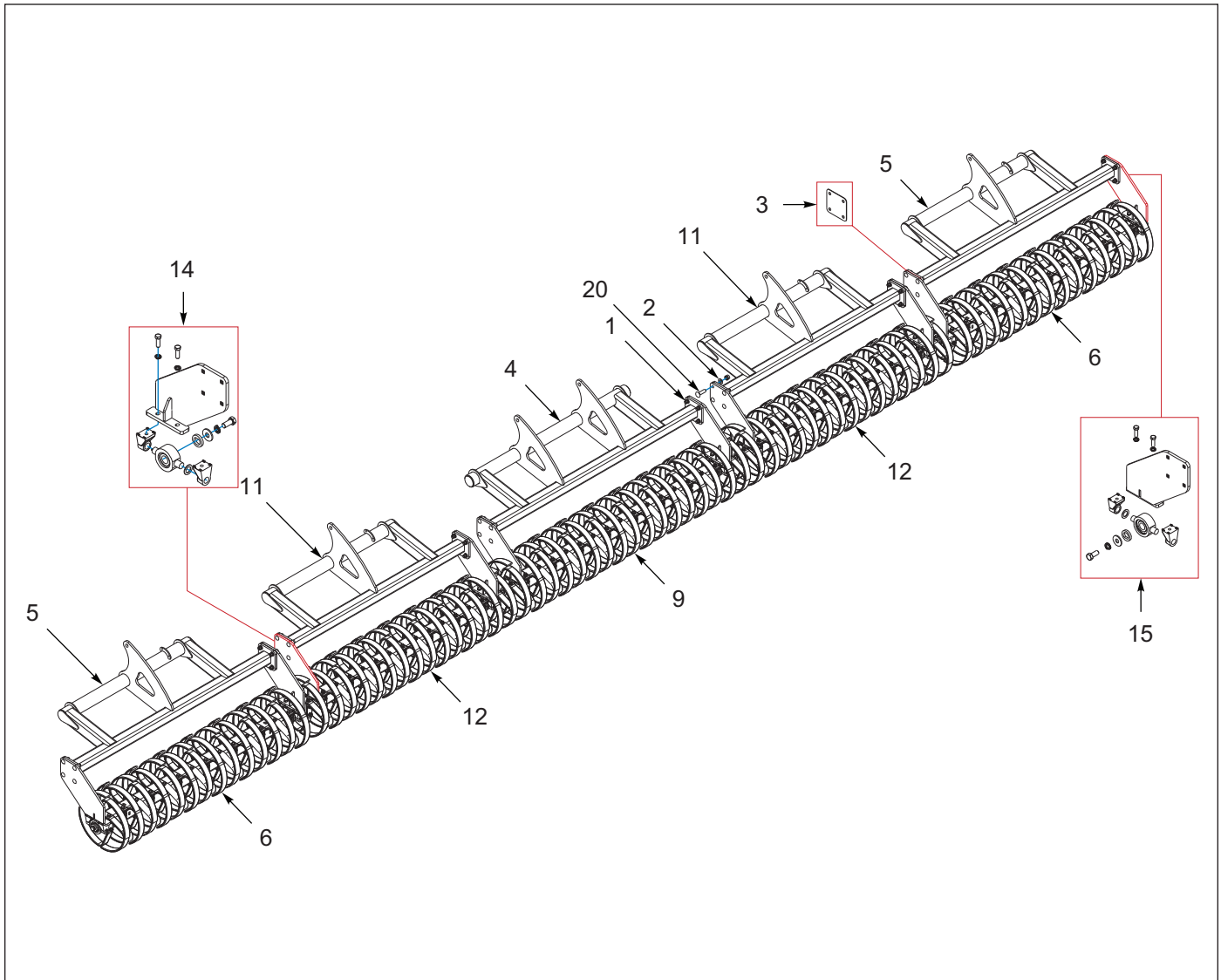


Figure 21-8: 40' Spring Reel Assembly (BEFORE 03/2018)

40' Spring Reel Assembly (BEFORE 03/2018)

ITEM	PART NUMBER	DESCRIPTION	QTY.
	191148	REEL SPRING ASSEMBLY, 7831- 40	--
1	1-512-010005-15	NUT,HEX,SLFLKG GRB 3/4-10	40
2	1-861-010032-20	WASHER, FLAT, 3/4 N ZP/CD	40
3	187755	PLATE SHIM 11 GA	5
4	191754	ROCKSHAFT WLDMT SPRING REEL MT	1
5	191757	ROCKSHAFT WLDMT REEL MOUNT	2
6	191762	REEL ASSY SPRING 94 - 3/8" (SEE PAGE 21-11)	2
9	192504	REEL ASSY SPRING CENTER (SEE PAGE 21-11)	1
11	193808	ROCKSHAFT WLDMT REEL MOUNT	2
12	193810	REEL ASSY SPRING INTERMED	2
14	199901	MOUNT ASSY SPRING REEL (SEE PAGE 21-14)	5
15	199902	MOUNT ASSY SPRING REEL (SEE PAGE 21-14)	5
20	201250	SCREW, RD, HD, SQ NK, 3/4-10X2-3/4	40

SPRING REEL ASSEMBLIES

Spring Reel Assemblies, Hemi

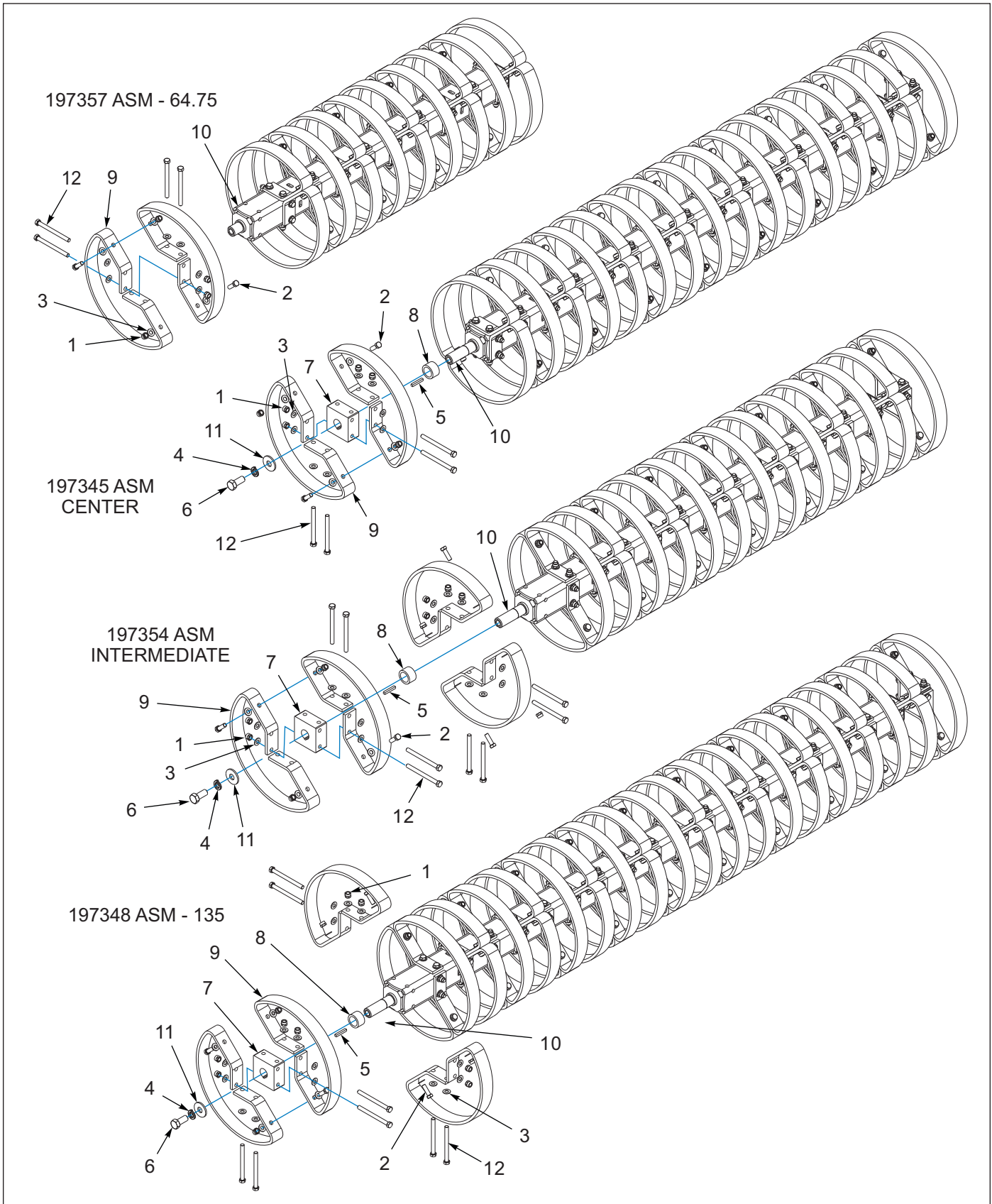


Figure 21-9: Spring Reel Assemblies, Hemi

Spring Reel Assemblies Hemi

ITEM	PART NUMBER	DESCRIPTION	QTY.			
	197345	REEL-SPRING, CENTER, ASSY	1	--	--	--
	197354	REEL ASSY SPRING INTERMED	--	1	--	--
	197348	REEL-SPRING, 135 INCH,ASM	--	--	1	--
	197357	REEL-SPRING, 64-3/4 INCH ASSM	--	--	--	1
1	1-512-010005-13	NUT,HEX SLFLKG GRB 5/8-11	102	90	126	60
2	1-654-010059-05	SCREW,HEX CAP,5/8-11UNCX2 GR5	34	30	42	20
3	1-861-010032-18	WASHER, FLAT 5/8 N ZP/CD	204	180	252	120
4	1-861-010034-21	WASHER, LKG HEL SPRG 1IN	2	2	2	--
5	110-4349	KEY SQUARE 3/8X3/8X2-1/2	2	2	2	--
6	137943	SCREW,HEX CAP 1-8UNCX2-1/4GR5	2	2	2	--
7	191740	HUB-SPRING REEL	2	2	2	--
8	191742	BUSHING, 2-1/2X1-13/16X1-1/2	2	2	2	--
9	195079	SPRING-REEL, HSL	34	30	42	20
10	197346	AXLE-SPRING REEL, WLDMT	1	--	--	--
10	197355	AXLE-SPRING REEL, WLDMT	--	1	--	--
10	197349	AXLE-SPRING REEL, WELDMENT	--	--	1	--
10	197358	AXLE-SPRING REEL, WELDMENT	--	--	--	1
11	200804	WASHER, 2-3/4 X 1-1/16 X 1/4	2	2	2	--
12	209331	SCREW, HEX 5/8-11 UNC,GR5	68	60	84	40

SPRING REEL ASSEMBLIES

Spring Reel Assemblies, 4 Leaf

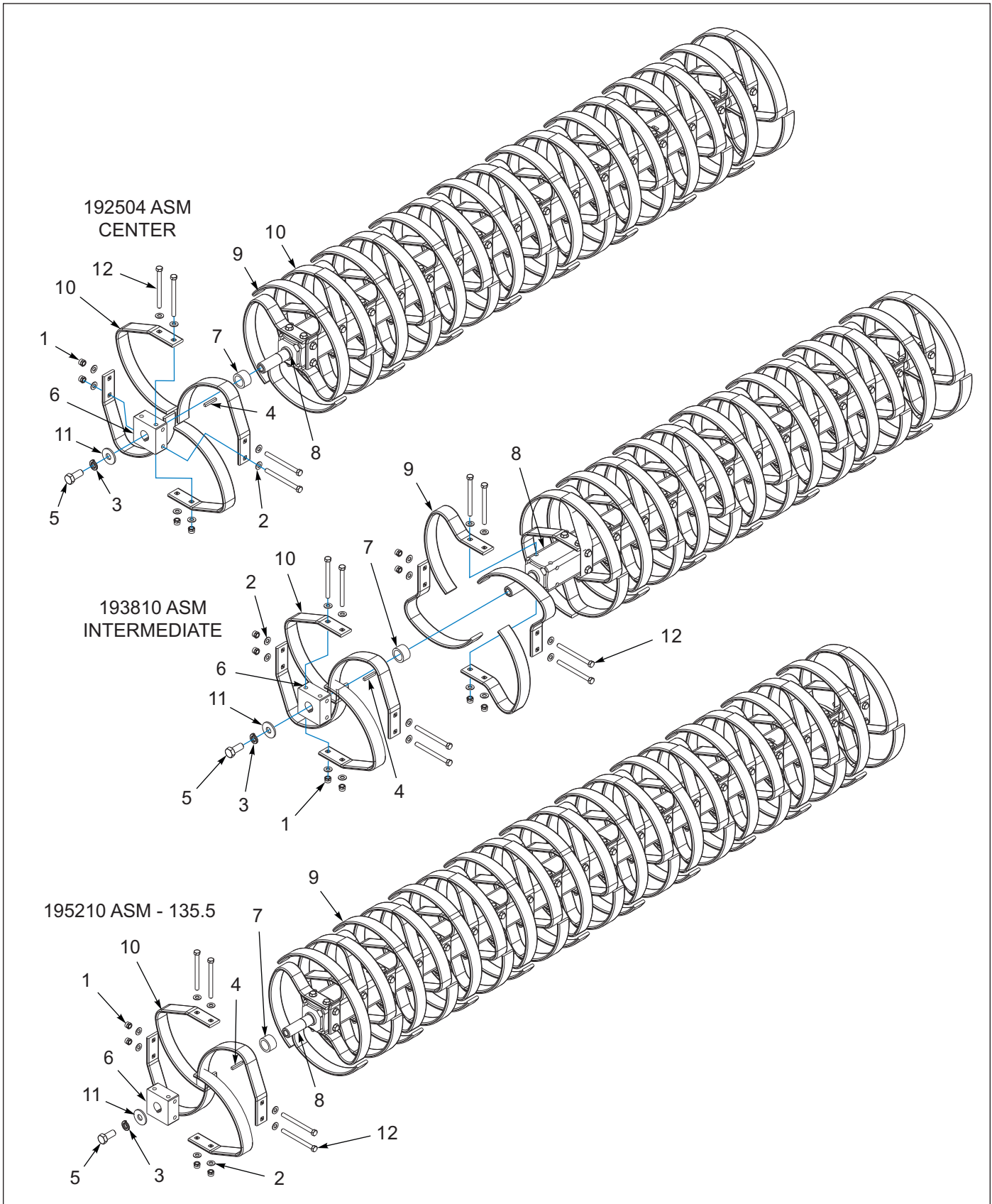


Figure 21-10: Spring Reel Assemblies, 4 Leaf (1 of 2)

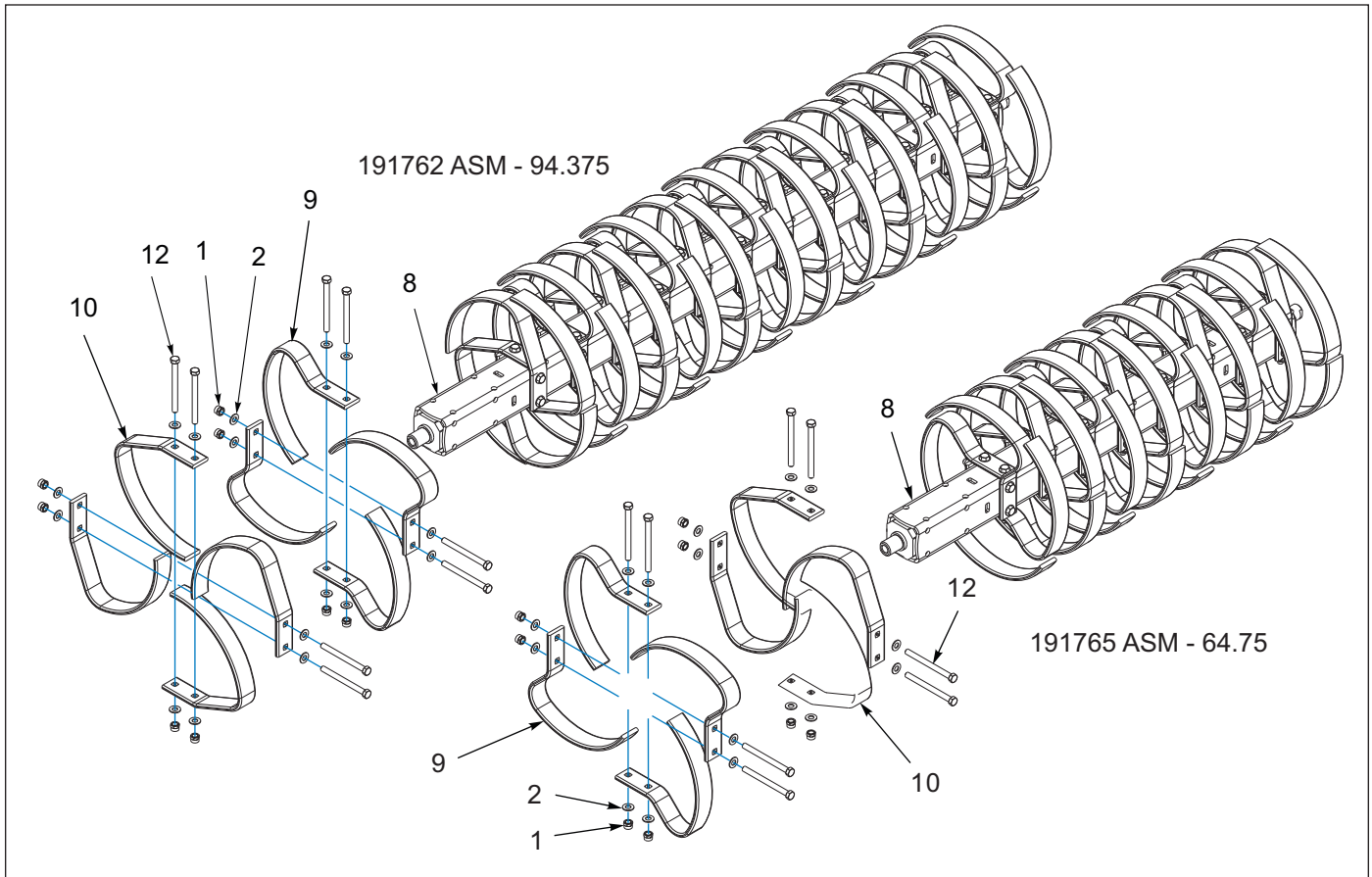
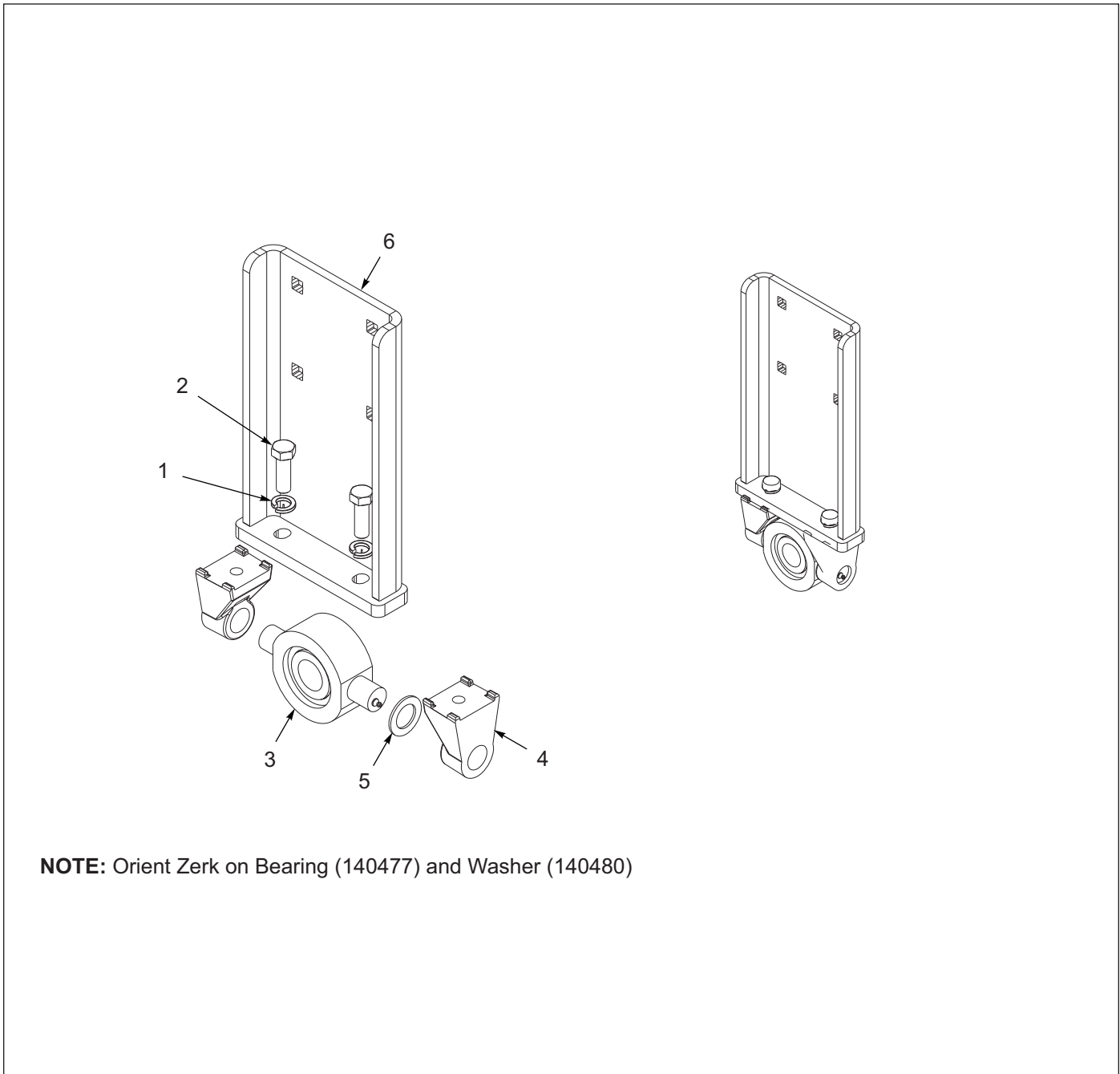


Figure 21-11: Spring Reel Assemblies, 4 Leaf (2 of 2)

Spring Reel Assemblies, 4 Leaf

ITEM	PART NUMBER	DESCRIPTION	QTY.				
	192504	REEL-SPRING, CENTER, ASSY	1	--	--	--	--
	193810	REEL ASSY SPRING INTERMED	--	1	--	--	--
	191765	REEL SPRING ASSEMBLY, 64-3/4"	--	--	1	--	--
	191762	REEL SPRING ASSEMBLY, 94-3/8"	--	--	--	1	--
	195210	REEL ASSY SPRING 135-1/2"	--	--	--	--	1
1	1-512-010005-13	NUT,HEX SLFLKG GRB 5/8-11	68	60	40	56	84
2	1-861-010032-18	WASHER, FLAT 5/8 N ZP/CD	136	120	80	112	168
3	1-861-010034-21	WASHER, LKG HEL SPRG 1IN	2	2	--	--	2
4	110-4349	KEY SQUARE 3/8X3/8X2-1/2	2	2	--	--	2
5	137943	SCREW,HEX CAP 1-8UNCX2-1/4GR5	2	2	--	--	2
6	191740	HUB-SPRING REEL	2	2	--	--	2
7	191742	BUSHING, 2-1/2X1-13/16X1-1/2	2	2	--	--	2
8	192503	AXLE WLDMT SPRING REEL	1	--	--	--	--
8	193811	AXLE WLDMT SPRING REEL	--	1	--	--	--
8	191764	AXLE, SPRING REEL WELD	--	--	1	--	--
8	191761	AXLE, SPRING REEL WELD	--	--	--	1	--
8	195211	AXLE-SPRING REEL, WLDMT	--	--	--	--	1
9	195116	SPRING-REEL, HSL	32	28	20	28	40
10	195117	SPRING-REEL, HSL	36	32	20	28	44
11	200804	WASHER, 2-3/4 X 1-1/16 X 1/4	2	2	--	--	2
12	209331	SCREW HX CP, 5/8-11UNCX7,GR5	68	60	40	56	84

Spring Reel Mount Assembly (AFTER 03/2018)



NOTE: Orient Zerk on Bearing (140477) and Washer (140480)

Figure 21-12: Spring Reel Mount Assembly (AFTER 03/2018)

Spring Reel Mount Assembly (AFTER 03/2018)

ITEM	PART NUMBER	DESCRIPTION	QTY.
	191759	MOUNT, SPRING-REEL, ASSY	--
1	1-861-010034-17	WASHER,LKG,HLCL SPR,3/4	2
2	100941	SCREW,HEXCAP,3/4-10X2-1/4G8ZP	2
3	140477	BEARING, DISC 1.775 ID ASSY	1
4	140479	MOUNT, TRUNNION	2
5	140480	WASHER, TRUNNION	1
6	188825	BRACKET-REEL MOUNT, WLDMT	1

Spring Reel Mount Assemblies (BEFORE 03/2018)

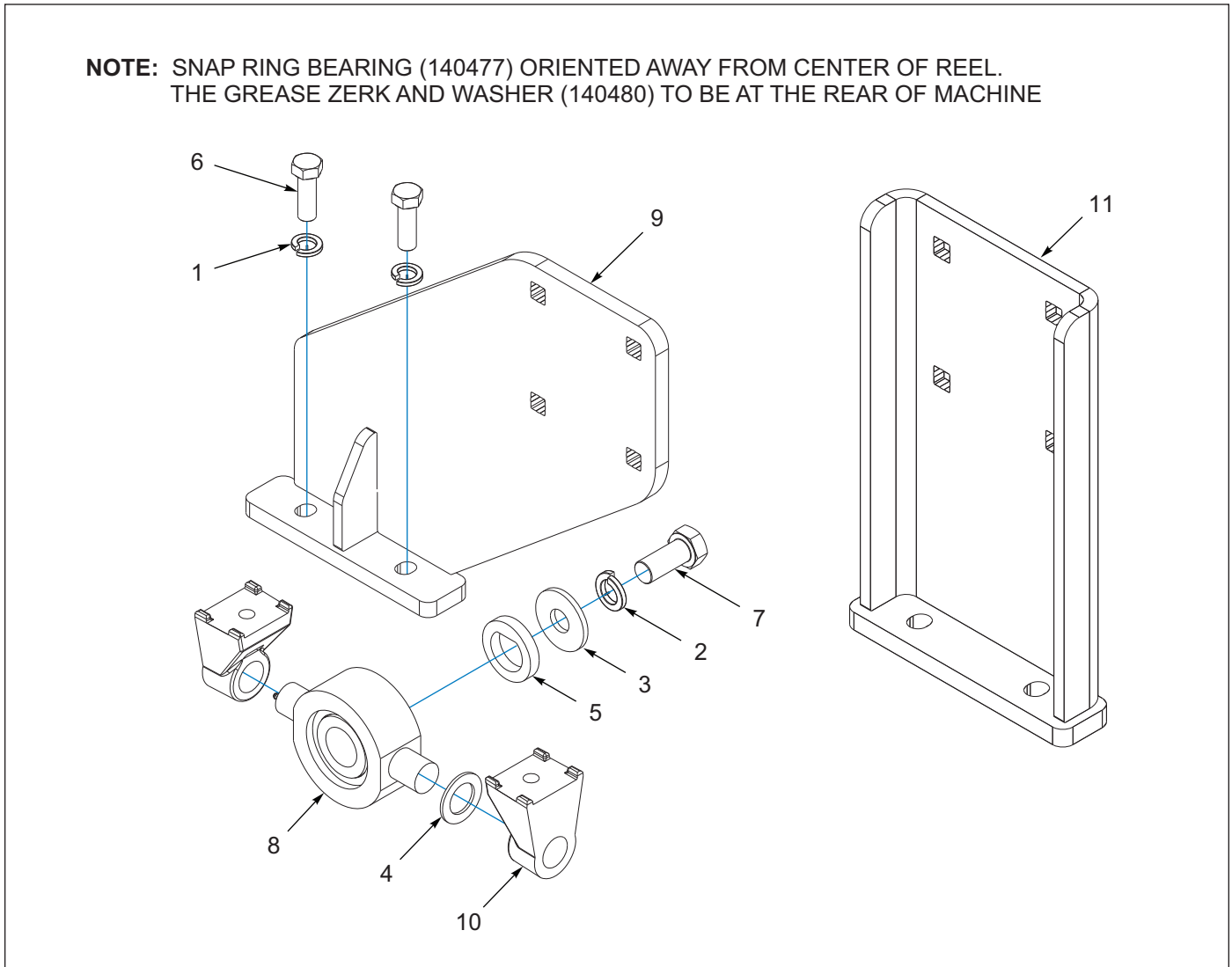


Figure 21-13: Spring Reel Mount Assemblies (BEFORE 03/2018)

Spring Reel Mount Assemblies (BEFORE 03/2018)

ITEM	PART NUMBER	DESCRIPTION	QTY.
	199901	MOUNT, SPRING REEL ASSEMBLY LH	--
	199902	MOUNT, SPRING REEL ASSEMBLY RH (NOT SHOWN)	--
1	1-861-010034-17	WASHER,LKG,HLCL SPR,3/4	2
2	1-861-010034-21	WASHER, LKG HEL SPRG 1IN	1
3	200804	WASHER, 2-3/4 X 1-1/16 X 1/4	1
4	140480	WASHER, TRUNNION	1
5	154186	WASHER FLAT -P	1
6	100941	SCREW,HEXCAP,3/4-10X2-1/4G8ZP	2
7	137943	SCREW,HEX CAP 1-8UNCX2-1/4GR5	1
8	140477	BEARING, DISC 1.775 ID ASSY	1
9	199899	MOUNT WLDMT SPRING REEL LH (USED W/ 199901)	1
9	199900	MOUNT WLDMT SPRING REEL RH (USED W/ 199902) (NOT SHOWN)	1
10	140479	MOUNT, TRUNNION BEARING	2
11	188825	BRACKET-REEL MOUNT, WLDMT	1

SPRING REEL ASSEMBLIES

Spring Reel Mount Extension Assemblies (AFTER 03/2018)

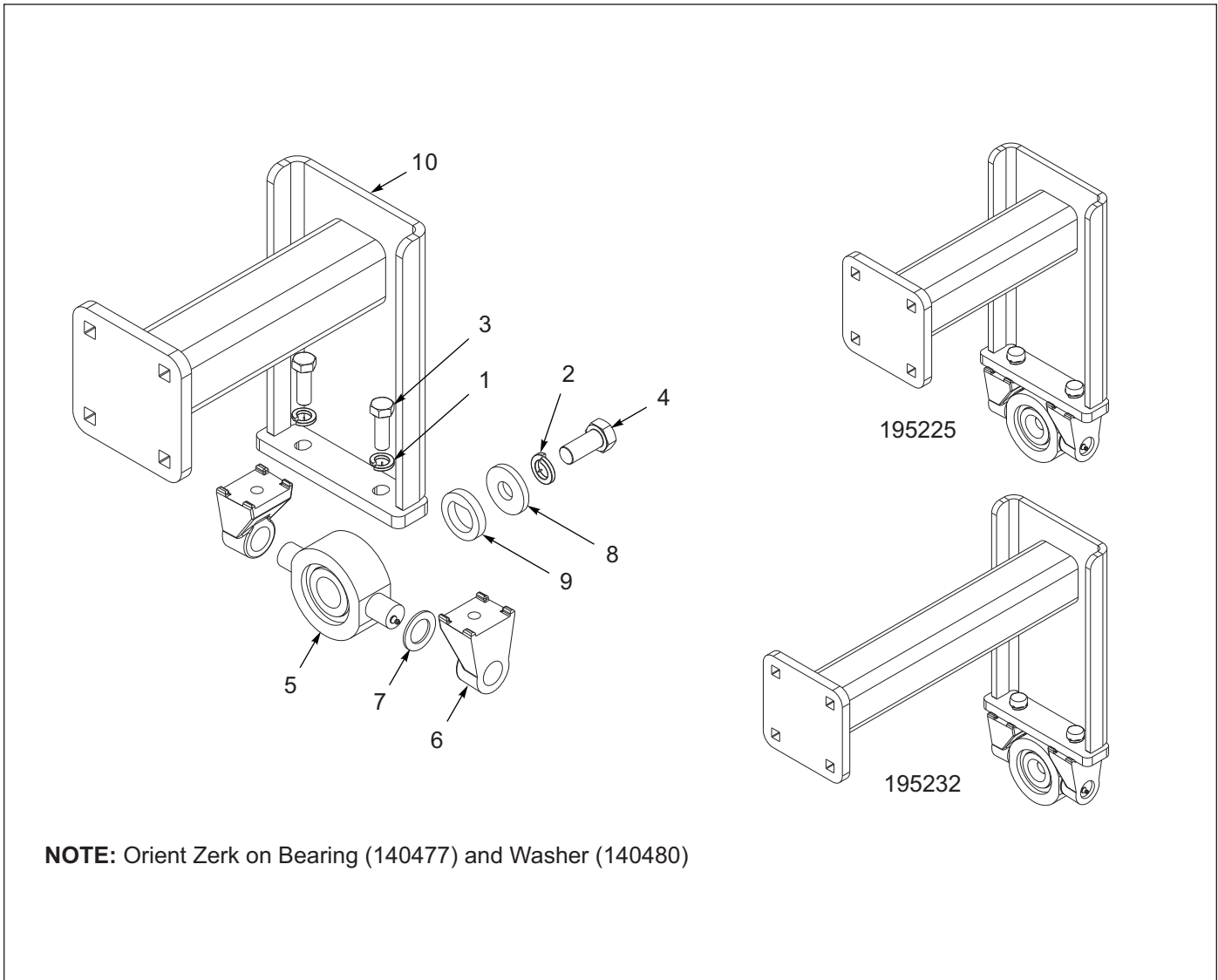


Figure 21-14: Spring Reel Mount Extension Assemblies (AFTER 03/2018)

Spring Reel Mount Extension Assemblies (AFTER 03/2018)

ITEM	PART NUMBER	DESCRIPTION	QTY.
	195225	EXTENSION, SPRING REEL, ASSY	--
	195232	EXTENSION, SPRING REEL, ASSY	--
1	1-861-010034-17	WASHER,LKG,HLCL SPR,3/4	2
2	1-861-010034-21	WASHER, LKG HEL SPRG 1IN	1
3	100941	SCREW,HEXCAP,3/4-10X2-1/4G8ZP	2
4	137943	SCREW,HEX CAP 1-8UNCX2-1/4GR5	1
5	140477	BEARING, DISC 1.775 ID ASSY	1
6	140479	MOUNT, TRUNNION	2
7	140480	WASHER, TRUNNION	1
8	154185	WASHER 3/8 THICK 1" ID	1
9	154186	WASHER FLAT TOP	1
10	195226	EXTENSION-SPRING REEL, WLDMT (USED W/ 195225)	1
10	195233	EXTENSION WLDMT SPRING REEL (USED W/ 195232)	1

Spring Reel Mount Extension Assemblies (BEFORE 03/2018)

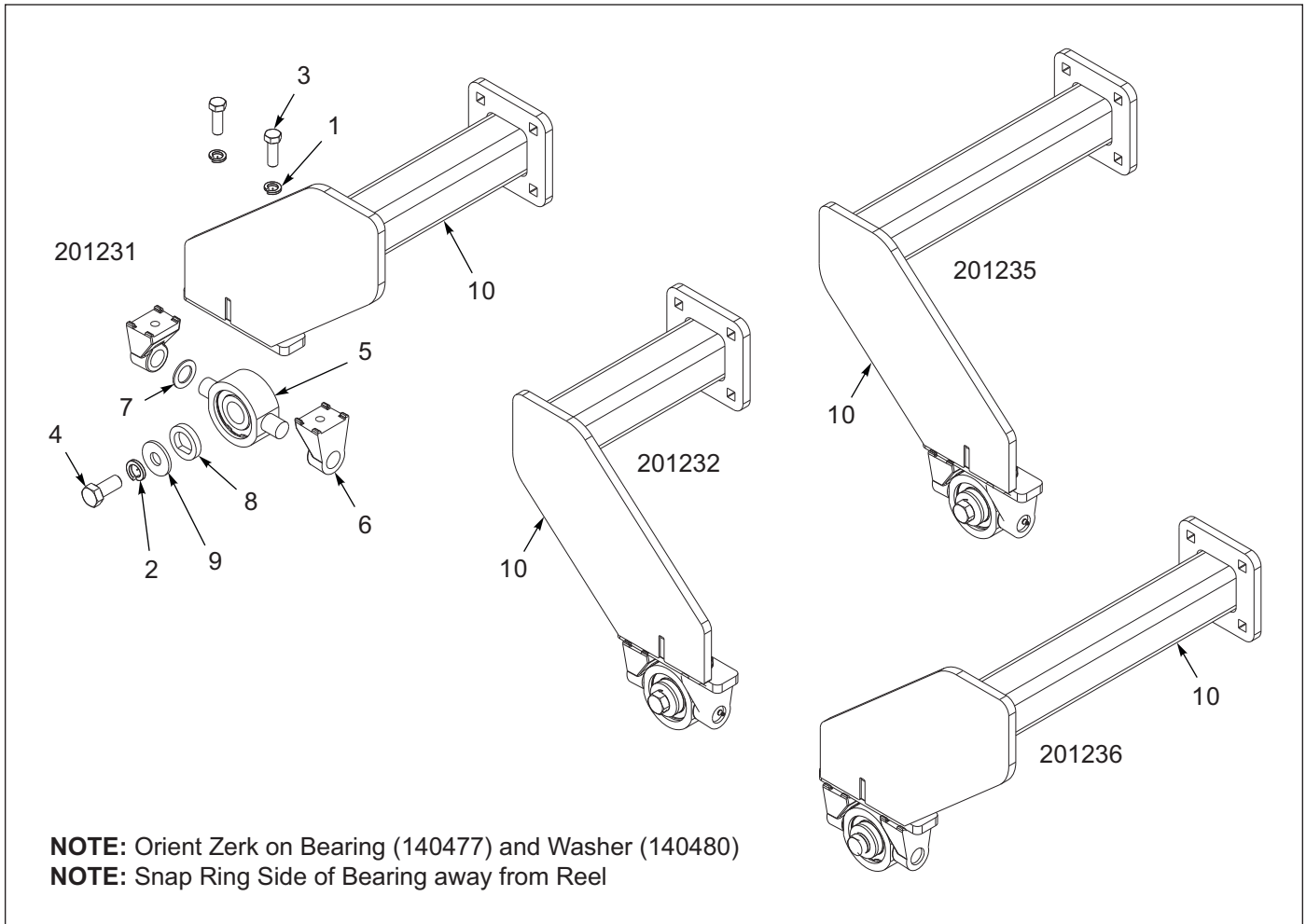


Figure 21-15: Spring Reel Mount Extension Assemblies (BEFORE 03/2018)

Spring Reel Mount Extension Assemblies (BEFORE 03/2018)

ITEM	PART NUMBER	DESCRIPTION	QTY.
	201231	EXTENSION ASSY SPRING REEL	--
	201232	EXTENSION ASSY SPRING REEL	--
	201235	EXTENSION ASSY SPRING REEL	--
	201236	EXTENSION ASSY SPRING REEL	--
1	1-861-010034-17	WASHER,LKG,HLCL SPR,3/4	2
2	1-861-010034-21	WASHER, LKG HEL SPRG 1IN	1
3	100941	SCREW,HEXCAP,3/4-10X2-1/4G8ZP	2
4	137943	SCREW,HEX CAP 1-8UNCX2-1/4GR5	1
5	140477	BEARING, DISC 1.775 ID ASSY	1
6	140479	MOUNT, TRUNNION	2
7	140480	WASHER, TRUNNION	1
8	154186	WASHER FLAT TOP	1
9	200804	WASHER, 2-3/4 X 1-1/16 X 1/4	1
10	201229	EXTENSION WLDMT SPRING REEL (USED W/ 201231)	1
11	201230	EXTENSION WLDMT SPRING REEL (USED W/ 201232)	1
12	201233	EXTENSION WLDMT SPRING REEL (USED W/ 201235)	1
13	201234	EXTENSION WLDMT SPRING REEL (USED W/ 201236)	1

Harrow Assemblies

4 Bar Harrow Assembly - 40FT

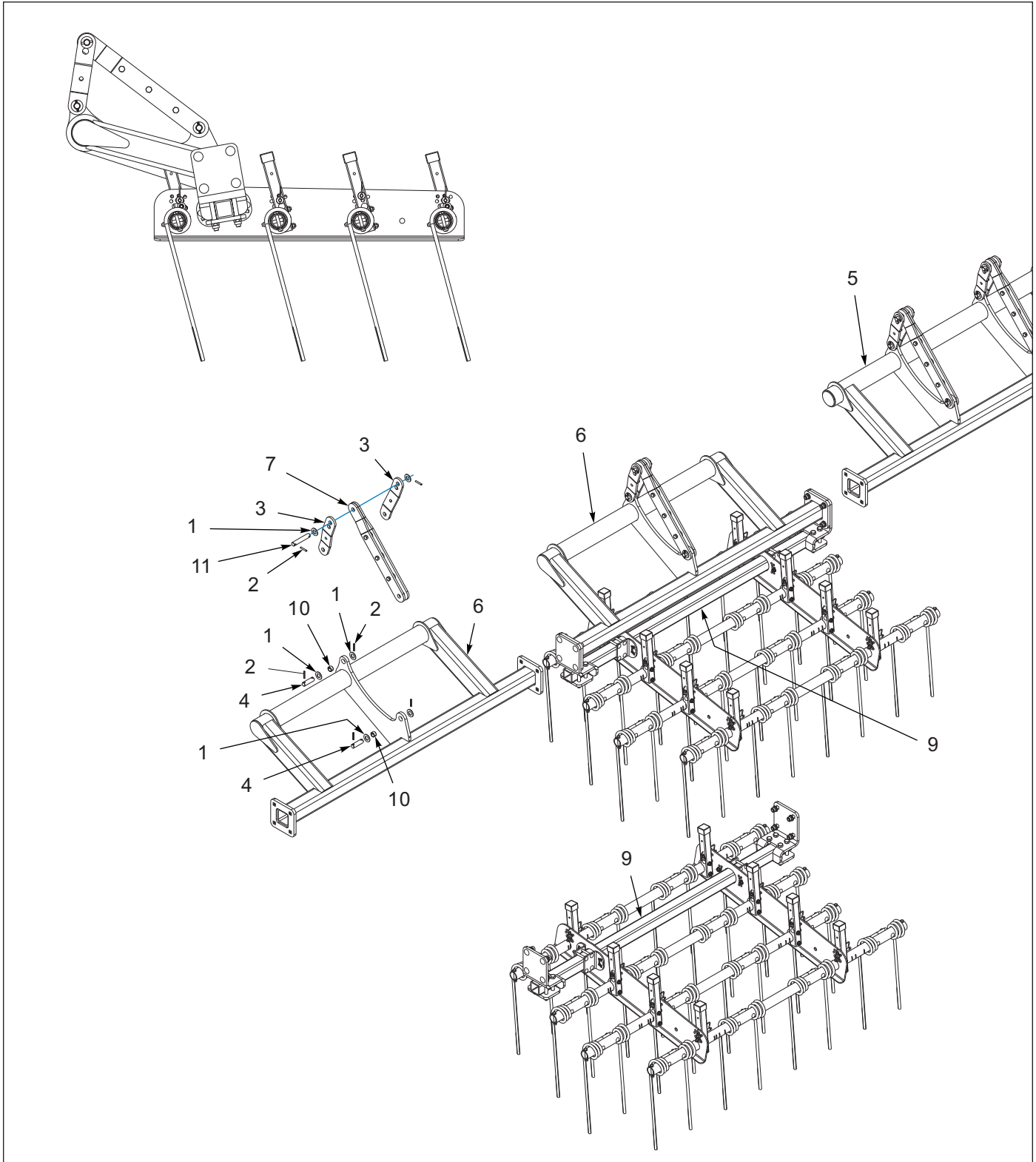


Figure 22-1: 4 Bar Harrow Assembly - 40FT (1 of 2)

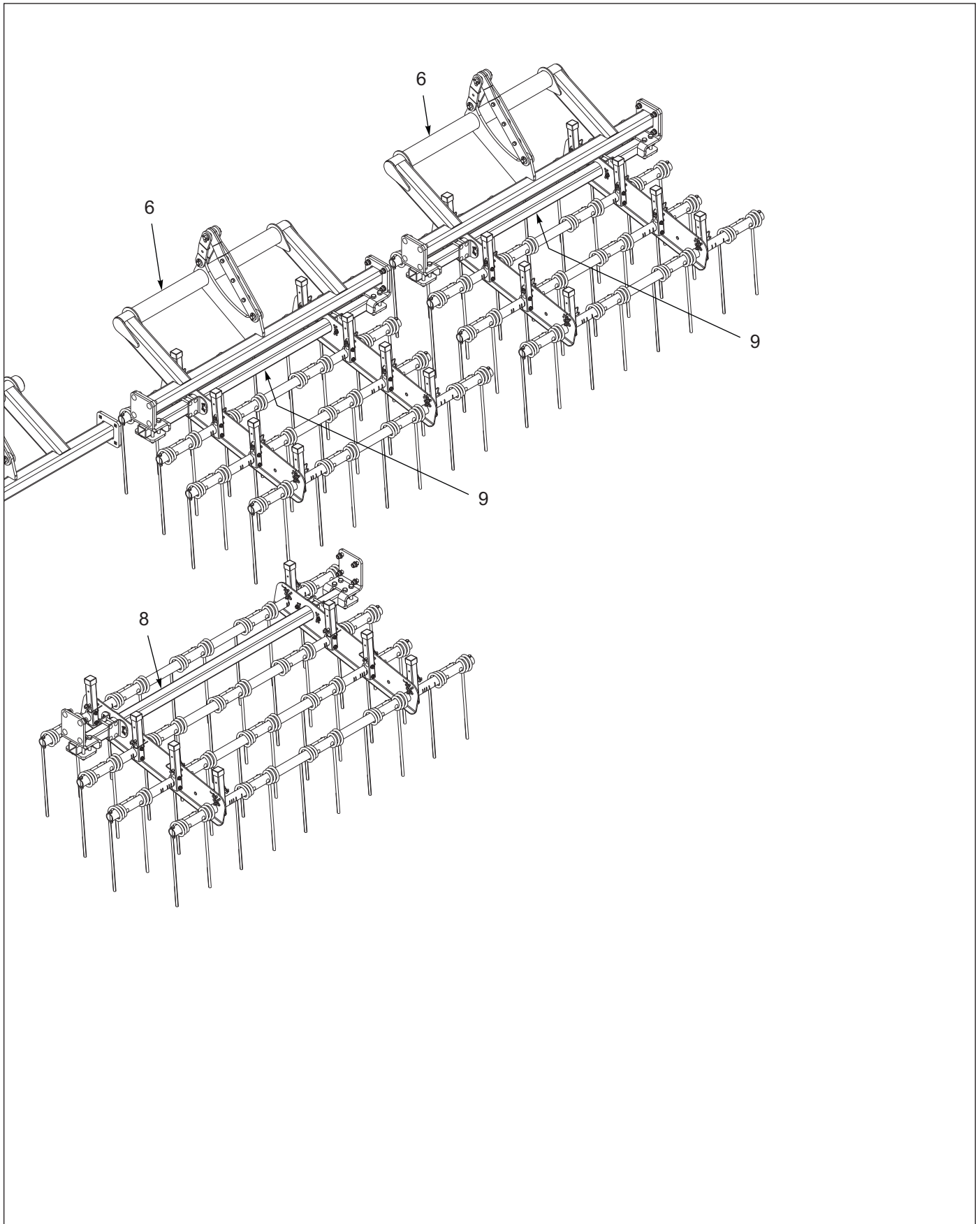


Figure 22-2: 4 Bar Harrow Assembly - 40FT (2 of 2)

HARROW ASSEMBLIES

4 Bar Harrow Assembly - 40FT

ITEM	PART NUMBER	DESCRIPTION	QTY.
	233844	HARROW-HSL, 4 BAR, 40 FT, ASM	- -
1	1-861-010032-24	WASHER FL 1IN NARROW ZP	36
2	147072	PIN, SPRING SLOTTED 5/16 X 2	36
3	207537	LINK IDLER	12
4	209162	PIN, 1 X 3-5/16, H2	12
5	221955	ROCKSHAFT-REEL MOUNT, WLDMT	1
6	221957	ROCKSHAFT-REEL MOUNT, WLDMT	4
7	230856	LINK-RIGID, ROCKSHAFT, ASM	6
8	230948	HARROW-CENTER SEC, 4 BAR, 7830 (SEE PAGE 22-4)	1
9	230950	HARROW-INTRMD, 4 BAR, 7830	4
10	3P079	SPRING BUSHING, 1 X 1.25 X 0.75	12
11	5J768	PIN	6

HARROW ASSEMBLIES

4 Bar Harrow Assembly - 35FT

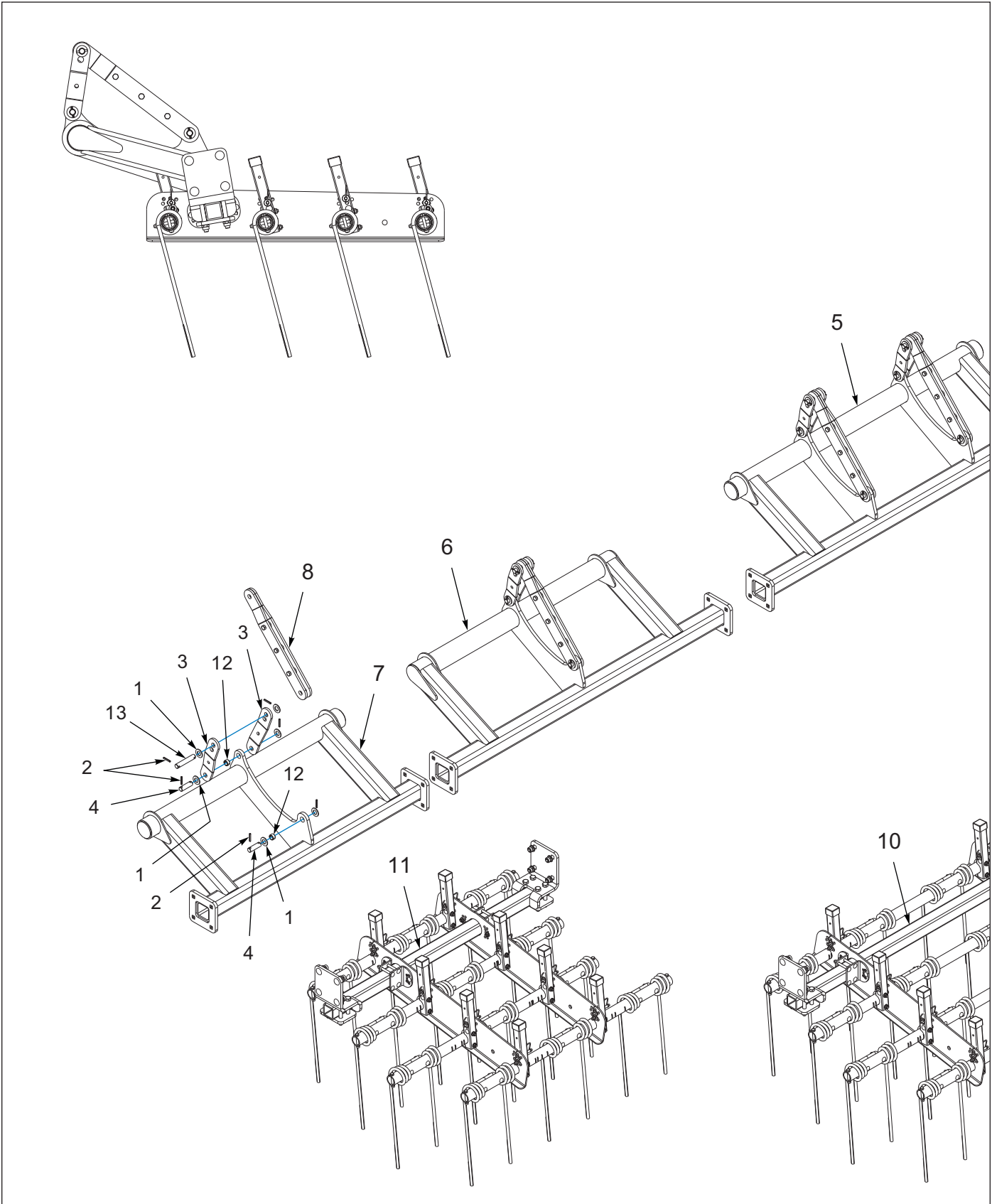


Figure 22-3: 4 Bar Harrow Assembly - 35FT (1 of 2)

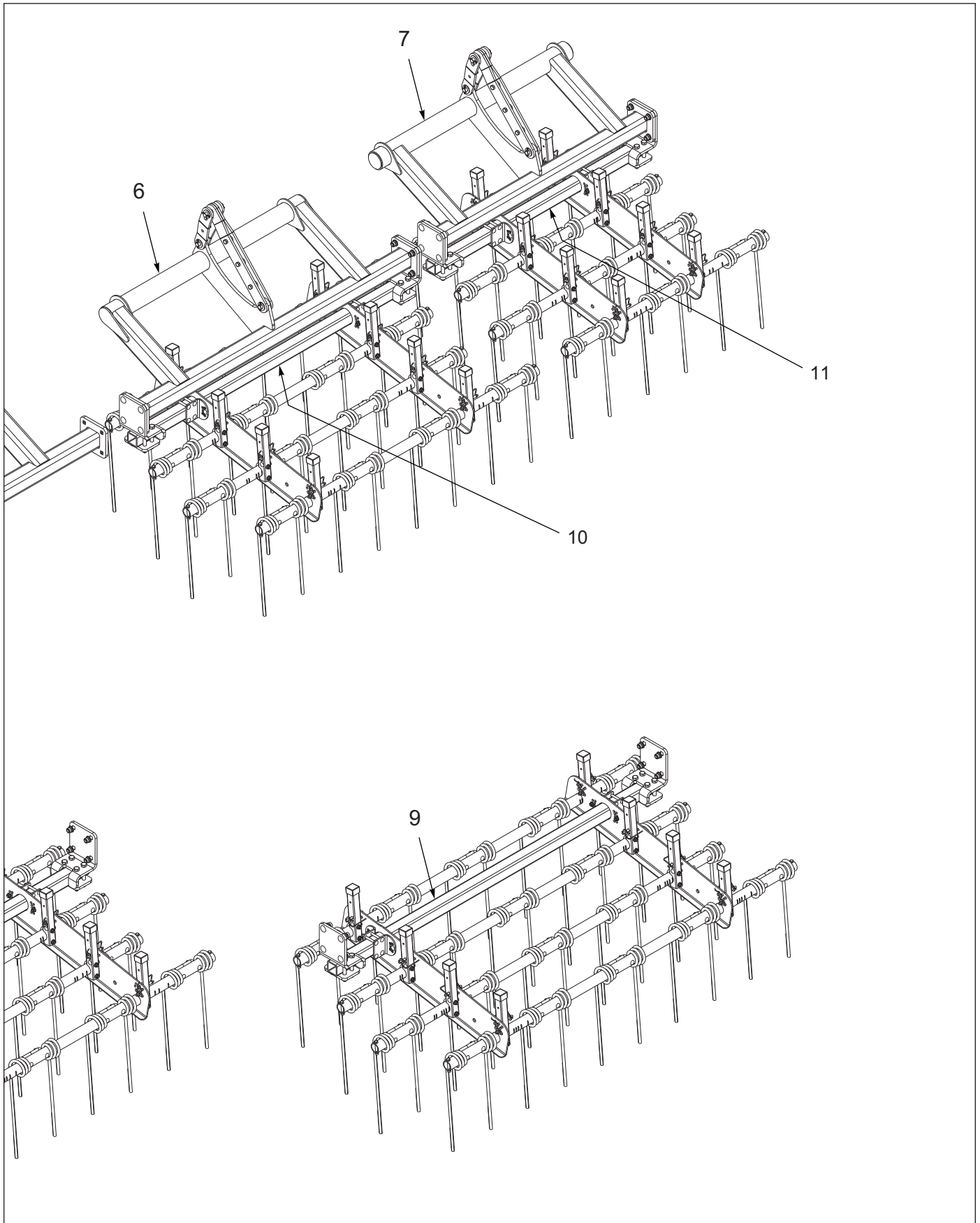


Figure 22-4: 4 Bar Harrow Assembly - 35FT (2 of 2)

HARROW ASSEMBLIES

4 Bar Harrow Assembly - 35FT

ITEM	PART NUMBER	DESCRIPTION	QTY.
	233839	HARROW-HSL, 4 BAR, 35 FT, ASM	1
1	1-861-010032-24	WASHER FL 1IN NARROW ZP	36
2	147072	PIN, SPRING SLOTTED 5/16 X 2	36
3	207537	LINK IDLER	12
4	209162	PIN, 1 X 3-5/16, H2	12
5	221955	ROCKSHAFT-REEL MOUNT, WLDMT	1
6	221957	ROCKSHAFT-REEL MOUNT, WLDMT	2
7	221958	ROCKSHAFT-REEL MOUNT, WLDMT	2
8	230856	LINK-RIGID, ROCKSHAFT, ASM	6
9	230948	HARROW-CENTER SEC, 4 BAR, 7830 (SEE PAGE 22-9)	1
10	230950	HARROW-INTRMD, 4 BAR, 7830 (SEE PAGE 22-11)	2
11	230952	HARROW-NARROW, 4 BAR, 7830 (SEE PAGE 22-13)	2
12	3P079	SPRING BUSHING, 1 X 1.25 X 0.75	12
13	5J768	PIN	6

HARROW ASSEMBLIES

4 Bar Harrow - Center

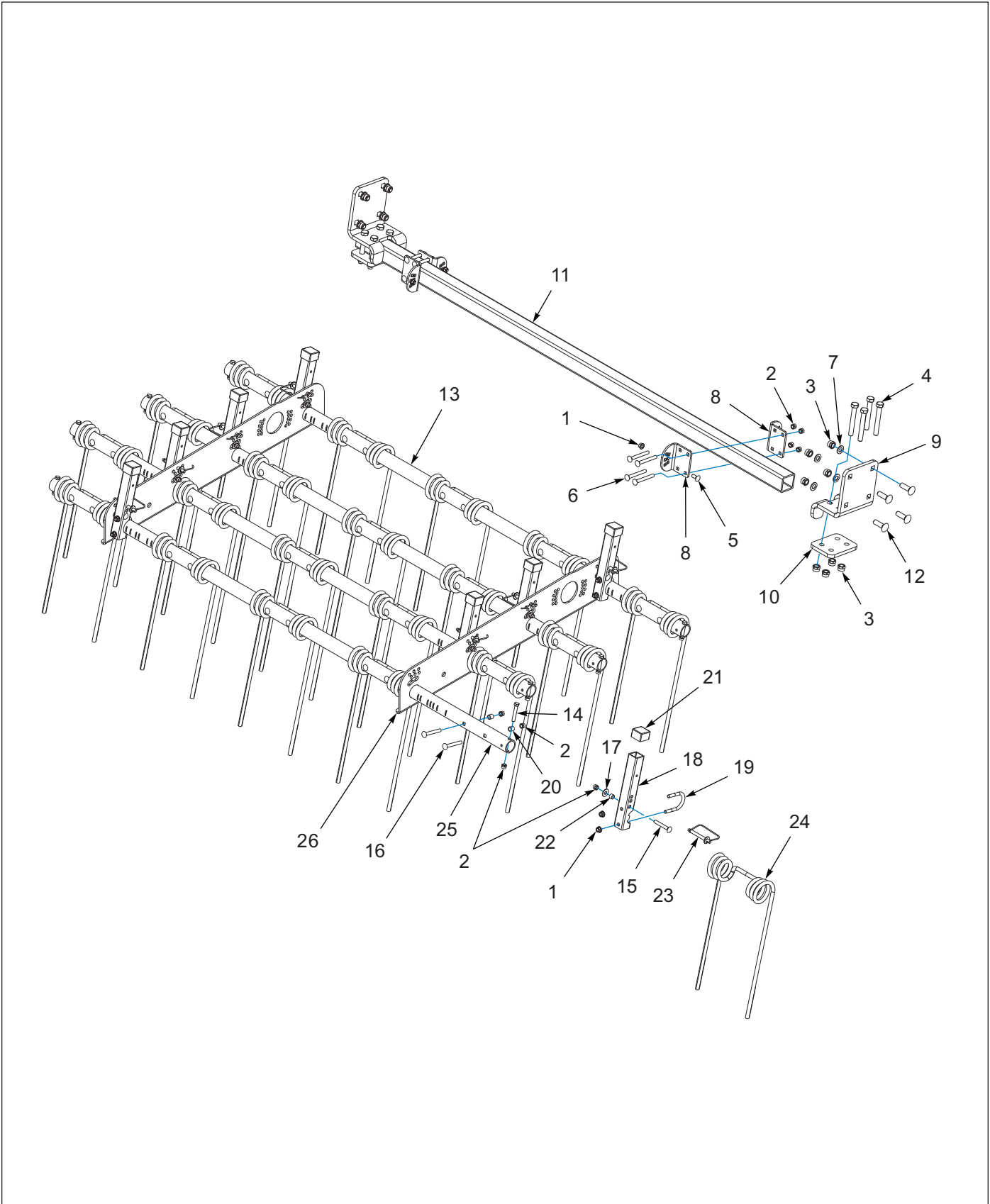


Figure 22-5: 4 Bar Harrow - Center

4 Bar Harrow - Center

ITEM	PART NUMBER	DESCRIPTION	QTY.
	230948	HARROW-CENTER SEC, 4 BAR,7830	1
1	1-510-010003-09	NUT,1/2-13 FLANGE HD,SERRATED	20
2	1-512-010005-09	NUT,HEX,SLFLKG, 1/2-13 GRB	64
3	1-512-010005-15	NUT,HEX,SLFLKG GRB 3/4-10	16
4	1-654-010061-16	SCREW 3/4-10UNCX5-1/2 HXCP G5	8
5	1-654-010070-02	SCREW 1/2-13X1-1/4 RD HD SQNK	4
6	1-654-010070-14	SCREW 1/2-13X4-1/2RDHD SQNCK	8
7	1-861-010032-20	WASHER, FLAT,3/4 N ZP/CD	8
8	154998	PLATE ANGLE ADJUSTMENT	4
9	230921	BRACKET-MOUNT, RIDE BAR	2
10	230922	PLATE-KEEPER, BAR	2
11	230923	TUBE-HARROW RIDE BAR, 102	1
12	3/4-10X2-1/2CB	SCREW,RDH SQNK 3/4-10X2-1/2	8
13	230947	SECTION-HARROW, 4 BAR, 5 TINE (INCLUDES ITEMS 1-2, 14-26)	1
14	1-654-010055-09	SCREW,HX CP,1/2-13UNCX3 GR5	8
15	1-654-010070-11	SCREW,RDHD,SQNCK 1/2-13X3-1/2	8
16	1-654-010070-13	SCREW,RH HD, SQ NCK 1/2-13X4	40
17	1-861-010032-15	WASHER, FLAT 1/2 W ZP/CD	8
18	154994	TUBE ANGLE ADJUST	8
19	154995	U-BOLT, 1/2	8
20	154997	TUBE 0.75ODX0.532IDX0.75 ZP	40
21	155927	CAP, TUBE 1.95X1.5 BLACK	8
22	155956	BUSHING ANGLE ADJUSTMENT	8
23	155971	PIN, HARROW ADJ	8
24	171421	TINE, HARROW SPRING 5/8X24	20
25	230848	TUBE-GANG BAR, 5 TINE	4
26	230945	PLATE-HARROW, FOUR BAR	2

HARROW ASSEMBLIES

4 Bar Harrow - Intermediate

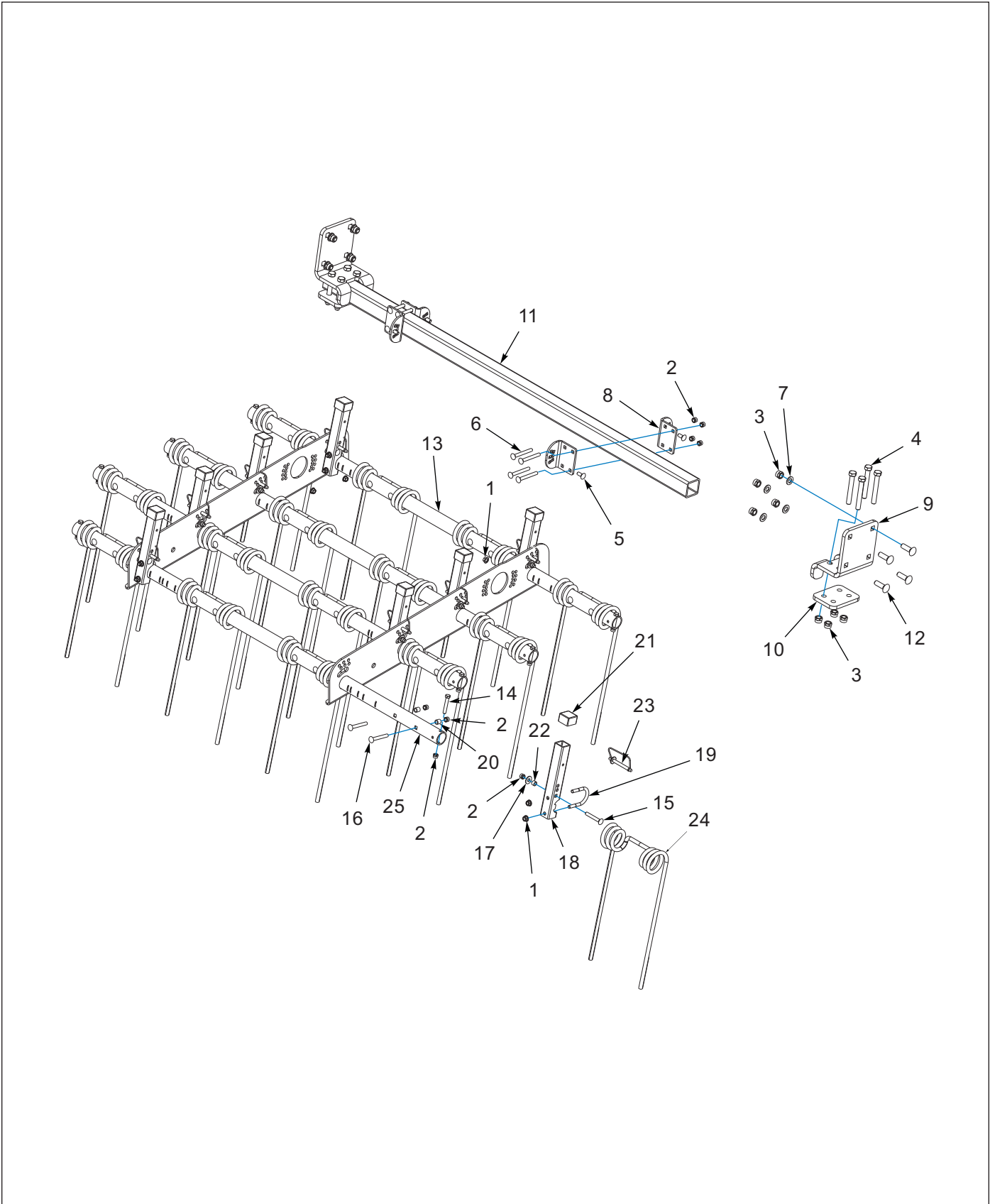


Figure 22-6: 4 Bar Harrow - Intermediate

4 Bar Harrow - Intermediate

ITEM	PART NUMBER	DESCRIPTION	QTY.
	230950	HARROW-INTRMD, 4 BAR, 7830	1
1	1-510-010003-09	NUT,1/2-13 FLANGE HD,SERRATED	20
2	1-512-010005-09	NUT,HEX,SLFLKG, 1/2-13 GRB	56
3	1-512-010005-15	NUT,HEX,SLFLKG GRB 3/4-10	16
4	1-654-010061-16	SCREW 3/4-10UNCX5-1/2 HXCP G5	8
5	1-654-010070-02	SCREW 1/2-13X1-1/4 RD HD SQNK	4
6	1-654-010070-14	SCREW 1/2-13X4-1/2RDHD SQNCK	8
7	1-861-010032-20	WASHER, FLAT,3/4 N ZP/CD	8
8	154998	PLATE ANGLE ADJUSTMENT	4
9	230921	BRACKET-MOUNT, RIDE BAR	2
10	230922	PLATE-KEEPER, BAR	2
11	230924	TUBE-HARROW RIDE BAR, 87	1
12	3/4-10X2-1/2CB	SCREW,RDH SQNK 3/4-10X2-1/2	8
13	230949	SECTION-HARROW, 4 BAR, 4 TINE (INCLUDES ITEMS 1-2, 14-26)	1
14	1-654-010055-09	SCREW,HX CP,1/2-13UNCX3 GR5	8
15	1-654-010070-11	SCREW,RDHD,SQNCK 1/2-13X3-1/2	8
16	1-654-010070-13	SCREW,RH HD, SQ NCK 1/2-13X4	32
17	1-861-010032-15	WASHER, FLAT 1/2 W ZP/CD	8
18	154994	TUBE ANGLE ADJUST	8
19	154995	U-BOLT, 1/2	8
20	154997	TUBE 0.75ODX0.532IDX0.75 ZP	32
21	155927	CAP, TUBE 1.95X1.5 BLACK	8
22	155956	BUSHING ANGLE ADJUSTMENT	8
23	155971	PIN, HARROW ADJ	8
24	171421	TINE, HARROW SPRING	16
25	230845	230845	4
26	230945	PLATE-HARROW, FOUR BAR	2

HARROW ASSEMBLIES

4 Bar Harrow - Narrow

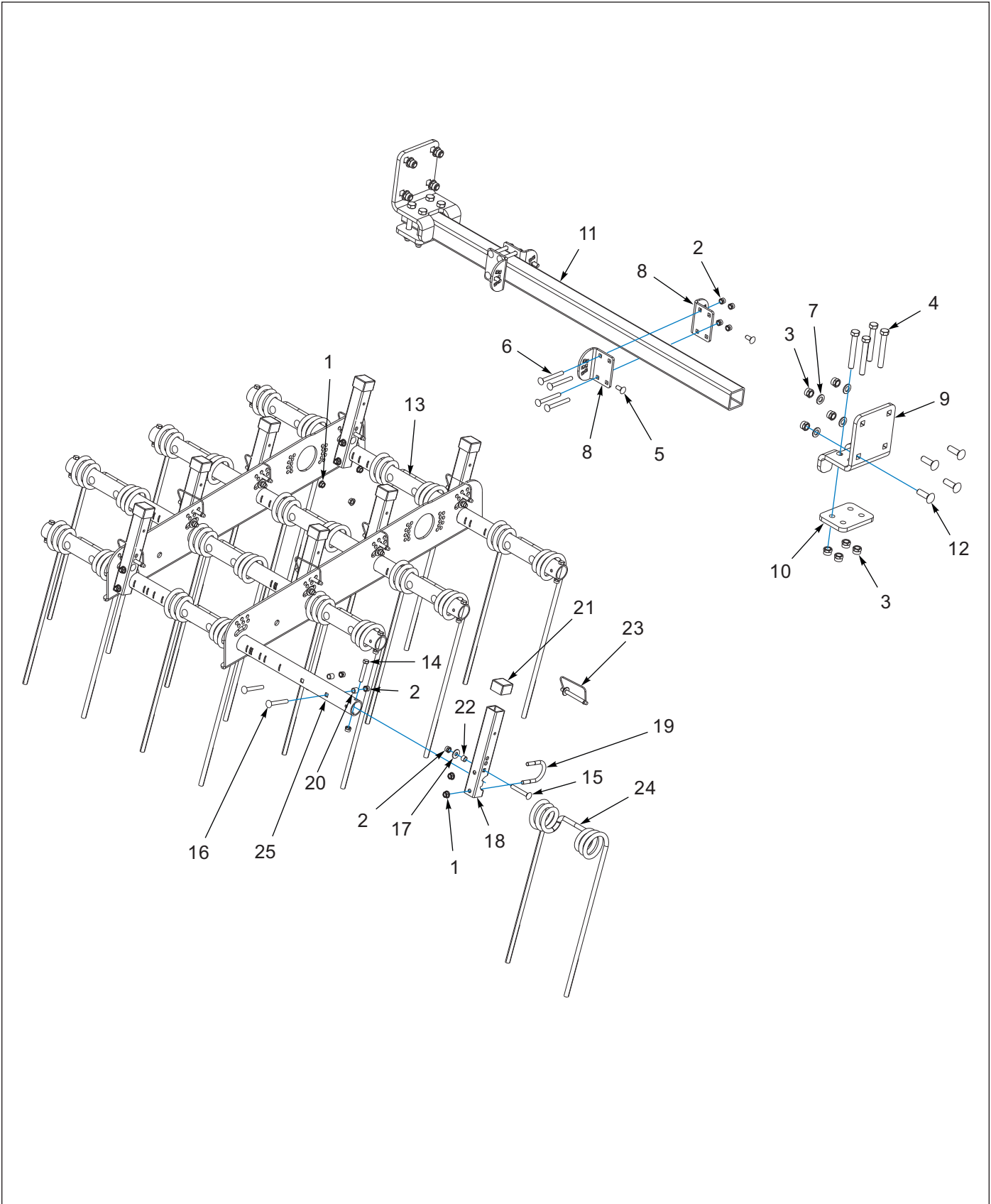


Figure 22-7: 4 Bar Harrow - Narrow

4 Bar Harrow - Narrow

ITEM	PART NUMBER	DESCRIPTION	QTY.
	230952	HARROW-NARROW, 4 BAR, 7830	1
1	1-510-010003-09	NUT,1/2-13 FLANGE HD,SERRATED	20
2	1-512-010005-09	NUT,HEX,SLFLKG, 1/2-13 GRB	48
3	1-512-010005-15	NUT,HEX,SLFLKG GRB 3/4-10	16
4	1-654-010061-16	SCREW 3/4-10UNCX5-1/2 HXCP G5	8
5	1-654-010070-02	SCREW 1/2-13X1-1/4 RD HD SQNK	4
6	1-654-010070-14	SCREW 1/2-13X4-1/2RDHD SQNCK	8
7	1-861-010032-20	WASHER, FLAT,3/4 N ZP/CD	8
8	154998	PLATE ANGLE ADJUSTMENT	4
9	230921	BRACKET-MOUNT, RIDE BAR	2
10	230922	PLATE-KEEPER, BAR	2
11	230925	TUBE-HARROW RIDE BAR, 67	1
12	3/4-10X2-1/2CB	SCREW,RDH SQNK 3/4-10X2-1/2	8
13	230951	SECTION-HARROW, 4 BAR, 3 TINE (INCLUDES ITEMS 1-2, 14-26)	1
14	1-654-010055-09	SCREW,HX CP,1/2-13UNCX3 GR5	8
15	1-654-010070-11	SCREW,RDHD,SQNCK 1/2-13X3-1/2	8
16	1-654-010070-13	SCREW,RH HD, SQ NCK 1/2-13X4	24
17	1-861-010032-15	WASHER, FLAT 1/2 W ZP/CD	8
18	154994	TUBE ANGLE ADJUST	8
19	154995	U-BOLT, 1/2	8
20	154997	TUBE 0.75ODX0.532IDX0.75 ZP	24
21	155927	CAP, TUBE 1.95X1.5 BLACK	8
22	155956	BUSHING ANGLE ADJUSTMENT	8
23	155971	PIN, HARROW ADJ	8
24	171421	TINE, HARROW SPRING	12
25	230898	TUBE-GANG BAR, 3 TINE	4
26	230945	PLATE-HARROW, FOUR BAR	2

HARROW ASSEMBLIES

3 Bar Harrow Assembly - 40FT

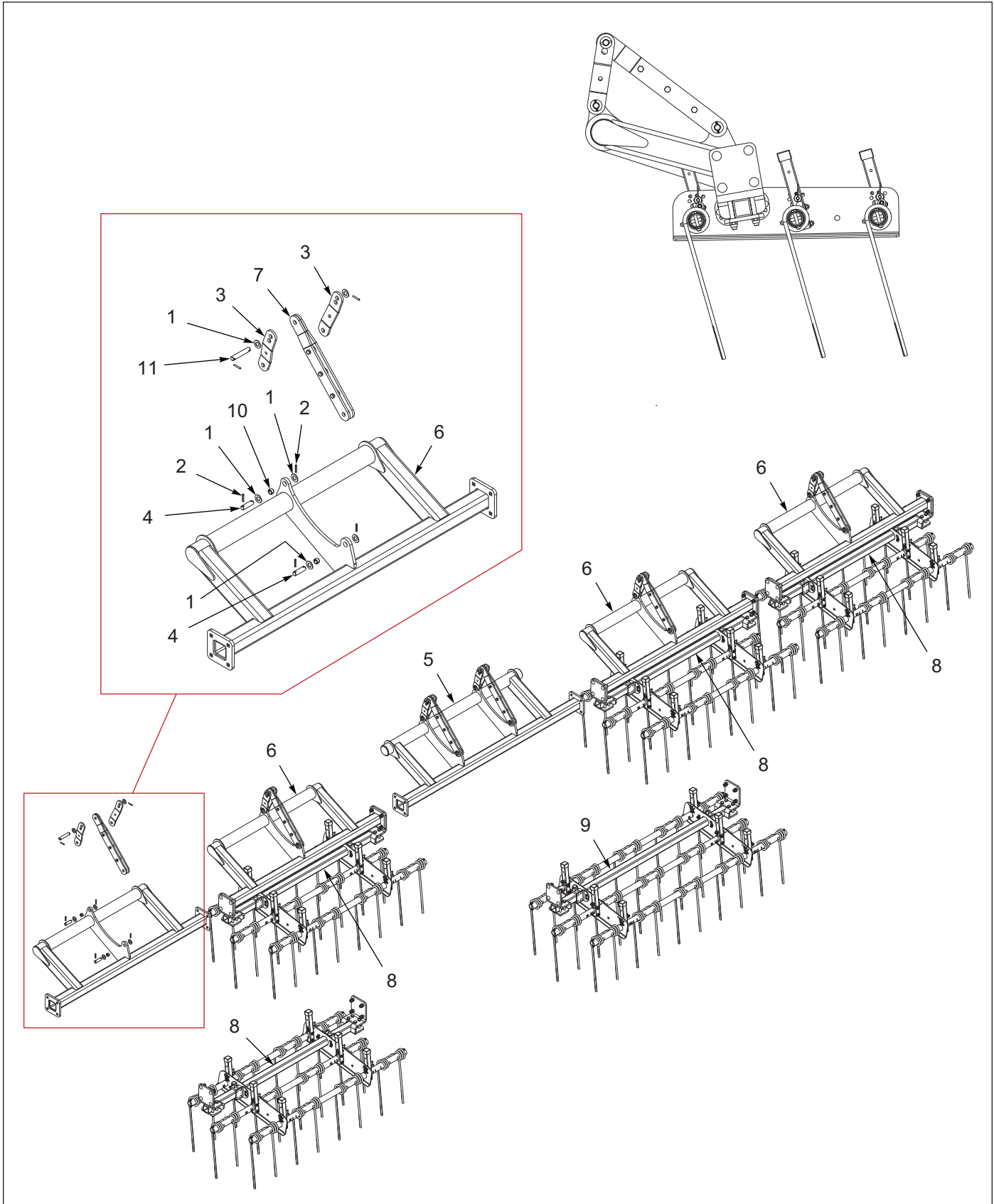


Figure 22-8: 3 Bar Harrow Assembly - 40FT

3 Bar Harrow Assembly - 40FT

ITEM	PART NUMBER	DESCRIPTION	QTY.
	230944	HARROW-HSL, 3 BAR, 40FT, ASM	1
1	1-861-010032-24	WASHER FL 1IN NARROW ZP	36
2	147072	PIN, SPRING SLOTTED 5/16 X 2	36
3	207537	LINK IDLER	12
4	209162	PIN, 1 X 3-5/16, H2	12
5	221955	ROCKSHAFT-REEL MOUNT, WLDMT	1
6	221957	ROCKSHAFT-REEL MOUNT, WLDMT	4
7	230856	LINK-RIGID, ROCKSHAFT, ASM	6
8	230857	HARROW-INTERMEDIATE,7830,ASM (SEE PAGE 22-19)	4
9	230858	HARROW-CENTER SECTION, 7830 (SEE PAGE 22-17)	1
10	3P079	SPRING BUSHING,1 X 1.25 X 0.75	12
11	5J768	PIN	6

HARROW ASSEMBLIES

3 Bar Harrow - Center

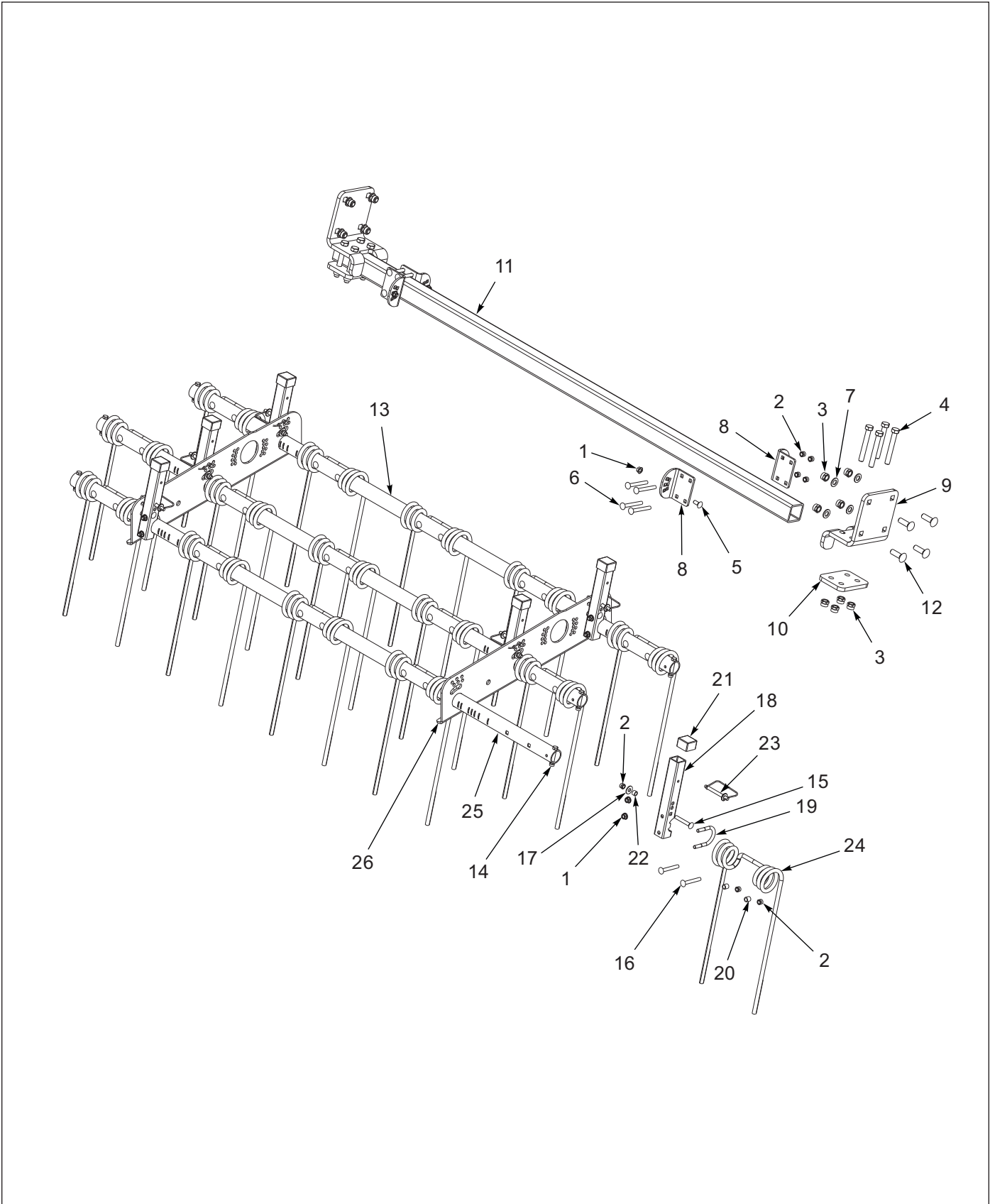


Figure 22-9: 3 Bar Harrow - Center

3 Bar Harrow - Center

ITEM	PART NUMBER	DESCRIPTION	QTY.
	230858	HARROW-CENTER SECTION, 7830	1
1	1-510-010003-09	NUT,1/2-13 FLANGE HD,SERRATED	16
2	1-512-010005-09	NUT,HEX,SLFLKG, 1/2-13 GRB	50
3	1-512-010005-15	NUT,HEX,SLFLKG GRB 3/4-10	16
4	1-654-010061-16	SCREW 3/4-10UNCX5-1/2 HXCP G5	8
5	1-654-010070-02	SCREW 1/2-13X1-1/4 RD HD SQNK	4
6	1-654-010070-14	SCREW 1/2-13X4-1/2RDHD SQNCK	8
7	1-861-010032-20	WASHER, FLAT,3/4 N ZP/CD	8
8	154998	PLATE ANGLE ADJUSTMENT	4
9	230921	BRACKET-MOUNT, RIDE BAR	2
10	230922	PLATE-KEEPER, BAR	2
11	230923	TUBE-HARROW RIDE BAR, 102	1
12	3/4-10X2-1/2CB	SCREW,RDH SQNK 3/4-10X2-1/2	8
13	230847	SECTION-HARROW, 3 BAR, 5 TINE (INCLUDES ITEMS 1-2, 14-26)	1
14	1-654-010055-09	SCREW,HX CP,1/2-13UNCX3 GR5	6
15	1-654-010070-11	SCREW,RDHD,SQNCK 1/2-13X3-1/2	6
16	1-654-010070-13	SCREW,RH HD, SQ NCK 1/2-13X4	30
17	1-861-010032-15	WASHER, FLAT 1/2 W ZP/CD	6
18	154994	TUBE ANGLE ADJUST	6
19	154995	U-BOLT, 1/2	6
20	154997	TUBE 0.75ODX0.532IDX0.75 ZP	30
21	155927	CAP, TUBE 1.95X1.5 BLACK	6
22	155956	BUSHING ANGLE ADJUSTMENT	6
23	155971	PIN, HARROW ADJ	6
24	171421	TINE, HARROW SPRING	15
25	230845	TUBE-GANG BAR, 4 TINE	3
26	230854	PLATE-HARROW BAR	2

HARROW ASSEMBLIES

3 Bar Harrow - Intermediate

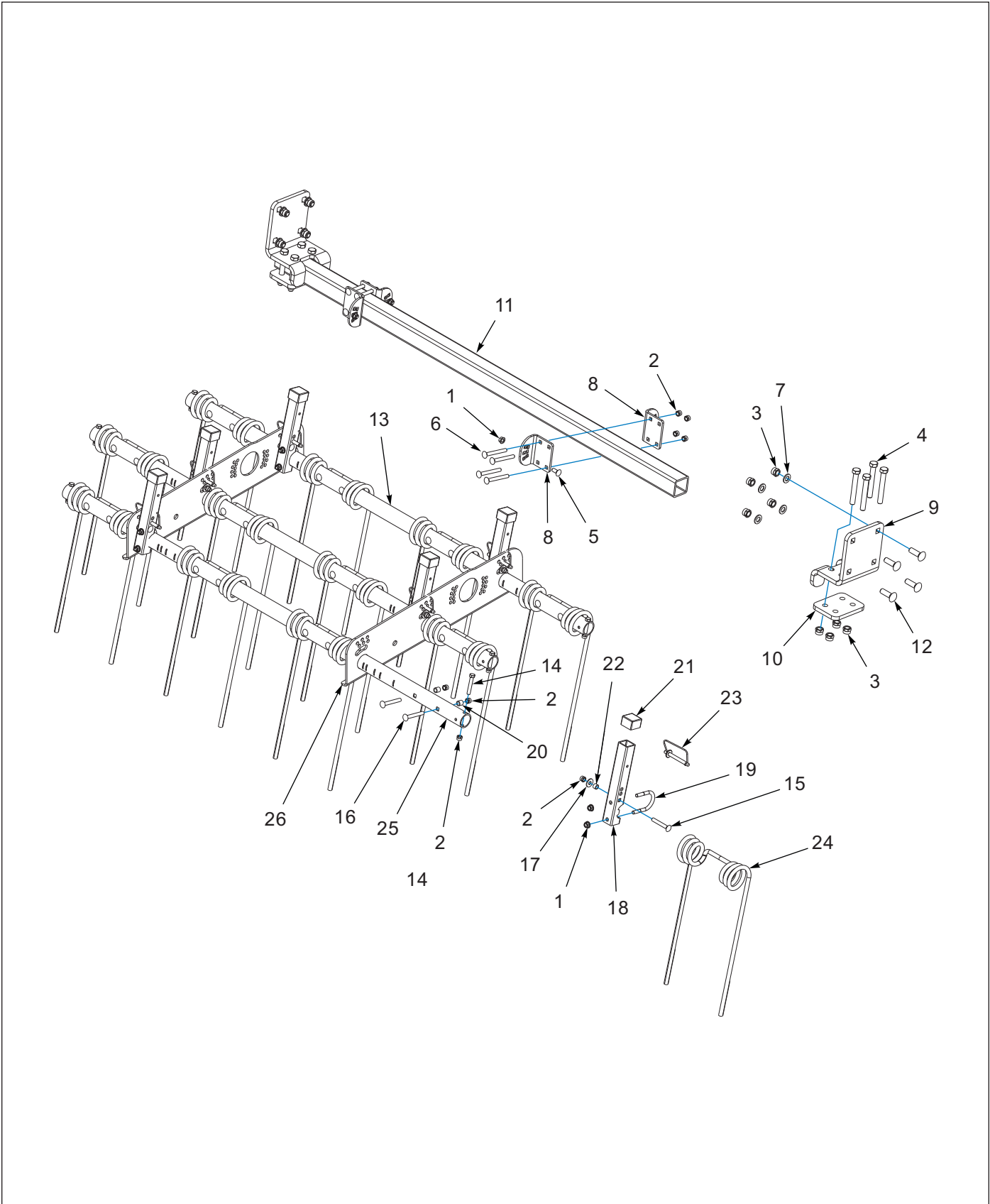


Figure 22-10: 3 Bar Harrow - Intermediate

3 Bar Harrow - Intermediate

ITEM	PART NUMBER	DESCRIPTION	QTY.
	230857	HARROW-INTERMEDIATE,7830,ASM	1
1	1-510-010003-09	NUT,1/2-13 FLANGE HD,SERRATED	16
2	1-512-010005-09	NUT,HEX,SLFLKG, 1/2-13 GRB	44
3	1-512-010005-15	NUT,HEX,SLFLKG GRB 3/4-10	16
4	1-654-010061-16	SCREW 3/4-10UNCX5-1/2 HXCP G5	8
5	1-654-010070-02	SCREW 1/2-13X1-1/4 RD HD SQNK	4
6	1-654-010070-14	SCREW 1/2-13X4-1/2RDHD SQNCK	8
7	1-861-010032-20	WASHER, FLAT,3/4 N ZP/CD	8
8	154998	PLATE ANGLE ADJUSTMENT	4
9	230921	BRACKET-MOUNT, RIDE BAR	2
10	230922	PLATE-KEEPER, BAR	2
11	230924	TUBE-HARROW RIDE BAR, 87	1
12	3/4-10X2-1/2CB	SCREW,RDH SQNK 3/4-10X2-1/2	8
13	230846	SECTION-HARROW, 3 BAR, 4 TINE (INCLUDES ITEMS 1-2, 14-26)	1
14	1-654-010055-09	SCREW,HX CP,1/2-13UNCX3 GR5	6
15	1-654-010070-11	SCREW,RDHD,SQNCK 1/2-13X3-1/2	6
16	1-654-010070-13	SCREW,RH HD, SQ NCK 1/2-13X4	24
17	1-861-010032-15	WASHER, FLAT 1/2 W ZP/CD	6
18	154994	TUBE ANGLE ADJUST	6
19	154995	U-BOLT, 1/2	6
20	154997	TUBE 0.75ODX0.532IDX0.75 ZP	24
21	155927	CAP, TUBE 1.95X1.5 BLACK	6
22	155956	BUSHING ANGLE ADJUSTMENT	6
23	155971	PIN, HARROW ADJ	6
24	171421	TINE, HARROW SPRING	12
25	230845	TUBE-GANG BAR, 4 TINE	3
26	230854	PLATE-HARROW BAR	2

Decals

Decal Placement

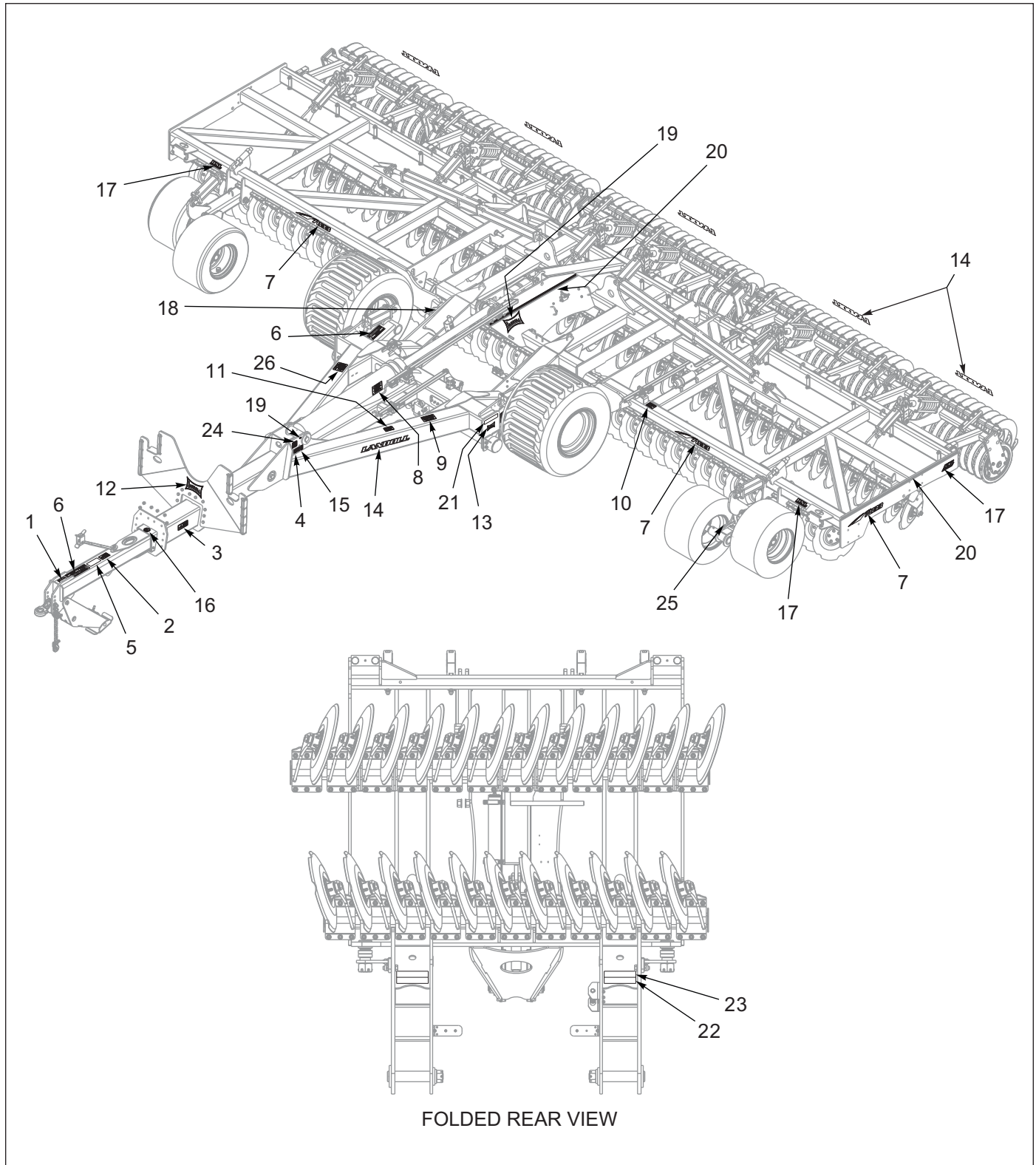


Figure 23-1: Decal Placement (1 of 2)

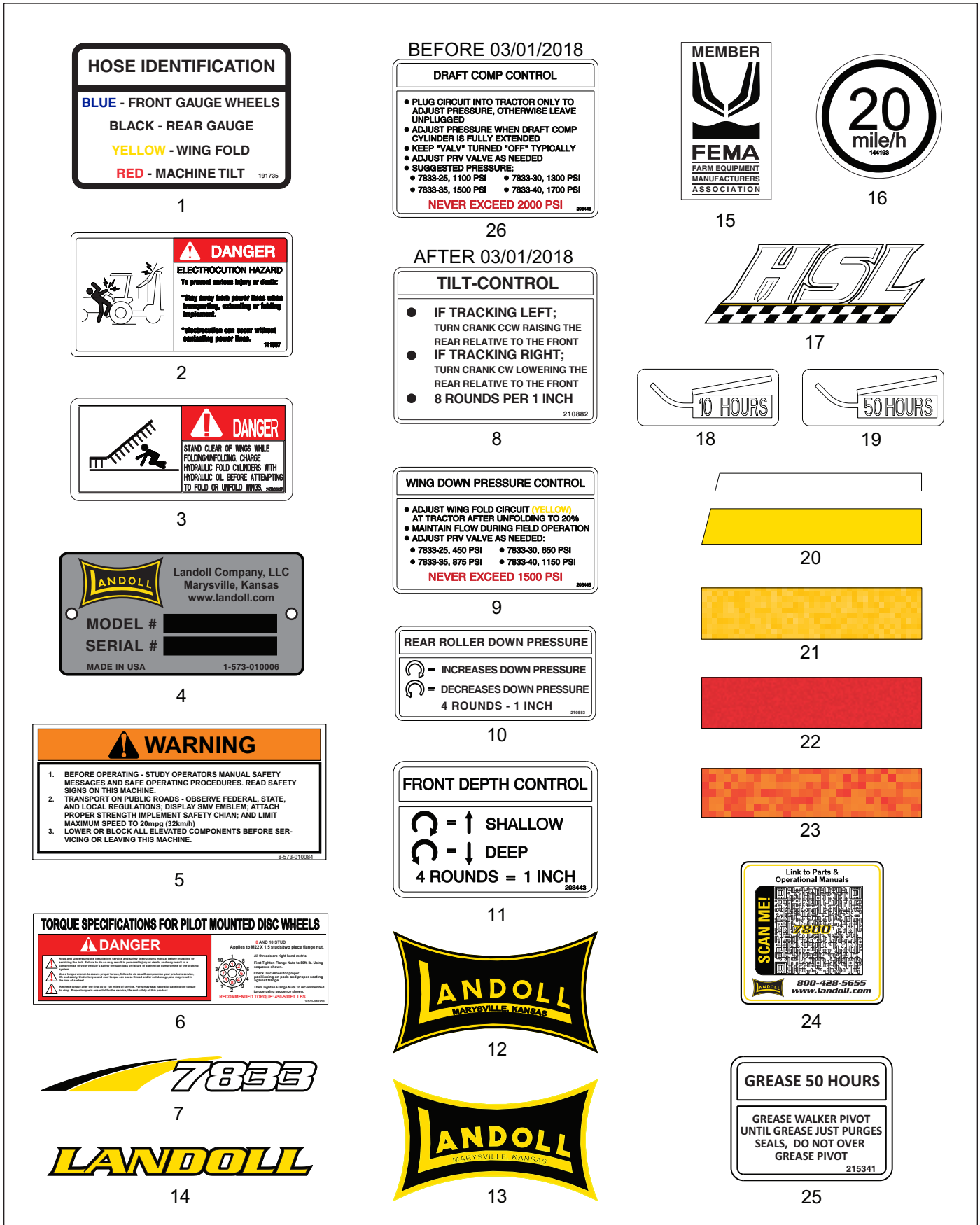


Figure 23-2: Decal Placement (2 of 2)

DECALS

Decal Placement

ITEM	PART NUMBER	DESCRIPTION	QTY.
1	191735	DECAL-7831 HOSE IDENTIFICATION	1
2	141597	DECAL, DANGER ELECTROCUTION	1
3	2-573-010037	DECAL, DANGER, WING	2
4	1-573-010006	PLACARD, NAME	1
5	8-573-010084	DECAL WARNING BEFORE OPERATG	1
6	3-573-010210	DECAL TORQUE SPEC 8-10STU HUB	3
7	201317	DECAL, MODEL 7833	4
8	210882	DECAL, TILT CONTROL	1
9	203445	DECAL-WING DOWN PRESSURE, 7833	1
10	210883	DECAL-DEPTH CONTROL,REAR 7830 (AFTER 03/2018)	1
10	203444	DECAL-DEPTH CONTROL, REAR 7830 (BEFORE 03/2018)	1
11	203443	DECAL-DEPTH CONTROL,FRONT 7830	1
12	144351	DECAL, BLACK BOW-TIE (11 X 6-3/4)	3
13	141259	DECAL, LANDOLL, YELLOW (5 X 3)	2
14	141260	DECAL, LANDOLL	5
15	2-573-010198	DECAL, MEMBER FEMA	1
16	144193	DECAL, SIS 20 MPH	1
17	188810	DECAL, HSL	4
18	2-573-010330-02	DECAL, LUBRICATION 10 HOURS	4
19	2-573-010330-03	DECAL, LUBRICATION 50 HOURS	4
20	161515	DECAL, STRIPE 1" X 84"	4
21	528934	REFLECTOR - YELLOW	2
22	528933	REFLECTOR - RED (BOTTOM OF CENTER ASM)	2
23	528938	STRIPE, ORANGE (BOTTOM OF CENTER ASM)	2
24	232186	DECAL, QR CODE 7800 SERIES	1
25	215341	DECAL, GREASE WALKER	2
26	203446	DECAL-DRAFT CMPND CONTROL 7833 (BEFORE 03/2018)	1

Glossary

For clarity this glossary of industry standard abbreviations and their definitions are provided. For additional information, see instruction on the inside front cover or the last page of this manual.

A

ASM Assembly

B

BATT Battery
BHSC Button Head Socket Cap
BLK Black

C

CB Carriage Bolt
CONN Connector
CRG Carriage
CTSK Countersunk
CTWT Counterweight
CVR Cover
CYD Cylinder

D

DBL Double
DIA Diameter

E

ENCLSD Enclosed

F

FHCS Flanged Head Cap Screw
FHHCS Flanged Hex Head Cap Screw
FL OR FLG Flange
FLT Flat

G

GA Gauge

H

HHCS Hex Head Cap Screw
HCS High Carbon Steel
HD Head
HLCL Helical
HCSKT Hex Socket
HSFC Hex Socket Flat Countersunk
HYD Hydraulic

I

ID Inside Diameter

L

LH Lefthand
LKG OR LOCK Locking
LWR Lower

M

MANF Manifold
MNT Mount

N

NRW Narrow

 ----- Not Serviced Separately

O

OD Outside Diameter
OHG Overhead Guard
ORFS OR ORS O-Ring Seal
ORP OR ORB O-Ring Boss

P

P-STEER Power Steering
PTFE Polytetrafluoroethylene (Teflon)

GLOSSARY

R

RH Righthand
RND Round

S

SER Series
SHCS Socket Head Cap Screw
SHLD Shield
SKT Socket
SLFLKG Selflocking
SOC Socket
SPDT Single Pole Double Throw
SPR Spring
SQ Square
SRTD Serrated
SSCR Setscrew
SST Stainless Steel
STD Standard

U

UPR Upper

W

WHL Wheel
WLD OR WLDMT Weldment

Numerics

006-115-00	3-4, 3-5	117259	16-26, 16-32
1-007-010025 16-4, 16-6, 16-7, 16-12, 16-18, 16-25, 16-31, 16-37, 16-43, 16-49, 16-55		117260 .. 16-12, 16-18, 16-25, 16-31, 16-37, 16-43, 16-49, 16-55	
100809	6-18	119118	5-2
100825	2-2, 2-6, 2-10, 2-14	121002	16-37, 16-43, 16-55
100941	21-14	122909	16-37, 16-43, 16-55
101162	3-4, 3-5	122917	1-13, 5-3, 6-19, 6-21
101385	2-2, 2-6, 2-10, 2-14	123066 .. 16-12, 16-18, 16-25, 16-31, 16-37, 16-43, 16-49, 16-55	
101864 19-2, 19-4, 19-6, 19-8, 19-10, 19-12, 19-14, 19-16		125566	16-61
102-0322 ... 16-2, 16-4, 16-6, 16-12, 16-18, 16-25, 16-31, 16-37, 16-43, 16-49, 16-55		127712	1-8, 5-2
102-1187	16-2	1-298-010001-1	2-2, 2-6, 2-10, 2-14, 6-18
102498	3-1, 3-2, 3-3	135911	16-58
102600	3-3	135912	16-57
102601	3-3	137304	16-57
102604	3-3	137598	16-25, 16-49
103103-002	3-4, 3-5	137599 .. 16-12, 16-18, 16-25, 16-31, 16-37, 16-43, 16-49, 16-55	
103153	16-57	137694	16-57
103841 ... 1-5, 1-8, 1-11, 2-2, 2-6, 2-10, 2-14, 6-18		137702	16-57
104369	16-37, 16-43, 16-55	137943 ... 18-1, 18-2, 18-3, 18-4, 18-5, 18-6, 21-14	
105106	3-4, 3-5	1-397-010301025	16-12, 16-18, 16-25, 16-31
105107	3-4, 3-5	1-397-010301084 16-12, 16-18, 16-25, 16-31, 16-50	
108628	5-3, 6-19, 6-21	1-397-010302042 16-12, 16-18, 16-25, 16-31, 16-37, 16-43, 16-49, 16-55	
111786	16-64	1-397-010369324 16-18, 16-26, 16-31, 16-50, 16-55	
111789 ... 16-57, 16-58, 16-59, 16-60, 16-61, 16-64		140191	2-2, 2-6, 2-10, 2-14
111790	16-58, 16-59	140306	16-61
111795	16-62	1404013	3-4
111871	16-59, 16-61	140477 ... 18-1, 18-2, 18-3, 18-4, 18-5, 18-6, 21-14	
111876	16-59, 16-61	140479	21-14
111962	3-3	140480 ... 18-1, 18-2, 18-3, 18-4, 18-5, 18-6, 21-14	
113805	16-64	140693 16-4, 16-6, 16-26, 16-31, 16-37, 16-43, 16-55	
116100 ... 1-8, 1-11, 2-2, 2-6, 2-10, 2-14, 2-16		141249	6-18
116432 .. 16-12, 16-18, 16-25, 16-31, 16-37, 16-43, 16-49, 16-55		141251	2-2, 2-6, 2-10, 2-14, 2-16
116434	16-18, 16-37, 16-43, 16-55	141259	23-3
116436	16-12, 16-37, 16-43	141260	23-3
116437	16-12, 16-18, 16-25, 16-49	141301	16-58, 16-59, 16-61
116491 .. 16-12, 16-18, 16-25, 16-31, 16-37, 16-43, 16-49, 16-55		1413183 . 16-12, 16-18, 16-25, 16-31, 16-37, 16-43, 16-49, 16-55	
116606	16-65	1413184 . 16-12, 16-18, 16-25, 16-31, 16-37, 16-43, 16-49, 16-55	

141594	16-7, 16-8, 16-12, 16-18, 16-25, 16-31, 16-37, 16-43, 16-49, 16-55	149861	16-61
141597	23-3	149862	16-60, 16-61
141826	2-2, 2-6, 16-8, 16-12, 16-18, 16-25, 16-31, 16-37, 16-43, 16-49, 16-55	150076	2-2, 2-6, 2-10, 2-14
141828	16-12, 16-18, 16-25, 16-31, 16-37, 16-43, 16-49, 16-55	150272	16-31, 16-55
141883	16-37, 16-43, 16-49, 16-55	1-510-010003-09	22-10, 22-12, 22-14, 22-18, 22-20
141888	16-12, 16-25, 16-37, 16-43, 16-49	1-512-010005-01	2-2, 2-6, 2-10, 2-14, 17-3
142109	16-58, 16-61	1-512-010005-03	2-2, 2-6, 2-10, 2-14, 5-3, 6-19, 6-21
142110	16-58, 16-59	1-512-010005-05	1-5, 1-8, 1-11, 2-2, 2-6, 2-10, 2-14, 13-2, 13-4, 13-6, 14-2, 14-5, 14-8, 15-1, 17-3, 19-2, 19-4, 19-5, 19-8, 19-10, 19-12, 19-14, 19-16
142112	16-58, 16-59	1-512-010005-09	1-5, 1-8, 1-11, 2-2, 2-6, 2-10, 2-14, 2-16, 5-2, 22-10, 22-12, 22-14, 22-18, 22-20
142114	16-58	1-512-010005-13	2-2, 2-6, 2-10, 2-14, 2-16, 19-2, 19-4, 19-5, 19-8, 19-10, 19-12, 19-14, 19-16, 21-12
142115	16-57, 16-58, 16-59	1-512-010005-15	1-5, 1-8, 1-11, 2-2, 2-6, 2-10, 2-14, 2-16, 6-18, 19-2, 19-4, 19-6, 19-8, 19-10, 19-12, 19-14, 19-16, 20-1, 20-2, 20-3, 20-4, 20-5, 20-6, 20-7, 20-8, 21-1, 21-2, 21-3, 21-4, 21-5, 21-6, 21-7, 21-8, 22-10, 22-12, 22-14, 22-18, 22-20
142116	16-59	1-512-010005-19	2-2, 2-6, 2-10, 2-14, 2-16, 6-18
142753	2-2, 2-6, 2-10, 2-14	1-512-010007-07	6-18
143852	16-2, 16-4, 16-6, 16-12, 16-18, 16-25, 16-31	1-512-010007-16	1-5, 1-8, 1-11, 2-2, 2-6, 2-10, 2-14
143853	16-2, 16-4, 16-6, 16-12, 16-18, 16-25, 16-31	1-516-010001-20	3-1, 3-2, 3-3
143994	16-58, 16-59, 16-60, 16-61	1-516-010001-27	1-5, 1-8, 1-11
144048	5-3, 6-19, 6-21	153620	16-25, 16-31, 16-49, 16-55
144193	23-3	153621	16-12, 16-37, 16-43
144351	23-3	153622	16-31, 16-55
145200	16-12, 16-18, 16-25, 16-31, 16-37, 16-43, 16-49, 16-55, 16-57	153696	6-18
145201	1-8, 2-14, 5-2, 16-12, 16-18, 16-25, 16-31, 16-37, 16-43, 16-49, 16-55, 16-58	154102	16-64
145202	2-15, 16-59	154185	18-1, 18-2, 18-3, 18-4, 18-5, 18-6
145714	16-61	154186	18-1, 18-2, 18-3, 18-4, 18-5, 18-6, 21-14
147072	1-2, 2-2, 2-6, 2-10, 2-14, 19-2, 19-4, 19-6, 19-8, 20-1, 20-2, 20-3, 20-4, 21-1, 21-2, 21-3, 21-4, 22-3, 22-7, 22-16	154994	22-10, 22-12, 22-14, 22-18, 22-20
147375	16-64	154995	22-10, 22-12, 22-14, 22-18, 22-20
147376	16-64	154997	22-10, 22-12, 22-14, 22-18, 22-20
147585	16-18	154998	22-10, 22-12, 22-14, 22-18, 22-20
147741	16-58, 16-59	155528	16-12, 16-18, 16-25, 16-31, 16-37, 16-43, 16-49, 16-55
147742	16-58, 16-59	155529	16-12, 16-18, 16-25, 16-31, 16-37, 16-43, 16-49, 16-55
147743	16-57	155530	16-12, 16-18, 16-25, 16-31, 16-37, 16-43, 16-49, 16-55
147744	16-58, 16-61	1-557-010362-51	3-1, 3-2, 3-3
147745	16-58	155927	22-10, 22-12, 22-14, 22-18, 22-20
147746	16-59	155956	22-10, 22-12, 22-14, 22-18, 22-20
147747	16-59	155971	22-10, 22-12, 22-14, 22-18, 22-20
147748	16-59	156950	6-18
148084	16-60, 16-61	156972	3-3, 5-2
148085	16-61		
148086	16-61		
148142	16-65, 16-66		
149860	16-61		

156973	3-1, 3-3	1-654-010055-11	1-8, 1-11
156974	3-3	1-654-010055-14	2-2, 2-6, 2-10, 2-14
156979	3-1, 3-2, 3-3	1-654-010055-15	5-2
156991	5-2	1-654-010059-02	13-2, 13-4, 13-6, 14-2, 14-3, 14-5, 14-8
156992	5-2	1-654-010059-06	1-5, 1-8, 1-11
157000	4-2	1-654-010059-08	2-2, 2-6, 2-10, 2-14
157001	4-2	1-654-010061-05	18-1, 18-2, 18-3, 18-4, 18-5, 18-6
157002	4-2	1-654-010061-16	22-10, 22-12, 22-14, 22-18, 22-20
1-573-010006	23-3	1-654-010070-02	22-10, 22-12, 22-14, 22-18, 22-20
159954	2-2, 2-6, 2-10, 2-14	1-654-010070-05	2-16
159955	2-2, 2-6, 2-10, 2-14	1-654-010070-11	22-10, 22-12, 22-14, 22-18, 22-20
159970	3-3	1-654-010070-13	22-10, 22-12, 22-14, 22-18, 22-20
161515	23-3	1-654-010070-14	22-10, 22-12, 22-14, 22-18, 22-20
162671	2-2, 2-6, 2-10, 2-14, 16-2, 16-4, 16-6, 16-12, 16-18, 16-25, 16-31, 16-37, 16-43, 16-49, 16-55	1-654-010077-2	1-8, 1-11
1-630-010021-03	1-13, 5-3, 6-19, 6-21	1-654-010125-22	6-18
164307	16-19	1-654-010126-05	14-3
164308	16-18, 16-31, 16-55	166717	5-3, 6-19
164309	16-12, 16-25, 16-37, 16-43, 16-49	166978	16-31
164471	2-2, 2-6, 2-10, 2-14	168456	3-5
164563	5-2	171421	22-10, 22-12, 22-14, 22-18, 22-20
164600	16-12	171556	2-2, 2-6, 2-10, 2-14
1-647-010004221	16-57, 16-58, 16-59	171760	16-37, 16-43, 16-50, 16-55
1-647-010004236	1-5, 1-8, 1-11	171892	2-16
1-647-010004257	1-5, 1-11	172481	16-12, 16-37, 16-43
1-647-010004259	1-5, 1-8, 1-11, 2-2, 2-6, 2-10, 2-14	172509	14-5
165254	3-5	172802	2-2, 2-6, 2-10, 2-14
165257	2-2, 2-6, 2-10, 2-14, 16-2, 16-4, 16-6	172823	2-2, 2-6, 2-10, 2-14
165259	5-3, 6-19, 6-21	172891	1-6, 1-8, 1-11, 2-2, 2-6, 2-10, 2-14
165260	5-3, 6-19, 6-21	172892	1-6, 1-8, 1-11
165265	2-2, 2-6, 2-10, 2-14	172919	1-6, 1-8, 1-11, 2-2, 2-6, 2-10, 2-14
165335	16-12, 16-18, 16-37, 16-43	172973	16-12, 16-18, 16-25, 16-31, 16-37, 16-43, 16-49, 16-55
1-654-010047-05	17-3	174435	17-3
1-654-010047-06	2-2, 2-6, 2-10, 2-14, 17-3	174436	17-3
1-654-010047-07	17-3	174437	17-3
1-654-010047-08	17-3	174438	17-3
1-654-010049-03	3-4, 3-5	174523	13-7
1-654-010049-11	6-8	174526	13-7
1-654-010051-08	1-8, 1-11, 17-3	174532	13-7
1-654-010051-09	1-5, 1-8, 1-11, 2-2, 2-6, 2-10, 2-14	174708	5-3, 6-19
1-654-010051-13	1-5, 1-8, 1-11	174732	13-2, 13-4, 13-6, 13-7, 14-2, 14-3, 14-5, 14-8
1-654-010051-15	6-3	175283	13-2, 13-4, 13-6, 14-2
1-654-010055-04	1-5, 1-8, 1-11	175284	14-5, 14-8
1-654-010055-09	22-10, 22-12, 22-14, 22-18, 22-20	175329	13-2, 13-4, 13-6, 14-2, 14-5, 14-8
1-654-010055-10	2-2, 2-6, 2-10, 2-14	177000	16-12, 16-37, 16-43

177030	6-18	1-861-010034-17	18-1, 18-2, 18-3, 18-4, 18-5, 18-6, 21-14
177032	6-18	1-861-010034-21	18-1, 18-2, 18-3, 18-4, 18-5, 18-6, 21-14
177389	6-18, 16-63	186592	1-6, 1-8, 1-11, 2-2, 2-6, 2-10, 2-14
177398	6-18	186732	8-2
179933	3-4, 3-5	186799	2-2, 2-6, 2-10, 2-15
180117	16-12, 16-18, 16-25, 16-37, 16-43, 16-49	186979	13-2, 13-6, 14-2, 14-5, 14-8
181785	3-4, 3-5	187014	8-2
181789	3-4, 3-5	187227	1-6, 1-8, 1-11, 2-2, 2-6, 2-10, 2-15
181801	16-12, 16-18, 16-25, 16-31, 16-37, 16-43, 16-49, 16-55	187313	6-8, 16-2
1-822-010001	2-3, 2-7, 2-11, 2-15	187316	1-6, 1-8, 1-11
182288	6-19, 6-21	187317	1-6, 1-8, 1-11
182289	5-3, 6-19	187318	2-2, 2-6, 2-10, 2-15
183815	2-2, 2-6, 2-10, 2-14	187436	16-12, 16-18, 16-37, 16-43, 16-65
184413	2-16	187625	10-3
184421	10-7	187626	12-3
184422	12-7	187631	1-6, 1-8, 1-11
184423	10-5	187644	6-19
184424	12-5	187651	16-18, 16-37
184585	16-2, 16-4, 16-6, 16-12, 16-18, 16-25, 16-31, 16-37, 16-43, 16-49, 16-55	187679	6-18
184769	3-4	187680	6-18
185740	13-7	187681	6-18
185757	13-7	187689	17-3
1-861-010005	3-1, 3-2, 3-3	187690	17-3
1-861-010032-06	3-4, 17-3	187755	19-2, 19-4, 19-6, 19-8, 19-10, 19-12, 19-14, 19-16, 20-1, 20-2, 20-3, 20-4, 20-5, 20-6, 20-7, 20-8, 21-1, 21-2, 21-3, 21-4, 21-5, 21-6, 21-7, 21-8
1-861-010032-07	2-2, 2-6, 2-10, 2-14	187763	6-18
1-861-010032-08	2-2, 2-6, 2-10, 2-14	188038	1-6, 1-8, 1-11, 2-2, 2-6, 2-11, 2-15
1-861-010032-11	1-5, 1-8, 1-11, 2-2, 2-6, 2-10, 2-14, 19-2, 19-4, 19-6, 19-8, 19-10, 19-12, 19-14, 19-16	188757	13-7
1-861-010032-15	2-16, 22-10, 22-12, 22-14, 22-18, 22-20	188767	10-1
1-861-010032-18	19-2, 19-4, 19-6, 19-8, 21-12	188768	12-1
1-861-010032-19	19-2, 19-4, 19-6, 19-8, 19-10, 19-12, 19-14, 19-16	188774	16-12, 16-37
1-861-010032-20	19-2, 19-4, 19-6, 19-8, 19-10, 19-12, 19-14, 19-16, 20-1, 20-2, 20-3, 20-4, 20-5, 20-6, 20-7, 20-8, 21-1, 21-2, 21-3, 21-4, 21-5, 21-6, 21-7, 21-8, 22-10, 22-12, 22-14, 22-18, 22-20	188810	23-3
1-861-010032-21	1-5, 1-8, 1-11, 2-2, 2-6, 2-10, 2-14, 2-16, 6-18	188825	21-14
1-861-010032-24	1-5, 1-8, 1-11, 2-2, 2-6, 2-10, 2-14, 6-18, 19-2, 19-4, 19-6, 19-8, 20-1, 20-2, 20-3, 20-4, 21-1, 21-2, 21-3, 21-4, 22-3, 22-7, 22-16	188845	16-25, 16-43, 16-49
1-861-010034-10	3-4, 3-5	188846	16-31
1-861-010034-13	1-5, 1-8, 1-11	188850	16-55
1-861-010034-15	1-5, 1-8, 1-11, 13-2, 13-4, 13-6, 14-2, 14-3, 14-5, 14-8	189451	6-18
		189453	6-18
		189454	6-18
		189468	6-18
		191070	17-3
		191129	19-2, 19-10
		191134	19-4, 19-12

191139	19-5, 19-14	192956	12-6
191144	19-8, 19-16	192958	10-8
191147	21-7	192959	12-8
191148	21-8	192961	10-2
191735	23-3	192962	12-2
191750	18-1, 18-2, 18-3, 18-4, 18-5, 18-6	192964	8-2
191751	18-1	192965	10-5
191752	18-1, 19-2, 19-6, 20-1, 20-3	192966	12-6
191754	21-5, 21-6, 21-7, 21-8	192967	10-4
191757	19-14, 19-16, 20-7, 20-8, 21-8	192968	12-4
191759	21-1, 21-2, 21-3, 21-4	193089	3-1, 3-2
191762	21-8	193130	4-2
191765	21-7	193131	4-2
191976	3-4	193133	3-2
192106	18-2, 18-3, 19-2, 19-4, 20-1, 20-2	193134	3-2
192108	18-3	193699	2-16
192109	18-3, 19-4, 20-2	193730	2-16
192111	20-1, 20-5	193757	2-16
192112	20-2, 20-6	193758	2-16
192113	20-3, 20-7	193759	2-16
192114	20-4, 20-8	193760	2-3, 2-7, 2-11, 2-15, 2-16
192127	19-10, 19-12, 19-14, 19-16, 20-5, 20-6, 20-7, 20-8	193807	20-2, 20-6
192481	16-12, 16-18, 16-25, 16-31, 16-37, 16-49	193808	21-7, 21-8
192498	19-14, 20-7, 21-7	193810	21-7, 21-8
192504	21-5, 21-6, 21-7, 21-8	193814	3-4, 3-5
192563	2-3, 2-7, 2-11, 2-15	195009	13-2, 13-4, 13-6, 14-2, 14-5, 14-8, 15-1
192570	6-18	195027	1-13
192583	19-6, 19-14	195047	2-3, 2-7, 2-11, 2-15
192584	19-6, 19-8, 19-14, 19-16	195066	19-2, 19-10, 19-12
192585	19-2, 19-4, 19-6, 19-8, 19-10, 19-12, 19-14, 19-16	195073	17-3
192586	19-4, 19-12	195115	1-6, 1-8, 1-11, 2-3, 2-7, 2-11, 2-15
192594	2-16	195131	7-2, 9-2, 11-2, 13-6
192621	12-8	195132	8-3, 10-2, 10-4, 10-6, 10-8, 12-2, 12-4, 12-6, 12-8, 14-8
192623	10-1	195147	6-18
192624	12-2	195151	14-5
192625	12-4	195152	7-2, 9-2, 11-2, 13-4
192626	10-3	195153	8-2, 12-2, 12-4, 12-6, 12-8, 14-5
192890	1-6, 1-8, 1-11, 2-3, 2-7, 2-11, 2-15	195161	15-1
192939	19-10, 19-12, 20-5, 20-6, 21-5, 21-6	195162	15-1
192946	1-6, 1-8, 1-11, 2-3, 2-7, 2-11, 2-15	195163	14-5, 15-1
192949	20-1, 20-2, 20-3, 20-4, 20-5, 20-6, 20-7, 20-8	195164	13-2, 13-4, 13-6, 14-2, 14-5, 14-8, 15-1
192951	20-3, 20-4, 20-7, 20-8	195210	21-6
192953	20-3, 20-7	195225	21-1
192955	10-6	195238	21-5

INDEX

195239	21-6	198930	12-7
195279	2-3, 2-7, 2-11, 2-15	198932	12-8
195283	1-6, 1-8, 1-11	198934	1-8, 1-11
195284	16-2	199429	19-2, 19-4, 19-6, 19-8
196709	6-18	199430	19-2, 19-4, 19-6, 19-8
196754	6-18	199434 .	19-2, 19-4, 19-6, 19-8, 19-10, 19-12, 19-14, 19-16
197140	5-2	199435	19-2, 19-4, 19-6, 19-8
197345	21-4	199436 .	19-2, 19-4, 19-6, 19-8, 19-10, 19-12, 19-14, 19-16
197354	21-4	199437 .	19-2, 19-4, 19-6, 19-8, 19-10, 19-12, 19-14, 19-16
198777	21-1	199440	19-4, 19-12
198778	21-2	199441	19-6, 19-8, 19-14, 19-16
198779	21-3	199442	19-6, 19-14
198780	21-4	199883	18-1
198785	13-2, 13-4, 13-6, 14-2, 14-5, 14-8	199889	18-1, 19-10, 19-12, 19-14, 19-16, 20-5, 20-6, 20-7, 20-8
198841	8-2	199890	18-1, 19-10, 19-12, 19-14, 19-16, 20-5, 20-6, 20-7, 20-8
198842	10-1	199899	21-14
198843	12-1	199900	21-14
198844	8-2	199901	21-5, 21-6, 21-7, 21-8, 21-14
198845	10-1	199902	21-5, 21-6, 21-7, 21-8, 21-14
198846	12-2	199920	16-25, 16-31, 16-49, 16-55, 16-66
198847	10-5	1C380	1-6, 1-8, 1-11
198848	12-5	200300040	16-57, 16-58, 16-59, 16-60, 16-61, 16-63, 16-64
198849	12-4	200743	16-2, 16-4, 16-6, 16-13, 16-19, 16-25, 16-31, 16-37, 16-43, 16-49, 16-55
198850	10-3	200755	1-6, 1-11
198851	10-3	200756	2-3, 2-7, 2-11, 2-15
198852	12-3	200790	10-2, 10-4, 10-6, 10-8
198853	10-5	200791	10-2, 10-4, 10-6, 10-8
198854	12-6	200793	1-8
198855	10-7	200794	9-2
198856	12-7	200795	9-2
198858	12-8	200804	21-14
198913	10-1	200829	6-18
198914	12-1	201196	1-13
198916	8-2	201197	1-6, 1-8, 1-11, 1-13
198917	10-2	201203	2-3
198918	12-2	201205	2-7
198919	10-3	201207	2-11
198920	12-3	201209	2-15
198921	12-4	201211	2-2, 9-2
198922	10-3	201212	2-2, 11-2
198923	10-5		
198924	12-5		
198927	10-5		
198928	12-6		
198929	10-7		

201213	2-6	201293	7-2, 9-2, 11-2, 13-4
201214	2-6, 11-2	201294	8-2, 10-2, 10-4, 10-6, 10-8, 12-2, 12-4, 12-6, 12-8, 14-5
201215	2-10	201295	7-2, 9-2, 11-2, 13-6
201216	2-10, 11-2	201296	8-3, 10-2, 10-4, 10-6, 10-8, 12-2, 12-4, 12-6, 12-8, 14-8
201217	2-14	201297	7-2, 9-2, 11-2, 13-4
201218	2-14, 11-2	201298	8-2, 10-2, 10-4, 10-6, 10-8, 12-2, 12-4, 12-6, 12-8, 14-5
201221	16-2, 16-4, 16-6	201299	7-2, 9-2, 11-2, 13-6
201226	1-11	201300	8-3, 10-2, 10-4, 10-6, 10-8, 12-2, 12-4, 12-6, 12-8, 14-8
201227	1-8, 1-11, 16-7, 16-8	201311	16-31, 16-56
201231	21-5, 21-6	201312	16-31, 16-56
201232	21-5, 21-6	201313	16-18, 16-31
201235	21-6	201315	16-4, 16-6, 16-38, 16-44, 16-56
201236	21-6	201317	23-3
201239	18-6	201321	16-8
201240	18-6	201323	1-12
201241	18-6, 19-10, 19-12, 20-5, 20-6	201331	16-8, 16-38, 16-44, 16-50, 16-56
201242	18-6, 19-10, 19-12, 20-5, 20-6	201337	5-3
201243	14-3	201341	16-19, 16-25, 16-50
201245	18-6	201342	16-25, 16-50
201246	18-6	201343	16-19, 16-32, 16-56
201247	18-6, 19-12, 20-6	201344	16-19, 16-25, 16-32, 16-50, 16-56
201248	18-6, 19-12, 20-6	201345	16-32, 16-56
201250	19-2, 19-4, 19-6, 19-8, 19-10, 19-12, 19-14, 19-16, 20-1, 20-2, 20-3, 20-4, 20-5, 20-6, 20-7, 20-8, 21-2, 21-4, 21-5, 21-6, 21-7, 21-8	201346	16-25, 16-50
201253	16-31	201347	2-3, 2-7, 2-11, 2-15, 16-13, 16-19, 16-26, 16-32, 16-38, 16-44, 16-50, 16-56, 16-64
201256	1-11	202702-10-8S	1-6, 16-2, 16-4, 16-6, 16-13, 16-19, 16-26, 16-32, 16-38, 16-44, 16-50, 16-56
201259	5-2	202702-12-8S	16-2, 16-4, 16-6, 16-8, 16-13, 16-19, 16-26, 16-32, 16-38, 16-44, 16-50, 16-56
201268	5-2	202702-8-8S	16-2, 16-4, 16-6, 16-7, 16-8, 16-13, 16-19, 16-26, 16-32, 16-38, 16-44, 16-50, 16-56
201270	1-8, 1-11	202843	13-2, 13-4, 13-6, 13-7, 14-2, 14-3, 14-5, 14-8
201272	19-10, 19-12, 19-14, 19-16	203005-8-8S	16-4, 16-6, 16-7, 16-8, 16-13, 16-19, 16-26, 16-32, 16-38, 16-44, 16-50, 16-56
201273	19-10, 19-12, 19-14, 19-16	203102-8-8S	16-2, 16-4, 16-6, 16-13, 16-19, 16-26, 16-32, 16-38, 16-44, 16-50, 16-56
201274	19-2, 19-4, 19-6, 19-8, 19-10, 19-12, 19-14, 19-16	203380	5-3
201275	1-6, 1-8, 1-11, 2-10, 2-14, 16-12, 16-13, 16-18, 16-19, 16-25, 16-31, 16-32, 16-37, 16-43, 16-49, 16-55, 16-61	203381	2-3, 2-7, 2-11, 2-15, 5-3
201276	2-3, 2-7, 2-11, 2-15, 16-13, 16-19, 16-25, 16-32, 16-38, 16-43, 16-49, 16-55, 16-61	203383	2-3, 2-7, 2-11, 2-15
201277	2-11, 2-15, 16-25, 16-32, 16-50, 16-55, 16-61	203386	16-4, 16-6, 16-38, 16-44, 16-50, 16-56
201279	4-1	203391	16-2, 16-4, 16-6, 16-25, 16-50
201280	4-1	203392	14-5
201281	4-1	203396	1-6, 1-12
201282	4-1		
201284	16-8, 16-38, 16-43, 16-50, 16-56		
201292	1-8, 1-12, 16-38, 16-44, 16-50, 16-56, 16-60		

203398	1-12	2071-8-8S ...	2-3, 2-7, 2-11, 2-15, 16-2, 16-4, 16-6, 16-13, 16-19, 16-26, 16-32, 16-37, 16-43, 16-50, 16-55
203399	1-9	207506	13-6
203421	16-38, 16-44, 16-49, 16-50, 16-56	207507	14-8
203422	16-38, 16-44, 16-50, 16-56	207508	7-2, 9-2, 11-2, 13-6
203423	16-38, 16-44, 16-56	207509 8-3, 10-2, 10-4, 10-6, 10-8, 12-2, 12-4, 12-6, 12-8, 14-8	
203424 ..	16-13, 16-19, 16-26, 16-32, 16-38, 16-44, 16-50, 16-56	207515	13-2, 14-2
203425 ..	16-13, 16-19, 16-26, 16-32, 16-38, 16-44, 16-50, 16-56	207517	7-2, 9-2, 11-2, 13-2
203426 ..	16-13, 16-19, 16-26, 16-32, 16-38, 16-44, 16-50, 16-56	207518 8-2, 10-2, 10-4, 10-6, 10-8, 12-2, 12-4, 12-6, 12-8, 14-2	
203429	16-7, 16-8, 16-13, 16-19, 16-26, 16-32, 16-38, 16-44, 16-50, 16-56	207537 19-2, 19-4, 19-6, 19-8, 20-1, 20-2, 20-3, 20-4, 21-2, 21-3, 21-4, 22-3, 22-7, 22-16	
203430	16-7, 16-8	207577 19-2, 19-6, 19-8, 20-1, 20-3, 20-4, 21-3, 21-4	
203433	1-9	208435	16-57
203443	23-3	208633	10-2, 10-4, 10-6, 10-8
203445	23-3	208634	10-2, 10-4, 10-6, 10-8
203447	16-4, 16-6, 16-13, 16-19, 16-26, 16-32, 16-38, 16-44, 16-50, 16-56	208644 18-2, 18-3, 18-4, 18-5, 19-2, 19-4, 19-6, 19-8, 20-1, 20-2, 20-3, 20-4	
203450 .	6-8, 16-2, 16-4, 16-6, 16-13, 16-19, 16-26, 16-32, 16-38, 16-44, 16-50, 16-56	208645	18-2, 18-3, 18-4, 18-5
203452	4-2	208647	18-4, 18-5, 19-6, 19-8, 20-3, 20-4
203453	4-2	208648	18-4, 18-5
203454	1-9	209155	19-2, 19-4, 19-6, 19-8
203466	4-1	209156	19-2, 19-4
203467 2-3, 2-7, 2-11, 2-15, 16-2, 16-4, 16-6, 16-13, 16-19, 16-26, 16-31, 16-49		209157	19-6, 19-8
203500	4-2	209159	19-6
203525	13-2, 13-4, 13-6, 14-2, 14-3, 14-5, 14-8	209162 19-2, 19-4, 19-6, 19-8, 20-1, 20-2, 20-3, 20-4, 21-1, 21-2, 21-4, 22-3, 22-7, 22-16	
203541	16-2, 16-4, 16-6	209183 19-2, 19-4, 19-6, 19-8, 20-1, 20-2, 20-3, 20-4, 21-1, 21-2, 21-4	
203566	16-13, 16-19, 16-26, 16-32, 16-49	209184	19-4, 20-2, 21-2
203595	16-12, 16-32	209189	2-3, 2-7, 2-11, 2-15
203596	16-12, 16-26, 16-32, 16-49	209193	2-3, 2-7
203597	16-50	209194	2-3, 2-7, 2-11, 2-15
203598	16-50	209196 .	2-3, 2-7, 2-11, 2-15, 19-2, 19-4, 19-6, 19-8, 20-1, 20-2, 20-3, 20-4
203599	16-13, 16-19, 16-26, 16-32, 16-50	209196	21-2, 21-3, 21-4
204386	4-2	209200	2-3, 2-7, 2-11, 2-15, 5-3
2061-8-8S	16-2, 16-4, 16-6, 16-8, 16-13, 16-18, 16-26, 16-32, 16-37, 16-43, 16-50, 16-55	209203	13-4
206209-8-8S .	16-2, 16-4, 16-6, 16-13, 16-19, 16-26, 16-32	209204	13-4
2062-10-8S ..	16-2, 16-4, 16-6, 16-13, 16-18, 16-26, 16-32, 16-37, 16-43, 16-50, 16-55	209205	7-2, 9-2, 11-2, 13-4
2062-12-8S ..	16-2, 16-4, 16-6, 16-13, 16-18, 16-26, 16-32, 16-37, 16-43, 16-50, 16-55	209206 8-2, 10-2, 10-4, 10-6, 10-8, 12-2, 12-4, 12-6, 12-8, 14-5	
2062-8-8S .	2-10, 2-14, 16-2, 16-4, 16-6, 16-7, 16-8, 16-13, 16-18, 16-26, 16-32, 16-37, 16-43, 16-50, 16-55	209207	7-2, 9-2, 11-2
		209208 8-2, 10-2, 10-4, 10-6, 10-8, 12-2, 12-4, 12-6, 12-8, 14-5	

209209	7-2, 9-2, 11-2, 13-2	212569	12-1
209210	8-2, 10-2, 10-4, 10-6, 10-8, 12-2, 12-4, 12-6, 12-8, 14-2	212570	12-1
209211	7-2, 9-2, 13-4	212571	12-1
209212	8-2, 10-2, 10-4, 10-6, 10-8, 11-2, 12-2, 12-4, 12-6, 12-8, 14-5	212572	12-1
209213	7-2, 9-2, 11-2, 13-2	212573	12-2
209214	8-2, 10-2, 10-4, 10-6, 10-8, 12-2, 12-4, 12-6, 12-8, 14-2	212574	12-2
209216	2-11, 2-15	212575	12-2
209219	2-3, 2-7, 2-11, 2-15	212585	12-3
209299	1-11	212586	12-3
209366	2-3, 2-7, 2-11, 2-15	212587	12-3
209373	1-8	212588	12-3
209392	13-2, 13-4, 13-6, 14-2, 14-8	212589	12-3
209393	13-2, 13-4, 13-6, 14-2, 14-8	212590	12-3
210765	16-2, 16-4, 16-6	212591	12-3
210843	12-2	212592	12-4
210844	12-4	212593	12-4
210845	12-6	212604	12-5
210846	12-8	212605	12-5
210861	16-13, 16-19, 16-26, 16-32	212606	12-5
210880	13-2, 13-7, 14-2, 14-3, 14-5	212607	12-5
210882	23-3	212608	12-5
210883	23-3	212609	12-6
211327	16-12	212610	12-6
212229	7-2, 9-2, 11-2, 13-6	212611	12-6
212230	8-3, 10-2, 10-4, 10-6, 10-8, 12-2, 12-4, 12-6, 12-8, 14-8	212621	12-7
212231	7-2, 9-2, 11-2, 13-6	212622	12-7
212232	8-3, 10-2, 10-4, 10-6, 10-8, 12-2, 12-4, 12-6, 12-8, 14-8	212623	12-7
212236	8-2	212624	12-7
212237	8-2	212625	12-7
212238	8-2	212626	12-7
212242	10-2, 10-4, 10-6, 10-8	212627	12-7
212243	10-2, 10-4, 10-6, 10-8	212628	12-8
212244	10-2, 10-4, 10-6, 10-8	212629	12-8
212245	10-2, 10-4, 10-6, 10-8	2-150-010008	1-11, 2-3, 2-11
212246	10-2, 10-4, 10-6, 10-8	2-150-010174	1-6, 1-8, 1-11
212247	10-2, 10-4, 10-6, 10-8	215351	4-2
212561	10-1	215352	4-2
212562	10-1	217209	1-3
212563	10-1	217316	8-2
212567	12-1	217318	8-2
212568	12-1	217320	8-2
		217940	1-12
		217942	1-9
		217943	1-9
		217966	19-2, 19-4, 19-6, 19-8

217967	19-2, 19-4, 19-6, 19-8	230858	22-16, 22-18
2-181-010001	1-6, 1-8, 1-11	230898	22-14
218640	16-57	230921	22-10, 22-12, 22-14, 22-18, 22-20
218641	16-57	230922	22-10, 22-12, 22-14, 22-18, 22-20
218733	13-7	230923	22-10, 22-18
218739	14-3	230924	22-12, 22-20
219945	13-7	230925	22-14
219946	13-7	230944	22-16
219947	17-3	230945	22-10, 22-12, 22-14
220000209	16-61	230947	22-10
220000210	16-58, 16-59, 16-60, 16-61, 16-63	230948	22-3, 22-7, 22-10
220000211	16-57	230949	22-12
220000212	16-64	230950	22-3, 22-7, 22-12
221063	14-3	230951	22-14
221066	14-3	230952	22-7, 22-14
221955	19-2, 19-4, 19-6, 19-8, 20-1, 20-2, 20-3, 20-4, 21-2, 21-3, 21-4, 22-3, 22-7, 22-16	232186	23-3
221956	19-2, 19-4, 20-1, 20-2, 21-2	233771	1-3
221957	19-6, 19-8, 20-3, 20-4, 21-3, 21-4, 22-3, 22-7, 22-16	233773	1-3
221958	19-6, 20-3, 21-3, 22-7	233839	22-7
223374	16-12, 16-18, 16-25, 16-31, 16-49, 16-55, 16-67	233844	22-3
223387	19-2, 19-4, 19-6, 19-8, 20-1	233854	1-3
223435	3-1, 3-2	2-368-010287	17-3
223437	3-1, 3-2	240222	16-13, 16-19, 16-26, 16-32
223438	3-1, 3-2	242812	21-1, 21-4
223439	3-1, 3-2	2-474-010022	16-2, 16-4, 16-6, 16-12, 16-18, 16-26, 16-32, 16-37, 16-43, 16-49, 16-55
223440	3-1	250014137	16-62
224429	19-2, 19-4, 19-6, 19-8	2-573-010037	23-3
224439	5-2	2-573-010198	23-3
224793	6-8	2-573-010330-02	23-3
226607	16-67	2-573-010330-03	23-3
226610	16-67	2P793	1-9, 1-12, 2-3, 2-7, 2-11, 2-15
226614	16-67	3/4-10X2-1/2CB	1-6, 1-9, 1-12, 2-3, 2-7, 2-11, 2-15, 2-16, 22-10, 22-12, 22-14, 22-18, 22-20
226615	16-67	3067	3-4, 3-5
226616	16-67	3-573-010210	23-3
227898	16-26, 16-32	3P011	19-2, 19-4, 19-6, 19-8, 19-10, 19-12, 19-14, 19-16
229553	16-67	3P079	19-2, 19-4, 19-6, 19-8, 20-1, 20-2, 20-3, 20-4, 21-1, 21-2, 21-3, 21-4, 22-3, 22-7, 22-16
230845	22-12, 22-18, 22-20	4001060	3-3
230846	22-20	4K607	16-6, 16-38, 16-44, 16-56
230847	22-18	5000	3-3
230848	22-10	50002-76	16-13, 16-19, 16-26, 16-32, 16-49
230854	22-18, 22-20	5013	3-4
230856	22-3, 22-7, 22-16	50976-26	16-38, 16-44, 16-56
230857	22-16, 22-20		

528933	23-3
528934	23-3
528938	23-3
5J768	19-2, 19-4, 19-6, 19-8, 20-1, 20-2, 20-3, 20-4, 21-1, 21-2, 21-3, 21-4, 22-3, 22-7, 22-16
622-3511-010	13-2, 13-4, 13-6, 13-7, 14-2, 14-3, 14-5, 14-8
70260977	17-3
71508985	16-38, 16-44, 16-56
71508988	16-13, 16-19, 16-26, 16-32, 16-38, 16-44, 16-50, 16-56
71509000	16-13, 16-19, 16-38, 16-44
71509382	16-13, 16-19, 16-26, 16-32, 16-38, 16-44, 16-50, 16-56
71600087	16-32, 16-38, 16-44, 16-56
71600088	16-13, 16-19, 16-38, 16-44
71600089	16-18, 16-31, 16-56
8-573-010084	23-3
8K047	1-3, 1-6, 1-9, 1-12
8K756	1-6, 1-9, 1-12

F

F-894	1-2
F-895	1-2

H

HM212011	3-4, 3-5
HM212049	3-4, 3-5
HM218210	3-4, 3-5
HM218248	3-4, 3-5

T

TR575	4-2
-------	-----

W

W932022-4	16-67
-----------	-------

Instructions for Ordering Parts

**** Repair parts must be ordered through an Authorized Dealer ****

DEALER INSTRUCTIONS FOR ORDERING PARTS FROM LANDOLL PARTS DISTRIBUTION CENTER

Phone #: 800-423-4320 or 785-562-5381

Fax #: 888-527-3909

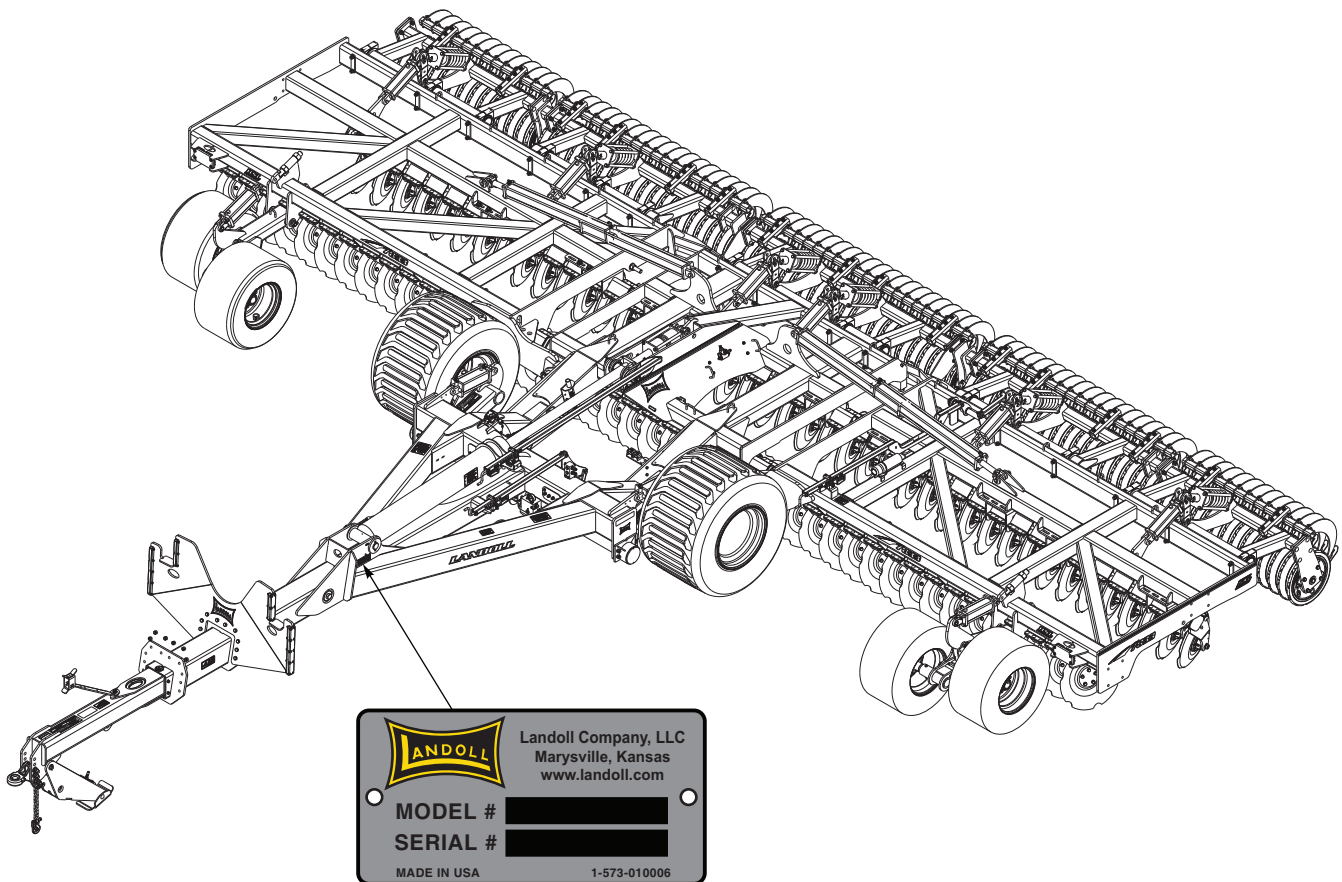
Order online: dealer.landoll.com

IDENTIFICATION PLATE

The identification plate, which lists the model number and serial number, is located on the front of the frame.

SERIAL NUMBER

The serial number is located on the identification plate.



Identification Plate and Location

Manuals for 7833 HSL (High Speed Landoll)

Manual Number	Manual Type
F-894	Operator's Manual
F-895	Parts Manual

Document Control Revision Log:

Date	Form #	Improvement(s): Description and Comments
04/03/2018	F-895-0818	Initial Release
10/15/2018	F-895-0818	ECN 44101, Tire & Wheel Asm
10/29/2018	F-895-1018	Add Spring Reel Asm View (Before 03/01/18)
02/12/2019	F-895-0219	ECN 44208 - Scraper Update
08/27/2019	F-895-0819	ECN 45170 - Rockshaft Update
10/15/2019	F-895-1019	ECN 45244, 45357 - Update Cylinders
06/11/2020	F-895-0620	ECN 45652 - Bearing Cap and Mounting Hardware ECN 45881 - Hydraulic Cylinder Service Number, 8" Rephase ECN 45886 - Hydraulic Plug 1-007-010025 ECN 46096 - 10 Bolt Hub Assembly Parts
02/2021	F-895-0221	ECN 43333 - 25' & 30' LH Wing Assembly ECN 43719 - Decal Updates ECN 44101 - Wheel Assemblies ECN 45357 - Cylinder Updates and Assembly ECN 45589 - Hub and Spindle Changes ECN 45708 - 25' Wing Assembly Stroke Cylinders, Hydraulics ECN 46640 - Updates - Hitch Assembly and Tilt Control Kit ECN 46722 - Center Section Update ECN 46746 - Double-Tine Kit, Added Relief Valve and Hoses for 35' & 40'
07/2021	F-895-0721	ECN 47137 - Added QR Code Decal ECN 47209 - Changes to Gauge Wheel Arm, Walking Beam, Pins ECN 47227 - Tilt Cylinder Spring Pins
08/2021	F-895-0821	ECN 47077 - Add Harrow Option ECN 44208, 45170, 46000 - Updated Details for Rubber Rollers/Single Reel Chevron/Spring Reel
01/2022	F-895-0122	Added Shank Weldment Callouts to Drawings Added "NOTE: MODELS AFTER 03/01/2019, MANUFACTURED WITH HYBRID SHANK OPTION ONLY" Adjusted dates on Hybrid, Compound, Vertical Shanks to ECNs/BOM
02/2022	F-895-0222	ECN 47884 - Fixed P/N 233773 (Was Listed As 233772)
11/2022	F-895-1122	ECN 48528 - Change Tilt Cylinder Spring
03/2023	F-895-2303	ECN 48625 - Hitch Assembly, Moved Tilt Control to Tilt Cylinder, Updated Hoses ECN 48712 - Hub and Spindle Changes ECN 48761 - Link-Spring Changes on Reel/Roller Assemblies *Revision Format "Year/Month"
09/2023	F-895-2309	ECN 49292 - Manual Holder (larger size)



Intertek

Equipment from Landoll Company, LLC is built to exacting standards ensured by ISO 9001 registration at all Landoll manufacturing facilities.

Model 7833 High Speed Landoll (HSL) Parts Manual

Re-Order Part Number F-895

LANDOLL COMPANY, LLC

1900 North Street

Marysville, Kansas 66508

(785) 562-5381

800-428-5655 ~ **WWW.LANDOLL.COM**



Copyright 2023. Landoll Company, LLC

“All rights reserved, including the right to reproduce this material or portions thereof in any form.”

