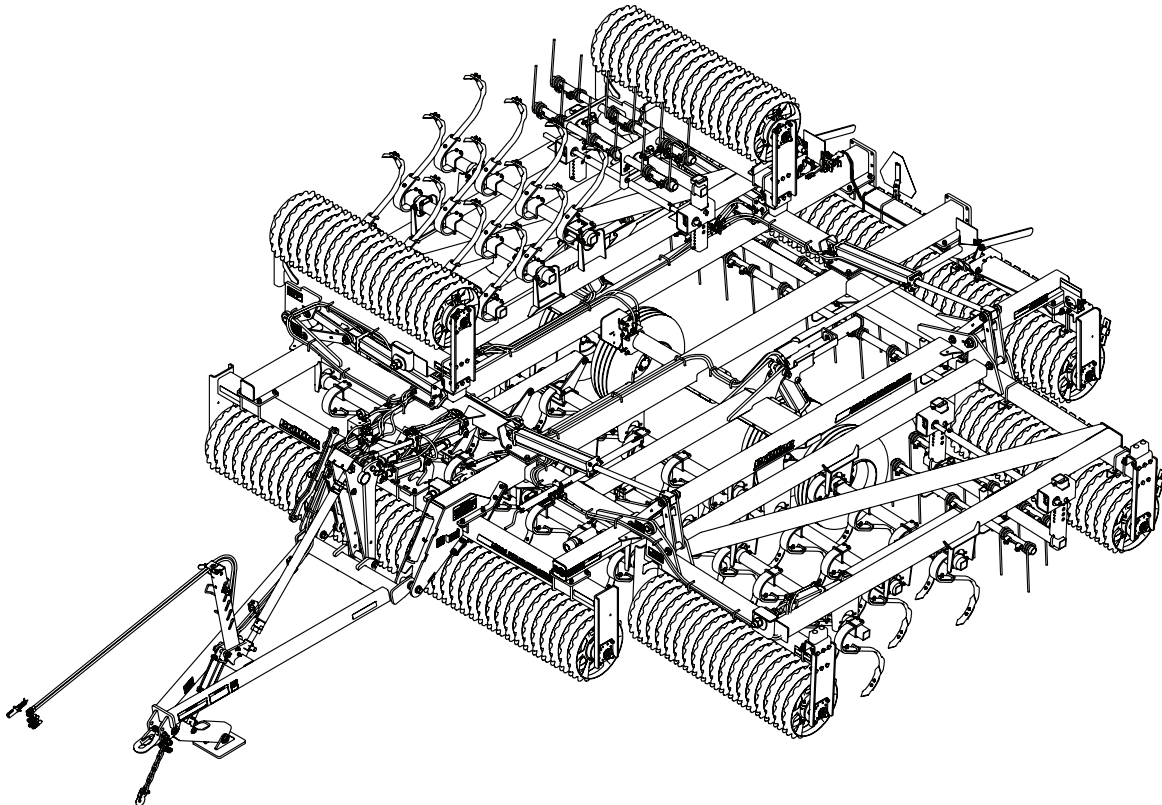




Pulvi-Mulcher 3631-25 Model Parts Manual



LANDOLL COMPANY, LLC

1900 North Street

Marysville, Kansas 66508

(785) 562-5381

800-428-5655 ~ WWW.LANDOLL.COM

Manuals for 3631-25 Pulvi-Mulcher

Manual Number	Manual Type
F-979	Operator's Manual
F-978	Parts Manual
F-984	3631-25-25 / 3631-30 Coil Tine Harrow Kit, Instruction Sheet

Table of Contents

1 Illustrated Parts List

Instructions for Ordering Parts	1-1
Frame	1-2
Transport Axle Mounting Components	1-4
Transport Axle	1-5
Hub and Spindle Assembly w/Screw on Hub Cap	1-6
Hub and Spindle Assembly	1-7
Wheel Assembly, 182507	1-8
Wheel Assembly, 211176	1-9
Rockshaft Cylinder Transport Lock	1-10
Drawbar Leveler	1-12
Drawbar	1-14
Drawbar w/ Hydraulic Jack	1-16
Drawbar w/ Hydraulic Jack Schematic	1-18
Category V Hitch	1-20
Turnbuckle	1-21
Wing Hinge	1-22
Front and Rear Center Roller and Frame	1-24
Right Hand Wing Frame and Roller	1-26
Left Hand Wing Frame and Roller	1-28
Roller Axle Assembly, Notched 24" Wheels	1-30
Tooth Control - Center Frame	1-32
Shank Depth Control Mounting Components	1-34
Shank Depth Control Assembly	1-35
Tooth Control - Right Hand Wing	1-36
Tooth Control - Left Hand Wing	1-38
S-Tine Shank Assembly	1-40
Center Harrow	1-42
Right Hand Wing Harrow	1-44
Left Hand Wing Harrow	1-46
Center Harrow Assembly	1-48
Right Hand Wing Harrow Assembly	1-50
Left Hand Wing Harrow Assembly	1-52
Center Rear Scrapers	1-54
Wing Rear Scrapers	1-56
Hydraulic Tooth Control Layout	1-58
Hydraulic Tooth Control Schematic	1-60
Simplified Hydraulic Tooth Control Schematic	1-62

Fold and Down Pressure Hydraulic Layout 1-64

Fold and Down Pressure Limit Valve Layout 1-66

Fold and Down Pressure Hydraulic Schematic 1-68

Down Pressure Valve Schematic 1-70

Hydraulic Lift Layout 1-72

Hydraulic Lift Schematic 1-74

Electrical Layout 1-76

Electrical Schematic 1-78

Front Scrapers - Optional 1-80

Coil Tine Harrow Kit - Optional 1-82

Harrow Assembly RH, 4 Tine, 3 Row - Optional 1-84

Harrow Assembly LH, 4 Tine, 3 Row - Optional 1-86

Harrow Assembly, 5 Tine, 3 Row - Optional 1-88

Harrow Assembly, 6 Tine, 3 Row - Optional 1-90

Center Harrow Arm Assembly - Optional 1-92

Wing Harrow Arm Assembly - Optional 1-93

Clamp End Spacer Kits - Optional (1 of 2) 1-94

Clamp End Spacer Kits - Optional (2 of 2) 1-95

Land Leveler - Optional 1-96

V - Leveler - Optional 1-98

Rear Hitch - Optional 1-100

Hydraulic Cylinder, 4 x 8 - Prince 1-102

Hydraulic Cylinder, 4-1/2 x 14 - Prince 1-103

Hydraulic Cylinder, 4-1/2 x 8 Re-Phase - Prince 1-104

Hydraulic Cylinder, 4 x 8 Re-Phase - Prince 1-105

Hydraulic Cylinder, 4 x 30 - Lion 1-106

Hydraulic Cylinder, 4 x 16 - Prince 1-107

Hydraulic Cylinder, 4 x 16 - Lion 1-108

Decals 1-110

Decal Locations 1-112

2 Glossary

3 Index

Illustrated Parts List

Instructions for Ordering Parts

**** Repair parts must be ordered through an authorized dealer ****

DEALER INSTRUCTIONS FOR ORDERING PARTS FROM LANDOLL PARTS DISTRIBUTION CENTER

PHONE #: 800-423-4320 OR 785-562-5381

FAX #: 888-527-3909

ORDER ONLINE: Dealer.landoll.com

IDENTIFICATION PLATE

See Figure 1-1 for the Identification Plate, which lists the model and serial number of the equipment. It is located on the left side of the 3631-25 Pulvi-Mulcher.

SERIAL NUMBER NOMENCLATURE

The serial number for the 3631-25 Pulvi-Mulcher is located on the identification plate. The following information will help decode the Landoll serial number.

PMD21000100 = xxmyysss

xx	= model series (i.e. "PM" for all Pulvi-Mulchers)
m	= month of manufacture (ex. "D" means April. The letter I is not used.)
yy	= last digits of the year manufactured (ex. "21" means 2021)
sss	= Sequential number used to track warranty and service information.

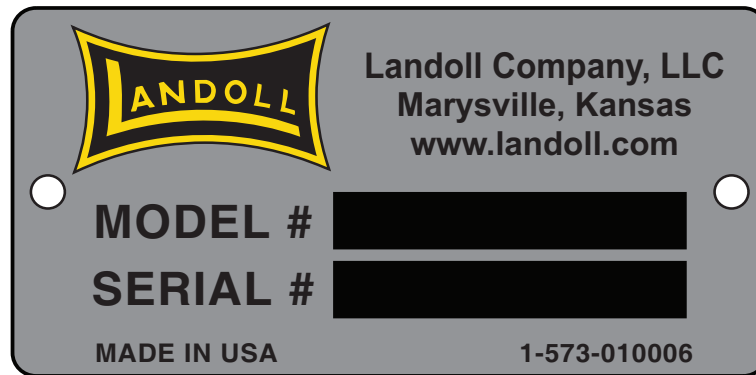


Figure 1-1: Identification Plate

ILLUSTRATED PARTS LIST

Frame

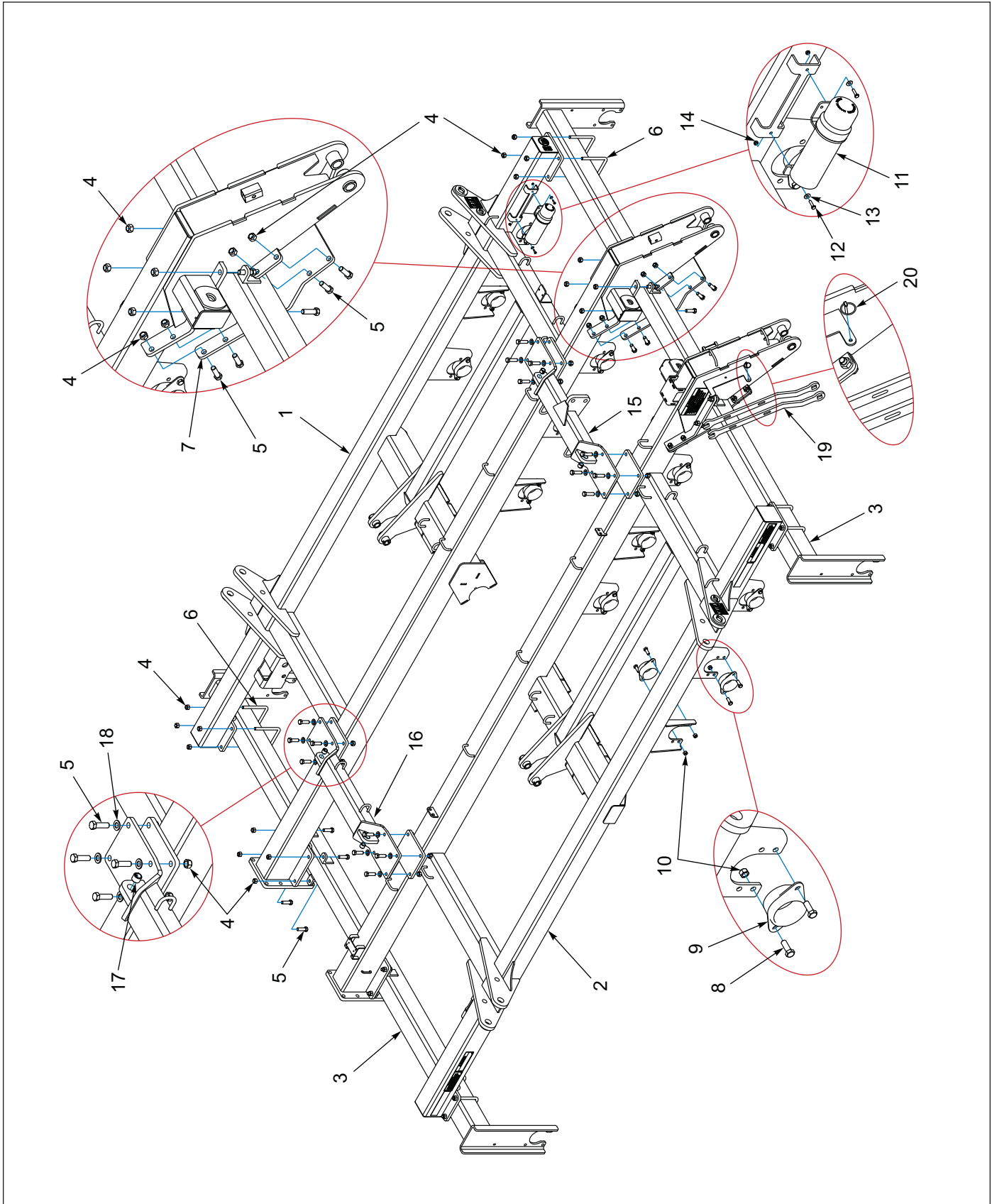


Figure 1-2: Frame

Frame

ITEM	PART NUMBER	DESCRIPTION	QTY
1	211167	CTR FRAME, LH, 3631-25 W/DECALS	1
2	211168	CTR FRAME, RH, 3631-25 W/DECALS	1
3	211183	FRAME, ROLLER 13FT 8 IN	2
4	1-512-010005-15	NUT, HEX, SLFLKG GRB, 3/4-10	64
5	1-654-010061-07	SCREW, HX CP, 3/4-10UNC X 2-1/2, G5	48
6	7K723	U-BOLT, 3/4-10 X 5-13/16 X 7-3/4	8
7	179355	SUPPORT, FRONT ROLLER	2
8	1-654-010059-04	SCREW, HEX CAP, 5/8-11 X 1-3/4, G5	24
9	175194	BEARING, TOOTH TUBE	12
10	1-512-010005-13	NUT, HEX SLFLKG, 5/8-11, GRB	24
11	142753	MANUAL HOLDER	1
12	1-654-010047-06	SCREW, HX CP, 1/4-20UNC X 1, GR5	2
13	1-861-010032-07	WASHER, FLAT 1/4, ZP	2
14	1-512-010005-01	NUT, HEX, SLFLKG, 1/4-20, GRB	2
15	211291	TUBE, 3631-25 FRONT CROSS WLD (INCLUDES ITEM 17)	1
16	211293	TUBE, 3631-25 REAR CROSS WLD (INCLUDES ITEM 17)	1
17	2-150-010008	BUSHING, 1-1/4 OD X 1 ID X 1 STEEL	4
18	1-861-010032-20	WASHER, FLAT 3/4N, ZP/CD	16
19	194778	WRENCH, HARROW ADJUSTMENT	2
20	1-557-010327	PIN, LYNCH 1/4 X 1-1/4	2

Transport Axle Mounting Components

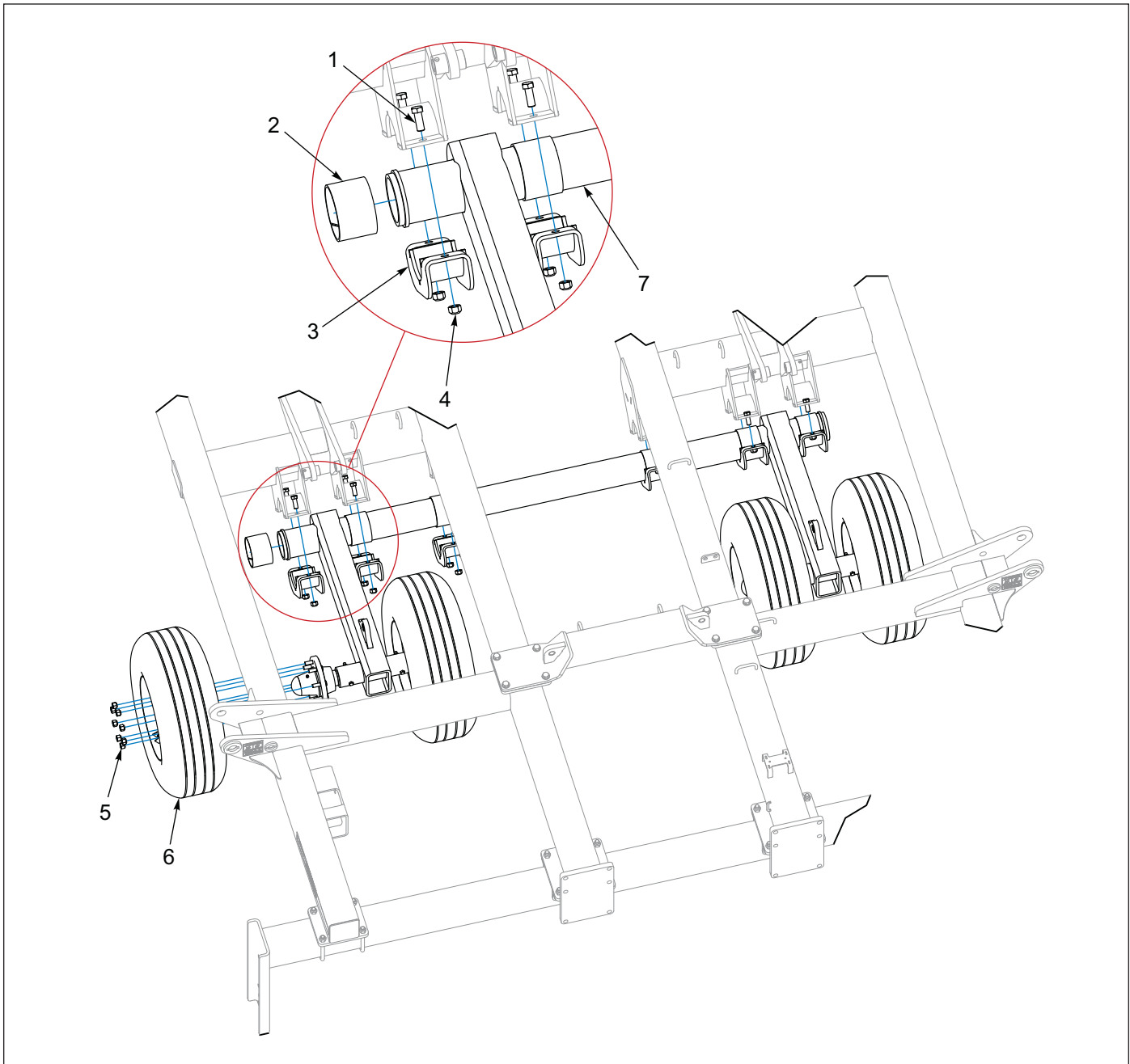


Figure 1-3: Transport Axle Mounting Components

Transport Axle Mounting Components

ITEM	PART NUMBER	DESCRIPTION	QTY
1	1-654-010061-05	SCREW, HHC 3/4-10UNC X 2, GR5, ZP	12
2	140519	BEARING, UHMW 4IN	6
3	167314	CAP-BEARING LIFT WLDMT RED	6
4	1-512-010005-15	NUT, HEX, SLFLKG 3/4-10, GRB	12
5	102600	NUT, WHEEL BOLT, 5/8-18	32
6	211176	TIRE & WHEEL ASSY 320/70R X 15 8 BOLT (SEE PAGE 1-9)	4
7	211231	ROCKSHAFT ASM, 3631-25 (SEE PAGE 1-10)	1

Transport Axle

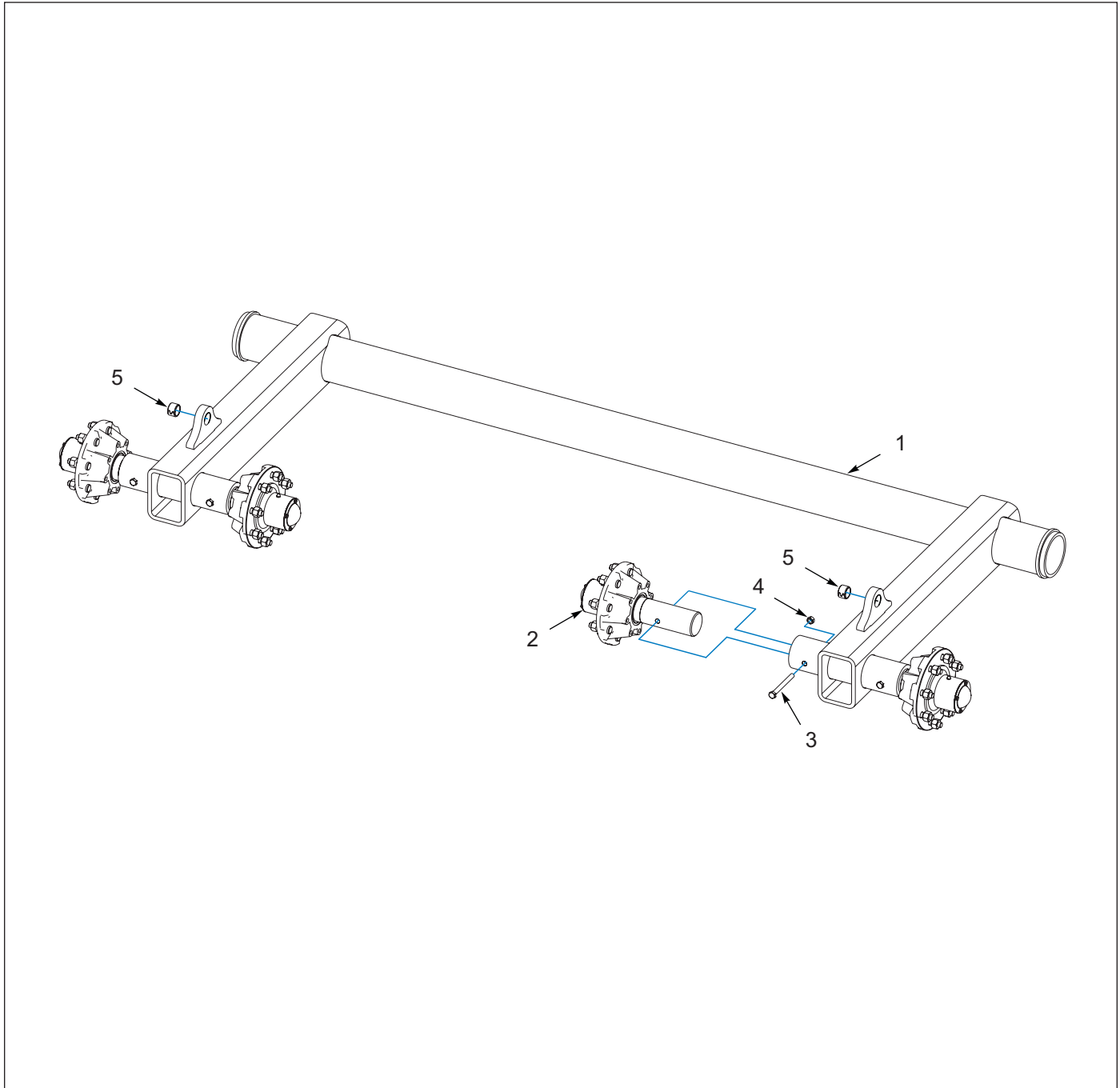


Figure 1-4: Transport Axle

Transport Axle

ITEM	PART NUMBER	DESCRIPTION	QTY
	211231	ROCKSHAFT ASM, 3631-25	1
1	211232	ROCKSHAFT WLDMT, 3631-25	1
2	224193	HUB & SPINDLE ASM, 8 BOLT (SEE PAGE 1-6)	4
3	1-654-010055-15	SCR, HX CP, 1/2-13UNC X 5, GR5	4
4	1-512-010005-09	NUT, LOCK, 1/2-13 GRB, ZP	4
5	1P693	SPRING BUSHING, 1-1/4 X 1-1/2 X 1	2

ILLUSTRATED PARTS LIST

Hub and Spindle Assembly w/Screw on Hub Cap

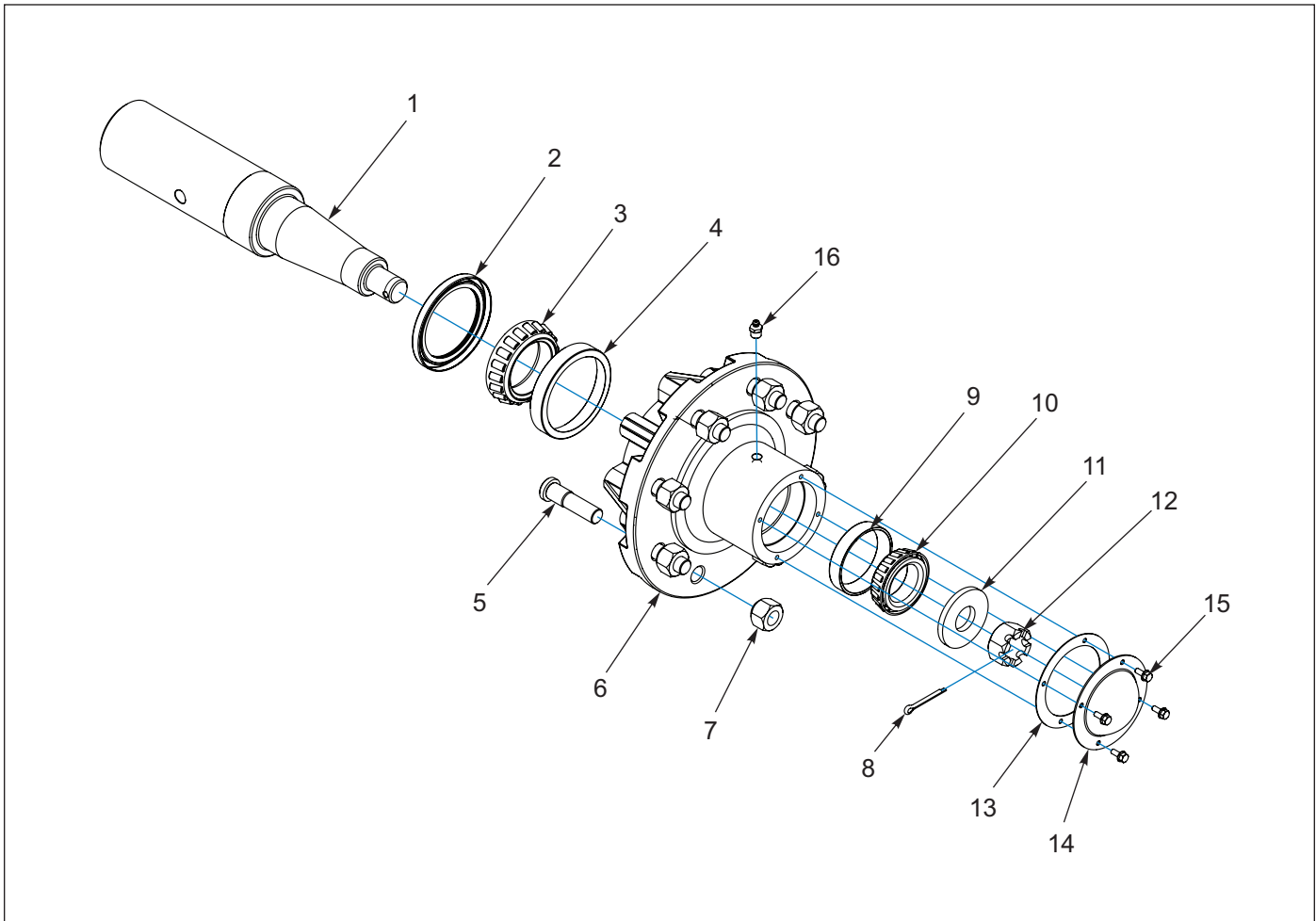


Figure 1-5: Hub and Spindle Assembly w/Screw on Hub Cap

Hub and Spindle Assembly w/Screw on Hub Cap

ITEM	PART NUMBER	DESCRIPTION	QTY
	224193	HUB & SPINDLE ASM, 8 BOLT	1
1	211175	SPINDLE, 3 X 15	1
2	193089	SEAL, PURGABLE 4 OD X 3 ID	1
3	156979	CONE BEARING - 387AS	1
4	111962	OUTER BEARING CUP L20HD#382A	1
5	4001060	STUD BOLT, 5/8-18	8
6	223435	HUB ASM W/CUPS, GASKET, CAP	1
7	102600	NUT, WHEEL BOLT, 5/8-18	8
8	1-557-010362-51	PIN, COTTER 3/16 X 1-1/2	1
9	102604	OUTER CUP BEARING (LM501310)	1
10	102498	BEARING CONE, OUTER, 1.625 (LM501349)	1
11	1-861-010005	WASHER, SPINDLE 1"	1
12	1-516-010001-20	NUT, HX SLOT 1-14	1
13	223439	GASKET	1
14	223437	DUST CAP	1
15	223438	SCREW, #10-32 X 1/2	4
16	5000	ZERK FITTING, 1/8NPT	1

Hub and Spindle Assembly

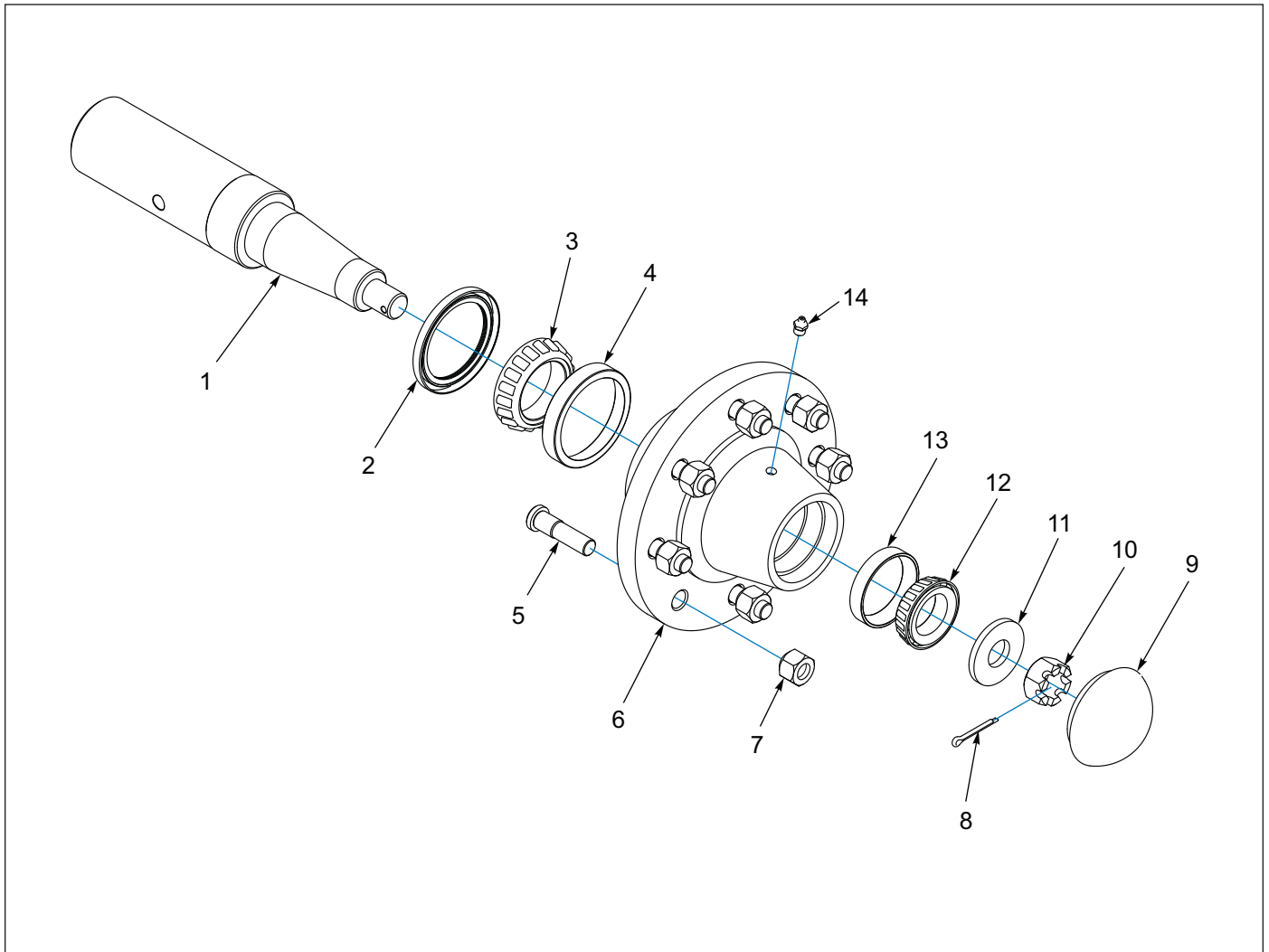


Figure 1-6: Hub and Spindle Assembly

Hub and Spindle Assembly

ITEM	PART NUMBER	DESCRIPTION	QTY
	211174	HUB & SPINDLE ASSY, 8 BOLT	1
1	211175	SPINDLE, 3 X 15	1
2	159970	SEAL, TRIPLE LIP 4 OD X 3 ID X 3/8	1
3	156979	CONE BEARING - 387AS	1
4	111962	OUTER BEARING CUP L20HD#382A	1
5	4001060	STUD BOLT, 5/8-18	8
6	156974	HUB W/CUPS, 8 BOLT, 7500LBS (INCLUDES ITEMS 4,5,7,13,14)	1
7	102600	NUT, WHEEL BOLT, 5/8-18	8
8	1-557-010362-51	PIN, COTTER, 3/16 X 1-1/2	1
9	102601	HUB CAP, 8-BOLT HUB	1
10	1-516-010001-20	NUT, HX SLOT 1-14	1
11	1-861-010005	WASHER, SPINDLE 1"	1
12	102498	BEARING CONE, OUTER, 1.625 (LM501349)	1
13	102604	OUTER CUP BEARING (LM501310)	1
14	5000	ZERK FITTING, 1/8NPT	1

Wheel Assembly, 182507

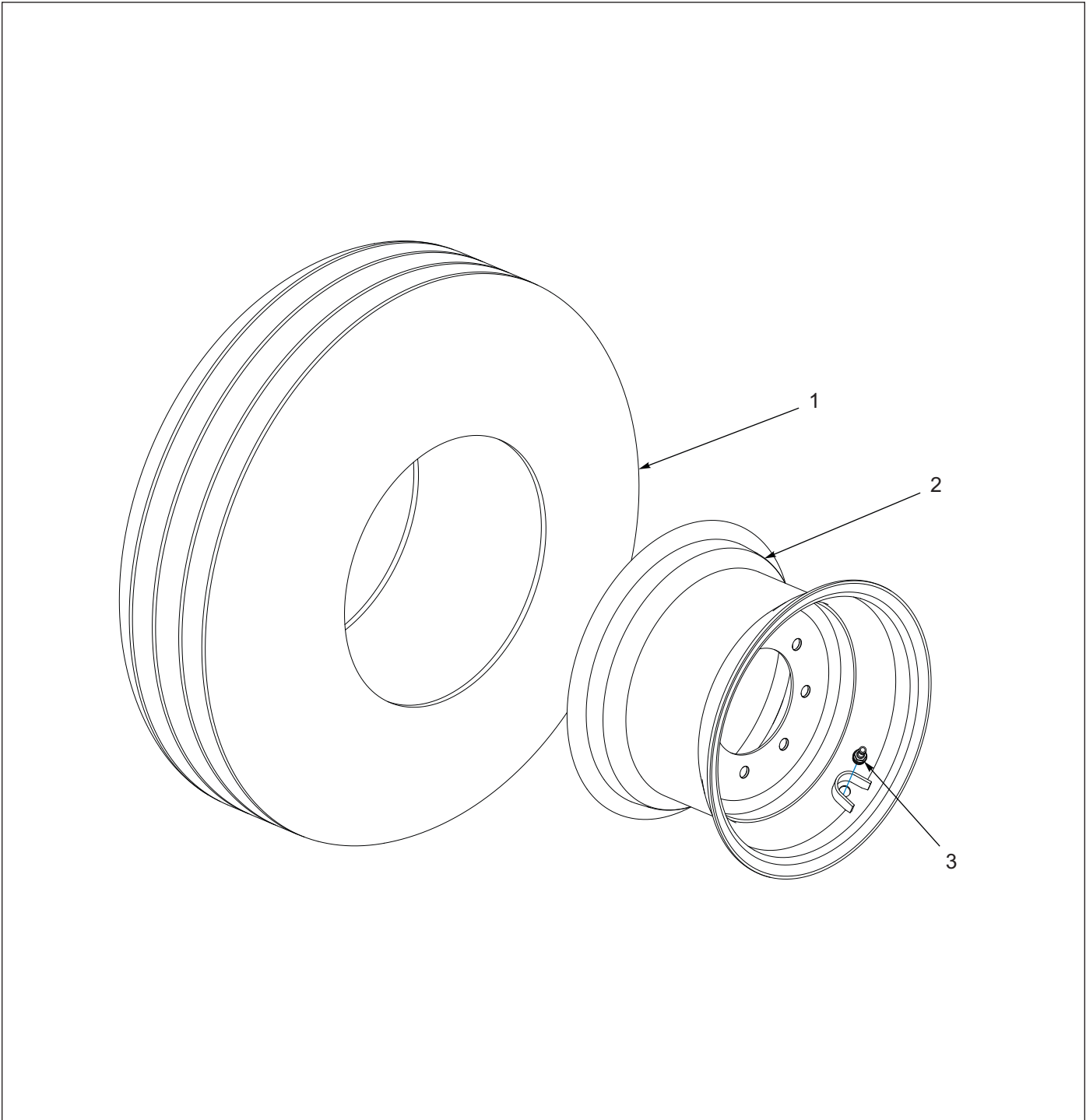


Figure 1-7: Wheel Assembly, 182507

Wheel Assembly, 182507

ITEM	PART NUMBER	DESCRIPTION	QTY
	182507	TIRE & WHEEL ASSY 380/55RX16.5	1
1	165236	TIRE 380/55R 16.5 IMP	1
2	182506	WHEEL, 8 BOLT, WHITE	1
3	TR575	VALVE STEM TUBELESS TIRE	1

Wheel Assembly, 211176

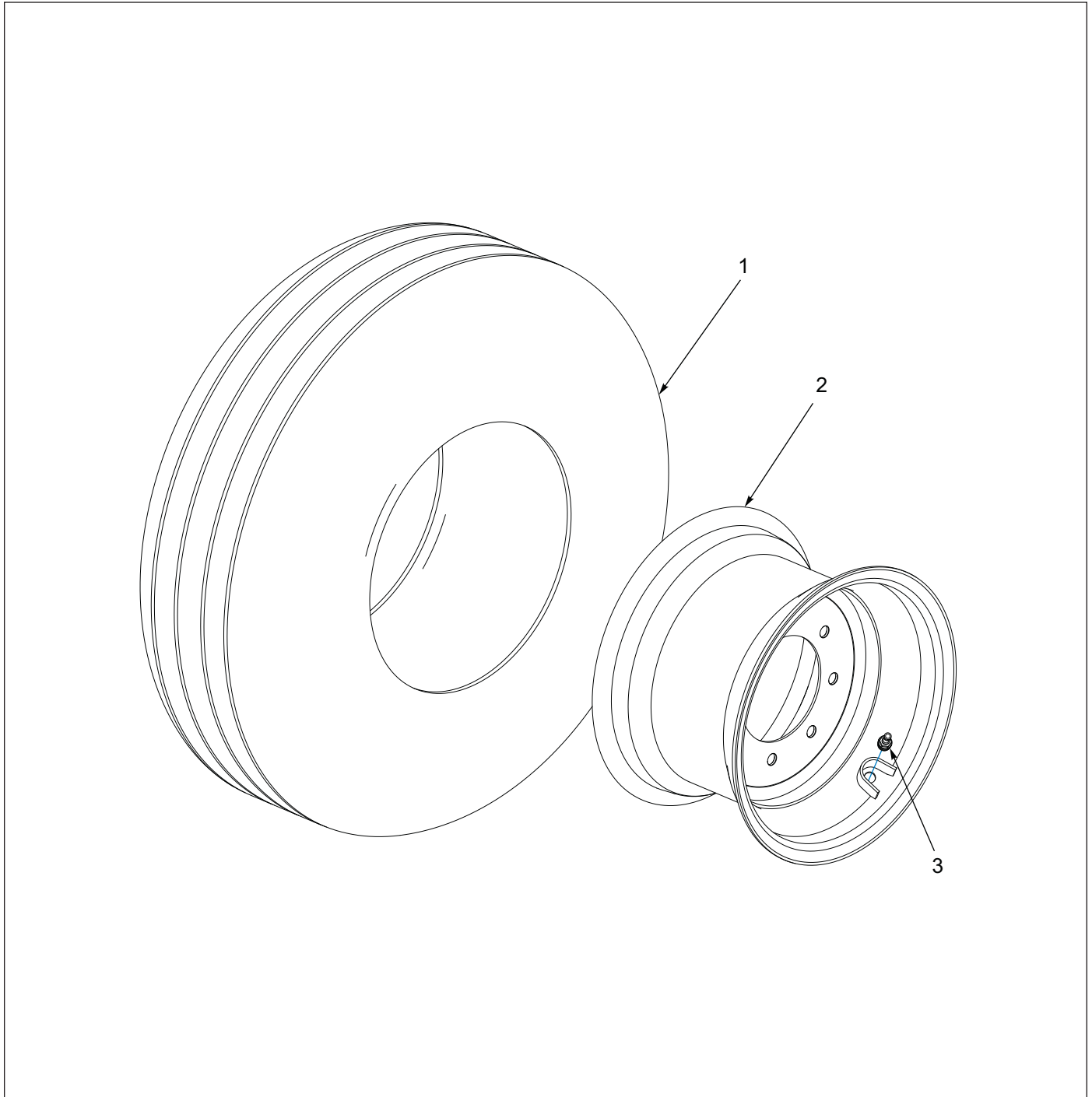


Figure 1-8: Wheel Assembly, 211176

Wheel Assembly, 211176

ITEM	PART NUMBER	DESCRIPTION	QTY
	211176	TIRE & WHEEL ASSY 320/70R 8BLT	1
1	204385	FIRESTONE RADIAL 320/70R15	1
2	167298	WHEEL, 15 X 10 LB 8 BOLT	1
3	TR416	VALVE STEM TUBELESS TIRE	1

Rockshaft Cylinder Transport Lock

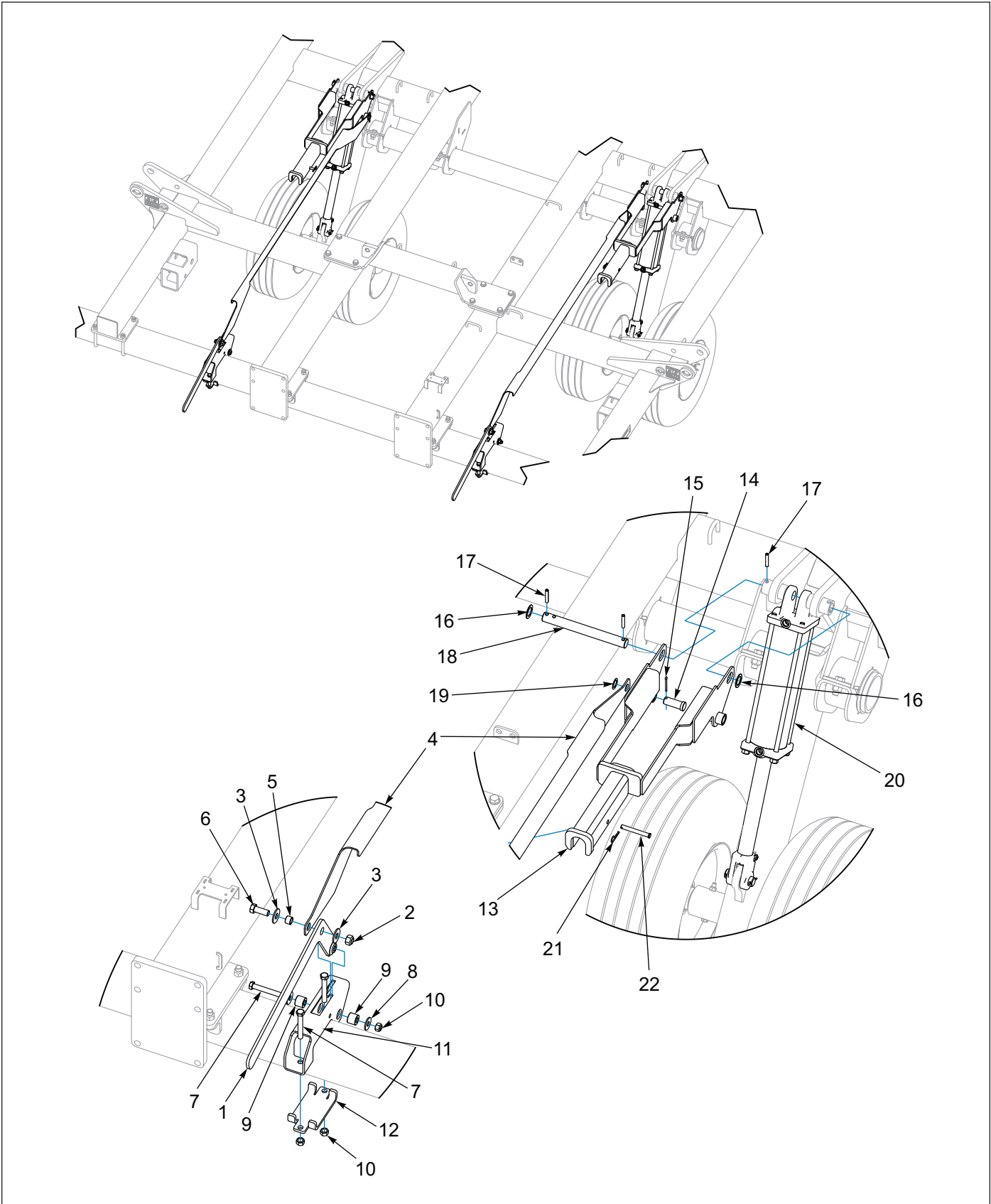


Figure 1-9: Rockshaft Cylinder Transport Lock

Rockshaft Cylinder Transport Lock

ITEM	PART NUMBER	DESCRIPTION	QTY
1	185957	LEVER, TRANSPORT LOCK	2
2	1-512-010005-15	NUT, HEX SLFLKG 3/4-10, GRB	2
3	1-861-010032-21	WASHER, FLAT 3/4 W, ZP/CD	4
4	211257	STRAP, TRANSPORT LOCK	2
5	9K440	BUSHING, 3/4 ID X 1 X 11/16	2
6	1-654-010061-05	SCREW, HHC 3/4-10UNC X 2, GR5, ZP	2
7	1-654-010059-14	SCREW, HX CP 5/8-11UNC X 4-1/2, G5	6
8	1-861-010032-19	WASHER, FLAT 5/8 W, ZP/CD	4
9	3P144	BUSHING, 5/8 X 1-3/8 X 1-1/8	4
10	1-512-010005-13	NUT, HEX SLFLKG 5/8-11, GRB	6
11	185954	BRACKET, TRANSPORT LOCK	2
12	185956	CLAMP	2
13	185960	TRANSPORT LOCK	2
14	8D099	CLEVIS PIN, 1 X 2-1/2	2
15	110-4224	PIN, COTTER 3/16 X 2IN LG	2
16	4J548	MACH BUSH, 1.25 X 1.875 X 14GA	4
17	127712	PIN, SPRING SLOTTED 3/8 X 2-1/4	6
18	185961	PIN, 1-1/4, 3H	2
19	7C120	MACHINERY BUSHING, 1 X 1-1/2 X 18GA	2
20	181342	HYD CYL, 4-1/2 X 14 (SEE PAGE 1-103)	2
21	6J448	HAIRPIN COTTER, 1/8	2
22	1408092	CLEVIS PIN, 1/2 X 4	2

Drawbar Leveler

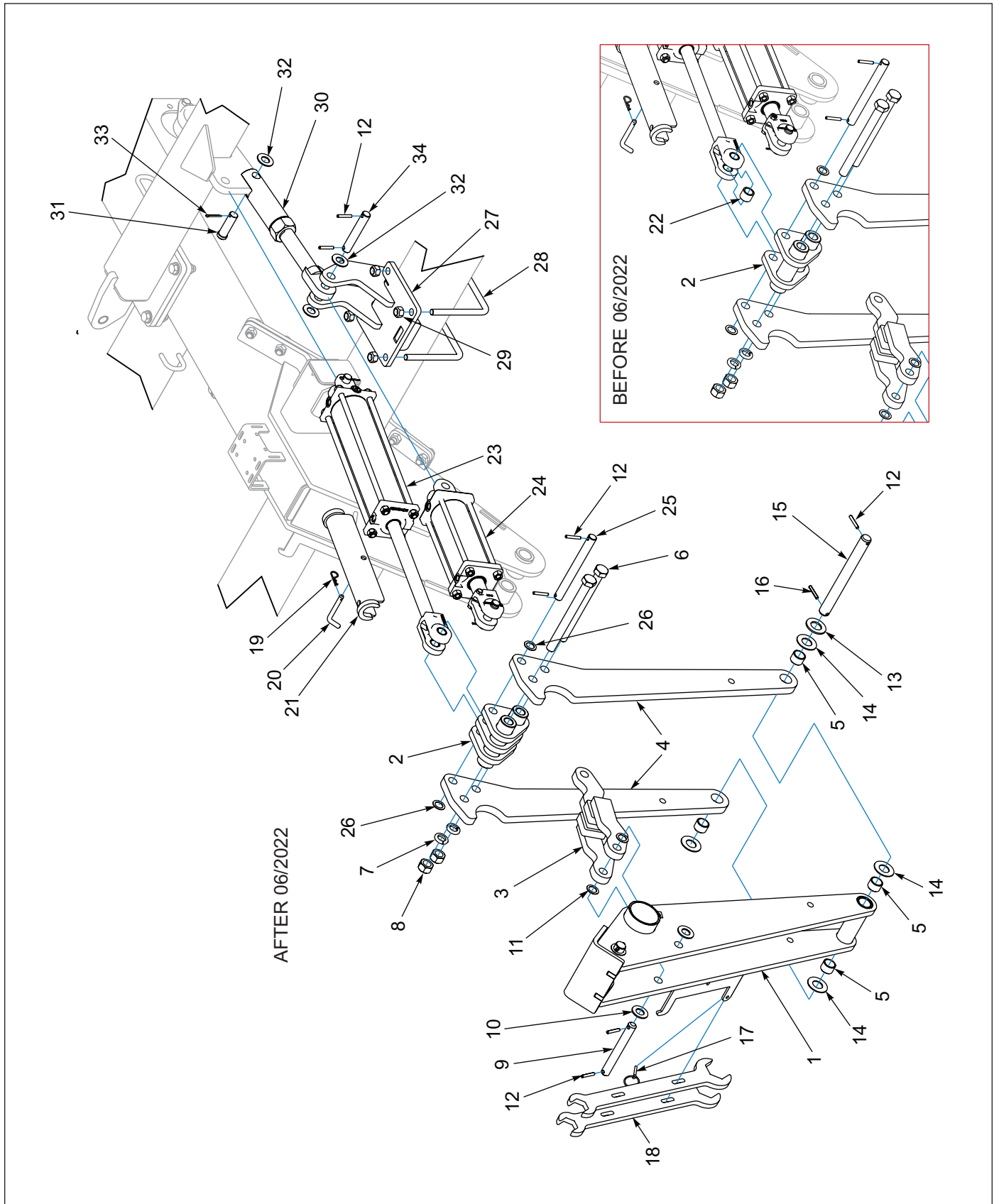


Figure 1-10: Drawbar Leveler

Drawbar Leveler

ITEM	PART NUMBER	DESCRIPTION	QTY
1	196106	MAST, WLDMT HITCH LEVELER	1
2	196116	MOUNT, LEVELING	1
3	211254	LINK, CYLINDER WLD	1
4	196110	PLATE, TRANSPORT LOCK	2
5	3J511	BUSHING BRONZE, 1.258 X 1.504 X 1	4
6	161131	HHCS, 1-8 X 11, GR5, ZP	2
7	1-861-010034-21	WASHER, LKG HEL SPRG 1IN	2
8	1-512-010007-14	NUT, HEX 1-8, ZP	2
9	174294	PIN, 1.0 X 8.25 H2	1
10	1-861-010032-24	WASHER, FLT 1" SAE, ZP	2
11	7C120	MACH BUSH, 1.0 X 1.5 X 18GA	2
12	147072	PIN, SPRING SLOTTED 5/16 X 2	5
13	116100	WASHER, 1-1/4 NAR FL, ZP/CD	1
14	196120	WASHER, THRUST SS 1-1/4, 12GA	4
15	196119	PIN, 1.25 X 12.5 H2	1
16	170004	PIN, GROOVED ALLOY, 5/16 X 2	1
17	1-557-010327	PIN, LYNCH 1/4 X 1-1/4	1
18	190882	WRENCH, ADJUSTMENT RED	2
19	6J448	HAIRPIN COTTER, 1/8	1
20	3C335	CLEVIS PIN, BENT	1
21	197693	TRANSPORT LOCK, 1-1/2 X 16	1
22	9J278	SPACER (1-1/32 X 1-3/8 X 1-1/16)	1
23	9D731	HYD CYLINDER, 4-1/2 X 16 (SEE PAGE 1-108)	1
24	1-242-010171-3	HYD CYLINDER, 4 X 8 (SEE PAGE 1-102)	1
25	2P280	PIN, 1.0 X 10.125 H2	1
26	7C076	MACHINERY BUSHING 1 X 1.5 X 14GA	2
27	211252	BRACKET LEVELING CYLINDER	1
28	7K723	U-BOLT, 3/4-10	2
29	1-512-010005-15	NUT, LOCK 3/4-10	4
30	219110	TIE ROD ASM	1
31	2P411	CLEVIS PIN, 1 X 3-1/4	1
32	199977	WASHER, SS 1 X 2 X 11GA	3
33	1-557-010362-51	COTTER PIN, 3/16 X 1-1/2	1
34	9J695	PIN, 1 X 6	1

ILLUSTRATED PARTS LIST

Drawbar

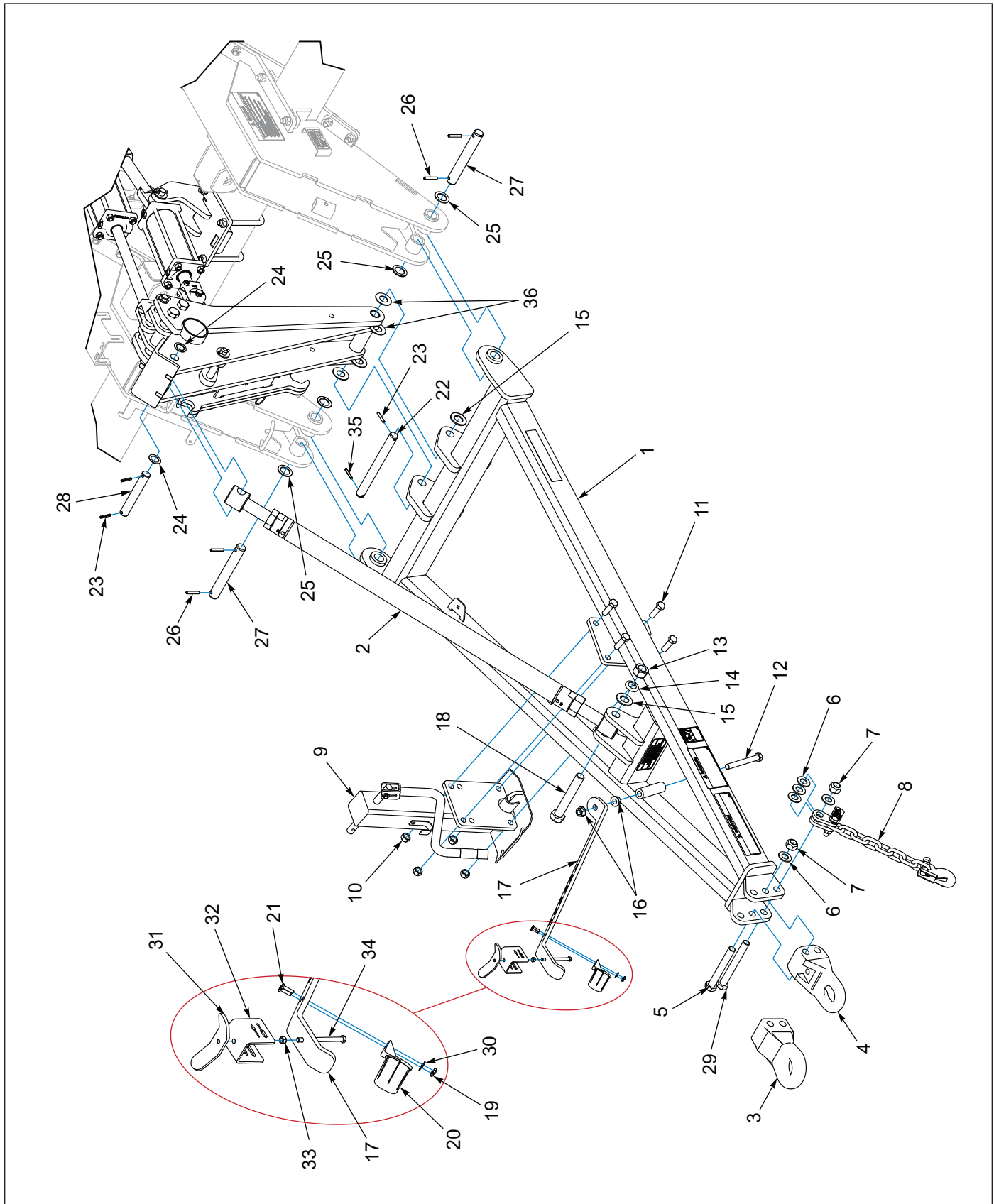


Figure 1-11: Drawbar

Drawbar

ITEM	PART NUMBER	DESCRIPTION	QTY
1	211311	DRAWBAR W/DECALS	1
2	183475	RADIUS ROD ASM, 1-3/4, RED (TURNBUCKLE) (SEE PAGE 1-21)	1
3	2-375-010602	HITCH, RING CAT IV	1
4	2-375-010601	HITCH, RING CAT III	1
5	153696	BOLT, HITCH CLEVIS (1-8 X 7-1/2)	1
6	1-861-010032-24	WASHER, FLT 1" SAE, ZP	5
7	1-512-010005-19	NUT, LOCK 1-8, GRB, ZP	2
8	156950	SAFETY CHAIN, 41,000 LB	1
9	188051	JACK, 12K W/MOUNT PLATE	1
10	1-512-010005-15	NUT, HEX SLFLKG GRB, 3/4-10	4
11	1-654-010061-07	SCREW, HX CP 3/4-10UNC X 2-1/2, GR5	4
12	1-654-010061-19	HHCS, 3/4-10 X 7	1
13	1-512-010007-16	NUT, HEX 1-1/4-7, ZP	1
14	100825	WASHER, LKG, HLCL SPR 1-14	1
15	116100	WASHER, FLAT 1-1/4 SAE	1
16	103841	NUT, FLG LNK SERRATED, 3/4-10UNC	2
17	193226	BRACKET, HOSE HOLDER	1
18	1-654-010123-01	SCREW, CAP, SPEC., 1-1/4-7 X 8, G8	1
19	1-512-010005-01	NUT, HEX SLFLKG GRB, 1/4-20	2
20	2-368-010287	HARNESS, STOR-A-WAY	1
21	1-654-010047-06	SCREW, HX CP 1/4-20UNC X 1, GR5	2
22	196119	PIN, 1-1/4 X 12-1/2	1
23	147072	ROLL PIN, 5/16 X 2	3
24	4J548	MACHINERY BUSHING, 1-1/4 X 1-7/8 X 14GA	2
25	164174	MACHINERY BUSHING, 1-1/2 X 2-1/4 X 10GA	4
26	127712	PIN, SPRING SLOTTED 3/8 X 2-1/4	4
27	183517	PIN, 1.438 X 10.25 H2	2
28	193225	PIN, 1-1/4 X 8-1/4	1
29	1-654-010125-22	SCREW, HX CP 1-8UNC X 8-1/2 GR8, ZP	1
30	1-861-010032-06	WASHER, FLAT 1/4, ZP/CD	2
31	141249	WING NUT, HOSE HOLDER	1
32	141247	CLAMP, HOSE HOLDER	1
33	1-512-010007-07	NUT, HEX 3/8-16 GR2, ZP	1
34	196754	SCREW, HH 3/8-16 X 5 GR5, FULL THRD	1
35	170004	PIN, GROOVE ALLOY, 5/16 X 2	1
36	196120	WASHER, THRUST SS 1-1/4, 12GA	4

ILLUSTRATED PARTS LIST

Drawbar w/ Hydraulic Jack

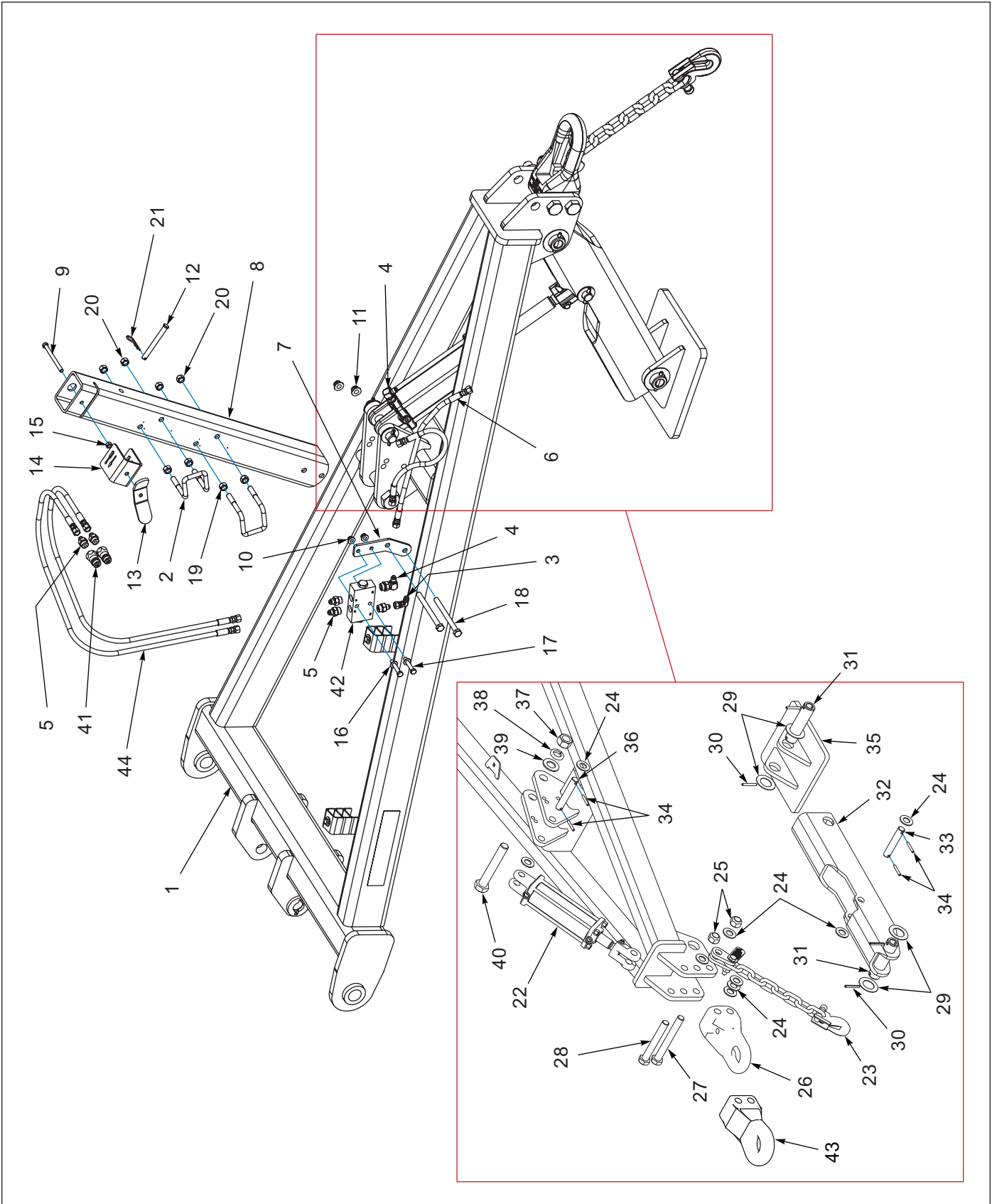


Figure 1-12: Drawbar w/ Hydraulic Jack

Drawbar w/Hydraulic Jack

ITEM	PART NUMBER	DESCRIPTION	QTY
1	238843	DRAWBAR,PULVIMULCHER	1
2	8J172	TOOTH CLAMP	2
3	102-0031	ADAPTER,90 JIC SWIVEL #6	1
4	2062-8-6S	ELBOW,90,#8 SAE X #6 JIC	3
5	202702-8-6S	ADAPTER #8 O-RING TO #6 TUBE	5
6	174265	HOSE HYD 1/4 X 21 - 6 STR	2
7	238854	BRACKET, VALVE	1
8	238853	HOSE SUPPORT	1
9	173044	SCREW, ALL THREAD,3/8-16X4-1/2	1
10	2P252	NUT, FLANGE NY-LOK 3/8-16	2
11	2P253	NUT, FLANGE NY-LOK 1/2-13	2
12	2P994	CLEVIS PIN, 0.5 X 4.5	1
13	141249	WING NUT, HOSE HOLDER	1
14	141247	CLAMP, HOSE HOLDER	1
15	1-512-010007-07	NUT, HEX 3/8-16 GR2, ZP	1
16	1-861-010032-10	WASHER, FLAT 3/8" N ZP/CD	2
17	1-654-010051-10	SCREW,HX CP3/8-16X2-1/4 GR5	2
18	1-654-010055-17	SCREW,HEX CAP,1/2-13UNCX6 GR5	2
19	1-512-010007-09	NUT, HEX 1/2-13 GR2 ZP	4
20	1-512-010005-09	NUT,HEX,SLFLKG, 1/2-13 GRB	4
21	6J448	HAIRPIN COTTER 1/8	1
22	5J280	HYD CYLINDER - 3 X 8	1
23	156950	SAFETY CHAIN, 41,000 LB	1
24	1-861-010032-24	WASHER FL 1IN NARROW ZP	9
25	1-512-010005-19	NUT 1-8 HEX SLF-LOCKING GRB	2
26	2-375-010601	HITCH, RING CAT III	1
27	1-654-010125-22	SCREW HX CP 1-8UNCX8-1/2G8ZP	1
28	153696	BOLT, HITCH CLEVIS	1
29	195566	WASHER THRUST 1-3/4 14 GA	4
30	1-647-010004240	PIN,SPRING,SLOTTED,5/16X2-1/2	4
31	238848	TUBE, JACK PIVOT	2
32	238844	TUBE, JACK	1
33	5J768	PIN (1.0 X 5.50 H2)	1
34	147072	PIN, SPRING SLOTTED 5/16 X 2	4
35	238846	BASE, JACK	1
36	9J695	PIN (1.0 X 6.0 H2)	1
37	1-512-010007-16	NUT,HEX 1-1/4-7 GR2 ZP	1
38	100825	WASHER, LKG, HLCL SPR 1-1/4	1
39	116100	WASHER 1-1/4 NAR FL ZP/CD	1
40	1-654-010123-01	SCREW,CAP,SPEC.,1-1/4-7X8G8	1
41	141828	COUPLER,MALE 3/4-16 O-RING	2
42	124696	VALVE,CHK DBL PILOT O-RING	1
43	2-375-010602	HITCH RING CAT IV	1
44	225093	HOSE ASSY, 1/4X100#6 JIC STR	2

Drawbar w/ Hydraulic Jack Schematic

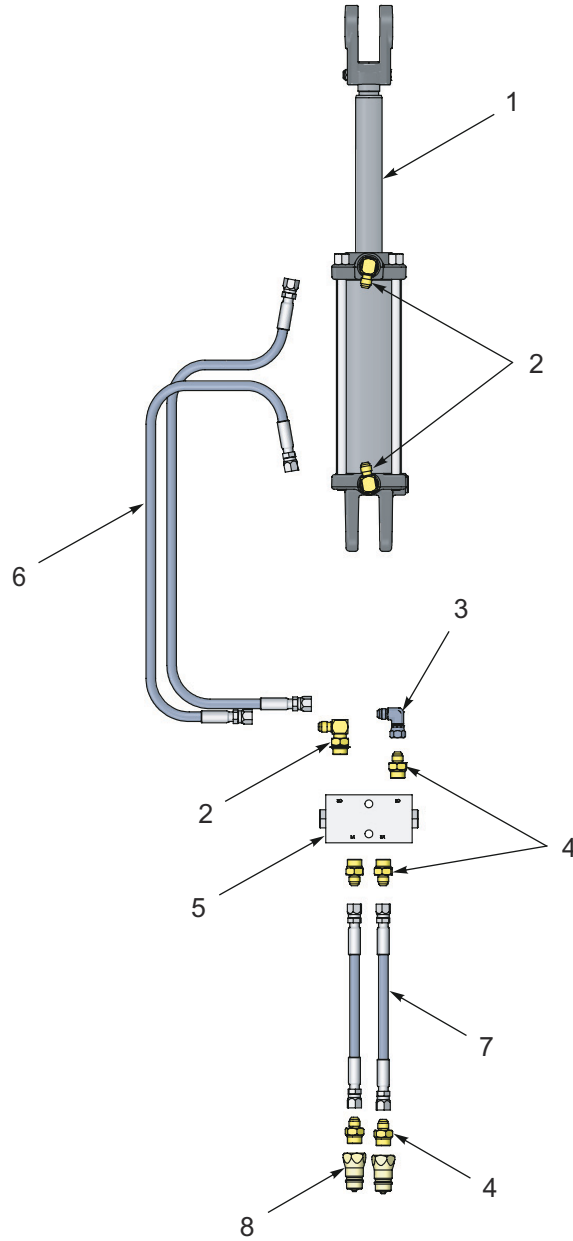


Figure 1-13: Drawbar w/ Hydraulic Jack Schematic

Drawbar w/ Hydraulic Jack Schematic

ITEM	PART NUMBER	DESCRIPTION	QTY
1	5J280	HYD CYLINDER - 3 X 8	1
2	2062-8-6S	ELBOW,90,#8 SAE X #6 JIC	3
3	102-0031	ADAPTER,90 JIC SWIVEL #6	1
4	202702-8-6S	ADAPTER #8 O-RING TO #6 TUBE	5
5	124696	VALVE,CHK DBL PILOT O-RING	1
6	174265	HOSE HYD 1/4 X 21 - 6 STR	2
7	225093	HOSE ASSY, 1/4X100#6 JIC STR	2
8	141828	COUPLER,MALE 3/4-16 O-RING	2

Category V Hitch

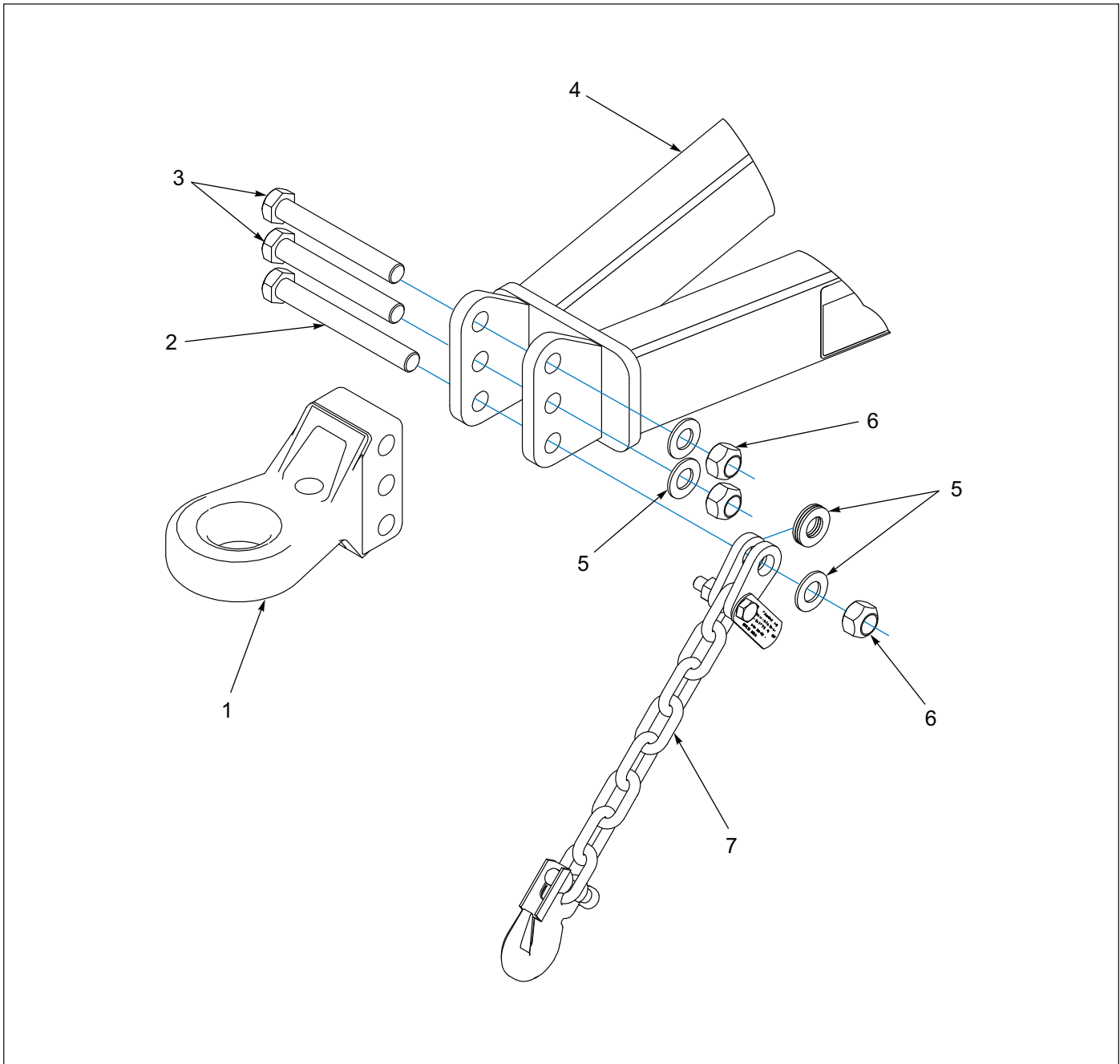


Figure 1-14: Category V Hitch

Category V Hitch

ITEM	PART NUMBER	DESCRIPTION	QTY
1	156949	HITCH, RING CAT V	1
2	1-654-010125-22	SCREW, HX CP 1-8UNC X 8-1/2 GR8, ZP	1
3	153696	BOLT, HITCH CLEVIS	2
4	211311	DRAWBAR W/DECALS	1
5	1-861-010032-24	WASHER, FLT 1" SAE, ZP	6
6	1-512-010005-19	NUT, LOCK 1-8, GRB, ZP	3
7	156950	SAFETY CHAIN, 41,000 LB	1

Turnbuckle

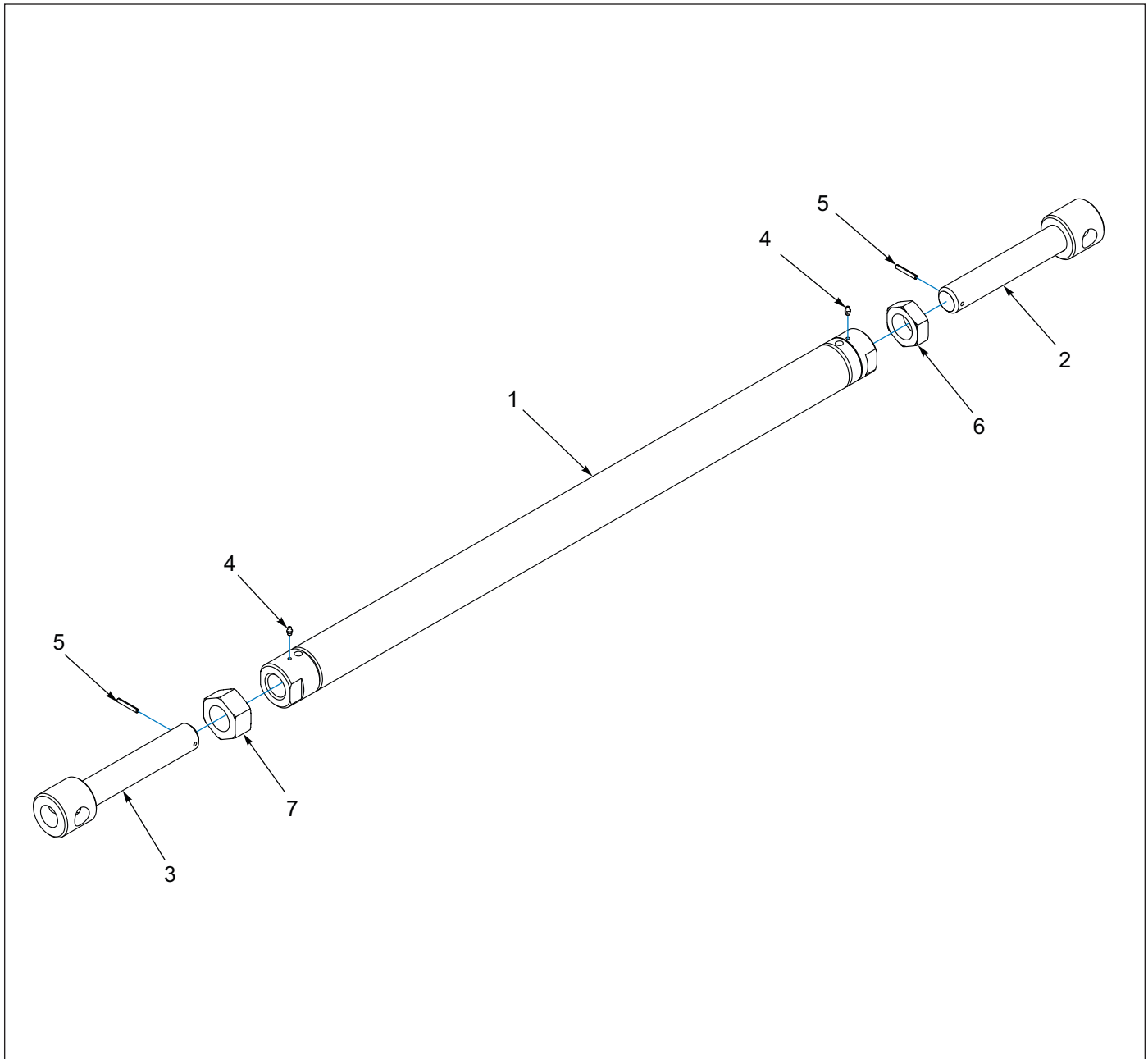


Figure 1-15: Turnbuckle

Turnbuckle

ITEM	PART NUMBER	DESCRIPTION	QTY
	183475	RADIUS ROD ASSY, 1-3/4, RED	1
1	183474	HITCH, RADIUS ROD 1-3/4, RED	1
2	155536	LH SCREW ASSY, RADIUS ROD	1
3	155534	RH SCREW ASSY, RADIUS ROD	1
4	1-298-010001-1	FIT, GREASE 1/4-28 TAPER	2
5	103-0805	ROLL PIN, SLTD, 1/4 X 1-3/4	2
6	155717	NUT, HEX JAM LH 1-3/4-5UNC, GR2	1
7	155716	NUT, HEX JAM 1-3/4-5UNC, GR2	1

ILLUSTRATED PARTS LIST

Wing Hinge

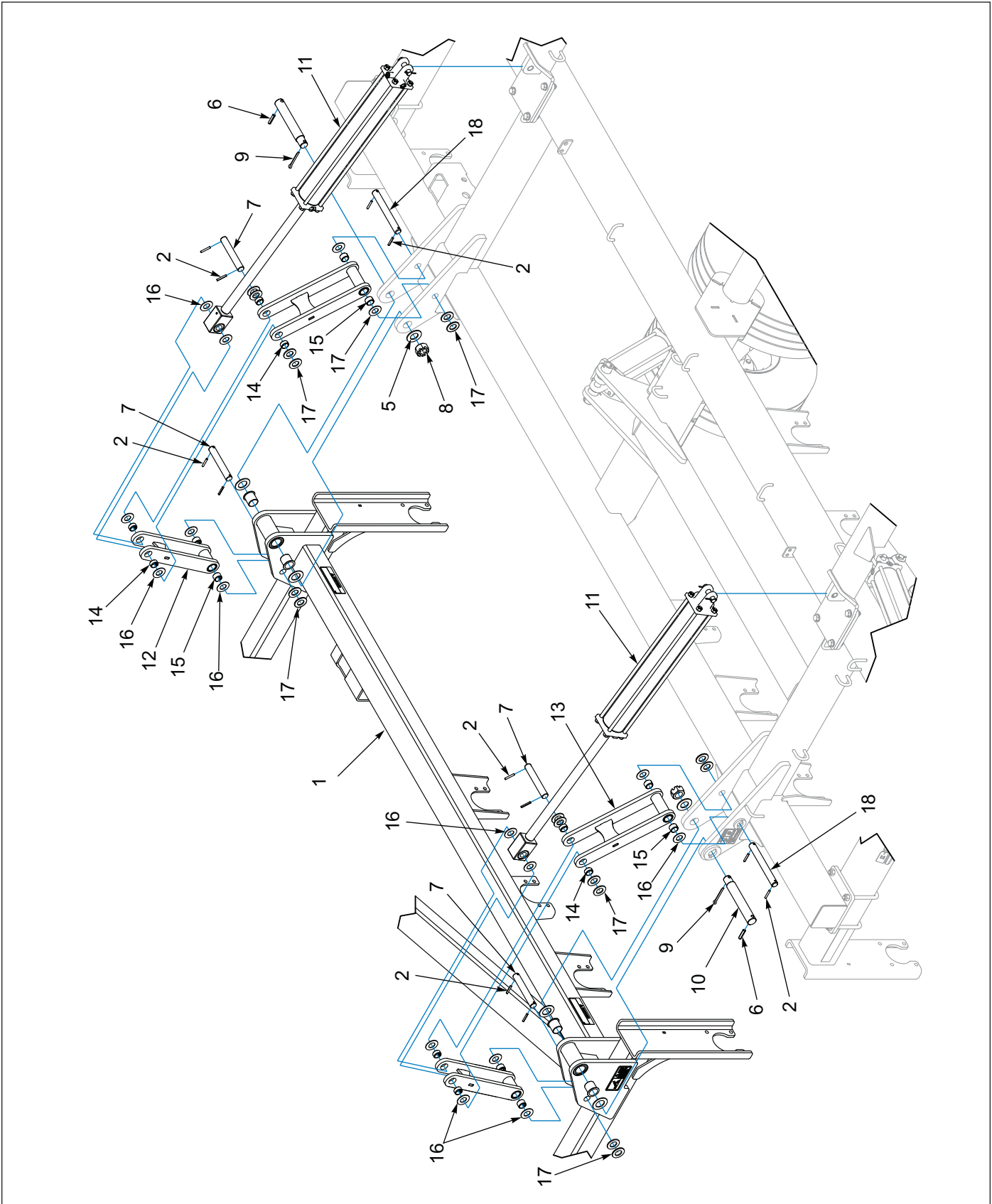


Figure 1-16: Wing Hinge

Wing Hinge

ITEM	PART NUMBER	DESCRIPTION	QTY
1	211159	WING FRAME, LH W/DECALS	1
1	211164	WING FRAME, RH W/DECALS (SHOWN)	1
2	147072	PIN, SPRING SLOTTED 5/16 X 2	12
3	164539	WASHER, THRUST 1-3/4	4
4	164533	BEARING, FLANGE 1-3/4	4
5	1-861-010032-32	WASHER, FLAT ZP/CD 1-1/2	2
6	144115	PIN, GROOVED ALLOY 1/2 X 2-1/4	2
7	193225	PIN, 1.25 X 8.25 H2	4
8	1-516-010001-27	NUT, HEX SLOT 1-1/2-6, ZP	2
9	101406	PIN, COTTER 3/8 X 3	2
10	181277	PIN, HINGE	2
11	219160	HYDRAULIC CYLINDER, 4 X 30 (SEE PAGE 1-106)	2
12	211264	LINK, INNER HINGE (INCLUDES ITEMS 14 AND 15) (WING)	2
13	211261	LINK, OUTER HINGE (INCLUDES ITEMS 14 AND 15) (CENTER FRAME)	2
14	1P196	BUSHING, 1-1/4 X 1-1/2 X 3/4	2
15	1P693	BUSHING, 1-1/4 X 1-1/2 X 1	2
16	196120	WASHER, THRUST 1-1/4 X 2-1/2, 12GA	16
17	116100	WASHER, 1-1/4 NAR FL ZP/CD	16
18	2P361	PIN, 1.25 X 10.88 H2	2

Front and Rear Center Roller and Frame

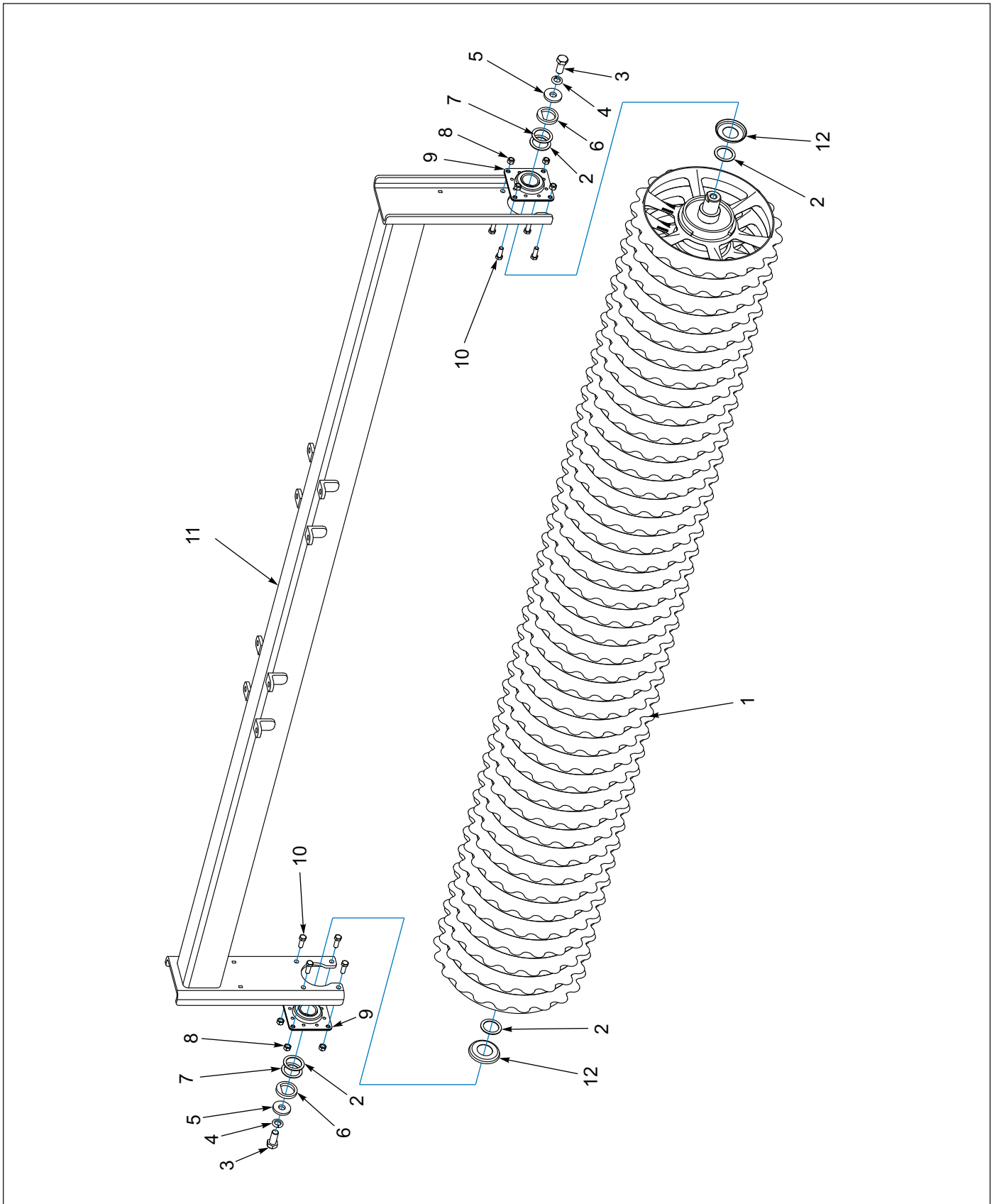


Figure 1-17: Front and Rear Center Roller and Frame

Front and Rear Center Roller and Frame

ITEM	PART NUMBER	DESCRIPTION	QTY
1	211203	ROLLER ASM, 13FT 8IN NOTCHED (24" WHEELS) (SEE PAGE 1-30)	1
2	185170	WASHER, SHIM 11 GA 2.43 ID	4
3	137943	SCREW, HEX CAP 1-8UNC X 2-1/4, GR5	2
4	1-861-010034-21	WASHER, LKG HEL SPRG 1IN	2
5	154185	WASHER, 3/8 (THICK)	2
6	185166	WASHER, FLAT TOP	2
7	185171	WASHER, SHIM 14 GA 2.43 ID	2
8	1-512-010005-13	NUT, HEX SLFLKG GRB 5/8-11	8
9	185167	FLANGE BEARING, 61MM BORE	2
10	1-654-010059-04	SCREW, HEX CAP, 5/8-11 X 1-3/4, G5	8
11	211183	FRAME, ROLLER 13FT 8IN	1
12	203117	SHIELD, 61mm BRG DIRT	2

Right Hand Wing Frame and Roller

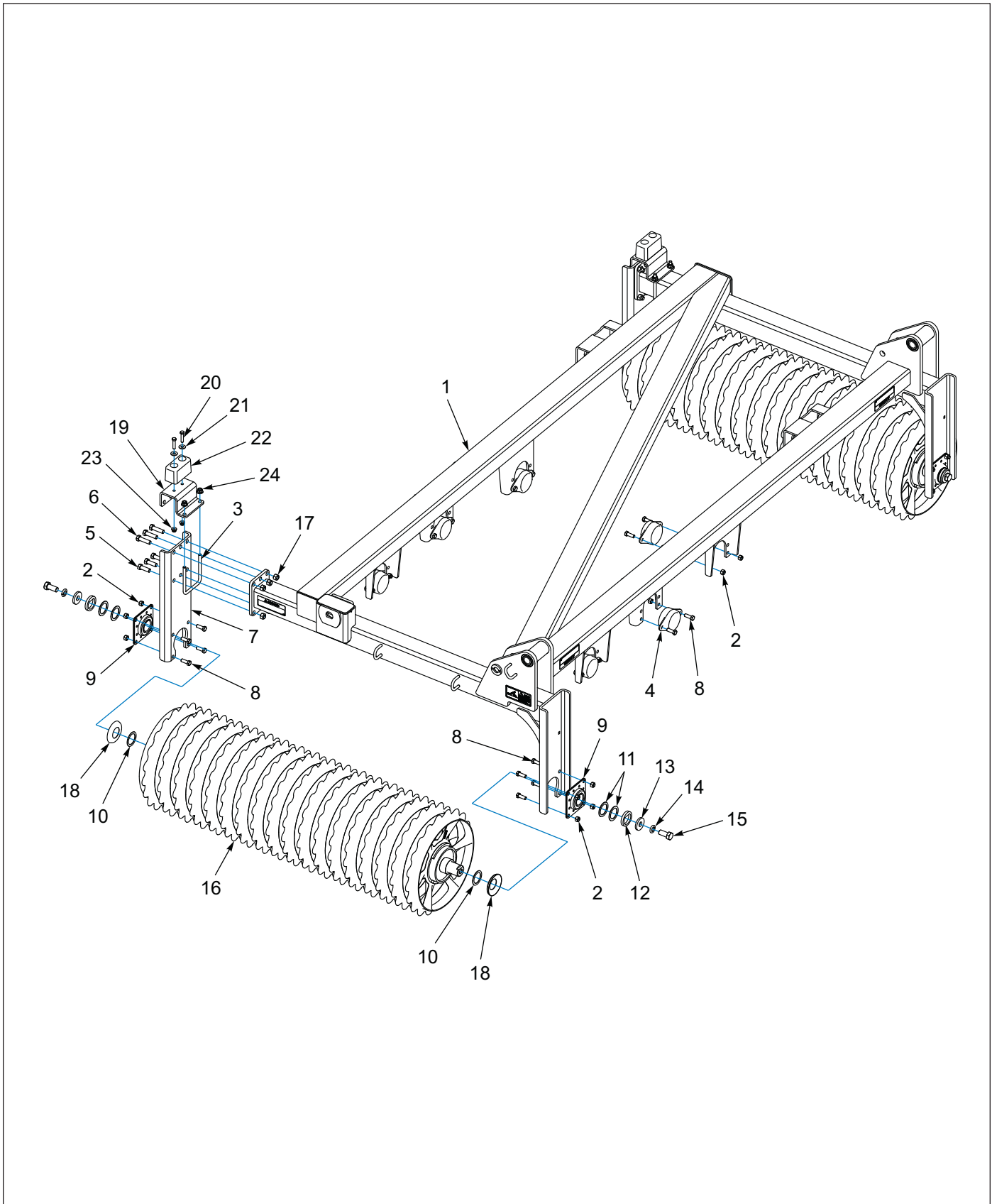


Figure 1-18: Right Hand Wing Frame and Roller

Right Hand Wing Frame and Roller

ITEM	PART NUMBER	DESCRIPTION	QTY
1	211164	FRAME, WING RH W/DECALS	1
2	1-512-010005-13	NUT, HEX SLFLKG, 5/8-11, GRB	28
3	181363	U-BOLT, 5/8-11 X 5-11/16 X 6-3/4	2
4	175194	BEARING, TOOTH TUBE	6
5	1-654-010061-06	HHCS, 3/4-10 X 2-1/4, GR5 (BOTTOM)	6
6	110-7095	HHCS, 3/4-10 X 2-3/4 (TOP)	6
7	196057	HANGER, BEARING	2
8	1-654-010059-04	SCREW, HEX CAP, 5/8-11 X 1-3/4, G5	28
9	185167	FLANGE BEARING, 61mm BORE	4
10	185171	WASHER, SHIM 14 GA 2.43 ID	4
11	185170	WASHER, SHIM 11 GA 2.43 ID	8
12	185166	WASHER, FLAT TOP	4
13	154185	WASHER, 3/8 THICK 1" ID	4
14	1-861-010034-21	WASHER, LKG HEL SPRG 1IN	4
15	137943	SCREW, HEX CAP, 1-8UNC X 2-1/4, GR5	4
16	211201	WHEEL ASM, NOTCHED (24" WHEELS) (SEE PAGE 1-30)	2
17	1-512-010005-15	NUT, HEX SLFLKG, 3/4-10, GRB	12
18	203117	SHIELD, 61mm BRG DIRT	4
19	211276	BRACKET, WING REST	2
20	1-654-010055-11	SCREW, HX CP, 1/2-13UNC X 3-1/2	4
21	1-861-010032-15	WASHER, FLAT 1/2 W ZP/CD	4
22	128874	BUMPER, RUBBER 6 X 3 X 3-1/2	2
23	2P253	NUT, FLANGE NY-LOK, 1/2-13	4
24	2P254	NUT, FLANGE NY-LOK, 5/8-11	4

Left Hand Wing Frame and Roller

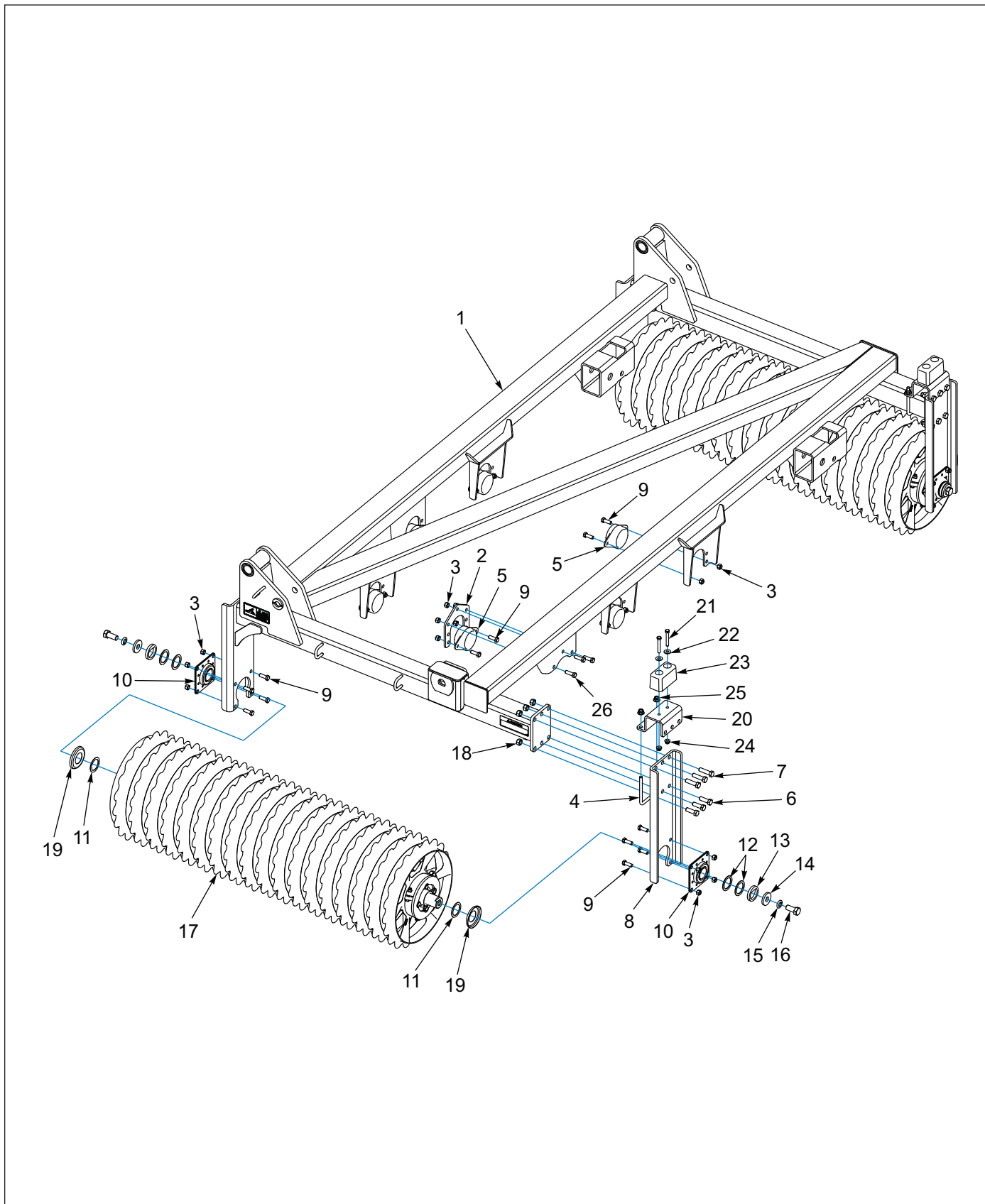


Figure 1-19: Left Hand Wing Frame and Roller

Left Hand Wing Frame and Roller

ITEM	PART NUMBER	DESCRIPTION	QTY
1	211159	FRAME, WING LH W/DECALS	1
2	211289	PLATE, TOOTH TUBE BLT-ON BRG (BEFORE 12/16/2021)	1
3	1-512-010005-13	NUT, HEX SLFLKG, 5/8-11, GRB (BEFORE 12/16/2021,QTY=31)	26
4	181363	U-BOLT, 5/8-11 X 5-11/16 X 6-3/4	2
5	175194	BEARING, TOOTH TUBE	6
6	1-654-010061-06	HHCS, 3/4-10 X 2-1/4, GR5 (BOTTOM)	6
7	110-7095	HHCS, 3/4-10 X 2-3/4 (TOP)	6
8	196057	HANGER, BEARING	2
9	1-654-010059-04	SCREW, HEX CAP 5/8-11X1-3/4, G5 (BEFORE 12/16/2021,QTY=28)	26
10	185167	FLANGE BEARING, 61mm BORE	4
11	185171	WASHER, SHIM 14 GA 2.43 ID	4
12	185170	WASHER, SHIM 11 GA 2.43 ID	8
13	185166	WASHER, FLAT TOP	4
14	154185	WASHER, 3/8 THICK 1" ID	4
15	1-861-010034-21	WASHER, LKG HEL SPRG 1IN	4
16	137943	SCREW, HEX CAP, 1-8UNC X 2-1/4, GR5	4
17	211201	WHEEL ASM, NOTCHED (24" WHEELS) (SEE PAGE 1-30)	2
18	1-512-010005-15	NUT, HEX SLFLKG GRB, 3/4-10	12
19	203117	SHIELD, 61mm BRG DIRT	4
20	211276	BRACKET, WING REST	2
21	1-654-010055-11	SCREW, HX CP, 1/2-13UNC X 3-1/2	4
22	1-861-010032-15	WASHER, FLAT 1/2 W ZP/CD	4
23	128874	BUMPER RUBBER 6 X 3 X 3-1/2	2
24	2P253	NUT, FLANGE NY-LOK 1/2-13	4
25	2P254	NUT, FLANGE NY-LOK 5/8-11	4
26	1-654-010059-05	SCREW, HEX CAP, 5/8-11 X 2, G5 (BEFORE 12/16/2021)	3

Roller Axle Assembly, Notched 24" Wheels

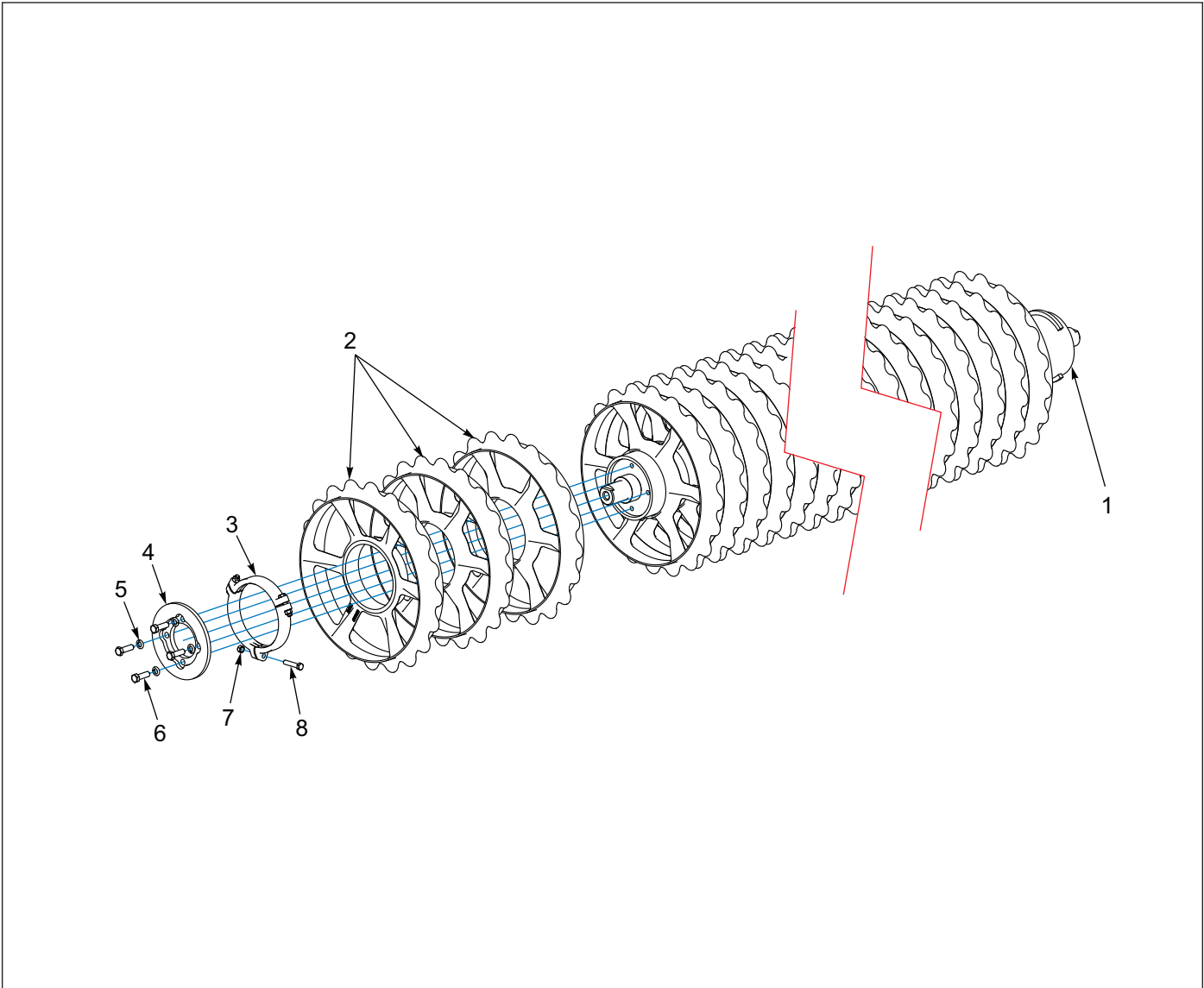


Figure 1-20: Roller Axle Assembly, Notched 24" Wheels

Roller Axle Assembly, Notched 24" Wheels

ITEM	PART NUMBER	DESCRIPTION	QTY	
			6'	13' 8"
	211201	ROLLER ASM, 6 FT NOTCHED	1	--
	211203	ROLLER ASM 13FT 8IN NOTCHED	--	1
1	211205	AXLE WLD, 72" W/STUB SHAFTS	1	--
1	211207	AXLE WLD, 164" W/STUB SHAFTS	--	1
2	200950	WHEEL, 24 X 8-1/8 BORE	18	41
3	3P052	CLAMP, AXLE	3	3
4	191396	STOP, WHEEL	1	1
5	1-861-010034-15	WASHER, LKG, HLCL SPR, 5/8	4	4
6	1-654-010059-05	SCREW, HX CP, 5/8-11UNC X 2, GR5	4	4
7	1-512-010005-09	NUT, LOCK 1/2-13, GRB, ZP	3	3
8	1-654-010055-07	SCREW, HX CP, 1/2-13UNC X 2-1/2	3	3

Tooth Control - Center Frame

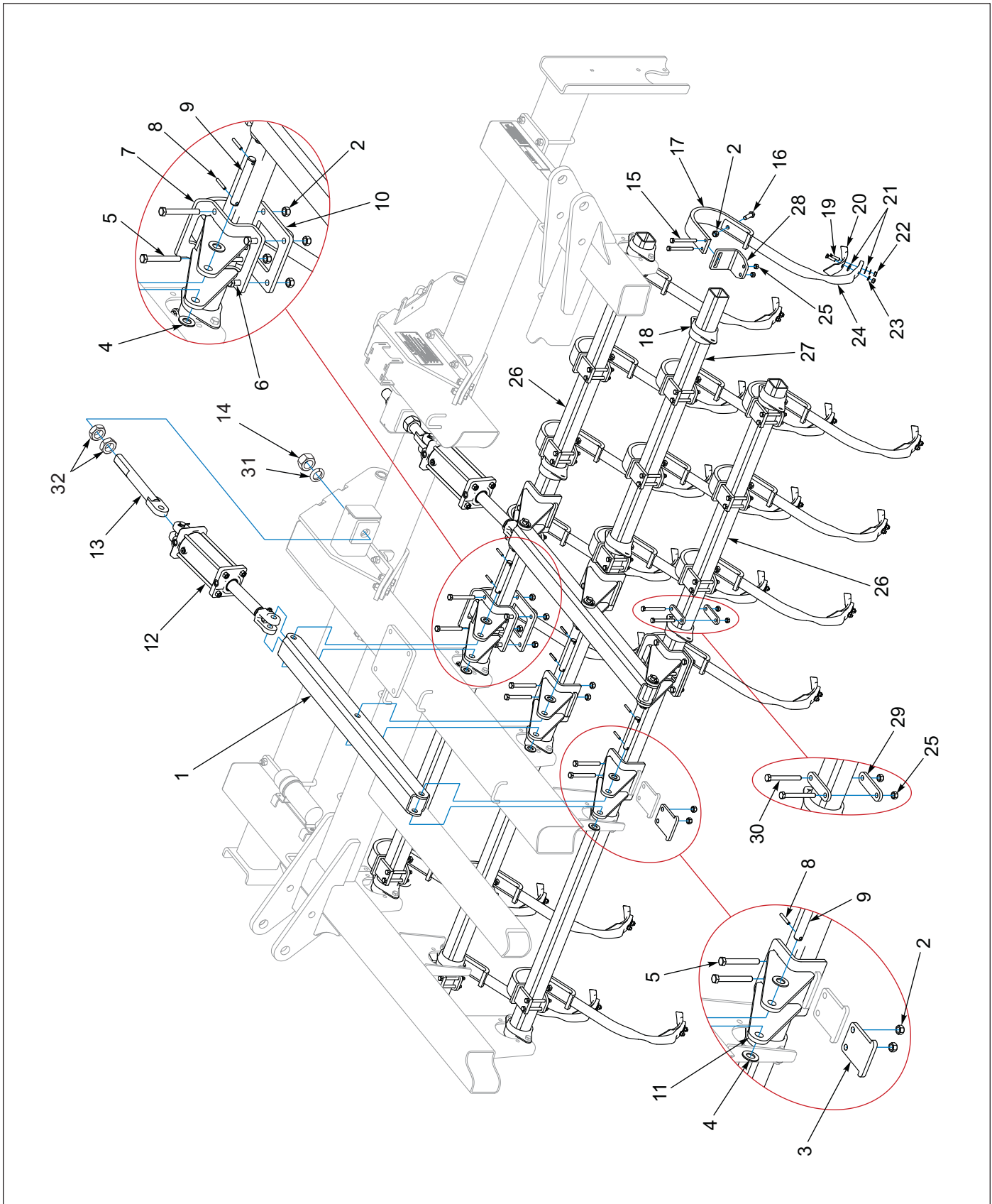


Figure 1-21: Tooth Control - Center Frame

Tooth Control - Center Frame

ITEM	PART NUMBER	DESCRIPTION	QTY
1	191420	TUBE, TOOTH CONTROL	2
2	1-512-010005-13	NUT, HEX SLFLKG GRB 5/8-11	41
3	185108	PLATE, CLAMP	4
4	1-861-010032-24	WASHER, FL 1IN NARROW, ZP	12
5	1-654-010059-15	SCREW, HEX CAP, 5/8-11UNC X 5, GR5	12
6	1-654-010059-05	SCREW, HEX CAP, 5/8-11UNC X 2, GR5	4
7	185109	CLAMP, TOOTH CONTROL	2
8	147072	PIN, SPRING SLOTTED 5/16 X 2	12
9	6J580	PIN, (1 X 6-1/2)	6
10	185114	PLATE, 4 HOLE	2
11	185107	BRACKET, TOOTH CONTROL	4
12	193251	HYD CYLINDER, 4-1/2 X 8 REPHASING (SEE PAGE 1-104)	2
13	185999	ROD, CYLINDER ANCHOR	2
14	159954	NUT, HEX 1-3/4-5 (BEFORE 06/23/2022 WAS 4)	2
15	1-654-010055-15	SCR, HX CP, 1/2-13UNC X 5, GR5	50
16	1-654-010059-06	SCREW, HEX CAP, 5/8-11 X 2-1/4, G5	25
17	166199	SPRING CLAMP, S-TINE	25
18	175194	BEARING TOOTH TUBE	12
19	7/16-14X1-3/4PB	BOLT, PLOW 7/16 X 1-3/4 GR5, ZP	50
20	2J605	CULTIVATOR POINT	25
21	1-861-010032-13	WASHER, FLAT 7/16	50
22	1-512-010007-08	NUT, HEX 7/16-14, GR2, ZP	50
23	1-861-010034-12	WASHER, LOCKING HLC SPG 7/16	50
24	185928	SHANK, 5/8 X 1-3/4 EDGE BENT	25
25	1-512-010005-09	NUT, HEX SLFLKG, 1/2-13 GRB	54
26	211287	TUBE SQ 3 X 142 (FRONT AND REAR)	2
27	211286	TUBE SQ 3 X 150 (MIDDLE)	1
28	179416	CLAMP, S-TINE 3" SQ TUBE	25
29	186700	STRAP, 2-HOLE	4
30	1-654-010055-14	HHCS, 1/2-13 X 4-1/2	4
31	234181	WASHER, LOCK 1-3/4, ZP	2
32	155716	NUT HX JAM 1-3/4-5UNC GR2	4

Shank Depth Control Mounting Components

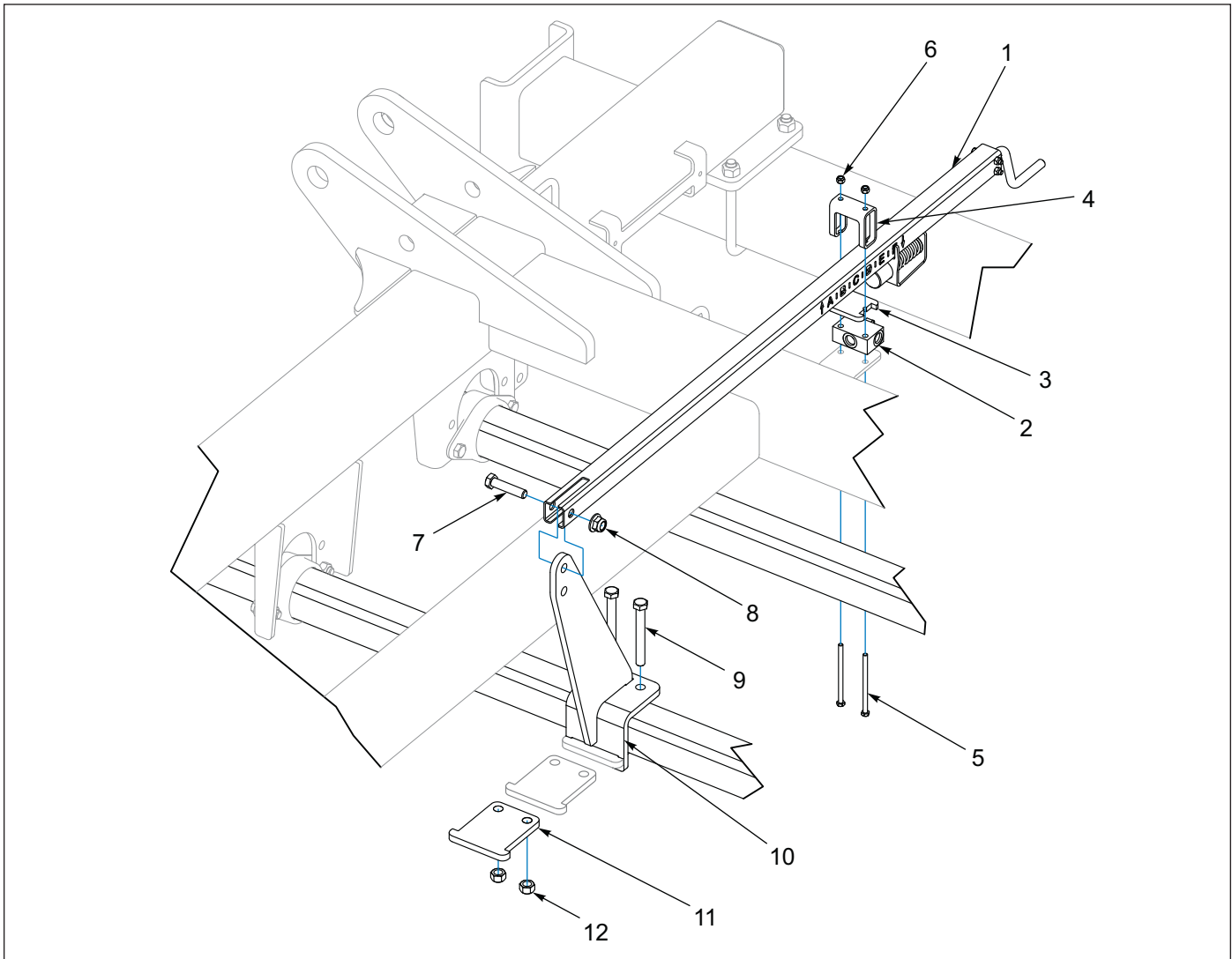


Figure 1-22: Shank Depth Control Mounting Components

Shank Depth Control Mounting Components

ITEM	PART NUMBER	DESCRIPTION	QTY
1	211247	DEPTH STOP ASSEMBLY (SEE PAGE 1-35)	1
2	203467	VALVE-LIMIT, STROKE (AFTER 07/01/2022)	1
2	140693	VALVE, LIMIT (BEFORE 07/01/2022)	1
3	165257	PAD, SLIDE	1
4	195579	GUIDE DEPTH STOP	1
5	171556	SCREW,HEX CP,5/16-18UNCX5-1/2 (AFTER 07/01/2022)	2
5	1-654-010049-19	SCREW, HEX CP, 5/16-18UNC X 5, GR5 (BEFORE 07/01/2022)	2
6	104032	NUT, HEX NY-LOK 5/16-18	2
7	1-654-010059-08	SCREW, HEX CAP, 5/8-11UNC X 2-3/4, GR5	1
8	2P254	NUT, FLANGE NY-LOK 5/8-11	1
9	1-654-010059-15	SCREW, HEX CAP, 5/8-11UNC X 5, GR5	2
10	211245	CLAMP, DEPTH STOP WLDMT	1
11	185108	PLATE, CLAMP	1
12	1-512-010005-13	NUT, HEX SLFLKG, 5/8-11, GRB	2

Shank Depth Control Assembly

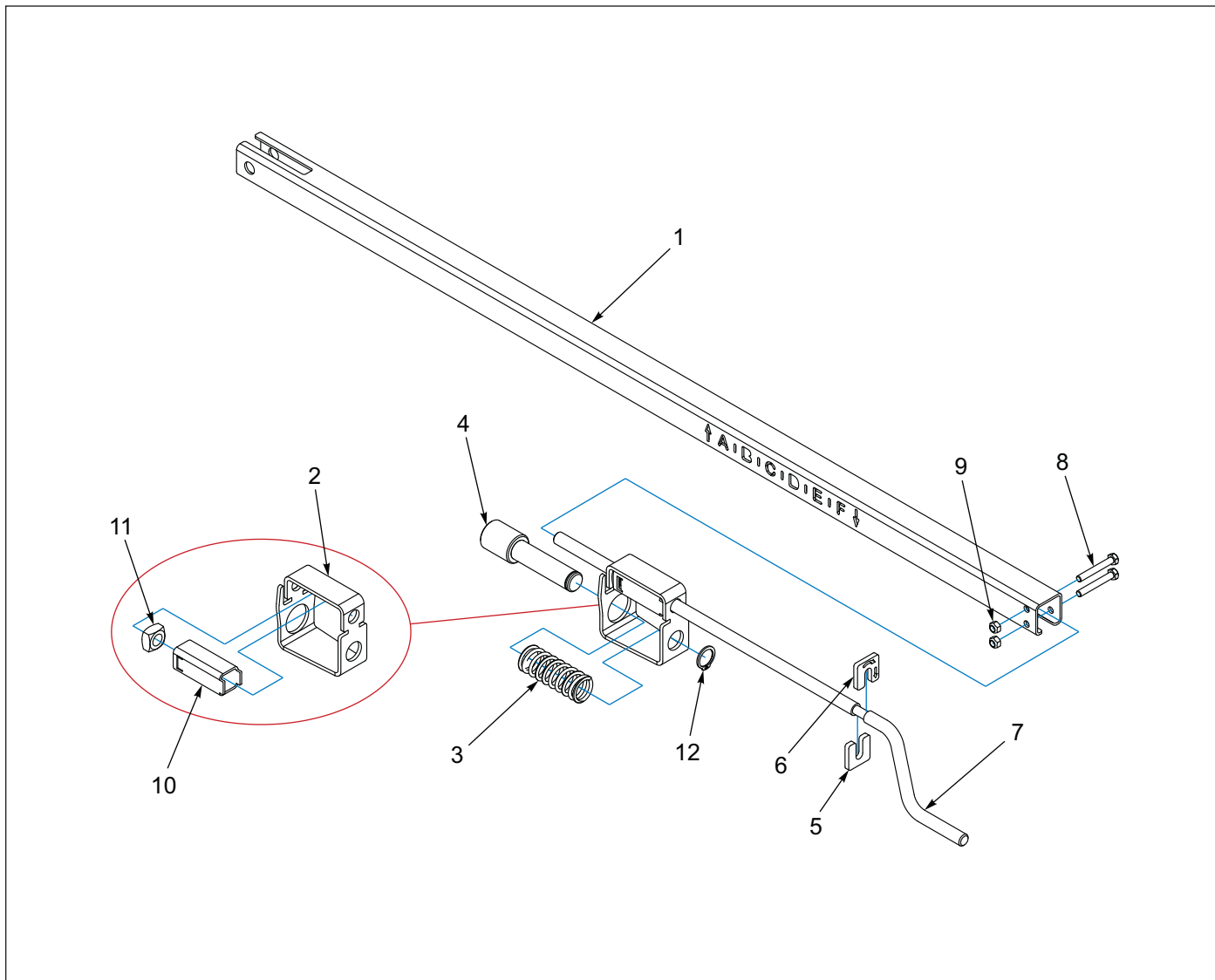


Figure 1-23: Shank Depth Control Assembly

Shank Depth Control Assembly

ITEM	PART NUMBER	DESCRIPTION	QTY
	211247	DEPTH STOP ASM	1
1	211248	TUBE, DEPTH STOP	1
2	182289	STOP-DEPTH	1
3	122917	SPRING, COMPRESSION, 4-1/2, MONOSEM	1
4	174708	PIN, DEPTH STOP	1
5	165259	STOP, HANDLE LONG	1
6	165260	STOP, HANDLE SHORT	1
7	211234	HANDLE, DEPTH STOP	1
8	108628	SCREW, HX CP, 5/16-18UNC X 2-1/4	2
9	1-512-010005-03	NUT, LOCK 5/16-18, ZP	2
10	195597	TUBE, FLOATING BLK	1
11	144048	NUT, SQUARE 5/8-11, GR5	1
12	1-630-010021-03	RING, RETAINING 1.0 HD	1

Tooth Control - Right Hand Wing

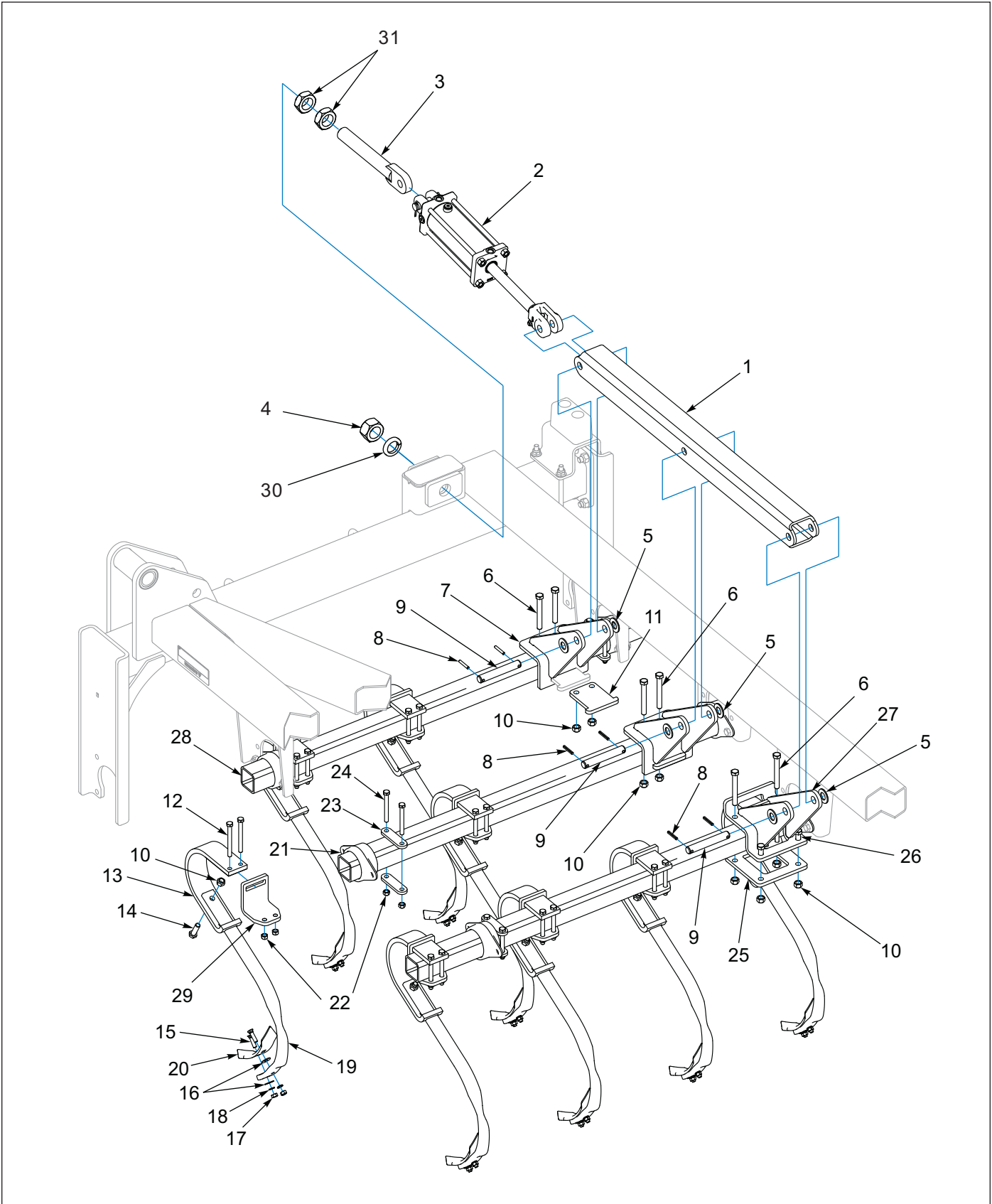


Figure 1-24: Tooth Control - Right Hand Wing

Tooth Control - Right Hand Wing

ITEM	PART NUMBER	DESCRIPTION	QTY
1	191420	TUBE, TOOTH CONTROL	1
2	193252	HYD CYLINDER, 4 X 8 REPHASING (SEE PAGE 1-105)	1
3	159955	ROD, CYLINDER ANCHOR	1
4	159954	NUT, HEX 1-3/4-5 (BEFORE 06/23/2022, QTY=2)	1
5	1-861-010032-24	WASHER, FL 1IN NARROW, ZP	6
6	1-654-010059-15	SCREW, HEX CAP, 5/8-11UNC X 5, GR5	6
7	185107	BRACKET, TOOTH CONTROL	2
8	147072	PIN, SPRING SLOTTED, 5/16 X 2	6
9	6J580	PIN, (1 X 6-1/2)	3
10	1-512-010005-13	NUT, HEX SLFLKG 5/8-11, GRB	20
11	185108	PLATE, CLAMP	2
12	1-654-010055-15	SCR, HX CP, 1/2-13UNC X 5, GR5	24
13	166199	SPRING CLAMP, S-TINE	12
14	1-654-010059-06	SCREW, HEX CAP, 5/8-11 X 2-1/4, G5	12
15	7/16-14X1-3/4PB	BOLT, PLOW 7/16 X 1-3/4, GR5, ZP	24
16	1-861-010032-13	WASHER, FLAT 7/16	24
17	1-512-010007-08	NUT, HEX 7/16-14, GR2, ZP	24
18	1-861-010034-12	WASHER, LOCKING HLC SPG, 7/16	24
19	185928	SHANK, 5/8 X 1-3/4 EDGE BENT	12
20	2J605	CULTIVATOR POINT	12
21	175194	BEARING TOOTH TUBE	6
22	1-512-010005-09	NUT, HEX SLFLKG, 1/2-13, GRB	30
23	186700	STRAP, 2-HOLE	6
24	1-654-010055-14	SCREW, HX CP, 1/2-13UNC X 4-1/2, G5	6
25	185114	PLATE, 4 HOLE	1
26	1-654-010059-05	SCREW, HEX CAP, 5/8-11UNC X 2, GR5	2
27	185109	CLAMP, TOOTH CONTROL	1
28	211278	TUBE, SQ 3 X 64	3
29	179416	CLAMP, S-TINE, 3" SQ TUBE	12
30	234181	WASHER, LOCK 1-3/4, ZP (AFTER 06/23/2022)	1
31	155716	NUT HX JAM 1-3/4-5UNC GR2 (AFTER 06/23/2022)	2

Tooth Control - Left Hand Wing

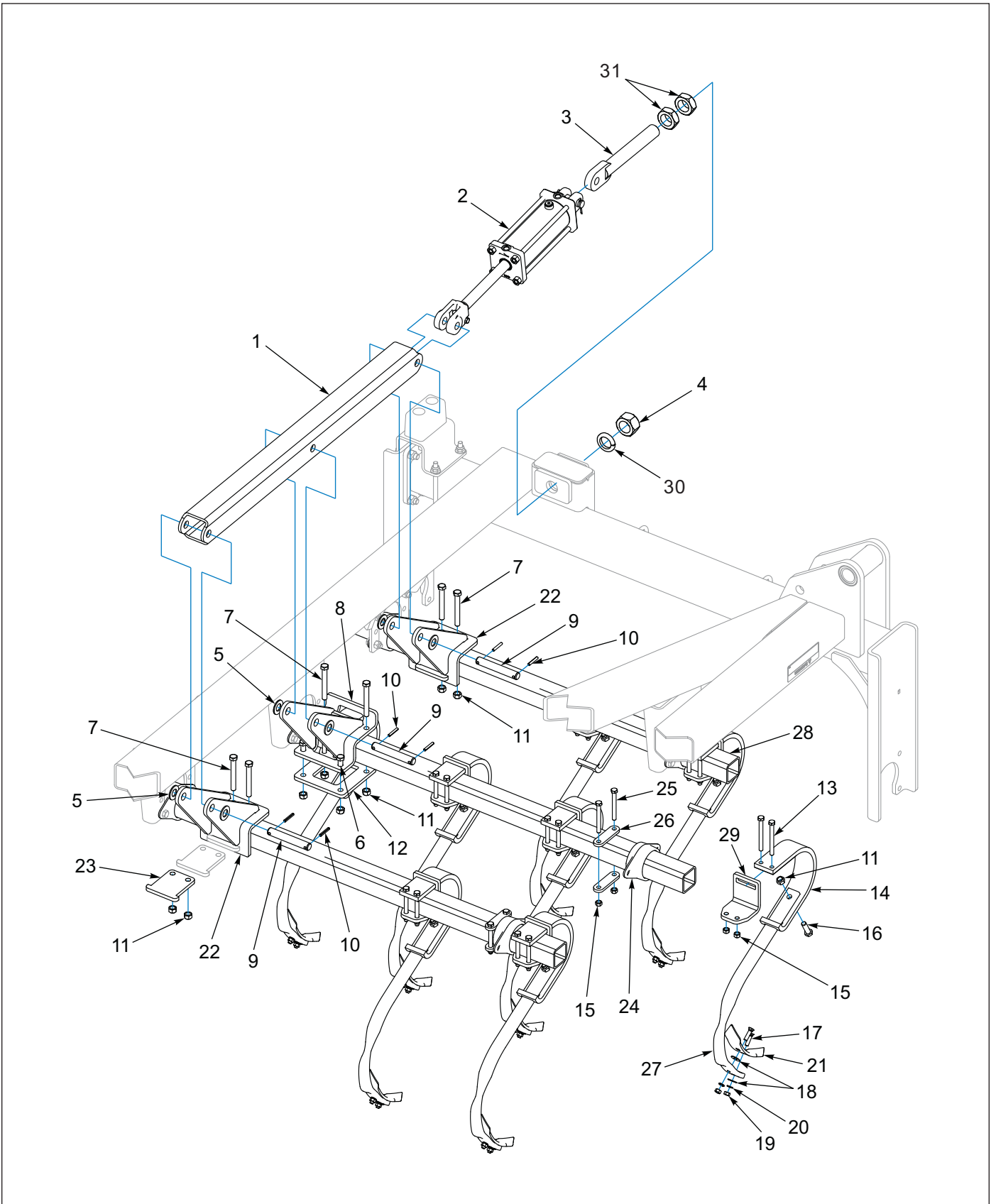


Figure 1-25: Tooth Control - Left Hand Wing

Tooth Control - Left Hand Wing

ITEM	PART NUMBER	DESCRIPTION	QTY
1	191420	TUBE, TOOTH CONTROL	1
2	193252	HYD CYLINDER, 4 X 8 REPHASING (SEE PAGE 1-105)	1
3	159955	ROD, CYLINDER ANCHOR	1
4	159954	NUT, HEX 1-3/4-5 (BEFORE 06/23/2022, QTY=2)	1
5	1-861-010032-24	WASHER, FL 1IN NARROW, ZP	6
6	1-654-010059-05	SCREW, HEX CAP, 5/8-11UNC X 2, GR5	2
7	1-654-010059-15	SCREW, HEX CAP, 5/8-11UNC X 5, GR5	6
8	185109	CLAMP, TOOTH CONTROL	1
9	6J580	PIN, (1 X 6-1/2)	3
10	147072	PIN, SPRING SLOTTED 5/16 X 2	6
11	1-512-010005-13	NUT, HEX SLFLKG GRB 5/8-11	20
12	185114	PLATE, 4 HOLE	1
13	1-654-010055-15	SCR, HX CP, 1/2-13UNC X 5, GR5	24
14	166199	SPRING CLAMP, S-TINE	12
15	1-512-010005-09	NUT, HEX SLFLKG, 1/2-13, GRB	28
16	1-654-010059-06	SCREW, HEX CAP, 5/8-11 X 2-1/4, G5	12
17	7/16-14X1-3/4PB	BOLT, PLOW 7/16 X 1-3/4 GR5, ZP	24
18	1-861-010032-13	WASHER, FLAT 7/16	24
19	1-512-010007-08	NUT, HEX 7/16-14 GR2, ZP	24
20	1-861-010034-12	WASHER, LOCKING HLC SPG 7/16	24
21	2J605	CULTIVATOR POINT	12
22	185107	BRACKET, TOOTH CONTROL	2
23	185108	PLATE, CLAMP	2
24	175194	BEARING TOOTH TUBE	6
25	1-654-010055-14	SCREW, HX CP, 1/2-13UNC X 4-1/2, G5	4
26	186700	STRAP, 2-HOLE	4
27	185928	SHANK, 5/8 X 1-3/4 EDGE BENT	12
28	211278	TUBE, SQ 3 X 64	3
29	179416	CLAMP, S-TINE, 3" SQ TUBE	12
30	234181	WASHER, LOCK 1-3/4, ZP (AFTER 06/23/2022)	1
31	155716	NUT HX JAM 1-3/4-5UNC GR2 (AFTER 06/23/2022)	2

S-Tine Shank Assembly

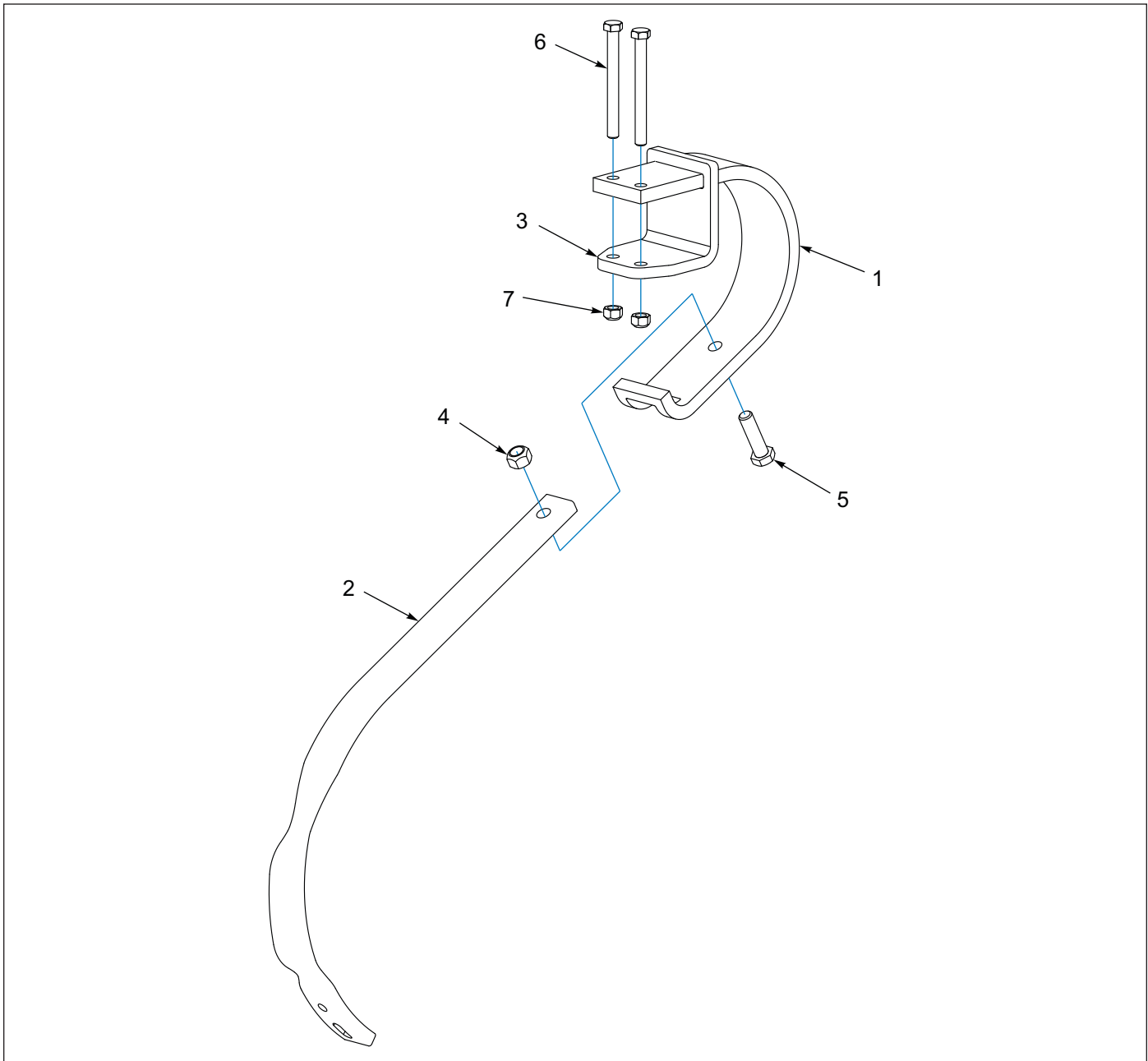


Figure 1-26: S-Tine Shank Assembly

S-Tine Shank Assembly

ITEM	PART NUMBER	DESCRIPTION	QTY
	181331	SHANK ASM, S-TINE	1
1	166199	SPRING CLAMP, S-TINE	1
2	185928	SHANK, 5/8 X 1-3/4 EDGE BENT	1
3	179416	CLAMP, S-TINE, 3" SQ TUBE	1
4	1-512-010005-13	NUT, HEX SLFLKG 5/8-11, GRB	1
5	1-654-010059-06	SCREW, HEX CAP, 5/8-11 X 2-1/4, G5	1
6	1-654-010055-15	SCR, HX CP, 1/2-13UNC X 5, GR5	2
7	1-512-010005-09	NUT, LOCK 1/2-13, GRB, ZP	2

Center Harrow

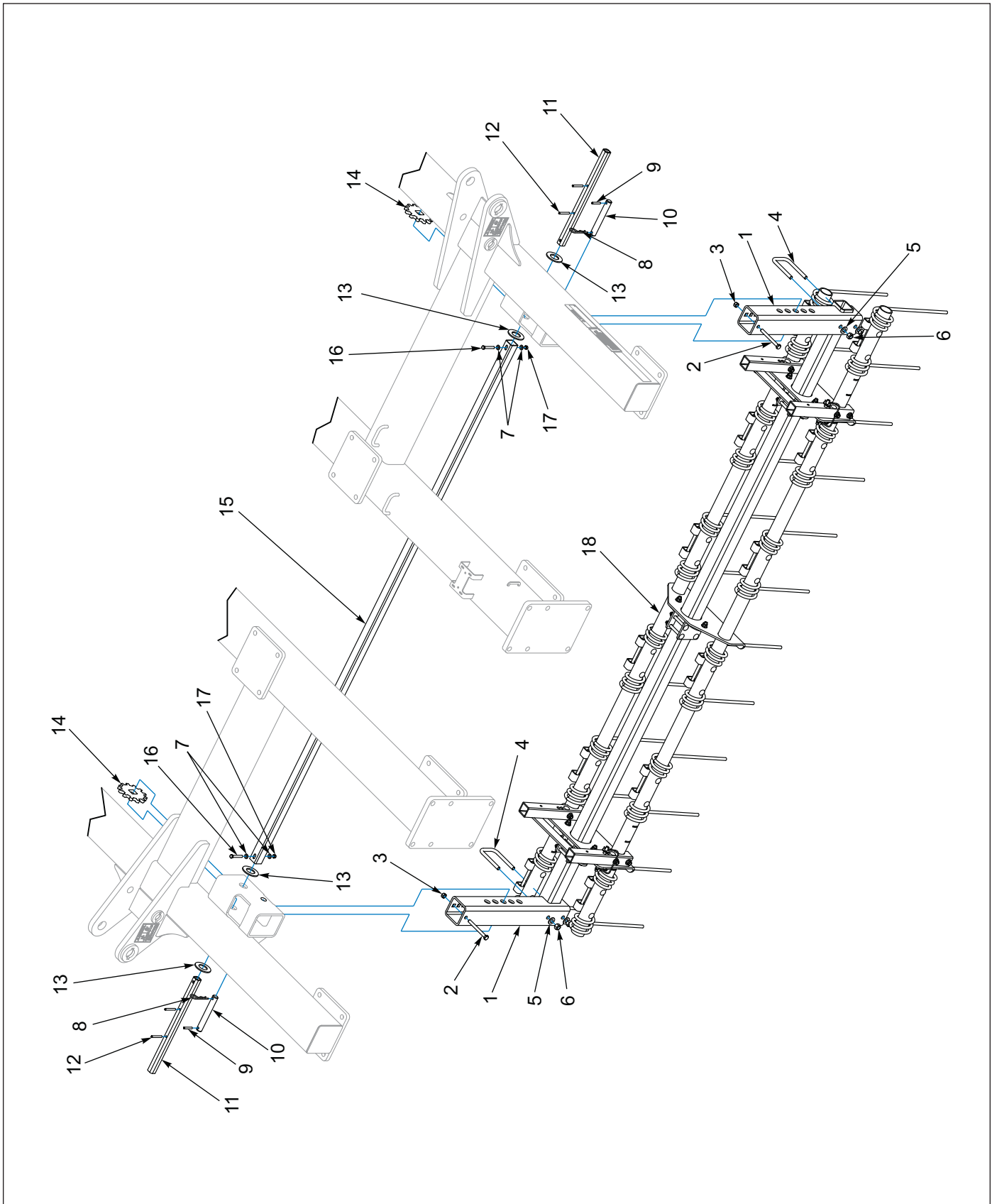


Figure 1-27: Center Harrow

Center Harrow

ITEM	PART NUMBER	DESCRIPTION	QTY
1	211194	TUBE, HARROW ADJUSTMENT	2
2	1-654-010055-15	SCR, HX CP, 1/2-13UNC X 5, GR5	2
3	1-512-010005-09	NUT, HEX SLFLKG, 1/2-13, GRB	2
4	2-102-010054	U-BOLT	2
5	1-861-010032-18	WASHER, FLAT 5/8 N, ZP/CD	4
6	1-512-010005-13	NUT, HEX SLFLKG, 5/8-11, GRB	4
7	1-861-010032-10	WASHER, FLT 3/8 SAE	4
8	1D594	HAIR PIN COTTER, 3/16	2
9	147072	PIN, SPRING SLOTTED 5/16 X 2	2
10	158299	PIN, 1 X 7-5/16	2
11	211301	TUBE, HARROW HT ADJ HANDLE BLK	2
12	1-647-010004240	SPRING PIN, SLOTTED 5/16 X 2-1/2	4
13	1-861-010032-32	WASHER, FLAT ZP/CD 1-1/2	4
14	195606	GEAR, HARROW ADJ BLACK	2
15	211300	TUBE, HARROW ADJUST	1
16	1-654-010051-11	HHCS, 3/8-16 X 2-1/2 GR5, ZP	2
17	1-512-010005-05	NUT, HEX SLFLKG, 3/8-16, GRB	2
18	211296	HARROW ASSY, 3631-25 CTR (SEE PAGE 1-92)	1

Right Hand Wing Harrow

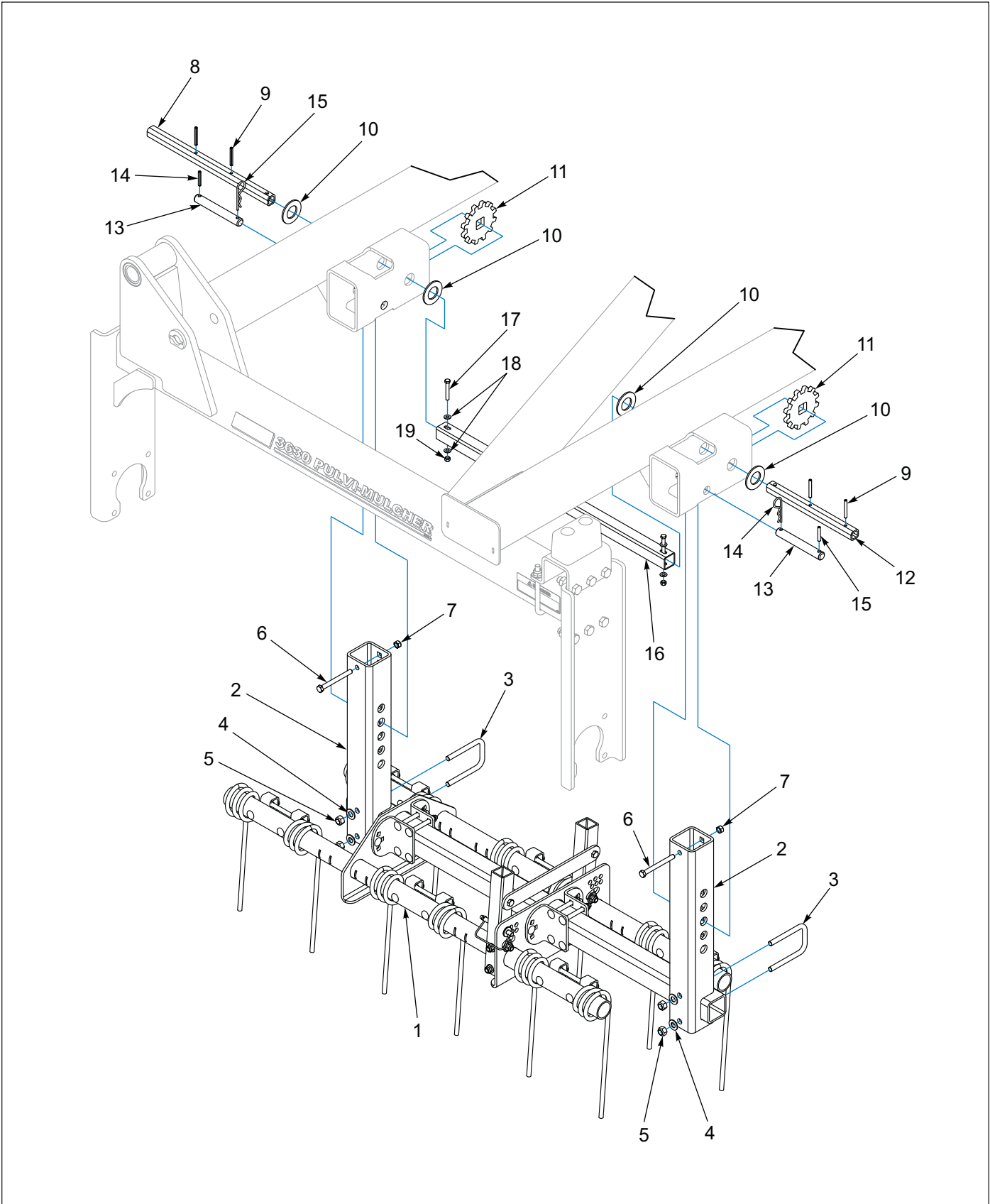


Figure 1-28: Right Hand Wing Harrow

Right Hand Wing Harrow

ITEM	PART NUMBER	DESCRIPTION	QTY
1	211298	HARROW ASSY, 3631-25 WING RH (SEE PAGE 1-44)	1
2	211194	TUBE, HARROW ADJUSTMENT	2
3	2-102-010054	U-BOLT, 5/8-11	2
4	1-861-010032-18	WASHER, FLAT 5/8 N, ZP/CD	4
5	1-512-010005-13	NUT, HEX SLFLKG, 5/8-11, GRB	4
6	1-654-010055-15	SCR, HX CP, 1/2-13UNC X 5, GR5	2
7	1-512-010005-09	NUT, HEX, SLFLKG 1/2-13, GRB	2
8	211301	TUBE, HARROW HT ADJ HANDLE	1
9	1-647-010004240	SPRING PIN, SLOTTED 5/16 X 2-1/2	4
10	1-861-010032-32	WASHER, FLAT ZP/CD 1-1/2	4
11	195606	GEAR, HARROW ADJ BLACK	2
12	195607	TUBE, HARROW HT ADJ HANDLE BLK	1
13	158299	PIN, 1 X 7-5/16	2
14	147072	PIN, SPRING SLOTTED 5/16 X 2	2
15	1D594	HAIR PIN COTTER, 3/16	2
16	211230	TUBE, WING HARROW ADJUSTER	1
17	1-654-010051-11	HHCS, 3/8-16 X 2-1/2, GR5, ZP	2
18	1-861-010032-10	WASHER, FLAT 3/8 SAE	4
19	1-512-010005-05	NUT, HEX SLFLKG 3/8-16, GRB	2

ILLUSTRATED PARTS LIST

Left Hand Wing Harrow

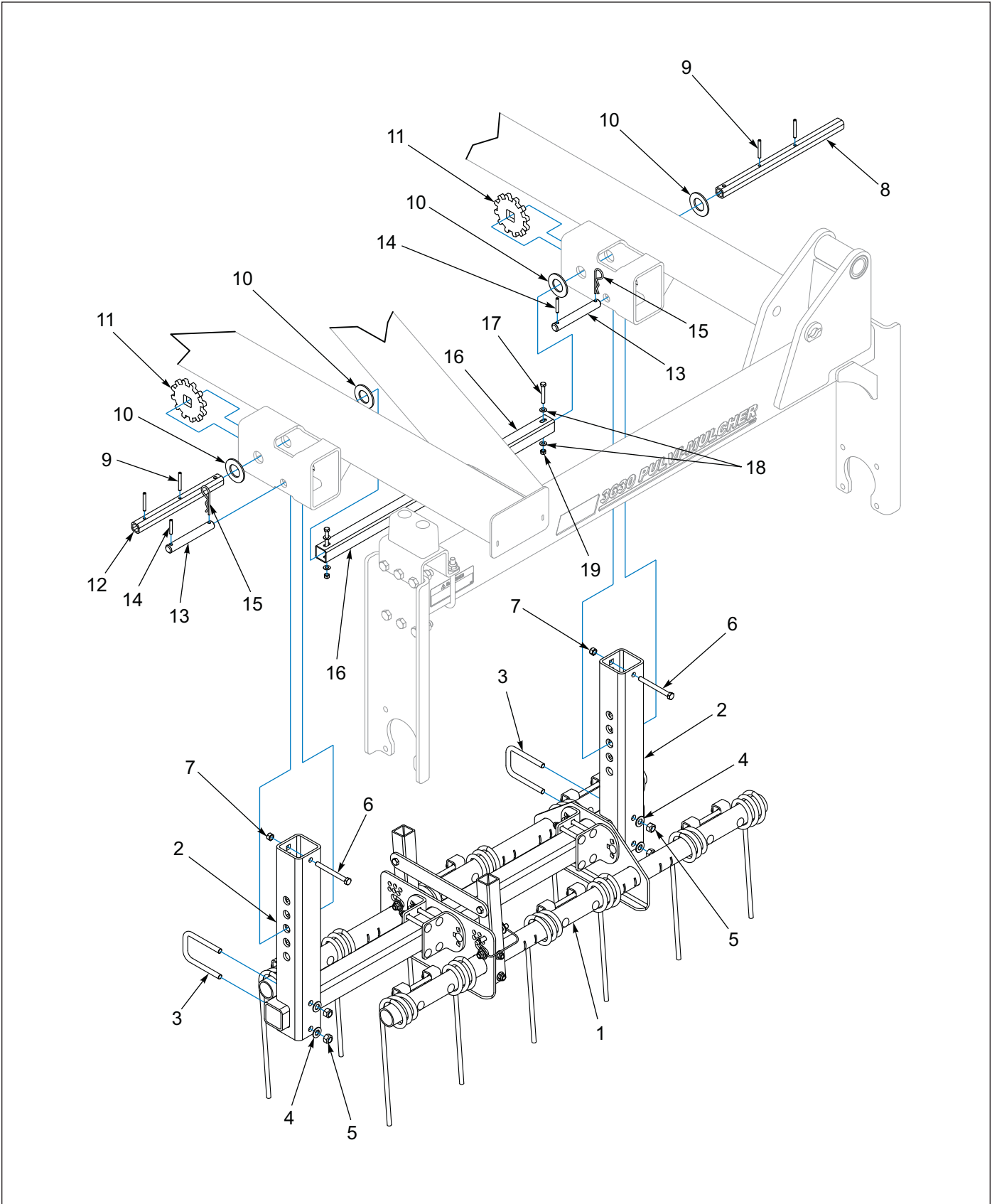


Figure 1-29: Left Hand Wing Harrow

Left Hand Wing Harrow

ITEM	PART NUMBER	DESCRIPTION	QTY
1	211299	HARROW ASSY, 3631-25 WING LH (SEE PAGE 1-46)	1
2	211194	TUBE, HARROW ADJUSTMENT	2
3	2-102-010054	U-BOLT, 5/8-11	2
4	1-861-010032-18	WASHER, FLAT 5/8 N, ZP/CD	4
5	1-512-010005-13	NUT, HEX SLFLKG 5/8-11, GRB	4
6	1-654-010055-15	SCR, HX CP, 1/2-13UNC X 5, GR5	2
7	1-512-010005-09	NUT, HEX SLFLKG, 1/2-13 GRB	2
8	211301	TUBE, HARROW HT ADJ HANDLE	1
9	1-647-010004240	SPRING PIN, SLOTTED, 5/16 X 2-1/2	4
10	1-861-010032-32	WASHER, FLAT ZP/CD 1-1/2	4
11	195606	GEAR, HARROW ADJ BLACK	2
12	195607	TUBE, HARROW HT ADJ HANDLE BLK	1
13	158299	PIN, 1 X 7-5/16	2
14	147072	PIN, SPRING SLOTTED 5/16 X 2	2
15	1D594	HAIR PIN COTTER, 3/16	2
16	211230	TUBE, WING HARROW ADJUSTER	1
17	1-654-010051-11	HHCS, 3/8-16 X 2-1/2, GR5, ZP	2
18	1-861-010032-10	WASHER, FLAT 3/8 SAE	4
19	1-512-010005-05	NUT, HEX SLFLKG 3/8-16, GRB	2

Center Harrow Assembly

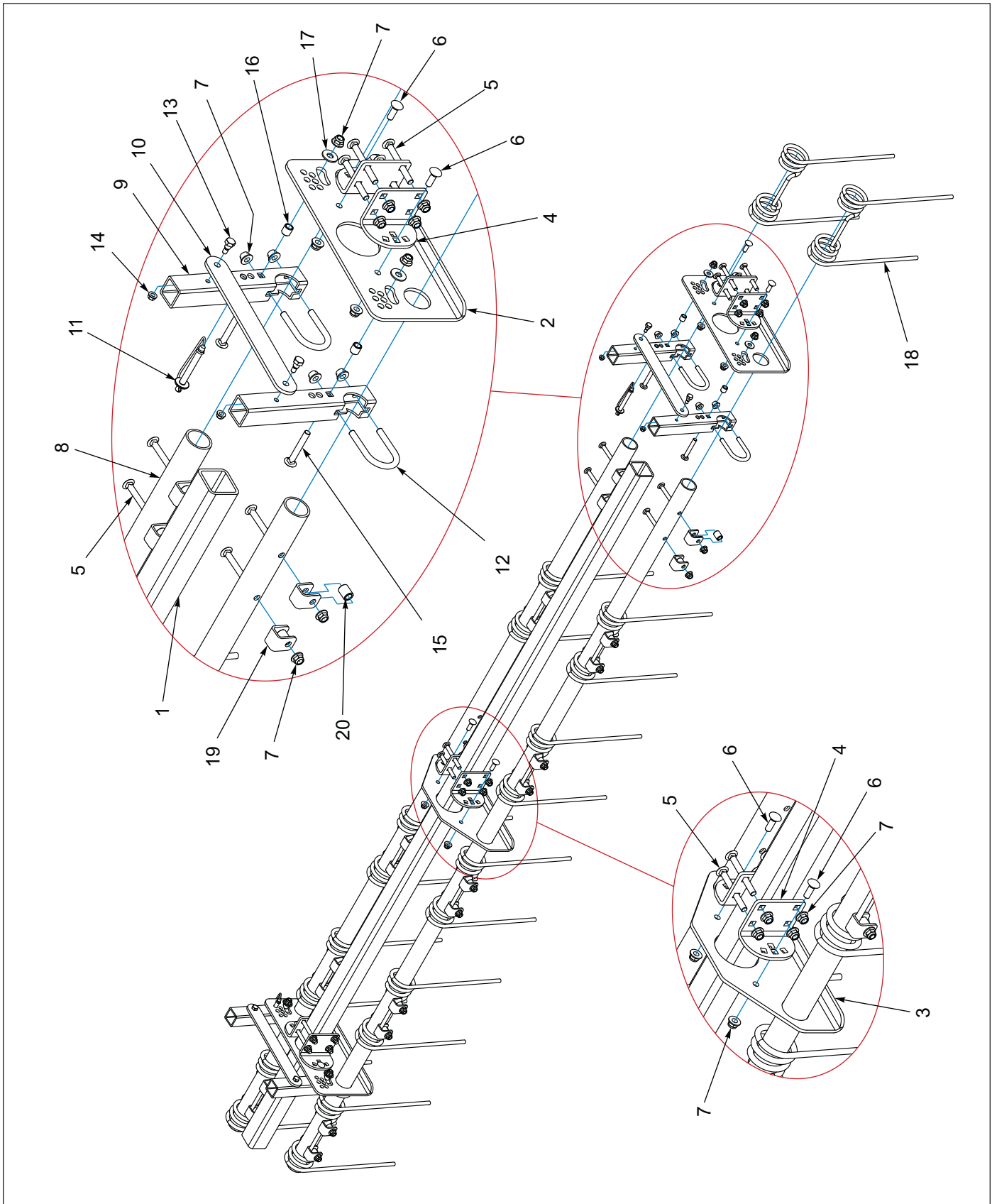


Figure 1-30: Center Harrow Assembly

Center Harrow Assembly

ITEM	PART NUMBER	DESCRIPTION	QTY
	211296	HARROW ASSY, 3631-25 CTR	1
1	181359	TUBE, SQ 3 X 1/4 X 132	1
2	194773	PLATE, GANG BAR 2 ROW	2
3	194783	SUPPORT, GANG BAR 2 ROW	1
4	154998	PLATE, ANGLE ADJUSTMENT	6
5	1-654-010070-14	SCREW, 1/2-13 X 4-1/2, RDHD SQNCK	36
6	1-654-010070-03	SCREW, 1/2-13 X 1-1/2, RDHD SQNCK	6
7	2P253	NUT, FLANGE NY-LOK 1/2-13	54
8	211297	TUBE, TINE 2-3/8 X 134.0	2
9	154994	TUBE, ANGLE ADJUST	4
10	194774	LINK, TINE ADJUSTMENT	2
11	155971	PIN, HARROW ADJ	2
12	154995	U-BOLT, 1/2-13	4
13	2-095-010017	BOLT, SHOULDER 3/8-16 X 7/16, GR5	4
14	107470	NUT, 3/8-16, HEX FLANGE SPIRALOCK	4
15	1-654-010070-11	SCREW, 1/2-13 X 3-1/2, RDHD SQNCK	4
16	154997	TUBE, ROUND .75 OD X .532 ID X .75	4
17	1-861-010032-15	WASHER, FLAT 1/2 W ZP/CD	4
18	194828	DOUBLE COIL TINE, 1/2 X 16	12
19	194777	CLIP, HARROW TINE	24
20	195904	SPACER, 7/8 X 9/16 X 1-1/16	24

Right Hand Wing Harrow Assembly

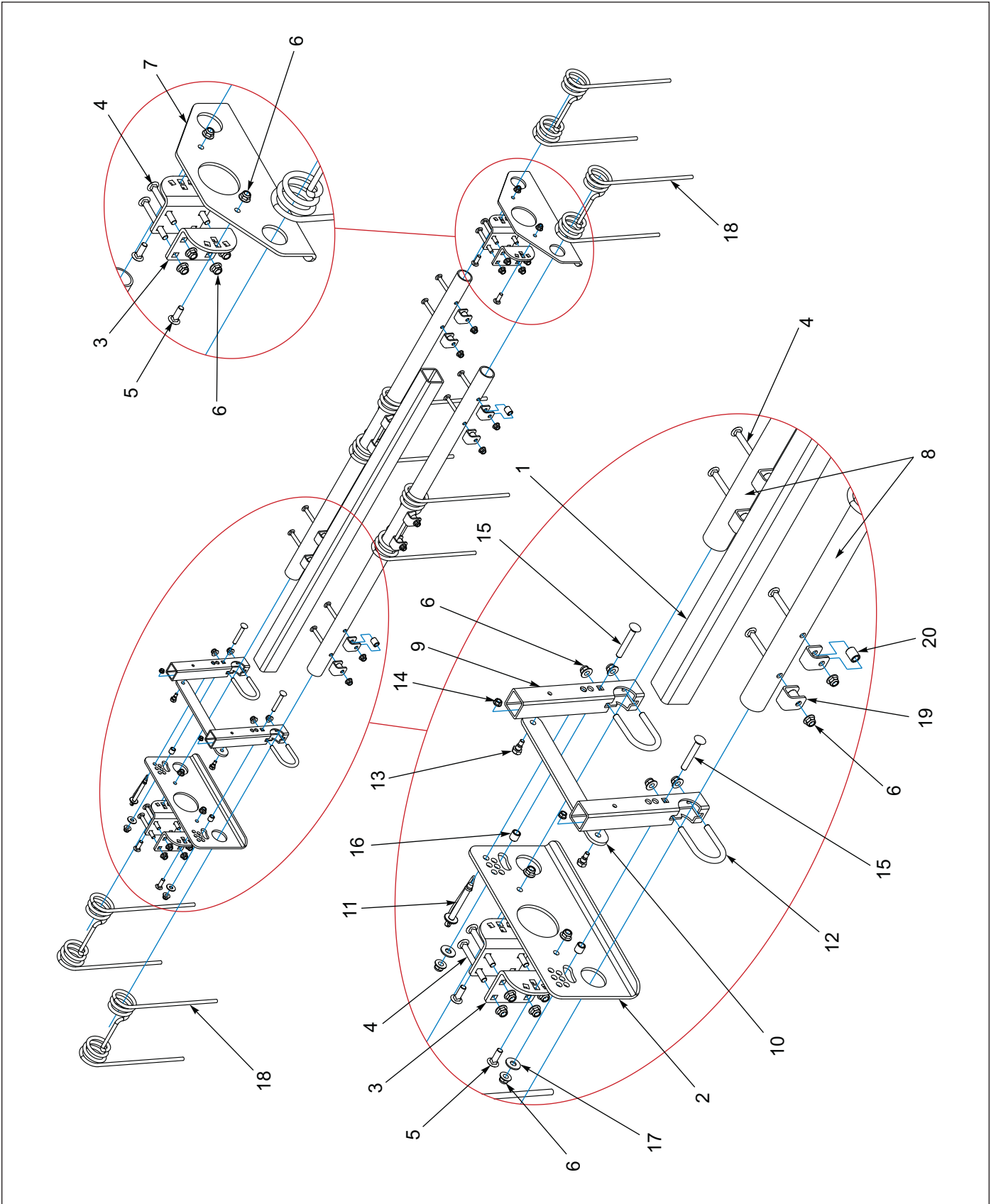


Figure 1-31: Right Hand Wing Harrow Assembly

Right Hand Wing Harrow Assembly

ITEM	PART NUMBER	DESCRIPTION	QTY
	211298	HARROW ASSY, 3631-25 WING RH	1
1	211295	TUBE, SQ 3 X 60.0	1
2	194773	PLATE, GANG BAR 2 ROW	1
3	154998	PLATE, ANGLE ADJUSTMENT	4
4	1-654-010070-14	SCREW, 1/2-13 X 4-1/2 RDHD, SQNCK	20
5	1-654-010070-03	SCREW, 1/2-13 X 1-1/2 RDHD, SQNCK	4
6	2P253	NUT, FLANGE NY-LOK 1/2-13	30
7	194783	SUPPORT, GANG BAR 2 ROW	1
8	211302	TUBE, TINE 2-3/8 X 62.0	2
9	154994	TUBE, ANGLE ADJUST	2
10	194774	LINK, TINE ADJUSTMENT	1
11	155971	PIN, HARROW ADJ	1
12	154995	U-BOLT, 1/2-13	2
13	2-095-010017	BOLT, SHOULDER 3/8-16 X 7/16, GR5	2
14	107470	NUT, 3/8-16, HEX FLANGE SPIRALOCK	2
15	1-654-010070-11	SCREW, 1/2-13 X 3-1/2 RDHD, SQNCK	2
16	154997	TUBE, ROUND .75 OD X .532 ID X .75	2
17	1-861-010032-15	WASHER, FLAT 1/2 W, ZP/CD	2
18	194828	DOUBLE COIL TINE, 1/2 X 16	6
19	194777	CLIP, HARROW TINE	12
20	195904	SPACER, 7/8 X 9/16 X 1-1/16	12

Left Hand Wing Harrow Assembly

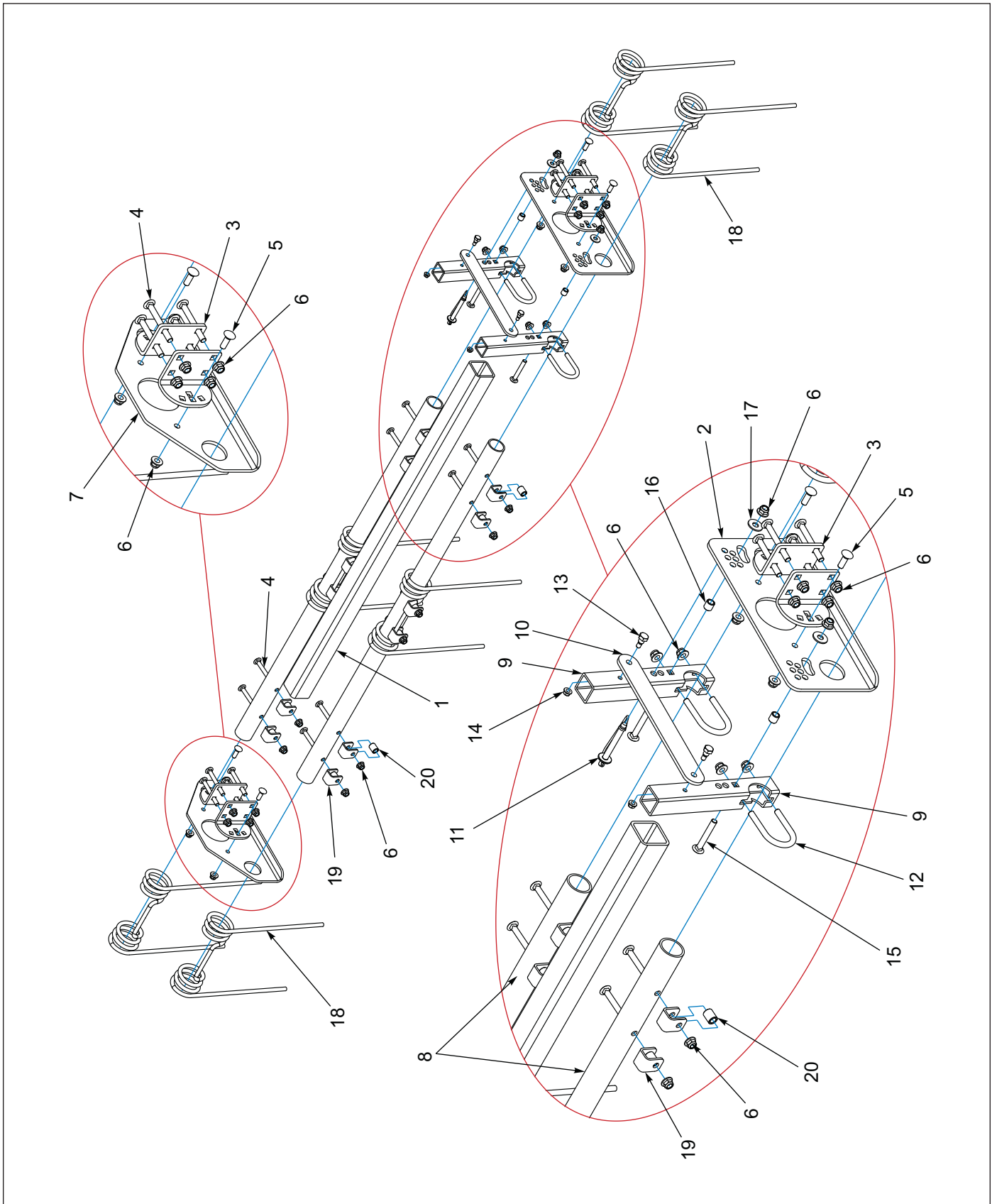


Figure 1-32: Left Hand Wing Harrow Assembly

Left Hand Wing Harrow Assembly

ITEM	PART NUMBER	DESCRIPTION	QTY
	211299	HARROW ASSY, 3631-25 WING LH	1
1	211295	TUBE, SQ 3 X 60.0	1
2	194773	PLATE, GANG BAR 2 ROW	1
3	154998	PLATE, ANGLE ADJUSTMENT	4
4	1-654-010070-14	SCREW, 1/2-13 X 4-1/2 RDHD, SQNCK	20
5	1-654-010070-03	SCREW, 1/2-13 X 1-1/2 RDHD, SQNCK	4
6	2P253	NUT, FLANGE NY-LOK 1/2-13	30
7	194783	SUPPORT, GANG BAR 2 ROW	1
8	211302	TUBE, TINE 2-3/8 X 62.0	2
9	154994	TUBE, ANGLE ADJUST	2
10	194774	LINK, TINE ADJUSTMENT	1
11	155971	PIN, HARROW ADJ	1
12	154995	U-BOLT, 1/2-13	2
13	2-095-010017	BOLT, SHOULDER 3/8-16 X 7/16, GR5	2
14	107470	NUT, 3/8-16, HEX FLANGE SPIRALOCK	2
15	1-654-010070-11	SCREW, 1/2-13 X 3-1/2 RDHD, SQNCK	2
16	154997	TUBE, ROUND .75 OD X .532 ID X .75	2
17	1-861-010032-15	WASHER, FLAT 1/2 W, ZP/CD	2
18	194828	DOUBLE COIL TINE, 1/2 X 16	6
19	194777	CLIP, HARROW TINE	12
20	195904	SPACER, 7/8 X 9/16 X 1-1/16	12

Center Rear Scrapers

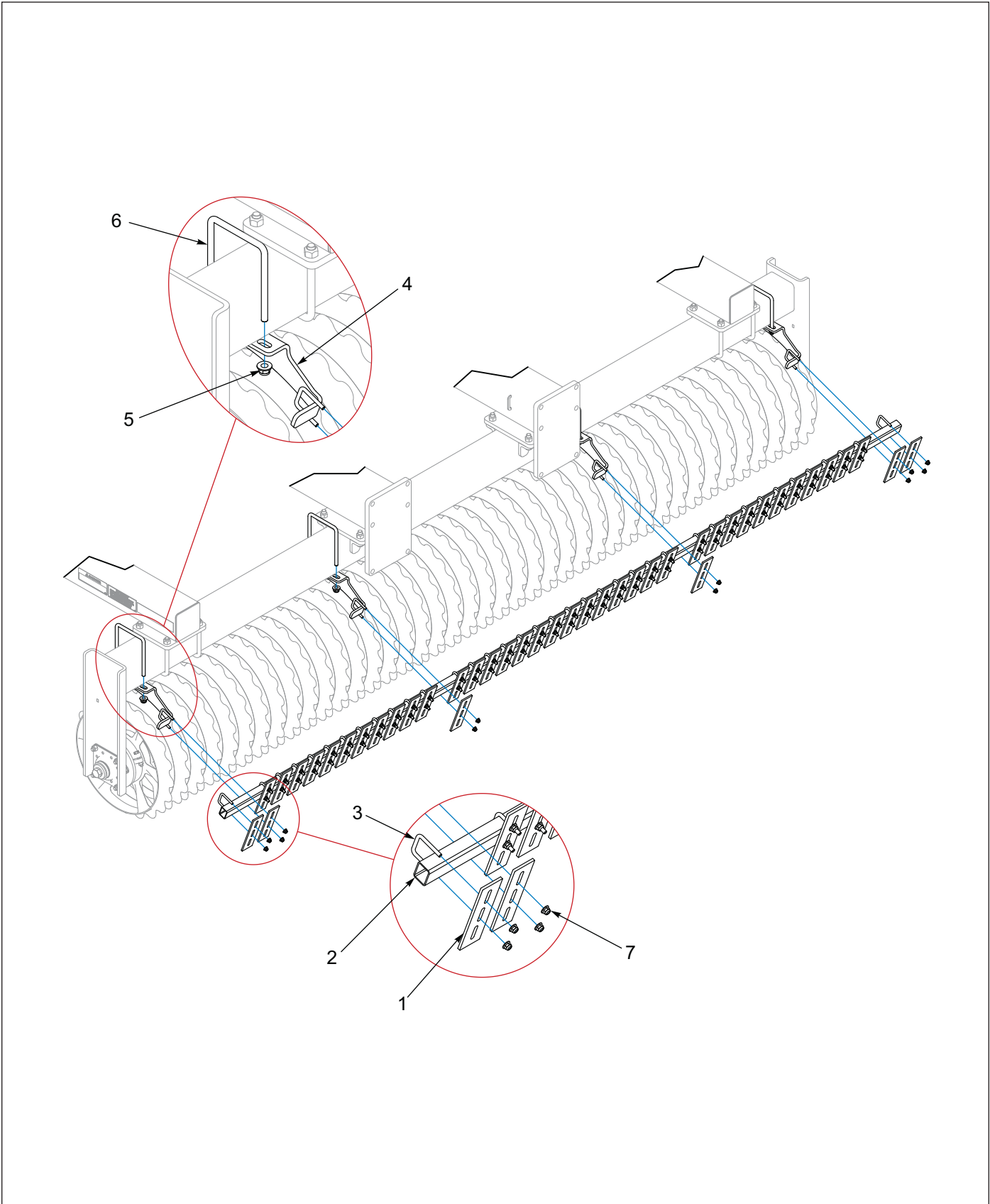


Figure 1-33: Center Rear Scrapers

Center Rear Scrapers

ITEM	PART NUMBER	DESCRIPTION	QTY
1	8J014	SCRAPER, 2-1/2" WIDE	42
2	171752	TUBE RECT 2 X 1-1/2 X 168	1
3	171749	U-BOLT, 3/8-16 X 2-7/16 X 2-3/4	42
4	211160	BRACKET, CENTER SCRAPER (24" WHEEL)	4
5	2P254	NUT, FLANGE NY-LOK 5/8-11	8
6	178532	U-BOLT, 5/8-11 X 6-11/16 X 7-1/2	4
7	2P252	NUT, FLANGE NY-LOK 3/8-16	84

Wing Rear Scrapers

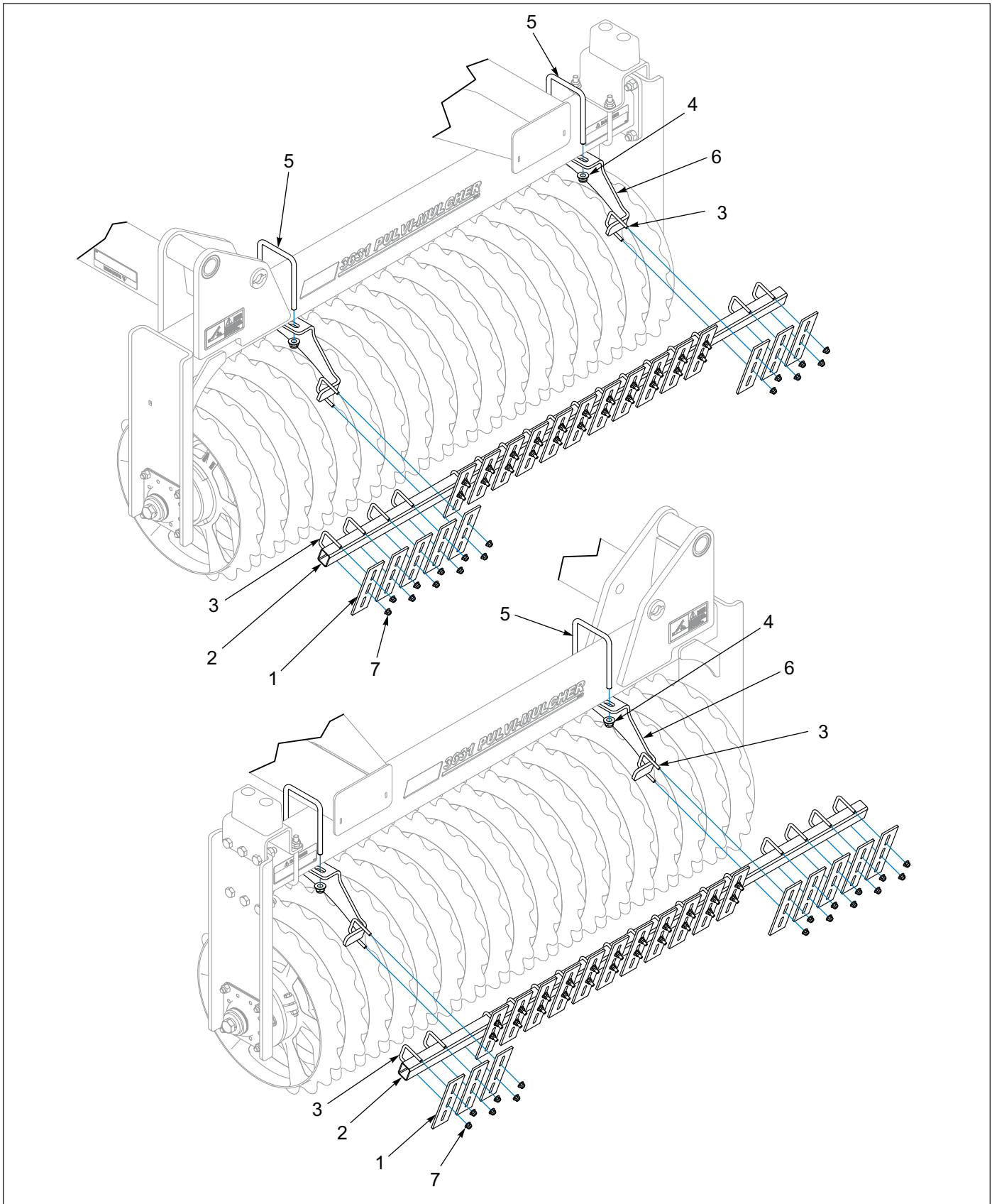


Figure 1-34: Wing Rear Scrapers

Wing Rear Scrapers

ITEM	PART NUMBER	DESCRIPTION	QTY
1	8J014	SCRAPER, 2-1/2" WIDE	38
2	211275	TUBE RECT 2 X 1-1/2 X 76	2
3	171749	U-BOLT, 3/8-16 X 2-7/16 X 2-3/4	38
4	2P254	NUT, FLANGE NY-LOK 5/8-11	8
5	181363	U-BOLT 5/8-11 X 6-11/16 X 6-3/4	4
6	211161	BRACKET, WING SCRAPER (24" WHEEL)	4
7	2P252	NUT, FLANGE NY-LOK 3/8-16	76

Hydraulic Tooth Control Layout

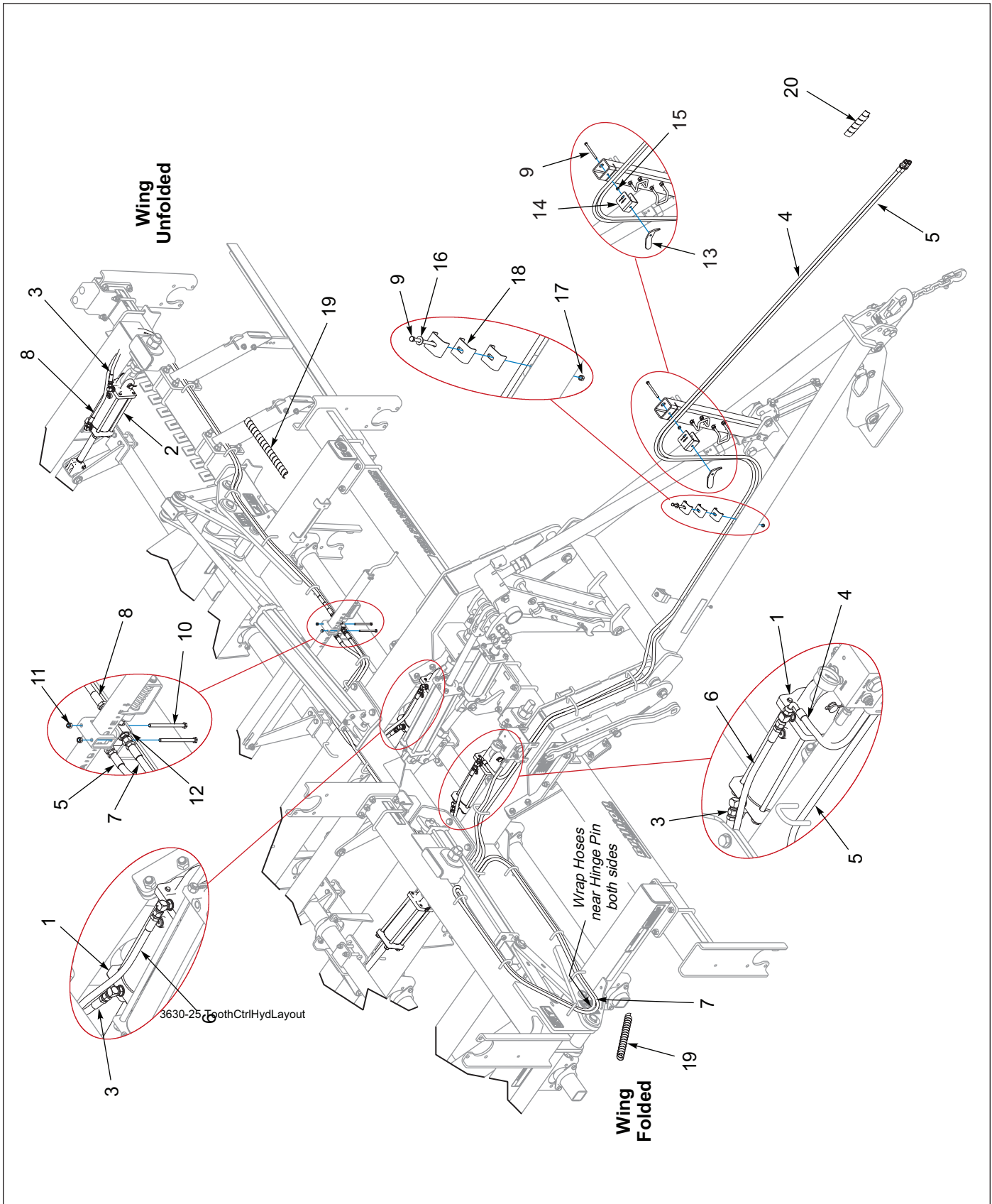


Figure 1-35: Hydraulic Tooth Control Layout

Hydraulic Tooth Control Layout

ITEM	PART NUMBER	DESCRIPTION	QTY
1	193251	CYLINDER, HYD 4-1/2 X 8 REPHASING (SEE PAGE 1-104)	2
2	193252	CYLINDER, HYD 4 X 8 REPHASING (SEE PAGE 1-105)	2
3	194115	HOSE ASM, 3/8 X 154, 8FJS X 8FJS	2
4	211321	HOSE ASM, 3/8 X 220, 8FJS90 X 8MOR	2
5	211326	HOSE ASM, 3/8 X 318, 8FJS X 8MOR	1
6	181799	HOSE ASM, 3/8 X 74, 8FJS X 8FJS	1
7	211327	HOSE ASM, 3/8 X 218, 8FJS X 8FJS	1
8	166171	HOSE ASM, 3/8 X 114, 8FJS X 8FJS	1
9	196754	SCREW, ALL THREAD, 3/8-16 X 5	3
10	171556	SCREW, HEX CP, 5/16-18UNCX5-1/2	2
		(USE WITH P/N 203467 VALVE) (AFTER 07/01/2022)	
10	1-654-010049-19	SCREW, HEX CAP, 5/16-18UNC X 5, GR5 (BEFORE 07/01/2022)	2
11	104032	NUT, HEX NY-LOK 5/16-18	2
12	203467	VALVE-LIMIT, STROKE (AFTER 07/01/2022)	1
12	140693	LIMIT VALVE (BEFORE 07/01/2022)	1
13	141249	WING NUT, HOSE HOLDER	1
14	141247	CLAMP, HOSE HOLDER	1
15	1-512-010007-07	NUT, HEX 3/8-16, ZP	1
16	1-861-010032-11	WASHER, FLAT 3/8 W ZP/CD	2
17	1-512-010005-05	NUT, HEX, SLFLKG GRB, 3/8-16	2
18	2-181-010001	HOSE CLAMP	8
19	1P995	HOSE WRAP, 26"	2
20	155530	HOSE WRAP, BLACK 1" ID X 8"	1
21	105-0228	TIE STRAP (NOT SHOWN)	15

Hydraulic Tooth Control Schematic

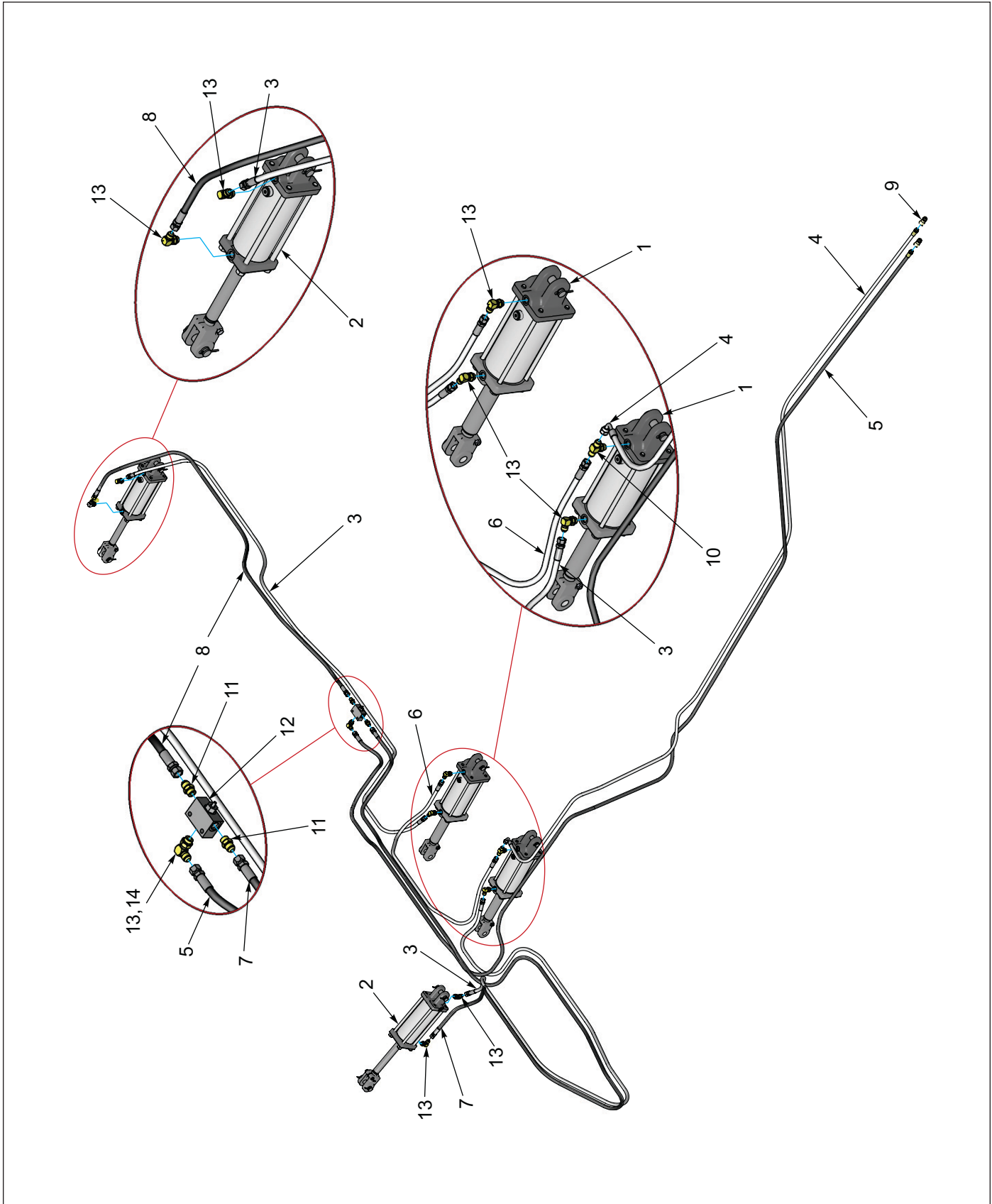


Figure 1-36: Hydraulic Tooth Control Schematic

Hydraulic Tooth Control Schematic

ITEM	PART NUMBER	DESCRIPTION	QTY
1	193251	CYLINDER, HYD 4-1/2 X 8 REPHASING (SEE PAGE 1-104)	2
2	193252	CYLINDER, HYD 4 X 8 REPHASING (SEE PAGE 1-105)	2
3	194115	HOSE ASM, 3/8 X 154, 8FJS X 8FJS	2
4	211321	HOSE ASM, 3/8 X 220, 8FJS90 X 8MOR	1
5	211326	HOSE ASM, 3/8 X 318, 8FJS X 8MOR	1
6	181799	HOSE ASM, 3/8 X 74, 8FJS X 8FJS	1
7	211327	HOSE ASM, 3/8 X 218, 8FJS X 8FJS	1
8	166171	HOSE ASM, 3/8 X 114, 8FJS X 8FJS	1
9	141828	MALE COUPLER, 8 O-RING	2
10	203003-8-8S	TEE, BRANCH, 8MJ X 8MJ X 8MOR	1
11	202702-10-8S	ADAPTER, #10 O-RING #8 TUBE (AFTER 07/01/2022)	2
11	202702-8-8S	ADAPTER, 8MJ X 8MOR (BEFORE 07/01/2022)	2
12	203467	VALVE-LIMIT, STROKE (AFTER 07/01/2022)	1
12	140693	LIMIT VALVE (BEFORE 07/01/2022)	1
13	2062-8-8S	ELBOW, 8MJ X 8MOR90	8
14	2062-10-8S	ADAPTER,90, #10 O-RING-TUBE (AFTER 07/01/2022) (BEFORE 07/01/2022, P/N 2062-8-8S)	1

Simplified Hydraulic Tooth Control Schematic

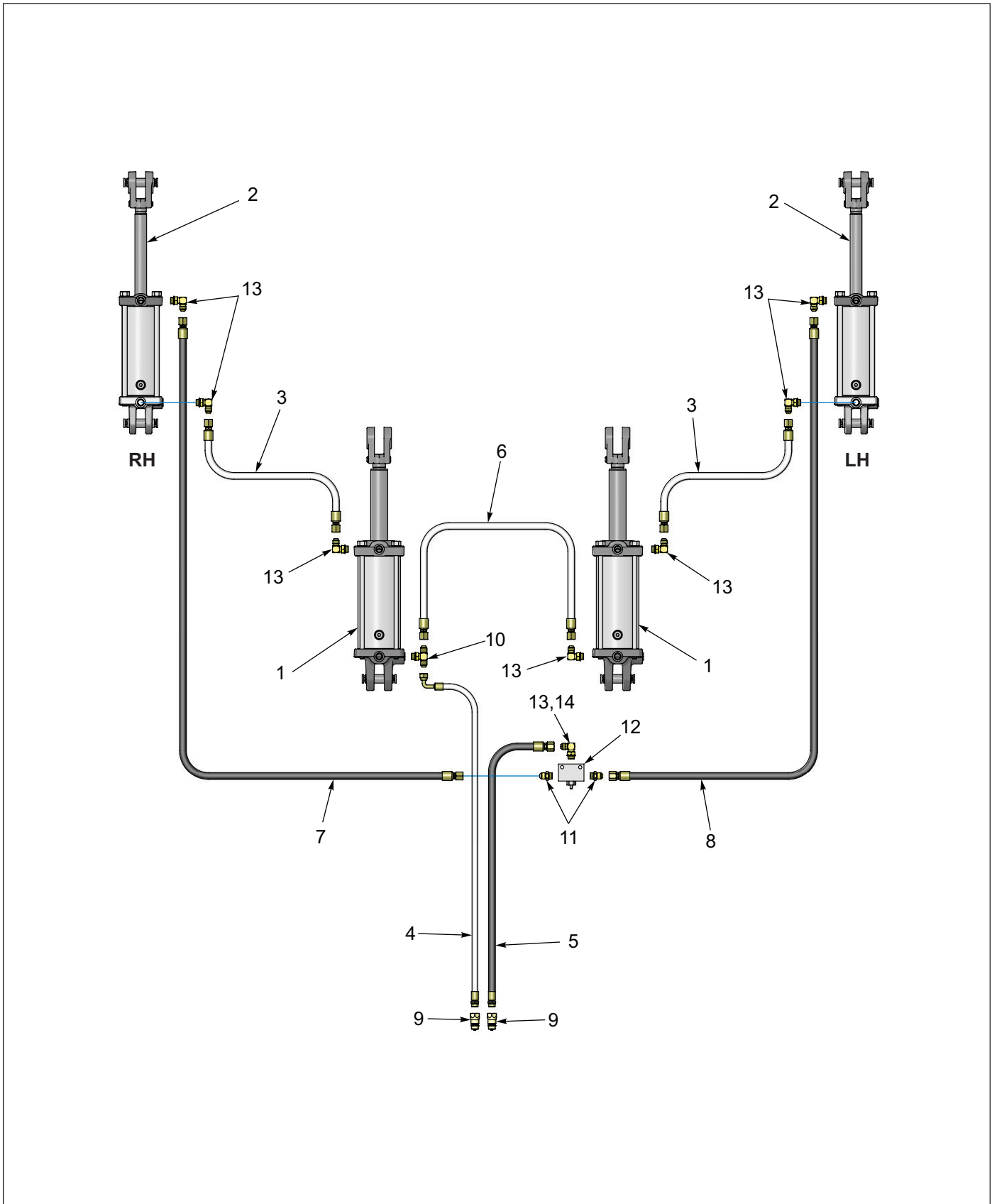


Figure 1-37: Simplified Hydraulic Tooth Control Schematic

Simplified Hydraulic Tooth Control Schematic

ITEM	PART NUMBER	DESCRIPTION	QTY
1	193251	HYD CYLINDER, 4-1/2 X 8 REPHASING (SEE PAGE 1-104)	2
2	193252	HYD CYLINDER, 4 X 8 REPHASING (SEE PAGE 1-105)	2
3	194115	HOSE ASM, 3/8 X 154, 8FJS X 8FJS	2
4	211321	HOSE ASM, 3/8 X 220, 8FJS90 X 8MOR	1
5	211326	HOSE ASM, 3/8 X 318, 8FJS X 8MOR	1
6	181799	HOSE ASM, 3/8 X 74, 8FJS X 8FJS	1
7	211327	HOSE ASM, 3/8 X 218, 8FJS X 8FJS	1
8	166171	HOSE ASM, 3/8 X 114, 8FJS X 8FJS	1
9	141828	MALE COUPLER, 8 O-RING	2
10	203003-8-8S	TEE, BRANCH, 8MJ X 8MJ X 8MOR	1
11	202702-10-8S	ADAPTER, #10 O-RING #8 TUBE (AFTER 07/01/2022)	2
11	202702-8-8S	ADAPTER, 8MJ X 8MOR (BEFORE 07/01/2022)	2
12	203467	VALVE-LIMIT, STROKE (AFTER 07/01/2022)	1
12	140693	LIMIT VALVE (BEFORE 07/01/2022)	1
13	2062-8-8S	ADAPTER, 90, #8 O-RING-TUBE (BEFORE 07/01/2022)	8
14	2062-10-8S	ADAPTER,90, #10 O-RING-TUBE (AFTER 07/01/2022) (BEFORE 07/01/2022, P/N 2062-8-8S)	1

Fold and Down Pressure Hydraulic Layout

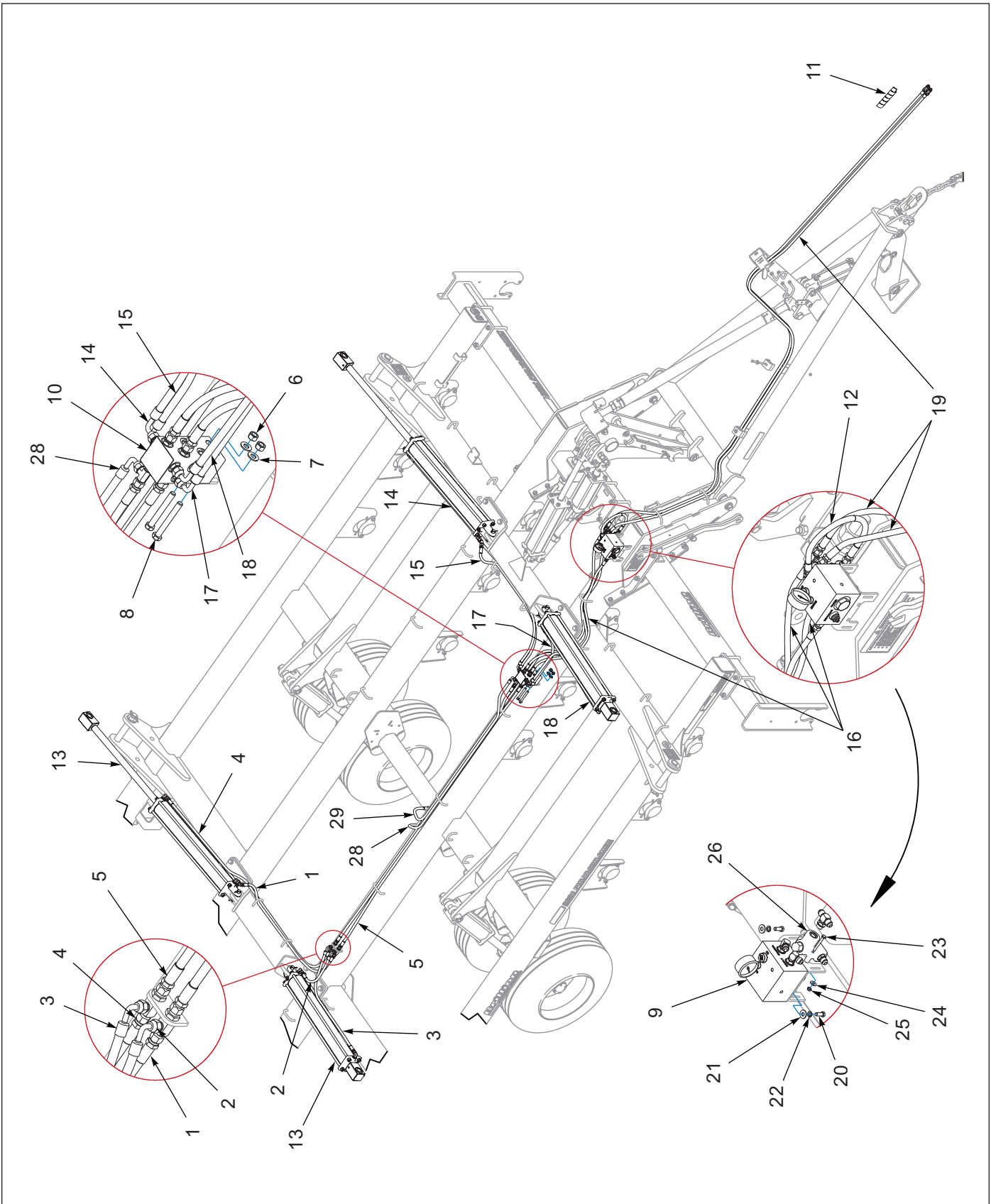


Figure 1-38: Fold and Down Pressure Hydraulic Layout

Fold and Down Pressure Hydraulic Layout

ITEM	PART NUMBER	DESCRIPTION	QTY
1	117259	HOSE ASSY 3/8X48,#8JIC	1
2	163781	HOSE ASM, 3/8 X 17, 8FJS X 8FJS90	1
3	163051	HOSE ASSY 3/8X40 #8STR-#8-90	1
4	71508988	HOSE ASM, 3/8 X 80, 8FJS X 8FJS	1
5	211328	HOSE ASM, 3/8 X 108, 8FJS X 8FJS	2
6	1-512-010007-09	NUT, HEX 1/2-13, ZP	2
7	1-861-010032-14	WASHER, FLAT 1/2" N, ZP/CD	2
8	1-654-010055-13	SCREW, HEX CAP, 1/2-13UNC X 4, GR5	2
9	234545	MANIFOLD,R/R W/RVRSE CHCK	1
10	211306	MANIFOLD, 16 PORT	1
11	155529	HOSE WRAP, YELLOW 1" ID X 8" (FOLD/DOWN PRESSURE)	1
12	147582	HOSE ASSY 3/8 X 24, 8FJS X 8JFS	1
13	219160	HYDRAULIC CYLINDER - 4 X 30 (SEE PAGE 1-106)	4
14	211329	HOSE ASM, 3/8 X 83, 8FJS X 8FJS90	1
15	211316	HOSE ASM, 3/8 X 49, 8FJS X 8FJS90	1
16	208812	HOSE ASM, 3/8 X 52, 8FJS X 8FJS	2
17	203422	HOSE ASM, 3/8 X 23, 8FJS X 8FJS90	1
18	211343	HOSE ASM, 3/8 X 37, 8FJS X 8FJS90	1
19	211319	HOSE ASM, 3/8 X 200, 8FJS X 8MOR	3
20	1-654-010051-05	SCREW, HEX CAP 3/8-16UNC X 1, GR5	4
21	1-861-010032-11	WASHER, FLAT 3/8	4
22	1-861-010034-11	WASHER, LKG HLCL SPR, 3/8	4
23	111190	SCREW, HX CP 1/4-20UNC X 2-1/4 G5	2
24	1-861-010032-07	FLAT WASHER, 1/4	2
25	1-512-010005-01	NUT, HEX SLFLKG GRB 1/4-20	2
26	8J650	RELIEF VALVE	1
27	105-0228	TIE STRAP (NOT SHOWN)	15
28	130948	HOSE,3/8X78,JIC #8-#8X90	1
29	116492	HOSE ASSY 3/8X128 #8 JIC SW	1

ILLUSTRATED PARTS LIST

Fold and Down Pressure Limit Valve Layout

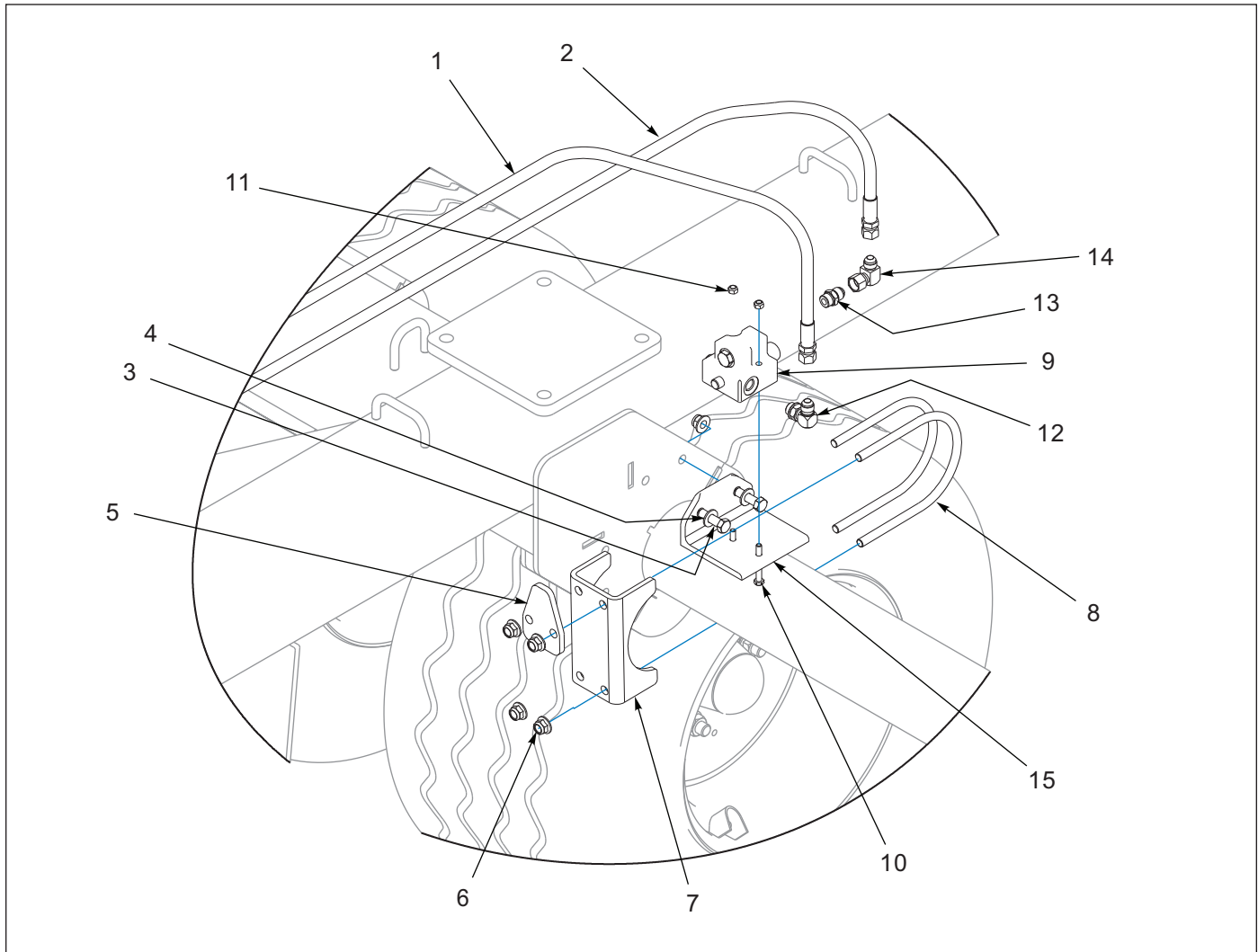


Figure 1-39: Fold and Down Pressure Limit Valve Layout

Fold and Down Pressure Limit Valve Layout

ITEM	PART NUMBER	DESCRIPTION	QTY
1	116492	HOSE ASSY 3/8X128 #8 JIC SW	1
2	130948	HOSE,3/8X78,JIC #8-#8X90	1
3	1-654-010055-04	SCREW,HEX CAP,1/2-13UNCX1-3/4	2
4	1-861-010032-14	WASHER, FLAT 1/2" N ZP/CD	2
5	234519	ACTUATOR, VALVE	1
6	2P253	NUT, FLANGE NY-LOK 1/2-13	6
7	234517	CLAMP, VALVE ACTUATOR	1
8	234540	U-BLT,RND 1/2-13 X R2-13/16	2
9	203450	VALVE-LIMIT	1
10	1-654-010049-11	SCREW,HX CAP,5/16-18UNCX2-1/2	2
11	1-512-010005-03	NUT HEX SLFLKG GRB 5/16-18	2
12	2062-8-8S	ADAPTER, 90, #8 O-RING-TUBE	3
13	202702-8-8S	ADAPTER #8 O-RING TO #8 TUBE	4
14	2071-8-8S	ADAPTER90 #8 FLR SWIVEL #8JIC	1
15	234518	BRACEKT, LIMIT VALVE	1

Fold and Down Pressure Hydraulic Schematic

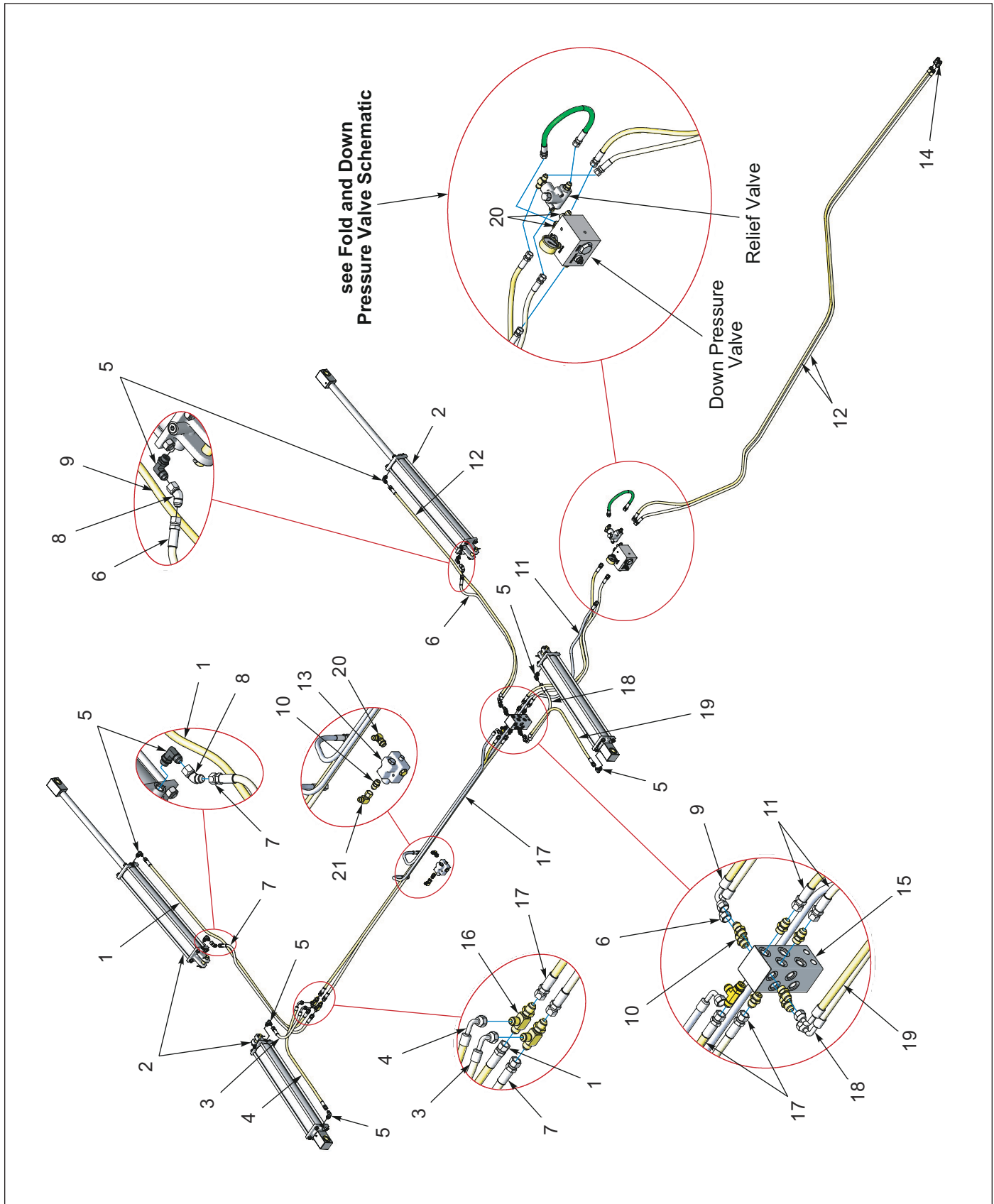


Figure 1-40: Fold and Down Pressure Hydraulic Schematic

Fold and Down Pressure Hydraulic Schematic

ITEM	PART NUMBER	DESCRIPTION	QTY
1	71508988	HOSE ASM 3/8 X 80, 8FJS X 8FJS	1
2	219160	HYD CYLINDER - 4 X 30 (SEE PAGE 1-106)	4
3	163781	HOSE ASM, 3/8 X 17, 8FJS X 8FJS90	1
4	163051	HOSE ASM, 3/8 X 40, 8FJS X 8FJS90	1
5	141826	ELBOW RESTRICTOR, 1/16	8
6	211316	HOSE ASM, 3/8 X 49, 8FJS X 8FJS90	1
7	117259	HOSE ASM, 3/8 X 48, 8FJS X 8FJS	1
8	121031	ELBOW, 8MJ X 8FJS45	2
9	211329	HOSE ASM, 3/8 X 83, 8FJS X 8F JS90	1
10	202702-8-8S	ADAPTER, 8MJ X 8MOR	8
11	208812	HOSE ASM, 3/8 X 52, 8FJS X 8FJS	2
12	211319	HOSE ASM, 3/8 X 200, 8FJS X 8MOR	2
13	203450	VALVE-LIMIT	1
14	141828	MALE COUPLER, 8 O-RING	4
15	211306	MANIFOLD, 16 PORT	1
16	1P292	BULKHEAD TEE, RU N, 8MJ X 8MJ X 8MJ	2
17	211328	HOSE ASM, 3/8 X 108, 8FJS X 8FJS	2
18	203422	HOSE ASM, 3/8 X 23, 8FJS X 8FJS90	1
19	211343	HOSE ASM, 3/8 X 37, 8FJS X 8FJS90	1
20	2062-8-8S	ADAPTER, 90, #8 O-RING-TUBE	3
21	2071-8-8S	ADAPTER90 #8 FLR SWIVEL #8JIC	1

Down Pressure Valve Schematic

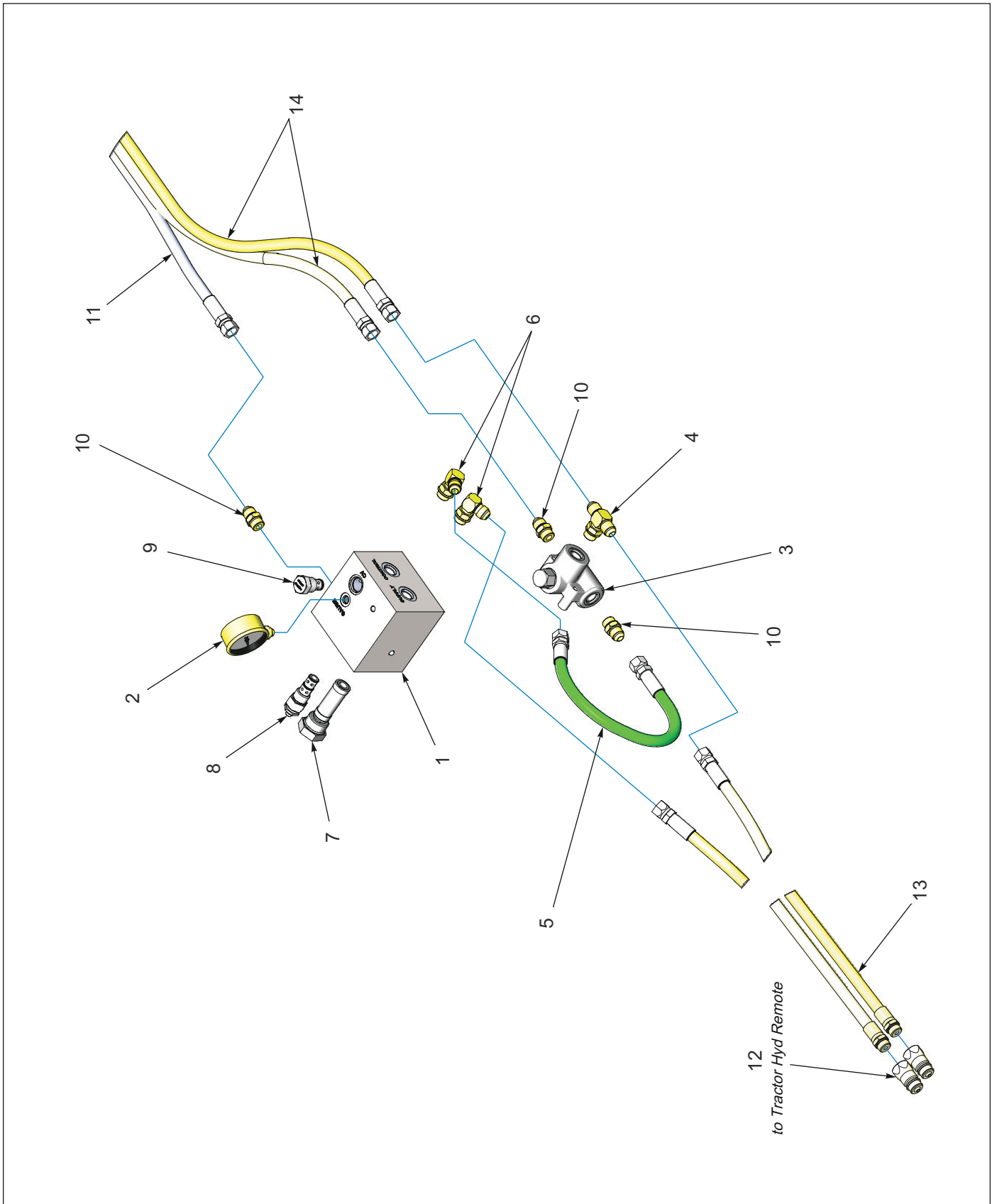


Figure 1-41: Down Pressure Valve Schematic

Down Pressure Valve Schematic

ITEM	PART NUMBER	DESCRIPTION	QTY
1	234545	MANIFOLD,R/R W/RVRSE CHCK	1
2	201291	GAGE-HYD PRESSURE, 3000, -4 ORB	1
3	8J650	RELIEF VALVE	1
4	203003-8-8S	ADAPTER,TEE,#8 O-RING-TUBE	1
5	147582	HOSE ASM, 3/8 X 24, 8FJS X 8FJS	1
6	2062-8-8S	ELBOW, 8MJ X 8MOR	2
7	195198	FILTER-HIGH PRESS, CF/CE-12-10	1
8	195197	VALVE-PRESS RED RELV,LOW PRESS	1
9	195196	VALVE - CHECK, CVH103PV	1
10	202702-8-8 S	ADAPTER, 8MJ X 8MOR	3
11	116492	HOSE ASSY 3/8X128 #8 JIC SW	1
12	141828	MALE COUPLER, 8 O-RING	2
13	211319	HOSE ASM, 3/8 X 200, 8FJS X 8MOR	2
14	208812	HOSE ASSY, 3/8X52,-8FJX,-8FJX	2

Hydraulic Lift Layout

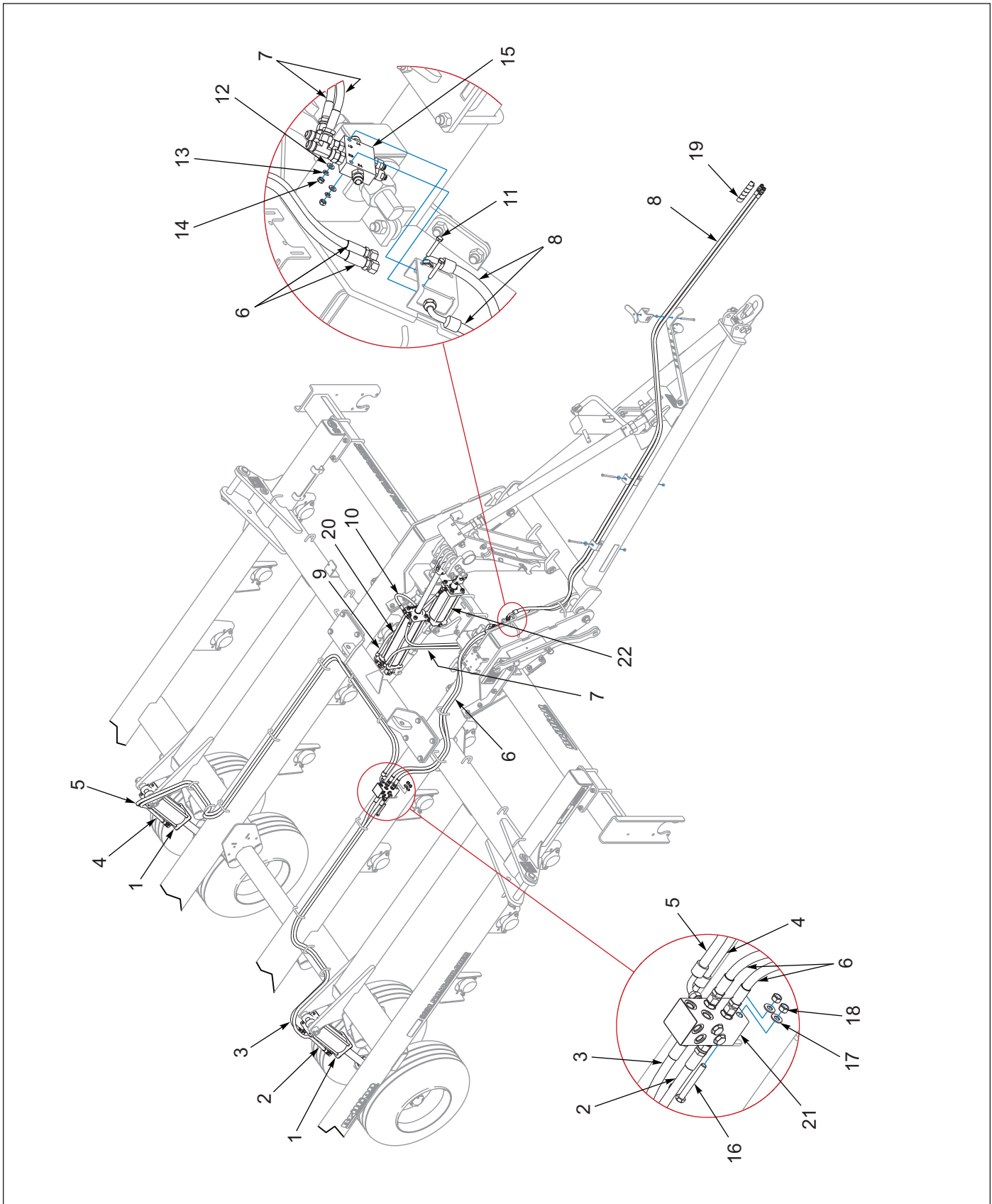


Figure 1-42: Hydraulic Lift Layout

Hydraulic Lift Layout

ITEM	PART NUMBER	DESCRIPTION	QTY
1	181342	HYD CYLINDER, 4-1/2 X 14 (SEE PAGE 1-103)	2
2	1412152	HOSE ASM, 1/2 X 114, 10FJS X 10FJS	1
3	211325	HOSE ASM, 1/2 X 96, 10FJS X 10FJS	1
4	211324	HOSE ASM, 1/2 X 174, 10FJS X 10FJS90	1
5	211323	HOSE ASM, 1/2 X 156, 10FJS X 10FJS90	1
6	211322	HOSE ASM, 1/2 X 65, 10FJS X 10FJS	2
7	211313	HOSE ASM, 3/8 X 42, 10FJS X 8FJS90	2
8	197698	HOSE ASM, 1/2 X 188, 10FJS90 X 8MOR	2
9	203425	HOSE ASM, 3/8 X 33, 8FJS X 8FJS90	1
10	71508954	HOSE ASM, 3/8 X 22, 8FJS X 8FJS	1
11	1-654-010049-09	SCREW, HEX CAP, 5/16-18UNC X 2, GR5	2
12	1-861-010032-08	WASHER, FLAT 5/16, ZP	2
13	1-861-010034-10	WASHER, LKG 5/16	2
14	1-512-010007-06	NUT, HEX 5/16-18	2
15	164435	VALVE, COUNTERBALANCE 855	1
16	1-654-010055-13	SCREW, HEX CAP, 1/2-13UNC X 4, GR5	2
17	1-861-010032-14	WASHER, FLAT 1/2" N, ZP/CD	2
18	1-512-010007-09	NUT, HEX 1/2-13, ZP	2
19	155528	HOSE WRAP, BLUE 1" ID X 8"	1
20	9D731	HYD CYLINDER - 4 X 16 (SEE PAGE 1-108)	1
21	211306	MANIFOLD, HYD 16 PORT	1
22	1-242-010171-3	HYD CYLINDER, 4 X 8 (SEE PAGE 1-102)	1
23	105-0228	TIE STRAPS (NOT SHOWN)	15

Hydraulic Lift Schematic

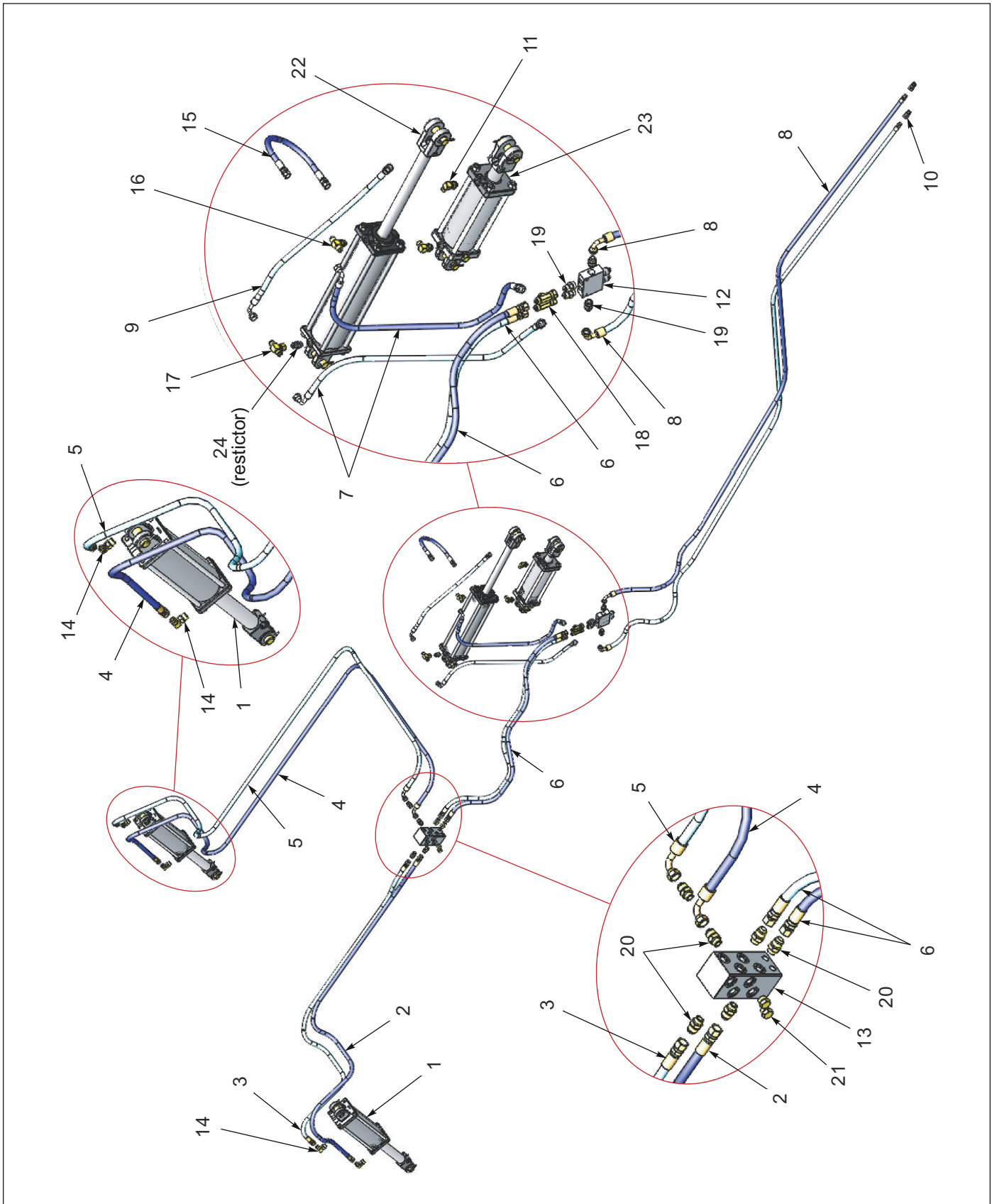


Figure 1-43: Hydraulic Lift Schematic

Hydraulic Lift Schematic

ITEM	PART NUMBER	DESCRIPTION	QTY
1	181342	CYLINDER, HYDRAULIC 4-1/2 X 14 (SEE PAGE 1-103)	2
2	1412152	HOSE ASM, 1/2 X 114, 10FJS X 10FJS	1
3	211325	HOSE ASM, 1/2 X 96, 10FJS X 10FJS	1
4	211324	HOSE ASM, 1/2 X 174, 10FJS X 10FJS90	1
5	211323	HOSE ASM, 1/2 X 156, 10FJS X 10FJS90	1
6	211322	HOSE ASM, 1/2 X 65, 10FJS X 10FJS	2
7	211313	HOSE ASM, 3/8 X 42, 10FJS X 8FJS90	2
8	197698	HOSE ASM, 1/2 X 188, 10FJS90 X 8MOR	2
9	203425	HOSE ASM, 3/8 X 33, 8FJS X 8FJS90	1
10	141828	MALE COUPLER, 8 O-RING	2
11	2062-8-8S	ELBOW, 8MJ X 8MOR 90	2
12	164435	VALVE COUNTERBALANCE 855	1
13	211306	MANIFOLD, HYD 16 PORT	1
14	124511	ELBOW, 10MJ X 10MOR	4
15	71508954	HOSE ASM, 3/8 X 22, 8FJS X 8FJS	1
16	203003-8-8S	TEE, BRANCH, 8MJ X 8MJ X 8MOR	1
17	123109	TEE, BRANCH, 8MJ X 8MJ X 8FJS	1
18	196104	TEE, BRANCH, 10MJ X 10MJ X 10FJS	2
19	137486	ADAPTER, 10MJ X 10MOR	4
20	125863	ADAPTER, 10MJ X 8MOR	6
21	1-007-010025	PLUG, 8MOR	2
22	9D731	HYD CYLINDER, 4 X 16 (SEE PAGE 1-108)	1
23	1-242-010171-3	HYD CYLINDER, 4 X 8 (SEE PAGE 1-102)	1
24	4K607	RESTRICTOR, 0.078	1

Electrical Layout

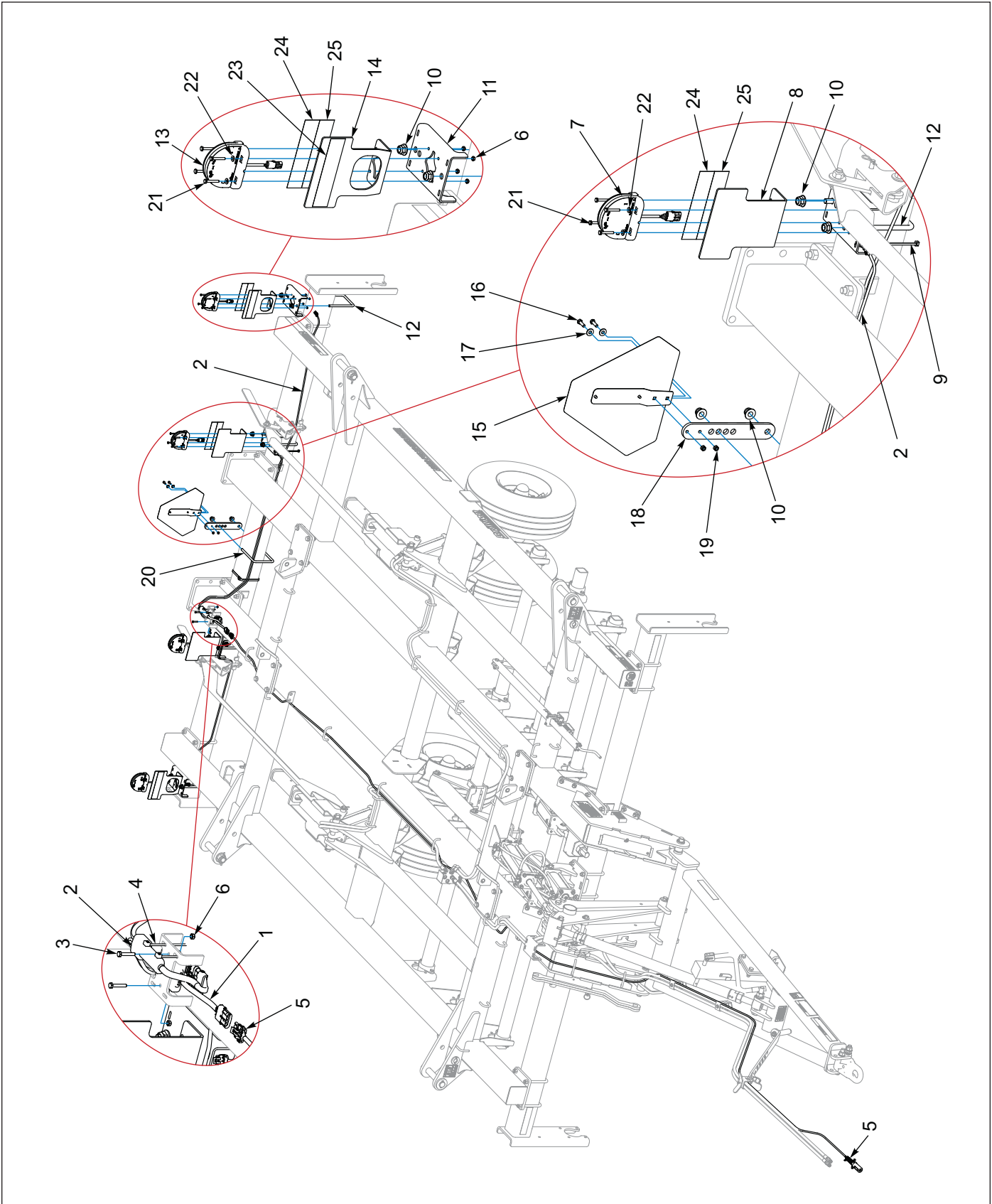


Figure 1-44: Electrical Layout

Electrical Layout

ITEM	PART NUMBER	DESCRIPTION	QTY
1	174437	MODULE, AG FLASHER CONTROL	1
2	175151	HARNESS, LED WARNING LIGHTS	1
3	1-654-010047-08	SCREW, HX CP, 1/4-20UNC X 1-1/2, G5	2
4	7K678	CABLE TIE	12
5	178517	HARNESS, AG 40 FT	1
6	1-512-010005-01	NUT, HEX SLFLKG GRB, 1/4-20	18
7	174435	LAMP, AG RED SINGLE LED	2
8	164140	REFLECTOR ASM (INCLUDES ITEMS 24,25)	2
9	105-0228	TYWRAP 8IN LG TY-5272MX	20
10	2P254	NUT, FLANGE NY-LOK 5/8-11	10
11	187434	LIGHT BRACKET, 5 & 6 TUBE	4
12	149192	U-BOLT, 6-11/16 CENTERS X 8-1/2	4
13	174436	LAMP, AG AMBER SINGLE LED	2
14	181713	REFLECTOR ASM (WITH CUT-OUT) (INCLUDES ITEMS 23,24,25)	2
15	2P151	SMV W/BRACKET	1
16	1-654-010049-05	SCREW, HX CP 5/16-18UNC X 1, GR5	2
17	1-861-010032-09	WASHER, FLAT 5/16 W ZP/CD	2
18	164678	MOUNT, SMV	1
19	104032	NUT, HX SLF-LKG W/NYL 5/16-18	2
20	178532	U-BLT, 5/8-11 X 6-11/16 X 7-1/2, ZP	1
21	1-654-010047-09	SCREW, HEX CAP, 1/4-20 UNC X 1-3/4, G5	16
22	1-861-010032-06	WASHER, FLAT 1/4 N ZP/CD	16
23	528934	REFLECTOR - YELLOW	1
24	528938	STRIPE, ORANGE	1
25	528933	REFLECTOR - RED	1

Electrical Schematic

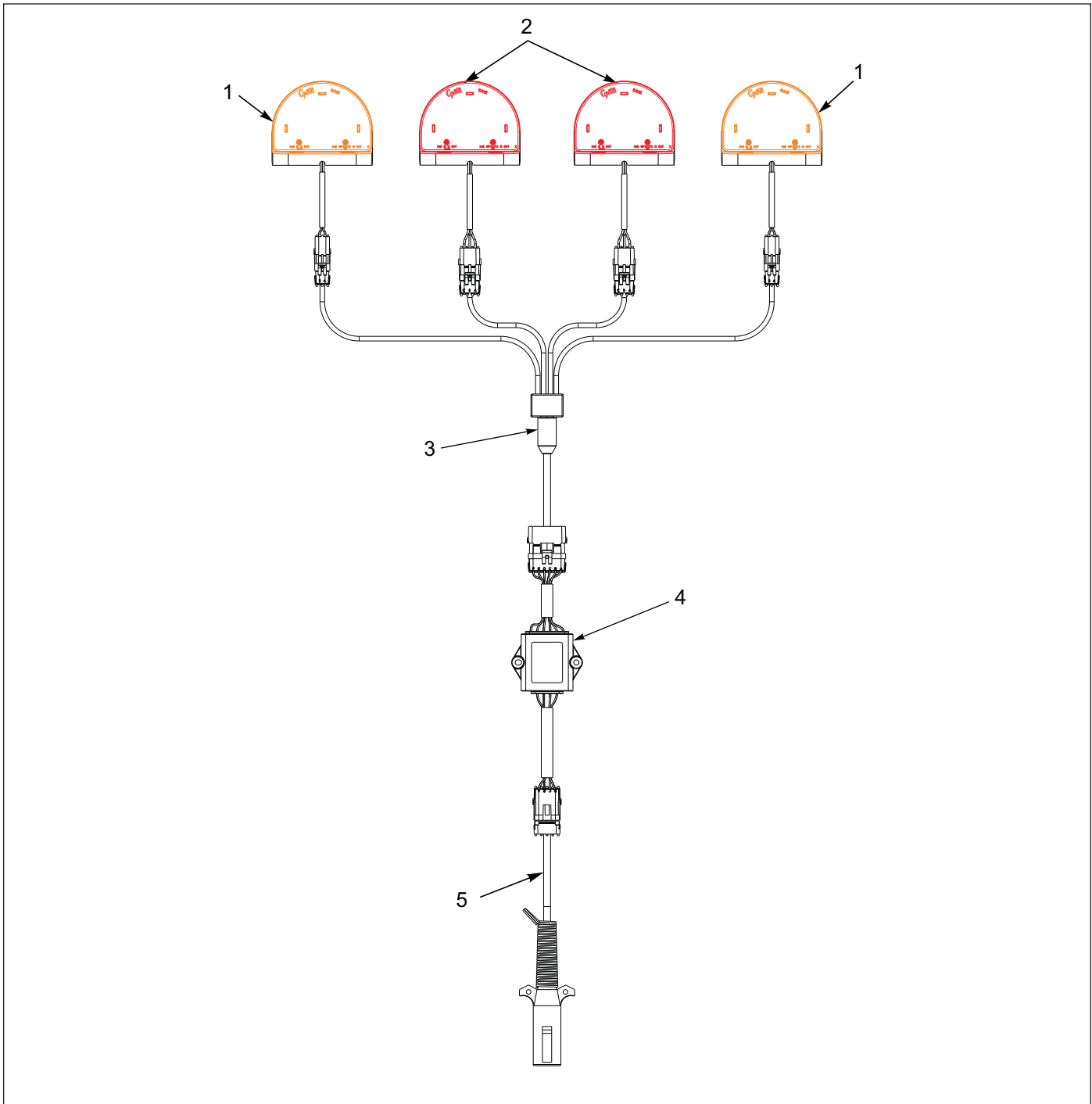


Figure 1-45: Electrical Schematic

Electrical Schematic

ITEM	PART NUMBER	DESCRIPTION	QTY
1	174436	LAMP, AG AMBER SINGLE LED	2
2	174435	LAMP, AG RED SINGLE LED	2
3	175151	HARNESS, LED WARNING LIGHTS	1
4	174437	MODULE, AG FLASHER CONTROL	1
5	178517	HARNESS, AG 40 FT	1

Front Scrapers - Optional

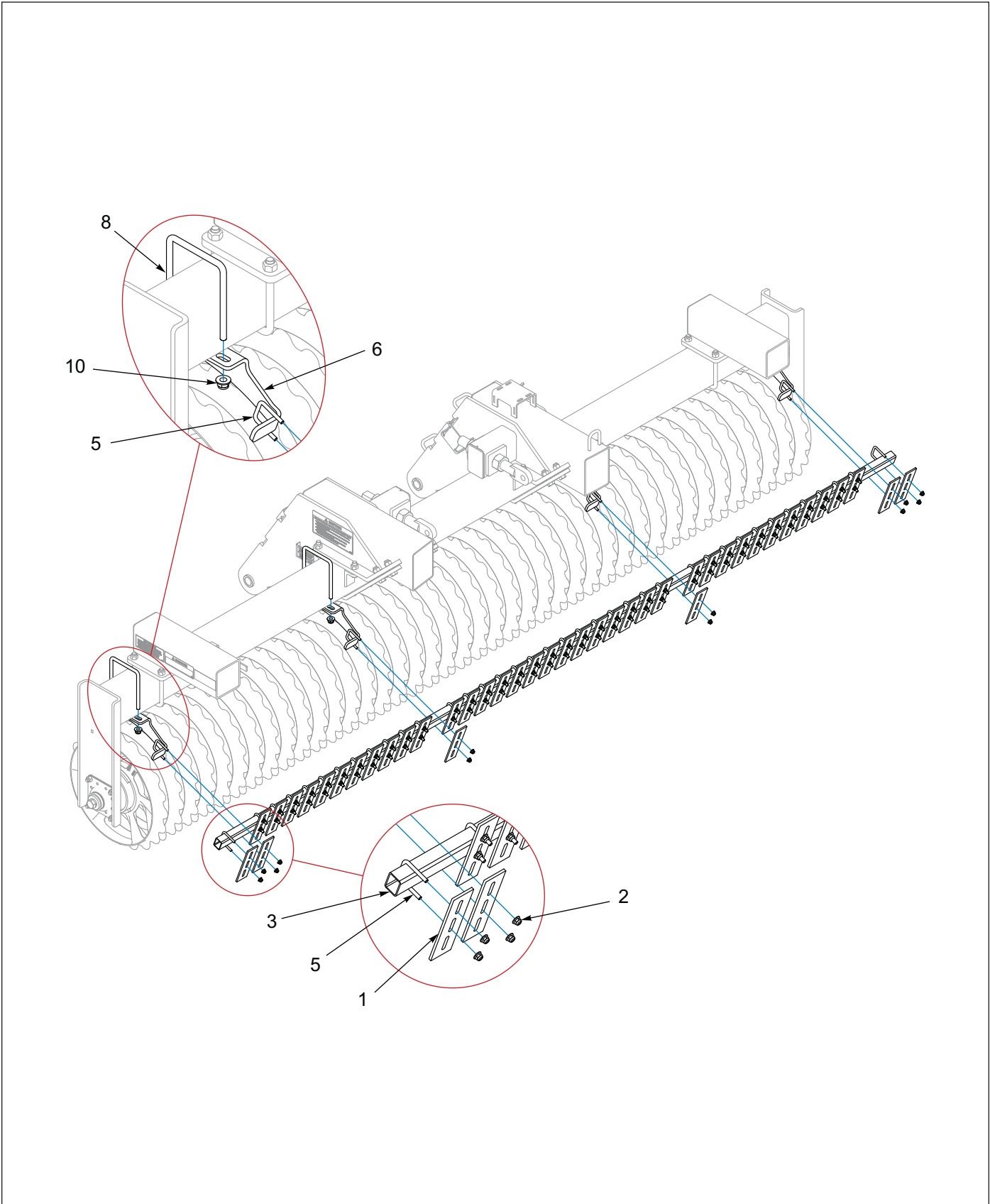


Figure 1-46: Center Front Scrapers - Optional

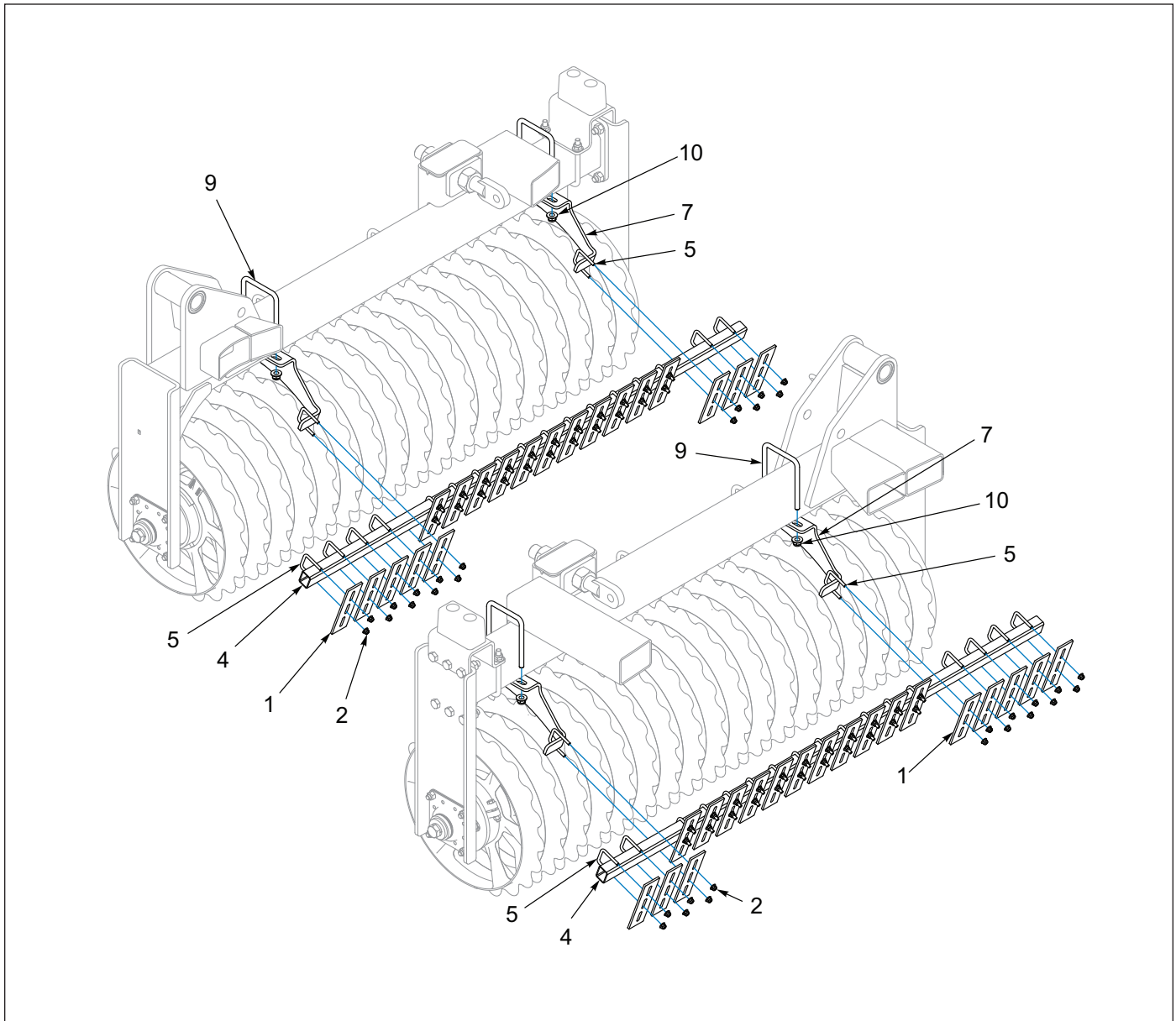


Figure 1-47: Wing Front Scrapers - Optional

Front Scrapers - Optional

ITEM	PART NUMBER	DESCRIPTION	QTY
	219153	KIT, 3631-25 SCRAPER 2P800 WHEEL	--
	214038	KIT, FRONT SCRAPER, 3631-25 (SHOWN)	1
1	8J014	SCRAPER, 2-1/2" WIDE	80
2	2P252	NUT, FLANGE NY-LOK 3/8-16	160
3	171752	TUBE RECT 2 X 1-1/2 X 168 (CENTER)	1
4	211275	TUBE RECT 2 X 1-1/2 X 76 (WINGS)	2
5	171749	U-BOLT, 3/8-16 X 2-7/16 X 2-3/4	80
6	211160	MOUNT, CENTER SCRAPER	4
7	211161	BRACKET, WING SCRAPER	4
8	178532	U-BOLT, 5/8-11 X 6-11/16 X 7-1/2, ZP (CENTER)	4
9	181363	U-BOLT, 5/8-11 X 5-11/16 X 6-3/4, ZP (WINGS)	4
10	2P254	NUT, FLANGE NY-LOK 5/8-11	8

Coil Tine Harrow Kit - Optional

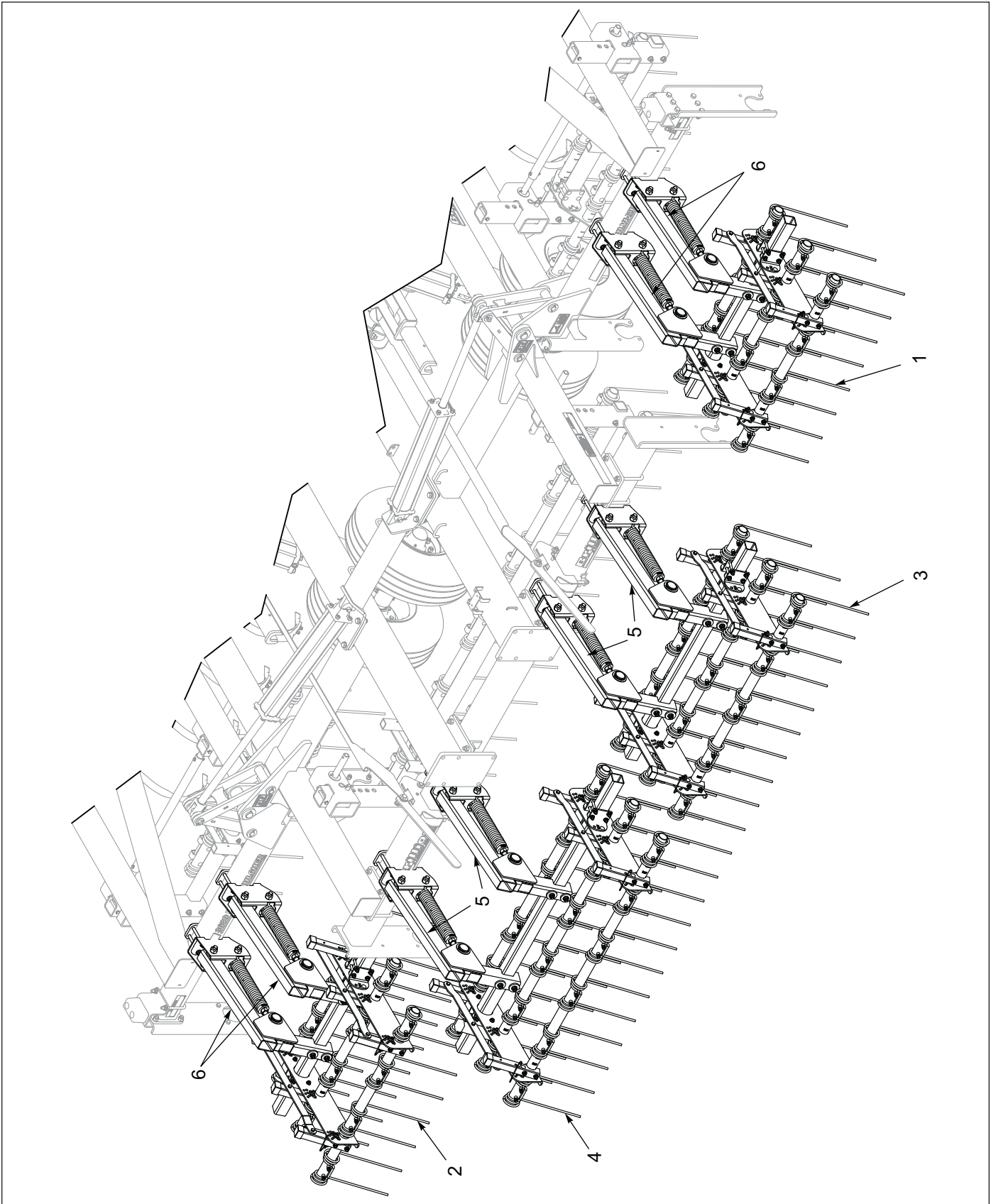


Figure 1-48: Coil Tine Harrow Kit - Optional

Coil Tine Harrow Kit - Optional

ITEM	PART NUMBER	DESCRIPTION	QTY
	213907	KIT, 3631-25 COIL TINE HARROW	1
1	168798	HARROW ASM 4 TINE, 3 ROW (RH) (SEE PAGE 1-84)	1
2	213909	HARROW ASM 4 TINE, 3 ROW (LH) (SEE PAGE 1-86)	1
3	168799	HARROW ASM 5 TINE, 3 ROW (SEE PAGE 1-88)	1
4	168800	HARROW ASM 6 TINE, 3 ROW (SEE PAGE 1-90)	1
5	221594	HARROW ARM ASM, CTR W/O LIFT (SEE PAGE 1-92)	4
6	221593	HARROW ARM ASM, WING W/O LIFT (SEE PAGE 1-93)	4

Harrow Assembly RH, 4 Tine, 3 Row - Optional

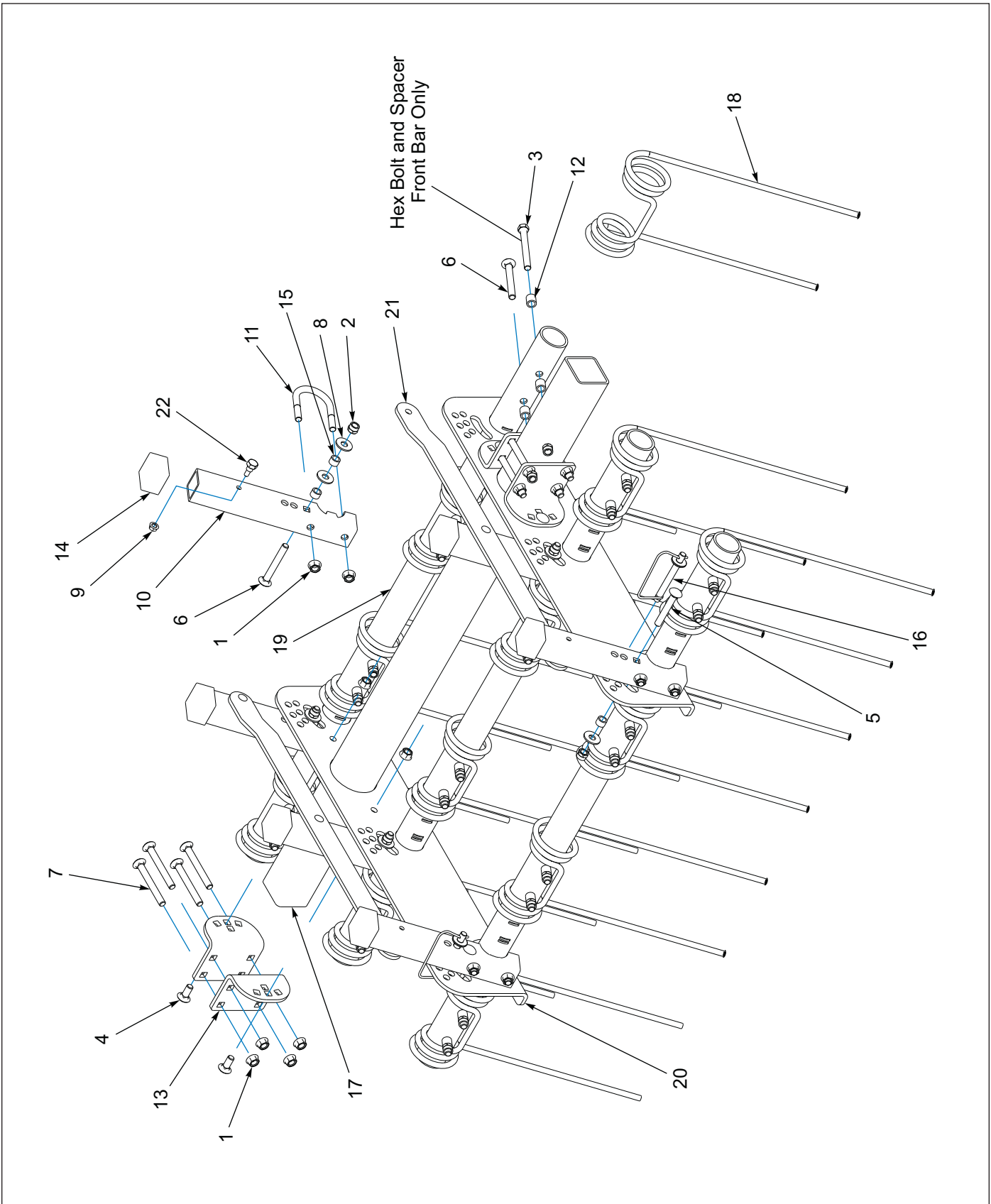


Figure 1-49: Harrow Assembly RH, 4 Tine, 3 Row - Optional

Harrow Assembly RH, 4 Tine, 3 Row - Optional

ITEM	PART NUMBER	DESCRIPTION	QTY
	168798	HARROW ASSY, 4 TINE, 3 ROW	1
1	1-510-010003-09	NUT, 1/2-13 FLANGE HD, SERRATED	24
2	1-512-010005-09	NUT, HEX SLFLKG, 1/2-13, GRB	30
3	1-654-010055-14	SCREW, HX CP, 1/2-13UNC X 4-1/2, G5	4
4	1-654-010070-02	SCREW, 1/2-13 X 1-1/4, RDHD, SQNCK	4
5	1-654-010070-11	SCREW, 1/2-13 X 3-1/2, RDHD, SQNCK	4
6	1-654-010070-13	SCREW, 1/2-13 X 4, RDHD, SQNCK	22
7	1-654-010070-14	SCREW, 1/2-13 X 4-1/2, RDHD, SQNCK	8
8	1-861-010032-15	WASHER, FLAT 1/2 W, ZP/CD	8
9	107470	NUT, SPIRALOCK 3/8-16 HX	6
10	154994	TUBE, ANGLE ADJUST	6
11	154995	U-BOLT, 1/2-13	6
12	154997	TUBE, 0.75OD X 0.532ID X 0.75, ZP	28
13	154998	PLATE ANGLE ADJUSTMENT	4
14	155927	CAP, TUBE 1.95 X 1.5 BLACK	6
15	155956	BUSHING ANGLE ADJUSTMENT	8
16	155971	PIN, HARROW ADJ	2
17	156777	TUBE, RIDE BAR 57-7/8"	1
18	164315	TINE, HARROW 7/16 X 18	12
19	164317	GANG BAR, 4 TINE 8 IN 57"	3
20	166336	PLATE, GANG BAR, 3 ROW	2
21	168763	LINK TINE ADJUSTMENT 3 ROW	2
22	2-095-010017	BOLT, SHOULDER HEX HEAD	6

ILLUSTRATED PARTS LIST

Harrow Assembly LH, 4 Tine, 3 Row - Optional

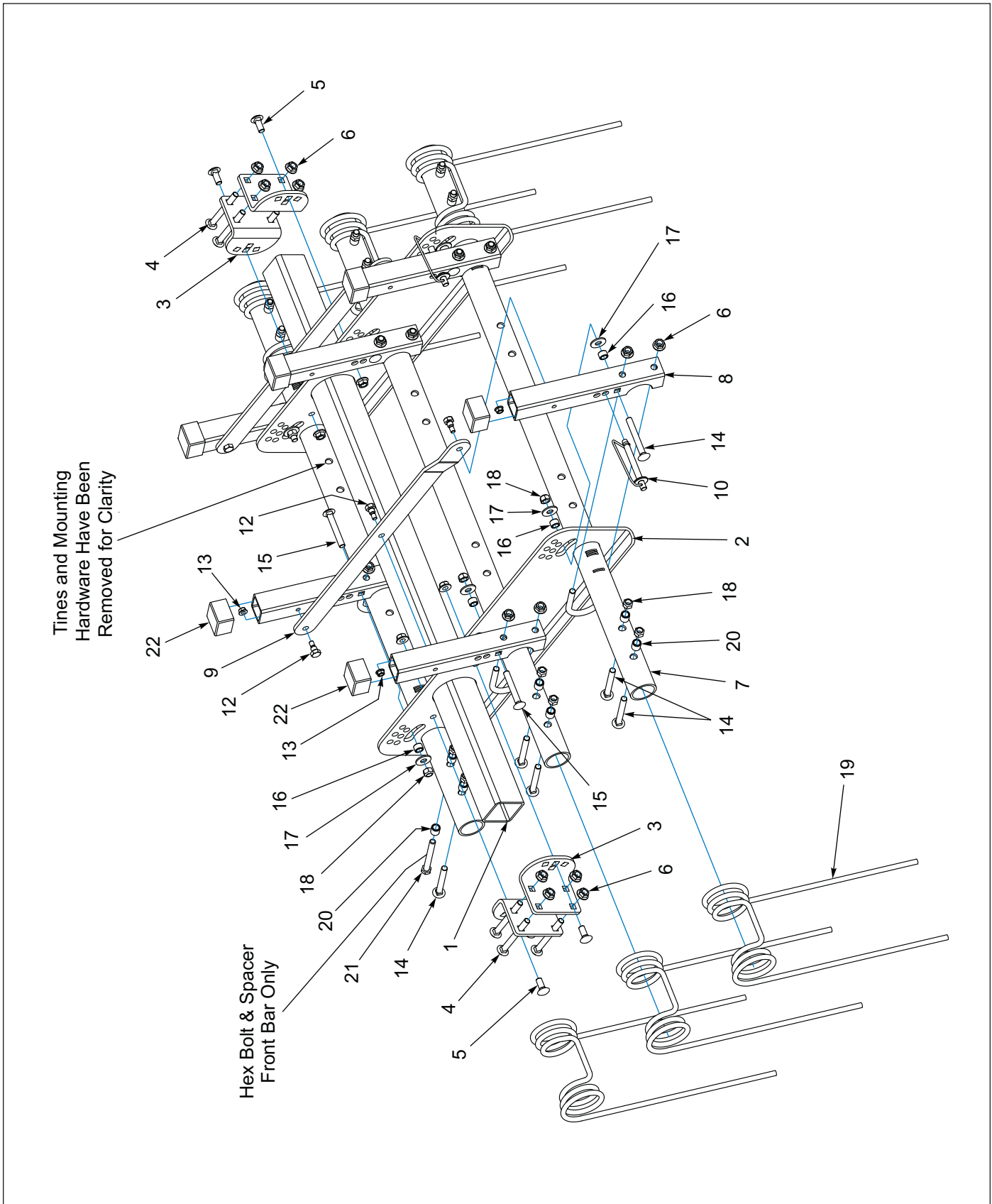


Figure 1-50: Harrow Assembly LH, 4 Tine, 3 Row - Optional

Harrow Assembly LH, 4 Tine, 3 Row - Optional

ITEM	PART NUMBER	DESCRIPTION	QTY
	213909	HARROW ASM, 4 TINE, 3 ROW	1
1	156777	TUBE, RIDE BAR, 57.875"	1
2	166336	PLATE, GANG BAR, 3 ROW	2
3	154998	PLATE, ANGLE ADJUSTMENT	4
4	1-654-010070-14	SCREW, 1/2-13 X 4-1/2 RDHD, SQNCK	8
5	1-654-010070-02	SCREW, 1/2-13 X 1-1/4 RDHD, SQNCK	4
6	1-510-010003-09	NUT, 1/2-13 FLANGE HD, SERRATED	24
7	164317	GANG BAR, 4 TINE 8 IN 57"	3
8	154994	TUBE, ANGLE ADJUST	6
9	168763	LINK, TINE ADJUSTMENT 3 ROW	2
10	155971	PIN, HARROW ADJ	2
11	154995	U-BOLT, 1/2-13	6
12	2-095-010017	BOLT, SHOULDER 3/8-16 X 7/16, GR5	6
13	107470	NUT, 3/8-16, HEX FLANGE SPIRALOCK	6
14	1-654-010070-13	SCREW, 1/2-13 X 4, RDHD, SQNCK	22
15	1-654-010070-11	SCREW, 1/2-13 X 3-1/2 RDHD, SQNCK	4
16	155956	BUSHING ANGLE ADJUSTMENT	8
17	1-861-010032-15	WASHER, FLAT 1/2 W ZP/CD	8
18	1-512-010005-09	NUT, LOCK 1/2-13, GRB, ZP	30
19	164315	TINE, HARROW 7/16 X 18	12
20	154997	TUBE, ROUND .75 OD X .532 ID X .75	28
21	1-654-010055-14	SCREW, HX CP, 1/2-13UNC X 4-1/2, G5	4
22	155927	CAP, TUBE 1.95 X 1.5 BLACK	6

ILLUSTRATED PARTS LIST

Harrow Assembly, 5 Tine, 3 Row - Optional

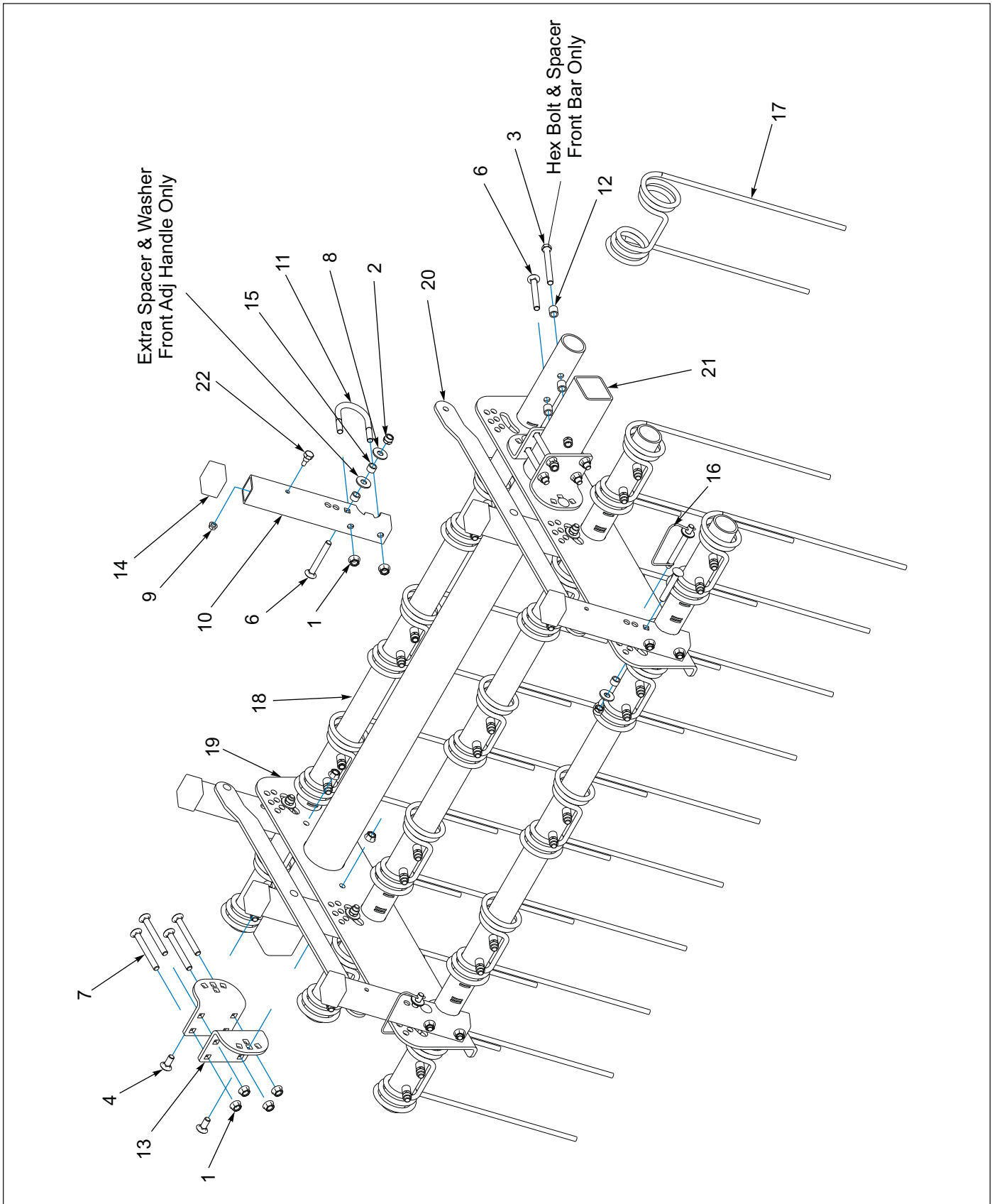


Figure 1-51: Harrow Assembly, 5 Tine, 3 Row - Optional

Harrow Assembly, 5 Tine, 3 Row - Optional

ITEM	PART NUMBER	DESCRIPTION	QTY
	168799	HARROW ASM, 5 TINE, 3 ROW	1
1	1-510-010003-09	NUT, FLG HD, SERR, 1/2-13 UNC	24
2	1-512-010005-09	NUT, HEX, SLFLKG, 1/2-13 UNC, GRB	36
3	1-654-010055-14	SCREW, HEX, 1/2-13UNC X 4-1/2, GR5	5
4	1-654-010070-02	SCREW, 1/2-13 X 1-1/4, RDHD, SQNK	4
5	1-654-010070-11	SCREW, 1/2-13 X 3-1/2, RDHD, SQNK	4
6	1-654-010070-13	SCREW, 1/2-13 X 4, RDHD, SQNK	27
7	1-654-010070-14	SCREW, 1/2-13 X 4-1/2, RDHD, SQNK	8
8	1-861-010032-15	WASHER, FLAT, ZP/CD, 1/2W	8
9	107470	NUT, FLG HD, SPIRALOCK, 3/8-16 UNC	6
10	154994	TUBE, ANGLE ADJUST	6
11	154995	U-BOLT, 1/2	6
12	154997	TUBE ROUND .75 OD X .532 ID X.75	35
13	154998	PLATE, ANGLE ADJUSTMENT	4
14	155927	CAP, TUBE 1.95 X 1.5 BLACK	6
15	155956	TUBE ROUND .75 OD X .532 ID X.5	8
16	155971	PIN, SPRING CLIP	2
17	164315	TINE, HARROW 7/16 X 18	15
18	164318	GANG BAR, 5 TINE 8 IN 73"	3
19	166336	PLATE, GANG BAR, 3 ROW	2
20	168763	LINK, TINE ADJUSTMENT 3 ROW	2
21	170870	TUBE, SQ 3 X 3/16 X 70	1
22	2-095-010017	SCREW, HEX, 1/2-13UNC X 1, GR5	6

Harrow Assembly, 6 Tine, 3 Row - Optional

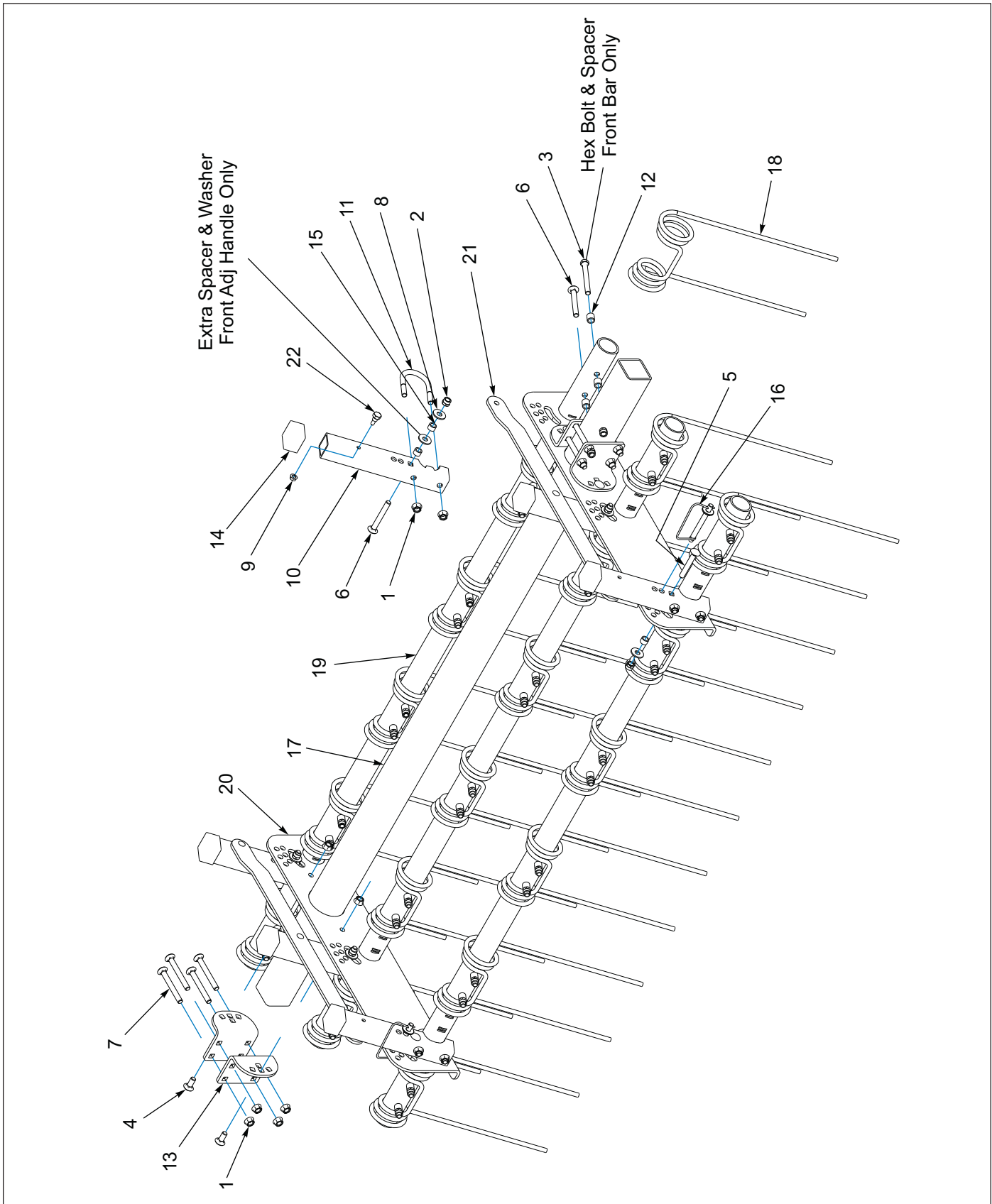


Figure 1-52: Harrow Assembly, 6 Tine, 3 Row - Optional

Harrow Assembly, 6 Tine, 3 Row - Optional

ITEM	PART NUMBER	DESCRIPTION	QTY
	168800	HARROW ASM, 6 TINE, 3 ROW	1
1	1-510-010003-09	NUT, FLG HD, SERR, 1/2-13 UNC	24
2	1-512-010005-09	NUT, HEX, SLFLKG, 1/2-13 UNC, GRB	42
3	1-654-010055-14	SCREW, HEX, 1/2-13UNC X 4-1/2, GR5	6
4	1-654-010070-02	SCREW, 1/2-13 X 1-1/4, RDHD, SQNK	4
5	1-654-010070-11	SCREW, 1/2-13 X 3-1/2, RDHD, SQNK	4
6	1-654-010070-13	SCREW, 1/2-13 X 4, RDHD, SQNK	32
7	1-654-010070-14	SCREW, 1/2-13 X 4-1/2, RDHD, SQNK	8
8	1-861-010032-15	WASHER, FLAT, ZP/CD, 1/2W	8
9	107470	NUT, FLG HD, SPIRALOCK, 3/8-16 UNC	6
10	154994	TUBE, ANGLE ADJUST	6
11	154995	U-BOLT, 1/2-13	6
12	154997	TUBE. ROUND .75 OD X .532 ID X.75	42
13	154998	PLATE, ANGLE ADJUSTMENT	4
14	155927	CAP, TUBE 1.95 X 1.5 BLACK	6
15	155956	TUBE. ROUND .75 OD X .532 ID X.5	8
16	155971	PIN, SPRING CLIP	2
17	156778	TUBE, RIDE BAR 90.5"	1
18	164315	TINE, HARROW 7/16 X 18	18
19	164319	GANG BAR, 6 TINE 8 IN 89"	3
20	166336	PLATE, GANG BAR, 3 ROW	2
21	168763	LINK, TINE ADJUSTMENT 3 ROW	2
22	2-095-010017	SCREW, HEX, 1/2-13UNC X 1, GR5	6

Center Harrow Arm Assembly - Optional

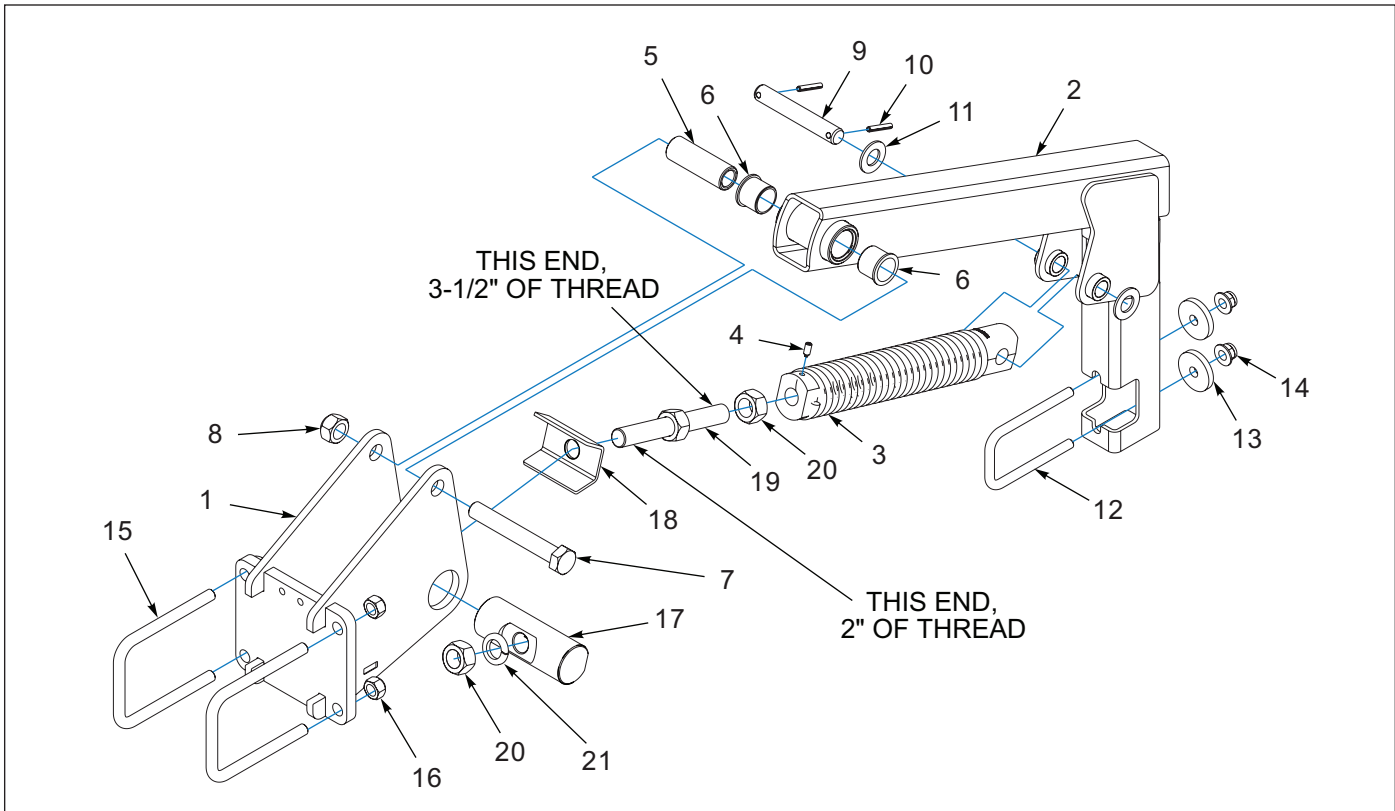


Figure 1-53: Center Harrow Arm Assembly - Optional

Center Harrow Arm Assembly - Optional

ITEM	PART NUMBER	DESCRIPTION	QTY
	221594	HARROW ARM ASM, CTR W/O LIFT	1
1	221587	MOUNT, CTR HARROW ARM WLDMT	1
2	221582	ARM, HARROW WLDMT	1
3	206652	SPRING ASSY 17" 1-1/8 THD	1
4	1P444	SET SCREW, 3/8-16 X 3/4 NYLON	1
5	155002	BUSHING PIVOT 1-1/2	1
6	140599	BEARING, FLANGE 1-1/2"	2
7	100830	SCREW,HEX CAP,1-8 X 7,Gr5	1
8	1-512-010005-19	NUT 1-8 HEX SLF-LOCKING GrB	1
9	6J580	PIN (1 X 6-1/2)	1
10	147072	PIN, SPRING SLOTTED 5/16 X 2	2
11	1-861-010032-25	WASHER FL 1IN WIDE ZP	2
12	8-102-010043	U-BLT,5/8-11 X 3-11/16 X 6-3/8	1
13	171745	WASHER, 0.656 X 2.5 X 0.375,ZP	2
14	2P254	NUT, FLANGE NY-LOK 5/8-11	2
15	7K723	U-BLT,3/4-10 X 6-13/16 X 7-3/4	2
16	1-512-010005-15	NUT,HEX,SLFLKG GrB 3/4-10	4
17	224182	PIN, ADJUSTER	1
18	224183	CLIP,ADJUSTER PIN	1
19	224181	ROD, HARROW ARM ADJUSTER WLDMT	1
20	206675	NUT, 1-1/8 -12 UNF, Z/P Gr 2	2
21	142786	WASHER, LOCK 1-1/8 ZP	1

Wing Harrow Arm Assembly - Optional

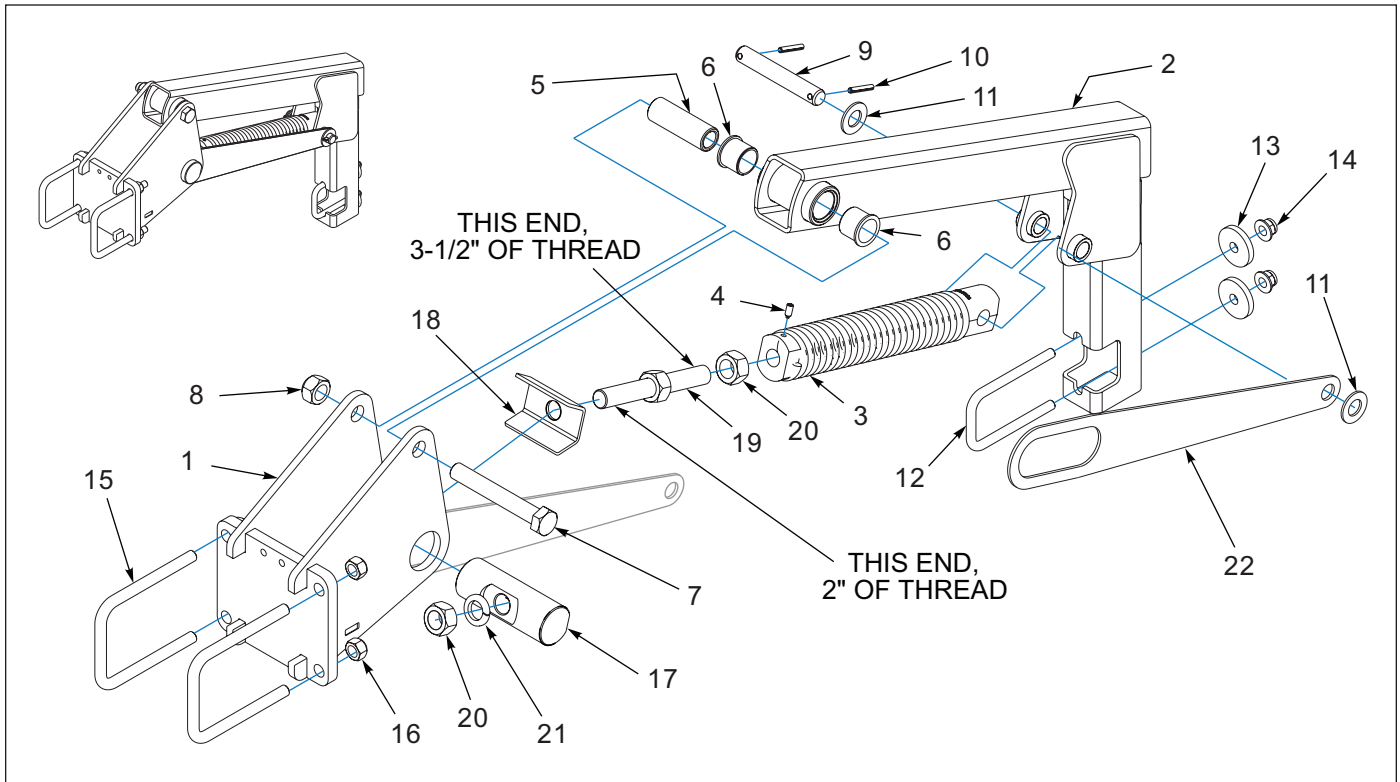


Figure 1-54: Wing Harrow Arm Assembly - Optional

Wing Harrow Arm Assembly - Optional

ITEM	PART NUMBER	DESCRIPTION	QTY
	221593	HARROW ARM ASM, WING W/O LIFT	1
1	221579	MOUNT, WING HARROW ARM WLDMT	1
2	221582	ARM, HARROW WLDMT	1
3	206652	SPRING ASSY 17" 1-1/8 THD	1
4	1P444	SET SCREW, 3/8-16 X 3/4 NYLON	1
5	155002	BUSHING PIVOT 1-1/2	1
6	140599	BEARING, FLANGE 1-1/2"	2
7	100830	SCREW,HEX CAP,1-8 X 7,Gr5	1
8	1-512-010005-19	NUT 1-8 HEX SLF-LOCKING GrB	1
9	6J580	PIN (1 X 6-1/2)	1
10	147072	PIN, SPRING SLOTTED 5/16 X 2	2
11	1-861-010032-25	WASHER FL 1IN WIDE ZP	2
12	8-102-010043	U-BLT,5/8-11 X 3-11/16 X 6-3/8	1
13	171745	WASHER, 0.656 X 2.5 X 0.375,ZP	2
14	2P254	NUT, FLANGE NY-LOK 5/8-11	2
15	140484	U-BLT,3/4-10 X 5	2
16	1-512-010005-15	NUT,HEX,SLFLKG GrB 3/4-10	4
17	224182	PIN, ADJUSTER	1
18	224183	CLIP,ADJUSTER PIN	1
19	224181	ROD, HARROW ARM ADJUSTER WLDMT	1
20	206675	NUT, 1-1/8 -12 UNF, Z/P Gr 2	2
21	142786	WASHER, LOCK 1-1/8 ZP	1
22	241282	STOP, HARROW ARM (AFTER 04/25/2022)	1

Clamp End Spacer Kits - Optional (1 of 2)

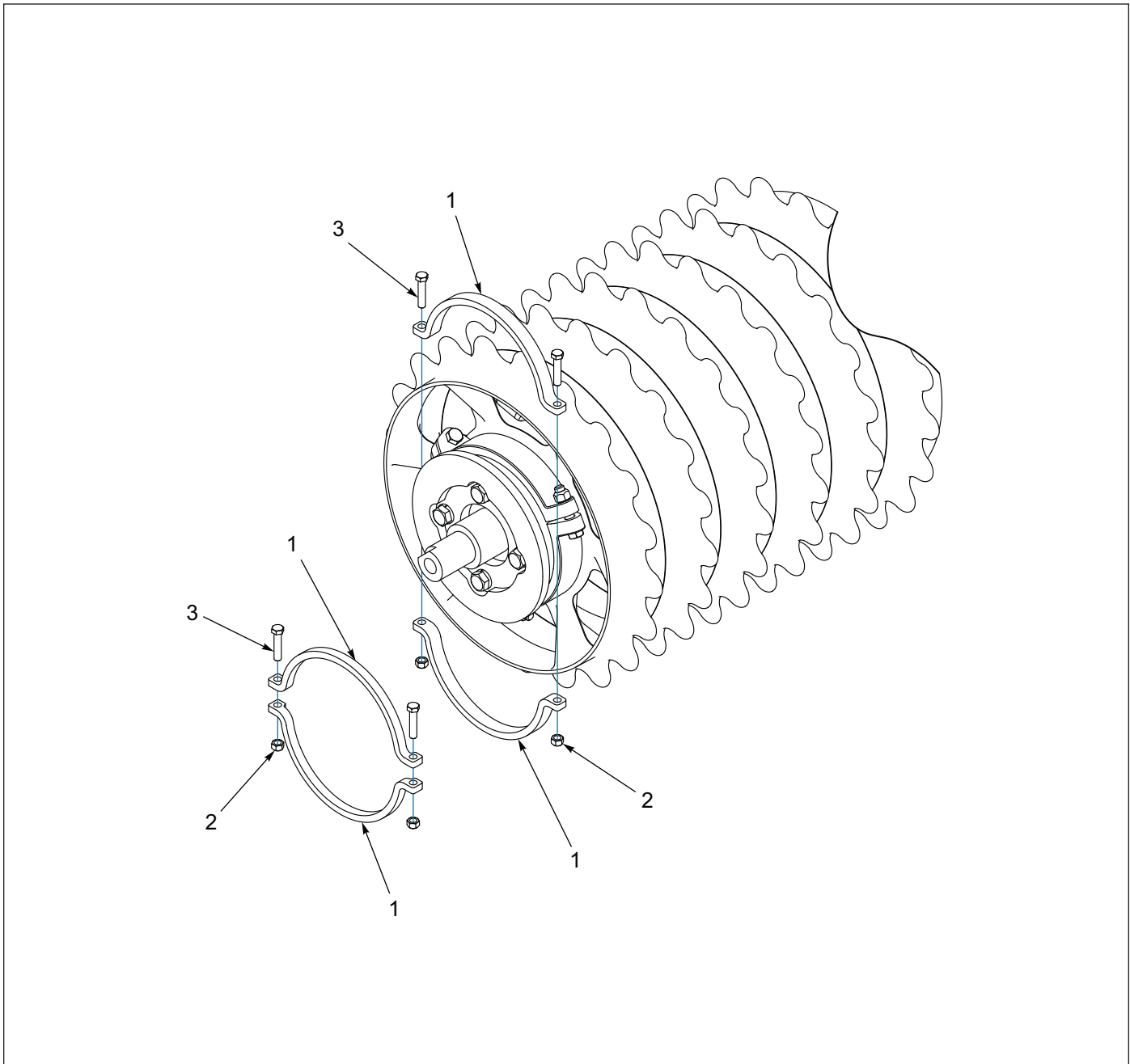


Figure 1-55: Clamp End Spacer Kits - Optional (1 of 2)

Clamp End Spacer Kits - Optional (1 of 2)

ITEM	PART NUMBER	DESCRIPTION	QTY	
			3/4"	1/2"
	201442	KIT, 3/4" CLAMP END SPACER	1	--
	201443	KIT, 1/2" CLAMP END SPACER	--	1
1	185142	AXLE SPACER, 3/4"	2	--
1	185141	AXLE SPACER, 1/2"	--	2
2	1-512-010005-05	NUT, HEX SLFLKG 3/8-16, GRB	2	2
3	1-654-010051-08	SCREW, HEX CAP, 3/8-16 X 1-3/4	2	2

Clamp End Spacer Kits - Optional (2 of 2)

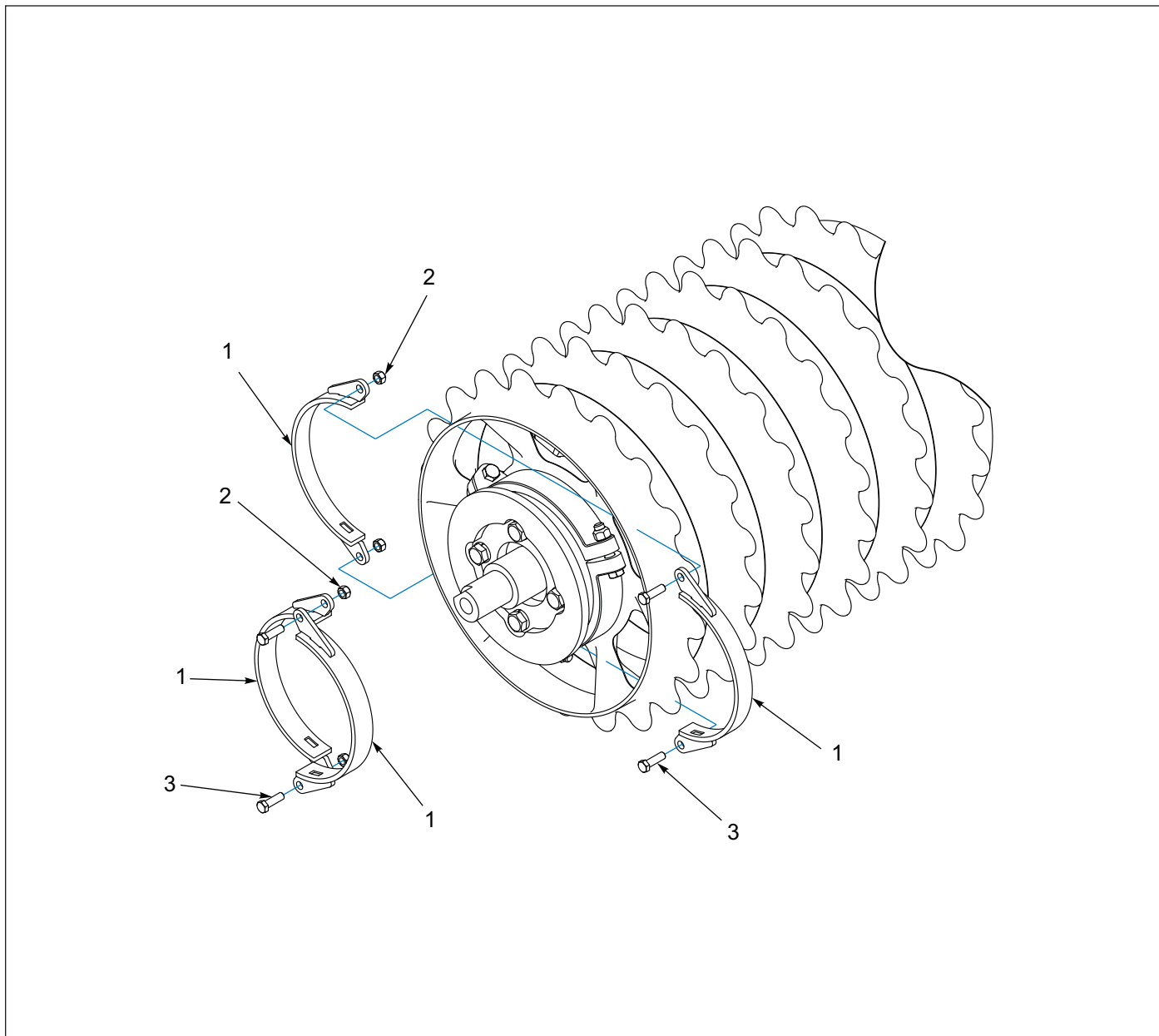


Figure 1-56: Clamp End Spacer Kits - Optional (2 of 2)

Clamp End Spacer Kits - Optional (2 of 2)

ITEM	PART NUMBER	DESCRIPTION	QTY		
			1"	1-1/4"	1-1/2"
	204831	KIT, 1" CLAMP END SPACER	1	--	--
	204832	KIT, 1-1/4" CLAMP END SPACER	--	1	--
	204833	KIT, 1-1/2" CLAMP END SPACER	--	--	1
1	204835	AXLE SPACER, 1"	2	--	--
1	204836	AXLE SPACER, 1-1/4"	--	2	--
1	204837	AXLE SPACER, 1-1/2"	--	--	2
2	1-512-010005-05	NUT, HEX SLFLKG 3/8-16, GRB	2	2	2
3	1-654-010051-05	SCREW, HEX CAP, 3/8-16 X 1, GR5	2	2	2

Land Leveler - Optional

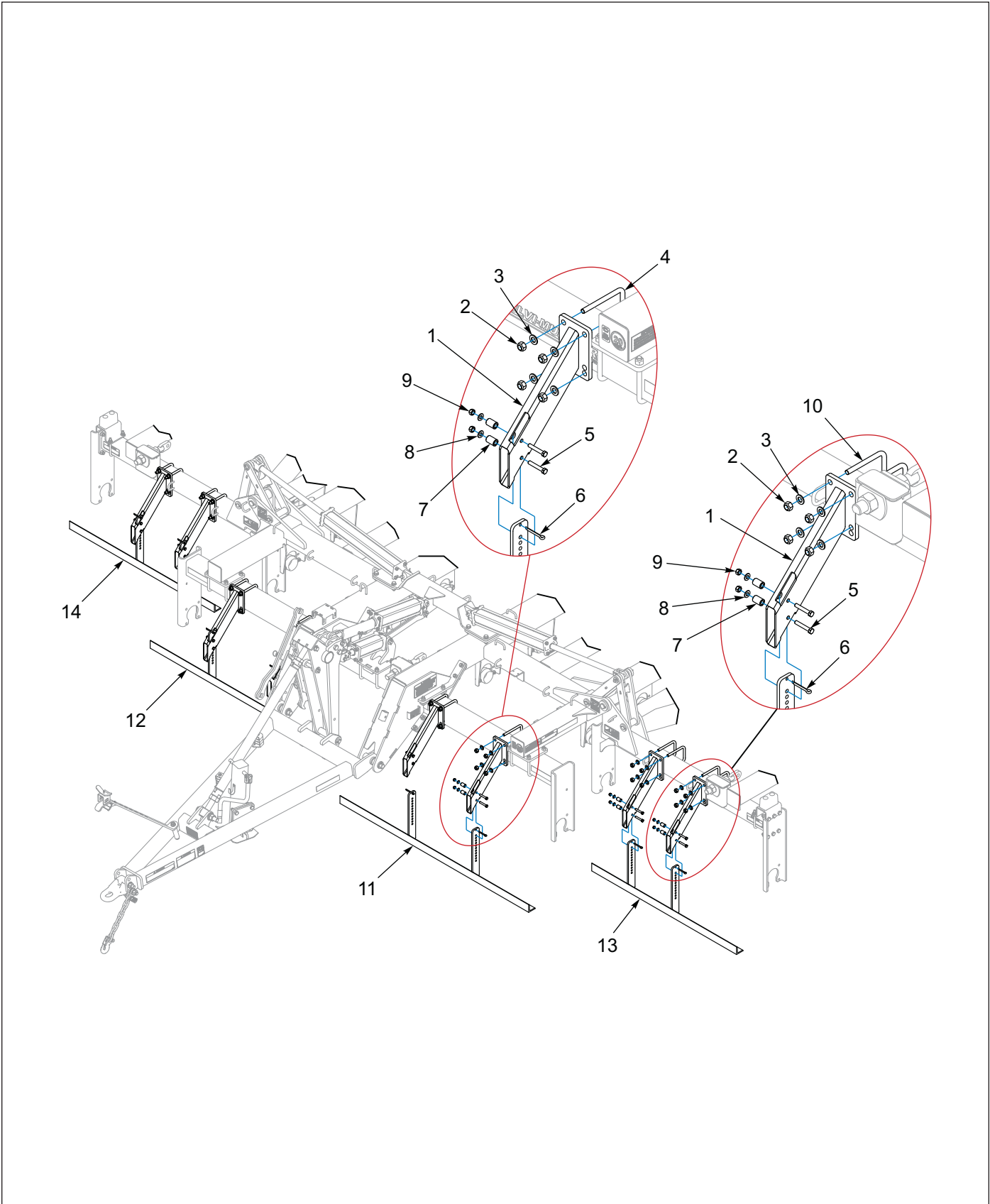


Figure 1-57: Land Leveler - Optional

Land Leveler - Optional

ITEM	PART NUMBER	DESCRIPTION	QTY
	214021	LAND LEVELER OPTION, 3631-25	1
1	213917	MOUNT, LEVELER	8
2	1-512-010005-15	NUT, HEX SLFLKG 3/4-10, GRB	32
3	1-861-010032-20	WASHER, FLAT, 3/4 B ZP/CD	32
4	7K723	U-BOLT, 3/4-10 X 6-13/16 X 7-3/4 (CENTER)	8
5	1-654-010055-09	SCREW, HX CP, 1/2-13UNC X 3, GR5	16
6	1-557-010362-87	PIN, COTTER 3/8 X 2-1/2	8
7	185143	TUBE, RD 0.563 X 1.0 X 1.5	16
8	1-861-010032-14	WASHER, FLAT 1/2" N ZP/CD	16
9	1-512-010005-09	NUT, HEX SLFLKG 1/2-13, GRB	16
10	140484	U-BOLT, 3/4 X 5 (WING)	8
11	214004	LEVELER, LH CTR	1
12	214005	LEVELER, RH CTR	1
13	213913	LEVELER, LH WING	1
14	213914	LEVELER, RH WING	1

ILLUSTRATED PARTS LIST

V - Leveler - Optional

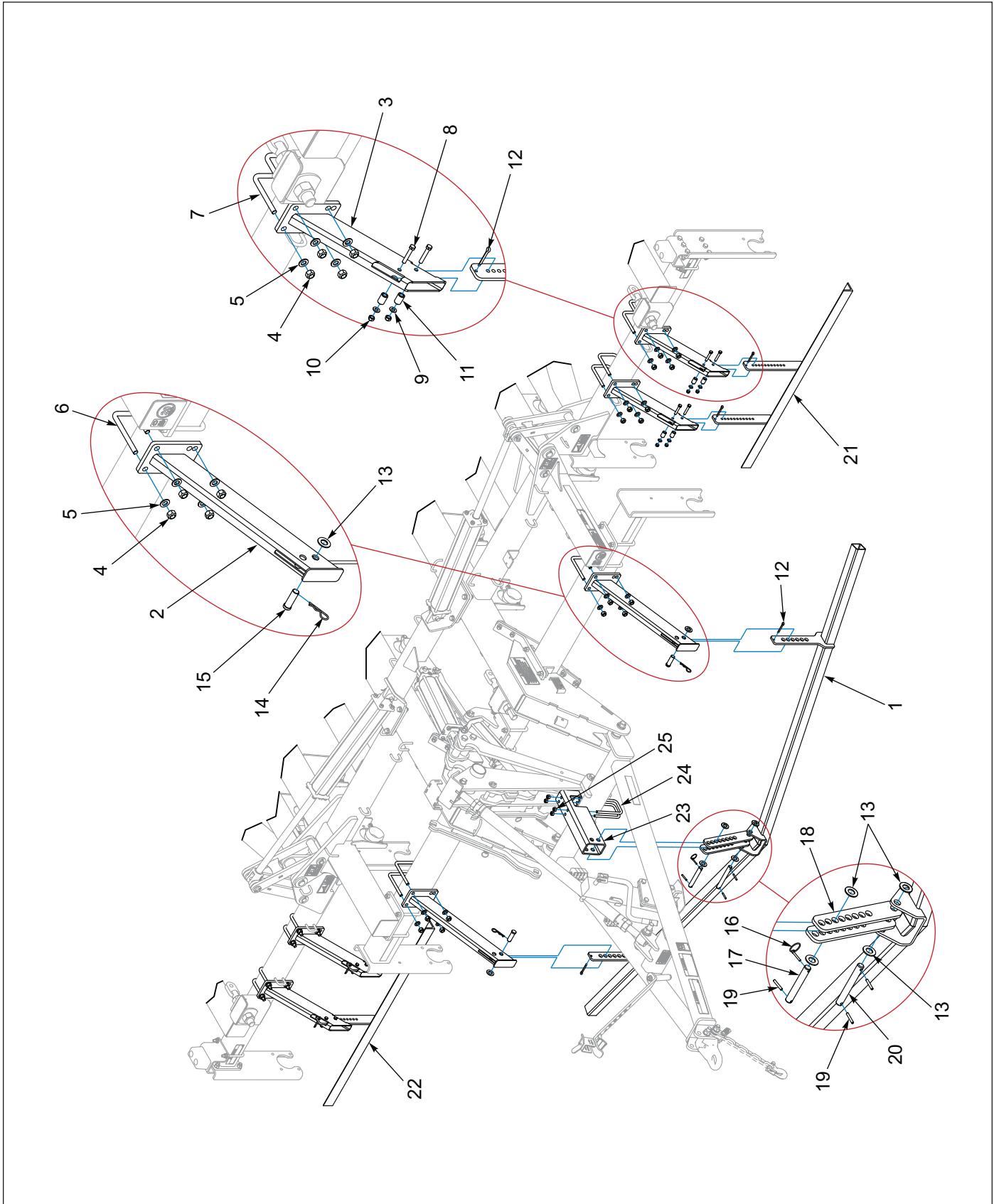


Figure 1-58: V - Leveler - Optional

V - Leveler - Optional

ITEM	PART NUMBER	DESCRIPTION	QTY
	214023	KIT, 3631-25 V-LEVELER	1
1	214016	V-LEVELER, 14.5 FT	1
2	214501	BRACKET, LEVELER MOUNT (CENTER)	2
3	213917	MOUNT LEVELER (WINGS)	4
4	1-512-010005-15	NUT, HEX, SLFLKG 3/4-10, GRB	24
5	1-861-010032-20	WASHER, FLAT, 3/4 N, ZP/CD	24
6	7K723	U-BOLT, 3/4-10 X 6-13/16 X 7-3/4 (CENTER)	4
7	140484	U-BOLT, 3/4 X 5 (WING)	8
8	1-654-010055-09	SCREW, HX CP, 1/2-13UNC X 3, GR5	8
9	1-861-010032-14	WASHER, FLAT 1/2" N, ZP/CD	8
10	1-512-010005-09	NUT, HEX, SLFLKG, 1/2-13, GRB	8
11	185143	TUBE, RD 0.563 X 1.0 X 1.5	8
12	1-557-010362-87	PIN, COTTER 3/8 X 2-1/2	6
13	1-861-010032-24	WASHER, FL 1IN NARROW, ZP	4
14	1D594	HAIR PIN COTTER .178 X 3-9/16	2
15	2D799	CLEVIS PIN (1 X 3)	2
16	1-557-010327	PIN LYNCH 1/4 X 1-1/4	1
17	183516	PIN, 1 X 7	1
18	214018	LINK, LEVELER	2
19	147072	PIN, SPRING SLOTTED, 5/16 X 2	3
20	8K113	PIN, 1 X 8.0	1
21	213913	LEVELER, LH WING	1
22	213914	LEVELER, RH WING	1
23	214013	BRACKET, CENTER V LEVELER	1
24	2-102-010037	U-BOLT 5/8-11, CENTER SCRAPER	2
25	1-512-010005-13	NUT, HEX SLFLKG 5/8-11, GRB	4

Rear Hitch - Optional

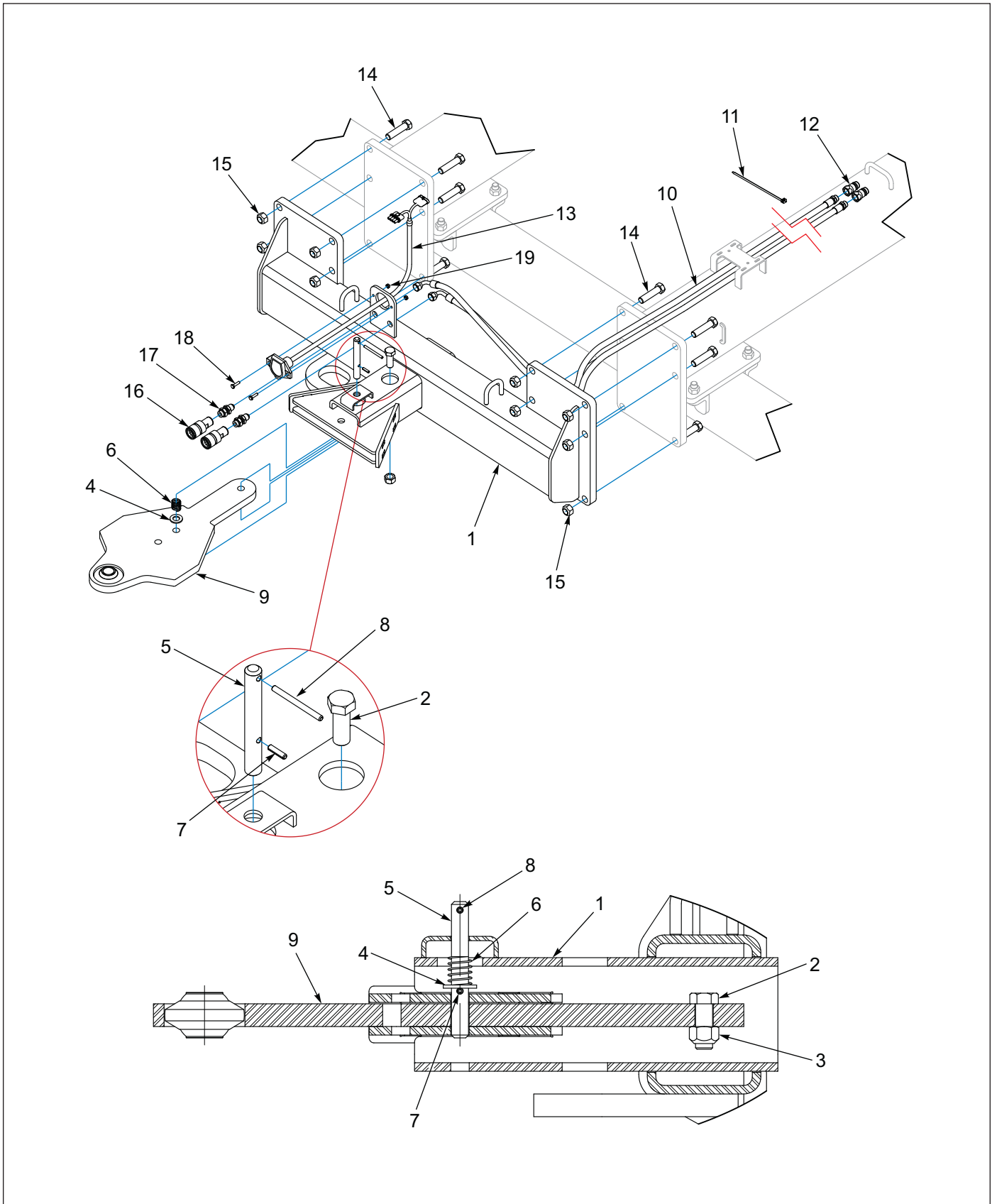


Figure 1-59: Rear Hitch - Optional

Rear Hitch - Optional

ITEM	PART NUMBER	DESCRIPTION	QTY
	214025	KIT, NARROW REAR HITCH	1
1	211271	HITCH WELDMENT, 3625 REAR	1
2	1-654-010061-05	SCREW, HHC, 3/4-10 X 2 GR5, ZP	1
3	1-512-010005-15	NUT, HEX, SLFLKG 3/4-10, GRB	1
4	1-861-010032-20	WASHER, FLAT, 3/4 N, ZP/CD	1
5	3-375-010371	HITCH PIN AGRI	1
6	CO-975-74-2000	SPRING COMPRESSION	1
7	0600-250-01000	1/4 X 1 ROLL PIN, ZP	1
8	0600-250-03000	1/4 X 3 ROLL PIN, ZP	1
9	183599	HITCH, REAR TOW	1
10	213852	HOSE ASM, 3/8 X 460, 8FJS90 X 8MOR	2
11	105-0228	TY-STRAP	15
12	141828	MALE COUPLER, 8 O-RING	2
13	143871	HARNES, TANDEM ADAPTER	1
14	1-654-010061-09	SCREW, HX CP 3/4-10UNC X 3, GR5	12
15	1-512-010005-15	NUT, HEX, SLFLKG GRB 3/4-10	12
16	142668	FEMALE COUPLER, 8 O-RING	2
17	1P782	BULKHEAD, 08MJ X 08MOR	2
18	1-654-010047-06	SCREW, HX CP 1/4-20UNC X 1, GR5	2
19	1-512-010005-01	NUT, HEX SLFLKG 1/4-20, GRB	2
20	2-181-010001	HOSE CLAMP (NOT SHOWN)	2

ILLUSTRATED PARTS LIST

Hydraulic Cylinder, 4 x 8 - Prince

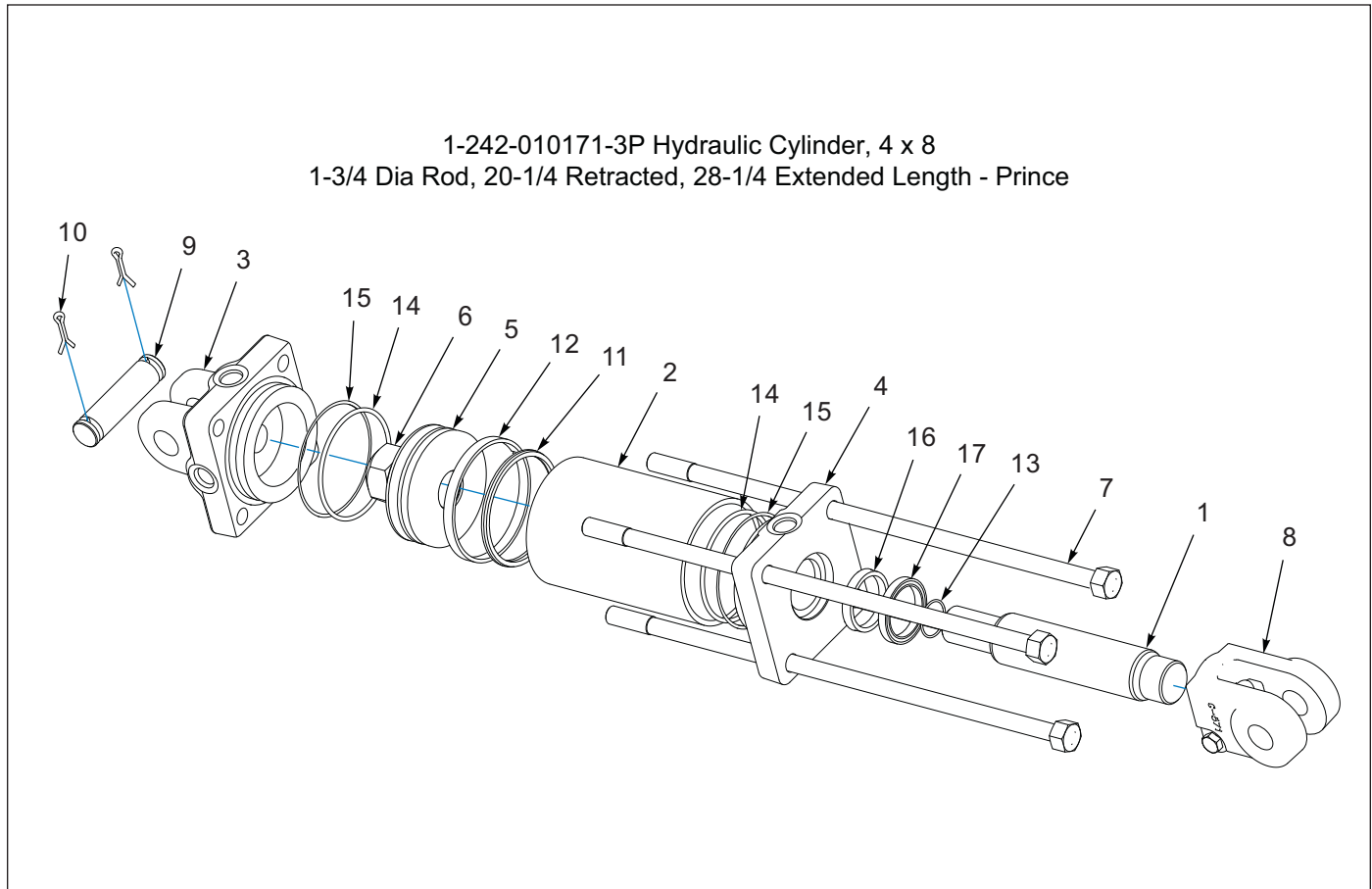


Figure 1-60: Hydraulic Cylinder, 4 x 8 - Prince

Hydraulic Cylinder, 4 x 8 - Prince

ITEM	PART NUMBER	DESCRIPTION	QTY
	1-242-010171-3	CYLINDER, HYDRAULIC 4 X 8 3000 PSI	1
1	011000318	PISTON ROD	1
2	-----	TUBE	1
3	-----	BUTT	1
4	162674	GLAND	1
5	-----	PISTON	1
6	-----	LOCKNUT	1
7	-----	TIEROD ASSEMBLY	4
8	100000326	CLEVIS ASSEMBLY	1
9	190400035	CLEVIS PIN	2
10	110-4224	PIN, COTTER 3/16 X 2IN LG	4
11	-----	CROWN SEAL	1
12	-----	O-RING	1
13	-----	O-RING	2
14	-----	BU-WASHER	2
15	-----	U-CUP	1
16	-----	WIPER	1
17	-----	BEARING RING	1
18	1-242-010178-3	PACKING KIT (INCLUDES ITEMS 11-17)	1

Hydraulic Cylinder, 4-1/2 x 14 - Prince

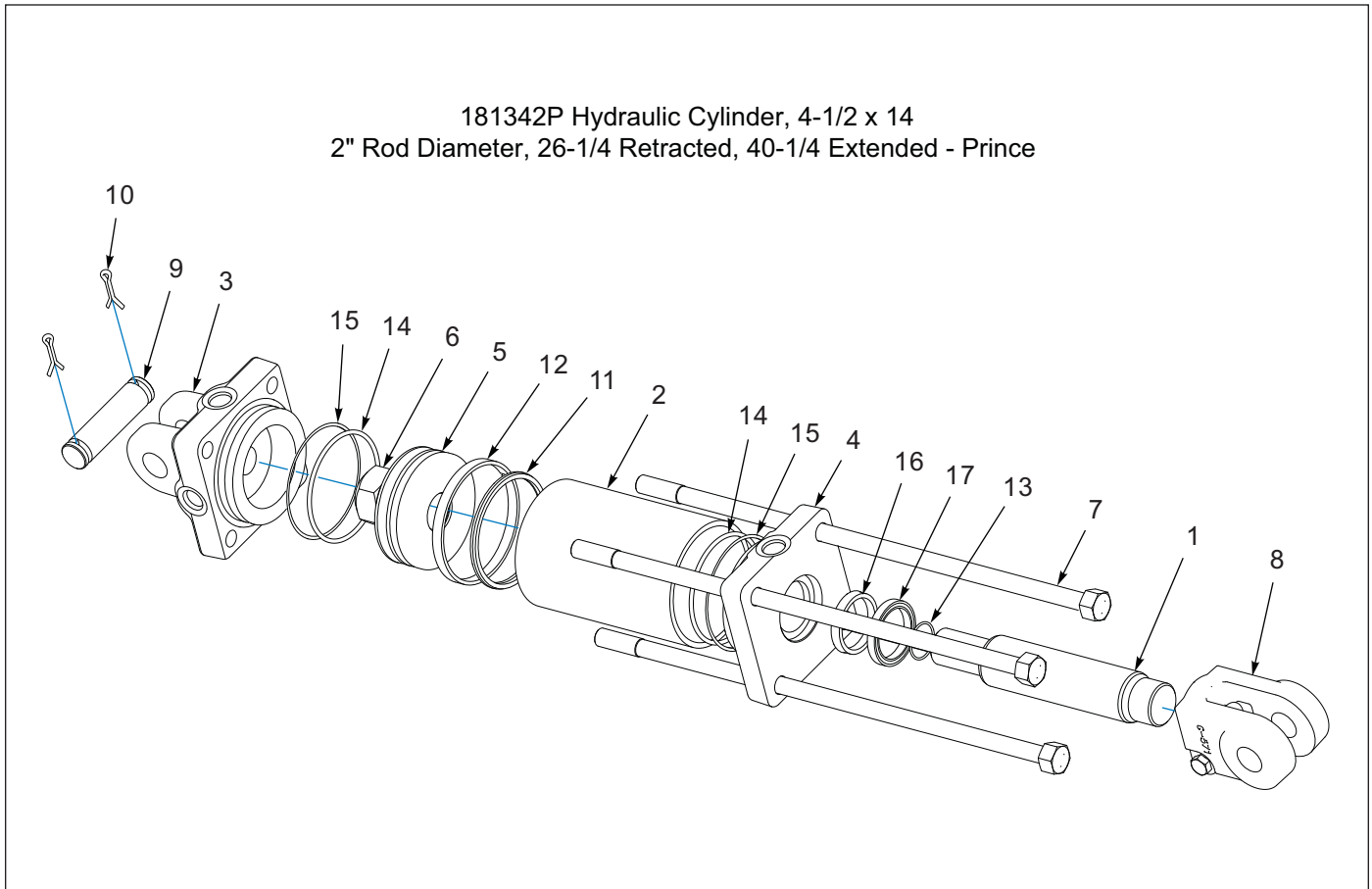


Figure 1-61: Hydraulic Cylinder, 4-1/2 x 14 - Prince

Hydraulic Cylinder, 4-1/2 x 14 - Prince

ITEM	PART NUMBER	DESCRIPTION	QTY
	181342	CYLINDER, HYDRAULIC 4-1/2 X 14	1
1	-----	PISTON ROD	1
2	-----	TUBE	1
3	-----	BUTT	1
4	163038	GLAND	1
5	-----	PISTON	1
6	-----	LOCKNUT	1
7	-----	TIE ROD ASSEMBLY	1
8	100000362	CLEVIS ASSEMBLY	1
9	4J549	HINGE PIN (1.25 X 4.0)	2
10	110-4224	PIN, COTTER 3/16 X 2IN LG	4
11	-----	CROWN SEAL	2
12	-----	BEARING RING	1
13	-----	O-RING	1
14	-----	O-RING	2
15	-----	BU-WASHER	2
16	-----	U-CUP	1
17	-----	WIPER	1
18	132077	SEAL KIT, PMCK-SAE-34500 (INCLUDES ITEMS 11-17)	1

ILLUSTRATED PARTS LIST

Hydraulic Cylinder, 4-1/2 x 8 Re-Phase - Prince

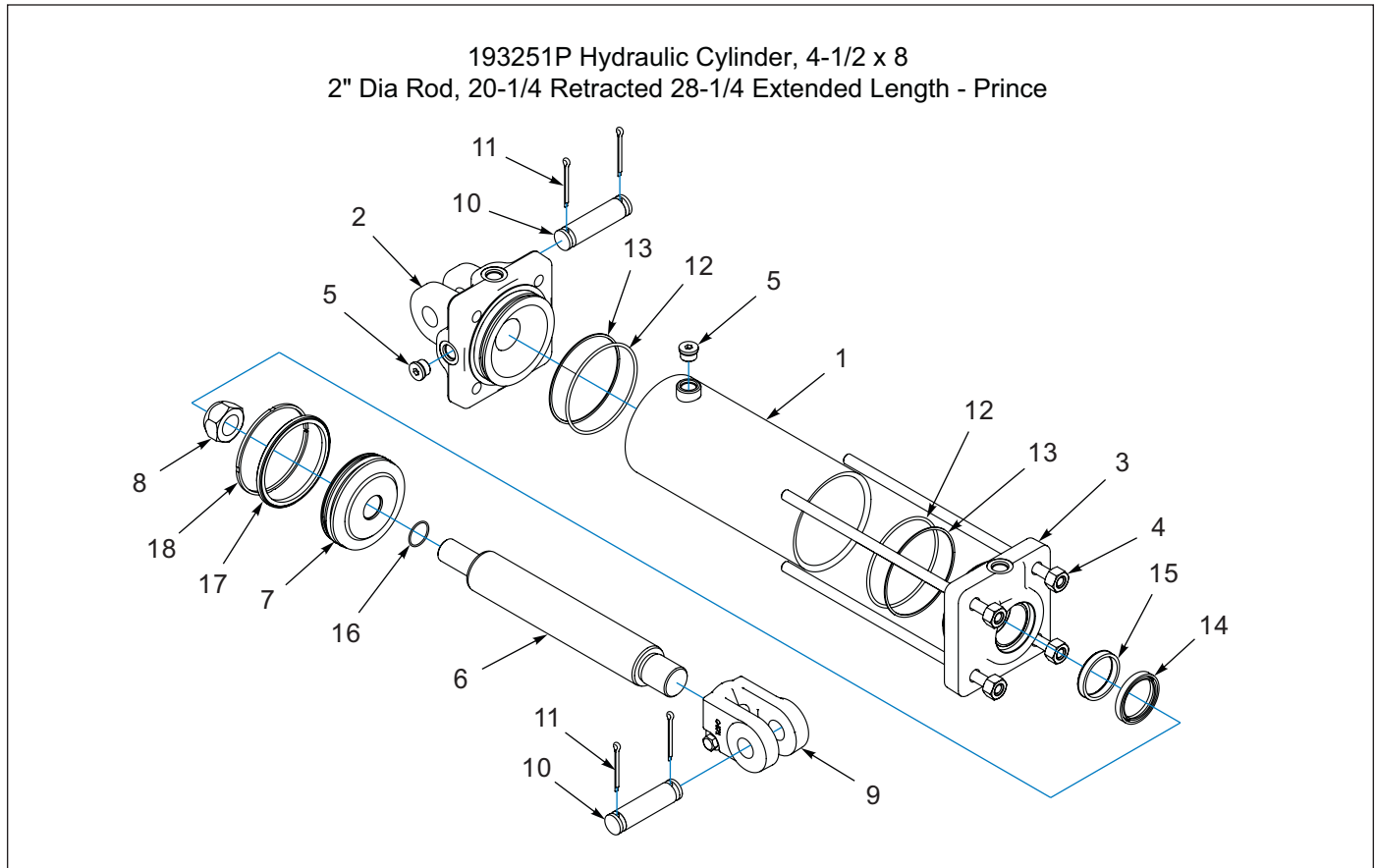


Figure 1-62: Hydraulic Cylinder, 4-1/2 x 8 Re-Phase - Prince

Hydraulic Cylinder, 4-1/2 x 8 Re-Phase - Prince

ITEM	PART NUMBER	DESCRIPTION	QTY
	193251	HYD CYL, 4-1/2 X 8 RE-PHASE	1
1	-----	TUBE ASSY	1
2	142000004	BUTT	1
3	082000092	ROD CAP	1
4	-----	TIE ROD ASSY	4
5	-----	PORT PLUG	2
6	-----	PISTON ROD	1
7	-----	PISTON	1
8	220000211	LOCKNUT	1
9	100000326	CLEVIS ASSY	1
10	190400004	CYLINDER PIN 4IN	2
11	110-4224	PIN, COTTER 3/16 X 2IN LG	4
12	-----	O-RING	2
13	-----	BU-WASHER	2
14	-----	WIPER	1
15	-----	U-CUP	1
16	-----	O-RING	1
17	-----	CHAMF TEFLON SEAL	1
18	-----	BEARING RING	1
19	113216	SEAL KIT, PMCK-AU-0650 (INCLUDES ITEMS 12-18)	1

Hydraulic Cylinder, 4 x 8 Re-Phase - Prince

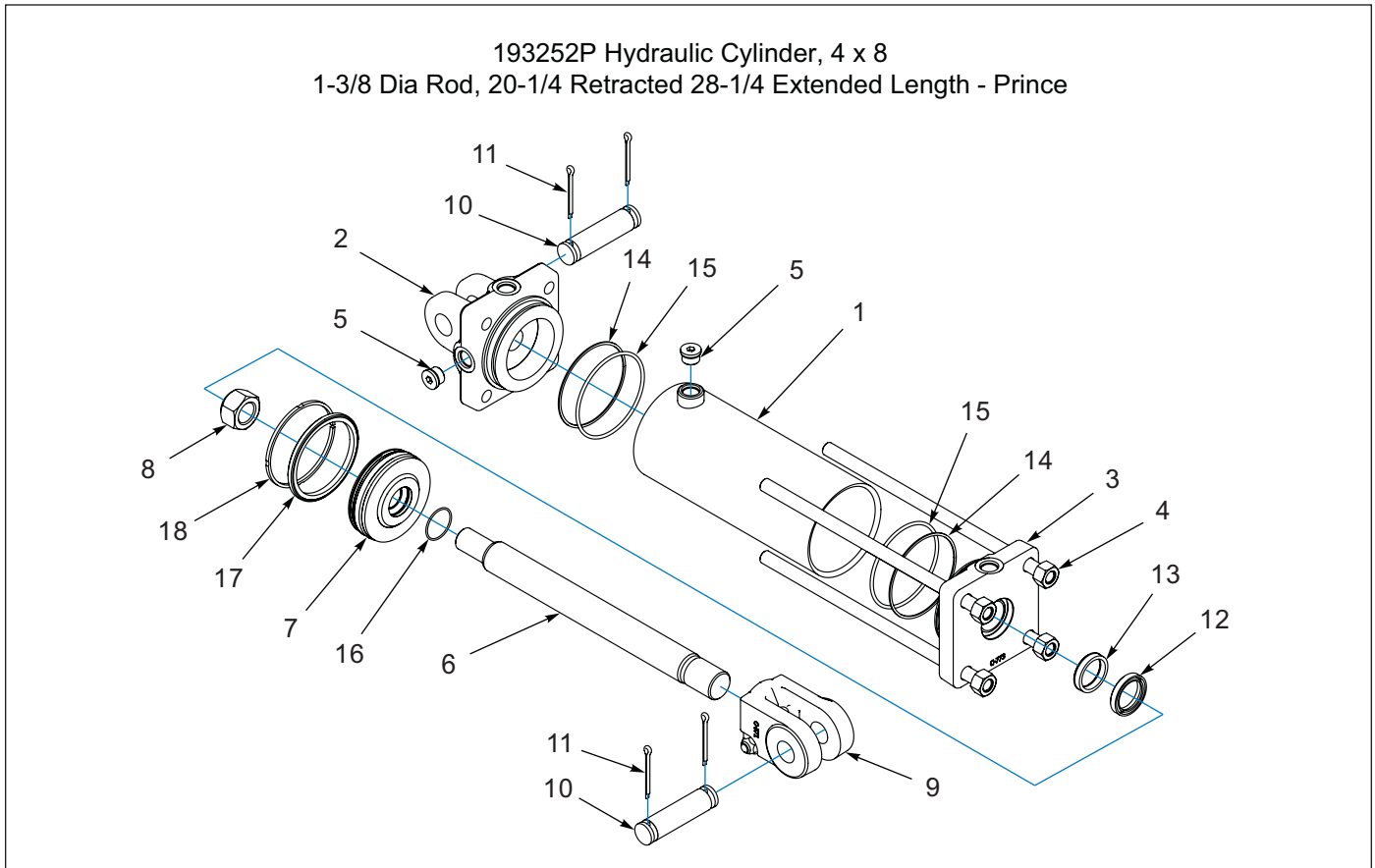


Figure 1-63: Hydraulic Cylinder, 4 x 8 Re-Phase - Prince

Hydraulic Cylinder, 4 x 8 Re-Phase - Prince

ITEM	PART NUMBER	DESCRIPTION	QTY
	193252	HYD CYL, 4 X 8 RE-PHASE	1
1	-----	TUBE ASSY	1
2	147375	BUTT	1
3	081900374	GLAND ASSY	1
4	-----	TIE ROD ASSY	4
5	-----	PORT PLUG	2
6	-----	PISTON ROD	1
7	-----	PISTON	1
8	-----	PISTON NUT	1
9	140306	CLEVIS FOR 1-242-010179-2	1
10	190400004	CYLINDER PIN 4IN	2
11	110-4224	PIN, COTTER 3/16 X 2IN LG	4
12	-----	ROD WIPER	1
13	-----	U-CUP	1
14	-----	BU-WASHER	2
15	-----	O-RING	2
16	-----	O-RING	1
17	-----	RECT TEFLON	1
18	-----	BEARING RING	1
19	113215	SEAL KIT, PMCK-AU-0649 (INCLUDES ITEMS 12-18)	1

ILLUSTRATED PARTS LIST

Hydraulic Cylinder, 4 x 30 - Lion

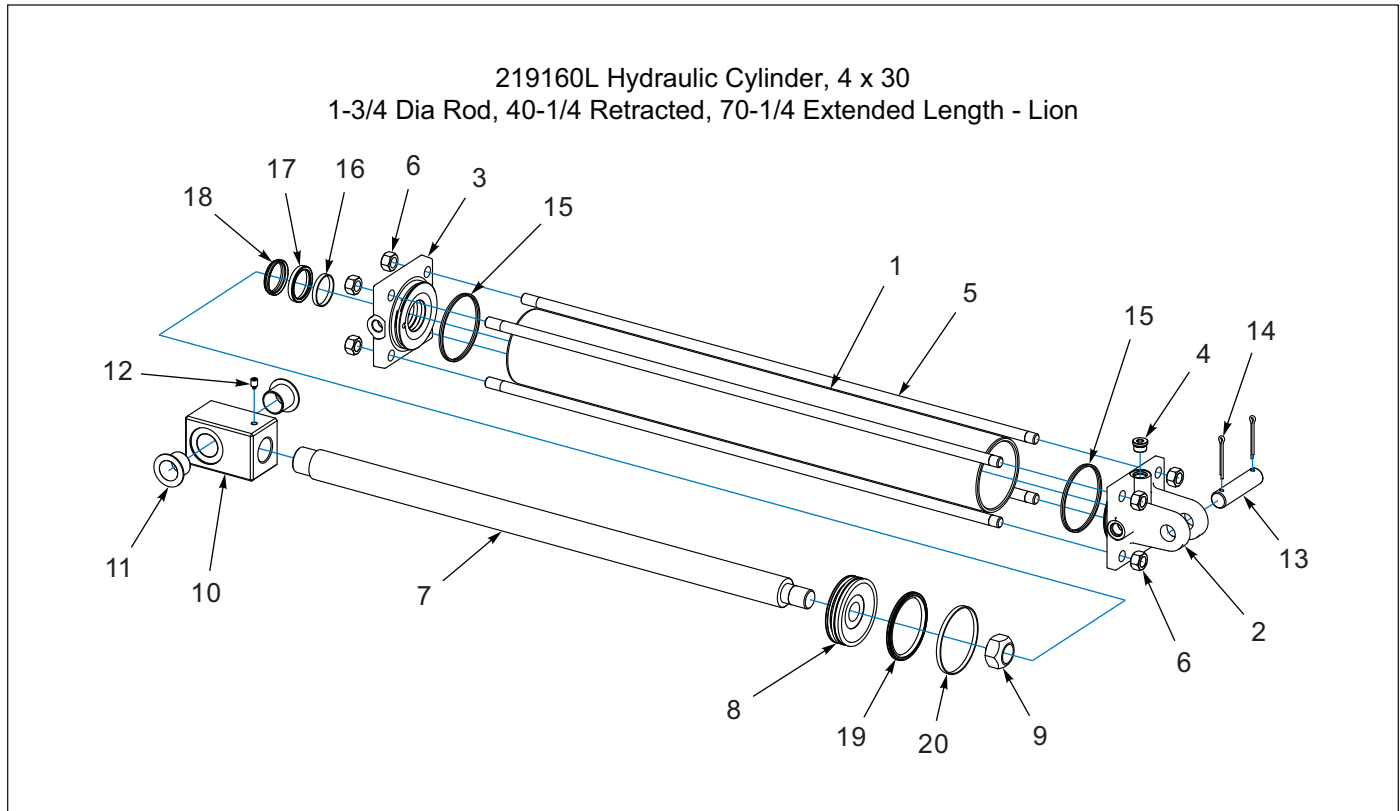


Figure 1-64: Hydraulic Cylinder, 4 x 30 - Lion

Hydraulic Cylinder, 4 x 30 - Lion

ITEM	PART NUMBER	DESCRIPTION	QTY
	219160	HYD CYLINDER - 4 X 30	1
1	-----	TUBE	1
2	-----	CLEVIS CAP	1
3	-----	ROD CAP	1
4	-----	PLUG, SOCKET HEAD 3/4-16	1
5	-----	TIE ROD	4
6	-----	NUT, HEX 5/8-18, ZP	8
7	-----	ROD	1
8	-----	PISTON	1
9	8J852	NUT, LOCK 1-1/8-12,GRB, ZP	1
10	219162	ROD END ASM, 1.25 X 1.5-12 (INCLUDES ITEMS 11 AND 12)	1
11	110590	BEARING, 1.25 X 1.41 X 1.24 FL	2
12	1P443	SET SCREW,3/8-16 X 1/2 NYLON TIP	1
13	7J067	PIN, 1.0 X 4.0 H2	1
14	110-4224	PIN,COTTER 3/16 X 2IN LG	2
15	-----	SEAL DUAL 4.00	2
16	-----	WEAR RING 1.87-1.75-0.250	1
17	-----	SEAL ZURCON U-CUP RU9 1.75	1
18	-----	SEAL, WIPER 1.75	1
19	-----	SEAL SURCON WYNSEAL 4.00	1
20	-----	WEAR RING 4.00-3.88-0.250	1
21	1P745	SEAL KIT (INCLUDES ITEMS 15-20)	1

Hydraulic Cylinder, 4 x 16 - Prince

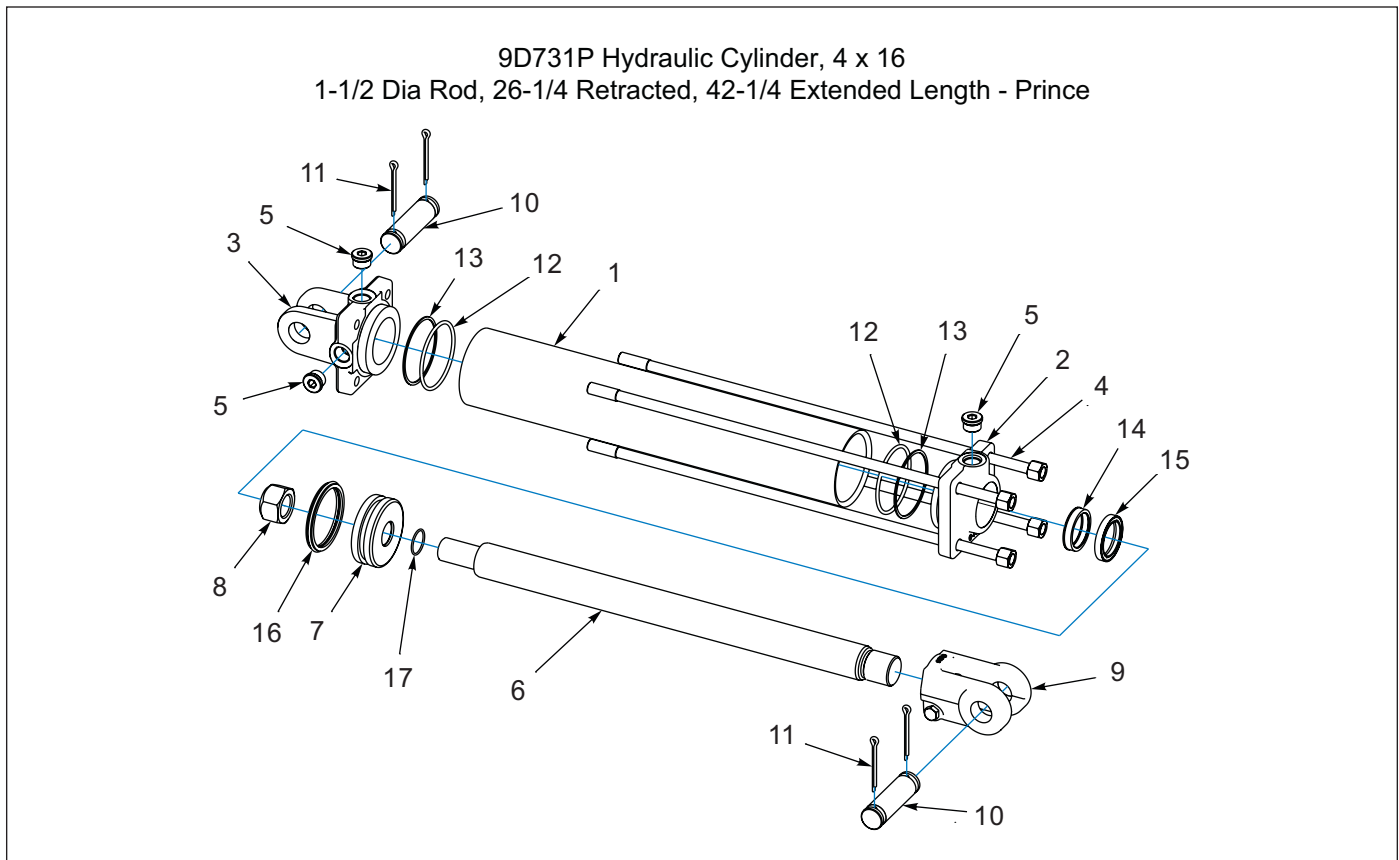


Figure 1-65: Hydraulic Cylinder, 4 x 16 - Prince

Hydraulic Cylinder, 4 x 16 - Prince

ITEM	PART NUMBER	DESCRIPTION	QTY
	9D731	HYD CYLINDER - 4 X 16	1
1	-----	TUBE	1
2	-----	GLAND	1
3	147375	BUTT	1
4	-----	TIE ROD STUD W/HEX NUT	4
5	121029	PLUG,#8 SAE MOR BOSS HX SKT	3
6	-----	PISTON ROD	1
7	-----	PISTON	1
8	220000211	PISTON LOCKNUT	1
9	236929	CLEVIS ASSEMBLY (INCLUDES ITEM 10)	1
10	236932	BUSHING	2
11	190400035	PIN,HR CYL CLEVIS 1 X 4	2
12	110-4224	PIN,COTTER-3/16 X 2IN LG	4
13	-----	O-RING	2
14	-----	BU-WASHER	2
15	-----	U-CUP	1
16	-----	CANNED WIPER	1
17	-----	PISTON BEARING RING	1
18	-----	CROWN SEAL	1
19	-----	O-RING	1
20	236926	SEAL KIT,PMCK-CG-0119 (INCLUDES ITEMS 13-19)	1

ILLUSTRATED PARTS LIST

Hydraulic Cylinder, 4 x 16 - Lion

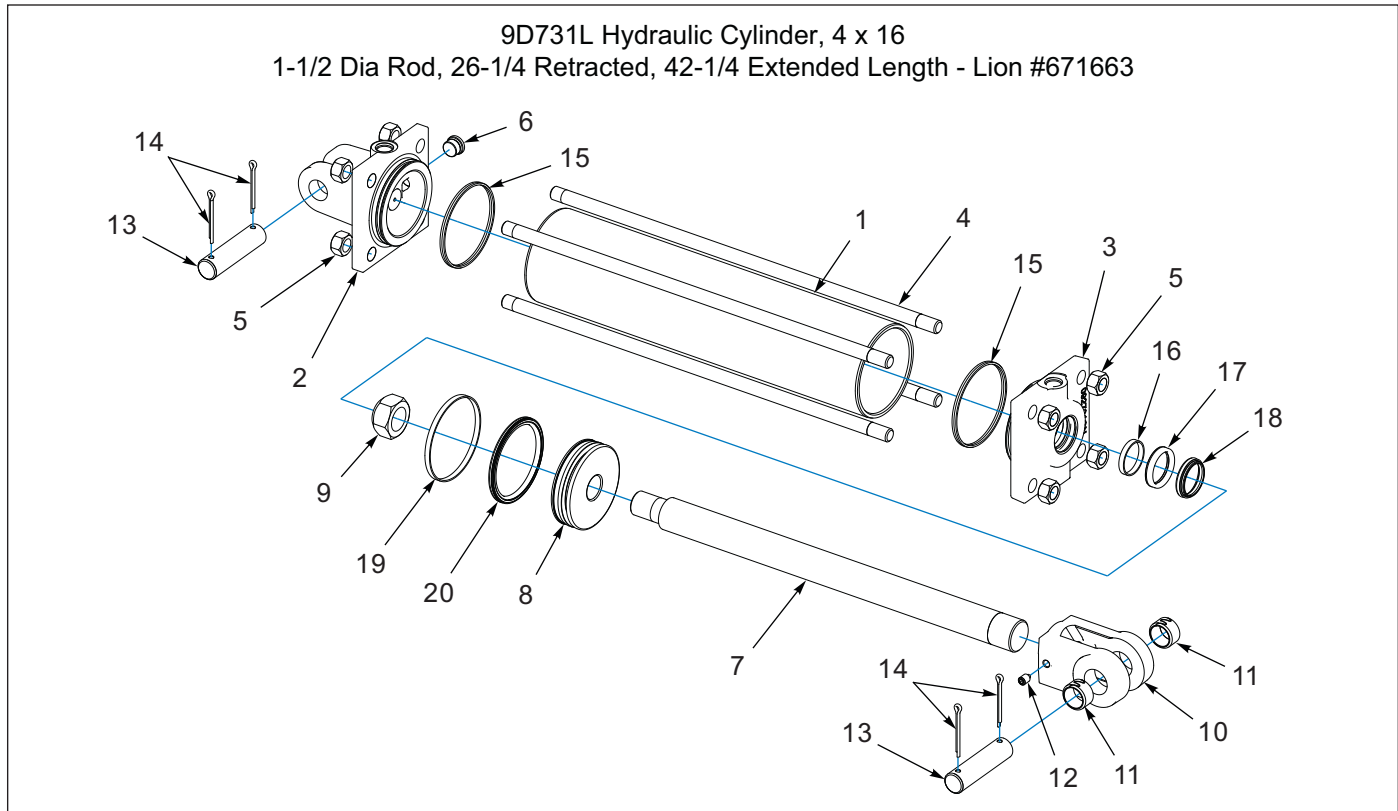


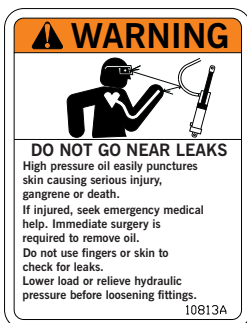
Figure 1-66: Hydraulic Cylinder, 4 x 16 - Lion

Hydraulic Cylinder, 4 x 16 - Lion

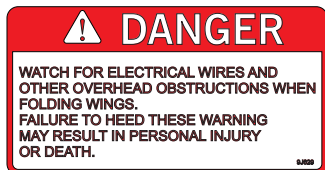
ITEM	PART NUMBER	DESCRIPTION	QTY
	9D731	HYD CYLINDER - 4 X 16	1
1	-----	TUBE	1
2	-----	CLEVIS CAP	1
3	-----	ROD CAP	1
4	-----	TIE ROD	4
5	1P805	NUT, HEX SLFLKG GRB 3/4-16	8
6	-----	PLUG, SOCKET HEAD 3/4-16	1
7	-----	ROD	1
8	-----	PISTON	1
9	8J852	NUT, LOCK 1-1/8-12, GRB, ZP	1
10	2P740	ROD CLEVIS W/BUSHINGS (INCLUDES ITEMS 11 AND 12)	1
11	3P079	SPRING BUSHING, 1.0 X 1.25 X 0.75	2
12	1P443	SET SCREW, 3/8-16 x 1/2 NYLON TIP	1
13	7J067	PIN, 1.0 X 4.0 H2	2
14	110-4224	PIN, COTTER 3/16 X 2IN LG	4
15	-----	SEAL, DUAL 4.00	2
16	-----	WEAR RING 1.63-1.50-0.250	1
17	-----	SEAL, ZURCON U-CUP RU9 1.50	1
18	-----	SEAL, WIPER 1.50 WNUC TSS	1
19	-----	WEAR RING 4.00-3.88-0.250	1
20	-----	SEAL, SURCON WYNSEAL 4.00	1
21	1P745	SEAL KIT (INCLUDES ITEMS 15-20)	1

ILLUSTRATED PARTS LIST

Decals



ITEM 1
3K706



ITEM 2
9J629



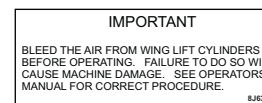
ITEM 3
2-573-010037



ITEM 6
2-573-010198



ITEM 4
5J859



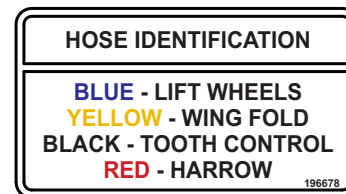
ITEM 16
8J635



ITEM 7
2-573-010335



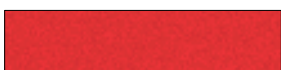
ITEM 8
3J675



ITEM 5
196678



ITEM 14
144193



ITEM 10
528933



ITEM 11
528938



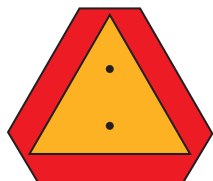
ITEM 12
528934



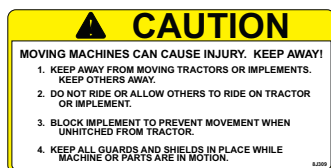
ITEM 13
170510



ITEM 9
214146



ITEM 15
2P151



ITEM 17
8J309



ITEM 18
1-573-010006



ITEM 20
232191

Figure 1-67: Decals

Decals

ITEM	PART NUMBER	DESCRIPTION	QTY
1	3K706	DECAL-WARNING HYDRAULIC LEAKS	1
2	9J629	'DANGER' DECAL	1
3	2-573-010037	"DANGER" DECAL WING	4
4	5J859	'WARNING' DECAL	1
5	196678	DECAL,4-COLOR HOSE ID	1
6	2-573-010198	DECAL, MEMBER FEMA	1
7	2-573-010335	DECAL, DANGER PINCHING	4
8	3J675	'STAND CLEAR' DECAL	12
9	214146	DECAL, 3631 PULVI-MULCHER	5
10	528933	REFLECTOR - RED	4
11	528938	STRIPE, ORANGE	4
12	528934	REFLECTOR - YELLOW	10
13	170510	DECAL, BRILLION LANDOLL	5
14	144193	DECAL, SIS 20 MPH	1
15	2P151	SMV W/BRACKET	1
16	8J635	'IMPORTANT' DECAL	4
17	8J309	DECAL - 'CAUTION'	2
18	1-573-010006	PLACARD NAME	1
19	107-0814	RIVET 1/8X1/8 A LUM POP (HARDWARE FOR ITEM 18)	2
20	232191	DECAL, QR CODE PULVIMULCHER	1

Decal Locations

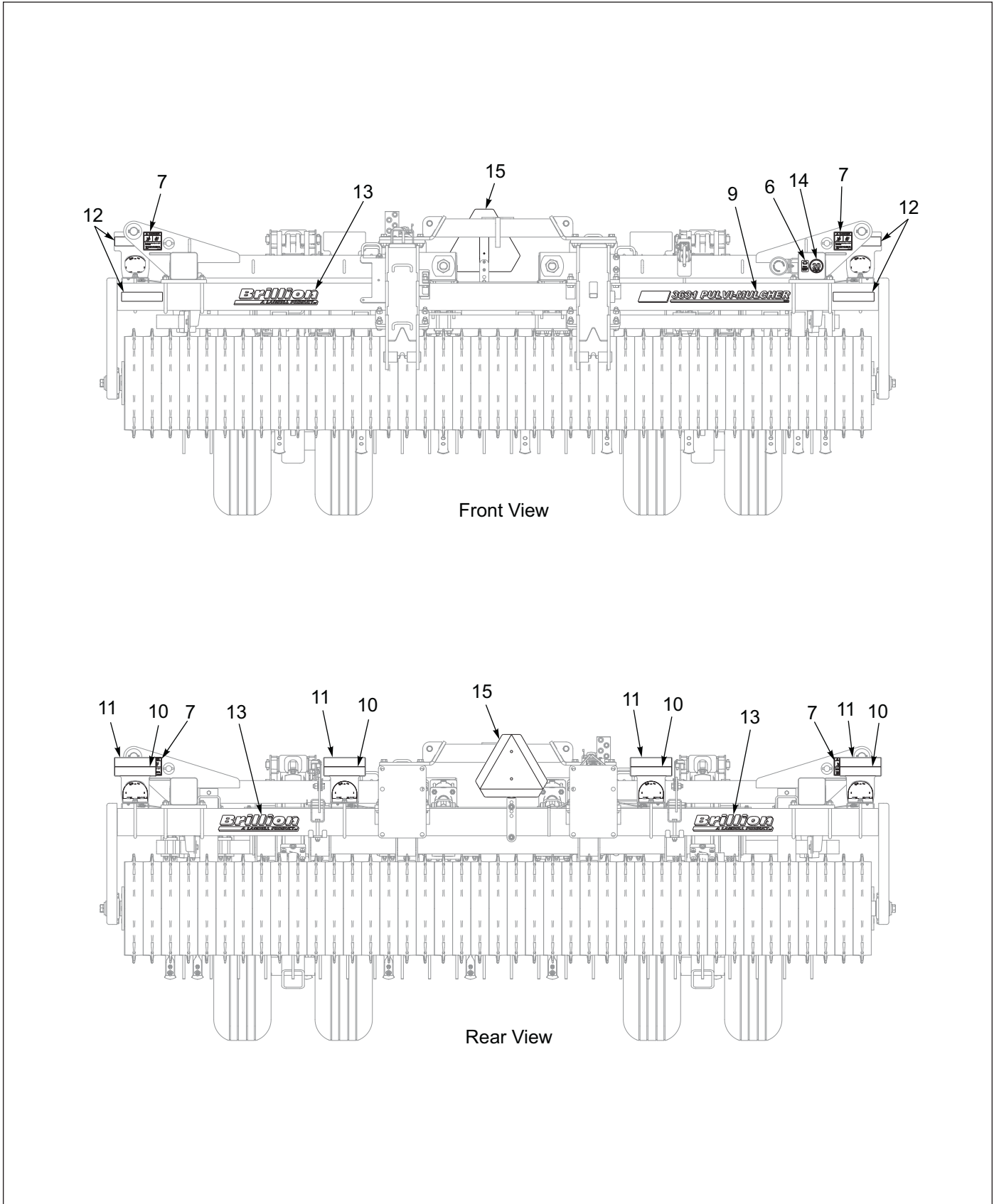


Figure 1-68: Decal Locations (1 of 5)

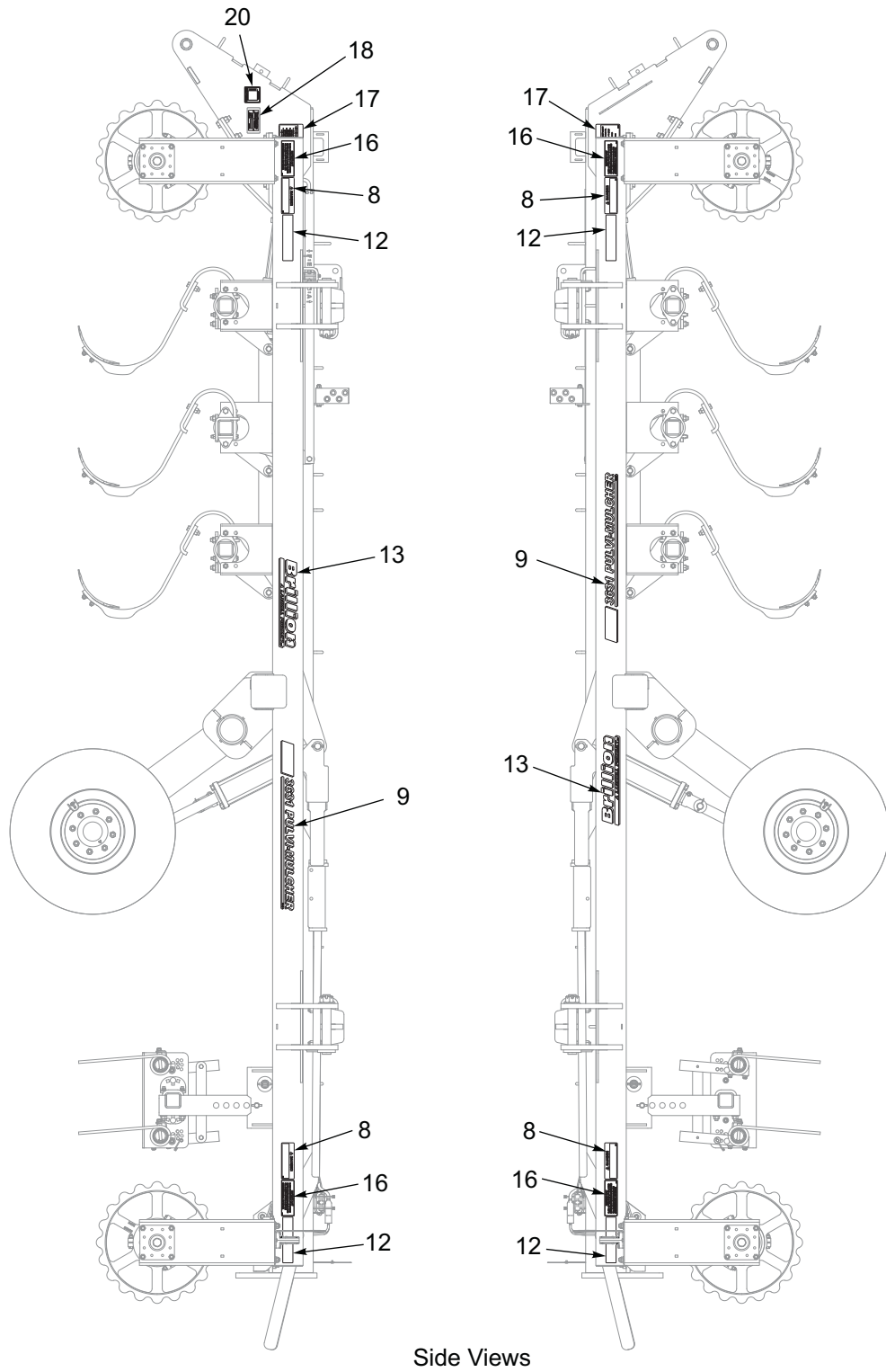


Figure 1-69: Decal Locations (2 of 5)

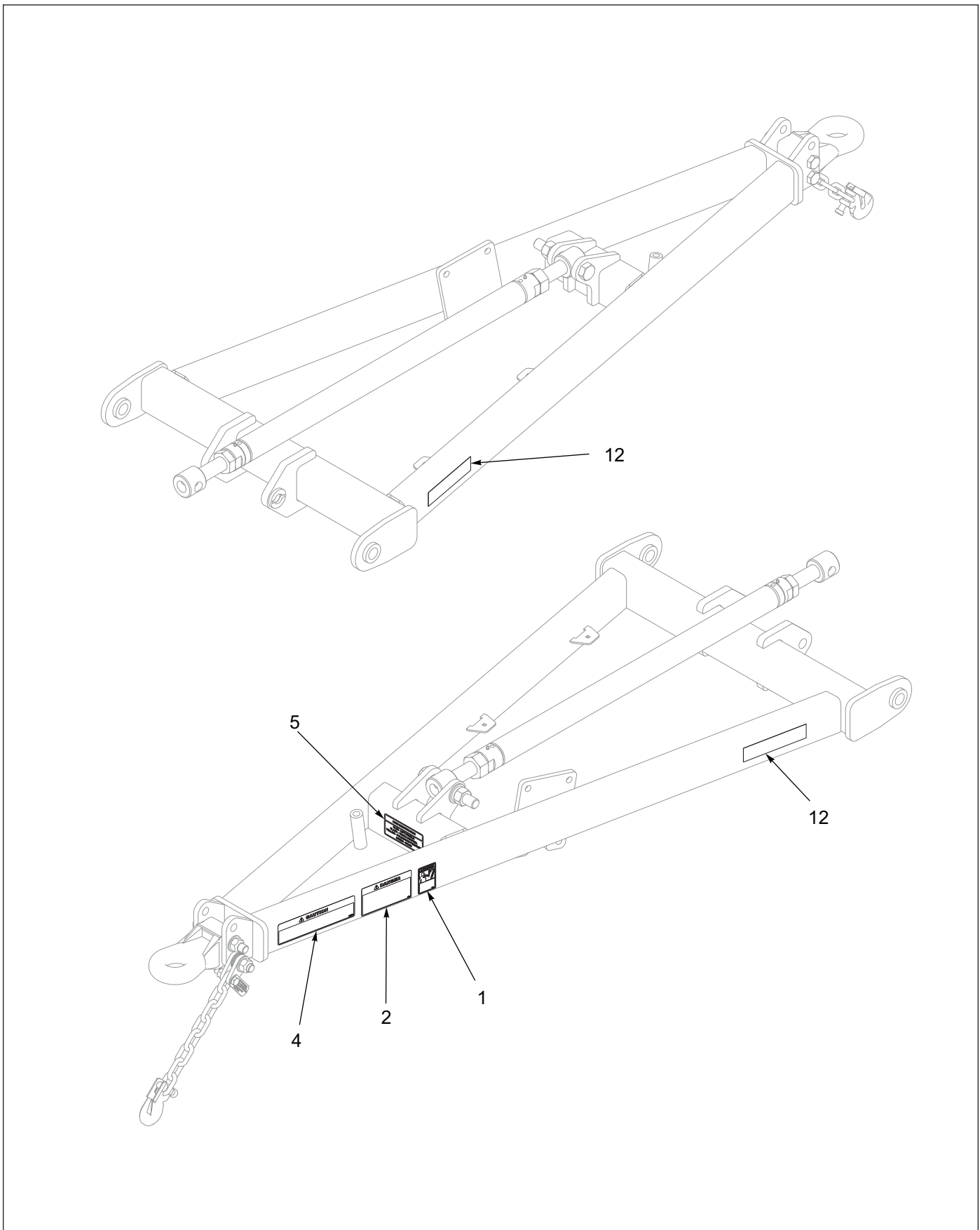


Figure 1-70: Decal Locations (3 of 5)

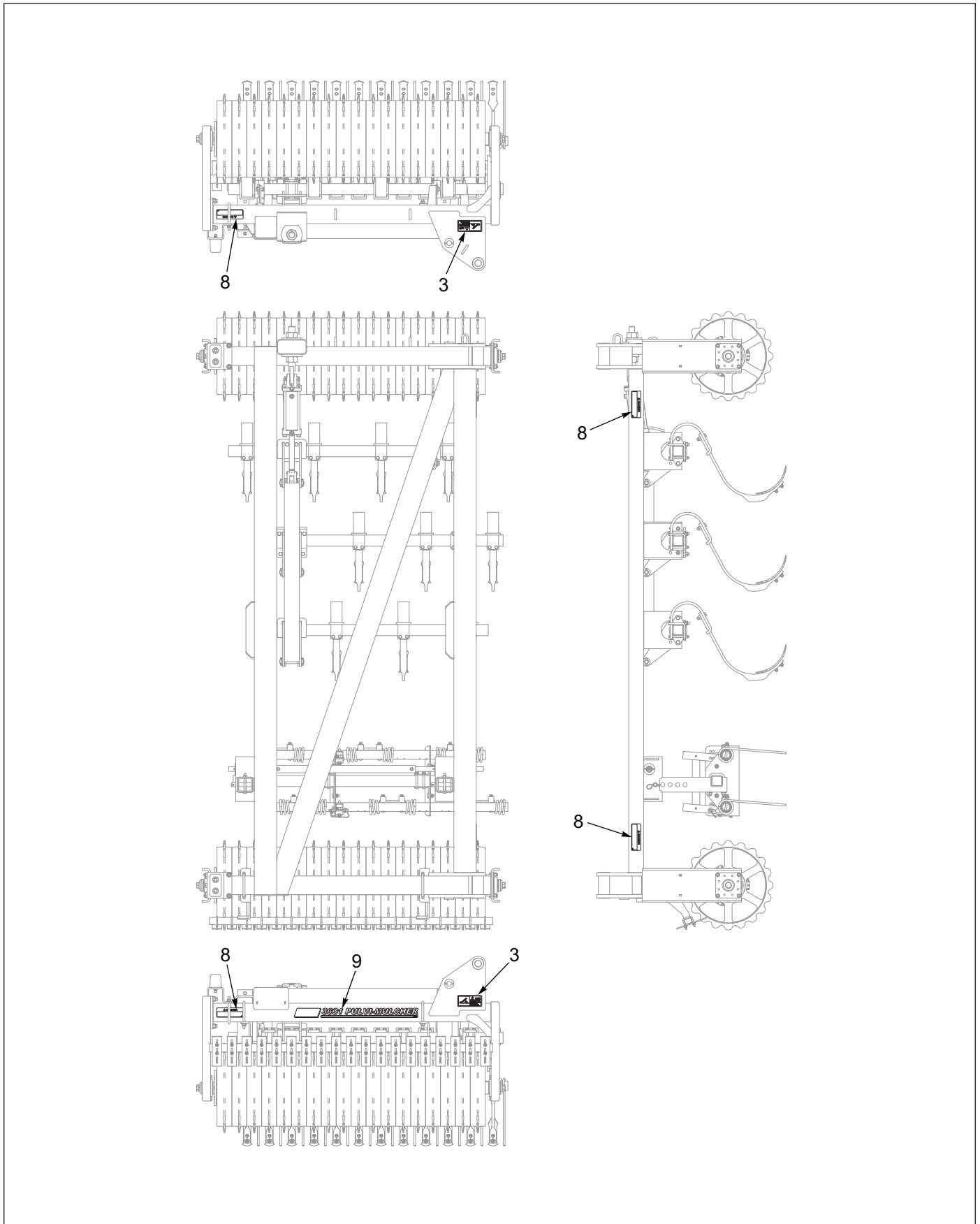
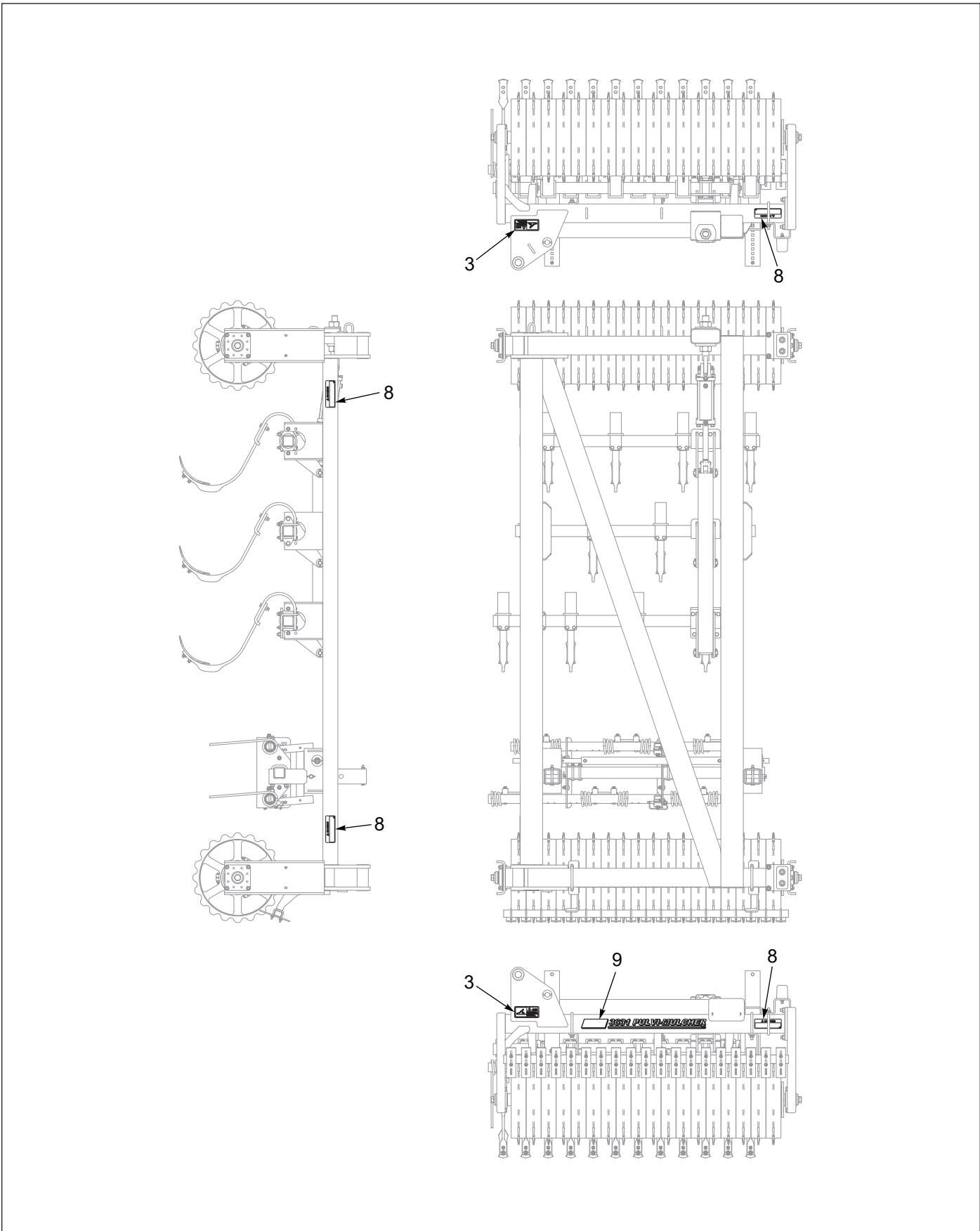


Figure 1-71: Decal Locations (4 of 5)

ILLUSTRATED PARTS LIST



Glossary

For clarity this glossary of industry standard abbreviations and their definitions are provided. For additional information, see instruction on the first page of the parts chapter or the last page of this manual.

A

ASM Assembly

B

BATT Battery
BHSC Button Head Socket Cap
BLK Black

C

CB Carriage Bolt
CONN Connector
CRG Carriage
CTSK Countersunk
CTWT Counterweight
CVR Cover
CYD Cylinder

D

DBL Double
DIA Diameter

E

ENCLSD Enclosed

F

FHCS Flanged Head Cap Screw
FHHCS Flanged Hex Head Cap Screw
FL OR FLG Flange
FLT Flat

G

GA Gauge

H

HHCS Hex Head Cap Screw
HCS High Carbon Steel
HD Head
HLCL Helical
HCSKT Hex Socket
HSFC Hex Socket Flat Countersunk
HYD Hydraulic

I

ID Inside Diameter

L

LH Lefthand
LKG OR LOCK Locking
LWR Lower

M

MANF Manifold
MNT Mount

N

NRW Narrow
 ----- Not Serviced Separately

O

OD Outside Diameter
OHG Overhead Guard
ORFS OR ORS O-Ring Seal
ORP OR ORB O-Ring Boss

P

P-STEER Power Steering
PTFE Polytetrafluoroethylene (Teflon)

GLOSSARY

R

RH Righthand
RND Round

S

SER Series
SHCS Socket Head Cap Screw
SHLD Shield
SKT Socket
SLFLKG Selflocking
SOC Socket
SPDT Single Pole Double Throw
SPR Spring
SQ Square
SRTD Serrated
SSCR Setscrew
SST Stainless Steel
STD Standard

U

UPR Upper

W

WHL Wheel
WLD OR WLDMT Weldment

Numerics

011000318	1-102	123109	1-75
0600-250-01000	1-101	1-242-010171-3	1-13, 1-73, 1-75, 1-102
0600-250-03000	1-101	1-242-010178-3	1-102
081900374	1-105	124511	1-75
082000092	1-104	124696	1-17
100000326	1-102, 1-104	125863	1-75
100000362	1-103	127712	1-11, 1-15
1-007-010025	1-75	128874	1-27, 1-29
100825	1-15, 1-17	1-298-010001-1	1-21
100830	1-92, 1-93	130948	1-65
101406	1-23	132077	1-103
102-0031	1-17	137486	1-75
102498	1-6, 1-7	137943	1-25, 1-27, 1-29
102600	1-4, 1-6, 1-7	140306	1-105
102601	1-7	140484	1-93, 1-97, 1-99
102604	1-6, 1-7	140519	1-4
103-0805	1-21	140599	1-92, 1-93
103841	1-15	140693	1-34, 1-59, 1-61, 1-63
104032	1-34, 1-59, 1-77	1408092	1-11
105-0228	1-59, 1-65, 1-73, 1-77, 1-101	1412152	1-73, 1-75
107-0814	1-111	141247	1-15, 1-17, 1-59
107470	1-49, 1-51, 1-53, 1-85, 1-87, 1-89, 1-91	141249	1-15, 1-17, 1-59
108628	1-35	141826	1-69
110-4224	1-11, 1-102, 1-103, 1-104, 1-105, 1-106, 1-108	141828	1-17, 1-61, 1-63, 1-69, 1-71, 1-75, 1-101
110590	1-106	142000004	1-104
110-7095	1-27, 1-29	142668	1-101
111190	1-65	142753	1-3
111962	1-6, 1-7	142786	1-92, 1-93
113215	1-105	143871	1-101
113216	1-104	144048	1-35
116100	1-13, 1-15, 1-17, 1-23	144115	1-23
116492	1-65, 1-71	144193	1-111
117259	1-65, 1-69	147072	1-13, 1-15, 1-17, 1-23, 1-33, 1-37, 1-39, 1-43, 1-45, 1-47, 1-92, 1-93, 1-99
121031	1-69	147375	1-105
122917	1-35	147582	1-65, 1-71
		149192	1-77

1-510-010003-09	1-85, 1-87, 1-89, 1-91	156778	1-91
1-512-010005-01	1-3, 1-15, 1-65, 1-77, 1-101	156949	1-20
1-512-010005-03	1-35	156950	1-15, 1-17, 1-20
1-512-010005-05	1-43, 1-45, 1-47, 1-59, 1-94, 1-95	156974	1-7
1-512-010005-09	1-5, 1-17, 1-30, 1-33, 1-37, 1-39, 1-40, 1-43, 1-45, 1-47, 1-85, 1-87, 1-89, 1-91, 1-97, 1-99	156979	1-6, 1-7
1-512-010005-13	1-3, 1-11, 1-25, 1-27, 1-29, 1-33, 1-34, 1-37, 1-39, 1-40, 1-43, 1-45, 1-47, 1-99	1-573-010006	1-111
1-512-010005-15	1-3, 1-4, 1-11, 1-13, 1-15, 1-27, 1-29, 1-92, 1-93, 1-97, 1-99, 1-101	158299	1-43, 1-45, 1-47
1-512-010005-19	1-15, 1-17, 1-20, 1-92, 1-93	159954	1-33, 1-37, 1-39
1-512-010007-06	1-73	159955	1-37, 1-39
1-512-010007-07	1-15, 1-17, 1-59	159970	1-7
1-512-010007-08	1-33, 1-37, 1-39	161131	1-13
1-512-010007-09	1-17, 1-65, 1-73	162674	1-102
1-512-010007-14	1-13	1-630-010021-03	1-35
1-512-010007-16	1-15, 1-17	163038	1-103
1-516-010001-20	1-6, 1-7	163051	1-65, 1-69
1-516-010001-27	1-23	163781	1-65, 1-69
153696	1-15, 1-17, 1-20	164140	1-77
154185	1-25, 1-27, 1-29	164174	1-15
154994	1-49, 1-51, 1-53, 1-85, 1-87, 1-89, 1-91	164315	1-85, 1-87, 1-89, 1-91
154995	1-49, 1-51, 1-53, 1-85, 1-87, 1-89, 1-91	164317	1-85, 1-87
154997	1-49, 1-51, 1-53, 1-85, 1-87, 1-89, 1-91	164318	1-89
154998	1-49, 1-51, 1-53, 1-85, 1-87, 1-89, 1-91	164319	1-91
155002	1-92, 1-93	164435	1-73, 1-75
155528	1-73	164533	1-23
155529	1-65	164539	1-23
155530	1-59	164678	1-77
155534	1-21	1-647-010004240	1-17, 1-43, 1-45, 1-47
155536	1-21	165236	1-8
1-557-010327	1-3, 1-13, 1-99	165257	1-34
1-557-010362-51	1-6, 1-7, 1-13	165259	1-35
1-557-010362-87	1-97, 1-99	165260	1-35
155716	1-21, 1-33, 1-37, 1-39	1-654-010047-06	1-3, 1-15, 1-101
155717	1-21	1-654-010047-08	1-77
155927	1-85, 1-87, 1-89, 1-91	1-654-010047-09	1-77
155956	1-85, 1-87, 1-89, 1-91	1-654-010049-05	1-77
155971	1-49, 1-51, 1-53, 1-85, 1-87, 1-89, 1-91	1-654-010049-09	1-73
156777	1-85, 1-87	1-654-010049-19	1-34, 1-59
		1-654-010051-05	1-65, 1-95
		1-654-010051-08	1-94
		1-654-010051-10	1-17

1-654-010051-11	1-43, 1-45, 1-47	170870	1-89
1-654-010055-07	1-30	171556	1-34, 1-59
1-654-010055-09	1-97, 1-99	171745	1-92, 1-93
1-654-010055-11	1-27, 1-29	171749	1-55, 1-57, 1-81
1-654-010055-13	1-65, 1-73	171752	1-55, 1-81
1-654-010055-14	1-33, 1-37, 1-39, 1-85, 1-87, 1-89, 1-91	173044	1-17
1-654-010055-15	1-5, 1-33, 1-37, 1-39, 1-40, 1-43, 1-45, 1-47	174265	1-17
1-654-010055-17	1-17	174294	1-13
1-654-010059-04	1-3, 1-25, 1-27, 1-29	174435	1-77, 1-78
1-654-010059-05	1-29, 1-30, 1-33, 1-37, 1-39	174436	1-77, 1-78
1-654-010059-06	1-33, 1-37, 1-39, 1-40	174437	1-77, 1-78
1-654-010059-08	1-34	174708	1-35
1-654-010059-14	1-11	175151	1-77, 1-78
1-654-010059-15	1-33, 1-34, 1-37, 1-39	175194	1-3, 1-27, 1-29, 1-33, 1-37, 1-39
1-654-010061-05	1-4, 1-11, 1-101	178517	1-77, 1-78
1-654-010061-06	1-27, 1-29	178532	1-55, 1-77, 1-81
1-654-010061-07	1-3, 1-15	179355	1-3
1-654-010061-09	1-101	179416	1-33, 1-37, 1-39, 1-40
1-654-010061-19	1-15	181277	1-23
1-654-010070-02	1-85, 1-87, 1-89, 1-91	181331	1-40
1-654-010070-03	1-49, 1-51, 1-53	181342	1-11, 1-73, 1-75, 1-103
1-654-010070-11	1-49, 1-51, 1-53, 1-85, 1-87, 1-89, 1-91	181359	1-49
1-654-010070-13	1-85, 1-87, 1-89, 1-91	181363	1-27, 1-29, 1-57, 1-81
1-654-010070-14	1-49, 1-51, 1-53, 1-85, 1-87, 1-89, 1-91	181713	1-77
1-654-010123-01	1-15, 1-17	181799	1-59, 1-61, 1-63
1-654-010125-22	1-15, 1-17, 1-20	182289	1-35
166171	1-59, 1-61, 1-63	182506	1-8
166199	1-33, 1-37, 1-39, 1-40	182507	1-8
166336	1-85, 1-87, 1-89, 1-91	183474	1-21
167298	1-9	183475	1-15, 1-21
167314	1-4	183516	1-99
168763	1-85, 1-87, 1-89, 1-91	183517	1-15
168798	1-83, 1-85	183529	1-55, 1-81
168799	1-83, 1-89	183530	1-57, 1-81
168800	1-83, 1-91	183599	1-101
170004	1-13, 1-15	185107	1-33, 1-37, 1-39
170510	1-111	185108	1-33, 1-34, 1-37, 1-39
		185109	1-33, 1-37, 1-39
		185114	1-33, 1-37, 1-39
		185141	1-94

INDEX

185142	1-94	190400004	1-104, 1-105
185143	1-97, 1-99	190400035	1-102
185166	1-25, 1-27, 1-29	190882	1-13
185167	1-25, 1-27, 1-29	191396	1-30
185170	1-25, 1-27, 1-29	191420	1-33, 1-37, 1-39
185171	1-25, 1-27, 1-29	193089	1-6
185928	1-33, 1-37, 1-39, 1-40	193225	1-15, 1-23
185954	1-11	193226	1-15
185956	1-11	193251	1-33, 1-59, 1-61, 1-63, 1-104
185957	1-11	193252	1-37, 1-39, 1-59, 1-61, 1-63, 1-105
185960	1-11	194115	1-59, 1-61, 1-63
185961	1-11	194773	1-49, 1-51, 1-53
185999	1-33	194774	1-49, 1-51, 1-53
1-861-010005	1-6, 1-7	194777	1-49, 1-51, 1-53
1-861-010032-06	1-15, 1-77	194778	1-3
1-861-010032-07	1-3, 1-65	194783	1-49, 1-51, 1-53
1-861-010032-08	1-73	194828	1-49, 1-51, 1-53
1-861-010032-09	1-77	195196	1-71
1-861-010032-10	1-17, 1-43, 1-45, 1-47	195197	1-71
1-861-010032-11	1-59, 1-65	195198	1-71
1-861-010032-13	1-33, 1-37, 1-39	195566	1-17
1-861-010032-14	1-65, 1-73, 1-97, 1-99	195579	1-34
1-861-010032-15	1-27, 1-29, 1-49, 1-51, 1-53, 1-85, 1-87, 1-89, 1-91	195597	1-35
1-861-010032-18	1-43, 1-45, 1-47	195606	1-43, 1-45, 1-47
1-861-010032-19	1-11	195607	1-45, 1-47
1-861-010032-20	1-3, 1-97, 1-99, 1-101	195904	1-49, 1-51, 1-53
1-861-010032-21	1-11	196057	1-27, 1-29
1-861-010032-24	1-13, 1-15, 1-17, 1-20, 1-33, 1-37, 1-39, 1-99	196104	1-75
1-861-010032-25	1-92, 1-93	196106	1-13
1-861-010032-32	1-23, 1-43, 1-45, 1-47	196110	1-13
1-861-010034-10	1-73	196116	1-13
1-861-010034-11	1-65	196119	1-13, 1-15
1-861-010034-12	1-33, 1-37, 1-39	196120	1-13, 1-15, 1-23
1-861-010034-15	1-30	196678	1-111
1-861-010034-21	1-13, 1-25, 1-27, 1-29	196754	1-15, 1-59
186700	1-33, 1-37, 1-39	197693	1-13
187434	1-77	197698	1-73, 1-75
188051	1-15	199977	1-13
		1D594	1-43, 1-45, 1-47, 1-99
		1P196	1-23

1P292	1-69	211160	1-55, 1-81
1P443	1-106, 1-108	211161	1-57, 1-81
1P444	1-92, 1-93	211164	1-23, 1-27
1P693	1-5, 1-23	211167	1-3
1P745	1-106, 1-108	211168	1-3
1P782	1-101	211174	1-7
1P805	1-108	211175	1-6, 1-7
1P995	1-59	211176	1-4, 1-9
200950	1-30	211183	1-3, 1-25
201291	1-71	211194	1-43, 1-45, 1-47
201442	1-94	211201	1-27, 1-29, 1-30
201443	1-94	211203	1-25, 1-30
202702-10-8S	1-61, 1-63	211205	1-30
202702-8-6S	1-17	211207	1-30
202702-8-8 S	1-71	211230	1-45, 1-47
202702-8-8S	1-61, 1-63, 1-69	211231	1-4, 1-5
203003-8-8S	1-61, 1-63, 1-71, 1-75	211232	1-5
203117	1-25, 1-27, 1-29	211234	1-35
203422	1-65, 1-69	211245	1-34
203425	1-73, 1-75	211247	1-34, 1-35
203450	1-69	211248	1-35
203467	1-34, 1-59, 1-61, 1-63	211252	1-13
204385	1-9	211254	1-13
204831	1-95	211257	1-11
204832	1-95	211261	1-23
204833	1-95	211264	1-23
204835	1-95	211271	1-101
204836	1-95	211275	1-57, 1-81
204837	1-95	211276	1-27, 1-29
2062-10-8S	1-61, 1-63	211278	1-37, 1-39
2062-8-6S	1-17	211286	1-33
2062-8-8S	1-61, 1-63, 1-69, 1-71, 1-75	211287	1-33
206652	1-92, 1-93	211289	1-29
206675	1-92, 1-93	211291	1-3
2071-8-8S	1-69	211293	1-3
208812	1-65, 1-69, 1-71	211295	1-51, 1-53
2-095-010017	1-49, 1-51, 1-53, 1-85, 1-87, 1-89, 1-91	211296	1-43, 1-49
2-102-010037	1-99	211297	1-49
2-102-010054	1-43, 1-45, 1-47	211298	1-45, 1-51
211159	1-23, 1-29	211299	1-47, 1-53

INDEX

211300	1-43	219162	1-106
211301	1-43, 1-45, 1-47	220000211	1-104
211302	1-51, 1-53	221579	1-93
211306	1-65, 1-69, 1-73, 1-75	221582	1-92, 1-93
211311	1-15, 1-20	221587	1-92
211313	1-73, 1-75	221593	1-83, 1-93
211316	1-65, 1-69	221594	1-83, 1-92
211319	1-65, 1-69, 1-71	223435	1-6
211321	1-59, 1-61, 1-63	223437	1-6
211322	1-73, 1-75	223438	1-6
211323	1-73, 1-75	223439	1-6
211324	1-73, 1-75	224181	1-92, 1-93
211325	1-73, 1-75	224182	1-92, 1-93
211326	1-59, 1-61, 1-63	224183	1-92, 1-93
211327	1-59, 1-61, 1-63	224193	1-5, 1-6
211328	1-65, 1-69	225093	1-17
211329	1-65, 1-69	232191	1-111
211343	1-65, 1-69	234181	1-33, 1-37, 1-39
213852	1-101	234545	1-65, 1-71
213907	1-83	2-368-010287	1-15
213909	1-83, 1-87	2-375-010601	1-15, 1-17
213913	1-97, 1-99	2-375-010602	1-15, 1-17
213914	1-97, 1-99	238843	1-17
213917	1-97, 1-99	238844	1-17
214004	1-97	238846	1-17
214005	1-97	238848	1-17
214013	1-99	238853	1-17
214016	1-99	238854	1-17
214018	1-99	241282	1-93
214021	1-97	2-573-010037	1-111
214023	1-99	2-573-010198	1-111
214025	1-101	2-573-010335	1-111
214038	1-81	2D799	1-99
214146	1-111	2J605	1-33, 1-37, 1-39
214501	1-99	2P151	1-77, 1-111
2-150-010008	1-3	2P252	1-17, 1-55, 1-57, 1-81
2-181-010001	1-59, 1-101	2P253	1-17, 1-27, 1-29, 1-49, 1-51, 1-53
219110	1-13	2P254	1-27, 1-29, 1-34, 1-55, 1-57, 1-77, 1-81, 1-92, 1-93
219153	1-81	2P280	1-13
219160	1-23, 1-65, 1-69, 1-106		

2P361 1-23
2P411 1-13
2P740 1-108
2P994 1-17
3-375-010371 1-101
3C335 1-13
3J511 1-13
3J675 1-111
3K706 1-111
3P052 1-30
3P079 1-108
3P144 1-11
4001060 1-6, 1-7
4J548 1-11, 1-15
4J549 1-103
4K607 1-75
5000 1-6, 1-7
528933 1-77, 1-111
528934 1-77, 1-111
528938 1-77, 1-111
5J280 1-17
5J768 1-17
5J859 1-111
6J448 1-11, 1-13, 1-17
6J580 1-33, 1-37, 1-39, 1-92, 1-93
7/16-14X1-3/4PB 1-33, 1-37, 1-39
71508954 1-73, 1-75
71508988 1-65, 1-69
7C076 1-13
7C120 1-11, 1-13
7J067 1-106, 1-108
7K678 1-77
7K723 1-3, 1-13, 1-92, 1-97, 1-99
8-102-010043 1-92, 1-93
8D099 1-11
8J014 1-55, 1-57, 1-81
8J172 1-17
8J309 1-111
8J635 1-111
8J650 1-65, 1-71

8J852 1-106, 1-108
8K113 1-99
9D731 1-13, 1-73, 1-75, 1-108
9J278 1-13
9J629 1-111
9J695 1-13, 1-17
9K440 1-11

C

CO-975-74-2000 1-101

T

TR416 1-9
TR575 1-8

Instructions for Ordering Parts

**** Repair parts must be ordered through an authorized dealer ****

DEALER INSTRUCTIONS FOR ORDERING PARTS FROM LANDOLL PARTS DISTRIBUTION CENTER

PHONE #: 800-423-4320 OR 785-562-5381

FAX #: 888-527-3909

ORDER ONLINE: Dealer.landoll.com

IDENTIFICATION PLATE

See Figure 1-1 for the Identification Plate, which lists the model and serial number of the equipment. It is located on the left side of the 3631-25 Pulvi-Mulcher.

SERIAL NUMBER NOMENCLATURE

The serial number for the 3631-25 Pulvi-Mulcher is located on the identification plate. The following information will help decode the Landoll serial number.

PMD21000100 = xxmysssss

xx	= model series (i.e. "PM" for all Pulvi-Mulchers)
m	= month of manufacture (ex. "D" means April. The letter I is not used.)
yy	= last digits of the year manufactured (ex. "21" means 2021)
sssss	= Sequential number used to track warranty and service information.



Figure 4-1: Identification Plate

Manuals for 3631-25 Pulvi-Mulcher

Manual Number	Manual Type
F-979	Operator's Manual
F-978	Parts Manual
F-984	3631-25 / 3631-30 Coil Tine Harrow Kit, Instruction Sheet

Document Control Revision Log:

Date	Form #	Improvement(s): Description and Comments
02/2019		Initial Release
05/2019	F-978-0519	ECN 44848 - Changed Wing Fold Cylinders
08/2020	F-978-0820	ECN 45489 - Updated Harrow Arm Asm ECN 46460 - Updated Fold Hyd Box Asm
11/2021	F-978-1121	ECN 47647 - Update Hyd Cyl Update 193252 Hyd Cyl
07/2022	F-978-0722	ECN 46460, 47741, 47749 - Replumbed Fold Circuit, Hose Assemblies ECN 47799 ECN 47848 - Drawbar Changes ECN 48122 - Wing Stop Added ECN 48178 - Hyd Cyl 4-1/2 x 8 Re-Phase, Midway Vendor Added ECN 48262 - Center Frame ECN 48323 - QR Code Decal
02/2023	F-978-0223	Removed 20" Wheel Roller Assemblies



Intertek

Equipment from Landoll Company, LLC is built to exacting standards ensured by ISO 9001 registration at all Landoll manufacturing facilities.

Pulvi-Mulcher 3631-25 Models Parts Manual

Re-Order Part Number F-978

LANDOLL COMPANY, LLC

1900 North Street

Marysville, Kansas 66508

(785) 562-5381

800-428-5655 ~ WWW.LANDOLL.COM



Copyright 2023. Landoll Company, LLC

“All rights reserved, including the right to reproduce this material or portions thereof in any form.”

