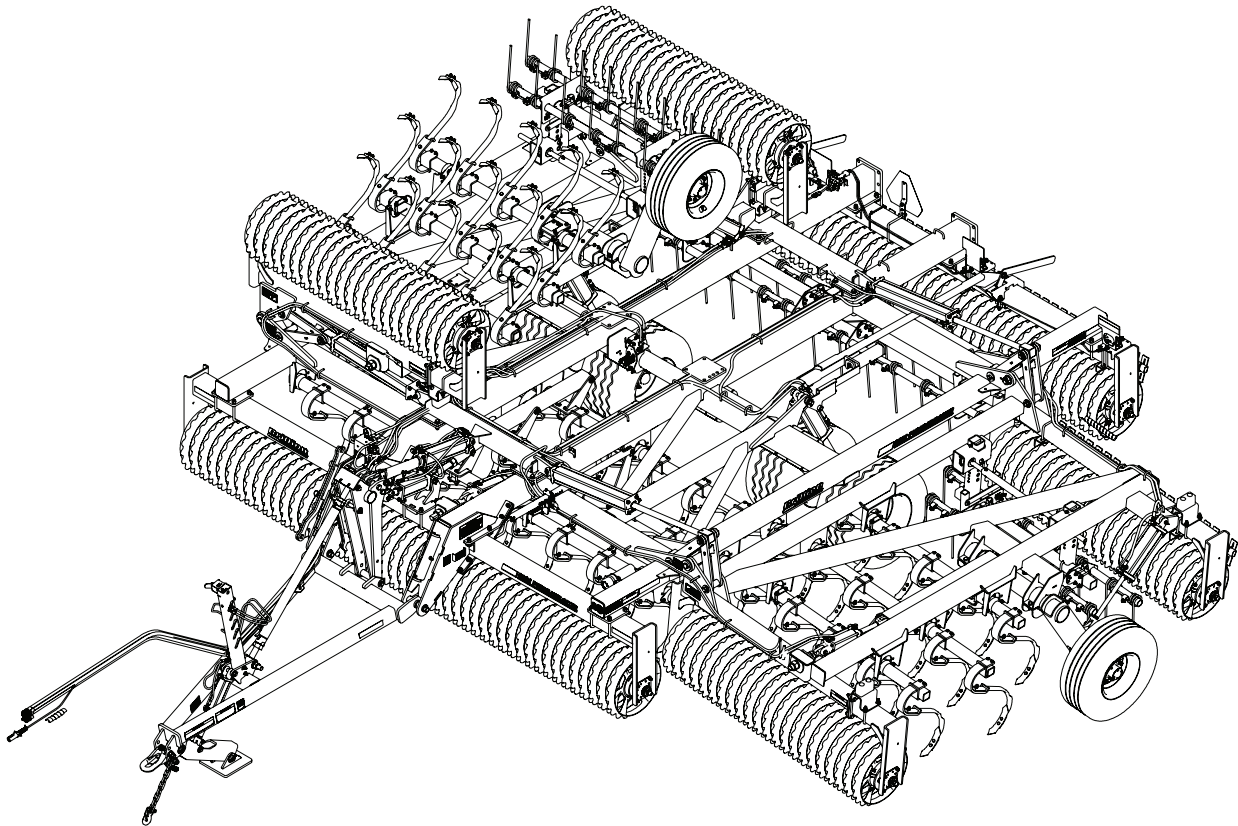




# Pulvi-Mulcher 3631-30 Model Parts Manual



**LANDOLL COMPANY, LLC**

1900 North Street

Marysville, Kansas 66508

(785) 562-5381

800-428-5655 ~ [WWW.LANDOLL.COM](http://WWW.LANDOLL.COM)

## Manuals for 3631-30 Pulvi-Mulcher

Manual Number	Manual Type
F-982	Operator's Manual
F-981	Parts Manual
F-984	3631-25 / 3631-30 Coil Tine Harrow Kit, Instruction Sheet

# Table of Contents

## 1 Illustrated Parts List

Instructions for Ordering Parts .....	1-1
Frame (After 05/25/2021) .....	1-2
Frame (Before 05/25/2021) .....	1-4
Transport Axle Mounting Components .....	1-6
Wing Lift Assembly .....	1-8
Transport Axle, 4" Spindle .....	1-10
Transport Axle, 3" Spindle .....	1-11
Hub and 4" Spindle Assembly .....	1-12
Hub and 3" Spindle Assembly w/Screw on Hub Cap .....	1-13
Hub and 3" Spindle Assembly .....	1-14
Tire and Wheel Assembly, 221526 .....	1-15
Tire and Wheel Assembly, 182507 .....	1-16
Tire and Wheel Assembly, 211176 .....	1-17
Rockshaft Cylinder Transport Lock .....	1-18
Drawbar Leveler .....	1-20
Drawbar .....	1-22
Drawbar w/ Hydraulic Jack .....	1-24
Drawbar w/ Hydraulic Jack Schematic .....	1-26
Category V Hitch .....	1-28
Turnbuckle .....	1-29
Wing Hinge .....	1-30
Front and Rear Center Roller and Frame .....	1-32
Right Hand Wing Frame and Roller .....	1-34
Left Hand Wing Frame and Roller .....	1-36
Roller Axle Assemblies, Notched 24" Wheels .....	1-38
Tooth Control - Center Frame .....	1-40
Shank Depth Control Mounting Components .....	1-42
Shank Depth Control Assembly .....	1-43
Tooth Control - Right Hand Wing .....	1-44
Tooth Control - Left Hand Wing .....	1-46
S-Tine Shank Assembly .....	1-48
Center Harrow .....	1-50
Right Hand Wing Harrow .....	1-52
Left Hand Wing Harrow .....	1-54
Center Harrow Assembly .....	1-56
Right Hand Wing Harrow Assembly .....	1-58
Left Hand Wing Harrow Assembly .....	1-60
Center Rear Scrapers .....	1-63
Wing Rear Scrapers .....	1-64

Hydraulic Tooth Control Layout . . . . .	1-66
Hydraulic Tooth Control Schematic . . . . .	1-68
Simplified Hydraulic Tooth Control Schematic . . . . .	1-70
Fold and Down Pressure Hydraulic Layout . . . . .	1-72
Fold and Down Pressure Limit Valve Layout . . . . .	1-74
Fold and Down Pressure Hydraulic Schematic . . . . .	1-76
Down Pressure Valve Schematic . . . . .	1-78
Hydraulic Lift Layout (After 12/16/2021) . . . . .	1-80
Hydraulic Lift Schematic (After 12/16/2021) . . . . .	1-82
Hydraulic Lift Layout (Before 12/16/2021) . . . . .	1-84
Hydraulic Lift Schematic (Before 12/16/2021) . . . . .	1-86
Electrical Layout . . . . .	1-88
Electrical Schematic . . . . .	1-90
Front Scrapers - Optional . . . . .	1-92
3 - Bar Coil Tine Harrow Kit - Optional . . . . .	1-94
Harrow Assembly, 5 Tine, 3 Row RH - Optional . . . . .	1-96
Harrow Assembly, 5 Tine, 3 Row LH - Optional . . . . .	1-98
Harrow Assembly, 6 Tine, 3 Row - Optional . . . . .	1-100
Harrow Assembly, 7 Tine, 3 Row - Optional . . . . .	1-102
Center Harrow Arm Assembly - Optional . . . . .	1-104
Wing Harrow Arm Assembly - Optional . . . . .	1-105
Clamp End Spacer Kits 1 of 2 - Optional . . . . .	1-106
Clamp End Spacer Kits 2 of 2 - Optional . . . . .	1-107
Land Leveler - Optional . . . . .	1-108
V - Leveler - Optional . . . . .	1-110
Rear Hitch - Optional . . . . .	1-112
Hydraulic Cylinder, 4 x 8 - Prince . . . . .	1-114
Hydraulic Cylinder, 4-1/2 x 14 (Side Port) - Prince . . . . .	1-115
Hydraulic Cylinder, 4-1/2 x 8 Re-Phase - Prince . . . . .	1-116
Hydraulic Cylinder, 4 x 8 Re-Phase - Prince . . . . .	1-117
Hydraulic Cylinder, 4-1/2 x 14 Re-Phase - Prince . . . . .	1-118
Hydraulic Cylinder, 4 x 14 Re-Phase - Prince . . . . .	1-119
Hydraulic Cylinder, 4 x 30 - Lion . . . . .	1-120
Hydraulic Cylinder, 4 x 29-3/4 w/Internal Spacer - Optional . . . . .	1-121
Hydraulic Cylinder, 4 x 16 - Prince . . . . .	1-122
Hydraulic Cylinder, 4 x 16 - Lion - 671663 . . . . .	1-123
Decals . . . . .	1-124
Decal Locations . . . . .	1-126

**2 Glossary**

**3 Index**

# Illustrated Parts List

## Instructions for Ordering Parts

**\*\* Repair parts must be ordered through an authorized dealer \*\***

### DEALER INSTRUCTIONS FOR ORDERING PARTS FROM LANDOLL PARTS DISTRIBUTION CENTER

PHONE #: 800-423-4320 OR 785-562-5381

FAX #: 888-527-3909

ORDER ONLINE: [Dealer.landoll.com](http://Dealer.landoll.com)

### IDENTIFICATION PLATE

See below for the Identification Plate, which lists the model and serial number of the equipment. It is located on the left side of the 3631-30 Pulvi-Mulcher.

### SERIAL NUMBER NOMENCLATURE

The serial number for the 3631-30 Pulvi-Mulcher is located on the identification plate. The following information will help decode the Landoll serial number.

**PMD21000100 = xxmysssss**

<b>xx</b>	= model series (i.e. "PM" for all Pulvi-Mulchers)
<b>m</b>	= month of manufacture (ex. "D" means April. The letter I is not used.)
<b>yy</b>	= last digits of the year manufactured (ex. "21" means 2021)
<b>sssss</b>	= Sequential number used to track warranty and service information.

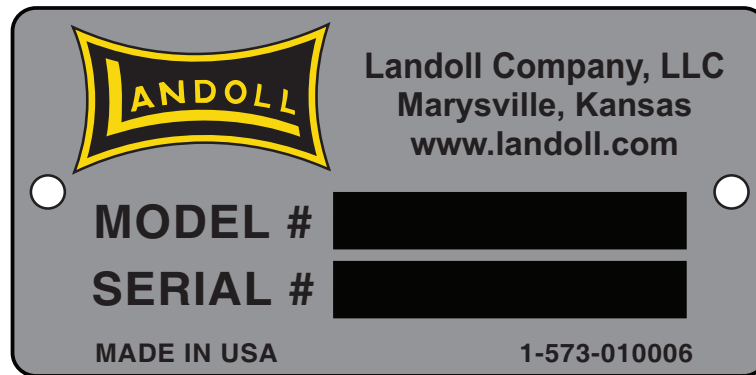


Figure 1-1: Identification Plate

Frame (After 05/25/2021)

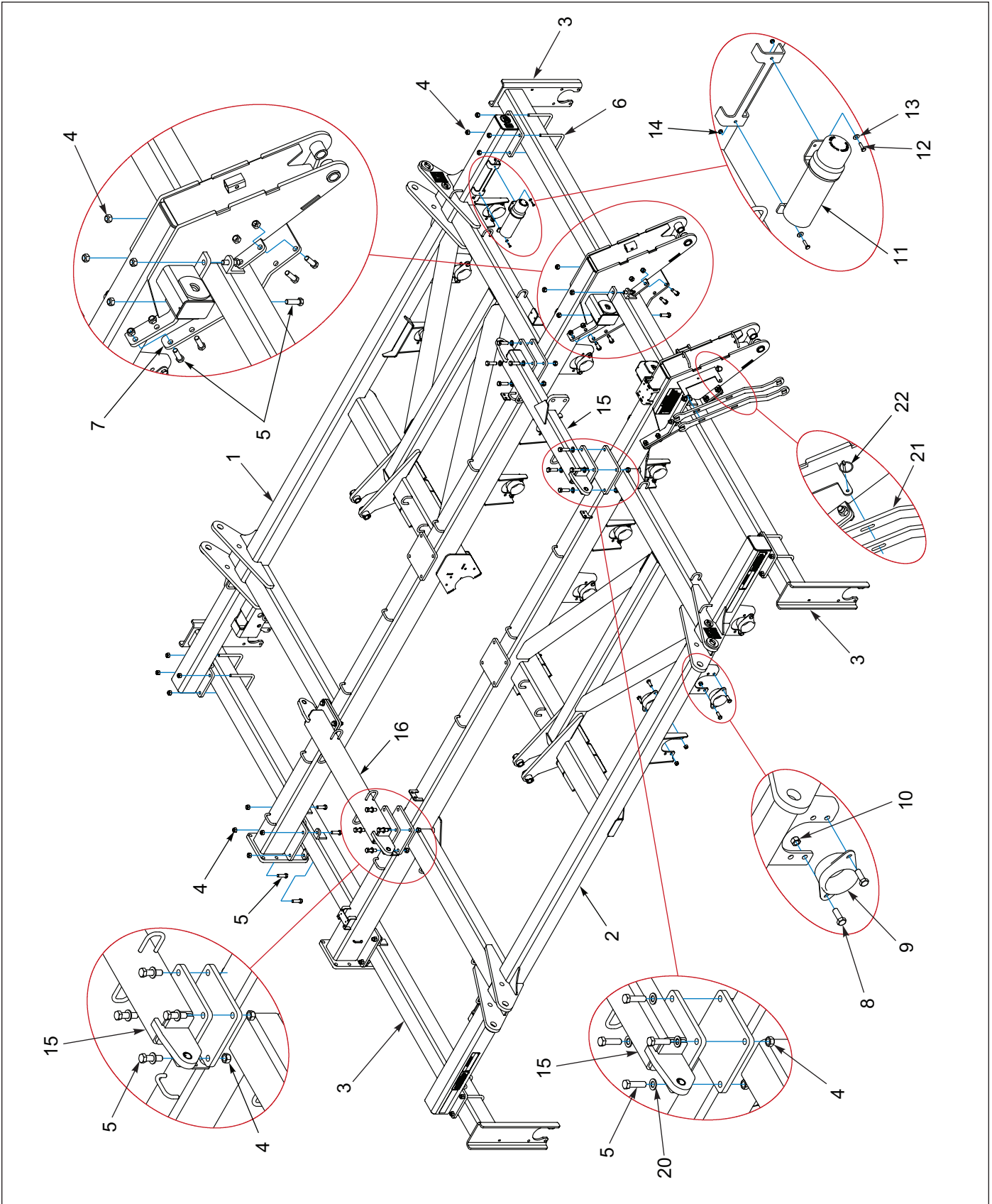


Figure 1-2: Frame (After 05/25/2022)

## Frame (After 05/25/2022)

ITEM	PART NUMBER	DESCRIPTION	QTY
1	211224	FRAME, LEFT CENTER W/DECALS (INCLUDES ITEM 17)	1
2	211223	FRAME, RIGHT CENTER W/DECALS (INCLUDES ITEM 17)	1
3	209869	FRAME, ROLLER CENTER 16FT	2
4	1-512-010005-15	NUT, HEX, SLFLKG GRB, 3/4-10	56
5	1-654-010061-07	SCREW, HX CP 3/4-10UNC X 2-1/2, G5	40
6	7K723	U-BOLT, 3/4-10 X 5-13/16 X 7-5/8	8
7	179355	SUPPORT, FRONT ROLLER	2
8	1-654-010059-04	SCREW, HEX CAP 5/8-11 X 1-3/4, G5	24
9	175194	BEARING, TOOTH TUBE	12
10	1-512-010005-13	NUT, HEX SLFLKG GRB, 5/8-11	24
11	142753	MANUAL HOLDER	1
12	1-654-010047-06	SCREW, HX CP 1/4-20UNC X 1, GR5	2
13	1-861-010032-07	WASHER, FLAT 1/4 ZP	2
14	1-512-010005-01	NUT, HEX, SLFLKG GRB, 1/4-20	2
15	211237	FRONT CROSS TUBE	1
16	211260	REAR WING REST TUBE	1
17	2-150-010008	BUSHING, 1-1/4 OD X 1 ID X 1 STEEL	4
18	203796	PIN, 3/4 X 5-1/4	4
19	1-647-010004217	ROLL PIN, 1-1/4 X 1-1/2	8
20	1-861-010032-20	WASHER, FLAT 3/4	16
21	194778	WRENCH, HARROW ADJUSTMENT	2
22	1-557-010327	PIN, LYNCH 1/4 X 1-1/4	1

# Frame (Before 05/25/2021)

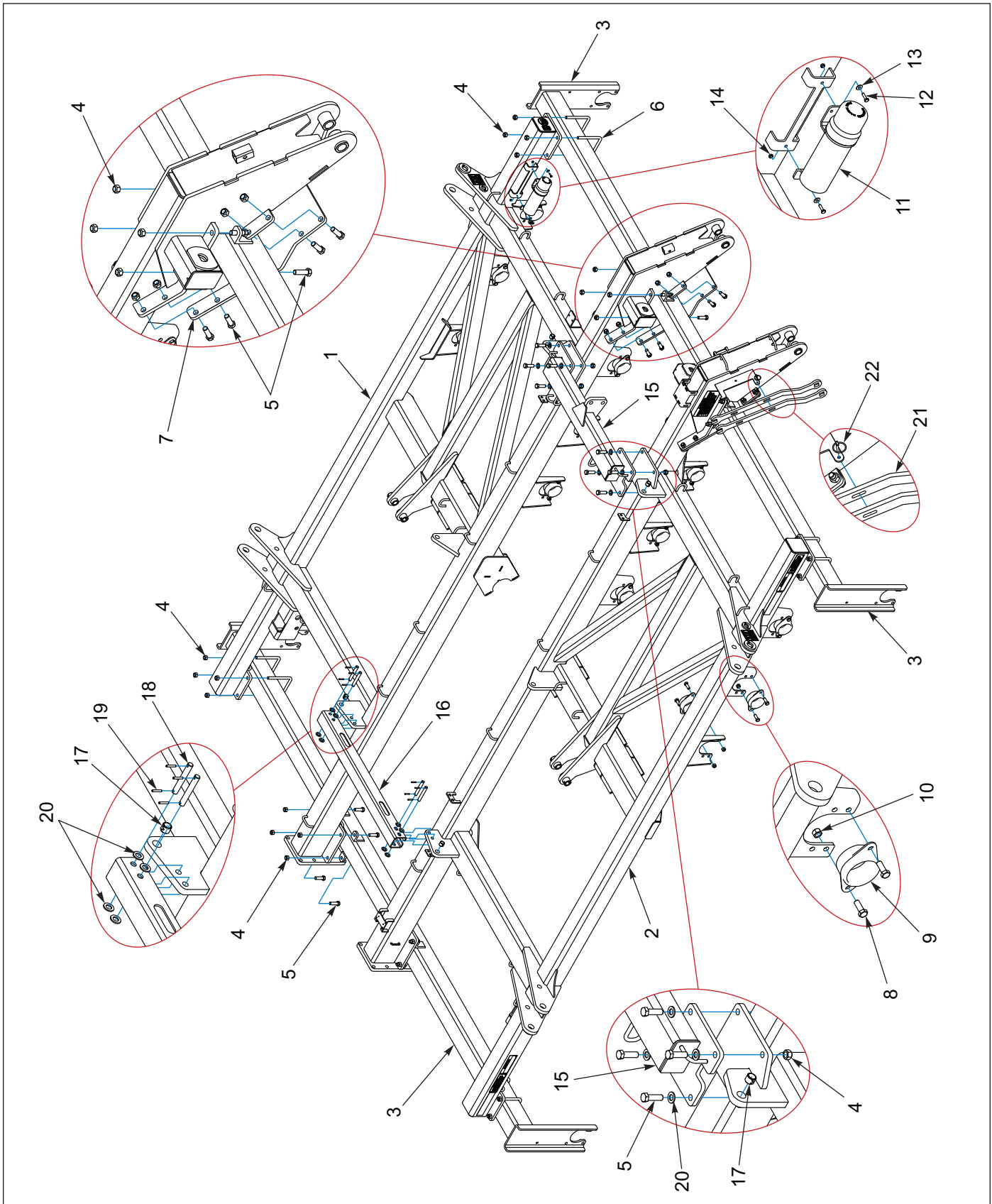


Figure 1-3: Frame (Before 05/25/2021)



## Frame (Before 05/25/2021)

ITEM	PART NUMBER	DESCRIPTION	QTY
1	211224	FRAME, LEFT CENTER W/DECALS (INCLUDES ITEM 17)	1
2	211223	FRAME, RIGHT CENTER W/DECALS (INCLUDES ITEM 17)	1
3	209869	FRAME, ROLLER CENTER 16FT	2
4	1-512-010005-15	NUT, HEX, SLFLKG GRB, 3/4-10	56
5	1-654-010061-07	SCREW, HX CP 3/4-10UNC X 2-1/2, G5	40
6	7K723	U-BOLT, 3/4-10 X 5-13/16 X 7-5/8	8
7	179355	SUPPORT, FRONT ROLLER	2
8	1-654-010059-04	SCREW, HEX CAP 5/8-11 X 1-3/4, G5	24
9	175194	BEARING, TOOTH TUBE	12
10	1-512-010005-13	NUT, HEX SLFLKG GRB, 5/8-11	24
11	142753	MANUAL HOLDER	1
12	1-654-010047-06	SCREW, HX CP 1/4-20UNC X 1, GR5	2
13	1-861-010032-07	WASHER, FLAT 1/4 ZP	2
14	1-512-010005-01	NUT, HEX, SLFLKG GRB, 1/4-20	2
15	211237	FRONT CROSS TUBE	1
16	211260	REAR WING REST TUBE	1
17	2-150-010008	BUSHING, 1-1/4 OD X 1 ID X 1 STEEL	4
18	203796	PIN, 3/4 X 5-1/4	4
19	1-647-010004217	ROLL PIN, 1-1/4 X 1-1/2	8
20	1-861-010032-20	WASHER, FLAT 3/4	16
21	194778	WRENCH, HARROW ADJUSTMENT	2
22	1-557-010327	PIN, LYNCH 1/4 X 1-1/4	1

# Transport Axle Mounting Components

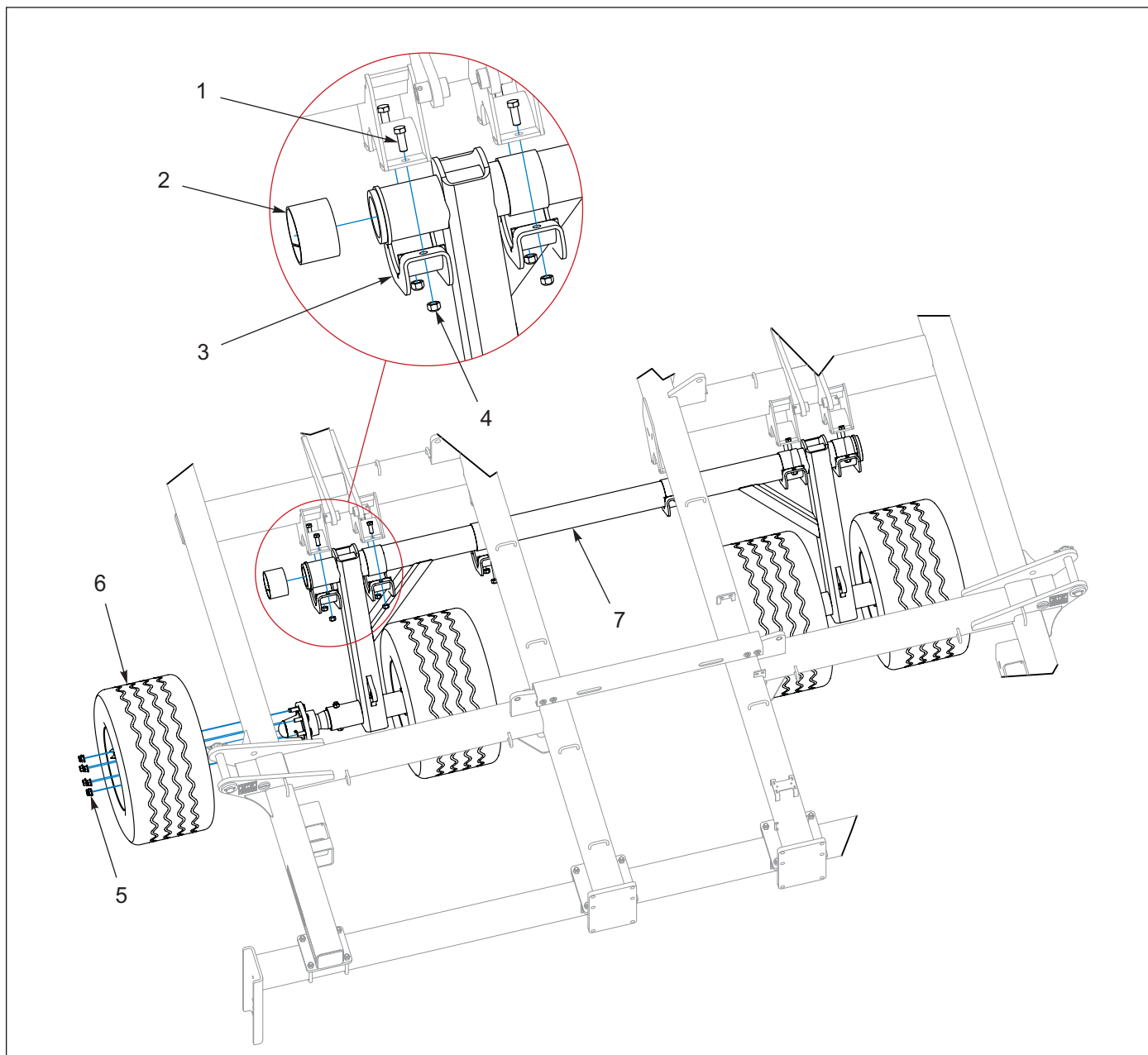


Figure 1-4: Transport Axle Mounting Components

## Transport Axle Mounting Components

ITEM	PART NUMBER	DESCRIPTION	QTY
1	1-654-010061-05	SCREW, HHC, 3/4-10UNC X 2, GR5, ZP	12
2	140519	BEARING, UHMW 4IN	6
3	167314	CAP-BEARINGLIFT WLDMT RED	6
4	1-512-010005-15	NUT, HEX, SLFLKG GRB, 3/4-10	12
5	171773	NUT, HEX FLANGE 3/4-16 GR5 ZP	32
6	221526	TIRE & WHEEL ASSY 480/45R17/WHT (SEE PAGE 1-15)	4
6	182507	TIRE & WHEEL ASSY 380/55RX16.5 (SEE PAGE 1-16)	4
7	221531	ROCKSHAFT ASM, 3631-30/36 (SEE PAGE 1-10)	1
7	211169	ROCKSHAFT ASM, 3631-30 (SEE PAGE 1-11)	1



# Wing Lift Assembly

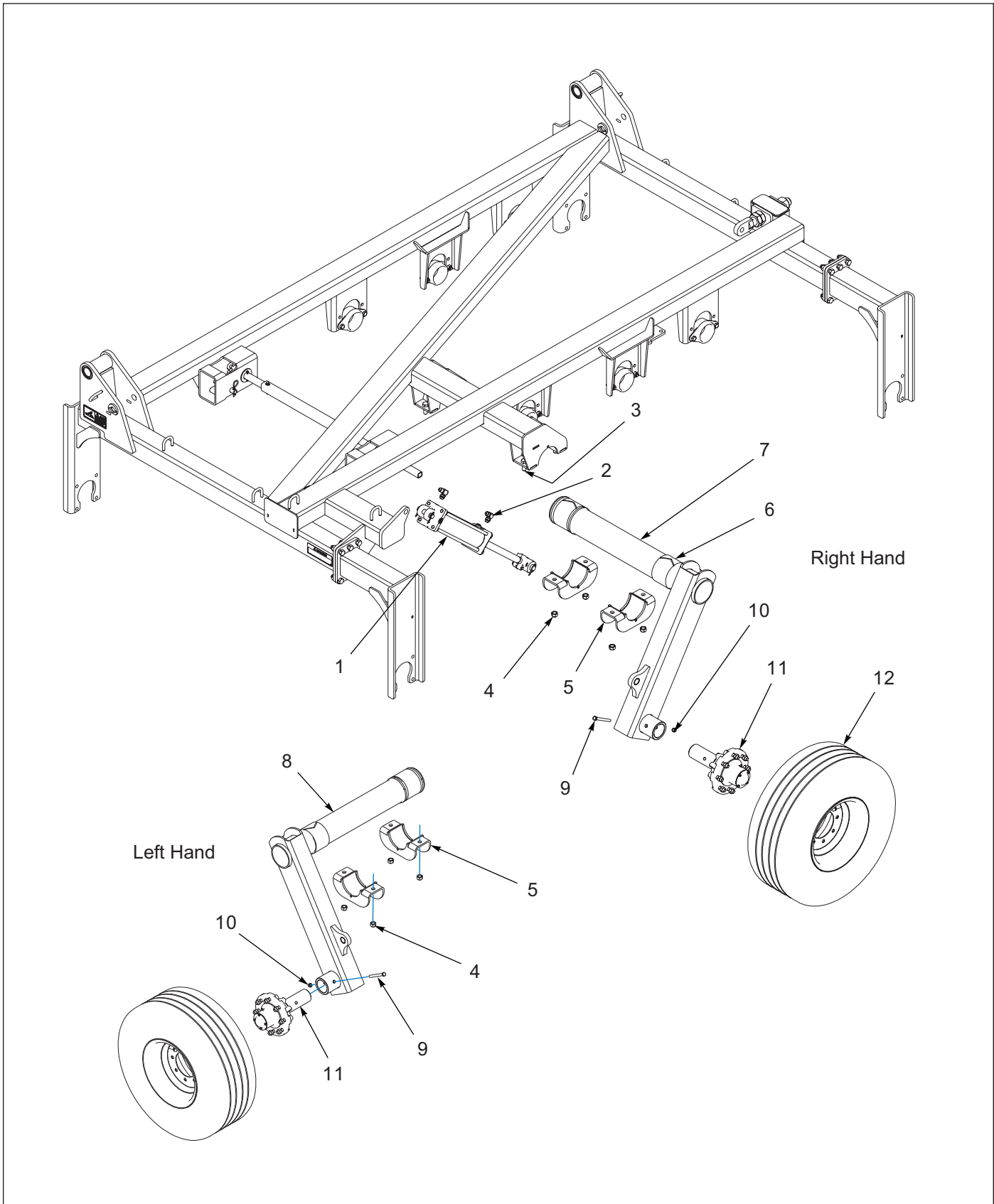


Figure 1-5: Wing Lift Assembly

---

## Wing Lift Assembly

ITEM	PART NUMBER	DESCRIPTION	QTY
1	234522	CYLINDER, REPHASE 4 X 14 <b>(SEE PAGE 1-119)</b>	2
2	189302	ADAPTER, 90, #8 O-RING-#10JIC	4
3	1-654-010061-05	SCREW,HHC,3/4-10UNCX2,GR5,ZP	8
4	1-512-010005-15	NUT,HEX,SLFLKG GRB 3/4-10	8
5	167314	CAP-BEARING, LIFT, WLDMT	4
6	140519	BEARING, UHMW 4IN	4
7	234535	WING LIFT, RH WLDMT	1
8	234529	WING LIFT, LH WLDMT	1
9	1-654-010055-15	SCR, HX CP, 1/2-13UNCX5 GR5	2
10	1-512-010005-09	NUT,HEX,SLFLKG, 1/2-13 GRB	2
11	224193	HUB & SPINDLE ASM,8BLT,7500LB <b>(SEE PAGE 1-13)</b>	2
12	211176	TIRE & WHL ASSY,320/70R15,8BLT	2

## Transport Axle, 4" Spindle

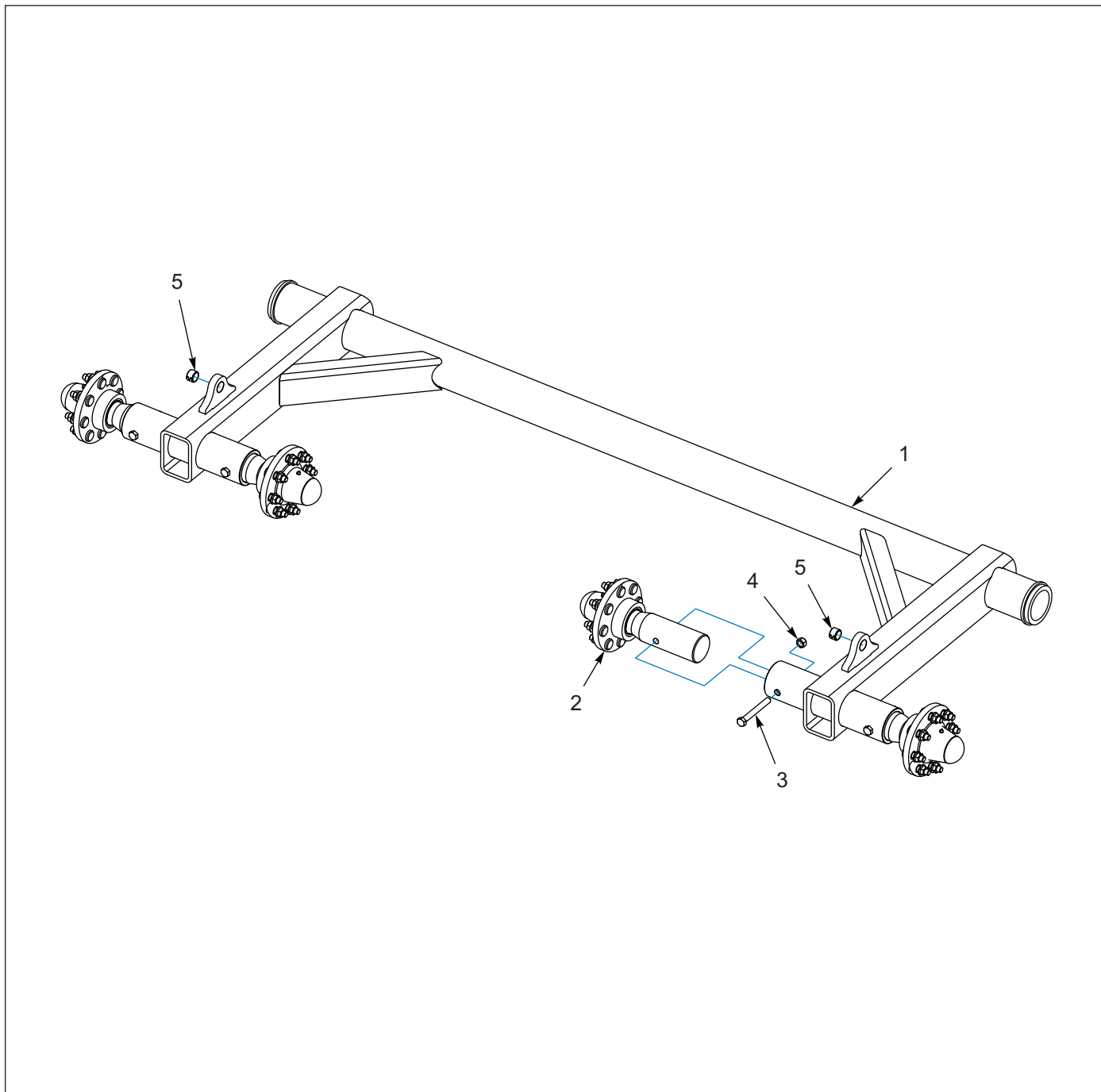


Figure 1-6: Transport Axle, 4" Spindle

## Transport Axle, 4" Spindle

ITEM	PART NUMBER	DESCRIPTION	QTY
	221531	ROCKSHAFT ASM, 3631-30/36	1
1	221532	ROCKSHAFT WLDMT, 3631-30/36	1
2	188639	HUB & SPINDLE ASM, 8 BOLT (SEE PAGE 1-12)	4
3	W908409-4	SCR, 3/4-10UNC X 6 HEX HD CAP	4
4	1-512-010005-15	NUT, LOCK 3/4-10 GRB, ZP	4
5	1P693	SPRING BUSHING, 1-1/4 X 1-1/2 X 1	2

# Transport Axle, 3" Spindle

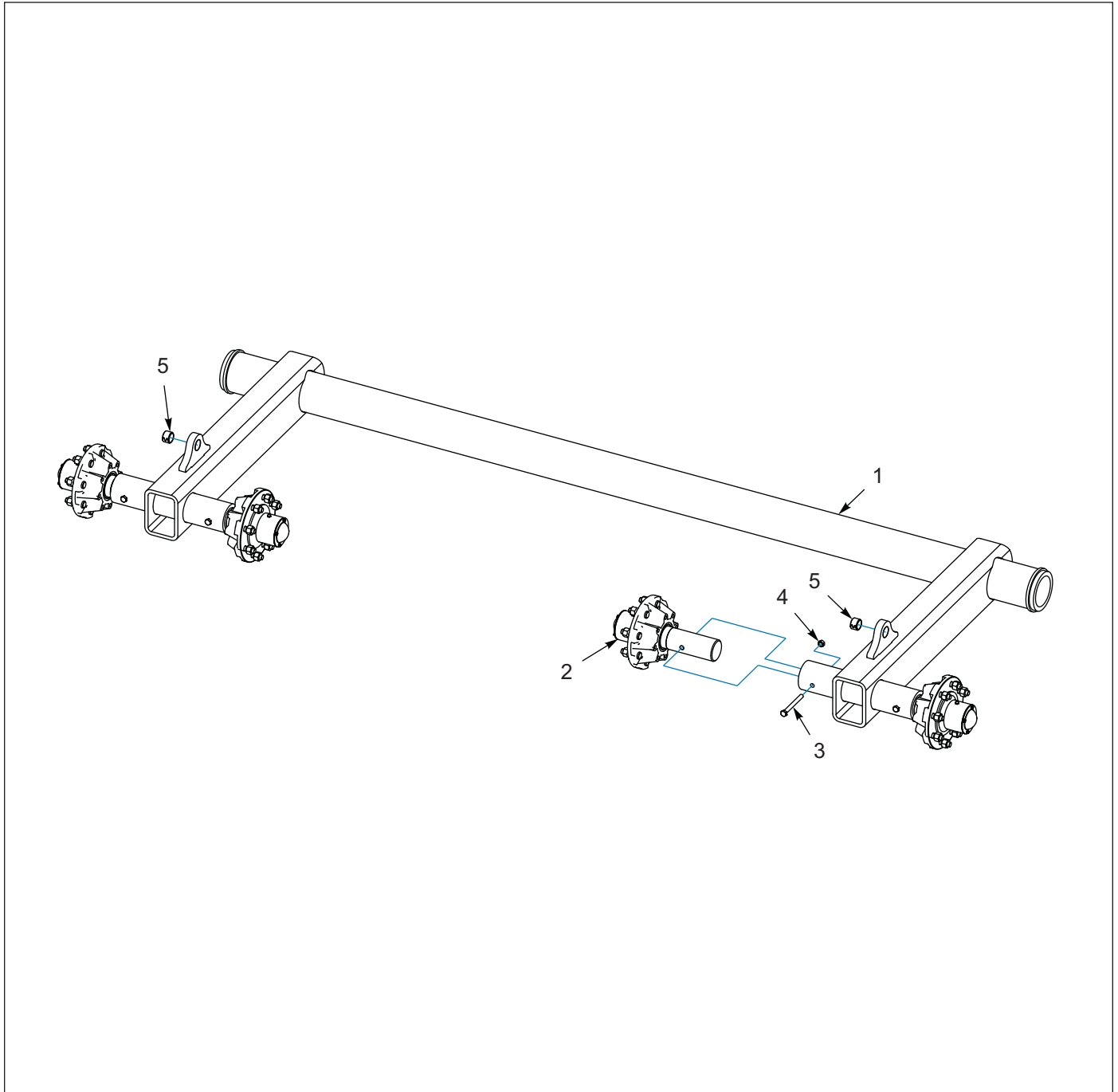


Figure 1-7: Transport Axle, 3" Spindle

## Transport Axle, 3" Spindle

ITEM	PART NUMBER	DESCRIPTION	QTY
	211169	ROCKSHAFT ASM, 3631-30	1
1	211170	ROCKSHAFT WLDMT, 3631-30	1
2	224193	HUB & SPINDLE ASM, 8 BOLT (SEE PAGE 1-13)	4
3	1-654-010055-15	SCR, HX CP, 1/2-13UNC X 5, GR5	4
4	1-512-010005-09	NUT, LOCK 1/2-13 GRB, ZP	4
5	1P693	SPRING BUSHING, 1-1/4 X 1-1/2 X 1	2

## Hub and 4" Spindle Assembly

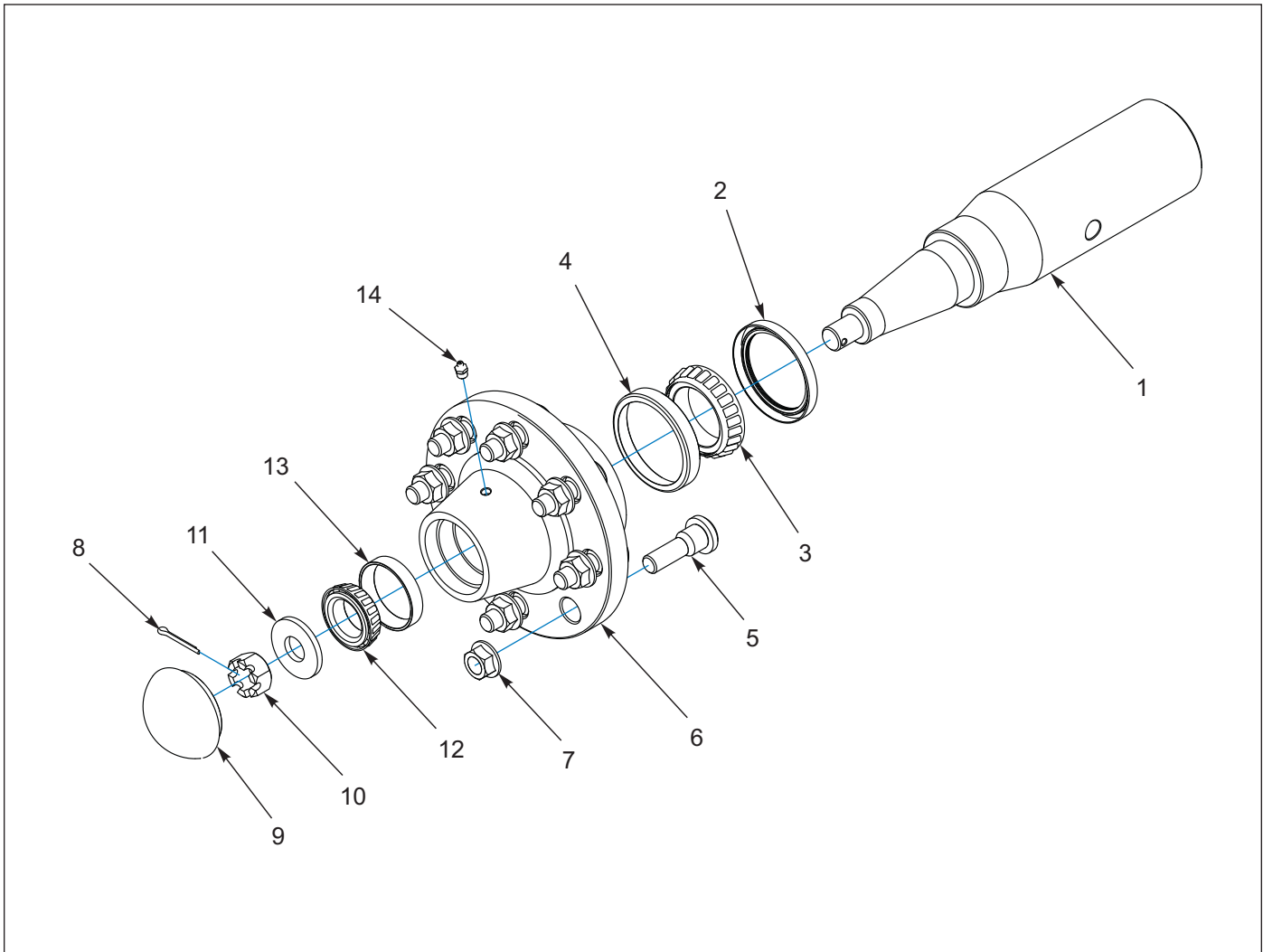


Figure 1-8: Hub and 4" Spindle Assembly

## Hub and 4" Spindle Assembly

ITEM	PART NUMBER	DESCRIPTION	QTY
	188639	HUB & SPINDLE ASSY, 8 BOLT	1
1	188640	SPINDLE, 4 X 18-1/4	1
2	171107	SEAL, TRIPLE LIP 4.125 OD X 3.25 ID	1
3	170310	CONE BEARING - 39250 - 39412	1
4	111962	OUTER BEARING CUP L20HD#382A	1
5	171772	STUD BOLT, 3/4-16 X 2-3/4 GR8	8
6	170302	HUB W/CUPS, 8 BOLT, 10,000LBS (INCLUDES ITEMS 4,5,7,13,14)	1
7	171773	NUT, HEX FLANGE 3/4-16 GR5 ZP	8
8	1-557-010362-51	PIN, COTTER 3/16 X 1-1/2	1
9	102601	HUB CAP, 8-BOLT HUB	1
10	1-516-010001-20	NUT, HX SLOT 1-14	1
11	1-861-010005	WASHER, SPINDLE 1"	1
12	102498	BEARING CONE, OUTER, 1.625 (LM501349)	1
13	102604	OUTER CUP BEARING (LM501310)	1
14	5000	ZERK FITTING, 1/8NPT	1



## Hub and 3" Spindle Assembly w/Screw on Hub Cap

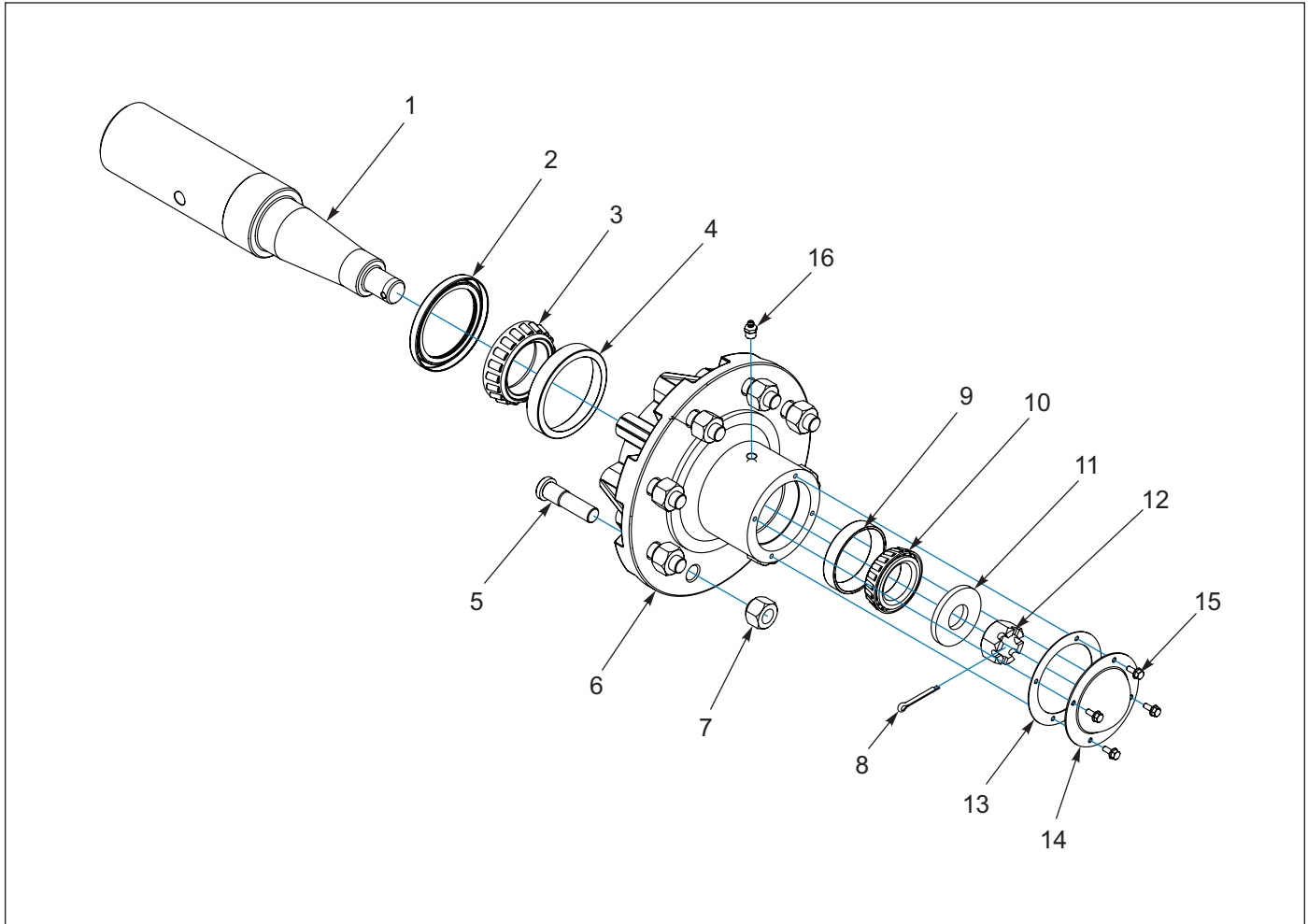


Figure 1-9: Hub and 3" Spindle Assembly w/Screw on Hub Cap

## Hub and 3" Spindle Assembly w/Screw on Hub Cap

ITEM	PART NUMBER	DESCRIPTION	QTY
	224193	HUB & SPINDLE ASM, 8 BOLT	1
1	211175	SPINDLE, 3 X 15	1
2	193089	SEAL, PURGABLE 4 OD X 3 ID	1
3	156979	CONE BEARING - 387AS	1
4	111962	OUTER BEARING CUP L20HD#382A	1
5	4001060	STUD BOLT, 5/8-18	8
6	223435	HUB ASM W/CUPS, GASKET, CAP	1
7	102600	NUT, WHEEL BOLT, 5/8-18	8
8	1-557-010362-51	PIN, COTTER 3/16 X 1-1/2	1
9	102604	OUTER CUP BEARING (LM501310)	1
10	102498	BEARING CONE, OUTER, 1.625 (LM501349)	1
11	1-861-010005	WASHER, SPINDLE 1"	1
12	1-516-010001-20	NUT, HX SLOT 1-14	1
13	223439	GASKET	1
14	223437	DUST CAP	1
15	223438	SCREW, #10-32 X 1/2	4
16	5000	ZERK FITTING, 1/8NPT	1

## Hub and 3" Spindle Assembly

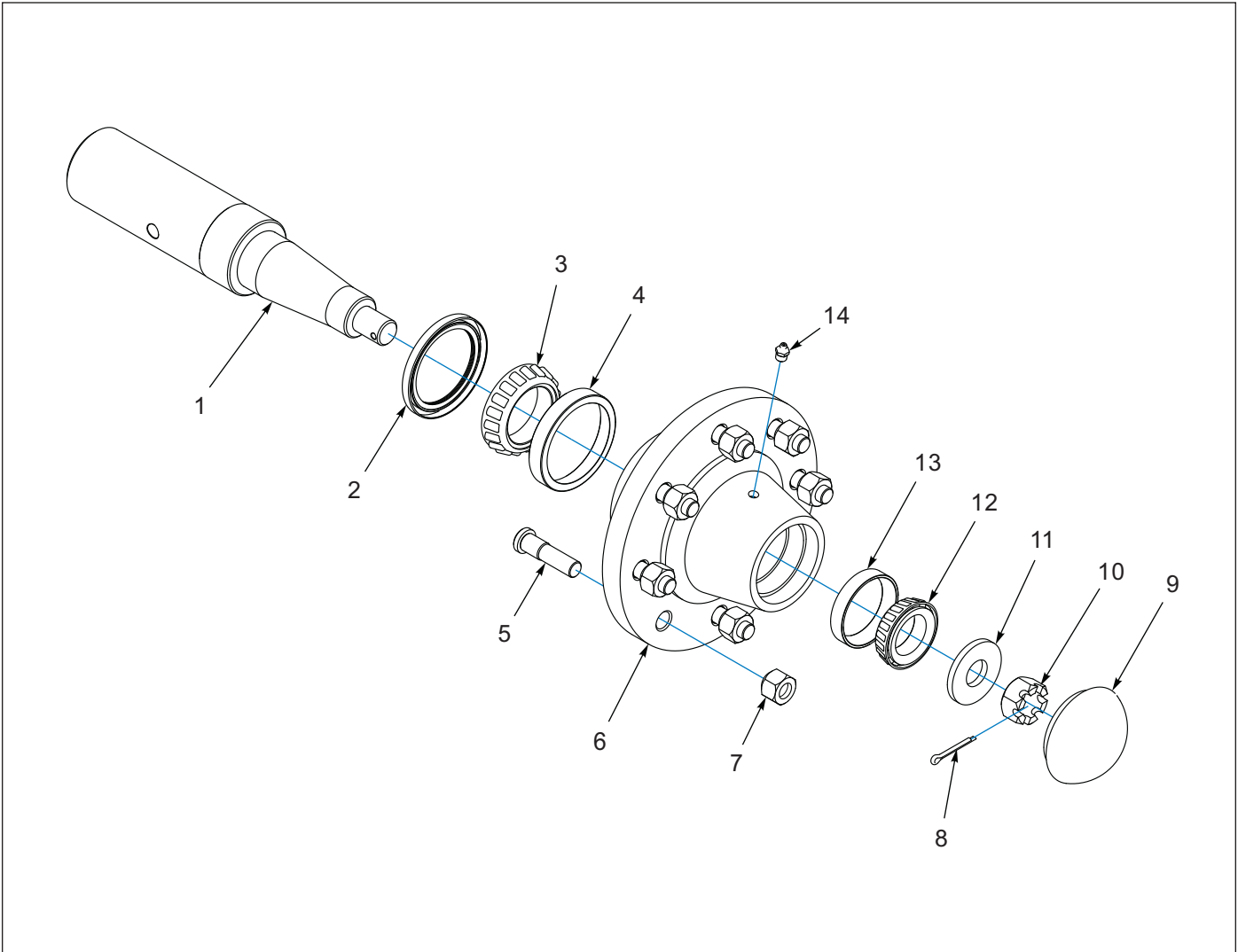
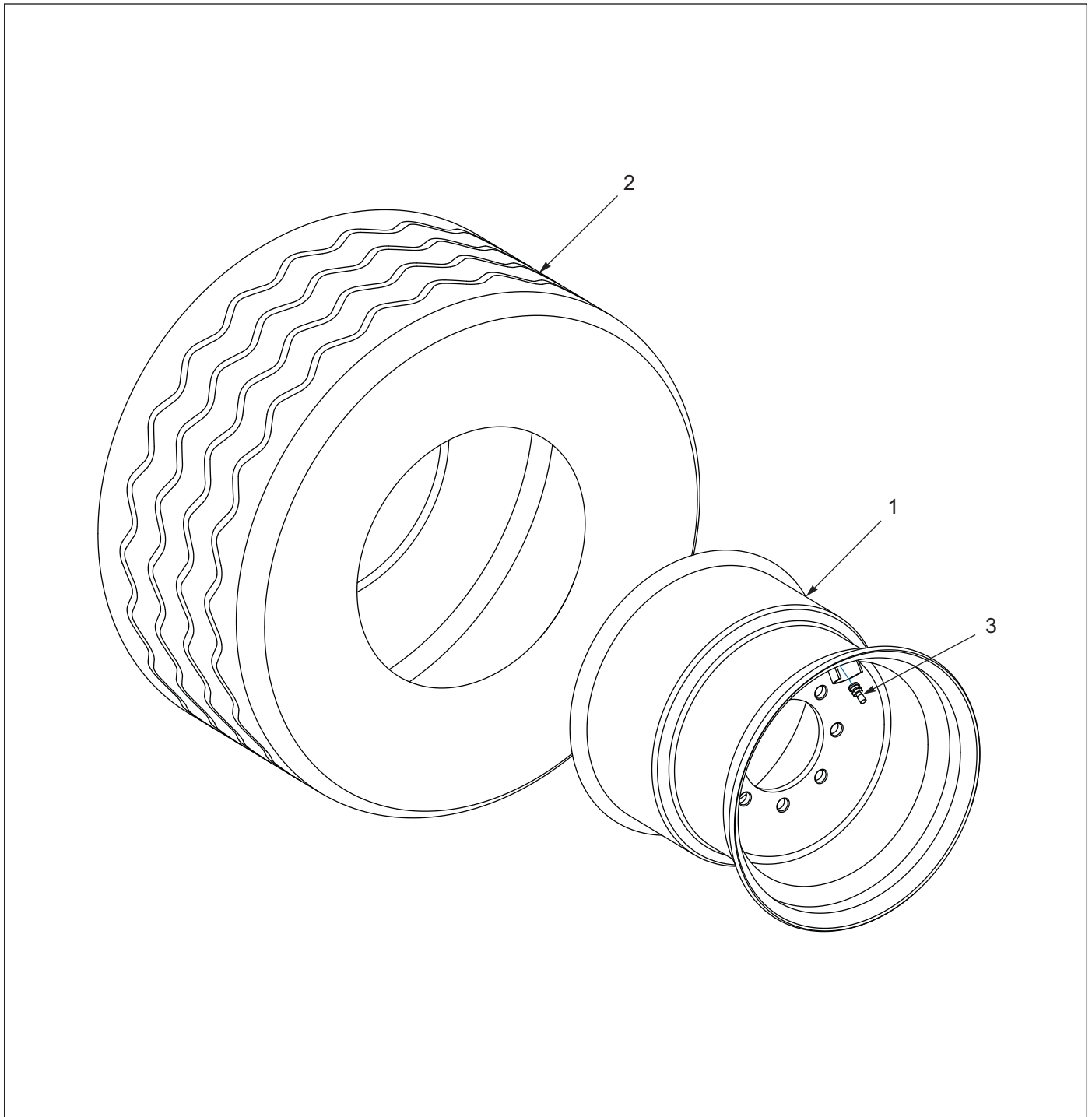


Figure 1-10: Hub and 3" Spindle Assembly

## Hub and 3" Spindle Assembly

ITEM	PART NUMBER	DESCRIPTION	QTY
	211174	HUB & SPINDLE ASSY, 8 BOLT	1
1	211175	SPINDLE, 3 X 15	1
2	159970	SEAL, TRIPLE LIP 4 OD X 3 ID X 3/8	1
3	156979	CONE BEARING - 387AS	1
4	111962	OUTER BEARING CUP L20HD#382A	1
5	4001060	STUD BOLT, 5/8-18	8
6	156974	HUB W/CUPS, 8 BOLT, 7500LBS (INCLUDES ITEMS 4,5,7,13,14)	1
7	102600	NUT, WHEEL BOLT, 5/8-18	8
8	1-557-010362-51	PIN, COTTER 3/16 X 1-1/2	1
9	102601	HUB CAP, 8-BOLT HUB	1
10	1-516-010001-20	NUT, HX SLOT 1-14	1
11	1-861-010005	WASHER, SPINDLE 1"	1
12	102498	BEARING CONE, OUTER, 1.625 (LM501349)	1
13	102604	OUTER CUP BEARING (LM501310)	1
14	5000	ZERK FITTING, 1/8NPT	1

## Tire and Wheel Assembly, 221526



**Figure 1-11: Tire and Wheel Assembly, 221526**

## Tire and Wheel Assembly, 221526

ITEM	PART NUMBER	DESCRIPTION	QTY
	221526	TIRE & WHEEL ASM 480/45R17WHT	1
1	204386	TIRE, BKT VF 480/45R17	1
2	221525	WHEEL, 17 X 16.00, 8-BOLT, WHT	1
3	TR575	VALVE STEM TUBELESS TIRE	1

## Tire and Wheel Assembly, 182507

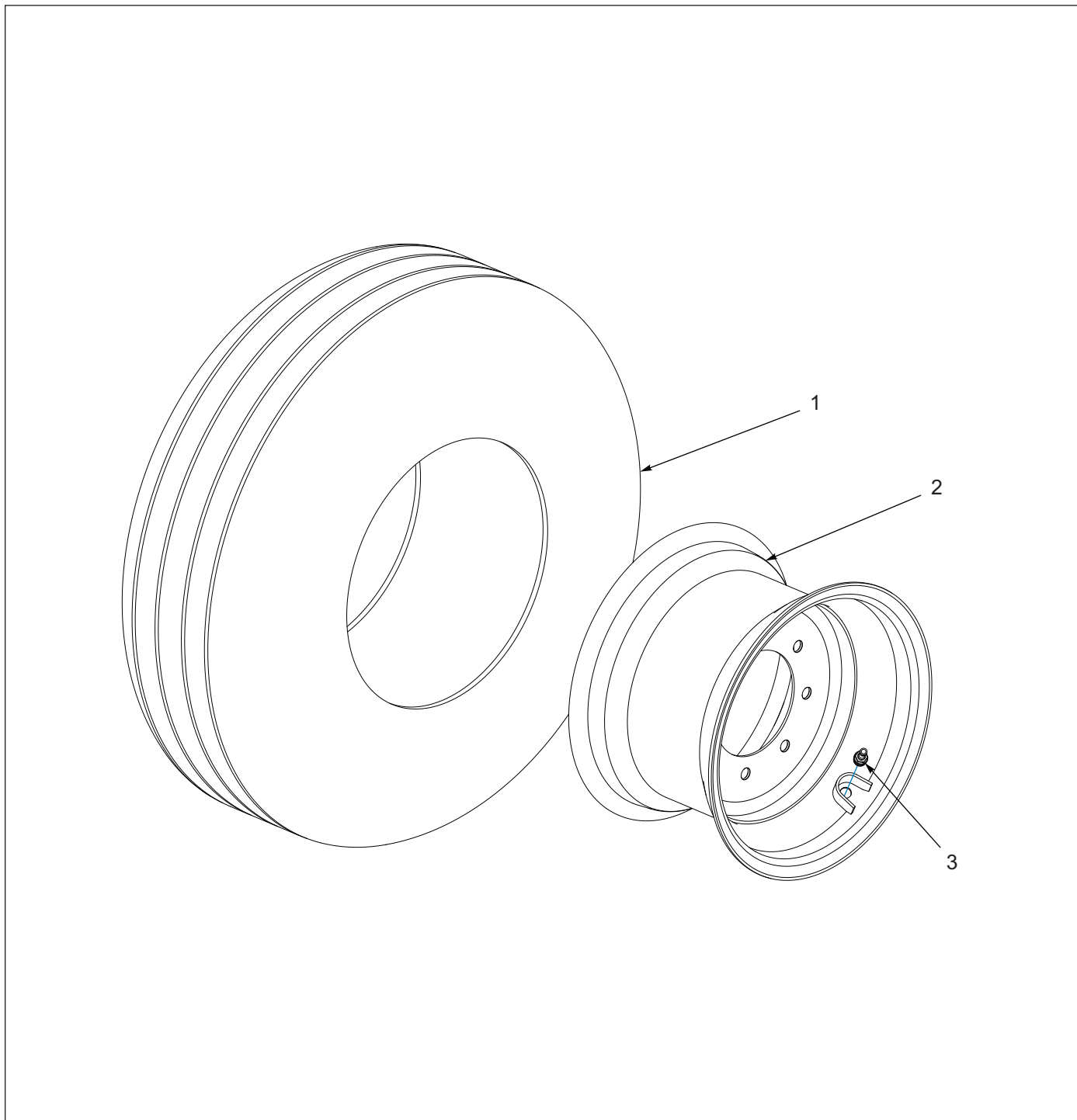


Figure 1-12: Tire and Wheel Assembly, 182507

## Tire and Wheel Assembly, 182507

ITEM	PART NUMBER	DESCRIPTION	QTY
	182507	TIRE & WHEEL ASSY 380/55RX16.5	1
1	165236	TIRE 380/55R 16.5 IMP	1
2	182506	WHEEL, 8 BOLT, WHITE	1
3	TR575	VALVE STEM TUBELESS TIRE	1

## Tire and Wheel Assembly, 211176

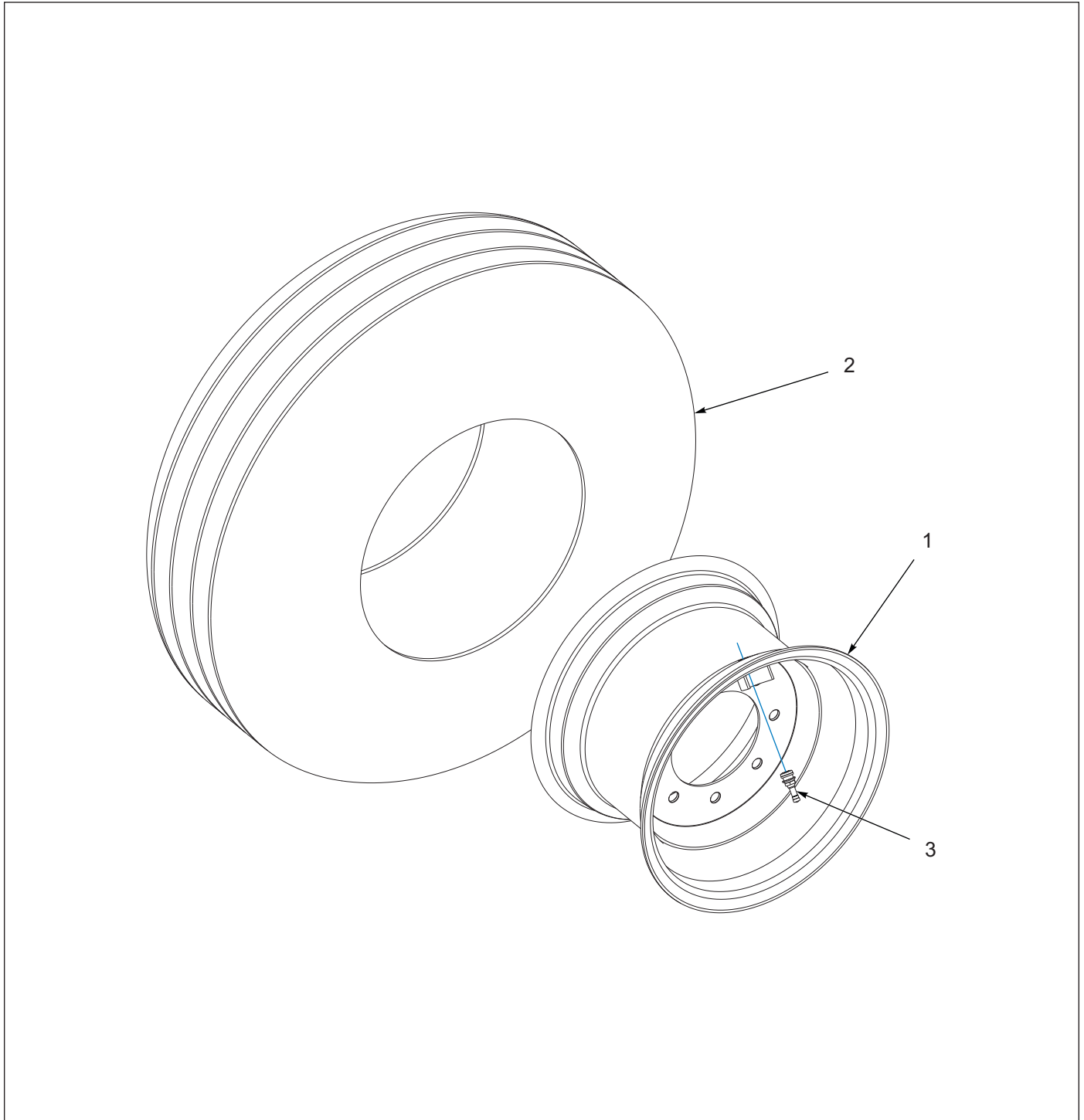


Figure 1-13: Tire and Wheel Assembly, 211176

## Tire and Wheel Assembly, 211176

ITEM	PART NUMBER	DESCRIPTION	QTY
	211176	TIRE & WHL ASSY,320/70R15,8BLT	1
1	167298	WHEEL,15 X 10LB 8 BOLT 3/8	1
2	204385	FIRESTONE RADIAL 320/70R15	1
3	TR416	VALVE STEM,TUBELESS	1

# Rockshaft Cylinder Transport Lock

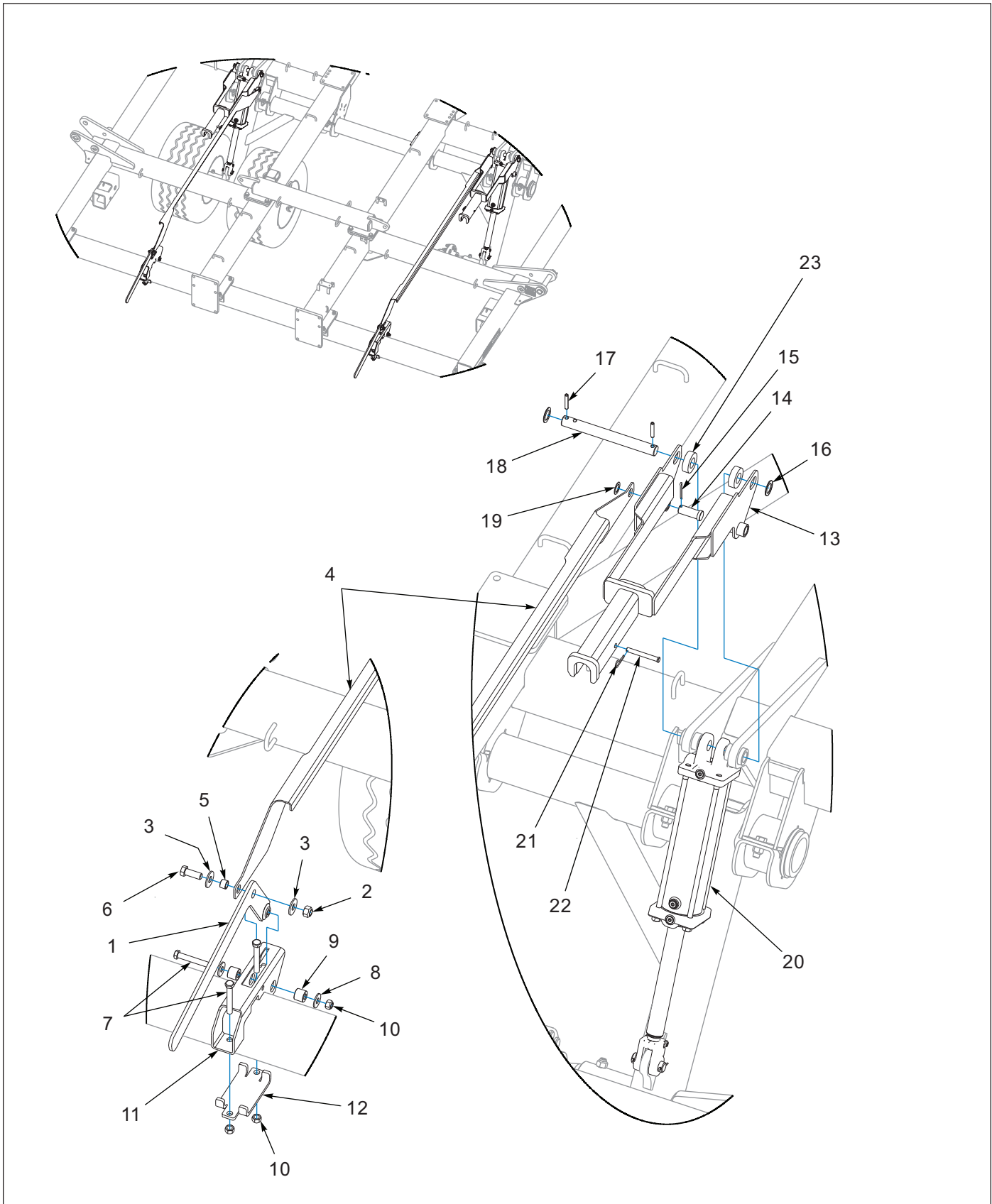


Figure 1-14: Rockshaft Cylinder Transport Lock

## Rockshaft Cylinder Transport Lock

ITEM	PART NUMBER	DESCRIPTION	QTY
1	185957	LEVER, TRANSPORT LOCK	2
2	1-512-010005-15	NUT, HEX SLFLKG GRB 3/4-10	2
3	1-861-010032-21	WASHER, FLAT 3/4 W, ZP/CD	4
4	211257	STRAP, TRANSPORT LOCK	2
5	9K440	BUSHING, 3/4 ID X 1 X 11/16	2
6	1-654-010061-05	SCREW, HHC, 3/4-10UNC X 2, GR5, ZP	2
7	1-654-010059-14	SCREW, HX CP, 5/8-11UNC X 4-1/2, G5	6
8	1-861-010032-19	WASHER, FLAT 5/8 W, ZP/CD	4
9	3P144	BUSHING, 5/8 X 1-3/8 X 1-1/8	4
10	1-512-010005-13	NUT, HEX SLFLKG GRB, 5/8-11	6
11	185954	BRACKET, TRANSPORT LOCK	2
12	185956	CLAMP	2
13	185960	TRANSPORT LOCK	2
14	8D099	CLEVIS PIN, 1 X 2-1/2	2
15	110-4224	PIN, COTTER 3/16 X 2IN LG	2
16	4J548	MACH BUSH, 1.25 X 1.875 X 14GA	4
17	127712	PIN, SPRING SLOTTED 3/8 X 2-1/4	6
18	185961	PIN, 1-1/4, 3 HOLE	2
19	7C120	MACHINERY BUSHING, 1 X 1-1/2 X 18GA	2
20	234521	CYLINDER, REPHASE 4-1/2 X 1/4 <b>(AFTER 12/16/2021)</b> <b>(SEE PAGE 1-118)</b>	2
20	181342	HYD CYL 4-1/2 X 14 <b>(BEFORE 12/16/2021)</b> <b>(SEE PAGE 1-115)</b>	2
21	6J448	HAIRPIN COTTER, 1/8	2
22	1408092	CLEVIS PIN, 1/2 X 4	2
23	244034	WASHER, 2-1/2 X 1-1/4 X 3/4	2

# Drawbar Leveler

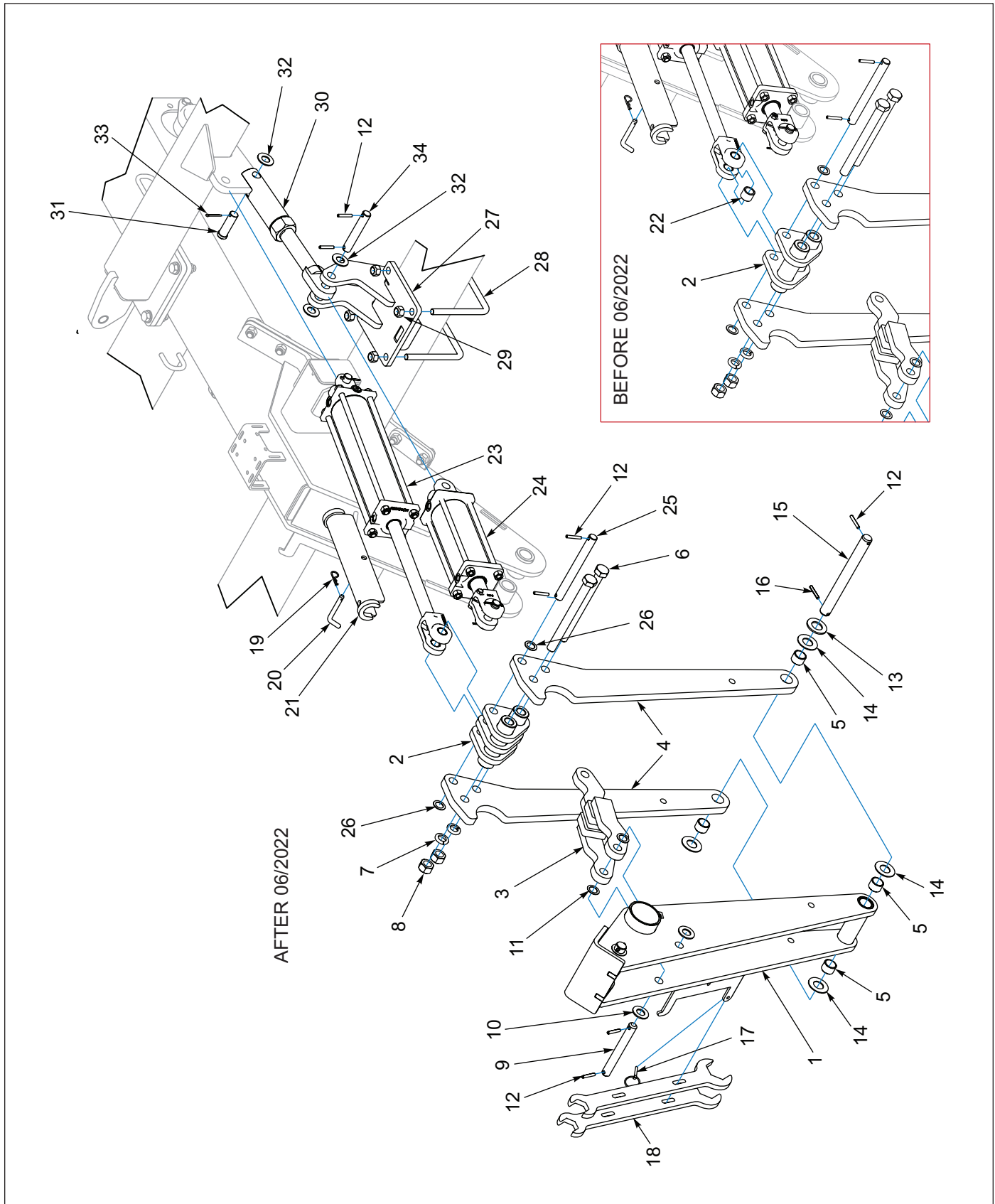


Figure 1-15: Drawbar Leveler



## Drawbar Leveler

ITEM	PART NUMBER	DESCRIPTION	QTY
1	196106	MAST, WLDMT HITCH LEVELER	1
2	196116	MOUNT, LEVELING	1
3	211254	LINK, CYLINDER WLD	1
4	196110	PLATE, TRANSPORT LOCK	2
5	3J511	BUSHING BRONZE, 1.258 X 1.504 X 1	4
6	161131	HHCS, 1-8 X 11, GR5, ZP	2
7	1-861-010034-21	WASHER, LKG HEL SPRG 1IN	2
8	1-512-010007-14	NUT, HEX 1-8, ZP	2
9	174294	PIN, 1.0 X 8.25 H2	1
10	1-861-010032-24	WASHER, FLT 1" SAE, ZP	2
11	7C120	MACH BUSH, 1.0 X 1.5 X 18GA	2
12	147072	PIN, SPRING SLOTTED 5/16 X 2	7
13	116100	WASHER 1-1/4 NAR FL, ZP/CD	1
14	196120	WASHER, THRUST SS 1-1/4, 12 GA	4
15	196119	PIN, 1.25 X 12.5 H2	1
16	170004	PIN, GROOVED ALLOY, 5/16 X 2	1
17	1-557-010327	PIN, LYNCH 1/4 X 1-1/4	1
18	190882	WRENCH, ADJUSTMENT RED	2
19	6J448	HAIRPIN COTTER, 1/8	1
20	3C335	CLEVIS PIN, BENT	1
21	197693	TRANSPORT LOCK, 1-1/2 X 16	1
22	9J278	SPACER (1-1/32 X 1-3/8 X 1-1/16) (BEFORE 06/2022)	1
23	9D731	HYD CYLINDER, 4-1/2 X 16 (SEE PAGE 1-122)	1
24	1-242-010171-3	HYD CYLINDER, 4 X 8 (SEE PAGE 1-114)	1
25	2P280	PIN, 1.0 X 10.125 H2	1
26	7C076	MACHINERY BUSHING 1 X 1.5 X 14GA	2
27	211252	BRACKET LEVELING CYLINDER	1
28	7K723	U-BOLT, 3/4-10	2
29	1-512-010005-15	NUT, LOCK 3/4-10	4
30	219110	TIE, ROD ASM	1
31	2P411	CLEVIS PIN, 1 X 3-1/4	1
32	199977	WASHER, SS 1 X 2 X 11GA	3
33	1-557-010362-51	COTTER PIN, 3/16 X 1-1/2	1
34	9J695	PIN, 1 X 6	1

# Drawbar

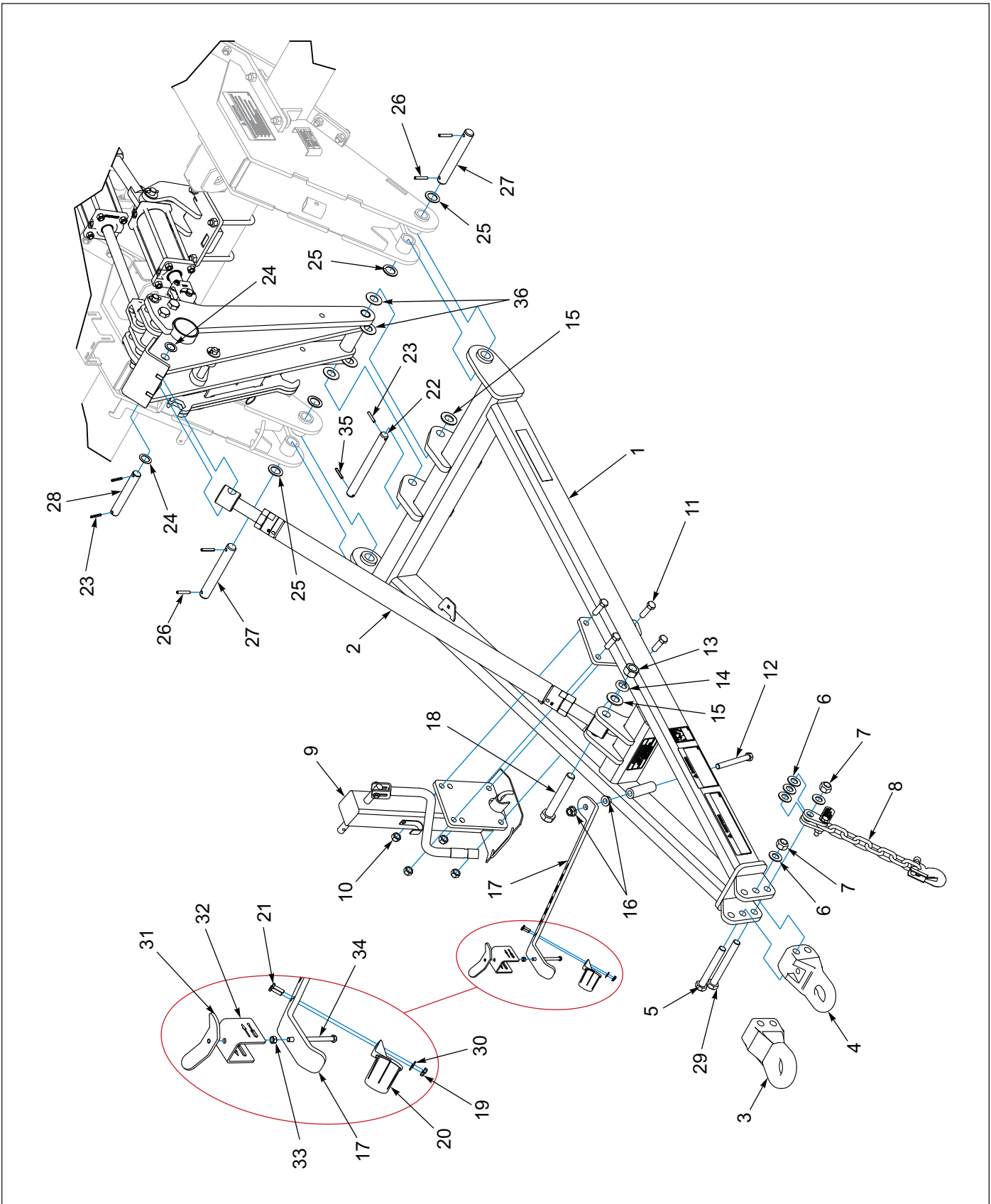


Figure 1-16: Drawbar

## Drawbar

ITEM	PART NUMBER	DESCRIPTION	QTY
1	211311	DRAWBAR W/DECALS	1
2	183475	RADIUS ROD ASM, 1-3/4, RED (TURNBUCKLE) (SEE PAGE 1-29)	1
3	2-375-010602	HITCH, RING CAT IV	1
4	2-375-010601	HITCH, RING CAT III	1
5	153696	BOLT, HITCH CLEVIS (1-8 X 7-1/2)	1
6	1-861-010032-24	WASHER, FLT 1" SAE, ZP	5
7	1-512-010005-19	NUT, LOCK 1-8, GRB, ZP	2
8	156950	SAFETY CHAIN, 41,000 LB	1
9	188051	JACK, 12K W/MOUNT PLATE	1
10	1-512-010005-15	NUT, HEX SLFLKG GRB, 3/4-10	4
11	1-654-010061-07	SCREW, HX CP 3/4-10UNC X 2-1/2, GR5	4
12	1-654-010061-19	HHCS, 3/4-10 X 7	1
13	1-512-010007-16	NUT, HEX 1-1/4-7, ZP	1
14	100825	WASHER, LKG, HLCL SPR 1-14	1
15	116100	WASHER, FLAT 1-1/4 SAE	1
16	103841	NUT, FLG LNK SERRATED, 3/4-10UNC	2
17	193226	BRACKET, HOSE HOLDER	1
18	1-654-010123-01	SCREW, CAP SPEC, 1-1/4-7 X 8, G8	1
19	1-512-010005-01	NUT, HEX SLFLKG GRB, 1/4-20	2
20	2-368-010287	HARNESS, STOR-A-WAY	1
21	1-654-010047-06	SCREW, HX CP 1/4-20UNC X 1, GR5	2
22	196119	PIN, 1-1/4 X 12-1/2	1
23	147072	ROLL PIN, 5/16 X 2	3
24	4J548	MACHINERY BUSHING, 1-1/4 X 1-7/8 X 14GA	2
25	164174	MACHINERY BUSHING, 1-1/2 X 2-1/4 X 10GA	4
26	127712	PIN, SPRING SLOTTED 3/8 X 2-1/4	4
27	183517	PIN, 1.438 X 10.25 H2	2
28	193225	PIN, 1-1/4 X 8-1/4	1
29	1-654-010125-22	SCREW, HX CP 1-8UNC X 8-1/2 GR8, ZP	1
30	1-861-010032-06	WASHER, FLAT 1/4, ZP/CD	2
31	141249	WING NUT, HOSE HOLDER	1
32	141247	CLAMP, HOSE HOLDER	1
33	1-512-010007-07	NUT, HEX 3/8-16 GR2, ZP	1
34	196754	SCREW, HHC 3/8-16 X 5 GR5, FULL THREAD	1
35	170004	PIN, GROOVE ALLOY, 5/16 X 2	1
36	196120	WASHER, THRUST SS 1-1/4, 12GA	4

# Drawbar w/ Hydraulic Jack

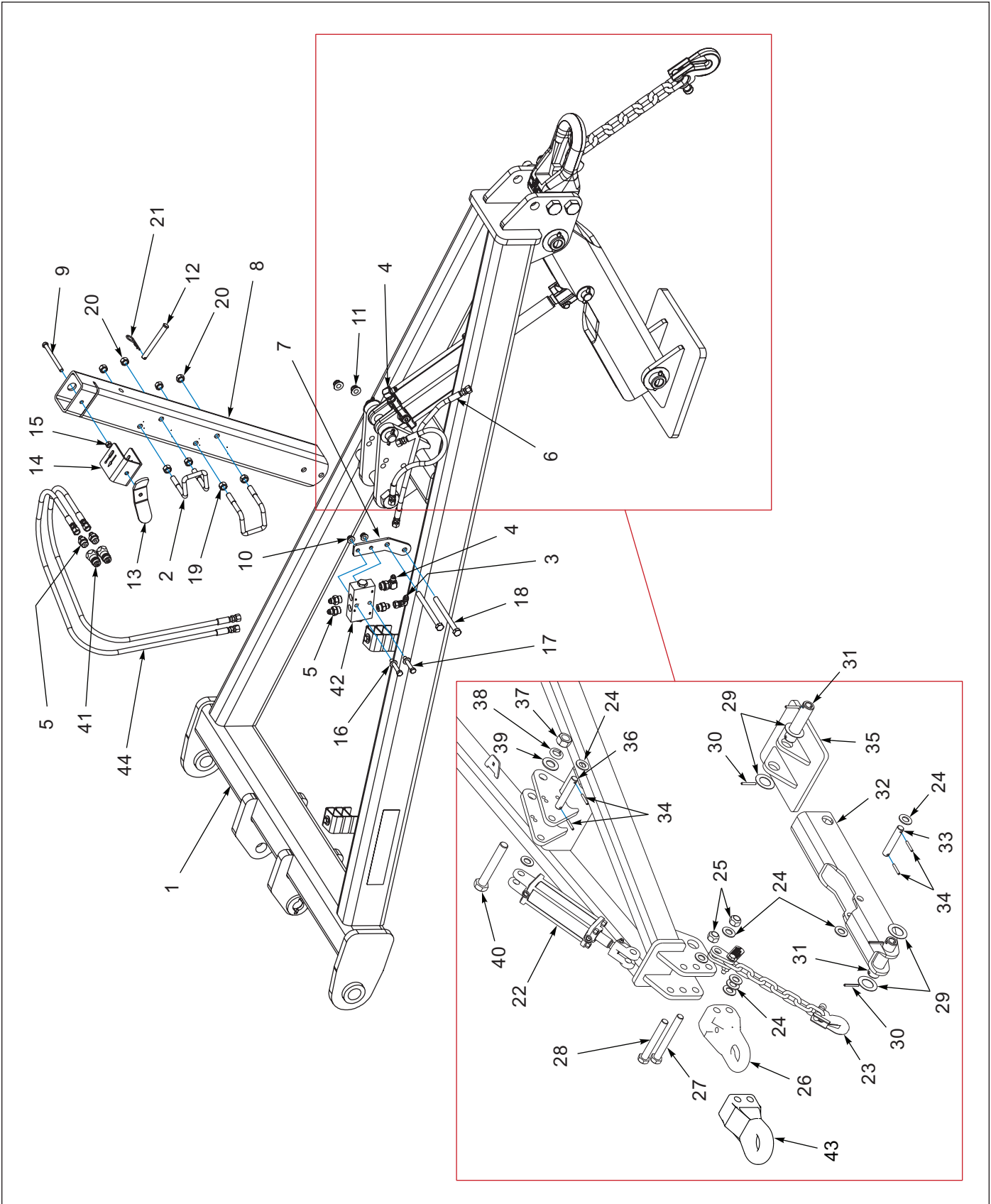


Figure 1-17: Drawbar w/ Hydraulic Jack

## Drawbar w/ Hydraulic Jack

ITEM	PART NUMBER	DESCRIPTION	QTY
1	238843	DRAWBAR,PULVIMULCHER	1
2	8J172	TOOTH CLAMP	2
3	102-0031	ADAPTER,90 JIC SWIVEL #6	1
4	2062-8-6S	ELBOW,90,#8 SAE X #6 JIC	3
5	202702-8-6S	ADAPTER #8 O-RING TO #6 TUBE	5
6	174265	HOSE HYD 1/4 X 21 - 6 STR	2
7	238854	BRACKET, VALVE	1
8	238853	HOSE SUPPORT	1
9	173044	SCREW, ALL THREAD,3/8-16X4-1/2	1
10	2P252	NUT, FLANGE NY-LOK 3/8-16	2
11	2P253	NUT, FLANGE NY-LOK 1/2-13	2
12	2P994	CLEVIS PIN, 0.5 X 4.5	1
13	141249	WING NUT, HOSE HOLDER	1
14	141247	CLAMP, HOSE HOLDER	1
15	1-512-010007-07	NUT, HEX 3/8-16 GR2, ZP	1
16	1-861-010032-10	WASHER, FLAT 3/8" N ZP/CD	2
17	1-654-010051-10	SCREW,HX CP3/8-16X2-1/4 GR5	2
18	1-654-010055-17	SCREW,HEX CAP,1/2-13UNCX6 GR5	2
19	1-512-010007-09	NUT, HEX 1/2-13 GR2 ZP	4
20	1-512-010005-09	NUT,HEX,SLFLKG, 1/2-13 GRB	4
21	6J448	HAIRPIN COTTER 1/8	1
22	5J280	HYD CYLINDER - 3 X 8	1
23	156950	SAFETY CHAIN, 41,000 LB	1
24	1-861-010032-24	WASHER FL 1IN NARROW ZP	9
25	1-512-010005-19	NUT 1-8 HEX SLF-LOCKING GRB	2
26	2-375-010601	HITCH, RING CAT III	1
27	1-654-010125-22	SCREW HX CP 1-8UNCX8-1/2G8ZP	1
28	153696	BOLT, HITCH CLEVIS	1
29	195566	WASHER THRUST 1-3/4 14 GA	4
30	1-647-010004240	PIN,SPRING,SLOTTED,5/16X2-1/2	4
31	238848	TUBE, JACK PIVOT	2
32	238844	TUBE, JACK	1
33	5J768	PIN (1.0 X 5.50 H2)	1
34	147072	PIN, SPRING SLOTTED 5/16 X 2	4
35	238846	BASE, JACK	1
36	9J695	PIN (1.0 X 6.0 H2)	1
37	1-512-010007-16	NUT,HEX 1-1/4-7 GR2 ZP	1
38	100825	WASHER, LKG, HLCL SPR 1-1/4	1
39	116100	WASHER 1-1/4 NAR FL ZP/CD	1
40	1-654-010123-01	SCREW,CAP,SPEC.,1-1/4-7X8G8	1
41	141828	COUPLER,MALE 3/4-16 O-RING	2
42	124696	VALVE,CHK DBL PILOT O-RING	1
43	2-375-010602	HITCH RING CAT IV	1
44	225093	HOSE ASSY, 1/4X100#6 JIC STR	2

# Drawbar w/ Hydraulic Jack Schematic

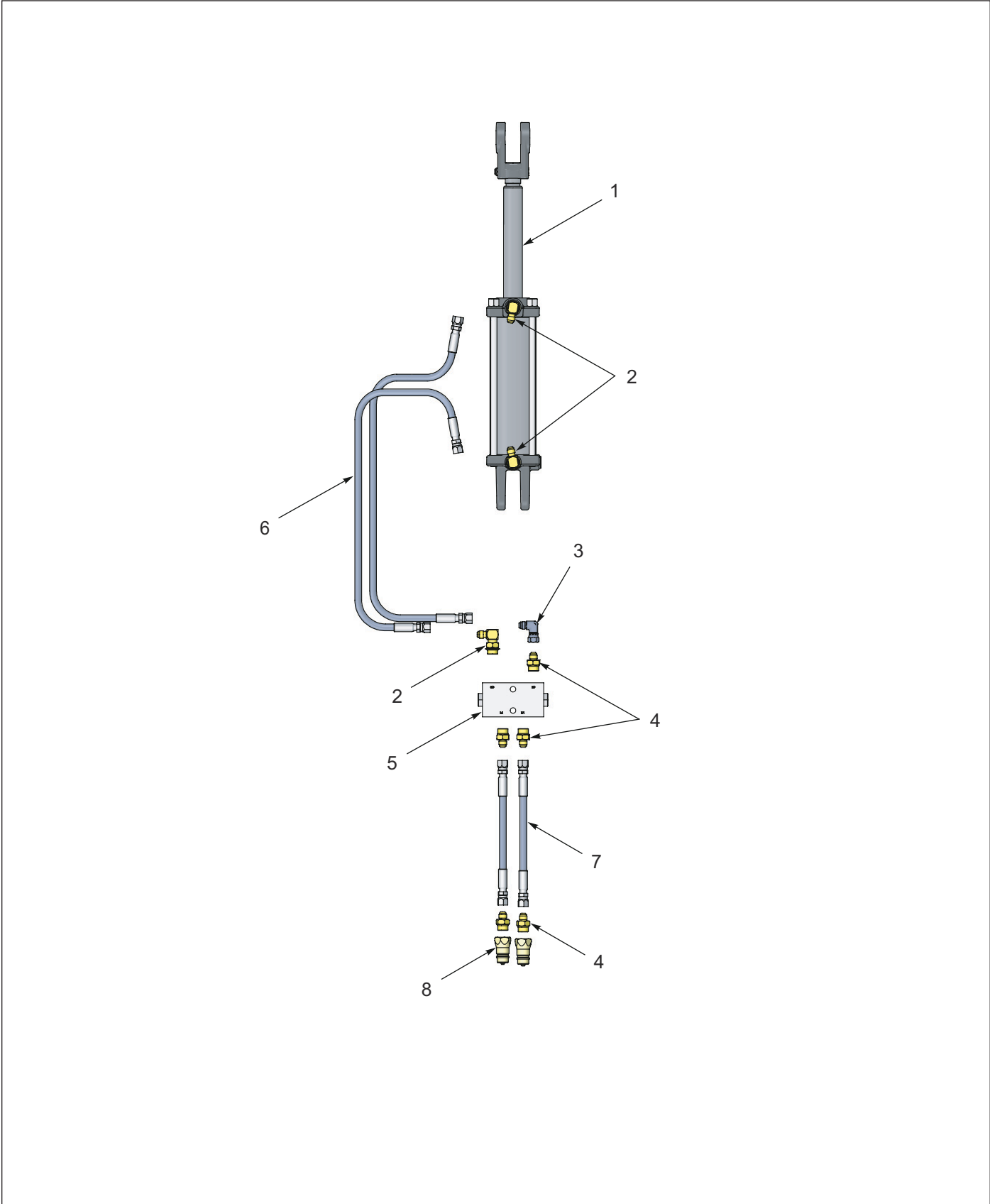


Figure 1-18: Drawbar w/ Hydraulic Jack Schematic

---

## Drawbar w/ Hydraulic Jack Schematic

---

ITEM	PART NUMBER	DESCRIPTION	QTY
1	5J280	HYD CYLINDER - 3 X 8	1
2	2062-8-6S	ELBOW,90,#8 SAE X #6 JIC	3
3	102-0031	ADAPTER,90 JIC SWIVEL #6	1
4	202702-8-6S	ADAPTER #8 O-RING TO #6 TUBE	5
5	124696	VALVE,CHK DBL PILOT O-RING	1
6	174265	HOSE HYD 1/4 X 21 - 6 STR	2
7	225093	HOSE ASSY, 1/4X100#6 JIC STR	2
8	141828	COUPLER,MALE 3/4-16 O-RING	2

Category V Hitch

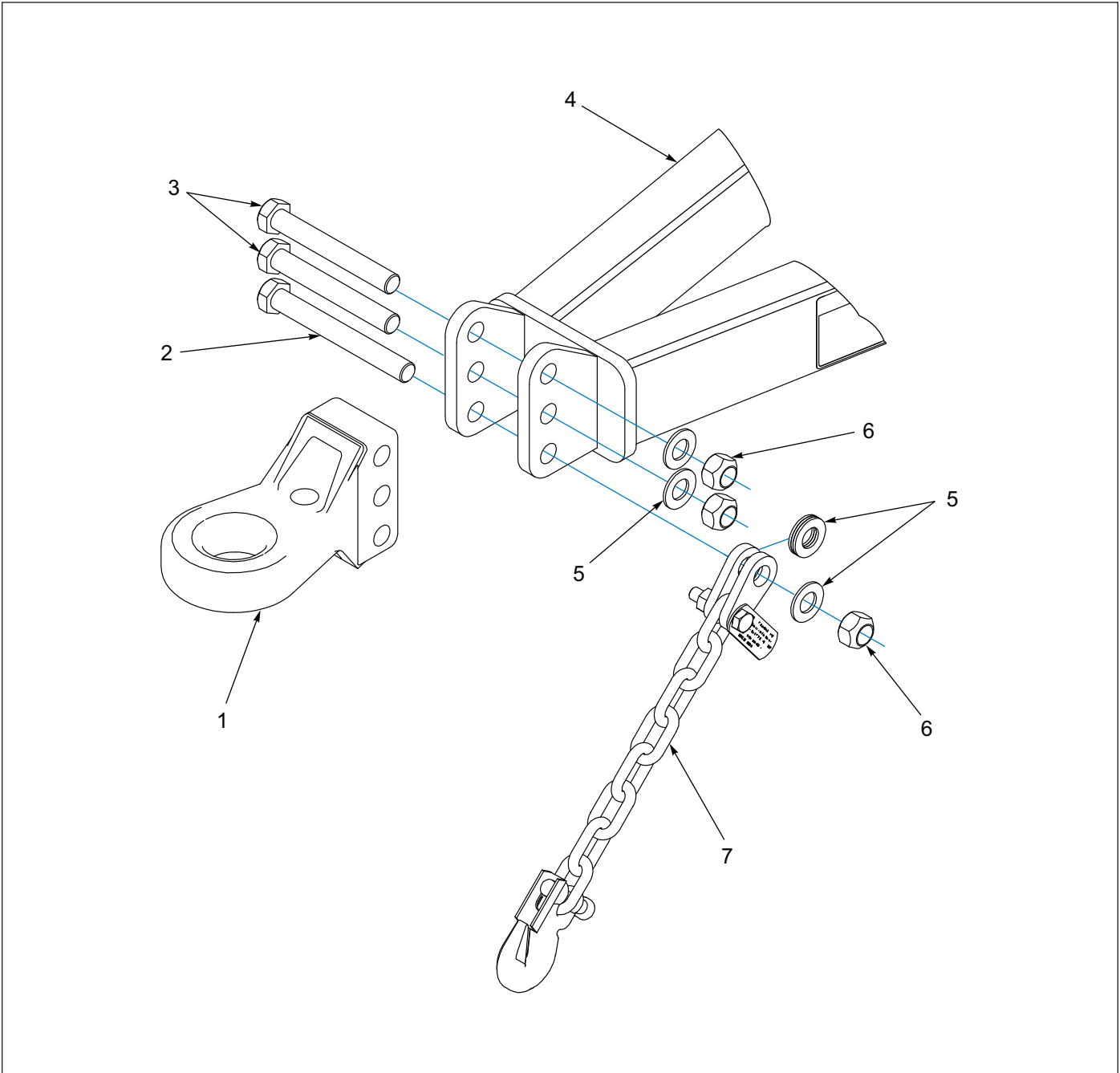


Figure 1-19: Category V Hitch

Category V Hitch

ITEM	PART NUMBER	DESCRIPTION	QTY
1	156949	HITCH, RING CAT V	1
2	1-654-010125-22	SCREW, HX CP 1-8UNC X 8-1/2 GR8, ZP	1
3	153696	BOLT, HITCH CLEVIS	2
4	211311	DRAWBAR W/DECALS	1
5	1-861-010032-24	WASHER, FLT 1" SAE, ZP	6
6	1-512-010005-19	NUT, LOCK 1-8, GRB, ZP	3
7	156950	SAFETY CHAIN, 41,000 LB	1



# Turnbuckle

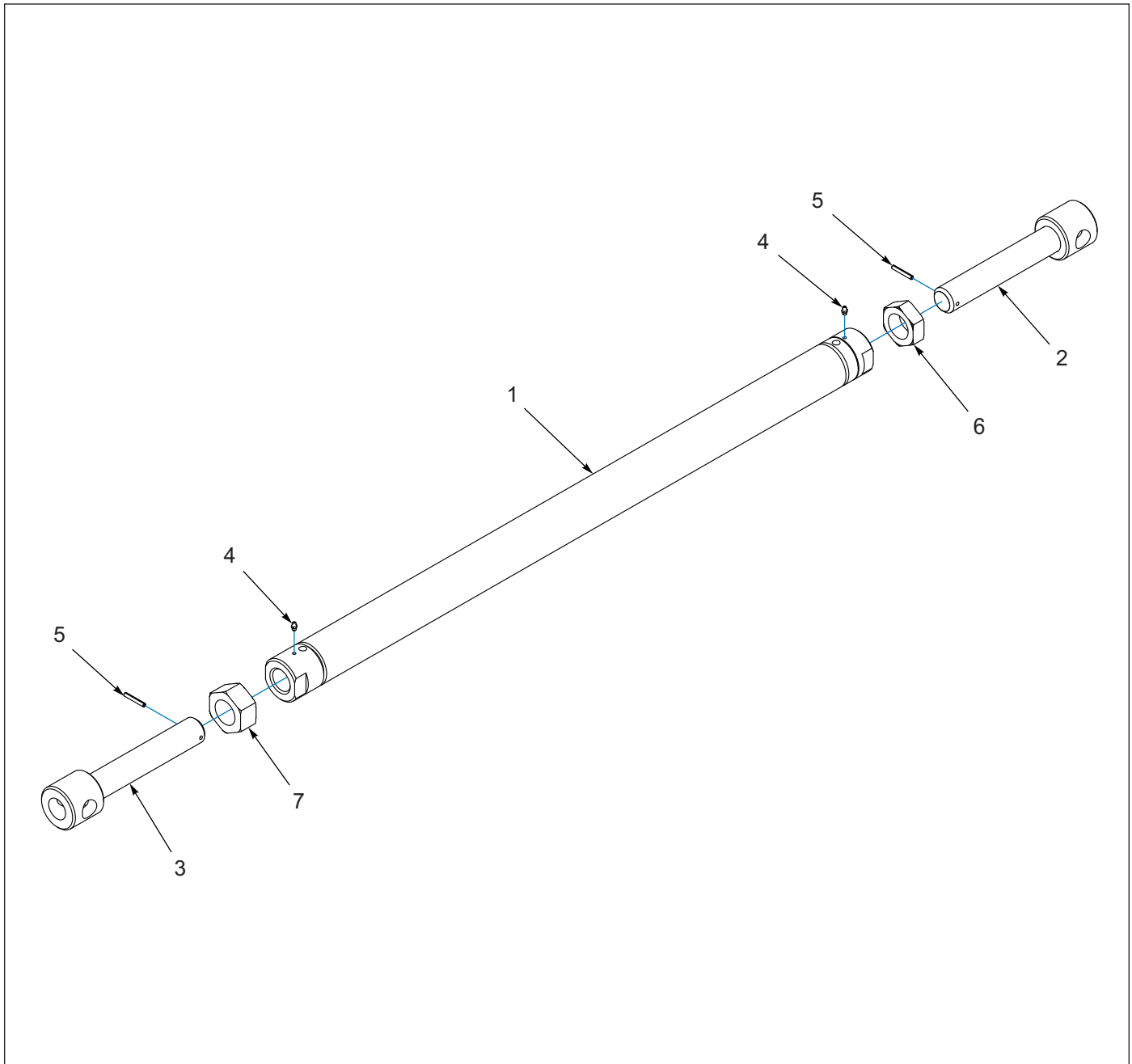


Figure 1-20: Turnbuckle

# Turnbuckle

ITEM	PART NUMBER	DESCRIPTION	QTY
	183475	RADIUS ROD ASSY, 1-3/4 RED	1
1	183474	HITCH, RADIUS ROD 1-3/4, RED	1
2	155536	LH SCREW ASSY, RADIUS ROD	1
3	155534	RH SCREW ASSY, RADIUS ROD	1
4	1-298-010001-1	FIT, GREASE 1/4-28 TAPER	2
5	103-0805	ROLL PIN, SLTD, 1/4 X 1-3/4	2
6	155717	NUT, HX JAM LH 1-13/4-5UNC, GR2	1
7	155716	NUT, HX JAM 1-3/4-5UNC, GR2	1

# Wing Hinge

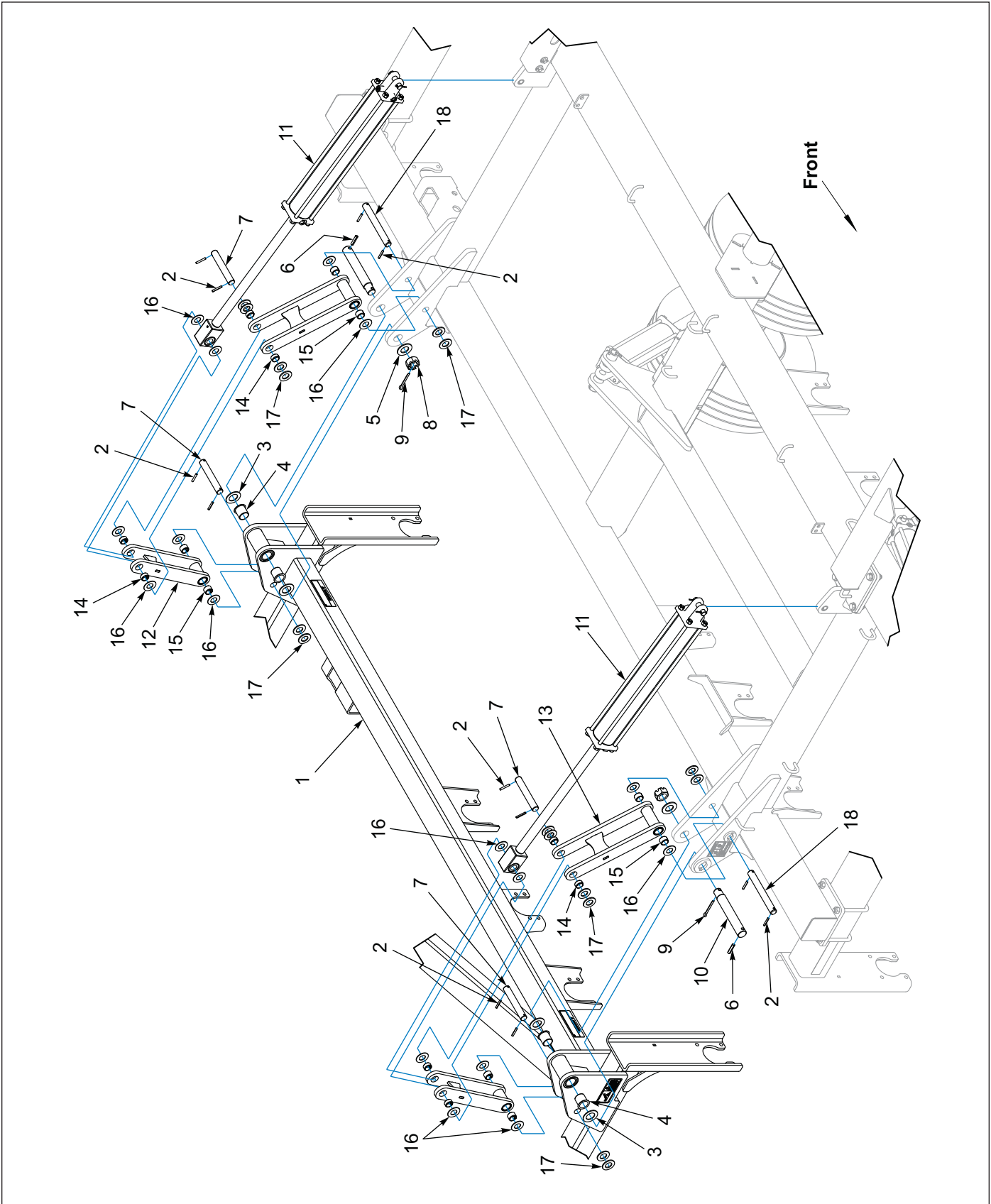


Figure 1-21: Wing Hinge

## Wing Hinge

ITEM	PART NUMBER	DESCRIPTION	QTY
1	211159	WING FRAME, LH W/DECALS	1
1	211164	WING FRAME, RH W/DECALS <b>(SHOWN)</b>	1
2	147072	PIN, SPRING SLOTTED 5/16 X 2	12
3	164539	WASHER, THRUST 1-3/4	4
4	164533	BEARING, FLANGE 1-3/4	4
5	1-861-010032-32	WASHER, FLAT, ZP/CD 1-1/2	2
6	144115	PIN, GROOVED ALLOY 1/2 X 2-1/4	2
7	193225	PIN, 1.25 X 8.25 H2	4
8	1-516-010001-27	NUT, HX SLOT 1-1/2-6, ZP	2
9	101406	PIN, COTTER 3/8 X 3	2
10	181277	PIN, HINGE	2
11	219160	HYD CYL,4 X 30 <b>(SEE PAGE 1-120)</b>	2
11	229388	HYD CYL,4 X 29.75 <b>(WITH INTERNAL STOP - OPTIONAL)</b> <b>(SEE PAGE 1-121)</b>	2
12	211264	LINK, INNER HINGE <b>(INCLUDES ITEMS 14 AND 15) (WING)</b>	2
13	211261	LINK, OUTER HINGE <b>(INCLUDES ITEMS 14 AND 15)</b> <b>(CENTER FRAME)</b>	2
14	1P196	BUSHING, 1-1/4 X 1-1/2 X 3/4	2
15	1P693	BUSHING, 1-1/4 X 1-1/2 X 1	2
16	196120	WASHER, THRUST SS 1-1/4 X 2-1/2, 12GA	16
17	116100	WASHER, 1-1/4 NAR FL, ZP/CD	16
18	2P361	PIN, 1.25 X 10.88 H2	2

# Front and Rear Center Roller and Frame

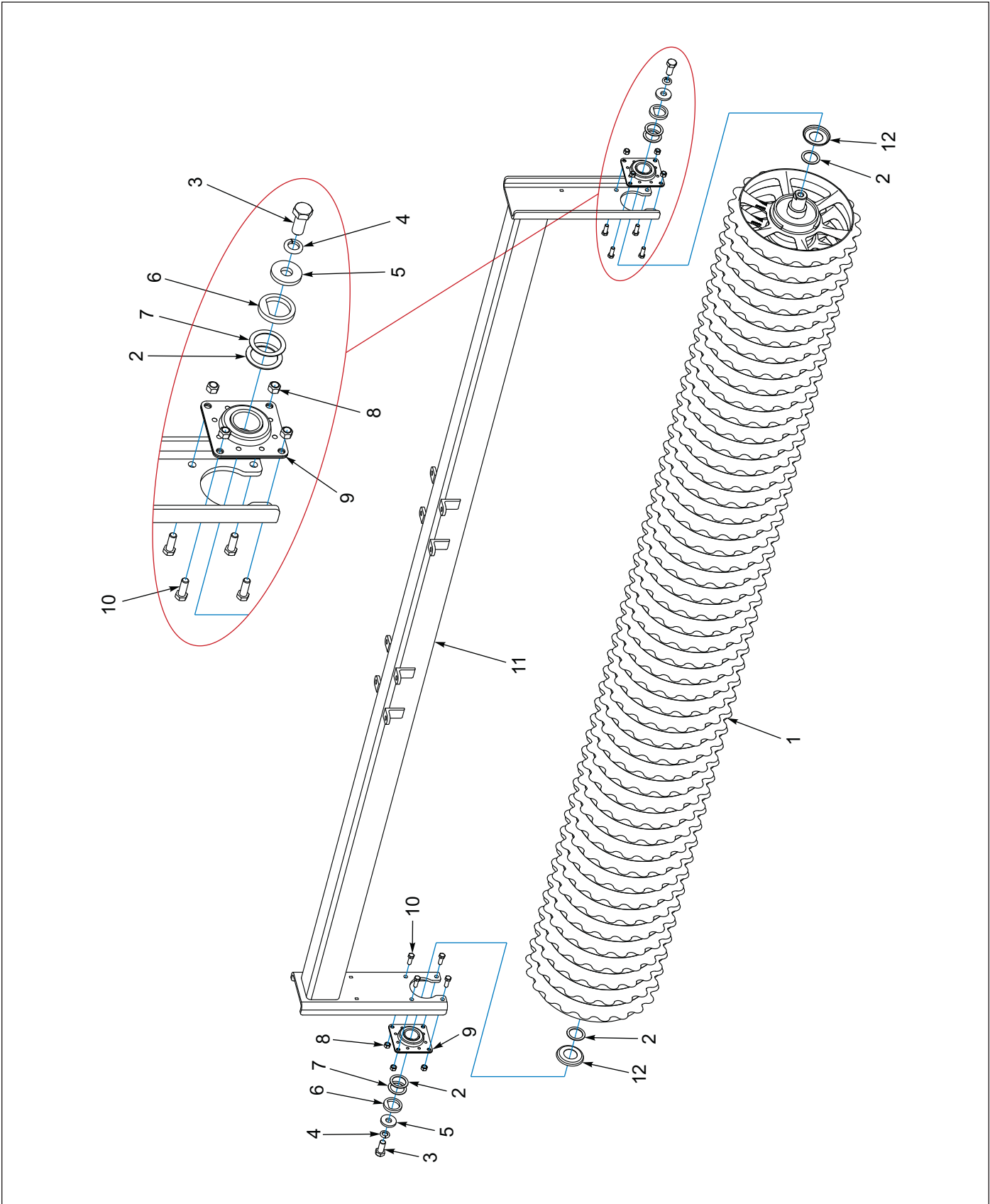


Figure 1-22: Front and Rear Center Roller and Frame

---

## Front and Rear Center Roller and Frame

---

ITEM	PART NUMBER	DESCRIPTION	QTY
1	211204	ROLLER ASM, 16FT NOTCHED (24" WHEEL) (SEE PAGE 1-38)	1
2	185170	WASHER, SHIM 11 GA 2.43 ID	4
3	137943	SCREW, HEX CAP 1-8UNC X 2-1/4, GR5	2
4	1-861-010034-21	WASHER, LKG HEL SPRG 1IN	2
5	154185	WASHER, 3/8 (THICK)	2
6	185166	WASHER, FLAT TOP	2
7	185171	WASHER, SHIM 14 GA 2.43 ID	2
8	1-512-010005-13	NUT, HEX SLFLKG GRB 5/8-11	8
9	185167	FLANGE BEARING, 61MM BORE	2
10	1-654-010059-04	SCREW, HEX CAP 5/8-11 X 1-3/4, G5	8
11	209869	FRAME, ROLLER 16 FT	1
12	203117	SHIELD, 61mm BRG DIRT	2

# Right Hand Wing Frame and Roller

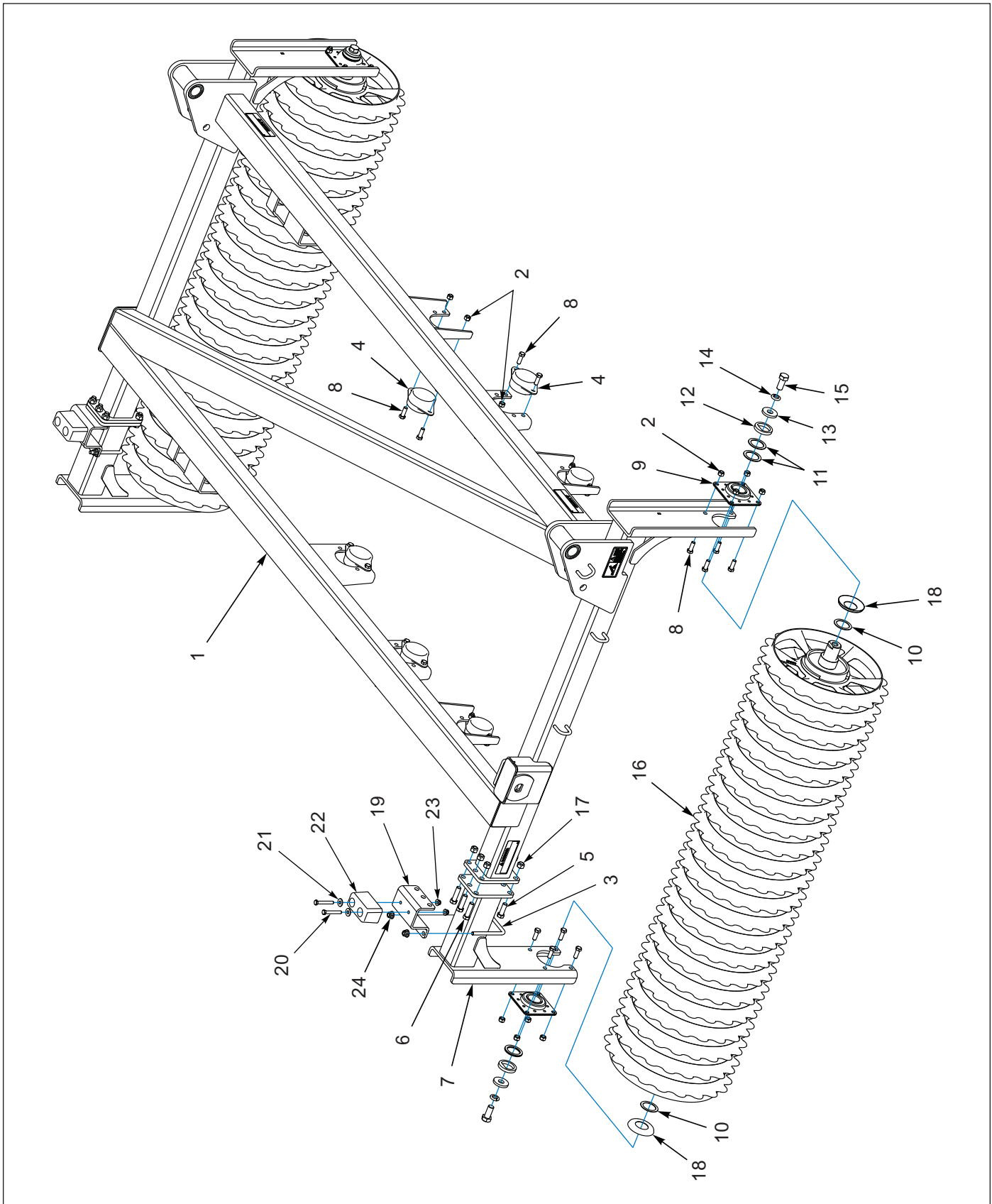


Figure 1-23: Right Hand Wing Frame and Roller

## Right Hand Wing Frame and Roller

ITEM	PART NUMBER	DESCRIPTION	QTY
1	211164	FRAME, WING RH W/DECALS	1
2	1-512-010005-13	NUT, HEX SLFLKG GRB 5/8-11	28
3	181363	U-BOLT, 5/8-11 X 5-11/16 X 6-3/4	2
4	175194	BEARING, TOOTH TUBE	6
5	1-654-010061-06	HHCS, 3/4-10 X 2-1/4, GR5 <b>(BOTTOM)</b>	6
6	110-7095	HHCS, 3/4-10 X 2-3/4 <b>(TOP)</b>	6
7	211199	WING EXTENSION, 16.0	2
8	1-654-010059-04	SCREW, HEX CAP 5/8-11 X 1-3/4, G5	28
9	185167	FLANGE BEARING, 61mm BORE	4
10	185171	WASHER, SHIM 14 GA 2.43 ID	4
11	185170	WASHER, SHIM 11 GA 2.43 ID	8
12	185166	WASHER, FLAT TOP	4
13	154185	WASHER, 3/8 THICK 1" ID	4
14	1-861-010034-21	WASHER, LKG HEL SPRG 1IN	4
15	137943	SCREW, HEX CAP 1-8UNC X 2-1/4, GR5	4
16	211202	ROLLER ASM, 7FT NOTCHED <b>(24" WHEELS) (SEE PAGE 1-38)</b>	2
17	1-512-010005-15	NUT, HEX SLFLKG GRB 3/4-10	12
18	203117	SHIELD, 61mm BRG DIRT	4
19	211276	BRACKET, WING REST	2
20	1-654-010055-11	SCREW, HX CP 1/2-13UNC X 3-1/2	4
21	1-861-010032-15	WASHER, FLAT 1/2 W, ZP/CD	4
22	128874	BUMPER RUBBER 6 X 3 X 3-1/2	2
23	2P253	NUT, FLANGE NY-LOK 1/2-13	4
24	2P254	NUT, FLANGE NY-LOK 5/8-11	4

# Left Hand Wing Frame and Roller

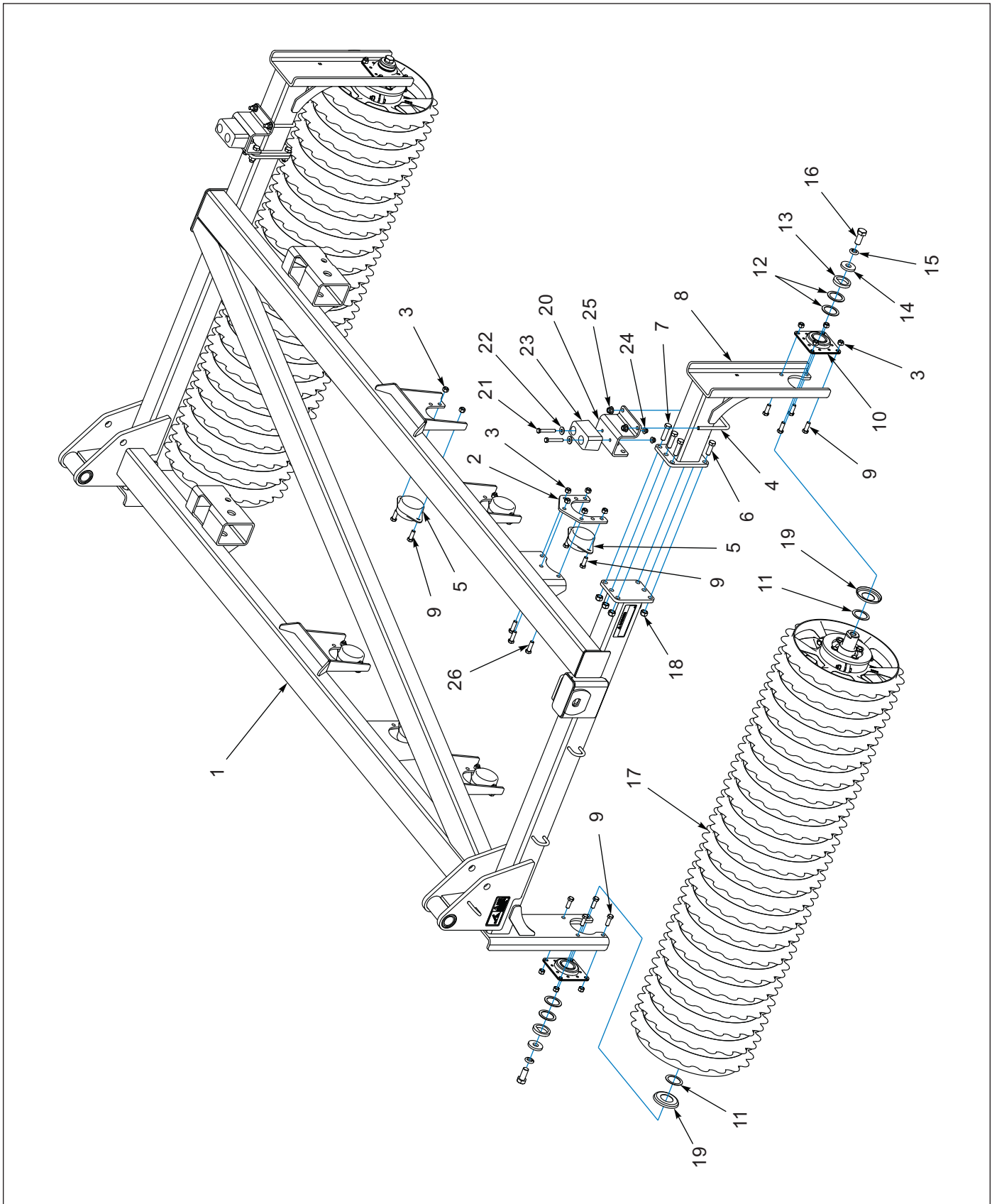


Figure 1-24: Left Hand Wing Frame and Roller



## Left Hand Wing Frame and Roller

ITEM	PART NUMBER	DESCRIPTION	QTY
1	211159	FRAME, WING LH W/DECALS	1
2	211289	PLATE, TOOTH TUBE BOLT-ON BRG <b>(BEFORE 12/14/2021)</b>	1
3	1-512-010005-13	NUT, HEX SLFLKG GRB 5/8-11	31
4	181363	U-BOLT, 5/8-11 X 5-11/16 X 6-3/4	2
5	175194	BEARING, TOOTH TUBE	6
6	1-654-010061-06	HHCS, 3/4-10 X 2-1/4, GR5 <b>(BOTTOM)</b>	6
7	110-7095	HHCS, 3/4-10 X 2-3/4 <b>(TOP)</b>	6
8	211199	WING EXTENSION, 16.0	2
9	1-654-010059-04	SCREW, HEX CAP 5/8-11 X 1-3/4, G5	28
10	185167	FLANGE BEARING, 61mm BORE	4
11	185171	WASHER, SHIM 14 GA 2.43 ID	4
12	185170	WASHER, SHIM 11 GA 2.43 ID	8
13	185166	WASHER, FLAT TOP	4
14	154185	WASHER, 3/8 THICK 1" ID	4
15	1-861-010034-21	WASHER, LKG HEL SPRG 1IN	4
16	137943	SCREW, HEX CAP 1-8UNC X 2-1/4, GR5	4
17	211202	ROLLER ASM, 7FT NOTCHED <b>(24" WHEELS) (SEE PAGE 1-38)</b>	2
18	1-512-010005-15	NUT, HEX SLFLKG GRB 3/4-10	12
19	203117	SHIELD, 61mm BRG DIRT	4
20	211276	BRACKET, WING REST	2
21	1-654-010055-11	SCREW, HX CP 1/2-13UNC X 3-1/2	4
22	1-861-010032-15	WASHER, FLAT 1/2 W, ZP/CD	4
23	128874	BUMPER RUBBER 6 X 3 X 3-1/2	2
24	2P253	NUT, FLANGE NY-LOK 1/2-13	4
25	2P254	NUT, FLANGE NY-LOK 5/8-11	4
26	1-654-010059-05	SCREW, HEX CAP 5/8-11 X 2, G5	3

## Roller Axle Assemblies, Notched 24" Wheels

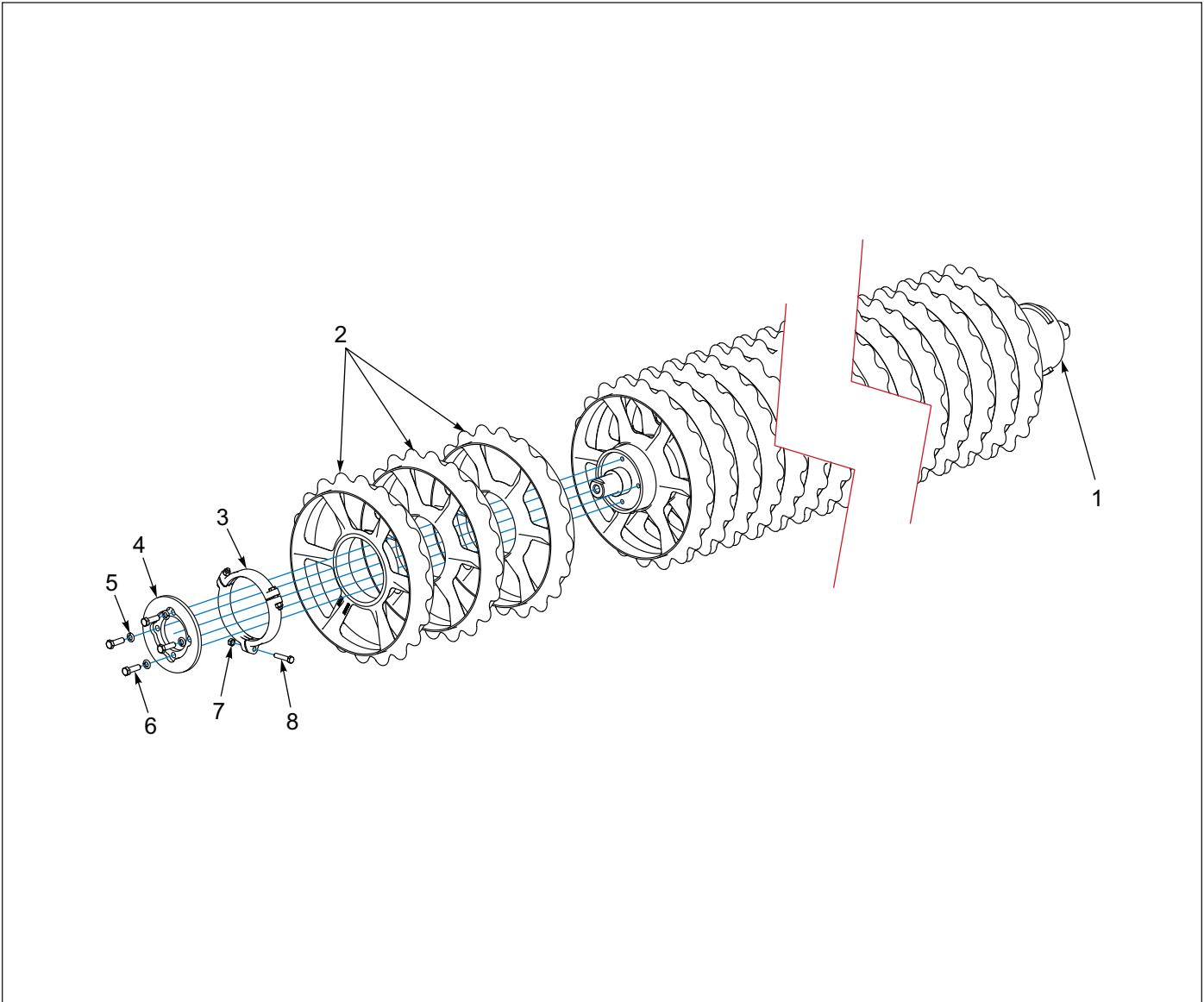


Figure 1-25: Roller Axle Assemblies, Notched 24" Wheels

## Roller Axle Assemblies, Notched 24" Wheels

ITEM	PART NUMBER	DESCRIPTION	QTY	
			7'	16'
	211202	ROLLER ASM, 7 FT NOTCHED	1	--
	211204	ROLLER ASM, 16FT NOTCHED	--	1
1	211206	AXLE WLD, 88" W/STUB SHAFTS	1	--
1	211208	AXLE WLD, W/STUB SHAFTS	--	1
2	200950	WHEEL, 24 X 8-1/8 BORE	22	48
3	3P052	CLAMP, AXLE	3	3
4	191396	STOP, WHEEL	1	1
5	1-861-010034-15	WASHER, LKG, HLCL SPR, 5/8	4	4
6	1-654-010059-05	SCREW, HX CP 5/8-11UNC X 2, GR5	4	4
7	1-512-010005-09	NUT, LOCK 1/2-13, GRB, ZP	3	3
8	1-654-010055-07	SCREW, HX CP 1/2-13UNC X 2-1/2	3	3



# Tooth Control - Center Frame

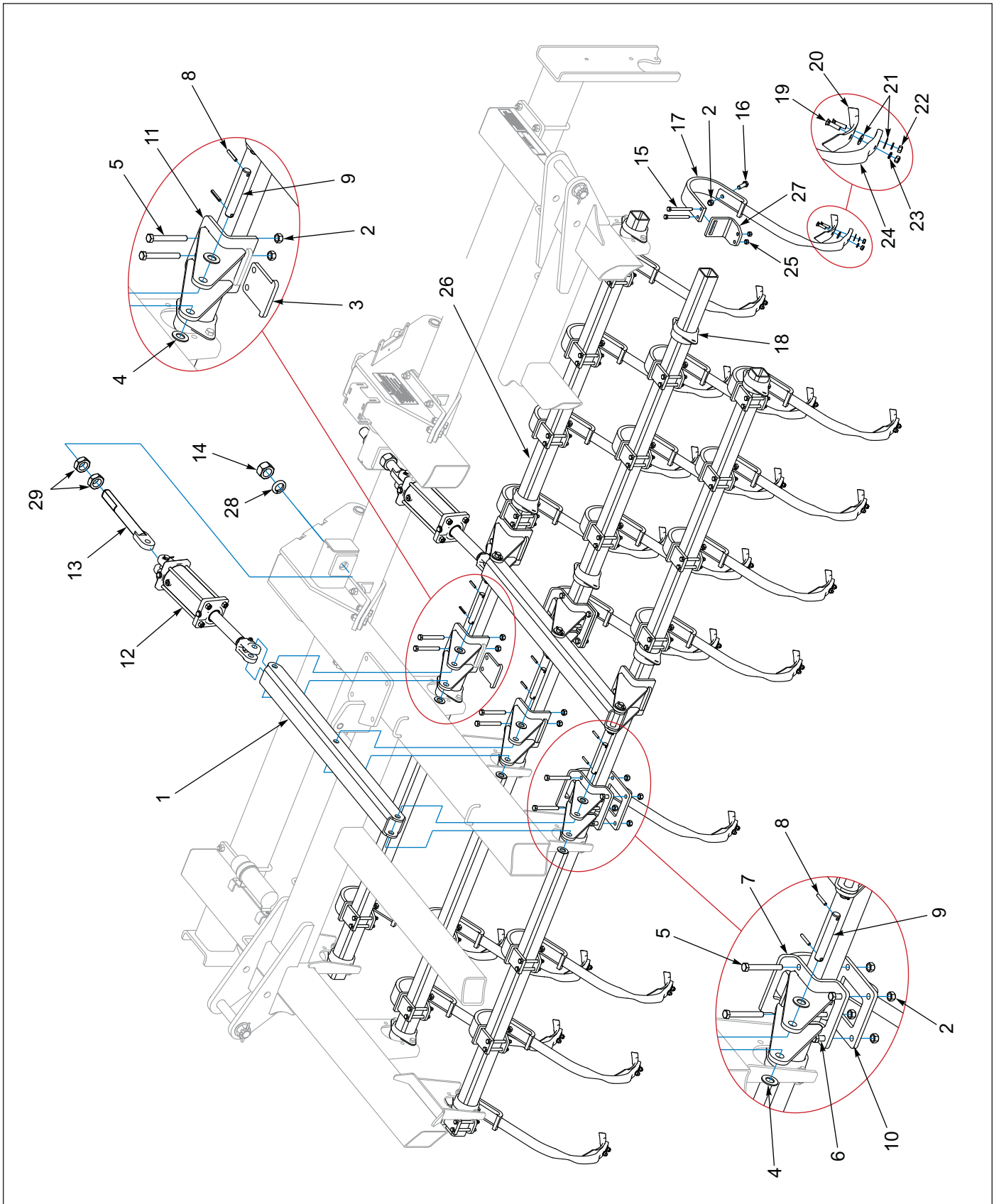


Figure 1-26: Tooth Control - Center Frame

## Tooth Control - Center Frame

ITEM	PART NUMBER	DESCRIPTION	QTY
1	191420	TUBE, TOOTH CONTROL	2
2	1-512-010005-13	NUT, HEX SLFLKG GRB 5/8-11	45
3	185108	PLATE, CLAMP	4
4	1-861-010032-24	WASHER, FL 1IN NARROW, ZP	12
5	1-654-010059-15	SCREW, HEX CAP, 5/8-11UNC X 5, GR5	12
6	1-654-010059-05	SCREW, HEX CAP, 5/8-11UNC X 2, GR5	4
7	185109	CLAMP, TOOTH CONTROL	2
8	147072	PIN, SPRING SLOTTED 5/16 X 2	12
9	6J580	PIN, (1 X 6-1/2)	6
10	185114	PLATE, 4 HOLE	2
11	185107	BRACKET, TOOTH CONTROL	4
12	193251	CYLINDER, HYD 4-1/2 X 8 REPHASING (SEE PAGE 1-116)	2
13	185999	ROD, CYLINDER ANCHOR	2
14	159954	NUT, HEX 1-3/4-5 (BEFORE 06/23/2022 WAS 4)	2
15	1-654-010055-15	SCREW, HX CP, 1/2-13UNC X 5, GR5	58
16	1-654-010059-06	SCREW, HEX CAP 5/8-11 X 2-1/4, G5	29
17	166199	SPRING CLAMP, S-TINE	29
18	175194	BEARING TOOTH TUBE	12
19	7/16-14X1-3/4PB	BOLT, PLOW 7/16 X 1-3/4 GR5, ZP	58
20	2J605	CULTIVATOR POINT	29
21	1-861-010032-13	WASHER, FLAT 7/16	58
22	1-512-010007-08	NUT, HEX 7/16-14 GR2, ZP	58
23	1-861-010034-12	WASHER, LOCKING HLC SPG 7/16	58
24	185928	SHANK, 5/8 X 1-3/4 EDGE BENT	29
25	1-512-010005-09	NUT, HEX, SLFLKG, 1/2-13, GRB	58
26	211191	TUBE, SQ 3 X 170	3
27	179416	CLAMP, S-TINE 3" SQ TUBE	29
28	234181	WASHER, LOCK 1-3/4, ZP (AFTER 06/23/2022)	2
29	155716	NUT HX JAM 1-3/4-5UNC GR2 (AFTER 06/23/2022)	4

## Shank Depth Control Mounting Components

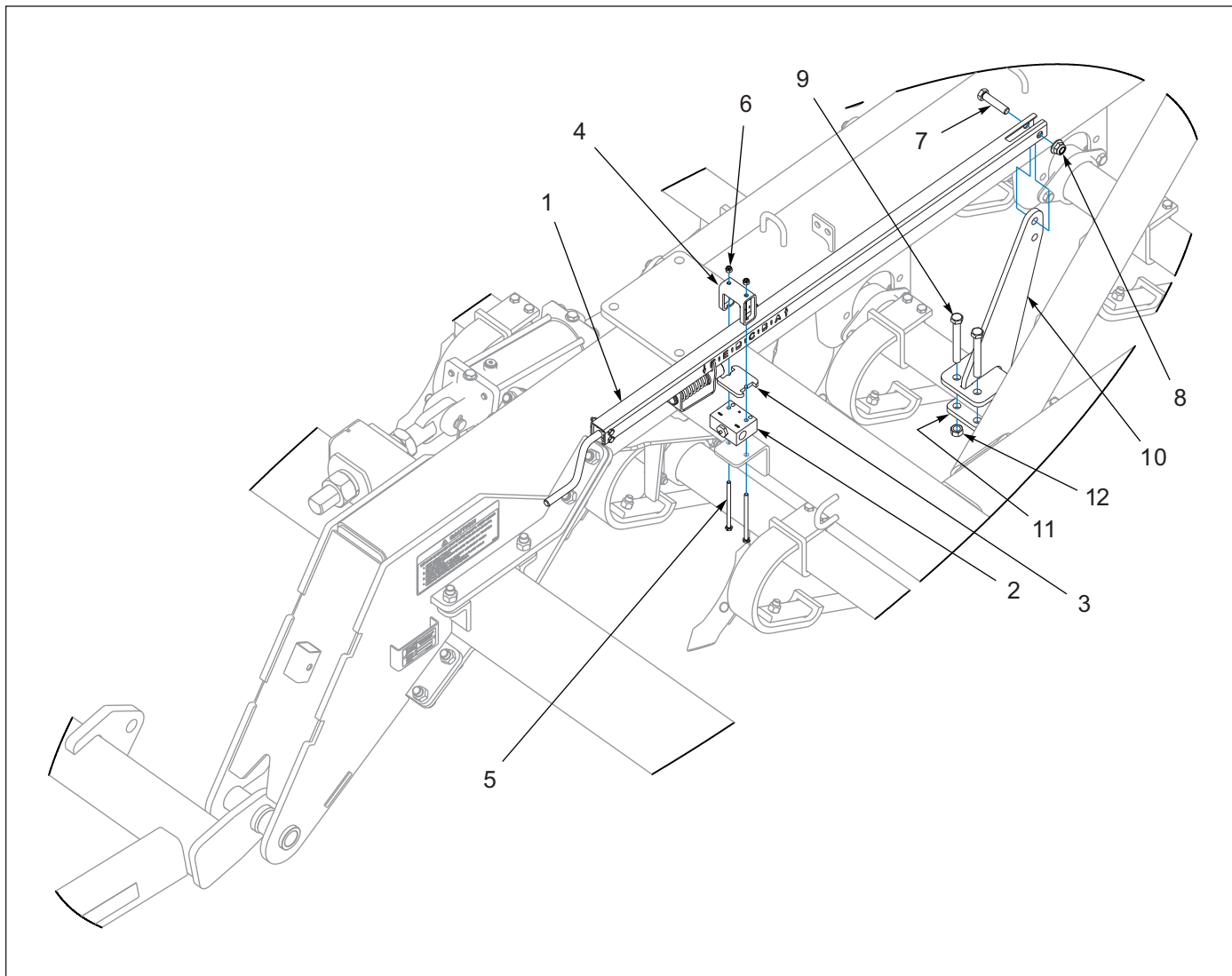


Figure 1-27: Shank Depth Control Mounting Components

## Shank Depth Control Mounting Components

ITEM	PART NUMBER	DESCRIPTION	QTY
1	211247	DEPTH STOP ASSEMBLY (SEE PAGE 1-43)	1
2	203467	VALVE-LIMIT,STROKE (AFTER 07/01/2022)	1
2	140693	VALVE, LIMIT (BEFORE 07/01/2022)	1
3	165257	PAD, SLIDE	1
4	195579	GUIDE DEPTH STOP	1
5	171556	SCREW,HEX CP,5/16-18UNCX5-1/2 (AFTER 07/01/2022)	2
5	1-654-010049-19	SCREW, HEX CP 5/16-18UNC X 5, GR5 (BEFORE 07/01/2022)	2
6	104032	NUT, HEX NY-LOK 5/16-18	2
7	1-654-010059-08	SCREW, HEX CAP, 5/8-11UNC X 2-3/4, GR5	1
8	2P254	NUT, FLANGE NY-LOK 5/8-11	1
9	1-654-010059-15	SCREW, HEX CAP, 5/8-11UNC X 5, GR5	2
10	211245	CLAMP, DEPTH STOP WLDMT	1
11	185108	PLATE, CLAMP	1
12	1-512-010005-13	NUT, HEX SLFLKG GRB 5/8-11	2

# Shank Depth Control Assembly

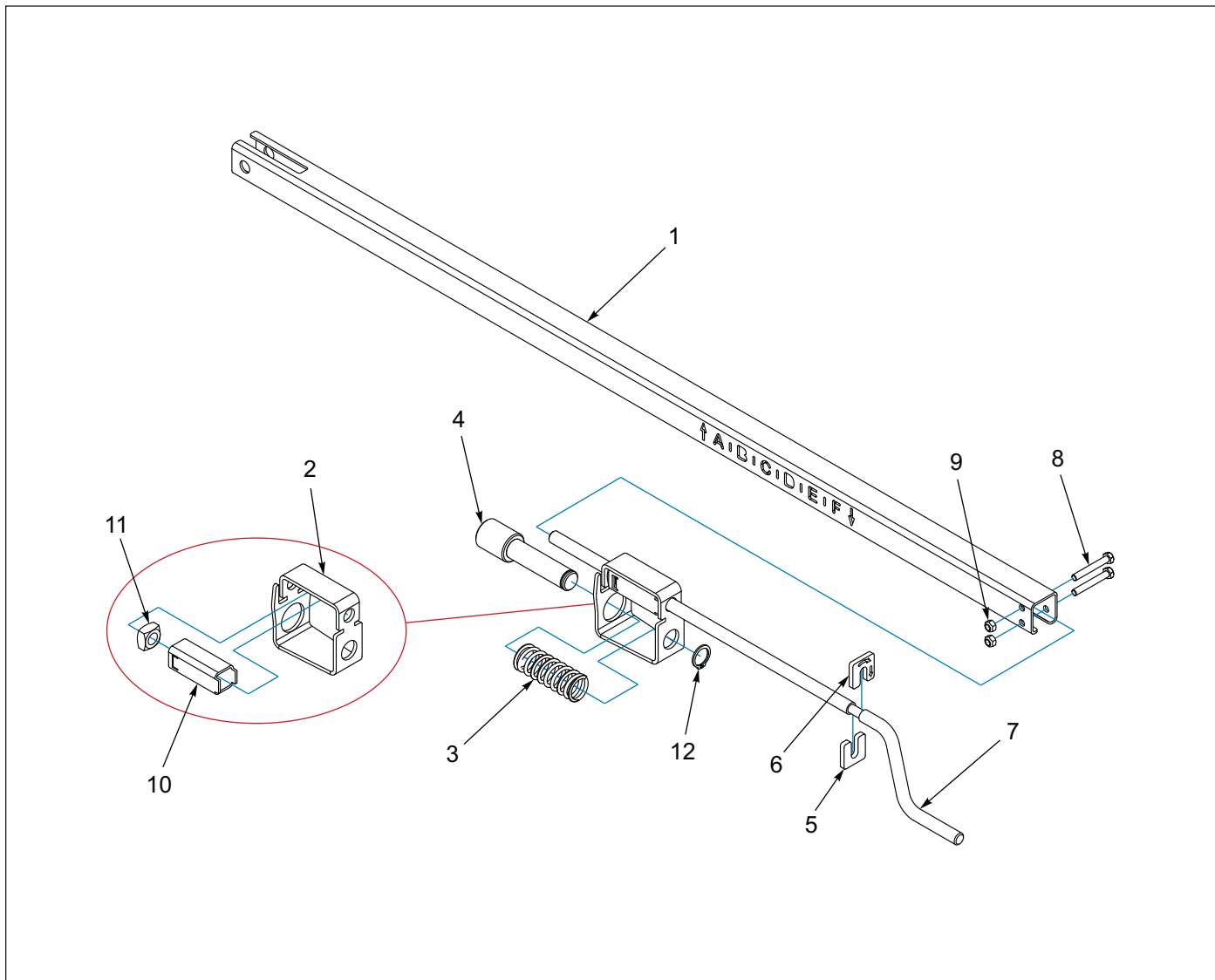


Figure 1-28: Shank Depth Control Assembly

# Shank Depth Control Assembly

ITEM	PART NUMBER	DESCRIPTION	QTY
	211247	DEPTH STOP ASM	1
1	211248	TUBE, DEPTH STOP	1
2	182289	STOP-DEPTH	1
3	122917	SPRING, COMPRESSION, 4-1/2, MONOSEM	1
4	174708	PIN, DEPTH STOP	1
5	165259	STOP, HANDLE LONG	1
6	165260	STOP, HANDLE SHORT	1
7	211234	HANDLE, DEPTH STOP	1
8	108628	SCREW, HX CP, 5/16-18UNC X 2-1/4	2
9	1-512-010005-03	NUT, LOCK 5/16-18,ZP	2
10	195597	TUBE, FLOATING BLK	1
11	144048	NUT, SQUARE 5/8-11, GR5	1
12	1-630-010021-03	RING, RETAINING 1.0 HD	1

# Tooth Control - Right Hand Wing

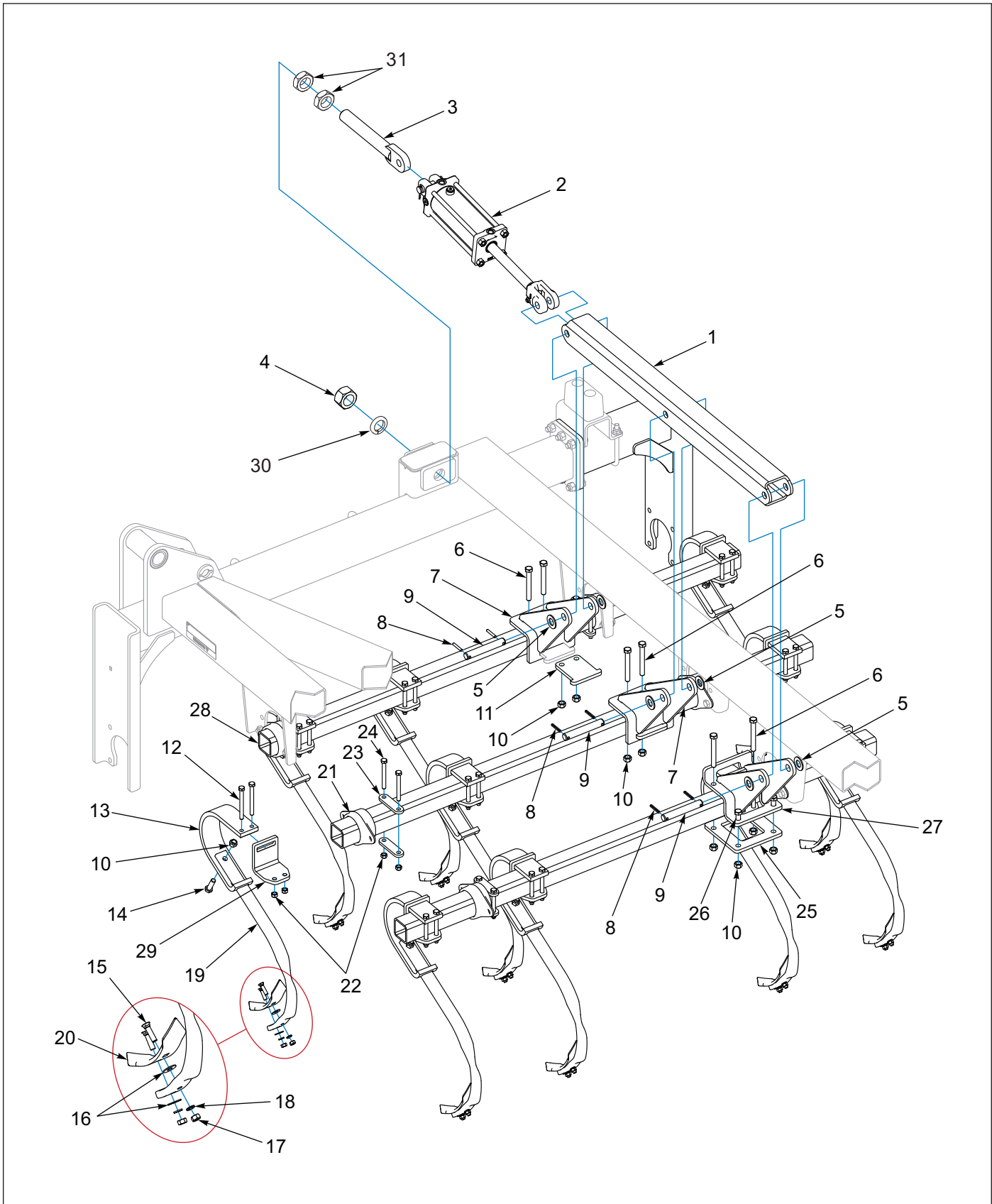


Figure 1-29: Tooth Control - Right Hand Wing



## Tooth Control - Right Hand Wing

ITEM	PART NUMBER	DESCRIPTION	QTY
1	191420	TUBE, TOOTH CONTROL	1
2	193252	CYLINDER, HYD 4 X 8 REPHASING <b>(SEE PAGE 1-117)</b>	1
3	159955	ROD, CYLINDER ANCHOR	1
4	159954	NUT, HEX 1-3/4-5 <b>(BEFORE 06/23/2022, QTY=2)</b>	1
5	1-861-010032-24	WASHER, FL 1IN NARROW, ZP	6
6	1-654-010059-15	SCREW, HEX CAP, 5/8-11UNC X 5, GR5	6
7	185107	BRACKET, TOOTH CONTROL	2
8	147072	PIN, SPRING SLOTTED 5/16 X 2	6
9	6J580	PIN <b>(1 X 6-1/2)</b>	3
10	1-512-010005-13	NUT, HEX SLFLKG GRB 5/8-11	38
11	185108	PLATE, CLAMP	2
12	1-654-010055-15	SCR, HX CP, 1/2-13UNC X 5, GR5	30
13	166199	SPRING CLAMP, S-TINE	15
14	1-654-010059-06	SCREW, HEX CAP 5/8-11 X 2-1/4, G5	15
15	7/16-14X1-3/4PB	BOLT, PLOW 7/16 X 1-3/4 GR5, ZP	30
16	1-861-010032-13	WASHER, FLAT 7/16	30
17	1-512-010007-08	NUT, HEX 7/16-14 GR2, ZP	30
18	1-861-010034-12	WASHER, LOCKING HLC SPG 7/16	30
19	185928	SHANK, 5/8 X 1-3/4 EDGE BENT	15
20	2J605	CULTIVATOR POINT	15
21	175194	BEARING TOOTH TUBE	6
22	1-512-010005-09	NUT, HEX, SLFLKG, 1/2-13, GRB	42
23	186700	STRAP, 2-HOLE	6
24	1-654-010055-14	SCREW, HX CP, 1/2-13UNC X 4-1/2, G5	6
25	185114	PLATE, 4 HOLE	1
26	1-654-010059-05	SCREW, HEX CAP, 5/8-11UNC X 2, GR5	2
27	185109	CLAMP, TOOTH CONTROL	1
28	211228	TUBE, SQ 3 X 80	3
29	179416	CLAMP, S-TINE, 3" SQ TUBE	15
30	234181	WASHER, LOCK 1-3/4, ZP <b>(AFTER 06/23/2022)</b>	1
31	155716	NUT HX JAM 1-3/4-5UNC GR2 <b>(AFTER 06/23/2022)</b>	2

# Tooth Control - Left Hand Wing

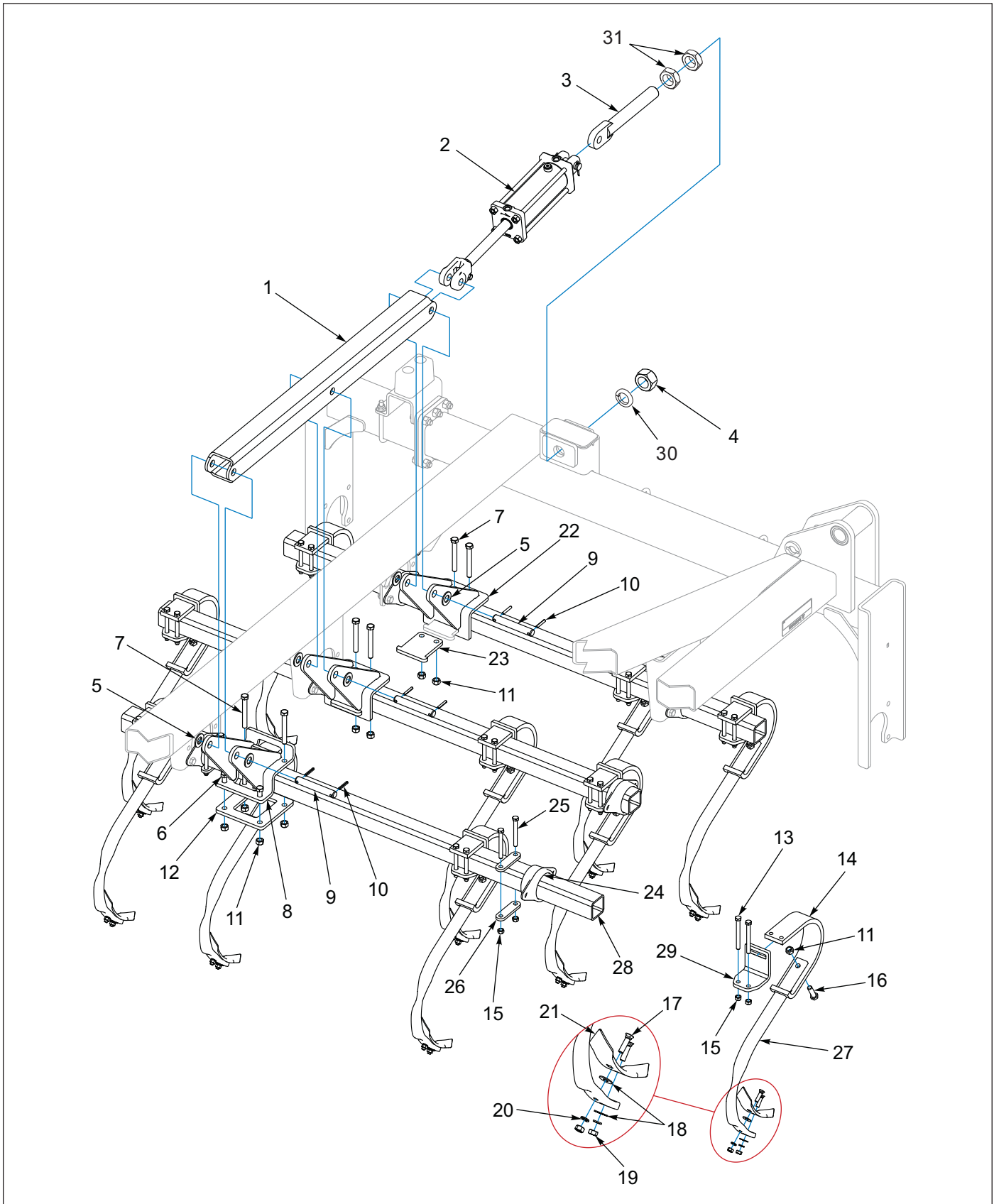


Figure 1-30: Tooth Control - Left Hand Wing

## Tooth Control - Left Hand Wing

ITEM	PART NUMBER	DESCRIPTION	QTY
1	191420	TUBE, TOOTH CONTROL	1
2	193252	CYLINDER, HYD 4 X 8 REPHASING <b>(SEE PAGE 1-117)</b>	1
3	159955	ROD, CYLINDER ANCHOR	1
4	159954	NUT, HEX 1-3/4-5 <b>(BEFORE 06/23/2022, QTY=2)</b>	1
5	1-861-010032-24	WASHER, FL 1IN NARROW, ZP	6
6	1-654-010059-15	SCREW, HEX CAP, 5/8-11UNC X 5, GR5	6
7	185107	BRACKET, TOOTH CONTROL	2
8	147072	PIN, SPRING SLOTTED 5/16 X 2	6
9	6J580	PIN <b>(1 X 6-1/2)</b>	3
10	1-512-010005-13	NUT, HEX SLFLKG GRB 5/8-11	38
11	185108	PLATE, CLAMP	2
12	1-654-010055-15	SCR, HX CP, 1/2-13UNC X 5, GR5	30
13	166199	SPRING CLAMP, S-TINE	15
14	1-654-010059-06	SCREW, HEX CAP 5/8-11 X 2-1/4, G5	15
15	7/16-14X1-3/4PB	BOLT, PLOW 7/16 X 1-3/4 GR5, ZP	30
16	1-861-010032-13	WASHER, FLAT 7/16	30
17	1-512-010007-08	NUT, HEX 7/16-14 GR2, ZP	30
18	1-861-010034-12	WASHER, LOCKING HLC SPG 7/16	30
19	185928	SHANK, 5/8 X 1-3/4 EDGE BENT	15
20	2J605	CULTIVATOR POINT	15
21	175194	BEARING TOOTH TUBE	6
22	1-512-010005-09	NUT, HEX, SLFLKG, 1/2-13, GRB	42
23	186700	STRAP, 2-HOLE	6
24	1-654-010055-14	SCREW, HEX CAP, 1/2-13UNC X 4-1/2, G5	6
25	185114	PLATE, 4 HOLE	1
26	1-654-010059-05	SCREW, HEX CAP, 5/8-11UNC X 2, GR5	2
27	185109	CLAMP, TOOTH CONTROL	1
28	211228	TUBE, SQ 3 X 80	3
29	179416	CLAMP, S-TINE, 3" SQ TUBE	15
30	234181	WASHER, LOCK 1-3/4, ZP <b>(AFTER 06/23/2022)</b>	1
31	155716	NUT HX JAM 1-3/4-5UNC GR2 <b>(AFTER 06/23/2022)</b>	2

## S-Tine Shank Assembly

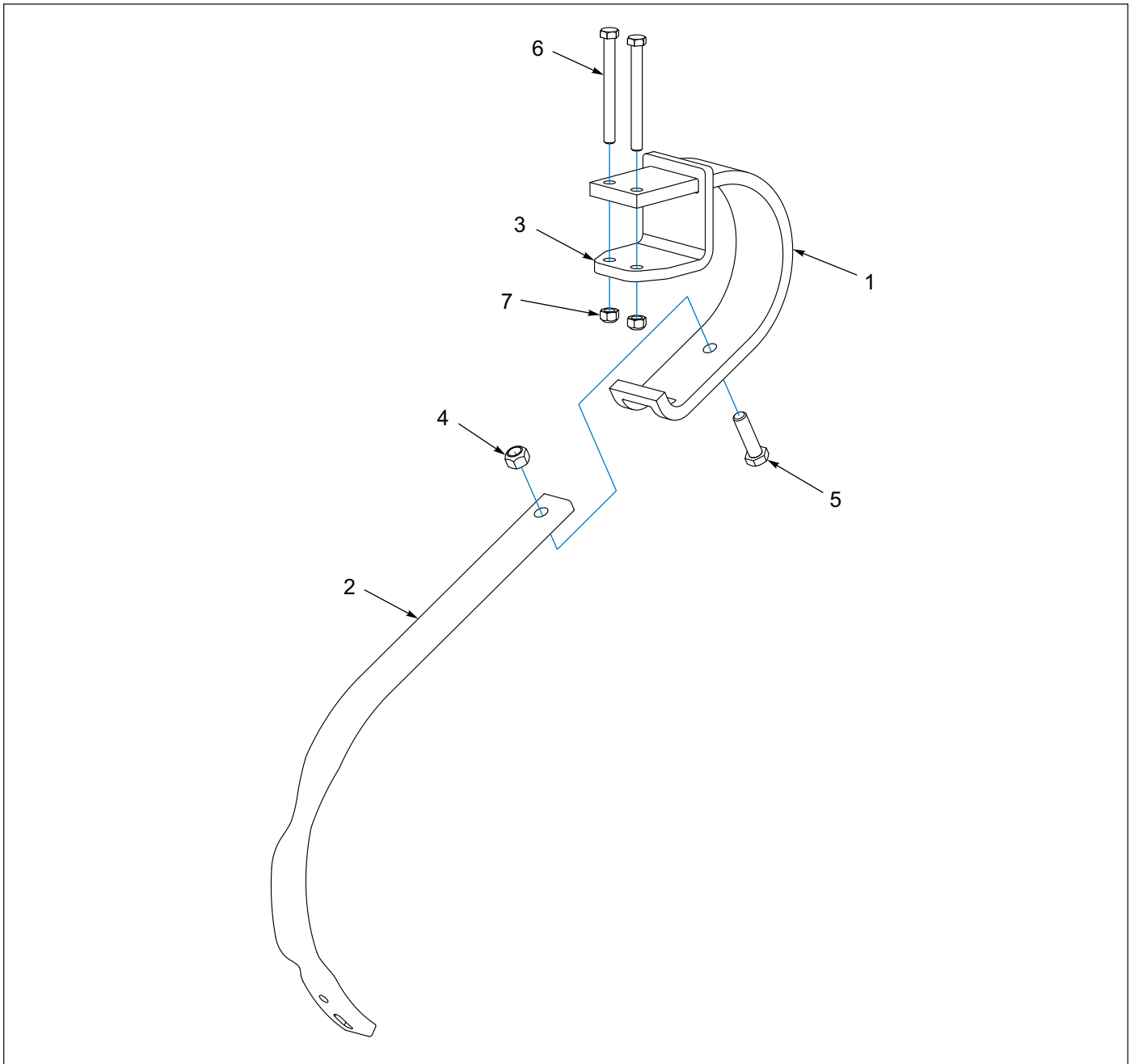


Figure 1-31: S-Tine Shank Assembly

## S-Tine Shank Assembly

ITEM	PART NUMBER	DESCRIPTION	QTY
	181331	SHANK ASM, S-TINE	1
1	166199	SPRING CLAMP, S-TINE	1
2	185928	SHANK, 5/8 X 1-3/4 EDGE BENT	1
3	179416	CLAMP, S-TINE, 3" SQ TUBE	1
4	1-512-010005-13	NUT, HEX SLFLKGRB 5/8-11	1
5	1-654-010059-06	SCREW, HEX CAP 5/8-11 X 2-1/4, G5	1
6	1-654-010055-15	SCR, HX CP, 1/2-13UNC X 5, GR5	2
7	1-512-010005-09	NUT, LOCK 1/2-13, GRB, ZP	2



# Center Harrow

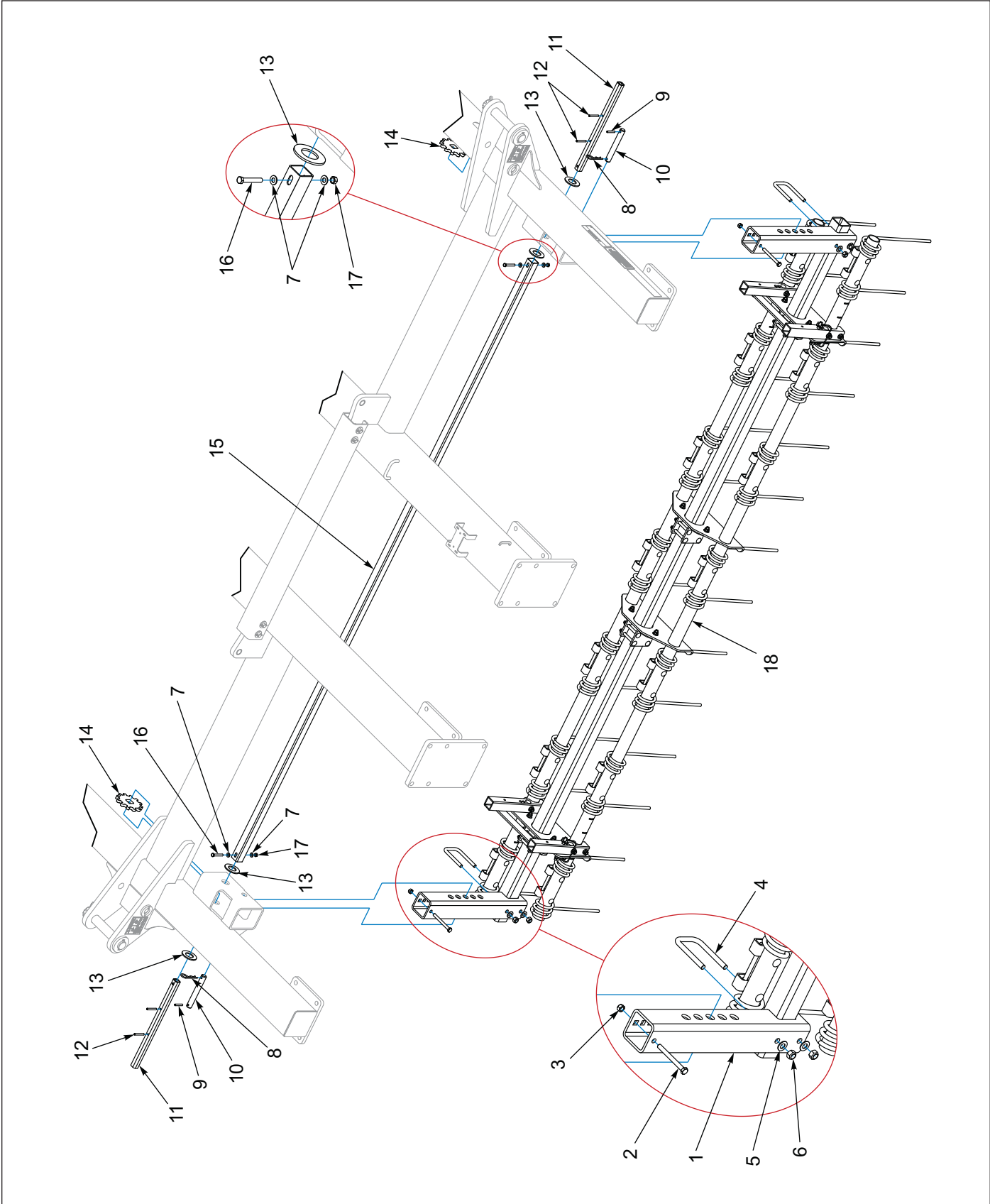


Figure 1-32: Center Harrow

## Center Harrow

ITEM	PART NUMBER	DESCRIPTION	QTY
1	211194	TUBE, HARROW ADJUSTMENT	2
2	1-654-010055-15	SCR, HX CP, 1/2-13UNC X 5, GR5	2
3	1-512-010005-09	NUT, HEX, SLFLKG 1/2-13, GRB	2
4	2-102-010054	U-BOLT	2
5	1-861-010032-18	WASHER, FLAT 5/8 N, ZP/CD	4
6	1-512-010005-13	NUT, HEX SLFLKG GRB 5/8-11	4
7	1-861-010032-10	WASHER, FLT 3/8 SAE	4
8	1D594	HAIR PIN COTTER, 3/16	2
9	147072	PIN, SPRING SLOTTED 5/16 X 2	2
10	158299	PIN, 1 X 7-5/16	2
11	211301	TUBE HARROW HT ADJ HANDLE BLK	2
12	1-647-010004240	SPRING PIN, SLOTTED 5/16 X 2-1/2	4
13	1-861-010032-32	WASHER, FLAT ZP/CD 1-1/2	4
14	195606	GEAR, HARROW ADJ BLACK	2
15	211193	TUBE, HARROW ADJUST	1
16	1-654-010051-11	HHCS, 3/8-16 X 2-1/2 GR5, ZP	2
17	1-512-010005-05	NUT, HEX SLFLKG GRB 3/8-16	2
18	211220	HARROW ASSY, 3631-30 CTR (SEE PAGE 1-56)	1

# Right Hand Wing Harrow

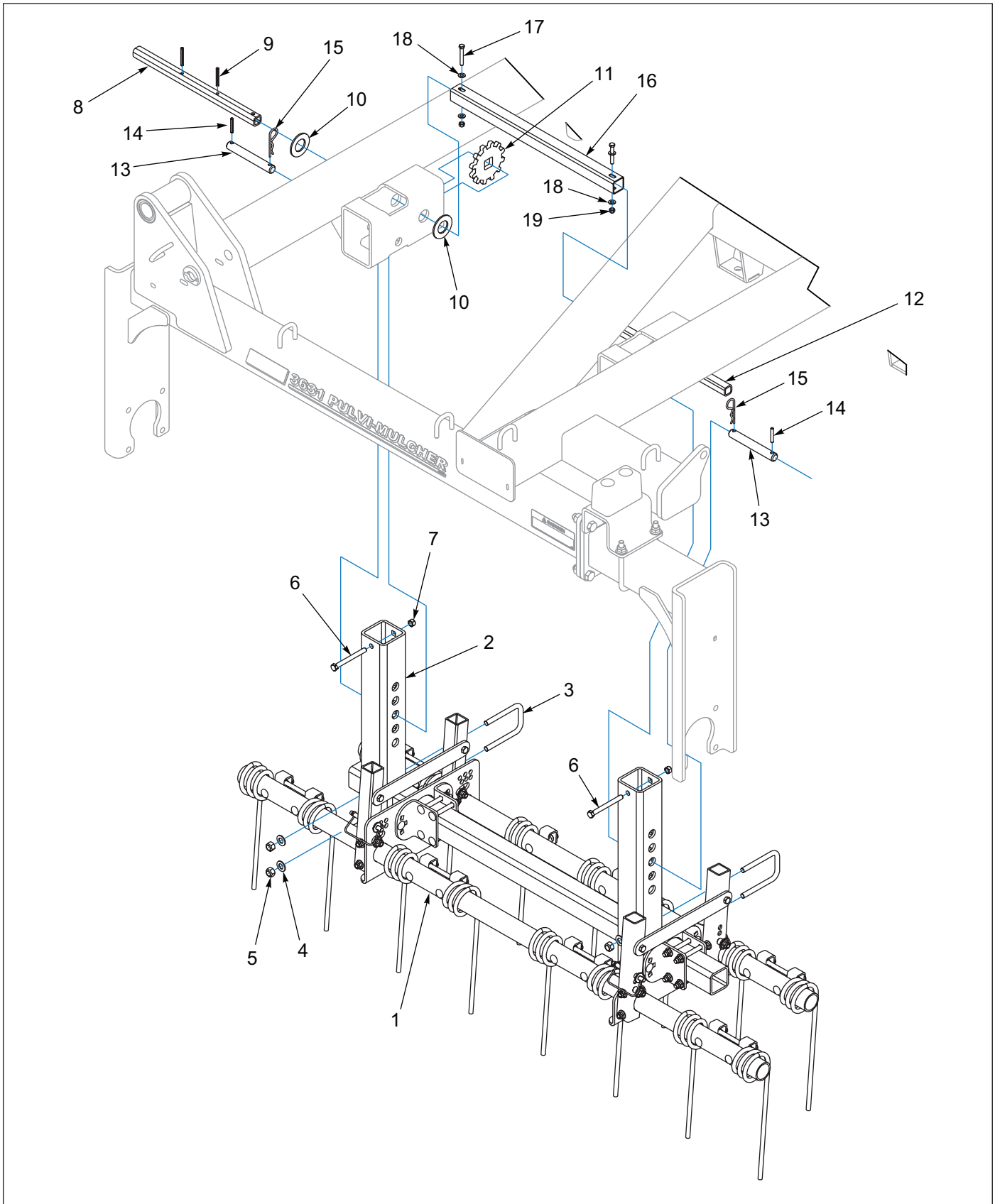


Figure 1-33: Right Hand Wing Harrow



## Right Hand Wing Harrow

ITEM	PART NUMBER	DESCRIPTION	QTY
1	211225	HARROW ASSY, 3631-30 WING RH (SEE PAGE 1-58)	1
2	211194	TUBE, HARROW ADJUSTMENT	2
3	2-102-010054	U-BOLT, 5/8-11	2
4	1-861-010032-18	WASHER, FLAT 5/8 N, ZP/CD	4
5	1-512-010005-13	NUT, HEX SLFLKG GRB 5/8-11	4
6	1-654-010055-15	SCR, HX CP, 1/2-13UNC X 5, GR5	2
7	1-512-010005-09	NUT, HEX,SLFLKG 1/2-13, GRB	2
8	211301	TUBE, HARROW HT ADJ HANDLE	1
9	1-647-010004240	SPRING PIN, SLOTTED 5/16 X 2-1/2	4
10	1-861-010032-32	WASHER, FLAT ZP/CD 1-1/2	4
11	195606	GEAR, HARROW ADJ BLACK	2
12	195607	TUBE, HARROW HT ADJ HANDLE BLK	1
13	158299	PIN, 1 X 7-5/16	2
14	147072	PIN, SPRING SLOTTED 5/16 X 2	2
15	1D594	HAIR PIN COTTER, 3/16	2
16	211230	TUBE, WING HARROW ADJUSTER	1
17	1-654-010051-11	HHCS, 3/8-16 X 2-1/2, GR5, ZP	2
18	1-861-010032-10	WASHER, FLAT 3/8 SAE	4
19	1-512-010005-05	NUT, HEX, SLFLKG GRB 3/8-16	2

# Left Hand Wing Harrow

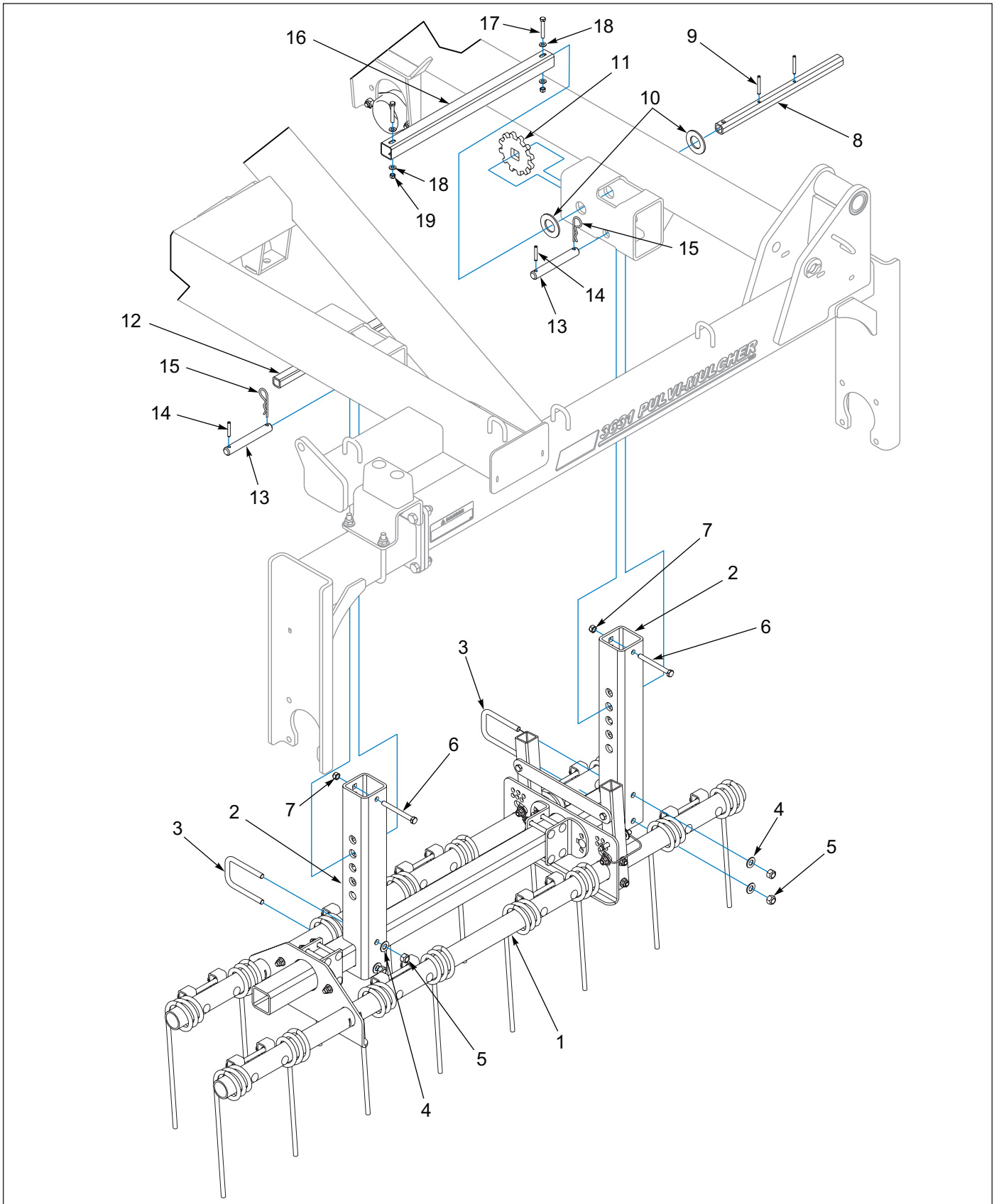


Figure 1-34: Left Hand Wing Harrow

## Left Hand Wing Harrow

ITEM	PART NUMBER	DESCRIPTION	QTY
1	211226	HARROW ASSY, 3631-30 WING LH (SEE PAGE 1-60)	1
2	211194	TUBE, HARROW ADJUSTMENT	2
3	2-102-010054	U-BOLT, 5/8-11	2
4	1-861-010032-18	WASHER, FLAT 5/8 N, ZP/CD	4
5	1-512-010005-13	NUT, HEX SLFLKG GRB 5/8-11	4
6	1-654-010055-15	SCR, HX CP, 1/2-13UNC X 5, GR5	2
7	1-512-010005-09	NUT, HEX, SLFLKG 1/2-13, GRB	2
8	211301	TUBE, HARROW HT ADJ HANDLE	1
9	1-647-010004240	SPRING PIN, SLOTTED 5/16 X 2-1/2	4
10	1-861-010032-32	WASHER, FLAT ZP/CD 1-1/2	4
11	195606	GEAR, HARROW ADJ BLACK	2
12	195607	TUBE, HARROW HT ADJ HANDLE BLK	1
13	158299	PIN, 1 X 7-5/16	2
14	147072	PIN, SPRING SLOTTED 5/16 X 2	2
15	1D594	HAIR PIN COTTER, 3/16	2
16	211230	TUBE, WING HARROW ADJUSTER	1
17	1-654-010051-11	HHCS, 3/8-16 X 2-1/2, GR5, ZP	2
18	1-861-010032-10	WASHER, FLT 3/8 SAE	4
19	1-512-010005-05	NUT, HEX, SLFLKG GRB 3/8-16	2

# Center Harrow Assembly

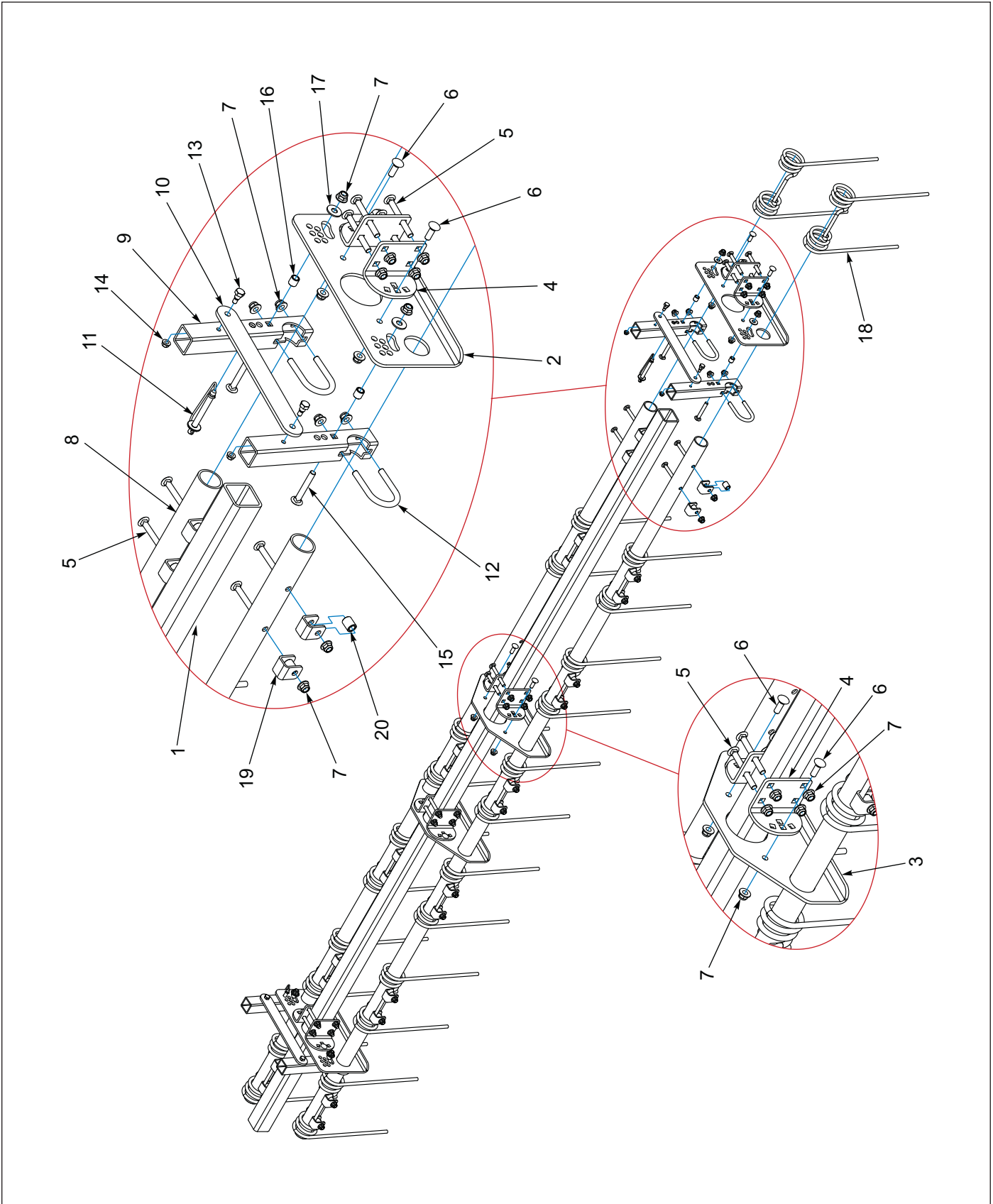


Figure 1-35: Center Harrow Assembly

## Center Harrow Assembly

ITEM	PART NUMBER	DESCRIPTION	QTY
	211220	HARROW ASSY, 3631-30 CTR	1
1	211222	TUBE, SQ 3 X 1/4 X 162	1
2	194773	PLATE, GANG BAR 2 ROW	2
3	194783	SUPPORT, GANG BAR 2 ROW	2
4	154998	PLATE, ANGLE ADJUSTMENT	8
5	1-654-010070-14	SCREW, 1/2-13 X 4-1/2 RDHD, SQNCK	44
6	1-654-010070-03	SCREW, RDHD SQNK 1/2-13 X 1-1/2	8
7	2P253	NUT, FLANGE NY-LOK 1/2-13	64
8	211221	TUBE, TINE 2-3/8 X 158.0	2
9	154994	TUBE, ANGLE ADJUST	4
10	194774	LINK, TINE ADJUSTMENT	2
11	155971	PIN, HARROW ADJ	2
12	154995	U-BOLT, 1/2-13UNC	4
13	2-095-010017	BOLT, SHOULDER 3/8-16 X 7/16, GR5	4
14	107470	NUT, 3/8-16, HEX FLANGE SPIRALOCK	4
15	1-654-010070-11	SCREW, 1/2-13 X 3-1/2 RDHD SQNCK	4
16	154997	TUBE, ROUND .75 OD X .532 ID X .75	4
17	1-861-010032-15	WASHER, FLAT 1/2 W, ZP/CD	4
18	194828	DOUBLE COIL TINE, 1/2 X 16	14
19	194777	CLIP, HARROW TINE	28
20	195904	SPACER, 7/8 X 9/16 X 1-1/16	28

# Right Hand Wing Harrow Assembly

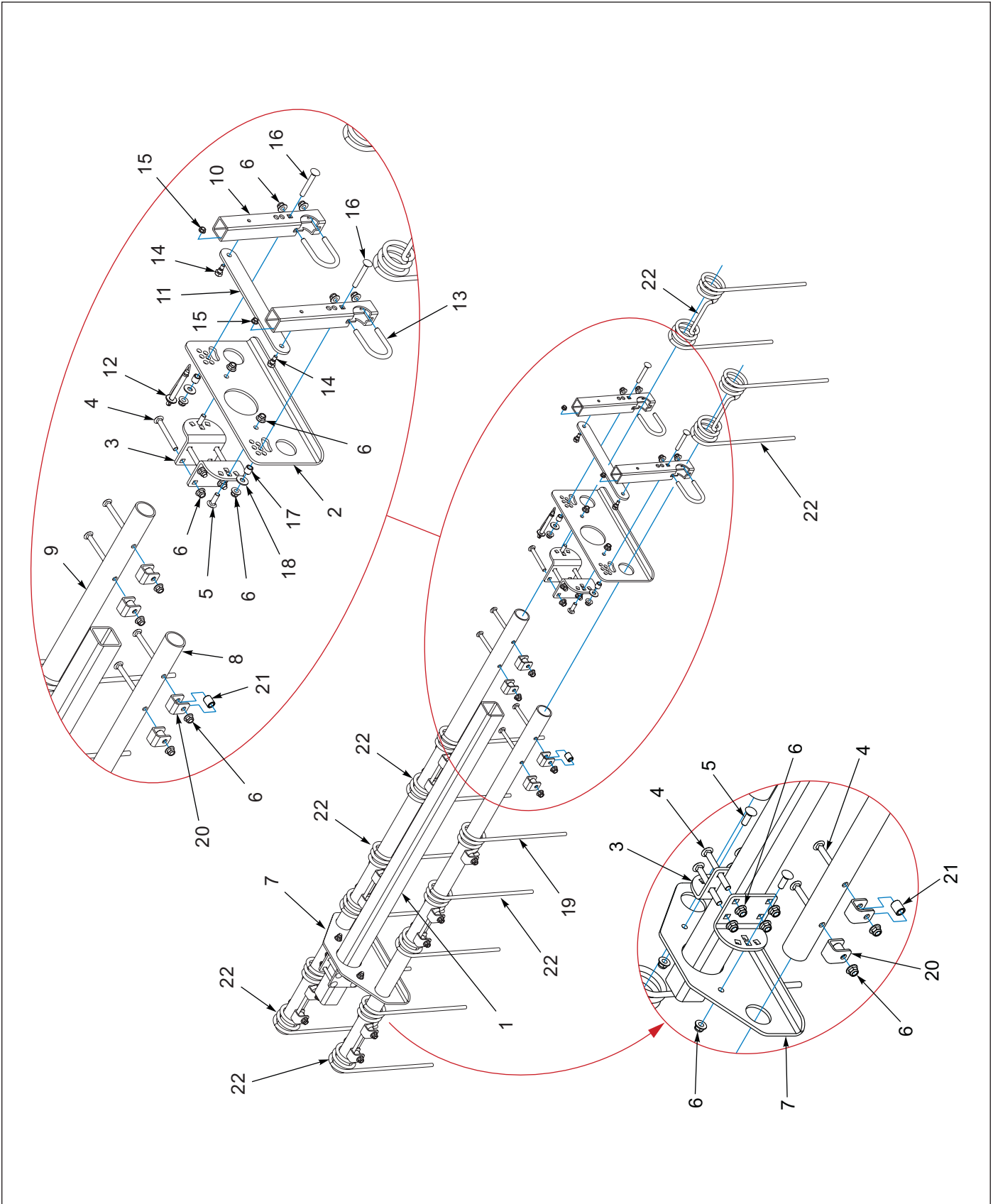


Figure 1-36: Right Hand Wing Harrow Assembly

## Right Hand Wing Harrow Assembly

ITEM	PART NUMBER	DESCRIPTION	QTY
	211225	HARROW ASSY, 3631-30 WING RH	1
1	211295	TUBE, SQ 3 x 60.0	1
2	194773	PLATE, GANG BAR 2 ROW	1
3	154998	PLATE, ANGLE ADJUSTMENT	4
4	1-654-010070-14	SCREW, 1/2-13 X 4-1/2 RDHD, SQNCK	23
5	1-654-010070-03	SCREW, RDHD SQNK 1/2-13 X 1-1/2	4
6	2P253	NUT, FLANGE NY-LOK 1/2-13	33
7	194783	SUPPORT, GANG BAR 2 ROW	1
8	211227	TUBE, TINE 2-3/8 X 86.0	1
9	211229	TUBE, TINE 2-3/8 X 74.0	1
10	154994	TUBE, ANGLE ADJUST	2
11	194774	LINK, TINE ADJUSTMENT	1
12	155971	PIN, HARROW ADJ	1
13	154995	U-BOLT, 1/2-13UNC	2
14	2-095-010017	BOLT, SHOULDER 3/8-16 X 7/16, GR5	2
15	107470	NUT, 3/8-16, HEX FLANGE SPIRALOCK	2
16	1-654-010070-11	SCREW, 1/2-13 X 3-1/2 RDHD SQNCK	2
17	154997	TUBE, ROUND .75 OD X .532 ID X .75	2
18	1-861-010032-15	WASHER, FLAT 1/2 W, ZP/CD	2
19	194829	SINGLE COIL TINE	1
20	194777	CLIP, HARROW TINE	15
21	195904	SPACER, 7/8 X 9/16 X 1-1/16	15
22	194828	DOUBLE COIL TINE, 1/2 X 16	7

# Left Hand Wing Harrow Assembly

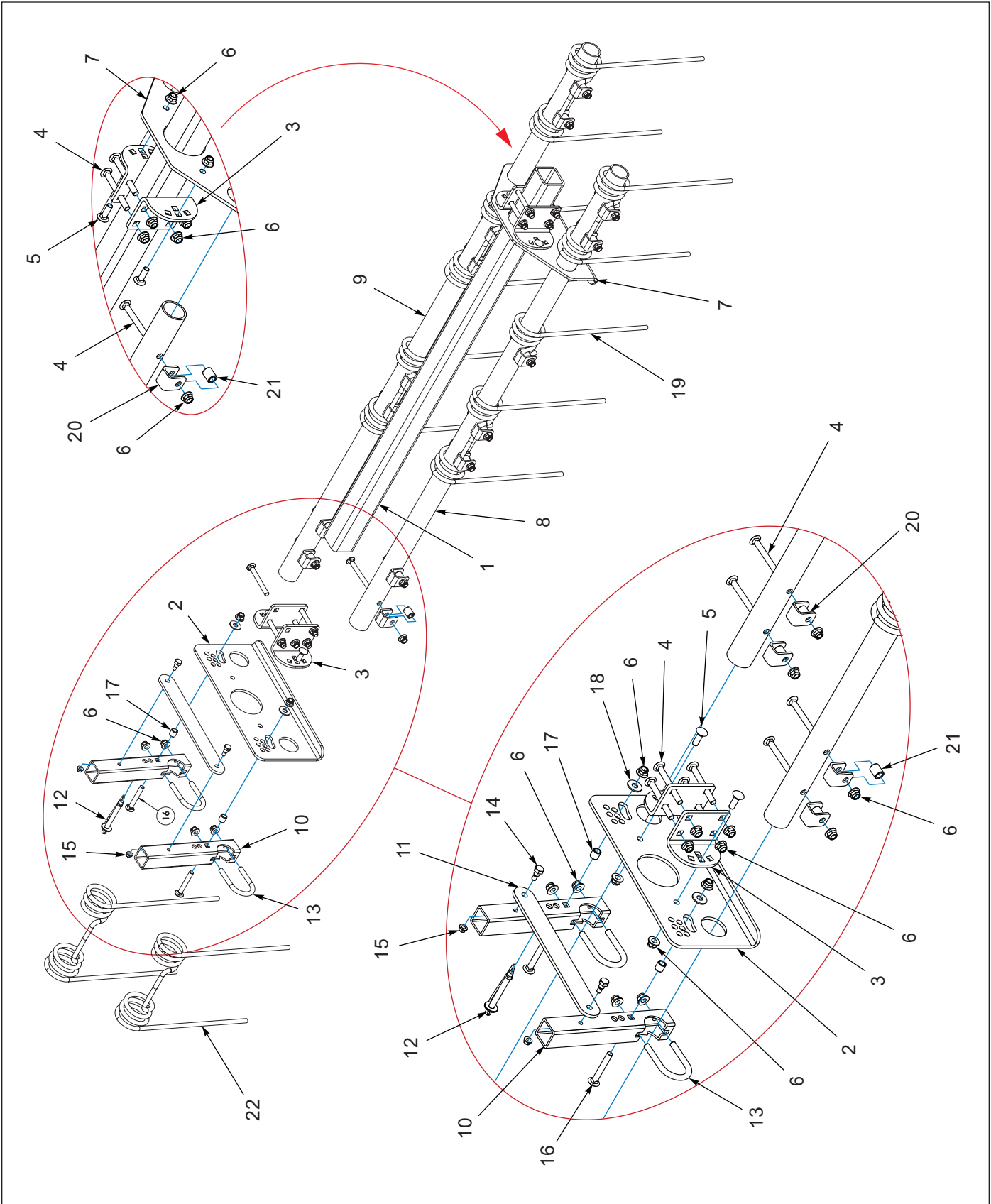


Figure 1-37: Left Hand Wing Harrow Assembly



## Left Hand Wing Harrow Assembly

ITEM	PART NUMBER	DESCRIPTION	QTY
	211226	HARROW ASSY, 3631-30 WING LH	1
1	211295	TUBE, SQ 3 X 60.0	1
2	194773	PLATE, GANG BAR 2 ROW	1
3	154998	PLATE, ANGLE ADJUSTMENT	4
4	1-654-010070-14	SCREW, 1/2-13 X 4-1/2 RDHD, SQNCK	23
5	1-654-010070-03	SCREW, RDHD SQNK 1/2-13 X 1-1/2	4
6	2P253	NUT, FLANGE NY-LOK 1/2-13	33
7	194783	SUPPORT, GANG BAR 2 ROW	1
8	211227	TUBE, TINE 2-3/8 X 86.0	1
9	211229	TUBE, TINE 2-3/8 X 74.0	1
10	154994	TUBE, ANGLE ADJUST	2
11	194774	LINK, TINE ADJUSTMENT	1
12	155971	PIN, HARROW ADJ	1
13	154995	U-BOLT, 1/2-13UNC	2
14	2-095-010017	BOLT, SHOULDER 3/8-16 X 7/16, GR5	2
15	107470	NUT, 3/8-16, HEX FLANGE SPIRALOCK	2
16	1-654-010070-11	SCREW, 1/2-13 X 3-1/2 RDHD SQNCK	2
17	154997	TUBE, ROUND .75 OD X .532 ID X .75	2
18	1-861-010032-15	WASHER FLAT 1/2 W, ZP/CD	2
19	194829	SINGLE COIL TINE	1
20	194777	CLIP, HARROW TINE	15
21	195904	SPACER, 7/8 X 9/16 X 1-1/16	15
22	194828	DOUBLE COIL TINE, 1/2 X 16	7



# Center Rear Scrapers

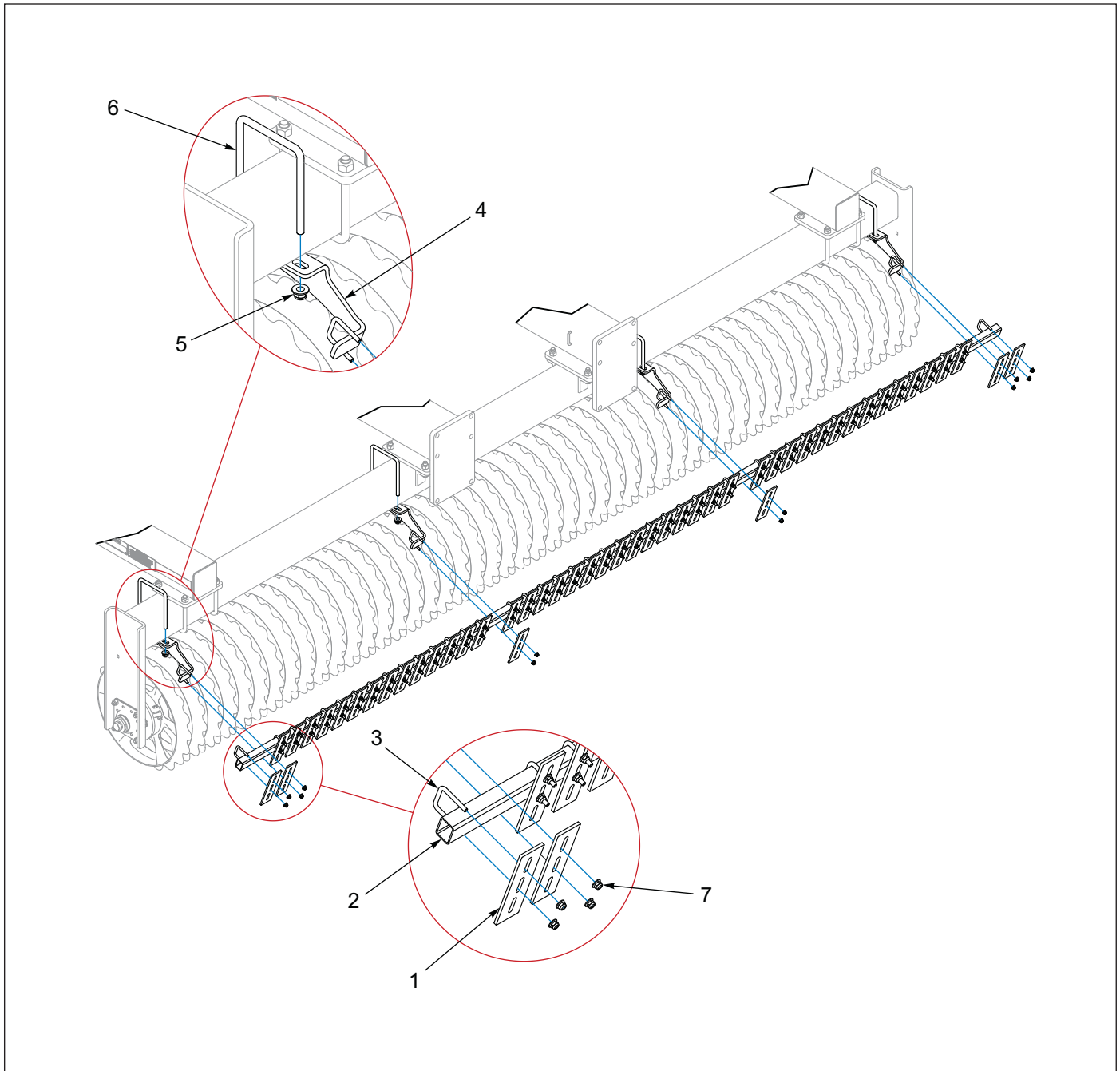


Figure 1-38: Center Rear Scrapers

## Center Rear Scrapers

ITEM	PART NUMBER	DESCRIPTION	QTY
1	8J014	SCRAPER, 2-1/2" WIDE	49
2	211269	TUBE RECT 2 X 1-1/2 X 196	1
3	171749	U-BOLT, 3/8-16 X 2-7/16 X 2-3/4	49
4	211160	BRACKET, CENTER SCRAPER (24" WHEELS)	4
5	2P254	NUT, FLANGE NY-LOK 5/8-11	8
6	178532	U-BOLT, 5/8-11 X 6-11/16 X 7-1/2	4
7	2P252	NUT, FLANGE NY-LOK 3/8-16	98

# Wing Rear Scrapers

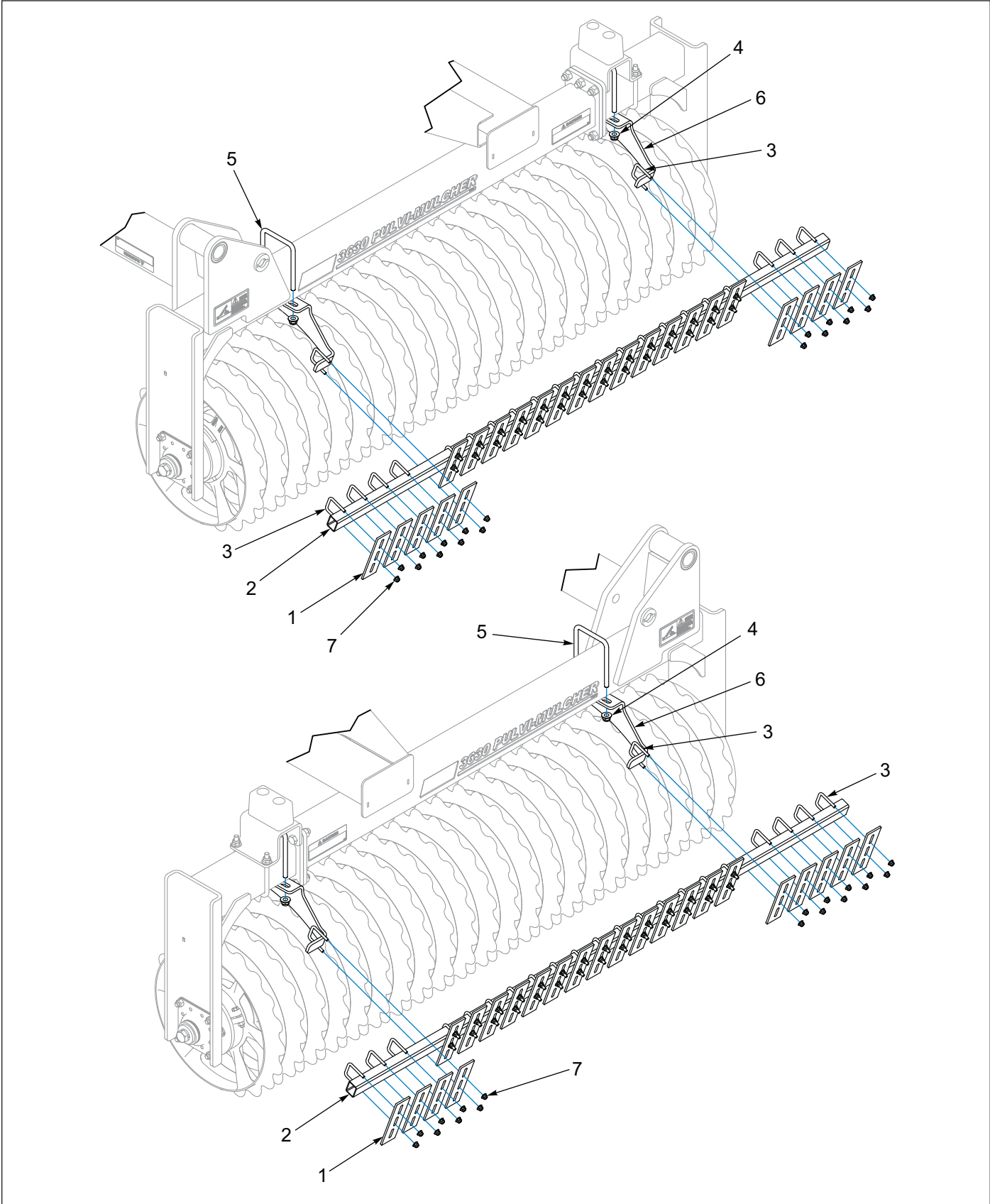


Figure 1-39: Wing Rear Scrapers

## Wing Rear Scrapers

ITEM	PART NUMBER	DESCRIPTION	QTY
1	8J014	SCRAPER, 2-1/2" WIDE	46
2	211274	TUBE RECT 2 X 1-1/2 X 92	2
3	171749	U-BOLT, 3/8-16 X 2-7/16 X 2-3/4	46
4	2P254	NUT, FLANGE NY-LOK 5/8-11	8
5	181363	U-BOLT, 5/8-11 X 6-11/16 X 6-3/4	4
6	211161	BRACKET, WING SCRAPER (24" WHEELS)	4
7	2P252	NUT, FLANGE NY-LOK 3/8-16	92

# Hydraulic Tooth Control Layout

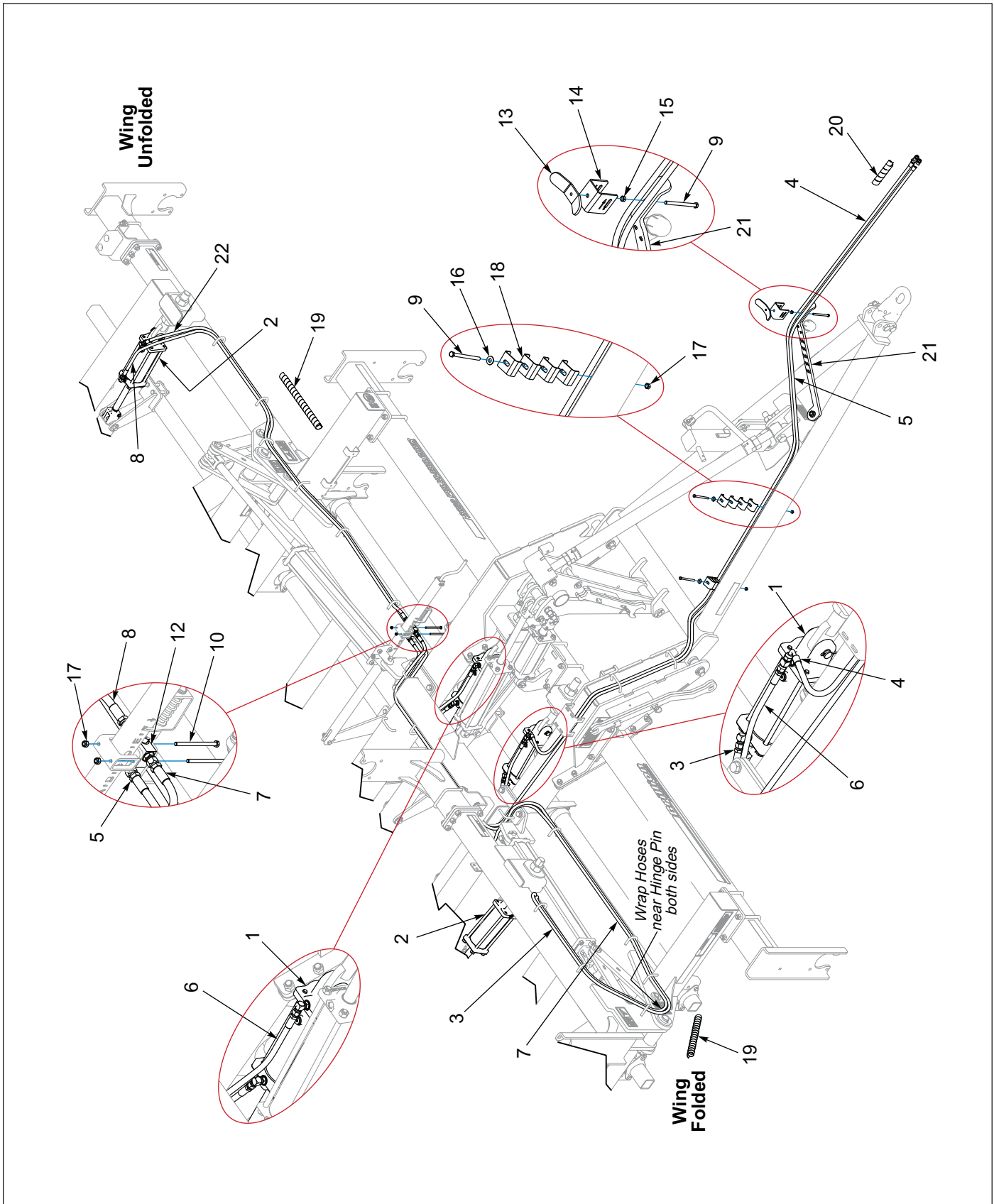


Figure 1-40: Hydraulic Tooth Control Layout

## Hydraulic Tooth Control Layout

ITEM	PART NUMBER	DESCRIPTION	QTY
1	193251	CYLINDER, HYD 4-1/2 X 8 REPHASING (SEE PAGE 1-116)	2
2	193252	CYLINDER, HYD 4 X 8 REPHASING (SEE PAGE 1-117)	2
3	141864	HOSE ASM, 3/8 X 175, 8FJS X 8FJS	1
4	211321	HOSE ASM, 3/8 X 220, 8FJS90 X 8MOR	1
5	211320	HOSE ASM, 3/8 X 300, 8FJS X 8MOR	1
6	181799	HOSE ASM, 3/8 X 74, 8FJS X 8FJS	1
7	211344	HOSE ASM, 3/8 X 226, 8FJS X8FJS	1
8	141881	HOSE ASM, 3/8 X 136, 8FJS X 8FJS	1
9	196754	SCREW, ALL THREAD, 3/8-16 X 5	3
10	171556	SCREW,HEX CP,5/16-18UNCX5-1/2	2
		<b>(USE WITH P/N 203467 VALVE) (AFTER 07/01/2022)</b>	
10	1-654-010049-19	SCREW, HEX CAP, 5/16-18UNC X 5, GR5 (BEFORE 07/01/2022)	2
11	104032	NUT, HEX NY-LOK 5/16-18	2
12	203467	VALVE-LIMIT, STROKE (AFTER 07/01/2022)	1
12	140693	LIMIT VALVE (BEFORE 07/01/2022)	1
13	141249	WING NUT, HOSE HOLDER	1
14	141247	CLAMP, HOSE HOLDER	1
15	1-512-010007-07	NUT, HEX 3/8-16, ZP	1
16	1-861-010032-11	WASHER, FLAT 3/8 W, ZP/CD	2
17	1-512-010005-05	NUT, HEX, SLFLKG GRB 3/8-16	2
18	2-181-010001	HOSE CLAMP	8
19	1P995	HOSE WRAP, 26"	2
20	155530	HOSE WRAP, BLACK 1" ID X 8"	1
21	193226	BRACKET, HOSE HOLDER	1
22	212345	HOSE ASM, 3/8 X 170, 8FJS X 8FJS	1
23	105-0228	TIE STRAP (NOT SHOWN)	15

# Hydraulic Tooth Control Schematic

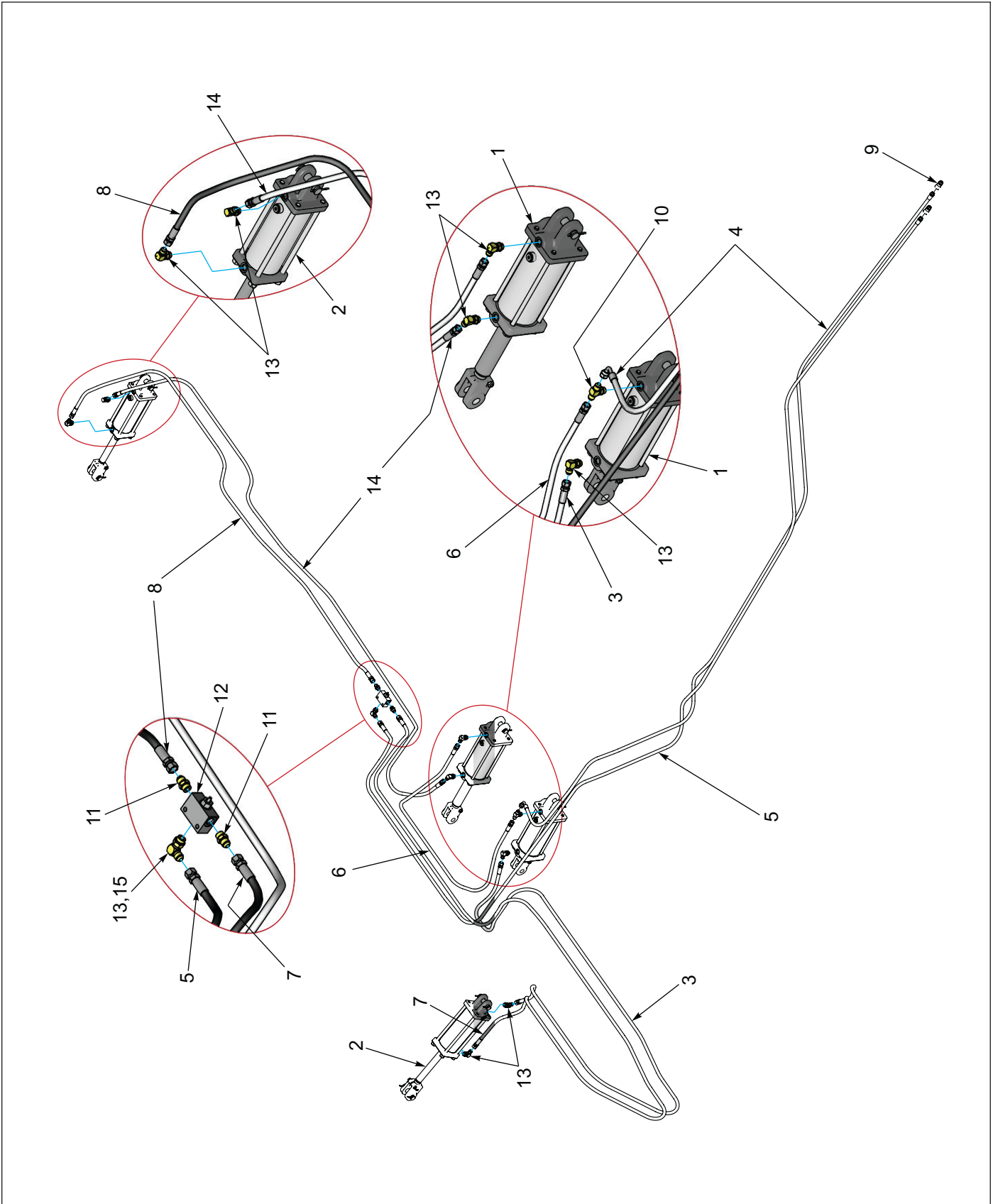


Figure 1-41: Hydraulic Tooth Control Schematic



## Hydraulic Tooth Control Schematic

ITEM	PART NUMBER	DESCRIPTION	QTY
1	193251	CYLINDER, HYD 4-1/2 X 8 REPHASING <b>(SEE PAGE 1-116)</b>	2
2	193252	CYLINDER, HYD 4 X 8 REPHASING <b>(SEE PAGE 1-117)</b>	2
3	141864	HOSE ASM, 3/8 X 175, 8FJS X 8FJS	1
4	211321	HOSE ASM, 3/8 X 220, 8FJS90 X 8MOR	1
5	211320	HOSE ASM, 3/8 X 300, 8FJS X 8MOR	1
6	181799	HOSE ASM, 3/8 X 74, 8FJS X 8FJS	1
7	211344	HOSE ASM, 3/8 X 226, 8FJS X 8FJS	1
8	141881	HOSE ASM, 3/8 X 136, 8FJS X 8FJS	1
9	141828	MALE COUPLER, 8 O-RING	2
10	203003-8-8S	TEE, BRANCH, 8MJ X 8MJ X 8MOR	1
11	202702-10-8S	ADAPTER, #10 O-RING #8 TUBE <b>(AFTER 07/01/2022)</b>	2
11	202702-8-8S	ADAPTER, 8MJ X 8MOR <b>(BEFORE 07/01/2022)</b>	2
12	203467	VALVE-LIMIT, STROKE <b>(AFTER 07/01/2022)</b>	1
12	140693	LIMIT VALVE <b>(BEFORE 07/01/2022)</b>	1
13	2062-8-8S	ELBOW, 8MJ X 8MOR90	8
14	212345	HOSE ASM, 3/8 X 170, 8FJS X 8FJS	1
15	2062-10-8S	ADAPTER,90, #10 O-RING-TUBE <b>(AFTER 07/01/2022)</b> <b>(BEFORE 07/01/2022, P/N 2062-8-8S)</b>	1

# Simplified Hydraulic Tooth Control Schematic

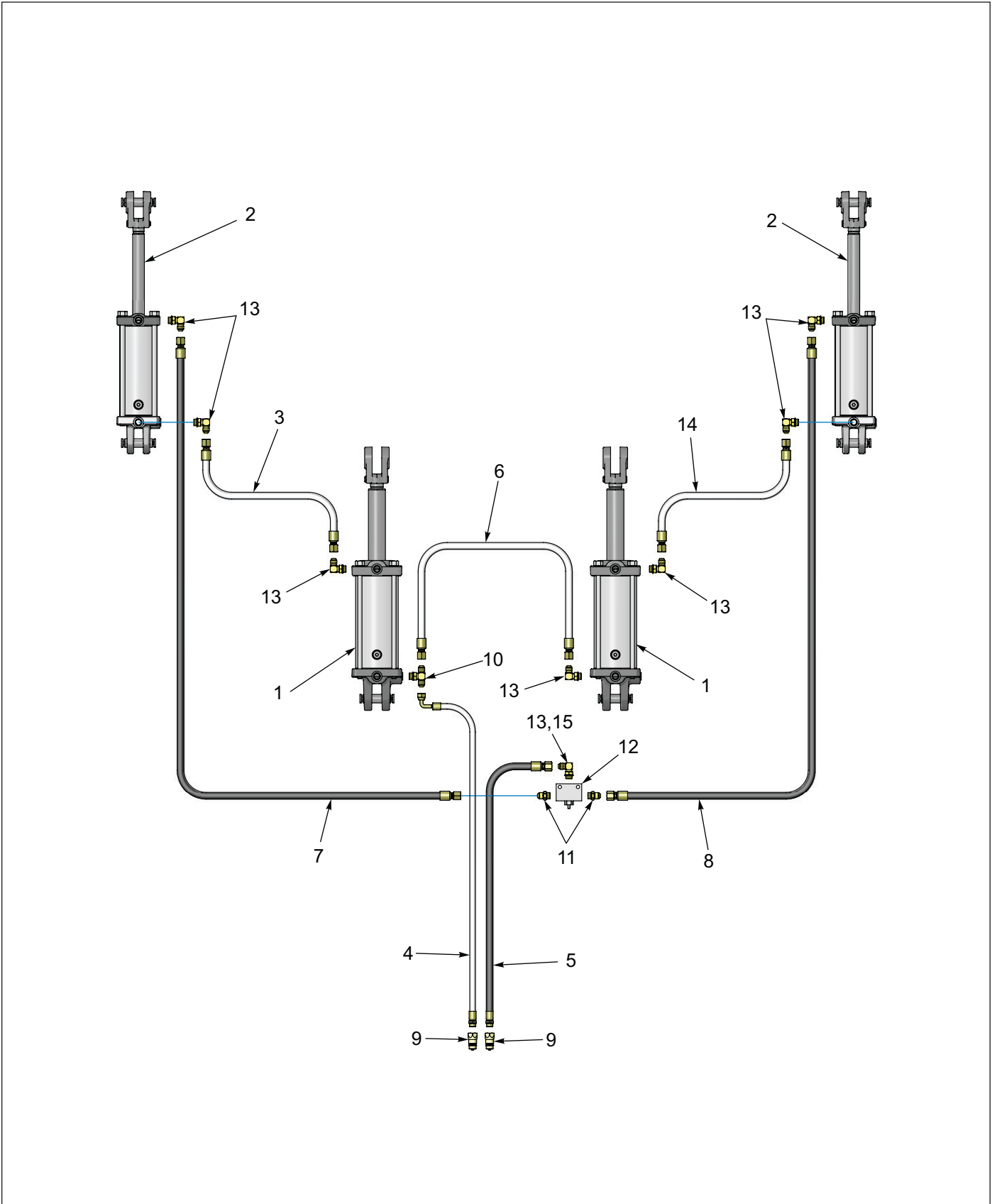


Figure 1-42: Simplified Hydraulic Tooth Control Schematic

## Simplified Hydraulic Tooth Control Schematic

ITEM	PART NUMBER	DESCRIPTION	QTY
1	193251	CYLINDER, HYD 4-1/2 X 8 REPHASING <b>(SEE PAGE 1-116)</b>	2
2	193252	CYLINDER, HYD 4 X 8 REPHASING <b>(SEE PAGE 1-117)</b>	2
3	141864	HOSE ASM, 3/8 X 175, 8FJS X 8FJS	1
4	211321	HOSE ASM, 3/8 X 220, 8FJS90 X 8MOR	1
5	211320	HOSE ASM, 3/8 X 300, 8FJS X 8MOR	1
6	181799	HOSE ASM, 3/8 X 74, 8FJS X 8FJS	1
7	211344	HOSE ASM, 3/8 X 226, 8FJS X 8FJS	1
8	141881	HOSE ASM, 3/8 X 136, 8FJS X 8FJS	1
9	141828	MALE COUPLER, 8 O-RING	2
10	203003-8-8S	TEE, BRANCH, 8MJ X 8MJ X 8MOR	1
11	202702-10-8S	ADAPTER, #10 O-RING #8 TUBE <b>(AFTER 07/01/2022)</b>	2
11	202702-8-8S	ADAPTER, 8MJ X 8MOR <b>(BEFORE 07/01/2022)</b>	2
12	203467	VALVE-LIMIT, STROKE <b>(AFTER 07/01/2022)</b>	1
12	140693	LIMIT VALVE <b>(BEFORE 07/01/2022)</b>	1
13	2062-8-8S	ADAPTER, 90, #8 O-RING-TUBE	8
14	211345	HOSE ASM, 3/8 X 170, 88FJS X 8FJS	1
15	2062-10-8S	ADAPTER,90, #10 O-RING-TUBE <b>(AFTER 07/01/2022)</b> <b>(BEFORE 07/01/2022, P/N 2062-8-8S)</b>	1

# Fold and Down Pressure Hydraulic Layout

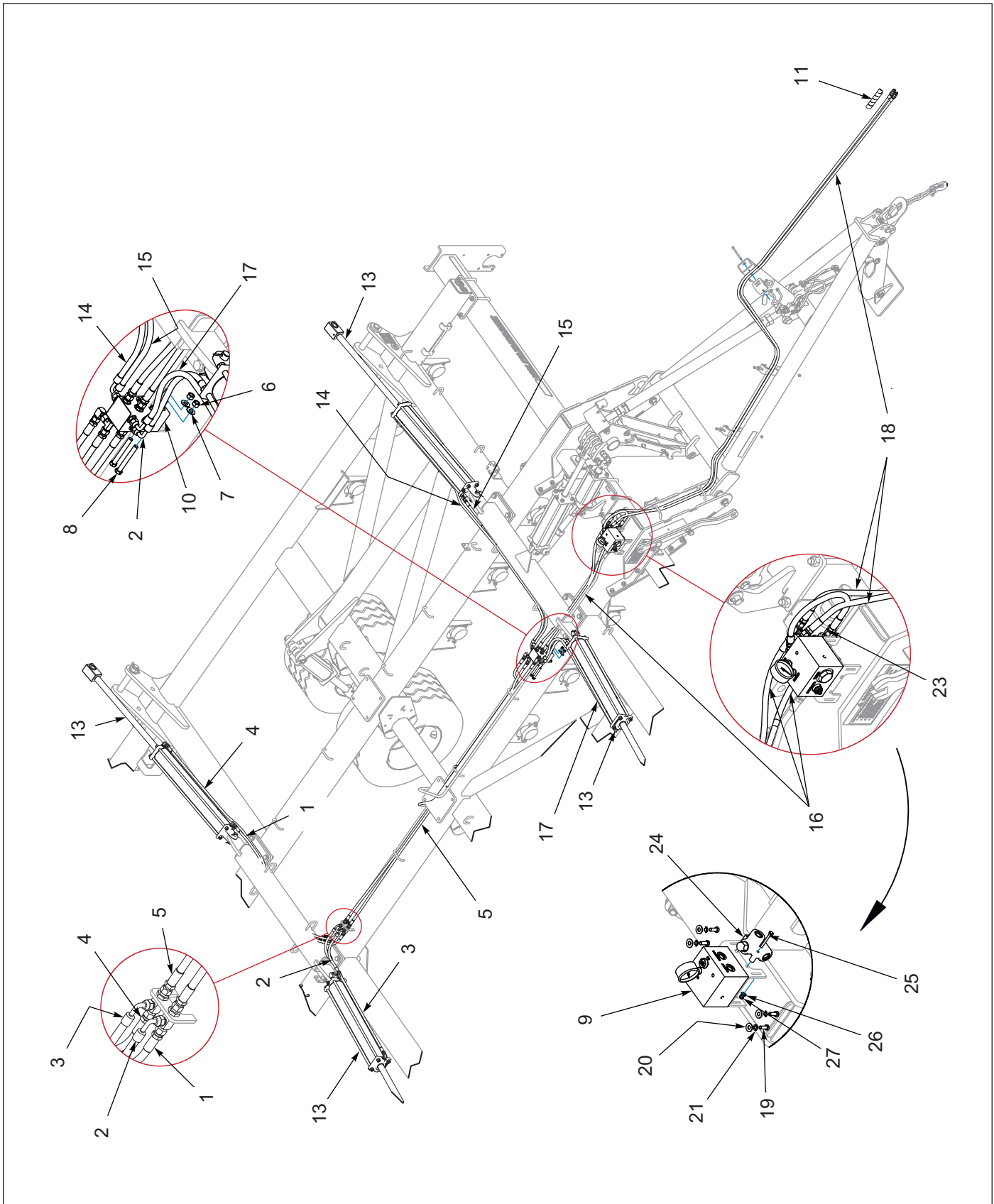


Figure 1-43: Fold and Down Pressure Hydraulic Layout

## Fold and Down Pressure Hydraulic Layout

ITEM	PART NUMBER	DESCRIPTION	QTY
1	211318	HOSE ASM, 3/8 X 62, 8FJS X 8FJS	1
2	163781	HOSE ASM, 3/8 X 17, 8FJS X 8FJS90	2
3	211317	HOSE ASM, 3/8 X 54, 8FJS X 8FJS90	1
4	195647	HOSE ASM, 3/8 X 93, 8FJS X 8FJS	1
5	166171	HOSE ASM, 3/8 X 114, 8FJS X 8FJS	2
6	1-512-010007-09	NUT, HEX 1/2-13, ZP	2
7	1-861-010032-14	WASHER, FLAT 1/2" N, ZP/CD	2
8	1-654-010055-13	SCREW, HEX CAP, 1/2-13UNC X 4, GR5	2
9	234545	MANIFOLD,R/R W/RVRSE CHCK <b>(SEE PAGE 1-78)</b>	1
10	211306	MANIFOLD, 16 PORT	1
11	155529	HOSE WRAP, YELLOW 1" ID X 8" <b>(FOLD/DOWN PRESSURE)</b>	1
12	105-0228	TYWRAP 8IN LG TY-5272MX <b>(NOT SHOWN)</b>	15
13	219160	HYD CYL,4 X 30 <b>(SEE PAGE 1-120)</b>	4
13	229388	HYD CYL,4 X 29.75 <b>(WITH INTERNAL STOP - OPTIONAL)</b> <b>(SEE PAGE 1-121)</b>	4
14	169055	HOSE ASM, 3/8 X 93, 8FJS X 8FJS90	1
15	123079	HOSE ASM, 3/8 X 62, 8FJS X 8FJS90	1
16	117259	HOSE ASM, 3/8X48, #8JIC	2
17	211316	HOSE ASM, 3/8 X 49, 8FJS X 8FJS90	1
18	211319	HOSE ASM, 3/8 X 200, 8FJS X 8MOR	2
19	1-654-010051-05	HHCS, 3/8-16 X 1	4
20	1-861-010032-11	WASHER, FLAT, 3/8	4
21	1-861-010034-11	WASHER, LKG HLCL SPR, 3/8	4
22	1P292	BULKHEAD TEE, 08MJ X 08MJ X 08MJ	2
23	147582	HOSE ASM, 3/8 X 24, 8FJS X 8FJS	1
24	8J650	RELIEF VALVE	1
25	111190	SCREW, HX CP 1/4-20UNC X 2-1/4 G5	2
26	1-861-010032-06	FLAT WASHER, 1/4	2
27	1-512-010005-01	NUT, HEX SLFLKG GRB 1/4-20	2

## Fold and Down Pressure Limit Valve Layout

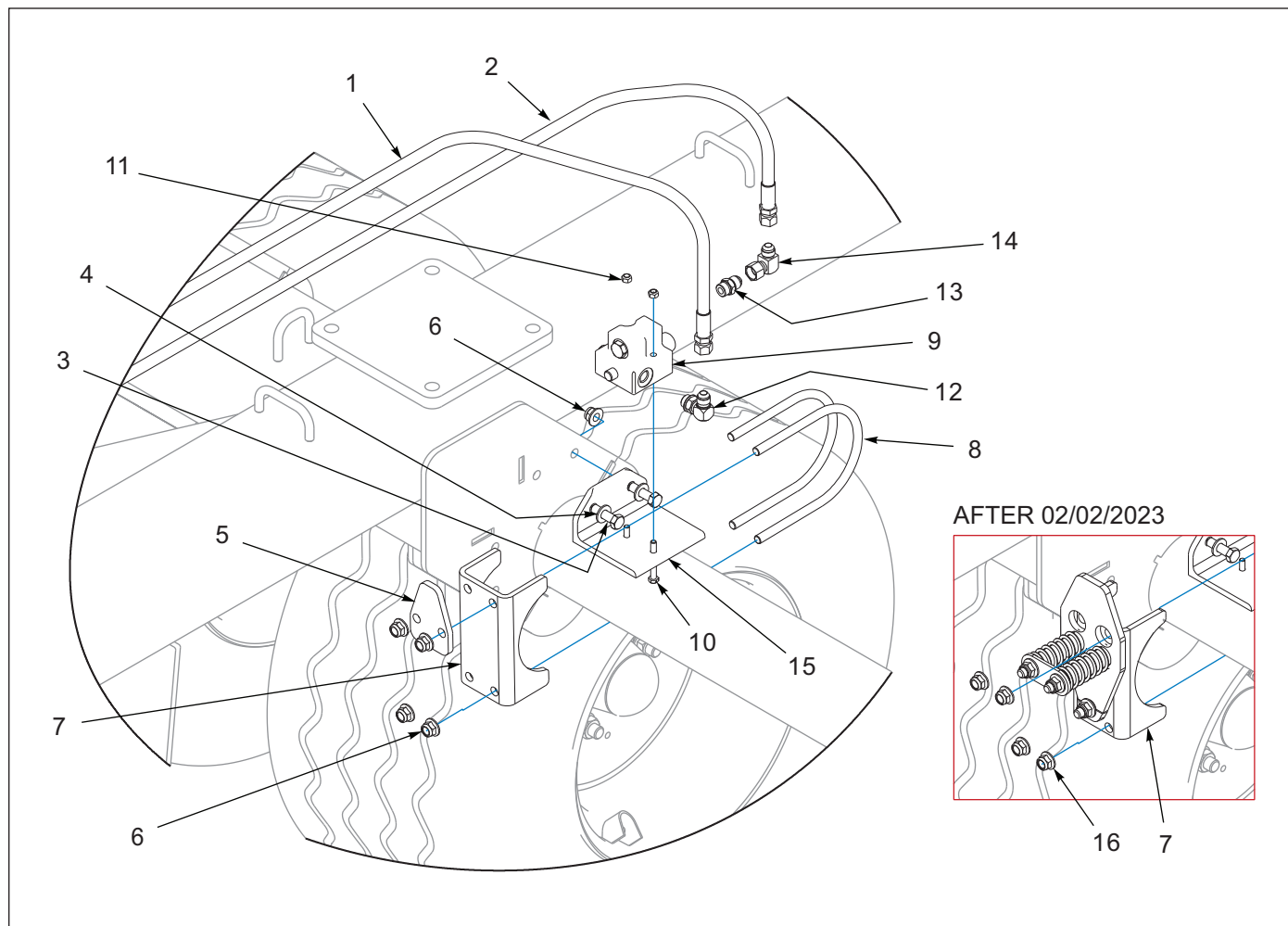


Figure 1-44: Fold and Down Pressure Limit Valve Layout

## Fold and Down Pressure Limit Valve Layout

ITEM	PART NUMBER	DESCRIPTION	QTY
1	116492	HOSE ASSY 3/8X128 #8 JIC SW	1
2	130948	HOSE,3/8X78,JIC #8-#8X90	1
3	1-654-010055-04	SCREW,HEX CAP,1/2-13UNCX1-3/4	2
4	1-861-010032-14	WASHER, FLAT 1/2" N ZP/CD	2
5	234519	ACTUATOR, VALVE (BEFORE 02/02/2023)	1
6	2P253	NUT, FLANGE NY-LOK 1/2-13 (BEFORE 02/02/2023, QTY=6)	2
7	244032	LIMIT ACTUATOR W/SPRINGS (AFTER 02/02/2023)	1
7	234517	CLAMP, VALVE ACTUATOR (BEFORE 02/02/2023)	1
8	234540	U-BLT,RND 1/2-13 X R2-13/16	2
9	203450	VALVE-LIMIT	1
10	1-654-010049-11	SCREW,HX CAP,5/16-18UNCX2-1/2	2
11	1-512-010005-03	NUT HEX SLFLKG GRB 5/16-18	2
12	2062-8-8S	ADAPTER, 90, #8 O-RING-TUBE	3
13	202702-8-8S	ADAPTER #8 O-RING TO #8 TUBE	4
14	2071-8-8S	ADAPTER90 #8 FLR SWIVEL #8JIC	1
15	234518	BRACEKT, LIMIT VALVE	1
16	1-512-010005-09	NUT,HEX,SLFLKG, 1/2-13 GRB	4



# Fold and Down Pressure Hydraulic Schematic

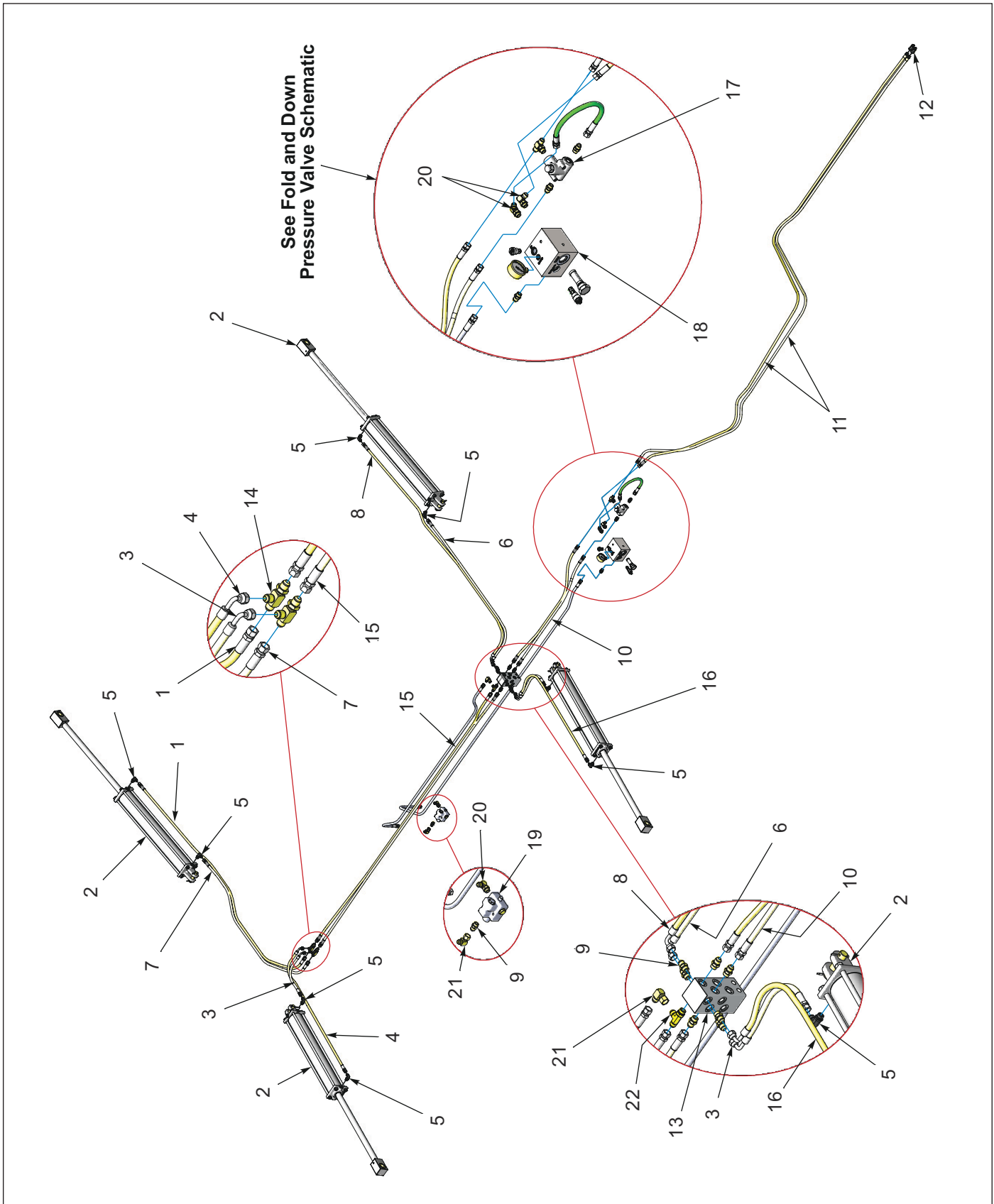


Figure 1-45: Fold and Down Pressure Hydraulic Schematic



## Fold and Down Pressure Hydraulic Schematic

ITEM	PART NUMBER	DESCRIPTION	QTY
1	195647	HOSE ASM, 3/8 X 93, 8FJS X 8FJS	1
2	219160	HYD CYL,4 X 30 <b>(SEE PAGE 1-120)</b>	4
2	229388	HYD CYL,4 X 29.75 <b>(WITH INTERNAL STOP - OPTIONAL)</b> <b>(SEE PAGE 1-121)</b>	REF
3	163781	HOSE ASM, 3/8 X 17, 8FJS X 8FJS90	2
4	211317	HOSE ASM, 3/8 X 54, 8FJS X 8FJS90	1
5	141826	ELBOW RESTRICTOR, 1/16	8
6	123079	HOSE ASM, 3/8 X 62, 8FJS X 8FJS90	1
7	211318	HOSE ASM, 3/8 X 62, 8FJS X 8FJS	1
8	169055	HOSE ASM, 3/8 X 93, 8FJ S X 8FJS90	1
9	202702-8-8S	ADAPTER, 8MJ X 8MOR	7
10	117259	HOSE ASM, 3/8X48, #8JIC	2
11	211319	HOSE ASM, 3/8 X 200, 8FJS X 8MOR	2
12	141828	MALE COUPLER, 8 O-RING	3
13	211306	MANIFOLD, 16 PORT	1
14	1P292	BULKHEAD TEE, 08 MJ X 08MJ X 08MJ	2
15	166171	HOSE ASM, 3/8 X 114, 8FJS X 8FJS	2
16	211316	HOSE ASM, 3/8 X 49, 8FJS X 8FJS90	1
17	8J650	RELIEF VALVE	1
18	234545	MANIFOLD,R/R W/RVRS CHCK <b>(DOWN PRESSURE VALVE)</b> <b>(SEE PAGE 1-78)</b>	1
19	203450	VALVE-LIMIT	1
20	2062-8-8S	ADAPTER, 90, #8 O-RING-TUBE	3
21	2071-8-8S	ADAPTER90 #8 FLR SWIVEL #8JIC	2
22	203005-8-8S	ADAPTER,TEE,#8 O-RING-TUBE	1

# Down Pressure Valve Schematic

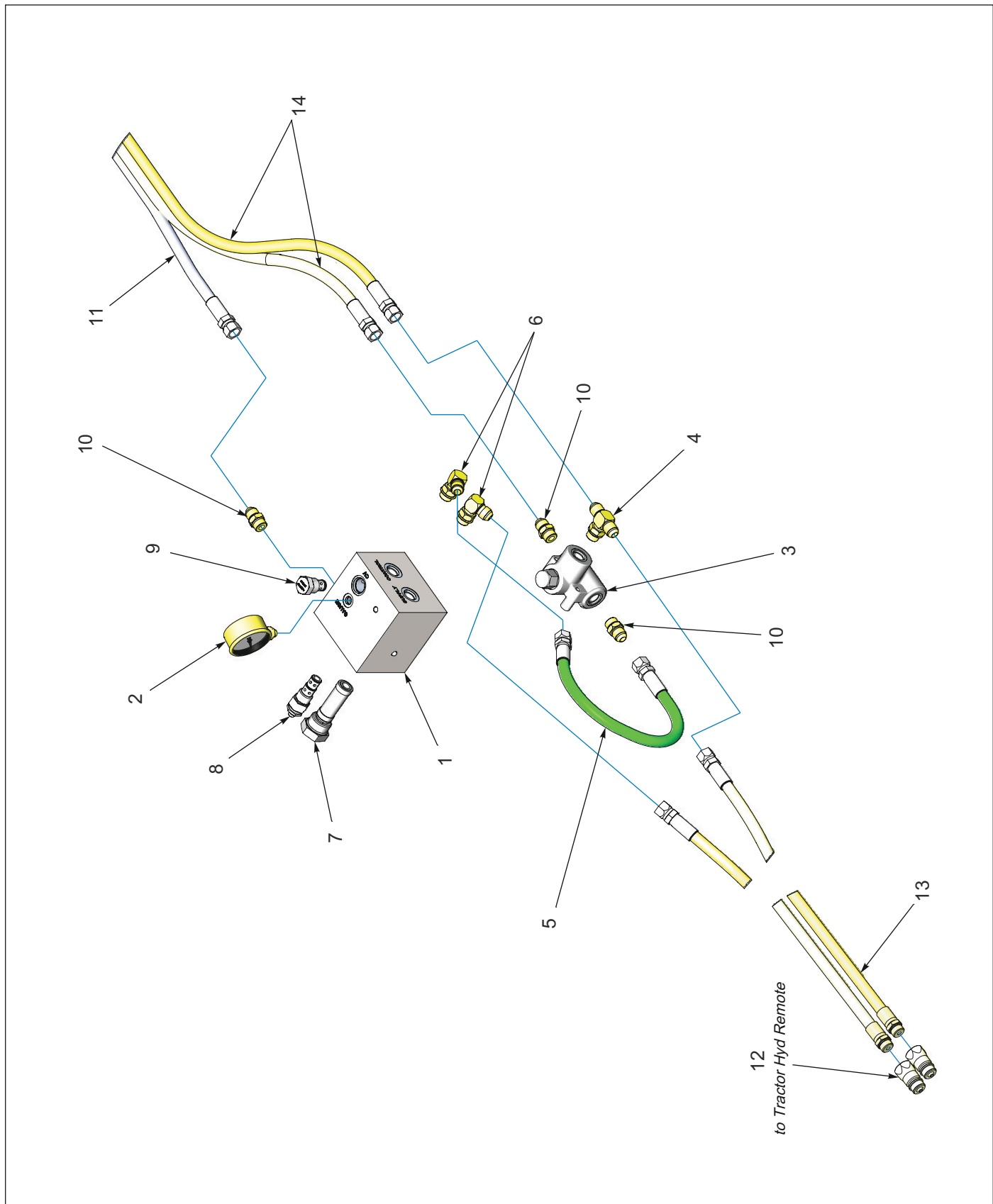


Figure 1-46: Down Pressure Valve Schematic

---

## Down Pressure Valve Schematic

ITEM	PART NUMBER	DESCRIPTION	QTY
1	234545	MANIFOLD,R/R W/RVRSE CHCK	1
2	201291	GAGE-HYD PRESSURE, 3000, -4 ORB	1
3	8J650	RELIEF VALVE	1
4	203003-8-8S	ADAPTER,TEE,#8 O-RING-TUBE	1
5	147582	HOSE ASM, 3/8 X 24, 8FJS X 8FJS	1
6	2062-8-8S	ELBOW, 8MJ X 8MOR	2
7	195198	FILTER-HIGH PRESS, CF/CE-12-10	1
8	195197	VALVE-PRESS RED RELV,LOW PRESS	1
9	195196	VALVE - CHECK, CVH103PV	1
10	202702-8-8 S	ADAPTER, 8MJ X 8MOR	3
11	116492	HOSE ASSY 3/8X128 #8 JIC SW	1
12	141828	MALE COUPLER, 8 O-RING	2
13	211319	HOSE ASM, 3/8 X 200, 8FJS X 8MOR	2
14	117259	HOSE ASSY 3/8X48 #8JIC	2

# Hydraulic Lift Layout (After 12/16/2021)

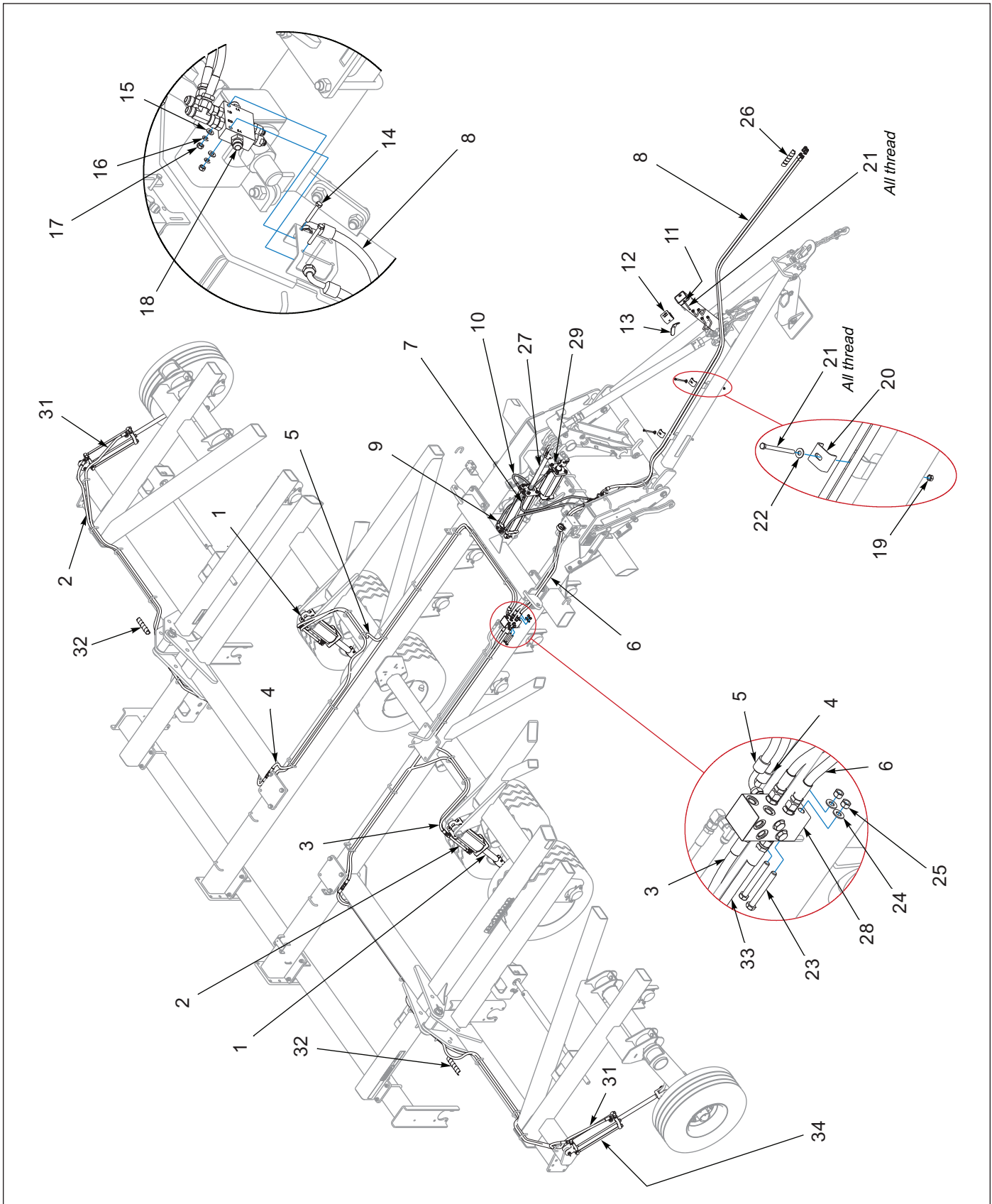


Figure 1-47: Hydraulic Lift Layout (After 12/16/2021)

## Hydraulic Lift Layout (After 12/16/2021)

ITEM	PART NUMBER	DESCRIPTION	QTY
1	234521	CYLINDER, REPHASE 4-1/2 X 14 (SEE PAGE 1-118)	2
2	7782-288	HOSE HYD 1/2 X 288	2
3	1412151	HOSE ASM, 1/2 X 105, 10FJS X 10FJS	1
4	211315	HOSE ASM, 1/2 X 178, 10FJS X 10FJS90	1
5	211314	HOSE ASM, 1/2 X 160, 10FJS X 10FJS90	1
6	51316-14	HOSE ASM, 1/2 X 56-1/2, 10FJS X 10FJS	2
7	211313	HOSE ASM, 3/8 X 42, 10FJS X 8FJS90	2
8	197698	HOSE ASM, 1/2 X 188, 10FJS90 X 8MOR	2
9	203425	HOSE ASM, 3/8 X 33, 8FJS X 8FJS90	1
10	71508954	HOSE AS M, 3/8 X 22, 8FJS X 8FJS	1
11	1-512-010007-07	NUT, HEX 3/8-16, ZP	1
12	141247	CLAMP, HOSE HOLDER	1
13	141249	WING NUT, HOSE HOLDER	1
14	1-654-010049-09	SCREW, HEX CAP, 5/16-18UNC X 2, GR5	2
15	1-861-010032-08	WASHER, FLAT 5/16, ZP	2
16	1-861-010034-10	WASHER, LKG 5/16	2
17	1-512-010007-06	NUT, HEX 5/16-18	2
18	164435	VALVE COUNTERBALANCE 855	1
19	1-512-010005-05	NUT, HEX, SLFLKG GRB 3/8-16	2
20	2-181-010001	HOSE CLAMP	2
21	196754	SCREW, ALL THREAD, 3/8-16 X 5	3
22	1-861-010032-11	WASHER, FLAT 3/8 W, ZP/CD	2
23	1-654-010055-13	SCREW, HEX CAP, 1/2-13UNC X 4, GR5	2
24	1-861-010032-14	WASHER, FLAT 1/2" N, ZP/CD	2
25	1-512-010007-09	NUT, HEX 1/2-13, ZP	2
26	155528	HOSE WRAP, BLUE 1" ID X 8"	1
27	9D731	HYD CYLINDER - 4 X 16 (SEE PAGE 1-122)	1
28	211306	MANIFOLD, HYD 16 PORT	1
29	1-242-010171-3	HYD CYLINDER, 4 X 8 (SEE PAGE 1-114)	1
30	105-0228	TIE STRAPS (NOT SHOWN)	15
31	241061	HOSE ASM, 1/2 X 180 #10FJS	2
32	5000595	HOSE WRAP, ø1-3/8" ID, BLACK	5
33	1412153	HOSE ASSY #8 123 OAL	1
34	234522	CYLINDER, REPHASE 4 X 14 (SEE PAGE 1-119)	2

# Hydraulic Lift Schematic (After 12/16/2021)

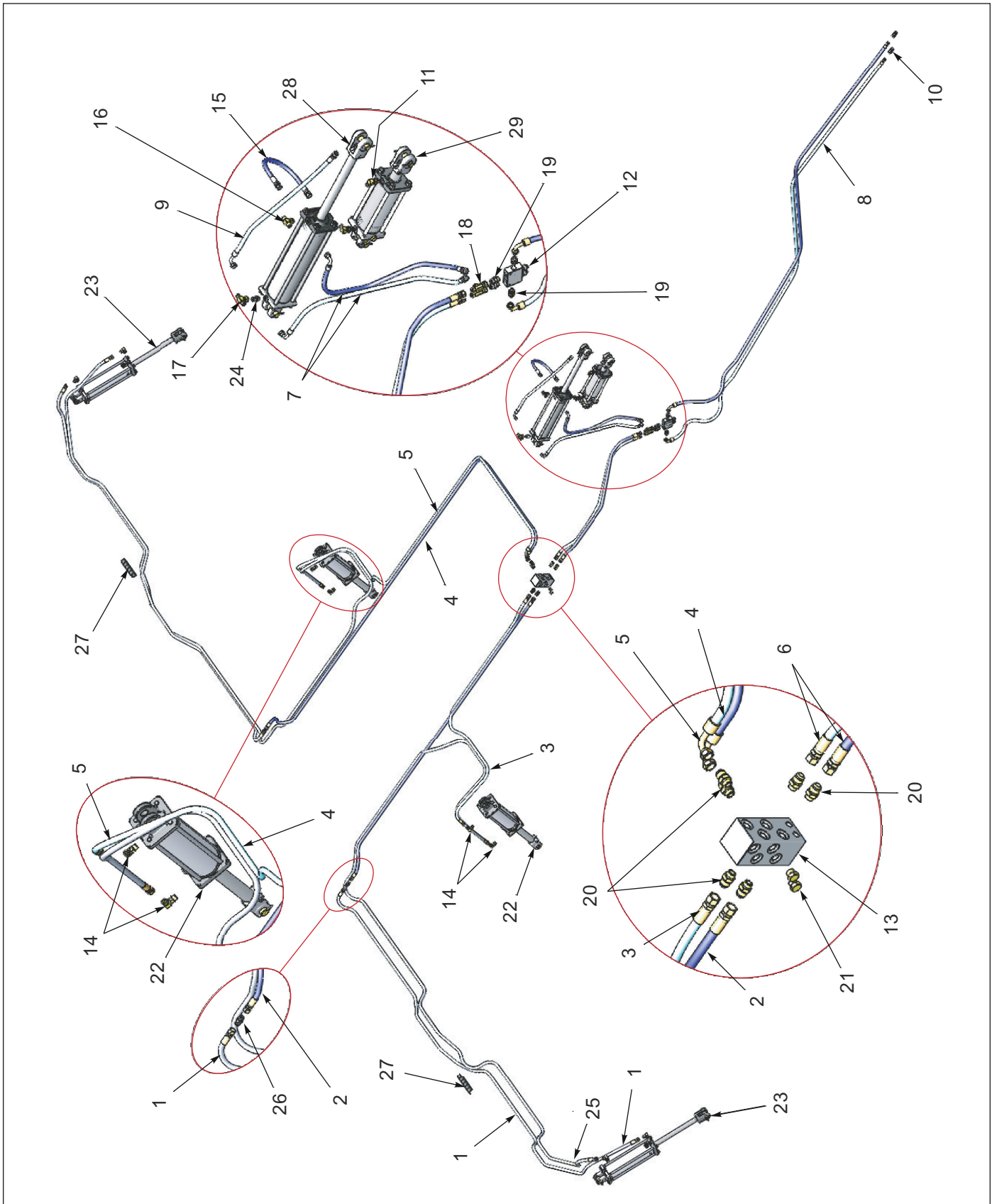


Figure 1-48: Hydraulic Lift Schematic (After 12/16/2021)

## Hydraulic Lift Schematic (After 12/16/2021)

ITEM	PART NUMBER	DESCRIPTION	QTY
1	241061	HOSE ASM, 1/2 X 180 #10FJS	2
2	1412153	HOSE ASM, 1/2 X 123, 10MJ X 10FJS	1
3	1412151	HOSE ASM, 1/2 X 105, 10FJS X 10FJS	1
4	211315	HOSE ASM, 1/2 X 178, 10FJS X 10FJS90	1
5	211314	HOSE ASM, 1/2 X 160, 10FJS X 10FJS90	1
6	51316-14	HOSE ASM, 1/2 X 56-1/2, 10FJS X 10FJS	2
7	211313	HOSE ASM, 3/8 X 42, 10FJS X 8FJS90	2
8	197698	HOSE ASM, 1/2 X 188, 10JS90 X 8MOR	2
9	203425	HOSE ASM, 3/8 X 33, 8FJS X 8FJS90	1
10	141828	MALE COUPLER, 8 O-RING	2
11	2062-8-8S	ELBOW, 8MJ X 8MOR90	3
12	164435	VALVE COUNTERBALANCE 855	1
13	211306	MANIFOLD, HYD 16 PORT	1
14	189302	ADAPTER, 90, #8 O-RING-#10JIC	4
15	71508954	HOSE ASM, 3/8 X 22, 8FJS X 8FJS	1
16	203003-8-8S	TEE, BRANCH, 8MJ X 8MJ X 8MOR	1
17	123109	TEE, BRANCH, 8MJ X 8MJ X 8FJS	1
18	196104	TEE, RUN, 10MJ X 10MJ X 10FJS	2
19	137486	ADAPTER, 10MJ X 10MOR	4
20	125863	ADAPTER, 10MJ X 8MOR	6
21	1-007-010025	PLUG, 8MOR	2
22	234521	CYLINDER, REPHASE 4-1/2 X 14 (SEE PAGE 1-118)	2
23	234522	CYLINDER, REPHASE 4 X 14 (SEE PAGE 1-119)	2
24	4K607	RESTRICTOR, 0.078	1
25	7782-288	HOSE HYD 1/2 X 288	2
26	234548	FITTING, UNION SAE 37 10X10	2
27	5000595	HOSE WRAP, $\phi$ 1-3/8" ID, BLACK	5
28	9D731	HYD CYLINDER - 4 X 16 (SEE PAGE 1-122)	1
29	1-242-010171-3	CYLINDER, HYD 4X8" 1-3/4 3000 (SEE PAGE 1-114)	1

# Hydraulic Lift Layout (Before 12/16/2021)

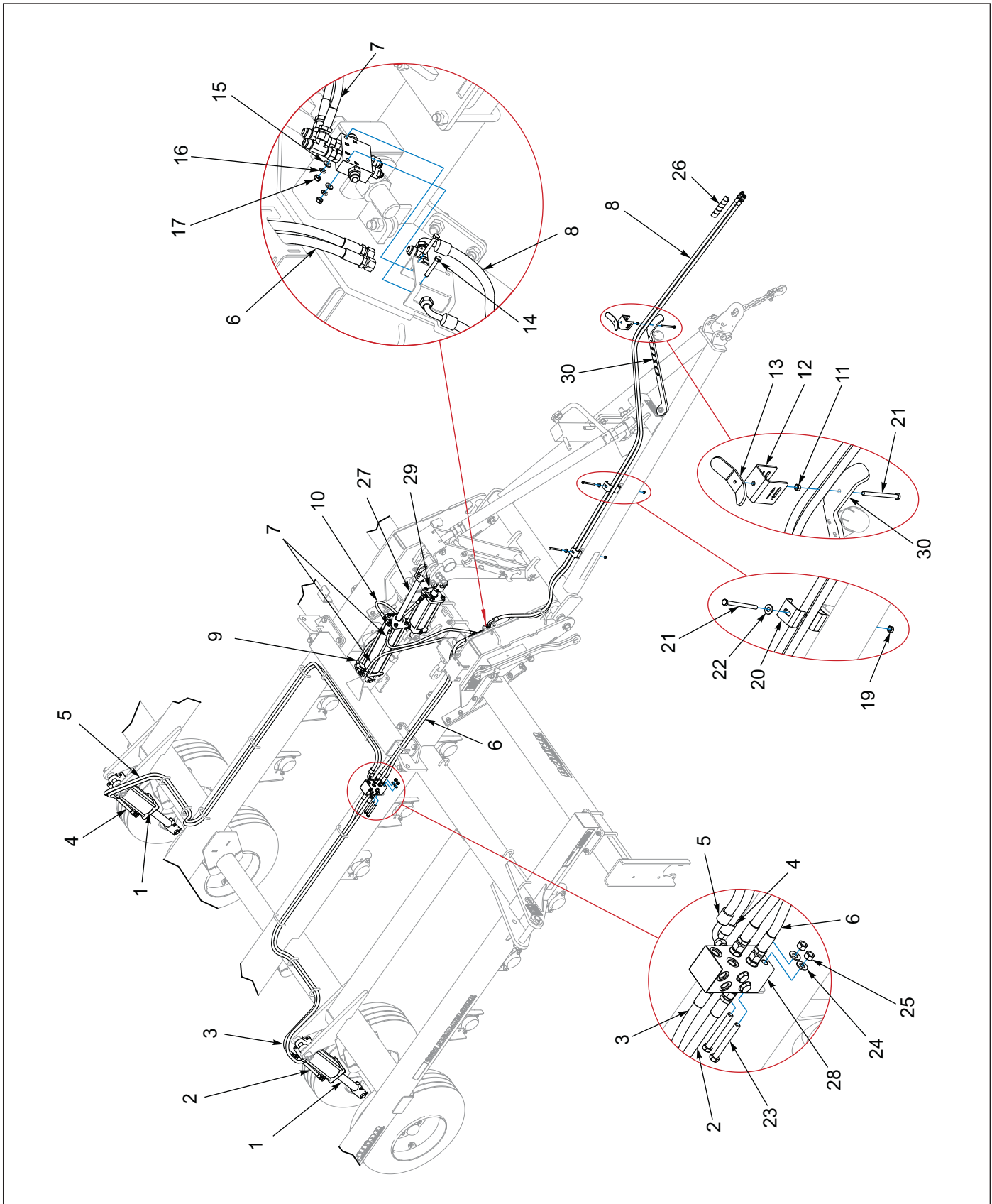


Figure 1-49: Hydraulic Lift Layout (Before 12/16/2021)



## Hydraulic Lift Layout (Before 12/16/2021)

ITEM	PART NUMBER	DESCRIPTION	QTY
1	181342	CYLINDER, HYDRAULIC 4-1/2 X 14 (SEE PAGE 1-115)	2
2	1412153	HOSE ASM, 1/2 X 123, 10MJ X 10FJS	1
3	1412151	HOSE ASM, 1/2 X 105, 10FJS X 10FJS	1
4	211315	HOSE ASM, 1/2 X 178, 10FJS X 10FJS90	1
5	211314	HOSE ASM, 1/2 X 160, 10FJS X 10FJS90	1
6	51316-14	HOSE ASM, 1/2 X 56-1/2, 10FJS X 10FJS	2
7	211313	HOSE ASM, 3/8 X 42, 10FJS X 8FJS90	2
8	197698	HOSE ASM, 1/2 X 188, 10FJS90 X 8MOR	2
9	203425	HOSE ASM, 3/8 X 33, 8FJS X 8FJS90	1
10	71508954	HOSE ASM, 3/8 X 22, 8FJS X 8FJS	1
11	1-512-010007-07	NUT, HEX 3/8-16, ZP	1
12	141247	CLAMP, HOSE HOLDER	1
13	141249	WING NUT, HOSE HOLDER	1
14	1-654-010049-09	SCREW, HEX CAP, 5/16-18UNC X 2, GR5	2
15	1-861-010032-08	WASHER, FLAT 5/16, ZP	2
16	1-861-010034-10	WASHER, LKG 5/16	2
17	1-512-010007-06	NUT, HEX 5/16-18	2
18	164435	VALVE COUNTERBALANCE 855	1
19	1-512-010005-05	NUT, HEX, SLFLKG GRB 3/8-16	2
20	2-181-010001	HOSE CLAMP	2
21	196754	SCREW, ALL THREAD, 3/8-16 X 5	3
22	1-861-010032-11	WASHER, FLAT 3/8 W, ZP/CD	2
23	1-654-010055-13	SCREW, HEX CAP, 1/2-13UNC X 4, GR5	2
24	1-861-010032-14	WASHER, FLAT 1/2" N, ZP/CD	2
25	1-512-010007-09	NUT, HEX 1/2-13, ZP	2
26	155528	HOSE WRAP, BLUE 1" ID X 8"	1
27	9D731	HYD CYLINDER - 4 X 16 (SEE PAGE 1-122)	1
28	211306	MANIFOLD, HYD 16 PORT	1
29	1-242-010171-3	HYD CYLINDER, 4 X 8 (SEE PAGE 1-114)	1
30	193226	BRACKET, HOSE HOLDER	1
31	105-0228	TIE STRAPS (NOT SHOWN)	15

# Hydraulic Lift Schematic (Before 12/16/2021)

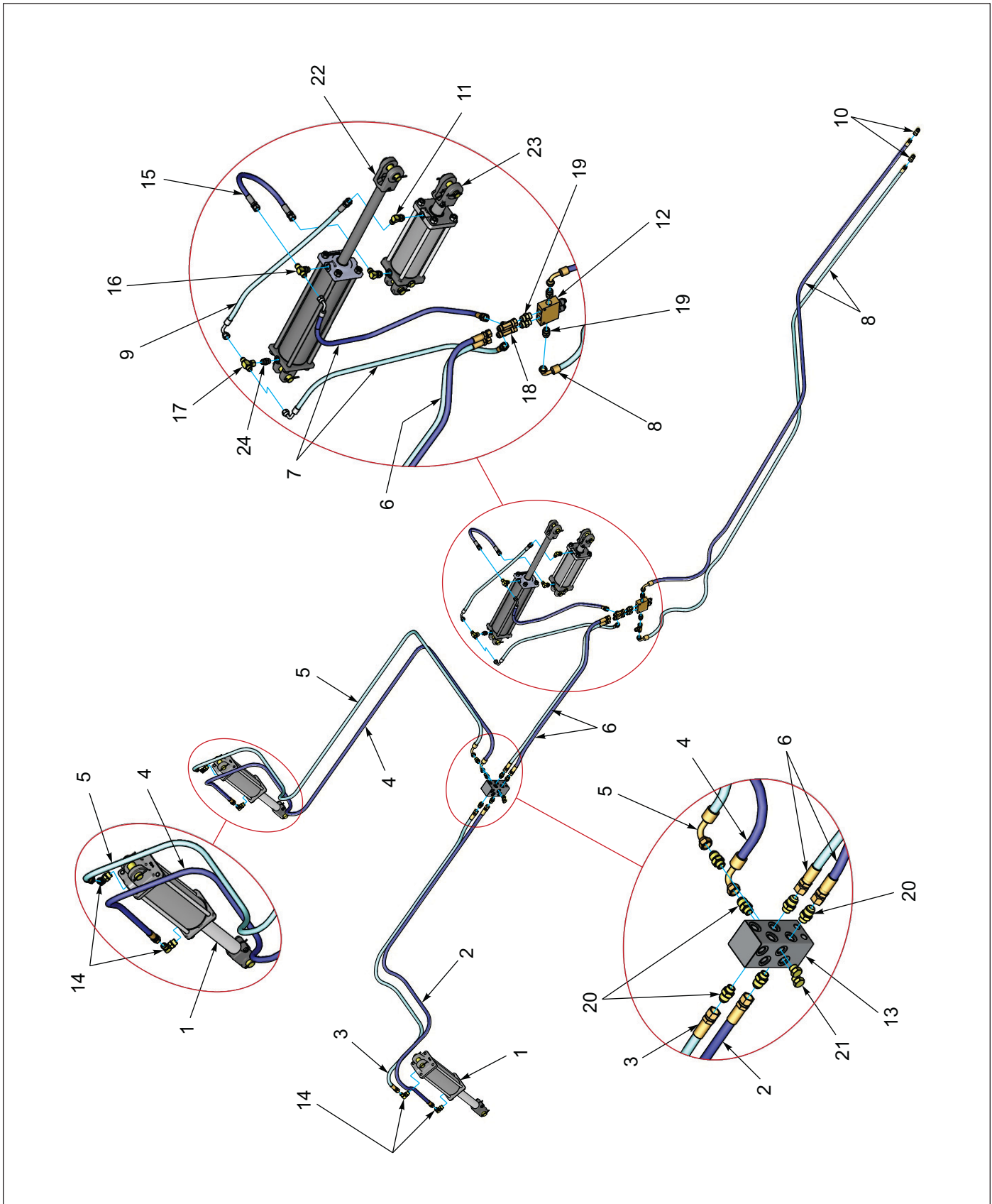


Figure 1-50: Hydraulic Lift Schematic (Before 12/16/2021)

## Hydraulic Lift Schematic (Before 12/16/2021)

ITEM	PART NUMBER	DESCRIPTION	QTY
1	181342	CYLINDER, HYDRAULIC 4-1/2 X 14 (SEE PAGE 1-115)	2
2	1412153	HOSE ASM, 1/2 X 123, 10MJ X 10FJS	1
3	1412151	HOSE ASM, 1/2 X 105, 10FJS X 10FJS	1
4	211315	HOSE ASM, 1/2 X 178, 10FJS X 10FJS90	1
5	211314	HOSE ASM, 1/2 X 160, 10FJS X 10FJS90	1
6	51316-14	HOSE ASM, 1/2 X 56-1/2, 10FJS X 10FJS	2
7	211313	HOSE ASM, 3/8 X 42, 10FJS X 8FJS90	2
8	197698	HOSE ASM, 1/2 X 188, 10JS90 X 8MOR	2
9	203425	HOSE ASM, 3/8 X 33, 8FJS X 8FJS90	1
10	141828	MALE COUPLER, 8 O-RING	2
11	2062-8-8S	ELBOW, 8MJ X 8MOR90	2
12	164435	VALVE COUNTERBALANCE 855	1
13	211306	MANIFOLD, HYD 16 PORT	1
14	124511	ELBOW, 10MJ X 10MOR	4
15	71508954	HOSE ASM, 3/8 X 22, 8FJS X 8FJS	1
16	203003-8-8S	TEE, BRANCH, 8MJ X 8MJ X 8MOR	1
17	123109	TEE, BRANCH, 8MJ X 8MJ X 8FJS	1
18	196104	TEE, RUN, 10MJ X 10MJ X 10FJS	2
19	137486	ADAPTER, 10MJ X 10MOR	4
20	125863	ADAPTER, 10MJ X 8MOR	6
21	1-007-010025	PLUG, 8MOR	2
22	9D731	HYD CYLINDER, 4 X 16 (SEE PAGE 1-122)	1
23	1-242-010171-3	HYD CYLINDER, 4 X 8 (SEE PAGE 1-114)	1
24	4K607	RESTRICTOR, 0.078	1

# Electrical Layout

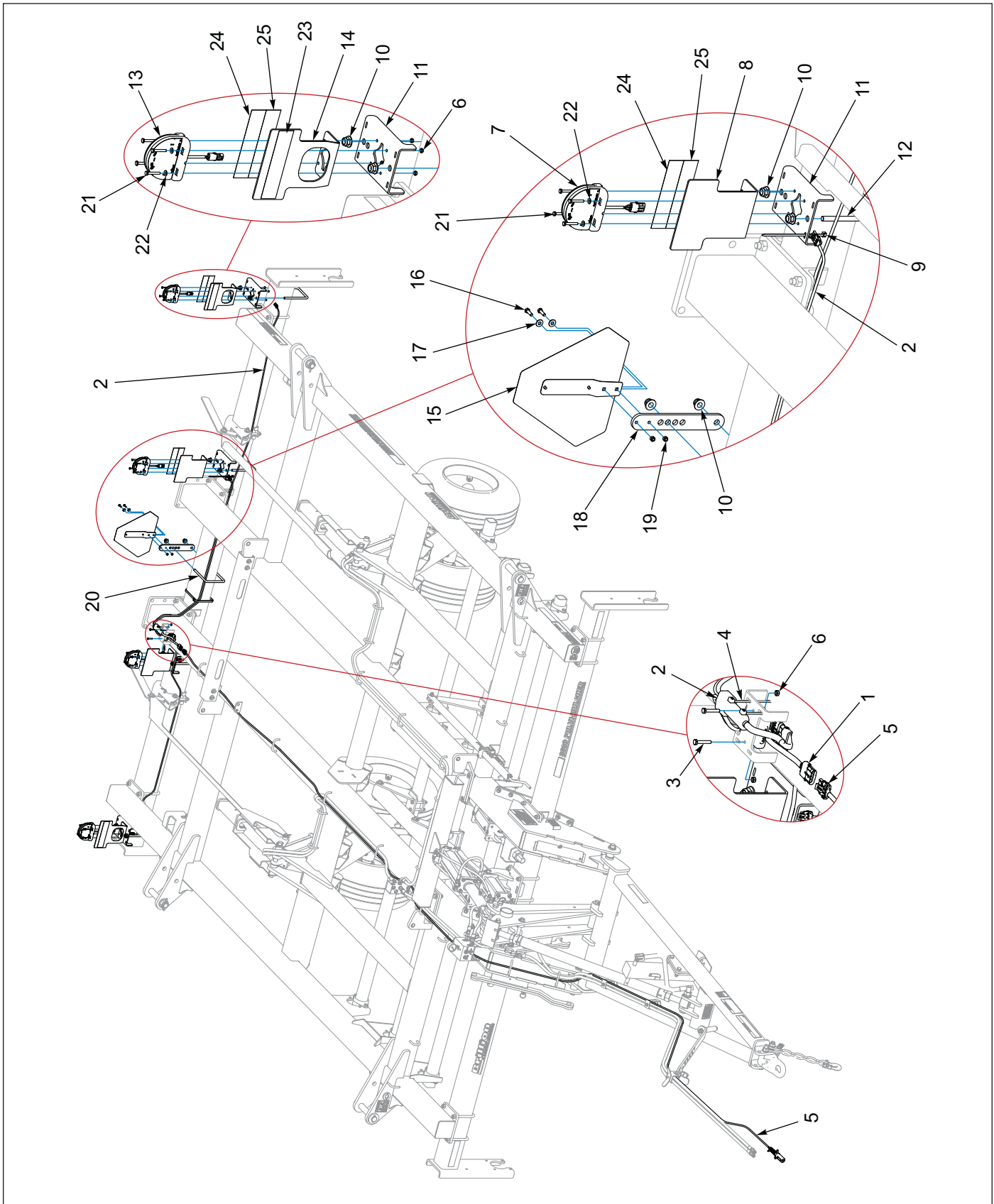


Figure 1-51: Electrical Layout

## Electrical Layout

ITEM	PART NUMBER	DESCRIPTION	QTY
1	174437	MODULE, AG FLASHER CONTROL	1
2	175151	HARNESS, LED WARNING LIGHTS	1
3	1-654-010047-08	SCREW, HX CP, 1/4-20UNC X 1-1/2, G5	2
4	7K678	CABLE TIE	12
5	178517	HARNESS, AG 40 FT	1
6	1-512-010005-01	NUT, HEX SLFLKG GRB 1/4-20	18
7	174435	LAMP, AG RED SINGLE LED	2
8	164140	REFLECTOR ASM (INCLUDES ITEMS 24,25)	2
9	105-0228	TYWRAP 8IN LG TY-5272MX	20
10	2P254	NUT, FLANGE NY-LOK 5/8-11	10
11	187434	LIGHT BRACKET, 5&6 TUBE	4
12	149192	U-BOLT, 6-11/16 CENTERS X 8-1/2	4
13	174436	LAMP, AG AMBER SINGLE LED	2
14	181713	REFLECTOR ASM (WITH CUT-OUT) (INCLUDES ITEMS 23,24,25)	2
15	2P151	SMV W/BRACKET	1
16	1-654-010049-05	SCREW HX CP 5/16-18UNC X 1, GR5	2
17	1-861-010032-09	WASHER, FLAT 5/16 W, ZP/CD	2
18	164678	MOUNT, SMV	1
19	104032	NUT, HX SLF-LKG W/NYL 5/16-18	2
20	178532	U-BLT, 5/8-11 X 6-11/16 X 7-1/2, ZP	1
21	1-654-010047-09	SCREW, HEX CAP, 1/4-20 UNC X 1-3/4, G5	16
22	1-861-010032-06	WASHER, FLAT 1/4 N, ZP/CD	16
23	528934	REFLECTOR - YELLOW	1
24	528938	STRIPE, ORANGE	1
25	528933	REFLECTOR - RED	1

# Electrical Schematic

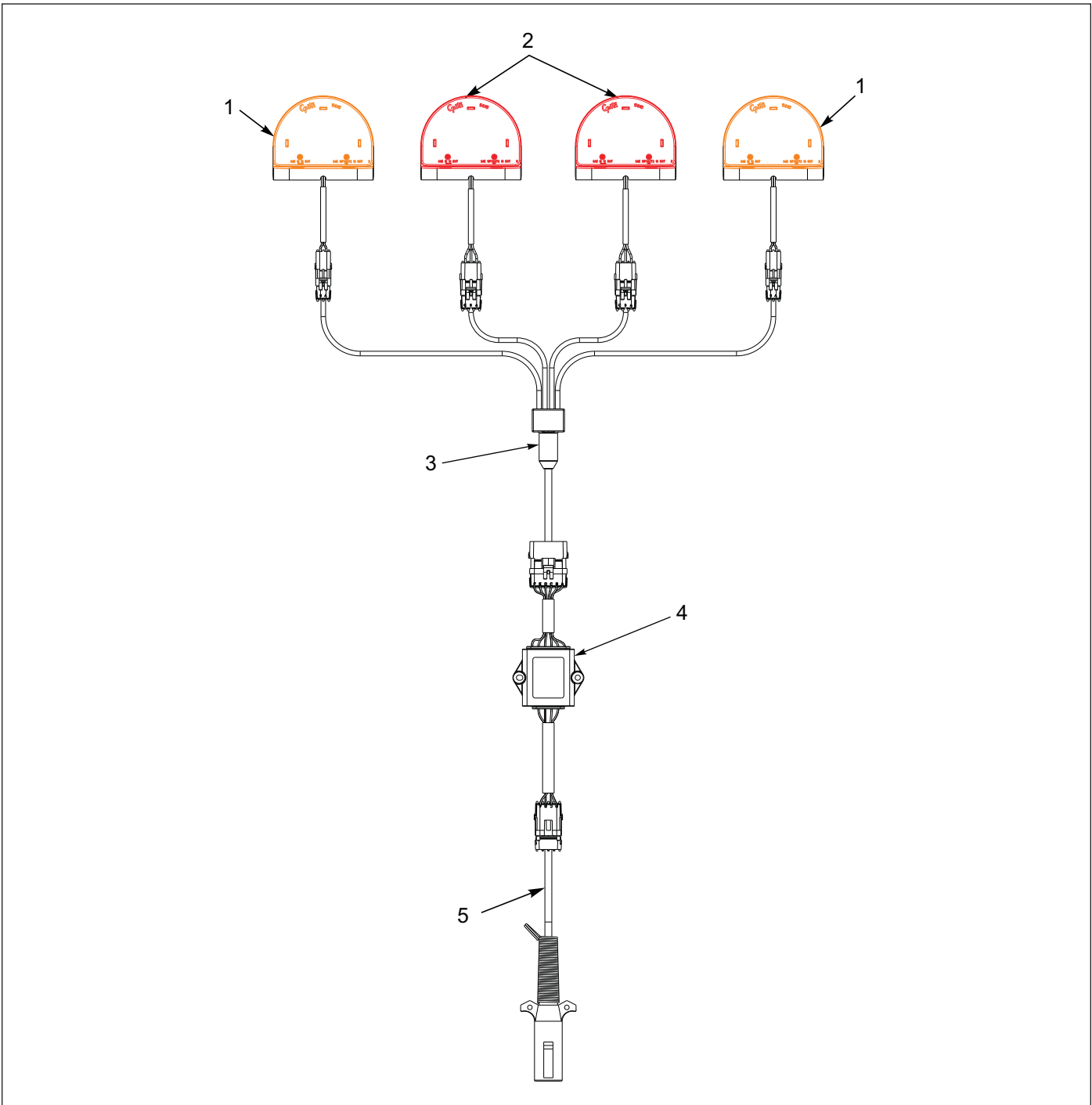


Figure 1-52: Electrical Schematic

# Electrical Schematic

ITEM	PART NUMBER	DESCRIPTION	QTY
1	174436	LAMP, AG AMBER SINGLE LED	2
2	174435	LAMP, AG RED SINGLE LED	2
3	175151	HARNESS, LED WARNING LIGHTS	1
4	174437	MODULE, AG FLASHER CONTROL	1
5	178517	HARNESS, AG 40 FT	1



# Front Scrapers - Optional

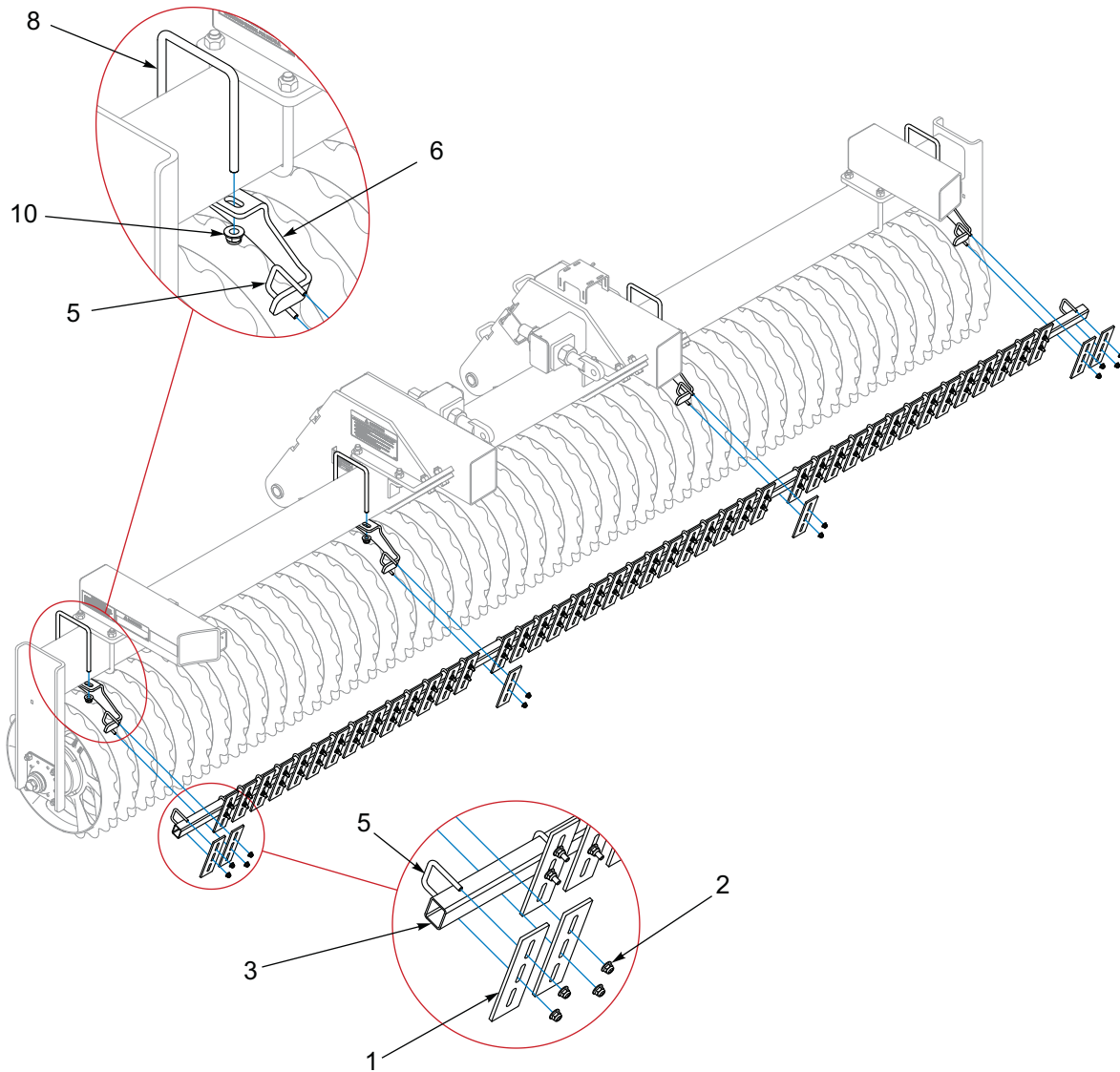


Figure 1-53: Front Scrapers, Center - Optional



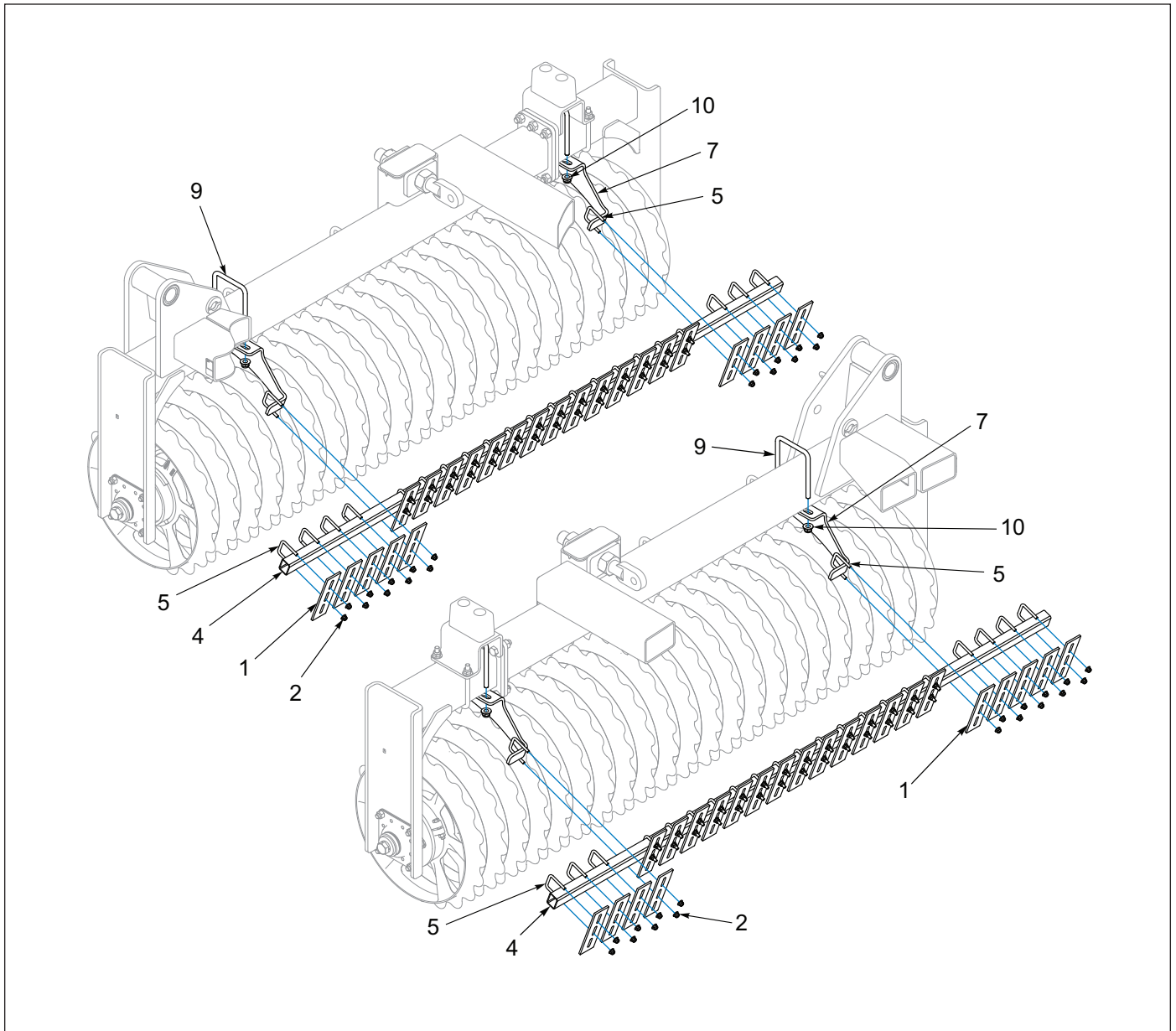


Figure 1-54: Front Scrapers, Wing - Optional

### Front Scrapers - Optional

ITEM	PART NUMBER	DESCRIPTION	QTY
	219154	KIT, FRONT SCRAPER, 3631-30 2P800 WHEEL	--
	214039	KIT, FRONT SCRAPER, 3631-30 (SHOWN)	1
1	8J014	SCRAPER, 2-1/2" WIDE	95
2	2P252	NUT, FLANGE NY-LOK, 3/8-16	190
3	211269	TUBE RECT 2 X 1-1/2 X 196 (CENTER)	1
4	211274	TUBE RECT 2 X 1-1/2 X 92 (WINGS)	2
5	171749	U-BOLT, 3/8-16 X 2-7/16 X 2-3/4	95
6	211160	MOUNT, CENTER SCRAPER	4
7	211161	BRACKET, WING SCRAPER	4
8	178532	U-BOLT, 5/8-11 X 6-11/16 X 7-1/2, ZP (CENTER)	4
9	181363	U-BOLT, 5/8-11 X 5-11/16 X 6-3/4, ZP (WINGS)	4
10	2P254	NUT, FLANGE NY-LOK 5/8-11	8

### 3 - Bar Coil Tine Harrow Kit - Optional

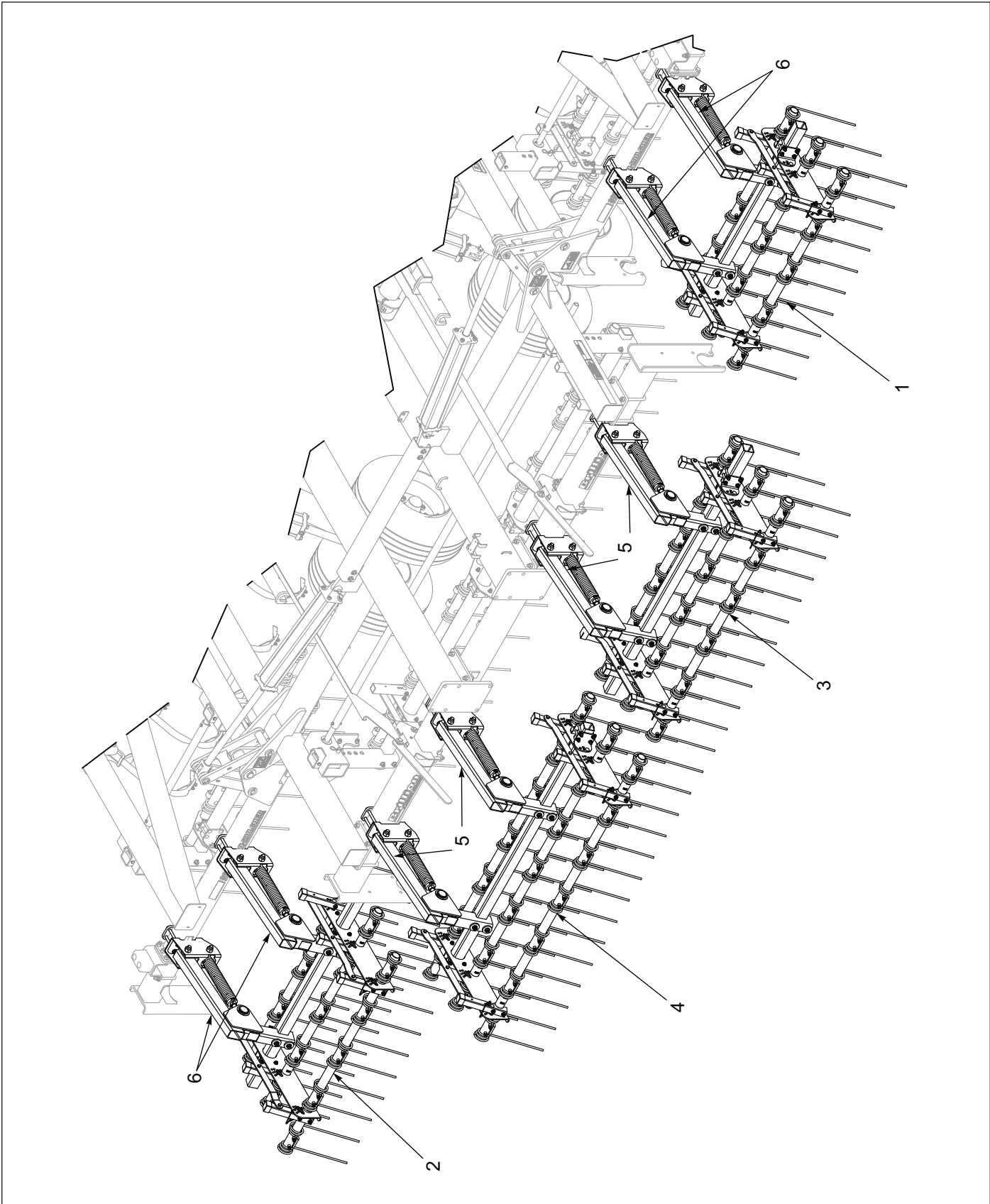


Figure 1-55: 3 - Bar Coil Tine Harrow Kit - Optional

### 3 - Bar Coil Tine Harrow Kit - Optional

ITEM	PART NUMBER	DESCRIPTION	QTY
	213908	KIT, 3631-30 COIL TINE HARROW	1
1	168799	HARROW ASM. 5 TINE, 3 ROW (SEE PAGE 1-96)	1
2	198621	HARROW ASM, 5 TINE, 3 ROW (SEE PAGE 1-98)	1
3	168800	HARROW ASM, 6 TINE, 3 ROW (SEE PAGE 1-100)	1
4	168801	HARROW ASM, 7 TINE, 3 ROW (SEE PAGE 1-102)	1
5	221594	HARROW ARM ASM, CTR W/O LIFT (SEE PAGE 1-104)	4
6	221593	HARROW ARM ASM, WING W/O LIFT (SEE PAGE 1-105)	4

# Harrow Assembly, 5 Tine, 3 Row RH - Optional

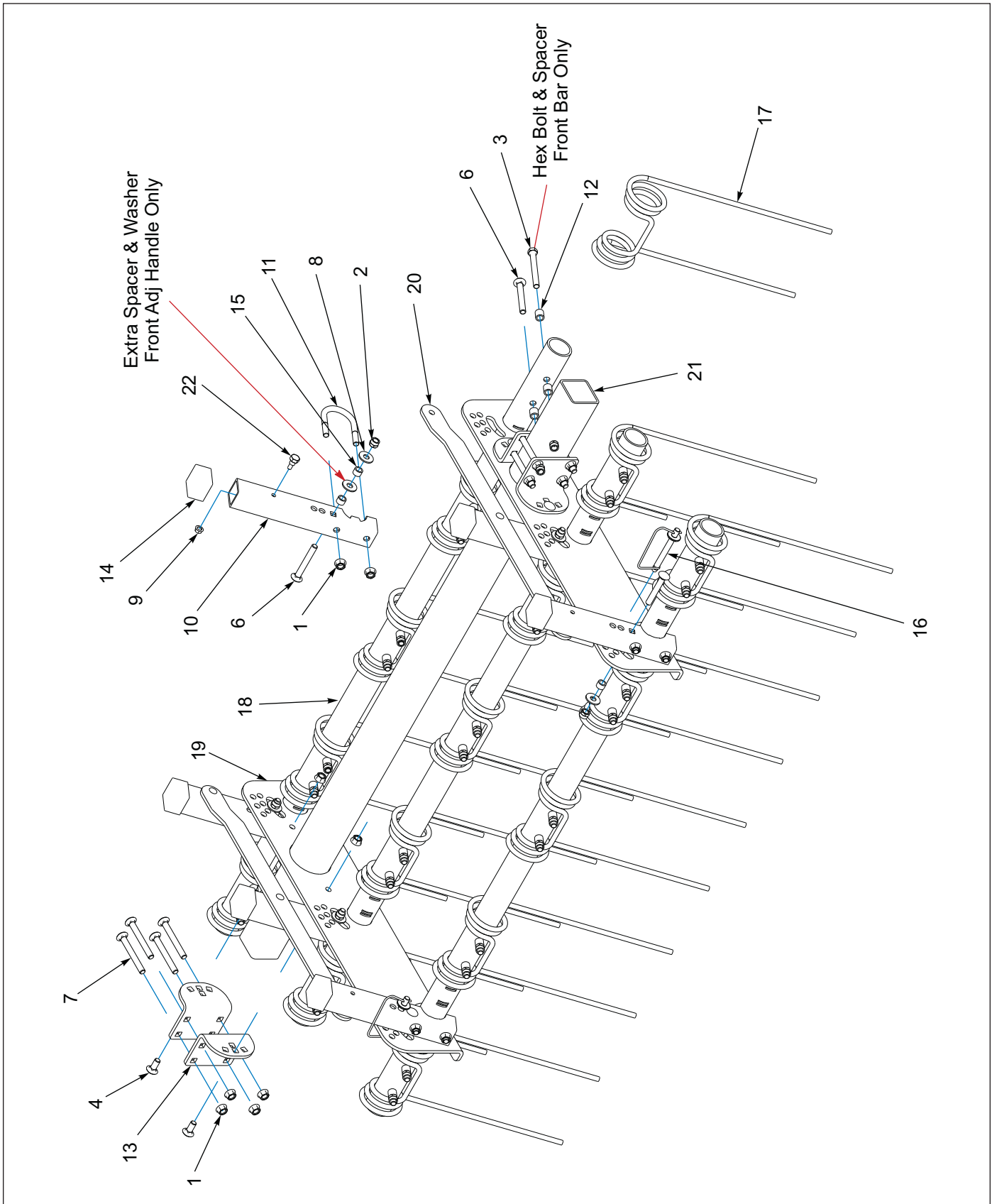


Figure 1-56: Harrow Assembly, 5 Tine, 3 Row RH - Optional

## Harrow Assembly, 5 Tine, 3 Row RH - Optional

ITEM	PART NUMBER	DESCRIPTION	QTY
	168799	HARROW ASM, 5 TINE, 3 ROW (RIGHT HAND)	1
1	1-510-010003-09	NUT, FLG HD, SERR, 1/2-13 UNC	24
2	1-512-010005-09	NUT, HEX, SLFLKG, 1/2-13 UNC, GRB	36
3	1-654-010055-14	SCREW, HEX, 1/2-13UNC X 4-1/2, GR5	5
4	1-654-010070-02	SCREW, RDH, SQNK, 1/2-13 X 1-1/4	4
5	1-654-010070-11	SCREW, RDH, SQNK, 1/2-13 X 3-1/2	4
6	1-654-010070-13	SCREW, RDH, SQNK, 1/2-13 X 4	27
7	1-654-010070-14	SCREW, RDH, SQNK, 1/2-13 X 4-1/2	8
8	1-861-010032-15	WASHER, FLAT, ZP/CD, 1/2W	8
9	107470	NUT, FLG HD, SPIRALOCK, 3/8-16 UNC	6
10	154994	TUBE, ANGLE ADJUST	6
11	154995	U-BOLT, 1/2-13UNC	6
12	154997	TUBE. ROUND .75 OD X .532 ID X.75	35
13	154998	PLATE, ANGLE ADJUSTMENT	4
14	155927	CAP, TUBE 1.95 X 1.5 BLACK	6
15	155956	TUBE. ROUND .75 OD X .532 ID X.5	8
16	155971	PIN, SPRING CLIP	2
17	164315	TINE, HARROW 7/16 X 18	15
18	164318	GANG BAR 5 TINE 8 IN 73"	3
19	166336	PLATE, GANG BAR 3 ROW	2
20	168763	LINK, TINE ADJUSTMENT 3 ROW	2
21	170870	TUBE, SQ 3 X 3/16 X 70	1
22	2-095-010017	SCREW, HEX, 1/2-13UNC X 1, GR5	6

# Harrow Assembly, 5 Tine, 3 Row LH - Optional

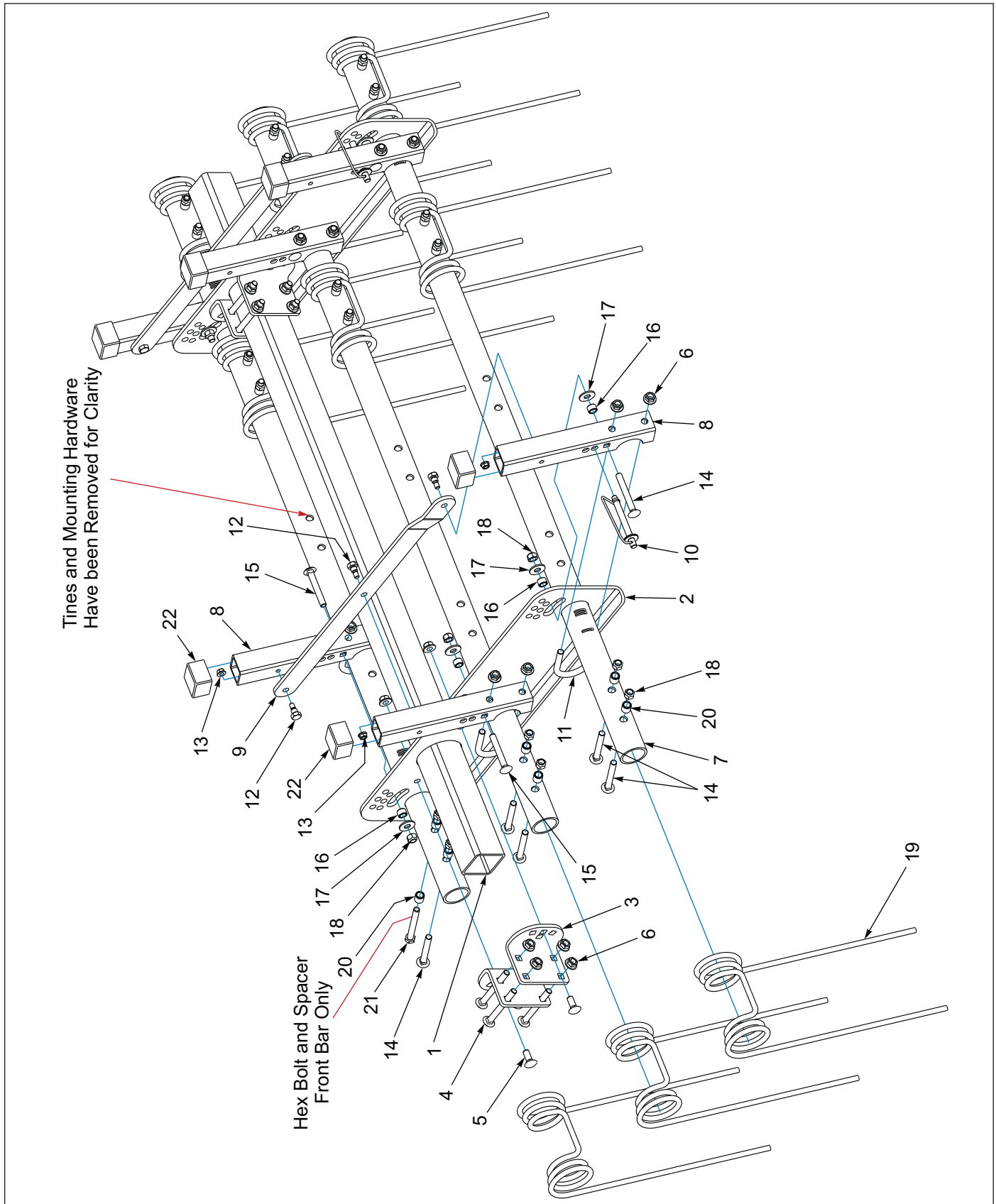


Figure 1-57: Harrow Assembly, 5 Tine, 3 Row LH - Optional

## Harrow Assembly, 5 Tine, 3 Row LH - Optional

ITEM	PART NUMBER	DESCRIPTION	QTY
	198621	HARROW ASM, 5 TINE, 3 ROW (LEFT HAND)	1
1	170870	TUBE, SQ 3 X 3/16 X 70	1
2	166336	PLATE, GANG BAR 3 ROW	2
3	154998	PLATE ANGLE ADJUSTMENT	4
4	1-654-010070-14	SCREW, 1/2-13 X 4-1/2, RDHD SQNCK	8
5	1-654-010070-02	SCREW, 1/2-13 X 1-1/4, RDHD SQNK	4
6	1-510-010003-09	NUT, 1/2-13 FLANGE HD, SERRATED	24
7	164318	GANG BAR 5 TINE 8 IN 73"	3
8	154994	TUBE, ANGLE ADJUST	6
9	168763	LINK TINE ADJUSTMENT 3 ROW	2
10	155971	PIN, HARROW ADJ	2
11	154995	U-BOLT, 1/2	6
12	2-095-010017	BOLT, SHOULDER HEX HEAD	6
13	107470	NUT, SPIRALOCK 3/8-16HX	6
14	1-654-010070-13	SCREW, RHHD, SQNCK 1/2-13 X 4	27
15	1-654-010070-11	SCREW, RDHD, SQNCK 1/2-13 X 3-1/2	4
16	155956	BUSHING ANGLE ADJUSTMENT	8
17	1-861-010032-15	WASHER, FLAT 1/2 W, ZP/CD	8
18	1-512-010005-09	NUT, HEX SLFLKG, 1/2-13 GRB	36
19	164315	TINE, HARROW 7/16 X 18	15
20	154997	TUBE, 0.75OD X 0.532ID X 0.75, ZP	35
21	1-654-010055-14	SCREW, HX CP, 1/2-13UNC X 4-1/2, G5	5
22	155927	CAP, TUBE 1.95 X 1.5 BLACK	6

# Harrow Assembly, 6 Tine, 3 Row - Optional

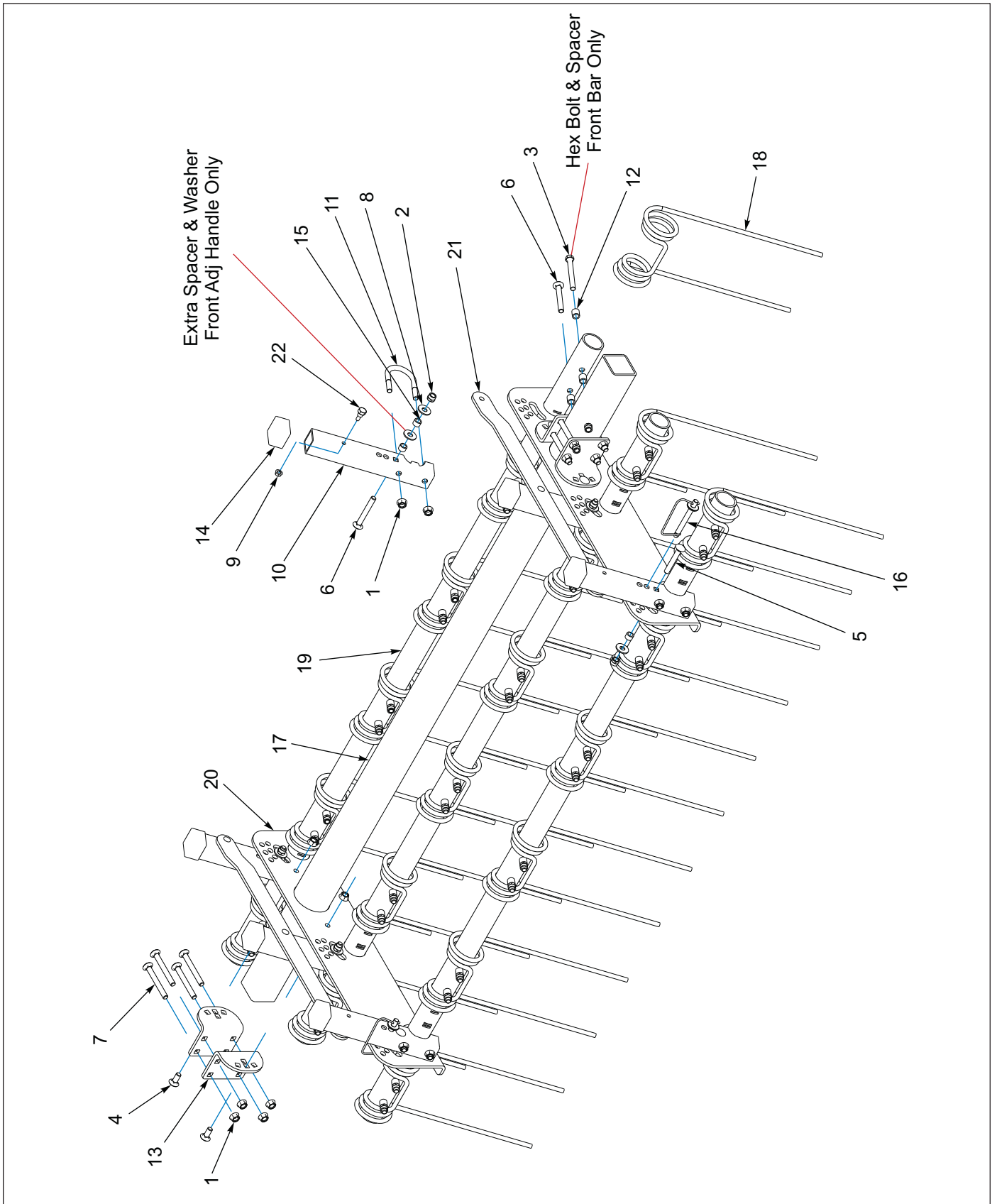


Figure 1-58: Harrow Assembly, 6 Tine, 3 Row - Optional



## Harrow Assembly, 6 Tine, 3 Row - Optional

ITEM	PART NUMBER	DESCRIPTION	QTY
	168800	HARROW ASM, 6 TINE, 3 ROW	1
1	1-510-010003-09	NUT, FLG HD, SERR, 1/2-13 UNC	24
2	1-512-010005-09	NUT, HEX, SLFLKG, 1/2-13 UNC, GRB	42
3	1-654-010055-14	SCREW, HEX, 1/2-13UNC X 4-1/2, GR5	6
4	1-654-010070-02	SCREW, RDHD, SQNK, 1/2-13 X 1-1/4	4
5	1-654-010070-11	SCREW, RDHD, SQNK, 1/2-13 X 3-1/2	4
6	1-654-010070-13	SCREW, RDHD, SQNK, 1/2-13 X 4	32
7	1-654-010070-14	SCREW, RDHD, SQ NK, 1/2-13 X 4-1/2	8
8	1-861-010032-15	WASHER, FLAT, ZP/CD, 1/2W	8
9	107470	NUT, FLG HD, SPIRALOCK, 3/8-16 UNC	6
10	154994	TUBE, ANGLE ADJUST	6
11	154995	U-BOLT, 1/2-13UNC	6
12	154997	TUBE. ROUND .75 OD X .532 ID X.75	42
13	154998	PLATE, ANGLE ADJUSTMENT	4
14	155927	CAP, TUBE 1.95 X 1.5 BLACK	6
15	155956	TUBE. ROUND .75 OD X .532 ID X.5	8
16	155971	PIN, SPRING CLIP	2
17	156778	TUBE, RIDE BAR 90.5"	1
18	164315	TINE, HARROW 7/16 X 18	18
19	164319	GANG BAR 6 TINE 8 IN 89"	3
20	166336	PLATE, GANG BAR 3 ROW	2
21	168763	LINK, TINE ADJUSTMENT 3 ROW	2
22	2-095-010017	SCREW, HEX, 1/2-13UNC X 1, GR5	6

# Harrow Assembly, 7 Tine, 3 Row - Optional

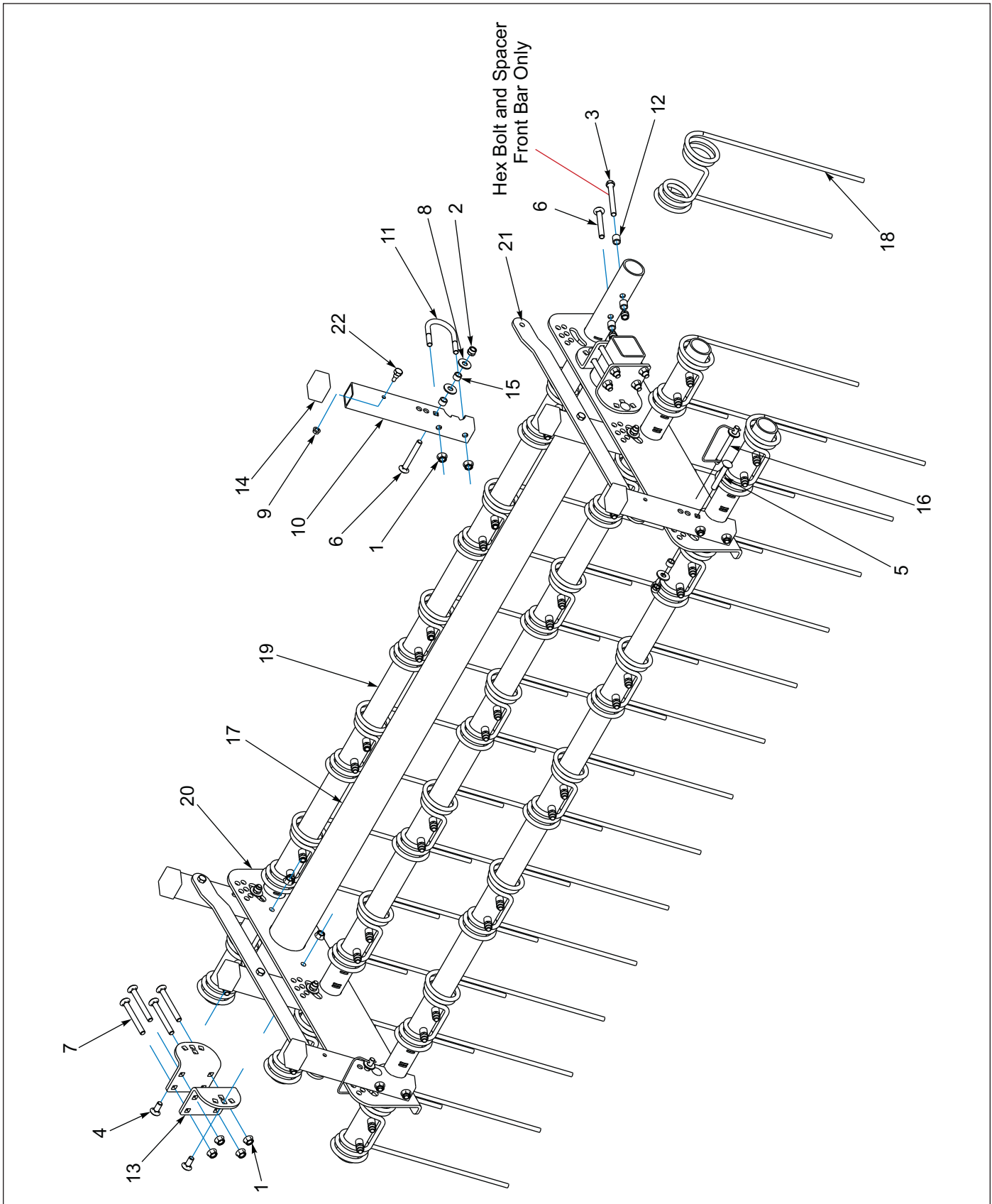


Figure 1-59: Harrow Assembly, 7 Tine, 3 Row - Optional

## Harrow Assembly, 7 Tine, 3 Row - Optional

ITEM	PART NUMBER	DESCRIPTION	QTY
	168801	HARROW ASM, 7 TINE, 3 ROW	1
1	1-510-010003-09	NUT, FLG HD, SERRATED, 1/2-13 UNC	24
2	1-512-010005-09	NUT, HEX, SLFLKG, 1/2-13 UNC, GRB	48
3	1-654-010055-14	SCREW, HEX, 1/2-13UNC X 4-1/2, GR5	7
4	1-654-010070-02	SCREW, RDHD, SQNK, 1/2-13 X 1-1/4	4
5	1-654-010070-11	SCREW, RDHD, SQNK, 1/2-13 X 3-1/2	4
6	1-654-010070-13	SCREW, RDHD, SQNK, 1/2-13 X 4	37
7	1-654-010070-14	SCREW, RDHD, SQNK, 1/2-13 X 4-1/2	8
8	1-861-010032-15	WASHER, FLAT, ZP/CD, 1/2W	8
9	107470	NUT, FLG HD, SPIRALOCK, 3/8-16 UNC	6
10	154994	TUBE, ANGLE ADJUST	6
11	154995	U-BOLT, 1/2-13UNC	6
12	154997	TUBE. ROUND .75 OD X .532 ID X.75	49
13	154998	PLATE, ANGLE ADJUSTMENT	4
14	155927	CAP, TUBE 1.95 X 1.5 BLACK	6
15	155956	TUBE. ROUND .75 OD X .532 ID X.5	8
16	155971	PIN, SPRING CLIP	2
17	156778	TUBE, RIDE BAR 90.5"	1
18	164315	TINE, HARROW 7/16 X 18	21
19	164320	GANG BAR 6 TINE 8 IN 89"	3
20	166336	PLATE, GANG BAR 3 ROW	2
21	168763	LINK, TINE ADJUSTMENT 3 ROW	2
22	2-095-010017	SCREW, HEX, 1/2-13UNC X 1, GR5	6

## Center Harrow Arm Assembly - Optional

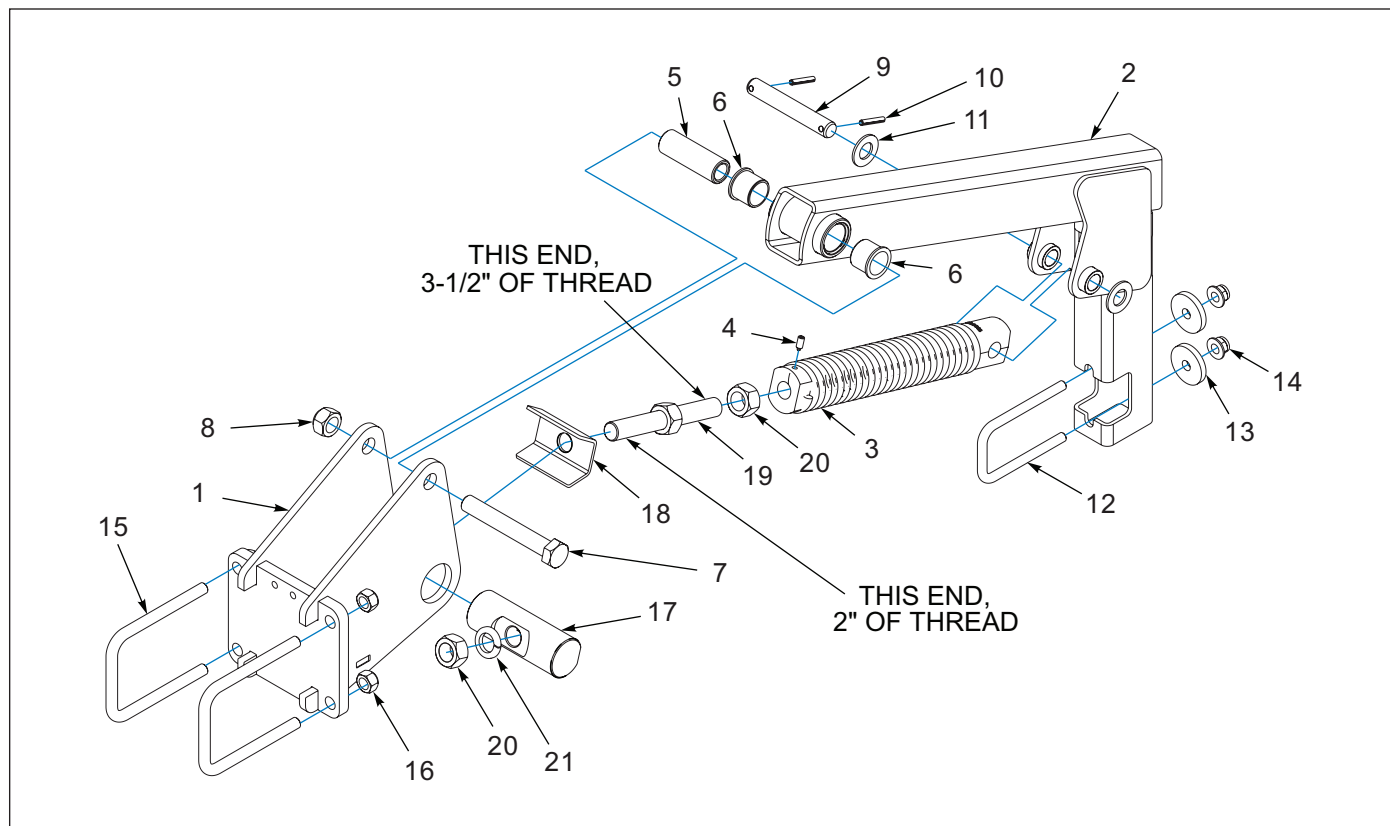


Figure 1-60: Center Harrow Arm Assembly - Optional

## Center Harrow Arm Assembly - Optional

ITEM	PART NUMBER	DESCRIPTION	QTY
	221594	HARROW ARM ASM, CTR W/O LIFT	1
1	221587	MOUNT, CTR HARROW ARM WLDMT	1
2	221582	ARM, HARROW WLDMT	1
3	206652	SPRING ASSY 17" 1-1/8 THD	1
4	1P444	SET SCREW, 3/8-16 X 3/4 NYLON	1
5	155002	BUSHING PIVOT 1-1/2	1
6	140599	BEARING, FLANGE 1-1/2"	2
7	100830	SCREW,HEX CAP,1-8 X 7,Gr5	1
8	1-512-010005-19	NUT 1-8 HEX SLF-LOCKING GrB	1
9	6J580	PIN (1 x 6-1/2)	1
10	147072	PIN, SPRING SLOTTED 5/16 X 2	2
11	1-861-010032-25	WASHER FL 1IN WIDE ZP	2
12	8-102-010043	U-BLT,5/8-11 X 3-11/16 X 6-3/8	1
13	171745	WASHER, 0.656 X 2.5 X 0.375,ZP	2
14	2P254	NUT, FLANGE NY-LOK 5/8-11	2
15	7K723	U-BLT,3/4-10 X 6-13/16 X 7-3/4	2
16	1-512-010005-15	NUT,HEX,SLFLKG GrB 3/4-10	4
17	224182	PIN, ADJUSTER	1
18	224183	CLIP,ADJUSTER PIN	1
19	224181	ROD, HARROW ARM ADJUSTER WLDMT	1
20	206675	NUT, 1-1/8 -12 UNF, Z/P Gr 2	2
21	142786	WASHER, LOCK 1-1/8 ZP	1

## Wing Harrow Arm Assembly - Optional

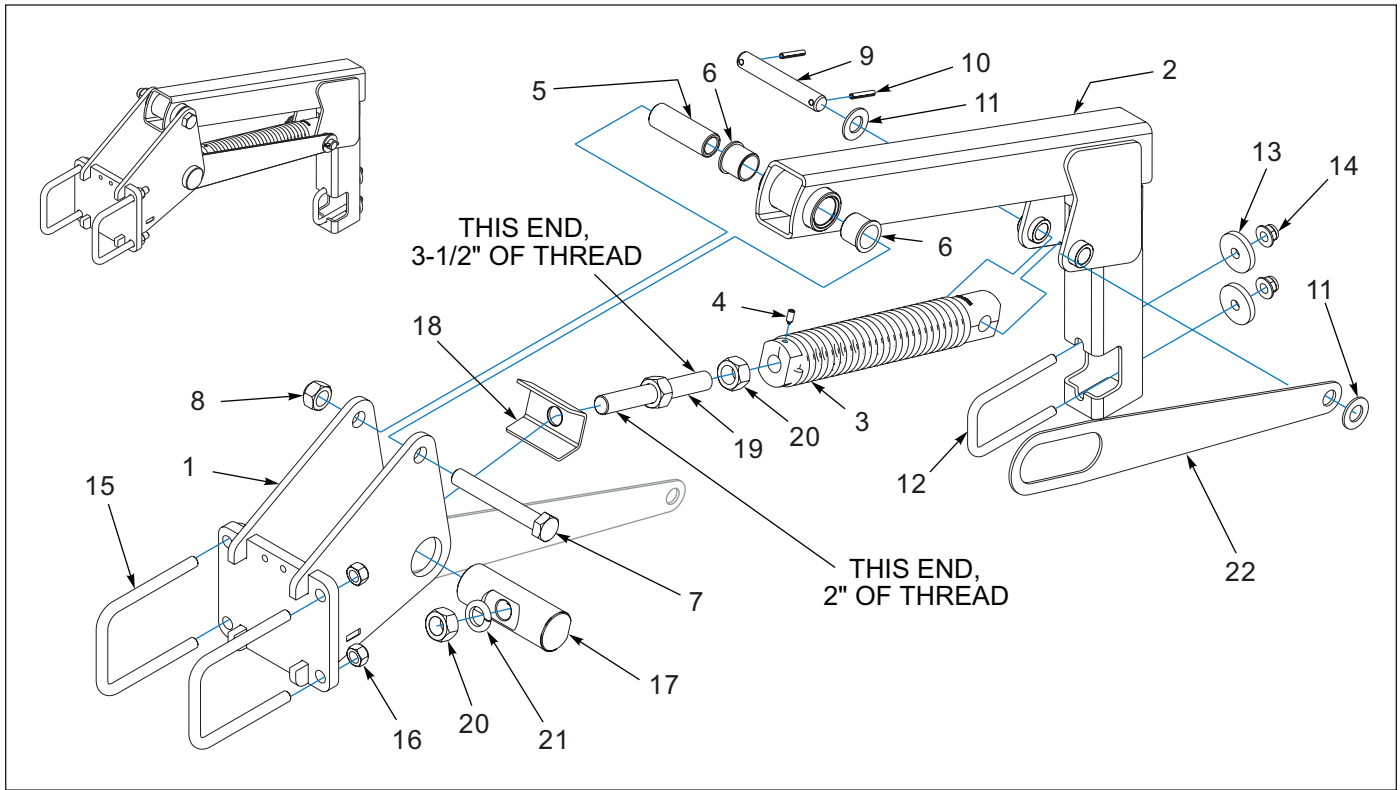


Figure 1-61: Wing Harrow Arm Assembly - Optional

## Wing Harrow Arm Assembly, Optional

ITEM	PART NUMBER	DESCRIPTION	QTY
	221593	HARROW ARM ASM, WING W/O LIFT	1
1	221579	MOUNT, WING HARROW ARM WLDMT	1
2	221582	ARM, HARROW WLDMT	1
3	206652	SPRING ASSY 17" 1-1/8 THD	1
4	1P444	SET SCREW, 3/8-16 X 3/4 NYLON	1
5	155002	BUSHING PIVOT 1-1/2	1
6	140599	BEARING, FLANGE 1-1/2"	2
7	100830	SCREW,HEX CAP,1-8 X 7,Gr5	1
8	1-512-010005-19	NUT 1-8 HEX SLF-LOCKING GrB	1
9	6J580	PIN (1 x 6-1/2)	1
10	147072	PIN, SPRING SLOTTED 5/16 X 2	2
11	1-861-010032-24	WASHER, FL 1IN NARROW ZP	2
12	8-102-010043	U-BLT,5/8-11 X 3-11/16 X 6-3/8	1
13	171745	WASHER, 0.656 X 2.5 X 0.375,ZP	2
14	2P254	NUT, FLANGE NY-LOK 5/8-11	2
15	140484	U-BLT,3/4-10 X 5	2
16	1-512-010005-15	NUT,HEX,SLFLKG GrB 3/4-10	4
17	224182	PIN, ADJUSTER	1
18	224183	CLIP,ADJUSTER PIN	1
19	224181	ROD, HARROW ARM ADJUSTER WLDMT	1
20	206675	NUT, 1-1/8 -12 UNF, Z/P Gr 2	2
21	142786	WASHER, LOCK 1-1/8 ZP	1
22	241282	STOP, HARROW ARM (AFTER 04/25/2022)	1

## Clamp End Spacer Kits 1 of 2 - Optional

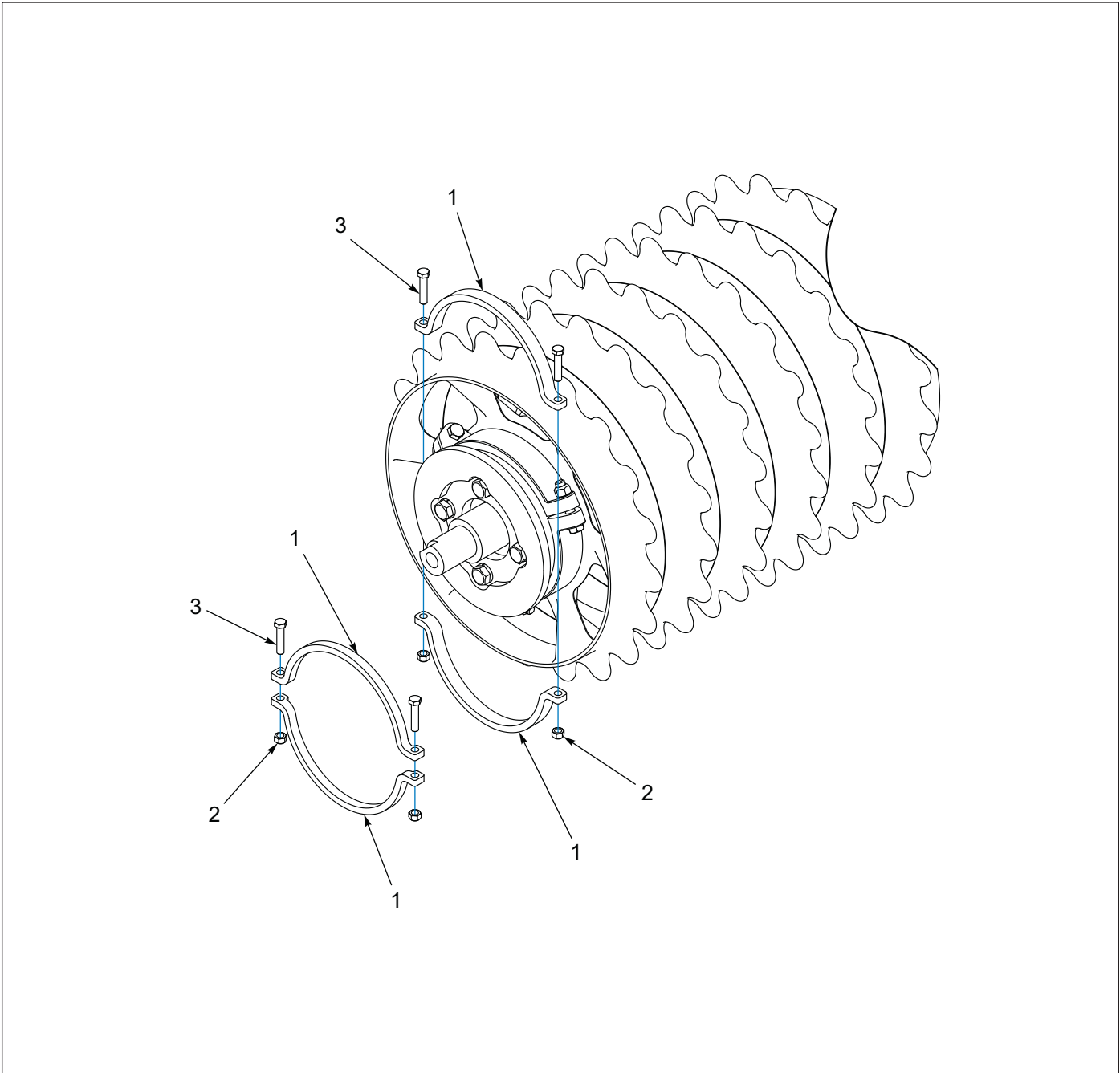


Figure 1-62: Clamp End Spacer Kits 1 of 2 - Optional

## Clamp End Spacer Kits 1 of 2 - Optional

ITEM	PART NUMBER	DESCRIPTION	QTY	
			3/4"	1/2"
	201442	KIT, 3/4" CLAMP END SPACER	1	--
	201443	KIT, 1/2" CLAMP END SPACER	--	1
1	185142	AXLE SPACER, 3/4"	2	--
1	185141	AXLE SPACER, 1/2"	--	2
2	1-512-010005-05	NUT, HEX SLFLKG GRB 3/8-16	2	2
3	1-654-010051-08	SCREW, HEX CAP, 3/8-16 X 1-3/4	2	2

## Clamp End Spacer Kits 2 of 2 - Optional

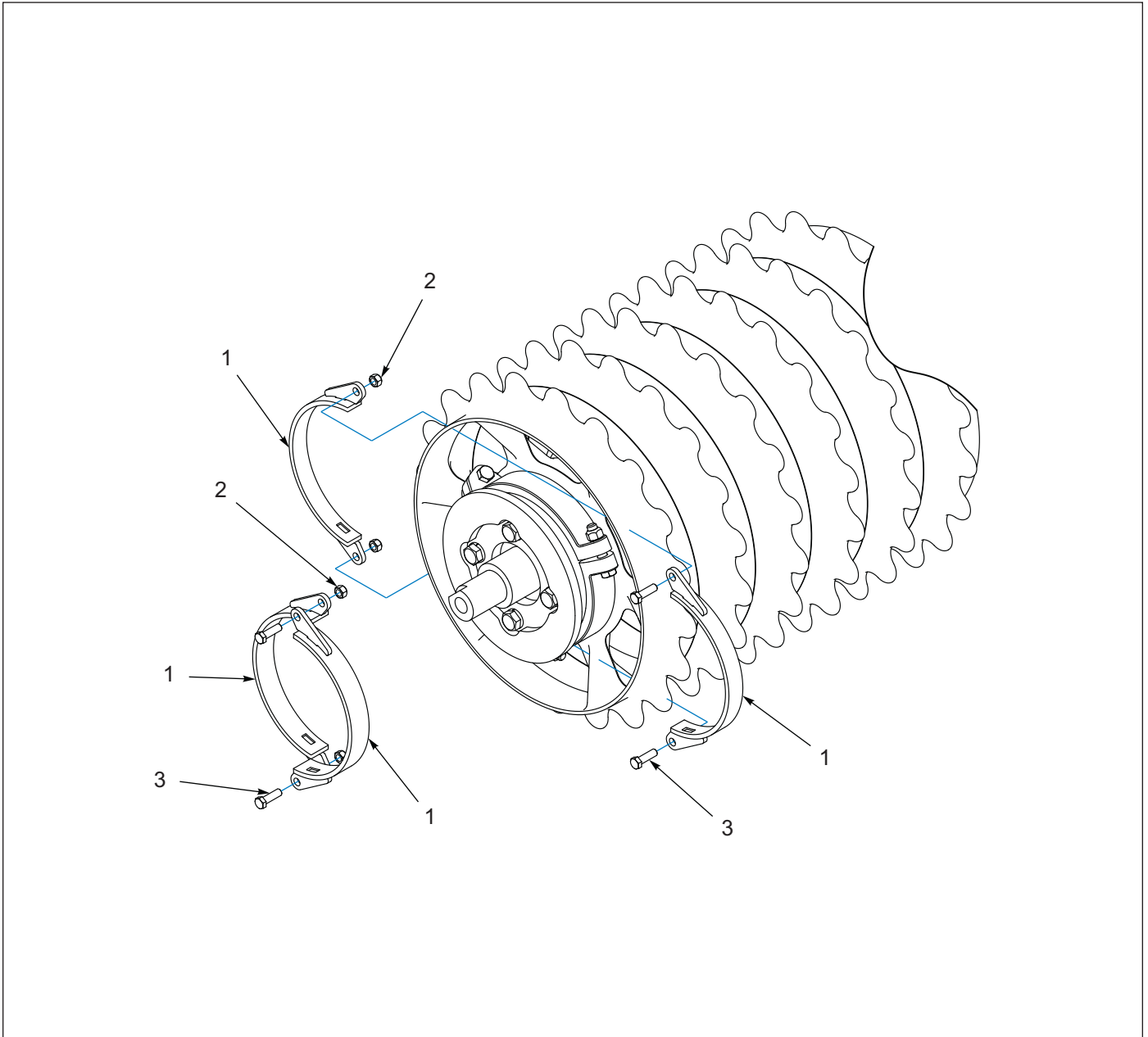


Figure 1-63: Clamp End Spacer Kits 2 of 2 - Optional

## Clamp End Spacer Kits 2 of 2 - Optional

ITEM	PART NUMBER	DESCRIPTION	QTY		
			1"	1-1/4"	1-1/2"
	204831	KIT, 1" CLAMP END SPACER	1	--	--
	204832	KIT, 1-1/4" CLAMP END SPACER	--	1	--
	204833	KIT, 1-1/2" CLAMP END SPACER	--	--	1
1	204835	AXLE SPACER, 1"	2	--	--
1	204836	AXLE SPACER, 1-1/4"	--	2	--
1	204837	AXLE SPACER, 1-1/2"	--	--	2
2	1-512-010005-05	NUT, HEX SLFLKG GRB 3/8-16	2	2	2
3	1-654-010051-05	SCREW, HEX CAP, 3/8-16 X 1, GR5	2	2	2

# Land Leveler - Optional

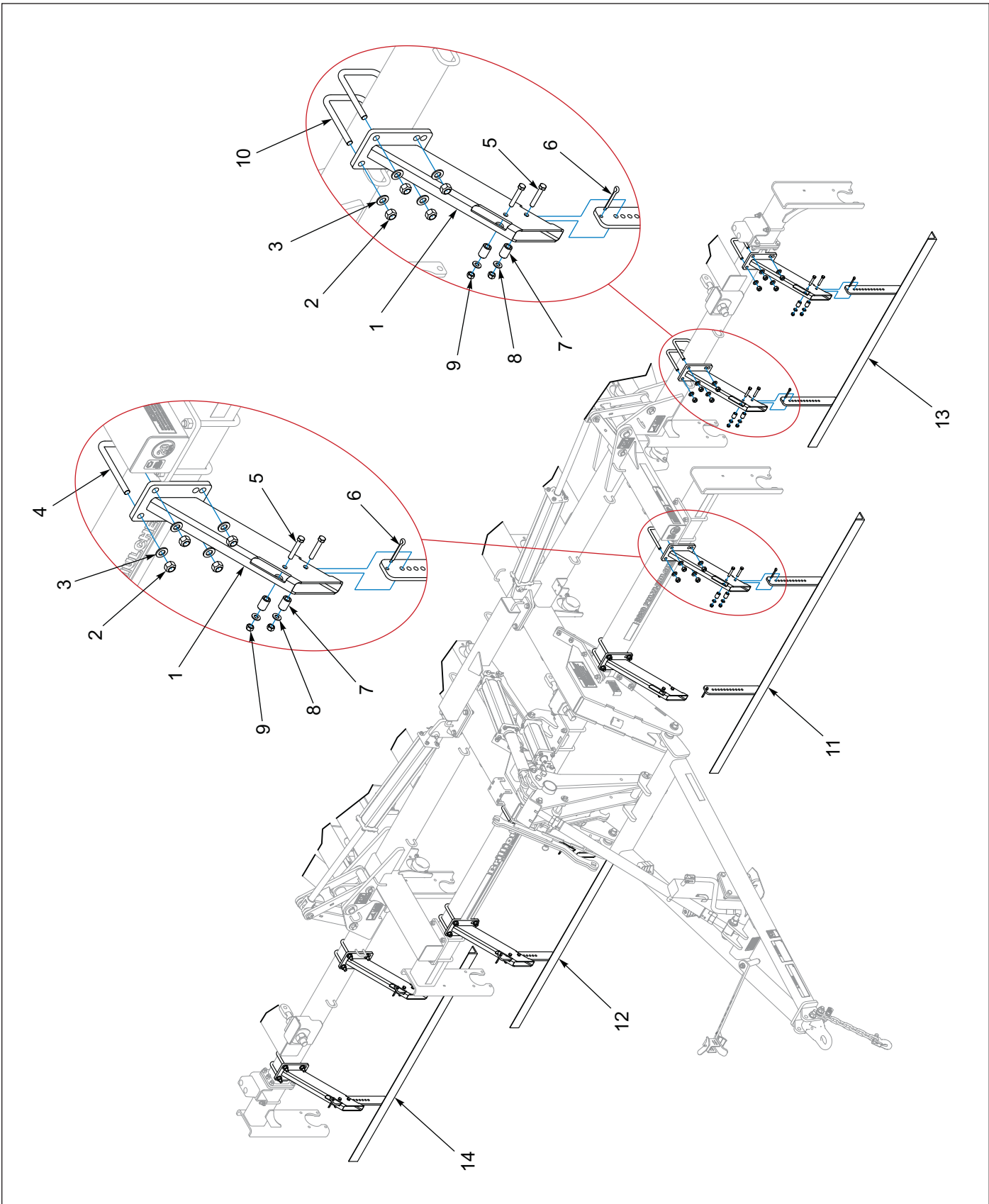


Figure 1-64: Land Leveler - Optional



---

## Land Leveler - Optional

ITEM	PART NUMBER	DESCRIPTION	QTY
	214022	LAND LEVELER OPTION, 3631-30	1
1	213917	MOUNT, LEVELER	8
2	1-512-010005-15	NUT, HEX SLFLKG GRB 3/4-10	32
3	1-861-010032-20	WASHER, FLAT, 3/4 B, ZP/CD	32
4	7K723	U-BOLT, 3/4-10 X 6-13/16 X 7-3/4 <b>(CENTER)</b>	8
5	1-654-010055-09	SCREW, HX CP, 1/2-13UNC X 3, GR5	16
6	1-557-010362-87	PIN, COTTER 3/8 X 2-1/2	8
7	185143	TUBE, RD 0.563 X 1.0 X 1.5	16
8	1-861-010032-14	WASHER, FLAT 1/2" N, ZP/CD	16
9	1-512-010005-09	NUT, HEX SLFLKG 1/2-13, GRB	16
10	140484	U-BOLT, 3/4 X 5 <b>(WING)</b>	8
11	214008	LEVELER LH CTR	1
12	214009	LEVELER RH CTR	1
13	213910	LEVELER LH WING	1
14	213915	LEVELER RH WING	1

V - Leveler - Optional

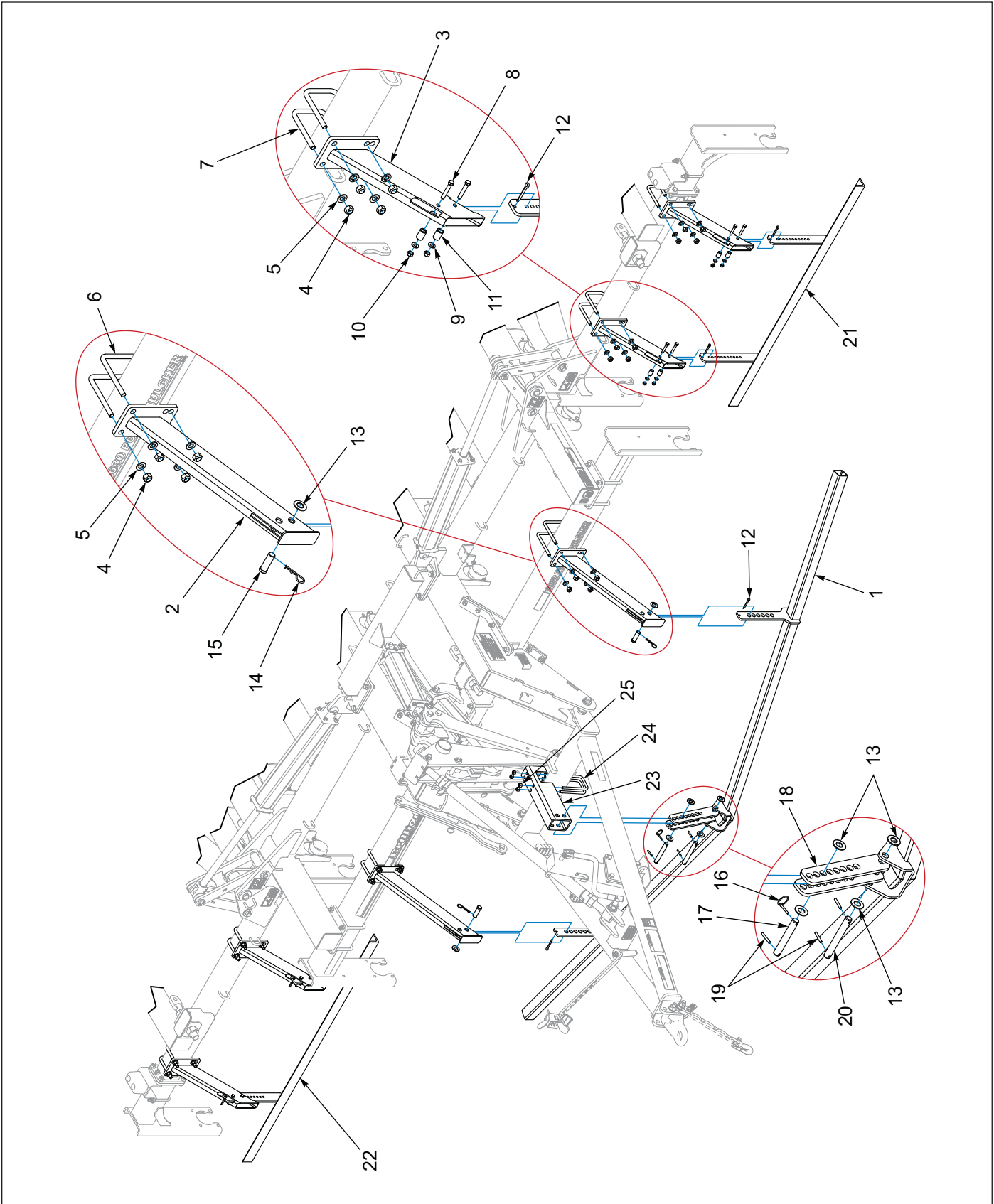


Figure 1-65: V - Leveler - Optional

## V - Leveler - Optional

ITEM	PART NUMBER	DESCRIPTION	QTY
	214024	KIT, 3631-30 V-LEVELER	1
1	214017	V-LEVELER, 17 FT	1
2	214501	BRACKET, LEVELER MOUNT ( <b>CENTER</b> )	2
3	213917	MOUNT LEVELER ( <b>WINGS</b> )	4
4	1-512-010005-15	NUT, HEX, SLFLKG GRB 3/4-10	24
5	1-861-010032-20	WASHER, FLAT, 3/4 N, ZP/CD	24
6	7K723	U-BOLT, 3/4-10 X 6-13/16 X 7-3/4 ( <b>CENTER</b> )	4
7	140484	U-BOLT, 3/4 X 5 ( <b>WINGS</b> )	8
8	1-654-010055-09	SCREW, HX CP, 1/2-13UNC X 3, GR5	8
9	1-861-010032-14	WASHER, FLAT 1/2" N, ZP/CD	8
10	1-512-010005-09	NUT, HEX, SLFLKG, 1/2-13, GRB	8
11	185143	TUBE, RD 0.563 X 1.0 X 1.5	8
12	1-557-010362-87	PIN, COTTER 3/8 X 2-1/2	6
13	1-861-010032-24	WASHER FL 1IN NARROW, ZP	4
14	1D594	HAIR PIN COTTER .178 X 3-9/16	2
15	2D799	CLEVIS PIN ( <b>1 X 3</b> )	2
16	1-557-010327	PIN LYNCH 1/4 X 1-1/4	1
17	183516	PIN, 1 X 7	1
18	214018	LINK, LEVELER	2
19	147072	PIN, SPRING SLOTTED 5/16 X 2	3
20	8K113	PIN, 1 X 8.0	1
21	213910	LEVELER LH WING	1
22	213915	LEVELER RH WING	1
23	214013	BRACKET, CENTER V LEVELER	1
24	2-102-010037	U-BOLT CENTER SCRAPER	2
25	1-512-010005-13	NUT, HEX SLFLKG GRB 5/8-11	4

# Rear Hitch - Optional

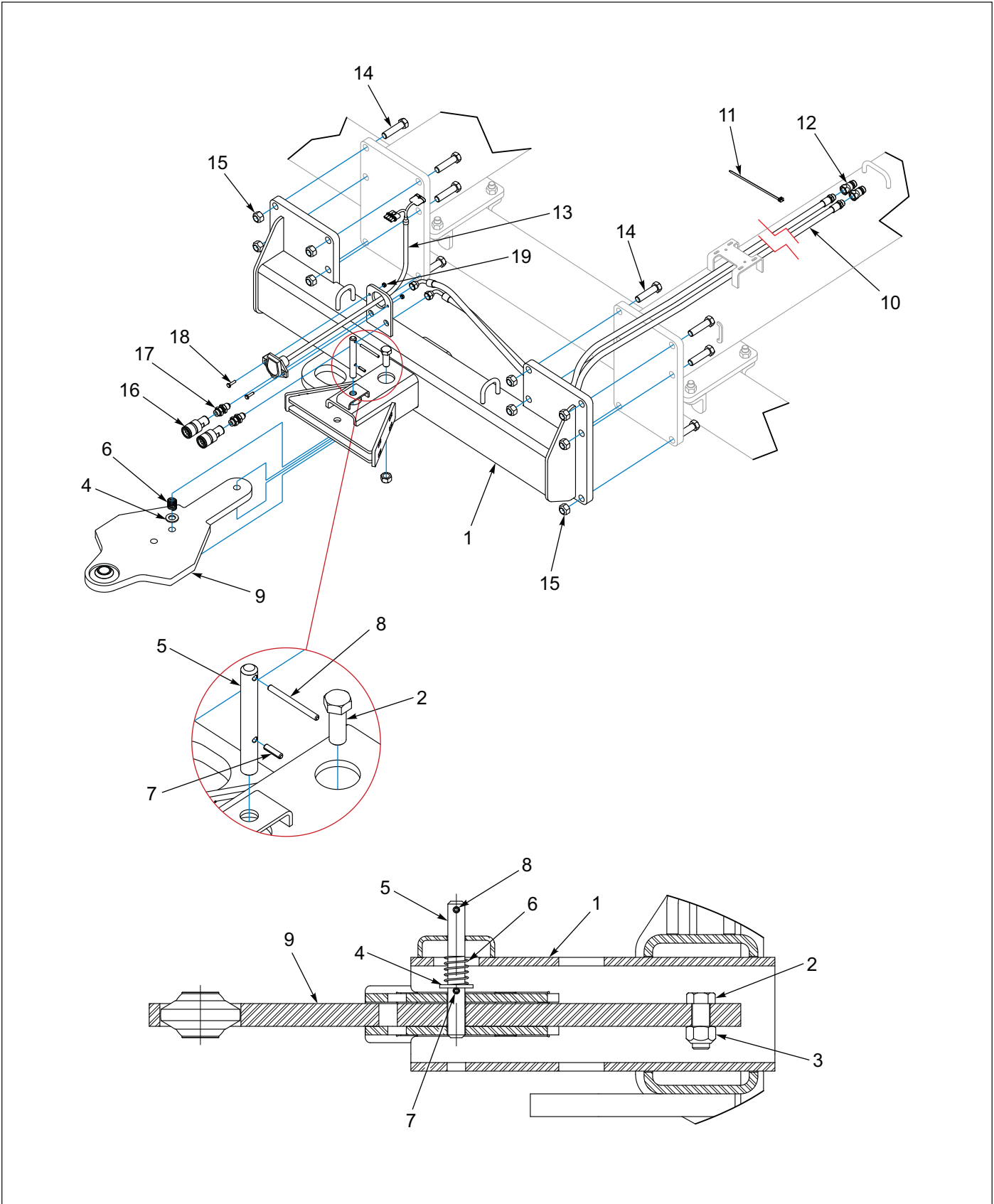


Figure 1-66: Rear Hitch - Optional

## Rear Hitch - Optional

ITEM	PART NUMBER	DESCRIPTION	QTY
	214025	KIT, NARROW REAR HITCH	1
1	211271	HITCH WELDMENT, 3625 REAR	1
2	1-654-010061-05	HHCS, 3/4-10 X 2 GR5, ZP	1
3	1-512-010005-15	NUT, HEX, SLFLKG GRB 3/4-10	1
4	1-861-010032-20	WASHER, FLAT, 3/4 N, ZP/CD	1
5	3-375-010371	HITCH PIN AGRI	1
6	CO-975-74-2000	SPRING COMPRESSION	1
7	0600-250-01000	1/4 X 1 ROLL PIN, ZP	1
8	0600-250-03000	1/4 X 3 ROLL PIN, ZP	1
9	183599	HITCH, REAR TOW	1
10	213852	HOSE ASM, 3/8 X 460, 8FJS90 X 8MOR	2
11	105-0228	TY-STRAP	15
12	141828	MALE COUPLER, 8 O-RING	2
13	143871	HARNESS, TANDEM ADAPTER	1
14	1-654-010061-09	SCREW, HX CP 3/4-10UNC X 3, GR5	12
15	1-512-010005-15	NUT, HEX, SLFLKG GRB 3/4-10	12
16	142668	FEMALE COUPLER, 8 O-RING	2
17	1P782	BULKHEAD, 08MJ X 08MOR	2
18	1-654-010047-06	SCREW, HX CP 1/4-20UNC X 1, GR5	2
19	1-512-010005-01	NUT, HEX SLFLKG GRB 1/4-20	2
20	2-181-010001	HOSE CLAMP (NOT SHOWN)	2

## Hydraulic Cylinder, 4 x 8 - Prince

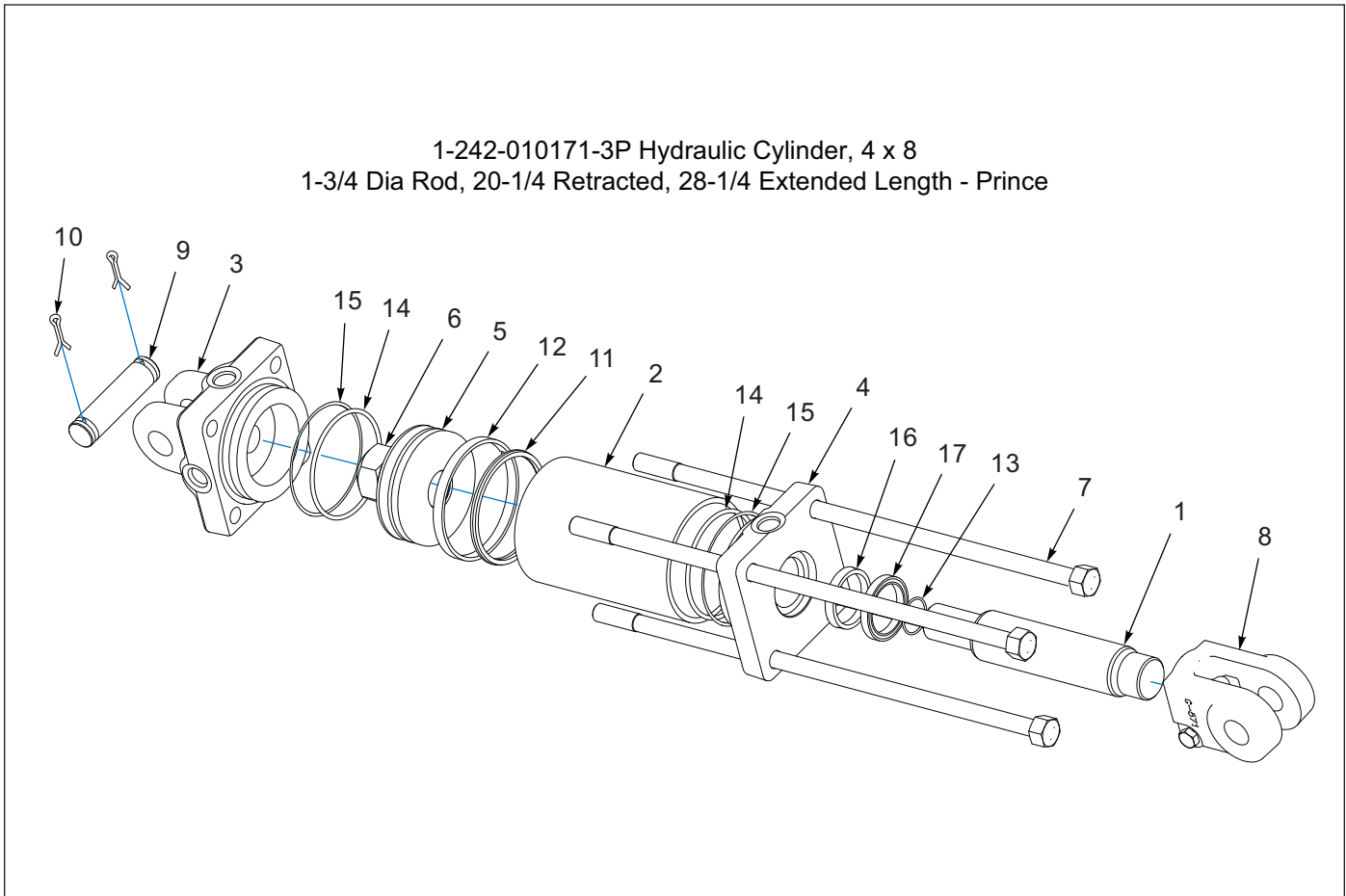


Figure 1-67: Hydraulic Cylinder, 4 x 8 - Prince

## Hydraulic Cylinder, 4 x 8 - Prince

ITEM	PART NUMBER	DESCRIPTION	QTY
	1-242-010171-3	CYLINDER, HYDRAULIC 4 X 8 3000 PSI	1
1	011000318	PISTON ROD	1
2	-----	TUBE	1
3	-----	BUTT	1
4	162674	GLAND	1
5	-----	PISTON	1
6	-----	LOCKNUT	1
7	-----	TIEROD ASSEMBLY	4
8	100000326	CLEVIS ASSEMBLY	1
9	190400035	CLEVIS PIN	2
10	110-4224	PIN,COTTER 3/16 X 2IN LG	4
11	-----	CROWN SEAL	1
12	-----	O-RING	1
13	-----	O-RING	2
14	-----	BU-WASHER	2
15	-----	U-CUP	1
16	-----	WIPER	1
17	-----	BEARING RING	1
18	1-242-010178-3	PACKING KIT (INCLUDES ITEMS 11-17)	1

### Hydraulic Cylinder, 4-1/2 x 14 (Side Port) - Prince

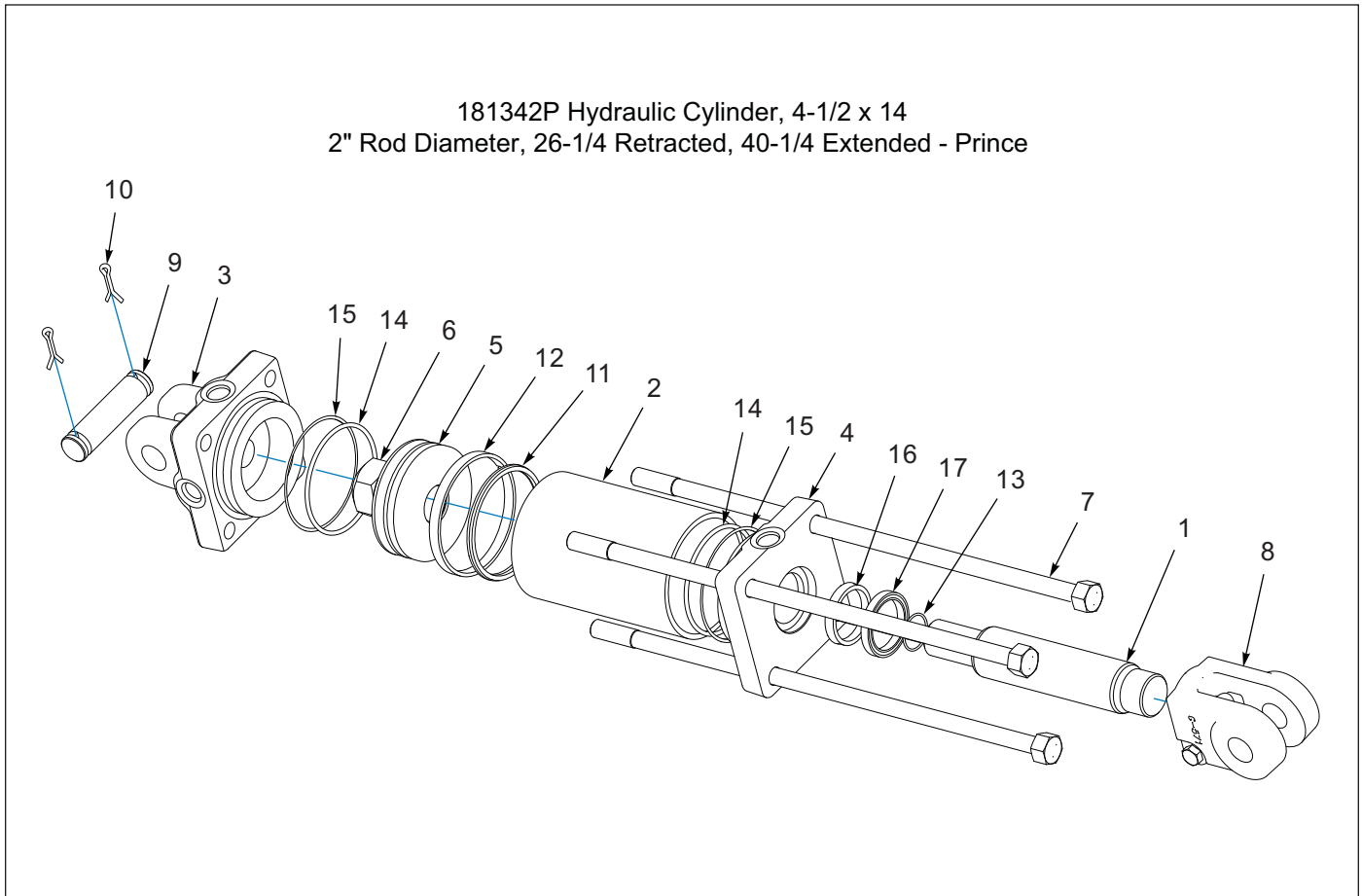


Figure 1-68: Hydraulic Cylinder, 4-1/2 x 14 (Side Port) - Prince

### Hydraulic Cylinder, 4-1/2 x 14 (Side Port) - Prince

ITEM	PART NUMBER	DESCRIPTION	QTY
	181342	CYLINDER, HYDRAULIC 4-1/2 X 14	1
1	-----	PISTON ROD	1
2	-----	TUBE	1
3	-----	BUTT	1
4	163038	GLAND	1
5	-----	PISTON	1
6	-----	LOCKNUT	1
7	-----	TIE ROD ASSEMBLY	1
8	100000362	CLEVIS ASSEMBLY	1
9	4J549	HINGE PIN (1.25 X 4.0)	2
10	110-4224	PIN,COTTER 3/16 X 2IN LG	4
11	-----	CROWN SEAL	2
12	-----	BEARING RING	1
13	-----	O-RING	1
14	-----	O-RING	2
15	-----	BU-WASHER	2
16	-----	U-CUP	1
17	-----	WIPER	1
18	132077	SEAL KIT, PMCK-SAE-34500 (INCLUDES ITEMS 11-17)	1

# Hydraulic Cylinder, 4-1/2 x 8 Re-Phase - Prince

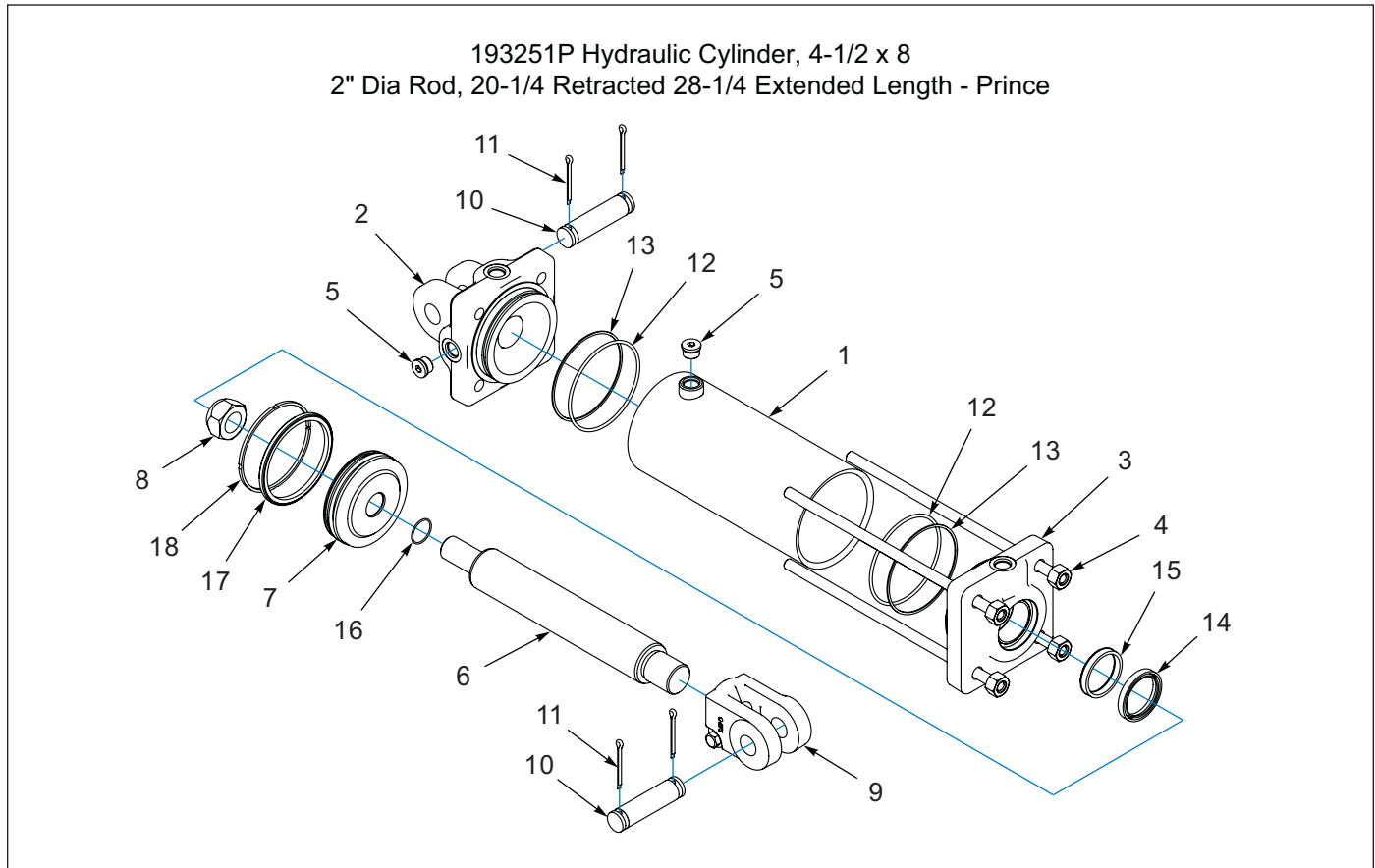


Figure 1-69: Hydraulic Cylinder, 4-1/2 x 8 Re-Phase - Prince

# Hydraulic Cylinder, 4-1/2 x 8 Re-Phase - Prince

ITEM	PART NUMBER	DESCRIPTION	QTY
	193251	HYD CYL 4-1/2 X 8 RE-PHASE	1
1	-----	TUBE ASSY	1
2	142000004	BUTT	1
3	082000092	ROD CAP	1
4	-----	TIE ROD ASSY	4
5	-----	PORT PLUG	2
6	-----	PISTON ROD	1
7	-----	PISTON	1
8	220000211	LOCKNUT	1
9	100000326	CLEVIS ASSY	1
10	190400004	CYLINDER PIN 4IN	2
11	110-4224	PIN,COTTER 3/16 X 2IN LG	4
12	-----	O-RING	2
13	-----	BU-WASHER	2
14	-----	WIPER	1
15	-----	U-CUP	1
16	-----	O-RING	1
17	-----	CHAMF TEFLON SEAL	1
18	-----	BEARING RING	1
19	113216	SEAL KIT,PMCK-AU-0650 (INCLUDES ITEMS 12-18)	1



# Hydraulic Cylinder, 4 x 8 Re-Phase - Prince

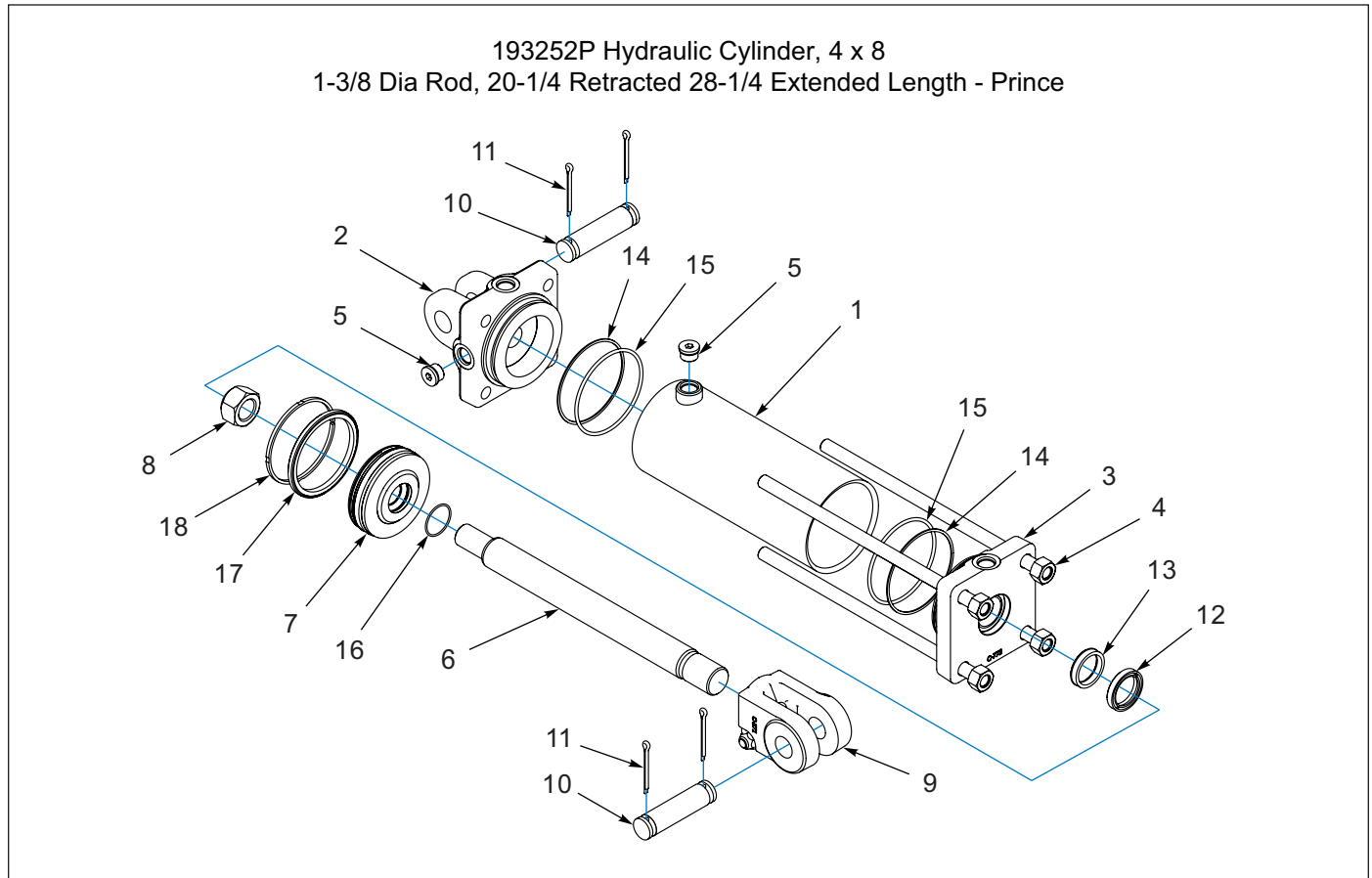
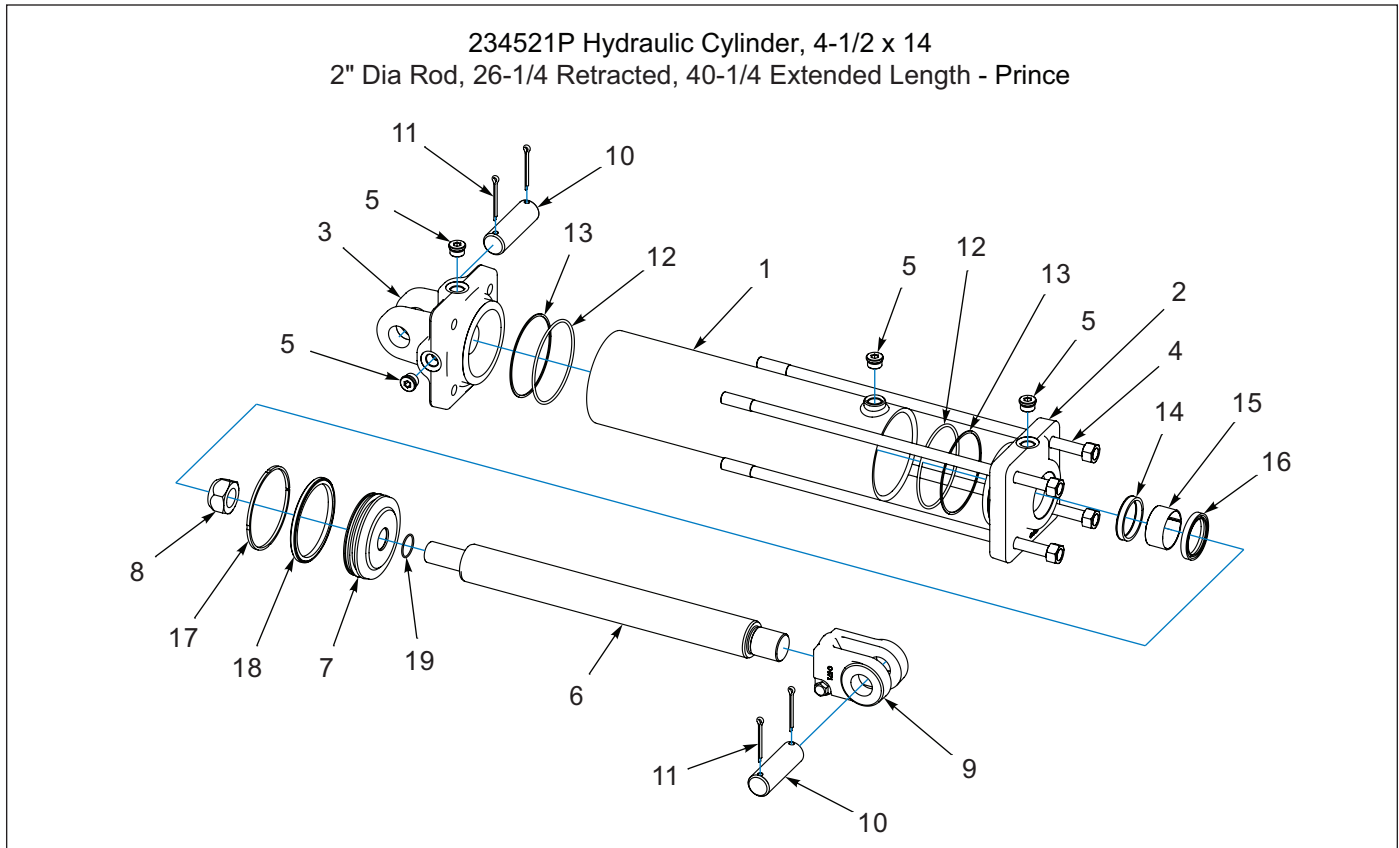


Figure 1-70: Hydraulic Cylinder, 4 x 8 Re-Phase - Prince

# Hydraulic Cylinder, 4 x 8 Re-Phase - Prince

ITEM	PART NUMBER	DESCRIPTION	QTY
	193252	HYD CYL 4 X 8 RE-PHASE	1
1	-----	TUBE ASSY	1
2	147375	BUTT	1
3	081900374	GLAND ASSY	1
4	-----	TIE ROD ASSY	4
5	-----	PORT PLUG	2
6	-----	PISTON ROD	1
7	-----	PISTON	1
8	-----	PISTON NUT	1
9	140306	CLEVIS FOR 1-242-010179-2	1
10	190400004	CYLINDER PIN 4IN	2
11	110-4224	PIN, COTTER 3/16 X 2IN LG	4
12	-----	ROD WIPER	1
13	-----	U-CUP	1
14	-----	BU-WASHER	2
15	-----	O-RING	2
16	-----	O-RING	1
17	-----	RECT TEFLON	1
18	-----	BEARING RING	1
19	113215	SEAL KIT,PMCK-AU-0649 (INCLUDES ITEMS 12-18)	1

## Hydraulic Cylinder, 4-1/2 x 14 Re-Phase - Prince



**Figure 1-71: Hydraulic Cylinder, 4-1/2 x 14 Re-Phase - Prince**

## Hydraulic Cylinder, 4-1/2 x 14 Re-Phase - Prince

ITEM	PART NUMBER	DESCRIPTION	QTY
	234521	CYLINDER, REPHASE 4-1/2 X 14	1
1	-----	BYPASS TUBE ASM	1
2	-----	GLAND	1
3	-----	BUTT CLEVIS	1
4	-----	THE ROD STUD W/HEX NUT	4
5	121029	PLUG #8 SAE M O-R BOSS HX SKT	4
6	-----	PISTON ROD	1
7	-----	PISTON	1
8	220000211	NUT, HYD CYL 1-242-010173-6	1
9	100000328	CLEVIS ASSY, 4-1/2X12 CYL	1
10	4J549	HINGE PIN (1.25 X 4.0 H2)	2
11	110-4224	PIN,COTTER-3/16 X 2IN LG	4
12	-----	O-RING	2
13	-----	BU-WASHER	2
14	-----	U-CUP	1
15	-----	ROD BEARING RING	1
16	-----	WIPER	1
17	-----	O-RING	1
18	-----	CHAMF TEFLON SEAL	1
19	-----	BEARING RING	1
20	236924	SEAL KIT,PMCK-CG-0238 (INCLUDES ITEMS 12-19)	1

# Hydraulic Cylinder, 4 x 14 Re-Phase - Prince

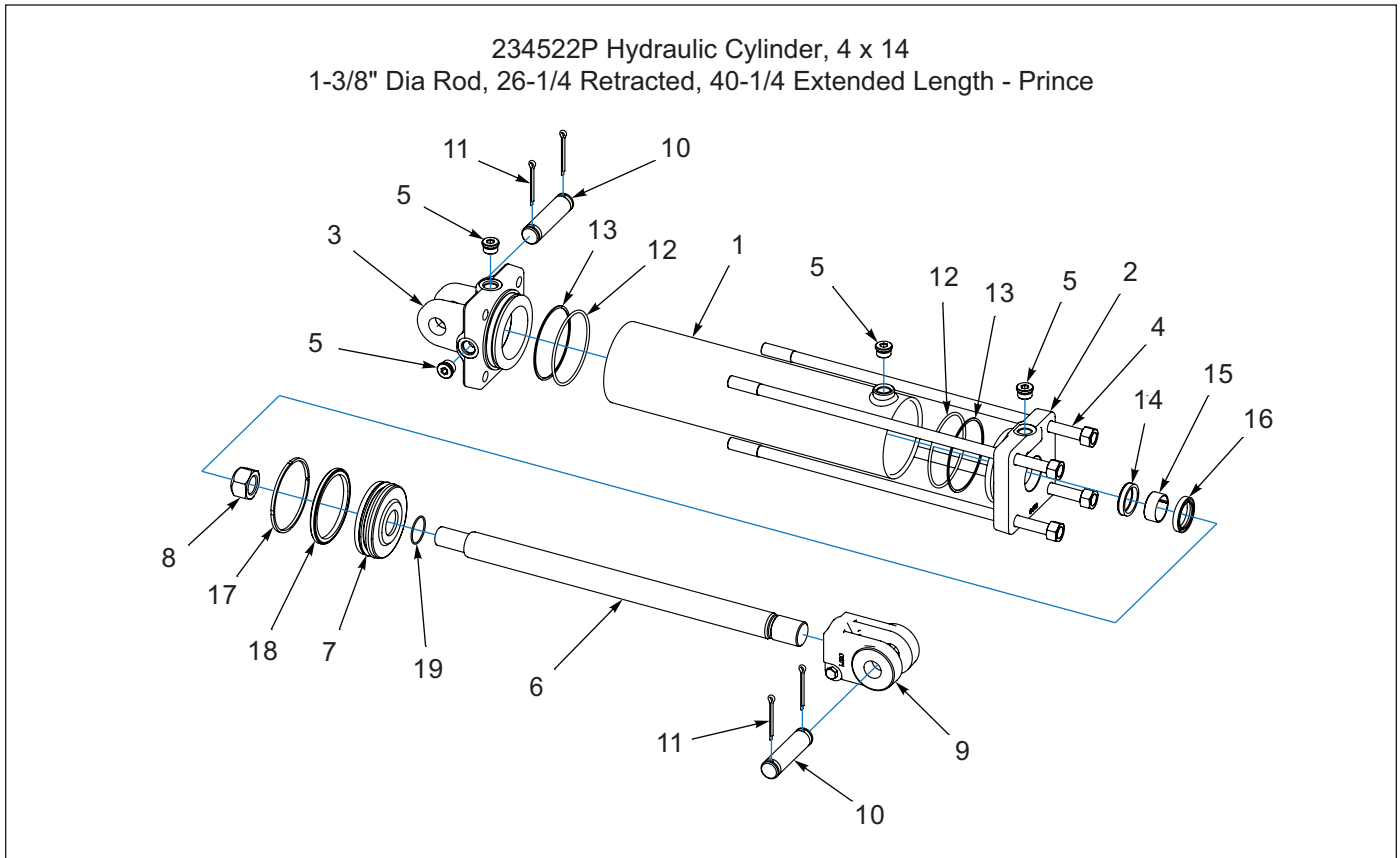


Figure 1-72: Hydraulic Cylinder, 4 x 14 Re-Phase - Prince

# Hydraulic Cylinder, 4 x 14 Re-Phase - Prince

ITEM	PART NUMBER	DESCRIPTION	QTY
	234522	CYLINDER, REPHASE 4 X 14	1
1	-----	TUBE ASSEMBLY	1
2	-----	GLAND	1
3	147375	BUTT	1
4	-----	TIE ROD STUD W/HEX NUT	4
5	121029	PLUG #8 SAE M O-R BOSS HX SKT	4
6	-----	PISTON ROD	1
7	-----	PISTON	1
8	220000210	LOCK NUT 4 X8 OR 4 X 24 PRINCE	1
9	238841	CLEVIS 1-1/4 PIN	1
10	190400035	PIN, HT CYL CLEVIS 1 IN	2
11	110-4224	PIN, COTTER-3/16 X 2IN LG	4
12	-----	O-RING	2
13	-----	BU-WASHER	2
14	-----	U-CUP	1
15	-----	ROD BEARING RING	1
16	-----	ROD WIPER	1
17	-----	BEARING RING	1
18	-----	RECT TEFLON	1
19	-----	O-RING	1
20	236925	SEAL KIT,PMCK-CG-0239 (INCLUDES ITEMS 12-19)	1

## Hydraulic Cylinder, 4 x 30 - Lion

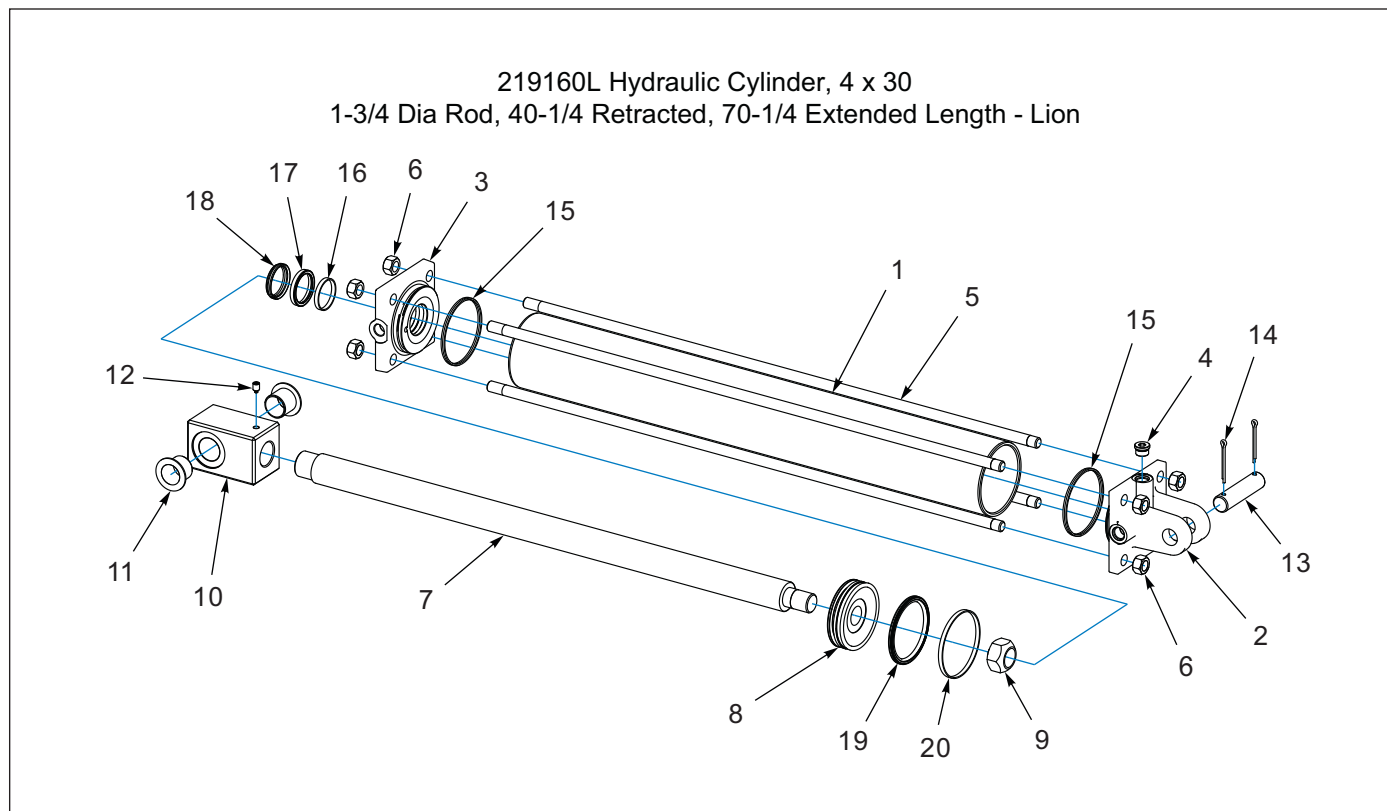


Figure 1-73: Hydraulic Cylinder, 4 x 30 - Lion

## Hydraulic Cylinder, 4 x 30 - Lion

ITEM	PART NUMBER	DESCRIPTION	QTY
	219160	HYD CYLINDER - 4 X 30	1
1	-----	TUBE	1
2	-----	CLEVIS CAP	1
3	-----	ROD CAP	1
4	-----	PLUG, SOCKET HEAD 3/4-16	1
5	-----	TIE ROD	4
6	-----	NUT, HEX 5/8-18, ZP	8
7	-----	ROD	1
8	-----	PISTON	1
9	8J852	NUT, LOCK 1-1/8-12,GRB, ZP	1
10	219162	ROD END ASM, 1.25 X 1.5-12 (INCLUDES ITEMS 11 AND 12)	1
11	110590	BEARING, 1.25 X 1.41 X 1.24 FL	2
12	1P443	SET SCREW,3/8-16 X 1/2 NYLON TIP	1
13	7J067	PIN, 1.0 X 4.0 H2	1
14	110-4224	PIN,COTTER 3/16 X 2IN LG	2
15	-----	SEAL DUAL 4.00	2
16	-----	WEAR RING 1.87-1.75-0.250	1
17	-----	SEAL ZURCON U-CUP RU9 1.75	1
18	-----	SEAL, WIPER 1.75	1
19	-----	SEAL SURCON WYNSEAL 4.00	1
20	-----	WEAR RING 4.00-3.88-0.250	1
21	1P745	SEAL KIT (INCLUDES ITEMS 15-20)	1

## Hydraulic Cylinder, 4 x 29-3/4 w/Internal Spacer - Optional

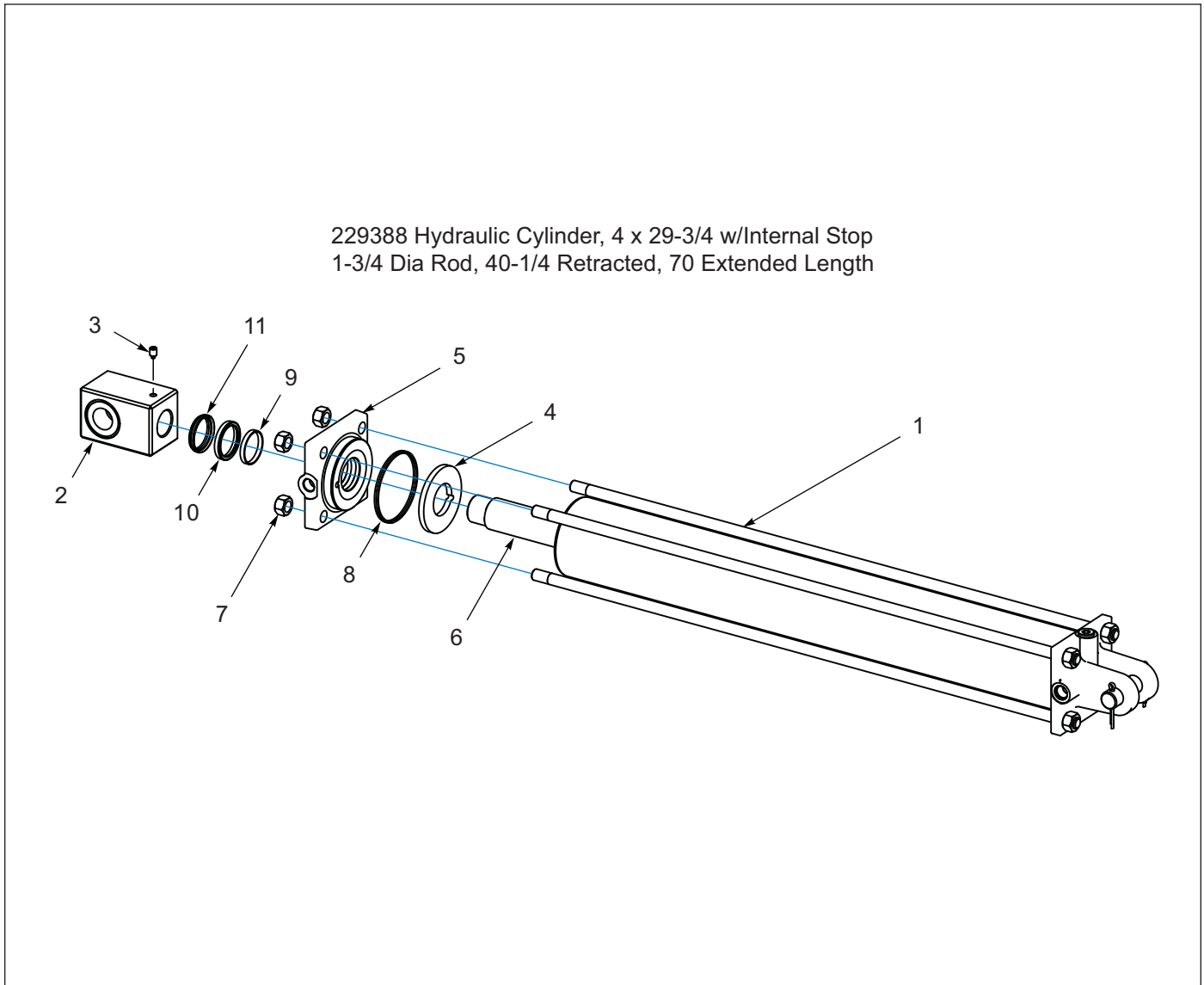


Figure 1-74: Hydraulic Cylinder, 4 x 29-3/4 w/Internal Spacer - Optional

## Hydraulic Cylinder, 4 x 29-3/4 w/Internal Spacer - Optional

ITEM	PART NUMBER	DESCRIPTION	QTY
	229388	HYD CYL,4 X 29.75 (WITH INTERNAL STOP)	1
1	219160	HYD CLY,4 X 30 (INCLUDES ITEM 2, 5-11) (SEE PAGE 1-120)	1
2	219162	CYL ROD END ASM, 1.25 X 1.5-12 (INCLUDES ITEM 3)	1
3	1P443	SET SCREW, 3/8-16 X 1/2 NYLON TIP	1
4	226789	WASHER, 1.813 X 3.5 X .3125	1
5	-----	ROD CAP	1
6	-----	ROD	1
7	-----	NUT, HEX 5/8-18,ZP	8
8	-----	SEAL DUAL 4.00	2
9	-----	WEAR RING 1.87-1.75-0.250	1
10	-----	SEAL ZURCON U-CUP RU9 1/75	1
11	-----	SEAL, WIPER 1.75	1
12	1P745	SEAL KIT (INCLUDES 8-11)	1

## Hydraulic Cylinder, 4 x 16 - Prince

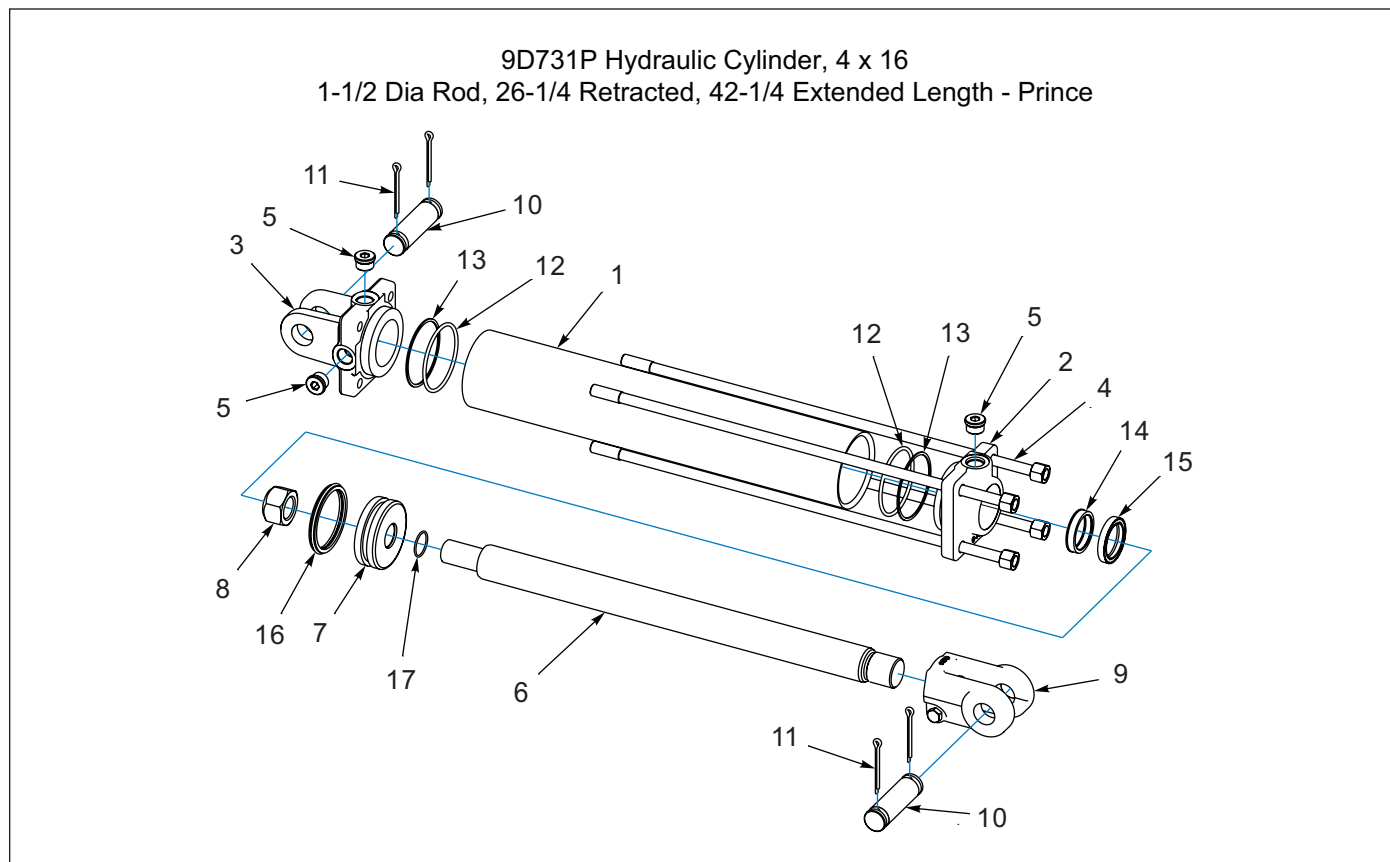


Figure 1-75: Hydraulic Cylinder, 4 x 16 - Prince

## Hydraulic Cylinder, 4 x 16 - Prince

ITEM	PART NUMBER	DESCRIPTION	QTY
	9D731	HYD CYLINDER - 4 X 16	1
1	-----	TUBE	1
2	-----	GLAND	1
3	147375	BUTT	1
4	-----	TIE ROD STUD W/HEX NUT	4
5	121029	PLUG,#8 SAE MOR BOSS HX SKT	3
6	-----	PISTON ROD	1
7	-----	PISTON	1
8	220000211	PISTON LOCKNUT	1
9	236929	CLEVIS ASSEMBLY (INCLUDES ITEM 10)	1
10	236932	BUSHING	2
11	190400035	PIN,HR CYL CLEVIS 1 X 4	2
12	110-4224	PIN,COTTER-3/16 X 2IN LG	4
13	-----	O-RING	2
14	-----	BU-WASHER	2
15	-----	U-CUP	1
16	-----	CANNED WIPER	1
17	-----	PISTON BEARING RING	1
18	-----	CROWN SEAL	1
19	-----	O-RING	1
20	236926	SEAL KIT,PMCK-CG-0119 (INCLUDES ITEMS 13-19)	1

# Hydraulic Cylinder, 4 x 16 - Lion - 671663

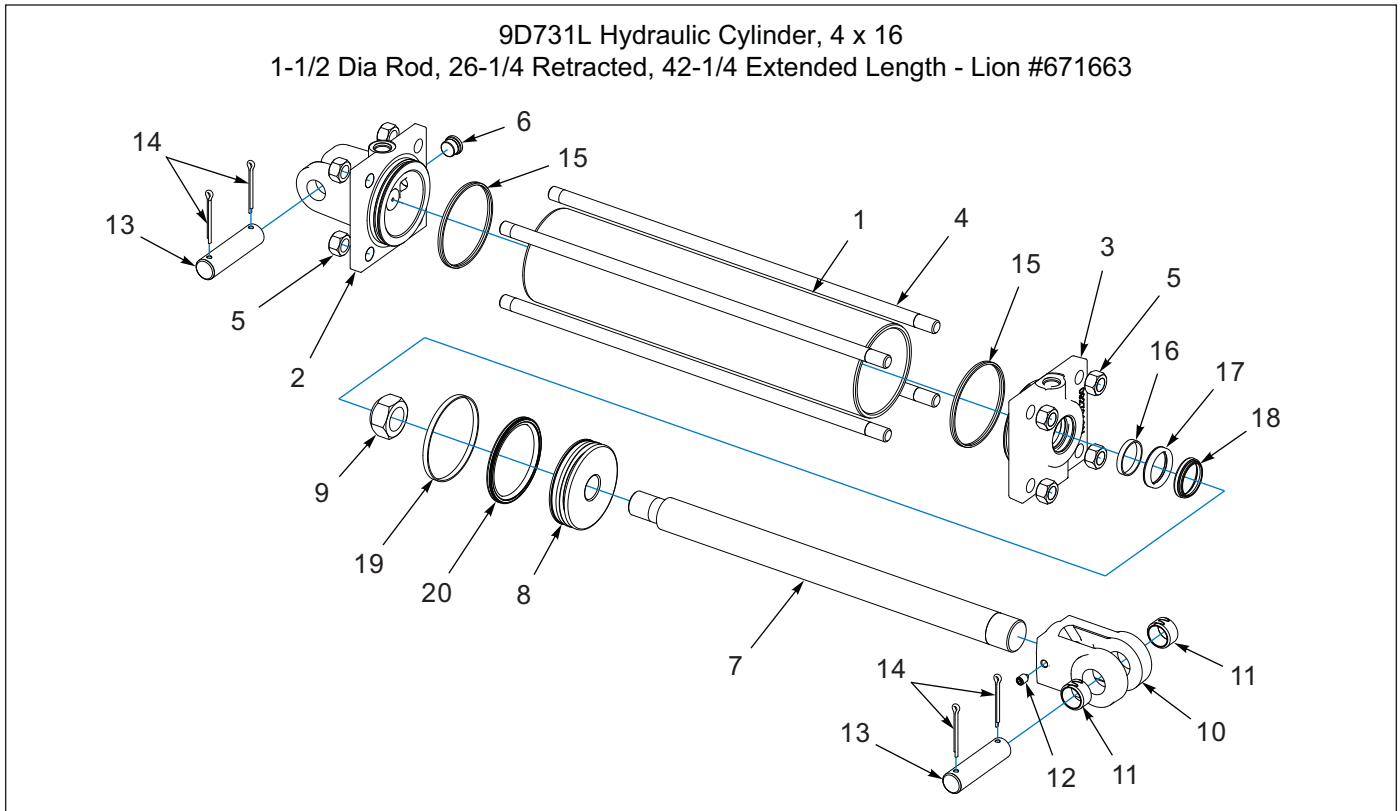
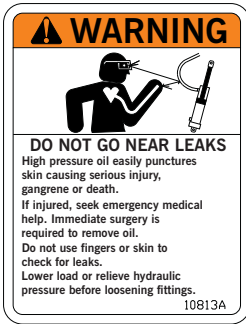


Figure 1-76: Hydraulic Cylinder, 4 x 16 - Lion - 671663

# Hydraulic Cylinder, 4 x 16 - Lion - 671663

ITEM	PART NUMBER	DESCRIPTION	QTY
	9D731	HYD CYLINDER - 4 X 16	1
1	-----	TUBE	1
2	-----	CLEVIS CAP	1
3	-----	ROD CAP	1
4	-----	TIE ROD	4
5	1P805	NUT,HEX SLFLKG GRB 3/4-16	8
6	-----	PLUG,SOCKET HEAD 3/4-16	1
7	-----	ROD	1
8	-----	PISTON	1
9	8J852	NUT,LOCK 1-1/8-12,GrB,ZP	1
10	2P740	ROD CLEVIS W/BUSHINGS (INCLUDES ITEMS 11 AND 12)	1
11	3P079	SPRING BUSHING,1.0x1.25x0.75	2
12	1P443	SET SCREW,3/8-16 x 1/2 NYLON TIP	1
13	7J067	PIN,1.0 x 4.0 H2	2
14	110-4224	PIN,COTTER 3/16 X 2IN LG	4
15	-----	SEAL DUAL 4.00	2
16	-----	WEAR RING 1.63-1.50-0.250	1
17	-----	SEAL ZURCON U-CUP RU9 1.50	1
18	-----	SEAL WIPER 1.50 WNUC TSS	1
19	-----	WEAR RING 4.00-3.88-0.250	1
20	-----	SEAL SURCON WYNSEAL 4.00	1
21	1P745	SEAL KIT (INCLUDES ITEMS 15-20)	1

Decals



ITEM 1  
3K706



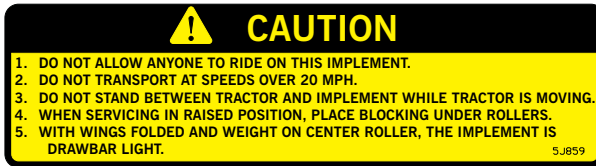
ITEM 2  
9J629



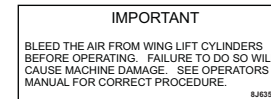
ITEM 3  
2-573-010037



ITEM 6  
2-573-010198



ITEM 4  
5J859



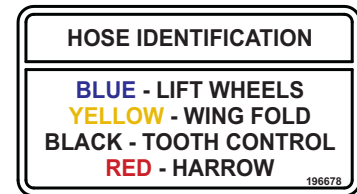
ITEM 16  
8J635



ITEM 7  
2-573-010335



ITEM 8  
3J675



ITEM 5  
196678



ITEM 14  
144193



ITEM 10  
528933



ITEM 11  
528938



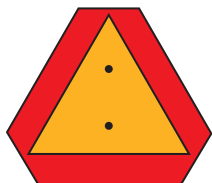
ITEM 12  
528934



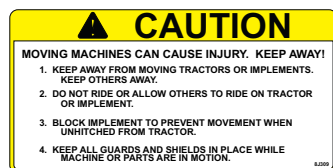
ITEM 13  
170510



ITEM 9  
214146



ITEM 15  
2P151



ITEM 17  
8J309



ITEM 18  
1-573-010006



ITEM 19  
232191

Figure 1-77: Decals



## Decals

ITEM	PART NUMBER	DESCRIPTION	QTY
1	3K706	DECAL-WARNING HYDRAULIC LEAKS	1
2	9J629	'DANGER' DECAL	1
3	2-573-010037	"DANGER" DECAL WING	4
4	5J859	'WARNING' DECAL	1
5	196678	DECAL,4-COLOR HOSE ID	1
6	2-573-010198	DECAL, MEMBER FEMA	1
7	2-573-010335	DECAL, DANGER PINCHING	4
8	3J675	'STAND CLEAR' DECAL	12
9	214146	DECAL, 3631 PULVI-MULCHER	5
10	528933	REFLECTOR - RED	4
11	528938	STRIPE, ORANGE	4
12	528934	REFLECTOR - YELLOW	10
13	170510	DECAL,BRILLION LANDOLL	5
14	144193	DECAL, SIS 20 MPH	1
15	2P151	SMV W/BRACKET	1
16	8J635	'IMPORTANT' DECAL	4
17	8J309	DECAL - 'CAUTION'	2
18	1-573-010006	PLACARD NAME	1
19	107-0814	RIVET 1/8X1/8 A LUM POP ( <b>HARDWARE FOR ITEM 18</b> )	2
20	232191	DECAL, QR CODE PULVIMULCHER	1

# Decal Locations

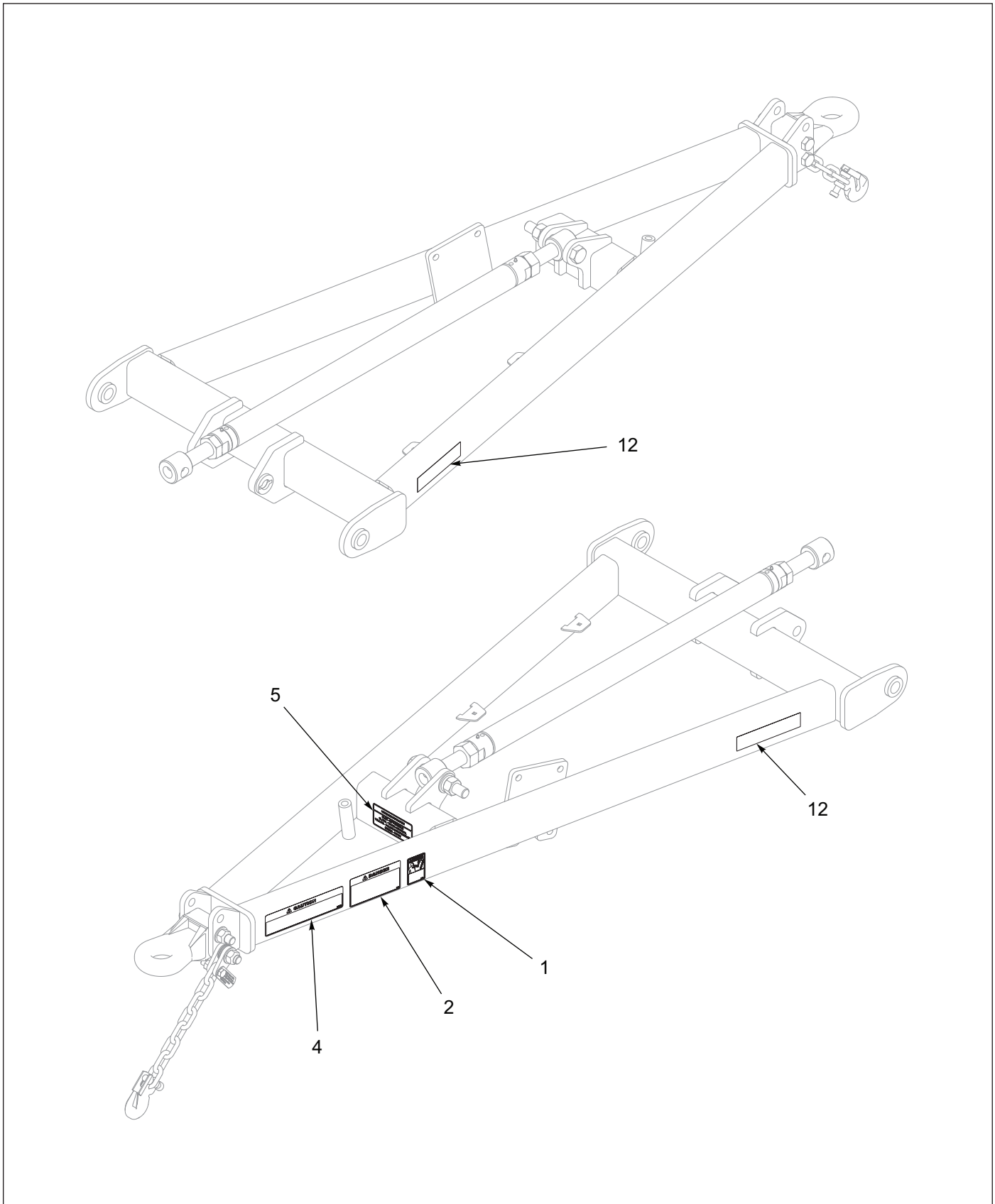


Figure 1-78: Decal Locations (1 of 5)

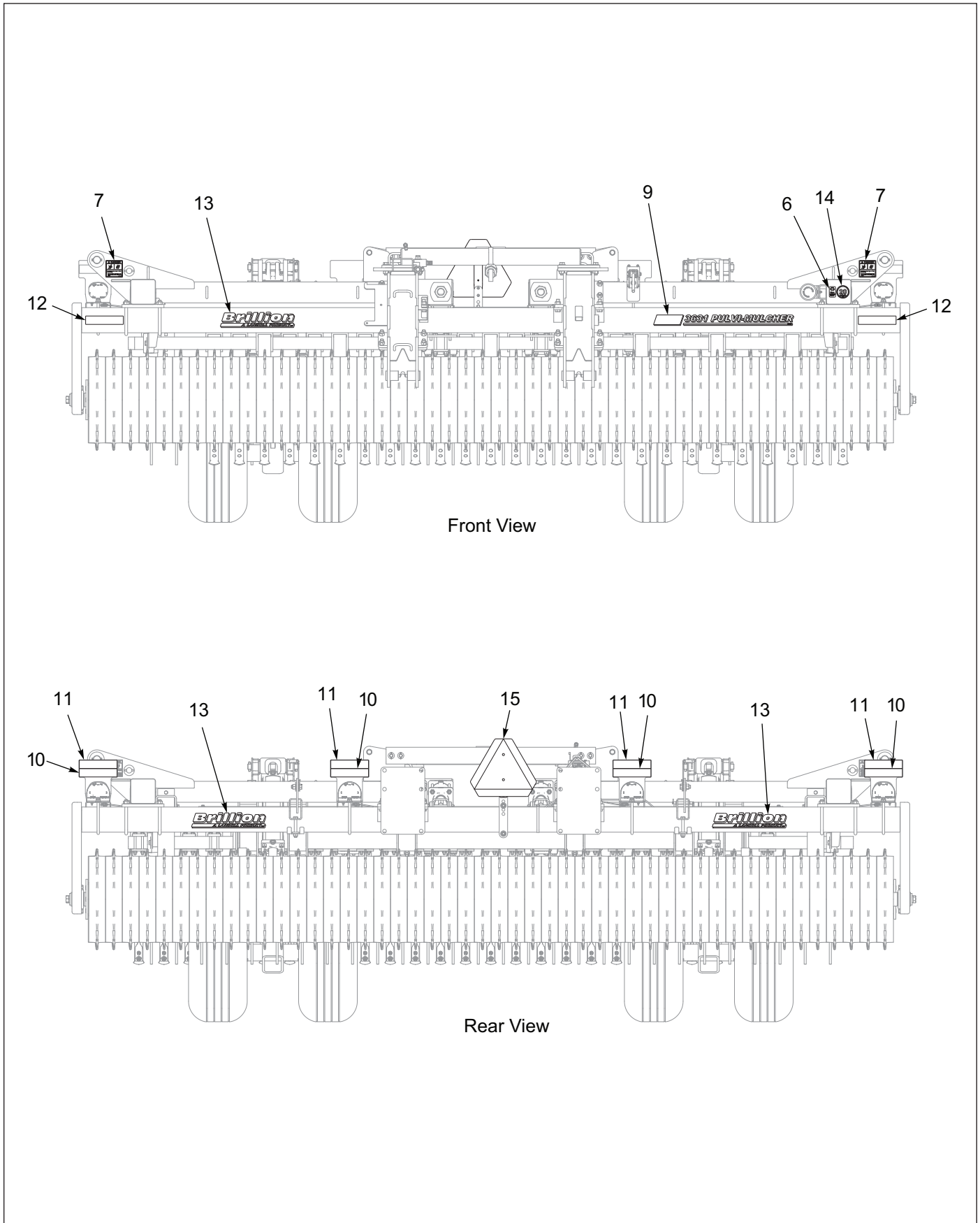


Figure 1-79: Decal Locations (2 of 5)

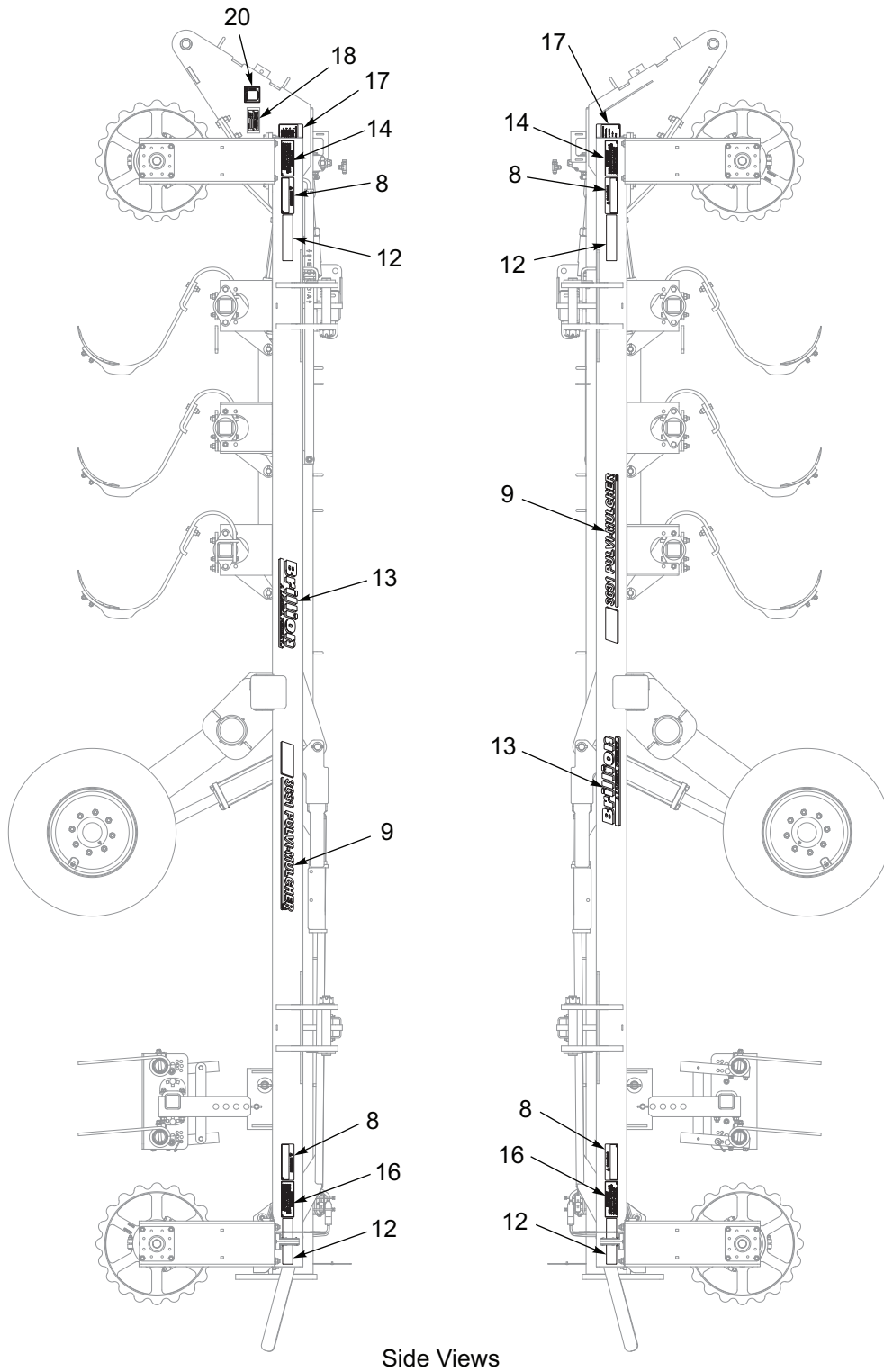


Figure 1-80: Decal Locations (3 of 5)

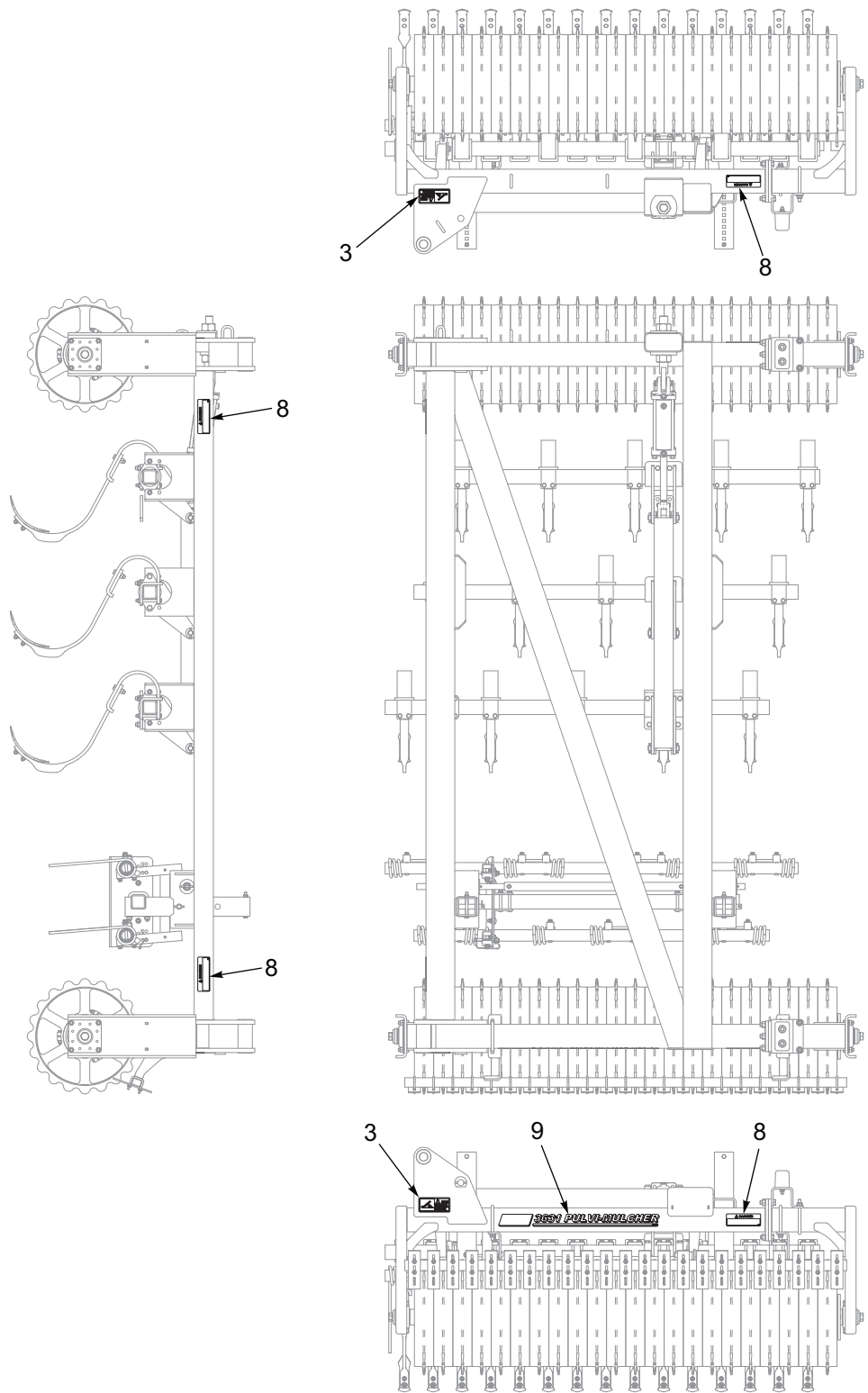


Figure 1-81: Decal Locations (4 of 5)

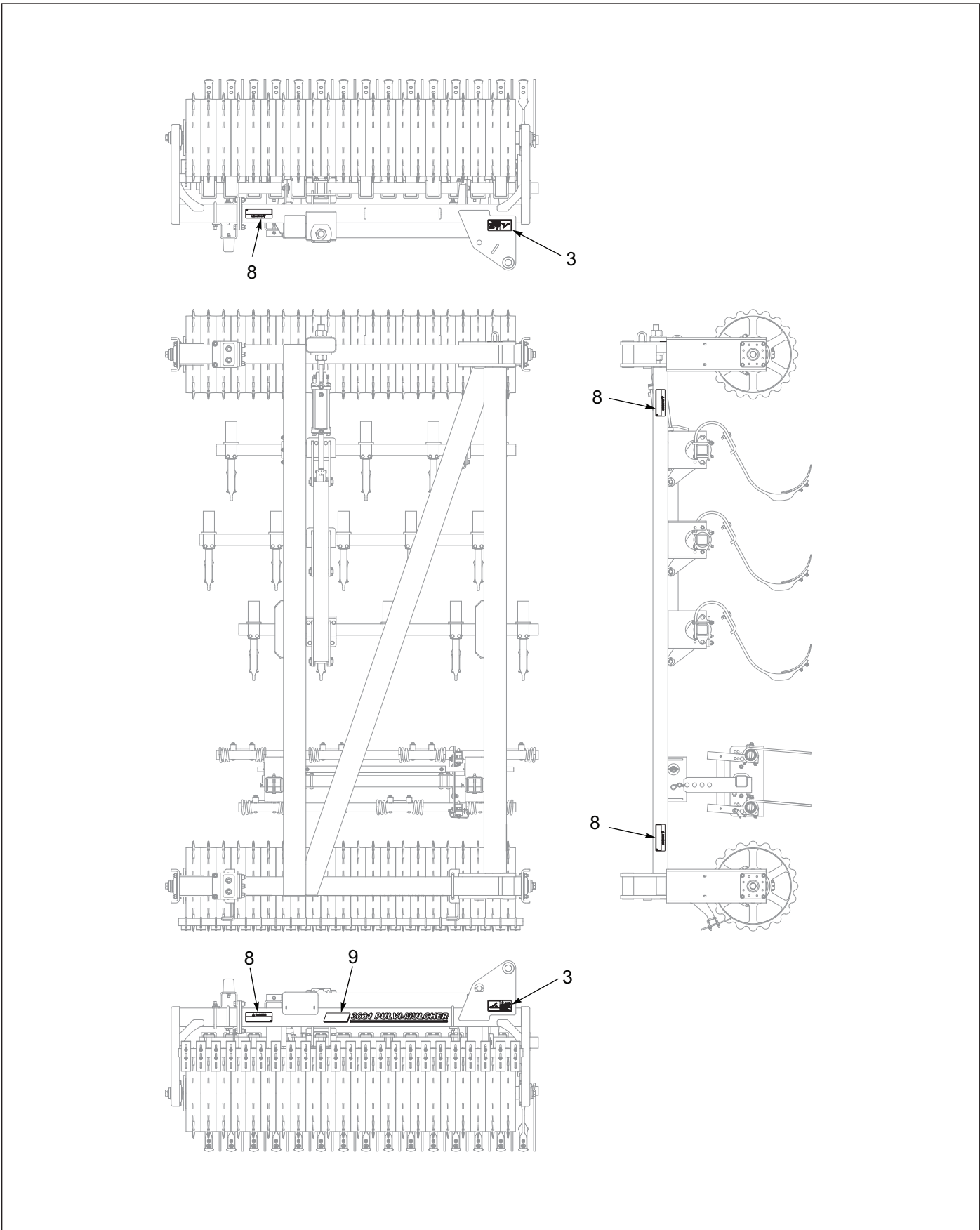


Figure 1-82: Decal Locations (5 of 5)

## Glossary

For clarity this glossary of industry standard abbreviations and their definitions are provided. For additional information, see instruction on the inside front cover or the last page of this manual.

**A**

**ASM** ..... Assembly

**B**

**BATT** ..... Battery  
**BHSC** ..... Button Head Socket Cap  
**BLK** ..... Black

**C**

**CB** ..... Carriage Bolt  
**CONN** ..... Connector  
**CRG** ..... Carriage  
**CTSK** ..... Countersunk  
**CTWT** ..... Counterweight  
**CVR** ..... Cover  
**CYD** ..... Cylinder

**D**

**DBL** ..... Double  
**DIA** ..... Diameter

**E**

**ENCLSD** ..... Enclosed

**F**

**FHCS** ..... Flanged Head Cap Screw  
**FHHCS** ..... Flanged Hex Head Cap Screw  
**FL OR FLG** ..... Flange  
**FLT** ..... Flat

**G**

**GA** ..... Gauge

**H**

**HHCS** ..... Hex Head Cap Screw  
**HCS** ..... High Carbon Steel  
**HD** ..... Head  
**HLCL** ..... Helical  
**HCSKT** ..... Hex Socket  
**HSFC** ..... Hex Socket Flat Countersunk  
**HYD** ..... Hydraulic

**I**

**ID** ..... Inside Diameter

**L**

**LH** ..... Lefthand  
**LKG OR LOCK** ..... Locking  
**LWR** ..... Lower

**M**

**MANF** ..... Manifold  
**MNT** ..... Mount

**N**

**NRW** ..... Narrow  
 ----- ..... Not Serviced Separately

**O**

**OD** ..... Outside Diameter  
**OHG** ..... Overhead Guard  
**ORFS OR ORS** ..... O-Ring Seal  
**ORP OR ORB** ..... O-Ring Boss

**P**

**P-STEER** ..... Power Steering  
**PTFE** ..... Polytetrafluoroethylene (Teflon)

---

**R**

RH ..... Righthand  
RND ..... Round

---

**S**

SER ..... Series  
SHCS ..... Socket Head Cap Screw  
SHLD ..... Shield  
SKT ..... Socket  
SLFLKG ..... Selflocking  
SOC ..... Socket  
SPDT ..... Single Pole Double Throw  
SPR ..... Spring  
SQ ..... Square  
SRTD ..... Serrated  
SSCR ..... Setscrew  
SST ..... Stainless Steel  
STD ..... Standard

---

**U**

UPR ..... Upper

---

**W**

WHL ..... Wheel  
WLD OR WLDMT ..... Weldment



**Numerics**

011000318	1-114	124511	1-87
0600-250-01000	1-113	124696	1-25, 1-27
0600-250-03000	1-113	125863	1-83, 1-87
081900374	1-117	127712	1-19, 1-23
082000092	1-116	128874	1-35, 1-37
100000326	1-114, 1-116	1-298-010001-1	1-29
100000328	1-118	130948	1-74
100000362	1-115	132077	1-115
1-007-010025	1-83, 1-87	137486	1-83, 1-87
100825	1-23, 1-25	137943	1-33, 1-35, 1-37
100830	1-104, 1-105	140306	1-117
101406	1-31	140484	1-105, 1-109, 1-111
102-0031	1-25, 1-27	140519	1-6, 1-9
102498	1-12, 1-13, 1-14	140599	1-104, 1-105
102600	1-13, 1-14	140693	1-42, 1-67, 1-69, 1-71
102601	1-12, 1-14	1408092	1-19
102604	1-12, 1-13, 1-14	1412151	1-81, 1-83, 1-85, 1-87
103-0805	1-29	1412153	1-81, 1-83, 1-85, 1-87
103841	1-23	141247	1-23, 1-25, 1-67, 1-81, 1-85
104032	1-42, 1-67, 1-89	141249	1-23, 1-25, 1-67, 1-81, 1-85
105-0228	1-67, 1-73, 1-81, 1-85, 1-89, 1-113	141826	1-77
107-0814	1-125	141828	1-25, 1-27, 1-69, 1-71, 1-77, 1-79, 1-83, 1-87, 1-113
107470	1-57, 1-59, 1-61, 1-97, 1-99, 1-101, 1-103	141864	1-67, 1-69, 1-71
108628	1-43	141881	1-67, 1-69, 1-71
110-4224	1-19, 1-114, 1-115, 1-116, 1-117, 1-118, 1-119, 1-122, 1-123	142000004	1-116
110-7095	1-35, 1-37	142668	1-113
111190	1-73	142753	1-3, 1-5
111962	1-12, 1-13, 1-14	142786	1-104, 1-105
113215	1-117	143871	1-113
113216	1-116	144048	1-43
116100	1-21, 1-23, 1-25, 1-31	144115	1-31
116492	1-74, 1-79	144193	1-125
117259	1-73, 1-77	147072	1-21, 1-23, 1-25, 1-31, 1-41, 1-45, 1-47, 1-51, 1-53, 1-55, 1-104, 1-105, 1-111
121029	1-118, 1-119, 1-122	147375	1-117, 1-119, 1-122
122917	1-43	147582	1-73, 1-79
123079	1-73, 1-77	149192	1-89
123109	1-83, 1-87	1-510-010003-09	1-97, 1-99, 1-101, 1-103
1-242-010171-3	1-21, 1-81, 1-83, 1-85, 1-87, 1-114	1-512-010005-01	1-3, 1-5, 1-23, 1-73, 1-89, 1-113
1-242-010178-3	1-114	1-512-010005-03	1-43, 1-74

1-512-010005-05	1-51, 1-53, 1-55, 1-67, 1-81, 1-85, 1-106, 1-107	159955	1-45, 1-47
1-512-010005-09	1-9, 1-11, 1-25, 1-38, 1-41, 1-45, 1-47, 1-48, 1-51, 1-53, 1-55, 1-74, 1-97, 1-99, 1-101, 1-103, 1-109, 1-111	159970	1-14
1-512-010005-13	1-3, 1-5, 1-19, 1-33, 1-35, 1-37, 1-41, 1-42, 1-45, 1-47, 1-48, 1-51, 1-53, 1-55, 1-111	161131	1-21
1-512-010005-15	1-3, 1-5, 1-6, 1-9, 1-10, 1-19, 1-21, 1-23, 1-35, 1-37, 1-104, 1-105, 1-109, 1-111, 1-113	162674	1-114
1-512-010005-19	1-23, 1-25, 1-28, 1-104, 1-105	1-630-010021-03	1-43
1-512-010007-06	1-81, 1-85	163038	1-115
1-512-010007-07	1-23, 1-25, 1-67, 1-81, 1-85	163781	1-73, 1-77
1-512-010007-08	1-41, 1-45, 1-47	164140	1-89
1-512-010007-09	1-25, 1-73, 1-81, 1-85	164174	1-23
1-512-010007-14	1-21	164315	1-97, 1-99, 1-101, 1-103
1-512-010007-16	1-23, 1-25	164318	1-97, 1-99
1-516-010001-20	1-12, 1-13, 1-14	164319	1-101
1-516-010001-27	1-31	164320	1-103
153696	1-23, 1-25, 1-28	164435	1-81, 1-83, 1-85, 1-87
154185	1-33, 1-35, 1-37	164533	1-31
154994	1-57, 1-59, 1-61, 1-97, 1-99, 1-101, 1-103	164539	1-31
154995	1-57, 1-59, 1-61, 1-97, 1-99, 1-101, 1-103	164678	1-89
154997	1-57, 1-59, 1-61, 1-97, 1-99, 1-101, 1-103	1-647-010004217	1-3, 1-5
154998	1-57, 1-59, 1-61, 1-97, 1-99, 1-101, 1-103	1-647-010004240	1-25, 1-51, 1-53, 1-55
155002	1-104, 1-105	165236	1-16
155528	1-81, 1-85	165257	1-42
155529	1-73	165259	1-43
155530	1-67	165260	1-43
155534	1-29	1-654-010047-06	1-3, 1-5, 1-23, 1-113
155536	1-29	1-654-010047-08	1-89
1-557-010327	1-3, 1-5, 1-21, 1-111	1-654-010047-09	1-89
1-557-010362-51	1-12, 1-13, 1-14, 1-21	1-654-010049-05	1-89
1-557-010362-87	1-109, 1-111	1-654-010049-09	1-81, 1-85
155716	1-29, 1-41, 1-45, 1-47	1-654-010049-11	1-74
155717	1-29	1-654-010049-19	1-42, 1-67
155927	1-97, 1-99, 1-101, 1-103	1-654-010051-05	1-73, 1-107
155956	1-97, 1-99, 1-101, 1-103	1-654-010051-08	1-106
155971	1-57, 1-59, 1-61, 1-97, 1-99, 1-101, 1-103	1-654-010051-10	1-25
156778	1-101, 1-103	1-654-010051-11	1-51, 1-53, 1-55
156949	1-28	1-654-010055-04	1-74
156950	1-23, 1-25, 1-28	1-654-010055-07	1-38
156974	1-14	1-654-010055-09	1-109, 1-111
156979	1-13, 1-14	1-654-010055-11	1-35, 1-37
1-573-010006	1-125	1-654-010055-13	1-73, 1-81, 1-85
158299	1-51, 1-53, 1-55	1-654-010055-14	1-45, 1-47, 1-97, 1-99, 1-101, 1-103
159954	1-41, 1-45, 1-47	1-654-010055-15	1-9, 1-11, 1-41, 1-45, 1-47, 1-48, 1-51, 1-53, 1-55
		1-654-010055-17	1-25
		1-654-010059-04	1-3, 1-5, 1-33, 1-35, 1-37
		1-654-010059-05	1-37, 1-38, 1-41, 1-45, 1-47

1-654-010059-06	1-41, 1-45, 1-47, 1-48	175151	1-89, 1-90
1-654-010059-08	1-42	175194	1-3, 1-5, 1-35, 1-37, 1-41, 1-45, 1-47
1-654-010059-14	1-19	178517	1-89, 1-90
1-654-010059-15	1-41, 1-42, 1-45, 1-47	178532	1-63, 1-89, 1-93
1-654-010061-05	1-6, 1-9, 1-19, 1-113	179355	1-3, 1-5
1-654-010061-06	1-35, 1-37	179416	1-41, 1-45, 1-47, 1-48
1-654-010061-07	1-3, 1-5, 1-23	181277	1-31
1-654-010061-09	1-113	181331	1-48
1-654-010061-19	1-23	181342	1-19, 1-85, 1-87, 1-115
1-654-010070-02	1-97, 1-99, 1-101, 1-103	181363	1-35, 1-37, 1-65, 1-93
1-654-010070-03	1-57, 1-59, 1-61	181713	1-89
1-654-010070-11	1-57, 1-59, 1-61, 1-97, 1-99, 1-101, 1-103	181799	1-67, 1-69, 1-71
1-654-010070-13	1-97, 1-99, 1-101, 1-103	182289	1-43
1-654-010070-14	1-57, 1-59, 1-61, 1-97, 1-99, 1-101, 1-103	182506	1-16
1-654-010123-01	1-23, 1-25	182507	1-6, 1-16
1-654-010125-22	1-23, 1-25, 1-28	183474	1-29
166171	1-73, 1-77	183475	1-23, 1-29
166199	1-41, 1-45, 1-47, 1-48	183516	1-111
166336	1-97, 1-99, 1-101, 1-103	183517	1-23
167298	1-17	183599	1-113
167314	1-6, 1-9	185107	1-41, 1-45, 1-47
168763	1-97, 1-99, 1-101, 1-103	185108	1-41, 1-42, 1-45, 1-47
168799	1-95, 1-97	185109	1-41, 1-45, 1-47
168800	1-95, 1-101	185114	1-41, 1-45, 1-47
168801	1-95, 1-103	185141	1-106
169055	1-73, 1-77	185142	1-106
170004	1-21, 1-23	185143	1-109, 1-111
170302	1-12	185166	1-33, 1-35, 1-37
170310	1-12	185167	1-33, 1-35, 1-37
170510	1-125	185170	1-33, 1-35, 1-37
170870	1-97, 1-99	185171	1-33, 1-35, 1-37
171107	1-12	185928	1-41, 1-45, 1-47, 1-48
171556	1-42, 1-67	185954	1-19
171745	1-104, 1-105	185956	1-19
171749	1-63, 1-65, 1-93	185957	1-19
171772	1-12	185960	1-19
171773	1-6, 1-12	185961	1-19
173044	1-25	185999	1-41
174265	1-25, 1-27	1-861-010005	1-12, 1-13, 1-14
174294	1-21	1-861-010032-06	1-23, 1-73, 1-89
174435	1-89, 1-90	1-861-010032-07	1-3, 1-5
174436	1-89, 1-90	1-861-010032-08	1-81, 1-85
174437	1-89, 1-90	1-861-010032-09	1-89
174708	1-43	1-861-010032-10	1-25, 1-51, 1-53, 1-55
		1-861-010032-11	1-67, 1-73, 1-81, 1-85

1-861-010032-13	1-41, 1-45, 1-47	195606	1-51, 1-53, 1-55
1-861-010032-14	1-73, 1-74, 1-81, 1-85, 1-109, 1-111	195607	1-53, 1-55
1-861-010032-15	1-35, 1-37, 1-57, 1-59, 1-61, 1-97, 1-99, 1-101, 1-103	195647	1-73, 1-77
1-861-010032-18	1-51, 1-53, 1-55	195904	1-57, 1-59, 1-61
1-861-010032-19	1-19	196104	1-83, 1-87
1-861-010032-20	1-3, 1-5, 1-109, 1-111, 1-113	196106	1-21
1-861-010032-21	1-19	196110	1-21
1-861-010032-24	1-21, 1-23, 1-25, 1-28, 1-41, 1-45, 1-47, 1-105, 1-111	196116	1-21
1-861-010032-25	1-104	196119	1-21, 1-23
1-861-010032-32	1-31, 1-51, 1-53, 1-55	196120	1-21, 1-23, 1-31
1-861-010034-10	1-81, 1-85	196678	1-125
1-861-010034-11	1-73	196754	1-23, 1-67, 1-81, 1-85
1-861-010034-12	1-41, 1-45, 1-47	197693	1-21
1-861-010034-15	1-38	197698	1-81, 1-83, 1-85, 1-87
1-861-010034-21	1-21, 1-33, 1-35, 1-37	198621	1-95, 1-99
186700	1-45, 1-47	199977	1-21
187434	1-89	1D594	1-51, 1-53, 1-55, 1-111
188051	1-23	1P196	1-31
188639	1-10, 1-12	1P292	1-73, 1-77
188640	1-12	1P443	1-121, 1-123
189302	1-9, 1-83	1P444	1-104, 1-105
190400004	1-116, 1-117	1P693	1-10, 1-11, 1-31
190400035	1-114, 1-119, 1-122	1P745	1-121, 1-123
190882	1-21	1P782	1-113
191396	1-38	1P805	1-123
191420	1-41, 1-45, 1-47	1P995	1-67
193089	1-13	200950	1-38
193225	1-23, 1-31	201291	1-79
193226	1-23, 1-67, 1-85	201442	1-106
193251	1-41, 1-67, 1-69, 1-71, 1-116	201443	1-106
193252	1-45, 1-47, 1-67, 1-69, 1-71, 1-117	202702-10-8S	1-69, 1-71
194773	1-57, 1-59, 1-61	202702-8-6S	1-25, 1-27
194774	1-57, 1-59, 1-61	202702-8-8 S	1-79
194777	1-57, 1-59, 1-61	202702-8-8S	1-69, 1-71, 1-74, 1-77
194778	1-3, 1-5	203003-8-8S	1-69, 1-71, 1-79, 1-83, 1-87
194783	1-57, 1-59, 1-61	203005-8-8S	1-77
194828	1-57, 1-59, 1-61	203117	1-33, 1-35, 1-37
194829	1-59, 1-61	203425	1-81, 1-83, 1-85, 1-87
195196	1-79	203450	1-74, 1-77
195197	1-79	203467	1-42, 1-67, 1-69, 1-71
195198	1-79	203796	1-3, 1-5
195566	1-25	204385	1-17
195579	1-42	204386	1-15
195597	1-43	204831	1-107
		204832	1-107

204833	1-107	211245	1-42
204835	1-107	211247	1-42, 1-43
204836	1-107	211248	1-43
204837	1-107	211252	1-21
2062-10-8S	1-69, 1-71	211254	1-21
2062-8-6S	1-25, 1-27	211257	1-19
2062-8-8S	1-69, 1-71, 1-74, 1-77, 1-79, 1-83, 1-87	211260	1-3, 1-5
206652	1-104, 1-105	211261	1-31
206675	1-104, 1-105	211264	1-31
2071-8-8S	1-74, 1-77	211269	1-63, 1-93
2-095-010017	1-57, 1-59, 1-61, 1-97, 1-99, 1-101, 1-103	211271	1-113
209869	1-3, 1-5, 1-33	211274	1-65, 1-93
2-102-010037	1-111	211276	1-35, 1-37
2-102-010054	1-51, 1-53, 1-55	211289	1-37
211159	1-31, 1-37	211295	1-59, 1-61
211160	1-63, 1-93	211301	1-51, 1-53, 1-55
211161	1-65, 1-93	211306	1-73, 1-77, 1-81, 1-83, 1-85, 1-87
211164	1-31, 1-35	211311	1-23, 1-28
211169	1-6, 1-11	211313	1-81, 1-83, 1-85, 1-87
211170	1-11	211314	1-81, 1-83, 1-85, 1-87
211174	1-14	211315	1-81, 1-83, 1-85, 1-87
211175	1-13, 1-14	211316	1-73, 1-77
211176	1-9, 1-17	211317	1-73, 1-77
211191	1-41	211318	1-73, 1-77
211193	1-51	211319	1-73, 1-77, 1-79
211194	1-51, 1-53, 1-55	211320	1-67, 1-69, 1-71
211199	1-35, 1-37	211321	1-67, 1-69, 1-71
211202	1-35, 1-37, 1-38	211344	1-67, 1-69, 1-71
211204	1-33, 1-38	211345	1-71
211206	1-38	212345	1-67, 1-69
211208	1-38	213852	1-113
211220	1-51, 1-57	213908	1-95
211221	1-57	213910	1-109, 1-111
211222	1-57	213915	1-109, 1-111
211223	1-3, 1-5	213917	1-109, 1-111
211224	1-3, 1-5	214008	1-109
211225	1-53, 1-59	214009	1-109
211226	1-55, 1-61	214013	1-111
211227	1-59, 1-61	214017	1-111
211228	1-45, 1-47	214018	1-111
211229	1-59, 1-61	214022	1-109
211230	1-53, 1-55	214024	1-111
211234	1-43	214025	1-113
211237	1-3, 1-5	214039	1-93
		214146	1-125

214501 .....	1-111	236929 .....	1-122
2-150-010008 .....	1-3, 1-5	236932 .....	1-122
2-181-010001 .....	1-67, 1-81, 1-85, 1-113	2-375-010601 .....	1-23, 1-25
219110 .....	1-21	2-375-010602 .....	1-23, 1-25
219154 .....	1-93	238841 .....	1-119
219160 .....	1-31, 1-73, 1-77, 1-121	238843 .....	1-25
219162 .....	1-121	238844 .....	1-25
220000210 .....	1-119	238846 .....	1-25
220000211 .....	1-116, 1-118, 1-122	238848 .....	1-25
221525 .....	1-15	238853 .....	1-25
221526 .....	1-6, 1-15	238854 .....	1-25
221531 .....	1-6, 1-10	241061 .....	1-81, 1-83
221532 .....	1-10	241282 .....	1-105
221579 .....	1-105	244032 .....	1-74
221582 .....	1-104, 1-105	244034 .....	1-19
221587 .....	1-104	2-573-010037 .....	1-125
221593 .....	1-95, 1-105	2-573-010198 .....	1-125
221594 .....	1-95, 1-104	2-573-010335 .....	1-125
223435 .....	1-13	2D799 .....	1-111
223437 .....	1-13	2J605 .....	1-41, 1-45, 1-47
223438 .....	1-13	2P151 .....	1-89, 1-125
223439 .....	1-13	2P252 .....	1-25, 1-63, 1-65, 1-93
224181 .....	1-104, 1-105	2P253 .....	1-25, 1-35, 1-37, 1-57, 1-59, 1-61, 1-74
224182 .....	1-104, 1-105	2P254 .....	1-35, 1-37, 1-42, 1-63, 1-65, 1-89, 1-93, 1-104, 1-105
224183 .....	1-104, 1-105	2P280 .....	1-21
224193 .....	1-9, 1-11, 1-13	2P361 .....	1-31
225093 .....	1-25, 1-27	2P411 .....	1-21
226789 .....	1-121	2P740 .....	1-123
229388 .....	1-31, 1-73, 1-77, 1-121	2P994 .....	1-25
232191 .....	1-125	3-375-010371 .....	1-113
234181 .....	1-41, 1-45, 1-47	3C335 .....	1-21
234517 .....	1-74	3J511 .....	1-21
234518 .....	1-74	3J675 .....	1-125
234519 .....	1-74	3K706 .....	1-125
234521 .....	1-19, 1-81, 1-83, 1-118	3P052 .....	1-38
234522 .....	1-9, 1-81, 1-83, 1-119	3P079 .....	1-123
234529 .....	1-9	3P144 .....	1-19
234535 .....	1-9	4001060 .....	1-13, 1-14
234540 .....	1-74	4J548 .....	1-19, 1-23
234545 .....	1-73, 1-77, 1-79	4J549 .....	1-115, 1-118
234548 .....	1-83	4K607 .....	1-83, 1-87
2-368-010287 .....	1-23	5000 .....	1-12, 1-13, 1-14
236924 .....	1-118	5000595 .....	1-81, 1-83
236925 .....	1-119	51316-14 .....	1-81, 1-83, 1-85, 1-87
236926 .....	1-122		

528933 ..... 1-89, 1-125  
528934 ..... 1-89, 1-125  
528938 ..... 1-89, 1-125  
5J280 ..... 1-25, 1-27  
5J768 ..... 1-25  
5J859 ..... 1-125  
6J448 ..... 1-19, 1-21, 1-25  
6J580 ..... 1-41, 1-45, 1-47, 1-104, 1-105  
7/16-14X1-3/4PB ..... 1-41, 1-45, 1-47  
71508954 ..... 1-81, 1-83, 1-85, 1-87  
7782-288 ..... 1-81, 1-83  
7C076 ..... 1-21  
7C120 ..... 1-19, 1-21  
7J067 ..... 1-123  
7K678 ..... 1-89  
7K723 ..... 1-3, 1-5, 1-21, 1-104, 1-109, 1-111  
8-102-010043 ..... 1-104, 1-105  
8D099 ..... 1-19  
8J014 ..... 1-63, 1-65, 1-93  
8J172 ..... 1-25  
8J309 ..... 1-125  
8J635 ..... 1-125  
8J650 ..... 1-73, 1-77, 1-79  
8J852 ..... 1-123  
8K113 ..... 1-111  
9D731 ... 1-21, 1-81, 1-83, 1-85, 1-87, 1-122, 1-123  
9J278 ..... 1-21  
9J629 ..... 1-125  
9J695 ..... 1-21, 1-25  
9K440 ..... 1-19

**C**

---

CO-975-74-2000 ..... 1-113

**T**

---

TR416 ..... 1-17  
TR575 ..... 1-15, 1-16

**W**

---

W908409-4 ..... 1-10

# Instructions for Ordering Parts

**\*\* Repair parts must be ordered through an Authorized Dealer \*\***

## DEALER INSTRUCTIONS FOR ORDERING PARTS FROM LANDOLL PARTS DISTRIBUTION CENTER

Phone #: 800-423-4320 or 785-562-5381

Fax #: 888-527-3909

Order online: [dealer.landoll.com](http://dealer.landoll.com)

### IDENTIFICATION PLATE

See below for the Identification Plate, which lists the model and serial number of the equipment. It is located on the left side of the 3631-30 Pulvi-Mulcher.

### SERIAL NUMBER

The serial number for the 3631-30 Pulvi-Mulcher is located on the identification plate. The following information will help decode the Landoll serial number.

**PMD21000100 = xxmysssss**

<b>xx</b>	= model series (i.e. "PM" for all Pulvi-Mulchers)
<b>m</b>	= month of manufacture (ex. "D" means April. The letter I is not used.)
<b>yy</b>	= last digits of the year manufactured (ex. "21" means 2021)
<b>sssss</b>	= Sequential number used to track warranty and service information.



**Identification Plate and Location**

## Manuals for 3631-30 Pulvi-Mulcher

Manual Number	Manual Type
F-982	Operator's Manual
F-981	Parts Manual
F-984	3631-25 / 3631-30 Coil Tine Harrow Kit, Instruction Sheet



## Document Control Revision Log:

Date	Form #	Improvement(s): Description and Comments
02/2019		Initial Release
05/2019	F-981-0519	ECN 44848, Changed Wing Fold Cylinders
11/2019	F-981-1119	Changed Rockshaft, added 4" Hub
09/2020	F-981-0920	ECN 45489 - Updated Harrow Asm ECN 46460 - Updated Fold Hyd Box Asm Added Wing Fold Hydraulic Cylinder with Internal Stop - Option
11/2021	F-981-1121	ECN 47647 - Update Hyd Cyl Update 193252 Hyd Cyl
07/2022	F-981-0722	ECN 46460, 47741, 47749, 48289, 48314 - Replumbed Fold Circuit, Hose Asm's ECN 47799, 47818 - Harrow Assemblies, Hyd Cylinders, Wing Lift Asm ECN 47848 - Drawbar Changes ECN 48122 - Wing Stop Added ECN 48178 - Hyd Cyl 4-1/2 x 8 Re-Phase, Midway Vendor Added ECN 48262 - Center Frame ECN 48323 - QR Code Decal
02/2023	F-981-0223	ECN 48765 - Spring Loaded Actuator Removed 20" Wheel Roller Assemblies



---

# Intertek

Equipment from Landoll Company, LLC is built to exacting standards ensured by ISO 9001 registration at all Landoll manufacturing facilities.

## **Pulvi-Mulcher 3631-30 Models Parts Manual**

### **Re-Order Part Number F-981**

**LANDOLL COMPANY, LLC**

1900 North Street

Marysville, Kansas 66508

(785) 562-5381

**800-428-5655 ~ WWW.LANDOLL.COM**



Copyright 2023. Landoll Company, LLC

“All rights reserved, including the right to reproduce this material or portions thereof in any form.”

