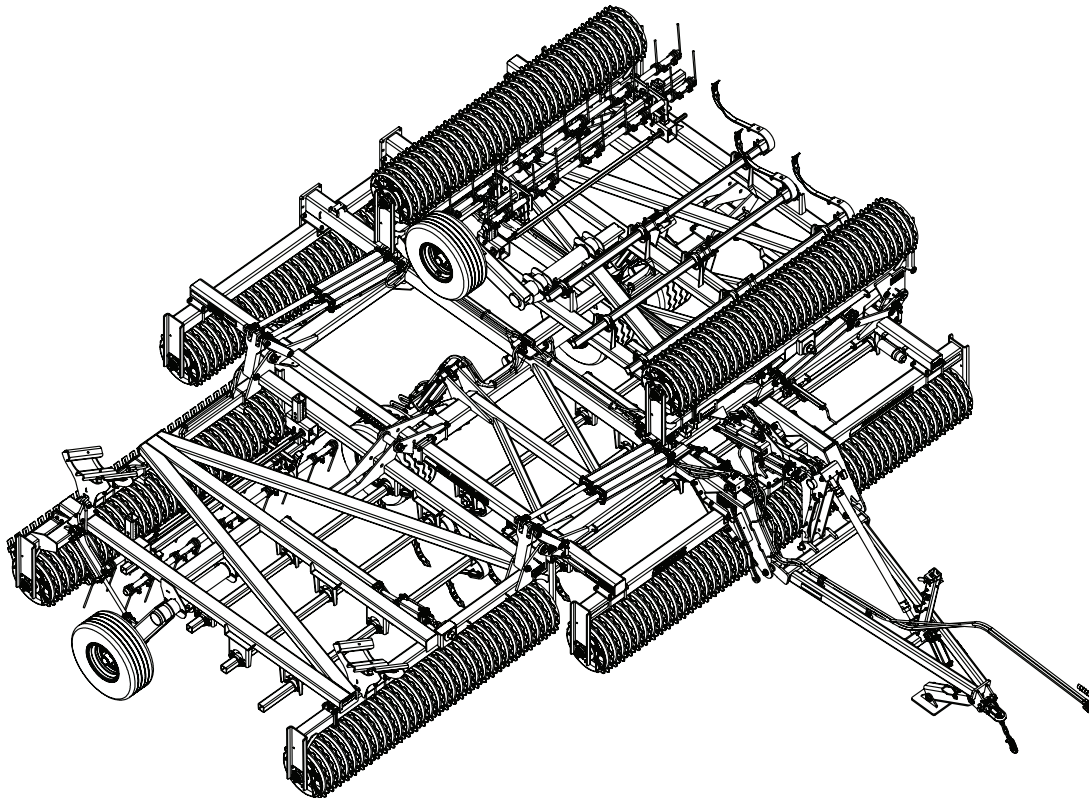




Pulvi-Mulcher 3631-36 Model Parts Manual



LANDOLL COMPANY, LLC

1900 North Street

Marysville, Kansas 66508

(785) 562-5381

800-428-5655 ~ WWW.LANDOLL.COM

Manuals for Pulvi-Mulcher 3631-36

Manual Number	Manual Type
F-1064	Operator's Manual
F-1063	Parts Manual

Table of Contents

1 Illustrated Parts List

Instructions for Ordering Parts	1-1
Frame (After 01/01/2022)	1-2
Frame (Before 01/01/2022)	1-4
Transport Axle Mounting Components	1-6
Transport Axle, 4" Spindle	1-7
Wing Lift Assembly	1-8
Hub and Spindle Assembly, 224193 (Wing)	1-10
Hub and Spindle Assembly, 188639 (Center)	1-11
Tire and Wheel Assembly, 221526	1-12
Tire and Wheel Assembly, 211176	1-13
Rockshaft Cylinder Transport Lock (Manual)	1-14
Rockshaft Cylinder Transport Lock (Automatic)	1-16
Drawbar Leveler (After 01/01/2022)	1-18
Drawbar Leveler (Before 01/01/2022)	1-22
Drawbar w/ Manual Jack	1-24
Drawbar w/ Hydraulic Jack	1-26
Drawbar w/ Hydraulic Jack Schematic	1-28
Category V Hitch	1-30
Turnbuckle	1-31
Wing Rest (After 01/01/2022)	1-32
Wing Rest (Before 01/01/2022)	1-33
Wing Hinge (After 01/01/2022)	1-34
Wing Hinge (Before 01/01/2022)	1-36
Front and Rear Center Roller and Frame	1-38
Right Hand Wing Frame and Roller	1-40
Left Hand Wing Frame and Roller	1-44
Roller Axle Assemblies, Notched 24" Wheels	1-46
Tooth Control - Center Frame	1-48
Shank Depth Control Mounting Components	1-50
Shank Depth Control Assembly	1-51
Tooth Control - Right Hand Wing	1-52
Tooth Control - Left Hand Wing	1-54
S-Tine Shank Assembly	1-56
Center Harrow	1-58

Wing Harrow - Right Hand	1-60
Wing Harrow - Left Hand	1-62
Center Harrow Assembly	1-64
Wing Harrow Assembly - Right Hand	1-66
Wing Harrow Assembly - Left Hand	1-68
Center Rear Scrapers	1-71
Wing Rear Scrapers	1-72
Hydraulic Tooth Control Layout	1-74
Hydraulic Tooth Control Schematic	1-76
Simplified Hydraulic Tooth Control Schematic	1-78
Fold and Down Pressure Hydraulic Layout (After 01/01/2022)	1-80
Fold and Down Pressure Hydraulic Layout (Before 01/01/2022)	1-84
Fold and Down Pressure Limit Valve Layout	1-86
Fold and Down Pressure Hydraulic Schematic (After 01/01/2022)	1-88
Fold and Down Pressure Hydraulic Schematic (Before 01/01/2022)	1-92
Down Pressure Valve Schematic	1-94
Lift Hydraulic Layout (Series Cylinders w/Wing Lift Wheels)	1-96
Hydraulic Lift Schematic (Series Cylinders w/Wing Lift Wheels)	1-100
Lift Hydraulic Layout (No Wing Lift Wheels)	1-104
Hydraulic Lift Schematic (No Wing Lift Wheels)	1-106
Electrical Layout	1-108
Electrical Schematic	1-110
Front Scrapers Kit - Optional	1-112
Harrow Kit, 3-Bar Coil Tine Without Lift - Optional	1-114
Harrow Arm Assembly, Center Without Lift	1-116
Harrow Arm Assembly, Wing Without Lift	1-117
Harrow Kit, 3-Bar Coil Tine With Lift - Optional	1-118
Harrow Arm Assembly, Center With Lift	1-122
Harrow Arm Assembly, Wing With Lift	1-123
Harrow Assembly, 3 Row - 107" Tube - Optional	1-124
Harrow Assembly, 6 Tine, 3 Row - Optional	1-126
Harrow Assembly, 7 Tine, 3 Row - Optional	1-128
Clamp End Spacer Kits 1 of 2 - Optional	1-130
Clamp End Spacer Kits 2 of 2 - Optional	1-131
Land Leveler - Optional	1-132
V-Leveler - Optional	1-134
Rear Hitch - Optional	1-136

Hydraulic Cylinder, 1-3/4 x 6 - Prince 1-138

Hydraulic Cylinder, 2-1/2 x 2-1/2 1-139

Hydraulic Cylinder, 4 x 8 - Prince 1-140

Hydraulic Cylinder, 4-1/2 x 14 - Prince 1-141

Hydraulic Cylinder, 4-1/2 x 8 Re-Phase - Prince 1-142

Hydraulic Cylinder, 4 x 8 Re-Phase - Prince 1-143

Hydraulic Cylinder, 4-1/2 x 14 Re-Phase - Prince 1-144

Hydraulic Cylinder, 4 x 14 Re-Phase - Prince 1-145

Hydraulic Cylinder, 4 x 16 - Lion 1-146

Hydraulic Cylinder, 4 x 30 - Lion 1-147

Hydraulic Cylinder, 4 x 30 with Spacer - Lion 1-148

Hydraulic Cylinder, 4-1/2 x 30 1-149

Hydraulic Cylinder, 4-1/2 x 30 with Spacer 1-150

Decals 1-152

Decal Locations 1-154

2 Index

3 Glossary

Illustrated Parts List

Instructions for Ordering Parts

**** Repair parts must be ordered through an Authorized Dealer ****

DEALER INSTRUCTIONS FOR ORDERING PARTS FROM LANDOLL PARTS DISTRIBUTION CENTER

Phone #: [800-423-4320](tel:800-423-4320) or [785-562-5381](tel:785-562-5381)

Fax #: [888-527-3909](tel:888-527-3909)

Order online: dealer.landoll.com

IDENTIFICATION PLATE

See **Figure 1-1** for the Identification Plate, which lists the model and serial number of the equipment. It is located on the left side of the frame by the hitch.

SERIAL NUMBER NOMENCLATURE

The serial number for the 3631 Pulvi-Mulcher is located on the identification plate. The following information will help decode the Landoll serial number:

PMF2000100 = xxmyysssss

xx	= model series (i.e. "PM" for all Pulvi-Mulchers)
m	= month of manufacture (ex. "F" means June. The letter I is not used.)
yy	= year manufactured (ex. "20" means 2020)
sssss	= Sequential number used to track warranty and service information.

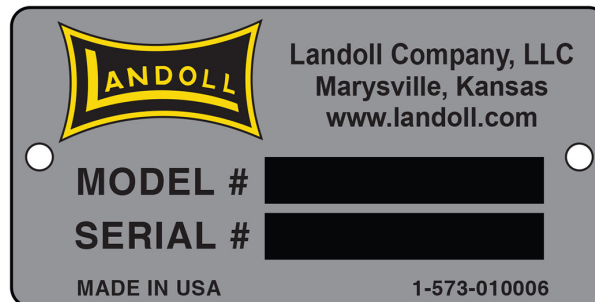


Figure 1-1: Identification Plate

Frame (After 01/01/2022)

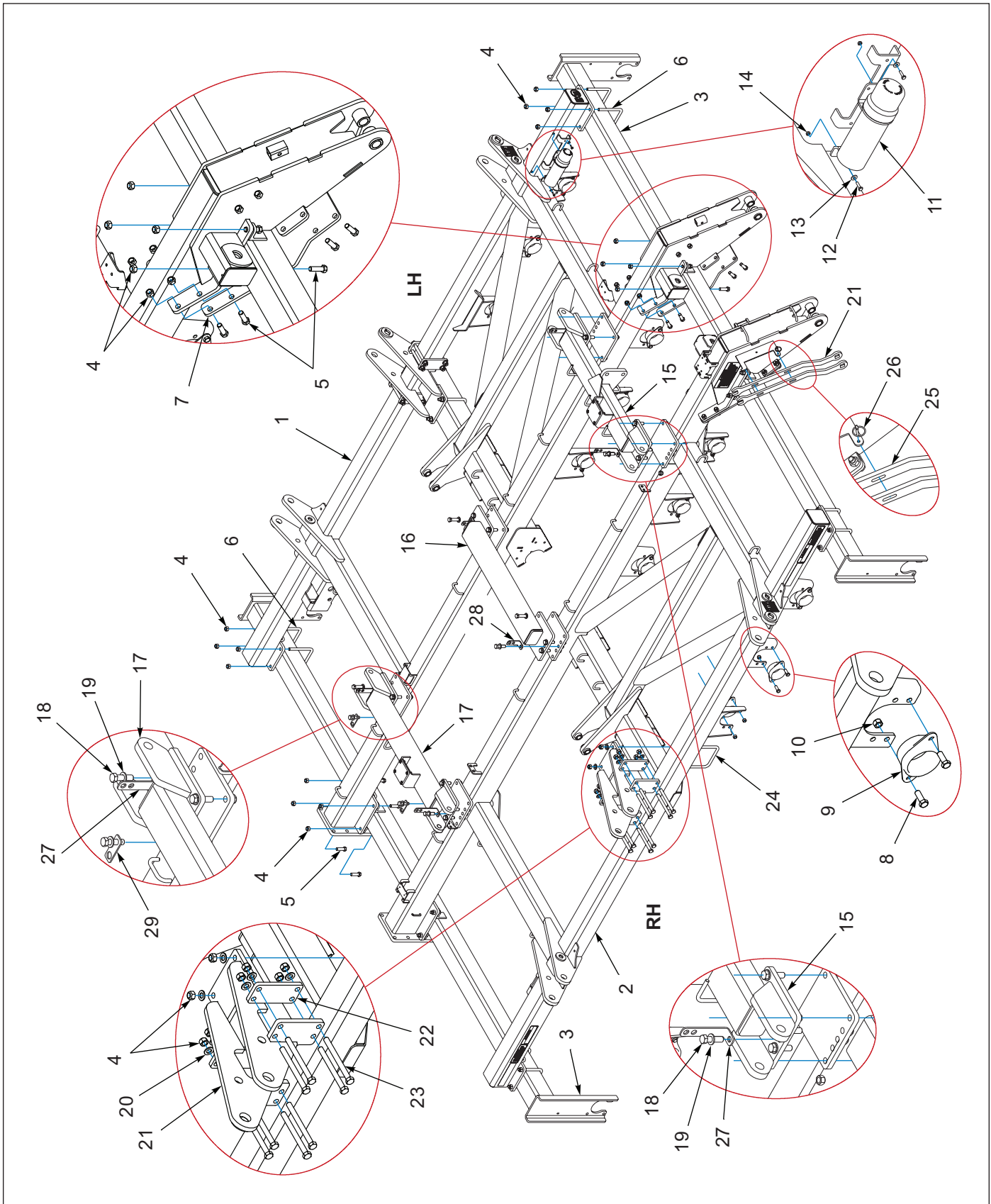


Figure 1-2: Frame (After 01/01/2022)

Frame (After 01/01/2022)

ITEM	PART NUMBER	DESCRIPTION	QTY
1	234189	CENTER FRAME, LH 3631 WLDMT	1
2	234188	CENTER FRAME, RH 3631 WLDMT	1
3	209869	FRAME, ROLLER CENTER 16FT	2
4	1-512-010005-15	NUT, HEX, SLFLKG GRB, 3/4-10	82
5	1-654-010061-07	SCREW, HX CP 3/4-10UNC X 2-1/2, G5	32
6	7K723	U-BOLT, 3/4-10 X 5-13/16 X 7-5/8	8
7	179355	SUPPORT, FRONT ROLLER	2
8	1-654-010059-04	SCREW, HEX CAP 5/8-11 X 1-3/4, G5	24
9	175194	BEARING, TOOTH TUBE	12
10	1-512-010005-13	NUT, HEX SLFLKG GRB, 5/8-11	24
11	142753	MANUAL HOLDER	1
12	1-654-010047-06	SCREW, HX CP 1/4-20UNC X 1, GR5	2
13	1-861-010032-07	WASHER, FLAT 1/4 ZP	2
14	1-512-010005-01	NUT, HEX, SLFLKG GRB, 1/4-20	2
15	243986	CROSS TUBE,3631-36 FRONT	1
16	244013	CROSS TUBE,MID	1
17	243974	CROSS TUBE,3631-36 REAR	1
18	110-7095	3/4-10X2-3/4LG HHCS GR5 ZP	30
19	1-861-010032-20	WASHER, FLAT,3/4 N ZP/CD	30
20	1-861-010032-20	WASHER, FLAT 3/4	36
21	221512	HINGE WELDMENT	2
22	221517	CLAMP PLATE	4
23	1-654-010061-22	SCREW, HEX CAP, 3/4-10UNC X 8-1/2	16
24	218257	U-BOLT, 3/4-10 X 7-13/16 X 9-1/4	2
25	194778	WRENCH, HARROW ADJUSTMENT	2
26	1-557-010327	PIN, LYNCH 1/4 X 1-1/4	1
27	244017	BULKHEAD MOUNT	4
28	244019	BULKHEAD MNT, SHORT	2
29	244018	BULKHEAD PLATE	2

Frame (Before 01/01/2022)

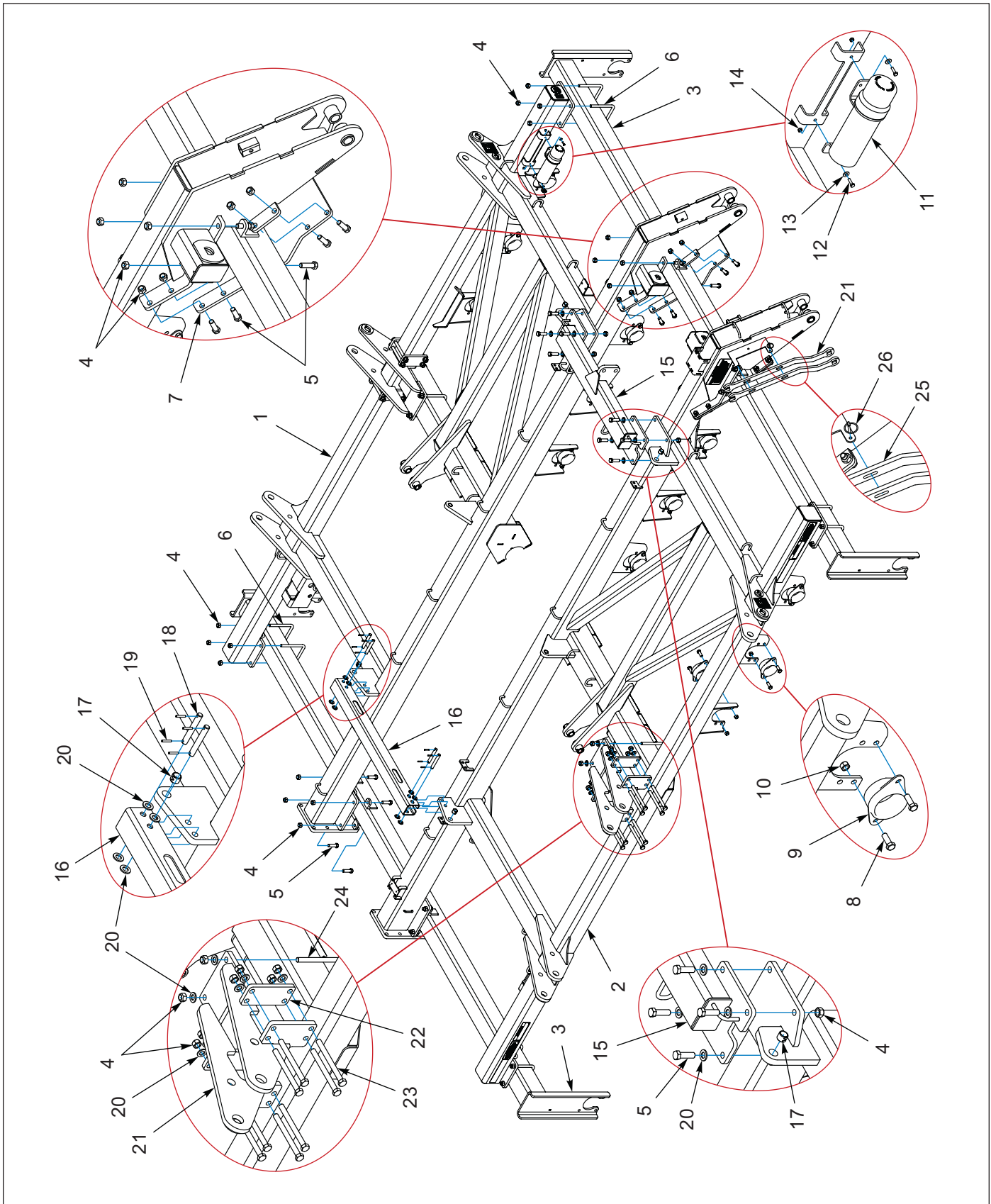


Figure 1-3: Frame (Before 01/04/2023)

Frame (Before 01/01/2022)

ITEM	PART NUMBER	DESCRIPTION	QTY
1	211224	FRAME, LEFT CENTER W/DECALS (INCLUDES ITEM 17)	1
2	211223	FRAME, RIGHT CENTER W/DECALS (INCLUDES ITEM 17)	1
3	209869	FRAME, ROLLER CENTER 16FT	2
4	1-512-010005-15	NUT, HEX, SLFLKG GRB, 3/4-10	76
5	1-654-010061-07	SCREW, HX CP 3/4-10UNC X 2-1/2, G5	40
6	7K723	U-BOLT, 3/4-10 X 5-13/16 X 7-5/8	8
7	179355	SUPPORT, FRONT ROLLER	2
8	1-654-010059-04	SCREW, HEX CAP 5/8-11 X 1-3/4, G5	24
9	175194	BEARING, TOOTH TUBE	12
10	1-512-010005-13	NUT, HEX SLFLKG GRB, 5/8-11	24
11	142753	MANUAL HOLDER	1
12	1-654-010047-06	SCREW, HX CP 1/4-20UNC X 1, GR5	2
13	1-861-010032-07	WASHER, FLAT 1/4 ZP	2
14	1-512-010005-01	NUT, HEX, SLFLKG GRB, 1/4-20	2
15	211237	FRONT CROSS TUBE	1
16	211260	REAR WING REST TUBE	1
17	2-150-010008	BUSHING, 1-1/4 OD X 1 ID X 1 STEEL	4
18	203796	PIN, 3/4 X 5-1/4	4
19	1-647-010004217	ROLL PIN, 1-1/4 X 1-1/2	8
20	1-861-010032-20	WASHER, FLAT 3/4	36
21	221512	HINGE WELDMENT	2
22	221517	CLAMP PLATE	4
23	1-654-010061-22	SCREW, HEX CAP, 3/4-10UNC X 8-1/2	16
24	218257	U-BOLT, 3/4-10 X 7-13/16 X 9-1/4	2
25	194778	WRENCH, HARROW ADJUSTMENT	2
26	1-557-010327	PIN, LYNCH 1/4 X 1-1/4	1

Transport Axle Mounting Components

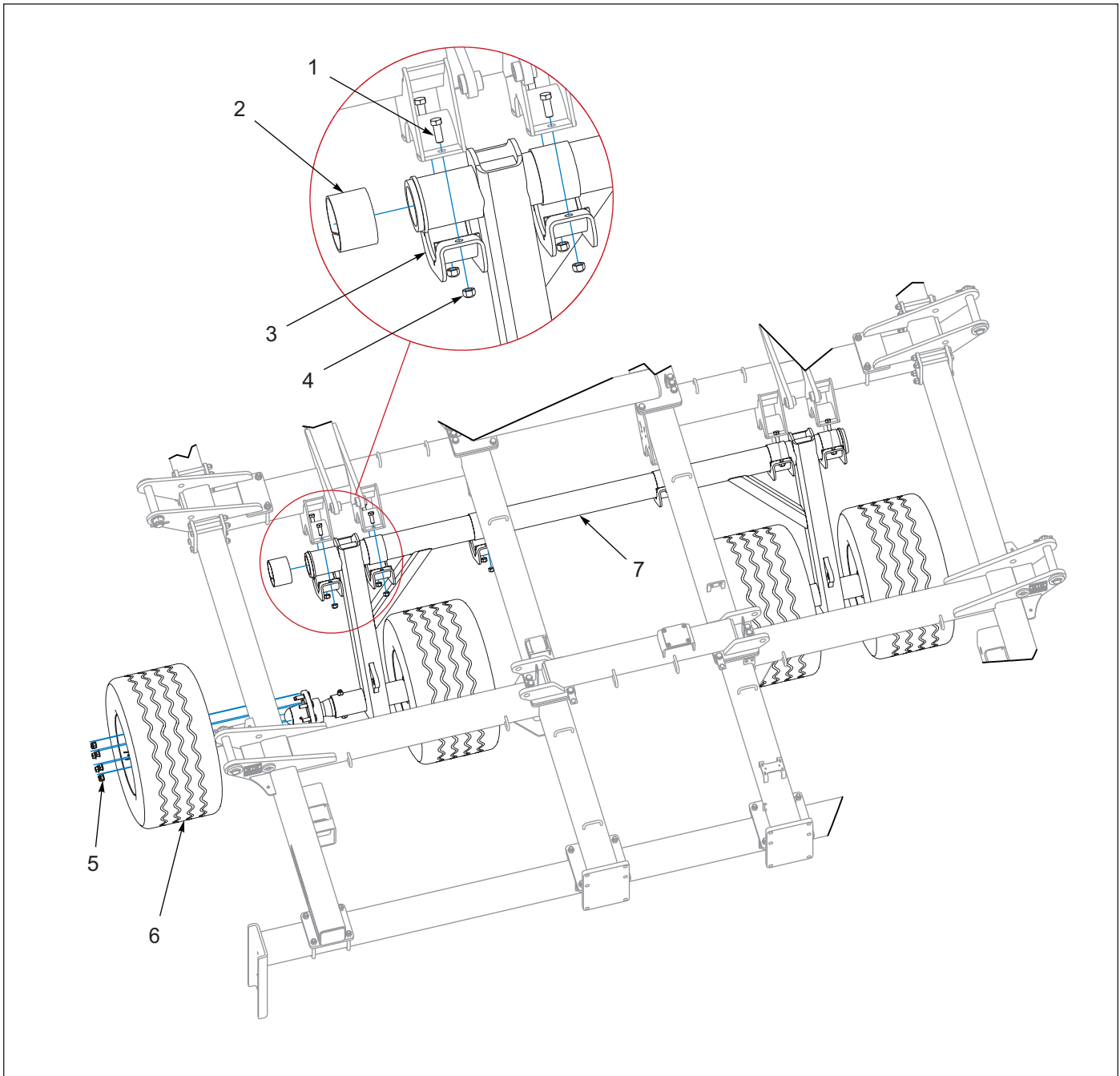


Figure 1-4: Transport Axle Mounting Components

Transport Axle Mounting Components

ITEM	PART NUMBER	DESCRIPTION	QTY
1	1-654-010061-05	SCREW, HHC, 3/4-10UNC X 2, GR5, ZP	12
2	140519	BEARING, UHMW 4IN	6
3	167314	CAP-BEARINGLIFT WLDMT RED	6
4	1-512-010005-15	NUT, HEX, SLFLKG GRB, 3/4-10	12
5	102600	NUT, WHEEL BOLT, 5/8-18	32
6	221526	TIRE & WHEEL ASM 480/45R17WHT (SEE PAGE 1-12)	4
7	221531	ROCKSHAFT ASM, 3631-36 (SEE PAGE 1-7)	1

Transport Axle, 4" Spindle

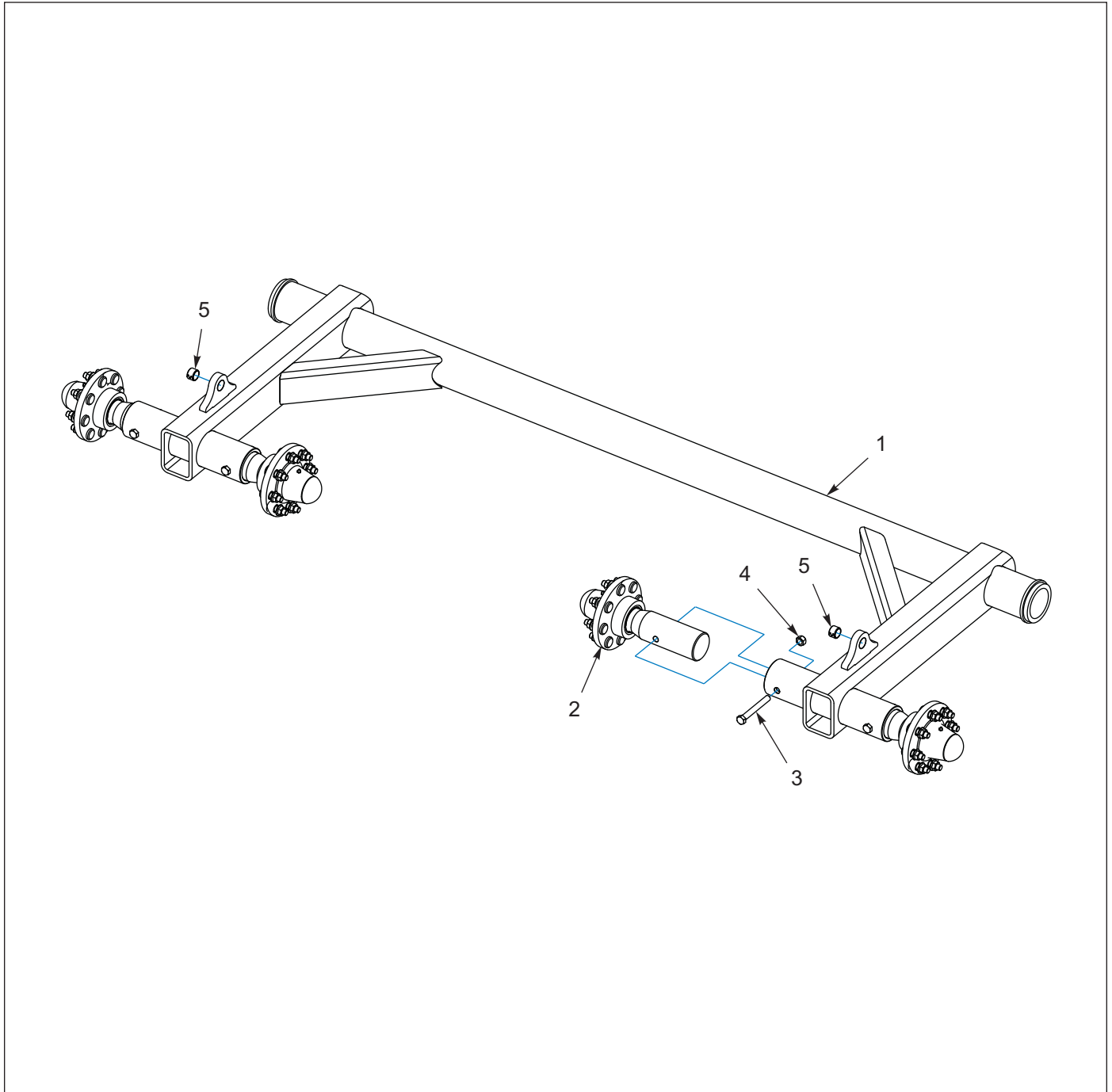


Figure 1-5: Transport Axle, 4" Spindle

Transport Axle, 4" Spindle

ITEM	PART NUMBER	DESCRIPTION	QTY
	221531	ROCKSHAFT ASM, 3631-30/36	1
1	221532	ROCKSHAFT WLDMT, 3631-30/36	1
2	188639	HUB & SPINDLE ASM, 8 BOLT (SEE PAGE 1-11)	4
3	W908409-4	SCR 3/4-10 X 6 HEX HD CAP	4
4	1-512-010005-15	NUT, LOCK 3/4-10, GRB, ZP	4
5	1P693	SPRING BUSHING, 1-1/4 X 1-1/2 X 1	2

Wing Lift Assembly

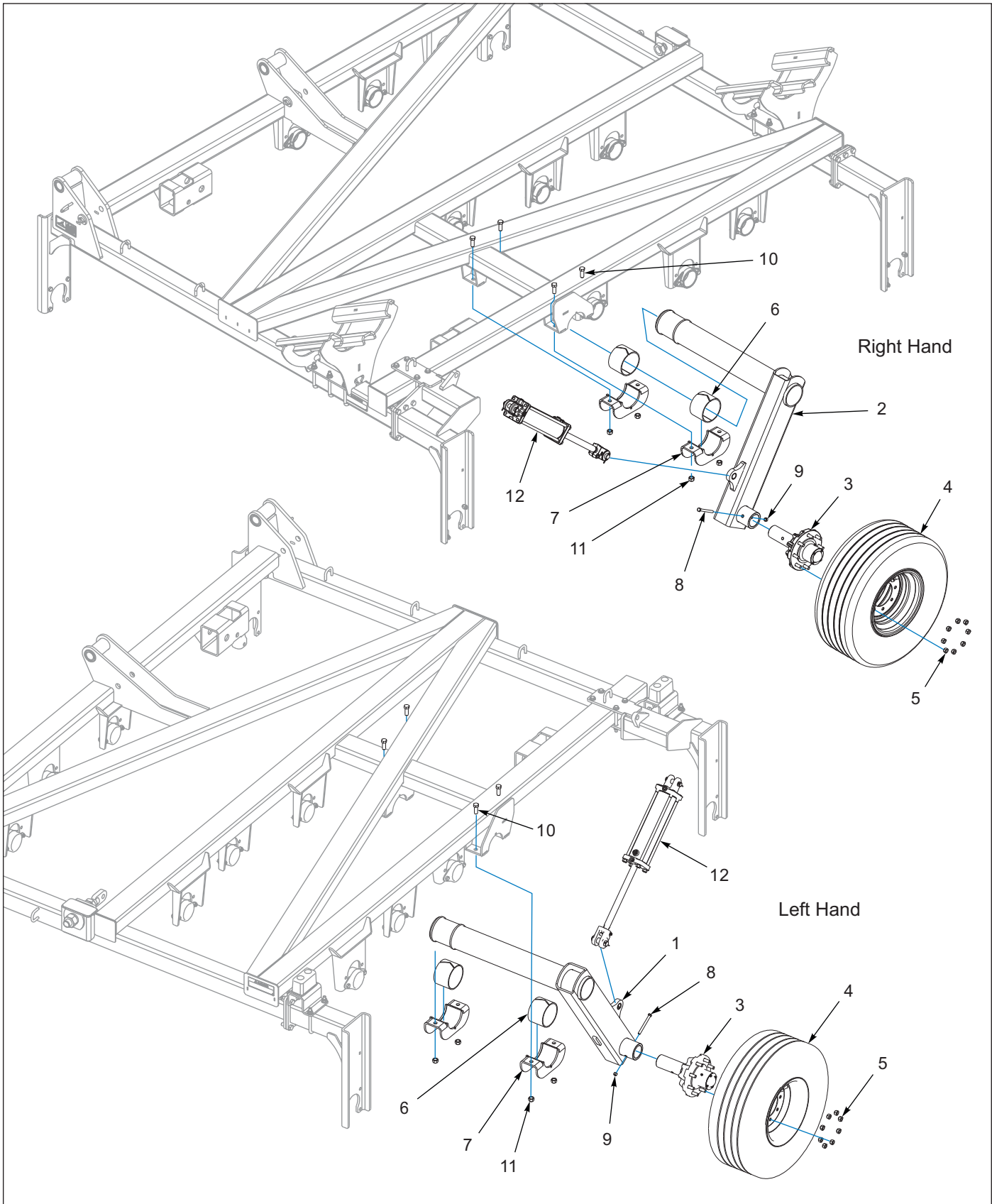


Figure 1-6: Wing Lift Assembly

Wing Lift Assembly

ITEM	PART NUMBER	DESCRIPTION	QTY
1	234529	WING LIFT, LH WLDMT	1
2	234535	WING LIFT, RH WLDMT	1
3	224193	HUB & SPINDLE ASM,8BLT,7500LB (SEE PAGE 1-10)	2
4	211176	TIRE & WHL ASSY,320/70R15,8BLT (SEE PAGE 1-13)	2
5	102600	NUT,WHEEL BOLT, 5/8	16
6	140519	BEARING, UHMW 4IN	4
7	167314	CAP-BEARING, LIFT, WLDMT	4
8	1-654-010055-15	SCR, HX CP, 1/2-13UNCX5 GR5	2
9	1-512-010005-15	NUT,HEX,SLFLKG GRB 3/4-10	2
10	1-654-010061-05	SCREW,HHC,3/4-10UNCX2,GR5,ZP	8
11	1-512-010005-15	NUT,HEX,SLFLKG GRB 3/4-10	8
12	234522	CYLINDER, REPHASE 4 X 14 (SEE PAGE 1-145)	2

Hub and Spindle Assembly, 224193 (Wing)

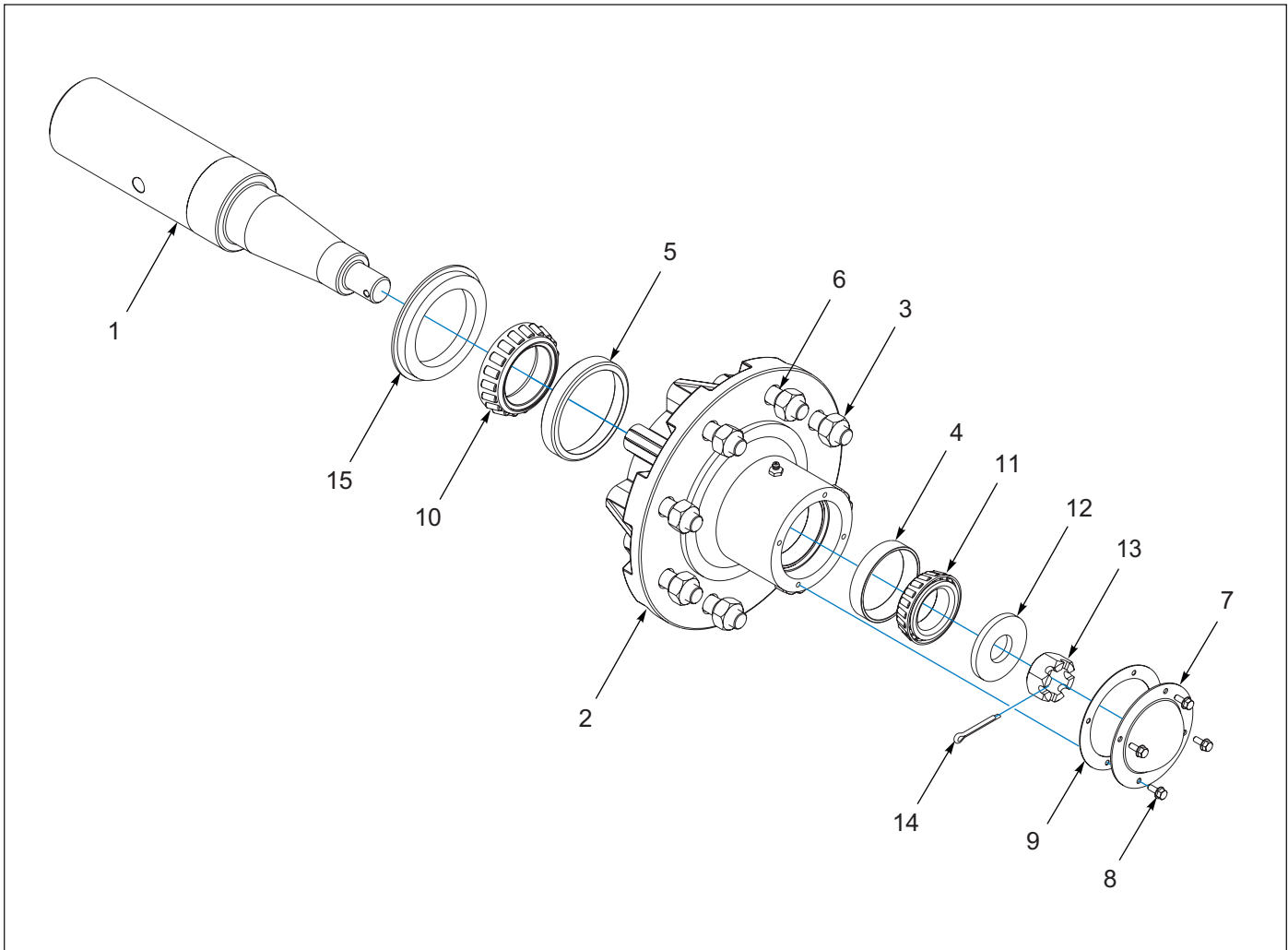


Figure 1-7: Hub and Spindle Assembly, 224193 (Wing)

Hub and Spindle Assembly, 224193 (Wing)

ITEM	PART NUMBER	DESCRIPTION	QTY
	224193	HUB & SPINDLE ASM,8BLT,7500LB	1
1	211175	SPINDLE, 3 X 15	1
2	223435	HUB ASSY W/ CUPS,GASKET,CAP (INCLUDES ITEMS 3 - 9)	1
3	102600	NUT,WHEEL BOLT, 5/8	8
4	102604	BEARING CUP, OUTER	1
5	111962	OUTER BEARING CUP L20HD#382A	1
6	4001060	WHEEL STUD, 5/8-18UNF X 2-1/2	8
7	223437	DUST CAP, BOLT ON	1
8	223438	SCREW, 10-32X1/2 HEX FLANGE	4
9	223439	GASKET, DUST CAP	1
10	156979	CONE BEARING - 387AS	1
11	102498	BEARING CONE, OUTER, 1.625	1
12	1-861-010005	WASHER, SPINDLE 1	1
13	1-516-010001-20	NUT, HX SLOT 1-14	1
14	1-557-010362-51	PIN, COTTER 3/16X1-1/2	1
15	193089	SEAL, PURAGABLE 4 OD X 3 ID	1

Hub and Spindle Assembly, 188639 (Center)

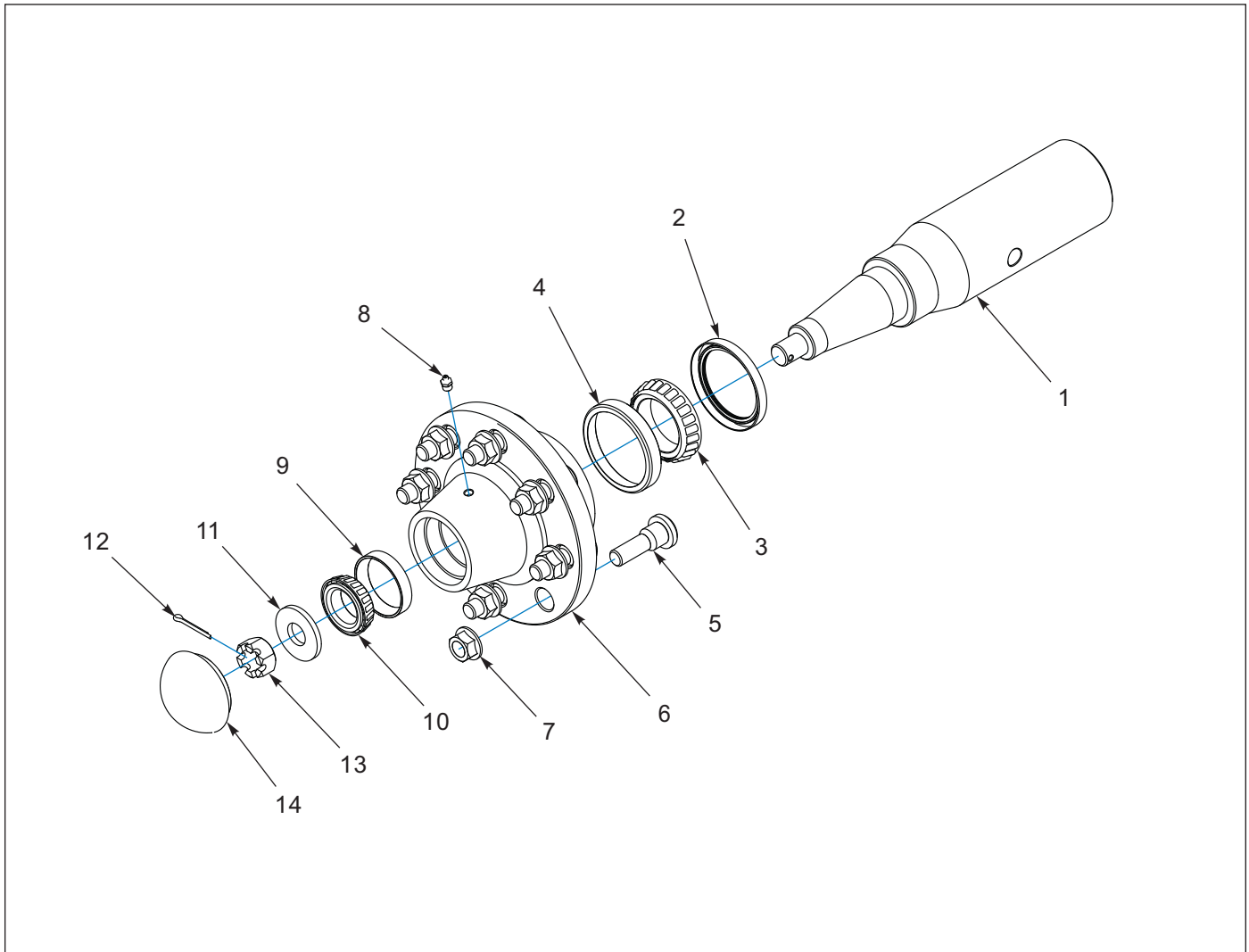


Figure 1-8: Hub and Spindle Assembly, 188639 (Center)

Hub and Spindle Assembly, 188639 (Center)

ITEM	PART NUMBER	DESCRIPTION	QTY
	188639	HUB & SPINDLE ASM, 8 BOLT	1
1	188640	SPINDLE, 4 X 18-1/4	1
2	171107	SEAL, TRIPLE LIP 4.125 OD X 3.25 ID X 1/2	1
3	170310	CONE BEARING - 39250 - 39412	1
4	111962	OUTER BEARING CUP L20HD#382A	1
5	171772	STUD BOLT, 3/4-16 X 2-3/4, GR8	8
6	170302	HUB W/CUPS, 8-BOLT, 10,000LBS (INCLUDES ITEMS 4,5,7,8,9)	1
7	171773	NUT, FLG HD, 3/4-16 UNF	8
8	5000	ZERK FITTING, 1/8NPT	1
9	102604	OUTER CUP BEARING (LM501310)	1
10	102498	BORE BEARING CONE, OUTER 1.625 (LM501349)	1
11	1-861-010005	WASHER, SPINDLE	1
12	1-557-010362-51	PIN, COTTER, 3/16 X 1-1/2	1
13	1-516-010001-20	NUT, SLOT HEX, 1-1/4	1
14	102601	HUBCAP, 8-BOLT HUB	1

Tire and Wheel Assembly, 221526

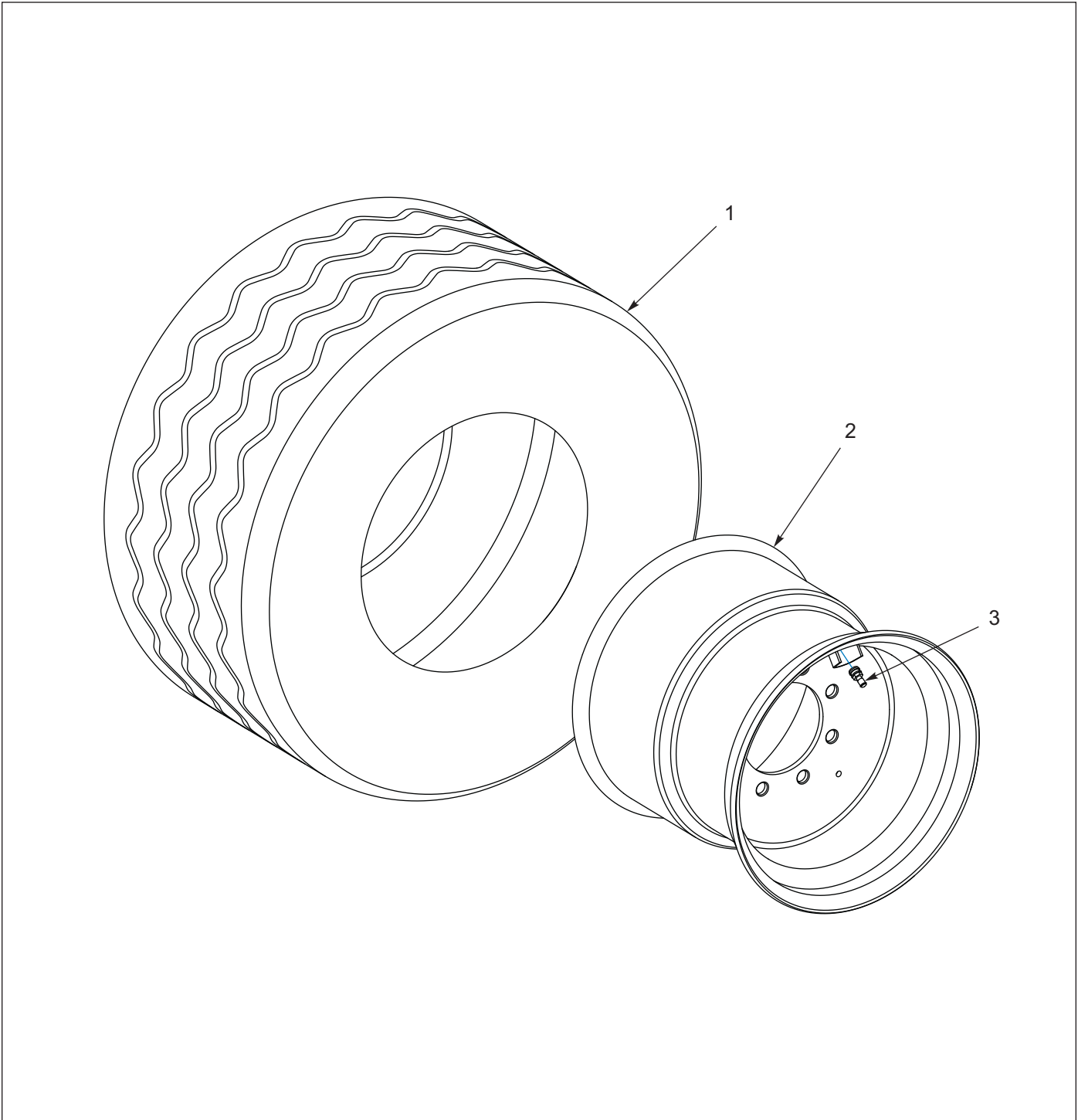


Figure 1-9: Tire and Wheel Assembly, 221526

Tire and Wheel Assembly, 221526

ITEM	PART NUMBER	DESCRIPTION	QTY
	221526	TIRE & WHEEL ASM, 480/45R17 WHT	1
1	204386	TIRE, BKT VF 480/45R17	1
2	221525	WHEEL, 17 X 16.00, 8 BOLT, WHT	1
3	TR575	VALVE STEM TUBELESS TIRE	1

Tire and Wheel Assembly, 211176

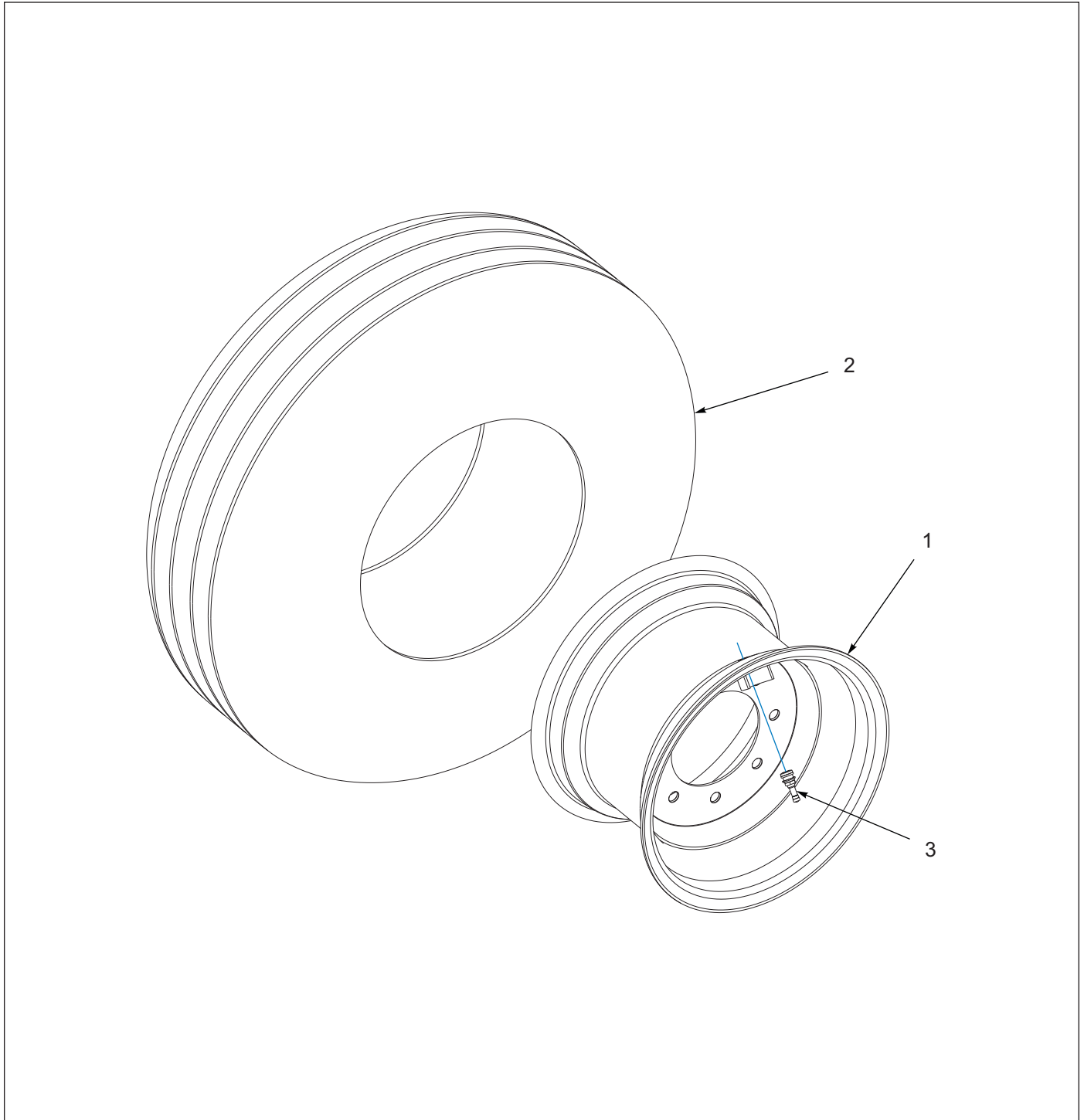


Figure 1-10: Tire and Wheel Assembly, 211176

Tire and Wheel Assembly, 211176

ITEM	PART NUMBER	DESCRIPTION	QTY
	211176	TIRE & WHEEL ASSY,320/70R15,8BLT (USED ON WING LIFTS)	1
1	167298	WHEEL,15 X 10LB 8 BOLT 3/8	1
2	204385	FIRESTONE RADIAL 320/70R15	1
3	TR416	VALVE STEM, TUBELESS	1

Rockshaft Cylinder Transport Lock (Manual)

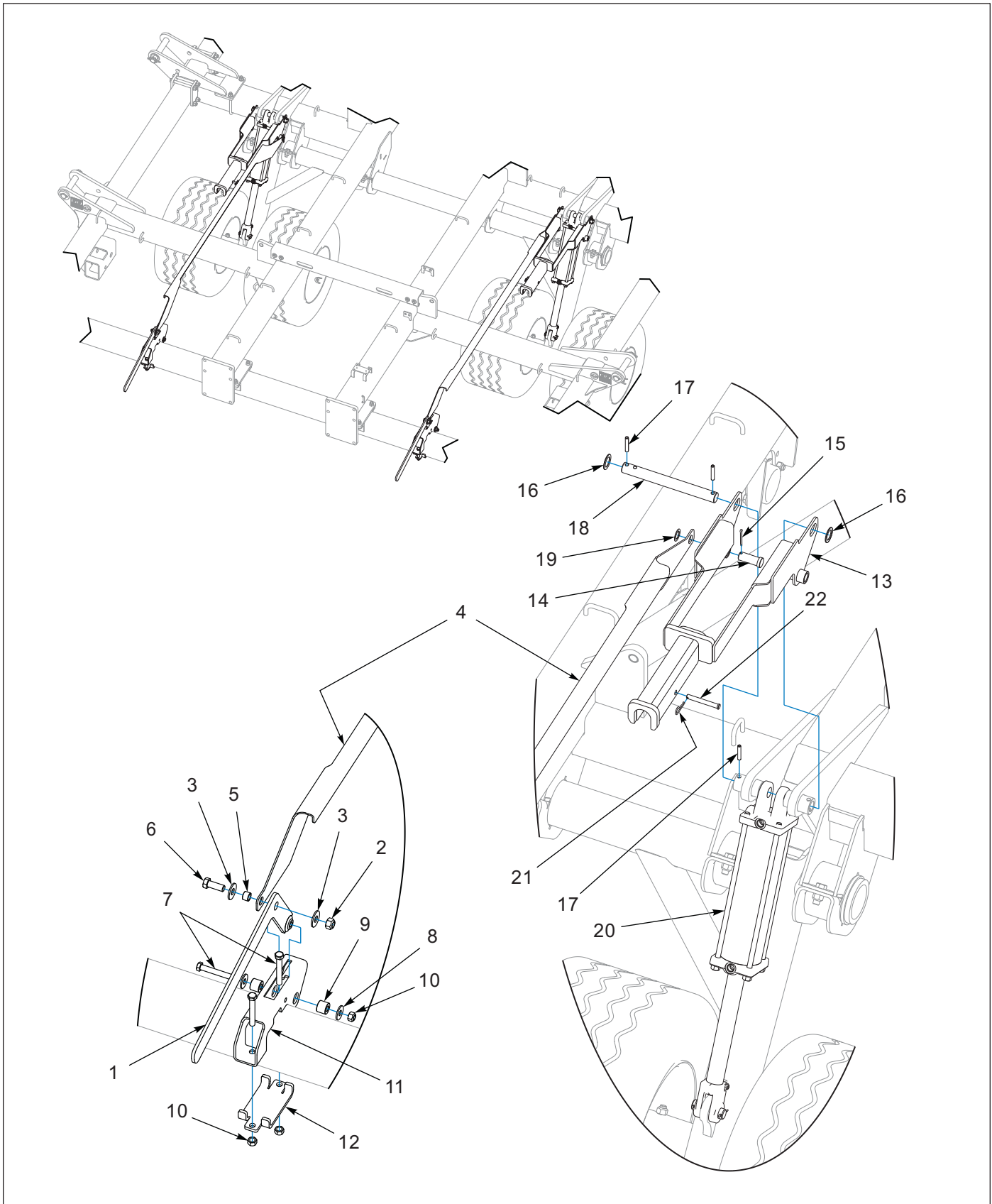


Figure 1-11: Rockshaft Cylinder Transport Lock (Manual)

Rockshaft Cylinder Transport Lock (Manual)

ITEM	PART NUMBER	DESCRIPTION	QTY
1	185957	LEVER, TRANSPORT LOCK	2
2	1-512-010005-15	NUT, HEX SLFLKG GRB 3/4-10	2
3	1-861-010032-21	WASHER, FLAT 3/4 W, ZP/CD	4
4	211257	STRAP, TRANSPORT LOCK	2
5	9K440	BUSHING, 3/4 ID X 1 X 11/16	2
6	1-654-010061-05	SCREW, HHC, 3/4-10UNC X 2, GR5, ZP	2
7	1-654-010059-14	SCREW, HX CP, 5/8-11UNC X 4-1/2, G5	6
8	1-861-010032-19	WASHER, FLAT 5/8 W, ZP/CD	4
9	3P144	BUSHING, 5/8 X 1-3/8 X 1-1/8	4
10	1-512-010005-13	NUT, HEX SLFLKG GRB, 5/8-11	6
11	185954	BRACKET, TRANSPORT LOCK	2
12	185956	CLAMP	2
13	185960	TRANSPORT LOCK	2
14	8D099	CLEVIS PIN, 1 X 2-1/2	2
15	110-4224	PIN, COTTER 3/16 X 2IN LG	2
16	4J548	MACH BUSH, 1.25 X 1.875 X 14GA	4
17	127712	PIN, SPRING SLOTTED 3/8 X 2-1/4	6
18	185961	PIN, 1-1/4, 3 HOLE	2
19	7C120	MACHINERY BUSHING, 1 X 1-1/2 X 18GA	2
20	181342	HYD CYL, 4-1/2 X 14 (SEE PAGE 1-141)	2
21	6J448	HAIRPIN COTTER, 1/8	2
22	1408092	CLEVIS PIN, 1/2 X 4	2

Rockshaft Cylinder Transport Lock (Automatic)

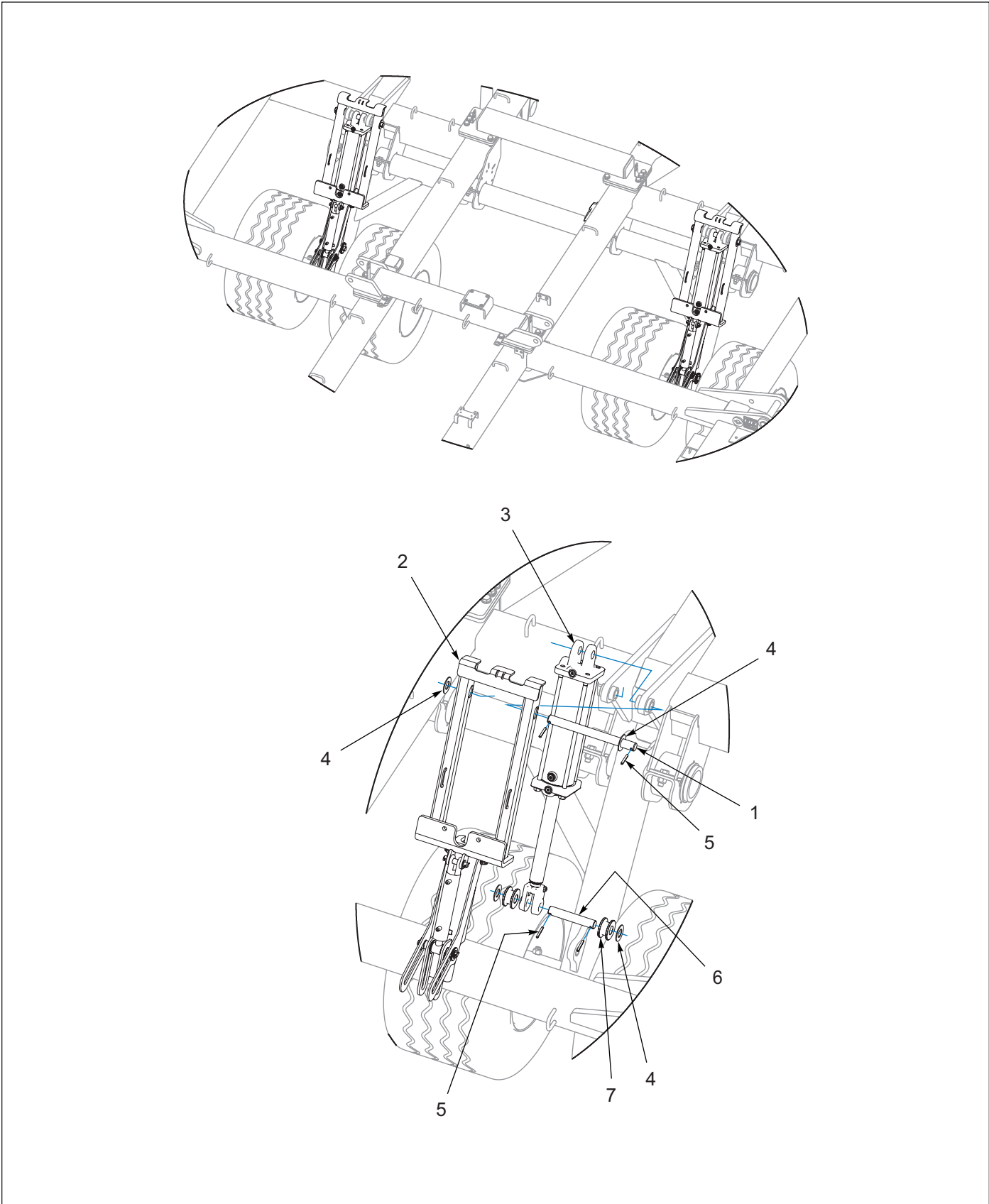


Figure 1-12: Rockshaft Cylinder Transport Lock (Automatic)

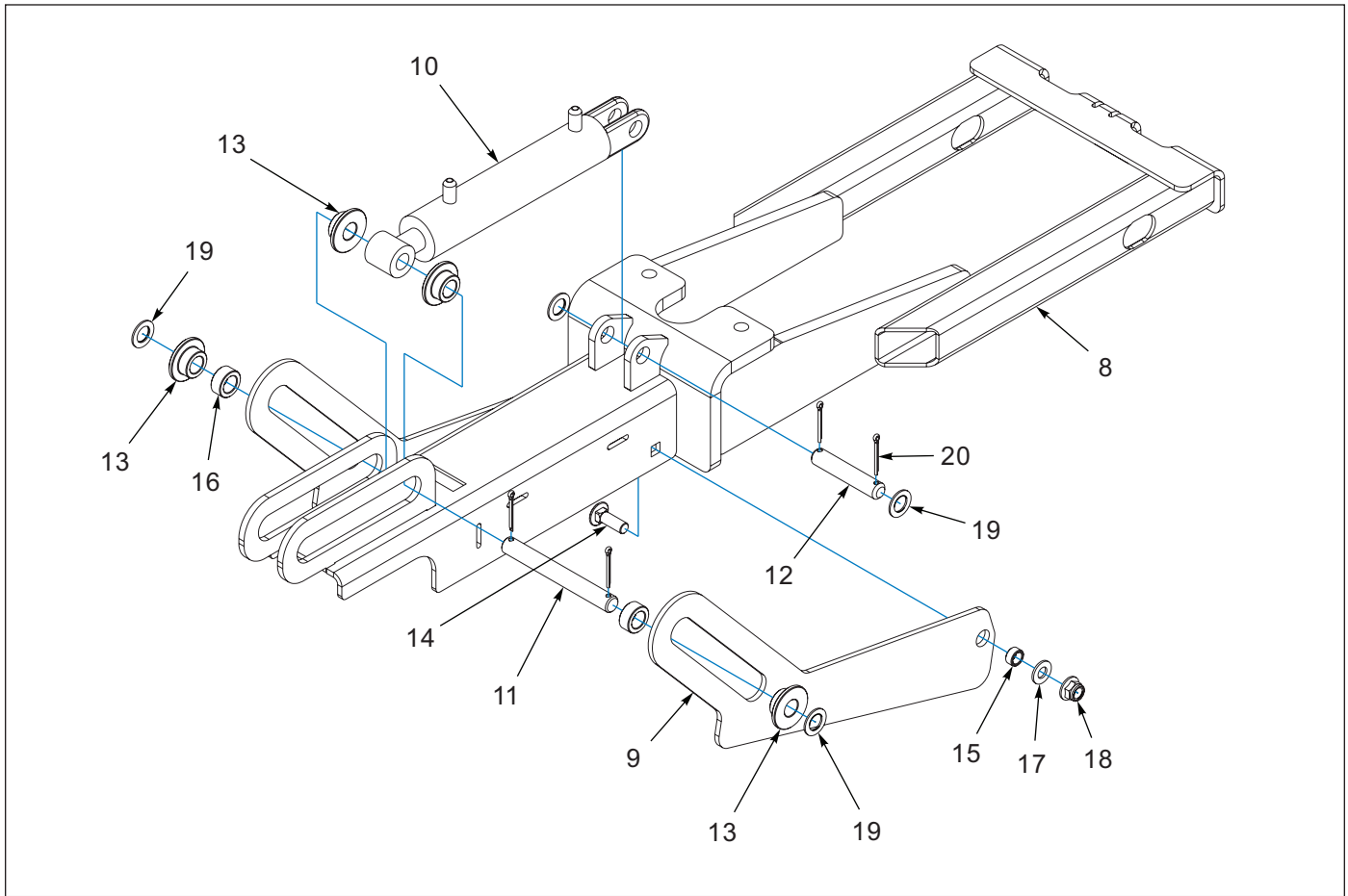


Figure 1-13: Rockshaft Cylinder Transport Lock (Automatic) - Detail

Rockshaft Cylinder Transport Lock (Automatic)

ITEM	PART NUMBER	DESCRIPTION	QTY
1	244012	PIN, 1-1/4 X 14.0, 2H	2
2	243993	TRANSPORT LOCK ASM (INCLUDES ITEMS 8 - 20)	2
3	234521	CYLINDER, REPHASE 4-1/2 X 14 (SEE PAGE 1-144)	2
4	196120	WASHER, THRUST SS 1-1/4, 12 GA	12
5	147072	PIN, SPRING SLOTTED 5/16 X 2	14
6	9J400	WHEEL ARM PIN (PIN, 1.25 X 7.313 H2)	2
7	243992	GUIDE ROLLER	4
8	243988	TRANSPORT LOCK	2
9	244009	LEVER, LOCK RELEASE	4
10	129251	CYLINDER, 1-3/4 X 6	2
11	9J110	PIN (3/4 X 6-5/16)	2
12	9J848	PIN (3/4 X 3-7/8)	2
13	203680	BUSHING STEP 3/4ID	8
14	1-654-010070-03	SCREW RDHD SQNK1/2-13X1-1/2	4
15	8K091	TUBE, RND 0.532 X 0.75 X 0.375	4
16	9J399	ROLLER ARM BUSHING	4
17	1-861-010032-14	WASHER, FLAT 1/2" N ZP/CD	4
18	2P253	NUT, FLANGE NY-LOK 1/2-13	4
19	8C381	MACHINERY BUSHING	8
20	100-0354	5/32 X 1-1/2 COTTER PIN ZP	8

Drawbar Leveler (After 01/01/2022)

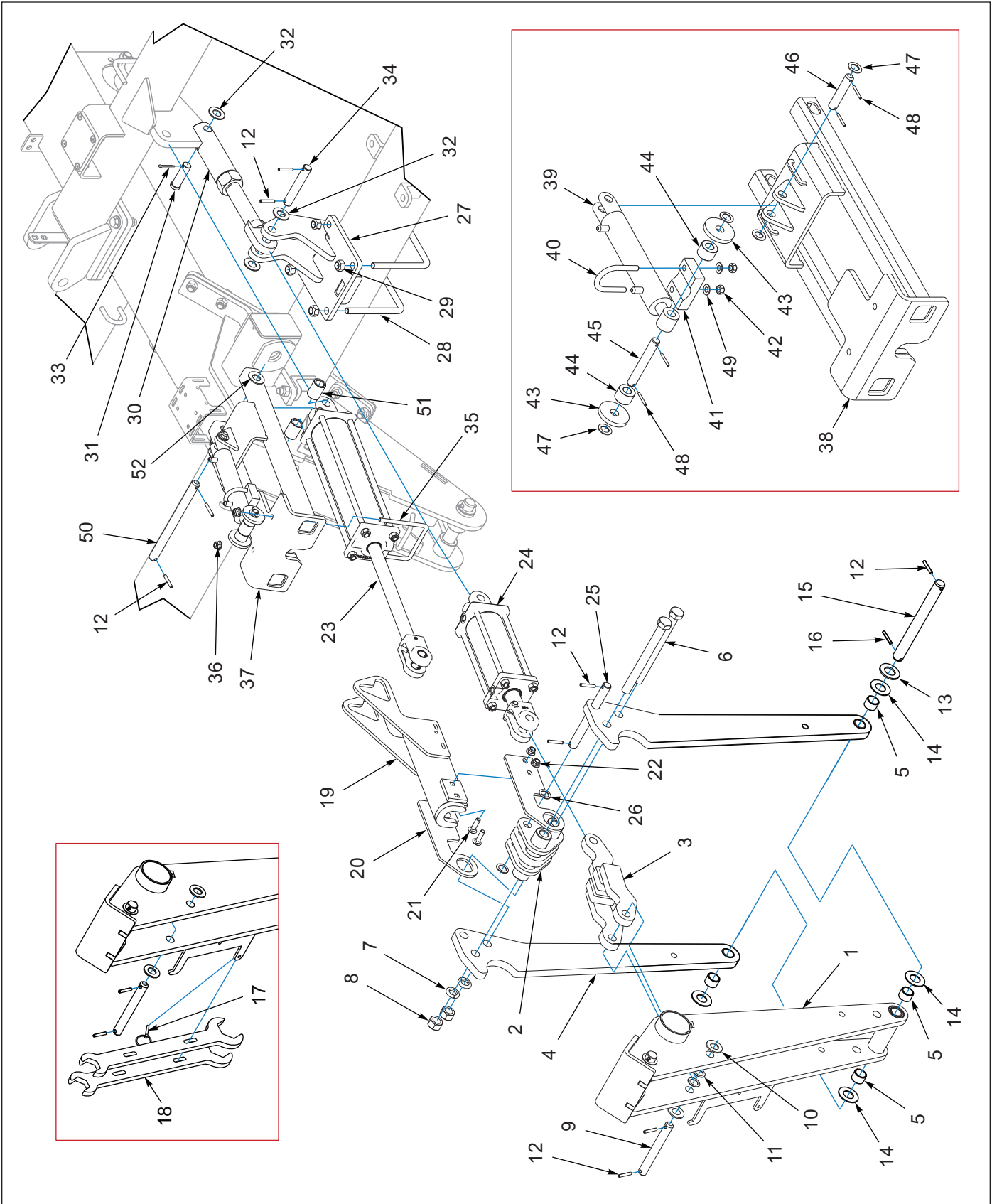


Figure 1-14: Drawbar Leveler (After 01/01/2022)

Drawbar Leveler (After 01/01/2022)

ITEM	PART NUMBER	DESCRIPTION	QTY
1	196106	MAST, WLDMT HITCH LEVELER	1
2	196116	MOUNT, LEVELING	1
3	211254	LINK, CYLINDER WLD	1
4	196110	PLATE, TRANSPORT LOCK	2
5	3J511	BUSHING BRONZE, 1.258 X 1.504 X 1	4
6	161131	HHCS, 1-8 X 11, GR5, ZP	2
7	1-861-010034-21	WASHER, LKG HEL SPRG 1IN	2
8	1-512-010007-14	NUT, HEX 1-8, ZP	2
9	174294	PIN, 1.0 X 8.25 H2	1
10	1-861-010032-24	WASHER, FLT 1" SAE, ZP	2
11	7C120	MACH BUSH, 1.0 X 1.5 X 18 GA	2
12	147072	PIN, SPRING SLOTTED 5/16 X 2	7
13	116100	WASHER 1-1/4 NAR FL, ZP/CD	1
14	196120	WASHER, THRUST SS 1-1/4, 12 GA	4
15	196119	PIN, 1.25 X 12.5 H2	1
16	170004	PIN, GROOVED ALLOY, 5/16 X 2	1
17	1-557-010327	PIN, LYNCH 1/4 X 1-1/4	1
18	190882	WRENCH, ADJUSTMENT RED	2
19	244001	TRANSPORT LOCK	1
20	243972	LIFT STRAP	2
21	1-654-010070-04	SCREW RDHD SQNK 1/2-13X1-3/4	4
22	2P253	NUT, FLANGE NY-LOK 1/2-13	4
23	9D731	HYD CYLINDER, 4 X 16 (SEE PAGE 1-146)	1
24	1-242-010171-3	HYD CYLINDER, 4 X 8 (SEE PAGE 1-140)	1
25	2P280	PIN, 1.0 X 10.125 H2	1
26	7C120	MACHINERY BUSHING	2
27	211252	BRACKET LEVELING CYLINDER	1
28	7K723	U-BOLT, 3/4-10	2
29	1-512-010005-15	NUT, LOCK 3/4-10	4
30	219110	TIE, ROD ASM	1
31	2P411	CLEVIS PIN, 1 X 3-1/4	1
32	199977	WASHER, SS 1 X 2 X 11 GA	3
33	1-557-010362-51	COTTER PIN, 3/16 X 1-1/2	1
34	9J695	PIN, 1 X 6	1
35	2P748	U-BLT 1/2-13X5 1/2X6 1/4 ZP	1
36	2P253	NUT, FLANGE NY-LOK 1/2-13	2
37	244010	TRANSPORT LOCK ASM (INCLUDES ITEMS 38 - 49)	1
38	244000	SUPPORT, TRANSPORT LOCK	1
39	129251	CYLINDER, 1-3/4X6	1
40	3C309	A 600 U BOLT	1
41	244005	BUMPER	1
42	1D014	NUT HEX SLF-LKG 7/16-14 GRB	2
43	214089	WASHER,0.75X2.75X0.375	2
44	2P190	TUBE, RD 0.766 X 1.5 X 1.0	2
45	9J111	PIN (.75 X 5.313 H2)	1
46	9J848	PIN (.75 X 3.875 H2)	1
47	8C381	MACHINERY BUSHING	4
48	1-647-010004177	PIN,SPRING,SLTD 3/16X1-1/2	4
49	6D340	FLAT WASHER	2

Drawbar Leveler (After 01/01/2022)

ITEM	PART NUMBER	DESCRIPTION	QTY
50	195594	PIN, 1.0 X 12.75 H2	1
51	244072	TUBE, RD 1.03X1.5X2.0	2
52	199977	WASHER SS 1.0 X 2.0 X 11GA	2

Drawbar Leveler (Before 01/01/2022)

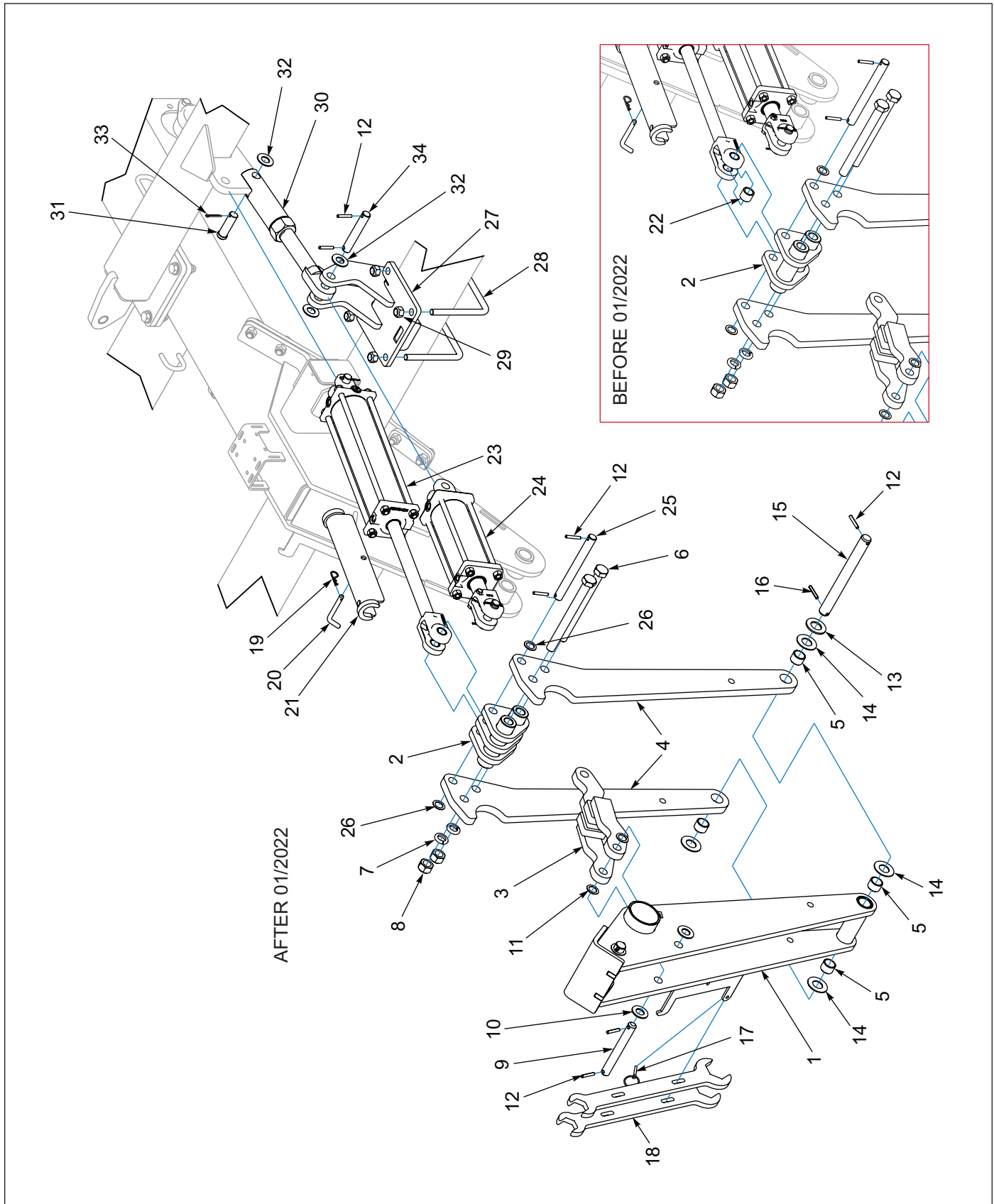


Figure 1-15: Drawbar Leveler (Before 01/01/2022)

Drawbar Leveler (Before 01/01/2022)

ITEM	PART NUMBER	DESCRIPTION	QTY
1	196106	MAST, WLDMT HITCH LEVELER	1
2	196116	MOUNT, LEVELING	1
3	211254	LINK, CYLINDER WLD	1
4	196110	PLATE, TRANSPORT LOCK	2
5	3J511	BUSHING BRONZE, 1.258 X 1.504 X 1	4
6	161131	HHCS, 1-8 X 11, GR5, ZP	2
7	1-861-010034-21	WASHER, LKG HEL SPRG 1IN	2
8	1-512-010007-14	NUT, HEX 1-8, ZP	2
9	174294	PIN, 1.0 X 8.25 H2	1
10	1-861-010032-24	WASHER, FLT 1" SAE, ZP	2
11	7C120	MACH BUSH, 1.0 X 1.5 X 18 GA	2
12	147072	PIN, SPRING SLOTTED 5/16 X 2	7
13	116100	WASHER 1-1/4 NAR FL, ZP/CD	1
14	196120	WASHER, THRUST SS 1-1/4, 12 GA	4
15	196119	PIN, 1.25 X 12.5 H2	1
16	170004	PIN, GROOVED ALLOY, 5/16 X 2	1
17	1-557-010327	PIN, LYNCH 1/4 X 1-1/4	1
18	190882	WRENCH, ADJUSTMENT RED	2
19	6J448	HAIRPIN COTTER, 1/8	1
20	3C335	CLEVIS PIN, BENT	1
21	197693	TRANSPORT LOCK, 1-1/2 X 16	1
22	9J278	SPACER (1-1/32 X 1-3/8 X 1-1/16) (BEFORE 06/2022)	1
23	9D731	HYD CYLINDER, 4 X 16 (SEE PAGE 1-146)	1
24	1-242-010171-3	HYD CYLINDER, 4 X 8 (SEE PAGE 1-140)	1
25	2P280	PIN, 1.0 X 10.125 H2	1
26	7C076	MACHINERY BUSHING 1 X 1.5 X 14 GA	2
27	211252	BRACKET LEVELING CYLINDER	1
28	7K723	U-BOLT, 3/4-10	2
29	1-512-010005-15	NUT, LOCK 3/4-10	4
30	219110	TIE, ROD ASM	1
31	2P411	CLEVIS PIN, 1 X 3-1/4	1
32	199977	WASHER, SS 1 X 2 X 11 GA	3
33	1-557-010362-51	COTTER PIN, 3/16 X 1-1/2	1
34	9J695	PIN, 1 X 6	1

Drawbar w/ Manual Jack

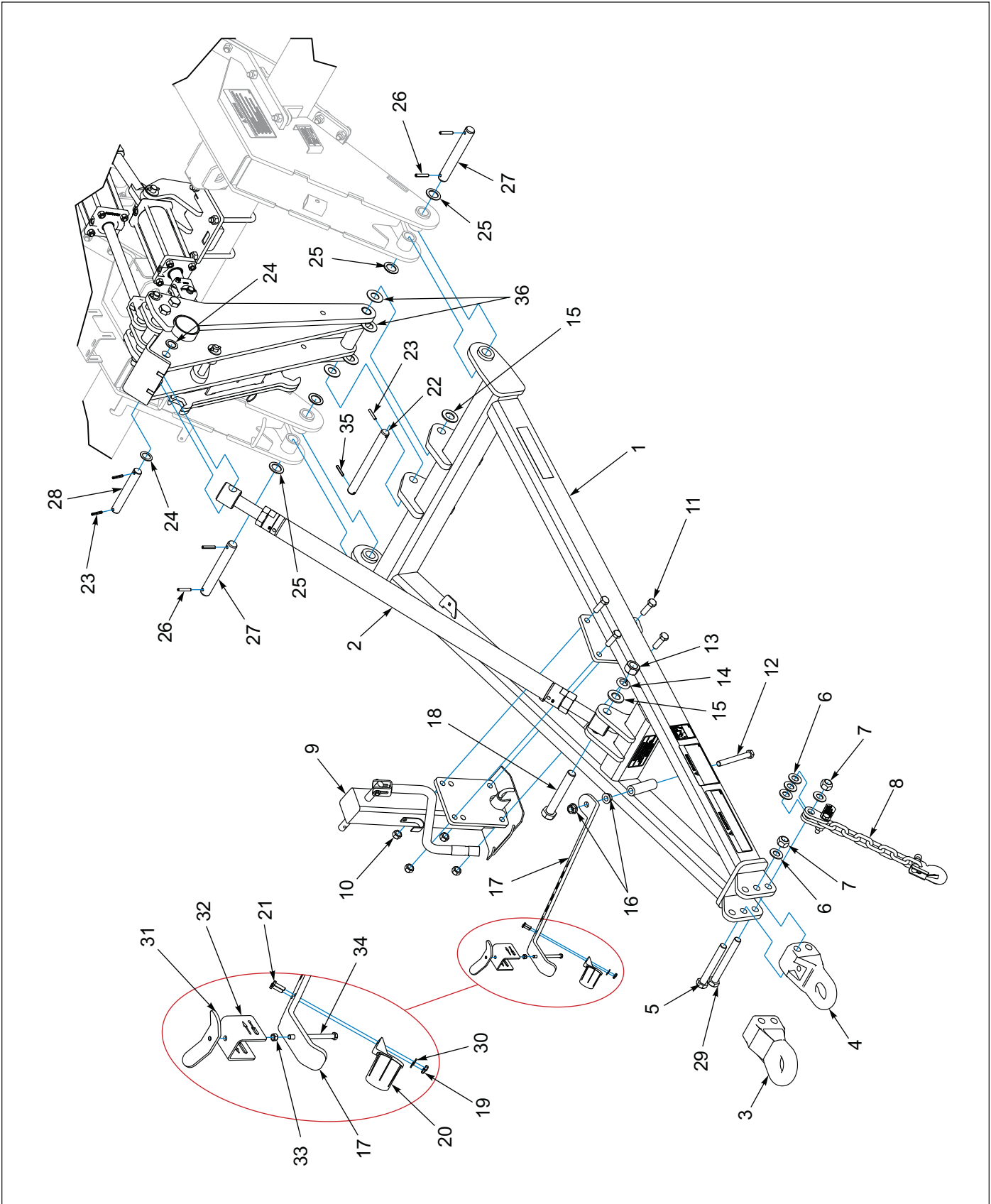


Figure 1-16: Drawbar w/ Manual Jack

Drawbar w/ Manual Jack

ITEM	PART NUMBER	DESCRIPTION	QTY
1	211311	DRAWBAR W/DECALS	1
2	183475	RADIUS ROD ASM, 1-3/4, RED (TURNBUCKLE) (SEE PAGE 1-31)	1
3	2-375-010602	HITCH, RING CAT IV	1
4	2-375-010601	HITCH, RING CAT III	1
5	153696	BOLT, HITCH CLEVIS (1-8 X 7-1/2)	1
6	1-861-010032-24	WASHER, FLAT 1" SAE, ZP	5
7	1-512-010005-19	NUT, LOCK 1-8, GRB, ZP	2
8	156950	SAFETY CHAIN, 41,000 LB	1
9	188051	JACK, 12K W/MOUNT PLATE	1
10	1-512-010005-15	NUT, HEX SLFLKG GRB, 3/4-10	4
11	1-654-010061-07	SCREW, HX CP 3/4-10UNC X 2-1/2, GR5	4
12	1-654-010061-19	HHCS, 3/4-10 X 7	1
13	1-512-010007-16	NUT, HEX 1-1/4-7, ZP	1
14	100825	WASHER, LKG, HLCL SPR 1-14	1
15	116100	WASHER, FLAT 1-1/4 SAE	1
16	103841	NUT, FLG LNK SERRATED, 3/4-10UNC	2
17	193226	BRACKET, HOSE HOLDER	1
18	1-654-010123-01	SCREW, CAP SPEC, 1-1/4-7 X 8, G8	1
19	1-512-010005-01	NUT, HEX SLFLKG GRB, 1/4-20	2
20	2-368-010287	HARNESS, STOR-A-WAY	1
21	1-654-010047-06	SCREW, HX CP 1/4-20UNC X 1, GR5	2
22	196119	PIN, 1-1/4 X 12-1/2	1
23	147072	ROLL PIN, 5/16 X 2	3
24	4J548	MACHINERY BUSHING, 1-1/4 X 1-7/8 X 14GA	2
25	164174	MACHINERY BUSHING, 1-1/2 X 2-1/4 X 10GA	4
26	127712	PIN, SPRING SLOTTED 3/8 X 2-1/4	4
27	183517	PIN, 1.438 X 10.25 H2	2
28	193225	PIN, 1-1/4 X 8-1/4	1
29	1-654-010125-22	SCREW, HX CP 1-8UNC X 8-1/2 GR8, ZP	1
30	1-861-010032-06	WASHER, FLAT 1/4, ZP/CD	2
31	141249	WING NUT, HOSE HOLDER	1
32	141247	CLAMP, HOSE HOLDER	1
33	1-512-010007-07	NUT, HEX 3/8-16 GR2, ZP	1
34	196754	SCREW, HHC 3/8-16 X 5 GR5, FULL THREAD	1
35	170004	PIN, GROOVE ALLOY, 5/16 X 2	1
36	196120	WASHER, THRUST SS 1-1/4, 12GA	4

Drawbar w/ Hydraulic Jack

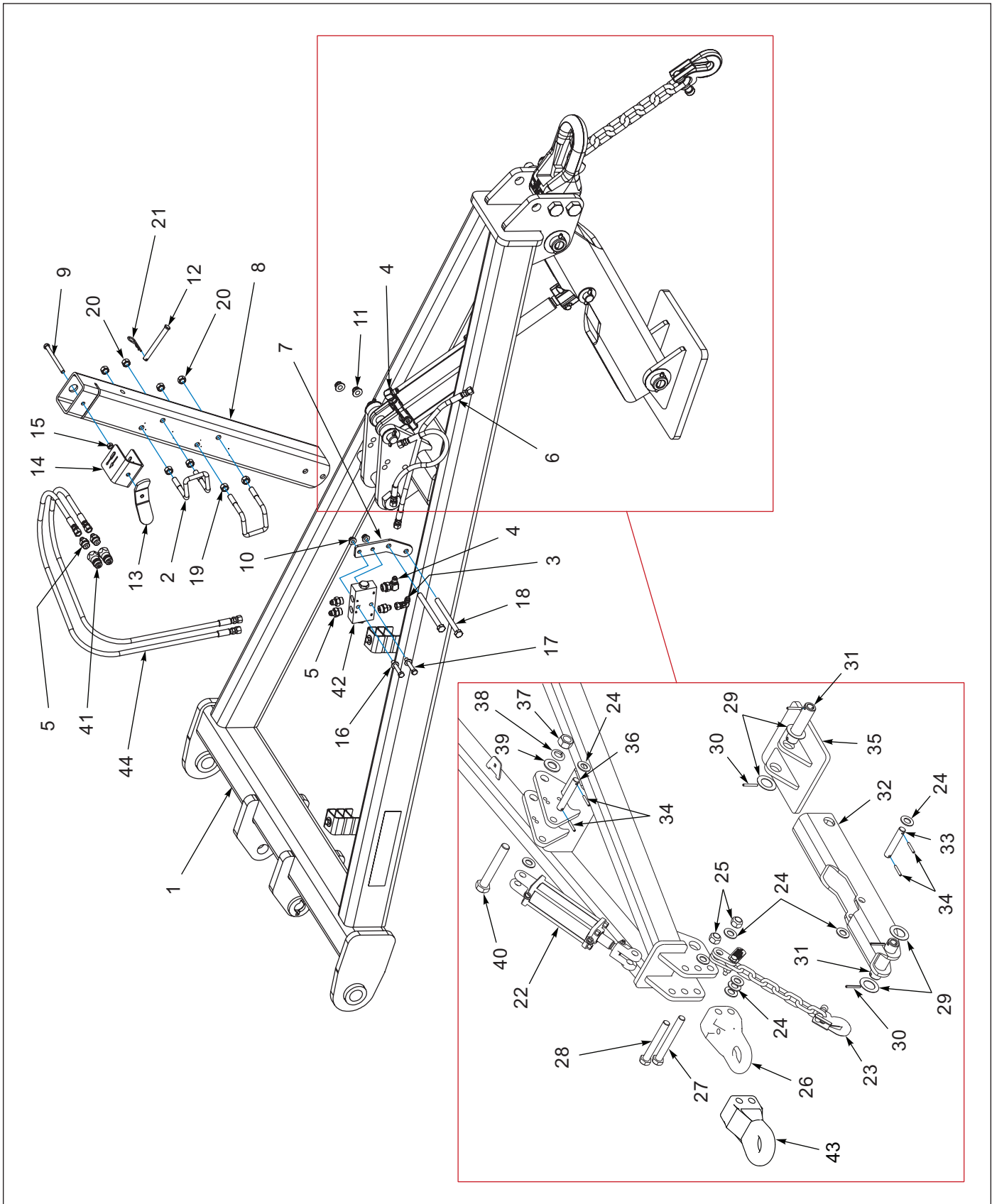


Figure 1-17: Drawbar w/ Hydraulic Jack

Drawbar w/ Hydraulic Jack

ITEM	PART NUMBER	DESCRIPTION	QTY
1	238843	DRAWBAR,PULVIMULCHER	1
2	8J172	TOOTH CLAMP	2
3	102-0031	ADAPTER,90 JIC SWIVEL #6	1
4	2062-8-6S	ELBOW,90,#8 SAE X #6 JIC	3
5	202702-8-6S	ADAPTER #8 O-RING TO #6 TUBE	5
6	174265	HOSE HYD 1/4 X 21 - 6 STR	2
7	238854	BRACKET, VALVE	1
8	238853	HOSE SUPPORT	1
9	173044	SCREW, ALL THREAD,3/8-16X4-1/2	1
10	2P252	NUT, FLANGE NY-LOK 3/8-16	2
11	2P253	NUT, FLANGE NY-LOK 1/2-13	2
12	2P994	CLEVIS PIN, 0.5 X 4.5	1
13	141249	WING NUT, HOSE HOLDER	1
14	141247	CLAMP, HOSE HOLDER	1
15	1-512-010007-07	NUT, HEX 3/8-16 GR2, ZP	1
16	1-861-010032-10	WASHER, FLAT 3/8" N ZP/CD	2
17	1-654-010051-10	SCREW,HX CP3/8-16X2-1/4 GR5	2
18	1-654-010055-17	SCREW,HEX CAP,1/2-13UNCX6 GR5	2
19	1-512-010007-09	NUT, HEX 1/2-13 GR2 ZP	4
20	1-512-010005-09	NUT,HEX,SLFLKG, 1/2-13 GRB	4
21	6J448	HAIRPIN COTTER 1/8	1
22	5J280	HYD CYLINDER - 3 X 8	1
23	156950	SAFETY CHAIN, 41,000 LB	1
24	1-861-010032-24	WASHER FL 1IN NARROW ZP	9
25	1-512-010005-19	NUT 1-8 HEX SLF-LOCKING GRB	2
26	2-375-010601	HITCH, RING CAT III	1
27	1-654-010125-22	SCREW HX CP 1-8UNCX8-1/2G8ZP	1
28	153696	BOLT, HITCH CLEVIS	1
29	195566	WASHER THRUST 1-3/4 14 GA	4
30	1-647-010004240	PIN,SPRING,SLOTTED,5/16X2-1/2	4
31	238848	TUBE, JACK PIVOT	2
32	238844	TUBE, JACK	1
33	5J768	PIN (1.0 X 5.50 H2)	1
34	147072	PIN, SPRING SLOTTED 5/16 X 2	4
35	238846	BASE, JACK	1
36	9J695	PIN (1.0 X 6.0 H2)	1
37	1-512-010007-16	NUT,HEX 1-1/4-7 GR2 ZP	1
38	100825	WASHER, LKG, HLCL SPR 1-1/4	1
39	116100	WASHER 1-1/4 NAR FL ZP/CD	1
40	1-654-010123-01	SCREW,CAP,SPEC.,1-1/4-7X8G8	1
41	141828	COUPLER,MALE 3/4-16 O-RING	2
42	124696	VALVE,CHK DBL PILOT O-RING	1
43	2-375-010602	HITCH RING CAT IV	1
44	225093	HOSE ASSY, 1/4X100#6 JIC STR	2

Drawbar w/ Hydraulic Jack Schematic

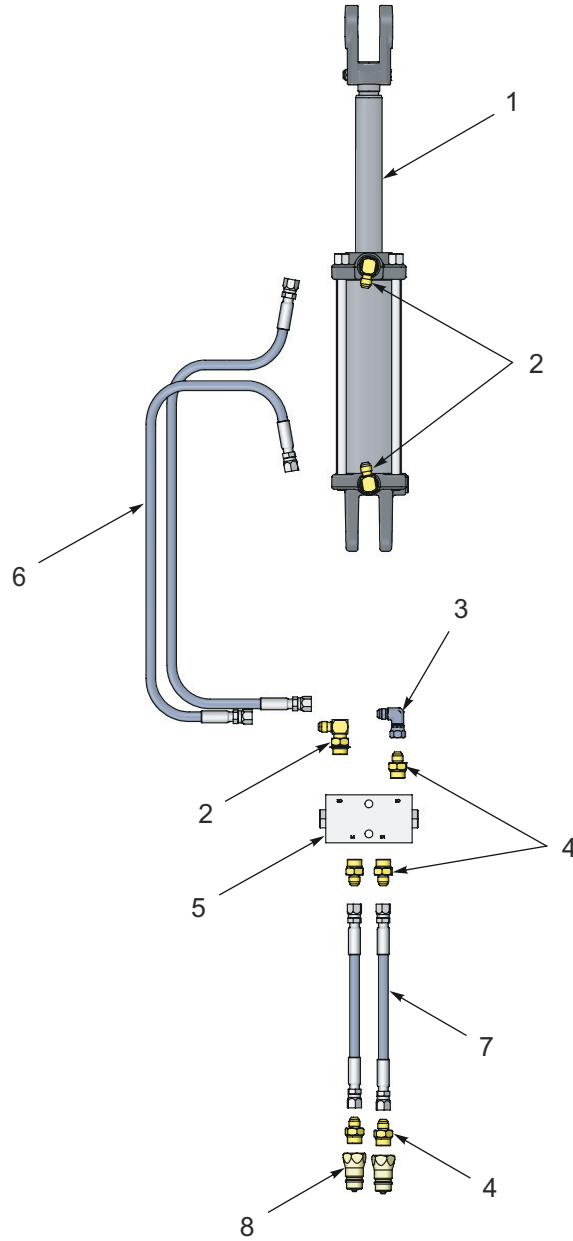


Figure 1-18: Drawbar w/ Hydraulic Jack Schematic

Drawbar w/ Hydraulic Jack Schematic

ITEM	PART NUMBER	DESCRIPTION	QTY
1	5J280	HYD CYLINDER - 3 X 8	1
2	2062-8-6S	ELBOW,90,#8 SAE X #6 JIC	3
3	102-0031	ADAPTER,90 JIC SWIVEL #6	1
4	202702-8-6S	ADAPTER #8 O-RING TO #6 TUBE	5
5	124696	VALVE,CHK DBL PILOT O-RING	1
6	174265	HOSE HYD 1/4 X 21 - 6 STR	2
7	225093	HOSE ASSY, 1/4X100#6 JIC STR	2
8	141828	COUPLER,MALE 3/4-16 O-RING	2

Category V Hitch

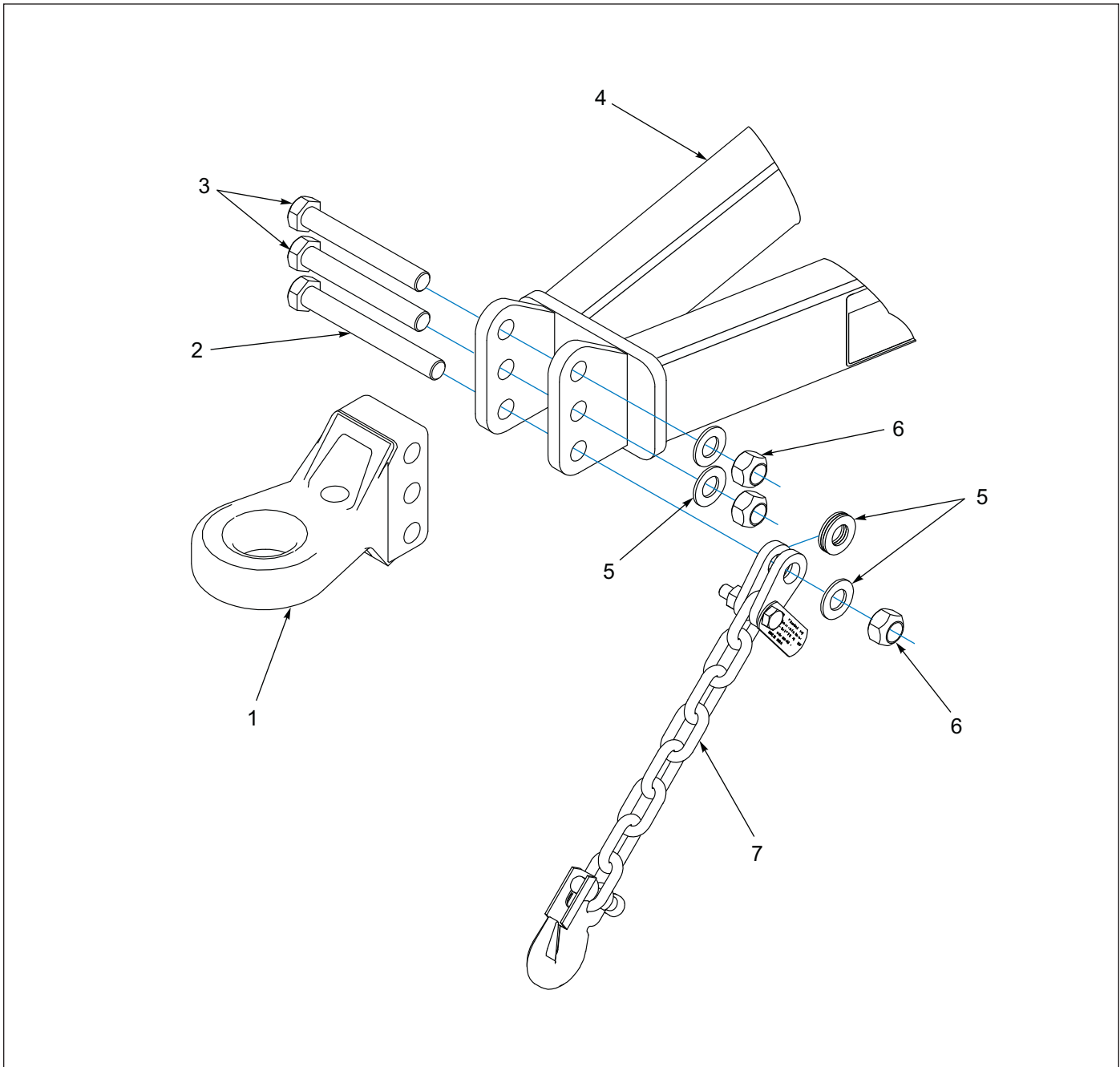


Figure 1-19: Category V Hitch

Category V Hitch

ITEM	PART NUMBER	DESCRIPTION	QTY
1	156949	HITCH, RING CAT V	1
2	1-654-010125-22	SCREW, HX CP 1-8UNC X 8-1/2 GR8, ZP	1
3	153696	BOLT, HITCH CLEVIS	2
4	211311	DRAWBAR W/DECALS	1
5	1-861-010032-24	WASHER, FLT 1" SAE, ZP	6
6	1-512-010005-19	NUT, LOCK 1-8, GRB, ZP	3
7	156950	SAFETY CHAIN, 41,000 LB	1

Turnbuckle

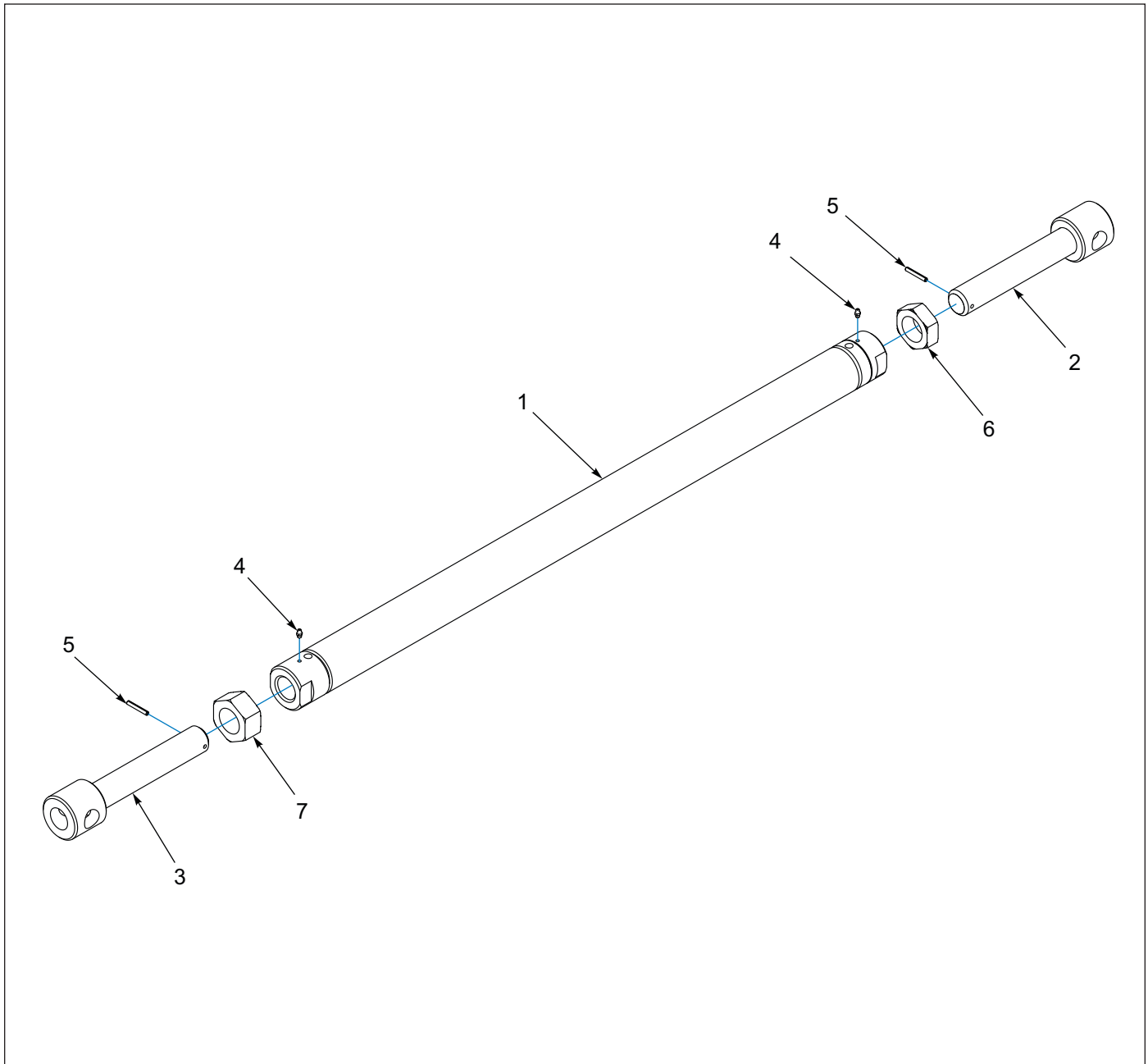


Figure 1-20: Turnbuckle

Turnbuckle

ITEM	PART NUMBER	DESCRIPTION	QTY
	183475	RADIUS ROD ASM, 1-3/4 RED	1
1	183474	HITCH, RADIUS ROD 1-3/4, RED	1
2	155536	LH SCREW ASM, RADIUS ROD	1
3	155534	RH SCREW ASM, RADIUS ROD	1
4	1-298-010001-1	FIT, GREASE 1/4-28 TAPER	2
5	103-0805	ROLL PIN, SLTD, 1/4 X 1-3/4	2
6	155717	NUT, HEX JAM LH 1-3/4-5UNC, GR2	1
7	155716	NUT, HEX JAM 1-3/4-5UNC, GR2	1

Wing Rest (After 01/01/2022)

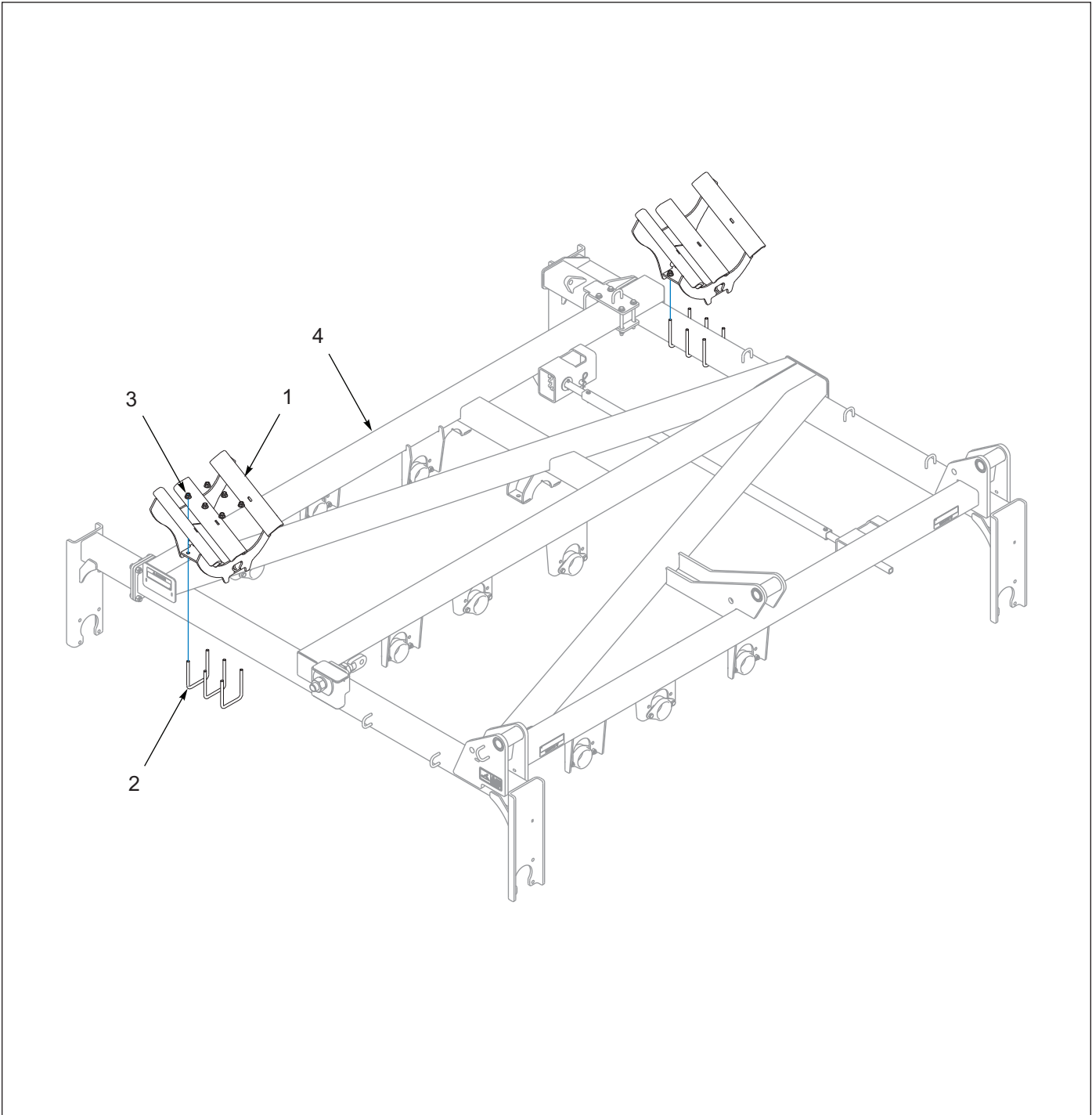


Figure 1-21: Wing Rest (After 01/01/2022)

Wing Rest (After 01/01/2022)

ITEM	PART NUMBER	DESCRIPTION	QTY
1	241029	WING REST	2
2	2-102-010054	U-BOLT (5/9-11 X 3-11/16 x 5-1/2)	6
3	2P254	NUT, FLANGE NY-LOK 5/8-11	12
4	221467	WING FRAME, RH 3631-36 WLDMT	1

Wing Rest (Before 01/01/2022)

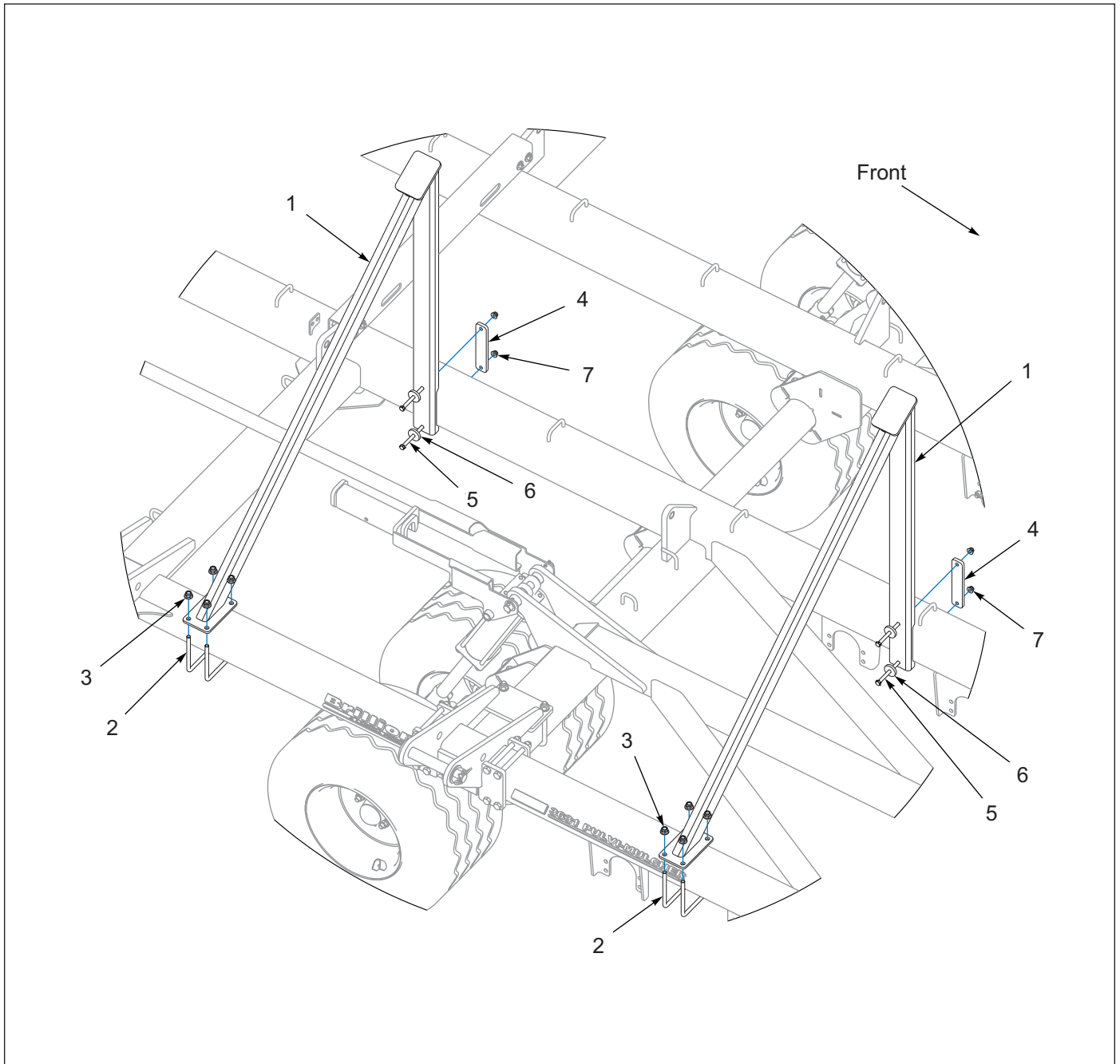


Figure 1-22: Wing Rest (Before 01/01/2022)

Wing Rest (Before 01/01/2022)

ITEM	PART NUMBER	DESCRIPTION	QTY
1	221511	WING REST, 3631-36 RH WLDMENT	2
2	178532	U-BOLT, 5/8-11 X 6-11/16 X 7-1/2, ZP	4
3	2P254	NUT, FLANGE NY-LOK 5/8-11	8
4	221506	PLATE, 2 HOLE	2
5	172899	SCREW HX CP 1/2-13X9 GR5	4
6	9J338	WASHER, 0.531 X 2.063 X 0.375, ZP	4
7	2P253	NUT, FLANGE NY-LOK 1/2-13	4

Wing Hinge (After 01/01/2022)

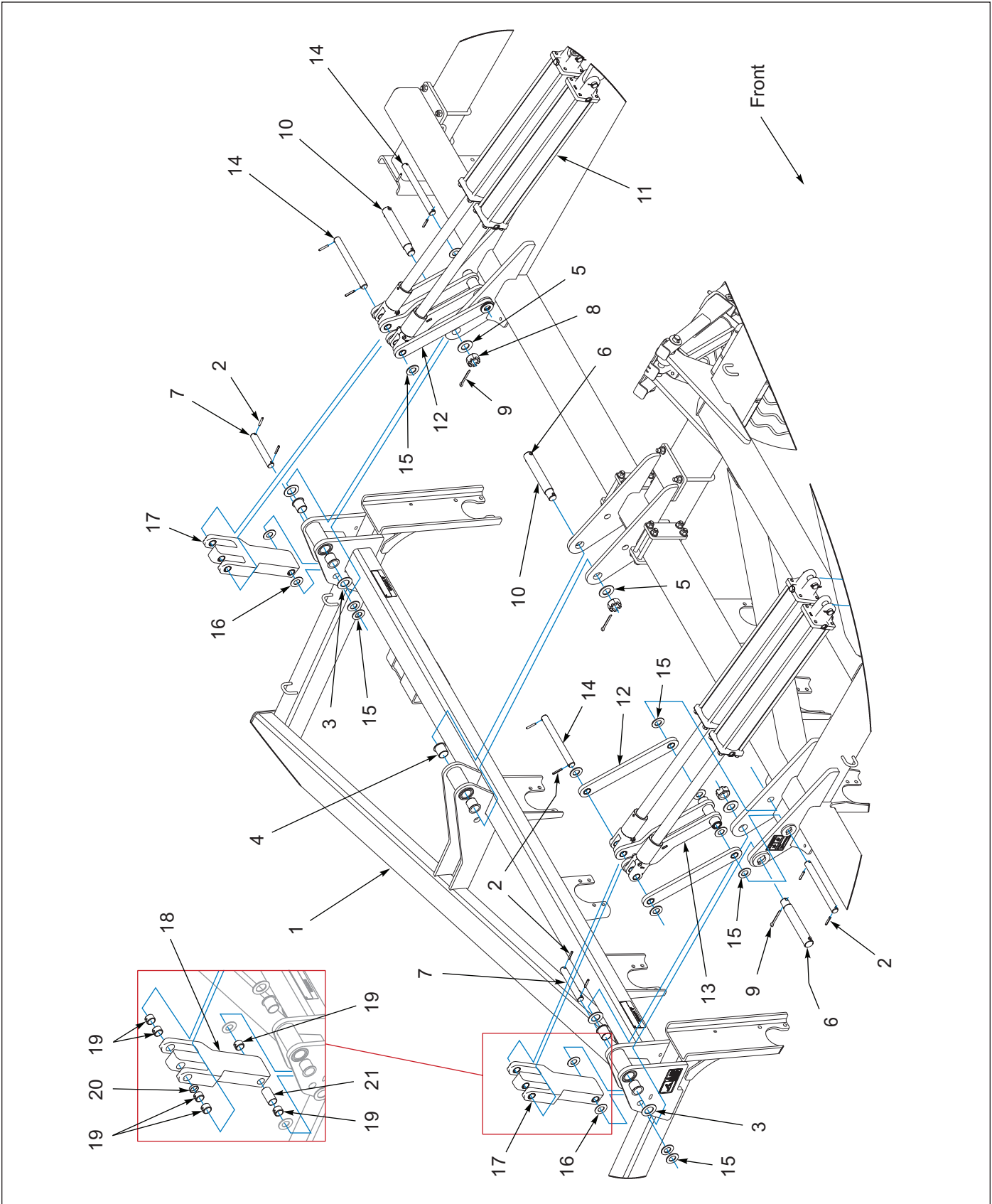


Figure 1-23: Wing Hinge (After 01/01/2022)

Wing Hinge (After 01/01/2022)

ITEM	PART NUMBER	DESCRIPTION	QTY
1	221468	WING FRAME, LH 3631-36 WLDMT	1
1	221467	WING FRAME, RH 3631-36 WLDMT (SHOWN)	1
2	147072	PIN, SPRING SLOTTED 5/16 X 2	24
3	164539	WASHER, THRUST 1-3/4 (1-3/4 X 3 X 10ga)	8
4	164533	BEARING, FLANGE 1-3/4	12
5	1-861-010032-32	WASHER, FLAT, ZP/CD 1-1/2	4
6	144115	PIN, GROOVED ALLOY 1/2 X 2-1/4	3
7	193225	PIN, 1.25 X 8.25 H2	4
8	1-516-010001-27	NUT, HX SLOT 1-1/2-6, ZP	3
9	101406	PIN, COTTER 3/8 X 3	3
10	181277	PIN, HINGE	3
11	236910	HYD CYL, 4-1/2 X 30 W/SPACER (RH ONLY) (SHOWN) (SEE PAGE 1-149)	4
11	236909	HYD CYL, 4-1/2 X 30 (LH ONLY) (SEE PAGE 1-150)	4
12	243979	LINK, W/BUSHINGS	8
13	243984	LINK,HINGE WLD	4
14	243981	PIN, 1-1/4 X 13, 2H	8
15	116100	WASHER, 1-1/4 NAR FL, ZP/CD	24
16	196120	WASHER, THRUST SS 1-1/4 X 2-1/2, 12GA	16
17	243973	FOLD LINK (ASSEMBLY) (INCLUDES ITEMS 18 - 21)	4
18	243982	FOLD LINK	4
19	1P693	BUSHING, SPRING 1.50X1.25X1.00	6
20	244015	TUBE,RND 1.37 X 1.5 X 0.40	1
21	244016	TUBE,RND 1.37 X 1.5 X 2.75	1

Wing Hinge (Before 01/01/2022)

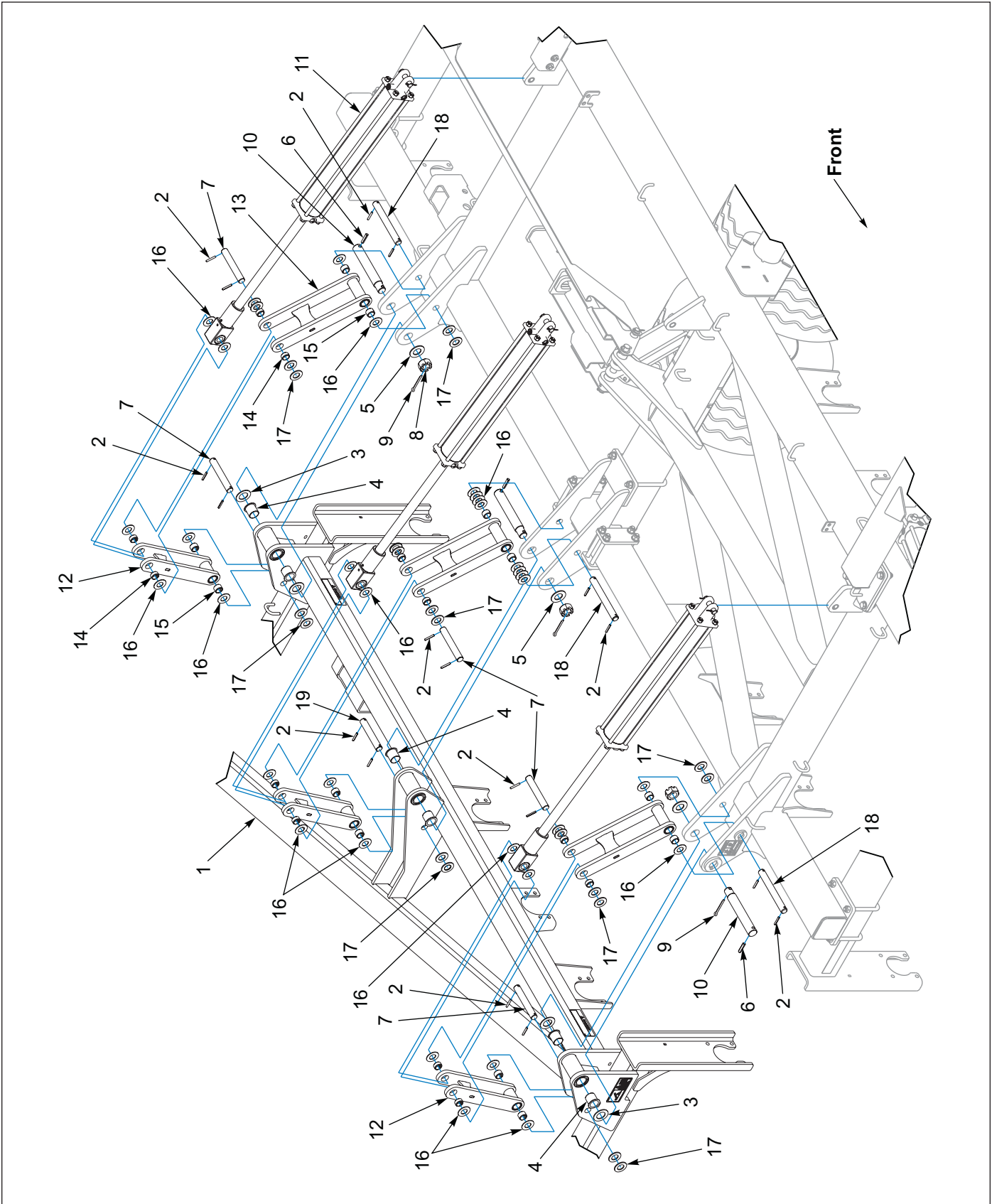


Figure 1-24: Wing Hinge (Before 01/01/2022)

Wing Hinge (Before 01/01/2022)

ITEM	PART NUMBER	DESCRIPTION	QTY
1	221546	WING FRAME, LH W/DECALS	1
1	221545	WING FRAME, RH W/DECALS (SHOWN)	1
2	147072	PIN, SPRING SLOTTED 5/16 X 2	18
3	164539	WASHER, THRUST 1-3/4	4
4	164533	BEARING, FLANGE 1-3/4	6
5	1-861-010032-32	WASHER, FLAT, ZP/CD 1-1/2	3
6	144115	PIN, GROOVED ALLOY 1/2 X 2-1/4	3
7	193225	PIN, 1.25 X 8.25 H2	5
8	1-516-010001-27	NUT, HX SLOT 1-1/2-6, ZP	3
9	101406	PIN, COTTER 3/8 X 3	3
10	181277	PIN, HINGE	3
11	221576	HYD CYL 4 X 30 W/SPACER (RH ONLY) (SHOWN) (SEE PAGE 1-148)	3
11	219160	HYD CYL 4 X 30 (LH ONLY) (SEE PAGE 1-147)	3
12	211264	LINK, INNER HINGE (INCLUDES ITEMS 14 AND 15) (WING)	3
13	211261	LINK, OUTER HINGE (INCLUDES ITEMS 14 AND 15) (CENTER FRAME)	3
14	1P196	BUSHING, 1-1/4 X 1-1/2 X 3/4	2
15	1P693	BUSHING, 1-1/4 X 1-1/2 X 1	2
16	196120	WASHER, THRUST SS 1-1/4 X 2-1/2, 12GA	28
17	116100	WASHER, 1-1/4 NAR FL, ZP/CD	22
18	2P361	PIN, 1.25 X 10.88 H2	3
19	9J696	PIN (1-1/4 X 7-11/16)	1

Front and Rear Center Roller and Frame

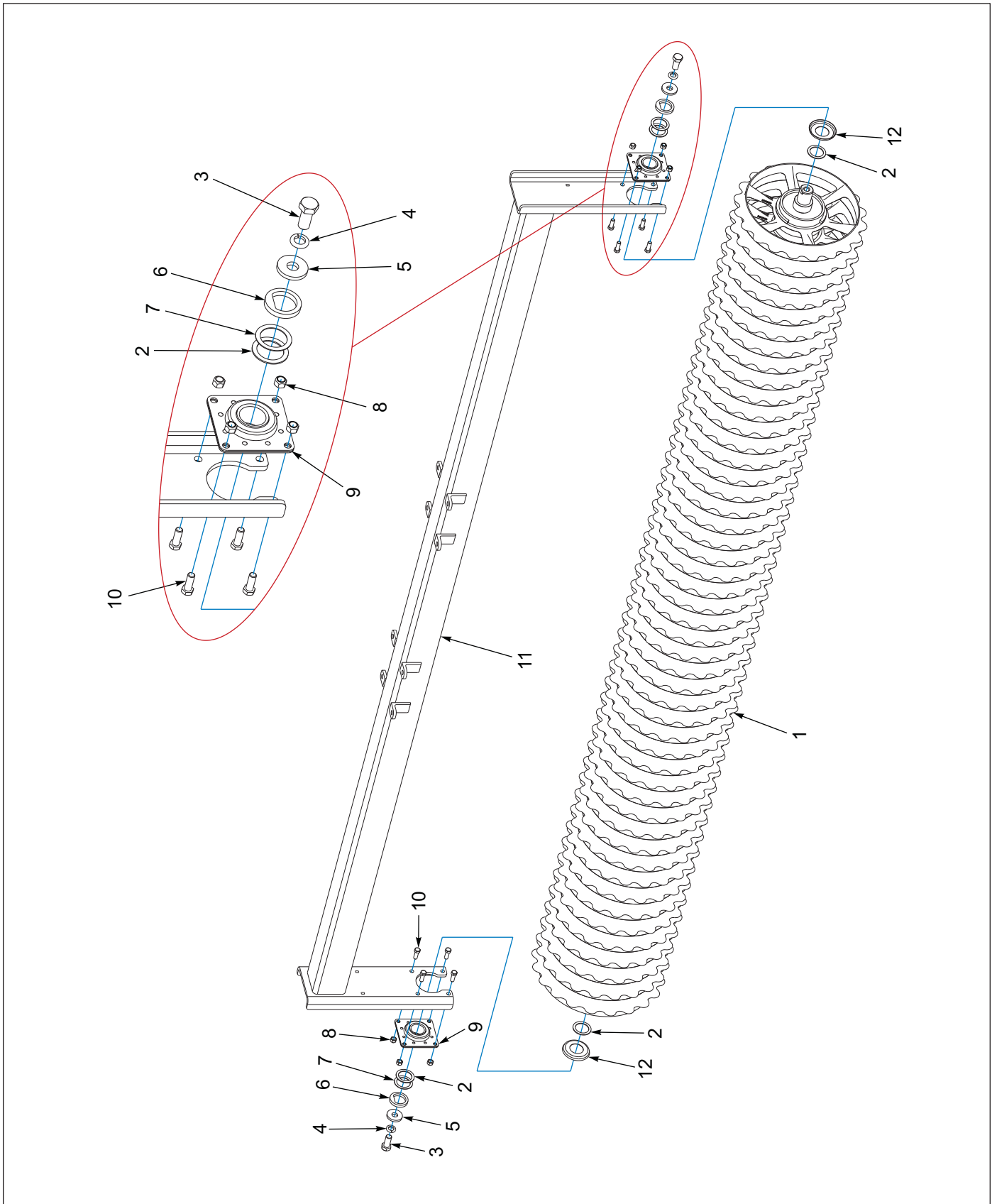


Figure 1-25: Front and Rear Center Roller and Frame

Front and Rear Center Roller and Frame

ITEM	PART NUMBER	DESCRIPTION	QTY
1	211204	ROLLER ASM, 16FT NOTCHED (24" WHEEL) (SEE PAGE 1-46)	1
2	185170	WASHER, SHIM 11 GA 2.43 ID	4
3	137943	SCREW, HEX CAP 1-8UNC X 2-1/4, GR5	2
4	1-861-010034-21	WASHER, LKG HEL SPRG 1IN	2
5	154185	WASHER, 3/8 (THICK)	2
6	185166	WASHER, FLAT TOP	2
7	185171	WASHER, SHIM 14 GA 2.43 ID	2
8	1-512-010005-13	NUT, HEX SLFLKG GRB 5/8-11	8
9	185167	FLANGE BEARING, 61MM BORE	2
10	1-654-010059-04	SCREW, HEX CAP 5/8-11 X 1-3/4, G5	8
11	209869	FRAME, ROLLER 16 FT	1
12	203117	SHIELD, 61mm BRG DIRT	2

Right Hand Wing Frame and Roller

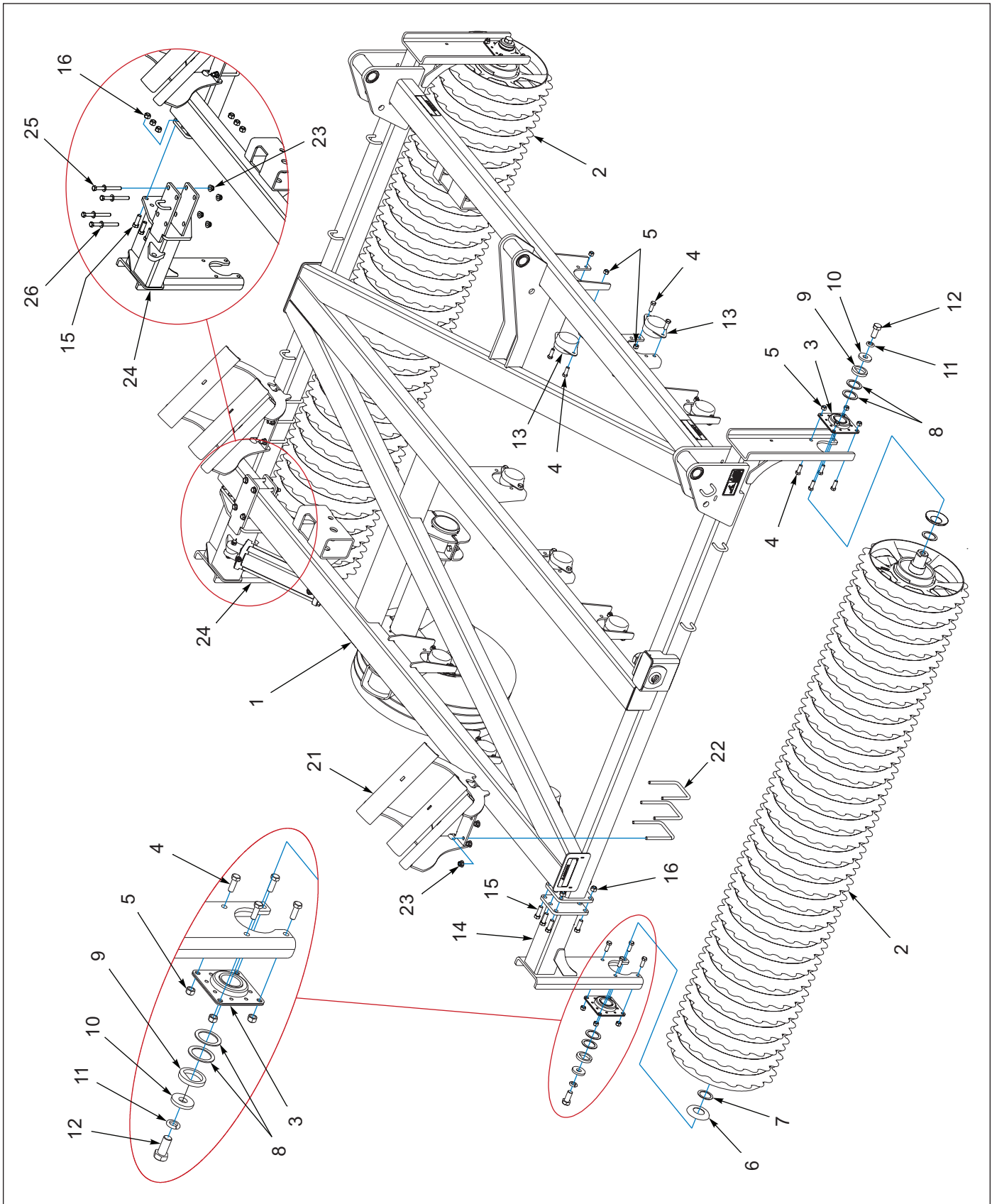


Figure 1-26: Right Hand Wing Frame and Roller (After 01/01/2022)

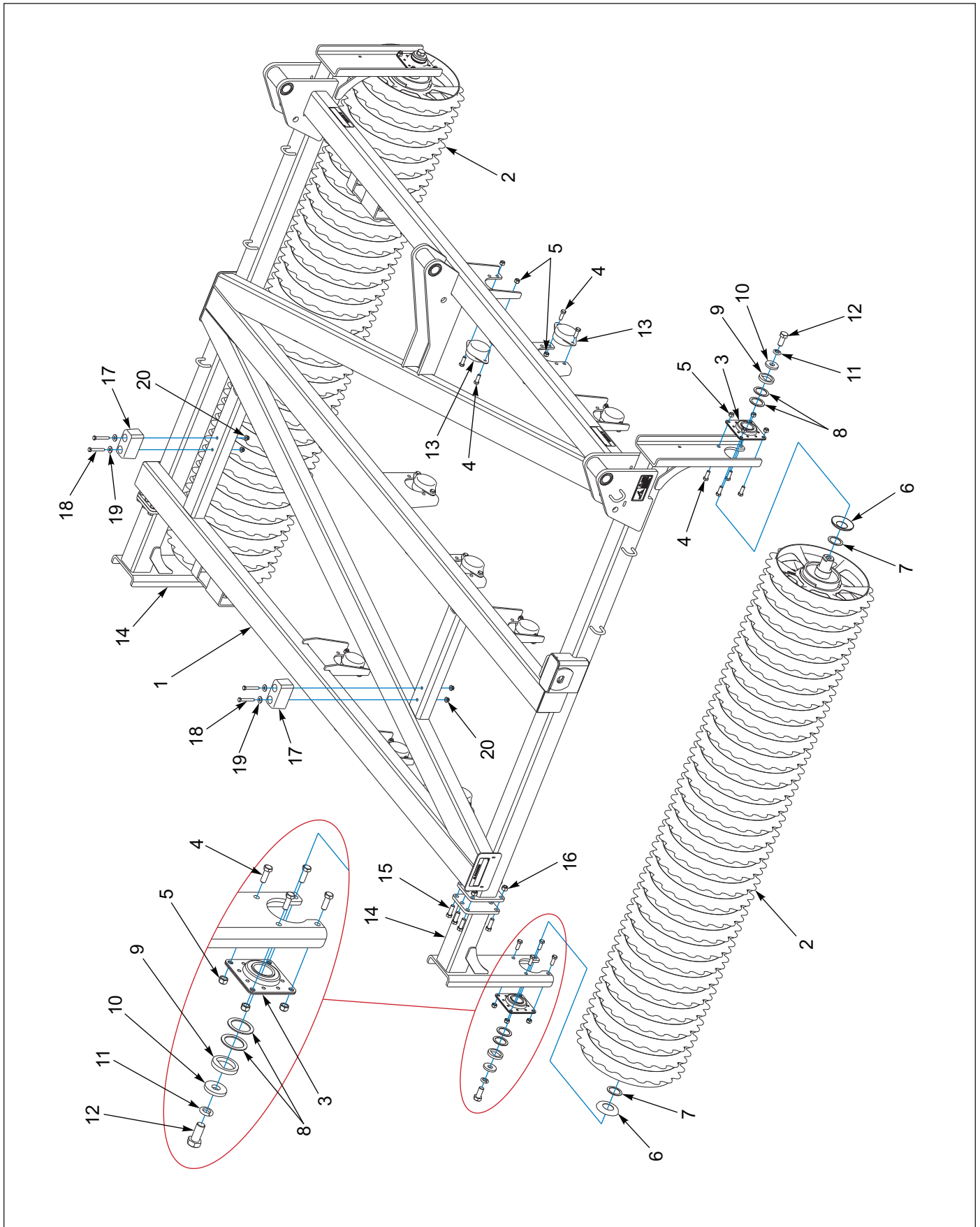


Figure 1-27: Right Hand Wing Frame and Roller (Before 01/01/2022)

Right Hand Wing Frame and Roller

ITEM	PART NUMBER	DESCRIPTION	QTY
1	221545	FRAME, WING RH W/DECALS	1
2	221458	ROLLER ASM, 10FT NOTCHED (24" WHEELS) (SEE PAGE 1-46)	2
3	185167	FLANGE BEARING, 61mm BORE	4
4	1-654-010059-04	SCREW, HEX CAP 5/8-11 X 1-3/4, G5	34
5	1-512-010005-13	NUT, HEX SLFLKG GRB 5/8-11	34
6	203117	SHIELD, 61mm BRG DIRT	4
7	185171	WASHER, SHIM 14 GA 2.43 ID	4
8	185170	WASHER, SHIM 11 GA 2.43 ID	8
9	185166	WASHER, FLAT TOP	4
10	154185	WASHER, 3/8 THICK 1" ID	4
11	1-861-010034-21	WASHER, LKG HEL SPRG 1IN	4
12	137943	SCREW, HEX CAP 1-8UNC X 2-1/4, GR5	4
13	175194	BEARING, TOOTH TUBE	9
14	211199	WING EXTENSION, 16.0 (BEFORE 01/01/2022, QTY=2)	1
15	1-654-010061-06	HHCS, 3/4-10 X 2-1/4, GR5	12
16	1-512-010005-15	NUT, HEX SLFLKG GRB 3/4-10	12
17	128874	BUMPER RUBBER 6 X 3 X 3-1/2 (BEFORE 01/01/2022)	2
18	1-654-010055-11	SCREW, HX CP 1/2-13UNC X 3-1/2 (BEFORE 01/01/2022)	4
19	1-861-010032-15	WASHER, FLAT 1/2 W, ZP/CD (BEFORE 01/01/2022)	4
20	2P253	NUT, FLANGE NY-LOK 1/2-13 (BEFORE 01/01/2022)	4
21	241029	WING REST (AFTER 01/01/2022)	2
22	181363	U-BOLT 5/8-11X5-11/16X6-3/4 (AFTER 01/01/2022)	6
23	2P254	NUT,FLANGE NY-LOK 5/8-11 (AFTER 01/01/2022)	12
24	238816	WING EXT, RH W/LIFT (AFTER 01/01/2022)	1
25	107-0018	HHCS 5/8-11X6-1/2LG GR5 (AFTER 01/01/2022)	4
26	1-861-010032-18	WASHER, FLAT 5/8 N ZP/CD (AFTER 01/01/2022)	4

Left Hand Wing Frame and Roller

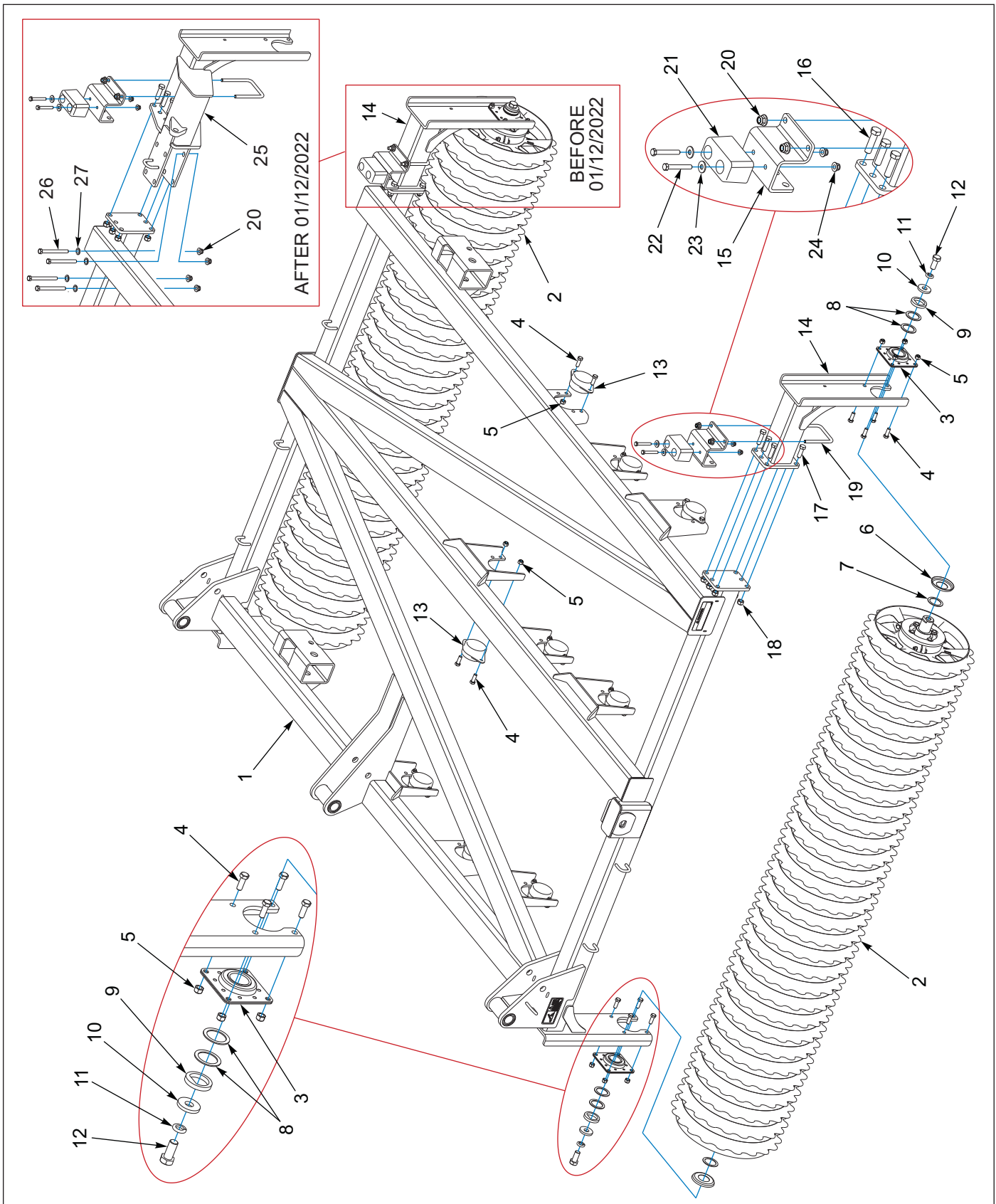


Figure 1-28: Left Hand Wing Frame and Roller

Left Hand Wing Frame and Roller

ITEM	PART NUMBER	DESCRIPTION	QTY
1	221546	FRAME, WING LH W/DECALS	1
2	221458	ROLLER ASM, 10FT NOTCHED (24" WHEELS) (SEE PAGE 1-46)	2
3	185167	FLANGE BEARING, 61mm BORE	4
4	1-654-010059-04	SCREW, HEX CAP 5/8-11 X 1-3/4, G5	34
5	1-512-010005-13	NUT, HEX SLFLKG GRB 5/8-11	34
6	203117	SHIELD, 61mm BRG DIRT	4
7	185171	WASHER, SHIM 14 GA 2.43 ID	4
8	185170	WASHER, SHIM 11 GA 2.43 ID	8
9	185166	WASHER, FLAT TOP	4
10	154185	WASHER, 3/8 THICK 1" ID	4
11	1-861-010034-21	WASHER, LKG HEL SPRG 1IN	4
12	137943	SCREW, HEX CAP 1-8UNC X 2-1/4, GR5	4
13	175194	BEARING, TOOTH TUBE	9
14	211199	WING EXTENSION, 16.0 (BEFORE 01/01/2022, QTY=2)	1
15	211276	BRACKET, WING REST	2
16	110-7095	HHCS, 3/4-10 X 2-3/4 (TOP)	6
17	1-654-010061-06	HHCS, 3/4-10 X 2-1/4, GR5 (BOTTOM)	6
18	1-512-010005-15	NUT, HEX SLFLKG GRB 3/4-10	12
19	181363	U-BOLT, 5/8-11 X 5-11/16 X 6-3/4	2
20	2P254	NUT, FLANGE NY-LOK 5/8-11 (BEFORE 01/01/2022, QTY=4)	8
21	128874	BUMPER RUBBER 6 X 3 X 3-1/2	2
22	1-654-010055-11	SCREW, HX CP 1/2-13UNC X 3-1/2	4
23	1-861-010032-15	WASHER, FLAT 1/2 W, ZP/CD	4
24	2P253	NUT, FLANGE NY-LOK 1/2-13	4
25	238815	WING EXT, LH W/LIFT (AFTER 01/01/2022)	1
26	107-0018	HHCS 5/8-11X6-1/2LG GR5 (AFTER 01/01/2022)	4
27	1-861-010032-18	WASHER, FLAT 5/8 N ZP/CD (AFTER 01/01/2022)	4

Roller Axle Assemblies, Notched 24" Wheels

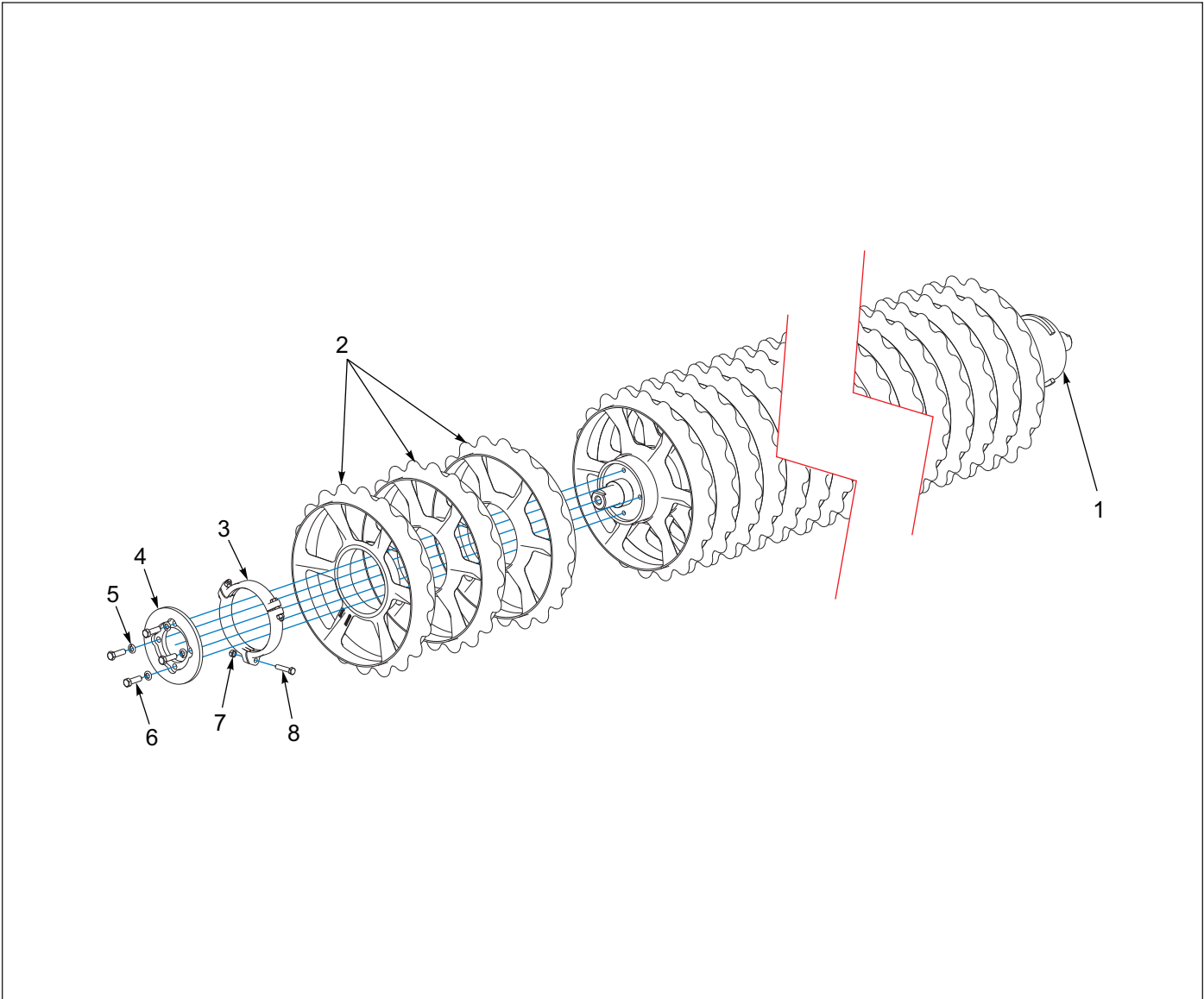


Figure 1-29: Roller Axle Assemblies, Notched 24" Wheels

Roller Axle Assemblies, Notched 24" Wheels

ITEM	PART NUMBER	DESCRIPTION	QTY	
			10'	16'
		MODELS	10'	16'
	221458	ROLLER ASM, 10FT NOTCHED	1	--
	211204	ROLLER ASM, 16FT NOTCHED	--	1
1	221459	AXLE WLD, 124" W/STUB SHAFTS	1	--
1	211208	AXLE WLD, W/STUB SHAFTS	--	1
2	200950	WHEEL, 24 X 8-1/8 BORE	31	48
3	3P052	CLAMP, AXLE	3	3
4	191396	STOP, WHEEL	1	1
5	1-861-010034-15	WASHER, LKG, HLCL SPR, 5/8	4	4
6	1-654-010059-05	SCREW, HX CP 5/8-11UNC X 2, GR5	4	4
7	1-512-010005-09	NUT, LOCK 1/2-13, GRB, ZP	3	3
8	1-654-010055-07	SCREW, HX CP 1/2-13UNC X 2-1/2	3	3

Tooth Control - Center Frame

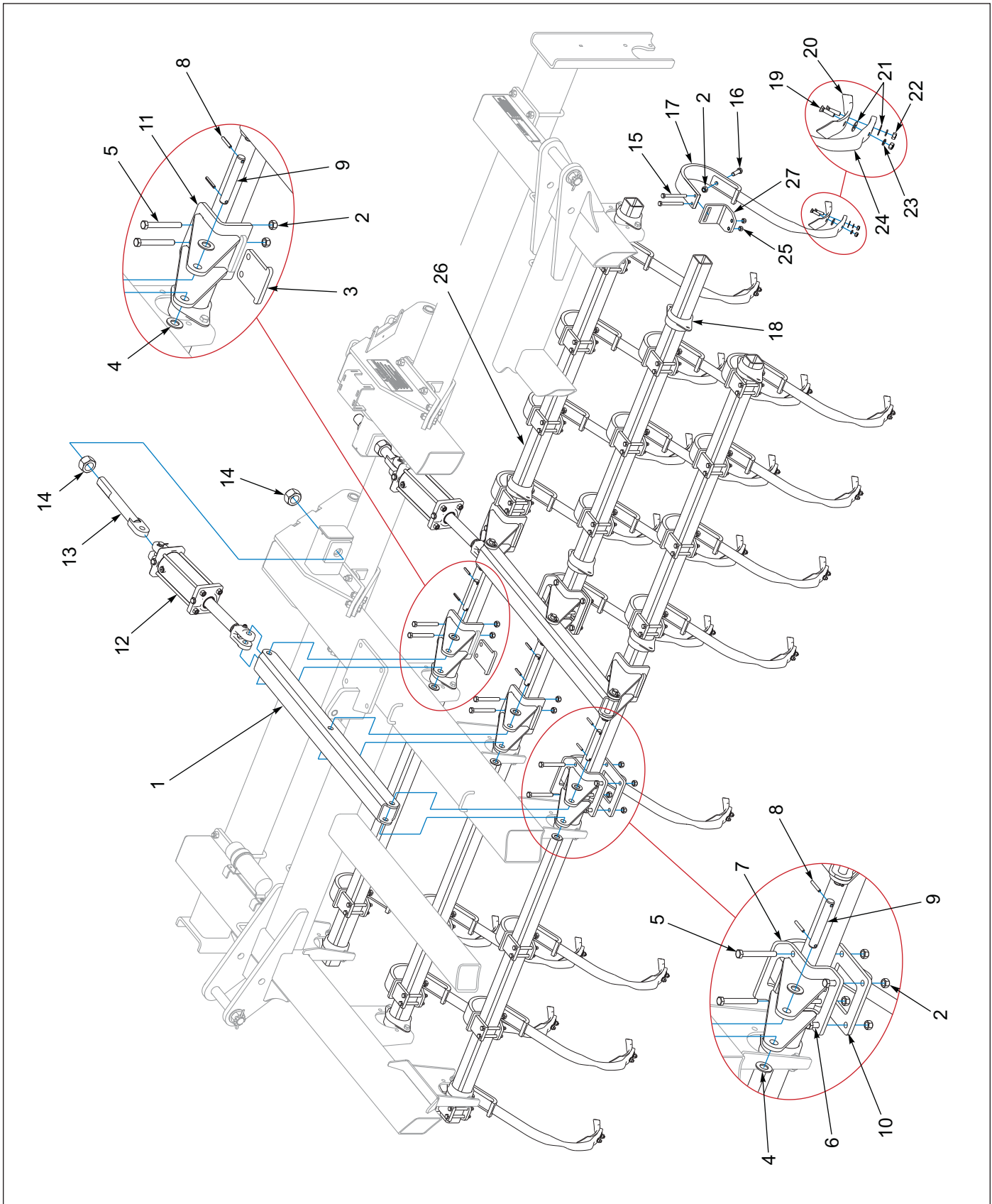


Figure 1-30: Tooth Control - Center Frame

Tooth Control - Center Frame

ITEM	PART NUMBER	DESCRIPTION	QTY
1	191420	TUBE, TOOTH CONTROL	2
2	1-512-010005-13	NUT, HEX SLFLKG GRB 5/8-11	45
3	185108	PLATE, CLAMP	4
4	1-861-010032-24	WASHER, FL 1IN NARROW, ZP	12
5	1-654-010059-15	SCREW, HEX CAP, 5/8-11UNC X 5, GR5	12
6	1-654-010059-05	SCREW, HEX CAP, 5/8-11UNC X 2, GR5	4
7	185109	CLAMP, TOOTH CONTROL	2
8	147072	PIN, SPRING SLOTTED 5/16 X 2	12
9	6J580	PIN, (1 X 6-1/2)	6
10	185114	PLATE, 4 HOLE	2
11	185107	BRACKET, TOOTH CONTROL	4
12	193251	CYLINDER, HYD 4-1/2 X 8 REPHASING (SEE PAGE 1-142)	2
13	185999	ROD, CYLINDER ANCHOR	2
14	159954	NUT, HEX 1-3/4-5	4
15	1-654-010055-15	SCREW, HX CP, 1/2-13UNC X 5, GR5	58
16	1-654-010059-06	SCREW, HEX CAP 5/8-11 X 2-1/4, G5	29
17	166199	SPRING CLAMP, S-TINE	29
18	175194	BEARING TOOTH TUBE	12
19	7/16-14X1-3/4PB	BOLT, PLOW 7/16 X 1-3/4 GR5, ZP	58
20	2J605	CULTIVATOR POINT	29
21	1-861-010032-13	WASHER, FLAT 7/16	58
22	1-512-010007-08	NUT, HEX 7/16-14 GR2, ZP	58
23	1-861-010034-12	WASHER, LOCKING HLC SPG 7/16	58
24	185928	SHANK, 5/8 X 1-3/4 EDGE BENT	29
25	1-512-010005-09	NUT, HEX, SLFLKG, 1/2-13, GRB	58
26	211191	TUBE, SQ 3 X 170	3
27	179416	CLAMP, S-TINE 3" SQ TUBE	29

Shank Depth Control Mounting Components

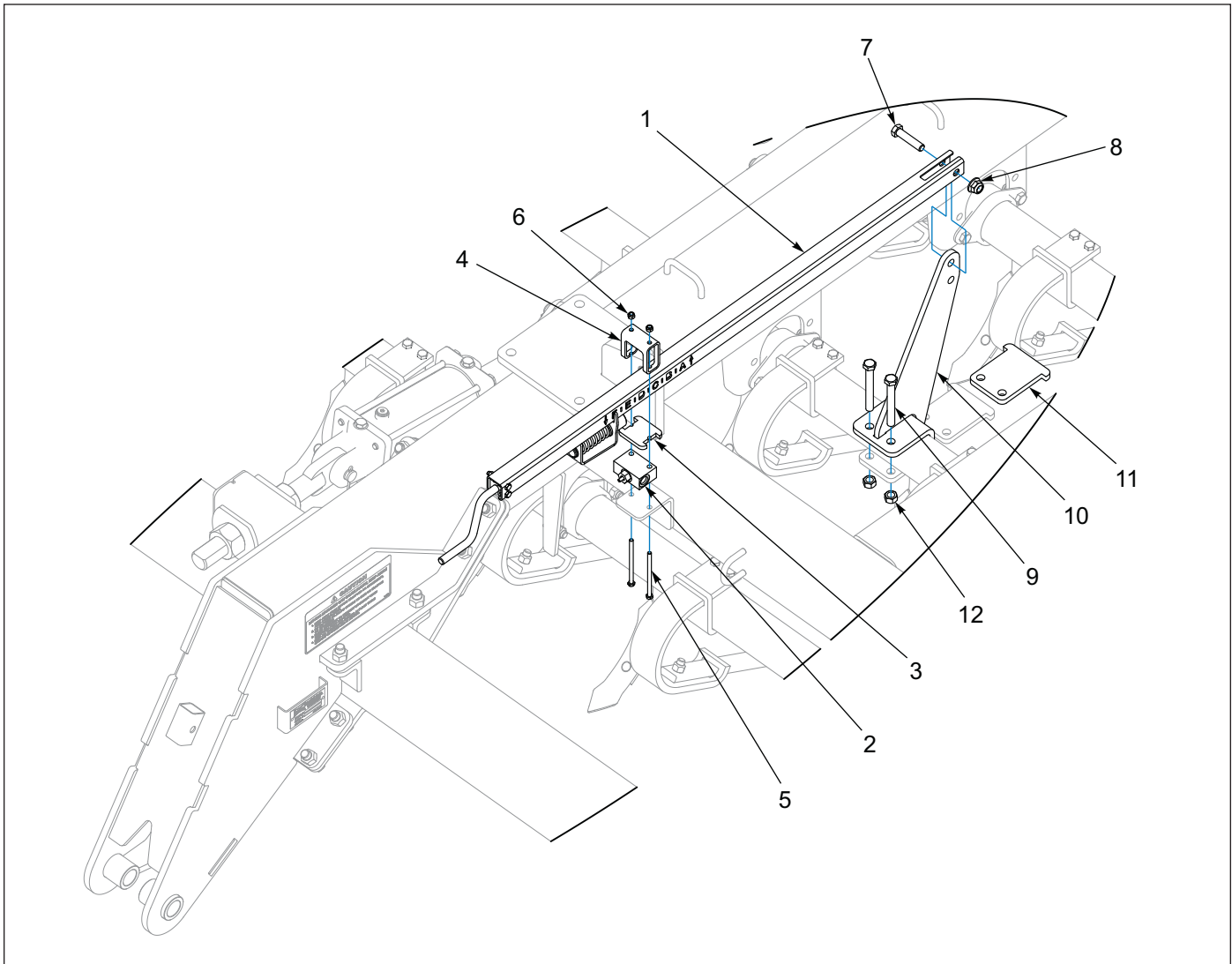


Figure 1-31: Shank Depth Control Mounting Components

Shank Depth Control Mounting Components

ITEM	PART NUMBER	DESCRIPTION	QTY
1	211247	DEPTH STOP ASSEMBLY (SEE PAGE 1-51)	1
2	203467	VALVE-LIMIT, STROKE (AFTER 07/01/2022)	2
2	140693	VALVE, LIMIT (BEFORE 07/01/2022)	1
3	165257	PAD, SLIDE	1
4	195579	GUIDE DEPTH STOP	1
5	171556	SCREW,HEX CP,5/16-18UNCX5-1/2 (AFTER 07/01/2022)	2
5	1-654-010049-19	SCREW, HEX CP 5/16-18UNC X 5, GR5 (BEFORE 07/01/2022)	2
6	104032	NUT, HEX NY-LOK 5/16-18	2
7	1-654-010059-08	SCREW, HEX CAP, 5/8-11UNC X 2-3/4, GR5	1
8	2P254	NUT, FLANGE NY-LOK 5/8-11	1
9	1-654-010059-15	SCREW, HEX CAP, 5/8-11UNC X 5, GR5	2
10	211245	CLAMP, DEPTH STOP WLDMT	1
11	185108	PLATE, CLAMP	1
12	1-512-010005-13	NUT, HEX SLFLKG GRB 5/8-11	2

Shank Depth Control Assembly

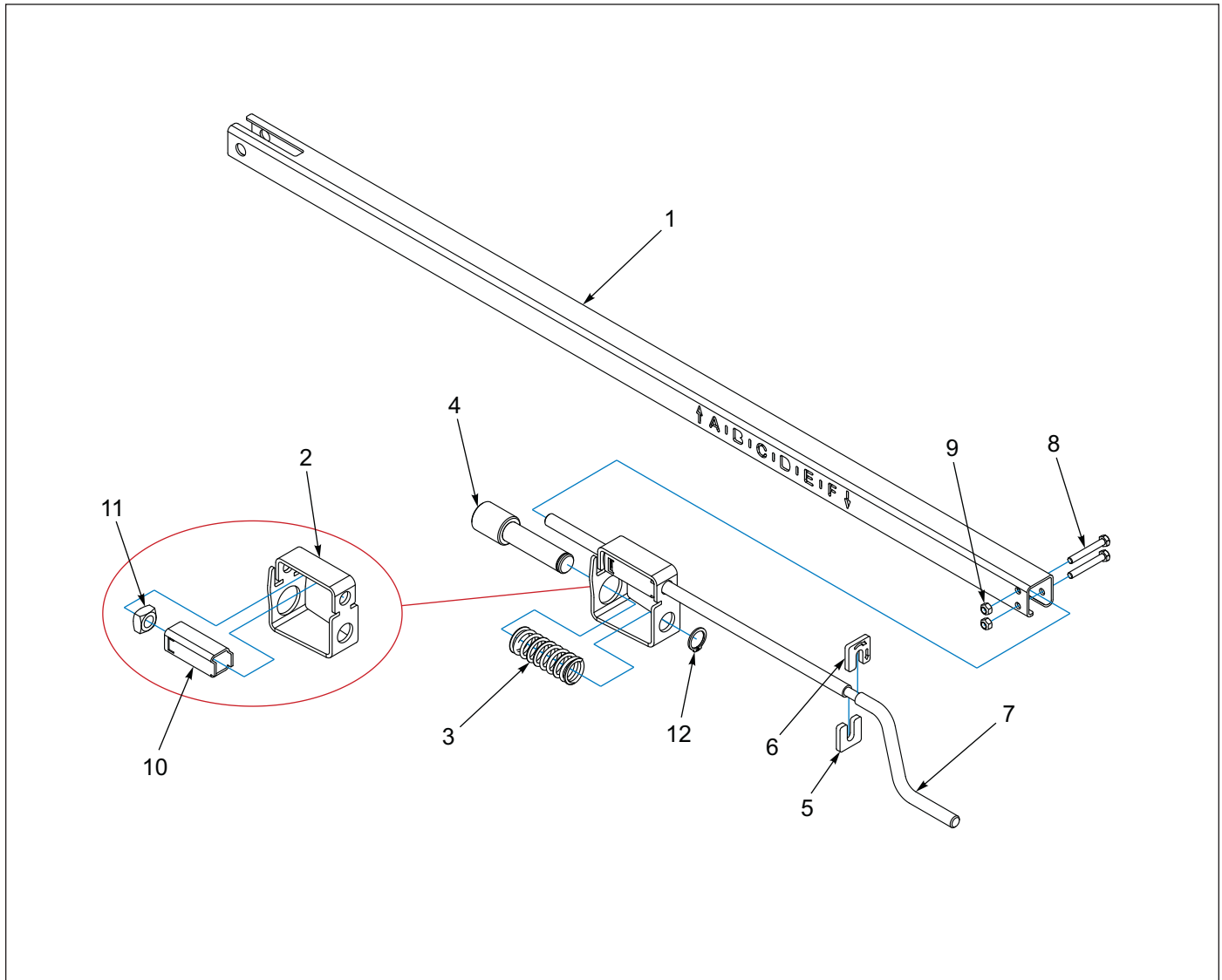


Figure 1-32: Shank Depth Control Assembly

Shank Depth Control Assembly

ITEM	PART NUMBER	DESCRIPTION	QTY
	211247	DEPTH STOP ASM	1
1	211248	TUBE, DEPTH STOP	1
2	182289	STOP-DEPTH	1
3	122917	SPRING, COMPRESSION, 4-1/2, MONOSEM	1
4	174708	PIN, DEPTH STOP	1
5	165259	STOP, HANDLE LONG	1
6	165260	STOP, HANDLE SHORT	1
7	211234	HANDLE, DEPTH STOP	1
8	108628	SCREW, HX CP, 5/16-18UNC X 2-1/4	2
9	1-512-010005-03	NUT, LOCK 5/16-18,ZP	2
10	195597	TUBE, FLOATING BLK	1
11	144048	NUT, SQUARE 5/8-11, GR5	1
12	1-630-010021-03	RING, RETAINING 1.0 HD	1

Tooth Control - Right Hand Wing

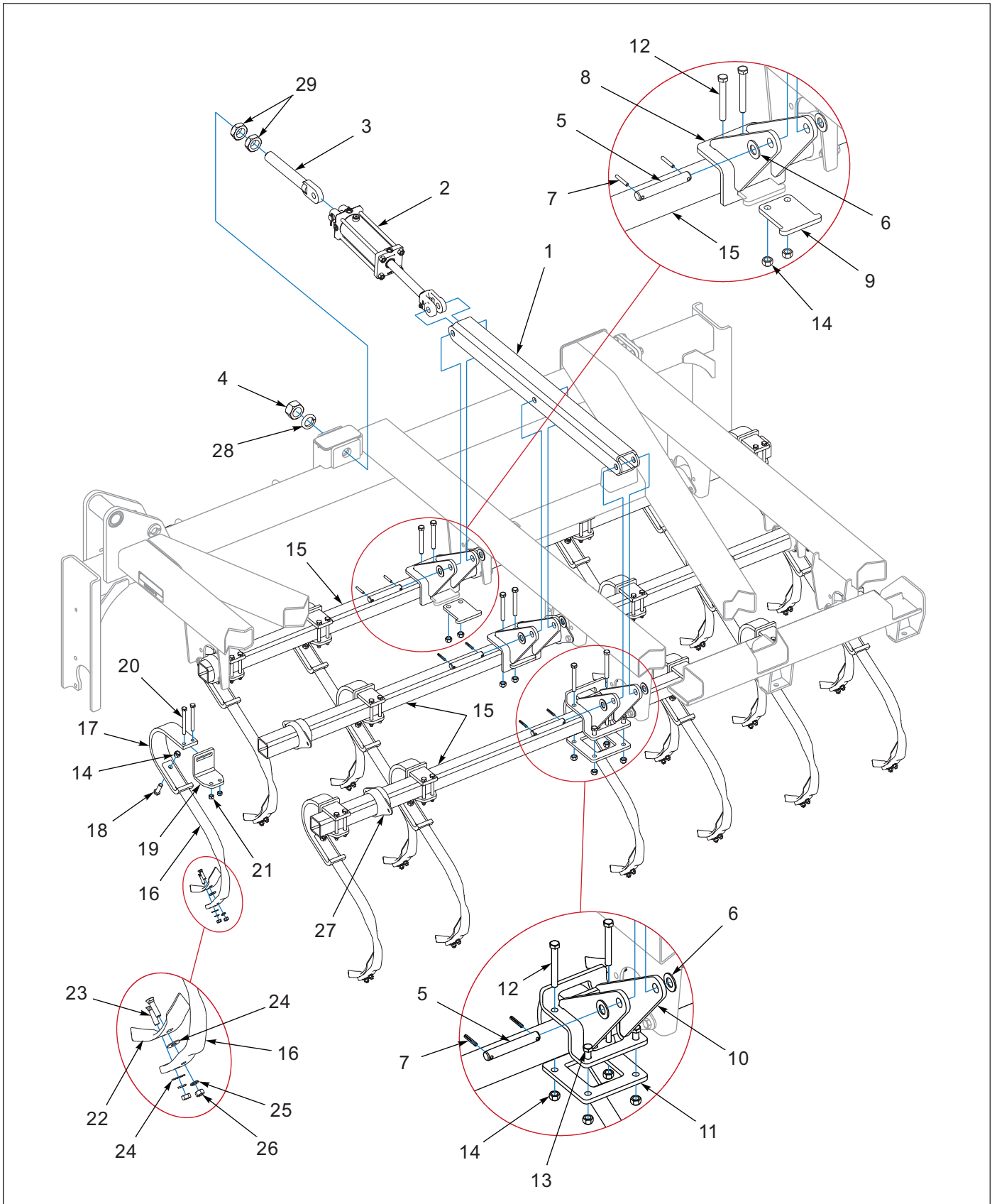


Figure 1-33: Tooth Control - Right Hand Wing

Tooth Control - Right Hand Wing

ITEM	PART NUMBER	DESCRIPTION	QTY
1	191420	TUBE, TOOTH CONTROL	1
2	193252	CYLINDER, HYD 4 X 8 REPHASING (SEE PAGE 1-143)	1
3	159955	ROD, CYLINDER ANCHOR	1
4	159954	NUT, HEX 1-3/4-5 (BEFORE 01/01/2022, QTY=2)	1
5	6J580	PIN (1 X 6-1/2)	3
6	1-861-010032-24	WASHER, FL 1IN NARROW, ZP	6
7	147072	PIN, SPRING SLOTTED 5/16 X 2	6
8	185107	BRACKET, TOOTH CONTROL	2
9	185108	PLATE, CLAMP	2
10	185109	CLAMP, TOOTH CONTROL	1
11	185114	PLATE, 4 HOLE	1
12	1-654-010059-15	SCREW, HEX CAP, 5/8-11UNC X 5, GR5	6
13	1-654-010059-05	SCREW, HEX CAP, 5/8-11UNC X 2, GR5	2
14	1-512-010005-13	NUT, HEX SLFLKG GRB 5/8-11	29
15	221470	TUBE, SQ 3 X 116	3
16	185928	SHANK, 5/8 X 1-3/4 EDGE BENT	21
17	166199	SPRING CLAMP, S-TINE	21
18	1-654-010059-06	SCREW, HEX CAP 5/8-11 X 2-1/4, G5	21
19	179416	CLAMP, S-TINE, 3" SQ TUBE	21
20	1-654-010055-15	SCR, HX CP, 1/2-13UNC X 5, GR5	42
21	1-512-010005-09	NUT, HEX, SLFLKG, 1/2-13, GRB	42
22	2J605	CULTIVATOR POINT	21
23	7/16-14X1-3/4PB	BOLT, PLOW 7/16 X 1-3/4 GR5, ZP	42
24	1-861-010032-13	WASHER, FLAT 7/16	42
25	1-861-010034-12	WASHER, LOCKING HLC SPG 7/16	42
26	1-512-010007-08	NUT, HEX 7/16-14 GR2, ZP	42
27	175194	BEARING TOOTH TUBE	9
28	234181	WASHER, LOCK 1-3/4, ZP	1
29	155716	NUT HX JAM 1-3/4-5UNC GR2	2

Tooth Control - Left Hand Wing

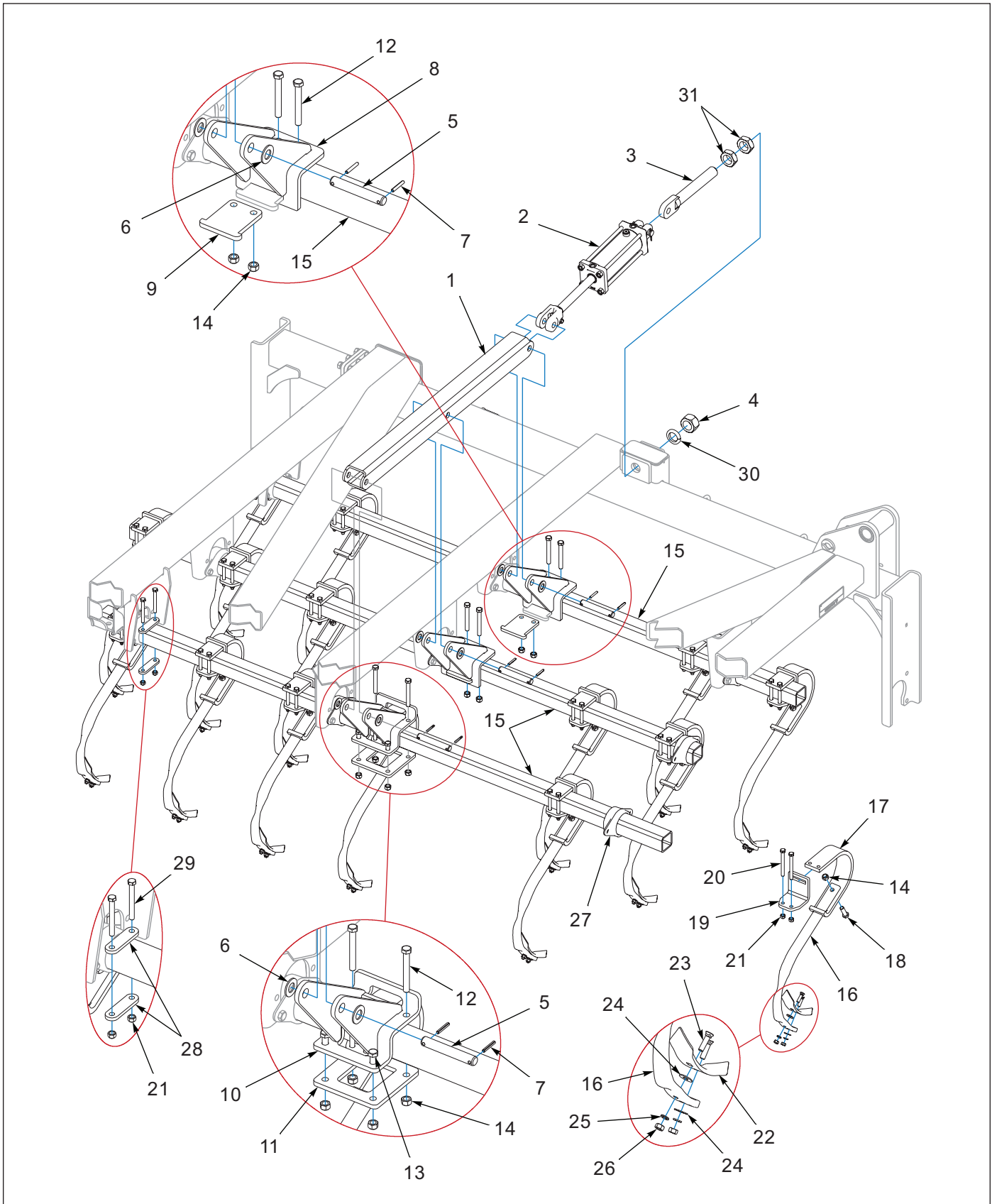


Figure 1-34: Tooth Control - Left Hand Wing

Tooth Control - Left Hand Wing

ITEM	PART NUMBER	DESCRIPTION	QTY
1	191420	TUBE, TOOTH CONTROL	1
2	193252	CYLINDER, HYD 4 X 8 REPHASING (SEE PAGE 1-143)	1
3	159955	ROD, CYLINDER ANCHOR	1
4	159954	NUT, HEX 1-3/4-5 (BEFORE 01/01/2022, QTY=2)	1
5	6J580	PIN (1 X 6-1/2)	3
6	1-861-010032-24	WASHER, FL 1IN NARROW, ZP	6
7	147072	PIN, SPRING SLOTTED 5/16 X 2	6
8	185107	BRACKET, TOOTH CONTROL	2
9	185108	PLATE, CLAMP	2
10	185109	CLAMP, TOOTH CONTROL	1
11	185114	PLATE, 4 HOLE	1
12	1-654-010059-15	SCREW, HEX CAP, 5/8-11UNC X 5, GR5	6
13	1-654-010059-05	SCREW, HEX CAP, 5/8-11UNC X 2, GR5	2
14	1-512-010005-13	NUT, HEX SLFLKG GRB 5/8-11	29
15	221470	TUBE, SQ 3 X 116	3
16	185928	SHANK, 5/8 X 1-3/4 EDGE BENT	21
17	166199	SPRING CLAMP, S-TINE	21
18	1-654-010059-06	SCREW, HEX CAP 5/8-11 X 2-1/4, G5	21
19	179416	CLAMP, S-TINE, 3" SQ TUBE	21
20	1-654-010055-15	SCR, HX CP, 1/2-13UNC X 5, GR5	42
21	1-512-010005-09	NUT, HEX, SLFLKG, 1/2-13, GRB	44
22	2J605	CULTIVATOR POINT	21
23	7/16-14X1-3/4PB	BOLT, PLOW 7/16 X 1-3/4 GR5, ZP	42
24	1-861-010032-13	WASHER, FLAT 7/16	42
25	1-861-010034-12	WASHER, LOCKING HLC SPG 7/16	42
26	1-512-010007-08	NUT, HEX 7/16-14 GR2, ZP	42
27	175194	BEARING TOOTH TUBE	9
28	186700	STRAP, 2-HOLE	2
29	1-654-010055-14	SCREW, HEX CAP, 1/2-13UNC X 4-1/2, G5	2
30	234181	WASHER, LOCK 1-3/4, ZP	1
31	155716	NUT HX JAM 1-3/4-5UNC GR2	1

S-Tine Shank Assembly

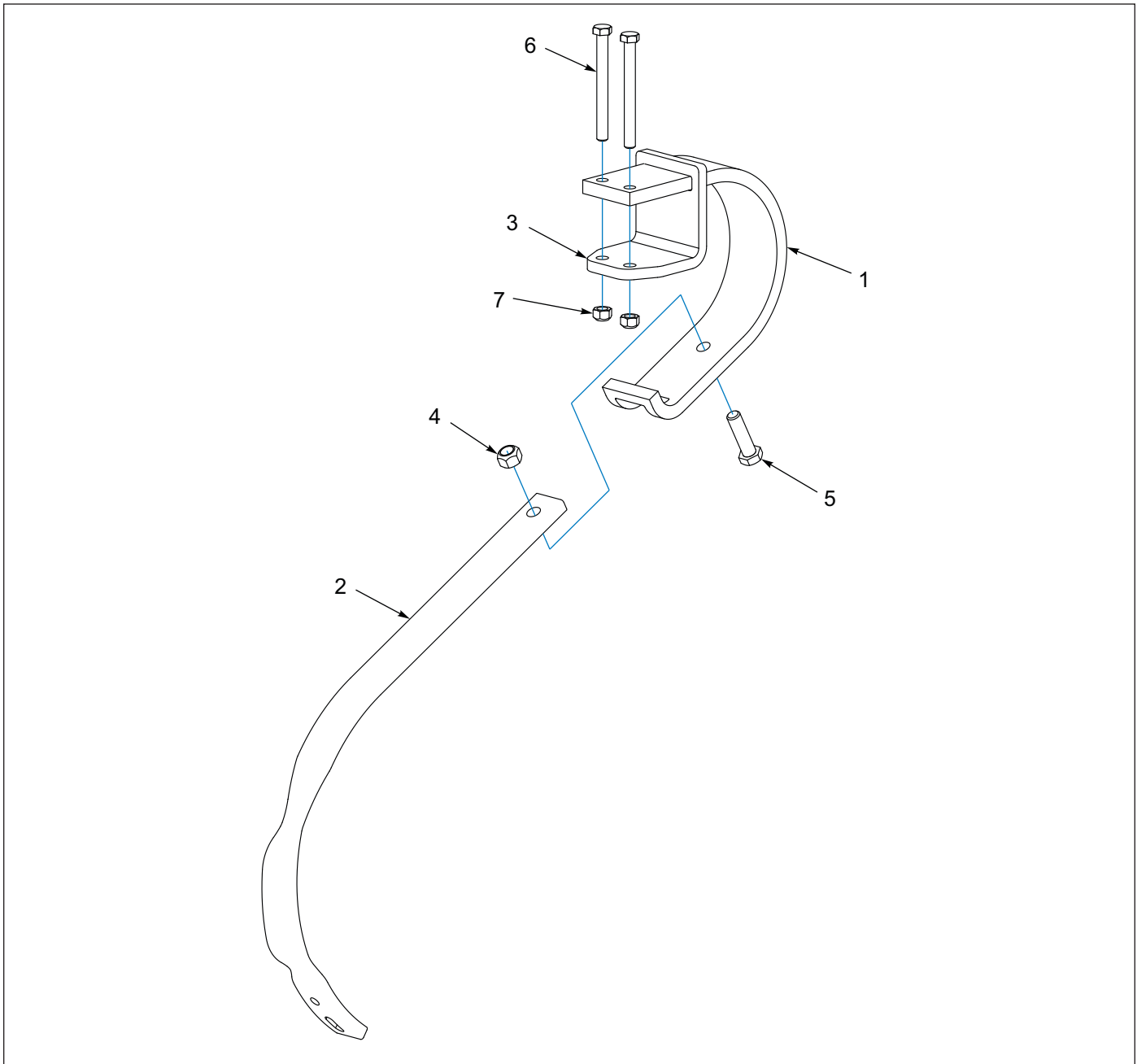


Figure 1-35: S-Tine Shank Assembly

S-Tine Shank Assembly

ITEM	PART NUMBER	DESCRIPTION	QTY
	181331	SHANK ASM, S-TINE	1
1	166199	SPRING CLAMP, S-TINE	1
2	185928	SHANK, 5/8 X 1-3/4 EDGE BENT	1
3	179416	CLAMP, S-TINE, 3" SQ TUBE	1
4	1-512-010005-13	NUT, HEX SLFLKG GRB 5/8-11	1
5	1-654-010059-06	SCREW, HEX CAP 5/8-11 X 2-1/4, G5	1
6	1-654-010055-15	SCR, HX CP, 1/2-13UNC X 5, GR5	2
7	1-512-010005-09	NUT, LOCK 1/2-13, GRB, ZP	2

Center Harrow

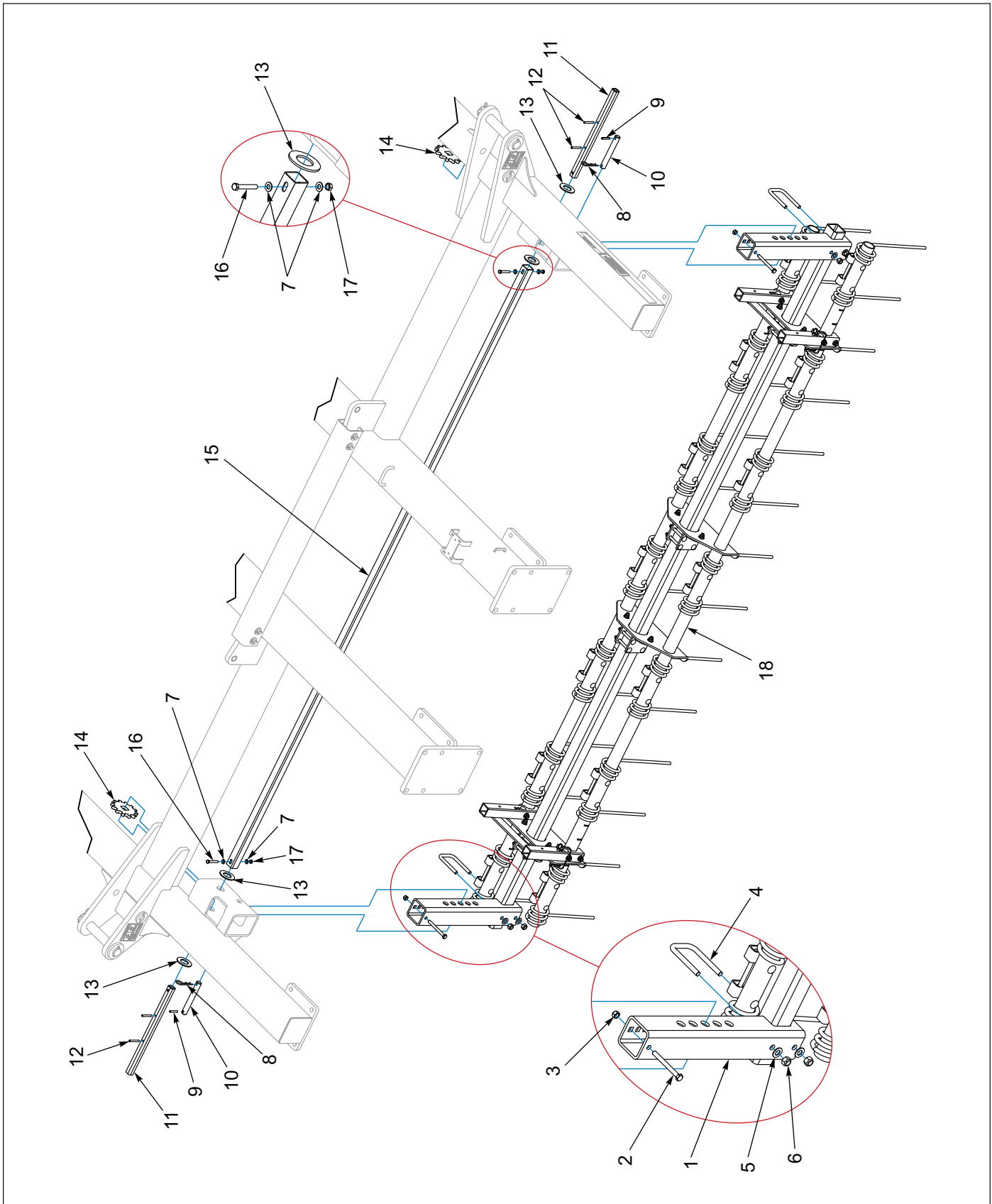


Figure 1-36: Center Harrow

Center Harrow

ITEM	PART NUMBER	DESCRIPTION	QTY
1	211194	TUBE, HARROW ADJUSTMENT	2
2	1-654-010055-15	SCR, HX CP, 1/2-13UNC X 5, GR5	2
3	1-512-010005-09	NUT, HEX, SLFLKG 1/2-13, GRB	2
4	2-102-010054	U-BOLT, 5/8-11	2
5	1-861-010032-18	WASHER, FLAT 5/8 N, ZP/CD	4
6	1-512-010005-13	NUT, HEX SLFLKG GRB 5/8-11	4
7	1-861-010032-10	WASHER, FLT 3/8 SAE	4
8	1D594	HAIR PIN COTTER, 3/16	2
9	147072	PIN, SPRING SLOTTED 5/16 X 2	2
10	158299	PIN, 1 X 7-5/16	2
11	211301	TUBE HARROW HT ADJ HANDLE BLACK	2
12	1-647-010004240	SPRING PIN, SLOTTED 5/16 X 2-1/2	4
13	1-861-010032-32	WASHER, FLAT ZP/CD 1-1/2	4
14	195606	GEAR, HARROW ADJ BLACK	2
15	211193	TUBE, HARROW ADJUST	1
16	1-654-010051-11	HHCS, 3/8-16 X 2-1/2 GR5, ZP	2
17	1-512-010005-05	NUT, HEX SLFLKG GRB 3/8-16	2
18	211220	HARROW ASM, 3631-30 CTR (SEE PAGE 1-64)	1

Wing Harrow - Right Hand

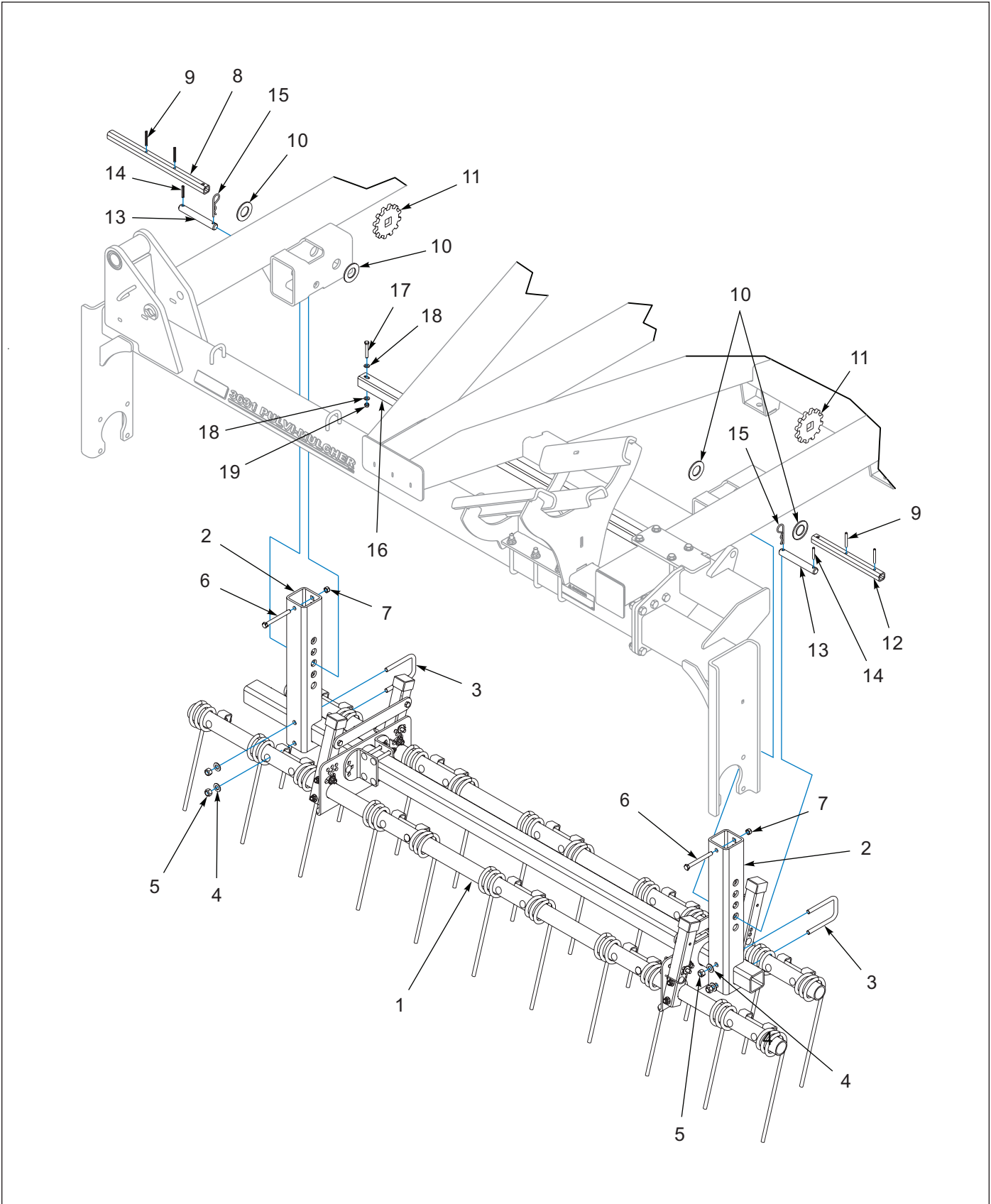


Figure 1-37: Wing Harrow - Right Hand

Wing Harrow - Right Hand

ITEM	PART NUMBER	DESCRIPTON	QTY
1	221474	HARROW ASM, 3631-36 WING RH (SEE PAGE 1-66)	1
2	211194	TUBE, HARROW ADJUSTMENT	2
3	2-102-010054	U-BOLT, 5/8-11	2
4	1-861-010032-18	WASHER, FLAT 5/8 N, ZP/CD	4
5	1-512-010005-13	NUT, HEX SLFLKG GRB 5/8-11	4
6	1-654-010055-15	SCR, HX CP, 1/2-13UNC X 5, GR5	2
7	1-512-010005-09	NUT, HEX, SLFLKG 1/2-13, GRB	2
8	211301	TUBE, HARROW HT ADJ HANDLE	1
9	1-647-010004240	SPRING PIN, SLOTTED 5/16 X 2-1/2	4
10	1-861-010032-32	WASHER, FLAT ZP/CD 1-1/2	4
11	195606	GEAR, HARROW ADJ BLACK	2
12	195607	TUBE, HARROW HT ADJ HANDLE BLACK	1
13	158299	PIN, 1 X 7-5/16	2
14	147072	PIN, SPRING SLOTTED 5/16 X 2	2
15	1D594	HAIR PIN COTTER, 3/16	2
16	238889	TUBE, WING HARROW ADJUSTER (71.88") (AFTER 01/01/2022)	1
16	221479	TUBE, WING HARROW ADJUSTER (82.88") (BEFORE 01/01/2022)	1
17	1-654-010051-11	HHCS, 3/8-16 X 2-1/2, GR5, ZP	2
18	1-861-010032-10	WASHER, FLAT 3/8 SAE	4
19	1-512-010005-05	NUT, HEX, SLFLKG GRB 3/8-16	2

Wing Harrow - Left Hand

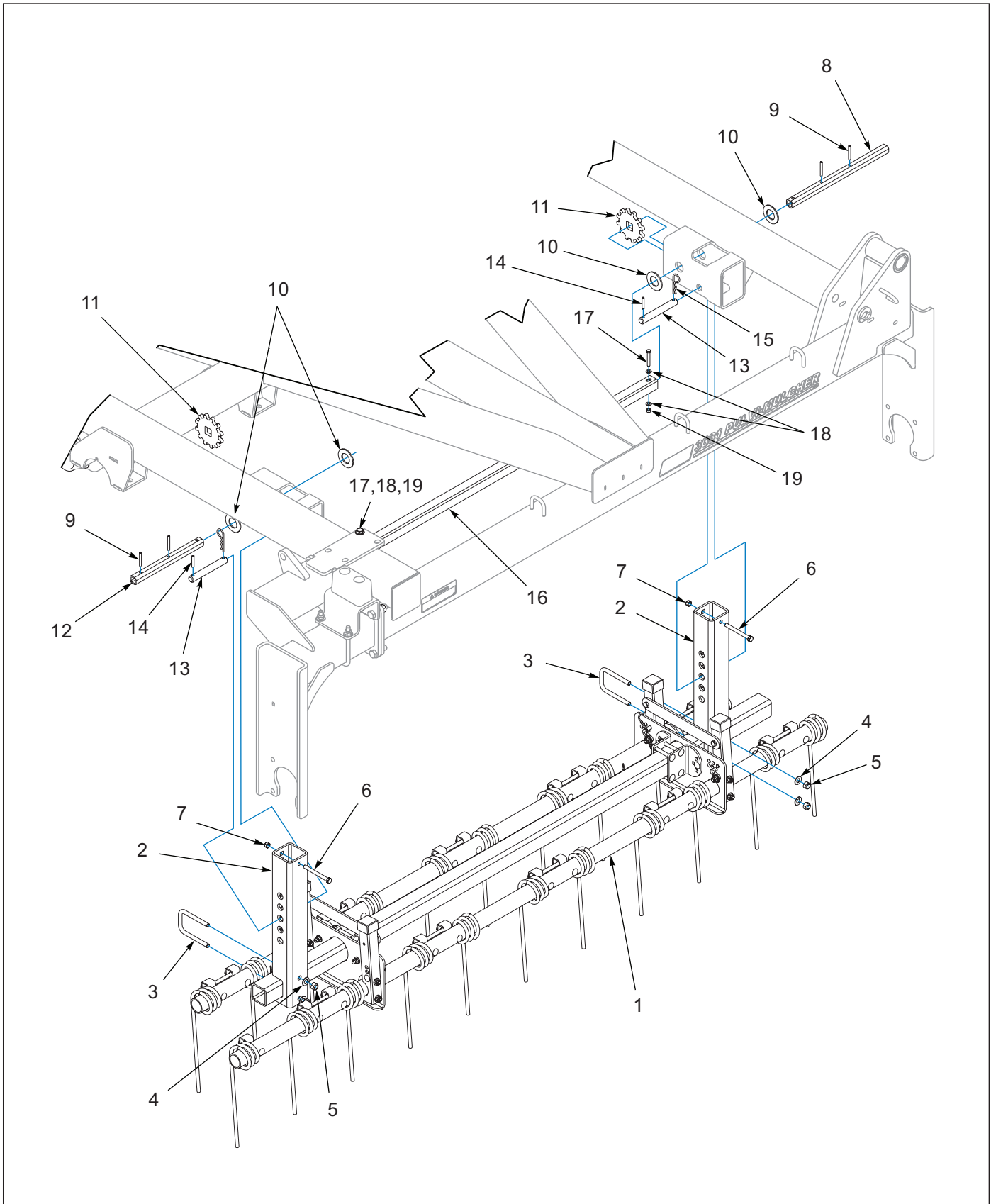


Figure 1-38: Wing Harrow - Left Hand

Wing Harrow - Left Hand

ITEM	PART NUMBER	DESCRIPTION	QTY
1	221475	HARROW ASM, 3631-36 WING LH (SEE PAGE 1-68)	1
2	211194	TUBE, HARROW ADJUSTMENT	2
3	2-102-010054	U-BOLT, 5/8-11	2
4	1-861-010032-18	WASHER, FLAT 5/8 N, ZP/CD	4
5	1-512-010005-13	NUT, HEX SLFLKG GRB 5/8-11	4
6	1-654-010055-15	SCR, HX CP, 1/2-13UNC X 5, GR5	2
7	1-512-010005-09	NUT, HEX, SLFLKG 1/2-13, GRB	2
8	211301	TUBE, HARROW HT ADJ HANDLE	1
9	1-647-010004240	SPRING PIN, SLOTTED 5/16 X 2-1/2	4
10	1-861-010032-32	WASHER, FLAT ZP/CD 1-1/2	4
11	195606	GEAR, HARROW ADJ, BLACK	2
12	195607	TUBE, HARROW HT ADJ HANDLE BLACK	1
13	158299	PIN, 1 X 7-5/16	2
14	147072	PIN, SPRING SLOTTED 5/16 X 2	2
15	1D594	HAIR PIN COTTER, 3/16	2
16	238889	TUBE, WING HARROW ADJUSTER (71.88") (AFTER 01/01/2022)	1
16	221479	TUBE, WING HARROW ADJUSTER (82.88") (BEFORE 01/01/2022)	1
17	1-654-010051-11	HHCS, 3/8-16 X 2-1/2, GR5, ZP	2
18	1-861-010032-10	WASHER, FLT 3/8 SAE	4
19	1-512-010005-05	NUT, HEX, SLFLKG GRB 3/8-16	2

Center Harrow Assembly

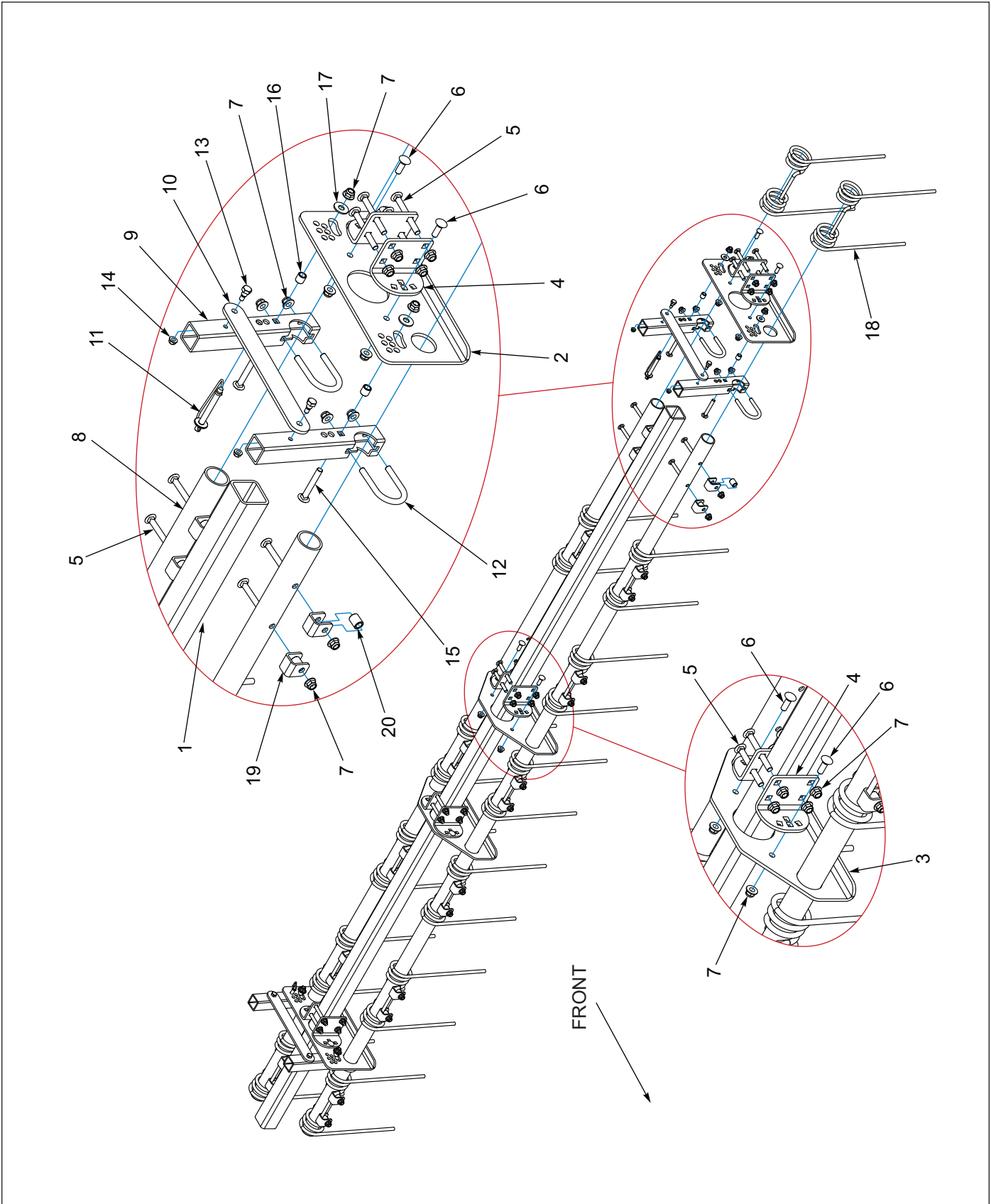


Figure 1-39: Center Harrow Assembly

Center Harrow Assembly

ITEM	PART NUMBER	DESCRIPTION	QTY
	211220	HARROW ASM, 3631-30 CTR	1
1	211222	TUBE, SQ 3 X 1/4 X 162	1
2	194773	PLATE, GANG BAR 2 ROW	2
3	194783	SUPPORT, GANG BAR 2 ROW	2
4	154998	PLATE, ANGLE ADJUSTMENT	8
5	1-654-010070-14	SCREW, 1/2-13 X 4-1/2 RDHD, SQNCK	44
6	1-654-010070-03	SCREW, RDHD SQNK 1/2-13 X 1-1/2	8
7	2P253	NUT, FLANGE NY-LOK 1/2-13	64
8	211221	TUBE, TINE 2-3/8 X 158.0	2
9	154994	TUBE, ANGLE ADJUST	4
10	194774	LINK, TINE ADJUSTMENT	2
11	155971	PIN, HARROW ADJ	2
12	154995	U-BOLT, 1/2-13UNC	4
13	2-095-010017	BOLT, SHOULDER 3/8-16 X 7/16, GR5	4
14	107470	NUT, 3/8-16, HEX FLANGE SPIRALOCK	4
15	1-654-010070-11	SCREW, 1/2-13 X 3-1/2 RDHD SQNCK	4
16	154997	TUBE, ROUND .75 OD X .532 ID X .75	4
17	1-861-010032-15	WASHER, FLAT 1/2 W, ZP/CD	4
18	194828	DOUBLE COIL TINE, 1/2 X 16	14
19	194777	CLIP, HARROW TINE (USED ON FRONT TUBE)	17
20	195904	SPACER, 7/8 X 9/16 X 1-1/16	28

Wing Harrow Assembly - Right Hand

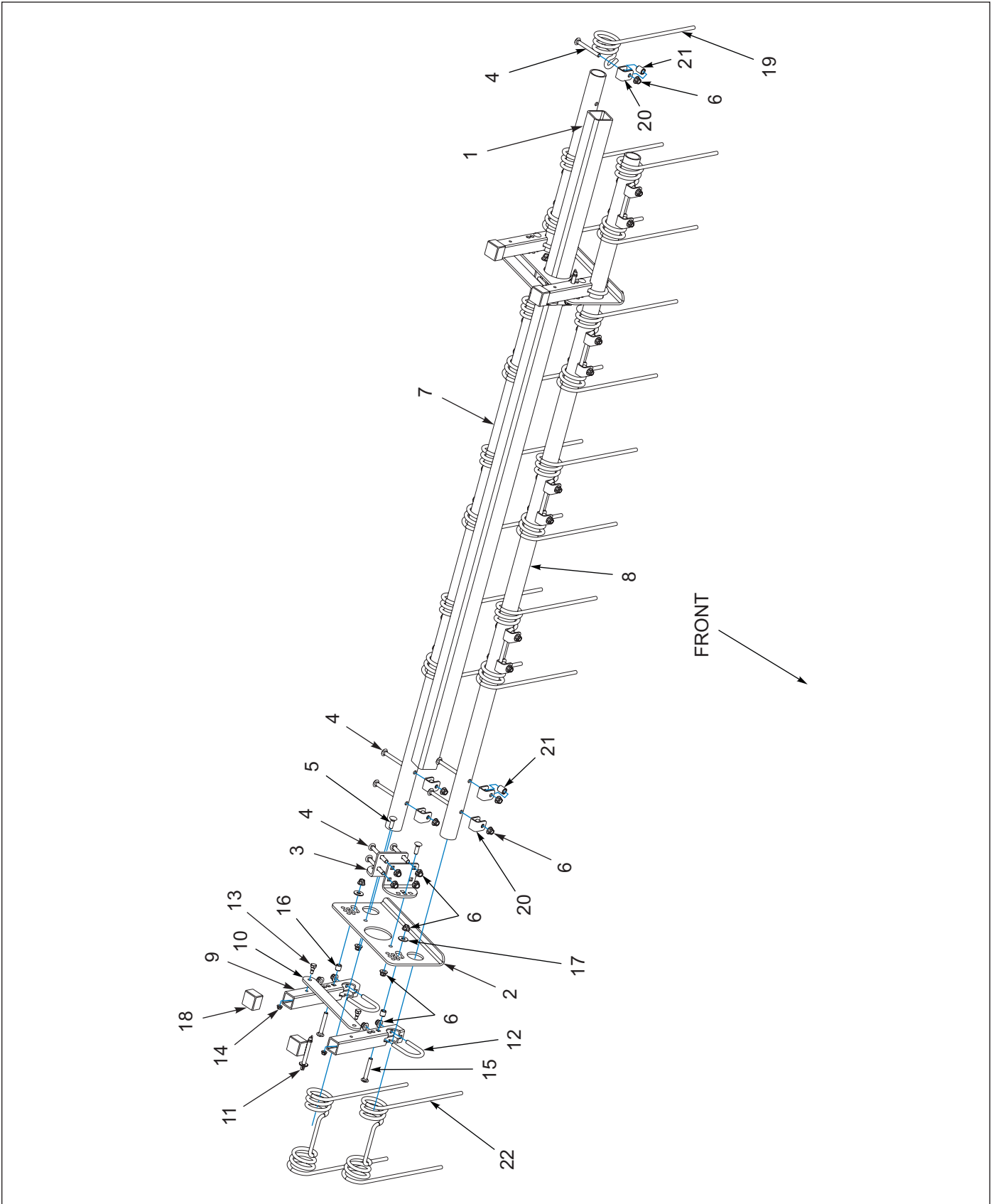


Figure 1-40: Wing Harrow Assembly - Right Hand

Wing Harrow Assembly - Right Hand

ITEM	PART NUMBER	DESCRIPTION	QTY
	221474	HARROW ASM, 3631-36 WING RH	1
1	221478	TUBE, SQ 3 X 105.0	1
2	194773	PLATE, GANG BAR 2 ROW	2
3	154998	PLATE, ANGLE ADJUSTMENT	4
4	1-654-010070-14	SCREW, 1/2-13 X 4-1/2 RDHD, SQNCK	29
5	1-654-010070-03	SCREW, RDHD SQNK 1/2-13 X 1-1/2	4
6	2P253	NUT, FLANGE NY-LOK 1/2-13	45
7	221477	TUBE, TIN 2-3/8 X 122.0	1
8	221476	TUBE, TINE 2-3/8 X 110.0	1
9	154994	TUBE, ANGLE ADJUST	4
10	194774	LINK, TINE ADJUSTMENT	2
11	155971	PIN, HARROW ADJ	2
12	154995	U-BOLT, 1/2-13UNC	4
13	2-095-010017	BOLT, SHOULDER 3/8-16 X 7/16, GR5	4
14	107470	NUT, 3/8-16, HEX FLANGE SPIRALOCK	4
15	1-654-010070-11	SCREW, 1/2-13 X 3-1/2 RDHD SQNCK	4
16	154997	TUBE, ROUND .75 OD X .532 ID X .75	4
17	1-861-010032-15	WASHER, FLAT 1/2 W, ZP/CD	4
18	155927	CAP, TUBE 1.95X1.5 BLACK	4
19	194829	SINGLE COIL TINE	1
20	194777	CLIP, HARROW TINE (USED ON FRONT TUBE)	9
21	195904	SPACER, 7/8 X 9/16 X 1-1/16	21
22	194828	DOUBLE COIL TINE, 1/2 X 16	10

Wing Harrow Assembly - Left Hand

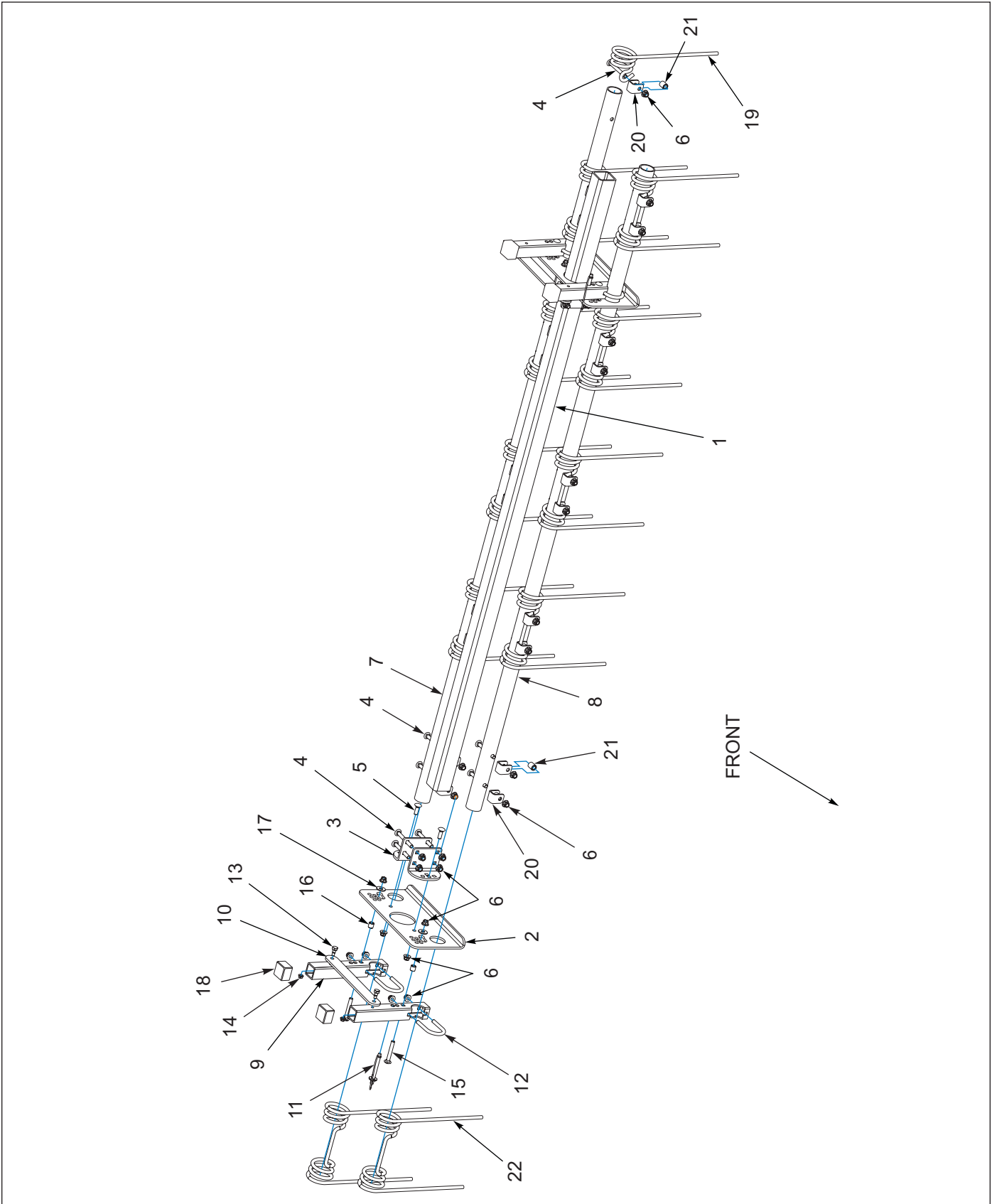


Figure 1-41: Wing Harrow Assembly - Left Hand

Wing Harrow Assembly - Left Hand

ITEM	PART NUMBER	DESCRIPTION	QTY
	221475	HARROW ASM, 3631-36 WING LH	1
1	221478	TUBE, SQ 3 X 105.0	1
2	194773	PLATE, GANG BAR 2 ROW	2
3	154998	PLATE, ANGLE ADJUSTMENT	4
4	1-654-010070-14	SCREW, 1/2-13 X 4-1/2 RDHD, SQNCK	29
5	1-654-010070-03	SCREW, RDHD SQNK 1/2-13 X 1-1/2	4
6	2P253	NUT, FLANGE NY-LOK 1/2-13	45
7	221477	TUBE, TIN 2-3/8 X 122.0	1
8	221476	TUBE, TINE 2-3/8 X 110.0	1
9	154994	TUBE, ANGLE ADJUST	4
10	194774	LINK, TINE ADJUSTMENT	2
11	155971	PIN, HARROW ADJ	2
12	154995	U-BOLT, 1/2-13UNC	4
13	2-095-010017	BOLT, SHOULDER 3/8-16 X 7/16, GR5	4
14	107470	NUT, 3/8-16, HEX FLANGE SPIRALOCK	4
15	1-654-010070-11	SCREW, 1/2-13 X 3-1/2 RDHD SQNCK	4
16	154997	TUBE, ROUND .75 OD X .532 ID X .75	4
17	1-861-010032-15	WASHER FLAT 1/2 W, ZP/CD	4
18	155927	CAP, TUBE 1.95X1.5 BLACK	4
19	194829	SINGLE COIL TINE	1
20	194777	CLIP, HARROW TINE (USED ON FRONT TUBE)	6
21	195904	SPACER, 7/8 X 9/16 X 1-1/16	21
22	194828	DOUBLE COIL TINE, 1/2 X 16	10

Center Rear Scrapers

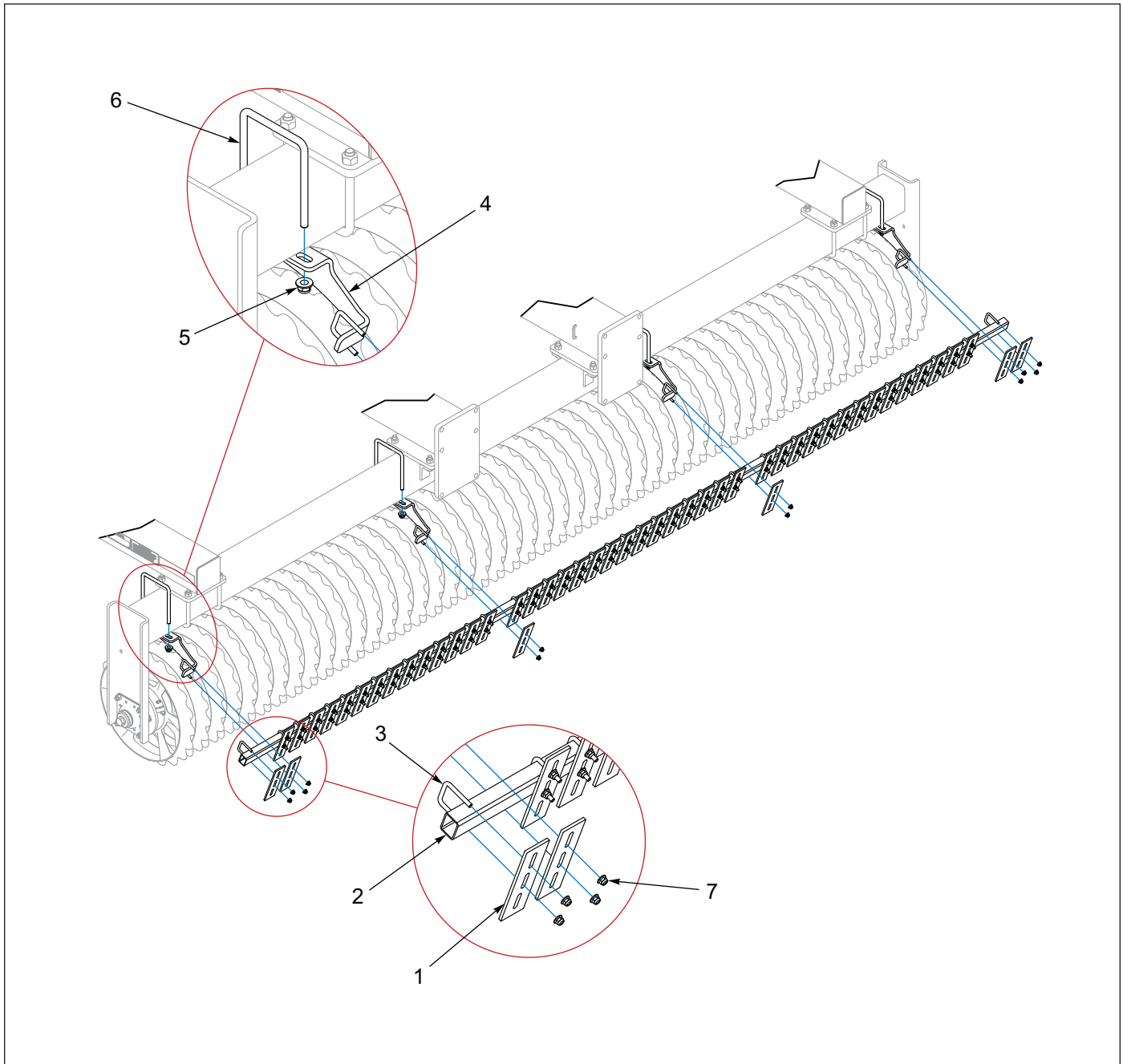


Figure 1-42: Center Rear Scrapers

Center Rear Scrapers

ITEM	PART NUMBER	DESCRIPTION	QTY
1	8J014	SCRAPER, 2-1/2" WIDE	49
2	211269	TUBE RECT 2 X 1-1/2 X 196	1
3	171749	U-BOLT, 3/8-16 X 2-7/16 X 2-3/4	49
4	211160	BRACKET, CENTER SCRAPER (24" WHEELS)	4
5	2P254	NUT, FLANGE NY-LOK 5/8-11	8
6	178532	U-BOLT, 5/8-11 X 6-11/16 X 7-1/2	4
7	2P252	NUT, FLANGE NY-LOK 3/8-16	98

Wing Rear Scrapers

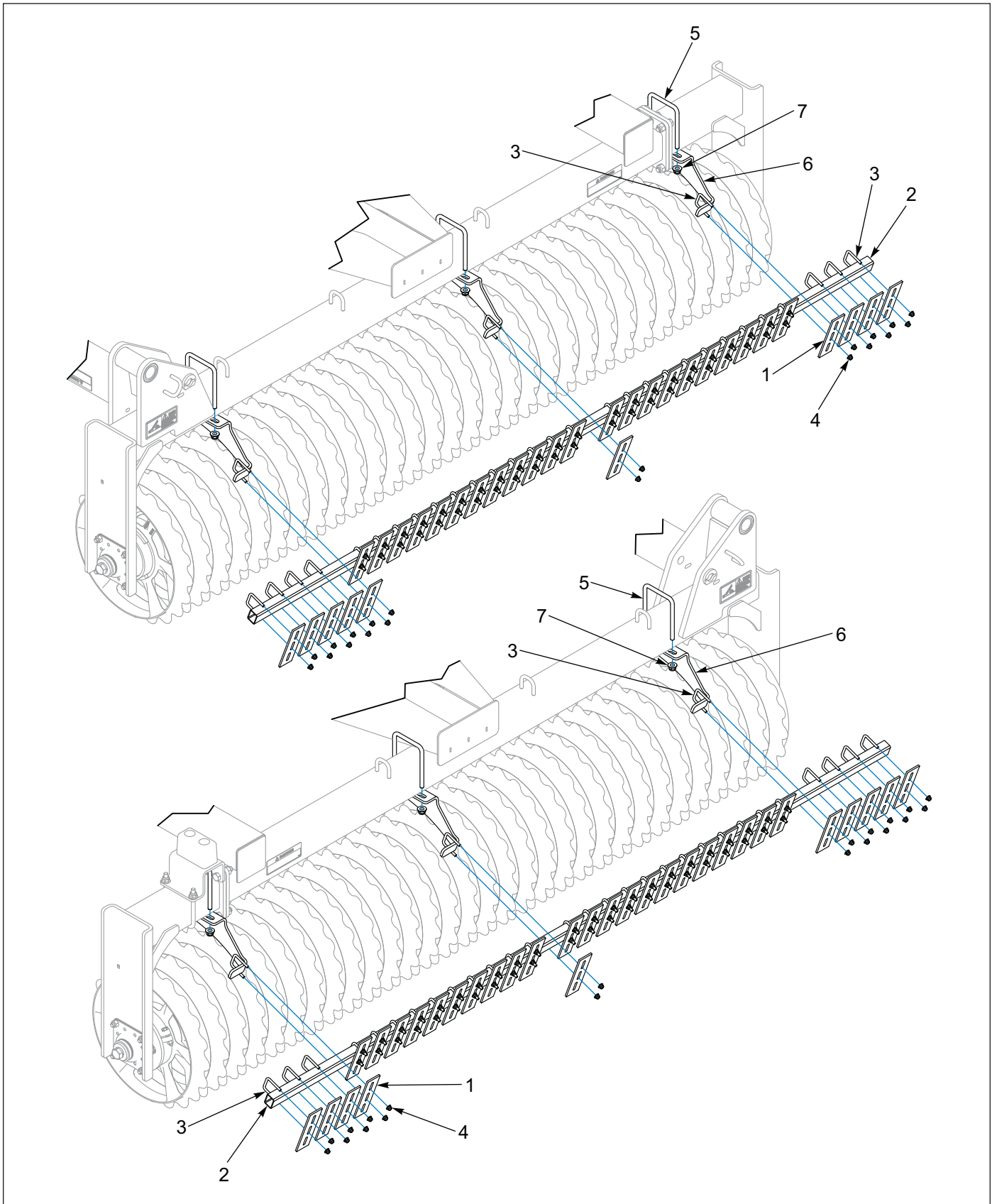


Figure 1-43: Wing Rear Scrapers

Wing Rear Scrapers

ITEM	PART NUMBER	DESCRIPTION	QTY
1	8J014	SCRAPER, 2-1/2" WIDE	64
2	221473	TUBE RECT 2 X 1-1/2 X 128	2
3	171749	U-BOLT, 3/8-16 X 2-7/16 X 2-3/4	64
4	2P254	NUT, FLANGE NY-LOK 5/8-11	12
5	181363	U-BOLT, 5/8-11 X 6-11/16 X 6-3/4	6
6	211161	BRACKET, WING SCRAPER (24" WHEELS)	6
7	2P252	NUT, FLANGE NY-LOK 3/8-16	128

Hydraulic Tooth Control Layout

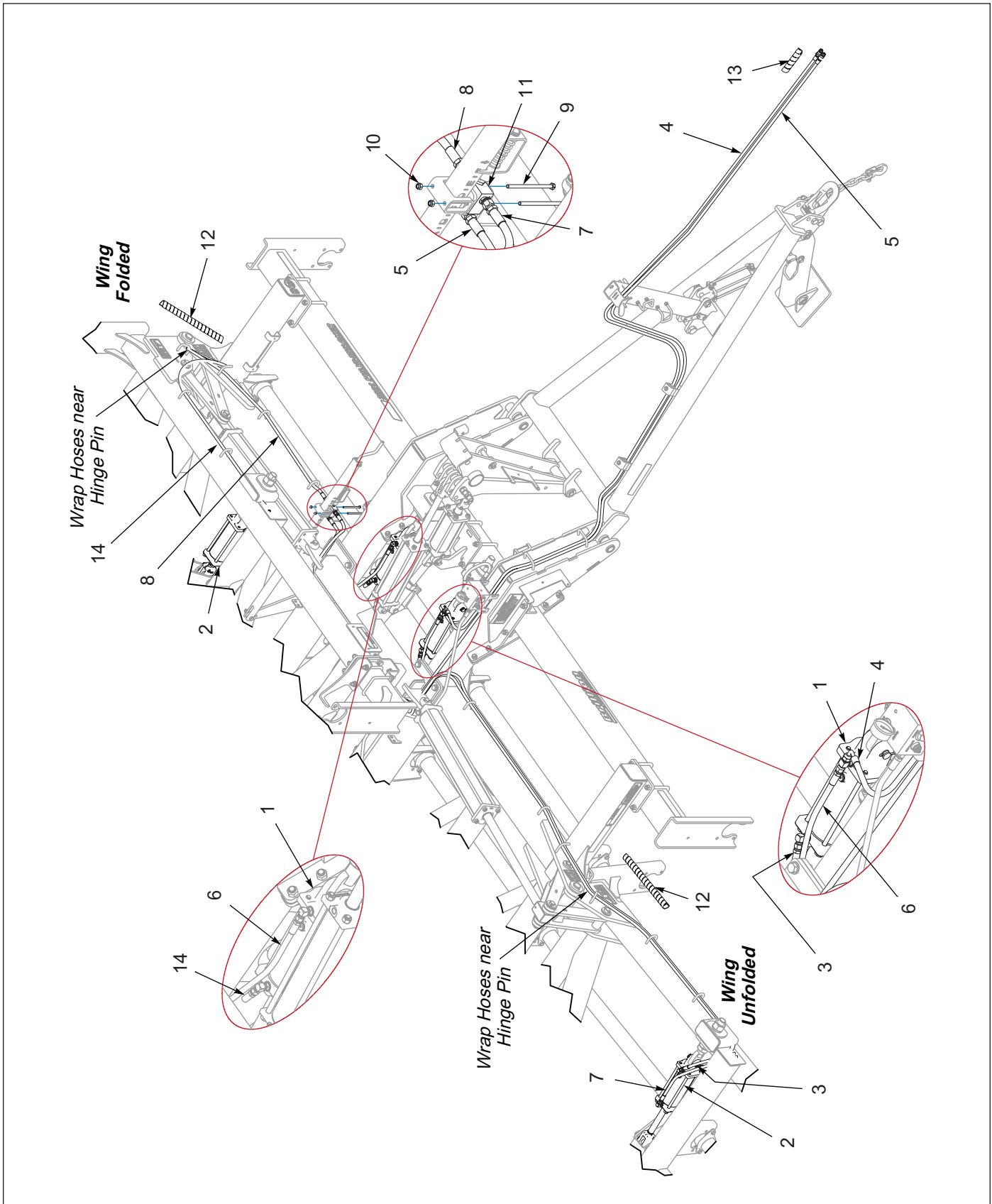


Figure 1-44: Hydraulic Tooth Control Layout

Hydraulic Tooth Control Layout

ITEM	PART NUMBER	DESCRIPTION	QTY
1	193251	CYLINDER, HYD 4-1/2 X 8 REPHASING (SEE PAGE 1-142)	2
2	193252	CYLINDER, HYD 4 X 8 REPHASING (SEE PAGE 1-143)	2
3	141864	HOSE ASM, 3/8 X 175, 8FJS X 8FJS	1
4	211321	HOSE ASM, 3/8 X 220, 8FJS90 X 8MOR	1
5	211320	HOSE ASM, 3/8 X 300, 8FJS X 8MOR	1
6	181799	HOSE ASM, 3/8 X 74, 8FJS X 8FJS	1
7	211344	HOSE ASM, 3/8 X 226, 8FJS X8FJS	1
8	141881	HOSE ASM, 3/8 X 136, 8FJS X 8FJS	1
9	171556	SCREW,HEX CP,5/16-18UNCX5-1/2 (AFTER 07/01/2022)	2
9	1-654-010049-19	SCREW, HEX CAP, 5/16-18UNC X 5, GR5 (BEFORE 07/01/2022)	2
10	104032	NUT, HEX NY-LOK 5/16-18	2
11	203467	VALVE-LIMIT, STROKE (AFTER 07/01/2022)	1
11	140693	LIMIT VALVE (BEFORE 07/01/2022)	1
12	1P995	HOSE WRAP, 26"	2
13	155530	HOSE WRAP, BLACK 1" ID X 8"	1
14	211345	HOSE ASM, 3/8 X 170, 8FJS X 8FJS	1
15	105-0228	TYWRAP 8IN LG TY-5272MX (NOT SHOWN)	15

Hydraulic Tooth Control Schematic

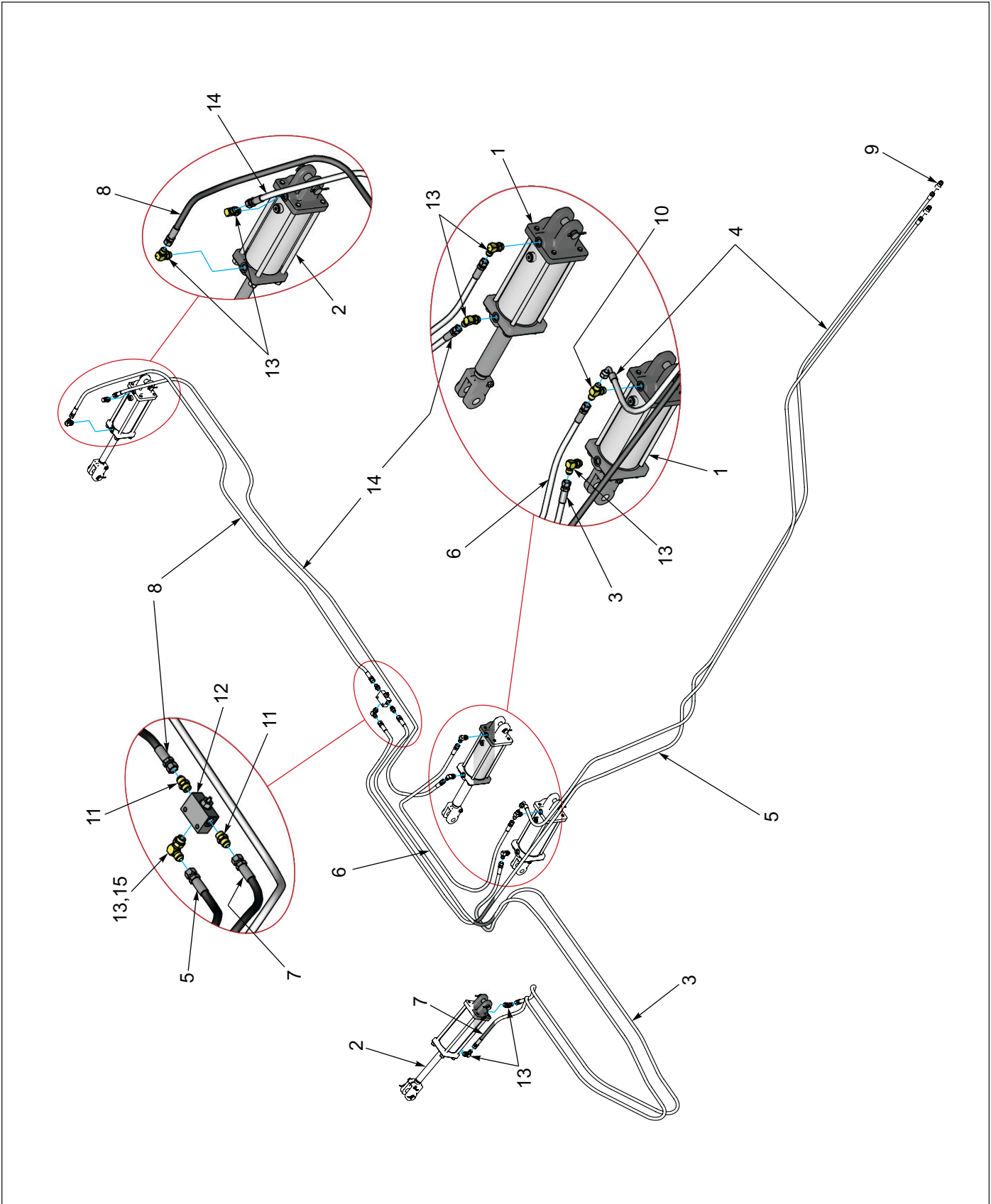


Figure 1-45: Hydraulic Tooth Control Schematic

Hydraulic Tooth Control Schematic

ITEM	PART NUMBER	DESCRIPTION	QTY
1	193251	CYLINDER, HYD 4-1/2 X 8 REPHASING (SEE PAGE 1-142)	2
2	193252	CYLINDER, HYD 4 X 8 REPHASING (SEE PAGE 1-143)	2
3	141864	HOSE ASM, 3/8 X 175, 8FJS X 8FJS	1
4	211321	HOSE ASM, 3/8 X 220, 8FJS90 X 8MOR	1
5	211320	HOSE ASM, 3/8 X 300, 8FJS X 8MOR	1
6	181799	HOSE ASM, 3/8 X 74, 8FJS X 8FJS	1
7	211344	HOSE ASM, 3/8 X 226, 8FJS X 8FJS	1
8	141881	HOSE ASM, 3/8 X 136, 8FJS X 8FJS	1
9	141828	MALE COUPLER, 8 O-RING	2
10	203003-8-8S	TEE, BRANCH, 8MJ X 8MJ X 8MOR	1
11	202702-10-8S	ADAPTER, #10 O-RING #8 TUBE (AFTER 07/01/2022)	2
11	202702-8-8S	ADAPTER, 8MJ X 8MOR (BEFORE 07/01/2022)	2
12	203467	VALVE-LIMIT, STROKE (AFTER 07/01/2022)	1
12	140693	LIMIT VALVE (BEFORE 07/01/2022)	1
13	2062-8-8S	ELBOW, 8MJ X 8MOR90 (BEFORE 07/01/2022, QTY=8)	7
14	211345	HOSE ASM, 3/8 X 170, 8FJS X 8FJS	1
15	2062-10-8S	ADAPTER,90, #10 O-RING-TUBE (AFTER 07/01/2022) (BEFORE 07/01/2022, P/N 2062-8-8S)	1

Simplified Hydraulic Tooth Control Schematic

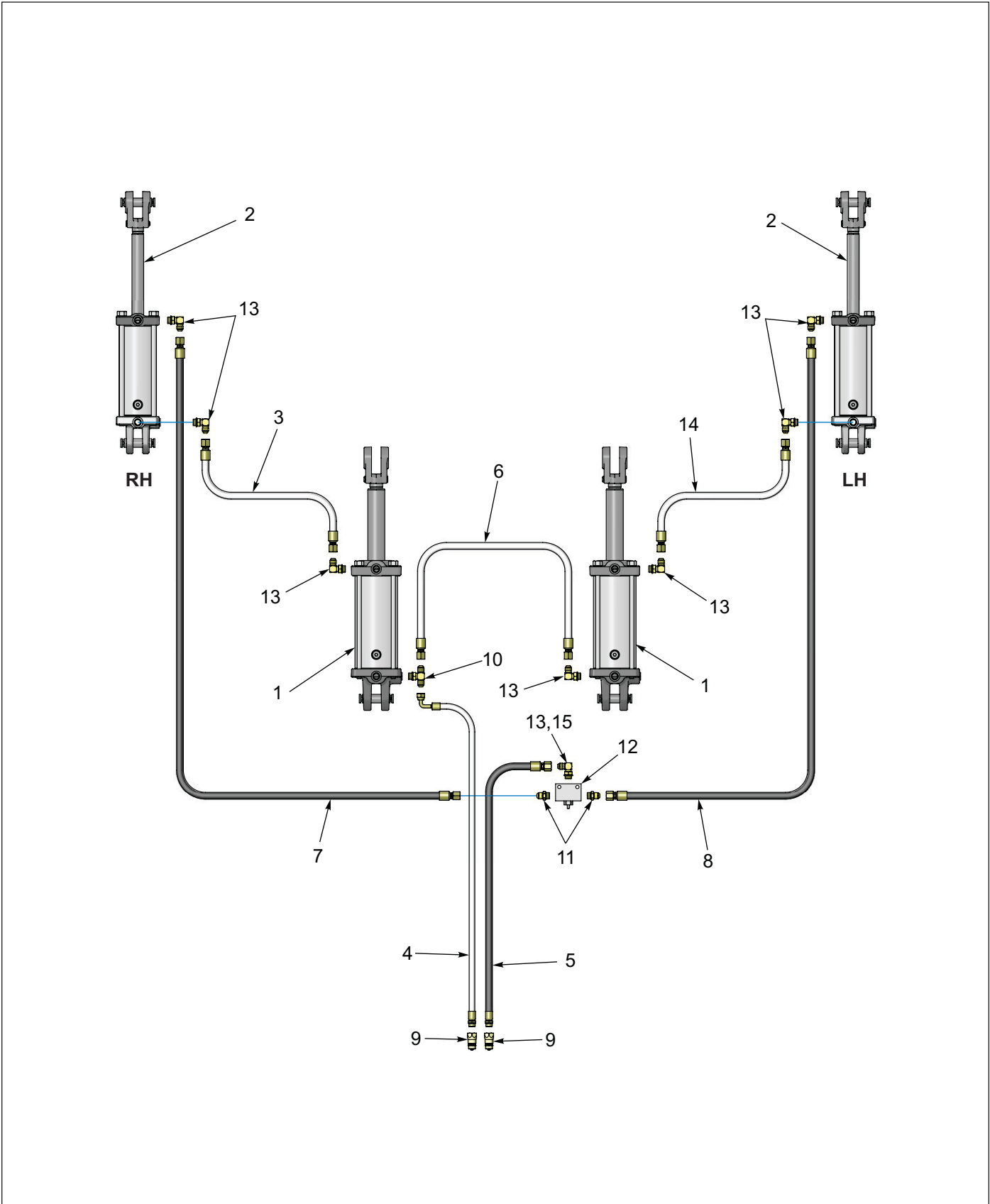


Figure 1-46: Simplified Hydraulic Tooth Control Schematic

Simplified Hydraulic Tooth Control Schematic

ITEM	PART NUMBER	DESCRIPTION	QTY
1	193251	CYLINDER, HYD 4-1/2 X 8 REPHASING (SEE PAGE 1-142)	2
2	193252	CYLINDER, HYD 4 X 8 REPHASING (SEE PAGE 1-143)	2
3	141864	HOSE ASM, 3/8 X 175, 8FJS X 8FJS	1
4	211321	HOSE ASM, 3/8 X 220, 8FJS90 X 8MOR	1
5	211320	HOSE ASM, 3/8 X 300, 8FJS X 8MOR	1
6	181799	HOSE ASM, 3/8 X 74, 8FJS X 8FJS	1
7	211344	HOSE ASM, 3/8 X 226, 8FJS X 8FJS	1
8	141881	HOSE ASM, 3/8 X 136, 8FJS X 8FJS	1
9	141828	MALE COUPLER, 8 O-RING	2
10	203003-8-8S	TEE, BRANCH, 8MJ X 8MJ X 8MOR	1
11	202702-10-8S	ADAPTER, #10 O-RING #8 TUBE (AFTER 07/01/2022)	2
11	202702-8-8S	ADAPTER, 8MJ X 8MOR (BEFORE 07/01/2022)	2
12	203467	VALVE-LIMIT, STROKE (AFTER 07/01/2022)	1
12	140693	LIMIT VALVE (BEFORE 07/01/2022)	1
13	2062-8-8S	ELBOW, 8MJ X 8MOR90 (BEFORE 07/01/2022, QTY=8)	7
14	211345	HOSE ASM, 3/8 X 170, 8FJS X 8FJS	1
15	2062-10-8S	ADAPTER,90, #10 O-RING-TUBE (AFTER 07/01/2022) (BEFORE 07/01/2022, P/N 2062-8-8S)	1

Fold and Down Pressure Hydraulic Layout (After 01/01/2022)

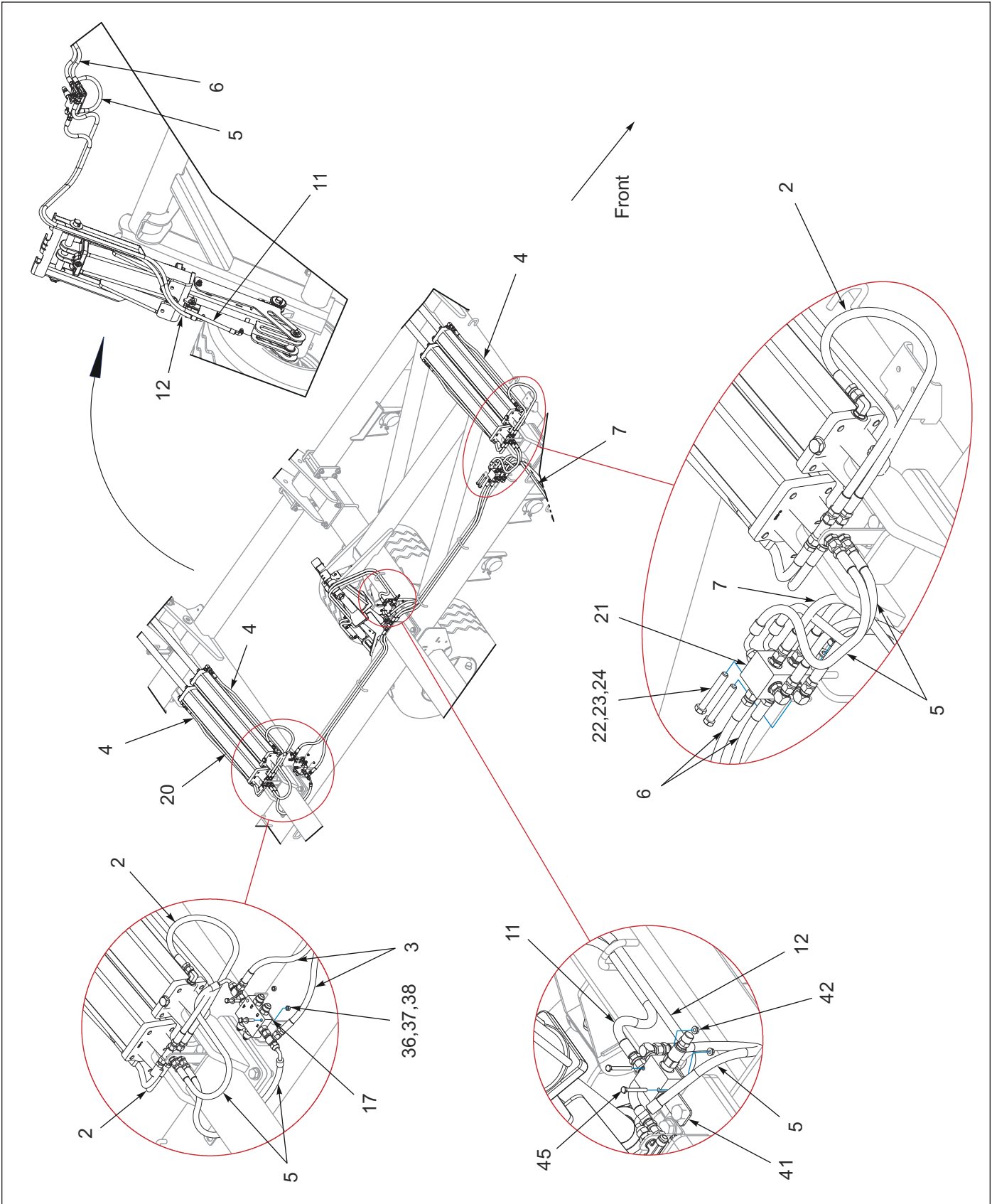


Figure 1-47: Fold and Down Pressure Hydraulic Layout (LH) (After 01/01/2022)

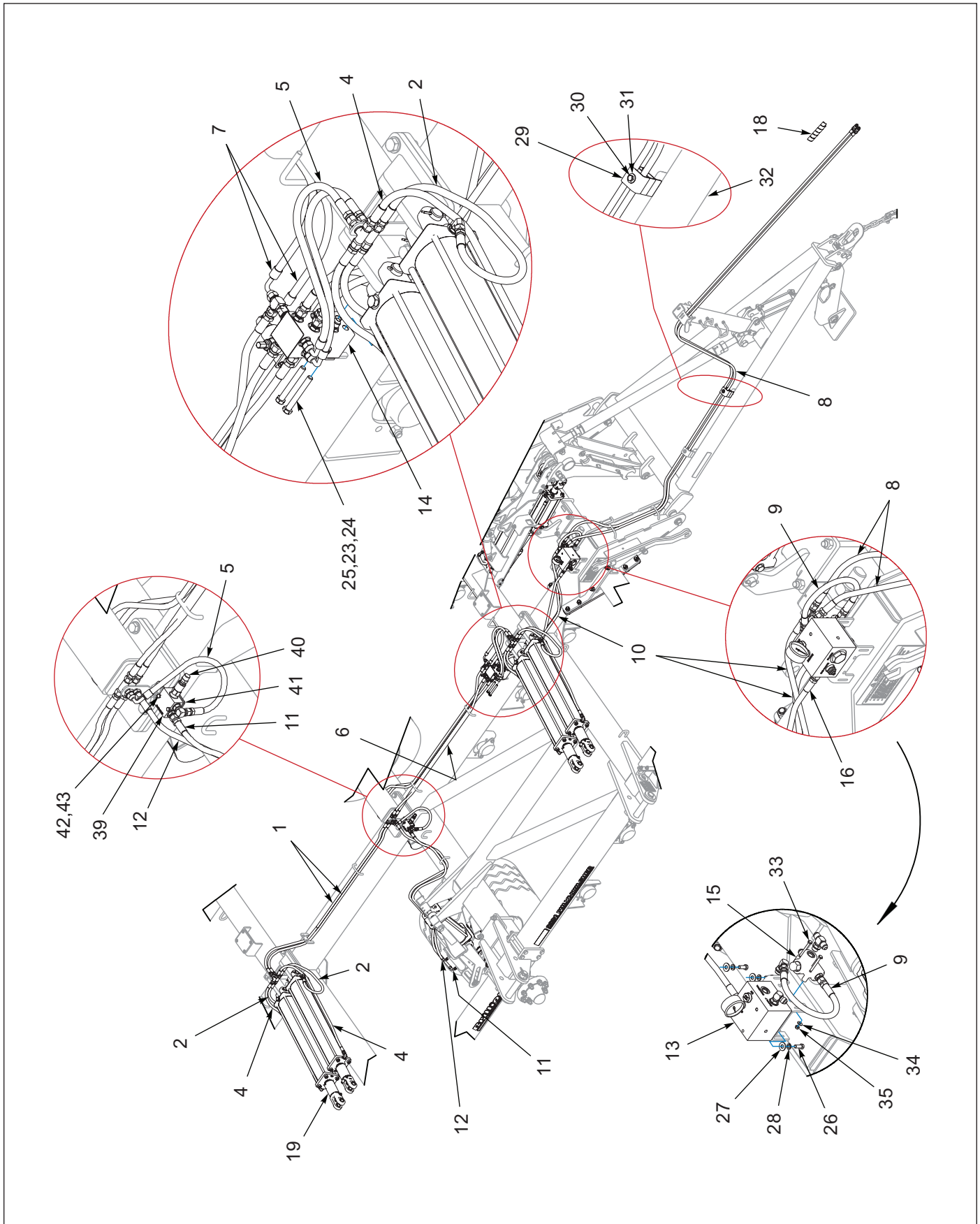


Figure 1-48: Fold and Down Pressure Hydraulic (RH) (After 01/01/2022)

Fold and Down Pressure Hydraulic Layout (After 01/01/2022)

ITEM	PART NUMBER	DESCRIPTION	QTY
1	147583	HOSE ASSY 3/8X72 #8 JIC SWIV	2
2	153842	HOSE ASSY 3/8X33 #8 JIC SWIV	8
3	181801	HOSE ASSY, 3/8x58 #8 JIC SWIV	2
4	192068	HOSE ASM, 3/8 X 46	8
5	203424	HOSE ASSY 3/8X26 #8STR-#8-90	10
6	211318	HOSE ASSY,3/8X62,8FJS ENDS	4
7	221530	HOSE ASM,3/8X58,8FJSX8FJS90	2
8	211319	HOSE ASSY,3/8 X 200,8FJSX8MOR	2
9	147582	HOSE ASSY 3/8X24 #8 JIC SWIV	1
10	71508992	HOSE ASSY .38 X 50	2
11	244020	HOSE ASSY 3/8X84 #8STRX#6-90	2
12	244030	HOSE ASSY 3/8X76 #8STRX#6-90	2
13	234545	MANIFOLD,R/R W/RVRSE CHCK (FOLD/DOWN PRESSURE VALVE)	1
14	211306	MANIFOLD, 16 PORT	1
15	8J650	RELIEF VALVE	1
16	116492	HOSE ASSY 3/8X128 #8 JIC SW	1
17	164435	VALVE COUNTERBALANCE 855	1
18	155529	HOSE WRAP, YELLOW 1" ID X 8" (FOLD/DOWN PRESSURE)	1
19	236910	HYD CYL, 4-1/2 X 30 W/ SPACER (SEE PAGE 1-150)	4
20	236909	HYD CYL, 4-1/2 X 30 (SEE PAGE 1-149)	4
21	2-474-010022	MANIFOLD HYDRAULIC 8 PORT	1
22	1-654-010055-11	SCREW,HX CP 1/2-13UNCX3-1/2	2
23	1-512-010007-09	NUT, HEX 1/2-13, ZP	2
24	1-861-010032-14	WASHER, FLAT 1/2" N, ZP/CD	2
25	1-654-010055-13	SCREW, HEX CAP, 1/2-13UNC X 4, GR5	2
26	1-654-010051-05	HHCS, 3/8-16 X 1	4
27	1-861-010032-11	WASHER, FLAT, 3/8	4
28	1-861-010034-11	WASHER, LKG HLCL SPR, 3/8	4
29	2-181-010001	HOSE CLAMP	6
30	196754	SCREW, FULL THREAD 3/8-16 X 5	3
31	1-861-010032-11	WASHER, FLAT 3/8 W, ZP/CD	2
32	1-512-010005-05	NUT, HEX, SLFLKG GRB 3/8-16	2
33	111190	SCREW, HX CP 1/4-20UNC X 2-1/4, G5	2
34	1-861-010032-06	FLAT WASHER, 1/4	2
35	1-512-010005-01	NUT, HEX SLFLKG GRB 1/4-20	2
36	1-654-010049-09	SCREW,HEX CAP,5/16-18UNCX2GR5	2
37	1-861-010032-08	WASHER,FLAT 5/16 N ZP	2
38	1-512-010005-03	NUT HEX SLFLKG GRB 5/16-18	2
39	2P730	VALVE BODY, 3 PORTS	3
40	175159	VALVE,#10RELIEFP.O.W/REV CHECK	3
41	244042	BRACKET, RELIEF VALVE	3
42	111190	SCREW HX CP 1/4-20UNCX2-1/4G5	6
43	108417	NUT SPIRAL 1/4-20HX FG	8
44	105-0228	TYWRAP 8IN LG TY-5272MX (NOT SHOWN)	15

Fold and Down Pressure Hydraulic Layout (Before 01/01/2022)

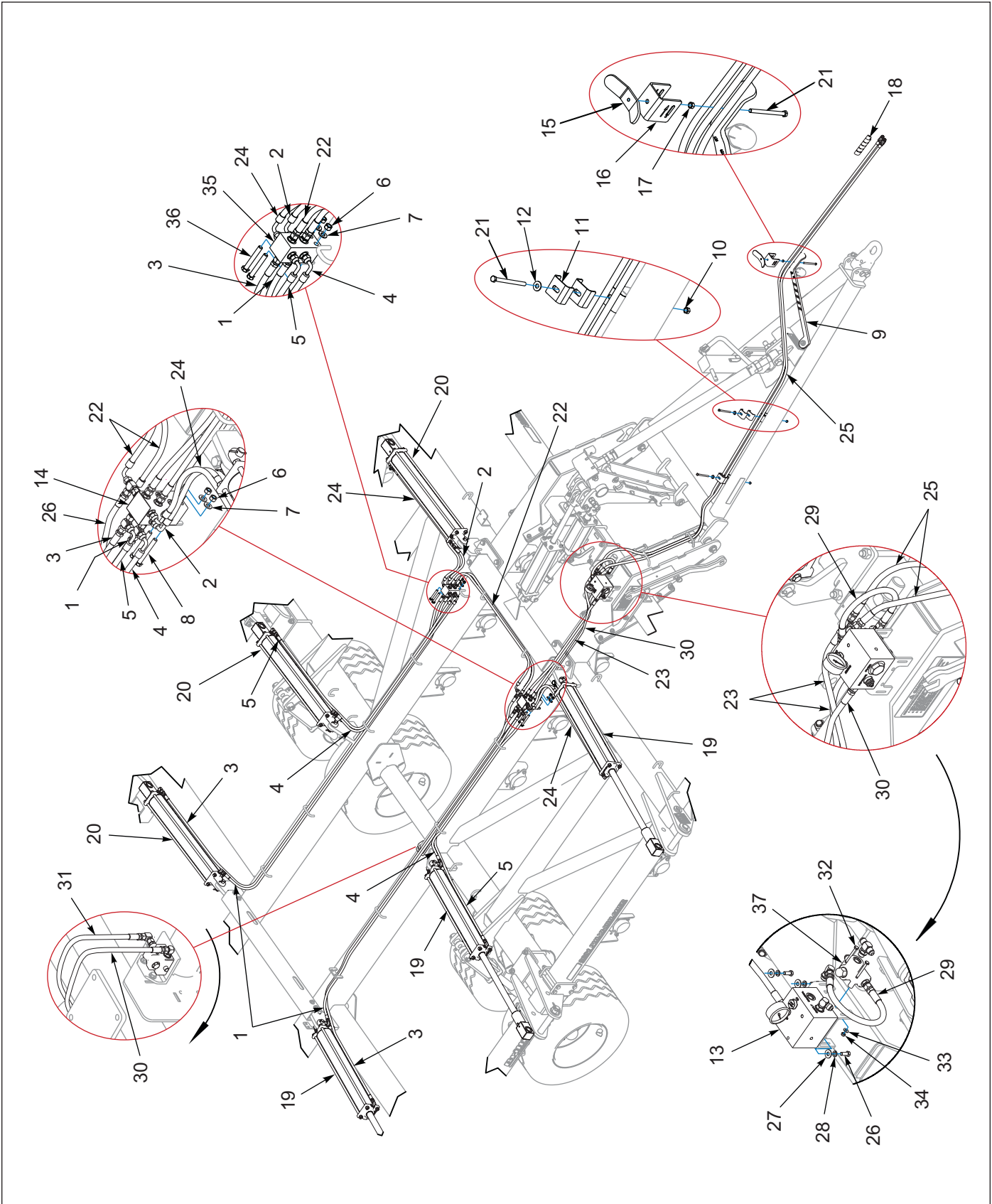


Figure 1-49: Fold and Down Pressure Hydraulic Layout (Before 01/01/2022)

Fold and Down Pressure Hydraulic Layout (Before 01/01/2022)

ITEM	PART NUMBER	DESCRIPTION	QTY
1	217050	HOSE ASM, 3/8 X 133, 8FJS X 8FJS	1
2	163781	HOSE ASM, 3/8 X 17, 8FJS X 8FJS90	2
3	122911	HOSE ASM, 3/8 X 168, 8FJS X 8FJS	2
4	221528	HOSE ASM, 3/8 X 68, 8FJS X 8FJS90	1
5	221529	HOSE ASM, 3/8 X 102, 8FJS X 8FJS90	2
6	1-512-010007-09	NUT, HEX 1/2-13, ZP	4
7	1-861-010032-14	WASHER, FLAT 1/2" N, ZP/CD	4
8	1-654-010055-13	SCREW, HEX CAP, 1/2-13UNC X 4, GR5	2
9	193226	BRACKET, HOSE HOLDER	1
10	1-512-010005-05	NUT, HEX, SLFLKG GRB 3/8-16	2
11	2-181-010001	HOSE CLAMP	4
12	1-861-010032-11	WASHER, FLAT 3/8 W, ZP/CD	2
13	234545	MANIFOLD,R/R W/RVRSE CHCK	1
14	211306	MANIFOLD, 16 PORT	1
15	141249	WING NUT, HOSE HOLDER	1
16	141247	CLAMP, HOSE HOLDER	1
17	1-512-010007-07	NUT, HEX 3/8-16, ZP	1
18	155529	HOSE WRAP, YELLOW 1" ID X 8" (FOLD/DOWN PRESSURE)	1
19	221576	HYD CYL, 4 X 30 W/SPACER ASM (SEE PAGE 1-148)	3
20	219160	HYDRAULIC CYLINDER - 4 X 30 (SEE PAGE 1-147)	3
21	196754	SCREW, FULL THREAD 3/8-16 X 5	3
22	221530	HOSE ASM, 3/8 X 58, 8FJS X 8FJS90	1
23	71508984	HOSE ASM, 3/8 X 42, 8FJS X 8FJS	2
24	211316	HOSE ASM, 3/8 X 49, 8FJS X 8FJS90	1
25	211319	HOSE ASM, 3/8 X 200, 8FJS X 8MOR	2
26	1-654-010051-05	HHCS, 3/8-16 X 1	3
27	1-861-010032-11	WASHER, FLAT, 3/8	3
28	1-861-010034-11	WASHER, LKG HLCL SPR, 3/8	3
29	147582	HOSE ASM, 3/8 X 24, 8FJS X 8FJS	1
30	116492	HOSE ASSY 3/8X128 #8 JIC SW	1
31	122909	HOSE ASSY 3/8X82,#8 JIC SWVL	1
32	111190	SCREW, HX CP 1/4-20UNC X 2-1/4, G5	1
33	1-861-010032-06	FLAT WASHER, 1/4	1
34	1-512-010005-01	NUT, HEX SLFLKG GRB 1/4-20	1
35	2-474-010022	MANIFOLD HYDRAULIC 8 PORT	1
36	1-654-010055-13	SCREW, HEX CAP, 1/2-13UNC X 3-1/2, GR5	2
37	8J650	RELIEF VALVE	1
38	105-0228	TYWRAP 8IN LG TY-5272MX (NOT SHOWN)	15

Fold and Down Pressure Limit Valve Layout

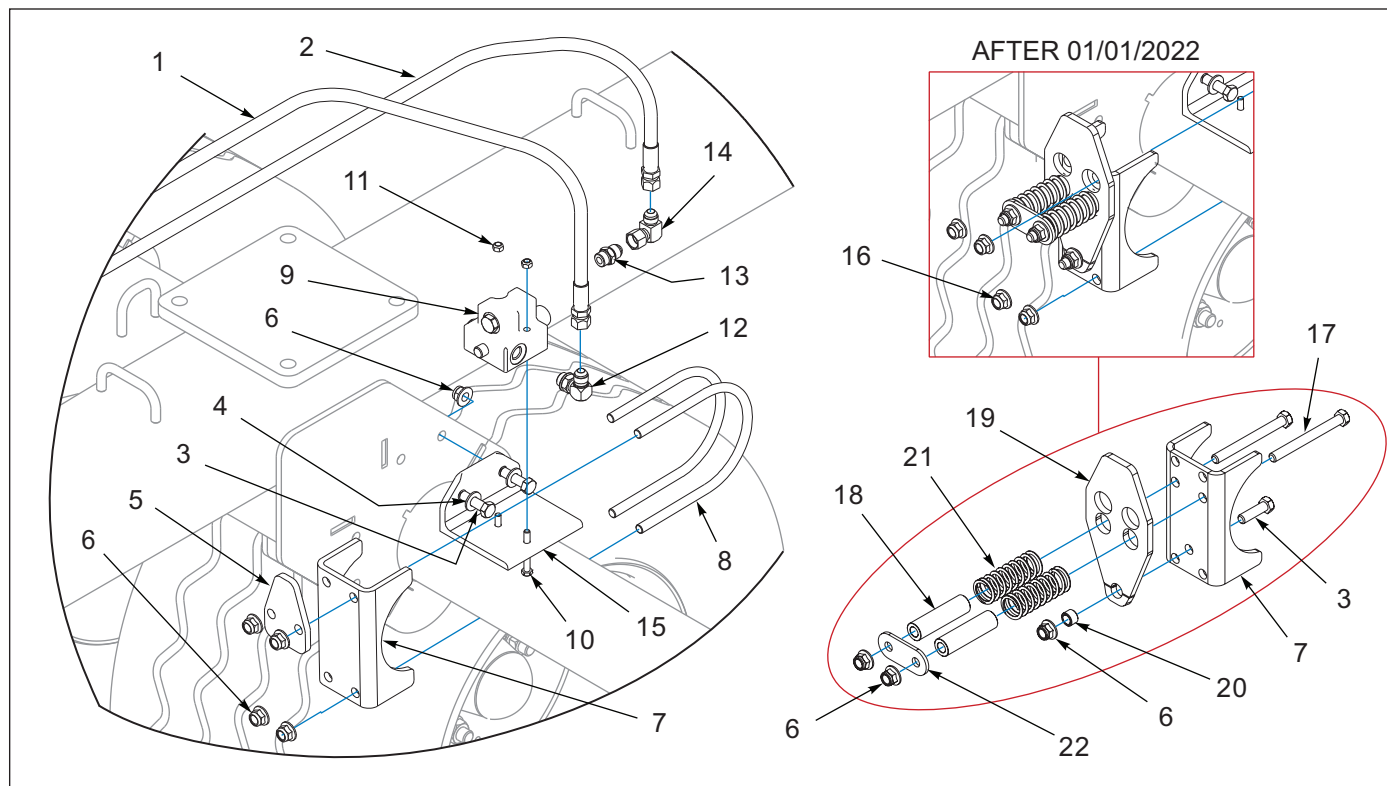


Figure 1-50: Fold and Down Pressure Limit Valve Layout

Fold and Down Pressure Limit Valve Layout

ITEM	PART NUMBER	DESCRIPTION	QTY
1	116492	HOSE ASSY 3/8X128 #8 JIC SW	1
2	122909	HOSE ASSY 3/8X82,#8 JIC SWVL	1
3	1-654-010055-04	SCREW,HEX CAP,1/2-13UNCX1-3/4 (BEFORE 01/01/2022, QTY=2)	3
4	1-861-010032-14	WASHER, FLAT 1/2" N ZP/CD	2
5	234519	ACTUATOR, VALVE (BEFORE 01/01/2022)	1
6	2P253	NUT, FLANGE NY-LOK 1/2-13 (BEFORE 01/01/2022, QTY=6)	3
7	234517	CLAMP, VALVE ACTUATOR (AFTER 01/01/2022)	1
7	244032	LIMIT ACTUATOR W/SPRINGS (BEFORE 01/01/2022)	1
8	234540	U-BLT,RND 1/2-13 X R2-13/16	2
9	203450	VALVE-LIMIT	1
10	1-654-010049-11	SCREW,HX CAP,5/16-18UNCX2-1/2	2
11	1-512-010005-03	NUT HEX SLFLKG GRB 5/16-18	2
12	2062-8-8S	ADAPTER, 90, #8 O-RING-TUBE	3
13	202702-8-8S	ADAPTER #8 O-RING TO #8 TUBE	4
14	2071-8-8S	ADAPTER90 #8 FLR SWIVEL #8JIC	1
15	234518	BRACEKT, LIMIT VALVE	1
16	1-512-010005-09	NUT,HEX,SLFLKG, 1/2-13 GRB	4
17	1-654-010055-15	SCR, HX CP, 1/2-13UNCX5 GR5 (AFTER 01/01/2022)	2
18	241063	TUBE,RND .563X1X3.625 (AFTER 01/01/2022)	2
19	241064	ACTUATOR, VALVE (AFTER 01/01/2022)	1
20	155956	BUSHING ANGLE ADJUSTMENT (AFTER 01/01/2022)	1
21	122917	SPRING COMPRESSION,4-1/2 MONO (AFTER 01/01/2022)	2
22	241062	PLATE, RETAINER (AFTER 01/01/2022)	1

Fold and Down Pressure Hydraulic Schematic (After 01/01/2022)

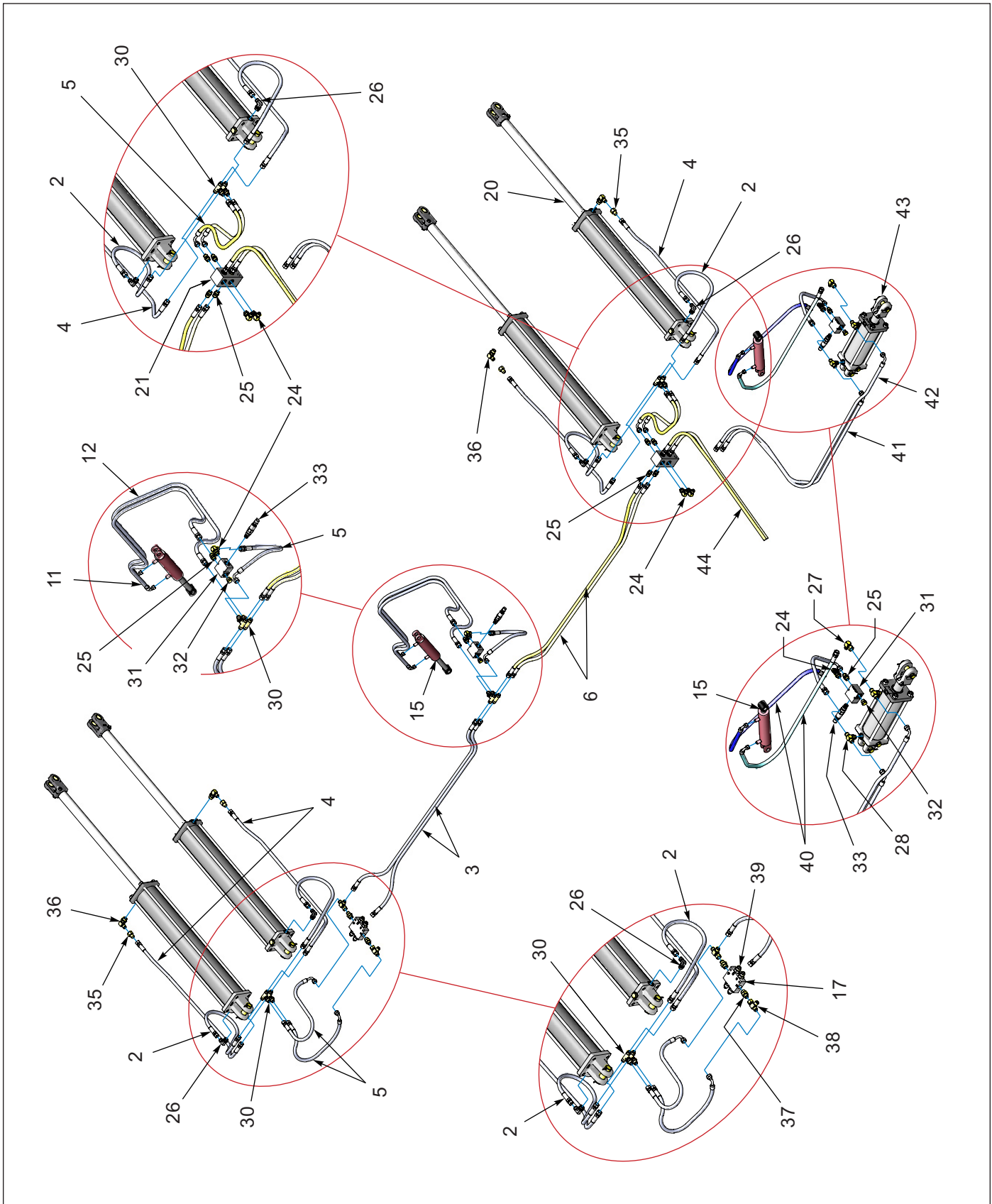


Figure 1-51: Fold and Down Pressure Hydraulic Schematic (LH) (After 01/01/2022)

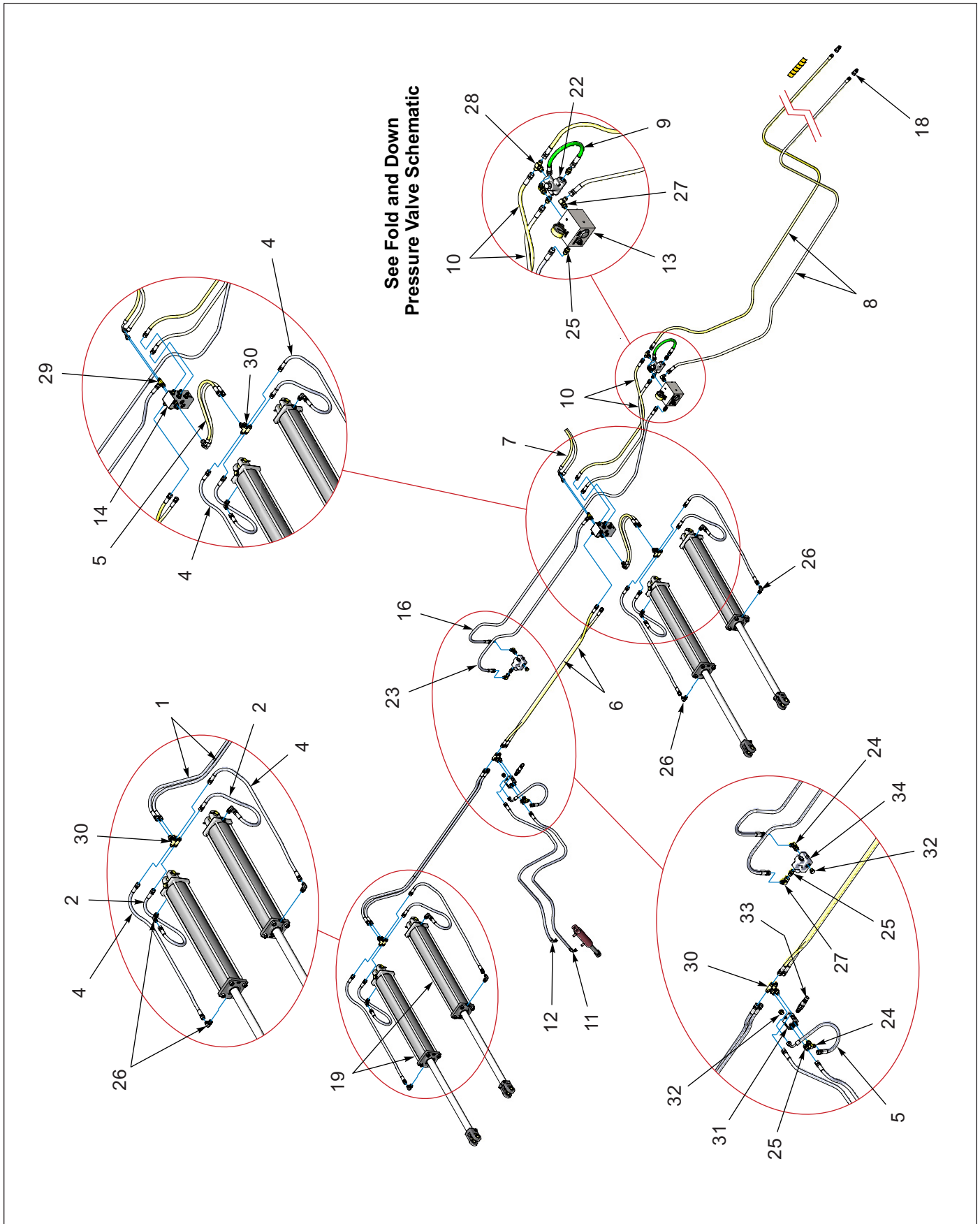


Figure 1-52: Fold and Down Pressure Hydraulic Schematic (RH) (After 01/01/2022)

Fold and Down Pressure Hydraulic Schematic (After 01/01/2022)

ITEM	PART NUMBER	DESCRIPTION	QTY
1	147583	HOSE ASSY 3/8X72 #8 JIC SWIV	2
2	153842	HOSE ASSY 3/8X33 #8 JIC SWIV	8
3	181801	HOSE ASSY, 3/8x58 #8 JIC SWIV	2
4	192068	HOSE ASM, 3/8 X 46	8
5	203424	HOSE ASSY 3/8X26 #8STR-#8-90	10
6	211318	HOSE ASSY,3/8X62,8FJS ENDS	4
7	221530	HOSE ASM,3/8X58,8FJSX8FJS90	2
8	211319	HOSE ASSY,3/8 X 200,8FJSX8MOR	2
9	147582	HOSE ASSY 3/8X24 #8 JIC SWIV	1
10	71508992	HOSE ASSY .38 X 50	2
11	244020	HOSE ASSY 3/8X84 #8STRX#6-90	2
12	244030	HOSE ASSY 3/8X76 #8STRX#6-90	2
13	214132	MANIFOLD ASM, DP/PILOTED UNFOLD	1
14	211306	MANIFOLD, 16 PORT	1
15	129251	CYLINDER, 1-3/4X6 (SEE PAGE 1-138)	2
16	116492	HOSE ASSY 3/8X128 #8 JIC SW	1
17	164435	VALVE COUNTERBALANCE 855	1
18	155529	HOSE WRAP, YELLOW 1" ID X 8" (FOLD/DOWN PRESSURE)	1
19	221576	HYD CYL, 4 X 30 W/SPACER ASM (SEE PAGE 1-148)	4
20	219160	HYDRAULIC CYLINDER - 4 X 30 (SEE PAGE 1-147)	4
21	2-474-010022	MANIFOLD HYDRAULIC 8 PORT	1
22	8J650	RELIEF VALVE	1
23	122909	HOSE ASSY 3/8X82,#8 JIC SWVL	1
24	2062-8-8S	ADAPTER, 90, #8 O-RING-TUBE (ELBOW, 8MJ X 8MOR)	9
25	202702-8-8S	ADAPTER #8 O-RING TO #8 TUBE (ADAPTER, 8MJ X 8MOR)	16
26	162778	EL 90 7/8 ORING 3/4 JIC 1/16 (ELBOW, RESTRICTOR,1/16)	12
27	2071-8-8S	ADAPTER90 #8 FLR SWIVEL #8JIC (ELBOW, 8FJS X 8MJ)	1
28	203003-8-8S	ADAPTER,TEE,#8 O-RING-TUBE (8MJ x 8MOR)	1
29	203005-8-8S	ADAPTER,TEE,#8 O-RING-TUBE (8MOR X 8MJ X 8MJ)	1
30	221953	BULKHEAD TEE, #8 JIC	12
31	2P730	VALVE BODY, 3 PORTS	3
32	1-007-010025	PLUG, 3/4-16 O-RING BOSS	2
33	175159	VALVE,#10RELIEFP.O.W/REV CHECK	3
34	203450	VALVE-LIMIT	1
35	127806	ADAPTER,HYD,-8JIC W/3/32RESTR	4
36	2062-10-8S	ADAPTER,90, #10 O-RING-TUBE (ELBOW,90 8MJ X 10MOR)	4
37	202702-10-8S	ADAPTER, #10 O-RING #8 TUBE (8MJ X 10MOR)	2
38	203102-8-8S	ADAPTER,TEE,1/2 #8JICX#8JICSWV (8FJS X 8MJ X 8MJ)	2
39	137486	ADAPTER #10 O-RING TO #10 JIC (10MOR X 10MJ)	2
40	244031	HOSE ASSY 3/8X50 #8STRX#6-90	2
41	123079	HOSE ASSY 3/8X62 #8STR-#8-90	1
42	171761	HOSE ASSY 3/8 X 72 #8STR-#8-90	1
43	1-242-010171-3	CYLINDER,HYD 4X8" 1-3/4 3000 (SEE PAGE 1-140)	1
44	221530	HOSE ASM,3/8X58,8FJSX8FJS90	2

Fold and Down Pressure Hydraulic Schematic (Before 01/01/2022)

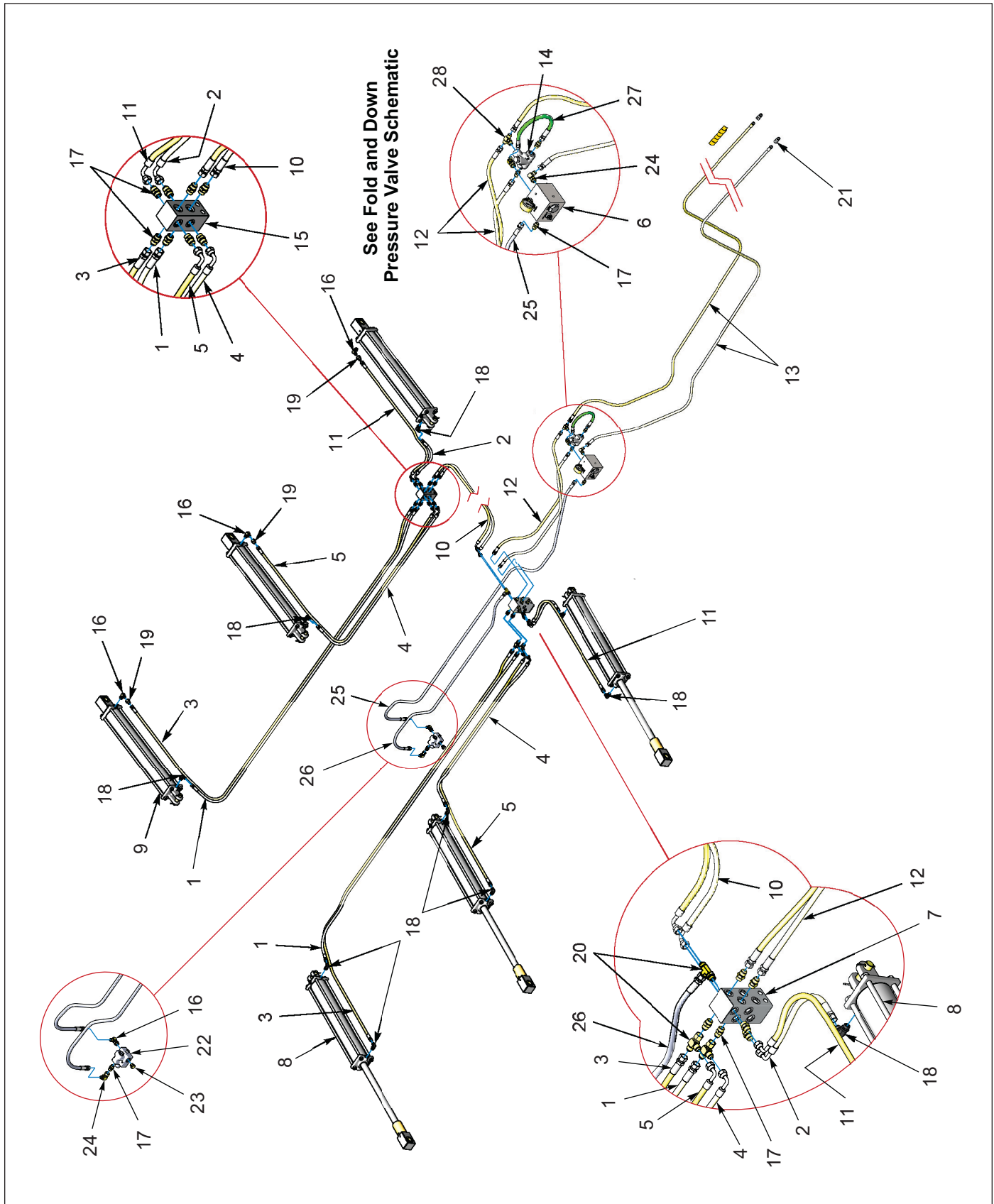


Figure 1-53: Fold and Down Pressure Hydraulic Schematic (Before 01/01/2022)

Fold and Down Pressure Hydraulic Schematic (Before 01/01/2022)

ITEM	PART NUMBER	DESCRIPTION	QTY
1	217050	HOSE ASM, 3/8 X 133, 8FJS X 8FJS	1
2	163781	HOSE ASM, 3/8 X 17, 8FJS X 8FJS90	2
3	122911	HOSE ASM, 3/8 X 168, 8FJS X 8FJS	2
4	221528	HOSE ASM, 3/8 X 68, 8FJS X 8FS90	2
5	221529	HOSE ASM, 3/8 X 102, 8FJS X 8FJS90	2
6	234545	MANIFOLD,R/R W/RVRSE CHCK	1
7	211306	MANIFOLD, 16 PORT	1
8	221576	HYD CYL, 4 X 30 W/SPACER ASM (SEE PAGE 1-148)	3
9	219160	HYDRAULIC CYLINDER - 4 X 30 (SEE PAGE 1-147)	3
10	221530	HOSE ASM, 3/8 X 58, 8FJS X 8FJS90	1
11	211316	HOSE ASM, 3/8 X 49, 8FJS X 8FJS90	2
12	71508984	HOSE ASM, 3/8 X 42, 8FJS X 8FJS	2
13	211319	HOSE ASM, 3/8 X 200, 8FJS X 8MOR	2
14	8J650	RELIEF VALVE	1
15	2-474-010022	MANIFOLD HYDRAULIC 8 PORT	1
16	2062-8-8S	ELBOW, 8MJ X 8MOR90	4
17	202702-8-8S	ADAPTER, 8MJ X 8MOR	16
18	141826	ELBOW RESTRICTOR, 1/16	9
19	127806	ADAPTER, RESTRICTOR, 3/32	3
20	203005-8-8S	TEE, RUN 8MJ X 8FJS	3
21	141828	MALE COUPLER, 8 O-RING	2
22	203450	VALVE-LIMIT	1
23	1-007-010025	PLUG, 3/4-16 O-RING BOSS	1
24	2071-8-8S	ADAPTER90 #8 FLR SWIVEL #8JIC	2
25	116492	HOSE ASSY 3/8X128 #8 JIC SW	1
26	122909	HOSE ASSY 3/8X82,#8 JIC SWVL	1
27	147582	HOSE ASSY 3/8X24 #8 JIC SWIV	1
28	203003-8-8S	ADAPTER,TEE,#8 O-RING-TUBE	1

Down Pressure Valve Schematic

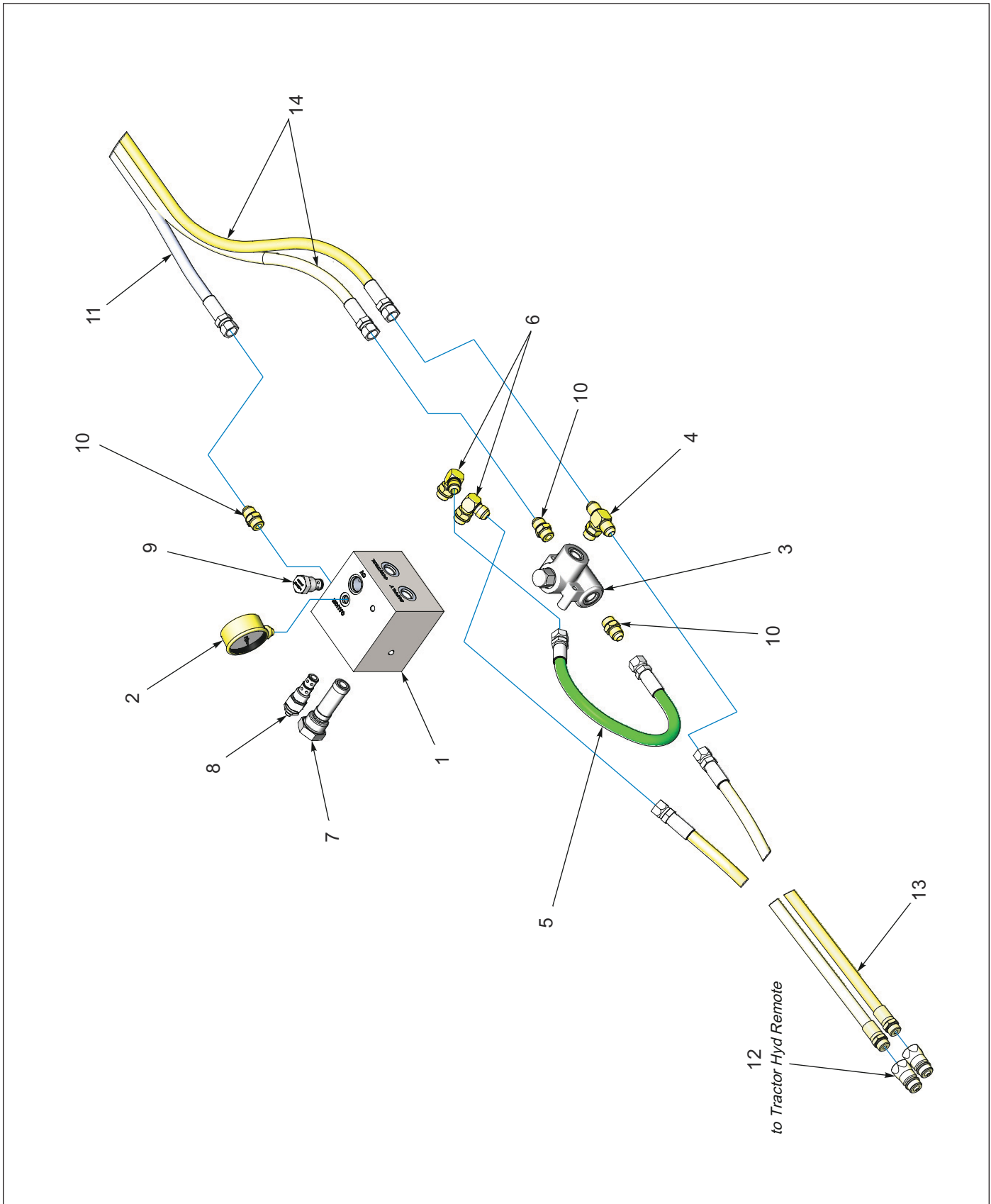


Figure 1-54: Down Pressure Valve Schematic

Down Pressure Valve Schematic

ITEM	PART NUMBER	DESCRIPTION	QTY
1	234545	MANIFOLD,R/R W/RVRSE CHCK	1
2	201291	GAGE-HYD PRESSURE, 3000, -4 ORB	1
3	8J650	RELIEF VALVE	1
4	203003-8-8S	ADAPTER,TEE,#8 O-RING-TUBE	1
5	147582	HOSE ASM, 3/8 X 24, 8FJS X 8FJS	1
6	2062-8-8S	ELBOW, 8MJ X 8MOR	2
7	195198	FILTER-HIGH PRESS, CF/CE-12-10	1
8	195197	VALVE-PRESS RED RELV,LOW PRESS	1
9	195196	VALVE - CHECK, CVH103PV	1
10	202702-8-8 S	ADAPTER, 8MJ X 8MOR	3
11	116492	HOSE ASSY 3/8X128 #8 JIC SW	1
12	141828	MALE COUPLER, 8 O-RING	2
13	211319	HOSE ASM, 3/8 X 200, 8FJS X 8MOR	2
14	117259	HOSE ASSY 3/8X48 #8JIC	2

Lift Hydraulic Layout (Series Cylinders w/Wing Lift Wheels)

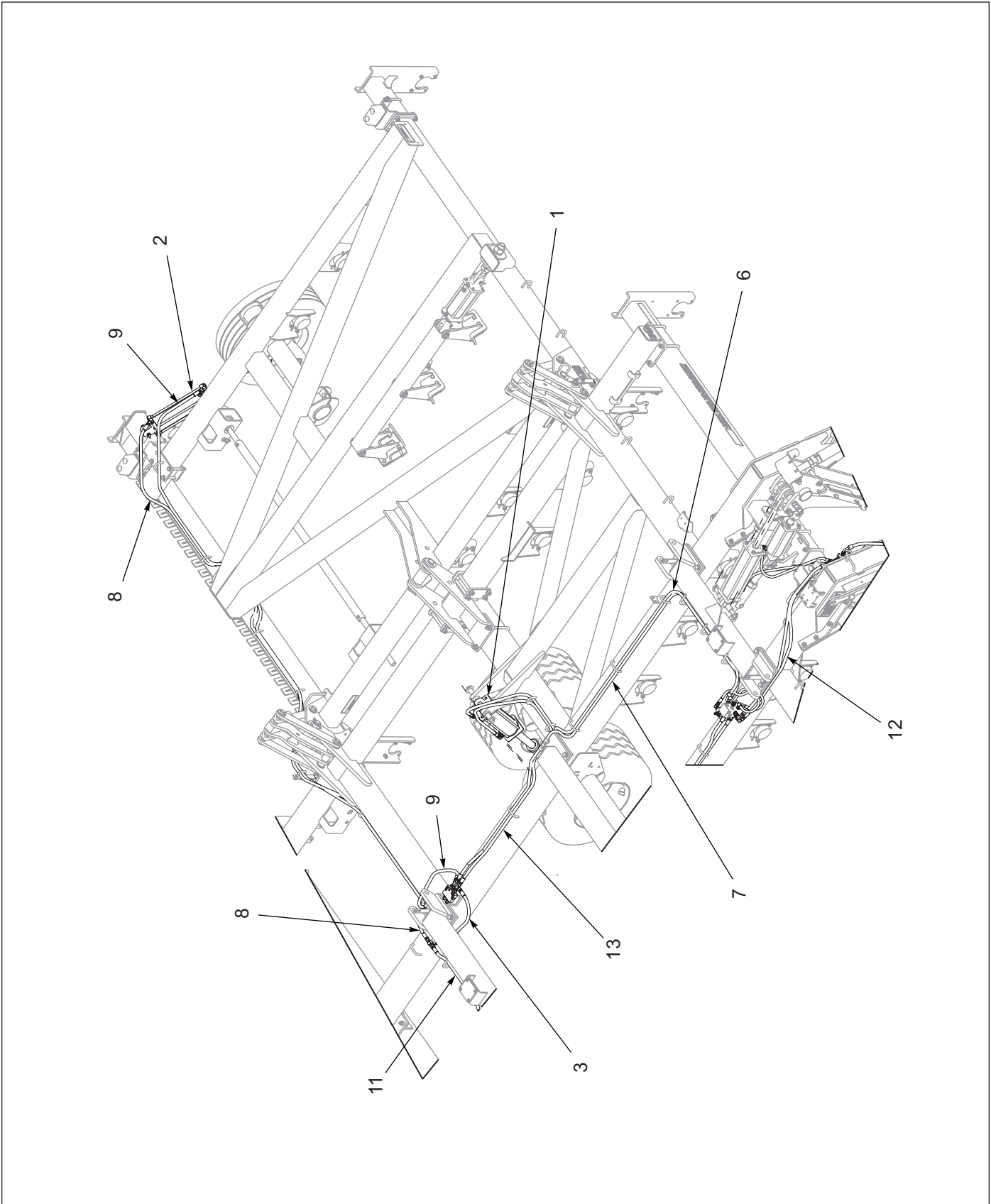


Figure 1-55: Lift Hydraulic Layout (Series Cylinders w/Wing Lift Wheels) (LH)

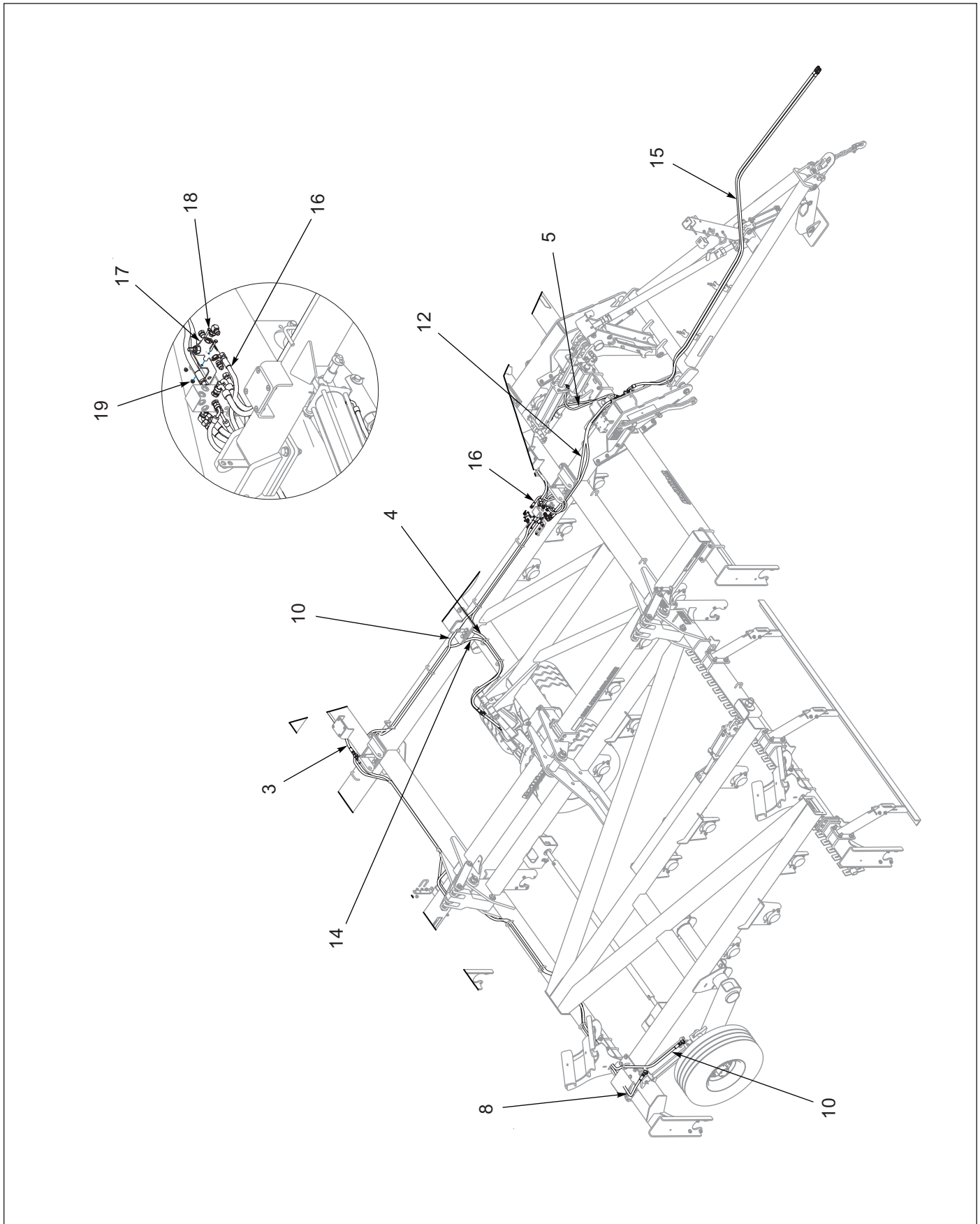


Figure 1-56: Lift Hydraulic Layout (Series Cylinders w/Wing Lift Wheels) (RH)

Lift Hydraulic Layout (Series Cylinders w/Wing Lift Wheels)

ITEM	PART NUMBER	DESCRIPTION	QTY
1	234521	CYLINDER, REPHASE 4-1/2 X 14 (SEE PAGE 1-144)	2
2	234522	CYLINDER, REPHASE 4 X 14 (SEE PAGE 1-145)	2
3	1404991	HOSE ASSY #8 36.00 OAL	1
4	1412151	HOSE ASSY, 1/2 X 105, 10FJS END	1
5	211313	HOSE ASSY, 3/8X42, 10FJSX8FJS90	2
6	211314	HOSE ASSY 1/2X160, 10FJSX10FJS90	1
7	211324	HOSE ASSY 1/2X174, 10FJSX10FJS90	1
8	244021	HOSE ASM, 1/2 X 214 #10FJIC	2
9	244023	HOSE ASM, 1/2 X 244 #10FJIC	1
10	244024	HOSE ASM, 1/2 X 370 #10FJIC	1
11	50016-09	HOSE ASSY #8 33 OAL	1
12	51316-14	HOSE ASSY 1/2X56-1/2, 10FJS ENDS	2
13	51316-42	HOSE ASSY #8 SPEC 114.69 OAL	1
14	51316-47	HOSE ASSY #8 137.69 OAL	1
15	197698	HOSE ASM, 1/2X188, 10FJS90X8MOR	2
16	203424	HOSE ASSY 3/8X26 #8STR-#8-90	2
17	165287	VALVE, RELIEF, 1000PSI	1
18	1-654-010047-10	SCREW, HX CP, 1/4-20UNC X2 GR5	2
19	108417	NUT SPIRAL 1/4-20HX FG	2

Hydraulic Lift Schematic (Series Cylinders w/Wing Lift Wheels)

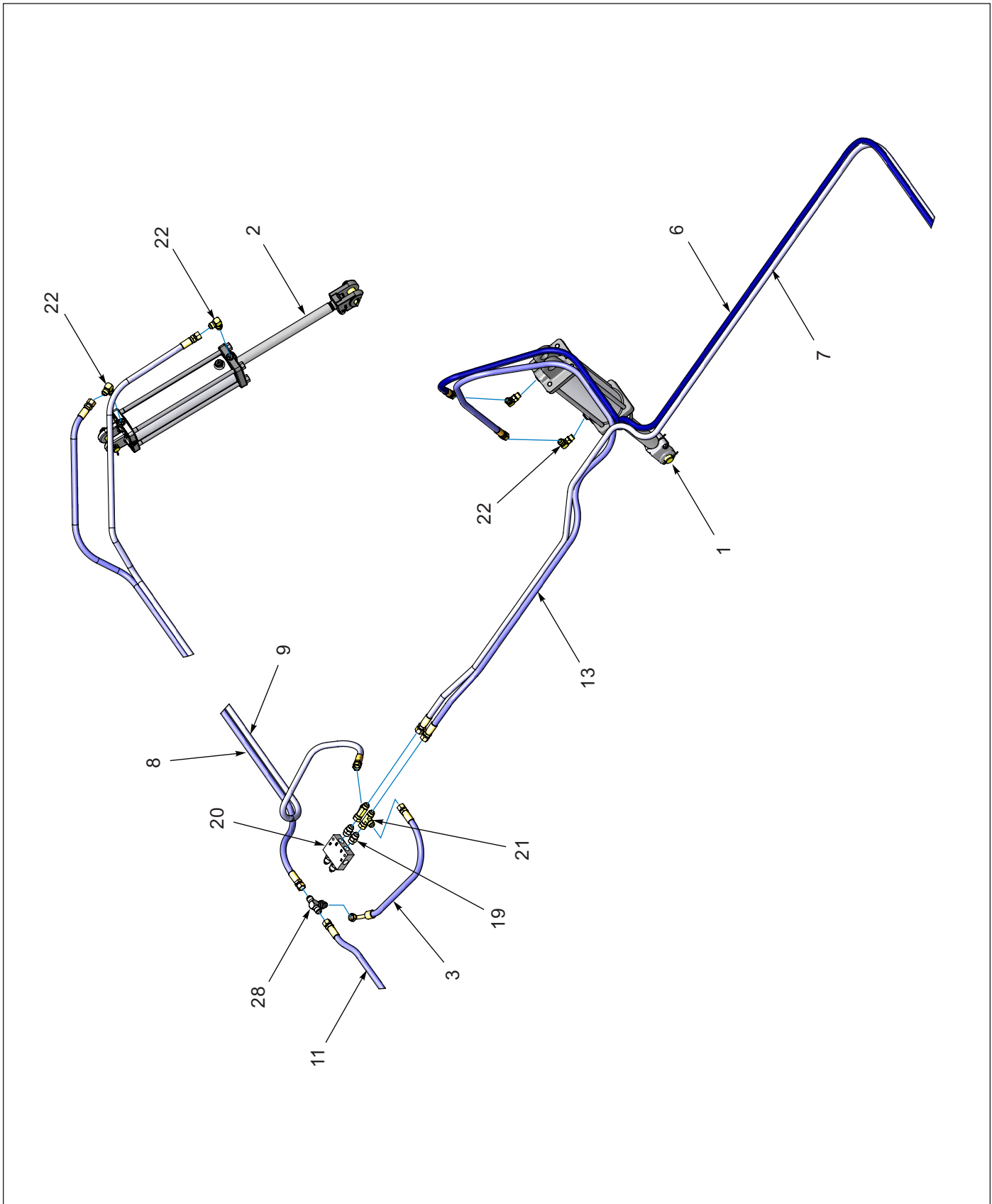


Figure 1-57: Hydraulic Lift Schematic (Series Cylinders w/Wing Lift Wheels) (LH)

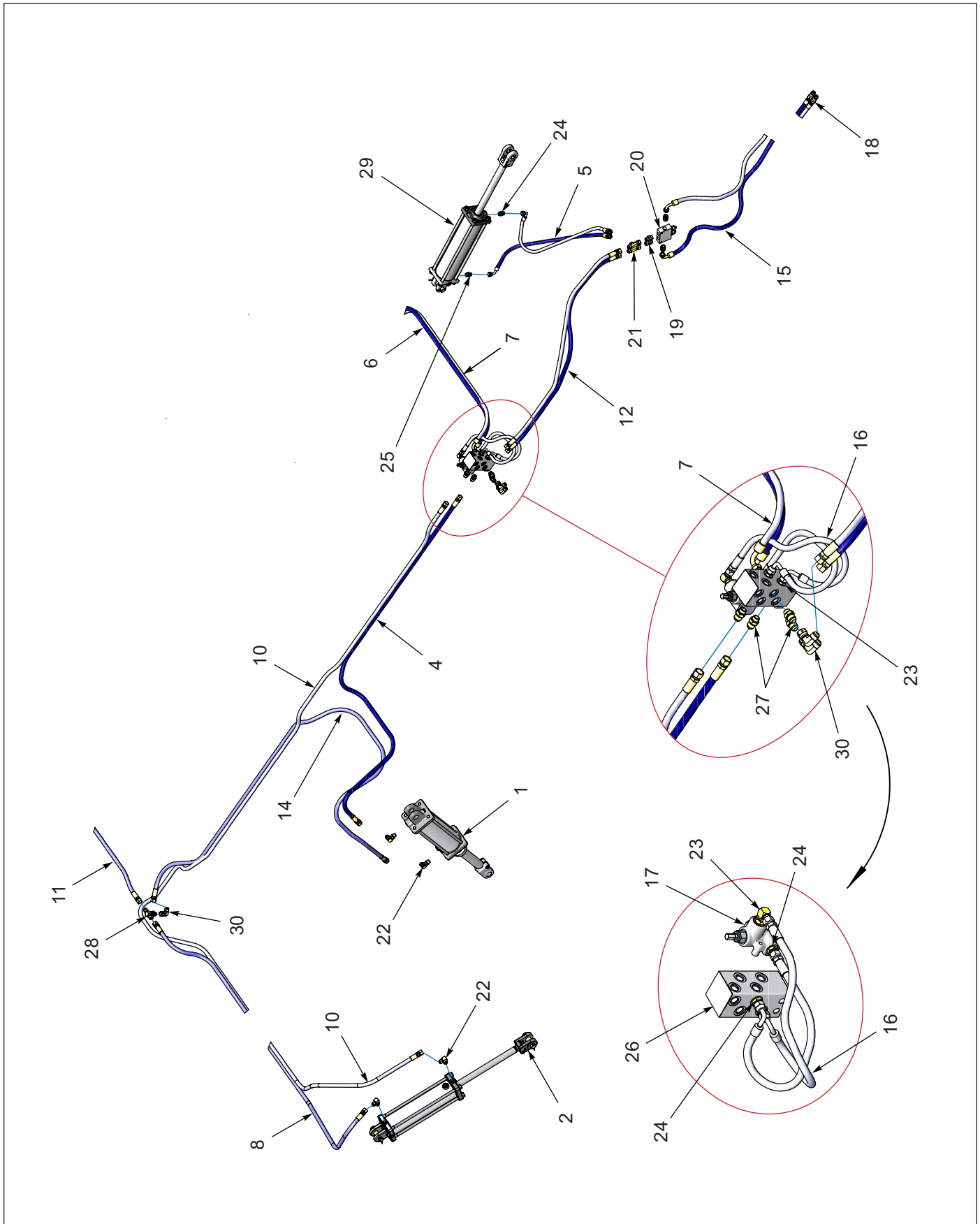


Figure 1-58: Hydraulic Lift Schematic (Series Cylinders w/Wing Lift Wheels) (RH)

Hydraulic Lift Schematic (Series Cylinders w/Wing Lift Wheels)

ITEM	PART NUMBER	DESCRIPTION	QTY
1	234521	CYLINDER, REPHASE 4-1/2 X 14 (SEE PAGE 1-144)	2
2	234522	CYLINDER, REPHASE 4 X 14 (SEE PAGE 1-145)	2
3	1404991	HOSE ASSY #8 36.00 OAL	1
4	1412151	HOSE ASSY, 1/2 X 105, 10FJS END	1
5	211313	HOSE ASSY, 3/8X42, 10FJSX8FJS90	2
6	211314	HOSE ASSY 1/2X160, 10FJSX10FJS90	1
7	211324	HOSE ASSY 1/2X174, 10FJSX10FJS90	1
8	244021	HOSE ASM, 1/2 X 214 #10FJIC	2
9	244023	HOSE ASM, 1/2 X 244 #10FJIC	1
10	244024	HOSE ASM, 1/2 X 370 #10FJIC	1
11	50016-09	HOSE ASSY #8 33 OAL	1
12	51316-14	HOSE ASSY 1/2X56-1/2, 10FJS ENDS	2
13	51316-42	HOSE ASSY #8 SPEC 114.69 OAL	1
14	51316-47	HOSE ASSY #8 137.69 OAL	1
15	197698	HOSE ASM, 1/2X188, 10FJS90X8MOR	2
16	203424	HOSE ASSY 3/8X26 #8STR-#8-90	2
17	165287	VALVE, RELIEF, 1000PSI	1
18	141828	COUPLER, MALE 3/4-16 O-RING	2
19	137486	ADAPTER #10 O-RING TO #10 JIC (10MJ X 10MOR)	6
20	164435	VALVE COUNTERBALANCE 855	1
21	196104	TEE, 5/8, #10JICX#10JIC SWV (TEE, RUN, 10MJ X 10MJ X 10FJS)	4
22	189302	ADAPTER, 90, #8 O-RING-#10JIC (ELBOW, 8MOR X 10JIC)	8
23	2062-8-8S	ADAPTER, 90, #8 O-RING-TUBE (ELBOW, 8MJ X 8MOR)	1
24	202702-8-8S	ADAPTER #8 O-RING TO #8 TUBE (8MJ X 8MOR)	4
25	4K607	RESTRICTOR 3/4-16	1
26	211306	MANIFOLD, HYD 16 PORT	1
27	125863	CONNECTOR, O-RING/37FL 10-8 (ADAPTER, 10MJ X 8MOR)	6
28	241043	BULKHEAD TEE #10 JIC	2
29	9D731	HYD CYLINDER - 4 X 16 (SEE PAGE 1-146)	1
30	220682	ADAPTER 90 #10 FJIC SVL#10MJIC (ELBOW, 10FJIC X 10MJIC)	3

Lift Hydraulic Layout (No Wing Lift Wheels)

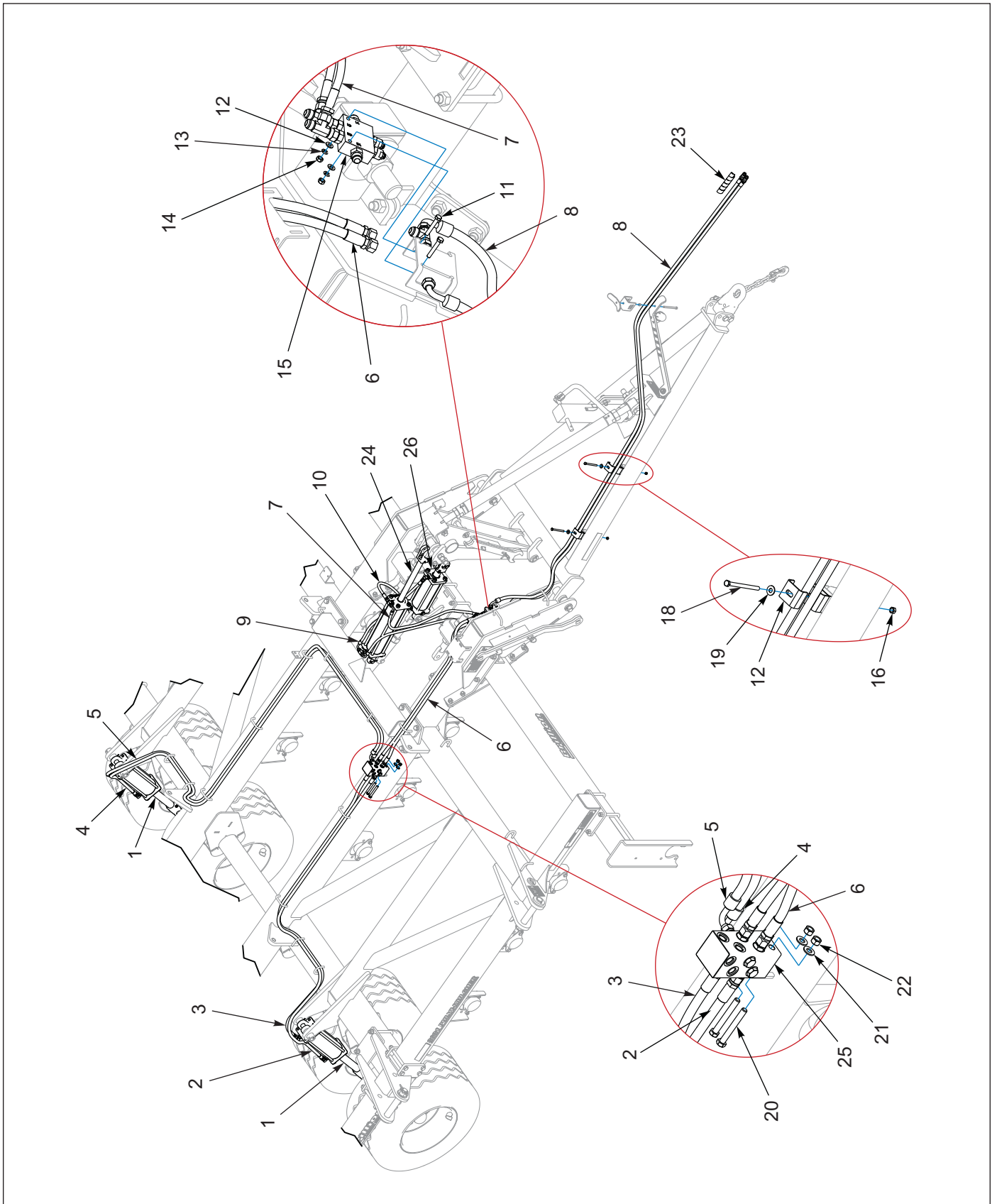


Figure 1-59: Lift Hydraulic Layout (No Wing Lift Wheels)

Lift Hydraulic Layout (No Wing Lift Wheels)

ITEM	PART NUMBER	DESCRIPTION	QTY
1	181342	CYLINDER, HYDRAULIC 4-1/2 X 14 (SEE PAGE 1-141) (ONLY USED WITH "NO WING LIFT WHEELS")	2
2	1412153	HOSE ASM, 1/2 X 123, 10MJ X 10FJS	1
3	1412151	HOSE ASM, 1/2 X 105, 10FJS X 10FJS	1
4	211315	HOSE ASM, 1/2 X 178, 10FJS X 10FJS90	1
5	211314	HOSE ASM, 1/2 X 160, 10FJS X 10FJS90	1
6	51316-14	HOSE ASM, 1/2 X 56-1/2, 10FJS X 10FJS	2
7	211313	HOSE ASM, 3/8 X 42, 10FJS X 8FJS90	2
8	197698	HOSE ASM, 1/2 X 188, 10FJS90 X 8MOR	2
9	203425	HOSE ASM, 3/8 X 33, 8FJS X 8FJS90	1
10	71508954	HOSE ASM, 3/8 X 22, 8FJS X 8FJS	1
11	1-654-010049-09	SCREW, HEX CAP, 5/16-18UNC X 2, GR5	2
12	1-861-010032-08	WASHER, FLAT 5/16, ZP	2
13	1-861-010034-10	WASHER, LKG 5/ 16	2
14	1-512-010007-06	NUT, HEX 5/16-18	2
15	164435	VALVE COUNTERBALANCE 855	1
16	1-512-010005-05	NUT, HEX, SLFLKG GRB 3/8-16	2
17	2-181-010001	HOSE CLAMP	6
18	196754	SCREW, ALL THREAD, 3/8-16 X 5	2
19	1-861-010032-11	WASHER, FLAT 3/8 W, ZP/CD	2
20	1-654-010055-13	SCREW, HEX CAP, 1/2-13UNC X 4, GR5	2
21	1-861-010032-14	WASHER, FLAT 1/2" N, ZP/CD	2
22	1-512-010007-09	NUT, HEX 1/2-13, ZP	2
23	155528	HOSE WRAP, BLUE 1" ID X 8"	1
24	9D731	HYD CYLINDER - 4 X 16 (SEE PAGE 1-146)	1
25	211306	MANIFOLD, HYD 16 PORT	1
26	1-242-010171-3	HYD CYLINDER, 4 X 8 (SEE PAGE 1-140)	1
27	105-0228	TYWRAP 8IN LG TY-5272MX (NOT SHOWN)	15

Hydraulic Lift Schematic (No Wing Lift Wheels)

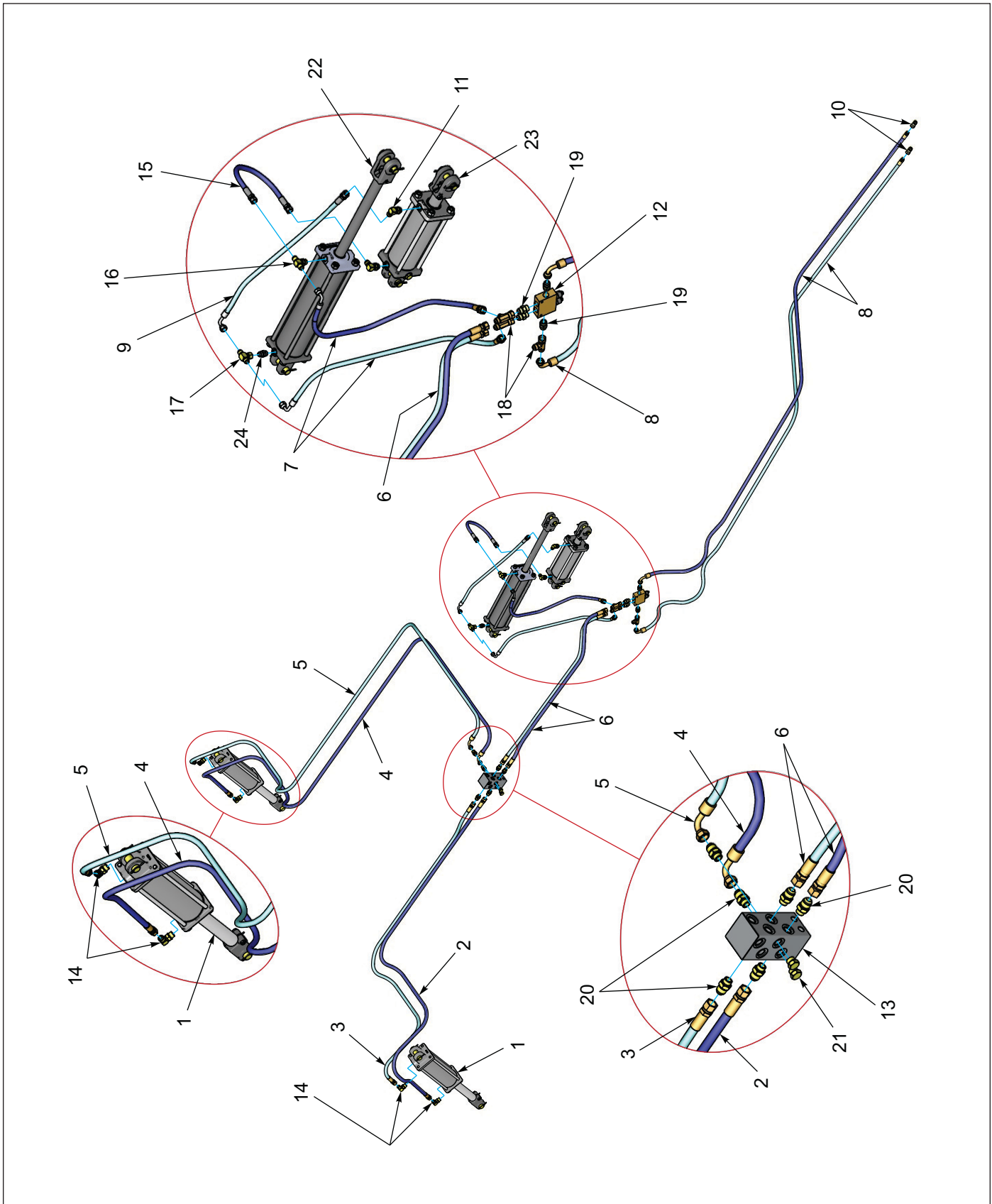


Figure 1-60: Hydraulic Lift Schematic (No Wing Lift Wheels)

Hydraulic Lift Schematic (No Wing Lift Wheels)

ITEM	PART NUMBER	DESCRIPTION	QTY
1	181342	CYLINDER, HYDRAULIC 4-1/2 X 14 (SEE PAGE 1-141)	2
2	1412153	HOSE ASM, 1/2 X 123, 10MJ X 10FJS	1
3	1412151	HOSE ASM, 1/2 X 105, 10FJS X 10FJS	1
4	211315	HOSE ASM, 1/2 X 178, 10FJS X 10FJS90	1
5	211314	HOSE ASM, 1/2 X 160, 10FJS X 10FJS90	1
6	51316-14	HOSE ASM, 1/2 X 56-1/2, 10FJS X 10FJS	2
7	211313	HOSE ASM, 3/8 X 42, 10FJS X 8FJS90	2
8	197698	HOSE ASM, 1/2 X 188, 10JS90 X 8MOR	2
9	203425	HOSE ASM, 3/8 X 33, 8FJS X 8FJS90	1
10	141828	MALE COUPLER, 8 O-RING	2
11	2062-8-8S	ADAPTER, 90, #8 O-RING-TUBE (ELBOW, 8MJ X 8MOR90)	2
12	164435	VALVE COUNTERBALANCE 855	1
13	211306	MANIFOLD, HYD 16 PORT	1
14	124511	ADAPTER 90 #10 O-RINGX#10JIC (ELBOW, 10MJ X 10MOR)	4
15	71508954	HOSE ASM, 3/8 X 22, 8FJS X 8FJS	1
16	203003-8-8S	ADAPTER, TEE, #8 O-RING-TUBE (TEE, BRANCH, 8MJ X 8MJ X 8MOR)	1
17	123109	ADAPTER, TEE, #8JIC FEM BR (TEE, BRANCH, 8MJ X 8MJ X 8FJS)	1
18	196104	TEE, 5/8, #10JICX#10JIC SWV (TEE, RUN, 10MJ X 10MJ X 10FJS)	3
19	137486	ADAPTER #10 O-RING TO #10 JIC (ADAPTER, 10MJ X 10MOR)	4
20	125863	CONNECTOR, O-RING/37FL 10-8 (ADAPTER, 10MJ X 8MOR)	6
21	1-007-010025	PLUG, 8MOR	2
22	9D731	HYD CYLINDER, 4 X 16 (SEE PAGE 1-146)	1
23	1-242-010171-3	HYD CYLINDER, 4 X 8 (SEE PAGE 1-140)	1
24	4K607	RESTRICTOR, 0.078	1

Electrical Layout

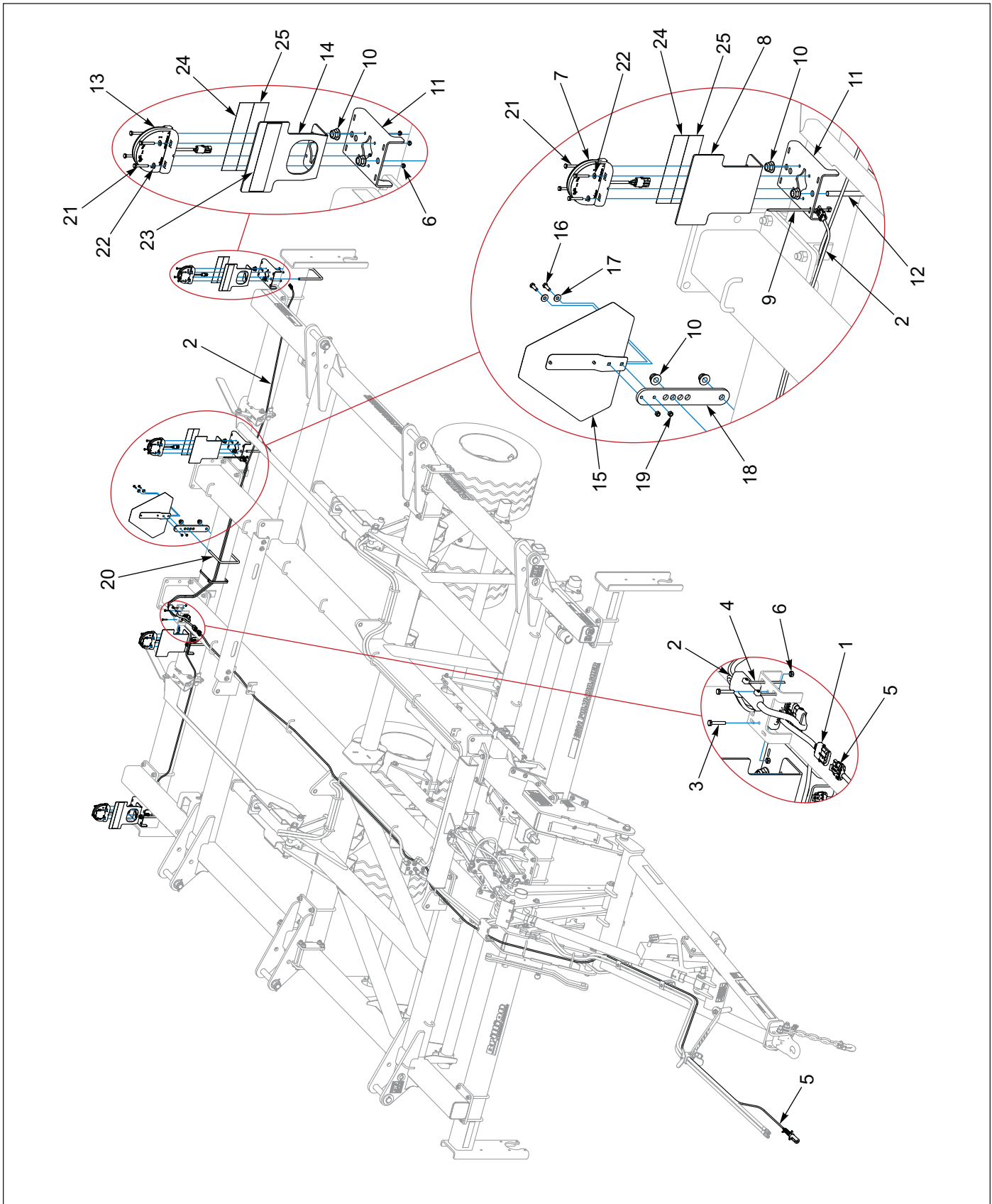


Figure 1-61: Electrical Layout

Electrical Layout

ITEM	PART NUMBER	DESCRIPTION	QTY
1	174437	MODULE, AG FLASHER CONTROL	1
2	175151	HARNESS, LED WARNING LIGHTS	1
3	1-654-010047-08	SCREW, HX CP, 1/4-20UNC X 1-1/2, G5	2
4	7K678	CABLE TIE	12
5	178517	HARNESS, AG 40 FT	1
6	1-512-010005-01	NUT, HEX SLFLKG GRB 1/4-20	18
7	174435	LAMP, AG RED SINGLE LED	2
8	164140	REFLECTOR ASM (INCLUDES ITEMS 24,25)	2
9	105-0228	TYWRAP 8IN LG TY-5272MX	20
10	2P254	NUT, FLANGE NY-LOK 5/8-11	10
11	187434	LIGHT BRACKET, 5&6 TUBE	4
12	149192	U-BOLT, 6-11/16 CENTERS X 8-1/2	4
13	174436	LAMP, AG AMBER SINGLE LED	2
14	181713	REFLECTOR ASM (WITH CUT-OUT) (INCLUDES ITEMS 23,24,25)	2
15	2P151	SMV W/BRACKET	1
16	1-654-010049-05	SCREW HX CP 5/16-18UNC X 1, GR5	2
17	1-861-010032-09	WASHER, FLAT 5/16 W, ZP/CD	2
18	164678	MOUNT, SMV	1
19	104032	NUT, HX SLF-LKG W/NYL 5/16-18	2
20	178532	U-BOLT, 5/8-11 X 6-11/16 X 7-1/2, ZP	1
21	1-654-010047-09	SCREW, HEX CAP, 1/4-20 UNC X 1-3/4, G5	16
22	1-861-010032-06	WASHER, FLAT 1/4 N, ZP/CD	16
23	528934	REFLECTOR - YELLOW	1
24	528938	STRIPE, ORANGE	1
25	528933	REFLECTOR - RED	1

Electrical Schematic

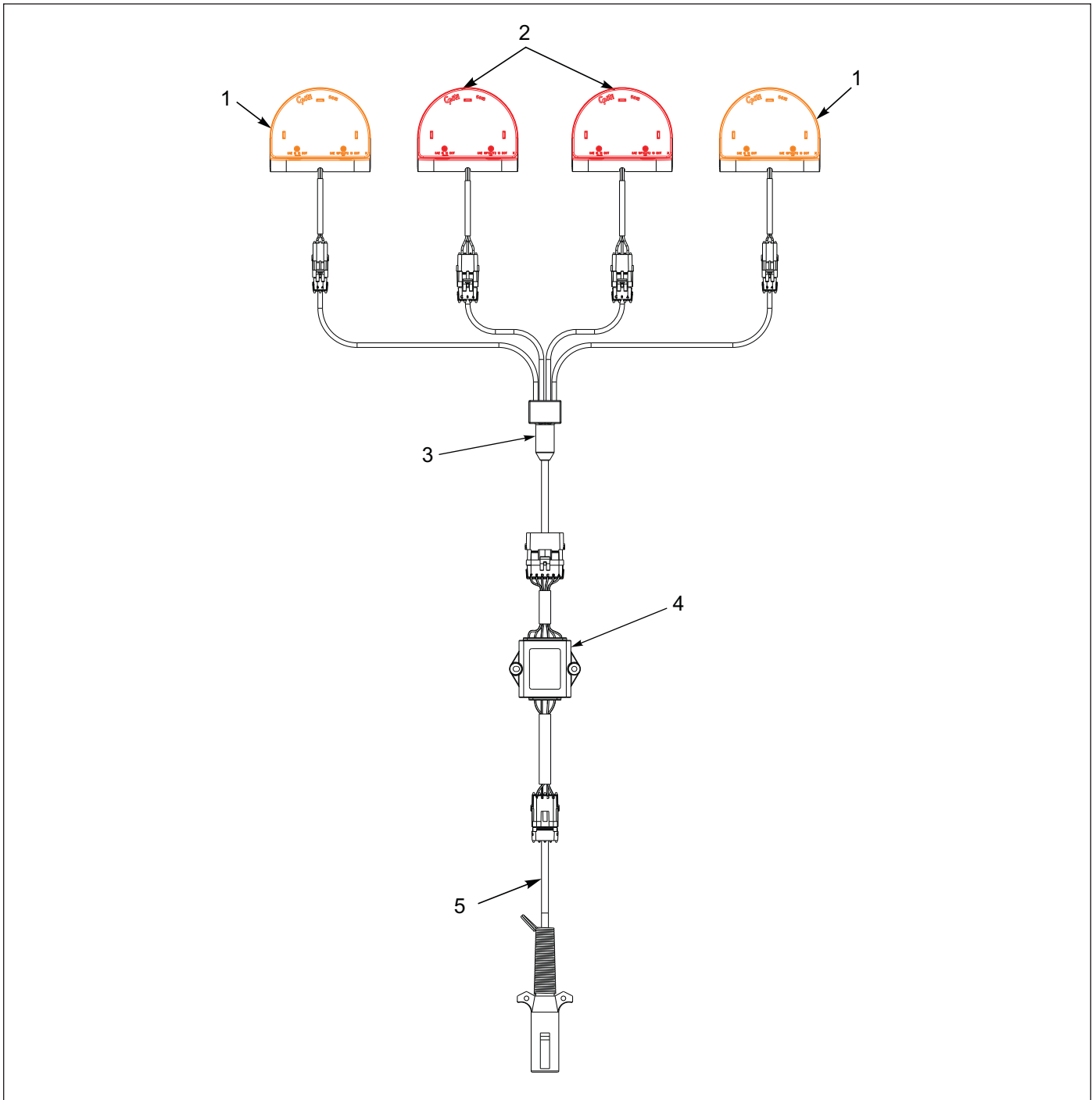


Figure 1-62: Electrical Schematic

Electrical Schematic

ITEM	PART NUMBER	DESCRIPTION	QTY
1	174436	LAMP, AG AMBER SINGLE LED	2
2	174435	LAMP, AG RED SINGLE LED	2
3	175151	HARNESS, LED WARNING LIGHTS	1
4	174437	MODULE, AG FLASHER CONTROL	1
5	178517	HARNESS, AG 40 FT	1

Front Scrapers Kit - Optional

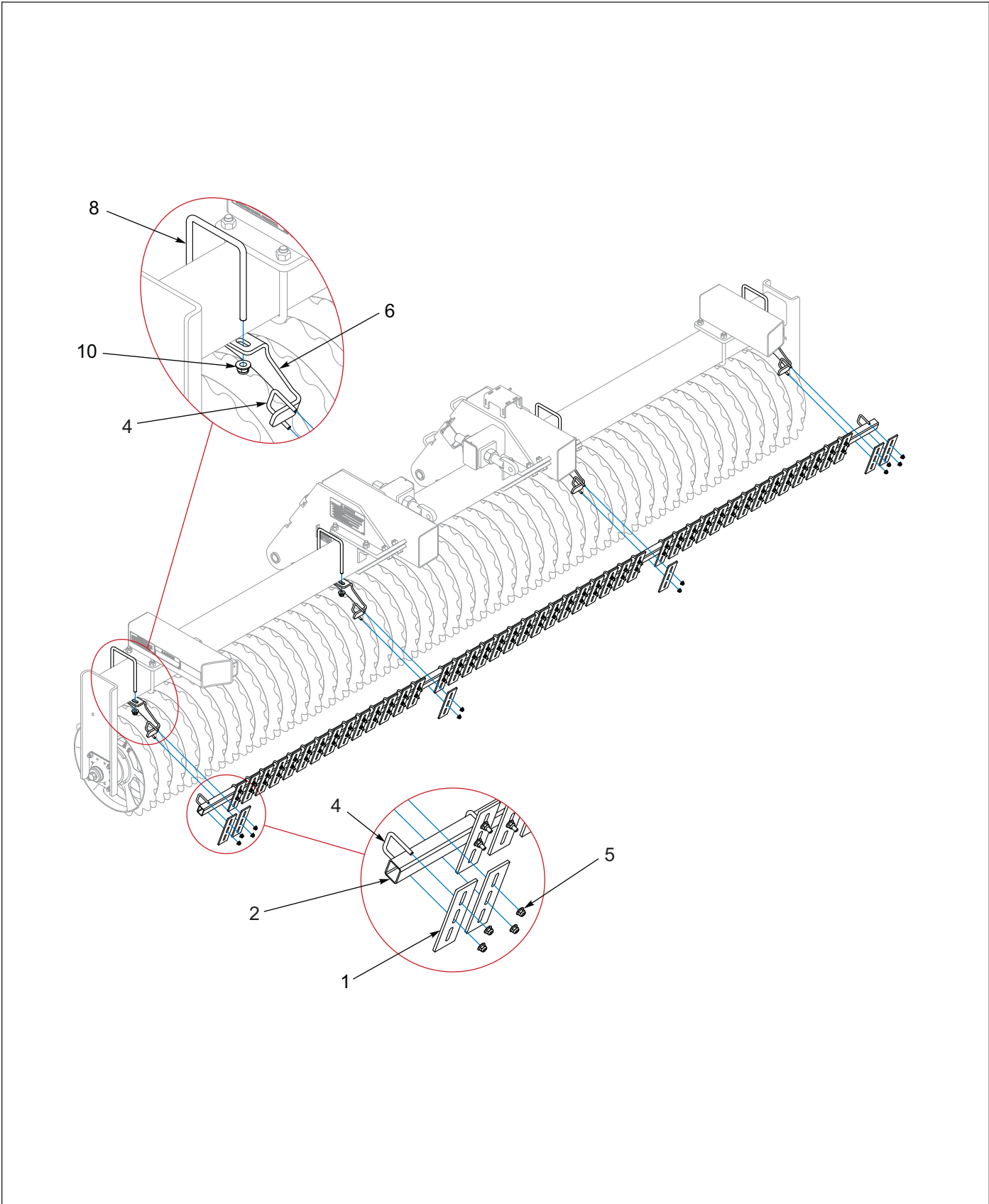


Figure 1-63: Center Front Scrapers - Optional

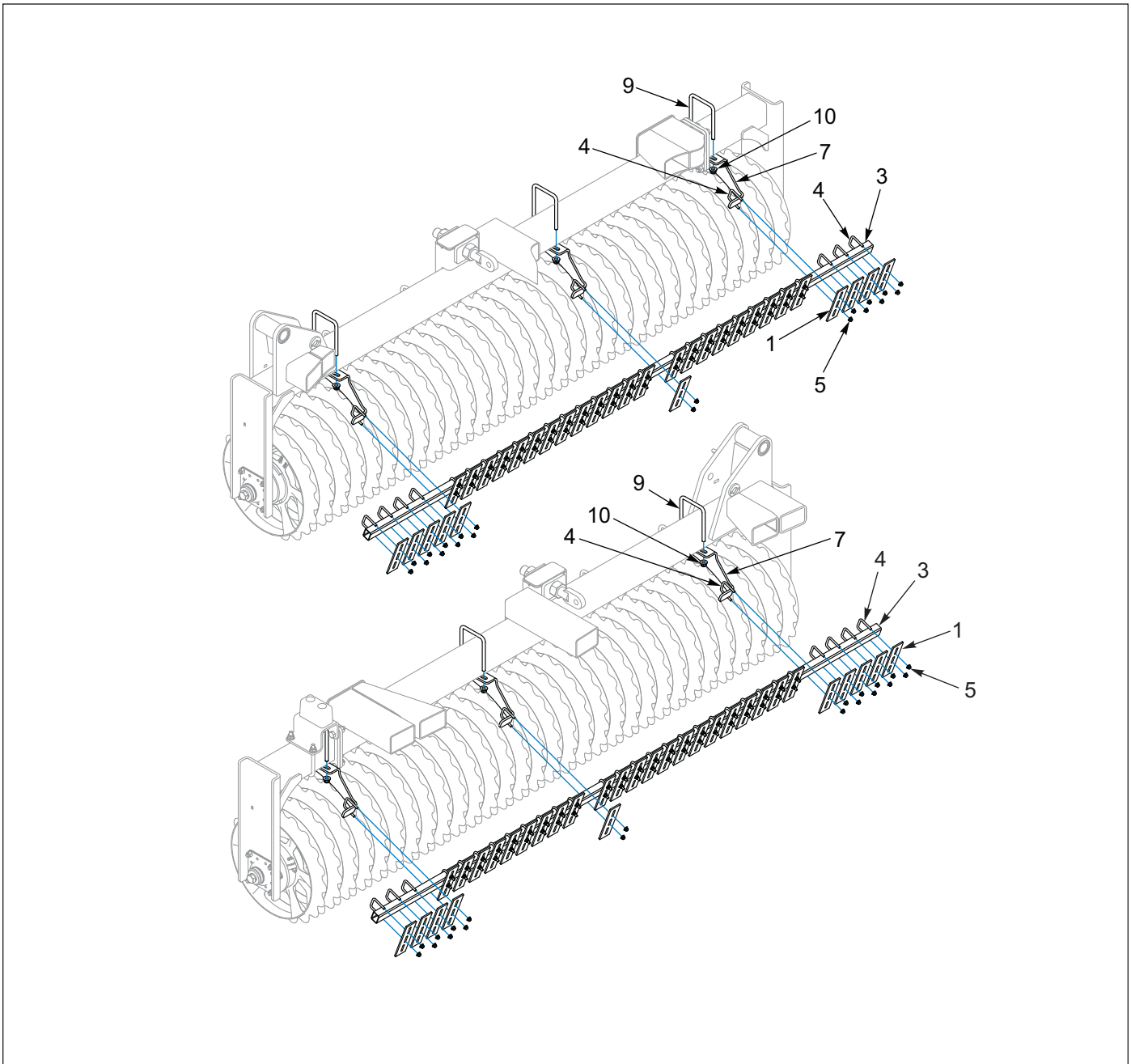


Figure 1-64: Wing Front Scrapers - Optional

Front Scrapers Kit - Optional

ITEM	PART NUMBER	DESCRIPTION	QTY
	221578	KIT, FRONT SCRAPER, 3631-36 (SHOWN)	1
1	8J014	SCRAPER, 2-1/2" WIDE	113
2	211269	TUBE RECT 2 X 1-1/2 X 196 (CENTER)	1
3	221473	TUBE RECT 2 X 1-1/2 X 128 (WINGS)	2
4	171749	U-BOLT, 3/8-16 X 2-7/16 X 2-3/4	113
5	2P252	NUT, FLANGE NY-LOK, 3/8-16	226
6	211160	MOUNT, CENTER SCRAPER	4
7	211161	BRACKET, WING SCRAPER	6
8	178532	U-BOLT, 5/8-11 X 6-11/16 X 7-1/2, ZP (CENTER)	4

Harrow Kit, 3-Bar Coil Tine Without Lift - Optional

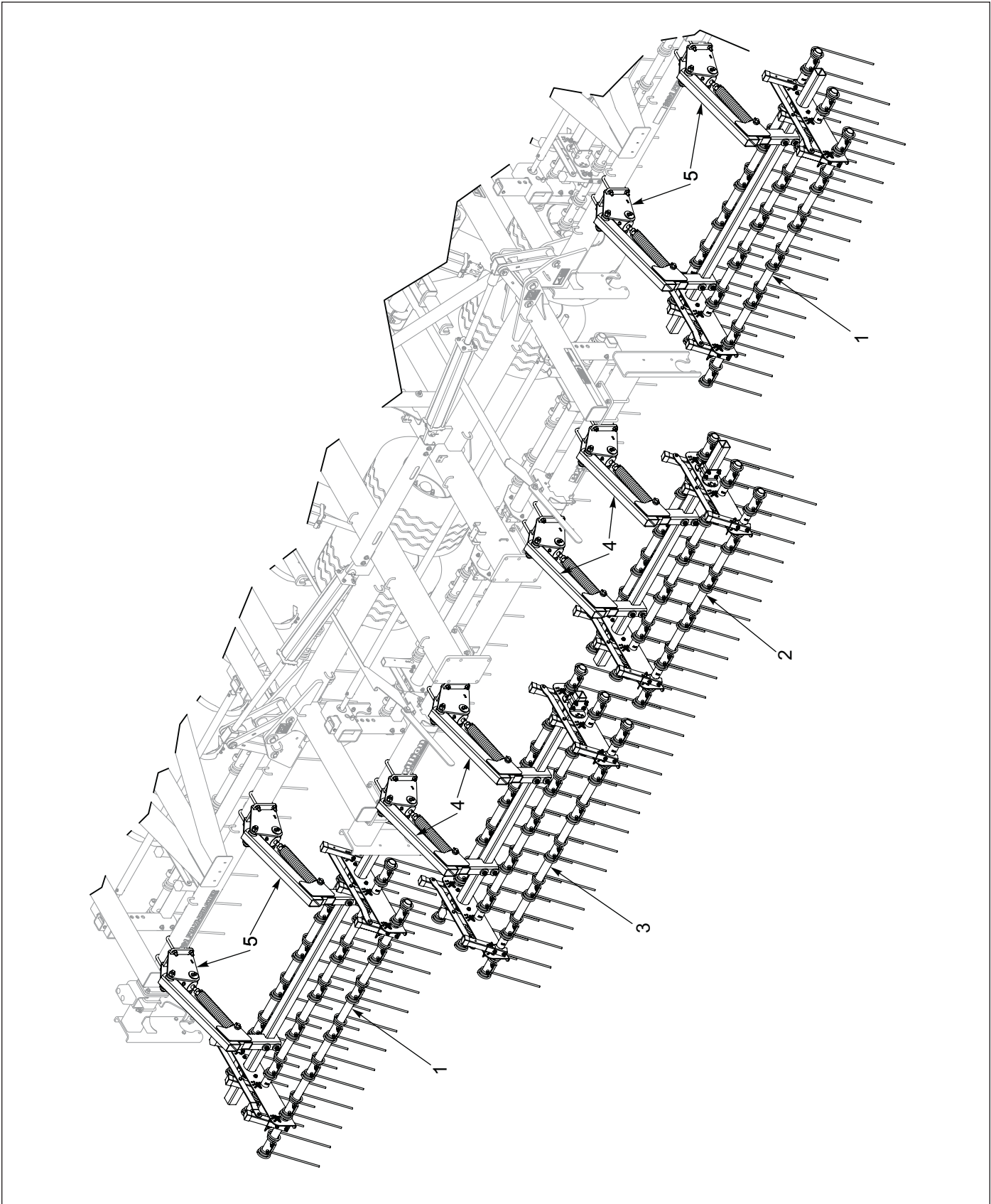


Figure 1-65: Harrow Kit, 3-Bar Coil Tine Without Lift - Optional

Harrow Kit, 3-Bar Coil Tine Without Lift - Optional

ITEM	PART NUMBER	DESCRIPTION	QTY
	221599	HARROW, 36FT COIL TINE	1
1	198620	HARROW ASM, 5 TINE, 3 ROW (SEE PAGE 1-114)	2
2	168800	HARROW ASM, 6 TINE, 3 ROW (SEE PAGE 1-126)	1
3	168801	HARROW ASM, 7 TINE, 3 ROW (SEE PAGE 1-128)	1
4	221594	CENTER HARROW ARM ASM, WITHOUT LIFT (SEE PAGE 1-116)	4
5	221593	WING HARROW ARM ASM, WITHOUT LIFT (SEE PAGE 1-117)	4

Harrow Arm Assembly, Center Without Lift

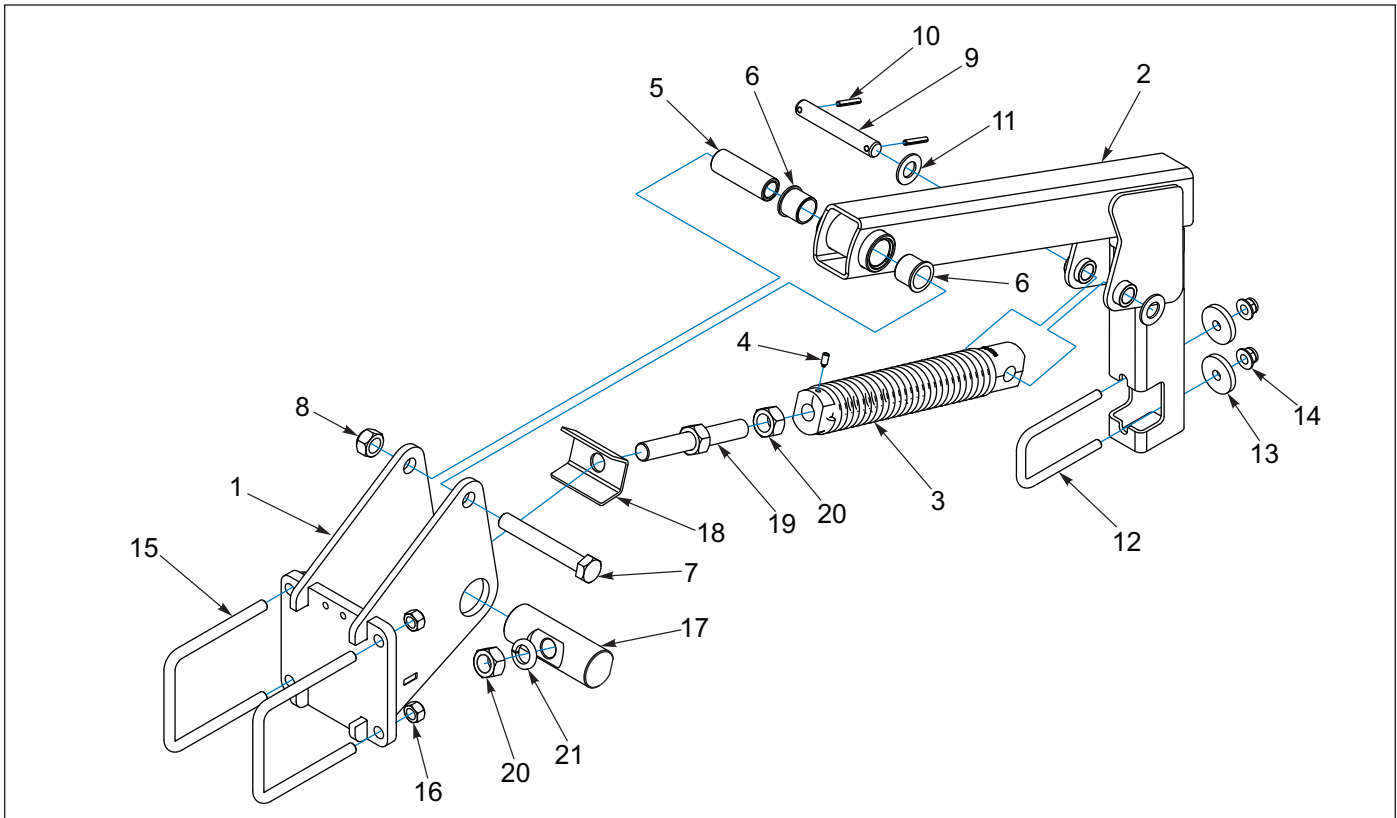


Figure 1-66: Harrow Arm Assembly, Center Without Lift

Harrow Arm Assembly, Center Without Lift

ITEM	PART NUMBER	DESCRIPTION	QTY
	221594	CENTER HARROW ARM ASM, WITHOUT LIFT	1
1	221587	MOUNT, CTR HARROW ARM	1
2	221582	ARM, HARROW	1
3	206652	SPRING ASM, HVY - 17"	1
4	1P444	SET SCREW, 3/8-16 X 3/4 NYLON TIP	1
5	155002	BUSHING, PIVOT - 1-1/2	1
6	140599	BEARING, FLANGE 1-1/2	2
7	100830	HHCS, 1-8 X 7, GR5	1
8	1-512-010005-19	NUT, LOCK 1-8, GRB	1
9	6J580	PIN, 1 X 6-1/2	1
10	147072	PIN, SPRING SLOTTED 5/16 X 2	2
11	1-861-010032-24	WASHER, FLAT 1" SAE, ZP	2
12	8-102-010043	U-BOLT, 5/8-11 X 3-11/16 X 6-3/8	1
13	171745	WASHER, 0.656 X 2.5 X 0.375, ZP	2
14	2P254	NUT, FLANGE NY-LOK 5/8-11	2
15	7K723	U-BOLT, 3/4-10 X 6-13/16 X 7-3/4	2
16	1-512-010005-15	NUT, LOCK 3/4-10, GRB, ZP	4
17	224182	PIN, ADJUSTER	1
18	224183	CLIP, ADJUSTER PIN	1
19	224181	ROD, HARROW ARM ADJUSTER	1
20	206675	NUT, HEX 1-1/8-12, ZP	2
21	142786	WASHER, LOCK 1-1/8, ZP (AFTER 04/25/2022)	1

Harrow Arm Assembly, Wing Without Lift

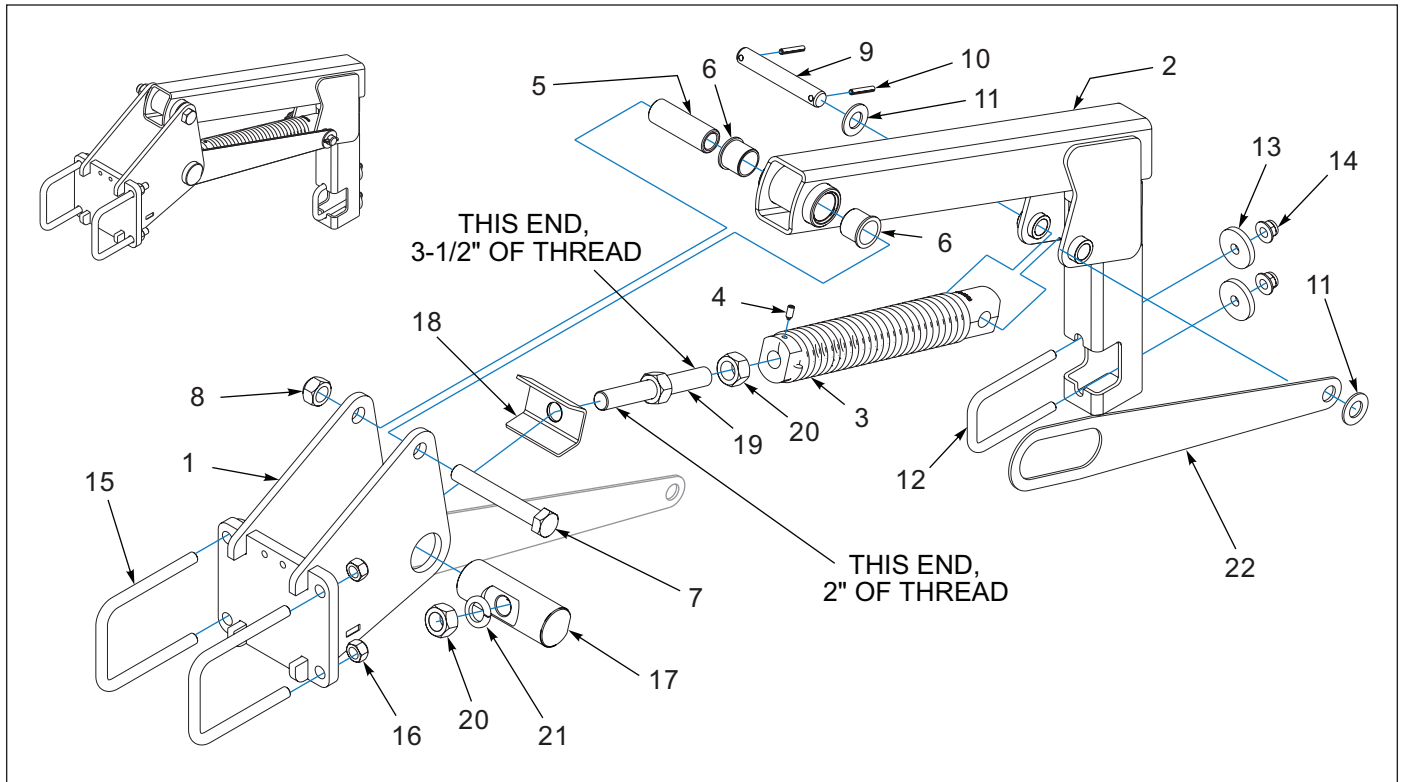


Figure 1-67: Wing Harrow Arm Assembly, Without Lift

Harrow Arm Assembly, Wing Without Lift

ITEM	PART NUMBER	DESCRIPTION	QTY
	221593	WING HARROW ARM ASM, WITHOUT LIFT	1
1	221579	MOUNT, WING HARROW ARM	1
2	221582	ARM, HARROW	1
3	206652	SPRING ASM, HVY - 17"	1
4	1P444	SET SCREW, 3/8-16 X 3/4 NYLON TIP	1
5	155002	BUSHING, PIVOT - 1-1/2	1
6	140599	BEARING, FLANGE 1-1/2	2
7	100830	HHCS, 1-8 X 7, GR5	1
8	1-512-010005-19	NUT, LOCK 1-8, GRB	1
9	6J580	PIN, 1 X 6-1/2	1
10	147072	PIN, SPRING SLOTTED 5/16 X 2	2
11	1-861-010032-24	WASHER, FL 1IN NARROW ZP	2
12	8-102-010043	U-BOLT, 5/8-11 X 3-11/16 X 6-3/8	1
13	171745	WASHER, 0.656 X 2.5 X 0.375, ZP	2
14	2P254	NUT, FLANGE NY-LOK 5/8-11	2
15	140484	U-BOLT, 3/4-10 X 5	2
16	1-512-010005-15	NUT, LOCK 3/4-10, GRB, ZP	4
17	224182	PIN, ADJUSTER	1
18	224183	CLIP, ADJUSTER PIN	1
19	224181	ROD, HARROW ARM ADJUSTER	1
20	206675	NUT, HEX 1-1/8-12, ZP	2
21	142786	WASHER, LOCK 1-1/8, ZP (AFTER 04/25/2022)	1
22	241282	STOP, HARROW ARM (AFTER 04/25/2022)	1

Harrow Kit, 3-Bar Coil Tine With Lift - Optional

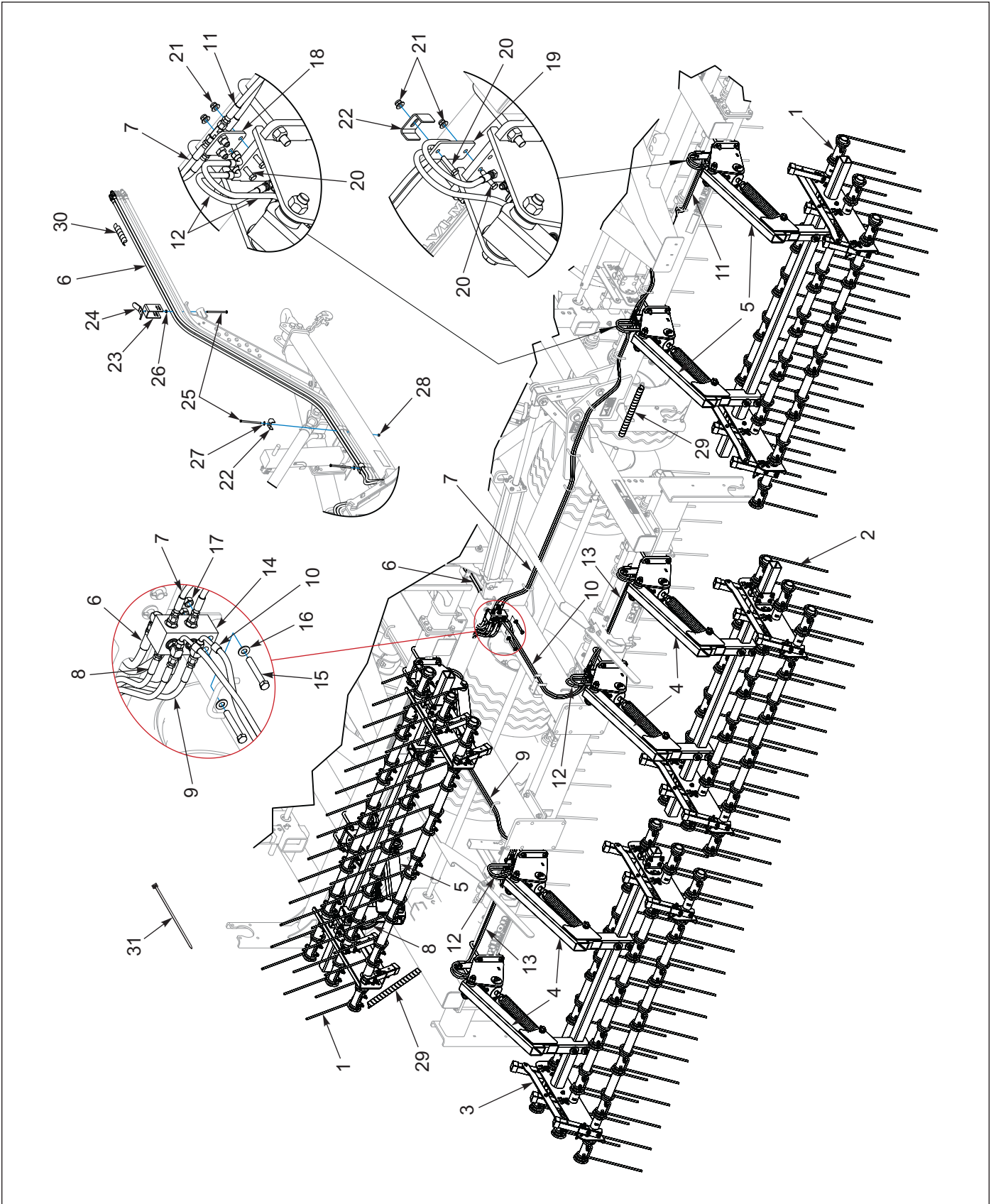


Figure 1-68: Harrow Kit, 3-Bar Coil Tine With Lift - Optional

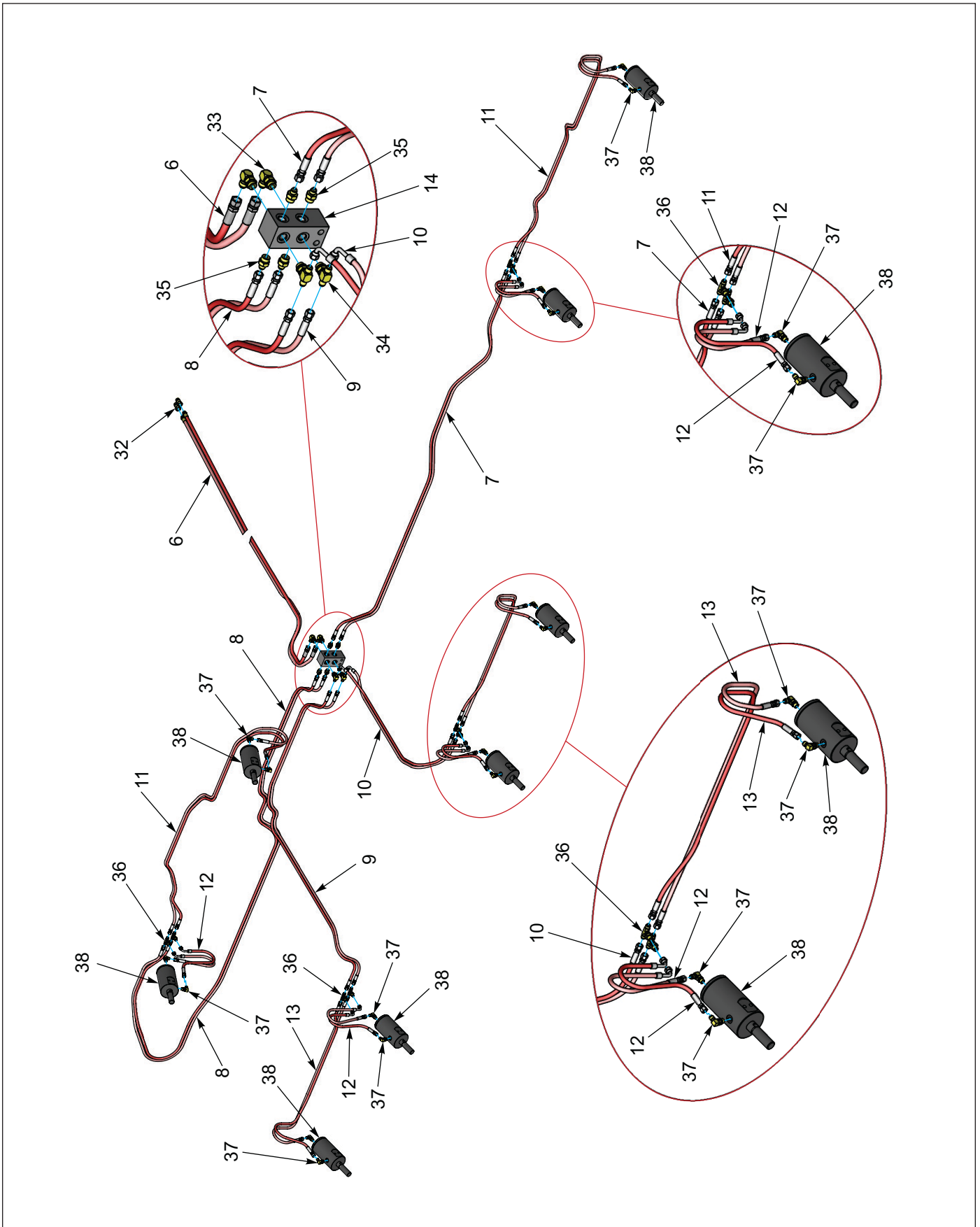


Figure 1-69: Harrow Kit, 3-Bar Coil Tine With Lift - Optional - Hydraulic Schematic

Harrow Kit, 3-Bar Coil Tine With Lift - Optional

ITEM	PART NUMBER	DESCRIPTION	QTY
	224176	HARROW, 36FT COIL TINE WITH LIFT	1
1	198620	HARROW ASM, 5 TINE, 3 ROW (SEE PAGE 1-114)	2
2	168800	HARROW ASM, 6 TINE, 3 ROW (SEE PAGE 1-126)	1
3	168801	HARROW ASM, 7 TINE, 3 ROW (SEE PAGE 1-128)	1
4	221586	HARROW ARM ASM, CTR W/LIFT (INCLUDES ITEM 38) (SEE PAGE 1-122)	4
5	221585	HARROW ARM ASM, WING W/LIFT (INCLUDES ITEM 38) (SEE PAGE 1-123)	4
6	153622	HOSE ASM, 3/8 X 385, 08FJS X 08MOR	2
7	71509124	HOSE ASM, 1/4 X 116, 6FJS X 6FJS	2
8	221598	HOSE ASM, 1/4 X 162, 6FJS X 6FJS	2
9	71509123	HOSE ASM, 1/4 X 104, 6FJS X 6FJS	2
10	175029	HOSE ASM, 1/4 X 52, 6FJS X 6FJS90	2
11	71509788	HOSE ASM, 1/4 X 84, 6FJS X 6FJS	4
12	221597	HOSE ASM, 1/4 X 22, 6FJS X 6FJS90	8
13	173013	HOSE ASM, 1/4 X 57, 6FJS X 6FJS	4
14	2-474-010022	MANIFOLD, 8 PORT	1
15	1-654-010055-11	SCREW, HX CP 1/2-13UNC X 3-1/2	2
16	1-861-010032-14	WASHER, FLAT 1/2 N ZP/CD	2
17	1-512-010007-09	NUT, HEX 1/2-13 GR2, ZP	2
18	221539	PLATE, BULKHEAD	4
19	221590	MOUNT, HOSE CLAMP	4
20	1-654-010051-08	SCREW, HEX CAP, 3/8-16 X 1-3/4, G5	16
21	2P252	NUT, FLANGE NY-LOK 3/8-16	16
22	2-181-010001	HOSE CLAMP	6
23	177398	CLAMP, HOSE HOLDER, LONG	1
24	141249	WING NUT, HOSE HOLDER	1
25	109207	SCREW, 3/8-16 X 6, HHCS FULL THREAD	3
26	1-512-010007-07	NUT, HEX 3/8-16, ZP	1
27	1-861-010032-11	WASHER, FLAT 3/8 W ZP/CD	2
28	1-512-010005-05	NUT, HEX SLFLKG GRB 3/8-16	2
29	1P995	HOSE WRAP, 26"	2
30	172973	RED HOSE WRAP	1
31	105-0228	TYWRAP 8IN LG TY-5272MX	50
32	141828	MALE COUPLER, 08 O-RING	2
33	2062-8-8S	ELBOW, 08MJ X 08MOR	2
34	139347	TEE, BRANCH 06MJ X 08MOR	2
35	202702-8-6S	ADAPTER, 06MJ X 08MOR	4
36	2703-LN-6	TEE, BRANCH BULKHEAD 06MJ	8
37	2062-6-6S	ELBOW, 6MJ X 6MOR	16
38	224178	HYD CYL, 2-1/2 X 2-1/2 BLACK (SEE PAGE 1-139)	1

Harrow Arm Assembly, Center With Lift

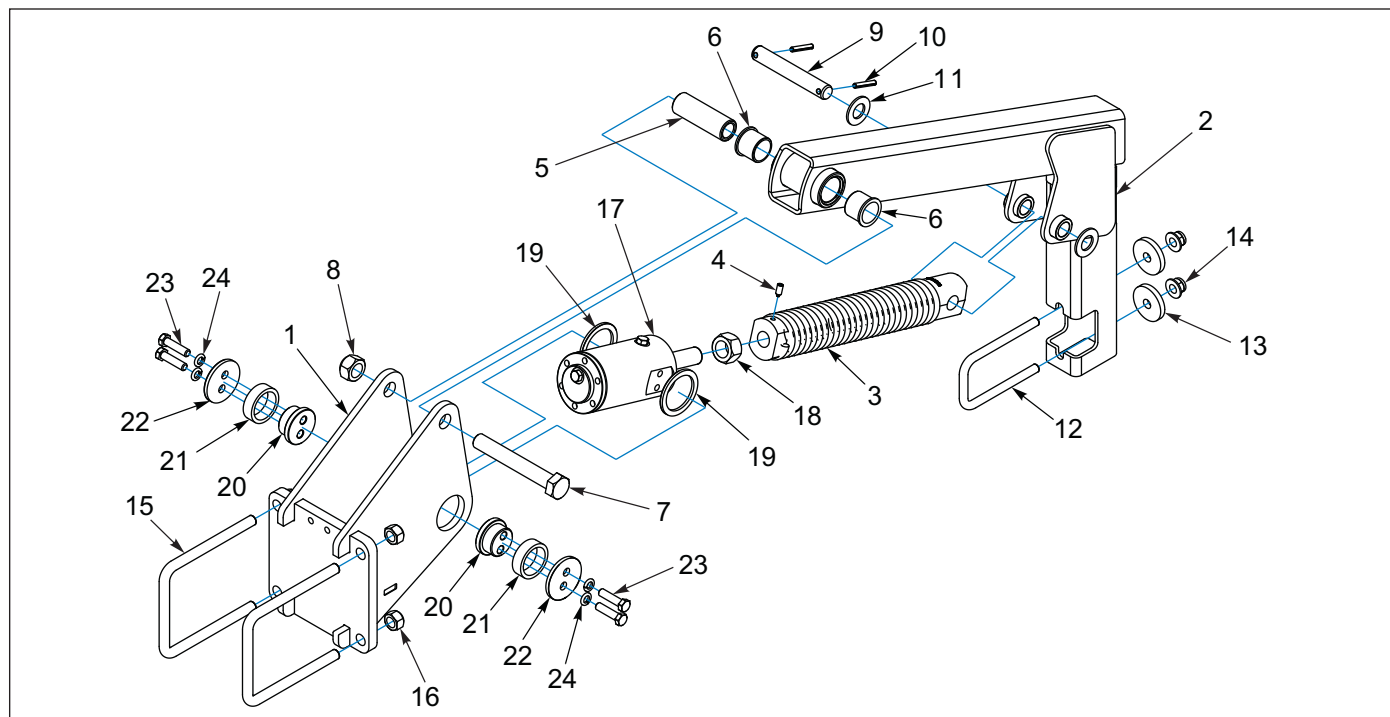


Figure 1-70: Harrow Arm Assembly, Center With Lift

Harrow Arm Assembly, Center With Lift

ITEM	PART NUMBER	DESCRIPTION	QTY
	221586	CENTER HARROW ARM ASM, WITH LIFT	1
1	221587	MOUNT, CTR HARROW ARM	1
2	221582	ARM, HARROW	1
3	206652	SPRING ASM, HVY - 17"	1
4	1P444	SET SCREW, 3/8-16 X 3/4 NYLON TIP	1
5	155002	BUSHING, PIVOT - 1-1/2	1
6	140599	BEARING, FLANGE 1-1/2	2
7	100830	HHCS, 1-8 X 7, GR5	1
8	1-512-010005-19	NUT, LOCK 1-8, GRB	1
9	6J580	PIN, 1 X 6-1/2	1
10	147072	PIN, SPRING SLOTTED 5/16 X 2	2
11	1-861-010032-24	WASHER, FLAT 1" SAE, ZP	2
12	8-102-010043	U-BOLT, 5/8-11 X 3-11/16 X 6-3/8	1
13	171745	WASHER, 0.656 X 2.5 X 0.375, ZP	2
14	2P254	NUT, FLANGE NY-LOK 5/8-11	2
15	7K723	U-BOLT, 3/4-10 X 6-13/16 X 7-3/4	2
16	1-512-010005-15	NUT, LOCK 3/4-10, GRB, ZP	4
17	224178	HYD CYL, 2-1/2 X 2-1/2 BLACK	1
18	206675	NUT, HEX 1-1/8-12, ZP	1
19	214085	WASHER, 2.531 X 3.25 X .187 SS	2
20	221584	STUB SHAFT, CYLINDER	2
21	191925	TRUNION, BEARING	2
22	224177	RETAINER, 2-HOLE	2
23	1-654-010055-05	SCREW, HEX CAP, 1/2-13UNC X 2, GR5	4
24	1-861-010034-13	WASHER, LOCK 1/2, ZP	4

Harrow Arm Assembly, Wing With Lift

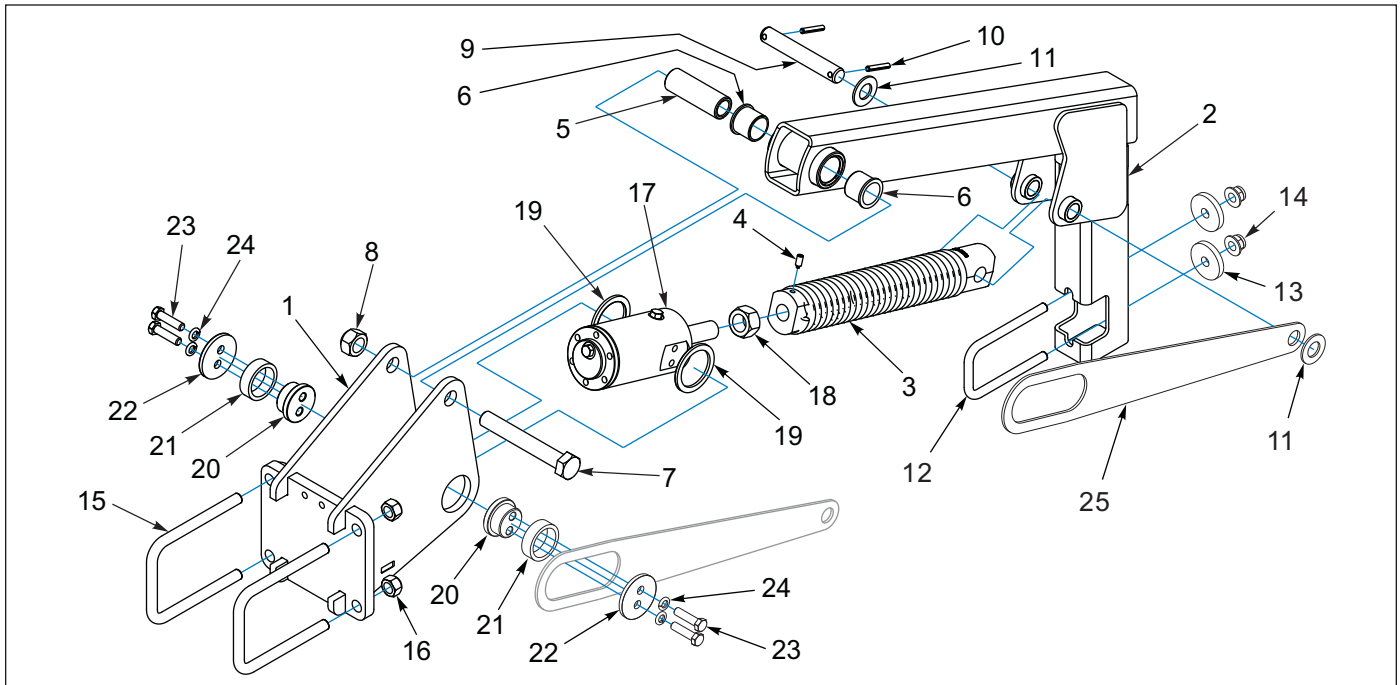


Figure 1-71: Harrow Arm Assembly, Wing With Lift

Harrow Arm Assembly, Wing With Lift

ITEM	PART NUMBER	DESCRIPTION	QTY
	221585	WING HARROW ARM ASM, WITH LIFT	1
1	221579	MOUNT, WING HARROW ARM	1
2	221582	ARM, HARROW	1
3	206652	SPRING ASM, HVY - 17"	1
4	1P444	SET SCREW, 3/8-16 X 3/4 NYLON TIP	1
5	155002	BUSHING, PIVOT - 1-1/2	1
6	140599	BEARING, FLANGE 1-1/2	2
7	100830	HHCS, 1-8 X 7, GR5	1
8	1-512-010005-19	NUT, LOCK 1-8, GRB	1
9	6J580	PIN, 1 X 6-1/2	1
10	147072	PIN, SPRING SLOTTED 5/16 X 2	2
11	1-861-010032-24	WASHER, FLAT 1" SAE, ZP	2
12	8-102-010043	U-BOLT, 5/8-11 X 3-11/16 X 6-3/8	1
13	171745	WASHER, 0.656 X 2.5 X 0.375, ZP	2
14	2P254	NUT, FLANGE NY-LOK 5/8-11	2
15	140484	U-BOLT, 3/4-10 X 5	2
16	1-512-010005-15	NUT, LOCK 3/4-10, GRB, ZP	4
17	224178	HYD CYL, 2-1/2 X 2-1/2 BLACK	1
18	206675	NUT, HEX 1-1/8-12, ZP	1
19	214085	WASHER, 2.531 X 3.25 X .187 SS	2
20	221584	STUB SHAFT, CYLINDER	2
21	191925	TRUNION, BEARING	2
22	224177	RETAINER, 2-HOLE	2
23	1-654-010055-05	SCREW, HEX CAP, 1/2-13UNC X 2, GR5	4
24	1-861-010034-13	WASHER, LOCK 1/2, ZP	4
25	241282	STOP, HARROW ARM (AFTER 04/25/2022)	1

Harrow Assembly, 3 Row - 107" Tube - Optional

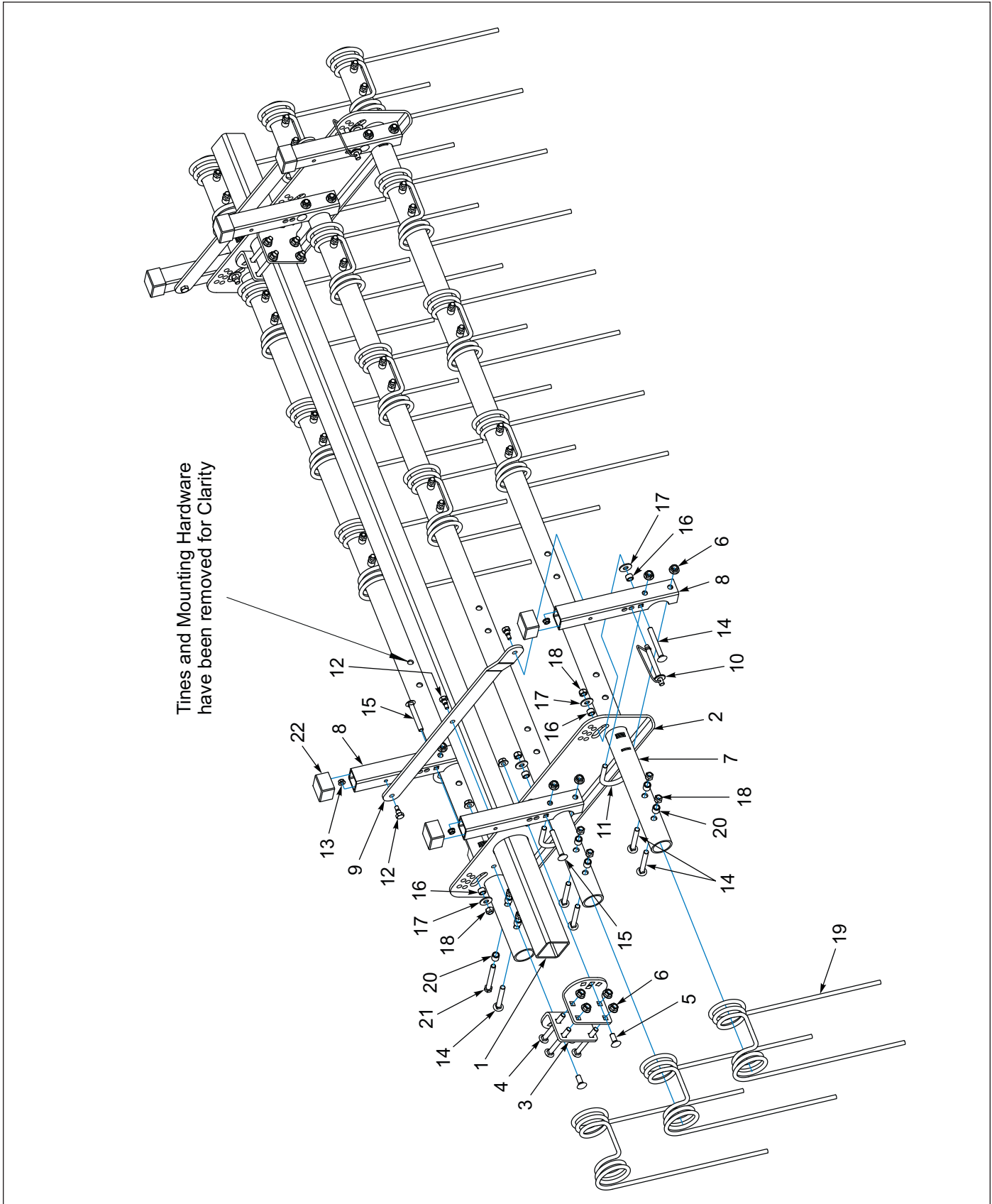


Figure 1-72: Harrow Assembly, 3 Row - 107" Tube - Optional

Harrow Assembly, 3 Row - 107" Tube - Optional

ITEM	PART NUMBER	DESCRIPTION	QTY
	198620	HARROW ASM, 3 ROW, 107 TUBE	1
1	155005	TUBE, RIDE BAR	1
2	166336	PLATE, GANG BAR 3 ROW	2
3	154998	PLATE, ANGLE ADJUSTMENT	4
4	1-654-010070-14	SCREW, 1/2-13 X 4-1/2 RDHD SQNCK	8
5	1-654-010070-02	SCREW, 1/2-13 X 1-1/4 RDHD SQNCK	4
6	1-510-010003-09	NUT, 1/2-13 FLANGE HD, SERRATED	24
7	164320	GANG BAR 7 TINE 8IN 105"	3
8	154994	TUBE, ANGLE ADJUST	6
9	168763	LINK TINE ADJUSTMENT 3 ROW	2
10	155971	PIN, HARROW ADJ	2
11	154995	U-BOLT, 1/2-13	6
12	2-095-010017	BOLT, SHOULDER HEX HEAD	6
13	107470	NUT, SPIRALOCK 3/8-16 HEX	6
14	1-654-010070-13	SCREW, RDHD, SQNCK 1/2-13 X 4	37
15	1-654-010070-11	SCREW, RDHD, SQNCK 1/2-13 X 3-1/2	4
16	155956	BUSHING ANGLE ADJUSTMENT	8
17	1-861-010032-15	WASHER, FLAT 1/2 W, ZP/CD	8
18	1-512-010005-09	NUT, HEX SLFLKG, 1/2-13, GRB	48
19	164315	TINE, HARROW 7/16 X 18	21
20	154997	TUBE, 0.75 OD X 0.532 ID X 0.75, ZP	49
21	1-654-010055-14	SCREW, HX CP, 1/2-13UNC X 4-1/2, G5	7
22	155927	CAP, TUBE 1.95 X 1.5 BLACK	6

Harrow Assembly, 6 Tine, 3 Row - Optional

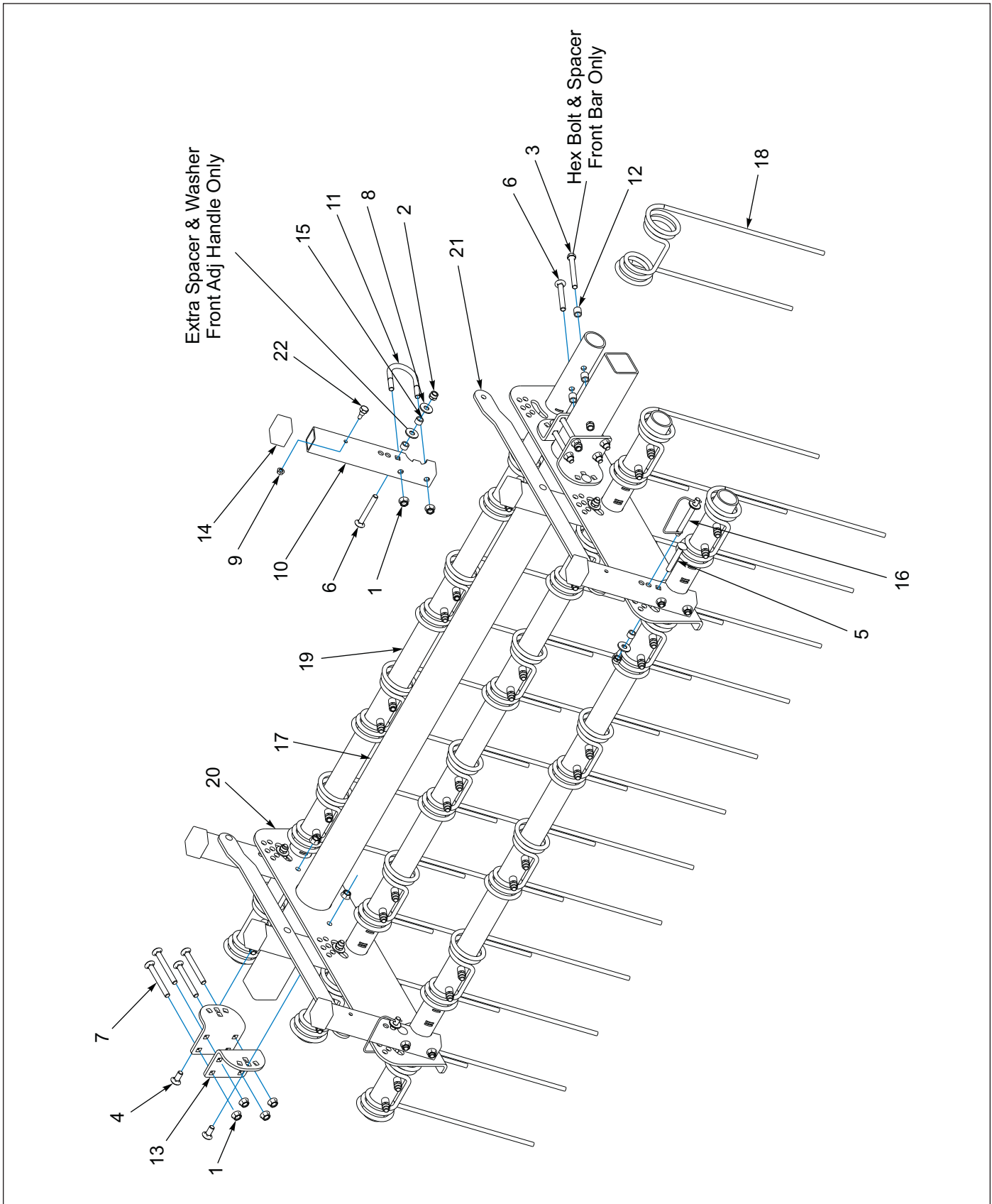


Figure 1-73: Harrow Assembly, 6 Tine, 3 Row - Optional

Harrow Assembly, 6 Tine, 3 Row - Optional

ITEM	PART NUMBER	DESCRIPTION	QTY
	168800	HARROW ASM, 6 TINE, 3 ROW	1
1	1-510-010003-09	NUT, FLG HD, SERR, 1/2-13 UNC	24
2	1-512-010005-09	NUT, HEX, SLFLKG, 1/2-13 UNC, GRB	42
3	1-654-010055-14	SCREW, HEX, 1/2-13UNC X 4-1/2, GR5	6
4	1-654-010070-02	SCREW, RDHD, SQNK, 1/2-13 X 1-1/4	4
5	1-654-010070-11	SCREW, RDHD, SQNK, 1/2-13 X 3-1/2	4
6	1-654-010070-13	SCREW, RDHD, SQNK, 1/2-13 X 4	32
7	1-654-010070-14	SCREW, RDHD, SQNK, 1/2-13 X 4-1/2	8
8	1-861-010032-15	WASHER, FLAT, ZP/CD, 1/2W	8
9	107470	NUT, FLG HD, SPIRALOCK, 3/8-16 UNC	6
10	154994	TUBE, ANGLE ADJUST	6
11	154995	U-BOLT, 1/2-13UNC	6
12	154997	TUBE. ROUND .75 OD X .532 ID X.75	42
13	154998	PLATE, ANGLE ADJUSTMENT	4
14	155927	CAP, TUBE 1.95 X 1.5 BLACK	6
15	155956	TUBE. ROUND .75 OD X .532 ID X.5	8
16	155971	PIN, SPRING CLIP	2
17	156778	TUBE, RIDE BAR 90.5"	1
18	164315	TINE, HARROW 7/16 X 18	18
19	164319	GANG BAR 6 TINE 8 IN 89"	3
20	166336	PLATE, GANG BAR 3 ROW	2
21	168763	LINK, TINE ADJUSTMENT 3 ROW	2
22	2-095-010017	SCREW, HEX, 1/2-13UNC X 1, GR5	6

Harrow Assembly, 7 Tine, 3 Row - Optional

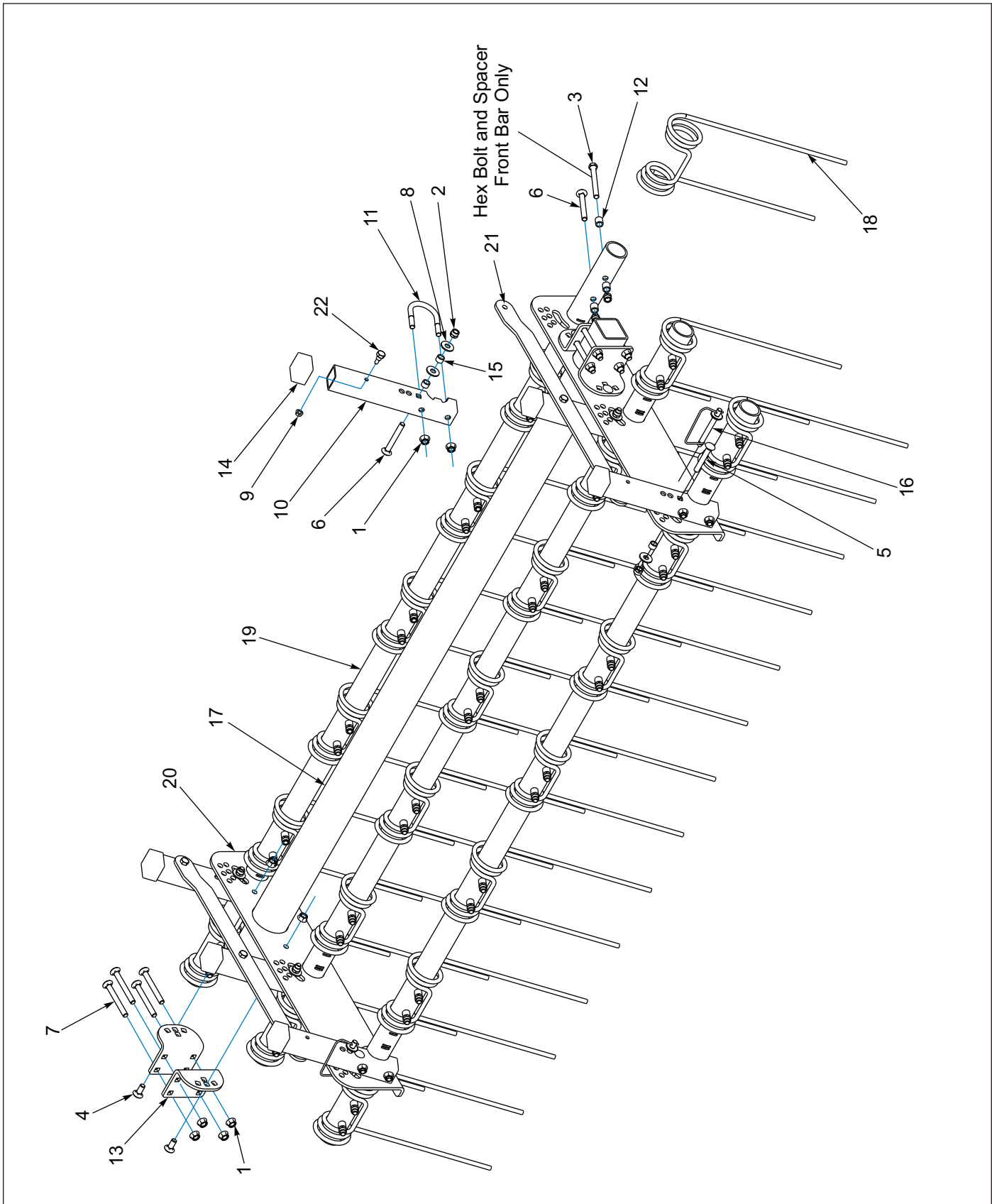


Figure 1-74: Harrow Assembly, 7 Tine, 3 Row - Optional

Harrow Assembly, 7 Tine, 3 Row - Optional

ITEM	PART NUMBER	DESCRIPTION	QTY
	168801	HARROW ASM, 7 TINE, 3 ROW	1
1	1-510-010003-09	NUT, FLG HD, SERRATED, 1/2-13 UNC	24
2	1-512-010005-09	NUT, HEX, SLFLKG, 1/2-13 UNC, GRB	48
3	1-654-010055-14	SCREW, HEX, 1/2-13UNC X 4-1/2, GR5	7
4	1-654-010070-02	SCREW, RDHD, SQNK, 1/2-13 X 1-1/4	4
5	1-654-010070-11	SCREW, RDHD, SQNK, 1/2-13 X 3-1/2	4
6	1-654-010070-13	SCREW, RDHD, SQNK, 1/2-13 X 4	37
7	1-654-010070-14	SCREW, RDHD, SQNK, 1/2-13 X 4-1/2	8
8	1-861-010032-15	WASHER, FLAT, ZP/CD, 1/2W	8
9	107470	NUT, FLG HD, SPIRALOCK, 3/8-16 UNC	6
10	154994	TUBE, ANGLE ADJUST	6
11	154995	U-BOLT, 1/2-13UNC	6
12	154997	TUBE. ROUND .75 OD X .532 ID X.75	49
13	154998	PLATE, ANGLE ADJUSTMENT	4
14	155927	CAP, TUBE 1.95 X 1.5 BLACK	6
15	155956	TUBE. ROUND .75 OD X .532 ID X.5	8
16	155971	PIN, SPRING CLIP	2
17	156778	TUBE, RIDE BAR 90.5"	1
18	164315	TINE, HARROW 7/16 X 18	21
19	164320	GANG BAR 6 TINE 8 IN 89"	3
20	166336	PLATE, GANG BAR 3 ROW	2
21	168763	LINK, TINE ADJUSTMENT 3 ROW	2
22	2-095-010017	SCREW, HEX, 1/2-13UNC X 1, GR5	6

Clamp End Spacer Kits 1 of 2 - Optional

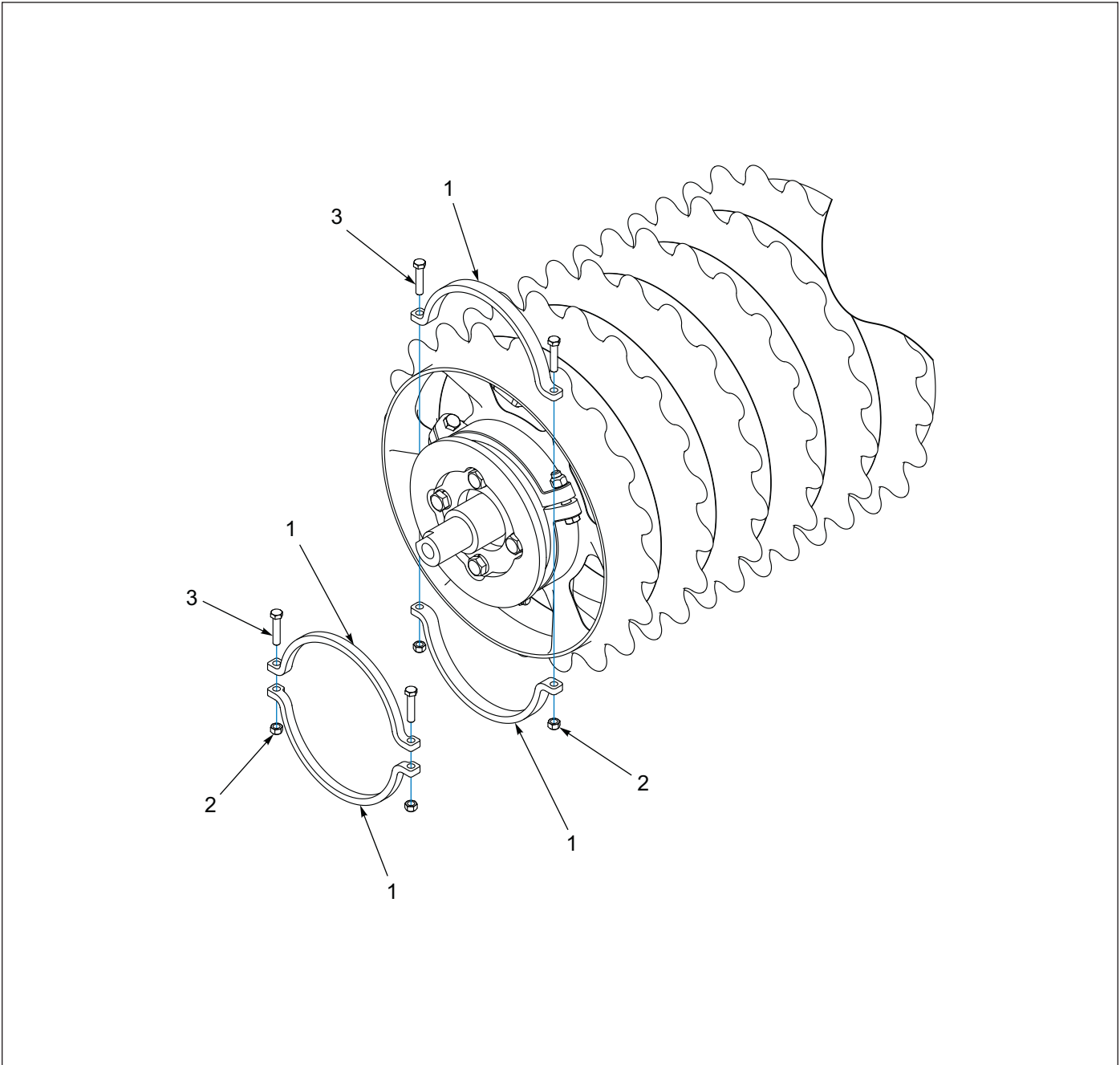


Figure 1-75: Clamp End Spacer Kits 1 of 2 - Optional

Clamp End Spacer Kits, 1 of 2 Optional

ITEM	PART NUMBER	DESCRIPTION	QUANTITY	
			3/4"	1/2"
	201442	KIT, 3/4" CLAMP END SPACER	1	--
	201443	KIT, 1/2" CLAMP END SPACER	--	1
1	185142	AXLE SPACER, 3/4"	2	--
1	185141	AXLE SPACER, 1/2"	--	2
2	1-512-010005-05	NUT, HEX SLFLKG GRB 3/8-16	2	2
3	1-654-010051-08	SCREW, HEX CAP, 3/8-16 X 1-3/4	2	2

Clamp End Spacer Kits 2 of 2 - Optional

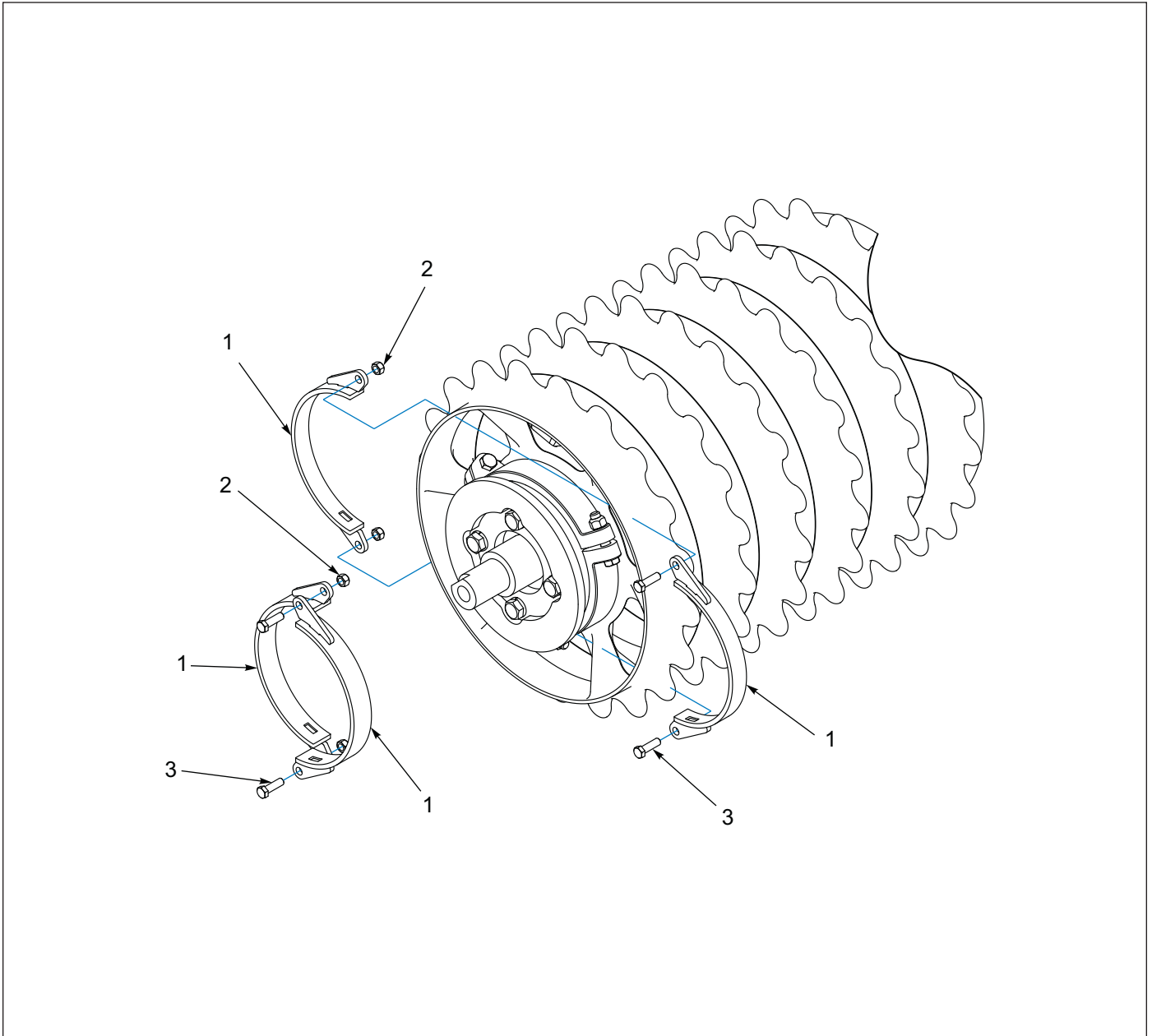


Figure 1-76: Clamp End Spacer Kits 2 of 2 - Optional

Clamp End Spacer Kits 2 of 2 - Optional

ITEM	PART NUMBER	DESCRIPTION	QUANTITY		
			1"	1-1/4"	1-1/2"
	204831	KIT, 1" CLAMP END SPACER	1	--	--
	204832	KIT, 1-1/4" CLAMP END SPACER	--	1	--
	204833	KIT, 1-1/2" CLAMP END SPACER	--	--	1
1	204835	AXLE SPACER, 1"	2	--	--
1	204836	AXLE SPACER, 1-1/4"	--	2	--
1	204837	AXLE SPACER, 1-1/2"	--	--	2
2	1-512-010005-05	NUT, HEX SLFLKG GRB 3/8-16	2	2	2
3	1-654-010051-05	SCREW, HEX CAP, 3/8-16 X 1, GR5	2	2	2

Land Leveler - Optional

ITEM	PART NUMBER	DESCRIPTION	QTY
	221591	LAND LEVELER KIT, 3631-36	1
1	213917	MOUNT, LEVELER	10
2	7K723	U-BOLT, 3/4-10 X 6-13/16 X 7-3/4 (CENTER)	8
3	140484	U-BOLT, 3/4 X 5 (WING)	12
4	1-861-010032-20	WASHER, FLAT, 3/4 B, ZP/CD	40
5	1-512-010005-15	NUT, HEX SLFLKG GRB 3/4-10	40
6	1-654-010055-09	SCREW, HX CP, 1/2-13UNC X 3, GR5	20
7	185143	TUBE, RD 0.563 X 1.0 X 1.5	20
8	1-861-010032-14	WASHER, FLAT 1/2" N, ZP/CD	20
9	1-512-010005-09	NUT, HEX SLFLKG 1/2-13, GRB	20
10	1-557-010362-87	PIN, COTTER 3/8 X 2-1/2	10
11	214008	LEVELER, LH CTR	1
12	214009	LEVELER, RH CTR	1
13	221542	LEVELER, LH WING 124" WELDMENT	1
14	221543	LEVELER, RH WING 124" WELDMENT	1

V-Leveler - Optional

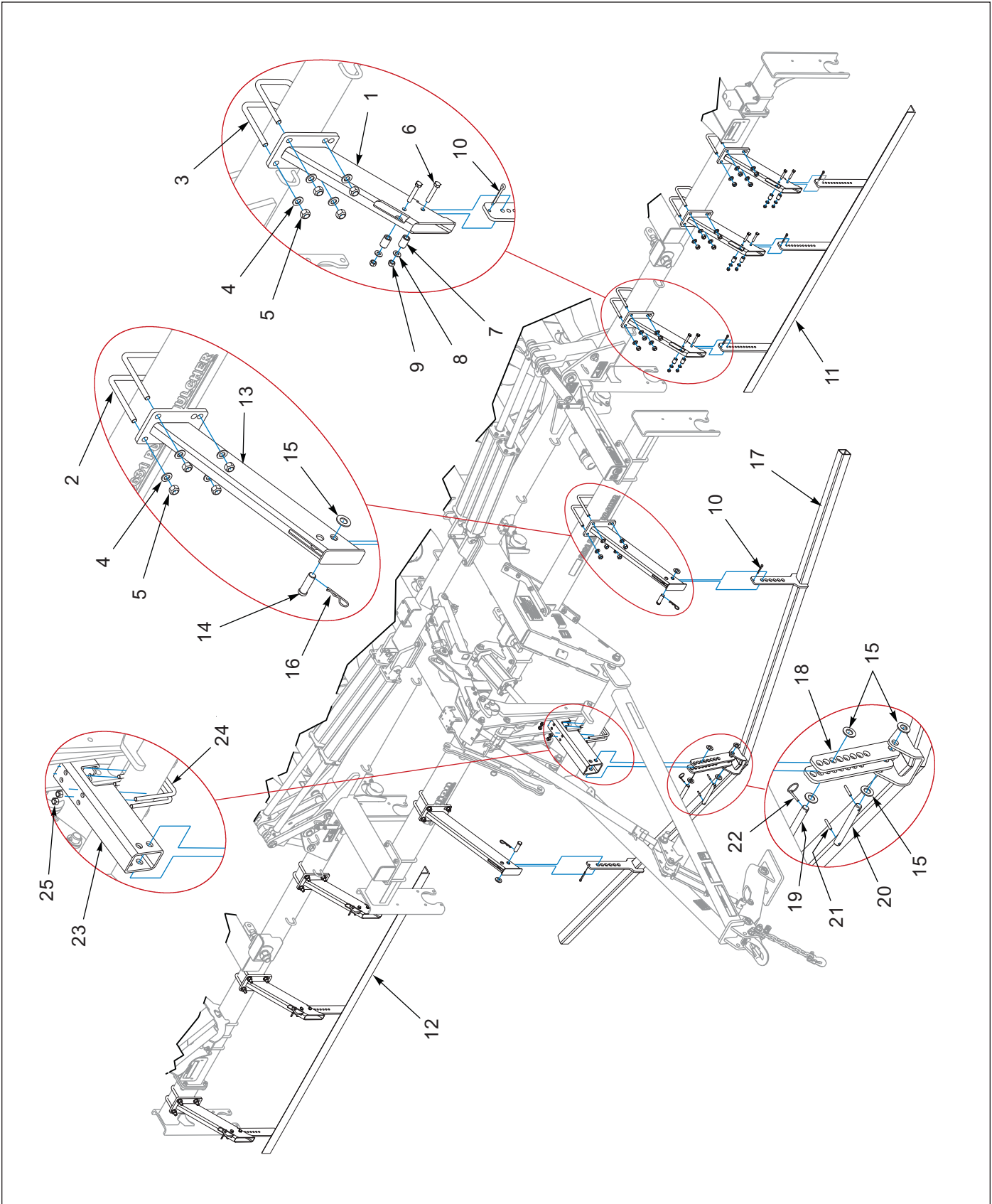


Figure 1-78: V-Leveler - Optional

V-Leveler - Optional

ITEM	PART NUMBER	DESCRIPTION	QTY
	221592	V-LEVELER KIT, 3631-36	1
1	213917	MOUNT LEVELER (WINGS)	6
2	7K723	U-BOLT, 3/4-10 X 6-13/16 X 7-3/4 (CENTER)	4
3	140484	U-BOLT, 3/4 X 5 (WINGS)	12
4	1-861-010032-20	WASHER, FLAT, 3/4 N, ZP/CD	32
5	1-512-010005-15	NUT, HEX, SLFLKG GRB 3/4-10	32
6	1-654-010055-09	SCREW, HX CP, 1/2-13UNC X 3, GR5	12
7	185143	TUBE, RD 0.563 X 1.0 X 1.5	12
8	1-861-010032-14	WASHER, FLAT 1/2" N, ZP/CD	12
9	1-512-010005-09	NUT, HEX, SLFLKG, 1/2-13, GRB	12
10	1-557-010362-87	PIN, COTTER 3/8 X 2-1/2	8
11	221542	LEVELER, LH WING 124" WELDMENT	1
12	221543	LEVELER, RH WING 124" WELDMENT	1
13	214501	MOUNT LEVELER (CENTER)	2
14	2D799	CLEVIS PIN (1 X 3)	2
15	1-861-010032-24	WASHER FL 1IN NARROW, ZP	6
16	1D594	HAIR PIN COTTER .178 X 3-9/16	2
17	214017	V-LEVELER, 17 FT	1
18	214018	LINK, LEVELER	2
19	183516	PIN, 1 X 7	1
20	8K113	PIN, 1 X 8.0	1
21	147072	PIN, SPRING SLOTTED 5/16 X 2	3
22	1-557-010327	PIN LYNCH 1/4 X 1-1/4	1
23	214013	BRACKET, CENTER V LEVELER	1
24	2-102-010037	U-BOLT, CENTER SCRAPER	2
25	1-512-010005-13	NUT, HEX SLFLKG GRB 5/8-11	4

Rear Hitch - Optional

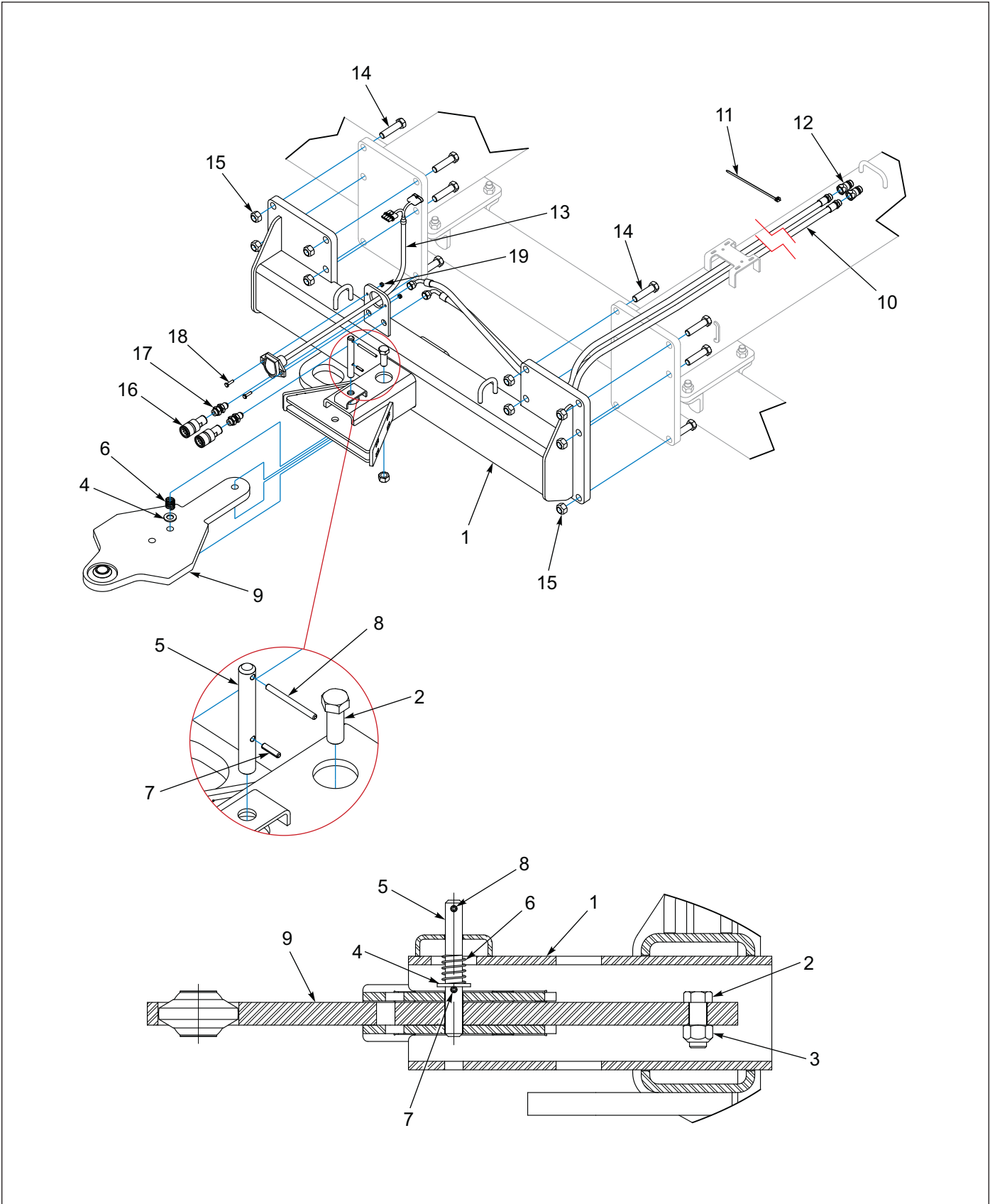


Figure 1-79: Rear Hitch - Optional

Rear Hitch - Optional

ITEM	PART NUMBER	DESCRIPTIO	QTY
	214025	KIT, NARROW REAR HITCH	1
1	211271	HITCH WELDMENT, 3625 REAR	1
2	1-654-010061-05	HHCS, 3/4-10 X 2 GR5, ZP	1
3	1-512-010005-15	NUT, HEX, SLFLKG GRB 3/4-10	1
4	1-861-010032-20	WASHER, FLAT, 3/4 N, ZP/CD	1
5	3-375-010371	HITCH PIN AGRI	1
6	CO-975-74-2000	SPRING COMPRESSION	1
7	0600-250-01000	1/4 X 1 ROLL PIN, ZP	1
8	0600-250-03000	1/4 X 3 ROLL PIN, ZP	1
9	183599	HITCH, REAR TOW	1
10	213852	HOSE ASM, 3/8 X 460, 8FJS90 X 8MOR	2
11	105-0228	TYWRAP 8IN LG TY-5272MX	15
12	141828	MALE COUPLER, 8 O-RING	2
13	143871	HARNESS, TANDEM ADAPTER	1
14	1-654-010061-09	SCREW, HX CP 3/4-10UNC X 3, GR5	12
15	1-512-010005-15	NUT, HEX, SLFLKG GRB 3/4-10	12
16	142668	FEMALE COUPLER, 8 O-RING	2
17	1P782	BULKHEAD, 08MJ X 08MOR	2
18	1-654-010047-06	SCREW, HX CP 1/4-20UNC X 1, GR5	2
19	1-512-010005-01	NUT, HEX SLFLKG GRB, 1/4-20	2
20	2-181-010001	HOSE CLAMP (NOT SHOWN)	2

Hydraulic Cylinder, 1-3/4 x 6 - Prince

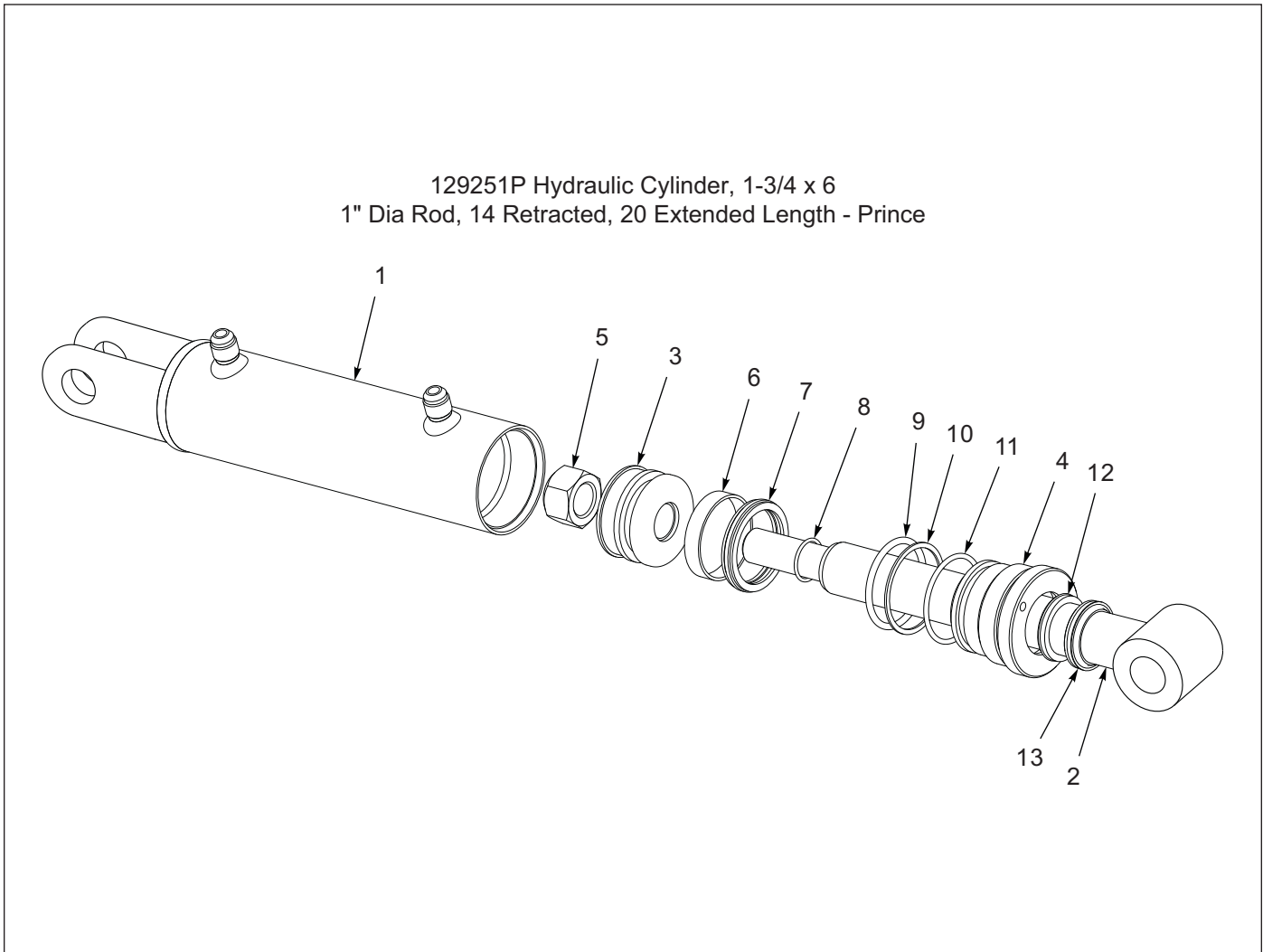


Figure 1-80: Hydraulic Cylinder, 1-3/4 x 6 - Prince

Hydraulic Cylinder, 1-3/4 x 6 - Prince

ITEM	PART NUMBER	DESCRIPTION	QTY
	129251	CYLINDER, HYD 1-3/4 X 6	1
1	-----	BUTT AND TUBE ASSEMBLY	1
2	169650	PISTON ROD	1
3	-----	PISTON	1
4	169651	GLAND	1
5	-----	LOCKNUT	1
6	-----	BEARING RING	1
7	-----	CROWN SEAL	1
8	-----	O-RING	1
9	-----	O-RING	1
10	-----	BU-WASHER	1
11	-----	O-RING	1
12	-----	U-CUP	1
13	-----	WIPER	1
14	131868	PACKING KIT (INCLUDES ITEM 6-13)	1

Hydraulic Cylinder, 2-1/2 x 2-1/2

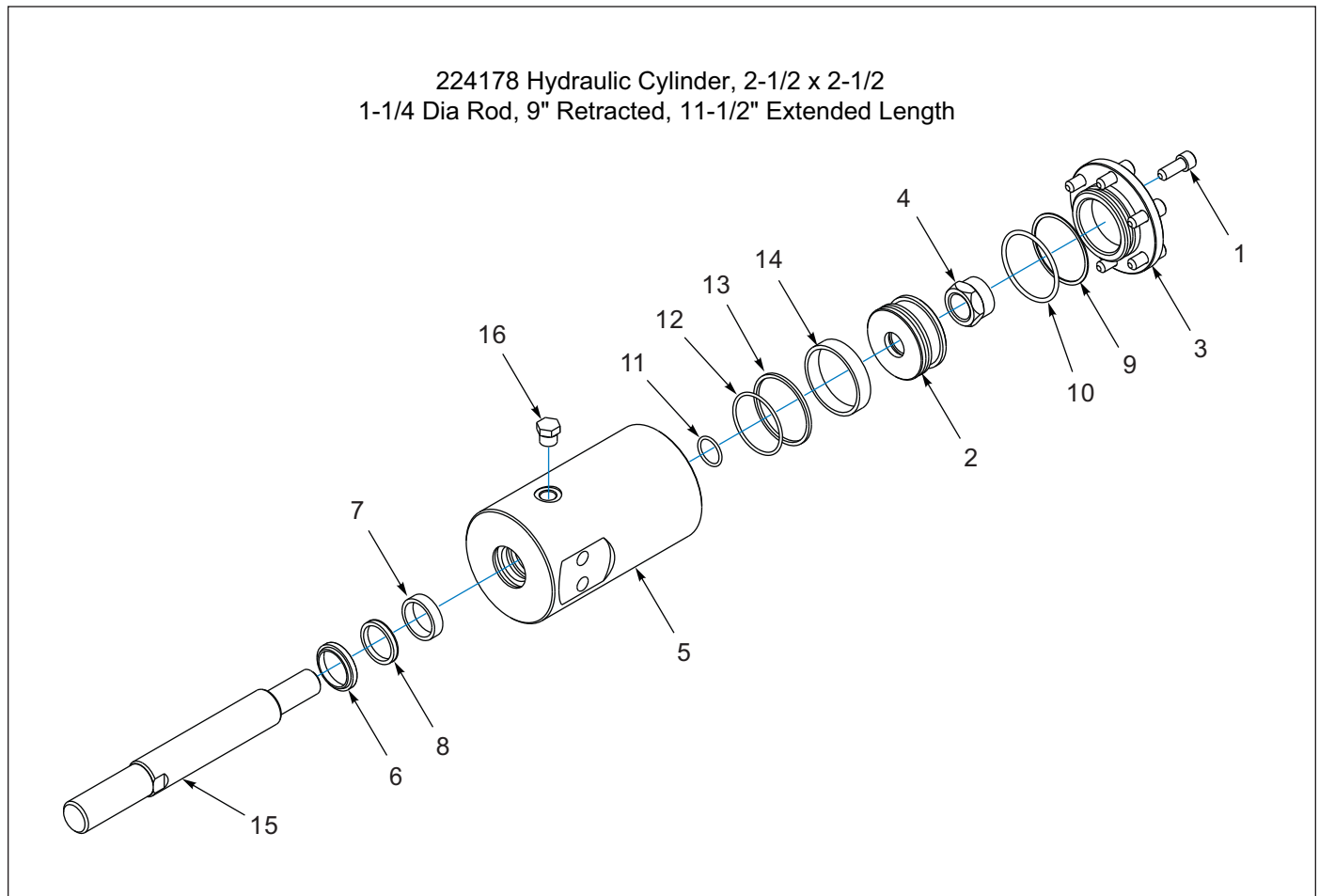


Figure 1-81: Hydraulic Cylinder, 2-1/2 x 2-1/2

Hydraulic Cylinder, 2-1/2 x 2-1/2

ITEM	PART NUMBER	DESCRIPTION	QTY
	224178	CYLINDER, HYDRAULIC 2-1/2 X 2-1/2	1
1	1-654-010104245	SCREW, HEX SKT, 3/8-16 UNC X 1	6
2	171079	PISTON, 2-1/2 BORE	1
3	171080	2-1/2" BASE CAP	1
4	171093	NUT, HEX, SLFLKG, 7/8-14, GRC	1
5	172538	CYLINDER, BARREL 2-1/2 STROKE	1
6	-----	WIPER, 1-1/4 ROD	1
7	-----	WEAR RING, 1-1/4 ROD	1
8	-----	U-CUP, 1-1/4 ROD	1
9	-----	BACK-UP RING - CAP	1
10	-----	O-RING - CAP	1
11	-----	O-RING - PISTON	1
12	-----	O-RING PISTON	1
13	-----	SEAL, 2-1/2 PISTON	1
14	-----	WEAR RING, 2-1/2 PISTON	1
15	206673	ROD, 1-1/4 DIA	1
16	900598-6S	PLUG O-RING 9/16 - 18 AEROQUIP	2
17	171081	SEAL KIT (INCLUDES ITEMS 6-14)	1

Hydraulic Cylinder, 4 x 8 - Prince

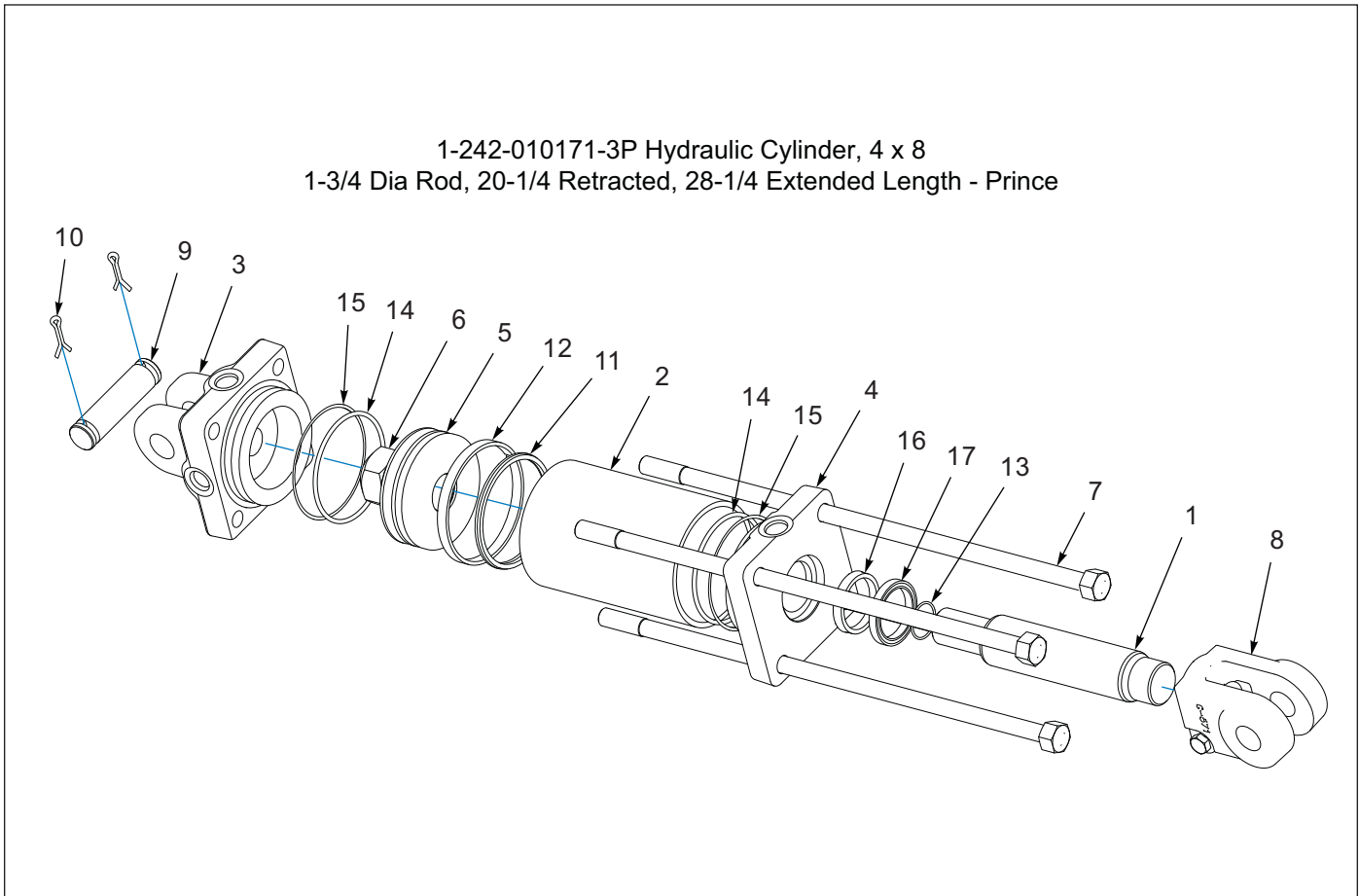


Figure 1-82: Hydraulic Cylinder, 4 x 8 - Prince

Hydraulic Cylinder, 4 x 8 - Prince

ITEM	PART NUMBER	DESCRIPTION	QTY
	1-242-010171-3	CYLINDER, HYDRAULIC 4 X 8 3000 PSI	1
1	011000318	PISTON ROD	1
2	-----	TUBE	1
3	-----	BUTT	1
4	162674	GLAND	1
5	-----	PISTON	1
6	-----	LOCKNUT	1
7	-----	TIE ROD ASSEMBLY	4
8	100000326	CLEVIS ASSEMBLY	1
9	190400035	CLEVIS PIN	2
10	110-4224	PIN, COTTER 3/16 X 2IN LG	4
11	-----	CROWN SEAL	1
12	-----	O-RING	1
13	-----	O-RING	2
14	-----	BU-WASHER	2
15	-----	U-CUP	1
16	-----	WIPER	1
17	-----	BEARING RING	1
18	1-242-010178-3	PACKING KIT (INCLUDES ITEMS 11-17)	1

Hydraulic Cylinder, 4-1/2 x 14 - Prince

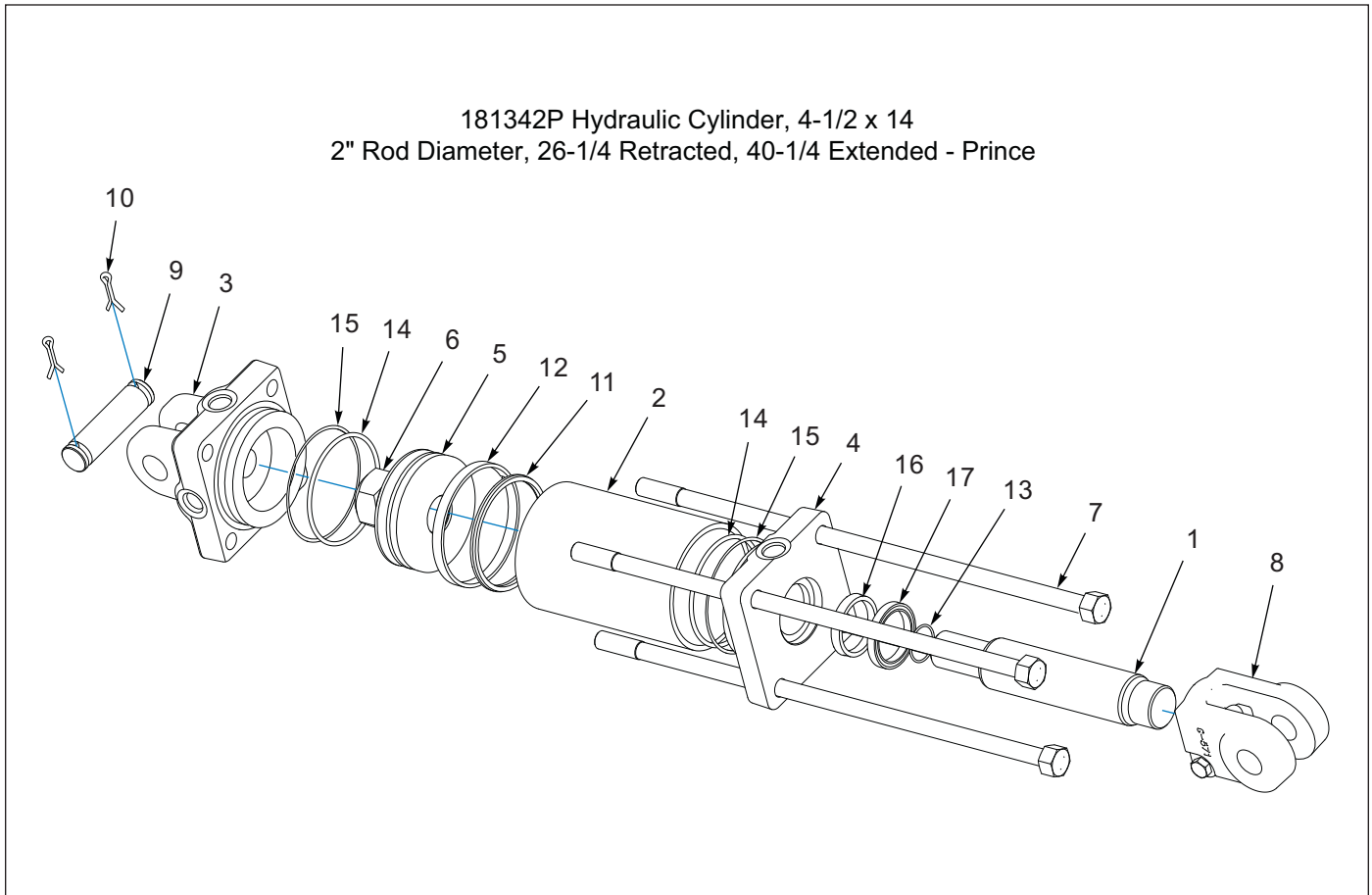


Figure 1-83: Hydraulic Cylinder, 4-1/2 x 14 - Prince

Hydraulic Cylinder, 4-1/2 x 14 - Prince

ITEM	PART NUMBER	DESCRIPTION	QTY
	181342	CYLINDER, HYDRAULIC 4-1/2 X 14	1
1	-----	PISTON ROD	1
2	-----	TUBE	1
3	-----	BUTT	1
4	163038	GLAND	1
5	-----	PISTON	1
6	-----	LOCKNUT	1
7	-----	TIE ROD ASSEMBLY	1
8	100000362	CLEVIS ASSEMBLY	1
9	4J549	HINGE PIN (1.25 X 4.0)	2
10	110-4224	PIN, COTTER 3/16 X 2IN LG	4
11	-----	CROWN SEAL	2
12	-----	BEARING RING	1
13	-----	O-RING	1
14	-----	O-RING	2
15	-----	BU-WASHER	2
16	-----	U-CUP	1
17	-----	WIPER	1
18	132077	SEAL KIT, PMCK-SAE-34500 (INCLUDES ITEMS 11-17)	1

Hydraulic Cylinder, 4-1/2 x 8 Re-Phase - Prince

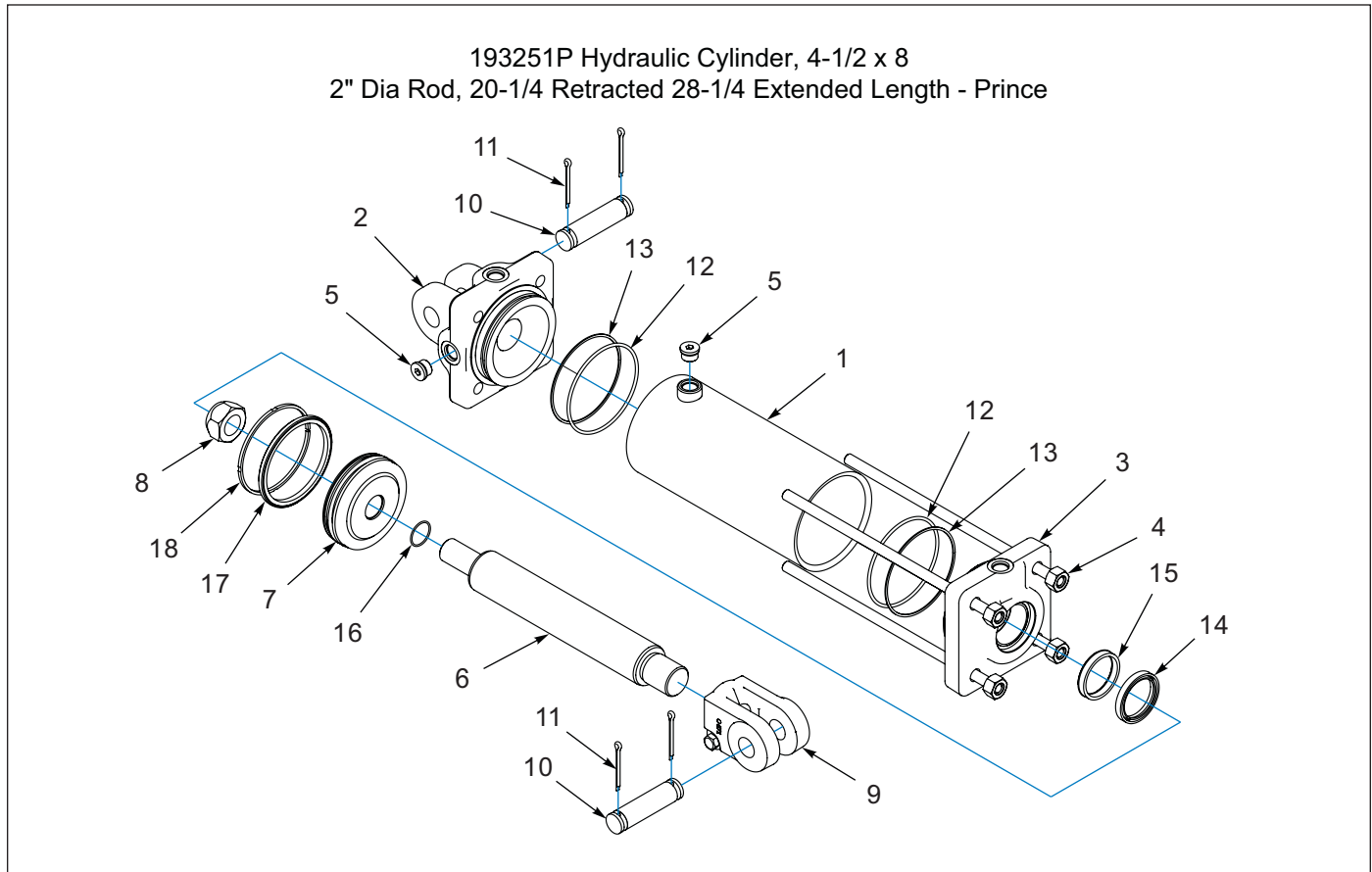


Figure 1-84: Hydraulic Cylinder, 4-1/2 x 8 - Prince

Hydraulic Cylinder, 4-1/2 x 8 Re-Phase - Prince

ITEM	PART NUMBER	DESCRIPTION	QTY
	193251	HYD CYL 4-1/2 X 8 RE-PHASE	1
1	-----	TUBE ASM	1
2	142000004	BUTT	1
3	082000092	ROD CAP	1
4	-----	TIE ROD ASM	4
5	-----	PORT PLUG	2
6	-----	PISTON ROD	1
7	-----	PISTON	1
8	220000211	LOCKNUT	1
9	100000326	CLEVIS ASM	1
10	190400004	CYLINDER PIN 4IN	2
11	110-4224	PIN, COTTER 3/16 X 2IN LG	4
12	-----	O-RING	2
13	-----	BU-WASHER	2
14	-----	WIPER	1
15	-----	U-CUP	1
16	-----	O-RING	1
17	-----	CHAMF TEFLON SEAL	1
18	-----	BEARING RING	1
19	113216	SEAL KIT, PMCK-AU-0650 (INCLUDES ITEMS 12-18)	1

Hydraulic Cylinder, 4 x 8 Re-Phase - Prince

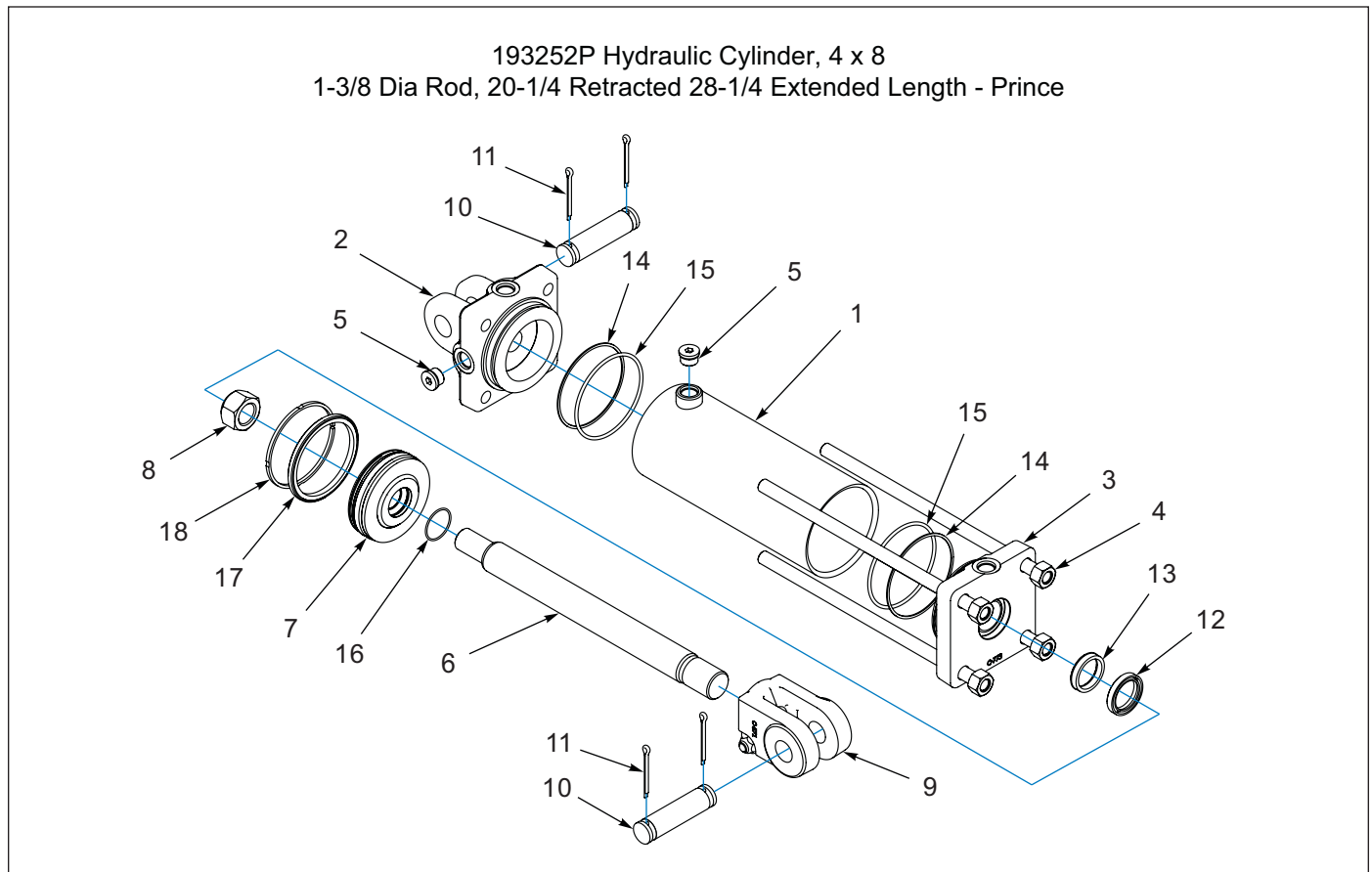


Figure 1-85: Hydraulic Cylinder, 4 x 8 Re-Phase - Prince

Hydraulic Cylinder, 4 x 8 Re-Phase - Prince

ITEM	PART NUMBER	DESCRIPTION	QTY
	193252	HYD CYL 4 X 8 RE-PHASE	1
1	-----	TUBE ASSY	1
2	147375	BUTT	1
3	081900374	GLAND ASSY	1
4	-----	TIE ROD ASSY	4
5	-----	PORT PLUG	2
6	-----	PISTON ROD	1
7	-----	PISTON	1
8	-----	PISTON NUT	1
9	140306	CLEVIS FOR 1-242-010179-2	1
10	190400004	CYLINDER PIN 4IN	2
11	110-4224	PIN, COTTER 3/16 X 2IN LG	4
12	-----	ROD WIPER	1
13	-----	U-CUP	1
14	-----	BU-WASHER	2
15	-----	O-RING	2
16	-----	O-RING	1
17	-----	RECT TEFLON	1
18	-----	BEARING RING	1
19	113215	SEAL KIT,PMCK-AU-0649 (INCLUDES ITEMS 12-18)	1

Hydraulic Cylinder, 4-1/2 x 14 Re-Phase - Prince

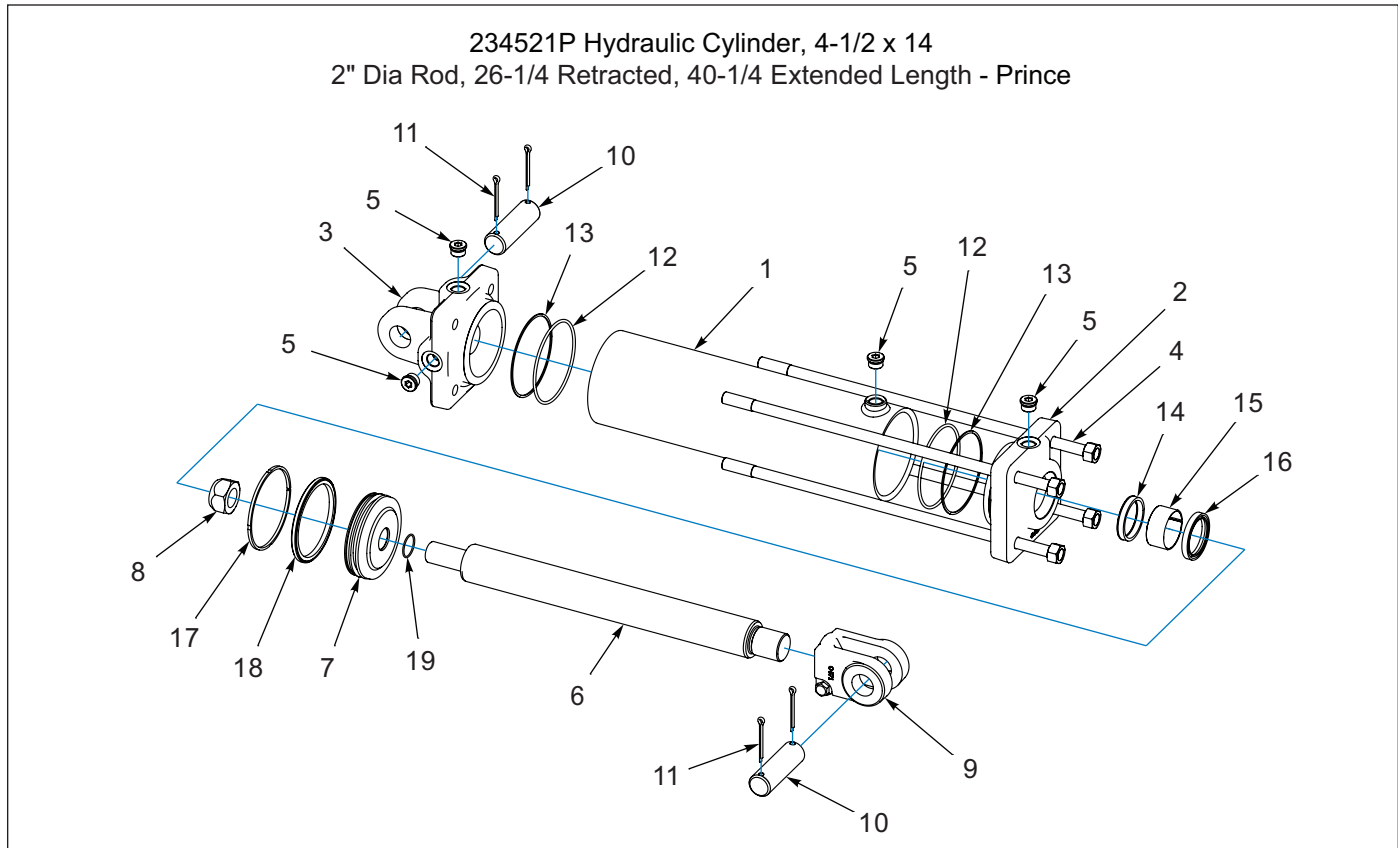


Figure 1-86: Hydraulic Cylinder, 4-1/2 x 14 Re-Phase - Prince

Hydraulic Cylinder, 4-1/2 x 14 Re-Phase - Prince

ITEM	PART NUMBER	DESCRIPTION	QTY
	234521	CYLINDER, REPHASE 4-1/2 X 14	1
1	-----	BYPASS TUBE ASM	1
2	-----	GLAND	1
3	-----	BUTT CLEVIS	1
4	-----	THE ROD STUD W/HEX NUT	4
5	121029	PLUG #8 SAE M O-R BOSS HX SKT	4
6	-----	PISTON ROD	1
7	-----	PISTON	1
8	220000211	NUT, HYD CYL 1-242-010173-6	1
9	100000328	CLEVIS ASSY, 4-1/2X12 CYL	1
10	4J549	HINGE PIN (1.25 X 4.0 H2)	2
11	110-4224	PIN,COTTER-3/16 X 2IN LG	4
12	-----	O-RING	2
13	-----	BU-WASHER	2
14	-----	U-CUP	1
15	-----	ROD BEARING RING	1
16	-----	WIPER	1
17	-----	O-RING	1
18	-----	CHAMF TEFLON SEAL	1
19	-----	BEARING RING	1
20	236924	SEAL KIT,PMCK-CG-0238 (INCLUDES ITEMS 12-19)	1

Hydraulic Cylinder, 4 x 14 Re-Phase - Prince

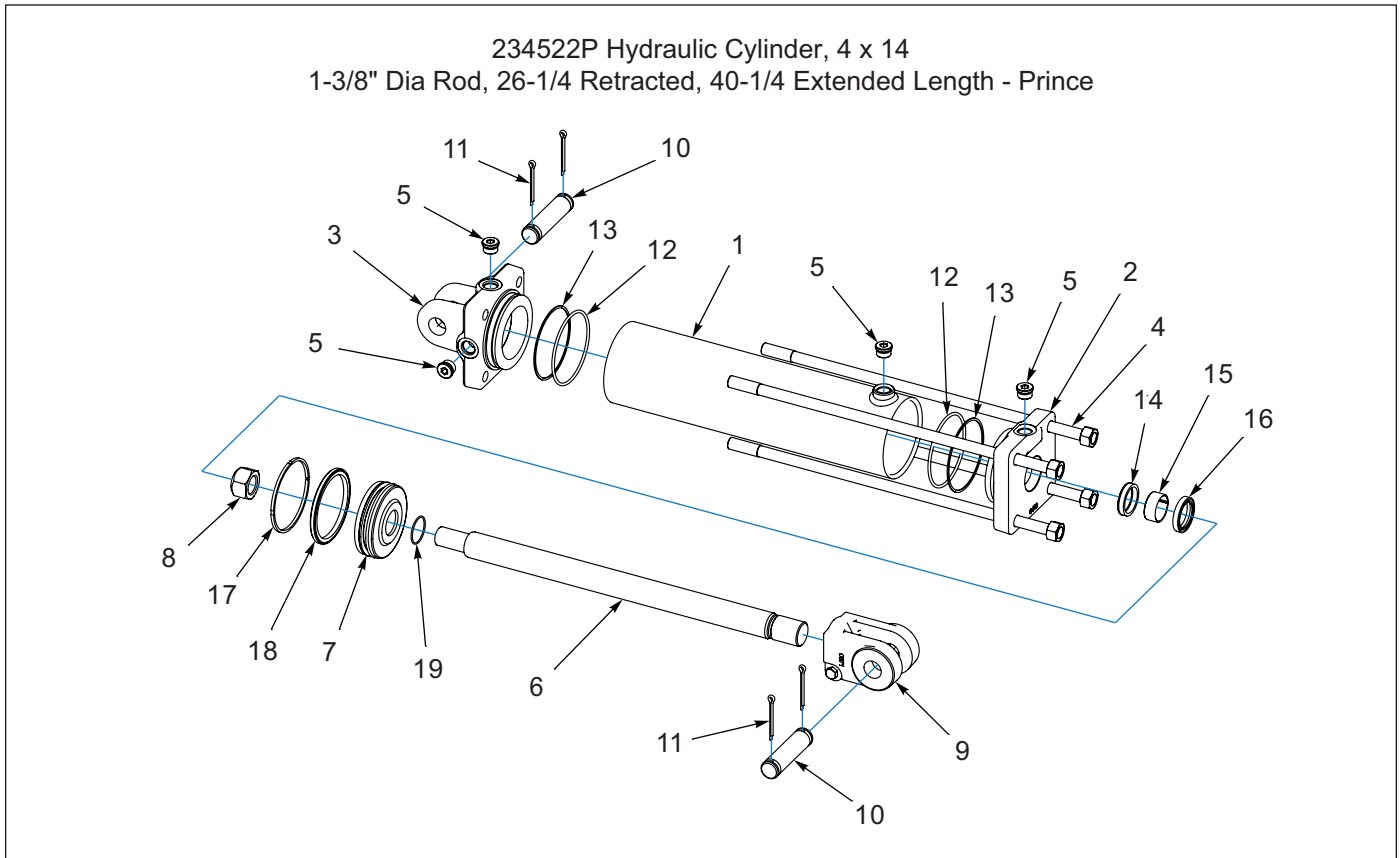


Figure 1-87: Hydraulic Cylinder, 4 x 14 Re-Phase - Prince

Hydraulic Cylinder, 4 x 14 Re-Phase - Prince

ITEM	PART NUMBER	DESCRIPTION	QTY
	234522	CYLINDER, REPHASE 4 X 14	1
1	-----	TUBE ASSEMBLY	1
2	-----	GLAND	1
3	147375	BUTT	1
4	-----	TIE ROD STUD W/HEX NUT	4
5	121029	PLUG #8 SAE M O-R BOSS HX SKT	4
6	-----	PISTON ROD	1
7	-----	PISTON	1
8	220000210	LOCK NUT 4 X8 OR 4 X 24 PRINCE	1
9	238841	CLEVIS 1-1/4 PIN	1
10	190400035	PIN, HT CYL CLEVIS 1 IN	2
11	110-4224	PIN, COTTER-3/16 X 2IN LG	4
12	-----	O-RING	2
13	-----	BU-WASHER	2
14	-----	U-CUP	1
15	-----	ROD BEARING RING	1
16	-----	ROD WIPER	1
17	-----	BEARING RING	1
18	-----	RECT TEFLON	1
19	-----	O-RING	1
20	236925	SEAL KIT,PMCK-CG-0239 (INCLUDES ITEMS 12-19)	1

Hydraulic Cylinder, 4 x 16 - Lion

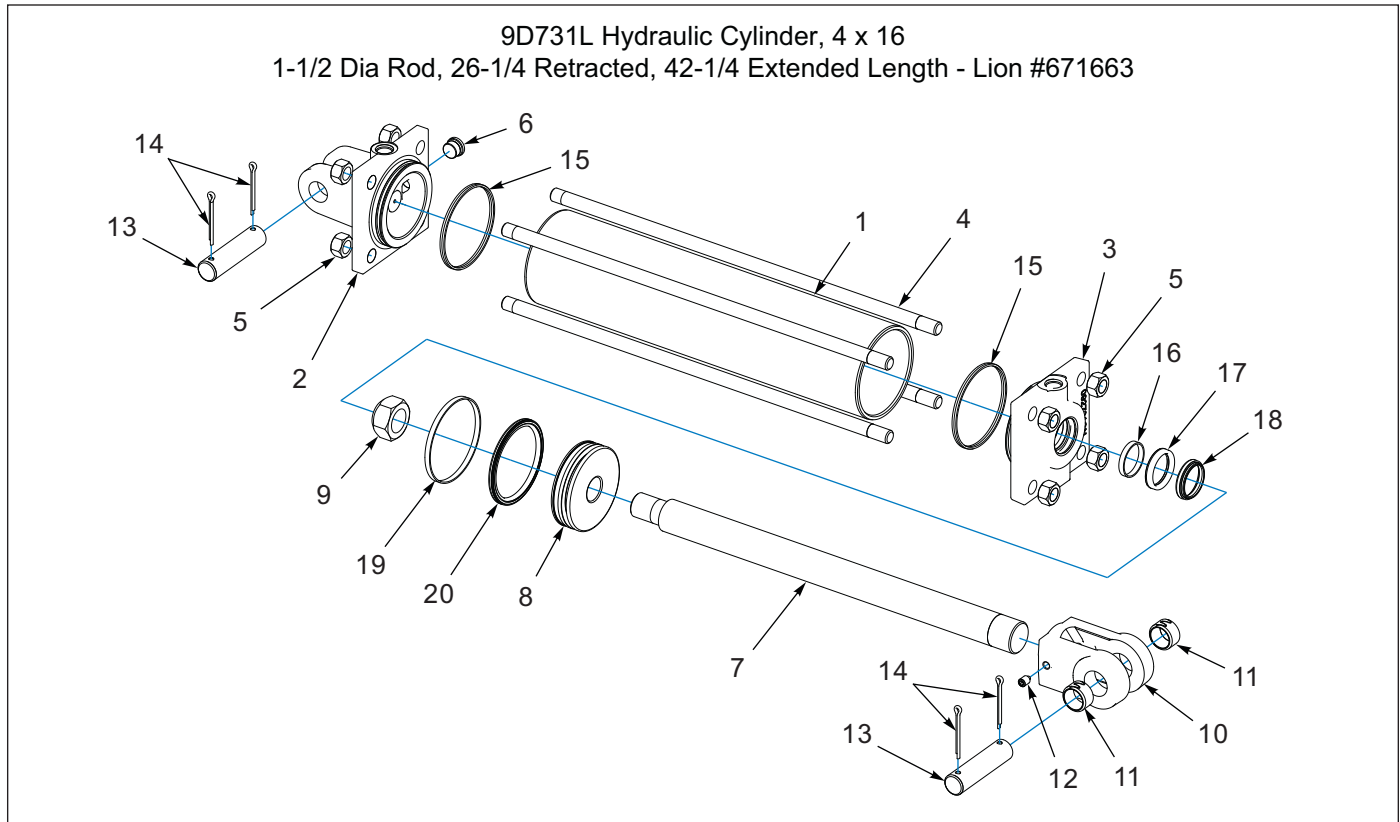


Figure 1-88: Hydraulic Cylinder, 4 x 16 - Lion

Hydraulic Cylinder, 4 x 16 - Lion

ITEM	PART NUMBER	DESCRIPTION	QTY
	9D731	HYD CYLINDER - 4 X 16	1
1	-----	TUBE	1
2	-----	CLEVIS CAP	1
3	-----	ROD CAP	1
4	-----	TIE ROD	4
5	1P805	NUT, HEX SLFLKG GRB 3/4-16	8
6	-----	PLUG, SOCKET HEAD 3/4-16	1
7	-----	ROD	1
8	-----	PISTON	1
9	8J852	NUT, LOCK 1-1/8-12, GrB, ZP	1
10	2P740	ROD CLEVIS W/BUSHINGS (INCLUDES ITEMS 11 AND 12)	1
11	3P079	SPRING BUSHING, 1.0 X 1.25 X 0.75	2
12	1P443	SET SCREW, 3/8-16 x 1/2 NYLON TIP	1
13	7J067	PIN, 1.0 x 4.0 H2	2
14	110-4224	PIN, COTTER 3/16 X 2IN LG	4
15	-----	SEAL DUAL 4.00	2
16	-----	WEAR RING 1.63-1.50-0.250	1
17	-----	SEAL ZURCON U-CUP RU9 1.50	1
18	-----	SEAL WIPER 1.50 WNUC TSS	1
19	-----	WEAR RING 4.00-3.88-0.250	1
20	-----	SEAL SURCON WYNSEAL 4.00	1
21	1P745	SEAL KIT (INCLUDES ITEMS 15-20)	1

Hydraulic Cylinder, 4 x 30 - Lion

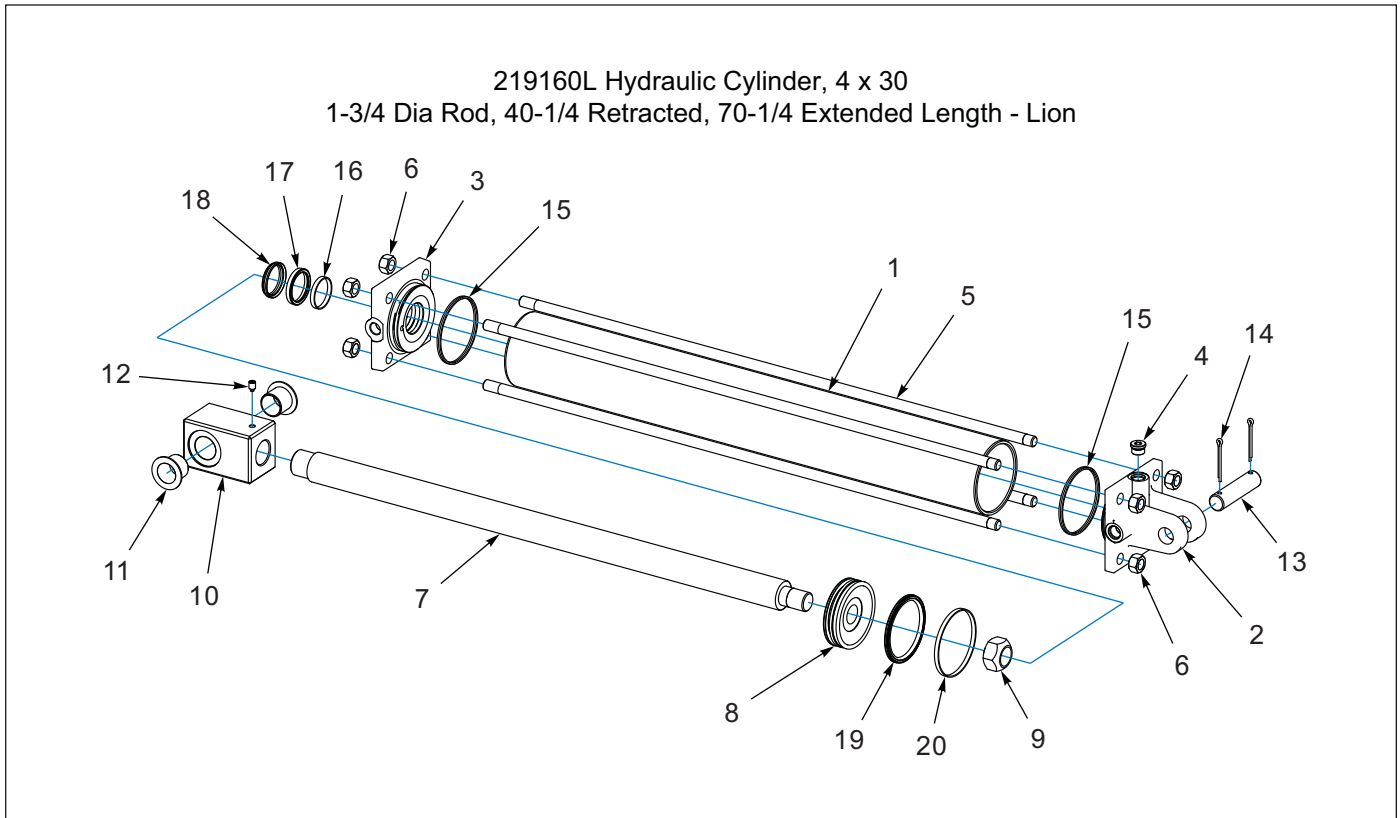


Figure 1-89: Hydraulic Cylinder, 4 x 30 - Lion

Hydraulic Cylinder, 4 x 30 - Lion

ITEM	PART NUMBER	DESCRIPTION	QTY
	219160	HYD CYLINDER - 4 X 30	1
1	-----	TUBE	1
2	-----	CLEVIS CAP	1
3	-----	ROD CAP	1
4	-----	PLUG, SOCKET HEAD 3/4-16	1
5	-----	TIE ROD	4
6	-----	NUT, HEX 5/8-18, ZP	8
7	-----	ROD	1
8	-----	PISTON	1
9	8J852	NUT, LOCK 1-1/8-12,GRB, ZP	1
10	219162	ROD END ASM, 1.25 X 1.5-12 (INCLUDES ITEMS 11 AND 12)	1
11	110590	BEARING, 1.25 X 1.41 X 1.24 FL	2
12	1P443	SET SCREW,3/8-16 X 1/2 NYLON TIP	1
13	7J067	PIN, 1.0 X 4.0 H2	1
14	110-4224	PIN,COTTER 3/16 X 2IN LG	2
15	-----	SEAL DUAL 4.00	2
16	-----	WEAR RING 1.87-1.75-0.250	1
17	-----	SEAL ZURCON U-CUP RU9 1.75	1
18	-----	SEAL, WIPER 1.75	1
19	-----	SEAL SURCON WYNSEAL 4.00	1
20	-----	WEAR RING 4.00-3.88-0.250	1
21	1P745	SEAL KIT (INCLUDES ITEMS 15-20)	1

Hydraulic Cylinder, 4 x 30 with Spacer - Lion

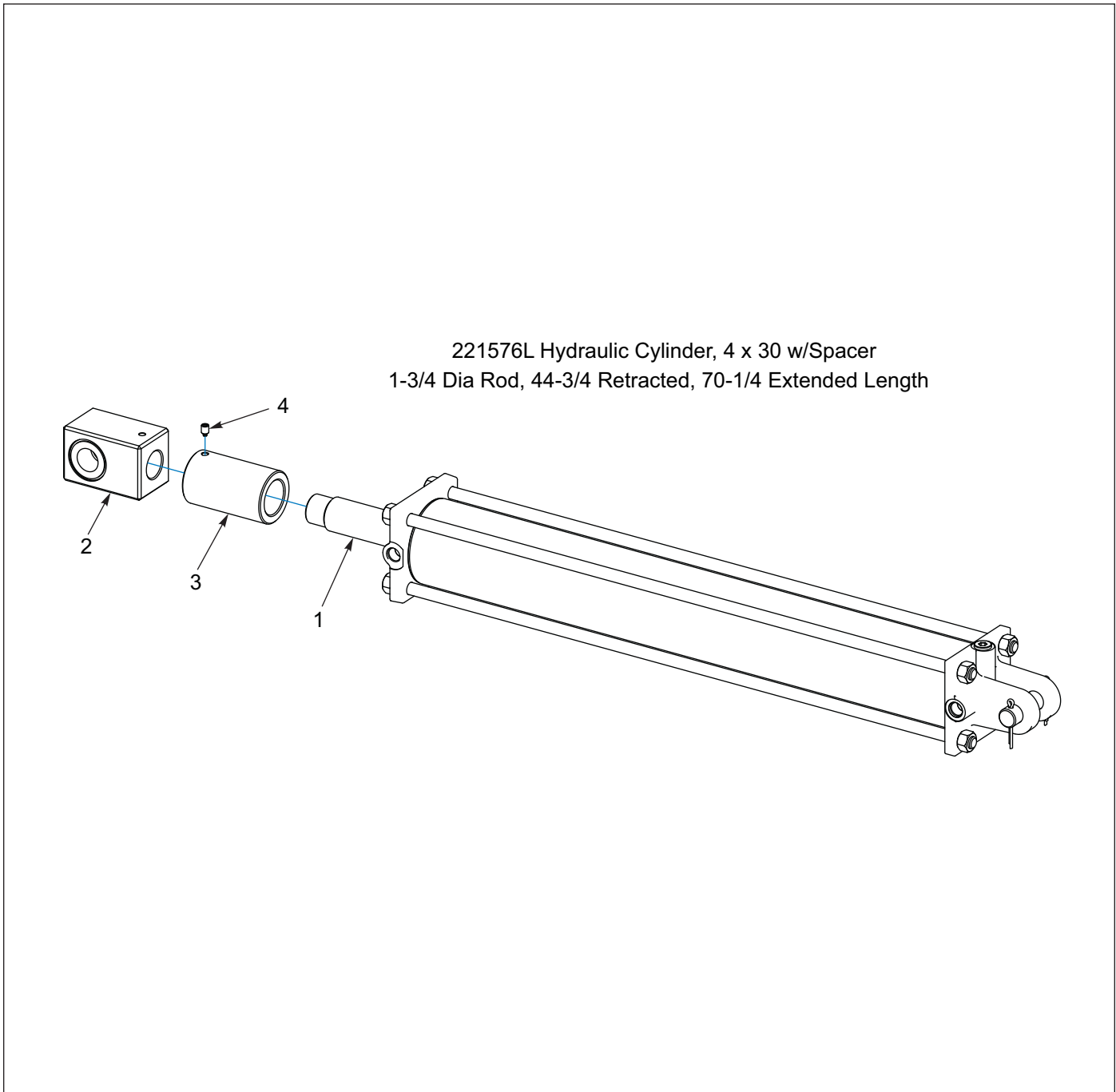


Figure 1-90: Hydraulic Cylinder, 4 x 30 with Spacer - Lion

Hydraulic Cylinder, 4 x 30 with Spacer - Lion

ITEM	PART NUMBER	DESCRIPTION	QTY
	221576	HYD CYLINDER - 4 X 30 WITH SPACER	1
1	219160	HYD CYL, 4 X 30 (INCLUDES ITEM 2) (SEE PAGE 1-147)	1
2	219162	CYL ROD END ASM, 1.25 X 1.5-12	1
3	221574	SPACER, CLYINDER ROD	1
4	1P443	SET SCREW, 3/8-16 X 1/2 NYLON TIP	1
5	1P745	SEAL KIT	1

Hydraulic Cylinder, 4-1/2 x 30

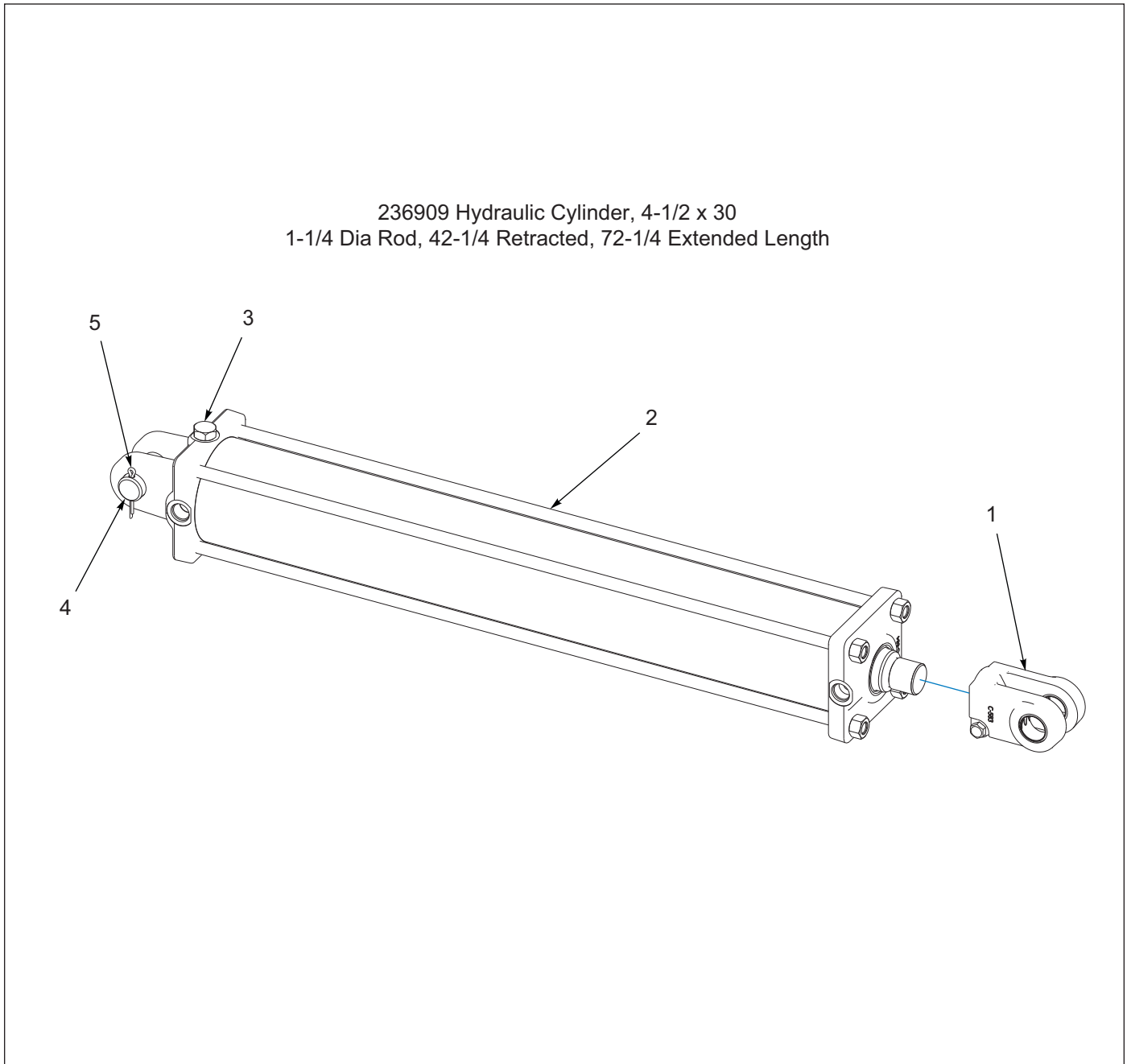


Figure 1-91: Hydraulic Cylinder, 4-1/2 x 30

Hydraulic Cylinder, 4-1/2 x 30

ITEM	PART NUMBER	DESCRIPTION	QTY
	236909	HYD CYL, 4-1/2 X 30	1
1	240959	ROD CLEVIS, Ø1-1/4" PINS	1
2	234493	HYD CYL,4-1/2 X 30 NO CLEVIS	1
3	-----	PLUG	1
4	-----	PIN, 1-1/4	1
5	-----	PIN, COTTER	1
6	236911	SEAL KIT	1

Hydraulic Cylinder, 4-1/2 x 30 with Spacer

236910 Hydraulic Cylinder, 4-1/2 x 30 w/Spacer
 1-1/4 Dia Rod, 46-7/8 Retracted, 72-1/4 Extended Length

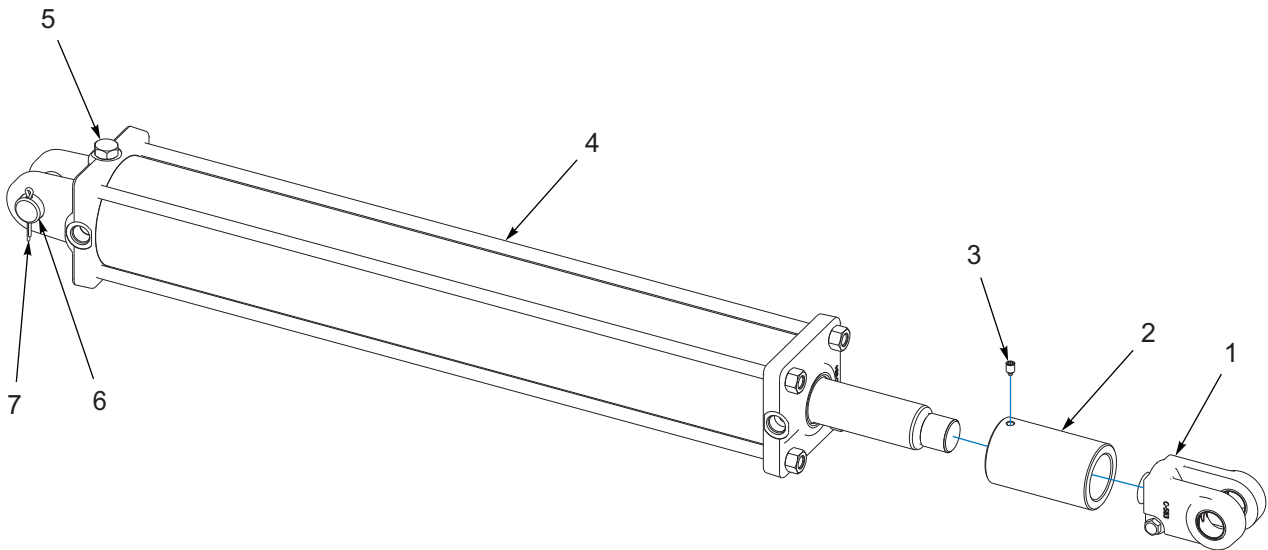
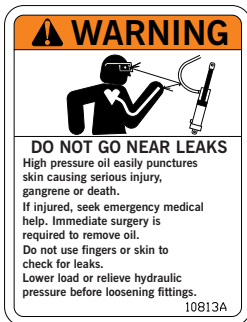


Figure 1-92: Hydraulic Cylinder, 4-1/2 x 30 with Spacer

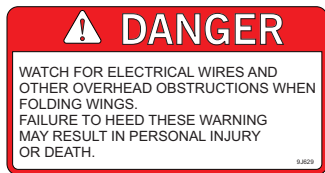
Hydraulic Cylinder, 4-1/2 x 30 with Spacer

ITEM	PART NUMBER	DESCRIPTION	QTY
	236910	HYD CYL, 4-1/2 X 30 W/ SPACER	1
1	240959	ROD CLEVIS, Ø1-1/4" PINS	1
2	234494	SPACER, CYLINDER ROD	1
3	1P443	SET SCREW, 3/8-16 X 1/2 NYL	1
4	234493	HYD CYL,4-1/2 X 30 NO CLEVIS	1
5	-----	PLUG	1
6	-----	PIN,1-1/4	1
7	-----	PIN, COTTER 1-1/4	1
8	236911	SEAL KIT	1

Decals



ITEM 1
3K706



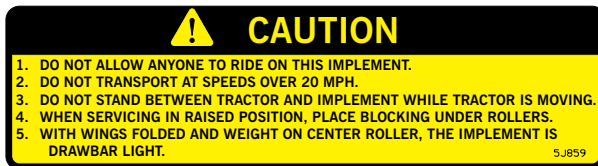
ITEM 2
9J629



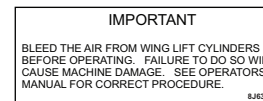
ITEM 3
2-573-010037



ITEM 6
2-573-010198



ITEM 4
5J859



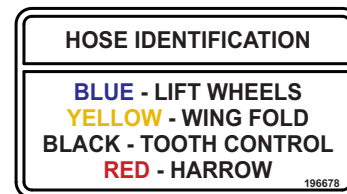
ITEM 16
8J635



ITEM 7
2-573-010335



ITEM 8
3J675



ITEM 5
196678



ITEM 14
144198



ITEM 10
528933



ITEM 11
528938



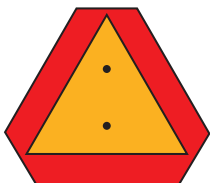
ITEM 12
528934



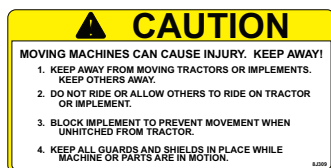
ITEM 13
170510



ITEM 9
214146



ITEM 15
2P151



ITEM 17
8J309



ITEM 18
1-573-010006



ITEM 19
232191

Figure 1-93: Decals

Decals

ITEM	PART NUMBER	DESCRIPTION	QTY
1	3K706	DECAL-WARNING HYDRAULIC LEAKS	1
2	9J629	'DANGER' DECAL	1
3	2-573-010037	"DANGER" DECAL WING	4
4	5J859	'WARNING' DECAL	1
5	196678	DECAL, 4-COLOR HOSE ID	1
6	2-573-010198	DECAL, MEMBER FEMA	1
7	2-573-010335	DECAL, DANGER PINCHING	4
8	3J675	'STAND CLEAR' DECAL	12
9	214146	DECAL, 3631 PULVI-MULCHER	5
10	528933	REFLECTOR - RED	4
11	528938	STRIPE, ORANGE	4
12	528934	REFLECTOR - YELLOW	10
13	170510	DECAL,BRILLION LANDOLL	5
14	144193	DECAL, SIS 20 MPH	1
15	2P151	SMV W/BRACKET	1
16	8J635	'IMPORTANT' DECAL	4
17	8J309	DECAL - 'CAUTION'	2
18	1-573-010006	PLACARD, NAME	1
19	107-0814	RIVET,BLIND 1/8 X 1/8 (HARDWARE FOR ITEM 18)	2
20	232191	DECAL, QR CODE PULVIMULCHER	1

Decal Locations

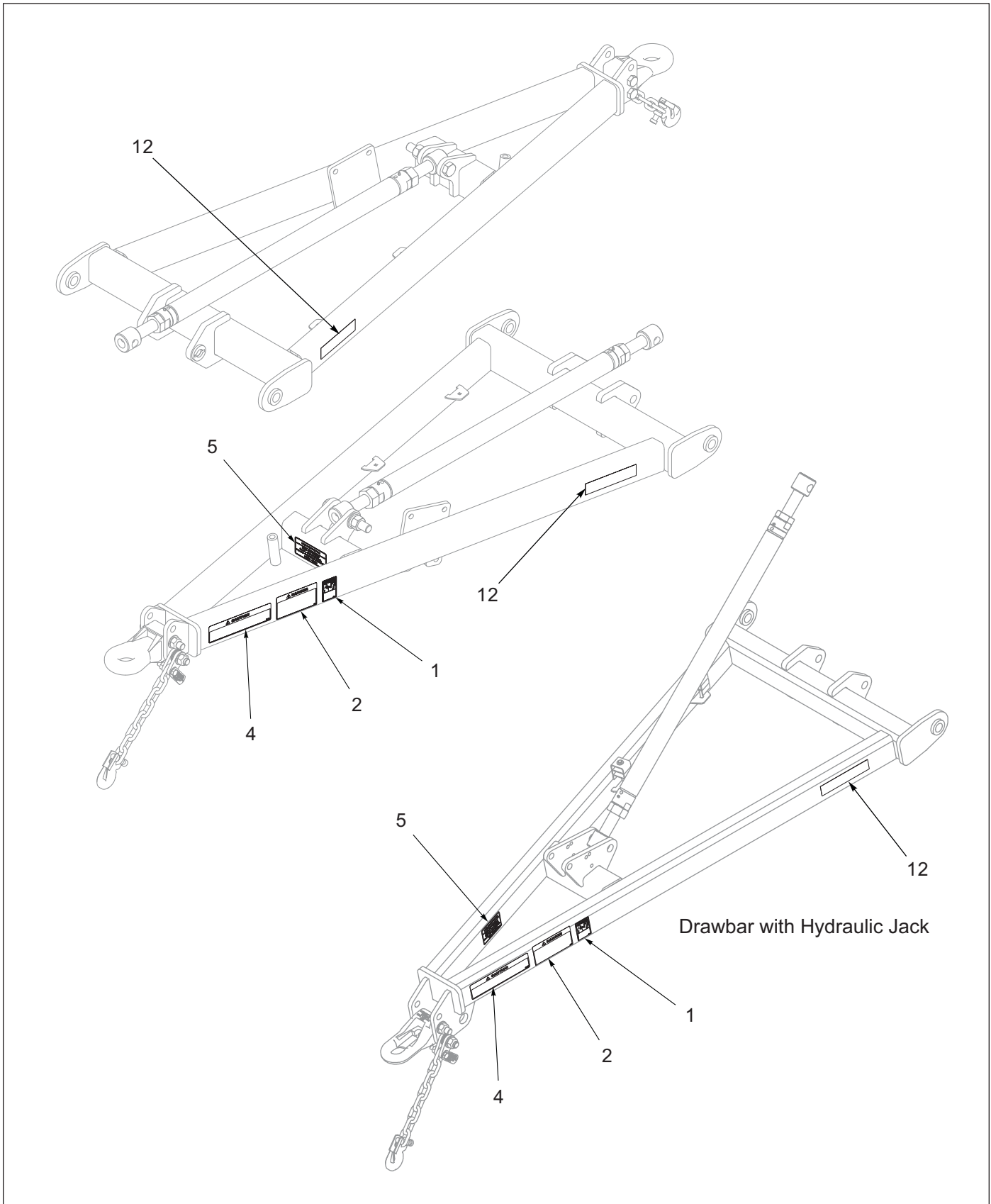


Figure 1-94: Decal Locations (1 of 5)

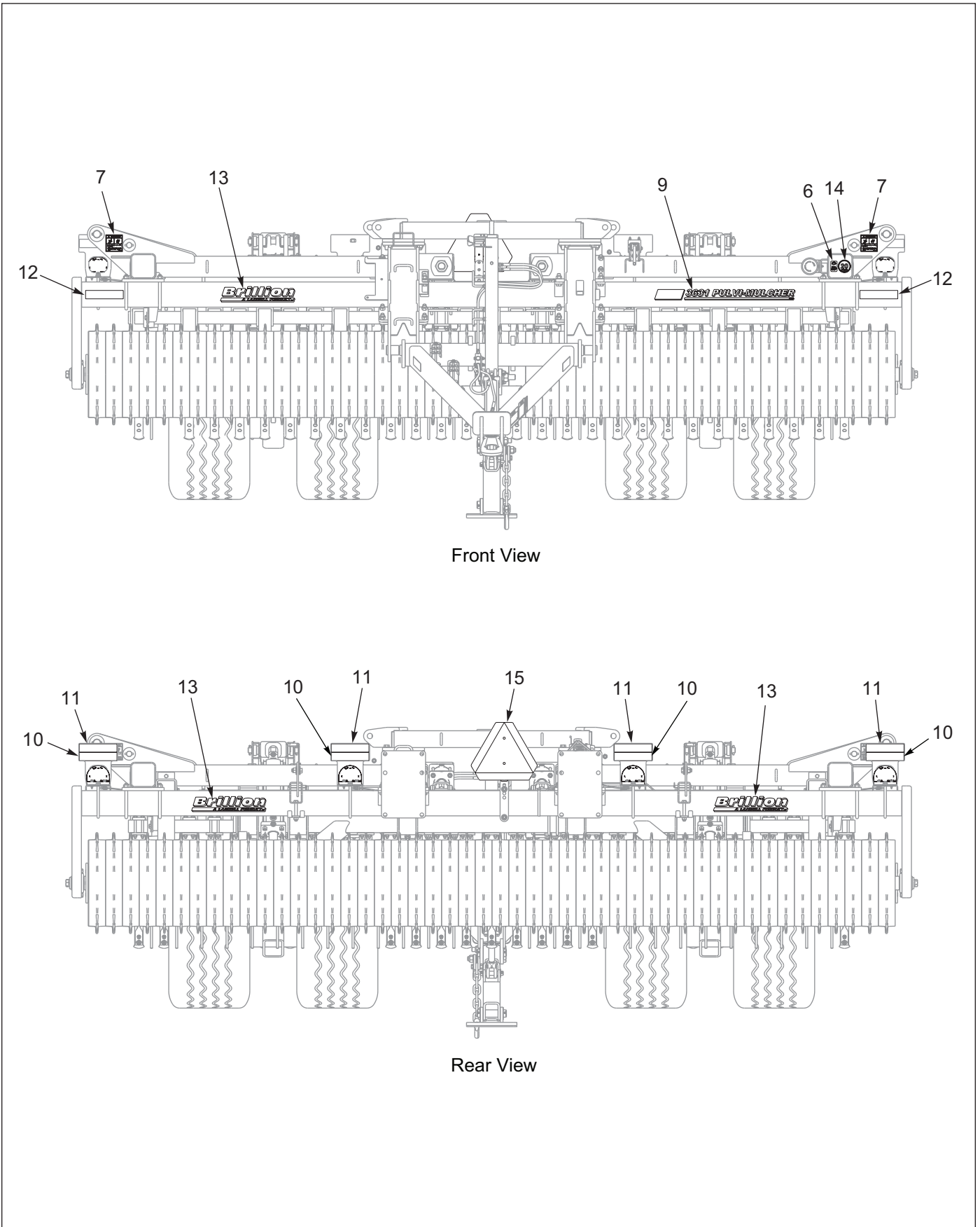
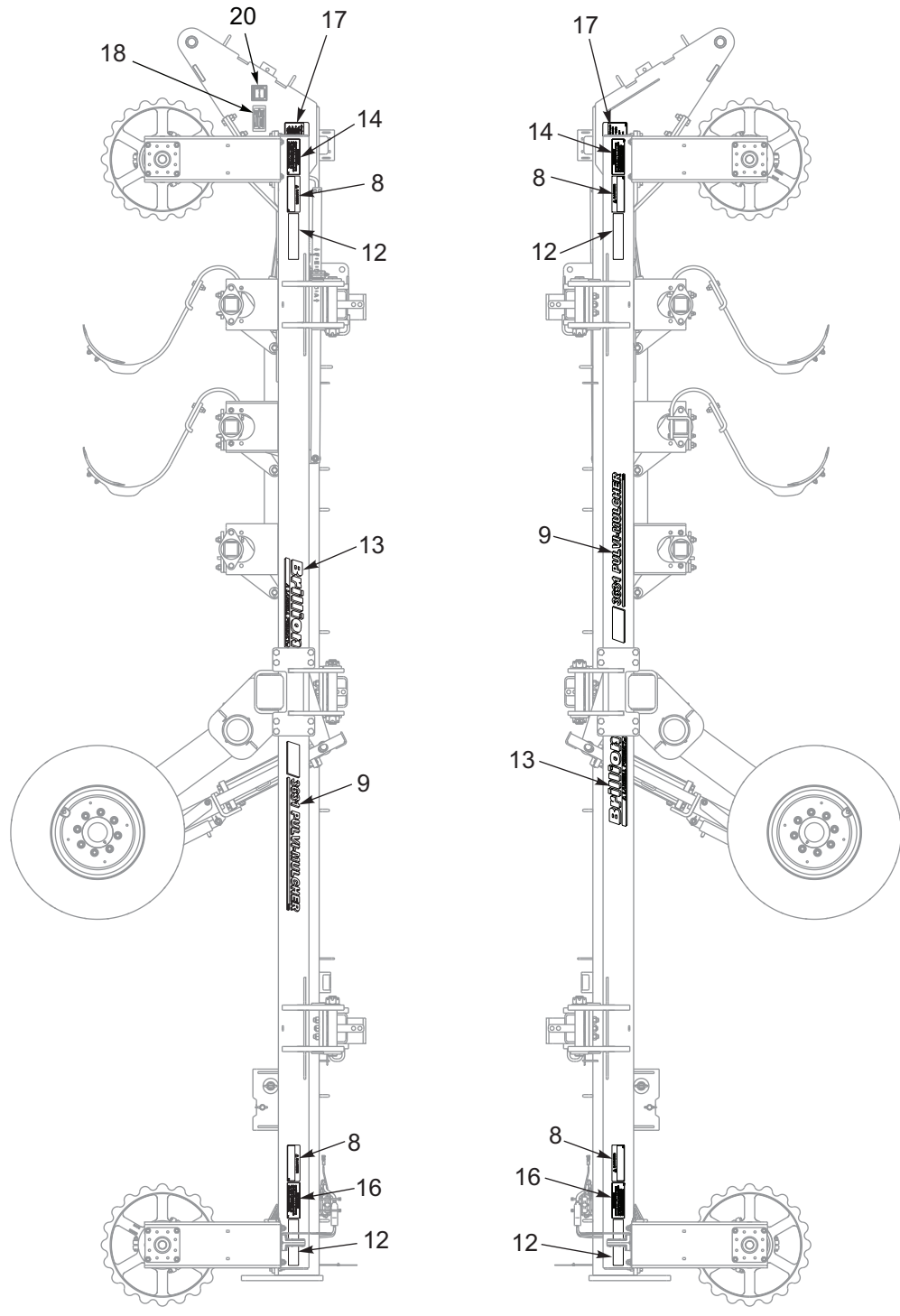


Figure 1-95: Decal Locations (2 of 5)



Side Views

Figure 1-96: Decal Locations (3 of 5)

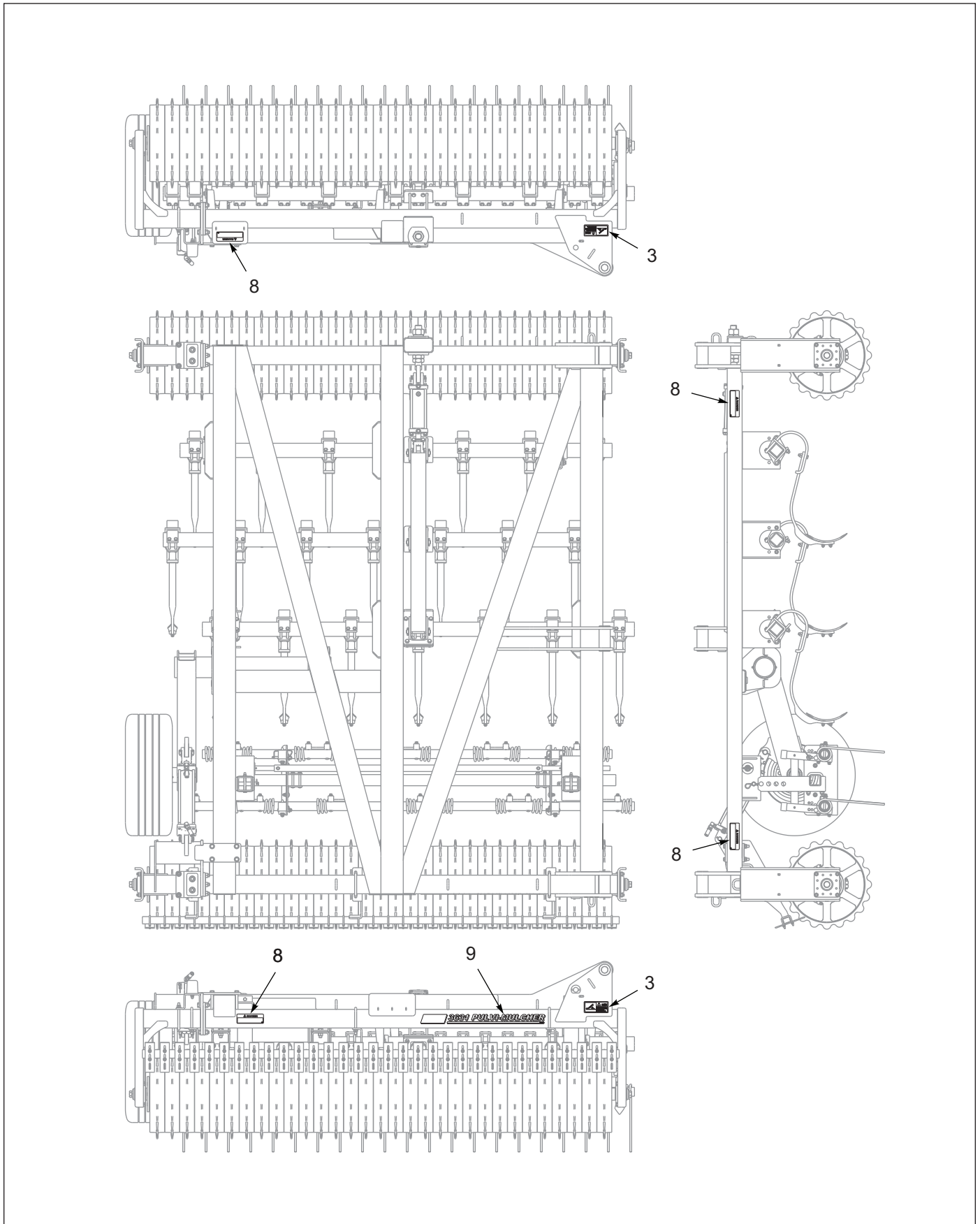


Figure 1-97: Decal Locations - LH Wing (4 of 5)

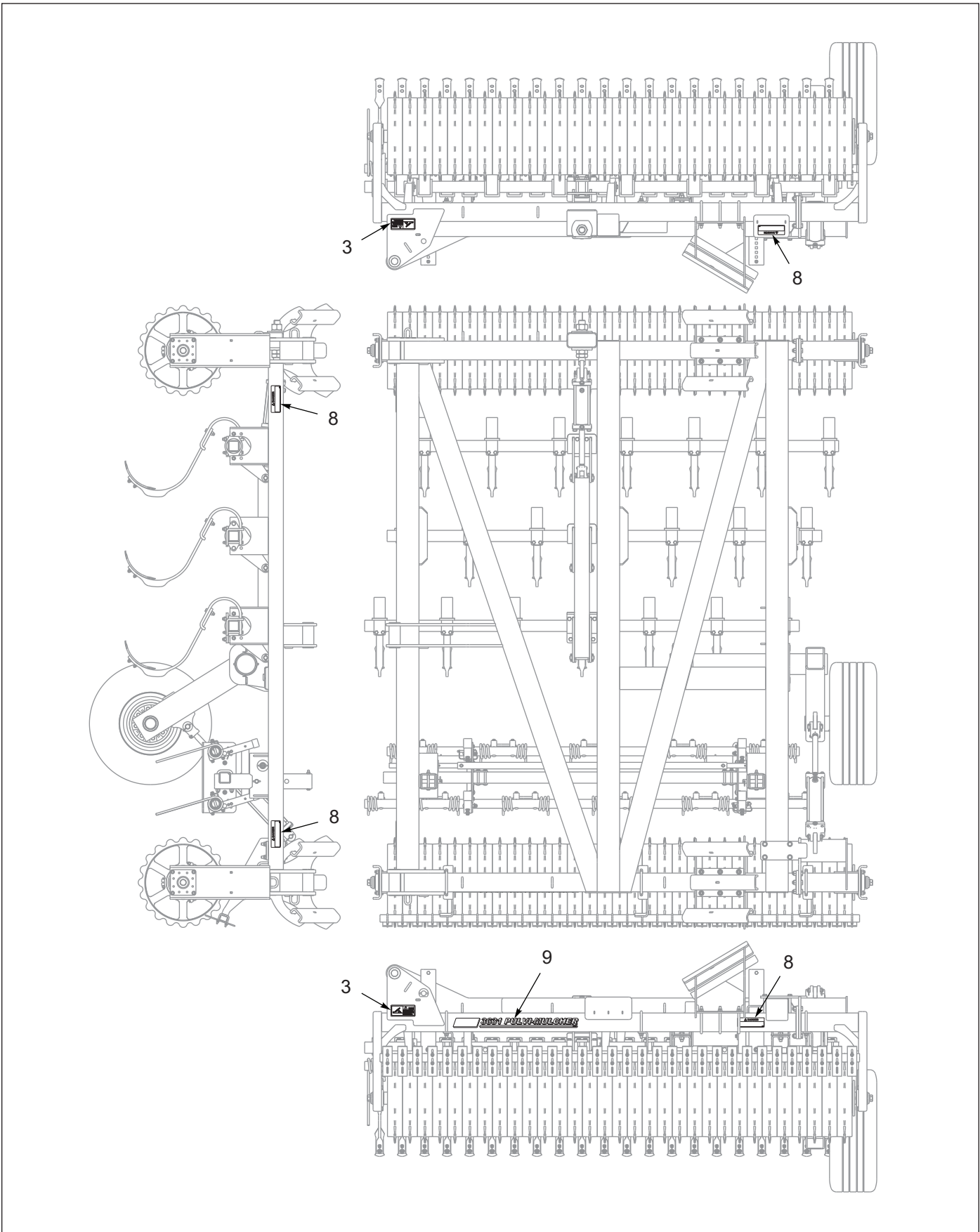


Figure 1-98: Decal Locations - RH Wing (5 of 5)

Numerics

011000318	1-140	113216	1-142
0600-250-01000	1-137	116100	1-19, 1-23, 1-25, 1-35, 1-37
0600-250-03000	1-137	116492	1-82, 1-85, 1-90, 1-93, 1-95
081900374	1-143	117259	1-95
082000092	1-142	122909	1-85, 1-90, 1-93
100000326	1-140, 1-142	122911	1-85, 1-93
100000362	1-141	122917	1-51
100-0354	1-17	123079	1-90
1-007-010025	1-90, 1-93, 1-107	123109	1-107
100825	1-25	1-242-010171-3	1-19, 1-23, 1-90, 1-105, 1-107, 1-140
100830	1-116, 1-117, 1-122, 1-123	1-242-010178-3	1-140
101406	1-35, 1-37	124511	1-107
102498	1-10, 1-11	125863	1-102, 1-107
102600	1-6, 1-9, 1-10	127712	1-15, 1-25
102601	1-11	127806	1-90, 1-93
102604	1-10, 1-11	128874	1-42, 1-45
103-0805	1-31	129251	1-17, 1-19, 1-90, 1-138
103841	1-25	1-298-010001-1	1-31
104032	1-50, 1-75, 1-109	131868	1-138
105-0228 ...	1-75, 1-82, 1-85, 1-105, 1-109, 1-120, 1-137	132077	1-141
107-0018	1-42, 1-45	137486	1-90, 1-102, 1-107
107-0814	1-153	137943	1-39, 1-42, 1-45
107470	1-65, 1-67, 1-69, 1-125, 1-127, 1-129	139347	1-120
108417	1-82, 1-98	140306	1-143
108628	1-51	140484	1-117, 1-123, 1-133, 1-135
109207	1-120	1404991	1-98, 1-102
110-4224 .	1-15, 1-140, 1-141, 1-142, 1-143, 1-146, 1-147	140519	1-6, 1-9
110590	1-147	140599	1-116, 1-117, 1-122, 1-123
110-7095	1-3, 1-45	140693	1-50, 1-75, 1-77, 1-79
111190	1-82, 1-85	1408092	1-15
111962	1-10, 1-11	1412151	1-98, 1-102, 1-105, 1-107
113215	1-143	1412153	1-105, 1-107
		141247	1-25, 1-85
		141249	1-25, 1-85, 1-120
		141826	1-93

141828	1-77, 1-79, 1-93, 1-95, 1-102, 1-107, 1-120, 1-137	1-516-010001-27	1-35, 1-37
141864	1-75, 1-77, 1-79	153622	1-120
141881	1-75, 1-77, 1-79	153696	1-25, 1-30
142000004	1-142	153842	1-82, 1-90
142668	1-137	154185	1-39, 1-42, 1-45
142753	1-3, 1-5	154994	1-65, 1-67, 1-69, 1-125, 1-127, 1-129
142786	1-116, 1-117	154995	1-65, 1-67, 1-69, 1-125, 1-127, 1-129
143871	1-137	154997	1-65, 1-67, 1-69, 1-125, 1-127, 1-129
144048	1-51	154998	1-65, 1-67, 1-69, 1-125, 1-127, 1-129
144115	1-35, 1-37	155002	1-116, 1-117, 1-122, 1-123
144193	1-153	155005	1-125
147072	1-17, 1-19, 1-23, 1-25, 1-35, 1-37, 1-49, 1-53, 1-55, 1-59, 1-61, 1-63, 1-116, 1-117, 1-122, 1-123, 1-135	155528	1-105
147375	1-143	155529	1-82, 1-85, 1-90
147582	1-82, 1-85, 1-90, 1-93, 1-95	155530	1-75
147583	1-82, 1-90	155534	1-31
149192	1-109	155536	1-31
1-510-010003-09	1-125, 1-127, 1-129	1-557-010327	1-3, 1-5, 1-19, 1-23, 1-135
1-512-010005-01	1-3, 1-5, 1-25, 1-82, 1-85, 1-109, 1-137	1-557-010362-51	1-10, 1-11, 1-19, 1-23
1-512-010005-03	1-51, 1-82	1-557-010362-87	1-133, 1-135
1-512-010005-05	1-59, 1-61, 1-63, 1-82, 1-85, 1-105, 1-120, 1-130, 1-131	155716	1-31, 1-53, 1-55
1-512-010005-09	1-46, 1-49, 1-53, 1-55, 1-56, 1-59, 1-61, 1-63, 1-125, 1-127, 1-129, 1-133, 1-135	155717	1-31
1-512-010005-13	1-3, 1-5, 1-15, 1-39, 1-42, 1-45, 1-49, 1-50, 1-53, 1-55, 1-56, 1-59, 1-61, 1-63, 1-135	155927	1-67, 1-69, 1-125, 1-127, 1-129
1-512-010005-15	1-3, 1-5, 1-6, 1-7, 1-9, 1-15, 1-19, 1-23, 1-25, 1-42, 1-45, 1-116, 1-117, 1-122, 1-123, 1-133, 1-135, 1-137	155956	1-125, 1-127, 1-129
1-512-010005-19	1-25, 1-30, 1-116, 1-117, 1-122, 1-123	155971	1-65, 1-67, 1-69, 1-125, 1-127, 1-129
1-512-010007-06	1-105	156778	1-127, 1-129
1-512-010007-07	1-25, 1-85, 1-120	156949	1-30
1-512-010007-08	1-49, 1-53, 1-55	156950	1-25, 1-30
1-512-010007-09	1-82, 1-85, 1-105, 1-120	156979	1-10
1-512-010007-14	1-19, 1-23	1-573-010006	1-153
1-512-010007-16	1-25	158299	1-59, 1-61, 1-63
1-516-010001-20	1-10, 1-11	159954	1-49, 1-53, 1-55
		159955	1-53, 1-55
		161131	1-19, 1-23
		162674	1-140
		162778	1-90
		1-630-010021-03	1-51
		163038	1-141
		163781	1-85, 1-93

164140	1-109	1-654-010059-14	1-15
164174	1-25	1-654-010059-15	1-49, 1-50, 1-53, 1-55
164315	1-125, 1-127, 1-129	1-654-010061-05	1-6, 1-9, 1-15, 1-137
164319	1-127	1-654-010061-06	1-42, 1-45
164320	1-125, 1-129	1-654-010061-07	1-3, 1-5, 1-25
164435	1-82, 1-90, 1-102, 1-105, 1-107	1-654-010061-09	1-137
164533	1-35, 1-37	1-654-010061-19	1-25
164539	1-35, 1-37	1-654-010061-22	1-3, 1-5
164678	1-109	1-654-010070-02	1-125, 1-127, 1-129
1-647-010004177	1-19	1-654-010070-03	1-17, 1-65, 1-67, 1-69
1-647-010004217	1-5	1-654-010070-04	1-19
1-647-010004240	1-59, 1-61, 1-63	1-654-010070-11 ...	1-65, 1-67, 1-69, 1-125, 1-127, 1-129
165257	1-50	1-654-010070-13	1-125, 1-127, 1-129
165259	1-51	1-654-010070-14 ...	1-65, 1-67, 1-69, 1-125, 1-127, 1-129
165260	1-51	1-654-010104245	1-139
165287	1-98, 1-102	1-654-010123-01	1-25
1-654-010047-06	1-3, 1-5, 1-25, 1-137	1-654-010125-22	1-25, 1-30
1-654-010047-08	1-109	166199	1-49, 1-53, 1-55, 1-56
1-654-010047-09	1-109	166336	1-125, 1-127, 1-129
1-654-010047-10	1-98	167298	1-13
1-654-010049-05	1-109	167314	1-6, 1-9
1-654-010049-09	1-82, 1-105	168763	1-125, 1-127, 1-129
1-654-010049-19	1-50, 1-75	168800	1-115, 1-120, 1-127
1-654-010051-05	1-82, 1-85, 1-131	168801	1-115, 1-120, 1-129
1-654-010051-08	1-120, 1-130	169650	1-138
1-654-010051-11	1-59, 1-61, 1-63	169651	1-138
1-654-010055-05	1-122, 1-123	170004	1-19, 1-23, 1-25
1-654-010055-07	1-46	170302	1-11
1-654-010055-09	1-133, 1-135	170310	1-11
1-654-010055-11	1-42, 1-45, 1-82, 1-120	170510	1-153
1-654-010055-13	1-82, 1-85, 1-105	171079	1-139
1-654-010055-14	1-55, 1-125, 1-127, 1-129	171080	1-139
1-654-010055-15	1-9, 1-49, 1-53, 1-55, 1-56, 1-59, 1-61, 1-63	171081	1-139
1-654-010059-04	1-3, 1-5, 1-39, 1-42, 1-45	171093	1-139
1-654-010059-05	1-46, 1-49, 1-53, 1-55	171107	1-11
1-654-010059-06	1-49, 1-53, 1-55, 1-56	171556	1-50, 1-75
1-654-010059-08	1-50		

171745	1-116, 1-117, 1-122, 1-123	185109	1-49, 1-53, 1-55
171749	1-71, 1-73, 1-113	185114	1-49, 1-53, 1-55
171761	1-90	185141	1-130
171772	1-11	185142	1-130
171773	1-11	185143	1-133, 1-135
172538	1-139	185166	1-39, 1-42, 1-45
172899	1-33	185167	1-39, 1-42, 1-45
172973	1-120	185170	1-39, 1-42, 1-45
173013	1-120	185171	1-39, 1-42, 1-45
174294	1-19, 1-23	185928	1-49, 1-53, 1-55, 1-56
174435	1-109, 1-110	185954	1-15
174436	1-109, 1-110	185956	1-15
174437	1-109, 1-110	185957	1-15
174708	1-51	185960	1-15
175029	1-120	185961	1-15
175151	1-109, 1-110	185999	1-49
175159	1-82, 1-90	1-861-010005	1-10, 1-11
175194	1-3, 1-5, 1-42, 1-45, 1-49, 1-53, 1-55	1-861-010032-06	1-25, 1-82, 1-85, 1-109
177398	1-120	1-861-010032-07	1-3, 1-5
178517	1-109, 1-110	1-861-010032-08	1-82, 1-105
178532	1-33, 1-71, 1-109, 1-113	1-861-010032-09	1-109
179355	1-3, 1-5	1-861-010032-10	1-59, 1-61, 1-63
179416	1-49, 1-53, 1-55, 1-56	1-861-010032-11	1-82, 1-85, 1-105, 1-120
181277	1-35, 1-37	1-861-010032-13	1-49, 1-53, 1-55
181331	1-56	1-861-010032-14	1-17, 1-82, 1-85, 1-105, 1-120, 1-133, 1-135
181342	1-15, 1-105, 1-107, 1-141	1-861-010032-15	1-42, 1-45, 1-65, 1-67, 1-69, 1-125, 1-127, 1-129
181363	1-42, 1-45, 1-73	1-861-010032-18	1-42, 1-45, 1-59, 1-61, 1-63
181713	1-109	1-861-010032-19	1-15
181799	1-75, 1-77, 1-79	1-861-010032-20	1-3, 1-5, 1-133, 1-135, 1-137
181801	1-82, 1-90	1-861-010032-21	1-15
182289	1-51	1-861-010032-24	1-19, 1-23, 1-25, 1-30, 1-49, 1-53, 1-55, 1-116, 1-117, 1-122, 1-123, 1-135
183474	1-31	1-861-010032-32	1-35, 1-37, 1-59, 1-61, 1-63
183475	1-25, 1-31	1-861-010034-10	1-105
183516	1-135	1-861-010034-11	1-82, 1-85
183517	1-25	1-861-010034-12	1-49, 1-53, 1-55
183599	1-137	1-861-010034-13	1-122, 1-123
185107	1-49, 1-53, 1-55		
185108	1-49, 1-50, 1-53, 1-55		

1-861-010034-15	1-46	196110	1-19, 1-23
1-861-010034-21	1-19, 1-23, 1-39, 1-42, 1-45	196116	1-19, 1-23
186700	1-55	196119	1-19, 1-23, 1-25
187434	1-109	196120	1-17, 1-19, 1-23, 1-25, 1-35, 1-37
188051	1-25	196678	1-153
188639	1-7, 1-11	196754	1-25, 1-82, 1-85, 1-105
188640	1-11	197693	1-23
189302	1-102	197698	1-98, 1-102, 1-105, 1-107
190400004	1-142, 1-143	198620	1-115, 1-120, 1-125
190400035	1-140	199977	1-19, 1-20, 1-23
190882	1-19, 1-23	1D014	1-19
191396	1-46	1D594	1-59, 1-61, 1-63, 1-135
191420	1-49, 1-53, 1-55	1P196	1-37
191925	1-122, 1-123	1P443	1-146, 1-147, 1-148, 1-150
192068	1-82, 1-90	1P444	1-116, 1-117, 1-122, 1-123
193089	1-10	1P693	1-7, 1-35, 1-37
193225	1-25, 1-35, 1-37	1P745	1-146, 1-147, 1-148
193226	1-25, 1-85	1P782	1-137
193251	1-49, 1-75, 1-77, 1-79, 1-142	1P805	1-146
193252	1-53, 1-55, 1-75, 1-77, 1-79, 1-143	1P995	1-75, 1-120
194773	1-65, 1-67, 1-69	200950	1-46
194774	1-65, 1-67, 1-69	201291	1-95
194777	1-65, 1-67, 1-69	201442	1-130
194778	1-3, 1-5	201443	1-130
194783	1-65	202702-10-8S	1-77, 1-79, 1-90
194828	1-65, 1-67, 1-69	202702-8-6S	1-120
194829	1-67, 1-69	202702-8-8 S	1-95
195196	1-95	202702-8-8S	1-77, 1-79, 1-90, 1-93, 1-102
195197	1-95	203003-8-8S	1-77, 1-79, 1-90, 1-93, 1-95, 1-107
195198	1-95	203005-8-8S	1-90, 1-93
195579	1-50	203102-8-8S	1-90
195594	1-20	203117	1-39, 1-42, 1-45
195597	1-51	203424	1-82, 1-90, 1-98, 1-102
195606	1-59, 1-61, 1-63	203425	1-105, 1-107
195607	1-61, 1-63	203450	1-90, 1-93
195904	1-65, 1-67, 1-69	203467	1-50, 1-75, 1-77, 1-79
196104	1-102, 1-107	203680	1-17
196106	1-19, 1-23	203796	1-5

204385	1-13	211247	1-50, 1-51
204386	1-12	211248	1-51
204831	1-131	211252	1-19, 1-23
204832	1-131	211254	1-19, 1-23
204833	1-131	211257	1-15
204835	1-131	211260	1-5
204836	1-131	211261	1-37
204837	1-131	211264	1-37
2062-10-8S	1-77, 1-79, 1-90	211269	1-71, 1-113
2062-6-6S	1-120	211271	1-137
2062-8-8S	1-77, 1-79, 1-90, 1-93, 1-95, 1-102, 1-107, 1-120	211276	1-45
206652	1-116, 1-117, 1-122, 1-123	211301	1-59, 1-61, 1-63
206673	1-139	211306	1-82, 1-85, 1-90, 1-93, 1-102, 1-105, 1-107
206675	1-116, 1-117, 1-122, 1-123	211311	1-25, 1-30
2071-8-8S	1-90, 1-93	211313	1-98, 1-102, 1-105, 1-107
2-095-010017	1-65, 1-67, 1-69, 1-125, 1-127, 1-129	211314	1-98, 1-102, 1-105, 1-107
209869	1-3, 1-5, 1-39	211315	1-105, 1-107
2-102-010037	1-135	211316	1-85, 1-93
2-102-010054	1-32, 1-59, 1-61, 1-63	211318	1-82, 1-90
211160	1-71, 1-113	211319	1-82, 1-85, 1-90, 1-93, 1-95
211161	1-73, 1-113	211320	1-75, 1-77, 1-79
211175	1-10	211321	1-75, 1-77, 1-79
211176	1-9, 1-13	211324	1-98, 1-102
211191	1-49	211344	1-75, 1-77, 1-79
211193	1-59	211345	1-75, 1-77, 1-79
211194	1-59, 1-61, 1-63	213852	1-137
211199	1-42, 1-45	213917	1-133, 1-135
211204	1-39, 1-46	214008	1-133
211208	1-46	214009	1-133
211220	1-59, 1-65	214013	1-135
211221	1-65	214017	1-135
211222	1-65	214018	1-135
211223	1-5	214025	1-137
211224	1-5	214085	1-122, 1-123
211234	1-51	214089	1-19
211237	1-5	214132	1-90
211245	1-50	214146	1-153
		214501	1-135

2-150-010008	1-5	221576	1-37, 1-85, 1-90, 1-93, 1-148
217050	1-85, 1-93	221578	1-113
2-181-010001	1-82, 1-85, 1-105, 1-120, 1-137	221579	1-117, 1-123
218257	1-3, 1-5	221582	1-116, 1-117, 1-122, 1-123
219110	1-19, 1-23	221584	1-122, 1-123
219160	1-37, 1-85, 1-90, 1-93, 1-147, 1-148	221585	1-120, 1-123
219162	1-147, 1-148	221586	1-120, 1-122
220000211	1-142	221587	1-116, 1-122
220682	1-102	221590	1-120
221458	1-42, 1-45, 1-46	221591	1-133
221459	1-46	221592	1-135
221467	1-32, 1-35	221593	1-115, 1-117
221468	1-35	221594	1-115, 1-116
221470	1-53, 1-55	221597	1-120
221473	1-73, 1-113	221598	1-120
221474	1-61, 1-67	221599	1-115
221475	1-63, 1-69	221953	1-90
221476	1-67, 1-69	223435	1-10
221477	1-67, 1-69	223437	1-10
221478	1-67, 1-69	223438	1-10
221479	1-61, 1-63	223439	1-10
221506	1-33	224176	1-120
221511	1-33	224177	1-122, 1-123
221512	1-3, 1-5	224178	1-120, 1-122, 1-123, 1-139
221517	1-3, 1-5	224181	1-116, 1-117
221525	1-12	224182	1-116, 1-117
221526	1-6, 1-12	224183	1-116, 1-117
221528	1-85, 1-93	224193	1-9, 1-10
221529	1-85, 1-93	232191	1-153
221530	1-82, 1-85, 1-90, 1-93	234181	1-53, 1-55
221531	1-6, 1-7	234188	1-3
221532	1-7	234189	1-3
221539	1-120	234493	1-149, 1-150
221542	1-133, 1-135	234494	1-150
221543	1-133, 1-135	234521	1-17, 1-98, 1-102
221545	1-37, 1-42	234522	1-9, 1-98, 1-102
221546	1-37, 1-45	234529	1-9
221574	1-148	234535	1-9

234545	1-82, 1-85, 1-93, 1-95	244021	1-98, 1-102
2-368-010287	1-25	244023	1-98, 1-102
236909	1-35, 1-82, 1-149	244024	1-98, 1-102
236910	1-35, 1-82, 1-150	244030	1-82, 1-90
236911	1-149, 1-150	244031	1-90
2-375-010601	1-25	244042	1-82
2-375-010602	1-25	244072	1-20
238815	1-45	2-474-010022	1-82, 1-85, 1-90, 1-93, 1-120
238816	1-42	2-573-010037	1-153
238889	1-61, 1-63	2-573-010198	1-153
240959	1-149, 1-150	2-573-010335	1-153
241029	1-32, 1-42	2703-LN-6	1-120
241043	1-102	2D799	1-135
241282	1-117, 1-123	2J605	1-49, 1-53, 1-55
243972	1-19	2P151	1-109, 1-153
243973	1-35	2P190	1-19
243974	1-3	2P252	1-71, 1-73, 1-113, 1-120
243979	1-35	2P253	1-17, 1-19, 1-33, 1-42, 1-45, 1-65, 1-67, 1-69
243981	1-35	2P254	1-32, 1-33, 1-42, 1-45, 1-50, 1-71, 1-73, 1-109, 1-116, 1-117, 1-122, 1-123
243982	1-35	2P280	1-19, 1-23
243984	1-35	2P361	1-37
243986	1-3	2P411	1-19, 1-23
243988	1-17	2P730	1-82, 1-90
243992	1-17	2P740	1-146
243993	1-17	2P748	1-19
244000	1-19	3-375-010371	1-137
244001	1-19	3C309	1-19
244005	1-19	3C335	1-23
244009	1-17	3J511	1-19, 1-23
244010	1-19	3J675	1-153
244012	1-17	3K706	1-153
244013	1-3	3P052	1-46
244015	1-35	3P079	1-146
244016	1-35	3P144	1-15
244017	1-3	4001060	1-10
244018	1-3	4J548	1-15, 1-25
244019	1-3	4J549	1-141
244020	1-82, 1-90		

4K607	1-102, 1-107
5000	1-11
50016-09	1-98, 1-102
51316-14	1-98, 1-102, 1-105, 1-107
51316-42	1-98, 1-102
51316-47	1-98, 1-102
528933	1-109, 1-153
528934	1-109, 1-153
528938	1-109, 1-153
5J859	1-153
6D340	1-19
6J448	1-15, 1-23
6J580	1-49, 1-53, 1-55, 1-116, 1-117, 1-122, 1-123
7/16-14X1-3/4PB	1-49, 1-53, 1-55
71508954	1-105, 1-107
71508984	1-85, 1-93
71508992	1-82, 1-90
71509123	1-120
71509124	1-120
71509788	1-120
7C076	1-23
7C120	1-15, 1-19, 1-23
7J067	1-146, 1-147
7K678	1-109
7K723	1-3, 1-5, 1-19, 1-23, 1-116, 1-122, 1-133, 1-135
8-102-010043	1-116, 1-117, 1-122, 1-123
8C381	1-17, 1-19
8D099	1-15
8J014	1-71, 1-73, 1-113
8J309	1-153
8J635	1-153
8J650	1-82, 1-85, 1-90, 1-93, 1-95
8J852	1-146, 1-147
8K091	1-17
8K113	1-135
900598-6S	1-139
9D731	1-19, 1-23, 1-102, 1-105, 1-107, 1-146

9J110	1-17
9J111	1-19
9J278	1-23
9J338	1-33
9J399	1-17
9J400	1-17
9J629	1-153
9J695	1-19, 1-23
9J696	1-37
9J848	1-17, 1-19
9K440	1-15

C

CO-975-74-2000	1-137
----------------	-------

T

TR416	1-13
TR575	1-12

W

W908409-4	1-7
-----------	-----

Glossary

For clarity this glossary of industry standard abbreviations and their definitions are provided. For additional information, see the “**Instructions for Ordering Parts**” on page 1-1.

A

ASM Assembly

B

BATT Battery
BHSC Button Head Socket Cap
BLK Black

C

CB Carriage Bolt
CONN Connector
CRG Carriage
CTSK Countersunk
CTWT Counterweight
CVR Cover
CYD Cylinder

D

DBL Double
DIA Diameter

E

ENCLSD Enclosed

F

FHCS Flanged Head Cap Screw
FHHCS Flanged Hex Head Cap Screw
FL OR FLG Flange
FLT Flat

G

GA Gauge

H

HHCS Hex Head Cap Screw
HCS High Carbon Steel
HD Head
HLCL Helical
HCSKT Hex Socket
HSFC Hex Socket Flat Countersunk
HYD Hydraulic

I

ID Inside Diameter

L

LH Lefthand
LKG OR LOCK Locking
LWR Lower

M

MANF Manifold
MNT Mount

N

NRW Narrow
----- Not Serviced Separately

O

OD Outside Diameter
OHG Overhead Guard
ORFS OR ORS O-Ring Seal
ORP OR ORB O-Ring Boss

P

P-STEER Power Steering
PTFE Polytetrafluoroethylene (Teflon)

R

RH Righthand
RND Round

S

SER Series
SHCS Socket Head Cap Screw
SHLD Shield
SKT Socket
SLFLKG Selflocking
SOC Socket
SPDT Single Pole Double Throw
SPR Spring
SQ Square
SRTD Serrated
SSCR Setscrew
SST Stainless Steel
STD Standard

U

UPR Upper

W

WHL Wheel
WLD OR WLDMT Weldment

Document Control Revision Log:

Date	Form #	Improvement(s): Description and Comments
10/2020	F-1063-1020	Initial Release
01/2021	F-1063-0121	ECN 46881 - Wing Rest Update
03/2021	F-1063-0321	Revised Wing Harrow Assemblies (RH, LH)
09/2023	F-1063-2309	ECN 46460, 47741, 47749 - Replumbed Fold Circuit, Hose Asm's ECN 47242 - Tooth Control (WINGS) ECN 47848 - Drawbar with Hydraulic Jack ECN 47894, 48122, 48158 - Wing Wheel, Wing Stop Added, Wing Extensions, Remove Wing Rest Weldments, Harrow Asm Orientation ECN 48178 - Hyd Cyl 4-1/2 x 8 Re-Phase, Midway Vendor Added ECN 48314, 48714, 48741 - Hose Asm ECN 48323 - QR Code Decal Remove 20" Wheel Roller Assemblies ECN 48701, 48904 - Center Frame Changes, Change Hinge Fold Links ECN 48957, 49115, 48979 - Transport Locks, Wing Rests ECN 49067 - Transport Locks, Harrow Tine Clips, Harrow Asm, Coil Drag



Intertek

Equipment from Landoll Company, LLC is built to exacting standards ensured by ISO 9001 registration at all Landoll manufacturing facilities.

Pulvi-Mulcher 3631-36 Model

Re-Order Part Number F-1063

LANDOLL COMPANY, LLC

1900 North Street

Marysville, Kansas 66508

(785) 562-5381

800-428-5655 ~ WWW.LANDOLL.COM



Copyright 2023. Landoll Company, LLC

“All rights reserved, including the right to reproduce this material or portions thereof in any form.”

