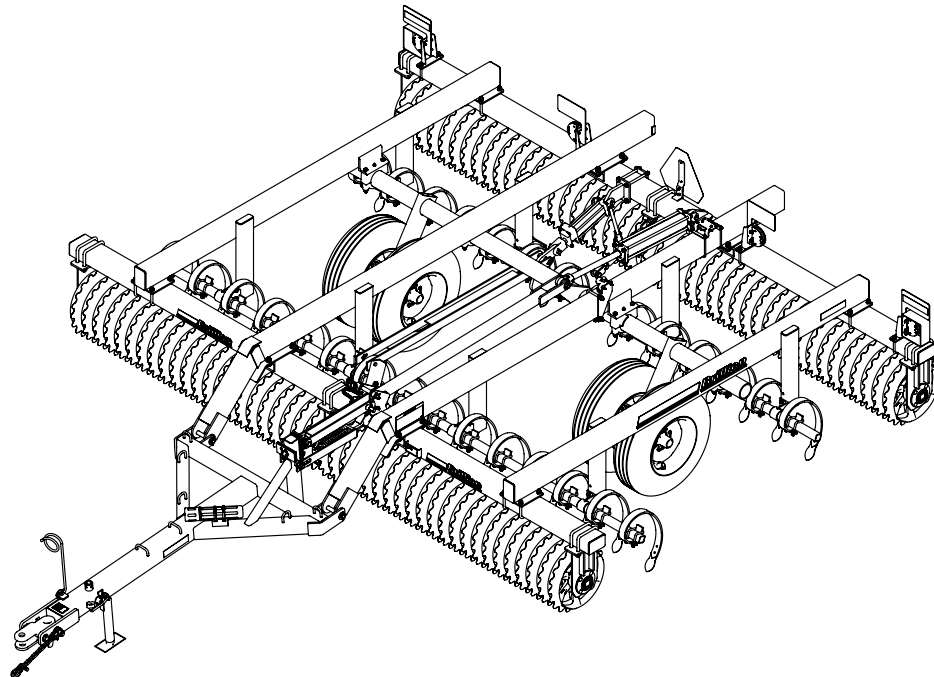




**ML Rigid Pulvi-Mulcher**  
**Models: 1483, 1643, and 1803**  
**ML, MLS, MCL, MCLS, MLC, MLCS,**  
**MCC, MCCS, MOOS**  
**Operator's Manual**



**LANDOLL COMPANY, LLC**

1900 North Street

Marysville, Kansas 66508

(785) 562-5381

800-428-5655 ~ **WWW.LANDOLL.COM**



# Table of Contents

---

## 1 Introduction and Safety Information

<b>Introduction</b> .....	<b>1-1</b>
Description of Unit .....	1-1
Owner Assistance .....	1-1
Warranty Registration .....	1-1
<b>Safety</b> .....	<b>1-2</b>
Understanding Safety Statements .....	1-2
Transporting Safety .....	1-2
Attaching, Detaching and Storage .....	1-2
Maintenance Safety .....	1-3
Protective Equipment .....	1-3
High Pressure Fluid Safety .....	1-3
Tire Safety .....	1-3
Safety Chain .....	1-3
Decals .....	1-4

## 2 Assembly

Frame Assembly .....	2-1
Rockshaft Installation .....	2-4
Transport Axle Link Installation .....	2-5
Drawbar Installation .....	2-7
Spring Linkage Assembly .....	2-8
Roller Installation .....	2-10
Bracket Assembly .....	2-12
Tooth Tube Bracket Locations, 1483 and 1643 Models .....	2-13
Tooth Tube Bracket Locations, 1803 Model .....	2-14
Tooth Control Installation .....	2-15
S-Tine Installation .....	2-16
C-Tooth Installation .....	2-17
Tooth Locations - 1483 Models .....	2-18
Tooth Locations - 1643 Models .....	2-19
Tooth Locations - 1803 Models .....	2-20
Independent Tooth Control S-Tine Installation .....	2-21
Independent Tooth Control C-Tooth Installation .....	2-22
Bracket Relationship per Tine Style - Independent .....	2-23
Hydraulics .....	2-24

Transport Circuit	2-24
Independent Tooth Control Circuit	2-24
Bleeding Hydraulic System	2-24
Transport Hydraulic Schematic	2-25
Tooth Control Hydraulic Schematic	2-25
LED Lamp and Harness Installation	2-27
Scrapers - Standard on Rear	2-30
Rear Hitch - Optional	2-31
Land Leveler - Optional	2-32
V Leveler - Optional	2-33

### **3 Operation**

General Operation	3-1
Level Adjustment	3-2
Spring Adjustment	3-2
Transport Lock After July 2016	3-3
Transport Lock Prior to July 2016	3-4
Depth Control	3-5
Charging the Hydraulic System	3-6
Hydraulic Lift Circuit	3-6
Tooth Control Circuit	3-6
Reflectors and SMV Sign	3-6
Transport	3-7
Scraper Adjustment	3-8
Land Leveler - Optional	3-8
V Leveler - Optional	3-8

### **4 Maintenance**

General Torque Specifications	4-1
Hydraulic Fitting Torque Specifications	4-2
Fasteners	4-2
Tires	4-3
Wheel Bearing Maintenance	4-3
Lubrication	4-3
Hydraulic Maintenance	4-4
C-Tooth Point Replacement	4-4
Clamp Tightening Procedure	4-5
Storage	4-6

### **5 General Reference and Specifications**

Model Designation	5-1
-------------------	-----



## Introduction and Safety Information

### Introduction

The implement described in this manual has been designed with care and built by skilled workers using quality materials and processes. Proper assembly and maintenance will provide you with satisfactory use for seasons to come.



#### **DANGER**

**Read this entire manual before attempting to assemble, adjust or operate this implement. Failure to comply with this warning can result in personal injury or death, damage to the implement or its components and inferior operation.**

### Description of Unit

The front rollers of the Brillion Pulvi-Mulcher break up surface clods. Conventional “C” teeth or “S-Tine” teeth loosen the soil up to 6” in depth and pull clods to the surface. The rear roller wheels then crush those clods and convert the soil into a firmed, mulched seedbed that locks in moisture at the root level. The result is a uniformly firmed and tilled seedbed from top to bottom, but not compacted. The growing environment receives the full benefit of capillary action of the soil for better germination, better moisture retention and faster decomposition of residue.

### Using this Manual

This manual will familiarize you with safety, assembly, operation, adjustment, and maintenance. Read this manual and follow the recommendations to help ensure safe and efficient operation.

- The information in this manual is current at time of printing. Some parts may have changed to assure top performance.
- Location reference: Right and Left designations in this manual are determined by facing the direction the implement will travel during field operation, unless otherwise stated.

### Owner Assistance

If customer service or repairs are needed, contact your Brillion dealer. They have trained personnel, parts and service equipment specially designed for Brillion products. Your implement’s parts should only be replaced with Brillion parts. If items covered in this manual are not understood, contact your local Brillion Dealer.

### Warranty Registration

Brillion Farm Equipment, by Landoll, shall have no warranty obligation unless each product is registered within 10 days of retail purchase, using the Landoll Company, LLC Ag Products on-line registration process. Please refer to the Ag Products Policy and Procedures Manual, accessible at [www.landoll.com](http://www.landoll.com) for step by step instructions regarding product registration.

Enter your product information below for quick reference.

MODEL NUMBER \_\_\_\_\_

SERIAL NUMBER \_\_\_\_\_

DATE OF PURCHASE \_\_\_\_\_

Refer to the ID plate as shown. See Figure 1-1.



Figure 1-1: ID Plate

## Safety

### NOTE

*Investigation has shown that nearly 1/3 of all farm accidents are caused by careless use of machinery. Insist that all people working with you or for you abide by all safety instructions.*

## Understanding Safety Statements

You will find various types of safety information on the following pages and on the implement decals (signs) attached to the implement. This section explains their meaning.

### NOTICE

Special notice - read and thoroughly understand.



### CAUTION

Proceed with caution. Failure to heed caution may cause injury to person or damage product.



### WARNING

Proceed with caution. Failure to heed warning will cause injury to person or damage product.



### DANGER

Proceed with extreme caution. Failure to heed notice will cause injury or death to person and/or damage product.

### NOTE

*You should read and understand the information contained in this manual and on the implement decals before you attempt to operate or maintain this equipment.*

Examine safety decals and be sure you have the correct safety decals for the implement. **See Figure 1-3.**

Order replacement decals through your Brillion dealer.

Keep these signs clean so they can be observed readily. It is important to keep these decals cleaned more frequently than the implement. Wash with soap and water or a cleaning solution as required.

Replace decals that become damaged or lost. Also, be sure that any new implement components installed during repair include decals which are assigned to them by the manufacturer.

When applying decals to the implement, be sure to clean the surface to remove any dirt or residue. Where possible, sign placement should protect the sign from abrasion, damage, or obstruction from mud, dirt, oil etc.



### DANGER

- Do not allow anyone to ride on the tractor or implement. Riders could be struck by foreign objects or thrown from the implement.
- Never allow children to operate equipment.
- Keep bystanders away from implement during operation.

## Transporting Safety

### IMPORTANT

**It is the responsibility of the owner/operator to comply with all state and local laws.**

When transporting the implement on a road or highway, use adequate warning symbols, reflectors, lights and slow moving vehicle sign as required. Slow moving tractors and towed implements can create a hazard when driven on public roads. They are difficult to see, especially at night.

Do not tow an implement that, when fully loaded, weighs more than 1.5 times the weight of the towing vehicle.

Carry reflectors or flags to mark the tractor and implement in case of breakdown on the road.

Do not transport at speeds over 20 MPH under good conditions. Never travel at a speed which does not allow adequate control of steering and stopping. Reduce speed if towed load is not equipped with brakes.

Avoid sudden stops or turns because the weight of the implement may cause the operator to lose control of the tractor. Use a tractor heavier than the implement.

Use caution when towing behind articulated steering tractors; fast or sharp turns may cause the implement to shift sideways.

Keep clear of overhead power lines and other obstructions when transporting. Know the transport height and width of your implement.

## Attaching, Detaching and Storage

- Do not stand between the tractor and implement when attaching or detaching implement unless both are blocked from moving.
- Block implement so it will not roll when unhitched from the tractor.

## Maintenance Safety

- Block the implement so it will not roll when working on or under it to prevent injury.
- Do not make adjustments or lubricate the machine while it is in motion.
- Make sure all moving parts have stopped.
- Understand the procedure before doing the work. Use proper tools and equipment.

## Protective Equipment

- Wear protective clothing & equipment appropriate for the job. Avoid loose fitting clothing.
- Because prolonged exposure to loud noise can cause hearing impairment or hearing loss, wear suitable hearing protection, such as earmuffs or earplugs.

## High Pressure Fluid Safety

Escaping fluid under pressure can be nearly invisible and have enough force to penetrate the skin causing serious injury. Use a piece of cardboard, rather than hands, to search for suspected leaks.

Any fluid injected into the skin must be surgically removed within a few hours or gangrene may result.

Avoid the hazard by relieving pressure before disconnecting hydraulic lines.

## Tire Safety

Tire changing can be dangerous and should be performed by trained personnel using correct tools and equipment.

When inflating tires, use a clip-on chuck and extension hose long enough to allow you to stand to one side, not in front of or over the tire assembly. Use a safety cage if available.

When removing and installing wheels use wheel-handling equipment adequate for the weight involved.

## Safety Chain

Use the safety chain to help control drawn machinery should it separate from the tractor drawbar.

Use a chain with a strength rating equal to or greater than the gross weight of towed machinery, which is 10,100 pounds minimum in accordance with ASAE S338.2 specifications. If two or more implements are pulled in tandem, a larger chain may be required. Chain capacity must be greater than the TOTAL weight of all towed implements.

A second chain should be used between each implement.

Attach the chain to the tractor drawbar support or specified anchor location. Allow only enough slack in the chain to permit turning. The distance from hitch pin to attachment point or intermediate support point should not exceed 9 inches. **See Figure 1-2.**

Replace the chain if any links or end fittings are broken, stretched or damaged.

Do not use a safety chain for towing.

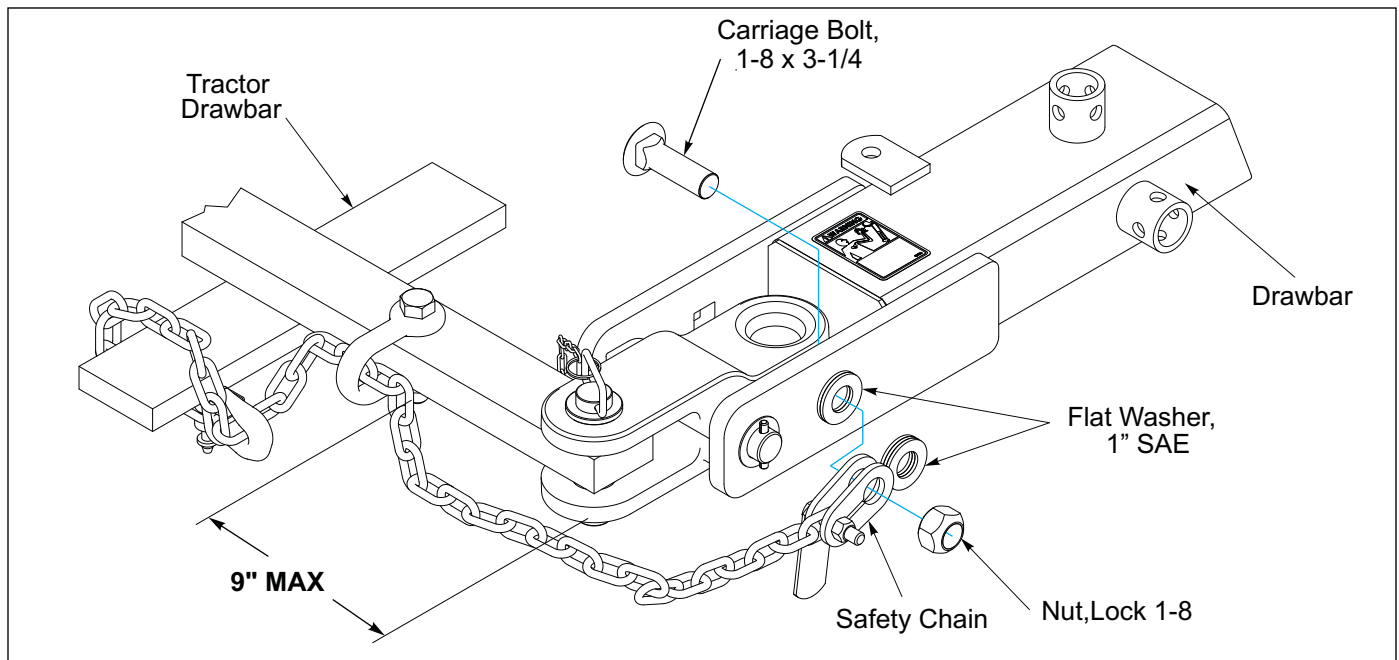


Figure 1-2: Safety Chain

Decals

OK HERE (TRANSPORT LOCK HOLES)

OK HERE (ANY HOLE FORWARD OF ANGLE BRACKETS)

NEVER HERE. (HOLES REARWARD OF ANGLE BRACKETS)

**IMPORTANT**  
EXCEPT IN TRANSPORT LOCK HOLE, DO NOT INSTALL PINS REARWARD OF ANGLE BRACKETS. DOING SO WILL RESULT IN DAMAGE TO MACHINE WHEN CYLINDER IS EXTENDED.

9J257

9J257

**WARNING**

**DO NOT GO NEAR LEAKS**  
High pressure oil easily punctures skin causing serious injury, gangrene or death. If injured, seek emergency medical help. Immediate surgery is required to remove oil. Do not use fingers or skin to check for leaks. Lower load or relieve hydraulic pressure before loosening fittings.

10813A

3K706

**CAUTION**

**MOVING MACHINES CAN CAUSE INJURY. KEEP AWAY!**

1. KEEP AWAY FROM MOVING TRACTORS OR IMPLEMENTS. KEEP OTHERS AWAY.
2. DO NOT RIDE OR ALLOW OTHERS TO RIDE ON TRACTOR OR IMPLEMENT.
3. BLOCK IMPLEMENT TO PREVENT MOVEMENT WHEN UNHITCHED FROM TRACTOR.
4. KEEP ALL GUARDS AND SHIELDS IN PLACE WHILE MACHINE OR PARTS ARE IN MOTION.

8J309

8J309



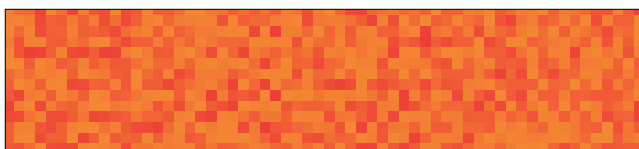
4K036  
4K039



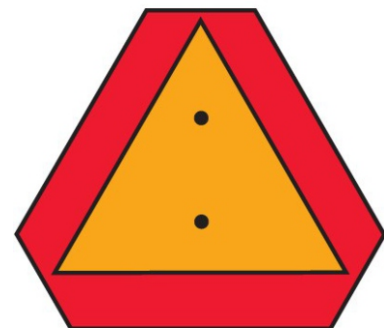
528933



528934



528938



2P151

Figure 1-3: Decals

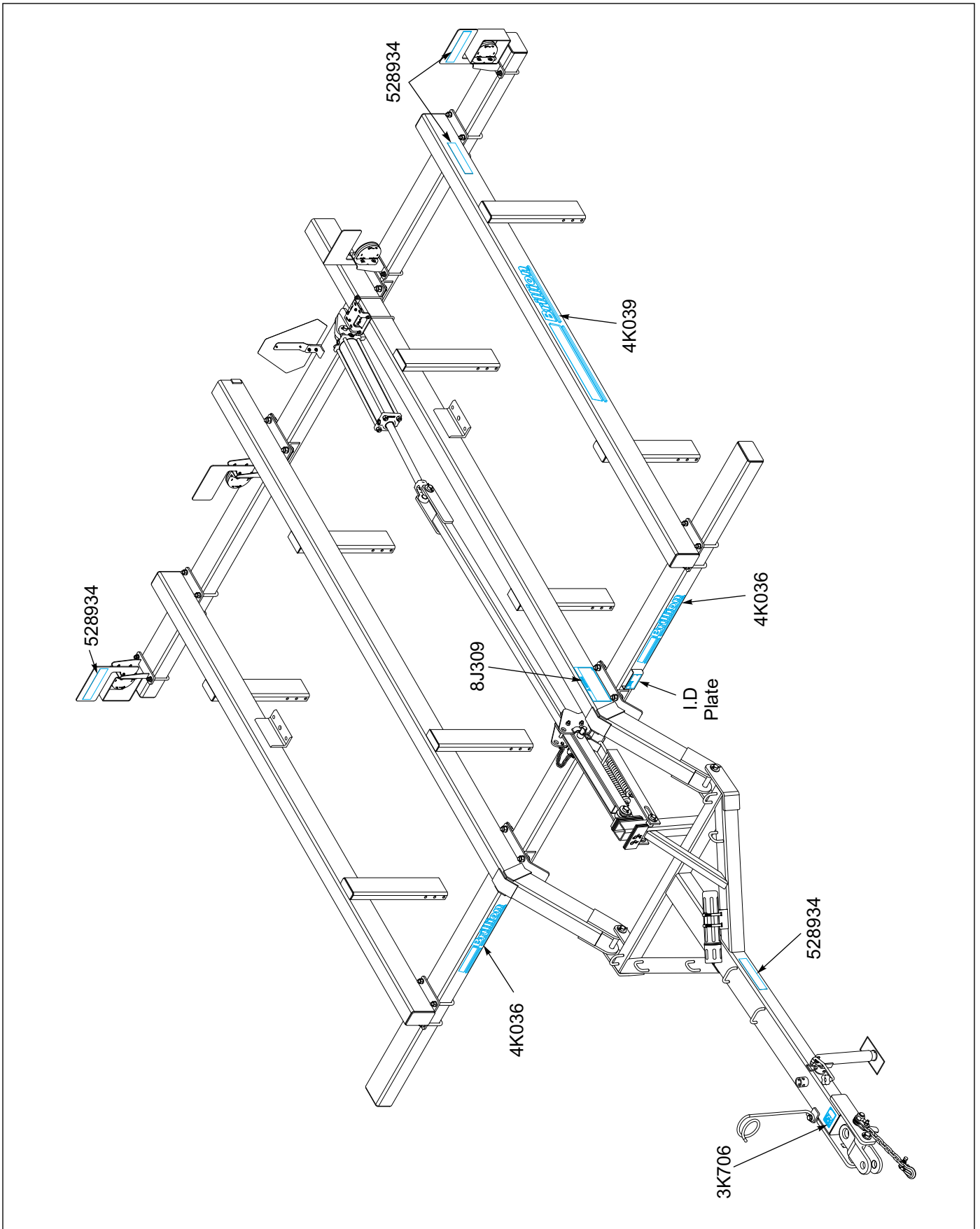


Figure 1-4: Decal Placement (1 of 3)

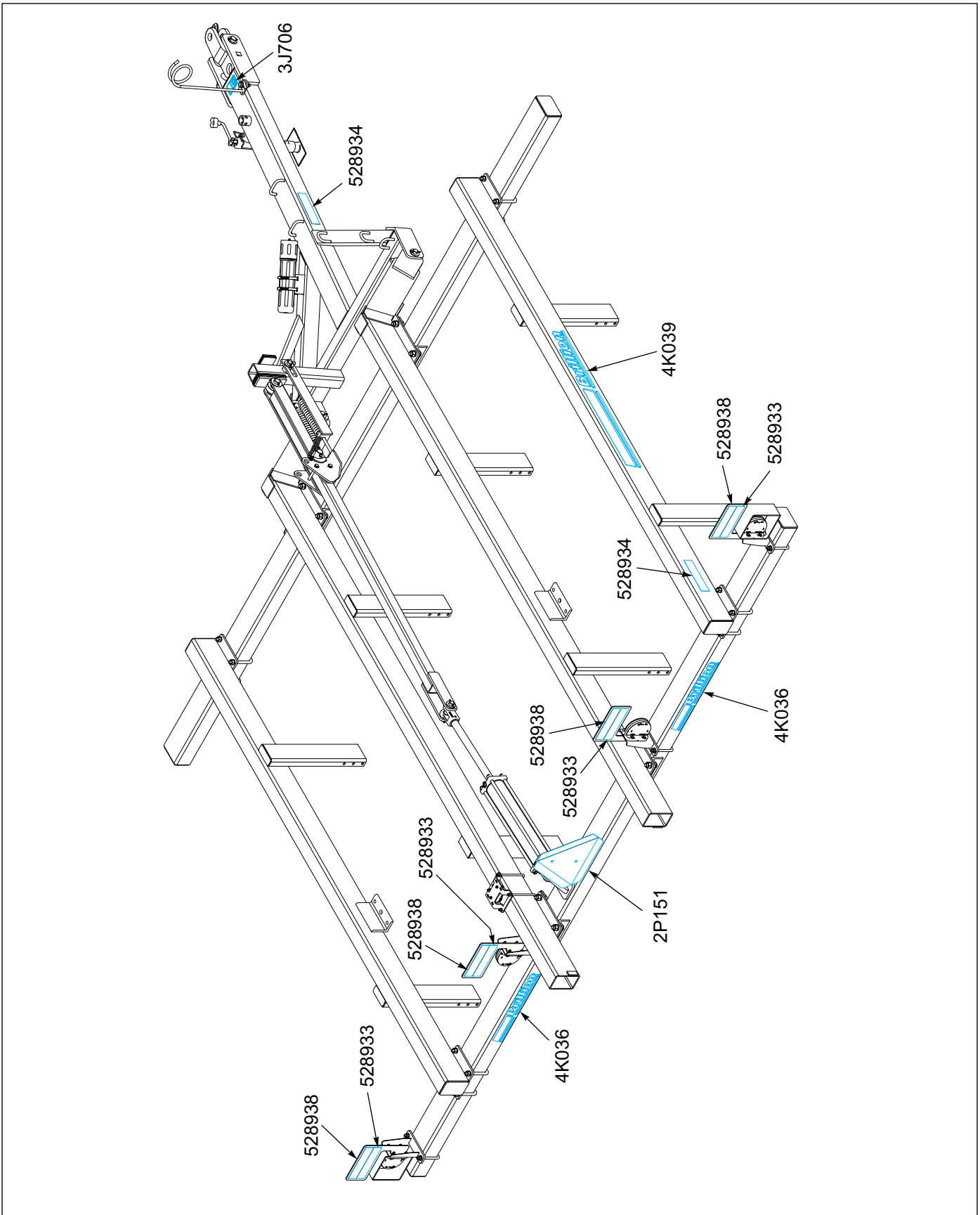


Figure 1-5: Decal Placement (2 of 3)

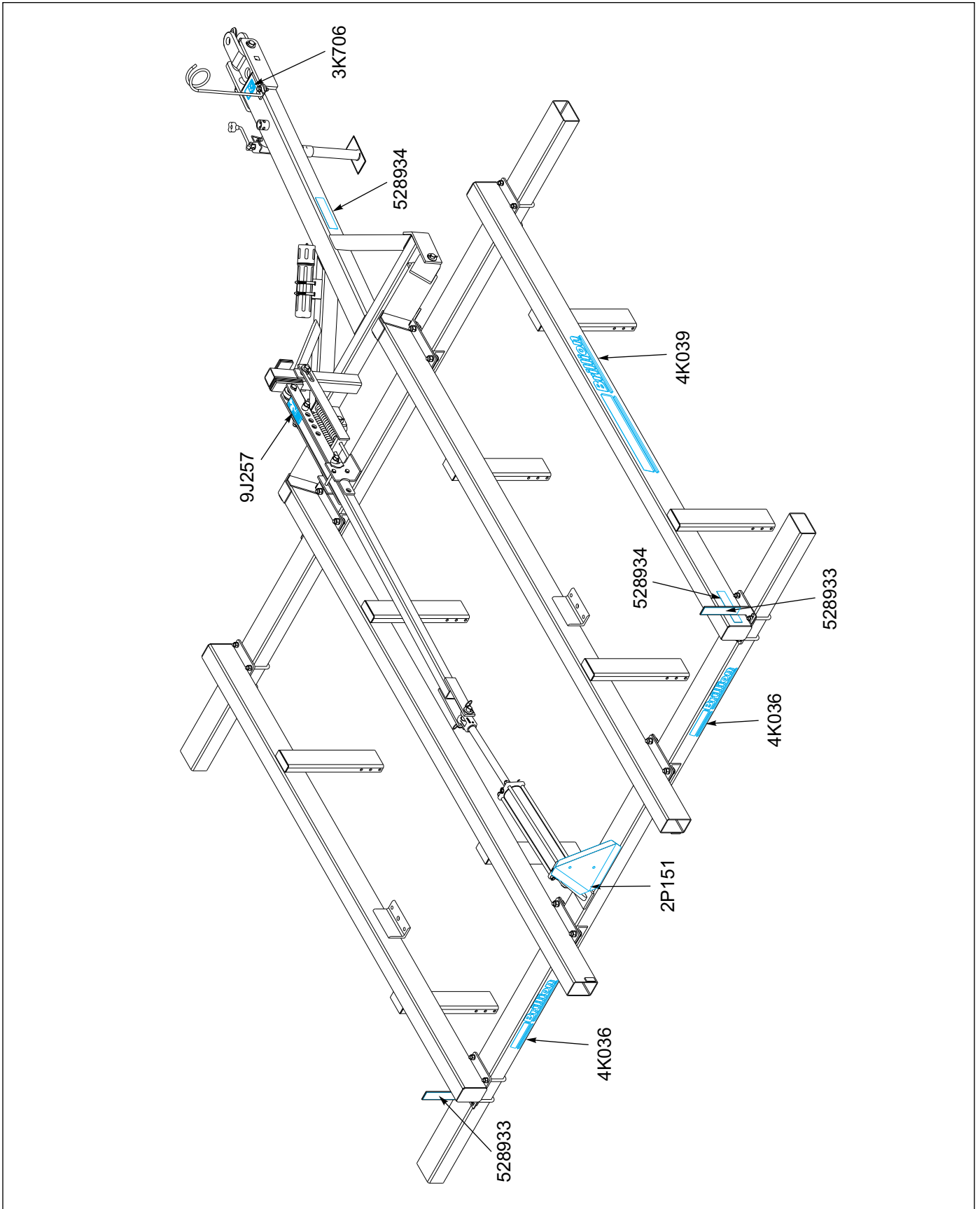


Figure 1-6: Decal Placement (3 of 3) - Prior to July 2016





# Chapter 2

## Assembly

---



### CAUTION

**Do not work on or under this machine unless securely blocked and supported by a hoist or tractor or by other sufficient means.**

The intent of this chapter is to provide instruction, allowing you to safely and correctly assemble your Brillion product.

### NOTE

The machine shown in the following illustrations may not agree with the size of your unit. Assembly of machines, however, is similar on all models. Additional parts identification and location can be obtained by reviewing parts manual 1K045.

### NOTE

*“Left” and “Right” refer to directions seen as if standing behind the machine and facing in the direction of forward travel.*

### IMPORTANT

- If pre-assembled parts or fasteners are temporarily removed, remember where they go. It is best to keep the parts separated.
- Check that all working parts move freely, bolts are tight and cotter pins are spread.

Refer to the Torque Table for proper bolt torque values. Note the different torque requirement for bolts with lock nuts. See **“General Torque Specifications” on page 4-1.**

## Frame Assembly

1. Place Front and Rear Frame Tubes on supports spaced 10 feet apart. Ensure supports are rated at 2,000lbs each.
2. Position Inner Frame Tubes. Fasten Inner Frame Tubes to Front and Rear Tubes with 3/4-10 x 2 Bolts, Lockwashers and Nuts. Ensure that the Inner Frame Tubes are square with the Front and Rear Frame Tubes. **See Figures 2-1 and 2-2.**
3. Position Outer Frame Tubes. Fasten with 5/8-11 U-Bolts, Lockwashers and Nuts. **See Figures 2-1 and 2-2.**
4. Install the Relief Valve Bracket. Fasten with 5/8-11 U-Bolts, Lockwashers and Nuts.
5. Install the SMV sign using two 5/16-18 x 1 Bolts, Washers, and Locknuts.
6. Tighten all hardware to the recommended torques. **See Page 4-1.**

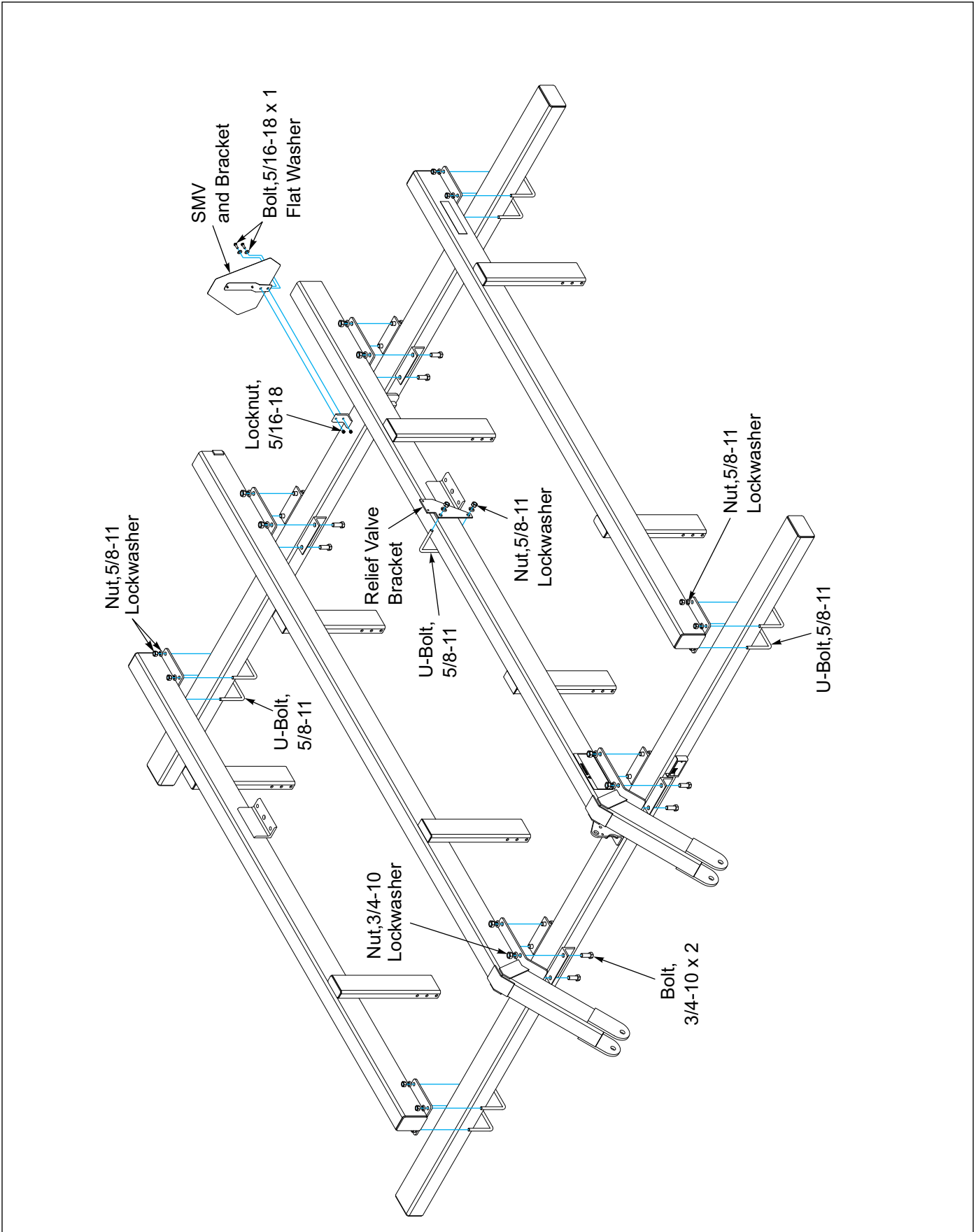


Figure 2-1: Frame Assembly

## Frame Assembly Dimensions

**NOTE**

"Left" and "Right" refer to directions seen as if standing behind the machine and facing in the direction of forward travel.

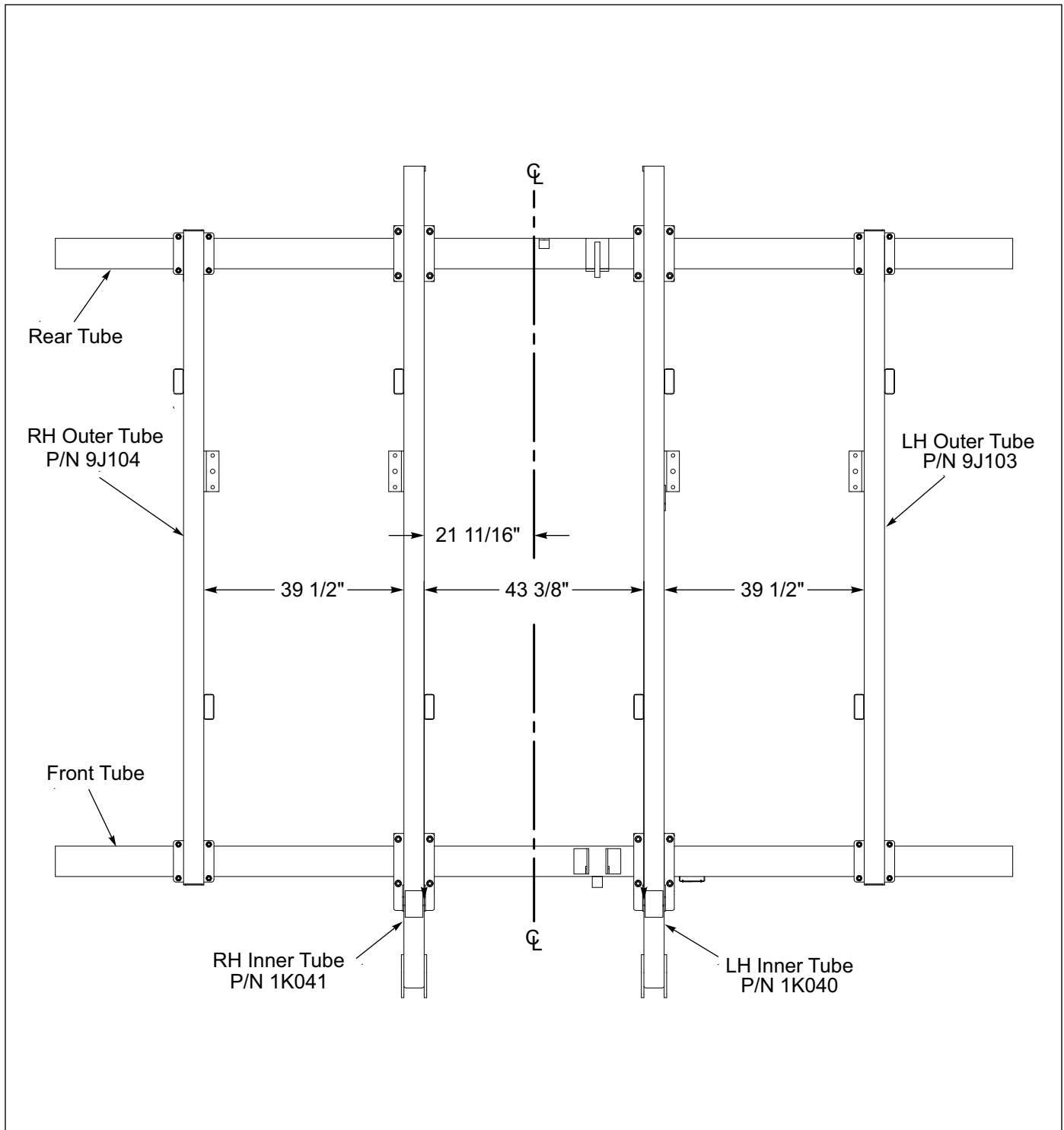


Figure 2-2: Frame Assembly Dimensions

## Rockshaft Installation

1. Place Rockshaft under the frame rockshaft mounting angles.
2. Coat the bearing surface of the Bearing Assemblies with grease before fastening Rockshaft to Frame with 5/8-11" X 7" Bolts, Lockwashers and Nuts.

3. Install the base end of the 3 1/2" X 16" Hydraulic Cylinder using one of the vendor provided pin. The rod end of the Cylinder will be attached to the Rockshaft lug at the same time as the linkage. **See Figure 2-5.**
4. Mount a Wheel and Tire Assembly onto each hub with 1/2-20" X 1" Wheel Bolts. Torque bolts to **80-85 ft/lbs.**
5. Tighten all hardware to the recommended torques. **See Page 4-1.**

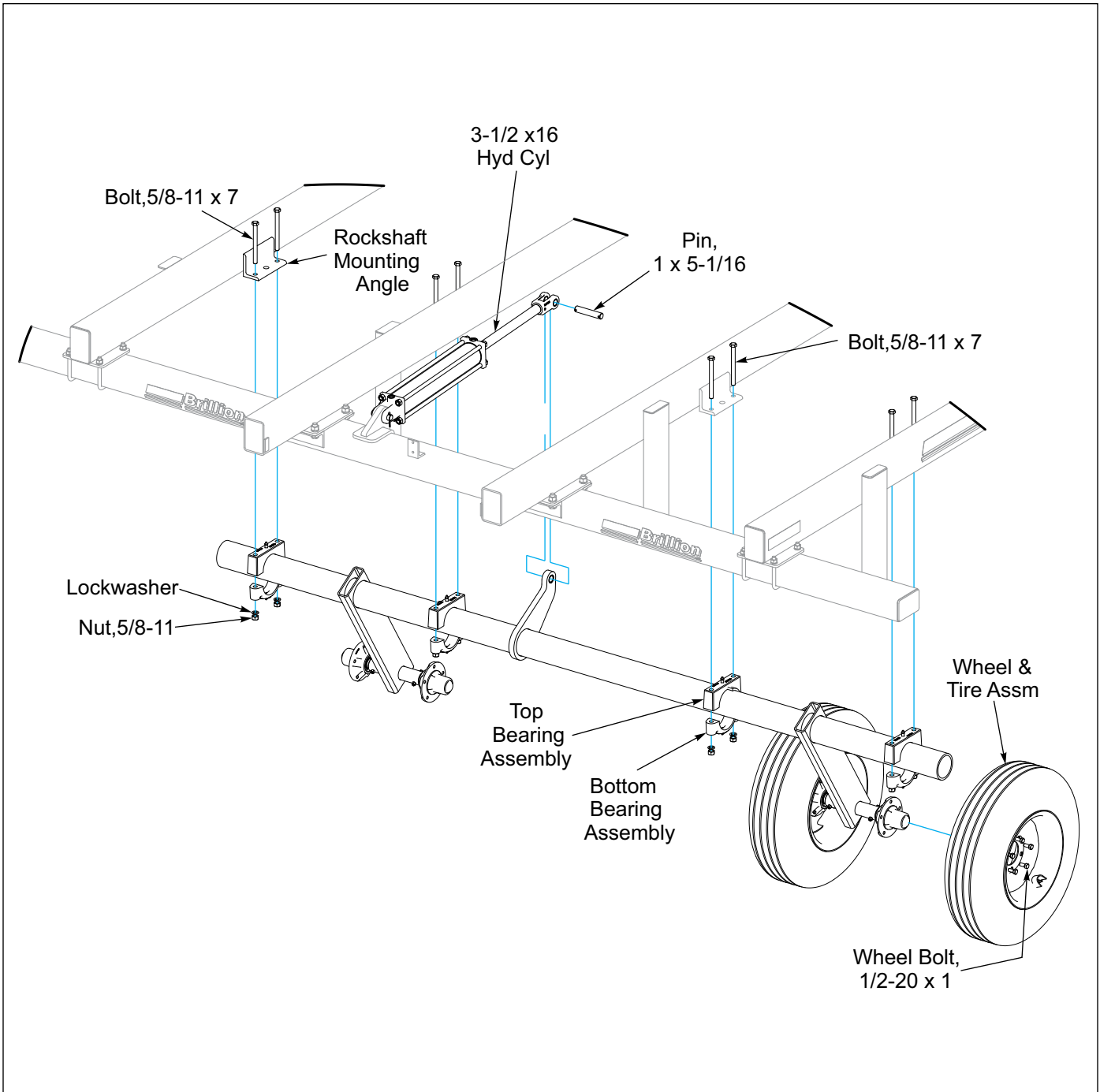


Figure 2-3: Rockshaft

## Transport Axle Link Installation

On the front frame tube angle bottom hole, install Spacer (7/8 OD x 3 long) using a 1/2-13 x 5 Bolt and Locknut. Do not over tighten, Spacer must be free to rotate. **See Figure 2-4.**

Position Link to the front of the machine on top of the installed Spacer (.546 x .84 x 3). **See Figure 2-5.** To contain the Link, insert in the top hole of the front frame tube angle a 1/2-13 x 5 Bolt and Locknut. Do not over tighten, Link must be free to pass between the Spacer and Bolt.

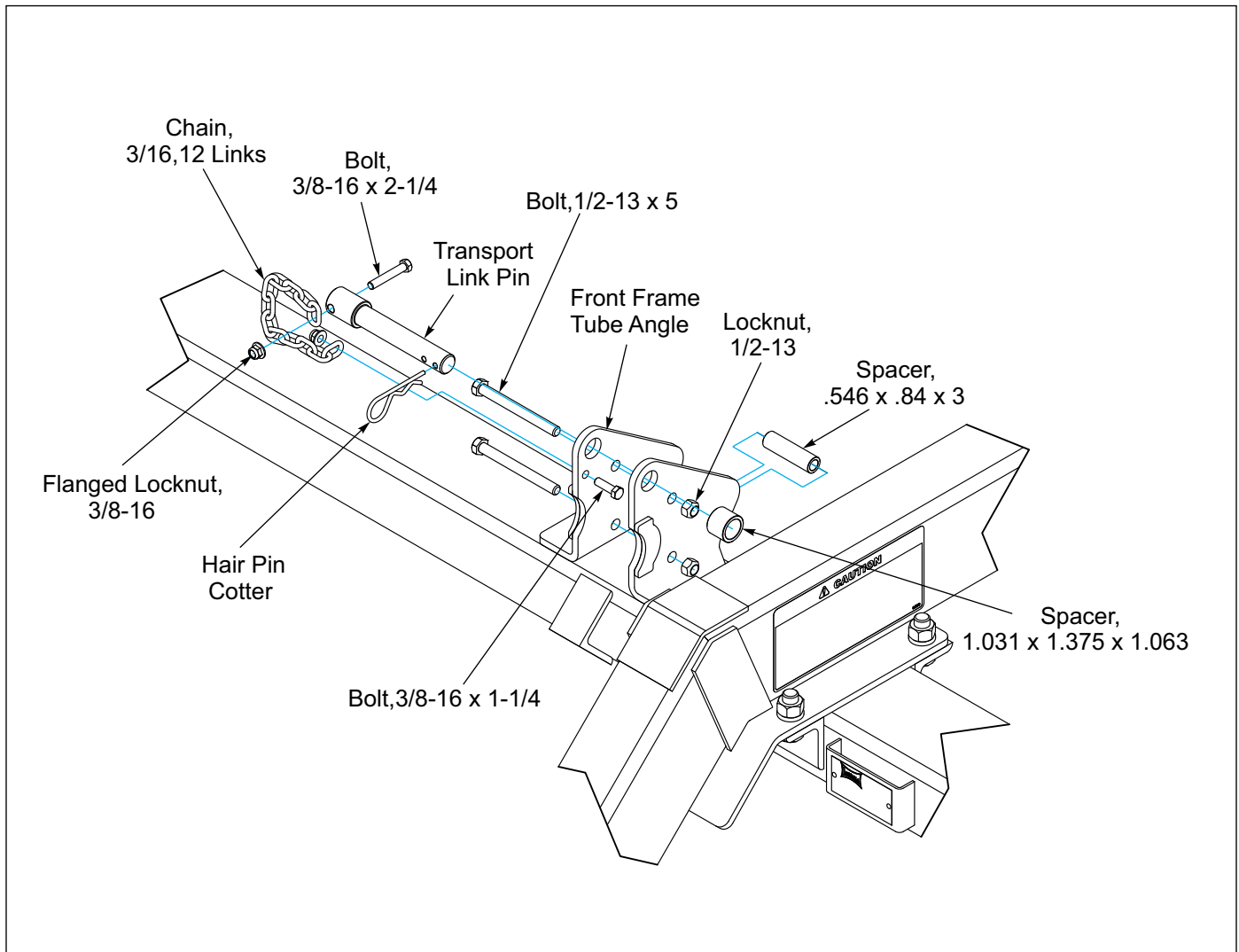
Insert the Transport Link Pin into the top hole of the front frame tube angles. Place spacer (1.031 x 1.375 x 1.063) on Transport Link Pin and secure with Hair Pin Cotter. Insert 3/8-16 x 1-1/4 bolt into Frame Tube Angle, place one end of chain on end of bolt and secure with Flanged Locknut. Insert 3/8-16 x 2-1/4 bolt into Transport Link Pin, place other end of chain on end of bolt and secure with Flanged Locknut. **See Figure 2-4.**

In the front hole of the Link, install Roller Assm with a Spacer (1.375 x 1.66 x .688) on each side, place Thrust Washer on the outside of Link. Secure with Pin (1-1/4 x 4-1/2) and 1/4 x 2 Roll Pins. Place a Spacer on each side of the Link, secure with Roll Pin and a Hairpin Cotter.

Align the Link single rear hole up with the Rockshaft Arm. Place a 1" Narrow Flat Washer on each side between the Rockshaft Arm and the Link and one on the outside of the Link, secure with 1 x 5-1/16 Pin and 1/4 x 2 Roll Pins. **See Figure 2-5.**

### NOTE

*The Transport Lock is now in the Storage position. Refer to Figure 3-2 to put the Transport Lock Pin in the lock position.*



**Figure 2-4: Transport Link Pin Installation**

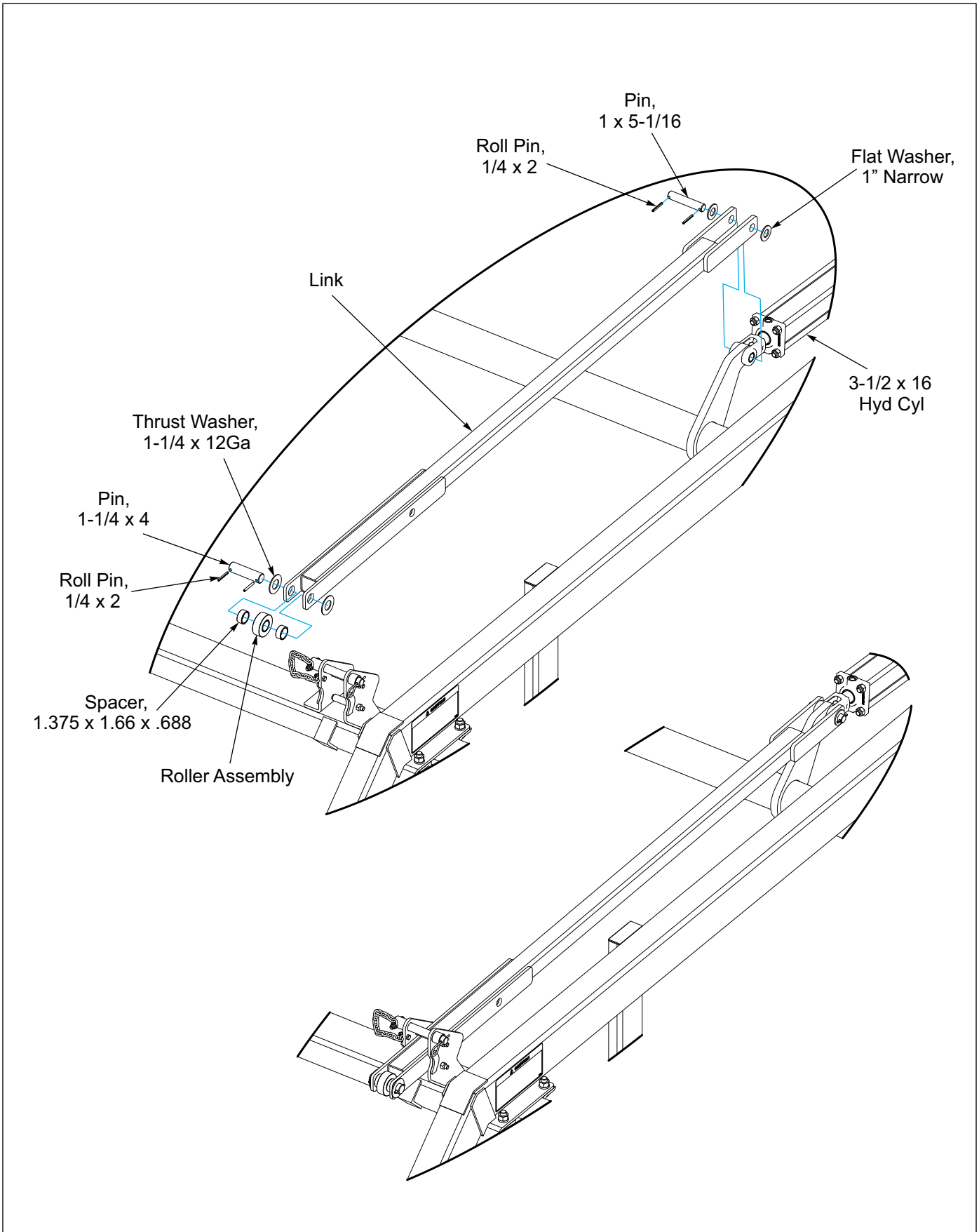


Figure 2-5: Drawbar Link

## Drawbar Installation

Attach the factory assembled Drawbar to the Frame by removing and reinstalling the two 1 x 7-7/16 Pins, Flat Washers and 1/4 x 1-1/2 Cotter Pins. **See Figure 2-6.**

Attach the Hose Support to the Drawbar Lug with 5/8-11 x 2 Bolt, Flat Washer and Locknut.

Install Jack onto the male swivel on the side of the Drawbar. The swivel on the top of the Drawbar is for storing the Jack.

Mount the Manual Storage Canister to the Drawbar Mount with two Hose Clamps.

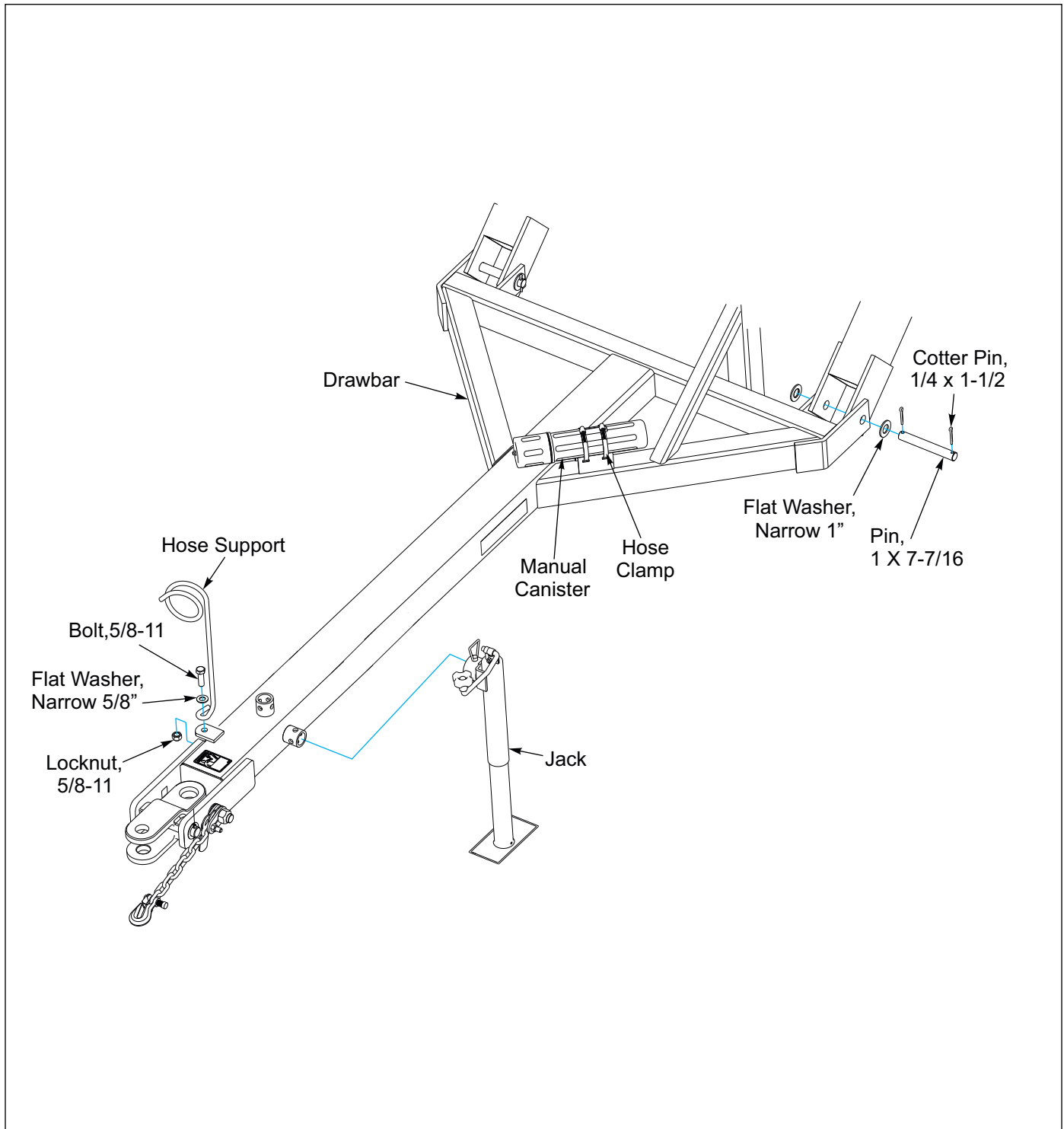


Figure 2-6: Drawbar, Hitch and Safety Chain Installation

## Spring Linkage Assembly

Install the Spring Linkage between the front Frame Tube and the Drawbar. Slip 5/8-11 x 2-3/4 x 16 U-bolt around the angle on the front frame tube. Slide onto the U-bolt the Spring Linkage, two Spring Caps with flat surface against Spring Linkage Plate, two springs, two more spring caps with flat surface facing away from the spring, and 5/8-11 Lock Nuts. Tighten the Lock Nut until about 3/8" of thread is sticking out past the nut. This will need to be adjusted after the hydraulic system is hooked up. *The purpose of the spring linkage is to cause the rear of the machine to lift before the front during the raising cycle. Tighten the Lock Nut if the front of the machine raises before the rear.*

Align Spring Linkage slot with Drawbar Center Mast. On the Center Mast place a flat washer on each side of the Spring Linkage slot. Secure with Cylinder Pin (1 x 7-1/2) and 1/4 x 2 Roll Pin.

Install the Bumper and Spacers at the top of the Drawbar Center Mast with Hairpin Cotters. Shown are three Spacers on the front of the Drawbar Center Mast and three Spacers on the Rear of the Drawbar Center Mast, it may be necessary to adjust the spacer quantity between the bumper and the drawbar vertical tube if the front of the machine needs to be higher for transport.

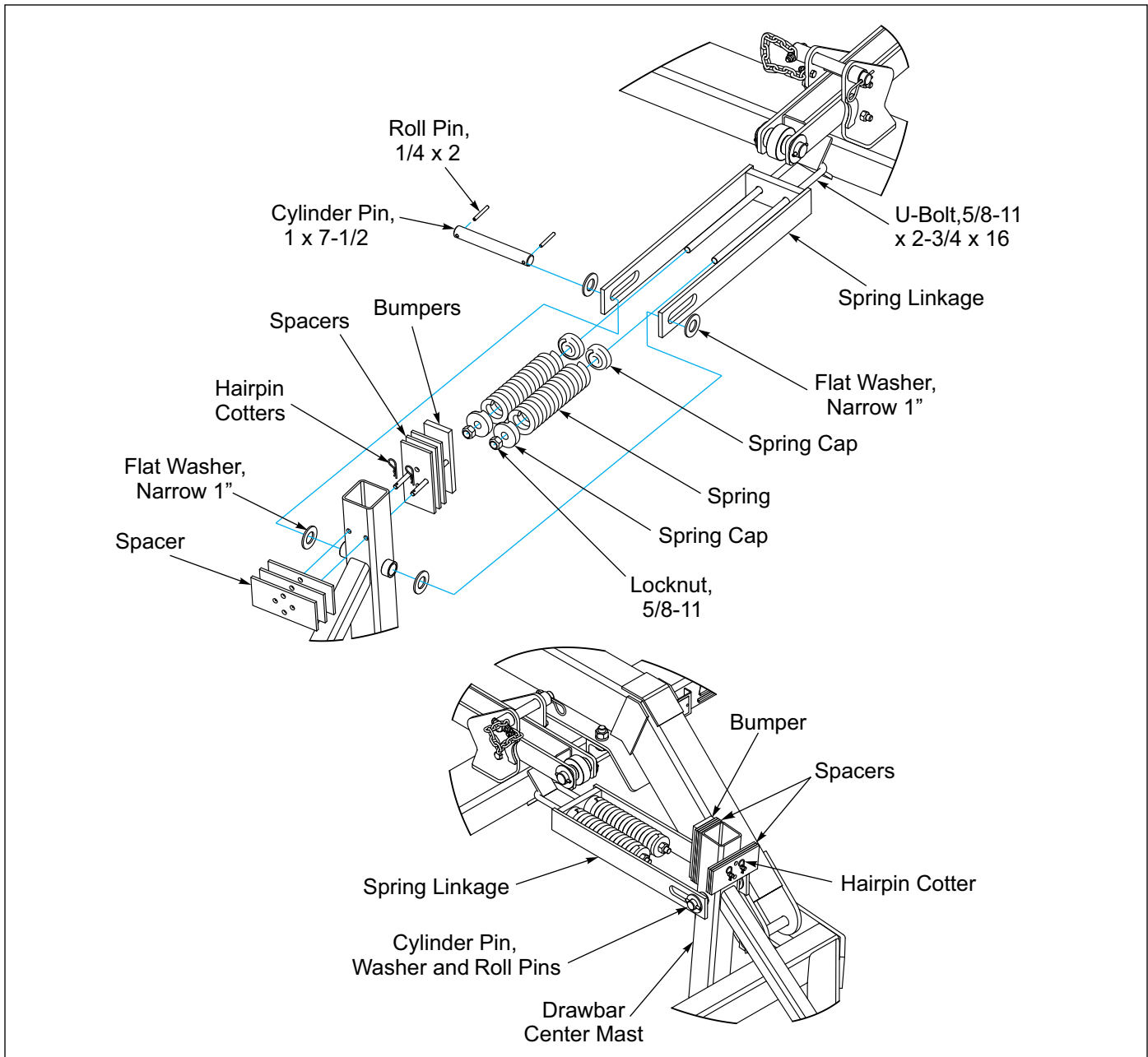


Figure 2-7: Spring Linkage Installation





**Roller Installation**

Determine Roller Assemblies location based on the machine model. See **Figure 2-9**.

**NOTE**

Clamp end of the Roller Assemblies must be to the outer extremity of the center frame so adjustments can be made easily when needed.

**NOTE**

Crowfoot Wheel Rotation Arrow must follow the direction of travel.

**ML and MLS**

Notched Wheels front and rear.

**MCL and MCLS**

Crowfoot Wheels front and Notched Wheels rear.

**MLC and MLCS**

Notched Wheels front and Crowfoot Wheels rear.

**MCC and MCCS**

Crowfoot Wheels front and rear.

**MOOS**

Optimizer Wheels front and rear.

 **WARNING**

**Do Not Work Under Machine Unless It Is Blocked Securely**

Center Bracket Assembly has a bearing on each side. End Bracket Assembly has a bearing on one side.

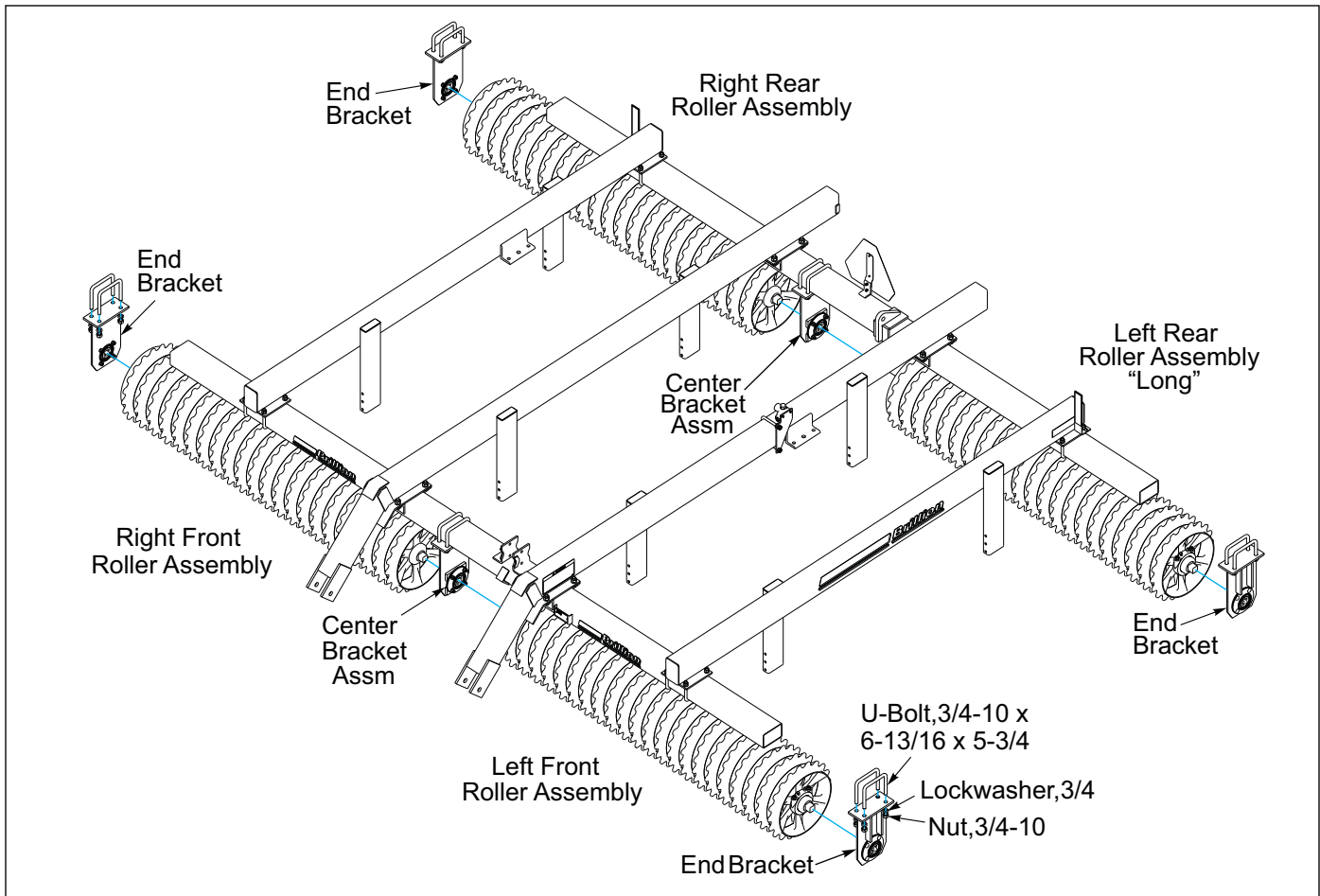
Mount a Center Bracket Assembly to the center of the front Frame Tube with 3/4-10 x 6-13/16 x 5-3/4 U-Bolts, Lockwashers and Nuts.

Slide a Roller Assembly into each side of the Center Bracket Assembly so that the Roller stub shaft is against the Bracket bearing.

On the Rear Frame Tube 2" right of center, mount a Center Bracket Assembly with 3/4-10 x 6-13/16 x 5-3/4 U-Bolts, Lockwashers and Nuts.

Slide the longer Roller Assembly into the left side of the Center Bracket Assembly and the other Roller Assembly into the right side.

Install an End Bracket Assembly onto the end of each Roller Assembly so that the Roller stub shaft is against the Bracket bearing. Attach with 3/4-10 x 6-13/16 x 5-3/4 U-Bolts, Lockwashers and Nuts.



**Figure 2-8: Center and End Brackets**

Model	Roller Combinations			
	A	B	C-Long	D
<b>ML1483</b> <b>MLS1483</b>	9J523	9J523	9J522	9J523
<b>MCL1483</b> <b>MCLS1483</b>	9J832	9J833	9J522	9J523
<b>MLC1483</b> <b>MLCS1483</b>	9J523	9J523	9J830	9J833
<b>MCC1483</b> <b>MCCS1483</b>	9J832	9J833	9J830	9J833
<b>ML1643</b> <b>MLS1643</b>	9J521	9J521	9J520	9J521
<b>MCL1643</b> <b>MCLS1643</b>	9J828	9J829	9J520	9J521
<b>MLC1643</b> <b>MLCS1643</b>	9J521	9J521	9J826	9J829
<b>MCC1643</b> <b>MCCS1643</b>	9J828	9J829	9J826	9J829
<b>ML1803</b> <b>MLS1803</b>	9J519	9J519	9J518	9J519
<b>MCL1803</b> <b>MCLS1803</b>	9J824	9J825	9J518	9J519
<b>MLC1803</b> <b>MLCS1803</b>	9J519	9J519	9J822	9J825
<b>MCC1803</b> <b>MCCS1803</b>	9J824	9J825	9J822	9J825
<b>MOOS1803</b>	199057	199057	199058	199057

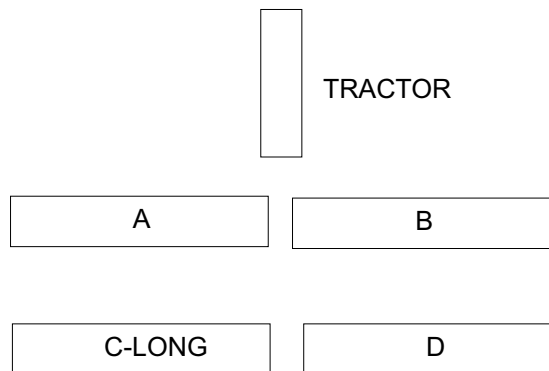


Figure 2-9: Roller Assemblies

## Bracket Assembly

Assemble Tooth Tube Brackets to Center Frame Vertical Tubes. **See Figures 2-12 and 2-13.** Reversing some of these brackets will cause interference later when mounting the teeth.

For the 1803 Model machines only, there are two heavy-duty brackets provided for the inner rear tube supports that support the rear spring tooth tube.

### C-Tooth Machines

Assemble a 9J090 Tooth Tube Bracket to the front of each Front and Rear Vertical Center Frame Tube Support middle and bottom holes using 1/2-13 x 6 Bolts and Locknuts. **See Figure 2-10.**

### S-Tine Machines

Assemble a 9J091 Tooth Tube Bracket to the front of each Front and Rear Vertical Center Frame Tube Support top and middle holes using 1/2-13 x 6 Bolts and Locknuts. **See Figure 2-11.**

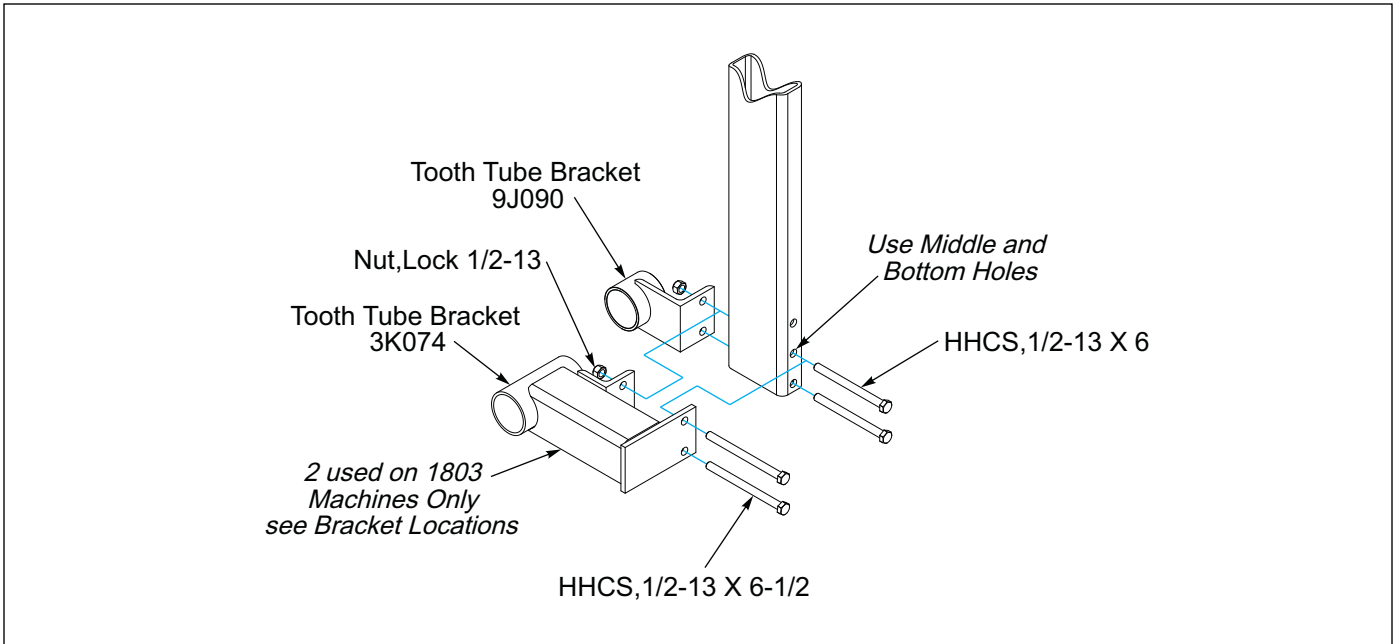


Figure 2-10: C - Tooth Bracket Assembly

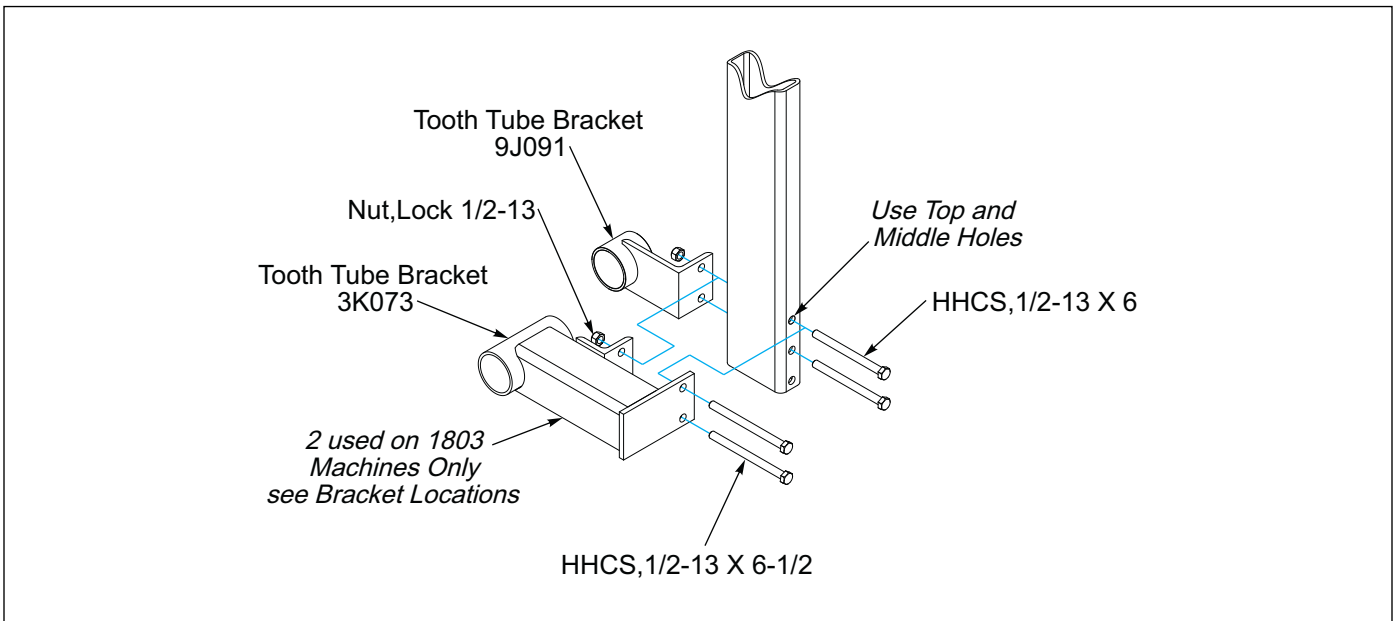


Figure 2-11: S - Tine Bracket Assembly

# Tooth Tube Bracket Locations, 1483 and 1643 Models

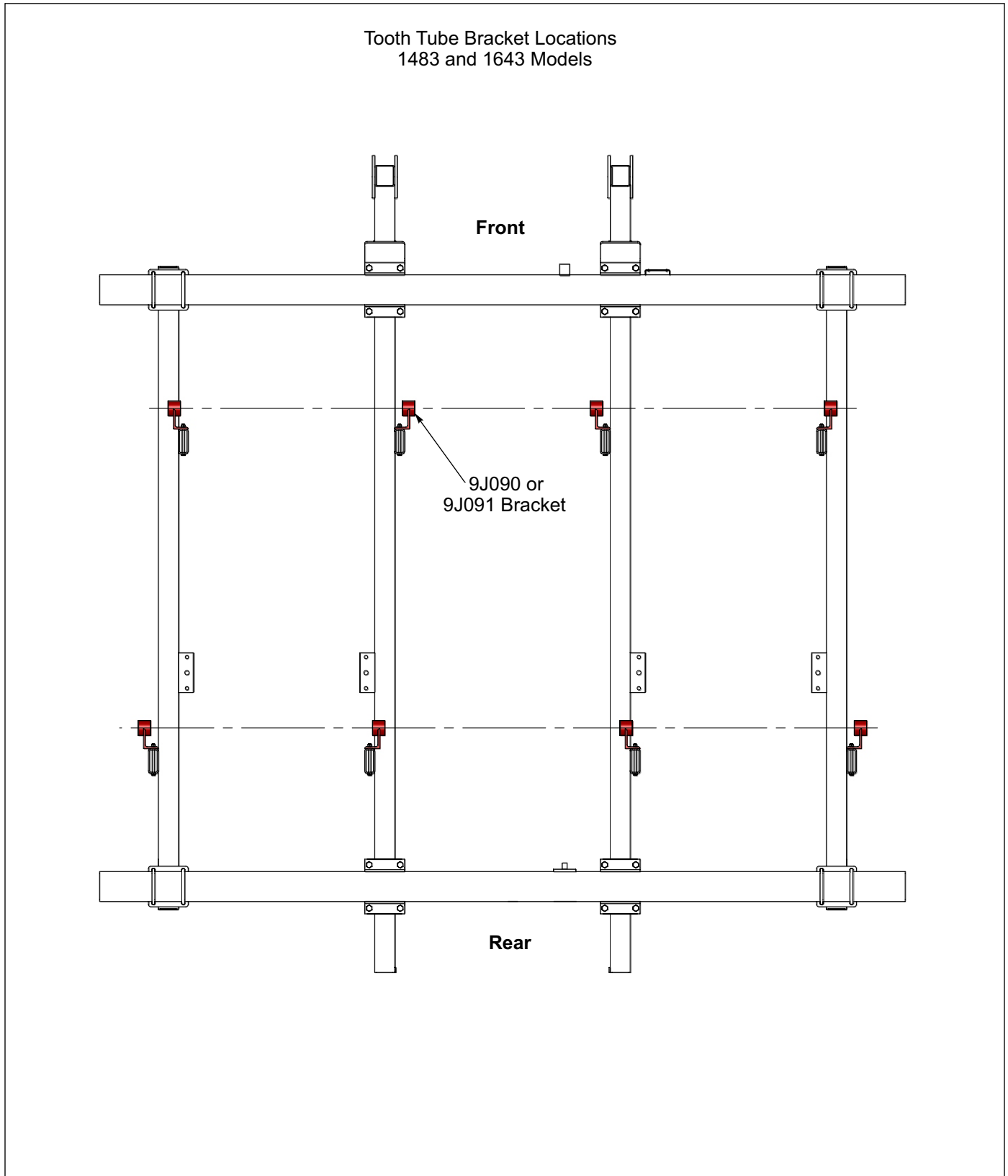


Figure 2-12: ML 1483 - 1643 Tooth Tube Bracket Locations

# Tooth Tube Bracket Locations, 1803 Model

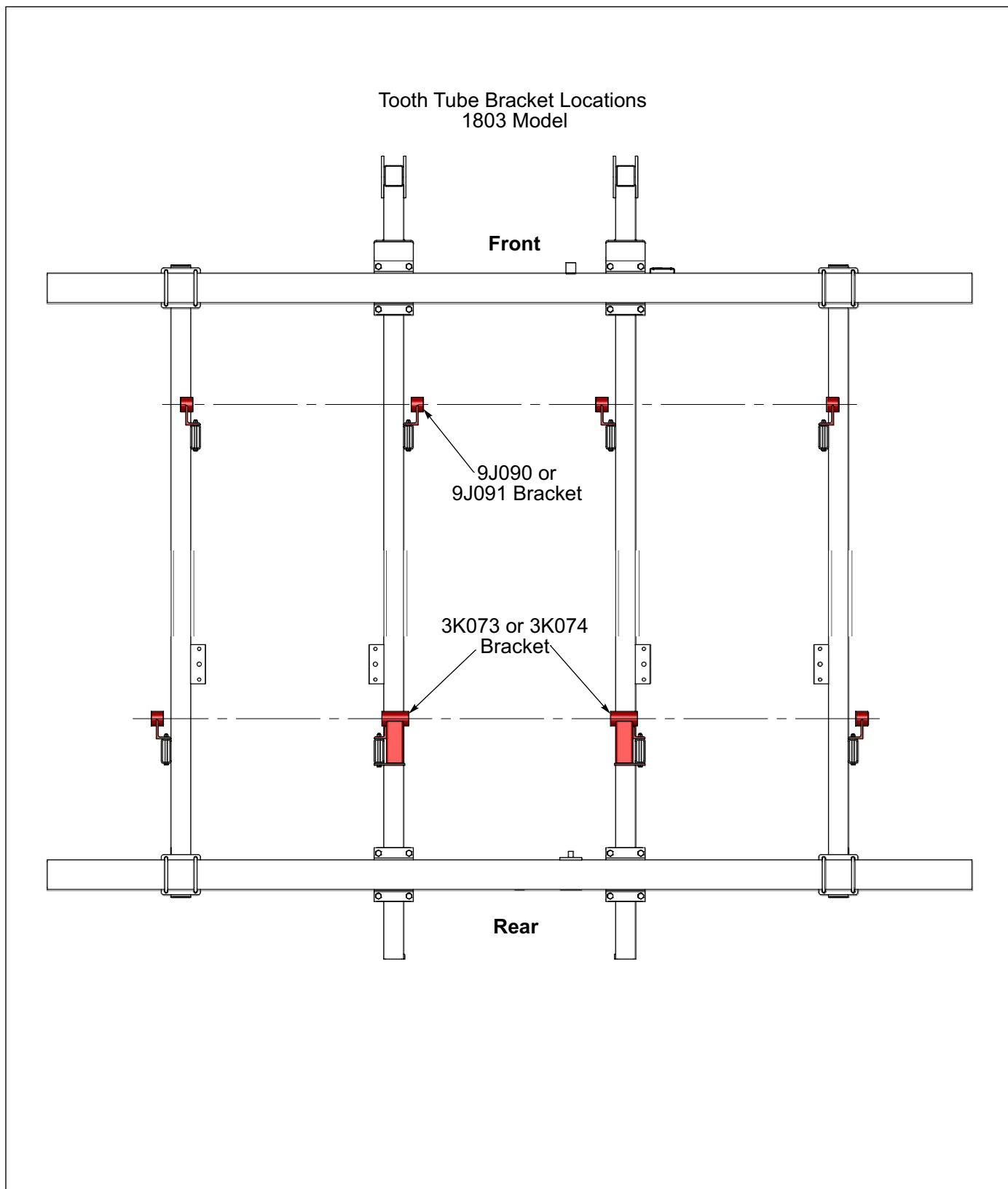


Figure 2-13: ML 1803 Tooth Tube Bracket Locations

## Tooth Control Installation

After you have all eight brackets assembled, pencil mark the tooth locations on the tooth tubes. **See Figures 2-18, 2-19 and 2-20.** Slide the tooth tubes through the brackets. Both of the tooth tubes must be centered on the machine - an equal length of tube extending out beyond the outer brackets. Slide each tooth up against the tooth tube bracket, this helps prevent the tube from sliding. **See Figure 2-14.** Then fix the tubes in place by assembling straps and securing with 1/2-13 x 2-5/8 x 3-1/4 U-bolt, Lockwashers and Nuts to each tooth tube. Locate them on the outside of the inner tooth tube brackets. **See Figure 2-14.**

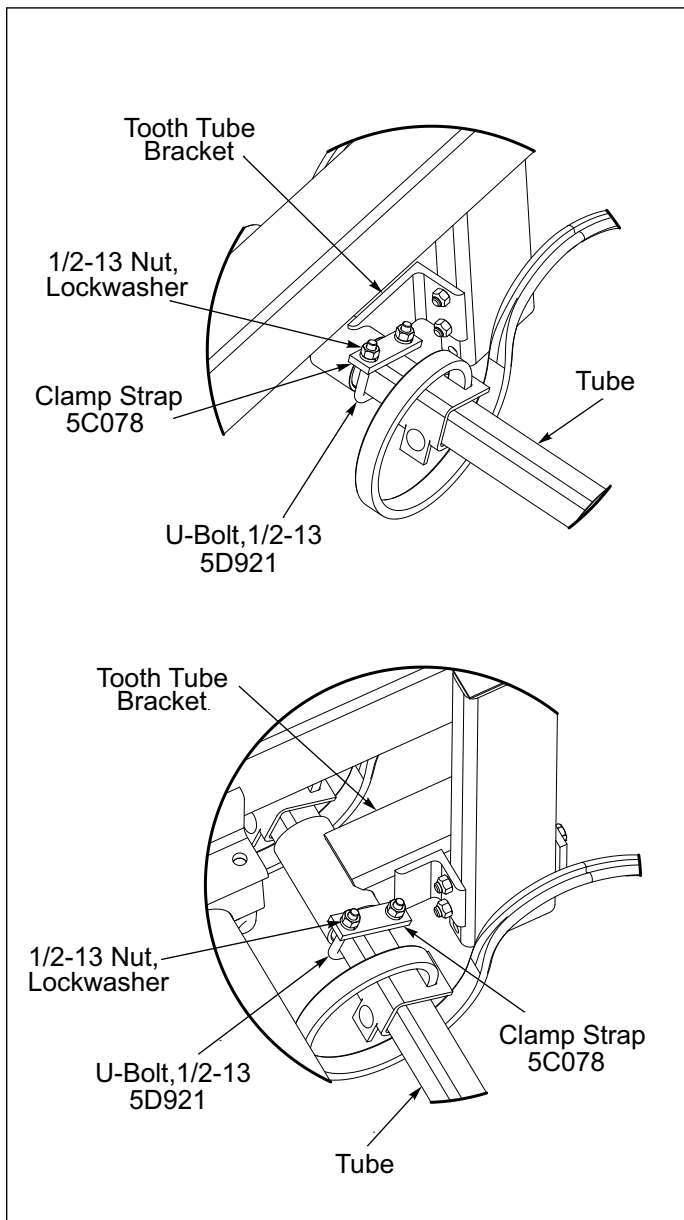


Figure 2-14: Fixing the Tubes in Place

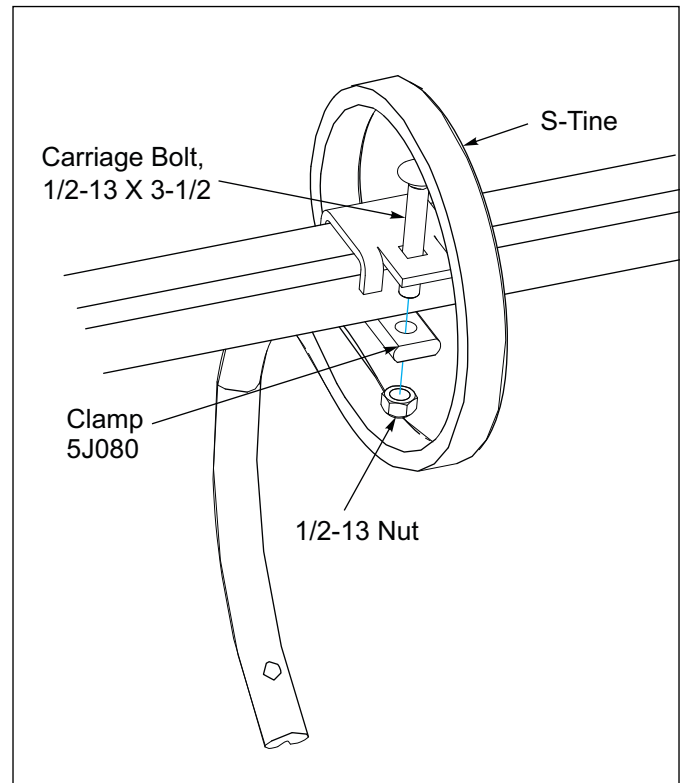


Figure 2-15: S-Tine

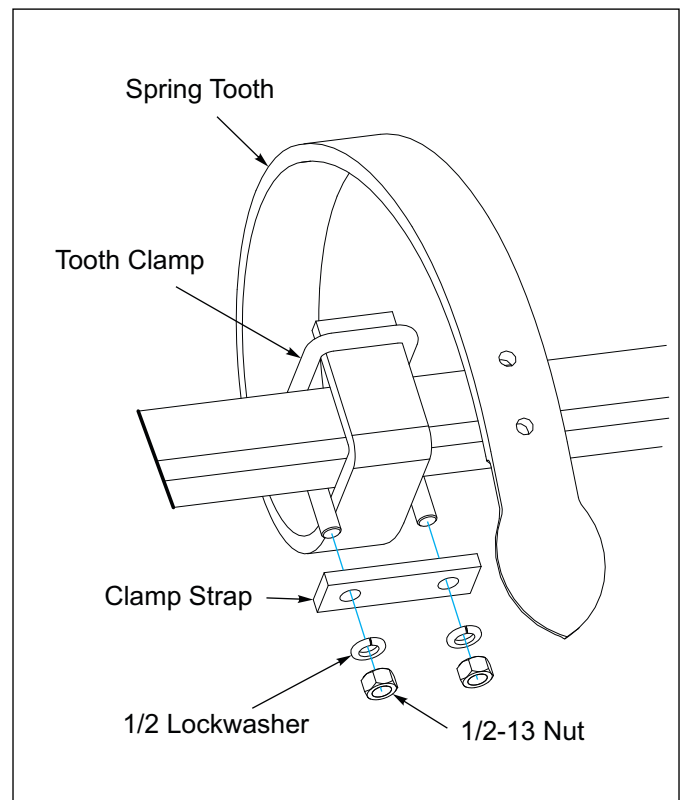


Figure 2-16: C-Tooth

## S-Tine Installation

Tooth locations are shown in **See Figures 2-18, 2-19 and 2-20**. For ease of installation, assemble points with 3/8-16 x 1-3/4 Plow Bolts and Flange Locknuts to spring tine before mounting onto tooth tube. **See Figure 2-17**. Secure each with a Clamp, 1/2-13 x 3-1/2 Carriage Bolt and Locknut. **See Figure 2-15**.

Locate on the front Tooth Tube the S-Tine that is right of center. On both sides of the S-Tine, mount S-Tine RH Angle and S-Tine LH Angle on the same side of the Tooth Tube as the S-Tine Clamp. Attach Angles to the Tooth Tube with 5/8-11 x 2-5/8 x 3-1/4 U-Bolt, Lockwashers and Nuts. Do Not Tighten. **See Figure 2-21**.

Take the Linkage end with the 2 holes and align the first hole with the S-Tine RH Angle and S-Tine LH Angle. Place Spacer between the Linkage holes and insert 3/4 x 6-5/16 Pin. Add 3/4 Flat Washer onto each side of the Pin. Secure with 3/16 x 1-1/2 Cotter Pins. Center the Linkage between the S-Tine. Tighten RH Angle and LH Angle mounting hardware.

Run the Linkage back to the rear Tooth Tube. Install the Tooth Control Bracket, with the lug towards the rear, onto the rear of the rear Tooth Tube perpendicular to the S-Tine Clamp. Secure Bracket to Tooth Tube with 5/8-11 x 2-5/8 x 3-3/8 U-Bolt, Lockwashers and Nuts. Align Bracket Sleeve with Link Hole and insert 3/4 x 5-5/16 Pin. Add 3/4 Flat Washer on each side of the Pin. Secure with 3/16 x 1-1/2 Cotter Pin. **See Figure 2-21**.

Manually check the Linkage to ensure there is no binding and no interferences with the Tines when Tooth Tubes are rotated.

Install the Cylinder Bracket to the front of the Rear Frame Tube aligning the Cylinder Bracket Lug with the rear Tooth Control Bracket Lug. Attach Cylinder Bracket to Rear Frame Tube with 4-Hole Plate, 5/8-11 x 8 Bolts, Lockwasher and Nuts.

Attach 3 x 8 Hydraulic Cylinder base end to the Cylinder Bracket Lug and the rod end of the Cylinder to the Tooth Control Bracket Lug with the Pins provided.

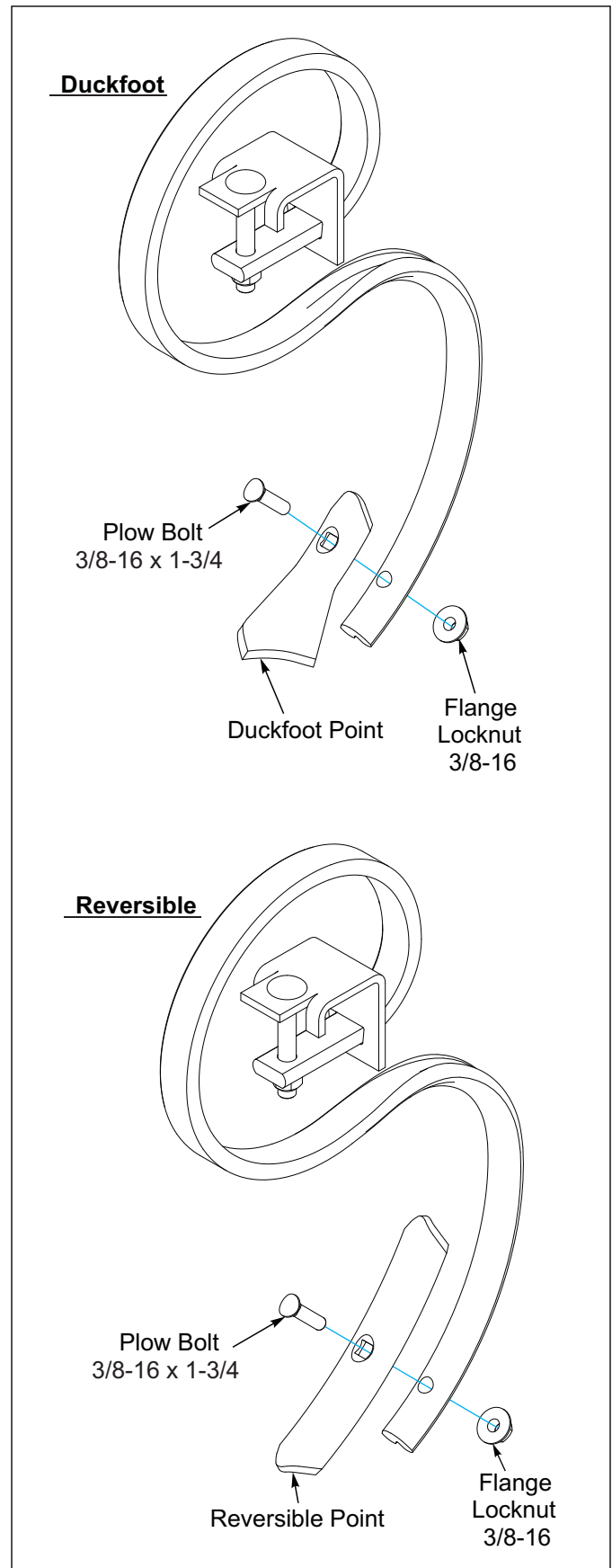


Figure 2-17: S-Tine Points



## C-Tooth Installation

Tooth locations are shown in **See Figures 2-18, 2-19 and 2-20**. Secure each with a Tooth Clamp, a Clamp Strap, Lockwashers and Nuts. **See Figure 2-16**.

Locate on the front Tooth Tube the C-Tooth that is right of center. On the front of the Tooth Tube perpendicular to the C-Tooth Clamp Strap, install a C-Tooth Front Bracket on both sides of the C-Tooth. Attach with 5/8-11 x 2-5/8 x 3-3/8 U-Bolt, Lockwashers and Nuts. Do Not Tighten. **See Figure 2-22**.

Place a 3/4" Flat Washer onto each C-Tooth Front Bracket Shaft. Take the Linkage end with the 2 holes and slide the first hole over the shaft of each Front Bracket. Secure Linkage with 3/16 x 1-1/2 Cotter Pins. Center the Linkage between the C-Tooth. Tighten Front Brackets mounting hardware.

Run the Linkage back to the rear Tooth Tube. Install the Tooth Control Bracket, with the lug towards the rear, onto the front of the rear Tooth Tube perpendicular to the C-Tooth Clamp Strap. Secure Brackets to Tooth Tube with 5/8-11 x 2-5/8 x 3-3/8 U-Bolt, Lockwashers and Nuts. Align Bracket Sleeve with Linkage Hole and insert 3/4 x 5-5/16 Pin. Add 3/4 Flat Washer on each side of the Pin. Secure with 3/16 x 1-1/2 Cotter Pin. **See Figure 2-22**.

Manually check the Linkage to ensure there is no binding and no interferences with the Tines when Tooth Tubes are rotated.

Install the Cylinder Bracket to the front of the Rear Frame Tube aligning the Cylinder Bracket Lug with the rear Tooth Control Bracket Lug. Attach Cylinder Bracket to Rear Frame Tube with 4-Hole Plate, 5/8-11 X 8 Bolt, Lockwashers and Nuts.

Attach 3 X 8 Hydraulic Cylinder base end to the Cylinder Bracket Lug and the rod end of the Cylinder to the Tooth Control Bracket Lug with the Pins provided.

# Tooth Locations - 1483 Models

Pencil mark the tooth locations on the tubes.

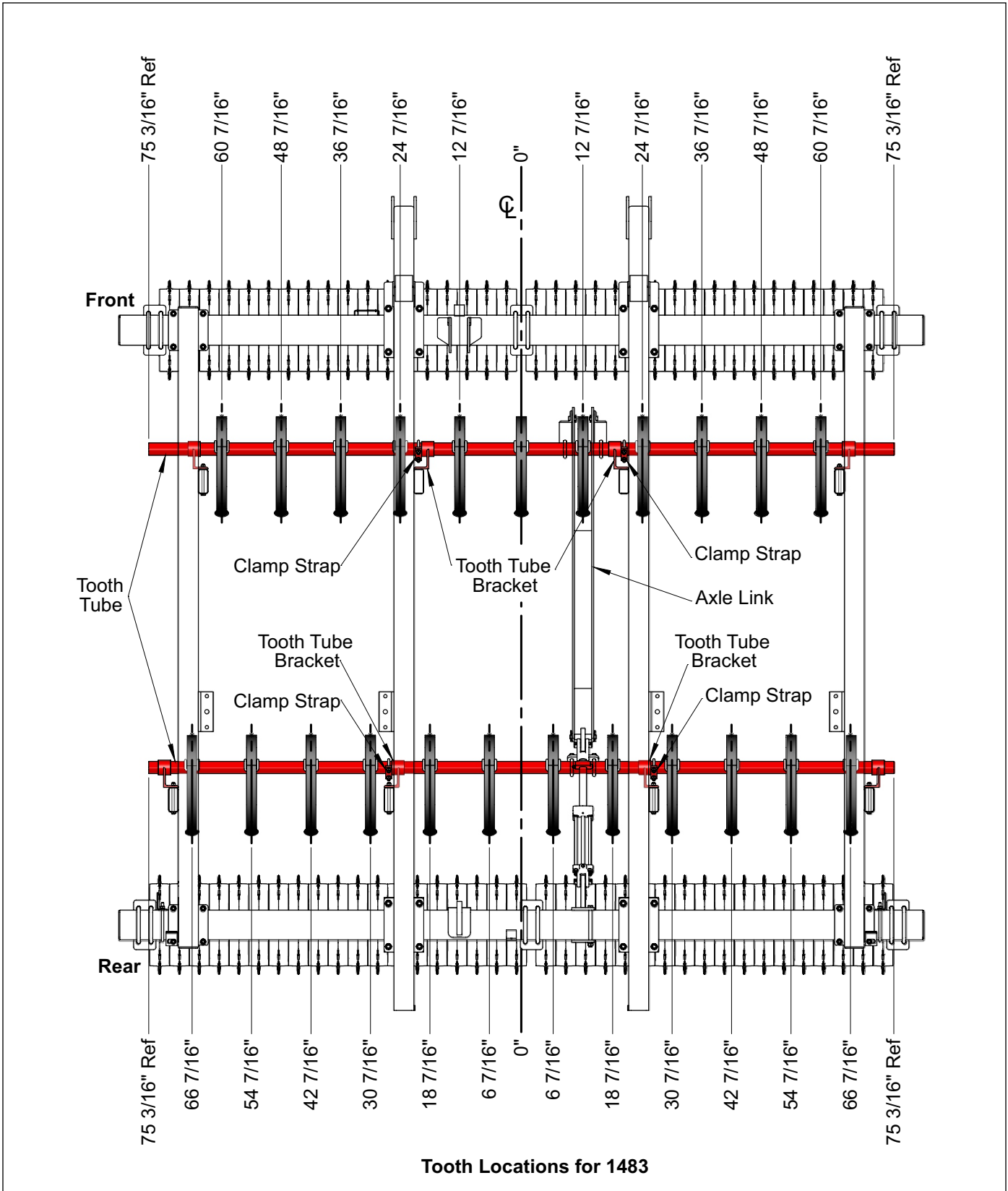


Figure 2-18: Tooth Locations - 1483 Models

## Tooth Locations - 1643 Models

Pencil mark the tooth locations on the tubes.

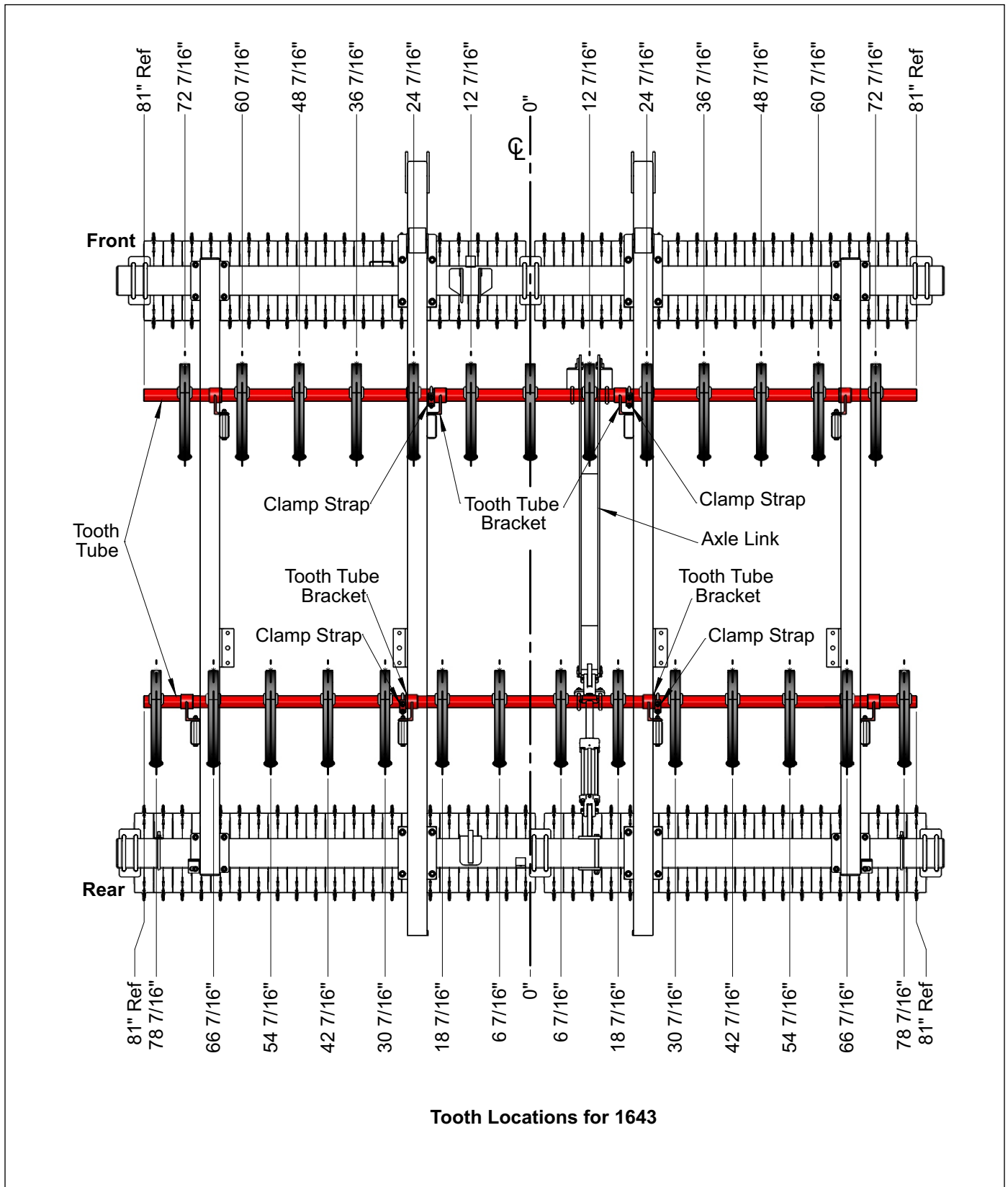


Figure 2-19: Tooth Locations - 1643 Models

### Tooth Locations - 1803 Models

Pencil mark the tooth locations on the tubes.

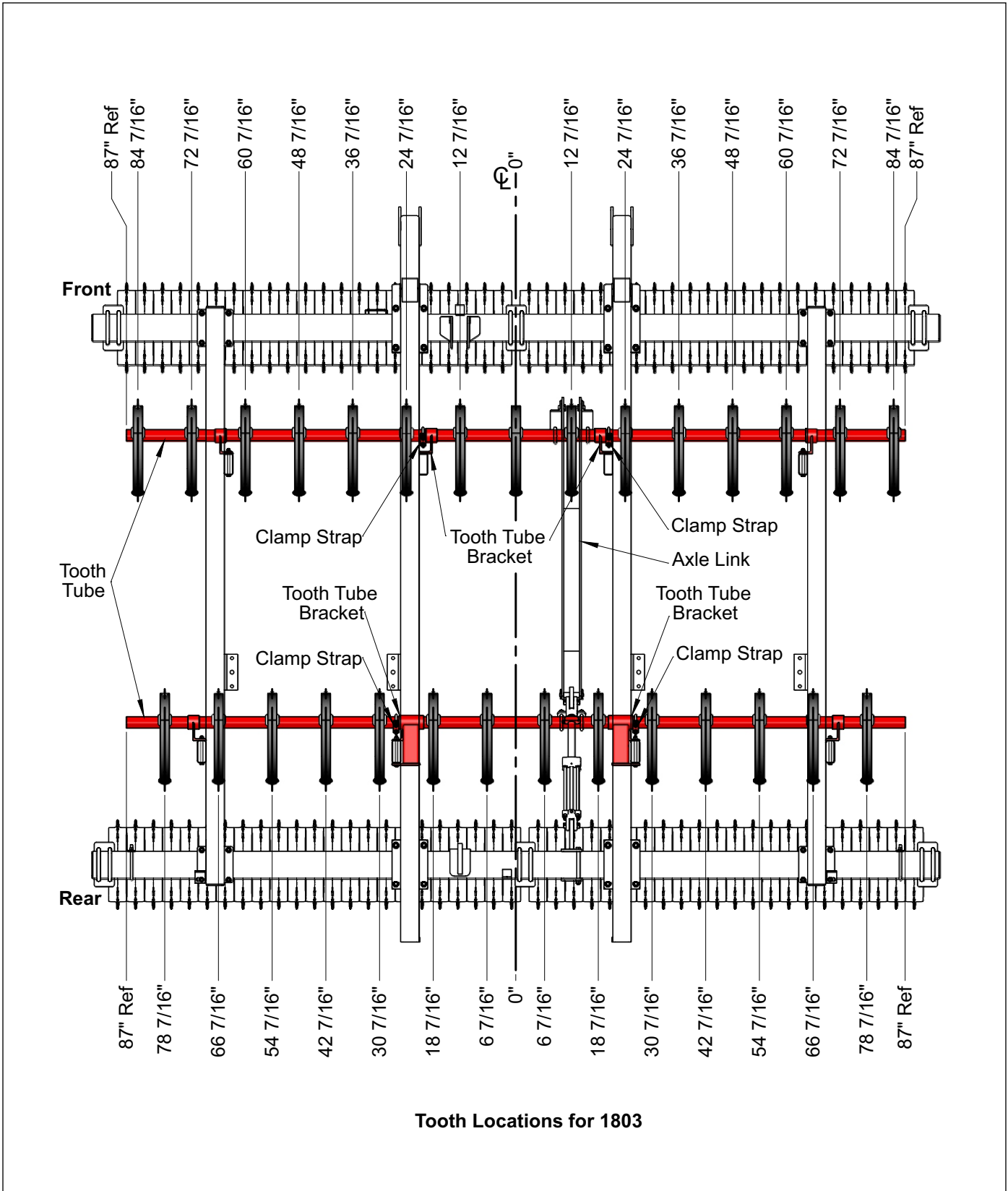


Figure 2-20: Tooth Locations - 1803 Models

## Independent Tooth Control S-Tine Installation

Proper assembly shown below. See Figure 2-21.

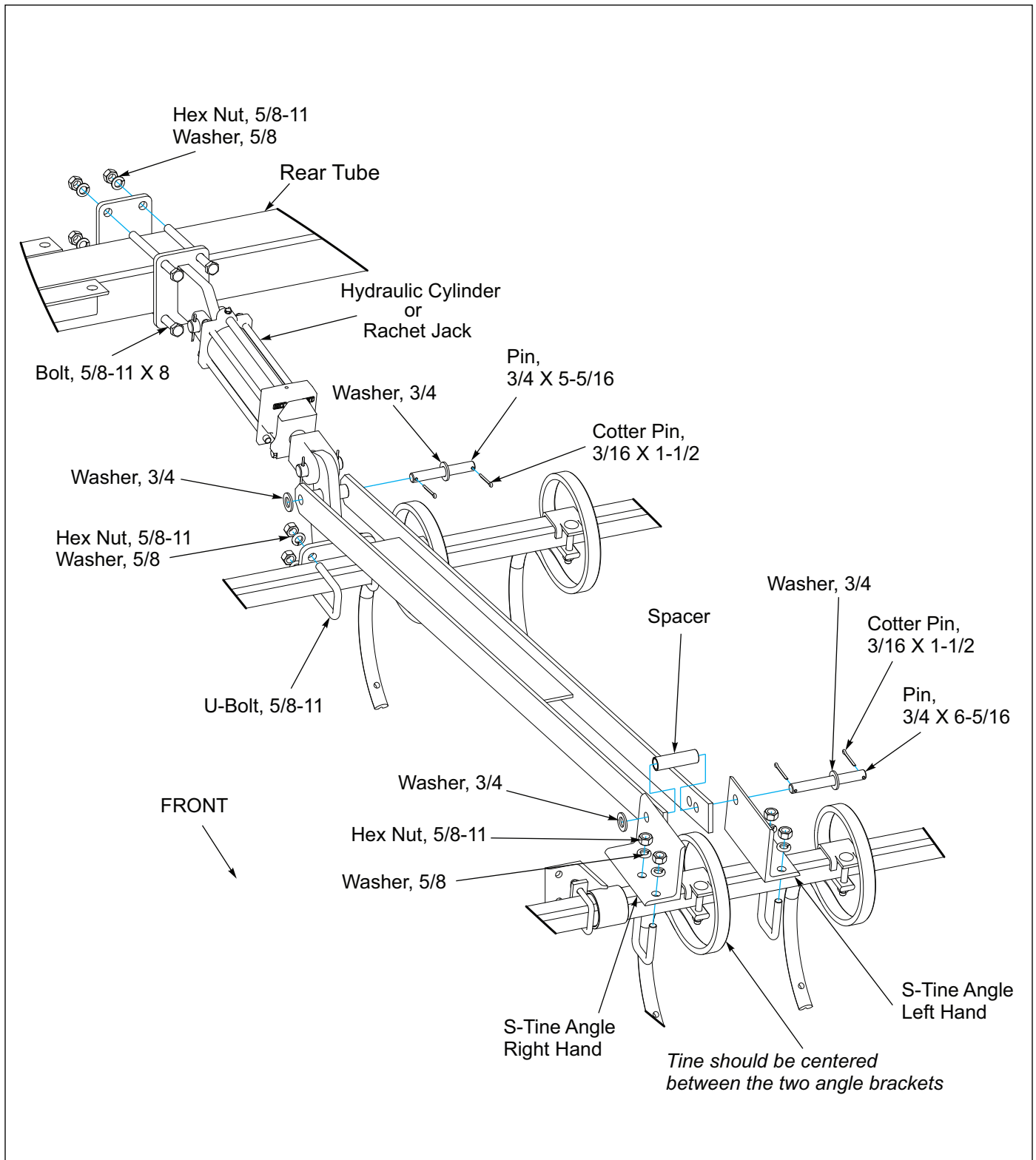


Figure 2-21: Independent Tooth Control S-Tine Installation

## Independent Tooth Control C-Tooth Installation

Proper assembly shown below. See Figures 2-22 and 2-23.

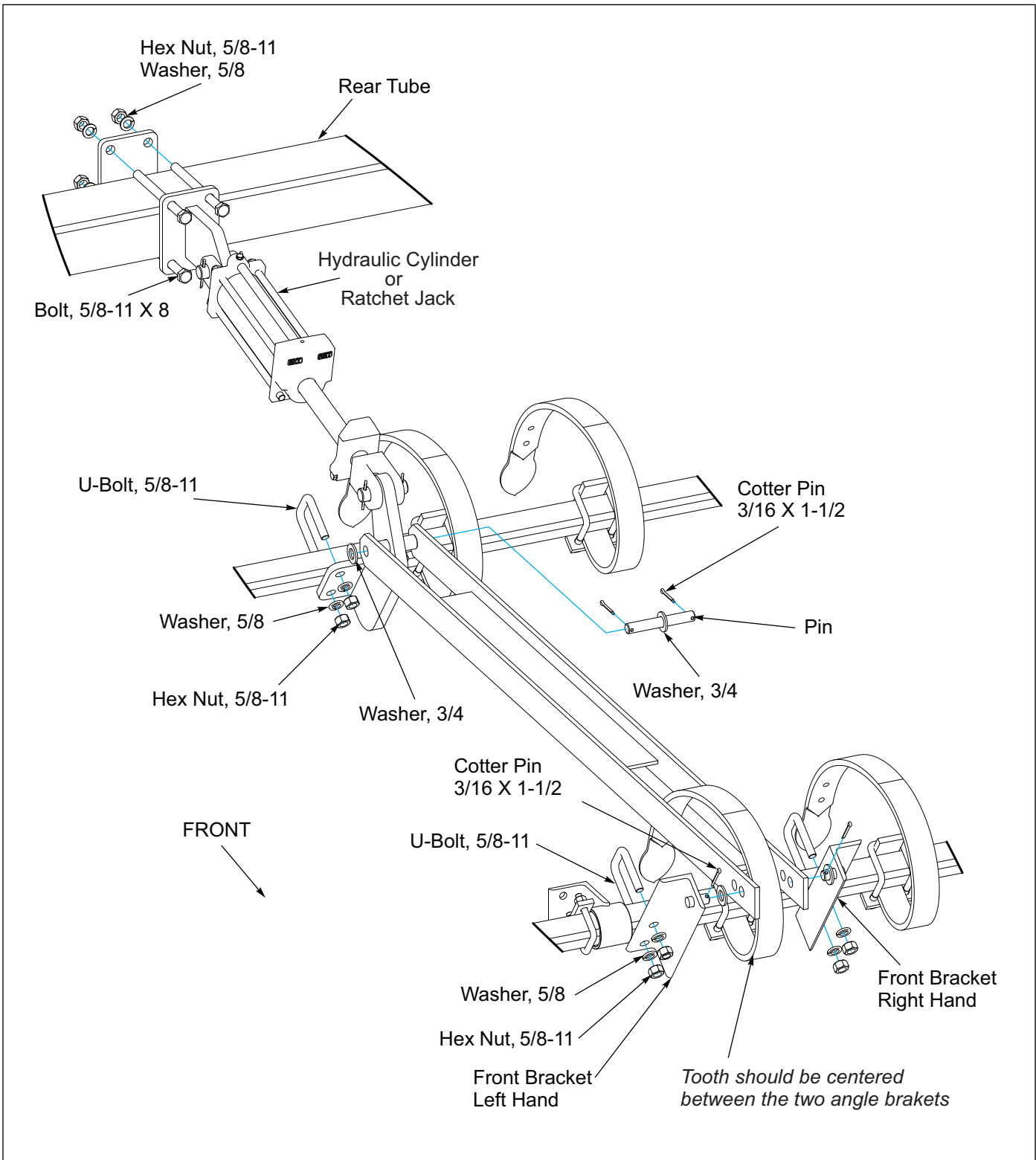


Figure 2-22: Independent Tooth Control C-Tooth Installation

## Bracket Relationship per Tine Style - Independent

See Figure 2-23.

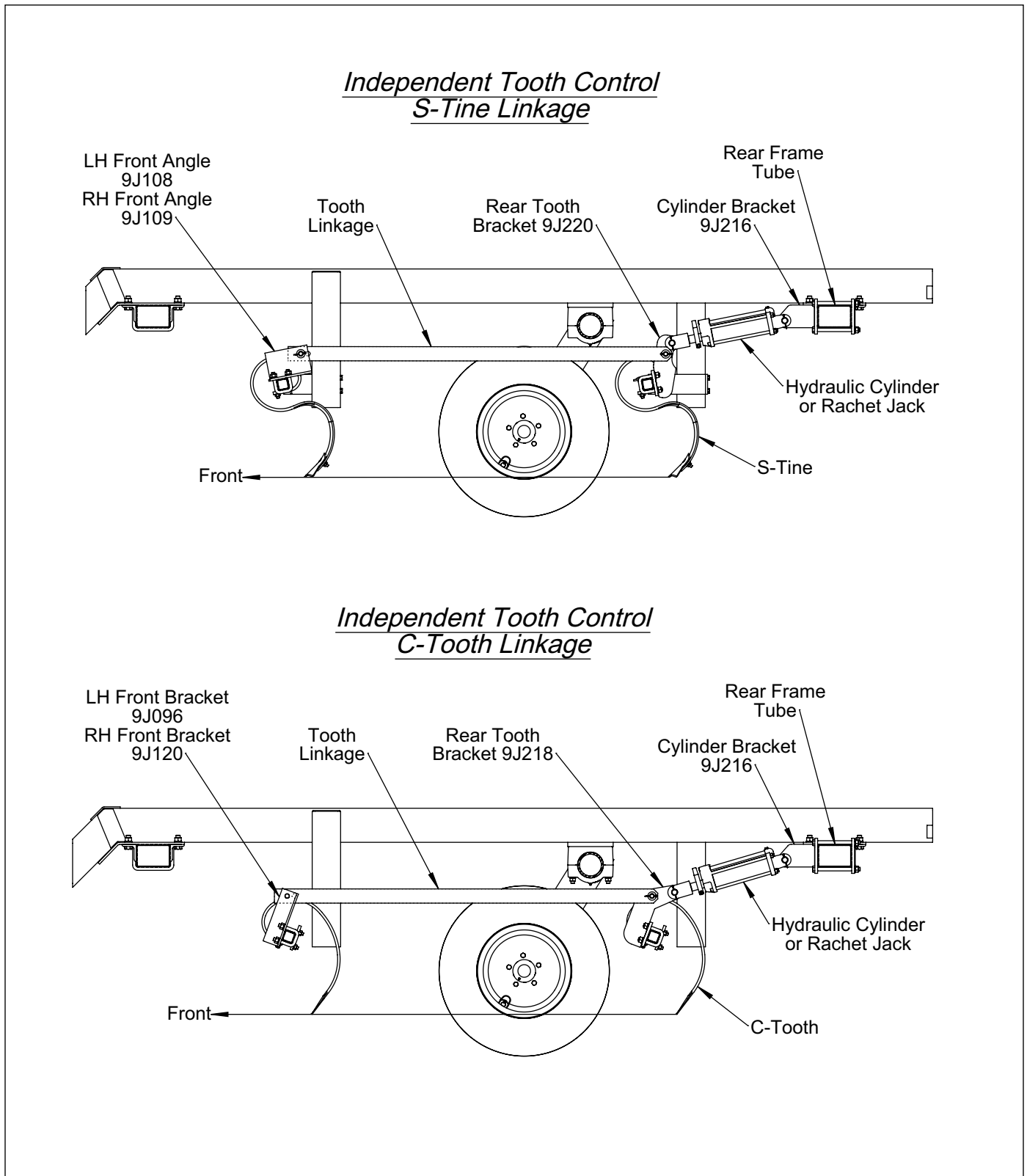


Figure 2-23: Bracket Relationship per Tine Style - Independent

### Hydraulics



#### WARNING

Escaping fluid under pressure can be nearly invisible and have enough force to penetrate the skin causing serious injury. Use a piece of cardboard, rather than your hands, to search for suspected leaks. Wear protective gloves & safety glasses or goggles when working with hydraulic systems.



#### CAUTION

Do not raise the machine without the use of hydraulics. This would introduce air into the hydraulic cylinder. When the transport pin is removed the frame would lower rapidly possibly causing injury.

#### Tightening Procedure For JIC 37° Swivel Female Nuts

1. Check flare and seat for defects.
2. Lubricate the connection.
3. Install hoses without twists.
4. Hand tighten until connection bottoms.
5. Using 2 wrenches to prevent twisting, rotate the swivel nut 2 wrench flats (1/3 turn).
6. For reassembly, follow the same procedure but tighten only 1 wrench flat (1/6 turn).

#### Tightening Procedure For Swivel O-Ring Fittings

1. Lubricate o-ring and install the fitting until the metal washer which backs up the o-ring contacts the face of the boss.
2. Orient the fitting by turning counterclockwise up to 1 turn.

Tighten the lock nut using 50-60 foot pounds torque.

Remove Fitting caps prior to installing Fittings.

#### Transport Circuit

Refer for Transport Hydraulic Schematic. See **Figure 2-24**.

Transport 3-1/2 x 16 Hydraulic Cylinder ports should be upward. Install 90 degree O-Ring X Male JIC Elbow Fittings into each Cylinder port.

Install fittings to the relief valve per hydraulic schematic. Install hoses and the rest of the fittings. Route them along the LH Inner Frame Tube toward the front of the machine down the Drawbar under the Manual Canister Bracket through the Hose support accordingly.

Secure all hoses with cable ties and tie straps.

#### Independent Tooth Control Circuit

Refer to Independent Tooth Control Schematic. See **Figure 2-25**.

Install O-Ring X Male JIC Fitting into each Cylinder Port. Install hoses and the rest of the fittings. Route them along the Rear Frame Tube to the LH Inner Frame Tube toward the front of the machine along with the Transport Circuit hoses down the Drawbar through the Hose support accordingly.

Secure all hoses with cable ties and tie straps.

Fill the hydraulic system with oil.

#### Bleeding Hydraulic System

When the machine is assembled, or any time hydraulic circuit is opened, air must be bled from the system. Other wise, air will compress, allowing frame to free-fall.

Bleed the Tooth Control System by cycling the system five or six times completely. Cylinders should be fully extending and fully retracting and Tooth Control mechanism should be rotating without binding.



### Transport Hydraulic Schematic

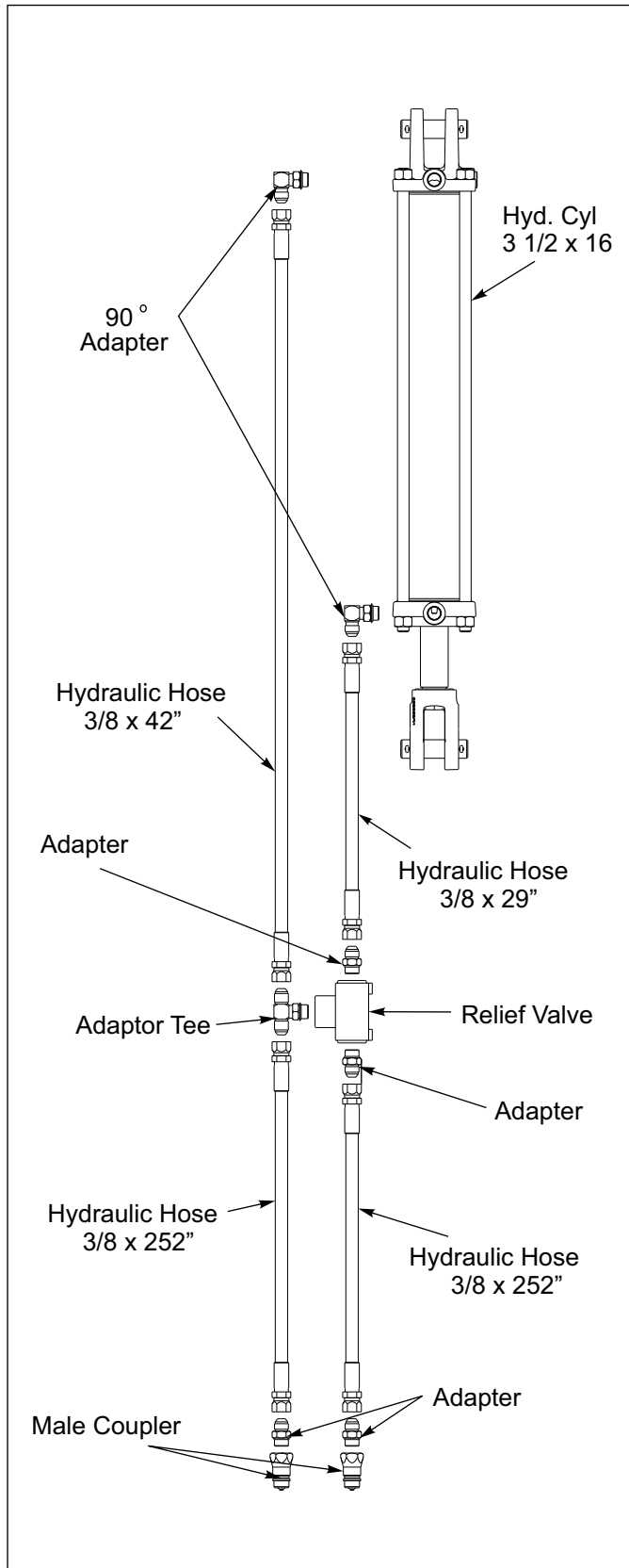


Figure 2-24: Transport Hydraulic Diagram

### Tooth Control Hydraulic Schematic

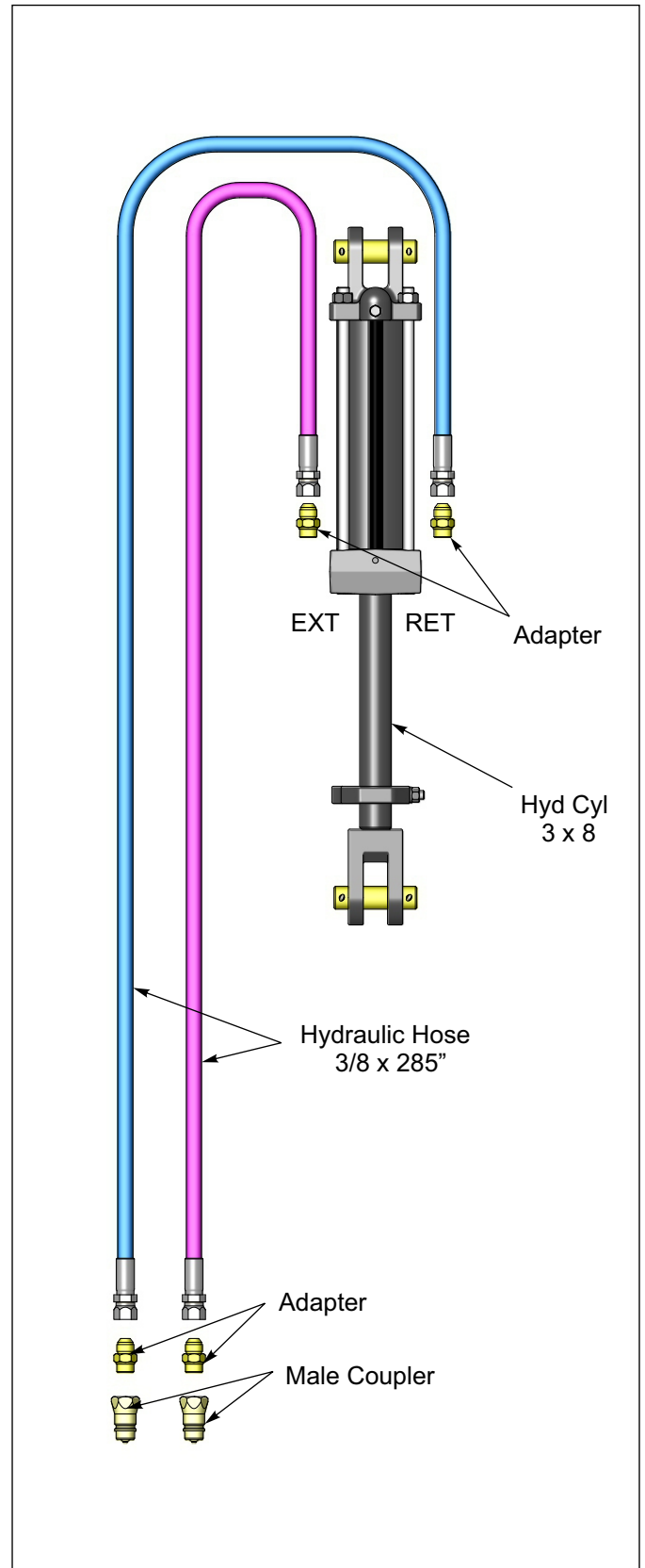
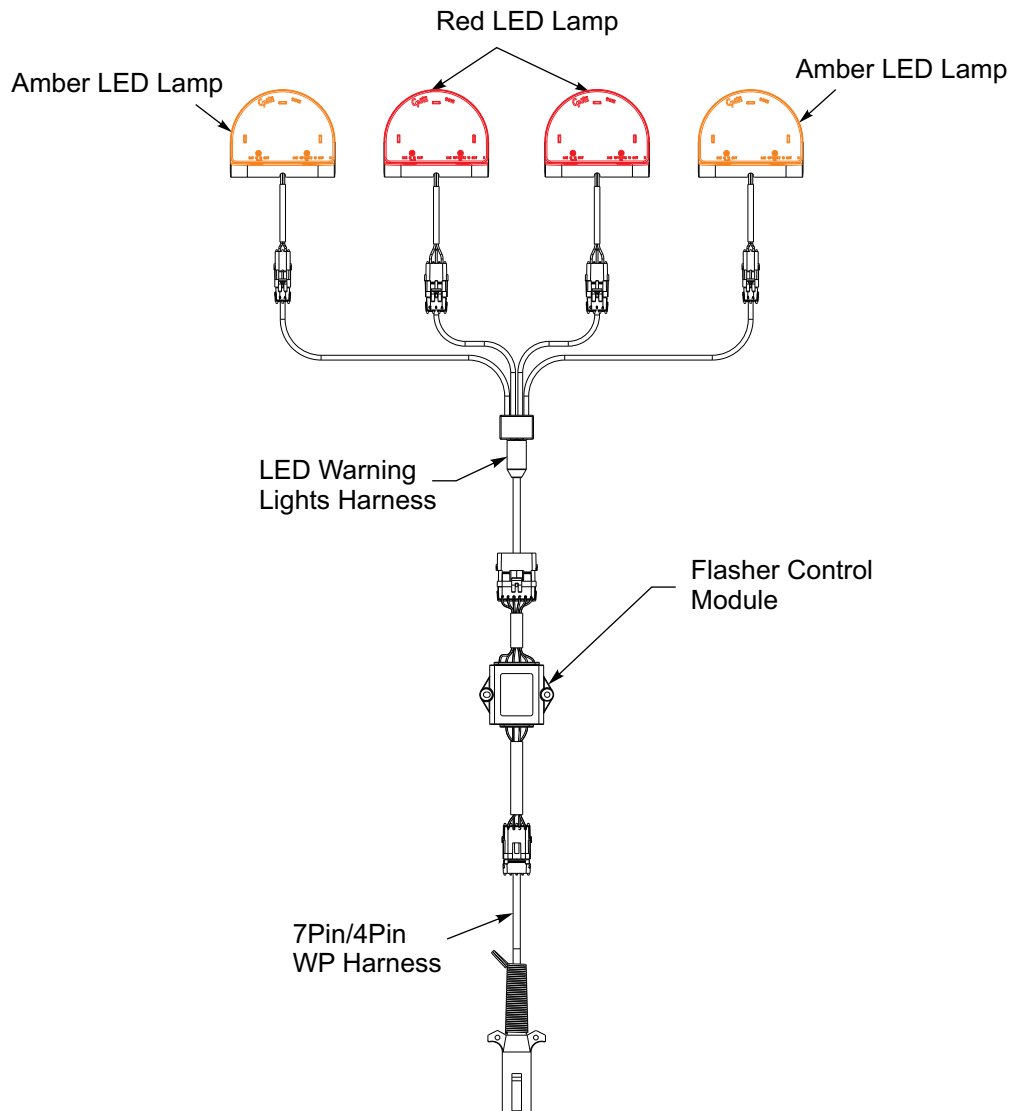


Figure 2-25: Tooth Control Hydraulic Schematic



When plugging in the LED 7-pin connector:

- 1) Make sure the tractor has a good clean receptacle, free of dirt and corrosion.
- 2) Make sure the 7-pin connector is inserted ALL the way in. With tighter fitting pins, operator may think the connector is all the way in, but really isn't.
- 3) Make sure the tractor receptacle cover latches over the keyway on the 7-pin connector to hold the connector in place.

If an operator plugs in the 7-pin connector, but the lights do not seem to work right, check the above items to make sure there is a good connection with the 7-pin connector.

Figure 2-26: LED Schematic

## LED Lamp and Harness Installation

### NOTE

Unless otherwise noted the following installation instructions apply to all ML Models.

1. Install a Lamp Bracket approximately 31 inches from center line on each side of the rear frame tube using 1/2-13 U-Bolts and Flanged Locknuts. **See Figure 2-28.**
2. With the Red LED Lamp facing rearward, attach the Lamp to the outside and the Decal Bracket to the inside of the Lamp Bracket using 1/4-20 x 1-1/2 Screws and Locknuts. **See Figure 2-29.**
3. Install a Lamp Bracket approximately 7-1/2 inches from each end of the rear frame tube using 1/2-13 U-Bolts and Flanged Locknuts. **See Figure 2-28.**
4. Place the Amber LED inside the Light Shield. Attach Lamp and Shield to the outside and the Decal Bracket to the inside of the Lamp Bracket with 1/4-20 x 1-3/4 Screws and Locknuts. **See Figure 2-29.**
5. Attach the Light Module to the Light Module Bracket using two 1/4-20 X 1-1/2 Screws and Locknuts. **See Figure 2-27.**
6. Attach the Light Module Bracket to the rear of the left Inner Frame Tube just in front of the Rear Frame Tube using 3/8-16 U-Bolts and Locknuts.

### NOTE

Connectors marked with Yellow Tape is Left Side and Green Tape is Right Side.

7. Layout the LED Lamp Harness along the Rear Frame Tube with the 3 way and the 2 way connector cords marked with yellow tape on the left side and the 3 way and the 2 way connector cords marked with green tape on the right side of the machine. Plug the 3 way connectors into the Red Lamps and the 2 way connectors into Amber Lamps. Route the Harness up the Left Inner Frame Tube to the Light Module 6 way connector and connect.
8. Connect the 7 Pin Harness 4 way connector into the Light Module. Run the Harness along the Left Inner Frame Tube with the Hydraulic Hoses, down the Drawbar Loops and through the Hose Holder to the Hitch Point.
9. Bundle and secure any excess cord with tie straps.
10. Apply the reflector decals to Decal Plate Mounts. The amber reflector decals should be front facing on the outer Decal Plate Mounts. The red reflector decals and orange decals should be rear facing on both the inner and outer decal plate mounts. **See Figure 2-29.**

### IMPORTANT

All wires must be firmly attached to machine frame members, or hydraulic lines, so they don't sag or become torn loose by field debris. Use the cable and hose ties provided.

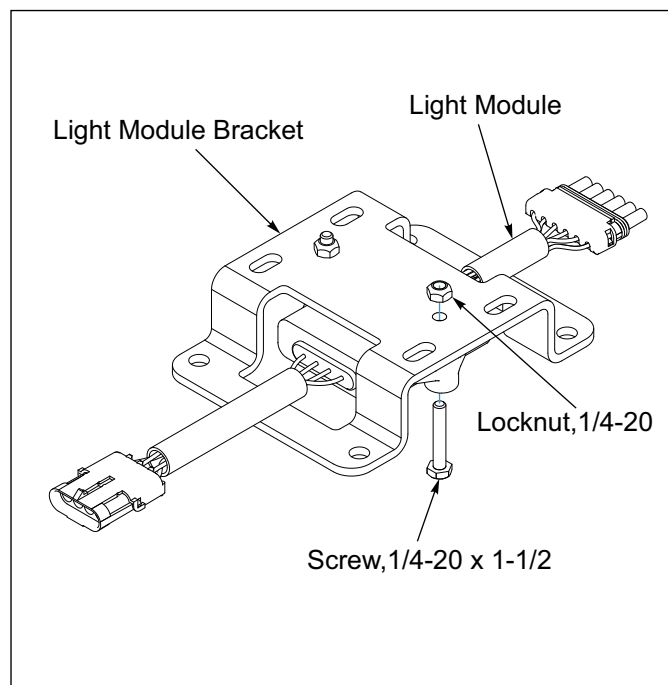


Figure 2-27: LED Module and Bracket

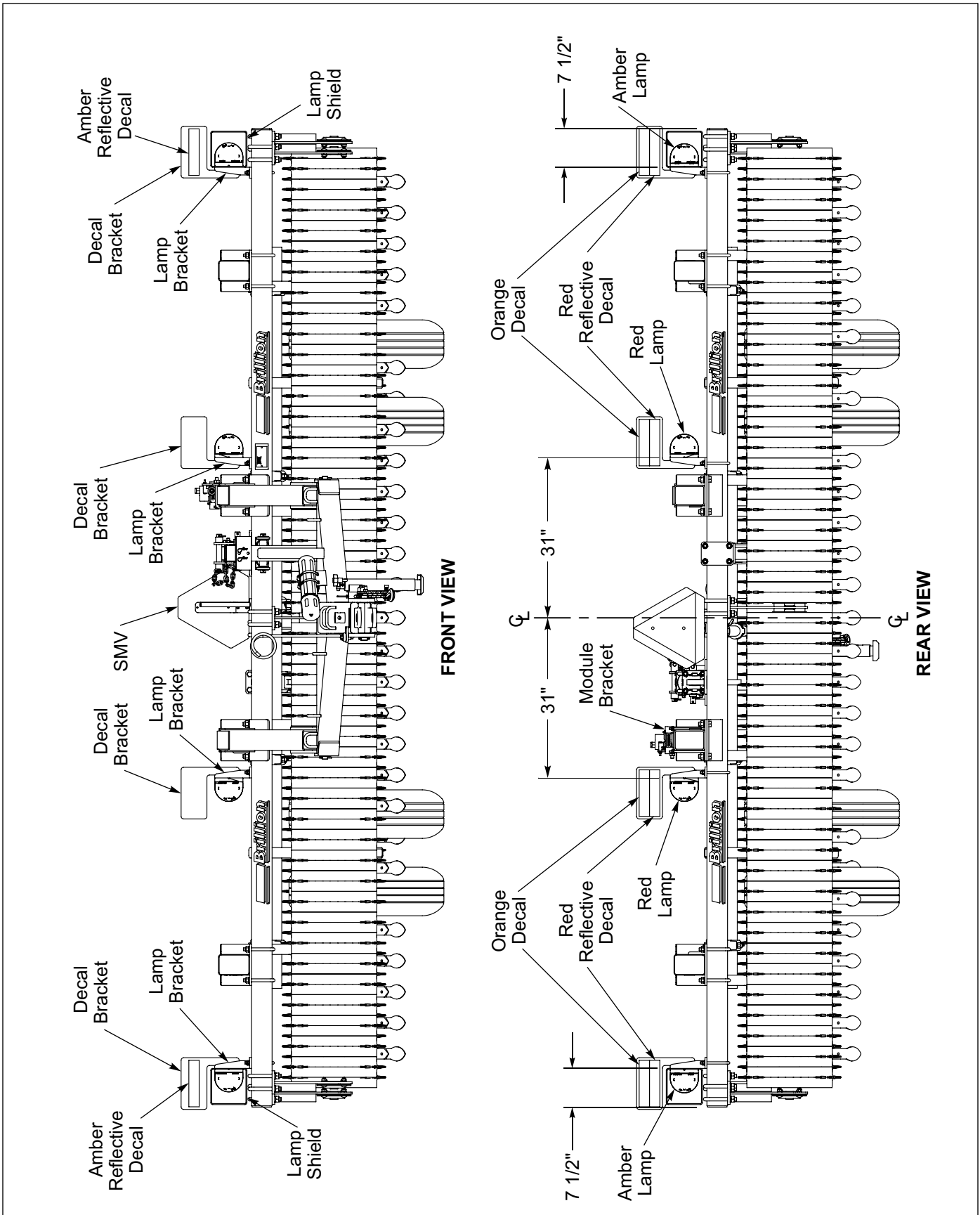


Figure 2-28: LED Warning Lights Installation Dimensions

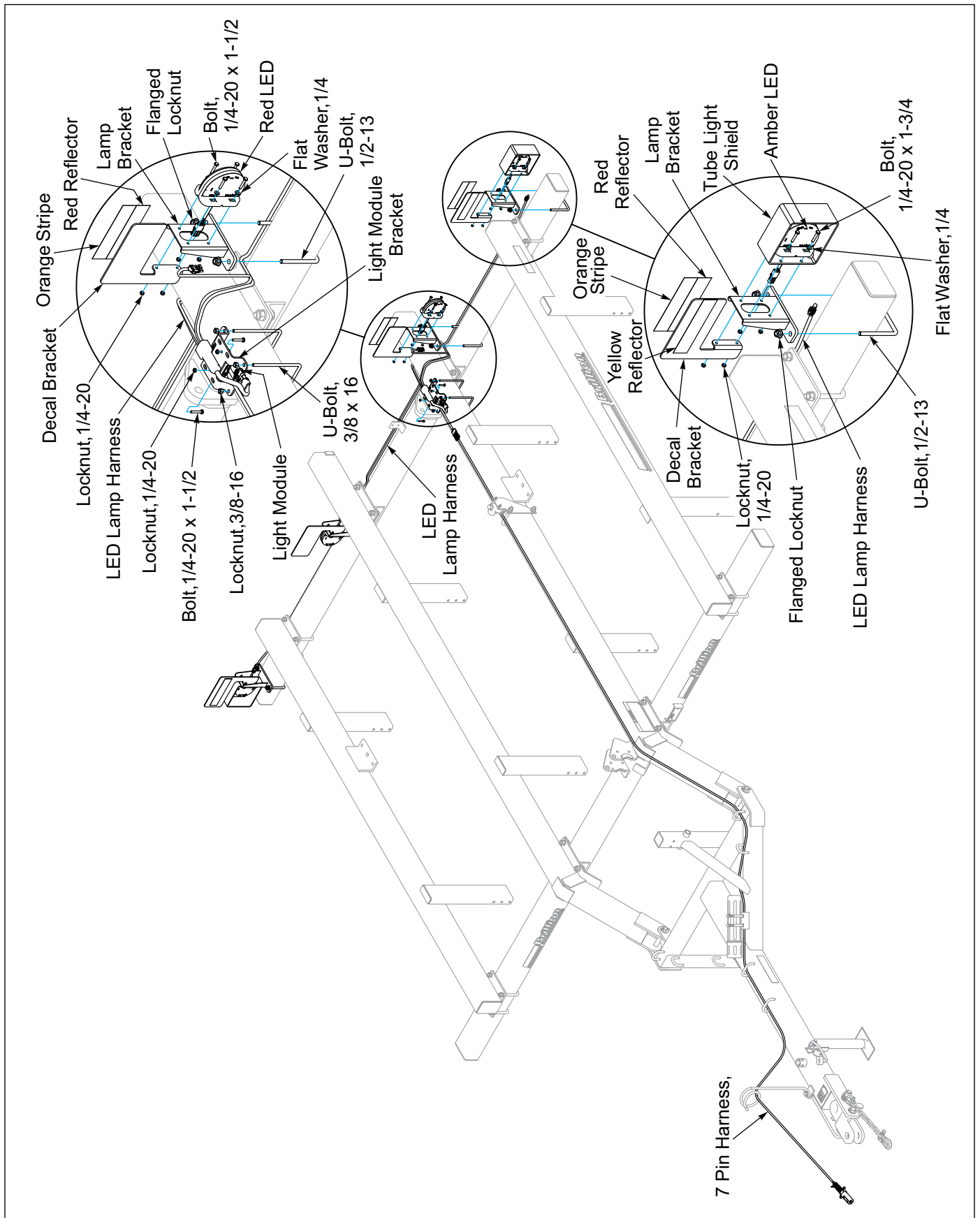


Figure 2-29: LED Lamp Installation

## Scrapers - Standard on Rear

Scrapers are installed as shown. **See Figure 2-30.** The Scraper Brackets are located on the inside of the End Brackets and attach with 3/8-16 x 3-1/2 HHCS, Flat Washers, Lockwashers, and Nuts. The Scraper Tubes are to be centered with respect to the machine and are fixed between the Scraper Bracket and a

narrow 2" wide Scraper with 3/8-16 x 3-1/2 HHCS, Flat Washers, Lockwashers, and Nuts. The narrow 2" wide Scrapers are also used at the inner end of each axle assembly.

**Optional Front Scrapers** - Install similar to rear Scrapers.

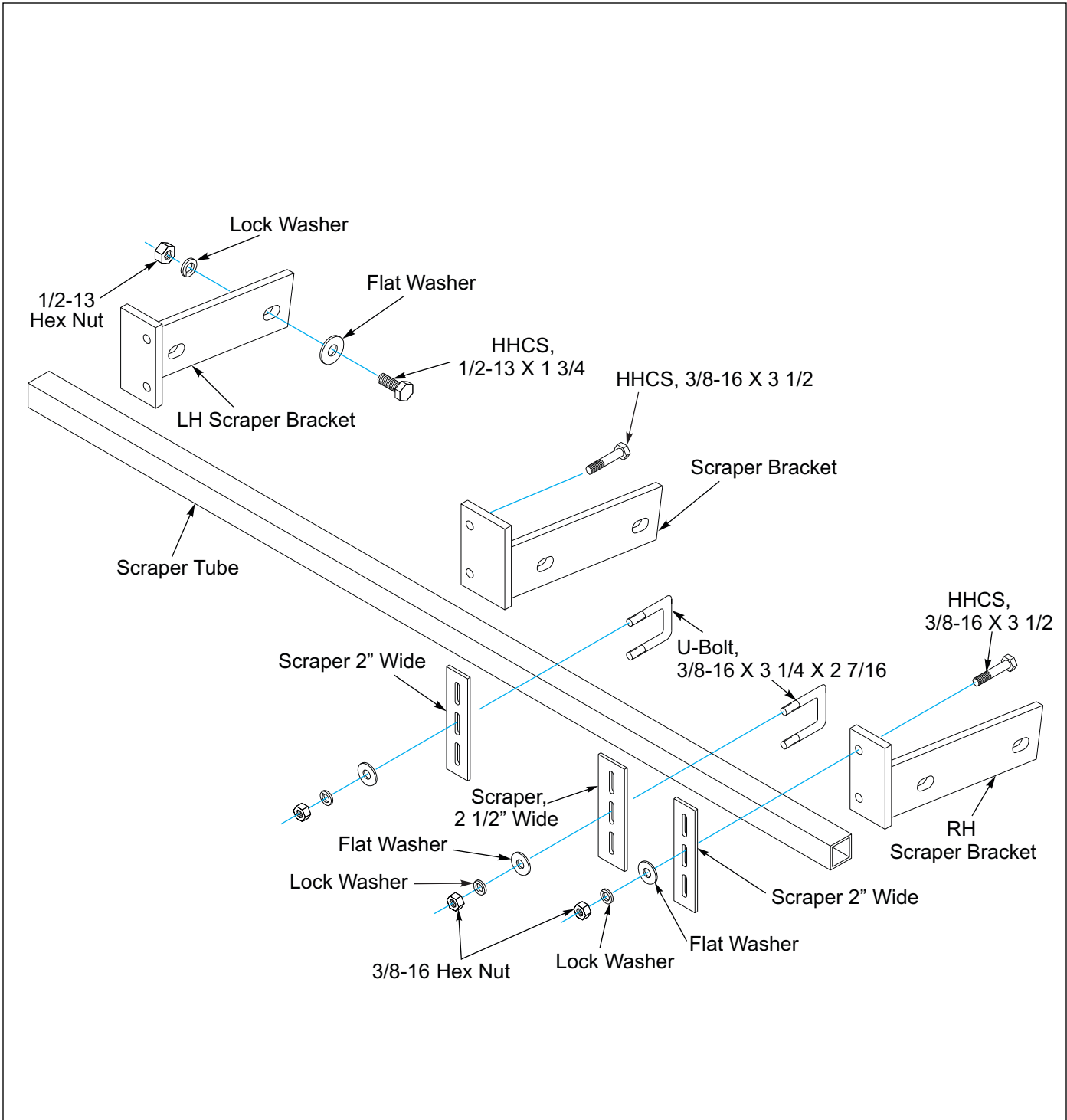


Figure 2-30: Scrapers

## Rear Hitch - Optional

Attach the Rear Hitch between center frame tubes using 5/8-11 U-Bolts, Lockwashers and Nuts as shown. Route the Tandem Adapter Harness through the bulkhead and secure with 1/4-20 x 1 Bolts and Locknuts. See **Figure 2-31**.

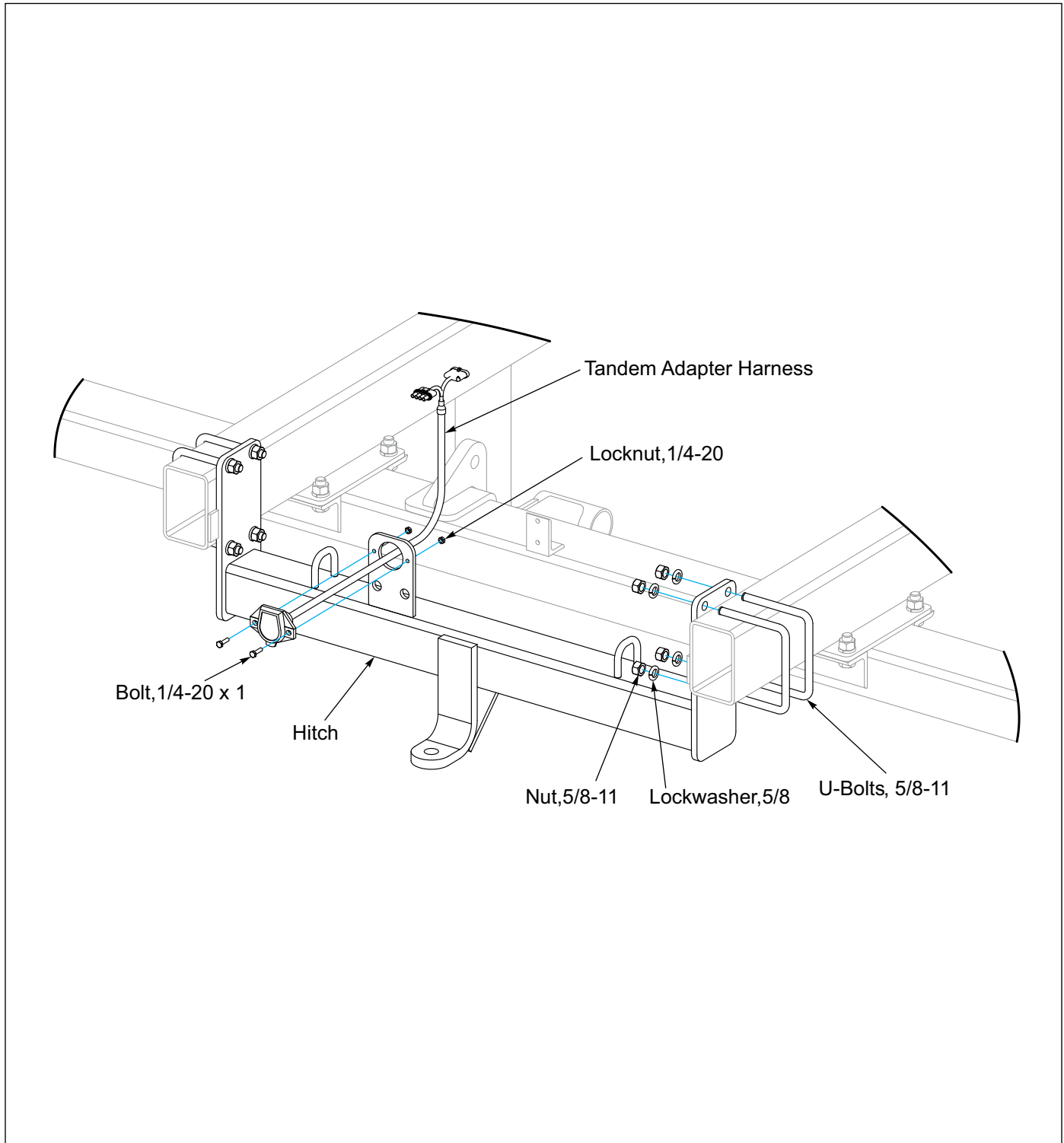


Figure 2-31: Rear Hitch

## Land Leveler Kit - Optional

**Note:** If the soil pushes ahead of the bar it is set too low. Attach the LH and RH Brackets to the Front Frame Tube with 1/2-13 U-Bolts, Lock Washers, and Nuts per machine model. See Figure 2-32. Assemble the LH and

RH Adjustment Angles to the appropriate LH and RH Brackets based on the machine model with 1/2-13 x 1-1/2 Bolts, Lock Washers and Nuts. Center the Leveler Angle in front of the Pulvi-Mulcher Frame. Attach Leveler Angle to the Adjustment Angles with 1/2-13 x 1-1/2 Bolts, Lock Washers, and Nuts.

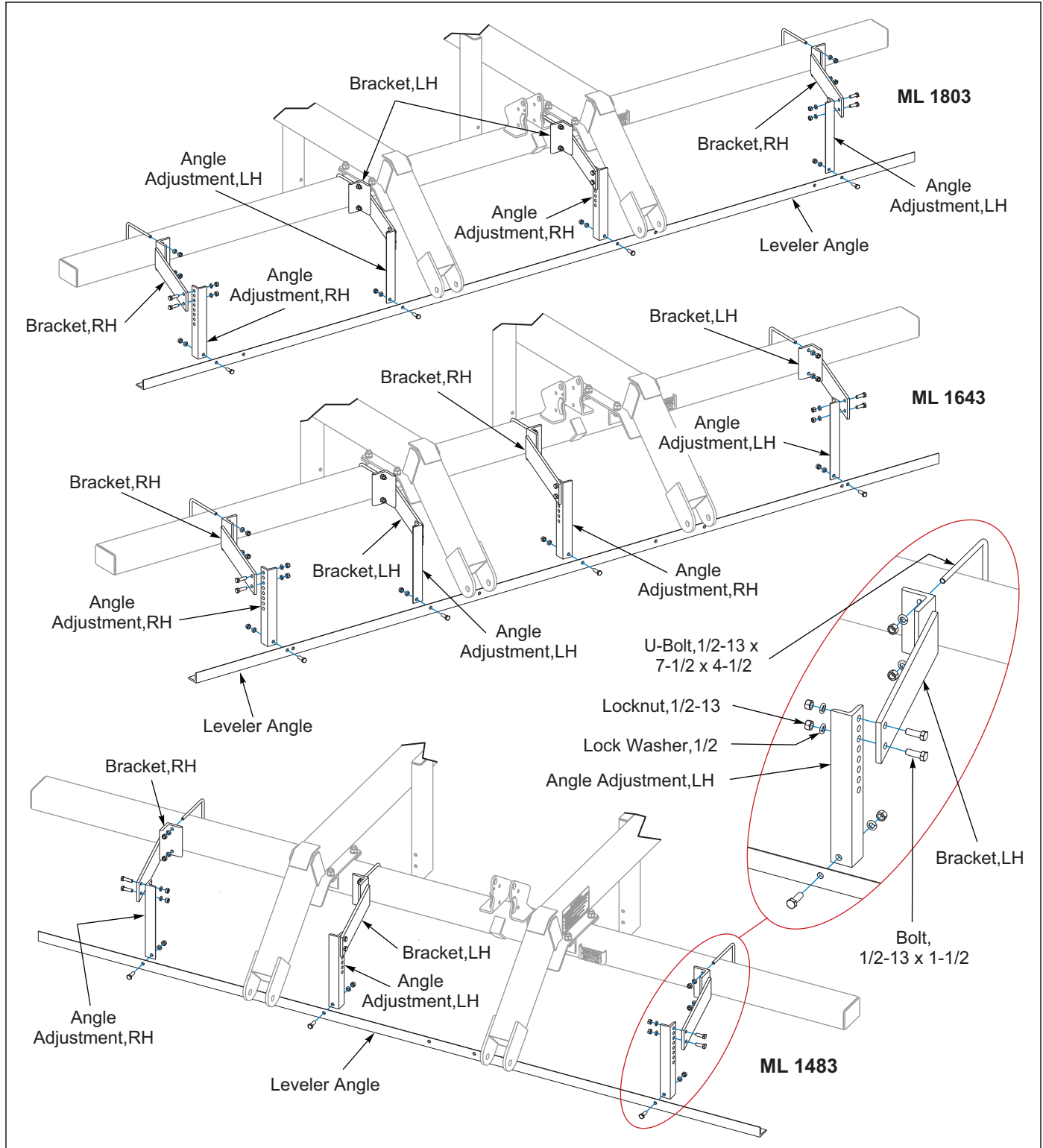


Figure 2-32: Land Leveler Kit - Optional



## V Leveler - Optional

Position Leveler Weldment, centered in front of the Pulvi-Mulcher. Attach to Frame and Drawbar with Brackets and Hardware items shown. Vertical Adjustment may be required in the field. **See Figure 2-33.**

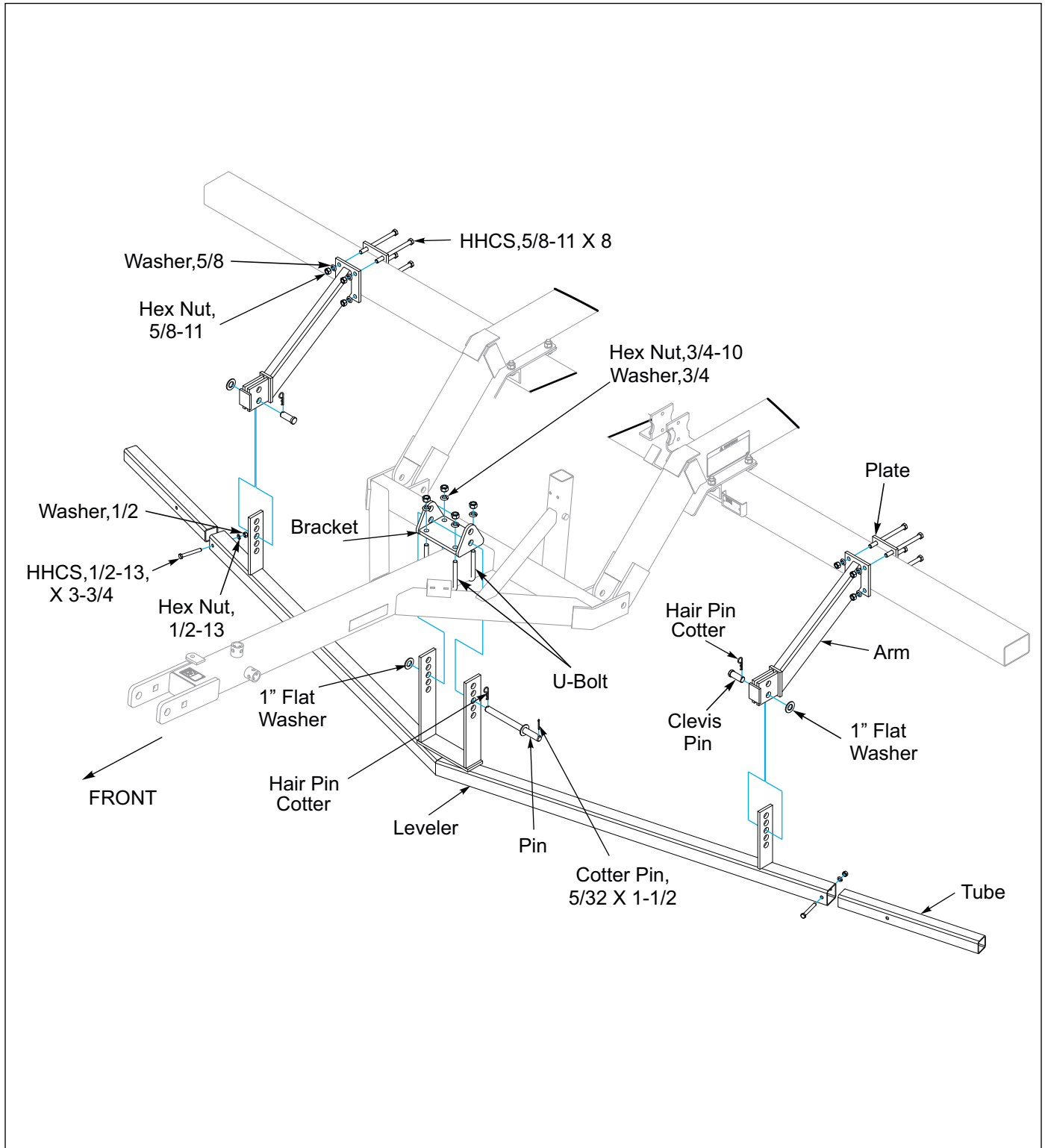


Figure 2-33: V - Leveler



# Chapter 3

## Operation



### DANGER

Never allow anyone to ride on the Pulvi-Mulcher at any time. Allowing a person to ride on the machine can inflict serious personal injury or death to that person.



### WARNING

All hydraulically elevated equipment must have cylinder lockouts installed or be lowered to the ground, when servicing or when equipment is idle. Failure to take preventive measures against accidental lowering can result in serious personal injury.



### CAUTION

Ensure both Rockshaft Transport Locks are either locked or unlocked. Failure to lock Transport Locks may result in damage to the machine.

Ensure the Drawbar Transport Lock is unlocked before lowering the machine. Failure to remove the Pin will result in damage to the drawbar and frame.



### CAUTION

When transporting farm implements on public roads, it is the responsibility of the operator to abide by state and local laws concerning wide loads, speed, safety emblems and safety lighting equipment. Drive at safe speeds, particularly when rounding corners, crossing rough ground or driving on hillsides, to prevent tipping the tractor.

### General Operation

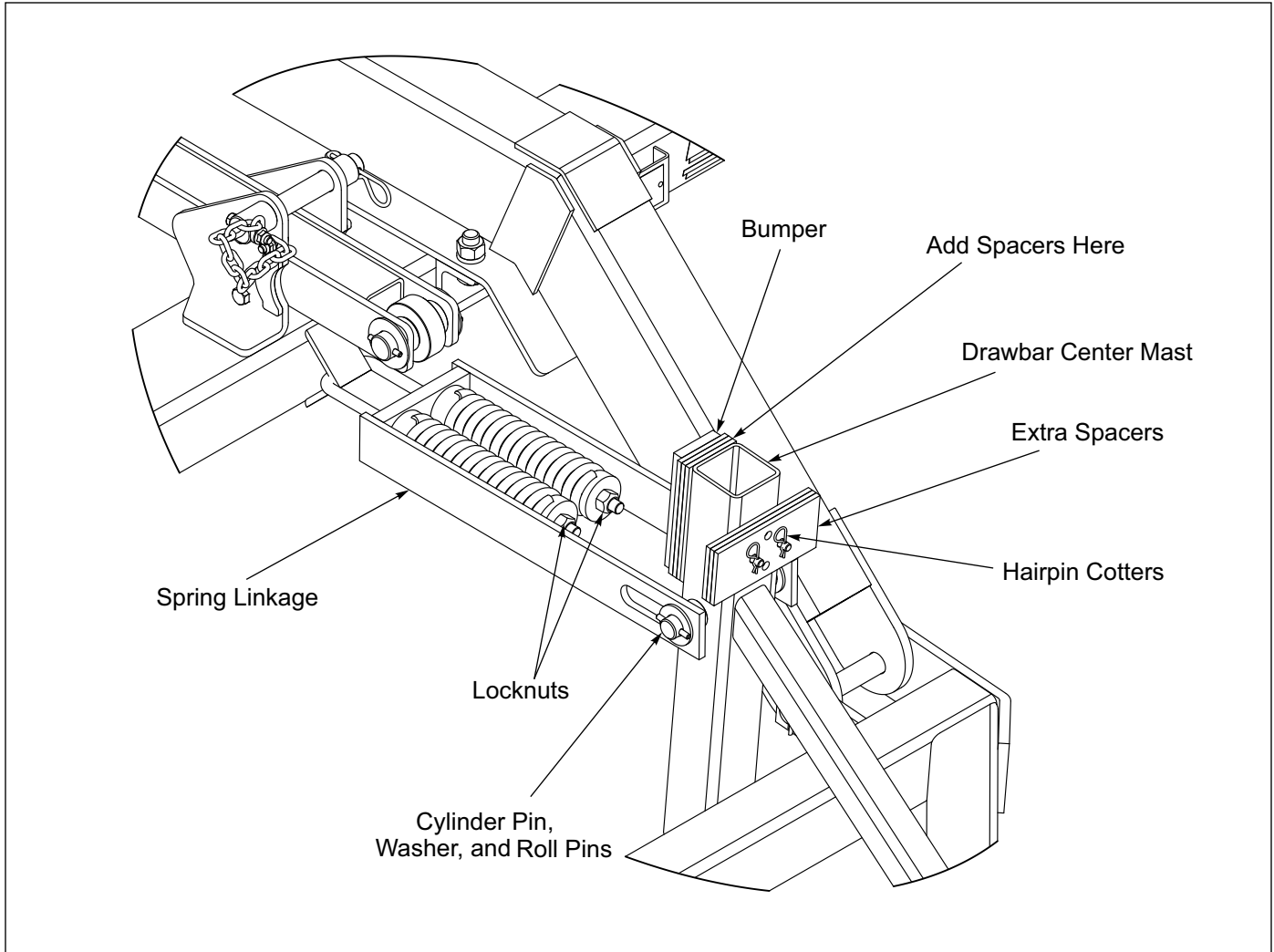
1. The minimum horsepower requirements are typically 6-8 horsepower per foot. This will vary widely due to speed, depth, moisture, residue and types of soils. Local dealers can help in making recommendations for your areas.
2. Operating speed is typically 5-8 mph. Excessive speed can cause rapid sweep/point wear. Reduce speed in rocky conditions to prevent wheel breakage.
3. Lift wheels must always be in raised position. It is not necessary to raise machine up on transport wheels during turns.
4. Do not turn with the teeth in the ground, this can put excessive side load on the Tines. Raise the Tines slightly using hydraulic tooth control when making turns to prevent bent or broken Tines, additionally excessive side load can also bend the Tine Tubes.
5. Allow just enough looseness so each wheel will turn by itself. If wheels become worn, loosen the clamp at the end of each roller axle and tighten as needed.  
**See Figure 4-4.**

## Level Adjustment

To adjust the front of the machine higher during transport, add spacers between the bumper and Drawbar Center Mast. See **Figure 3-1**.

## Spring Adjustment

The Springs are used to cause the rear of the machine to lift before the front during the raising cycle (this prevents jolts when it shifts from rear-heavy to front-heavy). Tighten springs only to the level to accomplish this. See **Figure 3-4**.



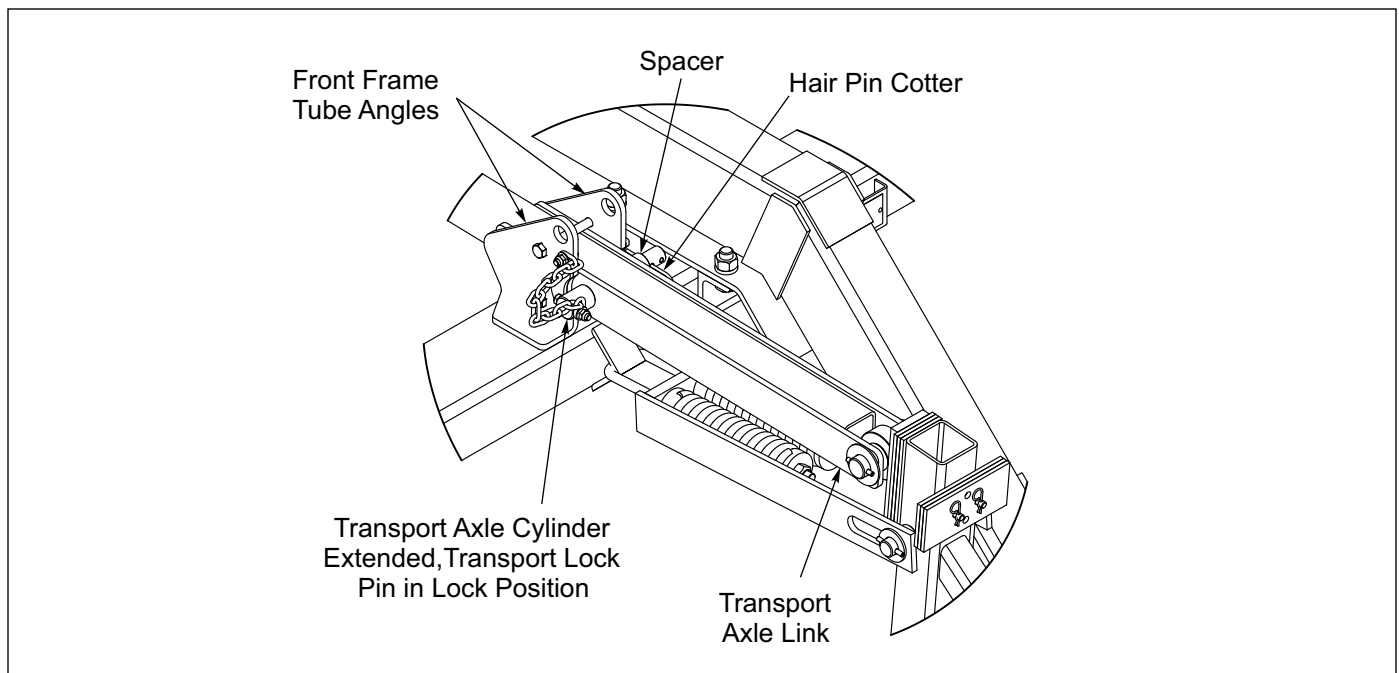
**Figure 3-1: Level Adjustment**

## Transport Lock After July 2016

### Prepare the machine for transport

Raise the machine and fold the wings, ensure Lift Cylinders are fully extended.

Insert the Transport Link Pin into the Transport Axle Link hole in front of the front frame tube angles. Place spacer on Transport Link Pin and secure with Hair Pin Cotter. **See Figure 3-2.**

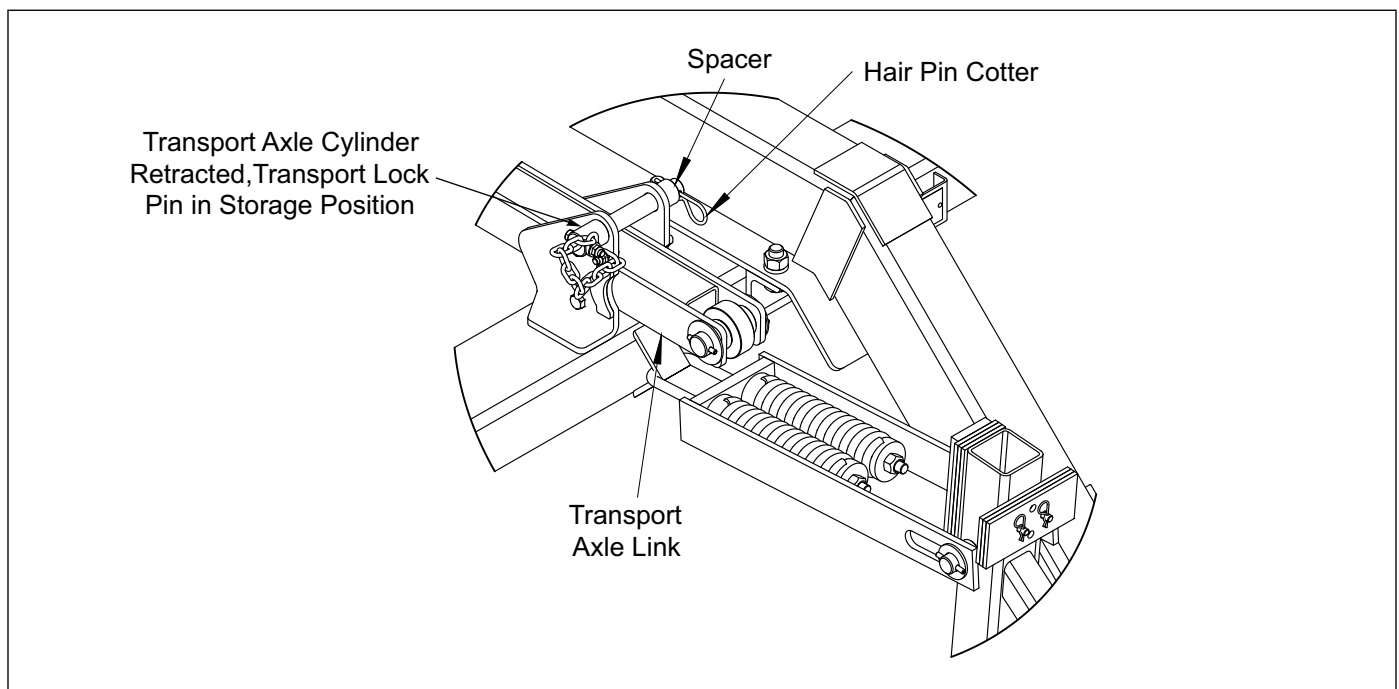


**Figure 3-2: Transport Lock Pin in Lock Position**

### Prepare the machine for field operation

Unfold the Wings then raise the machine slightly to loosen the Transport Lock Pin. Remove the Transport Lock Pin from the Link. Insert the Pin into the top hole of the front frame tube angle. Place spacer on Transport Link Pin and secure with Hair Pin Cotter.

Lower the machine until the Wheel and Tire Assemblies are off the ground and the Lift Cylinder is retracted completely. **See Figure 3-3.**



**Figure 3-3: Transport Lock Pin in Storage Position**

## Transport Lock Prior to July 2016

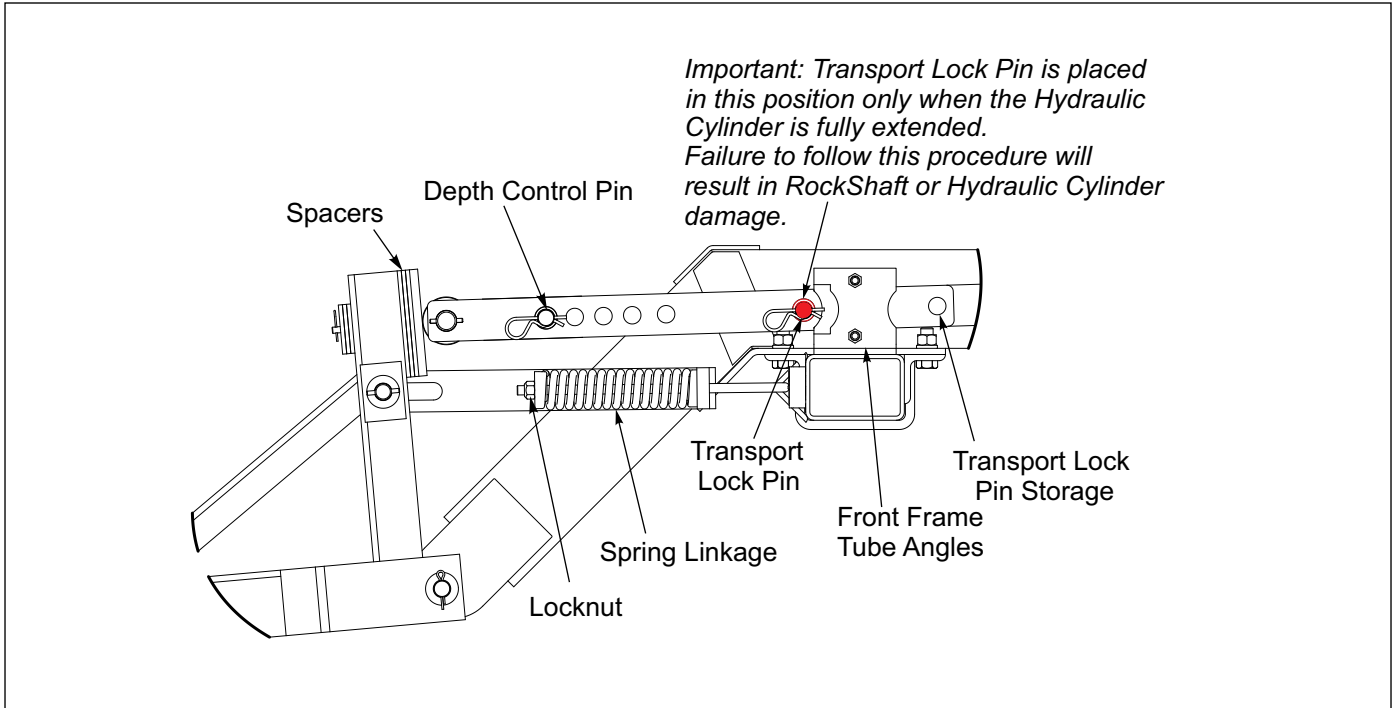
### Prepare the machine for transport

Raise the machine and fold the wings, ensure Lift Cylinders are fully extended.

Remove the Transport Lock Pin from the Link rear hole (storage position). Insert the Pin in the Link second hole from the rear (transport lock position) and in front of the front frame tube angles. **See Figure 3-4.**

### Prepare the machine for field operation

Unfold the Wings then raise the machine slightly to loosen the Transport Lock Pin. Remove the Transport Lock Pin from the Link second hole from the rear (transport lock position). Insert the Pin in the Link rear hole (storage position). Lower the machine until the Wheel and Tire Assemblies are off the ground and the Lift Cylinder is retracted completely. **See Figure 3-4.**



**Figure 3-4: Spring Adjustment**

## Depth Control

S-Tine and C-Tooth depth is controlled by adjusting the position of the 3 X 8 Cylinder Striker Plate limiting the retraction length of the cylinder. *When the cylinder is fully extended the Tine/Tooth is completely out to the ground.* See Figure 3-3.

**NOTE**

The center frame links and wing links must always be in "agreement" or the spring teeth on wings will work at a different depth than center frame.

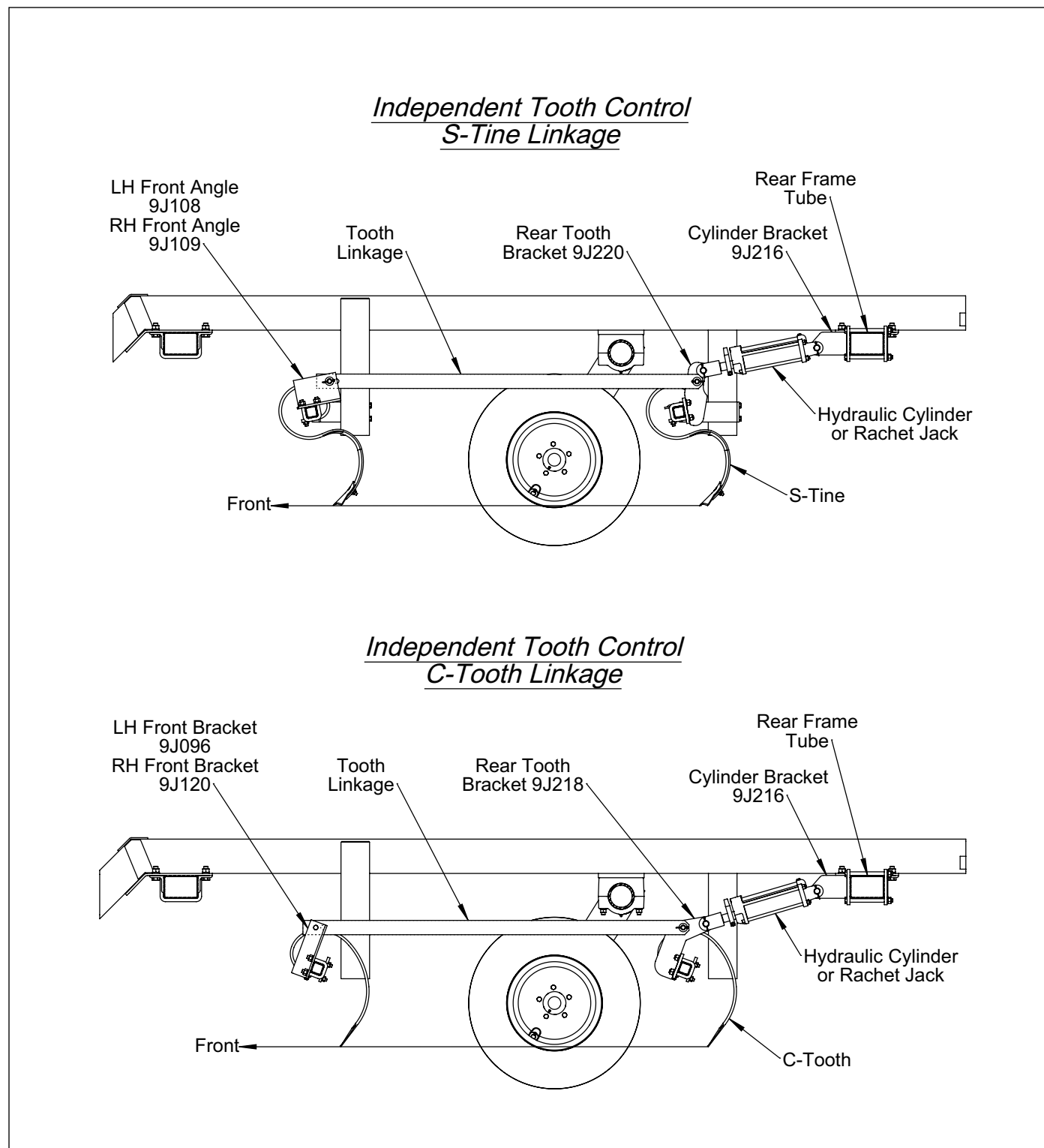


Figure 3-5: Depth Control



### WARNING

Escaping hydraulic fluid can cause serious personal injury. Relieve system pressure before repairing, adjusting, or disconnecting. Wear proper hand and eye protection when searching for leaks. Use cardboard instead of hands. Keep all components (cylinders, hoses, fittings, etc.) in good repair.

## Charging the Hydraulic System

To charge the system, carefully hitch the Pulvi-Mulcher to a tractor. Check the tractor hydraulic fluid level to make sure it is full of the manufacturer's recommended hydraulic fluid. Connect the cylinder hoses to the tractor and fully extend and retract the cylinder several times. The cylinder rod travel should be smooth and positive when all air has been purged from the system. Due to large amounts of hydraulic oil required, recheck the tractor fluid level to make sure it is within proper operating limits.

This machine consists of two hydraulic circuits. One for the Lift the other is for Tooth Control Circuit.

## Hydraulic Lift Circuit

The Pulvi-Mulcher is equipped with a hydraulic lift circuit that raises/lowers the machine. The tractor should be stopped and not moving on a level area.

### For Transport

Raise the machine. Ensure that the lift cylinders are fully extended. Install the Transport Lock Pin. **See Figure 3-2.**

### For Field Operation

Raise the machine slightly to loosen the Transport Lock Pin. Remove Transport Lock Pin and place it in the upper hole on the Front Frame Tube Angles. **See Figure 3-3.** Lower the machine until the Wheel and Tire Assemblies are off the ground and the lift cylinder is completely retracted.

## Tooth Control Circuit

The Tooth Control Circuit is used to engage and disengage the tines into the soil. When the cylinder is fully extended the Tine/Tooth is completely out to the ground.

## Reflectors and SMV Sign

Reflectors and a slow moving vehicle sign (SMV) are required if the Pulvi-Mulcher is transported on a public road.

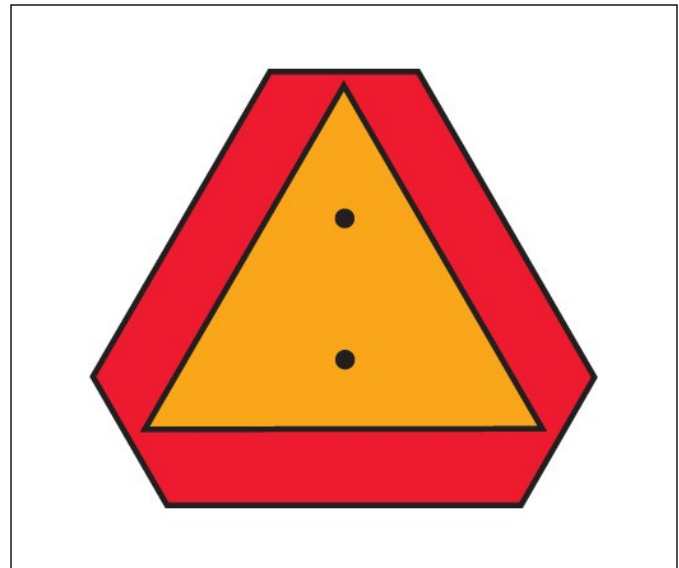


Figure 3-6: SMV Sign



## Transport

1. Check and follow all federal, state, and local requirements before transporting the Pulvi-Mulcher.
2. The Pulvi-Mulcher should be transported only by tractor required for field operation. The implement weight should not exceed more than 1.5 times the tractor weight. Maximum transport speed for the Pulvi-Mulcher is 20 mph for the implement and is designated on the speed identification symbol located on the front of the implement.



### CAUTION

**Excessive speed may result in loss of control of the tractor and implement, reduced braking ability, or failure of the implement tire or structure. Do not exceed the implement maximum specified ground speed regardless of the capability of the maximum tractor speed.**

3. When towing equipment in combination, the maximum equipment ground speed shall be limited to the lowest specified ground speed of any of the towed implements.
4. Maximum transport speed shall be the lesser of travel speed specified in the operator's manual, speed identification symbol, information sign of towed equipment, or limit of road conditions.
5. Slow down when driving on rough roads. Reduce speed when turning, or on curves and slopes to avoid tipping. Equipment altered other than the place of manufacture may reduce the maximum transport speed. Additional weight, added tanks, harrowing attachments, etc. may reduce implement load carrying capabilities.
6. A safety chain is provided with the implement to insure safe transport.
  - The safety chain should have a tensile strength equal to or greater than the gross weight of the implement. The chain is attached to the lower hitch clevis hole with two flat washers between the clamp plates to assure a tight connection. Always use a 1" diameter Grade 8 bolt for this connection.
  - Attach the safety chain to the tractor drawbar. **See Figure 1-2.** Provide only enough slack in the chain for turning. Do not use an intermediate chain support as the attaching point for the chain on the tractor. Do not pull the implement by the safety chain.

Regularly inspect the safety chain for worn, stretched, or broken links and ends. Replace the safety chain if it is damaged or deformed in any way.

7. Check that tires are of proper size, load rating, and inflated to manufacture specifications before transporting. Check wheel lug bolts to ensure tightness.
8. Know the transport heights and widths of the unit before transporting. Use caution when transporting near bridges and power lines.



### WARNING

**Electrocution can occur without direct contact**

9. Raise the machine to full transport height.
10. Install transport locks on lift systems. Do not depend solely on implement hydraulics for transport.



### WARNING

**Failure to use transport lock pins during transport may result in permanent equipment damage, serious injury or death**

11. Transport during daylight hours when ever possible. Always use flashing warning lights, except where such use is prohibited by law. Make sure lights, reflectors and SMV emblem are clearly visible and operating. remove any obstructions such as dirt, mud, stalks or residue that restricts view before transporting.

## Scraper Adjustment

Rear scrapers are standard equipment and front scrapers are optional.

The roller scraper is designed to keep the roller from building up with moist soil during operation. To adjust the scrapers; lower machine on level surface. Adjust scrapers to obtain 1/4" gap between scrapers and wheels.

The Scrapers for the 20" wheels are reversible.

## V Leveler - Optional

Adjust the V Leveler to the highest position that does the required job. Its purpose is to break up and displace any large lumps that are above the normal ground level with minimal planing. Striking large rocks will damage the leveler bar and possibly other parts of the machine. **See Figure 3-7.**

## Land Leveler - Optional

Adjust the Land Leveler to the highest position that does the required job. Its purpose is to break up and scatter any large lumps that are above the normal ground level. If the soil pushes ahead of the bar, its set too low. Striking large rocks will damage the leveler bar and possibly other parts of the machine.

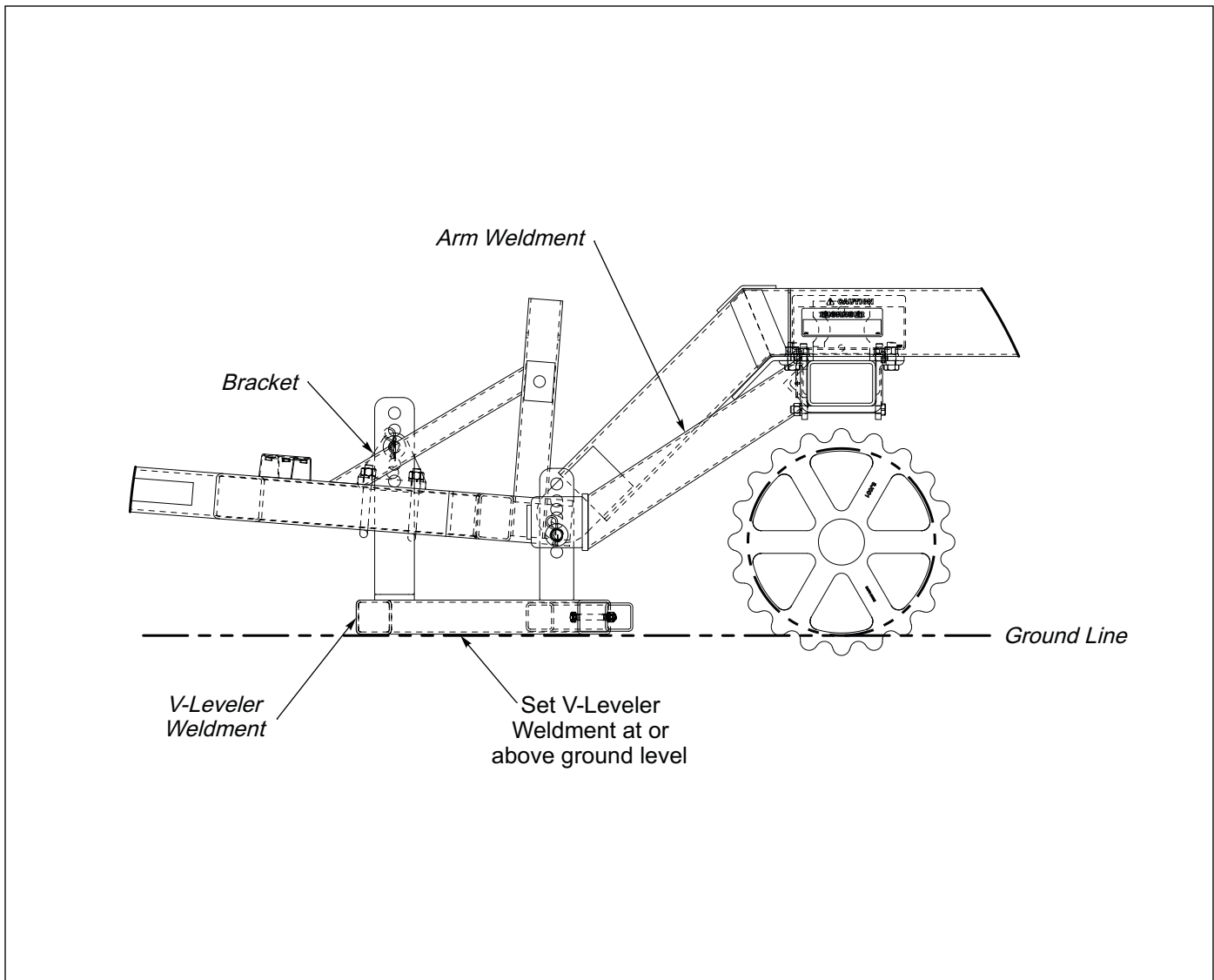


Figure 3-7: V-Lever Side View

## Maintenance

### General Torque Specifications

(rev. 4/97)

This chart provides tightening torques for general purpose applications when special torques are not specified on process or drawing. Assembly torques apply to plated nuts and capscrews assembled without supplemental lubrication (as received condition). They do not apply if special graphite moly-disulfide or other extreme pressure lubricants are used. When fasteners are dry (solvent cleaned) add 33% to as received condition torque. Bolt head identification marks indicate grade and may vary from manufacturer to manufacturer. Thick nuts must be used on grade 8 capscrews. Use value in [ ] if using prevailing torque nuts

#### TORQUE SPECIFIED IN FOOT POUNDS

UNC SIZE	SAE Grade 2	SAE Grade 5	SAE Grade 8	UNF SIZE	SAE Grade 2	SAE Grade 5	SAE Grade 8
1/4-20	4 [5]	6 [7]	9 [11]	1/4-28	5 [6]	7 [9]	10 [12]
5/16-18	8 [10]	13 [13]	18 [22]	5/16-24	9 [11]	14 [17]	20 [25]
3/8-16	15 [19]	23 [29]	35 [42]	3/8-24	17 [21]	25 [31]	35 [44]
7/16-14	24 [30]	35 [43]	55 [62]	7/16-20	27 [34]	40 [50]	60 [75]
1/2-13	35 [43]	55 [62]	80 [100]	1/2-20	40 [50]	65 [81]	90 [112]
9/16-12	55 [62]	80 [100]	110 [137]	9/16-18	60 [75]	90 [112]	130 [162]
5/8-11	75 [94]	110 [137]	170 [212]	5/8-18	85 [106]	130 [162]	180 [225]
3/4-10	130 [162]	200 [250]	280 [350]	3/4-16	150 [188]	220 [275]	320 [400]
7/8-9	125 [156]	320 [400]	460 [575]	7/8-14	140 [175]	360 [450]	500 [625]
1-8	190 [237]	408 [506]	680 [850]	1-14	210 [263]	540 [675]	760 [950]
1-1/8-7	270 [337]	600 [750]	960 [1200]	1-1/8-12	300 [375]	660 [825]	1080 [1350]
1-1/4-7	380 [475]	840 [1050]	1426 [1782]	1-1/4-12	420 [525]	920 [1150]	1500 [1875]
1-3/8-6	490 [612]	1010 [1375]	1780 [2225]	1-3/8-12	560 [700]	1260 [1575]	2010 [2512]
1-1/2-6	650 [812]	1460 [1825]	2360 [2950]	1-1/2-12	730 [912]	1640 [2050]	2660 [3325]

#### METRIC:

Coarse thread metric class 10.9 fasteners and class 10.0 nuts and through hardened flat washers, phosphate coated, Rockwell "C" 38-45. Use value in [ ] if using prevailing torque nuts

Nominal thread diameter (mm)	Newton Meters (Standard Torque)	Foot Pounds (Standard Torque)	Nominal Thread Diameter (mm)	Newton Meters (Standard Torque)	Foot Pounds (Standard Torque)
6	10 [14]	7 [10]	20	385 [450]	290 [335]
7	16 [22]	12 [16]	24	670 [775]	500 [625]
8	23 [32]	17 [24]	27	980 [1105]	730 [825]
10	46 [60]	34 [47]	30	1330 [1470]	990 [1090]
12	80 [125]	60 [75]	33	1790 [1950]	1340 [1450]
14	125 [155]	90 [115]	36	2325 [2515]	1730 [1870]
16	200 [240]	150 [180]	39	3010 [3210]	2240 [2380]
18	275 [330]	205 [245]			

## Hydraulic Fitting Torque Specifications

### 37 degree JIC, ORS, &ORB (REV. 10/97)

This chart provides tightening torques for general purpose applications when special torques are not specified on process or drawing. Assembly torques apply to plated nuts and capscrews assembled without supplemental lubrication (as received condition). They do not apply if special graphite moly-disulfide or other extreme pressure lubricants are used. When fasteners are dry (solvent cleaned) add 33% to as received condition torque. Bolt head identification marks indicate grade and may vary from manufacturer to manufacturer. Thick nuts must be used on grade 8 capscrews. Use value in [ ] if using prevailing torque nuts

### TORQUE SPECIFIED IN FOOT POUNDS

#### PARKER® BRAND FITTINGS

Dash Size	37 Deg. JIC	O-ring (ORS)	O-ring boss
-4	11-13	15-17	13-15
-5	14-16	-----	21-23
-6	20-22	34-36	25-29
-8	43-47	58-62	40-44
-10	55-65	100-110	58-62
-12	80-90	134-146	75-85
-16	115-125	202-218	109-121
-20	160-180	248-272	213-237
-24	185-215	303-327	238-262
-32	250-290	-----	310-340

#### AEROQUIP® BRAND FITTINGS

Dash Size	37 Deg. JIC	O-ring (ORS)	O-ring boss
-4	11-12	10-12	14-16
-5	15-16	-----	16-20
-6	18-20	18-20	24-26
-8	38-42	32-35	50-60
-10	57-62	46-50	75-80
-12	79-87	65-70	125-135
-14	-----	-----	160-180
-16	108-113	92-100	200-220
-20	127-133	125-140	210-280
-24	158-167	150-165	270-360

### GATES® BRAND FITTINGS

Dash Size	37 Deg. JIC	O-ring (ORS)	O-ring boss
-4	10-11	10-12	14-16
-5	13-15	-----	-----
-6	17-19	18-20	24-26
-8	34-38	32-40	37-44
-10	50-56	46-56	50-60
-12	70-78	65-80	75-83
-14	-----	65-80	-----
-16	94-104	92-105	111-125
-20	124-138	125-140	133-152
-24	156-173	150-180	156-184
-32	219-243	-----	-----

### Fasteners

Before operating your Brillion machine, check all hardware for tightness. Use the Tightening Torque Table below as a guide. See Page 4-1.

After a few hours of use, check entire machine and tighten any loose nuts or bolts. Daily or periodic checks should be made thereafter.

When replacing bolts, be sure to use fasteners of equal grade.

## Tires

Recommended inflation pressure for the 9.5L X 15-6 Ply tire is 30-32 PSI.

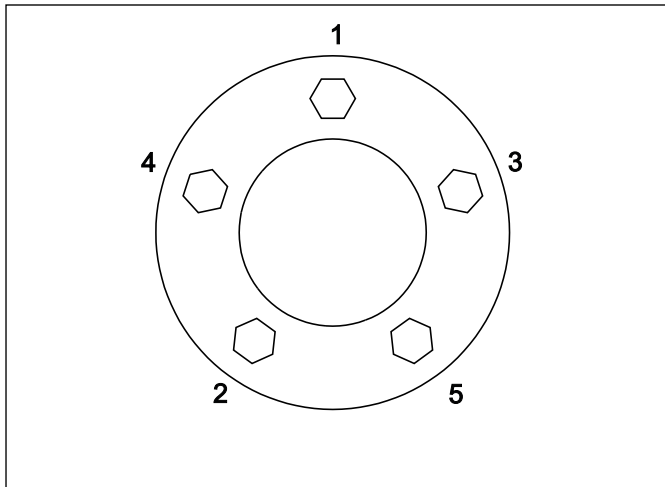


Figure 4-1 5 Bolt Tightening Sequence

## Wheel Bearing Maintenance

Wheel bearing maintenance should be performed at the beginning of every season of use. Check the wheel bearing for excessive end play. If needed, adjust or replace them.

### Lubricating Wheel Hub:

Grease Wheel Hubs every 40-60 hours.

Repack Wheel Hub bearings annually before each season usage. See Figure 4-2.

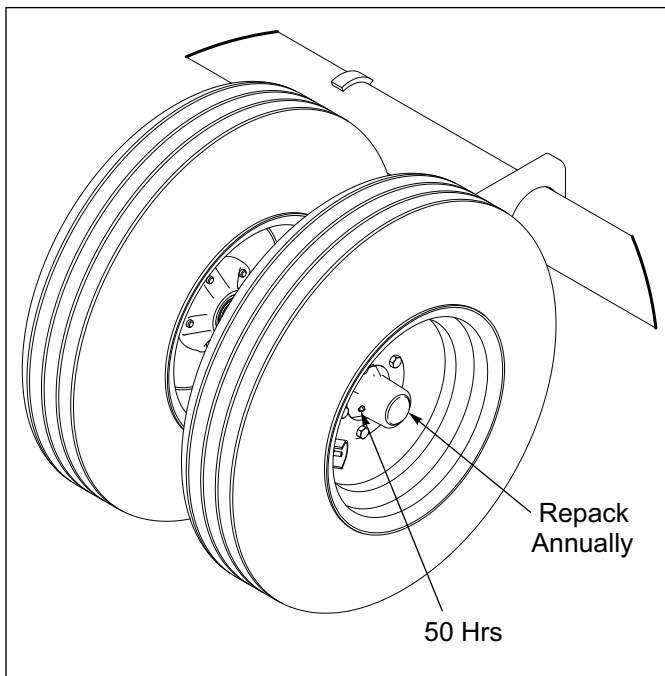


Figure 4-2: Wheel Hub

## ! CAUTION

**Over lubrication of these bearings can cause premature bearing failure.**

## Lubrication

Lubricate bearings with quality grease per recommended lubrication frequency intervals indicated or if machine is not used for an extended period. Greaseable components are the same on each side.

Grease zerk fittings daily. Each of the four rockshaft bearings has two fittings an upper and lower. See Figure 4-3.

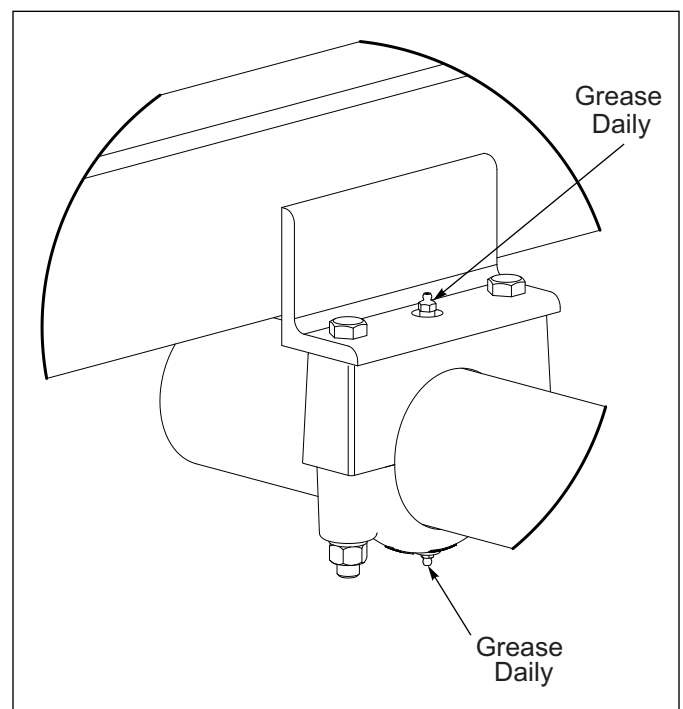


Figure 4-3 Rockshaft Bearings

## Hydraulic Maintenance

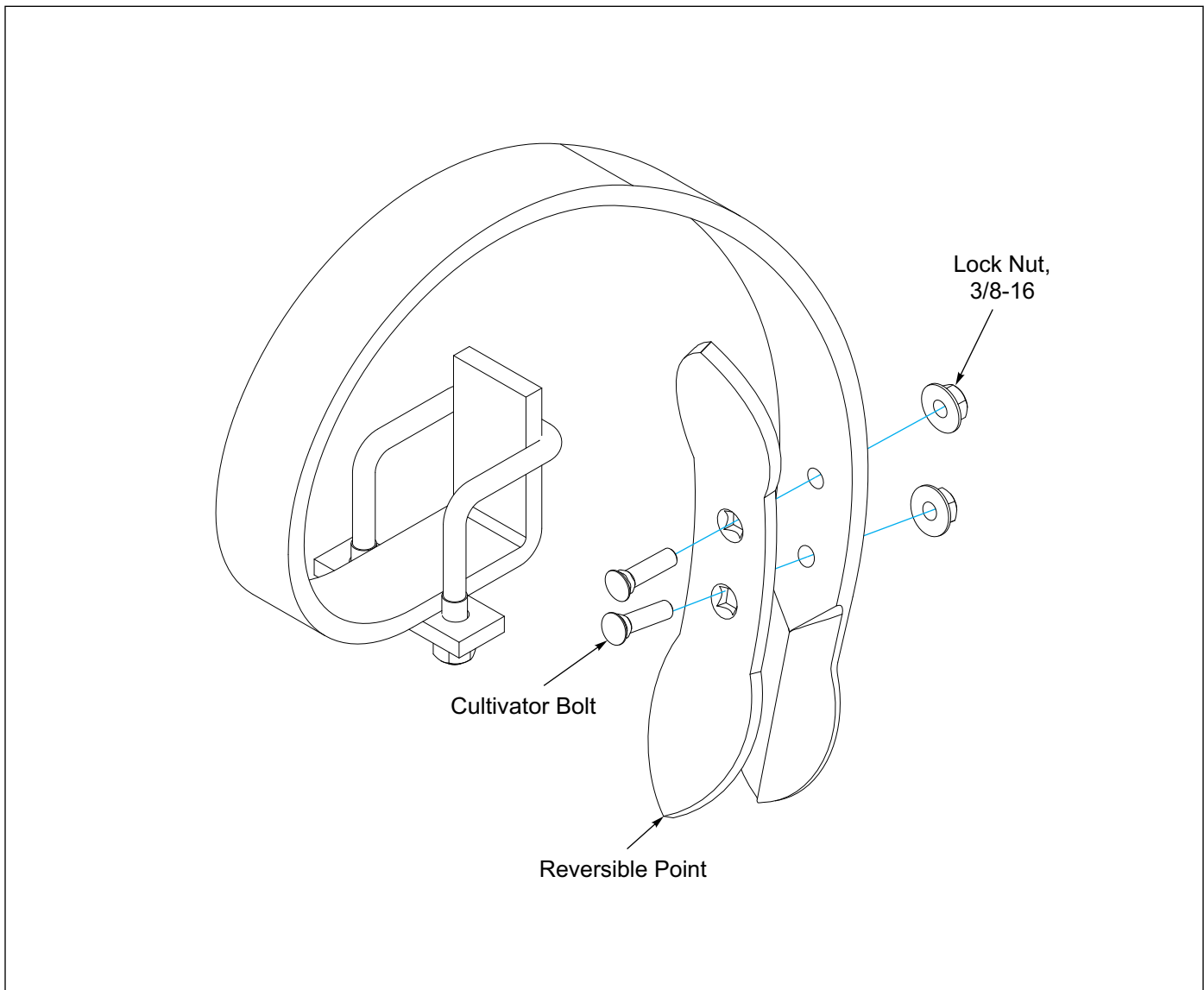
1. Check the tractor hydraulic fluid level per tractor owners manual and after any leakage. Check fluid level with cylinders in the retracted position.
2. If a cylinder or valve leaks, disassemble the parts to determine the cause of the leak. Any time a cylinder is opened up, or whenever any seal replacement is necessary, it is advisable to clean all parts and replace all seals. Seal kits are available from your Brillion dealer.
3. Check all hydraulic hoses weekly. Look for binding or cracking. Replace all worn or defective parts immediately.

4. Transport locks are provided to hold the implement in a raised position. **See Figure 3-4.** Do not attempt to perform any service work under the implement without first installing the transport locks. Before servicing any hydraulic component, lower the implement to the ground and relieve all system pressure. If a hydraulic component is disconnected, repaired, or replaced, it will be necessary to purge the system of air before operation. **See Page 3-6** on how to purge the hydraulic systems.

## C-Tooth Point Replacement

As the C-tooth point wears, a replacement reversible point is available for installation.

Place the reversible point on the front of the C-tooth, line-up the two bolt holes, insert two 3/8-16 X 1-3/4 Cultivator Bolts and tighten using two 3/8-16 Lock Nuts. **See Figure 4-4.**



**Figure 4-4: C-Tooth Point Replacement**

## Clamp Tightening Procedure

The tightening procedure and torque requirement is critical in keeping in keeping the clamp tight and also has a significant affect on the bearing life of the axles with internal bearings.

Clamp Tightening Procedure:

Check axle and clamp for burrs on mating surfaces.

Remove end play between wheels by sliding wheels toward the fixed end of the axle.

Position clamp snugly against the end wheel.

Tighten the U-bolt evenly to 57 Ft/Lbs (U-bolt must be tightened first.) **See Figure 4-5.**

Tighten set screws to 37 Ft/Lbs (Some clamps do not have set screws.)

If the axle has an internal bearing, check that it turns freely. You should be able to turn the bearing with your fingers. If rotation is jerky, loosen set screws and U-bolt until bearing turns smoothly. It may be necessary to loosen and reposition clamp.

The torque requirement is recommended for axles without internal bearings, but is not critical.

### Axle Installation:

When installing a roller axle with an internal bearing onto a support bracket, it is important to keep the roller axle aligned as straight as possible to the installed position. If the roller assembly is significantly out of line when sliding it unto a fixed support, the inner race of the bearing may crack and cause premature bearing failure.

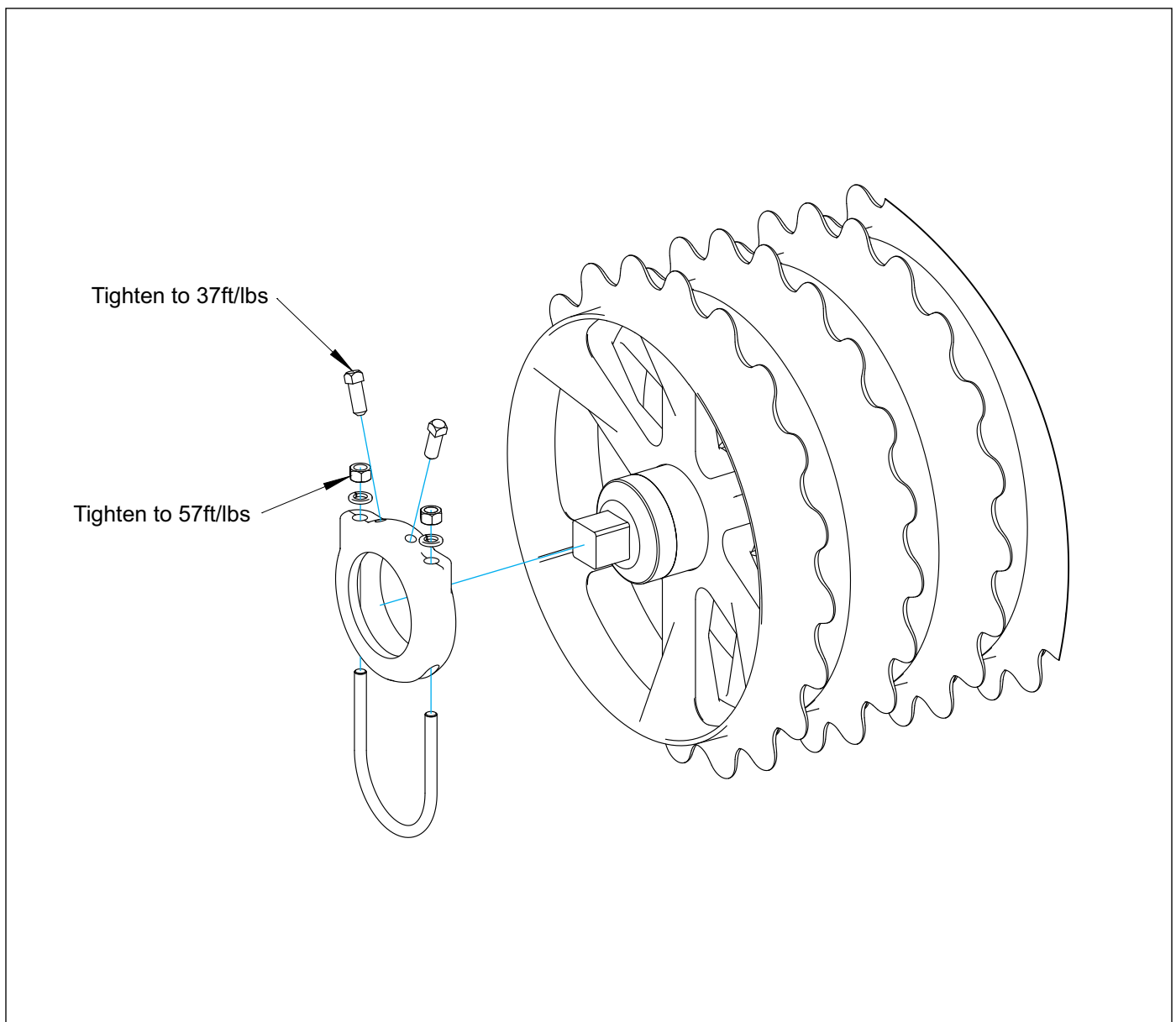


Figure 4-5: Clamp Tightening

### Storage

1. The service life of the Pulvi-Mulcher will be extended by proper off-season storage practices. Prior to storing the unit, complete the following procedures:
  - a. Completely clean the unit.
  - b. Inspect the machine for worn or defective parts. Replace as needed.
  - c. Repaint all areas where the original paint is worn off.
  - d. Grease all exposed metal surfaces of shanks and points.
  - e. Apply a light coating of oil or grease to exposed cylinder rods to prevent them from rusting.
2. Store the unit in a shed or under a tarpaulin to protect it from the weather. The ground tools and tires should rest on boards, or some other object, to keep them out of the soil.
3. If the unit is stored in the folded position, make sure the transport lock pins are installed to prevent settling.
4. Relieve Hydraulic Pressure in hoses after locks are installed.
5. Block wheels before unhitching from tractor.



## General Reference and Specifications

---

### Model Designation

The basic model is "ML" indicating mulcher having a frame for large diameter (20") packer wheels. Specific ML machines are equipped with 20" wheels. Packer wheels are notched profile unless "C" appears as follows.

"CL" - Crowfoot front wheels, notched rear wheels

"CC" - Crowfoot front and rear wheels

"LC" - Notched front wheels, crowfoot rear wheels

"OO" - Optimizer front and rear wheels

"S" indicates S-tines, otherwise C-teeth are used.

The first three digits of number is rolling width in inches.

1483 = 12' 6"

1643 = 13' 10"

1803 = 15' 2"

### Specifications Common to all Sizes:

Overall Length.....19' 9 1/2"

Maximum Working Depth.....6"

Tooth Spacing.....12"

Transport Wheels.....9.5L X 15-6 Ply

Maximum Transport Clearance..... 9"

Maximum Overall Height.....43 1/4"

### Specifications Based on Size:

<u>Rolling Width</u>	<u>Overall Width</u>	<u>Number of Teeth</u>
150"	13' 6"	23
166"	14' 5"	27
182"	15' 9"	29

### Optional Equipment

#### Land Leveler Kits:

8J141 for 148" machine

8J140 for 164" machine

8J139 for 180" machine

#### V Leveler Kits:

3K692 for 148" machine

3K691 for 164" machine

3K691 for 180" machine

#### Front Scraper Kits:

1K083 for 148" machines with 20" wheels

1K084 for 164" machines with 20" wheels

1K085 for 180" machines with 20" wheels

#### Points and Shovels for S-Tines:

2J149 1 3/8" reversible point with hardware

2J150 2 1/2" shovel with hardware

#### Replaceable Points for C-Teeth:

4D387 bundle of 12



**Document Control Revision Log:**

Date	Revision	Improvement(s) Description and Comments
12/1991		Initial Release
01/2004	690rev0104	Incorporated New Parts
12/2012	690rev1212	Incorporated New Drawings, Parts and ECN's, Independent Hydraulics. Updated to the Landoll format.
06/2013	690rev0613	Incorporated New Drawings, New Part Numbers, and Optional Equipment.
01/2017	690rev0117	Added LED Warning Lights *2023/05 Land Leveler Kit - Enhanced Drawing, No Part Changes



Equipment from Landoll Company, LLC is built to exacting standards ensured by ISO 9001 registration at all Landoll manufacturing facilities.

## **ML RIGID PULVI-MULCHER**

**Models: 1483, 1643, and 1803  
ML, MLS, MCL, MCLS, MLC,  
MLCS, MCC, MCCS, MOOS  
Operator's Manual**

Re-Order Part Number 1K044rev0117

**LANDOLL COMPANY, LLC**

1900 North Street

Marysville, Kansas 66508

(785) 562-5381

**800-428-5655 ~ WWW.LANDOLL.COM**



Copyright 2020. Landoll Company, LLC

"All rights reserved, including the right to reproduce this material or portions thereof in any form."